



# PARTS CATALOG

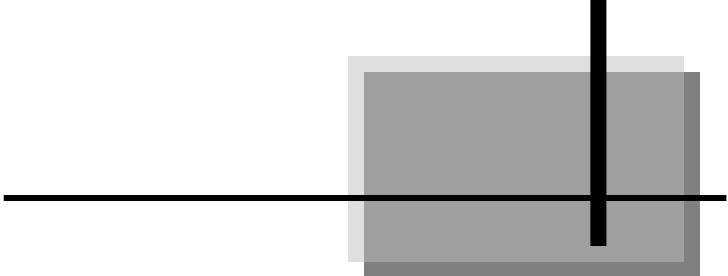
---

## HYDRA-PULL 1880 VB MANURE SPREADER



Pik Rite, Inc  
60 Pik Rite Lane  
Lewisburg, PA 17837  
Ph. 800-326-9763  
Fx. 570-523-8175  
[www.pikrite.com](http://www.pikrite.com)

June 24, 2014







## **HYDRA-PULL 1880 VB MANURE SPREADER**

(SPECIFICATIONS AND DESIGN SUBJECT TO CHANGE WITHOUT NOTICE)

## **DIRECTION ARROW**

ARROWS ARE USED WITH ILLUSTRATIONS TO INDICATE THE FRONT OF THE UNIT. "RIGHT-HAND" AND "LEFT-HAND" SIDES ARE DETERMINED BY FACING THE DIRECTION OF MACHINE FORWARD TRAVEL.

## **BOX ENCLOSED ILLUSTRATIONS**

A REFERENCE NUMBER, SHOWN IN THE PARTS LIST, IS ASSIGNED TO A BOX ENCOMPASSING ALL PARTS SOLD AS A SERVICE ASSEMBLY.

## **REFERENCE NUMBER IDENTIFICATION**

000-099 PARTS USED FOR ASSEMBLY  
100-199 BOLTS & FASTENERS  
800-899 REPLACEMENT PARTS OR SERVICE ASSEMBLIES –  
USED TO REPLACE OR REBUILD COMPONENTS OF THE  
MACHINE

## TABLE OF CONTENTS

7409-01-01	Main Frame & Hitch .....	8
7409-01-02	Stone Guard Assembly (S.N. 74014009-) .....	10
7409-01-03	Front Shields .....	12
7409-01-05	Endgate .....	14
7409-01-07	Walking Beam .....	16
7409-01-08	Wheels & Tires .....	18
7409-01-09	Optional Metering Shield .....	20
7409-02-01	1000 RPM Drive Line.....	22
7409-02-02	Main Drive Shaft .....	26
7409-02-03	Vertical Beater .....	28
7409-02-03.1	Vertical Beater Gearbox .....	32
7409-02-03A	Vertical Beater, S.N.'S 74010001-74010007 .....	34
7409-02-04	Web Chain Drive - 74013001 .....	36
7409-02-04A	Web Chain Drive 74013002 - .....	38
7409-02-05	Web Chain Gearbox .....	40
7409-03-01	Hydraulic Web Drive .....	44
7409-03-02	Hydraulic Endgate .....	46
7409-03-03	Endgate Cylinders .....	48
7409-04-01	Air Brakes .....	50

7409-04-02	Electrical & Lighting .....	54
7409-05-01	Hydraulic Brake Assembly (Serial # - 74013002) .....	56
7409-05-01A	Hydraulic Brake Assembly (Serial #74013003- ) .....	58
7409-05-02	Tractor Brake Control, Tractor Installed Fitting .....	60
7409-06-01	Safety Tow Chain .....	62
7409-06-02	Jack Stand.....	64
7409-06-03	SMV Emblem & Brackets .....	66
7409-06-04	Decals, Front of Spreader.....	68
7409-06-05	Decals, Sides & Rear.....	70

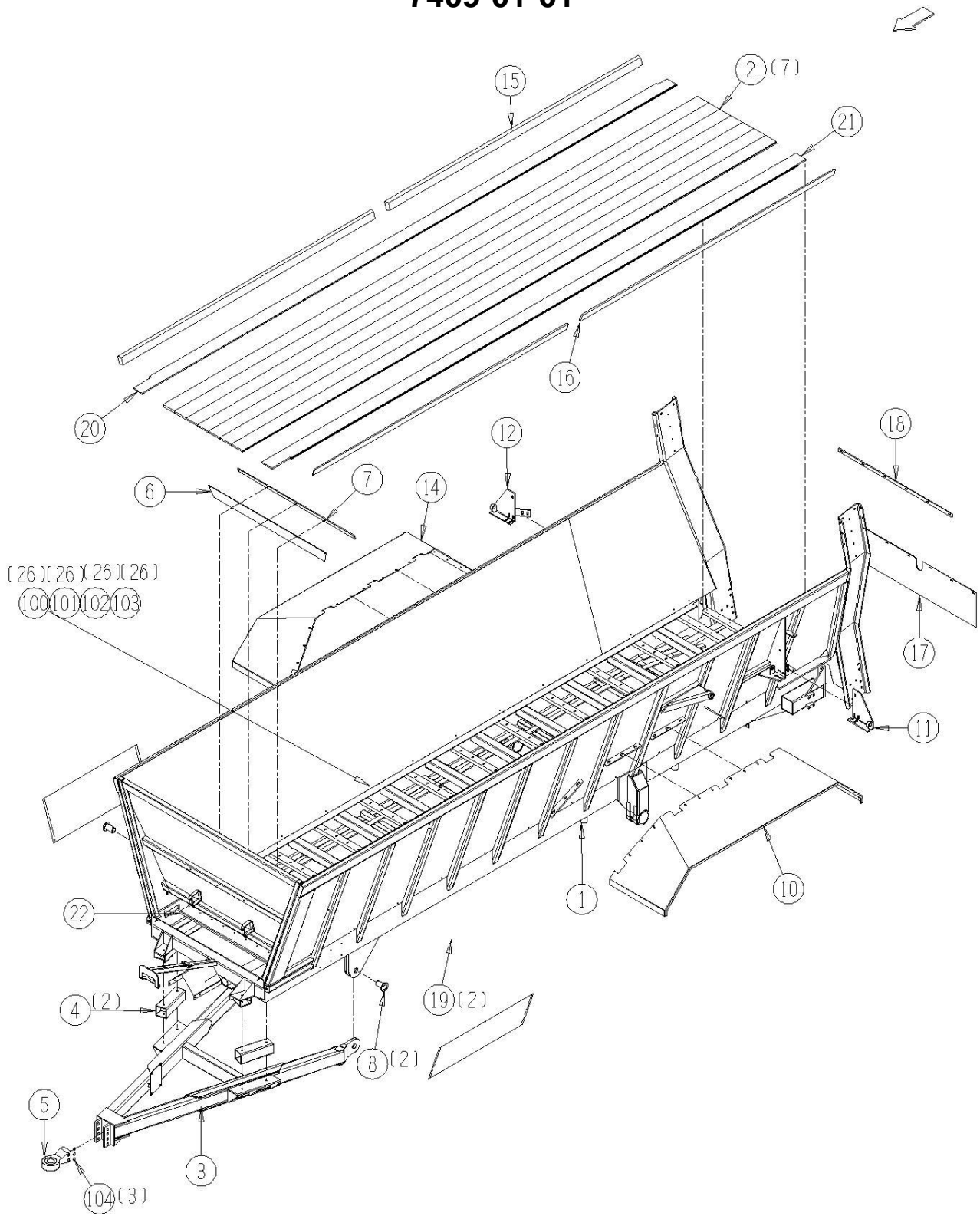
PARTS  
CATALOG

## 7409-01-01 Main Frame & Hitch

<u>Ref</u>	<u>Part No.</u>	<u>Description</u>	<u>Parts – Assembly</u>	<u>Will Fit SN</u>	<u>Remarks</u>
1	PR60000	Main Frame, 880 Bushel Spreader	1		
2	PR60009	Poly Board .75 x 6.00 x 282' Tongue and Groove	7		
3	PR60020	Hitch 1880 Bushel Spreader	1		
4	PR60035	Front Hitch Block, 1880 Spreader	2		
5	TH-0002	Bull-Pull Articulating Hitch, 3-Bolt	1		
6	PR60018	Belting, 880 Bushel Spreader	1		
7	PR60019	Flat Bar, 880 Bushel Spreader	1		
8	PR60025	Tongue Pin, 880 Spreader	2		
10	PR60022	Fender, LH, 880 Bushel Spreader	1		
11	PR60023	Bracket, LH, End Gate Mount	1		
12	PR60024	Bracket, RH, End Gate Mount, 880 Bushel Spreader	1		
13	MF-9304	24' X 36' Mudflap, w/ Logo (pc)	2		
14	PR60036	Right Side Fender, 1880 Spreader	1		
15	PR60037	Bottom Bumper Rail	2		
16	PR60038	Bottom Bumper Rail	2		
17	PR60045	Belting, Lower Rear Deflector Belt	1		
18	PR60046	Bar, Deflector Belt Backing Bar	1		
19	PR60043	Decal Plate, Angled, Side	2		
20	PR60052	Poly Board, R.H., .75 x 6.00 x 282' Tongue and Groove	1		
21	PR60053	Poly Board, L.H., .75 x 6.00 x 282' Tongue and Groove	1		
22	PR60063	End Cap, Poly Board, 1880VB	1		
100	BL-6-175-C	3/8 UNC X 1 1/2 CARRIAGE BOLT GR5 ZINC	26		
101	BL-6-SW	3/8 SAE FW ZC	26		
102	BL-6-LW	3/8 SPLIT LW ZC	26		
103	BL-6-N	3/8-16 HEX NUTS ZC	26		
104	BL-16-800-8	1' x8', HH C/S G8 ZC	3		
105	BL-16-LN-8	1' Hex LN ZC, Grade 8	3		
106	BL-16-FW-8	1' Gr 8 Flat Washer	6		



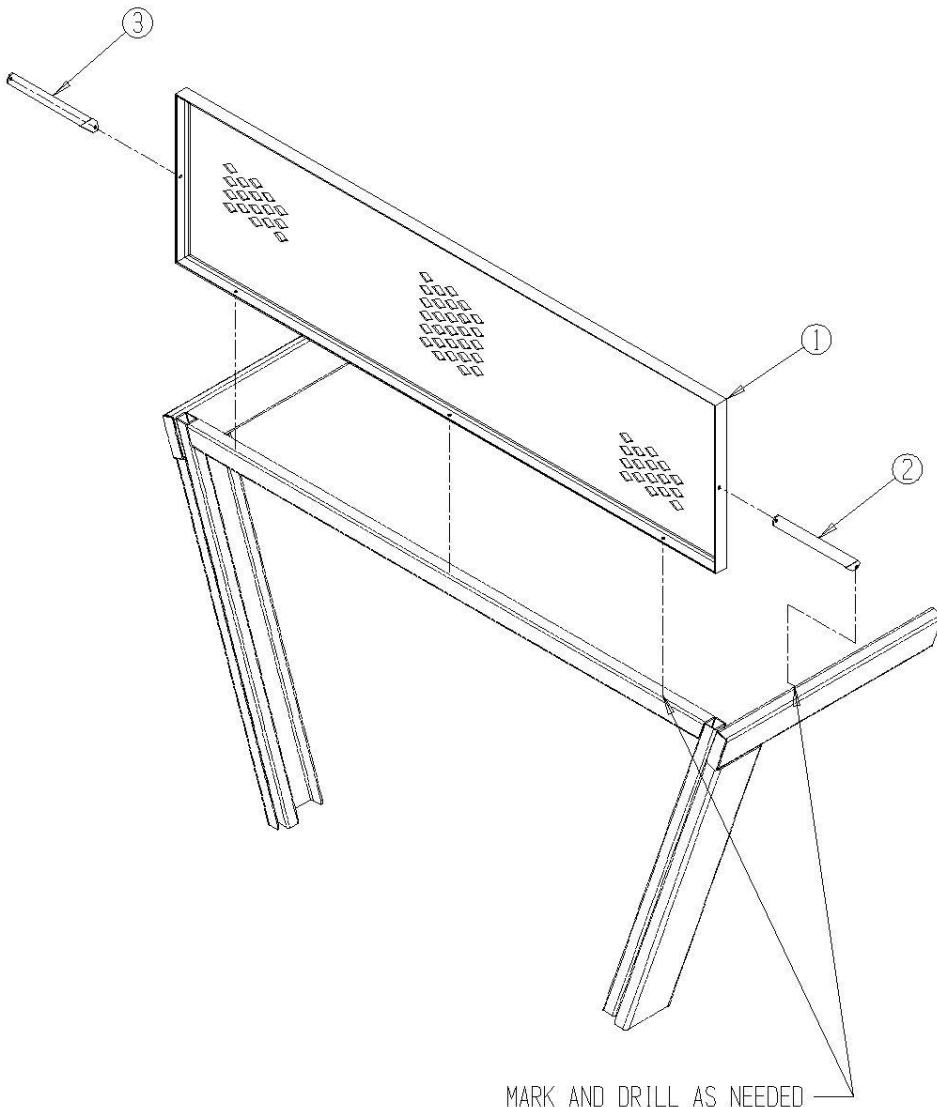
# 7409-01-01



## 7409-01-02 Stone Guard Assembly (S.N. 74014009-)

<u>Ref</u>	<u>Part No.</u>	<u>Description</u>	<u>Parts – Assembly</u>	<u>Will Fit SN</u>	<u>Remarks</u>
1	PR39170	Screen, Rock Shield, 1880 Spreader	1		
2	PR39171	Gusset, Support, LH Mount, Rock Shield, 1880 Spreader	1		
3	PR39172	Gusset, Support, RH Mount, Rock Shield, 1880 Spreader	1		

7409-01-02

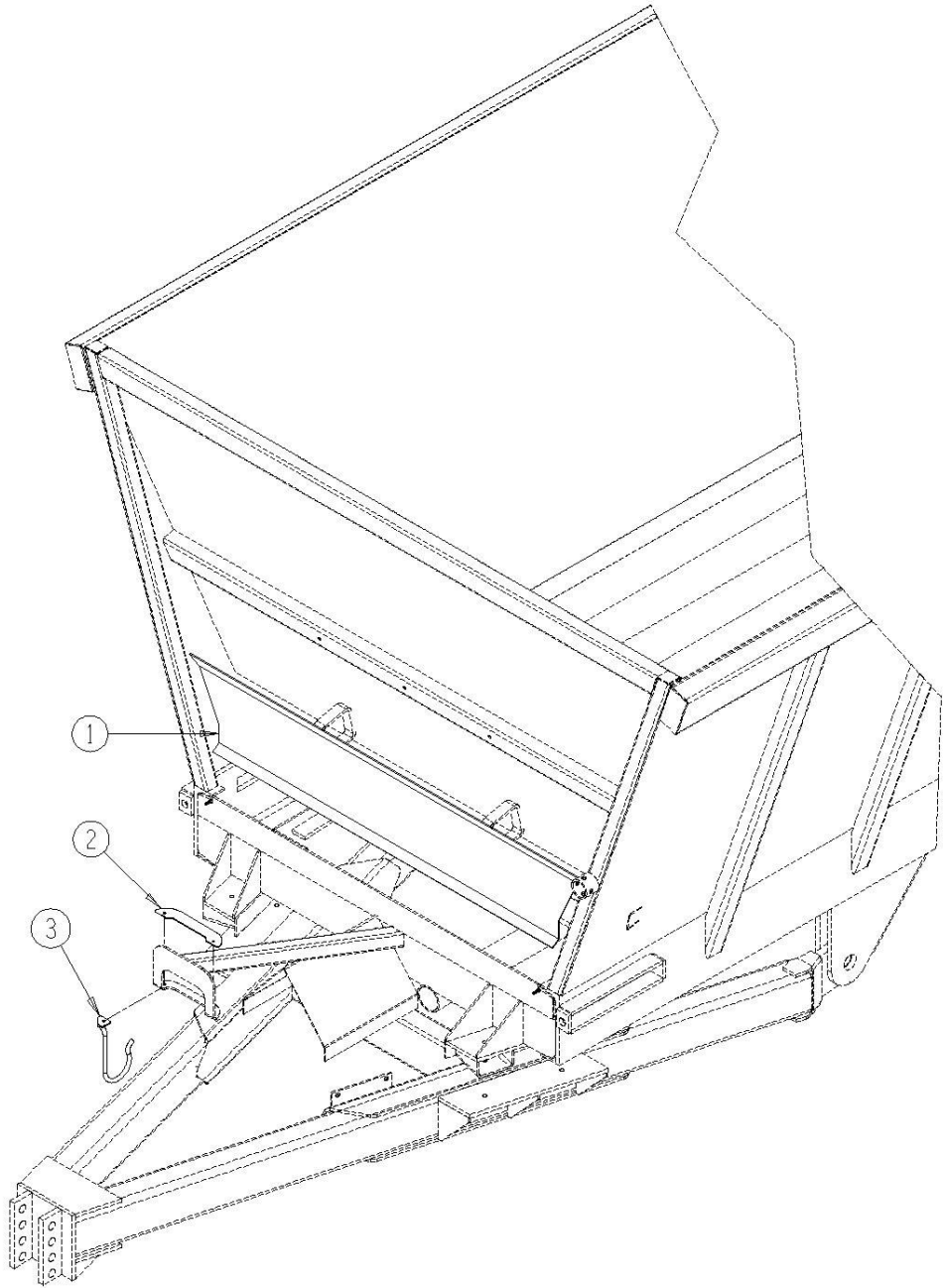


MARK AND DRILL AS NEEDED  
(5) PLACES

## 7409-01-03 Front Shields

<u>Ref</u>	<u>Part No.</u>	<u>Description</u>	<u>Parts – Assembly</u>	<u>Will Fit SN</u>	<u>Remarks</u>
1	PR60001	Front Spocket Cover, 880 Spreader	1		
2	PR60403	Belting Hose Holder,880 Bushel Spreader	1		
3	PR60072	PTO Holder	1		

7409-01-03

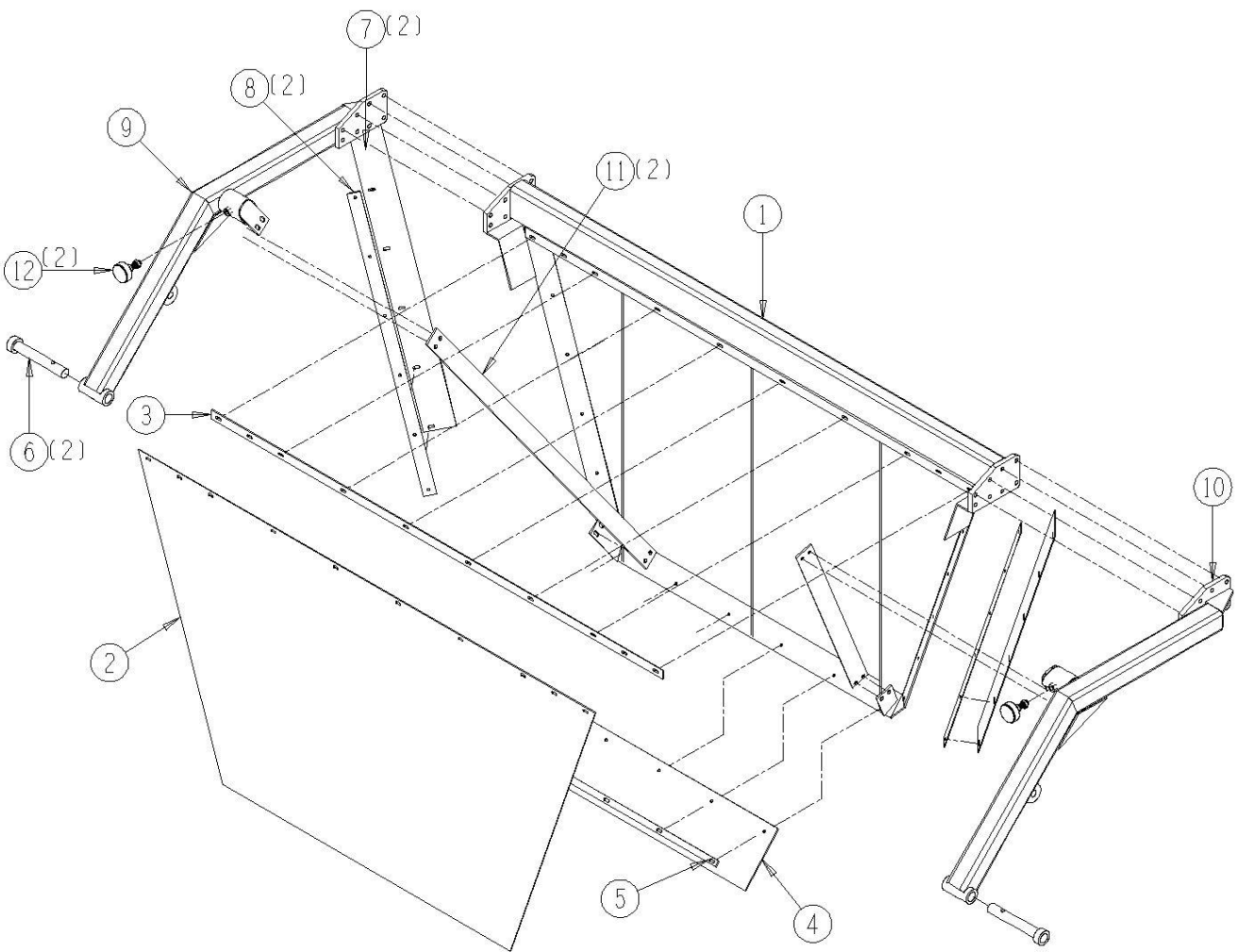


## 7409-01-05 Endgate

<u>Ref</u>	<u>Part No.</u>	<u>Description</u>	<u>Parts – Assembly</u>	<u>Will Fit SN</u>	<u>Remarks</u>
1	PR60047	Endgate, 880 Bushel Spreader	1		
2	PR60011	Belting, End Gate Flap, Spreader	1		
3	PR60012	Flat Bar, Backing, End Gate Flap, Spreader	1		
4	PR60013	Belting, Bottom, End Gate, Spreader	1		
5	PR60014	Flat Bar, Backing, Bottom, End Gate, Spreader	1		
6	PR60015	End Gate Pin	2		
7	PR60050	Belting, End Gate, 1880 Spreader	2		
8	PR60051	Backing Bar, End Gate, 1880 Spreader	2		
9	PR60048	Endgate, Arm R.H. 880 Spreader	1		
10	PR60049	Endgate, Arm L.H. 880 Spreader	1		
11	PR60061	Flat Bar	2		
12	STP-0020	Swivel Leveling Mount, Standoff. 2500lbs.	2		



7409-01-05

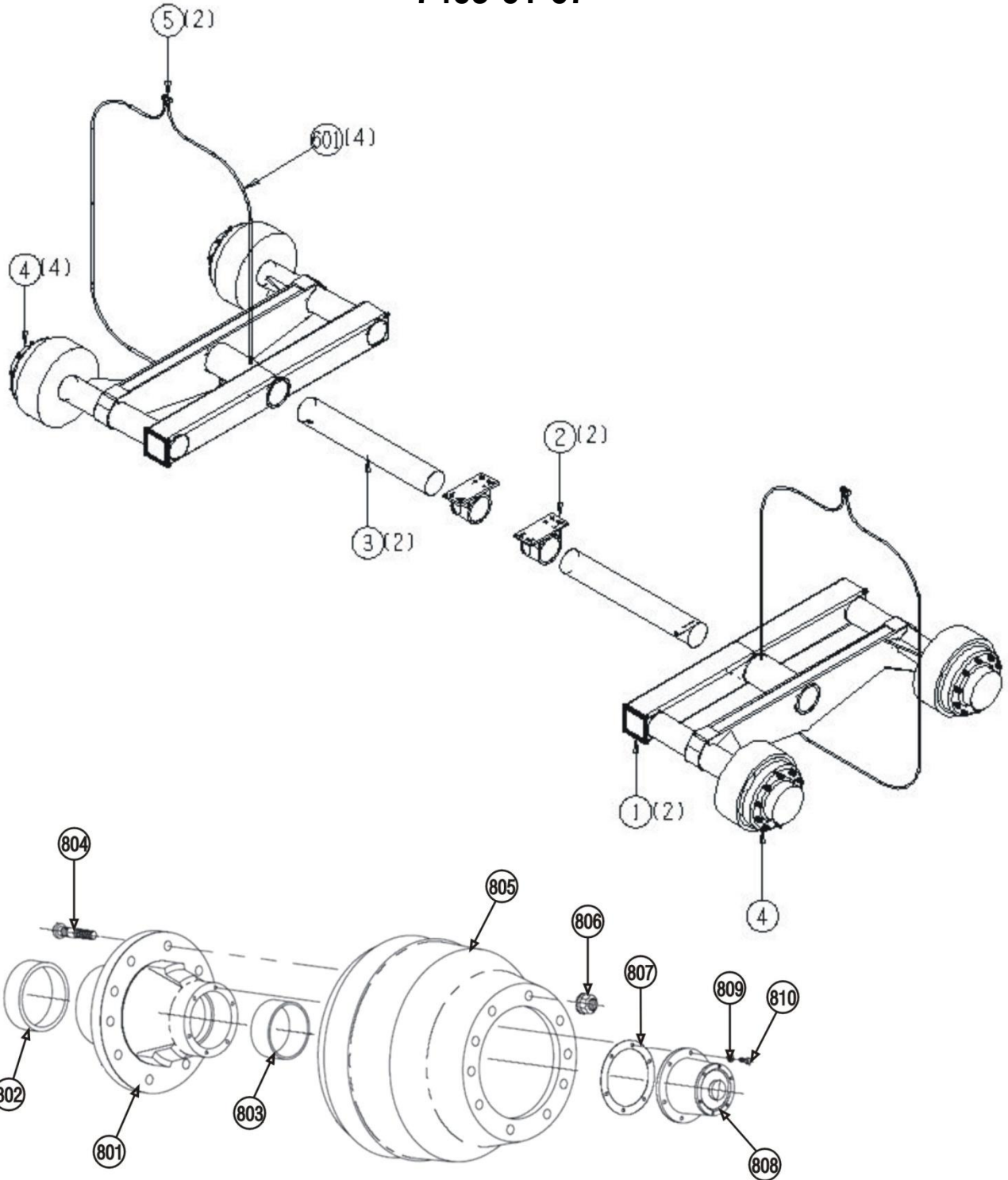


## 7409-01-07 Walking Beam

<u>Ref</u>	<u>Part No.</u>	<u>Description</u>	<u>Parts – Assembly</u>	<u>Will Fit SN</u>	<u>Remarks</u>
1	PR60004	Walking Beam, 880 Bushel Spreader	2		
2	PR60002	Mount, Walking Beam, 880 Bushel Spreader	2		
3	PR60003	Shaft, Walking Beam Pivot, 880 Bushel Spreader	2		
4	TRL-2750-2	Dust Cover, For 27,000lb Axles	4		
5	GF-2-2	2" Grease Manifold	2		
601	H2-76-2MP-2MP	1/8 in grease hose 1/8MP x 1/8MP x 76 in long	4		
801	TRL-2750-1-02	Assy Hub 10 Stud 285.75mm	1		Special Order Only
802	TRL-2750-1-03	Inner Bearing Cup	1		Special Order Only
803	TRL-2750-1-04	Outer Bearing Cup	1		Special Order Only
804	TRL-2750-1-05	Stud, Press-in M22 x 1.5	10		Special Order Only
805	TRL-2750-1-06	Drum, 16 1/2" x 7"	1		Special Order Only
806	TRL-2750-1-07	Swivel Flange Nut	10		Special Order Only
807	TRL-2750-1-08	Gasket, Oil Cap	1		Special Order Only
808	TRL-2750-1-09	Oil Cap (with Vent Plug)	1		Special Order Only
809	TRL-2750-1-10	Lockwasher, Oil Cap	6		Special Order Only
810	TRL-2750-1-11	Cap Screw, Oil Cap	6		Special Order Only



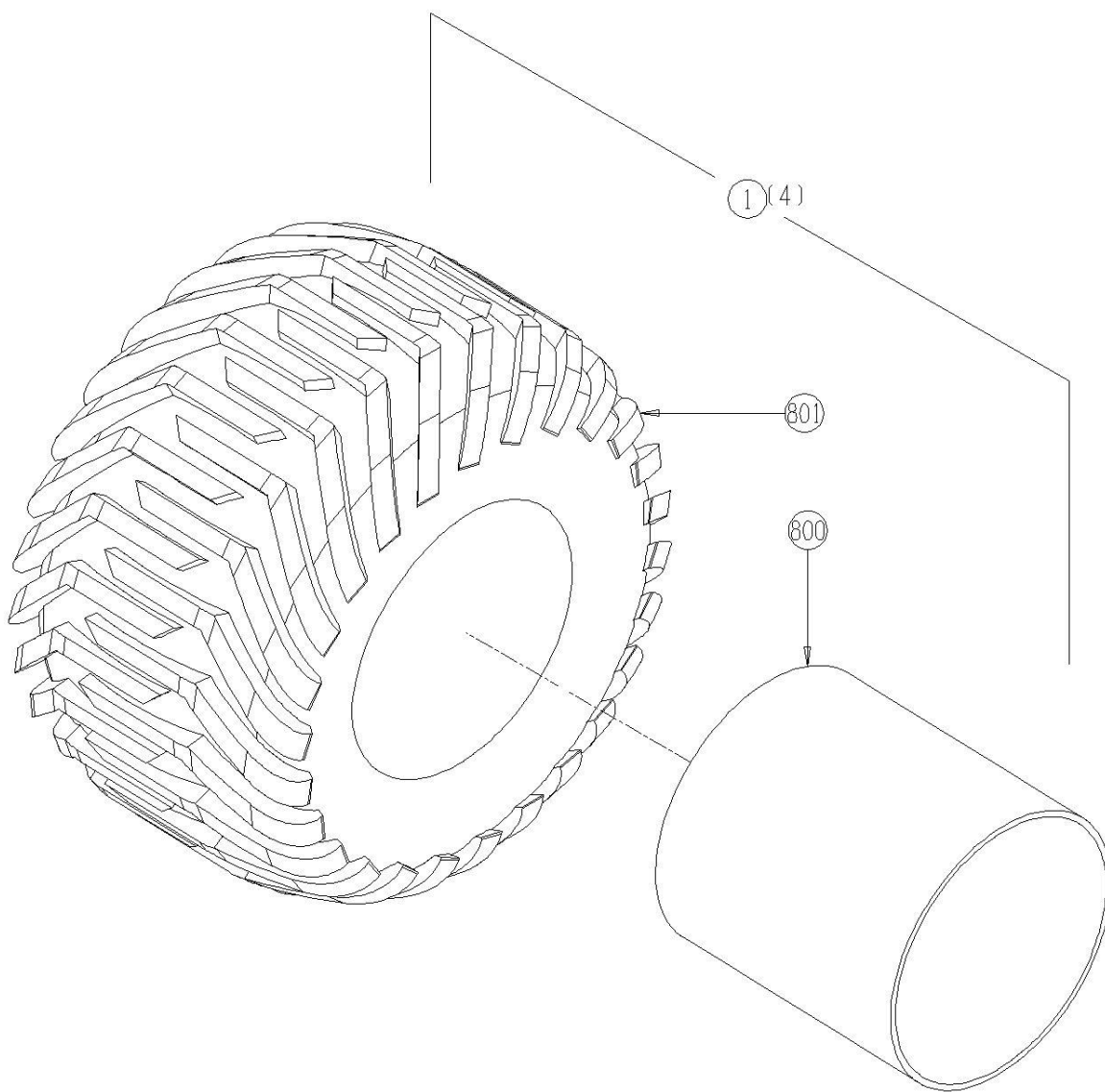
7409-01-07



## 7409-01-08    Wheels & Tires

<u>Ref</u>	<u>Part No.</u>	<u>Description</u>	<u>Parts – Assembly</u>	<u>Will Fit SN</u>	<u>Remarks</u>
1	WHM-2000	700/40-22.5 Mounted Assembly	4		
800	WHL-2000	10 X 285.75mm Bolt 24 x 22.5	1		
801	WHT-2000	700/40-22.5 328 Tread 20 Ply	1		

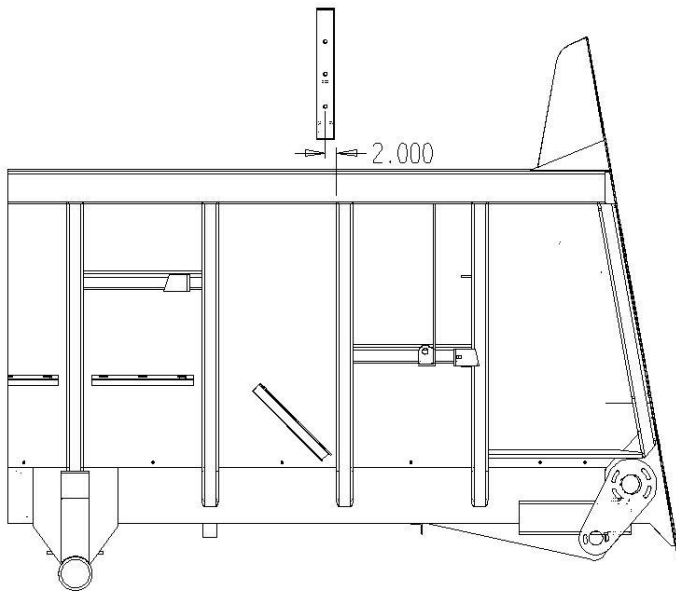
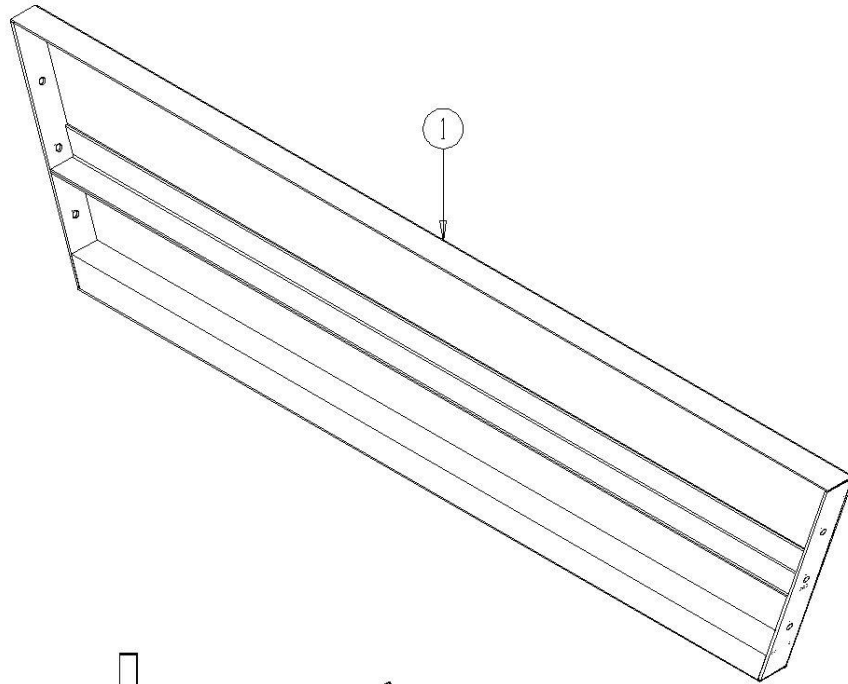
7409-01-08



## 7409-01-09 Optional Metering Shield

<u>Ref</u>	<u>Part No.</u>	<u>Description</u>	<u>Parts – Assembly</u>	<u>Will Fit SN</u>	<u>Remarks</u>
1	PR60039	Metering Shield, 1880 Spreader	1		
100	BL-10-200-H	5/8-11 X 2 HEX CAP G5 ZC	6		
101	BL-10-FW	5/8 USS FW ZC	12		
102	BL-10-LN	5/8-11 HEX LN NE ZC	6		

7409-01-09

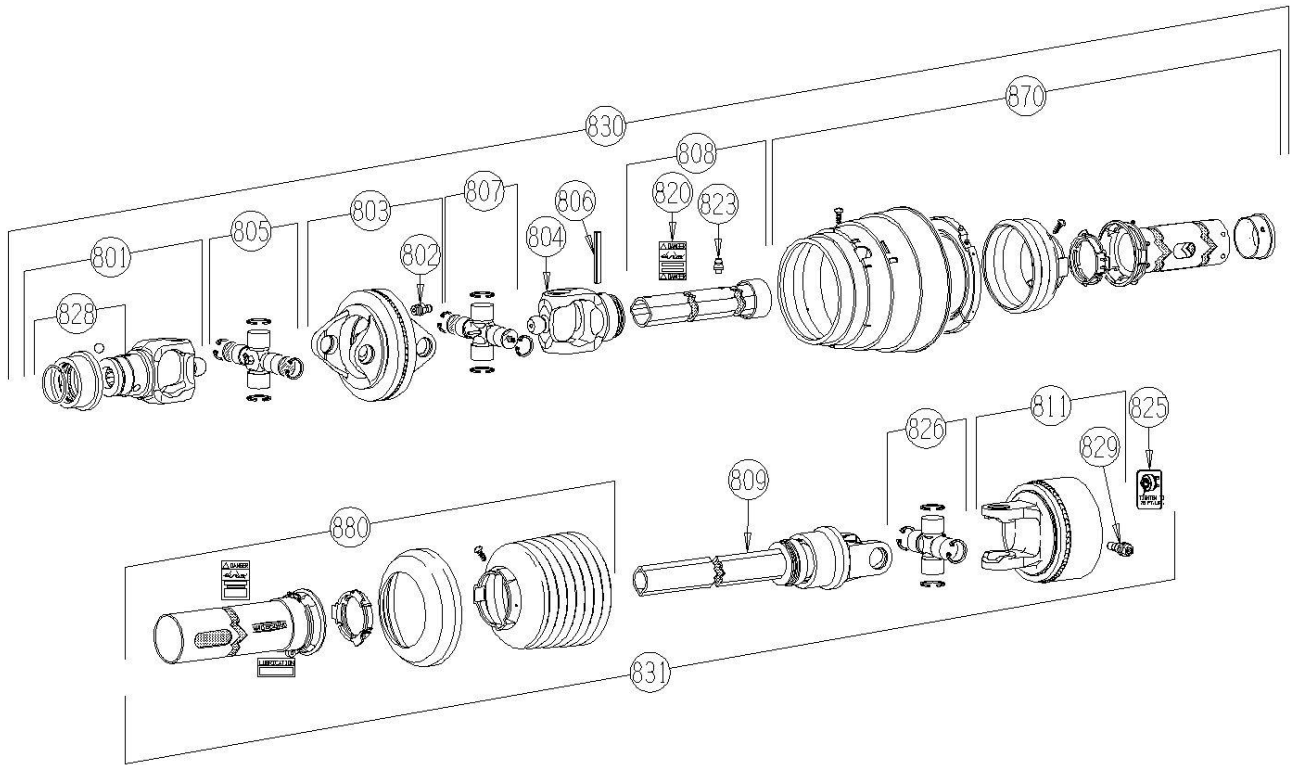


# 7409-02-01 1000 RPM Drive Line

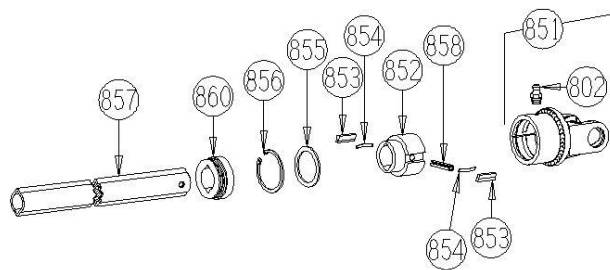
<u>Ref</u>	<u>Part No.</u>	<u>Description</u>	<u>Parts – Assembly</u>	<u>Will Fit SN</u>	<u>Remarks</u>
1	PTS-1020	Driveline, 1-3/4-20 Spline For 880 Bushel Spreader	1		
801	PTS-1008J	Yoke, 1 3/4'-20 Spline	1		
802	PTS-1008C	Zerk, Double Yoke	1		Special Order Only
803	PTS-1008B	Double Yoke	1		Special Order Only
804	PTS-1008H	Inboard Yoke, 2a	1		Special Order Only
805	PTS-1008E	Cross & Bearing Kit	1		
806	PTB-1014C	Spring Pin 10 X 75	1		Special Order Only
807	PTS-1008P	Cross Bearing & Kit	1		
808	PTS-1020E	Profile and Sleeve, WA-2aGL	1		Special Order Only
809	PTS-1020A	Overrunning Clutch & 1bGA Profile Assy	1		Special Order Only
811	PTS-1009L	Cut-Out Clutch	1		Special Order Only
820	PTS-1010M	Decal, Inner	1		Special Order Only
821	PTS-1010K	Screw	5		Special Order Only
823	PTB-1014L	Zerk	1		Special Order Only
825	PTS-1009J	Decal	1		Special Order Only
826	PTS-1010B	Cross & Bearing Kit	1		
828	PTS-1008R	ASG Collar Kit	1		
829	PTS-1009K	CC Lock Assembly	1		Special Order Only
830	PTS-1020FH	Front (Tractor) Half Shaft	1		Special Order Only
831	PTS-1020RH	Rear (Implement) Half Shaft	1		Special Order Only
851	PTS-1020A-A	Clutch Housing	1		Special Order Only
852	PTS-1010F-E	Hub	1		Special Order Only
853	PTS-1010F-A	Key	2		
854	PTS-1010F-B	Leaf Spring	2		
855	PTS-1010F-F	Supporting Ring	1		Special Order Only
856	PTS-1010F-G	Retaining Ring	1		Special Order Only
857	PTS-1020A-B	Profile, 1bGA	1		Special Order Only
858	PTS-1010F-J	Spring Pin	1		Special Order Only

860	PTS-1010F-H	Bearing Ring	1	Special Order Only
870	PTS-1020-FS	Front Shield Kit	1	Special Order Only
880	PTS-1020-RS	Rear Shield Kit	1	Special Order Only

# 7409-02-01



## PTS-1020A OVERRUNNING CLUTCH



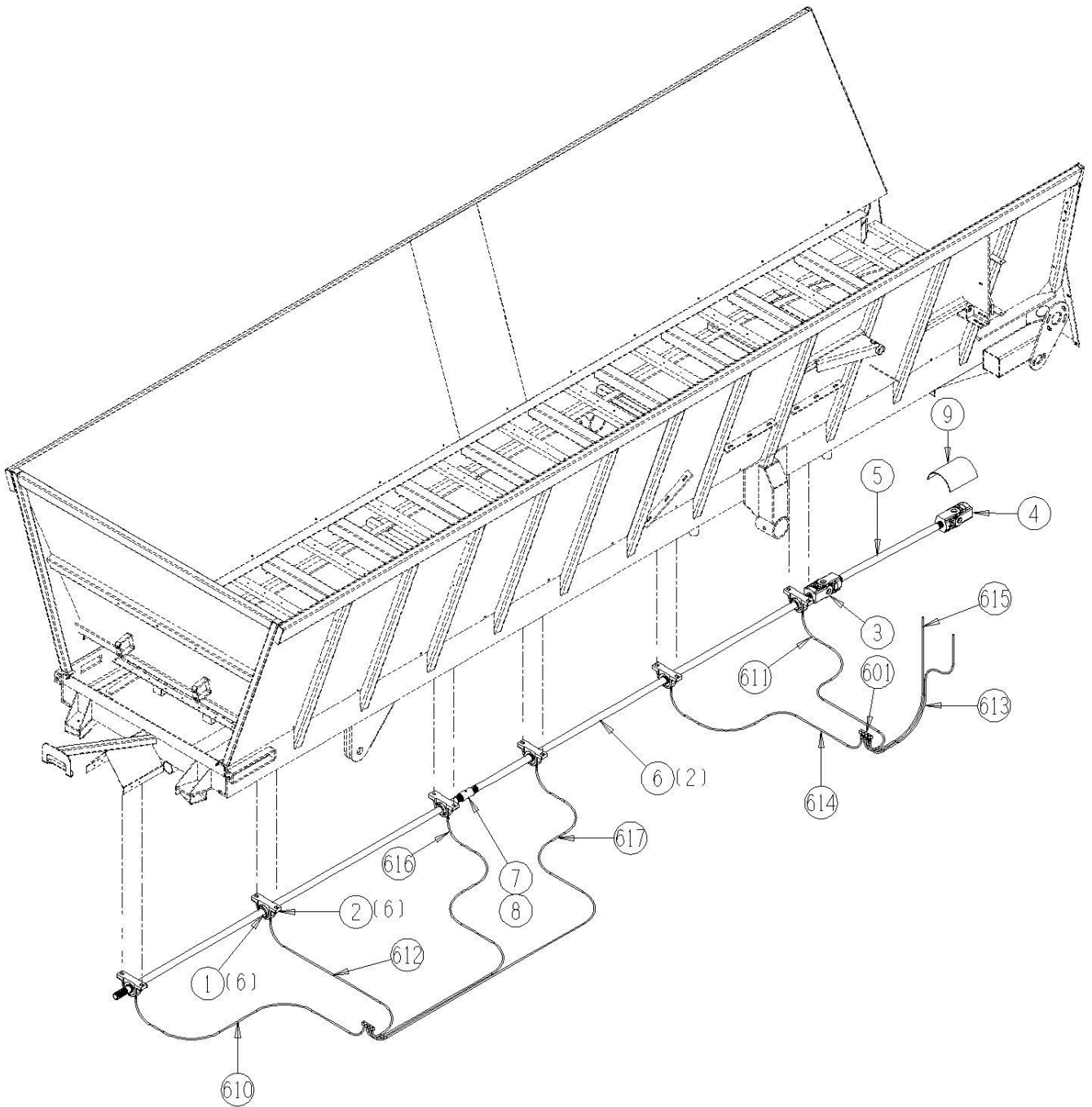




## 7409-02-02 Main Drive Shaft

<u>Ref</u>	<u>Part No.</u>	<u>Description</u>	<u>Parts – Assembly</u>	<u>Will Fit SN</u>	<u>Remarks</u>
1	BR-175-100	Heavy Duty I 3/4" Bearing	6		
2	BR-100-RAK	Bearing Housing 100 mm	6	11001	
3	PTS-1018	Yoke Assembly 1-3/4-20 1Slip,1 Lock	1		
4	PTS-1019	Yoke Assembly, 1-3/4-20,1-3/4-6 Both Lock	1		
5	PR60401	Rear Drive Shaft, 880 Bushel Spreader	1		
6	PR60402	Main Drive Shaft, 880 Bushel Spreader	2		
7	PR60404	Coupler, 1.75 x 20 Spline, 12/24 Pitch, P.A. 30°	1		
8	PIN-4-36	Roll Pin 1/4" x 2.25"	1		
9	PR60044	Shield, Rear, PTO, 1880 Spreader	1		
601	GF-4-4	4" Grease Manifold	2		
602	GF-1827-45	Grease Fitting 1/8 NPT 45°	7		
603	A-1404-4-4	1/4 MP x 1/4 FPX	9		
604	GFA-51942	1/4"-28 Straight Adapter	12		
605	GFA-51943	1/4"-28 90° Adapter	5		
606	GFA-43716	1/8", 45° Adapter	1		
607	GFA-310912	1/4"-28 45° Adapter	4		
608	CL-6-3	Clamp, 3/8" O.D., Dual Tube, 1/4" Bolt Mount	3		
609	GF-3-3	3" Grease Manifold	1		
610	H2-29-2MP-2MP	1/8" Grease Hose 1/8MP x 1/8MP x 29" Long	1		
611	H2-62-2MP-2MP	1/8in Hose 1/8MP x 1/8MP x 62in Long	1		
612	H2-70-2MP-2MP	1/8 in grease hose 1/8MP x 1/8MP x 70 in long	1		
613	H2-80-2MP-2MP	1/8 in grease hose 1/8MP x 1/8MP x 80 in long	1		
614	H2-97-2MP-2MP	1/8" Grease Hose 1/8MP x 1/8MP x 97" Long	1		
615	H2-110-2MP-2MP	1/8in Hose 1/8MP x 1/8MP x 110in Long	1		
616	H2-130-2MP-2MP	1/8" Grease Hose 1/8MP x 1/8MP x 130" Long	1		
617	H2-160-2MP-2MP	1/8" Grease Hose 1/8MP x 1/8MP x 160" Long	1		

7409-02-02

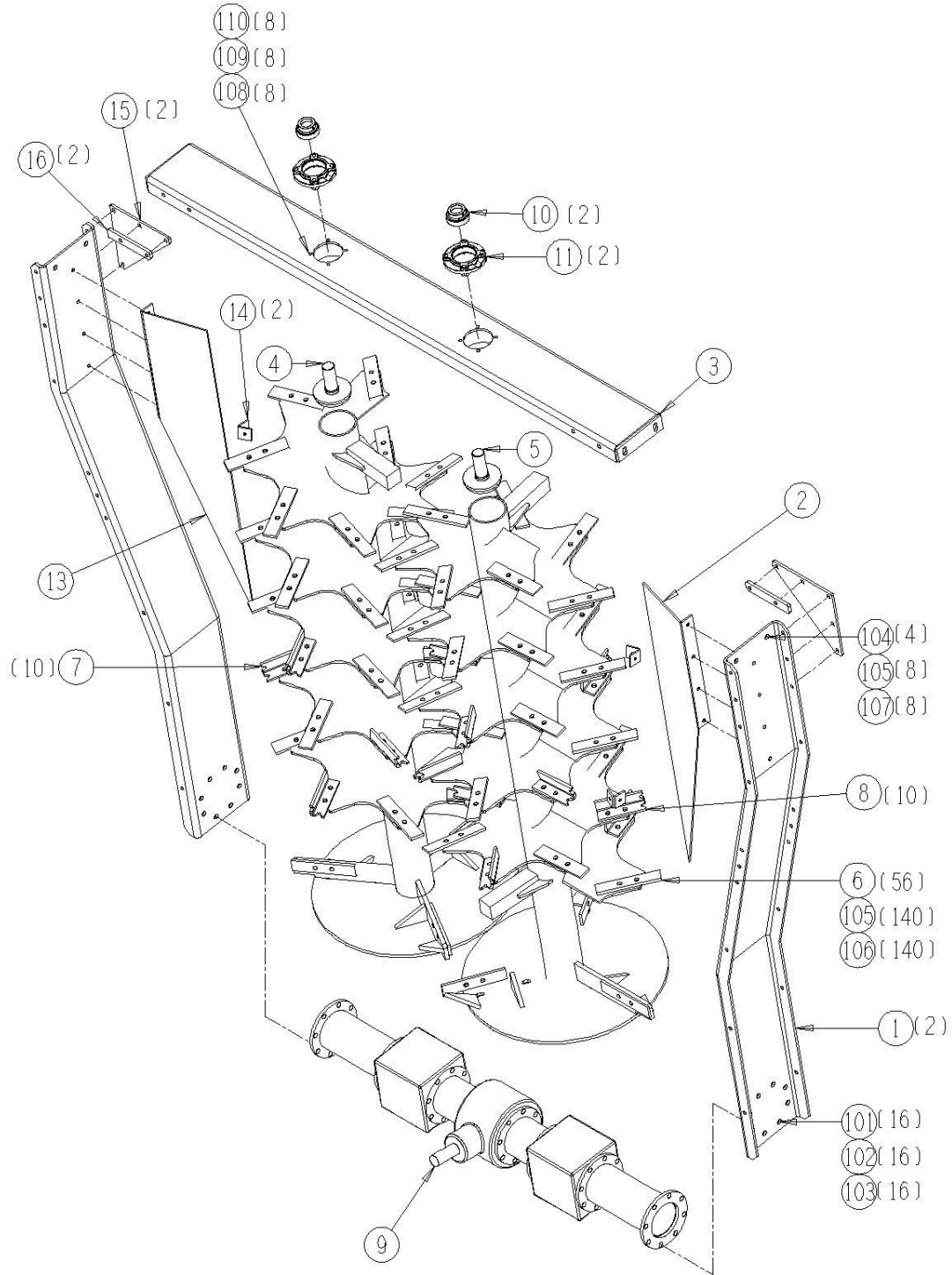


## 7409-02-03 Vertical Beater

<u>Ref</u>	<u>Part No.</u>	<u>Description</u>	<u>Parts – Assembly</u>	<u>Will Fit SN</u>	<u>Remarks</u>
0	HP-1038	Gear Lube, 80W90 @ Quart	11	Hydra Ram Spreader	
2	PR60056	Rear Panel Wing, LH, 1880 Vertical Beater	1		
3	PR60055	Top Bearing Plate, Vertical Beater, 1880 Spreader	1		
4	VTB-0012	Vertical Beater, RH, 1880VB	1		
5	VTB-0011	Vertical Beater, LH, 1880VB	1		
6	VTB-1899-A3	Knife	56		
7	VTB-1899-B3	Right Blade	10		
8	VTB-1899-C3	Left Blade	10		
9	VTB-1893-A1	1000 RPM Beater Gearbox, 1880 Spreader	1		
10	BR-175-085-I	Bearing, 1 ½" ID, TS	2		
11	BR-085-4PF	85mm Four Bolt Piloted Flange Housing	2		
12	GF-2-2	2' Grease Manifold	1		
13	PR60057	Rear Panel Wing, RH, 1880 Vertical Beater	1		
14	PR60058	Tab, Beater Panel Wing	2		
15	PR60059	Top Gusset	2		
16	PR60060	Top Plate Spacer	2		
101	BL-9-200-H8	9/16-12 x 2, Hex Head, Grade 8	16		
102	BL-9-FW-8	9/16" Grade 8 Flat Washer	16		
103	BL-9-LN	9/16" Lock Nuts w/Nylon Inserts	16		
104	BL-10-SW	5/8 SAE FW ZC @	8		
105	BL-10-LN	5/8-11 HEX LN NE ZC	144		
106	BL-10-175-H8	5/8-11 X 1 ½ HEX CAP G8 ZC	140		
107	BL-10-200-H	5/8-11 X 2 HEX CAP G5 ZC	8		
108	BL-7-125-HH	7/16" x 1 1/4", Hex Head, Gr 5, Zinc	8		
109	BL-7-LW	7/16" Split LW, Zinc Coated	8		
110	BL-7-SW	7/16 SAE FW ZC	8		
111	BL-10-200-H8	5/8-11 X 2 HEX CAP G8 ZC	12		
602	A-1404-4-4	1/4 MP x 1/4 FPX	2		

604	H2-143-2MP-2MP	1/8 in grease hose 1/8MP x 1/8MP x 143 in long	1
605	H2-174-2MP-2MP	1/8 in grease hose 1/8MP x 1/8MP x 174 in long	1

# 7409-02-03



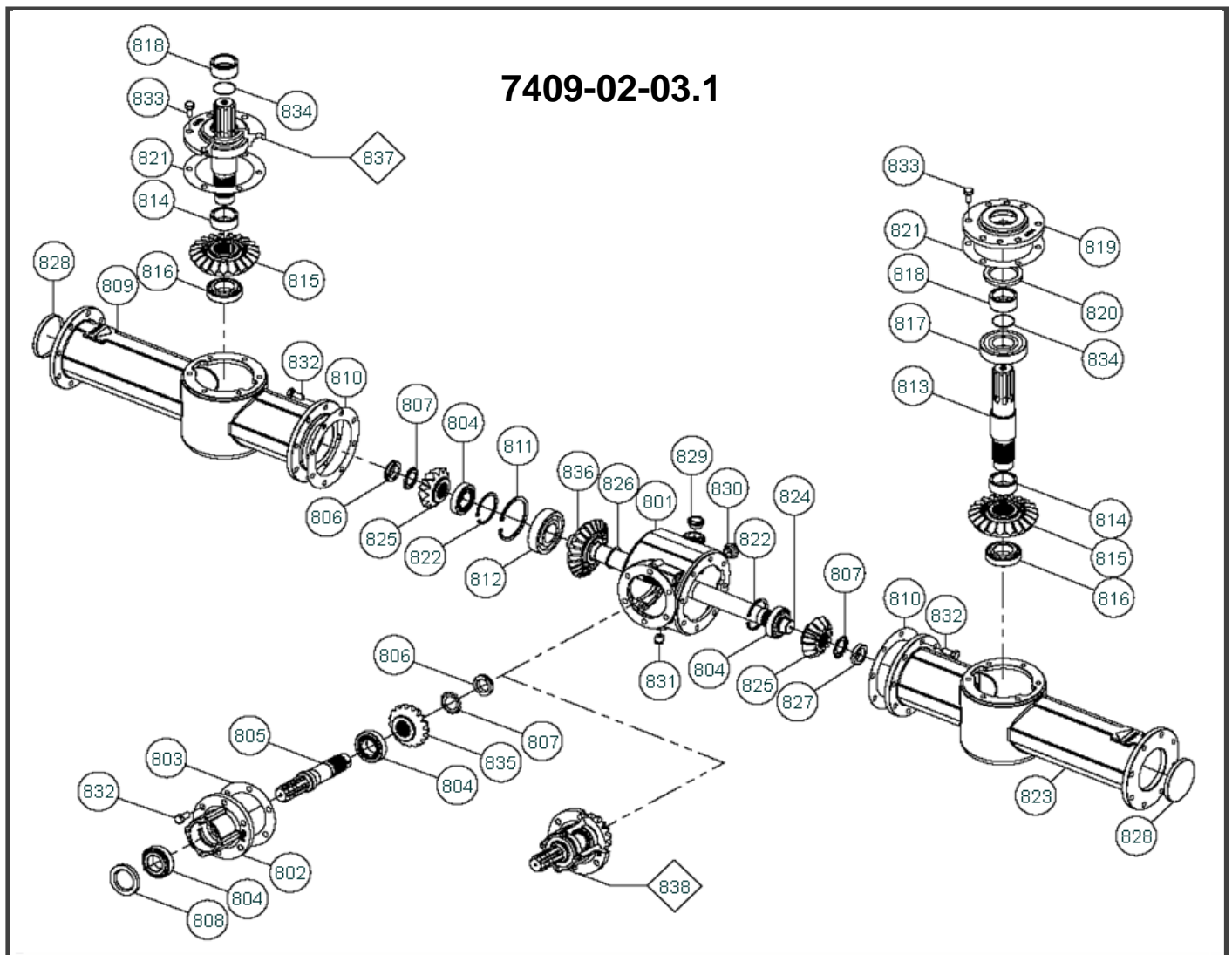


## 7409-02-03.1 Vertical Beater Gearbox

<u>Ref</u>	<u>Part No.</u>	<u>Description</u>	<u>Parts – Assembly</u>	<u>Will Fit SN</u>	<u>Remarks</u>
1	VTB-1893-A1	Gearbox 1880 Spreader	1		
801	VTB-1899-A1	Housing	1		
802	VTB-1899-J2	Hub	1		
803	VTB-1899-H2	Gasket	1		
804	VTB-1899-G1	Bearing 32209	4		
805	VTB-1899-L2	Shaft	1		
806	VTB-1899-D1	Threaded Ring	2		
807	VTB-1899-E1	Washer	3		
808	VTB-1899-K2	Oil Seal	1		
809	VTB-1893-B1	Right Spacer Tube	1		
810	VTB-1899-A2	Gasket	2		
811	VTB-1893-C1	Snap Ring	1		
812	VTB-1899-H1	Bearing 6311	1		
813	VTB-1893-D1	Spined Shaft	2		
814	VTB-1899-V1	Spacer	2		
815	VTB-1899-W1	Gear Z=22	2		
816	VTB-1899-X1	Bearing 32210	2		
817	VTB-1899-T1	Bearing 6311-2RS	2		
818	VTB-1899-M1	Spacer	2		
819	VTB-1899-Q1	Calotte	2		
820	VTB-1899-S1	Oil Seal	2		
821	VTB-1899-R1	Gasket	2		
822	VTB-1893-E1	Snap Ring	2		
823	VTB-1893-F1	Right Spacer Tube	1		
824	VTB-1899-C1	Shaft	1		
825	VTB-1899-F1	Bevel Pinion Z=13	2		
826	VTB-1899-K1	Circlip E 55	1		
827	VTB-1899-L1	Threaded Ring	1		



828	VTB-1893-G1	End Cap	2	
829	VTB-1899-E2	Oil Plug, 1" Gas.	1	
830	VTB-1899-Y1	Spacer L=428	1	
831	VTB-1899-D2	Oil Plug, 1/2" Gas	1	
832	VTB-1899-Z1	Screw, hex-hd M14X35	22	Reference Only, Special Order
833	VTB-1899-P1	Screw, hex-hd M14X30	12	Reference Only, Special Order
834	VTB-1899-N1	O-ring 2212	2	
835	VTB-1899-G2	Bevel Pinion Z=17	1	
836	VTB-1899-J1	Gear Z=24	1	
837	VTB-1893-H1	Cap	2	
838	VTB-1899-M2	Hub Complete, 790, 1190VB Gearbox	1	

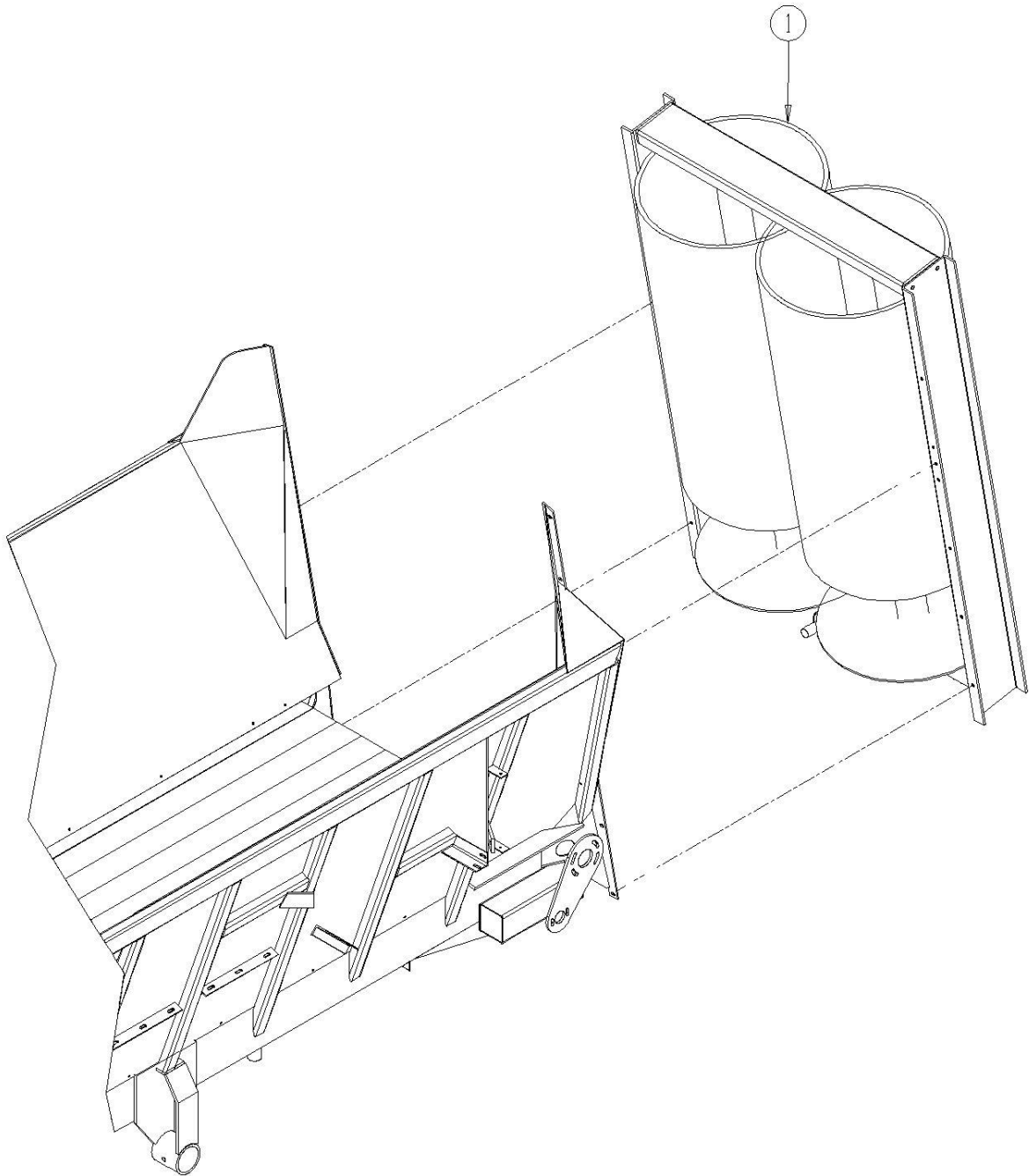


7409-02-03A Vertical Beater, S.N.'S 74010001-74010007

<u>Ref</u>	<u>Part No.</u>	<u>Description</u>	<u>Parts – Assembly</u>	<u>Will Fit SN</u>	<u>Remarks</u>
1	VTB-1893	Vertical Beater System, 1880, 1000RPM	1		
100	BL-10-200-H8	5/8-11 X 2 HEX CAP G8 ZC	12		
800	PR60062	Top Metric Bearing Plate, Vertical Beater, 1880 Spreader	0		
801	VTB-1899-T2	Bearing, Vertical Beater -70210019	2		
802	VTB-1899-T3	Bearing Housing, Vertical Beater	2		
803	VTB-1899-A3	Knife	56		
804	VTB-1899-B3	Right Blade	10		
805	VTB-1899-C3	Left Blade	10		
806	BL-10-LN	5/8-11 HEX LN NE ZC	144		
807	BL-10-175-H8	5/8-11 X 1 ¼ HEX CAP G8 ZC	144		



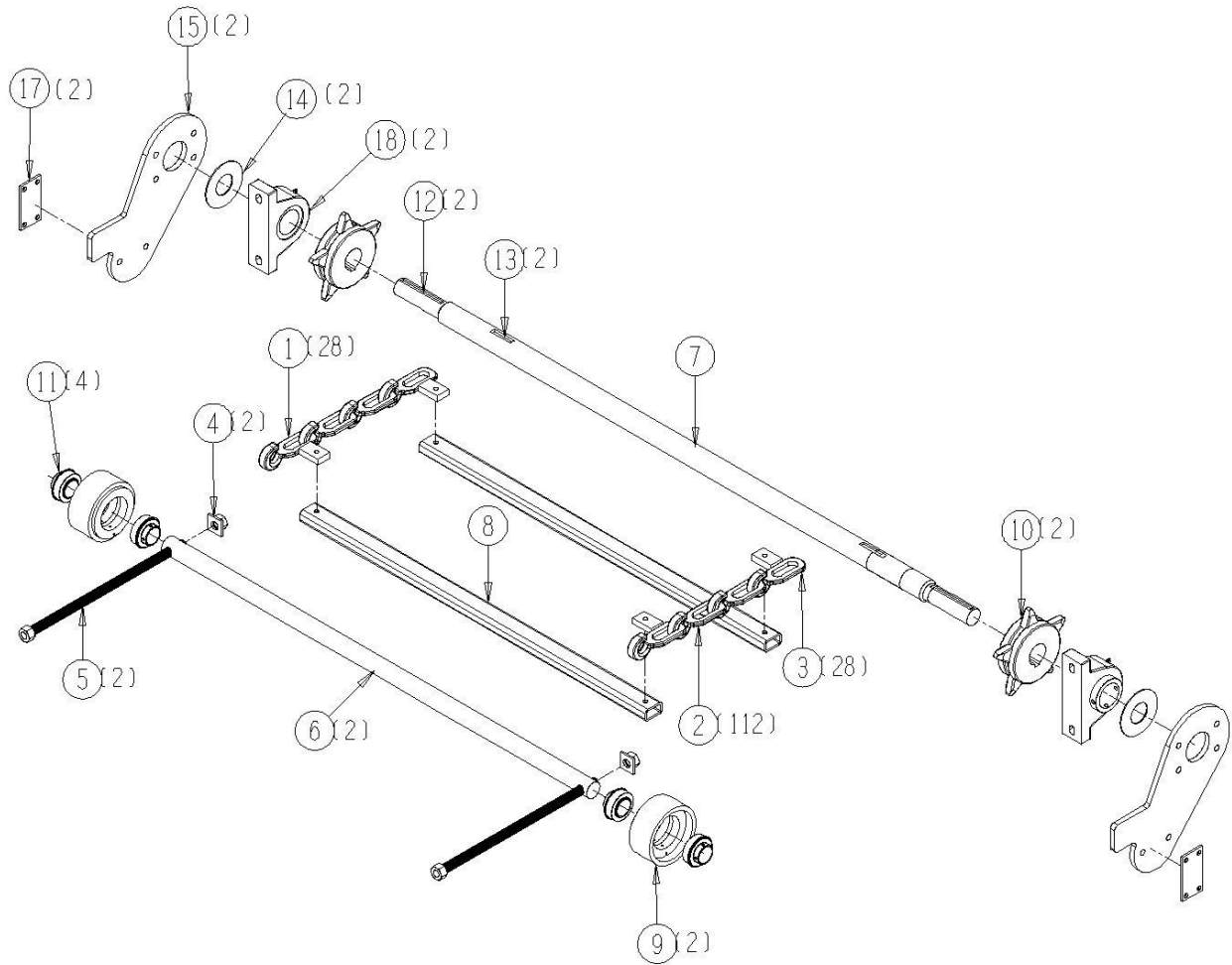
7409-02-03A



# 7409-02-04 Web Chain Drive - 74013001

<u>Ref</u>	<u>Part No.</u>	<u>Description</u>	<u>Parts – Assembly</u>	<u>Will Fit SN</u>	<u>Remarks</u>
1	PR60411	Cleaner Chain,Flight Hook,L.H w/Black Dip Paint, 880 Bushel Spreader	33		
2	PR60410	Cleaner Chain,Link w/Black Dip Paint, 880 Bushel Spreader	132		
3	PR60412	Cleaner Chain,Flight Hook,R.H.w/Black Dip Paint, 880 Bushel Spreader	33		
4	PR60016	Adjustment Plate, Front Drive, Spreader	2		
5	PR60017	Shaft, Front Idler Sprocket Shaft,880 Bushel Spreader	1		
6	PR60041	Tension Bolt, 1880 Spreader	2		
7	PR60040	Shaft, Apron Chain, 1880 Spreader, Dual Drive	1		
8	PR60021	Rectangular Tubing	33		
9	RLR-0022	Spreader Roller, 1880 Front Idler, -74013001	2	- 74013001	
10	PR60414	Sprocket,Drive, Hookm Chain, 880 Spreader	2		
11	BR-200-ER	Bearings, 2' ER	4		
12	KEY-8-8-86-HCS	1/2in Key 5.375in Long, High Carbon Steel	2		
13	KEY-10-10-36-HCS	5/8in Key, 2.25in Long, 4140 Material	2		
14	PR60070	2.5' Brg Protector, Manure Spreader	2		
15	PR60066	Torque Plate, Gearbox	2		
16	SPRG-1200-EH	Spring, Extra Heavy 2' Hole Dia., 1' Rod x 12' Long	2		
17	PR60068	Mount, Torque Plate, Gearbox	2		
18	BR-250-HD	Heavy Duty 2-1/2' Brg Assy, W/Pillow Block	2		
19	GF-1428	Grease Fitting 1/4' x 28 straight	4		
101	BL-8-100-H-8	1/2-13 X 1 HEX CAP GR8ZC	66		

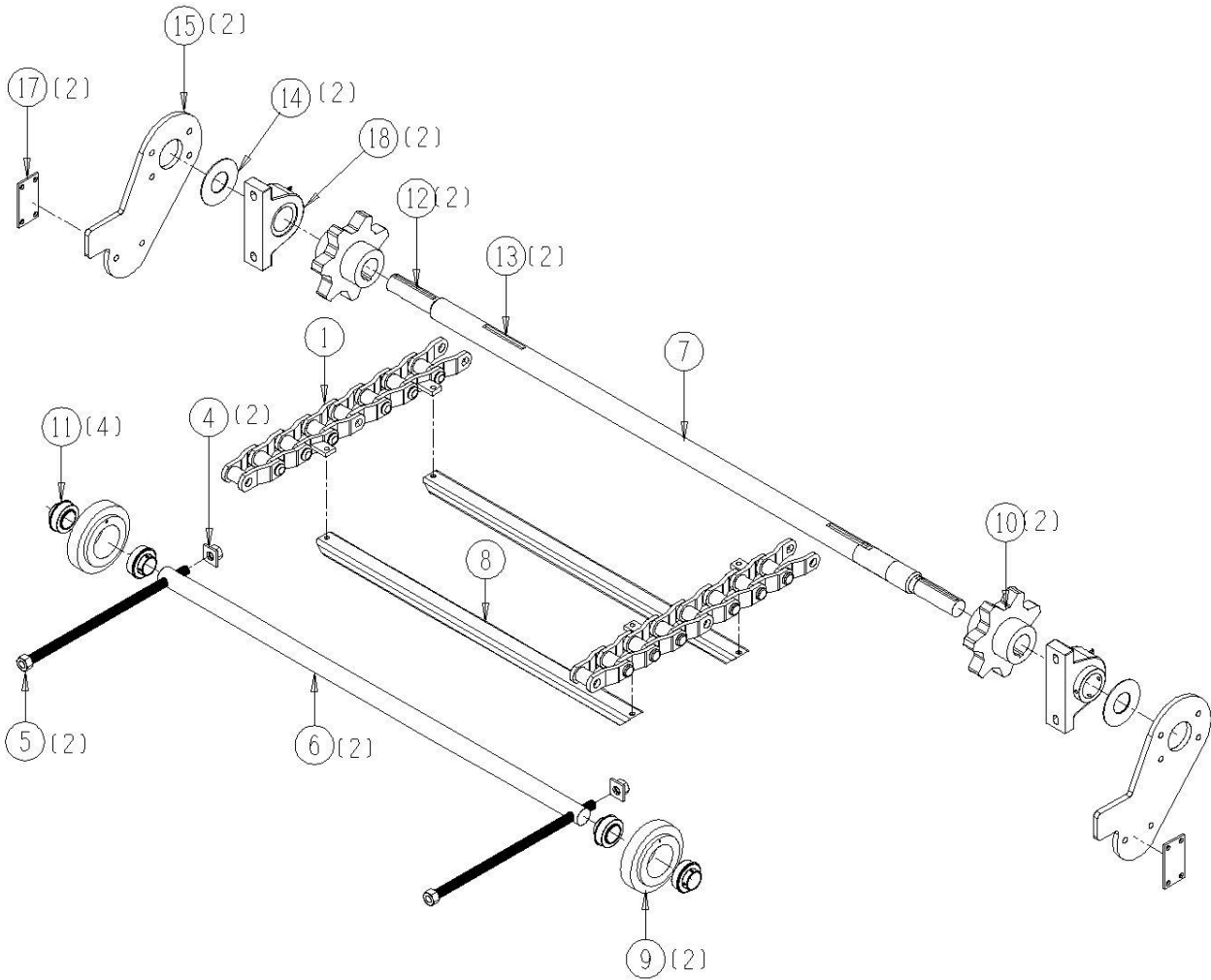
7409-02-04



## 7409-02-04A Web Chain Drive 74013002 -

<u>Ref</u>	<u>Part No.</u>	<u>Description</u>	<u>Parts – Assembly</u>	<u>Will Fit SN</u>	<u>Remarks</u>
	GF-1428	Grease Fitting 1/4' x 28 straight	4		
1	PR60415	Pull Chain, Right Hand Side, Pintle Style	0	74013002	
1	PR60421	Pull Chain, Mill Chain, Pintle Style, Tab Center of Link, LH and RH	2		
2	PR60416	Pull Chain, Left Hand Side, Pintle Style	0	74013002	
4	PR60016	Adjustment Plate, Front Drive, Spreader	2		
5	PR60017	Shaft, Front Idler Sprocket Shaft, 880 Bushel Spreader	1		
6	PR60041	Tension Bolt, 1880 Spreader	2		
7	PR60040	Shaft, Apron Chain, 1880 Spreader, Dual Drive	1		
8	PR60419	Flight, Mill Chain, 1880 Spreader, Angle	0		
8	PR60420	Flight Mill Chain, Channel Tab Center on Chain	29		
9	RLR-0027	Spreader Roller, 1880 Front Idler, 74013002-	2		
10	PR60417	Drive Spocket, Pintle Chain, 2 Piece Spocket, 2 1/2' Bore, 5/8 Keyway	2		
11	BR-200-ER	Bearings, 2' ER	4		
12	KEY-8-8-86-HCS	1/2in Key 5.375in Long, High Carbon Steel	2		
13	KEY-10-10-550-HCS	5/8in Key, 5.50in Long, 4140 Material	2		
14	PR60070	2.5' Brg Protector, Manure Spreader	2		
15	PR60066	Torque Plate, Gearbox	2		
16	SPRG-1200-EH	Spring, Extra Heavy 2' Hole Dia., 1' Rod x 12' Long	2		
17	PR60068	Mount, Torque Plate, Gearbox	2		
18	BR-250-HD	Heavy Duty 2-1/2' Brg Assy, W/Pillow Block	2		
100	BL-8-150-H8	1/2x1 1/2 Grade 8 Hex Head	58		
101	BL-8-LN	1/2-13 HEX LOCK NUT NYLON INSERT ZC	58		
102	BL-8-FW	1/2 USS FW ZC	58		

7409-02-04A



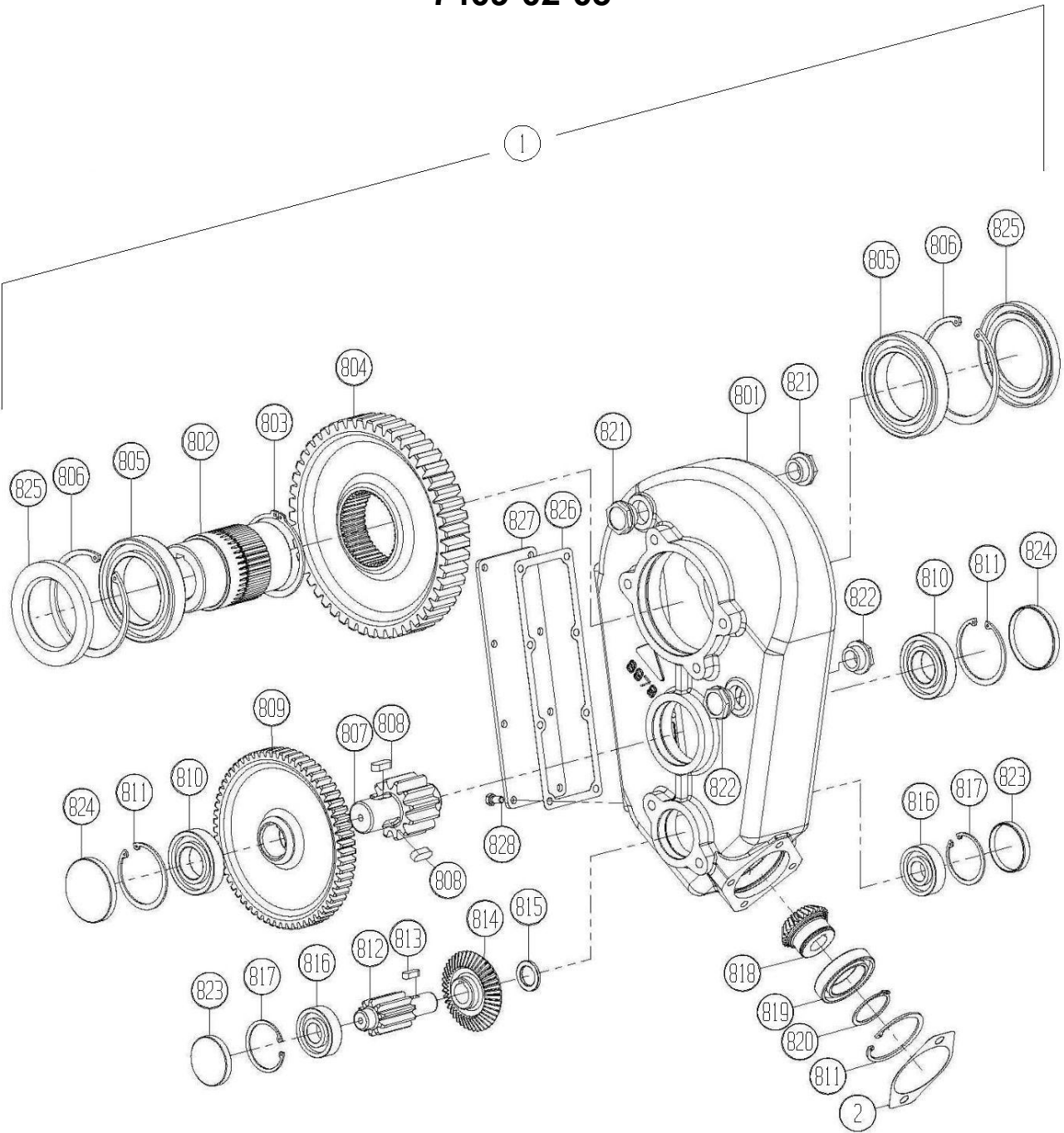
## 7409-02-05 Web Chain Gearbox

<u>Ref</u>	<u>Part No.</u>	<u>Description</u>	<u>Parts – Assembly</u>	<u>Will Fit SN</u>	<u>Remarks</u>
1	GBX-1893	Gearbox, Vertical Beater Apron Drive	2		
2	PR60026	Flange Gasket, Apron Drive Gear Box	2		
3	HM-1893	Orbit Motor, Vertical Beater Apron Drive	2		
4	HM-1038	Gear Lube, 80W90 @ Quart	3		
100	BL-M-14-40-H	14mm x 40 mm, Hex Head Bolt	12		
101	BL-10-LW	5/8 SPLIT LW ZC	12		
801	GBX-1893-D	Housing	1		
802	GBX-1893-B	Gearbox Hub	1		
803	GBX-1893-C	Internal Retaing Clip	1		
804	GBX-1893-E	Gear Z=54	1		
805	GBX-1893-A	Ball Bearing, Open	2		
806	GBX-1893-F	Internal Clip	2		
807	GBX-1893-G	Pinion Z=12	1		
808	GBX-1893-H	Key 12x8x30	2		
809	GBX-1893-I	Gear Z=63	1		
810	GBX-1893-J	Bearing 6208	2		
811	GBX-1893-K	Circlip I 80	3		
812	GBX-1893-L	Pinion Z=10	1		
813	GBX-1893-M	Key 8x7x25	1		
814	GBX-1893-N	Gear Z=43	1		
815	GBX-1893-O	Spacer	1		
816	GBX-1893-P	Bearing 6305	2		
817	GBX-1893-Q	Circlip I 62	2		
818	GBX-1893-R	Pinion Z=28	1		
819	GBX-1893-S	Bearing	1		
820	GBX-1893-T	Circlip E 50	1		
821	GBX-1893-U	Oil Plug Ø1" Gas	2		
822	GBX-1893-V	Oil Level Indic. Ø1" Gas	2		



823	GBX-1893-W	Plug	2
824	GBX-1893-X	Plug	2
825	GBX-1893-Y	Shaft Seal, Gearbox	2
826	GBX-1893-Z	Gasket	1
827	GBX-1893-A1	Cover	1
828	GBX-1893-B1	Screw, hex-hd M8x16	8

7409-02-05

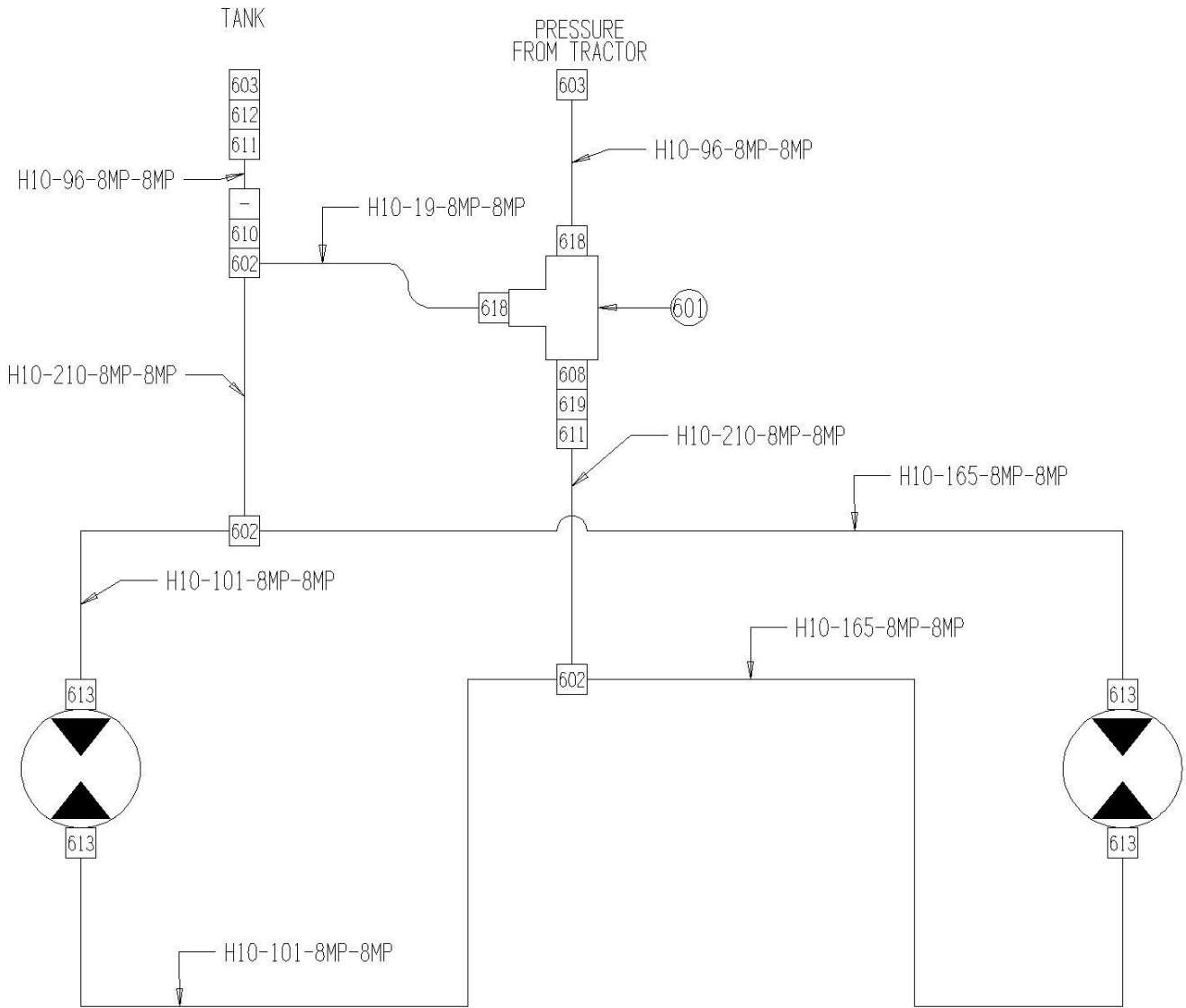




## 7409-03-01 Hydraulic Web Drive

<u>Ref</u>	<u>Part No.</u>	<u>Description</u>	<u>Parts – Assembly</u>	<u>Will Fit SN</u>	<u>Remarks</u>
601	HV-RV-3H	Relief Valve w/ SAE #10 Ports	1		
602	A-1603-8-8-8	Swivel T 1/2' NPTF	3		
603	A-QD2010-8-8	Tractor Quick Coupler, Male, 1/2' w/ FPT	2		
604	HA-1004-4	Test Point Plug #4 SAE Thread	1		
605	A-6901-8-8	8 SAE x 1/2 FPX90-, Forged	1		
606	A-6900-8-8	8 SAE x 1/2' FPX	1		
607	A-1501-8-8	1/2 MP x 1/2 FPX90-	1		
608	A-6401-10-8	10 SAE x 1/2 MPT Male	3		
610	HV-CKV-800S	1/2' Parker Check Valve	1		
611	A-1404-8-8	1/2 MP to 1/2 FPX, Straight	2		
612	A-5404-8-8	Hex Nipple 1/2' x 1/2'	1		
613	A-6902-10-8	10 SAE X 1/2' FPX 45-	4		
614	H10-101-8MP-8MP	5/8'Hose, 1/2'MP x 1/2'MP x 101' Long	4		
615	H10-210-8MP-8MP	5/8' hose 1/2MP x 1/2MP x 210' long	2		
616	H10-165-8MP-8MP	5/8'Hose, 1/2MP x 1/2MP x 165' Long	2		
617	H10-19-8MP-8MP	5/8 in hose 1/2MP x 1/2MP x 19 in long	1		
618	a-6901-10-8	10 SAE x 1/2 FPX90-, Forged	2		
619	VLV-050-BHP	Valve, Ball, 7' NPT, Brass, High Pressure	1		
620	HA-1004-G	Hydraulic, Pressure Gauge w/1/4 NPT Stem	1		
621	HA-1005-T	Test Point Probe	1		

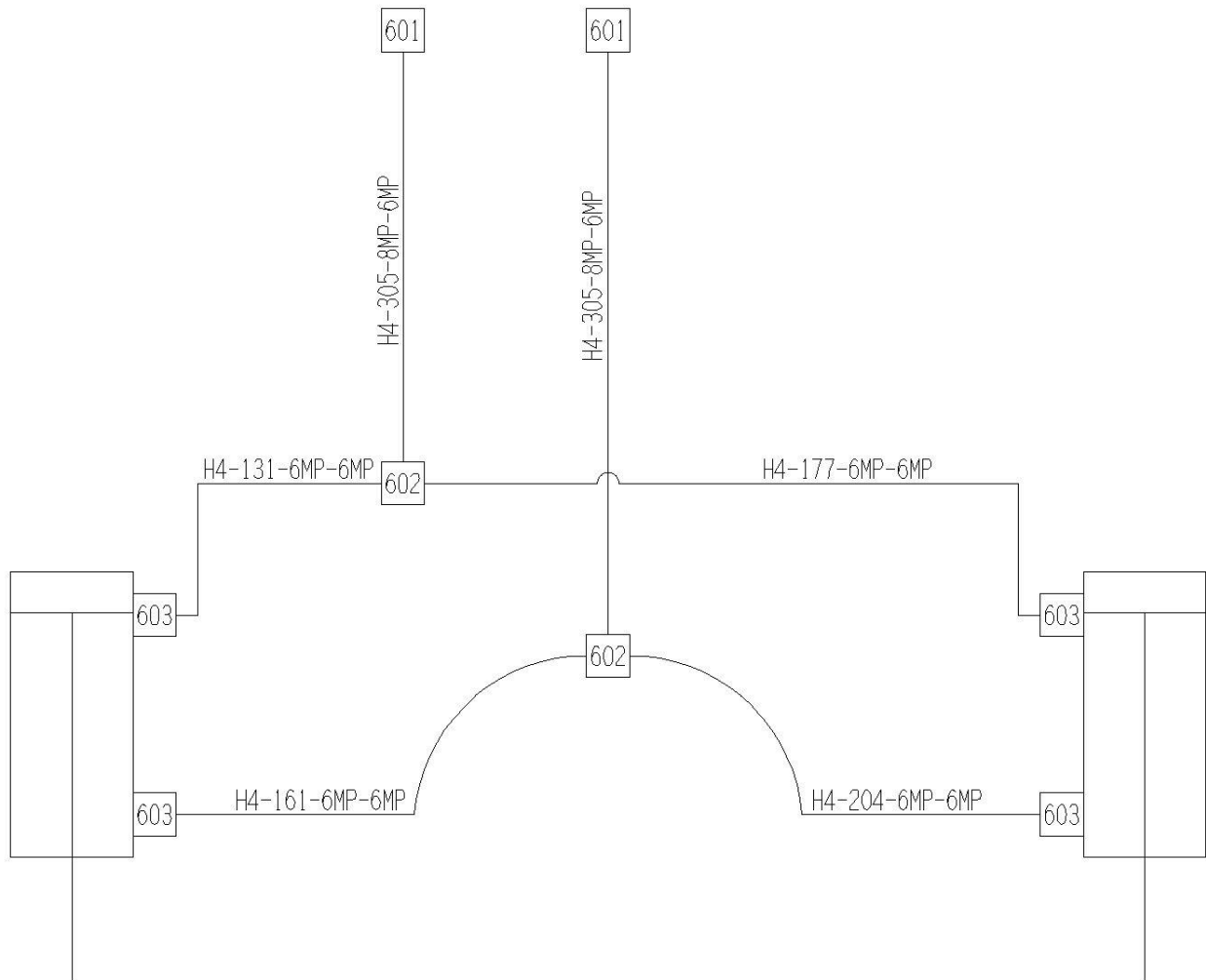
# 7409-03-01



## 7409-03-02 Hydraulic Endgate

<u>Ref</u>	<u>Part No.</u>	<u>Description</u>	<u>Parts – Assembly</u>	<u>Will Fit SN</u>	<u>Remarks</u>
601	A-QD2010-8-8	Tractor Quick Coupler, Male, 1/2" w/ FPT	2		
602	A-1603-6-6-6	Swivel T 3/8" NPTF	2		
603	A-6901-8-6	8 SAE x 3/8" FPX90°, Forged	4	20095001-	
604	H4-305-8MP-6MP	1/4" Hose 1/2MP x 3/8MP x 305" Long	2		
605	H4-131-6MP-6MP	1/4" Hose 3/8MP x 3/8MP x 131" Long	1		
606	H4-177-6MP-6MP	1/4" Hose 3/8MP x 3/8MP x 177" Long	1		
607	H4-161-6MP-6MP	1/4 in hose 3/8MP x 3/8MP x 161 in long	1		
608	H4-204-6MP-6MP	1/4" Hose 3/8MP x 3/8MP x 204" Long	1		

# 7409-03-02

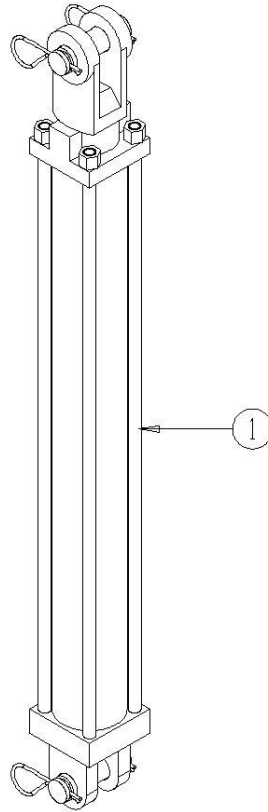


## 7409-03-03 Endgate Cylinders

<u>Ref</u>	<u>Part No.</u>	<u>Description</u>	<u>Parts – Assembly</u>	<u>Will Fit SN</u>	<u>Remarks</u>
1	HC-250-2408-OR	Hydraulic Cylinder 2 1/2 x 24 #8 SAE w/O-Piston Ring Seal	2		NOT TO BE USED IN SINGLE ACTING APPLICATIONS
801	HC-250-125	Seal Kit for 2-1/2" x 1-1/4" Cylinder	0		



7409-03-03

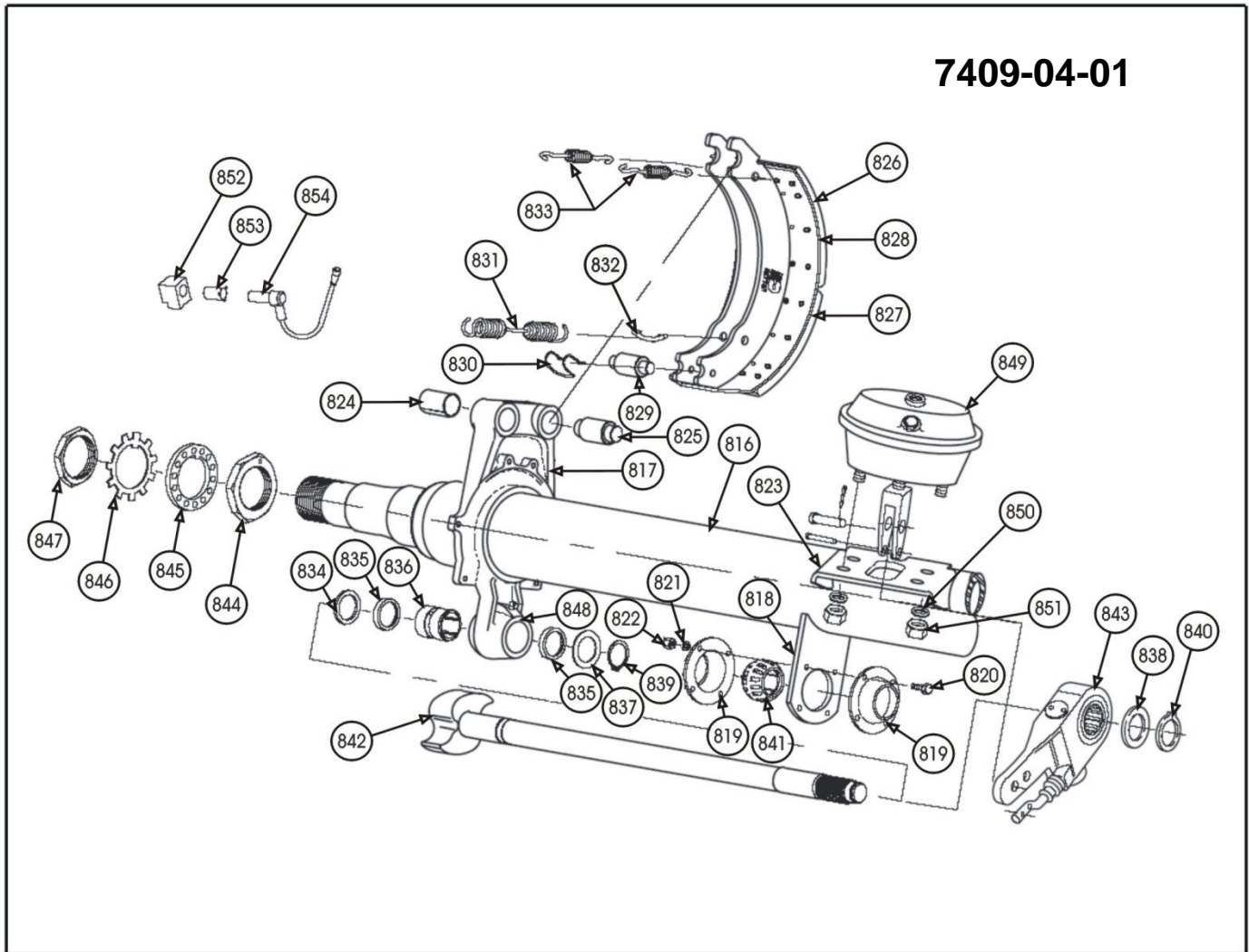


## 7409-04-01 Air Brakes

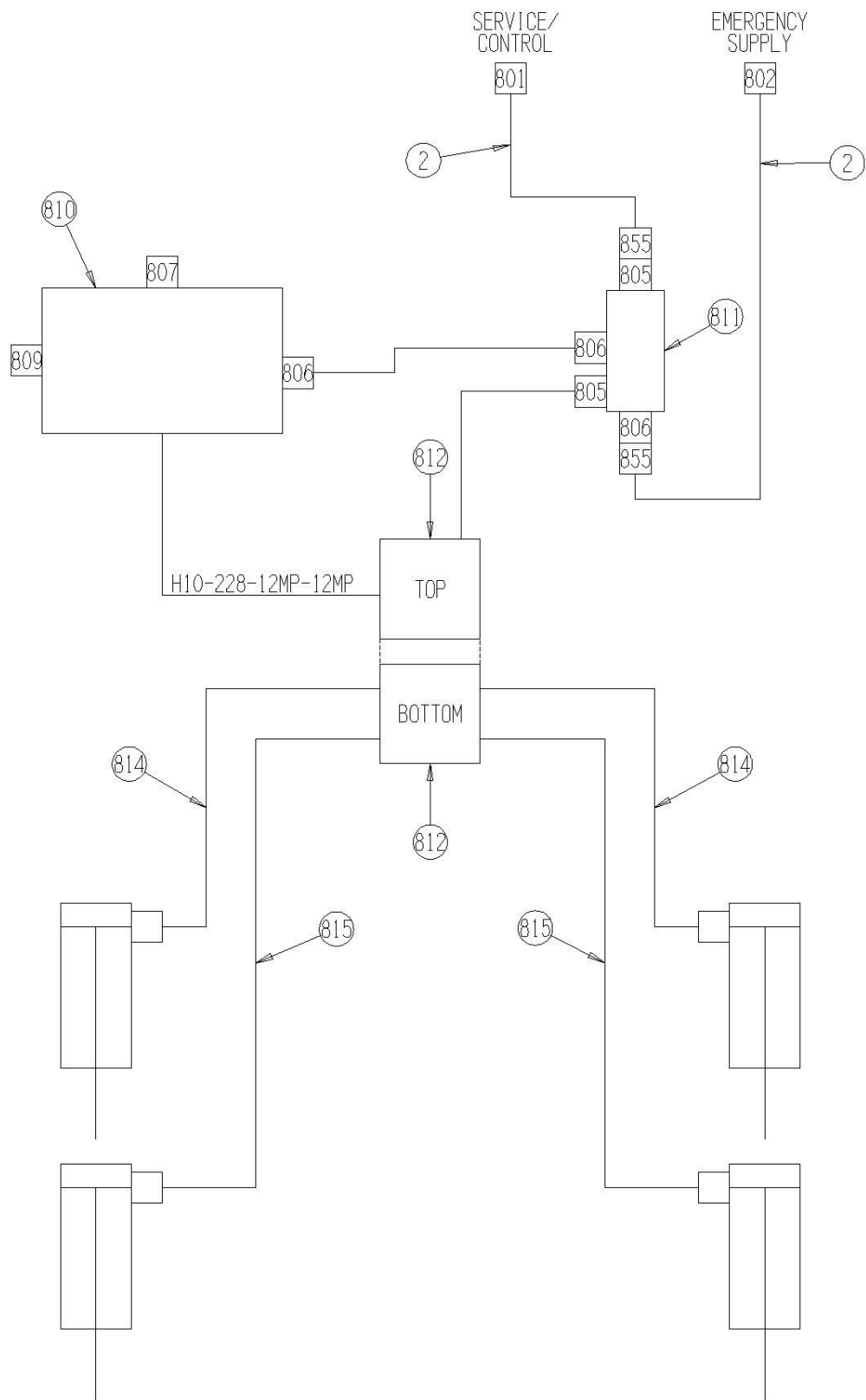
<u>Ref</u>	<u>Part No.</u>	<u>Description</u>	<u>Parts – Assembly</u>	<u>Will Fit SN</u>	<u>Remarks</u>
1	TRL-BRK-0001	Trailer Air Brake, Brake Actuating Kit	1		
2	TRL-BRK-0002	Air Line for Air Brakes	1		
3	AIR-N6DOT	3/8' Nylon Tubing @ ft., Meets D.O.T. Specs, Black	23.875		
4	A-1405-8-8	1/2' NPT Coupler W/Swivel	2		
5	A-1501-12-12	1/2" MP x 1/2" FPX 90-	1		
6	A-1404-12-12	1/2" MP x 1/2" FPX	1		
7	A-5405-4-6	Pipe Adapter 3/8 FPT x 1/4 MPT	2		
8	LA-309	Universal Gladhand Holder	2		
9	TRL-BRK-0001-34	Air Chamber Assembly	4		Special Order Only
10	PR60032	Panel, Air Compressor Shield, 880 Spreader	1		
601	H10-228-12MP-12MP	5/8 in hose 3/4MP x 3/4MP x 228 in long	1		
801	TRL-BRK-0003	Gladhand - Service	1		
802	TRL-BRK-0004	Gladhand - Emergency	1		
803	TRL-BRK-0005	1/2' Bulkhead Coupling	2		
804	TRL-BRK-0006	3/8 x 1/4 Male Connector	2		
805	TRL-BRK-0007	3/8 x 3/8 Male Connector	3		
806	TRL-BRK-0008	3/8 x 3/8 Male Elbow	5		
807	TRL-BRK-0009	1/4' Drain Valve	1		
808	TRL-BRK-0010	3/4' Hex Nipple	1		
809	TRL-BRK-0011	3/8' Pipe Plug	1		
810	TRL-BRK-0012	Air Tank - Standard 9'x28'	1		
811	TRL-BRK-0013	Emergency Spool	1		
812	TRL-BRK-0014	Air Relay Valve	1		
814	TRL-BRK-0016	3/8' x 40' Air Brake Hose Assy	2		
815	TRL-BRK-0017	3/8' X 72' Air Brake Hose Assy	2		
816	TRL-BRK-0001-01	Beam Options	1		Special Order Only
817	TRL-BRK-0001-02	Spider	2		Special Order Only
818	TRL-BRK-0001-03	Bracket-Camshaft Support	2		Special Order Only

819	TRL-BRK-0001-04	Retainer Plate	4	Special Order Only
820	TRL-BRK-0001-05	Bolt, Retainer Plate Attachment	8	Special Order Only
821	TRL-BRK-0001-06	Lockwasher, Cover Attachment	8	Special Order Only
822	TRL-BRK-0001-07	Nut, Retainer Plate Attachment	8	Special Order Only
823	TRL-BRK-0001-08	Bracket, Air Chamber Mounting	2	Special Order Only
824	TRL-BRK-0001-09	Bushing, Spider Anchor Pin	4	Special Order Only
825	TRL-BRK-0001-10	Anchor Pin	4	Special Order Only
826	TRL-BRK-0001-11	Shoe and Lining Assembly	4	Special Order Only
827	TRL-BRK-0001-12	Lining, Brake Block Cam	4	Special Order Only
828	TRL-BRK-0001-13	Lining, Brake Block Anchor	4	Special Order Only
829	TRL-BRK-0001-14	Roller	4	Special Order Only
830	TRL-BRK-0001-15	Retainer, Roller	4	Special Order Only
831	TRL-BRK-0001-16	Spring, Shoe Retractor	2	Special Order Only
832	TRL-BRK-0001-17	Retainer Pin, Retractor Spring	4	Special Order Only
833	TRL-BRK-0001-18	Spring, Shoe Keeper	4	Special Order Only
834	TRL-BRK-0001-19	Washer, Camshaft	2	Special Order Only
835	TRL-BRK-0001-20	Grease Seal	4	Special Order Only
836	TRL-BRK-0001-21	Bushing, Camshaft Spider	2	Special Order Only
837	TRL-BRK-0001-22	Washer	2	Special Order Only
838	TRL-BRK-0001-23	Washer, Camshaft Slack Adjuster End	2	Special Order Only
839	TRL-BRK-0001-24	Snap Ring	2	Special Order Only
840	TRL-BRK-0001-25	Retainer, Camshaft Slack Adjuster End	2	Special Order Only
841	TRL-BRK-0001-26	Bushing, Camshaft Support	2	Special Order Only
842	TRL-BRK-0001-27	Camshaft, LH/RH	2	Special Order Only
843	TRL-BRK-0001-28	Slack Adjuster Straight Automatic, 1.46 x 28-spline 6' Arm	2	Special Order Only
844	TRL-BRK-0001-29	Nut, Inner Spindle Bearing	2	Special Order Only
845	TRL-BRK-0001-30	Lockwasher, Indexing	2	Special Order Only
846	TRL-BRK-0001-31	Lockwasher, Tab	2	Special Order Only
847	TRL-BRK-0001-32	Nut, Outer Spindle	2	Special Order Only
848	TRL-BRK-0001-33	Grease Fitting, 65-	2	Special Order Only
850	TRL-BRK-0001-35	Lockwasher, Air Chamber Mounting	4	Special Order Only

851	TRL-BRK-0001-36	Nut, Air Chamber Mounting	4	Special Order Only
852	TRL-BRK-0001-37	Sensor Block	2	Special Order Only
853	TRL-BRK-0001-38	Retainer Clip	2	Special Order Only
854	TRL-BRK-0001-39	ABS Sensor, 90-	2	Special Order Only
855	A-5502-6-8	Street Elbow 90, 3/8 MP x 1/2 FP	2	



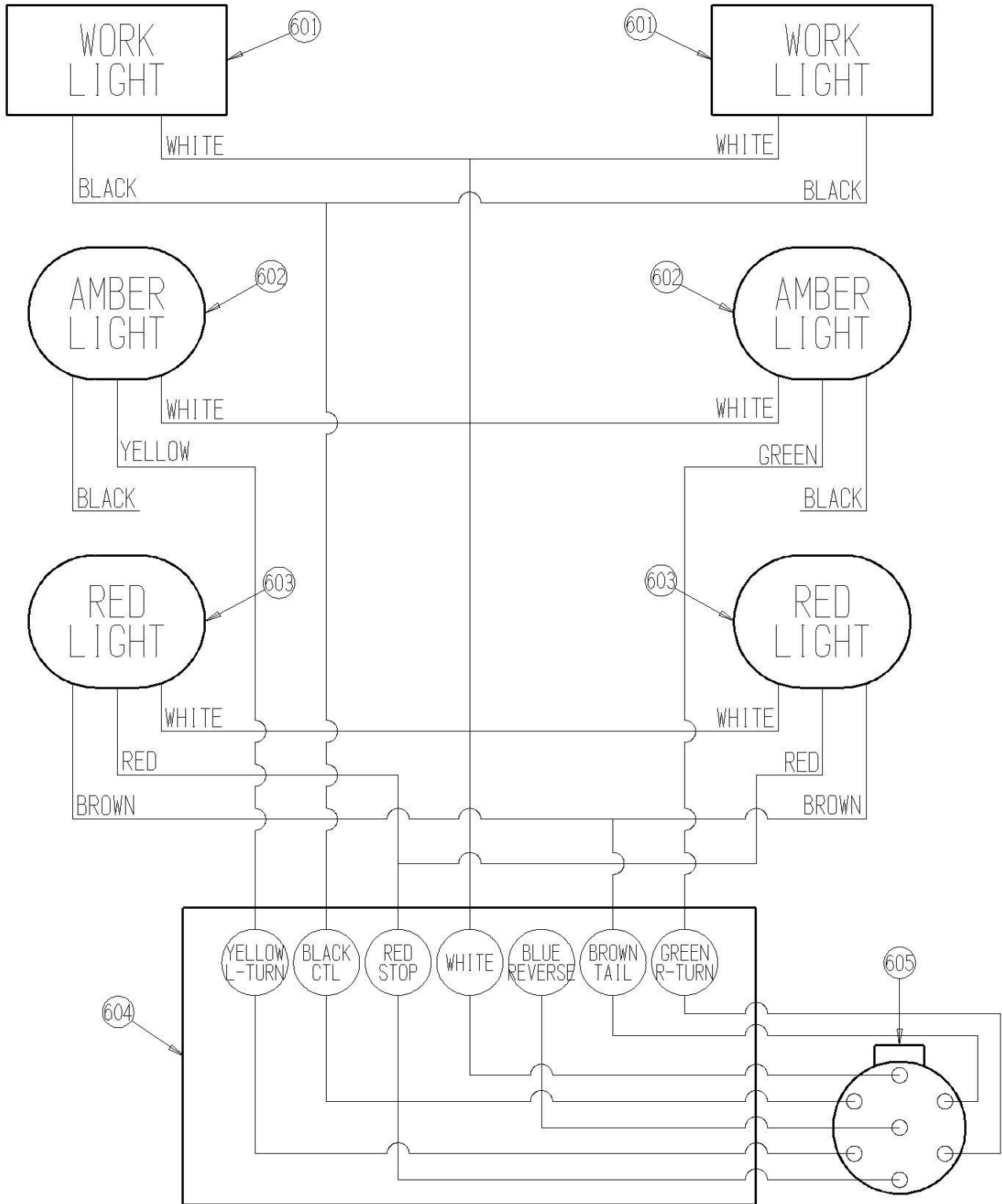
# 7409-04-01



## 7409-04-02 Electrical & Lighting

<u>Ref</u>	<u>Part No.</u>	<u>Description</u>	<u>Parts – Assembly</u>	<u>Will Fit SN</u>	<u>Remarks</u>
1	EL-50561-397	Spreader Light Harness, Left Side, 1880 Spreader	1		
2	EL-50562-416	Spreader Light Harness, Right Side, 1880 Spreader	1		
3	EL-40604-13	Harness, Work Lights, Spreader	2		
4	EL-50780-362	7 Conductor, 30' Long, Harness, 1880 Spreader	1		
100	BL-6-125-C	3/8 UNC X 1 1/4 CARRIAGE BOLT GR5 ZINC	8		
101	BL-6-LW	3/8 SPLIT LW ZC	8		
102	BL-6-N	3/8-16 HEX NUTS ZC	8		
103	BL-6-SW	3/8 SAE FW ZC	16		
104	BL-6-100-H	3/8 UNC X 1 HH C/S BOLT GR5 ZINC	4		
105	BL-6-LN	3/8 UNC FIN HEX LOCK NUT NE A563 GrA ZINC	4		
106	BL-1224-125-DT	12-24 x 1 1/4' Drill and Tap Screw	6		
107	BL-4-FW-8	1/4' Flat Washer Grade 8	10		
108	HA-1031	Hydraulic Hose Holder 3/8	6		
109	BL-4-075-H	1/4 UNC X 3/4 HH C/S BOLT GR5 ZINC	2		
110	BL-4-LN	1/4-20 HEX LN NE ZC	2		
111	ELL-375	3/8' Wire Loom @ft	2		
601	EL-1233	Light, Auxiliary Work Light, Clear, Trapezoid Beam, TL#80394	2		Replaces EL-1201
602	EL-1297	Light, Aux/Turn, L.E.D., TL60, Yellow	4		
603	EL-12571	Light, STT, L.E.D., TL60, Red,	2		
604	ELE-15-964	Junction Box, 4x8x3.5deep, plastic, w/knockouts & plugs	1	19426	
605	ELT-37675	Seven Conductor Plug with Spring, Round Connection	1	Trucks	
606	PR19480	Light Housing, LH	1		
607	PR19481	Light Housing, RH	1		
609	EL-1279	Grommet, TL60, Oval, TL#60700	6		

7409-04-02

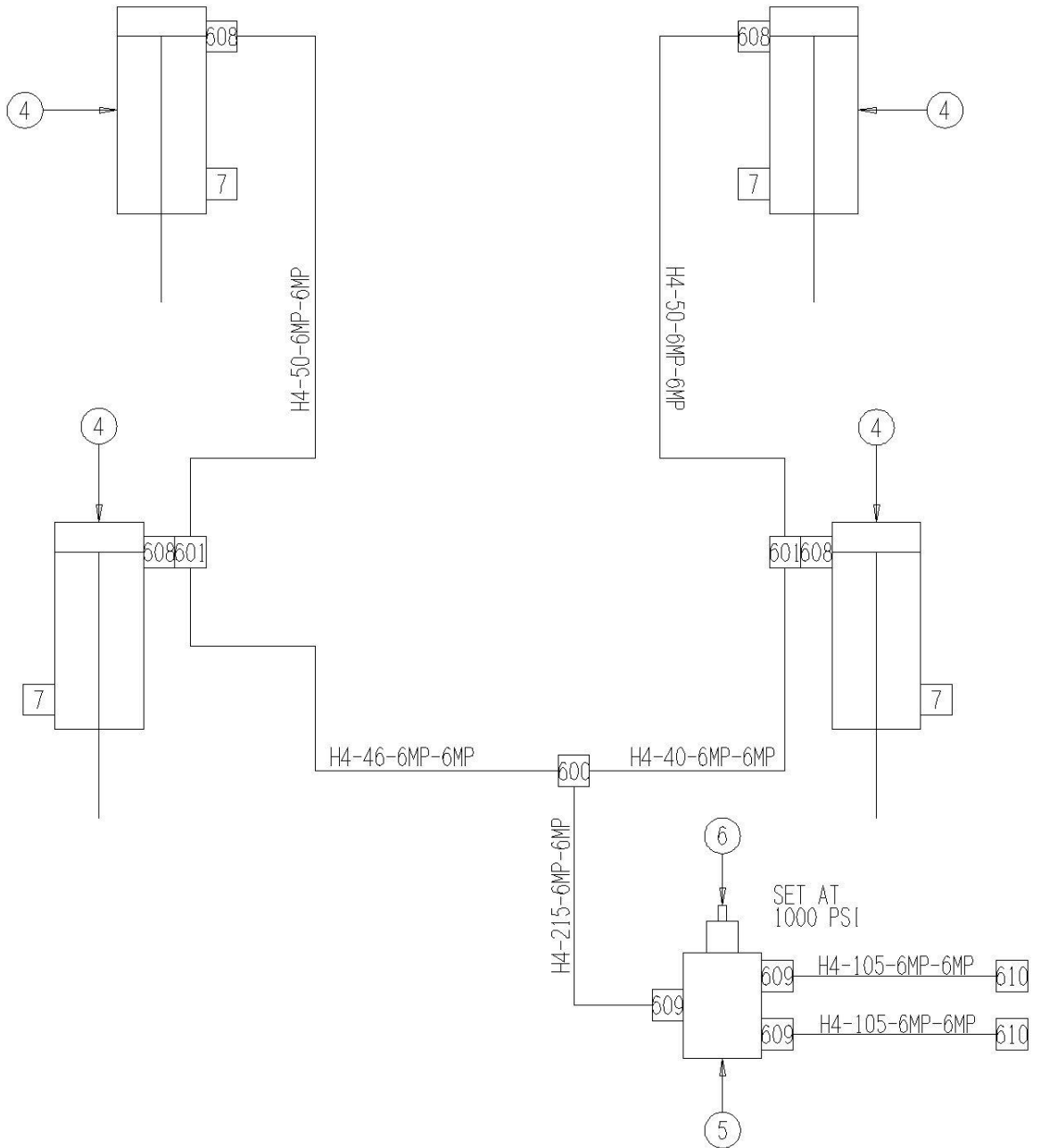


## 7409-05-01 Hydraulic Brake Assembly (Serial # - 74013002)

<u>Ref</u>	<u>Part No.</u>	<u>Description</u>	<u>Parts - Assembly</u>	<u>Will Fit SN</u>	<u>Remarks</u>
1	PR60028	Hydraulic Brake Mount, 1880 Spreader	4		
3	SPG-0003	Spring, 5.00in, Hydraulic Brakes	4		
4	HC-100-0408	1 x 4 Hydraulic Cylinder, Clevis Ends	4		
5	HV-1002	Pressure Reducing/Relieving Valve 50-1500 w/RFF Body	1		
6	HV-1002-K	Standard Knob for HV-1002	1		
7	HC-04-NPT	Cylinder Vent 3/4" NPT	4		
8	PR60071	1/2 -13 x 3 Eye Bolt	4		
600	A-1603-6-6-6	Swivel T 3/8" NPTF	1		
601	A-1601-6-6-6	3/8 MP x 3/8 FPX x 3/8FPX Tee	2		
602	H4-50-6MP-6MP	1/4 in hose 3/8MP x 3/8MP x 50 in long	2		
603	H4-46-6MP-6MP	1/4 in hose 3/8MP x 3/8MP x 46 in long	1		
604	H4-40-6MP-6MP	1/4 in hose 3/8MP x 3/8MP x 40 in long	1		
605	H4-215-6MP-6MP	1/4 in hose 3/8MP x 3/8MP x 215 in long	1		
606	H4-105-6MP-6MP	1/4 in hose 3/8MP x 3/8MP x 105 in long	2		
608	A-1404-4-6	1/4" MP x 3/8" FPX	4		
609	A-6900-6-6	6 SAE x 3/8" FPX	3		
610	A-QD2010-8-8	Tractor Quick Coupler, Male, 1/2" w/ FPT	2		



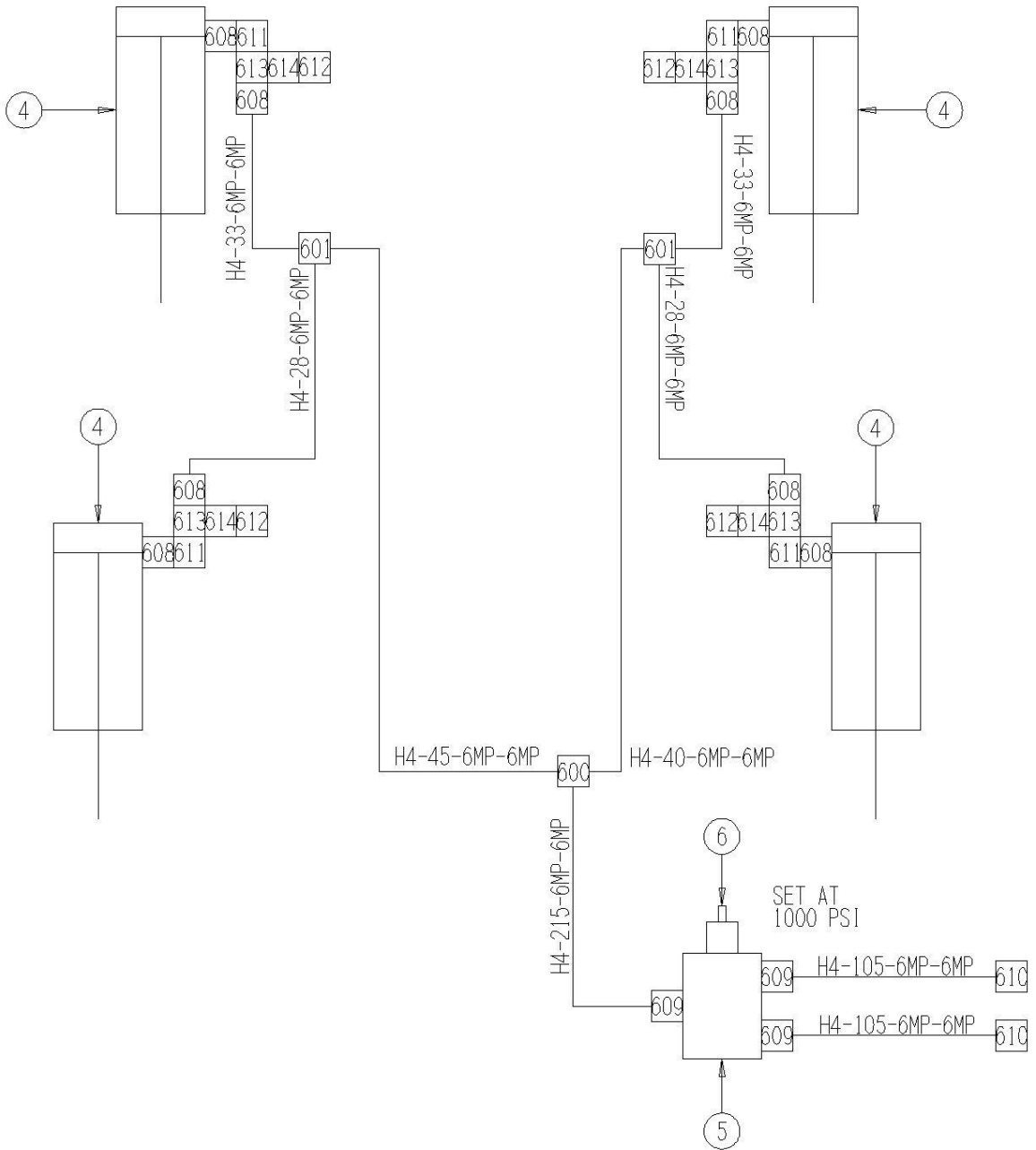
# 7409-05-01



## 7409-05-01A Hydraulic Brake Assembly (Serial #74013003- )

<u>Ref</u>	<u>Part No.</u>	<u>Description</u>	<u>Parts – Assembly</u>	<u>Will Fit SN</u>	<u>Remarks</u>
3	PR60074	Hydraulic Brake Mount, Spreader	4		
4	PR60073	Spring Return Brake Cylinder, Hyd. Brakes	4		
5	HV-1002	Pressure Reducing/Relieving Valve 50-1500 w/RFF Body	1		
6	HV-1002-K	Standard Knob for HV-1002	1		
600	A-1603-6-6-6	Swivel T 3/8' NPTF	1		
601	A-1601-6-6-6	3/8 MP x 3/8 FPX x 3/8FPX Tee	1		
602	H4-28-6MP-6MP	1/4in Hose 3/8MP x 3/8MP x 28 in Long	2		
603	H4-25-6MP-6MP	1/4 in hose 3/8MP x 3/8MP x 25 in long	1	59701-	
604	H4-40-6MP-6MP	1/4 in hose 3/8MP x 3/8MP x 40 in long	1		
605	H4-215-6MP-6MP	1/4 in hose 3/8MP x 3/8MP x 215 in long	1		
606	H4-105-6MP-6MP	1/4 in hose 3/8MP x 3/8MP x 105 in long	2		
608	A-1501-6-6	3/8' MP x 3/8' FPX90-	8		
609	A-6900-6-6	6 SAE x 3/8' FPX	3		
610	A-QD2010-8-8	Tractor Quick Coupler, Male, 1/2' w/ FPT	2		
611	A-5404-6-6	Hex Nipple, 3/8' x 3/8'	4		
612	HA-1004-T	Test Point Plug, 1/4' NPT	4		
613	A-1601-04-06-06	3/8' MP x 3/8' FPX x 3/8' FPX Tee	4		
614	A-5000-4	3/8' NPTF Hex Pipe Cplg.	4		
615	H4-33-6MP-6MP	1/4 hose 3/8MP x 3/8MP x 33' long	2	20095001-	

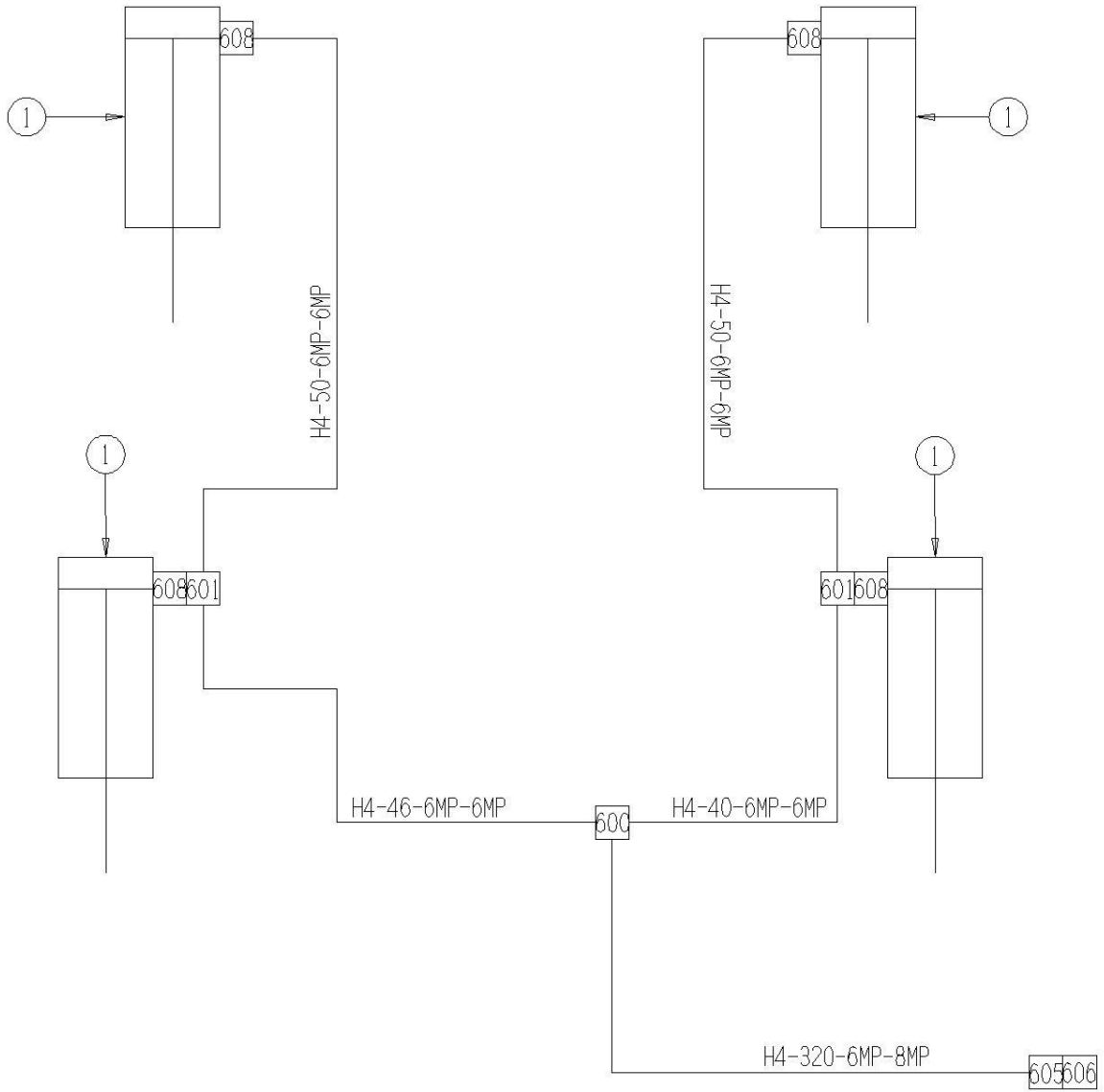
# 7409-05-01A



## 7409-05-02 Tractor Brake Control, Tractor Installed Fitting

<u>Ref</u>	<u>Part No.</u>	<u>Description</u>	<u>Parts – Assembly</u>	<u>Will Fit SN</u>	<u>Remarks</u>
0	PR60074	Hydraulic Brake Mount, Spreader	4		
1	PR60073	Spring Return Brake Cylinder, Hyd. Brakes	4		
600	A-1603-6-6-6	Swivel T 3/8' NPTF	1		
601	A-1601-6-6-6	3/8 MP x 3/8 FPX x 3/8FPX Tee	2		
602	H4-50-6MP-6MP	1/4 in hose 3/8MP x 3/8MP x 50 in long	2		
603	H4-46-6MP-6MP	1/4 in hose 3/8MP x 3/8MP x 46 in long	1		
604	H4-40-6MP-6MP	1/4 in hose 3/8MP x 3/8MP x 40 in long	1		
605	A-7455-08-18	Metric To Pipe Adapter, 1/2in Pipe to 18mm	1		
606	AQ-160559	Hyd. Quick-Connect Coupler, JD Hydraulic Brake	1		
607	H4-320-6MP-8MP	1/4 hose x 3/8 MP x 1/2 MP x 320 in Long	1		
608	A-1404-6-6	3/8 MP x 3/8 FPX	4		
609	A-6900-6-6	6 SAE x 3/8' FPX	3		

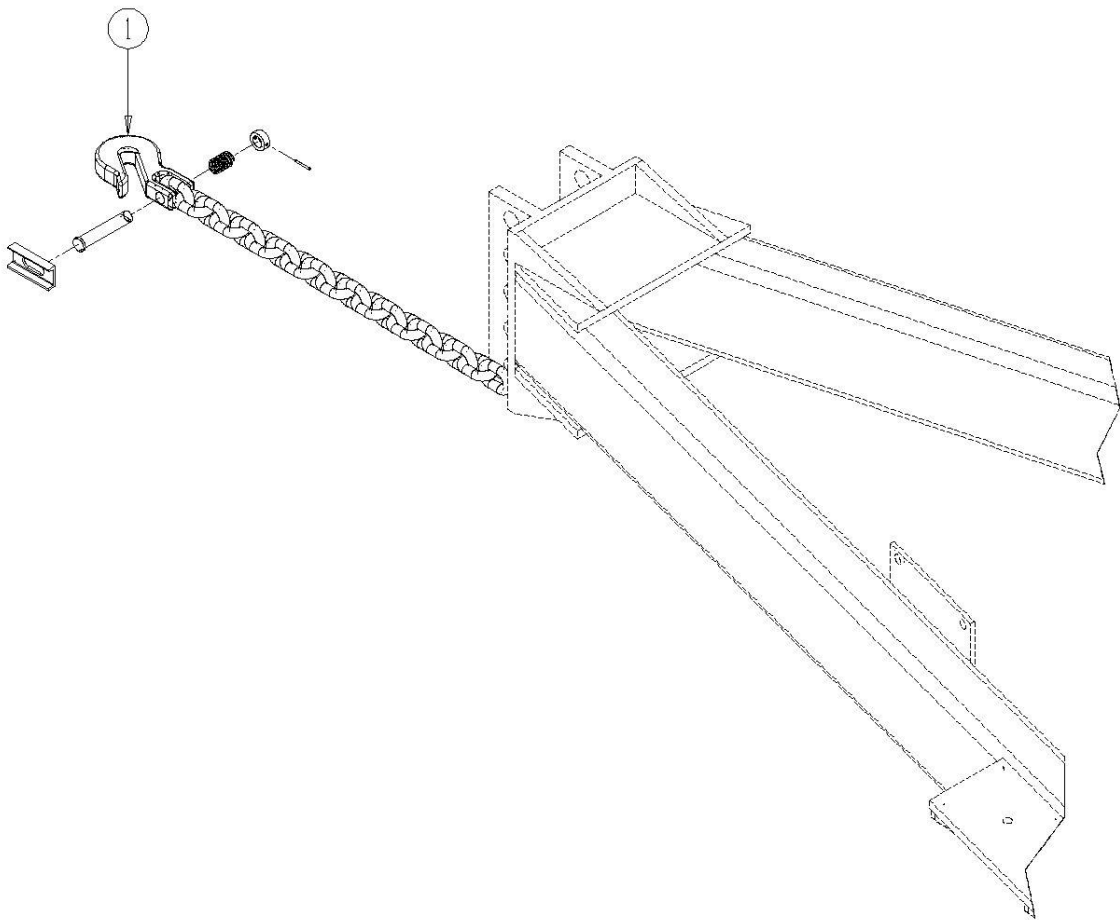
# 7409-05-02



## 7409-06-01 Safety Tow Chain

<u>Ref</u>	<u>Part No.</u>	<u>Description</u>	<u>Parts – Assembly</u>	<u>Will Fit SN</u>	<u>Remarks</u>
1	FRM-3172	Safety Chain, Agricultural, 55", 60,600 lb. Capacity	1		
101	BL-24-FW	1 1/2" Flat Washer, Zinc	1		
102	BL-16-FW	1" Flat Washer, Zinc	2		
103	BL-16-500-H	1 UNC x 5 HH C/S GR5 ZINC	1		
104	BL-16-LN	1" Lock Nuts w/ Nylon Inserts	1		

7409-06-01

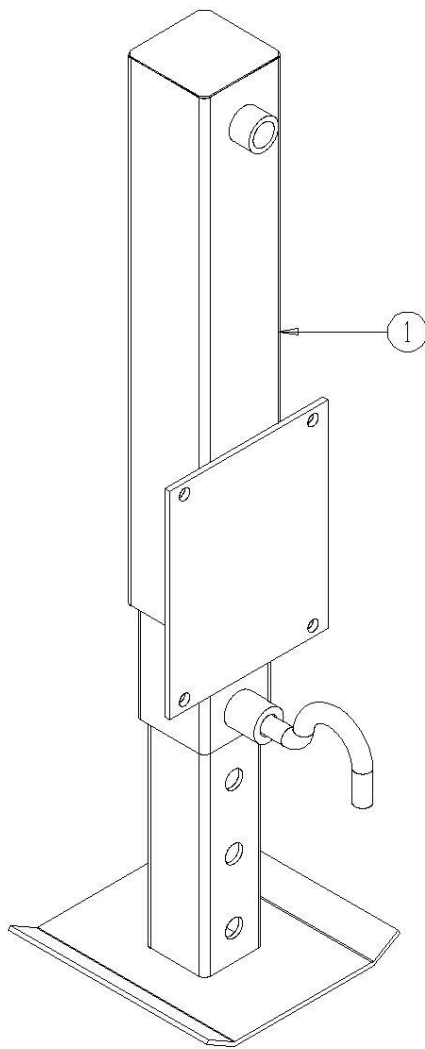


# 7409-06-02 Jack Stand

<u>Ref</u>	<u>Part No.</u>	<u>Description</u>	<u>Parts – Assembly</u>	<u>Will Fit SN</u>	<u>Remarks</u>
1	WH-1131	Jack, 1880 Spreader	1		



**7409-06-02**

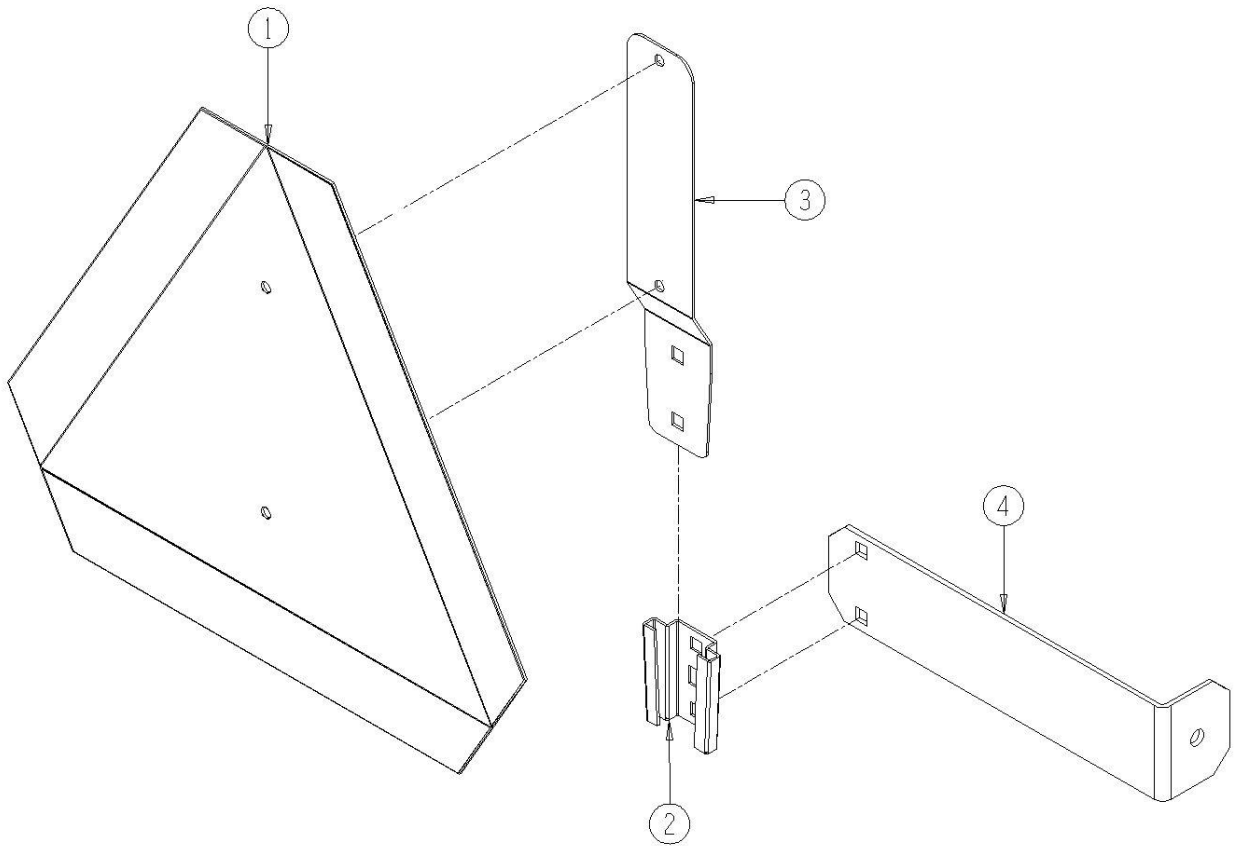


## 7409-06-03 SMV Emblem & Brackets

<u>Ref</u>	<u>Part No.</u>	<u>Description</u>	<u>Parts – Assembly</u>	<u>Will Fit SN</u>	<u>Remarks</u>
1	SMV-PL	SMV Sign, Metal	1		
2	SMV-S	Socket for Spade Mount	1		
3	SMV-SM	Spade Mount	1		
4	PR39117	Bracket, SMV Sign, Spreader	1		
101	BL-5-075-H	5/16-18 X ¾ HEX CAP G5 ZC	2		
102	BL-4-062-C	1/4" x 5/8" Zinc Carriage Bolt	2		
103	BL-5-LN	5/16-18 HEX LN NE ZC	2		
104	BL-4-LN	1/4-20 HEX LN NE ZC	2		
105	BL-5-FW	5/16 USS FW ZC	2		



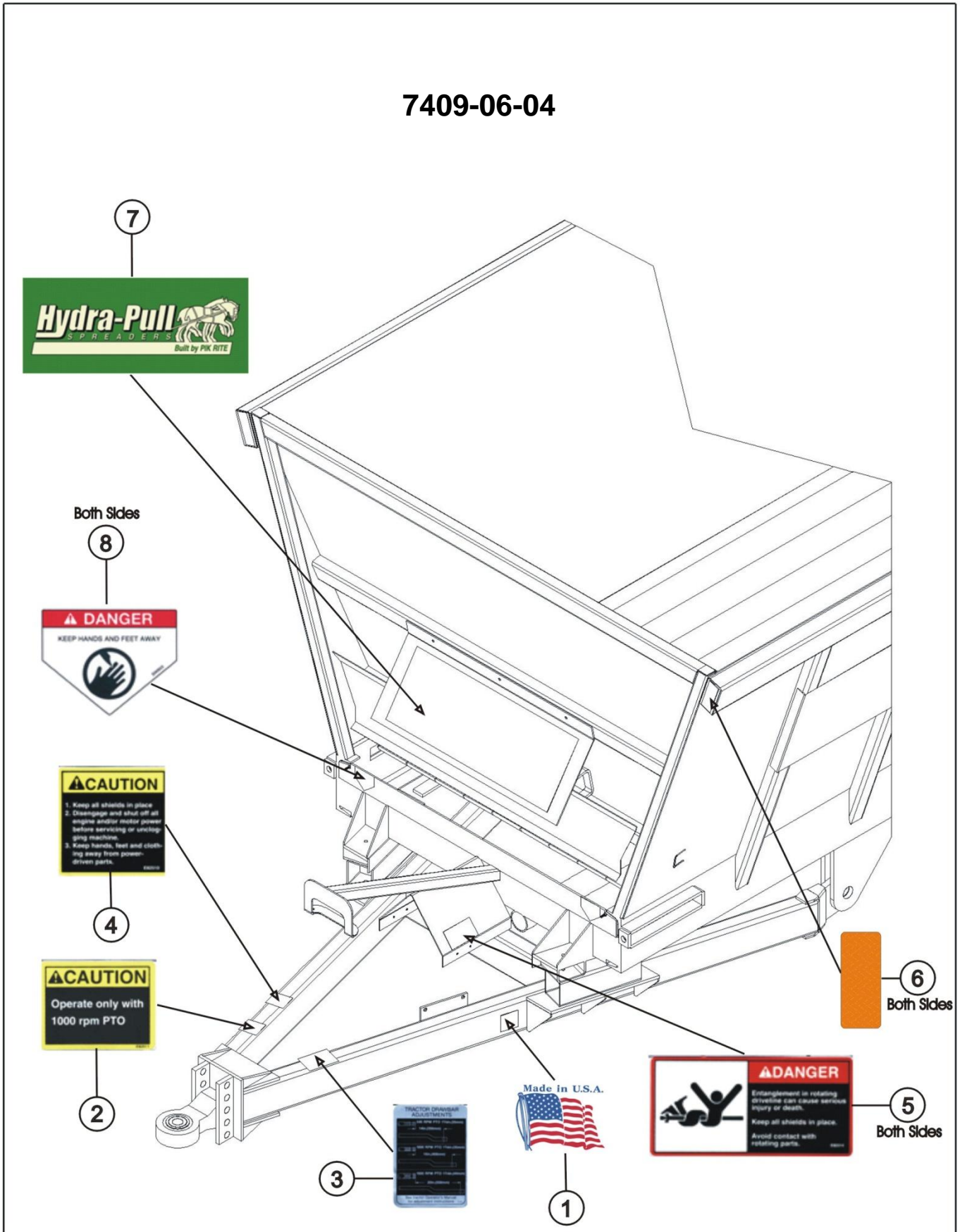
7409-06-03



## 7409-06-04 Decals, Front of Spreader

<u>Ref</u>	<u>Part No.</u>	<u>Description</u>	<u>Parts – Assembly</u>	<u>Will Fit SN</u>	<u>Remarks</u>
1	DC-0011	Decal, All, 'Made in USA', White Back w/ Red & Blue Letters	1		
2	DC-0021	Decal, Caution, 1000 rpm PTO	1		
3	DC-0022	Decal, Tractor Drawbar Adjustments	1		
4	DC-0023	Decal, Caution, Keep All Shields In Place	1		
5	DC-0025	Decal, Danger, Entanglement In Rotating Drive	2		
6	DC-0034	Decal, Amber, Reflector, Spreader	2		
7	DC-0082	Decal, Hydra-Pull, Large, Front & Side Panels	1		
8	DC-1174	Decal, Danger Keep Hands and Feet Away	2		
101	RI-3-6-P	Pop Rivets 3/16 x 3/8 Domed, .375 head, ea.	2		

7409-06-04



## 7409-06-05 Decals, Sides & Rear

<u>Ref</u>	<u>Part No.</u>	<u>Description</u>	<u>Parts – Assembly</u>	<u>Will Fit SN</u>	<u>Remarks</u>
1	DC-0025	Decal, Danger, Entanglement In Rotating Drive	2		
2	DC-0026	Decal, Warning, Crushing Under Endgate	4		
3	DC-0030	Decal, Danger, Entanglement In Beater	2		
4	DC-0033	Decal, Red, Reflector, Spreader	2		
5	DC-0034	Decal, Amber, Reflector, Spreader	2		
6	DC-0038	Decal, Caution, Raise Endgate Completely	2		
7	DC-0082	Decal, Hydra-Pull, Large, Front & Side Panels	2		
8	DC-0083	Decal, 1880vb, Model #	2		
9	DC-4W	Decal, Logo, White, 5.25" Long, Tanks, 1/29/99	2		
10	DC-3025	Red and White Reflective Tape @ 150 ft Roll	0.14667		

7409-06-05

