



Operation and Parts Manual



November 27, 2017

Pik Rite, Inc.
60 Pik Rite Lane
Lewisburg, PA 17837

Phone: 800-326-9763
Fax: 570-523-8175
www.pikrite.com

HP 380
Manure Spreader



Pik Rite, Inc.
60 Pik Rite Lane
Lewisburg, PA 17837

Phone: 800-326-9763
Fax: 570-523-8175
www.pikrite.com

HP 380
Manure Spreader

Some illustrations may not represent the spreader model you have; however, the principles of operation and maintenance are the same. If you have questions specific to your spreader please contact your dealer.

(SPECIFICATIONS AND DESIGN SUBJECT TO CHANGE WITHOUT NOTICE)



Table of Contents

OPERATOR'S MANUAL	6
SAFETY.....	7
PREPARING THE TRACTOR	12
PREPARING THE SPREADER.....	15
CONTROLS.....	17
ATTACHING THE SPREADER	18
DETACHING THE SPREADER	19
TRANSPORT	20
OPERATING THE SPREADER	23
LUBRICATION & MAINTENANCE	26
SPECIFICATIONS	31
PARTS MANUAL.....	33
74418-1-01 Main Frame & Panels	35
74418-1-01 Main Frame & Panels	36
74418-1-02 Stone Guard	37
74418-1-03 Guillotine Gate	38
74418-1-04 Walking Beam	39
74418-1-06 Tires & Wheels, 425/65R22.5	40
74418-1-05 Hubs & Spindles	40
74418-1-06B Tires & Wheels, 500/50R22.5	41
74418-1-06A Tires & Wheels, 500/50R22.5	41
74418-1-07 Opt. Weight Scale System, NT460.....	42
74418-1-07A Opt. Weight Scale System, GT400.....	43
74418-2-01 Driveline, Front, 1000 rpm	44
74418-2-01A Driveline, Front, 1000 rpm 1-3/4" CV	45
74418-2-02 Main Drive Shaft.....	46
74418-2-03 Vertical Beaters	47
74418-2-03A Compost Beaters: Hydraulic Hoods/Trim Shield.....	49
74418-2-03A Compost Beaters: Hydraulic Hoods/Trim Shield.....	50

Pik Rite, Inc.
60 Pik Rite Lane
Lewisburg, PA 17837

Phone: 800-326-9763
Fax: 570-523-8175
www.pikrite.com

HP 380
Manure Spreader



74418-2-03B	Compost Beaters: Hydraulic Hood & Turnbuckle	51
74418-2-03B	Compost Beaters: Hydraulic Hood & Turnbuckle	52
74418-2-03C	Compost Beaters: Hydraulic Hood	53
74418-2-03C	Compost Beaters: Hydraulic Hood	54
74418-2-04	Web Chain Drive.....	55
74418-2-04	Web Chain Drive.....	56
74418-2-05	Web Chain Gearbox & Motor.....	57
74418-2-05	Web Chain Gearbox & Motor.....	58
74418-2-06	Driveline, Rear, w/ Clutch	59
74418-2-07	Gearbox, Main Beaters.....	60
74418-3-01	Hydraulic Web Drive	61
74418-3-02	Hydraulic Endgate	62
74418-3-03	Endgate Cylinders.....	63
74418-3-04	Opt. Control Valve, Open Center	64
74418-3-05	Opt. Remote Flow Control	65
74418-3-06	Hydraulic Hoods W/ Trim Shield	66
74418-3-07	Hydraulic Hoods W/O Trim Shield.....	67
74418-4-01	Safety Chain.....	68
74418-4-02	Accessories	69
74418-4-03	Decals on Front of Spreader.....	70
74417-4-03	Decals On Front Of Spreader.....	70
74418-4-04	Decals On Sides Of Spreader	71
74418-5-01	Electrical & Lighting.....	72
74418-5-02	Optional Side Extension	73
WARRANTY		77

Pik Rite, Inc.
60 Pik Rite Lane
Lewisburg, PA 17837

Phone: 800-326-9763
Fax: 570-523-8175
www.pikrite.com

HP 380
Manure Spreader



OPERATOR'S MANUAL

Pik Rite, Inc.
60 Pik Rite Lane
Lewisburg, PA 17837

Phone: 800-326-9763
Fax: 570-523-8175
www.pikrite.com

HP 380
Manure Spreader

SAFETY



RECOGNIZE SAFETY INFORMATION

This is the safety-alert symbol. When you see this symbol on your machine or in this manual be alert to the potential of personal injury.

Follow recommended precautions and safe operating practices

▲ DANGER

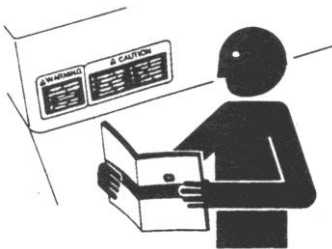
▲ WARNING

▲ CAUTION

UNDERSTAND SIGNAL WORDS

A signal word – DANGER, WARNING, or CAUTION-is used with the safety-alert symbol. DANGER identifies the most serious hazards.

DANGER or WARNING safety signs are located near specific hazards. General precautions are listed on CAUTION safety signs. CAUTION also calls attention to safety messages in this manual.



FOLLOW SAFETY INSTRUCTIONS

Carefully read all safety messages in this manual and on your machine safety signs. Keep safety signs in good condition. Replace missing or damaged safety signs. Be sure new equipment components and repair parts include the current safety signs. Replacement safety signs are available from your Pik Rite dealer.

Learn how to operate the machine and how to use controls properly. Do not let anyone operate without instruction.

Keep your machine in proper working condition. Unauthorized modifications to the machine may impair the function and/or safety and affect machine life.

If you do not understand any part of this manual and need assistance, contact your Pik Rite dealer.



KEEP SHIELDS IN PLACE

Do not operate spreader without safety shields in place.

Rotating parts can crush or dismember causing death or personal injury.

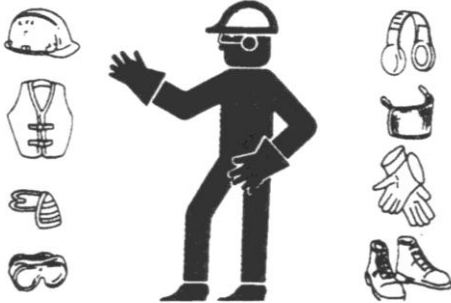
Disconnect PTO driveline and hydraulic lines from tractor before removing shields for adjustment or service.



PROTECT BYSTANDERS

Never operate the spreader near people.

Do not place rocks, timbers or other solid objects in the spreader. Objects can be thrown great distances causing injury to people.



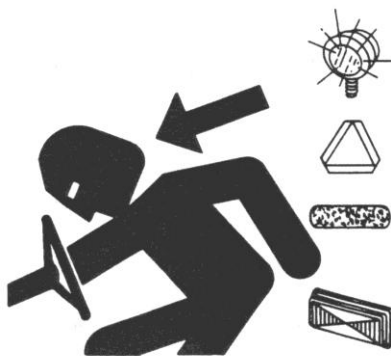
WEAR PROTECTIVE CLOTHING

Wear close fitting clothing and safety equipment appropriate to the job.

Prolonged exposure to loud noise can cause impairment or loss of hearing.

Wear a suitable hearing protective device such as earmuffs or earplugs to protect against objectionable or uncomfortable loud noises.

Operating equipment safely requires the full attention of the operator. Do not wear radio or music headphones while operating machine.



USE SAFETY LIGHTS AND DEVICES

Slow moving tractors, self-propelled equipment and towed implements or attachments can create a hazard when driven on public roads. They are difficult to see, especially at night. Avoid personal injury or death resulting from collision with a vehicle.

Flashing warning lights and turn signals are recommended whenever driving on public roads. To increase visibility, use the devices provided with your machine. For some equipment, install extra flashing warning lights.

Keep safety items in good condition. Replace missing or damaged items.



KEEP RIDERS OFF MACHINE

Riders are subject to injury such as being struck by foreign objects and being thrown off the machine. Riders also obstruct the operator's view resulting in the machine being operated in an unsafe manner

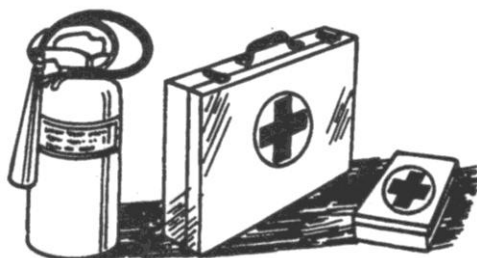


PARK SPREADER SAFELY

Park spreader on a level surface and block wheels.

Close endgate.

Secure jackstand with pin.



PREPARE FOR EMERGENCIES

Be prepared if a fire starts.

Keep a first aid kit and fire extinguisher handy.

Keep emergency numbers for doctors, ambulance service, hospital, and fire department near your telephone.



USE A SAFETY CHAIN

A safety chain will help control drawn equipment should it accidentally separate from the drawbar.

Using the appropriate adapter parts, attach the chain to the tractor drawbar support or other specified anchor location. Provide only enough slack in the chain to permit turning.

See your Pik Rite dealer for a chain with a strength rating equal to or greater than the gross weight of the towed machine. Do not use safety chain for towing.

OPERATE SPREADER SAFELY

Rotating parts can entangle or strike people, resulting in death or personal injury.



Never enter a spreader while in operation.

Operate the spreader from the tractor seat only.

Do not exceed load capacity of the spreader. (See Transport section)

Reduce speed when turning or traveling on rough terrain. Avoid traveling over loose fill, rocks, ditches or holes.

When working on inclines or slopes, travel uphill or downhill. Keep tractor in gear when traveling downhill.



STAY CLEAR OF RAISED ENDGATE

Contact with a lowering endgate can cause death or personal injury.

Lower endgate and disconnect hydraulic lines before servicing or adjusting.

STAY CLEAR OF ROTATING DRIVELINES

Entanglement in rotating driveline can cause serious injury or death.

Keep tractor master shield and driveline shields in place at all times. Make sure rotating shields turn freely.

Wear close fitting clothing. Stop the engine and be sure PTO driveline is stopped before making adjustments, connections, or cleaning out PTO driven equipment.



STAY CLEAR OF ROTATING BEATER

Rotating beater can entangle or strike causing death or personal injury.

Do not clean out or service spreader while beater is rotating.

Disconnect PTO driveline and make sure all parts have stopped rotating before cleaning or servicing.



WARNING: DO NOT CUT OR WELD ON VERTICAL BEATER ATTACHMENT, SERIOUS INJURY OR DEATH COULD OCCUR WHEN OPERATING

AVOID HIGH-PRESSURE FLUIDS

Escaping fluid under pressure can penetrate the skin causing serious injury.



Avoid the hazard by relieving pressure before disconnecting hydraulic or other lines. Tighten all connections before applying pressure.

Search for leaks with a piece of cardboard. Protect hands and body from high pressure fluids.

If an accident occurs, see a doctor immediately. Any fluid injected into the skin must be surgically removed within a few hours or gangrene may result. Doctors unfamiliar with this type of injury should reference a knowledgeable medical source.



SERVICE SPREADER SAFELY

To help prevent personal injury caused by unexpected movement, be sure to service spreader on level surface.

If spreader is connected to tractor, disengage PTO, engage parking brake and/or place transmission in "PARK," shut off engine and remove key.

If spreader is detached from tractor, block wheels and use safety stands to prevent movement.

Replace all shields after lubricating or servicing.

REDUCE SPEED WHEN TOWING LOADS

Braking to stop towed loads from transport speeds can cause the towed load to swerve and upset. Reduce speed if towed load weighs more than the tractor and is not equipped with brakes.

Follow recommended speed-weight ratio guidelines:

- Maximum speed is 20 mph (32 km/h) when towing loads equal to or less than the tractor.
- Reduce speed to 10 mph (16 km/h) when towing loads more than equal and up to double the tractor weight.
- Do not tow loads exceeding double the tractor weight.
- Use additional caution when towing loads under adverse surface conditions, when turning, and on inclines



PREPARING THE TRACTOR

APPROVED TRACTORS, MODEL HP 380

Row Crop Tractors with 160 HP PTO rating or larger are approved for operation with the HP 380 Spreader.

Utility Tractors are **NOT APPROVED** because of drawbar weight limitations and the inability to ballast the tractor enough to meet requirements for towing.

A drawbar support is required on any tractor with a drawbar size of no less than 1-1/2 x 3 in.

Tractor hydraulic oil reservoir must have capacity for 3.7 U.S. gal. net draw for a spreader with an endgate or 3.1 U.S. gal. without an endgate.

Tractor standby hydraulic pressure must be 1500 psi minimum.

Two selective control valve is required to operate the spreader.

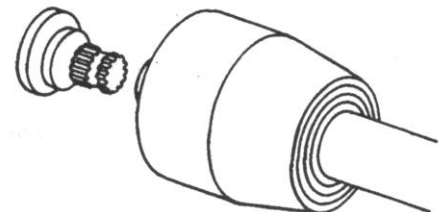
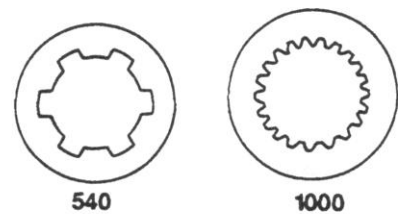
A second selective control valve is required to operate the endgate.

CHOOSING CORRECT PTO SPEED

MODEL HP 380 – 1000 rpm only

IMPORTANT: Drive components can be damaged.

Under no circumstances should a machine equipped for 540 rpm PTO be operated by a tractor equipped with 1000 rpm PTO. Nor should a 1000 rpm PTO machine be operated with a tractor equipped with 540 rpm PTO.

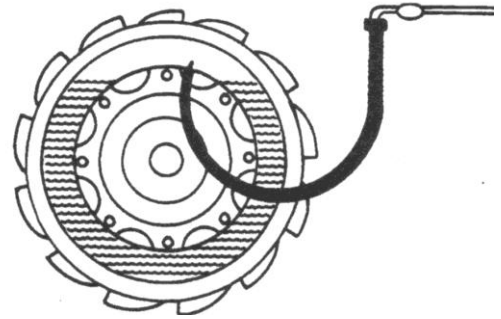


PREPARING THE TRACTOR

BALLASTING THE TRACTOR

CAUTION: Do not tow loads that weigh more than twice the tractor weight.
(See Recommended Maximum Towing Speed in Transport section.)

To ensure proper stability, adjust ballast and wheel spacing according to tractor operator's manual.



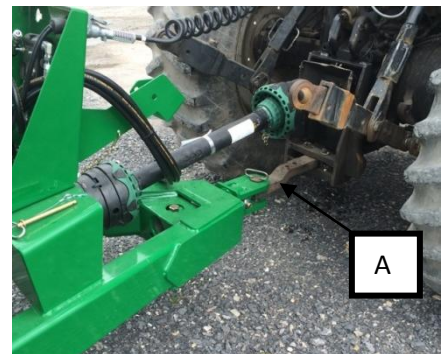
POSITIONING DRAWBAR

IMPORTANT: Tractor PTO and machine driveline can be damaged. Be sure drawbar length is properly set. If equipped with clevis, remove it. Lock drawbar along tractor centerline with offset down.

Clevis is needed

Adjust drawbar length (A) to help prevent driveline damage.

PTO Speed	Dimension (A)
1000 rpm x 1-3/8	533 mm (16in.)
1000 rpm x 1-3/4	533 mm (20in.)



A tractor drawbar support is required on tractors with a drawbar size of 1-1/2 x 3 in. minimum

USING SELECTIVE CONTROL LEVERS TO CONTROL CHAIN SPEED

Apron Chain speed can be controlled by using the tractor's selective speed control lever to adjust spread rate up or down.

Adjust selective control valve lever to provide the slowest operating speed.
(See your tractor Operator's Manual)

Maximum hydraulic oil flow through the spreader apron chain motor is 15 gpm. Trying to force through more oil than this may create a pressure drop and could damage the hydraulic motor.

SETTING HYDRAULIC SPEED ENDGATE OPERATION

IMPORTANT: Excessive operating speed may cause machine damage. Adjust selective control valve lever to provide correct operating speed.

CHECKING TRANSMISSION/HYDRAULIC OIL LEVEL

Cycle all hydraulic cylinders fully two or three times.

Fully retract all cylinders.

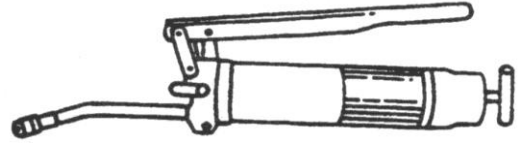
Check transmission/hydraulic oil level.
(See your tractor's Operator's Manual)

PREPARING THE SPREADER

LUBRICATING THE MACHINE

Be sure the machine has been adequately lubricated.

(See Lubrication and Maintenance page.)



BRAKE ADJUSTMENT (HYDRAULIC)

*Contact your Hydra-Pull Dealer
for available brake kit*



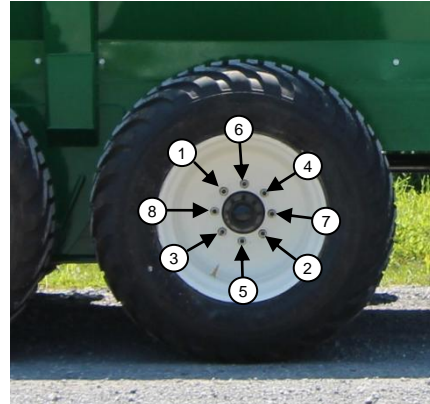
TIGHTENING WHEEL HARDWARE

IMPORTANT: Operating the spreader with loose wheel hardware will damage the hub or wheel. Tighten hardware after initial transport, after one hour of operation and every fifty hours thereafter.

Tighten to 170 lb-ft of torque in the sequence shown.

<u>Tire Size</u>	<u>Wheel Size</u>	<u>Tire Pressure</u>
------------------	-------------------	----------------------

425/65R22.5	22.5 x 11.75	115 PSI
500/50R22.5	22.5 x 16	40 PSI
16.5 x 16.1 14 ply	14.00 x 16.1	48 PSI



** Additional options may be available, please contact your dealer for more information*

CHECKING TIRES

1. Check tires daily for damage or noticeably low pressure.
2. Repair any cuts or breaks as soon as possible.
3. Protect tires from exposure to sunlight and petroleum products or chemicals.



CONTROLS

OPERATING THE BEATER

To start beater, engage PTO lever slowly, at low engine rpm.

To stop beater, disengage PTO. (See your tractor's Operator's Manual)

For best spreading results, operate the tractor engine at "PTO RATED" speed.

WARNING: Do not operate the apron chain without running the beaters as this may damage the spreader.

OPERATING THE ENDGATE

IMPORTANT: Contact of apron chain running with endgate closed will cause damage. To avoid contact with apron chain when running, endgate must be raised when running apron chain.

Operate the endgate with the second auxiliary control valve lever.

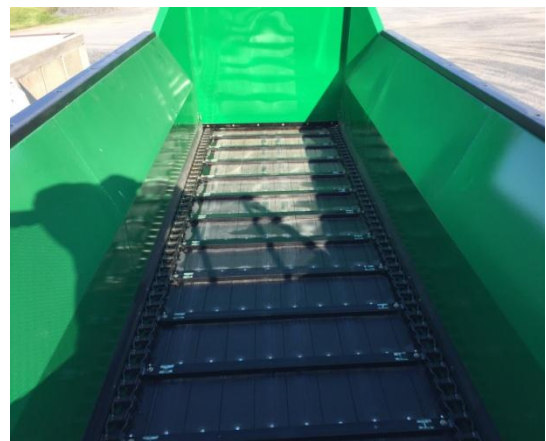


OPERATING APRON CHAIN

To run apron chain lock hydraulic control lever in operating position on tractor.

See your tractor's operating manual for information on how to control flow rates of your hydraulic system.

Maximum hydraulic oil flow through the spreader apron chain motor is 15 gpm. Trying to force through more oil than this may cause serious damage to motor (relief factory set at 1250 psi)



ATTACHING THE SPREADER

ATTACHING SPREADER

CAUTION: Help prevent personal injury caused by unexpected movement of the machine. Engage parking brake and/or place transmission in “PARK”, shut off engine, and remove key before working around hitch.

1. Attach with a 1-1/2 in. pin and secure.
(Top clevis required)

IMPORTANT: Shorten safety chain to allow only enough slack required for turning.

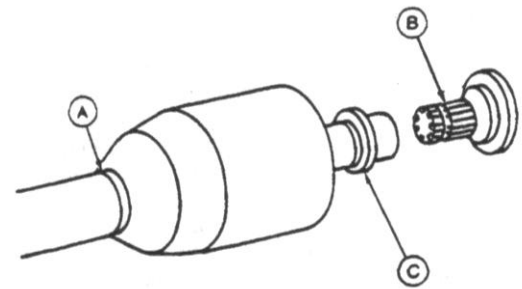
2. Lock safety hook onto chain.



ATTACHING DRIVELINE

IMPORTANT: Avoid causing damage to shielding, **DO NOT** use bell on driveline to lift driveline into position.

1. Support driveline, cradling it in your hand.
2. Rotate driveline (C) or tractor PTO (B) to align splines.
3. Pull collar (C) rearward and push forward on bell (A) to engage driveline yoke with tractor PTO (B).
4. Pull back on PTO driveline shielding to be sure driveline is locked. **DO NOT** pull on collar, this will release latch.



CONNECTING AIR HOSES (AIR ASSIST BRAKES)

1. Connect red line to supply port.
2. Connect blue line to service/control port.



CONNECTING HOSES (HYDRAULIC BRAKES)

1. Connect pressure hoses to pressure ports of hydraulic remote coupler.
2. Connect return hoses to return ports of hydraulic remote coupler.

(Relief factory set 1000psi)

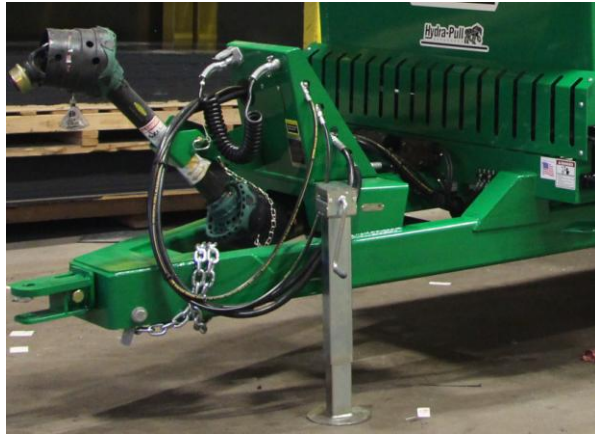


DETACHING THE SPREADER

DETACHING THE SPREADER

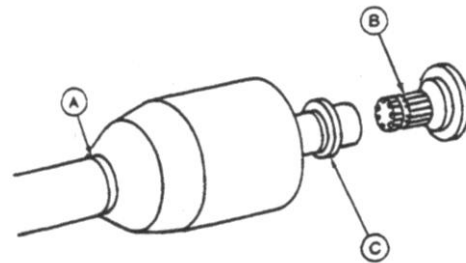
DETACHING SPREADER

1. Secure jackstand in lift position
2. Detach safety chain
3. Remove hitch pin
4. Disconnect hoses. Store on spreader



DETACHING DRIVELINE

1. Support driveline (A) and pull rearward on collar (C) to release driveline from tractor PTO (B).
2. When possible store driveline in driveline cradle provided with machine.
3. Replace tractor PTO shields.

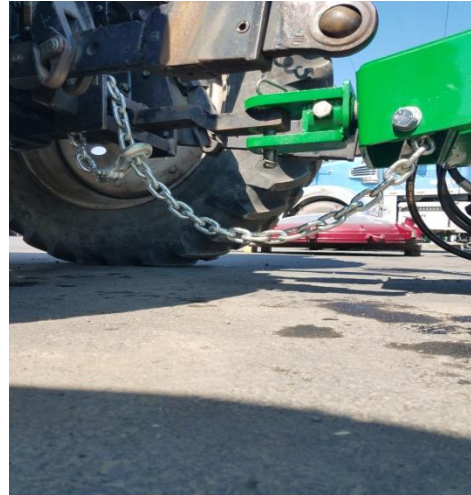


TRANSPORT

USING A SAFETY CHAIN

CAUTION: A safety chain will help control drawn equipment should it accidentally separate from the drawbar while transporting. Using the appropriate adapter parts, attach the chain to the tractor drawbar support or other specified anchor location. Provide only enough slack in the chain to permit turning. See your Pik Rite dealer for a chain with a strength rating equal to or greater than the gross weight of the towed machine.

1. Attach safety tow chain



LIGHTING

CAUTION: When transporting the machine on a road or highway at night or during the day, use accessory lights and devices for adequate warning to operators of other vehicles. Check local governmental regulations. Keep safety items in good condition. Replace missing or damaged items.

Contact your Hydra-Pull Dealer for available lighting kit



TOWING LOADS

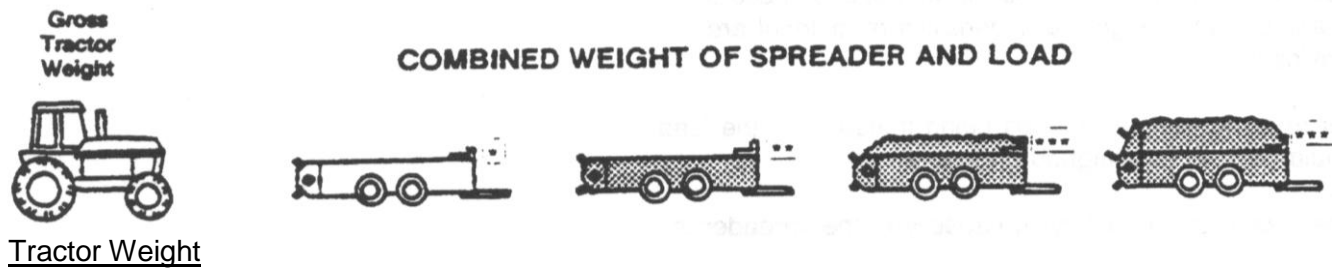
CAUTION: Braking to stop towed loads from transport speeds can cause the towed load to swerve and upset. Reduce speed if towed load is not equipped with brakes and weighs more than the tractor.



Follow recommended speed-weight ratio guidelines:

- Maximum speed is 20 mph (32 km/h) when towing loads equal to or less than the weight of the tractor.
- Reduce speed to 10 mph (16 km/h) when towing loads more than or up to double the tractor weight.
- **DO NOT** tow loads that exceed double the tractor weight.
- Use additional caution when towing loads under adverse road surface conditions (i.e. slippery or rough), when turning and/or on inclines.
- For proper tractor size and towing speed see the following “Recommended Maximum Towing Speed” chart.
- If necessary, add ballast as described in your tractor’s Operator’s Manual.

RECOMMENDED MAXIMUM TOWING SPEED



Tractor Weight	Empty Spreader	Base Load Spreader	High Liquid Content Spreader	Piled Manure Spreader
(0-2997 lb)	Do Not Tow	Do Not Tow	Do Not Tow	Do Not Tow
(2998-5950 lb)	Do Not Tow	Do Not Tow	Do Not Tow	Do Not Tow
(5951-11021 lb)	Do Not Tow	Do Not Tow	Do Not Tow	Do Not Tow
(11022-12123 lb)	Do Not Tow	Do Not Tow	Do Not Tow	Do Not Tow
(12124-14769 lb)	Do Not Tow	Do Not Tow	Do Not Tow	Do Not Tow
(14770-22044 lb)	Do Not Tow	Do Not Tow	Do Not Tow	Do Not Tow
(22045-24910 lb)	(20 mph)	(10 mph)	(10 mph)	(10 mph)
(24911-29540 lb)	(20 mph)	(10 mph)	(10 mph)	(10 mph)
(29541 lb-Up)	(20 mph)	(10 mph)	(10 mph)	(10 mph)

**Base Spreader Empty Load*

***Load struck level consisting of manure with high liquid content.
Calculated at 70 lb/cu ft*

****Load piled 381 mm (15 in.) above beater consisting of semi-solid type manure
Calculated at 55 lb/cu ft*

*****Load piled at 15 in. above optional upper beater consisting of semi-solid type manure.
Calculated at 55 lb/cu ft*

OPERATING THE SPREADER

PREOPERATING CHECKS

1. Be sure spreader does not contain any foreign objects
2. Check for correct hydraulic hookup. Raise endgate fully. Engage beaters, engage apron chain
3. Disengage apron chain, disengage beaters
4. Close endgate

LOADING THE SPREADER

CAUTION: Do not place rocks, timbers, or other solid objects in the spreader. Objects of this nature can damage the spreader and could also be thrown great distances causing possible injury to anyone standing in the vicinity.

Load front of spreader first, distributing load evenly.

When operating without an endgate, avoid loading manure against the beater.



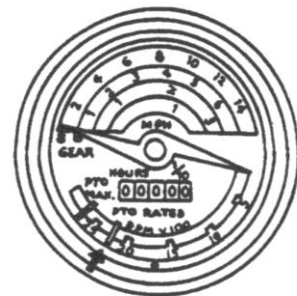
PREPARE TO UNLOAD THE SPREADER

CAUTION: Help prevent personal injury. Be sure no one is near spreader and tractor before operating.

1. Start beater by engaging PTO slowly at low engine rpm. Increase to “PTO RATED” speed.

NOTE: For best spreading results, operate tractor at “PTO RATED” speed.

WARNING: Do not operate apron chain without running the beaters as this may damage the spreader



RAISE ENDGATE

IMPORTANT: Contact of apron chain with endgate will cause damage. To avoid contact with apron chain, endgate must be raised fully.

The endgate closes off the back end of the spreader to contain manure with high liquid content.

The endgate also prevents solid material from being piled tight against the beater.



UNLOADING SPREADER USING METERING VALVE

1. Set flow control on tractor hydraulics obtain desired rate of unload speed.

Note: Rate of spread is affected by both ground speed and unload speed. Experience will help you determine both gear selection and control knob setting.

2. When spreader is empty, disengage apron chain, disengage PTO, and lower endgate.

PRODUCING GOOD SPREADING RESULTS

1. Operate tractor engine at “PTO RATED” speed.
2. Do not overload beater. A clumpy spread pattern will result from too fast of an unload rate.
3. When operating without an endgate, avoid loading material against the beater. Otherwise, large clumps of material will be thrown out during the first few turns of the beater.

CLEANING SPREADER IN COLD WEATHER

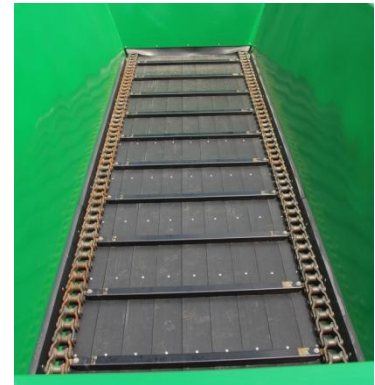
When operating the spreader during extended periods of subfreezing temperatures, frozen material may build up on steel surfaces. This can prevent the beater from moving.

After completing spreading for the day, use the following cleaning procedure.

NOTE: Cleaning is only necessary during extended periods of subfreezing temperatures.

Remove material along edges of apron chain

Remove material buildup from endgate panel. Keep endgate arms clean to prevent freezing to side rails.



OPERATING THE SPREADER

CLEAN WALKING BEAM

When tire valve stems are mounted towards the inside, clean top of walking beams to prevent valve stem damage.



WARMING HYDRAULIC OIL TEMPERATURES BELOW 0°F (-18°C)

It is necessary to warm the hydraulic oil for proper spreader operation.

Follow the procedures in your tractor's Operator's Manual for warming hydraulic oil.

The following procedures apply only to tractors with a closed center hydraulic system.



BYPASSING SPREADER CONTROL VALVE

There will be a large hydraulic oil pressure drop across the auxiliary flow control valve when the oil is cold. Oil pressure available to hydraulic cylinders may be too low.

Try cycling the cylinders several times slowly so the cold oil in the cylinders is mixed with the warm oil in the tractor. In the event of extreme cold; you may need to bypass the control valve to do this. Be sure you begin by moving the cylinders very slowly.

Reconnect hoses to flow control valve.

LUBRICATION & MAINTENANCE

LUBRICATION & MAINTENANCE

LUBRICATING AND MAINTAINING SPREADER SAFELY

CAUTION: Help prevent personal injury caused by unexpected movement of the machine. If spreader is connected to tractor, disengage PTO, engage parking brake and/or place transmission in "PARK", shut off engine, and remove key. If spreader is detached, block wheels and use safety stands.

Replace all shields after lubricating or servicing.

OBSERVING INTERVALS

IMPORTANT: The intervals recommended are based on normal conditions. Severe or unusual conditions may require more frequent attention.

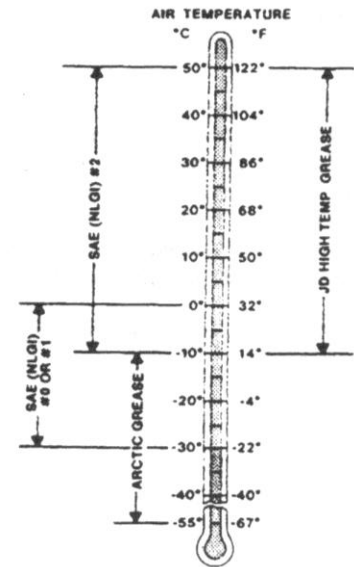


SELECTING GREASE

Depending upon the expected air temperature range during the service interval, use grease as shown on the adjoining temperature chart.

-SAE-Multipurpose High Temperature Grease with Extreme Pressure [EP] Performance with 3 to 5% molybdenum disulfide.

NOTE: Moly-type grease is recommended, however, if not available, a multipurpose grease is acceptable.

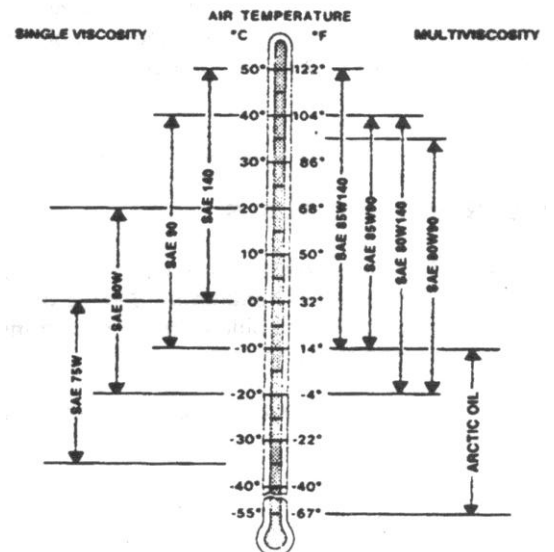


SELECTING GEAR CASE OIL

Depending upon the expected air temperature range during the drain interval, use oil viscosity shown on the adjoining temperature chart.

- API Service Classification GL-5
- Military Specification MIL-L-2105B
- Military Specification MIL-L-2105C

At temperatures below -35° [-31°], use arctic oils such as those meeting Military Specifications MIL-G-10324A.



LUBRICATION & MAINTENANCE

SERVICE INTERVALS

Lubricate driveline every 8 hrs

- Lubricate top beater bearings every 40 hrs
- Check gear case oil level every 8 hrs
- Check tires every 8 hrs
- Check axle hub oil every 8 hrs
- Grease apron chain drive bearings & sprockets every 40 hrs

EVERY 50 HOURS

- Adjust apron chain
- Tighten wheel hardware
- Lubricate walking beam pivots

EVERY 250 HOURS

- Lubricate endgate pivots

SERVICE AS REQUIRED

- Adjust apron chain tension
- Slip the clutch

GEARBOX

- Change lubricant every 6,000 loads

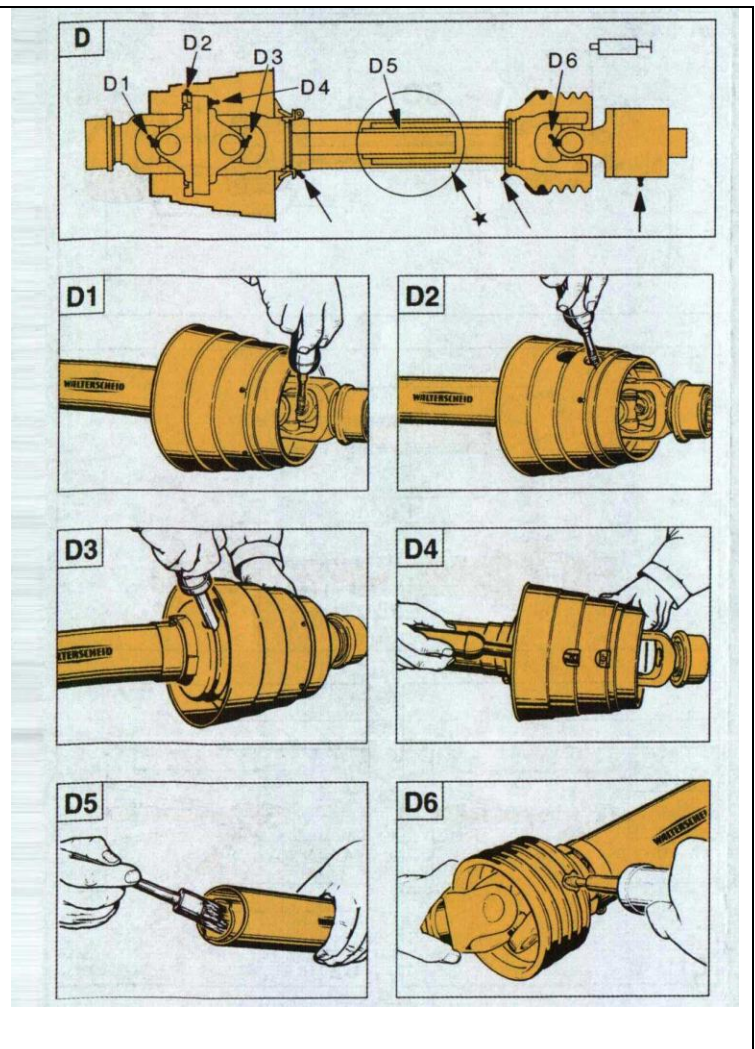
In addition to the above referenced information, you are working with a central lube CV design on the primary that contains a special lubrication provision that needs to be well defined for the user so that extended life on the CV can be achieved.

The key point is that each CV has one zerk in a bearing cap and it is this zerk that is most important since it feeds the inboard cross kit as well as the the ball and socket of the CV. The user needs to understand that the zerk in the cap should receive **15-20 pumps** of grease each day while the other zerks in the joint

CV housing and telescoping members can operate with 5-6 pumps or until the seals purge. The plastic zerks feeding the shielding should also receive 3-4 pumps daily if shields are being restrained.

Primary Driveline (to Tractor) Lubricate fittings D1 through D6 every eight hours of operation.

Secondary Driveline (under spreader) Lubricate as above including overrunning clutch.



NOTE: Lubrication step D5 is only necessary when driveline does not have grease fitting. Separate front and rear halves of driveline and brush with grease.

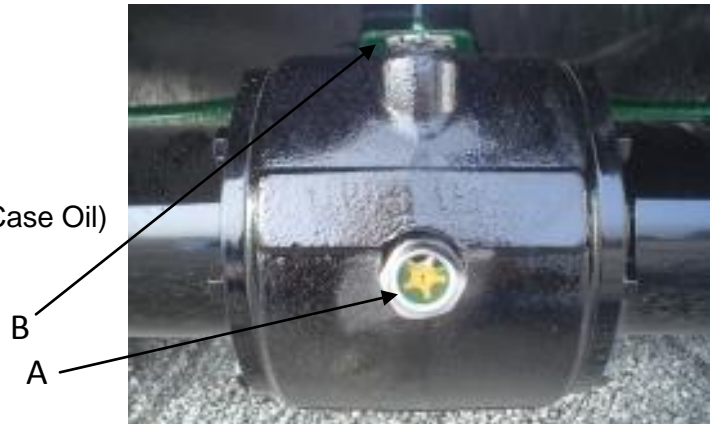
LUBRICATION & MAINTENANCE

CHECK GEAR CASE OIL LEVEL

With spreader on level ground, check oil level at the sight glass on the center gearcase. "A"

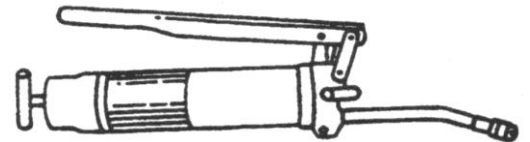
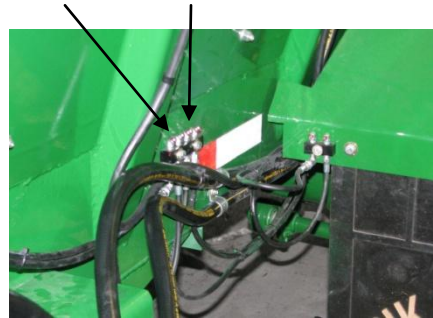
Add recommended oil as needed. (See Selecting Gear Case Oil)

To add oil, remove fill cap at the top of the gearcase "B"



GREASE TOP BEATER BEARINGS

Grease the two bearings at the top of the vertical beaters every 8 hours of operation. Rear grease bank on beater side panel



CHECKING TIRES

1. Check tires daily for damage or noticeably low pressure.
2. Repair any cuts or breaks as soon as possible.
3. Protect tires from exposure to sunlight and petroleum products or chemicals.

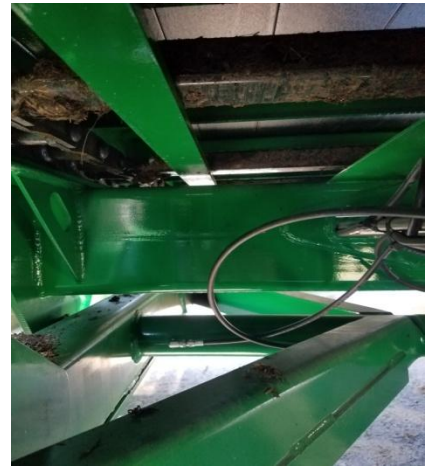
<u>Tire Size</u>	<u>Wheel Size</u>	<u>Tire Pressure</u>
425/65R22.5	22.5 x 11.75	115 PSI
550/60R22.5	22.5 x 16	40 PSI
16.5 x 16.1 14 ply	14.00 x 16.1	48 PSI



LUBRICATION & MAINTENANCE

LUBRICATE WALKING BEAM PIVOTS

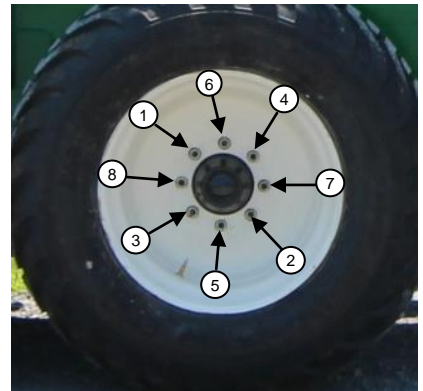
1. Place a jack under the spreader main frame.
2. Raise spreader enough to relieve weight from walking beam.
3. Lubricate grease bank (A) with Moly High Temperature/Extreme Pressure Grease.



TIGHTENING WHEEL HARDWARE

Operating the spreader with loose wheel hardware will damage the hub or wheel. Tighten hardware after initial transport, after one hour of operation, and every fifty hours thereafter.

Tighten to 170 lb.-ft. in the sequence shown.



LUBRICATE CHAIN DRIVE

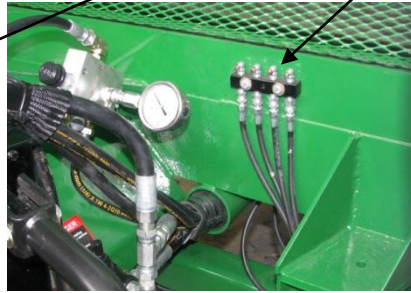
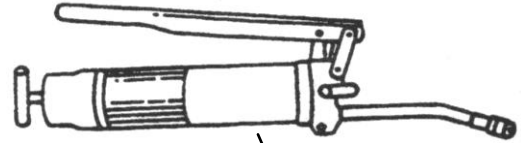
Before long periods of storage always oil the chain. Run the chain with both ball valves fully open for 5 minutes. Approximately usage will be a quart of oil every lubrication cycle.



LUBRICATION & MAINTENANCE

LUBRICATE THE SIX PILLOW BLOCKS UNDER THE SPREADER THAT CARRY THE MAIN POWER SHAFT, USING CENTRAL GREASE LOCATION

1. Lubricate grease fitting with Moly High Temperature/Extreme Pressure Grease.



LUBRICATE WALKING BEAMS USING GREASE BANKS ATTACHED TO THE REAR OF THE FENDERS, TWO ON EACH SIDE



MAINTAINING SLIP CLUTCH, WALTERSCHEID

The clutch is preset and is not field adjustable.

If you determine that your slip clutch needs maintenance or adjustment, contact your dealer.



LUBRICATE HITCH EVERY 40 HRS



SPECIFICATIONS

SPECIFICATIONS

Tractor Size (Minimum recommended)	100 hp PTO
Weight Spreader, Complete with Implement tires and all Attachments	11,500 lb
Load Capacity	11.5 tons
Volume Capacity Struck Level Heaped Load With Side Extensions	276 cu. ft. / 260 bu. 427 cu. ft. / 380 bu. adds 99.5 cu. ft / 80 bu
Beater Speed	420 rpm
Unloading Speed	0-15.21 ft/min Infinitely Variable
Driveline	Shielded 1000 rpm

(Specifications and design subject to change without notice)



PARTS MANUAL

Pik Rite, Inc.
60 Pik Rite Lane
Lewisburg, PA 17837

Phone: 800-326-9763
Fax: 570-523-8175
www.pikrite.com

HP 380
Manure Spreader

DIRECTION ARROW

ARROWS ARE USED WITH ILLUSTRATIONS TO INDICATE THE FRONT OF THE UNIT. "RIGHT-HAND" AND "LEFT-HAND" SIDES ARE DETERMINED BY FACING THE DIRECTION OF MACHINE FORWARD TRAVEL.

BOX ENCLOSED ILLUSTRATIONS

A REFERENCE NUMBER, SHOWN IN THE PARTS LIST, IS ASSIGNED TO A BOX ENCOMPASSING ALL PARTS SOLD AS A SERVICE ASSEMBLY.

REFERENCE NUMBER IDENTIFICATION

000-099 PARTS USED FOR ASSEMBLY
100-199 BOLTS & FASTENERS
800-899 REPLACEMENT PARTS OR SERVICE ASSEMBLIES –
USED TO REPLACE OR REBUILD COMPONENTS OF THE
MACHINE

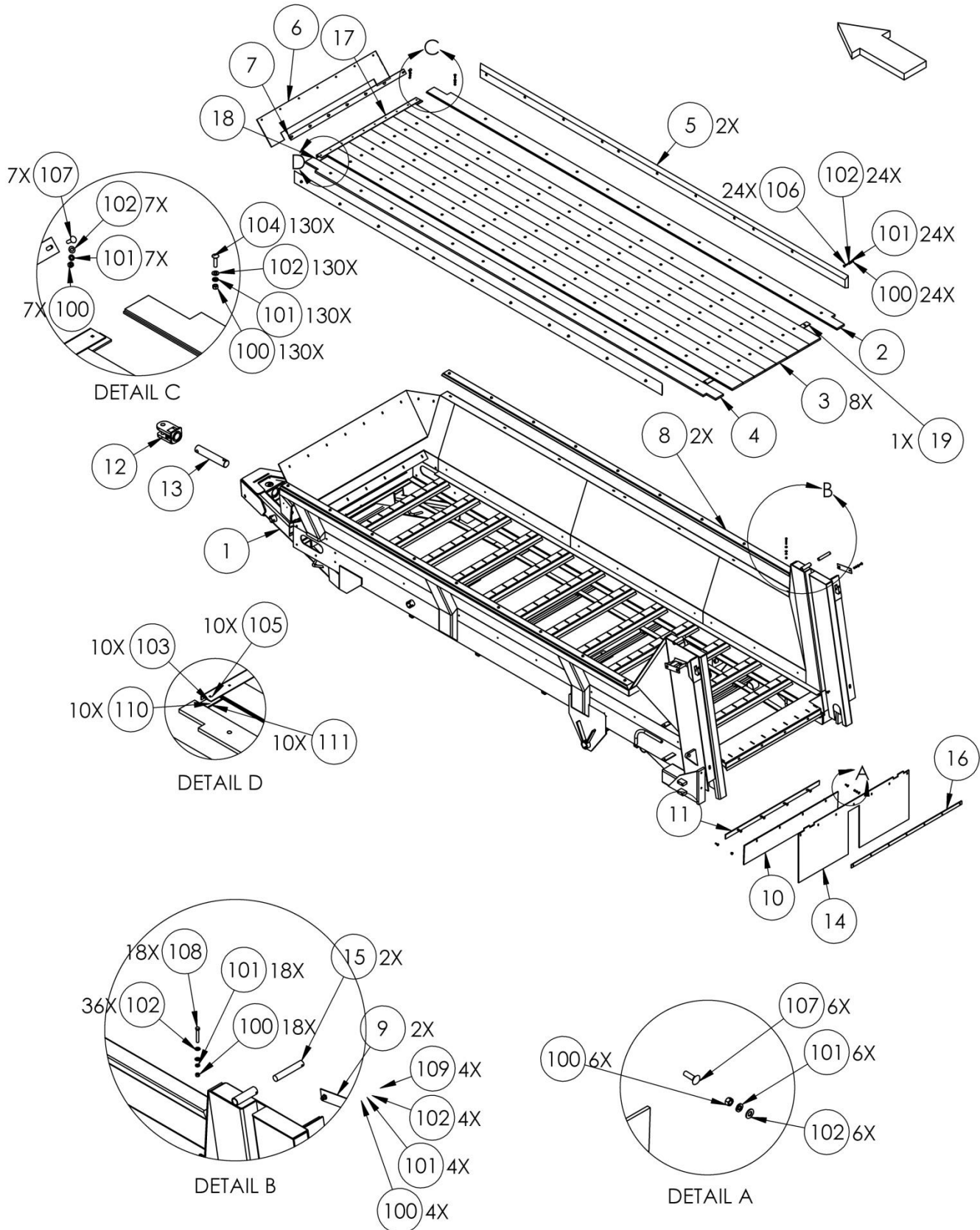
74418-1-01

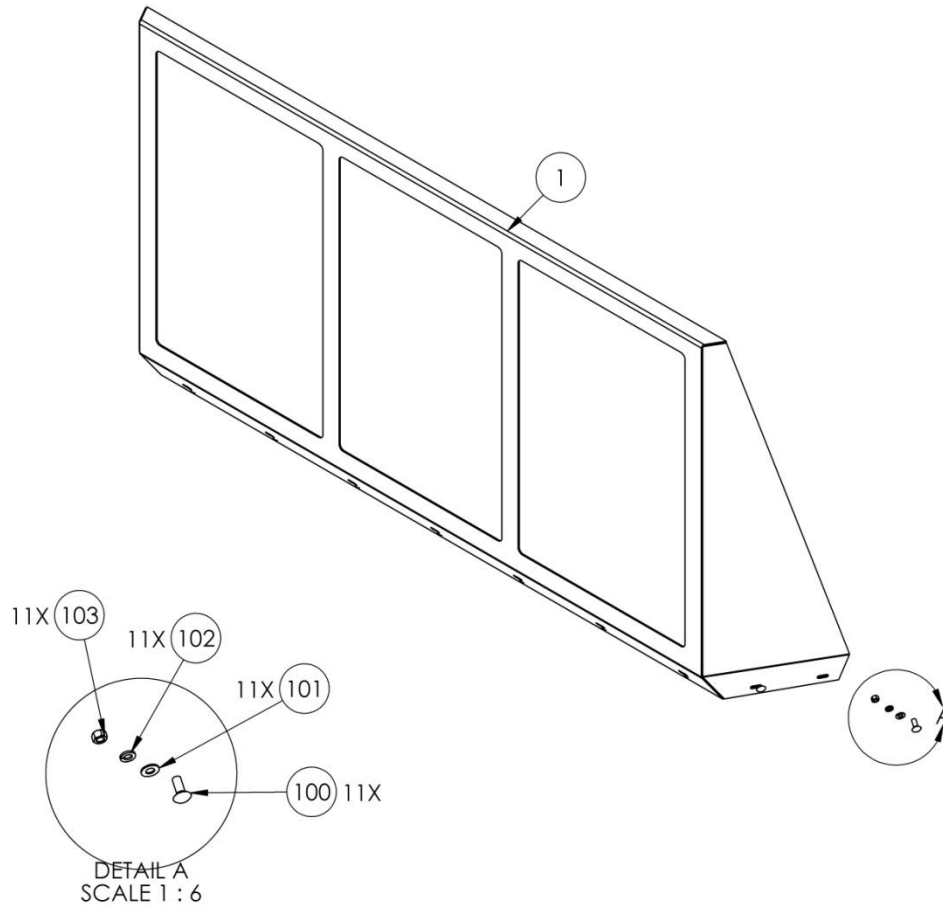
Main Frame & Panels

ITEM NO.	QTY	DESCRIPTION	PART NUMBER
1	1	MAIN FRAME	PR70350
2	1	BELTING BAR	PR70337
3	1	BELTING, BOT. BACK	PR70336
4	1	BELTING, FRONT	PR70314
5	1	BELTING BAR	PR70303
6	2	ENDGATE PIN	PR70302
7	1	BELTING, BOT. BACK	PR70301
8	2	BOTTOM BUMPER RAIL	PR70295
9	2	CYLINDER BRACKET	PR70293
10	1	BELTING BAR	PR70280
11	2	BUMPER, TOP RAIL	PR70279
12	1	POLY BOARD, LH	PR70274
13	8	POLY BOARD	PR70273
14	1	POLY BOARD, RH	PR70272
15	1	HITCH	PR70097
16	1	HITCH SHAFT, HARDENED	PR63101
19	1	SPACING BAR	PR70317
18	1	FLAT BAR	PR70308
17	1	FRONT FLOOR TRIM	PR70307
111	10	1/4-20 HEX FIN NUT ZC	BL-4-N
110	10	1/4 SPLIT LW ZC	BL-4-LW
109	4	3/8-16 X 1 CARRIAGE BOLT G5 ZC	BL-6-100-C
108	18	3/8-16 X 2-1/2 HH C/S G5 ZC	BL-6-250-H
107	13	3/8-16 X 1-1/4 CARRIAGE BOLT G5 ZC	BL-6-125-C
106	24	3/8-16 X 1-3/4 CARRIAGE BOLT G5 ZC	BL-6-175-C
105	10	1/4-20 X 1-1/2 CARRIAGE BOLT G5 ZC	BL-4-150-C
104	130	3/8-16 X 1-1/2 CARRIAGE BOLT G5 ZC	BL-6-150-C
103	10	1/4 USS FW ZC	BL-4-FW
102	207	3/8 SAE FW ZC	BL-6-SW
101	189	3/8 SPLIT LW ZC	BL-6-LW
100	189	3/8-16 HEX NUT ZC	BL-6-N

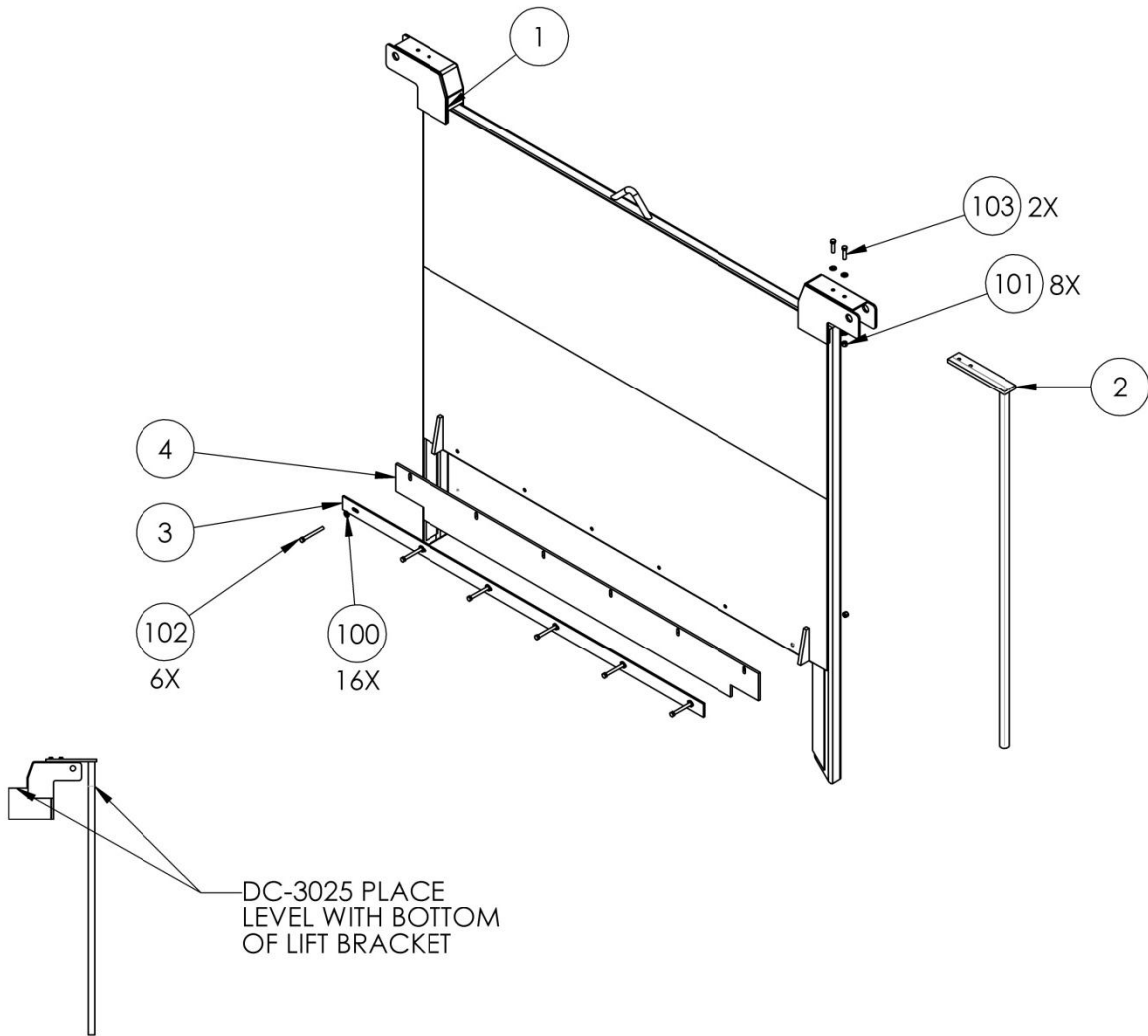
74418-1-01

Main Frame & Panels

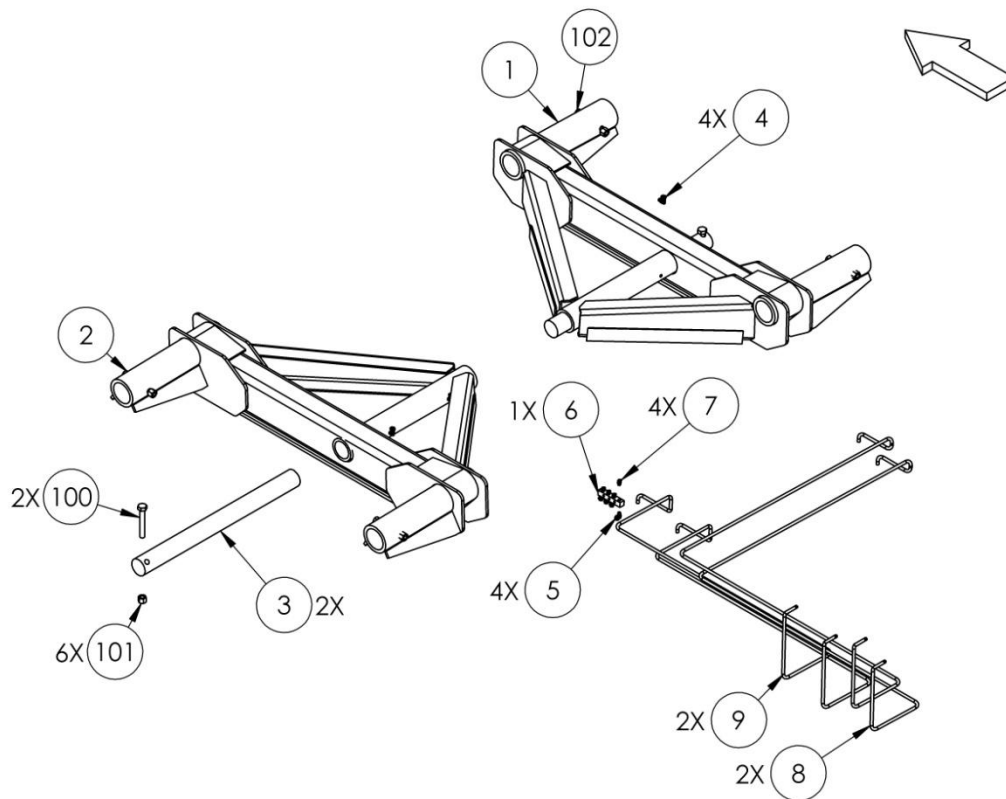




ITEM NO.	EXPLODED/QTY.	DESCRIPTION	PART NUMBER
1	1	ROCK GUARD	PR70385
100	11	3/8-16 X 1 CARRIAGE BOLT G5 ZC	BL-6-100-C
101	11	3/8 SAE FW ZC	BL-6-SW
102	11	3/8 SPLIT LW ZC	BL-6-LW
103	11	3/8-16 HEX NUT ZC	BL-6-N



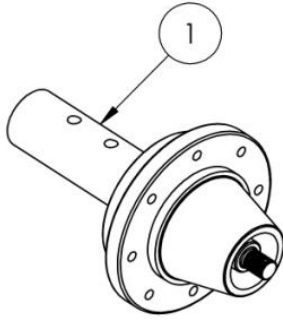
ITEM NO.	QTY.	DESCRIPTION	PART NUMBER
1	1	GUILLOTINE GATE	PR70381
2	1	MEASURING STICK	PR70366
3	1	BELTING BAR	PR70284
4	1	GATE BELTING	PR70282
5	4	RED AND WHITE REFLECTIVE TAPE	DC-3025
100	16	3/8 SAE FW ZC	BL-6-SW
101	8	3/8-16 FIN H LN NE A563 GA ZC	BL-6-LN
102	6	3/8-16 X 3-1/2 HEX CAP G5 ZC	BL-6-350-H
103	2	3/8-16 X 1-1/2 HEX CAP G5 ZC	BL-6-150-H



ITEM NO.	QTY	DESCRIPTION	PART NUMBER
1	1	ROCKER, RH	WHL-8119
2	1	ROCKER, LH	WHL-8120
3	2	PIN	PIN-8115
4	4	1/8MP X 1/8 FPX 90°	A-1501-2-2
5	4	1/8 MP X 1/8 FPX 45°	A-1503-2-2
6	1	4" GREASE MANIFOLD	GF-4-4
7	4	GREASE FITTING 1/8 NPT 45°	GF-1827-45
8	2	1/8" HOSE X 1/8" MP X 1/8" MP X 90" LONG	H2-90-2MP-2MP
9	2	1/8" HOSE 1/8" MP X 1/8" MP X 70" LONG	H2-70-2MP-2MP
100	2	5/8-11 X 4-1/2 HHCS G8 ZC	BL-10-450-8
101	6	5/8-11 HEX LN NE ZC	BL-10-LN
102	4	5/8-11 X 5 BOLT HH G5 ZC	BL-10-500-H

74418-1-05

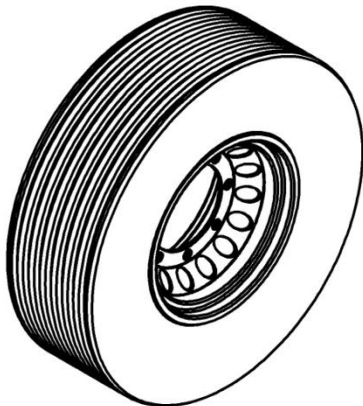
Hubs & Spindles



NOTE:
MANY OF THESE PARTS ARE SPECIAL
ORDER ONLY. CONSULT YOUR DEALER
FOR AVAILABILITY

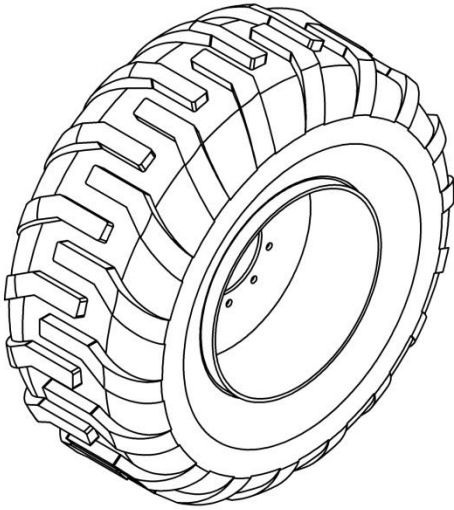
ITEM NO.	QTY	DESCRIPTION	PART NUMBER
1	4	HUB ASSEMBLY	WHL-3000
801	4	SPINDLE 3" x 16"	WHL-3001
802	4	SEAL	WHL-3000G
803	4	INNER CONE	WHL-3000C
804	4	INNER CUP	WHL-3000A
805	4	OUTER CUP	WHL-3000B
806	4	OUTER CONE	WHL-3000D
807	4	SPINDLE WASHER	WHL-3000K
808	4	SPINDLE NUT	WHL-3000J
809	4	HUB CAP	WHL-3000H
810	4	COTTER PIN 3/16 x 2"	PIN-C3-16-32
811	32	LUG NUT	WHL-3000F
812	32	STUD BOLT	WHL-3000E
813	4	WHEEL BEARING KIT	WHL-3000K

74418-1-06 Tires & Wheels, 425/65R22.5



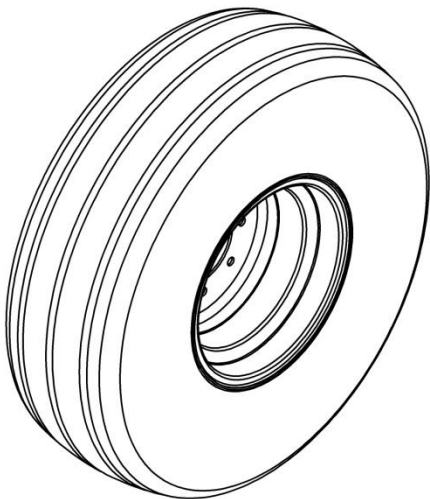
ITEM NO.	QTY	DESCRIPTION	PART NUMBER
1	4	425/65R22.5 TIRE & WHEEL ASSY	WHM-7109
801	4	22.5 X 11.75 WHEEL	WHL-7106
802	4	425-65R22.5 TRUCK TIRE	WHT-7105

74418-1-06A Tires & Wheels, 500/50R22.5

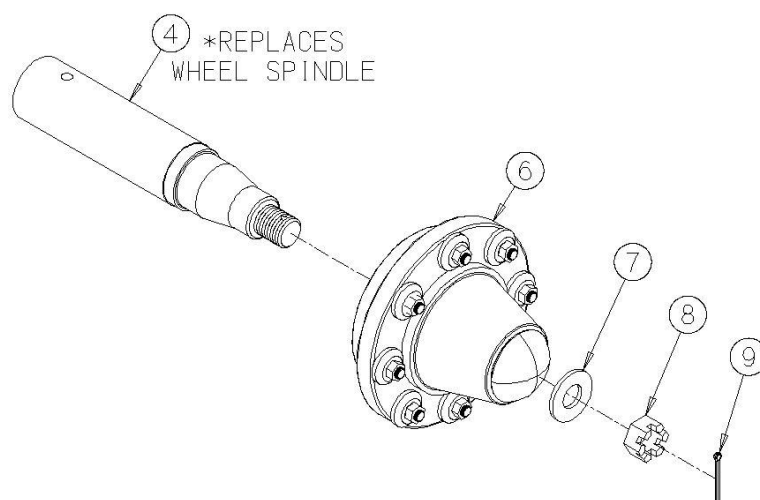
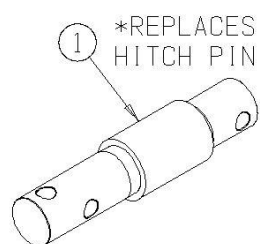


ITEM NO.	QTY	DESCRIPTION	PART NUMBER
1	4	500/50-22.5 TIRE & WHEEL ASSY	WHM-7111
801	4	WHEEL, 22.5 X 16 6mm	WHL-7111
802	4	TIRE, 500/50-22.5	WHT-7111

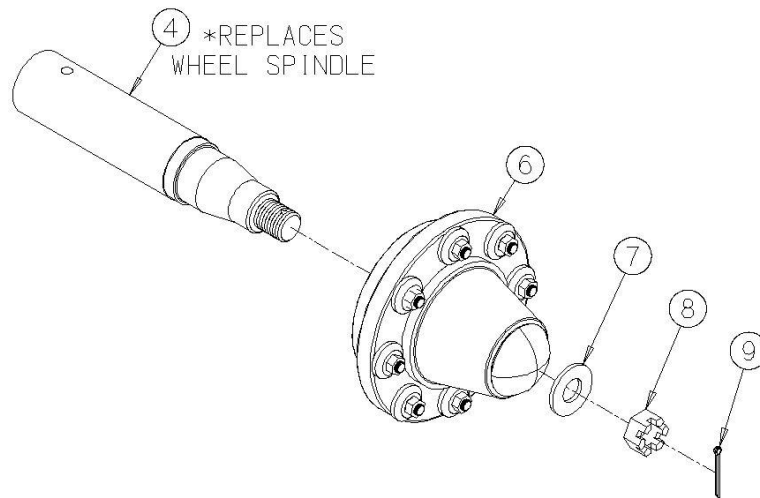
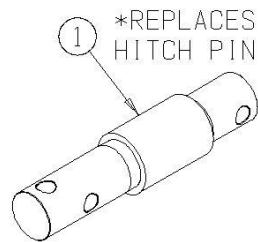
74418-1-06B Tires & Wheels, 500/50R22.5



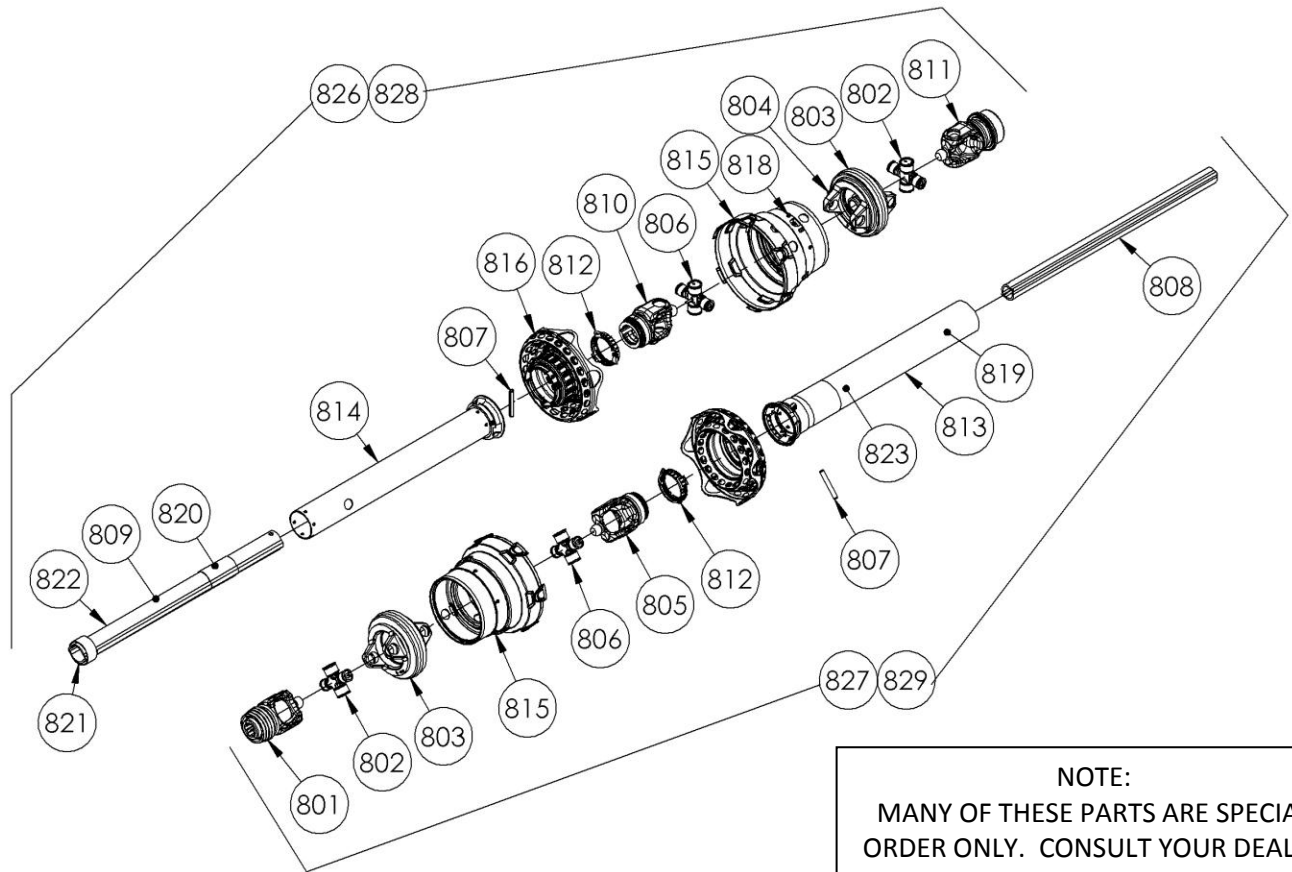
ITEM NO.	QTY	DESCRIPTION	PART NUMBER
1	4	Tire and Wheel Assembly	WHM-1514
801	4	16 X 14 WHEEL 8-8-6	WHL-1614
802	4	16.5 X 16.1 IMPLEMENT TIRE	WHT-1614



ITEM NO.	QTY	DESCRIPTION	PART NUMBER
1	1	CELL	SWS-4605-001
2	1	J-BOX 6 PT	SWS-4605-003
3	4	SPINDLE SCALE BUSHING	PR90012
4	4	CELL HUB	SWS-4606-001
5	4	WHEEL HUB SEAL	WHL-1210-LCS
6	4	COMPLETE HUB, w/o SPINDLE	WHL-1210-HC
7	4	WASHER	WHL-1210H
8	4	FLANGE NUT	WHL-1210G
9	4	COTTER PIN	WHL-1210I
10	1	J BOX CABLE, 9m	SWS-4605-004
11	1	POWER CABLE, 4-WIRE, 3m CABLE	SWS-4605-005
12	1	INDICATOR, w/ AUTOLOG, NT460	SWS-4604-003
13	1	RAIL MOUNT, MONITOR MOUNT	SWS-4604-006
14	1	INDICATOR MOUNT, NT460, BRACKET- SCR# 10X5/8 FHSTS BLACK ZP	SWS-403780
15	1	INDICATOR MOUNT, NT460, BRACKET- EZ3 PLASTIC RAIL	SWS-404353

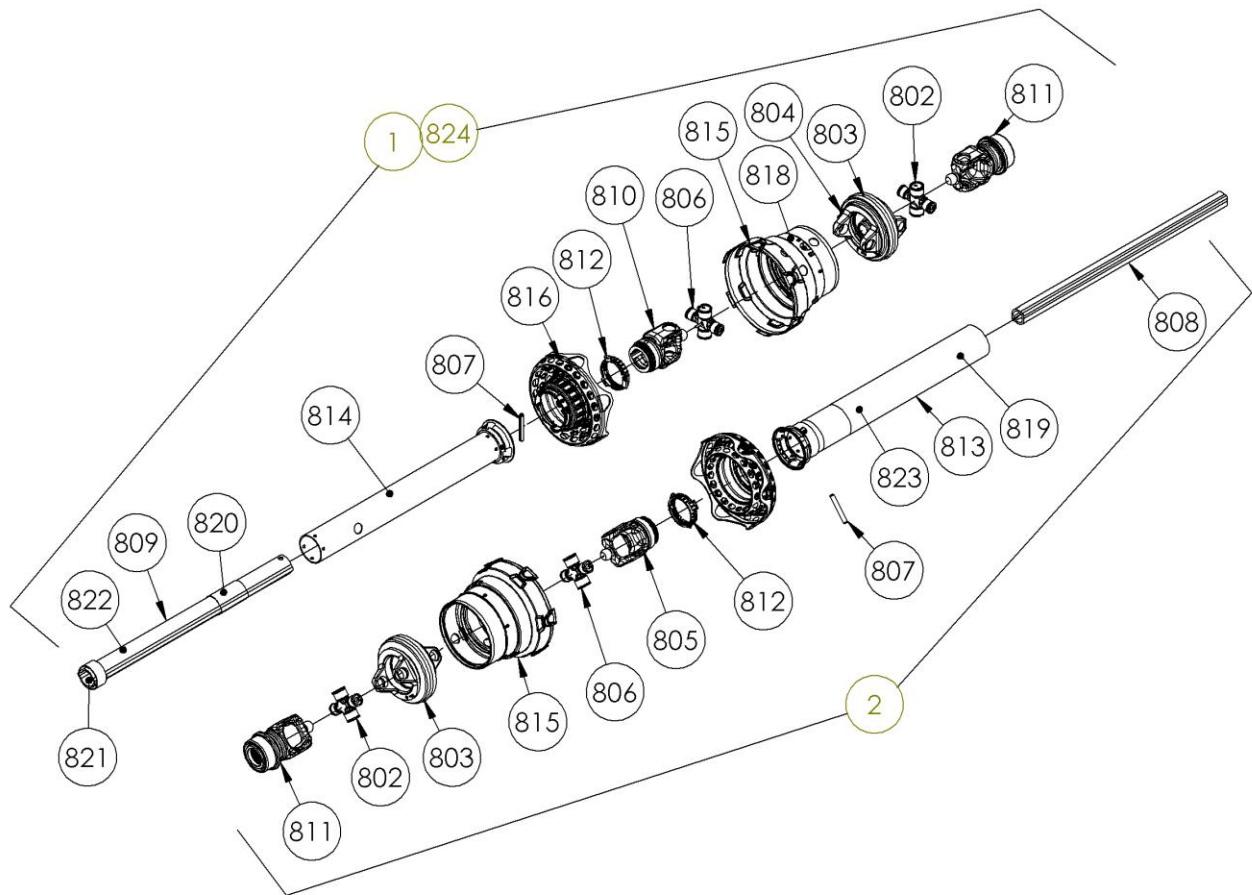


ITEM NO.	QTY	DESCRIPTION	PART NUMBER
1	1	CELL	SWS-4605-001
2	1	GT400 INDICATOR, w/ RS232	SWS-4605-006
3	4	SPINDLE SCALE BUSHING	PR90012
4	4	CELL HUB	SWS-4606-001
5	4	WHEEL HUB SEAL	WHL-1210-LCS
6	4	COMPLETE HUB, w/o SPINDLE	WHL-1210-HC
7	4	WASHER	WHL-1210H
8	4	FLANGE NUT	WHL-1210G
9	4	COTTER PIN	WHL-1210I
10	1	J-BOX 6 PT	SWS-4605-003
11	1	J BOX CABLE, 9m	SWS-4605-004
12	1	POWER CABLE, 4-WIRE, 3m CABLE	SWS-4605-005
13	1	INDICATOR MOUNT, GT400, BRACKET-STR TOP MOUNT	SWS-403769
14	1	INDICATOR MOUNT, GT400, BRACKET-ROBO MOUNTING	SWS-403980

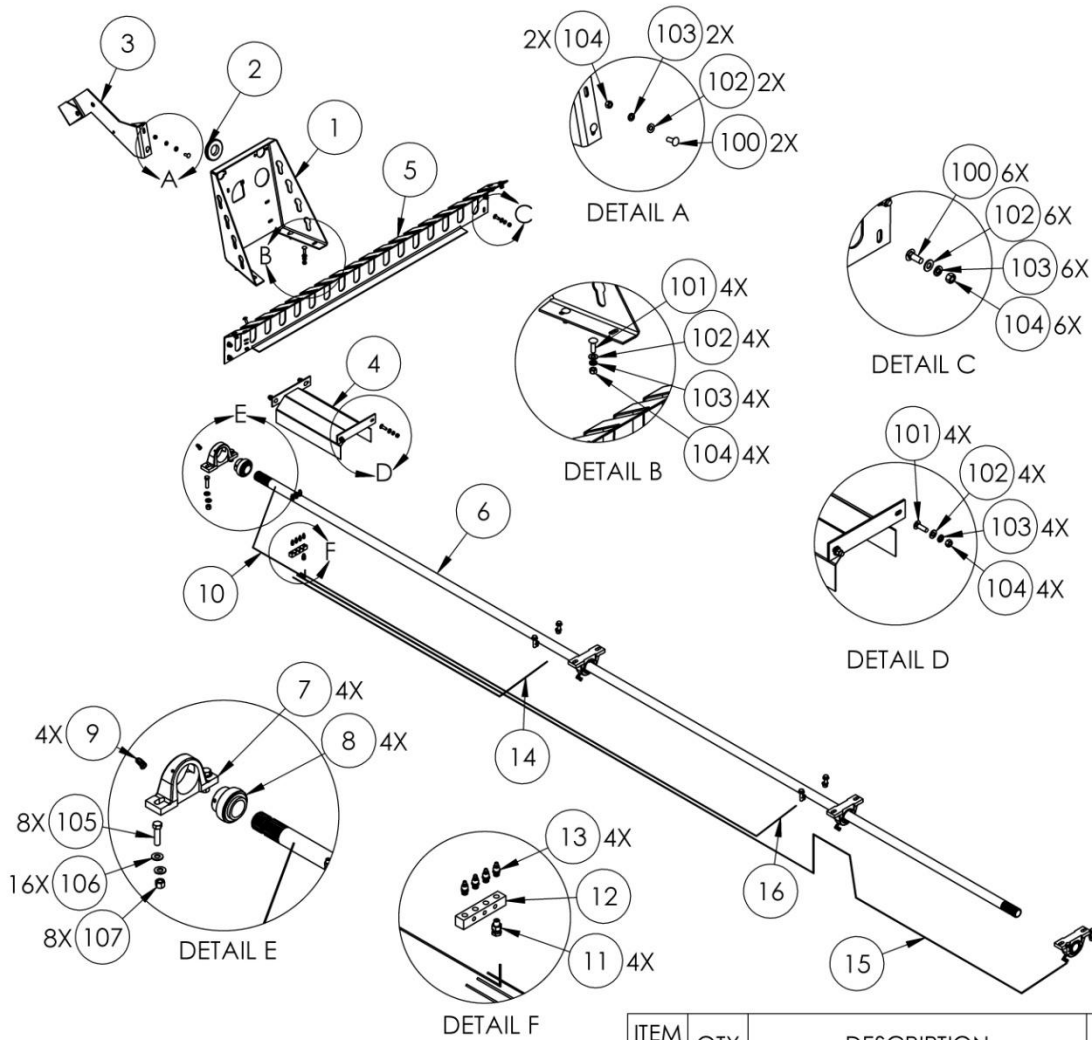


NOTE:
MANY OF THESE PARTS ARE SPECIAL
ORDER ONLY. CONSULT YOUR DEALER
FOR AVAILABILITY

ITEM NO.	QTY	DESCRIPTION	PART NUMBER	ITEM NO.	QTY	DESCRIPTION	PART NUMBER
1	1	DRIVELINE, 1-3/8-21, 2500 SERIES	PTS-1015	815	2	CV GUARD & BEARING ASSY	PTS-1015L
801	1	YOKE ASG	PTS-1015A	816	2	FLEX NET & GUARD ASSY	PTS-1015M
802	2	CROSS & BEARING KIT	PTS-1015B	817	1	PTO SHIELD SAFETY CHAIN	PTS-1002K
803	2	DOUBLE YOKE END	PTS-3001-Y	818	14	SCREW	PTS-1010K
804	2	ZERK, DOUBLE YOKE	PTS-1008C	819	1	DECAL, OUTER	PTS-1010L
805	1	INBOARD YOKE S4	PTS-1015C	820	1	DECAL, INNER	PTS-1010M
806	2	CROSS & BEARING KIT	PTS-1015D	821	1	SUPPORT BEARING	PTS-1021H
807	2	SPRING PIN 10 X 75	PTS-1014C	822	1	ZERK	PTB-1014L
808	1	INNER PROFILE S4LGA	PTS-1015E	823	1	LUBRICATION DECAL	PTS-1021P
809	1	OUTER PROFILE S5GL	PTS-1015F	824	0	AS COLLAR KIT	PTS-8100E
810	1	INBOARD YOKE S5	PTS-1015G	825	0	ASG COLLAR KIT	PTS-1008R
811	1	YOKE ASG	PTS-1015H	826	1	DRIVELINE, FRONT HALF	PTS-1015FH
812	2	PTO SHIELD BEARING RING	PTS-1002J	827	1	DRIVELINE, REAR HALF	PTS-1015RH
813	1	GUARD TUBE OUTER	PTS-1015J	828	1	SHIELD COMPLETE, FRONT HALF	PTS-1015FS
814	1	GUARD TUBE INNER	PTS-1015K	829	1	SHIELD COMPLETE, REAR HALF	PTS-1015RS



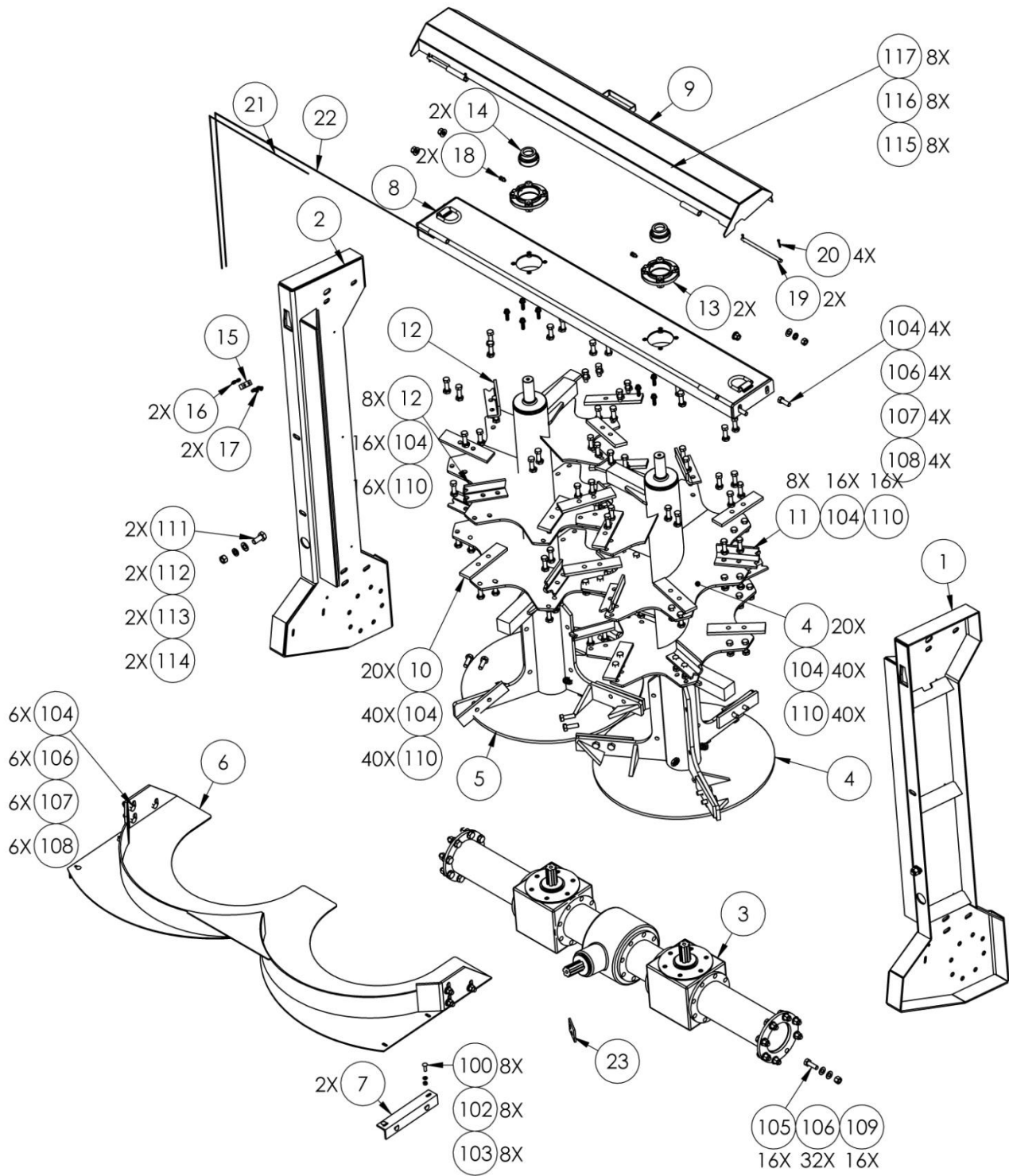
ITEM NO	QTY	DESCRIPTION	PART NUMBER	ITEM NO	QTY	DESCRIPTION	PART NUMBER
1	1	DRIVELINE, FRONT HALF	PTS-1016FH	813	1	GUARD TUBE OUTER	PTS-1016C
2	1	DRIVELINE, REAR HALF	PTS-1015RH	814	1	GUARD TUBE INNER	PTS-1016D
802	2	CROSS & BEARING KIT	PTS-1015B	815	2	CV GUARD & BEARING ASSY	PTS-1015L
803	2	DOUBLE YOKE END	PTS-3001-Y	816	2	FLEX NET & GUARD ASSY	PTS-1015M
804	2	ZERK, DOUBLE YOKE	PTS-1008C	817	1	PTO SHIELD SAFETY CHAIN	PTS-1002K
805	1	INBOARD YOKE S4	PTS-1015C	818	18	SCREW	PTS-1010K
806	2	CROSS & BEARING KIT	PTS-1015D	819	1	DECAL, OUTER	PTS-1010L
807	2	SPRING PIN 10 X 75	PTS-1014C	820	1	DECAL, INNER	PTS-1010M
808	1	INNER PROFILE S4LGA	PTS-1016A	821	1	SUPPORT BEARING	PTS-1021H
809	1	OUTER PROFILE	PTS-1016B	822	1	ZERK	PTB-1014L
810	1	INBOARD YOKE S5	PTS-1015G	823	1	LUBRICATION DECAL	PTS-1008Q
811	2	YOKE ASG	PTS-1015H	824	1	SHIELD COMPLETE, FRONT HALF	PTS-1016FS
812	2	PTO SHIELD BEARING RING	PTS-1002J				



ITEM NO.	QTY	DESCRIPTION	PART NUMBER
1	1	HOSE MOUNT	PR70269
2	1	3.5" GROMMET	EL-0041
3	1	PTO HOLDER ASM	PR70087
4	1	DRIVE SHAFT SHIELD	PR70294
5	1	HAND GUARD	PR70354
6	1	MAIN DRIVE SHAFT	PR70332
7	4	BEARING HOUSING	BR-085-RAK
8	4	1.75" BEARING	BR-175-085-1
9	4	1/8MP X 1/8 FPX 90°	A-1501-2-2
10	1	1/8 HOSE, 1/8MP X 1/8MP X 40L	H2-40-2MP-2MP
11	4	1/8 MP X 1/8 FPX	A-1404-2-2
12	1	4" GREASE MANIFOLD	GF-4-4

ITEM NO.	QTY	DESCRIPTION	PART NUMBER
13	4	GREASE FITTING 1/8NPT	GF-1827
14	1	1/8 HOSE, 1/8MP X 1/8MP X 80L	H2-80-2MP-2MP
15	1	1/8 HOSE, 1/8MP X 1/8MP X 180L	H2-180-2MP-2MP
16	1	1/8 HOSE, 1/8MP X 1/8MP X 145L	H2-145-2MP-2MP
100	10	3/8-16 X 1 CARRIAGE BOLT G5 ZC	BL-6-100-C
101	8	3/8-16 X 1-1/4 CARRIAGE BOLT G5 ZC	BL-6-125-C
102	16	3/8 SAE FW ZC	BL-6-SW
103	16	3/8 SPLIT LW ZC	BL-6-LW
104	16	3/8-16 HEX NUT ZC	BL-6-N
105	8	1/2-13 X 2 HEX CAP G5 ZC	BL-8-200-H
106	16	1/2 SAE FW ZC	BL-8-SW
107	8	1/2-13 LN NYLON INSERT ZC	BL-8-LN

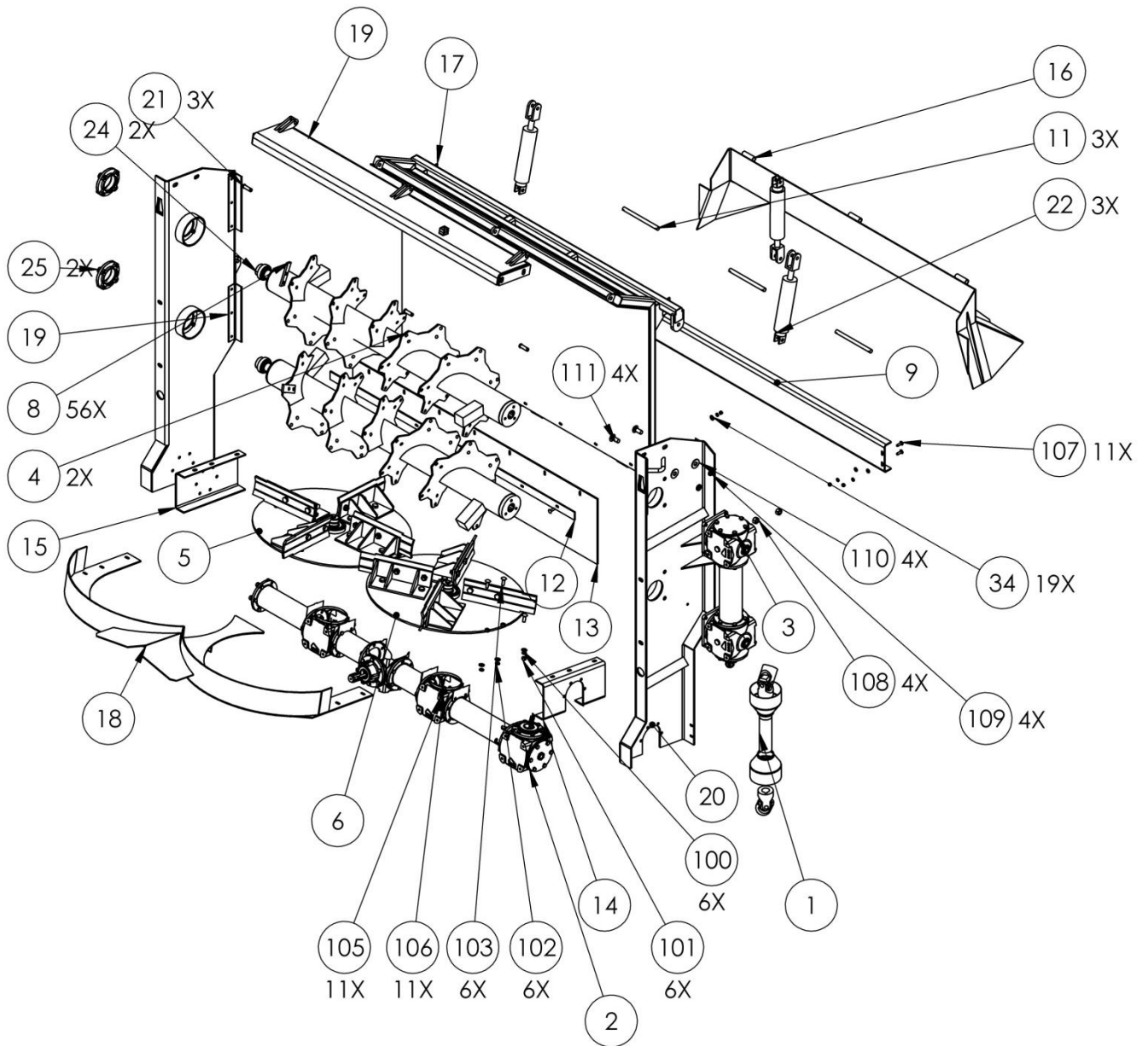
ITEM NO.	QTY	DESCRIPTION	PART NUMBER
1	1	BEATER PANEL, LH	PR70373
2	1	BEATER PANEL, RH	PR70374
3	1	GEARBOX, 1000 rpm	VTB-1899-P2
4	1	BEATER, LH	VTB-0053
5	1	BEATER, RH	VTB-0054
6	1	BEATER PAN	PR70259
7	2	MOUNT, BEATER PAN	PR70278
8	1	BEARING MOUNT, BEATER	PR70083
9	1	COVER, BEATER BEARING	PR70096
10	26	BALANCED BEATER KNIFE	VTB-1899-F3
11	8	RIGHT BLADE	VTB-1899-B3
12	8	BEATER BLADE, LH	VTB-1899-C3
13	2	FLANGE BEARING HOUSING	BR-085-4PF
14	2	1.75" BEARING	BR-175-085-I
15	1	2" GREASE MANIFOLD	GF-2-2
16	2	GREASE FITTING 1/8NPT	GF-1827
17	2	1/8 MP X 1/8 FPX 45°	A-1503-2-2
18	2	1/8 MP X 1/8 FPX	A-1404-2-2
19	2	HINGE PIN	PR70133
20	4	COTTER PIN, 3/16 X 1-1/2"	PIN-C3-24
21	1	1/8 HOSE 1/8MP X 1/8MP X 68 L	H2-58-2MP-2MP
22	1	1/8 HOSE 1/8MP X 1/8MP X 100 L	H2-78-2MP-2MP
23	1	SHIM, BOTTOM PANEL, GEARBOX	PR50502
24	11	GEAR LUBE, @QT	HP-1038
100	8	3/8-16 X 1-1/4 CARRIAGE BOLT G5 ZC	BL-6-125-C
101	6	3/8 SAE FW ZC	BL-6-SW
102	8	3/8 SPLIT LW ZC	BL-6-LW
103	8	3/8-16 HEX NUT ZC	BL-6-N
104	110	5/8-11 X 1-3/4 HHCS G5 ZC	BL-10-175-H
105	28	5/8-11 X 2 HEX CAP G8 ZC	BL-10-200-H8
106	42	5/8 SAE FW ZC	BL-10-SW
107	10	5/8 SPLIT LW ZC	BL-10-LW
108	10	5/8-11 HEX FIN NUTS ZC	BL-10-N
109	16	5/8-11 HEX LN NE ZC	BL-10-LN
110	112	5/8-11 STOVER LN	BL-10-LNS
111	2	3/4-10 X 1-3/4 HH G8	BL-12-175-H-8
112	2	3/4 SAE FW	BL-12-SW
113	2	3/4 LW	BL-12-LW
114	2	3/4-10 NUT	BL-12-N
115	8	7/16 SAE FW ZC	BL-7-SW
116	8	7/16 SPLIT LW ZC	BL-7-LW
117	8	7/16-14 X 1-3/4 HH G5 ZC	BL-7-175-HH
44	1	BRACKET, BEATER PAN LH	PR70343
45	1	BRACKET, BEATER PAN, RH	PR70344



74418-2-03A Compost Beaters: Hydraulic Hoods/Trim Shield

ITEM NO.	QTY.	DESCRIPTION	PART NUMBER
1	1	PTO SHAFT, SIDE	VTB-CMP-2200-H
2	1	BOTTOM GEARBOX, 1840MM, 850MM SPINNER CENTERS	VTB-CMP-2200-D
3	1	GEARBOX, HORIZONTALS	VTB-CMP-2200-C
4	2	HORIZ. BEATER ASSY	VTB-CMP-2113
5	1	SPINNER ASSY, RH	VTB-CMP-2110
6	1	SPINNER ASSY, LH	VTB-CMP-2109
8	56	KNIFE, HORIZ. COMP. BEATER	VTB-0047
19	1	BEATER PANEL, RH	PR70372
20	1	BEATER PANEL, LH	PR70371
9	1	GEAR BOX SADDLE	PR70331
11	3	LATCH PIN	PR63535
12	1	BACKING BAR, BELTING	PR63534
13	1	BELTING, MIDDLE	PR63533
14	1	MOUNT, GEARBOX, LH	PR63532
15	1	MOUNT, GEARBOX, RH	PR63531
16	1	ADJUSTABLE PANEL	PR63528
17	1	BACK PANEL, HYDRAULIC LIFT	PR63527
19	1	TOP PLATE	PR63526
18	1	SLURRY PAN	PR63525
21	3	5/8 CLEVIS PIN	PIN-10-28
22	3	WELDED CYLINDER	HC-150-1004
23	2	GREASE FITTING 1/8NPT	GF-1827
24	2	1.75" BEARING	BR-175-085-I
25	2	FLANGE BEARING HOUSING	BR-085-4PF
100	6	1/2 SAE FW ZC	BL-8-SW
101	6	1/2-13 HEX FIN NUTS ZC	BL-8-N
102	6	1/2 SPLIT LW ZC	BL-8-LW
103	6	1/2-13 X 1-1/2 CARRIAGE BOLT G5 ZC	BL-8-150-C
104	15	3/8 SAE FW ZC	BL-6-SW
105	11	3/8-16 HEX NUT ZC	BL-6-N
106	11	3/8 SPLIT LW ZC	BL-6-LW
107	11	3/8-16 X 1-1/4 CARRIAGE BOLT G5 ZC	BL-6-125-C
108	4	3/4-10 NUT	BL-12-N
109	4	3/4 LW	BL-12-LW
110	4	3/4 FW	BL-12-FW
111	4	3/4-10 x 1-3/4 HH G8	BL-12-175-C

74418-2-03A Compost Beaters: Hydraulic Hoods/Trim Shield

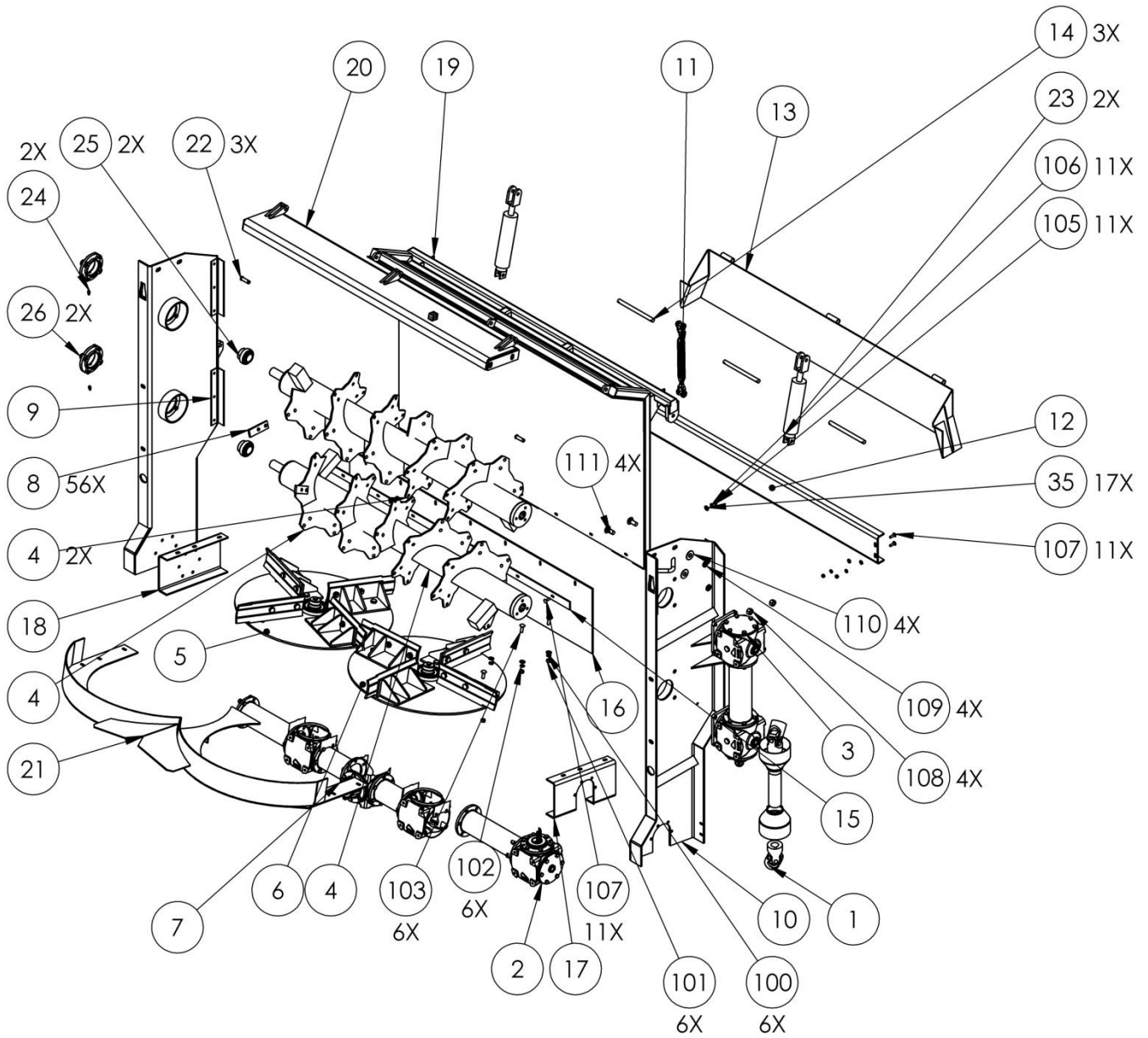


74418-2-03B Compost Beaters: Hydraulic Hood & Turnbuckle

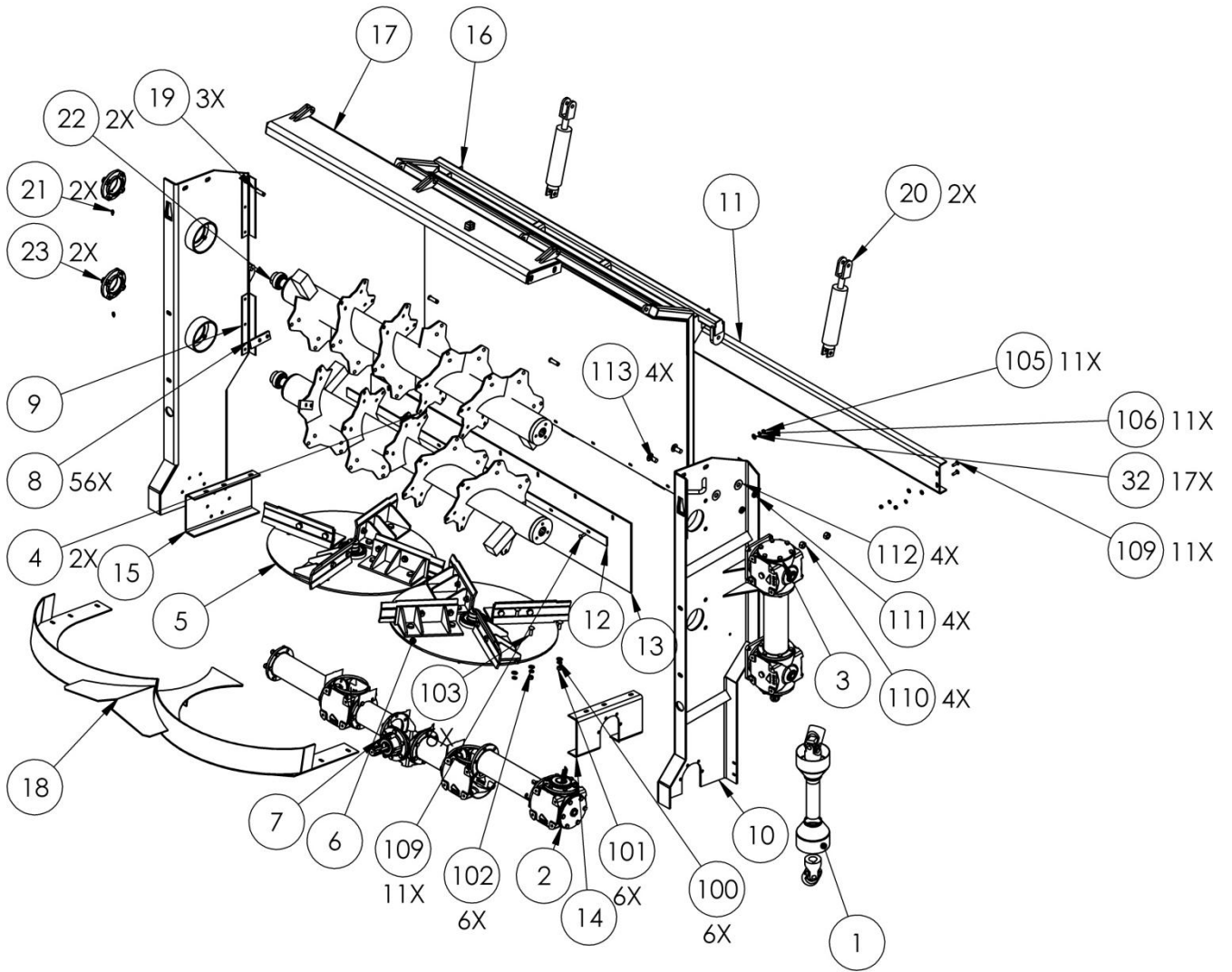
ITEM NO.	EXPLODED/QTY.	DESCRIPTION	PART NUMBER
1	1	PTO SHAFT, SIDE	VTB-CMP-2200-H
2	1	BOTTOM GEARBOX, 1840MM, 850MM SPINNER CENTERS	VTB-CMP-2200-D
3	1	GEARBOX, HORIZONTALS	VTB-CMP-2200-C
4	2	HORIZ. BEATER ASSY	VTB-CMP-2113
5	1	SPINNER ASSY, RH	VTB-CMP-2110
6	1	SPINNER ASSY, LH	VTB-CMP-2109
8	56	KNIFE, HORIZ. COMP. BEATER	VTB-0047
9	1	BEATER PANEL, RH	PR70372
10	1	BEATER PANEL, LH	PR70371
11	1	Turnbuckle, 28.5" Ret Lgth, 3/4" -10 Thread	PR70335
12	1	GEAR BOX SADDLE	PR70331
13	1	ADJUSTABLE PANEL	PR63536
14	3	LATCH PIN	PR63535
15	1	BACKING BAR, BELTING	PR63534
16	1	BELTING, MIDDLE	PR63533
17	1	MOUNT, GEARBOX, LH	PR63532
18	1	MOUNT, GEARBOX, RH	PR63531
19	1	BACK PANEL, HYDRAULIC LIFT	PR63527
20	1	TOP PLATE	PR63526
21	1	SLURRY PAN	PR63525
22	3	5/8 CLEVIS PIN	PIN-10-28
23	2	WELDED CYLINDER	HC-150-1004
24	2	GREASE FITTING 1/8NPT	GF-1827
25	2	1.75" BEARING	BR-175-085-I
26	2	FLANGE BEARING HOUSING	BR-085-4PF
100	6	1/2 SAE FW ZC	BL-8-SW
101	6	1/2-13 HEX FIN NUTS ZC	BL-8-N
102	6	1/2 SPLIT LW ZC	BL-8-LW
103	6	1/2-13 X 1-1/2 CARRIAGE BOLT G5 ZC	BL-8-150-C
104	15	3/8 SAE FW ZC	BL-6-SW
105	11	3/8-16 HEX NUT ZC	BL-6-N
106	11	3/8 SPLIT LW ZC	BL-6-LW
107	11	3/8-16 X 1-1/4 CARRIAGE BOLT G5 ZC	BL-6-125-C
108	4	3/4-10 NUT	BL-12-N
109	4	3/4 LW	BL-12-LW
110	4	3/4 FW	BL-12-FW
111	4	3/4-10 x 1-3/4 HH G8	BL-12-175-C

74418-2-03B

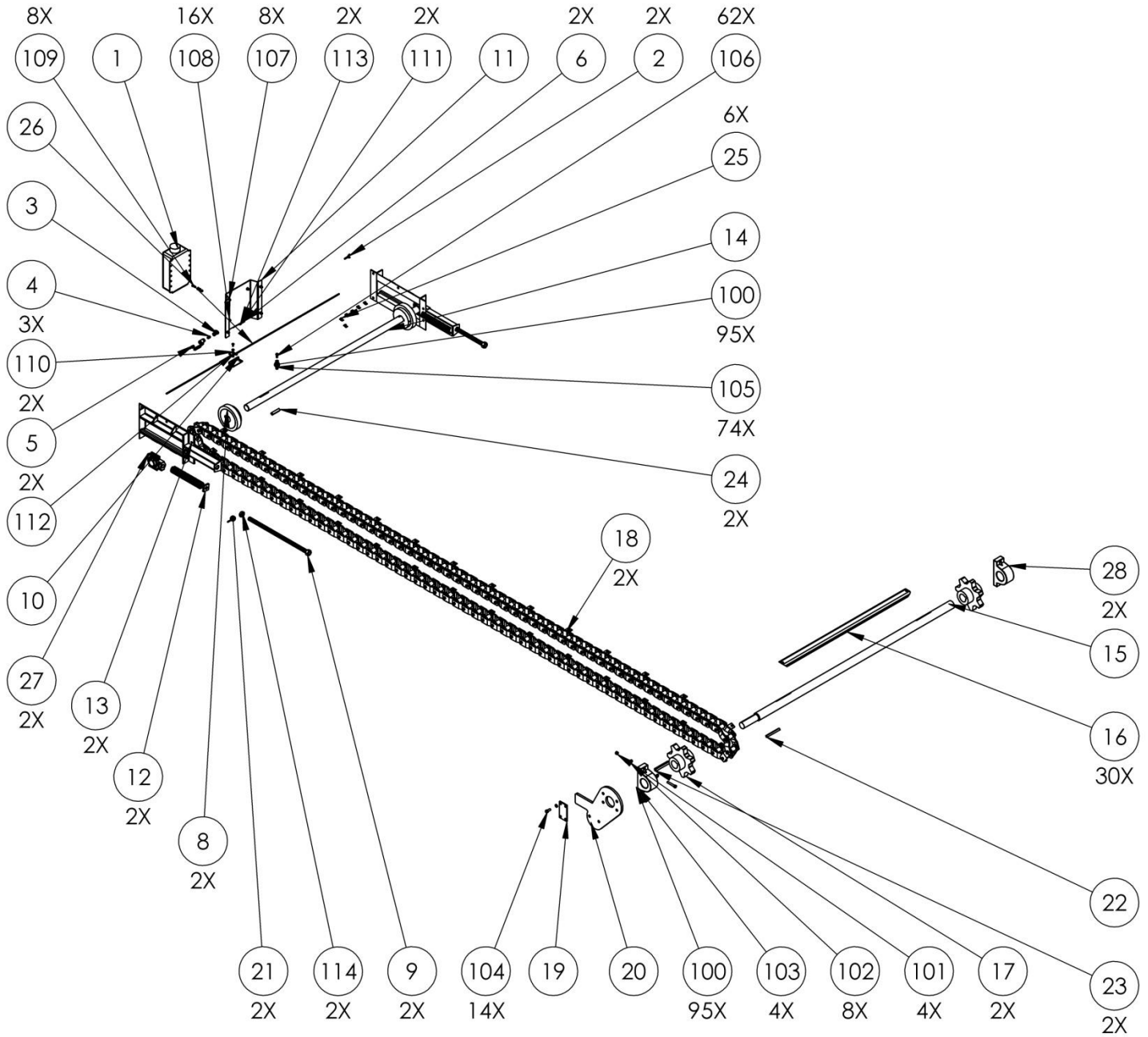
Compost Beaters: Hydraulic Hood & Turnbuckle



ITEM NO.	EXPLODED/QTY.	DESCRIPTION	PART NUMBER
1	1	PTO SHAFT, SIDE	VTB-CMP-2200-H
2	1	BOTTOM GEARBOX, 1840MM, 850MM SPINNER CENTERS	VTB-CMP-2200-D
3	1	GEARBOX, HORIZONTALS	VTB-CMP-2200-C
4	2	HORIZ. BEATER ASSY	VTB-CMP-2113
5	1	SPINNER ASSY, RH	VTB-CMP-2110
6	1	SPINNER ASSY, LH	VTB-CMP-2109
8	56	KNIFE, HORIZ. COMP. BEATER	VTB-0047
9	1	BEATER PANEL, RH	PR70372
10	1	BEATER PANEL, LH	PR70371
11	1	GEAR BOX SADDLE	PR70331
12	1	BACKING BAR, BELTING	PR63534
13	1	BELTING, MIDDLE	PR63533
14	1	MOUNT, GEARBOX, LH	PR63532
15	1	MOUNT, GEARBOX, RH	PR63531
16	1	BACK PANEL, HYDRAULIC LIFT	PR63527
17	1	TOP PLATE	PR63526
18	1	SLURRY PAN	PR63525
19	3	5/8 CLEVIS PIN	PIN-10-28
20	2	WELDED CYLINDER	HC-150-1004
21	2	GREASE FITTING 1/8NPT	GF-1827
22	2	1.75" BEARING	BR-175-085-I
23	2	FLANGE BEARING HOUSING	BR-085-4PF
100	6	1/2 SAE FW ZC	BL-8-SW
101	6	1/2-13 HEX FIN NUTS ZC	BL-8-N
102	6	1/2 SPLIT LW ZC	BL-8-LW
103	6	1/2-13 X 1-1/2 CARRIAGE BOLT G5 ZC	BL-8-150-C
104	15	3/8 SAE FW ZC	BL-6-SW
105	11	3/8-16 HEX NUT ZC	BL-6-N
106	11	3/8 SPLIT LW ZC	BL-6-LW
107	11	3/8-16 X 1-1/4 CARRIAGE BOLT G5 ZC	BL-6-125-C
108	4	3/4-10 NUT	BL-12-N
109	4	3/4 LW	BL-12-LW
110	4	3/4 FW	BL-12-FW
111	4	3/4-10 x 1-3/4 HH G8	BL-12-175-H-8

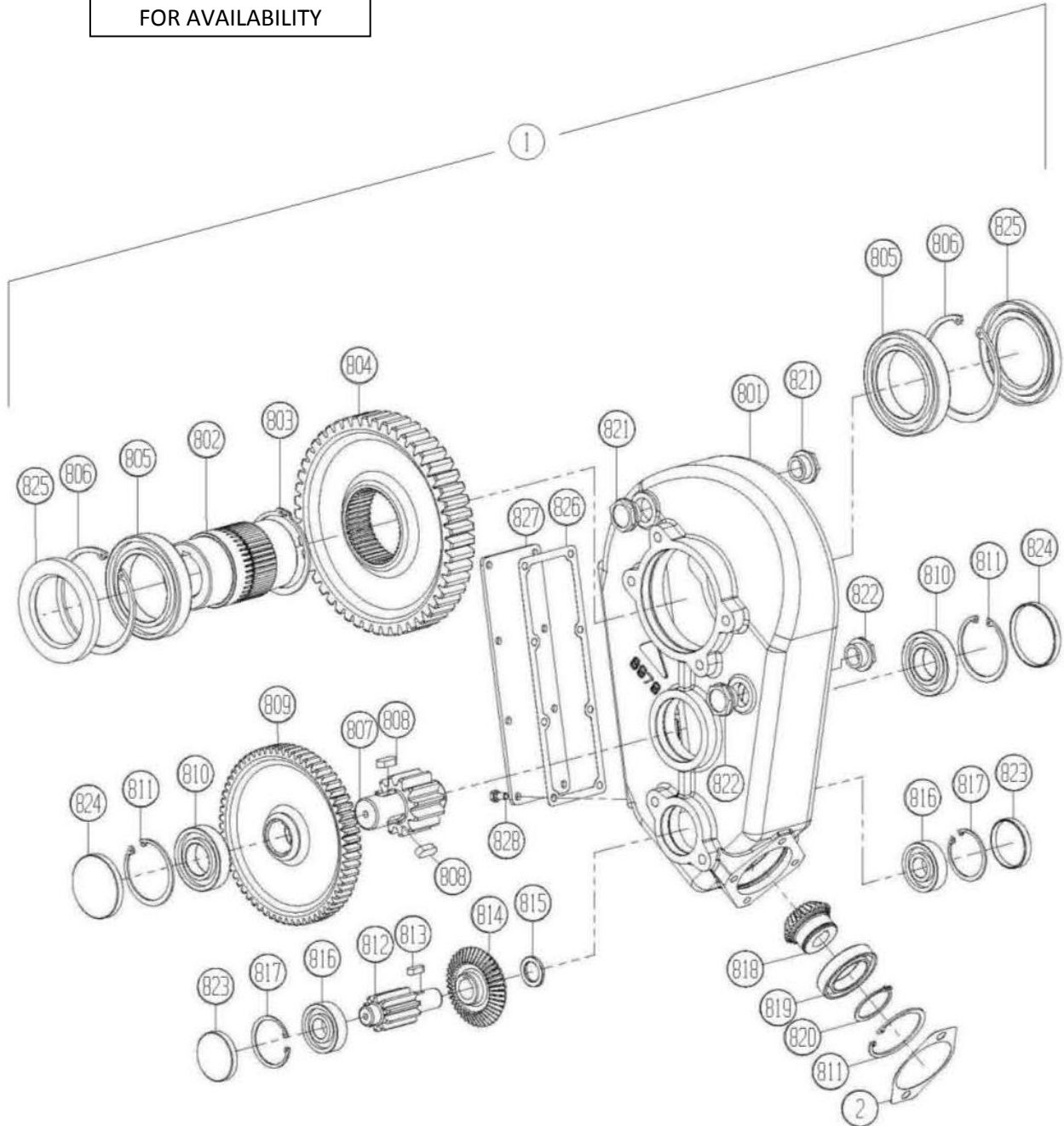


ITEM NO.	EXPLODED/QTY.	DESCRIPTION	PART NUMBER
1	1	1 GALLON RESERVOIR, NVE STYLE	VPA-NVE-36001
2	2	1/4 X 1/4 X 1/4 HOSE BARB WYE	AYN-4-4-4
3	1	1/4 X 1/4 X 1/4 STAINLESS TEE	AT-4-4-4-SS
4	3	1/4 NPT CLOSE NIPPLE, SS	AN-4-CL-SS
5	2	1/4 MALE PIPE X 1/4 PUSH LOC	A-4124-4-4
6	2	1/4 BRASS BALL VALVE	VLV-025-B
7	2	SPRING, CHAIN TENSIONER	SPRG-1200-EH
8	2	SPREADER CHAIN ROLLER	RLR-0030
9	2	TENSION BOLT	PR70319
10	1	CHAIN OIL SYSTEM BRACKET	PR70316
11	1	CHAIN OIL SYSTEM MOUNT	PR70315
12	2	MACHINED NUT	PR70313
13	2	HOUSING, TAKEUP BEARING	PR70309
14	1	CHAIN SHAFT, FRONT	PR70288
15	1	REAR DRIVE SHAFT	PR70276
16	30	CHAIN FLIGHTING, CENTER TAB	PR60425
17	2	DRIVE SPROCKET, PINTLE CHAIN	PR60424
18	1	PULL CHAIN	PR60423
19	1	MOUNT, TORQUE PLATE	PR60068
20	1	TORQUE PLATE	PR60066
21	2	1/4 X 2-1/4 ROLL PIN	PIN-4-36
22	1	1/2" KEY X 5.375"	KEY-8-8-86-HCS
23	2	5/8" KEY X 5.5"	KEY-10-10-550-HCS
24	2	5/8" KEY X 3"	KEY-10-10-300-HCS
25	6	HYDRAULIC HOSE HOLDER 3/8	HA-1031
26	1	PUSH LOC HOSE 1/4 @ FT.	H4-PL
27	2	BEARING, TAKEUP, 5/8 KEYWAY, 2.00 SHAFT	BRG-32-TU
28	2	BEARING ASSEMBLY, 2.5"	BR-250-HD
100	95	1/2 SAE FW ZC	BL-8-SW
102	8	1/2 SPLIT LW ZC	BL-8-LW
103	4	1/2-13 X 3 HH C/S G5 ZC	BL-8-300-H
104	14	1/2-13 X 1-1/4 HHCS G5 ZC	BL-8-125-H
105	74	1/2-13 STOVER LN	BL-8-LNS
106	62	3/8-16 X 1 HHCS BOLT G5 ZC	BL-8-150-H
107	8	5/16-18 UNC HEX NUT A563 GRA ZINC	BL-5-N
108	16	5/16 USS FW ZC	BL-5-FW
109	8	5/16 UNC X 1 HH C/S BOLT GR5 ZINC	BL-5-100-H
110	2	1/4-20 HEX FIN NUT ZC	BL-4-N
111	2	1/4 USS FW ZC	BL-4-FW
112	1	1/4 U BOLT 1-1/8 WIDE 2 LONG	BL-4-200-U
113	2	1/4 UNC X 3/4 CARRIAGE BOLT G5 ZC	BL-4-075-C
114	2	1-8 JAM NUT HEX FIN A563 GA ZC	BL-16-JN

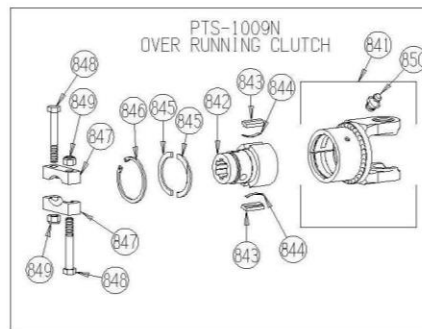
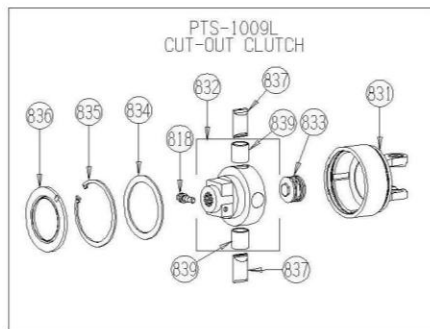
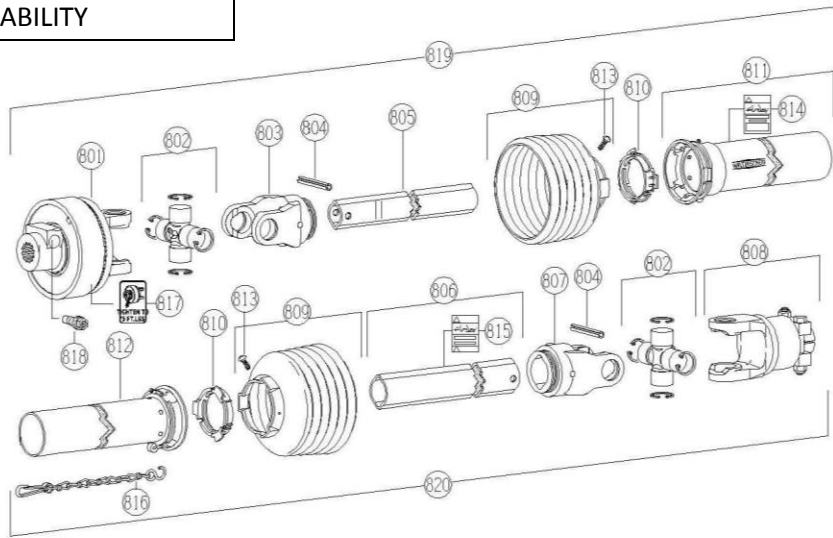


ITEM NO.	QTY	DESCRIPTION	PART NUMBER
1	1	GEARBOX	GBX-1893
2	0	FLANGE GASKET	PR60026
3	1	ORBIT MOTOR	HM-1893
4	3	GEAR LUBE, 80W90	HP-1038
100	12	14MM X 40MM, BOLT	BL-M-14-40-H
101	12	5/8 SPLIT LW ZC	BL-10-LW
801	1	HOUSING	GBX-1893-D
802	1	GEARBOX HUB	GBX-1893-B
803	1	INTERNAL RETAINING CLIP	GBX-1893-C
804	1	GEAR Z=54	GBX-1893-E
805	2	BALL BEARING, OPEN	GBX-1893-A
806	2	INTERNAL CLIP	GBX-1893-F
807	1	PINION Z=12	GBX-1893-G
808	2	KEY 12 X 8 X 30	GBX-1893-H
809	1	GEAR Z=63	GBX-1893-I
810	2	BEARING 6208	GBX-1893-J
811	3	CIRCLIP I 80	GBX-1893-K
812	1	PINION Z=10	GBX-1893-L
813	1	KEY 8 X 7 X 25	GBX-1893-M
814	1	GEAR Z=43	GBX-1893-N
815	1	SPACER	GBX-1893-O
816	2	BEARING 6305	GBX-1893-P
817	2	CIRCLIP I 62	GBX-1893-Q
818	1	PINION Z=28	GBX-1893-R
819	1	BEARING	GBX-1893-S
820	1	CIRCLIP E 50	GBX-1893-T
821	2	OIL PLUG 1" GAS.	GBX-1893-U
822	2	OIL LEVEL INDIC. 1" GAS.	GBX-1893-V
823	2	PLUG	GBX-1893-W
824	2	PLUG	GBX-1893-X
825	2	SHAFT SEAL, GEARBOX	GBX-1893-Y
826	1	GASKET	GBX-1893-Z
827	1	COVER	GBX-1893-A1
828	8	SCREW, HEX-HD M 8 X 16	GBX-1893-B1

NOTE:
MANY OF THESE PARTS
ARE SPECIAL
ORDER ONLY.
CONSULT YOUR DEALER
FOR AVAILABILITY



NOTE:
MANY OF THESE PARTS ARE SPECIAL
ORDER ONLY. CONSULT YOUR DEALER
FOR AVAILABILITY



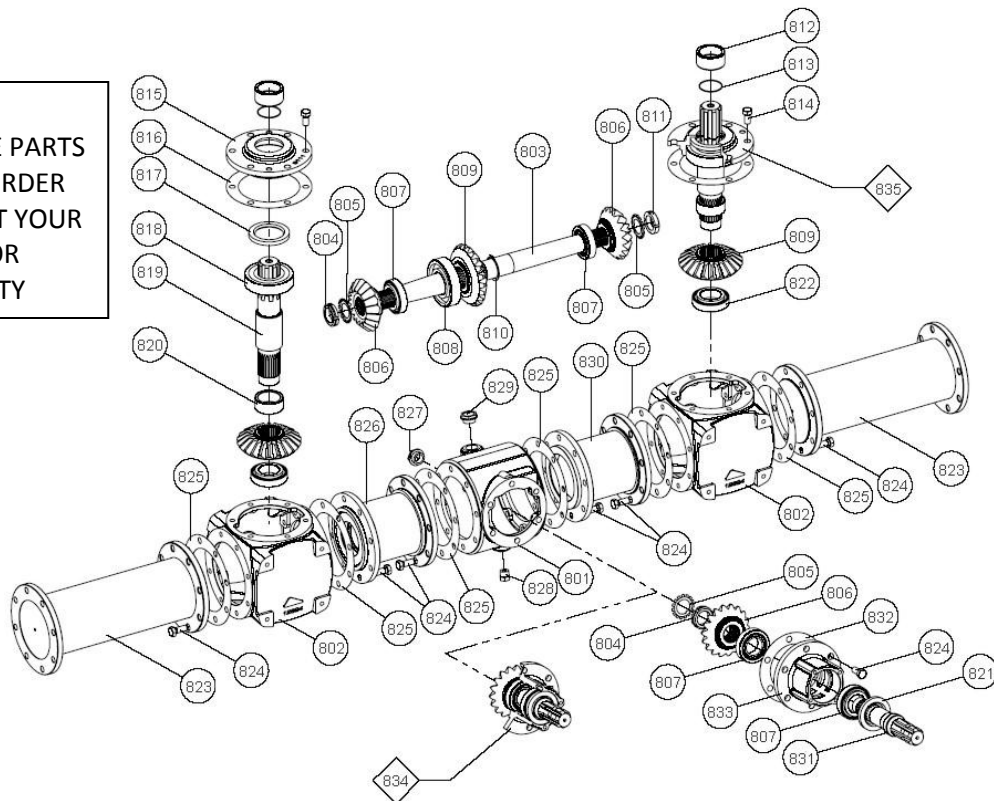
ITEM NO.	QTY	DESCRIPTION	PART NUMBER
1	1	DRIVELINE FOR VERTICALS, REAR	PTS-1023
801	1	CUT-OUT CLUTCH	PTS-1009L
802	2	CROSS & BEARING KIT	PTS-1010B
803	1	INBOARD YOKE, 1b	PTS-1009B
804	2	SPRING PIN	PTS-1010C
805	1	INNER PROFILE	PTB-1023A
806	1	OUTER PROFILE	PTS-1023B
807	1	INBOARD YOKE	PTS-1010D
808	1	OVER RUNNING CLUTCH	PTS-1009N
809	2	SHIELD CONE 6 RIB	PTB-1014I
810	2	PTO SHIELD BEARING RING	PTS-1002J
811	1	GUARD TUBE OUTER	PTS-1023C
812	1	GUARD TUBE INNER	PTS-1023D
813	2	SCREW	PTS-1010K
814	1	DECAL, OUTER	PTS-1010L
815	1	DECAL, INNER	PTS-1010M
816	1	PTO SHIELD SAFETY CHAIN	PTS-1002K
817	1	DECAL	PTS-1009J
818	1	CC LOCK ASSEMBLY	PTS-1009K

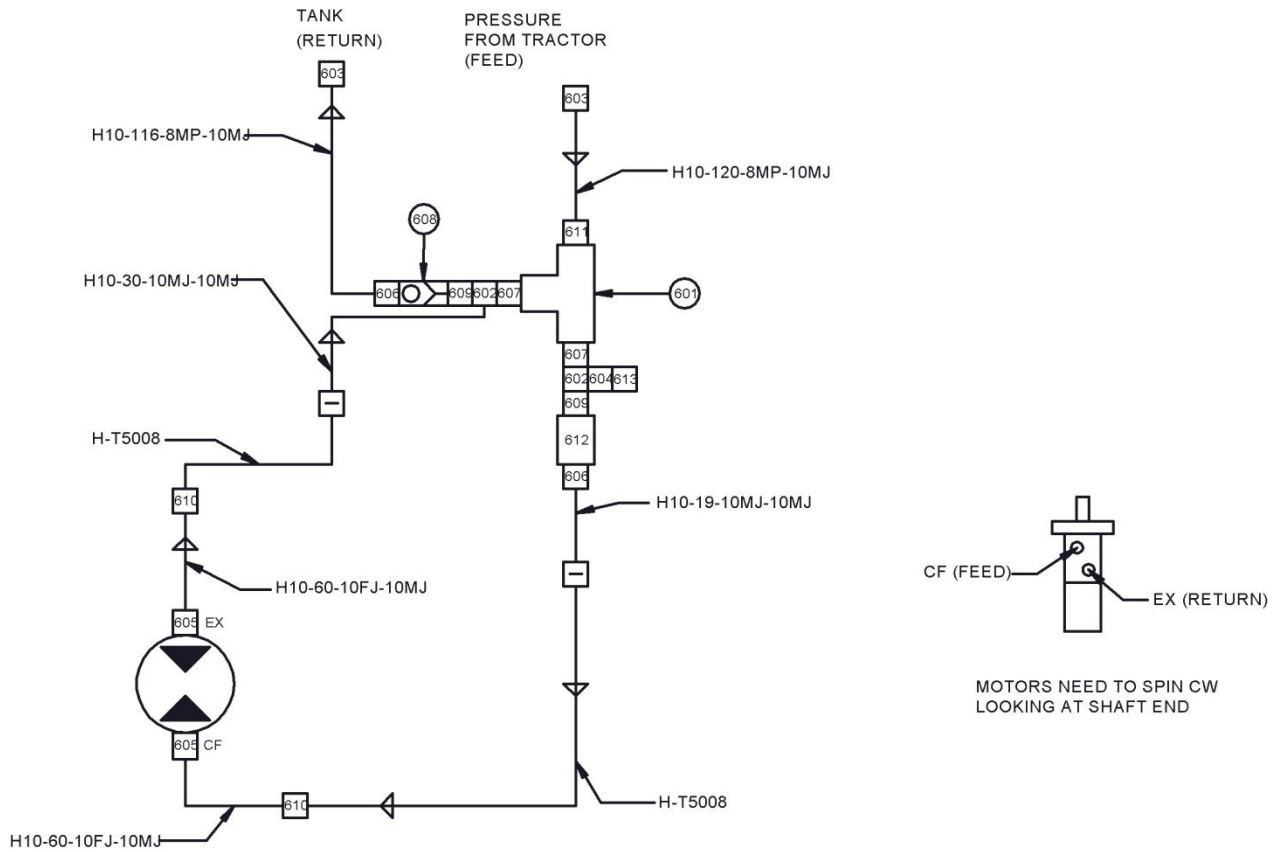
ITEM NO.	QTY	DESCRIPTION	PART NUMBER
819	1	FRONT, HALF SHAFT	PTS-1023-FH
820	1	REAR, HALF SHAFT	PTS-1023-RH
831	1	HOUSING	PTS-1009E-B
832	1	HUB 1-3/4"-20 SPL CC	PTS-1009E-C
833	1	SPRING PACK	PTS-1009E-D
834	1	WASHER	PTS-1009E-E
835	1	RETAINING RING	PTS-1009E-F
836	1	SEALING RING	PTS-1009E-G
838	2	CAM	PTS-1009E-A
839	2	BUSHING - IN PART PTS-1009E-C	PTS-1009E-H
841	1	CLUTCH HOUSING	PTS-1020A-A
842	1	HUB	PTS-1009N-A
843	2	KEY	PTS-1010F-A
844	2	LEAF SPRING	PTS-1010F-B
845	1	SUPPORTING RING	PTS-1009N-B
846	1	RETAINING RING	PTS-1010F-G
847	2	CLAMP BRIDGE	PTS-1009N-C
848	2	HEX BOLT - M16 X 110L	PTS-1009N-D
849	2	LOCKNUT - M16	PTS-1009N-E
850	1	ZERK, DOUBLE YOKE	PTS-1008C

ITEM NO.	QTY	DESCRIPTION	PART NUMBER
1	1	GEARBOX, 1000 rpm	VTB-1899-P2
801	1	CAP, SIDE, CENTRAL GEARBOX	VTB-0038-27
802	2	CAP, SIDE	VTB-0038-20
803	1	LONG AXIS	VTB-0038-29
804	3	LOCKNUT	VTB-0038-21
805	3	LOCKWASHER	VTB-0038-22
806	2	PINION, 13T	VTB-0038-23
807	4	BEARING, TAPERED	VTB-0038-13
808	1	BALL BEARING	VTB-0038-25
809	1	GEAR, 24T	VTB-0038-26
810	1	EXTERNAL RETAINING RING	VTB-0038-34
812	2	SLEEVE, OUTPUT	VTB-0038-07
813	2	O-RING	VTB-0038-33
814	12	SCREW, HEX CAP, M14X30, GR 8.8	VTB-0038-05
815	2	INSPECTION COVER	VTB-0038-10
816	2	OUTPUT GASKET, 210mmX150mmX0.3mm	VTB-0038-04
817	2	OIL SEAL, OUTPUT	VTB-0038-06
818	2	BALL BEARING	VTB-0038-09
819	2	SHAFT, OUTPUT	VTB-0038-08

ITEM NO.	QTY	DESCRIPTION	PART NUMBER
820	2	SPACER, OUTPUT	VTB-0038-18
821	2	GEAR, 22T, 1:2.38	VTB-0038-17
822	2	BEARING, TAPERED	VTB-0038-19
823	2	SIDE TUBE ASSY	VTB-0038-01
824	48	SCREW, HEX CAP, M14X35, GR 8.8	VTB-0038-02
825	6	SIDE GASKET, 230mmX160mmX0.3mm	VTB-0038-03
826	1	MID CONNECTING TUBE SUB-ASSEMBLY	VTB-0038-28
827	1	OIL SIGHT GAUGE, M33-2.5X18	VTB-008-31
828	1	DRAIN PLUG, M20-1.5X15	VTB-0038-32
829	1	FILLER PLUG, M33-2.5X18	VTB-0038-30
830	1	CONNECTING TUBE SUB-ASSEMBLY	VTB-0038-24
831	1	PINION, 17T, 1:2.38	VTB-0038-16
832	1	GASKET, INPUT	VTB-0038-11
833	1	CAP, INPUT	VTB-0038-12
834	1	OIL SEAL, INPUT	VTB-0038-15
835	1	SHAFT, INPUT, 1.75-6A SPLINE	VTB-0038-14

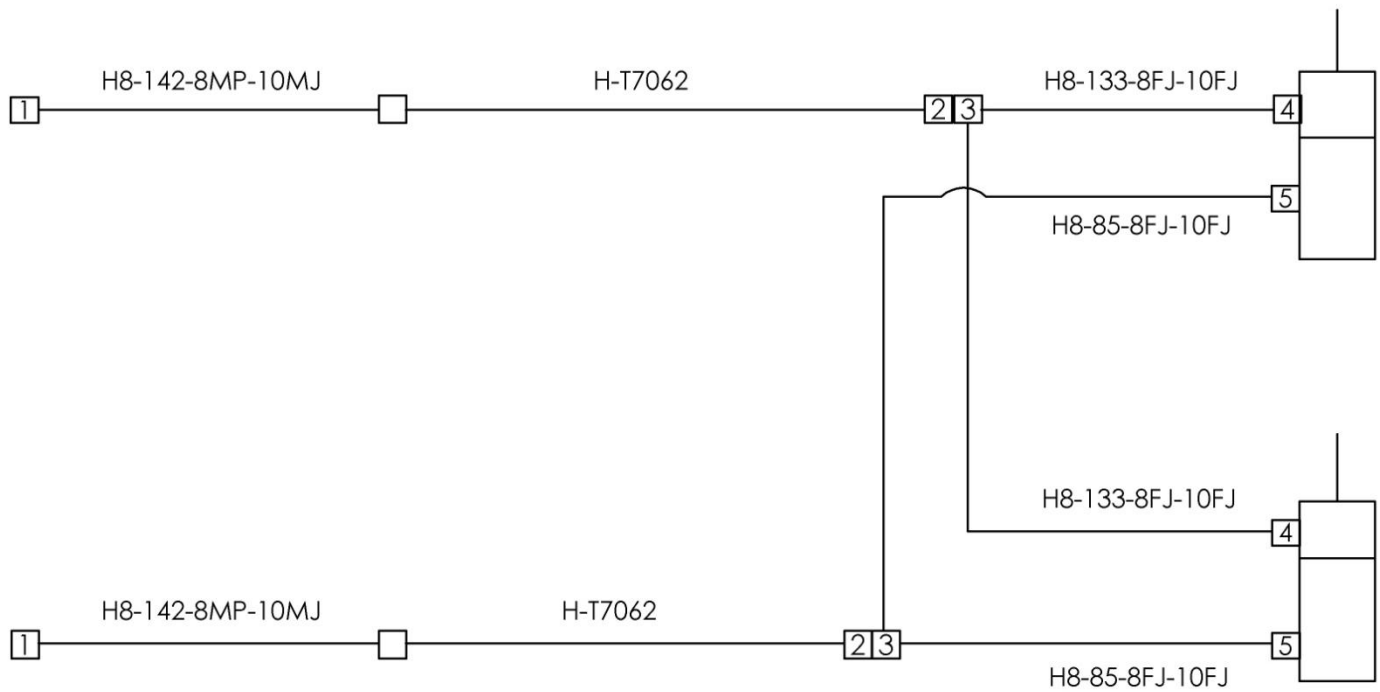
NOTE:
MANY OF THESE PARTS ARE SPECIAL ORDER ONLY. CONSULT YOUR DEALER FOR AVAILABILITY



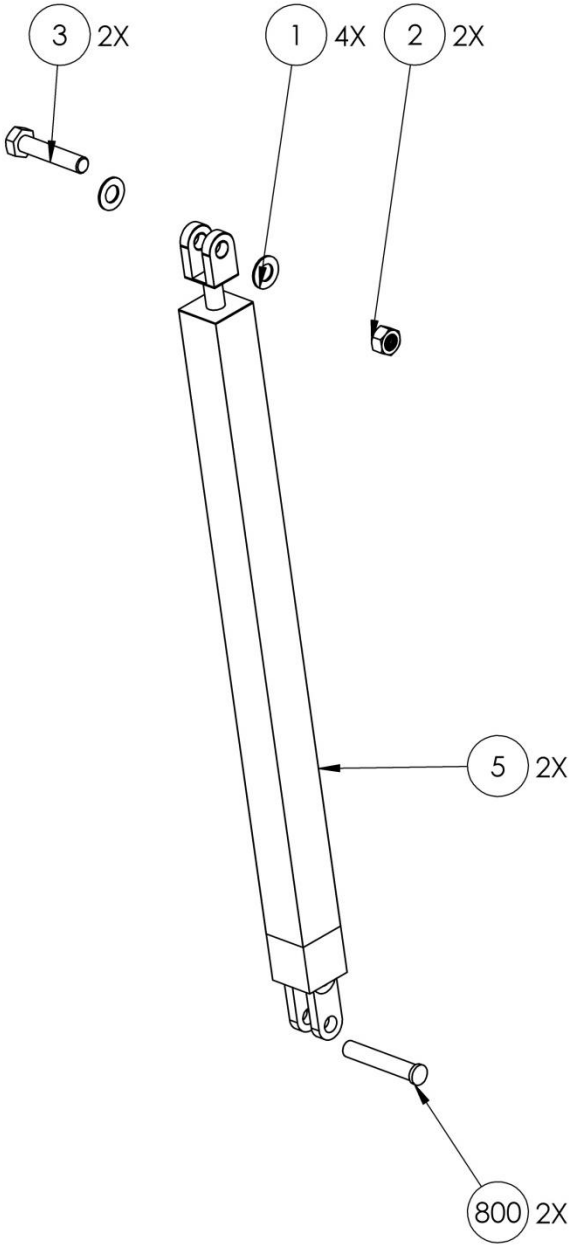


MOTORS NEED TO SPIN CW
LOOKING AT SHAFT END

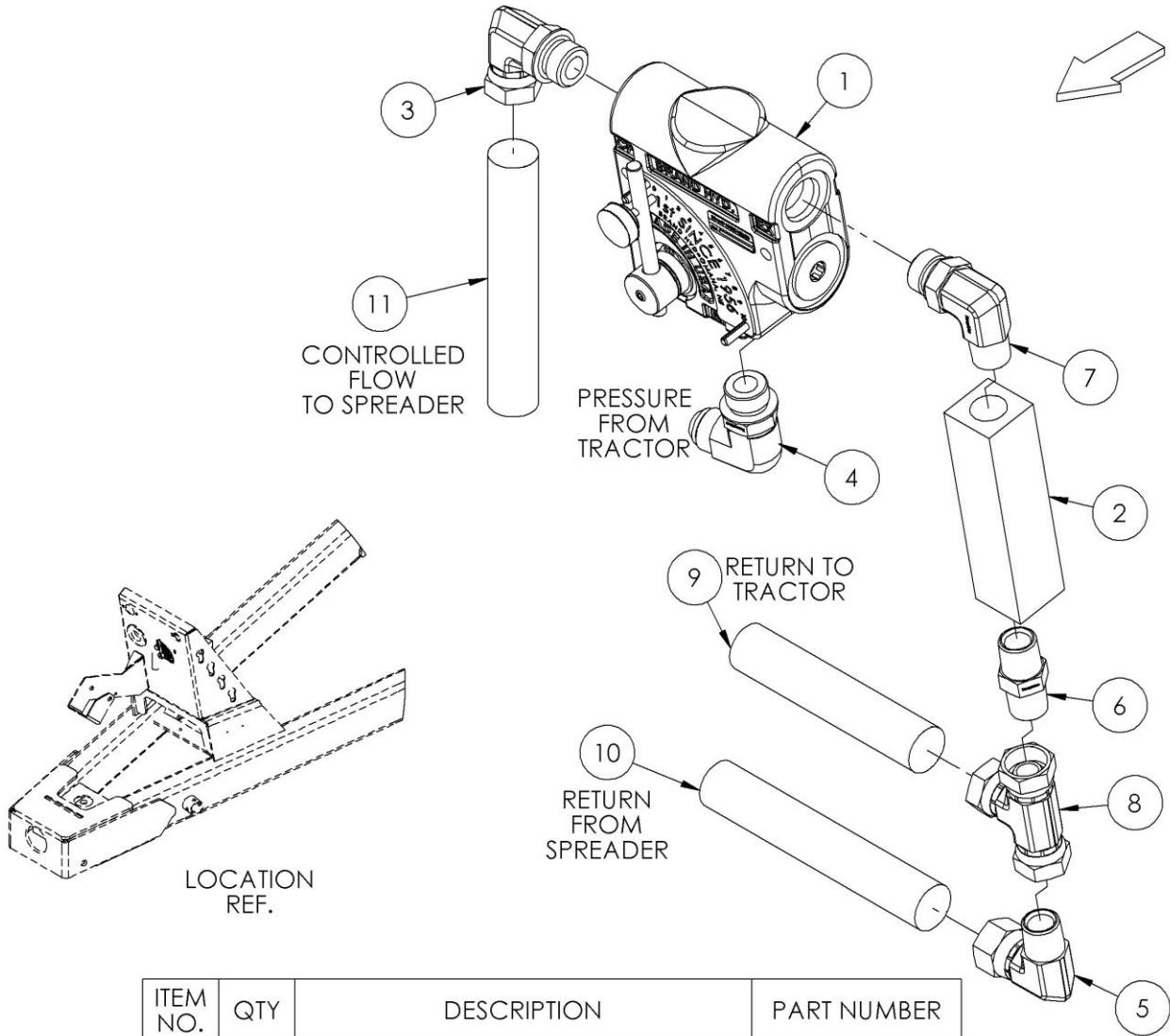
ITEM NO.	QTY	DESCRIPTION	PART NUMBER
601	1	RELIEF VALVE	HV-RV-3H
602	2	5/8" JIC SWIVEL UNION TEE	A-6606-10
603	2	TRACTOR QUICK CPLR	A-QD2010-8-8
604	1	5/8" JIC PLUG, TAPPED 1/4" NPT, GAUGE PORT	A-2408-10-4
605	2	5/8MJIC x 1/2MP 45°	A-2503-10-8
606	2	ELBOW, 1/2" MP X 5/8" FJX	A-6501-10-08
607	2	5/8" MJIC X 10 SAE	A-6400-10
608	1	1/2 PARKER CHECK VALVE	HV-CKV-800S
609	2	5/8" MJIC X 1/2" MP	A-2404-10-8
610	2	ELBOW, 3/4" MJ X 3/4" FJX	A-6500-12
611	1	10 SAE X 5/8" FJX 90	A-6809-10-10
612	1	VALVE, BALL	VLV-050-BHP
613	1	HYD. PRESSURE GAUGE	HA-1004-G
614	2	3/4" TUBE 190" STRAIGHT	H-T5008
615	1	1/2" MP X 5/8" MJ 120" LONG	H10-120-8MP-10MJ
616	1	5/8" MJ X 3/4" MJ 19" LONG	H10-19-10MJ-12MJ
617	2	5/8" FJ X 3/4" MJ 60" LONG	H10-60-10FJ-12MJ
618	1	5/8" MJ X 3/4" MJ 30" LONG	H10-30-10MJ-12MJ
619	1	1/2" MP X 5/8" MJ 116" LONG	H10-116-8MP-10MJ
620	8	TUBE CLAMP, 3/4	HA-1072-H



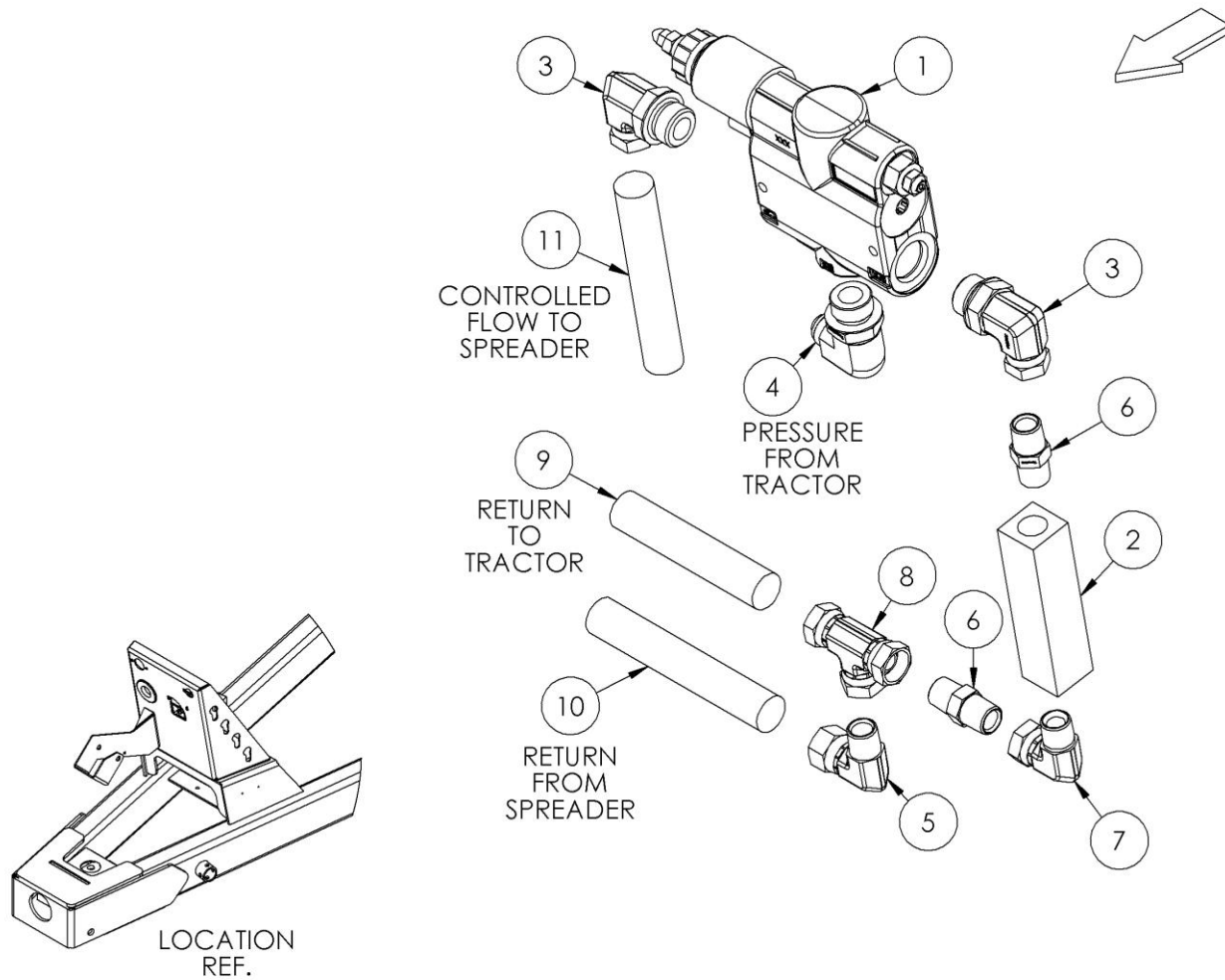
ITEM NO.	QTY	DESCRIPTION	PART #
1	2	TRACTOR QUICK COUPLER, MALE, 1/2" W/FPT	A-QD2010-8-8
2	2	ELBOW, 45, 5/8 MJ X 5/8 FJ	A-6502-10
3	2	TEE, 5/8 MJ X 5/8 MJ X 5/8 MJ	A-2603-10
4	2	ELBOW, 45, 1/2 FJ X 6 SAE	A-6801-08-06-L
5	2	ELBOW, 1/2 FJ X 6 SAE	A-6801-08-06
6	2	1/2" HOSE 1/2 MP X 5/8 MJ X 142"	H8-142-8MP-10MJ
7	2	5/8" HYDRAULIC TUBE, SS	H-T7062
8	2	1/2" HOSE 1/2 FJ X 5/8 FJ X 133"	H8-133-8FJ-10FJ
9	2	1/2" HOSE 1/2 FJ X 5/8 FJ X 85"	H8-85-8FJ-10FJ
10	8	HYDRA-ZORB TUBE CLAMP 5/8"	HA-1062-H



ITEM NO.	Default/QTY.	DESCRIPTION	PART NUMBER
1	4	1 SAE FW	BL-16-SW
2	2	1 H LN ZC G8	BL-16-LN-8
3	2	1 X 5 HH G8	BL-16-500-H8
800	2	1 X 3-1/2 CYLINDER PIN	HC-250-6006-A
5	2	HYDRAULIC CYLINDER, 2.5" BORE X 42" STROKE	HC-250-4206

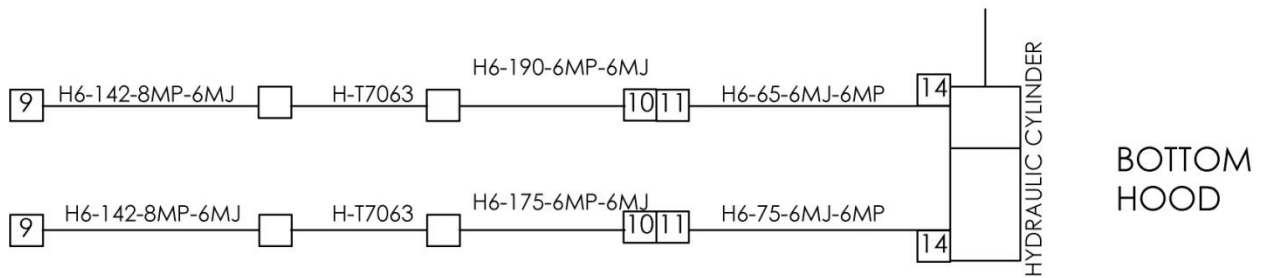
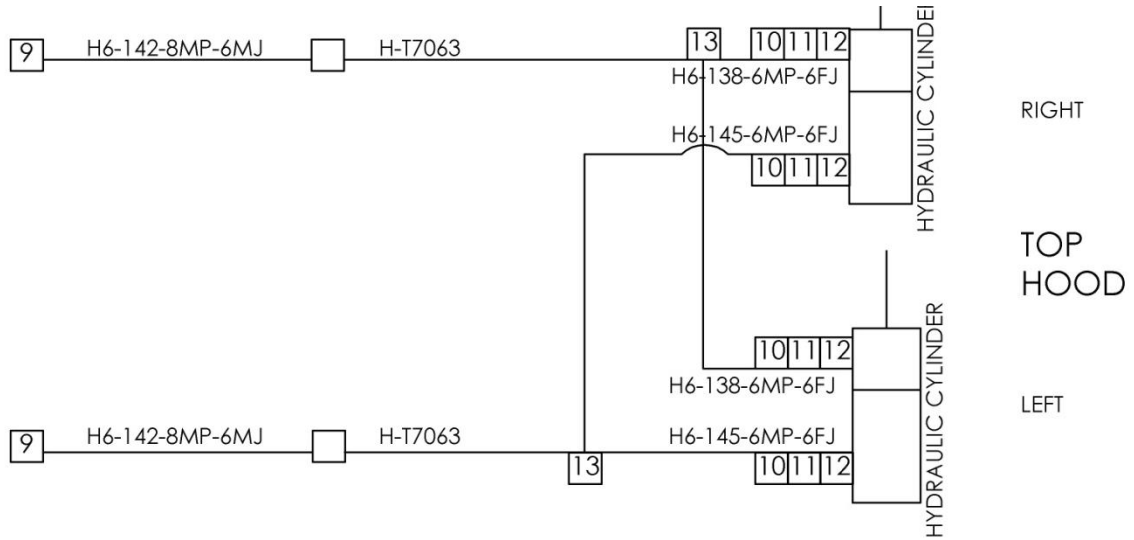


ITEM NO.	QTY	DESCRIPTION	PART NUMBER
1	1	FLOW CONTROL	HV-FC5510
2	1	1/2" PARKER CHECK VALVE	HV-CKV-800S
3	1	10 SAE X 1/2 FPX90°, FORGED	A-6901-10-8
4	1	ELBOW, 5/8" MJ X 10 SAE	A-6801-10
5	1	ELBOW 1/2 MP X 5/8 FJX	A-6501-10-08
6	1	HEX NIPPLE 1/2" X 1/2"	A-5404-8-8
7	1	10 SAE X 1/2" MP 90°	A-6806-10-8
8	1	SWIVEL T 1/2" NPTF	A-1603-8-8-8
9	1	1/2" HOSE 1/2MP X 5/8MJIC X 27" L	H8-27-8MP-10MJ
10	1	1/2" HOSE X 1/2MP X 1/2MP X 94" L	H8-94-8MP-8MP
11	1	1/2" HOSE 1/2MP X 5/8FJ X 16" L	H8-16-8MP-10FJ
102	2	1/4-20 HEX LN NE ZC	BL-4-LN
103	4	1/4 USS FW ZC	BL-4-FW
104	2	1/4-20 X 3 HEX CAP G5 ZC	BL-4-300-H

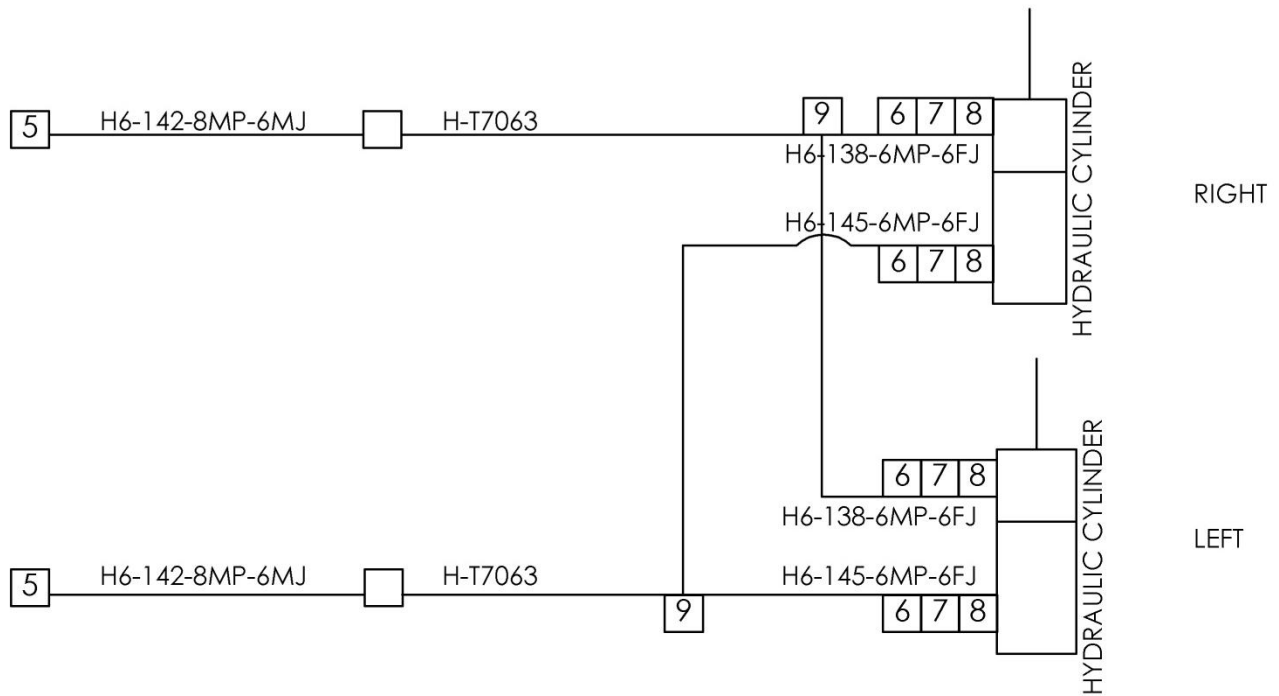


ITEM NO.	QTY	DESCRIPTION	PART NUMBER
1	1	ELECT. FLOW CONTROL	HVE-C122012
2	1	1/2" PARKER CHECK VALVE	HV-CKV-800S
3	2	ELBOW 12 SAE X 1/2" FPX	A-6901-12-8
4	1	ELBOW, 10 MJ X 12 SAE	A-6801-10-12
5	1	ELBOW 1/2 MP X 5/8 FJX	A-6501-10-08
6	2	HEX NIPPLE 1/2" X 1/2"	A-5404-8-8
7	1	1/2 MP X 1/2 FPX90°	A-1501-8-8
8	1	SWIVEL T 1/2" NPTF	A-1603-8-8-8
9	1	1/2" HOSE 1/2MP X 5/8MJIC X 27" L	H8-27-8MP-10MJ
10	1	1/2" HOSE X 1/2MP X 1/2MP X 94" L	H8-94-8MP-8MP
11	1	1/2" HOSE 1/2MP X 5/8FJ X 16" L	H8-16-8MP-10FJ
102	2	1/4-20 HEX LN NE ZC	BL-4-LN
103	4	1/4 USS FW ZC	BL-4-FW
104	2	1/4-20 X 3 HEX CAP G5 ZC	BL-4-300-H
201	40	14 GAUGE WIRE (BLUE)	ELC-14-BL

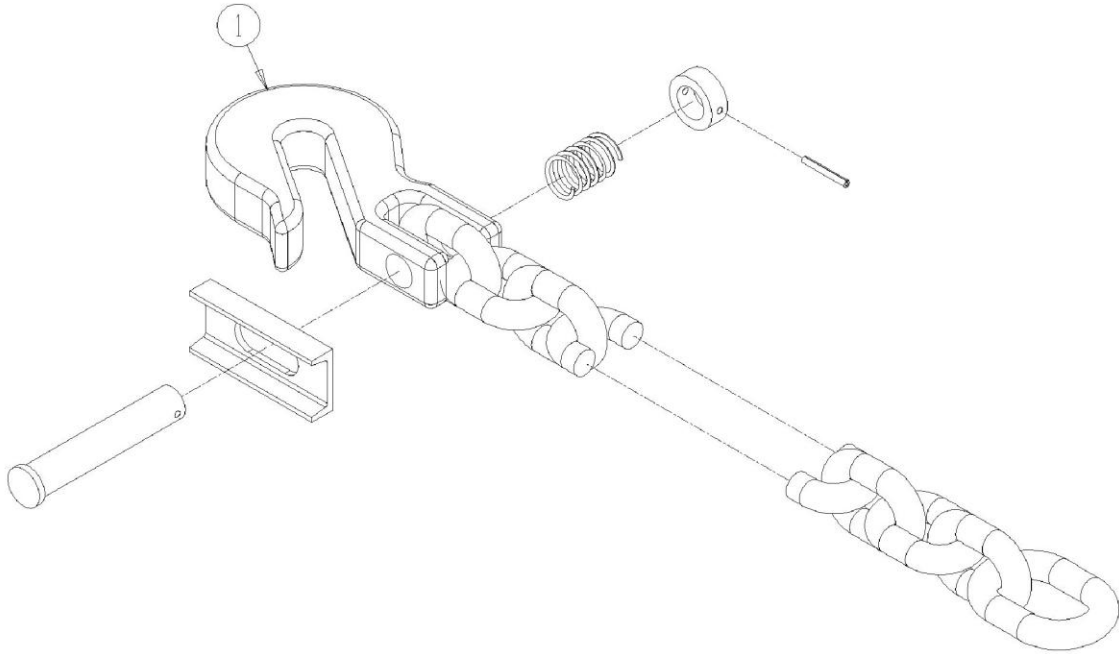
ITEM NO.	QTY	DESCRIPTION	PART NUMBER
202	20	14 GAUGE WIRE (RED)	ELC-14-R
203	20	14 GAUGE WIRE (BLACK)	ELC-14-BLK
204	20	1/4" WIRE LOOM @ FT	ELL-25-0
205	4	MALE TERMINAL	EL-30036
206	4	FEMALE TERMINAL	EL-30037
207	4	TWO CONTACT CLIP	EL-38035
208	2	MALE BODY	EL-38062
209	2	FEMALE BODY	EL-38063
210	8	CABLE SEAL	EL-39000
211	2	TERMINAL RING, 16-14 Ga. #10 BLUE	ELT-31703
212	1	BRAND FLOW VALVE ELEC. BOX	HV-1201
213	2	RIVET, FUSE HOLDER	EL-46009
214	1	SPRING, FUSE HOLDER	EL-46015
215	1	BODY, FUSE HOLDER	EL-46014
216	1	1.5 AMP FUSE, TYPE GMA	EL-70150



15	4	5/8" HYDRAULIC TUBE, SS	H-T7063
14	2	3/8" FJICX x 1/4" MP	A-6501-6-4
13	2	Tee, 3/8" MJ x 3/8" MJ x 3/8" MJ	A-2603-6
12	6	1/4" MP X 3/8" FPX90°	A-1501-4-6
11	6	HYDRAULIC QUICK DISCONNECT COUPLER, MALE, 3/8"	A-QD-1000-06-06
10	6	TRACTOR QUICK COUPLER, FEMALE, 3/8" X 3/8"	A-QD2050-6-6
9	4	QUICK COUPLER, 1/2" X 1/2"	A-QD2010-8-8
8	16	HYDRA-ZORB TUBE CLAMP 3/8"	HA-1074-H
7	1	3/8" HOSE, 3/8" MJ X 3/8"MP X 65"	H6-65-6MJ-6MP
6	1	3/8" HOSE, 3/8" MP X 3/8"MJ X 175"	H6-175-6MP-6MJ
5	1	3/8" HOSE, 3/8" MP X 3/8"MJ X 190"	H6-190-6MP-6MJ
4	4	3/8" HOSE, 3/8" MJ X 3/8"MP X 75"	H6-75-6MJ-6MP
3	4	3/8" HOSE, 1/2" MP X 3/8"MJ X 142"	H6-142-8MP-6MJ
2	2	3/8" HOSE, 3/8" MP X 3/8" FJ X 145"	H6-145-6MP-6FJ
1	2	3/8" HOSE, 3/8" MP X 3/8" FJ X 138"	H6-138-6MP-6FJ
ITEM NO.	QTY	DESCRIPTION	PART NUMBER

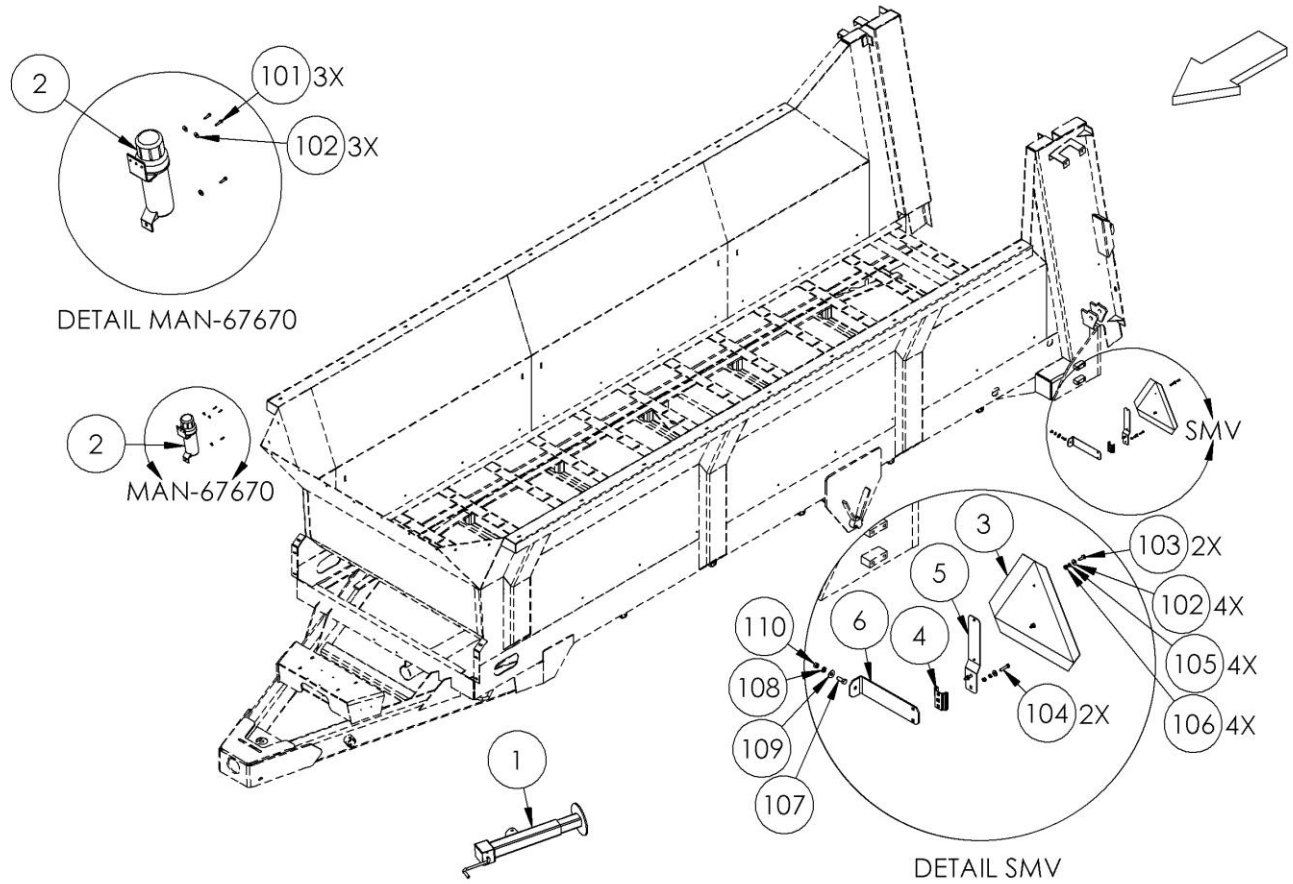


10	8	HYDRA-ZORB TUBE CLAMP 3/8"	HA-1074-H
9	2	Tee, 3/8" MJ x 3/8" MJ x 3/8" MJ	A-2603-6
8	4	1/4" MP X 3/8" FPX90°	A-1501-4-6
7	4	HYDRAULIC QUICK DISCONNECT COUPLER, MALE, 3/8"	A-QD-1000-06-06
6	4	TRACTOR QUICK COUPLER, FEMALE, 3/8" X 3/8"	A-QD2050-6-6
5	4	QUICK COUPLER, 1/2" X 1/2"	A-QD2010-8-8
4	2	5/8" HYDRAULIC TUBE, SS	H-T7063
3	2	1/2" HOSE, 1/2" MJ X 3/8" FJ X 142"	H8-142-8MP-6MJ
2	2	3/8" HOSE, 1/4" MJ X 3/8" FJ X 145"	H6-145-6MP-6FJ
1	2	3/8" HOSE, 1/4" MP X 3/8" FJ X 138"	H6-138-6MP-6FJ
ITEM NO.	QTY	DESCRIPTION	PART NUMBER

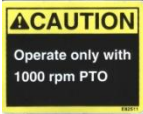
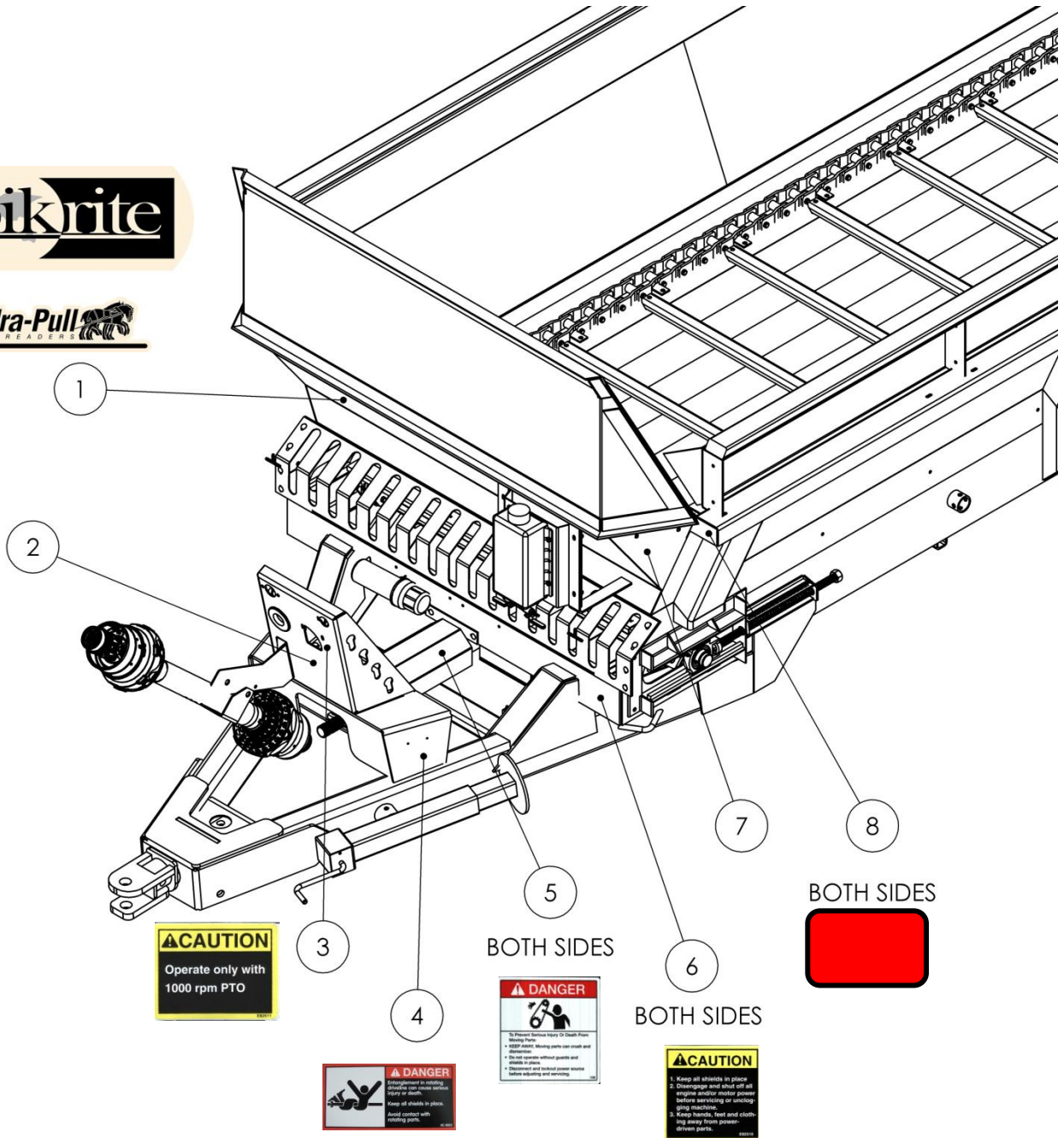


ITEM NO.	QTY	DESCRIPTION	PART NUMBER
1	1	SAFETY CHAIN, 30,400 lb CAPACITY	FRM-3167
101	1	1" X 3-1/2" G5 HH BOLT ZC	BL-16-350H
102	1	1" LN w/ NYLON INSERT	BL-16-LN
103	1	WASHER, SAFETY CHAIN	PR37152
104	1	1" FW ZC	BL-16-FW

74418-4-02 Accessories



ITEM NO.	QTY	DESCRIPTION	PART NUMBER
1	1	JACK WELDMENT, SIDEWIND JACK, 9000 lb	WH-16216
2	1	MANUAL HOLDER	MAN-67670
3	1	SMV SIGN	SMV-PL
4	1	SOCKET, SPADE MOUNT	SMV-S
5	1	SPADE MOUNT	SMV-SM
6	1	BRACKET, SMV SIGN	PR39117
101	3	12-24 X 7/8 DRILL & TAP SCREW	BL-1224-087-DT
102	7	1/4 USS FW ZC	BL-4-FW
103	2	1/4-20 X 3/4 HH C/S BOLT G5 ZC	BL-4-075-H
104	2	1/4-20 X 1-1/4 HEX CAP G5 ZC	BL-4-125-H
105	4	1/4 SPLIT LW ZC	BL-4-LW
106	4	1/4-20 HEX FIN NUT ZC	BL-4-N
107	1	3/8-16 X 1 HHCS BOLT G5 ZC	BL-6-100-H
108	1	3/8 SPLIT LW ZC	BL-6-LW
109	1	3/8 USS FW ZC	BL-6-FW
110	1	3/8-16 HEX NUT ZC	BL-6-N
801	1	PIN & CHAIN ASSY	WH-16402-A
802	1	WELD-ON HUB, IMPLEMENT SIDE	WH-16402-B
803	1	WELD-ON HUB, JACK SIDE	WH-16402-C



BOTH SIDES



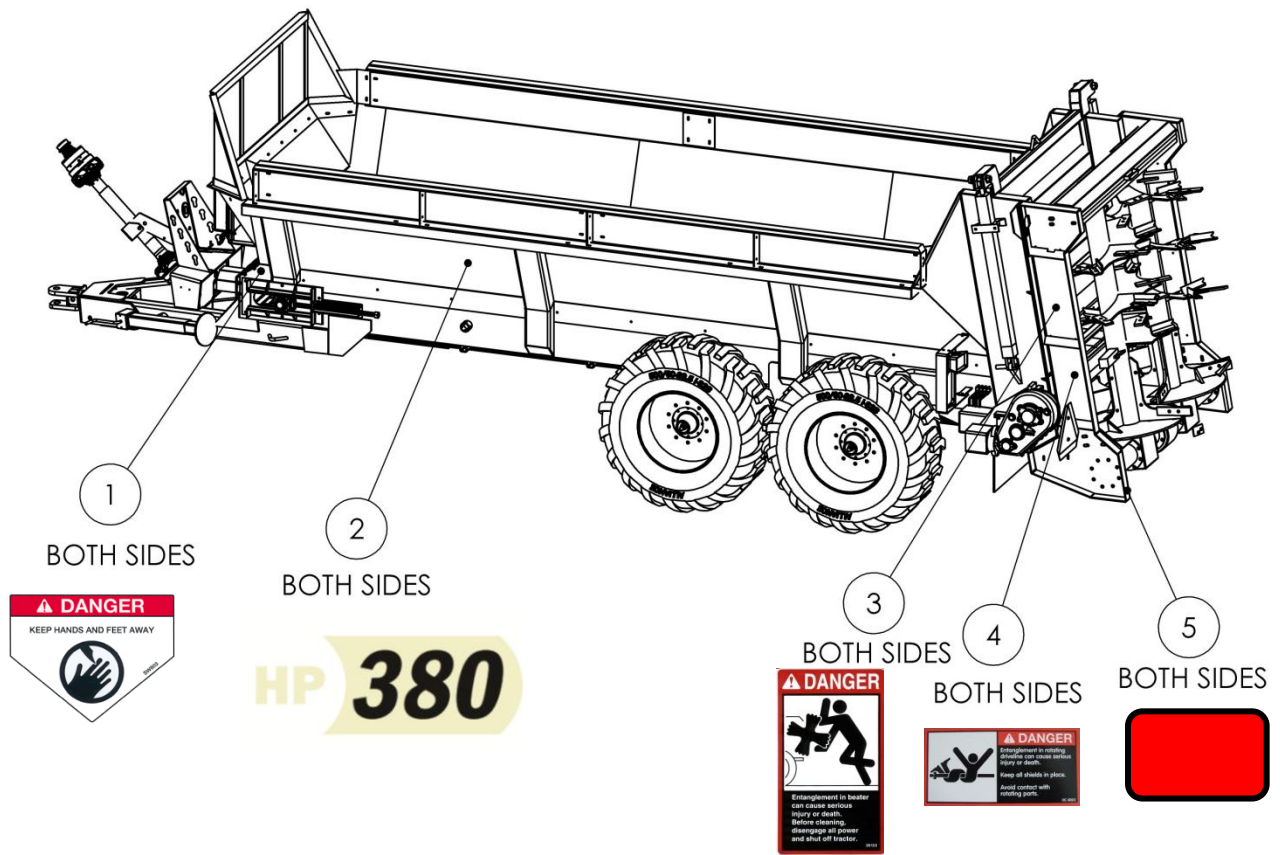
BOTH SIDES



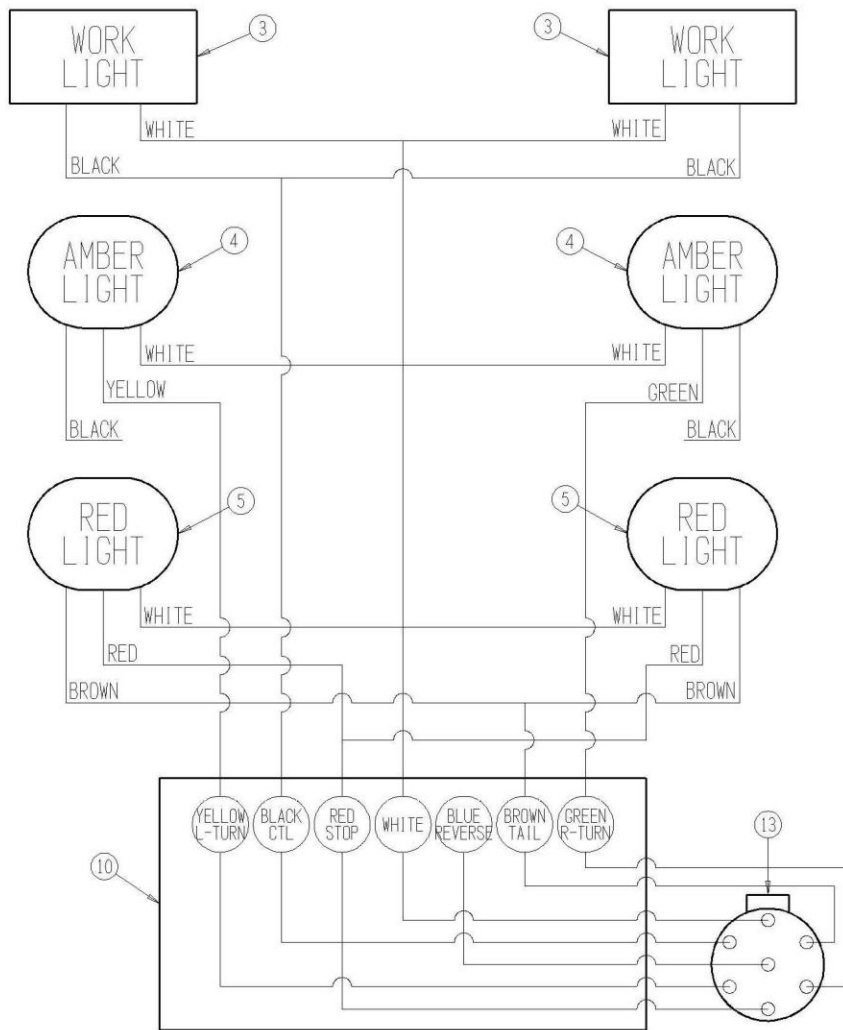
BOTH SIDES



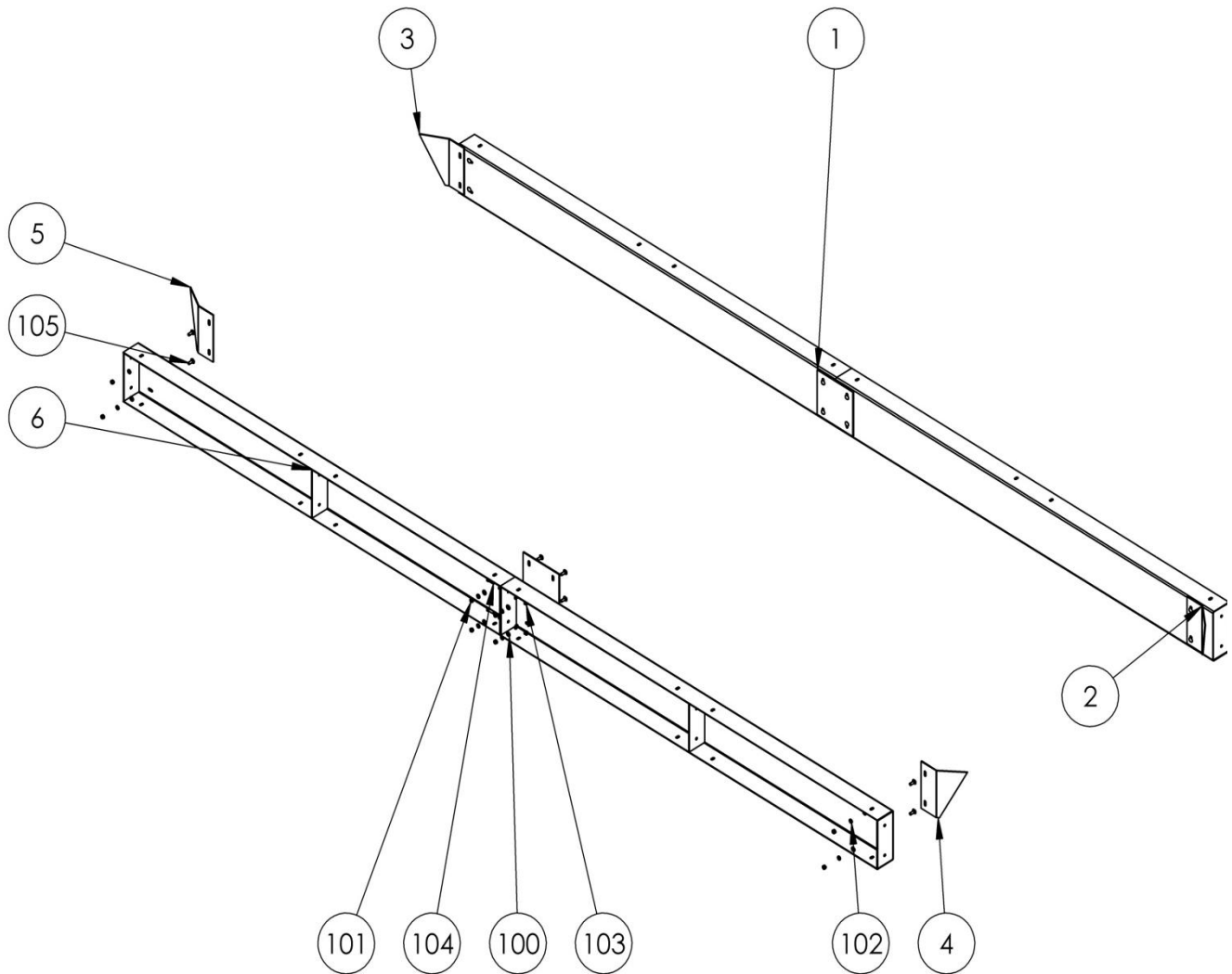
ITEM NO.	QTY	DESCRIPTION	PART NUMBER
2	1	DECAL, TRACTOR DRAWBAR ADJUSTMENTS	DC-0022
3	1	DECAL, CAUTION, 1000 RPM PTO	DC-0021
4	1	DECAL, "MADE IN USA"	DC-011
5	2	DECAL, DANGER, ENTANGLEMENT IN ROTATING DRIVE	DC-0025
6	2	DECAL, DANGER, HAND CRANK SAFETY	DC-1176
7	1	DECAL, CAUTION, KEEP ALL SHIELDS IN PLACE	DC-0023
8	2	DECAL, AMBER, REFLECTOR, SPREADER	DC-0034



ITEM NO.	QTY	DESCRIPTION	PART NUMBER
1	2	DECAL, DANGER, KEEP HANDS AND FEET AWAY	DC-1174
2	2	DECAL, PIKRITE/HYDRAPULL/HP500	DC-0115
3	2	DECAL, DANGER, ENTANGLEMENT IN BEATER	DC-0030
4	2	DECAL, DANGER, ENTANGLEMENT IN ROTATING DRIVE	DC-0025
5	2	DECAL, RED, REFLECTOR, SPREADER	DC-0033



ITEM NO.	QTY	DESCRIPTION	PART NUMBER
1	1	LIGHT HARNESS, LH	EL-50561-397
2	1	LIGHT HARNESS, RH	EL-50562-416
3	2	HARNESS, WORK LIGHTS	EL-40604-13
4	1	7 CONDUCTOR HARNESS	EL-50780-362
5	2	LIGHT BRACKET	PR63007
601	2	WORK LIGHT	EL-1233
602	1	LED w/ BRAKE LIGHT, LH	EL-1501
603	1	LED w/ BRAKE LIGHT, RH	EL-1502
604	1	JUNCTION BOX	ELE-15-964
605	1	7 CONDUCTOR PLUG WITH SPRING	ELT-37675
606	1	4-PIN CONN., LH	EL-1503
607	1	4-PIN CONN., RH	EL-1504



ITEM NO.	EXPLODED/QTY.	DESCRIPTION	PART NUMBER
1	2	PLATE	PR70342
2	1	TRANSITION, SIDE EXT, REAR RH	PR70341
3	1	TRANSITION, SIDE EXT. FRONT RH	PR70340
4	1	TRANSITION, SIDE EXT, REAR LH	PR70339
5	1	TRANSITION, SIDE EXT, FRONT LH	PR70338
6	4	SIDE EXTENSION	PR70325
100	24	3/8 SAE FW ZC	BL-6-SW
101	16	3/8-16 HEX NUT ZC	BL-6-N
102	16	3/8 SPLIT LW ZC	BL-6-LW
103	4	3/8-16 FIN H LN NE A563 GA ZC	BL-6-LN
104	4	3/8-16 X 1-1/4 HHCS G5 ZC	BL-6-125-H
105	24	3/8-16 X 1 CARRIAGE BOLT G5 ZC	BL-6-100-C

NOTES

NOTES

WARRANTY

Pik Rite, Inc. provides a limited warranty assuring any new Hydra-Pull Spreader to be free from defects in material and workmanship for a period of two (2) years from the original date of purchase.

Pik Rite will repair or replace, at its option and without charge, any defective or malfunctioning part (excluding items of normal wear or misuse) of the spreader for this allotted time.

PIK RITE MAKES NO WARRANTY OF
MERCHANTABILITY OR FITNESS FOR A
PARTICULAR USE.

Customer's Responsibility:

It is the customer and/or operator's responsibility to read the Operator's Manual, to operate, lubricate, maintain and store the equipment in accordance with all instructions and safety procedures. Failure of the operator to read the operators manual is a misuse of this equipment.

It is the customer and/or operators responsibility to inspect the product and to have any part(s) repaired or replaced when continued operation would cause damage or excessive wear to other parts or cause a safety hazard.

It is the customer's responsibility to deliver the product to the authorized dealer, from whom the spreader was purchased, for service or replacement of defective parts, which are covered by warranty.

It is the customer's responsibility for any cost incurred by the dealer for hauling the product for the purpose of performing a warranty obligation or inspection.

WARRANTY INFORMATION

Make certain the warranty registration card has been forwarded to:

Pik Rite, Inc.
60 Pik Rite Lane
Lewisburg, PA 17837

Always give your dealer the serial number of your Pik Rite, Inc. product when ordering parts or requesting service or other information.

In the space provided record the model number, the serial number and the date of purchase to assist in providing you with prompt and efficient service.

MODEL NUMBER: HP380

DEALER: _____

SERIAL NUMBER: _____

ADDRESS: _____

PURCHASE DATE: _____

PHONE: _____

SALESMAN: _____

Pik Rite, Inc.
60 Pik Rite Lane
Lewisburg, PA 17837

Phone: 800-326-9763
Fax: 570-523-8175
www.pikrite.com

HP 380
Manure Spreader