



60 PIK RITE LANE, LEWISBURG PA 17837

PHONE: 570-523-8174 FAX: 570-523-8175

EMAIL: frontdsk@pikrite.com WEBSITE: www.pikrite.com

Dear Grower,

Welcome to the growing family of satisfied Pik Rite equipment owners. Our goal is to help make your harvest as enjoyable and trouble free as possible by providing equipment that is durable and keeps down time to a minimum.

In order to provide customer service and a supply of original equipment parts to keep your machine well maintained, we are continually striving to keep our systems state-of-the-art to utilize all available resources that allow us to provide better and more accurate deliveries on time.

We will continue to give you the service you have come to expect from our dealer representatives and us. In order to avoid any delays during your harvest season we make every effort to have someone available to take your calls 24 hours a day. We have shipping companies in place to deliver your parts as expediently as possible whether you live a few miles down the road or on the other side of the globe. Count on us.

Sincerely,

Andy Kling
Vice President
andy@pikrite.com

Mobile 570-412-0066

www.pikrite.com

Clint Morris
Parts Sales
parts@pikrite.com

Parts and Service Hotline
800-326-9763

TABLE OF CONTENTS

6205-1-1	Frame Assembly	6
6205-1-2	Spindle & Hub Assembly	8
6205-1-3	Standard Hitch Assembly	10
6205-1-4	Optional Hitch Assembly	12
6205-1-5	Optional Jack Stand Assembly	14
6205-1-6	Optional PTO Assembly	16
6205-2-1	Disk Header Frame Assembly	18
6205-2-2	Disk Header Drive Shaft Assembly	20
6205-2-3	Disk Header Disk Shaft Assembly	22
6205-2-4	Gathering Chain Assembly	24
6205-3-1	Header Conveyor Assembly	26
6205-3-2	Header Conveyor Drive Shaft Assembly	28
6205-3-3	Header Return Roller Assembly	30
6205-4-1	Cross Conveyor Assembly	32
6205-4-2	Cross Conveyor Adjustable Row Center Assembly	34
6205-4-3	Cross Conveyor Drive Shaft Assembly	36
6205-5-1	Discharge Conveyor Assembly	38
6205-5-2	Discharge Conveyor Drive Shaft Assembly	40
6205-5-10	Optional Sliding Inner Discharge Assembly	42
6205-5-11	Optional Sliding Outer Discharge Assembly	44
6205-5-12	Optional Sliding Discharge Drive Shaft Assembly	46
6205-6-1	Hydraulic Motor (Oil from Tractor) Assembly	48
6205-6-2	Optional (PTO Driven) Hydraulic System Assembly	50

6205-6-3 Optional (PTO Driven) Hydraulic Oil Tank Assembly.....52

6205-6-5 Hydraulic Flow Control Parts Assembly54

6205-6-6 Reverser Valve Parts Assembly.....56

6205-6-10 Hydraulic Cylinder Assembly58

6205-6-10.1 Electric/Hydraulic Valve Assembly.....60

6205-6-11 Opt. Sliding Discharge Hydraulic Cylinder Assembly.....62

6205-6-11.1 Optional Electric/Hydraulic Valve Assembly.....64

6205-6-12 Electric/Hydraulic Valve Section, Unloading Inlet.....66

6205-6-13 Electric/Hydraulic Valve Section, W/ Locks.....68

6205-7-1 Electrical Schematic Assembly70

6205-8-1 Steel Roller Replacement Parts.....72

6205-8-2 3.5 Dia. Roller Replacement Parts.....74

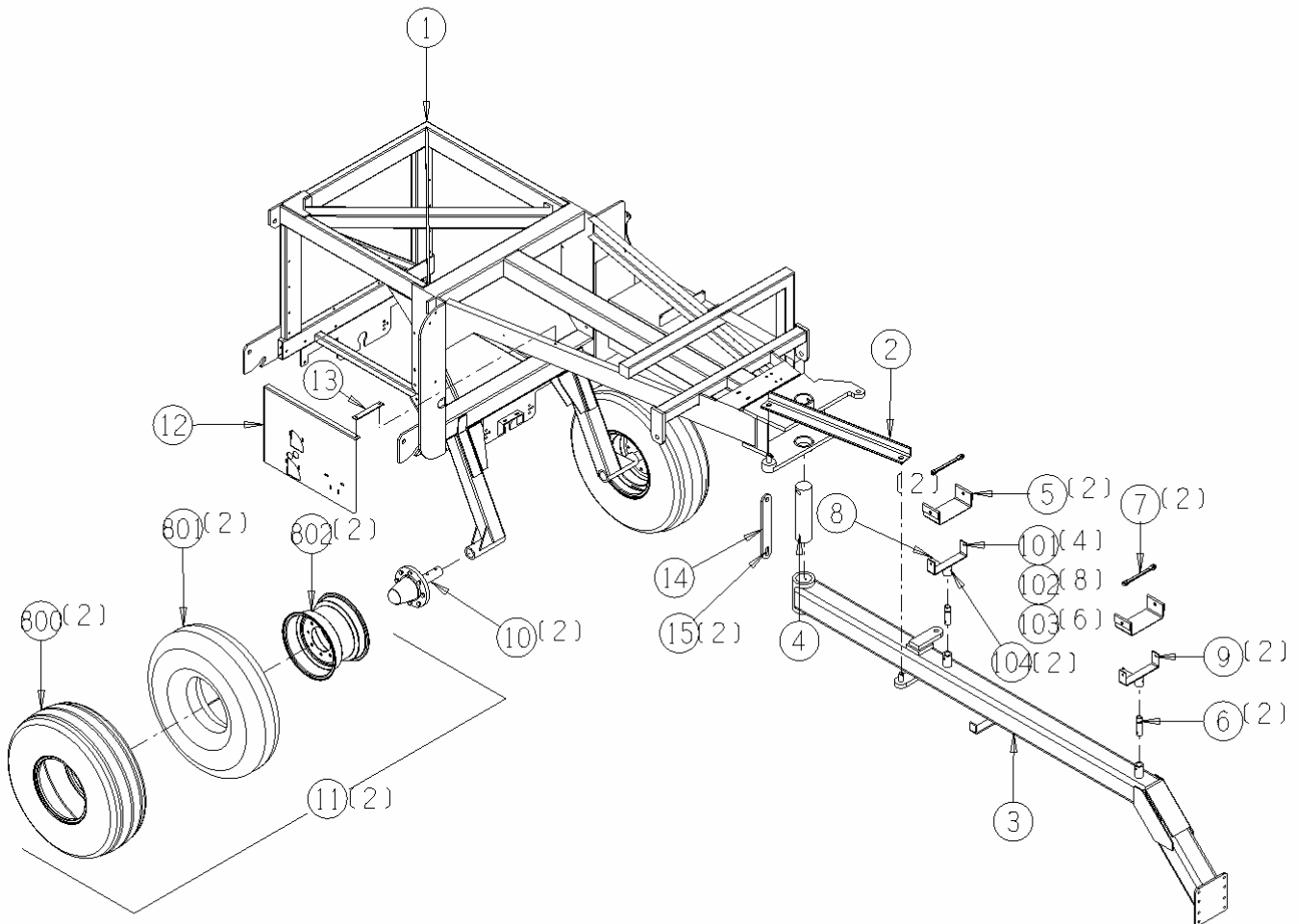
6205-8-3 2.75 Dia. Roller Replacement Parts.....76

PARTS CATALOG

6205-1-1 Frame Assembly

<u>Ref</u>	<u>Part No.</u>	<u>Description</u>	<u>Parts – Assembly</u>	<u>Will Fit SN</u>	<u>Remarks</u>
1	FRM-6205	Main Frame, 6200 Vine Diverter	1		
2	BRA-6205	Angle, Front, 6200 Vine Diverter	1		
3	FRM-6201	Tongue, Front, Frame, 6200 Vine Diverter	1		
4	PIN-6100	Pin, Tongue, 6100 Vine Diverter	1		
5	BT-8110	Belting, Hose Holder, Gooseneck	2		
6	SFT-8210	Shaft, Hose Holder, 190 Frame	2		
7	STRP-1050	10" Tarp Straps	2		
8	GF-1428	Grease Fitting 1/4" x 28 straight	2		
9	SUP-8110	Support, Pivoting Hose Holder, Tongue HC290	2		
10	WHL-1115	Complete Hub and Spindle Assembly	2	193-1109 / WHL-1121	
11	WHM-1100	Mounted Tire Tube/ Wheel Assembly for 12.5 L15 15 ply Tire	2	190	
12	PAN-6200	Flow Panel, 6200 Vine Diverter	1		
13	BAR-6203	Bar, Bolt on Flow Panel, 6200 Vine Diverter	1		
14	BAR-6205	Bar, Safety Hold Up, Disk Head, Diverter	1		
15	HC-1130B	Hair Pin Clip	2		
101	BL-4-150-H	1/4-20 X 1 1/2 HEX CAP G5 ZC	4		
102	BL-4-FW	1/4 USS FW ZC	8		
103	BL-4-N	1/4-20 HEX FIN NUTS ZC	6		
104	BL-4-075-H	1/4 UNC X 3/4 HH C/S BOLT GR5 ZINC	2		
105	BL-8-400-H	1/2-13 X 4 HEX CAP G5 ZC	2		
106	BL-8-LN	1/2-13 HEX LOCK NUT NYLON INSERT ZC	2		
800	WHT-1121	12.5 L15 14 ply McCreary Tire	2	19101	
801	WHT-1122	12.5 x L15 Tube (Heavy Duty)	2	19101	
802	WHT-1123	10 x 15 8 lug Rim	2	19101	8-8-6

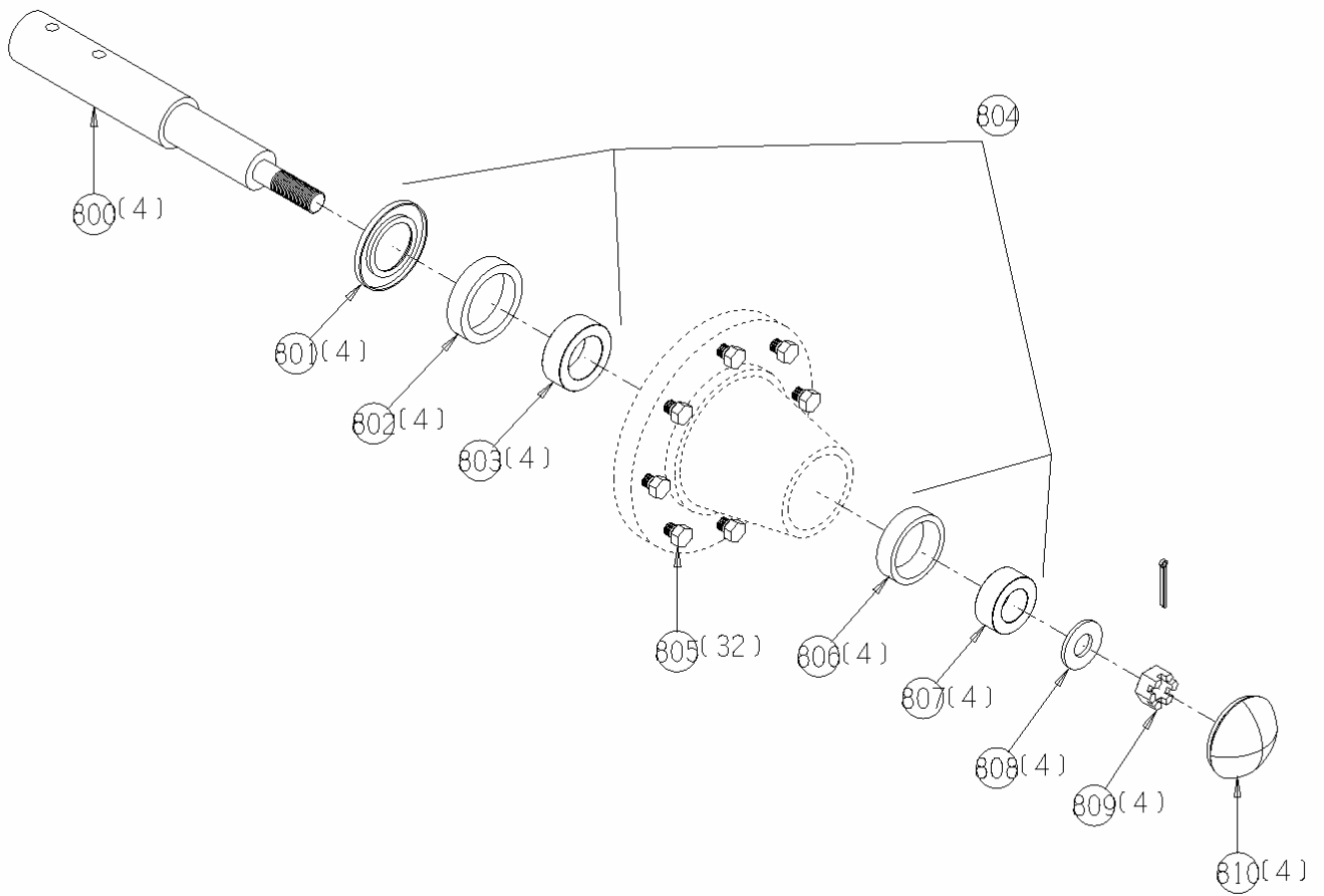
6205-1-1 FRAME ASSEMBLY



6205-1-2 Spindle & Hub Assembly

<u>Ref</u>	<u>Part No.</u>	<u>Description</u>	<u>Parts – Assembly</u>	<u>Will Fit SN</u>	<u>Remarks</u>
800	WBR-1108	Spindle for Machine Wheel	2	WHL-1115	Drilled
801	WBR-1107A	Seal CR-20148	2	WHL-1115	
802	WBR-1107B	Inside Wheel Bearing	2	WHL-1115	
803	WBR-1107F	Inner cup	2	WHL-1115	
804	WBR-1107K	Complete Wheel Bearing Kit	2	WHL-1115	All
805	WBR-1107L	Wheel, Lug bolts	16	WHL-1115	
806	WBR-1107G	Outer cup	2	WHL-1115	
807	WBR-1107C	Outside Wheel Bearing	2	WHL-1115	
808	WBR-1107H	Washer	2	WHL-1115	
809	WBR-1107D	Nut 7/8-14	2	WHL-1115	
810	WBR-1107E	Cap	2	WHL-1115	

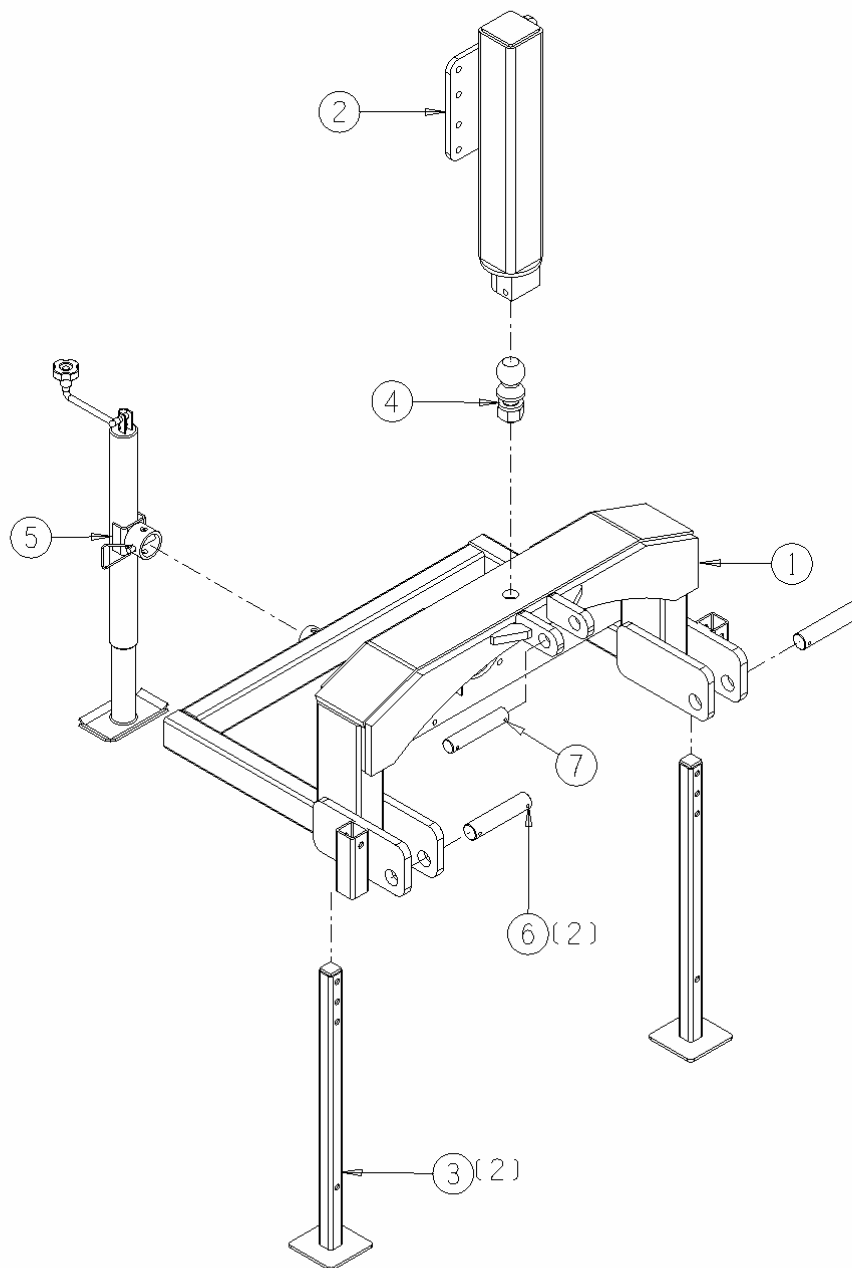
6205-1-2 SPINDLE & HUB ASSEMBLY



6205-1-3 Standard Hitch Assembly

<u>Ref</u>	<u>Part No.</u>	<u>Description</u>	<u>Parts – Assembly</u>	<u>Will Fit SN</u>	<u>Remarks</u>
1	FRM-6202	Frame, Hitch, 6200 Vine Diverter	1		
2	ARM-6201	Standard Down Tube, Hitch, 6200 Vine Diverter	1		
3	STD-6200	Jack Stand, Main Assembly, 6200 Vine Diverter	2		
4	GH-37B	Gooseneck Hitch Ball, 2 5/16"	1		
5	WH-16122	Bulldog Topwind Swivel Jack, 5,000 lb.	1		
6	PIN-6202	Pin, Quick Hitch, 3 Point Arms, Vine Diverter	2		
7	PIN-6203	Pin, Top Link, Quick Hitch Arms, Diverter	1		

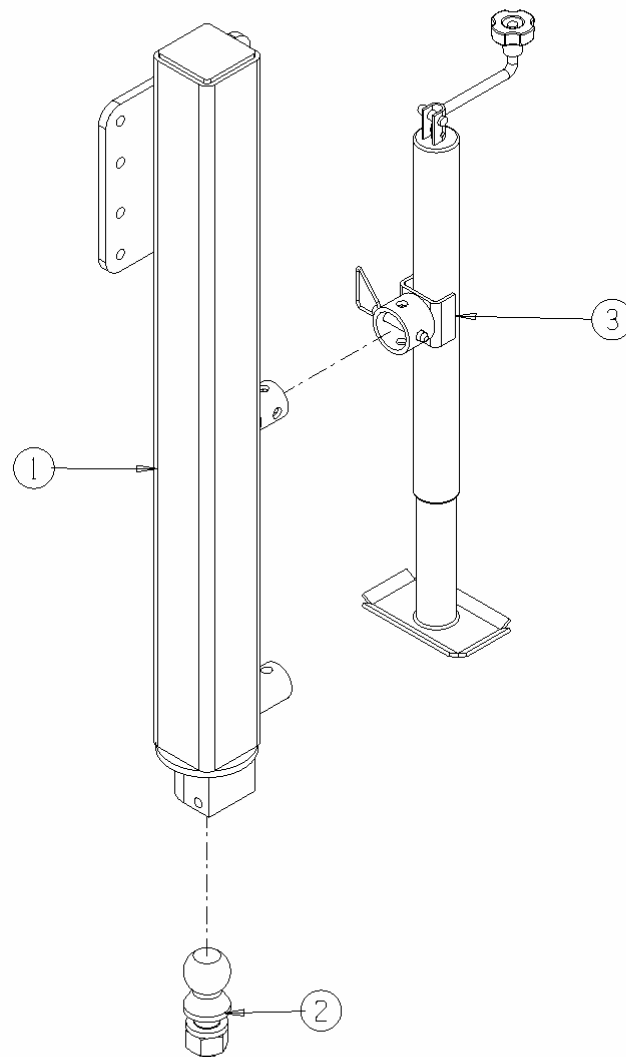
6205-1-3 STANDARD HITCH ASSEMBLY



6205-1-4 Optional Hitch Assembly

<u>Ref</u>	<u>Part No.</u>	<u>Description</u>	<u>Parts – Assembly</u>	<u>Will Fit SN</u>	<u>Remarks</u>
1	ARM-6200	Optional Down Tube, Hitch, Vine Diverter	1		
2	GH-37B	Gooseneck Hitch Ball, 2 5/16"	1		
3	WH-16122	Bulldog Topwind Swivel Jack, 5,000 lb.	1		

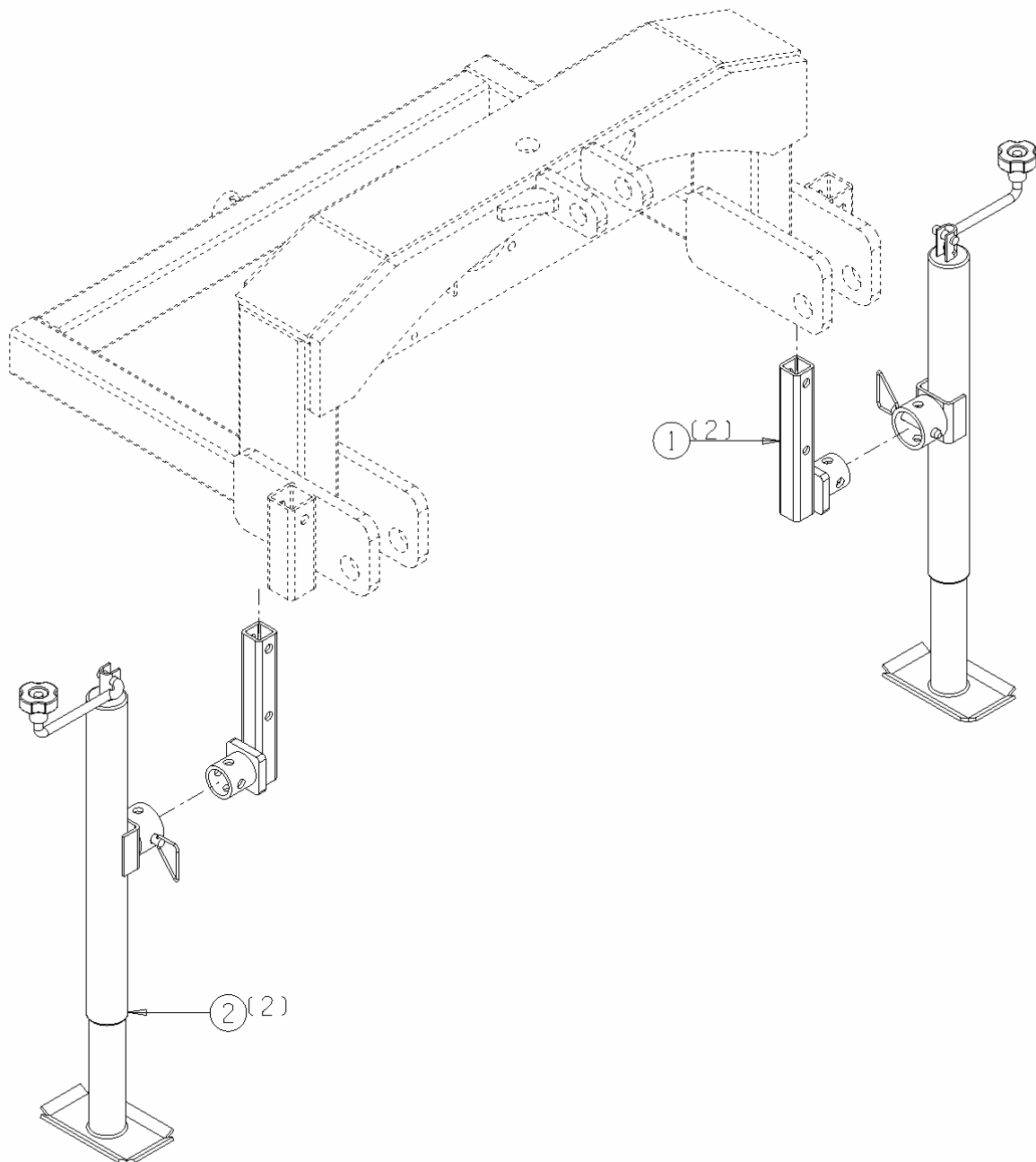
6205-1-4 OPTIONAL HITCH ASSEMBLY



6205-1-5 Optional Jack Stand Assembly

<u>Ref</u>	<u>Part No.</u>	<u>Description</u>	<u>Parts – Assembly</u>	<u>Will Fit SN</u>	<u>Remarks</u>
1	STD-6201	Opt Jack Stand, Main Frm, 6200 Vine Diverter	2		
2	WH-16122	Bulldog Topwind Swivel Jack, 5,000 lb.	2		

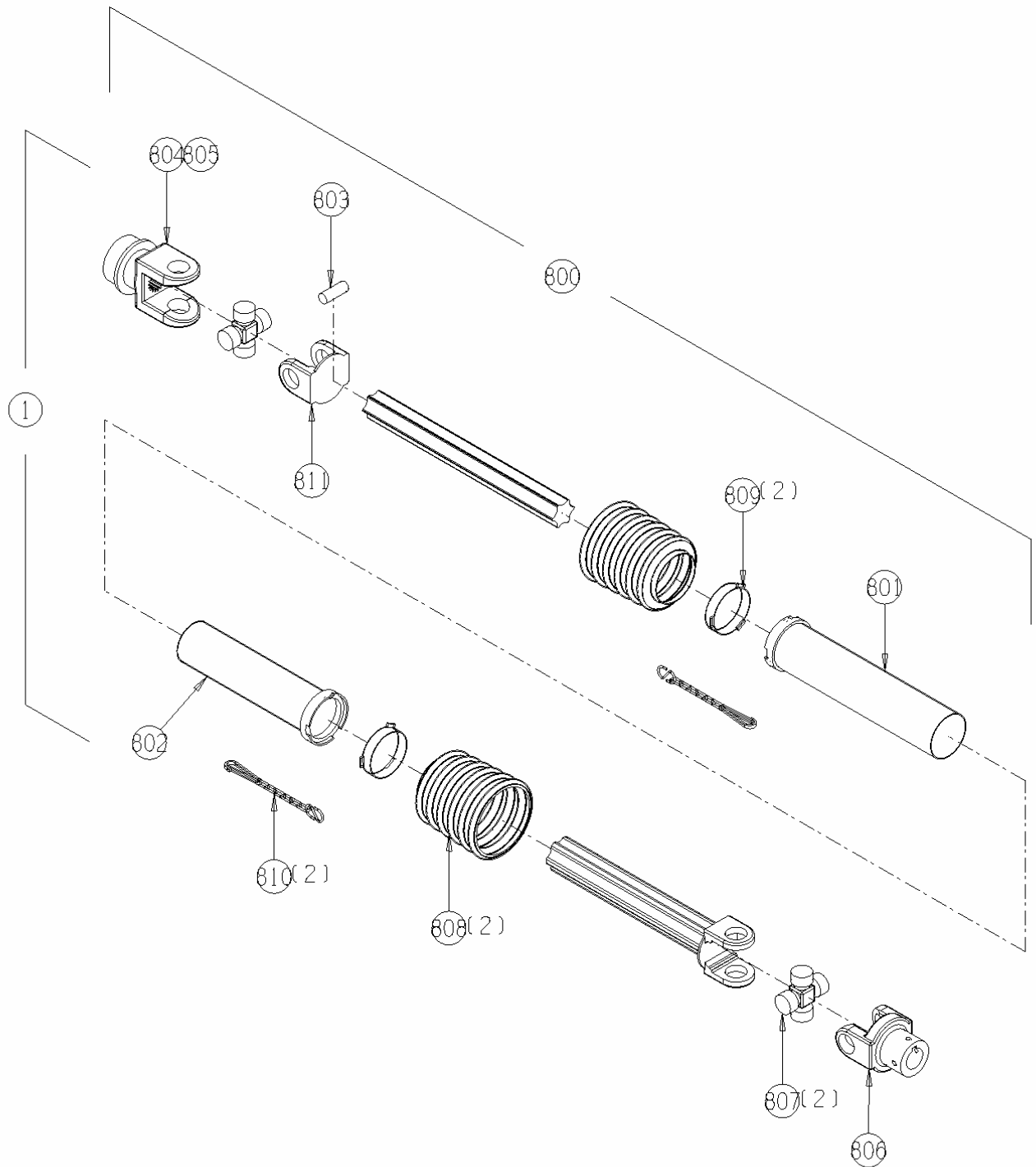
6205-1-5 OPTIONAL JACK STAND ASSEMBLY



6205-1-6 Optional PTO Assembly

<u>Ref</u>	<u>Part No.</u>	<u>Description</u>	<u>Parts – Assembly</u>	<u>Will Fit SN</u>	<u>Remarks</u>
0	PTS-6200	PTO Shaft 1-3/8-21 x 1-1/4-5/16 6205 Vine Diverter	1	Vine Diverter	

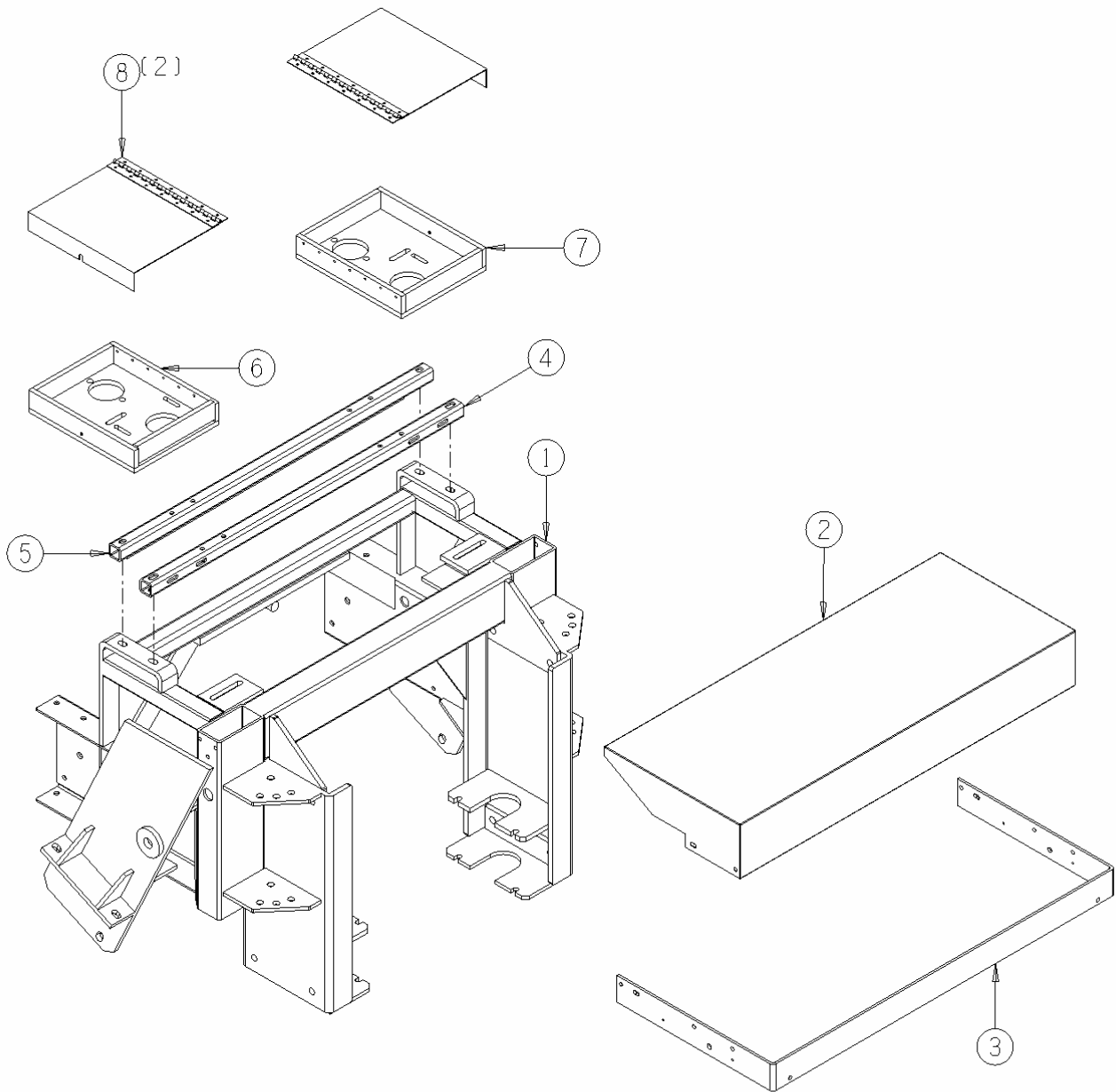
6205-1-6 HITCH PTO ASSEMBLY



6205-2-1 Disk Header Frame Assembly

<u>Ref</u>	<u>Part No.</u>	<u>Description</u>	<u>Parts – Assembly</u>	<u>Will Fit SN</u>	<u>Remarks</u>
1	FRM-6204	Frame, Disk Header, Pick Up Head, Vine Diverter	1		
2	192-139	Shield, Disk Header Cover (Tomato)	1	19201-	
3	192-139A	Safety Bar	1	19201-	
4	194-109	Disk Motor Stabilizer Bar	1	19401-19525 60096001- 61096001- 194-231K	
5	194-109R	Bar, Motor Stop Stabilizer, Tom. Disk Header	1		
6	SUP-0033	Motor Mount, Right Side, Header, 6100 V Diverter	1		
7	SUP-0034	Motor Mount, Left Side, Header, 6100 Vine Diverter	1		
8	SHD-0069	Shield, Header, Both Sides, 6100 Vine Diverter	2		

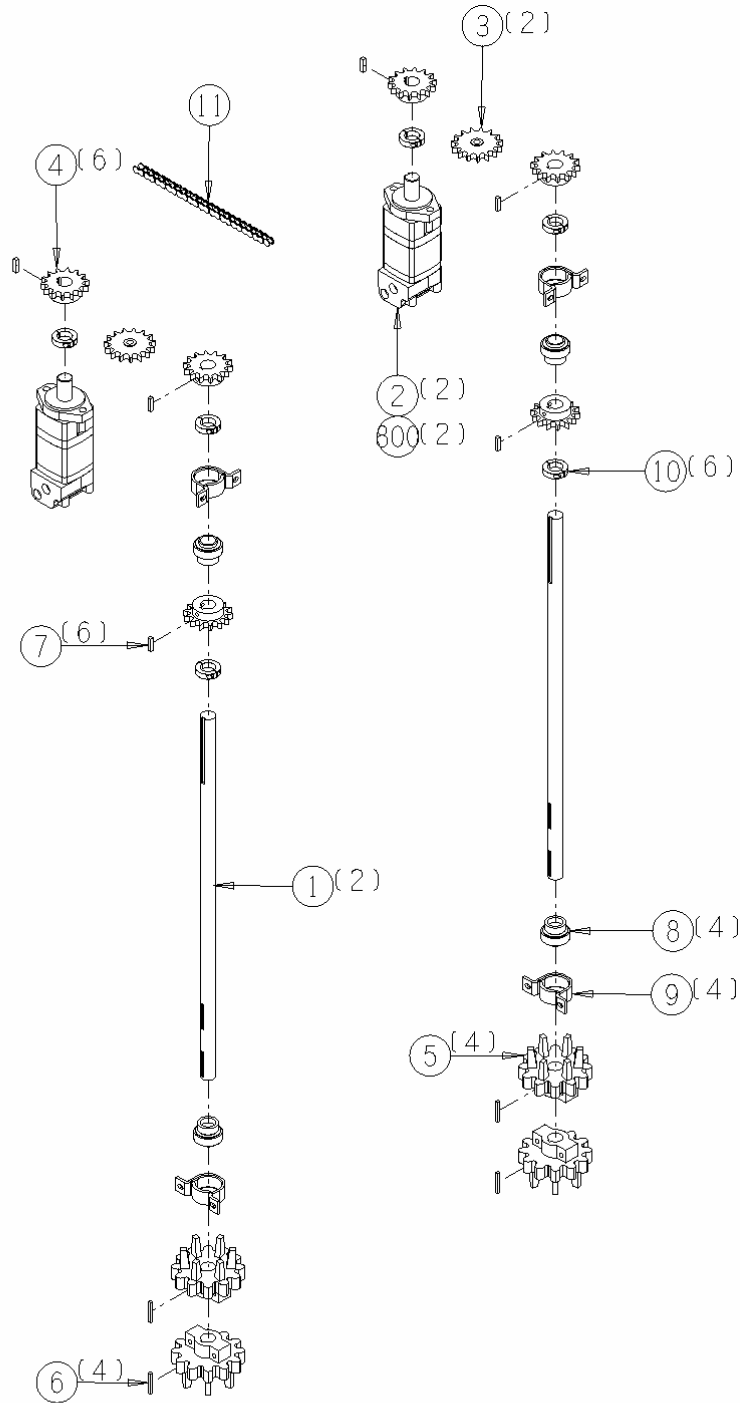
6205-2-1 DISK HEADER FRAME ASSEMBLY



6205-2-2 Disk Header Drive Shaft Assembly

<u>Ref</u>	<u>Part No.</u>	<u>Description</u>	<u>Parts – Assembly</u>	<u>Will Fit SN</u>	<u>Remarks</u>
1	194-155	Shaft, Gathering Chain	2		
2	HM-1228-CH	Char Lynn Motor	2		
3	SP-6015-T	Idler, # 60 Roller Chain Adjuster	2	19201	
4	SP-60B14-20-5	Sprocket, #60, 14 tooth, 1.25" bore	6		191-116 Old P/N Not used '91 to '93 except on machines without gathering chains. Used on all machines upgraded with direct drive gathering chain kits.
5	SPU-3612-20-4	Urethane Sprocket 36-12 1 1/4 bore 1/4" key	4		Sub SP-3612-20-4
6	KEY-4-4-32	Shaft Key 1/4" x 2" Square Cut (1018)	4		
7	KEY-5-5-20	Shaft Key 5/16" sq x 1 1/4" Square Cut (1018)	6		
8	BR-125-062	Bearing, 1 1/4 Fafnir tri-seal, 62mm OD	4		
9	BR-062-MPB	Stamped Bearing Housing for 1 1/4" bearing	4		
10	SC-20-2	Shaft Collar, 2 piece 1 1/4" bore	6		
11	CH-60H-33	Roller Chain 33 pitches #60H w/master	2		
100	BL-8-175-H8	1/2 x 1 3/4", Grade 8, Hex Head	4		
101	BL-8-LNS	1/2 Stover Lock Nut	4		
800	HM-1228-SK	Seal Kit for Char-Lynn	2	2000 Series	
801	BL-5-125-SCF	5/16 - 24 x 1 1/4", Socket Head Cap Screw	8		

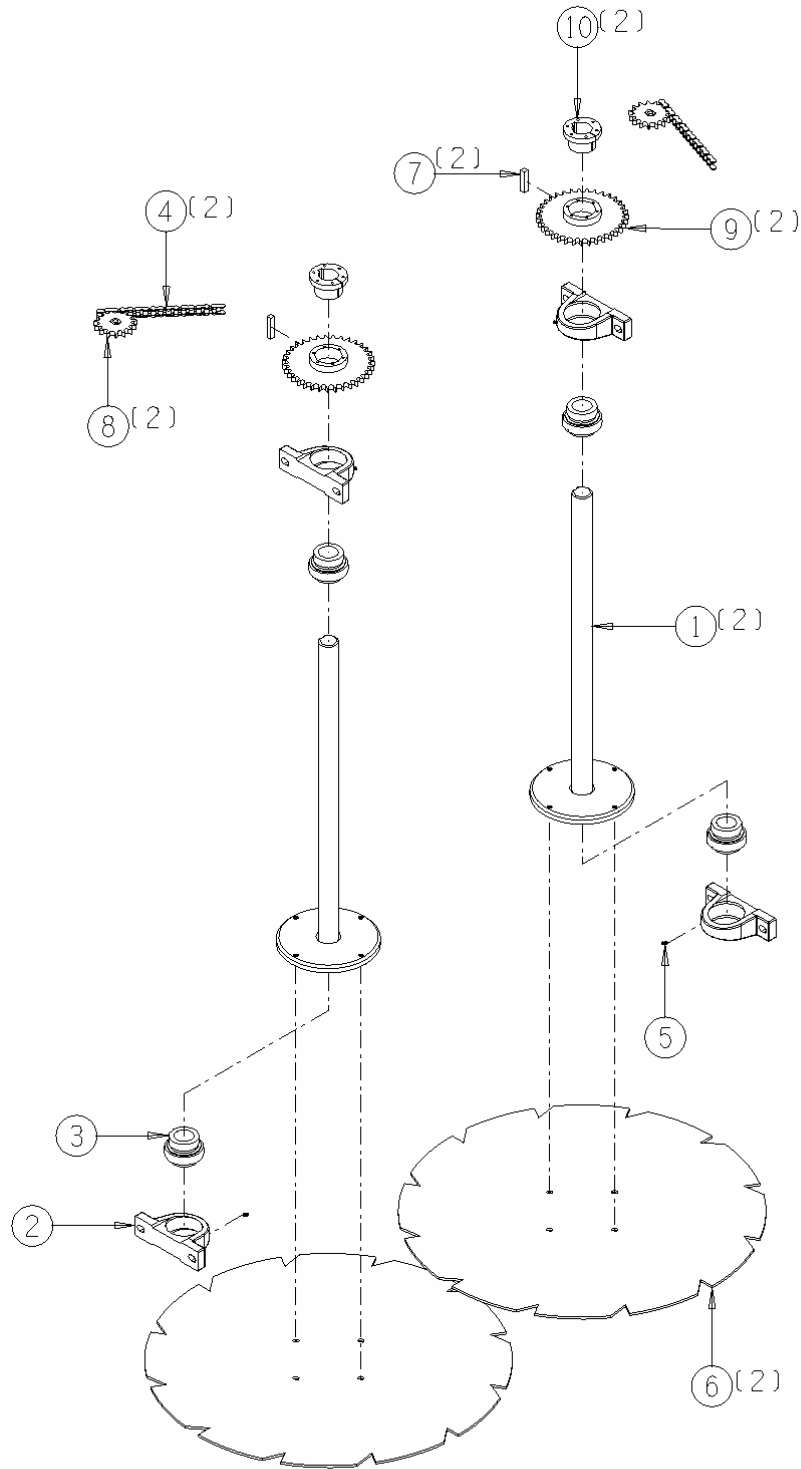
6205-2-2 DISK HEADER DRIVE SHAFT ASSEMBLY



6205-2-3 Disk Header Disk Shaft Assembly

<u>Ref</u>	<u>Part No.</u>	<u>Description</u>	<u>Parts – Assembly</u>	<u>Will Fit SN</u>	<u>Remarks</u>
1	191-131	Shaft, Disk	2		
2	BR-100-RAK	Bearing Housing 100 mm	4	11001	
3	BR-200-100	2" Fafnir Bearing, Tri-ply	4	11001	
4	CH-60H-67	Roller Chain 67 pitches #60H Disk Drive(Tomato) w/master link	2	19101	
5	GF-1428	Grease Fitting 1/4" x 28 straight	4		
6	HD-150-36	36" Header Disk, AR500	2		
7	KEY-8-8-40	Shaft Key 1/2" x 1/2" x 2 1/2"	2		
8	SP-6015-T	Idler, # 60 Roller Chain Adjuster	2	19201	
9	SP-60SK35	Sprocket, #60, 35 tooth	2	19101	
10	SP-SK-2	Sprocket, Bushing SK	2	19101	
100	BL-10-450-H	5/8-11 X 4 1/2 HEX CAP G5 ZC	4		
101	BL-10-LN	5/8-11 HEX LN NE ZC	4		
102	BL-5-200-8T	5/16-18 x 2 Grade 8 Tap Bolt	6		
103	BL-8-100-H	1/2-13 X 1 HEX CAP G5 ZC	8		
104	BL-8-450-H	1/2-13 X 4 1/2 HEX CAP G5 ZC	4		
105	BL-8-FW-8	1/2 FLAT WASHER G8 ZC	8		
106	BL-8-LN	1/2-13 HEX LOCK NUT NYLON INSERT ZC	4		
107	BL-8-LW	1/2 SPLIT LW ZC	8		
108	BL-8-SW	1/2 SAE FW ZC	8		

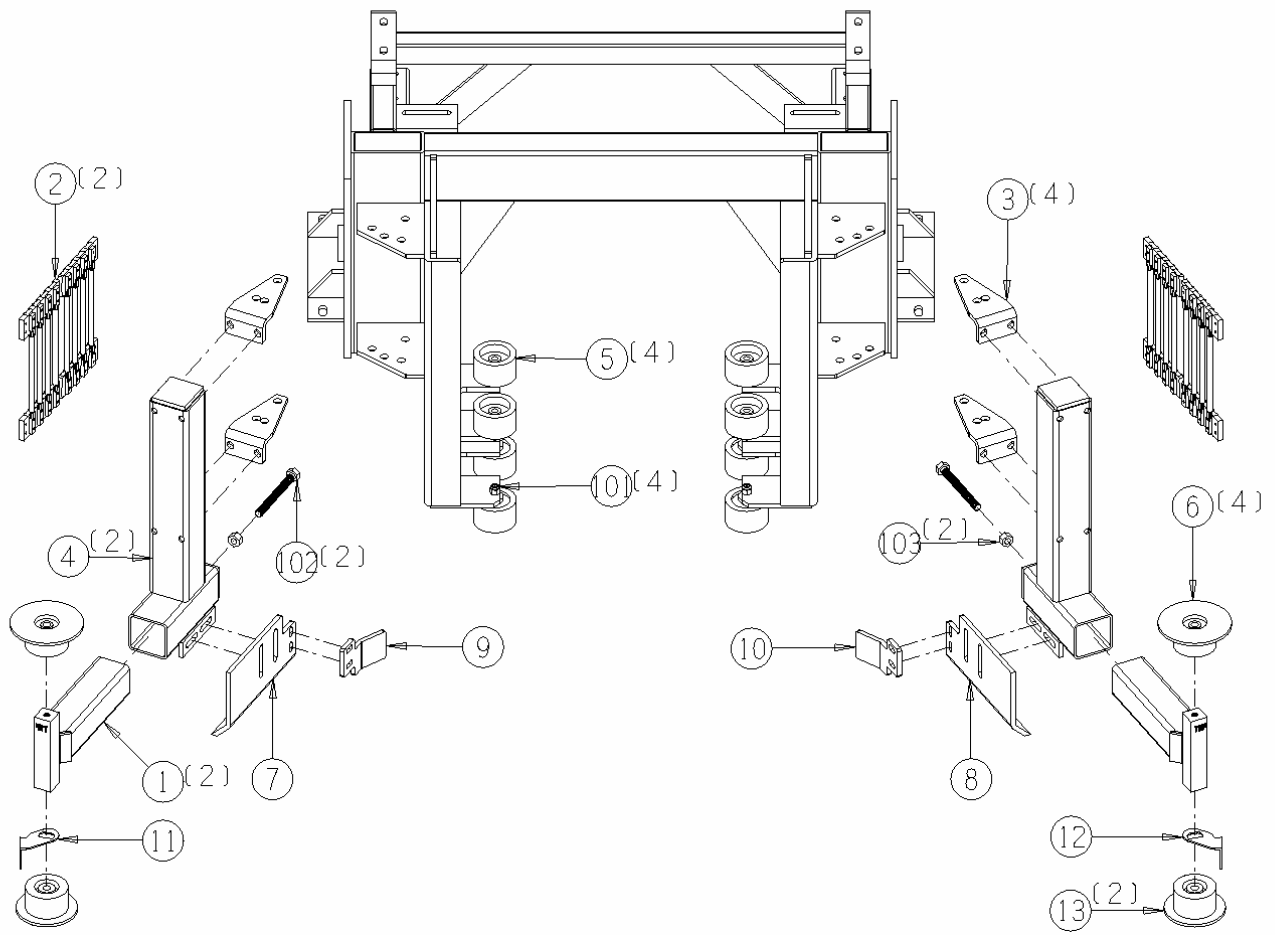
6205-2-3 DISK HEADER DISK SHAFT ASSEMBLY



6205-2-4 Gathering Chain Assembly

<u>Ref</u>	<u>Part No.</u>	<u>Description</u>	<u>Parts – Assembly</u>	<u>Will Fit SN</u>	<u>Remarks</u>
1	ADJ-155	Adjuster, Nose Tightener, Gathering Chain	2		
2	BC-6-1236-60	Gathering chain, 3/8 bars 12in wide x 60 links 36mm	2		
3	BAR-8204	Bar, Gathering Chain Bracket Holder, HC290	4		
4	BRA-8204	Bracket, Gathering Chain, HC290	2		
5	RLT-035-228	Roller 3.5 dia x 2.2 x 1/2" bore, no flange	8		
6	RLT-635-2210-RV	6" Flange Roller 2.2WF 3.5 Dia, 5/8" Bore w/Inverted Spindle	2		
7	SCR-162	Scraper, Upper, Inner, Disk Header	1		
8	SCR-164	Scraper, Upper, Outer, Disk Header	1		
9	SCR-8205	Scraper, Right Side, Hub, HC290	1		
10	SCR-8204	Scraper, Left Side, Hub, HC290	1		
11	RLA-3023S	Curved Scraper, RH	1		
12	RLA-3024S	Curved Scraper, LH	1		
13	RLT-535-2210-SC	5" Flange Roller 2.2 WF 3.5 dia, 5/8" bore w/ Hub for Scraper	2		
14	DC-3026	Orange Reflective Tape @ 50ft Roll	0.02		
100	BL-8-1100-H	1/2-13 x 11 HEX CAP G5 ZC	2		
101	BL-8-LN	1/2-13 HEX LOCK NUT NYLON INSERT ZC	4		
102	BL-10-600-T	5/8-11 x 6" Fully Threaded Bolt	2		
103	BL-10-N	5/8-11 HEX FIN NUTS ZC	2		

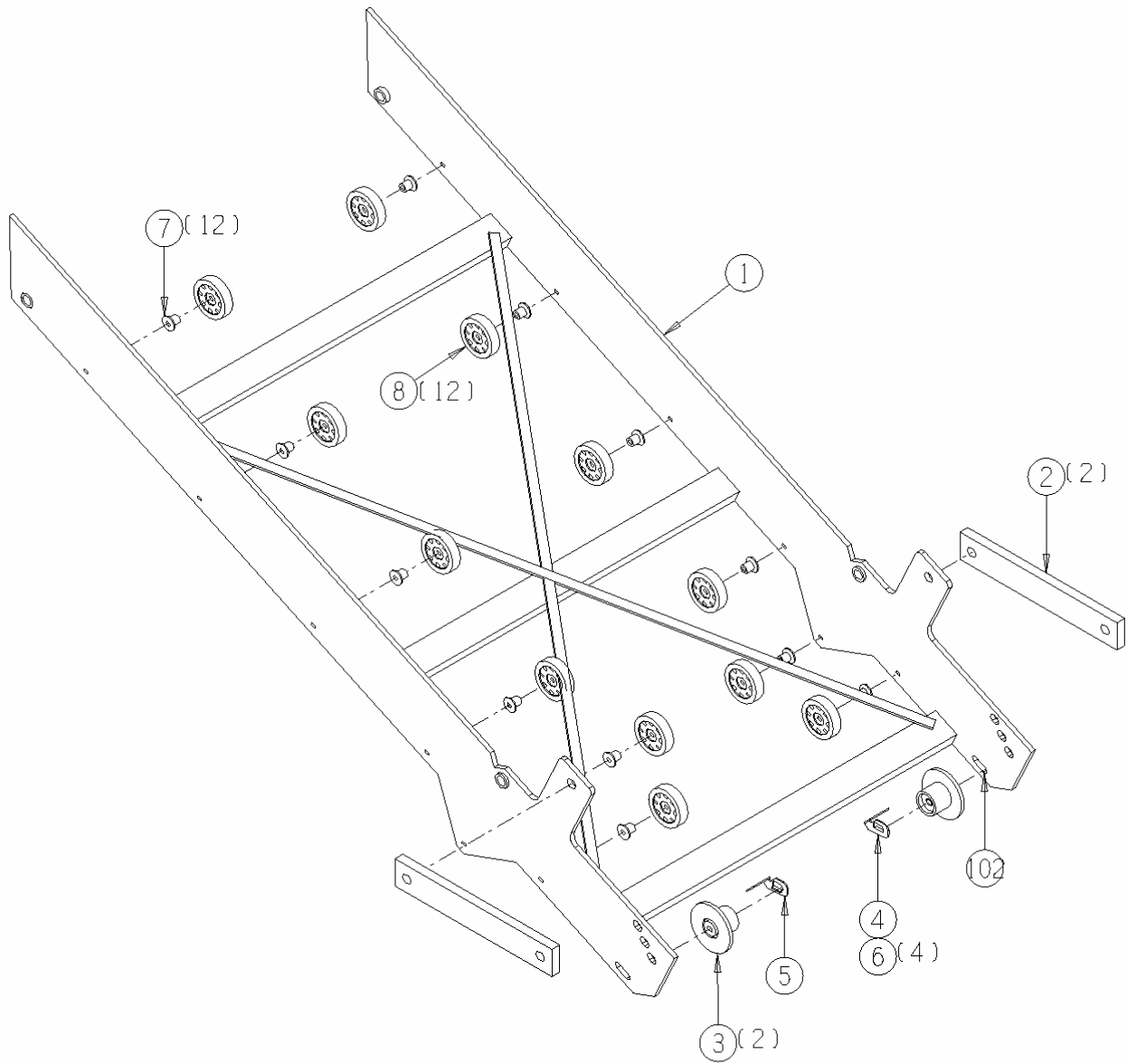
6205-2-4 GATHERING CHAIN ASSEMBLY



6205-3-1 Header Conveyor Assembly

<u>Ref</u>	<u>Part No.</u>	<u>Description</u>	<u>Parts – Assembly</u>	<u>Will Fit SN</u>	<u>Remarks</u>
1	FRM-6206	Frame, Header Conveyor, 6200 Vine Diverter	1		
2	BAR-6201	Bar	2		
3	RLS-522-2010-SC	Steel Roller, 5" Flange, 2.2" Dia, 2" wide, w/Hub for Scraper	2	For use with scrapers RLA-3023-TM (RH) and RLA-3024-TM (LH) only	
4	RLA-3023-TM	Scraper for Nose Roller, RH	1	For use with RLS-522-2010-SC roller only	
5	RLA-3024-TM	Scraper for Nose Roller, LH	1	For use with RLS-522-2010-SC roller only	
6	RLA-006-128	Bushing, 1/2" x 5/8" x 1.25	4		
7	RLA-000-118	Standoff, 1/2" X 1 1/8"	12		
8	RLR-040-108	4" Flat Roller	12		
101	BL-10-600-R	5/8-11x6",Full Threaded Rod,Grade 5,Zinc Coated	4		
102	BL-10-N	5/8-11 HEX FIN NUTS ZC	16		
103	BL-10-SW	5/8 SAE FW ZC @	34		

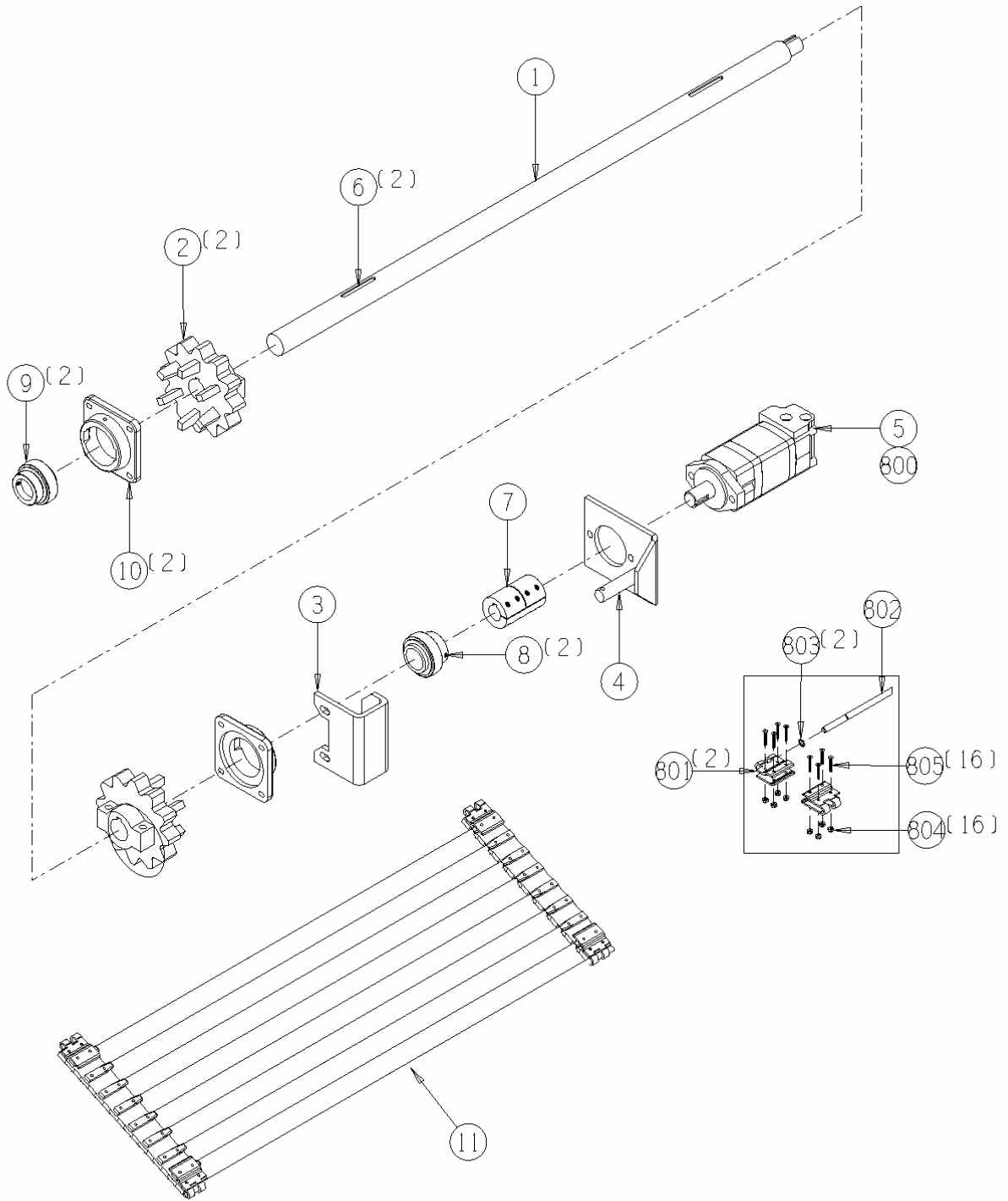
6205-3-1 HEADER CONVEYOR ASSEMBLY



6205-3-2 Header Conveyor Drive Shaft Assembly

<u>Ref</u>	<u>Part No.</u>	<u>Description</u>	<u>Parts – Assembly</u>	<u>Will Fit SN</u>	<u>Remarks</u>
1	SFT-6300	Shaft, Header Chain Drive, Vine Diverter	1		
2	SPU-4212-28-6	Urethane Sprocket 42mm x 12 tooth, 1 3/4" x 3/8 key	2		
3	STP-3501	Stop, Primary Header Motor	1	30096001-	
4	MOU-1228	Mount, Motor, SAE A Two Bolt, Disk Header	1		
5	HM-1228-CH	Char Lynn Motor	1		
6	KEY-6-6-24	Keystock 3/8" x 3/8" x 1 1/2" Square Cut (1018)	2		
7	CPS-6057	Coupler, Solid, 1.25", Cucumber & Tomato	1		This Replaces CPS-6056.
8	GF-1428	Grease Fitting 1/4" x 28 straight	2		
9	BR-175-085	Fafnir Bearing 1 3/4 Tri Seal	2		
10	BR-085-RCJ	RCJ Bearing Housing	2	11001	
11	BC-7-4442-120	Vine Diverter Header Chain	1		
800	HM-1228-SK	Seal Kit for Char-Lynn	1	2000 Series -	
801	BC-F-42-32	F Connecting Clip 42-32 @ pair	2		
802	BC-7-44-CN	Connecting Rod 44" x 11mm	1		
803	BC-3525	Snap Ring, 11mm.	2		
804	BC-1032-LN	10-32 lock nuts	16		
805	BC-1032-FS	10-32 x 1 1/4" bolts Flat Socket Head	16		

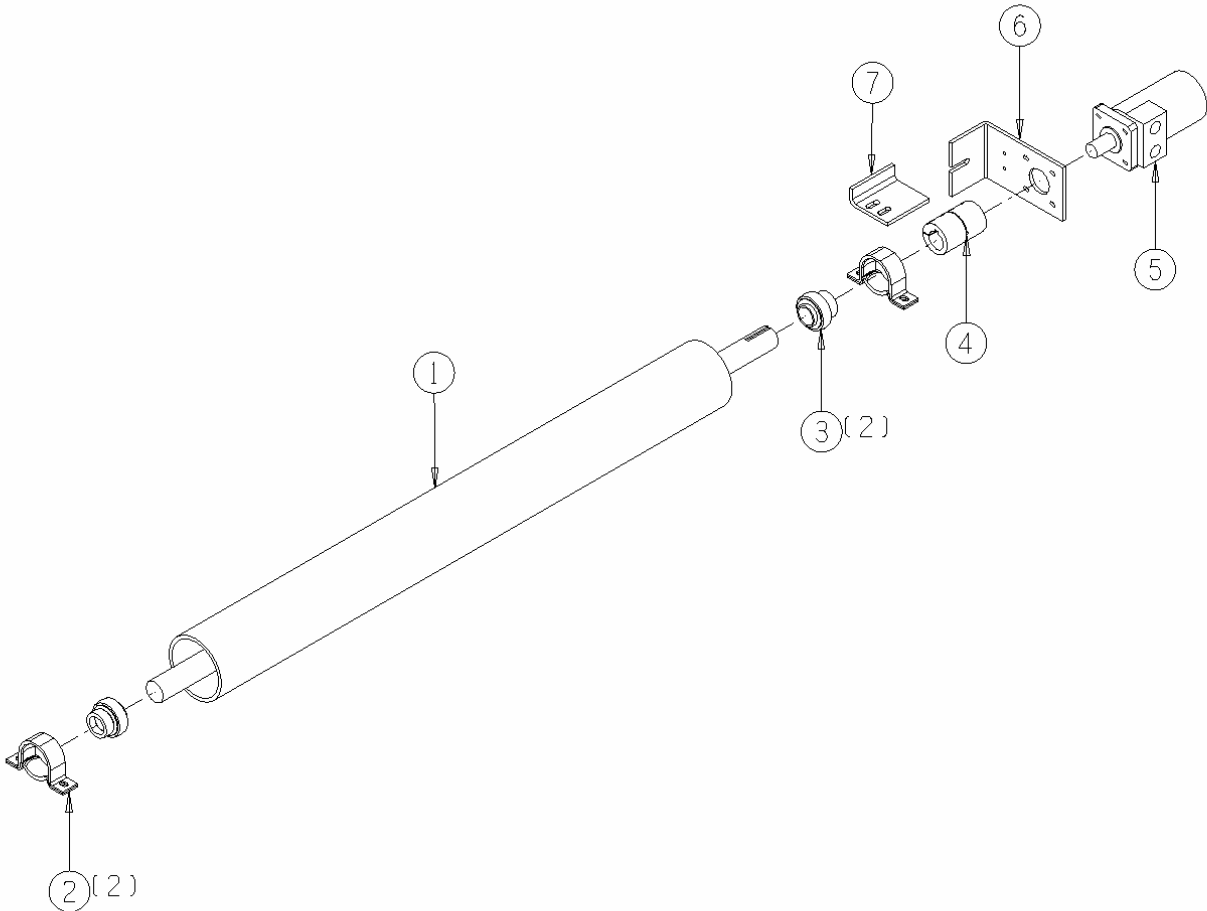
6205-3-2 HEADER CONVEYOR DRIVE SHAFT ASSEMBLY



6205-3-3 Header Return Roller Assembly

<u>Ref</u>	<u>Part No.</u>	<u>Description</u>	<u>Parts – Assembly</u>	<u>Will Fit SN</u>	<u>Remarks</u>
1	RLR-6104	Header Return Roller, 6100 Vine Diverter	1		
2	BR-062-MPB	Stamped Bearing Housing for 1 1/4" bearing	2		
3	BR-125-062	Bearing, 1 1/4 Fafnir tri-seal, 62mm OD	2		
4	CPS-6060	Steel Coupler (offcenter) 1 1/4" x 1"	1		
5	HM-204-CH	Char-Lyn Hydraulic Motor	1		Subs to HM-204-TC
6	193-806	Mount motor	1		
7	193-806A	Motor mount stop	1		

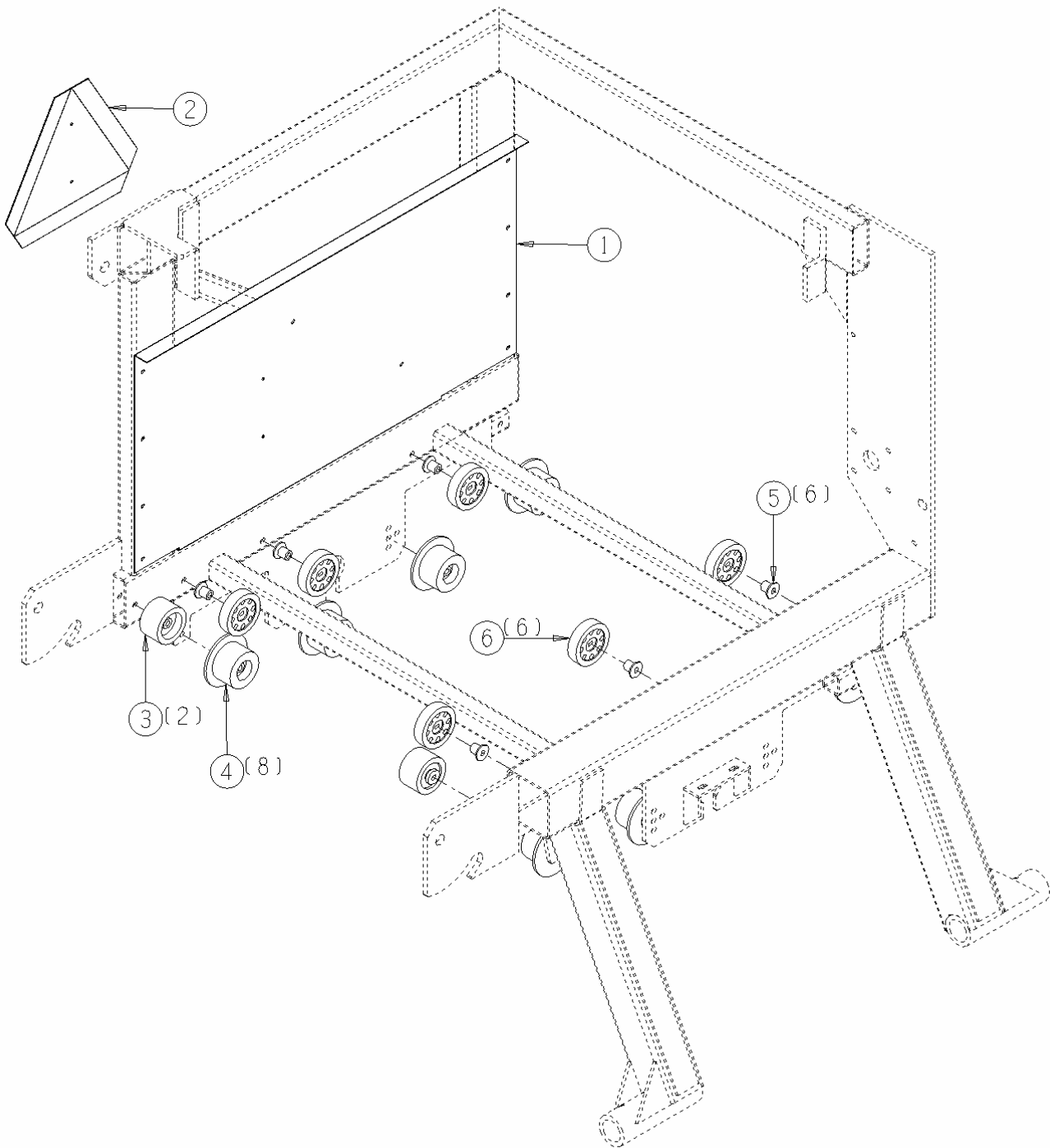
6205-3-3 HEADER RETURN ROLLER ASSEMBLY



6205-4-1 Cross Conveyor Assembly

<u>Ref</u>	<u>Part No.</u>	<u>Description</u>	<u>Parts – Assembly</u>	<u>Will Fit SN</u>	<u>Remarks</u>
1	PAN-6103	Panel, Rear, Cross Conveyor, 6100 Vine Diverter	1		
2	SMV-PL	SMV Sign, Metal	1		
3	RLT-035-228	Roller 3.5 dia x 2.2 x 1/2" bore, no flange	2		
4	RLT-535-228	5" Flange Roller 2.2WF x 3 1/2" dia, 1/2" bore	8		
5	RLA-000-118	Standoff, 1/2" X 1 1/8"	6		
6	RLR-040-108	4" Flat Roller	6		

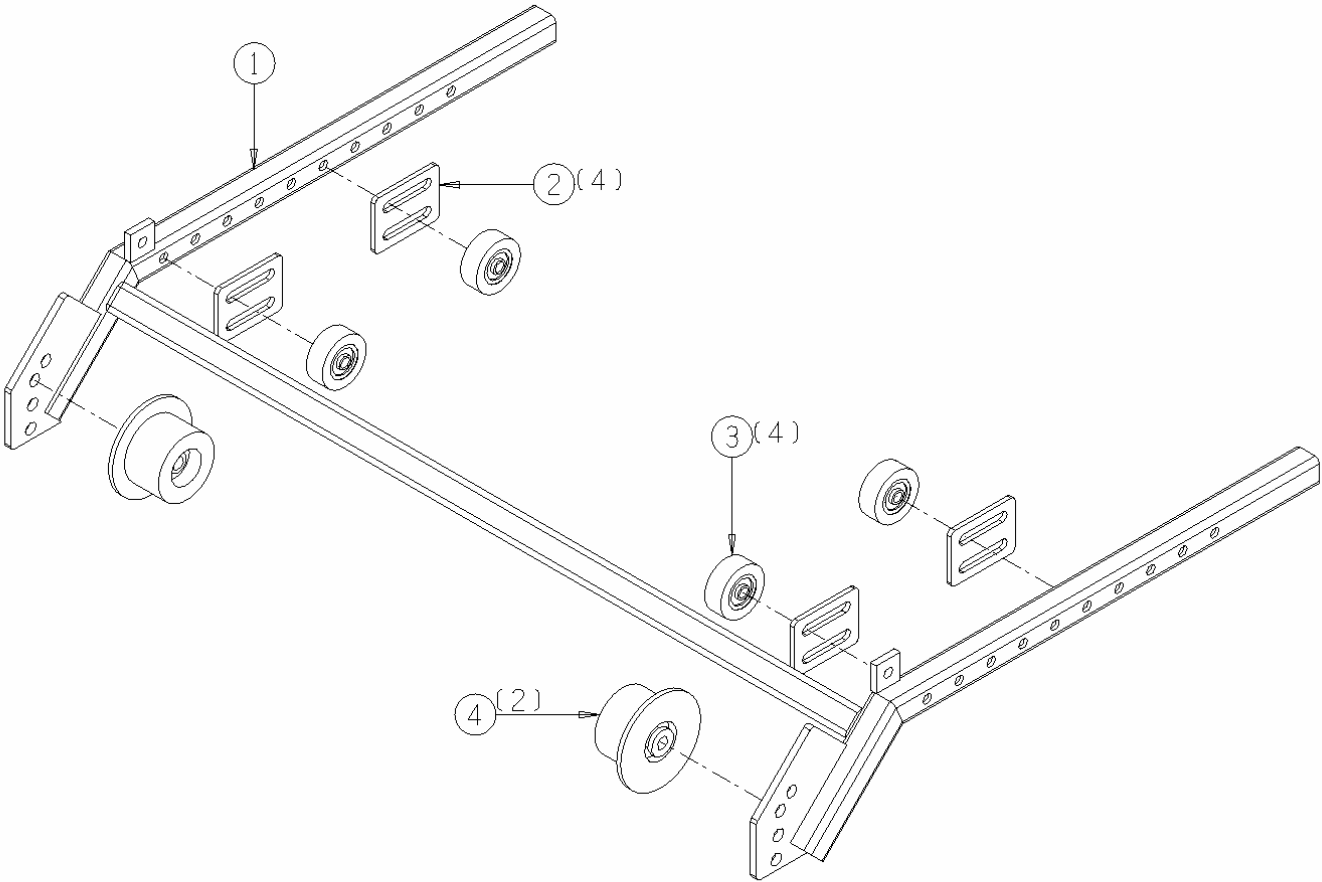
6205-4-1 CROSS CONVEYOR ASSEMBLY



6205-4-2 Cross Conveyor Adjustable Row Center Assembly

<u>Ref</u>	<u>Part No.</u>	<u>Description</u>	<u>Parts – Assembly</u>	<u>Will Fit SN</u>	<u>Remarks</u>
1	ARM-6205	Arm, Slider LH Side, 6200 Vine Diverter	1		
2	BAR-6202	Bar, Slider Roller Holder, 6200 Vine Diverter	4		
3	RLT-027-108	Roller 2.75" dia. 1/2" Bore	4		2755C1X (Old Number, Single Bearing)
4	RLT-535-2210	5" Flange Roller 2.2 WF 3.5 dia, 5/8" bore	2		

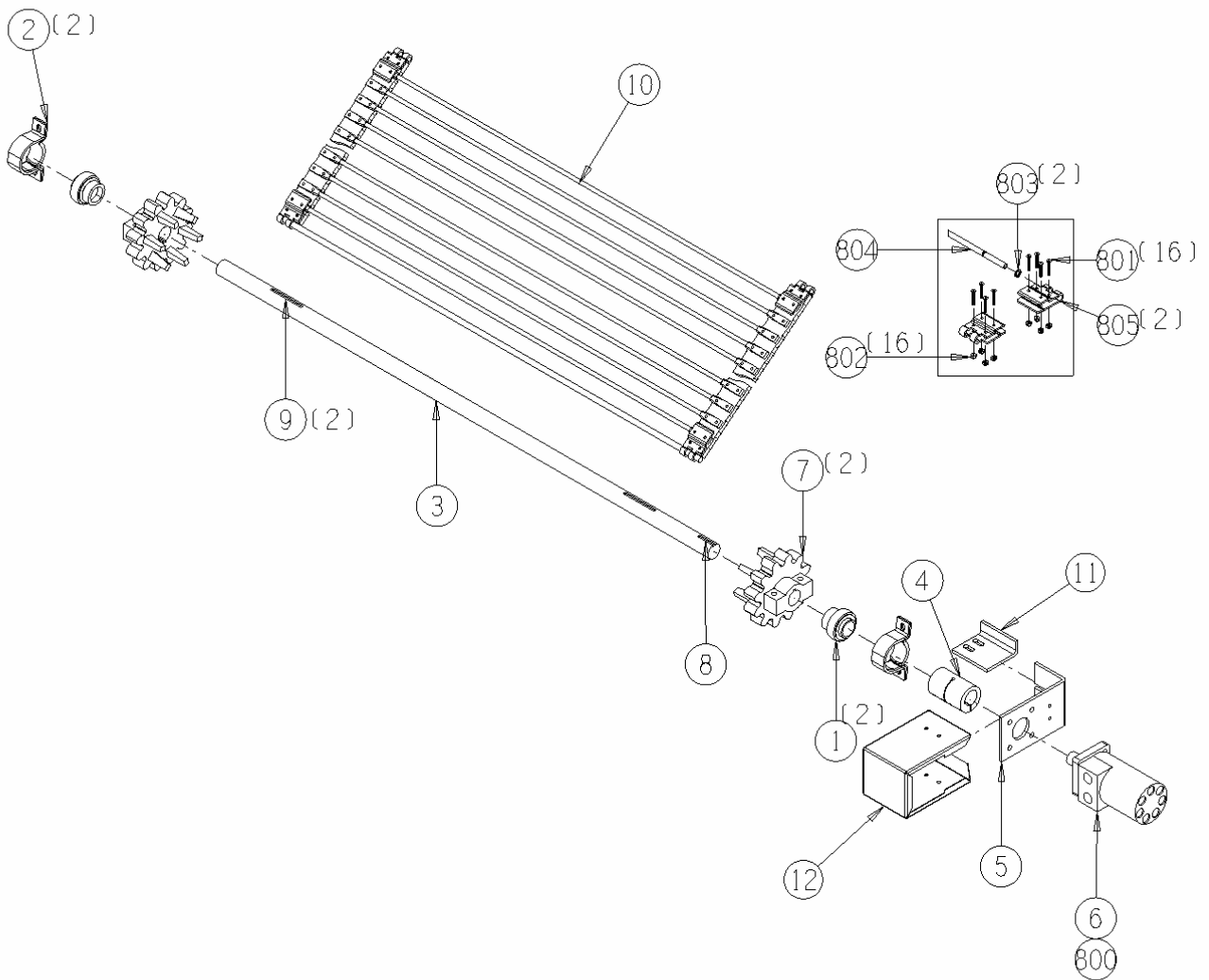
6205-4-2 CROSS CONVEYOR ADJUSTABLE ROW CENTER ASSEMBLY



6205-4-3 Cross Conveyor Drive Shaft Assembly

<u>Ref</u>	<u>Part No.</u>	<u>Description</u>	<u>Parts – Assembly</u>	<u>Will Fit SN</u>	<u>Remarks</u>
1	BR-125-062	Bearing, 1 1/4 Fafnir tri-seal, 62mm OD	2		
2	BR-062-MPB	Stamped Bearing Housing for 1 1/4" bearing	2		
3	SFT-6500	Shaft, Discharge Chain Drive, Vine Diverter	1		
4	CPS-6060	Steel Coupler (offcenter) 1 1/4" x 1"	1		
5	193-806	Mount motor	1		
6	HM-204-TC	TCI Motor	1		
7	SPU-3612-20-4	Urethane Sprocket 36-12 1 1/4 bore 1/4" key	2		Sub SP-3612-20-4
8	KEY-4-4-16	Shaft Key 1/4" X 1/4" X 1" Square Cut (1018)	1	20095001-	
9	KEY-4-4-32	Shaft Key 1/4" x 2" Square Cut (1018)	2		
10	BC-6-4436-114	6200 Diverter Double Unloading Cross Chain	1		
11	193-806A	Motor mount stop	1		
12	SHD-0053	Shield, Motor, Aftersort w/ A-Guide Scraper, 190	1		
13	DC-1176	Decal, Danger-Hand Chain Sprockets	1		
100	BL-4-FW-8	1/4" Flat Washer Grade 8	2		
101	BL-4-500-H	1/4-20 X 5 HEX CAP G5 ZC	1		
102	BL-4-WN	1/4-20 FORGED W/NUTS ZC	1		
801	BC-1032-FS	10-32 x 1 1/4" bolts Flat Socket Head	16		
802	BC-1032-LN	10-32 lock nuts	16		
803	BC-3510	Grooveless Snap Ring, 10mm.	2		
804	BC-7-44-CN	Connecting Rod 44" x 11mm	1		
805	BC-F-36-32	F Connecting Clips 36-32 @ pair	2	11001	

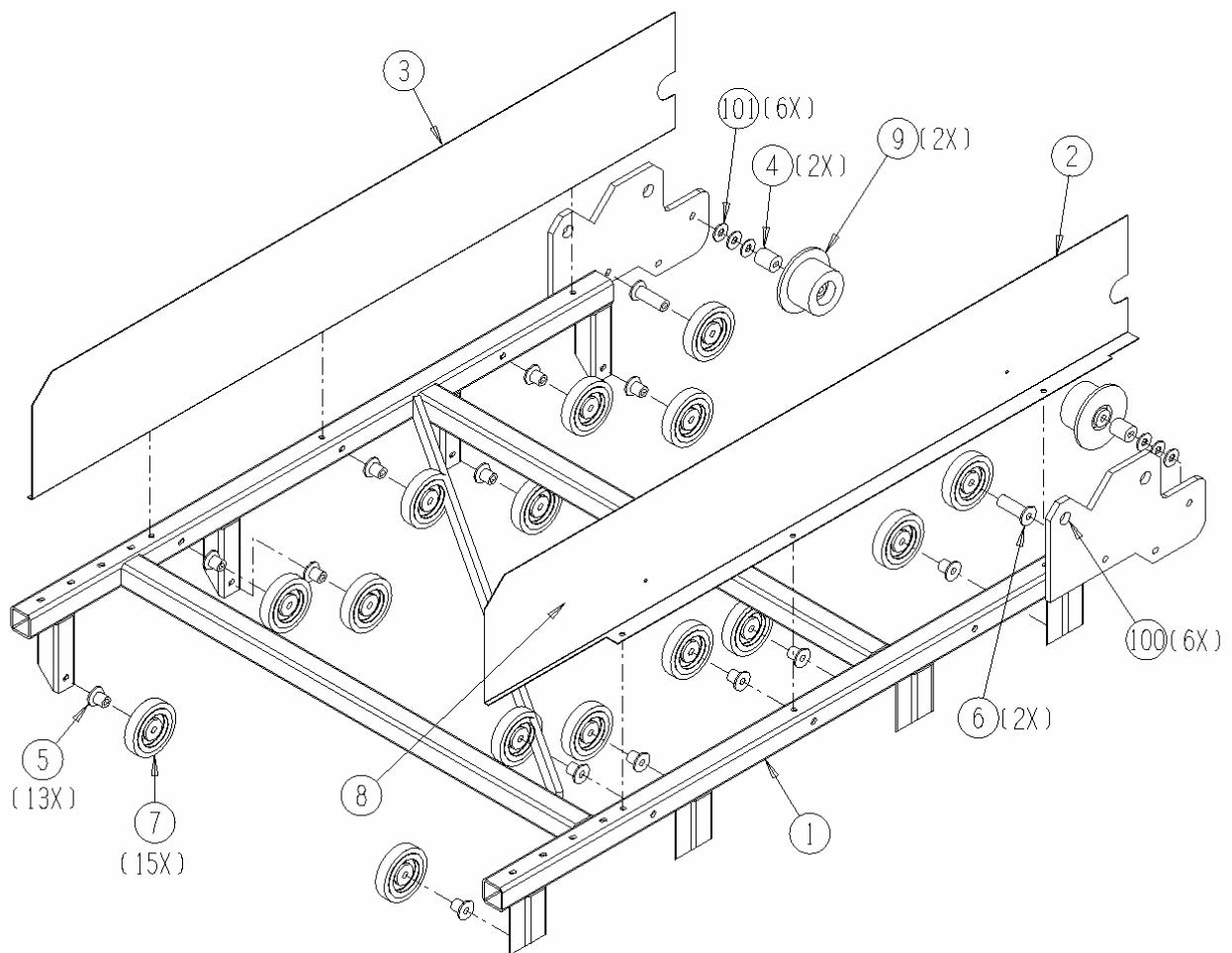
6205-4-3 CROSS CONVEYOR DRIVE SHAFT ASSEMBLY



6205-5-1 Discharge Conveyor Assembly

<u>Ref</u>	<u>Part No.</u>	<u>Description</u>	<u>Parts – Assembly</u>	<u>Will Fit SN</u>	<u>Remarks</u>
1	FRM-6501	Frame, Non Sliding Discharge, Vine Diverter	1		
2	PAN-6500	Panel, Front Side, Discharge, Vine Diverter	1		
3	PAN-6501	Panel, Back Side, Discharge, Vine Diverter	1		
4	SPA-0041	Spacer, Stripper Head, Pepper	2		
5	RLA-000-118	Standoff, 1/2" X 1 1/8"	13		
6	RLA-000-278	Standoff 1/2 x 2 3/4	2	1910119320	
7	RLR-040-108	4" Flat Roller	15		
8	DC-1174	Decal, Danger Keep Hands and Feet Away	2		
9	RLT-535-228	5" Flange Roller 2.2WF x 3 1/2" dia, 1/2" bore	2		
100	BL-16-SW	1" SAE Washer	6		
101	BL-8-FW-8	1/2 FLAT WASHER G8 ZC	6		

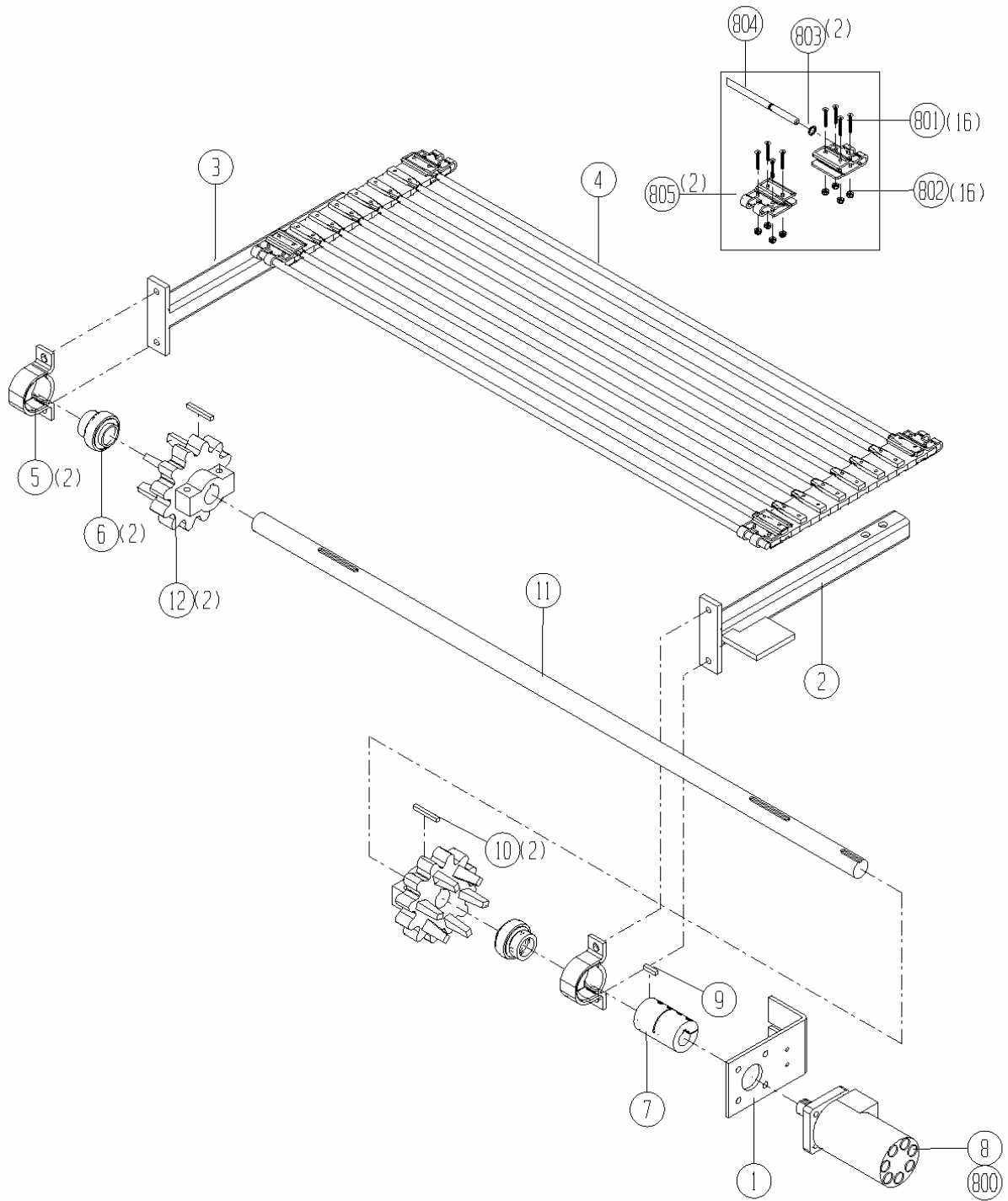
6205-5-1 DISCHARGE CONVEYOR ASSEMBLY



6205-5-2 Discharge Conveyor Drive Shaft Assembly

<u>Ref</u>	<u>Part No.</u>	<u>Description</u>	<u>Parts – Assembly</u>	<u>Will Fit SN</u>	<u>Remarks</u>
1	193-806	Mount motor	1		
2	ADJ-6500	Adjuster, Front Side, Discharge, Vine Diverter	1		
3	ADJ-6501	Adjuster, Back Side, Discharge, Vine Diverter	1		
4	BC-6-4436-121	6200 Diverter Discharge Conveyor Chain	1		
5	BR-062-MPB	Stamped Bearing Housing for 1 1/4" bearing	2		
6	BR-125-062	Bearing, 1 1/4 Fafnir tri-seal, 62mm OD	2		
7	CPS-6060	Steel Coupler (offcenter) 1 1/4" x 1"	1		
8	HM-204-TC	TCI Motor	1		
9	KEY-4-4-16	Shaft Key 1/4" X 1/4" X 1" Square Cut (1018)	1	20095001-	
10	KEY-4-4-32	Shaft Key 1/4" x 2" Square Cut (1018)	2		
11	SFT-6500	Shaft, Discharge Chain Drive, Vine Diverter	1		
12	SPU-3612-20-4	Urethane Sprocket 36-12 1 1/4 bore 1/4" key	2		Sub SP-3612-20-4
600	H10-120-8MP-8MP	5/8 in hose 1/2MP x 1/2MP x 120 in long	2		
801	BC-1032-FS	10-32 x 1 1/4" bolts Flat Socket Head	16		
802	BC-1032-LN	10-32 lock nuts	16		
803	BC-3510	Grooveless Snap Ring, 10mm.	2		
804	BC-6-44-CN	Connecting Rod 44" x 10mm	1		
805	BC-F-36-32	F Connecting Clips 36-32 @ pair	2	11001	

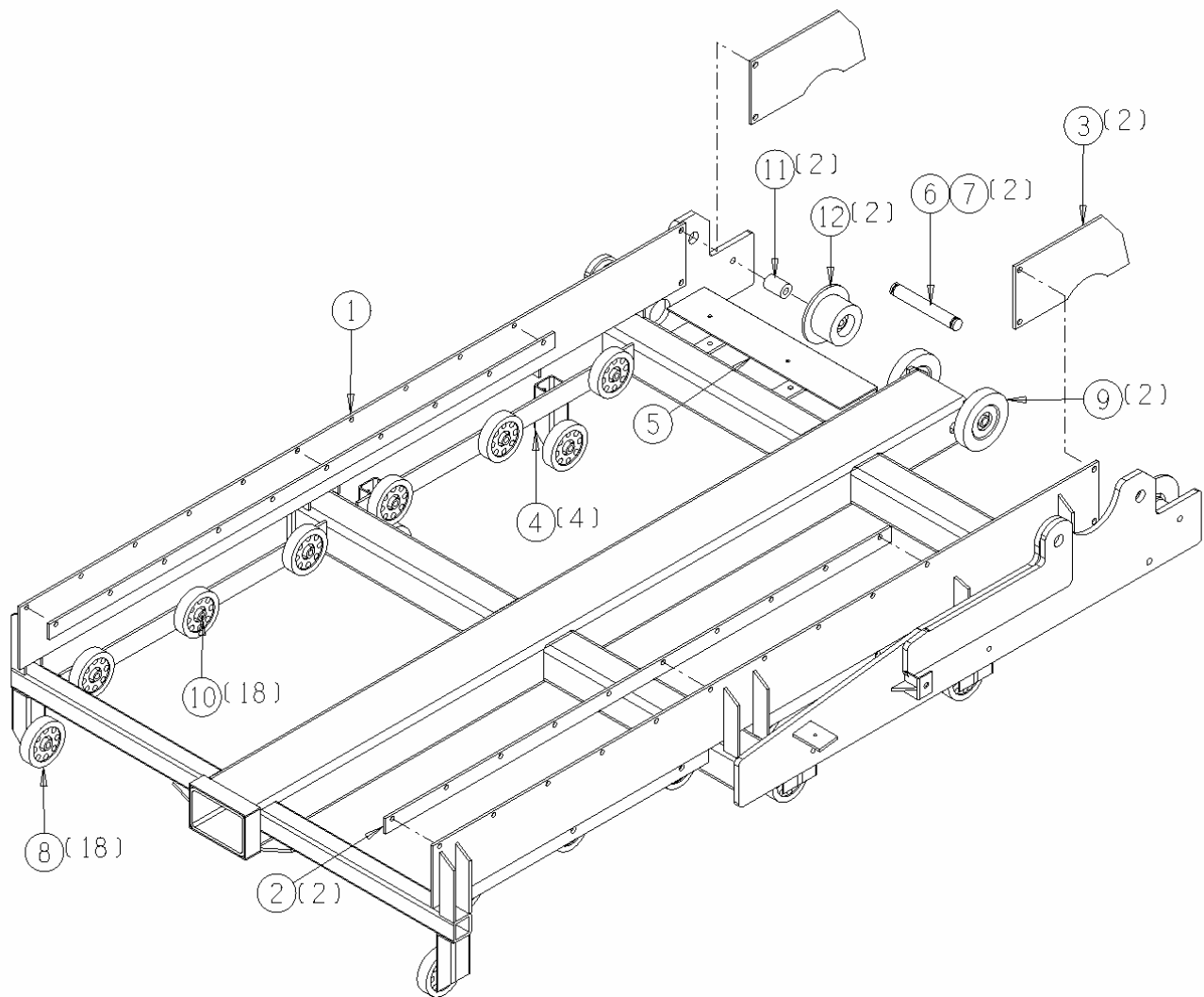
6205-5-2 DISCHARGE CONVEYOR DRIVE SHAFT ASSEMBLY



6205-5-10 Optional Sliding Inner Discharge Assembly

<u>Ref</u>	<u>Part No.</u>	<u>Description</u>	<u>Parts – Assembly</u>	<u>Will Fit SN</u>	<u>Remarks</u>
1	FRM-6105	Slider, 6100 Vine Diverter	1		
2	BRA-6101	Bracket, Slider, 6100 Vine Diverter	2		
3	BAR-6105	Bar, Both sides, Slider Frame, 6100 Vine Diverter	2		
4	BAR-6104	Roller Bracket, Slider Frame, 6100 Vine Diverter	4		
5	COV-6101	Hose Cover, Slider, 6100 Vine Diverter	1		
6	PIN-0005	Pin Hydraulic Cylinder, Vine Diverter	1		
7	HC-1130B	Hair Pin Clip	2		
8	RLR-040-108	4" Flat Roller	18		
9	RLT-050-1010	5" Flat Idler Roller 5/8" Bore	2		
10	RLA-000-118	Standoff, 1/2" X 1 1/8"	18		
11	SPA-6200	Spacer, Roller, Innr Dischrge, 6200 Vine Diverter	2		
12	RLT-535-228	5" Flange Roller 2.2WF x 3 1/2" dia, 1/2" bore	2		

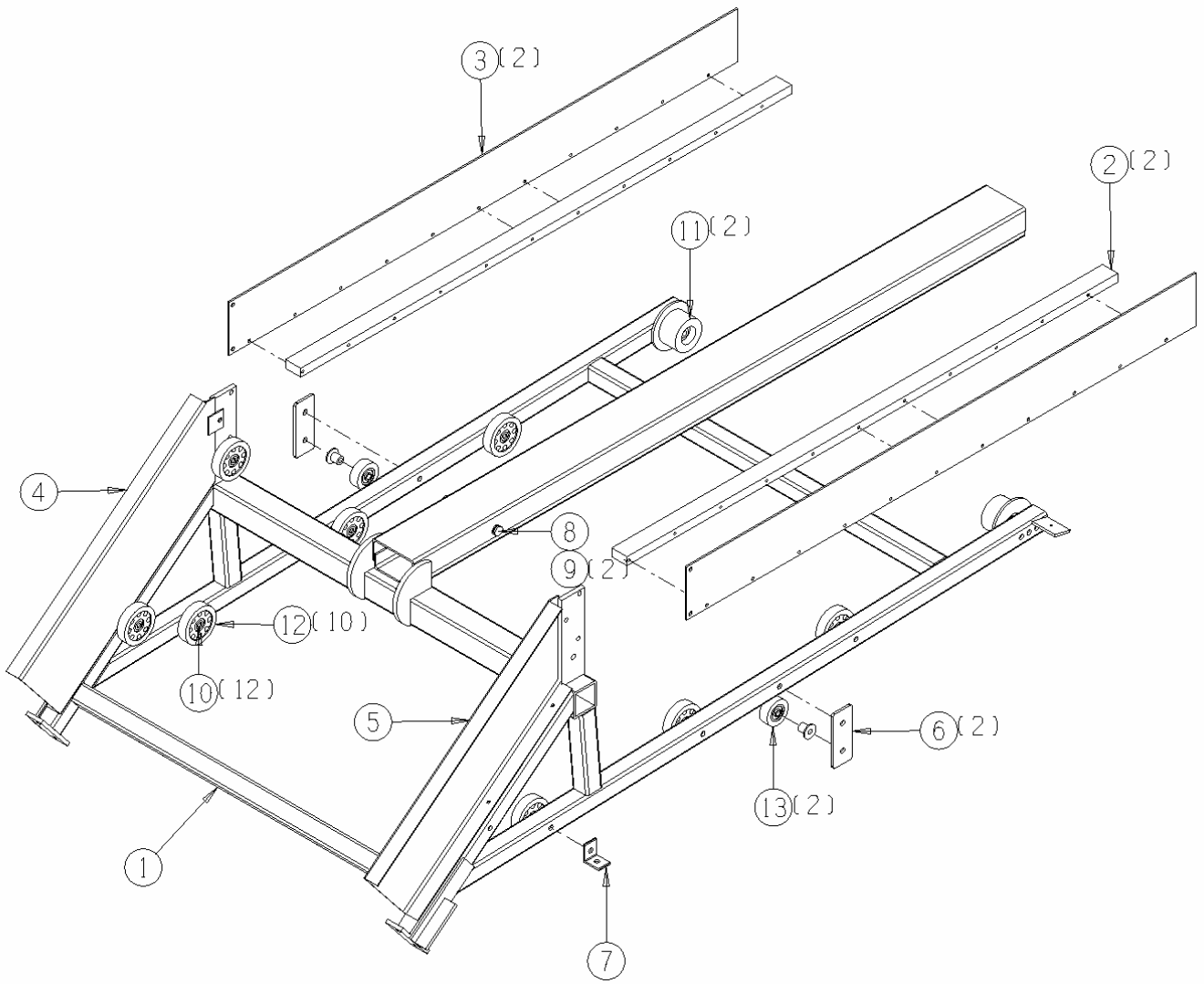
6205-5-10 OPT. SLIDING INNER DISCHARGE ASSEMBLY



6205-5-11 Optional Sliding Outer Discharge Assembly

<u>Ref</u>	<u>Part No.</u>	<u>Description</u>	<u>Parts – Assembly</u>	<u>Will Fit SN</u>	<u>Remarks</u>
1	FRM-6102	Slider Extension, Rear, 6100 Vine Diverter	1		
2	PL-6102	Slide, Sides of Slider Extension, 6100 V Diverter	2		
3	PAN-6100	Panel, Side of Slider Extension, 6100 V Diverter	2		
4	PAN-6101	Panel, Rear of Slider Extension, 6100 V Diverter	1		
5	PAN-6102	Panel, Side, Slider Extension, 6100 Vine Diverter	1		
6	BAR-6106	Roller Bracket, Slider Ext, 6100 Vine Diverter	2		
7	BRA-6105	Light Bracket, Front, Slider Ext, 6100 V Diverter	1		
8	PIN-0005	Pin Hydraulic Cylinder, Vine Diverter	1		
9	HC-1130B	Hair Pin Clip	2		
10	RLA-000-118	Standoff, 1/2" X 1 1/8"	12		
11	RLT-035-228	Roller 3.5 dia x 2.2 x 1/2" bore, no flange	2		
12	RLR-040-108	4" Flat Roller	10		
13	RLT-027-108	Roller 2.75" dia. 1/2" Bore	2		2755C1X (Old Number, Single Bearing)

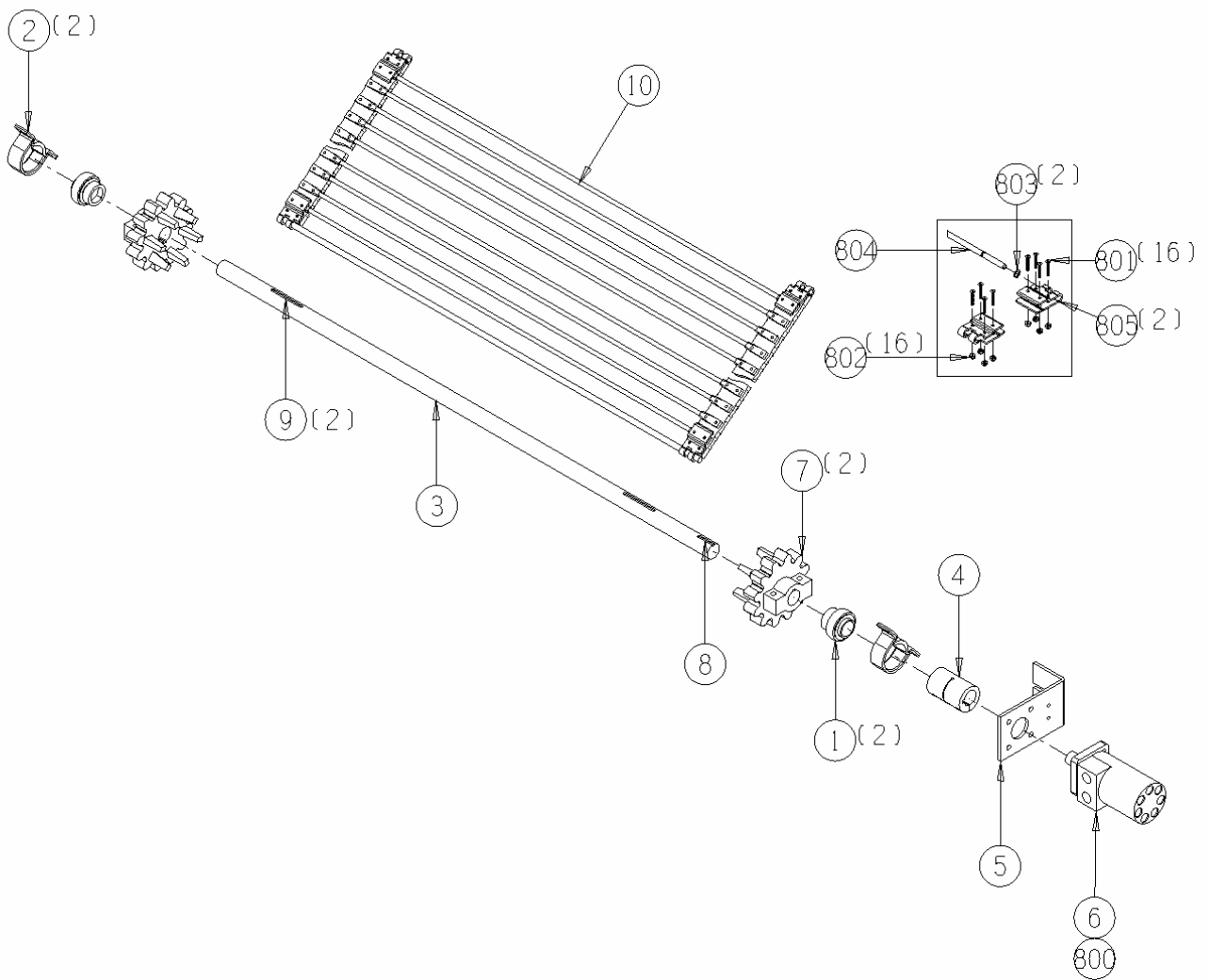
6205-5-11 OPT. SLIDING OUTER DISCHARGE ASSEMBLY



6205-5-12 Optional Sliding Discharge Drive Shaft Assembly

<u>Ref</u>	<u>Part No.</u>	<u>Description</u>	<u>Parts – Assembly</u>	<u>Will Fit SN</u>	<u>Remarks</u>
1	BR-125-062	Bearing, 1 1/4 Fafnir tri-seal, 62mm OD	2		
2	BR-062-MPB	Stamped Bearing Housing for 1 1/4" bearing	2		
3	SFT-6500	Shaft, Discharge Chain Drive, Vine Diverter	1		
4	CPS-6060	Steel Coupler (offcenter) 1 1/4" x 1"	1		
5	193-806	Mount motor	1		
6	HM-204-TC	TCI Motor	1		
7	SPU-3612-20-4	Urethane Sprocket 36-12 1 1/4 bore 1/4" key	2		Sub SP-3612-20-4
8	KEY-4-4-16	Shaft Key 1/4" X 1/4" X 1" Square Cut (1018)	1	20095001-	
9	KEY-4-4-32	Shaft Key 1/4" x 2" Square Cut (1018)	2		
10	BC-6-4436-259	6200 Diverter Sliding Discharge Chain	1		
600	H10-205-8MP-8MP	5/8 in hose 1/2MP X 1/2MP X 205 in long	2		
801	BC-1032-FS	10-32 x 1 1/4" bolts Flat Socket Head	16		
802	BC-1032-LN	10-32 lock nuts	16		
803	BC-3510	Grooveless Snap Ring, 10mm.	2		
804	BC-7-44-CN	Connecting Rod 44" x 11mm	1		
805	BC-F-36-32	F Connecting Clips 36-32 @ pair	2	11001	

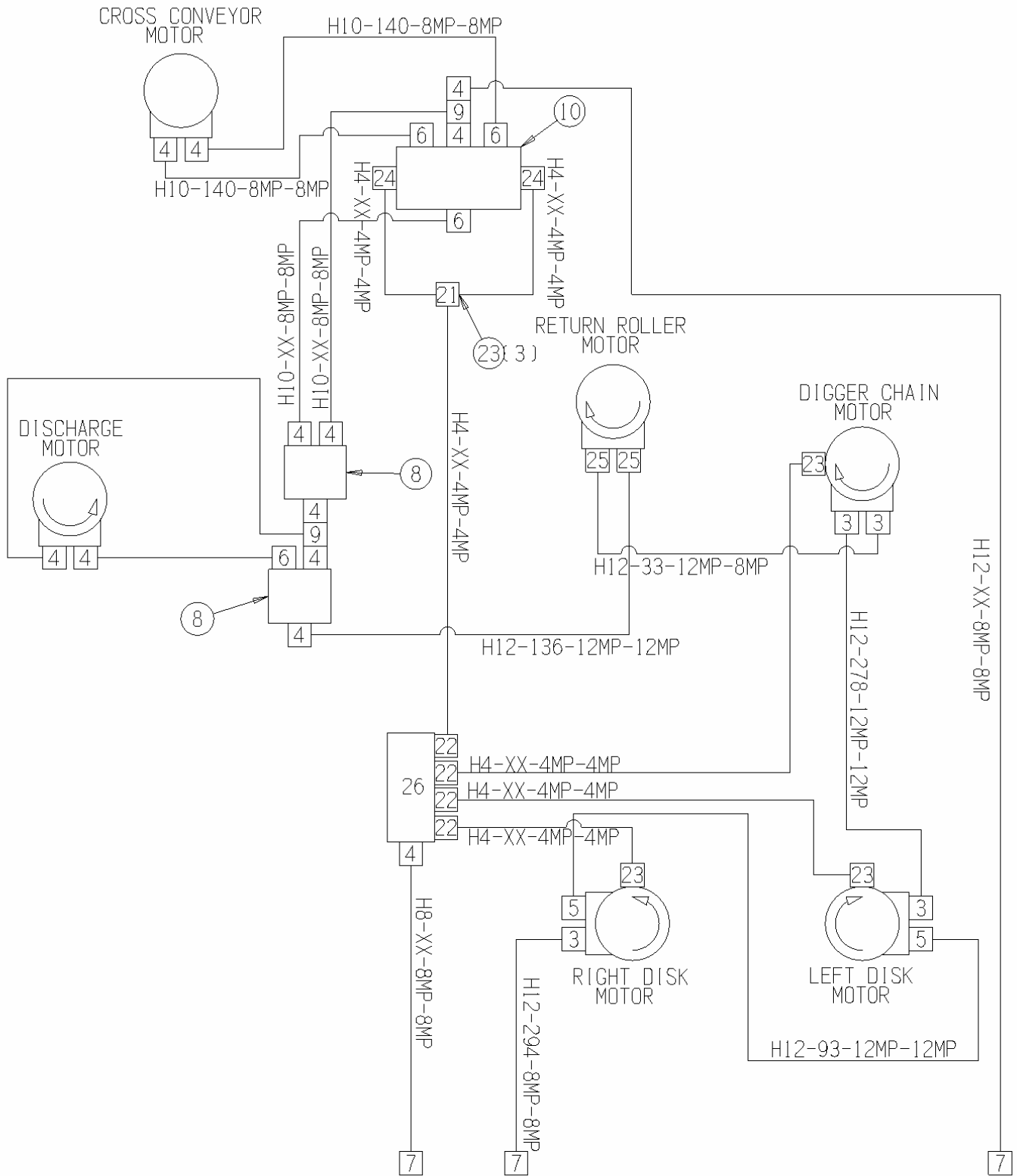
6205-5-12
OPT. SLIDING DISCHARGE CONVEYOR DRIVE SHAFT ASSEMBLY



6205-6-1 Hydraulic Motor (Oil from Tractor) Assembly

<u>Ref</u>	<u>Part No.</u>	<u>Description</u>	<u>Parts – Assembly</u>	<u>Will Fit SN</u>	<u>Remarks</u>
1	A-1603-8-8-8	Swivel T 1/2" NPTF	1		
2	A-5404-8-8	Hex Nipple 1/2" x 1/2"	1		
3	A-6900-10-12	10 SAE x 3/4 FPX	4		
4	A-6900-10-8	10 SAE x 1/2 FPX	4		
5	A-6901-10-12	10 SAE x 3/4 FPX90	3		
6	A-6901-10-8	10 SAE x 1/2 FPX90	1		
7	A-QD2010-8-8	Tractor Quick Coupler, Male, 1/2" w/ FPT	3		
8	HV-FL30	Flow Control Valve 30GPM	2		
9	A-1601-8-8-8	1/2 MP x 1/2 FPX x 1/2 FPX Tee	2		
10	HV-1045	Reversing Valve	1	HV-1045K	
11	H12-112-12MP-12MP	3/4 in hose 3/4MP x 3/4MP x 112 in hose	1		
12	H12-278-12MP-12MP	3/4 in hose 3/4MP X 3/4MP X 278 in long	1		
13	H12-294-8MP-8MP	3/4 in hose 1/2MP X 1/2MP X 294 in long	1		
14	H12-39-12MP-12MP	3/4 in hose 3/4MP x 3/4MP x 39 in long	1		
15	H12-93-12MP-12MP	3/4" hose 3/4MP x 3/4MP x 93" long	1		
16	A-1601-6-6-6	3/8 MP x 3/8 FPX x 3/8FPX Tee	2		
17	A-6900-4-6	4 SAE x 3/8" FPX	3		
19	H6-37-6MP-6MP	3/8 in hose 3/8MP x 3/8MP x 37 in long	1		
20	H4-144-6MP-6MP	1/4 in hose 3/8MP x 3/8MP x 144 in long	1		
21	A-1603-4-4	Swivel T 1/4" NPTF	1		
22	A-6900-6-4	6 SAE x 1/4" FPX	4		
23	A-6901-4-4	4 SAE X 1/4 FPX 90	3		
24	A-1501-2-4	1/8" MP x 1/4" FPX90	2		
25	A-6902-10-8	10 SAE X 1/2" FPX 45	2		
26	HA-1002	Return Manifold, Vine Diverter, Oil From Tractor	1		

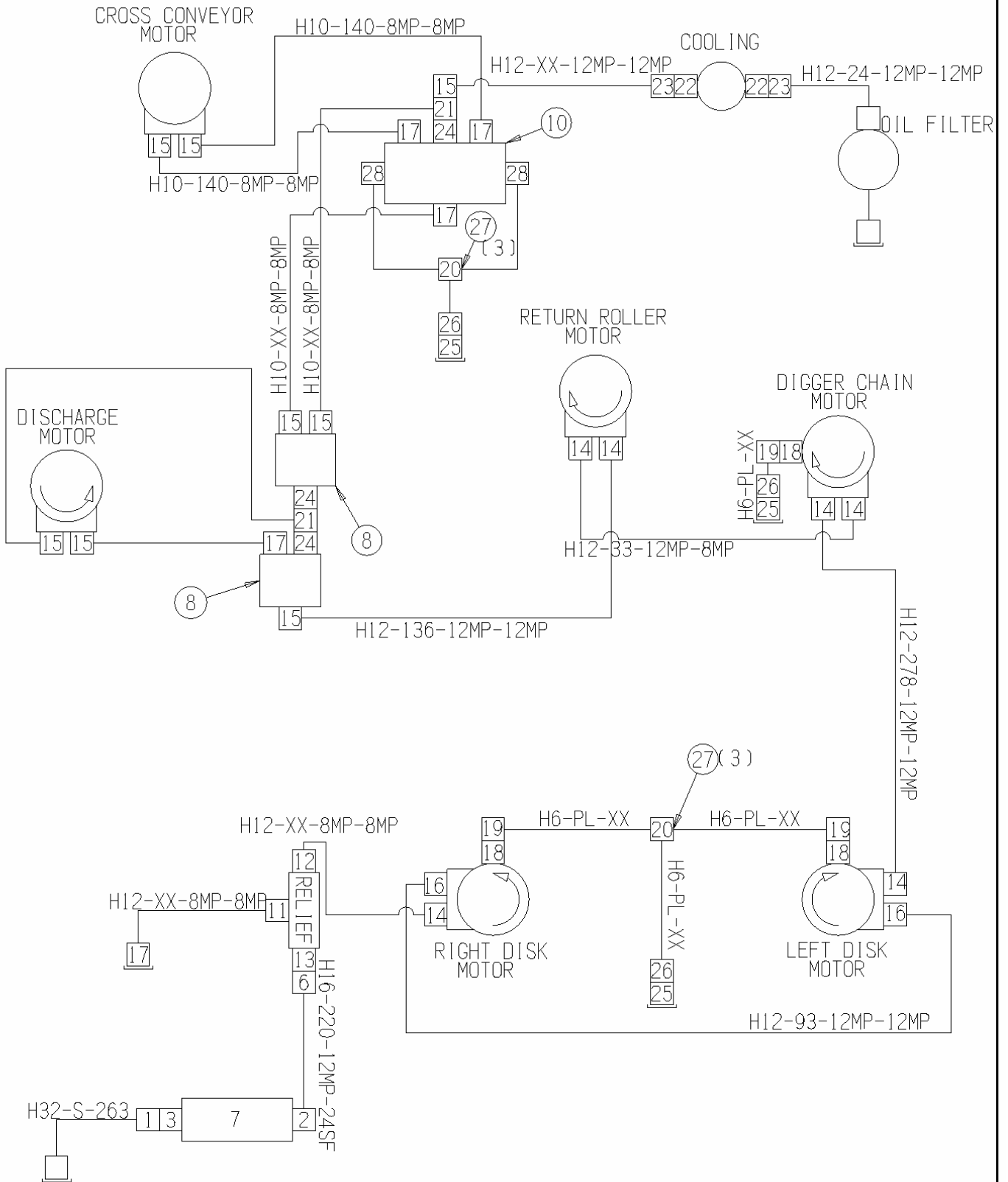
6205-6-1 HYDRAULIC MOTOR (OIL FROM TRACTOR) ASSEMBLY



6205-6-2 Optional (PTO Driven) Hydraulic System Assembly

<u>Ref</u>	<u>Part No.</u>	<u>Description</u>	<u>Parts – Assembly</u>	<u>Will Fit SN</u>	<u>Remarks</u>
0	H10-140-8MP-8MP	5/8" hose 1/2MP x 1/2MP x 140" long	2		
0	H12-278-12MP-12MP	3/4 in hose 3/4MP X 3/4MP X 278 in long	1		
0	H12-93-12MP-12MP	3/4" hose 3/4MP x 3/4MP x 93" long	1		
1	A-4459-32-32	Flange Nipple, 2" 90	1		
2	A-SFK-20	1 1/4" Split Flange Kit	1		
3	A-SFK-32	2" Split Flange Kit	1		
4	CL-201	2" Hose Clamp, Heavy Duty T-Bar, 2.25-2.5"	2		
5	H32-S-263	2" Suction Hose, Nitrile/Neoprene Black	1		
6	HA-3007	Pressure Switch	1		
7	HP-257-225-1	Hydraulic Pump, Vine Diverter	1		
8	HV-1045	Reversing Valve	1	HV-1045K	
9	HV-FL30	Flow Control Valve 30GPM	2		
10	HV-RV-1H	Relief valve w/ SAE #12 ports	1		
11	A-6901-12-8	12 SAE x 1/2" FPX 90	1		
12	A-6901-12-12	12 SAE x 3/4" FPX 90	1		
13	A-6901-12-12-4PT	12 SAE x 3/4" FPX 90 W/1/4" port	1		
14	A-6900-10-12	10 SAE x 3/4 FPX	6		
15	A-6900-10-8	10 SAE x 1/2 FPX	11		
16	A-6901-10-12	10 SAE x 3/4 FPX90	5		
17	A-6901-10-8	10 SAE x 1/2 FPX90	5		
18	A-6901-4-4	4 SAE X 1/4 FPX 90	2		
19	A-4124-6-4	1/4 Male Pipe x 3/8 Push Loc	2		
20	ATB-06-06-06	3/8" x 3/8" x 3/8" Brass Hose Barb Tee	2		CL-10 needs to be used with this tee.
21	A-1601-8-8-8	1/2 MP x 1/2 FPX x 1/2 FPX Tee	2		
22	A-6405-16-12	16 SAE x 3/4"FP	2		
23	A-1502-12-12	3/4" FP x 3/4" FPX90	2		
24	A-6401-10-8	10 SAE x 1/2 MPT Male	3		
25	A-6901-8-6	8 SAE x 3/8" FPX90	3	20095001-	
26	A-4124-6-6	3/8 Male Pipe x 3/8 Push Loc	3		
27	CL-10	Single Snap Grip Clamp for 3/8" Push Loc Hose	6		Use with ATB-06-06-06
28	A-4129-6-2	1/8"NPT 90 w/3/8" Push-Loc	2	HV-1045K	

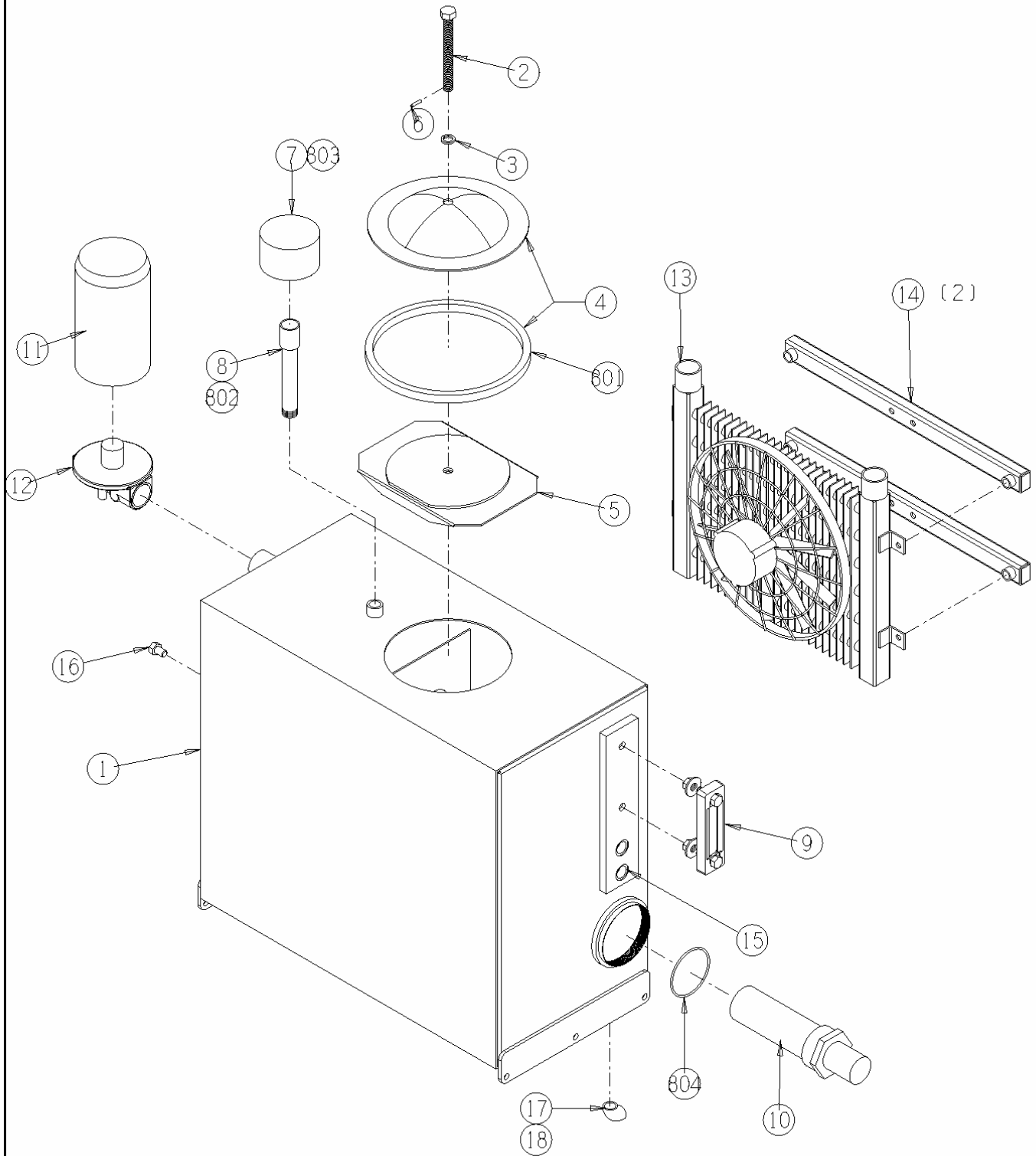
6205-6-2 OPTIONAL (PTO DRIVEN) HYDRAULIC SYSTEM ASSEMBLY



6205-6-3 Optional (PTO Driven) Hydraulic Oil Tank Assembly

<u>Ref</u>	<u>Part No.</u>	<u>Description</u>	<u>Parts – Assembly</u>	<u>Will Fit SN</u>	<u>Remarks</u>
1	TAN-6200	Oil Tank, Mounted on Weights, 6200 Vine Diverter	1		
2	HA-5070E	Tank Cover Bolt	1	19501-30095001-	
3	HA-5070B	Nylon Washer for Tank Cover Kit	1	19501-30095001-	
4	HA-5070	Hydraulic Tank Cover w/Gasket	1	19501-30095001-	
5	HA-5070D	Tank Cover Holddown	1	19501-30095001-	
6	PIN-3-14	Roll Pin, 3/16 x 7/8	1	193-729K	Pkg. of 100
7	HA-1012	Vescor Breather Filter (3 micron)w/Adapter Fitting	1		
8	EX-1012	extension, Filter, Oil Tank	1	19501-	
9	HA-1041	Hyd, Level Gauge & Therm	1	19201-	
10	HA-1006-5	Suction Screen, SAE 3 3/8-12UN with 2" Hose Barb	1	19904-	
11	HA-1029	Hydraulic Fluid Filter	1		
12	HA-1035	Filter Head, Spin On, 1-1/2 NPTF	1		
13	HA-1017	12 Volt Oil Cooler	1		
14	ARM-1017	Arm, Cooler Mount, Hydraulics, Vine Diverter	2		
15	A-6408-10	10 SAE Plug	1		
16	A-6408-8	8 SAE Plug	1		
17	ASL-12	3/4" Street Elbow	1		
18	HA-1007	Hydraulic, Magnetic Drain Plug	1	11101-	
801	HA-5070A	Replacement Gasket for Tank Cover Kit	1	HA-5070	
802	HA-1009	Filter Adapter 3/4 NPT x 1"-12 UNF	1		
803	HA-1012A	Vescor Breather Element (3 micron)	1	HA-1012	w/o Adapter Fitting
804	OR-236	O Ring, 3 1/4 x 3 1/2	1		

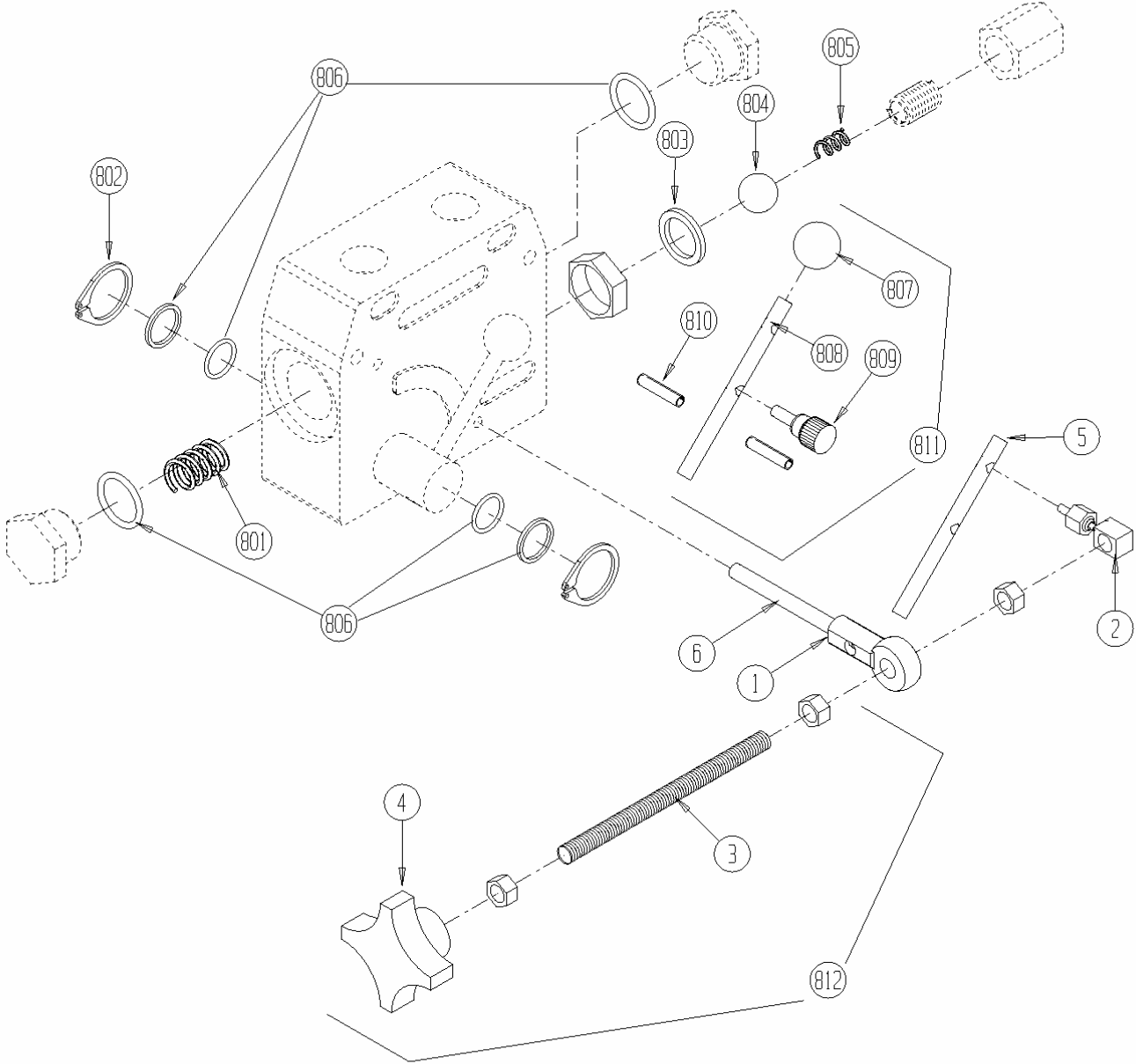
6205-6-3
OPT. (PTO DRIVEN) HYDRAULIC OIL TANK ASSEMBLY



6205-6-5 Hydraulic Flow Control Parts Assembly

<u>Ref</u>	<u>Part No.</u>	<u>Description</u>	<u>Parts – Assembly</u>	<u>Will Fit SN</u>	<u>Remarks</u>
8	HV-FL16	Flow control valve 16GPM	0		
8	HV-FL16-R	Hydraulics, Flow control valve 16GPM	0		
8	HV-FL30	Flow Control Valve 30GPM	0		
8	HV-FL30-R	Hydraulic Flo Control Valve with Relief 30GPM	0		
801	HV-1030C	Flo control spool spring	1		
802	HV-1030F	Flo Control Rotary Spool Snap Ring	2		
803	HV-1030G	Crush Washer	1		
804	HV-1030B	Flo control relief ball	1		
805	HV-1030A	Flow control relief spring	1		
806	HV-1030D	Flo control seal kit	1		(2) O-Rings, (2) Backups for Rotary Spool, & (2) End Cap O-Rings for Pressure Spool.
811	HV-1030E	Flo Control Handle Hardware Kit	1		
812	HA-1090K	Fine Tune Speed Control Kit	1	Prince & Brand Flow Controls	All

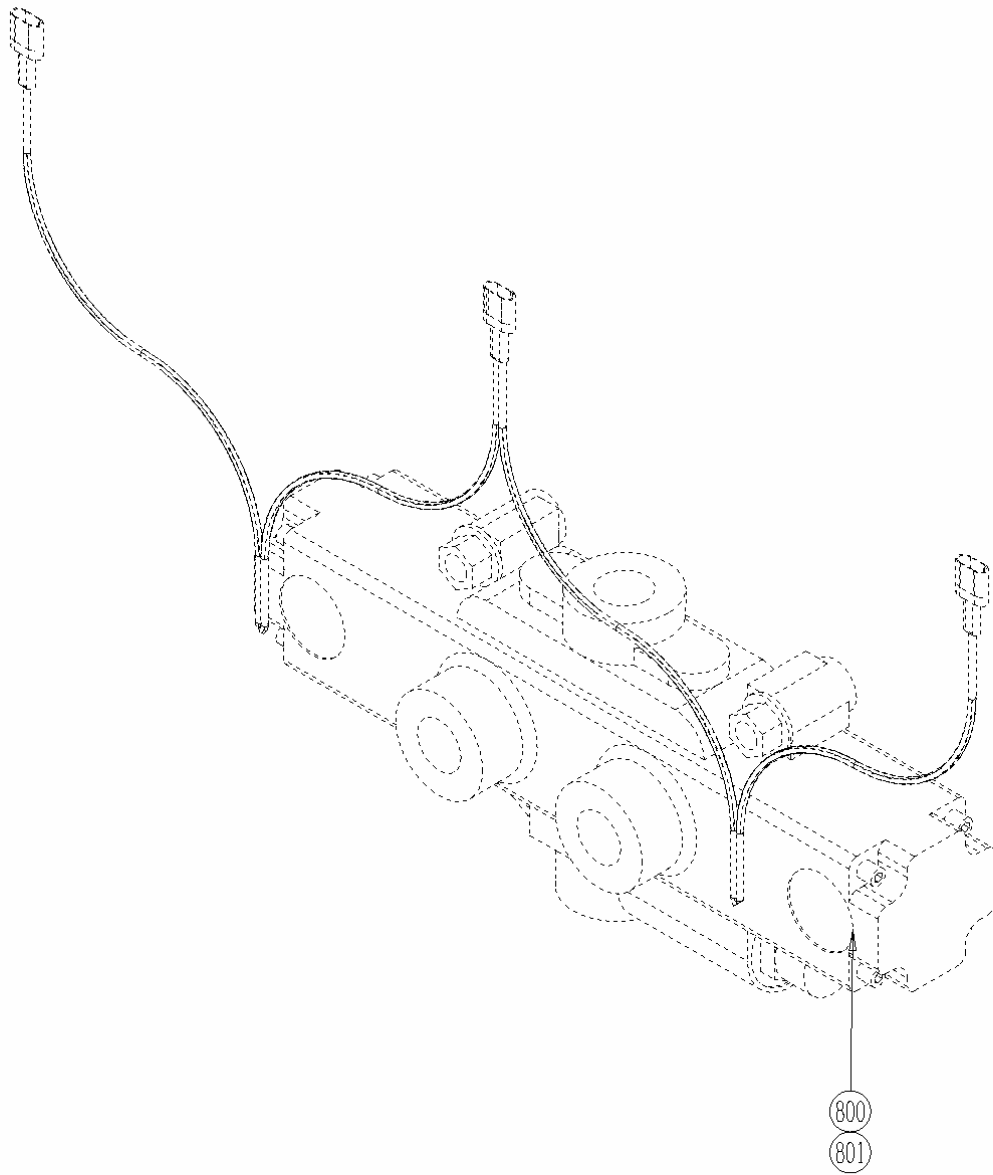
6205-6-5 HYDRAULICS, FLOW CONTROL PARTS ASSEMBLY



6205-6-6 Reverser Valve Parts Assembly

<u>Ref</u>	<u>Part No.</u>	<u>Description</u>	<u>Parts – Assembly</u>	<u>Will Fit SN</u>	<u>Remarks</u>
800	HV-1045-C	Replacement Coil for Reversing/No Drift Valve	1	HV-1045, HV-910	replaces HV-910-B
801	HV-1045-D	Replacement Cartridge for Reversing Valve	1	HV-1045	

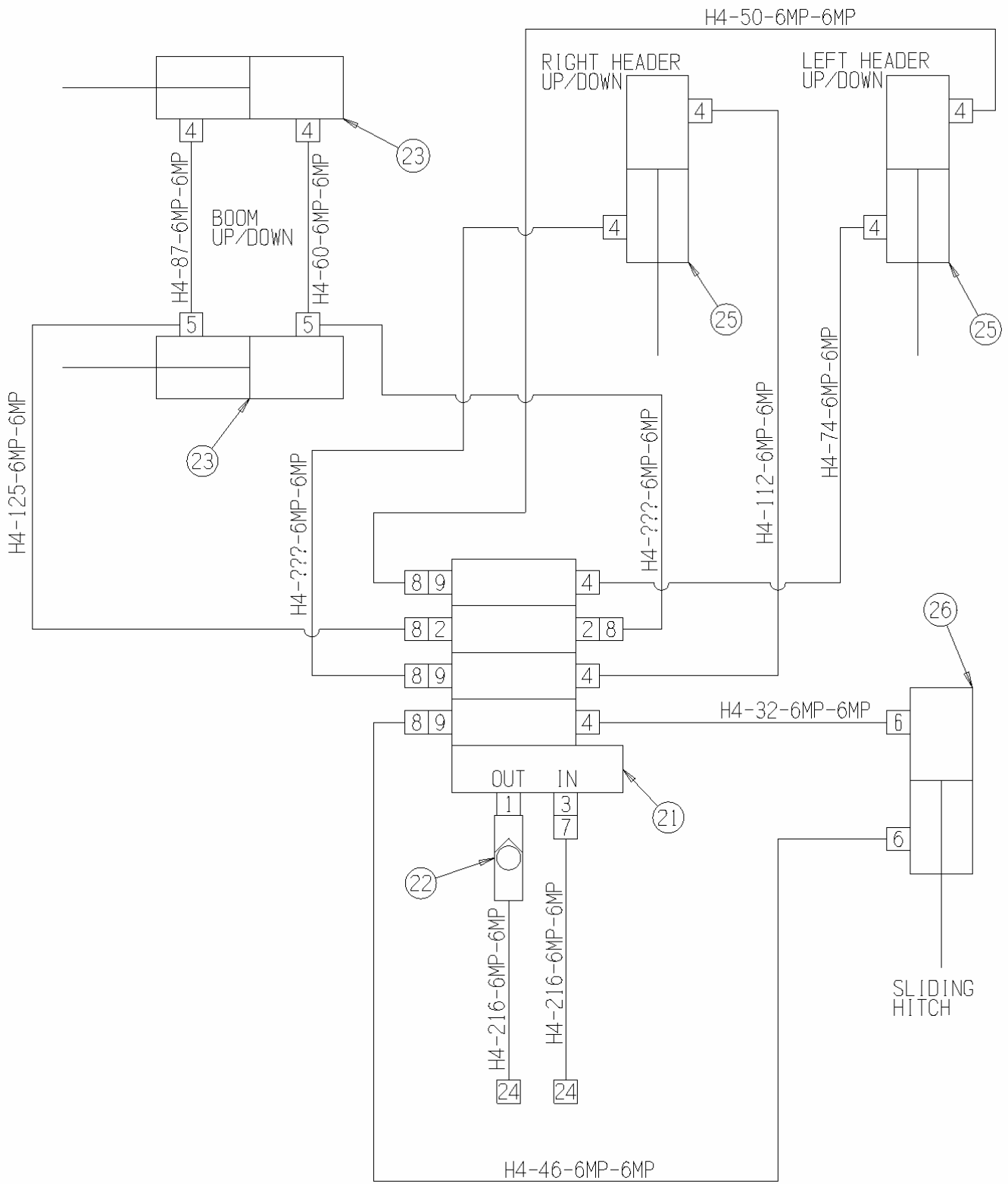
6205-6-6 DISK REVERSING VALVE ASSEMBLY



6205-6-10 Hydraulic Cylinder Assembly

<u>Ref</u>	<u>Part No.</u>	<u>Description</u>	<u>Parts – Assembly</u>	<u>Will Fit SN</u>	<u>Remarks</u>
0	HVE-6075	Control Valve for Vine Diverter w/o Tel. Discharge	1		
1	A-6806-10-8	10 SAE x 1/2" MP 90	1		
2	A-6900-8-6-06	8 SAE x 3/8" FPX Restricted	2		
3	A-6900-10-8	10 SAE x 1/2 FPX	1		
4	A-6901-8-6	8 SAE x 3/8" FPX90	9	20095001-	
5	A-6955-8-6-6	8 SAE x 3/8" FPX Tee	2		
6	A-1501-8-6	1/2 MP x 3/8 FPX 90	2		
7	A-1501-8-8	1/2 MP x 1/2 FPX90	1		
8	A-1501-6-6	3/8" MP x 3/8" FPX90	5		
9	A-6900-8-6	8 SAE x 3/8" FPX With 7/8" Stock Body	3	20095001-	
10	H4-32-6MP-6MP	1/4 in hose 3/8MP x 3/8MP x 32 in long	1		
11	H4-46-6MP-6MP	1/4 in hose 3/8MP x 3/8MP x 46 in long	1		
12	H4-50-6MP-6MP	1/4 in hose 3/8MP x 3/8MP x 50 in long	1		
13	H4-60-6MP-6MP	1/4 in hose 3/8MP x 3/8MP x 60 in long	1		
14	H4-74-6MP-6MP	1/4" hose x 3/8MP x 3/8MP x 74" long	1		
15	H4-87-6MP-6MP	1/4" hose 3/8MP x 3/8MP x 87" long	1		
16	H4-112-6MP-6MP	1/4 IN HOSE 3/8MP x 3/8MP x 112 LONG	1		
17	H4-125-6MP-6MP	1/4 in hose 3/8MP x 3/8MP x 125 in long	1		
19	H4-216-6MP-6MP	1/4 in hose 3/8MP x 3/8MP x 216 in long	2		
22	HV-CKV-800S	1/2" Parker Check Valve	1		
23	HC-250-1208	Tie Rod Cylinder, Standard 2 1/2" x 12"	2		
24	A-QD2010-8-8	Tractor Quick Coupler, Male, 1/2" w/ FPT	2		
25	HC-250-2408	Hydraulic cylinder 2 1/2 x 24 #8 SAE w/ U cup seal	2		Sub 193-102
26	HC-350-16	3 1/2" x 16" Tie Rod Cylinder with 1/2" NPT Ports	1		
32	DC-6012	Decal for K Strain	1		

6205-6-10 HYDRAULIC CYLINDER ASSEMBLY

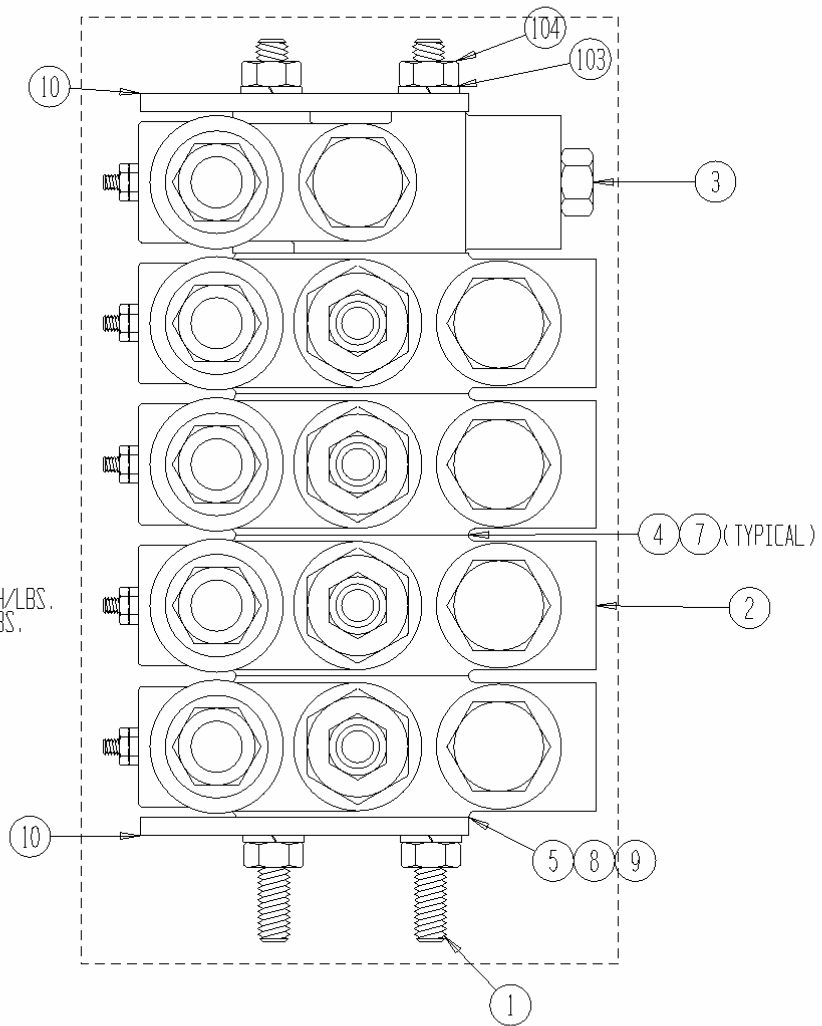


6205-6-10.1 Electric/Hydraulic Valve Assembly

<u>Ref</u>	<u>Part No.</u>	<u>Description</u>	<u>Parts – Assembly</u>	<u>Will Fit SN</u>	<u>Remarks</u>
1	HVE-6075T	Tie Rod Kit for Four Work Section Valve	1		
2	HVE-1036BL	Brand Valve Section with Locks	4	HVE-1076, HVE-3046,	Complete, w/o Cartridges & Coils
3	HVE-1036C	Unloaded Inlet Section	1		
4	HVE-1036S	Shim (Between Sections)	12		
5	HVE-1037H	O Ring (Parker #2-012)	3		
7	HVE-1037O	O-Ring, Buna N 90 Durometer	12		
8	HVE-1037Q	Backup for O-Ring (Parker #3-012)	3		
9	HVE-1046C	Plug, End Section, Brand Valve	3		
10	HV-1056Z	Mounting Plate, Valve Stack	2		
103	BL-5-LW	5/16 SPLIT LW ZC	6		
104	BL-5-N	5/16 UNF FIN HEX NUT A563 GrA ZINC	6		

6205-6-10.1 ELECTRIC/HYDRAULIC VALVE ASSEMBLY

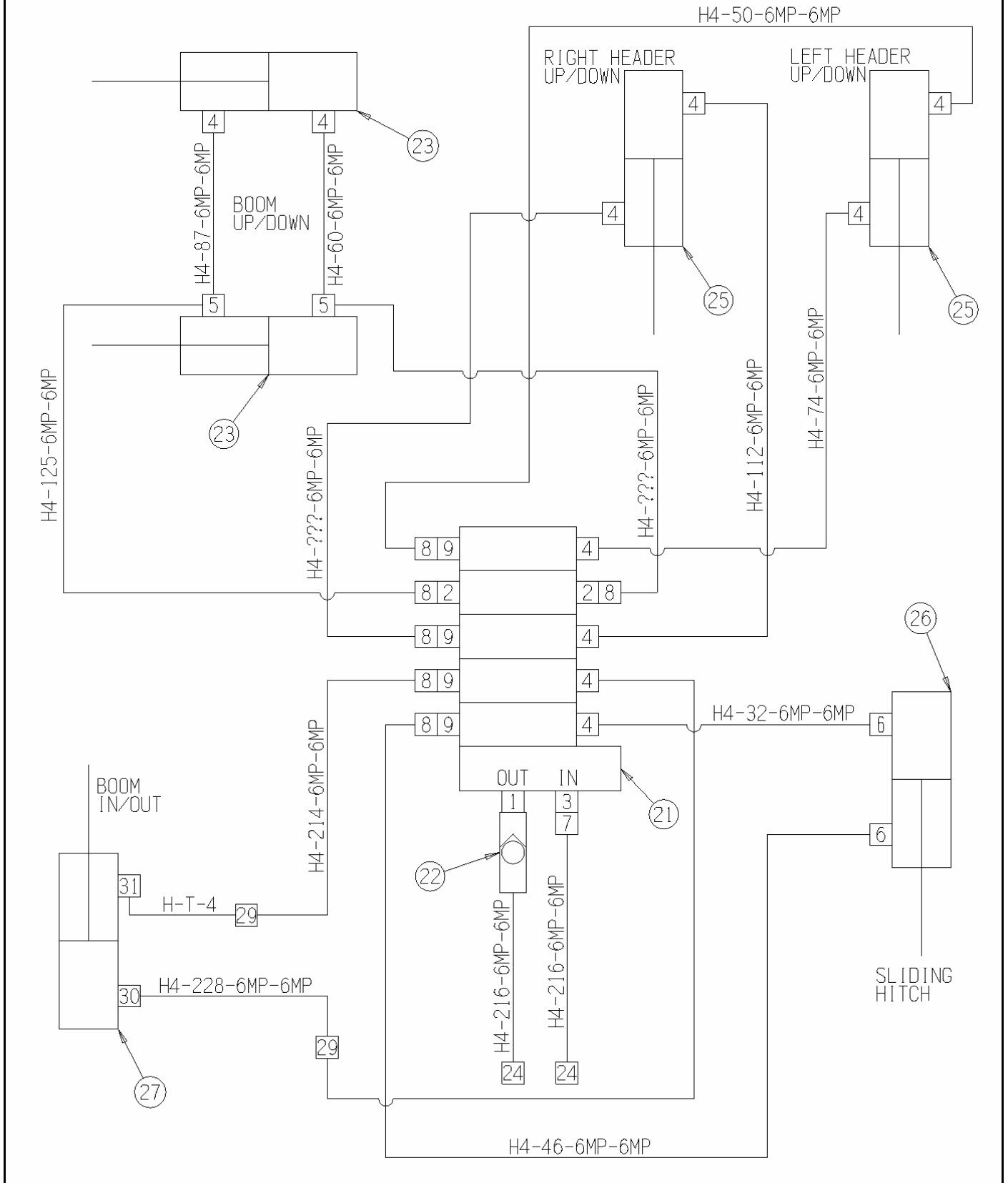
NOTE:
 TORQUE SPECS.
 NUTS ON LONG BOLTS TO 95 INCH/LBS.
 NUTS ON SOLENOIDS TO 2 FT./LBS.



6205-6-11 Opt. Sliding Discharge Hydraulic Cylinder Assembly

<u>Ref</u>	<u>Part No.</u>	<u>Description</u>	<u>Parts – Assembly</u>	<u>Will Fit SN</u>	<u>Remarks</u>
1	A-6806-10-8	10 SAE x 1/2" MP 90	1		
2	A-6900-8-6-06	8 SAE x 3/8" FPX Restricted	2		
3	A-6900-10-8	10 SAE x 1/2 FPX	1		
4	A-6901-8-6	8 SAE x 3/8" FPX90	10	20095001-	
5	A-6955-8-6-6	8 SAE x 3/8" FPX Tee	2		
6	A-1501-8-6	1/2 MP x 3/8 FPX 90	2		
7	A-1501-8-8	1/2 MP x 1/2 FPX90	1		
8	A-1501-6-6	3/8" MP x 3/8" FPX90	6		
9	A-6900-8-6	8 SAE x 3/8" FPX With 7/8" Stock Body	4	20095001-	
10	H4-32-6MP-6MP	1/4 in hose 3/8MP x 3/8MP x 32 in long	1		
11	H4-46-6MP-6MP	1/4 in hose 3/8MP x 3/8MP x 46 in long	1		
12	H4-50-6MP-6MP	1/4 in hose 3/8MP x 3/8MP x 50 in long	1		
13	H4-60-6MP-6MP	1/4 in hose 3/8MP x 3/8MP x 60 in long	1		
14	H4-74-6MP-6MP	1/4" hose x 3/8MP x 3/8MP x 74" long	1		
15	H4-87-6MP-6MP	1/4" hose 3/8MP x 3/8MP x 87" long	1		
16	H4-112-6MP-6MP	1/4 IN HOSE 3/8MP x 3/8MP x 112 LONG	1		
17	H4-125-6MP-6MP	1/4 in hose 3/8MP x 3/8MP x 125 in long	1		
18	H4-214-6MP-6MP	1/4 in hose x 3/8MP x 3/8MP x 214 in long	1		
19	H4-216-6MP-6MP	1/4 in hose 3/8MP x 3/8MP x 216 in long	2		
20	H4-228-6MP-6MP	1/4 in hose x 3/8MP x 3/8MP x 228 in hose	1		
21	HVE-6100	Control Valve for Fully Equipped Vine Diverter	1		
22	HV-CKV-800S	1/2" Parker Check Valve	1		
23	HC-250-1208	Tie Rod Cylinder, Standard 2 1/2" x 12"	2		
24	A-QD2010-8-8	Tractor Quick Coupler, Male, 1/2" w/ FPT	2		
25	HC-250-2408	Hydraulic cylinder 2 1/2 x 24 #8 SAE w/ U cup seal	2		Sub 193-102
26	HC-350-16	3 1/2" x 16" Tie Rod Cylinder with 1/2" NPT Ports	1		
27	HC-250-6006	2 1/2" x 60 with #6 SAE, Hydraulic Tie Rod Cylinder	1		
28	H-T-4	1/4 x .035 Hydraulic Tubing @ Ft.	1		
29	A-6504-4-6	Straight, 1/4 MJ x 3/8 FPX	2		
30	A-6400-4-6	Straight, 1/4" MJ x 3/8" MSAE	1		
31	A-6801-4-6	Elbow, 1/4" MJ x 3/8" MSAE	1		
32	DC-6012	Decal for K Strain	1		

6205-6-11 OPT.SLIDING DISCHARGE HYDRAULIC CYLINDER ASSEMBLY

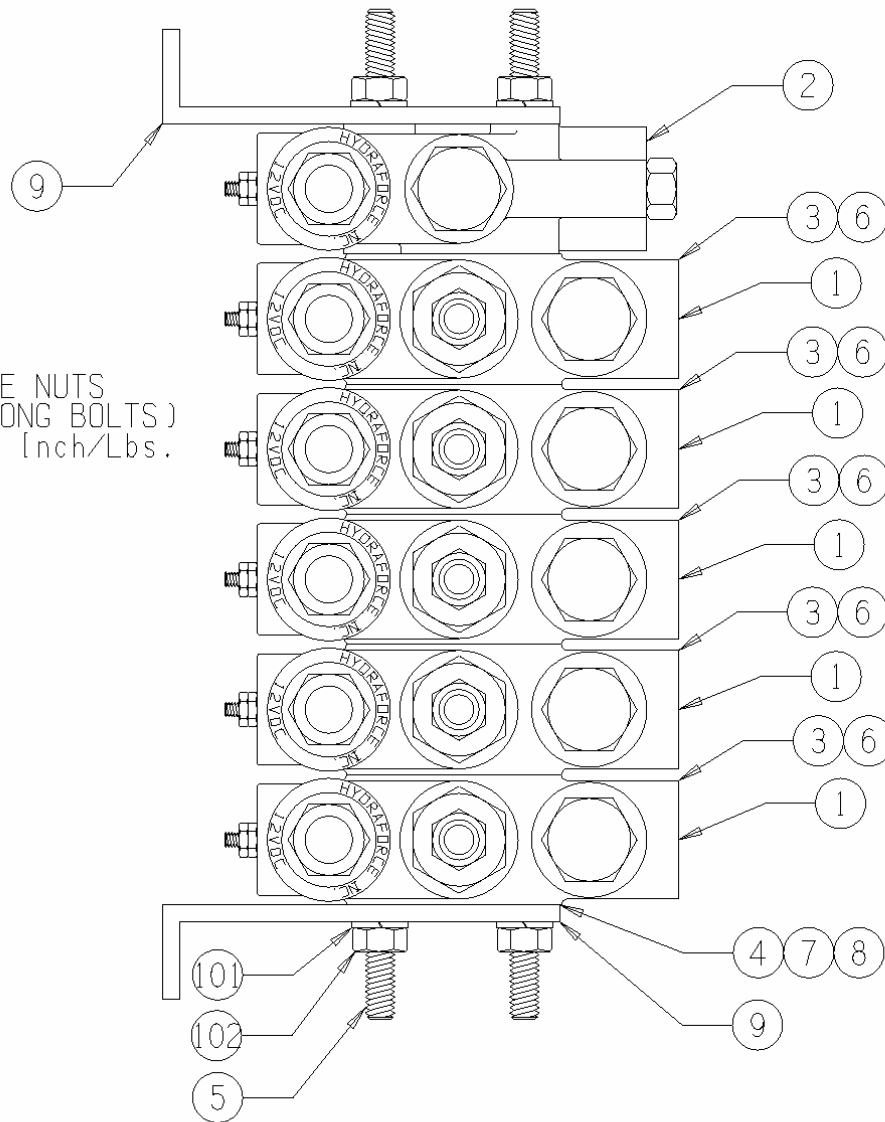


6205-6-11.1 Optional Electric/Hydraulic Valve Assembly

<u>Ref</u>	<u>Part No.</u>	<u>Description</u>	<u>Parts – Assembly</u>	<u>Will Fit SN</u>	<u>Remarks</u>
1	HVE-1036BL	Brand Valve Section with Locks	5	HVE-1076, HVE-3046,	Complete,w/o Cartridges & Coils
2	HVE-1036C	Unloaded Inlet Section	1		
3	HVE-1036S	Shim (Between Sections)	15		
4	HVE-1037H	O Ring (Parker #2-012)	3		
5	HVE-1037L	Tie Rod Kit for Pickle Harvester	1		
6	HVE-1037O	O-Ring, Buna N 90 Durometer	15		
7	HVE-1037Q	Backup for O-Ring (Parker #3-012)	3		
8	HVE-1046C	Plug, End Section, Brand Valve	3		
9	HV-1056Z	Mounting Plate, Valve Stack	2		
101	BL-5-LW	5/16 SPLIT LW ZC	6		
102	BL-5-N	5/16 UNF FIN HEX NUT A563 GrA ZINC	6		

6205-6-11.1 OPT. ELECTRIC/HYDRAULIC VALVE ASSEMBLY

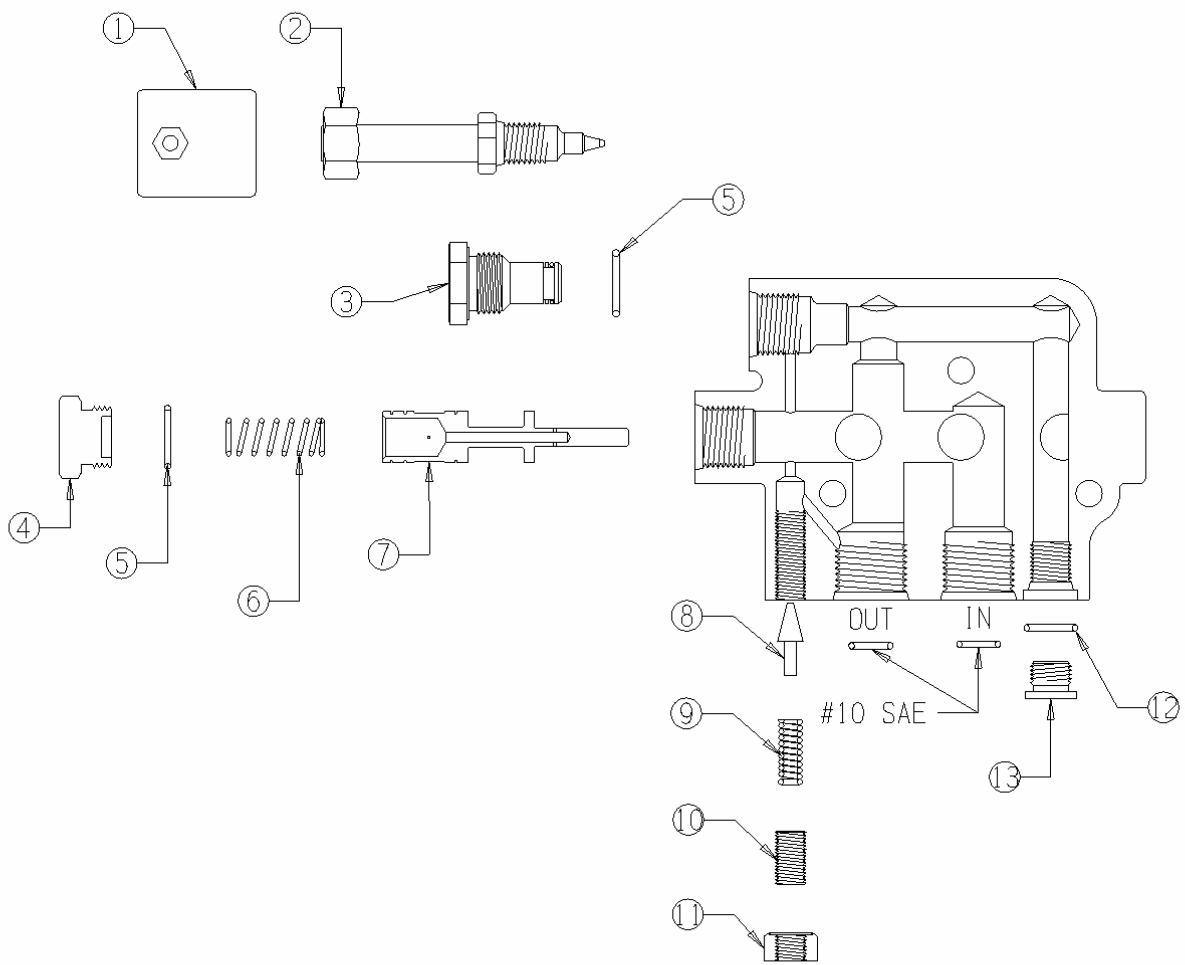
NOTE:
TORQUE NUTS
(ON LONG BOLTS)
TO 95 Inch/Lbs.



6205-6-12 Electric/Hydraulic Valve Section, Unloading Inlet

<u>Ref</u>	<u>Part No.</u>	<u>Description</u>	<u>Parts – Assembly</u>	<u>Will Fit SN</u>	<u>Remarks</u>
1	HVE-1036P	Coil	1		Replaces HA-431-B on Manifold Block.
2	HVE-1036N	Unloading Section Cartridge	1		
3	HVE-1036D	Closed Center Plug	1		
4	HVE-1037D	Unloading Cap	1		
5	HVE-1037P	O-Ring	2		
6	HVE-1037B	Unloading Spring	1		
7	HVE-1037C	Unloading Spool	1		
8	HVE-1037A	Relief Poppet	1		
9	HVE-1036K	Unload Section Relief Spring (Bare Metal-no color)	1		
10	HVE-1037E	Adjusting Screw	1		
11	HVE-1037Y	Nut, Nylon Insert, Sealing	1		Replaces HVE-1037F
12	HVE-1037J	O Ring	1		
13	A-6408-5HHP	#5 SAE Hollow Hex Plug	1		Replaces HVE-1037V

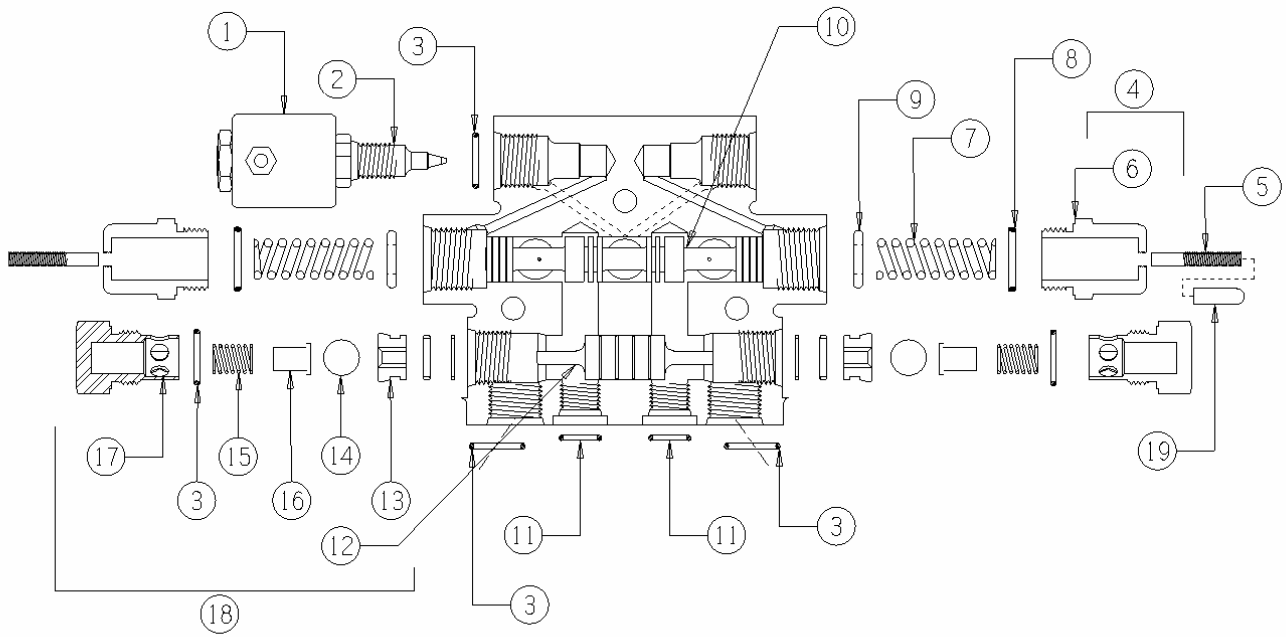
6205-6-12
ELECTRIC/HYDRAULIC VALVE SECTION, UNLOADING INLET



6205-6-13 Electric/Hydraulic Valve Section, W/ Locks

<u>Ref</u>	<u>Part No.</u>	<u>Description</u>	<u>Parts – Assembly</u>	<u>Will Fit SN</u>	<u>Remarks</u>
1	HVE-1036P	Coil	2		Replaces HA-431-B on Manifold Block.
2	HVE-1036M	Work Section Cartridge	2		
3	HVE-1037P	O-Ring	4		
4	HVE-1036R	Maual Override Kit for Brand 36 Valve	2		
5	BL-5-250-SS	5/16-24 x 2 1/2" Set Screw, Cup Point	2		
6	HVE-1036WT	End Cap, Threaded for Manual Override	2		
7	HVE-1036Y	Spool Spring for End Cap	2		Replaces # HVE-1036L
8	HVE-1036X	"O" Ring for End Cap	2		
9	HVE-1046V	End spacer for Work Section	2		
10	HVE-1036Z	Spool, Double-Lock Section	1		
11	A-OR-6	O Ring for #6 Adapter	2		
12	HVE-1046P	Lock Spool	1		
13	HVE-1046T	Seat, Delrin	2		REPLACES HVE-1046U & HVE-1047U
14	HVE-1047R	7/16" Steel Ball	2		
15	HVE-1046S	Spring	2		
16	HVE-1047Q	7/16" Spring Plunger	2		
17	HVE-1047W	End Cap, Double Lock Spring Retainer for 7/16" Ball	2		
18	HVE-1047KS	7/16" Double Lock Rebuild Kit W/Delrin Seat	1		
19	HVE-1036R-PC	Plastic Cover for Manual Override Kit	2		
20	A-6408-6HHP	#6 SAE Hollow Hex Plug	2		

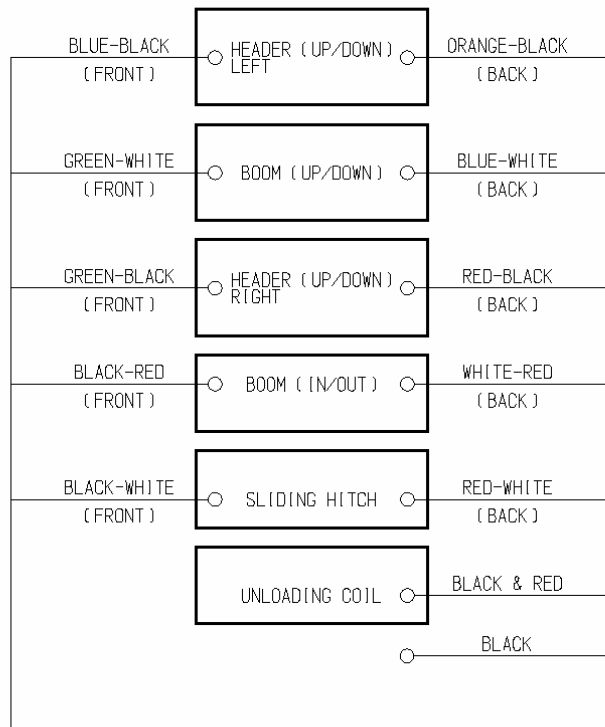
6205-6-13 ELECTRIC/HYDRAULIC VALVE SECTION, W/ LOCKS



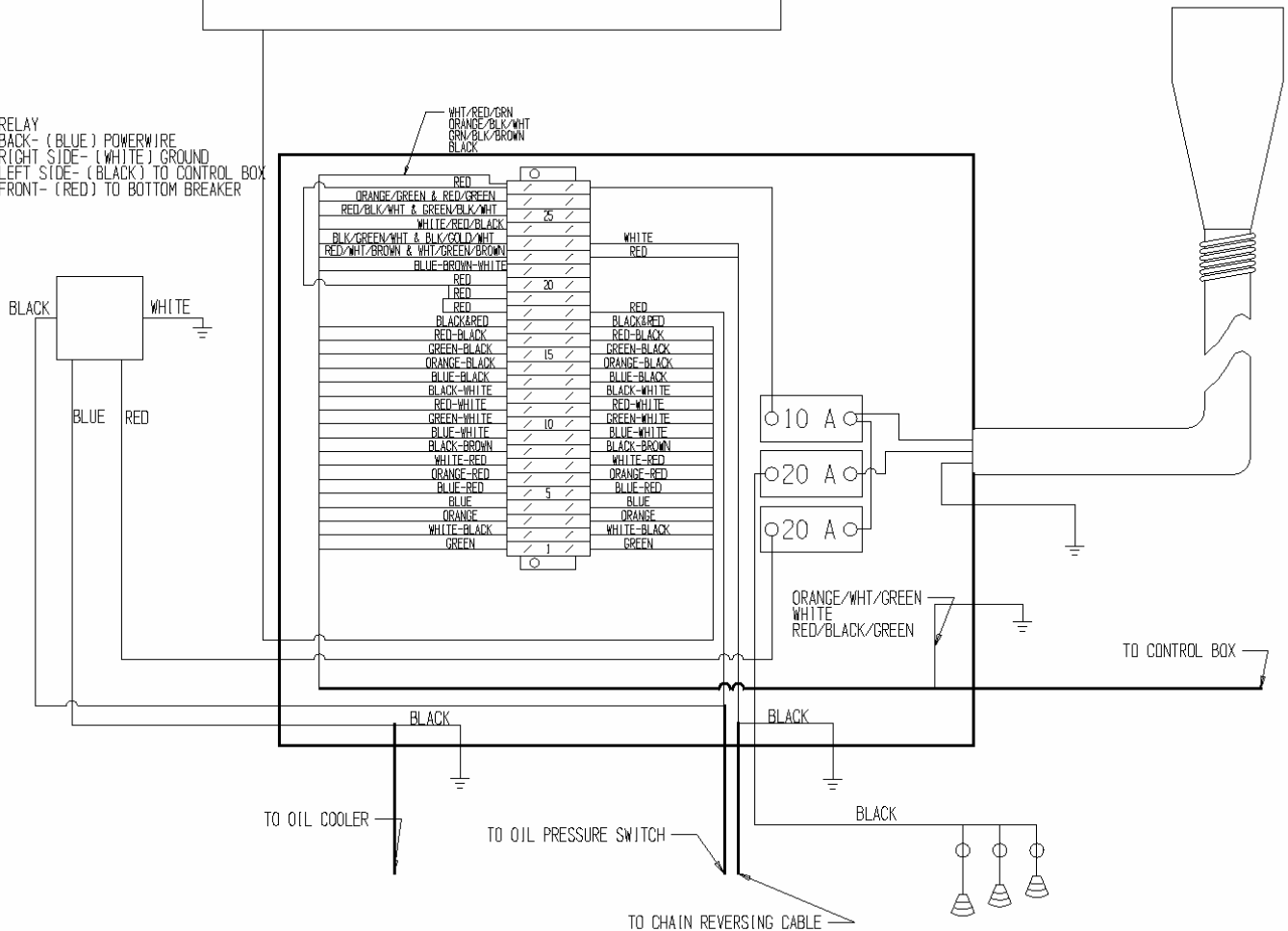
6205-7-1 Electrical Schematic Assembly

<i>Ref</i>	<i>Part No.</i>	<i>Description</i>	<i>Parts – Assembly</i>	<i>Will Fit SN</i>	<i>Remarks</i>
1	ELP-6205	Electrical Panel, Vine Diverter, Hole Dimensions	1		
2	ELC-4000	Control Box Power Cord 25' G-Neck Hitch	1		
3	EL-1221	Connector Cable (Terminal Strip to Brand Valve)	1		
4	EL-0015	DIN Rail 6Ft	0.6		
5	ELB-10	Breaker 10 AMP	1		
6	ELB-20	Breaker, 20 amp	2		Replaces 191-1210
7	EL-0153	Terminal Block	27		
8	EL-5010	End Clamp for Terminal Block	2		
9	BL-4-NSS	1/4"-20 Stainless Steel Nuts	2		
10	BL-4-FWSS	1/4" Stainless Steel Flat Washer	2		
11	BL-4-LW	1/4 SPLIT LW ZC	2		
12	BL-4-125-FP	1/4" x 1 1/4 " Flat Head Phillips	1		
13	ELB-46466	Circuit Breaker Mounting Bracket (6 stack)	0.5		
14	ELC-2612	1/2" Plastic Cord Connector	5		
15	EL-101	Lock Nut for Electricial Connectors 1/2"	5		
16	ELC-2634	3/4" Plastic Cord Connector	1		
17	EL-102	Lock Nut for Electricial Connectors 3/4"	1		
18	EL-2114	Relay	1		
19	ELT-9806	Adheisive Base	4		
20	WT-3	3 3/4" Wire Tie	10		
21	ELT-30502	Ring Terminal #8 x 18-22ga	11		
22	ELT-31004	Terminal Ring, 1/4",16-14 Gauge,Non-insulated	6		
23	ELT-31755	Snap Spade Terminal #10 x 14-16ga	7	HV-1045K	
24	ELT-32203	Terminal Ring,1/4",12-10 Gauge, Non-insulated	1		
25	ELT-31713	Push On Female Terminal 14-16 ga.	11	HV-1045K	
26	ELT-31712	Push On Male 14-16 ga	8	HV-1045K	
27	ELL-25-0	1/4" Wire Loom @ft	50		
28	EL-5153	End Plate for Terminal Block	1		
29	EL-37678	Spring For 7 Way Plug	1		
30	ELT-37675	Seven Conductor Plug	1		
31	ELC-127SO	12 Gauge, 7 Conductor Trailer Cable	16		
32	HA-3007	Pressure Switch	1		
33	ELT-25054	Black Cable Clamp, 3/8"	12		
34	RI-3-6-SS	SS Pop Rivets, 3/16 x .251-.375, Buttonhead	12		

6205-7-1 ELECTRICAL SCHEMATIC ASSEMBLY



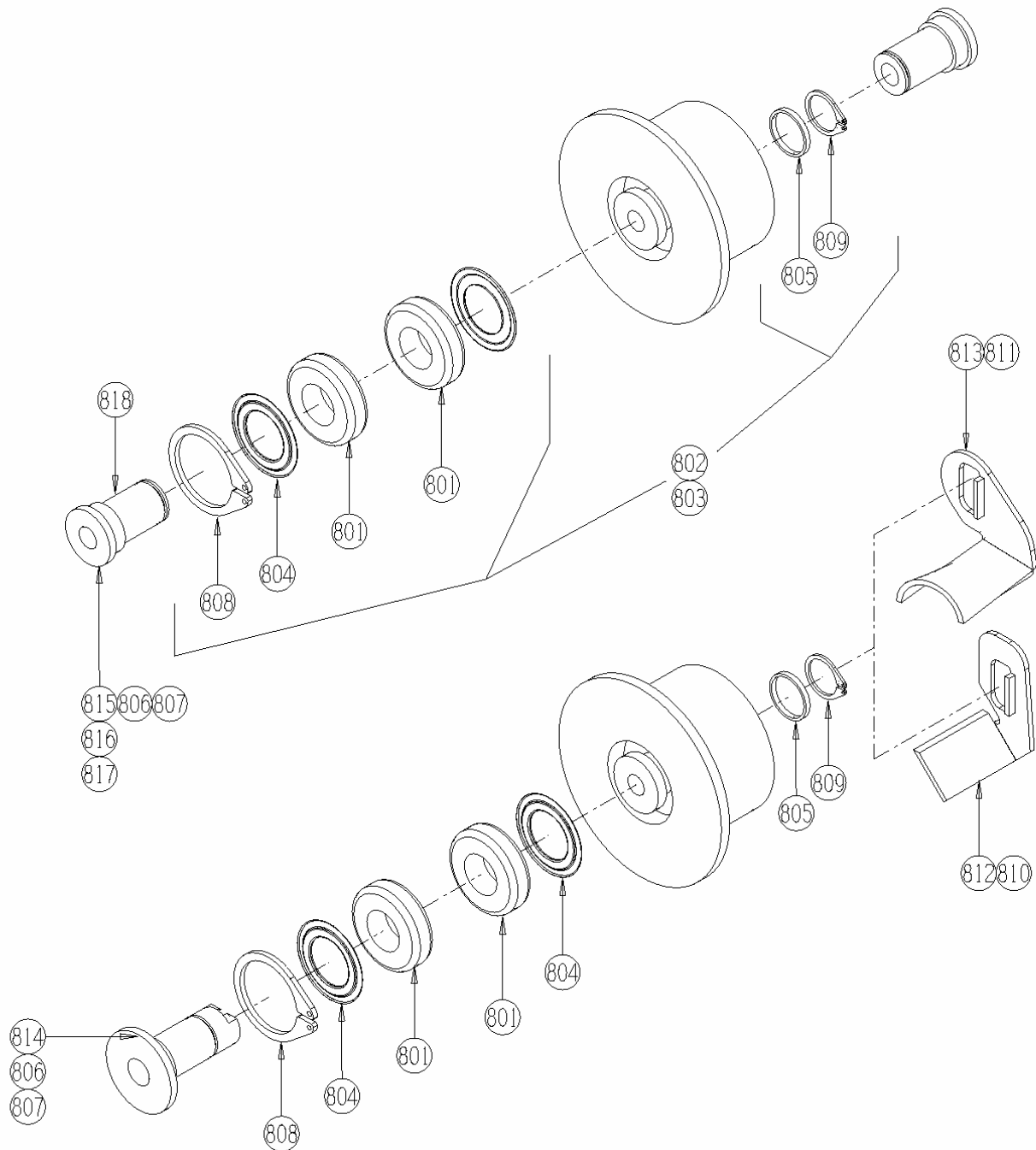
RELAY
 BACK- (BLUE) POWERWIRE
 RIGHT SIDE- (WHITE) GROUND
 LEFT SIDE- (BLACK) TO CONTROL BOX
 FRONT- (RED) TO BOTTOM BREAKER



6205-8-1 Steel Roller Replacement Parts

<u>Ref</u>	<u>Part No.</u>	<u>Description</u>	<u>Parts – Assembly</u>	<u>Will Fit SN</u>	<u>Remarks</u>
801	BR-025-052	Bearing, for Terog Rollers	2		
802	BR-025-052-U	Bearing Kit for Terog Rollers	1		Includes (1)RLA-103, (2)RLA-000-101, (2)BR-025-052, (1)RLA-000-102, (1)RLA-104
803	BR-025-052-W	Bearing Kit for Terog Roller, Single Bearing	1		Same as BR-025-052-U, except has only (1)BR-025-052.
804	RLA-000-101	Metal Seal	2		
805	RLA-000-102	Seperator Ring	1		
806	RLA-006-078	Bushing 1/2" x 5/8" x .75"	1		
807	RLA-006-128	Bushing, 1/2" x 5/8" x 1.25	1		
808	RLA-103	Snap Ring	1		
809	RLA-104	Snap Ring	1		
810	RLA-3023-TM	Scraper for Nose Roller, RH	1	For use with RLS-522-2010-SC roller only	
811	RLA-3023S	Curved Scraper, RH	1		
812	RLA-3024-TM	Scraper for Nose Roller, LH	1	For use with RLS-522-2010-SC roller only	
813	RLA-3024S	Curved Scraper, LH	1		
814	RLT-SSP2	Stub Shaft Only for mounting 3023S and 3024S: 5/8 bore	1		
815	RLT-SSU1	Stub Shafts for Rollers: 1/2" bore, 2" Length	1		
816	RLT-SSU2	Stub Shafts for Rollers: 5/8" bore, 2" Length	1		
817	RLT-SSU3	Stub Shafts for Rollers: 3/4" bore, 2" Length	1		
818	RLT-SSW1	Stub Shaft for Rollers: 1/2" Bore, 1 1/4" Length	1	RLT-535-12*	

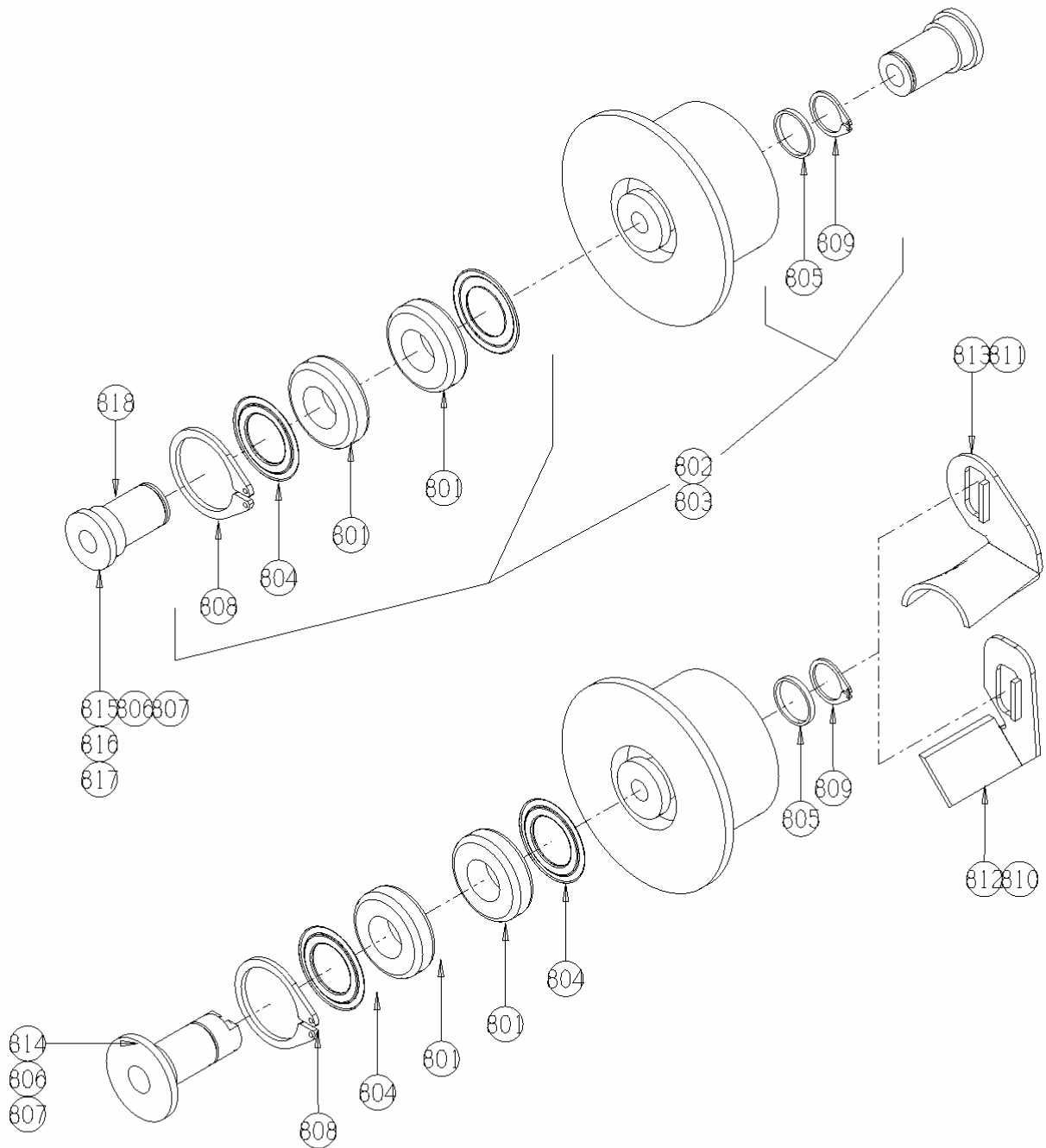
6205-8-1 STEEL ROLLER REPLACEMENT PARTS



6205-8-2 3.5 Dia. Roller Replacement Parts

<u>Ref</u>	<u>Part No.</u>	<u>Description</u>	<u>Parts – Assembly</u>	<u>Will Fit SN</u>	<u>Remarks</u>
801	BR-025-052	Bearing, for Terog Rollers	2		
802	BR-025-052-U	Bearing Kit for Terog Rollers	1		Includes (1)RLA-103, (2)RLA-000-101, (2)BR-025-052, (1)RLA-000-102, (1)RLA-104
803	BR-025-052-W	Bearing Kit for Terog Roller, Single Bearing	1		Same as BR-025-052-U, except has only (1)BR-025-052.
804	RLA-000-101	Metal Seal	2		
805	RLA-000-102	Seperator Ring	1		
806	RLA-006-078	Bushing 1/2" x 5/8" x .75"	1		
807	RLA-006-128	Bushing, 1/2" x 5/8" x 1.25	1		
808	RLA-103	Snap Ring	1		
809	RLA-104	Snap Ring	1		
810	RLA-3023-TM	Scraper for Nose Roller, RH	1	For use with RLS-522-2010-SC roller only	
811	RLA-3023S	Curved Scraper, RH	1		
812	RLA-3024-TM	Scraper for Nose Roller, LH	1	For use with RLS-522-2010-SC roller only	
813	RLA-3024S	Curved Scraper, LH	1		
814	RLT-SSP2	Stub Shaft Only for mounting 3023S and 3024S: 5/8 bore	1		
815	RLT-SSU1	Stub Shafts for Rollers: 1/2" bore, 2" Length	1		
816	RLT-SSU2	Stub Shafts for Rollers: 5/8" bore, 2" Length	1		
817	RLT-SSU3	Stub Shafts for Rollers: 3/4" bore, 2" Length	1		
818	RLT-SSW1	Stub Shaft for Rollers: 1/2" Bore, 1 1/4" Length	1	RLT-535-12*	

6205-8-2 3.5 DIA. ROLLER REPLACEMENT PARTS



6205-8-3 2.75 Dia. Roller Replacement Parts

<u>Ref</u>	<u>Part No.</u>	<u>Description</u>	<u>Parts – Assembly</u>	<u>Will Fit SN</u>	<u>Remarks</u>
801	BR-017-040	Bearing for Vibrator Roller	2		
802	RLA-103	Snap Ring	1		
803	RLT-SSC1	Stub Shaft for Vibrator Roller	2		

6205-8-3 2.75 DIA. ROLLER REPLACEMENT PARTS

