



60 PIK RITE LANE, LEWISBURG PA 17837

PHONE: 570-523-8174 FAX: 570-523-8175

EMAIL: frontdsk@pikrite.com WEBSITE: www.pikrite.com

Dear Grower,

Welcome to the growing family of satisfied Pik Rite equipment owners. Our goal is to help make your harvest as enjoyable and trouble free as possible by providing equipment that is durable and keeps down time to a minimum.

In order to provide customer service and a supply of original equipment parts to keep your machine well maintained, we are continually striving to keep our systems state-of-the-art. We utilize all available resources that allow us to provide accurate and timely deliveries.

We will continue to give you the service you have come to expect from our dealer representatives and us. In order to avoid any delays during your harvest season we make every effort to have someone available to take your calls 24 hours a day. We have shipping companies in place to deliver your parts as expediently as possible. Whether you live a few miles down the road or on the other side of the globe you can count on us.

Sincerely,

Dave Gearhart
Sales / Customer Service
dave@pikrite.com

Parts and Service Hotline
800-326-9763

www.pikrite.com
or find us on Facebook!

TABLE OF CONTENTS

BELTED CHAIN REPLACEMENT PARTS	4
BELTED CHAIN REPLACEMENT PARTS FOR OPT. COMPONENTS.....	5
MOTOR REPLACEMENT PARTS.....	6
MOTOR REPLACEMENT PARTS FOR OPT. COMPONENTS	7
OIL & FILTERS.....	8
62010-01-01 Frame Assembly.....	10
62010-01-02 Spindle & Hub Assembly	12
62010-01-03 Optional Hitch Assembly.....	14
62010-01-04 Hitch Assembly	16
62010-01-05 Optional Jack Stand Assembly	18
62010-01-06 Optional PTO Assembly	20
62010-02-01 Disk Header Frame Assembly	22
62010-02-02 Disk Header Drive Shaft Assembly.....	24
62010-02-03 Disk Header Disk Shaft Assembly	26
62010-02-04 Gathering Chain Assembly	28
62010-02-05 Gauge Wheel Assembly	30
62010-03-01 Header Conveyor Assembly	32
62010-03-02 Header Conveyor Drive Shaft Assembly	34
62010-03-03 Header Return Roller Assembly	36
62010-04-01 Cross Conveyor Assembly.....	38

62010-04-02	Cross Conveyor Adjustable Row Center Assembly	40
62010-04-03	Cross Conveyor Drive Shaft Assembly	42
62010-05-01	Discharge Conveyor Assembly	44
62010-05-02	Discharge Conveyor Drive Shaft Assembly	46
62010-05-10	Optional Sliding Inner Discharge Assembly	48
62010-05-11	Optional Sliding Outer Discharge Assembly	50
62010-05-12	Optional Sliding Discharge Drive Shaft Assembly	52
62010-06-01	Hydraulic Motor (Oil from Tractor) Assembly	54
62010-06-02	Optional (PTO Driven) Hydraulic System Assembly	57
62010-06-03	Optional (PTO Driven) Hydraulic Oil Tank Assembly.....	60
62010-06-05	Hydraulic Flow Control Parts Assembly	62
62010-06-06	Reverser Valve Parts Assembly	64
62010-06-10	Hydraulic Cylinder Assembly	66
62010-06-10.1	Electric/Hydraulic Valve Assembly.....	68
62010-06-11	Opt. Sliding Discharge Hydraulic Cylinder Assembly.....	70
62010-06-11.1	Optional Electric/Hydraulic Valve Assembly	74
62010-07-01	Electrical Schematic Assembly	76
62010-08-01	Steel Roller Replacement Parts.....	80
62010-08-02	3.5 Dia. Roller Replacement Parts.....	82
62010-08-03	2.75 Dia. Roller Replacement Parts.....	84

BELTED CHAIN REPLACEMENT PARTS

	Part #	Description
Gathering Chain 62010-02-04	BC-6-1236-60	Gathering Chain, 3/8 bars 12in wide x 60 links 36mm
	BC-1032-FS	10-32 x 1-1/4" Bolts Flat Head Socket
	BC-1032-TN	10-32 T Nuts
	BC-6-12-ST	3/8" x 12 Belted Chain Rod for 50mm
	BC-BP20-10-T	20mm Backing Plates / 10-32 T Nuts
Header Conveyor Drive Shaft 62010-03-02	BC-7-4442-120	Vine Diverter Header Chain
	BC-1032-FS	10-32 x 1 1/4" bolts Flat Socket Head
	BC-1032-LN	10-32 lock nuts
	BC-7-44-CN	Connecting Rod 44" x 11mm
	BC-3525	Snap Ring, 11mm.
	BC-F-42-32	F Connecting Clip 42-32 @ pair
Cross Conveyor Drive Shaft 62010-04-03	BC-6-4436-114	6200 Diverter Double Unloading Cross Chain
	BC-1032-FS	10-32 x 1 1/4" bolts Flat Socket Head
	BC-1032-LN	10-32 lock nuts
	BC-7-44-CN	Connecting Rod 44" x 11mm
	BC-3510	Grooveless Snap Ring, 10mm.
	BC-F-36-32	F Connecting Clips 36-32 @ pair

BELTED CHAIN REPLACEMENT PARTS FOR OPT. COMPONENTS

Opt. Sliding Discharge Drive Shaft
62010-05-12

BC-6-4436-259	6200 Diverter Sliding Discharge Chain
BC-1032-FS	10-32 x 1 1/4" bolts Flat Socket Head
BC-1032-LN	10-32 lock nuts
BC-F-36-32	F Connecting Clips 36-32 @ pair
BC-7-44-CN	Connecting Rod 44" x 11mm
BC-3510	Grooveless Snap Ring, 10mm.

MOTOR REPLACEMENT PARTS

	Assembly	Part #	Description
Disk Header Drive Shaft	62010-02-02	HM-1228-TC	TCI Motor
		HM-1228-SK	Seal Kit for Char-Lynn
		KEY-4-4-32	Shaft Key 1/4" x 2" Square Cut
		KEY-5-5-20	Shaft Key
Header Conveyor Drive Shaft	62010-03-02	HM-1228-TC	TCI Motor
		HM-1228-SK	Seal Kit for Char-Lynn
Header Return Roller Assembly	62010-03-03	HM-204-TC	TCI Motor
Cross Conveyor Drive Shaft	62010-04-03	HM-204-TC	TCI Motor
		KEY-4-4-16	Shaft Key 1/4" X 1/4" X 1" Square Cut
		KEY-4-4-32	Shaft Key 1/4" x 2" Square Cut

MOTOR REPLACEMENT PARTS FOR OPT. COMPONENTS

Optional Sliding Discharge Drive Shaft

62010-05-12

HM-204-TC
KEY-4-4-16
KEY-4-4-32

TCI Motor
Shaft Key 1/4" X 1/4" X 1" Square Cut
Shaft Key 1/4" x 2" Square Cut

OIL & FILTERS

Optional (PTO Driven) Hydraulic Oil Tank

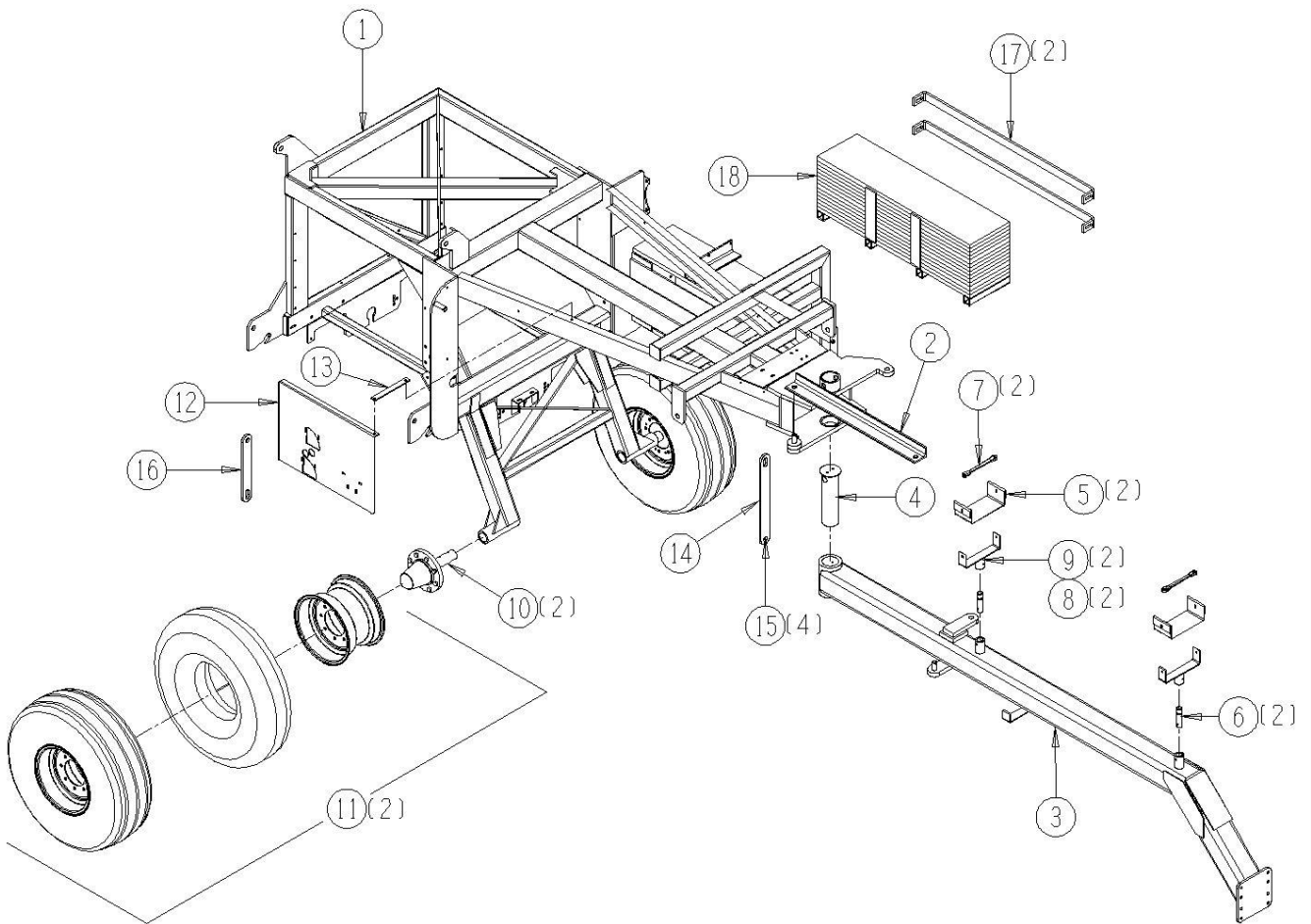
62010-06-03	HA-1012	Vescor Breather Filter (3 micron)w/Adapter Fitting
	HA-1029	Hydraulic Fluid Filter, 11"
	HP-1031	Hydraulic oil (per gal.) w/ anti-wear and anti-foam properties

PARTS
CATALOG

62010-01-01 Frame Assembly

<u>Ref</u>	<u>Part No.</u>	<u>Description</u>	<u>Parts – Assembly</u>	<u>Will Fit SN</u>	<u>Remarks</u>
	PIN-6203	Pin, Top Link, Quick Hitch Arms, Diverter	1		
1	FRM-6205	Main Frame, 6200 Vine Diverter	1		
2	BRA-6205	Angle, Front, 6200 Vine Diverter	1		
3	FRM-6201	Tongue, Front, Frame, 6200 Vine Diverter	1		
4	PIN-6100	Pin, Tongue, 6100 Vine Diverter	1		
5	BT-8110	Belting, Hose Holder, Gooseneck	2		
6	SFT-8210	Shaft, Hose Holder, 190 Frame	2		
7	STRP-1050	10' Tarp Straps	2		
8	GF-1428	Grease Fitting 1/4' x 28 straight	2		
9	SUP-8110	Support, Pivoting Hose Holder, Tongue	2		
10	WHL-1115	Complete Hub and Spindle Assembly	2	193-1109 / WHL-1121	
11	WHM-1100	Mounted Tire Tube/ Wheel Assembly for 12.5 L15 14 ply Tire	2	190, 6000, 6200	
12	PAN-6200	Flow Panel, 6200 Vine Diverter	1		
13	BAR-6203	Bar, Bolt on Flow Panel, 6200 Vine Diverter	1		
14	BAR-6205	Bar, Safety Hold Up, Disk Head, Diverter	1		
15	HC-1130B	Hair Pin Clip	4		
16	BAR-6206	Bar, Discharge Safety Bar	1		
17	BAR-6207	Flat Bar, Vine Diverter	2		
18	WGT-6205	Weight, Vine Diverter	1		
101	BL-4-150-H	1/4-20 X 1 1/2 HEX CAP G5 ZC	4		
102	BL-4-FW	1/4 USS FW ZC	8		
103	BL-4-N	1/4-20 HEX FIN NUTS ZC	6		
104	BL-4-075-H	1/4 UNC X 3/4 HH C/S BOLT GR5 ZINC	2		
105	BL-8-400-H	1/2-13 X 4 HEX CAP G5 ZC	2		
106	BL-8-LN	1/2-13 HEX LOCK NUT NYLON INSERT ZC	2		
800	WHT-1121	12.5 L15 14 ply McCreary Tire	2	19101	
801	WHT-1122	12.5 x L15 Tube (Heavy Duty)	2	19101	
802	WHT-1123	10 x 15 8 lug Rim	2	19101	8-8-6

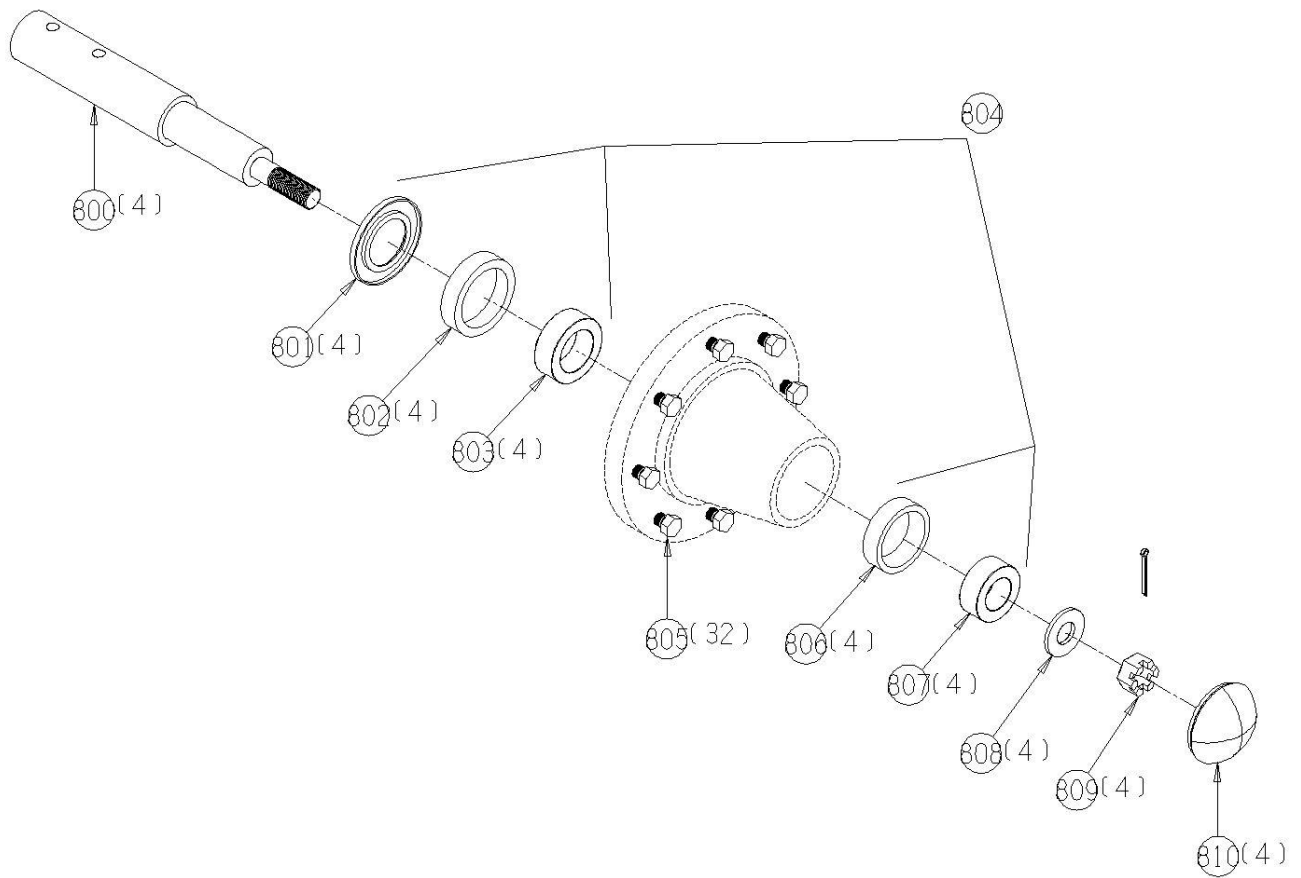
62010-01-01



62010-01-02 Spindle & Hub Assembly

<u>Ref</u>	<u>Part No.</u>	<u>Description</u>	<u>Parts – Assembly</u>	<u>Will Fit SN</u>	<u>Remarks</u>
800	WBR-1108	Spindle for Machine Wheel	2	WHL-1115	Drilled
801	WBR-1107A	Seal 1115 Series Hub	2	WHL-1115	
802	WBR-1107B	Inside Wheel Bearing	2	WHL-1115	
803	WBR-1107F	Inner cup	2	WHL-1115	
804	WBR-1107K	Complete Wheel Bearing Kit	2	WHL-1115	All
805	WBR-1107L	Wheel, Lug bolts	16	WHL-1115	
806	WBR-1107G	Outer cup	2	WHL-1115	
807	WBR-1107C	Outside Wheel Bearing	2	WHL-1115	
808	WBR-1107H	Washer	2	WHL-1115	
809	WBR-1107D	Nut 7/8-14	2	WHL-1115	
810	WBR-1107E	Cap	2	WHL-1115	

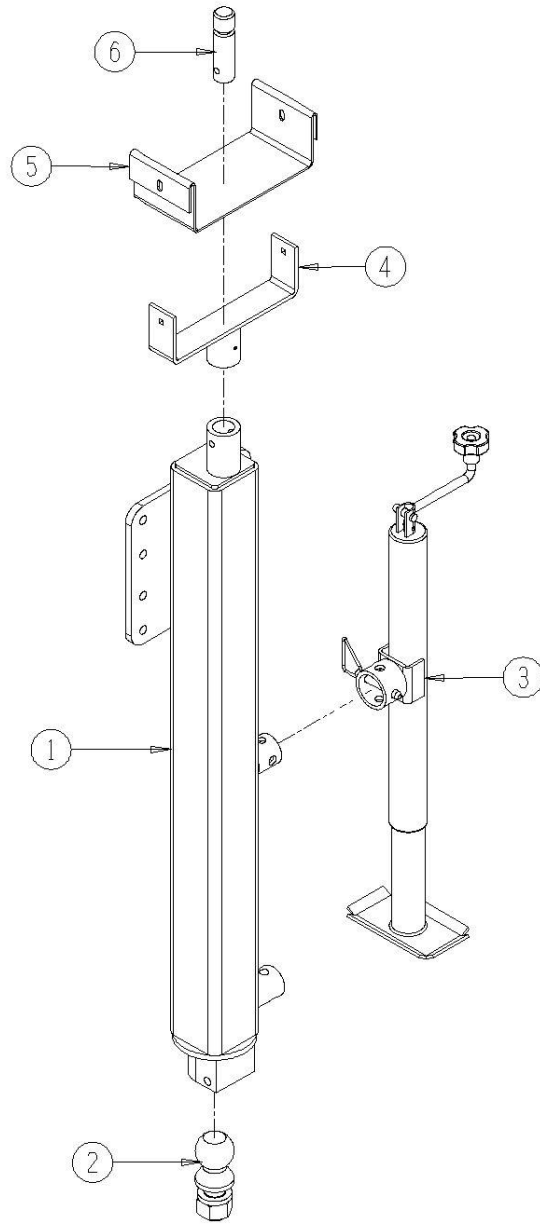
62010-01-02



62010-01-03 Optional Hitch Assembly

<u>Ref</u>	<u>Part No.</u>	<u>Description</u>	<u>Parts – Assembly</u>	<u>Will Fit SN</u>	<u>Remarks</u>
1	ARM-6200	Optional Down Tube, Hitch, Vine Diverter	1		
2	GH-37B	Gooseneck Hitch Ball, 2 5/16"	1		
3	WH-16122	Bulldog Sidewind Swivel Jack, 5,000 lb.	1	-71009001 -70209005	Old Style-Topwind, Part No. 18-450-3
4	SUP-8110	Support, Pivoting Hose Holder, Tongue HC290	1		
5	BT-8110	Belting, Hose Holder, Gooseneck	1		
6	SFT-8210	Shaft, Hose Holder, 190 Frame	1		
100	BL-4-150-H	1/4-20 X 1 1/2 HEX CAP G5 ZC	2		
101	BL-4-FW	1/4 USS FW ZC	4		
102	BL-4-N	1/4-20 HEX FIN NUTS ZC	2		
103	BL-4-075-H	1/4 UNC X 3/4 HH C/S BOLT GR5 ZINC	1		

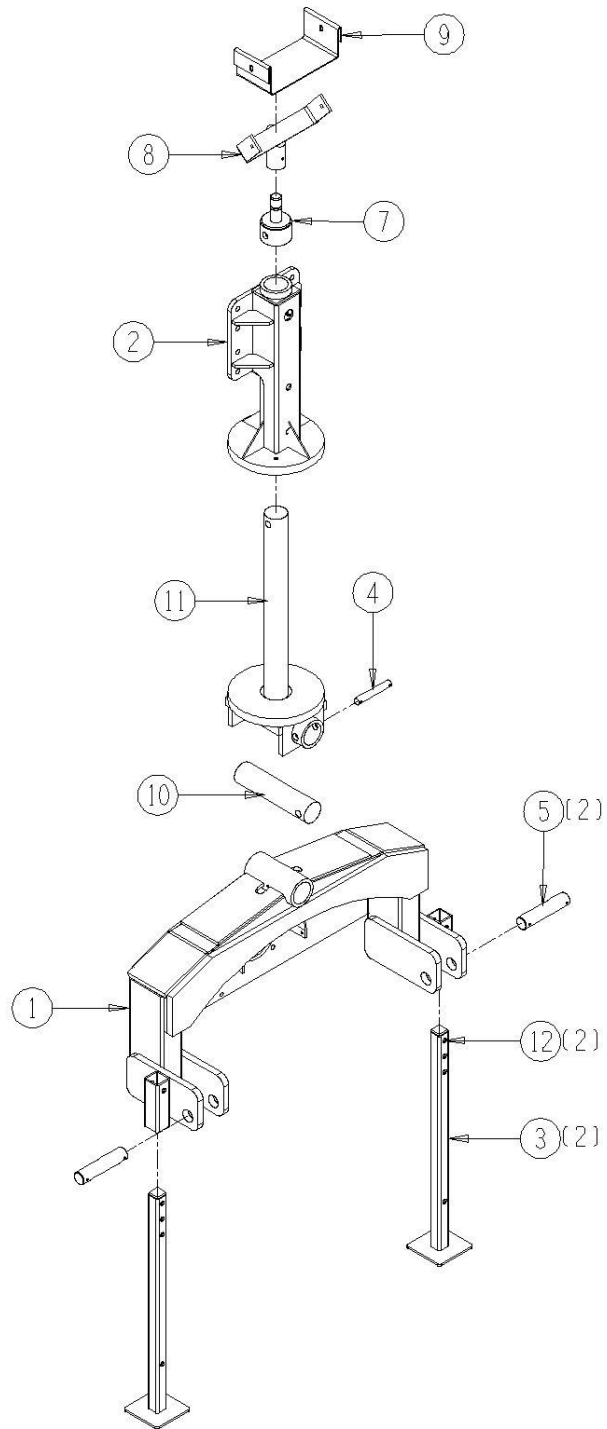
62010-01-03



62010-01-04 Hitch Assembly

<u>Ref</u>	<u>Part No.</u>	<u>Description</u>	<u>Parts – Assembly</u>	<u>Will Fit SN</u>	<u>Remarks</u>
1	FRM-6211	Frame, Hitch, Vine Diverter	1		
2	ARM-6209	Hitch, Vine Diverter	1		
3	STD-6200	Jack Stand, Main Assembly, 6200 Vine Diverter	2		
4	PIN-6205	Gooseneck Pin, 6200 Vine Diverter	1		
5	PIN-6202	Pin, Quick Hitch, 3 Point Arms, Vine Diverter	2		
7	COV-6206	Cover, Tongue To 2-Point Hitch, 6205 Diverter	1		
8	COV-6207	Hose Holder Vine Diverter	1		
9	BT-8110	Belting, Hose Holder, Gooseneck	1		
10	PIN-6204	Pivot Pin, 2 Point, Vine Diverter	1		
11	ARM-6208	Hitch, Vine Diverter	1		
12	PIN-8103	Pin, 6200 Vine Diverter	2		
100	BL-4-200-H	1/4-20 X 2 HEX CAP G5 ZC	6		
101	BL-4-LN	1/4-20 HEX LN NE ZC	6		
102	BL-8-250-H	1/2-13 X 2 1/2 HEX CAP G5 ZC	2		
103	BL-8-LN	1/2-13 HEX LOCK NUT NYLON INSERT ZC	2		
104	BL-4-FW	1/4 USS FW ZC	12		
105	BL-8-FW	1/2 USS FW ZC	4		

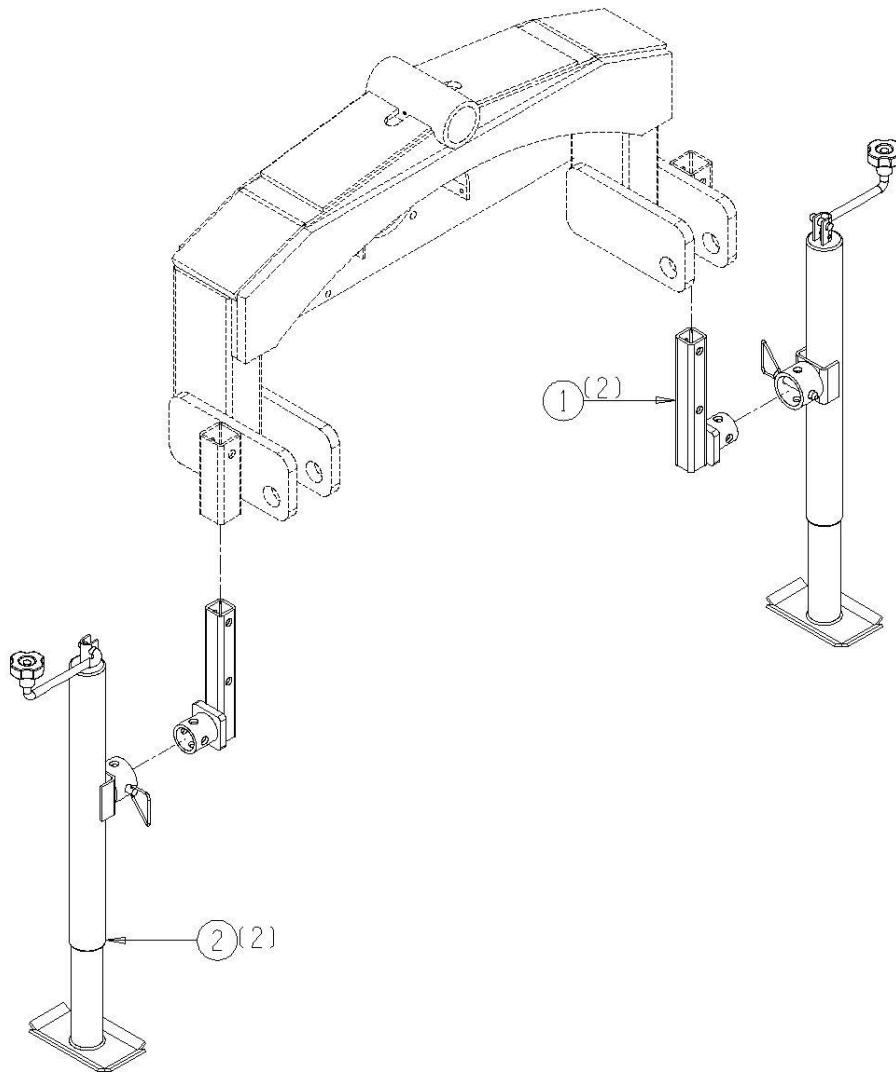
62010-01-04



62010-01-05 Optional Jack Stand Assembly

<u>Ref</u>	<u>Part No.</u>	<u>Description</u>	<u>Parts – Assembly</u>	<u>Will Fit SN</u>	<u>Remarks</u>
1	STD-6201	Opt Jack Stand, Main Frm, 6200 Vine Diverter	2		
2	WH-16122	Bulldog Sidewind Swivel Jack, 5,000 lb.	2	-71009001 -70209005	Old Style-Topwind, Part No. 18-450-3

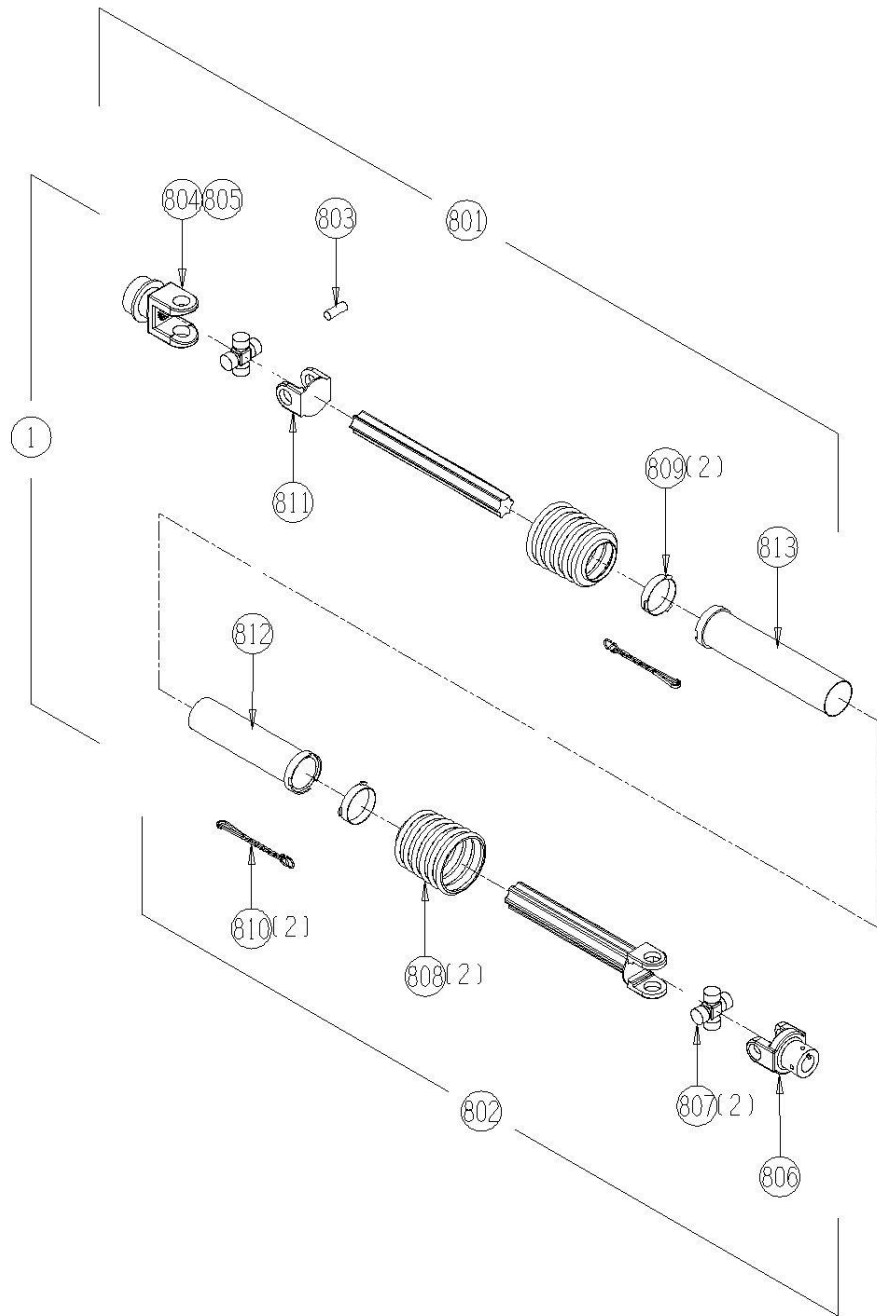
62010-01-05



62010-01-06 Optional PTO Assembly

<u>Ref</u>	<u>Part No.</u>	<u>Description</u>	<u>Parts – Assembly</u>	<u>Will Fit SN</u>	<u>Remarks</u>
1	PTS-6200	PTO Shaft 1-3/8-21 x 1-1/4-5/16 6205 Vine Diverter	1	Vine Diverter	
801	PTS-8100-FH	1-3/8 x 21-spline, Front Half for PTS-8100, PTS-4002	1		
802	PTS-6200-RH	Rear Half, Vine Diverter PTO	1		
803	PTB-1014C	Spring Pin 10 X 75	1		
804	PTS-6200-A	1-3/8-21 Yoke, Vine Diverter PTO	1		
806	PTS-6200-D	1-1/4 RB 5/16 Key, Yoke, Vine Diverter PTO	1		
807	PTS-6200-B	Extended Lube Cross & Bearing Kit, Vine Diverter PTO	2		
808	PTS-6200-E	Shield Cone, Vine Diverter PTO	2		
809	PTS-1002J	PTO Shield Bearing Ring	2		
810	PTS-1002K	PTO Shield Safety Chain	2		
811	PTB-1014D	Inboard Yoke 1b	1		
812	PTS-6200-F	Inner Shield, Vine Diverter PTO	1		
813	PTS-6200-H	Outer Shield, Vine Diverter PTO	1		

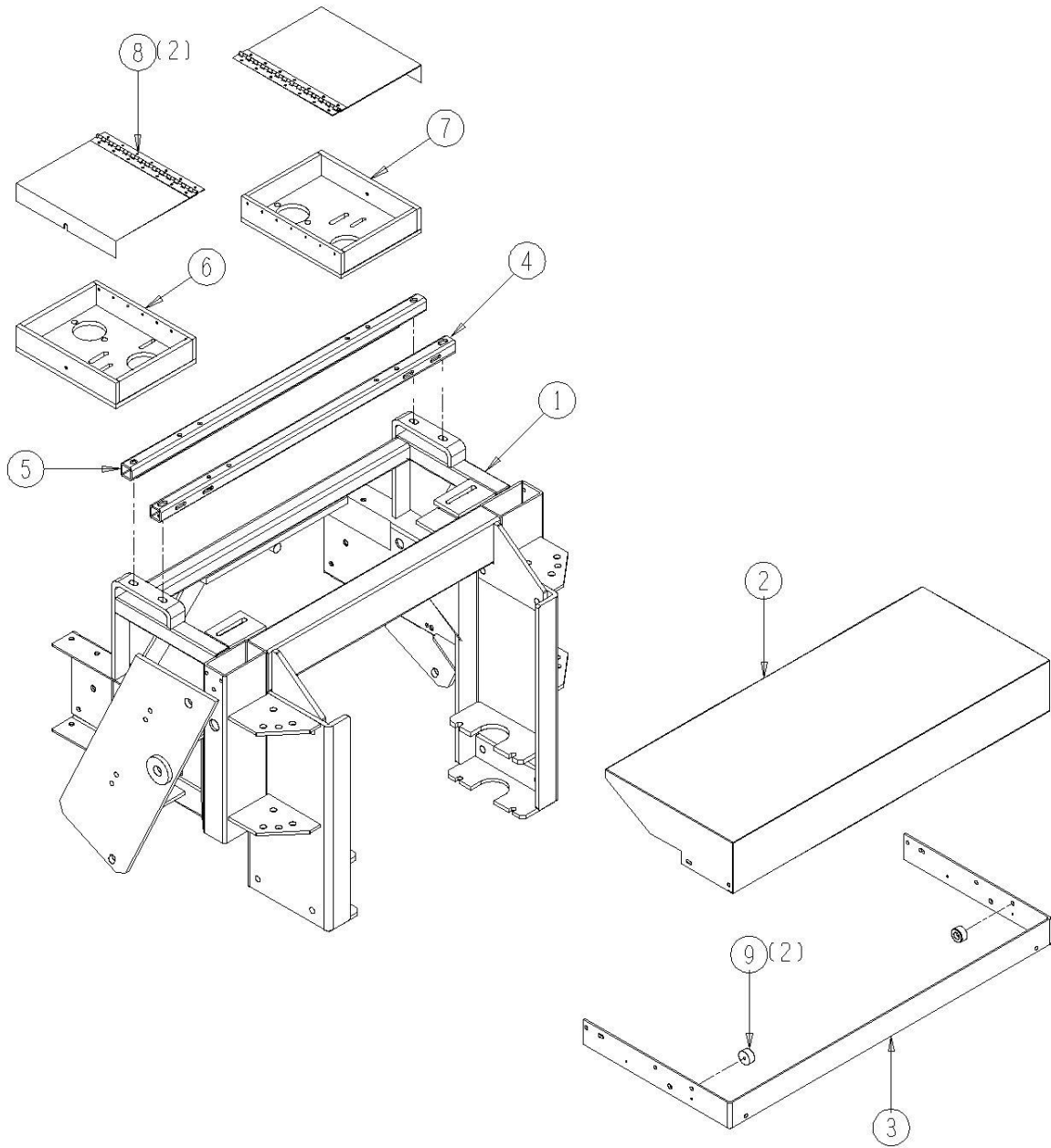
62010-01-06



62010-02-01 Disk Header Frame Assembly

<u>Ref</u>	<u>Part No.</u>	<u>Description</u>	<u>Parts – Assembly</u>	<u>Will Fit SN</u>	<u>Remarks</u>
1	FRM-6209	Frame Disk Header, Pick Up Head, Vine Diverter	1	FRM-6209	
2	192-139	Shield, Disk Header Cover (Tomato)	1	19201-	
3	192-139A	Safety Bar	1	19201-	
4	194-109	Disk Motor Stabilizer Bar	1	19401-19525 60096001- 61096001- 194-231K	
5	194-109R	Bar, Motor Stop Stabilizer, Tom. Disk Header	1		
6	SUP-0033	Motor Mount, Right Side, Header, 6100 V Diverter	1		
7	SUP-0034	Motor Mount, Left Side, Header, 6100 Vine Diverter	1		
8	SHD-0069	Shield, Header, Both Sides, 6100 Vine Diverter	2		
9	194-1418	Rubber Bumper	2	19401	

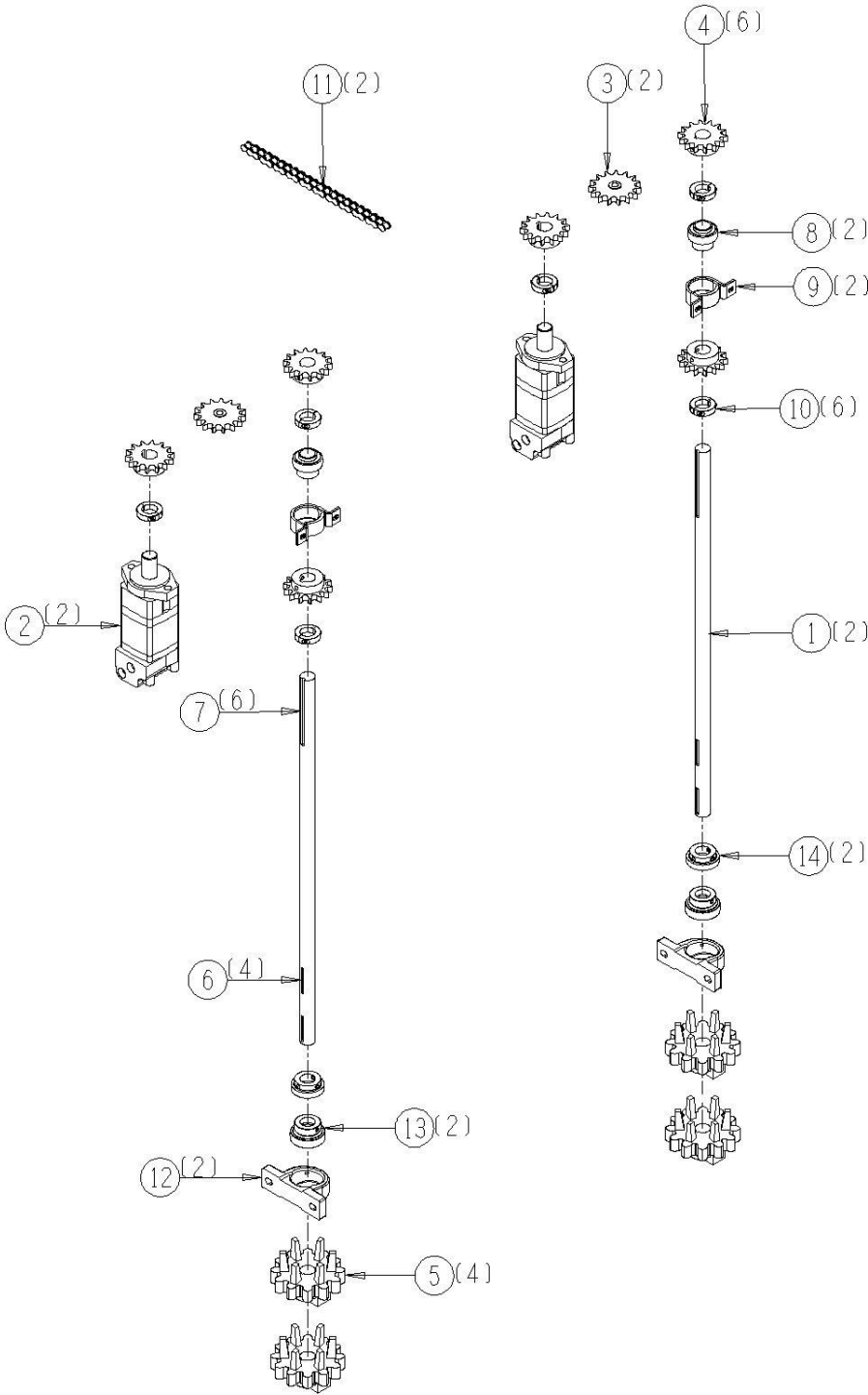
62010-02-01



62010-02-02 Disk Header Drive Shaft Assembly

<u>Ref</u>	<u>Part No.</u>	<u>Description</u>	<u>Parts – Assembly</u>	<u>Will Fit SN</u>	<u>Remarks</u>
1	194-155	Shaft, Gathering Chain	2		
2	HM-1228-TC	TCI Motor	2	Direct Interchange with HM-400-OMS	Replaces HM-1228-CH, And HM-188R. Seal Kit # TCI-SKMLHS
3	SP-6015-T	Idler, # 60 Roller Chain Adjuster	2	19201	
4	SP-60B14-20-5	Hardened Tooth Sprocket, #60, 14 Tooth, 1.25' Bore	6		191-116 Old P/N Not used '91 to '93 except on machines without gathreing chains. Used on all machines upgraded with direct drive gathering chin kits.
5	SPU-3612-20-4	Urethane Sprocket 36-12 1 1/4 bore 1/4' key	4		Sub SP-3612-20-4
6	KEY-4-4-32	Shaft Key 1/4' x 2' Square Cut (1018)	4		
7	KEY-5-5-20	Shaft Key 5/16' sq x 1 1/4' Square Cut (1018)	6		
8	BR-125-062	Bearing, 1 1/4 Fafnir tri-seal, 62mm OD	2		
9	BR-062-MPB	Stamped Bearing Housing for 1 1/4' bearing	2		
10	SC-20-2	Shaft Collar, 2 piece 1 1/4' bore	6		
11	CH-60H-33	Roller Chain 33 pitches #60H w/master	2		
12	BR-072-RAK	Bearing Housing 72 mm	2		
13	BR-125-072	Bearing, 1 1/4 Fafnir tri-seal, 72mm OD	2		
14	BR-12572-LC	1 1/4' Locking Collar - Bearing Protector	2		
100	BL-8-175-H8	1/2 x 1 3/4', Grade 8, Hex Head	4		
101	BL-8-LNS	1/2 Stover Lock Nut	4		
800	HM-1228-SK	Seal Kit for Char-Lynn	2	2000 Series	
801	BL-5-125-SCF	5/16 - 24 x 1 1/4', Socket Head Cap Screw	8		

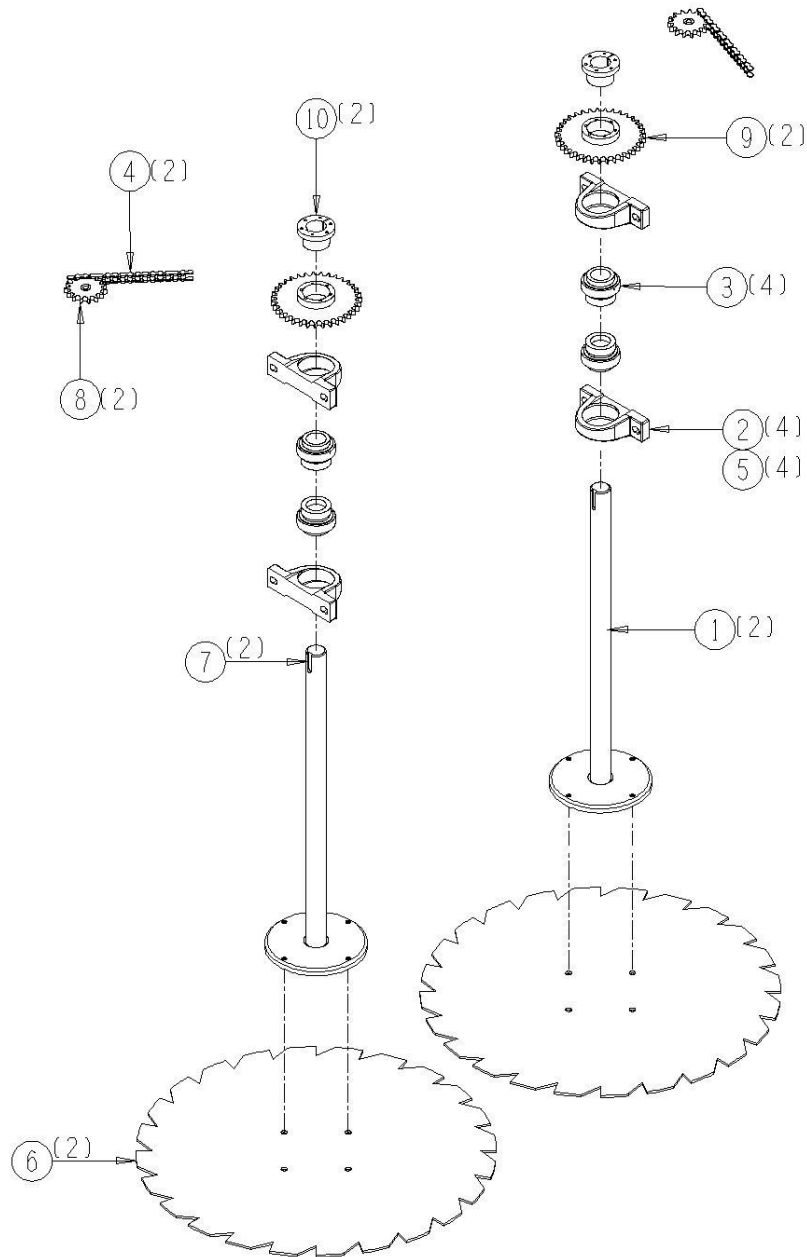
62010-02-02



62010-02-03 Disk Header Disk Shaft Assembly

<u>Ref</u>	<u>Part No.</u>	<u>Description</u>	<u>Parts – Assembly</u>	<u>Will Fit SN</u>	<u>Remarks</u>
1	191-131	Shaft, Disk	2		
2	BR-100-RAK	Bearing Housing 100 mm	4	11001	
3	BR-200-100I	Bearing, 2' ID, TS	4		Replaces BR-200-100
4	CH-60H-67	Roller Chain 67 pitches #60H Disk Drive(Tomato) w/master link	2	19101	
5	GF-1428	Grease Fitting 1/4' x 28 straight	4		
6	hd-140-06	36' Header Disk	2		MADE FROM AR 400
7	KEY-8-8-40	Shaft Key 1/2' x 1/2' x 2 1/2'	2		
8	SP-6015-T	Idler, # 60 Roller Chain Adjuster	2	19201	
9	SP-60SK35	Hardened Tooth Sprocket, #60, 35 Tooth, Uses SK Bushing	2	19101	
10	SP-SK-2	Sprocket, Bushing SK	2	19101	
100	BL-10-450-H	5/8-11 X 4 1/2 HEX CAP G5 ZC	4		
101	BL-10-LN	5/8-11 HEX LN NE ZC	4		
102	BL-5-200-8T	5/16-18 x 2 Grade 8 Tap Bolt	6		
103	BL-8-100-H	1/2-13 X 1 HEX CAP G5 ZC	8		
104	BL-8-450-H	1/2-13 X 4 1/2 HEX CAP G5 ZC	4		
105	BL-8-FW-8	1/2 FLAT WASHER G8 ZC	8		
106	BL-8-LN	1/2-13 HEX LOCK NUT NYLON INSERT ZC	4		
107	BL-8-LW	1/2 SPLIT LW ZC	8		
108	BL-8-SW	1/2 SAE FW ZC	8		

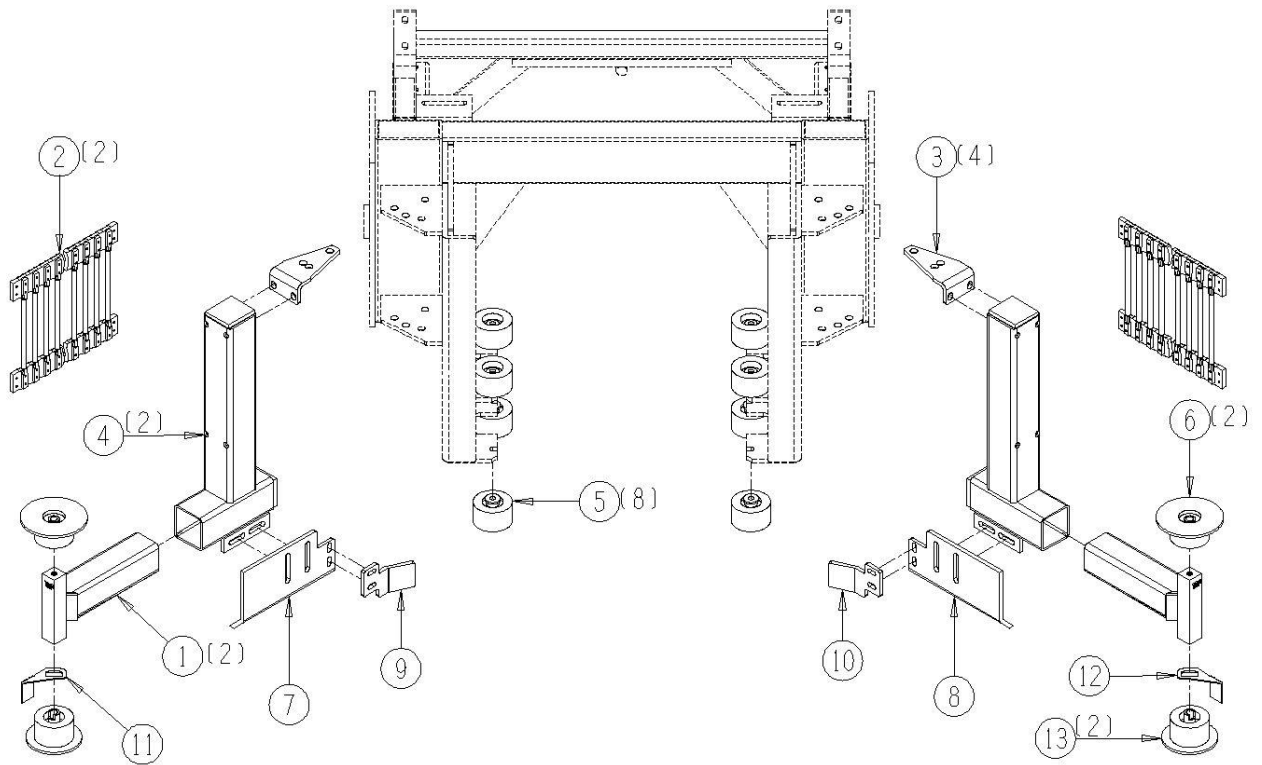
62010-02-03



62010-02-04 Gathering Chain Assembly

<u>Ref</u>	<u>Part No.</u>	<u>Description</u>	<u>Parts – Assembly</u>	<u>Will Fit SN</u>	<u>Remarks</u>
1	ADJ-155	Adjuster, Nose Tightener, Gathering Chain	2		
2	BC-6-1236-60	Gathering chain, 3/8 bars 12in wide x 60 links 36mm	2		
3	BAR-8204	Bar, Gathering Chain Bracket Holder, HC290	4		
4	BRA-8204	Bracket, Gathering Chain, HC290	2		
5	RLT-035-228	Roller 3.5 dia x 2.2 x 1/2' bore, no flange	8		
6	RLT-635-2210-RV	6' Flange Roller 2.2WF 3.5 Dia, 5/8' Bore w/Inverted Spindle	2		
7	SCR-162	Scraper, Upper, Inner, Disk Header	1		
8	SCR-164	Scraper, Upper, Outer, Disk Header	1		
9	SCR-8205	Scraper, Right Side, Hub, HC290	1		
10	SCR-8204	Scraper, Left Side, Hub, HC290	1		
11	RLA-3023-T	Straight Scraper, RH	1		
12	RLA-3024-T	Straight Scraper	1		
13	RLT-535-2210-SC	5' Flange Roller 2.2 WF 3.5 dia, 5/8' bore w/ Hub for Scraper	2		
14	DC-3026	Orange Reflective Tape @ 50ft Roll	0.02		
100	BL-8-1100-H8	1/2-13 x 11 HEX CAP G8 ZC	2		
101	BL-8-LN	1/2-13 HEX LOCK NUT NYLON INSERT ZC	4		
102	BL-10-600-T	5/8-11 X 6 HEX TAP G8 ZC	2		
103	BL-10-N	5/8-11 HEX FIN NUTS ZC	2		

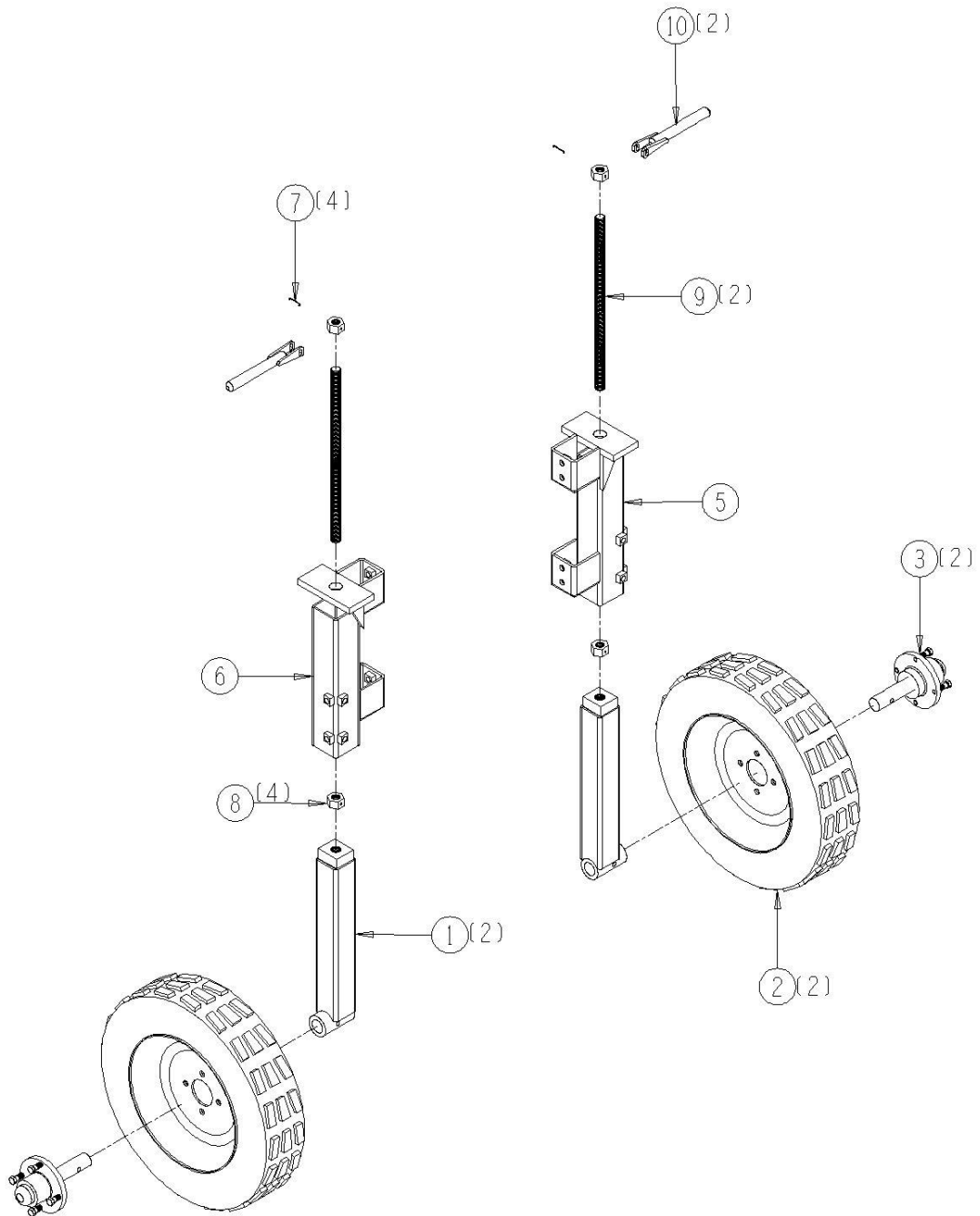
62010-02-04



62010-02-05 Gauge Wheel Assembly

<u>Ref</u>	<u>Part No.</u>	<u>Description</u>	<u>Parts – Assembly</u>	<u>Will Fit SN</u>	<u>Remarks</u>
1	WHL-6134	Depth Control, Vine Diverter	2		
2	WHL-192-H	Gauge Wheel 480-12 (Heavy Duty)	2		
3	WHL-190	Gauge Wheel Hub and Spindle Complete	2		
4	WHL-178	Bearing Protector @Pair	1		
5	SPA-0058	Spacer Tube, Gauge Wheel, Vine Diverter	1		
6	SPA-0057	Spacer Tube, Gauge Wheel, Vine Diverter	1		
7	PIN-3-20	Roll Pin 3/16 x 1-1/4 Stainless Steel	4		Sold in Pkg. of 100
8	BL-14-N-HOLE	Nut W/ Holes, Disk Header	4		
9	ADJ-8203	Threaded Rod W/ Holes, Gauge Wheel, HC290	2		
10	ADJ-8202	Adjuster, Handle, Gauge Wheel, HC290 Tomato	2		
100	BL-4-LN	1/4-20 HEX LN NE ZC	2		
101	BL-4-FW	1/4 USS FW ZC	4		
102	BL-4-200-H	1/4-20 X 2 HEX CAP G5 ZC	2		

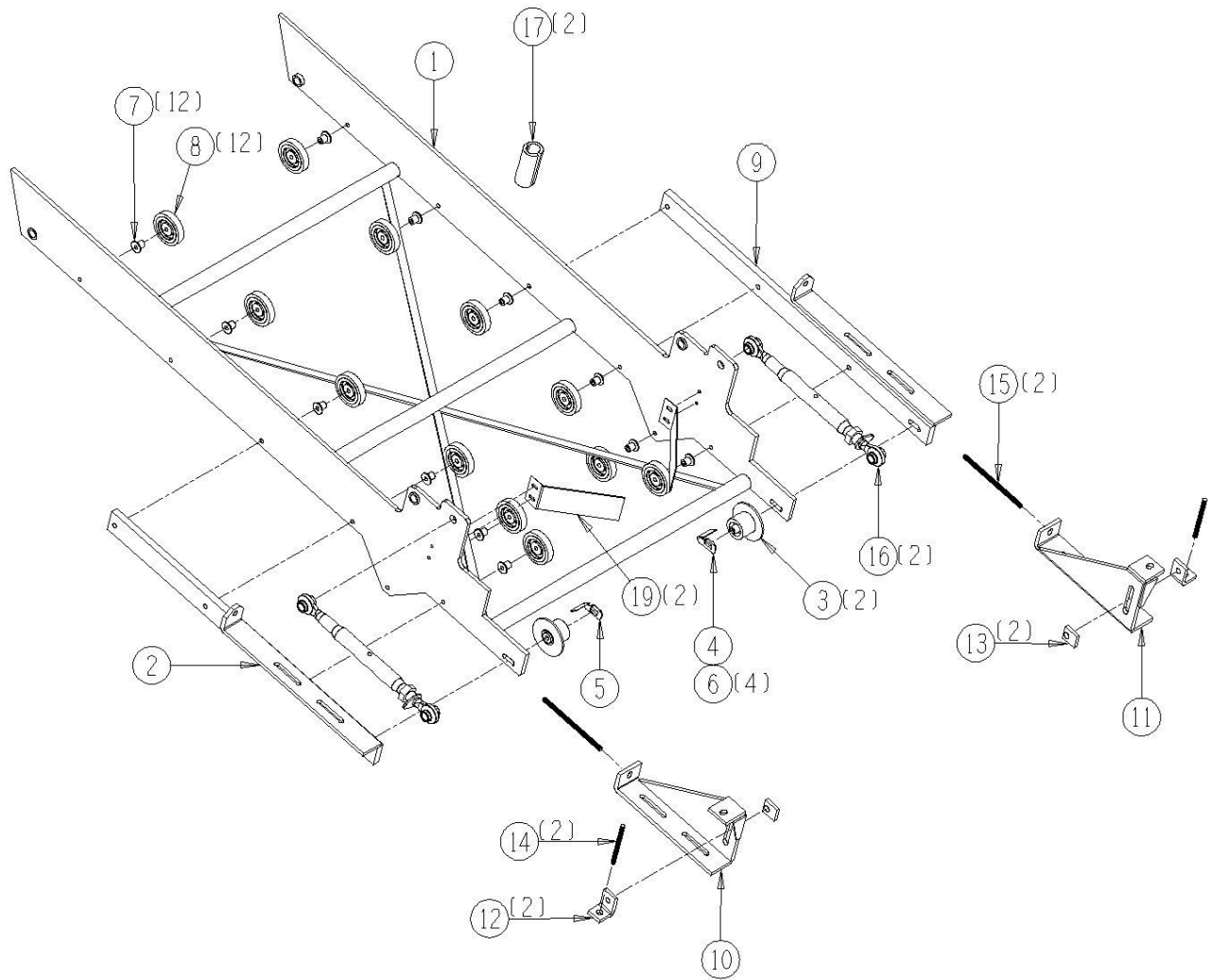
62010-02-05



62010-03-01 Header Conveyor Assembly

<u>Ref</u>	<u>Part No.</u>	<u>Description</u>	<u>Parts – Assembly</u>	<u>Will Fit SN</u>	<u>Remarks</u>
	BL-18-JN	1-1/8'-7 Jam Nut, Zinc Plated	2		
1	FRM-6206	Frame, Header Conveyor, 6200 Vine Diverter	1		
2	ADJ-645	Adjuster,Vine Diverter Disk Header Right	1	ADJ-645	
3	RLS-522-2010-SC	Steel Roller, 5' Flange, 2.2' Dia, 2' wide, w/Hub for Scraper	2	For use with scrapers RLA-3023-TM (RH) and RLA-3024-TM (LH) only	
4	RLA-3023-TM	Scraper for Nose Roller, RH	1	For use with RLS-522-2010-SC roller only	
5	RLA-3024-TM	Scraper for Nose Roller, LH	1	For use with RLS-522-2010-SC roller only	
6	RLA-006-128	Bushing, 1/2' x 5/8' x 1.25	4		
7	RLA-000-118	Standoff, 1/2' X 1 1/8'	12		
8	RLR-040-108	4' Flat Roller	12		Changed to Urethane in 2006
9	ADJ-646	Adjuster,Vine Diverter,Disk Header ,Left	1	ADJ-646	
10	ADJ-647	Adjuster,Vine Diverter,Disk Header Right Slider	1	ADJ-647	
11	ADJ-648	Adjuster,Vine Diverter,Disk Header Left Slider	1	ADJ-648	
12	ADJ-649	Adjuster, Vine Diverter,Formed Angle	2	ADJ-649	
13	ADJ-650	Spacer Tab, Vine Diverter Adj. Head	2	ADJ-650	
14	BL-10-700-R	5/8-11 X 7' Full Threaded Rod , B7	2	BL-10-700-R	
15	BL-10-1000-R	5/8-11 x 10' Full Threaded Rod B7	2	BL-10-1000-R	
16	TL-00337	Top Link With 2in. Nut Welded on	2		
18	CL-225	2 1/4' T-Bolt Clamp	4		
19	SCR-6000	Scraper, Gathering Chains, Vine Diverter	2		
20	CL-44	3' SS GEAR CLAMP	2		
102	BL-10-N	5/8-11 HEX FIN NUTS ZC	16		
103	BL-10-SW	5/8 SAE FW ZC @	34		

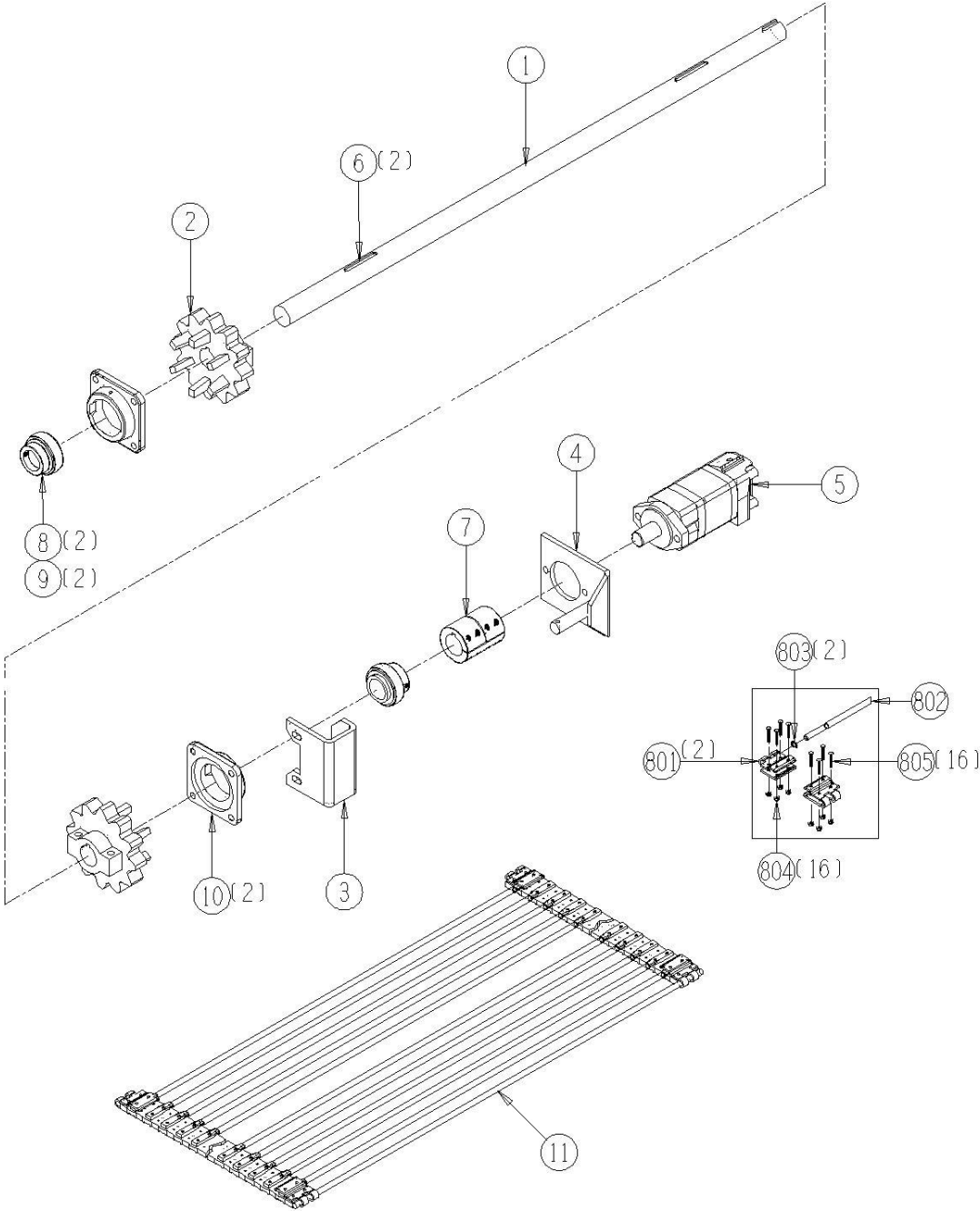
62010-03-01



62010-03-02 Header Conveyor Drive Shaft Assembly

<u>Ref</u>	<u>Part No.</u>	<u>Description</u>	<u>Parts – Assembly</u>	<u>Will Fit SN</u>	<u>Remarks</u>
1	SFT-6300	Shaft, Header Chain Drive, Vine Diverter	1		Need CPS-2820 with new shaft previous of 2009 on 6200 model & with 6000 model previous of 2010
2	SP-4212-28-6-H	Sprocket, 12T Drive #4212 1 3/4' Bore Heat Treated	2		
3	STP-3501	Stop, Primary Header Motor	1	30096001-	
4	MOU-1228	Mount, Motor, SAE A Two Bolt, Disk Header	1		
5	HM-1228-TC	TCI Motor	1	Direct Interchange with HM-400-OMS	Replaces HM-1228-CH, And HM-188R. Seal Kit # TCI-SKMLHS
6	KEY-6-6-24	Keystock 3/8' x 3/8' x 1 1/2' Square Cut (1018)	2		
7	CPS-2820	Steel Coupler 1 3/4' x 1 1/4' ID with 3/8' Keyway on 1 3/4' ID	1		
8	GF-1428	Grease Fitting 1/4' x 28 straight	2		
9	BR-175-085	Fafnir Bearing 1 3/4 Tri Seal	2		
10	BR-085-RCJ	RCJ Bearing Housing	2	11001	
11	BC-7-4442-120	Vine Diverter Header Chain	1		
800	HM-1228-SK	Seal Kit for Char-Lynn	1	2000 Series	
801	BC-F-42-32	F Connecting Clip 42-32 @ pair	2		
802	BC-7-44-CN	Connecting Rod 44' x 11mm	1		
803	BC-3525	Snap Ring, 11mm.	2		
804	BC-1032-LN	10-32 lock nuts	16		
805	BC-1032-FS	10-32 x 1 1/4' bolts Flat Socket Head	16		

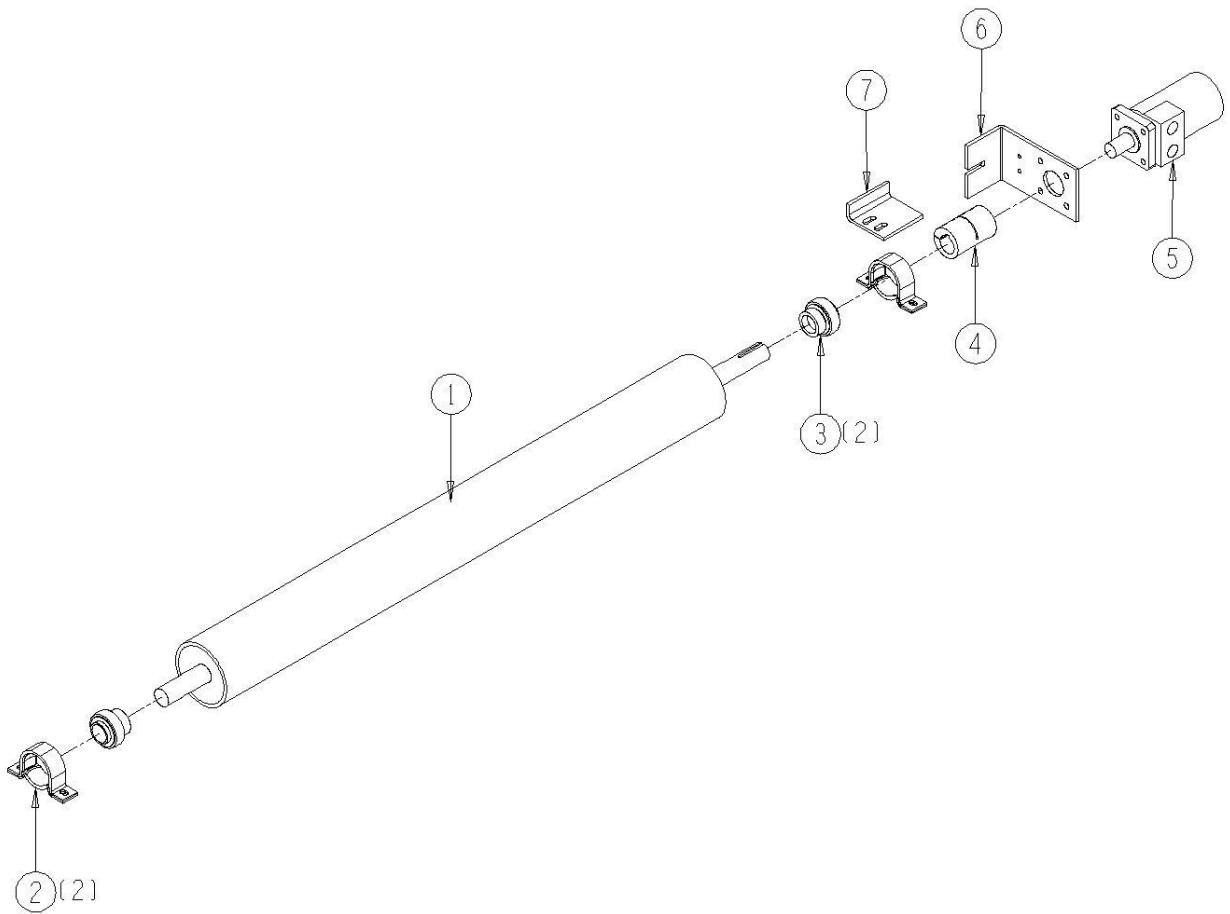
62010-03-02



62010-03-03 Header Return Roller Assembly

<u>Ref</u>	<u>Part No.</u>	<u>Description</u>	<u>Parts – Assembly</u>	<u>Will Fit SN</u>	<u>Remarks</u>
1	RLR-6104	Header Return Roller, 6100 Vine Diverter	1		
2	BR-062-MPB	Stamped Bearing Housing for 1 1/4' bearing	2		
3	BR-125-062	Bearing, 1 1/4 Fafnir tri-seal, 62mm OD	2		
4	CPS-6060	Steel Coupler (offcenter) 1 1/4' x 1'	1		
5	HM-204-TC	TCI Motor	1		Seal Kit # TCI-SKHPQ
6	193-806	Mount motor	1		
7	193-806A	Motor mount stop	1		

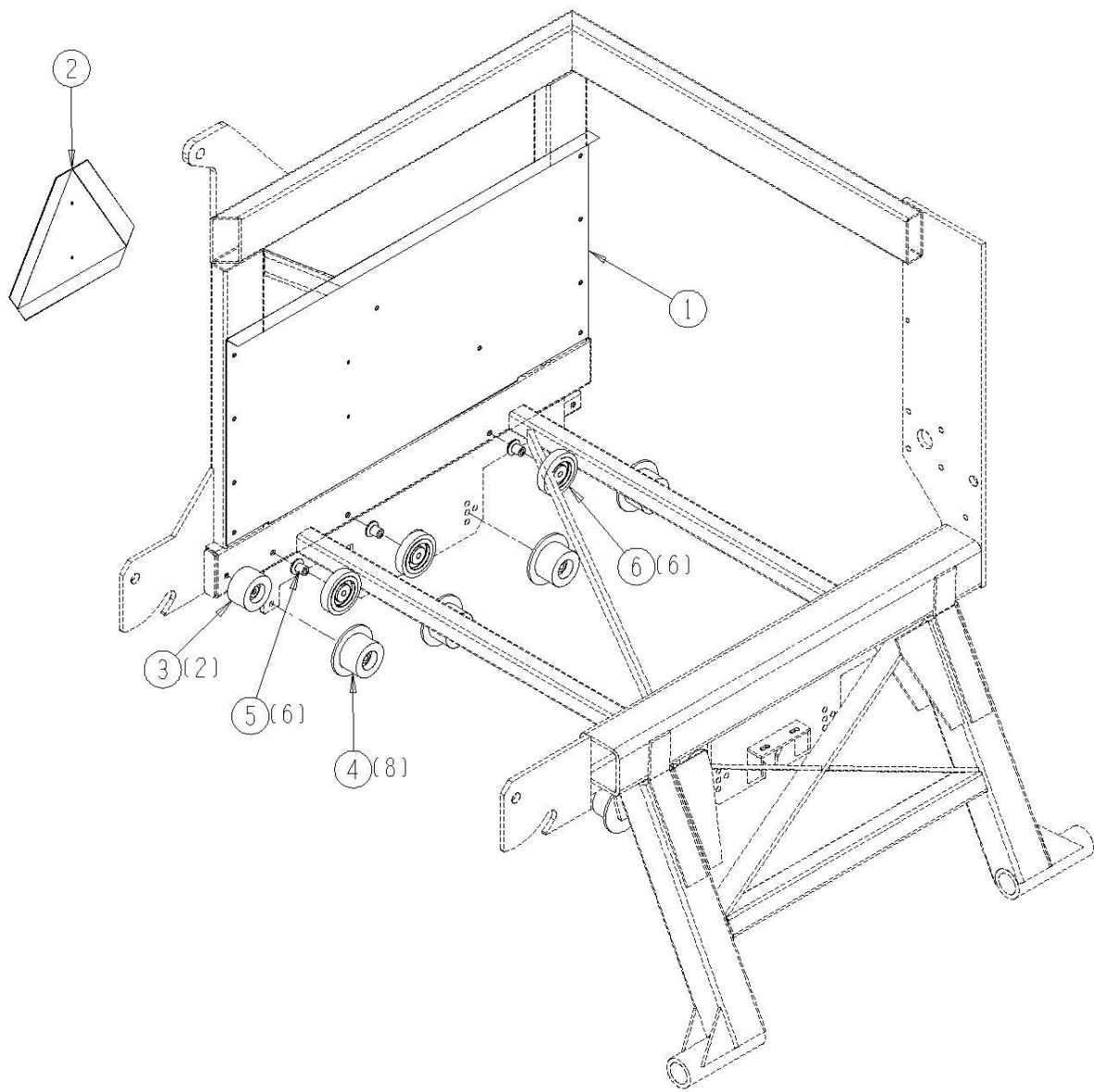
62010-03-03



62010-04-01 Cross Conveyor Assembly

<u>Ref</u>	<u>Part No.</u>	<u>Description</u>	<u>Parts – Assembly</u>	<u>Will Fit SN</u>	<u>Remarks</u>
1	PAN-6103	Panel, Rear, Cross Conveyor, 6100 Vine Diverter	1		
2	SMV-PL	SMV Sign, Metal	1		
3	RLT-035-228	Roller 3.5 dia x 2.2 x 1/2' bore, no flange	2		
4	RLT-535-228	5' Flange Roller 2.2WF x 3 1/2' dia, 1/2' bore	8		
5	RLA-000-118	Standoff, 1/2' X 1 1/8'	6		
6	RLR-040-108	4' Flat Roller	6		Changed to Urethane in 2006

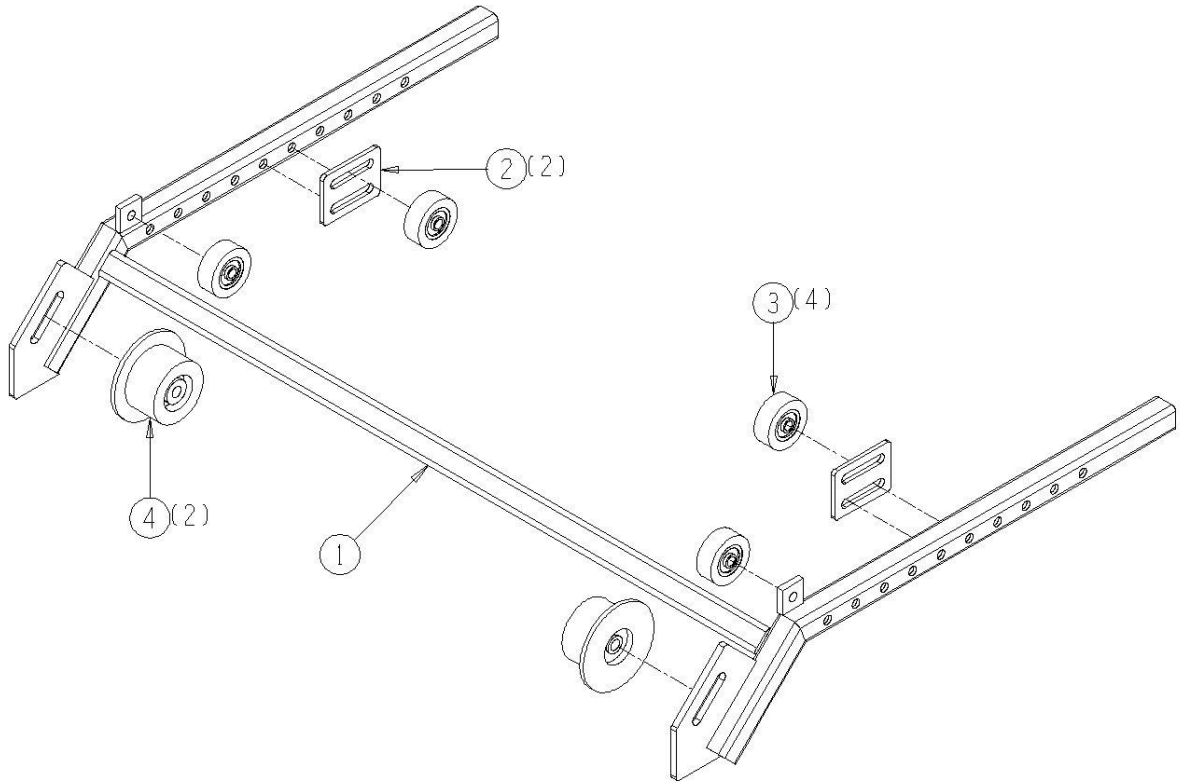
62010-04-01



62010-04-02 Cross Conveyor Adjustable Row Center Assembly

<u>Ref</u>	<u>Part No.</u>	<u>Description</u>	<u>Parts – Assembly</u>	<u>Will Fit SN</u>	<u>Remarks</u>
1	ARM-6205	Arm, Slider LH Side, 6200 Vine Diverter	1		
2	BAR-6202	Bar, Slider Roller Holder, 6200 Vine Diverter	2		
3	RLT-027-108	Roller 2.75' dia. 1/2' Bore	4		2755C1X (Old Number, Single Bearing)
4	RLT-535-2210	5' Flange Roller 2.2 WF 3.5 dia, 5/8' bore	2		

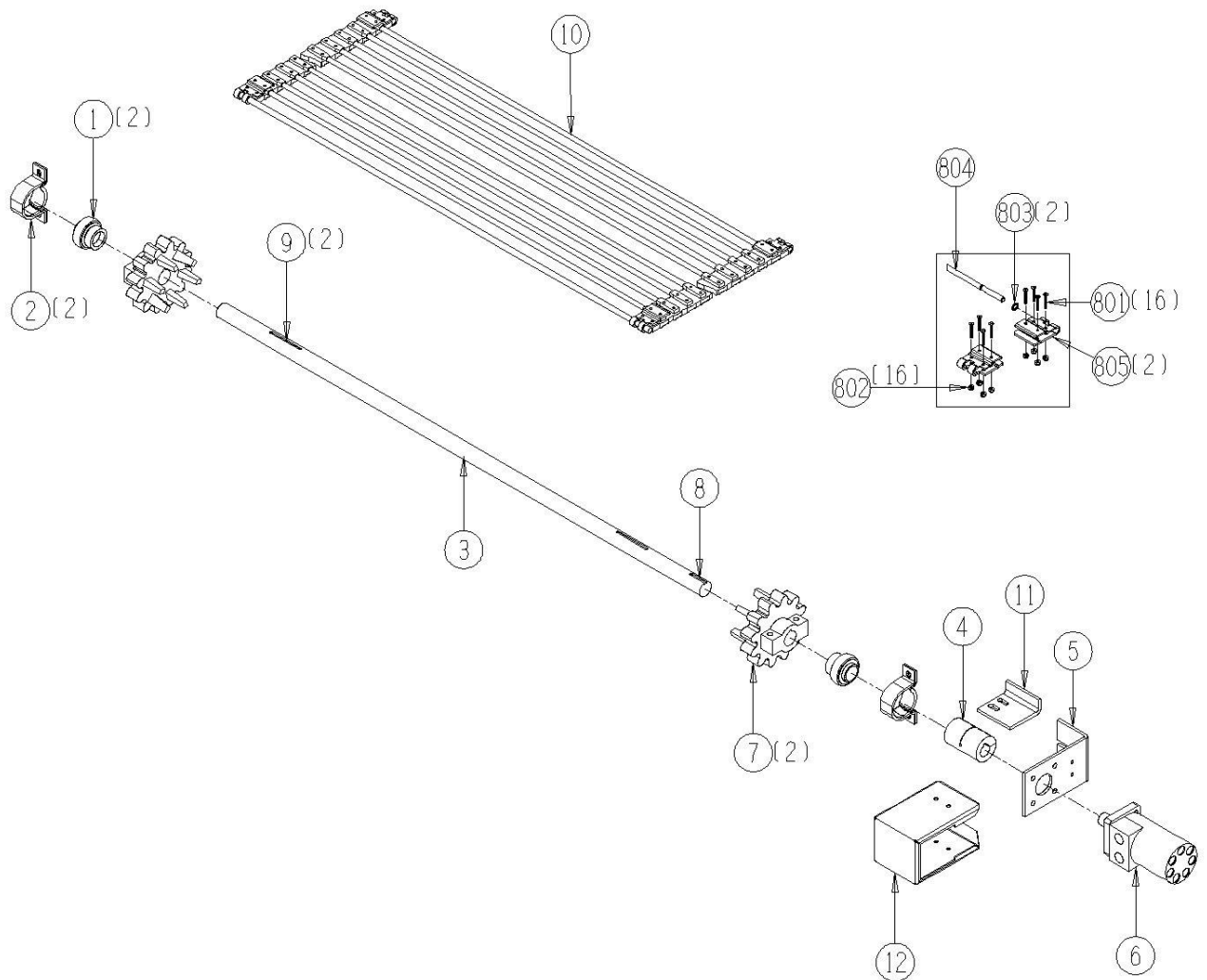
62010-04-02



62010-04-03 Cross Conveyor Drive Shaft Assembly

<u>Ref</u>	<u>Part No.</u>	<u>Description</u>	<u>Parts – Assembly</u>	<u>Will Fit SN</u>	<u>Remarks</u>
1	BR-125-062	Bearing, 1 1/4 Fafnir tri-seal, 62mm OD	2		
2	BR-062-MPB	Stamped Bearing Housing for 1 1/4' bearing	2		
3	SFT-6500	Shaft, Discharge Chain Drive, Vine Diverter	1		
4	CPS-6060	Steel Coupler (offcenter) 1 1/4' x 1'	1		
5	193-806	Mount motor	1		
6	HM-204-TC	TCI Motor	1		Seal Kit # TCI-SKHPQ
7	SPU-3612-20-4	Urethane Sprocket 36-12 1 1/4 bore 1/4' key	2		Sub SP-3612-20-4
8	KEY-4-4-16	Shaft Key 1/4' X 1/4' X 1' Square Cut (1018)	1	20095001-	
9	KEY-4-4-32	Shaft Key 1/4' x 2' Square Cut (1018)	2		
10	BC-6-4436-114	6200 Diverter Double Unloading Cross Chain	1		
11	193-806A	Motor mount stop	1		
12	193-806C	Motor Guard	1	19301-	
13	DC-1176	Decal, Danger-Hand Chain Sprockets	1		
100	BL-4-FW-8	1/4' Flat Washer Grade 8	2		
101	BL-4-500-H	1/4-20 X 5 HEX CAP G5 ZC	1		
102	BL-4-WN	1/4-20 FORGED W/NUTS ZC	1		
801	BC-1032-FS	10-32 x 1 1/4' bolts Flat Socket Head	16		
802	BC-1032-LN	10-32 lock nuts	16		
803	BC-3510	Grooveless Snap Ring, 10mm.	2		
804	BC-7-44-CN	Connecting Rod 44' x 11mm	1		
805	BC-F-36-32	F Connecting Clips 36-32 @ pair	2	11001	

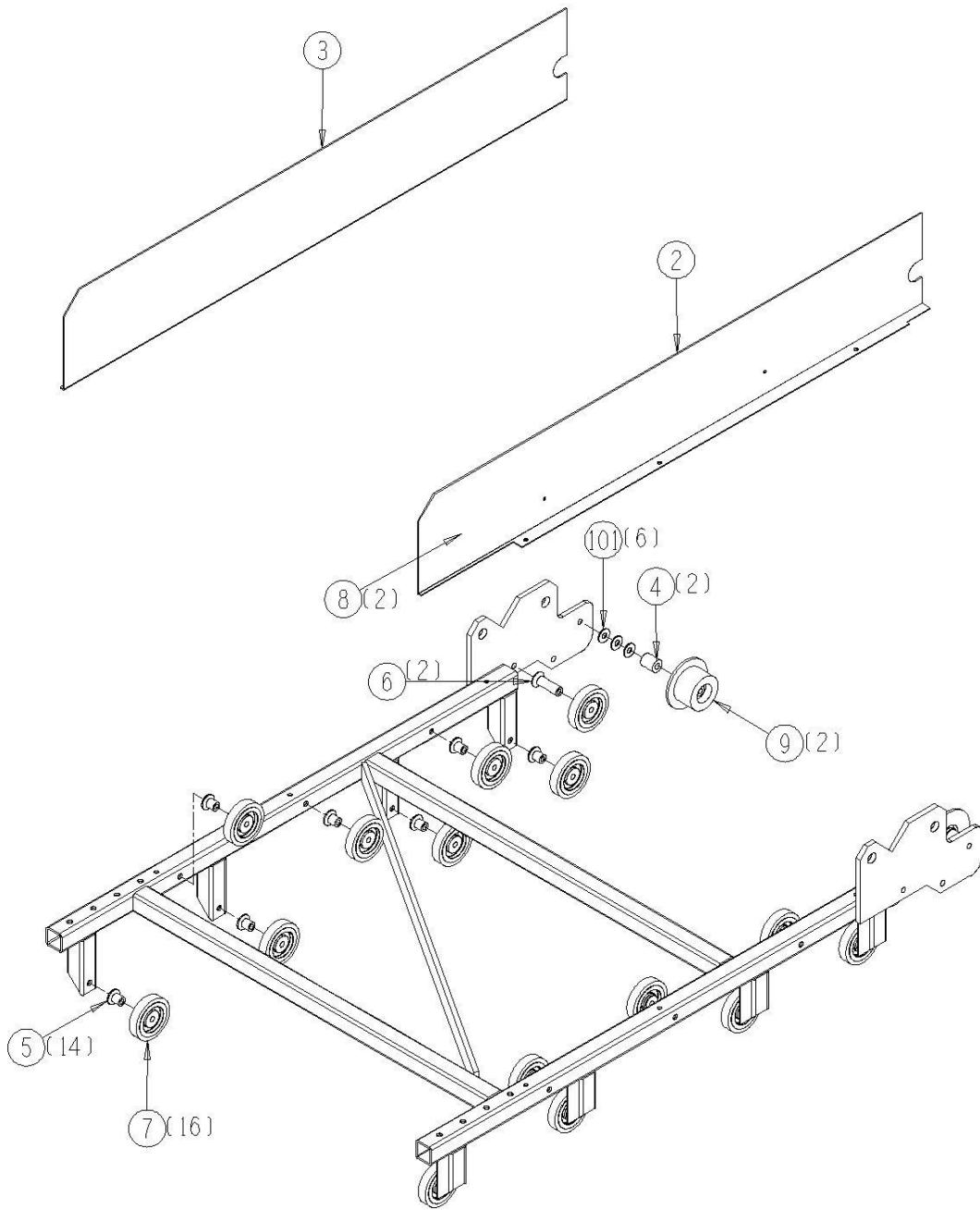
62010-04-03



62010-05-01 Discharge Conveyor Assembly

<u>Ref</u>	<u>Part No.</u>	<u>Description</u>	<u>Parts – Assembly</u>	<u>Will Fit SN</u>	<u>Remarks</u>
1	FRM-6501	Frame, Non Sliding Discharge, Vine Diverter	1		
2	PAN-6500	Panel, Front Side, Discharge, Vine Diverter	1		
3	PAN-6501	Panel, Back Side, Discharge, Vine Diverter	1		
4	SPA-0041	Spacer, Stripper Head, Pepper	2		
5	RLA-000-118	Standoff, 1/2' X 1 1/8'	14		
6	RLA-000-278	Standoff 1/2 x 2 3/4	2	1910119320	
7	RLR-040-108	4' Flat Roller	16		Changed to Urethane in 2006
8	DC-1174	Decal, Danger Keep Hands and Feet Away	2		
9	RLT-535-228	5' Flange Roller 2.2WF x 3 1/2' dia, 1/2' bore	2		
100	BL-16-SW	1' SAE Washer	6		
101	BL-8-FW-8	1/2 FLAT WASHER G8 ZC	6		

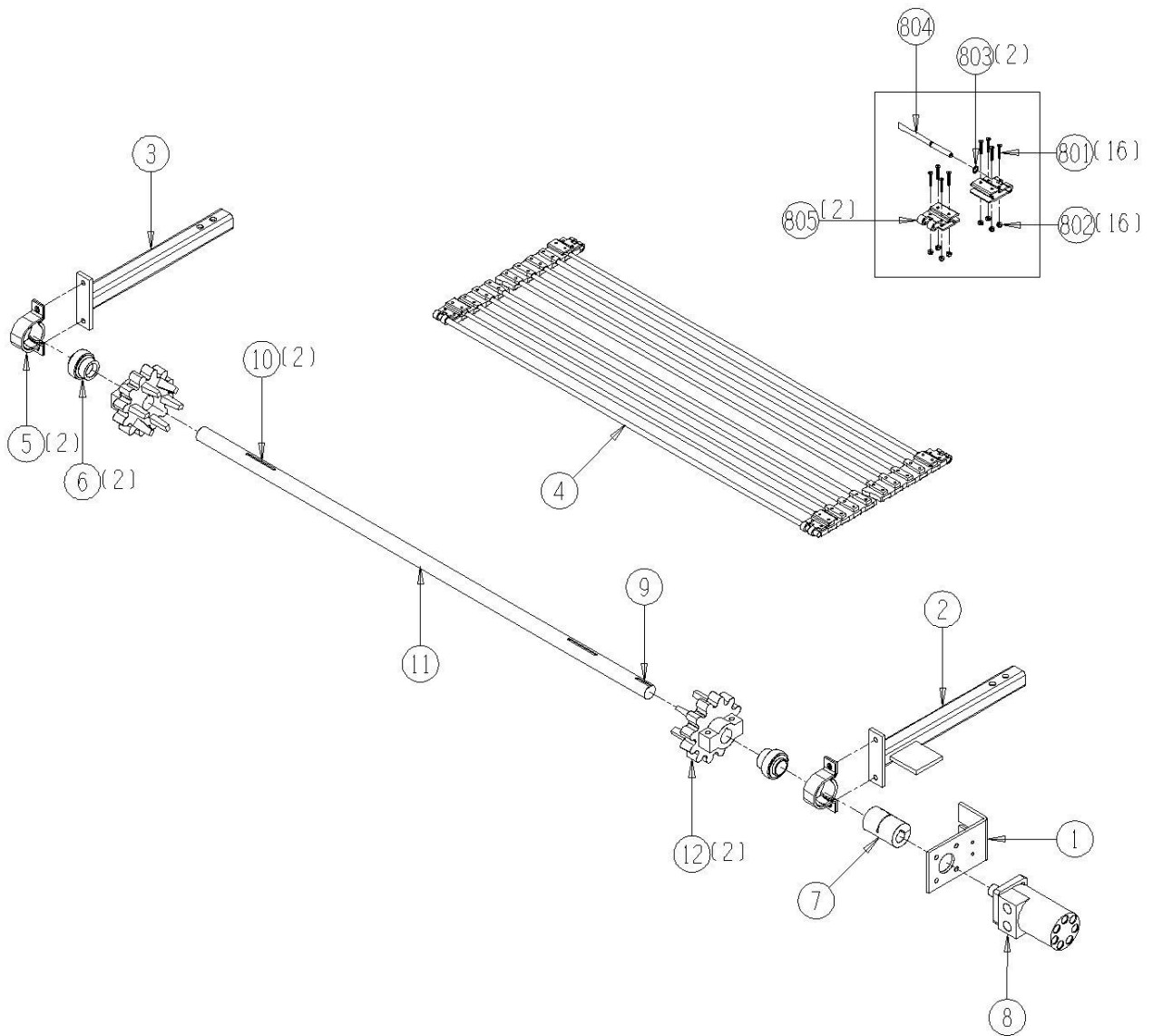
62010-05-01



62010-05-02 Discharge Conveyor Drive Shaft Assembly

<u>Ref</u>	<u>Part No.</u>	<u>Description</u>	<u>Parts – Assembly</u>	<u>Will Fit SN</u>	<u>Remarks</u>
1	193-806	Mount motor	1		
2	ADJ-6500	Adjuster, Front Side, Discharge, Vine Diverter	1		
3	ADJ-6501	Adjuster, Back Side, Discharge, Vine Diverter	1		
4	BC-6-4436-121	6200 Diverter Discharge Conveyor Chain	1		
5	BR-062-MPB	Stamped Bearing Housing for 1 1/4' bearing	2		
6	BR-125-062	Bearing, 1 1/4 Fafnir tri-seal, 62mm OD	2		
7	CPS-6060	Steel Coupler (offcenter) 1 1/4' x 1'	1		
8	HM-204-TC	TCI Motor	1		Seal Kit # TCI-SKHPQ
9	KEY-4-4-16	Shaft Key 1/4' X 1/4' X 1' Square Cut (1018)	1	20095001-	
10	KEY-4-4-32	Shaft Key 1/4' x 2' Square Cut (1018)	2		
11	SFT-6500	Shaft, Discharge Chain Drive, Vine Diverter	1		
12	SPU-3612-20-4	Urethane Sprocket 36-12 1 1/4 bore 1/4' key	2		Sub SP-3612-20-4
600	H10-120-8MP-8MP	5/8 in hose 1/2MP x 1/2MP x 120 in long	2		
801	BC-1032-FS	10-32 x 1 1/4' bolts Flat Socket Head	16		
802	BC-1032-LN	10-32 lock nuts	16		
803	BC-3510	Grooveless Snap Ring, 10mm.	2		
804	BC-6-44-CN	Connecting Rod 44' x 10mm	1		
805	BC-F-36-32	F Connecting Clips 36-32 @ pair	2	11001	

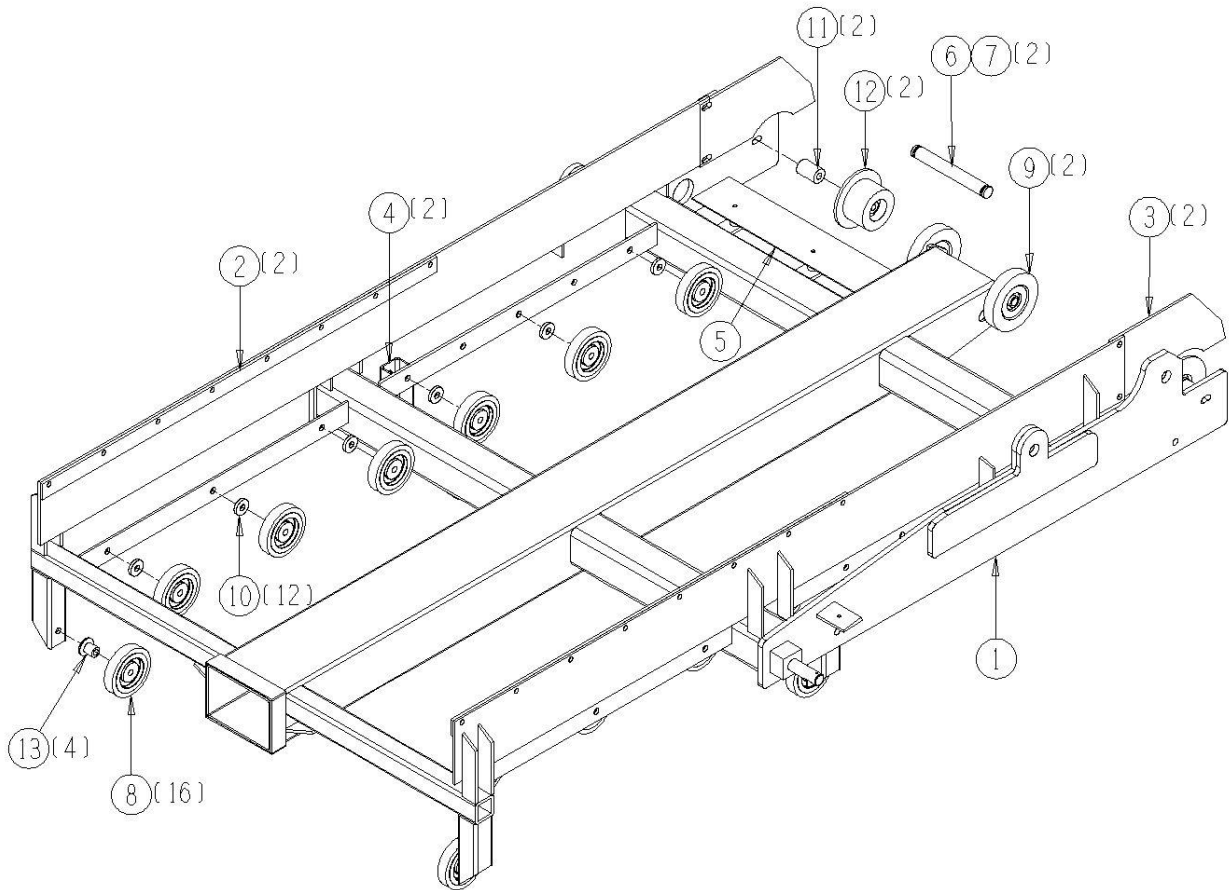
62010-05-02



62010-05-10 Optional Sliding Inner Discharge Assembly

<u>Ref</u>	<u>Part No.</u>	<u>Description</u>	<u>Parts – Assembly</u>	<u>Will Fit SN</u>	<u>Remarks</u>
1	FRM-6210	Discharge, Vine Diverter	1		
2	BRA-6101	Bracket, Slider, 6100 Vine Diverter	2		
3	BAR-6105	Bar, Both sides, Slider Frame, 6100 Vine Diverter	2		
4	BAR-6104	Roller Bracket, Slider Frame, 6100 Vine Diverter	4		
5	COV-6101	Hose Cover, Slider, 6100 Vine Diverter	1		
6	PIN-0005	Pin Hydraulic Cylinder, Vine Diverter	1		
7	HC-1130B	Hair Pin Clip	2		
8	RLR-040-108	4' Flat Roller	16		Changed to Urethane in 2006
9	RLT-050-1010	5' Flat Idler Roller 5/8' Bore	2		
10	RLA-000-028	Washer/Spacer	12	11001-	
11	SPA-6200	Spacer, Roller, Innr Dischrge, 6200 Vine Diverter	2		
12	RLT-535-228	5' Flange Roller 2.2WF x 3 1/2' dia, 1/2' bore	2		
13	RLA-000-118	Standoff, 1/2' X 1 1/8'	4		

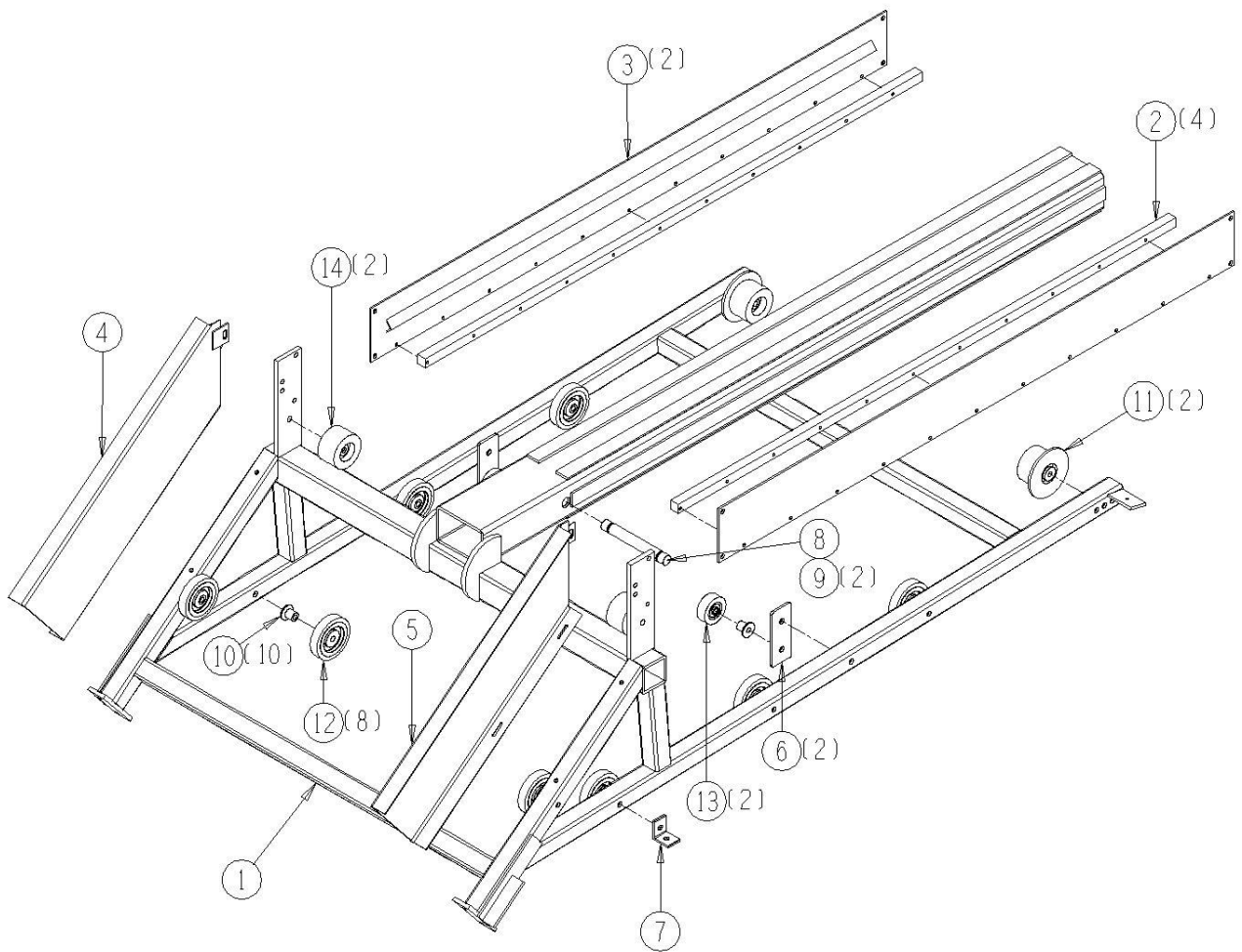
62010-05-10



62010-05-11 Optional Sliding Outer Discharge Assembly

<u>Ref</u>	<u>Part No.</u>	<u>Description</u>	<u>Parts – Assembly</u>	<u>Will Fit SN</u>	<u>Remarks</u>
1	FRM-6102	Slider Extension, Rear, 6100 Vine Diverter	1		
2	PL-6102	Slide, Sides of Slider Extension, 6100 V Diverter	4		
3	PAN-6100	Panel, Side of Slider Extension, 6100 V Diverter	2		
4	PAN-6101	Panel, Rear of Slider Extension, 6100 V Diverter	1		
5	PAN-6102	Panel, Side, Slider Extension, 6100 Vine Diverter	1		
6	BAR-6106	Roller Bracket, Slider Ext, 6100 Vine Diverter	2		
7	BRA-6105	Light Bracket, Front, Slider Ext, 6100 V Diverter	1		
8	PIN-0007	Pin, Vine Diverter, Outer Discharge Cyl. Pin	1		
9	HC-1130B	Hair Pin Clip	2		
10	RLA-000-118	Standoff, 1/2' X 1 1/8'	10		
11	RLT-535-228	5' Flange Roller 2.2WF x 3 1/2' dia, 1/2' bore	2		
12	RLR-040-108	4' Flat Roller	8		Changed to Urethane in 2006
13	RLT-027-108	Roller 2.75' dia. 1/2' Bore	2		2755C1X (Old Number, Single Bearing)
14	RLT-035-228	Roller 3.5 dia x 2.2 x 1/2' bore, no flange	2		

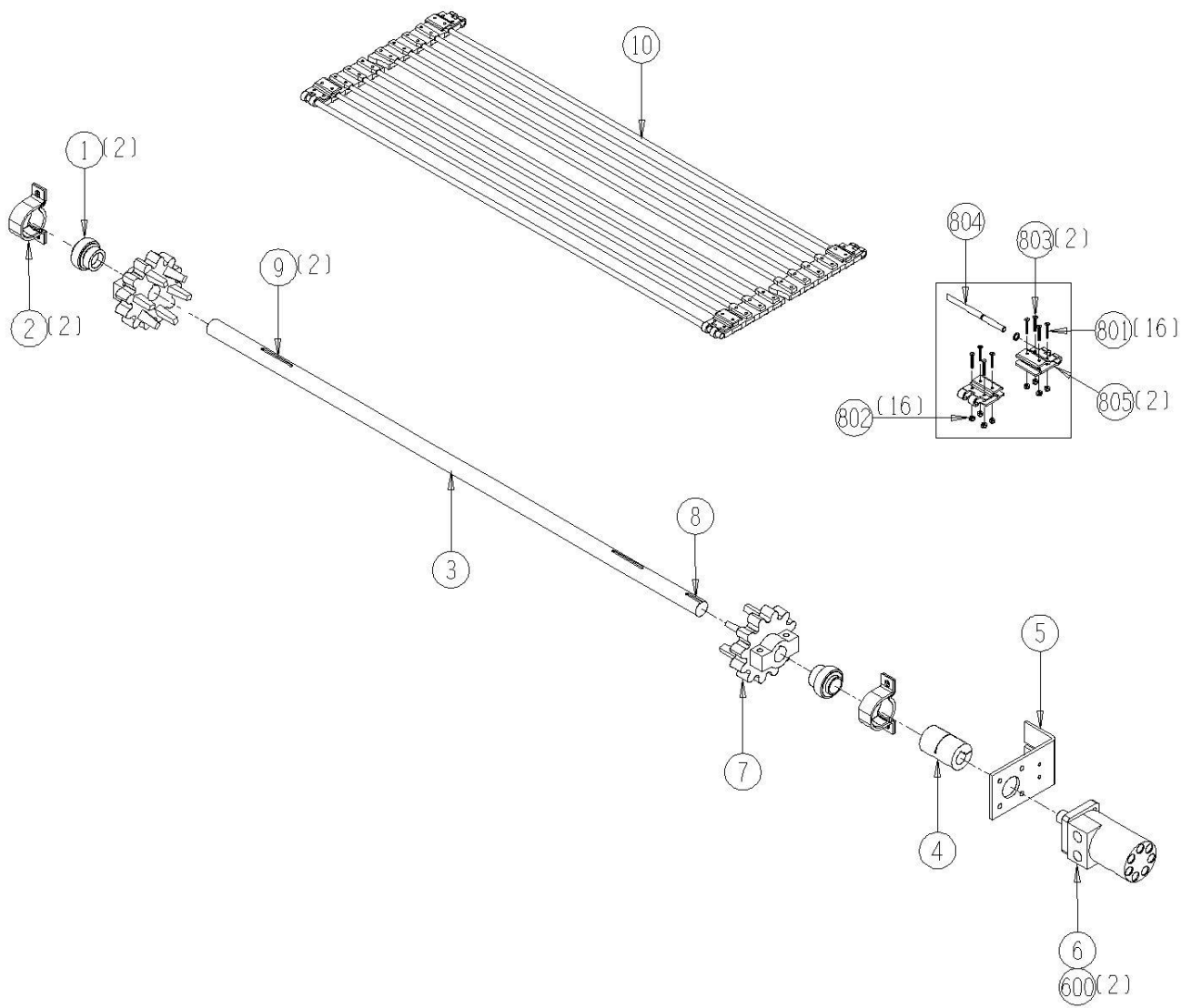
62010-05-11



62010-05-12 Optional Sliding Discharge Drive Shaft Assembly

<u>Ref</u>	<u>Part No.</u>	<u>Description</u>	<u>Parts – Assembly</u>	<u>Will Fit SN</u>	<u>Remarks</u>
1	BR-125-062	Bearing, 1 1/4 Fafnir tri-seal, 62mm OD	2		
2	BR-062-MPB	Stamped Bearing Housing for 1 1/4' bearing	2		
3	SFT-6500	Shaft, Discharge Chain Drive, Vine Diverter	1		
4	CPS-6060	Steel Coupler (offcenter) 1 1/4' x 1'	1		
5	193-806	Mount motor	1		
6	HM-204-TC	TCI Motor	1		Seal Kit # TCI-SKHPQ
7	SPU-3612-20-4	Urethane Sprocket 36-12 1 1/4 bore 1/4' key	2		Sub SP-3612-20-4
8	KEY-4-4-16	Shaft Key 1/4' X 1/4' X 1' Square Cut (1018)	1	20095001-	
9	KEY-4-4-32	Shaft Key 1/4' x 2' Square Cut (1018)	2		
10	BC-6-4436-259	6200 Diverter Sliding Discharge Chain	1		
600	H10-205-8MP-8MP	5/8 in hose 1/2MP X 1/2MP X 205 in long	2		
801	BC-1032-FS	10-32 x 1 1/4' bolts Flat Socket Head	16		
802	BC-1032-LN	10-32 lock nuts	16		
803	BC-3510	Grooveless Snap Ring, 10mm.	2		
804	BC-7-44-CN	Connecting Rod 44' x 11mm	1		
805	BC-F-36-32	F Connecting Clips 36-32 @ pair	2	11001	

62010-05-12



62010-06-01 Hydraulic Motor (Oil from Tractor) Assembly

<u>Ref</u>	<u>Part No.</u>	<u>Description</u>	<u>Parts – Assembly</u>	<u>Will Fit SN</u>	<u>Remarks</u>
1	A-1603-8-8-8	Swivel T 1/2' NPTF	1		
2	A-5404-8-8	Hex Nipple 1/2' x 1/2'	1		
3	A-6900-10-12	10 SAE x 1/2 FPX	4		
4	A-6900-10-8	10 SAE x 1/2 FPX	4		
5	A-6901-10-12	10 SAE x 1/2 FPX90-, Forged	3		
6	A-6901-10-8	10 SAE x 1/2 FPX90-, Forged	1		
7	A-QD2010-8-8	Tractor Quick Coupler, Male, 1/2' w/ FPT	3		
8	HV-FL30	Flow Control Valve 30GPM	2		
9	A-1601-8-8-8	1/2 MP x 1/2 FPX x 1/2 FPX Tee	2		
10	HVE-1005	D05 Directional Valve, 25 GPM with Motor Spool, 12v	1		Order PN was 5358 KMB 12/13/12
11	H12-72-12MP-12MP	1/2 in Hose x 1/2 MP x 1/2 MP x 72in	1		
12	H8-260-8MP-8MP	1/2 in hose 1/2MP x 1/2MP x 260 in long	1	59701-	
13	H12-294-8MP-8MP	1/2 in hose 1/2MP X 1/2MP X 294 in long	2		
14	H12-170-12MP-12MP	1/2" Hose, 1/2" MP x 1/2" MP x 170' Long	1		
15	H10-140-8MP-8MP	5/8' hose 1/2MP x 1/2MP x 140' long	2		
16	A-1601-6-6-6	3/8 MP x 3/8 FPX x 3/8FPX Tee	2		
17	A-6900-4-6	4 SAE x 3/8' FPX	3		
19	H6-37-6MP-6MP	3/8 in hose 3/8MP x 3/8MP x 37 in long	1		
20	H4-144-6MP-6MP	1/4 in hose 3/8MP x 3/8MP x 144 in long	1		
21	A-1603-4-4	Swivel T 1/4' NPTF	1		
22	A-6900-6-4	6 SAE x 1/4' FPX	4		
23	A-6901-4-4	4 SAE X 1/4 FPX 90-, Forged	3		
24	A-1501-2-4	1/8' MP x 1/4' FPX90-	2		
25	A-6902-10-8	10 SAE X 1/2' FPX 45-	2		
26	HA-1002	Return Manifold, Vine Diverter, Oil From Tractor	1		
27	H10-96-8MP-8MP	5/8 in hose 1/2 x 1/2 x 96 in long	2		
28	H10-24-8MP-8MP	5/8 in hose 1/2MP x 1/2MP x 24 in long	2		
29	H4-12-4MP-4MP	1/4 in Hose x 1/4MP x 1/4MP x 12 in Long	2		

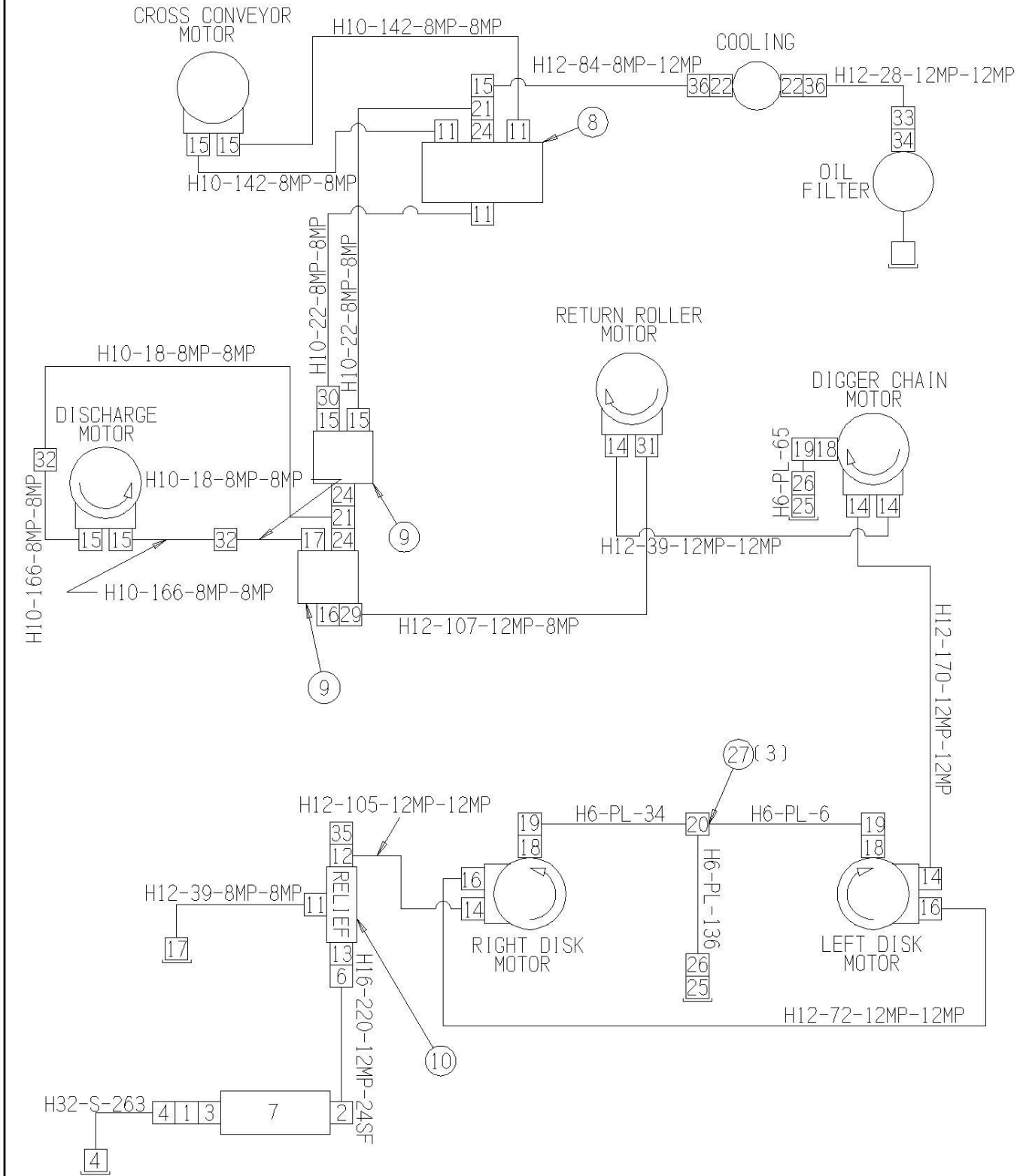
30	H4-48-4MP-4MP	1/4 in Hose x 1/4MP x 1/4MP x 48 in Long	1
31	H12-33-12MP-8MP	1/2 in Hose x 1/2MP x 1/2MP x 33 in Long	1
32	H12-136-12MP-8mp	1/2 in Hose x 1/2MP x 1/2MP x 136 in Long	1
33	H4-95-4MP-4MP	1/4 in Hose x 1/4MP x 1/4MP x 95 in Long	1
34	H4-84-4MP-4MP	1/4 in Hose x 1/4MP x 1/4MP x 84 in Long	2
35	A-1404-8-8	1/2 MP to 1/2 FPX, Straight	1

62010-06-02 Optional (PTO Driven) Hydraulic System Assembly

<u>Ref</u>	<u>Part No.</u>	<u>Description</u>	<u>Parts – Assembly</u>	<u>Will Fit SN</u>	<u>Remarks</u>
0	H10-142-8MP-8MP	5/8' hose 1/2MP x 1/2MP x 142' long	2		
0	H10-192-8MP-8MP	5/8 in hose 1/2MP X 1/2MP x 192 in long	2		
0	h10-22-8mp-8mp	5/8 in Hose x 1/2MP x 1/2MP x 22 in Long Hose	2		
0	H12-105-12MP-12MP	1/2" hose 1/2MP x 1/2MP x 105' long	1		
0	H12-107-12MP-8MP	1/2 in Hose x 1/2MP x 1/2MP x 107 in Long	1		
0	H12-170-12MP-12MP	1/2"Hose, 1/2"MP x 1/2" MP x 170'Long	1		
0	H12-28-12MP-12MP	1/2in Hose x 1/2MP x 1/2MP x 28in Long	1		
0	H12-39-12MP-12MP	1/2 in hose 1/2MP x 1/2MP x 39 in long	1		
0	H12-39-8MP-8MP	1/2 in Hose x 1/2MP x 1/2MP x 39 in Long	1		
0	H12-72-12MP-12MP	1/2in Hose x 1/2mp x 1/2mp x 72in	1		
0	H12-84-8MP-12MP	1/2 in Hose x 1/2MP x 1/2MP x 84 in Hose	1		
0	H16-220-12MP-20SF	1 in Hose x 1/2MP x 1-1/4SF x 220 in Long	1		
0	H6-PL-136	3/8' Push Loc Hose 136' (primary shaker)	1		
0	H6-PL-34	3/8 Push Loc Hose x 34in Long	1		
0	H6-PL-6	3/8in Push Loc x 6 in Long	1		
0	H6-PL-65	3/8' Push-Loc Hose 65'	1		
1	A-4459-32-32	Flange Nipple, 2' 90-	1		
2	A-SFK-20	1 1/4' Split Flange Kit	1		
3	A-SFK-32	2' Split Flange Kit	1		
4	CL-225	2 1/4' T-Bolt Clamp	4		
5	H32-S-263	2' Sustain Hose, Nitrile/Neoprene Black	1		
6	HA-3007	Pressure Switch	1		
7	HP-360-175-1	Hydraulic Pump	1		
8	HVE-1005	D05 Directional Valve, 25 GPM with Motor Spool, 12v	1		Order PN was 5358 KMB 12/13/12
9	HV-FL30	Flow Control Valve 30GPM	2		
10	HV-RV-1H	Relief valve w/ SAE #12 ports	1		
11	A-6901-12-8	12 SAE x 1/2' FPX 90-, Forged	4		

12	A-6901-12-12-4SAE	12 SAE x 1/2" FPX 90°-w/4 SAE Port, Forged	1	
13	A-6901-12-12-4PT	12 SAE x 1/2" FPX 90° W/1/4" port, Forged	1	
14	A-6900-10-12	10 SAE x 1/2" FPX	5	
15	A-6900-10-8	10 SAE x 1/2" FPX	4	
16	A-6901-10-12	10 SAE x 1/2" FPX90°, Forged	3	
17	A-6901-10-8	10 SAE x 1/2" FPX90°, Forged	2	
18	A-6901-4-4	4 SAE X 1/4" FPX 90°, Forged	3	
19	A-4124-6-4	1/4 Male Pipe x 3/8 Push Loc	3	
20	ATB-06-06-06	3/8" x 3/8" x 3/8" Brass Hose Barb Tee	1	CL-10 needs to be used with this tee.
21	A-1603-8-8-8	Swivel T 1/2" NPTF	2	
22	A-6405-16-12	16 SAE x 1/2" FP	2	
24	A-6401-12-8	12 SAE x 1/2" MP Hex Nipple	3	
25	A-6901-8-6	8 SAE x 3/8" FPX90°, Forged	2	20095001-
26	A-4124-6-6	3/8 Male Pipe x 3/8 Push Loc	2	
27	CL-10	Single Snap Grip Clamp for 3/8" Push Loc Hose	3	Use with ATB-06-06-06
29	A-1501-12-12	1/2" MP x 1/2" FPX 90°	1	
30	A-1501-8-8	1/2" MP x 1/2" FPX90°	1	
31	A-6902-10-8	10 SAE X 1/2" FPX 45°	1	
32	A-1405-8-8	1/2" NPT Coupler W/Swivel	2	
33	A-1404-12-12	1/2" MP x 1/2" FPX	1	
34	AB-24-12	1 1/2" X 1/2" Bushing	1	
35	HA-1004-4	Test Point Plug #4 SAE Thread	1	
36	A-6901-12-12	12 SAE x 1/2" FPX 90°, Forged	2	
37	HOS-3-4-96SP	Hose 3'. Suction Line Cover Clear, 6200 VD	1	

62010-06-02



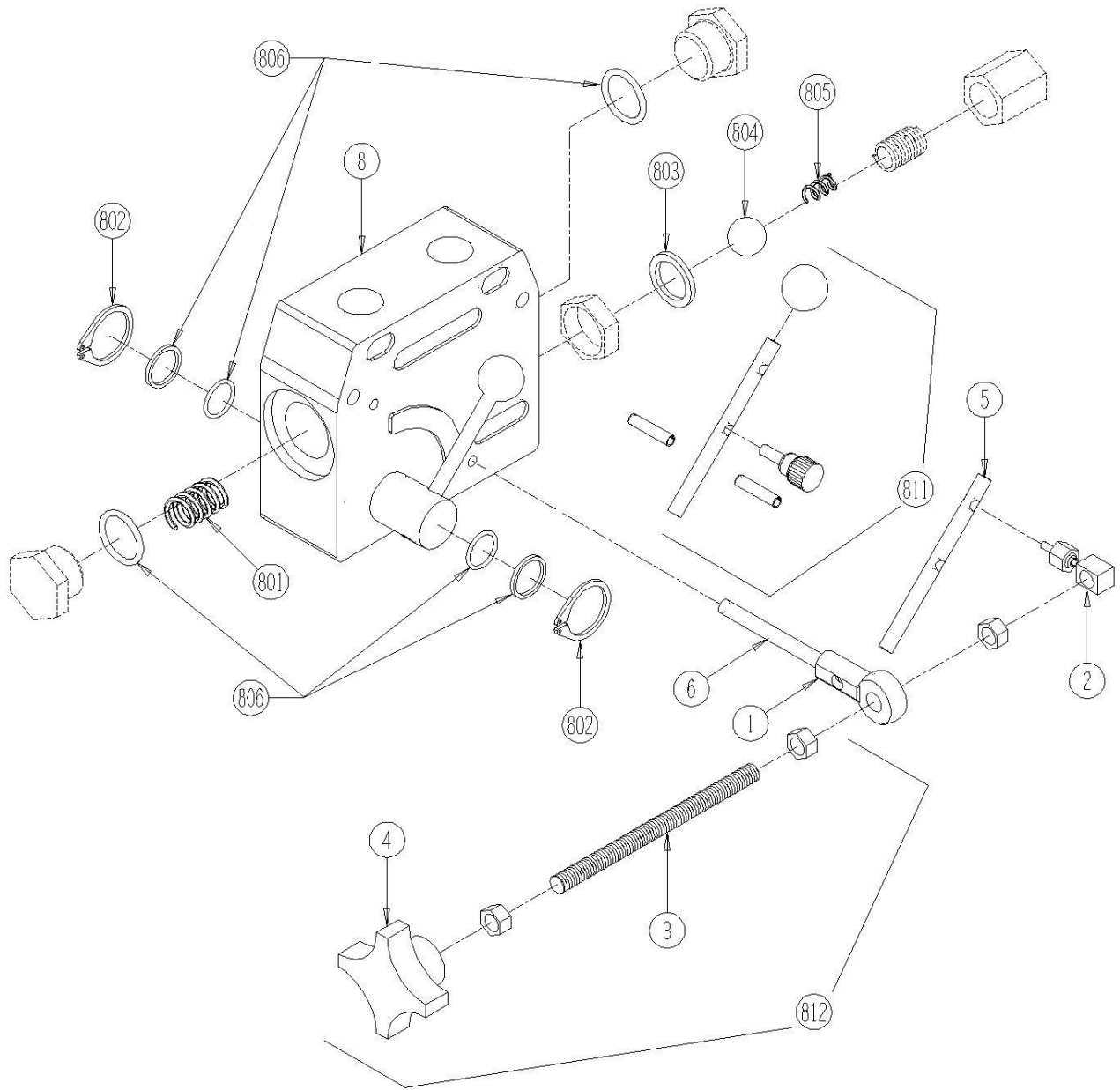
62010-06-03 Optional (PTO Driven) Hydraulic Oil Tank Assembly

<u>Ref</u>	<u>Part No.</u>	<u>Description</u>	<u>Parts – Assembly</u>	<u>Will Fit SN</u>	<u>Remarks</u>
0	HP-1031	Hydraulic oil (per gal.)with anti-wear and anti-foam properties	50		ISO grade 46 with anti-wear and anti-foam properties. Harvesters, Approx. 140 gal
1	TAN-6200	Oil Tank, Mounted on Weights, 6200 Vine Diverter	1		
2	HA-5070E	Tank Cover Bolt	1	19501-30095001-	
3	HA-5070B	Nylon Washer for Tank Cover Kit	1	19501-30095001-	
4	HA-5070	Hydraulic Tank Cover w/Gasket	1	19501-30095001-	
5	HA-5070D	Tank Cover Holddown	1	19501-30095001-	
6	PIN-3-14	Roll Pin, 3/16 x 7/8	1	193-729K	Pkg. of 100
7	HA-1012	Vescor Breather Filter (3 micron)w/Adapter Fitting	1		
8	EX-1012	Extension, Filter, Oil Tank	1	19501-	
9	HA-1041	Hyd, Level Gauge & Therm	1	19201-	
10	HA-1006-5	Suction Screen, SAE 3 3/8-12UN with 2' Hose Barb	1	19904-	
11	HA-1029	Hydraulic Fluid Filter, 11'	1		
12	HA-1035	Filter Head, Spin On, 1-1/2 NPTF	1		
13	HA-1017	12 Volt Oil Cooler	1		
14	ARM-1017	Arm, Cooler Mount, Hydraulics, Vine Diverter	2		
15	A-6408-10	10 SAE Plug	1		
16	A-6408-8	8 SAE Plug	2		
17	ASL-12	¾' Street Elbow	1		
18	HA-1007	Hydraulic, Magnetic Drain Plug	1	11101-	
801	HA-5070A	Replacement Gasket for Tank Cover Kit	1	HA-5070	
802	HA-1009	Filter Adapter ¾ NPT x 1 1/8'-16 UNF	1		
803	HA-1012A	Vescor Breather Element (3 micron)	1	HA-1012	w/o Adapter Fitting
804	OR-236	O Ring, 3 1/4 x 3 1/2	1		
805	HA-1017-A	Motor/Fan Guard Combo for 12 Volt Oil Cooler	1		

62010-06-05 Hydraulic Flow Control Parts Assembly

<u>Ref</u>	<u>Part No.</u>	<u>Description</u>	<u>Parts – Assembly</u>	<u>Will Fit SN</u>	<u>Remarks</u>
1	HA-1090	Control Rod End	1		
2	HA-1091	Control Swivel	1		
3	HA-1092	Threaded Rod 4.5' x 5/16-18 SS	1		
4	HA-1093	Control Knob	1		
5	HA-1094	Control Handle	1		
6	HA-1095	Control Mounting Stud	1		
8	HV-FL16	Flow control valve 16GPM	0		
8	HV-FL16-R	Hydraulics, Flow control valve 16GPM w/ Relief	0		
8	HV-FL30	Flow Control Valve 30GPM	0		
8	HV-FL30-R	Hydraulic Flo Control Valve with Relief 30GPM	0		
801	HV-1030C	Flo control spool spring	1		
802	HV-1030F	Flo Control Rotary Spool Snap Ring	2		
803	HV-1030G	Crush Washer	1		
804	HV-1030B	Flo control relief ball	1		
805	HV-1030A	Flow control relief spring	1		
806	HV-1030D	Flo control seal kit	1		(2) O-Rings, (2) Backups for Rotary Spool, & (2) End Cap O-Rings for Pressure Spool.
811	HV-1030E	Flo Control Handle Hardware Kit	1		
812	HA-1090K	Fine Tune Speed Control Kit	1	Prince & Brand Flow Controls	All
813	BL-5-LN	5/16-18 HEX LN NE ZC	3		

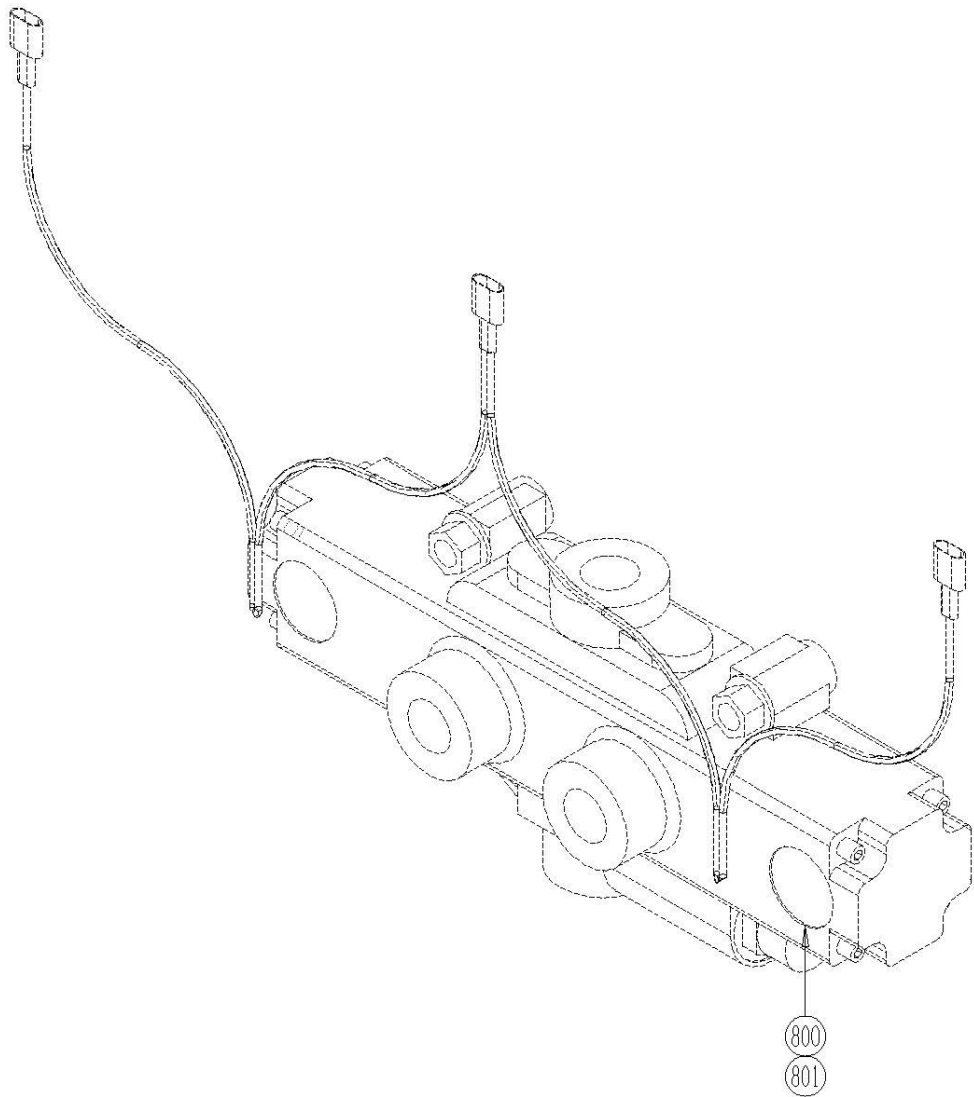
62010-06-05



62010-06-06 Reverser Valve Parts Assembly

<u>Ref</u>	<u>Part No.</u>	<u>Description</u>	<u>Parts – Assembly</u>	<u>Will Fit SN</u>	<u>Remarks</u>
800	HV-1045-C	Replacement Coil for Reversing/No Drift Valve	1	HV-1045, HV-910	replaces HV-910-B
801	HV-1045-D	Replacement Cartridge for Reversing Valve	1	HV-1045	

62010-06-06



62010-06-10 Hydraulic Cylinder Assembly

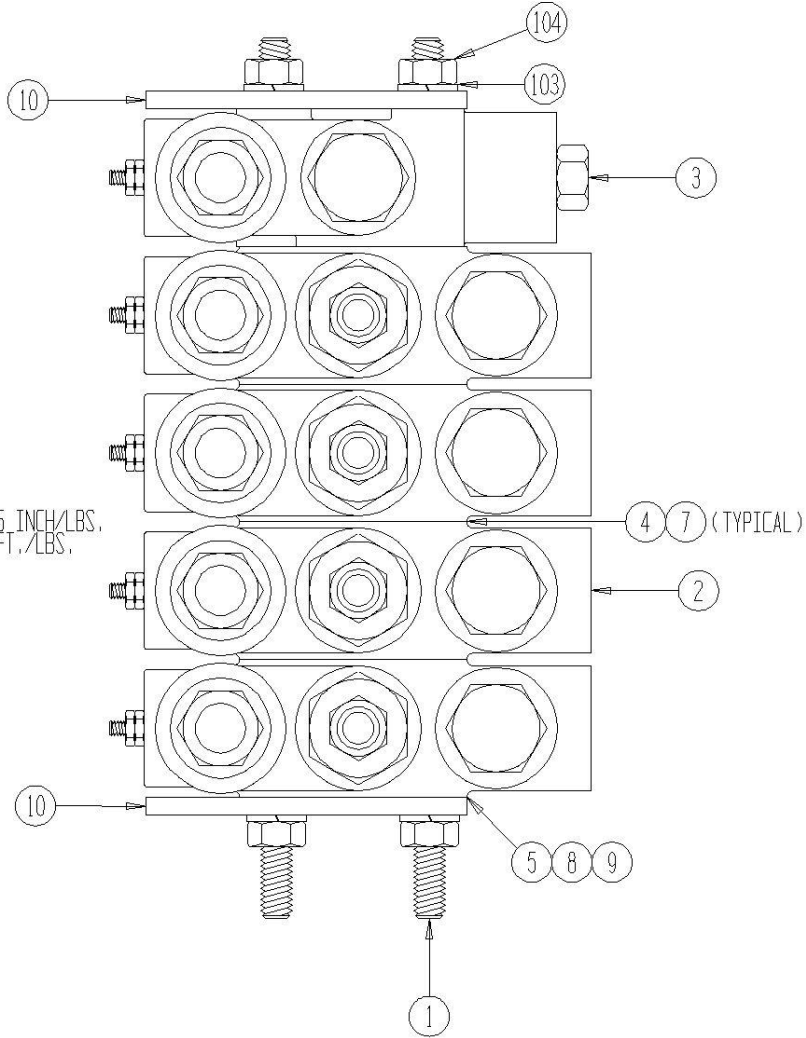
<u>Ref</u>	<u>Part No.</u>	<u>Description</u>	<u>Parts – Assembly</u>	<u>Will Fit SN</u>	<u>Remarks</u>
1	A-6806-10-8	10 SAE x 1/2' MP 90°	1		
2	A-6900-8-6-06	8 SAE x 3/8' FPX Restricted	2		
3	A-6900-10-8	10 SAE x 1/2' FPX	1		
4	A-6901-8-6	8 SAE x 3/8' FPX90°, Forged	9	20095001-	
5	A-6955-8-6-6	8 SAE x 3/8' FPX Tee	2		
6	A-1501-8-6	1/2 MP x 3/8' FPX 90°	2		
7	A-1501-8-8	1/2 MP x 1/2' FPX90°	1		
8	A-1501-6-6	3/8' MP x 3/8' FPX90°	5		
9	A-6900-8-6	8 SAE x 3/8' FPX With 7/8' Stock Body	3	20095001-	
10	H4-32-6MP-6MP	1/4 in hose 3/8MP x 3/8MP x 32 in long	1		
11	H4-46-6MP-6MP	1/4 in hose 3/8MP x 3/8MP x 46 in long	1		
12	H4-50-6MP-6MP	1/4 in hose 3/8MP x 3/8MP x 50 in long	1		
13	H4-60-6MP-6MP	1/4 in hose 3/8MP x 3/8MP x 60 in long	1		
14	H4-74-6MP-6MP	1/4' hose x 3/8MP x 3/8MP x 74' long	1		
15	H4-87-6MP-6MP	1/4' hose 3/8MP x 3/8MP x 87' long	1		
16	H4-112-6MP-6MP	1/4 IN HOSE 3/8MP x 3/8MP x 112 LONG	1		
17	H4-125-6MP-6MP	1/4 in hose 3/8MP x 3/8MP x 125 in long	1		
19	H4-216-6MP-6MP	1/4 in hose 3/8MP x 3/8MP x 216 in long	2		
20	A-6901R-8-6-06	8 SAE x 3/8' FPX 90 Restricted, Forged	2		
22	HV-CKV-800S	1/2' Parker Check Valve	1		
23	HC-300-18	Tie Rod Cylinder, Standard 3' x 18', 1/2' Port	2		
24	A-QD2010-8-8	Tractor Quick Coupler, Male, 1/2' w/ FPT	2		
25	HC-250-2408-IV	Hydraulic cylinder 2 1/2 x 24 #8 SAE w/ inverted U cup seal	2		
26	HC-350-16	3 1/2' x 16' Tie Rod Cylinder with 1/2' NPT Ports	1		Seal Kit Part No. HC-350-125 (639577)
32	DC-6012	Decal for Case Drain	1		
33	HVE-6075	Control Valve for Vine Diverter w/o Tel. Discharge	1		

62010-06-10.1 Electric/Hydraulic Valve Assembly

<u>Ref</u>	<u>Part No.</u>	<u>Description</u>	<u>Parts – Assembly</u>	<u>Will Fit SN</u>	<u>Remarks</u>
1	HVE-6075T	Tie Rod Kit for Four Work Section Valve	1		
2	HVE-1036BL	Brand Valve Section with Locks	4	HVE-1076, HVE-3046,	Complete, w/o Cartridges & Coils w/ 3 shims & o-rings
3	HVE-1036C	Unloaded Inlet Section	1		
4	HVE-1036S	Shim (Between Sections)	12		
5	HVE-1037H	O Ring (Parker #2-012)	3		
7	HVE-1037O	O-Ring, Buna N 90 Durometer	12		
8	HVE-1037Q	Backup for O-Ring (Parker #3-012)	3		
9	HVE-1046C	Plug, End Section, Brand Valve	3		
10	HV-1056Z	Mounting Plate, Valve Stack	2		
103	BL-5-LW	5/16 SPLIT LW ZC	6		
104	BL-5-N	5/16 UNF FIN HEX NUT A563 GrA ZINC	6		

62010-06-10.1

NOTE:
TORQUE SPECS.
NUTS ON LONG BOLTS TO .95 INCH/LBS.
NUTS ON SOLENOIDS TO 2 FT./LBS.

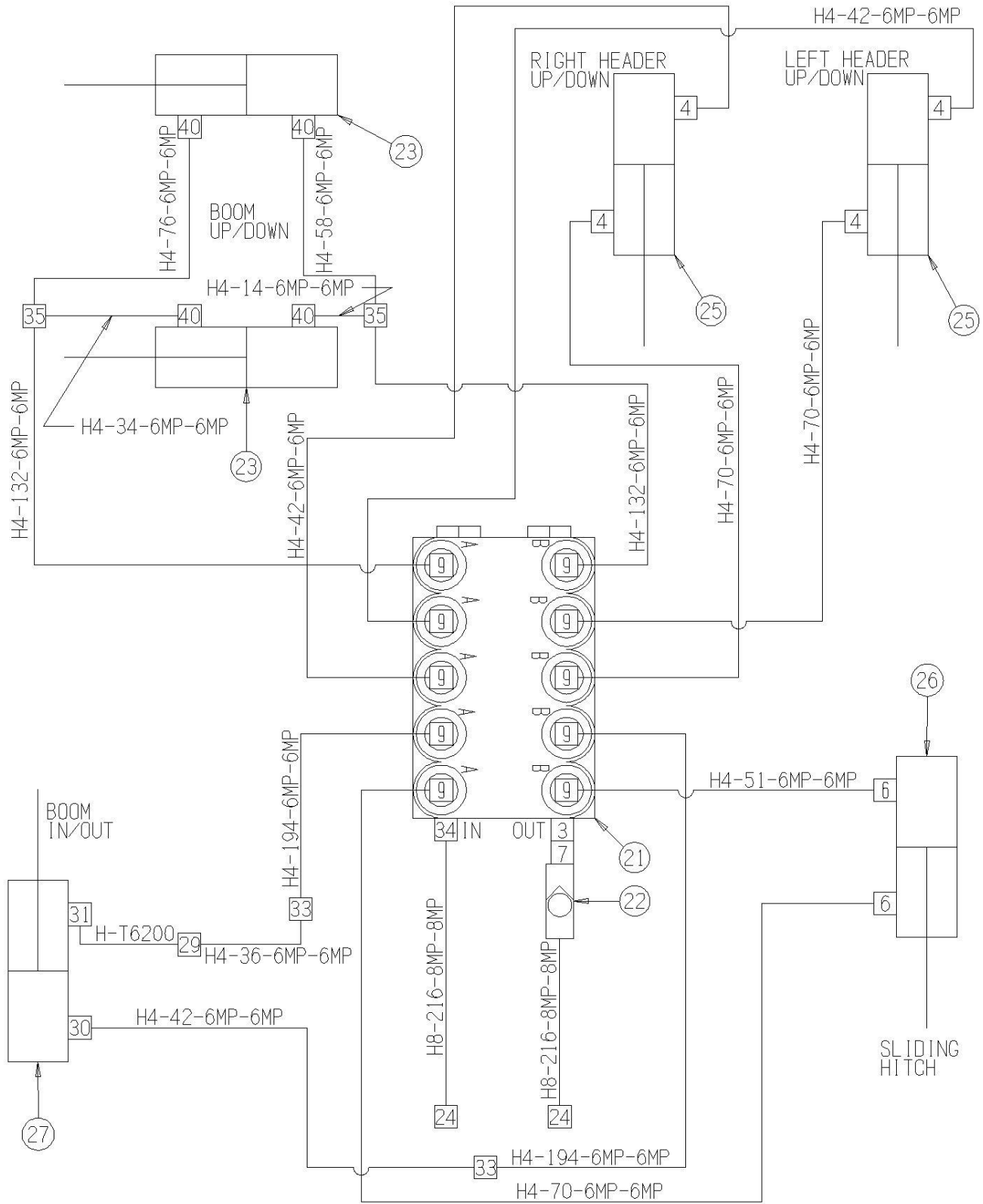


62010-06-11 Opt. Sliding Discharge Hydraulic Cylinder Assembly

<u>Ref</u>	<u>Part No.</u>	<u>Description</u>	<u>Parts – Assembly</u>	<u>Will Fit SN</u>	<u>Remarks</u>
2	A-6900-8-6-06	8 SAE x 3/8' FPX Restricted	2		
3	A-6900-10-8	10 SAE x 1/2 FPX	1		
4	A-6901-8-6	8 SAE x 3/8' FPX90°, Forged	8	20095001-	
6	A-1501-8-6	1/2 MP x 3/8 FPX 90°	2		
7	A-1501-8-8	1/2 MP x 1/2 FPX90°	1		
9	A-6900-8-6	8 SAE x 3/8' FPX With 7/8' Stock Body	8	20095001-	
10	H4-36-6MP-6MP	1/4 in Hose x 3/8MP x 3/8MP 36 in Long	1		
11	H4-194-6MP-6MP	1/4 in hose 3/8MP x 3/8MP x 194 in long	2		
12	H8-216-8MP-8MP	1/2 in Hose x 1/2MP x 1/2MP x 216 in Long	2		
13	H4-70-6MP-6MP	1/4 in hose 3/8MP x 3/8MP x 70 in long	3		
14	H4-76-6MP-6MP	1/4' Hose 3/8MP x 3/8MP x 76' long	1		
15	H4-51-6MP-6MP	1/4' Hose 3/8MP x 3/8MP x 51' Long	1		
17	H4-132-6MP-6MP	1/4 in hose 3/8MP x 3/8MP x 132 in long	2		
18	H4-42-6MP-6MP	1/4' hose 3/8MP x 3/8MP x 42' long	2		
21	HVE-6200	5 Section Stack Valve, Vine Diverter, Ex. Discharge	1		
22	HV-CKV-800S	1/2' Parker Check Valve	1		
23	HC-250-18	Tie Rod Cylinder, Standard 2 1/2' x 18', 1/2' Port	2		
24	A-QD2010-8-8	Tractor Quick Coupler, Male, 1/2' w/ FPT	2		
25	HC-250-2408-OR	Hydraulic Cylinder 2 1/2 x 24 #8 SAE w/O-Piston Ring Seal	2		NOT TO BE USED IN SINGLE ACTING APPLICATIONS
26	HC-350-16	3 1/2' x 16' Tie Rod Cylinder with 1/2' NPT Ports	1		Seal Kit Part No. HC-350-125 (639577)
27	HC-250-6006	2 1/2' x 60 with #6 SAE, Hydraulic Tie Rod Cylinder	1		
28	H-T6200	Hydraulic Tube, Discharge, Vine Diverter	1		
29	A-2502-4-6	1/4' MJIC x 3/8 FP, 90°	1		
30	A-6900-6-6	6 SAE x 3/8' FPX	1		
31	A-6801-4-6	Elbow, 1/4' MJ x 6 SAE	1		
32	DC-6012	Decal for Case Drain	1		
33	A-1405-6-6	3/8 NPT coupler w/swivel	2		
34	A-6901-10-8	10 SAE x 1/2 FPX90°, Forged	1		

35	A-1603-6-6-6	Swivel T 3/8' NPTF	2
36	H4-14-6MP-6MP	1/4 in Hose x 3/8MP x 3/8MP x 14 in Long	1
37	H4-58-6MP-6MP	1/4 in Hose x 3/8MP x 3/8mp x 58 in long	1
38	H4-34-6MP-6MP	1/4 in hose 3/8MP x 3/8MP x 34 in long	1
40	A-6901R-8-6-06	8 SAE x 3/8' FPX 90 Restricted, Forged	4

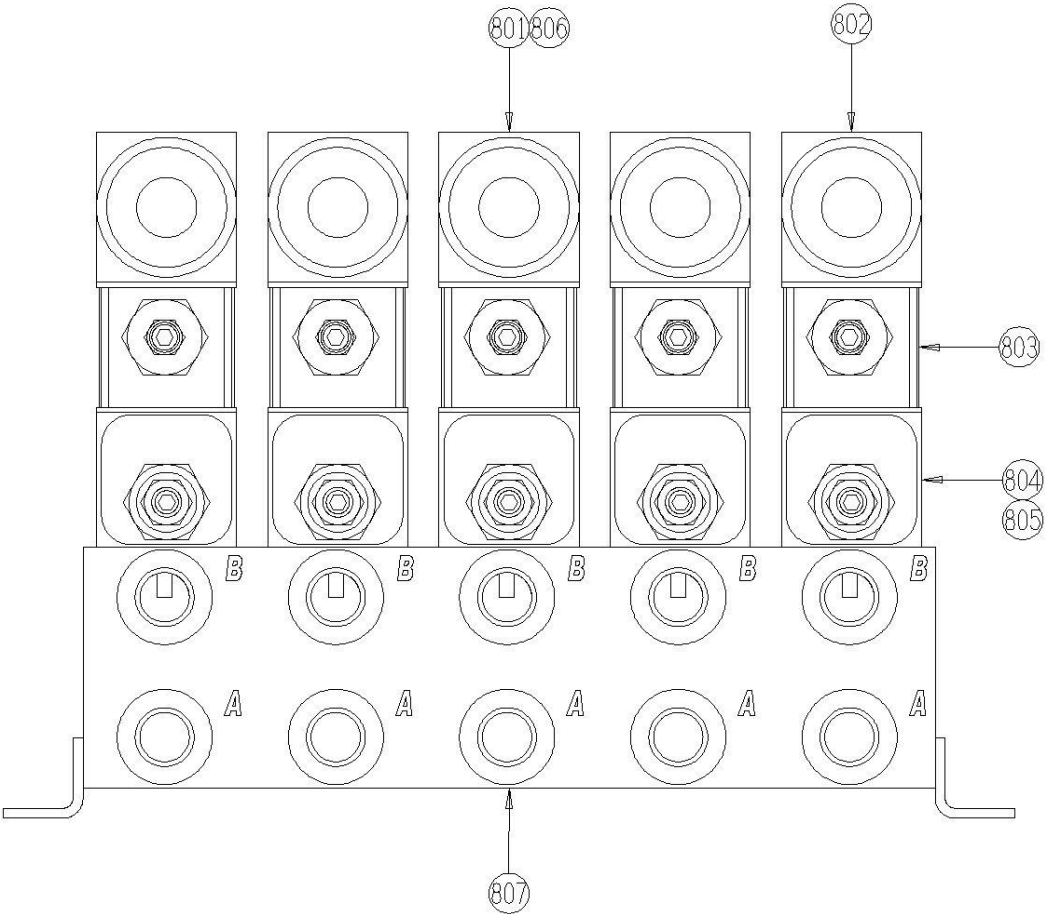
62010-06-11



62010-06-11.1 Optional Electric/Hydraulic Valve Assembly

<u>Ref</u>	<u>Part No.</u>	<u>Description</u>	<u>Parts – Assembly</u>	<u>Will Fit SN</u>	<u>Remarks</u>
1	HVE-6200	5 Section Stack Valve, Vine Diverter, Ex. Discharge	0		
801	BL-1024-553	Stud, Hydraulic Valve, 5.535in Long	20		
802	HVE-1000-A	Nachi Directional Control Valve	5		
803	HVE-1000-B	A-B Flow Regulator	5		
804	HVE-1000-C	Double Load Control, DO3	5		
805	HVE-1000-D	3 Port Counter Balance Cartridge	10		
806	HVE-1000-E	10-24 Stud Nut	20		
807	HVE-1000-M5	DO3 5 Valve Parallel Manifold , SAE #10 in/out, #8 work	1		

62010-06-11.1



NOTES:
ON ALL SINGLE SANDWICH BODY'S, PORT A WILL BE THE CONTROL. ALIGN NOTCHES ACCORDINGLY. FLOW CONTROLS WILL BE CONTROLLING FLOW OUT OF THE CYLINDER. TORQUE SETTINGS ARE 44PSI ON LONG STUD AND 35 FOOT POUNDS ON COUNTER BALANCE VALVES.

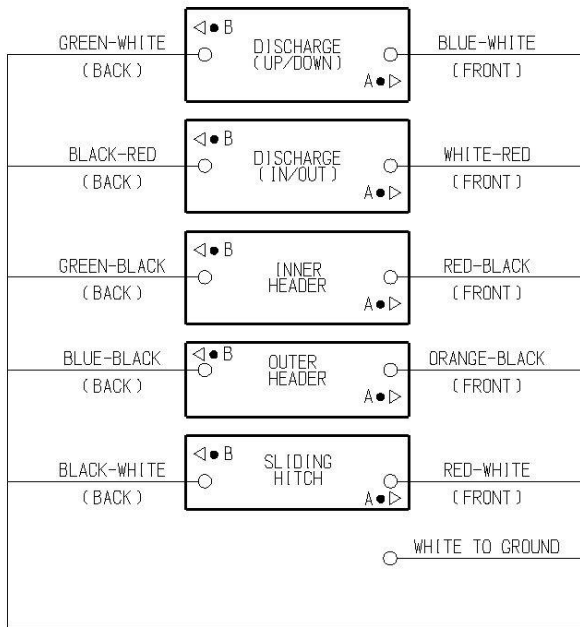
62010-07-01 Electrical Schematic Assembly

<u>Ref</u>	<u>Part No.</u>	<u>Description</u>	<u>Parts – Assembly</u>	<u>Will Fit SN</u>	<u>Remarks</u>
1	ELP-6205	Electrical Panel, Vine Diverter, Hole Dimensions	1		
2	ELC-6200	7-Prong Power Cord 25' G-Neck Hitch	1		
3	ELC-8100	DO3 Electrical Control Cord	1	290	
4	EL-0015	DIN Rail 6Ft	0.6		
5	ELB-10	Breaker 10 AMP	1		
6	ELB-20	Breaker, 20 amp	2		Replaces 191-1210
7	EL-0153	Terminal Block	27		
8	EL-5010	End Clamp for Terminal Block	2		50 Pc. Min. Order
9	BL-4-NSS	1/4'-20 Stainless Steel Nuts	2		
10	BL-4-FWSS	1/4' Stainless Steel Flat Washer	2		
11	BL-4-LW	1/4 SPLIT LW ZC	2		
12	BL-4-125-FP	1/4' x 1 1/4' Flat Head Phillips	1		
13	ELB-46466	Circuit Breaker Mounting Bracket (6 stack)	0.5		
14	ELC-2612	1/2' Plastic Cord Connector	5		
15	EL-101	Lock Nut for Electricial Connectors 1/2'	5		
16	ELC-2634	3/4' Plastic Cord Connector	1		
17	EL-102	Lock Nut for Electricial Connectors 3/4'	1		
18	EL-73980	Light Relay, (with mounting bracket), 12 DCV, 20/30 Amp	1	19701-	
19	ELT-9806	Adhesive Base	4		
20	WT-3	3 3/4' Wire Tie	10		
21	ELT-30502	Ring Terminal #8 x 18-22ga	11		
22	ELT-31004	Terminal Ring, 1/4', 16-14 Gauge, Non-insulated	6		
23	ELT-31755	Snap Spade Terminal #10 x 14-16ga	7	HV-1045K	
24	ELT-32203	Terminal Ring, 1/4', 12-10 Gauge, Non-insulated w/Brazed Seam	1		
25	ELT-31713	Push On Female Terminal 14-16 ga.	11	HV-1045K	
26	ELT-31712	Push On Male 14-16 ga	8	HV-1045K	
27	ELL-25-0	1/4' Wire Loom @ft	50		
28	EL-5153	End Plate for Terminal Block	1		

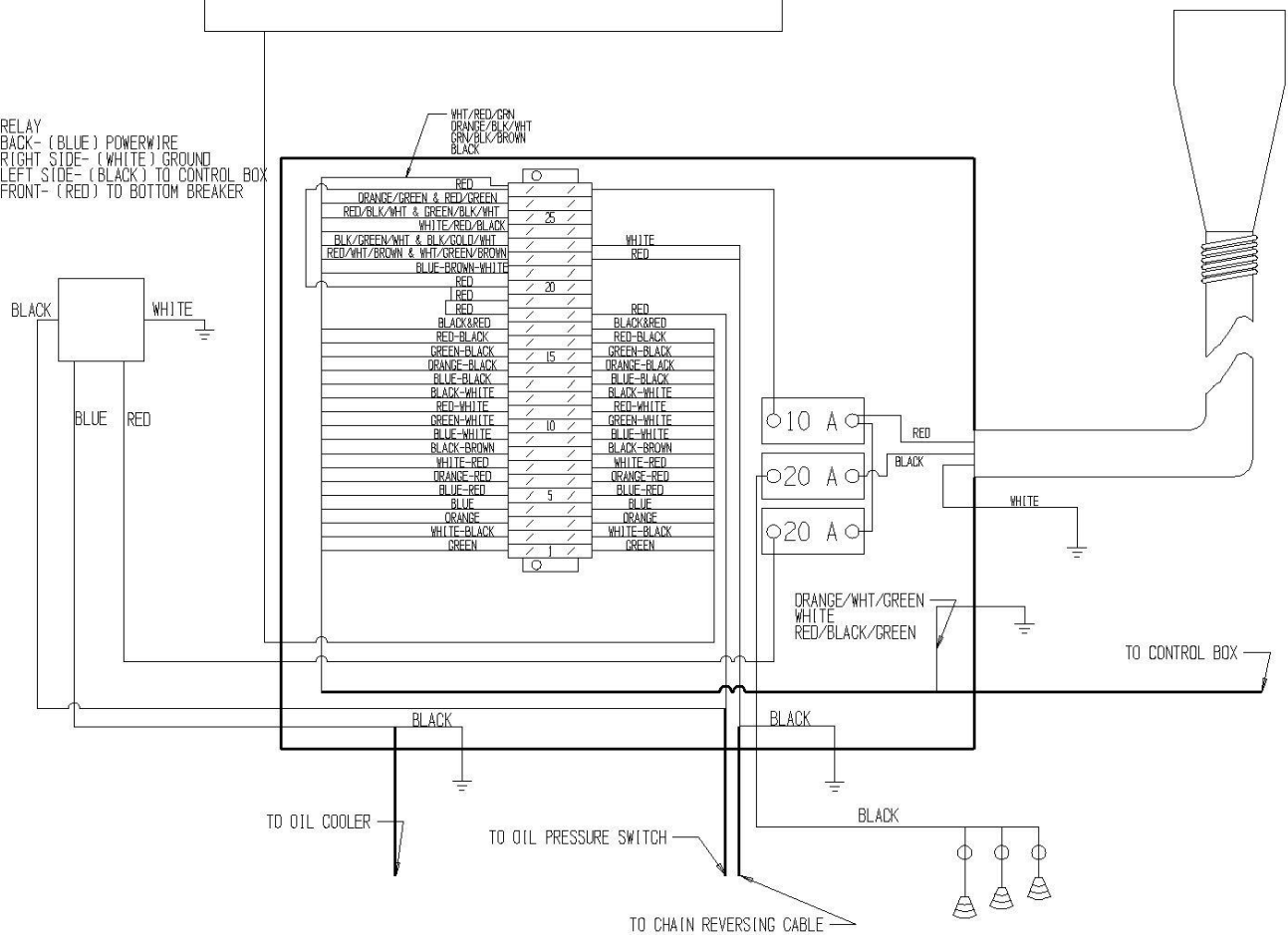
29	EL-37678	Spring For 7 Way Plug	1	
30	ELT-37675	Seven Conductor Plug, Round Connection	1	Trucks
32	HA-3007	Pressure Switch	1	
33	ELT-25054	Black Cable Clamp, 3/8'	12	
34	RI-3-6-SS	SS Pop Rivets, 3/16 x .251-.375, Buttonhead	12	
35	ELC-318	18 Gauge-3 Conductor @ Foot	7.5	
36	ELC-418	18 Gauge-4 Conductor @ Foot	3	
37	ELC-14-BL	14 Gauge Wire (Blue)	11.5	
38	ELC-14-BLK	14 Gauge Wire, Black	11.5	
39	EL-12210	Connector Cable (Terminal Strip to Brand Valve) Connectors @ 1 End	1	
40	EL-6200	Control Box, 6200 Vine Diverter	1	
41	ELC-4000	Control Box Power Cord	1	
42	DC-6200	Vine Diverter Control Box Decal	1	

62010-07-01

B - DOWN OR IN A - UP OR OUT



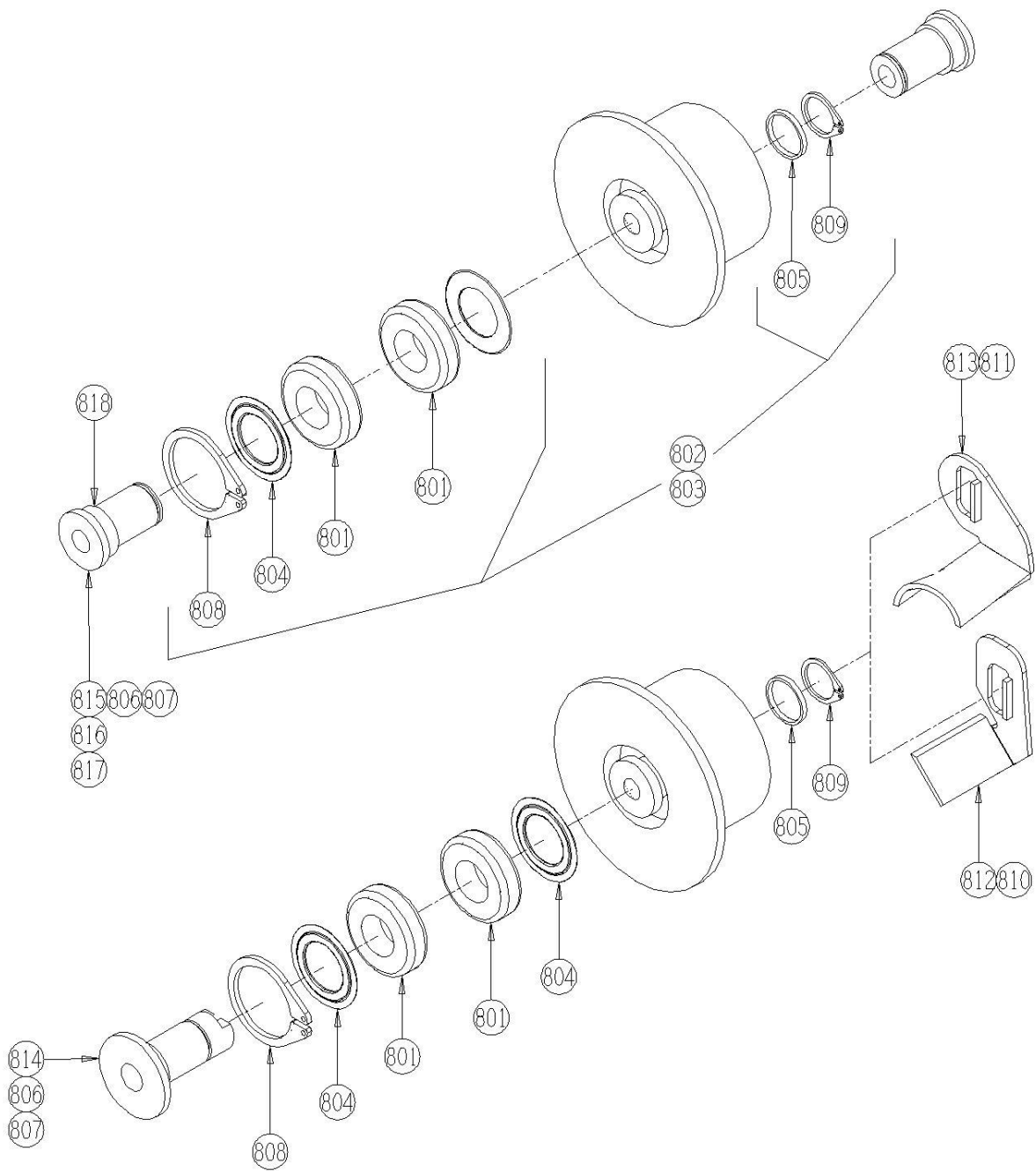
RELAY
 BACK- (BLUE) POWERWIRE
 RIGHT SIDE- (WHITE) GROUND
 LEFT SIDE- (BLACK) TO CONTROL BOX
 FRONT- (RED) TO BOTTOM BREAKER



62010-08-01 Steel Roller Replacement Parts

<u>Ref</u>	<u>Part No.</u>	<u>Description</u>	<u>Parts – Assembly</u>	<u>Will Fit SN</u>	<u>Remarks</u>
801	BR-025-052	Bearing, for Terog Rollers	2		
802	BR-025-052-U	Bearing Kit for Terog Rollers	1		Includes (1)RLA-103, (2)RLA-000-101, (2)BR-025-052, (1)RLA-000-102, (1)RLA-104
803	BR-025-052-W	Bearing Kit for Terog Roller, Single Bearing	1		Same as BR-025-052-U, except has only (1)BR-025-052.
804	RLA-000-101	Metal Seal	2		
805	RLA-000-102	Seperator Ring	1		
806	RLA-006-078	Bushing 1/2' x 5/8' x .75'	1		
807	RLA-006-128	Bushing, 1/2' x 5/8' x 1.25	1		
808	RLA-103	Snap Ring	1		
809	RLA-104	Snap Ring	1		
810	RLA-3023-TM	Scraper for Nose Roller, RH	1		For use with RLS-522-2010-SC roller only
811	RLA-3023-T	Straight Scraper, RH	1		
812	RLA-3024-TM	Scraper for Nose Roller, LH	1		For use with RLS-522-2010-SC roller only
813	RLA-3024-T	Straight Scraper	1		
814	RLT-SSP2	Stub Shaft Only for mounting 3023S and 3024S: 5/8 bore	1		
815	RLT-SSU1	Stub Shafts for Rollers: 1/2' bore, 2' Length	1		
816	RLT-SSU2	Stub Shafts for Rollers: 5/8' bore, 2' Length	1		
817	RLT-SSU3	Stub Shafts for Rollers: 3/4' bore, 2' Length	1		
818	RLT-SSW1	Stub Shaft for Rollers: 1/2' Bore, 1 1/4' Length	1		RLT-535-12*

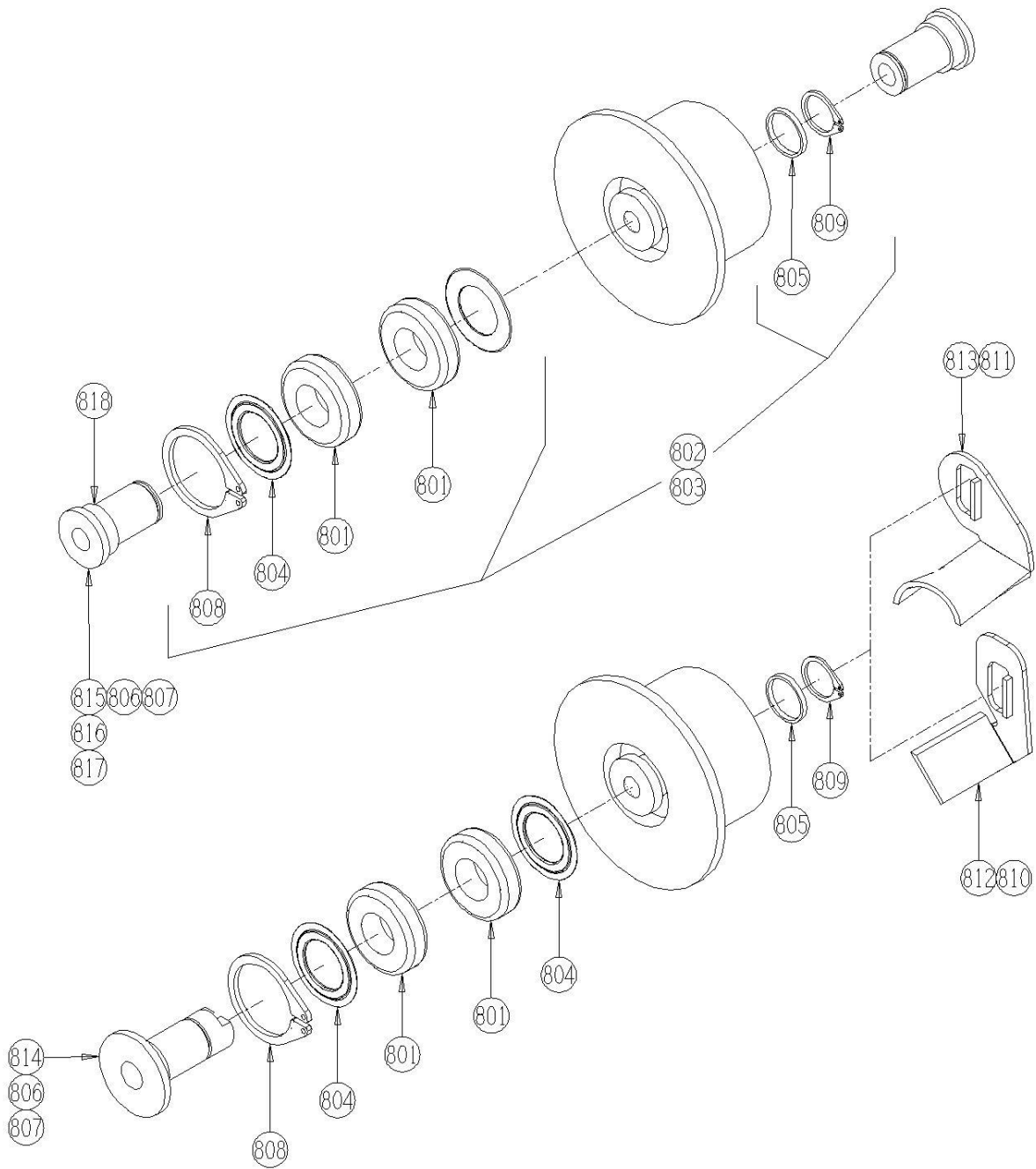
62010-08-01



62010-08-02 3.5 Dia. Roller Replacement Parts

<u>Ref</u>	<u>Part No.</u>	<u>Description</u>	<u>Parts – Assembly</u>	<u>Will Fit SN</u>	<u>Remarks</u>
801	BR-025-052	Bearing, for Terog Rollers	2		
802	BR-025-052-U	Bearing Kit for Terog Rollers	1		Includes (1)RLA-103, (2)RLA-000-101, (2)BR-025-052, (1)RLA-000-102, (1)RLA-104
803	BR-025-052-W	Bearing Kit for Terog Roller, Single Bearing	1		Same as BR-025-052-U, except has only (1)BR-025-052.
804	RLA-000-101	Metal Seal	2		
805	RLA-000-102	Seperator Ring	1		
806	RLA-006-078	Bushing 1/2' x 5/8' x .75'	1		
807	RLA-006-128	Bushing, 1/2' x 5/8' x 1.25	1		
808	RLA-103	Snap Ring	1		
809	RLA-104	Snap Ring	1		
810	RLA-3023-TM	Scraper for Nose Roller, RH	1		For use with RLS-522-2010-SC roller only
811	RLA-3023-T	Straight Scraper, RH	1		
812	RLA-3024-TM	Scraper for Nose Roller, LH	1		For use with RLS-522-2010-SC roller only
813	RLA-3024-T	Straight Scraper	1		
814	RLT-SSP2	Stub Shaft Only for mounting 3023S and 3024S: 5/8 bore	1		
815	RLT-SSU1	Stub Shafts for Rollers: 1/2' bore, 2' Length	1		
816	RLT-SSU2	Stub Shafts for Rollers: 5/8' bore, 2' Length	1		
817	RLT-SSU3	Stub Shafts for Rollers: 3/4' bore, 2' Length	1		
818	RLT-SSW1	Stub Shaft for Rollers: 1/2' Bore, 1 1/4' Length	1		RLT-535-12*

62010-08-02



62010-08-03 2.75 Dia. Roller Replacement Parts

<u>Ref</u>	<u>Part No.</u>	<u>Description</u>	<u>Parts – Assembly</u>	<u>Will Fit SN</u>	<u>Remarks</u>
801	BR-017-040	Bearing for Vibrator Roller	2		
802	RLA-103	Snap Ring	1		
803	RLT-SSC1	Stub Shaft for Vibrator Roller	2		

62010-08-03

