



PARTS CATALOG

HYDRA-RAM 790 MANURE SPREADER



Pik Rite, Inc
60 Pik Rite Lane
Lewisburg, PA 17837
Ph. 800-326-9763
Fx. 570-523-8175
www.pikrite.com

February 2013





HYDRA-RAM 790 MANURE SPREADER

(SPECIFICATIONS AND DESIGN SUBJECT TO CHANGE WITHOUT NOTICE)

DIRECTION ARROW

ARROWS ARE USED WITH ILLUSTRATIONS TO INDICATE THE FRONT OF THE UNIT. "RIGHT-HAND" AND "LEFT-HAND" SIDES ARE DETERMINED BY FACING THE DIRECTION OF MACHINE FORWARD TRAVEL.

BOX ENCLOSED ILLUSTRATIONS

A REFERENCE NUMBER, SHOWN IN THE PARTS LIST, IS ASSIGNED TO A BOX ENCOMPASSING ALL PARTS SOLD AS A SERVICE ASSEMBLY.

REFERENCE NUMBER IDENTIFICATION

000-099 PARTS USED FOR ASSEMBLY
100-199 BOLTS & FASTENERS
800-899 REPLACEMENT PARTS OR SERVICE ASSEMBLIES –
USED TO REPLACE OR REBUILD COMPONENTS OF THE
MACHINE

TABLE OF CONTENTS

7001-1-1.1	Main Frame,(Single Wheel) and Side Panels	10
7001-1-2	Main Floor and Guides for Sliding Floor.....	12
7001-1-3	Sliding Floor	14
7001-1-4	Moving Panel	16
7001-1-5	Front Panel and Shields.....	18
7001-1-6	Beater Support Panels.....	20
7001-1-7	Endgate	22
7001-1-8	Front Splash Guard.....	24
7001-1-9	Slurry Pan	26
7001-1-9A	Slurry Pan S.N.-70006001.....	28
7001-1-10	Walking Beam.....	30
7001-1-11	Wheel, Hub and Bearings (Implement Tires)	32
7001-1-12	Optional - Wheel, Hub and Bearings (Truck Tires)	34
7001-1-13	Optional - Wheel & Hub (385 Truck Tires).....	36
7001-1-14	Optional- Single Wheel & Hub (550-60-22.5).....	38
7001-1-15	Optional Endgate Debris Belting	40
7001-2-1	Walterscheid 1000 RPM Driveline w/ clutches.....	42
7001-2-2	Walterscheid 540 RPM Driveline w/ clutches.....	44
7001-2-3	Walterscheideid Friction Clutch, 1000 rpm	46
7001-2-4	Front Input Shaft, Sprockets and Chain	48
7001-2-5	Side Drive Shaft and Shields	50
7001-2-6	Gear Case	52
7001-2-7	Beater	54
7001-2-8	Upper Beater	56

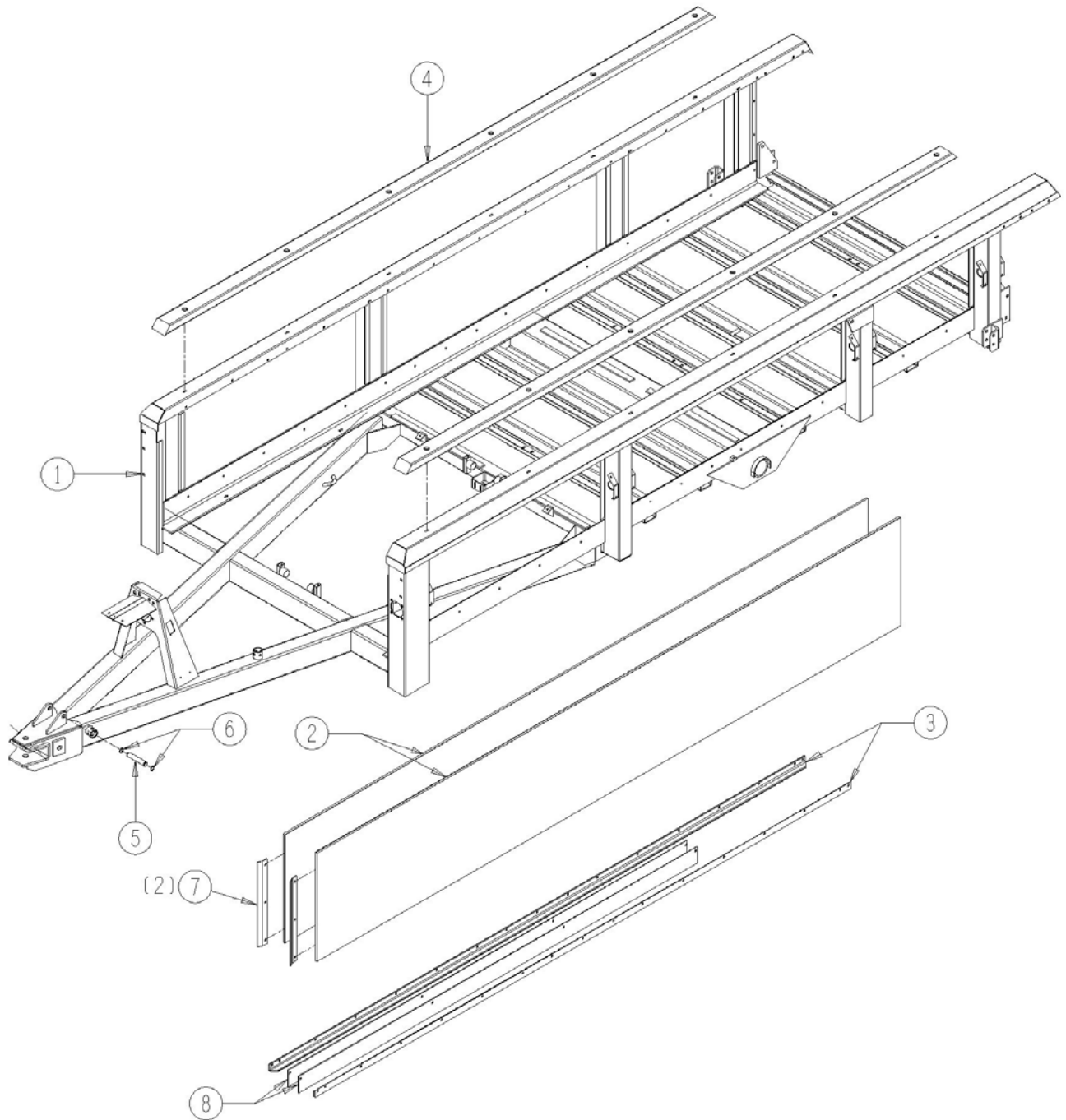
7001-2-9	Upper Beater Drive Sprockets and Chain	58
7001-2-11	1000 RPM Const Vel Shaft w/clutch S.N.-70007023 (Yellow)	60
7001-2-12	Friction Clutch	64
7001-2-13	1000 RPM Con. Vel Shaft w/clutch S.N.70007024-	66
7001-3-1	Hydraulics, Control Valve to Push off Cylinders.....	70
7001-3-2	Hydraulics, Tractor to Endgate Cylinders.....	72
7001-3-3	Main Cylinder, Sliding Floor	74
7001-3-4	Secondary Cylinder, Moving Panel	76
7001-3-5	Endgate Lift Cylinder.....	78
7001-3-6	Optional Control Valve, Closed Center Hydraulic System	80
7001-3-7	Optional Control Valve, Open Center Hydraulic System.....	82
7001-4-2	Safety Tow Chain	84
7001-4-3	Jack Stand	86
7001-4-4	Slow Moving Vehicle Emblem and Brackets.....	88
7001-4-5	Decals on Front of Spreader	90
7001-4-6	Decals on Sides of Spreader	92
7001-4-8	Manual Holder	94

PARTS
CATALOG

7001-1-1 Main Frame and Side Panels

<u>Ref</u>	<u>Part No.</u>	<u>Description</u>	<u>Parts – Assembly</u>	<u>Will Fit SN</u>	<u>Remarks</u>
1	PR22467	Frame Weldment, 790 Spreader	1		
2	PR44537	Panel, Side Walls, 790 Spreader	2		
3	PR38365	Angle, Sliding Floor	2		
4	PR39185	Bumper Rail, Top Rail Protector	2		
5	PR30289	Cylinder Pin	1		
6	PR58806	Retaining Ring, 63/64' (.984) Shaft Size, External	2		
7	PR51604	End Cap, Front side Board, 790	2		
8	PR22488	Steel Board, Spreader Spacer	2		
101	BL-6-125-C	3/8 UNC X 1 1/4 CARRIAGE BOLT GR5 ZINC	22		
102	BL-6-150-C	3/8 UNC X 1 1/2 CARRIAGE BOLT GR5 ZINC	10		
103	BL-6-175-C	3/8 UNC X 1 3/4 CARRIAGE BOLT GR5 ZINC	30		
104	BL-6-250-H	3/8-16 X 2 1/2 HH C/S GR5 ZC	5		
105	BL-6-325-H	3/8 UNC X 3 1/2 HH C/S BOLT GR5 ZINC	3		
106	BL-6-350-H	3/8-16 X 3 1/2 HEX CAP G5 ZC	3		
107	BL-6-400-H	3/8-16 X 4 HEX CAP G5 ZC	1		
108	BL-6-N	3/8-16 HEX NUTS ZC	62		
109	BL-6-LW	3/8 SPLIT LW ZC	62		
110	BL-6-SW	3/8 SAE FW ZC	2		
111	BL-6-FW-8	3/8 FLAT WASHER, G8 ZC	76		
112	BL-6-LN	3/8 UNC FIN HEX LOCK NUT NE A563 GrA ZINC	12		
113	BL-6-FFW	3/8 Finish Fender Washer, 2' OD, ZC	8		

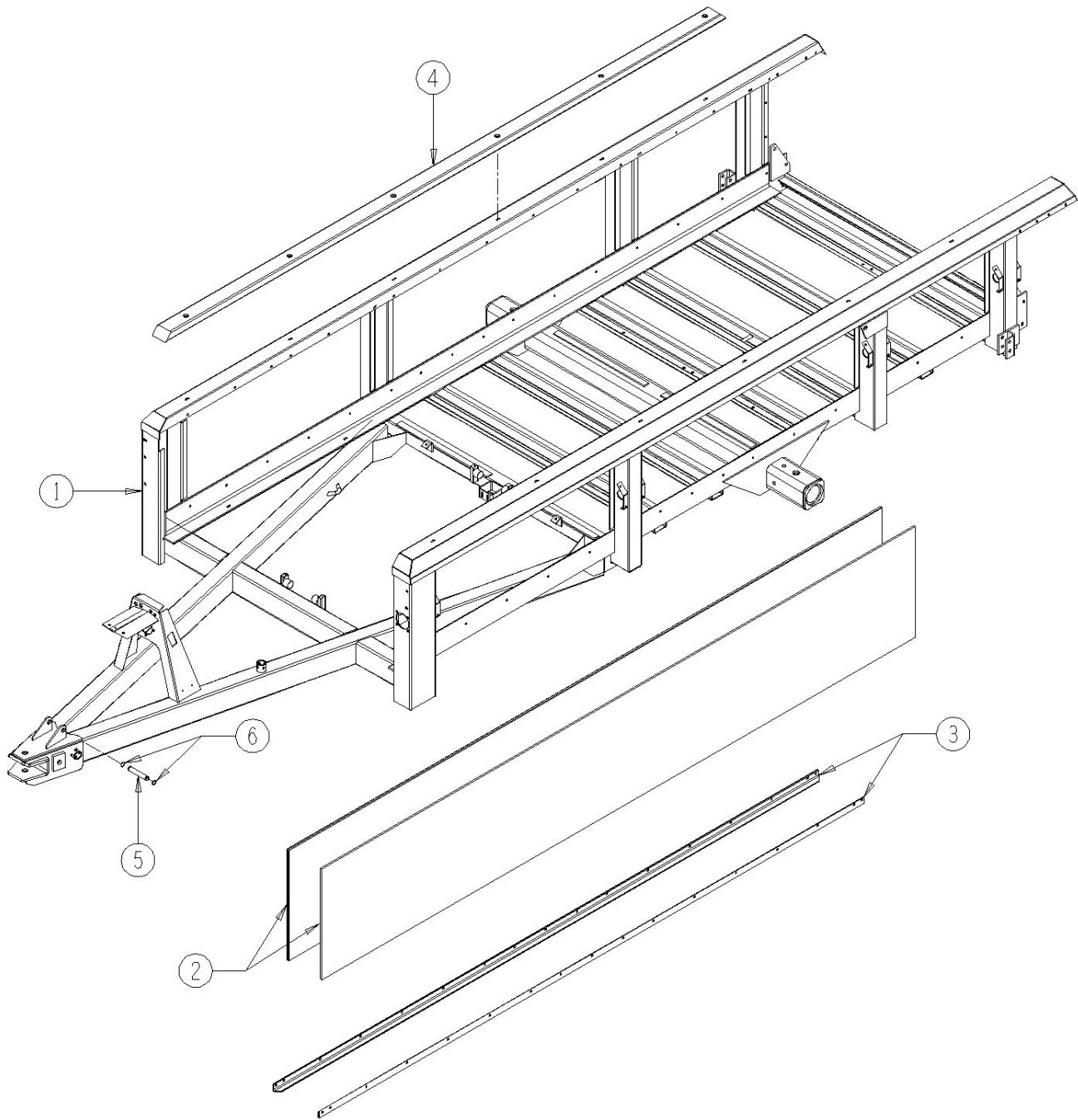
7001-1-1
MAIN FRAME & SIDE PANELS



7001-1-1.1 Main Frame,(Single Wheel) and Side Panels

<u>Ref</u>	<u>Part No.</u>	<u>Description</u>	<u>Parts – Assembly</u>	<u>Will Fit SN</u>	<u>Remarks</u>
1	PR22473	Frame,Spreader 790 Single Whl.,Shaft Drive	1	PR22473	
2	PR44537	Panel, Side Walls, 790 Spreader	2		
3	PR38365	Angle, Sliding Floor	2		
4	PR39185	Bumper Rail, Top Rail Protector	2		
5	PR30289	Cylinder Pin	1		
6	PR58806	Retaining Ring, 63/64" (.984) Shaft Size, External	2		
101	BL-6-125-C	3/8 UNC X 1 1/4 CARRIAGE BOLT GR5 ZINC	20		
102	BL-6-150-C	3/8 UNC X 1 1/2 CARRIAGE BOLT GR5 ZINC	10		
103	BL-6-175-C	3/8 UNC X 1 3/4 CARRIAGE BOLT GR5 ZINC	30		
104	BL-6-250-H	3/8-16 X 2 1/2 HH C/S GR5 ZC	6		
105	BL-6-300-H	3/8 UNC X 3 1/2 HH C/S BOLT GR5 ZINC	3		
106	BL-6-350-H	3/8-16 X 3 1/2 HEX CAP G5 ZC	2		
107	BL-6-400-H	3/8-16 X 4 HEX CAP G5 ZC	1		
108	BL-6-N	3/8 UNC FIN HEX LOCK NUT NE A563 GrA ZINC	60		
109	BL-6-LW	3/8 SPLIT LW ZC	60		
110	BL-6-SW	3/8 SAE FW ZC	30		
111	BL-6-FW	3/8 USS FW ZC	50		
112	BL-6-LN	3/8 UNC FIN HEX LOCK NUT NE A563 GrA ZINC	12		

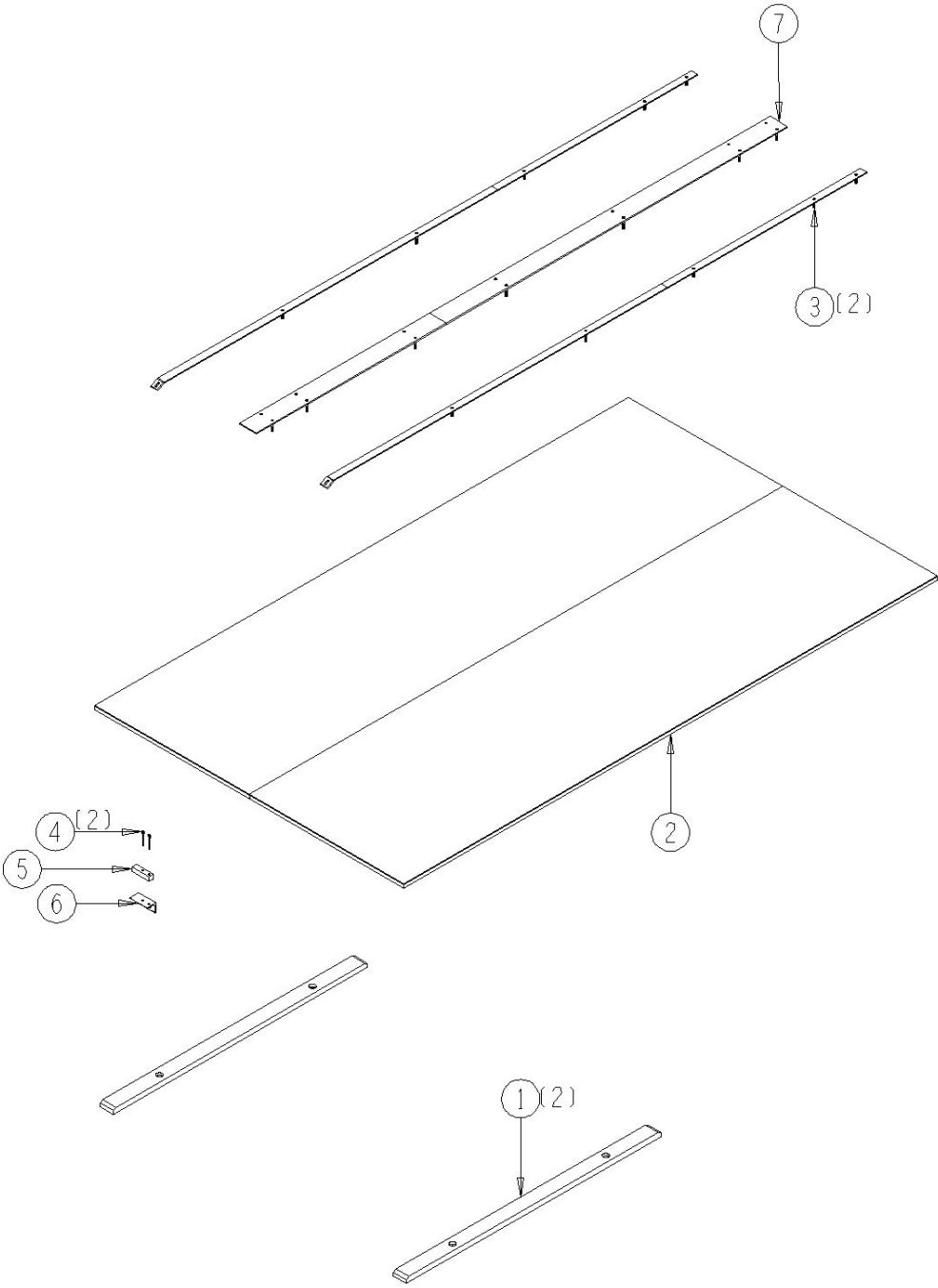
7001-1-1.1
SINGLE WHEEL MAIN FRAME & SIDE PANELS



7001-1-2 Main Floor and Guides for Sliding Floor

<u>Ref</u>	<u>Part No.</u>	<u>Description</u>	<u>Parts – Assembly</u>	<u>Will Fit SN</u>	<u>Remarks</u>
1	PR33358	Slide, Wood, Front, Spreader	2		
2	PR33279	Panel, Main Floor, Spreader, 790,1190	1		
3	PR22499	Wear Plate	2		
4	PIN-C4-32	Cotter Pin .25 x 2"	2		
5	PR33555	Angle	1		
6	PR32639	Support, Cylinder, UHMW	1		
7	PR22497	Retaining Bar, Main Floor	1		
101	BL-6-175-H	3/8-16 X 1 3/4 HHCS G5 ZC	4		
102	BL-6-100-C	3/8 UNC X 1 CARRIAGE BOLT GR5 ZINC	2		
103	BL-6-100-H	3/8 UNC X 1 HH C/S BOLT GR5 ZINC	2		
104	BL-6-LN	3/8 UNC FIN HEX LOCK NUT NE A563 GrA ZINC	28		
105	BL-6-FW-8	3/8 FLAT WASHER, G8 ZC	32		
106	BL-6-SW	3/8 SAE FW ZC	2		
107	BL-6-N	3/8-16 HEX NUTS ZC	2		
108	BL-6-LW	3/8 SPLIT LW ZC	2		

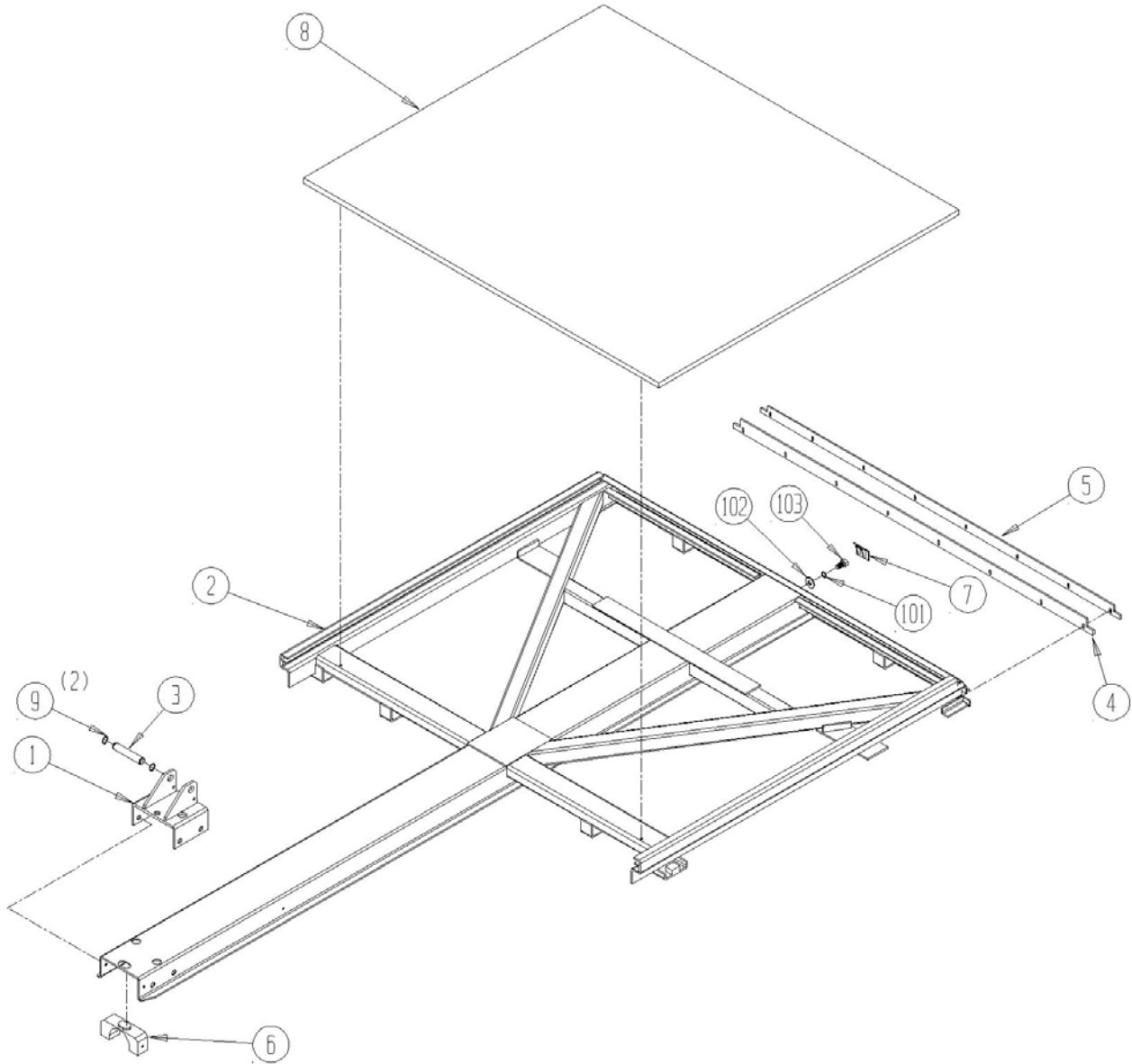
7001-1-2
MAIN FLOOR AND GUIDES FOR SLIDING FLOOR



7001-1-3 Sliding Floor

<u>Ref</u>	<u>Part No.</u>	<u>Description</u>	<u>Parts – Assembly</u>	<u>Will Fit SN</u>	<u>Remarks</u>
1	PR23219	Support, Cylinder Mount, Sliding Floor	1		
2	PR25873	Sliding Floor, Inside, Spreader, 790,1190	1		
3	PR30289	Cylinder Pin	1		
4	PR33352	Belting, Bottom Bed Scraper, Sliding Floor	1		
5	PR33354	Retaining Bar, Sliding Floor, 790,1190	1		
6	PR38758	Plastic Guide, Hydraulic Cylinder, Sliding Floor	1		
7	PR38760	Plug, Sliding Floor, Spreader	1		
8	PR44533	Panel, Sliding Floor, Spreader 790,1190	1		
9	PR58806	Retaining Ring, 63/64' (.984) Shaft Size, External	2		
101	BL-10-LW	5/8 SPLIT LW ZC	1		
102	BL-10-FW-8	5/8' Grade 8 Flat Washer	2		
103	BL-8-200-35H8	0.8 x 16mm-2.0 x 35 Gr 8 HH Bolt Zinc Coated	1		
104	BL-6-350-C	3/8 UNC X 3 1/2 CARRIAGE BOLT GR5 ZINC	2		
105	BL-5-125-SS	5/16-18 x 1 1/4 Hex Cap, Stainless Steel	8		
106	BL-10-150-H	5/8-11 X 1 1/2 HEX CAP G5 ZC	4		
108	BL-6-SW	3/8 SAE FW ZC	2		
109	BL-10-LN	5/8-11 HEX LN NE ZC	4		
110	BL-10-SW	5/8 SAE FW ZC @	4		
111	BL-5-FW	5/16 USS FW ZC	8		
112	BL-5-LW	5/16 SPLIT LW ZC	8		
114	BL-6-LW	3/8 SPLIT LW ZC	2		

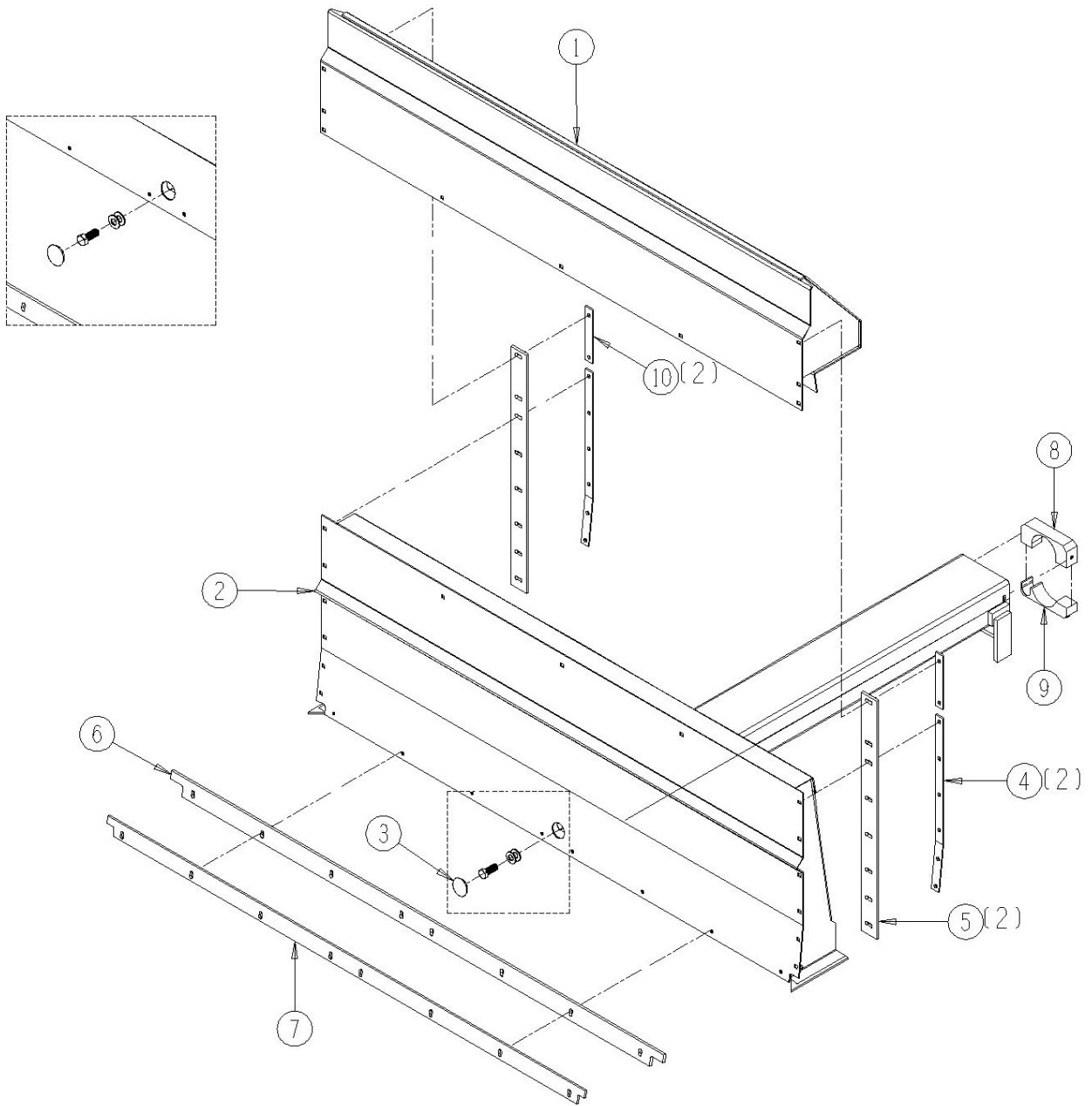
7001-1-3
SLIDING FLOOR



7001-1-4 Moving Panel

<u>Ref</u>	<u>Part No.</u>	<u>Description</u>	<u>Parts – Assembly</u>	<u>Will Fit SN</u>	<u>Remarks</u>
1	PR22461	Extension, Moving Panel, Spreader	1		
2	PR25872	Front Panel, Sliding, Spreader	1		
3	PL-0024	Plastic, Nylon, 1-3/4" Hole Plug, Locking, Unvented	1		
4	PR33435	Strap, Moving Panel, Spreader	2		
5	PR33440	Flap, Moving Panel Scraper Belt, Spreader	2		
6	PR33441	Flap, Moving Panel Scraper Belting, Bottom	1		
7	PR33443	Retaining Bar, Moving Panel, Bottom	1		
8	PR34750	Guide, Plastic, Cylinder Holder, Moving Panel	1		
9	PR34751	Guide, Plastic, Cylinder Mount, Lower, Moving Pnl	1		
10	PR34268	Retainer Bar, Top, Side Scraper, Moving Panel	2		
101	BL-6-075-C	3/8 UNC X 3/4 CARRIAGE BOLT GR5 ZINC	3		
102	BL-6-125-C	3/8 UNC X 1 1/4 CARRIAGE BOLT GR5 ZINC	16		
104	BL-5-125-H	5/16-18 X 1 1/4 HEX CAP G5 ZC	8		
107	BL-6-SW	3/8 SAE FW ZC	19		
110	BL-5-FW	5/16 USS FW ZC	8		
111	BL-5-LN	5/16-18 HEX LN NE ZC	8		
113	BL-6-N	3/8-16 HEX NUTS ZC	19		
114	BL-6-LW	3/8 SPLIT LW ZC	19		

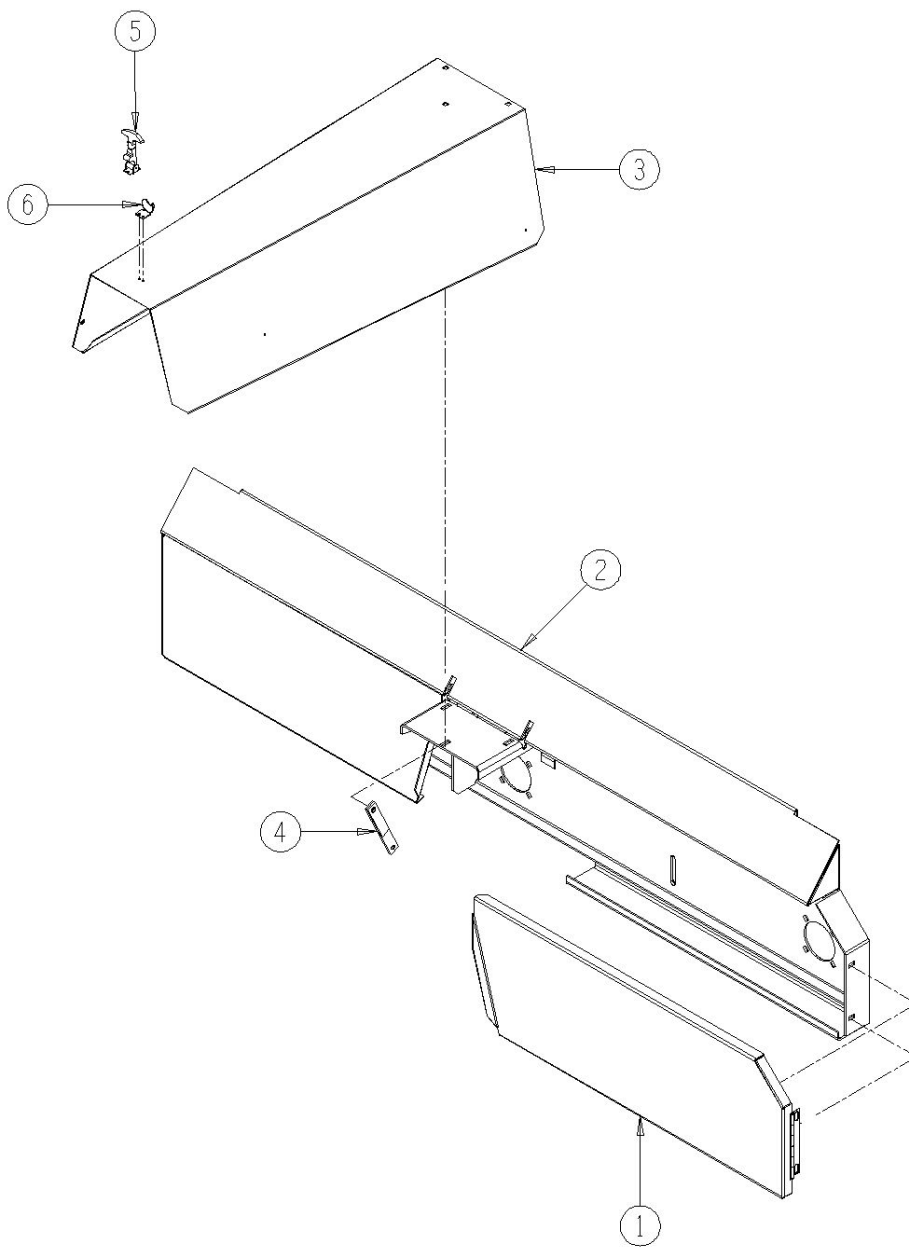
7001-1-4
MOVING PANEL



7001-1-5 Front Panel and Shields

<u>Ref</u>	<u>Part No.</u>	<u>Description</u>	<u>Parts – Assembly</u>	<u>Will Fit SN</u>	<u>Remarks</u>
1	PR22401	Shield, Left Side, Front Panel, Spreader	1		
2	PR22402	Panel, Front, Bearing & Shield Mount, Spreader	1		
3	PR23551	Hood, PTO Shield, Bolted to Front Panel, Spreader	1		
4	PR24569	Link, Shield, Front Panel	1		
5	LA-703	Large Rubber T Latch Assembly	1		
7	PIN-C2-16	Cotter Pin, 1/8" x 1"	1		
101	BL-8-125-C	1/2 UNC X 1 1/4 CARRIAGE BOLT GR5 ZINC	5		
102	BL-6-100-C	3/8 UNC X 1 CARRIAGE BOLT GR5 ZINC	3		
103	BL-6-075-C	3/8 UNC X 3/4 CARRIAGE BOLT GR5 ZINC	2		
104	RI-3-66-P	Pop Rivets 3/16 x 1/2 Domed, .625 head , ea.	2		
106	BL-6-FW	3/8 USS FW ZC	5		
108	BL-6-LW	3/8 SPLIT LW ZC	5		
109	BL-6-N	3/8-16 HEX NUTS ZC	5		
111	BL-8-N	1/2-13 HEX FIN NUTS ZC	5		
112	BL-8-LW	1/2 SPLIT LW ZC	5		
113	BL-8-FW	1/2 USS FW ZC	5		

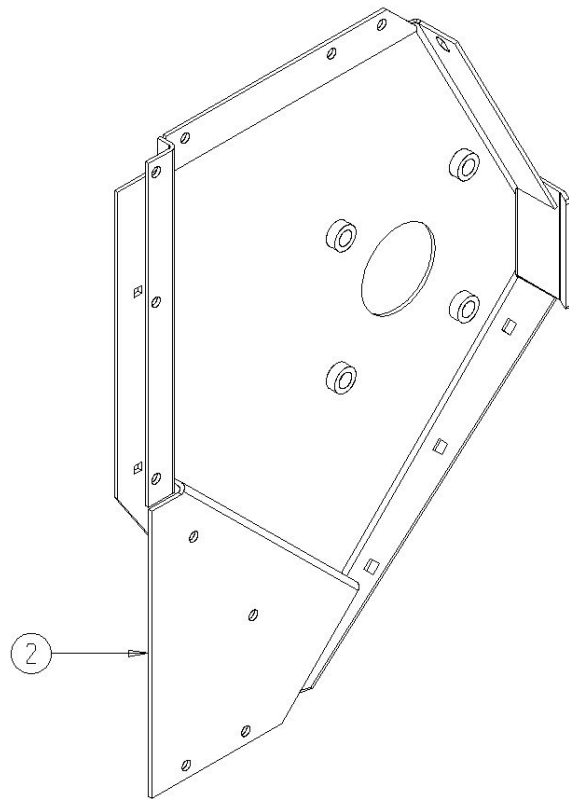
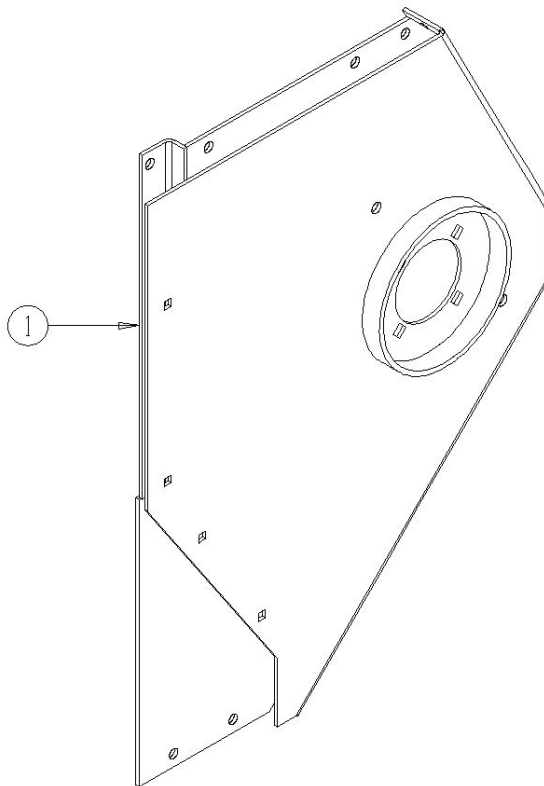
7001-1-5
FRONT PANEL AND SHIELDS



7001-1-6 Beater Support Panels

<u>Ref</u>	<u>Part No.</u>	<u>Description</u>	<u>Parts – Assembly</u>	<u>Will Fit SN</u>	<u>Remarks</u>
1	PR22464	Panel, Beater Support, RH, Spreader	1		
2	PR39020	Panel, Beater Support, LH, Spreader	1		
101	BL-6-100-C	3/8 UNC X 1 CARRIAGE BOLT GR5 ZINC	10		
102	BL-6-150-C	3/8 UNC X 1 1/2 CARRIAGE BOLT GR5 ZINC	10		
103	BL-6-N	3/8-16 HEX NUTS ZC	20		
104	BL-6-LW	3/8 SPLIT LW ZC	20		
105	BL-6-SW	3/8 SAE FW ZC	16		
106	BL-6-FW-8	3/8 FLAT WASHER, G8 ZC	4		

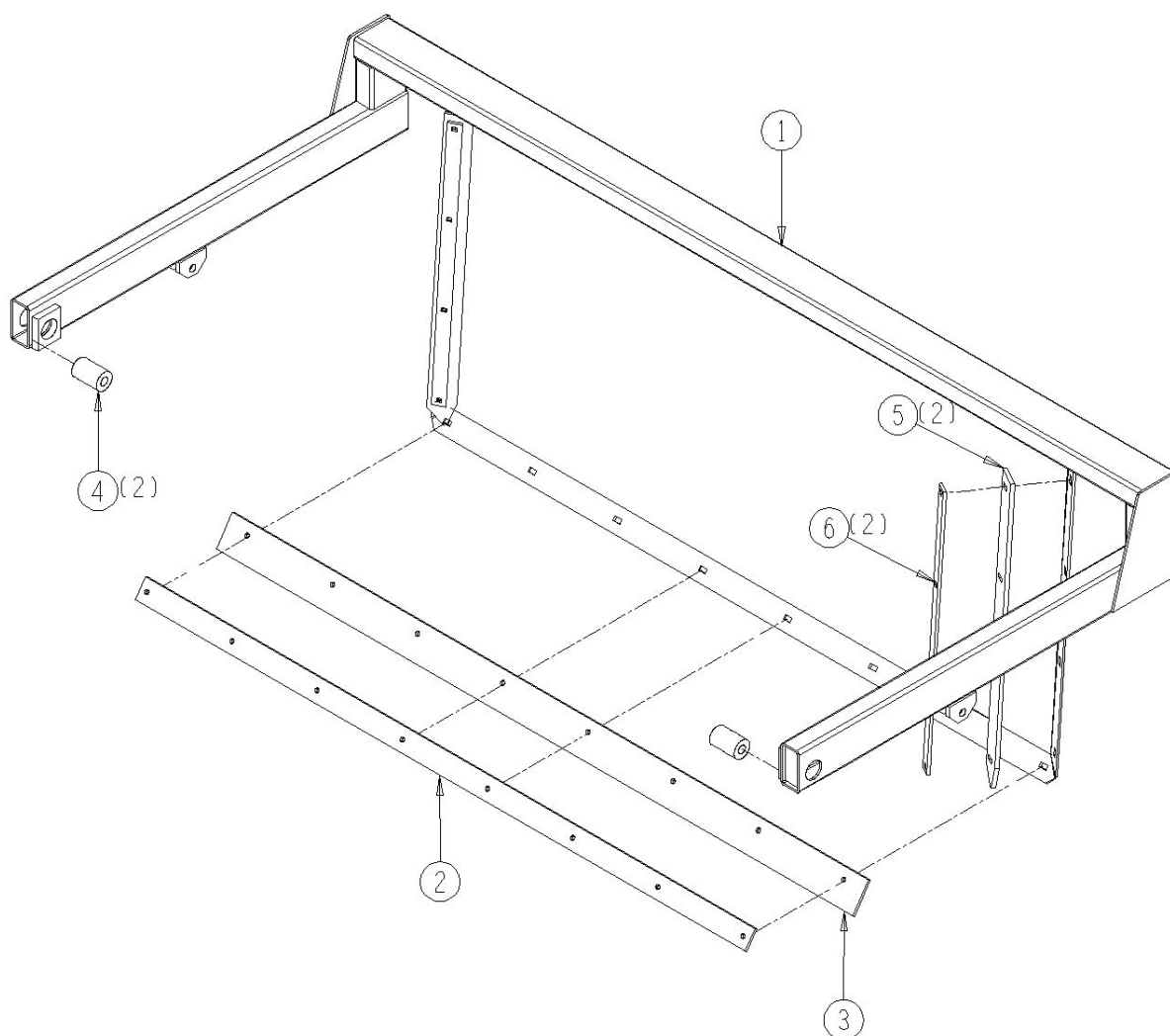
7001-1-6
BEATER SUPPORT PANELS



7001-1-7 Endgate

<u>Ref</u>	<u>Part No.</u>	<u>Description</u>	<u>Parts – Assembly</u>	<u>Will Fit SN</u>	<u>Remarks</u>
1	PR39046	End Gate Wldmt, Spreader	1		
2	PR39063	Bar, Bottom, Belting Holder, End Gate, Spreader	1		
3	PR39064	Belting, Bottom, End Gate, Spreader	1		
4	PR39065	Spacer, Pivot End Bushing, End Gate, Spreader	2		
5	PR39062	Belting, Side, End Gate, Spreader	2		
6	PR39061	Bar, Side Belting Holder, End Gate, Spreader	2		
101	BL-12-450-8	¾" x 4 1/2", HH C/S G8 ZC	2		
104	BL-6-125-C	3/8 UNC X 1 1/4 CARRIAGE BOLT GR5 ZINC	16		
107	BL-12-FW-8	¾" Grade 8 Flat Washer	4		
108	BL-12-LN	¾" Lock Nuts w/Nylon Inserts	2		
110	BL-6-N	3/8-16 HEX NUTS ZC	16		
111	BL-6-LW	3/8 SPLIT LW ZC	16		
112	BL-6-SW	3/8 SAE FW ZC	16		

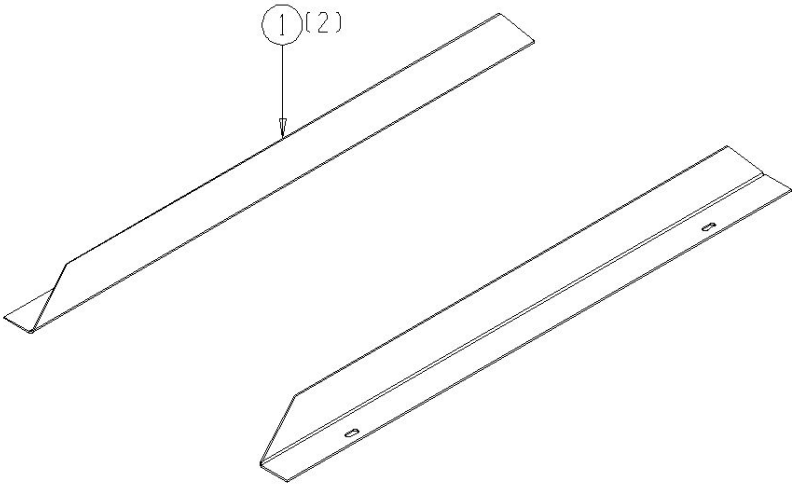
7001-1-7
ENDGATE



7001-1-8 Front Splash Guard

<u>Ref</u>	<u>Part No.</u>	<u>Description</u>	<u>Parts – Assembly</u>	<u>Will Fit SN</u>	<u>Remarks</u>
1	PR39182	Splash Guard, 790 & 1190	2		

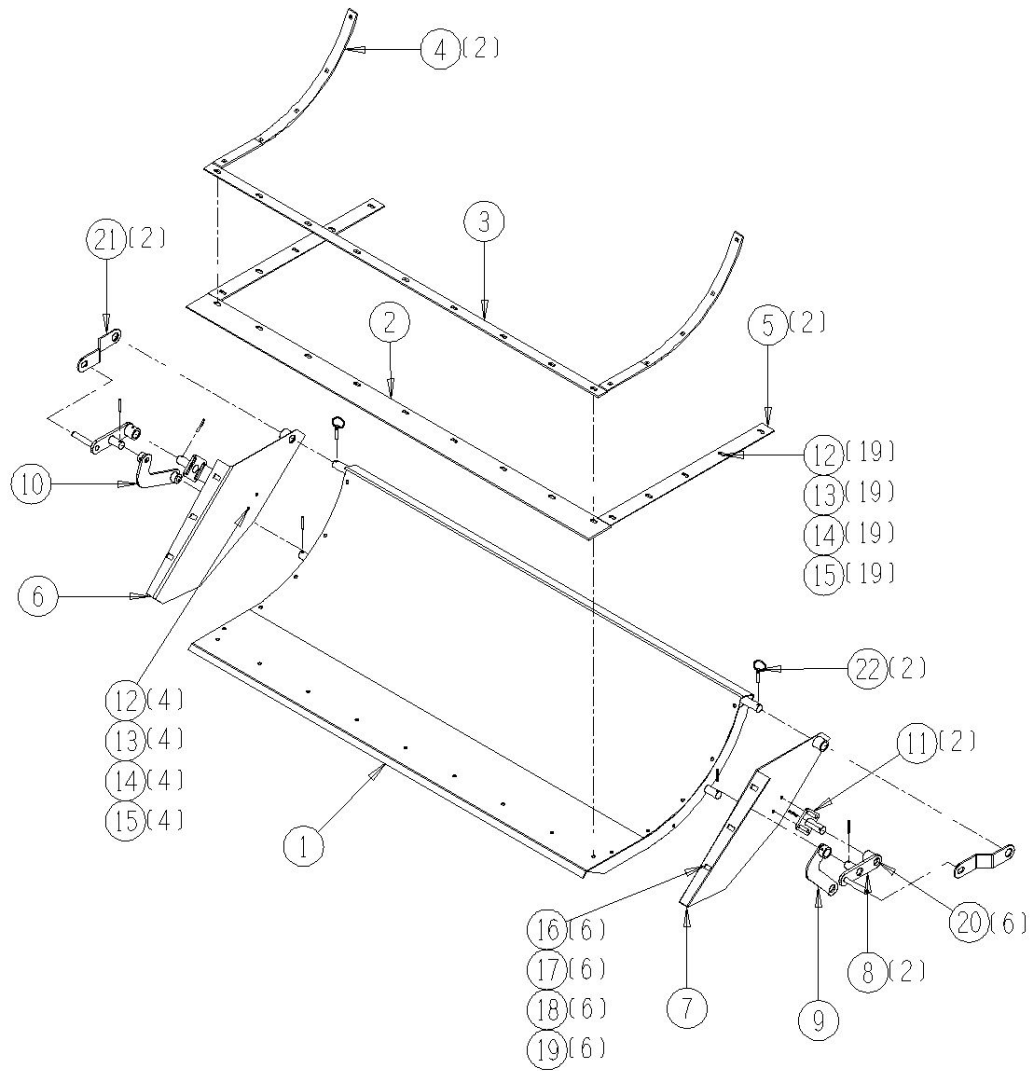
7001-1-8
FRONT SPLASH GUARD



7001-1-9 Slurry Pan

<u>Ref</u>	<u>Part No.</u>	<u>Description</u>	<u>Parts – Assembly</u>	<u>Will Fit SN</u>	<u>Remarks</u>
1	PR25110	Slurry Pan	1	PR25110	
2	BT-0081	Seal Slurry Pan 790 Spreader	1	BT-0081	
3	BAR-0081	Backing Bar Slurry Pan Spreader	1	BAR-0081	
4	BAR-0080	Belting Backing Bar 790 Slurry Pan	2	BAR-0080	
5	BT-0080	Belting Slurry Pan Spreader	2	BT-0080	
6	PR25111	Slurry Pan Right Side Mount	1	PR25111	
7	PR25112	Slurry Pan Left Side Mount	1	PR25112	
8	ADJ-0080	Adjuster Handle Slurry Pan	2	ADJ-0080	
9	ADJ-0082	Adjuster Linkage Slurry Pan Right	1	ADJ-0082	
10	ADJ-0081	Adjuster Linkage Slurry Pan Left	1	ADJ-0081	
11	ADJ-0083	Adjuster Pivot Slurry Pan	2	ADJ-0083	
12	BL-6-125-C	3/8 UNC X 1 1/4 CARRIAGE BOLT GR5 ZINC	23		
13	BL-6-SW	3/8 SAE FW ZC	23		
14	BL-6-LW	3/8 SPLIT LW ZC	23		
15	BL-6-N	3/8-16 HEX NUTS ZC	23		
16	BL-8-125-C	1/2 UNC X 1 1/4 CARRIAGE BOLT GR5 ZINC	6		
17	BL-8-SW	1/2 SAE FW ZC	6		
18	BL-8-LW	1/2 SPLIT LW ZC	6		
19	BL-8-N	1/2-13 HEX FIN NUTS ZC	6		
20	PIN-4-28	Roll Pin 1/4" x 1.75"	6		
21	ADJ-0084	Locking Bar, Slurry Pan	2		
22	PIN-250L	1/4" Lynch Pin	2		
23	GF-1428	Grease Fitting 1/4" x 28 straight	6		

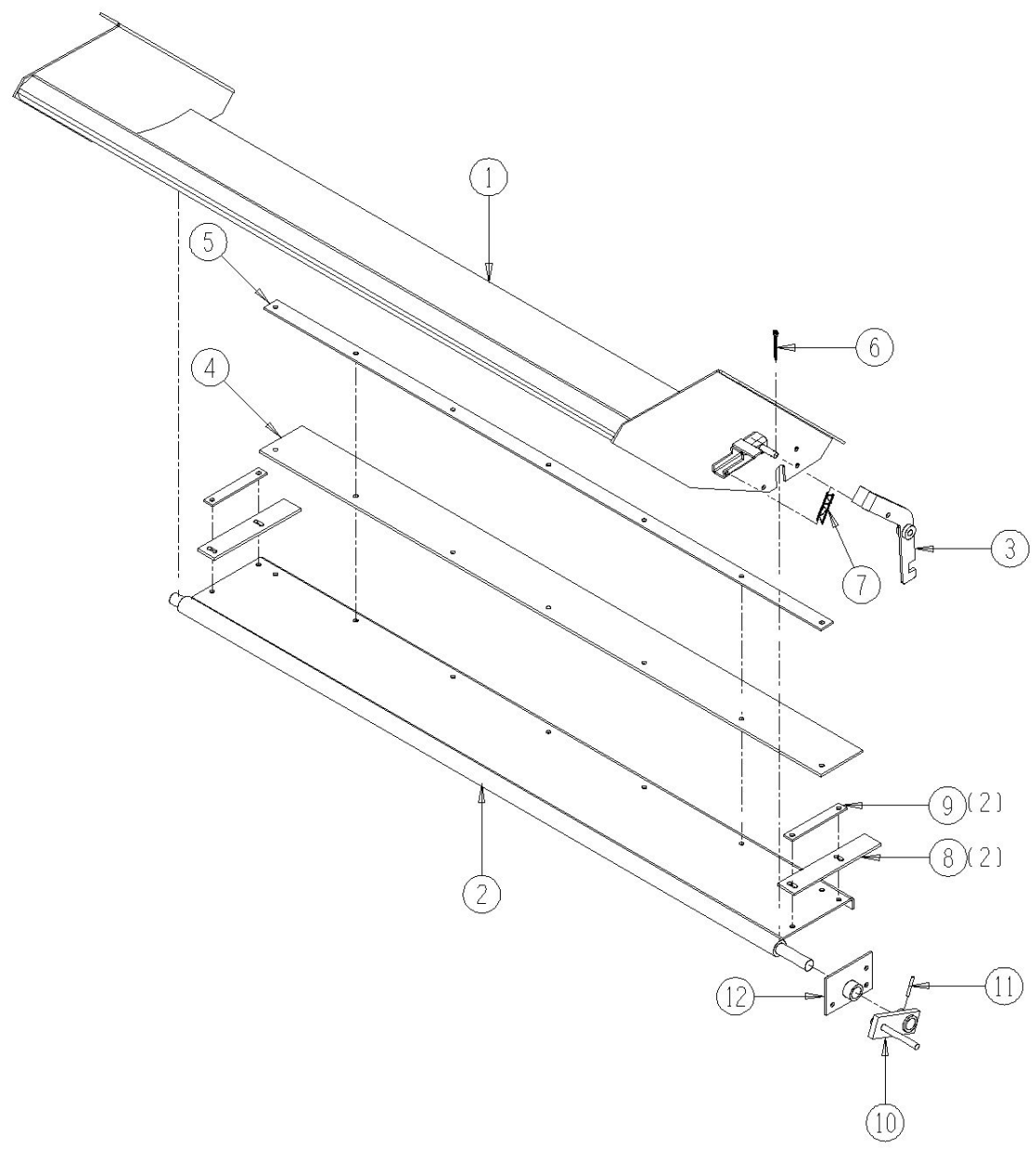
7001-1-9
SLURRY PAN S.N. 70006001-



7001-1-9A Slurry Pan S.N.-70006001

<u>Ref</u>	<u>Part No.</u>	<u>Description</u>	<u>Parts – Assembly</u>	<u>Will Fit SN</u>	<u>Remarks</u>
1	PR25106	End Pan	1		
2	PR25107	Gate, End Pan	1		
3	PR25109	Handle, End Pan	1		
4	PR37634	Belting, Bottom, Slurry Pan, Spreader	1	790, 1190	
5	PR37633	Strap, Belting Support, Slurry Pan, Spreader	1	790, 1190	
6	PIN-C2-16	Cotter Pin, 1/8" x 1"	1		
7	SPG-96543	Extension Spring for Spreader	1		
8	PR37635	Belting, Side, Slurry Pan, Spreader	2	790, 1190	
9	PR37637	Bar, Belting Retainer, Slurry Pan, Spreader	2	790, 1190	
10	PR25105	Latch Arm, Gate, End Pan	1		
11	PIN-4-28	Roll Pin 1/4" x 1.75"	1		
12	PR25115	Latch Plate, Slurry Pan	1		
101	BL-8-125-C	1/2 UNC X 1 1/4 CARRIAGE BOLT GR5 ZINC	6		
102	BL-6-100-H	3/8 UNC X 1 HH C/S BOLT GR5 ZINC	3		
103	BL-6-125-H	3/8-16 X 1 1/4 HHCS G5 ZC	11		
104	BL-8-N	1/2-13 HEX FIN NUTS ZC	6		
105	BL-8-LW	1/2 SPLIT LW ZC	6		
106	BL-6-SW	3/8 SAE FW ZC	24		
107	BL-6-LN	3/8 UNC FIN HEX LOCK NUT NE A563 GrA ZINC	14		
108	BL-8-SW	1/2 SAE FW ZC	6		

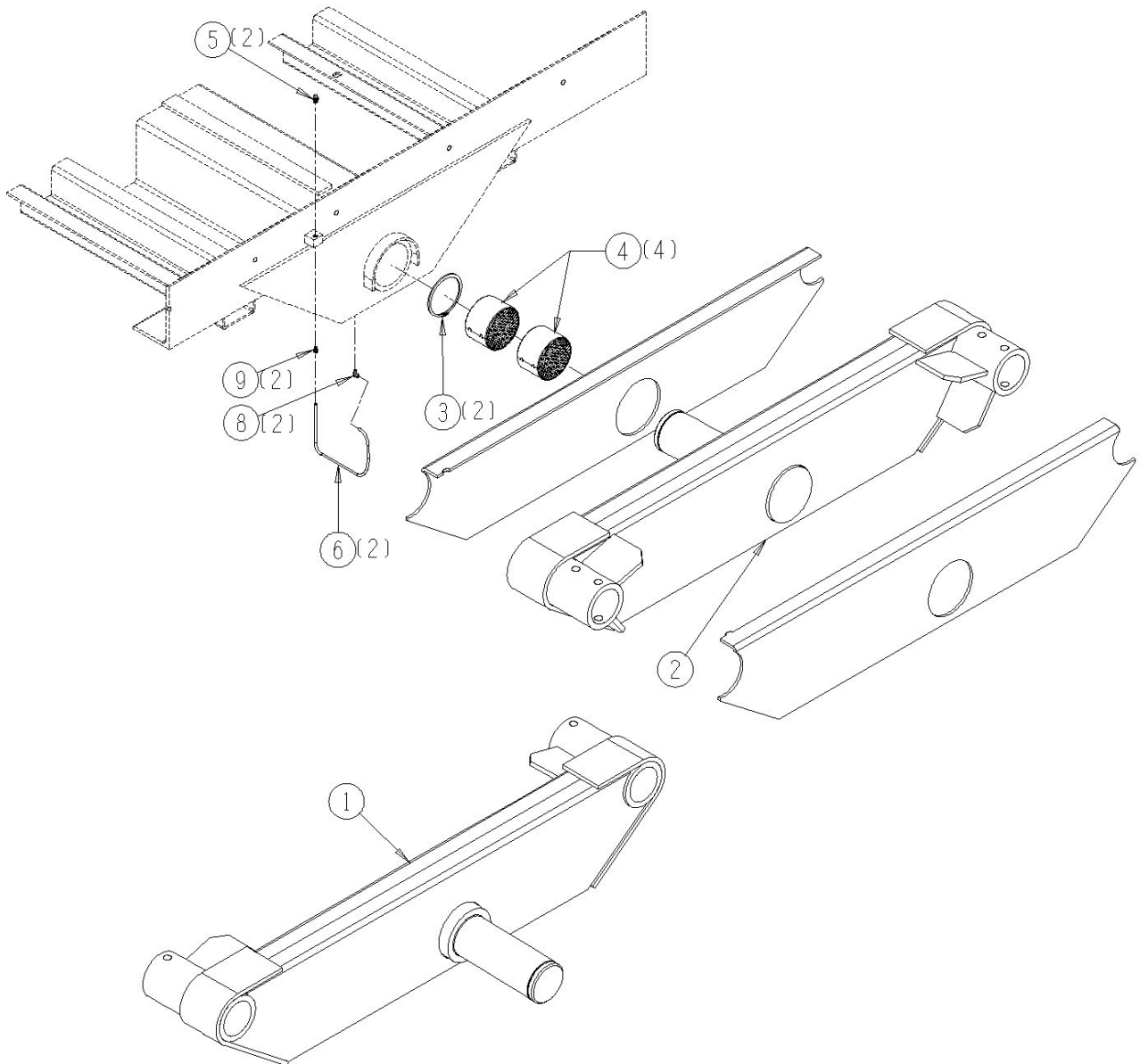
7001-1-9A
SLURRY PAN S.N.-70006001



7001-1-10 Walking Beam

<u>Ref</u>	<u>Part No.</u>	<u>Description</u>	<u>Parts – Assembly</u>	<u>Will Fit SN</u>	<u>Remarks</u>
1	PR22990	Walking Beam, Right, Slides Into Axle, Spreader	1		
2	PR22989	Walking Beam, Left, Slides Into Axle, Spreader	1		
3	PR43595	Retaining Ring, 3 1/2", External	2		
4	PR34413	Bronze Bushing for Spreader, 3½" Dia Shaft	4		
5	GF-1827-65L	Grease Fitting 1/8 NPT Long 65°	2		
6	H2-16-2MP-2MP	1/8 in grease hose 1/8MP x 1/8MP x 16 in long	2		
7	DC-0010	Decal, Grease Every 10 hrs.	2		
8	A-1501-2-2	1/8" MP x 1/8" FPX90°	2		
9	A-1404-2-2	1/8 MP x 1/8 FPX	2		
101	BL-10-500-H	5/8-11 X 5 HEX CAP G5 ZC	4		
102	BL-10-LN	5/8-11 HEX LN NE ZC	4		

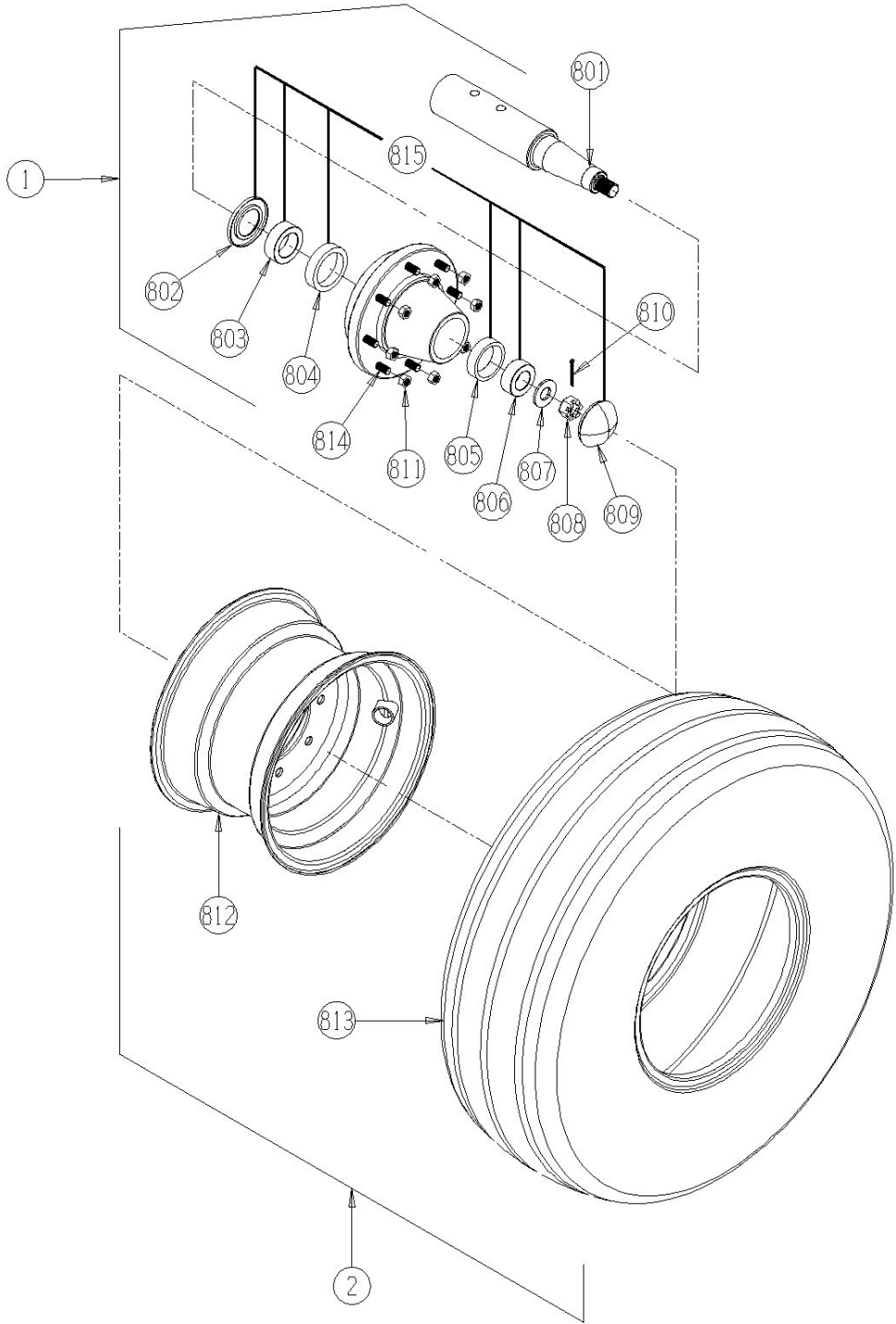
7001-1-10
WALKING BEAM



7001-1-11 Wheel, Hub and Bearings (Implement Tires)

<u>Ref</u>	<u>Part No.</u>	<u>Description</u>	<u>Parts – Assembly</u>	<u>Will Fit SN</u>	<u>Remarks</u>
1	WHL-3000	Hub Assembly Complete (includes spindle)	4		Harvesters use WHL-3000-2
2	WHM-1514	16.5-16.1 Tire & Wheel Assembly (Spreader, Tubeless)	4	790	
801	WHL-3001	Spindle 3" x 16"	4	WHL-3000	
802	WHL-3000G	Seal	4	WHL-3000	
803	WHL-3000C	Inner Cone	4	WHL-3000	
804	WHL-3000A	Inner Cup	4	WHL-3000	
805	WHL-3000B	Outer Cup	4	WHL-3000	
806	WHL-3000D	Outer Cone	4	WHL-3000	
807	WHL-3000K	Spindle Washer	4	WHL-3000	
808	WHL-3000J	Spindle Nut	4	WHL-3000	
809	WHL-3000H	Hub Cap	4	WHL-3000	3 1/8 od
810	PIN-C3-16-32	Cotter Pin 3/16 x 2"	4		
811	WHL-3000F	Lug Nut	32	WHL-3000	
812	WHL-1614	16 x 14 Wheel 8-8-6 (3/8 Positive Offset)	4		
813	WHT-1614	16.5 x 16.1 14 Ply Ribbed Implement Tire (Spreader, Tubeless)	4		
814	WHL-3000E	Stud Bolt	32	WHL-3000	
815	WBR-3000K	Wheel Bearing Kit for WHL-3000 Hub & Spindle Assy.	4	WHL-3000	

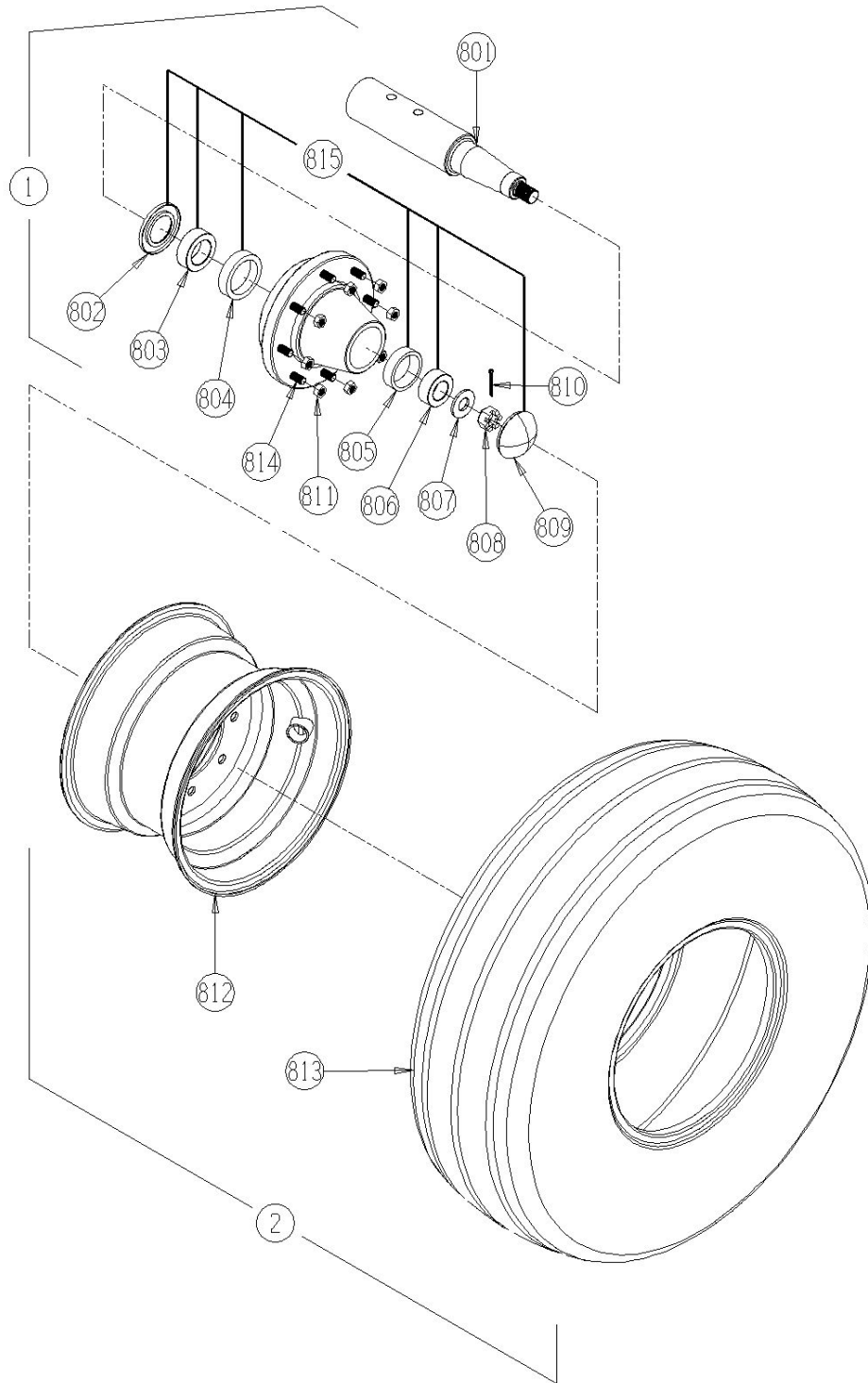
7001-1-11
WHEEL, HUB & BEARINGS
(IMPLEMENT TIRES)



7001-1-12 Optional - Wheel, Hub and Bearings (Truck Tires)

<u>Ref</u>	<u>Part No.</u>	<u>Description</u>	<u>Parts – Assembly</u>	<u>Will Fit SN</u>	<u>Remarks</u>
1	WHL-3000	Hub Assembly Complete (includes spindle)	4		Harvesters use WHL-3000-2
2	WHM-7107	11.00-22.5 Tire & Wheel Assy.	4		
801	WHL-3001	Spindle 3" x 16"	4	WHL-3000	
802	WHL-3000G	Seal	4	WHL-3000	
803	WHL-3000C	Inner Cone	4	WHL-3000	
804	WHL-3000A	Inner Cup	4	WHL-3000	
805	WHL-3000B	Outer Cup	4	WHL-3000	
806	WHL-3000D	Outer Cone	4	WHL-3000	
807	WHL-3000K	Spindle Washer	4	WHL-3000	
808	WHL-3000J	Spindle Nut	4	WHL-3000	
809	WHL-3000H	Hub Cap	4	WHL-3000	3 1/8 od
810	PIN-C3-16-32	Cotter Pin 3/16 x 2"	4		
811	WHL-3000F	Lug Nut	32	WHL-3000	
812	WHL-7107	22.5 x 8.25 Wheel - 8-8-6 - 3/8" Positive Offset	4		
813	WHT-7107	11-22.5 Recapped Implement Tire	4		
814	WHL-3000E	Stud Bolt	32	WHL-3000	
815	WBR-3000K	Wheel Bearing Kit for WHL-3000 Hub & Spindle Assy.	4	WHL-3000	
816	WHT-1021	1000-20 Tube	4	WHT-1020 OR WHT-7107	

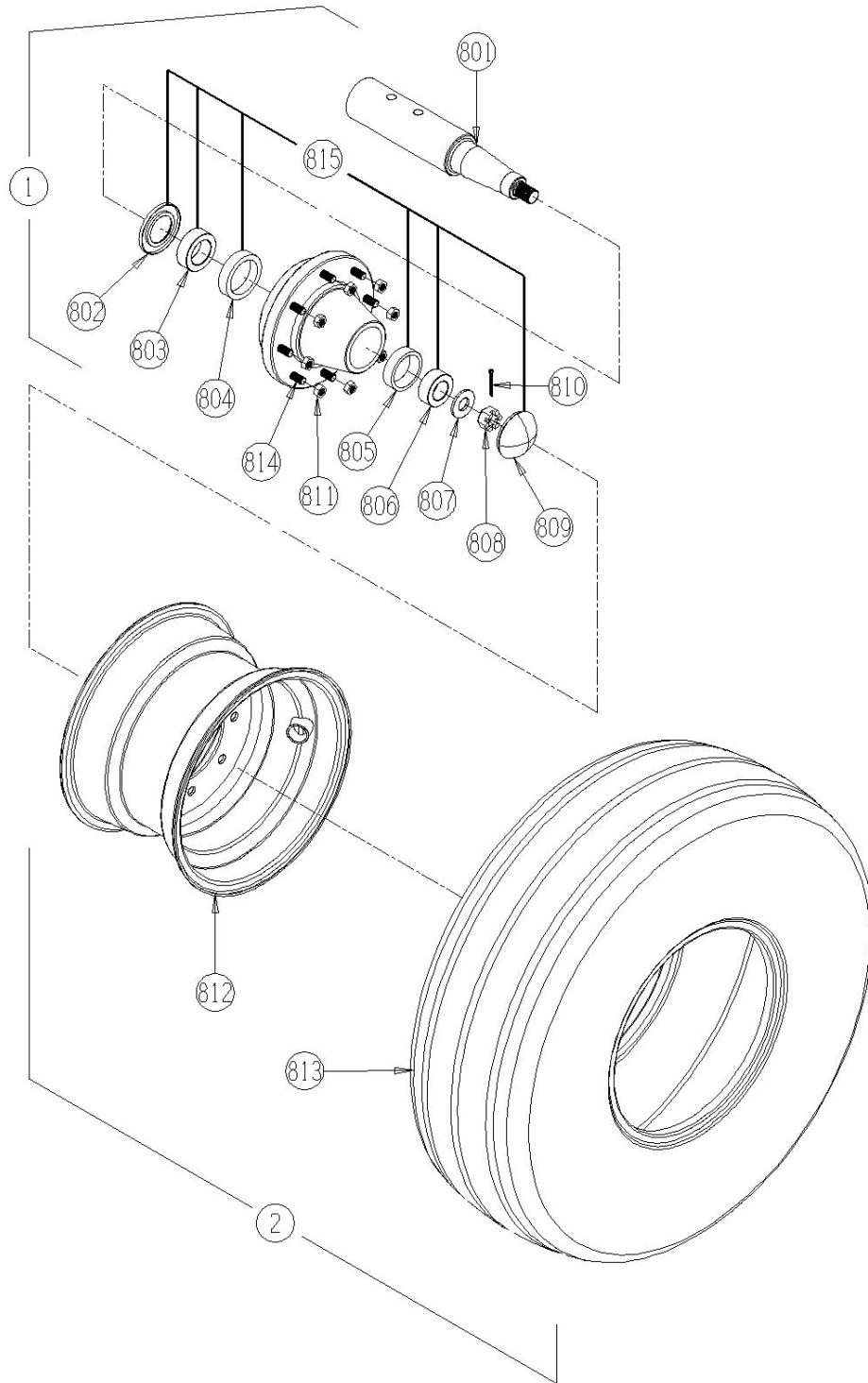
7001-1-12
OPTIONAL WHEEL, HUB & BEARINGS
(TRUCK TIRES)



7001-1-13 Optional - Wheel & Hub (385 Truck Tires)

<u>Ref</u>	<u>Part No.</u>	<u>Description</u>	<u>Parts – Assembly</u>	<u>Will Fit SN</u>	<u>Remarks</u>
1	WHL-3000	Hub Assembly Complete (includes spindle)	4		Harvesters use WHL-3000-2
2	WHM-7106	385/65R22.5 Tire & Wheel Assy	4	790	
801	WHL-3001	Spindle 3" x 16"	4	WHL-3000	
802	WHL-3000G	Seal	4	WHL-3000	
803	WHL-3000C	Inner Cone	4	WHL-3000	
804	WHL-3000A	Inner Cup	4	WHL-3000	
805	WHL-3000B	Outer Cup	4	WHL-3000	
806	WHL-3000D	Outer Cone	4	WHL-3000	
807	WHL-3000K	Spindle Washer	4	WHL-3000	
808	WHL-3000J	Spindle Nut	4	WHL-3000	
809	WHL-3000H	Hub Cap	4	WHL-3000	3 1/8 od
810	PIN-C3-16-32	Cotter Pin 3/16 x 2"	4		
811	WHL-3000F	Lug Nut	32	WHL-3000	
812	WHL-7106	22.5 X 11.75 Wheel 8-8-6 3/8" positive offset	4		
813	WHT-7106	Used Truck Tire 385/65R22.5	4		
814	WHL-3000E	Stud Bolt	32	WHL-3000	
815	WBR-3000K	Wheel Bearing Kit for WHL-3000 Hub & Spindle Assy.	4	WHL-3000	

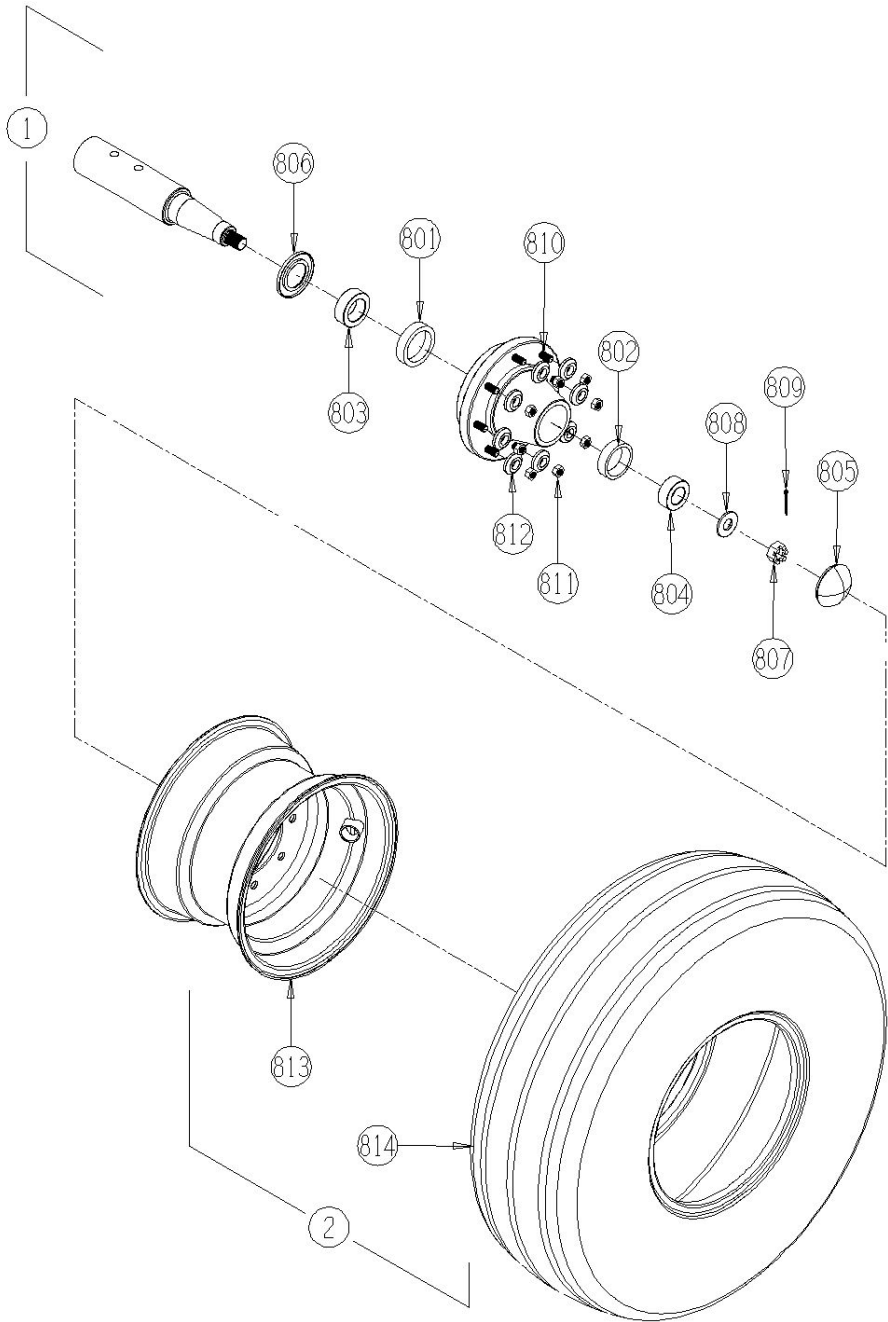
7001-1-13
OPTIONAL WHEEL, HUB & BEARINGS
(385 TRUCK TIRES)



7001-1-14 Optional- Single Wheel & Hub (550-60-22.5)

<u>Ref</u>	<u>Part No.</u>	<u>Description</u>	<u>Parts – Assembly</u>	<u>Will Fit SN</u>	<u>Remarks</u>
1	WHL-1210	Hub and Spindle Assembly	2		
2	WHM-7101	550/60-22.5 Tire & Wheel Assy	2	1190	
800	WBR-1210K	Wheel Bearing Kit for WHL-1210 Hub & Spindle Assy.	1	WHL-1210	inner & outer cones & cups and grease seal
801	WHL-1210A	Inner Cup	1		
802	WHL-1210B	Outter Cup	1		
803	WHL-1210C	Inner Cone	1		
804	WHL-1210D	Outer Cone	1		
805	WHL-1210E	Dust Cap	1		
806	WHL-1210F	Grease Seal	1		
807	WHL-1210G	Flange Nut, Spindle	1		
808	WHL-1210H	Washer, Spindle	1		
809	WHL-1210I	Cotter Pin, Spindle	1		
810	WHL-1210J	Wheel Stud Bolt	8		
811	WHL-1210K	Wheel Stud Nut	8		
812	WHL-1210L	Wheel Stud Washer	8		
813	WHL-7104	Wheel, 16 x 22.5 - 7/15, 3/8" (+) Offset, HD, Painted	1	WHL-7101	
814	WHT-7101	Tire, Implement, 560/60-22.5, 404 Tread	1		
815	WHL-1210M	Spindle	1		

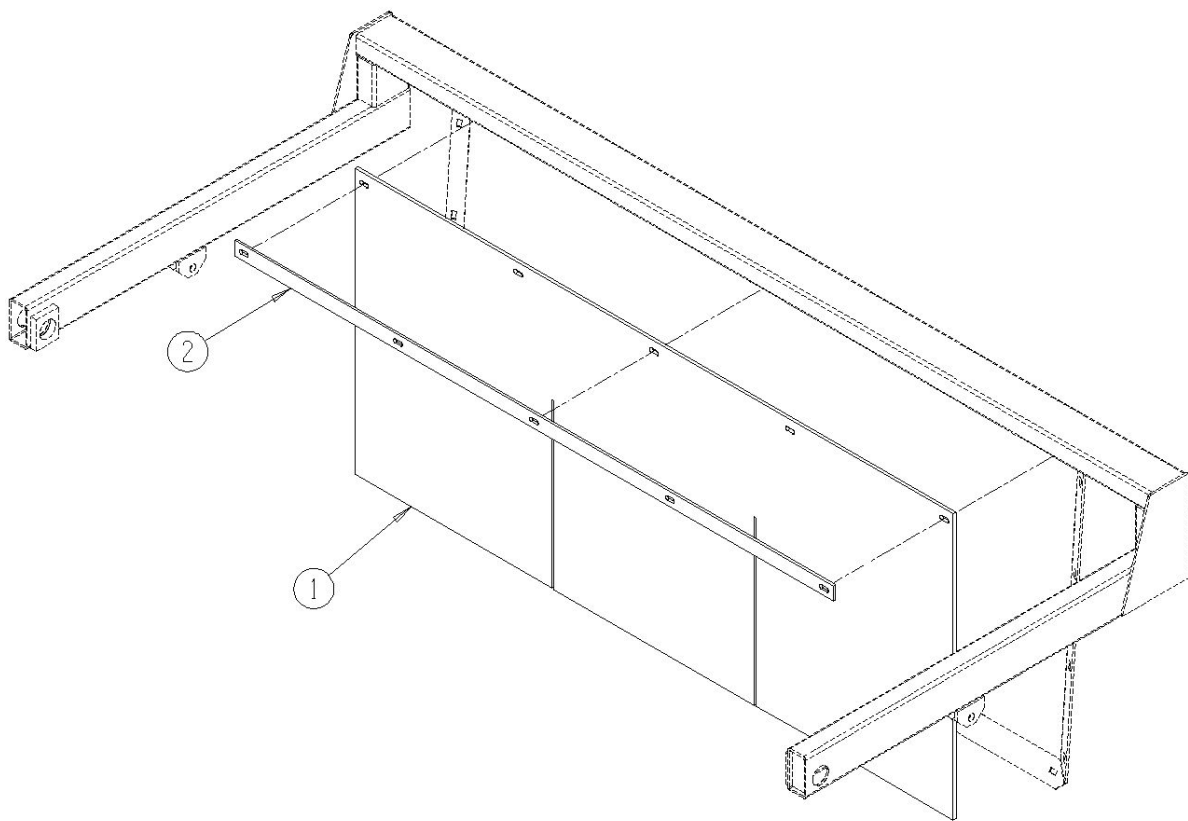
7001-1-14 OPT. SINGLE WHEEL & HUB
(550/60-22.5 TIRE)



7001-1-15 Optional Endgate Debris Belting

<u>Ref</u>	<u>Part No.</u>	<u>Description</u>	<u>Parts – Assembly</u>	<u>Will Fit SN</u>	<u>Remarks</u>
1	BAR-0168	Backing Bar, Endgate Belting, 790 Spreader	1		
2	BT-0086	Endgate Belting, 790 Spreader	1		
100	BL-6-175-C	3/8 UNC X 1 ¼ CARRIAGE BOLT GR5 ZINC	5		
101	BL-6-FW	3/8 USS FW ZC	5		
102	BL-6-N	3/8-16 HEX NUTS ZC	5		
103	BL-6-LW	3/8 SPLIT LW ZC	5		

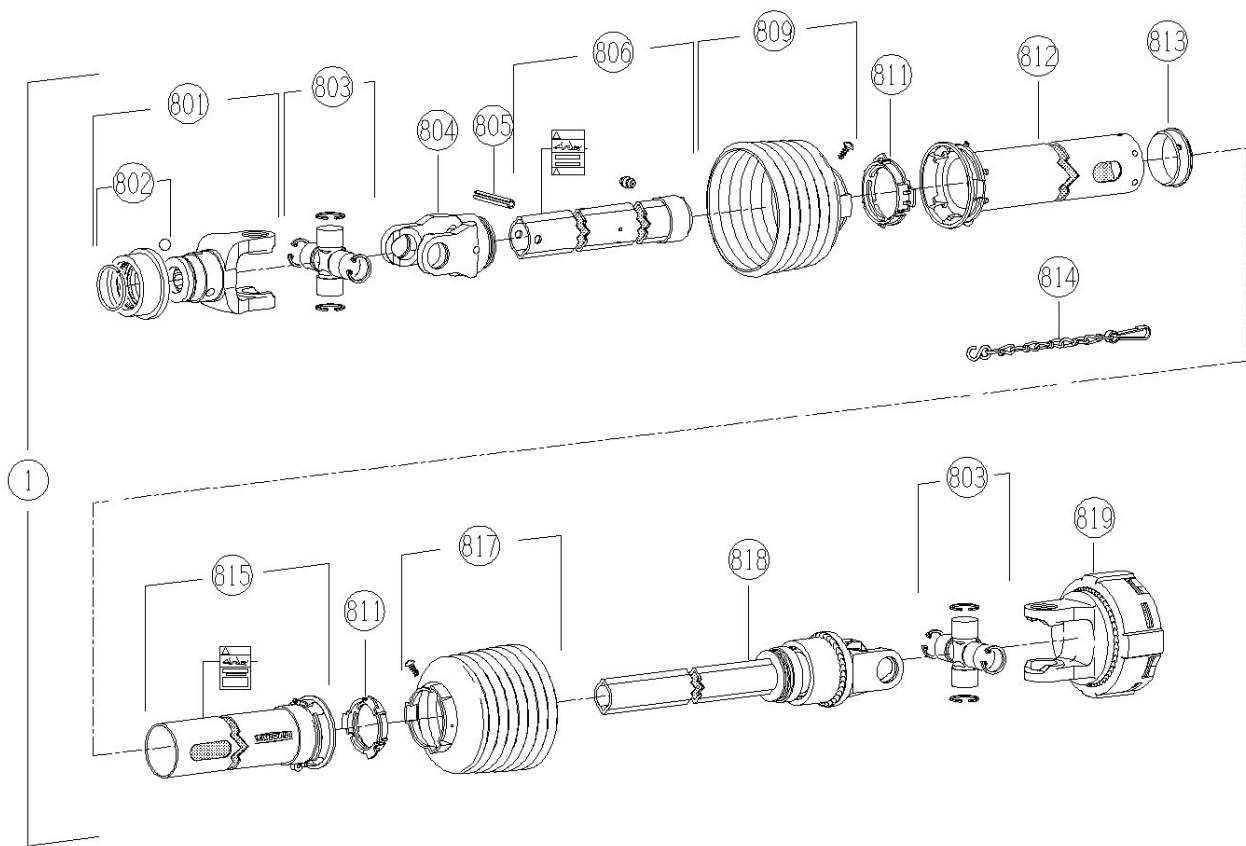
7001-1-15
OPTIONAL ENDGATE DEBRIS BELTING



7001-2-1 Walterscheid 1000 RPM Driveline w/ clutches

<u>Ref</u>	<u>Part No.</u>	<u>Description</u>	<u>Parts – Assembly</u>	<u>Will Fit SN</u>	<u>Remarks</u>
1	PTS-1010	1000 RPM, Walterscheid Power Shaft for Spreader with 1 3/8"-21 Spline	1		Replace with PTB-1012
801	PTS-1010A	Yoke, 1-3/8" - 21 Spline	1		
802	PTS-1010R	ASG Collar Kit	1		
803	PTS-1010B	Cross & Bearing Kit	2		
804	PTS-1010D	Inboard Yoke	1		
805	PTS-1010C	Spring Pin	1		
806	PTS-1010E	Profile & Sleeve	1		
809	PTS-1010H	Shield Cone, 6 Rib	1		
811	PTS-1002J	PTO Shield Bearing Ring	2		
812	PTS-1010J	Inner Shield Tube, Round	1		
813	PTS-1010N	Support Bearing	1		
814	PTS-1002K	PTO Shield Safety Chain	1		
815	PTS-1010I	Outer Shield Tube, Oval	1		
817	PTS-1010P	Shield Cone, 8 Rib	1		
818	PTS-1010F	Overrunning Clutch & Profile Assy	1		
819	PTS-1010G	Friction Clutch, 1000 rpm, Complete	1		

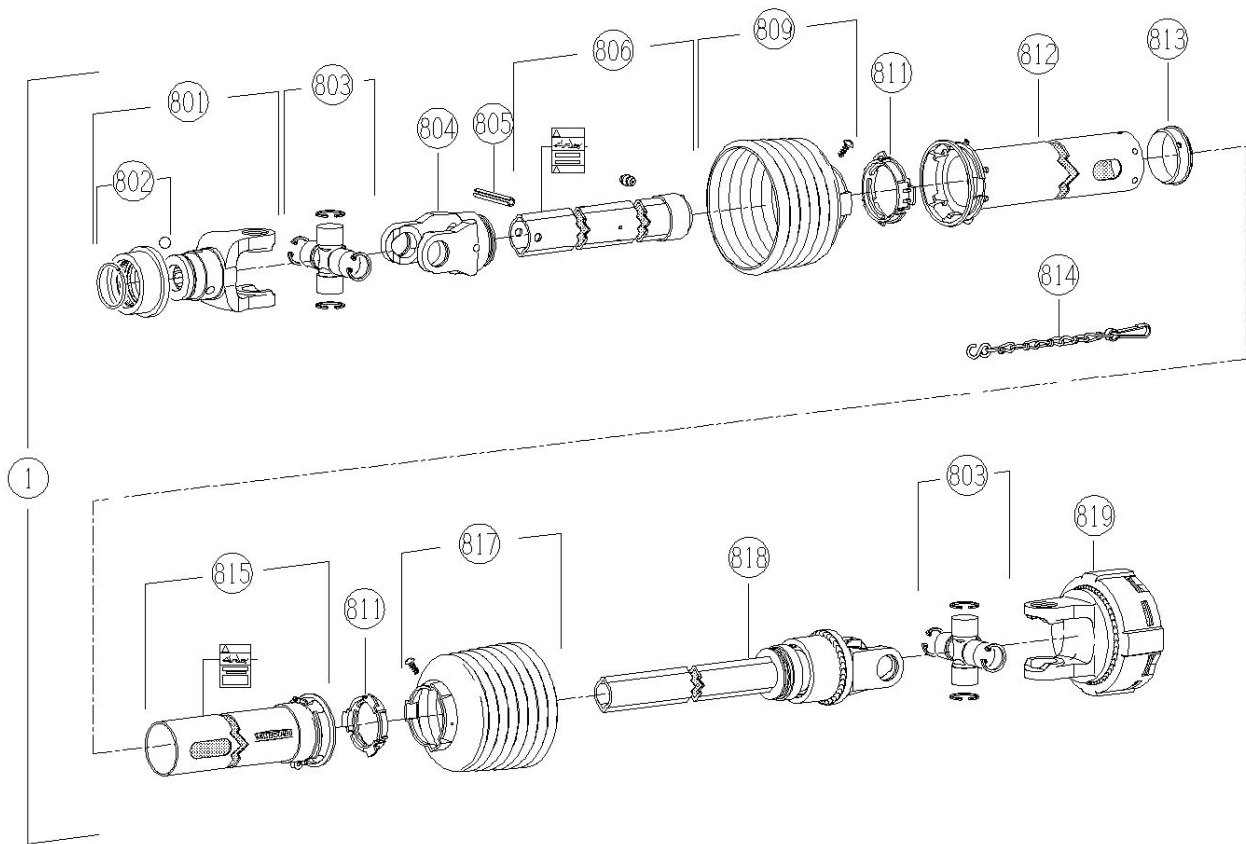
7001-2-1
WALTERSCHEID 1000 RPM DRIVELINE W/ CLUTCHES



7001-2-2 Walterscheid 540 RPM Driveline w/ clutches

<u>Ref</u>	<u>Part No.</u>	<u>Description</u>	<u>Parts – Assembly</u>	<u>Will Fit SN</u>	<u>Remarks</u>
1	PTS-1011	540 RPM, Walterscheid Power Shaft for Spreader with 1 3/8"-6 Spline	1		
801	PTS-1011A	Yoke, 1-3/8" - 6 Spline	1		
802	PTS-1010R	ASG Collar Kit	1		
803	PTS-1010B	Cross & Bearing Kit	2		
804	PTS-1010D	Inboard Yoke	1		
805	PTS-1010C	Spring Pin	1		
806	PTS-1010E	Profile & Sleeve	1		
809	PTS-1010H	Shield Cone, 6 Rib	1		
811	PTS-1002J	PTO Shield Bearing Ring	2		
812	PTS-1010J	Inner Shield Tube, Round	1		
813	PTS-1010N	Support Bearing	1		
814	PTS-1002K	PTO Shield Safety Chain	1		
815	PTS-1010I	Outer Shield Tube, Oval	1		
817	PTS-1010P	Shield Cone, 8 Rib	1		
818	PTS-1010F	Overrunning Clutch & Profile Assy	1		
819	PTS-1011B	Friction Clutch, 540 rpm, Complete	1		

7001-2-2
WALTERSCHEID 540 RPM DRIVELINE W/ CLUTCHES



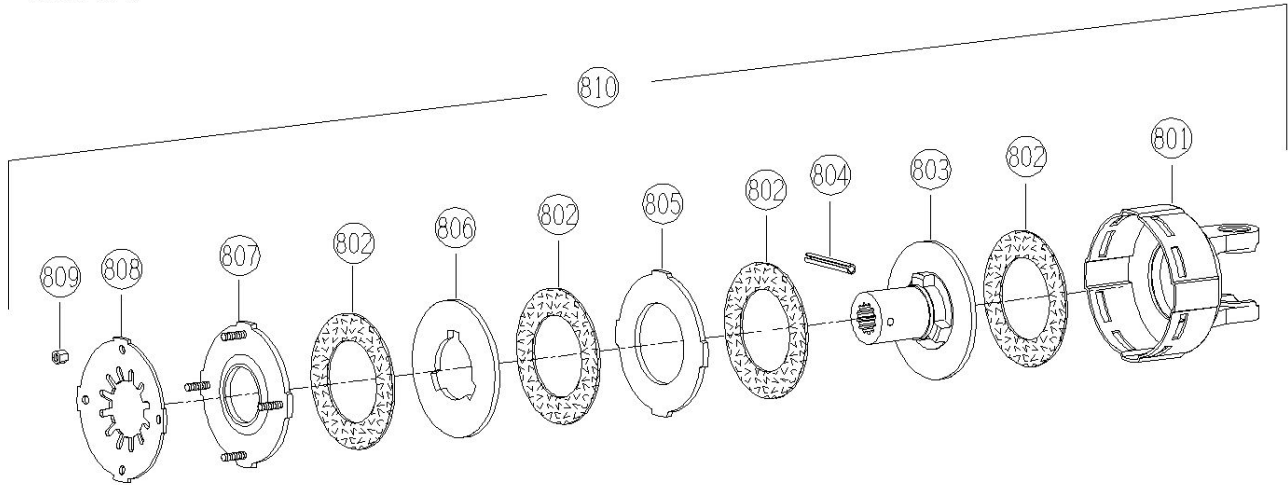
7001-2-3 Walterscheideid Friction Clutch, 1000 rpm

<u>Ref</u>	<u>Part No.</u>	<u>Description</u>	<u>Parts – Assembly</u>	<u>Will Fit SN</u>	<u>Remarks</u>
801	PTS-1010G-A	Clutch Housing	1		
802	PTS-1010G-B	Friction Disk	4		
803	PTS-1010G-C	Hub	1		
804	PTS-1010C	Spring Pin	1		
805	PTS-1010G-D	Drive Plate	1		
806	PTS-1010G-E	Drive Plate	1		
807	PTS-1010G-F	Thrust Plate	1		
808	PTS-1010G-G	Belleville Spring	1		
809	PTS-1010G-H	Hex Nut, M8	4		
810	PTS-1010G	Friction Clutch, 1000 rpm, Complete	1		
812	PTS-1011B-A	Belleville Spring	1		
813	PTS-1011B	Friction Clutch, 540 rpm, Complete	1		

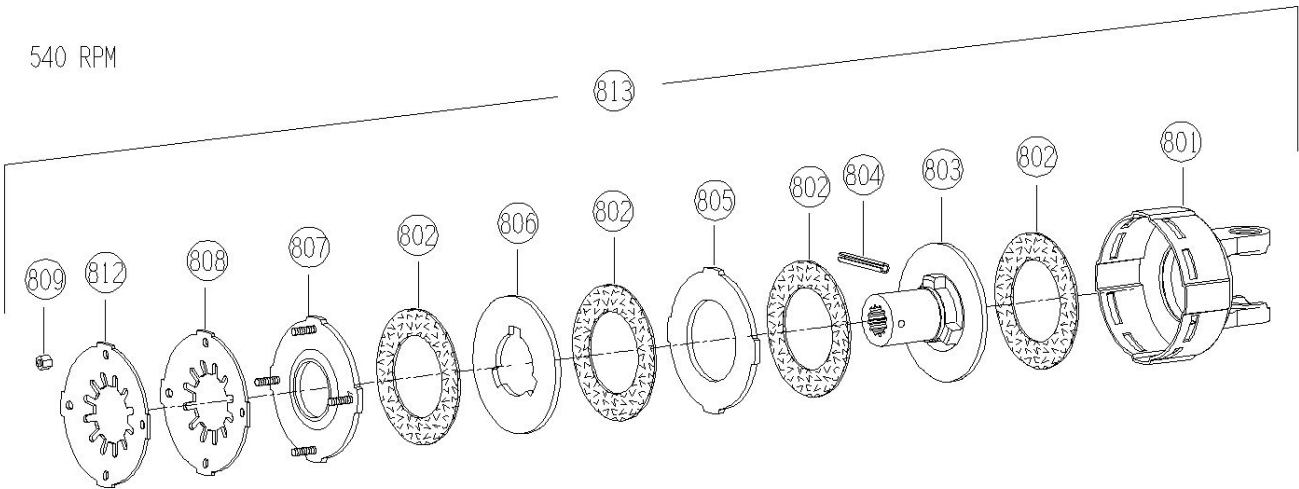
7001-2-3
WALTERSHEID FRICTION CLUTCHES
1000 RPM & 540 RPM



1,000 RPM



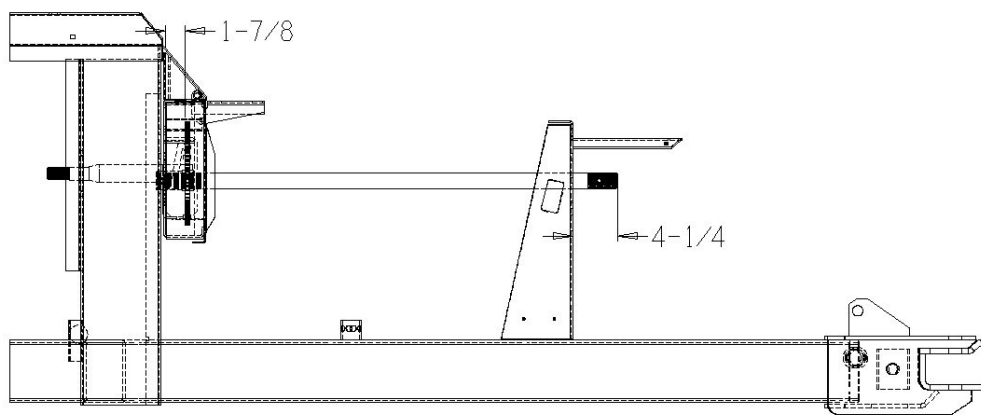
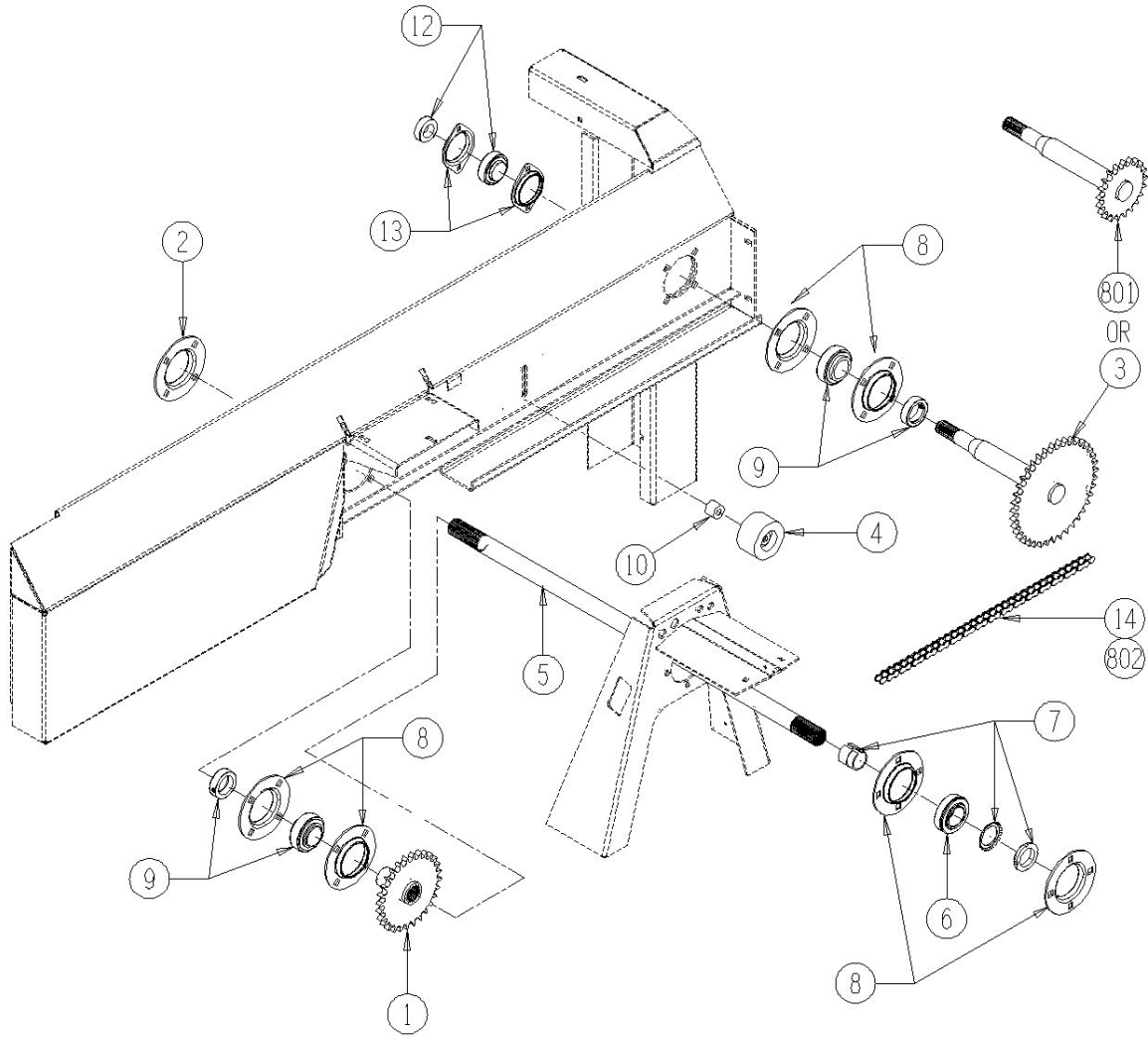
540 RPM



7001-2-4 Front Input Shaft, Sprockets and Chain

<u>Ref</u>	<u>Part No.</u>	<u>Description</u>	<u>Parts – Assembly</u>	<u>Will Fit SN</u>	<u>Remarks</u>
1	PR22867	Chain Sprocket, Rear Drive, Jack Shaft	1		
2	PR28139	Cap, Input Drive	1		
3	PR23168	Sprocket Wldmt, 1000 rpm, 790 & 1190	0	790, 1190	
3	PR23171	Sprocket Weldment, Front Drive Sprocket, 1190	1		
4	RLT-035-228	Roller 3.5 dia x 2.2 x 1/2" bore, no flange	1		
5	PR33227	Jack Shaft for 790, 1190, & 490V	1	790 & 1190	
6	BR-209-085	Bearing, Taper Bore, 1 1/2"	1		
7	BR-209-085A	Adapter for Taper Bore Bearing, 1 1/2"	1		50mm LTB
8	BR-085-MS	Stamped Bearing Housing for 1 3/4" Bearing	6		
9	BR-175-085-KB-I	Bearing, 1 3/4" ID, SS	2		
10	PR38651	Spacer	1	PR38651	
12	BR-125-072-KB-I	Bearing, 1 1/4" ID, SS	0		
12	BR-144-072KB-I	Bearing, 1 7/16" ID, SS	1		
13	BR-072-MST	Stamped Bearing Housing for 1 1/4" Bearing, Two Bolt	2		
14	CH-60H-135	Roller Chain 135 pitches #60H Gearbox Drive w/master	1		1,000 rpm
101	BL-8-125-C	1/2 UNC X 1 1/4 CARRIAGE BOLT GR5 ZINC	8		
102	BL-6-100-C	3/8 UNC X 1 CARRIAGE BOLT GR5 ZINC	2		
103	BL-8-175-C	1/2 UNC X 1 3/4 CARRIAGE BOLT GR5 ZINC	4		
104	BL-8-400-C	1/2 UNC X 4 CARRIAGE BOLT GR5 ZINC	1		
105	BL-8-LW	1/2 SPLIT LW ZC	12		
106	BL-6-LW	3/8 SPLIT LW ZC	2		
107	BL-6-N	3/8-16 HEX NUTS ZC	2		
108	BL-6-SW	3/8 SAE FW ZC	2		
109	BL-8-LN	1/2-13 HEX LOCK NUT NYLON INSERT ZC	5		
110	BL-8-N	1/2-13 HEX FIN NUTS ZC	12		
111	BL-8-SW	1/2 SAE FW ZC	14		
801	PR23166	Sprocket Wldmt, 540 rpm 790 Heavy	1		
802	CH-60H-125	Roller Chain 125 pitches #60H Gearbox Drive w/master	1		540 rpm drive. Replaces CH-60H-127

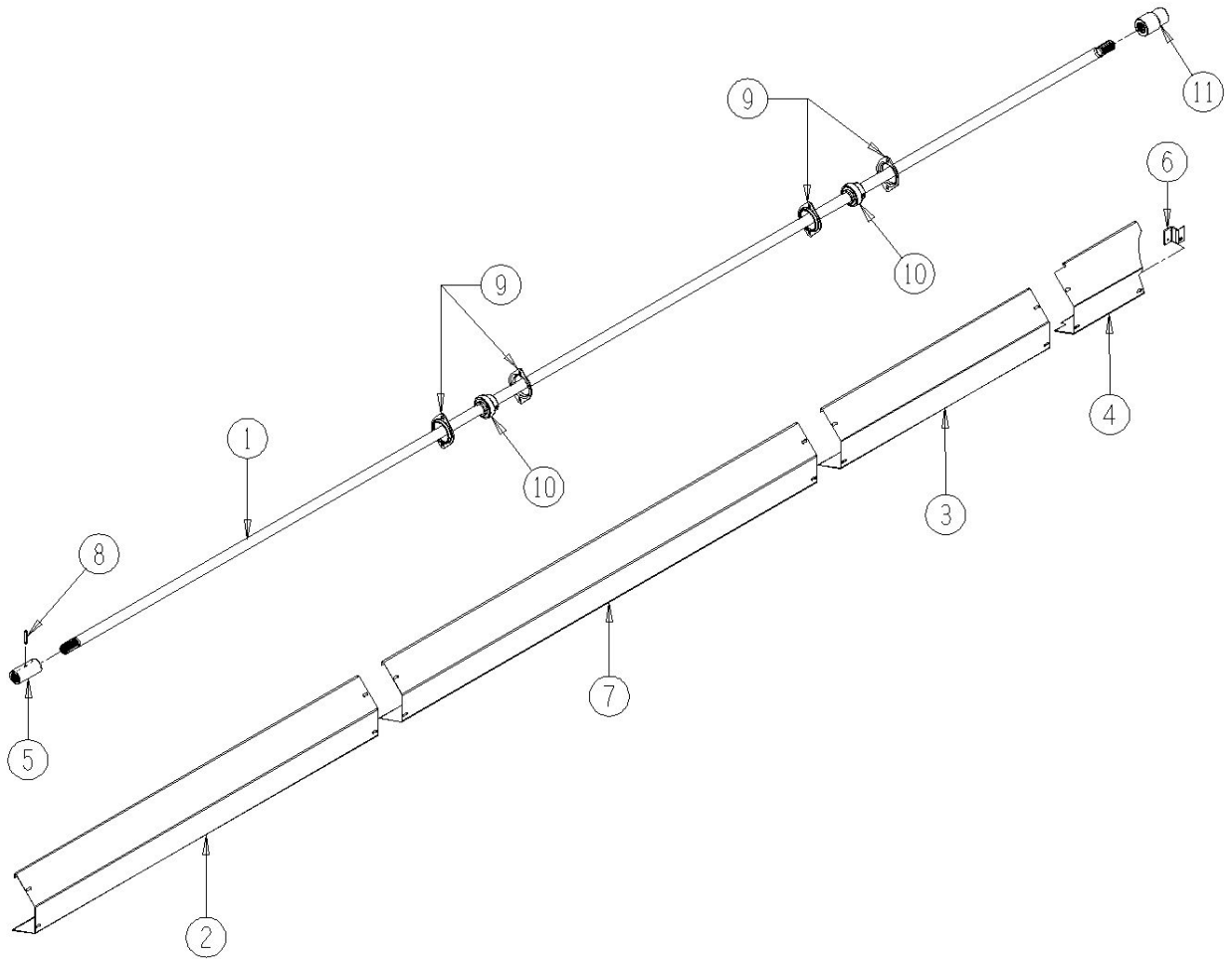
7001-2-4
FRONT INPUT SHAFT, SPROCKETS & CHAIN



7001-2-5 Side Drive Shaft and Shields

<u>Ref</u>	<u>Part No.</u>	<u>Description</u>	<u>Parts – Assembly</u>	<u>Will Fit SN</u>	<u>Remarks</u>
1	PR33274	Side Shaft, Input To Gearbox, 1 7/16"	1		
1	PR33270	Side Shaft, Input To Gearbox, 1.25"	0		Special Order Only. Replace with upgrade kit
2	PR34858	Shield, Shaft, Side Front, Spreader	1		
3	PR34860	Shield, Shaft, Side Intern, Rear, Spreader	1		
4	PR34861	Shield, Shaft, Side, Rear, Spreader	1		
5	PR35351	Coupler, Front, Side Shaft	1		
5	PR35344	Coupler, 1.75 O.D. x 30mm I.D. Splined & Hardened	0		
6	PR39023	Bracket, Rear Shield, Spreader	1		
7	PR39090	Shield, Shaft, Side Intern, Spreader	1		
8	PIN-4-28	Roll Pin 1/4" x 1.75"	1		
9	BR-072-MST	Stamped Bearing Housing for 1 1/4" Bearing, Two Bolt	4		
10	BR-144-072KB-I	Bearing, 1 7/16" ID, SS	2		
10	BR-125-072-KB-I	Bearing, 1 1/4" ID, SS	0		
11	PR35352	Coupler, Rear, Side Shaft, 1190	1		
101	BL-4-075-H	1/4 UNC X 3/4 HH C/S BOLT GR5 ZINC	15		
102	BL-6-100-C	3/8 UNC X 1 CARRIAGE BOLT GR5 ZINC	4		
103	BL-4-LW	1/4 SPLIT LW ZC	15		
104	BL-4-FW	1/4 USS FW ZC	15		
105	BL-6-N	3/8-16 HEX NUTS ZC	4		
106	BL-6-LW	3/8 SPLIT LW ZC	4		
107	BL-6-SW	3/8 SAE FW ZC	4		

7001-2-5
SIDE DRIVE SHAFT & SHIELDS



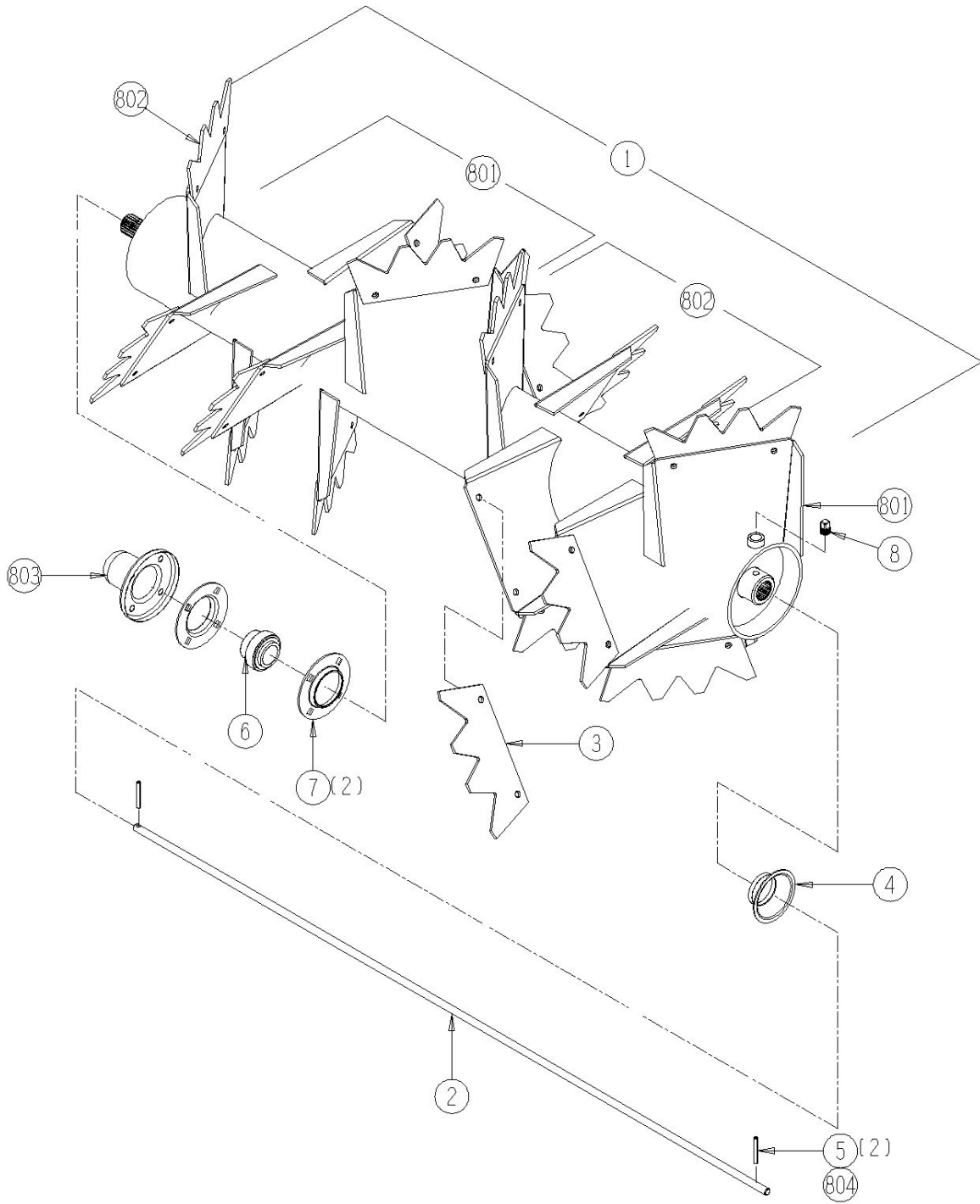
7001-2-6 Gear Case

<u>Ref</u>	<u>Part No.</u>	<u>Description</u>	<u>Parts – Assembly</u>	<u>Will Fit SN</u>	<u>Remarks</u>
1	PR23902	Gearbox for Spreader, 2 Shaft	1		
101	BL-8-225-C	1/2 UNC X 2 1/4 CARRIAGE BOLT GR5 ZINC	4		
102	BL-8-N	1/2-13 HEX FIN NUTS ZC	4		
103	BL-8-LW	1/2 SPLIT LW ZC	4		
104	BL-8-SW	1/2 SAE FW ZC	4		
801	PR23902-A	Double Lip Seal	1		Reference Only, Special Order
802	PR23902-B	Shaft	1		Reference Only, Special Order
803	PR23902-C	Bearing & Race	2		
804	PR23902-D	Spacer	1		Reference Only, Special Order
805	PR23902-E	Snap Ring	1		Reference Only, Special Order
807	PR23902-G	Shim Kit	1		Contains 9 pieces Reference Only, Special Order
808	PR23902-H	Pinion	1		Reference Only, Special Order
809	PR23902-J	Nut	1		Reference Only, Special Order
810	PR23902-K	Double Lip Seal	1		Reference Only, Special Order
811	PR23902-L	Housing	1		Reference Only, Special Order
812	PR23902-M	Dipstick	1		Reference Only, Special Order
813	PR23902-N	Cotter Pin	1		Reference Only, Special Order
814	PR23902-P	Bearing & Race (Output shaft)	2		
815	PR23902-Q	Shim Kit	2		Contains 4 pieces Reference Only, Special Order
816	PR23902-R	Shaft, Output	1		
817	PR23902-S	Bolt M10 x 22	8		Reference Only, Special Order
818	PR23902-T	Cover	1		Reference Only, Special Order
819	PR23902-U	Bevel Gear	1		Reference Only, Special Order

7001-2-7 Beater

<u>Ref</u>	<u>Part No.</u>	<u>Description</u>	<u>Parts – Assembly</u>	<u>Will Fit SN</u>	<u>Remarks</u>
1	PR23263	Bottom Beater Wldmt, 790 & 1190	1		
2	PR34754	Shaft, Inside Drum, Bottom Beater, Spreader	0	71003001- 71004018	Alignment hole to be drilled at time of assembly.
3	PR34822	Beater Blade for Spreader,790 & 1190	16		
4	PR34987	Main Beater Shield	1		
5	PIN-5-40	Roll Pin, 5/16 x 2 1/2	2		
6	BR-175-085-I	Bearing, 1 3/4" ID, TS	1		
7	BR-085-MS	Stamped Bearing Housing for 1 3/4" Bearing	2		
8	AP-12	3/4" NPT Plug	1		
101	BL-8-175-C	1/2 UNC X 1 3/4 CARRIAGE BOLT GR5 ZINC	4		
102	BL-8-150-H	1/2 UNC X 1 1/2 HH C/S BOLT GR5 ZINC	32		
103	BL-8-N	1/2-13 HEX FIN NUTS ZC	4		
104	BL-8-LW	1/2 SPLIT LW ZC	4		
105	BL-8-SW	1/2 SAE FW ZC	68		
106	BL-8-LN	1/2-13 HEX LOCK NUT NYLON INSERT ZC	32		
801	PR34826	Bracket, Paddle, Lower Beater	8		
802	PR34828	Bracket, Paddle, Lower Beater	8		
803	PR35336	Bearing Cap, Large	1		
804	PIN-5-24	Roll Pin, 5/16" x 1 1/2"	0		

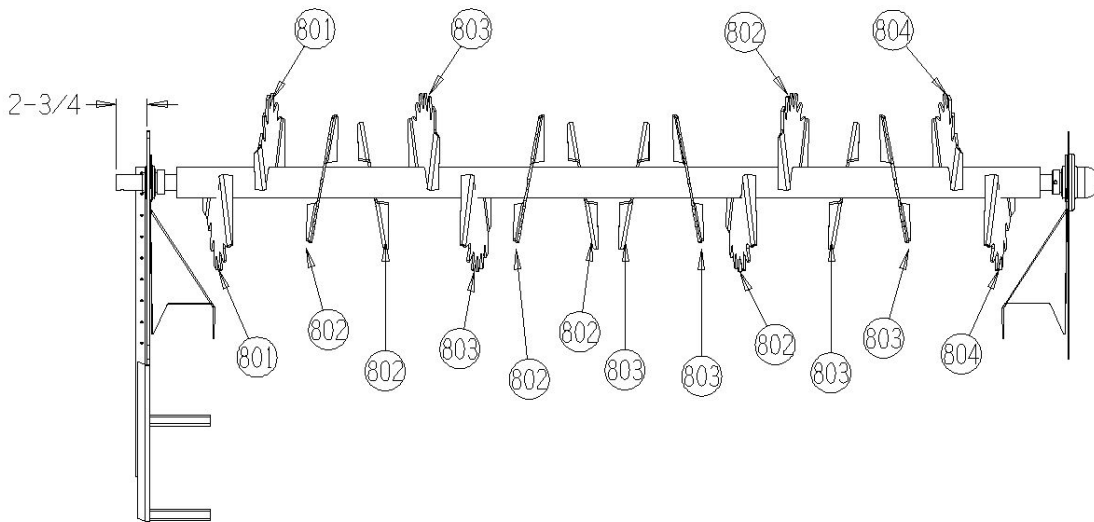
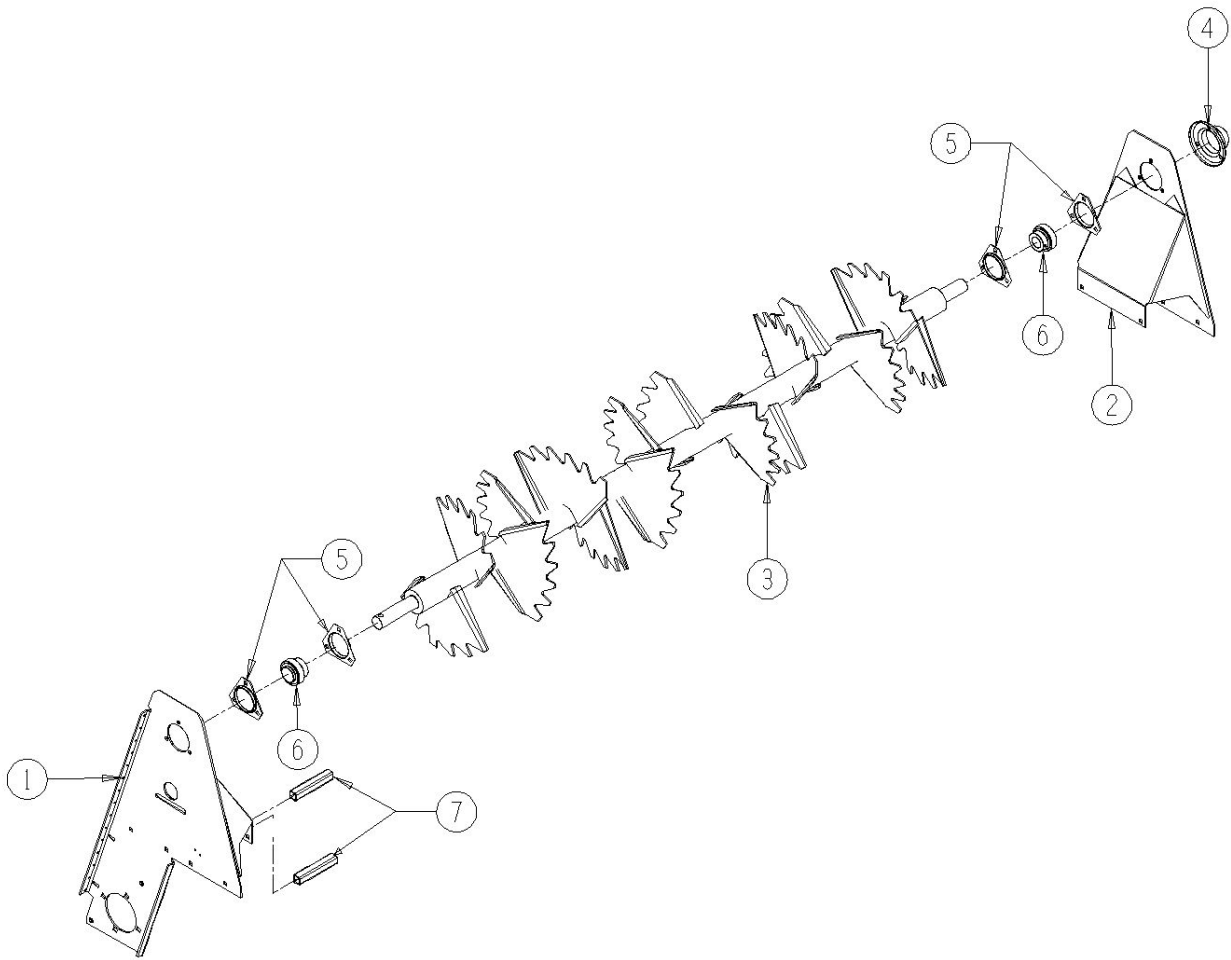
7001-2-7
MAIN BEATER



7001-2-8 Upper Beater

<u>Ref</u>	<u>Part No.</u>	<u>Description</u>	<u>Parts – Assembly</u>	<u>Will Fit SN</u>	<u>Remarks</u>
1	PR23440	Support, RH, Upper/Lower Beater, Spreader	1		
2	PR23441	Support, LH, Upper Beater, Spreader	1		
3	PR39080	Upper Beater, 790	1		
4	PR28029	Upper Beater Cap	1		
5	BR-072-MSTR	Stamped Bearing Housing for 1 7/16" Bearing, 3 Bolt	4		
6	BR-144-072-I	Bearing, 1 7/16" ID, TS	2		
7	SPA-0008	Spacer, Beater Panel to Upper Beater Support	2		
101	BL-8-650-H	Grade 5 Bolt 1/2 x 6 1/2	2		
102	BL-6-100-C	3/8 UNC X 1 CARRIAGE BOLT GR5 ZINC	11		
103	BL-6-150-C	3/8 UNC X 1 1/2 CARRIAGE BOLT GR5 ZINC	3		
104	BL-6-SW	3/8 SAE FW ZC	20		
105	BL-6-N	3/8-16 HEX NUTS ZC	14		
106	BL-6-LW	3/8 SPLIT LW ZC	14		
107	BL-6-LN	3/8 UNC FIN HEX LOCK NUT NE A563 GrA ZINC	3		
108	BL-8-LN	1/2-13 HEX LOCK NUT NYLON INSERT ZC	2		
801	PR35262	Impeller, RH, End, Upper Beater	0		
802	PR26858	Impeller, RH, Center, Upper Beater	0		
803	PR26866	Impeller, LH, Center, Upper Beater	0		
804	PR35263	Impeller, LH, End, Upper Beater	0		

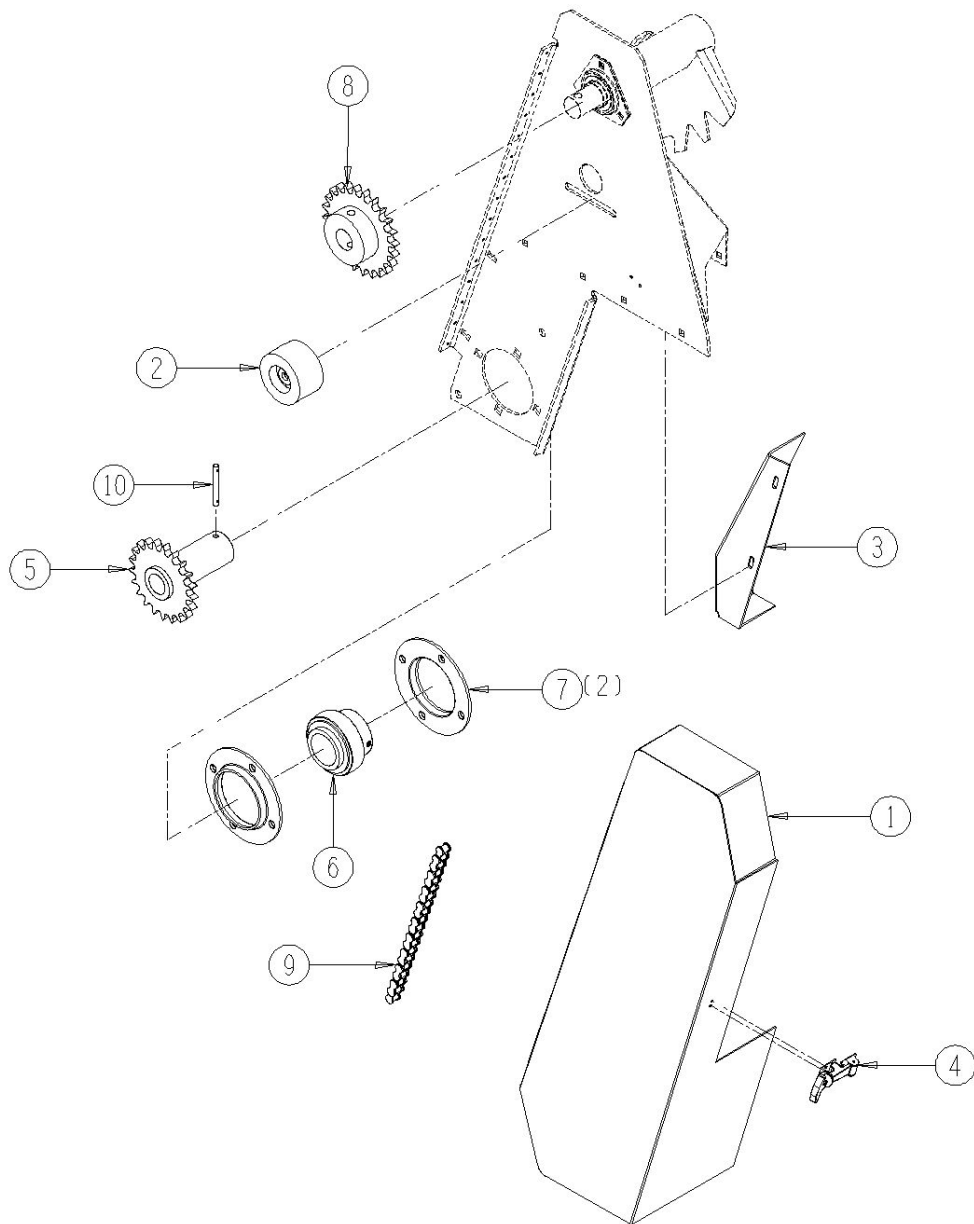
7001-2-8
UPPER BEATER



7001-2-9 Upper Beater Drive Sprockets and Chain

<u>Ref</u>	<u>Part No.</u>	<u>Description</u>	<u>Parts – Assembly</u>	<u>Will Fit SN</u>	<u>Remarks</u>
1	PR23469	Shield, Drive Chain, Upper Beater, Spreader	1		
2	RLT-035-228	Roller 3.5 dia x 2.2 x 1/2" bore, no flange	1		
3	PR36636	Shield, Lower, Upper Beater Drive, Spreader	1		
4	LA-1530	Medium Rubber T Latch Assembly	1		
5	PR39156	Sprocket, Chain, Lower To Upper Beater, Drive	1		
6	BR-1203-100KB	Fafnir Bearing 2 3/16" Heavy SS1	1		
7	BR-100-MS	Stamped Bearing Housing for 2 3/16" Bearing	2		
8	PR39085	Sprocket Wldmt, Upper Beater, Spreader	1		
9	CH-60H-95	Roller Chain 95 pitches #60H, UB Drive, 790 w/master	1		
10	PIN-5-36	Roll Pin, 5/16 x 2 1/4	1		
101	BL-8-275-H	1/2 UNC X 2 3/4 HH C/S BOLT GR5 ZINC	1		
102	BL-5-100-C	5/16-18 x 1, Z5	2		
103	BL-8-125-C	1/2 UNC X 1 1/4 CARRIAGE BOLT GR5 ZINC	4		
104	BL-8-300-C	1/2 UNC X 3 CARRIAGE BOLT GR5 ZINC	1		
105	RI-3-66-P	Pop Rivets 3/16 x 1/2 Domed, .625 head , ea.	17		
106	BL-8-LW	1/2 SPLIT LW ZC	5		
107	BL-5-FW	5/16 USS FW ZC	2		
108	BL-5-LW	5/16 SPLIT LW ZC	2		
109	BL-5-N	5/16-18 UNF HEX NUT A563 GrA ZINC	2		
110	BL-8-SW	1/2 SAE FW ZC	5		
111	BL-8-LN	1/2-13 HEX LOCK NUT NYLON INSERT ZC	1		
112	BL-8-N	1/2-13 HEX FIN NUTS ZC	5		

7001-2-9
UPPER BEATER DRIVE SPROCKETS AND CHAIN

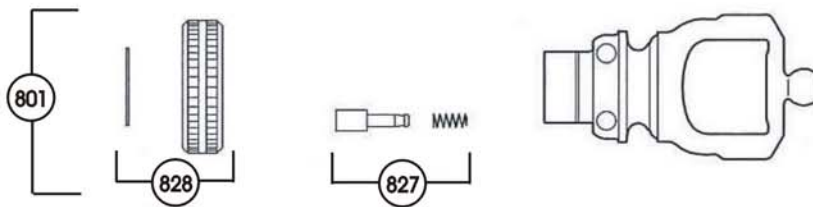
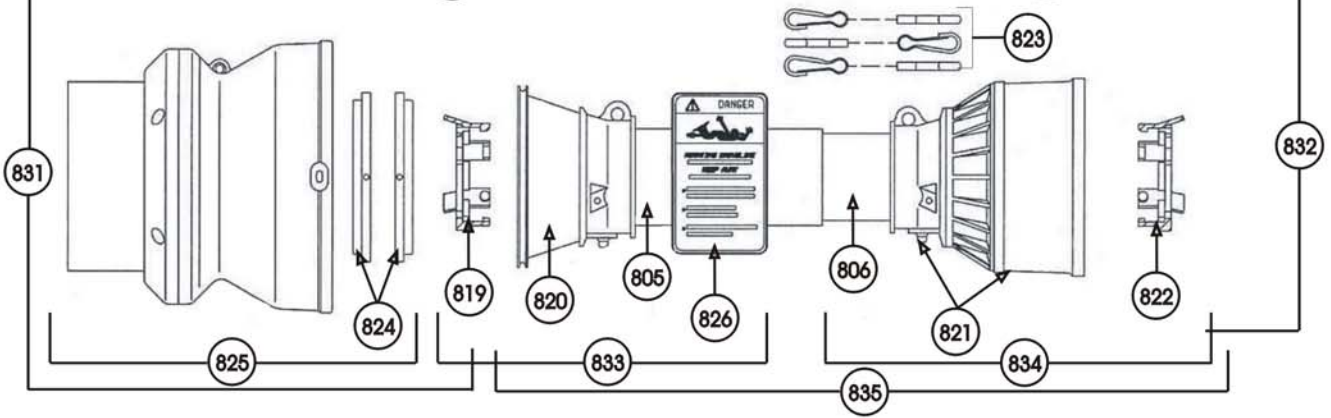
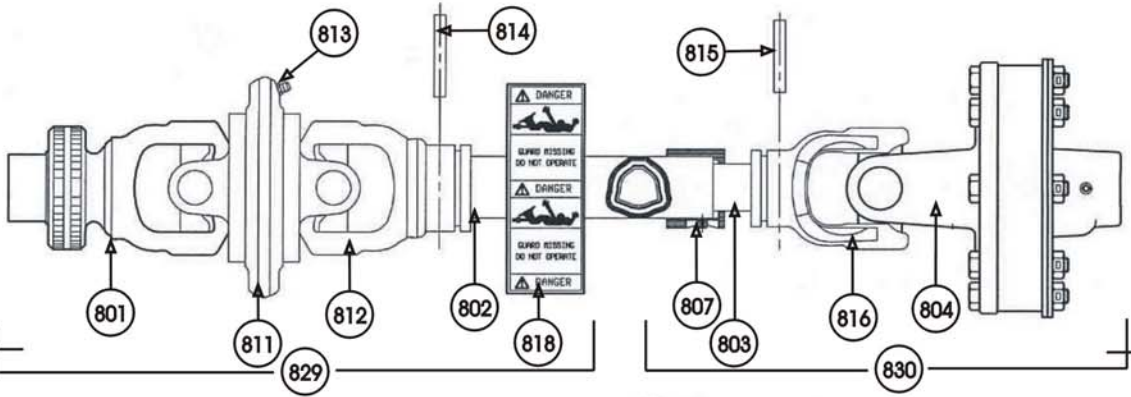
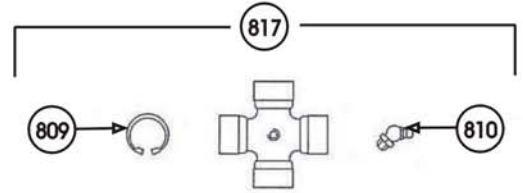
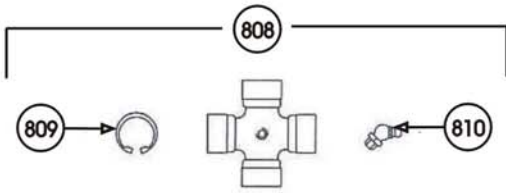


7001-2-11 1000 RPM Const Vel Shaft w/clutch S.N.-70007023 (Yellow)

<u>Ref</u>	<u>Part No.</u>	<u>Description</u>	<u>Parts – Assembly</u>	<u>Will Fit SN</u>	<u>Remarks</u>
0	PTB-1012	1000 rpm CV Driveline for Hydra Ram Spreader	1		S.N. -71007008 Can Replace PTS-1010
801	PTB-1012-A-OLD	Yoke, 1-3/8" - 21 Spline	1		
802	PTB-1012B	Outer Profile	1		
803	PTB-1012C	Inner Profile	1		
804	PTB-1012D	Friction Clutch	1		
805	PTB-1012E	Outer Shield Tube	1		
806	PTB-1012F	Inner Shield Tube	1		
807	PTB-1012G	Support Bearing	1		
808	PTB-1012H	Cross Journal Ass.	2		
809	PTB-1012I	Circlip	12		
810	PTB-1012J	Grease Nipple - 45°	3		
811	PTB-1012K	Central Body	1		
812	PTB-1012L	Yoke With Bridge	1		
813	PTB-1012M	Grease Nipple - Straight	1		
814	PTB-1012N	Flexible Pin	1		
815	PTB-1012O	Flexible Pin	1		
816	PTB-1012P	Inner Tube Yoke	1		
817	PTB-1012Q	Cross Journal Ass.	1		
818	PTB-1012R	Label	1		
819	PTB-1012S	Shield Support 6-7	1		
820	PTB-1012T	Safety Cone	1		
821	PTB-1012U	I.Cone Sets F5-6-7	1		
822	PTB-1012V	Shield Support 6-7	1		
823	PTB-1012W	Complete Chain	3		
824	PTB-1012X	Ring Nut Dowels	1		
825	PTB-1012Y	Complete Shell	1		
826	PTB-1012Z	Label	1		

827	PTB-1012AA	Complete Push Button	2
828	PTB-1012BB	Hub	1
829	PTB-1012NN	Outer Half Shaft	1
830	PTB-1012OO	Inner Half Shaft	1
831	PTB-1012PP	Outer Half Shaft, Front Half	1
832	PTB-1012QQ	Inner Half Shaft	1
833	PTB-1012RR	Outer Shield	1
834	PTB-1012SS	Inner Shield	1
835	PTB-1012TT	Complete Shield	1

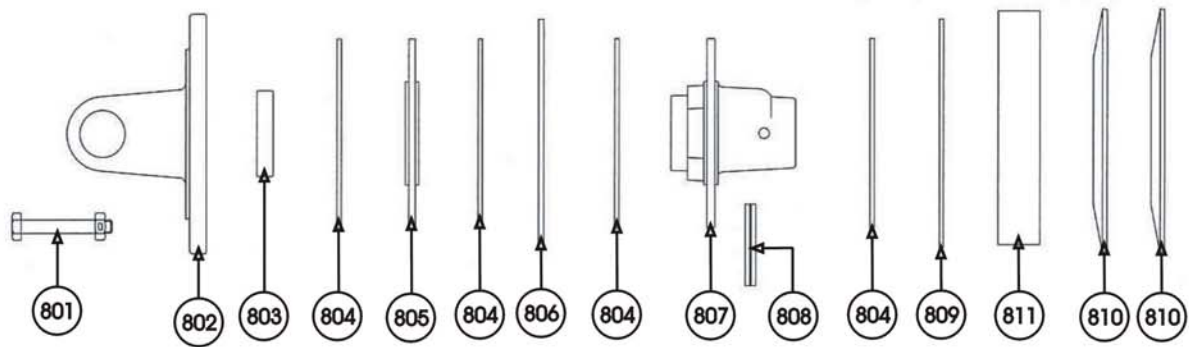
7001-2-11
 1000 RPM, CONSTANT VELOCITY DRIVE LINE, W/ CLUTCH



7001-2-12 Friction Clutch

<u>Ref</u>	<u>Part No.</u>	<u>Description</u>	<u>Parts – Assembly</u>	<u>Will Fit SN</u>	<u>Remarks</u>
1	PTB-1012D	Friction Clutch	0		
801	PTB-1012CC	Hex cap screw and lock nut	8		
802	PTB-1012DD	Flange Yoke	1		
803	PTB-1012EE	Bushing	1		
804	PTB-1012FF	Friction Disk	4		
805	PTB-1012GG	Lining Plate	1		
806	PTB-1012HH	Inner Plate	1		
807	PTB-1012II	Hub	1		
808	PTB-1012JJ	Spring Dowels	1		
809	PTB-1012KK	Thrust Plate	1		
810	PTB-1012LL	Spring	2		
811	PTB-1012MM	Spacer	1		

7001-2-12 FRICTION CLUTCH

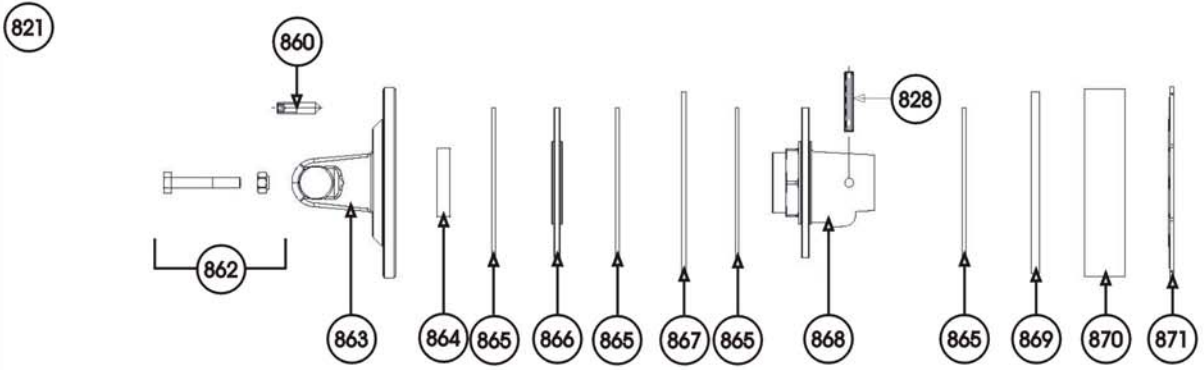
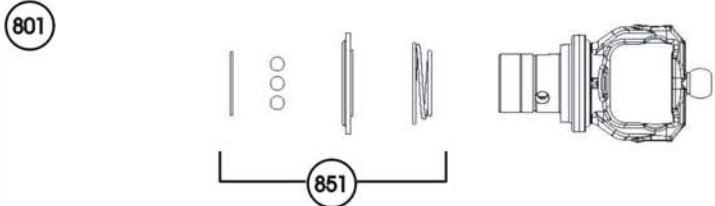
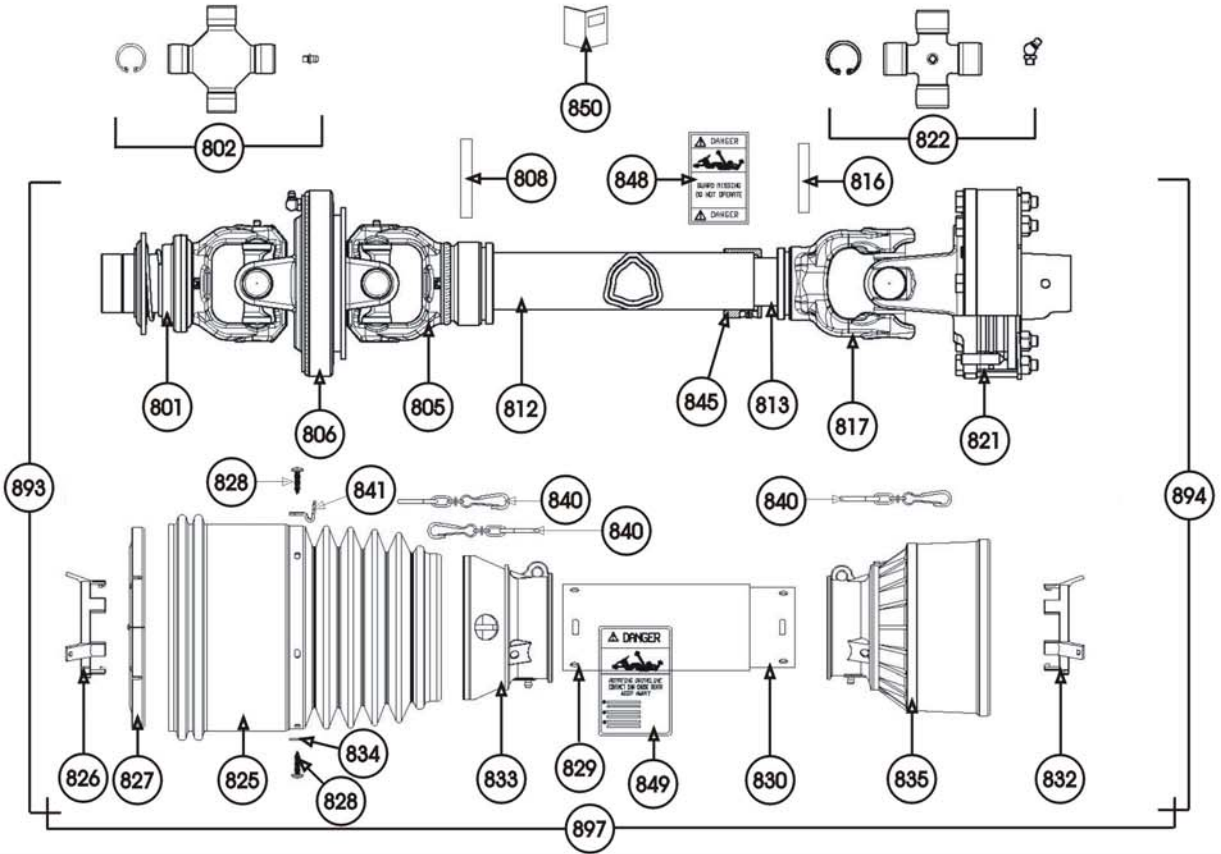


7001-2-13 1000 RPM Con. Vel Shaft w/clutch S.N.70007024-

<u>Ref</u>	<u>Part No.</u>	<u>Description</u>	<u>Parts – Assembly</u>	<u>Will Fit SN</u>	<u>Remarks</u>
1	PTB-1012	1000 rpm CV Driveline for Hydra Ram Spreader	1		S.N. -71007008 Can Replace PTS-1010
801	PTB-1012A	Yoke, 1-3/8" - 21 Spline	1		
802	PTB-1011B	Cross Kit, S6 SFT 80° , EL 27X100	2		
805	PTB-1011C	Outer Tube Yoke, 1R6	1		
806	PTB-1011D	Central Body Sft, CV S6	1		
808	PTB-1011E	Flexible Roll Pin, #6/7 Outer 10X75MM	1		
812	PTB-1011F	Outer Tube	1		
813	PTB-1011G	Inner Drive Tube	1		
816	PTB-1012O	Flexible Pin	1		
817	PTB-1012P	Inner Tube Yoke	1		
821	PTB-1011H	Clutch, #6-S7, 1-1/2"	1		
822	PTB-1011I	Cross Kit	1		
825	PTB-1011J	Shield Cone, 80° CV	1		
826	PTB-1012S	Shield Support 6-7	1		
827	PTB-1011K	Shield Support Sft	1		
828	PTB-1011L	Self Tapping Shielding Screw	6		
829	PTB-1011M	Tube	1		
830	PTB-1011N	Shield Tube	1		
832	PTB-1012V	Shield Support 6-7	1		
833	PTB-1011O	Base Cone, Outer for 80° CV	1		
834	PTB-1011P	Washer	5		
835	PTB-1012U	I.Cone Sets F5-6-7	1		
840	PTB-1011Q	Shield Chain, S-Hook	3		
841	PTB-1011R	Clip-Chain Attachment	1		
845	PTB-1012G	Support Bearing	1		
848	PTB-1012R	Label	1		
849	PTB-1012Z	Label	1		

850	PTB-1011S	Instruction Booklet, USA	1	
851	PTB-1011T	Ball Collar Kit, 1-3/8"	1	
860	PTB-1011U	Clutch Pin	4	
861	PTB-1012JJ	Spring Dowels	1	
862	PTB-1011V	Bolt-Nut, Pkg of 8	1	Packs of 8
863	PTB-1011W	Clutch Plate	1	
864	PTB-1012EE	Bushing	1	
865	PTB-1012FF	Friction Disk	4	
866	PTB-1012GG	Lining Plate	1	
867	PTB-1011X	Inner Plate	1	
868	PTB-1012II	Hub	1	
869	PTB-1012KK	Thrust Plate	1	
870	PTB-1012MM	Spacer	1	
871	PTB-1011Y	Spring	1	
893	PTB-1011Z	Half Shaft, Cleared	1	
894	PTB-1011AA	Half Shaft, Cleared	1	
897	PTB-1011BB	Shield, Complete Kit	1	

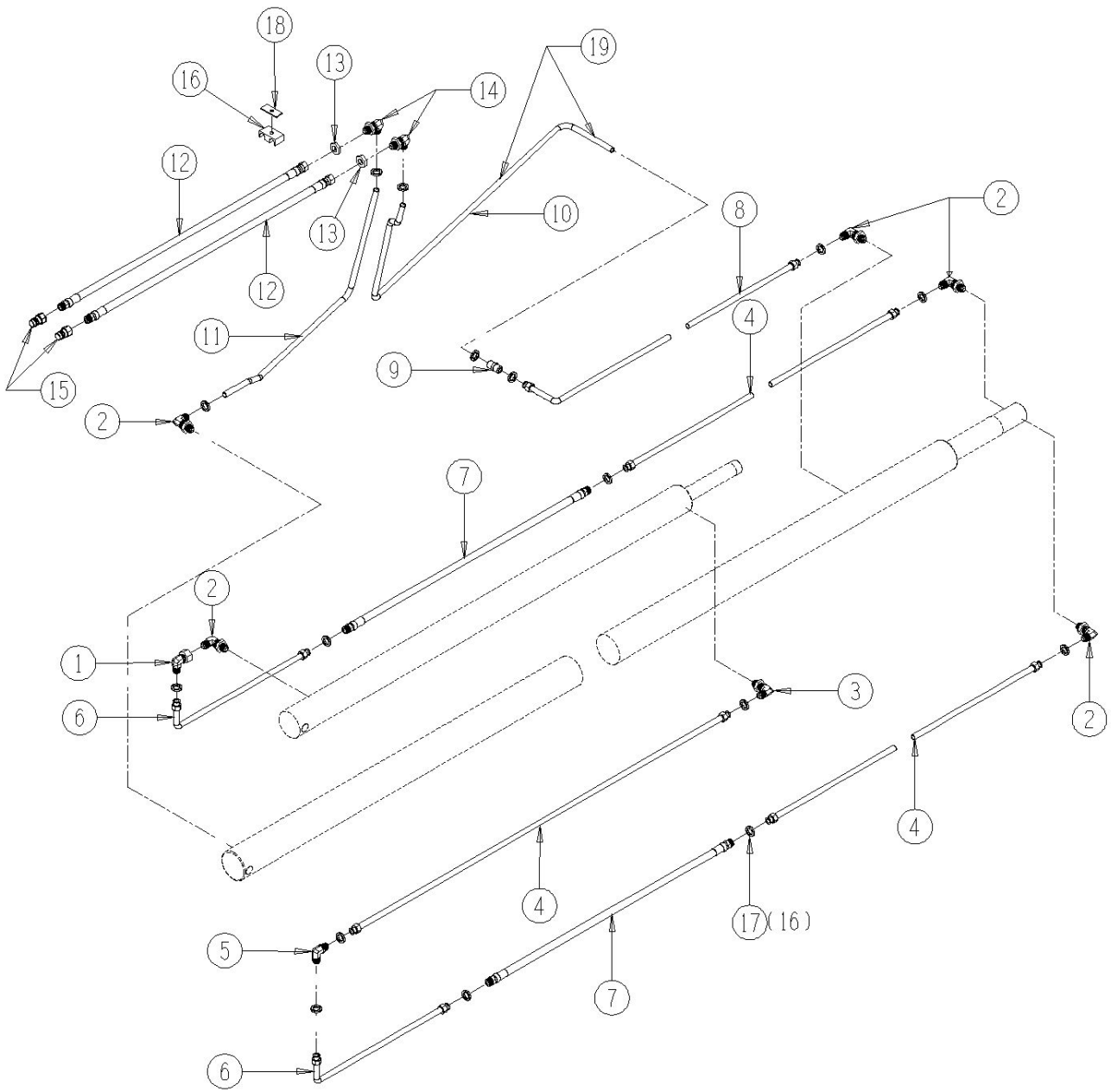
7001-2-13
 1000 RPM CON. VEL. SHAFT W/CLUTCH
 S.N. 70007024- (BLACK SHAFT)



7001-3-1 Hydraulics, Control Valve to Push off Cylinders

<u>Ref</u>	<u>Part No.</u>	<u>Description</u>	<u>Parts – Assembly</u>	<u>Will Fit SN</u>	<u>Remarks</u>
1	A-6500-10	Elbow, 5/8" MJ x 5/8" FJX	1		
2	A-6801-L-10	Elbow, Long, 5/8" MJ x 10 SAE	5		
3	A-6801-10	Elbow, 5/8" MJ x 10 SAE	1		
4	H-T7001	Hyd Tube, Primary/Sec Cylinder, 5/8" Dia.	3		
5	A-2500-10	Elbow, 5/8" MJ x 5/8" MJ	1		
6	H-T7002	Hyd Tube, Primary to Sec. Cylinder, 5/8" dia.	2		
7	H8-40-10MJ-10MJ	1/2" hose 5/8" MJ x 5/8" MJ x 39.75" long	2		
8	H-T7003	Hyd Tube, Primary Cylinder, Rear, 5/8" dia.	1		
9	A-2403-10	Union, 5/8" MJ x 5/8" MJ	1		
10	H-T7004	Hyd Tube, Primary Cylinder to Supply, 5/8" dia.	1		
11	H-T7005	Hyd Tube, Supply To Primary Cylinder, 5/8" dia	1		
12	H8-75-8MP-10FJ	1/2" hose 1/2" MP x 5/8" FJ x 75" long	2		
13	A-306-10	Lock Nut, Bulkhead, For 5/8" MJIC	2		
14	A-2701-10	Elbow, Bulkhead, 5/8" MJ x 5/8" MJ	2		
15	A-QD2010-8-8	Tractor Quick Coupler, Male, 1/2" w/ FPT	2		
16	PR34897	Hose Clamp, 1/2" Hydraulic, 13/16" O.D. Hose	1		
17	HW-10	5/8" OD Washer for Hydraulic Tube/Hose	16		
18	PR34893	Support, Clamp, 1/2" Double Hose Clamp	1		
19	HA-1031	Hydraulic Hose Holder 3/8	2		
101	BL-6-200-C	3/8 UNC X 2 CARRIAGE BOLT GR5 ZINC	1		
102	BL-6-N	3/8-16 HEX NUTS ZC	1		
103	BL-6-LW	3/8 SPLIT LW ZC	1		
104	BL-6-SW	3/8 SAE FW ZC	1		
601	HY-TRAN	Hytran @ gal	5		
602	HP-1038	Gear Lube, 80W90 @ Quart	1.25	Hydra Ram Spreader	

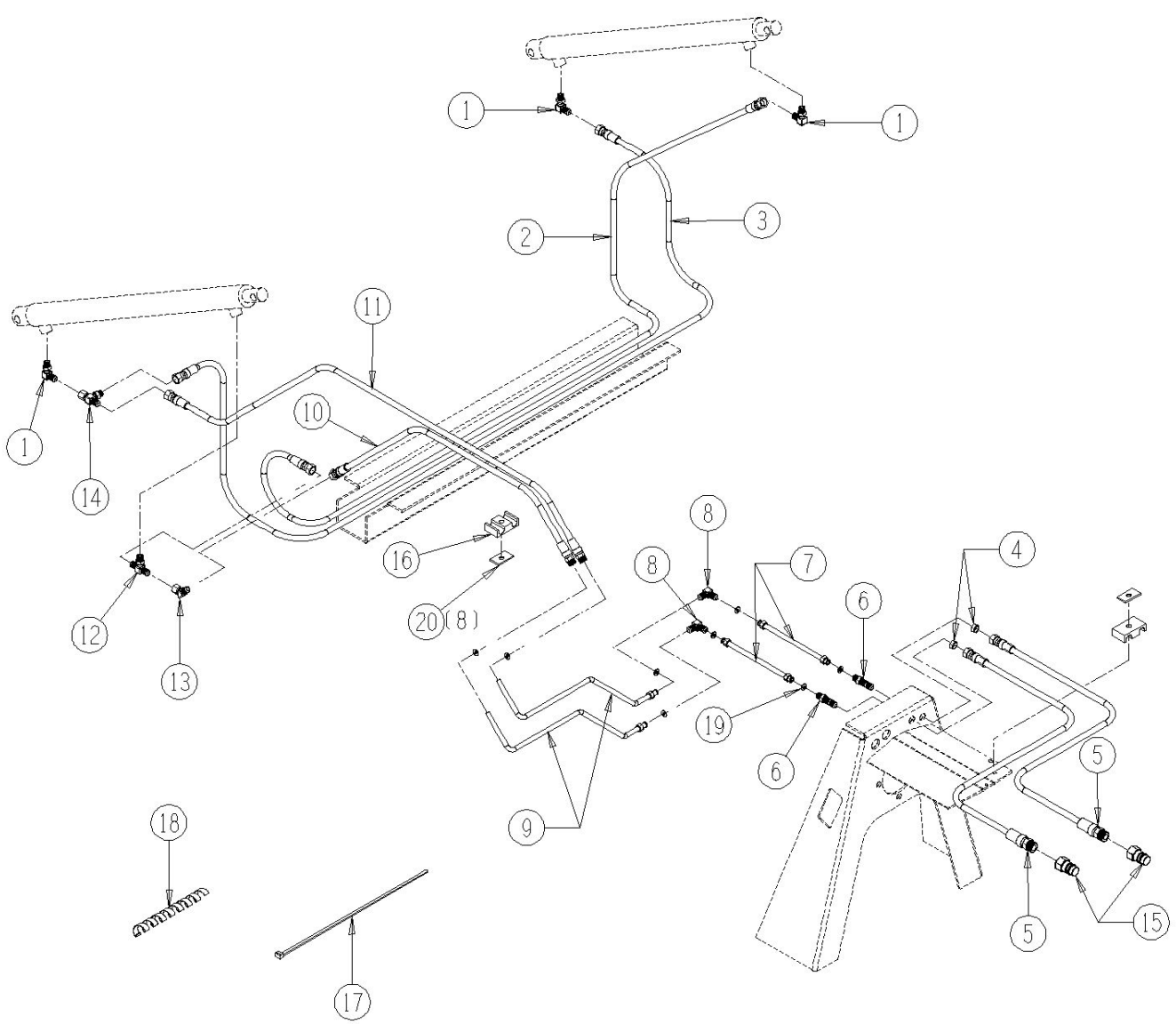
7001-3-1
HYDRAULICS, CONTROL VALVE
TO PUSH OFF CYLINDERS



7001-3-2 Hydraulics, Tractor to Endgate Cylinders

<u>Ref</u>	<u>Part No.</u>	<u>Description</u>	<u>Parts – Assembly</u>	<u>Will Fit SN</u>	<u>Remarks</u>
1	A-6801-6	Elbow, 3/8" MJ x 6 SAE	3		
2	H4-153-6FJ-6FJ	1/4" hose 3/8" FJ x 3/8" FJ x 153.5" long	1		
3	H4-107-6FJ-6FJ	1/4" hose 3/8" FJ x 3/8" FJ x 107.5" long	1		
4	A-306-6	Lock Nut, Bulkhead, For 3/8" MJIC	2		
5	H4-75-6FJ-8MP	1/4" hose 3/8" FJ x 1/2" MP x 75" long	2		
6	A-2700-6	Union, Bulkhead, 3/8" MJ x 3/8" MJ	2		
7	H-T7006	Hyd Tube, Endgate, Front, 3/8" dia.	2		
8	A-2500-6	Elbow, 3/8" MJ x 3/8" MJ	2		
10	H4-158-6FJ-6MJ	1/4" hose 3/8" FJ x 3/8" MJ x 158" long	1		
11	H4-181-6FJ-6MJ	1/4" hose 3/8" FJ x 3/8" MJ x 181" long	1		
12	A-6803-6	Tee, 3/8" MJ x 3/8" MJ x 6 SAE	1		
13	A-6502-6	Elbow, 45°, 3/8" MJ x 3/8" FJX	1		
14	A-6602-6	Tee, 3/8" MJ x 3/8" FJX x 3/8" MJ	1		
15	A-QD2010-8-8	Tractor Quick Coupler, Male, 1/2" w/ FPT	2		
16	PR34896	Hose Clamp, 1/4" Hydraulic, 1/2" O.D. Hose	5		
17	WT-17H	Heavy Duty Wire Tie 17.5"	6		
18	ELL-12	¾" OD Black Spiral Wrap @ Foot	2.7		
19	HW-06	3/8" OD Washer for Hydraulic Tube/Hose	8		
20	PR34894	Support, Clamp, 1/4" Double Hose Clamp	5		
101	BL-6-200-C	3/8 UNC X 2 CARRIAGE BOLT GR5 ZINC	1		
102	BL-6-N	3/8-16 HEX NUTS ZC	1		
103	BL-6-LW	3/8 SPLIT LW ZC	1		
104	BL-6-SW	3/8 SAE FW ZC	1		

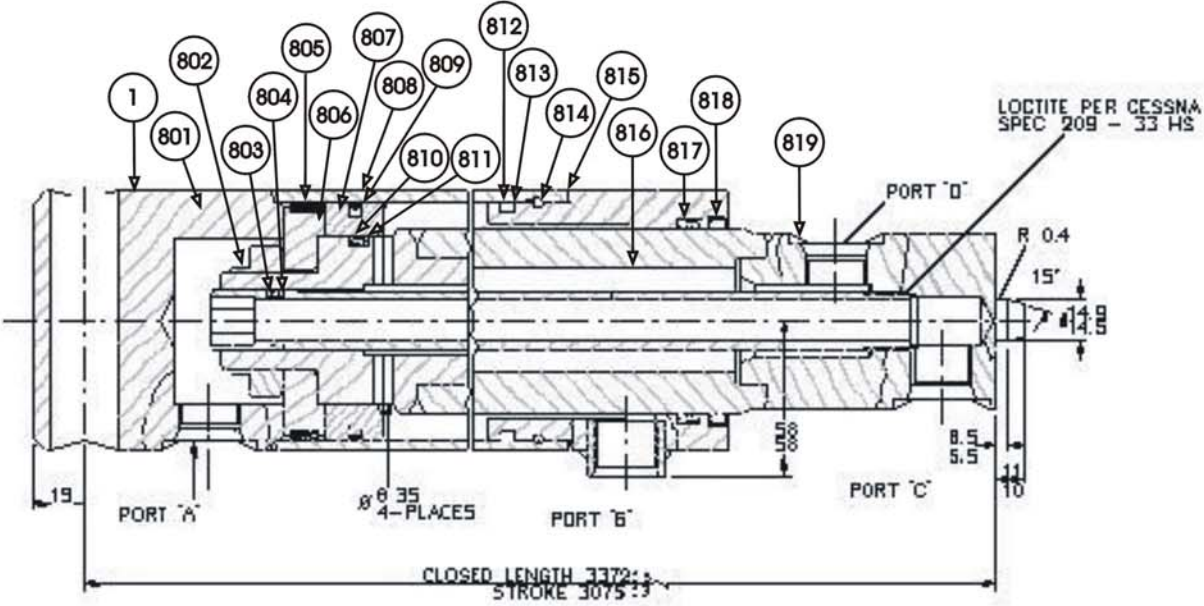
7001-3-2
HYDRAULICS, TRACTOR TO ENDGATE CYLINDERS



7001-3-3 Main Cylinder, Sliding Floor

<u>Ref</u>	<u>Part No.</u>	<u>Description</u>	<u>Parts – Assembly</u>	<u>Will Fit SN</u>	<u>Remarks</u>
1	PR23131	Main Cylinder	1		
801	PR23131-L	Barrel Assy.	1		Reference Only, Special Order
802	PR23131-M	Locknut - Thin	1		Reference Only, Special Order
803	PR23131-N	Back Up Washer	2		Reference Only, Special Order
804	PR23131-O	O Ring	1		Part of Seal Kit, Not Sold Separately
805	PR23131-P	Wear Ring	1		Part of Seal Kit, Not Sold Separately
806	PR23131-Q	Piston	1		Reference Only, Special Order
807	PR23131-R	Piston	1		Reference Only, Special Order
808	PR23131-A	Piston Ring	1		Reference Only, Special Order
809	PR23131-B	O-Ring	1		Part of Seal Kit, Not Sold Separately
810	PR23131-C	O-Ring	1		Part of Seal Kit, Not Sold Separately
811	PR23131-D	Back-up Washer	2		Part of Seal Kit, Not Sold Separately
812	PR23131-E	O Ring	1		Part of Seal Kit, Not Sold Separately
813	PR23131-F	Backup Washer	1		Part of Seal Kit, Not Sold Separately
814	PR23131-LR	Lock Ring	1		Reference Only, Special Order
815	PR23131-G	Bearing Assembly	1		Reference Only, Special Order
816	PR23131-H	Transfer Tube	1		Reference Only, Special Order
817	PR23131-I	Bearing Seal	1		Part of Seal Kit, Not Sold Separately
818	PR23131-J	Wiper	1		Part of Seal Kit, Not Sold Separately
819	PR23131-K	Piston Rod Assy. w/ Transfer Tube	1		Reference Only, Special Order Sold only with PR23131-H Transfer Tube
820	PR23131-SK	Seal Kit, Main Cylinder, Per Each	1		

7001-3-3
 MAIN CYLINDER (SLIDING FLOOR)

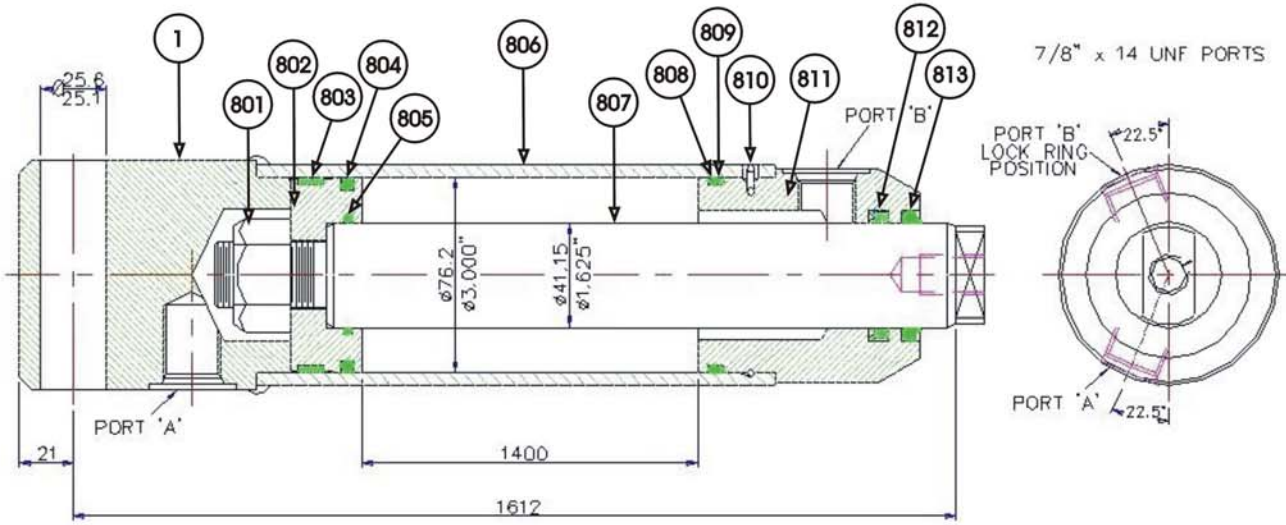


(820) Seal Kit

7001-3-4 Secondary Cylinder, Moving Panel

<u>Ref</u>	<u>Part No.</u>	<u>Description</u>	<u>Parts – Assembly</u>	<u>Will Fit SN</u>	<u>Remarks</u>
1	PR23143	Secondary Cylinder	1		
801	PR23143-M	1" BSF Nut	1		Reference Only, Special Order
802	PR23143-L	P/Head	1		Reference Only, Special Order
803	PR23143-A	P/Seal	1		Part of Seal Kit, Not Sold Separately
804	PR23143-B	O-Ring	1		Part of Seal Kit, Not Sold Separately
805	PR23143-C	Rod Seal	1		Part of Seal Kit, Not Sold Separately
806	PR23143-I	Cylinder Assy	1		Reference Only, Special Order
807	PR23143-J	P/Rod	1		Reference Only, Special Order
808	PR23143-D	O-Ring	1		Part of Seal Kit, Not Sold Separately
809	PR23143-E	Back Up Ring	1		Part of Seal Kit, Not Sold Separately
810	PR23143-H	Lock Ring	1		Part of Seal Kit, Not Sold Separately
811	PR23143-K	Gland Bearing	1		Reference Only, Special Order
812	PR23143-F	Rod Seal	1		Part of Seal Kit, Not Sold Separately
813	PR23143-G	Wiper	1		Part of Seal Kit, Not Sold Separately
814	PR23143-SK	Seal Kit, Secondary Cylinder, Per Each	1		

7001-3-4
 SECONDARY CYLINDER, MOVING PANEL



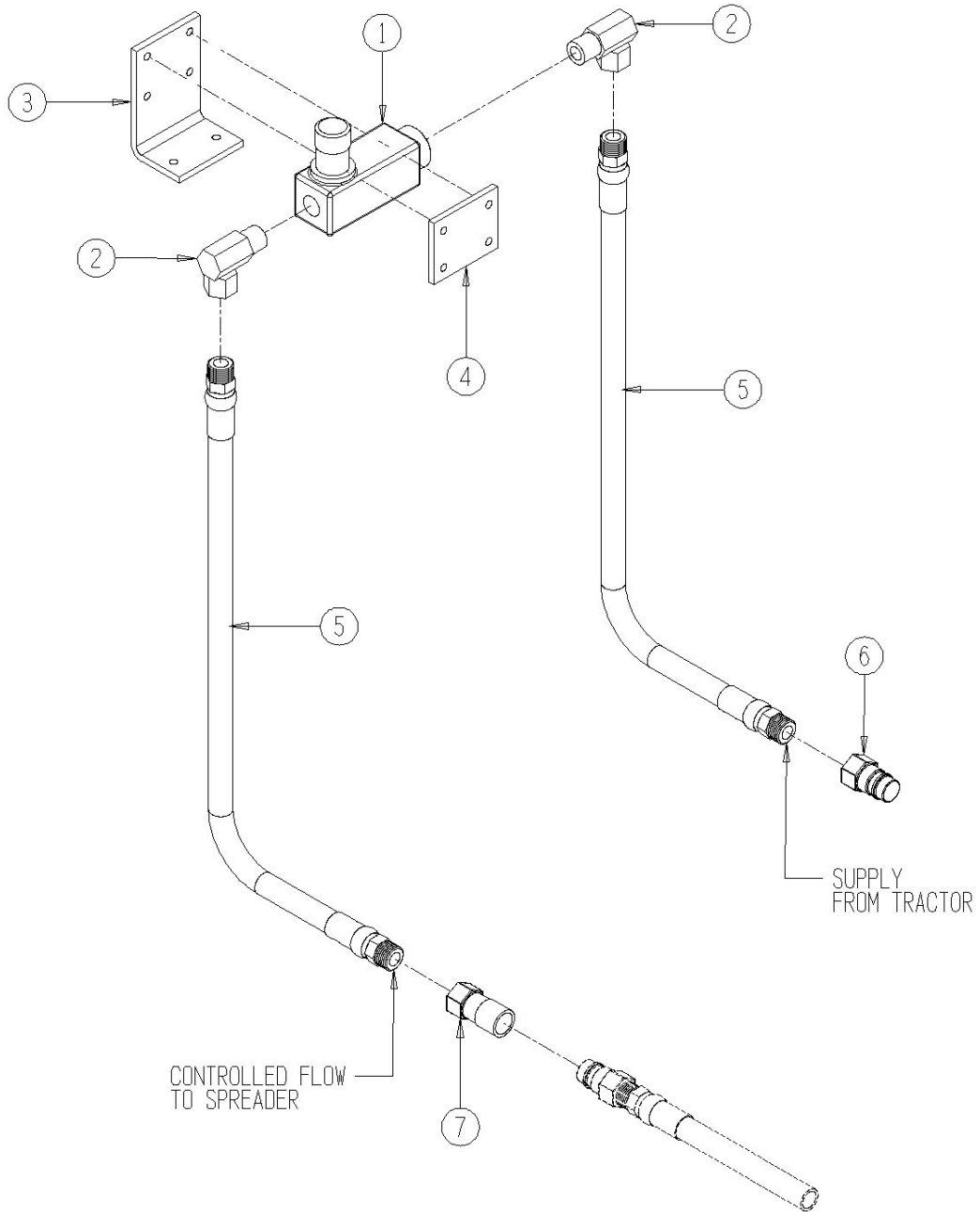
7001-3-5 Endgate Lift Cylinder

<u>Ref</u>	<u>Part No.</u>	<u>Description</u>	<u>Parts – Assembly</u>	<u>Will Fit SN</u>	<u>Remarks</u>
1	PR39068	Cylinder, Endgate, 1.5 bore	2		
802	PR39068-A	Wear Ring	1		Part of Seal Kit, Not Sold Separately
803	PR39068-B	TFE Seal	1		Part of Seal Kit, Not Sold Separately
804	PR39068-C	O Ring	1		Part of Seal Kit, Not Sold Separately
805	PR39068-D	Back-Up Ring	2		Part of Seal Kit, Not Sold Separately
806	PR39068-E	O Ring	1		Part of Seal Kit, Not Sold Separately
807	PR39068-F	O Ring	1		Part of Seal Kit, Not Sold Separately
808	PR39068-G	Back-Up Ring	1		Part of Seal Kit, Not Sold Separately
809	PR39068-H	Wear Ring	1		Part of Seal Kit, Not Sold Separately
810	PR39068-I	Loaded U-Cup	1		Part of Seal Kit, Not Sold Separately
811	PR39068-J	Rod Wiper	1		Part of Seal Kit, Not Sold Separately
812	PR39068-K	Locknut	1		Reference Only, Special Order
813	PR39068-L	Piston	1		Reference Only, Special Order
814	PR39068-M	Barrel Assembly	1		Reference Only, Special Order
815	PR39068-N	Rod	1		Reference Only, Special Order
816	PR39068-O	Internal Cylinder Head 1 1/2" (coarse)	1		Verify Stamp Location
816	PR39068-OB	Internal Cylinder Head 1 1/2" (Fine)	1		Verify Stamp Location
817	PR39068-SK	Seal Kit, Endgate Cylinder, Per Each	1		

7001-3-6 Optional Control Valve, Closed Center Hydraulic System

<u>Ref</u>	<u>Part No.</u>	<u>Description</u>	<u>Parts – Assembly</u>	<u>Will Fit SN</u>	<u>Remarks</u>
1	HV-8-8M-RFF	Flow Control Valve w/ reverse free flow/closed center	1		
2	A-1501-8-8	1/2 MP x 1/2 FPX90°	2		
3	MOU-0015	Mount, Control Valve, Closed Center, Spreader	1		
4	MOU-0016	Mount, Mating Plate, Control Valve, Closed Center	1		
5	H8-70-8MP-8MP	1/2 in hose 1/2MP x 1/2MP x 70 in long	2		
6	A-QD2010-8-8	Tractor Quick Coupler, Male, 1/2" w/ FPT	1		
7	A-QD2050-8-8	Tractor Quick Coupler, Female, 1/2" w/ FPT	1		
101	BL-4-275-H	1/4-20 X 2 3/4 HEX CAP G5 ZC	4		
102	BL-4-LN	1/4-20 HEX LN NE ZC	6		
103	BL-4-FW	1/4 USS FW ZC	12		
104	BL-4-175-H	1/4-20 X 1 3/4 HEX CAP G5 ZC	2		

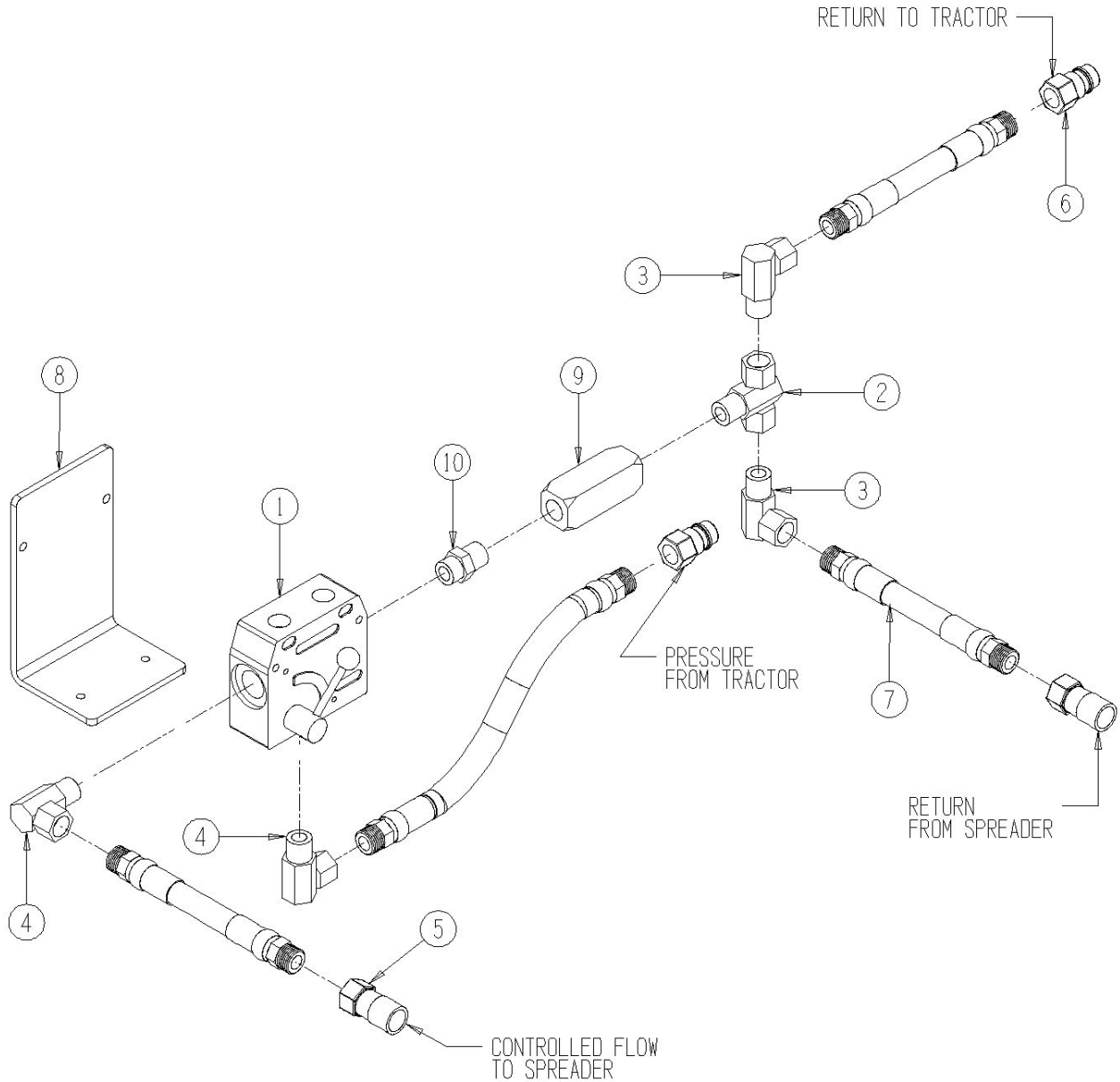
7001-3-6
CONTROL VALVE, CLOSED CENTER



7001-3-7 Optional Control Valve, Open Center Hydraulic System

<u>Ref</u>	<u>Part No.</u>	<u>Description</u>	<u>Parts – Assembly</u>	<u>Will Fit SN</u>	<u>Remarks</u>
1	HV-FC5510	Flow Control	1		
2	A-1601-8-8-8	1/2 MP x 1/2 FPX x 1/2 FPX Tee	1		
3	A-1501-8-8	1/2 MP x 1/2 FPX90°	2		
4	A-6901-10-8	10 SAE x 1/2 FPX90°, Forged	2		
5	A-QD2050-8-8	Tractor Quick Coupler, Female, 1/2" w/ FPT	2		
6	A-QD2010-8-8	Tractor Quick Coupler, Male, 1/2" w/ FPT	2		
7	H8-70-8MP-8MP	1/2 in hose 1/2MP x 1/2MP x 70 in long	4		
8	MOU-0014	Mount, Control Valve, Open Center, Spreader	1		
9	HV-CKV-800S	1/2" Parker Check Valve	1		
10	A-6401-10-8	10 SAE x 1/2 MPT Male	1		
101	BL-4-175-H	1/4-20 X 1 3/4 HEX CAP G5 ZC	4		
102	BL-4-LN	1/4-20 HEX LN NE ZC	4		
103	BL-4-FW	1/4 USS FW ZC	4		

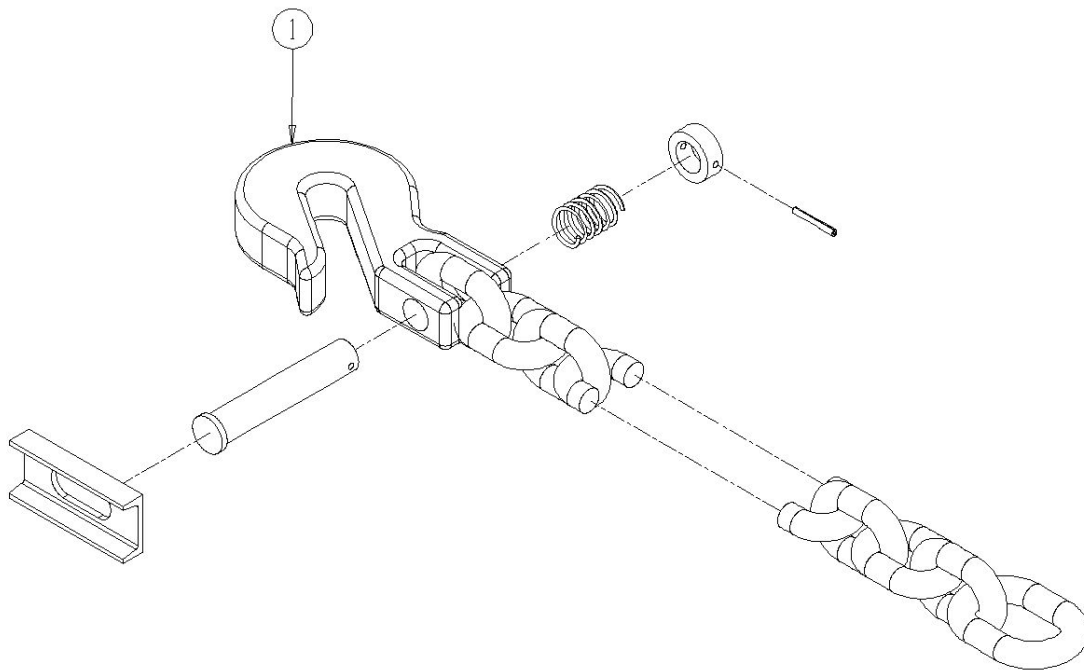
7001-3-7
CONTROL VALVE, OPEN CENTER



7001-4-2 Safety Tow Chain

<u>Ref</u>	<u>Part No.</u>	<u>Description</u>	<u>Parts – Assembly</u>	<u>Will Fit SN</u>	<u>Remarks</u>
1	FRM-3167	Safety Chain, Agricultural, 30,400 lb. Capacity	1	19701- 30097001-	
101	BL-12-450-8	¾" x 4 1/2", HH C/S G8 ZC	1		
102	BL-12-LN-8	¾" Lock Nuts w/ Nylon Inserts, Grade 8	1		
103	PR37152	Washer, Safety Chain	1		

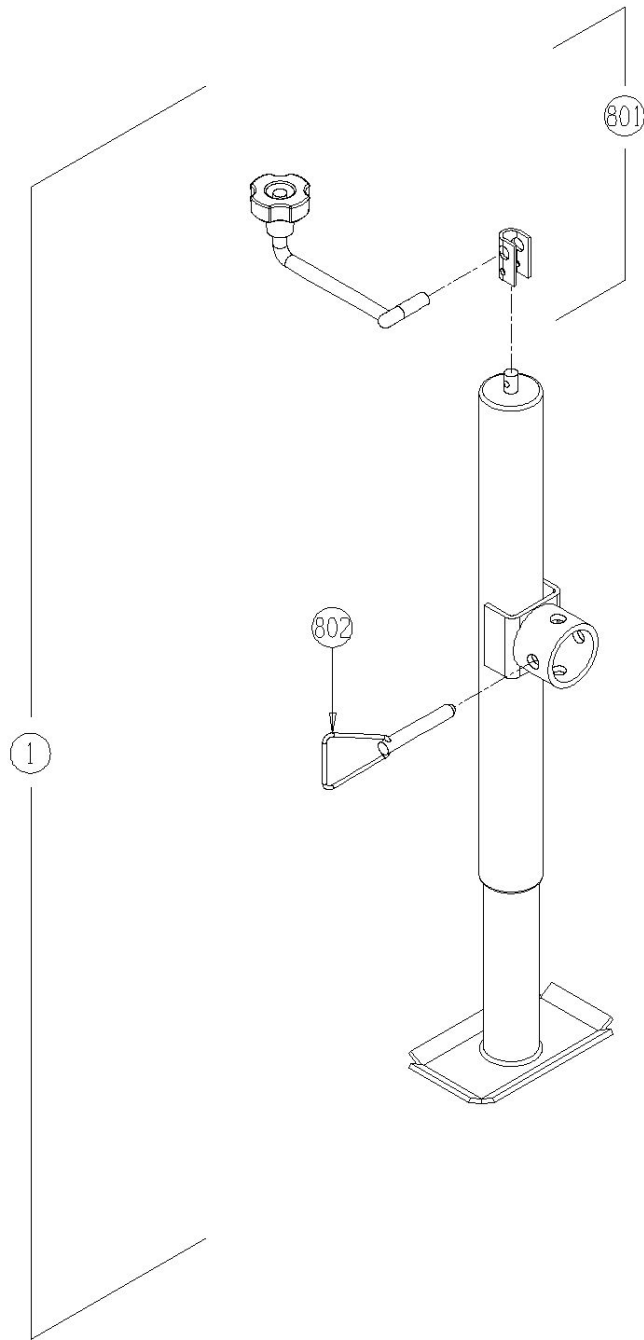
7001-4-2
OPTIONAL SAFETY TOW CHAIN



7001-4-3 Jack Stand

<u>Ref</u>	<u>Part No.</u>	<u>Description</u>	<u>Parts – Assembly</u>	<u>Will Fit SN</u>	<u>Remarks</u>
1	WH-16122	Bulldog Sidewind Swivel Jack, 5,000 lb.	1	-71009001 -70209005	Old Style-Topwind, Part No. 18-450-3
801	WH-16122-D	Crank Assy for Bulldog Topwind Swivel Jack	1	-71009001	
802	WH-16122-E	Pin & Chain Assy for Bulldog Topwind Swivel Jack	1	-71009001	

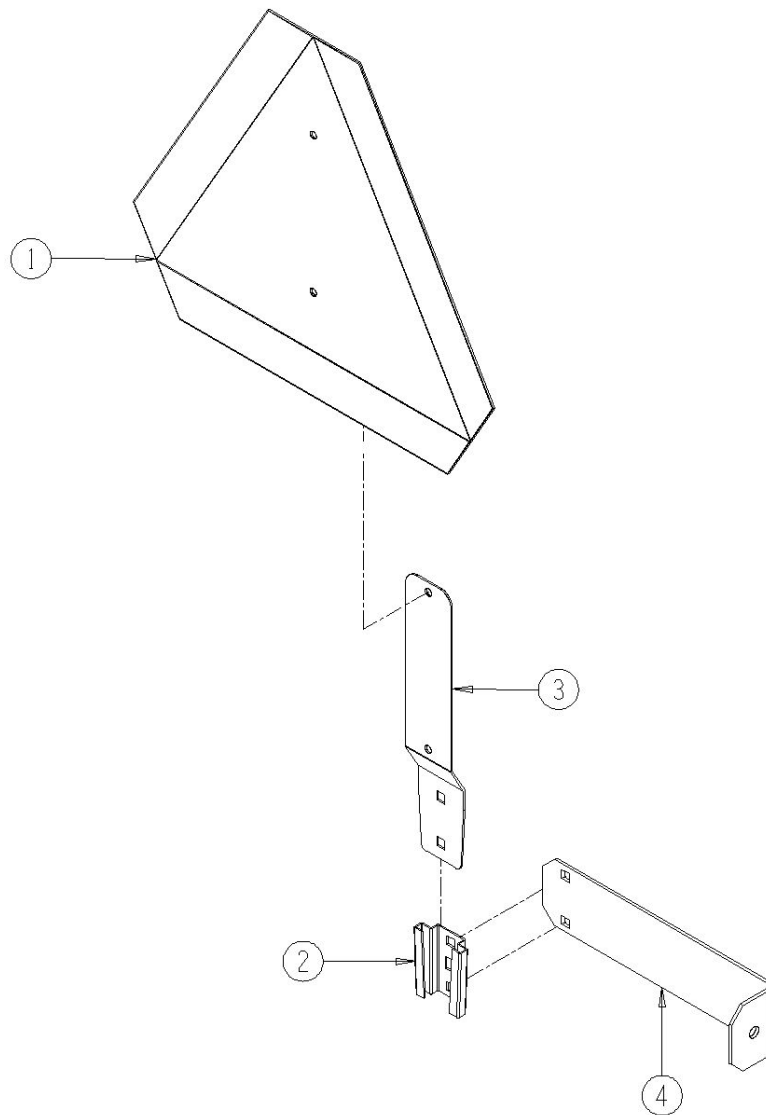
7001-4-3
JACK STAND



7001-4-4 Slow Moving Vehicle Emblem and Brackets

<u>Ref</u>	<u>Part No.</u>	<u>Description</u>	<u>Parts – Assembly</u>	<u>Will Fit SN</u>	<u>Remarks</u>
1	SMV-PL	SMV Sign, Metal	1		
2	SMV-S	Socket for Spade Mount	1		
3	SMV-SM	Spade Mount	1		
4	PR39117	Bracket, SMV Sign, Spreader	1		
101	BL-5-075-H	5/16-18 X ¾ HEX CAP G5 ZC	2		
102	BL-4-062-C	1/4" x 5/8" Zinc Carriage Bolt	2		
103	BL-5-LN	5/16-18 HEX LN NE ZC	2		
104	BL-4-LN	1/4-20 HEX LN NE ZC	2		
105	BL-5-FW	5/16 USS FW ZC	2		

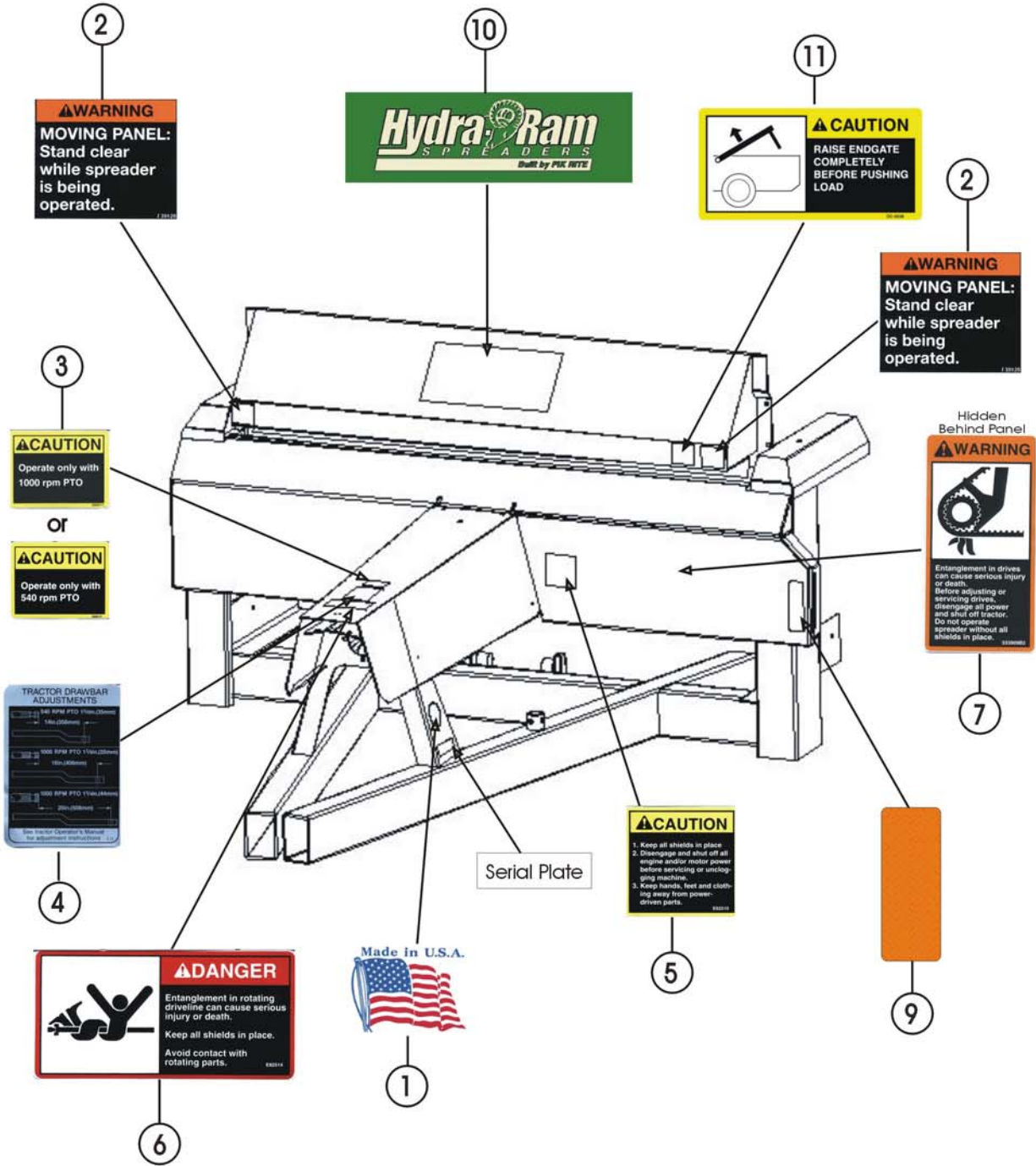
7001-4-4
SLOW MOVING VEHICLE EMBLEM & BRACKETS



7001-4-5 Decals on Front of Spreader

<u>Ref</u>	<u>Part No.</u>	<u>Description</u>	<u>Parts – Assembly</u>	<u>Will Fit SN</u>	<u>Remarks</u>
0	MAN-0047	Manual, Parts, 790 Spreader	0		
0	MAN-0048	Manual, Operators, 790 Spreader	0		
1	DC-0011	Decal, All, 'Made in USA', White Back w/ Red & Blue Letters	1		
2	DC-0020	Decal, Warning, Moving Panel	2		
3	DC-0024	Decal, Caution, 540 rpm PTO	0		
3	DC-0021	Decal, Caution, 1000 rpm PTO	1		
4	DC-0022	Decal, Tractor Drawbar Adjustments	1		
5	DC-0023	Decal, Caution, Keep All Shields In Place	1		
6	DC-0025	Decal, Danger, Entanglement In Rotating Drive	1		
7	DC-0027	Decal, Warning, Entanglement In Drives	1		
9	DC-0034	Decal, Amber, Reflector, Spreader	1		
10	DC-0052	Decal, 'Hydra Ram Spreaders' Logo, Large	1		
11	DC-0038	Decal, Caution, Raise Endgate Completely	1		
101	RI-3-6-P	Pop Rivets 3/16 x 3/8 Domed, .375 head, ea.	2		

7001-4-5
DECALS, FRONT OF SPREADER



⚠ WARNING
MOVING PANEL:
Stand clear
while spreader
is being
operated.



⚠ CAUTION
RAISE ENDGATE
COMPLETELY
BEFORE PUSHING
LOAD

⚠ WARNING
MOVING PANEL:
Stand clear
while spreader
is being
operated.

⚠ CAUTION
Operate only with
1000 rpm PTO

or

⚠ CAUTION
Operate only with
540 rpm PTO

TRACTOR DRAWBAR
ADJUSTMENTS

540 RPM PTO (1300/2300mm)	1000 RPM PTO (1300/2300mm)
540 RPM PTO (1300/2300mm)	1000 RPM PTO (1300/2300mm)
540 RPM PTO (1300/2300mm)	1000 RPM PTO (1300/2300mm)

See Tractor Operator's Manual
for adjustment instructions.

Hidden
Behind Panel

⚠ WARNING

Entanglement in drives
can cause serious injury
or death.
Before adjusting or
servicing drives,
disconnect all power
and shut off tractor.
Do not operate
spreader without all
shields in place.

⚠ CAUTION

1. Keep all shields in place.
2. Disconnect and shut off all engine and/or motor power before servicing or unclogging machine.
3. Keep hands, feet and clothing away from power-driven parts.

⚠ DANGER

Entanglement in rotating driveline can cause serious injury or death.
Keep all shields in place.
Avoid contact with rotating parts.



Serial Plate

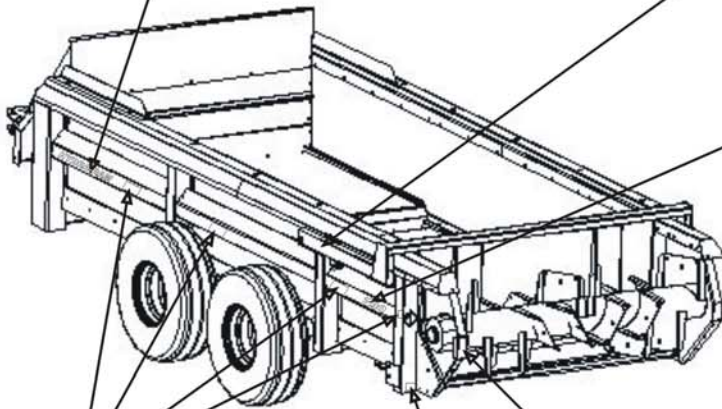
7001-4-6 Decals on Sides of Spreader

<u>Ref</u>	<u>Part No.</u>	<u>Description</u>	<u>Parts – Assembly</u>	<u>Will Fit SN</u>	<u>Remarks</u>
1	DC-0025	Decal, Danger, Entanglement In Rotating Drive	4		
2	DC-0026	Decal, Warning, Crushing Under Endgate	2		
3	DC-0027	Decal, Warning, Entanglement In Drives	1		
4	DC-0030	Decal, Danger, Entanglement In Beater	3		
5	DC-0036	Decal, 'HYDRA-RAM', Side Panels, Block Letters	2		
6	DC-0032	Decal, '790', Spreader	2		
7	DC-0033	Decal, Red, Reflector, Spreader	2		
8	DC-0038	Decal, Caution, Raise Endgate Completely	1		
9	DC-0052	Decal, 'Hydra Ram Spreaders' Logo, Large	1		

7001-4-6
DECALS, SIDE OF SPREADER



HYDRA-RAM



790



1



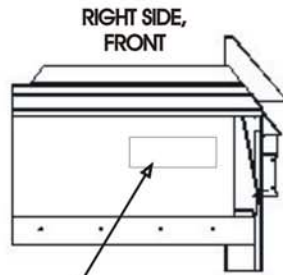
7



4



2

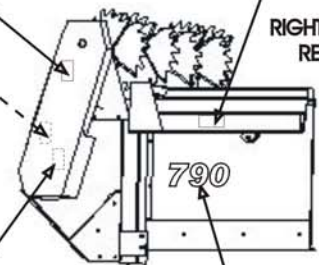


RIGHT SIDE, FRONT

9



3



RIGHT SIDE, REAR

790

6

7001-4-8 Manual Holder

<u>Ref</u>	<u>Part No.</u>	<u>Description</u>	<u>Parts – Assembly</u>	<u>Will Fit SN</u>	<u>Remarks</u>
1	MAN-67670	Manual Holder/Canister	1		
101	BL-1224-087-DT	12-24 x 7/8 Drill and Tap Screw	4		

7001-4-8
MANUAL HOLDER

