



# PARTS CATALOG

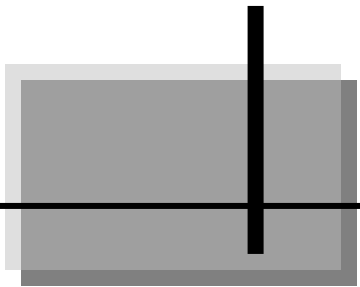
---

## HYDRA-RAM 790 VB MANURE SPREADER



Pik Rite, Inc  
60 Pik Rite Lane  
Lewisburg, PA 17837  
Ph. 800-326-9763  
Fx. 570-523-8175  
[www.pikrite.com](http://www.pikrite.com)

July 9, 2014



---





## **HYDRA-RAM 790VB MANURE SPREADER**

(SPECIFICATIONS AND DESIGN SUBJECT TO CHANGE WITHOUT NOTICE)

## **DIRECTION ARROW**

ARROWS ARE USED WITH ILLUSTRATIONS TO INDICATE THE FRONT OF THE UNIT. "RIGHT-HAND" AND "LEFT-HAND" SIDES ARE DETERMINED BY FACING THE DIRECTION OF MACHINE FORWARD TRAVEL.

## **BOX ENCLOSED ILLUSTRATIONS**

A REFERENCE NUMBER, SHOWN IN THE PARTS LIST, IS ASSIGNED TO A BOX ENCOMPASSING ALL PARTS SOLD AS A SERVICE ASSEMBLY.

## **REFERENCE NUMBER IDENTIFICATION**

000-099 PARTS USED FOR ASSEMBLY  
100-199 BOLTS & FASTENERS  
800-899 REPLACEMENT PARTS OR SERVICE ASSEMBLIES –  
USED TO REPLACE OR REBUILD COMPONENTS OF THE  
MACHINE

# TABLE OF CONTENTS

7009-1-1	MAIN FRAME AND SIDE PANELS,790VB .....	8
7009-1-1.1	MAIN FRAME,(SINGLE WHEEL) AND SIDE PANELS .....	10
7001-1-2	MAIN FLOOR AND GUIDES FOR SLIDING FLOOR.....	12
7009-1-3	SLIDING FLOOR.....	14
7009-1-4	MOVING PANEL.....	16
7009-1-5	FRONT PANEL AND SHIELDS.....	18
7009-1-7	ENDGATE .....	20
7001-1-8	FRONT SPLASH GUARD .....	22
7001-1-10	WALKING BEAM.....	24
7001-1-11	WHEEL, HUB AND BEARINGS (IMPLEMENT TIRES) .....	26
7001-1-11.1	OPTIONAL- WHEEL & HUB (500/50-22.5) .....	28
7001-1-12	OPTIONAL - WHEEL, HUB AND BEARINGS (TRUCK TIRES) .....	30
7001-1-13	OPTIONAL - WHEEL & HUB (385 TRUCK TIRES).....	32
7009-2-1	1,000 RPM, 1-3/8' CV DRIVELINE, FRONT .....	34
7009-2-1.1	540 RPM 1-3/8' CV DRIVELINE .....	38
7009-2-2	DRIVELINE, REAR.....	40
7009-2-5	MAIN DRIVE SHAFT & SHIELDS.....	44
7009-2-7	790VB MAIN BEATER, 1000 RPM, S.N. 70210020-.....	46
7109-2-7.1	GEAR BOX, MAIN BEATER.....	50
7009-2-7A	MAIN BEATER, 1000 RPM, S.N. -70210019.....	52
7009-2-8	790VB MAIN BEATER, 540 RPM, S.N. 70210020-.....	56
7009-2-8.1	GEAR BOX, MAIN BEATER, 540.....	60
7009-2-8A	MAIN BEATER, 540 RPM, S.N. -70210019 .....	62

7009-2-9 790VB MAIN BEATER, 1000 RPM - ALL KNIFE ..... 66

7009-3-1 HYDRAULICS, CONTROL VALVE TO PUSH OFF CYLINDERS ..... 70

7009-3-2 HYDRAULICS, ENDGATE CYLINDERS ..... 72

7001-3-3 MAIN CYLINDER, SLIDING FLOOR..... 74

7001-3-4 SECONDARY CYLINDER, MOVING PANEL ..... 76

7001-3-5 ENDGATE LIFT CYLINDER..... 78

7001-3-6 OPTIONAL CONTROL VALVE, CLOSED CENTER HYDRAULIC SY..... 80

7001-3-7 OPTIONAL CONTROL VALVE, OPEN CENTER HYDRAULIC SYST ..... 82

7001-4-2 SAFETY TOW CHAIN ..... 84

7103-4-3 JACK STAND ..... 86

7001-4-4 SLOW MOVING VEHICLE EMBLEM AND BRACKETS ..... 88

7009-4-5 DECALS ON FRONT OF SPREADER ..... 90

7009-4-6 DECALS ON SIDES OF SPREADER ..... 92

7009-4-7 MANUAL HOLDER ..... 94

7009-4-8 LIGHT ASSEMBLY, LED..... 96

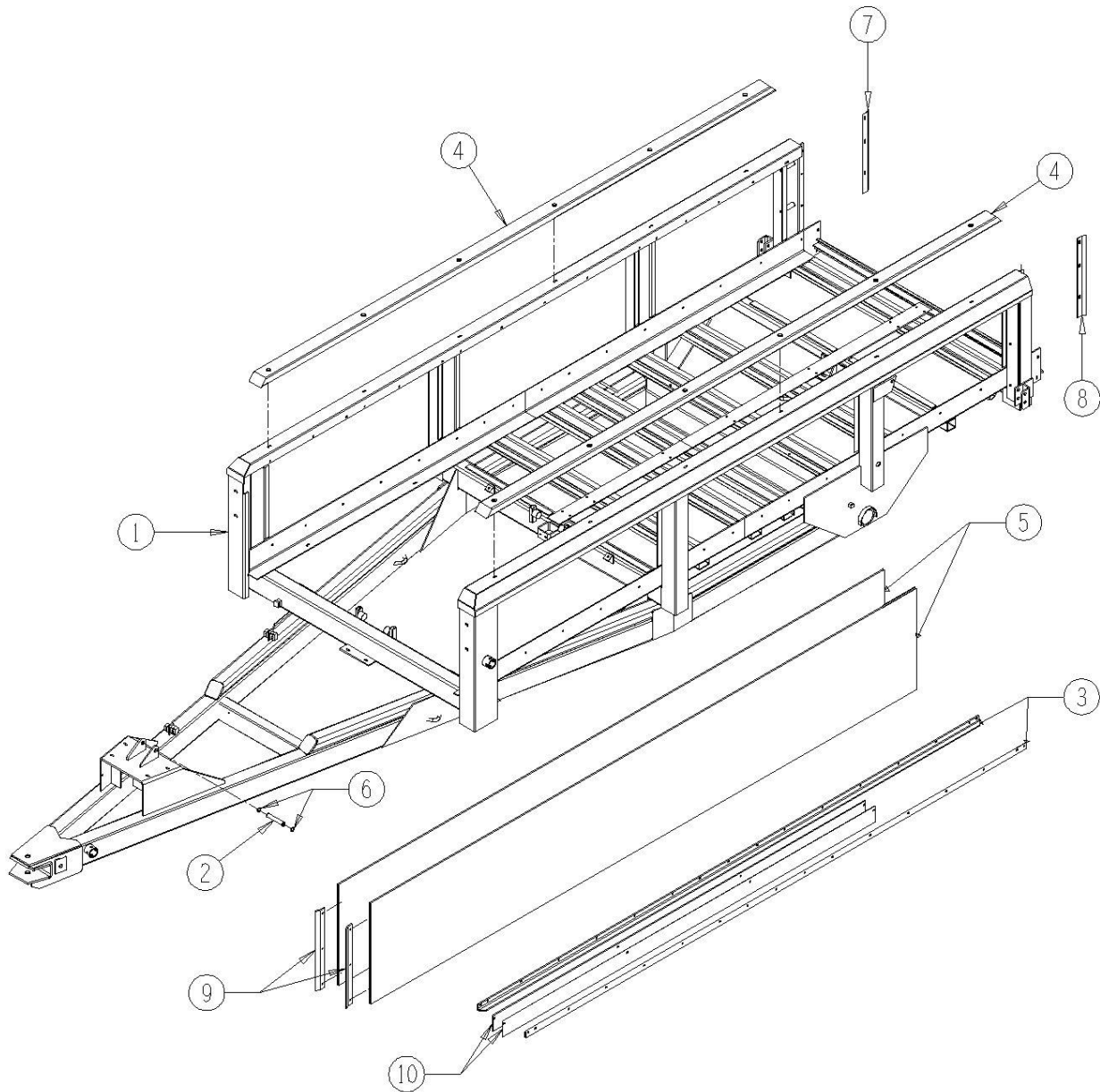
PARTS  
CATALOG

## 7009-1-1 Main Frame and Side Panels,790VB

<u>Ref</u>	<u>Part No.</u>	<u>Description</u>	<u>Parts – Assembly</u>	<u>Will Fit SN</u>	<u>Remarks</u>
1	PR22481	Frame Weldmt, Spreader,790 Vertical Beater	1		
2	PR30289	Cylinder Pin	1		
3	PR38365	Angle, Sliding Floor	2		
4	PR39185	Bumper Rail, Top Rail Protector	2		
5	PR44537	Panel, Side Walls, 790 Spreader	2		
6	PR58806	Retaining Ring, 63/64' (.984) Shaft Size, External	2		
7	PR51602	End Cap, Rear Right Side Board,790VB	1		
8	PR51603	End Cap, Rear Left Side Board, 790VB	1		
9	PR51604	End Cap, Front side Board, 790	2		
10	PR22488	Steel Board, Spreader Spacer	2		
101	BL-6-125-C	3/8 UNC X 1 1/4 CARRIAGE BOLT GR5 ZINC	20		
102	BL-6-150-C	3/8 UNC X 1 1/2 CARRIAGE BOLT GR5 ZINC	10		
103	BL-6-175-C	3/8 UNC X 1 3/4 CARRIAGE BOLT GR5 ZINC	30		
104	BL-6-250-H	3/8-16 X 2 1/2 HH C/S GR5 ZC	6		
105	BL-6-300-H	3/8 UNC X 3 HH C/S BOLT GR5 ZINC	3		
106	BL-6-350-H	3/8-16 X 3 1/2 HEX CAP G5 ZC	2		
107	BL-6-400-H	3/8-16 X 4 HEX CAP G5 ZC	1		
108	BL-6-N	3/8-16 HEX NUTS ZC	60		
109	BL-6-LW	3/8 SPLIT LW ZC	60		
110	BL-6-SW	3/8 SAE FW ZC	30		
111	BL-6-FW	3/8 USS FW ZC	42		
112	BL-6-LN	3/8 UNC FIN HEX LOCK NUT NE A563 GrA ZINC	12		
113	BL-6-FFW	3/8 Finish Fender Washer, 2' OD, ZC	8		
114	BL-7-FWSS	7/16' Stainless Steel Flat Washer	8		
800	CL-6-2	Clamp, 3/8' O.D., Dual Tube, Weld-Mount	3		



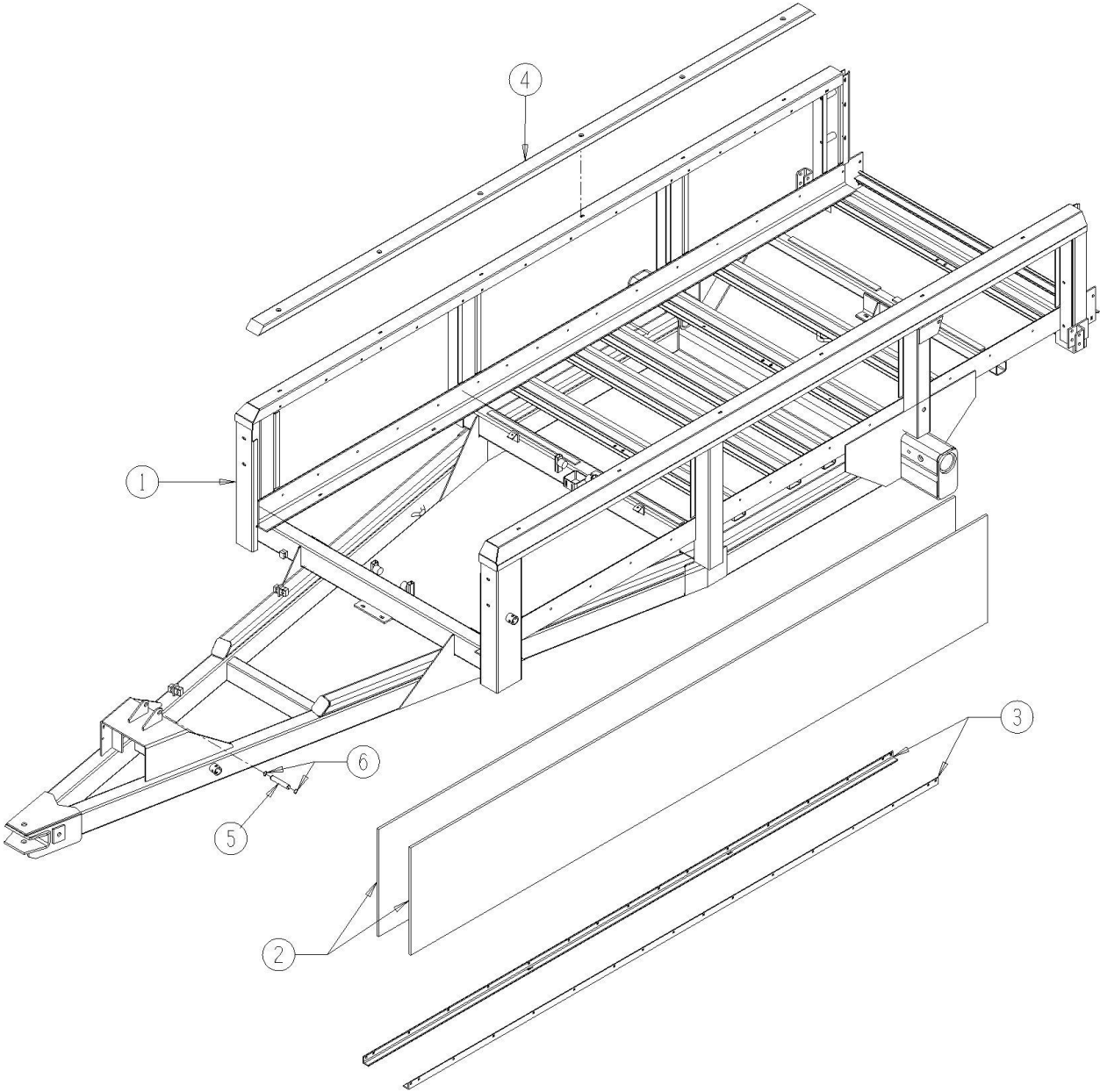
7009-1-1  
MAIN FRAME & SIDE PANELS



## 7009-1-1.1 Main Frame,(Single Wheel) and Side Panels

<u>Ref</u>	<u>Part No.</u>	<u>Description</u>	<u>Parts – Assembly</u>	<u>Will Fit SN</u>	<u>Remarks</u>
1	PR22482	790 VB Single Wheel Spreader	1		
2	PR30289	Cylinder Pin	1		
3	PR38365	Angle, Sliding Floor	2		
4	PR39185	Bumper Rail, Top Rail Protector	2		
5	PR44537	Panel, Side Walls, 790 Spreader	2		
6	PR58806	Retaining Ring, 63/64" (.984) Shaft Size, External	2		
101	BL-6-125-C	3/8 UNC X 1 1/4 CARRIAGE BOLT GR5 ZINC	20		
102	BL-6-150-C	3/8 UNC X 1 1/2 CARRIAGE BOLT GR5 ZINC	10		
103	BL-6-175-C	3/8 UNC X 1 3/4 CARRIAGE BOLT GR5 ZINC	30		
104	BL-6-250-H	3/8-16 X 2 1/2 HH C/S GR5 ZC	6		
105	BL-6-300-H	3/8 UNC X 3 HH C/S BOLT GR5 ZINC	3		
106	BL-6-350-H	3/8-16 X 3 1/2 HEX CAP G5 ZC	2		
107	BL-6-400-H	3/8-16 X 4 HEX CAP G5 ZC	1		
108	BL-6-N	3/8-16 HEX NUTS ZC	60		
109	BL-6-LW	3/8 SPLIT LW ZC	60		
110	BL-6-SW	3/8 SAE FW ZC	30		
111	BL-6-FW	3/8 USS FW ZC	50		
112	BL-6-LN	3/8 UNC FIN HEX LOCK NUT NE A563 GrA ZINC	12		
113	BL-10-LN	5/8-11 HEX LN NE ZC	2		
114	BL-10-600-H	5/8-11 X 6 HEX CAP G5 ZC	2		
115	BL10-SW	#10 SAE Flat Washer	4		

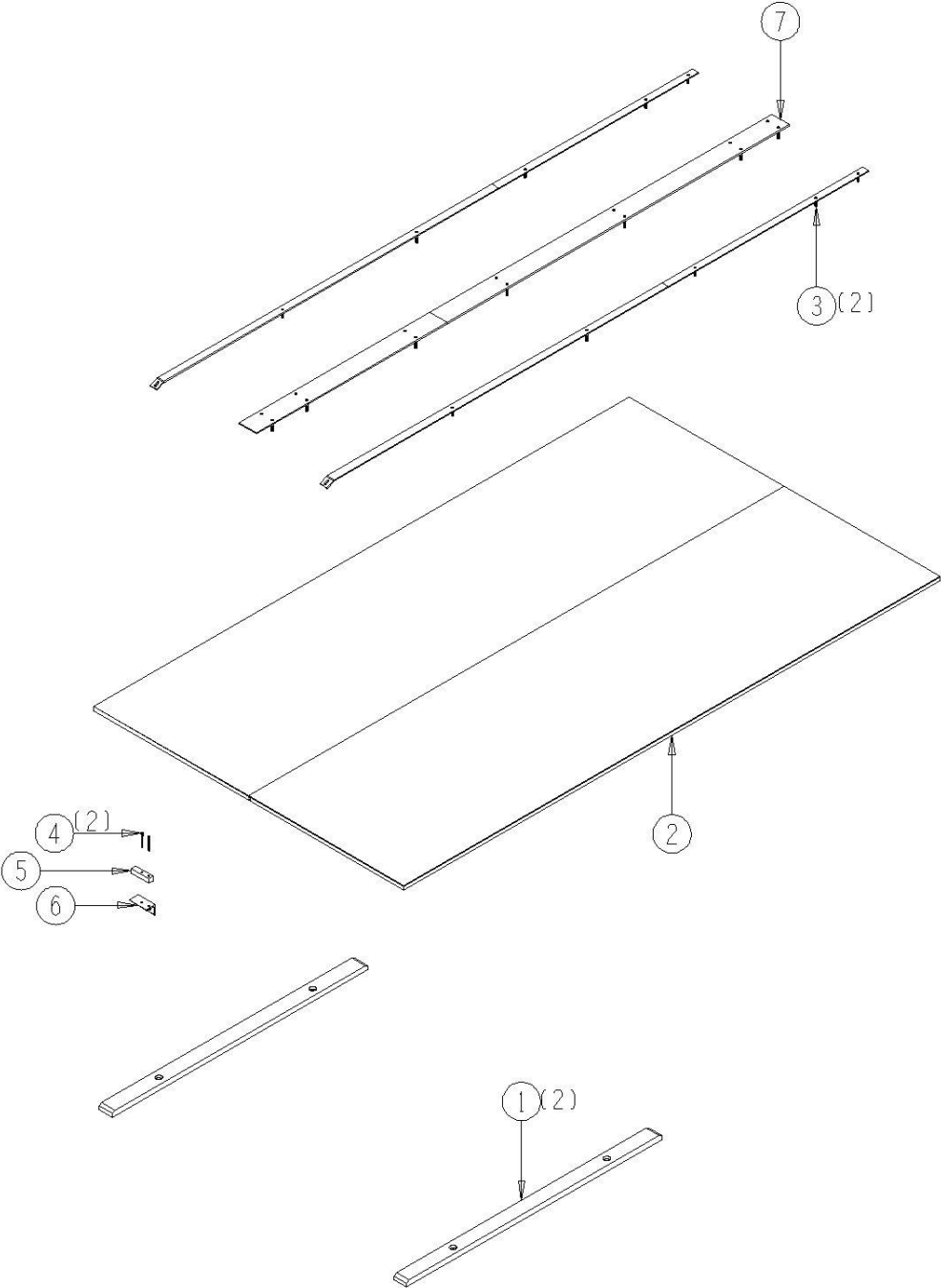
7009-1-1.1  
SINGLE WHEEL MAIN FRAME & SIDE PANELS



## 7001-1-2 Main Floor and Guides for Sliding Floor

<u>Ref</u>	<u>Part No.</u>	<u>Description</u>	<u>Parts – Assembly</u>	<u>Will Fit SN</u>	<u>Remarks</u>
1	PR33358	Slide, Wood, Front, Spreader	2		
2	PR33279	Panel, Main Floor, Spreader, 790,1190	1		
3	PR22499	Wear Plate	2		
4	PIN-C4-32	Cotter Pin .25 x 2"	2		
5	PR33555	Angle	1		
6	PR32639	Support, Cylinder, UHMW	1		
7	PR22497	Retaining Bar, Main Floor	1		
101	BL-6-150-H	3/8-16 X 1 1/2 HEX CAP G5 ZC	4		
102	BL-6-125-C	3/8 UNC X 1 1/4 CARRIAGE BOLT GR5 ZINC	2		
103	BL-6-100-H	3/8 UNC X 1 HH C/S BOLT GR5 ZINC	2		
104	BL-6-LN	3/8 UNC FIN HEX LOCK NUT NE A563 GrA ZINC	32		
105	BL-6-FW	3/8 USS FW ZC	34		
106	BL-6-SW	3/8 SAE FW ZC	4		

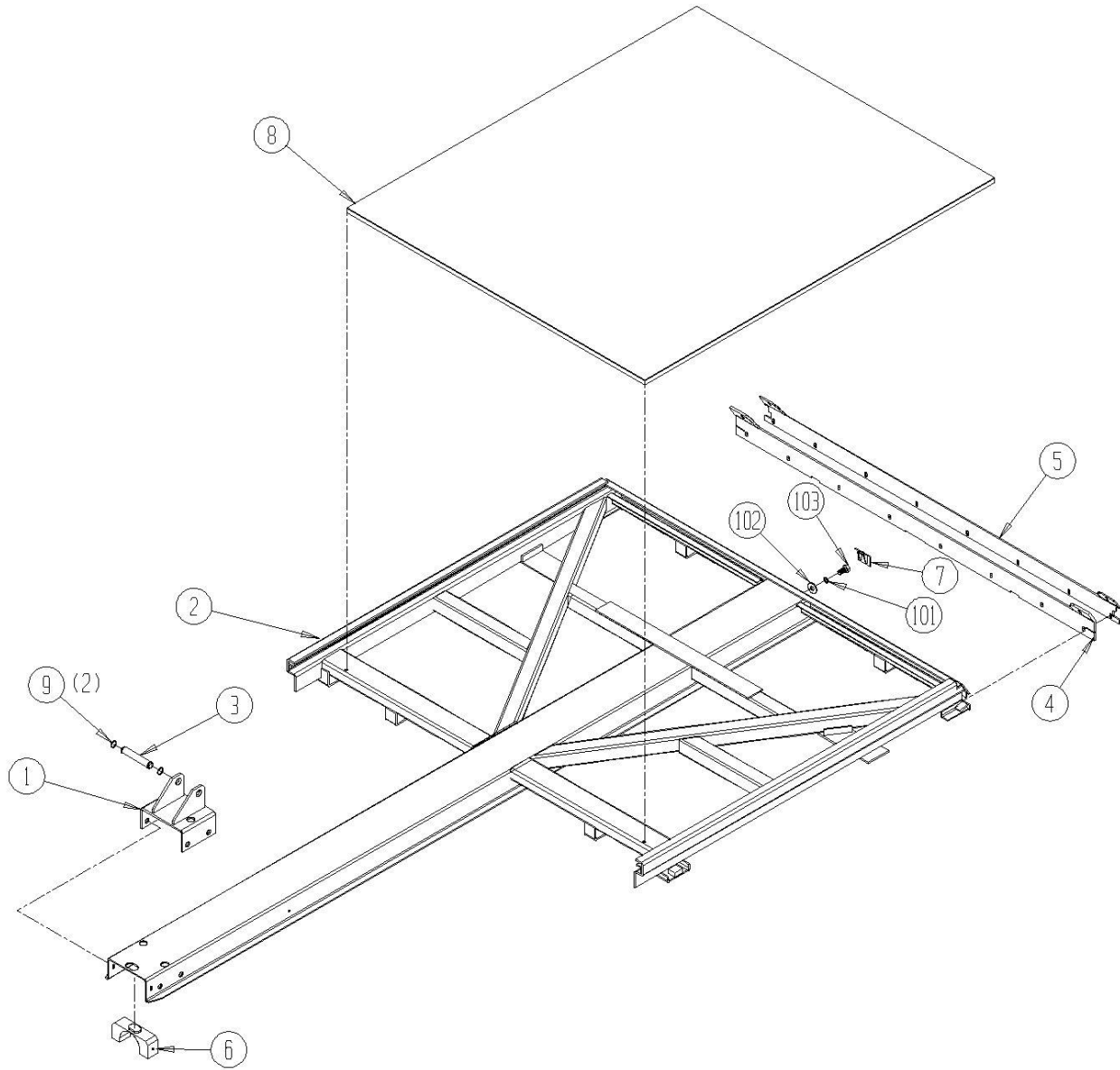
7001-1-2  
MAIN FLOOR AND GUIDES FOR SLIDING FLOOR



## 7009-1-3 Sliding Floor

<u>Ref</u>	<u>Part No.</u>	<u>Description</u>	<u>Parts – Assembly</u>	<u>Will Fit SN</u>	<u>Remarks</u>
1	PR23219	Support, Cylinder Mount, Sliding Floor	1		
2	PR25873	Sliding Floor, Inside, Spreader, 790,1190	1		
3	PR30289	Cylinder Pin	1		
4	PR33353	Flap, Bottom Bed Scraper, Sliding Table, Slurry, Spreader	1		
5	PR33355	Bottom Bed Scraper, Sliding Floor, Slurry, Spreader	1		
6	PR38758	Plastic Guide, Hydraulic Cylinder, Sliding Floor	1		
7	PR38760	Plug, Sliding Floor, Spreader	1		
8	PR44533	Panel, Sliding Floor, Spreader 790,1190	1		
9	PR58806	Retaining Ring, 63/64' (.984) Shaft Size, External	2		
101	BL-10-LW	5/8 SPLIT LW ZC	1		
102	BL-10-FW-8	5/8' Grade 8 Flat Washer	2		
103	BL-8-200-35H8	0.8 x 16mm-2.0 x 35 Gr 8 HH Bolt Zinc Coated	1		
104	BL-6-350-C	3/8 UNC X 3 1/2 CARRIAGE BOLT GR5 ZINC	2		
105	BL-5-125-SS	5/16-18 x 1 1/4 Hex Cap, Stainless Steel	8		
106	BL-10-150-H	5/8-11 X 1 1/2 HEX CAP G5 ZC	4		
108	BL-6-SW	3/8 SAE FW ZC	2		
109	BL-10-LN	5/8-11 HEX LN NE ZC	4		
110	BL-10-SW	5/8 SAE FW ZC @	4		
111	BL-5-FW	5/16 USS FW ZC	8		
112	BL-5-LW	5/16 SPLIT LW ZC	8		
114	BL-6-LW	3/8 SPLIT LW ZC	2		

7009-1-3  
SLIDING FLOOR

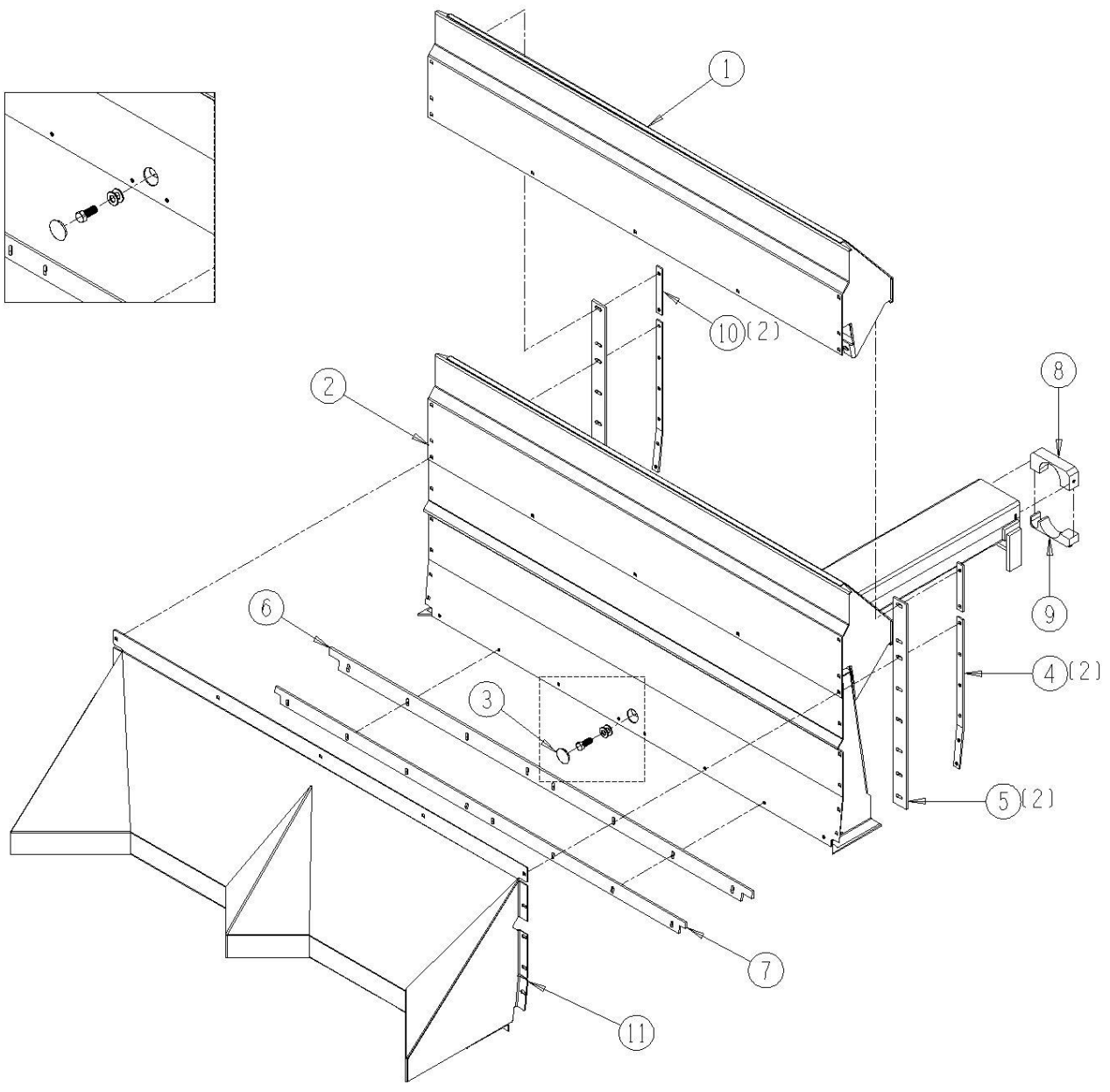


## 7009-1-4 Moving Panel

<u>Ref</u>	<u>Part No.</u>	<u>Description</u>	<u>Parts – Assembly</u>	<u>Will Fit SN</u>	<u>Remarks</u>
1	PR22461	Extension, Moving Panel, Spreader	1		
2	PR25872	Front Panel, Sliding, Spreader	1		
3	PL-0024	Plastic, Nylon, 1-3/4" Hole Plug, Locking, Unvented	1		
4	PR33435	Strap, Moving Panel, Spreader	2		
5	PR33440	Flap, Moving Panel Scraper Belt, Spreader	2		
6	PR33441	Flap, Moving Panel Scraper Belting, Bottom	1		
7	PR33443	Retaining Bar, Moving Panel, Bottom	1		
8	PR34750	Guide, Plastic, Cylinder Holder, Moving Panel	1		
9	PR34751	Guide, Plastic, Cylinder Mount, Lower, Moving Pnl	1		
10	PR34268	Retainer Bar, Top, Side Scraper, Moving Panel	2		
11	PR50504	Pusher Extension, 790 VB Spreader	1		
101	BL-6-075-C	3/8 UNC X 3/4 CARRIAGE BOLT GR5 ZINC	8		
102	BL-6-125-C	3/8 UNC X 1 1/4 CARRIAGE BOLT GR5 ZINC	14		
103	BL-6-150-C	3/8 UNC X 1 1/2 CARRIAGE BOLT GR5 ZINC	2		
104	BL-5-125-H	5/16-18 X 1 1/4 HEX CAP G5 ZC	8		
105	BL-M16-40	Hex Bolt, 16mm x 40mm	2		
106	BL-6-075-H	3/8-16 X 3/4 HHCS G5 ZC	2		
107	BL-6-SW	3/8 SAE FW ZC	26		
109	BL-10-FW-8	5/8" Grade 8 Flat Washer	2		
110	BL-5-FW	5/16 USS FW ZC	8		
111	BL-5-LW	5/16 SPLIT LW ZC	8		
113	BL-6-N	3/8-16 HEX NUTS ZC	24		
114	BL-6-LW	3/8 SPLIT LW ZC	26		



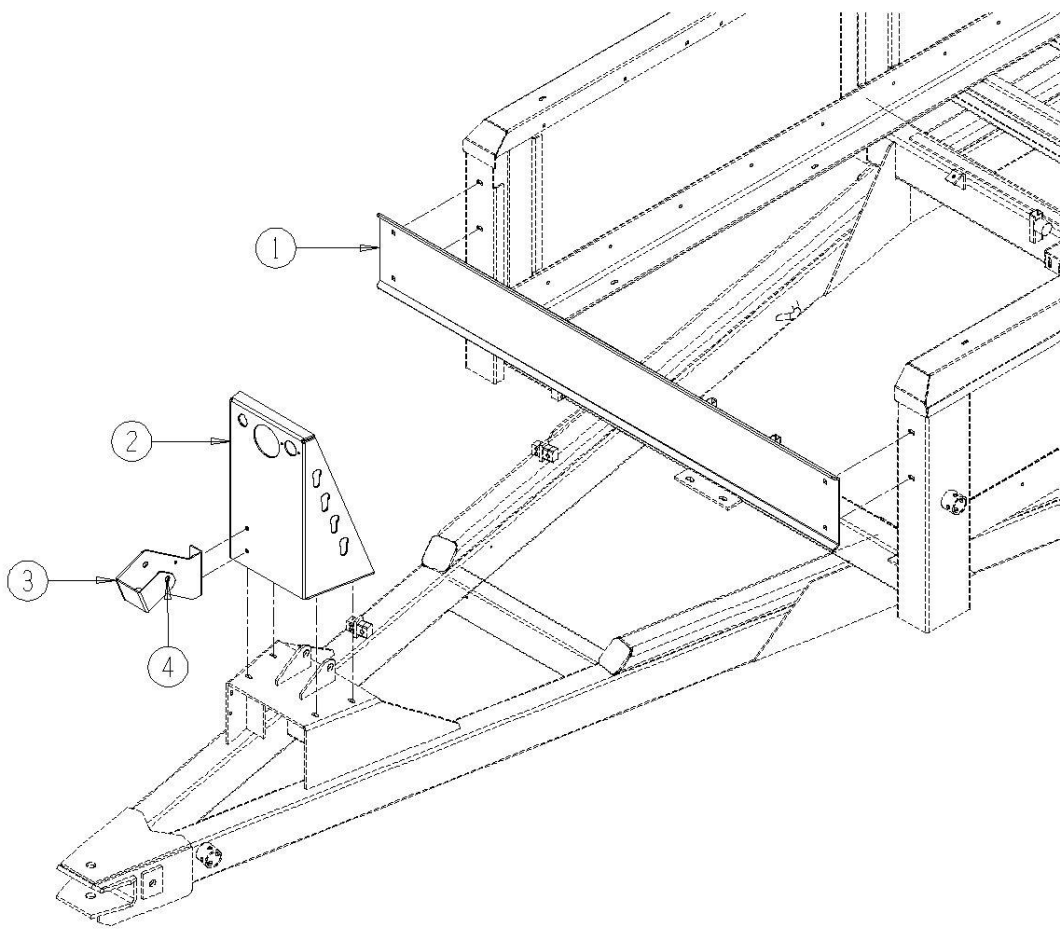
7009-1-4  
MOVING PANEL



## 7009-1-5 Front Panel and Shields

<u>Ref</u>	<u>Part No.</u>	<u>Description</u>	<u>Parts – Assembly</u>	<u>Will Fit SN</u>	<u>Remarks</u>
1	PR22395	Front Panel	1		
2	PR50203	Support,Hose Spreader	0		
2	PR50206	Mount, Hose holder	1		
3	PR50207	PTO Holder Mount	1		
4	PIN-500-575	Pin 1/2 x 5-3/4 w/Lanyard & hairpin Clip	1		
101	BL-8-125-C	1/2 UNC X 1 1/4 CARRIAGE BOLT GR5 ZINC	4		
102	BL-8-SW	1/2 SAE FW ZC	4		
103	BL-8-LW	1/2 SPLIT LW ZC	4		
104	BL-8-N	1/2-13 HEX FIN NUTS ZC	4		
105	BL-6-150-H	3/8-16 X 1 1/2 HEX CAP G5 ZC	2		
106	BL-6-SW	3/8 SAE FW ZC	4		
107	BL-6-LW	3/8 SPLIT LW ZC	2		
108	bl-6-n	3/8-16 HEX NUTS ZC	2		

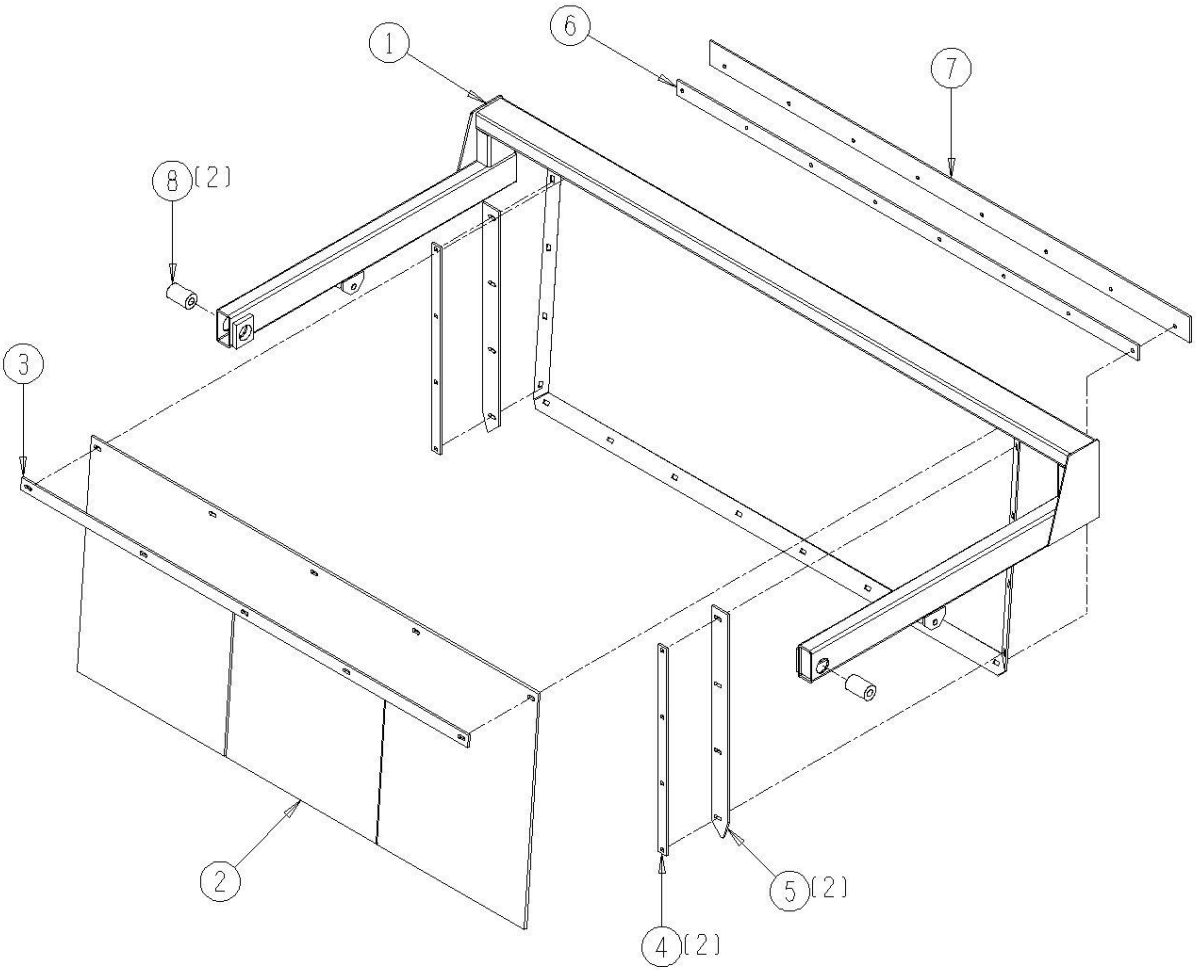
7009-1-5  
FRONT PANEL AND SHIELDS



# 7009-1-7 Endgate

<u>Ref</u>	<u>Part No.</u>	<u>Description</u>	<u>Parts – Assembly</u>	<u>Will Fit SN</u>	<u>Remarks</u>
1	PR39046	End Gate Wldmt, Spreader	1		
2	BT-0086	Endgate Belting, 790 Spreader	1		
3	BAR-0168	Backing Bar, Endgate Belting, 790 Spreader	1		
4	PR39061	Bar, Side Belting Holder, End Gate, Spreader	2		
5	PR39062	Belting, Side, End Gate, Spreader	2		
6	PR39064	Belting, Bottom, End Gate, Spreader	1		
7	PR39063	Bar, Bottom, Belting Holder, End Gate, Spreader	1		
8	PR39065	Spacer, Pivot End Bushing, End Gate, Spreader	2		
101	BL-12-450-8	½" x 4 1/2", HH C/S G8 ZC	2		
102	BL-10-300-H	5/8-11 X 3 HEX CAP G5 ZC	2		
103	BL-10-375-H	5/8-11 X 3 ½ HEX CAP G5 ZC	2		
104	BL-6-125-C	3/8 UNC X 1 1/4 CARRIAGE BOLT GR5 ZINC	14		
105	BL-6-150-C	3/8 UNC X 1 1/2 CARRIAGE BOLT GR5 ZINC	2		
106	BL-10-SW	5/8 SAE FW ZC @	8		
107	BL-12-FW	½" Flat Washer	4		
108	BL-12-LN	½" Lock Nuts w/Nylon Inserts	2		
109	BL-10-LN	5/8-11 HEX LN NE ZC	4		
110	BL-6-N	3/8-16 HEX NUTS ZC	21		
111	BL-6-LW	3/8 SPLIT LW ZC	21		
112	BL-6-SW	3/8 SAE FW ZC	16		
113	BL-6-175-C	3/8 UNC X 1 ½ CARRIAGE BOLT GR5 ZINC	5		
114	BL-6-FW	3/8 USS FW ZC	5		

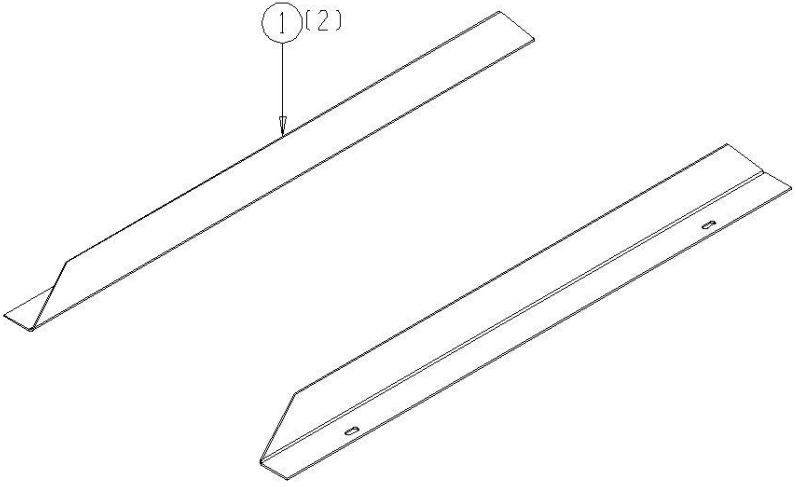
7009-1-7  
ENDGATE



## 7001-1-8 Front Splash Guard

<u>Ref</u>	<u>Part No.</u>	<u>Description</u>	<u>Parts – Assembly</u>	<u>Will Fit SN</u>	<u>Remarks</u>
1	PR39182	Splash Guard, 790 & 1190	2		

7001-1-8  
FRONT SPLASH GUARD

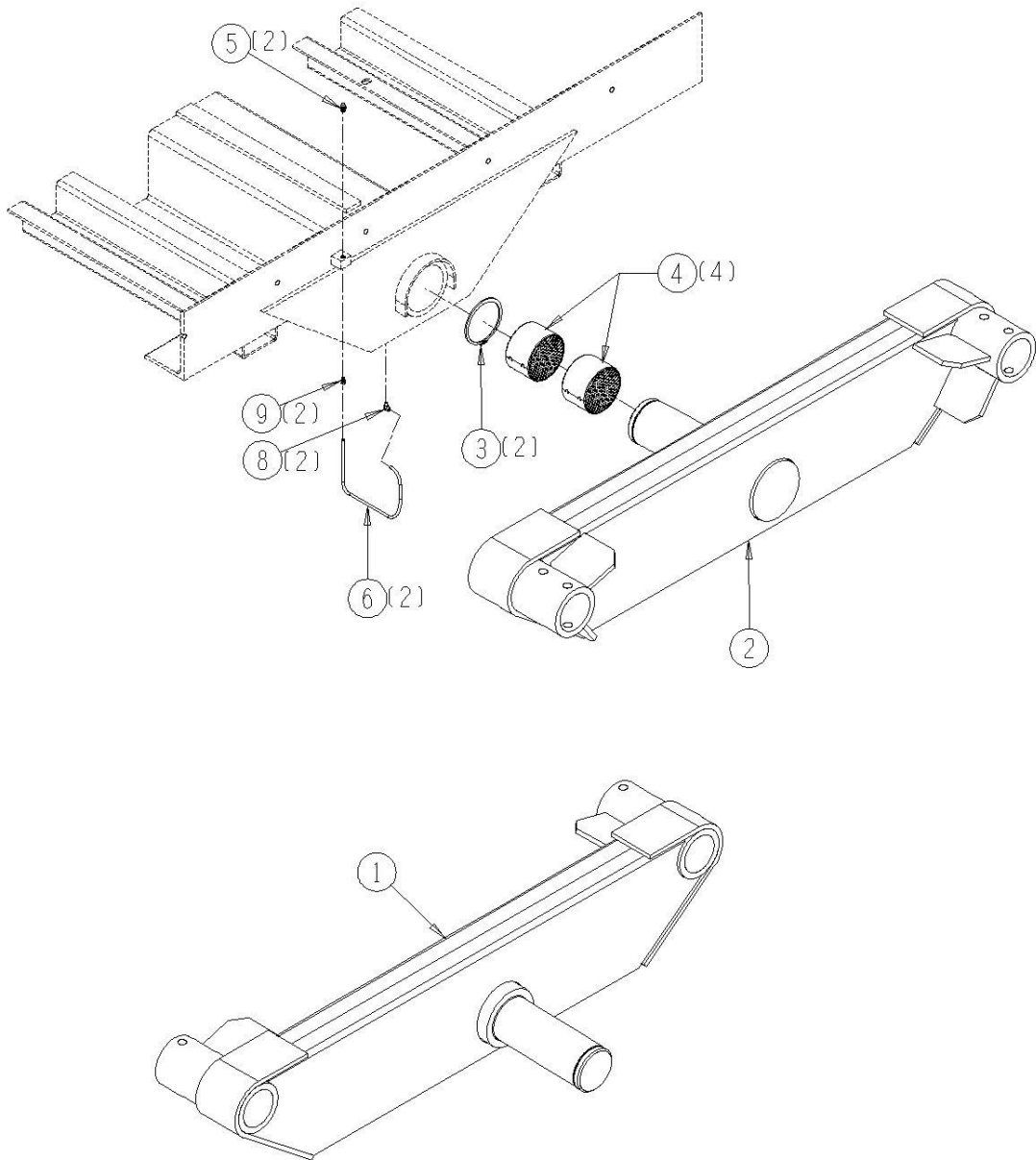


## 7001-1-10 Walking Beam

<u>Ref</u>	<u>Part No.</u>	<u>Description</u>	<u>Parts – Assembly</u>	<u>Will Fit SN</u>	<u>Remarks</u>
1	PR22990	Walking Beam, Right, Slides Into Axle, Spreader	1		
2	PR22989	Walking Beam, Left, Slides Into Axle, Spreader	1		
3	PR43595	Retaining Ring, 3 1/2", External	2		
4	PR34413	Bronze Bushing for Spreader, 3½" Dia Shaft	4		
5	GF-1827-65L	Grease Fitting 1/8 NPT Long 65°	2		
6	H2-16-2MP-2MP	1/8 in grease hose 1/8MP x 1/8MP x 16 in long	2		
7	DC-0010	Decal, Grease Every 10 hrs.	2		
8	A-1501-2-2	1/8" MP x 1/8" FPX90°	2		
9	A-1404-2-2	1/8 MP x 1/8 FPX	2		
101	BL-10-500-H	5/8-11 X 5 HEX CAP G5 ZC	4		
102	BL-10-LN	5/8-11 HEX LN NE ZC	4		



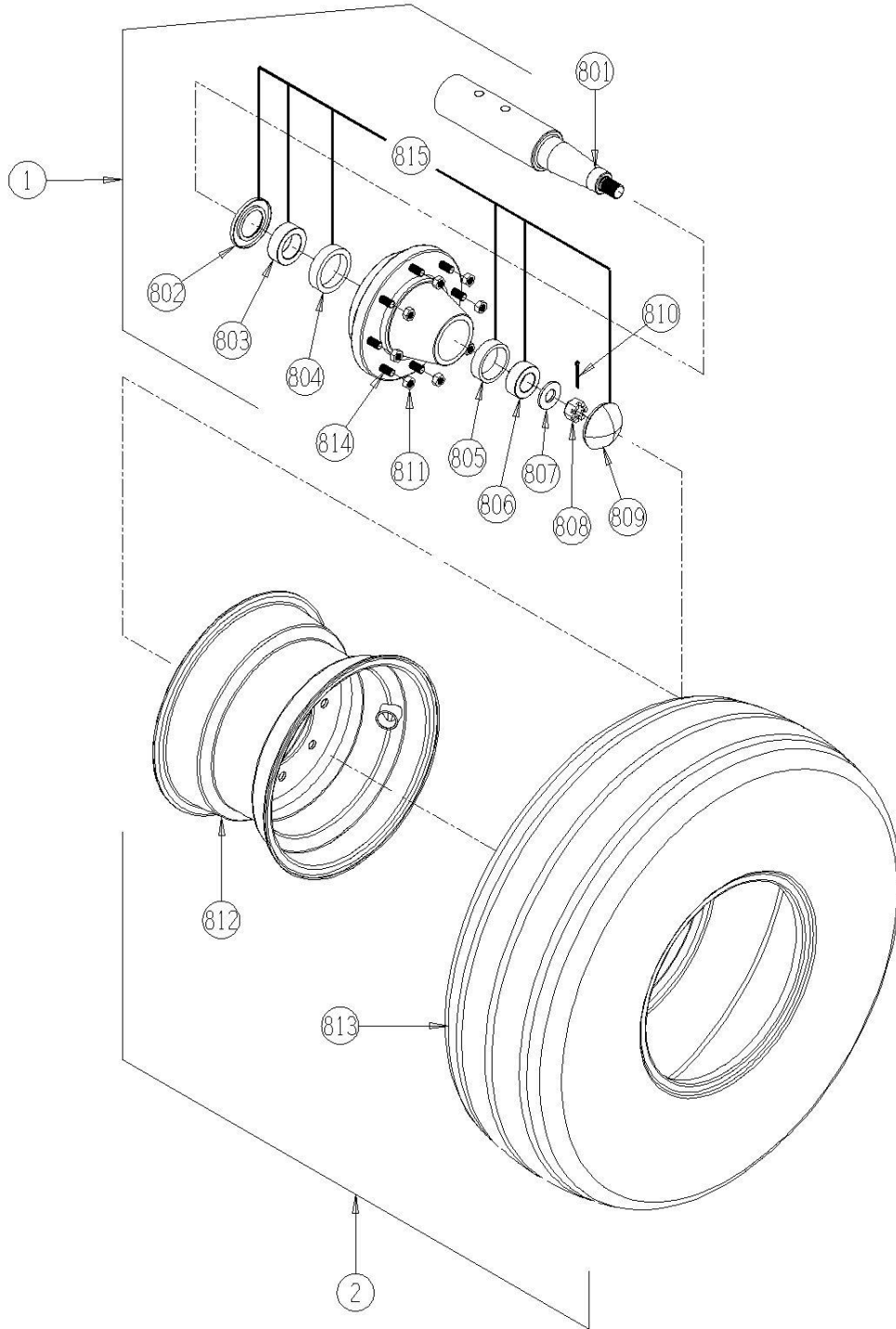
7001-1-10  
WALKING BEAM



## 7001-1-11 Wheel, Hub and Bearings (Implement Tires)

<u>Ref</u>	<u>Part No.</u>	<u>Description</u>	<u>Parts – Assembly</u>	<u>Will Fit SN</u>	<u>Remarks</u>
1	WHL-3000	Hub Assembly Complete (includes spindle)	4		rated for 7500 lbs. CJM
2	WHM-1514	16.5-16.1 Tire & Wheel Assembly (Spreader, Tubeless)	4	790	
801	WHL-3001	Spindle 3" x 16"	4	WHL-3000	
802	WHL-3000G	Seal	4	WHL-3000	
803	WHL-3000C	Inner Cone	4	WHL-3000	
804	WHL-3000A	Inner Cup	4	WHL-3000	
805	WHL-3000B	Outer Cup	4	WHL-3000	
806	WHL-3000D	Outer Cone	4	WHL-3000	
807	WHL-3000K	Spindle Washer	4	WHL-3000	
808	WHL-3000J	Spindle Nut	4	WHL-3000	
809	WHL-3000H	Hub Cap	4	WHL-3000	3 1/8 od
810	PIN-C3-16-32	Cotter Pin 3/16 x 2"	4		
811	WHL-3000F	Lug Nut	32	WHL-3000	
812	WHL-1614	16 x 14 Wheel 8-8-6 (3/8 Positive Offset)	4		
813	WHT-1614	16.5 x 16.1 14 Ply Ribbed Implement Tire (Spreader, Tubeless)	4		
814	WHL-3000E	Stud Bolt	32	WHL-3000	
815	WBR-3000K	Wheel Bearing Kit for WHL-3000 Hub & Spindle Assy.	4	WHL-3000	

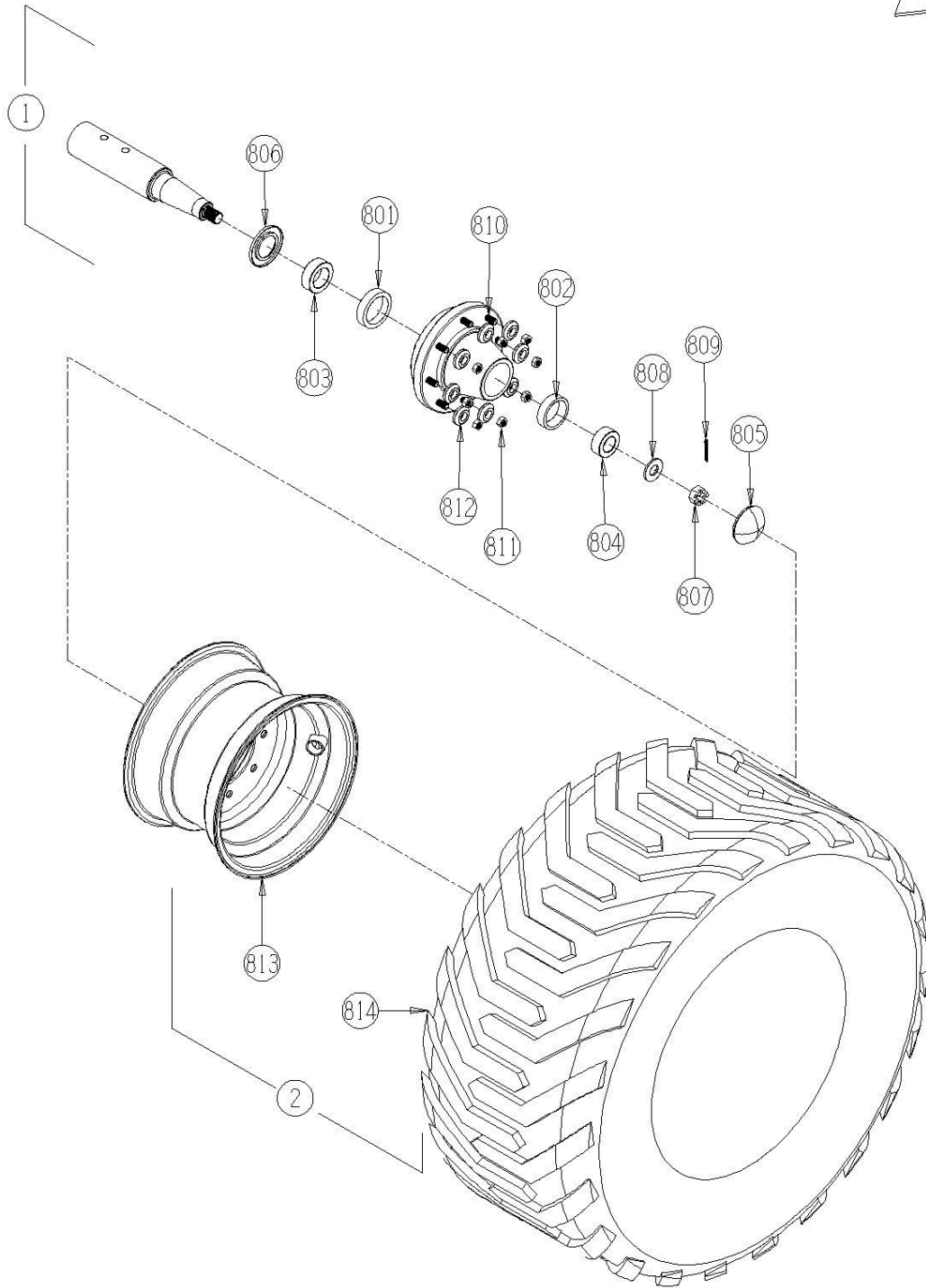
7001-1-11  
WHEEL, HUB & BEARINGS  
(IMPLEMENT TIRES)



## 7001-1-11.1 Optional- Wheel & Hub (500/50-22.5)

<u>Ref</u>	<u>Part No.</u>	<u>Description</u>	<u>Parts – Assembly</u>	<u>Will Fit SN</u>	<u>Remarks</u>
1	WHL-3000	Hub Assembly Complete (includes spindle), Painted Black	4		Harvesters use WHL-3000-2
2	WHM-7111	550/50-22.5 Tire & Wheel Assy	4		
801	WHL-3001	Spindle 3' x 16'	4	WHL-3000	
802	WHL-3000G	Seal	4	WHL-3000	
803	WHL-3000C	Inner Cone	4	WHL-3000	
804	WHL-3000A	Inner Cup	4	WHL-3000	
805	WHL-3000B	Outer Cup	4	WHL-3000	
806	WHL-3000D	Outer Cone	4	WHL-3000	
807	WHL-3000K	Spindle Washer	4	WHL-3000	
808	WHL-3000J	Spindle Nut	4	WHL-3000	
809	WHL-3000H	Hub Cap	4	WHL-3000	3 1/8 od
810	PIN-C3-16-32	Cotter Pin 3/16 x 2'	4		
811	WHL-3000F	Lug Nut	32	WHL-3000	
812	WHL-7111	Wheel, 22.5 x 16 6MM 12MM 8 Hole 6' Pilot, .75 Camfer, 0 Offset	4		
813	WHT-7111	Tire, 560/50-22.5, 16 Ply FLOT648 TL	4		
814	WHL-3000E	Stud Bolt	32	WHL-3000	
815	WBR-3000K	Wheel Bearing Kit for WHL-3000 Hub & Spindle Assy.	4	WHL-3000	

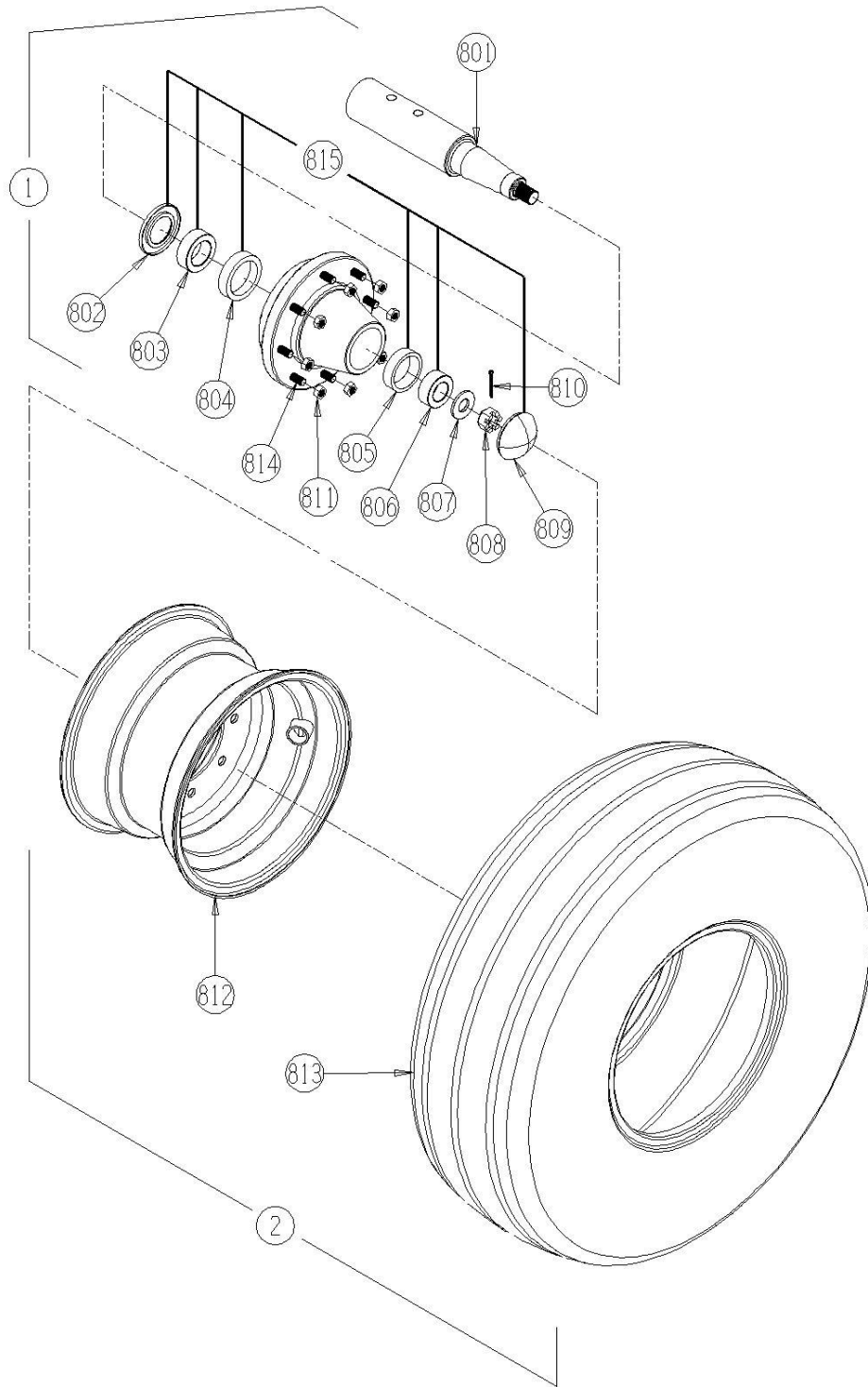
7001-1-11.1  
OPTIONAL WHEEL & HUB



## 7001-1-12 Optional - Wheel, Hub and Bearings (Truck Tires)

<u>Ref</u>	<u>Part No.</u>	<u>Description</u>	<u>Parts – Assembly</u>	<u>Will Fit SN</u>	<u>Remarks</u>
1	WHL-3000	Hub Assembly Complete (includes spindle)	4		rated for 7500 lbs. CJM
2	WHM-7107	11.00-22.5 Tire & Wheel Assy.	4		
801	WHL-3001	Spindle 3" x 16"	4	WHL-3000	
802	WHL-3000G	Seal	4	WHL-3000	
803	WHL-3000C	Inner Cone	4	WHL-3000	
804	WHL-3000A	Inner Cup	4	WHL-3000	
805	WHL-3000B	Outer Cup	4	WHL-3000	
806	WHL-3000D	Outer Cone	4	WHL-3000	
807	WHL-3000K	Spindle Washer	4	WHL-3000	
808	WHL-3000J	Spindle Nut	4	WHL-3000	
809	WHL-3000H	Hub Cap	4	WHL-3000	3 1/8 od
810	PIN-C3-16-32	Cotter Pin 3/16 x 2"	4		
811	WHL-3000F	Lug Nut	32	WHL-3000	
812	WHL-7107	22.5 x 8.25 Wheel - 8-8-6 - 3/8" Positive Offset	4		
813	WHT-7107	11-22.5 Recapped Implement Tire	4		
814	WHL-3000E	Stud Bolt	32	WHL-3000	
815	WBR-3000K	Wheel Bearing Kit for WHL-3000 Hub & Spindle Assy.	4	WHL-3000	
816	WHT-1021	Bias Tube	4	WHT-1020 OR WHT-7107	

7001-1-12  
OPTIONAL WHEEL, HUB & BEARINGS  
(TRUCK TIRES)

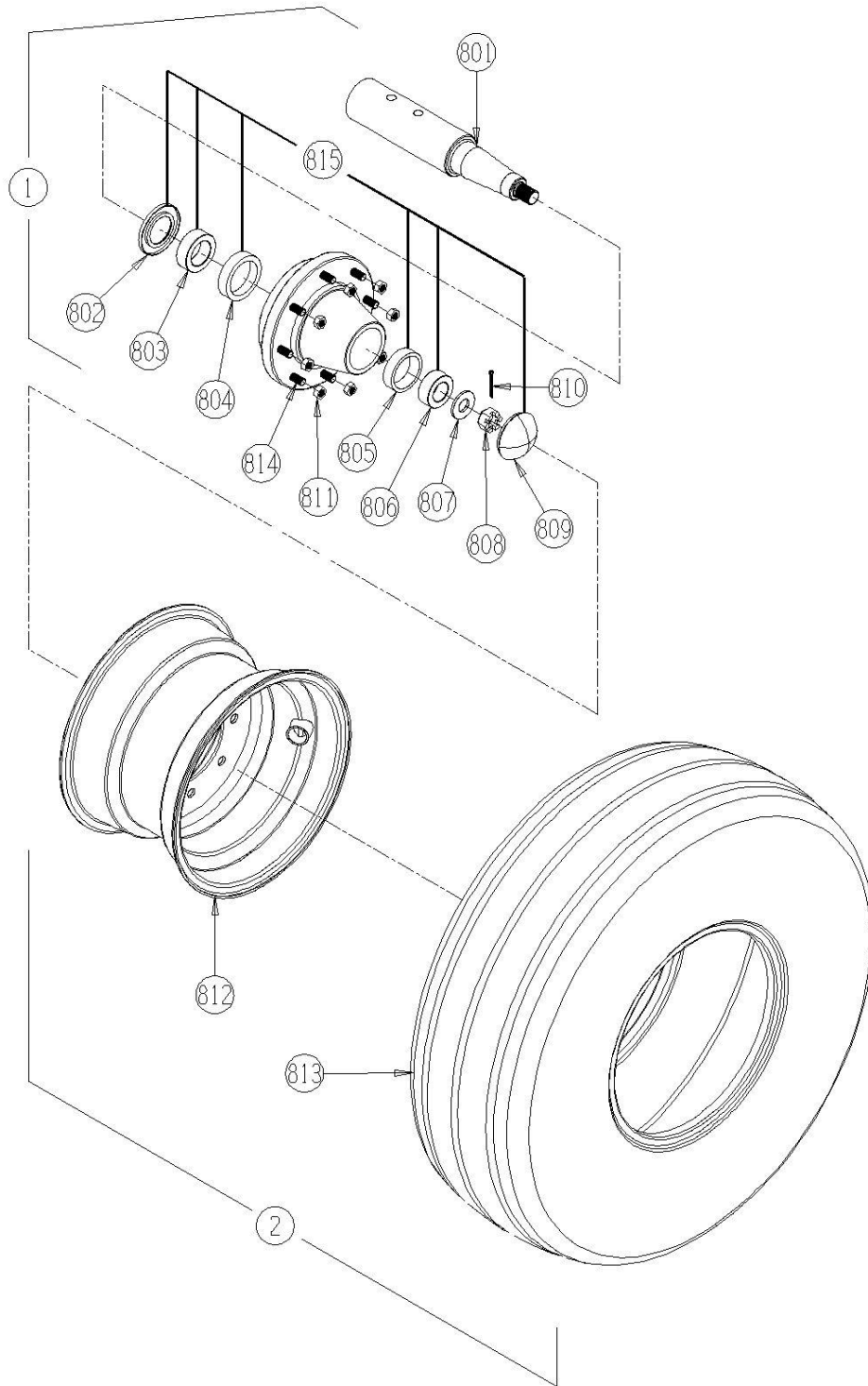


## 7001-1-13 Optional - Wheel & Hub (385 Truck Tires)

<u>Ref</u>	<u>Part No.</u>	<u>Description</u>	<u>Parts – Assembly</u>	<u>Will Fit SN</u>	<u>Remarks</u>
1	WHL-3000	Hub Assembly Complete (includes spindle)	4		rated for 7500 lbs. CJM
2	WHM-7106	385/65R22.5 Tire & Wheel Assy	4	790	
801	WHL-3001	Spindle 3" x 16"	4	WHL-3000	
802	WHL-3000G	Seal	4	WHL-3000	
803	WHL-3000C	Inner Cone	4	WHL-3000	
804	WHL-3000A	Inner Cup	4	WHL-3000	
805	WHL-3000B	Outer Cup	4	WHL-3000	
806	WHL-3000D	Outer Cone	4	WHL-3000	
807	WHL-3000K	Spindle Washer	4	WHL-3000	
808	WHL-3000J	Spindle Nut	4	WHL-3000	
809	WHL-3000H	Hub Cap	4	WHL-3000	3 1/8 od
810	PIN-C3-16-32	Cotter Pin 3/16 x 2"	4		
811	WHL-3000F	Lug Nut	32	WHL-3000	
812	WHL-7106	22.5 X 11.75 Wheel 8-8-6 3/8" positive offset	4		
813	WHT-7106	Used Truck Tire 385/65R22.5	4		
814	WHL-3000E	Stud Bolt	32	WHL-3000	
815	WBR-3000K	Wheel Bearing Kit for WHL-3000 Hub & Spindle Assy.	4	WHL-3000	



7001-1-13  
OPTIONAL WHEEL, HUB & BEARINGS  
(385 TRUCK TIRES)

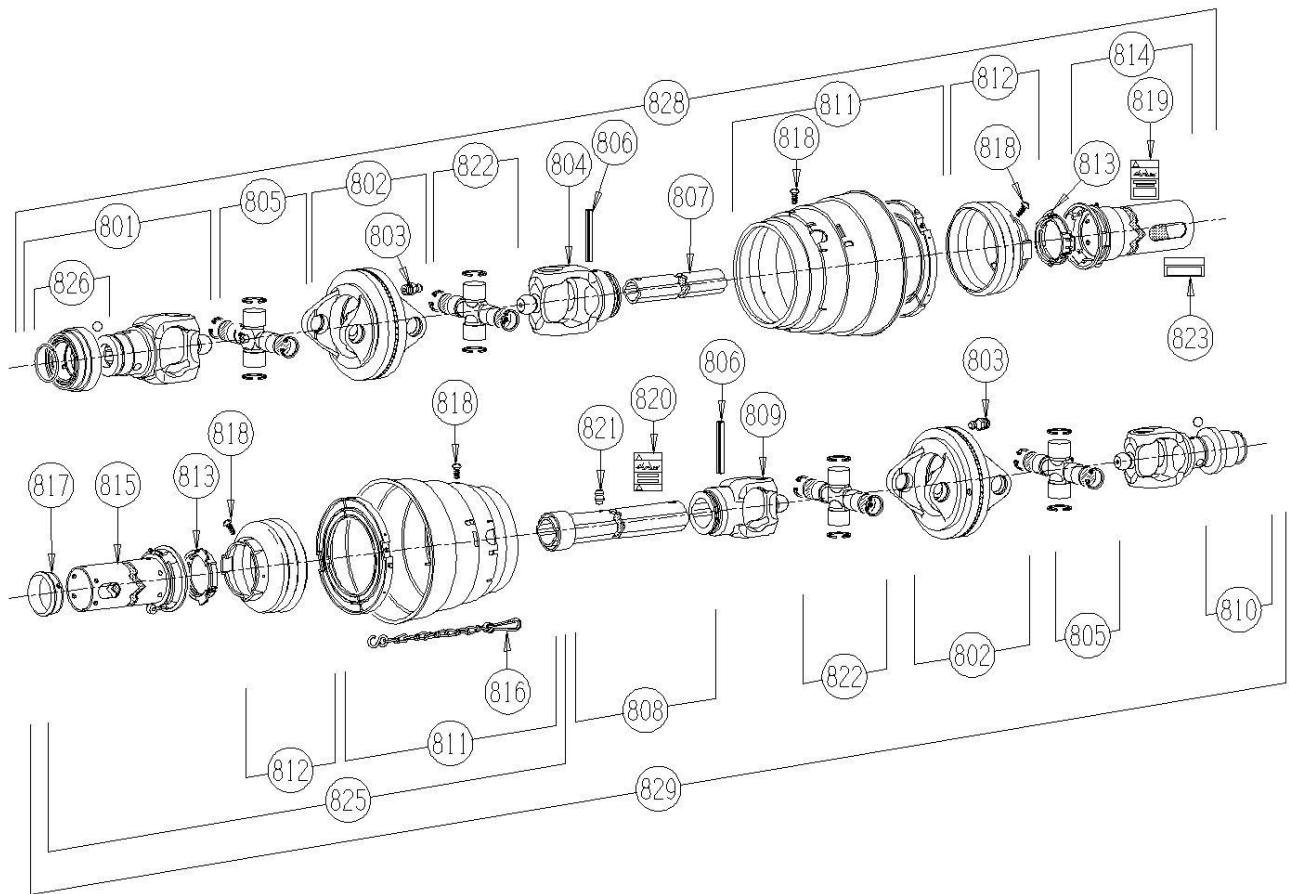


## 7009-2-1 1,000 RPM, 1-3/8' CV Driveline, Front

<u>Ref</u>	<u>Part No.</u>	<u>Description</u>	<u>Parts – Assembly</u>	<u>Will Fit SN</u>	<u>Remarks</u>
1	PTS-1008	1000 rpm CV Driveline, 1-3/8' Front, 7109	1		
801	PTS-1008A	Yoke, 1 3/8'-21 Spline	1		
802	PTS-1008B	Double Yoke	2		Special Order Only
803	PTS-1008C	Zerk, Double Yoke	2		Special Order Only
804	PTS-1008D	Inboard Yoke, 1b	1		
805	PTS-1008E	Cross & Bearing Kit	2		
806	PTB-1014C	Spring Pin 10 X 75	2		Special Order Only
807	PTS-1008F	Inner Profile, 1bGA	1		
808	PTS-1008G	Profile and Sleeve WA	1		
809	PTS-1008H	Inboard Yoke, 2a	1		Special Order Only
810	PTS-1008J	Yoke, 1 3/4'-20 Spline	1		
811	PTS-1008K	CV Guard and Bearing Assy	2		Special Order Only
812	PTS-1008L	Guard Cone, 3 Rib	2		Special Order Only
813	PTS-1002J	PTO Shield Bearing Ring	2		Special Order Only
814	PTS-1008M	Guard Tube Outer	1		Special Order Only
815	PTS-1008N	Guard Tube, Inner	1		Special Order Only
816	PTS-1002K	PTO Shield Safety Chain	1		Special Order Only
817	PTS-1010N	Support Bearing	1		Special Order Only
818	PTS-1010K	Screw	14		Special Order Only
819	PTS-1010L	Decal, Outer	1		Special Order Only
820	PTS-1010M	Decal, Inner	1		Special Order Only
821	PTB-1014L	Zerk	1		Special Order Only
822	PTS-1008P	Cross Bearing & Kit	2		
823	PTS-1008Q	CV Lubrication Decal	1		Special Order Only
824	PTS-1008-FS	Front Shield Kit, Complete	1		
825	PTS-1008-RS	Rear Shield Kit, Complete	1		
826	PTB-1014P	ASGE Collar Kit	1		
827	PTS-1008R	ASG Collar Kit	1		

828	PTS-1008-FH	Front, Half Shaft	1
829	PTS-1008-RH	Rear, Half Shaft	1

7009-2-1  
1000 RPM, 1-3/8" CV DRIVELINE, FRONT

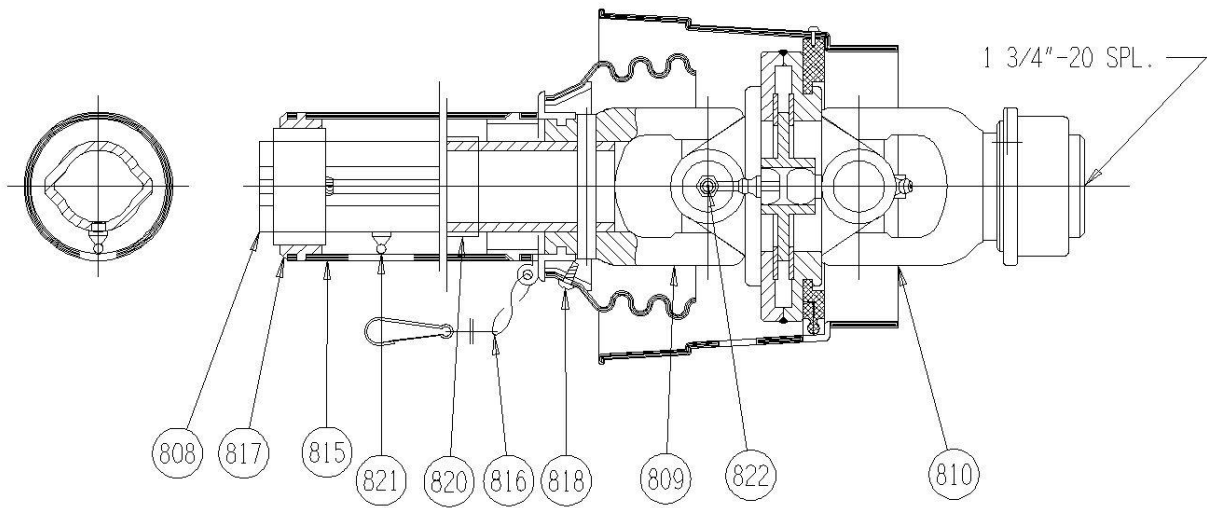
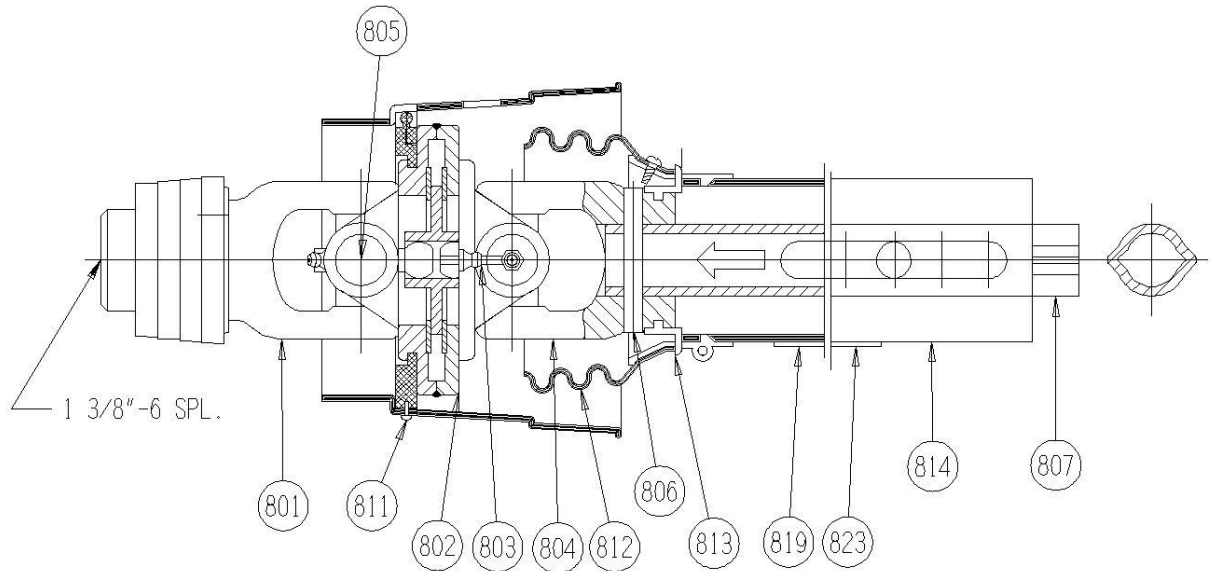




## 7009-2-1.1 540 RPM 1-3/8' CV Driveline

<u>Ref</u>	<u>Part No.</u>	<u>Description</u>	<u>Parts – Assembly</u>	<u>Will Fit SN</u>	<u>Remarks</u>
0	PTS-1012	540 rpm CV Driveline, Front, Vert.	1		
801	PTS-1012A	Yoke ASGE	1		
802	PTS-1008B	Double Yoke	2		Special Order Only
803	PTS-1017C	Zerk-in Item 2	2		
804	PTS-1008D	Inboard Yoke, 1b	1		
805	PTS-1008E	Cross & Bearing Kit	2		
806	PTS-1010C	Spring Pin	2		Special Order Only
807	PTS-1008F	Inner Profile, 1bGA	1		
809	PTS-1008H	Inboard Yoke, 2a	1		Special Order Only
810	PTS-1008J	Yoke, 1 3/4'-20 Spline	1		
811	PTS-1008K	CV Guard and Bearing Assy	2		Special Order Only
812	PTS-1008L	Guard Cone, 3 Rib	2		Special Order Only
813	PTS-1002J	PTO Shield Bearing Ring	2		Special Order Only
816	PTS-1002K	PTO Shield Safety Chain	1		Special Order Only
817	PTS-1010N	Support Bearing	1		Special Order Only
818	PTS-1010K	Screw	14		Special Order Only
819	PTS-1010L	Decal, Outer	1		Special Order Only
820	PTS-1010M	Decal, Inner	1		Special Order Only
821	PTB-1014L	Zerk	1		Special Order Only
822	PTS-1008P	Cross Bearing & Kit	2		
823	PTS-1008Q	CV Lubrication Decal	1		Special Order Only

7009-2-1.1  
540 RPM, 1-3/8" CV DRIVELINE, FRONT



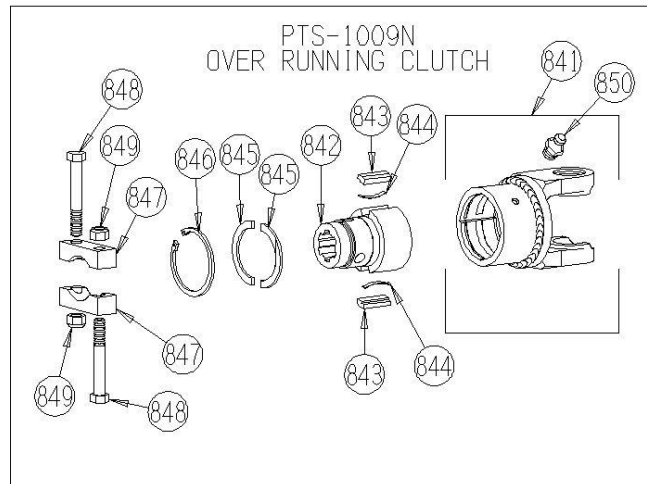
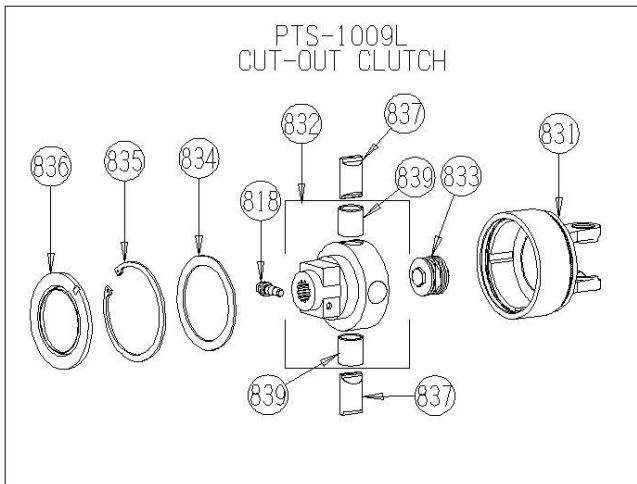
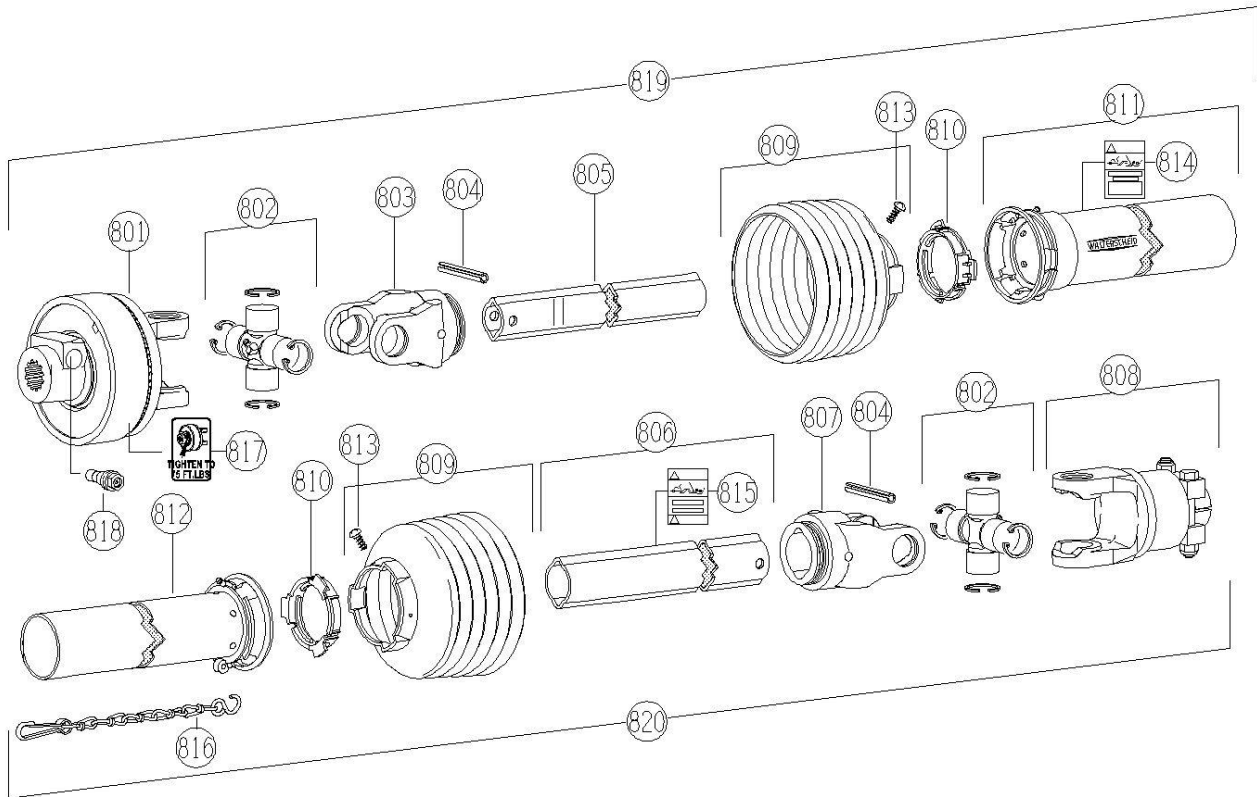
## 7009-2-2 Driveline, Rear

<u>Ref</u>	<u>Part No.</u>	<u>Description</u>	<u>Parts – Assembly</u>	<u>Will Fit SN</u>	<u>Remarks</u>
0	PTS-1009	Driveline,Rear, 1190 Vert.	1		
801	PTS-1009L	Cut-Out Clutch	1		Special Order Only
802	PTS-1010B	Cross & Bearing Kit	2		
803	PTS-1009B	Inboard Yoke, 1b	1		Special Order Only
804	PTS-1010C	Spring Pin	2		Special Order Only
805	PTB-1014E	Inner Profile	1		Special Order Only
806	PTS-1009M	Outer Profile	1		Special Order Only
807	PTS-1010D	Inboard Yoke	1		Special Order Only
808	PTS-1009N	Overrunning Clutch	1		
809	PTB-1014I	Shield Cone 6 Rib	2		Special Order Only
810	PTS-1002J	PTO Shield Bearing Ring	2		Special Order Only
811	PTS-1009P	Guard Tube Outer	1		Special Order Only
812	PTS-1009Q	Guard Tube Inner	1		Special Order Only
813	PTS-1010K	Screw	2		Special Order Only
814	PTS-1010L	Decal, Outer	1		Special Order Only
815	PTS-1010M	Decal, Inner	1		Special Order Only
816	PTS-1002K	PTO Shield Safety Chain	1		Special Order Only
817	PTS-1009J	Decal	1		Special Order Only
818	PTS-1009K	CC Lock Assembly	1		Special Order Only
819	PTS-1009-FH	Front, Half Shaft	1		Special Order Only
820	PTS-1009-RH	Rear, Half Shaft	1		Special Order Only
831	PTS-1009E-B	Housing	1		Special Order Only
832	PTS-1009E-C	Hub 1-3/4'-20 Spl CC	1		Special Order Only
833	PTS-1009E-D	Spring Pack	1		
834	PTS-1009E-E	Washer	1		Special Order Only
835	PTS-1009E-F	Retaining Ring	1		Special Order Only
836	PTS-1009E-G	Sealing Ring	1		Special Order Only
838	PTS-1009E-A	Cam	2		



839	PTS-1009E-H	Bushing - In Part PTS-1009E-C	2	
841	PTS-1020A-A	Clutch Housing	1	Special Order Only
842	PTS-1009N-A	Hub	1	Special Order Only
843	PTS-1010F-A	Key	2	
844	PTS-1010F-B	Leaf Spring	2	
845	PTS-1009N-B	Supporting Ring	1	Special Order Only
846	PTS-1010F-G	Retaining Ring	1	Special Order Only
847	PTS-1009N-C	Clamp Bridge	2	Special Order Only
848	PTS-1009N-D	Hex Bolt - M16 x 110L	2	
849	PTS-1009N-E	Locknut - M16	2	
850	PTS-1008C	Zerk, Double Yoke	1	Special Order Only

7009-2-2  
DRIVELINE, REAR

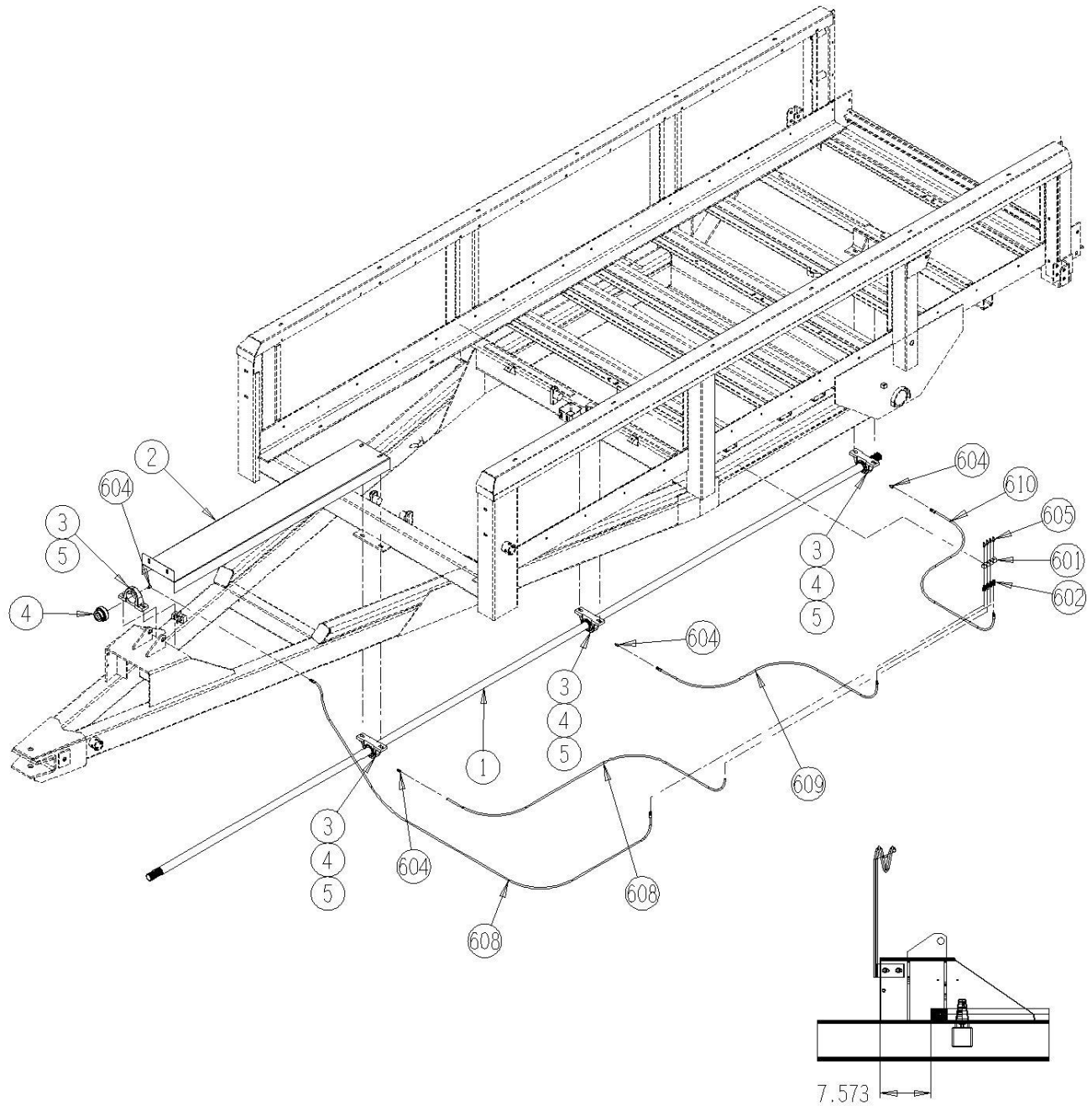




## 7009-2-5 Main Drive Shaft & Shields

<u>Ref</u>	<u>Part No.</u>	<u>Description</u>	<u>Parts – Assembly</u>	<u>Will Fit SN</u>	<u>Remarks</u>
1	PR33228	Shaft, Main, Vertical Beater Spreader	1		
2	PR50202	PTO Shield, 1190 Vertical Beater Spreader	1		
3	BR-085-RAK	Bearing Housing 85 mm	4		
4	BR-175-085-I	Bearing, 1 3/4" ID, TS	4		
5	GF-1428	Grease Fitting 1/4" x 28 straight	4		
601	GF-4-4	4" Grease Manifold	1		
602	A-1404-2-2	1/8 MP x 1/8 FPX	4		
603	H2-200-2mp-2mp	1/8 in grease hose 1/8MP x 1/8MP x 200 in long	1		
604	GFA-51942	1/4"-28 Straight Adapter	4		
606	A-1501-2-2	1/8" MP x 1/8" FPX90°	4		
608	H2-56-2MP-2MP	1/8in Hose x 1/8MP x 1/8MP x 56in	1		
609	H2-41-2MP-2MP	1/8 in grease hose 1/8MP x 1/8MP x 41 in long	1		
610	H2-130-2MP-2MP	1/8" Grease Hose 1/8MP x 1/8MP x 130" Long	1		
611	HA-1031	Hydraulic Hose Holder 3/8	5		
612	WT-11	Wire Tie 11"	12		

7009-2-5  
MAIN DRIVE SHAFT & SHIELDS

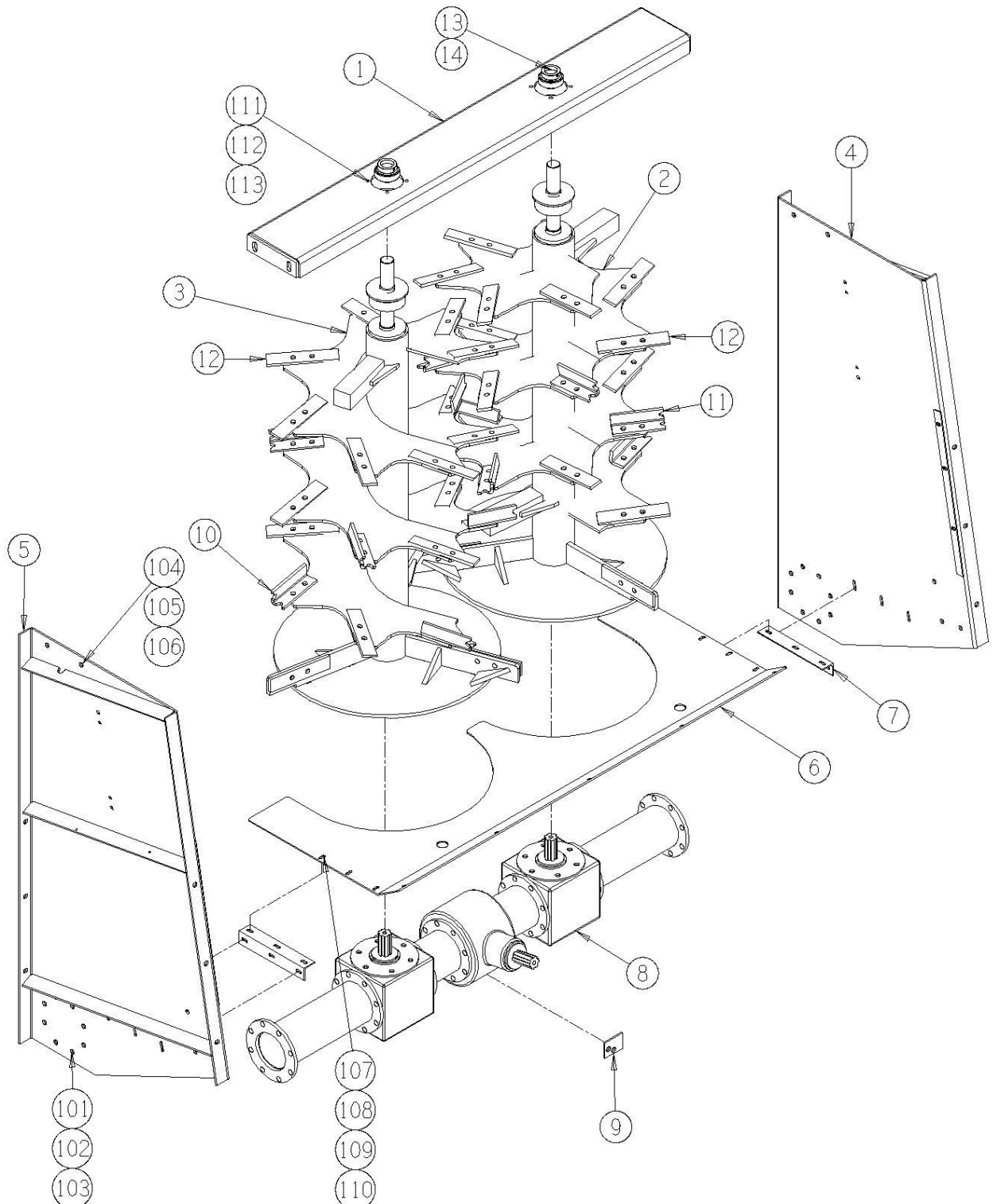
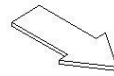


## 7009-2-7 790VB Main Beater, 1000 RPM, S.N. 70210020-

<u>Ref</u>	<u>Part No.</u>	<u>Description</u>	<u>Parts – Assembly</u>	<u>Will Fit SN</u>	<u>Remarks</u>
1	VTB-0001	Top Plate, Bearing Plate, Vert Beater	1		
2	VTB-0009	Vertical Beater, LH, 790VB	1		
3	VTB-0010	Vertical Beater, RH, 790VB	1		
4	PR51650	Panel,Left Side, 790Vertical Beater	1	70209006-	
5	PR51651	Panel,Right Side, 790 Vertical Beater	1	70209006-	
6	PR5052	Panel,Bottom Vertical Beater	1		
7	PR50501	Angle, Floor Vertical Beater	2		
8	VTB-1899-P2	Gear Box, 1000 RPM, 790VB, 1190VB	1		
9	PR50502	Shim, Bottom Panel under Gearbox	1		
10	VTB-1899-B3	Right Blade	7		
11	VTB-1899-C3	Left Blade	7		
12	VTB-1899-A3	Knife	34		
13	BR-085-4PF	85mm Four Bolt Piloted Flange Housing	2		
14	BR-175-085-I	Bearing, 1 1/2" ID, TS	2		
15	GF-2-2	2' Grease Manifold	1		
101	BL-9-200-H8	9/16-12 x 2, Hex Head, Grade 8	16		
102	BL-9-FW-8	9/16' Grade 8 Flat Washer	16		
103	BL-9-LN	9/16' Lock Nuts w/Nylon Inserts	16		
104	BL-10-175-H8	5/8-11 X 1 1/2 HEX CAP G8 ZC	84		
104	BL-10-200-H	5/8-11 X 2 HEX CAP G5 ZC	4		
105	BL-10-LN	5/8-11 HEX LN NE ZC	88		
106	BL-10-SW	5/8 SAE FW ZC @	8		
107	BL-6-100-C	3/8 UNC X 1 CARRIAGE BOLT GR5 ZINC	17		
108	BL-6-LW	3/8 SPLIT LW ZC	17		
109	BL-6-N	3/8-16 HEX NUTS ZC	17		
110	BL-6-SW	3/8 SAE FW ZC	17		
111	BL-7-125-HH	7/16' x 1 1/4', Hex Head, Gr 5, Zinc	8		
112	BL-7-LW	7/16' Split LW,Zinc Coated	8		

113	BL-7-SW	7/16 SAE FW ZC	8	
114	BL-10-200-H8	5/8-11 X 2 HEX CAP G8 ZC	12	
117	HP-1038	Gear Lube, 80W90 @ Quart	11	Hydra Ram Spreader
602	A-1503-2-2	1/8' MP x 1/8' FPX 45-	2	
603	GF-1827	Grease Fitting 1/8 NPT Straight	2	
604	H2-47-2MP-2MP	1/8 in grease hose 1/8MP x 1/8MP x 47 in long	1	
605	H2-78-2MP-2MP	1/8 in Grease Hose 1/8MP x 1/8MP x 78in Long	1	
606	A-1404-2-2	1/8 MP x 1/8 FPX	2	

7009-2-7  
MAIN BEATER, 1000 RPM



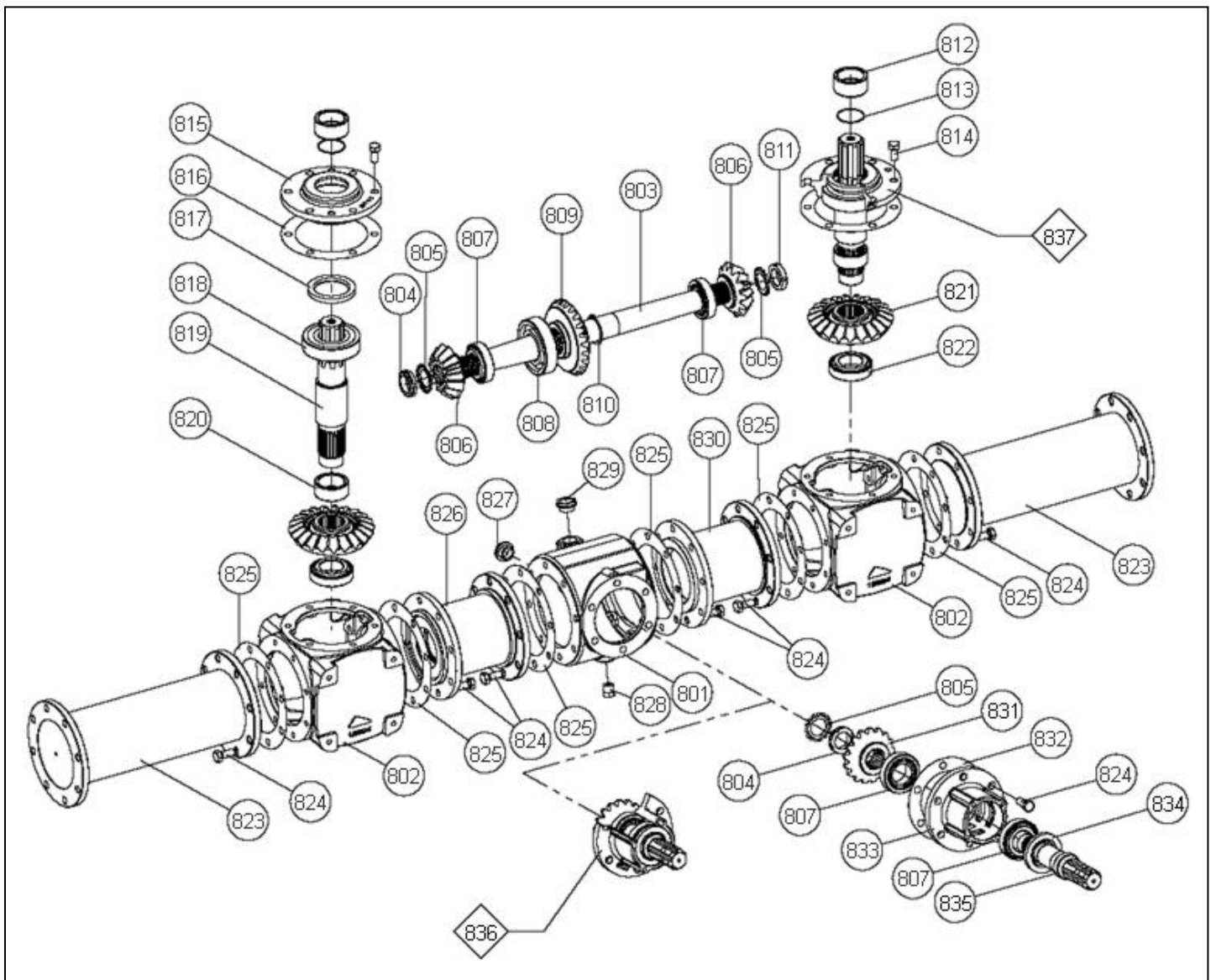




## 7109-2-7.1 Gear Box, Main Beater

<u>Ref</u>	<u>Part No.</u>	<u>Description</u>	<u>Parts – Assembly</u>	<u>Will Fit SN</u>	<u>Remarks</u>
801	VTB-1899-A1	Housing	1		
802	VTB-1899-B1	Housing	2		
803	VTB-1899-C1	Shaft	1		
804	VTB-1899-D1	Threaded Ring	2		
805	VTB-1899-E1	Washer	3		
806	VTB-1899-F1	Bevel Pinion Z=13	2		
807	VTB-1899-G1	Bearing 32209	4		
808	VTB-1899-H1	Bearing 6311	1		
809	VTB-1899-J1	Gear Z=24	1		
810	VTB-1899-K1	Circlip E 55	1		
811	VTB-1899-L1	Threaded Ring	1		
812	VTB-1899-M1	Spacer	2		
813	VTB-1899-N1	O-ring 2212	2		
814	VTB-1899-P1	Screw, hex-hd M14X30	12		
815	VTB-1899-Q1	Calotte	2		
816	VTB-1899-R1	Gasket	2		
817	VTB-1899-S1	Oil Seal	2		
818	VTB-1899-T1	Bearing 6311-2RS	2		
819	VTB-1899-U1	Shaft	2		
820	VTB-1899-V1	Spacer	2		
821	VTB-1899-W1	Gear Z=22	2		
822	VTB-1899-X1	Bearing 32210	2		
823	VTB-1899-Y1	Spacer L=428	2		
824	VTB-1899-Z1	Screw, hex-hd M14X35	54		
825	VTB-1899-A2	Gasket	6		
826	VTB-1899-B2	Right Spacer L=178	1		
827	VTB-1899-C2	Oil Lev. Indicator	1		
828	VTB-1899-D2	Oil Plug, 1/2" Gas	1		

829	VTB-1899-E2	Oil Plug, 1" Gas.	1
830	VTB-1899-F2	Left Spacer, L=178	1
830	VTB-1899-G2	Bevel Pinion Z=17	1
832	VTB-1899-H2	Gasket	1
833	VTB-1899-J2	Hub	1
834	VTB-1899-K2	Oil Seal	1
835	VTB-1899-L2	Shaft	1
836	VTB-1899-M2	Hub Complete	1
837	VTB-1899-N2	Calotte Complete	2

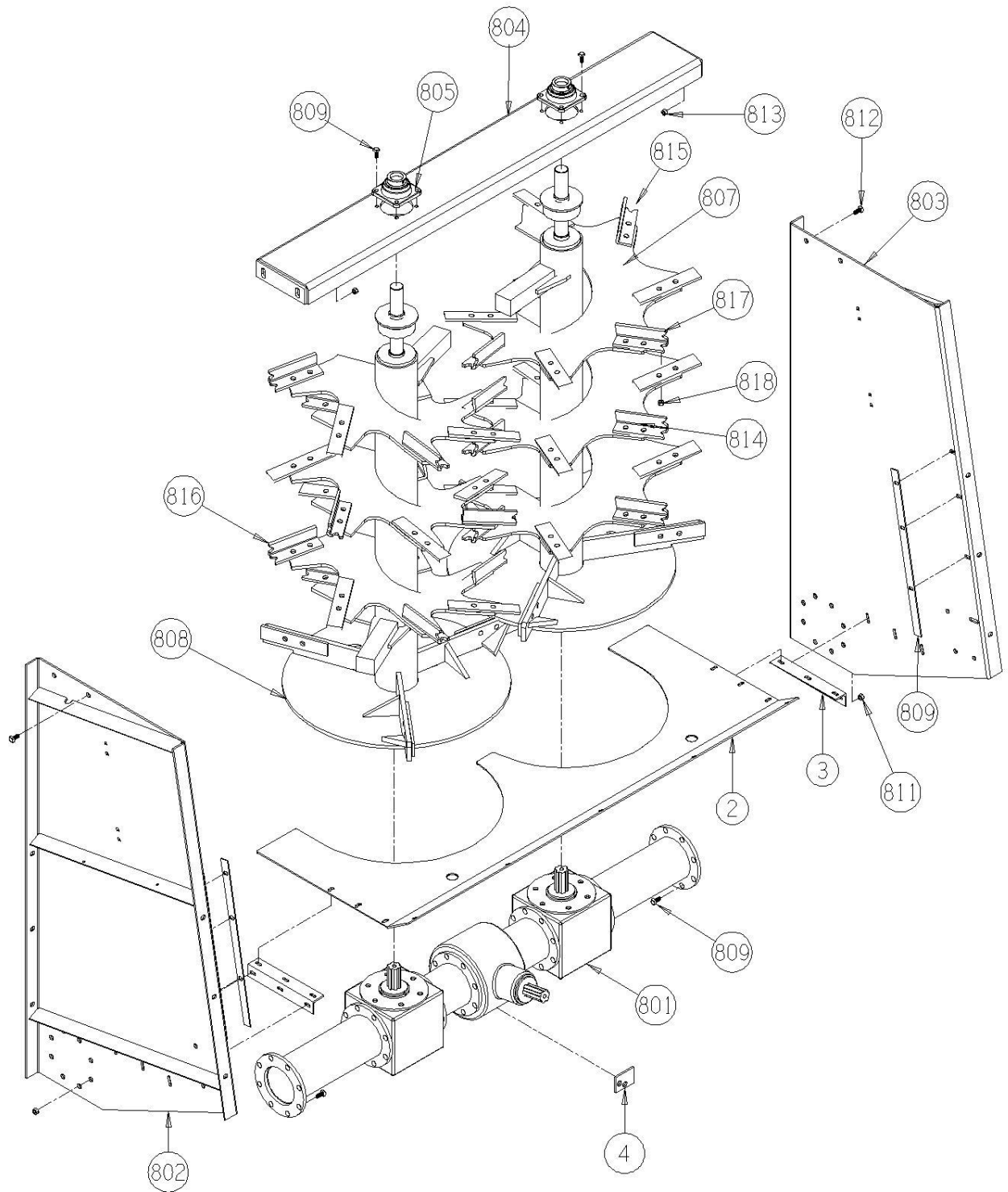
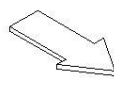


## 7009-2-7A Main Beater, 1000 rpm, S.N. -70210019

<u>Ref</u>	<u>Part No.</u>	<u>Description</u>	<u>Parts – Assembly</u>	<u>Will Fit SN</u>	<u>Remarks</u>
1	VTB-1885	Vertical Beater System, 790, 1000rpm	1		
2	PR5052	Panel,Bottom Vertical Beater	1		
3	PR50501	Angle, Floor Verical Beater	2		
4	PR50502	Shim, Bottom Panel under Gearbox	1		
101	BL-9-200-H8	9/16-12 x 2, Hex Head, Grade 8	16		
102	BL-9-FW-8	9/16' Grade 8 Flat Washer	16		
103	BL-9-LN	9/16' Lock Nuts w/Nylon Inserts	16		
601	GF-2-2	2' Grease Manifold	1		
602	A-1404-4-4	1/4 MP x 1/4 FPX	2		
603	GF-1827-45	Grease Fitting 1/8 NPT 45-	2		
604	H2-49-2MP-2MP	1/8 in grease hose 1/8MP x 1/8MP x 49 in long	1		
605	H2-107-2MP-2MP	1/8 Hose x 1/8MP x 1/8MP 107in Long	1		
801	VTB-1899-P2	Gear Box, 1000 RPM, 790VB, 1190VB	1		
802	VTB-1885-A1	Right Panel	1		
803	VTB-1885-B1	Left Panel	1		
804	VTB-1899-S2	Cross Bar	1		
805	VTB-1899-T2	Bearing, Vertical Beater -70210019	2		
806	VTB-1899-T3	Bearing Housing, Vertical Beater	2		
807	VTB-1885-C1	Right Beater	1		
808	VTB-1885-D1	Left Beater	1		
809	VTB-1885-E1	Plate	8		
810	VTB-1899-W2	Screw, hex-hd M14X40	16		
811	VTB-1899-X2	Nut M14-8G	16		
812	VTB-1899-Y2	Screw, hex-hd M18X45	4		
813	VTB-1899-Z2	Nut M18-8G	4		
814	VTB-1899-A3	Knife	30		
815	VTB-1899-B3	Right Blade	9		
816	VTB-1899-C3	Left Blade	9		

817	VTB-1899-D3	Screw, hex-hd M16x40	96	
818	VTB-1899-E3	Nut M16x1.5	96	
850	PR51600	Panel,Left Side, 790Vertical Beater (Early)	0	70209001-70209005
851	PR51601	Panel,Right Side, 790 Vertical Beater (Early)	0	70209001-70209005
852	PR51650	Panel,Left Side, 790Vertical Beater	0	70209006-
853	PR51651	Panel,Right Side, 790 Vertical Beater	0	70209006-

7009-2-7A  
MAIN BEATER, 1000 RPM





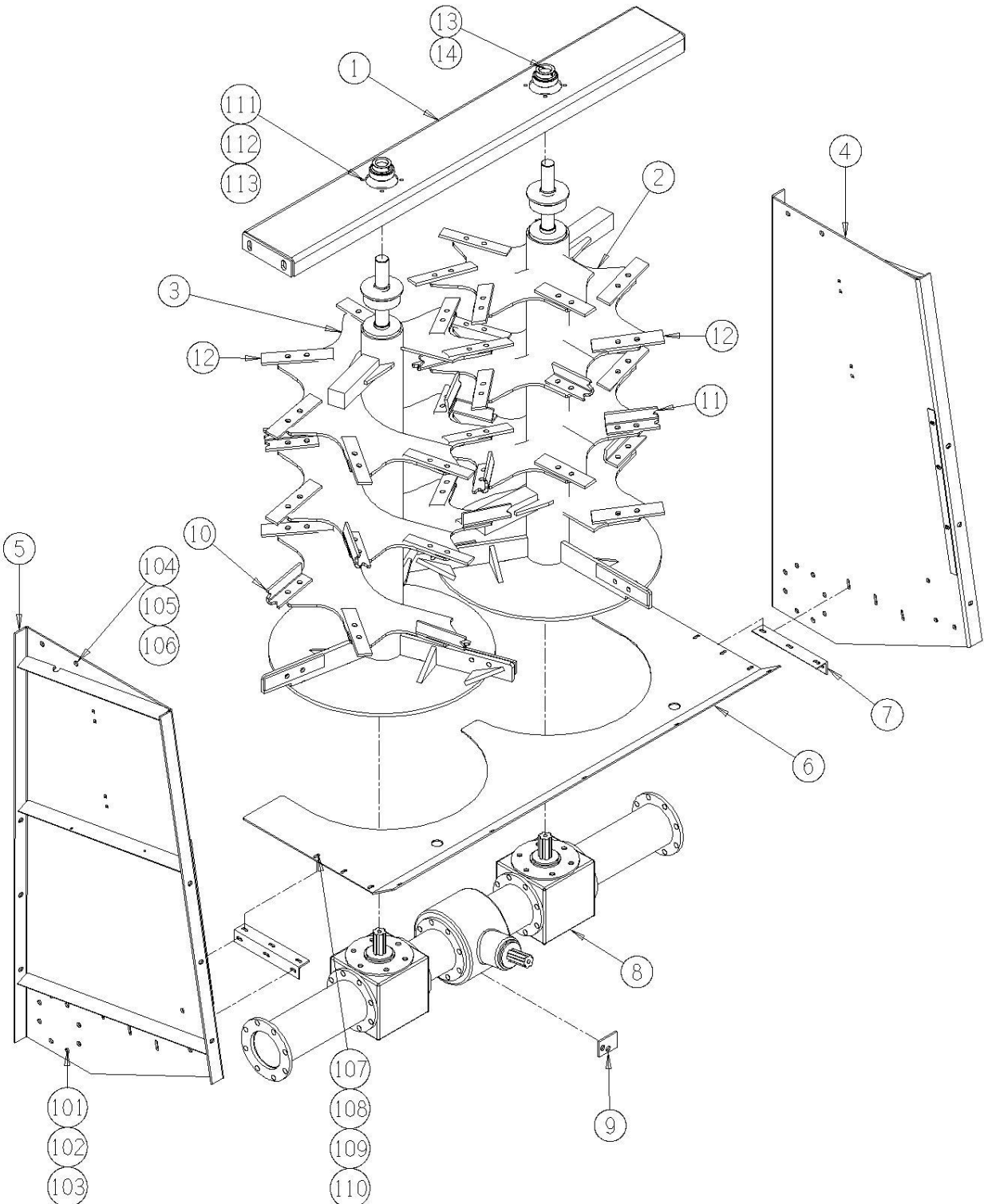
7009-2-8 790VB Main Beater, 540 RPM, S.N. 70210020-

<u>Ref</u>	<u>Part No.</u>	<u>Description</u>	<u>Parts – Assembly</u>	<u>Will Fit SN</u>	<u>Remarks</u>
1	VTB-0001	Top Plate, Bearing Plate, Vert Beater	1		
2	VTB-0009	Vertical Beater, LH, 790VB	1		
3	VTB-0010	Vertical Beater, RH, 790VB	1		
4	PR51650	Panel,Left Side, 790Vertical Beater	1	70209006-	
5	PR51651	Panel,Right Side, 790 Vertical Beater	1	70209006-	
6	PR5052	Panel,Bottom Vertical Beater	1		
7	PR50501	Angle, Floor Vertical Beater	2		
8	VTB-1887-A	Gearbox, 540 rpm, 790VB, 1190VB	1		
9	PR50502	Shim, Bottom Panel under Gearbox	1		
10	VTB-1899-B3	Right Blade	7		
11	VTB-1899-C3	Left Blade	7		
12	VTB-1899-A3	Knife	34		
13	BR-085-4PF	85mm Four Bolt Piloted Flange Housing	2		
14	BR-175-085-I	Bearing, 1 1/2" ID, TS	2		
101	BL-9-200-H8	9/16-12 x 2, Hex Head, Grade 8	16		
102	BL-9-FW-8	9/16" Grade 8 Flat Washer	16		
103	BL-9-LN	9/16" Lock Nuts w/Nylon Inserts	16		
104	BL-10-175-H8	5/8-11 X 1 1/2" HEX CAP G8 ZC	0		
105	BL-10-200-H	5/8-11 X 2 HEX CAP G5 ZC	4		
106	BL-10-LN	5/8-11 HEX LN NE ZC	4		
107	BL-10-SW	5/8 SAE FW ZC @	8		
108	BL-6-100-C	3/8 UNC X 1 CARRIAGE BOLT GR5 ZINC	17		
109	BL-6-LW	3/8 SPLIT LW ZC	17		
110	BL-6-N	3/8-16 HEX NUTS ZC	17		
111	BL-6-SW	3/8 SAE FW ZC	17		
112	BL-7-125-HH	7/16" x 1 1/4", Hex Head, Gr 5, Zinc	8		
113	BL-7-LW	7/16" Split LW,Zinc Coated	8		
114	BL-7-SW	7/16 SAE FW ZC	8		



115	BL-10-200-H8	5/8-11 X 2 HEX CAP G8 ZC	12	
117	HP-1038	Gear Lube, 80W90 @ Quart	11	Hydra Ram Spreader
601	GF-2-2	2' Grease Manifold	1	
602	A-1404-4-4	1/4 MP x 1/4 FPX	2	
603	GF-1827-45	Grease Fitting 1/8 NPT 45-	2	
604	H2-47-2MP-2MP	1/8 in grease hose 1/8MP x 1/8MP x 47 in long	1	
605	H2-76-2MP-2MP	1/8 in grease hose 1/8MP x 1/8MP x 76 in long	1	
606	A-1503-2-2	1/8' MP x 1/8' FPX 45-	2	

7009-2-8  
MAIN BEATER, 540 RPM

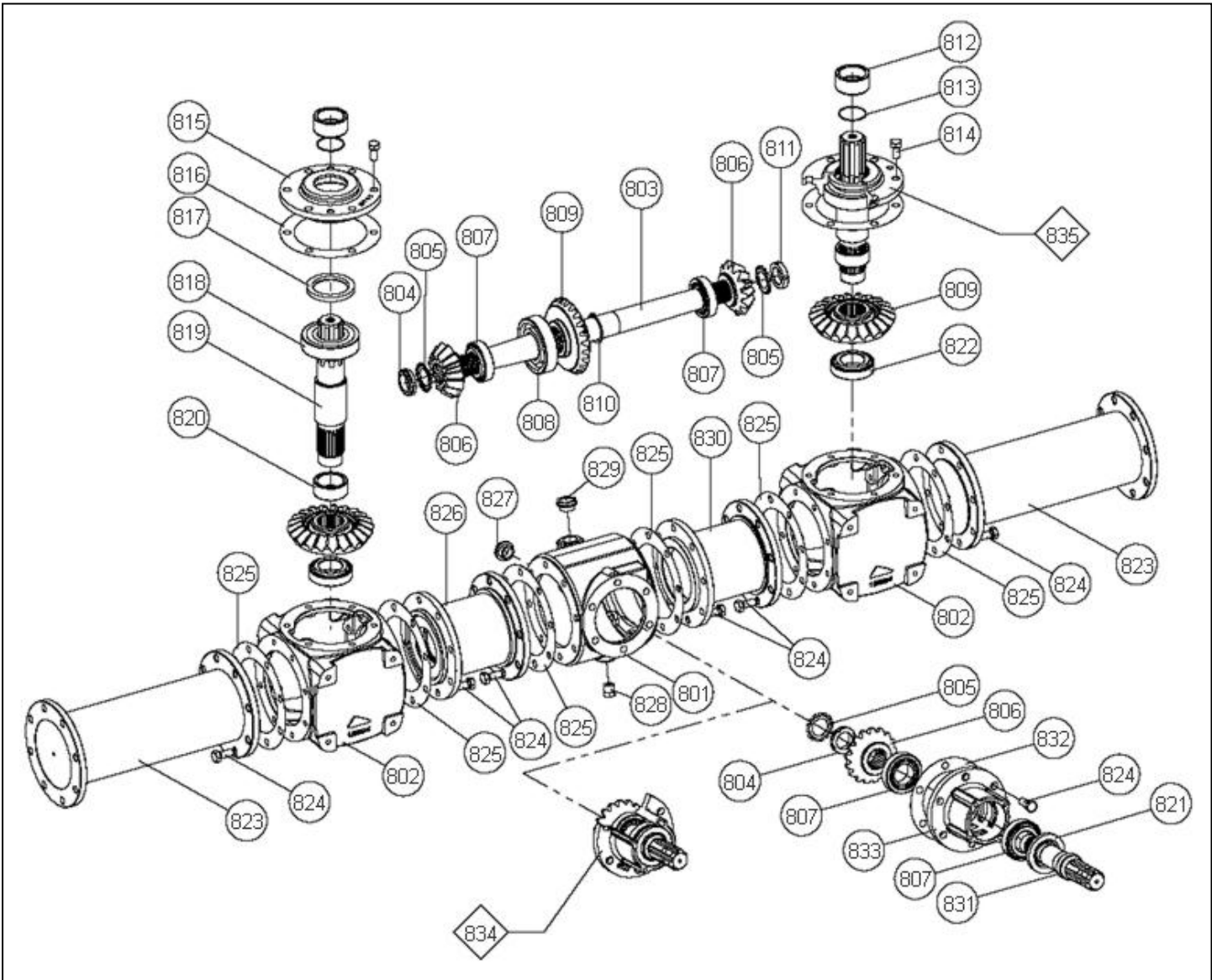




## 7009-2-8.1 Gear Box, Main Beater, 540

<u>Ref</u>	<u>Part No.</u>	<u>Description</u>	<u>Parts – Assembly</u>	<u>Will Fit SN</u>	<u>Remarks</u>
801	VTB-1887-A1	Housing	1		
802	VTB-1899-B1	Housing	2		
803	VTB-1899-C1	Shaft	1		
804	VTB-1899-D1	Threaded Ring	2		
805	VTB-1899-E1	Washer	3		
806	VTB-1887-B1	Bevel Pinion Z=18	2		
807	VTB-1899-G1	Bearing 32209	4		
808	VTB-1899-H1	Bearing 6311	1		
809	VTB-1887-C1	Gear Z=22	1		
810	VTB-1899-K1	Circlip E 55	1		
811	VTB-1899-L1	Threaded Ring	1		
812	VTB-1899-M1	Spacer	2		
813	VTB-1899-N1	O-ring 2212	2		
814	VTB-1899-P1	Screw, hex-hd M14X30	12		Reference Only, Special Order
815	VTB-1899-Q1	Calotte	2		
816	VTB-1899-R1	Gasket	2		
817	VTB-1899-S1	Oil Seal	2		
818	VTB-1899-T1	Bearing 6311-2RS	2		
819	VTB-1899-U1	Shaft	2		
820	VTB-1899-V1	Spacer	2		
821	VTB-1899-K2	Oil Seal	1		
821	VTB-1899-W1	Gear Z=22	2		
822	VTB-1899-X1	Bearing 32210	2		
823	VTB-1899-Y1	Spacer L=428	2		
824	VTB-1899-Z1	Screw, hex-hd M14X35	54		Reference Only, Special Order
825	VTB-1899-A2	Gasket	6		
826	VTB-1899-B2	Right Spacer L=178	1		
827	VTB-1899-C2	Oil Lev. Indicator	1		Replace with #GBXA-5-ST10B

828	VTB-1899-D2	Oil Plug, 1/2" Gas	1
829	VTB-1899-E2	Oil Plug, 1" Gas.	1
830	VTB-1899-F2	Left Spacer, L=178	1
830	VTB-1899-G2	Bevel Pinion Z=17	1
831	VTB-1899-L2	Shaft	1
832	VTB-1899-H2	Gasket	1
833	VTB-1899-J2	Hub	1
834	VTB-1887-D1	Hub Complete	1
836	VTB-1899-M2	Hub Complete, 790, 1190VB Gearbox	1
837	VTB-1899-N2	Calotte Complete, 790, 1190VB Gearbox	2

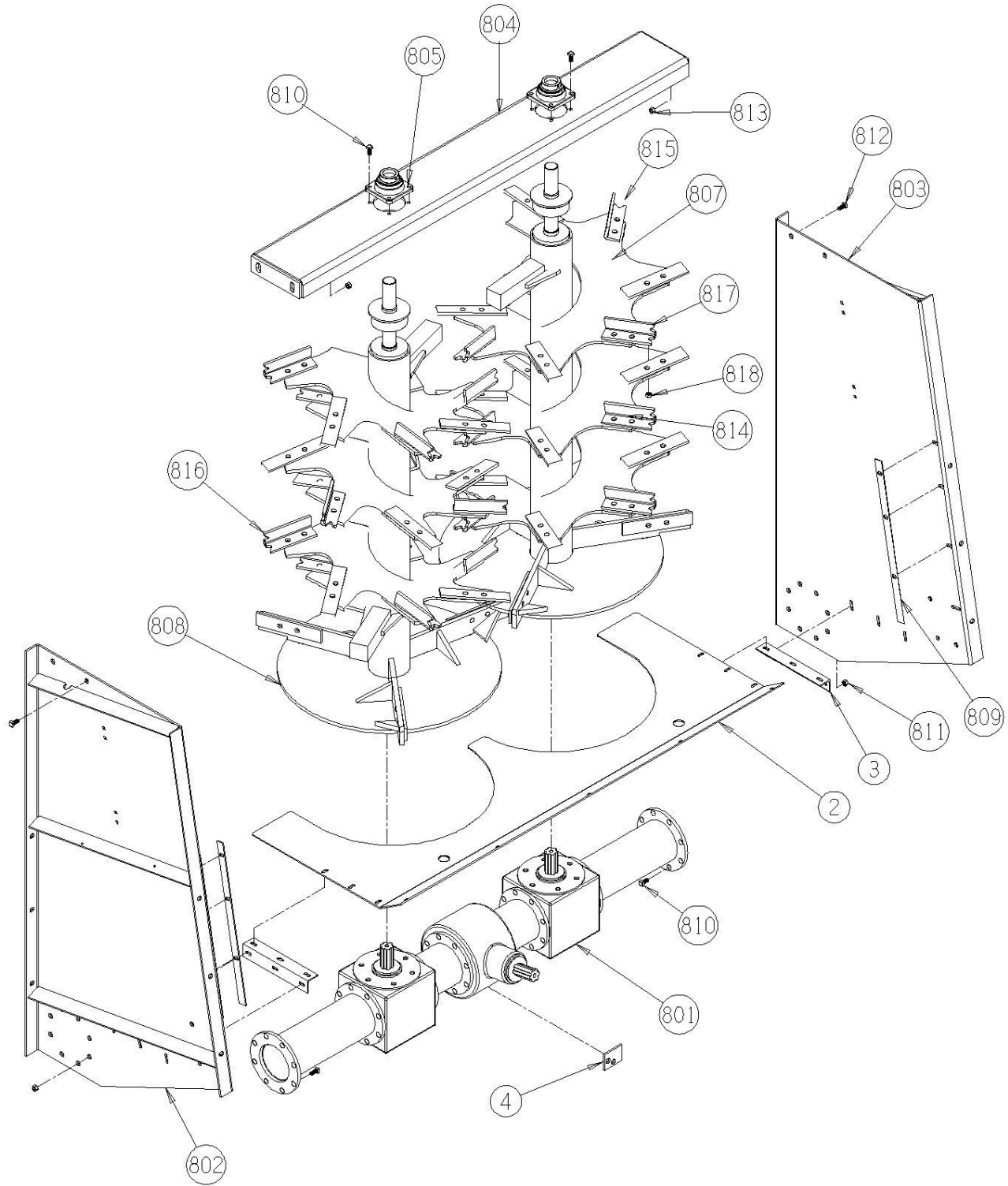
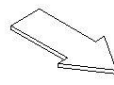


## 7009-2-8A Main Beater, 540 rpm, S.N. -70210019

<u>Ref</u>	<u>Part No.</u>	<u>Description</u>	<u>Parts – Assembly</u>	<u>Will Fit SN</u>	<u>Remarks</u>
1	VTB-1887	Vertical Beater System, 790, 540 rpm	1		
2	PR5052	Panel,Bottom Vertical Beater	1		
3	PR50501	Angle, Floor Verical Beater	2		
4	PR50502	Shim, Bottom Panel under Gearbox	1		
101	BL-9-200-H8	9/16-12 x 2, Hex Head, Grade 8	16		
102	BL-9-FW-8	9/16' Grade 8 Flat Washer	16		
103	BL-9-LN	9/16' Lock Nuts w/Nylon Inserts	16		
601	GF-2-2	2' Grease Manifold	1		
602	A-1404-4-4	1/4 MP x 1/4 FPX	2		
603	GF-1827-45	Grease Fitting 1/8 NPT 45-	2		
604	H2-49-2MP-2MP	1/8 in grease hose 1/8MP x 1/8MP x 49 in long	1		
605	H2-107-2MP-2MP	1/8 Hose x 1/8MP x 1/8MP 107in Long	1		
801	VTB-1887-A	Gearbox, 540 rpm, 790VB, 1190VB	1		
802	VTB-1885-A1	Right Panel	1		
803	VTB-1885-B1	Left Panel	1		
804	VTB-1899-S2	Cross Bar	1		
805	VTB-1899-T2	Bearing, Vertical Beater -70210019	2		
806	VTB-1899-T3	Bearing Housing, Vertical Beater	2		
807	VTB-1887-B	Right Beater, 540	1		
808	VTB-1887-C	Left Beater, 540	1		
809	VTB-1885-E1	Plate	8		
810	VTB-1899-W2	Screw, hex-hd M14X40	16		
811	VTB-1899-X2	Nut M14-8G	16		
812	VTB-1899-Y2	Screw, hex-hd M18X45	4		
813	VTB-1899-Z2	Nut M18-8G	4		
814	VTB-1899-A3	Knife	30		
815	VTB-1899-B3	Right Blade	9		
816	VTB-1899-C3	Left Blade	9		

817	VTB-1899-D3	Screw, hex-hd M16x40	96	
818	VTB-1899-E3	Nut M16x1.5	96	
850	PR51600	Panel,Left Side, 790Vertical Beater (Early)	0	70209001-70209005
851	PR51601	Panel,Right Side, 790 Vertical Beater (Early)	0	70209001-70209005
852	PR51650	Panel,Left Side, 790Vertical Beater	0	70209006-
853	PR51651	Panel,Right Side, 790 Vertical Beater	0	70209006-

7009-2-8A  
MAIN BEATER, 540 RPM





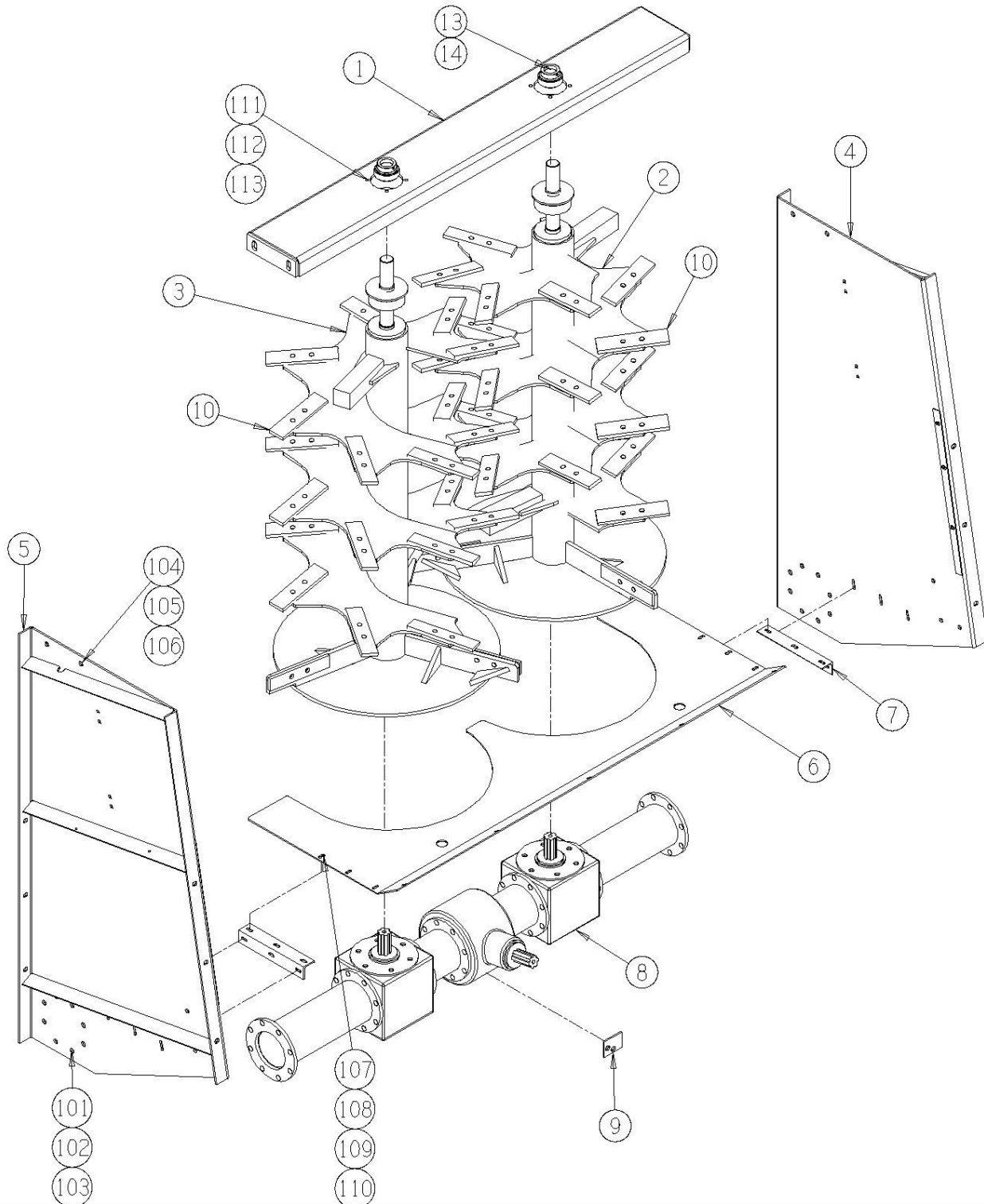


## 7009-2-9 790VB Main Beater, 1000 RPM - All Knife

<u>Ref</u>	<u>Part No.</u>	<u>Description</u>	<u>Parts – Assembly</u>	<u>Will Fit SN</u>	<u>Remarks</u>
1	VTB-0001	Top Plate, Bearing Plate, Vert Beater	1		
2	VTB-0009	Vertical Beater, LH, 790VB	1		
3	VTB-0010	Vertical Beater, RH, 790VB	1		
4	PR51650	Panel,Left Side, 790Vertical Beater	1	70209006-	
5	PR51651	Panel,Right Side, 790 Vertical Beater	1	70209006-	
6	PR5052	Panel,Bottom Vertical Beater	1		
7	PR50501	Angle, Floor Vertical Beater	2		
8	VTB-1899-P2	Gear Box, 1000 RPM, 790VB, 1190VB	1		
9	PR50502	Shim, Bottom Panel under Gearbox	1		
10	VTB-1899-F3	Knife, Weight Specific	48	71113001-	
13	BR-085-4PF	85mm Four Bolt Piloted Flange Housing	2		
14	BR-175-085-I	Bearing, 1 1/2" ID, TS	0		
15	GF-2-2	2" Grease Manifold	1		
101	BL-9-200-H8	9/16-12 x 2, Hex Head, Grade 8	16		
102	BL-9-FW-8	9/16" Grade 8 Flat Washer	16		
103	BL-9-LN	9/16" Lock Nuts w/Nylon Inserts	16		
104	BL-10-175-H8	5/8-11 X 1 1/2" HEX CAP G8 ZC	84		
104	BL-10-200-H	5/8-11 X 2 HEX CAP G5 ZC	4		
105	BL-10-LN	5/8-11 HEX LN NE ZC	88		
106	BL-10-SW	5/8 SAE FW ZC @	8		
107	BL-6-100-C	3/8 UNC X 1 CARRIAGE BOLT GR5 ZINC	17		
108	BL-6-LW	3/8 SPLIT LW ZC	17		
109	BL-6-N	3/8-16 HEX NUTS ZC	17		
110	BL-6-SW	3/8 SAE FW ZC	17		
111	BL-7-125-HH	7/16" x 1 1/4", Hex Head, Gr 5, Zinc	8		
112	BL-7-LW	7/16" Split LW,Zinc Coated	8		
113	BL-7-SW	7/16 SAE FW ZC	8		
114	BL-10-200-H8	5/8-11 X 2 HEX CAP G8 ZC	12		

117	HP-1038	Gear Lube, 80W90 @ Quart	11	Hydra Ram Spreader
602	A-1503-2-2	1/8' MP x 1/8' FPX 45-	2	
603	GF-1827	Grease Fitting 1/8 NPT Straight	2	
604	H2-47-2MP-2MP	1/8 in grease hose 1/8MP x 1/8MP x 47 in long	1	
605	H2-78-2MP-2MP	1/8 in Grease Hose 1/8MP x 1/8MP x 78in Long	1	
606	A-1404-2-2	1/8 MP x 1/8 FPX	2	

7009-2-9  
MAIN BEATER, 1000 RPM, ALL KNIVES

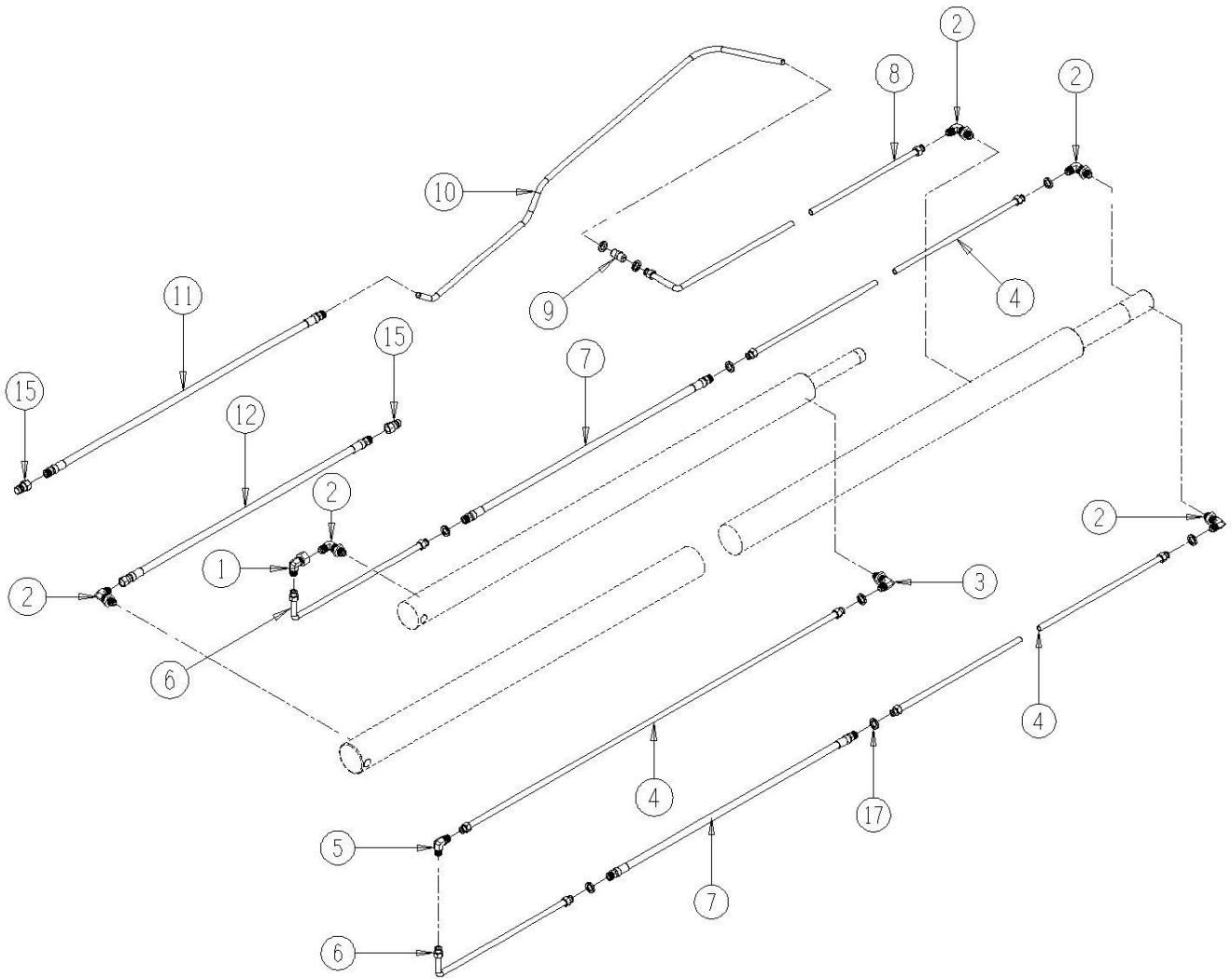




## 7009-3-1    Hydraulics, Control Valve To Push Off Cylinders

<u>Ref</u>	<u>Part No.</u>	<u>Description</u>	<u>Parts – Assembly</u>	<u>Will Fit SN</u>	<u>Remarks</u>
1	A-6500-10	Elbow, 5/8" MJ x 5/8" FJX	1		
2	A-6801-L-10	Elbow, Long, 5/8" MJ x 10 SAE	5		
3	A-6801-10	Elbow, 5/8" MJ x 10 SAE	1		
4	H-T7001	Hyd Tube, Primary/Sec Cylinder, 5/8" Dia.	3		
5	A-2500-10	Elbow, 5/8" MJ x 5/8" MJ	1		
6	H-T7002	Hyd Tube, Primary to Sec. Cylinder, 5/8" dia.	2		
7	H8-40-10MJ-10MJ	1/2" hose 5/8" MJ x 5/8" MJ x 39.75" long	2		
8	H-T7003	Hyd Tube, Primary Cylinder, Rear, 5/8" dia.	1		
9	A-2403-10	Union, 5/8" MJ x 5/8" MJ	1		
10	H-T7024	Hyd. Tube, Pusher Cyl., Rear To Tractor, 1190VB	1		
11	H8-100-8MP-10MJ	1/2 in hose 1/2MP x 5/8 MJ x 100 in long	1		
12	H8-88-8MP-10FJ	1/2 in hose 1/2MP x 5/8 FJ x 88 in long	1		
15	A-QD2010-8-8	Tractor Quick Coupler, Male, 1/2" w/ FPT	2		
17	HW-10	5/8" OD Washer for Hydraulic Tube/Hose	14		
601	HY-TRAN	Hytran @ gal	5		
602	HP-1038	Gear Lube, 80W90 @ Quart	1.25	Hydra Ram Spreader	

7009-3-1  
HYDRAULICS,  
CONTROL VALVE TO PUSH OFF CYLINDERS

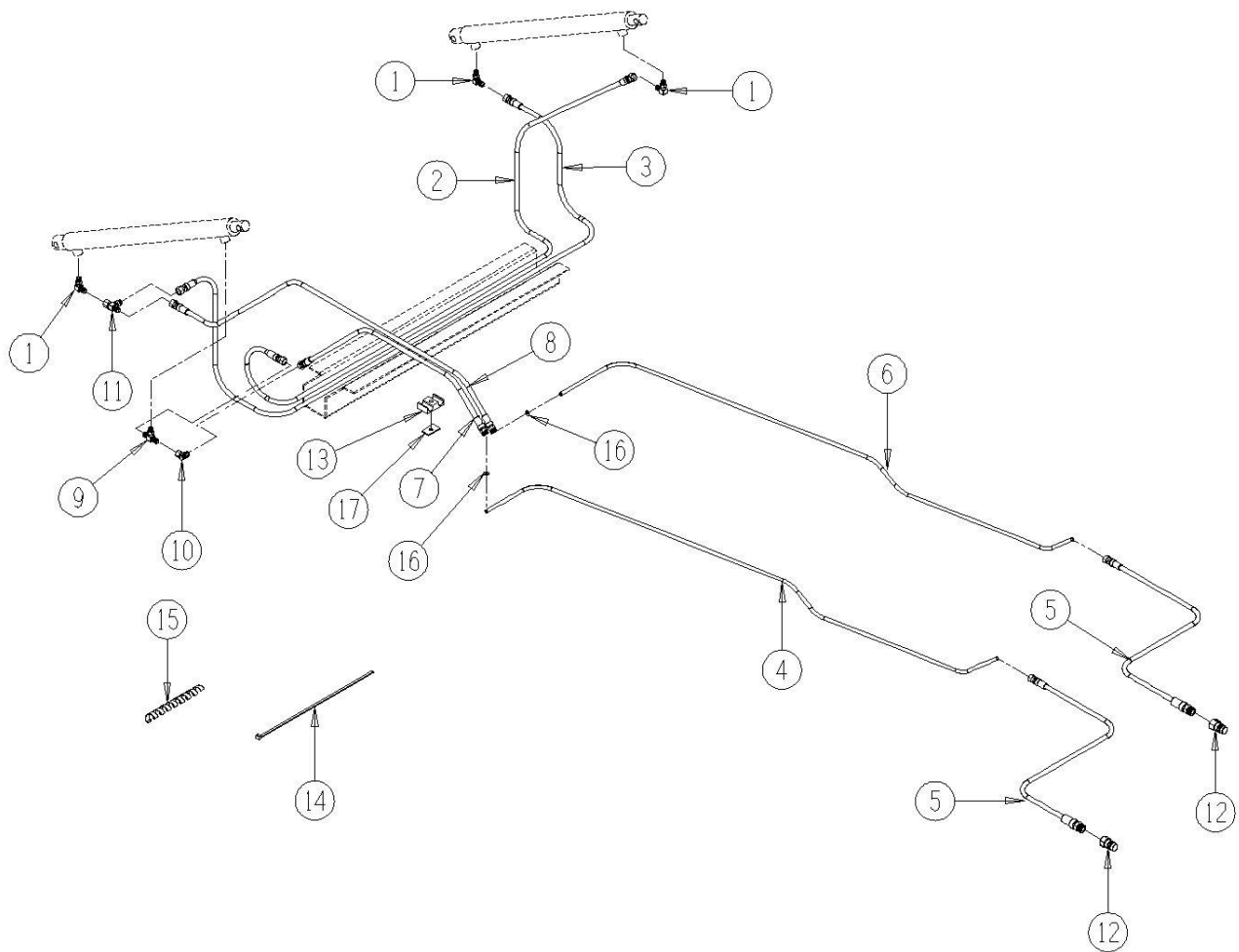


## 7009-3-2 Hydraulics, Endgate Cylinders

<u>Ref</u>	<u>Part No.</u>	<u>Description</u>	<u>Parts – Assembly</u>	<u>Will Fit SN</u>	<u>Remarks</u>
1	A-6801-6	Elbow, 3/8' MJ x 6 SAE	3		
2	H4-153-6FJ-6FJ	1/4' hose 3/8' FJ x 3/8' FJ x 153.5' long	1		
3	H4-107-6FJ-6FJ	1/4' hose 3/8' FJ x 3/8' FJ x 107.5' long	1		
4	H-T7023	Hyd, Tube, Endgate, Lower, Front 3/8 Dia., 1190VB	1		
5	H4-100-6MJ-8MP	1/4' hose 3/8' MJ x 1/2' MP x100' long	2		
6	H-T7026	Hyd, Tube, Endgate, Upper, Front 3/8 Dia., 1190VB	1		
7	H4-197-6MJ-6FJ	1/4' hose 3/8' MJ x 3/8' FJ x 197' long	1		
8	H4-218-6MJ-6FJ	1/4' hose 3/8' MJ x 3/8' FJ x 218' long	1		
9	A-6803-6	Tee, 3/8' MJ x 3/8' MJ x 6 SAE	1		
10	A-6502-6	Elbow, 45°, 3/8' MJ x 3/8' FJX	1		
11	A-6602-6	Tee, 3/8' MJ x 3/8' FJX x 3/8' MJ	1		
12	A-QD2010-8-8	Tractor Quick Coupler, Male, 1/2' w/ FPT	2		
13	PR34896	Hose Clamp, 1/4' Hydraulic, 1/2' O.D. Hose	5		
14	WT-17H	Heavy Duty Wire Tie 17.5'	6		
15	ELL-12	1/2" OD Black Spiral Wrap @ Foot	2.7		
16	HW-06	3/8' OD Washer for Hydraulic Tube/Hose	4		
17	PR34894	Support, Clamp, 1/4' Double Hose Clamp	5		



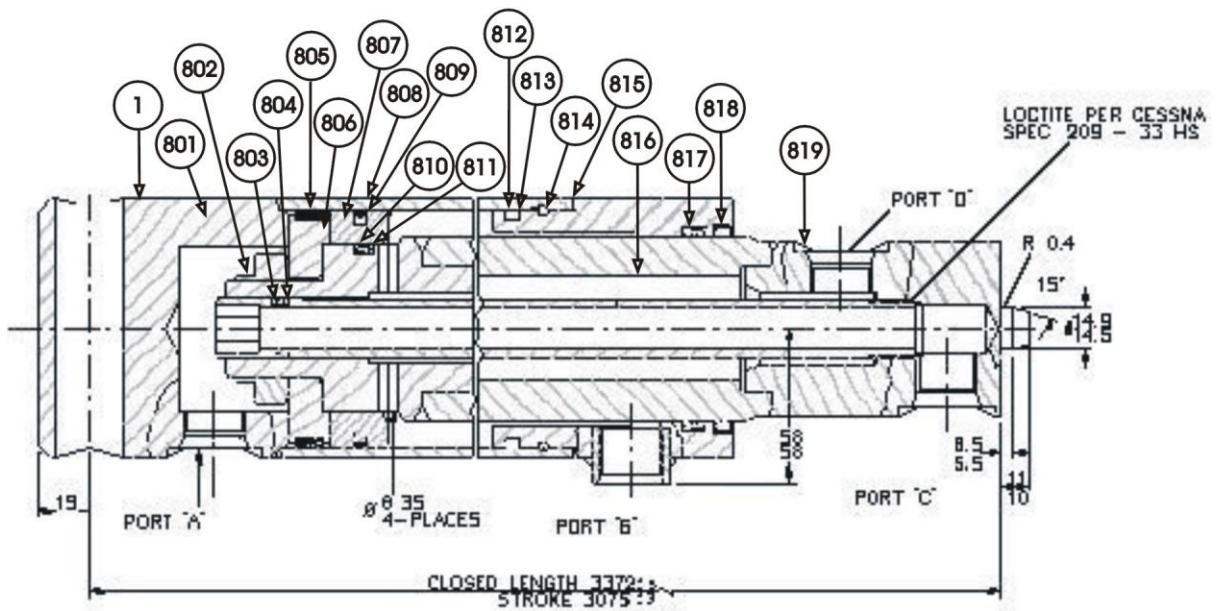
7009-3-2  
HYDRAULICS,  
ENDGATE CYLINDERS



## 7001-3-3 Main Cylinder, Sliding Floor

<u>Ref</u>	<u>Part No.</u>	<u>Description</u>	<u>Parts – Assembly</u>	<u>Will Fit SN</u>	<u>Remarks</u>
1	PR23131	Main Cylinder	1		
801	PR23131-L	Barrel Assy.	1		Reference Only, Special Order
802	PR23131-M	Locknut - Thin	1		Reference Only, Special Order
803	PR23131-N	Back Up Washer	2		Reference Only, Special Order
804	PR23131-O	O Ring	1		Part of Seal Kit, Not Sold Separately
805	PR23131-P	Wear Ring	1		Part of Seal Kit, Not Sold Separately
806	PR23131-Q	Piston	1		Reference Only, Special Order
807	PR23131-R	Piston	1		Reference Only, Special Order
808	PR23131-A	Piston Ring	1		Reference Only, Special Order
809	PR23131-B	O-Ring	1		Part of Seal Kit, Not Sold Separately
810	PR23131-C	O-Ring	1		Part of Seal Kit, Not Sold Separately
811	PR23131-D	Back-up Washer	2		Part of Seal Kit, Not Sold Separately
812	PR23131-E	O Ring	1		Part of Seal Kit, Not Sold Separately
813	PR23131-F	Backup Washer	1		Part of Seal Kit, Not Sold Separately
814	PR23131-LR	Lock Ring	1		Reference Only, Special Order
815	PR23131-G	Bearing Assembly	1		Reference Only, Special Order
816	PR23131-H	Transfer Tube	1		Reference Only, Special Order
817	PR23131-I	Bearing Seal	1		Part of Seal Kit, Not Sold Separately
818	PR23131-J	Wiper	1		Part of Seal Kit, Not Sold Separately
819	PR23131-K	Piston Rod Assy. w/ Transfer Tube	1		Reference Only, Special Order Sold only with PR23131-H Transfer Tube
820	PR23131-SK	Seal Kit, Main Cylinder, Per Each	1		

7001-3-3  
 MAIN CYLINDER (SLIDING FLOOR)

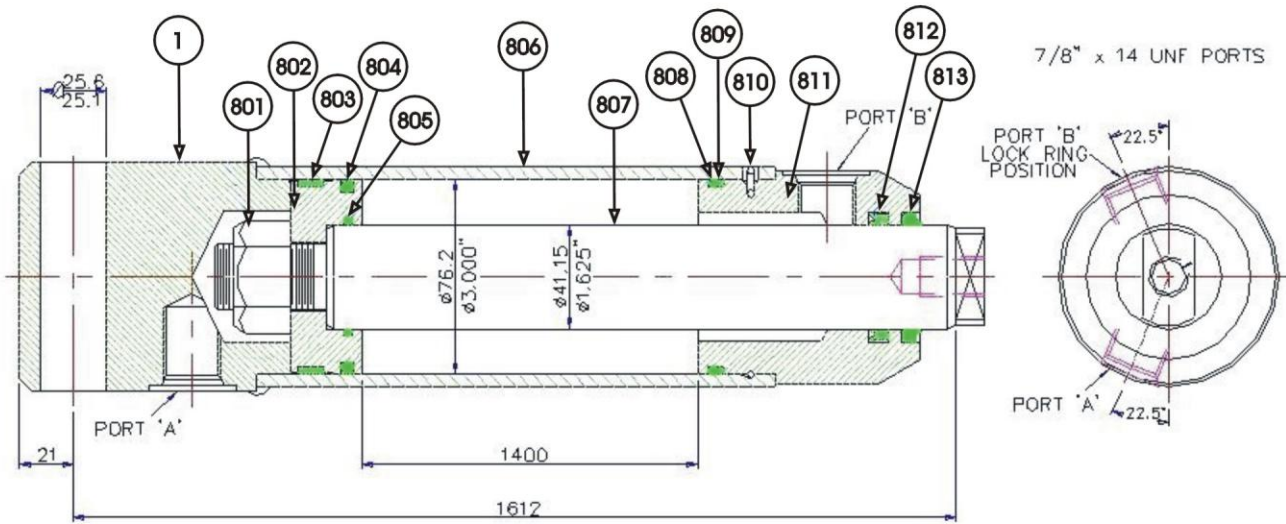


(820) Seal Kit

## 7001-3-4 Secondary Cylinder, Moving Panel

<u>Ref</u>	<u>Part No.</u>	<u>Description</u>	<u>Parts – Assembly</u>	<u>Will Fit SN</u>	<u>Remarks</u>
1	PR23143	Secondary Cylinder	1		
801	PR23143-M	1" BSF Nut	1		Reference Only, Special Order
802	PR23143-L	P/Head	1		Reference Only, Special Order
803	PR23143-A	P/Seal	1		Part of Seal Kit, Not Sold Separately
804	PR23143-B	O-Ring	1		Part of Seal Kit, Not Sold Separately
805	PR23143-C	Rod Seal	1		Part of Seal Kit, Not Sold Separately
806	PR23143-I	Cylinder Assy	1		Reference Only, Special Order
807	PR23143-J	P/Rod	1		Reference Only, Special Order
808	PR23143-D	O-Ring	1		Part of Seal Kit, Not Sold Separately
809	PR23143-E	Back Up Ring	1		Part of Seal Kit, Not Sold Separately
810	PR23143-H	Lock Ring	1		Part of Seal Kit, Not Sold Separately
811	PR23143-K	Gland Bearing	1		Reference Only, Special Order
812	PR23143-F	Rod Seal	1		Part of Seal Kit, Not Sold Separately
813	PR23143-G	Wiper	1		Part of Seal Kit, Not Sold Separately
814	PR23143-SK	Seal Kit, Secondary Cylinder, Per Each	1		

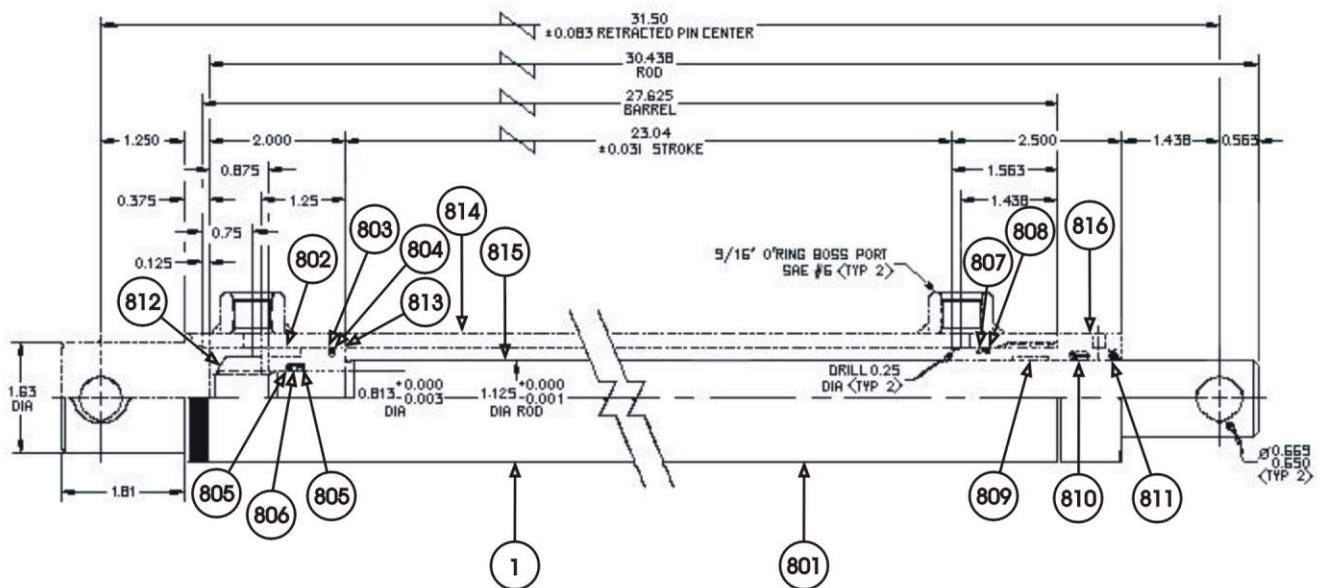
7001-3-4  
SECONDARY CYLINDER, MOVING PANEL



## 7001-3-5 Endgate Lift Cylinder

<u>Ref</u>	<u>Part No.</u>	<u>Description</u>	<u>Parts – Assembly</u>	<u>Will Fit SN</u>	<u>Remarks</u>
1	PR39068	Cylinder, Endgate, 1.5 bore	2		
802	PR39068-A	Wear Ring	1		Part of Seal Kit, Not Sold Separately
803	PR39068-B	TFE Seal	1		Part of Seal Kit, Not Sold Separately
804	PR39068-C	O Ring	1		Part of Seal Kit, Not Sold Separately
805	PR39068-D	Back-Up Ring	2		Part of Seal Kit, Not Sold Separately
806	PR39068-E	O Ring	1		Part of Seal Kit, Not Sold Separately
807	PR39068-F	O Ring	1		Part of Seal Kit, Not Sold Separately
808	PR39068-G	Back-Up Ring	1		Part of Seal Kit, Not Sold Separately
809	PR39068-H	Wear Ring	1		Part of Seal Kit, Not Sold Separately
810	PR39068-I	Loaded U-Cup	1		Part of Seal Kit, Not Sold Separately
811	PR39068-J	Rod Wiper	1		Part of Seal Kit, Not Sold Separately
812	PR39068-K	Locknut	1		Reference Only, Special Order
813	PR39068-L	Piston	1		Reference Only, Special Order
814	PR39068-M	Barrel Assembly	1		Reference Only, Special Order
815	PR39068-N	Rod	1		Reference Only, Special Order
816	PR39068-O	Internal Cylinder Head 1 1/2" (coarse)	1		Verify Stamp Location
816	PR39068-OB	Internal Cylinder Head 1 1/2" (Fine)	1		Verify Stamp Location
817	PR39068-SK	Seal Kit, Endgate Cylinder, Per Each	1		

# 7001-3-5 ENDGATE LIFT CYLINDERS



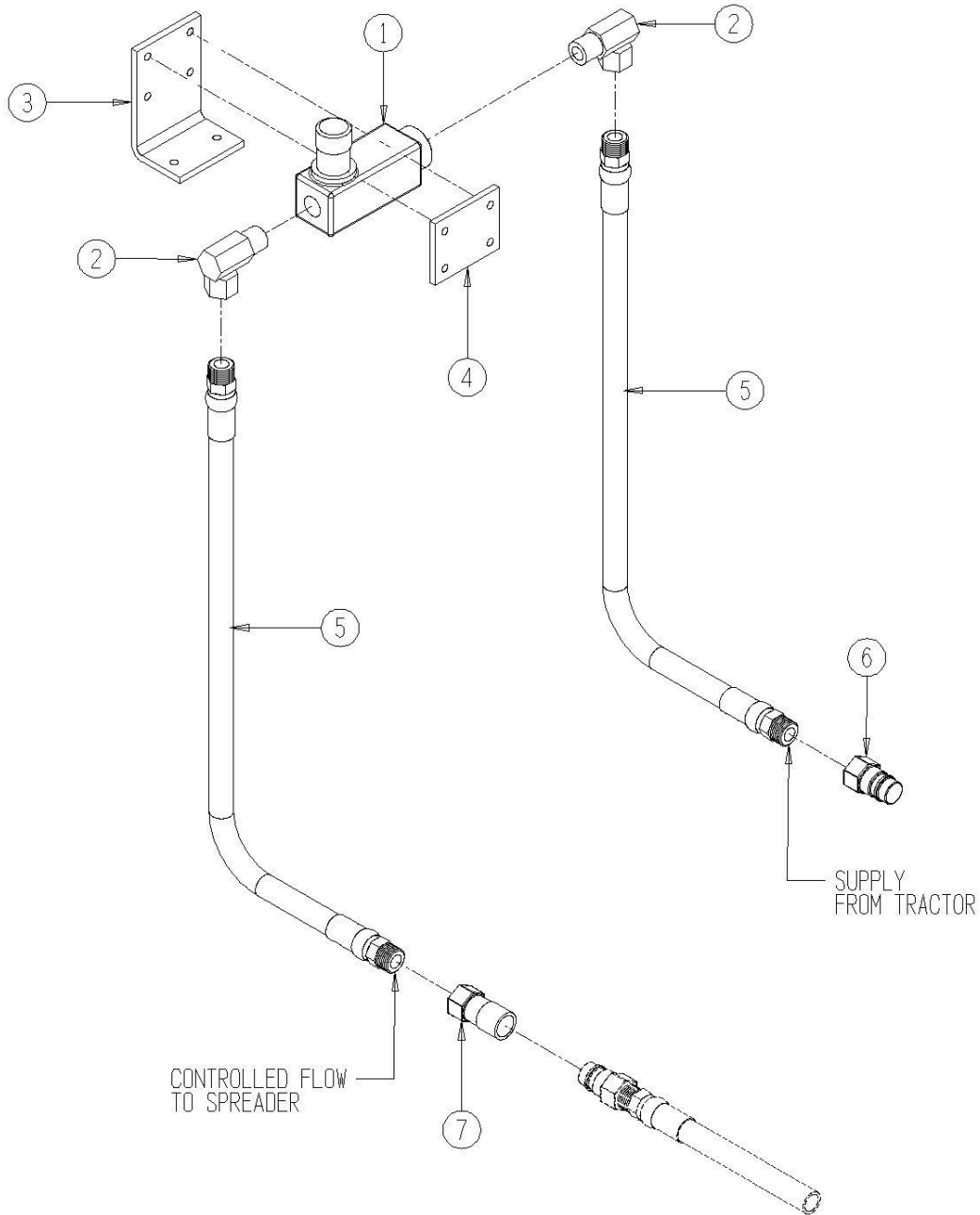
805 Seal Kit

## 7001-3-6 Optional Control Valve, Closed Center Hydraulic Sy

<u>Ref</u>	<u>Part No.</u>	<u>Description</u>	<u>Parts – Assembly</u>	<u>Will Fit SN</u>	<u>Remarks</u>
1	HV-8-8M-RFF	Flow Control Valve w/ reverse free flow/closed center	1		
2	A-1501-8-8	1/2 MP x 1/2 FPX90°	2		
3	MOU-0015	Mount, Control Valve, Closed Center, Spreader	1		
4	MOU-0016	Mount, Mating Plate, Control Valve, Closed Center	1		
5	H8-70-8MP-8MP	1/2 in hose 1/2MP x 1/2MP x 70 in long	2		
6	A-QD2010-8-8	Tractor Quick Coupler, Male, 1/2" w/ FPT	1		
7	A-QD2050-8-8	Tractor Quick Coupler, Female, 1/2" w/ FPT	1		
101	BL-4-275-H	1/4-20 X 2 3/4 HEX CAP G5 ZC	4		
102	BL-4-LN	1/4-20 HEX LN NE ZC	6		
103	BL-4-FW	1/4 USS FW ZC	12		
104	BL-4-175-H	1/4-20 X 1 3/4 HEX CAP G5 ZC	2		



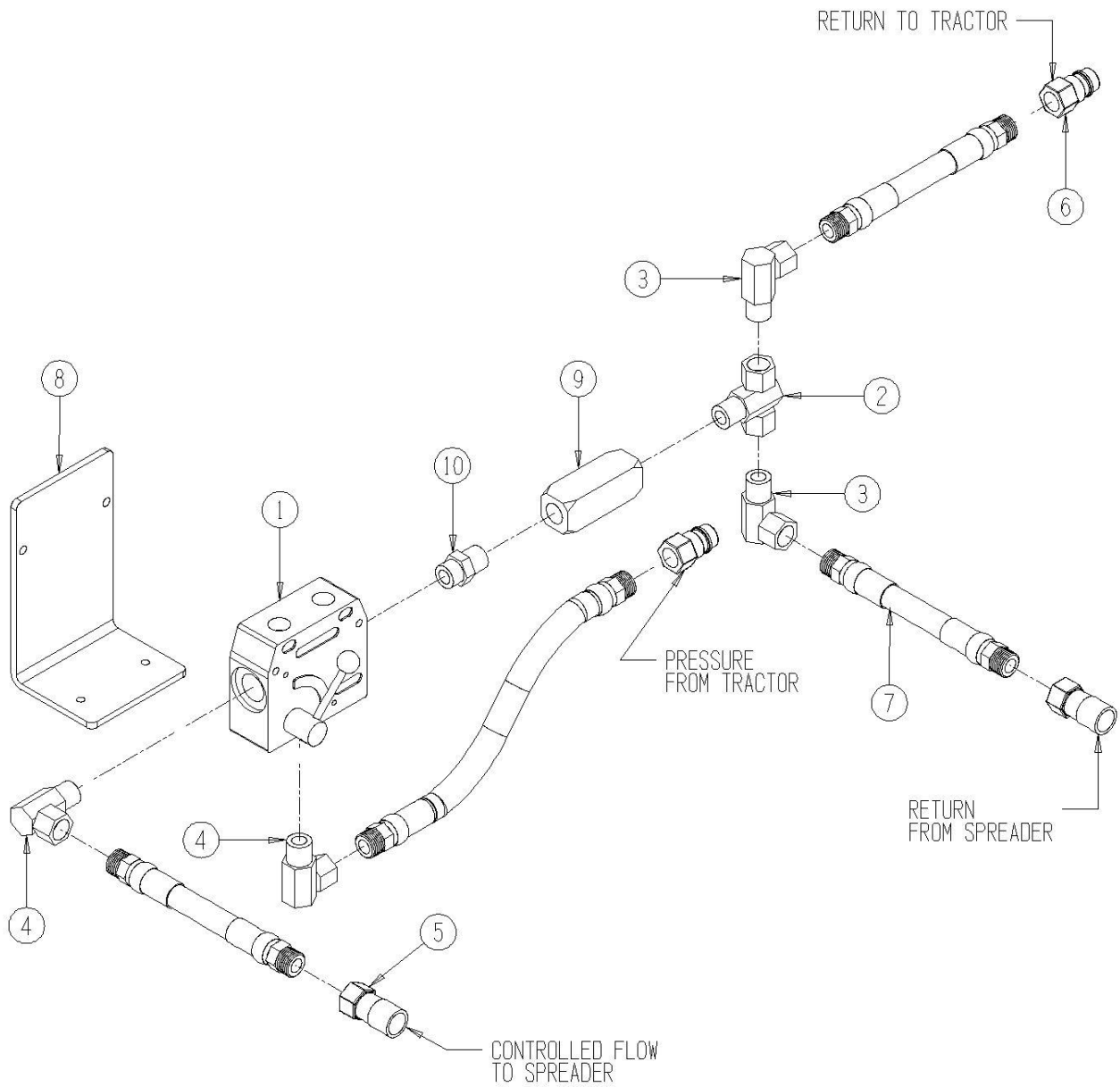
7001-3-6  
CONTROL VALVE, CLOSED CENTER



## 7001-3-7 Optional Control Valve, Open Center Hydraulic Syst

<u>Ref</u>	<u>Part No.</u>	<u>Description</u>	<u>Parts – Assembly</u>	<u>Will Fit SN</u>	<u>Remarks</u>
1	HV-FC5510	Flow Control	1		
2	A-1601-8-8-8	1/2 MP x 1/2 FPX x 1/2 FPX Tee	1		
3	A-1501-8-8	1/2 MP x 1/2 FPX90°	2		
4	A-6901-10-8	10 SAE x 1/2 FPX90°, Forged	2		
5	A-QD2050-8-8	Tractor Quick Coupler, Female, 1/2" w/ FPT	2		
6	A-QD2010-8-8	Tractor Quick Coupler, Male, 1/2" w/ FPT	2		
7	H8-70-8MP-8MP	1/2 in hose 1/2MP x 1/2MP x 70 in long	4		
8	MOU-0014	Mount, Control Valve, Open Center, Spreader	1		
9	HV-CKV-800S	1/2" Parker Check Valve	1		
10	A-6401-10-8	10 SAE x 1/2 MPT Male	1		
101	BL-4-175-H	1/4-20 X 1 3/4 HEX CAP G5 ZC	4		
102	BL-4-LN	1/4-20 HEX LN NE ZC	4		
103	BL-4-FW	1/4 USS FW ZC	4		

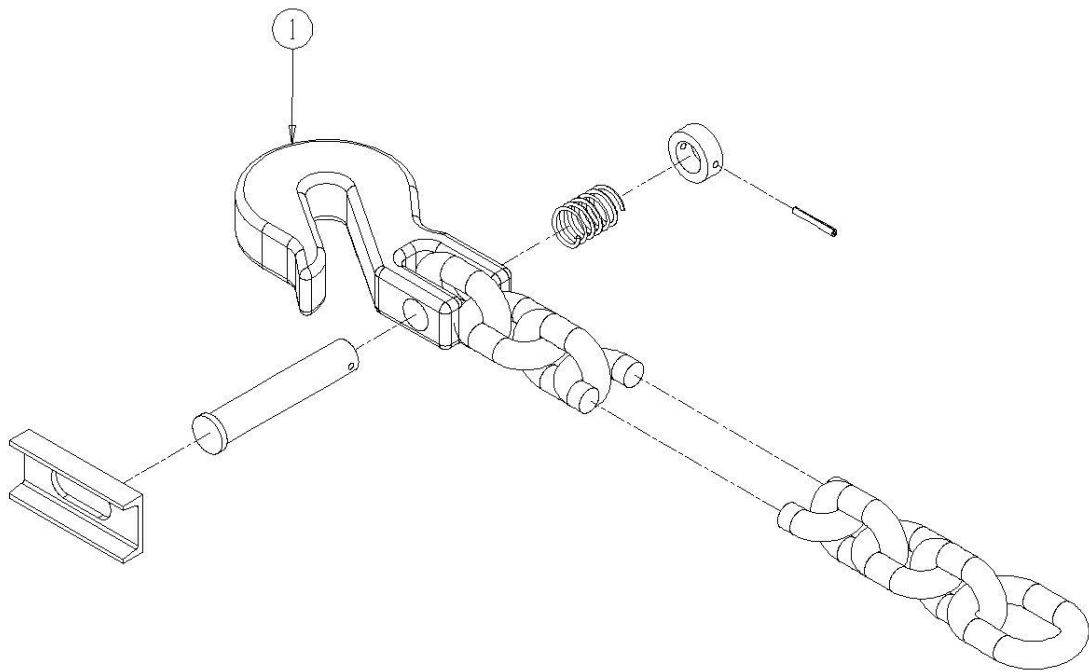
7001-3-7  
CONTROL VALVE, OPEN CENTER



## 7001-4-2 Safety Tow Chain

<u>Ref</u>	<u>Part No.</u>	<u>Description</u>	<u>Parts – Assembly</u>	<u>Will Fit SN</u>	<u>Remarks</u>
1	FRM-3167	Safety Chain, Agricultural, 30,400 lb. Capacity	1	19701- 30097001-	
101	BL-12-450-8	¾" x 4 1/2", HH C/S G8 ZC	1		
102	BL-12-LN-8	¾" Lock Nuts w/ Nylon Inserts, Grade 8	1		
103	PR37152	Washer, Safety Chain	1		

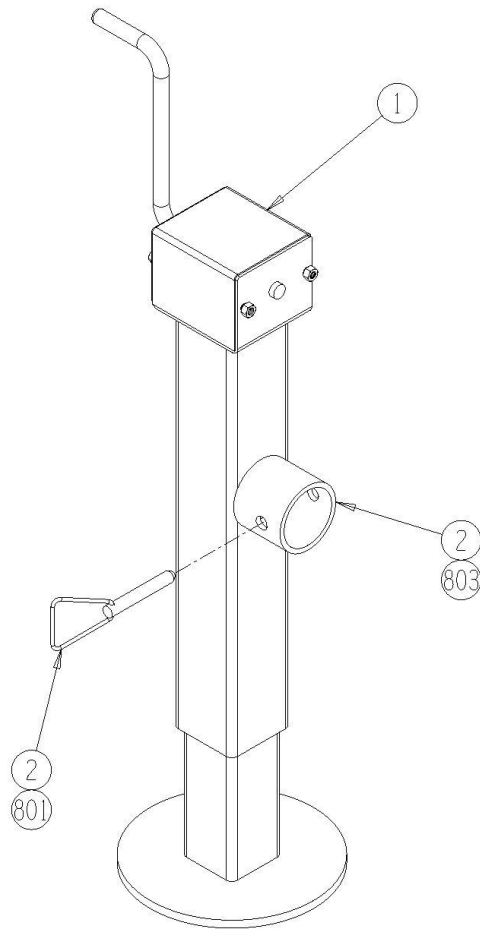
7001-4-2  
OPTIONAL SAFETY TOW CHAIN



## 7103-4-3 Jack Stand

<u>Ref</u>	<u>Part No.</u>	<u>Description</u>	<u>Parts – Assembly</u>	<u>Will Fit SN</u>	<u>Remarks</u>
1	WH-16122	Bulldog Sidewind Swivel Jack, 5,000 lb.	0	-71009001 -70209005	Old Style-Topwind, Part No. 18-450-3
1	WH-16216	Jack Weldment, Sidewind Jack, 9,000 lb.	1	71009002- 70209006-	
2	WH-16402	Sleeve Kit, Spreader, 9k	1	WH-16215 -71009001	
801	WH-16402-A	Pin & Chain Assembly for WH-16402	1	71009002-	
802	WH-16402-B	Weld-On Hub, Implement Side, For WH-16402	1	WH-16215 71009002-	
803	WH-16402-C	Weld-On Hub, Jack Side, For WH-16402	1	71009002-	
804	WH-16122-D	Crank Assy for Bulldog Topwind Swivel Jack	0	-71009001	
805	WH-16122-E	Pin & Chain Assy for Bulldog Topwind Swivel Jack	0	-71009001	

7103-4-3  
JACK STAND

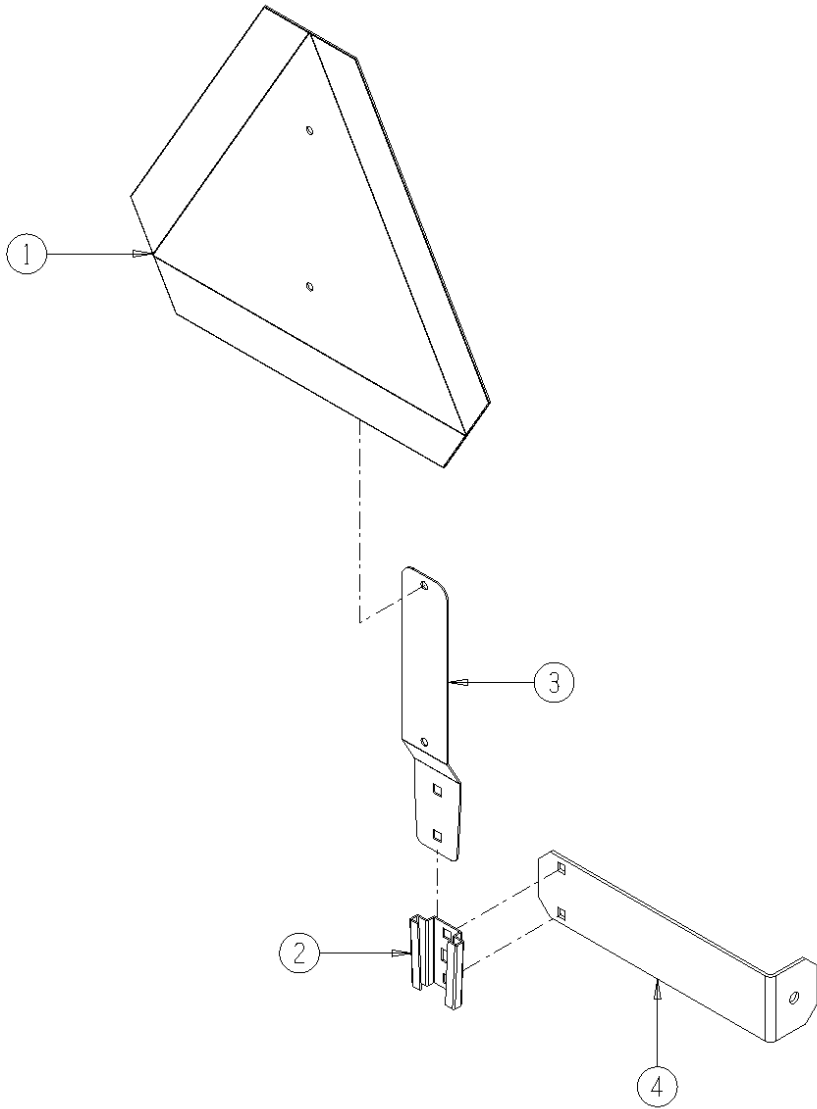


## 7001-4-4 Slow Moving Vehicle Emblem and Brackets

<u>Ref</u>	<u>Part No.</u>	<u>Description</u>	<u>Parts – Assembly</u>	<u>Will Fit SN</u>	<u>Remarks</u>
1	SMV-PL	SMV Sign, Metal	1		
2	SMV-S	Socket for Spade Mount	1		
3	SMV-SM	Spade Mount	1		
4	PR39117	Bracket, SMV Sign, Spreader	1		
101	BL-5-075-H	5/16-18 X ¾ HEX CAP G5 ZC	2		
102	BL-4-062-C	1/4" x 5/8" Zinc Carriage Bolt	2		
103	BL-5-LN	5/16-18 HEX LN NE ZC	2		
104	BL-4-LN	1/4-20 HEX LN NE ZC	2		
105	BL-5-FW	5/16 USS FW ZC	2		



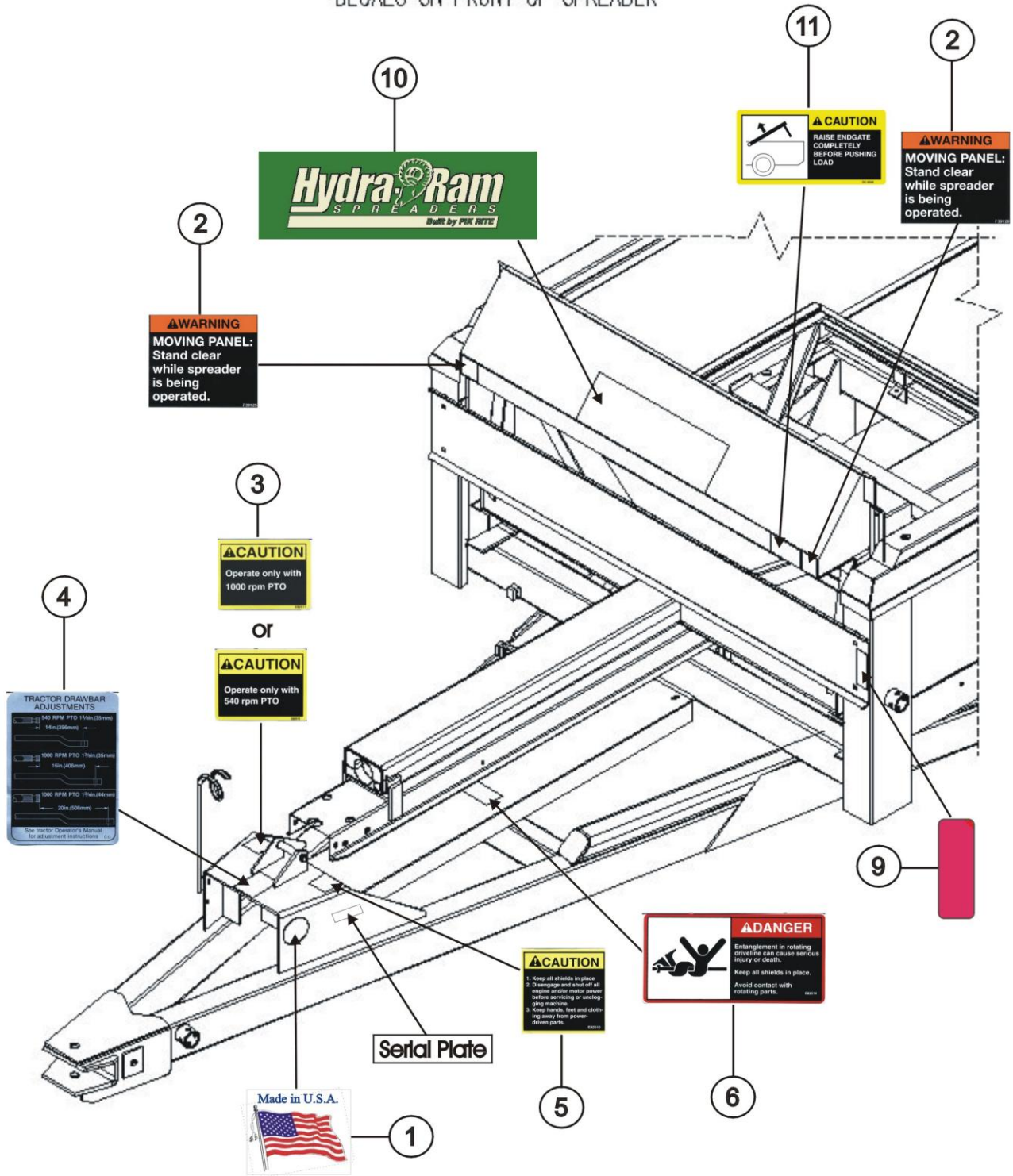
7001-4-4  
SLOW MOVING VEHICLE EMBLEM & BRACKETS



## 7009-4-5 Decals on Front of Spreader

<u>Ref</u>	<u>Part No.</u>	<u>Description</u>	<u>Parts – Assembly</u>	<u>Will Fit SN</u>	<u>Remarks</u>
0	MAN-0049	Manual, Parts, 790vb Spreader	0		
0	MAN-0050	Manual, Operators, 790vb Spreader	0		
1	DC-0011	Decal, All, 'Made in USA', White Back w/ Red & Blue Letters	1		
2	DC-0020	Decal, Warning, Moving Panel	2		
3	DC-0021	Decal, Caution, 1000 rpm PTO	1		
3	DC-0024	Decal, Caution, 540 rpm PTO	0		
4	DC-0022	Decal, Tractor Drawbar Adjustments	1		
5	DC-0023	Decal, Caution, Keep All Shields In Place	1		
6	DC-0025	Decal, Danger, Entanglement In Rotating Drive	1		
9	DC-0034	Decal, Amber, Reflector, Spreader	1		
10	DC-0052	Decal, 'Hydra Ram Spreaders' Logo, Large	1		
11	DC-0038	Decal, Caution, Raise Endgate Completely	1		
101	RI-3-6-P	Pop Rivets 3/16 x 3/8 Domed, .375 head, ea.	2		

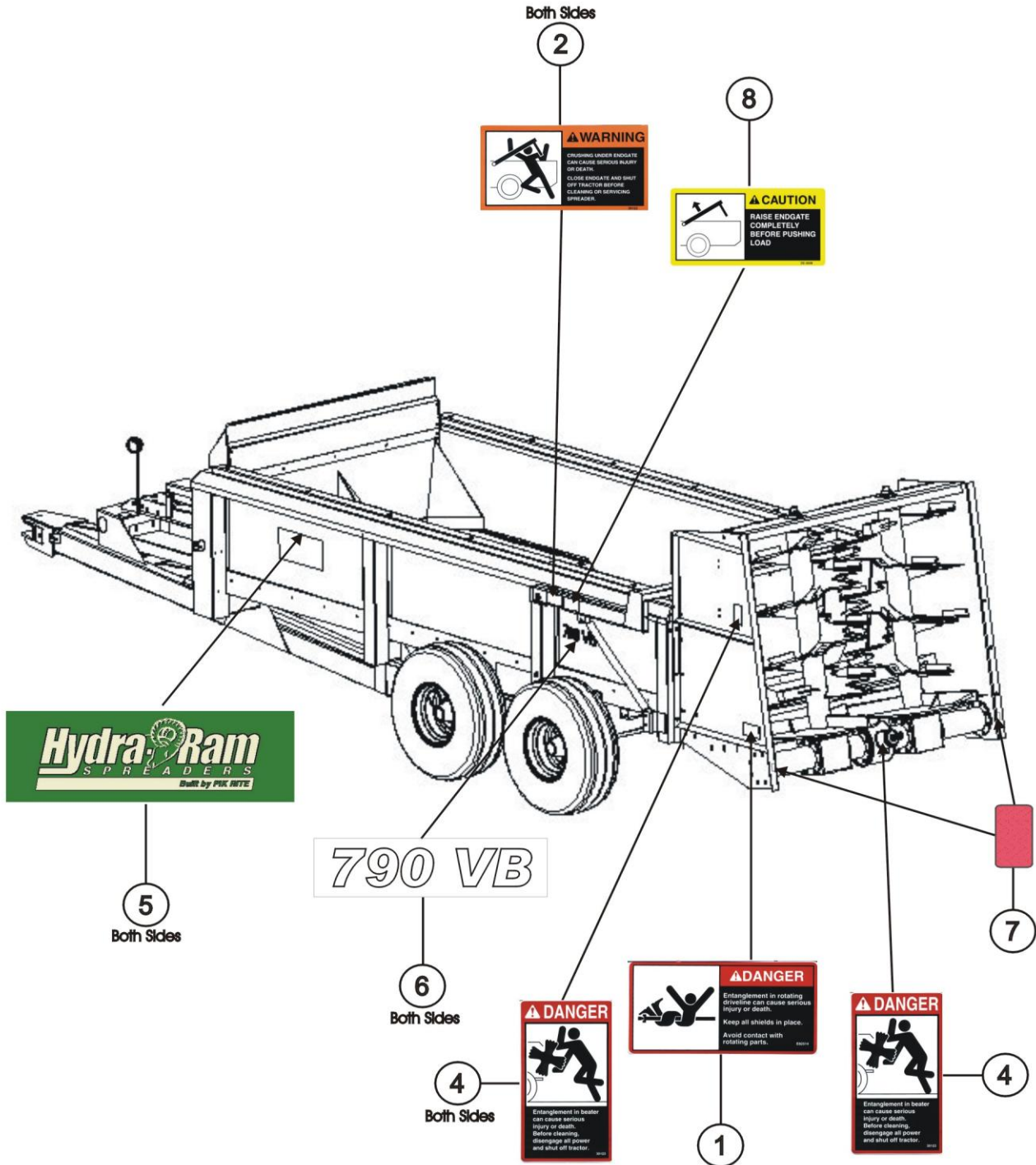
7009-4-5  
DECALS ON FRONT OF SPREADER



## 7009-4-6 Decals on Sides of Spreader

<u>Ref</u>	<u>Part No.</u>	<u>Description</u>	<u>Parts – Assembly</u>	<u>Will Fit SN</u>	<u>Remarks</u>
1	DC-0025	Decal, Danger, Entanglement In Rotating Drive	1		
2	DC-0026	Decal, Warning, Crushing Under Endgate	2		
4	DC-0030	Decal, Danger, Entanglement In Beater	3		
6	DC-0079	Decal, '790 VB', Spreader	2		
7	DC-0033	Decal, Red, Reflector, Spreader	2		
8	DC-0038	Decal, Caution, Raise Endgate Completely	1		
9	DC-0052	Decal, 'Hydra Ram Spreaders' Logo, Large	2		

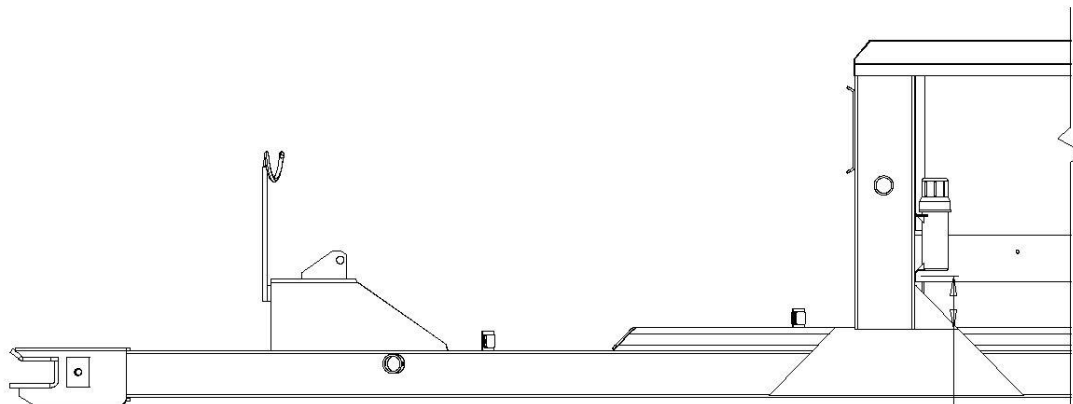
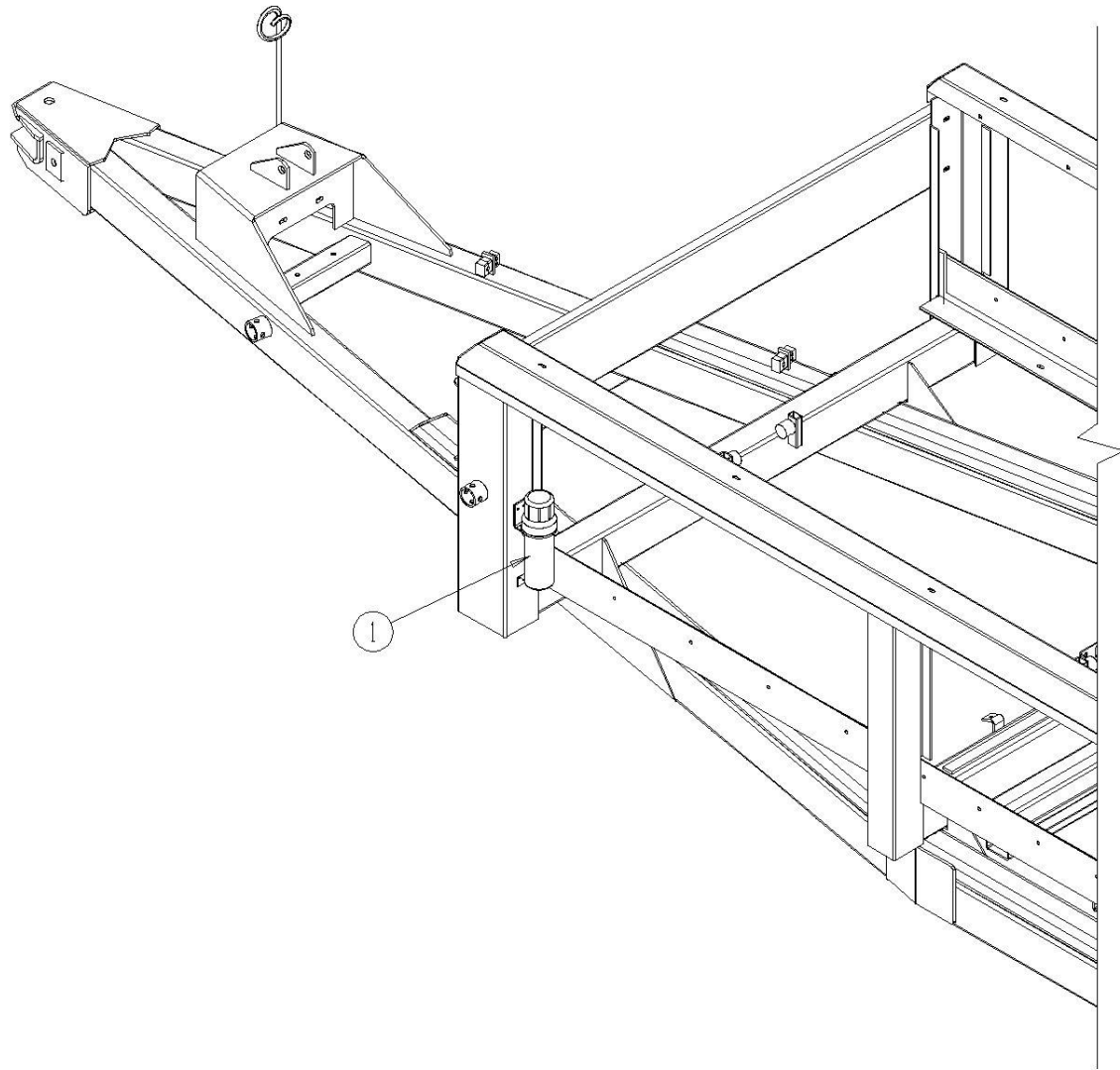
# 7009-4-6 DECALS ON SIDES OF SPREADER



## 7009-4-7 Manual Holder

<u>Ref</u>	<u>Part No.</u>	<u>Description</u>	<u>Parts – Assembly</u>	<u>Will Fit SN</u>	<u>Remarks</u>
1	MAN-67670	Manual Holder/Canister	1		
101	BL-1224-087-DT	12-24 x 7/8 Drill and Tap Screw	4		

7009-4-7  
MANUAL HOLDER



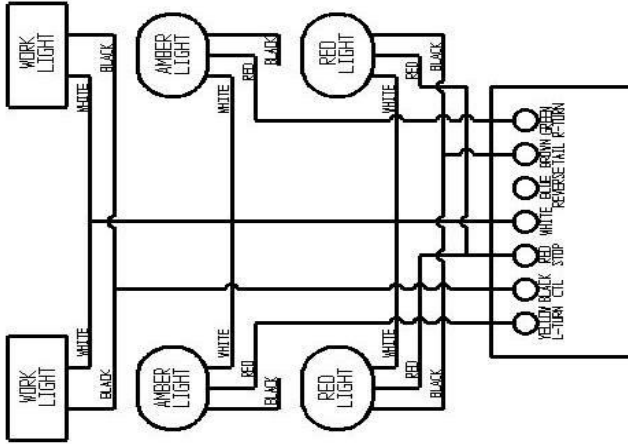
7.000

## 7009-4-8 Light Assembly, LED

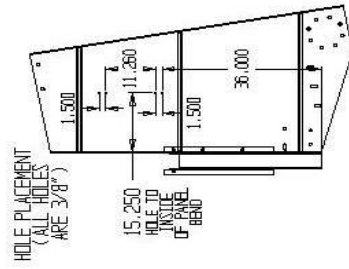
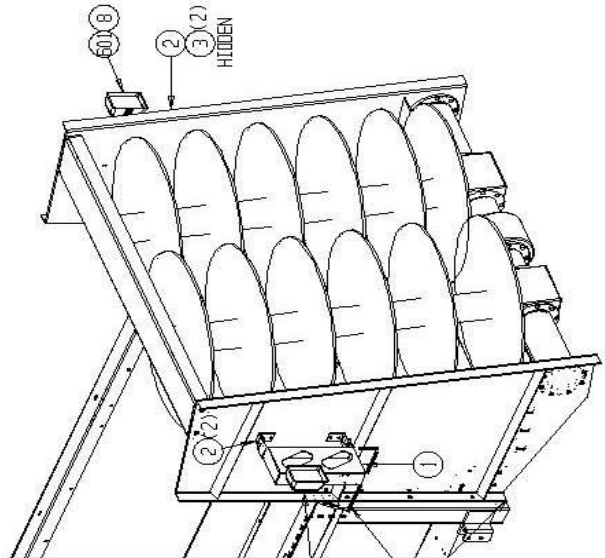
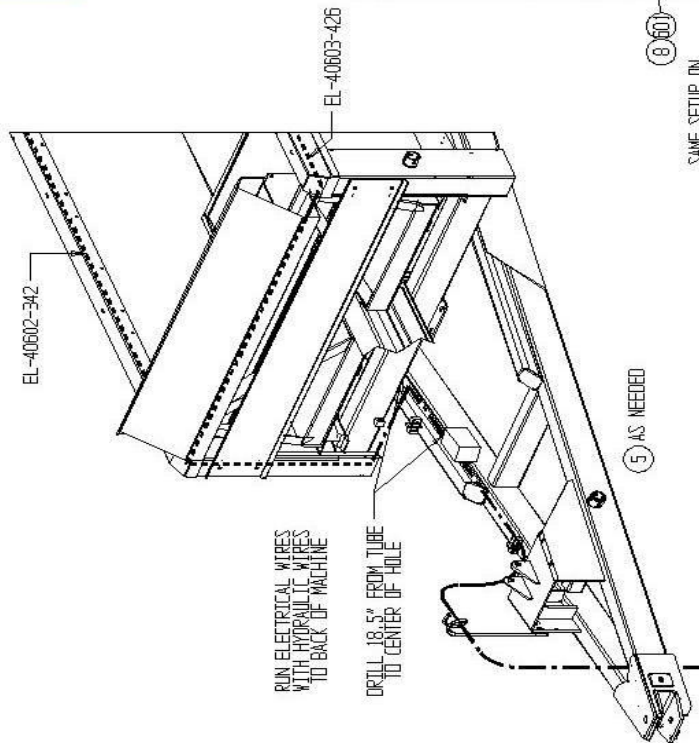
<u>Ref</u>	<u>Part No.</u>	<u>Description</u>	<u>Parts – Assembly</u>	<u>Will Fit SN</u>	<u>Remarks</u>
1	PR19480	Light Housing, LH, 1190 Spreader	1		
2	PR19481	Light Housing, RH, 1190 Spreader	1		
3	PR19482	Mount, Light Housing, 1190	4		
4	RI-3-6-SS	SS Pop Rivets, 3/16 x .251-.375, Buttonhead	18		
5	WT-11	Wire Tie 11"	10		
6	EL-40602-342	Harness, Right Side Spreader Light	1		
7	EL-40603-426	Harness, Left Side Spreader Lights	1		
8	EL-40604-13	Harness, Work Lights, Spreader	2		
9	EL-1233	Light, Auxiliary Work Light, Clear, Trapezoid Beam, TL#80394	2		Replaces EL-1201
10	ELE-15-964	Junction Box, 4x8x3.5deep, plastic, w/knockouts & plugs	1	19426	
11	EL-12571	Light, STT, L.E.D., TL60, Red, Lamp/Grommet Kit	2		
12	EL-1297	Light, Aux/Turn, L.E.D., TL60, Yellow	2		
13	EL-50780-146	7 Conductor, 12' Long, Harness, Spreaders	1		
14	EL-1279	Grommet, TL60, Oval, TL#60700	4		
19	ELT-25054	Black Cable Clamp, 3/8"	12		
20	ELT-31703	Terminal Ring, 16-14 Ga.#10 Blue Insulated Nylon	1		
22	ELT-25056	Black Cable Clamp, 1/2"	6		Sold in Pkg. of 100 Pieces
23	EL-0021	Grommet, 1/2" id, 3/4" Groove Dia, 1/8" Groove Width	4		
101	BL-6-350-H	3/8-16 X 3 1/2 HEX CAP G5 ZC	2		
102	BL-6-650-H	3/8-16 X 6 1/2 HEX CAP G5 ZC	4		
103	BL-6-SW	3/8 SAE FW ZC	12		
104	BL-6-LN	3/8 UNC FIN HEX LOCK NUT NE A563 GrA ZINC	6		



LIGHT KIT SCHEMATIC



CLAMP & GROMMET PLACEMENT



TYPICAL TRACTOR PLUG (LOOKING AT PLUG):

- 12 O'CLOCK - WHITE - GROUND
- 10 O'CLOCK - BLACK - FIELD LIGHTS
- 8 O'CLOCK - YELLOW - LEFT TURN
- 6 O'CLOCK - RED - KEYS AUXILIARY
- 4 O'CLOCK - GREEN - RIGHT TURN
- 2 O'CLOCK - BROWN - FALL LAMP
- CENTER - BLUE - KEYS AUXILIARY