



Operation and Parts Manual



March 18, 2016

Pik Rite, Inc.
60 Pik Rite Lane
Lewisburg, PA 17837

Phone: 800-326-9763
Fax: 570-523-8175
www.pikrite.com

HR 550
Manure Spreader

(SPECIFICATIONS AND DESIGN SUBJECT TO CHANGE WITHOUT NOTICE)

Some illustrations may not represent the spreader model you have; however, the principles of operation and maintenance are the same. If you have questions specific to your spreader please contact your dealer.

(SPECIFICATIONS AND DESIGN SUBJECT TO CHANGE WITHOUT NOTICE)



Table of Contents

OPERATOR'S MANUAL	6
SAFETY	8
PREPARING THE TRACTOR	13
PREPARING THE SPREADER.....	15
CONTROLS.....	16
ATTACHING THE SPREADER	18
DETACHING THE SPREADER	20
TRANSPORT	21
OPERATING THE SPREADER	24
LUBRICATION & MAINTENANCE	27
SPECIFICATIONS	32
PARTS MANUAL	34
7115-1-01 Main Frame & Side Panels	36
7115-1-02 Main Floor & Sliding Floor Guides.....	37
7115-1-03 Sliding Floor.....	38
7115-1-04 Pusher	39
7115-1-05 Front Panels & Shields.....	40
7115-1-06 Endgate	40
7115-1-07 Walking Beam	41
7115-1-09 Tires & Wheels, Implement Tires.....	42
7115-1-09A Opt. Tires & Wheels, Truck Tires.....	42
7115-1-08 Hubs & Spindles	42
7115-2-01 Driveline, Front, 1000 rpm 1-3/8" CV	43
7115-2-02 Driveline, Rear	44
7115-2-03 Driveline, Mid Shaft & Shields.....	45
7115-2-04 Vertical Beaters	46
7115-2-05 Gearbox, Main Beaters	47

Pik Rite, Inc.
60 Pik Rite Lane
Lewisburg, PA 17837

Phone: 800-326-9763
Fax: 570-523-8175
www.pikrite.com

HR 550
Manure Spreader



7115-3-02	Hydraulics, Endgate Cylinders	48
7115-3-01	Hydraulics, Push & Floor Cylinders	48
7115-3-03	Cylinder, Sliding Floor.....	49
7115-3-04	Cylinder, Pusher	50
7115-3-05	Cylinder, Endgate	51
7115-4-01	Safety Chain.....	52
7115-4-02	Accessories.....	53
7115-4-03	Light Assembly, LED	54
7115-4-04	Decals, Front.....	56
7115-4-05	Decals, Sides.....	57
WARRANTY		60

Pik Rite, Inc.
60 Pik Rite Lane
Lewisburg, PA 17837

Phone: 800-326-9763
Fax: 570-523-8175
www.pikrite.com

HR 550
Manure Spreader



OPERATOR'S MANUAL

Pik Rite, Inc.
60 Pik Rite Lane
Lewisburg, PA 17837

Phone: 800-326-9763
Fax: 570-523-8175
www.pikrite.com

HR 550
Manure Spreader

SAFETY



RECOGNIZE SAFETY INFORMATION

This is the safety-alert symbol. When you see this symbol on your machine or in this manual be alert to the potential of personal injury.

Follow recommended precautions and safe operating practices

▲ DANGER

▲ WARNING

▲ CAUTION

UNDERSTAND SIGNAL WORDS

A signal word – DANGER, WARNING, or CAUTION-is used with the safety-alert symbol. DANGER identifies the most serious hazards.

DANGER or WARNING safety signs are located near specific hazards. General precautions are listed on CAUTION safety signs. CAUTION also calls attention to safety messages in this manual.



FOLLOW SAFETY INSTRUCTIONS

Carefully read all safety messages in this manual and on your machine safety signs. Keep safety signs in good condition. Replace missing or damaged safety signs. Be sure new equipment components and repair parts include the current safety signs. Replacement safety signs are available from your Pik Rite dealer.

Learn how to operate the machine and how to use controls properly. Do not let anyone operate without instruction.

Keep your machine in proper working condition. Unauthorized modifications to the machine may impair the function and/or safety and affect machine life.

If you do not understand any part of this manual and need assistance, contact your Pik Rite dealer.



KEEP SHIELDS IN PLACE

Do not operate spreader without safety shields in place.

Rotating parts can crush or dismember causing death or personal injury.

Disconnect PTO driveline and hydraulic lines from tractor before removing shields for adjustment or service.



PROTECT BYSTANDERS

Never operate the spreader near people.

Do not place rocks, timbers or other solid objects in the spreader. Objects can be thrown great distances causing injury to people.



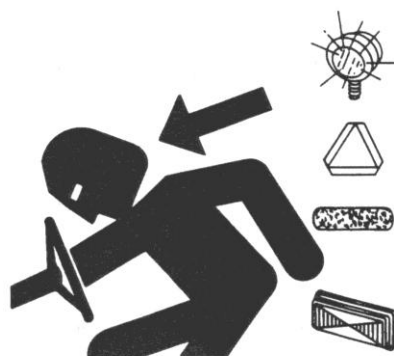
WEAR PROTECTIVE CLOTHING

Wear close fitting clothing and safety equipment appropriate to the job.

Prolonged exposure to loud noise can cause impairment or loss of hearing.

Wear a suitable hearing protective device such as earmuffs or earplugs to protect against objectionable or uncomfortable loud noises.

Operating equipment safely requires the full attention of the operator. Do not wear radio or music headphones while operating machine.



USE SAFETY LIGHTS AND DEVICES

Slow moving tractors, self-propelled equipment and towed implements or attachments can create a hazard when driven on public roads. They are difficult to see, especially at night. Avoid personal injury or death resulting from collision with a vehicle.

Flashing warning lights and turn signals are recommended whenever driving on public roads. To increase visibility, use the devices provided with your machine. For some equipment, install extra flashing warning lights.

Keep safety items in good condition. Replace missing or damaged items.



KEEP RIDERS OFF MACHINE

Riders are subject to injury such as being struck by foreign objects and being thrown off the machine. Riders also obstruct the operator's view resulting in the machine being operated in an unsafe manner

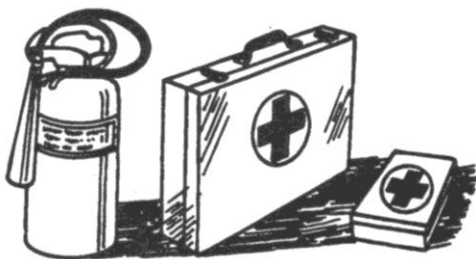


PARK SPREADER SAFELY

Park spreader on a level surface and block wheels.

Close endgate.

Secure jackstand with pin.



PREPARE FOR EMERGENCIES

Be prepared if a fire starts.

Keep a first aid kit and fire extinguisher handy.

Keep emergency numbers for doctors, ambulance service, hospital, and fire department near your telephone.

USE A SAFETY CHAIN

A safety chain will help control drawn equipment should it accidentally separate from the drawbar.



Using the appropriate adapter parts, attach the chain to the tractor drawbar support or other specified anchor location. Provide only enough slack in the chain to permit turning.

See your Pik Rite dealer for a chain with a strength rating equal to or greater than the gross weight of the towed machine. Do not use safety chain for towing.

OPERATE SPREADER SAFELY



Rotating parts can entangle or strike people, resulting in death or personal injury.

Never enter a spreader while in operation.

Operate the spreader from the tractor seat only.

Do not exceed load capacity of the spreader. (See Transport section)

Reduce speed when turning or traveling on rough terrain. Avoid traveling over loose fill, rocks, ditches or holes.

When working on inclines or slopes, travel uphill or downhill. Keep tractor in gear when traveling downhill.



STAY CLEAR OF RAISED ENDGATE

Contact with a lowering endgate can cause death or personal injury.

Lower endgate and disconnect hydraulic lines before servicing or adjusting.

STAY CLEAR OF ROTATING DRIVELINES

Entanglement in rotating driveline can cause serious injury or death.

Keep tractor master shield and driveline shields in place at all times. Make sure rotating shields turn freely.

Wear close fitting clothing. Stop the engine and be sure PTO driveline is stopped before making adjustments, connections, or cleaning out PTO driven equipment.



STAY CLEAR OF ROTATING BEATER

Rotating beater can entangle or strike causing death or personal injury.

Do not clean out or service spreader while beater is rotating.

Disconnect PTO driveline and make sure all parts have stopped rotating before cleaning or servicing.



WARNING: DO NOT CUT OR WELD ON VERTICAL BEATER ATTACHMENT, SERIOUS INJURY OR DEATH COULD OCCUR WHEN OPERATING

AVOID HIGH-PRESSURE FLUIDS



Escaping fluid under pressure can penetrate the skin causing serious injury.

Avoid the hazard by relieving pressure before disconnecting hydraulic or other lines. Tighten all connections before applying pressure.

Search for leaks with a piece of cardboard. Protect hands and body from high pressure fluids.

If an accident occurs, see a doctor immediately. Any fluid injected into the skin must be surgically removed within a few hours or gangrene may result. Doctors unfamiliar with this type of injury should reference a knowledgeable medical source.



SERVICE SPREADER SAFELY

To help prevent personal injury caused by unexpected movement, be sure to service spreader on level surface.

If spreader is connected to tractor, disengage PTO, engage parking brake and/or place transmission in "PARK," shut off engine and remove key.

If spreader is detached from tractor, block wheels and use safety stands to prevent movement.

Replace all shields after lubricating or servicing.



REDUCE SPEED WHEN TOWING LOADS

Braking to stop towed loads from transport speeds can cause the towed load to swerve and upset. Reduce speed if towed load weighs more than the tractor and is not equipped with brakes.

Follow recommended speed-weight ratio guidelines:

- Maximum speed is 20 mph (32 km/h) when towing loads equal to or less than the tractor.
- Reduce speed to 10 mph (16 km/h) when towing loads more than equal and up to double the tractor weight.
- Do not tow loads exceeding double the tractor weight.
- Use additional caution when towing loads under adverse surface conditions, when turning, and on inclines.

PREPARING THE TRACTOR

PREPARING THE TRACTOR

APPROVED TRACTORS

Row Crop Tractors with 160 HP PTO rating or larger are approved for operation with the HP550 Spreader.

Utility Tractors are **NOT APPROVED** because of drawbar weight limitations and the inability to ballast the tractor enough to meet requirements for towing.

A drawbar support is required on tractors with a drawbar size of less than 1-1/2 x 3 in.

Tractor hydraulic oil reservoir must have capacity for 3.7 U.S. gal. net draw for spreader with endgate or 3.1 U.S. gal. without endgate.

Tractor standby hydraulic pressure must be between 1500 psi and 2250 psi

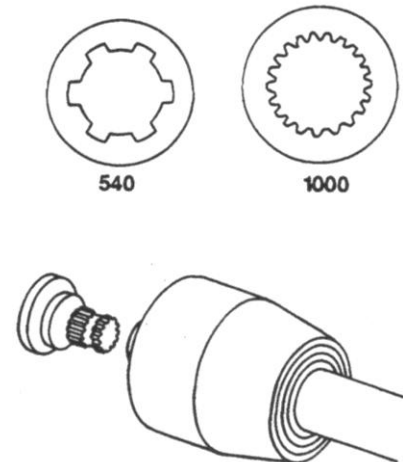
One selective control valve is required to operate the spreader.

A second selective control valve is required to operate the endgate.

CHOOSING CORRECT PTO SPEED

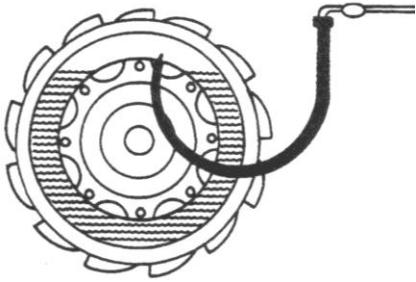
MODEL: HP 550 – 1000 rpm std.

IMPORTANT: Drive components can be damaged. Under no circumstances should a machine equipped for 540 rpm PTO be operated by a tractor equipped with 1000 rpm PTO. Nor should a 1000 rpm PTO machine be operated with a tractor equipped with 540 rpm PTO.



PREPARING THE TRACTOR

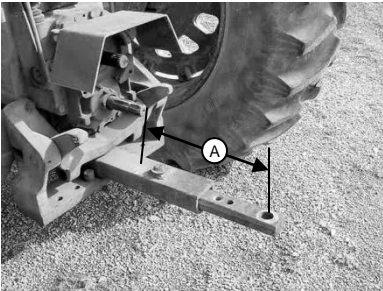
BALLASTING THE TRACTOR



CAUTION: Do not tow loads that weigh more than twice the tractor weight. (See Recommended Maximum Towing Speed in Transporting section.)

To ensure proper stability, adjust ballast and wheel spacing according to tractor operator's manual.

POSITIONING DRAWBAR



IMPORTANT: Tractor PTO and machine driveline can be damaged. Be sure drawbar length is properly set. If equipped with clevis, remove it. Lock drawbar along tractor centerline with offset down.

Remove clevis if equipped.

Adjust drawbar length (A) (see picture) to help prevent driveline damage.

PTO Speed	Dimension (A)
1000 rpm -1-3/8	406 mm (16 in.)
1000 rpm-1-3/4	508mm (20in.)

A tractor drawbar support is required on tractors with a drawbar size of less than 1-1/2 x 3 in.

USING SELECTIVE CONTROL LEVERS TO CONTROL FLOOR SPEED

Floor and moving panel speed can be controlled by using tractor selective control lever to extend and retract cylinders.

Adjust selective control valve lever to provide the slowest operating speed. (See your tractor operator's manual).

Maximum hydraulic oil flow through the spreader control valve is 6.8 gpm. Trying to force through more oil than this, may create a pressure drop.

SETTING HYDRAULIC SPEED ENDGATE OPERATION

IMPORTANT: Excessive operating speed may cause machine damage. Adjust selective control valve lever to provide correct operating speed.

Adjust selective control valve lever, it should take two to three seconds to fully extend or retract the cylinder. (See your tractor operator's manual).

CHECKING TRANSMISSION/HYDRAULIC OIL LEVEL

- Cycle all hydraulic cylinders fully two or three times.
- Fully retract all cylinders.
- Check transmission/hydraulic oil level. (See your tractor operator's manual.)

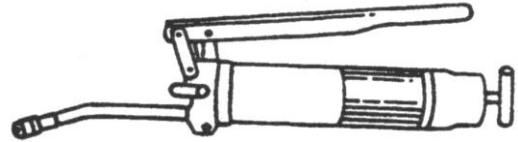
PREPARING THE SPREADER

PREPARING THE SPREADER

LUBRICATING THE MACHINE

Be sure the machine has been adequately lubricated.

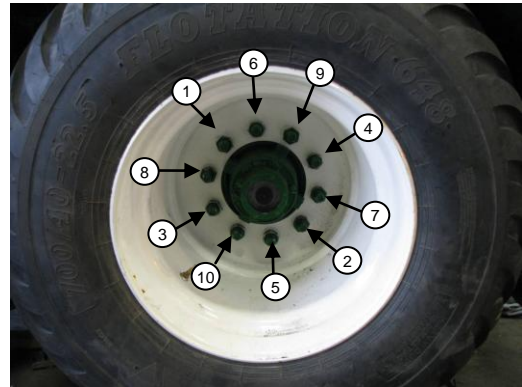
(See Lubrication and Maintenance page.)



TIGHTENING WHEEL HARDWARE

IMPORTANT: Operating the spreader with loose wheel hardware will damage the hub or wheel. Tighten hardware after initial transport, after one hour of operation and every fifty hours thereafter.

Tighten to 475 lb-ft of torque in the sequence shown.



<u>Tire Size</u>	<u>Wheel Size</u>	<u>Tire Pressure</u>
550/60 – 22.5 Implement	22.5 x 16	40 PSI
425/65 R 22.5 Truck Tires	22.5 x 13	115 PSI

CHECKING TIRES

1. Check tires daily for damage or noticeably low pressure.
2. Repair any cuts or breaks as soon as possible.
3. Protect tires from exposure to sunlight and petroleum products or chemicals.



CONTROLS

OPERATING THE BEATER

To start beater, engage PTO lever slowly, at low engine rpm.

To stop beater, disengage PTO. (See your tractor's Operator's Manual)

For best spreading results, operate the tractor engine at "PTO RATED" speed.

OPERATING THE ENDGATE

IMPORTANT: Contact of sliding floor/moving panel with endgate will cause damage. To avoid contact with sliding floor, endgate must be raised a minimum of 6 in. To avoid contact with moving panel, endgate must be raised fully.

Operate the endgate with the second auxiliary control valve lever.

WARNING: Endgate is not a metering device. Doing so may cause damage to the spreader.



OPERATING SLIDING FLOOR/MOVING PANEL USING METERING CONTROL VALVE

To extend the sliding floor and moving panel lock control lever in operating position.

To retract the sliding floor/moving panel, move control lever in opposite direction.

See your tractor's operating manual for information on how to control flow rates of your hydraulic system.

Maximum hydraulic oil flow through the spreader control valve is 6.8 gpm. Trying to force through more oil than this, may create a pressure drop.

ATTACHING THE SPREADER

ATTACHING THE SPREADER

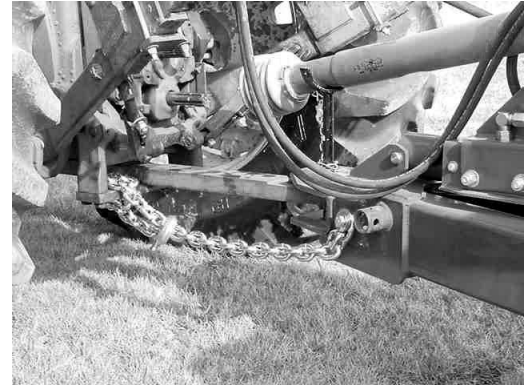
ATTACHING SPREADER

CAUTION: Help prevent personal injury caused by unexpected movement of the machine. Engage parking brake and/or place transmission in "PARK", shut off engine, and remove key before working around hitch.

1. Attach with a 1-1/8 pin and secure.

IMPORTANT: Shorten safety chain to allow only enough slack required for turning.

2. Lock safety hook onto chain.



STORING JACKSTAND

1. After the spreader is attached to the tractor and secure, remove jackstand from lift position.
2. Store jackstand as shown and secure with pin.



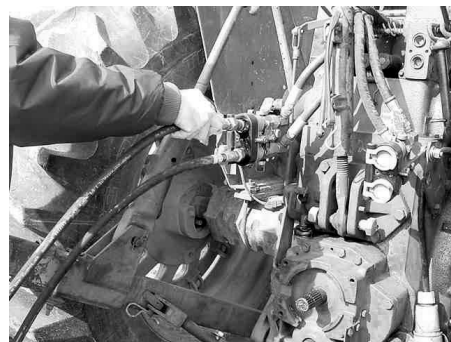
CONNECT HYDRAULIC HOSES

CAUTION: To avoid injury from escaping hydraulic oil under pressure, relieve the pressure in the system by shutting off the tractor and moving remote cylinder operating levers in both directions before attaching hoses to or detaching hoses from the breakaway couplers.



CONNECT ENDGATE HYDRAULIC HOSES

1. Connect pressure hose to pressure port of hydraulic remote coupler.
2. Connect return hose to return port of hydraulic remote coupler.



ATTACHING THE SPREADER

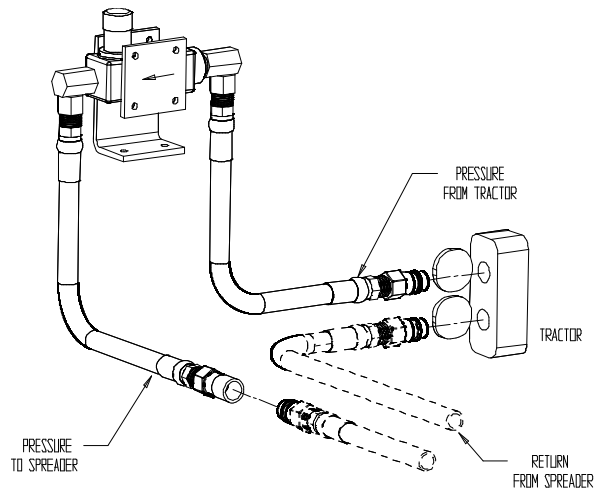
CONNECTING HYDRAULIC HOSES

TRACTOR WITH CLOSED CENTER HYDRAULIC SYSTEM

Attach control valve to tractor where it can be reached by the operator.

Attach hoses accordingly.

(Diagram shows unloading configuration, flow reverses to retract.)



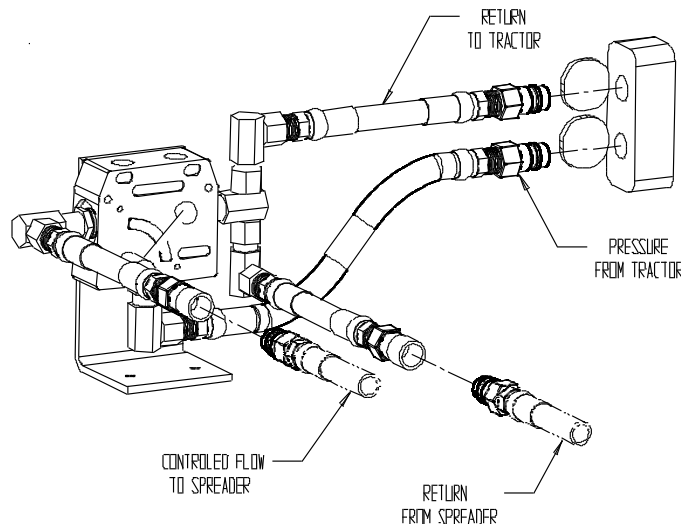
CONNECTING HYDRAULIC HOSES

TRACTOR WITH OPEN CENTER HYDRAULIC SYSTEM

Attach control valve to tractor where it can be reached by the operator.

Attach hoses accordingly.

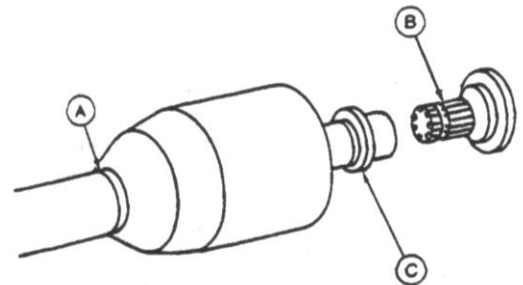
(Diagram shows unloading configuration, flow reverses to retract.)



ATTACHING DRIVELINE

IMPORTANT: Avoid causing damage to shielding, **DO NOT** use bell on driveline to lift driveline into position.

1. Support driveline, cradling it in your hand.
2. Rotate driveline (C) or tractor PTO (B) to align splines.
3. Pull collar (C) rearward and push forward on bell (A) to engage driveline yoke with tractor PTO (B).
4. Pull back on PTO driveline shielding to be sure driveline is locked. **DO NOT** pull on collar, this will release latch.



DETACHING THE SPREADER

DETACHING THE SPREADER

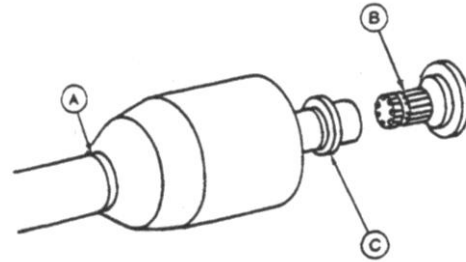
DETACHING SPREADER

1. Remove jackstand from storage position, place and secure in lift position.
2. Detach safety chain.
3. Remove hitch pin.
4. Disconnect hoses and control valve. Store on spreader.



DETACHING DRIVELINE

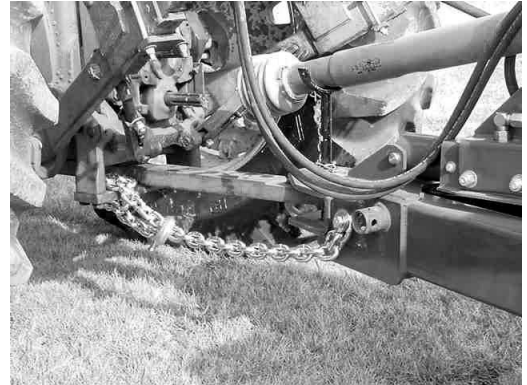
1. Support driveline (A) and pull rearward on collar (C) to release driveline from tractor PTO (B).
2. When possible store driveline in driveline cradle provided with machine.
3. Replace tractor PTO shields.



TRANSPORT

USING A SAFETY CHAIN

CAUTION: A safety chain will help control drawn equipment should it accidentally separate from the drawbar while transporting. Using the appropriate adapter parts, attach the chain to the tractor drawbar support or other specified anchor location. Provide only enough slack in the chain to permit turning. See your Pik Rite dealer for a chain with a strength rating equal to or greater than the gross weight of the towed machine.



1. Attach safety tow chain

LIGHTING

CAUTION: When transporting the machine on a road or highway at night or during the day, use accessory lights and devices for adequate warning to operators of other vehicles. Check local governmental regulations. Keep safety items in good condition. Replace missing or damaged items.

Contact your Hydra-Ram Dealer for available lighting kit



TOWING LOADS

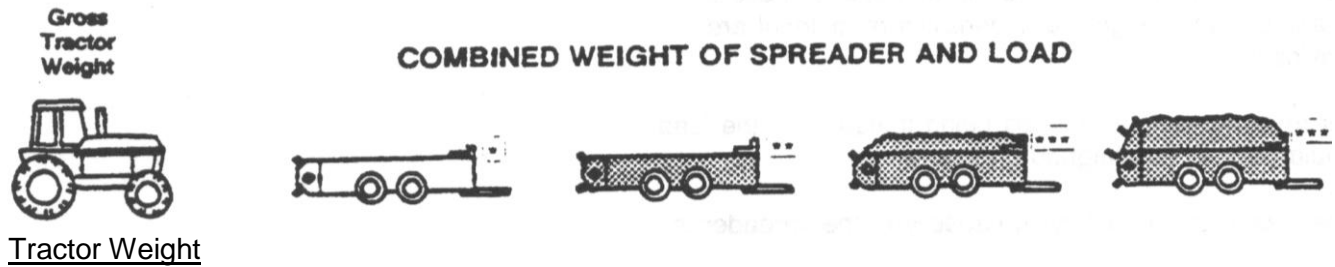
CAUTION: Braking to stop towed loads from transport speeds can cause the towed load to swerve and upset. Reduce speed if towed load is not equipped with brakes and weighs more than the tractor.



Follow recommended speed-weight ratio guidelines:

- Maximum speed is 20 mph (32 km/h) when towing loads equal to or less than the weight of the tractor.
- Reduce speed to 10 mph (16 km/h) when towing loads more than or up to double the tractor weight.
- **DO NOT** tow loads that exceed double the tractor weight.
- Use additional caution when towing loads under adverse road surface conditions (i.e. slippery or rough), when turning and/or on inclines.
- For proper tractor size and towing speed see the following “Recommended Maximum Towing Speed” chart.
- If necessary, add ballast as described in your tractor’s Operator’s Manual.

RECOMMENDED MAXIMUM TOWING SPEED



Tractor Weight	Empty Spreader	Light Load	Medium Load	Heavy Load
(0-2997 lb)	Do Not Tow	Do Not Tow	Do Not Tow	Do Not Tow
(2998-5950 lb)	(10 mph)	Do Not Tow	Do Not Tow	Do Not Tow
(5951-11021 lb)	(10 mph)	Do Not Tow	Do Not Tow	Do Not Tow
(11022-12123 lb)	(20 mph)	Do Not Tow	Do Not Tow	Do Not Tow
(12124-14769 lb)	(20 mph)	Do Not Tow	Do Not Tow	Do Not Tow
(14770-22044 lb)	(20 mph)	Do Not Tow	Do Not Tow	Do Not Tow
(22045-24910 lb)	(20 mph)	(10 mph)	(10 mph)	(10 mph)
(24911-29540 lb)	(20 mph)	(10 mph)	(10 mph)	(10 mph)
(29541 lb-Up)	(20 mph)	(10 mph)	(10 mph)	(10 mph)

**Base Spreader Empty Load*

***Load struck level consisting of manure with high liquid content.
Calculated at 70 lb/cu ft*

****Load piled 381 mm (15 in.) above beater consisting of semi-solid type manure
Calculated at 55 lb/cu ft*

*****Load piled at 15 in. above optional upper beater consisting of semi-solid type manure.
Calculated at 55 lb/cu ft*

OPERATING THE SPREADER

OPERATING THE SPREADER

PREOPERATING CHECKS

1. Be sure spreader does not contain any foreign objects
2. Check for correct hydraulic hookup. Raise endgate fully. Engage beaters
3. Disengage beaters
4. Close endgate

LOADING THE SPREADER

CAUTION: Do not place rocks, timbers, or other solid objects in the spreader. Objects of this nature can damage the spreader and could also be thrown great distances causing possible injury to anyone standing in the vicinity.

Load front of spreader first, distributing load evenly.

When operating without an endgate, avoid loading manure against the beater.

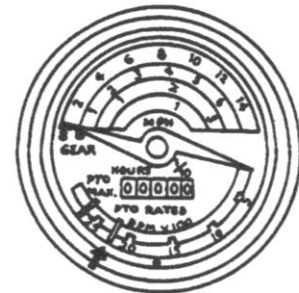


PREPARE TO UNLOAD THE SPREADER

CAUTION: Help prevent personal injury. Be sure no one is near spreader and tractor before operating.

1. Start beater by engaging PTO slowly at low engine rpm. Increase to “PTO RATED” speed.

NOTE: For best spreading results, operate tractor at “PTO RATED” speed.



OPERATING THE SPREADER

RAISE ENDGATE

IMPORTANT: Contact of sliding floor/moving panel with endgate will cause damage. To avoid contact with sliding floor, endgate must be raised a minimum of 6 in. To avoid contact with moving panel, endgate must be raised fully.

The endgate closes off the back end of the spreader to contain manure with high liquid content.

The endgate also prevents solid material from being piled tight against the beater.



UNLOADING SPREADER USING METERING VALVE

1. Set flow control on tractor hydraulics to obtain desired rate of unload speed.

Note: Rate of spread is affected by both ground speed and unload speed. Experience will help you determine both gear selection and control knob setting.

2. When spreader is empty, disengage apron chain disengage PTO, and lower endgate.

PRODUCING GOOD SPREADING RESULTS

1. Operate tractor engine at "PTO RATED" speed.
2. Do not overload beater. A clumpy spread pattern will result from too fast an unload rate.
3. When operating without an endgate, avoid loading material against the beater. Otherwise, large clumps of material will be thrown out during the first few turns of the beater.

CLEANING SPREADER IN COLD WEATHER

When operating the spreader during extended periods of subfreezing temperatures, frozen material may build up on steel surfaces. This can prevent the beater from moving.

After completing spreading for the day, use the following cleaning procedure.

NOTE: Cleaning is only necessary during extended *periods of subfreezing temperatures.*

Remove material buildup from endgate panel. Keep endgate arms clean to prevent freezing to side rails.

OPERATING THE SPREADER

CLEAN WALKING BEAM

When tire valve stems are mounted towards the inside, clean top of walking beams to prevent valve stem damage.



WARMING HYDRAULIC OIL TEMPERATURES BELOW 0°F (-18°C)

It is necessary to warm the hydraulic oil for proper spreader operation.

Follow the procedures in your tractor's Operator's Manual for warming hydraulic oil.

The following procedures apply only to tractors with a closed center hydraulic system.



BYPASSING SPREADER CONTROL VALVE

There will be a large hydraulic oil pressure drop across the auxiliary flow control valve when the oil is cold. Oil pressure available to hydraulic cylinders may be too low.

Try cycling the cylinders several times slowly so the cold oil in the cylinders is mixed with the warm oil in the tractor. In the event of extreme cold; you may need to bypass the control valve to do this. Be sure you begin by moving the cylinders very slowly.

Reconnect hoses to flow control valve.

LUBRICATION & MAINTENANCE

LUBRICATION & MAINTENANCE

CAUTION: Help prevent personal injury caused by unexpected movement of the machine. If spreader is connected to tractor, disengage PTO, engage parking brake and/or place transmission in "PARK", shut off engine, and remove key. If spreader is detached, block wheels and use safety stands.

Replace all shields after lubricating or servicing.

OBSERVING INTERVALS

IMPORTANT: The intervals recommended are based on normal conditions. Severe or unusual conditions may require more frequent attention.

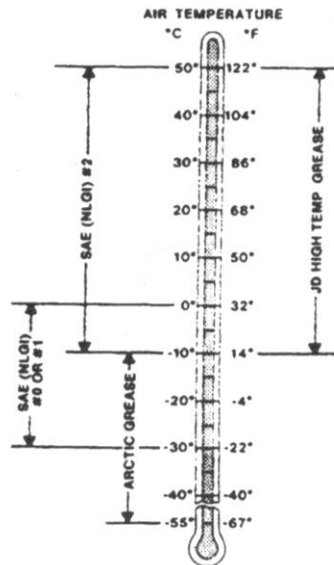


SELECTING GREASE

Depending upon the expected air temperature range during the service interval, use grease as shown on the adjusting temperature chart.

-SAE-Multipurpose High Temperature Grease with Extreme Pressure [EP] Performance with 3 to 5% molybdenum disulfide.

NOTE: Moly-type grease is recommended, however, if not available, a multipurpose grease is acceptable.

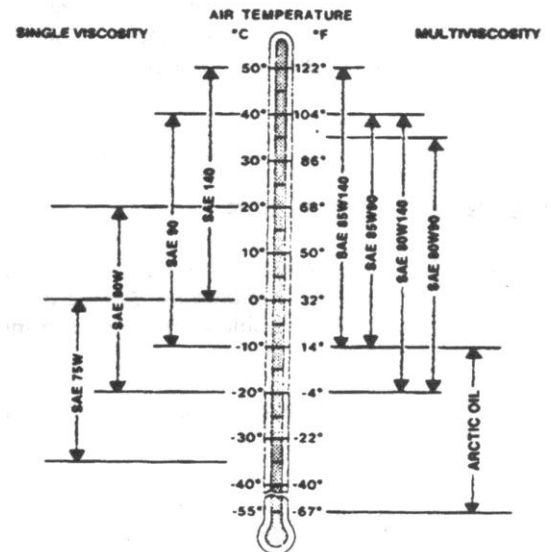


SELECTING GEAR CASE OIL

Depending upon the expected air temperature range during the drain interval, use oil viscosity shown on the adjoining temperature chart.

- API Service Classification GL-5
- Military Specification MIL-L-2105B
- Military Specification MIL-L-2105C

At temperatures below -35° [-31°], use arctic oils such as those meeting Military Specifications MIL-G-10324A.



LUBRICATION & MAINTENANCE

SERVICE INTERVALS

Lubricate driveline every 8 hrs

- Lubricate top beater bearings every 40 hrs
- Check gear case oil level every 8 hrs
- Check tires every 8 hrs
- Check axle hub oil every 8 hrs
- Grease apron chain drive bearings & sprockets every 40 hrs

EVERY 50 HOURS

- Adjust apron chain
- Tighten wheel hardware
- Lubricate walking beam pivots

In addition to the above referenced information, you are working with a central lube CV design on the primary that contains a special lubrication provision that needs to be well defined for the user so that extended life on the CV can be achieved.

The key point is that each CV has one zerk in a bearing cap and it is this zerk that is most important since it feeds the inboard cross kit as well as the the ball and socket of the CV. The user needs to understand that the zerk in the cap should receive **15-20 pumps** of grease each day.

The other zerks in the joint, CV housing and telescoping members can operate with 5-6 pumps or until the seals purge. The plastic zerks feeding the shielding should also receive 3-4 pumps daily if shields are being restrained.

Primary Driveline (to Tractor) Lubricate fittings D1 through D6 every eight hours of operation.

Secondary Driveline (under spreader) Lubricate as above including overrunning clutch.

NOTE: Lubrication step D5 is only necessary when driveline does not have grease fitting. Separate front and rear halves of driveline and brush with grease.

EVERY 250 HOURS

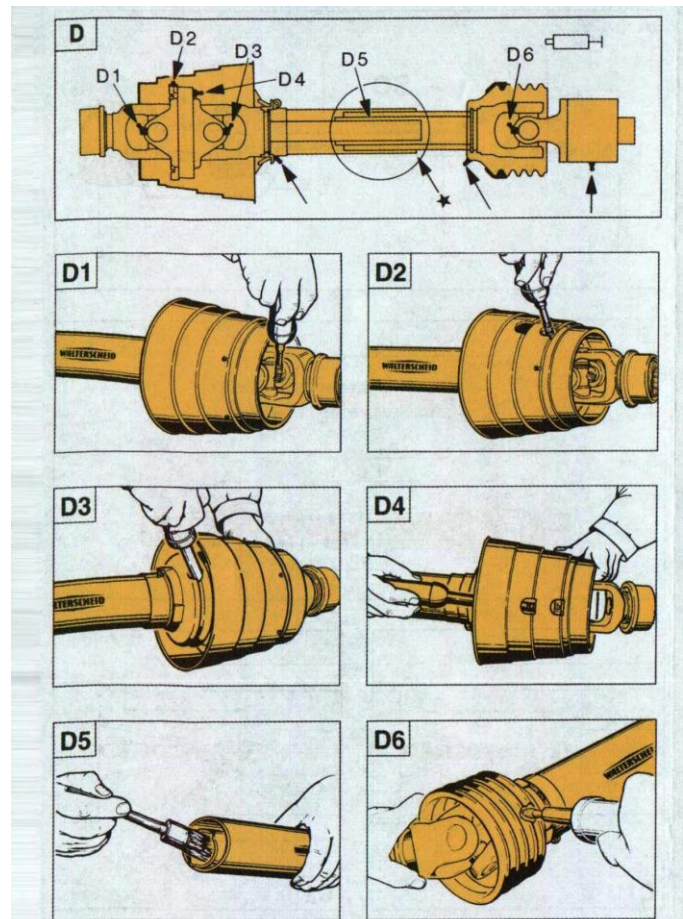
- Lubricate endgate pivots

SERVICE AS REQUIRED

- Adjust apron chain tension
- Slip the clutch

GEARBOX

- Change lubricant every 6,000 loads

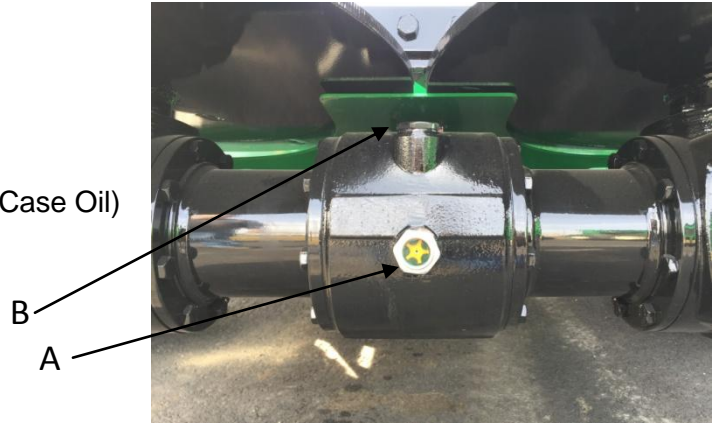


LUBRICATION & MAINTENANCE

CHECK GEAR CASE OIL LEVEL

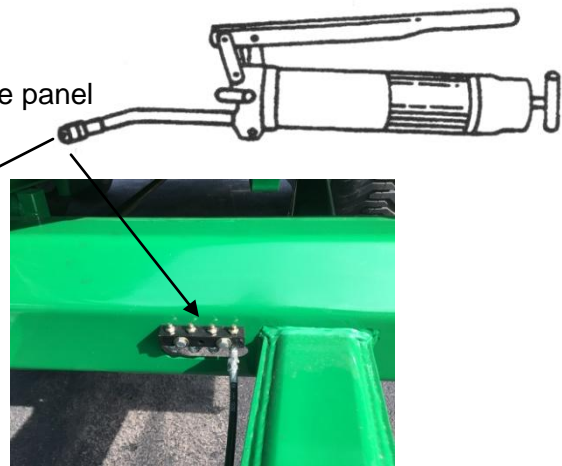
With spreader on level ground, check oil level at the sight glass on the center gearcase."A"

Add recommended oil as needed. (See Selecting Gear Case Oil)
To add oil, remove fill cap at the top of the gearcase "B"



GREASE TOP BEATER BEARINGS

Grease the two bearings at the top of the vertical beaters every 8 hours of operation. Rear grease bank on beater side panel



WHEELS AND TIRES

Drop center wheels with recapped truck tires or implement tires are available.

1. Check tires daily for damage or noticeably low pressure.
2. Repair any cuts or breaks as soon as possible.
3. Protect tires from exposure to sunlight and petroleum products or chemicals.

Tire Size	Wheel Size	Tire Pressure
550/60 – 22.5 Implement	22.5 x 16	40 PSI
425/65 R 22.5 Truck Tires	22.5 x 13	115 PSI



SPECIFICATIONS

LUBRICATE WALKING BEAM PIVOTS

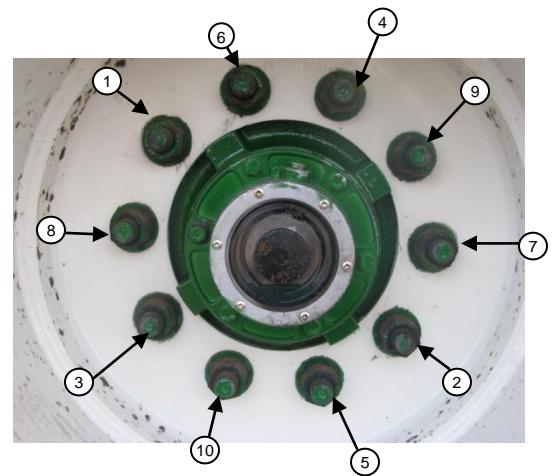
1. Place a jack under the spreader main frame.
2. Raise spreader enough to relieve weight from walking beam.
3. Lubricate grease bank (A) with Moly High Temperature/Extreme Pressure Grease.



TIGHTENING WHEEL HARDWARE

Operating the spreader with loose wheel hardware will damage the hub or wheel. Tighten hardware after initial transport, after one hour of operation, and every fifty hours thereafter.

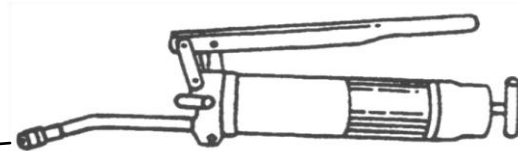
Tighten to 170 lb.-ft. in the sequence shown.



SPECIFICATIONS

LUBRICATE THE THREE PILLOW BLOCKS UNDER THE SPREADER THAT CARRY THE MAIN POWER SHAFT, USING CENTRAL GREASE LOCATION

Lubricate grease fitting with Moly High Temperature/Extreme Pressure Grease.



MAINTAINING SLIP CLUTCH, WALTERSCHEID

The clutch is preset and is not field adjustable.

If you determine that your slip clutch needs maintenance or adjustment, contact your dealer.



ADJUST SLIDING FLOOR/MOVING PANEL SEALS

The rubber seals on the moving panel and sliding floor are adjustable.

Properly adjusted seals will minimize leakage and ensure a clean wiping action on the sides and floor.

Inspect adjust, or replace seals as necessary.



SPECIFICATIONS

SPECIFICATIONS

Tractor Size (Minimum)	160 hp PTO
Weight Spreader, Complete with Implement tires and all Attachments	12000 lb
Load Capacity	33200 lb
Volume Capacity Struck Level Heaped Load	435 cu. ft. 604 cu. ft.
Beater Speed	420 rpm
Unloading Speed	0-16 ft/min Infinitely Variable
Driveline	Shielded 1000 rpm
Attachments	Control For Fender or ROPS Open Center Valve With Control Endgate

Specifications and design subject to change without notice)



PARTS MANUAL

Pik Rite, Inc.
60 Pik Rite Lane
Lewisburg, PA 17837

Phone: 800-326-9763
Fax: 570-523-8175
www.pikrite.com

HR 550
Manure Spreader

DIRECTION ARROW

ARROWS ARE USED WITH ILLUSTRATIONS TO INDICATE THE FRONT OF THE UNIT. "RIGHT-HAND" AND "LEFT-HAND" SIDES ARE DETERMINED BY FACING THE DIRECTION OF MACHINE FORWARD TRAVEL.

BOX ENCLOSED ILLUSTRATIONS

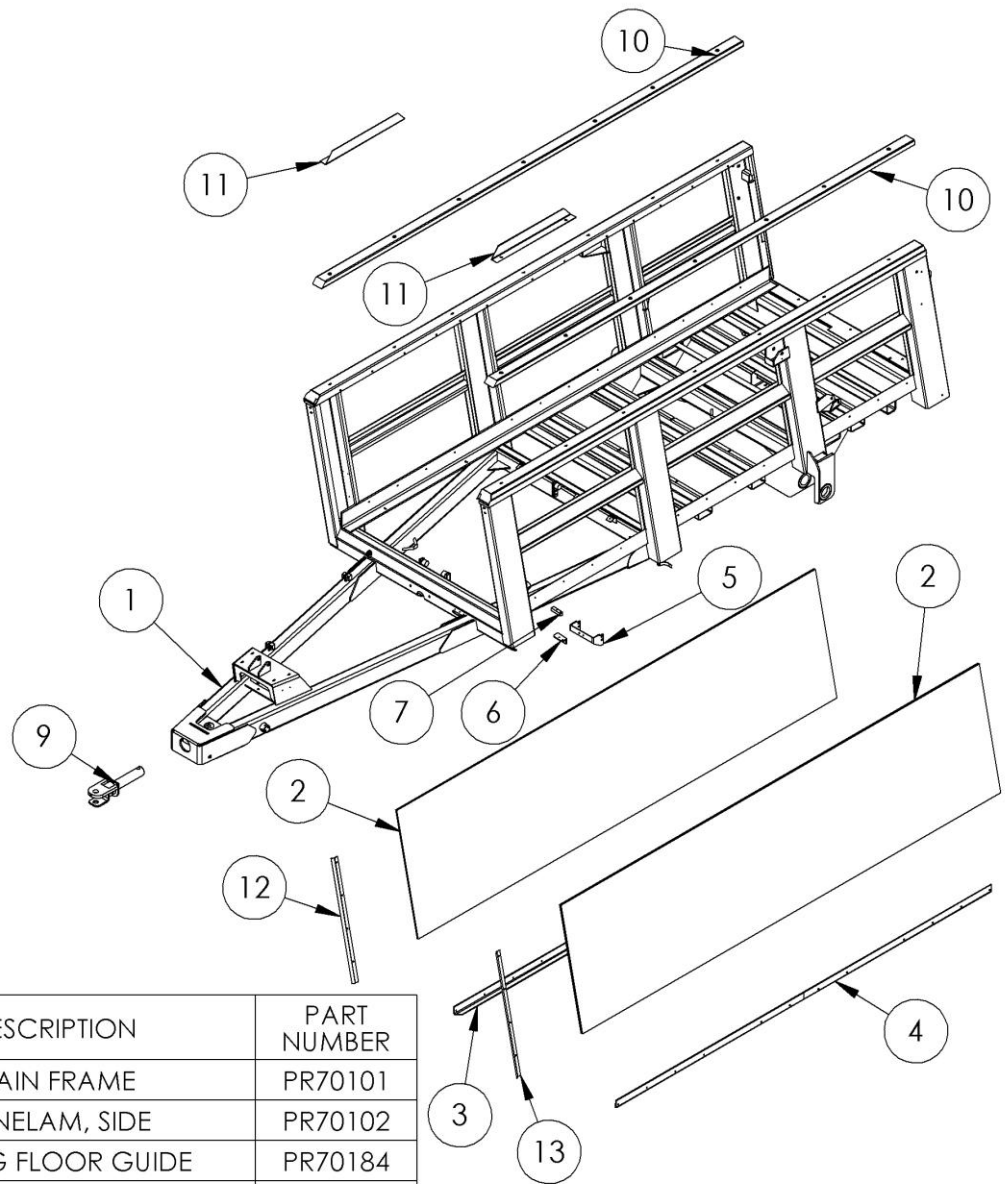
A REFERENCE NUMBER, SHOWN IN THE PARTS LIST, IS ASSIGNED TO A BOX ENCOMPASSING ALL PARTS SOLD AS A SERVICE ASSEMBLY.

REFERENCE NUMBER IDENTIFICATION

000-099 PARTS USED FOR ASSEMBLY
100-199 BOLTS & FASTENERS
800-899 REPLACEMENT PARTS OR SERVICE ASSEMBLIES –
USED TO REPLACE OR REBUILD COMPONENTS OF THE
MACHINE

7115-1-01

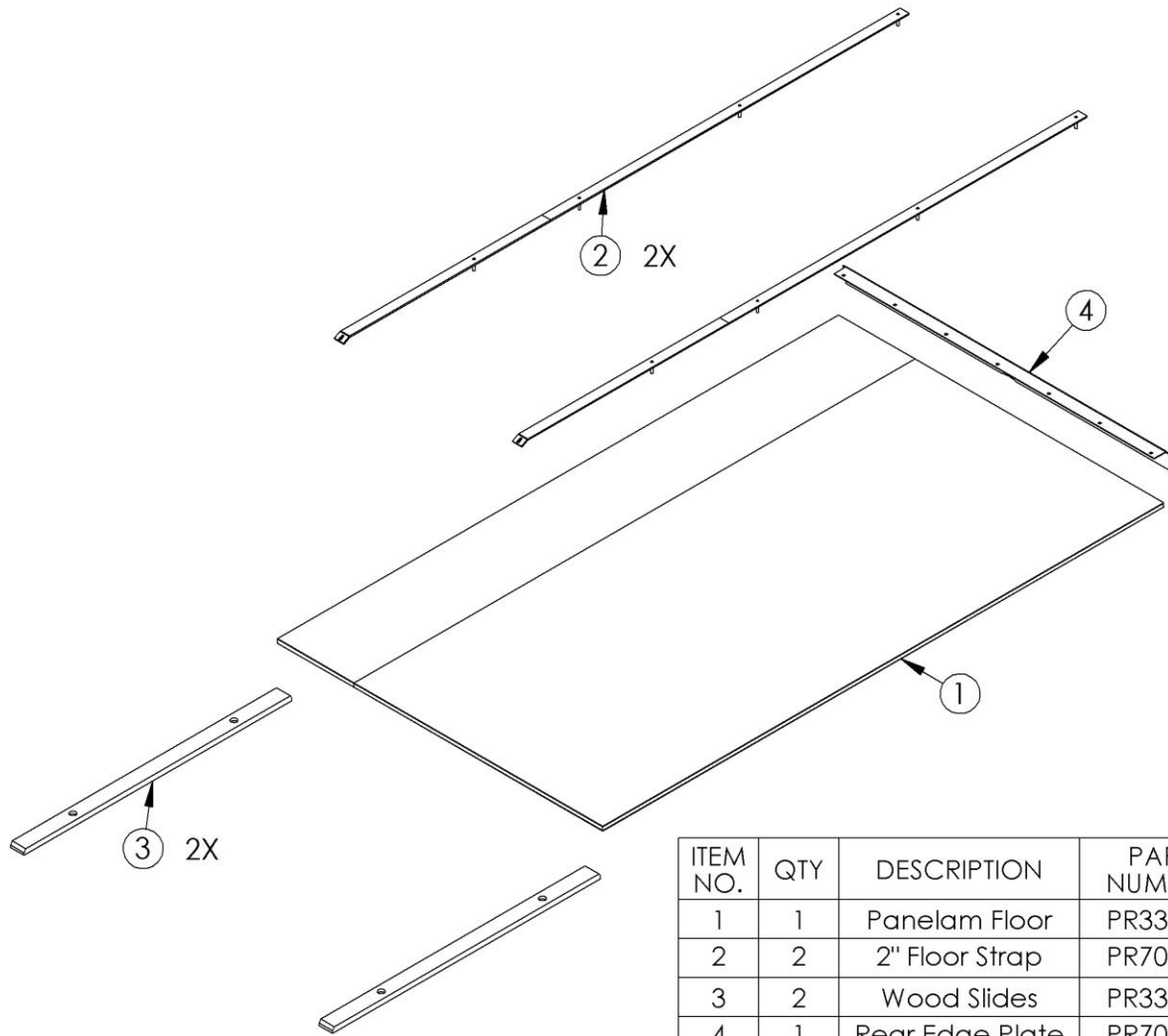
Main Frame & Side Panels



ITEM NO.	QTY	DESCRIPTION	PART NUMBER
1	1	MAIN FRAME	PR70101
2	2	PANELAM, SIDE	PR70102
3	1	SLIDNG FLOOR GUIDE	PR70184
4	1	Angle, Sliding Floor	PR70183
5	1	Floor Cyl Support, Bracket	PR70091
6	1	Floor Cyl Support, Angle	PR70092
7	1	Floor Cyl Support, Plastic	PR32639
8	1	Hitch Shaft	PR63101-A
9	1	Hitch	PR70097
10	2	Top Rail Bumper	PR70095
11	2	Splash Guard	PR70098
12	1	EDGE COVER, PANELAM, FRONT	PR70171
13	1	EDGE PROTECTION, PANELAM	PR70172

7115-1-02

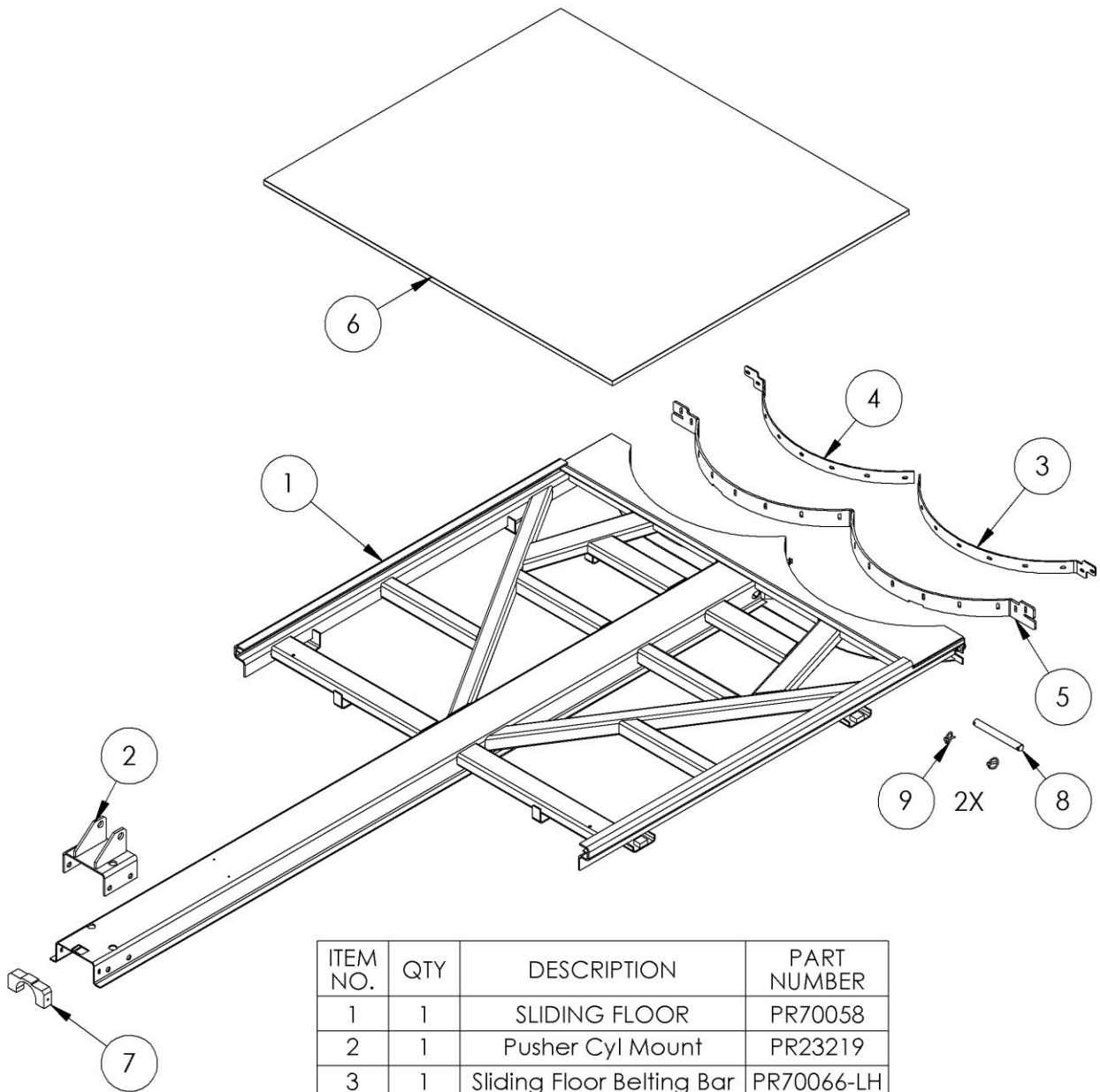
Main Floor & Sliding Floor Guides



ITEM NO.	QTY	DESCRIPTION	PART NUMBER
1	1	Panelam Floor	PR33279
2	2	2" Floor Strap	PR70061
3	2	Wood Slides	PR33358
4	1	Rear Edge Plate	PR70062

7115-1-03

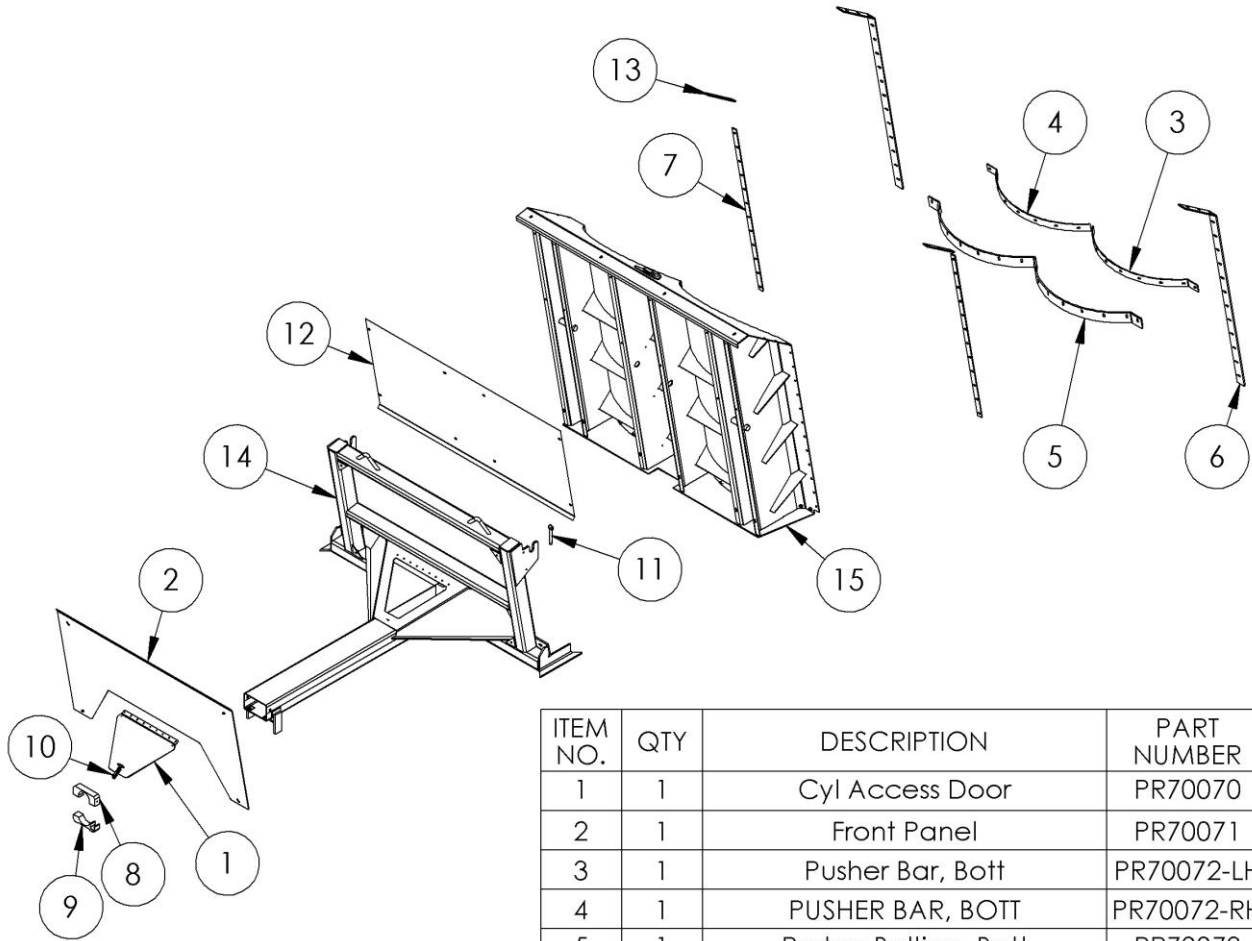
Sliding Floor



ITEM NO.	QTY	DESCRIPTION	PART NUMBER
1	1	SLIDING FLOOR	PR70058
2	1	Pusher Cyl Mount	PR23219
3	1	Sliding Floor Belting Bar	PR70066-LH
4	1	Sliding Floor Belting Bar	PR70066-RH
5	1	Sliding Floor Belting	PR70067
6	1	Panelam, Sliding Floor	PR44533
7	1	Pastic Guide, Floor Cyl	PR70123
8	1	1" x 8" Pin, SS	PR70126
9	2	1/4" Lynch Pin	PIN-250L

7115-1-04

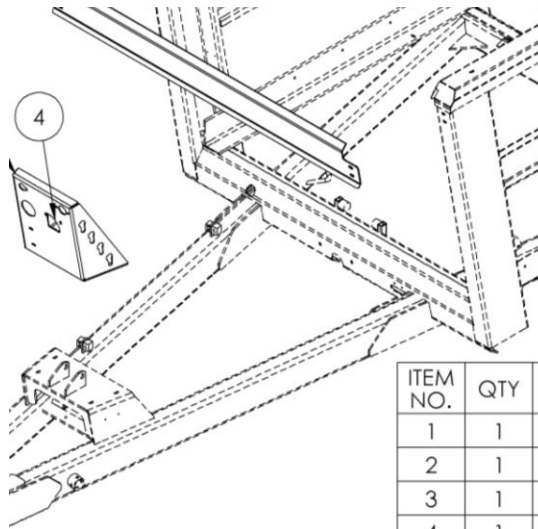
Pusher



ITEM NO.	QTY	DESCRIPTION	PART NUMBER
1	1	Cyl Access Door	PR70070
2	1	Front Panel	PR70071
3	1	Pusher Bar, Bott	PR70072-LH
4	1	PUSHER BAR, BOTT	PR70072-RH
5	1	Pusher Belting, Bott	PR70073
6	2	Pusher Belting, Side	PR70111
7	2	Pusher Bar, Side	PR70112
8	1	Pastic Cyl Guide, Pusher	PR70124
9	1	Plastic Cyl Guide, Pusher	PR70125
10	1	T-Latch	LA-1530
11	1	Quick Release Pin, Pusher Cyl	PIN-10-300
12	1	COVER SHEET	PR70135
13	2	Pusher Bar, Side	PR70117
14	1	PUSHER FRAME	PR70068
15	1	PUSHER, HR 550	PR70110

7115-1-05

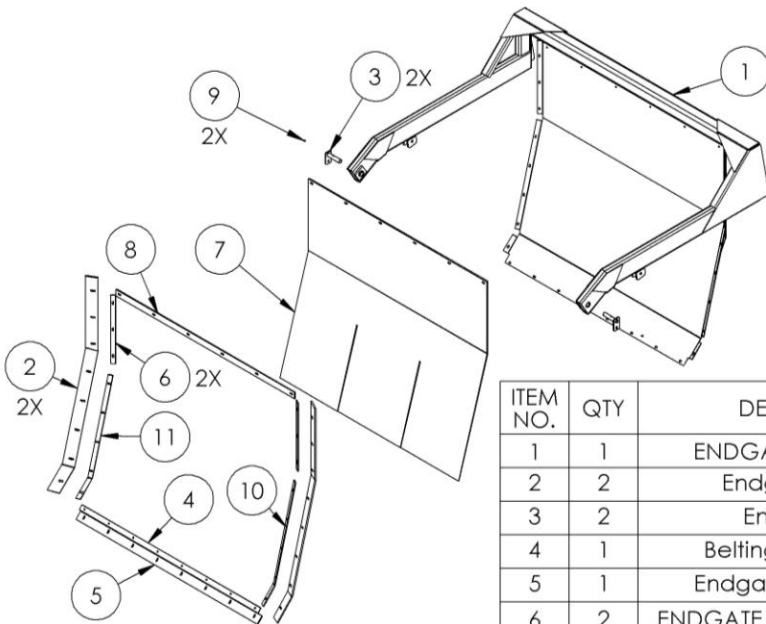
Front Panels & Shields



ITEM NO.	QTY	DESCRIPTION	PART NUMBER
1	1	Hose Mount	PR70086
2	1	PTO Holder	PR70087
3	1	FRONT TOP PANEL	PR70134
4	1	COVER, FLOW CONTROL	PR70131
5	1	3.5" GROMMET	EL-0041
6	1	PIN, 1/2" X 3/4	PIN-500-575

7115-1-06

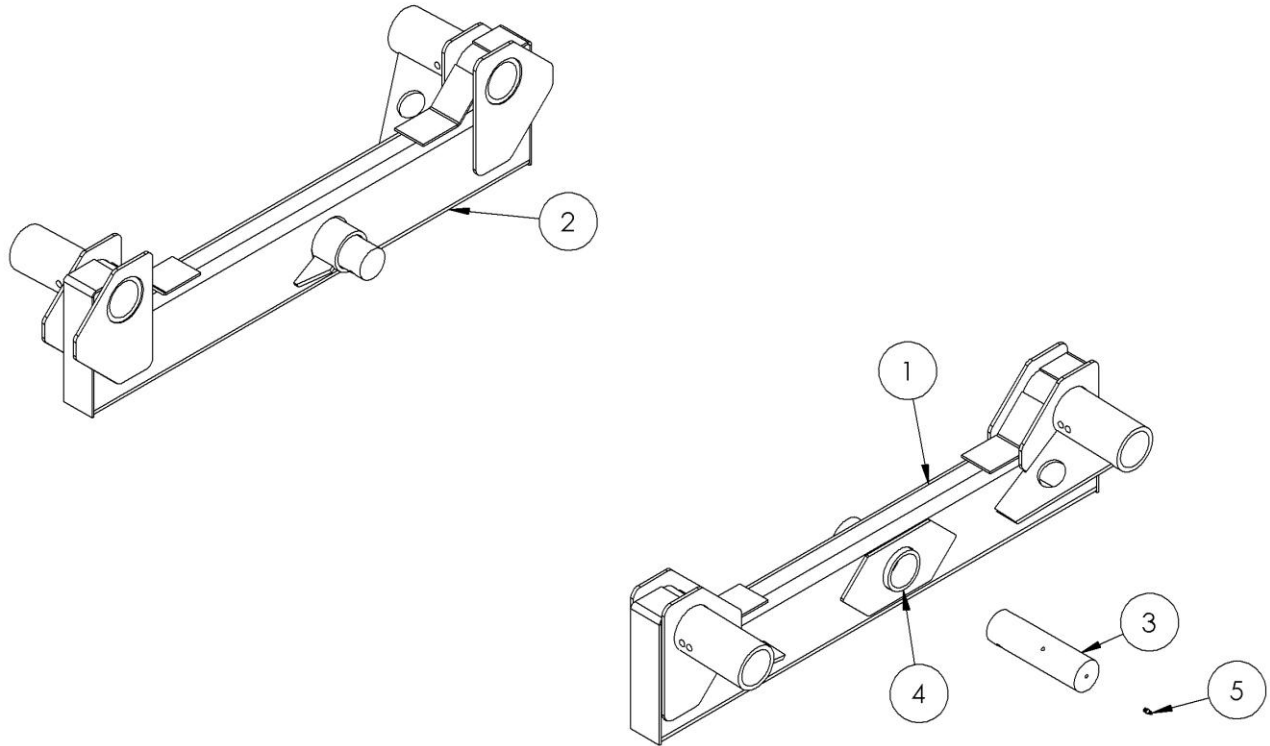
Endgate



ITEM NO.	QTY	DESCRIPTION	PART NUMBER
1	1	ENDGATE WELDMENT	PR70105
2	2	Endgate Belting	PR70108
3	2	Endgate Pin	PR70118
4	1	Belting Backing Bar	PR70161
5	1	Endgate Belting, Bott	PR70139
6	2	ENDGATE BELTING BAR, TOP	PR70109
7	1	Endgate Belting	PR70114
8	1	Endgate Belting Bar	PR70116
9	2	1/4" X 28 GREASE FITTING	GF-1428
10	1	ENDGATE BELTING BAR	PR70185
11	1	ENDGATE BELTING BAR	PR70186

7115-1-07

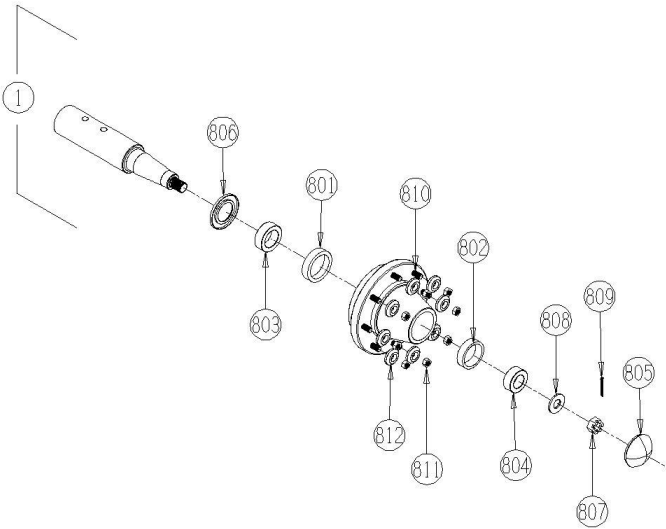
Walking Beam



ITEM NO.	QTY	DESCRIPTION	PART NUMBER
1	1	ROCKER LH	PR70106
2	1	ROCKER, RH	PR70107
3	2	ROCKER SHAFT	PR70028
4	4	BRONZE BUSHING	PR34413
5	2	GREASE FITTING 1/8NPT	GF-1827

7115-1-08

Hubs & Spindles



ITEM NO.	QTY	DESCRIPTION	PART NUMBER
1	4	HUB & SPINDLE ASSY, 10 BOLT	WHL-1210
800	1	WHEEL BEARING KIT	WBR-1210K
801	1	INNER CUP	WHL-1210A
802	1	OUTER CUP	WHL-1210B
803	1	INNER CONE	WHL-1210C
804	1	OUTER CONE	WHL-1210D
805	1	DUST CAP	WHL-1210E
806	1	GREASE SEAL	WHL-1210F
807	1	FLANGE NUT, SPINDLE	WHL-1210G
808	1	WASHER, SPINDLE	WHL-1210H
809	1	COTTER PIN, SPINDLE	WHL-1210I
810	8	WHEEL STUD BOLT	WHL-1210J
811	8	WHEEL STUD NUT	WHL-1210K
812	8	WHEEL STUD WASHER	WHL-1210L
815	1	SPINDLE	WHL-1210M

7115-1-09

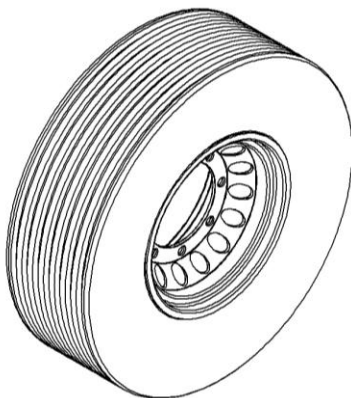
Tires & Wheels, Implement Tires



ITEM NO.	QTY	DESCRIPTION	PART NUMBER
1	4	550/60-22.5 TIRE & WHEEL ASSY	WHM-7101
813	1	WHEEL, 22.5 X 16	WHL-7104
814	1	TIRE, 550/60-22.5	WHT-7101

7115-1-09A

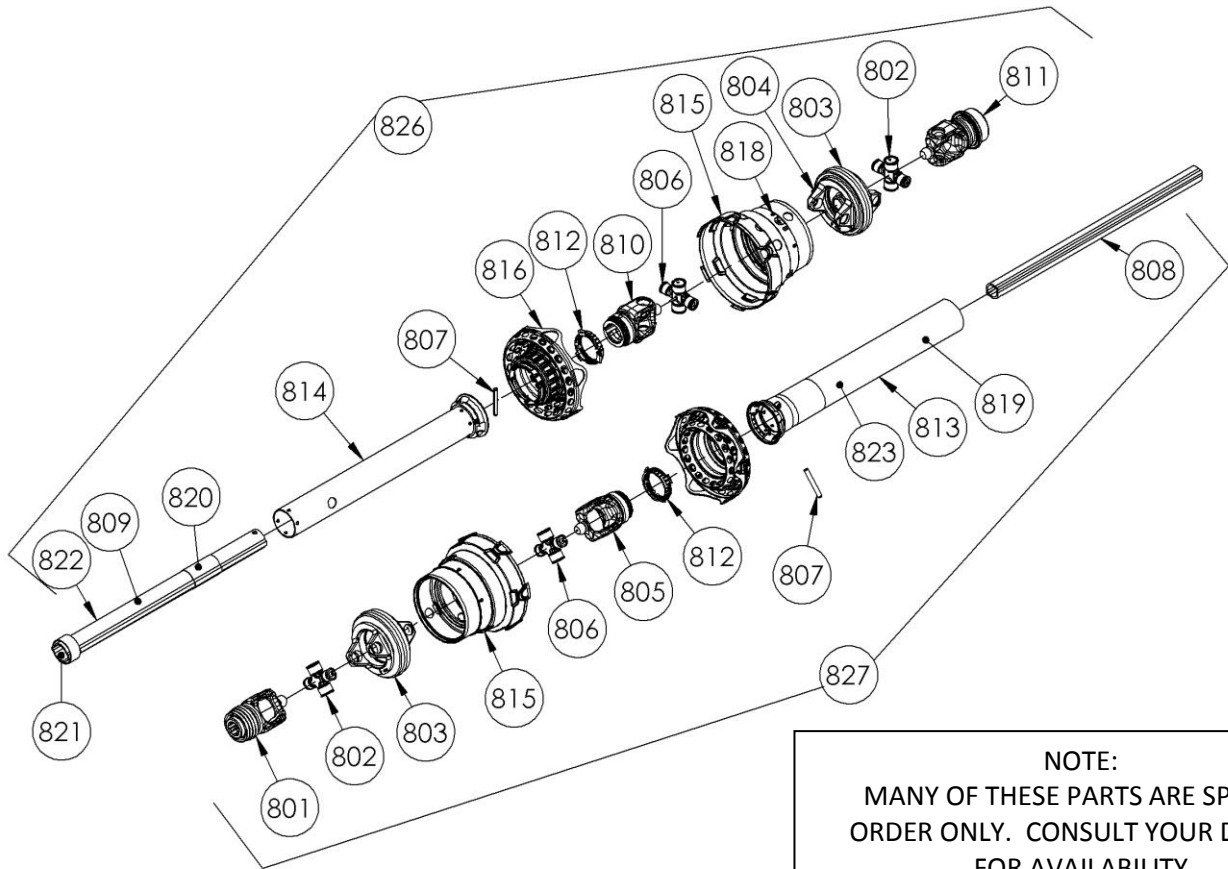
Opt. Tires & Wheels, Truck Tires



ITEM NO.	QTY	DESCRIPTION	PART NUMBER
1	4	TIRE & WHEEL ASSY, 425-65R22.5	WHM-7105
813	1	22.5 X 13 WHEEL	WHL-7105
814	1	425-65R22.5 TRUCK TIRE	WHT-7105

7115-2-01

Driveline, Front, 1000 rpm 1-3/8" CV



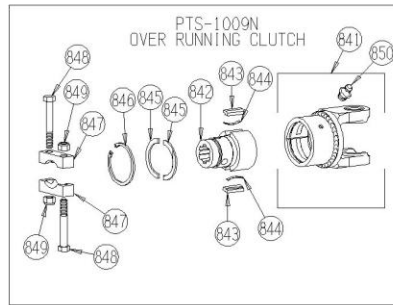
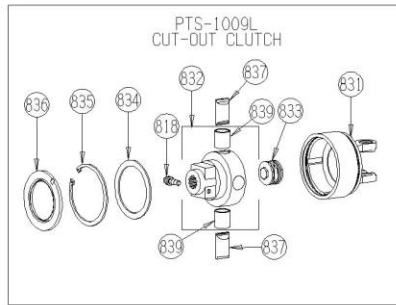
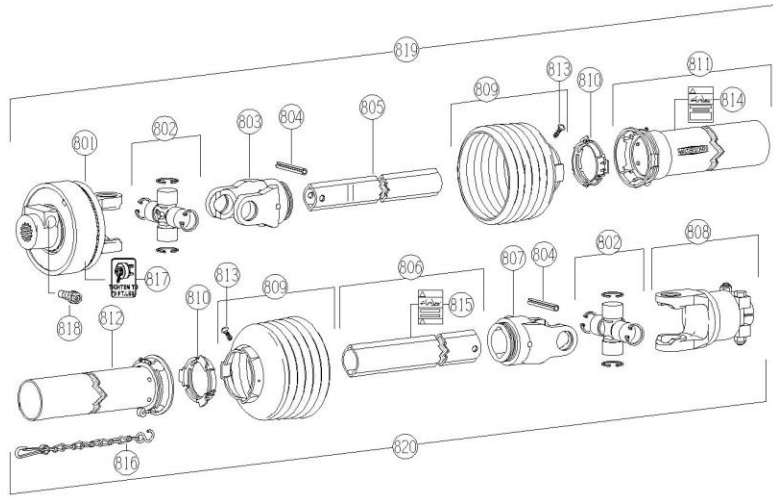
NOTE:
MANY OF THESE PARTS ARE SPECIAL
ORDER ONLY. CONSULT YOUR DEALER
FOR AVAILABILITY

ITEM NO.	QTY .	DESCRIPTION	PART NUMBER
1	1	DRIVELINE, 1-3/8-21, 2500 SERIES	PTS-1015
801	1	YOKE ASG	PTS-1015A
802	2	CROSS & BEARING KIT	PTS-1015B
803	2	DOUBLE YOKE END	PTS-3001-Y
804	2	ZERK, DOUBLE YOKE	PTS-1008C
805	1	INBOARD YOKE S4	PTS-1015C
806	2	CROSS & BEARING KIT	PTS-1015D
807	2	SPRING PIN 10 X 75	PTS-1014C
808	1	INNER PROFILE S4LGA	PTS-1015E
809	1	OUTER PROFILE S5GL	PTS-1015F
810	1	INBOARD YOKE S5	PTS-1015G
811	1	YOKE ASG	PTS-1015H
812	2	PTO SHIELD BEARING RING	PTS-1002J
813	1	GUARD TUBE OUTER	PTS-1015J

ITEM NO.	QTY .	DESCRIPTION	PART NUMBER
814	1	GUARD TUBE INNER	PTS-1015K
815	2	CV GUARD & BEARING ASSY	PTS-1015L
816	2	FLEX NET & GUARD ASSY	PTS-1015M
817	1	PTO SHIELD SAFETY CHAIN	PTS-1002K
818	14	SCREW	PTS-1010K
819	1	DECAL, OUTER	PTS-1010L
820	1	DECAL, INNER	PTS-1010M
821	1	SUPPORT BEARING	PTS-1021H
822	1	ZERK	PTB-1014L
823	1	LUBRICATION DECAL	PTS-1021P
824	0	AS COLLAR KIT	PTS-8100E
825	0	ASG COLLAR KIT	PTS-1008R
826	1	DRIVELINE, FRONT HALF	PTS-1015FH
827	1	DRIVELINE, REAR HALF	PTS-1015RH

7115-2-02

Driveline, Rear



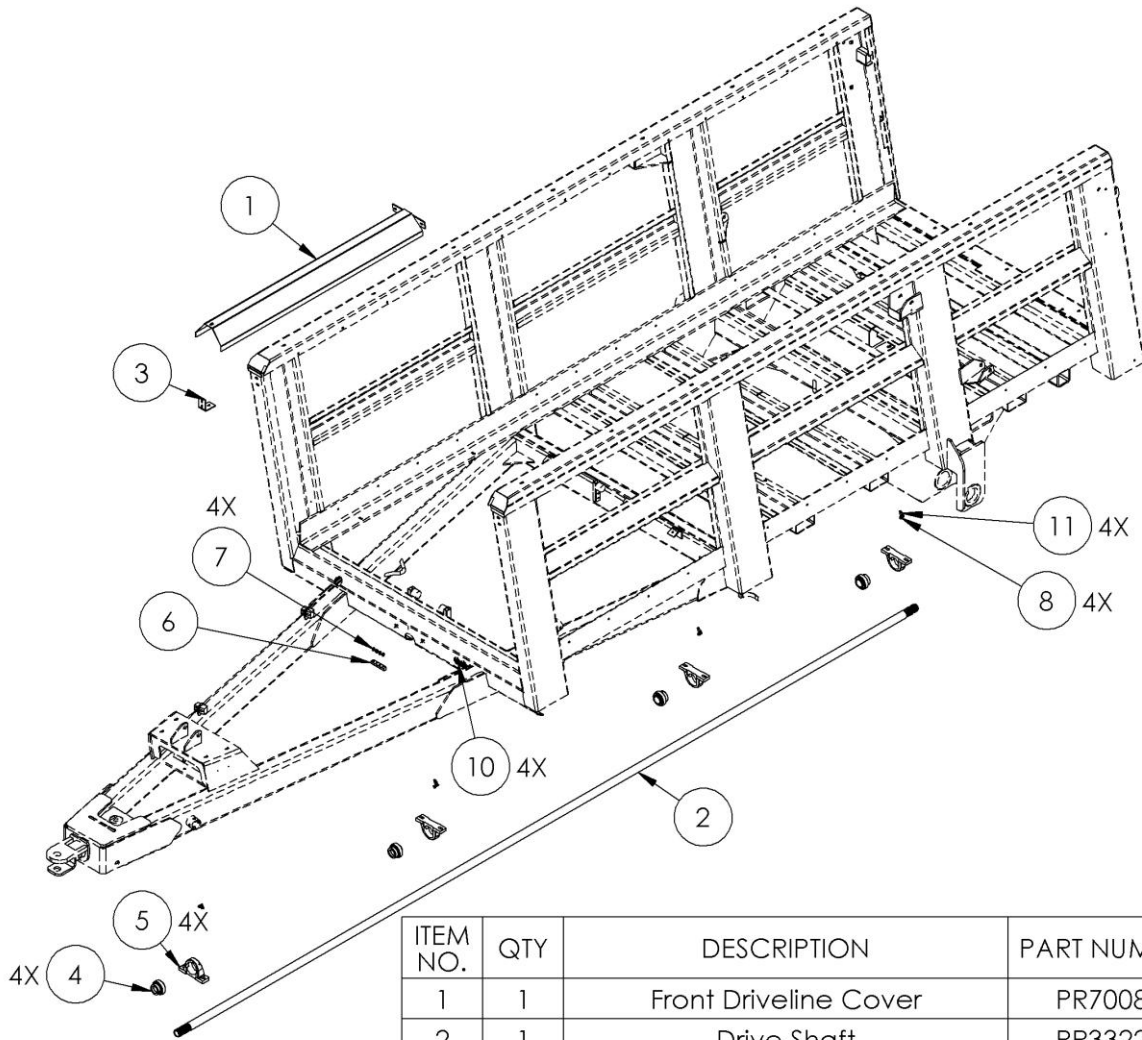
NOTE:
MANY OF THESE PARTS
ARE SPECIAL ORDER
ONLY. CONSULT YOUR
DEALER FOR
AVAILABILITY

ITEM NO.	QTY	DESCRIPTION	PART NUMBER
1	1	DRIVELINE FOR VERTICALS, REAR	PTS-1009
801	1	CUT-OUT CLUTCH	PTS-1009L
802	2	CROSS & BEARING KIT	PTS-1010B
803	1	INBOARD YOKE, 1b	PTS-1009B
804	2	SPRING PIN	PTS-1010C
805	1	INNER PROFILE	PTS-1014E
806	1	OUTER PROFILE	PTS-1009M
807	1	INBOARD YOKE	PTS-1010D
808	1	OVER RUNNING CLUTCH	PTS-1009N
809	2	SHIELD CONE 6 RIB	PTS-1014I
810	2	PTO SHIELD BEARING RING	PTS-1002J
811	1	GUARD TUBE OUTER	PTS-1009P
812	1	GUARD TUBE INNER	PTS-1009Q
813	2	SCREW	PTS-1010K
814	1	DECAL, OUTER	PTS-1010L
815	1	DECAL, INNER	PTS-1010M
816	1	PTO SHIELD SAFETY CHAIN	PTS-1002K
817	1	DECAL	PTS-1009J
818	1	CC LOCK ASSEMBLY	PTS-1009K

ITEM NO.	QTY	DESCRIPTION	PART NUMBER
819	1	FRONT, HALF SHAFT	PTS-1009-FH
820	1	REAR, HALF SHAFT	PTS-1009-RH
831	1	HOUSING	PTS-1009E-B
832	1	HUB 1-3/4"-20 SPL CC	PTS-1009E-C
833	1	SPRING PACK	PTS-1009E-D
834	1	WASHER	PTS-1009E-E
835	1	RETAINING RING	PTS-1009E-F
836	1	SEALING RING	PTS-1009E-G
838	2	CAM	PTS-1009E-A
839	2	BUSHING - IN PART PTS-1009E-C	PTS-1009E-H
841	1	CLUTCH HOUSING	PTS-1020A-A
842	1	HUB	PTS-1009N-A
843	2	KEY	PTS-1010F-A
844	2	LEAF SPRING	PTS-1010F-B
845	1	SUPPORTING RING	PTS-1009N-B
846	1	RETAINING RING	PTS-1010F-G
847	2	CLAMP BRIDGE	PTS-1009N-C
848	2	HEX BOLT - M16 X 110L	PTS-1009N-D
849	2	LOCKNUT - M16	PTS-1009N-E
850	1	ZERK, DOUBLE YOKE	PTS-1008C

7115-2-03

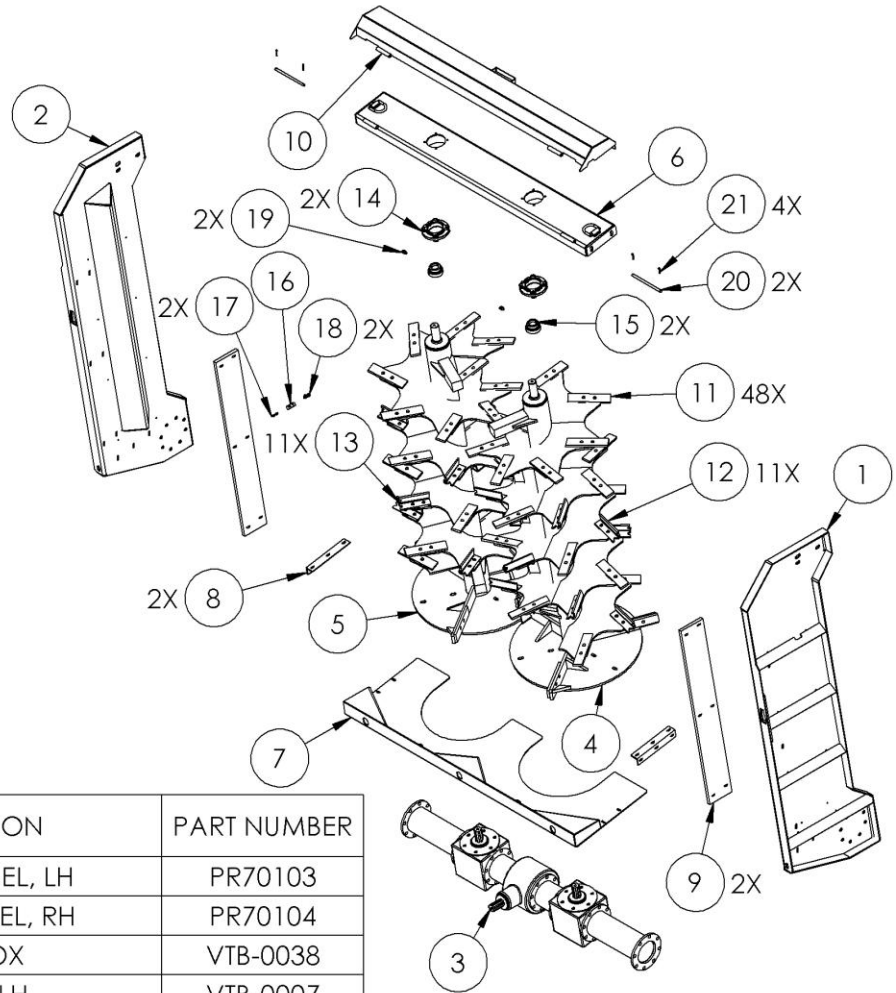
Driveline, Mid Shaft & Shields



ITEM NO.	QTY	DESCRIPTION	PART NUMBER
1	1	Front Driveline Cover	PR70089
2	1	Drive Shaft	PR33228
3	1	MOUNT, DRIVELINE SHIELD	PR70132
4	4	1.75" BEARING	BR-175-085-I
5	4	Bearing Housing	BR-085-RAK
6	1	4" GREASE MANIFOLD	GF-4-4
7	4	GREASE FITTING 1/8 NPT 45°	GF-1827-45
8	4	1/8MP X 1/8 FPX 90°	A-1501-02-02
9	4	1/8MP X 1/8 FPX	A-1404-2-2
10	4	1/8MP X 1/8 FPX 45°	A-1503-02-02
11	4	1/4"-28 X 1/8" B2 FNPT ADAPTER	GFA-51942

7115-2-04

Vertical Beaters



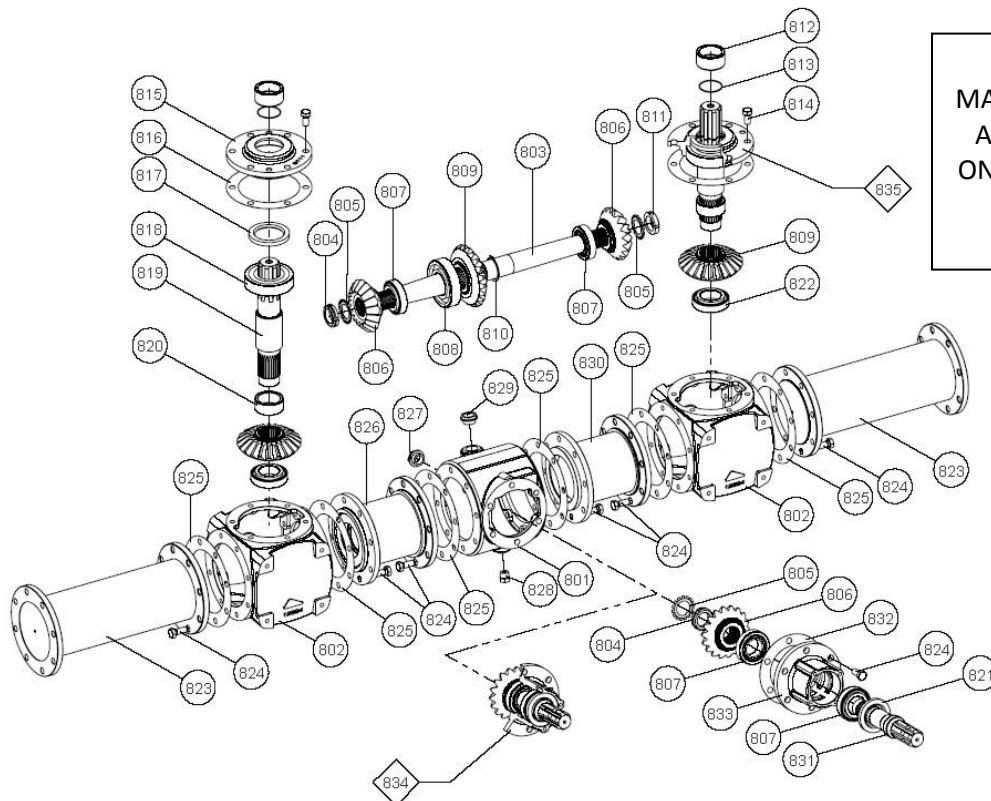
ITEM NO.	QTY	DESCRIPTION	PART NUMBER
1	1	BEATER PANEL, LH	PR70103
2	1	BEATER PANEL, RH	PR70104
3	1	GEARBOX	VTB-0038
4	1	BEATER, LH	VTB-0007
5	1	BEATER, RH	VTB-0008
6	1	BEARING MOUNT, BEATER	PR70083
7	1	BEATER PAN	PR70084
8	2	MOUNT, BEATER PAN	PR70085
9	2	Beater Panel Plastic	PR70120
10	1	COVER, BEATER BEARING	PR70096
11	48	BLANCED BEATER KNIFE	VTB-1899-F3
12	11	BEATER BLADE, RH	VTB-1899-B3
13	11	BEATER BLADE, LH	VTB-1899-C3
14	2	FLANGE BEARING HOUSING	BR-085-4PF
15	2	1.75" BEARING	BR-175-085-1
16	1	2" GREASE MANIFOLD	GF-2-2
17	2	GREASE FITTING 1/8NPT	GF-1827
18	2	1/8MP X 1/8 FPX 45°	A-1503-02-02
19	2	1/8MP X 1/8 FPX	A-1404-02-02
20	2	HINGE PIN	PR70133
21	4	COTTER PIN, 3/16 X 1-1/2"	PIN-C3-24

7115-2-05

Gearbox, Main Beaters

ITEM NO.	QTY	DESCRIPTION	PART NUMBER
801	1	CAP, SIDE, CENTRAL GEARBOX	VTB-0038-27
802	2	CAP, SIDE	VTB-0038-20
803	1	LONG AXIS	VTB-0038-29
804	3	LOCKNUT	VTB-0038-21
805	3	LOCKWASHER	VTB-0038-22
806	2	PINION, 13T	VTB-0038-23
807	4	BEARING, TAPERED	VTB-0038-13
808	1	BALL BEARING	VTB-0038-25
809	1	GEAR, 24T	VTB-0038-26
810	1	EXTERNAL RETAINING RING	VTB-0038-34
812	2	SLEEVE, OUTPUT	VTB-0038-07
813	2	O-RING	VTB-0038-33
814	12	SCREW, HEX CAP, M14X30, GR 8.8	VTB-0038-05
815	2	INSPECTION COVER	VTB-0038-10
816	2	OUTPUT GASKET, 210mmX150mmX0.3mm	VTB-0038-04
817	2	OIL SEAL, OUTPUT	VTB-0038-06
818	2	BALL BEARING	VTB-0038-09
819	2	SHAFT, OUTPUT	VTB-0038-08

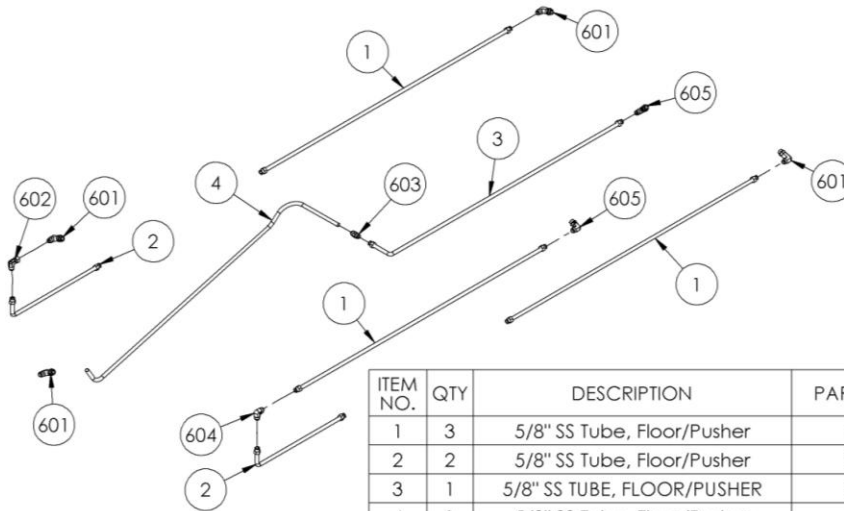
ITEM NO.	QTY	DESCRIPTION	PART NUMBER
820	2	SPACER, OUTPUT	VTB-0038-18
821	2	GEAR, 22T, 1:2.38	VTB-0038-17
822	2	BEARING, TAPERED	VTB-0038-19
823	2	SIDE TUBE ASSY	VTB-0038-01
824	48	SCREW, HEX CAP, M14X35, GR 8.8	VTB-0038-02
825	6	SIDE GASKET, 230mmX160mmX0.3mm	VTB-0038-03
826	1	MID CONNECTING TUBE SUB-ASSEMBLY	VTB-0038-28
827	1	OIL SIGHT GAUGE, M33-2.5X18	VTB-008-31
828	1	DRAIN PLUG, M20-1.5X15	VTB-0038-32
829	1	FILLER PLUG, M33-2.5X18	VTB-0038-30
830	1	CONNECTING TUBE SUB-ASSEMBLY	VTB-0038-24
831	1	PINION, 17T, 1:2.38	VTB-0038-16
832	1	GASKET, INPUT	VTB-0038-11
833	1	CAP, INPUT	VTB-0038-12
834	1	OIL SEAL, INPUT	VTB-0038-15
835	1	SHAFT, INPUT, 1.75-6A SPLINE	VTB-0038-14



NOTE:
MANY OF THESE PARTS
ARE SPECIAL ORDER
ONLY. CONSULT YOUR
DEALER FOR
AVAILABILITY

7115-3-01

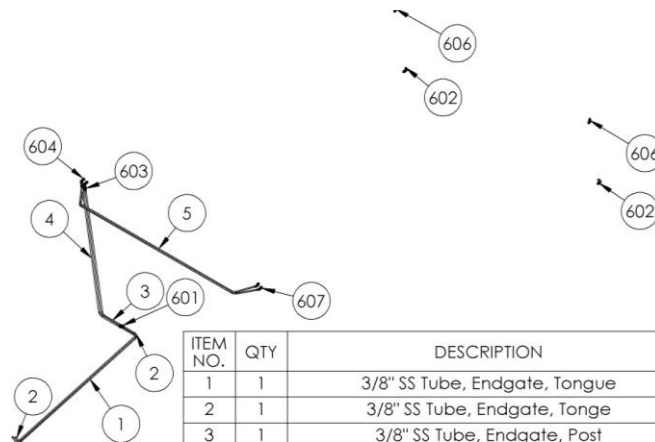
Hydraulics, Push & Floor Cylinders



ITEM NO.	QTY	DESCRIPTION	PART NUMBER
1	3	5/8" SS Tube, Floor/Pusher	H-T7001
2	2	5/8" SS Tube, Floor/Pusher	H-T7002
3	1	5/8" SS TUBE, FLOOR/PUSHER	H-T7003
4	1	5/8" SS Tube, Floor/Pusher	H-T7045
5	2	1/2" HOSE 5/8" MJ x 5/8" MJ x 39.75" L	H8-40-10MJ-10MJ
6	1	1/2" HOSE 1/2 MP x 5/8 FJ x 100" L	H8-100-8MP-10FJ
7	1	1/2" HOSE 1/2 MP x 5/8 FJ x 100" L	H8-88-8MP-10FJ
601	4	Elbow, Long, 5/8MJ x 10SAE	A-6801-L-10-10
602	1	90 ELBOW, 5/8" MJ X 5/8" FJX	A-6500-10-10
603	1	Union, 5/8MJ x 5/8MJ	A-2403-10-10
604	1	Elbow, 5/8MJ x 5/8MJ	A-2500_10_10
605	2	Elbow, 5/8MJ x 10SAE	A-6801_10_10
606	2	TRACTOR QUICK COUPLER, MALE, 1/2" w/ FPT	A-QD2010-8-8

7115-3-02

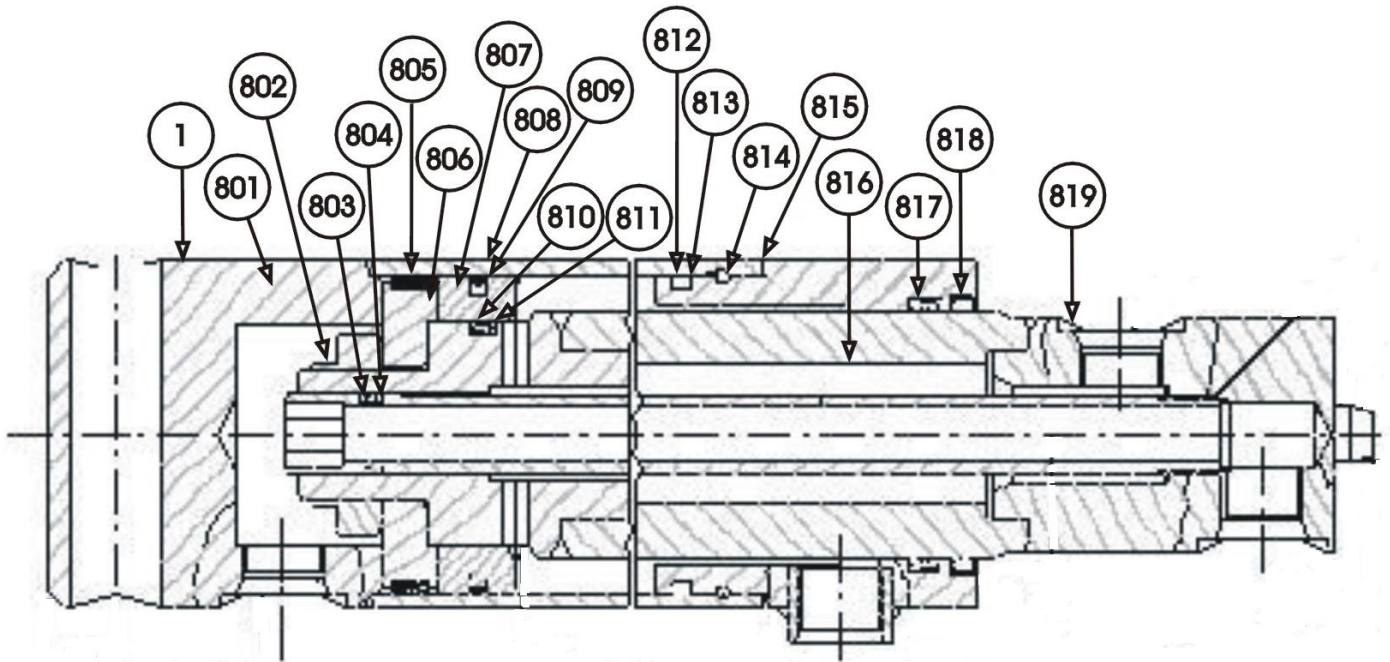
Hydraulics, Endgate Cylinders



ITEM NO.	QTY	DESCRIPTION	PART NUMBER
1	1	3/8" SS Tube, Endgate, Tongue	H-T7048
2	1	3/8" SS Tube, Endgate, Tongue	H-T7042
3	1	3/8" SS Tube, Endgate, Post	H-T7046
4	1	3/8" SS Tube, Endgate, Post	H-T7047
5	2	3/8" SS TUBE, ENDGATE, CROSSOVER	H-T7049
6	2	1/4 HOSE X 3/8 FJ X 3/8 MJ X 156	H4-156-6FJ-6MJ
7	2	1/4 HOSE X 3/8 MJ X 3/8 FJ X 180	H4-180-6MJ-6FJ
8	2	1/4 HOSE X 3/8 MJ X 1/2 MP X 100	H4-100-6MJ-8MP
9	10	HOSE CLAMP, 1/4 HYDRAULIC	PR34896
10	10	SUPPORT, CLAMP, 1/4 DBL HOSE CLAMP	PR34894
601	2	UNION, 3/8" MJ X 3/8" MJ	A-2403-06-06
602	2	ELBOW, 3/8" MJ X 3/8" SAE	A-6801-06-06
603	2	TEE, 3/8" MJ X 3/8" FJX X 3/8" MJ	A-6602-06-06-06
604	2	ELBOW, 3/8 MJ x 3/8 FJX	A-6500-06-06
605	2	TRACTOR QUICK COUPLER, MALE	A-QD2010-8-8
606	2	ELBOW, 45°, 3/8 MJ x 6 SAE	A-6802-06
607	2	ELBOW, 45°, 3/8 MJ x 3/8 FJX	A-6502-06-06

7115-3-03

Cylinder, Sliding Floor



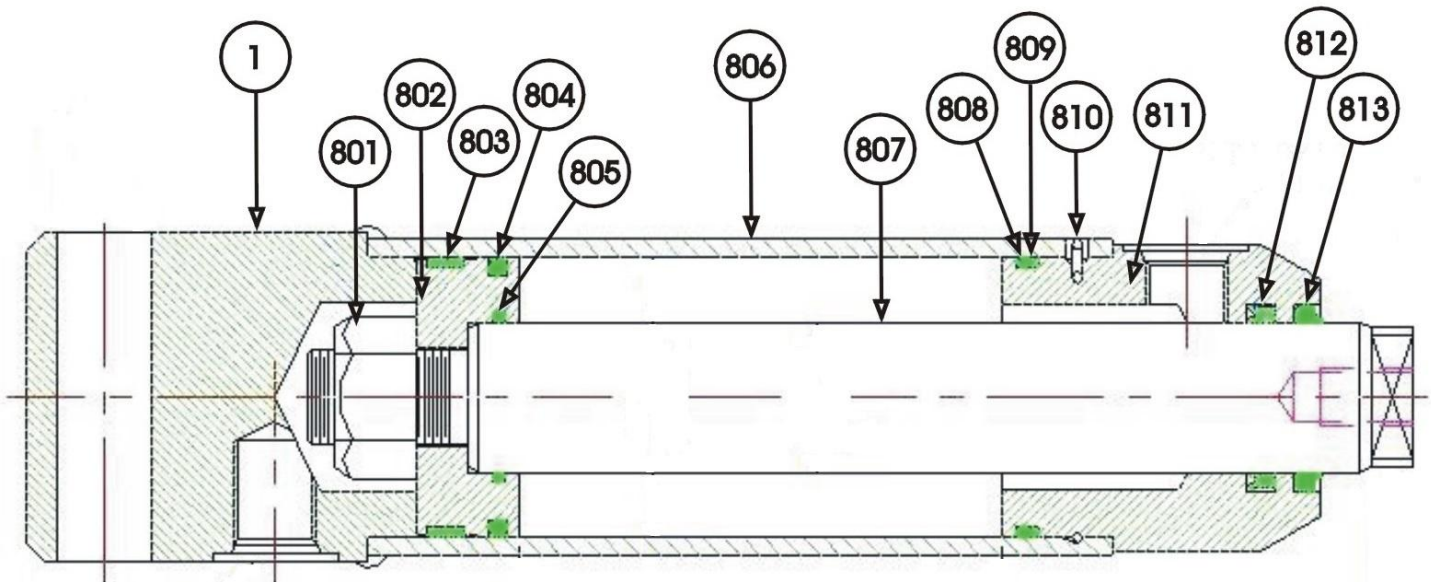
NOTE:
MANY OF THESE PARTS ARE SPECIAL
ORDER ONLY. CONSULT YOUR DEALER
FOR AVAILABILITY

820 Seal Kit

ITEM NO.	QTY	DESCRIPTION	PART NUMBER
1	1	MAIN CYLINDER	PR23132
2	1	CYLINDER PIN	PR30289
3	2	RETAINING RING	PR58806
801	1	BARREL ASSY	PR23131-L
802	1	LOCKNUT - THIN	PR23131-M
803	2	BACKUP WASHER	PR23131-N
804	1	O-RING	PR23131-O
805	1	WEAR RING	PR23131-P
806	1	PISTON	PR23131-Q
807	1	PISTON	PR23131-R
808	1	PISTON RING	PR23131-A
809	1	O-RING	PR23131-B
810	1	O-RING	PR23131-C
811	2	BACK-UP WASHER	PR23131-D
812	1	O-RING	PR23131-E
813	1	BACK-UP WASHER	PR23131-F
814	1	LOCK RING	PR23131-LR
815	1	BEARING ASSEMBLY	PR23131-G
816	1	TRANSFER TUBE	PR23131-H
817	1	BEARING SEAL	PR23131-I
818	1	WIPER	PR23131-J
819	1	PISTON ROD ASSY	PR23131-K
820	1	SEAL KIT, MAIN CYL.	PR23131-SK

7115-3-04

Cylinder, Pusher

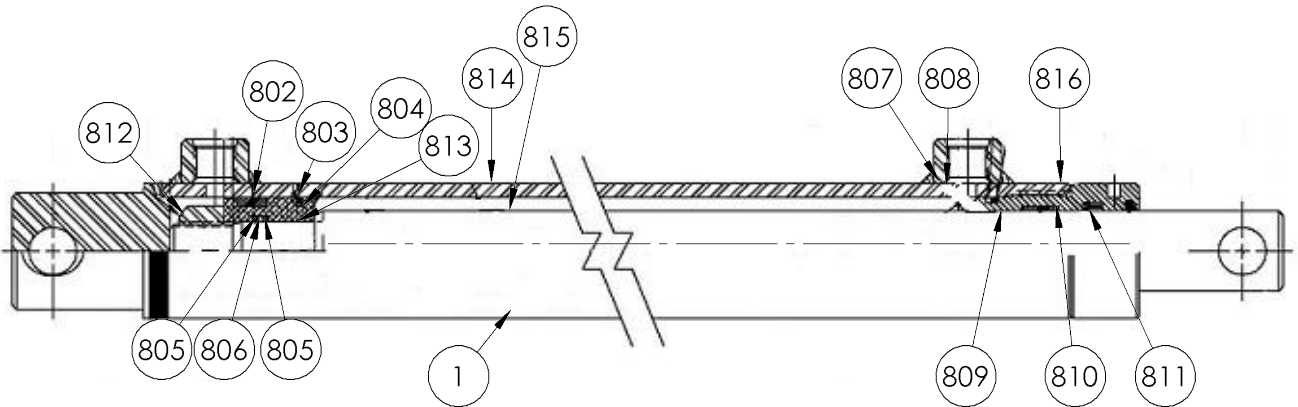


NOTE:
MANY OF THESE PARTS
ARE SPECIAL ORDER
ONLY. CONSULT YOUR
DEALER FOR AVAILABILITY

ITEM NO.	QTY	DESCRIPTION	PART NUMBER
1	1	SECONDARY CYLINDER	PR23144
2	1	CYLINDER PIN	PR30289
3	2	RETAINING RING	PR58806
801	1	1" BSF NUT	PR23143-M
802	1	P / HEAD	PR23143-L
803	1	P / SEAL	PR23143-A
804	1	O-RING	PR23143-B
805	1	ROD SEAL	PR23143-C
806	1	CYLINDER ASSY	PR23143-I
807	1	P / ROD	PR23143-J
808	1	O-RING	PR23143-D
809	1	BACK-UP RING	PR23143-E
810	1	LOCK RING	PR23143-H
811	1	GLAND BEARING	PR23143-K
812	1	ROD SEAL	PR23143-F
813	1	WIPER	PR23143-G
814	0	SEAL KIT, SEC. CYL.	PR23143-SK

7115-3-05

Cylinder, Endgate



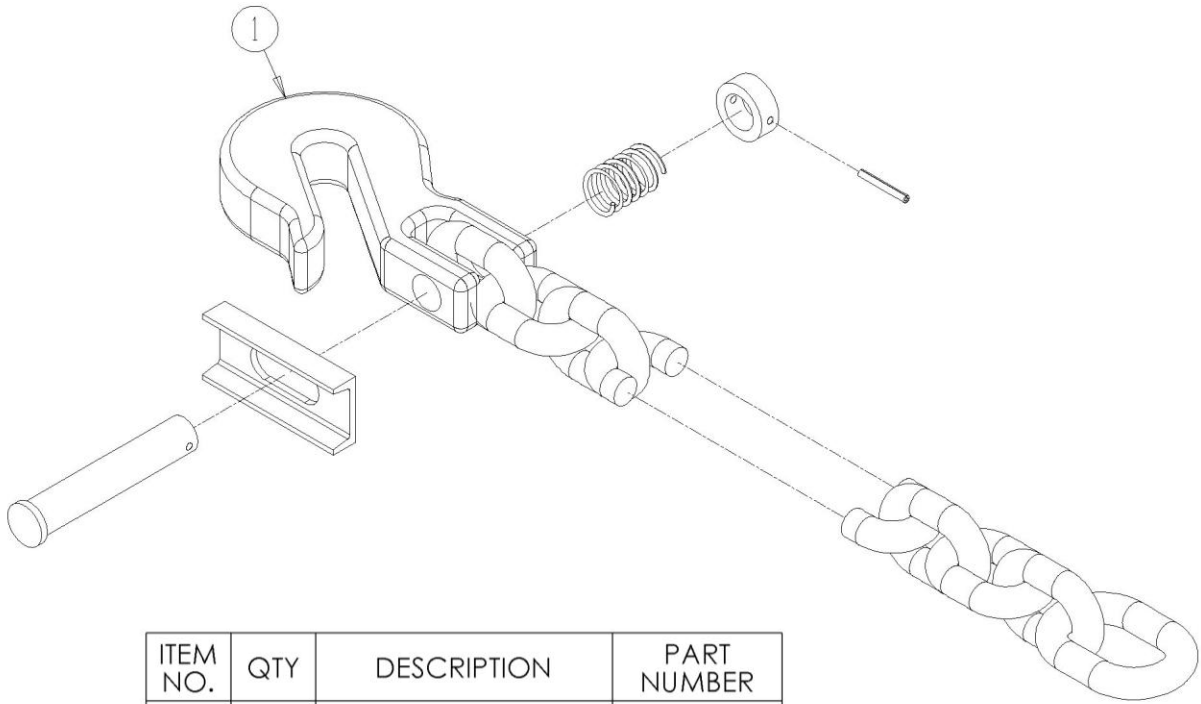
817 SEAL KIT

NOTE:
 MANY OF THESE PARTS ARE SPECIAL
 ORDER ONLY. CONSULT YOUR DEALER
 FOR AVAILABILITY

ITEM NO	QTY	DESCRIPTION	PART NUMBER
1	2	CYLINDER, ENDGATE, 1.5 BORE	PR39068
802	1	WEAR RING	PR39068-A
803	1	TFE SEAL	PR39068-B
804	1	O RING	PR39068-C
805	2	BACK-UP RING	PR39068-D
806	1	O RING	PR39068-E
807	1	O RING	PR39068-F
808	1	BACK-UP RING	PR39068-G
809	1	WEAR RING	PR39068-H
810	1	LOADED U-CUP	PR39068-I
811	1	ROD WIPER	PR39068-J
812	1	LOCKNUT	PR39068-K
813	1	PISTON	PR39068-L
814	1	BARREL ASSEMBLY	PR39068-M
815	1	ROD	PR39068-N
816	1	INTERNAL CYL. HEAD, 1-1/2" (FINE)	PR39068-OB
817	1	SEAL KIT, ENDGATE CYL., PER EACH	PR39068-SK

7115-4-01

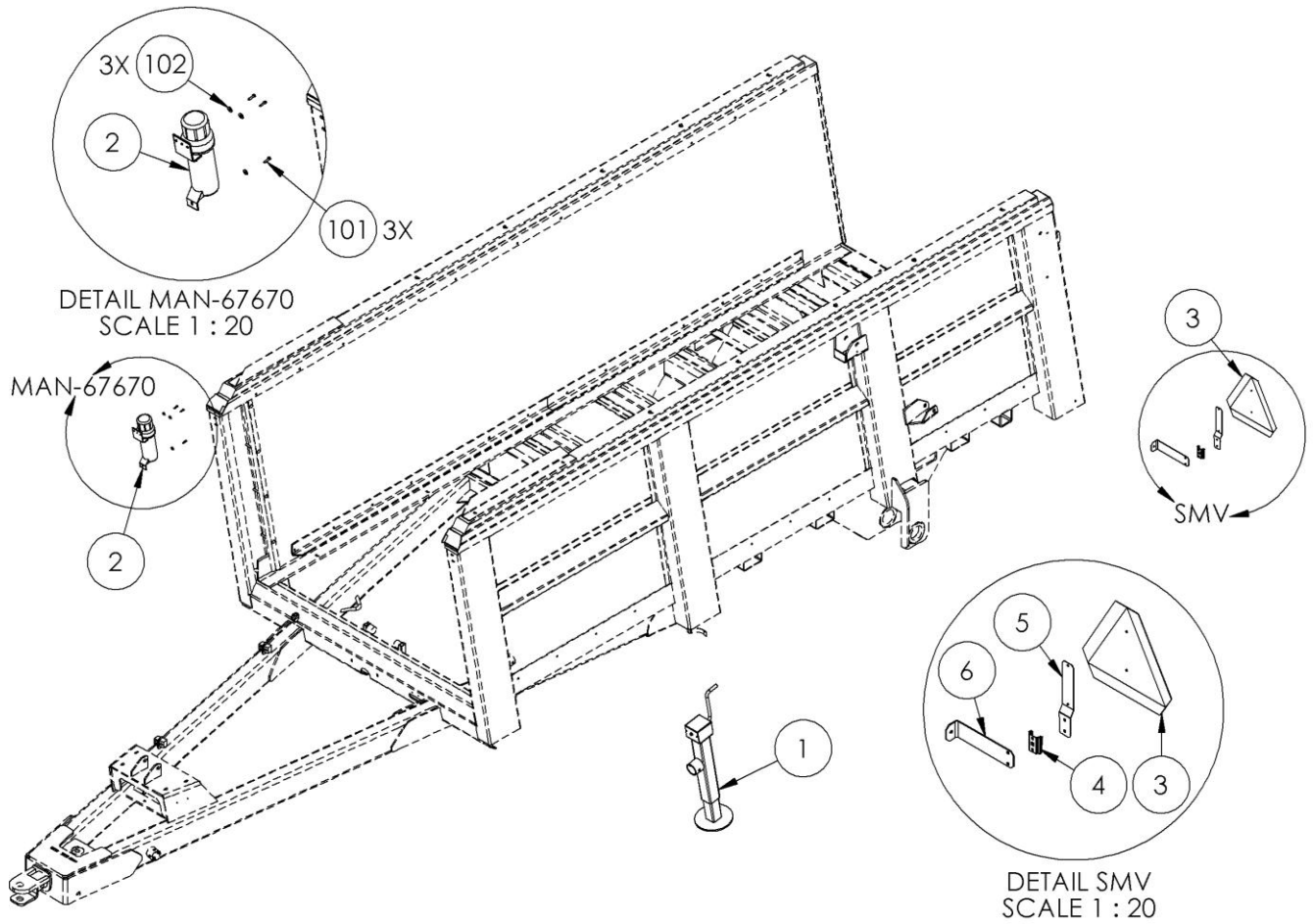
Safety Chain



ITEM NO.	QTY	DESCRIPTION	PART NUMBER
1	1	SAFETY CHAIN, 30,400 lb CAPACITY	FRM-3167
101	1	1" X 3-1/2" GR 5 HH BOLT ZINC COATED	BL-16-350H
102	1	1" LOCK NUT w/ NYLIN INSERT	BL-16-LN
103	1	WASHER, SAFETY CHAIN	PR37152
104	1	1" FLAT WASHER, ZINC	BL-16-FW

7115-4-02

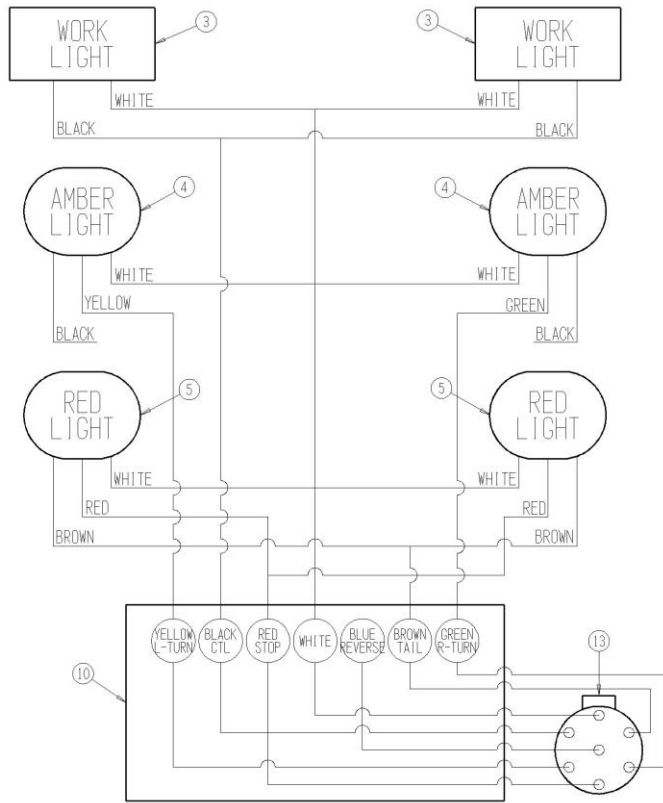
Accessories



ITEM NO.	QTY	DESCRIPTION	PART NUMBER
1	1	JACK WELDMENT, SIDEWIND JACK, 9000 lb	WH-16216
2	1	MANUAL HOLDER	MAN-67670
3	1	SMV SIGN	SMV-PL
4	1	SOCKET, SPADE MOUNT	SMV-S
5	1	SPADE MOUNT	SMV-SM
6	1	BRACKET, SMV SIGN	PR39117
101	3	12-24 x 7/8, DRILL & TAP	BL-1224-087-DT
102	3	1/4 X 5/8 ZINC CARRIAGE BOLT	BL-4-FW

7115-4-03

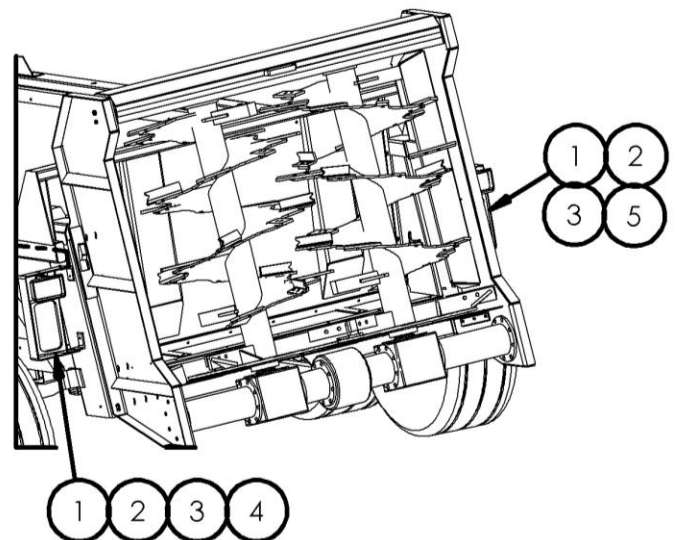
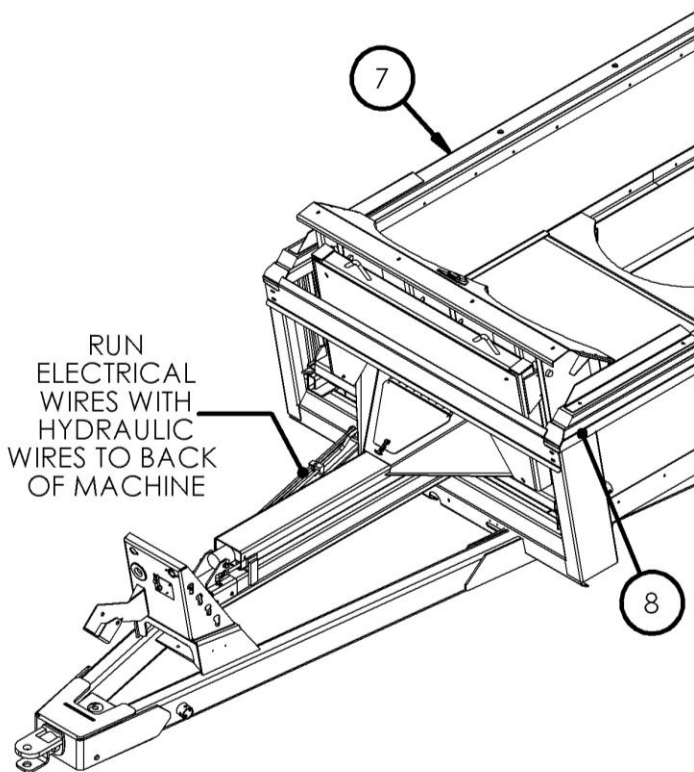
Light Assembly, LED



ITEM NO.	QTY	DESCRIPTION	PART NUMBER
1	2	LIGHT BRACKET	PR63004
2	4	MOUNT, LIGHT BRKT	PR70130
3	2	AUX. WORK LIGHT	EL-1233
4	1	LED LIGHT, LH	EL-1501
5	1	LED LIGHT, RH	EL-1502
5	1	4-PIN CONN., LH	EL-1503
6	1	4-PIN CONN., RH	EL-1504
7	1	HARNESS, RH	EL-40602-342
8	1	HARNESS, LH	EL-40603-426
9	2	HARNESS, WORK LT	EL-40604-13
10	1	JUNCTION BOX	ELE-15-964
11	1	7 CONDUCTOR, 14' L HARNESS	EL-50780-146
12	2	GROMMET	EL-0038
13	1	12 GA. 7 CONDUCTOR, 12' L SPIRAL CORD	ELC-127-144

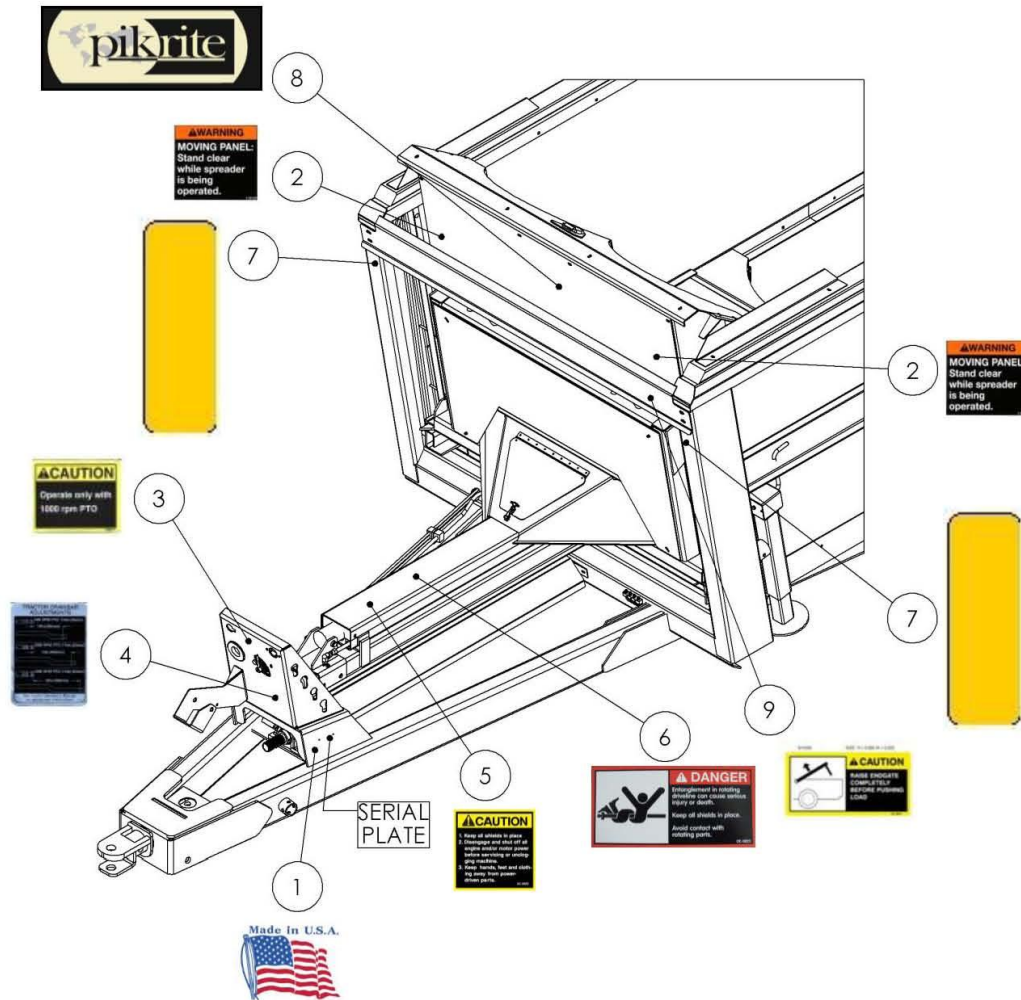
TYPICAL TRACTOR PLUG (LOOKING AT PLUG):

- 12 O'CLOCK - WHITE - GROUND
- 10 O'CLOCK - BLACK - FIELD LIGHTS
- 8 O'CLOCK - YELLOW - LEFT TURN
- 6 O'CLOCK - RED - KEYED AUXILIARY
- 4 O'CLOCK - GREEN - RIGHT TURN
- 2 O'CLOCK - BROWN - TAIL LAMP
- CENTER - BLUE - KEYED AUXILIARY



7115-4-04

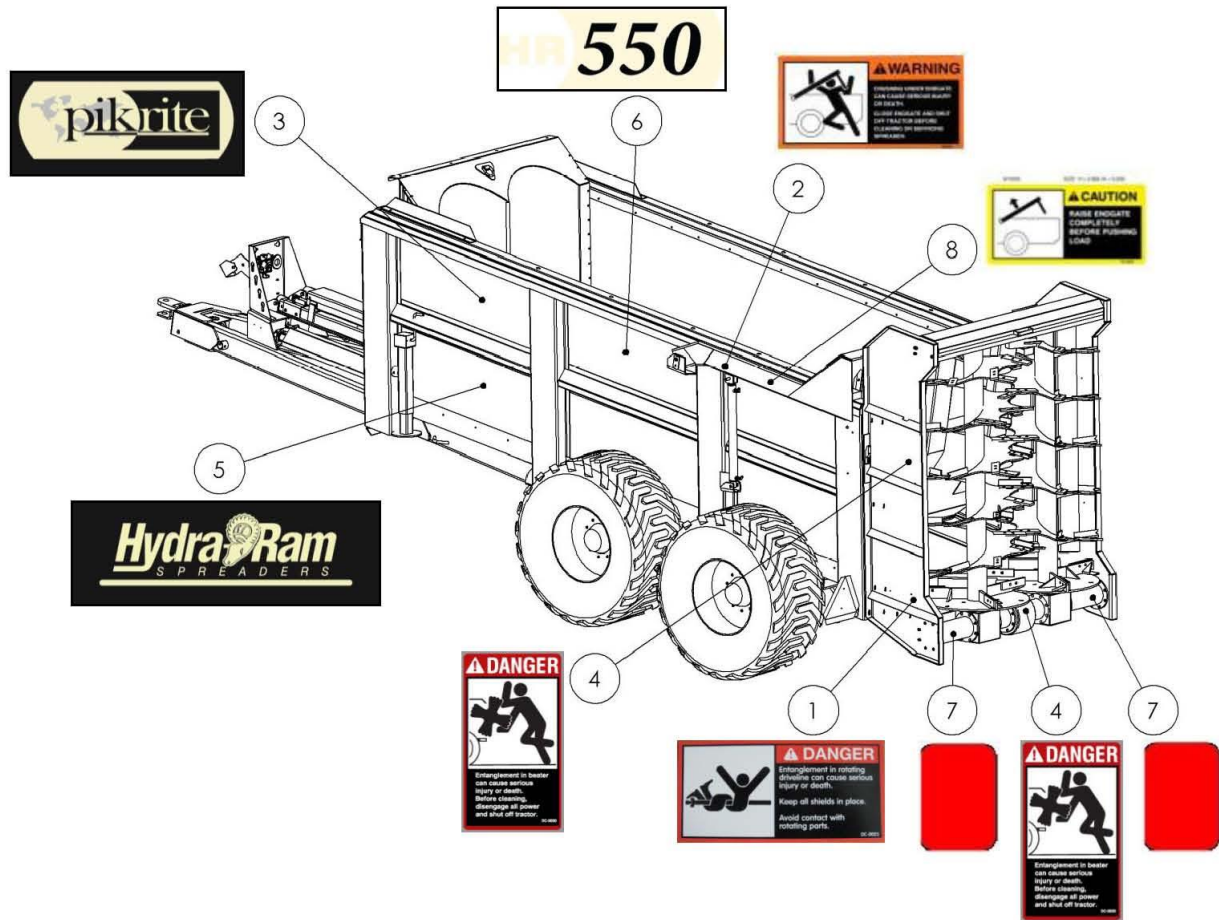
Decals, Front



ITEM NO.	QTY	DESCRIPTION	PART NUMBER
1	1	DECAL, MADE IN USA	DC-0011
2	2	DECAL, WARNING, MOVING PANEL	DC-0020
3	1	DECAL, CAUTION, 1000 rpm	DC-0021
4	1	DECAL, TRACTOR DRAWBAR	DC-0022
5	1	DECAL, CAUTION, SHIELDS	DC-0023
6	1	DECAL, DANGER, ENTANGLEMENT	DC-0025
7	2	DECAL, YELLOW REFLECTOR	EL-1226
8	1	DECAL, PIK RITE LOGO	DC-0097
9	1	DECAL, CAUTION, ENDGATE	DC-0038

7115-4-05

Decals, Sides



ITEM NO.	QTY	DESCRIPTION	PART NUMBER
1	1	DECAL, DANGER, ENTANGLEMENT	DC-0025
2	2	DECAL, WARNING, ENDGATE	DC-0026
3	2	DECAL, PIK RITE LOGO	DC-0097
4	3	DECAL, DANGER, BEATER	DC-0030
5	2	DECAL, HYDRA-RAM LOGO	DC-0096
6	2	DECAL, HR 400 LOGO	DC-0098
7	2	DECAL, RED REFLECTOR	EL-1227
8	1	DECAL, CAUTION, RAISE ENDGATE	DC-0038

WARRANTY

Pik Rite, Inc. provides a limited warranty assuring any new Hydra-Ram Spreader to be free from defects in material and workmanship for a period of two (2) years from the original date of purchase.

Pik Rite will repair or replace, at its option and without charge, any defective or malfunctioning part (excluding items of normal wear or misuse) of the spreader for this allotted time.

**PIK RITE MAKES NO WARRANTY OF
MERCHANTABILITY OR FITNESS FOR A
PARTICULAR USE.**

Customer's Responsibility:

It is the customer and/or operator's responsibility to read the Operator's Manual, to operate, lubricate, maintain and store the equipment in accordance with all instructions and safety procedures. Failure of the operator to read the operators manual is a misuse of this equipment.

It is the customer and/or operators responsibility to inspect the product and to have any part(s) repaired or replaced when continued operation would cause damage or excessive wear to other parts or cause a safety hazard.

It is the customer's responsibility to deliver the product to the authorized dealer, from whom the spreader was purchased, for service or replacement of defective parts, which are covered by warranty.

It is the customer's responsibility for any cost incurred by the dealer for hauling the product for the purpose of performing a warranty obligation or inspection.

WARRANTY INFORMATION

Make certain the warranty registration card has been forwarded to:

Pik Rite, Inc.
60 Pik Rite Lane
Lewisburg, PA 17837

Always give your dealer the serial number of your Pik Rite, Inc. product when ordering parts or requesting service or other information.

In the space provided record the model number, the serial number and the date of purchase to assist in providing you with prompt and efficient service.

MODEL NUMBER: HR550

DEALER: _____

SERIAL NUMBER: _____

ADDRESS: _____

PURCHASE DATE: _____

PHONE: _____

SALESMAN: _____

Pik Rite, Inc.
60 Pik Rite Lane
Lewisburg, PA 17837

Phone: 800-326-9763
Fax: 570-523-8175
www.pikrite.com

HR 550
Manure Spreader