

PARTS CATALOG

SLIDE-IN VACUUM TANK



Pik Rite, Inc
60 Pik Rite Lane
Lewisburg, PA 17837
Ph. 800-326-9763
Fx. 570-523-8175
www.pikrite.com

1/26/10

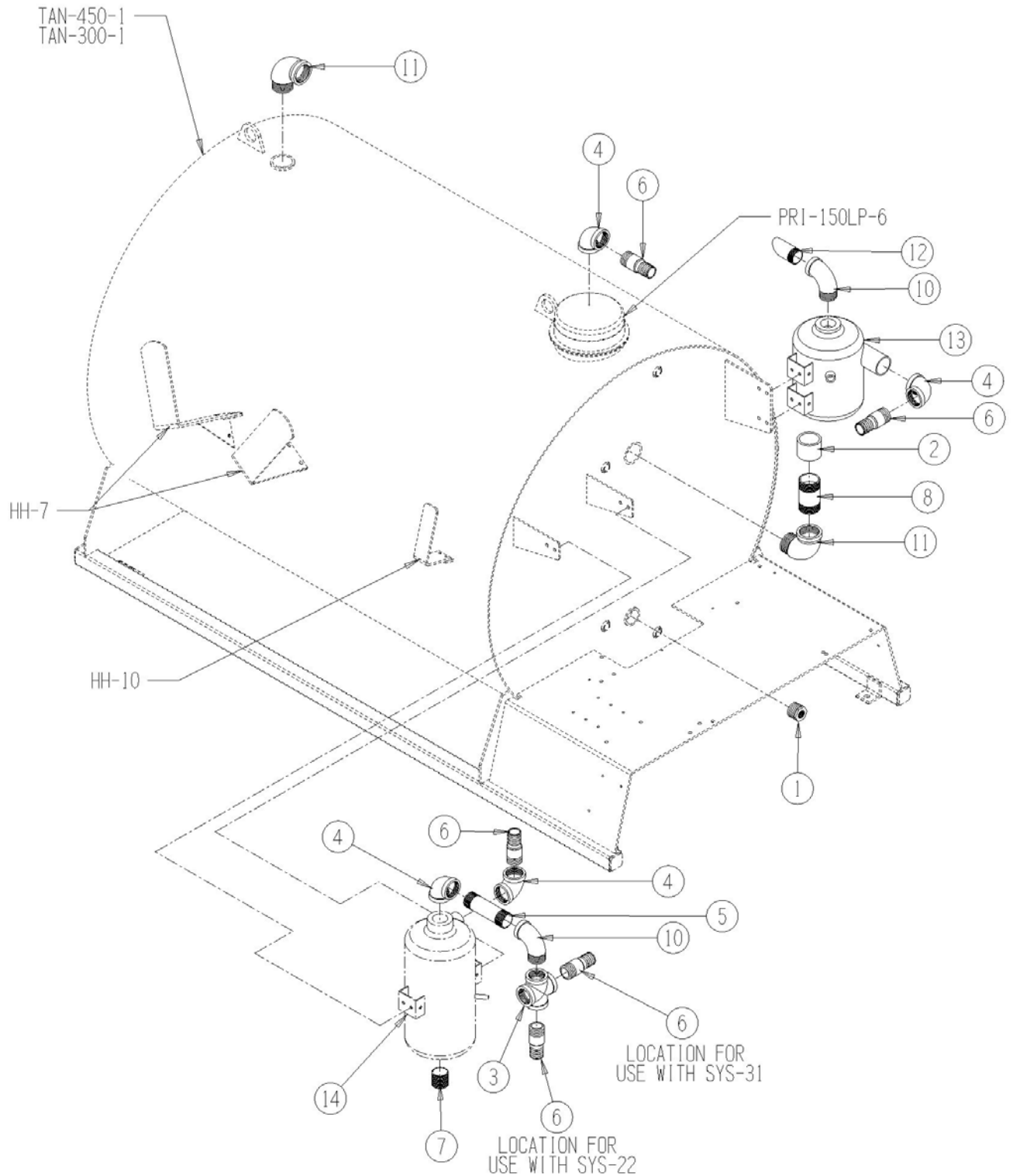
TABLE OF CONTENTS

SYS-21 Slide-In Components, Pre Assy.....	4
SYS-22 Slide-In Components, Post Assy, Jurop PN23, Std.	6
SYS-31 Slide-In Components, Post Assy, Conde Pump.....	12

SYS-21 Slide-In Components, Pre Assy.

<u>Ref</u>	<u>Part No.</u>	<u>Description</u>	<u>Parts – Assembly</u>	<u>Will Fit SN</u>	<u>Remarks</u>
1	AB-24-12	1 1/2 X 3/4 Bushing	1		
2	AC-32	2" NPT Coupler, Steel Only	1		
3	ACC-24	1-1/2" Cross Coupler, Black, Domestic Only	1		
4	AL-24	1 1/2" NPT, Black Elbow	4		
5	AN-24-104	1 1/2" Black Nipple x 6 1/2" Long	1		
6	AN-24-24-HS	1 1/2" Male NPT with Combination 1-1/2" Hose Barb	4		
7	AN-24-CL	1 1/2" Black (Nipple Close)	1		
8	AN-32-4	2" Black Nipple, 4" Long	1		
10	ASL-24C	1 1/2", Street Elbow, Domestic Only, Cast	2		
11	ASL-32	2" Street Elbow, Domestic Only	2		
12	MUF-A-01	Muffler Stack, 1 1/2" NPT w/ 45° Cut, Small Muffler	1		
13	MUFA-76	Muffler W/A, 1 1/2" Upright Oil Catch	1		
14	SECA-96	Secondary W/A, 1 1/2" Masport	1		

SYS-21 Slide-In Components, Pre Assy



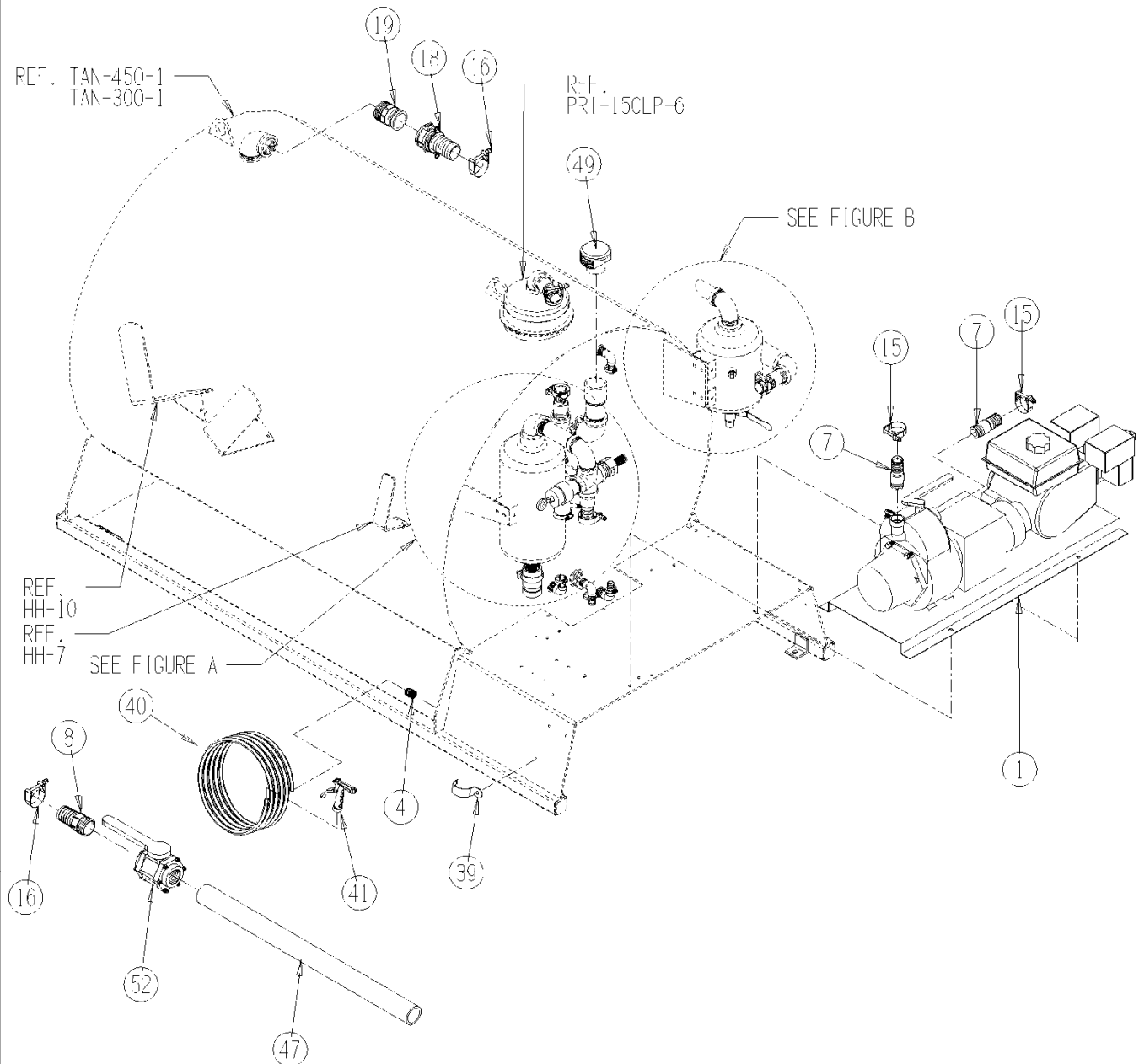
SYS-22 Slide-In Components, Post Assy, Jurop PN23, Std.

<u>Ref</u>	<u>Part No.</u>	<u>Description</u>	<u>Parts – Assembly</u>	<u>Will Fit SN</u>	<u>Remarks</u>
1	ENG-06-ES	Engine System, PN23, 74 cfm @15, Honda Elec Start	1		Pump Oil preferred use Jurop otherwise use 30W nondetergent, Gearbox oil use 75W 80 Synthetic. Honda Engine use SAE 30 nondetergent.
2	AB-12-4-B	¾" x 1/4" Brass Bushing	1		
3	AL-12-H-NG	¾" NPT, 90° Elbow/Hose Shank, ¾" ID Hose, Ny-Glass	6		
4	AN-12-12GH	¾" Male NPT x ¾" MGH, Nipple/Garden Hose Fitting	1		
5	AN-12-CLB	¾" Close Nipple, Brass	4		
6	AN-12-HS-NG	¾" NPT, Combination Nipple/Hose Shank, ¾" ID Hose, Ny-Glass	2		Specialty
7	AN-24-24-HS	1 1/2" Male NPT with Combination 1-1/2" Hose Barb	2		
8	AN-32-HS-NG	2" NPT, Combination Nipple/Hose Shank, 2" ID Hose, Ny-Glass	1		
9	AN-4-CLB	1/4" NPT Close Nipple, Brass	1		
10	ASL-12B	¾" Street Elbow, Brass	1		
11	ASL-4B	¼" Street Elbow, Brass	1		
12	ATB-12-12-12	¾ x ¾ x ¾, Brass Tee	1		
14	CL-1208	Hose Clamp, Size 12 - ¾-1 1/8	8		
15	CL-200	1½" Hose Clamp, Heavy Duty T-Bar, 1.89-2.00"	6		
16	CL-225	2 1/4" T-Bolt Clamp	2		
17	CL-28	1 ¾" SS Gear Clamp	1		
18	CPL-2F-H	Camlock Coupler, 2" Female w/ Hose Shank	1		
19	CPL-2M-2M	Camlock Adapter, 2" Male w/Male NPT	1		
20	CPL-3-CP	Camlock Dust Cap, 3", Female	1		
21	CPL-3M-3M	Camlock Adapter, 3" Male w/ Male NPT	1		
22	DC-4W	Decal, Logo, White, 5.25" Long, Tanks, 1/29/99	2		
23	DC-5W	Decal, Logo, White, 9.25" Long, Tanks, 1/29/99	1		
24	EL-14D0	Switch Boot	1		
25	EL-100	Lock Nut for Electrical Connectors 3/8"	2		
26	ELB-30	Breaker, 30 amp	1		
27	ELC-12-B	12 Gauge Automotive Wire- Black @ ft	7		
28	ELC-12-R	12 Gauge Automotive Wire (Red)	7		
29	ELC-2638	3/8" Plastic Cord Connector	1		
30	ELE-1938	Breaker Box for Power Cord (Tractor)	1		Replaces EL-C980DF

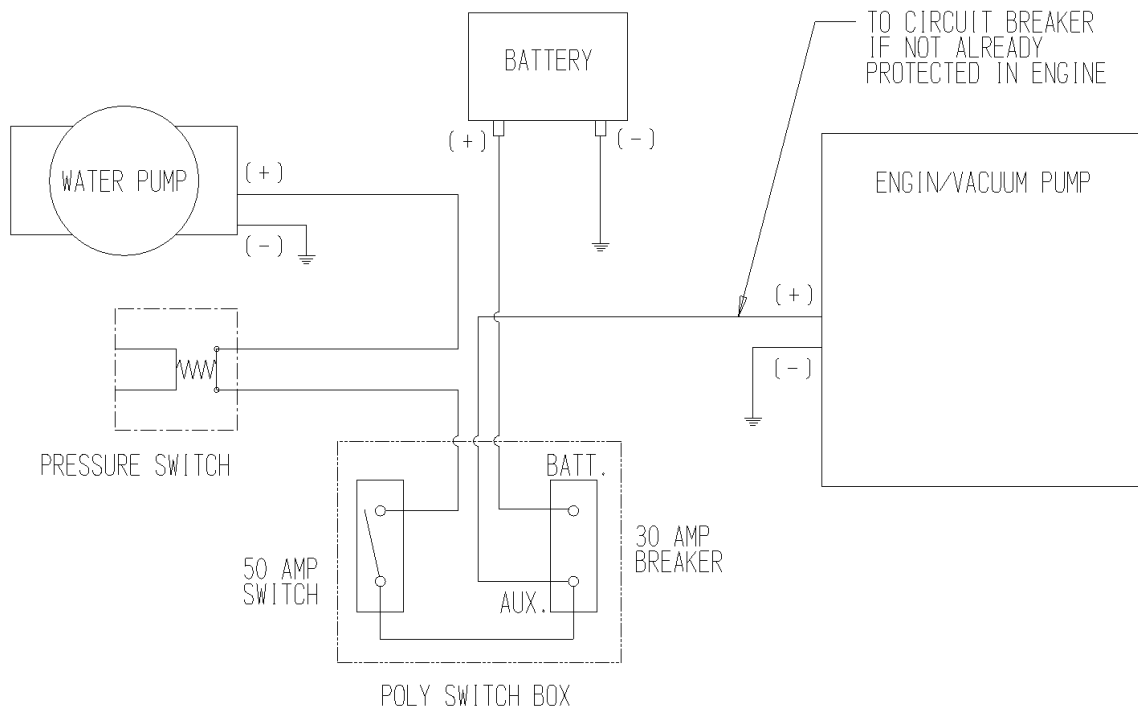
31	ELL-25-0	1/4" Wire Loom @ft	7	
32	ELS-0003	Pressure Switch, 20 psi to 40 psi gauge On/Off	1	
33	ELS-2T	Two Position Toggle Switch (50 Amp)	1	
34	ELT-25054	Black Cable Clamp, 3/8"	8	
35	ELT-31755	Snap Spade Terminal #10 x 14-16ga	4	HV-1045K
36	ELT-32704	Ring Terminal 5/16 x 10-12 ga	7	
38	AP-8	1/2" Pipe Plug	1	
39	HA-1033-2	Hydraulic Hose holder 2"	1	19101
40	HOS-075G	¾" ID, Hose, Hvy Duty Industrial Rubber, 50'	1	Heavy Duty Commercial Hose (Black)
41	HOS-075GN	Nozzle, Garden Hose, Pistol Grip	1	
42	HOS-12-1	¾" I.D. Hose, Clear, Vacuum/Pressure	7	
43	HOS-150-1	1-1/2" I.D., Hose, Suction, Nitrile/Neoprene, Black	10	
44	HOS-175	1-¾ I.D., Hose, Light Duty, Drain, Black Rubber	4	
45	HOS-2-1	2" I.D., Hose, Suction, Kanaflex 300-EPDM, Green/Black	30	
46	HV-CKV-75S	Check Valve, ¾", Swing, Horizontal Use	1	
47	PL-0002	Wand, Slide-in Unit, 40" w/ Adapter, PVC, 2", Schdl 40	1	
48	PRV-150	Pressure Relief Valve, 1 1/2" NPT	1	
49	VC-2M	Vent Cap, 2" NPT, Glass Reinforced Polypropylene	1	
50	VLV-075-B	Valve, Ball, ¾"	1	
51	VLV-150-B	Valve, Ball, 1½", Full Port	1	
52	VLV-2-BPBF	Valve, Ball, 2", Full Port, 4 Bolt, Polypropylene, Banjo	1	
53	VLV-3-BPB	Valve, Ball, 3", Std Port, 6 Bolt, Polypropylene, Banjo	1	
54	VPG-250-4L	Vacuum/Pressure Gauge 2.5" Liquid Filled 1/4 Stem	1	
55	VRV-150	Vacuum Relief Valve 1 1/2" NPT	1	Used on pumps 151-370 cfm
56	WDP-07	Wash Down Pump, 7 GPM @ 35 PSI	1	Serial #'s PR11001-PR11058 Serial #'s PR11103-
57	WDP-07-ST	Strainer, Water, ¾" FPT I/O, 40 Mesh SS	1	
101	RI-3-12-SS	SS Pop Rivets 3/16 x ¾ Domed, .625 head , ea.	8	
102	BL-4-075-H	1/4 UNC X ¾ HH C/S BOLT GR5 ZINC	2	
103	BL-4-FW-8	1/4" Flat Washer Grade 8	2	
104	BL-4-LN	1/4-20 HEX LN NE ZC	2	

SYS-22

Post Assy, Jurop PN23, Std.



SYS-22 Electrical Schematic

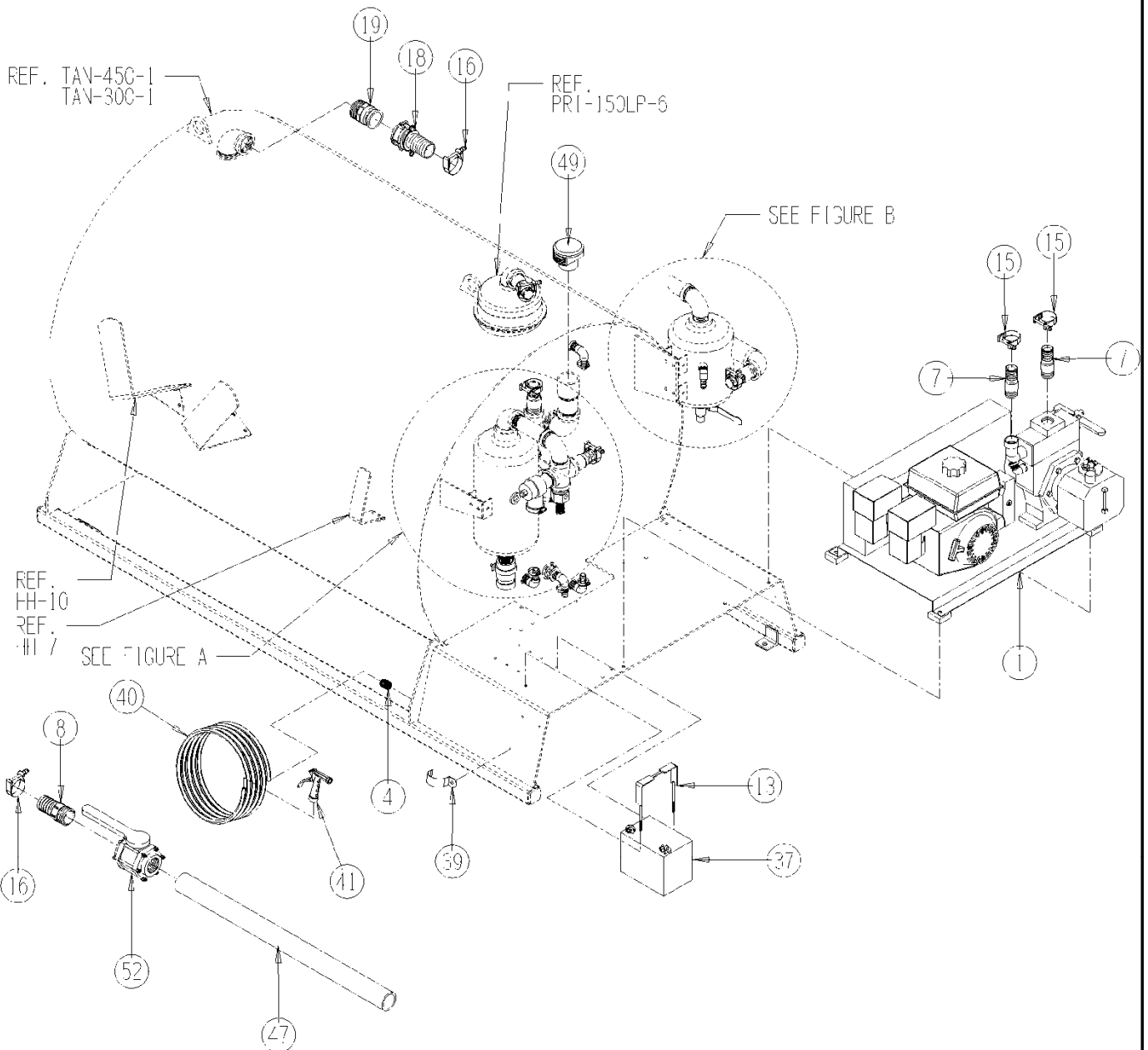


SYS-31 Slide-In Components, Post Assy, Conde Pump

<u>Ref</u>	<u>Part No.</u>	<u>Description</u>	<u>Parts – Assembly</u>	<u>Will Fit SN</u>	<u>Remarks</u>
1	ENG-14-ES	Engine System, Conde Super 6, 5.5 HP Honda Elec Start	1		
2	AB-12-4-B	¾" x 1/4" Brass Bushing	1		
3	AL-12-H-NG	¾" NPT, 90° Elbow/Hose Shank, ¾" ID Hose, Ny-Glass	6		
4	AN-12-12GH	¾" Male NPT x ¾" MGH, Nipple/Garden Hose Fitting	1		
5	AN-12-CLB	¾" Close Nipple, Brass	4		
6	AN-12-HS-NG	¾" NPT, Combination Nipple/Hose Shank, ¾" ID Hose, Ny-Glass	2		Specialty
7	AN-20-24-HS	1 1/4" Male NPT with Combination 1-1/2" Hose Barb	2		
8	AN-32-HS-NG	2" NPT, Combination Nipple/Hose Shank, 2" ID Hose, Ny-Glass	1		
9	AN-4-CLB	1/4" NPT Close Nipple, Brass	1		
10	ASL-12B	¾" Street Elbow, Brass	1		
11	ASL-4B	¼" Street Elbow, Brass	1		
12	ATB-12-12-12	¾ x ¾ x ¾, Brass Tee	1		
13	BRK-0288	Battery Hold Down Bracket, Hydroseeder	1		
14	CL-1208	Hose Clamp, Size 12 - ¾-1 1/8	8		
15	CL-200	1½" Hose Clamp, Heavy Duty T-Bar, 1.89-2.00"	6		
16	CL-225	2 1/4" T-Bolt Clamp	2		
17	CL-28	1 ¾" SS Gear Clamp	1		
18	CPL-2F-H	Camlock Coupler, 2" Female w/ Hose Shank	1		
19	CPL-2M-2M	Camlock Adapter, 2" Male w/Male NPT	1		
20	CPL-3-CP	Camlock Dust Cap, 3", Female	1		
21	CPL-3M-3M	Camlock Adapter, 3" Male w/ Male NPT	1		
22	DC-4W	Decal, Logo, White, 5.25" Long, Tanks, 1/29/99	2		
23	DC-5W	Decal, Logo, White, 9.25" Long, Tanks, 1/29/99	1		
24	EL-14D0	Switch Boot	1		
25	EL-100	Lock Nut for Electrical Connectors 3/8"	2		
26	ELB-30	Breaker, 30 amp	1		
27	ELC-12-B	12 Gauge Automotive Wire- Black @ ft	7		
28	ELC-12-R	12 Gauge Automotive Wire (Red)	7		
29	ELC-2638	3/8" Plastic Cord Connector	1		
30	ELE-1938	Breaker Box for Power Cord (Tractor)	1		Replaces EL-C980DF
31	ELL-25-0	1/4" Wire Loom @ft	7		
32	ELS-0003	Pressure Switch, 20 psi to 40 psi gauge On/Off	1		

33	ELS-2T	Two Position Toggle Switch (50 Amp)	1	
34	ELT-25054	Black Cable Clamp, 3/8"	8	
35	ELT-31755	Snap Spade Terminal #10 x 14-16ga	4	HV-1045K
36	ELT-32704	Ring Terminal 5/16 x 10-12 ga	7	
37	ENGA-01	Battery, 235 c.c.amps, 12v, For Honda Engine	1	
38	A-4129-10-8	1/2 NPT 90° w/ 5/8" push-loc	1	
39	HA-1033-2	Hydraulic Hose holder 2"	1	19101
40	HOS-075G	¾" ID, Hose, Hvy Duty Industrial Rubber, 50'	1	Heavy Duty Commercial Hose (Black)
41	HOS-075GN	Nozzle, Garden Hose, Pistol Grip	1	
42	HOS-12-1	¾" I.D. Hose, Clear, Vacuum/Pressure	7	
43	HOS-150-1	1-1/2" I.D., Hose, Suction, Nitrile/Neoprene, Black	10	
44	HOS-175	1-¾" I.D., Hose, Light Duty, Drain, Black Rubber	4	
45	HOS-2-1	2" I.D., Hose, Suction, Kanaflex 300-EPDM, Green/Black	30	
46	HV-CKV-75S	Check Valve, ¾", Swing, Horizontal Use	1	
47	PL-0002	Wand, Slide-in Unit, 40" w/ Adapter, PVC, 2", Schdl 40	1	
48	PRV-150	Pressure Relief Valve, 1 1/2" NPT	1	
49	VC-2M	Vent Cap, 2" NPT, Glass Reinforced Polypropylene	1	
50	VLV-075-B	Valve, Ball, ¾"	1	
51	VLV-150-B	Valve, Ball, 1½", Full Port	1	
52	VLV-2-BPBF	Valve, Ball, 2", Full Port, 4 Bolt, Polypropylene, Banjo	1	
53	VLV-3-BPB	Valve, Ball, 3", Std Port, 6 Bolt, Polypropylene, Banjo	1	
54	VPG-250-4L	Vacuum/Pressure Gauge 2.5" Liquid Filled 1/4 Stem	1	
55	VRV-150	Vacuum Relief Valve 1 1/2" NPT	1	Used on pumps 151-370 cfm
56	WDP-07	Wash Down Pump, 7 GPM @ 35 PSI	1	Serial #'s PR11001-PR11058 Serial #'s PR11103-
57	WDP-07-ST	Strainer, Water, ¾" FPT I/O, 40 Mesh SS	1	
101	RI-3-12-SS	SS Pop Rivets 3/16 x ¾ Domed, .625 head , ea.	8	
102	BL-4-075-H	1/4 UNC X ¾ HH C/S BOLT GR5 ZINC	2	
103	BL-4-FW-8	1/4" Flat Washer Grade 8	2	
104	BL-4-LN	1/4-20 HEX LN NE ZC	2	

SYS-31 Post Assy, Conde Pump



SYS-31 Electrical Schematic

