

**PARTS  
CATALOG**



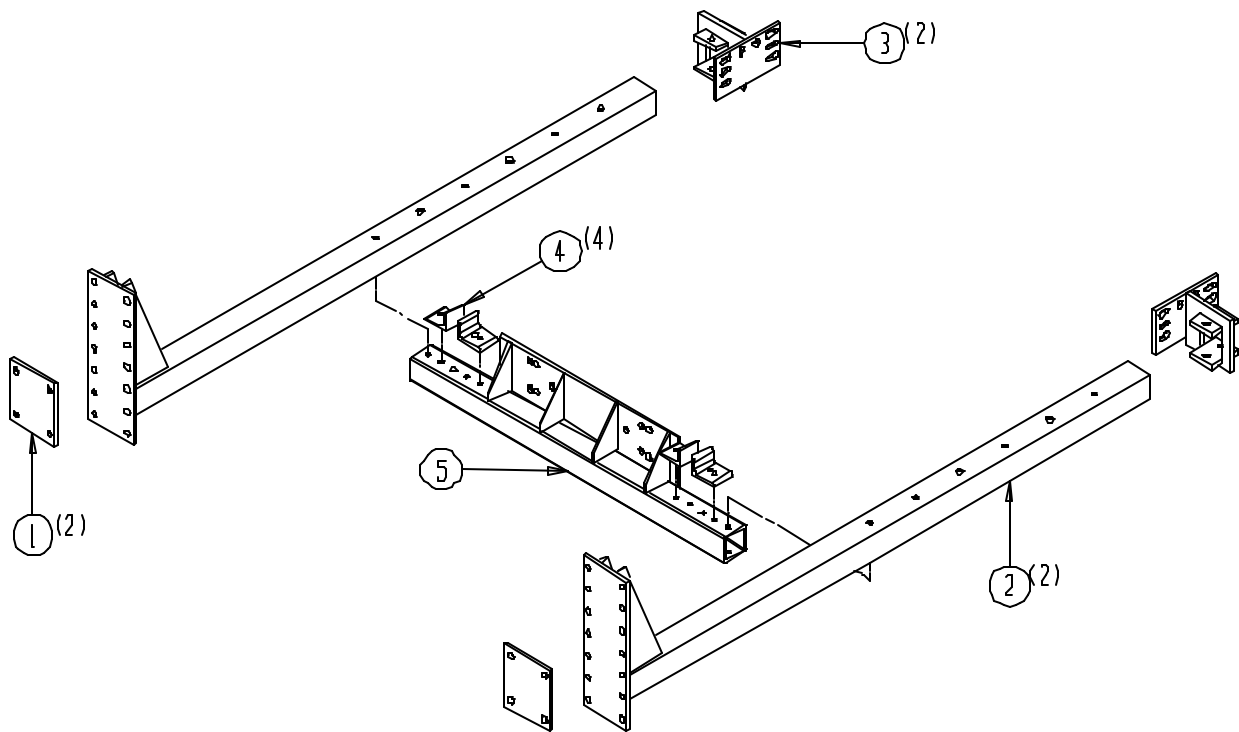
## TABLE OF CONTENTS

2004-1-1 Tractor Mount Assembly .....	4
2004-2-1 Lift & Tilt Assembly .....	6
2004-3-1 Gathering Bracket Mount Assembly .....	8
2004-3-2 Gathering Chain Assembly.....	10
2004-3-3 Gathering Chain Drive Assembly .....	12
2004-4-1 Hydraulics .....	14
2004-5-1 Electrical.....	16

## 2004-1-1 Tractor Mount Assembly

<i>Re f</i>	<u>Part No.</u>	<u>Description</u>	<u>Parts – Assembly</u>	<u>Will Fit SN</u>	<u>Remarks</u>
1	MOU-212	Mount, Adjuster (Windrower)	2	20095001-	
2	MOU-210	Mount, Tractor (Windrower)	2	20095001-	
3	BRA-217	Bracket, Tractor, Rear (Windrower)	2	20095001-	
4	BRA-0003	Bracket, Front Mounting (Windrower)	4	20096001-	
5	BRA-219	Bracket, Tractor Mount, Front (Windrower)	1	20095005 20096001-	
101	BL-10-650-H	5/8 UNC X 6 1/2 HH C/S BOLT GR ZINC	8		

2004-1-1 TRACTOR MOUNT ASSEMBLY



## 2004-2-1 Lift & Tilt Assembly

<i>Re f</i>	<u>Part No.</u>	<u>Description</u>	<u>Parts – Assembly</u>	<u>Will Fit SN</u>	<u>Remarks</u>
1	SUP-210	Support, Cylinder Mount (Windrower)	1	20095001-	
2	SUP-201	Support, Cylinder (Windrower)	1	20095001-	
3	PIN-102	Pin, Support (Windrower)	1	20097001-	Replaces PIN-101
4	ARM-250	Arm Support (Windrower)	1	20095001-	
5	SPA-181	Spacer, Pivot Pin (Windrower)	1	20095006-	
6	SUP-256	Support, Frame (Windrower)	1	20096001-	Replaces SUP-250
7	ADJ-256	Adjuster, Tilt & Lift (Windrower)	1	20096001-	
8	ADJ-246	Adjuster, Lift & Pivot (Windrower)	1	20096001-	
9	PIN-6-40	Roll Pin 3/8 x 2 1/2	2		
10	GF-1428-90	Grease Fitting 1/4" x 28 90	4		
11	GF-1428	Grease Fitting 1/4" x 28 straight	3		
12	PIN-6-32	Roll Pin 3/8" x 2"	2		

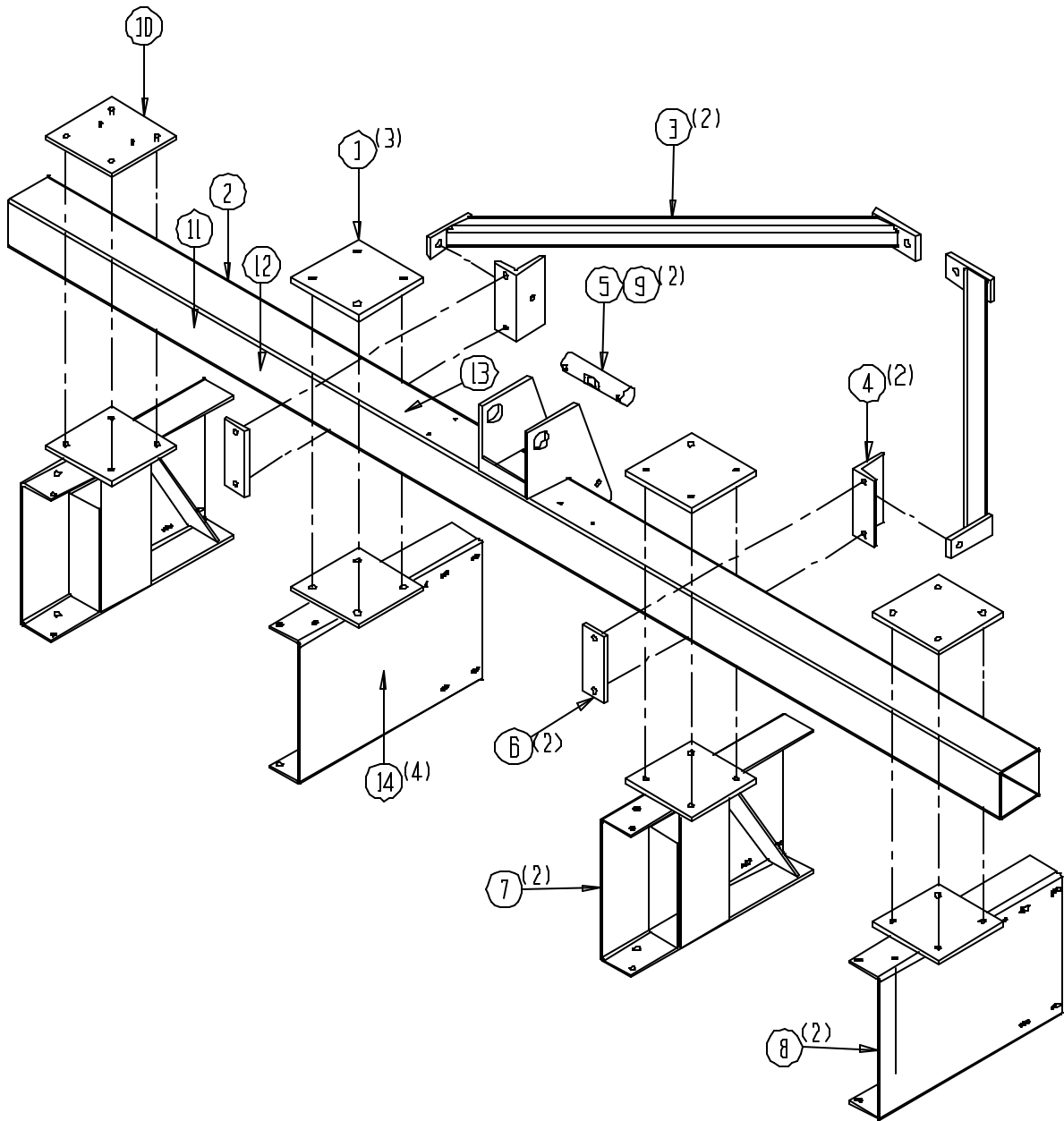


## 2004-3-1 Gathering Bracket Mount Assembly

<i>Re f</i>	<u>Part No.</u>	<u>Description</u>	<u>Parts – Assembly</u>	<u>Will Fit SN</u>	<u>Remarks</u>
1	MOU-101	Mount Plate (Windrower)	3	20096001-	
2	BAR-406	Bar, Tool (Windrower)	1	20096001-	Replaces BAR-400
3	BAR-414	Bar, Side (Windrower)	2	20096001-	
4	BRA-414	Bracket, Angle (Windrower)	2	20096001-	
5	ADJ-406	Adjuster, Tilt & Lift (Windrower)	1	20096001-	
6	MOU-414	Mount, Bracket	2	20096001-	
7	BRA-111	Bracket, Right (Windrower)	2	20096001-	
8	BRA-101	Bracket, Left (Windrower)	2	20096001-	
9	PIN-6-40	Roll Pin 3/8 x 2 1/2	2		
10	MOU-101FC	Mount, GatherChain Brk, Outside, Right, Windrow	1		
11	DC-1183	Company Information Decal, 3" x 7.75"-	1		
12	DC-1182	Decal, Small White "PIK RITE" 3 1/4" x 23"	1	Plastic Wrapper & Windrower	
13	DC-1180	Serious Injur/Death Decal, Read Manual	1		
14	DC-1176	Decal, Danger-Hand Chain Sprockets	4		



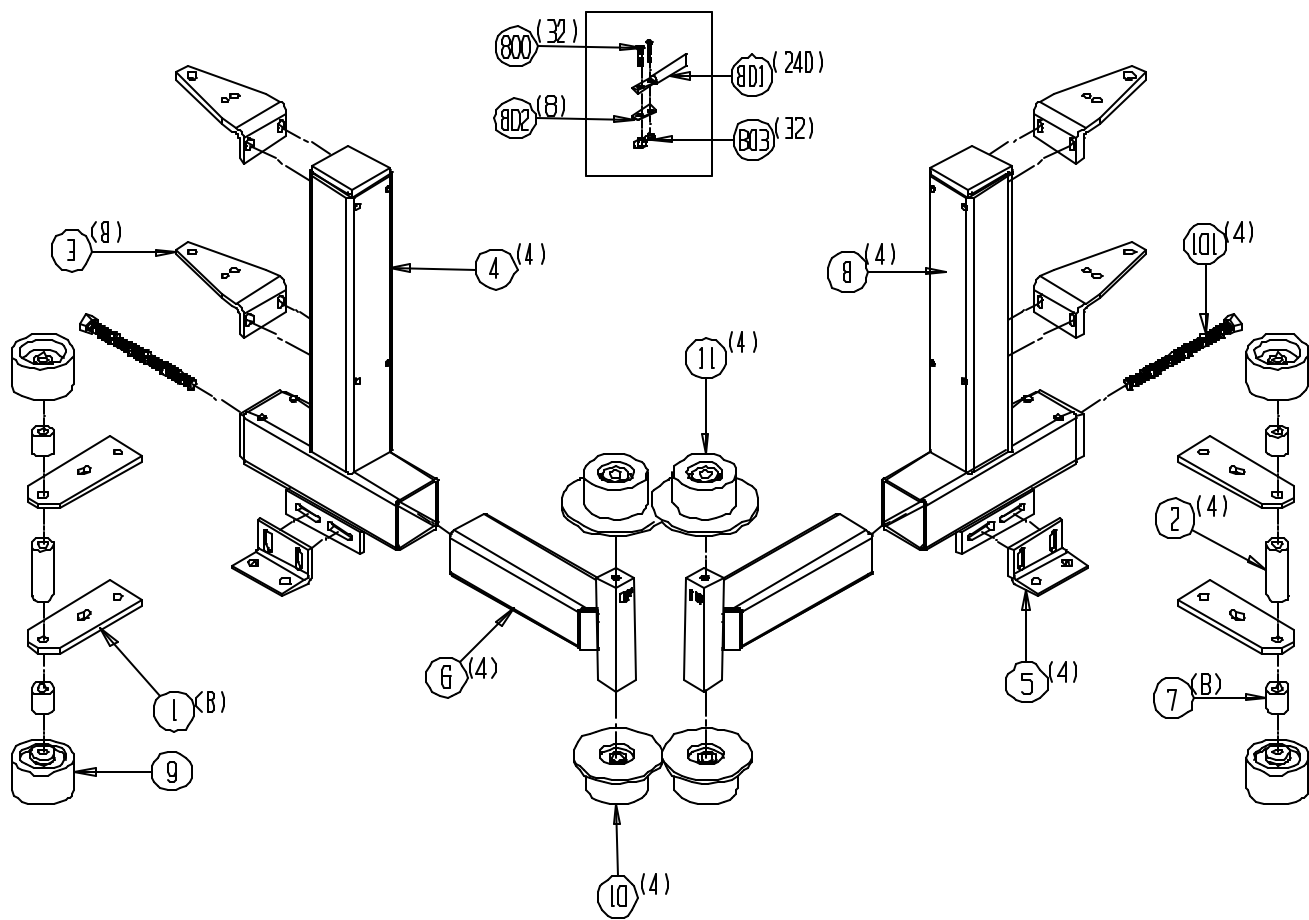
2004-3-1 GATHERING BRACKET MOUNT ASSEMBLY



## 2004-3-2 Gathering Chain Assembly

<i>Ref</i>	<u>Part No.</u>	<u>Description</u>	<u>Parts – Assembly</u>	<u>Will Fit SN</u>	<u>Remarks</u>
1	BRA-184	Bracket, Roller	8	20095001-	
2	192-107A	Slide Guide Roller	4		
3	BRA-1811	Mounting Bracket, Gathering Chain	8		
4	BRA-1821	Gathering Chain Bracket	4		
5	BRA-171	Bracket, Roller (Windrower)	4	20095001-	
6	ADJ-155	Adjuster, Nose Tightener, Gathering Chain	4		
7	SUP-0001	Support, Rollers gathering chains	8	20095001-	
8	DC-1174	Decal, Danger Keep Hands and Feet Away	4		
9	RLT-035-228	Roller 3.5 dia x 2.2 x 1/2" bore, no flange	12		
10	RLT-535-2210-RV	5" Flange Roller 2.2 WF 3.5 dia, 5/8" bore w/ Inverted Spindle	4		
11	RLT-635-2210-RV	6" Flange Roller 2.2WF 3.5 Dia, 5/8" Bore w/Inverted Spindle	4		
101	BL-10-800-T	5/8-11 X 8 HEX TAP G8 ZC	4		
102	BL-8-1200-T	1/2-13 X 12" Hex head Tap Bolt Grade 5 Plated	4		
103	BC-6-1236-60	Gathering chain, 3/8 bars 12in wide x 60 links 36mm	4		
104	BL-10-N	5/8-11 HEX FIN NUTS ZC	4		
800	BC-1032-FS	10-32 x 1 1/4" bolts Flat Socket Head	32		
801	BC-6-12-ST	3/8" x 12" Belted Chain Rod for 50mm Belt	240	1910119320	
802	BC-BP20-10-T	20mm Backing Plates /10-32 T Nuts	8		
803	BC-1032-TN	10-32 T Nuts	32	11001	

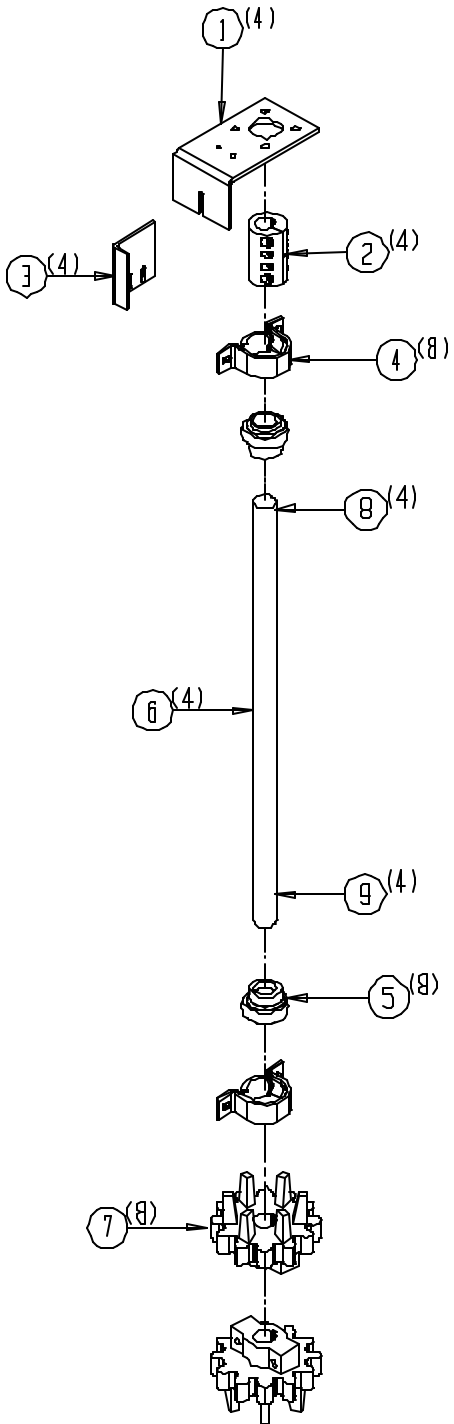
# 2004-3-2 GATHERING CHAIN ASSEMBLY



## 2004-3-3 Gathering Chain Drive Assembly

<i>Re f</i>	<u>Part No.</u>	<u>Description</u>	<u>Parts – Assembly</u>	<u>Will Fit SN</u>	<u>Remarks</u>
1	193-806	Mount motor	4		
2	CPS-6060	Steel Coupler (offcenter) 1 1/4" x 1"	4		
3	193-806A	Motor mount stop	4		
4	BR-062-MPB	Stamped Bearing Housing for 1 1/4" bearing	8		
5	BR-125-062	Bearing, 1 1/4 Fafnir tri-seal, 62mm OD	8		
6	SFT-101	Shaft (Windrower)	4	20095001-	
7	SPU-3612-20-4	Urethane Sprocket 36-12 1 1/4 bore 1/4" key	8		Sub SP-3612-20-4
8	KEY-5-5-32	Shaft Key 5/16"sq x 2" Square Cut (1018)	4	20095001- 194-231K	
9	KEY-4-4-16	Shaft Key 1/4" X 1/4" X 1" Square Cut (1018)	8	20095001-	

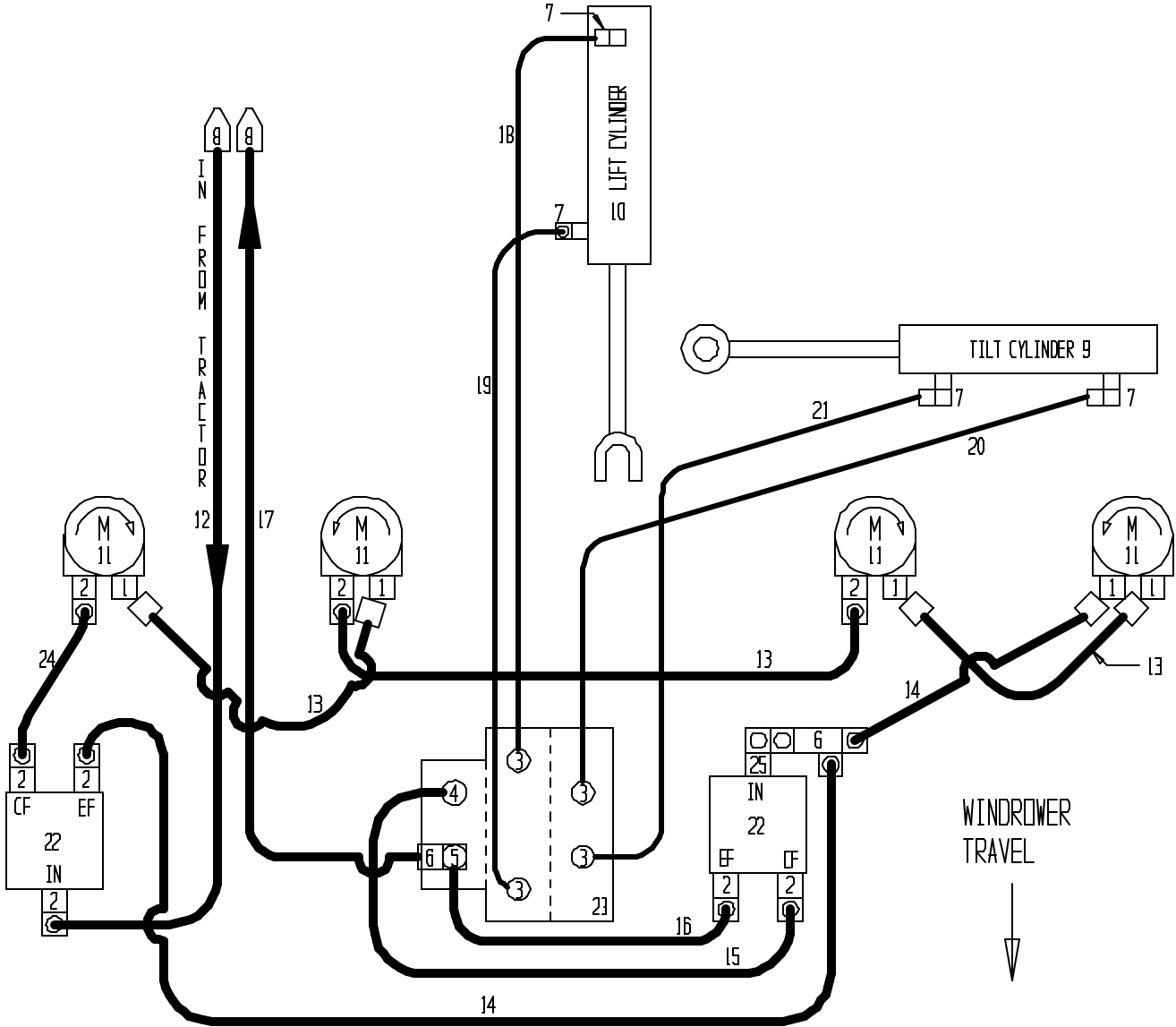
2004-3-3 GATHERING CHAIN DRIVE ASSEMBLY



## 2004-4-1 Hydraulics

<i>Re f</i>	<u>Part No.</u>	<u>Description</u>	<u>Parts – Assembly</u>	<u>Will Fit SN</u>	<u>Remarks</u>
1	A-6902-10-8	10 SAE X 1/2" FPX 45	5	20095001-	
2	A-6901-10-8	10 SAE x 1/2 FPX90	8		
3	A-6900-8-6	8 SAE x 3/8" FPX With 7/8" Stock Body	4	20095001-	
4	A-6900-10-8	10 SAE x 1/2 FPX	1	20095001-	
5	A-6401-10-8	10 SAE x 1/2 MPT Male	1		
6	A-1603-8-8-8	Swivel T 1/2" NPTF	2	20095001-	
7	A-6901-8-6	8 SAE x 3/8" FPX90	4	20095001-	
8	A-QD2010-8-8	Tractor Quick Coupler, Male, 1/2" w/ FPT	2		
9	HC-200-0808	Hydraulic Cylinder 2" x 8" #8 SAE Ports	1	19201- 20095001-	Same as sliding hitch
10	HC-350-0808	Hydraulic Cylinder 3 1/2" x 8" #8 SAE Ports	1	20095001-	
11	HM-204-CH	Char-Lyn Hydraulic Motor	4		
12	H10-288-8MP-8MP	5/8" hose 1/2MP x 1/2MP x 288" long	1	20095001-	
13	H10-50-8MP-8MP	5/8" hose 1/2MP x 1/2MP x 50" long	3	20095001-	
14	H10-66-8MP-8MP	5/8 in hose 1/2MP x 1/2MP x 66 in long	2		
15	H10-41-8MP-8MP	5/8" hose 1/2MP x 1/2MP x 41" long	1	20095001-	
16	H10-38-8MP-8MP	5/8" hose 1/2MP x 1/2MP x 38" long	1	20095001-	
17	H10-252-8MP-8MP	5/8 in. hose 1/2MP x 1/2MP x 252 in long	1	20095001-	
18	H4-54-6MP-6MP	1/4" hose 3/8MP x 3/8MP x 54" long	1	20095001-	
19	H4-41-6MP-6MP	1/4" hose 3/8MP x 3/8MP x 41" long	1	20095001-	
20	H4-33-6MP-6MP	1/4 hose 3/8MP x 3/8MP x 33" long	1	20095001-	
21	H4-22-6MP-6MP	1/4" hose 3/8MP x 3/8MP x 22" long	1	20095001-	
22	HV-FL30	Flow Control Valve 30GPM	2		
23	HVE-1056	Brand Valve Stack for Windrower	1	20095001-	
24	H10-30-8MP-8MP	5/8 in hose 1/2MP x 1/2MP x 30 in long	1		
25	A-6806-10-8	10 SAE x 1/2" MP 90	1		

2004-4-1 PLUMBING DETAIL



## 2004-5-1 Electrical

---

<i>Re f</i>	<u>Part No.</u>	<u>Description</u>	<u>Parts – Assembly</u>	<u>Will Fit SN</u>	<u>Remarks</u>
1	EL-2000	Control Box for Windrower (Switch type)	1		
2	EL-891	Electrical Control Box Cable (Windrower)	1	20094001-	



2004-5-1 ELECTRICAL WIRING DETAIL

