



60 PIK RITE LANE, LEWISBURG PA 17837

PHONE: 570-523-8174 FAX: 570-523-8175

EMAIL: [frontdsk@pikrite.com](mailto:frontdsk@pikrite.com) WEBSITE: [www.pikrite.com](http://www.pikrite.com)

---

Dear Grower,

Welcome to the growing family of satisfied Pik Rite equipment owners. Our goal is to help make your harvest as enjoyable and trouble free as possible by providing equipment that is durable and keeps down time to a minimum.

In order to provide customer service and a supply of original equipment parts to keep your machine well maintained, we are continually striving to keep our systems state-of-the-art. We utilize all available resources that allow us to provide accurate and timely deliveries.

We will continue to give you the service you have come to expect from our dealer representatives and us. In order to avoid any delays during your harvest season we make every effort to have someone available to take your calls 24 hours a day. We have shipping companies in place to deliver your parts as expediently as possible. Whether you live a few miles down the road or on the other side of the globe you can count on us.

Sincerely,

Clint Morris  
Parts Sales  
[parts@pikrite.com](mailto:parts@pikrite.com)

Parts and Service Hotline  
800-326-9763

[www.pikrite.com](http://www.pikrite.com)

## Table of Contents

|   |    |
|---|----|
| BELTED CHAIN REPLACEMENT PARTS .....                  | 8  |
| MOTOR REPLACEMENT PARTS.....                          | 10 |
| MOTOR REPLACEMENT PARTS FOR OPT. COMPONENTS .....     | 12 |
| OIL & FILTERS.....                                    | 13 |
| 12012-01-01 Main Frame Assembly .....                 | 16 |
| 12011-01-02 Tongue Assembly .....                     | 18 |
| 12012-01-03 Hitch Assembly.....                       | 20 |
| 12011-01-04 1 3/4-20 PTO Assembly.....                | 24 |
| 12011-01-05 1 3/8-21 PTO (Optional) .....             | 26 |
| 12012-01-06 Standard Axle Assembly.....               | 28 |
| 12011-01-20 Automatic Leveling Assembly .....         | 32 |
| 12011-02-01 Disk Header Frame Assembly .....          | 34 |
| 12011-02-02 Disk Drive Shaft Assembly .....           | 36 |
| 12011-02-03 34in Standard Disk Shaft Assembly.....    | 38 |
| 12011-02-04 36in Optional Disk Shaft Assembly.....    | 40 |
| 12011-02-05 Gathering Chain Assembly .....            | 42 |
| 12011-02-07 Gauge Wheel Assembly .....                | 44 |
| 12011-02-71 Dual Header Height Control Assembly ..... | 46 |
| 12011-02-71H Dual HHC Hydraulic Assembly.....         | 50 |
| 12011-03-01 Primary Header Assembly .....             | 52 |

|             |  |    |
|-------------|--|----|
| 12011-03-02 | Secondary Header Frame Assembly .....                  | 56 |
| 12011-03-03 | Header Conveyor Drive Shaft Assembly .....             | 58 |
| 12011-03-04 | Header Conveyor Return Roller Assembly .....           | 62 |
| 12011-03-05 | Secondary Header Frame Assembly Less Vine Assist ..... | 64 |
| 12011-03-10 | Optional Mud Pusher Assembly.....                      | 66 |
| 12011-03-11 | Header Conveyor Vibrator Shaft Assembly .....          | 68 |
| 12011-03-12 | Header Conveyor Bar Cleaner Assembly .....             | 70 |
| 12011-03-13 | Full Length Vine Assist Assembly.....                  | 72 |
| 12011-03-14 | Optional Second Vibrator Assembly .....                | 74 |
| 12011-04-01 | Shaker Weight Box Cover Assembly .....                 | 76 |
| 12011-04-02 | Shaker Drum Assembly .....                             | 78 |
| 12012-04-03 | Shaker Weight & Box Assembly .....                     | 80 |
| 12011-04-04 | Primary Shaker Ring and Finger Assembly .....          | 82 |
| 12011-04-05 | Secondary Shaker Ring and Finger Assembly .....        | 84 |
| 12011-04-06 | Shaker Spacer Tube Assembly .....                      | 86 |
| 12011-04-07 | Optional Shaker Half-Ring & Finger Assembly .....      | 88 |
| 12011-04-08 | Optional Shaker Tine Cover Assembly .....              | 90 |
| 12011-05-01 | Vine & Transfer Chamber Assembly.....                  | 92 |
| 12011-05-02 | Vine & Transfer Cover Assembly.....                    | 96 |
| 12011-05-03 | Transfer Drive Shaft Assembly .....                    | 98 |

|              |   |     |
|--------------|---|-----|
| 12011-05-04  | Transfer Return Roller Assembly.....            | 100 |
| 12011-05-05  | Transfer Bar Cleaner Assembly.....              | 102 |
| 12011-05-06  | Transfer Dirt Vibrator Assembly.....            | 104 |
| 12011-05-07  | Rear Transfer Drive Shaft Assembly .....        | 108 |
| 12011-05-08  | Rear Transfer Return Roller Assembly.....       | 110 |
| 12011-05-09  | Shaker Chamber Ladder Assembly .....            | 112 |
| 12011-05-20  | Vine Chain Drive Assembly .....                 | 114 |
| 12011-05-30  | Vine Chopper Assembly .....                     | 116 |
| 12011-06-01  | Cross Conveyor Frame Assembly .....             | 120 |
| 12011-06-02  | Cross Conveyor Drive Assembly .....             | 122 |
| 12011-06-03  | Cross Conveyor Return Roller Assembly .....     | 124 |
| 12011-06-04  | Cross Conveyor Chain Cleaner Assembly.....      | 126 |
| 12011-06-05  | Opt. Cross Drive Anti-Wrap Shield Assembly..... | 128 |
| 12011-06-20  | Opt. Cross Conveyor Vibrator Assembly .....     | 130 |
| 12011-06-20H | Opt. Cross Vibrator Hydraulic Assembly .....    | 134 |
| 12012-07-01  | Debris Fan Assembly.....                        | 136 |
| 12011-07-02  | Debris Fan Paddle Assembly.....                 | 138 |
| 12011-07-03  | Debris Drum Assembly .....                      | 140 |
| 12011-07-04  | Debris Fan Cover Assembly .....                 | 142 |
| 12012-08-01  | Elevation Assembly .....                        | 144 |

|              |  |     |
|--------------|--|-----|
| 12011-08-02  | Front Elevation Assembly .....                     | 146 |
| 12012-08-03  | Elevation Drive Shaft Assembly.....                | 148 |
| 12012-08-07  | Opt. Elevation Conveyor Bar Cleaner Assembly ..... | 150 |
| 12011-08-40  | Presort Assembly.....                              | 152 |
| 12011-08-41  | Front Presort Roller Assembly .....                | 156 |
| 12011-08-42  | Rear Presort Roller Assembly.....                  | 158 |
| 12011-08-43  | NFM Sorter Assembly.....                           | 160 |
| 12011-09-01  | Aftersort Assembly.....                            | 162 |
| 12011-09-02  | Aftersort Drive Shaft Assembly .....               | 164 |
| 12011-09-03  | Aftersort Divider Bar Assembly .....               | 166 |
| 12011-09-04  | Aftersort Roller Assembly .....                    | 168 |
| 12011-10-01  | Discharge Basket Assembly .....                    | 170 |
| 12011-10-02  | Inner Discharge Assembly .....                     | 172 |
| 12011-10-03  | Middle Discharge Assembly.....                     | 174 |
| 12011-10-04  | Outer Discharge Assembly .....                     | 176 |
| 12011-10-05  | Discharge Drive Shaft Assembly .....               | 178 |
| 12012-11-02  | Optional Canopy Enclosure Assembly.....            | 180 |
| 12012-11-03  | Optional Enclosure Assembly .....                  | 182 |
| 12011-11-03H | Enclosure Fresh Air Fan Hydraulic Assembly .....   | 184 |
| 12011-11-04  | Inner Decking Assembly .....                       | 186 |

|              |   |     |
|--------------|---|-----|
| 12012-11-05  | Outer Decking Assembly .....                  | 188 |
| 12011-12-01  | Air Compressor Assembly .....                 | 190 |
| 12011-12-02  | Air Tank Assembly.....                        | 192 |
| 12011-12-03  | Pneumatics Schematic .....                    | 194 |
| 12012-13-01  | Double Pump Hydraulic Motor Assembly .....    | 198 |
| 12011-13-02  | Oil Cooler Assembly .....                     | 206 |
| 12011-13-03  | Oil Tank Assembly.....                        | 210 |
| 12011-13-10  | Disk Reversing Valve Assembly .....           | 212 |
| 12011-14-02  | Hydraulic Cylinder Plumbing, Single HHC ..... | 214 |
| 12011-14-02H | Hydraulic Control Valve, Single EHHC.....     | 216 |
| 12011-15-01  | Electrical Panel Assembly .....               | 218 |
| 12011-15-02  | Control Valve Electrical Assembly .....       | 220 |
| 12011-15-10  | Control Box, Single HHC Assembly.....         | 222 |
| 12011-15-11  | Control Box, Dual HHC Assembly .....          | 224 |
| 12011-15-30  | Optional Remote Activated Flow Control .....  | 226 |



# BELTED CHAIN REPLACEMENT PARTS

|  | <b>Part #</b>    | <b>Description</b>                                      |
|--|------------------|---|
| <b>Gathering Chain</b><br><b>12011-02-05</b>             | BC-6-1236-60     | Gathering Chain, 3/8 bars 12in wide x 60 links 36mm     |
|  | BC-1032-FS       | 10-32 x 1-1/4" Bolts Flat Head Socket                   |
|  | BC-1032-TN       | 10-32 T Nuts  |
|  | BC-6-12-ST       | 3/8" x 12 Belted Chain Rod for 50mm                     |
|  | BC-BP20-10-T     | 20mm Backing Plates / 10-32 T Nuts                      |
| <b>Header Conveyor Drive Shaft</b><br><b>12011-03-03</b> | BC-7-3642-265    | Header Chain, 42mm Pitch 265 Links Long                 |
|  | BC-1032-FS       | 10-32 x 1 1/4" bolts Flat Socket Head                   |
|  | BC-1032-LN       | 10-32 lock nuts   |
|  | BC-7-36-CN       | Conn. Rod, 11mm, 36" Wide Belted Chain, 60mm Tr. Belt   |
|  | BC-BP32          | Belt, Rivet backing plate 32mm                          |
|  | BC-F-42-32-UG    | Ultra Gold F Connecting Clip 42-32                      |
| <b>Transfer Drive Shaft</b><br><b>12011-05-03</b>        | BC-7-4036-105    | 7/16" x 36" Rod w/ 24mm Air Cushion Cover               |
|  | BC-3525          | Snap Ring, 11mm   |
|  | BC-1032-FS       | 10-32 x 1 1/4" bolts Flat Socket Head                   |
|  | BC-1032-LN       | 10-32 lock nuts   |
|  | BC-7-36-AC       | 7/16" x 36" Rod w/24mm Air Cushion Cover                |
|  | BC-BP32          | Belt, Rivet backing plate 32mm                          |
|  | BC-F-36-32-UG    | Ultra Gold F Connecting Clips 36-32                     |
| <b>Cross Conveyor Drive</b><br><b>12011-06-02</b>        | BC-7-3236-133    | Cross Conveyor Chain                                    |
|  | BC-1032-FS       | 10-32 x 1 1/4" bolts Flat Socket Head                   |
|  | BC-1032-LN       | 10-32 lock nuts   |
|  | BC-7-32-ST       | 7/16" x 32" Belted Chain Rod for 60mm Belt              |
|  | BC-7-32-CN       | Conn. Rod, 11mm, 32" W Belt Chain, 60mm Tr. Belt        |
|  | BC-BP32          | Belt, Rivet backing plate 32mm                          |
|  | BC-3525          | Snap Ring, 11mm   |
|  | BC-F-36-32-UG    | Ultra Gold F Connecting Clips 36-32                     |
| <b>Elevation Drive Shaft</b><br><b>12012-08-03</b>       | BC-7-3636-175-UC | 36mm x 36" Belted Chain, 175 Pitches, Upcrank Cushioned |
|  | BC-1032-FS       | 10-32 x 1 1/4" bolts Flat Socket Head                   |
|  | BC-1032-LN       | 10-32 lock nuts   |
|  | BC-7-36-CN       | Conn. Rod, 11mm, 36" Wide Belted Chain, 60mm Tr. Belt   |
|  | BC-BP32          | Belt, Rivet backing plate 32mm                          |
|  | BC-F-36-32-UG    | Ultra Gold F Connecting Clips 36-32                     |
|  | BC-7-36-ST       | 7/16" x 36" Belted Chain Rod for 60mm Belt              |
|  | RI-19-BC         | 19mm Belted Chain Rivets                                |



**Discharge Drive**  
**12011-10-05**

|                 |  |
|-----------------|--|
| BC-6-2636-319FL | Discharge Elevator, 3/8" Bars, 26" Wide x 319 Bars, 36mm Pitch |
| BC-1032-FS      | 10-32 x 1 1/4" bolts Flat Socket Head                          |
| BC-1032-LN      | 10-32 lock nuts  |
| BC-F-36-20-UG   | Ultra Gold F Connecting Clips 36-20                            |
| BC-6-32-ST      | 3/8" x 32" Belted Chain Rods for 60mm Belt                     |
| BC-6-26-CN      | Conn. Rod, 10mm, 26" Wide Belted Chain, 50mm Tr. Belts         |
| BC-BP32         | Belt, Rivet backing plates 32mm                                |

# MOTOR REPLACEMENT PARTS

| <b>Assembly</b>                       | <b>Part #</b>      | <b>Description</b>   |
|---------------------------------------|--------------------|--|
| <b>Disk Header Drive Shaft</b>        | <b>12011-02-02</b> | HM-1420-CH Char Lynn Motor<br>KEY-5-5-20 Shaft Key   |
| <b>Header Conveyor Drive Shaft</b>    | <b>12011-03-03</b> | HM-1228-TC TCI Motor<br>KEY-5-5-20 Shaft Key   |
| <b>Header Conveyor Vibrator Shaft</b> | <b>12011-03-11</b> | HM-0381 Ball Bearing, Motor<br>HM-1801 Seal Kit for Commercial Intertech<br>HM-2585 Ring Seal, Commercial Motor<br>HM-2686 Snap Ring, Commercial Motor<br>HM-412B Key for Hyd. Motor -Shaker Weight-Vibrator<br>HM-412-1 Hydraulic Motor<br>KEY-4-4-20 Shaft Key 1/4" x 1 1/4" |
| <b>Shaker Drum</b>                    | <b>12011-04-02</b> | HM-103-TC TCI Motor  |
| <b>Shaker Weight &amp; Box</b>        | <b>12012-04-03</b> | HM-122 Motor, Hydraulic, 1-3/4" Gear, #12 SAE Ports  |
| <b>Transfer Drive Shaft</b>           | <b>12011-05-03</b> | HM-210-TC TCI Motor<br>KEY-4-4-15 Shaft Key, 1/4" x 1/4" x 15/16" Woodruff Key   |
| <b>Transfer Dirt Vibrator</b>         | <b>12011-05-06</b> | HM-412-1 Hydraulic Motor<br>HM-2100-SK Seal & Gasket Kit<br>HM-2100-BRG Bearing<br>KEY-4-4-15 Shaft Key, 1/4" x 1/4" x 15/16" Woodruff Key<br>KEY-4-4-20 Shaft Key 1/4" x 1 1/4"   |
| <b>Rear Transfer Drive Shaft</b>      | <b>12011-05-07</b> | HM-210-TC TCI Motor<br>KEY-4-4-15 Shaft Key, 1/4" x 1/4" x 15/16" Woodruff Key   |
| <b>Rear Transfer Return Roller</b>    | <b>12011-05-08</b> | HM-210-TC TCI Motor<br>KEY-4-4-16 Shaft Key, 1/4" x 1/4" x 1" Square Key   |
| <b>Vine Chain Drive</b>               | <b>12011-05-20</b> | HM-1420-CH Char Lynn Motor   |
| <b>Cross Conveyor Drive</b>           | <b>12011-06-02</b> | HM-204-TC TCI Motor<br>KEY-4-4-15 Shaft Key, 1/4" x 1/4" x 15/16" Woodruff Key<br>KEY-4-4-20 Shaft Key 1/4" x 1 1/4"<br>KEY-4-4-32 Shaft Key, 1/4" x 2" Square Cut   |

|                                     |                    |   |   |
|-------------------------------------|--------------------|---|---|
| <b>Cross Conveyor Return Roller</b> | <b>12011-06-03</b> | HM-214-TC<br>KEY-4-4-24                                     | Hydraulic Motor<br>Shaft Key, 1/4" x 1-1/2" Square Key  |
| <b>Debris Fan Paddle</b>            | <b>12011-07-02</b> | HM-1801<br>HM-2100-SK<br>HM-2100-BRG<br>HM-412B<br>HM-412-1 | Seal Kit for Commercial Intertech<br>Seal & Gasket Kit<br>Bearing<br>Key for Hyd. Motor -Shaker Weight-Vibrator<br>Hydraulic Gear Motor |
| <b>Debris Drum</b>                  | <b>12011-07-03</b> | HM-204-TC<br>KEY-4-4-15<br>KEY-4-4-20                       | TCI Motor<br>Shaft Key, 1/4" x 1/4" x 15/16" Woodruff Key<br>Shaft Key, 1/4" x 1-1/4"   |
| <b>Elevation Drive Shaft</b>        | <b>12012-08-03</b> | HM-204-TC<br>KEY-4-4-20<br>KEY-4-4-32                       | TCI Motor<br>Shaft Key, 1/4" x 1-1/4"<br>Shaft Key, 3/4" x 2" Square Cut  |
| <b>Rear Presort Roller</b>          | <b>12011-08-42</b> | HM-208-TC<br>KEY-4-4-15<br>KEY-4-4-20                       | TCI Motor<br>Shaft Key, 1/4" x 1/4" x 15/16" Woodruff Key<br>Shaft Key, 1/4" x 1-1/4"   |
| <b>Aftersort Drive Shaft</b>        | <b>12011-09-02</b> | HM-214-TC<br>KEY-4-4-15<br>KEY-4-4-20                       | Hydraulic Motor<br>Shaft Key, 1/4" x 1/4" x 15/16" Woodruff Key<br>Shaft Key, 1/4" x 1-1/4"   |
| <b>Aftersort Divider Bar</b>        | <b>12011-09-03</b> | HM-210-TC<br>KEY-4-4-20                                     | TCI Motor<br>Shaft Key, 1/4" x 1-1/4"   |
| <b>Discharge Drive Shaft</b>        | <b>12011-10-05</b> | HM-210-TC<br>KEY-4-4-15<br>KEY-4-4-20<br>KEY-4-4-32         | TCI Motor<br>Shaft Key, 1/4" x 1/4" x 15/16" Woodruff Key<br>Shaft Key, 1/4" x 1-1/4"<br>Shaft Key, 3/4" x 2" Square Cut                |
| <b>Oil Cooler</b>                   | <b>12011-13-02</b> | HM-412-1<br>HM-2100-SK<br>HM-2100-BRG<br>HM-412B            | Hydraulic Motor<br>Seal & Gasket Kit<br>Bearing<br>Key for Hyd. Motor -Shaker Weight-Vibrator   |

# MOTOR REPLACEMENT PARTS FOR OPT. COMPONENTS

## Opt. Second Vibrator Assembly

12011-03-14

|            |                             |
|------------|-----------------------------|
| HM-412-1   | Hydraulic Motor             |
| HM-412B    | Key                         |
| HM-0381    | Ball Bearing, Motor         |
| HM-2585    | Ring Seal, Commercial Motor |
| HM-2686    | Snap Ring, Commercial Motor |
| KEY-4-4-20 | Shaft Key 1/4" x 1 1/4"     |

## OIL & FILTERS

|                       | <b>Part #</b> | <b>Description</b>  |
|-----------------------|---------------|---|
| <b>Oil Cooler</b>     | HA-1023A      | Filter Gage   |
| <b>12011-13-02</b>    | HA-1023-Z     | Double Filter Head, Side by Side                          |
|                       | HA-1029       | Hydraulic Fluid Filter, 11"                               |
|                       | HA-1036       | Oil Cooler  |
| <b>Oil Tank</b>       | HA-1006-5     | Suction Screen, SAE 3 3/8-12UN with 2" Hose Barb          |
| <b>12011-13-03</b>    | HA-1012A      | Vescor Breather Filter (3 micron)                         |
| <b>Air Compressor</b> | AIR-0001      | Synthetic Compressor Oil (ISO 100 SAE 40): 1 quart bottle |
| <b>12011-12-01</b>    | AIR-1510      | 2 ½" Air Filter   |



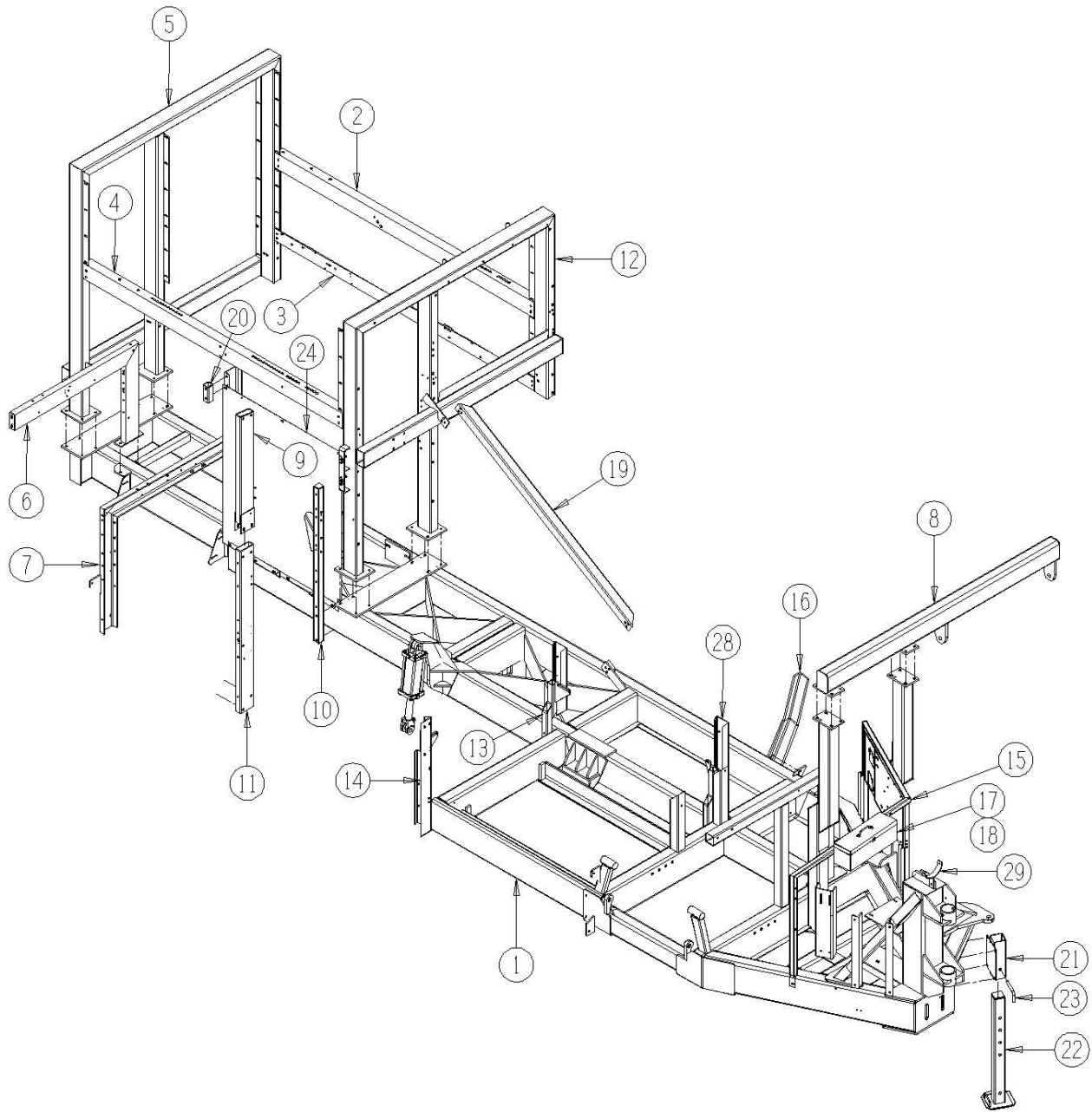
# **PARTS CATALOG**

# 12012-01-01 Main Frame Assembly

| <u>Ref</u> | <u>Part No.</u> | <u>Description</u>  | <u>Parts –<br/>Assembly</u> | <u>Will Fit SN</u> | <u>Remarks</u>  |
|------------|-----------------|---|-----------------------------|--------------------|---|
|            | SUP-0016        | Support, Hose, Hydraulic Hose, Tongue, Rear               | 1                           |                    |   |
|            | SUP-1101        | Support, Shaker Frame                                     | 1                           |                    |   |
| 1          | FRM-9008        | Main Frame, 240 Harvester, 2012 Revised Fan Location      | 1                           |                    |   |
| 2          | MOU-9000        | Shaker Angle, Outside                                     | 1                           |                    |   |
| 3          | MOU-9001        | Shaker Mount Angle, Lower Outside                         | 1                           |                    |   |
| 4          | MOU-9002        | Shaker Angle, Inside                                      | 1                           |                    |   |
| 5          | FRM-9003        | Rear Shaker Frame   | 1                           |                    |   |
| 6          | FRM-9009        | Frame, Rear Cross-Drive, 240 Harvester                    | 1                           |                    |   |
| 7          | FRM-9010        | Frame, Front Cross-Drive                                  | 1                           |                    |   |
| 8          | FRM-9002        | Overhead Header Lift (upper) 240 Tomato Harvester         | 1                           |                    |   |
| 9          | POS-9003        | Canopy Post, 240 Harvester                                | 1                           |                    |   |
| 12         | FRM-9001        | Front Shaker Frame, 240 Harvester                         | 1                           |                    |   |
| 13         | POS-9000        | Table Post, LR, Aftersort Table, 240                      | 1                           |                    |   |
| 14         | POS-9001        | Post, Rear Outer, Aftersort, 240 Tomato Harvester         | 1                           |                    |   |
| 15         | MOU-9006        | Handrail, Front, w/ Toolbox, 240 Tomato Harvester         | 1                           |                    |   |
| 16         | 200-108         | Slide Guide Wldmt, Reinforced                             | 1                           |                    |   |
| 17         | BOX-7022        | Removable Tool Box  | 1                           |                    |   |
| 18         | BOX-7025        | Removable Tool Box Mounting                               | 1                           |                    |   |
| 20         | SPA-9000        | Spacer Block, Shaker Chamber, 240 Harvester               | 1                           |                    |   |
| 21         | 192-1125        | Mount, Jack Stand, Frame, 2-Point Hitch                   | 1                           |                    |   |
| 22         | 192-1125A       | Adjuster  | 1                           |                    |   |
| 23         | 192-1125B       | Pin, Jack Stand, Frame, 2-Point Hitch Machines            | 1                           |                    |   |
| 24         | PAN-9129        | Inner Elevation Panel, 240                                | 1                           |                    |   |
| 25         | HC-250-2408-OR  | Hydraulic Cylinder 2 1/2 x 24 #8 SAE w/O-Piston Ring Seal | 2                           |                    | NOT TO BE USED IN SINGLE ACTING APPLICATIONS<br>Replaces HC-250-2408-IV |
| 26         | HA-1071-H       | Hydra-zorb Tube Clamp 1' (3 pc.)                          | 2                           | 19401-             |   |
| 27         | HA-1072-H       | Hydra-zorb Tube Clamp 3/4' (3 pc.)                        | 3                           | 19401-             |   |
| 28         | POS-9002        | Post, Aftersort, Left Front, 240 Tomato Harvester         | 1                           |                    |   |
| 30         | PIN-8102        | Pin, Jack Stand, Main Frame, HC290 Tomato                 | 1                           |                    |   |



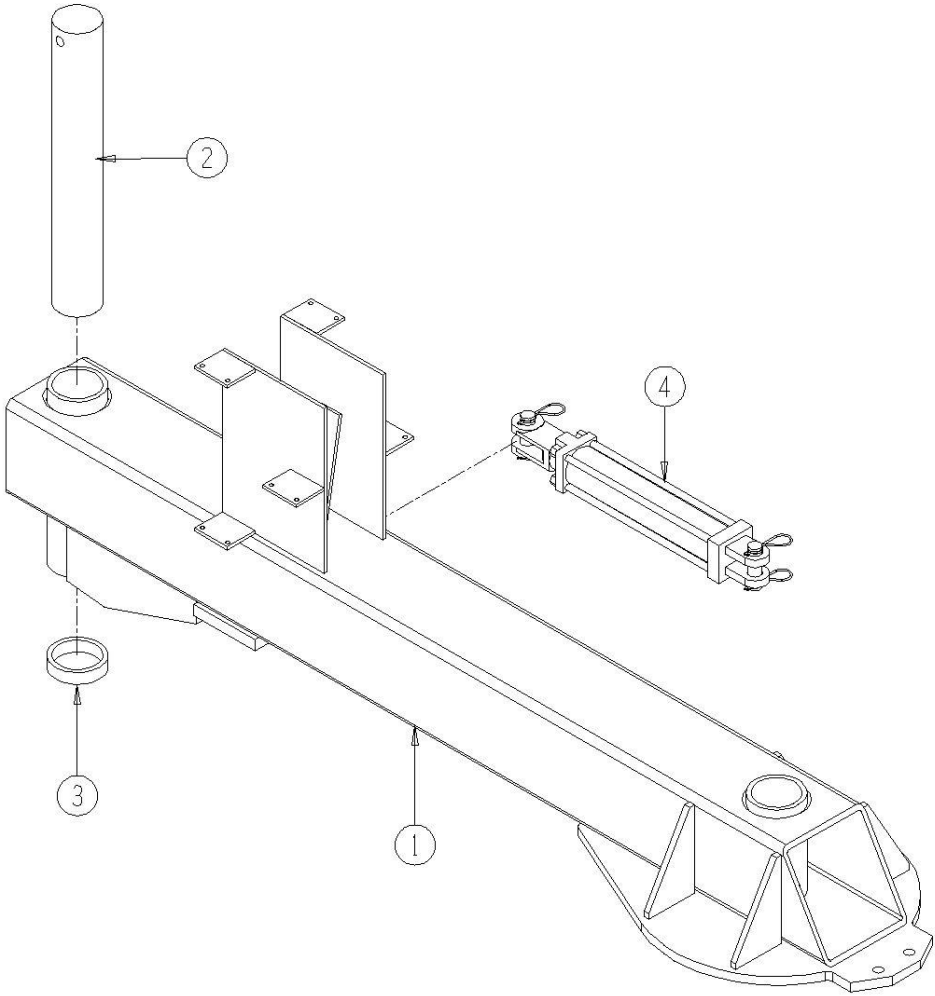
12012-01-01



# 12011-01-02 Tongue Assembly

| <u>Ref</u> | <u>Part No.</u> | <u>Description</u>                             | <u>Parts –<br/>Assembly</u> | <u>Will Fit SN</u> | <u>Remarks</u> |
|------------|-----------------|--|-----------------------------|--------------------|----------------|
| 1          | FRM-9006        | Tongue, 240 Harvester                          | 1                           |                    |                |
| 2          | PIN-8110        | Tongue Swivel, Main Frame, High Cap Tomato     | 1                           |                    |                |
| 3          | SPA-8110        | Bushing, Tongue Swivel, High Cap Tom           | 1                           |                    |                |
| 4          | HC-350-1008     | Hydraulic Cylinder 3 1/2' x 10', #8 SAE Ports  | 1                           |                    |                |
| 5          | DC-1180         | Serious Injury/Death Decal, Read Manual        | 1                           |                    |                |
| 6          | DC-1183         | Company Information Decal, 3' x 7.75'-         | 1                           |                    |                |
| 7          | DC-4W           | Decal, Logo, White, 5.25' Long, Tanks, 1/29/99 | 1                           |                    |                |

12011-01-02

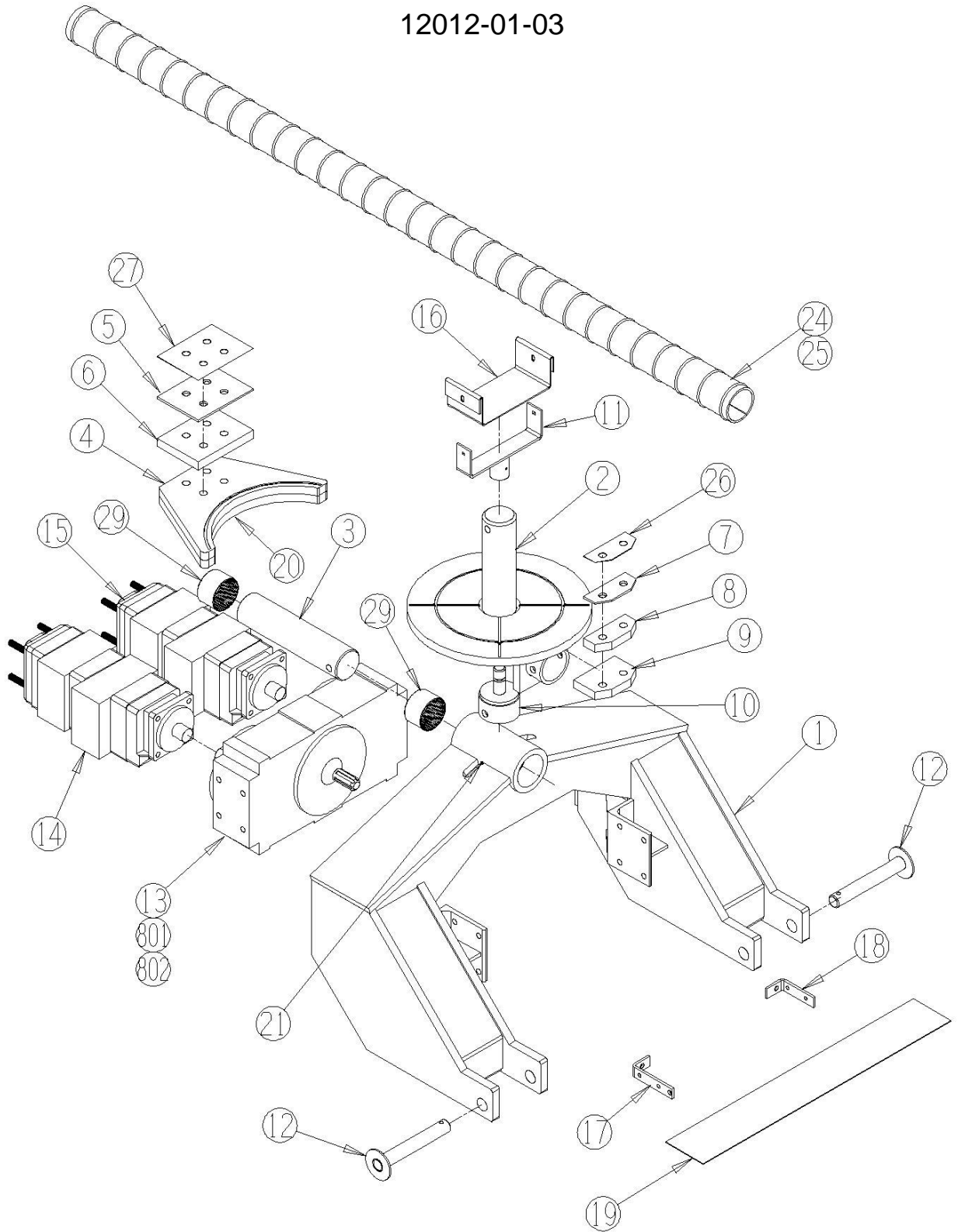


# 12012-01-03 Hitch Assembly

| <u>Ref</u> | <u>Part No.</u> | <u>Description</u>                              | <u>Parts –<br/>Assembly</u> | <u>Will Fit SN</u> | <u>Remarks</u>                |
|------------|-----------------|---|-----------------------------|--------------------|-------------------------------|
| 1          | FRM-8111        | Frame, 2 Point Hitch HC290 Tomato               | 1                           |                    |                               |
| 2          | PIN-8210        | Gooseneck Hitch Pivot/Swivel, Tractor Hitch Frm | 1                           |                    |                               |
| 3          | SFT-8112        | Shaft, Gooseneck Hitch Pivot, HC290             | 1                           |                    |                               |
| 4          | SUP-8210        | Support, Rear Swivel Plate, Gooseneck Hitch     | 1                           |                    |                               |
| 5          | BAR-8213        | Bar, Spacer, Back Top, Hitch/Tongue, HC290      | 1                           |                    |                               |
| 6          | BAR-8214        | Bar, Spacer, Back, Bottom, Hitch/Tongue, HC290  | 1                           | BAR-8214           |                               |
| 7          | BAR-8215        | Bar, Spacer, Front Top, Hitch/Tongue, HC290     | 1                           |                    |                               |
| 8          | BAR-8216        | Bar, Spacer, Front Middle, Hitch/Tongue, HC290  | 1                           |                    |                               |
| 9          | BAR-8217        | Bar, Spacer, Front Bottom, Hitch/Tongue, HC290  | 1                           |                    |                               |
| 10         | POS-8110        | Post, Pivot Holder, Tongue                      | 1                           |                    |                               |
| 11         | SUP-8110        | Support, Pivoting Hose Holder, Tongue HC290     | 1                           |                    |                               |
| 12         | PIN-0002        | Pin Weldment                                    | 2                           |                    |                               |
| 13         | GBX-252         | Two Pad Gearbox for double pump                 | 1                           |                    | Use only HP-630 Oil 3.5 Quart |
| 14         | HP-257-P18      | Hydraulic Pump                                  | 1                           |                    |                               |
| 15         | HP-257-P22      | Hydraulic Pump, 4 Section                       | 1                           |                    |                               |
| 16         | BT-8110         | Belting, Hose Holder, Gooseneck                 | 2                           |                    |                               |
| 17         | BRA-8200        | Bracket, Outsd, PTO Belting, Hitch Assy, HC290  | 1                           |                    |                               |
| 18         | BRA-8201        | Bracket, Inside, PTO Belting, Hitch Assy, HC290 | 1                           |                    |                               |
| 19         | BT-8200         | Belting, PTO, Hitch Assembly, HC290 Tomato      | 1                           |                    |                               |
| 20         | GF-1827-45      | Grease Fitting 1/8 NPT 45°                      | 5                           |                    |                               |
| 21         | GF-1827         | Grease Fitting 1/8 NPT Straight                 | 2                           |                    |                               |
| 22         | DC-0021         | Decal, Caution, 1000 rpm PTO                    | 1                           |                    |                               |
| 23         | DC-0025         | Decal, Danger, Entanglement In Rotating Drive   | 1                           |                    |                               |
| 24         | HOS-350-4-96S   | 3-1/2' ID, Clear Suction Line Covering          | 2                           |                    |                               |
| 25         | CL-72           | 5' Gear Clamp                                   | 4                           |                    |                               |
| 26         | BAR-8218        | Bar, Spacer, Front, Gooseneck Hitch             | 2                           |                    |                               |
| 27         | SPA-8213        | Spacer, Back, Hitch Support                     | 2                           |                    |                               |
| 28         | HP-630          | Synthetic Gear & Bearing Oil @ Qt.              | 3.5                         |                    |                               |

|     |           |  |    |         |
|-----|-----------|--|----|---------|
| 29  | PR34413   | Bronze Bushing for Spreader, 3½' Dia Shaft | 2  |         |
| 100 | BL-24-FW  | 1 1/2' Flat Washer, Zinc                   | 20 |         |
| 801 | GBXA-252D | Dipstick for GBX-252                       | 1  |         |
| 802 | GBX-252-B | O-Ring                                     | 1  | GBX-252 |

12012-01-03



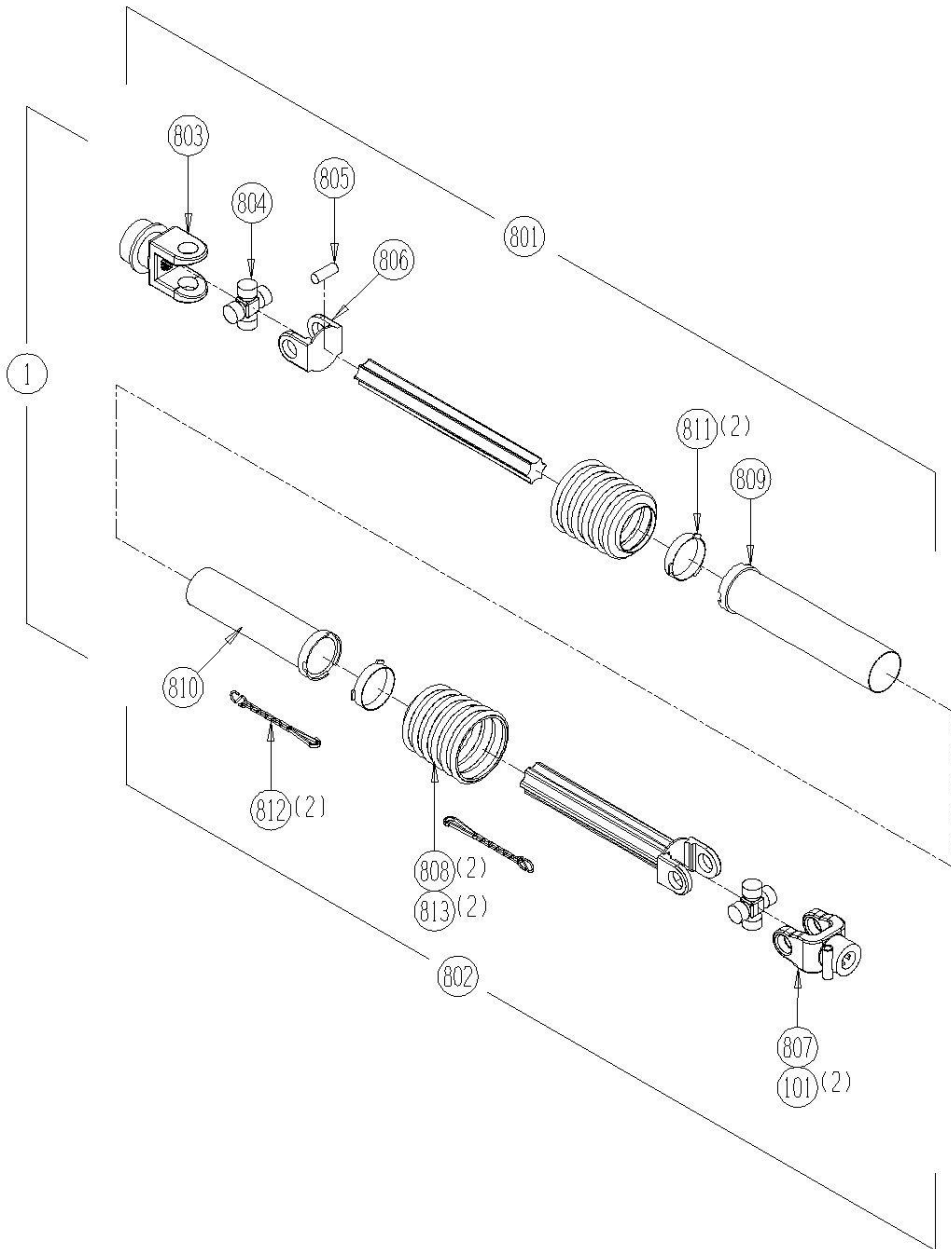


# 12011-01-04 1 3/4-20 PTO Assembly

| <u>Ref</u> | <u>Part No.</u> | <u>Description</u>                                 | <u>Parts –<br/>Assembly</u> | <u>Will Fit SN</u> | <u>Remarks</u> |
|------------|-----------------|--|-----------------------------|--------------------|----------------|
| 1          | PTS-8106        | 1-3/4 x 20-spline x 1-3/8 6-spline gearbox (HC290) | 1                           |                    |                |
| 801        | PTS-8106-FH     | 1-3/4 x 20-spline Front Half 2600 Series (HC290)   | 1                           |                    |                |
| 802        | PTS-8106-RH     | 1-3/8 6-spline Rear Half 2600 Series (HC290)       | 1                           |                    |                |
| 803        | PTS-8106C       | Drive Shaft Yoke, 1 3/4 x 20 Spline                | 1                           |                    |                |
| 804        | PTS-8106A       | Cross & Bearing Kit                                | 1                           |                    |                |
| 805        | PTS-8106D       | Spring Pin 13 x 95                                 | 1                           |                    |                |
| 806        | PTS-8106E       | Inboard Yoke S5                                    | 1                           |                    |                |
| 807        | PTS-8106H       | Yoke 1 3/8-6 SPL.                                  | 1                           |                    |                |
| 808        | PTS-8106I       | Shield Cone 5 Rib                                  | 2                           |                    |                |
| 809        | PTS-8106J       | Outside Shield Tube Ovl                            | 1                           |                    |                |
| 810        | PTS-8106K       | Inside Shield Tube Round                           | 1                           |                    |                |
| 811        | PTS-8106L       | Bearing Ring SC35                                  | 2                           |                    |                |
| 812        | PTS-1002K       | PTO Shield Safety Chain                            | 2                           |                    |                |
| 813        | PTS-1010K       | Screw  | 2                           |                    |                |



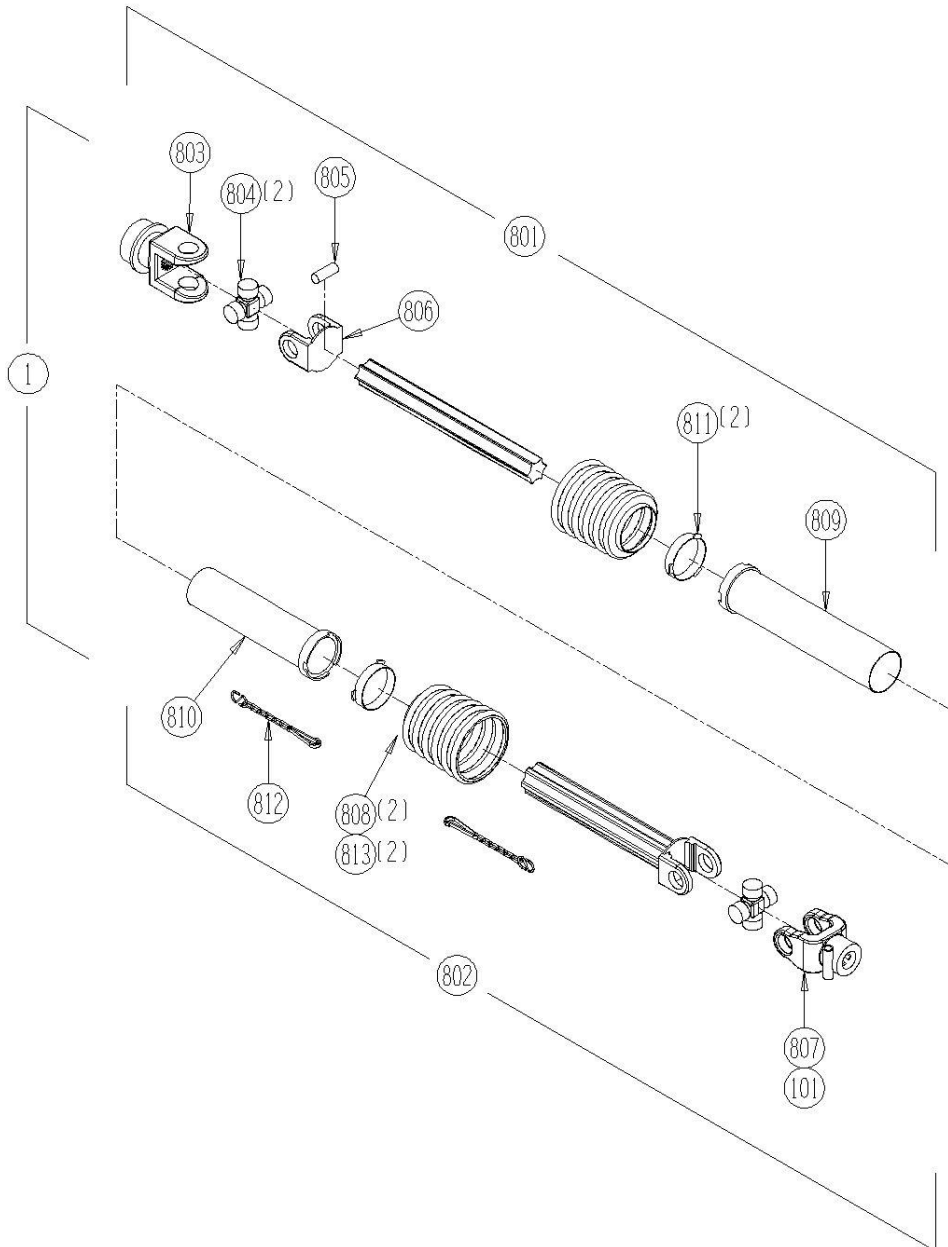
12011-01-04



# 12011-01-05 1 3/8-21 PTO (Optional)

| <u>Ref</u> | <u>Part No.</u> | <u>Description</u>                                   | <u>Parts –<br/>Assembly</u> | <u>Will Fit SN</u>    | <u>Remarks</u>   |
|------------|-----------------|--|-----------------------------|-----------------------|--|
| 1          | PTS-8100        | 1-3/8 21-spline, x 1-3/8 6-spline gearbox (HC290)    | 1                           |                       | IH MX Series Quick Hitch On<br>Ford New Hol. Quick Hitch Off<br>JD 7000 & 8000 both Hitch<br>configs<br>Case IH above 160 HP Quick H<br>on<br>Case IH Under 159 HP Both<br>Hitch configs |
| 801        | PTS-8100-FH     | 1-3/8 x 21-spline, Front Half for PTS-8100, PTS-4002 | 1                           |                       |  |
| 802        | PTS-8100-RH     | 1-3/8 x 6-Spline, Rear Half for PTS-8100, PTS-8101   | 1                           |                       |  |
| 803        | PTS-1002C       | PTO Yoke (Walterscheid) 1 3/8' x 21 spline           | 1                           | 19101-                | John Deere PN AW25386  |
| 804        | PTS-4001B       | Extended Lube Cross & Bearing Kit                    | 2                           | Walterscheid<br>Yokes | Replaces PTS-1002B   |
| 805        | PTS-3001-D      | Spring Pin 10x90                                     | 1                           |                       |  |
| 806        | PTS-4001IY      | Inboard Yoke, Tractor Half                           | 1                           |                       |  |
| 807        | PTS-8100-A      | 1-3/8 x 6-spline, Clamp Type                         | 1                           |                       |  |
| 808        | PTS-1002E       | 7 Rib PTO Shield Cone (Walterscheid)                 | 2                           | 19101-                |  |
| 809        | PTS-4001OS      | PTO Outer Shield (Walterscheid) Chili                | 1                           |                       |  |
| 810        | PTS-4001IS      | PTO Inner Shield (Walterscheid) Chili                | 1                           |                       |  |
| 811        | PTS-1002J       | PTO Shield Bearing Ring                              | 2                           |                       |  |
| 812        | PTS-1002K       | PTO Shield Safety Chain                              | 1                           |                       |  |
| 813        | PTS-1010K       | Screw  | 2                           |                       |  |

12011-01-05

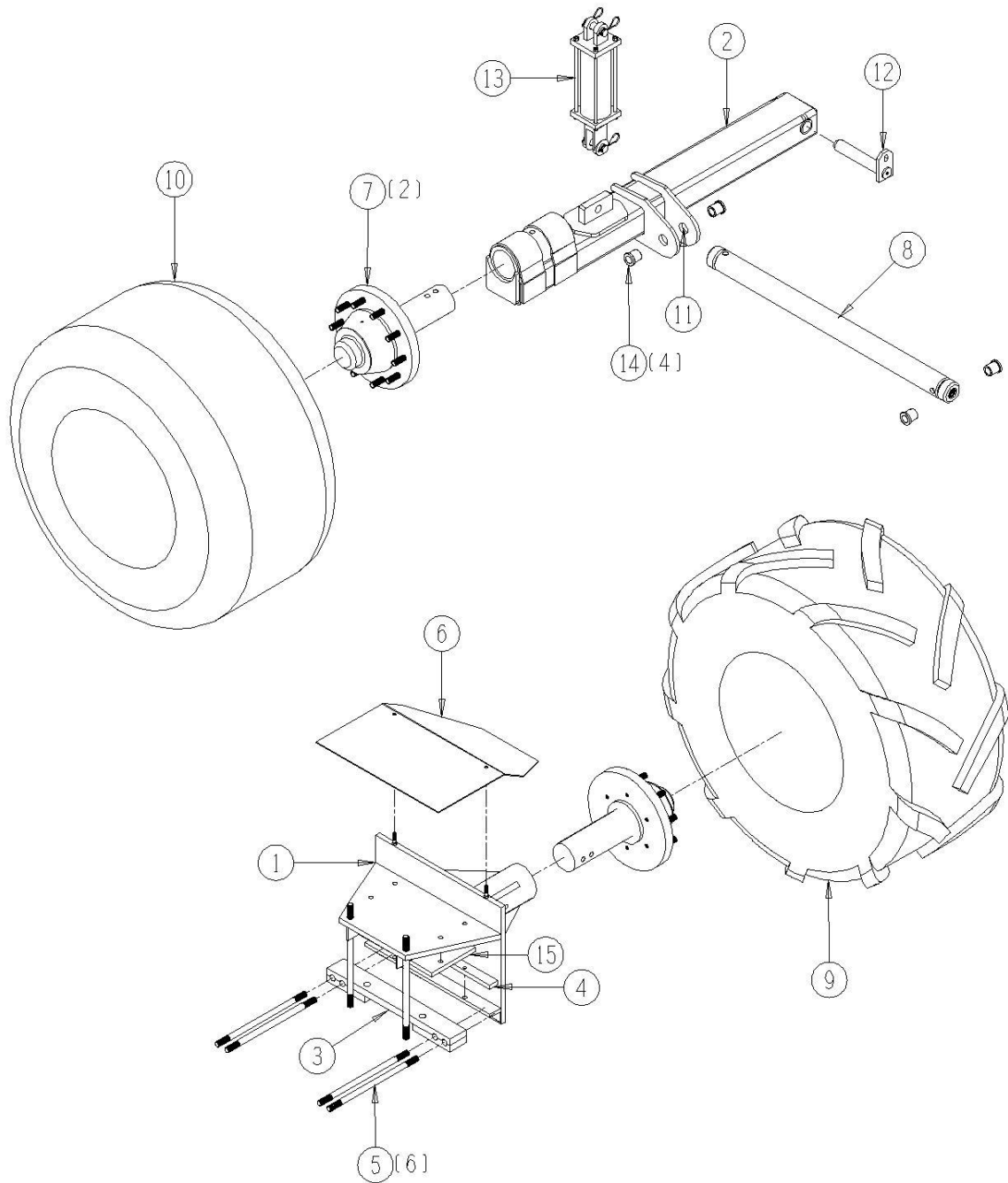


# 12012-01-06 Standard Axle Assembly

| <u>Ref</u> | <u>Part No.</u>   | <u>Description</u>  | <u>Parts –<br/>Assembly</u> | <u>Will Fit SN</u> | <u>Remarks</u>                                |
|------------|-------------------|---|-----------------------------|--------------------|---|
|            | BL-16-500-8       | 1' x 5' HH C/S G8 ZC  | 2                           |                    |   |
|            | BL-16-FW-8        | 1' Gr 8 Flat Washer   | 4                           |                    |   |
|            | BL-16-LN-8        | 1' Hex LN ZC, Grade 8                                       | 2                           |                    |   |
| 1          | WHA-9000          | Wheel Axle, Header Side, 240 Harvester                      | 1                           |                    |   |
| 2          | FRM-9007          | Axle, R.H., 240 Tomato Harvester                            | 1                           |                    |   |
| 3          | BAR-9000          | Bar Support, Single Tire Under Header, 240 Tomato Harvester | 1                           |                    |   |
| 4          | SPA-1203          | Spacer, Bottom, Header Side, 190 Tom.                       | 1                           |                    |   |
| 5          | BL-12-1600-SUS-G8 | 1/2-10 x 16' Setup Stud 2' Min Thrd @ Ends, Gr8             | 6                           |                    |   |
| 6          | SHD-1201          | Shield, Single Wheel, Header, Tom.                          | 1                           |                    |   |
| 7          | WHL-1210          | Hub and Spindle Assembly 10 Bolt                            | 2                           |                    | 4' Spindle 18K Rated                          |
| 8          | WHL-9000          | Stabilizer Arm, Axle 240 Tomato Harvester                   | 1                           |                    |   |
| 9          | WHM-9001          | Large Single Wheel, 710/60-34                               | 1                           |                    |   |
| 10         | WHM-7101          | 550/60-22.5 Tire & Wheel Assy                               | 1                           | 1190               |   |
| 11         | HA-2012           | Rod End, 1 1/4-12 male RH HD                                | 2                           |                    |   |
| 12         | 191-1112          | Axle Pin  | 1                           | 19101-             |   |
| 13         | HC-400-08         | Tie Rod Cylinder, 4' x 8', #8 SAE Port                      | 1                           |                    | Seal Kit Part No. HC-400-08-SK (PMCK-B400000) |
| 14         | SPA-9002          | Spacer, Axle, 240 Tomato Harvester                          | 4                           |                    |   |
| 15         | SPA-9003          | Spacer Bar, Axle, 240 Tomato Harvester                      | 1                           |                    |   |
| 100        | BL-10-500-H       | 5/8-11 X 5 HEX CAP G5 ZC                                    | 1                           |                    |   |
| 101        | BL-10-600-H       | 5/8-11 X 6 HEX CAP G5 ZC                                    | 1                           |                    |   |
| 102        | BL-10-LN          | 5/8-11 HEX LN NE ZC   | 2                           |                    |   |
| 103        | BL-12-FW          | 1/2' Flat Washer  | 12                          |                    |   |
| 104        | BL-12-LW          | 1/2' Lock Washer  | 6                           |                    |   |
| 105        | BL-12-N           | 1/2' Nut  | 12                          |                    |   |
| 106        | BL-6-FW           | 3/8 USS FW ZC   | 8                           |                    |   |
| 107        | BL-6-LN           | 3/8 UNC FIN HEX LOCK NUT NE A563 GrA ZINC                   | 2                           |                    |   |
| 108        | BL-6-N            | 3/8-16 HEX NUTS ZC  | 2                           |                    |   |
| 109        | BL-8-350-H        | 1/2-13 X 3 1/2 HEX CAP G5 ZC                                | 8                           |                    |   |

|     |            |  |    |
|-----|------------|--|----|
| 110 | BL-8-LN    | 1/2-13 HEX LOCK NUT NYLON INSERT ZC      | 8  |
| 111 | BL-8-FW    | 1/2 USS FW ZC                            | 22 |
| 112 | BL-8-100-H | 1/2-13 X 1 HEX CAP G5 ZC                 | 6  |
| 113 | BL-8-LW    | 1/2 SPLIT LW ZC                          | 6  |
| 114 | BL-8-SW-8  | 1/2 SAE FW G8 ZC                         | 6  |
| 115 | BL-20-JN   | 1 1/4' UNC FIN HEX JAM NUT A563 GrA ZINC | 2  |
| 800 | WHL-1210M  | Spindle                                  | 1  |

12012-01-06



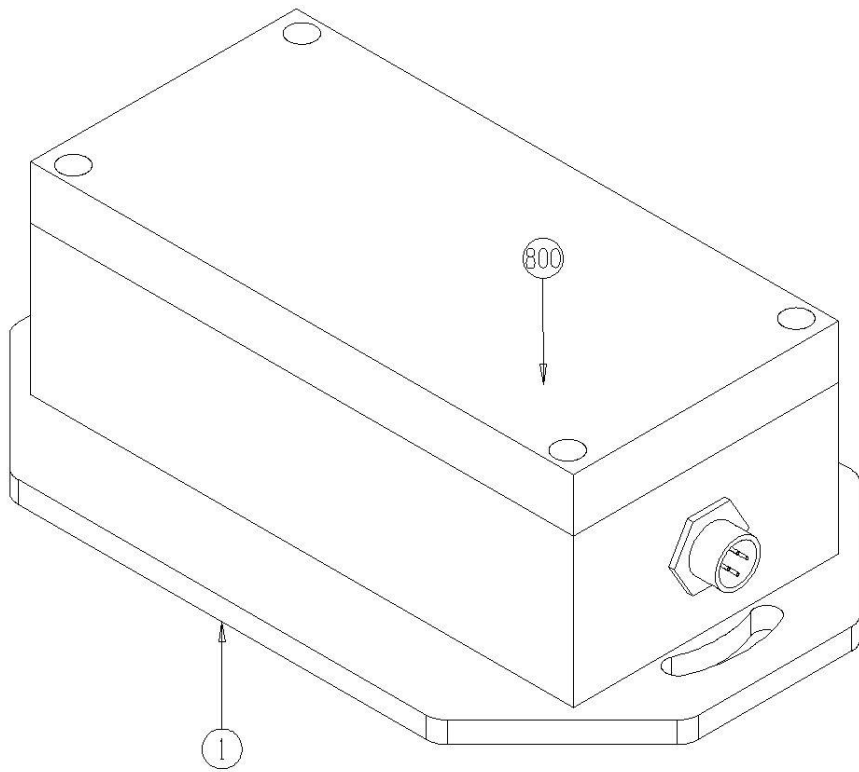


# 12011-01-20 Automatic Leveling Assembly

| <u>Ref</u> | <u>Part No.</u> | <u>Description</u>                    | <u>Parts –<br/>Assembly</u> | <u>Will Fit SN</u> | <u>Remarks</u> |
|------------|-----------------|---------------------------------------|-----------------------------|--------------------|----------------|
| 1          | ELS-1256        | Machine Leveler, Complete             | 1                           | 190 &<br>HC290     | Use ELS-1253   |
| 800        | DC-191-LV       | Decal, Level Control Box, Tomato, '97 | 1                           |                    |                |



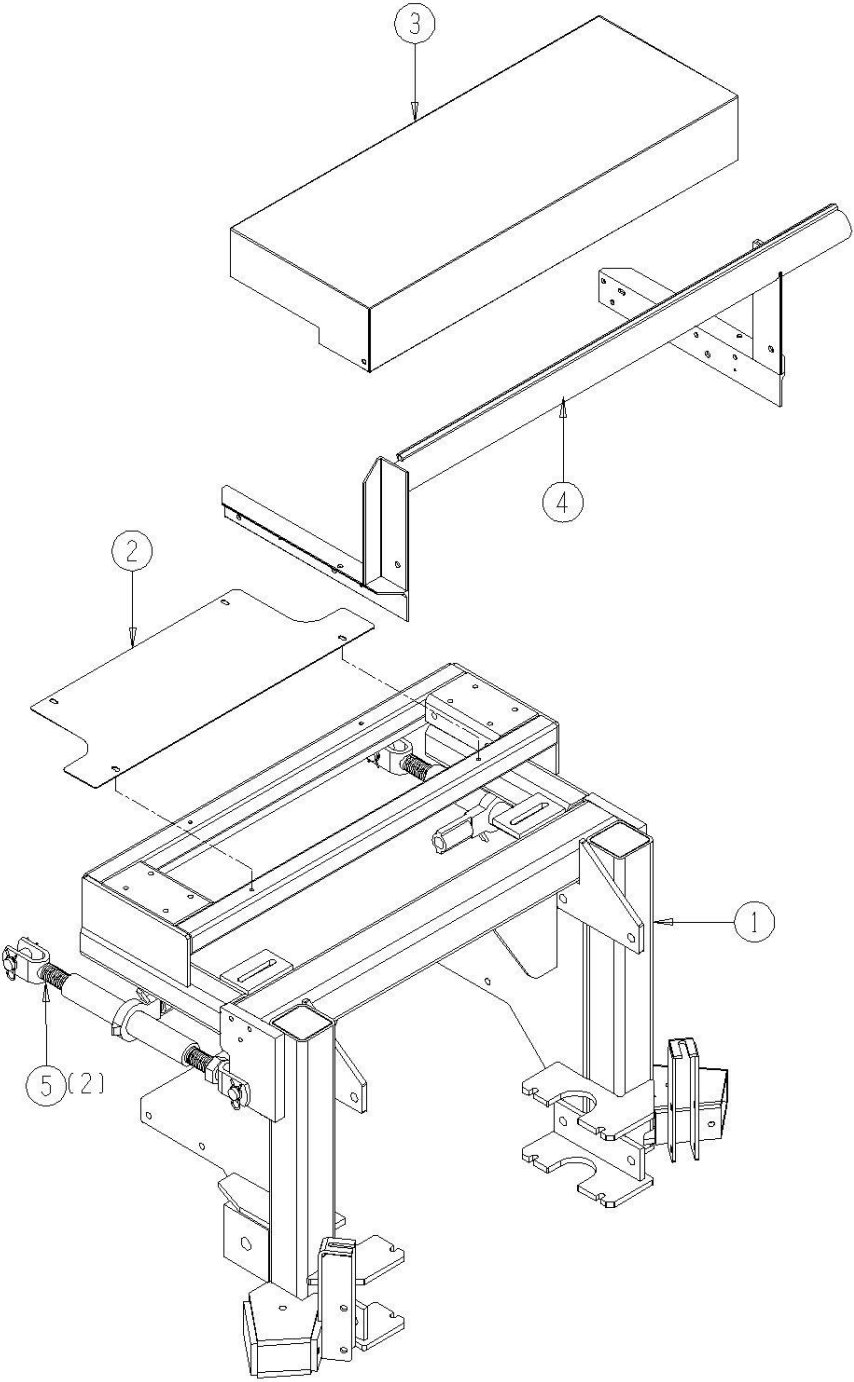
12011-01-20



# 12011-02-01 Disk Header Frame Assembly

| <u>Ref</u> | <u>Part No.</u> | <u>Description</u>                 | <u>Parts –<br/>Assembly</u> | <u>Will Fit SN</u> | <u>Remarks</u> |
|------------|-----------------|------------------------------------|-----------------------------|--------------------|----------------|
| 1          | FRM-9100        | Disk Header, 240 Harvester         | 1                           |                    |                |
| 2          | SHD-9100        | Top Bearing Cover, 240 Harvester   | 1                           |                    |                |
| 3          | SHD-9101        | Disk Shield, 240 Harvester         | 1                           |                    |                |
| 4          | BAR-9100        | HHC Mount, 240 Harvester           | 1                           |                    |                |
| 5          | TL-1541         | Top Link Ratchet Handle 20-28in.   | 2                           | TL-1541            |                |
| 6          | DC-1176         | Decal, Danger-Hand Chain Sprockets | 2                           |                    |                |
| 7          | DC-1184         | Danger Decal, 3' x 16'             | 1                           |                    |                |
| 8          | DC-ARROW        | Decal, Yellow Direction Arrow      | 2                           |                    |                |

12011-02-01

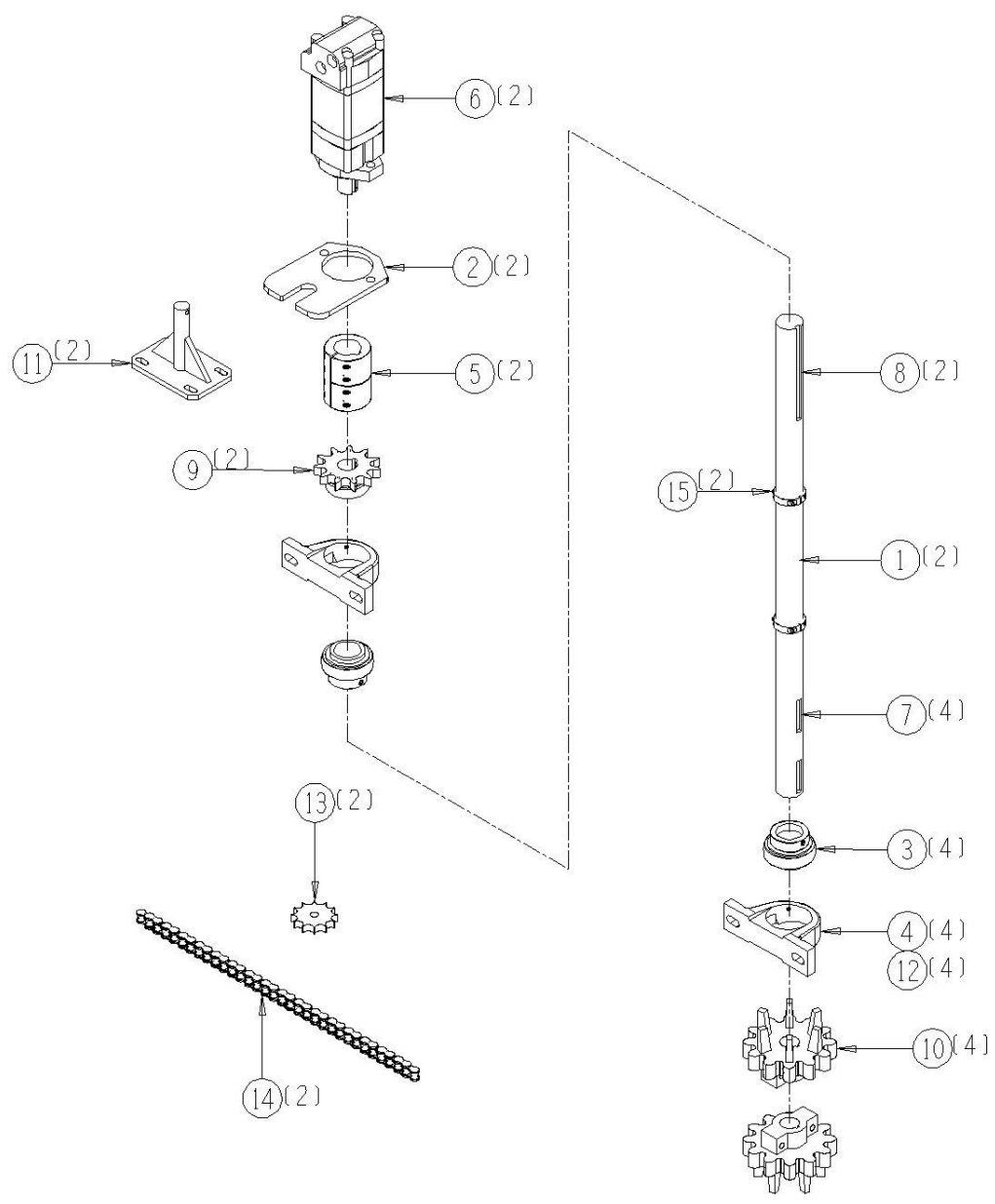


# 12011-02-02 Disk Drive Shaft Assembly

| <u>Ref</u> | <u>Part No.</u> | <u>Description</u>  | <u>Parts –<br/>Assembly</u> | <u>Will Fit SN</u> | <u>Remarks</u>         |
|------------|-----------------|---|-----------------------------|--------------------|------------------------|
|            | ADJ-8204        | Adjuster, Roller Chain, Disk Header, HC 290                         | 2                           |                    |                        |
|            | RLA-006-078     | Bushing 1/2' x 5/8' x .75'  | 2                           |                    |                        |
| 1          | SFT-8250        | Gathering Chain Shaft, Tomato 1-3/4 Shaft                           | 2                           |                    |                        |
| 2          | ARM-1420        | Arm, Short Mount, Motor w/ SAE A Two Bolt Pad                       | 2                           |                    |                        |
| 3          | BR-175-085      | Fafnir Bearing 1 3/4 Tri Seal                                       | 4                           |                    |                        |
| 4          | BR-085-RAK      | Bearing Housing 85 mm   | 4                           |                    |                        |
| 5          | CPS-2820        | Steel Coupler 1 3/4' x 1 1/4' ID with 3/8' Keyway on 1 3/4' ID      | 2                           |                    |                        |
| 6          | HM-1420-CH      | Char Lynn Motor   | 2                           |                    |                        |
| 7          | KEY-5-6-24      | Keystock 5/16 x 3/8 x 1 1/2   | 4                           |                    | 5/16 x 3/8 x 1.5' Long |
| 8          | KEY-6-6-24      | Keystock 3/8' x 3/8' x 1 1/2' Square Cut (1018)                     | 2                           |                    |                        |
| 9          | SP-80B11-28-6   | Hardened Tooth Sprocket, #80, 11 Tooth, 1.75' Bore with 3/8' Keyway | 2                           |                    |                        |
| 10         | SP-3612-28-6-H  | 36-12 Heat Treated Sprocket   | 4                           |                    |                        |
| 11         | STP-1228        | Stop, Motor, Arm Mounted, High Tor. Motors                          | 2                           |                    |                        |
| 12         | GF-1428         | Grease Fitting 1/4' x 28 straight                                   | 4                           |                    |                        |
| 13         | SP-8012-T       | #80 Idler Sprocket  | 2                           |                    |                        |
| 14         | CH-80-51        | Roller Chain #80 51 Pitches Disk Header (Tomato)                    | 2                           |                    |                        |
| 15         | SC-28-2         | Shaft Collar, 2 piece 1 3/4' bore                                   | 2                           |                    |                        |
| 100        | BL-8-175-H8     | 1/2 x 1 3/4', Grade 8, Hex Head                                     | 4                           |                    |                        |
| 101        | BL-8-LNS        | 1/2 Stover Lock Nut   | 4                           |                    |                        |
| 801        | KEY-5-5-20      | Shaft Key 5/16' sq x 1 1/4' Square Cut (1018)                       | 0                           |                    |                        |



12011-02-02

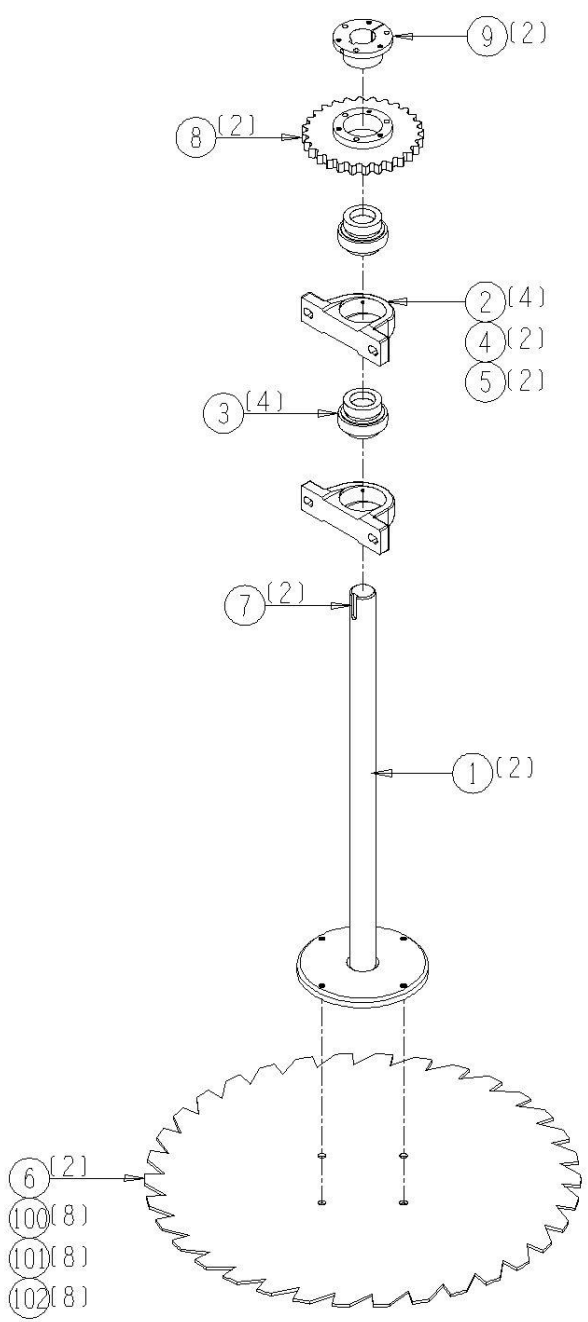


# 12011-02-03 34in Standard Disk Shaft Assembly

| <u>Ref</u> | <u>Part No.</u> | <u>Description</u>                                      | <u>Parts –<br/>Assembly</u> | <u>Will Fit SN</u> | <u>Remarks</u>      |
|------------|-----------------|---|-----------------------------|--------------------|---------------------|
| 1          | 191-131         | Shaft, Disk   | 2                           |                    |                     |
| 2          | BR-100-RAK      | Bearing Housing 100 mm                                  | 4                           | 11001              |                     |
| 3          | BR-200-100I     | Bearing, 2' ID, TS                                      | 4                           |                    | Replaces BR-200-100 |
| 4          | GF-1428         | Grease Fitting 1/4' x 28 straight                       | 2                           |                    |                     |
| 5          | GF-1428-90      | Grease Fitting 1/4' x 28 90                             | 2                           |                    |                     |
| 6          | HD-140-34-34    | Header Disk, 34',34 Notches, AR400                      | 2                           |                    |                     |
| 7          | KEY-8-8-40      | Shaft Key 1/2' x 1/2' x 2 1/2'                          | 2                           |                    |                     |
| 8          | SP-80SF28       | Hardened Tooth Sprocket, #80, 28 Tooth, Uses SF Bushing | 2                           |                    |                     |
| 9          | SP-SF-2         | Bushing, SF x 2'  | 2                           |                    |                     |
| 100        | BL-8-FW-8       | 1/2 FLAT WASHER G8 ZC                                   | 8                           |                    |                     |
| 101        | BL-8-LW         | 1/2 SPLIT LW ZC   | 8                           |                    |                     |
| 102        | BL-8-SW         | 1/2 SAE FW ZC   | 8                           |                    |                     |



12011-02-03



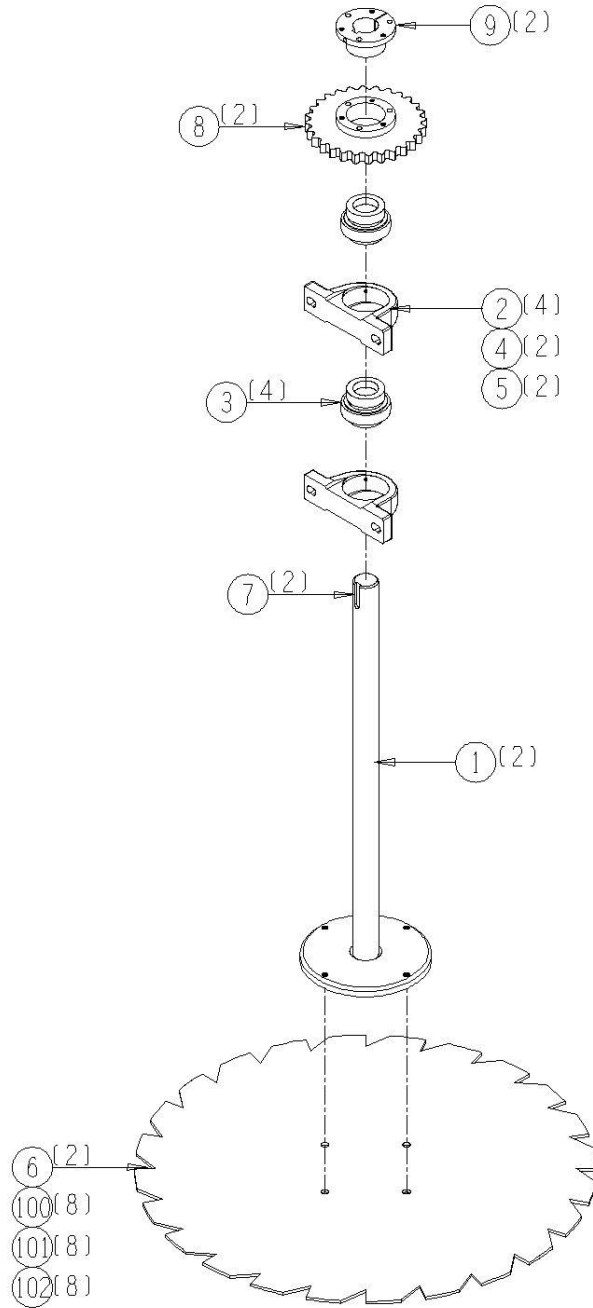
# 12011-02-04 36in Optional Disk Shaft Assembly

| <u>Ref</u> | <u>Part No.</u> | <u>Description</u>                                      | <u>Parts –<br/>Assembly</u> | <u>Will Fit SN</u> | <u>Remarks</u>      |
|------------|-----------------|---|-----------------------------|--------------------|---------------------|
| 1          | 191-131         | Shaft, Disk   | 2                           |                    |                     |
| 2          | BR-100-RAK      | Bearing Housing 100 mm                                  | 4                           | 11001              |                     |
| 3          | BR-200-100I     | Bearing, 2" ID, TS                                      | 4                           |                    | Replaces BR-200-100 |
| 4          | GF-1428         | Grease Fitting 1/4" x 28 straight                       | 2                           |                    |                     |
| 5          | GF-1428-90      | Grease Fitting 1/4" x 28 90                             | 2                           |                    |                     |
| 6          | HD-140-06       | 36" Header Disk   | 2                           |                    | MADE FROM AR 400    |
| 7          | KEY-8-8-40      | Shaft Key 1/2" x 1/2" x 2 1/2"                          | 2                           |                    |                     |
| 8          | SP-80SF28       | Hardened Tooth Sprocket, #80, 28 Tooth, Uses SF Bushing | 2                           |                    |                     |
| 9          | SP-SF-2         | Bushing, SF x 2"  | 2                           |                    |                     |
| 100        | BL-8-FW-8       | 1/2 FLAT WASHER G8 ZC                                   | 8                           |                    |                     |
| 101        | BL-8-LW         | 1/2 SPLIT LW ZC   | 8                           |                    |                     |
| 102        | BL-8-SW         | 1/2 SAE FW ZC   | 8                           |                    |                     |





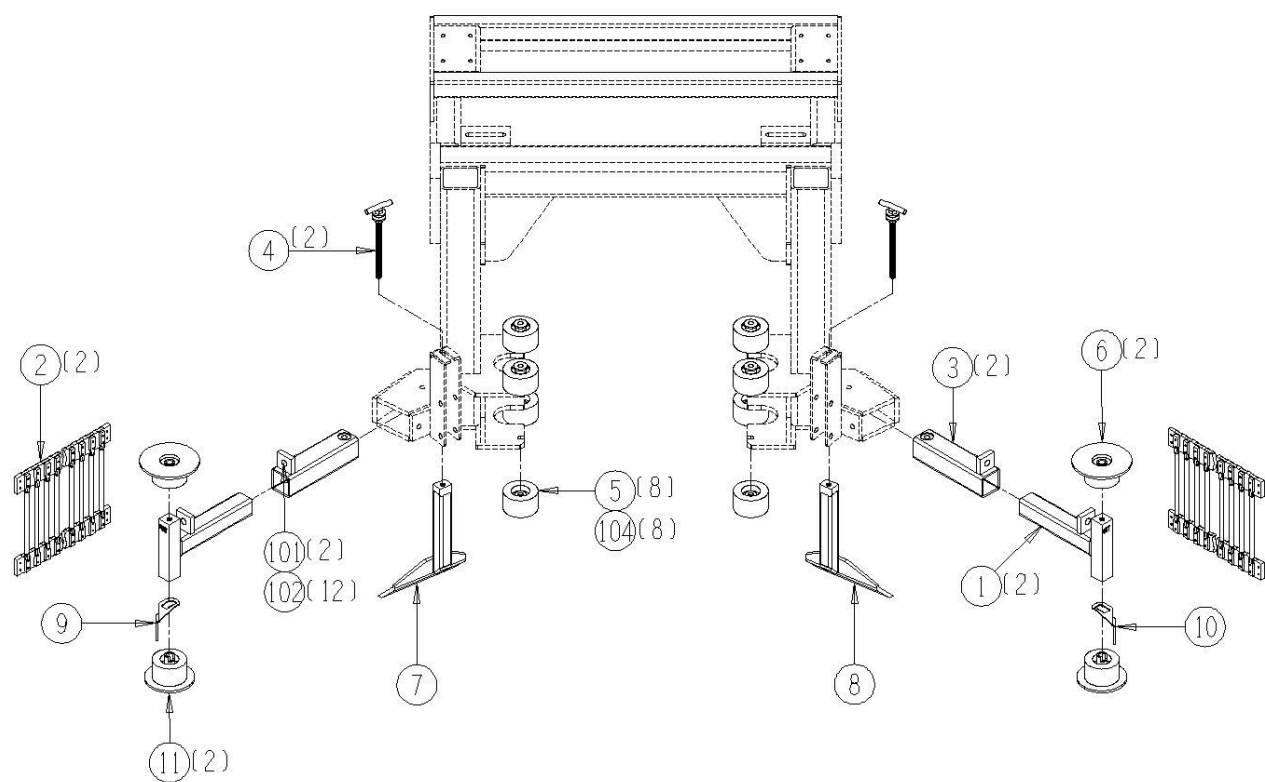
12011-02-04



# 12011-02-05 Gathering Chain Assembly

| <u>Ref</u> | <u>Part No.</u> | <u>Description</u>  | <u>Parts –<br/>Assembly</u> | <u>Will Fit SN</u> | <u>Remarks</u> |
|------------|-----------------|---|-----------------------------|--------------------|----------------|
|            | BL-6-100-H-8    | 3/8-16 X 1 HEX CAP GR8ZC                                      | 6                           |                    |                |
|            | SCR-9102        | 240, Scraper Edge   | 2                           |                    |                |
| 1          | BRA-9101        | Roller Mount, Gathering Chain, 240 Harvester                  | 2                           |                    |                |
| 2          | BC-6-1236-60    | Gathering chain, 3/8 bars 12in wide x 60 links 36mm           | 2                           |                    |                |
| 3          | BRA-9100        | Gathering Chain Bracket                                       | 2                           |                    |                |
| 4          | ADJ-9100        | Adjuster, Disk Scraper, 240 Harvester                         | 2                           |                    |                |
| 5          | RLT-035-228     | Roller 3.5 dia x 2.2 x 1/2' bore, no flange                   | 8                           |                    |                |
| 6          | RLT-635-2210-RV | 6' Flange Roller 2.2WF 3.5 Dia, 5/8' Bore w/Inverted Spindle  | 2                           |                    |                |
| 7          | SCR-9100        | Disk Scraper, LH, 240 Harvester                               | 1                           |                    |                |
| 8          | SCR-9101        | Disk Scraper, RH, 240 Harvester                               | 1                           |                    |                |
| 9          | RLA-3023-T      | Straight Scraper, RH  | 1                           |                    |                |
| 10         | RLA-3024-T      | Straight Scraper  | 1                           |                    |                |
| 11         | RLT-535-2210-SC | 5' Flange Roller 2.2 WF 3.5 dia, 5/8' bore w/ Hub for Scraper | 2                           |                    |                |
| 12         | HA-1052         | Hyd, Cover Plate  | 1                           | 19101-             |                |
| 101        | BL-10-600-T     | 5/8-11 X 6 HEX TAP G8 ZC                                      | 2                           |                    |                |
| 102        | BL-10-N         | 5/8-11 HEX FIN NUTS ZC  | 12                          |                    |                |
| 103        | BL-8-1100-H8    | 1/2-13 x 11 HEX CAP G8 ZC                                     | 2                           |                    |                |
| 104        | BL-8-LN         | 1/2-13 HEX LOCK NUT NYLON INSERT ZC                           | 8                           |                    |                |

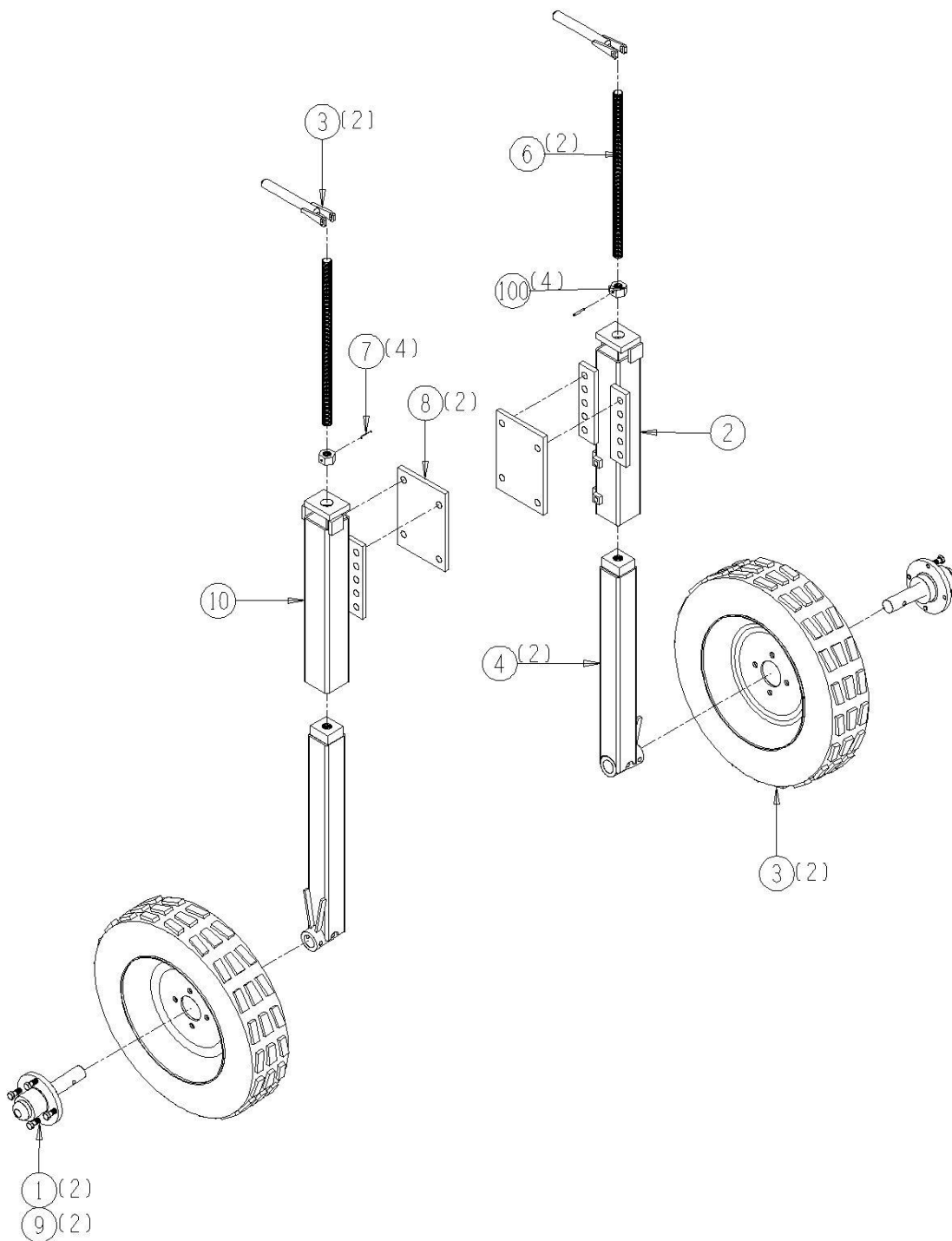
12011-02-05



# 12011-02-07 Gauge Wheel Assembly

| <u>Ref</u> | <u>Part No.</u> | <u>Description</u>                            | <u>Parts –<br/>Assembly</u> | <u>Will Fit SN</u> | <u>Remarks</u>      |
|------------|-----------------|---|-----------------------------|--------------------|---------------------|
| 1          | WHL-190         | Gauge Wheel Hub and Spindle Complete          | 2                           |                    |                     |
| 2          | WHL-9100        | Gauge Wheel Mount, 240 Harvester              | 1                           |                    |                     |
| 3          | WHL-192-H       | Gauge Wheel 480-12 (Heavy Duty)               | 2                           |                    |                     |
| 4          | WHL-6139        | Gauge Wheel, 2010 290 Tomato Harvester        | 2                           |                    |                     |
| 5          | ADJ-8202        | Adjuster, Handle, Gauge Wheel, HC290 Tomato   | 2                           |                    |                     |
| 6          | ADJ-8203        | Threaded Rod W/ Holes, Gauge Wheel, HC290     | 2                           |                    |                     |
| 7          | PIN-3-20        | Roll Pin 3/16 x 1-1/4 Stainless Steel         | 4                           |                    | Sold in Pkg. of 100 |
| 8          | BAR-9101        | Backing Bar, Gauge Wheel Mount, 240 Harvester | 2                           |                    |                     |
| 9          | WHL-178         | Bearing Protector @Pair                       | 2                           |                    |                     |
| 10         | WHL-9101        | Gauge Wheel Mount, RH, 240 Harvester          | 1                           |                    |                     |
| 100        | BL-14-N-HOLE    | Nut W/ Holes, Disk Header                     | 4                           |                    |                     |
| 101        | BL-4-FW         | 1/4 USS FW ZC                                 | 4                           |                    |                     |
| 102        | BL-4-LN         | 1/4-20 HEX LN NE ZC                           | 2                           |                    |                     |
| 103        | BL-4-200-H      | 1/4-20 X 2 HEX CAP G5 ZC                      | 2                           |                    |                     |

12011-02-07



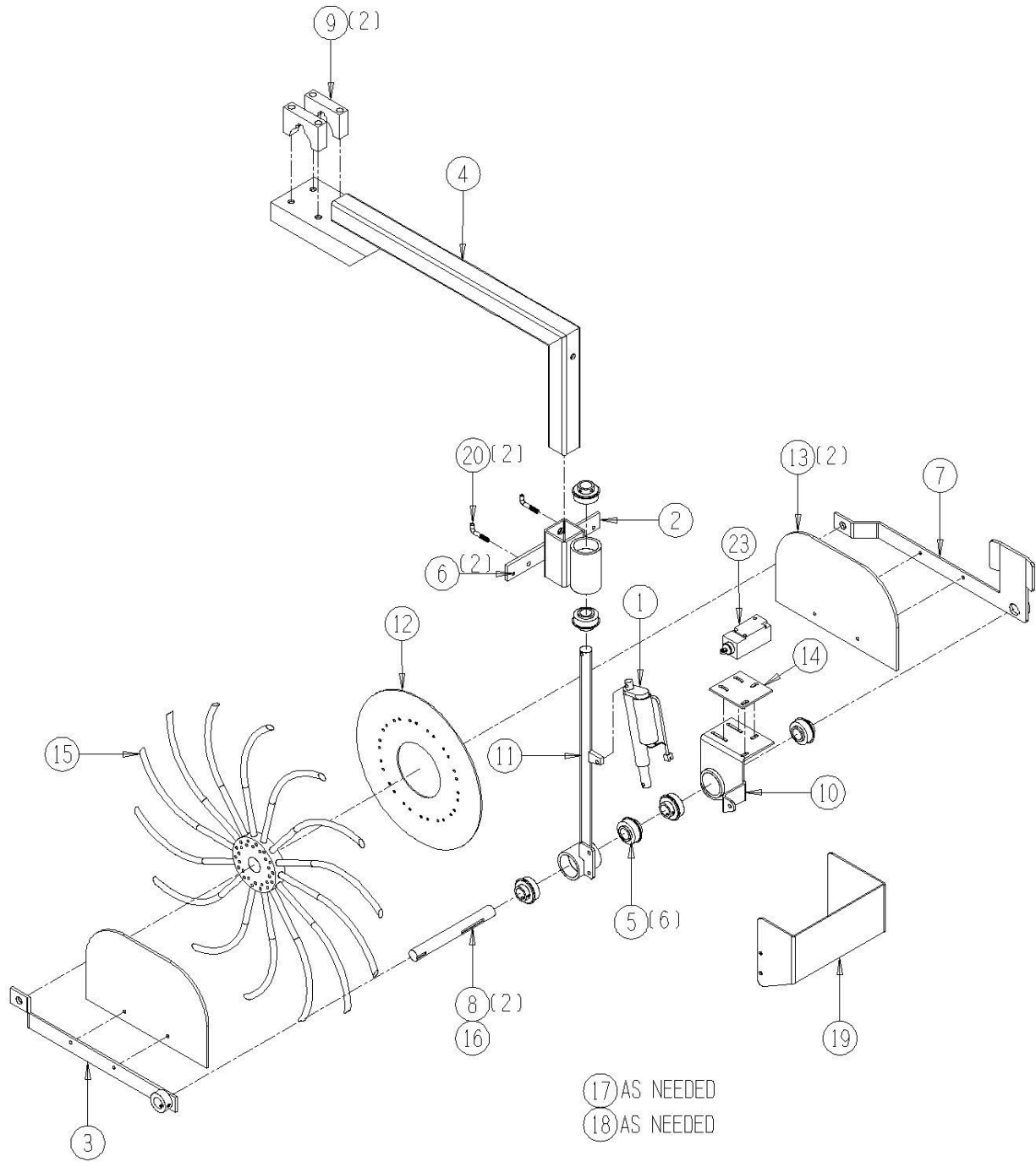
# 12011-02-71 Dual Header Height Control Assembly

| <u>Ref</u> | <u>Part No.</u> | <u>Description</u>                                   | <u>Parts –<br/>Assembly</u> | <u>Will Fit SN</u> | <u>Remarks</u> |
|------------|-----------------|--|-----------------------------|--------------------|----------------|
| 1          | ACT-042B-2      | Actuator, Wired For any Length Harness, 08 and Later | 2                           |                    |                |
| 2          | ADJ-HC99        | Adjuster, Wheel Control Height Adj, HHC              | 2                           |                    |                |
| 3          | ARM-HC99R       | Arm, Right, Control Wheel, HHC                       | 2                           |                    |                |
| 4          | BAR-9023        | Bar, AHHC Trailing Wheel Mount                       | 2                           |                    |                |
| 5          | BR-100-ER       | Bearing, 1" ER                                       | 12                          |                    |                |
| 6          | CH-3-28         | 3/16 LINK CHAIN 28 LINKS                             | 4                           |                    |                |
| 7          | ARM-0069        | HHC Arm, Electronic Header Height                    | 2                           |                    |                |
| 8          | KEY-4-4-12      | SHAFT KEY 1/4"x3/4" SQUARE CUT (1018)                | 4                           |                    |                |
| 9          | MOU-103         | Mount, Wheel Arm Bar Support, HHC, Cuc & Tom         | 4                           |                    |                |
| 10         | ARM-0070        | Switch Mount, HHC                                    | 2                           |                    |                |
| 11         | MOU-HC03        | Mount, Trailing Wheel Arms, HHC, 2003                | 2                           |                    |                |
| 12         | PL-6192         | Depth Disk Wheel, 14.375 Dia.                        | 2                           |                    |                |
| 13         | PL-HC99         | Plastic, Chain Guard Wheel Arm, HHC                  | 4                           |                    |                |
| 14         | ARM-1007        | Sensor Arm   | 2                           |                    |                |
| 15         | WHL-HHC-99      | Spider Wheel Assembly                                | 2                           |                    |                |
| 16         | SFT-HC07        | HHC Shaft  | 2                           |                    |                |
| 17         | WT-14           | Wire Tie 14 1/4"                                     | 25                          |                    |                |
| 18         | WT-7            | Wire Tie 7"  | 25                          |                    |                |
| 19         | SHD-HC07        | HHC Sheild, Electronic Switch                        | 2                           |                    |                |
| 20         | SUP-8100        | Support, Wheel Hold Up, Header Height, HC290         | 4                           |                    |                |
| 21         | ELC-042B-28     | Actuator Cable Only 28" 08 to Present                | 1                           |                    |                |
| 22         | ELC-042B-19     | Actuator Cable Only 19" 08 to Present                | 1                           |                    |                |
| 23         | ELC-1008        | Rotary Sensor, Single Output BEI                     | 2                           |                    |                |
| 27         | ELC-1008-C      | Wiring Harness For ELC-1008                          | 2                           |                    |                |
| 28         | ELC-1006        | Valve Driver, PVD3D2R                                | 2                           |                    |                |
| 29         | SFT-HC12        | Shaft, EHHC Control, Tomato Harvester                | 2                           |                    |                |
| 30         | CPL-1006        | Helical Beam Shaft Coupling 1/4x3/8                  | 2                           |                    |                |
| 31         | SFT-HC11        | Shaft, HHC Control                                   | 2                           |                    |                |

|     |                |  |    |
|-----|----------------|--|----|
| 100 | BL-1224-087-DT | 12-24 x 7/8 Drill and Tap Screw              | 4  |
| 101 | BL-4-050-H     | 1/4-20 X 1/2 HEX CAP G5 ZC                   | 8  |
| 102 | BL-4-100-H     | 1/4-20 X 1 HEX CAP G5 ZC                     | 8  |
| 103 | BL-4-125-H     | 1/4-20 X 1 1/4 HEX CAP G5 ZC                 | 4  |
| 104 | BL-4-175-H     | 1/4-20 X 1 3/4 HEX CAP G5 ZC                 | 2  |
| 105 | BL-4-400-H     | 1/4-20 X 4 HEX CAP G5 ZC                     | 8  |
| 106 | BL-4-FW-8      | 1/4" Flat Washer Grade 8                     | 40 |
| 107 | BL-4-LN        | 1/4-20 HEX LN NE ZC                          | 28 |
| 108 | BL-4-LW        | 1/4 SPLIT LW ZC                              | 8  |
| 109 | BL-5-031-SC    | 5/16-18 x 5/16 Knurled Point Set Screw       | 16 |
| 110 | BL-6-100-H     | 3/8 UNC X 1 HH C/S BOLT GR5 ZINC             | 8  |
| 111 | BL-6-125-H     | 3/8-16 X 1 1/4 HHCS G5 ZC                    | 8  |
| 112 | BL-6-LN        | 3/8 UNC FIN HEX LOCK NUT NE A563 GrA ZINC    | 14 |
| 113 | BL-6-LW        | 3/8 SPLIT LW ZC                              | 8  |
| 114 | BL-6-SW-8      | 3/8 SAE FW G8 ,Yellow Zinc, Thru Hardened    | 40 |
| 115 | BL-8-100-SQSS  | 1/2 x 1 Square Head Set Screw (USS)          | 4  |
| 116 | BL-8-475-H     | 1/2-13 X 4 3/4 HEX CAP G5 ZC                 | 8  |
| 117 | BL-8-FW-8      | 1/2 FLAT WASHER G8 ZC                        | 8  |
| 118 | BL-8-LN        | 1/2-13 HEX LOCK NUT NYLON INSERT ZC          | 10 |
| 119 | BL-8-SW-8      | 1/2 SAE FW G8 ZC                             | 10 |
| 120 | BL-10-325-H    | 5/8 UNC X 3 1/4 HH C/S BOLT GR ZINC          | 2  |
| 121 | BL-10-LN       | 5/8-11 HEX LN NE ZC                          | 2  |
| 122 | BL-10-SM       | 5/8 x 1 x 14ga Shim                          | 10 |
| 123 | BL-10-SW       | 5/8 SAE FW ZC @                              | 10 |
| 124 | BL-4-175-HFT   | 1/4-20 X 1-3/4 HEX CAP G5 ZC, Fully Threaded | 2  |
| 125 | BL-4-200-HFT   | 1/4-20 X 2 HEX CAP G5 ZC, Fully Threaded     | 2  |
| 126 | BL-4-N         | 1/4-20 HEX FIN NUTS ZC                       | 4  |
| 127 | BL-6-325-H     | 3/8 UNC X 3 1/2 HH C/S BOLT GR5 ZINC         | 6  |
| 128 | BL-8-150-H     | 1/2 UNC X 1 1/2 HH C/S BOLT GR5 ZINC         | 2  |
| 801 | WHL-6195A      | Spoke  | 0  |



12011-02-71







# 12011-02-71H Dual HHC Hydraulic Assembly

| <u>Ref</u> | <u>Part No.</u> | <u>Description</u>                            | <u>Parts –<br/>Assembly</u> | <u>Will Fit SN</u> | <u>Remarks</u> |
|------------|-----------------|---|-----------------------------|--------------------|----------------|
| 600        | H10-37-8MP-8MP  | 5/8" hose 1/2MP x 1/2MP x 37" long            | 2                           |                    |                |
| 601        | H4-150-6MP-6MP  | 1/4 in hose 3/8MP x 3/8MP x 150 in long       | 1                           |                    |                |
| 602        | H6-204-6MP-6MP  | 3/8 hose 3/8MP x 3/8MP x 204 in long          | 1                           |                    |                |
| 603        | HA-1031         | Hydraulic Hose Holder 3/8                     | 4                           |                    |                |
| 604        | HC-1129-A       | Hyd. Cyl Pin, 1" x 2 3/4" Between the Grooves | 8                           |                    |                |
| 605        | HC-1130B        | Hair Pin Clip                                 | 16                          |                    |                |



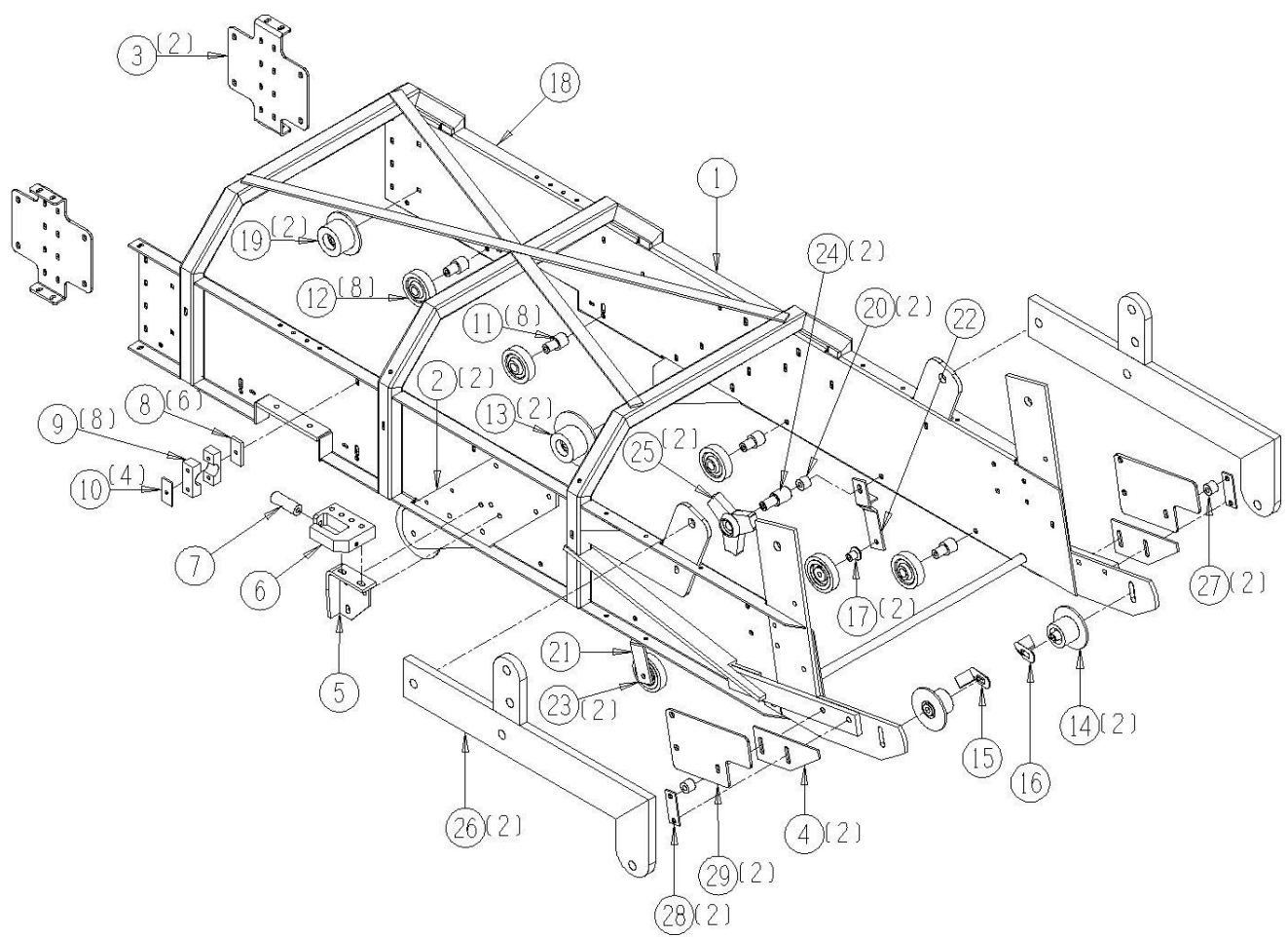
# 12011-03-01 Primary Header Assembly

| <u>Ref</u> | <u>Part No.</u> | <u>Description</u>  | <u>Parts –<br/>Assembly</u> | <u>Will Fit SN</u>        | <u>Remarks</u>  |
|------------|-----------------|---|-----------------------------|---------------------------|---|
| 1          | FRM-9200        | Frame, Lower Header Conveyor, 240 Tomato Harvester            | 1                           |                           |   |
| 2          | MOU-0095        | Header Side Bar, 190 Harvester                                | 2                           |                           |   |
| 3          | SUP-102         | Support, Header Side Rail Splice, 190                         | 2                           |                           |   |
| 4          | 191-142         | Scraper, Under Disk   | 2                           | 19101-                    |   |
| 5          | 195-101J        | Slide Guide Mount, Header                                     | 1                           | 19501-                    |   |
| 6          | BRA-190         | Bracket, Slide Guide, 190 Tomato                              | 1                           |                           |   |
| 7          | 192-107a        | Slide Guide Roller, 3.5' Long                                 | 1                           |                           |   |
| 8          | SPA-1050        | Spacer for Hydraulic Tube Mount                               | 6                           |                           |   |
| 9          | HA-1051         | Hyd, Clamp Halves   | 8                           | 19101-                    |   |
| 10         | HA-1052         | Hyd, Cover Plate  | 4                           | 19101-                    |   |
| 11         | RLA-010-0108    | Spindle / Standoff for Urethane Roller (heat treated)         | 8                           | 19101-                    |   |
| 12         | RLG-040-1016    | 4' Urethane Roller  | 8                           | Old Terog<br>Part No. RU4 |   |
| 13         | RLT-635-228     | 6 1/2' Flange Roller 2.2 WF 3.5 dia, 1/2' bore                | 2                           |                           |   |
| 14         | RLS-522-2010-SC | Steel Roller, 5' Flange, 2.2' Dia, 2' wide, w/Hub for Scraper | 2                           |                           | For use with<br>scrapers<br>RLA-3023-<br>TM (RH) and<br>RLA-3024-<br>TM (LH) only |
| 15         | RLA-3023-TM     | Scraper for Nose Roller, RH                                   | 1                           |                           | For use with<br>RLS-522-<br>2010-SC<br>roller only                                |
| 16         | RLA-3024-TM     | Scraper for Nose Roller, LH                                   | 1                           |                           | For use with<br>RLS-522-<br>2010-SC<br>roller only                                |
| 17         | RLA-000-118     | Standoff, 1/2' X 1 1/8'                                       | 2                           |                           |   |
| 18         | DC-1177         | Decal, Large White PIK RITE 8' x 58'                          | 1                           |                           |   |
| 19         | RLT-535-228     | 5' Flange Roller 2.2WF x 3 1/2' dia, 1/2' bore                | 2                           |                           |   |
| 20         | SPA-6131        | Spacer, Gathering Chain Assy, Rollers                         | 2                           | 60097001-                 |   |
| 21         | BRA-1936        | Bracket, Lower Roller for Header Chain (L.H.)                 | 1                           |                           |   |
| 22         | BRA-1938        | Bracket, Lower Roller for Header Chain (R.H.)                 | 1                           | 192-101K                  |   |
| 23         | RLR-040-108     | 4' Flat Roller  | 2                           |                           | Changed to Urethane in 2006   |
| 24         | RLA-015-308     | Spindle for 3 Point Shakers                                   | 2                           |                           |   |

|    |          |  |   |
|----|----------|--|---|
| 25 | RLT-324  | Rubber 3 Point Shaker                        | 2 |
| 26 | MOU-9100 | Disc Head Mount, 240 Tomato Harvester        | 2 |
| 27 | SPA-0040 | Spacer, Stripper Head, Cucumber              | 2 |
| 28 | BAR-8525 | Bar, Bolt-on, Primary Header, HC290 Tomato   | 2 |
| 29 | PL-8200  | Plastic Shield, Primary Header, HC290 Tomato | 2 |



12011-03-01





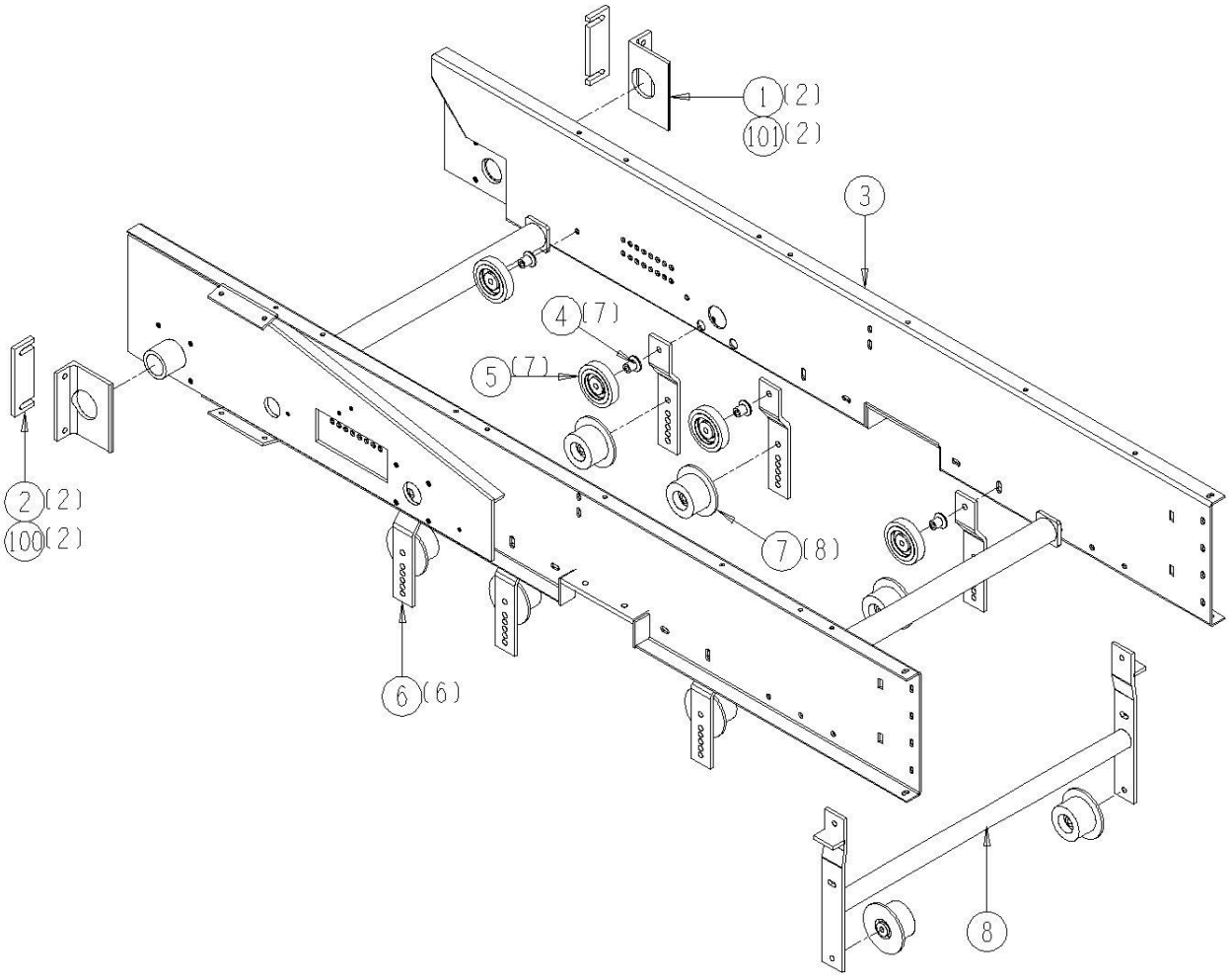
## 12011-03-02 Secondary Header Frame Assembly

| <u>Ref</u> | <u>Part No.</u> | <u>Description</u>                               | <u>Parts –<br/>Assembly</u> | <u>Will Fit SN</u> | <u>Remarks</u>              |
|------------|-----------------|--|-----------------------------|--------------------|-----------------------------|
| 1          | 191-106         | Bracket, Header Mount, Pivot                     | 2                           | 19101-             |                             |
| 2          | SPA-106-4       | Spacer, Header Mount, Pivot (Tomato)             | 0                           | 19201-             |                             |
| 2          | SPA-106-6       | Spacer, Header Mount, Pivot (Tomato)             | 0                           | 19201-             |                             |
| 2          | SPA-106-6-A     | Spacer   | 0                           | SPA-106-6          |                             |
| 2          | SPA-106-8       | Spacer, Header Mount, Pivot (Tomato)             | 2                           | 19201-             |                             |
| 3          | FRM-9201        | Header Conveyor, Upper, 240 Tomato Harvester     | 1                           |                    |                             |
| 4          | RLA-000-118     | Standoff, 1/2' X 1 1/8'                          | 7                           |                    |                             |
| 5          | RLR-040-108     | 4' Flat Roller                                   | 7                           |                    | Changed to Urethane in 2006 |
| 6          | BRA-8400        | Bracket, Hold Up Rollers                         | 6                           |                    |                             |
| 7          | RLT-535-228     | 5' Flange Roller 2.2WF x 3 1/2' dia, 1/2' bore   | 8                           |                    |                             |
| 8          | BAR-9201        | Bar, Hold Up, Header Chain, 240 Tomato Harvester | 1                           |                    |                             |
| 100        | BL-8-750-8      | 1/2-13 x 7 1/2 Grade 8 Hex Head Cap Screws       | 2                           |                    |                             |
| 101        | BL-8-650-8      | 1/2-13 X 6 1/2 GR8 HH BOLT                       | 2                           |                    |                             |





12011-03-02

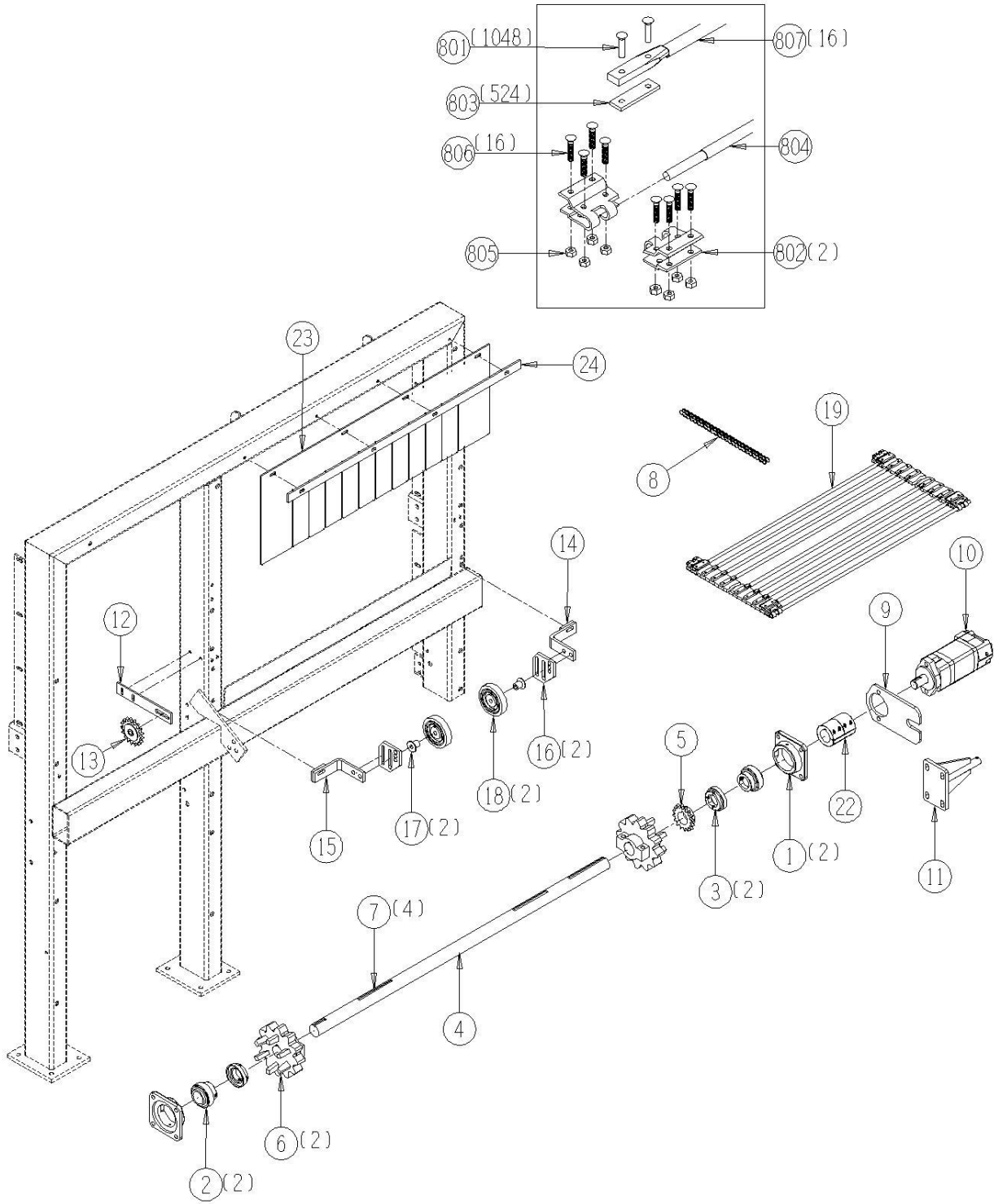


# 12011-03-03 Header Conveyor Drive Shaft Assembly

| <u>Ref</u> | <u>Part No.</u> | <u>Description</u>   | <u>Parts –<br/>Assembly</u> | <u>Will Fit SN</u>                 | <u>Remarks</u>  |
|------------|-----------------|--|-----------------------------|------------------------------------|---|
| 1          | BR-085-RCJ      | RCJ Bearing Housing  | 2                           | 11001                              |   |
| 2          | BR-175-085      | Fafnir Bearing 1 ¾ Tri Seal                                  | 2                           |                                    |   |
| 3          | BR-175-LC       | 1 ¾' Locking Collar - Bearing Protector                      | 2                           |                                    |   |
| 4          | SFT-9201        | Header Drive Shaft, 240 Tomato Harvester                     | 1                           |                                    |   |
| 5          | SP-50B16-28-6   | Hardened Tooth Sprocket, #50, 16 Tooth, 1.75' Bore           | 1                           | 11001                              |   |
| 6          | SP-4212-28-6-H  | Sprocket, 12T Drive #4212 1 ¾' Bore Heat Treated             | 2                           |                                    |   |
| 7          | KEY-6-6-24      | Keystock 3/8' x 3/8' x 1 1/2' Square Cut (1018)              | 4                           |                                    |   |
| 8          | CH-50-41        | Roller Chain 41 pitches #50 w/master link                    | 1                           |                                    |   |
| 9          | MOU-9201        | Motor Mount, Header, 240 Tomato Harvester                    | 1                           |                                    |   |
| 10         | HM-1228-TC      | TCI Motor  | 1                           | Direct Interchange with HM-400-OMS | Replaces HM-1228-CH, And HM-188R. Seal Kit # TCI-SKMLHS |
| 11         | STP-9201        | Motor Stop, Header, 240 Tomato Harvester                     | 1                           |                                    |   |
| 12         | 194-114         | Tightener Bracket  | 1                           | 19401-                             |   |
| 13         | SP-5017-T       | Idler, 17 tooth x #50 Chain                                  | 1                           |                                    |   |
| 14         | BRA-109         | Bracket Header Roller, Inner                                 | 1                           | BRA-109                            |   |
| 15         | BRA-112         | Bracket, Header Roller, Outer                                | 1                           | BRA-112                            |   |
| 16         | BRA-108         | Bracket Header Roller  | 2                           |                                    |   |
| 17         | RLA-000-118     | Standoff, 1/2' X 1 1/8'                                      | 2                           |                                    |   |
| 18         | RLR-040-108     | 4' Flat Roller   | 2                           |                                    | Changed to Urethane in 2006                             |
| 19         | BC-7-3642-265   | Header Chain, 42mm Pitch 265 Links Long, 240 Chain           | 1                           |                                    |   |
| 20         | HA-1031         | Hydraulic Hose Holder 3/8                                    | 2                           |                                    |   |
| 21         | BL-4-075-H      | 1/4 UNC X ¾ HH C/S BOLT GR5 ZINC                             | 2                           |                                    |   |
| 22         | CPS-2820        | Steel Coupler 1 ¾' x 1 1/4' ID with 3/8' Keyway on 1 ¾' ID   | 1                           |                                    |   |
| 23         | BT-9300         | Belting, Splash Guard, Header Entrance, 240 Tomato Harvester | 1                           |                                    |   |
| 24         | BAR-9300        | Bar, Belting, Shaker Entrance Flap                           | 1                           |                                    |   |
| 801        | RI-25-BC        | 25mm Belted Chain Rivets                                     | 1048                        |                                    |   |
| 802        | BC-F-42-32-UG   | Ultra Gold F Connecting Clips 42-32 @ pair                   | 2                           |                                    | Replaces BC-F-42-32                                     |
| 803        | BC-BP32         | Belt, Rivet backing plates 32mm                              | 524                         | 11001                              | Lap Splice Option, Used only with BC-1032-LN Lock Nuts  |

|     |            |   |    |       |                        |
|-----|------------|---|----|-------|------------------------|
| 804 | BC-7-36-CN | Connecting Rod, 11mm, 36' Wide Belted Chain,<br>60mm Traction Belts | 1  | 11001 | For Clip Splice Option |
| 805 | BC-1032-LN | 10-32 lock nuts   | 16 |       |                        |
| 806 | BC-1032-FS | 10-32 x 1 1/4' bolts Flat Socket Head                               | 16 |       |                        |
| 807 | KEY-5-5-20 | Shaft Key 5/16' sq x 1 1/4' Square Cut (1018)                       | 1  |       |                        |

12011-03-03

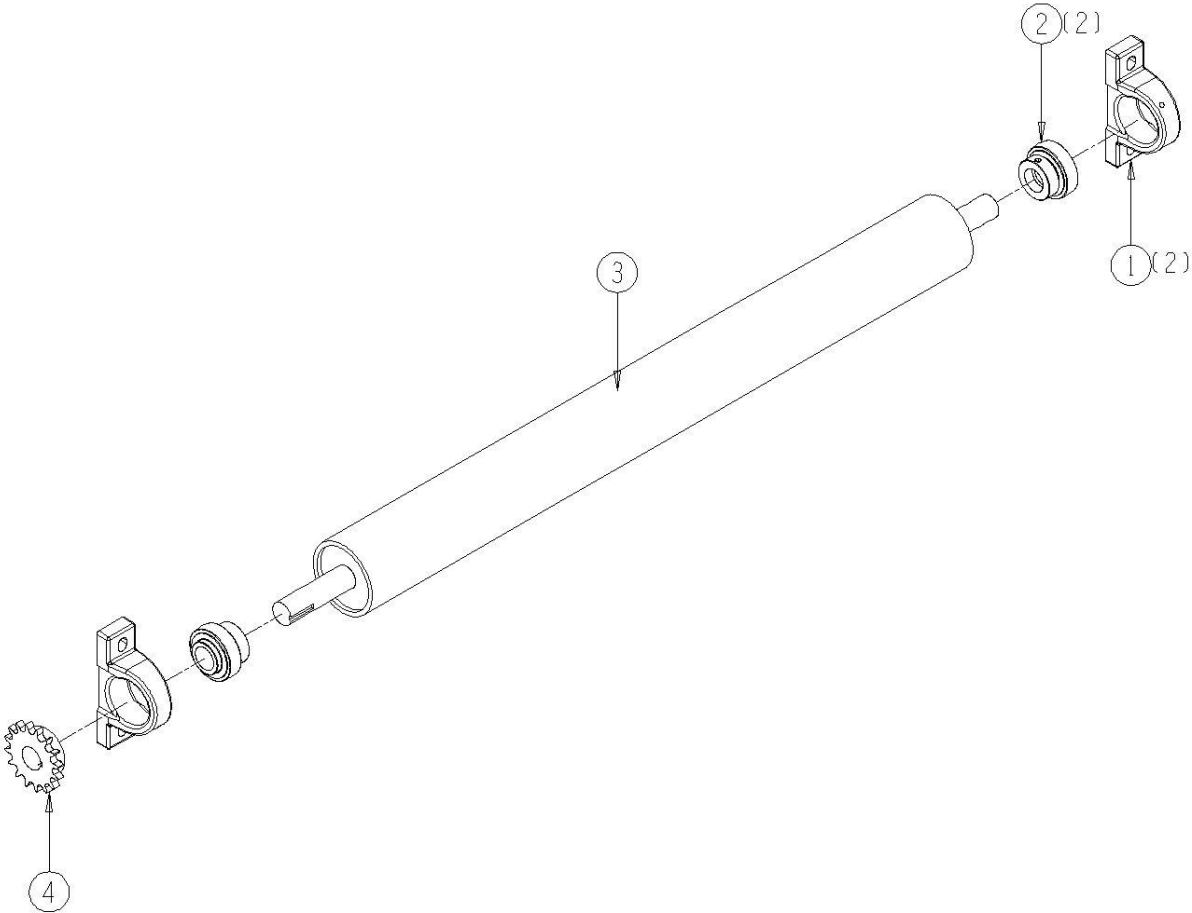




# 12011-03-04 Header Conveyor Return Roller Assembly

| <u>Ref</u> | <u>Part No.</u> | <u>Description</u>                                  | <u>Parts –<br/>Assembly</u> | <u>Will Fit SN</u> | <u>Remarks</u> |
|------------|-----------------|---|-----------------------------|--------------------|----------------|
| 1          | BR-072-RAK      | 72mm Cast Housing                                   | 2                           |                    |                |
| 2          | BR-125-072      | Bearing, 1 1/4 Fafnir tri-seal, 72mm OD             | 2                           |                    |                |
| 3          | SFT-9203        | Pipe Roller, Header Return, 240 Tomato Harvester    | 1                           |                    |                |
| 4          | SP-50B16-20-4   | Hardened Tooth Sprocket, #50, 16 Tooth, 1. 25' Bore | 1                           |                    |                |
| 5          | KEY-4-4-20      | Shaft Key 1/4' x 1 1/4'                             | 1                           |                    |                |

12011-03-04



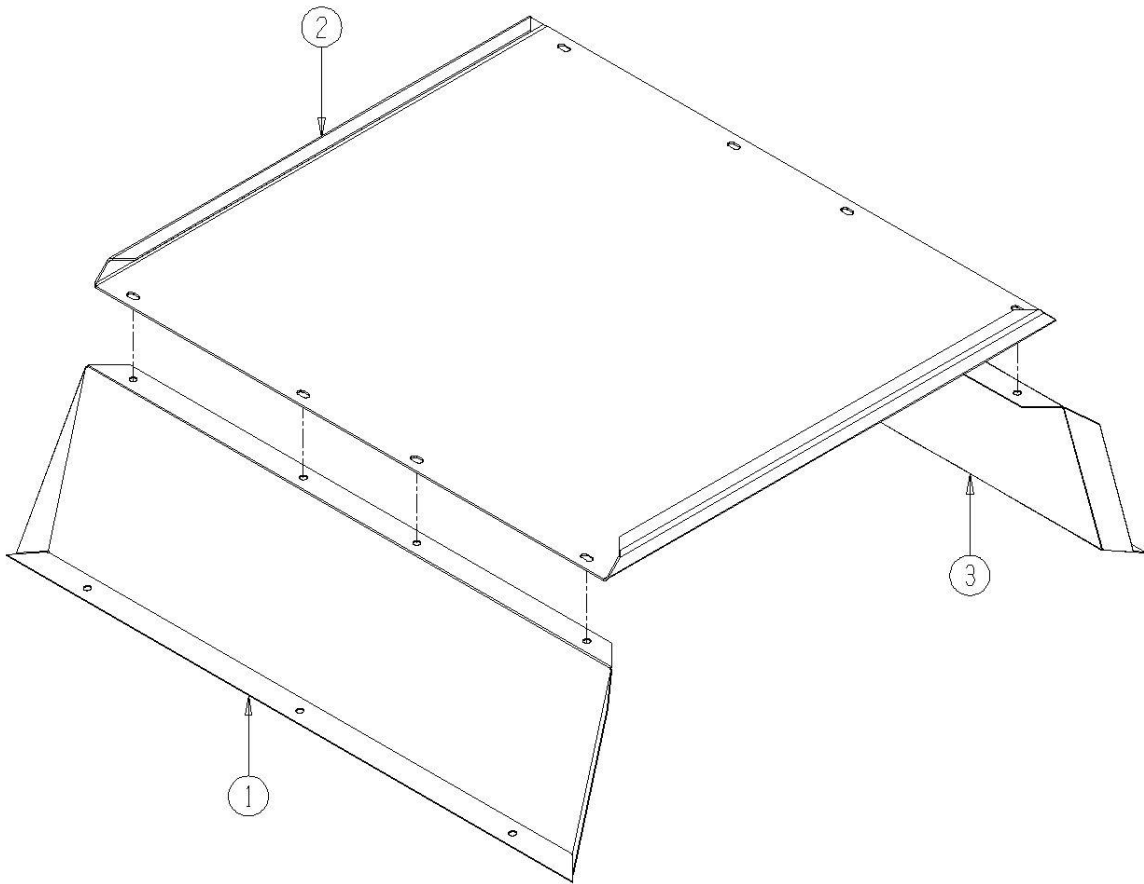
12011-03-05      Secondary Header Frame Assembly Less Vine Assist

| <u>Ref</u> | <u>Part No.</u> | <u>Description</u>                 | <u>Parts –<br/>Assembly</u> | <u>Will Fit SN</u> | <u>Remarks</u> |
|------------|-----------------|------------------------------------|-----------------------------|--------------------|----------------|
| 1          | 191-137b        | Vibrator cover, inner              | 1                           | 19101-             |                |
| 2          | SHD-9200        | Vibrator Cover, Top, 240 Harvester | 1                           |                    |                |
| 3          | 191-137a        | Vibrator cover, outer              | 1                           | 19101-             |                |





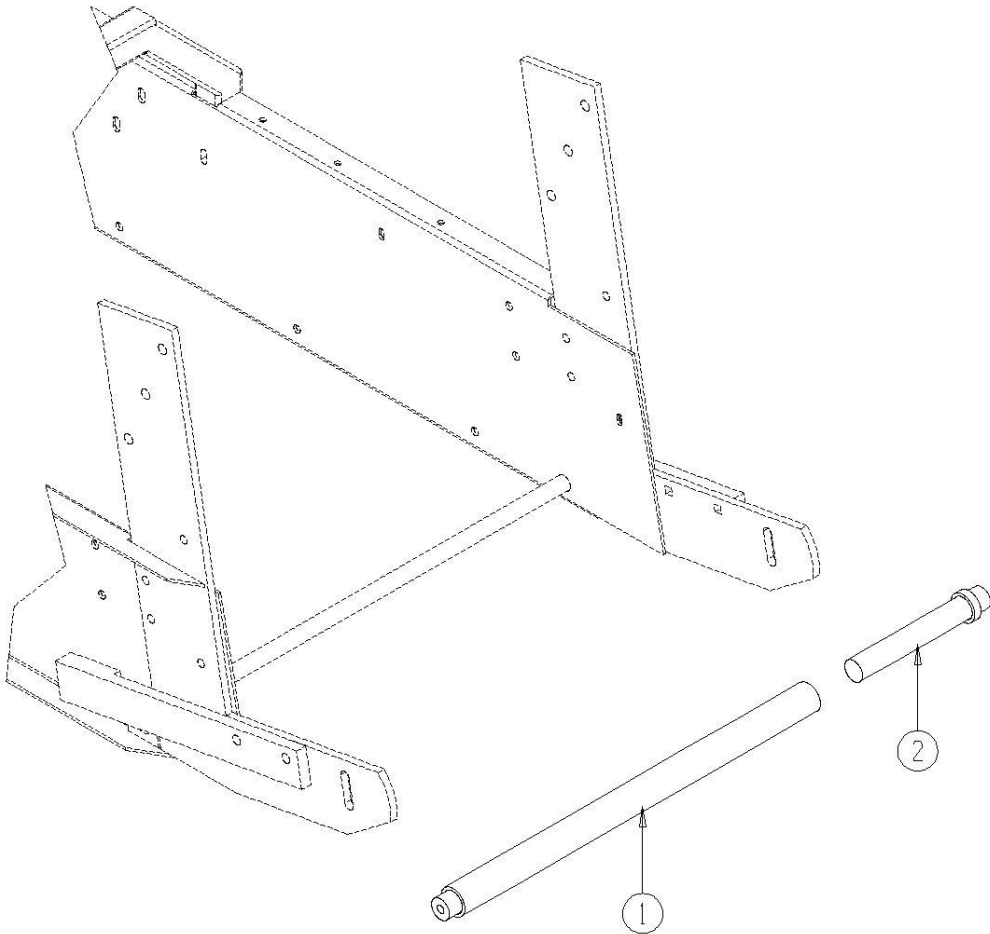
12011-03-05



# 12011-03-10 Optional Mud Pusher Assembly

| <u>Ref</u> | <u>Part No.</u> | <u>Description</u>                              | <u>Parts –<br/>Assembly</u> | <u>Will Fit SN</u> | <u>Remarks</u> |
|------------|-----------------|---|-----------------------------|--------------------|----------------|
| 1          | ARM-9200        | Slide Style Mud Pusher(Pipe End), 240 Harvester | 1                           |                    |                |
| 2          | ARM-106         | King Style Mud Pusher,Shaft End                 | 1                           |                    |                |
| 100        | BL-10-LW        | 5/8 SPLIT LW ZC                                 | 2                           |                    |                |

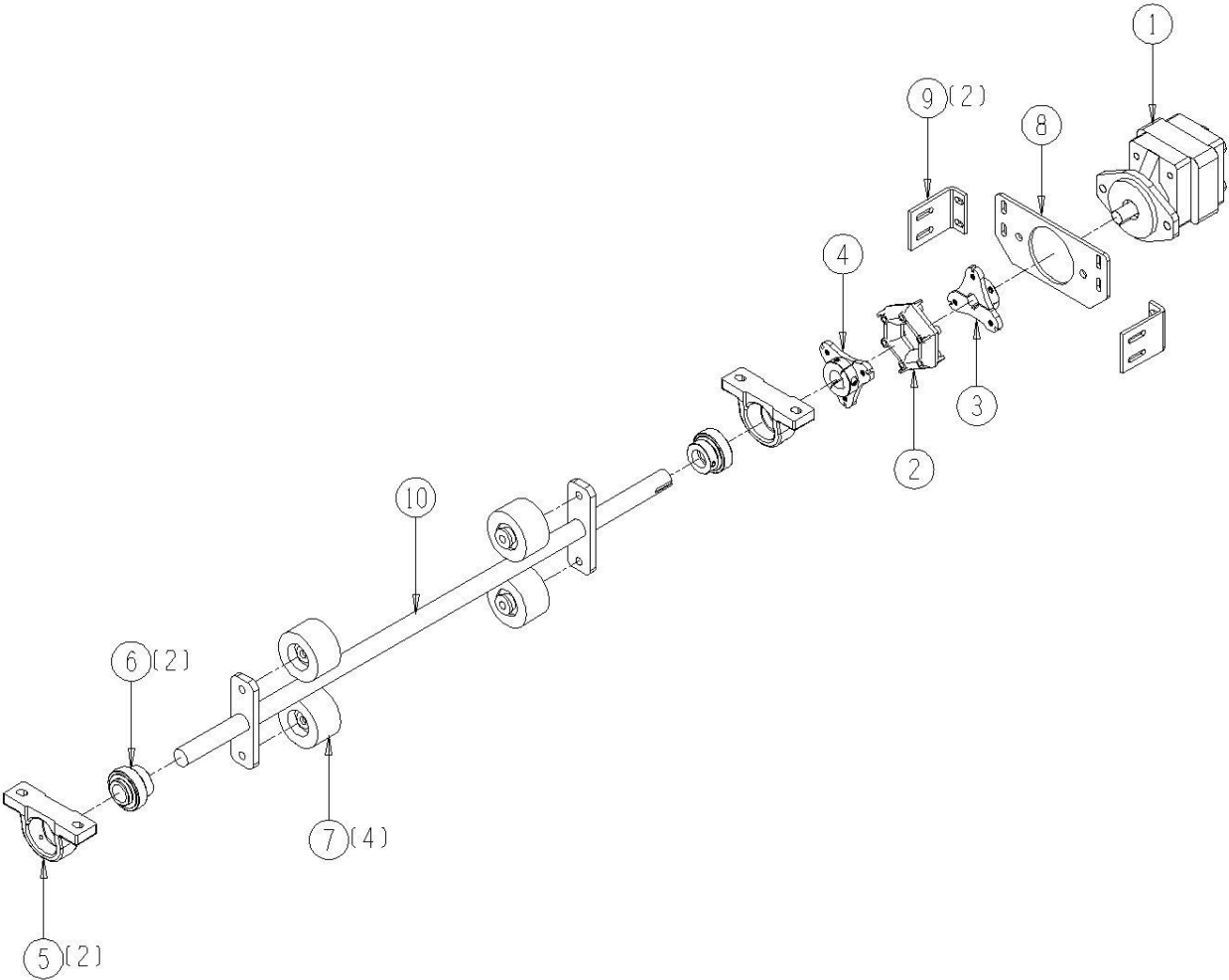
12011-03-10



# 12011-03-11 Header Conveyor Vibrator Shaft Assembly

| <u>Ref</u> | <u>Part No.</u> | <u>Description</u>  | <u>Parts –<br/>Assembly</u> | <u>Will Fit SN</u> | <u>Remarks</u>   |
|------------|-----------------|---|-----------------------------|--------------------|--|
|            | SHD-9131        | Shield, Shaker Coupler Cover, Header, 240 Tomato Harvester      | 1                           |                    |  |
|            | SHD-9132        | Shield, Top, Shaker Coupler Cover, Header, 240 Tomato Harvester | 1                           |                    |  |
| 1          | HM-412-1        | Hydraulic Motor   | 1                           |                    | Same as HM-412C except w/1' shaft<br>REPLACES HM-412C<br>IF REPLACING A HM-412C<br>WITH THIS MOTOR BE SURE<br>THAT THE PROPER<br>COUPLER SIZES ARE<br>SUPPLIED |
| 2          | CPR-422-15      | Primary Shaker Drive Coupler                                    | 1                           |                    | Used on Sec. Sh. Beginning 2000  |
| 3          | CPR-422a-15     | Primary Shaker Coupler 1' Bore (Motor Side)                     | 1                           | Years 1995 - 2000  | Used on Sec. Sh. Beginning 2000  |
| 4          | CPR-422D-15     | Coupler, 1-1/4' Bore, 1/4' Key                                  | 1                           |                    |  |
| 5          | BR-072-RAK      | 72mm Cast Housing   | 2                           |                    |  |
| 6          | BR-125-072      | Bearing, 1 1/4 Fafnir tri-seal, 72mm OD                         | 2                           |                    |  |
| 7          | RLT-035-228     | Roller 3.5 dia x 2.2 x 1/2' bore, no flange                     | 4                           |                    |  |
| 8          | MOU-0167        | Mount, Motor Cross Vibrator                                     | 1                           |                    |  |
| 9          | MOU-9202        | Vibrator Motor Mount, 240 Tomato Harvester                      | 2                           |                    |  |
| 10         | SFT-9202        | Vibrator Shaft, 36 Inch Chain                                   | 1                           |                    |  |
| 11         | DC-1176         | Decal, Danger-Hand Chain Sprockets                              | 1                           |                    |  |
| 12         | KEY-4-4-20      | Shaft Key 1/4' x 1 1/4'   | 1                           |                    |  |
| 13         | STP-FL30        | Stop, Flow Control  | 1                           | 19101-             |  |
| 800        | HM-412B         | Key for Hydraulic Motor -Shaker Weight-Vibrator                 | 1                           | HM-412C & HM-712C  |  |
| 801        | HM-2686         | Snap Ring, Commercial Motor                                     | 1                           | HM-1020            |  |
| 802        | HM-0381         | Ball Bearing, Motor   | 1                           | HM-1020            |  |
| 803        | HM-2585         | Ring Seal, Commercial Motor                                     | 2                           | HM-1020            |  |
| 804        | HM-1801         | Seal Kit for Commercial Intertech                               | 1                           | P20 & M20 Series   | Includes:(1) Length of HM-2882,(1)HM-2883,(2)HM-2884   |
| 805        | BR-025-052-C    | Bearing Kit for Vibrator Roller (2 brg)                         | 1                           | RLT-027-108        |  |
| 806        | BR-017-040      | Bearing for Vibrator Roller                                     | 2                           |                    |  |
| 807        | RLT-SSC1        | Stub Shaft for Vibrator Roller                                  | 2                           |                    |  |
| 808        | RLA-0275-SR4    | Snap Ring for Vibrator Roller                                   | 1                           | RLT-027-108        |  |

12011-03-11

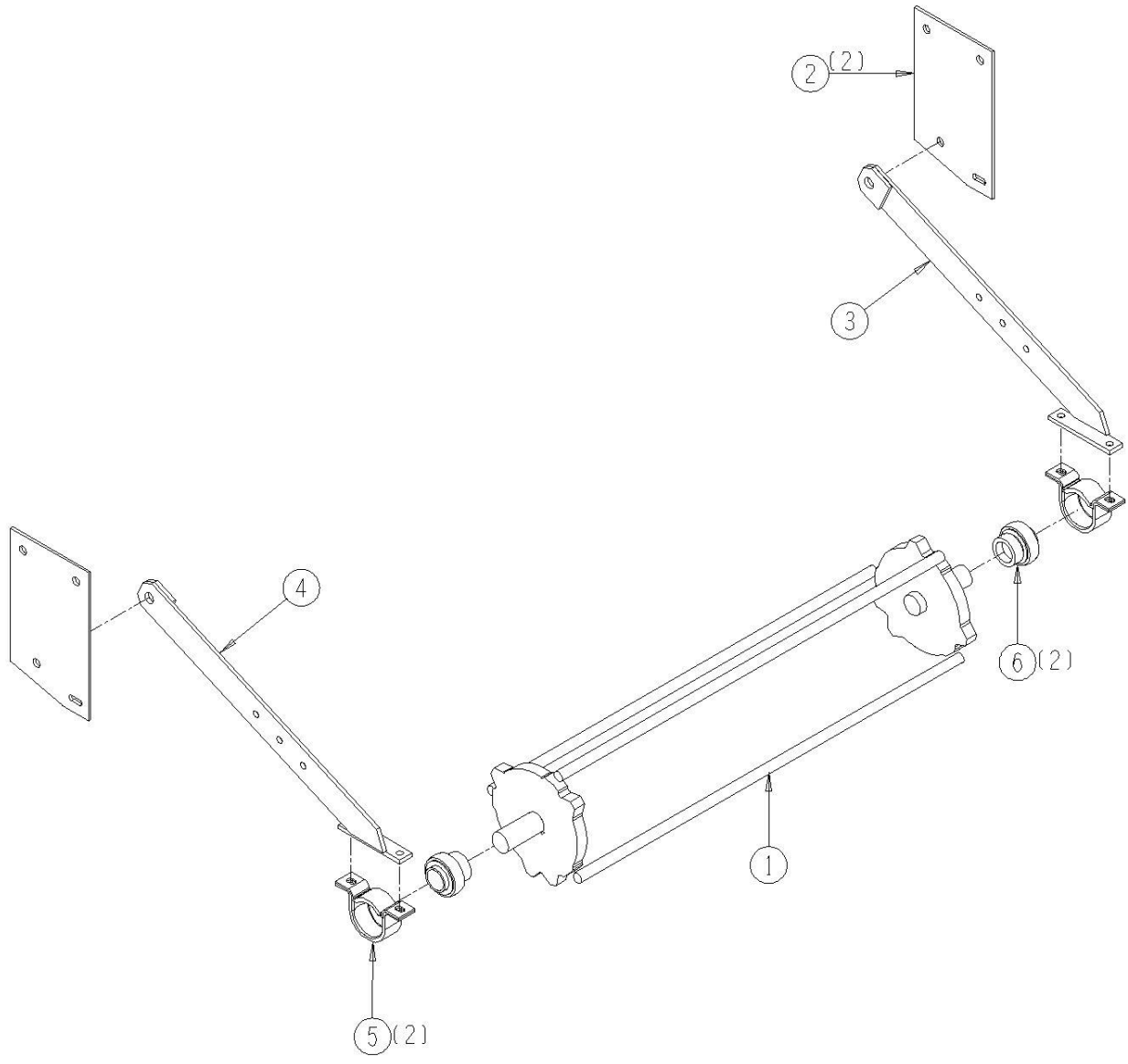


# 12011-03-12 Header Conveyor Bar Cleaner Assembly

| <u>Ref</u> | <u>Part No.</u> | <u>Description</u>                             | <u>Parts –<br/>Assembly</u> | <u>Will Fit SN</u> | <u>Remarks</u> |
|------------|-----------------|--|-----------------------------|--------------------|----------------|
| 1          | BAR-9203        | Bar Cleaner, Header Chain,240 Tomato Harvester | 1                           |                    |                |
| 2          | 192-163         | Cleaner bar bracket                            | 2                           | 19101-             |                |
| 3          | 192-362A        | Chain cleaner bar (Left)                       | 1                           | 19101-             |                |
| 4          | 192-362B        | Chain cleaner bar (Right)                      | 1                           | 19101              |                |
| 5          | BR-062-MPB      | Stamped Bearing Housing for 1 1/4' bearing     | 2                           |                    |                |
| 6          | BR-125-062I     | Bearing, 1 1/4' ID, TS                         | 2                           |                    | FIT Bearing    |
| 100        | BL-10-075-SH    | 5/8 X 3/4 SHOULDER BOLTS                       | 2                           | 11001-             |                |



12011-03-12



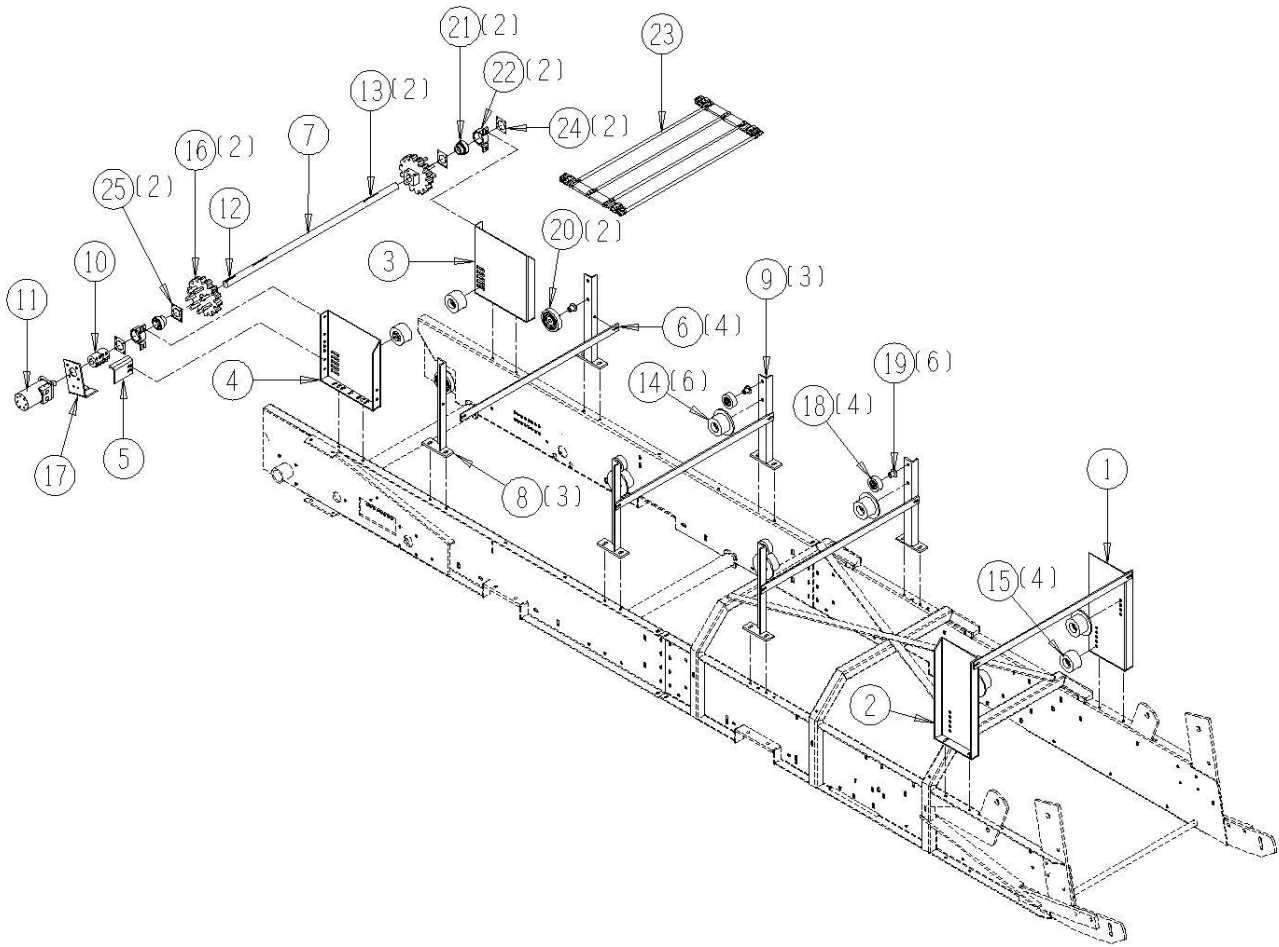
# 12011-03-13 Full Length Vine Assist Assembly

| <u>Ref</u> | <u>Part No.</u> | <u>Description</u>                                     | <u>Parts –<br/>Assembly</u> | <u>Will Fit SN</u> | <u>Remarks</u>                                   |
|------------|-----------------|--|-----------------------------|--------------------|--|
| 1          | MOU-9203        | Panel, Vine Assist, Front Panel, Outer, 240 Harvester  | 1                           |                    |  |
| 2          | MOU-9204        | Panel, Vine Assist, Front Panel, Inner, 240 Harvester  | 1                           |                    |  |
| 3          | PAN-1106        | Panel, Weldment, Outer Rear, Vine Assist               | 1                           | Kit-0050           |  |
| 4          | PAN-1107        | Panel, Weldment, Inner Rear, Vine Assist               | 1                           | Kit-0050           |  |
| 5          | 193-806B        | Motor Mount Stop                                       | 1                           |                    |  |
| 6          | BAR-9202        | Bar, Vine Assist, Cross Bar                            | 4                           |                    |  |
| 7          | SFT-9204        | Shaft, Vine Assist Drive, Header, 240 Tomato Harvester | 1                           |                    |  |
| 8          | BRA-0217        | Vine Assist, Roller Mount, Outer 32' wide              | 3                           |                    |  |
| 9          | BRA-0218        | Vine Assist, Roller Mount, inner 32' wide              | 3                           |                    |  |
| 10         | CPS-6060        | Steel Coupler (off center) 1 1/4' x 1'                 | 1                           |                    |  |
| 11         | HM-204-TC       | TCI Motor  | 1                           |                    | Seal Kit # TCI-SKHPQ can replace with HM-204-OMS |
| 12         | KEY-4-4-20      | Shaft Key 1/4' x 1 1/4'                                | 1                           |                    |  |
| 13         | KEY-4-4-28      | Shaft Key 1/4' x 1 3/4'                                | 2                           |                    |  |
| 14         | RLT-535-228     | 5' Flange Roller 2.2WF x 3 1/2' dia, 1/2' bore         | 6                           |                    |  |
| 15         | RLT-035-228     | Roller 3.5 dia x 2.2 x 1/2' bore, no flange            | 4                           |                    |  |
| 16         | SPU-3610-20-4   | Sprocket 36-10 1 1/4 bore 1/4' key urethane            | 2                           |                    |  |
| 17         | 193-806         | Mount motor  | 1                           |                    |  |
| 18         | RLT-027-108     | Roller 2.75' dia. 1/2' Bore                            | 4                           |                    | 2755C1X (Old Number, Single Bearing)             |
| 19         | RLA-000-118     | Standoff, 1/2' X 1 1/8'                                | 6                           |                    |  |
| 20         | RLR-040-108     | 4' Flat Roller   | 2                           |                    | Changed to Urethane in 2006                      |
| 21         | BR-125-062      | Bearing, 1 1/4 Fafnir tri-seal, 62mm OD                | 2                           |                    |  |
| 22         | BR-062-MPB      | Stamped Bearing Housing for 1 1/4' bearing             | 2                           |                    |  |
| 23         | BC-6-36108-88   | Belted Chain, 3/8 x 36, 2 x 60, 88 Pitches Long        | 1                           |                    |  |
| 24         | SC-20-6         | Bearing Protector, 1 1/4', Inner Side                  | 2                           |                    |  |
| 25         | SC-20-7         | Bearing Protector, 1 1/4', Outer, Lock Collar Side     | 2                           |                    |  |





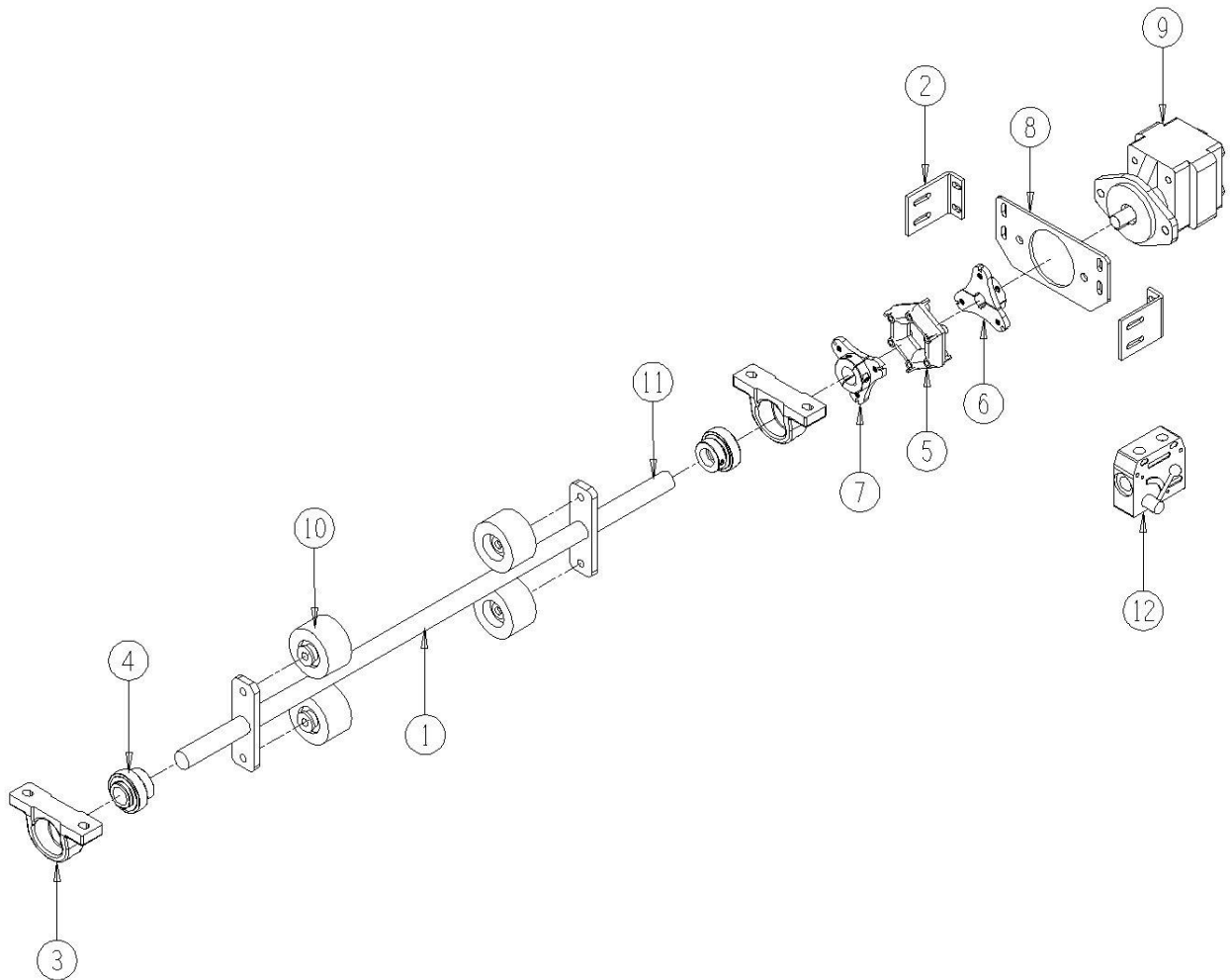
12011-03-13



# 12011-03-14 Optional Second Vibrator Assembly

| <u>Ref</u> | <u>Part No.</u> | <u>Description</u>                              | <u>Parts –<br/>Assembly</u> | <u>Will Fit SN</u> | <u>Remarks</u>                    |
|------------|-----------------|---|-----------------------------|--------------------|-----------------------------------|
| 1          | SFT-9202        | Vibrator Shaft, 36 Inch Chain                   | 1                           |                    |                                   |
| 2          | MOU-9202        | Vibrator Motor Mount, 240 Tomato Harvester      | 2                           |                    |                                   |
| 3          | BR-072-RAK      | 72mm Cast Housing                               | 2                           |                    |                                   |
| 4          | BR-125-072      | Bearing, 1 1/4 Fafnir tri-seal, 72mm OD         | 2                           |                    |                                   |
| 5          | CPR-422-15      | Primary Shaker Drive Coupler                    | 1                           |                    | Used on Sec. Sh. Beginning 2000   |
| 6          | CPR-422a-15     | Primary Shaker Coupler 1' Bore (Motor Side)     | 1                           | Years 1995 - 2000  | Used on Sec. Sh. Beginning 2000   |
| 7          | CPR-422D-15     | Coupler, 1-1/4' Bore, 1/4' Key                  | 1                           |                    |                                   |
| 8          | MOU-0167        | Mount, Motor Cross Vibrator, 190                | 1                           |                    |                                   |
| 9          | HM-412-1        | Hydraulic Motor                                 | 1                           |                    | Same as HM-412C except w/1' shaft |
| 10         | RLT-035-228     | Roller 3.5 dia x 2.2 x 1/2' bore, no flange     | 4                           |                    |                                   |
| 11         | KEY-4-4-20      | Shaft Key 1/4' x 1 1/4'                         | 1                           |                    |                                   |
| 12         | HV-FL30         | Flow Control Valve 30GPM                        | 1                           |                    |                                   |
| 801        | HM-412B         | Key for Hydraulic Motor -Shaker Weight-Vibrator | 1                           | HM-412C & HM-712C  |                                   |
| 802        | HM-2686         | Snap Ring, Commercial Motor                     | 1                           | HM-1020            |                                   |
| 803        | HM-0381         | Ball Bearing, Motor                             | 1                           | HM-1020            |                                   |
| 804        | HM-2585         | Ring Seal, Commercial Motor                     | 2                           | HM-1020            |                                   |

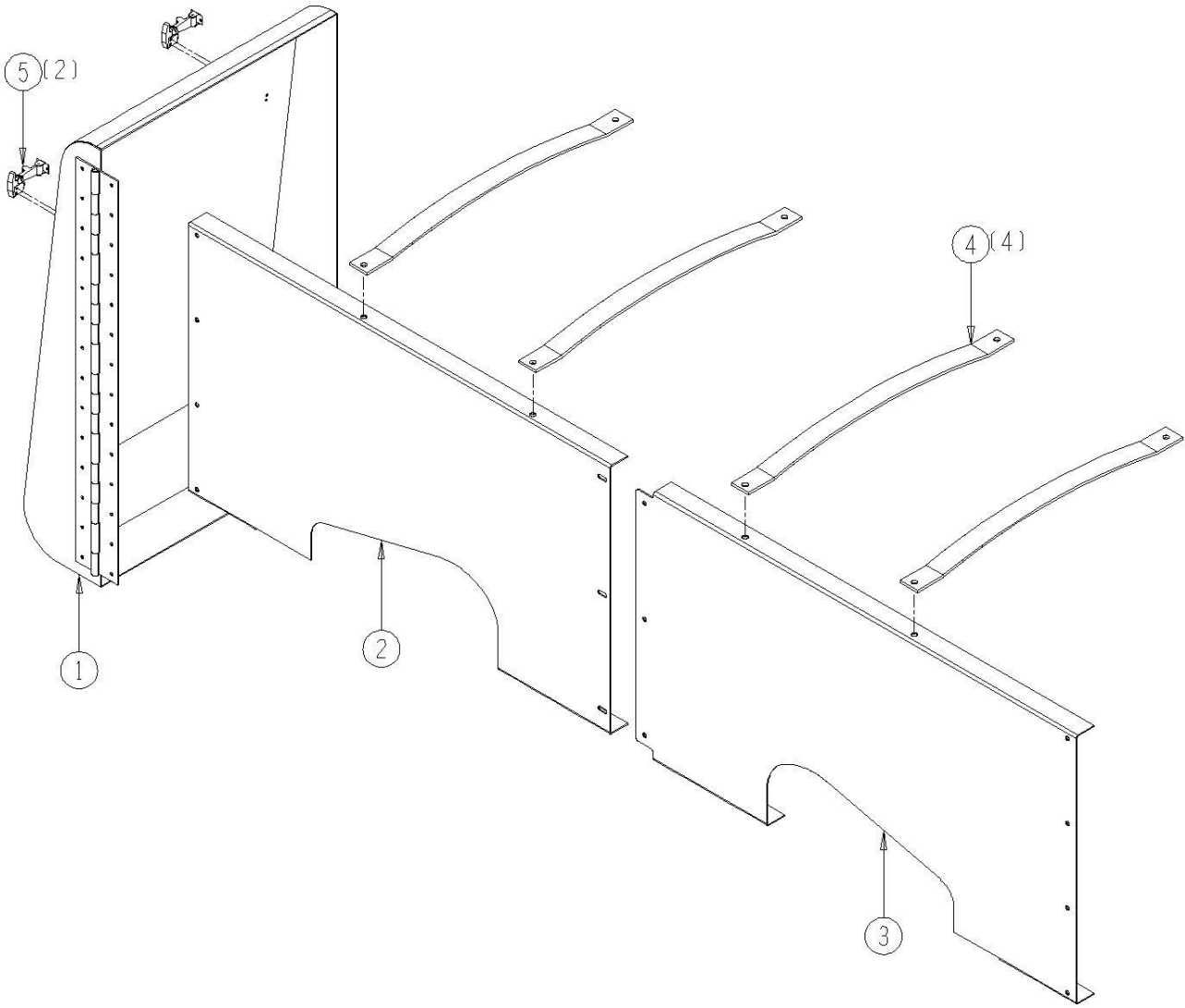
12011-03-14



# 12011-04-01 Shaker Weight Box Cover Assembly

| <u>Ref</u> | <u>Part No.</u> | <u>Description</u>  | <u>Parts –<br/>Assembly</u> | <u>Will Fit SN</u> | <u>Remarks</u> |
|------------|-----------------|---|-----------------------------|--------------------|----------------|
|            | BT-9104         | Cross Cover Belting, 240                                      | 1                           |                    |                |
|            | SHD-9128        | Shield, Guard, Cross/Shaker, 240 Tomato Harvester             | 1                           |                    |                |
|            | SHD-9129        | Shield, Coupler, Shaker, 240 Tomato Harvester                 | 2                           |                    |                |
|            | SHD-9130        | Shield, Belt, Shaker, 240 Tomato Harvester                    | 2                           |                    |                |
| 1          | SHD-9105        | Shield, Box Cover, Shaker Weight, 240 Tomato Harvester        | 1                           |                    |                |
| 2          | SHD-9106        | Shield, Back, Box Cover, Shaker Weight, 240 Tomato Harvester  | 1                           |                    |                |
| 3          | SHD-9107        | Shield, Front, Box Cover, Shaker Weight, 240 Tomato Harvester | 1                           |                    |                |
| 4          | BAR-9102        | Brace, Tarp, Primary Shaker                                   | 4                           |                    |                |
| 5          | LA-703          | Large Rubber T Latch Assembly                                 | 2                           |                    |                |

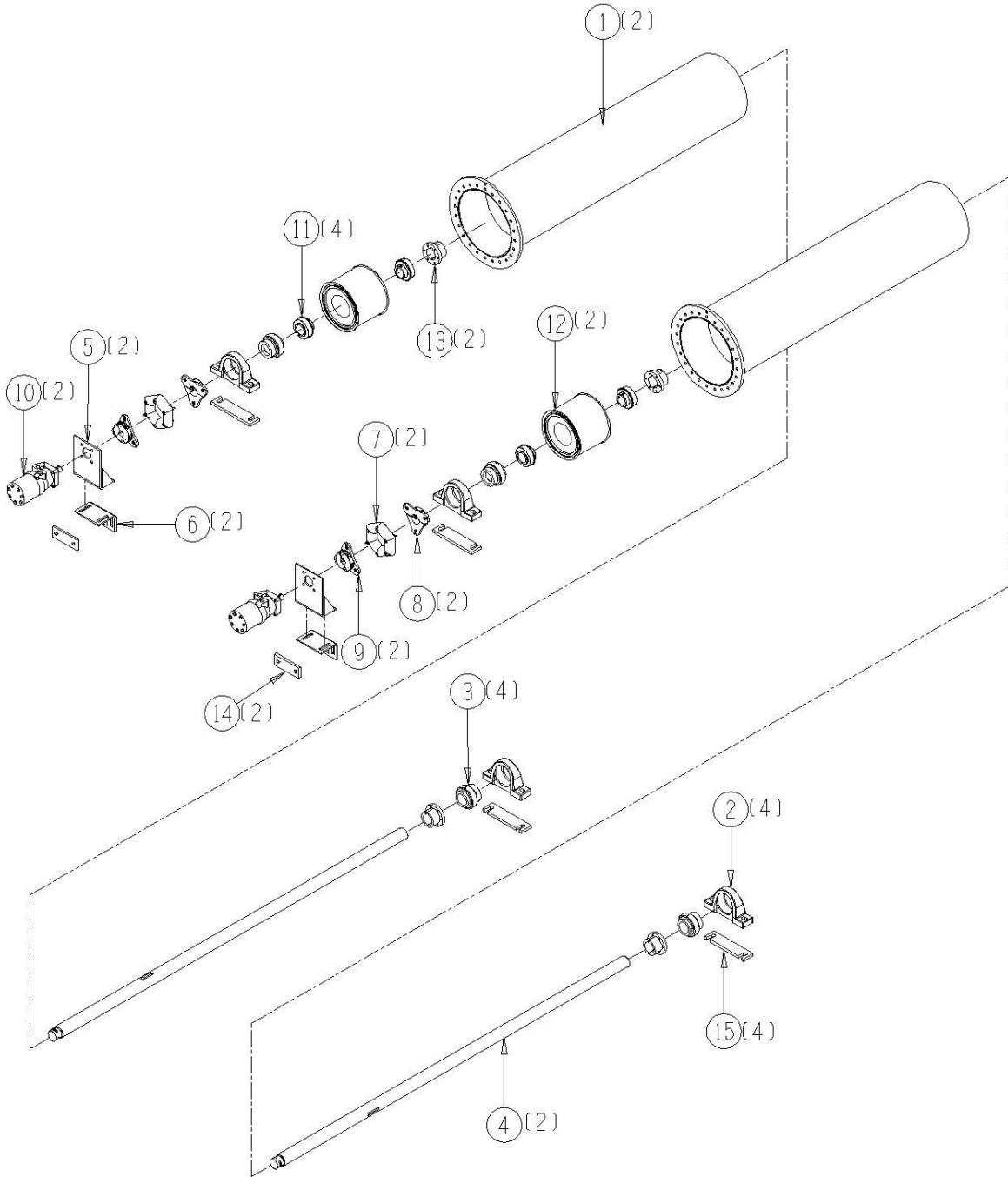
12011-04-01



# 12011-04-02 Shaker Drum Assembly

| <u>Ref</u> | <u>Part No.</u> | <u>Description</u>                           | <u>Parts –<br/>Assembly</u> | <u>Will Fit SN</u> | <u>Remarks</u>           |
|------------|-----------------|--|-----------------------------|--------------------|--------------------------|
| 1          | SHA-1005        | Shaker Drum, Primary Secondary, 40' Sorter   | 2                           |                    |                          |
| 2          | BR-100-RAK      | Bearing Housing 100 mm                       | 4                           | 11001              |                          |
| 3          | BR-200-100      | 2' Fafnir Bearing, Tri-ply                   | 4                           | 11001              | Replace with BR-200-100I |
| 4          | SHA-1000        | Shaft, Primary Secondary Shaker, 40' Sorter  | 2                           |                    |                          |
| 5          | 194-416         | Mount, Shaker Rotation Motor                 | 2                           | 19101              | For use with 194-416a    |
| 6          | 194-416A        | Mount, Shaker Rotation Motor                 | 2                           | 19101-             | For use with 194-416     |
| 7          | CPR-422-18      | Lovejoy Donut W/ Hardware                    | 2                           |                    |                          |
| 8          | CPR-422C-18     | Coupler, Shaker Side                         | 2                           | 30095001-          |                          |
| 9          | CPR-422D-18     | Coupler, Shaker, Motor Side, 1' Shaft        | 2                           | 30095001-          |                          |
| 10         | HM-103-TC       | TCI Motor                                    | 2                           |                    | Seal Kit # TCI-SKHRQ     |
| 11         | BR-200-ER       | Bearings, 2' ER                              | 4                           |                    |                          |
| 12         | PU-48-14M-600   | Shaker Pulley 14MM x 6.00' Wide              | 2                           |                    |                          |
| 13         | SP-SK-2         | Bushing, SK x 2'                             | 2                           | 19101              |                          |
| 14         | SPA-9303        | Motor Spacer, Shaker, 240 Harvester          | 2                           |                    |                          |
| 15         | SHM-100-500     | Shim, 100mm Pillow Block Bearing, .500 Thick | 4                           |                    |                          |

12011-04-02

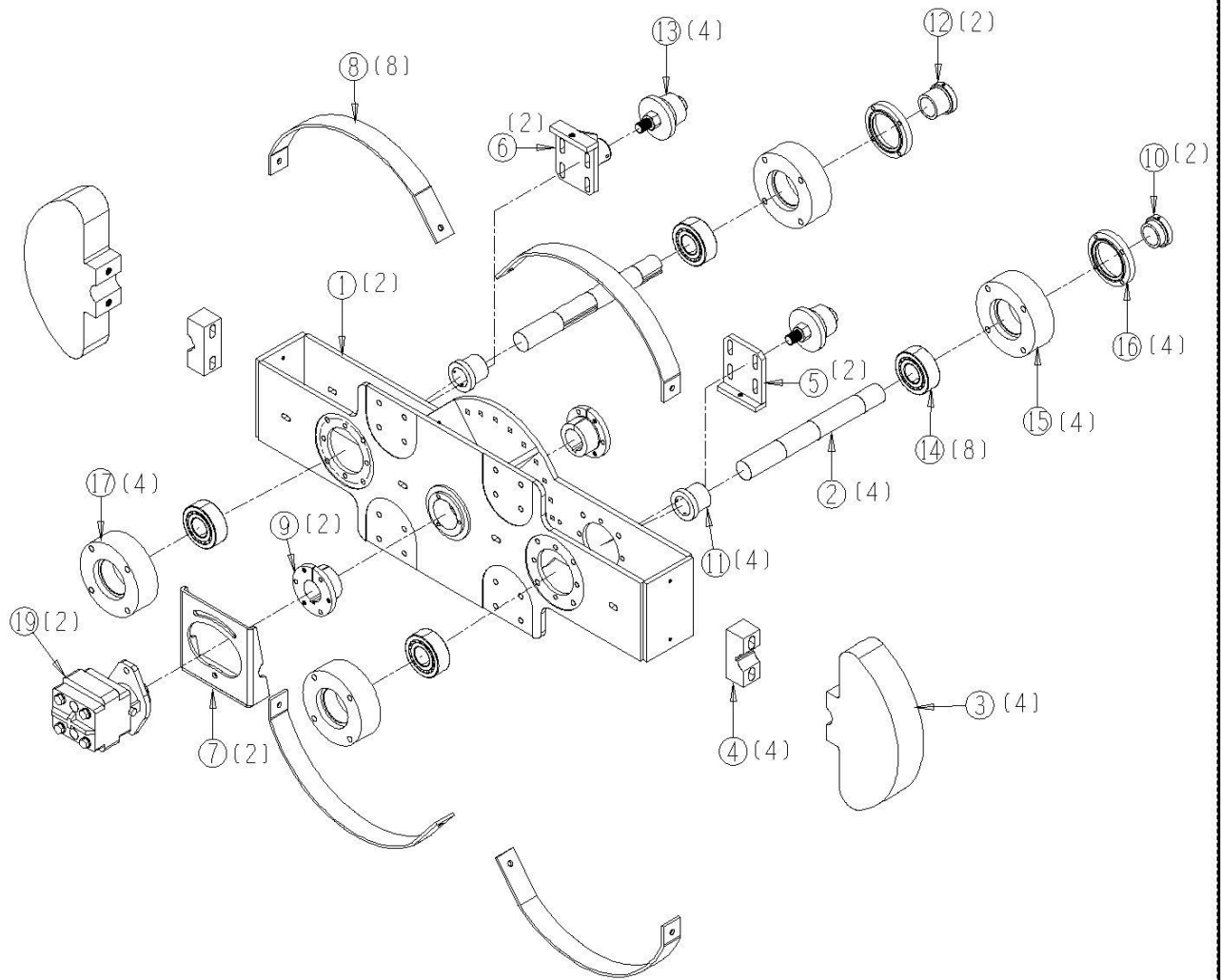


# 12012-04-03 Shaker Weight & Box Assembly

| <u>Ref</u> | <u>Part No.</u> | <u>Description</u>                              | <u>Parts –<br/>Assembly</u> | <u>Will Fit SN</u> | <u>Remarks</u>   |
|------------|-----------------|---|-----------------------------|--------------------|------------------|
|            | PU-28-14M-42SK  | Pulley, 28 Tooth, 14mm, 42mm Wide w/ SK bushing | 2                           |                    |                  |
| 1          | SHA-1002        | Shaker Box, 2012 Shaker                         | 2                           |                    |                  |
| 2          | SFT-9300        | Shaker Weight Shaft, 240 Harvester              | 4                           |                    |                  |
| 3          | WGT-402         | Weight, Primary Shaker                          | 4                           |                    |                  |
| 4          | WGT-402C        | Cap, Primary & Secondary Shaker Weight          | 4                           |                    |                  |
| 5          | SHA-9302        | Belt Tension Bracket, Shaker Box                | 2                           |                    |                  |
| 6          | SHA-9301        | Shaker Tension Bracket                          | 2                           |                    |                  |
| 7          | MOU-0022        | Mount, Weight Motor, Shakers, Harvesters        | 2                           |                    | Replaces 110-515 |
| 8          | SHD-9300        | Shield, Shaker Box                              | 8                           |                    |                  |
| 9          | SP-SF-2         | Bushing, SF x 2'                                | 2                           |                    |                  |
| 10         | SPA-9300        | Shaft, Weight Spacer, 240 Harvester             | 2                           |                    |                  |
| 11         | SPA-9301        | Shaft, Weight Shaft, 240 Harvester              | 4                           |                    |                  |
| 12         | SPA-9302        | Shaft, Weight Shaft, 240 Harvester              | 2                           |                    |                  |
| 13         | PUI-SFBB        | SF Idler w 1/2" Mounting Stud                   | 4                           |                    |                  |
| 14         | BR-045-100      | Spherical Roller Bearing 45mm                   | 8                           |                    |                  |
| 15         | BR-100-TFIHS    | Bearing Housing, 100mm, Fixed                   | 4                           |                    |                  |
| 16         | BR-100-TFICP    | Bearing Housing Cap, 100mm, Fixed               | 4                           |                    |                  |
| 17         | BR-100-TFLHS    | Bearing Housing 100mm, Float                    | 4                           |                    |                  |
| 18         | BR-100-TFLCP    | Bearing Housing Cap, 100mm, Float               | 4                           |                    |                  |
| 19         | HM-122          | Motor, Hydraulic, 1-1/2" Gear, #12 SAE Ports    | 2                           |                    |                  |
| 20         | BT-1400-14M-42  | SYN Belt 1400mm long, 14mm tooth, 42mm wide     | 6                           |                    |                  |
| 21         | PU-36-14M-42SF  | Pulley, 36 Tooth, 14mm, 42mm Wide w/SF Bushing  | 4                           |                    |                  |
| 22         | PU-48-14M-42E   | Pulley, 48 Tooth, 14mm, 42mm Wide w/ E bushing  | 4                           |                    |                  |
| 23         | PU-E-28         | E Bushing, 1 3/4" Bore                          | 4                           |                    |                  |
| 24         | PU-SK-16        | SK Bushing 1" bore                              | 2                           |                    |                  |
| 25         | OS-36-60-08     | Oil Seal, 2 1/4" ID X 3 3/4" OD x 1/2" Width    | 8                           |                    |                  |
| 26         | OS-45-62-9      | Oil Seal, 45MM ID X 62MM OD x 9MM Width         | 8                           |                    |                  |



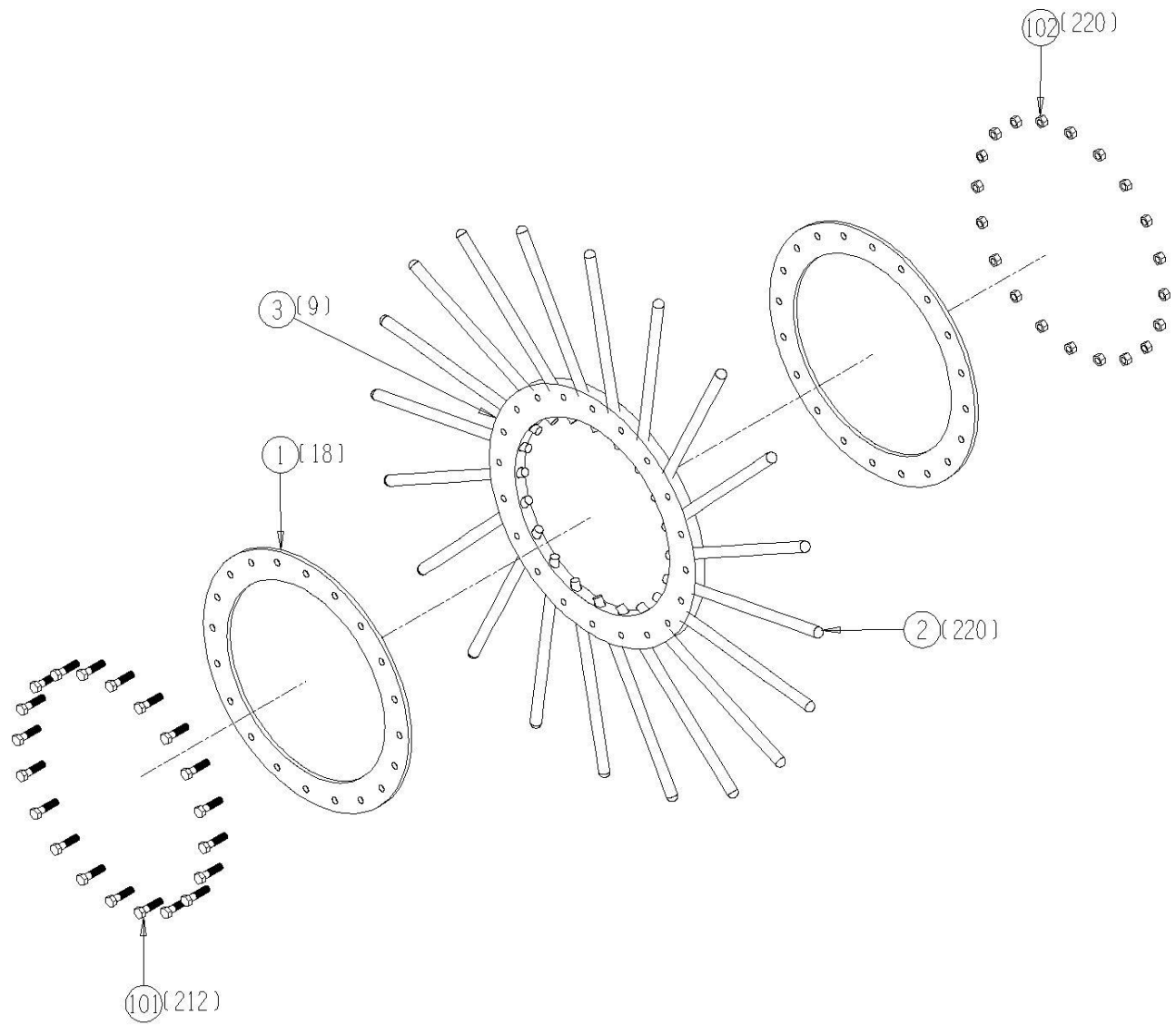
12012-04-03



# 12011-04-04 Primary Shaker Ring and Finger Assembly

| <u>Ref</u> | <u>Part No.</u> | <u>Description</u>                        | <u>Parts –<br/>Assembly</u> | <u>Will Fit SN</u>  | <u>Remarks</u> |
|------------|-----------------|---|-----------------------------|---------------------|----------------|
| 1          | 191-432         | Tine Holder Flanges                       | 20                          | 11001-<br>30095001- |                |
| 2          | ST-430-P        | Shaker Tines , Molded Urethane            | 200                         |                     |                |
| 3          | 192-431         | Moulded Rubber Tine Holders               | 10                          | 19101-<br>30095001- |                |
| 101        | BL-6-150-H      | 3/8-16 X 1 1/2 HEX CAP G5 ZC              | 200                         |                     |                |
| 102        | BL-6-LN         | 3/8 UNC FIN HEX LOCK NUT NE A563 GrA ZINC | 200                         |                     |                |

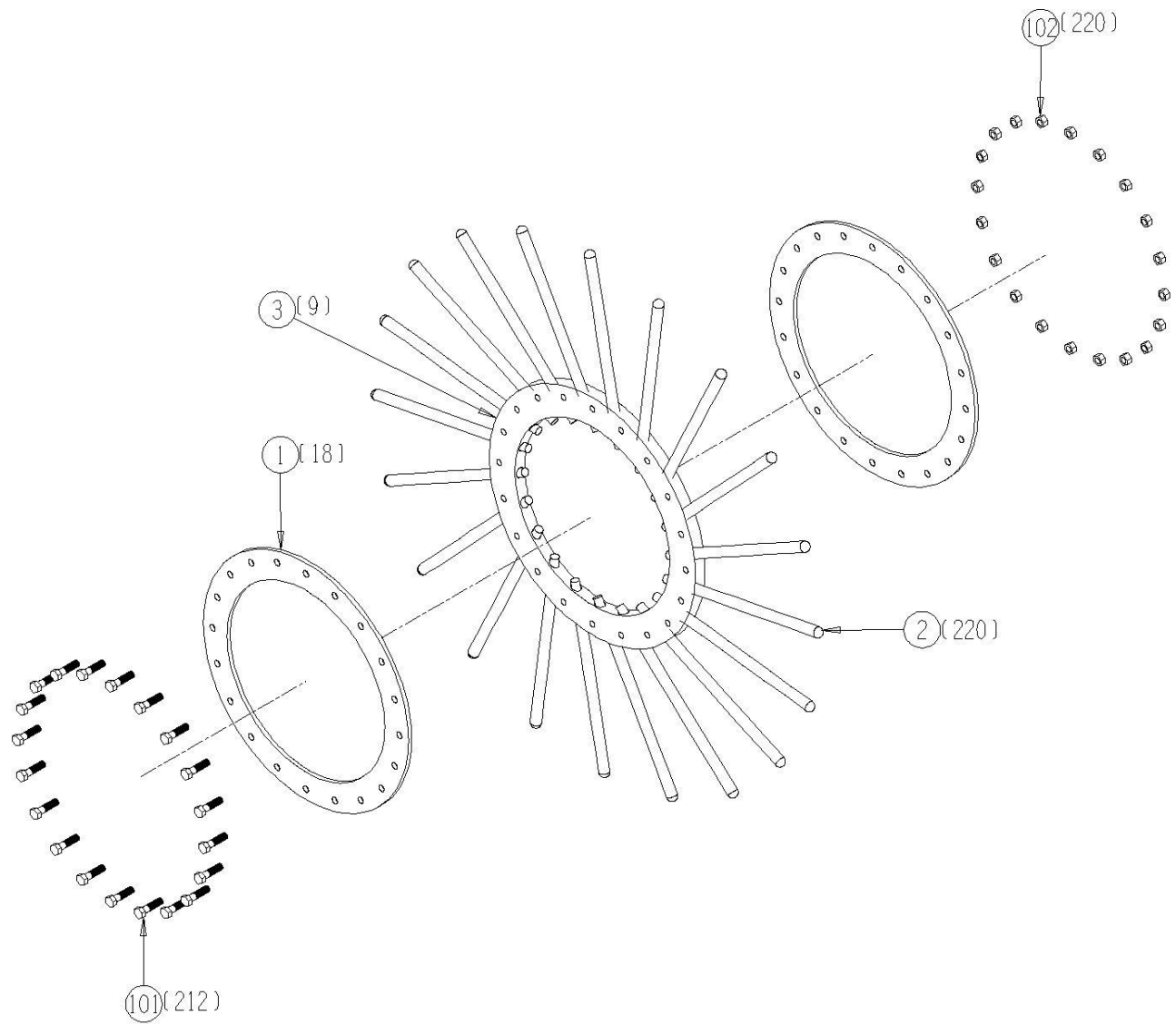
12011-04-04



# 12011-04-05 Secondary Shaker Ring and Finger Assembly

| <u>Ref</u> | <u>Part No.</u> | <u>Description</u>                        | <u>Parts –<br/>Assembly</u> | <u>Will Fit SN</u>  | <u>Remarks</u> |
|------------|-----------------|---|-----------------------------|---------------------|----------------|
| 1          | 191-432         | Tine Holder Flanges                       | 20                          | 11001-<br>30095001- |                |
| 2          | ST-430-P        | Shaker Tines , Molded Urethane            | 200                         |                     |                |
| 3          | 192-431         | Moulded Rubber Tine Holders               | 10                          | 19101-<br>30095001- |                |
| 101        | BL-6-150-H      | 3/8-16 X 1 1/2 HEX CAP G5 ZC              | 200                         |                     |                |
| 102        | BL-6-LN         | 3/8 UNC FIN HEX LOCK NUT NE A563 GrA ZINC | 200                         |                     |                |

12011-04-05

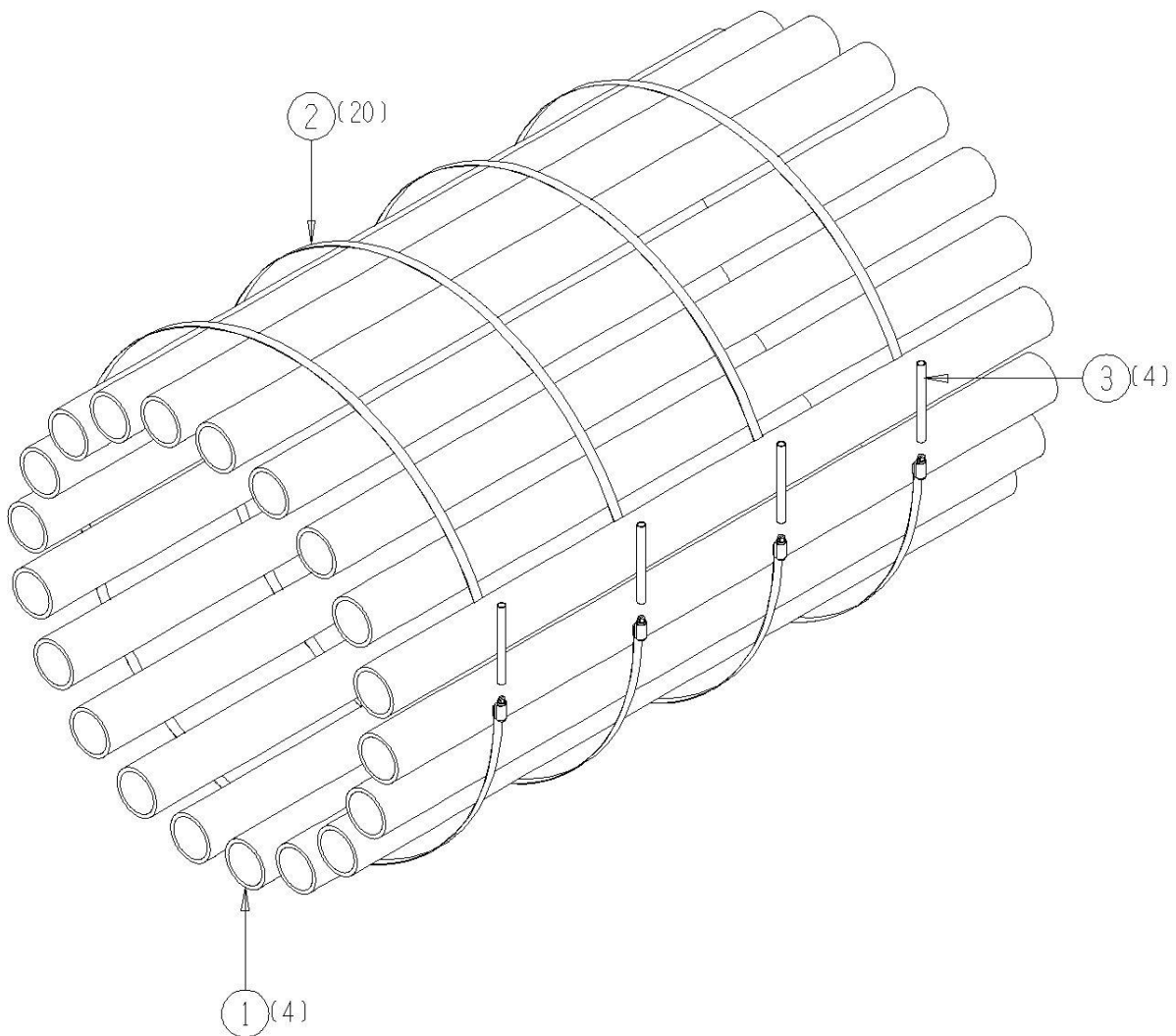


# 12011-04-06 Shaker Spacer Tube Assembly

| <u>Ref</u> | <u>Part No.</u> | <u>Description</u>                              | <u>Parts –<br/>Assembly</u> | <u>Will Fit SN</u> | <u>Remarks</u>            |
|------------|-----------------|---|-----------------------------|--------------------|---------------------------|
| 1          | PL-32-40        | PVC Pipe, Shaker Tube, 240 Harvester            | 20                          |                    |                           |
| 2          | CL-001          | Clamp, 71.5' Long, For 21.5' Dia, SS Gear Clamp | 4                           |                    | 100 Pc. Minimum From Mfg. |
| 3          | PL-7504-4       | PVC Clamp Cover, 4'                             | 4                           |                    |                           |

12011-04-06

NOTE:  
STAGGER PIPES IN SHAKER  
CHAMBER. EVERY OTHER PIPE  
TOWARDS THE OPPOSITE SIDE  
PANEL OF THE PIPE BEFORE IT.

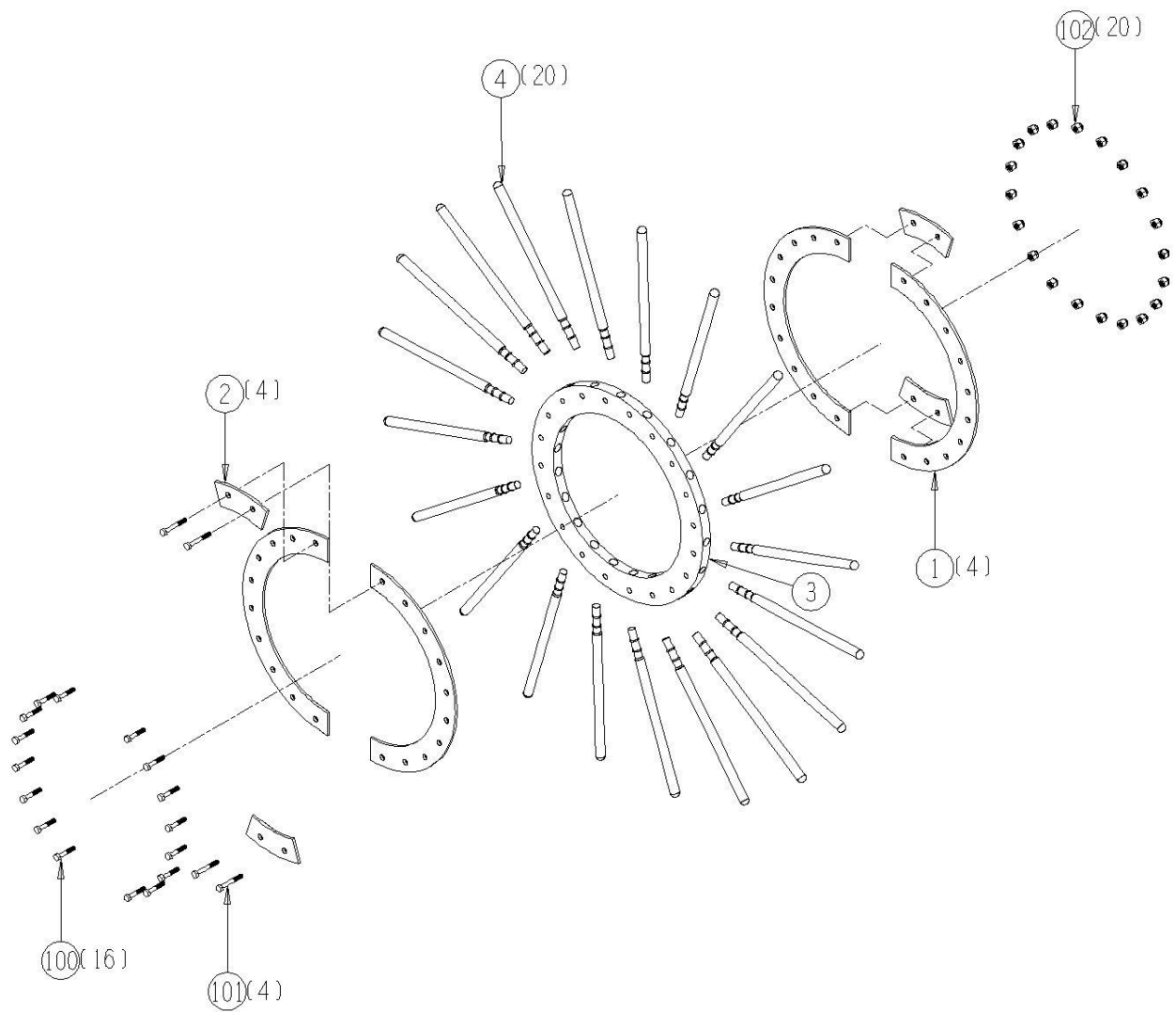


# 12011-04-07 Optional Shaker Half-Ring & Finger Assembly

| <u>Ref</u> | <u>Part No.</u> | <u>Description</u>                        | <u>Parts –<br/>Assembly</u> | <u>Will Fit SN</u>  | <u>Remarks</u> |
|------------|-----------------|---|-----------------------------|---------------------|----------------|
| 1          | 191-432a        | Half flanges                              | 4                           |                     |                |
| 2          | 191-432B        | Connecting Bar, Shaker Ring Half-Flange   | 4                           |                     |                |
| 3          | 192-431         | Moulded Rubber Tine Holders               | 1                           | 19101-<br>30095001- |                |
| 4          | ST-430-P        | Shaker Tines , Molded Urethane            | 20                          |                     |                |
| 100        | BL-6-150-SS     | 3/8-16 X 1 1/2 HEX CAP SS                 | 16                          |                     |                |
| 101        | BL-6-200-HSS    | 3/8-16 x 2 Hex Head Stainless             | 4                           |                     |                |
| 102        | BL-6-LN         | 3/8 UNC FIN HEX LOCK NUT NE A563 GrA ZINC | 20                          |                     |                |



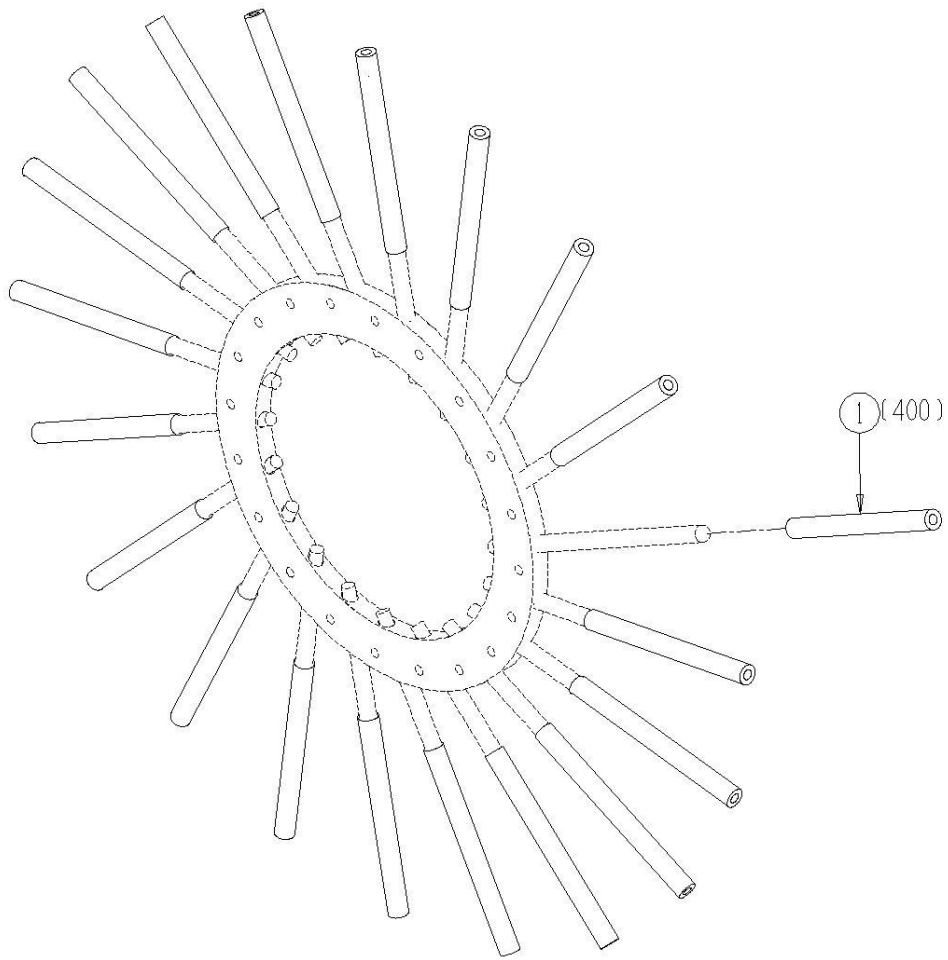
12011-04-07



# 12011-04-08 Optional Shaker Tine Cover Assembly

| <u>Ref</u> | <u>Part No.</u> | <u>Description</u>                               | <u>Parts –<br/>Assembly</u> | <u>Will Fit SN</u> | <u>Remarks</u>            |
|------------|-----------------|--|-----------------------------|--------------------|---------------------------|
| 1          | BC-6000-8       | Shaker Finger Protectors, 3/8" ID x 3/4" OD x 8" | 400                         |                    | Bundled in 100 Piece Lots |

12011-04-08

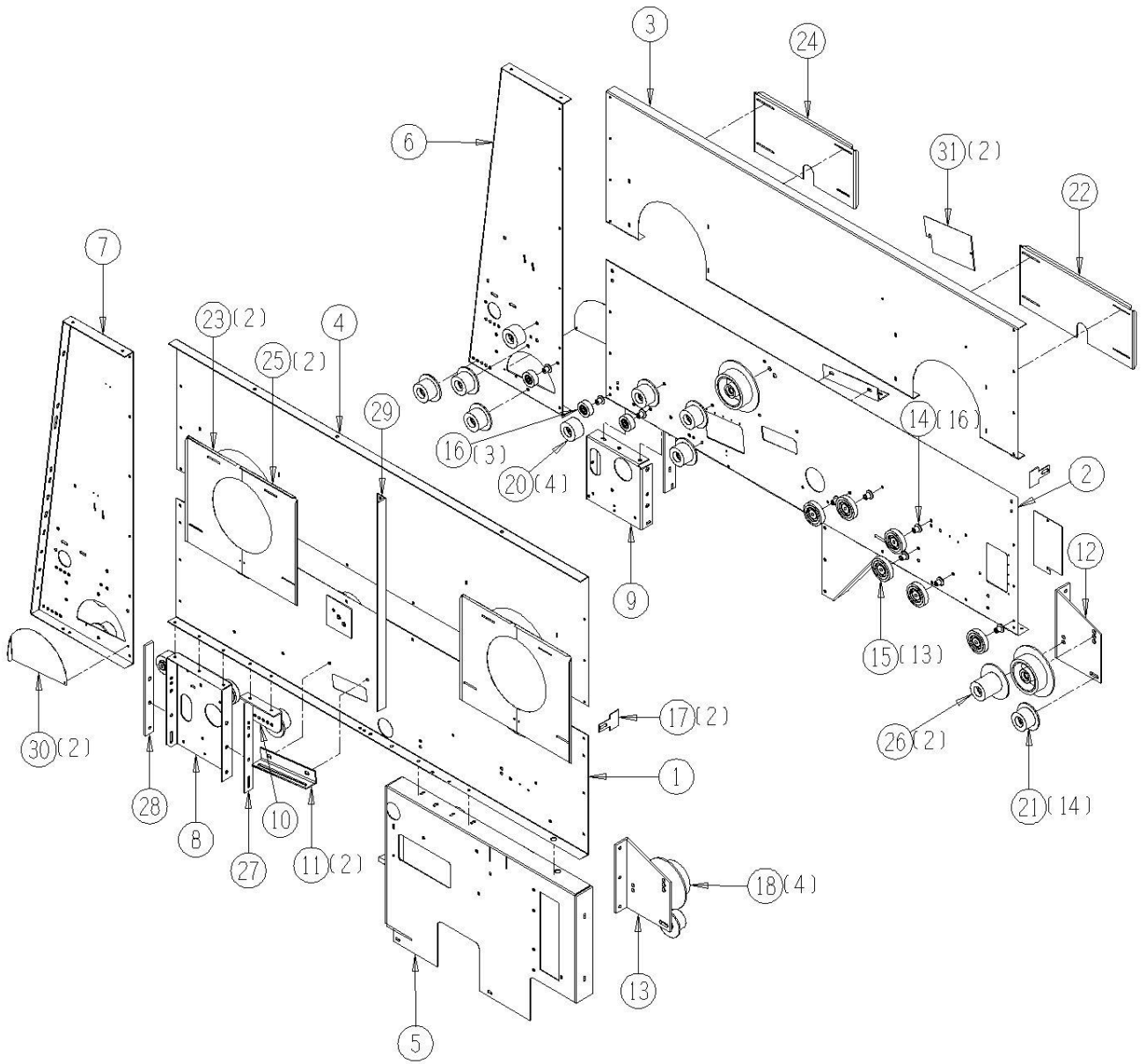


# 12011-05-01 Vine & Transfer Chamber Assembly

| <u>Ref</u> | <u>Part No.</u> | <u>Description</u>  | <u>Parts –<br/>Assembly</u> | <u>Will Fit SN</u> | <u>Remarks</u>                       |
|------------|-----------------|---|-----------------------------|--------------------|--------------------------------------|
| 1          | PAN-9100        | Panel, Inner, Vine & Chain Transfer, 240 Tomato Harvester               | 1                           |                    |                                      |
| 2          | PAN-9101        | Panel, Outer, Vine & Chain Transfer, 240 Tomato Harvester               | 1                           |                    |                                      |
| 3          | PAN-9102        | Panel, Outer, Top, Vine & Chain Transfer, 240 Tomato Harvester          | 1                           |                    |                                      |
| 4          | PAN-9103        | Panel, Inner, Top, Vine & Chain Transfer, 240 Tomato Harvester          | 1                           |                    |                                      |
| 5          | PAN-9104        | Panel, Inner, Bottom, Vine & Chain Transfer, 240 Tomato Harvester       | 1                           |                    |                                      |
| 6          | PAN-9105        | Panel, Outer, Back, Vine & Chain Transfer, 240 Tomato Harvester         | 1                           |                    |                                      |
| 7          | PAN-9106        | Panel, Inner, Back, Vine & Chain Transfer, 240 Tomato Harvester         | 1                           |                    |                                      |
| 8          | PAN-9107        | Panel, Inner, Bottom, Back, Vine & Chain Transfer, 240 Tomato Harvester | 1                           |                    |                                      |
| 9          | PAN-9108        | Panel, Outer, Bottom, Back, Vine & Chain Transfer, 240 Tomato Harvester | 1                           |                    |                                      |
| 10         | PAN-9109        | Panel, Outer, Bottom, Back, Vine & Chain Transfer, 240 Tomato Harvester | 1                           |                    |                                      |
| 11         | MOU-9102        | Mount, Angle, Vine & Chain Transfer, 240 Tomato Harvester               | 2                           |                    |                                      |
| 12         | SUP-1423        | Support, Roller, Transfer, Outer, Tomato                                | 1                           |                    |                                      |
| 13         | SUP-1424        | Support, Roller, Transfer Chain, Inner, Tomato                          | 1                           |                    |                                      |
| 14         | RLA-000-118     | Standoff, 1/2' X 1 1/8'   | 16                          |                    |                                      |
| 15         | RLR-040-108     | 4' Flat Roller  | 13                          |                    | Changed to Urethane in 2006          |
| 16         | RLT-027-108     | Roller 2.75' dia. 1/2' Bore   | 3                           |                    | 2755C1X (Old Number, Single Bearing) |
| 17         | 193-126         | Saver Tab   | 2                           | 19301-             |                                      |
| 18         | RLT-965-2212    | 9.5' Flange Roller 6.5 WF 2.2 WW 3/4 bore, 3 brng.                      | 4                           |                    |                                      |
| 19         | RLT-535-2210    | 5' Flange Roller 2.2 WF 3.5 dia, 5/8' bore                              | 4                           |                    |                                      |
| 20         | RLT-035-228     | Roller 3.5 dia x 2.2 x 1/2' bore, no flange                             | 4                           |                    |                                      |
| 21         | RLT-535-228     | 5' Flange Roller 2.2WF x 3 1/2' dia, 1/2' bore                          | 14                          |                    |                                      |
| 22         | SHD-9119        | Shield, Outer Primary Shaker Cover 240 Tomato                           | 1                           |                    |                                      |
| 23         | 191-312L        | Primary Shaker End Cover, Left  | 2                           | 19101-             |                                      |
| 24         | SHD-9121        | Shield, Sec. Shaker, Outer Shield, 240 Tomato                           | 1                           |                    |                                      |
| 25         | 191-312R        | Primary Shaker End Cover, Right   | 2                           | 19101-             |                                      |
| 26         | RLT-635-4210    | 6' Flange Roller, 4.25' wide  | 2                           |                    |                                      |
| 27         | SPA-9004        | Spacer, Front, Shaker Chamber, 240 Tomato Harvester                     | 1                           |                    |                                      |

|    |          |  |   |        |
|----|----------|--|---|--------|
| 28 | SPA-9005 | Spacer, Rear, Shaker Chamber, 240 Tomato Harvester | 1 |        |
| 29 | MOU-9007 | Shaker Chamber Support, 240 Harvester              | 1 |        |
| 30 | PAN-920C | Panel, Access [Red]                                | 2 | 19301- |
| 31 | PL-8752  | PL Cover, Middle Panel Cut-Out, Elevation, HC290   | 2 |        |

12011-05-01



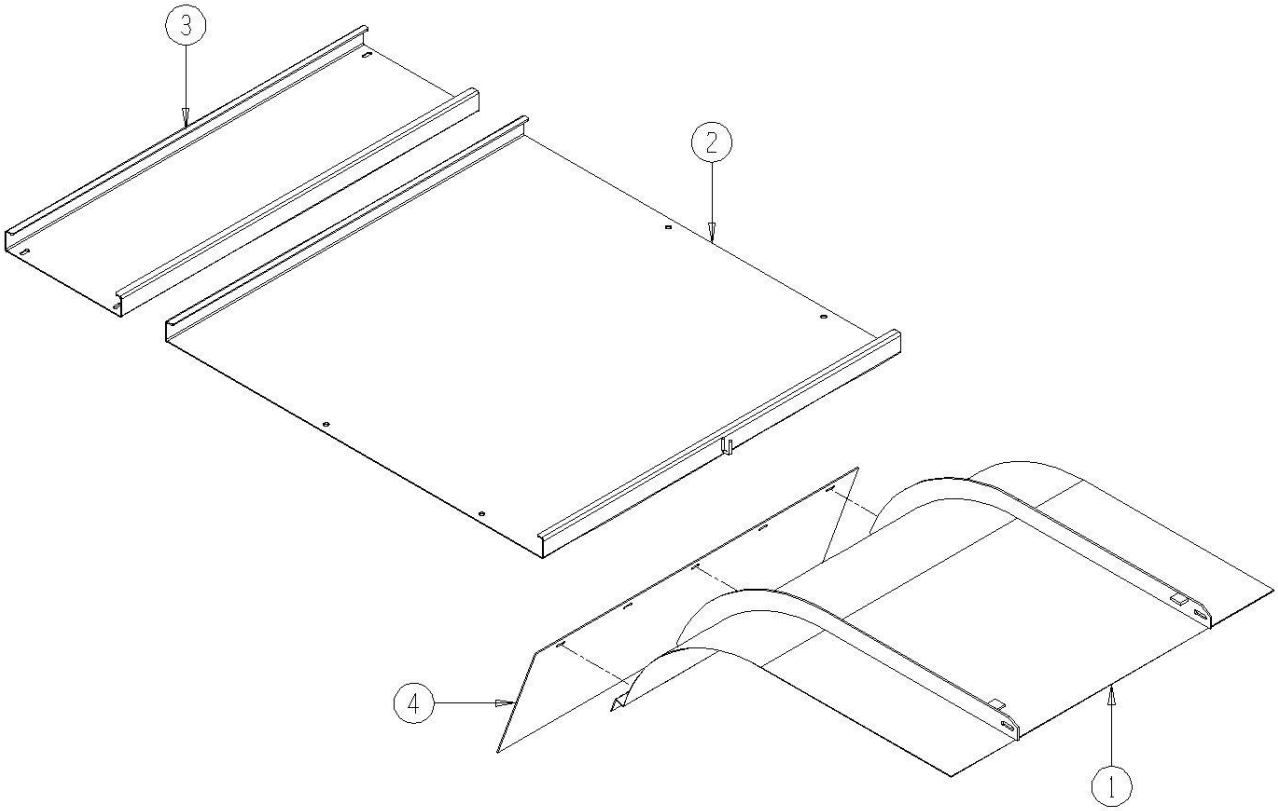


# 12011-05-02 Vine & Transfer Cover Assembly

| <u>Ref</u> | <u>Part No.</u> | <u>Description</u>  | <u>Parts –<br/>Assembly</u> | <u>Will Fit SN</u> | <u>Remarks</u> |
|------------|-----------------|---|-----------------------------|--------------------|----------------|
| 1          | COV-9100        | Cover, Primary Shaker, Vine & Transfer, 240<br>Tomato Harvester         | 1                           |                    |                |
| 2          | COV-9101        | Cover, Middle, Primary Shaker, Vine & Transfer, 240<br>Tomato Harvester | 1                           |                    |                |
| 3          | COV-9102        | Cover, Back, Primary Shaker, Vine & Transfer, 240<br>Tomato Harvester   | 1                           |                    |                |
| 4          | BT-9400         | Belting, Shaker Chamber, 240 Tomato Harvester                           | 1                           |                    |                |



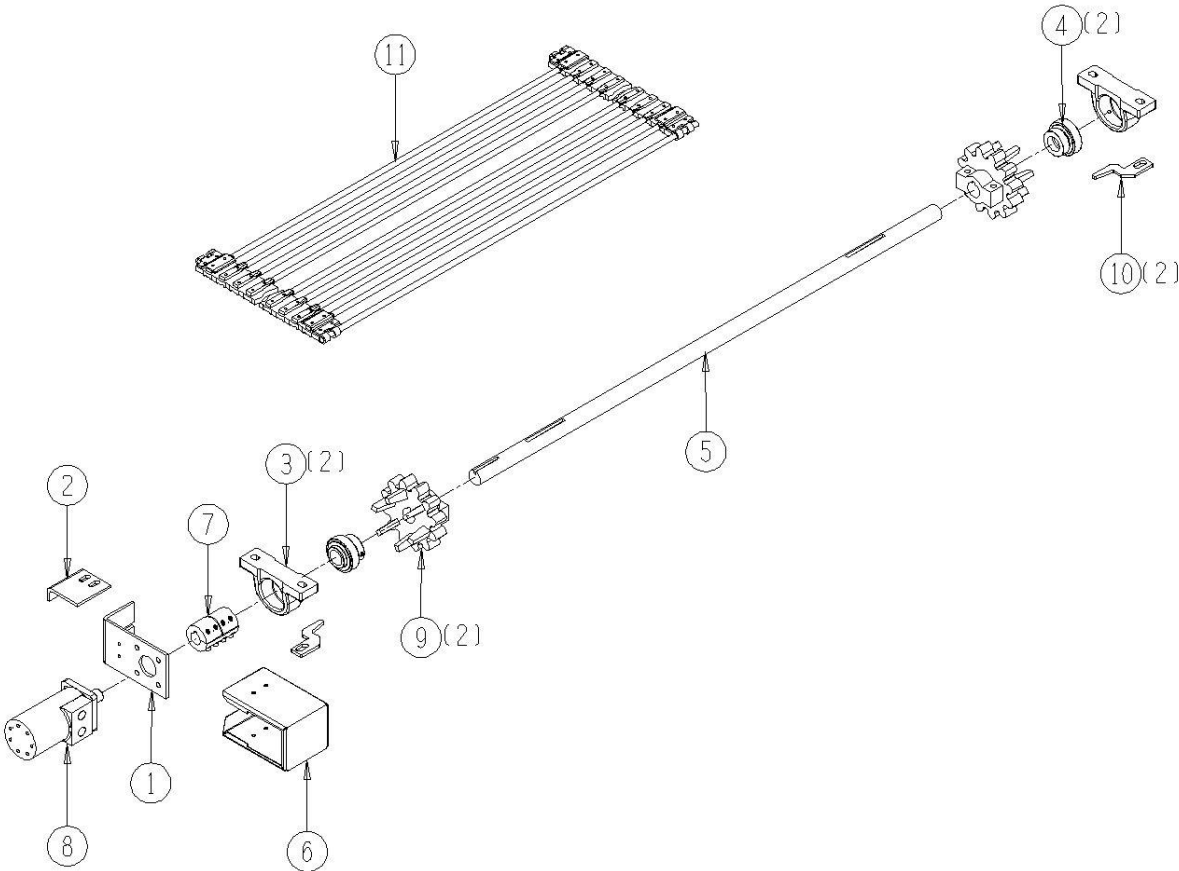
12011-05-02



# 12011-05-03 Transfer Drive Shaft Assembly

| <u>Ref</u> | <u>Part No.</u> | <u>Description</u>  | <u>Parts –<br/>Assembly</u> | <u>Will Fit SN</u> | <u>Remarks</u>   |
|------------|-----------------|---|-----------------------------|--------------------|--|
| 1          | 193-806         | Mount motor   | 1                           |                    |  |
| 2          | 193-806a        | Motor mount stop  | 1                           |                    |  |
| 3          | BR-072-RAK      | 72mm Cast Housing   | 2                           |                    |  |
| 4          | BR-125-072      | Bearing, 1 1/4 Fafnir tri-seal, 72mm OD                         | 2                           |                    |  |
| 5          | SFT-9400        | Shaft, Transfer Chain, 240 Harvester                            | 1                           |                    |  |
| 6          | 193-806c        | Motor Guard   | 1                           | 19301-             |  |
| 7          | CPS-6060        | Steel Coupler (offcenter) 1 1/4' x 1'                           | 1                           |                    |  |
| 8          | HM-210-TC       | TCI Motor   | 1                           |                    | Seal Kit # TCI-SKHPQ                                   |
| 9          | SPU-3612-20-4   | Urethane Sprocket 36-12 1 1/4 bore 1/4' key                     | 2                           |                    | Sub SP-3612-20-4                                       |
| 10         | SCR-102         | Scraper, For 72mm Bearings, Tomato Harvester                    | 2                           |                    |  |
| 11         | BC-7-4036-105   | Transfer Chain, 40in Wide, 36mm Pitch, 105 Links, 240 Harvester | 1                           |                    |  |
| 800        | BC-1032-FS      | 10-32 x 1 1/4' bolts Flat Socket Head                           | 0                           |                    |  |
| 801        | BC-1032-LN      | 10-32 lock nuts   | 0                           |                    |  |
| 802        | BC-7-36-AC      | 7/16' x 36' Rod w/ 24mm Air Cushion Cover                       | 0                           |                    |  |
| 803        | BC-BP32         | Belt, Rivet backing plates 32mm                                 | 0                           | 11001              | Lap Splice Option, Used only with BC-1032-LN Lock Nuts |
| 804        | BC-3525         | Snap Ring, 11mm.  | 0                           |                    |  |
| 806        | BC-F-36-32-UG   | Ultra Gold F Connecting Clips 36-32 @ pair                      | 0                           |                    | Replaces BC-F-36-32                                    |
| 807        | KEY-4-4-15      | Shaft Key 1/4' X 1/4' X 15/16' Woodruff Key                     | 1                           |                    |  |

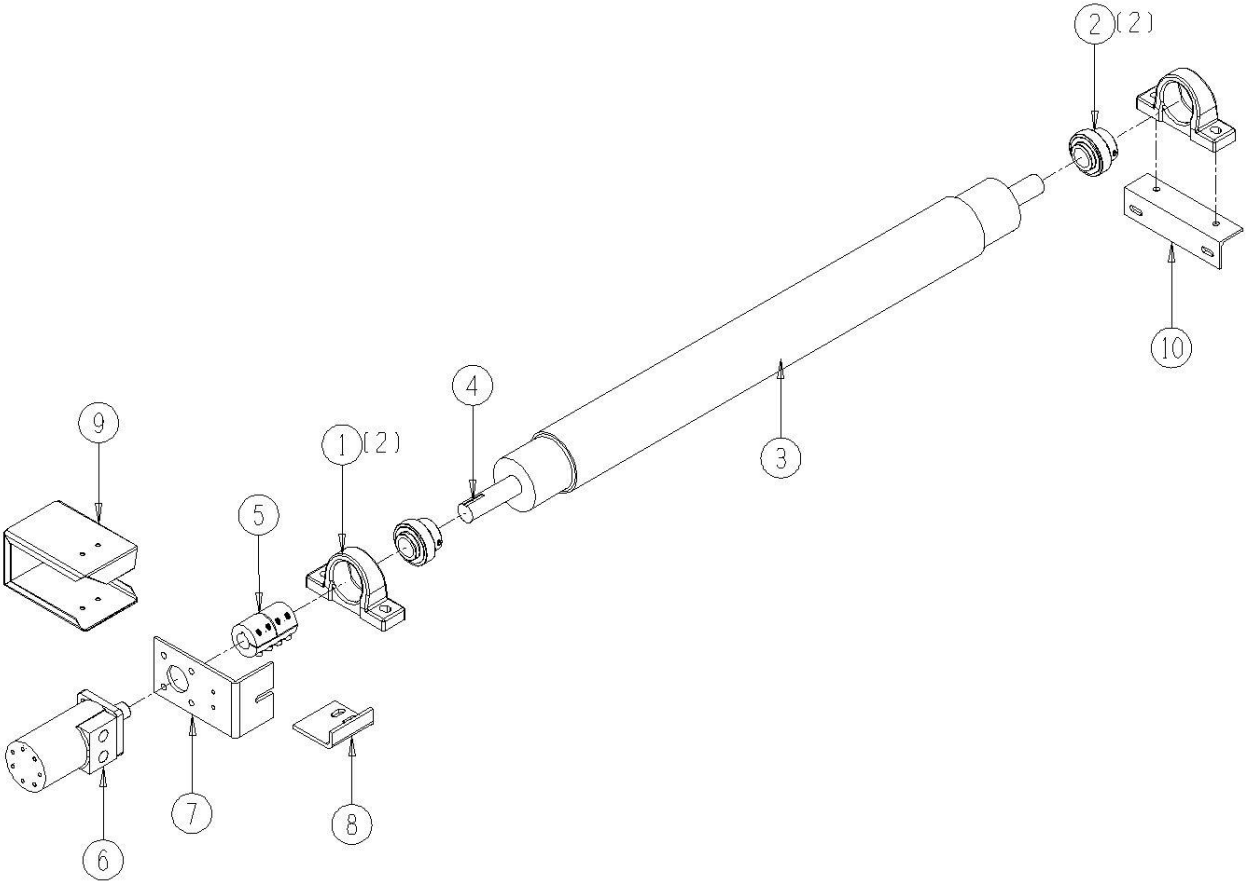
12011-05-03



# 12011-05-04 Transfer Return Roller Assembly

| <u>Ref</u> | <u>Part No.</u> | <u>Description</u>                                   | <u>Parts –<br/>Assembly</u> | <u>Will Fit SN</u> | <u>Remarks</u>       |
|------------|-----------------|--|-----------------------------|--------------------|----------------------|
| 1          | BR-072-RAK      | 72mm Cast Housing                                    | 2                           |                    |                      |
| 2          | BR-125-072      | Bearing, 1 1/4 Fafnir tri-seal, 72mm OD              | 2                           |                    |                      |
| 3          | RLR-9400        | Roller, Rubber, Transfer Return Roller, 40in Chain   | 1                           |                    |                      |
| 4          | KEY-4-4-16      | Shaft Key 1/4' X 1/4' X 1' Square Cut (1018)         | 1                           | 20095001-          |                      |
| 5          | CPS-6060        | Steel Coupler (offcenter) 1 1/4' x 1'                | 1                           |                    |                      |
| 6          | HM-210-TC       | TCI Motor  | 1                           |                    | Seal Kit # TCI-SKHPQ |
| 7          | 193-806         | Mount motor  | 1                           |                    |                      |
| 8          | 193-806a        | Motor mount stop                                     | 1                           |                    |                      |
| 9          | 193-806c        | Motor Guard  | 1                           | 19301-             |                      |
| 10         | MOU-9400        | Bearing Mount, Transfer Return Roller, 240 Harvester | 1                           |                    |                      |
| 101        | BL-4-500-H      | 1/4-20 X 5 HEX CAP G5 ZC                             | 1                           |                    |                      |
| 102        | BL-4-FW         | 1/4 USS FW ZC  | 2                           |                    |                      |
| 103        | BL-4-WN         | 1/4-20 FORGED W/NUTS ZC                              | 1                           |                    |                      |
| 800        | KEY-4-4-15      | Shaft Key 1/4' X 1/4' X 15/16' Woodruff Key          | 1                           |                    |                      |

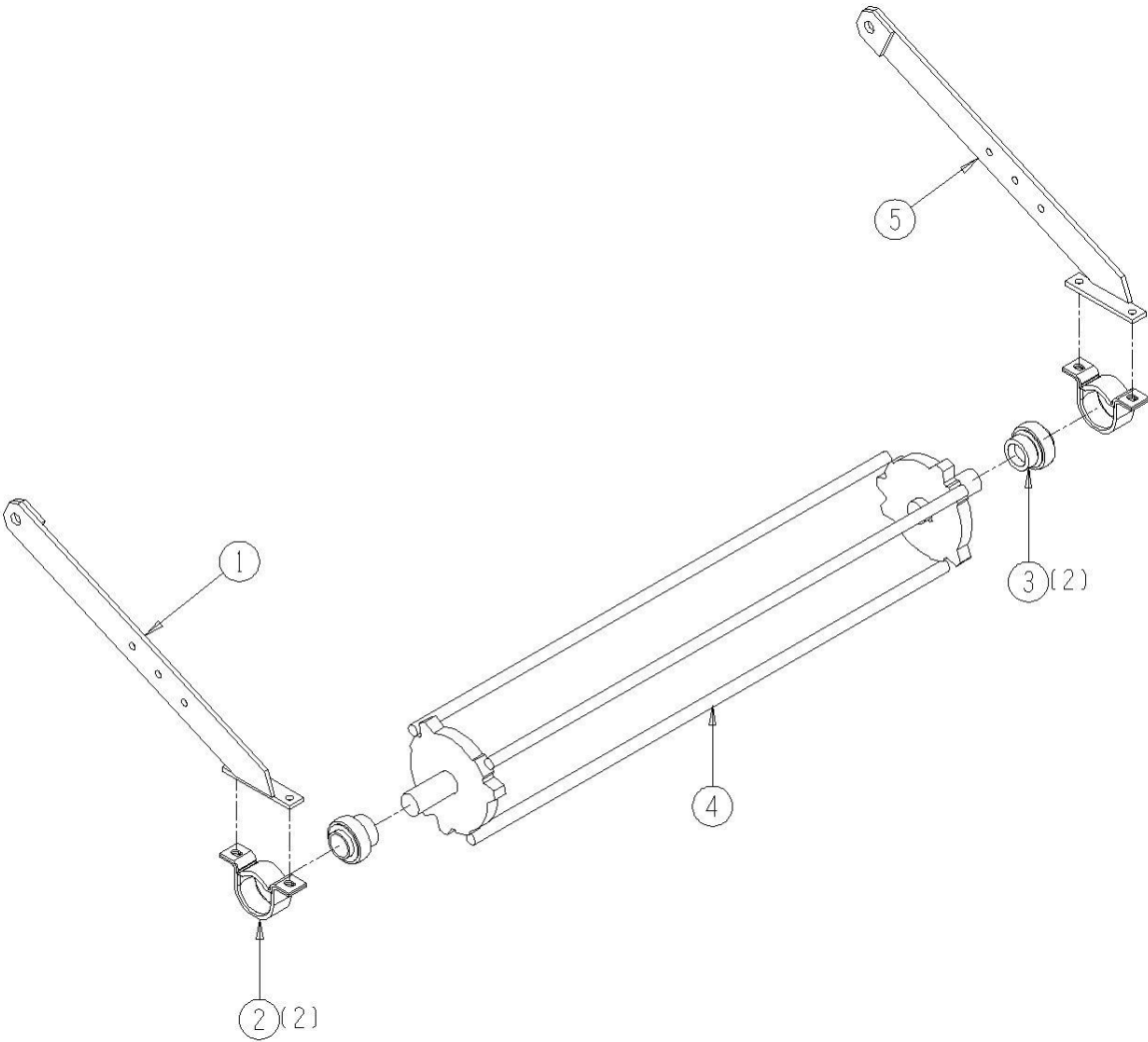
12011-05-04



# 12011-05-05 Transfer Bar Cleaner Assembly

| <u>Ref</u> | <u>Part No.</u> | <u>Description</u>                         | <u>Parts –<br/>Assembly</u> | <u>Will Fit SN</u> | <u>Remarks</u> |
|------------|-----------------|--|-----------------------------|--------------------|----------------|
| 1          | 192-362B        | Chain cleaner bar (Right)                  | 1                           | 19101              |                |
| 2          | BR-062-MPB      | Stamped Bearing Housing for 1 1/4' bearing | 2                           |                    |                |
| 3          | BR-125-062I     | Bearing, 1 1/4' ID, TS                     | 2                           |                    | FIT Bearing    |
| 4          | BAR-9400        | Bar Cleaner, 40-36 Chain                   | 1                           |                    |                |
| 5          | 192-362A        | Chain cleaner bar (Left)                   | 1                           | 19101-             |                |
| 100        | BL-6-125-H      | 3/8-16 X 1 1/4 HHCS G5 ZC                  | 4                           |                    |                |
| 101        | BL-6-LN         | 3/8 UNC FIN HEX LOCK NUT NE A563 GrA ZINC  | 4                           |                    |                |
| 102        | BL-6-SW         | 3/8 SAE FW ZC                              | 8                           |                    |                |
| 103        | BL-10-075-SH    | 5/8 X 3/4 SHOULDER BOLTS                   | 2                           | 11001-             |                |
| 104        | BL-8-FW-8       | 1/2 FLAT WASHER G8 ZC                      | 2                           |                    |                |
| 105        | BL-8-LN         | 1/2-13 HEX LOCK NUT NYLON INSERT ZC        | 2                           |                    |                |

12011-05-05



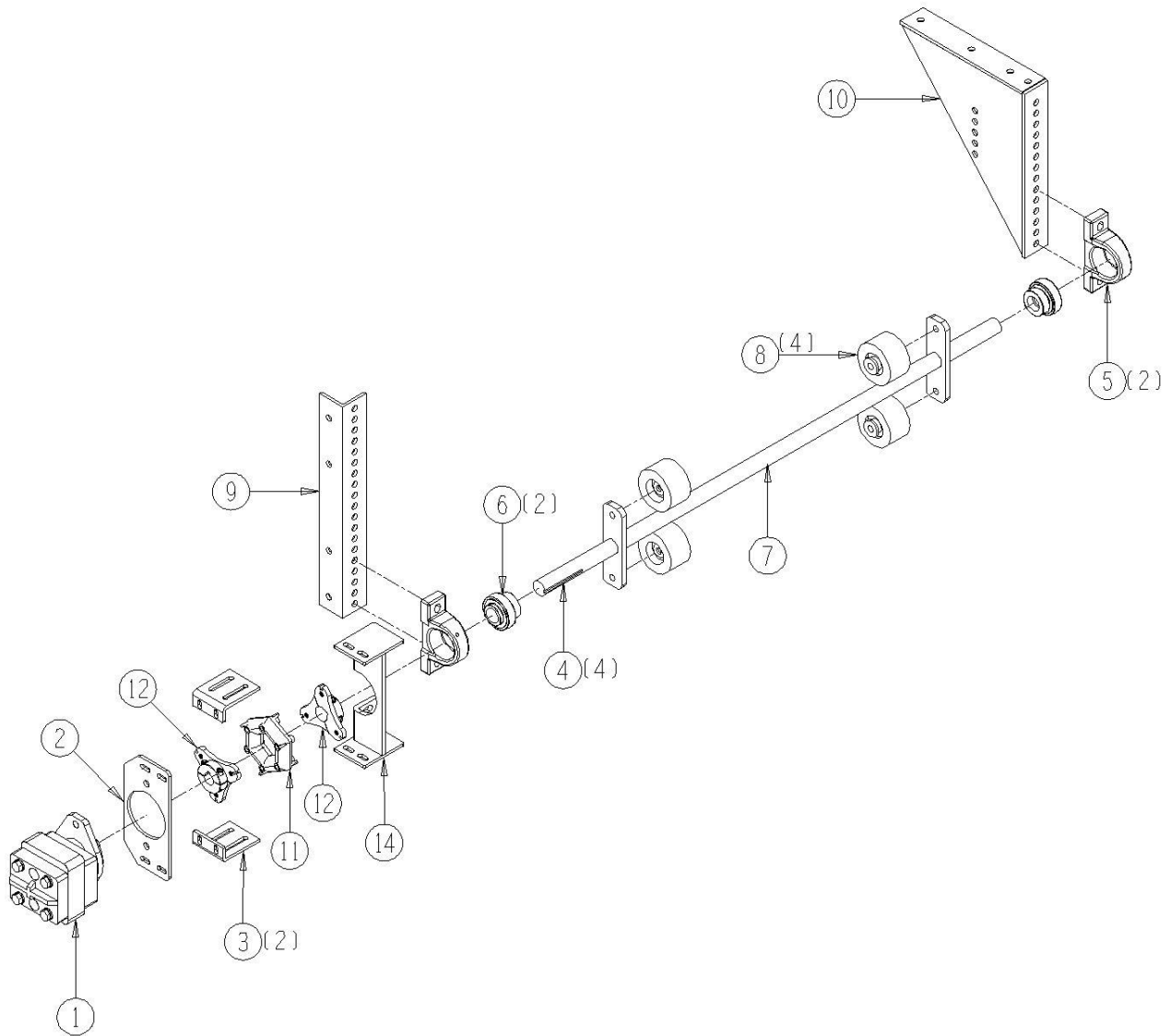
# 12011-05-06 Transfer Dirt Vibrator Assembly

| <u>Ref</u> | <u>Part No.</u> | <u>Description</u>                            | <u>Parts –<br/>Assembly</u> | <u>Will Fit SN</u> | <u>Remarks</u>                    |
|------------|-----------------|---|-----------------------------|--------------------|-----------------------------------|
| 1          | HM-412-1        | Hydraulic Motor                               | 1                           |                    | Same as HM-412C except w/1' shaft |
| 2          | MOU-0167        | Mount, Motor Cross Vibrator,190               | 1                           |                    |                                   |
| 3          | MOU-0177        | Mount, Long Vibrator, Harvester               | 2                           |                    |                                   |
| 4          | KEY-4-4-20      | Shaft Key 1/4' x 1 1/4'                       | 4                           |                    |                                   |
| 5          | BR-072-RAK      | 72mm Cast Housing                             | 2                           |                    |                                   |
| 6          | BR-125-072      | Bearing, 1 1/4 Fafnir tri-seal, 72mm OD       | 2                           |                    |                                   |
| 7          | SFT-9401        | Vibrator Shaft,40in Wide Chain                | 1                           |                    |                                   |
| 8          | RLT-035-228     | Roller 3.5 dia x 2.2 x 1/2' bore, no flange   | 4                           |                    |                                   |
| 9          | BRA-1360        | Bracket, Vibrator, Transfer Chain             | 1                           |                    |                                   |
| 10         | BRA-1362        | Bracket, Vibrator Transfer Return             | 1                           |                    |                                   |
| 11         | CPR-422-15      | Primary Shaker Drive Coupler                  | 1                           |                    | Used on Sec. Sh. Beginning 2000   |
| 12         | CPR-422a-15     | Primary Shaker Coupler 1' Bore (Motor Side)   | 1                           | Years 1995 - 2000  | Used on Sec. Sh. Beginning 2000   |
| 13         | CPR-422D-15     | Coupler,1-1/4' Bore, 1/4' Key                 | 1                           |                    |                                   |
| 14         | MOU-0165        | Motor Mount, Stop, Cross Vibrator, 190 Tomato | 1                           |                    |                                   |
| 100        | BL-6-125-H      | 3/8-16 X 1 1/4 HHCS G5 ZC                     | 8                           |                    |                                   |
| 101        | BL-6-LN         | 3/8 UNC FIN HEX LOCK NUT NE A563 GrA ZINC     | 8                           |                    |                                   |
| 102        | BL-6-FW         | 3/8 USS FW ZC                                 | 16                          |                    |                                   |
| 103        | BL-8-275-H      | 1/2 UNC X 2 3/4 HH C/S BOLT GR5 ZINC          | 4                           |                    |                                   |
| 104        | BL-8-200-H8     | 1/2 x 2,Grade 8,Hex Head                      | 2                           |                    |                                   |
| 105        | BL-8-LN         | 1/2-13 HEX LOCK NUT NYLON INSERT ZC           | 14                          |                    |                                   |
| 106        | BL-8-SW         | 1/2 SAE FW ZC                                 | 20                          |                    |                                   |
| 107        | BL-8-125-H      | 1/2-13 X 1 1/4 HEX CAP G5 ZC                  | 6                           |                    |                                   |
| 108        | BL-4-225-H      | 1/4 UNC X 2 1/4 HH C/S BOLT GR5 ZINC          | 2                           |                    |                                   |
| 109        | BL-4-FW-8       | 1/4' Flat Washer Grade 8                      | 2                           |                    |                                   |
| 110        | BL-4-LN         | 1/4-20 HEX LN NE ZC                           | 2                           |                    |                                   |
| 111        | BL-8-225-H      | 1/2-13 X 2 1/4 HEX CAP G5 ZC                  | 2                           |                    |                                   |
| 112        | BL-8-200-H      | 1/2-13 X 2 HEX CAP G5 ZC                      | 0                           |                    |                                   |
| 800        | KEY-4-4-15      | Shaft Key 1/4' X 1/4' X 15/16' Woodruff Key   | 1                           |                    |                                   |



|     |             |  |   |          |
|-----|-------------|--|---|----------|
| 801 | BL-5-100-SF | 5/16-24 x 1 Socket Head Cap Screw                      | 1 | CPS-6057 |
| 802 | HM-2100-SK  | Shaft Seal & Gasket Kit for Permco Motor, M2100 Series | 1 |          |
| 803 | HM-2100-BRG | Bearing for Permco Motor, M2100 Series                 | 1 |          |

12011-05-06

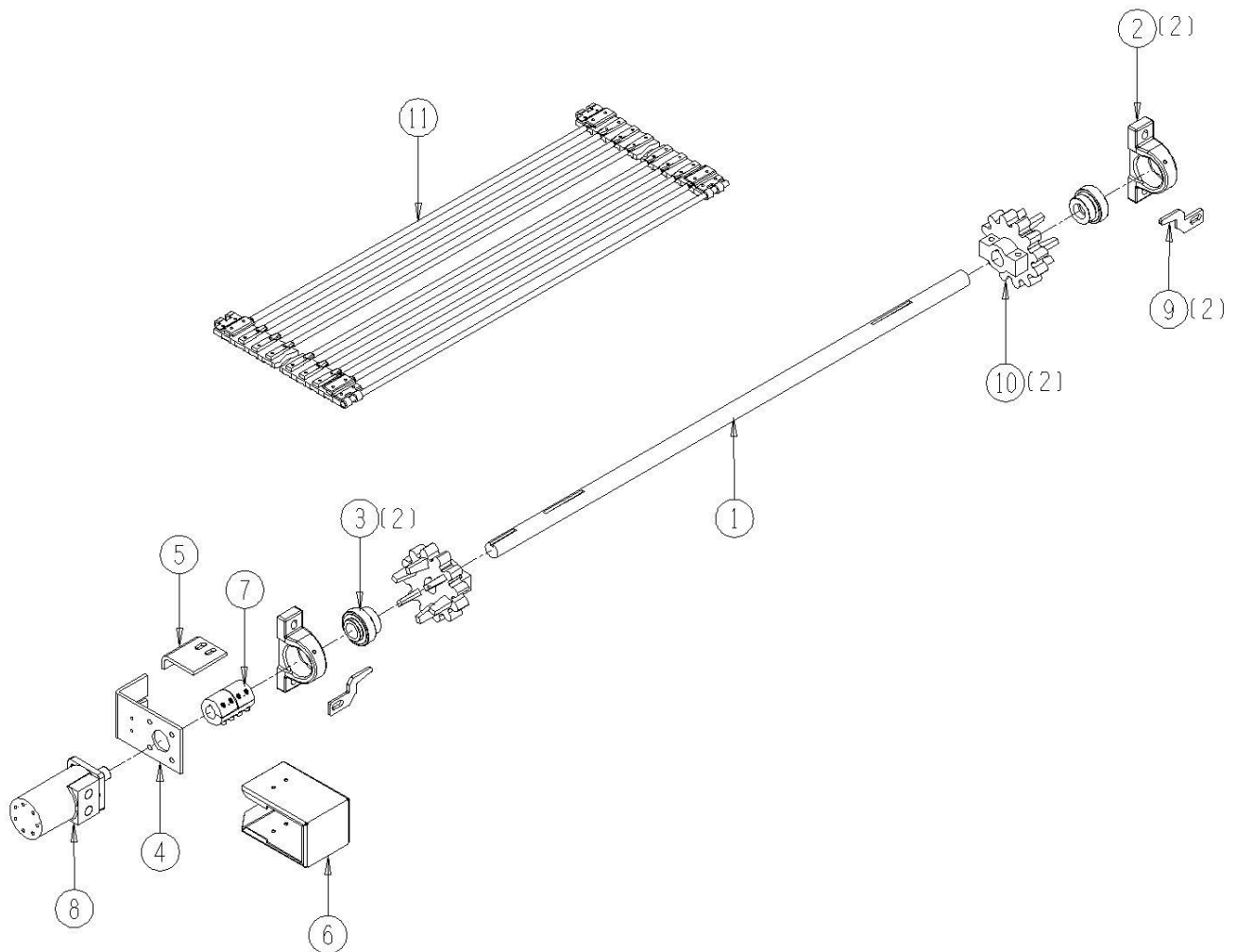




# 12011-05-07 Rear Transfer Drive Shaft Assembly

| <u>Ref</u> | <u>Part No.</u> | <u>Description</u>   | <u>Parts –<br/>Assembly</u> | <u>Will Fit SN</u> | <u>Remarks</u>   |
|------------|-----------------|--|-----------------------------|--------------------|--|
| 1          | SFT-9400        | Shaft, Transfer Chain, 240 Harvester                         | 1                           |                    |  |
| 2          | BR-072-RAK      | 72mm Cast Housing  | 2                           |                    |  |
| 3          | BR-125-072      | Bearing, 1 1/4 Fafnir tri-seal, 72mm OD                      | 2                           |                    |  |
| 4          | 193-806         | Mount motor  | 1                           |                    |  |
| 5          | 193-806a        | Motor mount stop   | 1                           |                    |  |
| 6          | 193-806c        | Motor Guard  | 1                           | 19301-             |  |
| 7          | CPS-6060        | Steel Coupler (offcenter) 1 1/4' x 1'                        | 1                           |                    |  |
| 8          | HM-210-TC       | TCI Motor  | 1                           |                    | Seal Kit # TCI-SKHPQ                                   |
| 9          | SCR-102         | Scraper, For 72mm Bearings, Tomato Harvester                 | 2                           |                    |  |
| 10         | SPU-3612-20-4   | Urethane Sprocket 36-12 1 1/4 bore 1/4' key                  | 2                           |                    | Sub SP-3612-20-4                                       |
| 11         | BC-7-4036-75    | Belted Chain, Rear Transfer, 40in Wide, 75 Link, 240 Tomatoe | 1                           |                    |  |
| 800        | BC-1032-FS      | 10-32 x 1 1/4' bolts Flat Socket Head                        | 0                           |                    |  |
| 801        | BC-1032-LN      | 10-32 lock nuts  | 0                           |                    |  |
| 802        | BC-7-36-AC      | 7/16' x 36' Rod w/ 24mm Air Cushion Cover                    | 0                           |                    |  |
| 803        | BC-BP32         | Belt, Rivet backing plates 32mm                              | 0                           | 11001              | Lap Splice Option, Used only with BC-1032-LN Lock Nuts |
| 804        | BC-3525         | Snap Ring, 11mm.   | 0                           |                    |  |
| 806        | BC-F-36-32-UG   | Ultra Gold F Connecting Clips 36-32 @ pair                   | 0                           |                    | Replaces BC-F-36-32                                    |
| 807        | KEY-4-4-15      | Shaft Key 1/4' X 1/4' X 15/16' Woodruff Key                  | 1                           |                    |  |

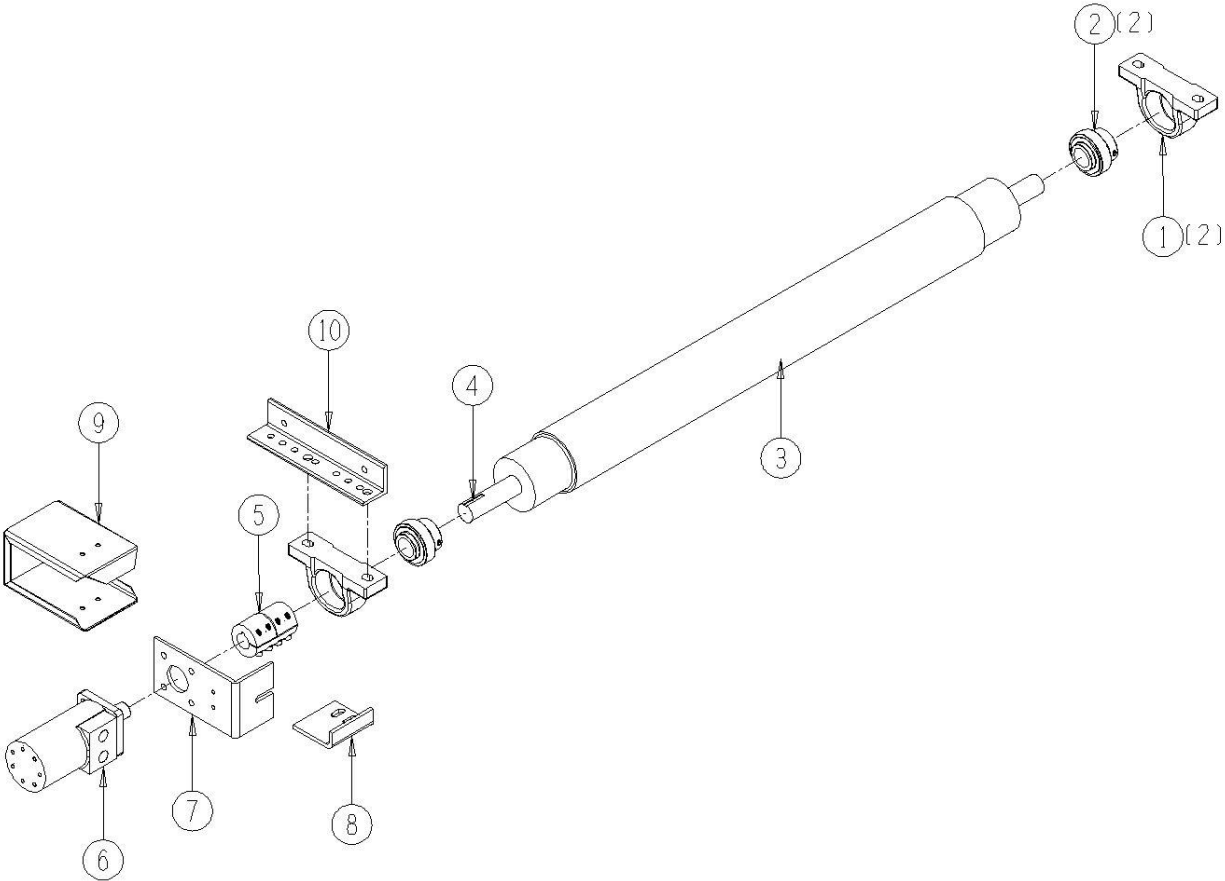
12011-05-07



# 12011-05-08 Rear Transfer Return Roller Assembly

| <u>Ref</u> | <u>Part No.</u> | <u>Description</u>                                 | <u>Parts –<br/>Assembly</u> | <u>Will Fit SN</u> | <u>Remarks</u>       |
|------------|-----------------|--|-----------------------------|--------------------|----------------------|
| 1          | BR-072-RAK      | 72mm Cast Housing                                  | 2                           |                    |                      |
| 2          | BR-125-072      | Bearing, 1 1/4 Fafnir tri-seal, 72mm OD            | 2                           |                    |                      |
| 3          | RLR-9400        | Roller, Rubber, Transfer Return Roller, 40in Chain | 1                           |                    |                      |
| 4          | KEY-4-4-16      | Shaft Key 1/4' X 1/4' X 1' Square Cut (1018)       | 1                           | 20095001-          |                      |
| 5          | CPS-6060        | Steel Coupler (offcenter) 1 1/4' x 1'              | 1                           |                    |                      |
| 6          | HM-210-TC       | TCI Motor  | 1                           |                    | Seal Kit # TCI-SKHPQ |
| 7          | 193-806         | Mount motor  | 1                           |                    |                      |
| 8          | 193-806a        | Motor mount stop                                   | 1                           |                    |                      |
| 9          | 193-806c        | Motor Guard  | 1                           | 19301-             |                      |
| 10         | BRA-1422        | Bracket, Roller                                    | 1                           | KIT-0080           |                      |
| 11         | DC-1176         | Decal, Danger-Hand Chain Sprockets                 | 1                           |                    |                      |
| 101        | BL-4-500-H      | 1/4-20 X 5 HEX CAP G5 ZC                           | 1                           |                    |                      |
| 102        | BL-4-FW         | 1/4 USS FW ZC                                      | 2                           |                    |                      |
| 103        | BL-4-WN         | 1/4-20 FORGED W/NUTS ZC                            | 1                           |                    |                      |

12011-05-08

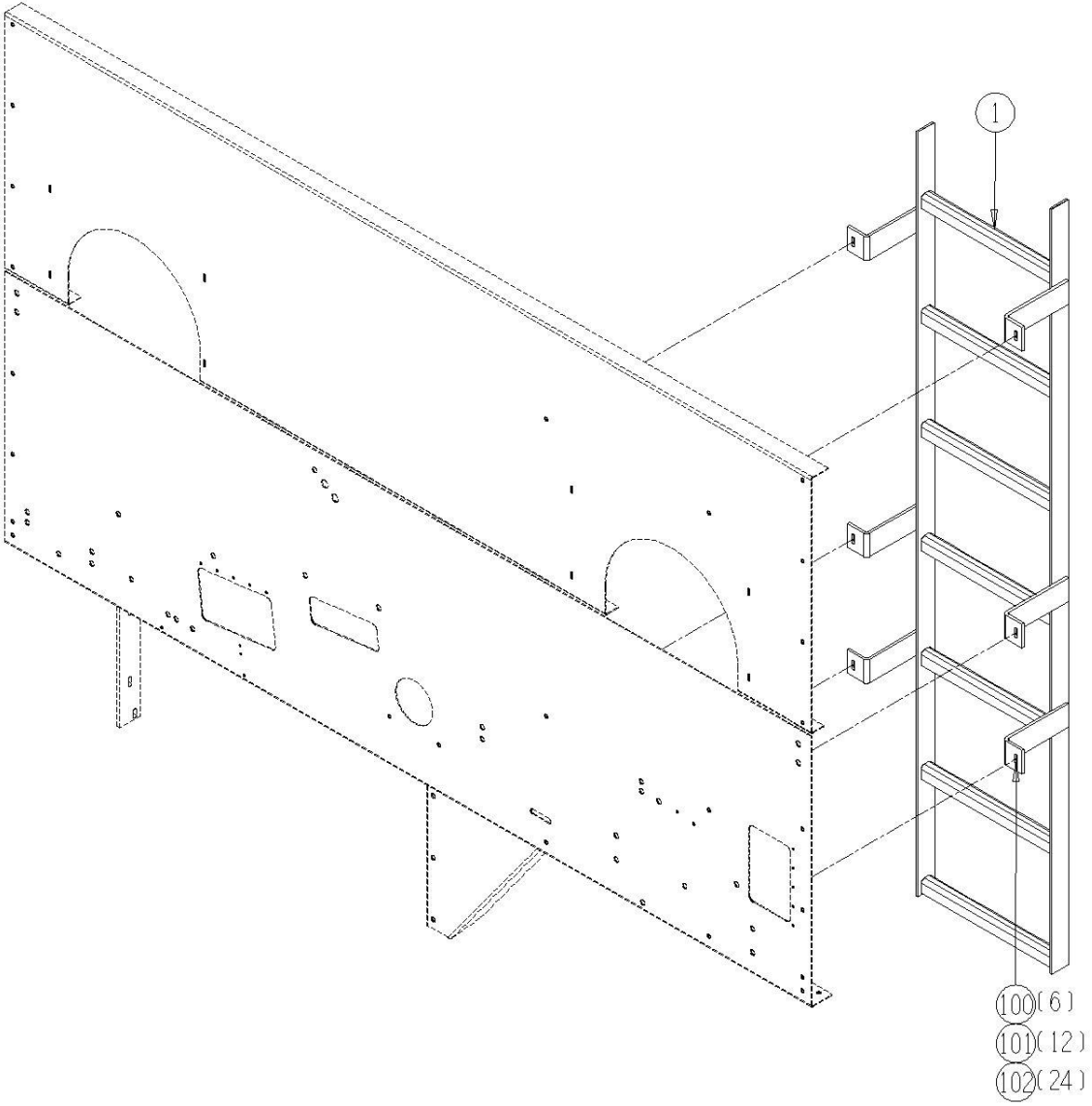


# 12011-05-09 Shaker Chamber Ladder Assembly

| <u>Ref</u> | <u>Part No.</u> | <u>Description</u>                             | <u>Parts –<br/>Assembly</u> | <u>Will Fit SN</u> | <u>Remarks</u> |
|------------|-----------------|--|-----------------------------|--------------------|----------------|
| 1          | STD-8403        | Header Side Ladder, Shaker Chamber, 190 Tomato | 1                           |                    |                |
| 100        | BL-6-175-H      | 3/8-16 X 1 ¼ HHCS G5 ZC                        | 6                           |                    |                |
| 101        | BL-6-LN         | 3/8 UNC FIN HEX LOCK NUT NE A563 GrA ZINC      | 12                          |                    |                |
| 102        | BL-6-FWSS       | 3/8 USS FW SS                                  | 24                          |                    |                |



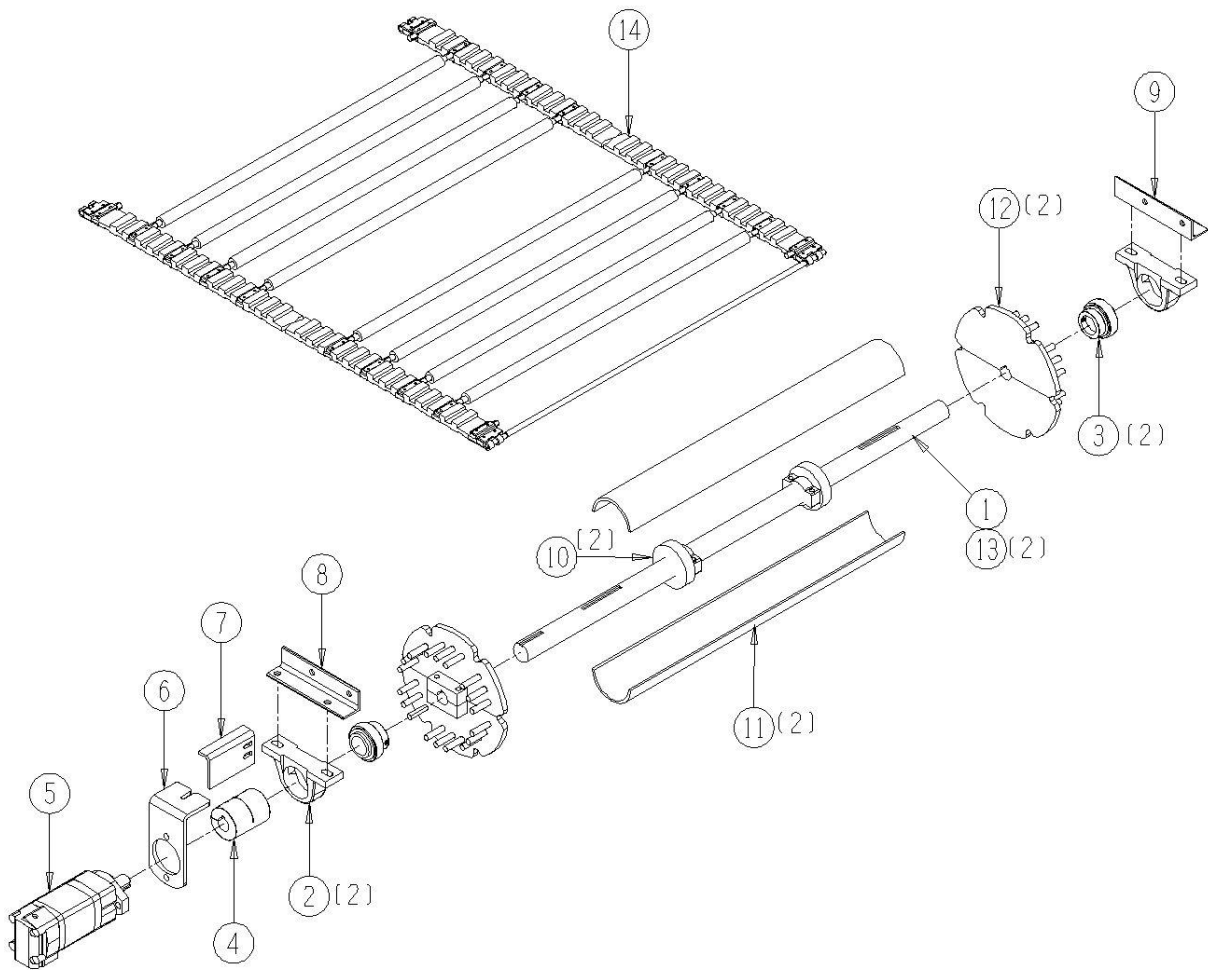
12011-05-09



# 12011-05-20 Vine Chain Drive Assembly

| <u>Ref</u> | <u>Part No.</u>    | <u>Description</u>  | <u>Parts –<br/>Assembly</u> | <u>Will Fit SN</u> | <u>Remarks</u>   |
|------------|--------------------|---|-----------------------------|--------------------|------------------|
| 1          | SFT-9402           | Drive Shaft, Vine Chain, 240 Harvester                        | 1                           |                    |                  |
| 2          | BR-085-RAK         | Bearing Housing 85 mm   | 2                           |                    |                  |
| 3          | BR-175-085         | Fafnir Bearing 1 ¼ Tri Seal                                   | 2                           |                    |                  |
| 4          | CPS-2820           | Steel Coupler 1 ¾' x 1 1/4' ID with 3/8' Keyway on 1 ¾' ID    | 1                           |                    |                  |
| 5          | HM-1420-CH         | Char Lynn Motor   | 1                           |                    |                  |
| 6          | MOU-0091           | Motor Mount, 2000 Series Face, 2 Bolt, SAE-A                  | 1                           |                    |                  |
| 7          | MOU-807            | Motor Stop, 240 Harvester                                     | 1                           |                    |                  |
| 8          | MOU-9401           | Bearing Mount, Vine Chain, 240 Harvester                      | 1                           |                    |                  |
| 9          | MOU-9402           | Bearing Mount, Vine Chain, LH, 240 Harvester                  | 1                           |                    |                  |
| 10         | PL-1421            | Urethane Hub for Shaft Cover 1 1/4' Bore                      | 2                           |                    | Replaces PL-1415 |
| 11         | PL-9400            | Plastic Pipe, Vine Chain, 240 Harvester                       | 2                           |                    |                  |
| 12         | SP-10806-28-6      | Sprocket, 108mm Pitch, 6 Tooth, 1 3/4in w 3/8in Keyway        | 2                           |                    |                  |
| 13         | CL-72              | 5' Gear Clamp   | 2                           |                    |                  |
| 14         | BC-8-40108-102ACDS | Vine Chain, Double Skived, 40' Wide, 102 Links, 240 Harvester | 1                           |                    |                  |

12011-05-20

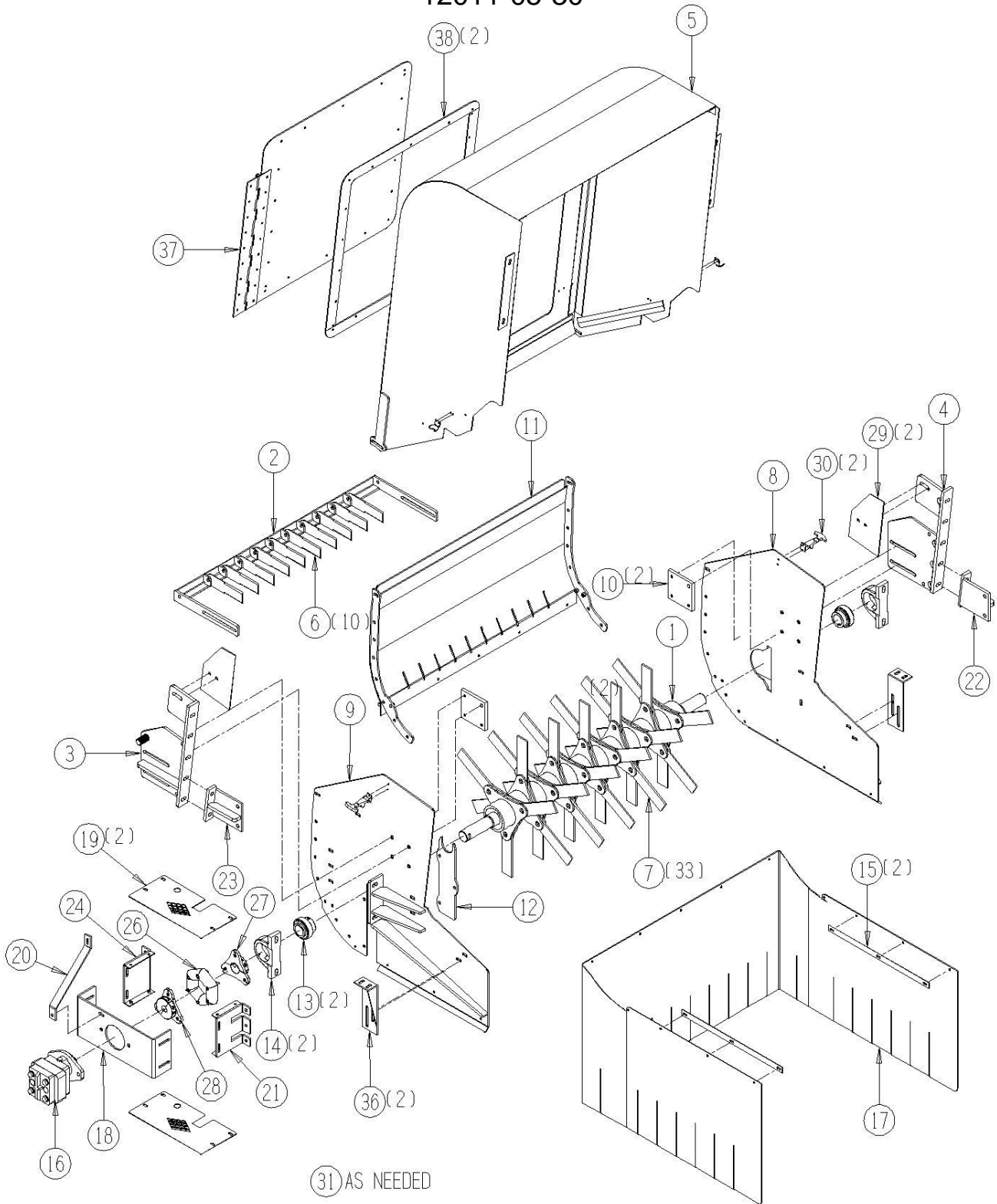


# 12011-05-30 Vine Chopper Assembly

| <u>Ref</u> | <u>Part No.</u> | <u>Description</u>  | <u>Parts –<br/>Assembly</u> | <u>Will Fit SN</u> | <u>Remarks</u> |
|------------|-----------------|---|-----------------------------|--------------------|----------------|
| 1          | SFT-9100        | Shaft, Flair Rotor, Vine Chopper, 240 Tomato Harvester    | 1                           |                    |                |
| 2          | BRA-9102        | Bracket, Knife Holder, Vine Chopper, 240 Tomato Harvester | 1                           |                    |                |
| 3          | MOU-2013        | Hefty Right Mount, Vine Chopper, 190 Tomato               | 1                           |                    |                |
| 4          | MOU-2014        | Hefty Left Mount, Vine Chopper, 190 Tomato                | 1                           |                    |                |
| 5          | SHD-9108        | Shield, Top, Rounded, Vine Chopper, 240 Tomato Harvester  | 1                           |                    |                |
| 6          | KN-142141       | Knife   | 10                          |                    |                |
| 7          | BAR-2020        | Bar, Long Flail, Vine Chopper                             | 33                          |                    |                |
| 8          | PAN-2012        | Panel, LH Housing, Vine Chopper, 190 Tomato               | 1                           |                    |                |
| 9          | PAN-2013        | Panel, RH Housing, Vine Chopper, 190 Tomato               | 1                           |                    |                |
| 10         | BAR-2013        | Bar, Inside Plate, Vine Chopper, 190 Tomato               | 2                           |                    |                |
| 11         | SHD-9109        | Shield, Back, Vine Chopper, 240 Tomato Harvester          | 1                           |                    |                |
| 12         | BAR-2012        | Bar, End Plate, Vine Chopper, 190 Tomato                  | 1                           |                    |                |
| 13         | BR-175-085-KB   | Fafnir Bearing 1 3/4" Heavy SS1                           | 2                           |                    |                |
| 14         | BR-085-RAK      | Bearing Housing 85 mm                                     | 2                           |                    |                |
| 15         | BAR-2015        | Belting Bar, Vine Chopper, 190 Tomato                     | 2                           |                    |                |
| 16         | HM-115          | Hydraulic Motor   | 1                           |                    |                |
| 17         | BT-9101         | Belting, Vine Chopper, 240 Tomato Harvester               | 1                           |                    |                |
| 18         | MOU-2010        | Motor Mount, Vine Chopper, 190 Tomato Machine             | 1                           |                    |                |
| 19         | SHD-2009        | Coupler Shield, Vine Chopper                              | 2                           |                    |                |
| 20         | SUP-2002        | Motor Mount Support, Vine Chopper                         | 1                           |                    |                |
| 21         | MOU-2011        | Side of Motor Mount, Vine Chopper, 190 Tomato             | 1                           |                    |                |
| 22         | MOU-2003        | Left, Front Mount, Vine Chopper, 190 Tomato               | 1                           |                    |                |
| 23         | MOU-2004        | Right, Front Mount, Vine Chopper, 190 Tomato              | 1                           |                    |                |
| 24         | MOU-2012        | Side of Motor Mount, Vine Chopper, 190 Tomato             | 1                           |                    |                |
| 25         | GF-1428         | Grease Fitting 1/4" x 28 straight                         | 2                           |                    |                |
| 26         | CPR-422-18      | Lovejoy Donut W/ Hardware                                 | 1                           |                    |                |
| 27         | CPR-422C-18     | Coupler, Shaker Side                                      | 1                           | 30095001-          |                |
| 28         | CPR-422D-18     | Coupler, Shaker, Motor Side, 1' Shaft                     | 1                           | 30095001-          |                |

|    |          |  |    |        |
|----|----------|--|----|--------|
| 29 | SHD-2031 | Shield, Vine Chopper, 190Tomato Harvester        | 2  | 10011- |
| 30 | LA-703   | Large Rubber T Latch Assembly                    | 2  |        |
| 31 | WT-17H   | Heavy Duty Wire Tie 17.5'                        | 30 |        |
| 32 | DC-1174  | Decal, Danger Keep Hands and Feet Away           | 1  |        |
| 33 | DC-1176  | Decal, Danger-Hand Chain Sprockets               | 1  |        |
| 34 | DC-1182  | Decal, White 'PIK RITE' 3 1/4' x 23'             | 1  |        |
| 35 | DC-1184  | Danger Decal, 3' x 16'                           | 1  |        |
| 36 | BRA-0115 | Stiffner Bracket, Vine Chopper, 190              | 2  |        |
| 37 | SHD-9110 | Shield, Door, Vine Chopper, 240 Tomato Harvester | 1  |        |
| 38 | BT-2015  | Belting, Gasket, Vine Chopper Door               | 2  |        |

12011-05-30



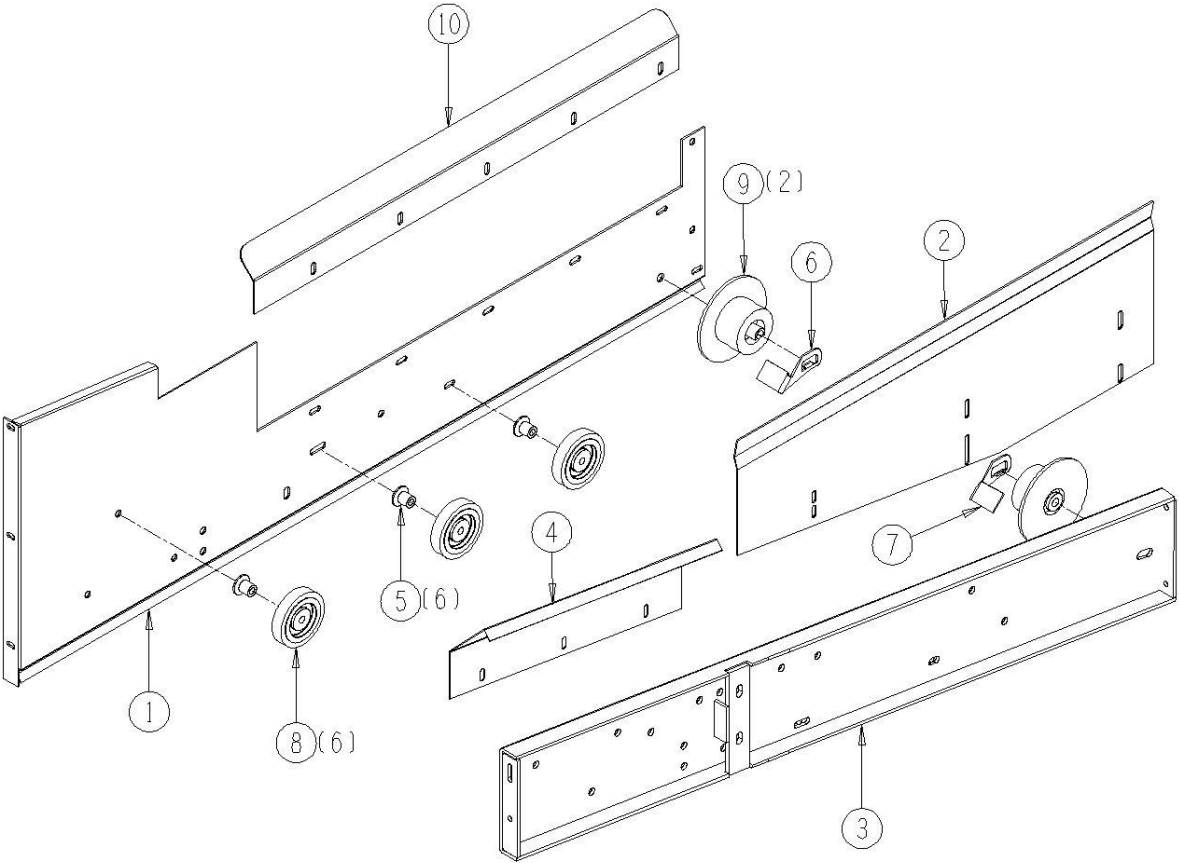


# 12011-06-01 Cross Conveyor Frame Assembly

| <u>Ref</u> | <u>Part No.</u> | <u>Description</u>  | <u>Parts –<br/>Assembly</u> | <u>Will Fit SN</u> | <u>Remarks</u>              |
|------------|-----------------|---|-----------------------------|--------------------|-----------------------------|
| 1          | PAN-9110        | Panel, Rear, Cross Conveyor, 240 Tomato Harvester                     | 1                           |                    |                             |
| 2          | PAN-9111        | Panel, Scraper, Transfer Return, Cross Conveyor, 240 Tomato Harvester | 1                           |                    |                             |
| 3          | PAN-9112        | Panel, Front, Cross Conveyor, 240 Tomato Harvester                    | 1                           |                    |                             |
| 4          | PAN-9113        | Panel, Front, Top, Cross Conveyor, 240 Tomato Harvester               | 1                           |                    |                             |
| 5          | RLA-000-118     | Standoff, 1/2' X 1 1/8'   | 6                           |                    |                             |
| 6          | RLA-3023-T      | Straight Scraper, RH  | 1                           |                    |                             |
| 7          | RLA-3024-T      | Straight Scraper  | 1                           |                    |                             |
| 8          | RLR-040-108     | 4' Flat Roller  | 6                           |                    | Changed to Urethane in 2006 |
| 9          | RLT-635-2210-SC | 6 1/2' Flange Roller w/Shaft for Scraper 5/8' Bore                    | 2                           |                    |                             |
| 10         | SHD-9700        | Cross Sheild  | 1                           |                    |                             |



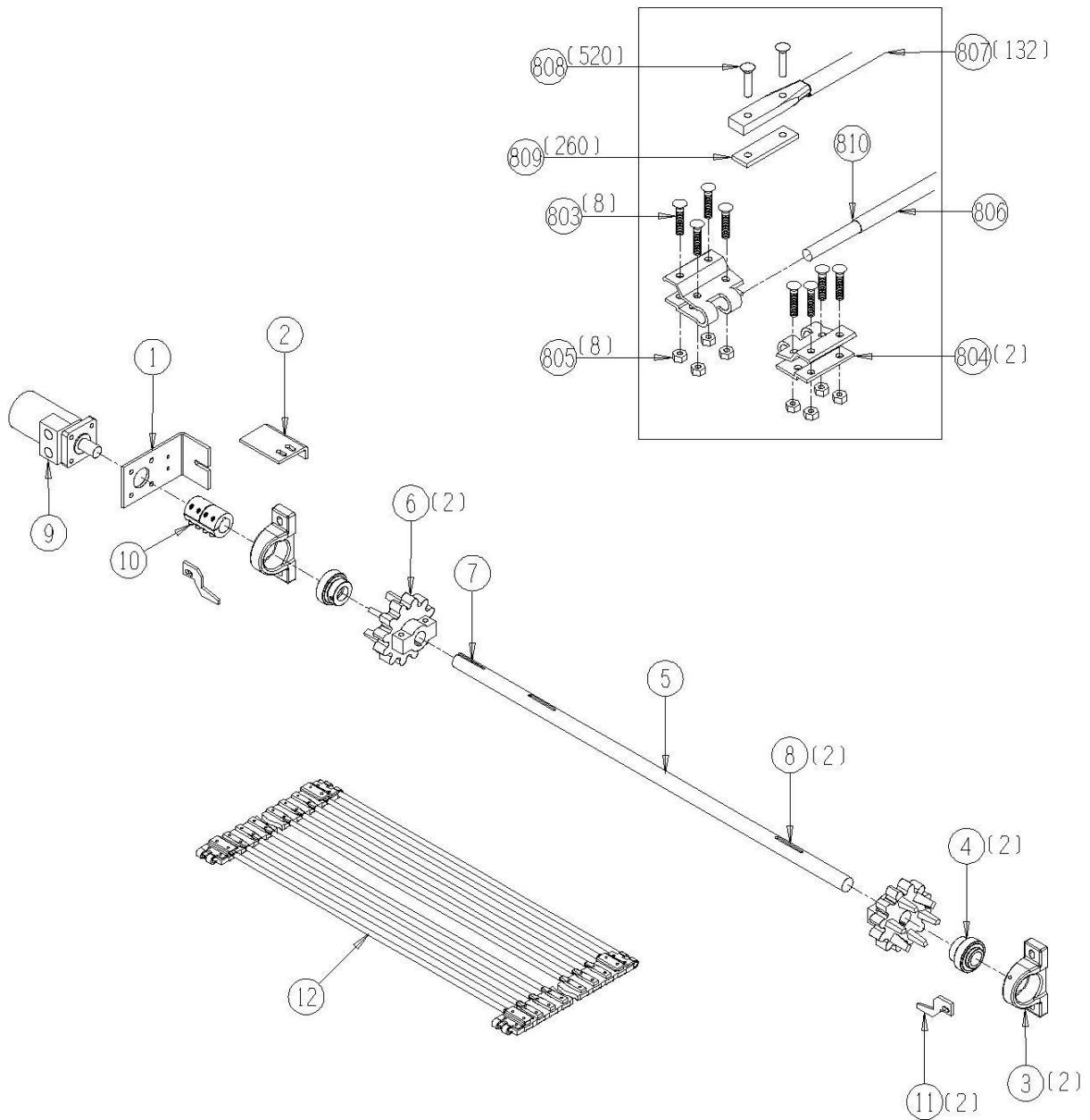
12011-06-01



# 12011-06-02 Cross Conveyor Drive Assembly

| <u>Ref</u> | <u>Part No.</u> | <u>Description</u>   | <u>Parts –<br/>Assembly</u> | <u>Will Fit SN</u> | <u>Remarks</u>   |
|------------|-----------------|--|-----------------------------|--------------------|--|
| 1          | 193-806         | Mount motor  | 1                           |                    |  |
| 2          | 193-806B        | Motor Mount Stop   | 1                           |                    |  |
| 3          | BR-072-RAK      | 72mm Cast Housing  | 2                           |                    |  |
| 4          | BR-125-072      | Bearing, 1 1/4 Fafnir tri-seal, 72mm OD                          | 2                           |                    |  |
| 5          | SFT-9101        | Shaft, Drive, Cross Conveyor, 240 Tomato Harvester               | 1                           |                    |  |
| 6          | SPU-3612-20-4   | Urethane Sprocket 36-12 1 1/4 bore 1/4' key                      | 2                           |                    | Sub SP-3612-20-4                                       |
| 7          | KEY-4-4-20      | Shaft Key 1/4' x 1 1/4'  | 1                           |                    |  |
| 8          | KEY-4-4-32      | Shaft Key 1/4' x 2' Square Cut (1018)                            | 2                           |                    |  |
| 9          | HM-204-TC       | TCI Motor  | 1                           |                    | Seal Kit # TCI-SKHPQ                                   |
| 10         | CPS-6060        | Steel Coupler (offcenter) 1 1/4' x 1'                            | 1                           |                    |  |
| 11         | SCR-101         | Scraper, Sprocket, Hi Clearance                                  | 2                           |                    |  |
| 12         | BC-7-3636-133   | Belted Chain, Cross Chain, 36in Wide, 133 Links, 240 Harvester   | 1                           |                    |  |
| 101        | BL-5-125-H      | 5/16-18 X 1 1/4 HEX CAP G5 ZC                                    | 1                           |                    |  |
| 801        | KEY-4-4-15      | Shaft Key 1/4' X 1/4' X 15/16' Woodruff Key                      | 1                           |                    |  |
| 802        | BL-5-100-SF     | 5/16-24 x 1 Socket Head Cap Screw                                | 4                           | CPS-6057           |  |
| 803        | BC-1032-FS      | 10-32 x 1 1/4' bolts Flat Socket Head                            | 8                           |                    |  |
| 804        | BC-F-36-32-UG   | Ultra Gold F Connecting Clips 36-32 @ pair                       | 2                           |                    | Replaces BC-F-36-32                                    |
| 805        | BC-1032-LN      | 10-32 lock nuts  | 8                           |                    |  |
| 806        | BC-7-32-CN      | Connecting Rod, 11mm, 32' Wide Belted Chain, 60mm Traction Belts | 1                           |                    | For Clip Splice Option                                 |
| 807        | BC-7-32-ST      | 7/16' x 32' Belted Chain Rod for 60mm Belt                       | 132                         | 11001              |  |
| 808        | RI-25-BC        | 25mm Belted Chain Rivets   | 520                         |                    |  |
| 809        | BC-BP32         | Belt, Rivet backing plates 32mm                                  | 260                         | 11001              | Lap Splice Option, Used only with BC-1032-LN Lock Nuts |
| 810        | BC-3525         | Snap Ring, 11mm.   | 2                           |                    |  |

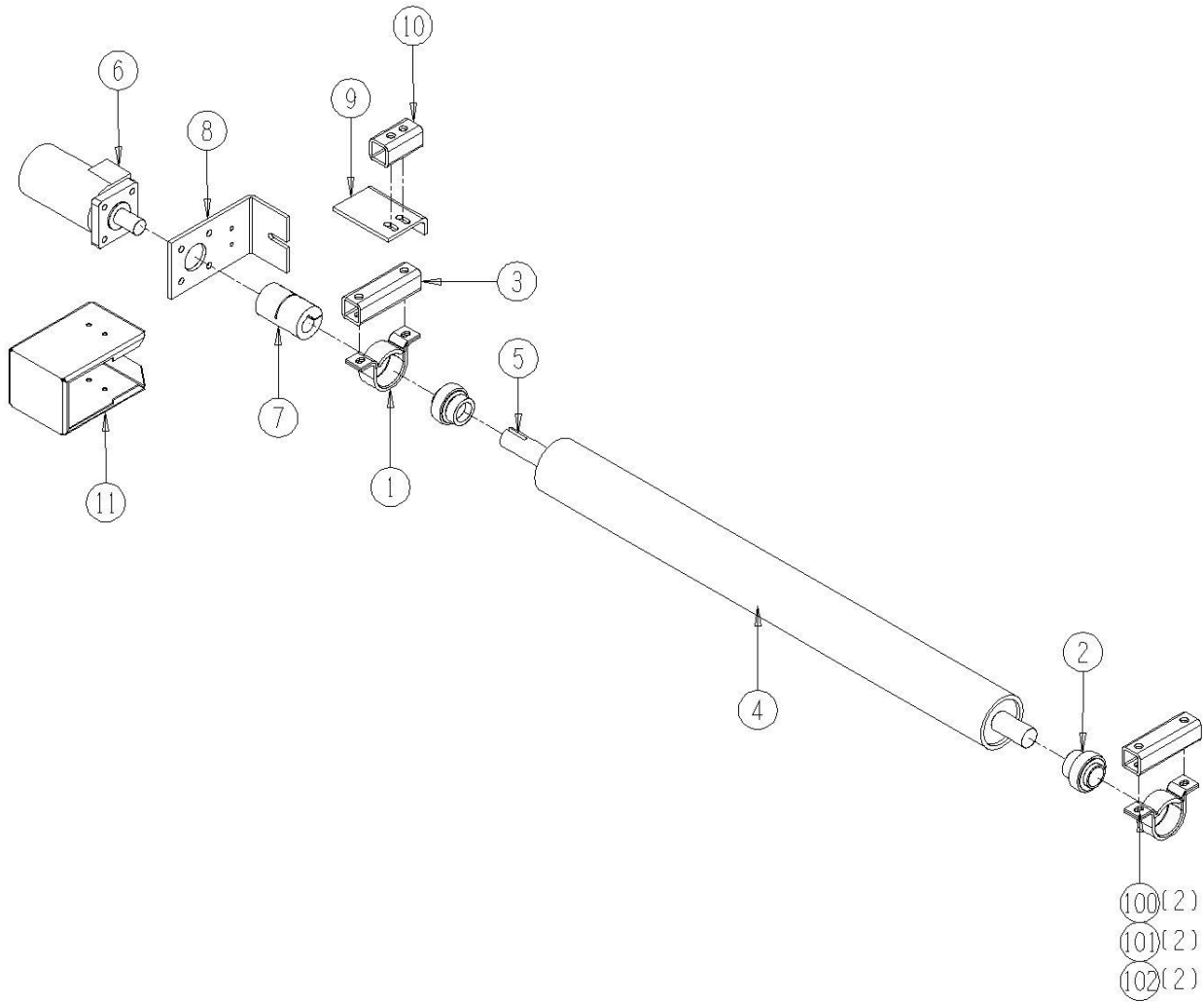
12011-06-02



# 12011-06-03 Cross Conveyor Return Roller Assembly

| <u>Ref</u> | <u>Part No.</u> | <u>Description</u>                        | <u>Parts –<br/>Assembly</u> | <u>Will Fit SN</u> | <u>Remarks</u>       |
|------------|-----------------|---|-----------------------------|--------------------|----------------------|
| 1          | BR-072-RAK      | 72mm Cast Housing                         | 2                           |                    |                      |
| 2          | BR-125-072      | Bearing, 1 1/4 Fafnir tri-seal, 72mm OD   | 2                           |                    |                      |
| 3          | 191-611         | Spacer blocks for bearing                 | 2                           | 19101-             |                      |
| 4          | RLS-9500        | Return Roller, Cross Chain, 240 Harvester | 1                           |                    |                      |
| 5          | KEY-4-4-24      | Shaft Key 1/4' x 1 1/2' Square Cut (1018) | 1                           |                    |                      |
| 6          | HM-214-TC       | Hydraulic Motor                           | 1                           |                    | Seal Kit # TCI-SKHPQ |
| 7          | CPS-6060        | Steel Coupler (offcenter) 1 1/4' x 1'     | 1                           |                    |                      |
| 8          | 193-806         | Mount motor                               | 1                           |                    |                      |
| 9          | 193-806B        | Motor Mount Stop                          | 1                           |                    |                      |
| 10         | SPA-0071        | Motor Stop Spacer                         | 1                           |                    |                      |
| 11         | 193-806c        | Motor Guard                               | 1                           | 19301-             |                      |

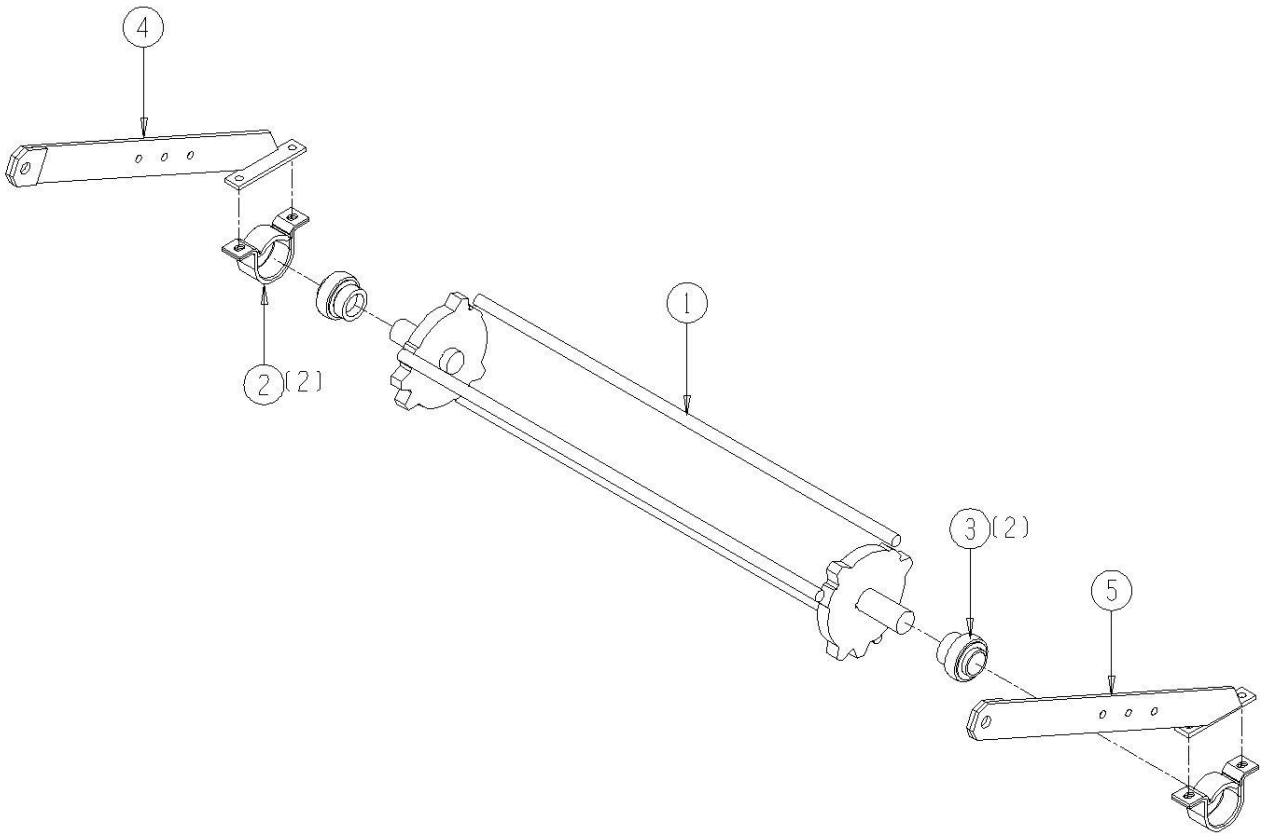
12011-06-03



# 12011-06-04 Cross Conveyor Chain Cleaner Assembly

| <u>Ref</u> | <u>Part No.</u> | <u>Description</u>                         | <u>Parts –<br/>Assembly</u> | <u>Will Fit SN</u> | <u>Remarks</u>   |
|------------|-----------------|--|-----------------------------|--------------------|------------------|
| 1          | 194-361         | Bar Cleaner, 36mm pitch x 36in wide chain  | 1                           | 19401-             | Replaces 192-361 |
| 2          | BR-062-MPB      | Stamped Bearing Housing for 1 1/4' bearing | 2                           |                    |                  |
| 3          | BR-125-062I     | Bearing, 1 1/4' ID, TS                     | 2                           |                    | FIT Bearing      |
| 4          | 192-362A        | Chain cleaner bar (Left)                   | 1                           | 19101-             |                  |
| 5          | 192-362B        | Chain cleaner bar (Right)                  | 1                           | 19101              |                  |
| 100        | BL-6-125-H      | 3/8-16 X 1 1/4 HHCS G5 ZC                  | 4                           |                    |                  |
| 101        | BL-6-LN         | 3/8 UNC FIN HEX LOCK NUT NE A563 GrA ZINC  | 4                           |                    |                  |
| 102        | BL-6-SW         | 3/8 SAE FW ZC                              | 8                           |                    |                  |
| 103        | BL-10-075-SH    | 5/8 X 3/4 SHOULDER BOLTS                   | 2                           | 11001-             |                  |
| 104        | BL-8-FW-8       | 1/2 FLAT WASHER G8 ZC                      | 2                           |                    |                  |
| 105        | BL-8-LN         | 1/2-13 HEX LOCK NUT NYLON INSERT ZC        | 2                           |                    |                  |

12011-06-04

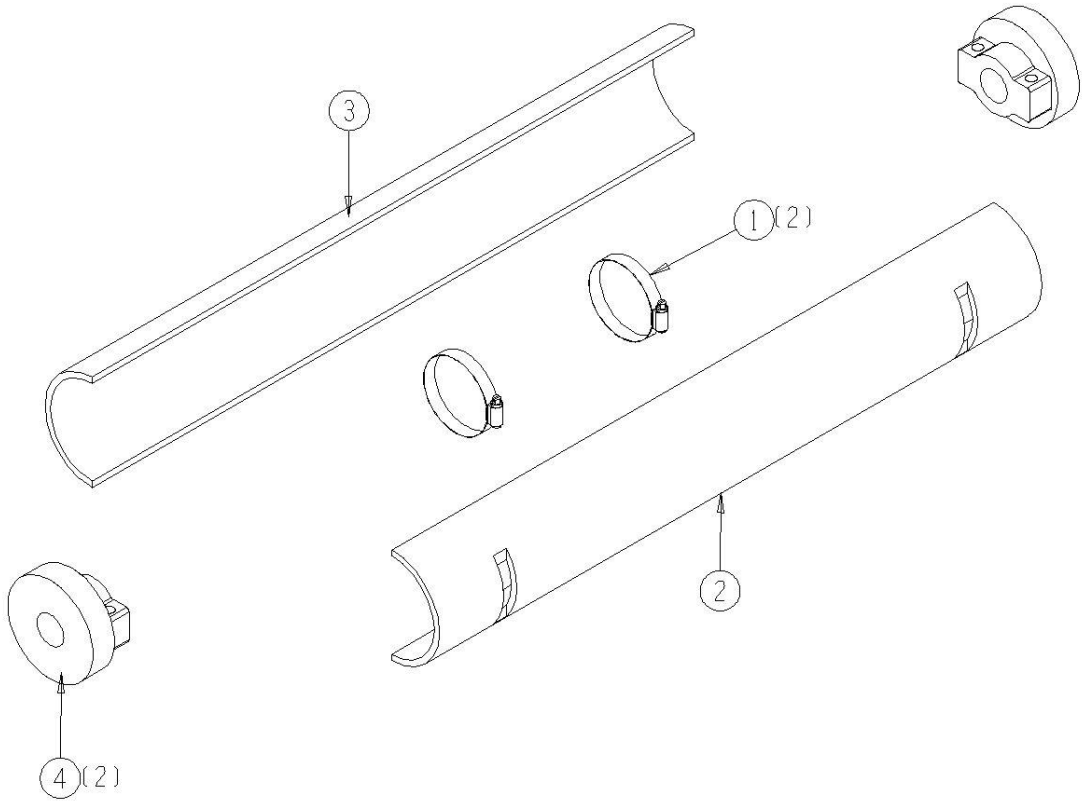


12011-06-05    Opt. Cross Drive Anti-Wrap Shield Assembly

| <u>Ref</u> | <u>Part No.</u> | <u>Description</u>                       | <u>Parts –<br/>Assembly</u> | <u>Will Fit SN</u> | <u>Remarks</u>   |
|------------|-----------------|--|-----------------------------|--------------------|------------------|
| 1          | CL-72           | 5" Gear Clamp                            | 2                           |                    |                  |
| 2          | PL-1413         | Plastic, Shield, Anti-Wrap, Shaft Drive  | 1                           |                    |                  |
| 3          | PL-1414         | Drive Shaft, Plastic, 28.25"             | 1                           | KIT-0075           |                  |
| 4          | PL-1421         | Urethane Hub for Shaft Cover 1 1/4" Bore | 2                           |                    | Replaces PL-1415 |



12011-06-05

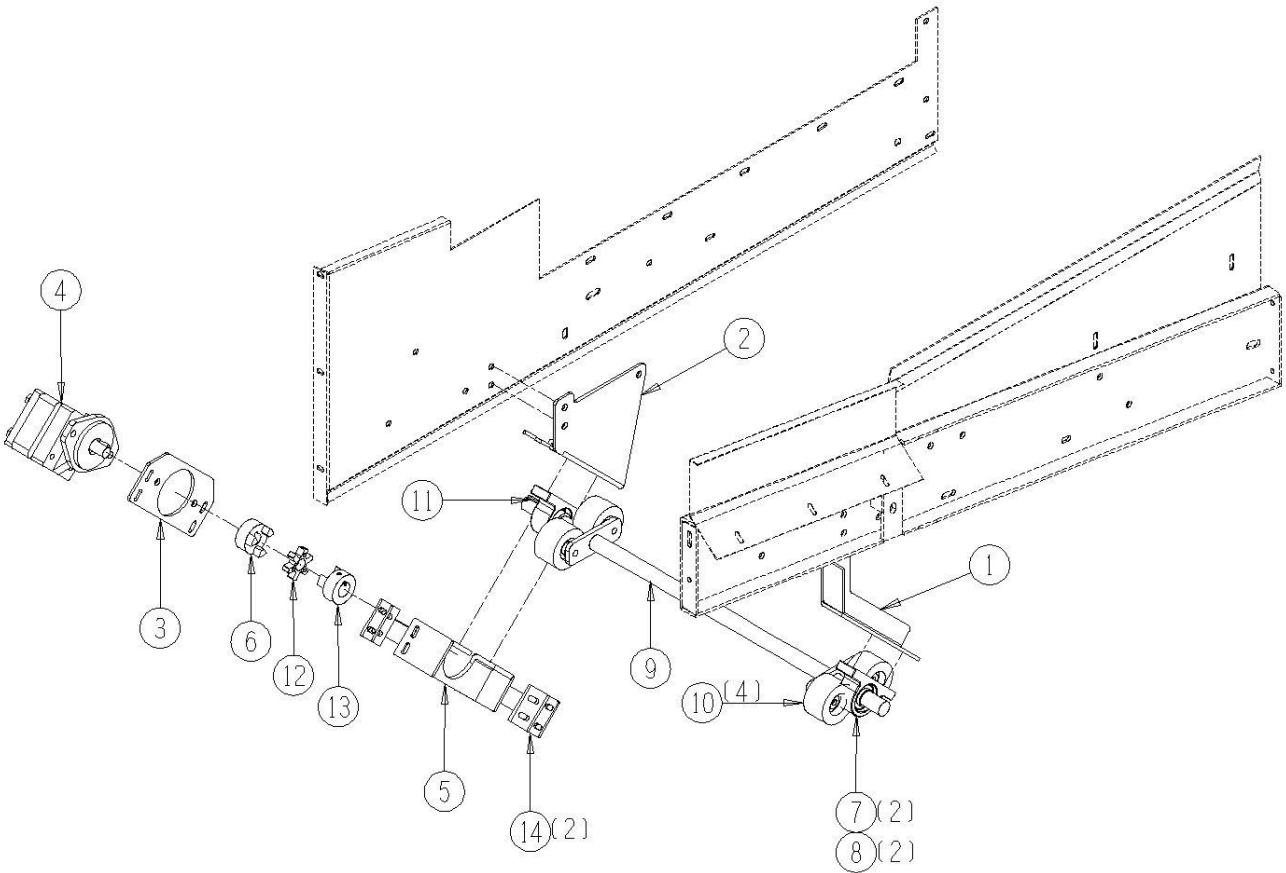


# 12011-06-20 Opt. Cross Conveyor Vibrator Assembly

| <u>Ref</u> | <u>Part No.</u> | <u>Description</u>                                | <u>Parts –<br/>Assembly</u> | <u>Will Fit SN</u> | <u>Remarks</u>                                  |
|------------|-----------------|---|-----------------------------|--------------------|---|
| 1          | MOU-0107        | Dirt Vibrator Cross Conveyor Mount, 290           | 1                           |                    |   |
| 2          | MOU-0108        | Cross Conveyor Dirt Vibrator Mount, 290 Harvester | 1                           | MOU-0108           |   |
| 3          | MOU-0167        | Mount, Motor Cross Vibrator,190                   | 1                           |                    |   |
| 4          | HM-412-1        | Hydraulic Motor                                   | 1                           |                    | Same as HM-412C except w/1" shaft               |
| 5          | MOU-0165        | Motor Mount, Stop, Cross Vibrator, 190 Tomato     | 1                           |                    |   |
| 6          | CPJ-6051        | Coupler, L099, Motor Side 1in. Bore               | 1                           | 19101              | Sub 194-6053                                    |
| 7          | BR-062-RAK      | 62mm Cast Housing                                 | 2                           |                    |   |
| 8          | BR-125-062      | Bearing, 1 1/4 Fafnir tri-seal, 62mm OD           | 2                           |                    |   |
| 9          | SFT-9202        | Vibrator Shaft, 36 Inch Chain                     | 1                           |                    |   |
| 10         | RLT-035-228     | Roller 3.5 dia x 2.2 x 1/2" bore, no flange       | 4                           |                    |   |
| 11         | KEY-4-4-16      | Shaft Key 1/4" X 1/4" X 1" Square Cut (1018)      | 1                           | 20095001-          |   |
| 12         | CPJ-6055        | Coupler, L100, Urethane Spider                    | 1                           | 19101              | For use with CPJ-6052 and CPJ-6051 Sub CPS-6053 |
| 13         | CPJ-6052        | Coupler, L100, Shaft side 1 1/4in. Bore           | 1                           | 19101              | Sub 194-6053 Except on Debris Fan               |
| 14         | MOU-0175        | Mount, Cross Vibrator 190                         | 2                           |                    |   |
| 100        | BL-8-150-H      | 1/2 UNC X 1 1/2 HH C/S BOLT GR5 ZINC              | 5                           |                    |   |
| 101        | BL-8-200-H      | 1/2-13 X 2 HEX CAP G5 ZC                          | 4                           |                    |   |
| 102        | BL-8-LN         | 1/2-13 HEX LOCK NUT NYLON INSERT ZC               | 13                          |                    |   |
| 103        | BL-8-FW         | 1/2 USS FW ZC                                     | 18                          |                    |   |
| 104        | BL-8-275-H      | 1/2 UNC X 2 3/4 HH C/S BOLT GR5 ZINC              | 2                           |                    |   |
| 105        | BL-8-250-H      | 1/2-13 X 2 1/2 HEX CAP G5 ZC                      | 2                           |                    |   |
| 600        | HV-FL16         | Flow control valve 16GPM                          | 1                           |                    |   |
| 601        | A-6901-10-8     | 10 SAE x 1/2 FPX90°, Forged                       | 1                           |                    |   |
| 602        | A-6901-10-12    | 10 SAE x 3/4 FPX90°, Forged                       | 1                           |                    |   |
| 603        | A-6901-12-8     | 12 SAE x 1/2" FPX 90°, Forged                     | 2                           |                    |   |
| 604        | A-6401-10-8     | 10 SAE x 1/2 MPT Male                             | 1                           |                    |   |
| 605        | A-1603-8-8-8    | Swivel T 1/2" NPTF                                | 1                           |                    |   |
| 606        | H10-48-8MP-8MP  | 5/8 in hose 1/2MP x 1/2MP x 48 in long            | 2                           |                    |   |
| 607        | H12-76-12MP-8MP | 3/4 in hose 3/4MP x 1/2MP x 76 in long            | 1                           |                    |   |

|     |             |  |   |                      |
|-----|-------------|--|---|----------------------|
| 800 | HM-412B     | Key for Hydraulic Motor -Shaker Weight-Vibrator        | 1 | HM-412C &<br>HM-712C |
| 801 | HM-2100-SK  | Shaft Seal & Gasket Kit for Permco Motor, M2100 Series | 1 |                      |
| 802 | HM-2100-BRG | Bearing for Permco Motor, M2100 Series                 | 1 |                      |

12011-06-20

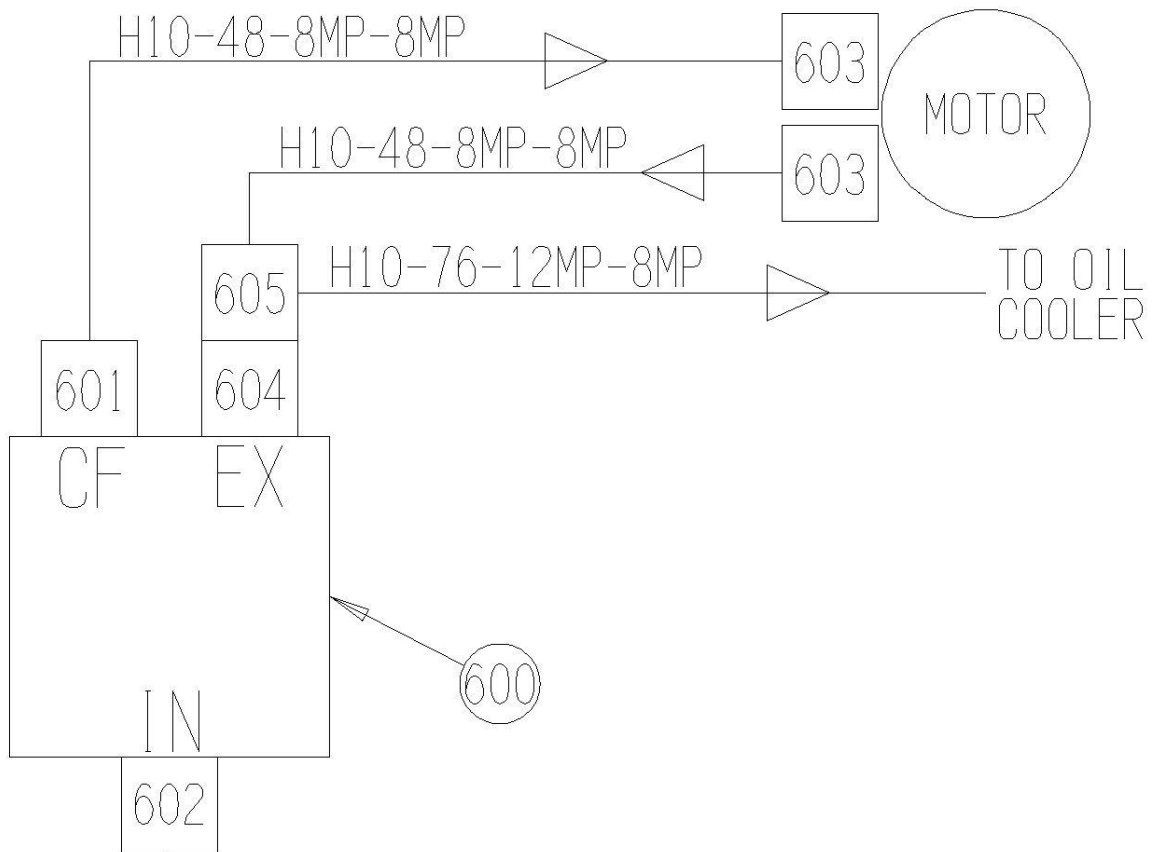




# 12011-06-20H Opt. Cross Vibrator Hydraulic Assembly

| <u>Ref</u> | <u>Part No.</u> | <u>Description</u>                     | <u>Parts –<br/>Assembly</u> | <u>Will Fit SN</u> | <u>Remarks</u> |
|------------|-----------------|--|-----------------------------|--------------------|----------------|
| 600        | HV-FL16         | Flow control valve 16GPM               | 1                           |                    |                |
| 601        | A-6901-10-8     | 10 SAE x 1/2 FPX90°, Forged            | 1                           |                    |                |
| 602        | A-6901-10-12    | 10 SAE x 3/4 FPX90°, Forged            | 1                           |                    |                |
| 603        | A-6900-10-8     | 10 SAE x 1/2 FPX                       | 2                           |                    |                |
| 604        | A-6401-10-8     | 10 SAE x 1/2 MPT Male                  | 1                           |                    |                |
| 605        | A-1603-8-8-8    | Swivel T 1/2" NPTF                     | 1                           |                    |                |
| 606        | H10-48-8MP-8MP  | 5/8 in hose 1/2MP x 1/2MP x 48 in long | 2                           |                    |                |
| 607        | H12-76-12MP-8MP | 3/4 in hose 3/4MP x 1/2MP x 76 in long | 1                           |                    |                |

12011-06-20H



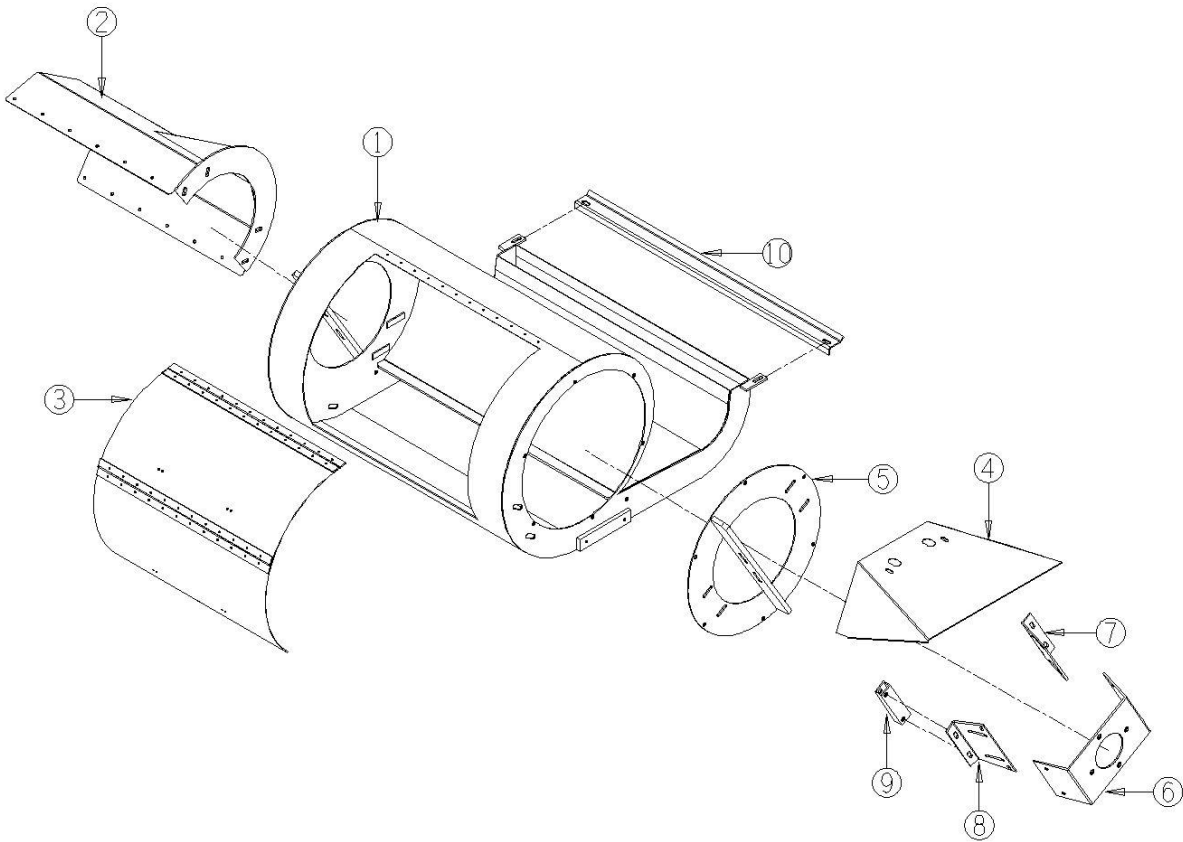
162" EXISTING HOSE THAT WAS PLUMBED FROM ELEVATIONS  
FLOW CONTROL EX. FLOW TO OIL COOLER

# 12012-07-01 Debris Fan Assembly

| <u>Ref</u> | <u>Part No.</u> | <u>Description</u>   | <u>Parts –<br/>Assembly</u> | <u>Will Fit SN</u> | <u>Remarks</u>      |
|------------|-----------------|--|-----------------------------|--------------------|---------------------|
| 1          | FAN-9100        | Fan Housing, Debris Fan, 240 Tomato Harvester                | 1                           |                    |                     |
| 2          | FAN-9106        | Debris Fan, Rear Intake, 240 Harvester                       | 1                           |                    |                     |
| 3          | FAN-9601        | Cover, Fan Housing, 240 Harvester                            | 1                           |                    |                     |
| 4          | 191-734         | Fan dirt guard (motor side)                                  | 1                           | 19101-             |                     |
| 5          | FAN-9104        | Fan, Access Panel, Debris Fan, 240 Tomato Harvester          | 1                           |                    |                     |
| 6          | 192-704         | Mount, Debris Fan  | 1                           | 19201-             |                     |
| 7          | 192-704B        | Bracket, Debris Fan Motor, Bottom                            | 1                           | 19201-             |                     |
| 8          | 192-704T        | Motor mount, Top   | 1                           | 19201-             |                     |
| 9          | SPA-735A        | Spacer,Housing-Frame(NARROW)                                 | 1                           |                    | Sub SPA-735(NARROW) |
| 10         | SCR-9900        | Scraper, Cross Conveyor, Return Roller, 240 Tomato Harvester | 1                           |                    |                     |
| 11         | BT-2008         | Belting, Fan Intake Shield, 190 Chopper                      | 1                           |                    |                     |
| 12         | BT-9107         | Belting  | 1                           |                    |                     |
| 13         | LA-703          | Large Rubber T Latch Assembly                                | 2                           |                    |                     |



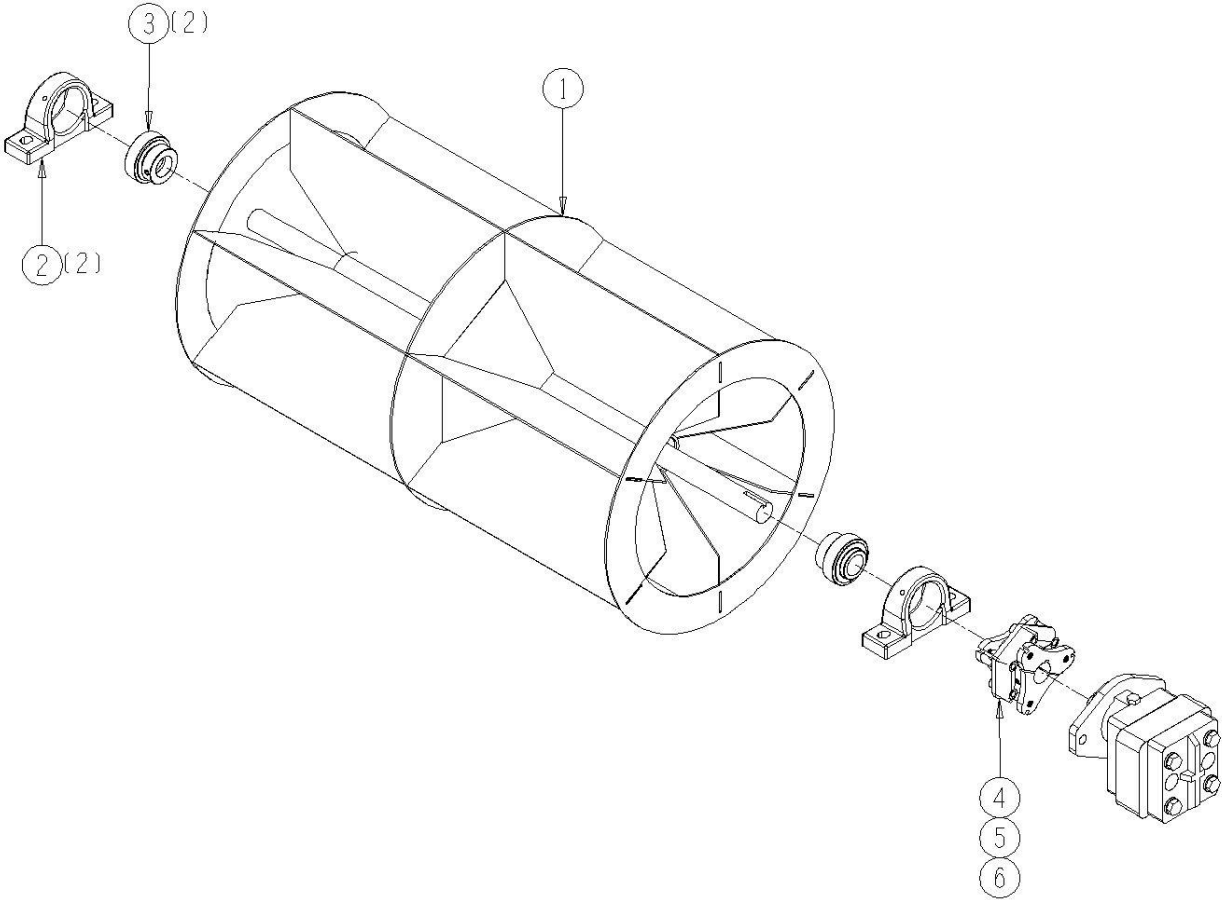
12012-07-01



# 12011-07-02 Debris Fan Paddle Assembly

| <u>Ref</u> | <u>Part No.</u> | <u>Description</u>                                     | <u>Parts –<br/>Assembly</u> | <u>Will Fit SN</u> | <u>Remarks</u>                                       |
|------------|-----------------|--|-----------------------------|--------------------|--|
| 1          | FAN-9500        | Fan Rotor, 240 Harvester                               | 1                           |                    |  |
| 2          | BR-072-RAK      | 72mm Cast Housing                                      | 2                           |                    |  |
| 3          | BR-125-072      | Bearing, 1 1/4 Fafnir tri-seal, 72mm OD                | 2                           |                    |  |
| 4          | CPR-422D-15     | Coupler, 1-1/4' Bore, 1/4' Key                         | 1                           |                    |  |
| 5          | CPR-422a-15     | Primary Shaker Coupler 1' Bore (Motor Side)            | 1                           | Years 1995 - 2000  | Used on Sec. Sh. Beginning 2000                      |
| 6          | CPR-422-15      | Primary Shaker Drive Coupler                           | 1                           |                    | Used on Sec. Sh. Beginning 2000                      |
| 7          | HM-712-1        | Hydraulic Gear Motor                                   | 1                           |                    | Same as HM-712C except w/ 1' shaft                   |
| 800        | HM-412B         | Key for Hydraulic Motor -Shaker Weight-Vibrator        | 0                           | HM-412C & HM-712C  |  |
| 801        | HM-2100-SK      | Shaft Seal & Gasket Kit for Permco Motor, M2100 Series | 0                           |                    |  |
| 802        | HM-2100-BRG     | Bearing for Permco Motor, M2100 Series                 | 0                           |                    |  |
| 803        | HM-1801         | Seal Kit for Commercial Intertech                      | 0                           | P20 & M20 Series   | Includes:(1) Length of HM-2882,(1)HM-2883,(2)HM-2884 |

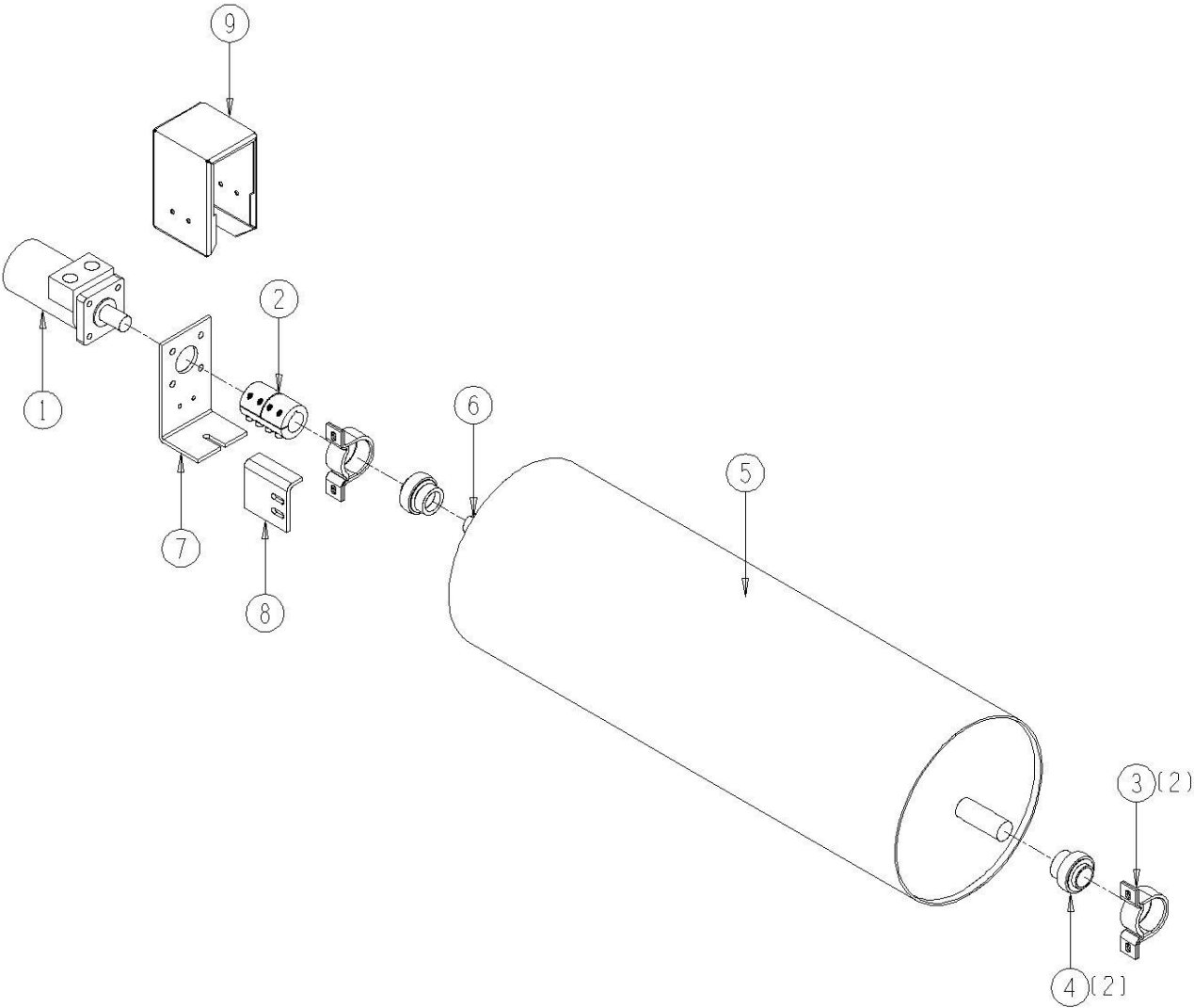
12011-07-02



# 12011-07-03 Debris Drum Assembly

| <u>Ref</u> | <u>Part No.</u> | <u>Description</u>                          | <u>Parts –<br/>Assembly</u> | <u>Will Fit SN</u> | <u>Remarks</u>       |
|------------|-----------------|---|-----------------------------|--------------------|----------------------|
| 1          | HM-204-TC       | TCI Motor                                   | 1                           |                    | Seal Kit # TCI-SKHPQ |
| 2          | CPS-6060        | Steel Coupler (offcenter) 1 1/4' x 1'       | 1                           |                    |                      |
| 3          | BR-062-MPB      | Stamped Bearing Housing for 1 1/4' bearing  | 2                           |                    |                      |
| 4          | BR-125-062      | Bearing, 1 1/4 Fafnir tri-seal, 62mm OD     | 2                           |                    |                      |
| 5          | RLS-9600        | Debris Drum                                 | 1                           |                    |                      |
| 6          | KEY-4-4-20      | Shaft Key 1/4' x 1 1/4'                     | 1                           |                    |                      |
| 7          | 193-806         | Mount motor                                 | 1                           |                    |                      |
| 8          | 193-806a        | Motor mount stop                            | 1                           |                    |                      |
| 9          | 193-806c        | Motor Guard                                 | 1                           | 19301-             |                      |
| 800        | KEY-4-4-15      | Shaft Key 1/4' X 1/4' X 15/16' Woodruff Key | 0                           |                    |                      |
| 801        | BL-5-100-SF     | 5/16-24 x 1 Socket Head Cap Screw           | 0                           | CPS-6057           |                      |

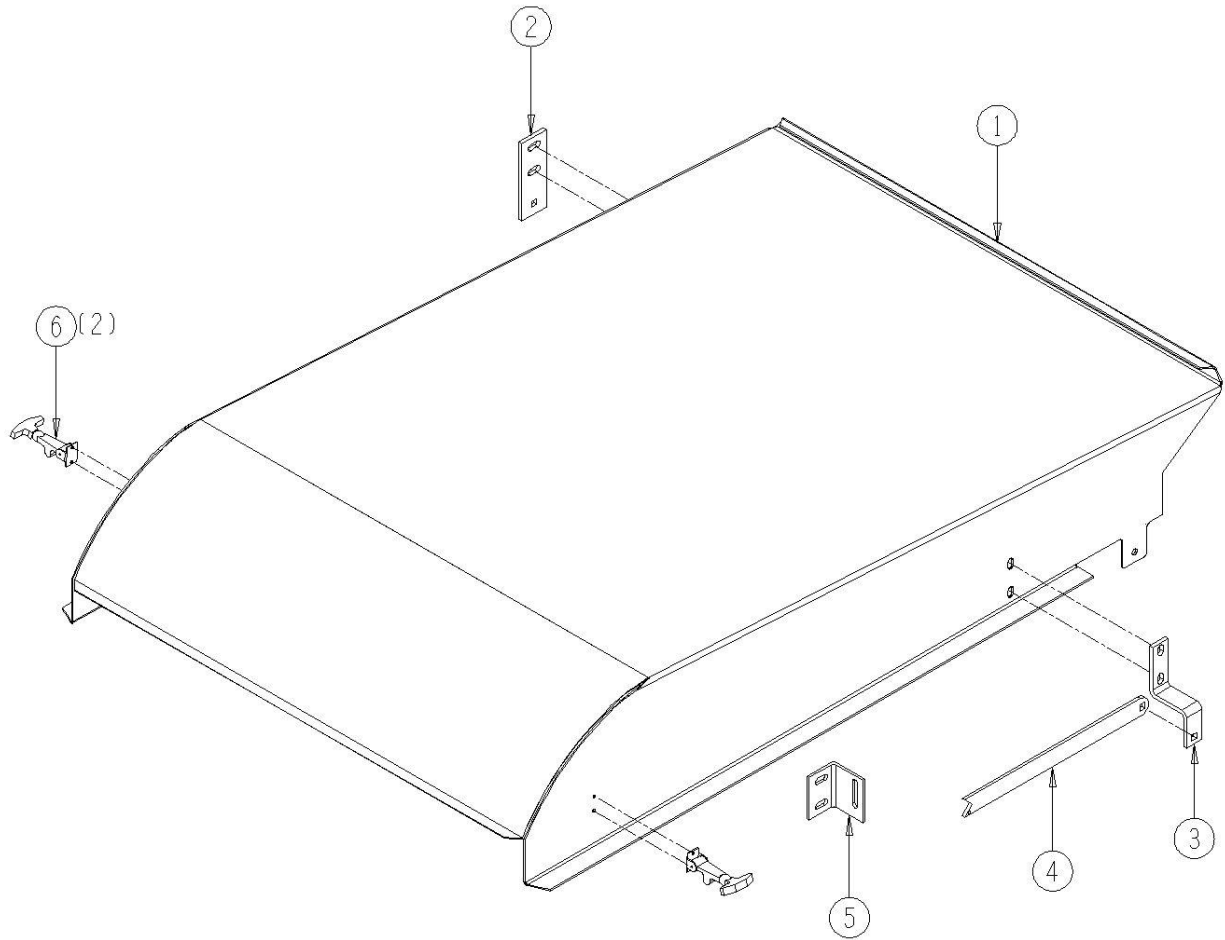
12011-07-03



# 12011-07-04 Debris Fan Cover Assembly

| <u>Ref</u> | <u>Part No.</u> | <u>Description</u>                       | <u>Parts –<br/>Assembly</u> | <u>Will Fit SN</u> | <u>Remarks</u> |
|------------|-----------------|--|-----------------------------|--------------------|----------------|
| 1          | SHD-9600        | Cover, Debris Chamber, 240 Harvester     | 1                           |                    |                |
| 2          | 193-725         | Hinge Bar for Air Deflector Hood         | 1                           | 19301-<br>193-729K |                |
| 3          | 193-728         | Hinge Bracket for Air Deflector Hood     | 1                           | 19301-<br>193-729K |                |
| 4          | 193-729         | Hinge Brace for Air Deflector Hood       | 1                           | 19301-<br>193-729K |                |
| 5          | 193-729A        | Hinge Brace Latch for Air Deflector Hood | 1                           | 19301-<br>193-729K |                |
| 6          | LA-703          | Large Rubber T Latch Assembly            | 2                           |                    |                |

12011-07-04

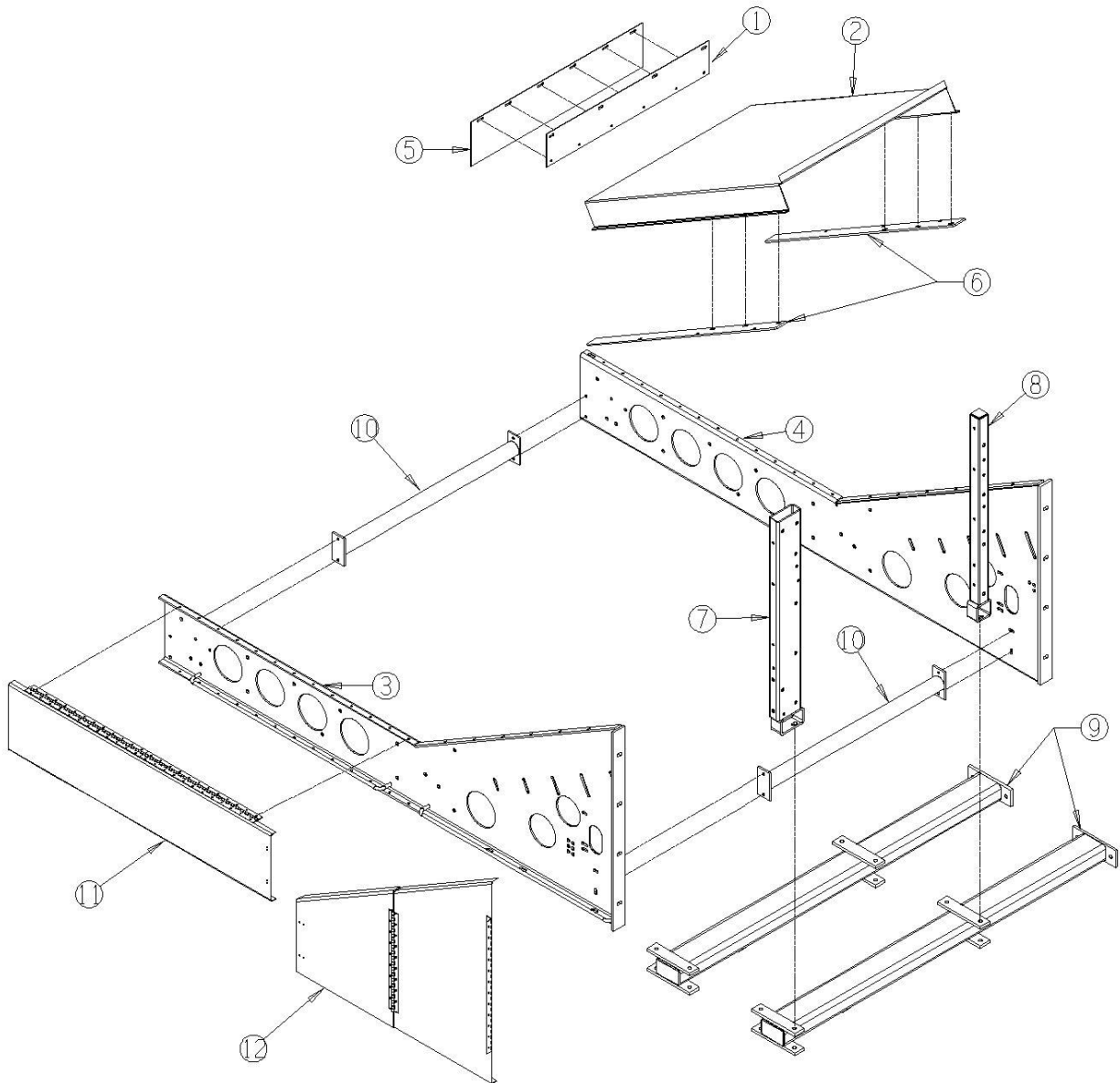


# 12012-08-01 Elevation Assembly

| <u>Ref</u> | <u>Part No.</u> | <u>Description</u>  | <u>Parts –<br/>Assembly</u> | <u>Will Fit SN</u> | <u>Remarks</u>              |
|------------|-----------------|---|-----------------------------|--------------------|-----------------------------|
|            | 194-731A        | Debris Drum Sprocket Shield                                 | 1                           | 19401-             |                             |
|            | BAR-742         | Bar, Roller Adjuster, Front Elevation                       | 2                           | 19705              |                             |
|            | BT-9102         | Belting, Closure, Rear Elevation, 240 Tomato Harvester      | 1                           |                    |                             |
|            | LA-1530         | Medium Rubber T Latch Assembly                              | 2                           |                    |                             |
|            | MOU-9010        | Angle Mount, Rear Elevation, 240 Harvester                  | 2                           |                    |                             |
|            | PAN-9114        | Panel, Closure, Rear Elevation, 240 Tomato Harvester        | 1                           |                    |                             |
|            | RLA-000-118     | Standoff, 1/2' X 1 1/8'                                     | 18                          |                    |                             |
|            | RLR-040-108     | 4' Flat Roller  | 18                          |                    | Changed to Urethane in 2006 |
|            | RLT-535-228     | 5' Flange Roller 2.2WF x 3 1/2' dia, 1/2' bore              | 10                          |                    |                             |
|            | SHD-1137        | Shield, Shaft End, Rear Elevation                           | 1                           | 19101-<br>kit-0038 |                             |
|            | SPA-9100        | Spacer, Roller Mount, Front Elevation, 240 Tomato Harvester | 2                           |                    |                             |
|            | SUP-9103        | Support Post, Debris Drum, 240 Harvester                    | 2                           |                    |                             |
|            | MOU-9901        | Mount, Presort Nose, Front Elevation, 240 Tomato Harvester  | 2                           |                    |                             |
| 1          | PAN-9001        | Front Guard, Cross Conveyor, 240 Harvester                  | 1                           |                    |                             |
| 2          | PAN-9119        | Panel, Top Shield, Front Elevation, 240 Tomato Harvester    | 1                           |                    |                             |
| 3          | PAN-9125        | Panel, Outside Elevation, 240 Harvester                     | 1                           |                    |                             |
| 4          | PAN-9126        | Panel, Inside Elevation, 240 Harvester                      | 1                           |                    |                             |
| 5          | BT-9106         | Front Guard, Cross Conveyor Belting, 240 Harvester          | 1                           |                    |                             |
| 6          | MOU-9017        | Mount, Top Cover, Elevation, 240 Harvester                  | 2                           |                    |                             |
| 7          | MOU-9018        | Mount, Rear Elevation, 240 Harvester                        | 1                           |                    |                             |
| 8          | MOU-9019        | Mount, Inner Elevation, 240 Harvester                       | 1                           |                    |                             |
| 9          | MOU-9904        | Elevation Support, 240 Harvester                            | 2                           |                    |                             |
| 10         | SUP-9104        | Cross Member, Rear Elevation, 240 Harvester                 | 2                           |                    |                             |
| 11         | SHD-9133        | Shield, Elevation, Rear, 240 Harvester                      | 1                           |                    |                             |
| 12         | SHD-9134        | Shield, Elevation, Rear, 240 Harvester                      | 1                           |                    |                             |



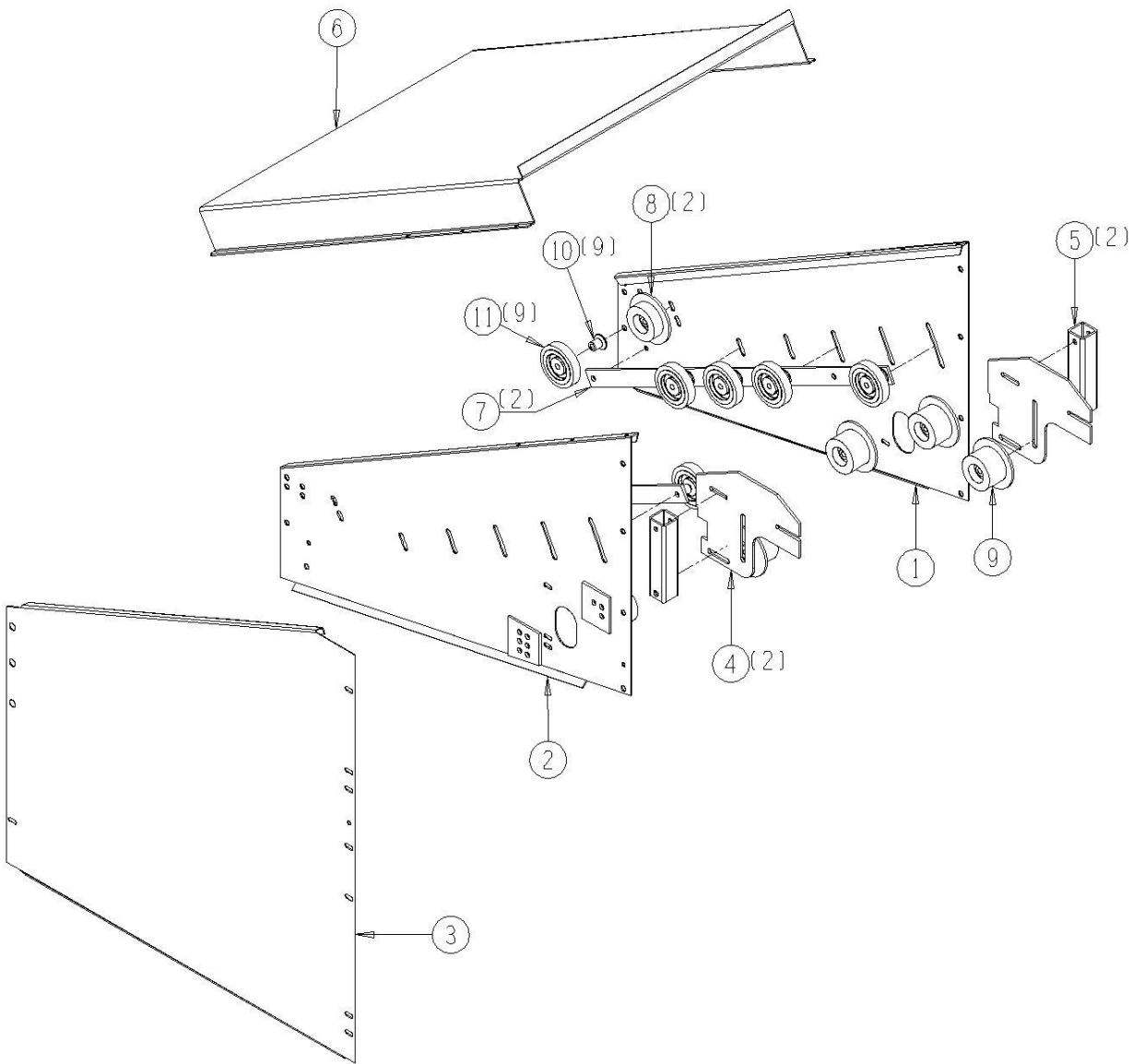
12012-08-01



## 12011-08-02 Front Elevation Assembly

| <u>Ref</u> | <u>Part No.</u> | <u>Description</u>  | <u>Parts –<br/>Assembly</u> | <u>Will Fit SN</u> | <u>Remarks</u>              |
|------------|-----------------|---|-----------------------------|--------------------|-----------------------------|
| 1          | SID-740         | Side, Inner, Front Elevation                                | 1                           | 19705              |                             |
| 2          | SID-741         | Side, Outer, Front Elevation                                | 1                           | 19705              |                             |
| 3          | 193-743         | Debris chute (outer)  | 1                           | 19301-             |                             |
| 4          | MOU-9901        | Mount, Presort Nose, Front Elevation, 240 Tomato Harvester  | 2                           |                    |                             |
| 5          | SPA-9100        | Spacer, Roller Mount, Front Elevation, 240 Tomato Harvester | 2                           |                    |                             |
| 6          | PAN-9119        | Panel, Top Shield, Front Elevation, 240 Tomato Harvester    | 1                           |                    |                             |
| 7          | BAR-742         | Bar, Roller Adjuster, Front Elevation                       | 2                           | 19705              |                             |
| 8          | RLT-535-128     | Narrow Flange Roller 1.2 WF 3.5 dia, 1/2" Bore              | 2                           |                    |                             |
| 9          | RLT-535-228     | 5" Flange Roller 2.2WF x 3 1/2" dia, 1/2" bore              | 6                           |                    |                             |
| 10         | RLA-000-118     | Standoff, 1/2" X 1 1/8"                                     | 9                           |                    |                             |
| 11         | RLR-040-108     | 4" Flat Roller  | 9                           |                    | Changed to Urethane in 2006 |

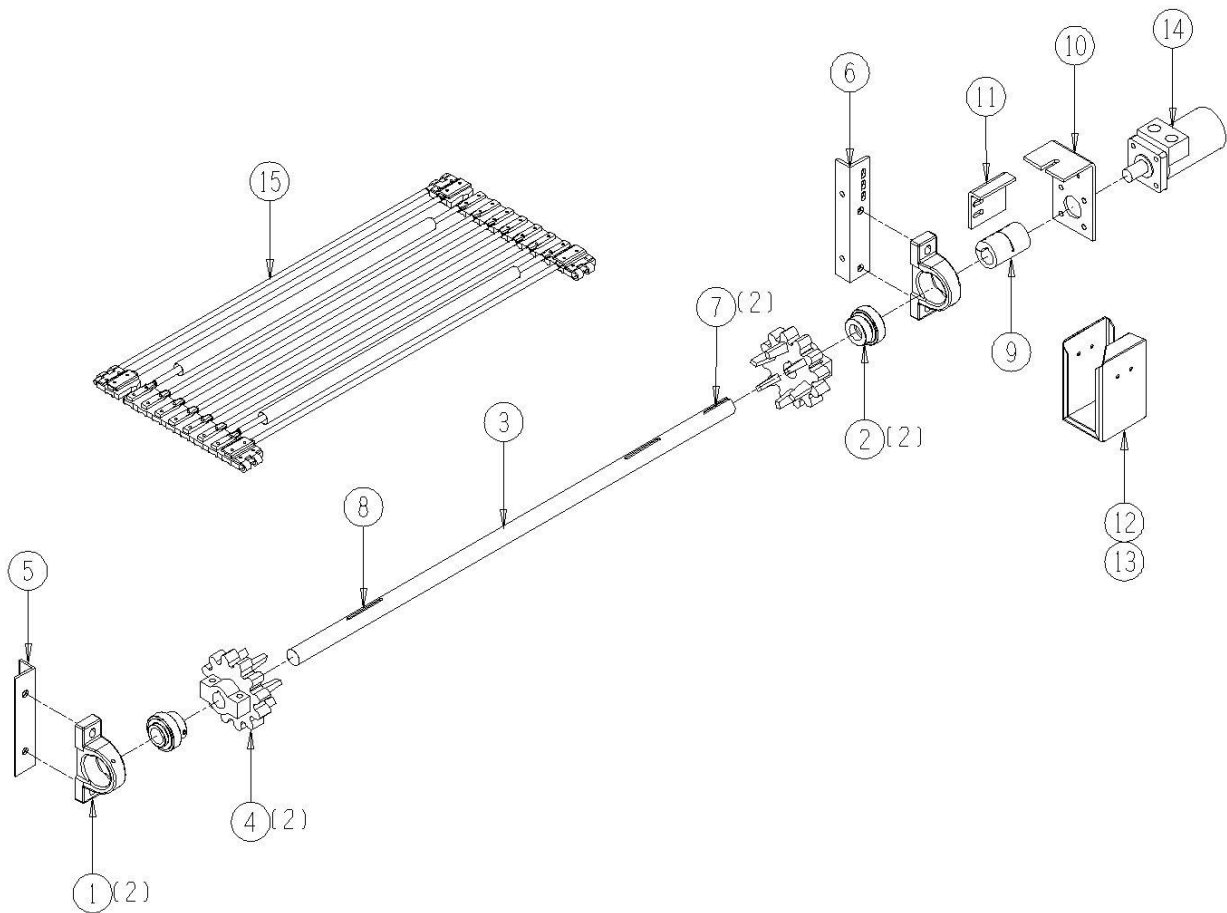
12011-08-02



# 12012-08-03 Elevation Drive Shaft Assembly

| <u>Ref</u> | <u>Part No.</u>  | <u>Description</u>                                      | <u>Parts –<br/>Assembly</u> | <u>Will Fit SN</u> | <u>Remarks</u>       |
|------------|------------------|---|-----------------------------|--------------------|----------------------|
|            | BC-7-3636-175-UC | 36mm x 36' Belted Chain, 175 Pitches, Upcrank Cushioned | 1                           |                    |                      |
| 1          | BR-072-RAK       | 72mm Cast Housing                                       | 2                           |                    |                      |
| 2          | BR-125-072       | Bearing, 1 1/4 Fafnir tri-seal, 72mm OD                 | 2                           |                    |                      |
| 3          | SFT-9700         | Drive Shaft, Elevation Chain, 240 Harvester             | 1                           |                    |                      |
| 4          | SPU-3612-20-4    | Urethane Sprocket 36-12 1 1/4 bore 1/4' key             | 2                           |                    | Sub SP-3612-20-4     |
| 5          | MOU-9700         | Bearing Mount, Angle, Elevation Chain, 240 Harvester    | 1                           |                    |                      |
| 6          | MOU-9701         | Bearing Mount, Elevation Chain, 240 Harvester           | 1                           |                    |                      |
| 7          | KEY-4-4-32       | Shaft Key 1/4' x 2' Square Cut (1018)                   | 2                           |                    |                      |
| 8          | KEY-4-4-20       | Shaft Key 1/4' x 1 1/4'                                 | 1                           |                    |                      |
| 9          | CPS-6060         | Steel Coupler (offcenter) 1 1/4' x 1'                   | 1                           |                    |                      |
| 10         | 193-806          | Mount motor   | 1                           |                    |                      |
| 11         | 193-806a         | Motor mount stop  | 1                           |                    |                      |
| 12         | 193-806c         | Motor Guard   | 1                           | 19301-             |                      |
| 13         | DC-1176          | Decal, Danger-Hand Chain Sprockets                      | 1                           |                    |                      |
| 14         | HM-204-TC        | TCI Motor   | 1                           |                    | Seal Kit # TCI-SKHPQ |

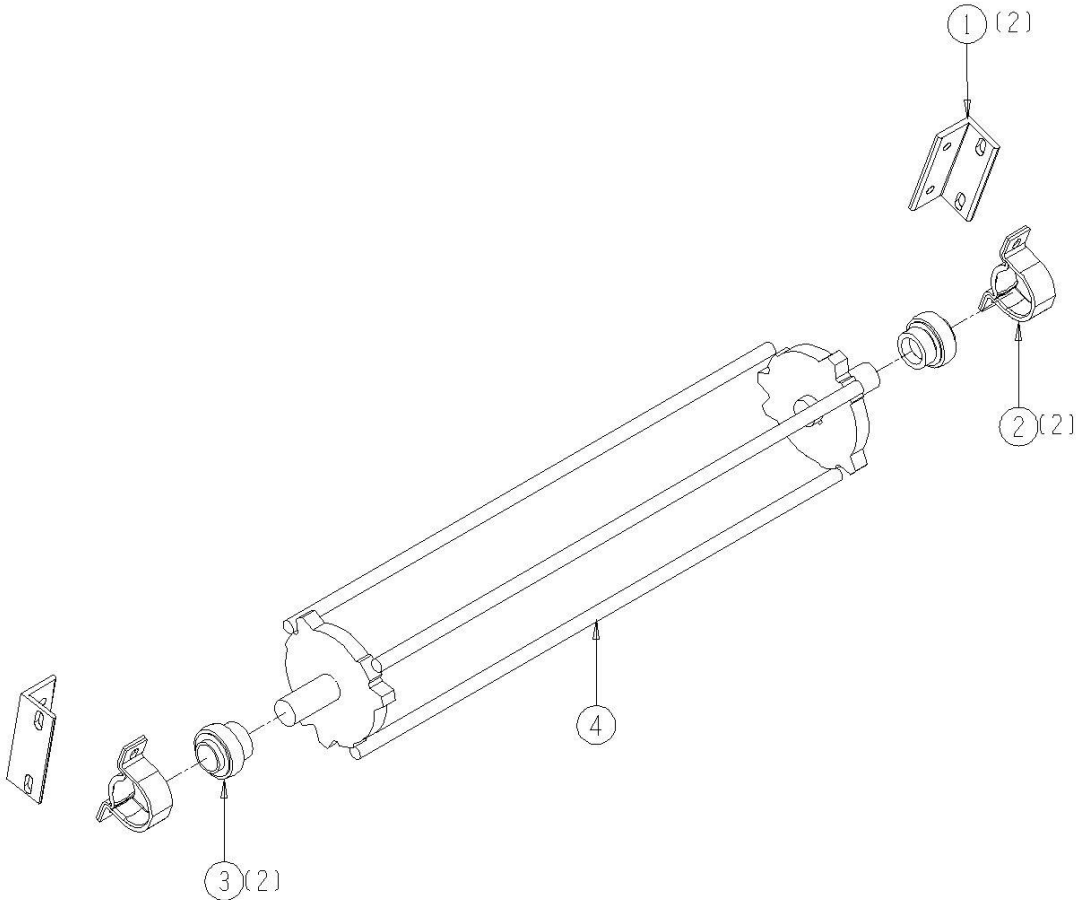
12012-08-03



12012-08-07 Opt. Elevation Conveyor Bar Cleaner Assembly

| <u>Ref</u> | <u>Part No.</u> | <u>Description</u>                          | <u>Parts –<br/>Assembly</u> | <u>Will Fit SN</u> | <u>Remarks</u>   |
|------------|-----------------|---|-----------------------------|--------------------|------------------|
| 1          | MOU-9016        | Mount, Bar Cleaner Elevation, 240 Harvester | 2                           |                    |                  |
| 2          | BR-062-MPB      | Stamped Bearing Housing for 1 1/4' bearing  | 2                           |                    |                  |
| 3          | BR-125-062      | Bearing, 1 1/4 Fafnir tri-seal, 62mm OD     | 2                           |                    |                  |
| 4          | 194-361         | Bar Cleaner, 36mm pitch x 36in wide chain   | 1                           | 19401-             | Replaces 192-361 |

12012-08-07



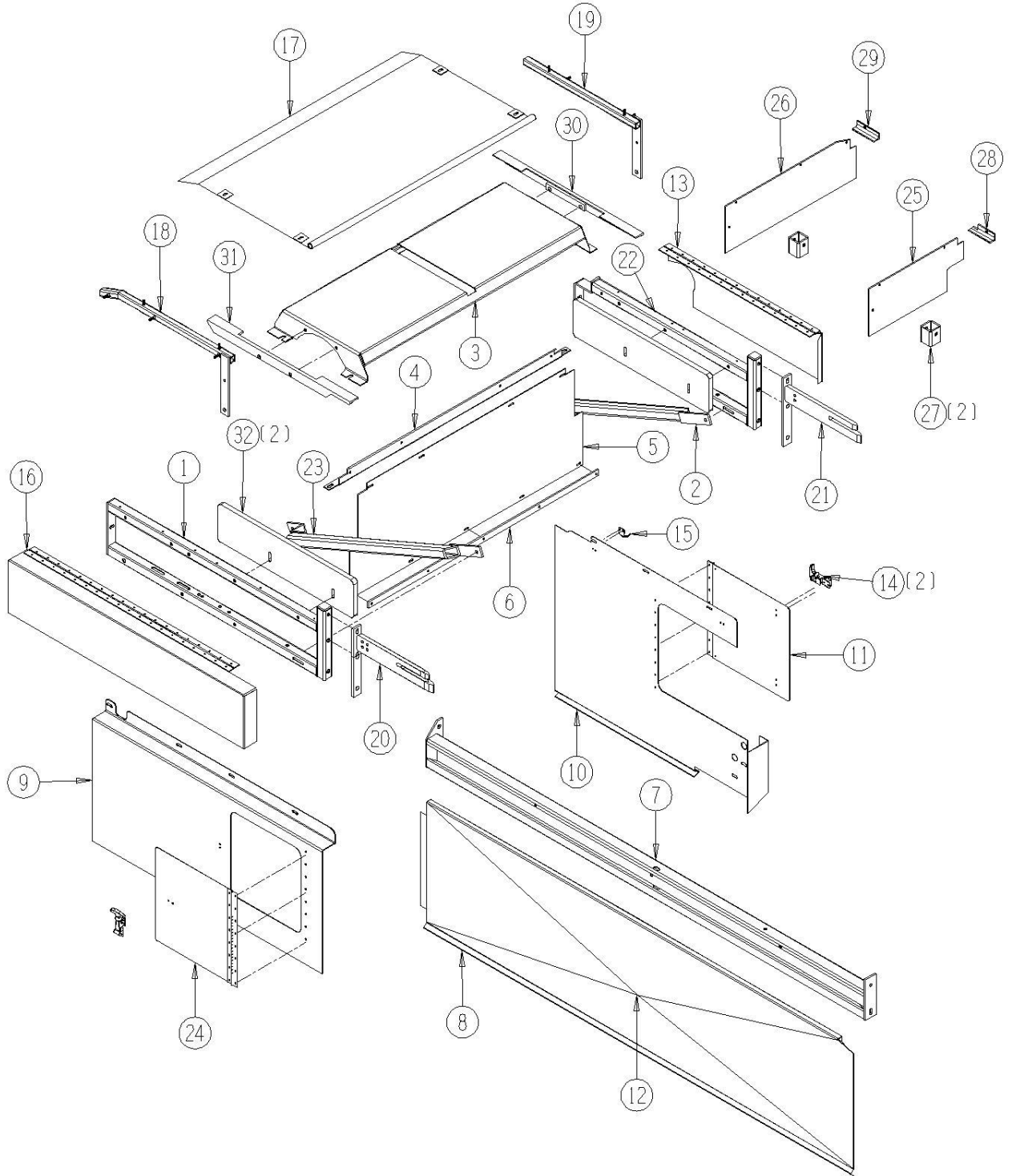
# 12011-08-40 Presort Assembly

| <u>Ref</u> | <u>Part No.</u> | <u>Description</u>  | <u>Parts –<br/>Assembly</u> | <u>Will Fit SN</u> | <u>Remarks</u> |
|------------|-----------------|---|-----------------------------|--------------------|----------------|
|            | SHD-9124        | Shield, Outer, Adjuster, Sorting Table                          | 1                           |                    |                |
| 1          | FRM-9102        | Presort Frame, RH Side, 240 Harvester                           | 1                           |                    |                |
| 2          | BRA-9103        | Bracket, Inner Support Brace, Presort, 240 Tomato Harvester     | 1                           |                    |                |
| 3          | PAN-9120        | Panel, Slider, Presort, 240 Tomato Harvester                    | 1                           |                    |                |
| 4          | BAR-9103        | Bar, Scraper, Presort, 240 Tomato Harvester                     | 1                           |                    |                |
| 5          | BT-9103         | Belting, Scraper Shield, Presort, 240 Tomato Harvester          | 1                           |                    |                |
| 6          | BAR-9104        | Bar, Belting, Presort, 240 Tomato Harvester                     | 1                           |                    |                |
| 7          | BRA-9104        | Bracket, Cross Bar, Presort, 240 Tomato Harvester               | 1                           |                    |                |
| 8          | 194-827         | Cover, Wheel  | 1                           | 19401-             |                |
| 9          | SHD-9111        | Shield, Outer, Presort, 240 Tomato Harvester                    | 1                           |                    |                |
| 10         | SHD-9112        | Shield, Inner, Presort, 240 Tomato Harvester                    | 1                           |                    |                |
| 11         | SHD-1532        | Presort Access Door w/ Sliding Aftersort                        | 1                           |                    |                |
| 12         | DC-3025         | Red and White Reflective Tape @ 150 ft Roll                     | 0.01                        |                    |                |
| 13         | SHD-9114        | Shield, Inner, Upper Access Door, Presort, 240 Tomato Harvester | 1                           |                    |                |
| 14         | LA-1530         | Medium Rubber T Latch Assembly                                  | 2                           |                    |                |
| 15         | LA-703B         | T Latch Keeper  | 1                           |                    |                |
| 16         | SHD-9115        | Shield, Outer, Upper Access Door, Presort, 240 Tomato Harvester | 1                           |                    |                |
| 17         | SHD-9116        | Shield, Cover, Presort, 240 Tomato Harvester                    | 1                           |                    |                |
| 18         | BRA-9105        | Bracket, Outer, Cover, Presort, 240 Tomato Harvester            | 1                           |                    |                |
| 19         | BRA-9106        | Bracket, Inner, Cover, Presort, 240 Tomato Harvester            | 1                           |                    |                |
| 20         | BRA-9701        | Sorter Bracket, RH Side, 240 Harvester                          | 1                           |                    |                |
| 21         | BRA-9700        | Sorter Bracket, LH Side, 240 Harvester                          | 1                           |                    |                |
| 22         | FRM-9101        | Frame, Inner, Presort, 240 Tomato Harvester                     | 1                           |                    |                |
| 23         | BRA-9107        | Bracket, Outer Support Brace, Presort, 240 Tomato Harvester     | 1                           |                    |                |
| 24         | SHD-9113        | Shield, Outer, Lower Access Door, Presort, 240 Tomato Harvester | 1                           |                    |                |
| 25         | SHD-9117        | Shield, Front, Presort, 240 Tomato Harvester                    | 1                           |                    |                |
| 26         | SHD-9118        | Shield, Rear, Presort, 240 Tomato Harvester                     | 1                           |                    |                |



|    |          |  |   |        |
|----|----------|--|---|--------|
| 27 | BRA-9108 | Bracket, Presort, 240 Tomato Harvester           | 2 |        |
| 28 | BRA-9109 | Bracket, Front, Presort, 240 Tomato Harvester    | 1 |        |
| 29 | BRA-9110 | Bracket, Rear, Presort, 240 Tomato Harvester     | 1 |        |
| 30 | EX-1520A | extension, Slider, Outer                         | 1 | 19601- |
| 31 | EX-1520B | extension, Slider, Inner                         | 1 | 19601- |
| 32 | PL-8756  | Presort Plastic, Narrow Elevation Chain, '11 290 | 2 |        |

12011-08-40

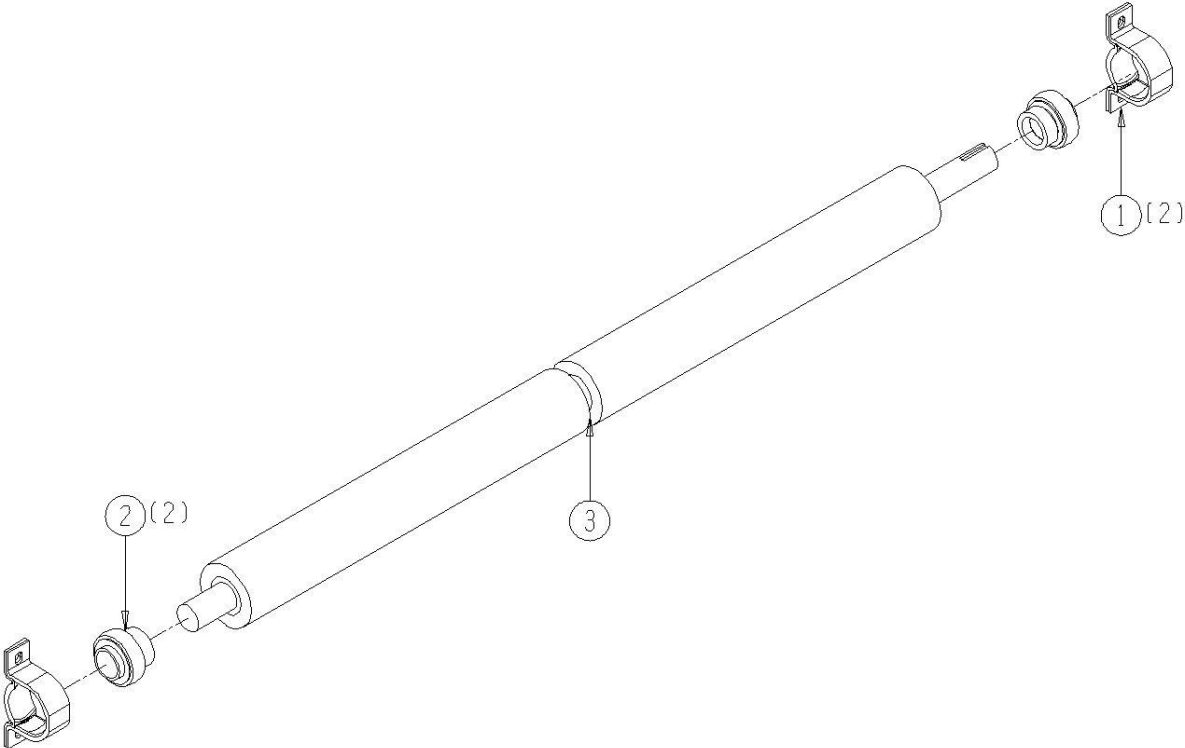




# 12011-08-41 Front Presort Roller Assembly

| <u>Ref</u> | <u>Part No.</u> | <u>Description</u>   | <u>Parts –<br/>Assembly</u> | <u>Will Fit SN</u> | <u>Remarks</u> |
|------------|-----------------|--|-----------------------------|--------------------|----------------|
| 1          | BR-062-MPB      | Stamped Bearing Housing for 1 1/4" bearing                 | 2                           |                    |                |
| 2          | BR-125-062      | Bearing, 1 1/4" Fafnir tri-seal, 62mm OD                   | 2                           |                    |                |
| 3          | RLR-1000        | Roller for 40 1/2" Presort Flat Belt Drive & Nose (Tomato) | 1                           |                    |                |
| 101        | BL-6-100-H      | 3/8 UNC X 1 HH C/S BOLT GR5 ZINC                           | 4                           |                    |                |
| 102        | BL-6-LW         | 3/8 SPLIT LW ZC  | 4                           |                    |                |
| 103        | BL-6-SW         | 3/8 SAE FW ZC  | 4                           |                    |                |

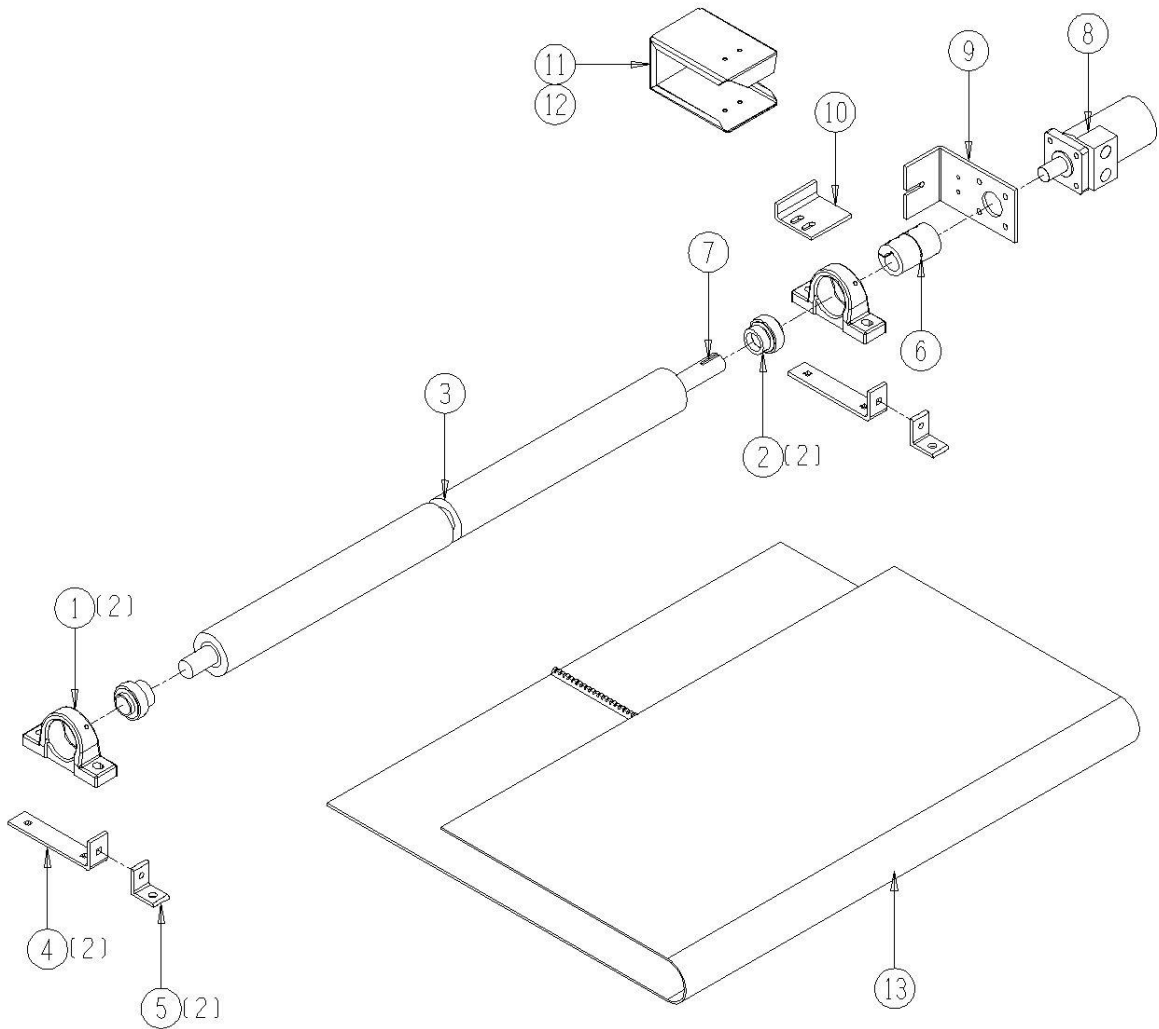
12011-08-41



# 12011-08-42 Rear Presort Roller Assembly

| <u>Ref</u> | <u>Part No.</u> | <u>Description</u>  | <u>Parts –<br/>Assembly</u> | <u>Will Fit SN</u> | <u>Remarks</u>       |
|------------|-----------------|---|-----------------------------|--------------------|----------------------|
| 1          | BR-072-RAK      | 72mm Cast Housing   | 2                           |                    |                      |
| 2          | BR-125-072      | Bearing, 1 1/4 Fafnir tri-seal, 72mm OD                   | 2                           |                    |                      |
| 3          | RLR-1000        | Roller for 40 1/2 Presort Flat Belt Drive & Nose (Tomato) | 1                           |                    |                      |
| 4          | BRA-9702        | Bearing Adjuster  | 2                           |                    |                      |
| 5          | BRA-1528        | Bracket, Tightener  | 2                           | 19705<br>19801-    |                      |
| 6          | CPS-6060        | Steel Coupler (offcenter) 1 1/4' x 1'                     | 1                           |                    |                      |
| 7          | KEY-4-4-20      | Shaft Key 1/4' x 1 1/4'                                   | 1                           |                    |                      |
| 8          | HM-208-TC       | TCI Motor   | 1                           |                    | Seal Kit # TCI-SKHPQ |
| 9          | 193-806         | Mount motor   | 1                           |                    |                      |
| 10         | 193-806a        | Motor mount stop  | 1                           |                    |                      |
| 11         | 193-806c        | Motor Guard   | 1                           | 19301-             |                      |
| 12         | DC-1176         | Decal, Danger-Hand Chain Sprockets                        | 1                           |                    |                      |
| 13         | BT-72V40E       | Presort Belt 40' X 72.25' Endless                         | 1                           |                    |                      |
| 100        | BL-4-500-H      | 1/4-20 X 5 HEX CAP G5 ZC                                  | 1                           |                    |                      |
| 101        | BL-4-FW-8       | 1/4' Flat Washer Grade 8                                  | 4                           |                    |                      |
| 102        | BL-4-WN         | 1/4-20 FORGED W/NUTS ZC                                   | 1                           |                    |                      |
| 801        | KEY-4-4-15      | Shaft Key 1/4' X 1/4' X 15/16' Woodruff Key               | 1                           |                    |                      |
| 802        | BL-5-100-SF     | 5/16-24 x 1 Socket Head Cap Screw                         | 4                           | CPS-6057           |                      |

12011-08-42



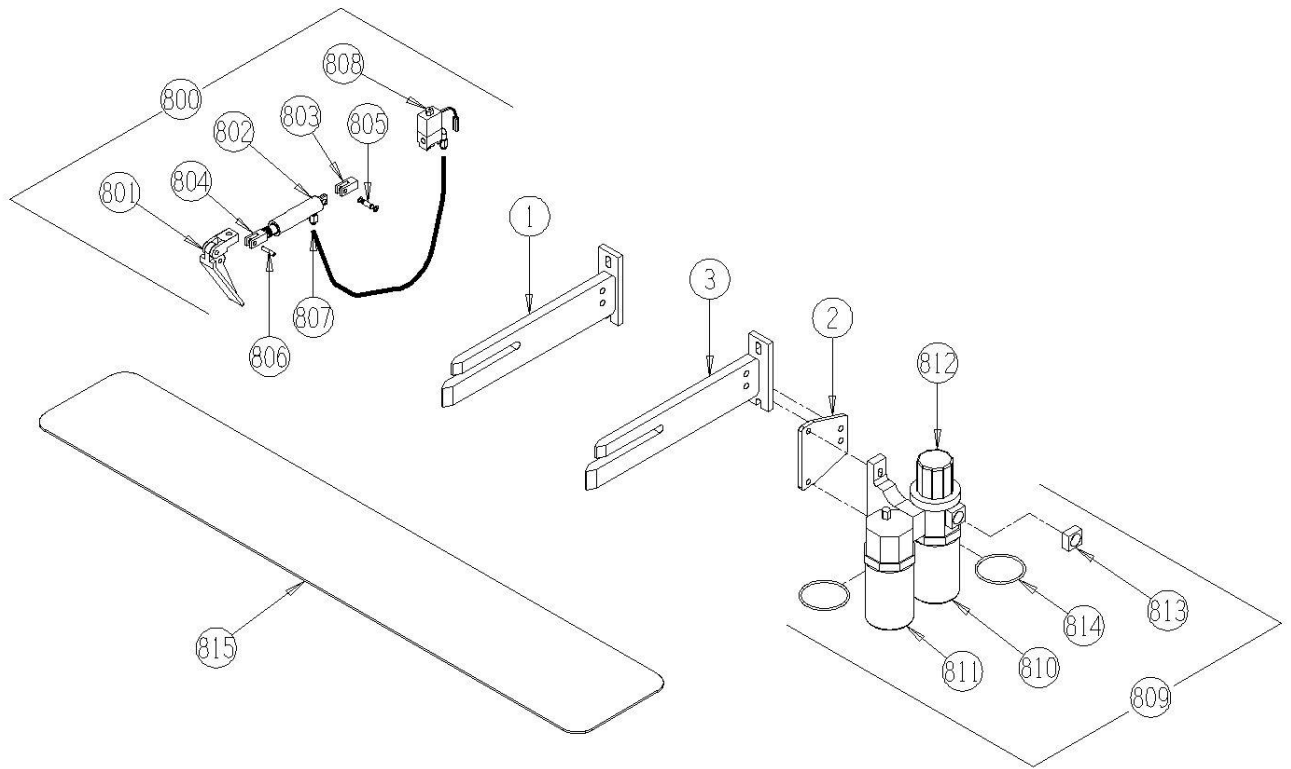
# 12011-08-43 NFM Sorter Assembly

| <u>Ref</u> | <u>Part No.</u> | <u>Description</u>                   | <u>Parts –<br/>Assembly</u> | <u>Will Fit SN</u>        | <u>Remarks</u>       |
|------------|-----------------|--------------------------------------|-----------------------------|---------------------------|----------------------|
| 1          | BRA-1570        | Bracket, Grademaster, Outer          | 1                           | 19801-,<br>19705          |                      |
| 2          | SPA-1568        | Spacer, FRL, Sorter Bracket, Tom.    | 1                           |                           |                      |
| 3          | BRA-1568        | Bracket, Grademaster, Inner          | 1                           | 19801-,<br>19705<br>19705 |                      |
| 4          | SRT-1517        | Rejector oil @ Gallon                | 1                           |                           |                      |
| 5          | SRT-1540        | 40' Odenberg NFM Color Sorter        | 1                           | 2010                      |                      |
| 800        | SRT-1575        | Finger Cylinder Assy                 | 32                          | Grademaster               |                      |
| 801        | SRT-1575A       | Finger Only                          | 1                           | SRT-1575                  |                      |
| 802        | SRT-1575B       | Air Cylinder                         | 1                           | SRT-1575                  |                      |
| 803        | SRT-1575C       | Rejector Clevis (Hardened)           | 1                           | SRT-1575                  |                      |
| 804        | SRT-1575D       | Cylinder Rod Clevis                  | 1                           | SRT-1575                  |                      |
| 805        | SRT-1575E       | Cylinder pin w/ (2) Circlips         | 1                           | SRT-1575                  |                      |
| 806        | SRT-1575F       | Finger Pin (roll pin) @ each         | 1                           | SRT-1575                  |                      |
| 807        | SRT-1576B       | Connector P-Loc 1/8' x 1/8' nylon    | 1                           |                           |                      |
| 808        | SRT-1578        | Air Valve Assy for Grademaster       | 1                           | Grademaster               | Replaced By SRT-1577 |
| 809        | AIR-1578        | MILLER FRL Complete                  | 1                           |                           |                      |
| 810        | AIR-1576        | Air Filter Regulator (Miller)        | 1                           | AIR-1578                  |                      |
| 811        | AIR-1577        | Lubricator (Miller)                  | 1                           | AIR-1578                  |                      |
| 812        | AIR-1578A       | T-Type Bracket for FRL               | 1                           | AIR-1578                  |                      |
| 813        | AIR-1576G       | Gauge for Miller FRL                 | 1                           | AIR-1578                  |                      |
| 814        | AIR-1577-O      | O-Ring for Miller Lubricator         | 2                           | AIR-1578                  |                      |
| 815        | SRT-1540-G      | Glass, 40' Odenberg NFM Color Sorter | 1                           |                           |                      |





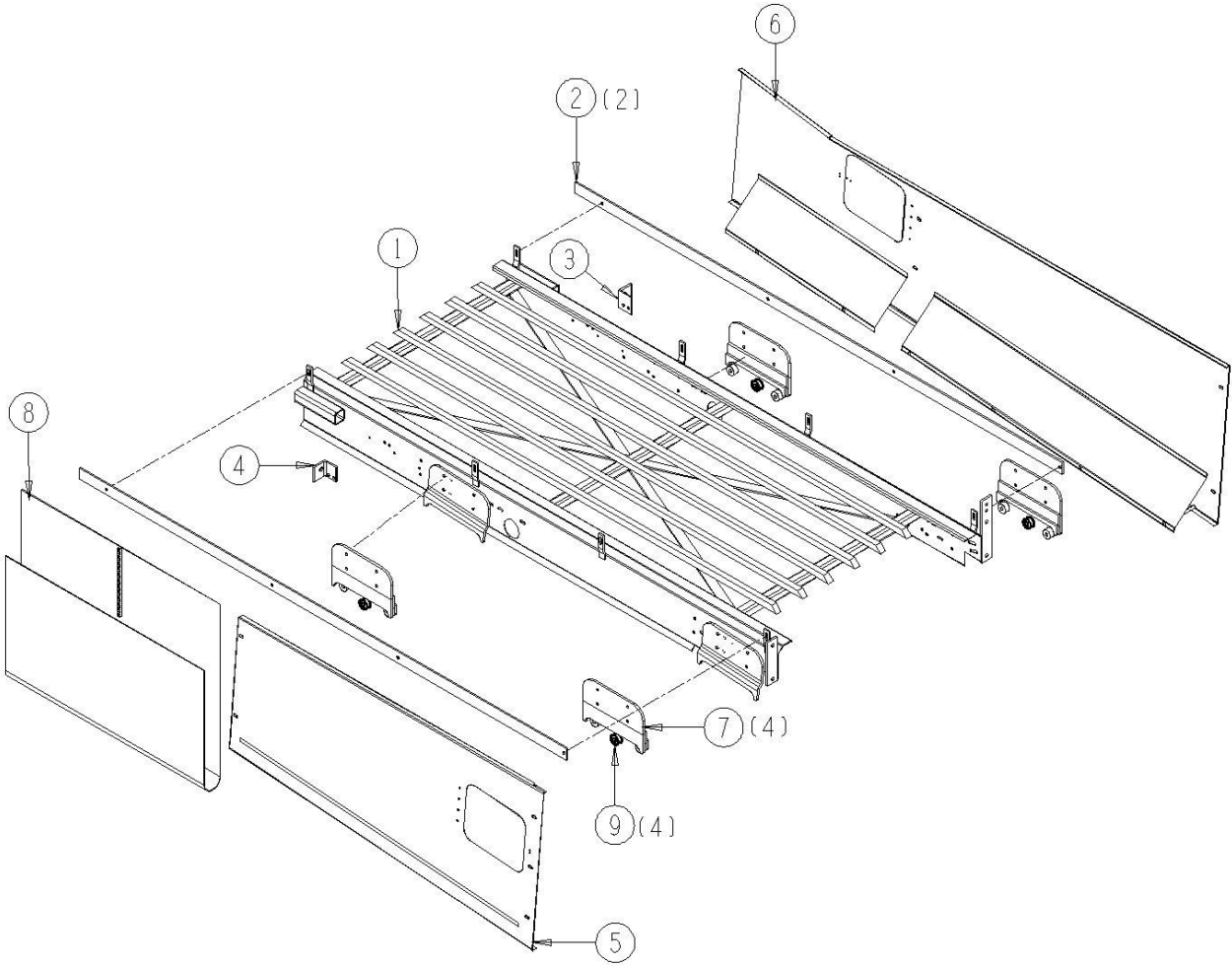
12011-08-43



# 12011-09-01 Aftersort Assembly

| <u>Ref</u> | <u>Part No.</u> | <u>Description</u>                                   | <u>Parts –<br/>Assembly</u> | <u>Will Fit SN</u> | <u>Remarks</u> |
|------------|-----------------|--|-----------------------------|--------------------|----------------|
|            | SHD-8768        | Fill Door, Hyd. Fluid. 290 Harvester                 | 2                           |                    |                |
| 1          | HAN-9800        | Aftersort Table, 240 Harvester                       | 1                           |                    |                |
| 2          | BAR-9800        | Bar, Aftersort Side Rail, 240 Harvester              | 2                           |                    |                |
| 3          | STP-8501        | Stop, Outside, Adjuster Belt                         | 1                           |                    |                |
| 4          | STP-8502        | Stop, Inside, Adjuster Belt, Crss Convyr             | 1                           |                    |                |
| 5          | SHD-9123        | Shield, Outer, Sorting Table, 240 Tomato Harvester   | 1                           |                    |                |
| 6          | SHD-9126        | Shield, Inner, Sorting Table, 240 Tomato Harvester   | 1                           |                    |                |
| 7          | BRA-9111        | Bracket, Sorting Table Guide, 240                    | 4                           |                    |                |
| 8          | BT-230V40L      | Sort Belt w/A-Guide (laced) 230 x 40                 | 1                           |                    |                |
| 9          | PU-9800-CI      | Pulley, Flat Flanged Idler, Cast Iron, Sorting Table | 4                           |                    |                |
| 101        | BL-8-200-H      | 1/2-13 X 2 HEX CAP G5 ZC                             | 2                           |                    |                |
| 102        | BL-8-LN         | 1/2-13 HEX LOCK NUT NYLON INSERT ZC                  | 2                           |                    |                |
| 103        | BL-8-SW         | 1/2 SAE FW ZC  | 4                           |                    |                |
| 104        | BL-6-125-H      | 3/8-16 X 1 1/4 HHCS G5 ZC                            | 16                          |                    |                |
| 105        | BL-6-FW         | 3/8 USS FW ZC  | 32                          |                    |                |
| 106        | BL-6-LN         | 3/8 UNC FIN HEX LOCK NUT NE A563 GrA ZINC            | 16                          |                    |                |

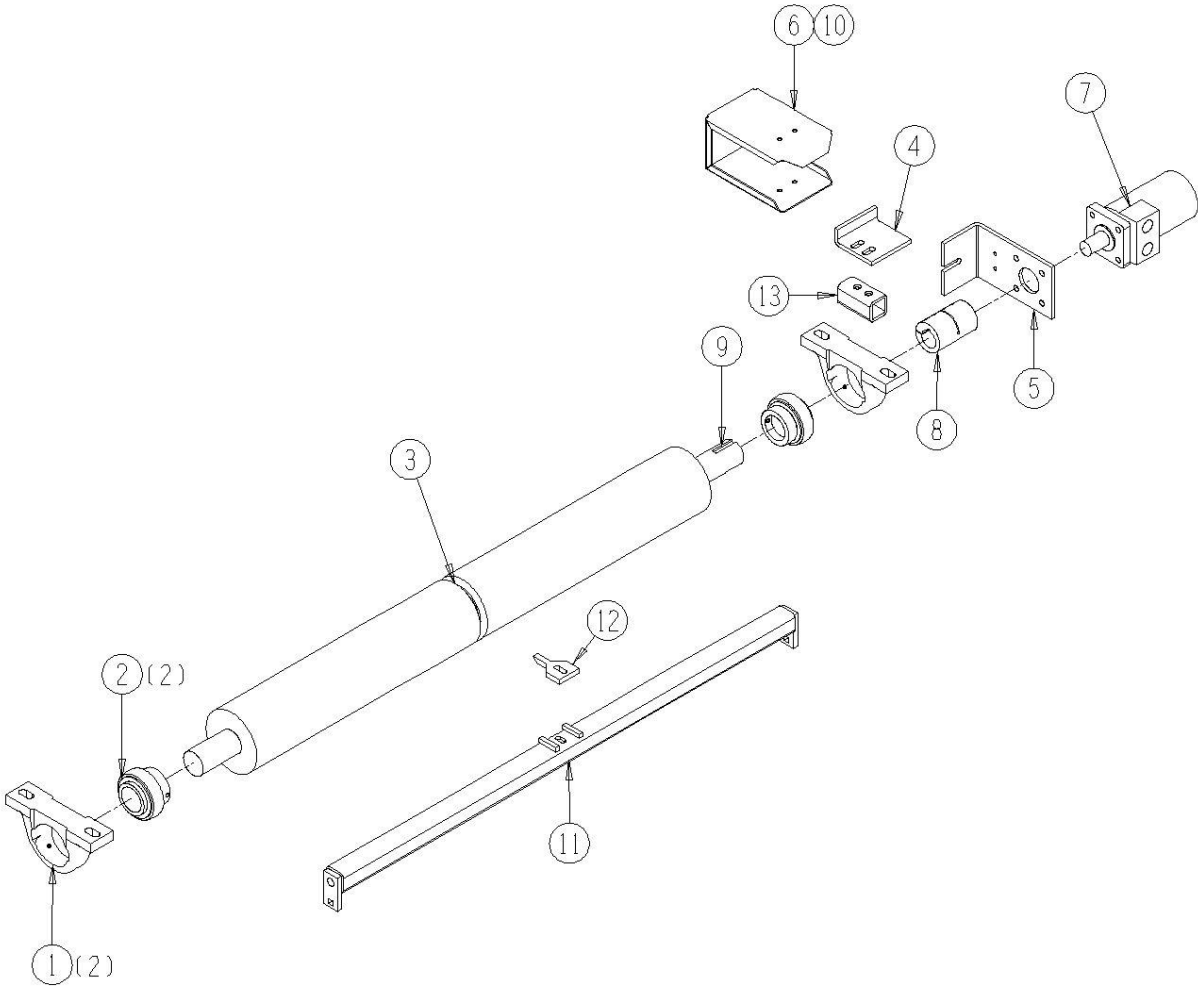
12011-09-01



# 12011-09-02 Aftersort Drive Shaft Assembly

| <u>Ref</u> | <u>Part No.</u> | <u>Description</u>   | <u>Parts –<br/>Assembly</u> | <u>Will Fit SN</u> | <u>Remarks</u>       |
|------------|-----------------|--|-----------------------------|--------------------|----------------------|
| 1          | BR-085-RAK      | Bearing Housing 85 mm                                      | 2                           |                    |                      |
| 2          | BR-175-085      | Fafnir Bearing 1 1/2 Tri Seal                              | 2                           |                    |                      |
| 3          | RLR-1040        | A-Guide Roller, 40' Aftersort Table, Tomato                | 1                           |                    |                      |
| 4          | 193-806a        | Motor mount stop   | 1                           |                    |                      |
| 5          | 193-806         | Mount motor  | 1                           |                    |                      |
| 6          | 193-806c        | Motor Guard  | 1                           | 19301-             |                      |
| 7          | HM-214-TC       | Hydraulic Motor  | 1                           |                    | Seal Kit # TCI-SKHPQ |
| 8          | CPS-2820        | Steel Coupler 1 1/2 x 1 1/4 ID with 3/8 Keyway on 1 1/2 ID | 1                           |                    |                      |
| 9          | KEY-4-4-20      | Shaft Key 1/4 x 1 1/4                                      | 1                           |                    |                      |
| 10         | DC-1176         | Decal, Danger-Hand Chain Sprockets                         | 1                           |                    |                      |
| 11         | SCR-1040        | Roller Scraper, Front, 40' Aftersort, Prototype Tomato     | 1                           |                    |                      |
| 12         | SCR-803         | Scraper, A-Guide Groove, Aftersort                         | 1                           |                    |                      |
| 13         | SPA-0071        | Motor Stop Spacer  | 1                           |                    |                      |
| 100        | BL-4-500-H      | 1/4-20 X 5 HEX CAP G5 ZC                                   | 1                           |                    |                      |
| 101        | BL-4-FW-8       | 1/4 Flat Washer Grade 8                                    | 4                           |                    |                      |
| 102        | BL-4-WN         | 1/4-20 FORGED W/NUTS ZC                                    | 1                           |                    |                      |
| 800        | KEY-4-4-15      | Shaft Key 1/4 X 1/4 X 15/16 Woodruff Key                   | 1                           |                    |                      |
| 801        | BL-5-100-SF     | 5/16-24 x 1 Socket Head Cap Screw                          | 4                           | CPS-6057           |                      |

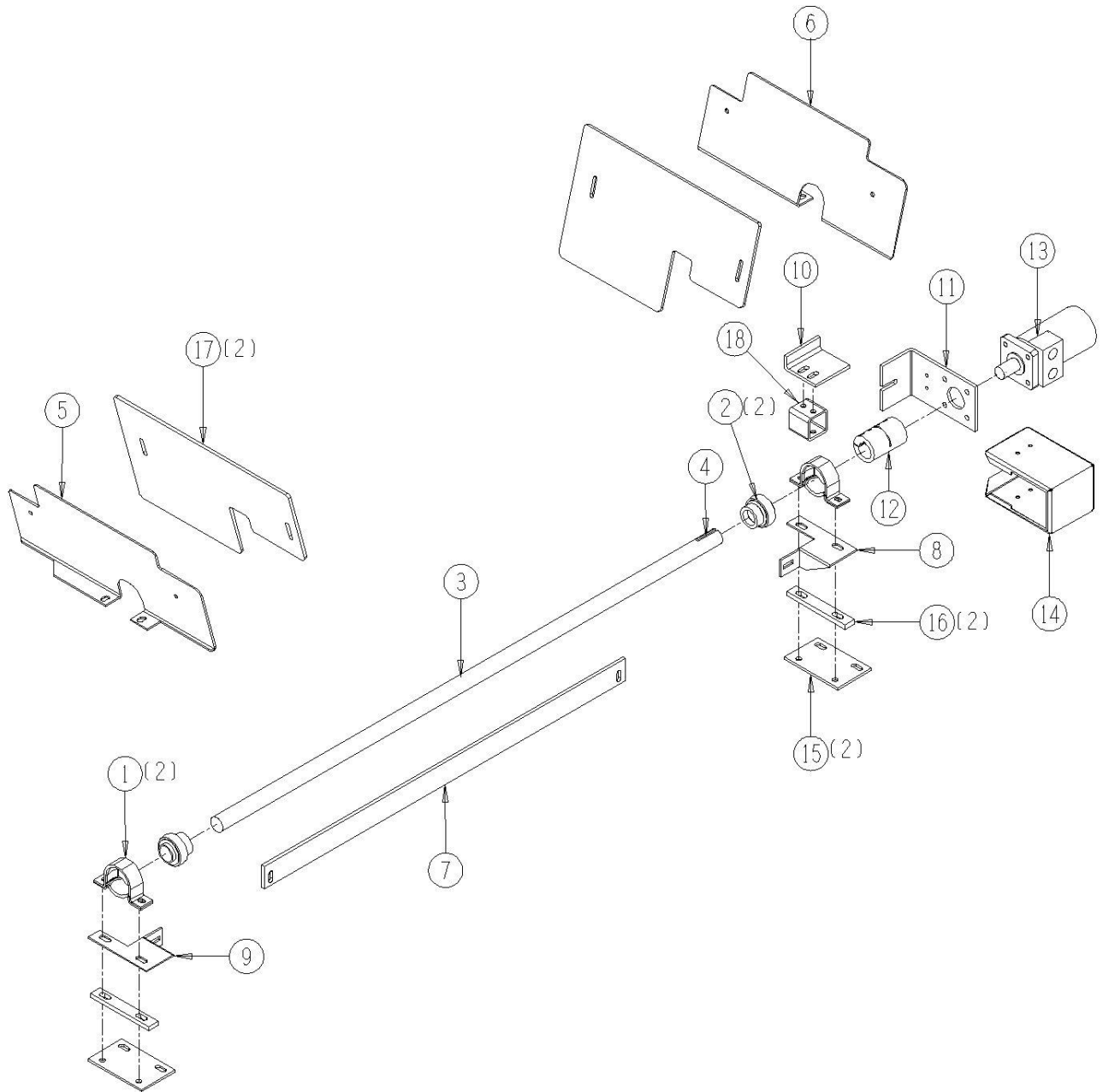
12011-09-02



# 12011-09-03 Aftersort Divider Bar Assembly

| <u>Ref</u> | <u>Part No.</u> | <u>Description</u>  | <u>Parts –<br/>Assembly</u> | <u>Will Fit SN</u> | <u>Remarks</u>       |
|------------|-----------------|---|-----------------------------|--------------------|----------------------|
| 1          | BR-062-MPB      | Stamped Bearing Housing for 1 1/4' bearing                  | 2                           |                    |                      |
| 2          | BR-125-062      | Bearing, 1 1/4 Fafnir tri-seal, 62mm OD                     | 2                           |                    |                      |
| 3          | SFT-1040        | Divider Shaft, 40' Aftersort Table, Prototype Tomato        | 1                           |                    |                      |
| 4          | KEY-4-4-20      | Shaft Key 1/4' x 1 1/4'                                     | 1                           |                    |                      |
| 5          | SHD-8751        | Divider Roller Shield, Aftersort LH, HC290                  | 1                           |                    |                      |
| 6          | SHD-8750        | Divider Roller Shield, Aftersort, RH, HC290                 | 1                           |                    |                      |
| 7          | SCR-1042        | Divider Bar, Scraper, 40' Aftersort Table, Prototype Tomato | 1                           |                    |                      |
| 8          | BRA-850         | Bracket, Rolling Guard, Scraper, Outer                      | 1                           | 19101-Kit-0007     |                      |
| 9          | BRA-851         | Bracket, Rolling Guard, Scraper, Inner                      | 1                           | 19101-kit-0007     |                      |
| 10         | 193-806a        | Motor mount stop  | 1                           |                    |                      |
| 11         | 193-806         | Mount motor   | 1                           |                    |                      |
| 12         | CPS-6060        | Steel Coupler (offcenter) 1 1/4' x 1'                       | 1                           |                    |                      |
| 13         | HM-210-TC       | TCI Motor   | 1                           |                    | Seal Kit # TCI-SKHPQ |
| 14         | 193-806c        | Motor Guard   | 1                           | 19301-             |                      |
| 15         | BAR-8755        | Bar, Divider Roller Bar, Aftersort, HC290 Tomato            | 2                           |                    |                      |
| 16         | SPA-0076        | Divider Bar Spacer  | 2                           |                    |                      |
| 17         | PL-8750         | Plastic, Divider Roller Shield, Aftersort, HC290            | 2                           |                    |                      |
| 18         | SPA-0007        | Spacer, Motor Stop, Cleaner Table Drives                    | 1                           |                    |                      |
| 100        | BL-6-150-H      | 3/8-16 X 1 1/2 HEX CAP G5 ZC                                | 4                           |                    |                      |
| 101        | BL-6-250-H      | 3/8-16 X 2 1/2 HH C/S GR5 ZC                                | 4                           |                    |                      |
| 102        | BL-6-LW         | 3/8 SPLIT LW ZC   | 4                           |                    |                      |
| 103        | BL-6-SW         | 3/8 SAE FW ZC   | 4                           |                    |                      |
| 104        | RI-3-5-P        | Pop Rivet 3/16 x 5/16 Domed, .375 head, ea                  | 2                           |                    |                      |

12011-09-03

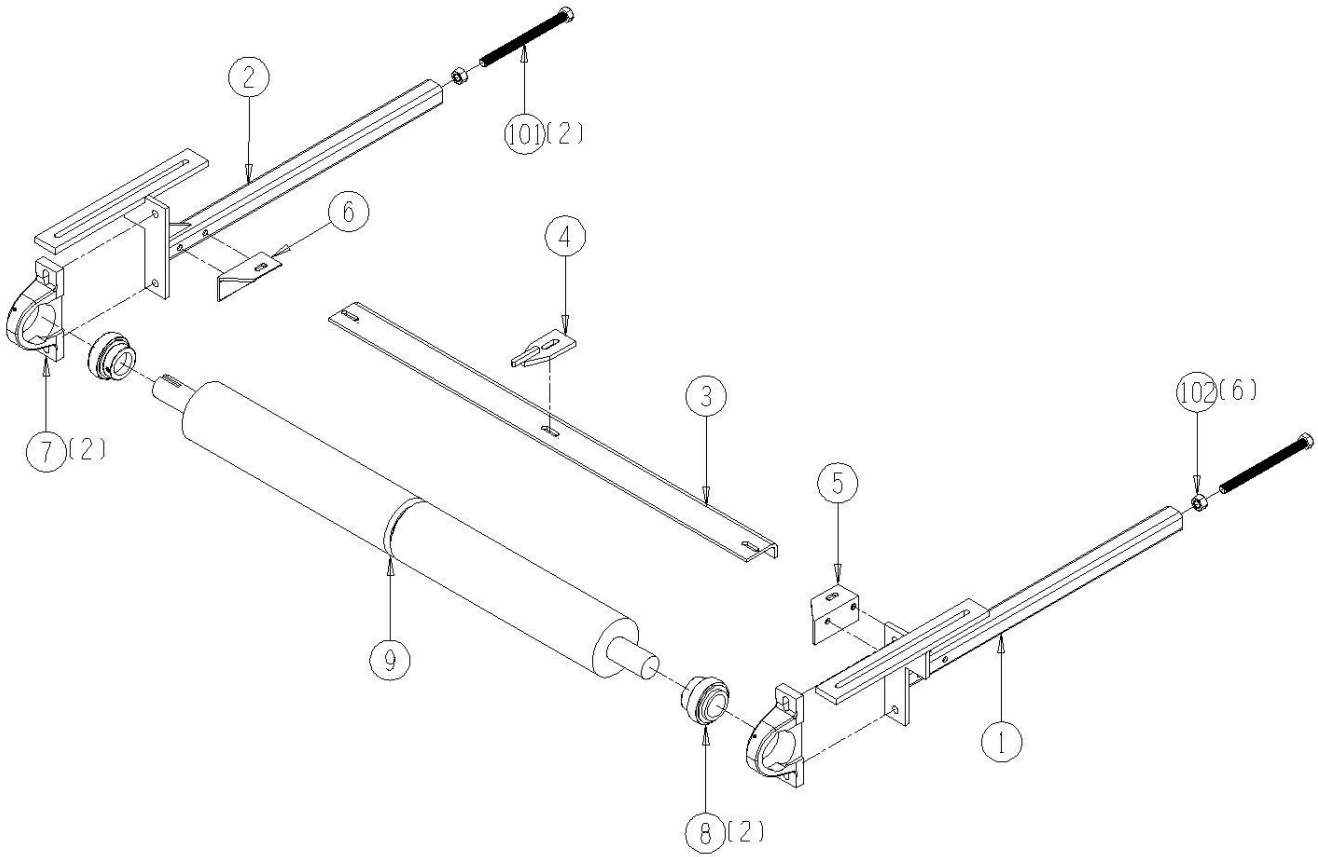


# 12011-09-04 Aftersort Roller Assembly

| <u>Ref</u> | <u>Part No.</u> | <u>Description</u>   | <u>Parts –<br/>Assembly</u> | <u>Will Fit SN</u> | <u>Remarks</u> |
|------------|-----------------|--|-----------------------------|--------------------|----------------|
| 1          | ADJ-8756        | Adjuster, Divider Bar, Aftersort, RH                         | 1                           |                    |                |
| 2          | ADJ-8757        | Adjuster, Dibider Bar, Aftersort, LH                         | 1                           |                    |                |
| 3          | SCR-1041        | A-Guide Scraper Mount, Rear, 40' Aftersort, Prototype Tomato | 1                           |                    |                |
| 4          | SCR-0213        | Rear Scraper   | 1                           |                    |                |
| 5          | BRA-0211        | Bracket, Outer Scraper Mount                                 | 1                           |                    |                |
| 6          | BRA-0212        | Bracket, Inner Scraper Mount                                 | 1                           |                    |                |
| 7          | BR-085-RAK      | Bearing Housing 85 mm  | 2                           |                    |                |
| 8          | BR-175-085      | Fafnir Bearing 1 ¼ Tri Seal                                  | 2                           |                    |                |
| 9          | RLR-1040        | A-Guide Roller, 40' Aftersort Table, Tomato                  | 1                           |                    |                |
| 101        | BL-10-800-TS    | 5/8-11 X 8 HEX TAP Stainless Steel                           | 2                           |                    |                |
| 102        | BL-10-N         | 5/8-11 HEX FIN NUTS ZC                                       | 6                           |                    |                |



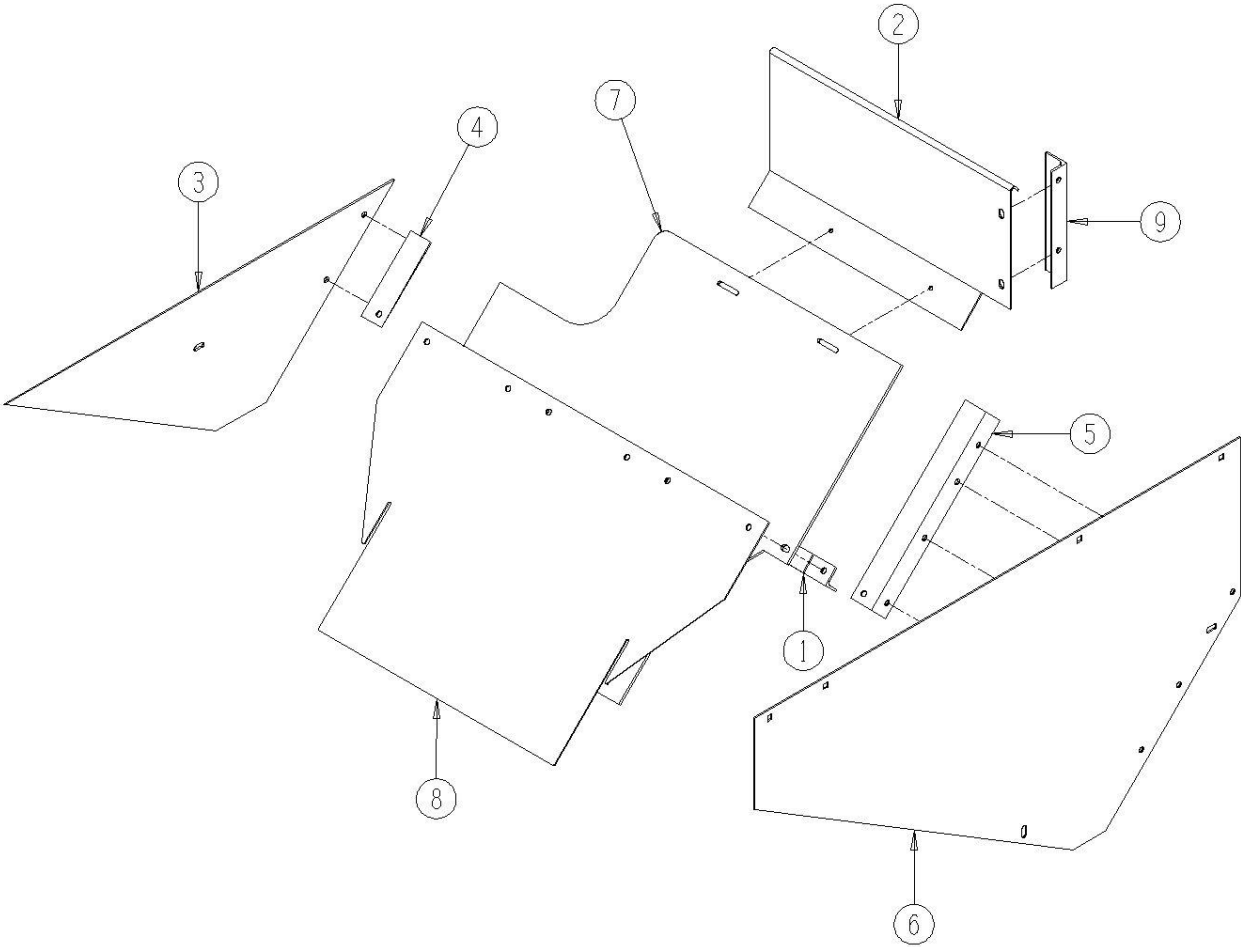
12011-09-04



# 12011-10-01 Discharge Basket Assembly

| <u>Ref</u> | <u>Part No.</u> | <u>Description</u>                                      | <u>Parts –<br/>Assembly</u> | <u>Will Fit SN</u> | <u>Remarks</u> |
|------------|-----------------|---|-----------------------------|--------------------|----------------|
| 1          | SPA-9001        | Spacer, Discharge Basket, 240 Tomato Harvester          | 1                           |                    |                |
| 2          | SHD-9102        | Top Shield, Discharge Basket, 240 Tomato Harvester      | 1                           |                    |                |
| 3          | SHD-9103        | Back Shield, Discharge Basket, 240 Tomato Harvester     | 1                           |                    |                |
| 4          | ARM-8801        | Angle, Discharge Basket, 290 Harvester                  | 1                           |                    |                |
| 5          | ARM-8800        | Angle, Discharge Basket                                 | 1                           |                    |                |
| 6          | SHD-9104        | Front Shield, Discharge Basket, 240 Tomato Harvester    | 1                           |                    |                |
| 7          | BT-9100         | Belting, Bottom, Discharge Basket, 240 Tomato Harvester | 1                           |                    |                |
| 8          | PL-9100         | Plastic, Bottom, Discharge Basket, 240 Tomato Harvester | 1                           |                    |                |
| 9          | MOU-9902        | Mount, Discharge Basket, 240 Tomato Harvester           | 1                           |                    |                |

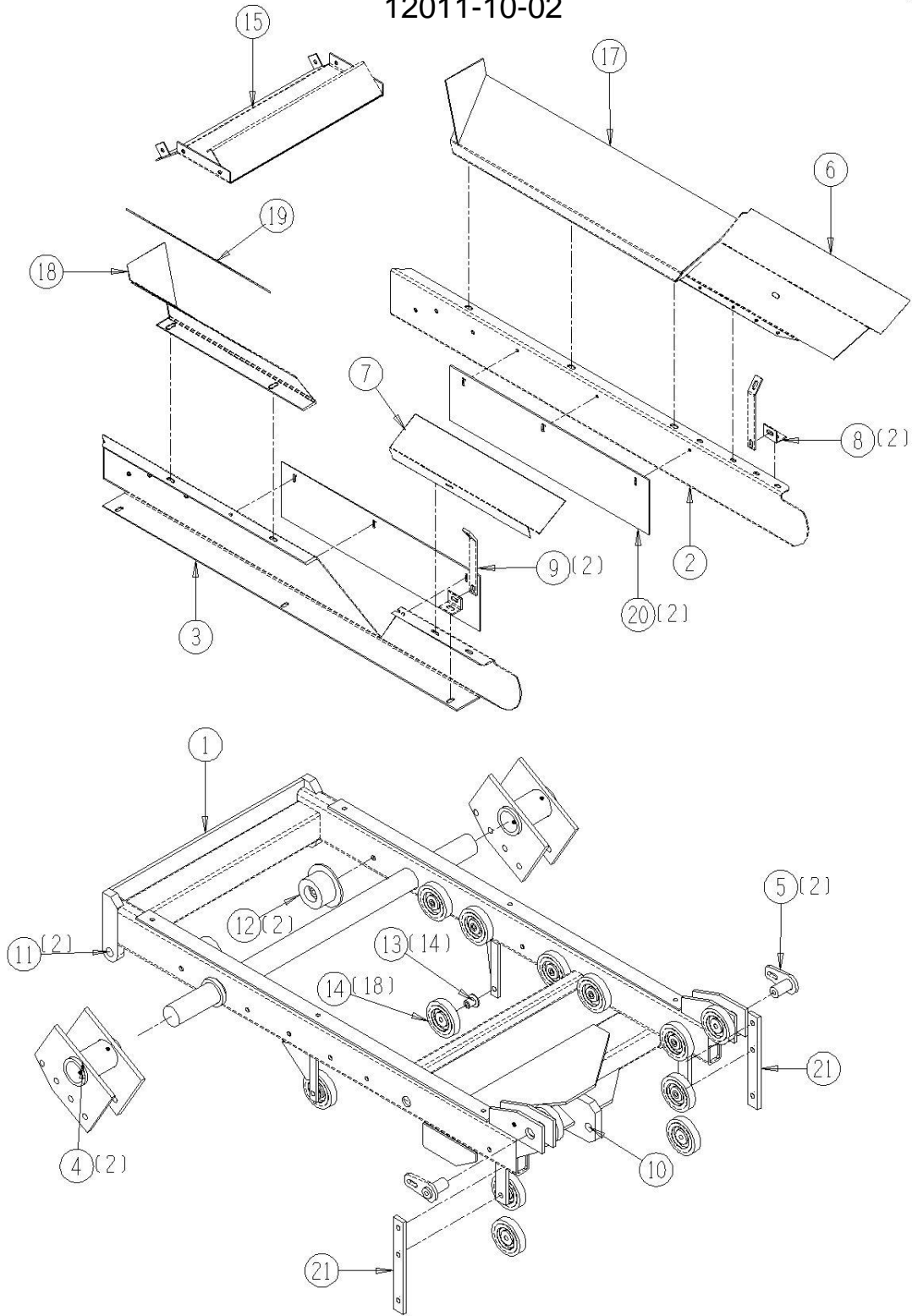
12011-10-01



# 12011-10-02 Inner Discharge Assembly

| <u>Ref</u> | <u>Part No.</u> | <u>Description</u>   | <u>Parts –<br/>Assembly</u> | <u>Will Fit SN</u> | <u>Remarks</u>                |
|------------|-----------------|--|-----------------------------|--------------------|-------------------------------|
| 1          | FRM-9900        | Lower Discharge, 240 Harvester                               | 1                           |                    |                               |
| 2          | PAN-8800        | Panel, Front, Inner Discharge, HC290 Tomato                  | 1                           |                    |                               |
| 3          | PAN-9901        | Panel, Back, Inner Discharge, 240 Tomato Harvester           | 1                           |                    |                               |
| 4          | BRA-9900        | Discharge Mount, 240 Harvester                               | 2                           |                    |                               |
| 5          | PIN-8800        | Pin, Inner Discharge, HC290 Tomato                           | 2                           |                    |                               |
| 6          | PAN-8802        | Panel, Top, Front, Inner Discharge, HC290                    | 1                           |                    |                               |
| 7          | PAN-8804        | Panel, Top, Back, Inner Discharge, 2010 290 Tomato Harvester | 1                           |                    |                               |
| 8          | BRA-8800        | Bracket, Panel Mount, Inner Discharge, HC290                 | 2                           |                    |                               |
| 9          | BAR-8801        | Bar, Panel Support, Inner Discharge, HC290                   | 2                           |                    |                               |
| 10         | HC-350-0808     | Hydraulic Cylinder 3 1/2' x 8' #8 SAE Ports                  | 1                           |                    | Seal kit for Lion, HC-350-125 |
| 11         | HC-250-1408     | Tie Rod Cylinder, Standard 2 1/2' x 14'                      | 2                           |                    |                               |
| 12         | RLT-535-228     | 5' Flange Roller 2.2WF x 3 1/2' dia, 1/2' bore               | 2                           |                    |                               |
| 13         | RLA-000-118     | Standoff, 1/2' X 1 1/8'                                      | 14                          |                    |                               |
| 14         | RLR-040-108     | 4' Flat Roller   | 18                          |                    | Changed to Urethane in 2006   |
| 15         | VLV-9900        | Valve, Lower Discharge, 240 Harvester                        | 1                           |                    |                               |
| 16         | DC-1174         | Decal, Danger Keep Hands and Feet Away                       | 1                           |                    |                               |
| 17         | SHD-8803        | Shield, Discharge Basket, 290 Tomato Harvester               | 1                           | SHD-8803           |                               |
| 18         | SHD-8773        | Shield, Rear, Discharge Basket, 2010 290 Tomato Harvester    | 1                           |                    |                               |
| 19         | BT-8004         | Belting, Cover, Discharge Basket 2010 290 Tomato Harvester   | 1                           |                    |                               |
| 20         | PL-8001         | Discharge Plastic, Lower Sides, 290 Harvester                | 2                           |                    |                               |
| 21         | BAR-9002        | Roller Hold Up Bar   | 2                           |                    |                               |

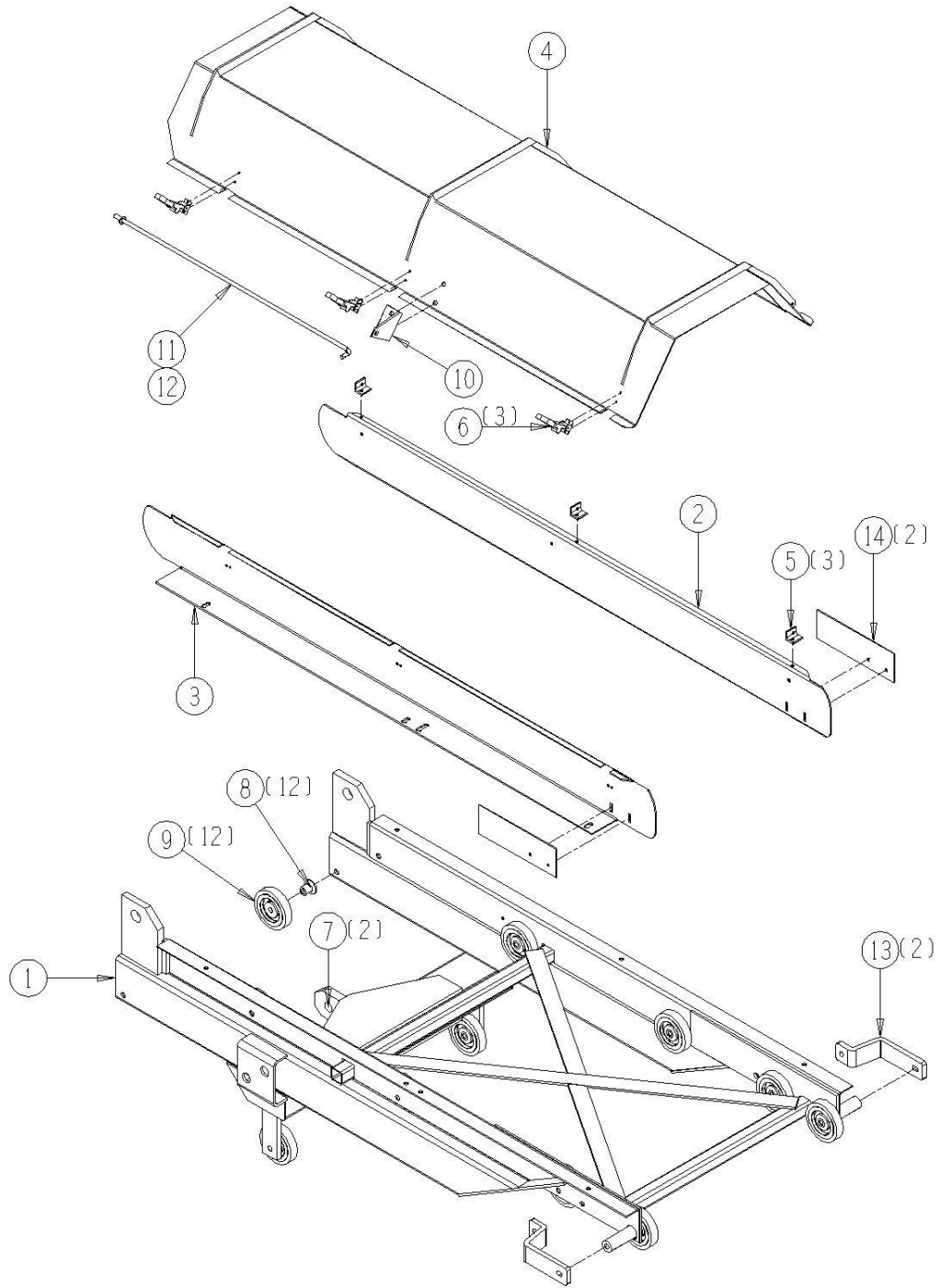
12011-10-02



# 12011-10-03 Middle Discharge Assembly

| <u>Ref</u> | <u>Part No.</u> | <u>Description</u>                                       | <u>Parts –<br/>Assembly</u> | <u>Will Fit SN</u> | <u>Remarks</u>                |
|------------|-----------------|--|-----------------------------|--------------------|-------------------------------|
| 1          | FRM-9901        | Middle Discharge Frame, 240 Harvester                    | 1                           |                    |                               |
| 2          | PAN-8822        | Panel, Front, Middle Discharge 2010 290 Tomato Harvester | 1                           |                    |                               |
| 3          | PAN-8823        | Panel, Back, Middle Discharge 2010 290 Tomato Harvester  | 1                           |                    |                               |
| 4          | SHD-9900        | Cover, Middle Discharge, 240 Harvester                   | 1                           |                    |                               |
| 5          | BRA-8801        | Bracket, Panel Mount, Middle Discharge, HC290            | 3                           |                    |                               |
| 6          | LA-703          | Large Rubber T Latch Assembly                            | 3                           |                    |                               |
| 7          | HC-200-2408     | Hydraulic cylinder 2' x 24' #8 SAE Ports                 | 2                           |                    | Seal kit for Lion, HC-200-112 |
| 8          | RLA-000-118     | Standoff, 1/2' X 1 1/8'                                  | 12                          |                    |                               |
| 9          | RLR-040-108     | 4' Flat Roller   | 12                          |                    | Changed to Urethane in 2006   |
| 10         | BRA-8802        | Bracket for Cover Prop, Middle Discharge, HC290          | 1                           |                    |                               |
| 11         | ADJ-8800        | Adjuster, Cover Prop, Middle Discharge, HC290            | 1                           |                    |                               |
| 12         | PIN-C2-16       | Cotter Pin, 1/8' x 1'                                    | 1                           |                    |                               |
| 13         | BAR-0114        | Discharge Strap, Tomato Harvester                        | 2                           |                    |                               |
| 14         | PL-8805         | Plastic Shield, Discharge 2010 290 Tomato Harvester      | 2                           |                    |                               |

12011-10-03

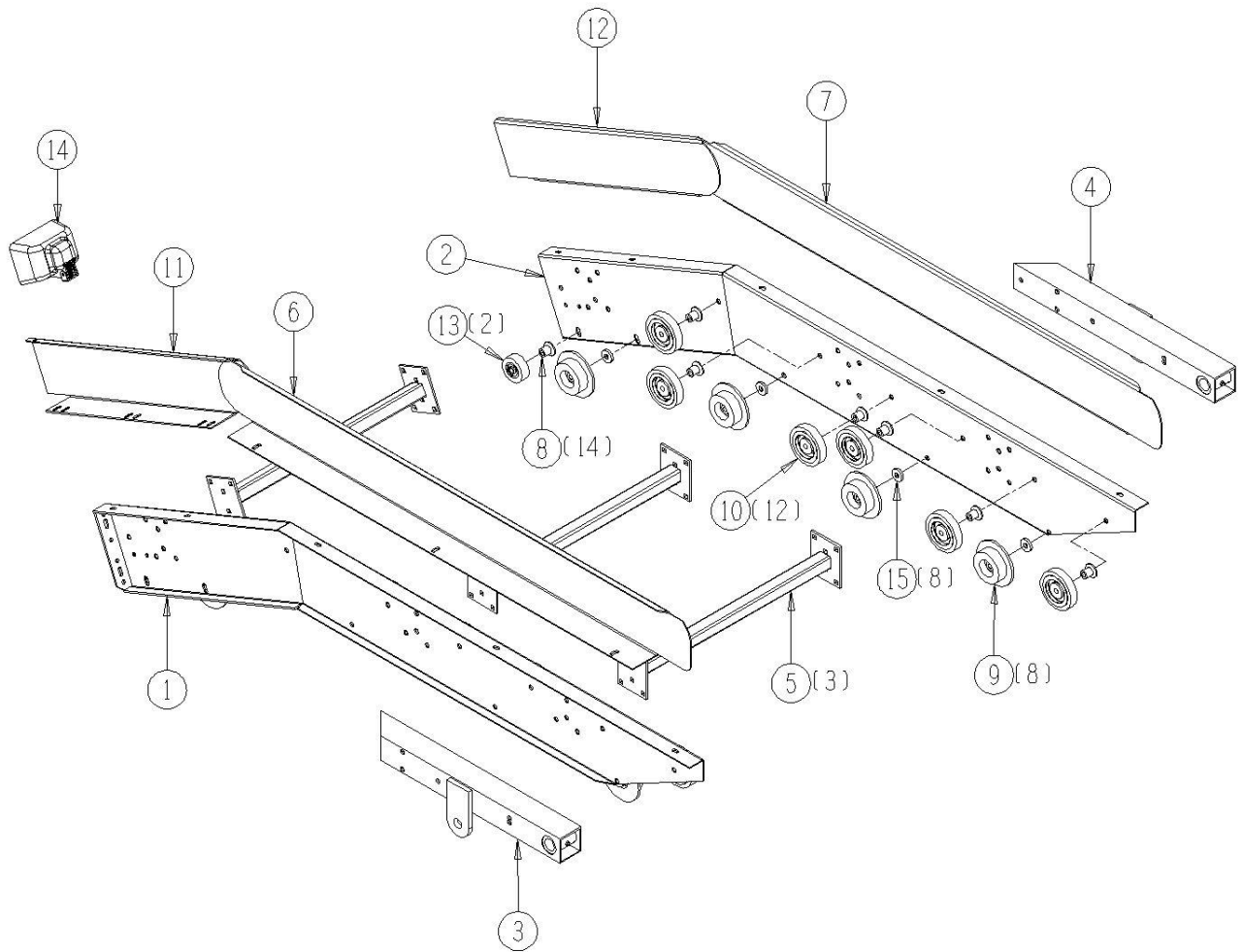


# 12011-10-04 Outer Discharge Assembly

| <u>Ref</u> | <u>Part No.</u> | <u>Description</u>   | <u>Parts –<br/>Assembly</u> | <u>Will Fit SN</u> | <u>Remarks</u>                       |
|------------|-----------------|--|-----------------------------|--------------------|--------------------------------------|
| 1          | PAN-8816        | Panel, Front, Outer Discharge, HC290 Tomato                  | 1                           |                    |                                      |
| 2          | PAN-8817        | Panel, Rear, Outer Discharge, HC290 Tomato                   | 1                           |                    |                                      |
| 3          | 192-905         | Cylinder Mount, Front Discharge                              | 1                           | 19201-             |                                      |
| 4          | 192-906         | Cylinder Mount, Rear Discharge                               | 1                           | 19201-<br>192-900K |                                      |
| 5          | BAR-9900        | Cross Bar, Outer Discharge, 240 Harvester                    | 3                           |                    |                                      |
| 6          | PAN-8820        | Panel, Front, Outer Discharge, HC290 Tomato                  | 1                           |                    |                                      |
| 7          | PAN-8821        | Panel, Back, Outer Discharge, HC290 Tomato                   | 1                           |                    |                                      |
| 8          | RLA-000-118     | Standoff, 1/2' X 1 1/8'                                      | 14                          |                    |                                      |
| 9          | RLT-535-128     | Narrow Flange Roller 1.2 WF 3.5 dia, 1/2' Bore               | 8                           |                    |                                      |
| 10         | RLR-040-108     | 4' Flat Roller   | 12                          |                    | Changed to Urethane in 2006          |
| 11         | PAN-8814        | Panel, Top, Front, Discharge extension, HC290                | 1                           |                    |                                      |
| 12         | PAN-8815        | Panel, Top, Back, Discharge extension, HC290                 | 1                           |                    |                                      |
| 13         | RLT-027-108     | Roller 2.75' dia. 1/2' Bore                                  | 2                           |                    | 2755C1X (Old Number, Single Bearing) |
| 14         | EL-1233         | Light, Auxiliary Work Light, Clear, Trapezoid Beam, TL#80394 | 1                           |                    | Replaces EL-1201                     |
| 15         | RLA-000-028     | Washer/Spacer  | 8                           | 11001-             |                                      |



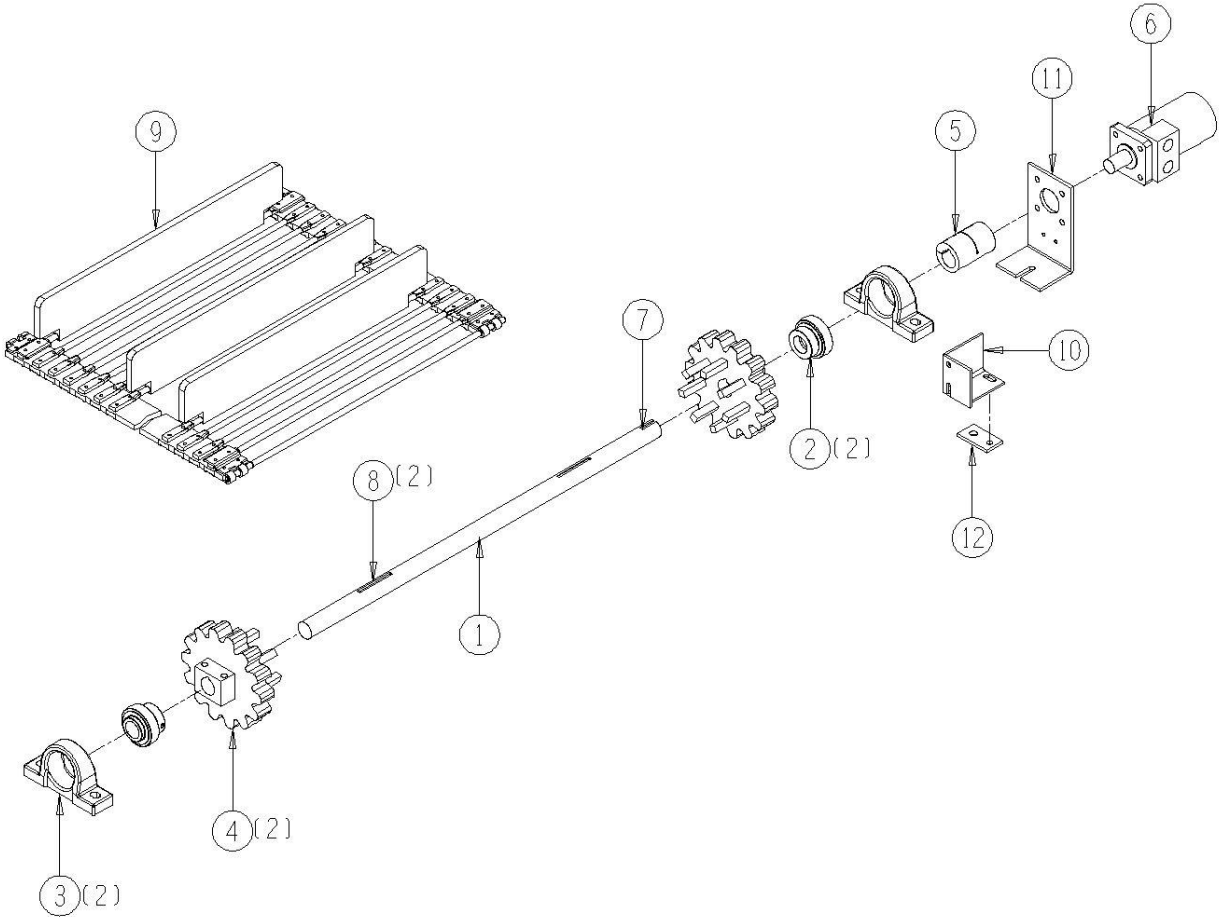
12011-10-04



# 12011-10-05 Discharge Drive Shaft Assembly

| <u>Ref</u> | <u>Part No.</u> | <u>Description</u>   | <u>Parts –<br/>Assembly</u> | <u>Will Fit SN</u> | <u>Remarks</u>   |
|------------|-----------------|--|-----------------------------|--------------------|--|
| 1          | SFT-9900        | Drive Shaft, Discharge, 240 Harvester                            | 1                           |                    |  |
| 2          | BR-125-072      | Bearing, 1 1/4 Fafnir tri-seal, 72mm OD                          | 2                           |                    |  |
| 3          | BR-072-RAK      | 72mm Cast Housing  | 2                           |                    |  |
| 4          | SP-3618-20-4    | Sprocket 36mm 18 Tooth, 1 1/4' Bore, Splitt & Bolted             | 2                           |                    |  |
| 5          | CPS-6060        | Steel Coupler (offcenter) 1 1/4' x 1'                            | 1                           |                    |  |
| 6          | HM-210-TC       | TCI Motor  | 1                           |                    | Seal Kit # TCI-SKHPQ                                   |
| 7          | KEY-4-4-20      | Shaft Key 1/4' x 1 1/4'  | 1                           |                    |  |
| 8          | KEY-4-4-32      | Shaft Key 1/4' x 2' Square Cut (1018)                            | 2                           |                    |  |
| 9          | BC-6-2636-319FL | Discharge Elevator, 3/8' Bars, 26' Wide x 319 Bars, 36mm Pitch   | 1                           |                    |  |
| 10         | 193-915         | Stop, Discharge Motor  | 1                           | 19301-             |  |
| 11         | 193-806         | Mount motor  | 1                           |                    |  |
| 12         | BAR-1510        | Bar, Light Holder  | 1                           |                    |  |
| 800        | BC-6-26-CN      | Connecting Rod, 10mm, 26' Wide Belted Chain, 50mm Traction Belts | 0                           |                    |  |
| 801        | BC-F-36-32-UG   | Ultra Gold F Connecting Clips 36-32 @ pair                       | 0                           |                    | Replaces BC-F-36-32                                    |
| 802        | BC-1032-FS      | 10-32 x 1 1/4' bolts Flat Socket Head                            | 0                           |                    |  |
| 803        | BC-1032-LN      | 10-32 lock nuts  | 0                           |                    |  |
| 804        | BC-6-32-ST      | 3/8' x 32' Belted Chain Rods for 60mm Belt                       | 0                           | 11001              |  |
| 805        | BC-BP32         | Belt, Rivet backing plates 32mm                                  | 0                           | 11001              | Lap Splice Option, Used only with BC-1032-LN Lock Nuts |
| 806        | KEY-4-4-15      | Shaft Key 1/4' X 1/4' X 15/16' Woodruff Key                      | 1                           |                    |  |

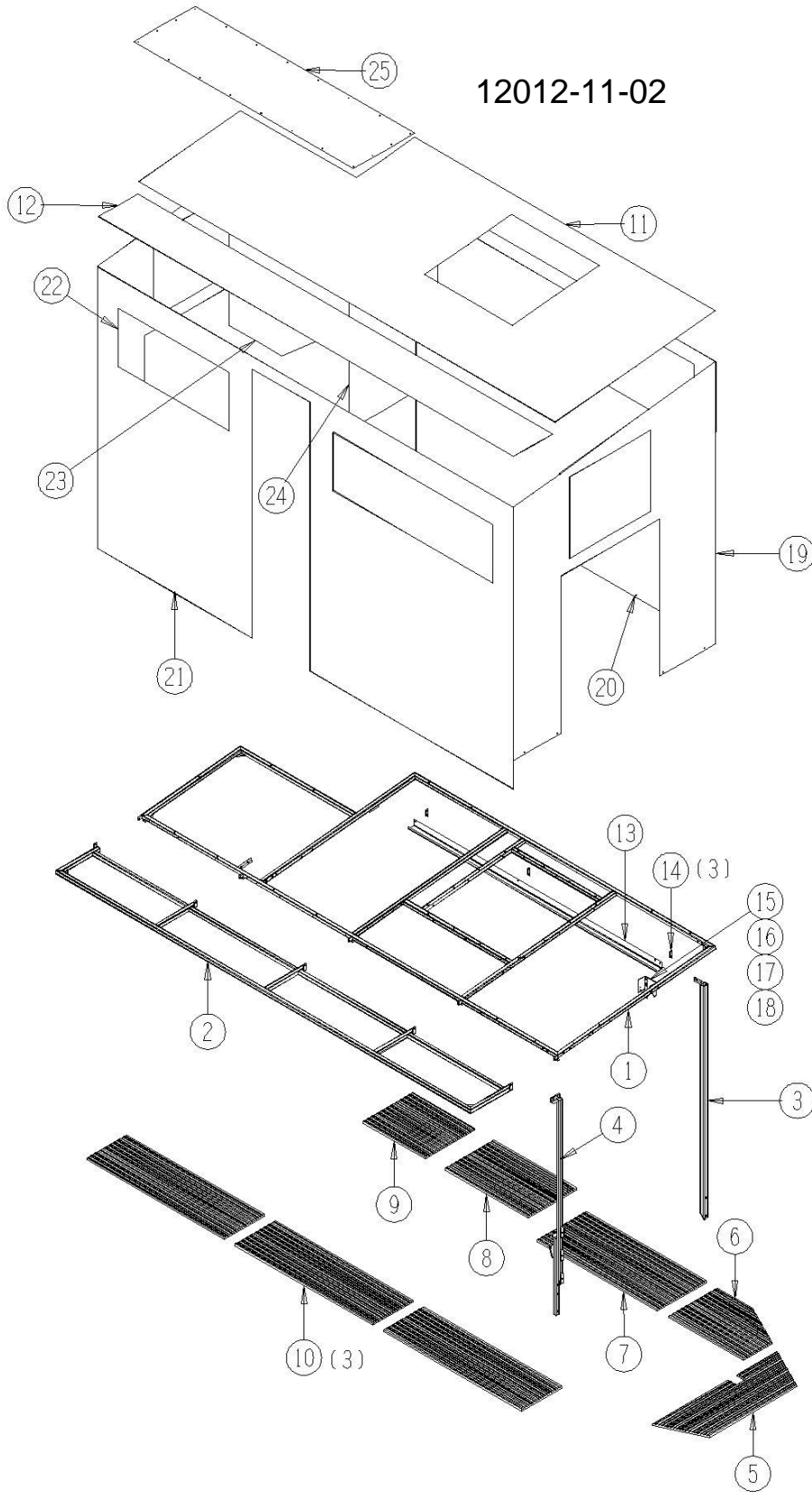
12011-10-05



# 12012-11-02 Optional Canopy Enclosure Assembly

| <u>Ref</u> | <u>Part No.</u> | <u>Description</u>   | <u>Parts –<br/>Assembly</u> | <u>Will Fit SN</u> | <u>Remarks</u> |
|------------|-----------------|--|-----------------------------|--------------------|----------------|
|            | TRP-0001        | Tarp, Gauge Wheels, Cover, Harvester                         | 0                           |                    |                |
| 1          | FRM-9103        | Canopy Frame, Tarp Enclosure, 240 Tomato Harvester           | 1                           |                    |                |
| 2          | FRM-9104        | Canopy Frame, Upper Fold-out, Tarp Enclosure, 240 Tomato     | 1                           |                    |                |
| 3          | POS-9100        | Post, Inner, Front Handsort, Canopy, 240 Tomato Harvester    | 1                           |                    |                |
| 4          | POS-9101        | Post, Outer, Front Handsort, Canopy, 240 Tomato Harvester    | 1                           |                    |                |
| 5          | CM-9100         | Deck Mat, Front, 240 Tomato Harvester                        | 1                           |                    |                |
| 6          | CM-9101         | Deck Mat, Front, Inner, 240 Tomato Harvester                 | 1                           |                    |                |
| 7          | CM-9102         | Deck Mat, Front, Mid, Inner, 240 Tomato Harvester            | 1                           |                    |                |
| 8          | CM-9103         | Deck Mat, Rear, Mid, Inner, 240 Tomato Harvester             | 1                           |                    |                |
| 9          | CM-9104         | Deck Mat, Rear, Inner, 240 Tomato Harvester                  | 1                           |                    |                |
| 10         | CM-9105         | Deck Mat, Outside, 240 Tomato Harvester                      | 3                           |                    |                |
| 11         | COV-9900        | Cover, Trans Roof, Canopy, 240 Tomato Harvester              | 1                           |                    |                |
| 12         | COV-9901        | Cover, Trans Roof, Canopy, 240 Tomato Harvester              | 1                           |                    |                |
| 13         | BRA-0133        | J Channel, Canopy, HC290                                     | 1                           |                    |                |
| 14         | BRA-0134        | Angle Hanger, Channel, HC290                                 | 3                           |                    |                |
| 15         | 195-1455        | Horn Bracket   | 1                           | 19501-             |                |
| 16         | 195-1456        | Horn Switch Bar  | 1                           | 19501-             |                |
| 17         | SPG-9654        | extension Spring for Horn Switch                             | 1                           |                    |                |
| 18         | BAR-9001        | Channel Brackets, 240 Harvester                              | 4                           |                    |                |
| 19         | TRP-9010        | Tarp, Front Panel, Full Enclosure w/ Zipper, 240 Harvester   | 1                           |                    |                |
| 20         | TRP-9011        | Tarp, Inside Panel, Full Enclosure w/ Zipper, 240 Harvester  | 1                           |                    |                |
| 21         | TRP-9012        | Tarp, Outside Panel, Full Enclosure w/ Zipper, 240 Harvester | 1                           |                    |                |
| 22         | TRP-9013        | Tarp, Rear Panel, Full Enclosure w/ Zipper, 240 Harvester    | 1                           |                    |                |
| 23         | TRP-9004        | Outside Shaker Panel, 240 Tomato Harvester                   | 1                           |                    |                |
| 24         | TRP-9005        | Front Shaker Panel, 240 Tomato Harvester                     | 1                           |                    |                |
| 25         | TRP-9006        | Top Shaker Panel, 240 Tomato Harvester                       | 1                           |                    |                |

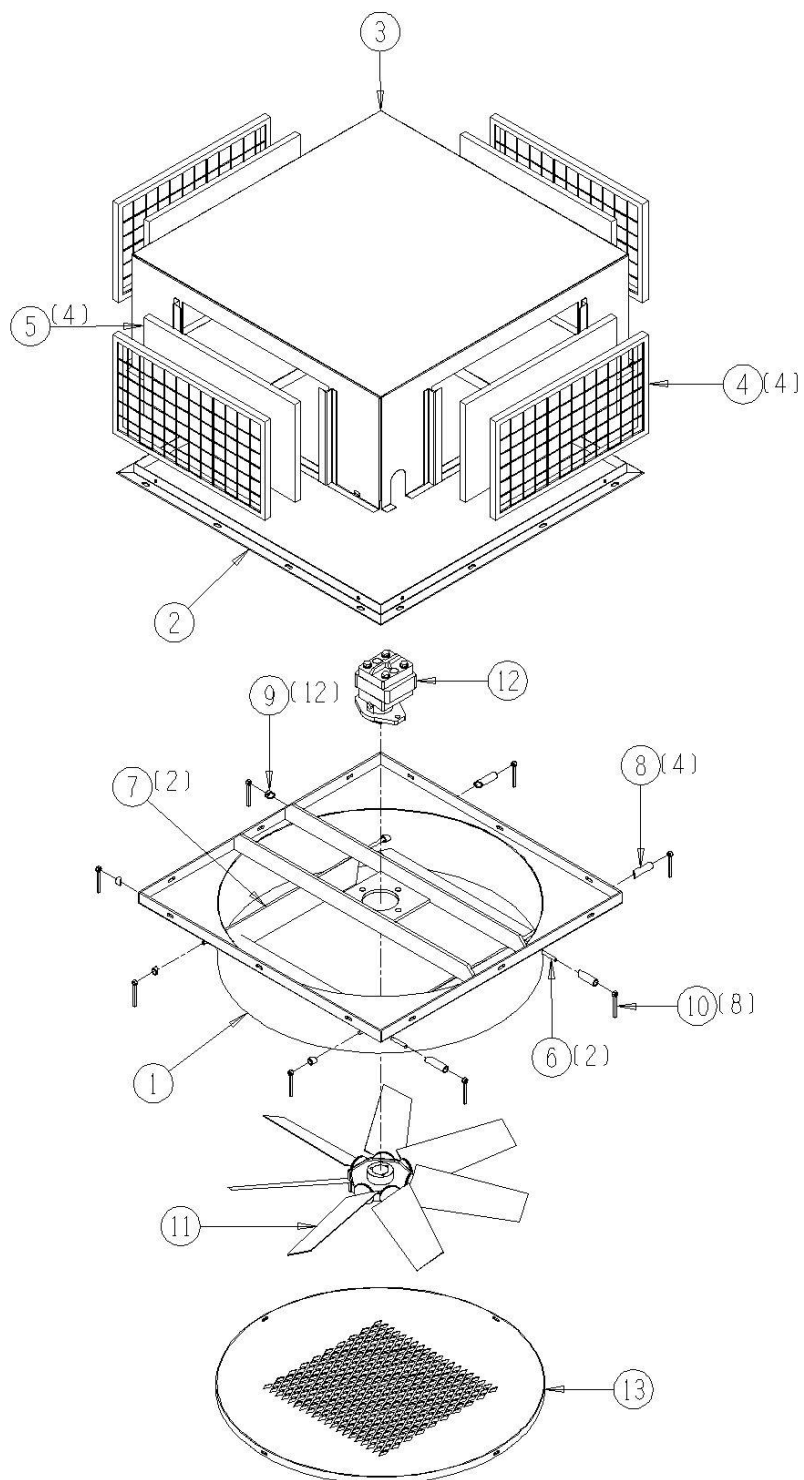
12012-11-02



## 12012-11-03 Optional Enclosure Assembly

| <u>Ref</u> | <u>Part No.</u> | <u>Description</u>                                     | <u>Parts –<br/>Assembly</u> | <u>Will Fit SN</u> | <u>Remarks</u>             |
|------------|-----------------|--|-----------------------------|--------------------|----------------------------|
| 1          | FAN-8100        | Fan, Fresh Air Fan Housing, Canopy, HC290 Tomato       | 1                           |                    |                            |
| 2          | FRM-0011        | Frame, Ventilation Fan, Over Sorting                   | 1                           |                    |                            |
| 3          | FAN-4751        | Fan Housing, Fresh Air Fans, Hand Sort Tables          | 1                           |                    |                            |
| 4          | FFR-14251       | Filter Frame, 14 x 25 x 1                              | 4                           |                    |                            |
| 5          | FP-14251        | Filter Pad, 14 x 25 x 1                                | 4                           |                    |                            |
| 6          | FAN-8102        | Fan, RH/LH Diffuser, Fresh Air Fan                     | 2                           |                    |                            |
| 7          | FAN-8103        | Fan, Front/Back Diffuser, Fresh Air Fan                | 2                           |                    |                            |
| 8          | SPA-8000        | Spacer, Outside, Fresh Air Fan, HC290                  | 4                           |                    |                            |
| 9          | SPA-8001        | Spacer, Inside, Fresh Air Fan, HC290                   | 12                          |                    |                            |
| 10         | ARM-8000        | Arm, Diffuser Outside, Fresh Air Fan, HC290            | 8                           |                    |                            |
| 11         | FAN-290-36      | Fresh Air Fan, 36' with PU-SH-16 bushing               | 1                           |                    | PU-SH-16 Bushing included. |
| 12         | HM-115          | Hydraulic Motor  | 1                           |                    |                            |
| 13         | FAN-8101        | Fan, Shield, Fresh Air, Canopy                         | 1                           |                    |                            |
| 14         | HV-FL30         | Flow Control Valve 30GPM                               | 1                           |                    |                            |
| 15         | WT-7            | Wire Tie 7'  | 15                          |                    |                            |
| 800        | PU-SH-16        | Bushing, SH x 1', 1/4' Keyway                          | 1                           |                    |                            |
| 801        | HM-2100-SK      | Shaft Seal & Gasket Kit for Permco Motor, M2100 Series | 1                           |                    |                            |
| 802        | HM-2100-BRG     | Bearing for Permco Motor, M2100 Series                 | 1                           |                    |                            |

12012-11-03

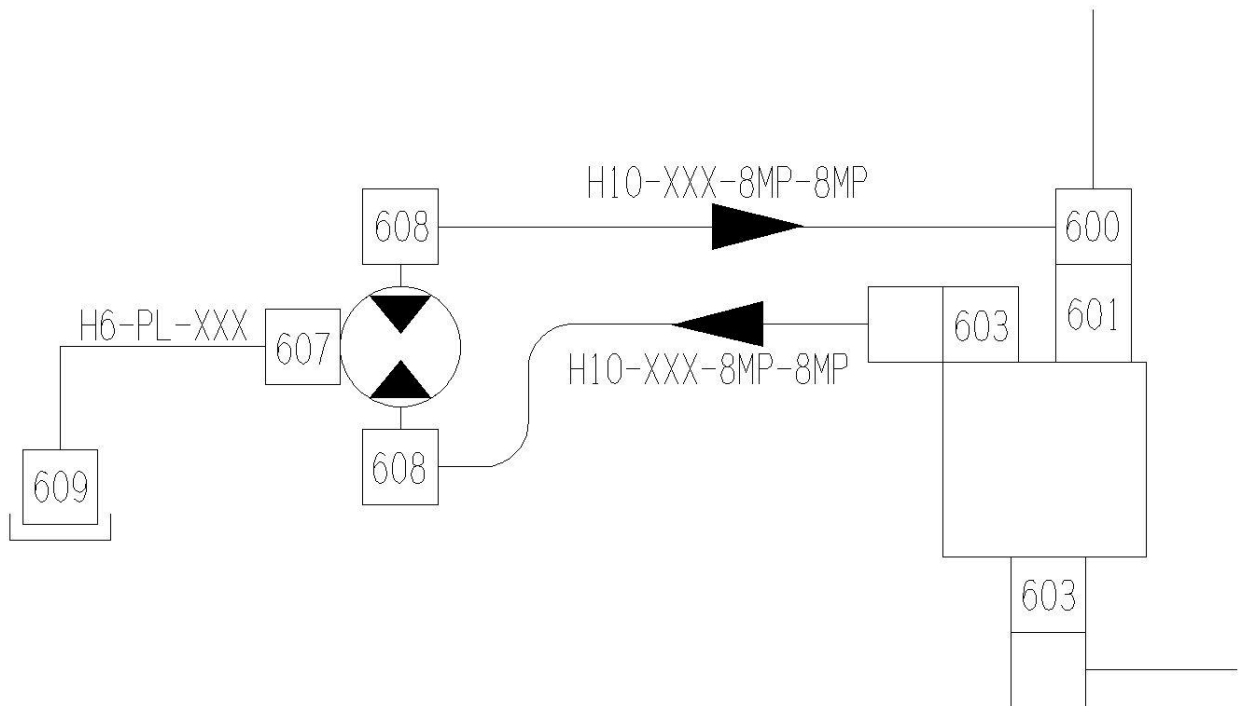


# 12011-11-03H Enclosure Fresh Air Fan Hydraulic Assembly

| <u>Ref</u> | <u>Part No.</u> | <u>Description</u>                     | <u>Parts –<br/>Assembly</u> | <u>Will Fit SN</u> | <u>Remarks</u>                        |
|------------|-----------------|--|-----------------------------|--------------------|---------------------------------------|
| 600        | A-1603-8-8-8    | Swivel T 1/2' NPTF                     | 1                           |                    |                                       |
| 601        | A-6401-10-8     | 10 SAE x 1/2 MPT Male                  | 1                           |                    |                                       |
| 603        | A-6901-10-8     | 10 SAE x 1/2 FPX90°, Forged            | 2                           |                    |                                       |
| 606        | HA-1032         | Hydraulic Hose Holder 1/2              | 4                           | 19101              |                                       |
| 607        | A-4124-6-4      | 1/4 Male Pipe x 3/8 Push Loc           | 1                           |                    |                                       |
| 608        | A-6900-12-8     | 12 SAE x 1/2' FPX                      | 2                           |                    |                                       |
| 609        | ATB-06-06-06    | 3/8' x 3/8' x 3/8' Brass Hose Barb Tee | 1                           |                    | CL-10 needs to be used with this tee. |



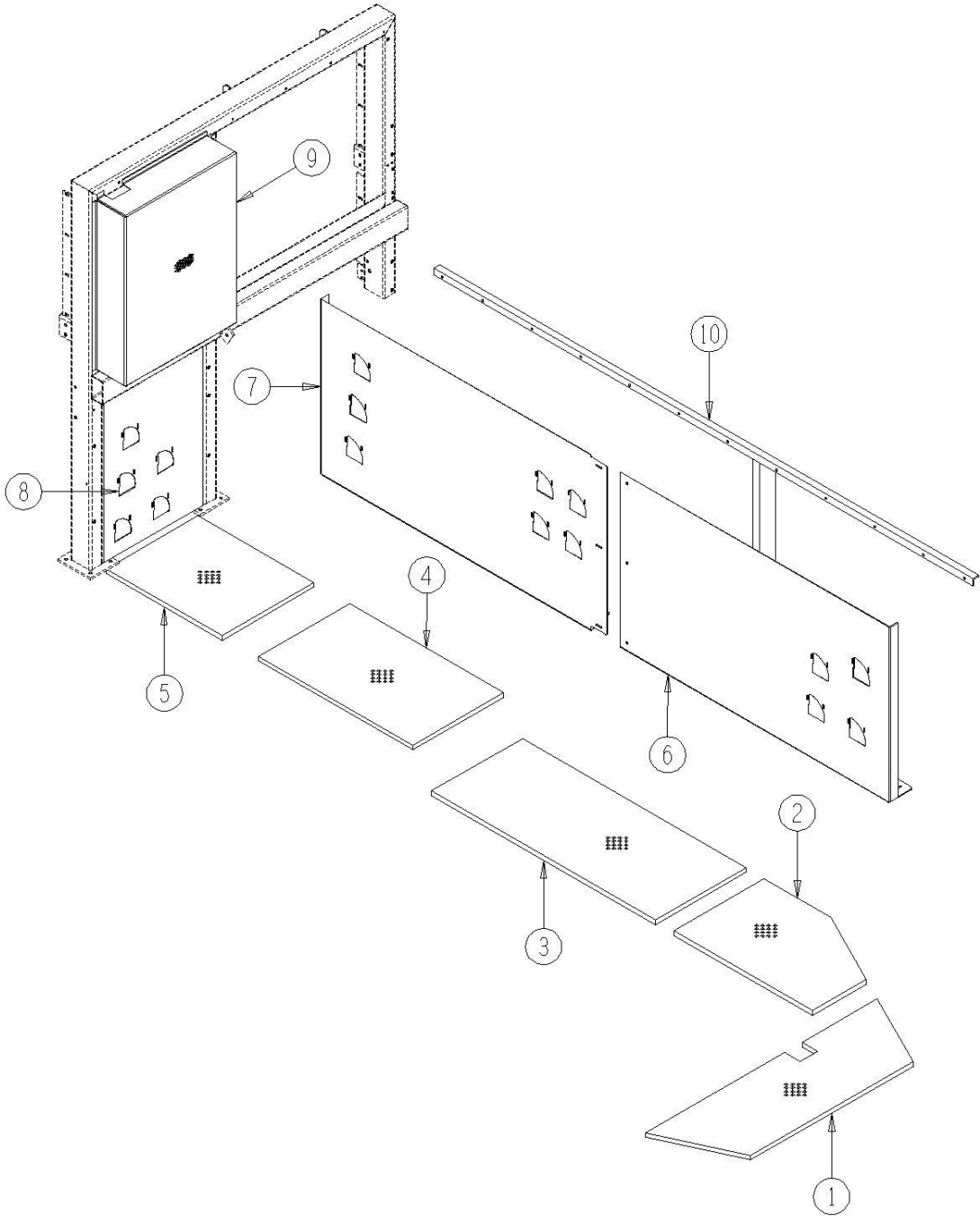
12011-11-03H



# 12011-11-04 Inner Decking Assembly

| <u>Ref</u> | <u>Part No.</u> | <u>Description</u>   | <u>Parts –<br/>Assembly</u> | <u>Will Fit SN</u> | <u>Remarks</u> |
|------------|-----------------|--|-----------------------------|--------------------|----------------|
|            | HAN-9801        | Hand Rail Extension, Header Side, 240                          | 2                           |                    |                |
| 1          | STD-9100        | Decking, Over Head Lift, Inner Decking, 240 Tomato Harvester   | 1                           |                    |                |
| 2          | STD-9101        | Decking, Front Presort, Inner Decking, 240 Tomato Harvester    | 1                           |                    |                |
| 3          | STD-9102        | Decking, Front, Aftersort, Inner Decking, 240 Tomato Harvester | 1                           |                    |                |
| 4          | STD-9103        | Decking, Rear, Aftersort, Inner Decking, 240 Tomato Harvester  | 1                           |                    |                |
| 5          | STD-9104        | Decking, Rear, Inner Decking, 240 Tomato Harvester             | 1                           |                    |                |
| 6          | PAN-9121        | Panel, Front, Flow Control, 240 Tomato Harvester               | 1                           |                    |                |
| 7          | PAN-9122        | Panel, Middle, Flow Control, 240 Tomato Harvester              | 1                           |                    |                |
| 8          | PAN-9123        | Panel, Rear, Flow Control, 240 Tomato Harvester                | 1                           |                    |                |
| 9          | SHD-9127        | Exp. Metal Guard, Front Shaker Chamber, 240                    | 1                           |                    |                |
| 10         | SHD-9125        | Support, Shield, Flow Control, 240 Tomato Harvester            | 1                           |                    |                |

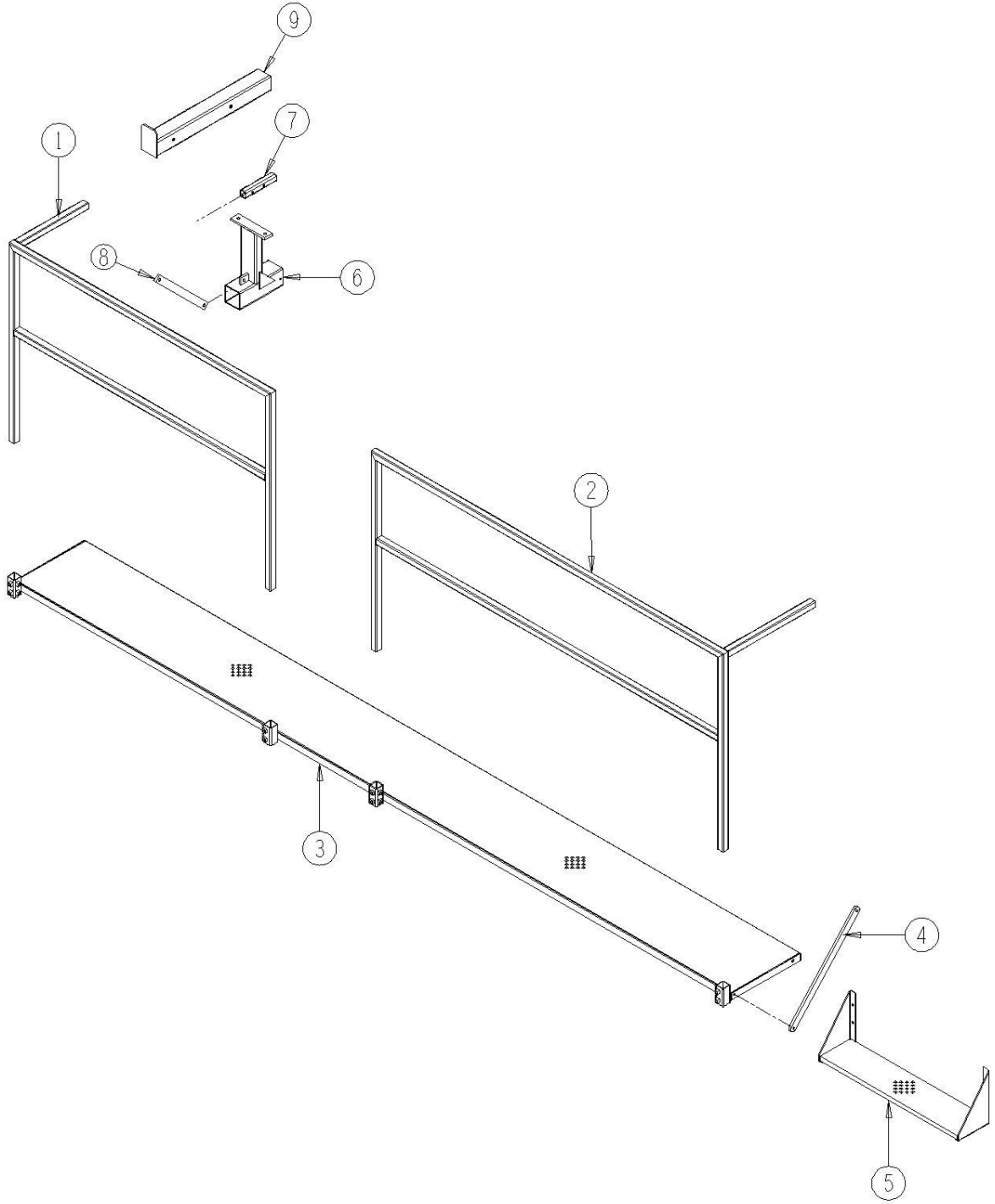
12011-11-04



# 12012-11-05 Outer Decking Assembly

| <u>Ref</u> | <u>Part No.</u> | <u>Description</u>  | <u>Parts –<br/>Assembly</u> | <u>Will Fit SN</u> | <u>Remarks</u> |
|------------|-----------------|---|-----------------------------|--------------------|----------------|
| 1          | STD-8105        | Stand, Back Hand Rail, Harvester                                    | 1                           |                    |                |
| 2          | STD-9105        | Stand, Front Hand Rail, Outer Decking, 240 Tomato Harvester         | 1                           |                    |                |
| 3          | STD-9106        | Decking, RH Side, Under Canopy, Outer Decking, 240 Tomato Harvester | 1                           |                    |                |
| 4          | BAR-9105        | Bar, Ends, Outer Decking, 240 Tomato Harvester                      | 1                           |                    |                |
| 5          | STD-1411        | Deck, Step  | 1                           | 19401-             |                |
| 6          | STD-9107        | Support, Rear Catwalk, 240 Harvester                                | 1                           |                    |                |
| 7          | STD-9108        | Support, Outer Decking, 240 Harvester                               | 1                           |                    |                |
| 8          | STD-9109        | Mount Gusset, Rear Catwalk, 240 Harvester                           | 1                           |                    |                |
| 9          | STD-9110        | Rear Support Bar, Outer Decking, 240                                | 1                           |                    |                |

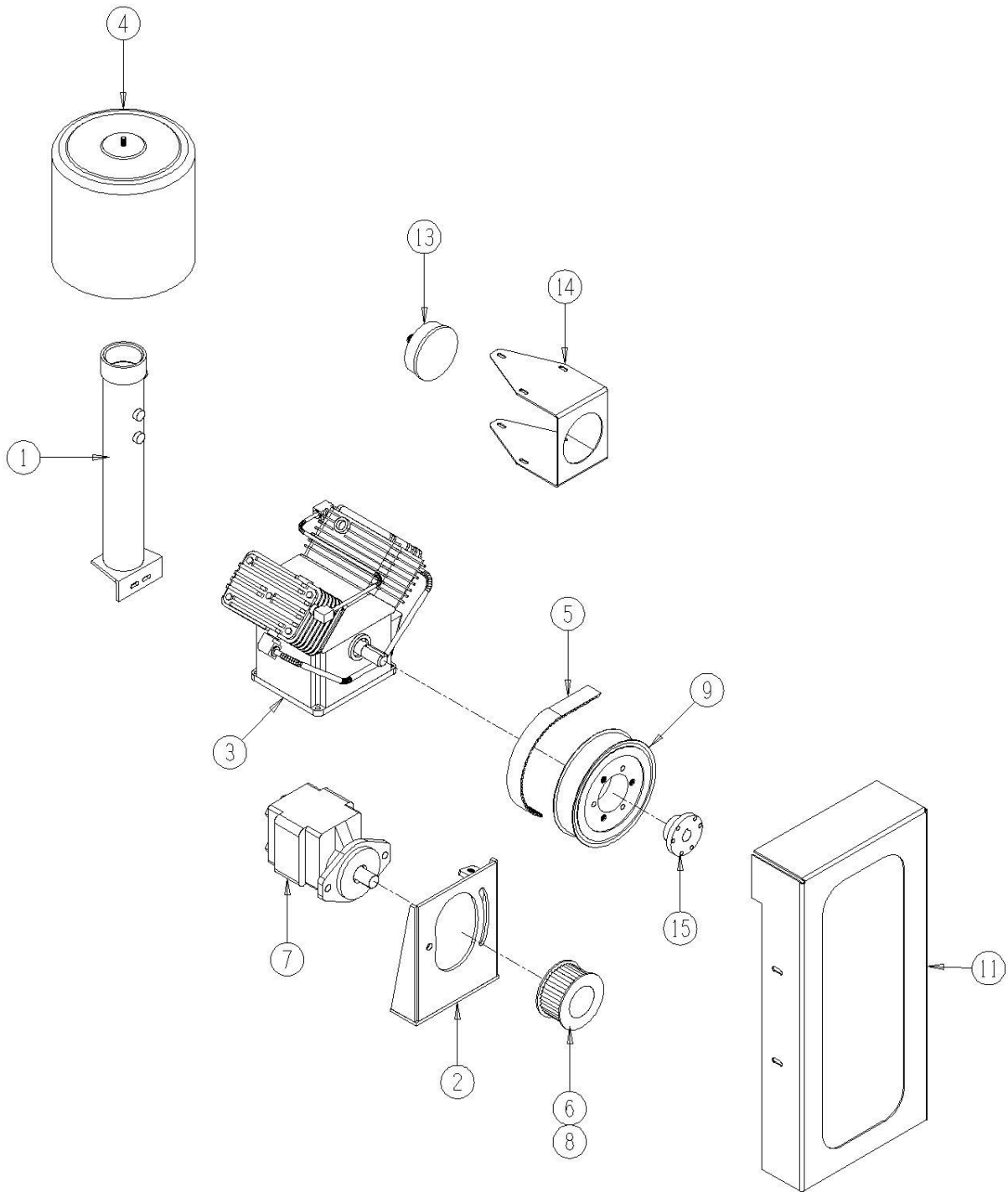
12012-11-05



# 12011-12-01 Air Compressor Assembly

| <u>Ref</u> | <u>Part No.</u>  | <u>Description</u>   | <u>Parts –<br/>Assembly</u> | <u>Will Fit SN</u> | <u>Remarks</u>  |
|------------|------------------|--|-----------------------------|--------------------|---|
|            | MOU-9903         | Mount, Air Compressor Shield, 240                          | 2                           |                    |   |
| 1          | MOU-0088         | Air Intake, Filter Mount                                   | 1                           |                    |   |
| 2          | MOU-9900         | Mount, Motor, Air Compressor, 240 Tomato Harvester         | 1                           |                    |   |
| 3          | AIR-1508         | Air Compressor--Large                                      | 1                           |                    | <ul style="list-style-type: none"> <li>•Four Cylinder, single stage pump.</li> <li>•2.5' bore x 3.25' stroke.</li> <li>•Pump has 16' flywheel.</li> <li>•CFM displ. 28.8 w/ 5 HP motor</li> <li>•Min. RPM 450 Max RPM 775</li> <li>•Oil capacity 48 oz.</li> <li>•Pump weight 175#</li> </ul> |
| 4          | AIR-1510         | 2 ½' Air Filter  | 1                           |                    |   |
| 5          | BT-1280-8M-30    | Primary Weight Drive Belt                                  | 1                           | 19101              | Can not replace with BT-390H100 belts unless all the pulleys are changed.   |
| 6          | PU-42-8M-30-2012 | HTD Pulley   | 1                           |                    |   |
| 7          | HM-122           | Motor, Hydraulic, 1-¾' Gear, #12 SAE Ports                 | 1                           |                    |   |
| 8          | PU-2012-16       | Taperloc Bushing - 1' Bore                                 | 1                           |                    |   |
| 9          | PU-80-8PTH-35-SF | Primary Weight Pulley, 35mm Wide, Panther Style            | 1                           |                    |   |
| 10         | Air-0001         | Synthetic Compressor Oil (ISO 100 SAE 40): 1 quart bottle  | 1                           |                    |   |
| 11         | SHD-9901         | Air Compressor Cover                                       | 1                           |                    |   |
| 12         | DC-1506B         | Decal,White:AIR FILTER-CLEAN DAILY BLOW                    | 1                           | 11001-             |   |
| 13         | AIR-0002         | 4', 0-160 PSI Liquid Filled Gauge, Back-Mount with Bracket | 1                           |                    |   |
| 14         | AIR-0003         | Air, Gauge Mount, Header Cylinder Mount                    | 1                           |                    |   |
| 15         | PU-SF-18         | Bushing, SF x 1 1/8'                                       | 1                           |                    |   |
| 16         | AIR-1355         | Air Filter Monitor(15# H2O) with O-Ring fitting            | 1                           |                    |   |

12011-12-01

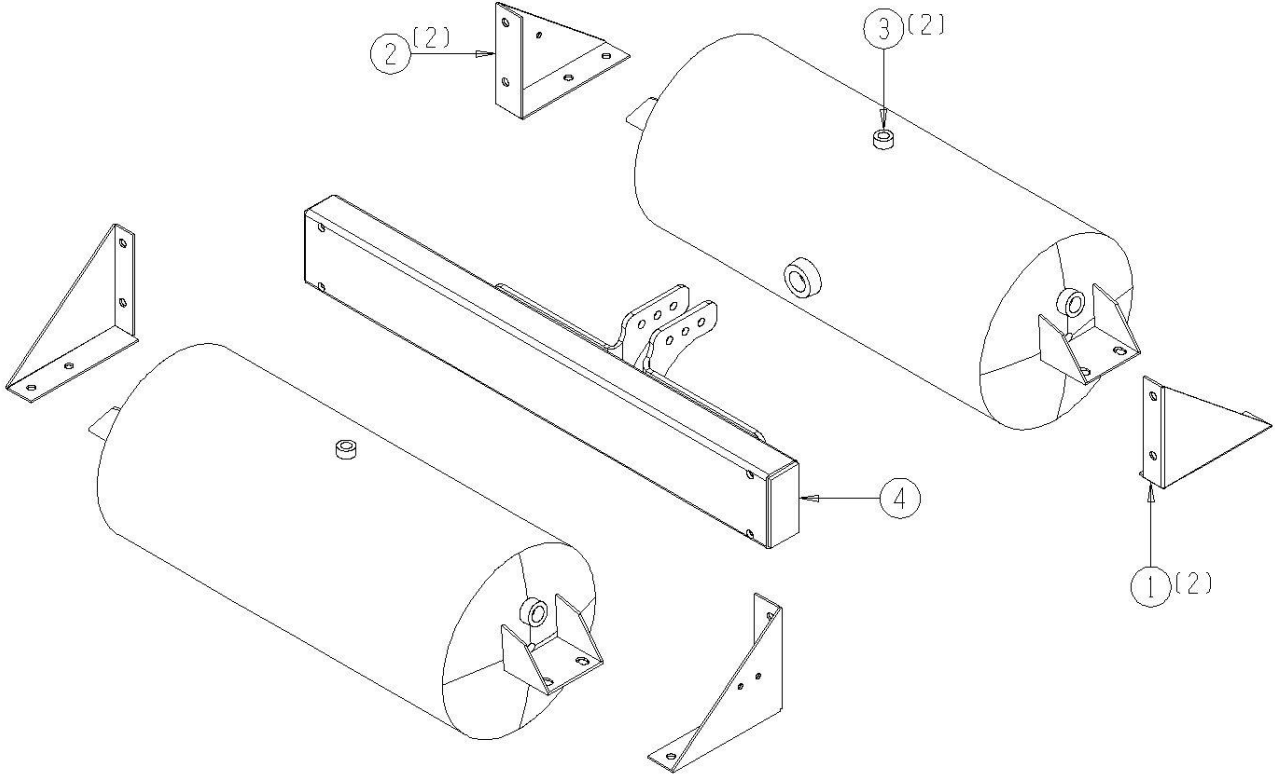


# 12011-12-02 Air Tank Assembly

| <u>Ref</u> | <u>Part No.</u> | <u>Description</u>                            | <u>Parts –<br/>Assembly</u> | <u>Will Fit SN</u> | <u>Remarks</u> |
|------------|-----------------|---|-----------------------------|--------------------|----------------|
| 1          | 194-1513a       | Air Tank Bracket                              | 2                           | 19401-             |                |
| 2          | 194-1513B       | Bracket, Air Reservoir                        | 2                           | 19401-             |                |
| 3          | AIR-1513        | Air Reservoir Tank                            | 2                           |                    |                |
| 4          | MOU-9031        | Mount Bracket, Air Tank, 240 Tomato Harvester | 1                           |                    |                |
| 100        | BL-6-125-H      | 3/8-16 X 1 1/4 HHCS G5 ZC                     | 8                           |                    |                |
| 101        | BL-6-225-H      | 3/8 UNC X 2 1/4 HH C/S BOLT GR5 ZINC          | 8                           |                    |                |
| 102        | BL-6-LN         | 3/8 UNC FIN HEX LOCK NUT NE A563 GrA ZINC     | 16                          |                    |                |
| 103        | BL-6-FW         | 3/8 USS FW ZC                                 | 16                          |                    |                |



12011-12-02

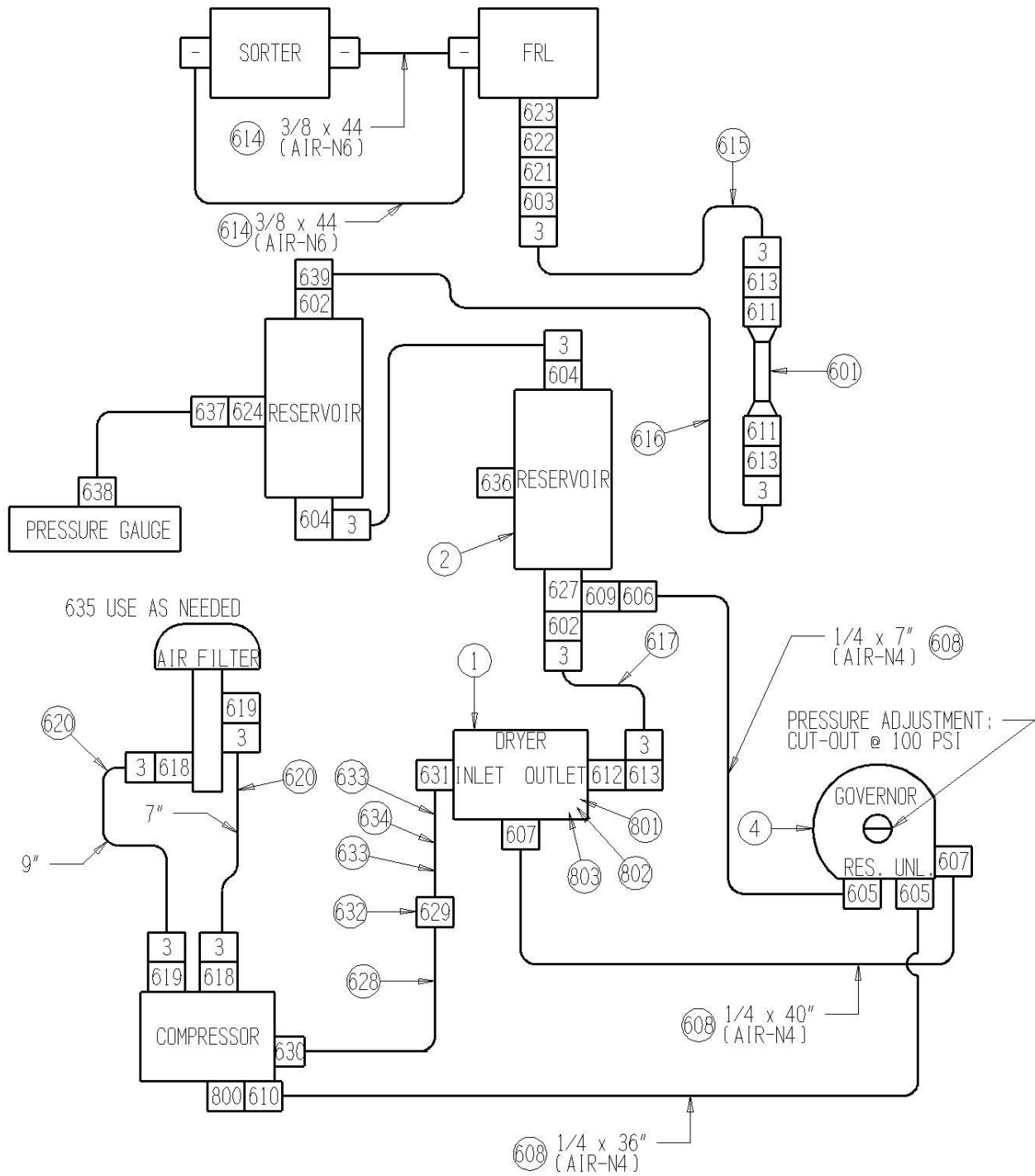


# 12011-12-03 Pneumatics Schematic

| <u>Ref</u> | <u>Part No.</u> | <u>Description</u>   | <u>Parts –<br/>Assembly</u> | <u>Will Fit SN</u> | <u>Remarks</u>                                 |
|------------|-----------------|--|-----------------------------|--------------------|--|
| 1          | AIR-1514-M      | Air Dryer  | 1                           |                    | Will replace 110-1514 with minor modifications |
| 2          | AIR-1513        | Air Reservoir Tank   | 1                           |                    |  |
| 3          | CL-16           | 1' Stainless Steel Gear Clamp                              | 10                          |                    |  |
| 4          | AIR-1512        | Air Compressor Governor                                    | 1                           |                    |  |
| 5          | AIR-0002        | 4', 0-160 PSI Liquid Filled Gauge, Back-Mount with Bracket | 1                           |                    |  |
| 6          | AIR-0003        | Air, Gauge Mount, Header Cylinder Mount, 290               | 1                           |                    |  |
| 601        | H-T12           | ¾' Air Line  | 1                           |                    |  |
| 602        | A-4124-10-8     | 1/2 Male Pipe x 5/8 Push Loc                               | 2                           |                    |  |
| 603        | A-4104-10-6     | 3/8 MP to 5/8 Hose Barb                                    | 1                           |                    |  |
| 604        | A-4129-10-8     | 1/2 NPT 90° w/ 5/8' push-loc                               | 1                           |                    |  |
| 605        | AIR-N4-2        | Auto-loc Male Adapter 1/4 x 1/8 NPT                        | 2                           |                    |  |
| 606        | AIR-NL-4-4      | Auto-loc Elbow 1/4 n 1/4 NPT                               | 1                           |                    |  |
| 607        | AIR-PL-4-2      | Male Elbow, 1/4 x 1/8NPT, Brass, D.O.T., Prestomatic       | 2                           |                    |  |
| 608        | AIR-N4          | 1/4'Nylon Tubing @ ft., Black                              | 7                           |                    | assembly personnel will monitor inventory      |
| 609        | AB-8-4          | 1/2 x 1/4 Bushing  | 1                           |                    |  |
| 610        | AIR-60BI        | Brass Insert, 1/4' Nylon Tube                              | 1                           |                    |  |
| 611        | A-2403-12-10    | ¾' MJIC x 5/8' MJIC  | 2                           |                    |  |
| 612        | A-2501L-10-8    | 5/8MJIC x 1/2MP(Long)90°                                   | 1                           | 19701-             |  |
| 613        | A-4121-10-10    | 5/8' Push Loc x 5/8' JIC Female                            | 3                           |                    |  |
| 614        | AIR-N6          | 3/8' Nylon Tubing @ ft., Black                             | 8                           |                    |  |
| 615        | H10-PL-130      | 5/8' Push Loc Hose 130'                                    | 1                           | 19701-             |  |
| 616        | H10-PL-41       | 5/8' Push Loc Hose 41'                                     | 1                           |                    |  |
| 617        | H10-PL-51       | 5/8' Push Loc Hose 51'                                     | 1                           |                    |  |
| 618        | A-4109-12-8     | 1/2 MP to ¾ Hose Barb 90°                                  | 2                           |                    |  |
| 619        | A-4104-12-8     | 1/2 MP to ¾ Hose Barb                                      | 2                           |                    |  |
| 620        | H12C-4          | ¾' Suction Hose @ ft                                       | 1.333                       |                    |  |
| 621        | SRT-1579        | 3/8' Ball Valve  | 1                           |                    |  |
| 622        | A-5404-6-6      | Hex Nipple, 3/8' x 3/8'                                    | 1                           |                    |  |

|     |              |   |    |            |
|-----|--------------|---|----|------------|
| 623 | A-1501-6-6   | 3/8' MP x 3/8' FPX90°                       | 1  |            |
| 624 | AB-12-4      | ¾ x 1/4 Bushing                             | 2  |            |
| 625 | A-5500-4     | 1/4' 90° Male Pipe Elbow                    | 1  |            |
| 626 | AIR-375-25F  | Air Coupler 3/8 Body - 1/4NPT Female Thread | 1  |            |
| 627 | A-5602-8     | Run Tee 1/2' NPT                            | 1  |            |
| 628 | HSST-72-8-8  | SS Braid Hose with Teflon Core 1/2' x 72'   | 1  |            |
| 629 | A-1405-8-8   | 1/2' NPT Coupler W/Swivel                   | 1  |            |
| 630 | A-1503-8-8   | Elbow, 1/2' MP X 1/2' FPX45°                | 1  |            |
| 631 | A-5405-8-12  | Pipe Adapter 1/2 MPT x ¾ FPT                | 1  |            |
| 632 | H-18RFL      | Hose Protection Shield, Size 18 @ Foot      | 1  |            |
| 633 | H13-RFL      | Hose Protection Shield, Size 13             | 2  |            |
| 635 | WT-17H       | Heavy Duty Wire Tie 17.5'                   | 10 |            |
| 636 | AIR-8000     | Safety Valve, Air Tank 290                  | 1  |            |
| 637 | A-1501-4-4   | 1/4' MP x 1/4' FPX90°                       | 1  |            |
| 638 | A-5504-4     | 1/4' Pipe Elbow                             | 1  |            |
| 639 | CL-1208      | Hose Clamp, Size 12 - ¾-1 1/8               | 4  |            |
| 800 | AIR-60       | Brass Compression Sleeve, 1/4' Nylon Tube   | 1  |            |
| 801 | AIR-1514-M-A | Air Dryer Acc., Coalescing Filter Kit       | 1  | AIR-1514-M |
| 802 | AIR-1514-M-B | Air Dryer Acc., Desiccant Filter Kit        | 1  | AIR-1514-M |
| 803 | AIR-1514-M-C | Air Dryer Acc., Purge Valve Kit             | 1  | AIR-1514-M |

12011-12-03





# 12012-13-01 Double Pump Hydraulic Motor Assembly

| <u>Ref</u> | <u>Part No.</u>  | <u>Description</u>                                    | <u>Parts –<br/>Assembly</u> | <u>Will Fit SN</u> | <u>Remarks</u> |
|------------|------------------|---|-----------------------------|--------------------|----------------|
|            | TAN-8103         | Tank,Oil Return Manifold, HC 290 (Single Cooler)      | 1                           |                    |                |
| 0          | PIP-1107         | Pipe, Case Drain                                      | 1                           |                    |                |
| 0          | H-T-12-8000      | Hyd. Tube, ½' Steel, Sorting Area, HC 290             | 2                           |                    |                |
| 0          | H-T-12-8001      | Hyd. Tube, ½' Steel Tube, Shaker Area, HC 290         | 1                           |                    |                |
| 0          | H-T-16-8000      | Hyd. Tube, 1' Carbon Steel Tube, Sorting Area, HC 290 | 1                           |                    |                |
| 0          | H-T-16-8001      | Hyd. Tube, 1' Carbon Steel, Shaker Area, HC 290       | 2                           |                    |                |
| 0          | H-T-16-8002      | Hyd. Tube, 1' Carbon Steel, Comp Front, HC 290        | 1                           |                    |                |
| 0          | H-T-16-8003      | Hyd. Tube, 1' Carbon Steel, Comp Rear, HC 290         | 1                           |                    |                |
| 0          | H10-100-8MP-8MP  | 5/8 in hose 1/2MP x 1/2MP x 100 in long               | 1                           |                    |                |
| 0          | H10-103-8MP-8MP  | 5/8' hose 1/2MP x 1/2MP x 103' long                   | 1                           |                    |                |
| 0          | H10-104-8MP-8MP  | 5/8' hose 1/2MP x 1/2MP x 104' long                   | 2                           |                    |                |
| 0          | H10-105-8MP-8MP  | 5/8'Hose, 1/2'MP x 1/2'MP x 105' Long                 | 2                           |                    |                |
| 0          | H10-112-8MP-8MP  | 5/8in Hose x 1/2mp x 1/2mp x 112in                    | 1                           |                    |                |
| 0          | H10-118-8MP-8MP  | 5/8Hose x 1/2MP x 1/2MP x 118' Long                   | 1                           |                    |                |
| 0          | h10-130-8mp-8mp  | 5/8 in hose 1/2MP x 1/2MP x 130 in long               | 1                           |                    |                |
| 0          | H10-134-8MP-8MP  | 5/8' hose 1/2MP x 1/2MP x 134' long                   | 1                           |                    |                |
| 0          | H10-22-8MP-8MP   | 5/8 in Hose x 1/2MP x 1/2MP x 22 in Long Hose         | 1                           |                    |                |
| 0          | H10-23-8MP-8MP   | 5/8' hose 1/2MP x 1/2MP x 23' long                    | 1                           |                    |                |
| 0          | H10-24-8MP-8MP   | 5/8 in hose 1/2MP x 1/2MP x 24 in long                | 1                           |                    |                |
| 0          | H10-28-8MP-8MP   | 5/8' hose 1/2MP x 1/2MP x 28' long                    | 2                           |                    |                |
| 0          | H10-32-8MP-8MP   | 5/8Hose x 1/2MP x 1/2MP x 32' Long                    | 3                           |                    |                |
| 0          | H10-35-12MJ-12MJ | 5/8Hose x ½MJ x ½MJ x 35' Long                        | 1                           |                    |                |
| 0          | H10-35-8MP-12MJ  | 5/8'Hose x 1/2'MP x ½'MJ x 35' Long                   | 1                           |                    |                |
| 0          | H10-36-8MP-8MP   | 5/8 in hose 1/2MP x 1/2MP x 36 in long                | 2                           |                    |                |
| 0          | H10-37-8MP-8MP   | 5/8' hose 1/2MP x 1/2MP x 37' long                    | 1                           |                    |                |
| 0          | H10-395-8MP-8MP  | 5/8' hose 1/2MP x 1/2MP x 395' long                   | 2                           |                    |                |
| 0          | H10-45-12MJ-8MP  | 5/8Hose x ½MJ x 1/2MP x 45 in Long                    | 1                           |                    |                |
| 0          | H10-46-8MP-8MP   | 5/8in Hose x 1/2mp x 1/2mp x 46in                     | 3                           |                    |                |

|   |                   |  |   |
|---|-------------------|--|---|
| 0 | H10-48-8MP-8MP    | 5/8 in hose 1/2MP x 1/2MP x 48 in long   | 1 |
| 0 | H10-51-8MP-8MP    | 5/8'Hose x 1/2'MP x 1/2'MP x51' Long     | 3 |
| 0 | H10-56-8MP-12MJ   | 5/8'Hose x 1/2'MP x t'MJ x 56'Long       | 1 |
| 0 | H10-58-8MP-8MP    | 5/8' hose 1/2MP x 1/2MP x 58' long       | 1 |
| 0 | H10-62-8MP-12MJ   | 5/8Hose x 1/2MP x tMJ x 62' Long         | 1 |
| 0 | h10-62-8MP-8mp    | 5/8 in hose t x 1/2 x 62 in long         | 1 |
| 0 | H10-64-8MP-8MP    | 5/8 in hose 1/2MP x 1/2MP x 64 in long   | 1 |
| 0 | H10-66-8MP-8MP    | 5/8 in hose 1/2MP x 1/2MP x 66 in long   | 1 |
| 0 | H10-83-8MP-8MP    | 5/8 in hose 1/2MP x 1/2MP x 83 in long   | 1 |
| 0 | H10-90-8MP-8MP    | 5/8Hose x 1/2MP x 1/2MP x 90' Long       | 1 |
| 0 | H12-101-12MP-12MP | t in hose tMP x tMP x 101 in hose        | 2 |
| 0 | H12-108-12MP-12MP | t in Hose tMP x tMP x 108' Long          | 1 |
| 0 | H12-112-12MP-12MP | t in hose tMP x tMP x 112 in hose        | 1 |
| 0 | H12-132-12MP-12MP | 3/4 in Hose x 3/4MP x 3/4MP x 132in Long | 2 |
| 0 | H12-141-12MP-12MP | t' Hose,t' MP x t' MP x 141' Long        | 1 |
| 0 | H12-142-12MP-12MP | t'Hose x t'MP x t'MP x 142' Long         | 1 |
| 0 | H12-196-12MP-12MP | t in Hose tMP x tMP x 196 in Long        | 1 |
| 0 | H12-200-12MP-12MP | t in hose tMP x tMP x 200 in long        | 1 |
| 0 | H12-210-12MP-12MP | t' Hose, t'MP x t' MP x 210'             | 1 |
| 0 | H12-240-12MP-12MP | t'Hose x t'MP x t'MP x 240' Long         | 2 |
| 0 | H12-24-12MP-12MP  | t in hose t x t x 24 in long             | 2 |
| 0 | H12-30-12MP-12MP  | t in hose tMP x tMP x 30 in long         | 2 |
| 0 | H12-34-12MP-12MP  | t' hose tMP x tMP x 34' long             | 2 |
| 0 | H12-36-12MP-8MP   | t in hose tMP x 1/2MP x 36 in long       | 1 |
| 0 | H12-36-16MJ-16MJ  | t'Hose x 1MJ x 1MJ x 36' Long            | 2 |
| 0 | H12-38-12MP-12MP  | t in Hose tMP x tMP x 38in Long          | 1 |
| 0 | H12-42-12MP-12MP  | t in Hose x tmp x tmp x42in              | 1 |
| 0 | H12-48-12MP-12MP  | t'Hose x t'MP x t'MP x 48'Long           | 3 |
| 0 | H12-55-12MP-16MJ  | t in. hose t MP x 1' MJIC x 55 in long   | 1 |

|    |                   |  |    |
|----|-------------------|--|----|
| 0  | H12-60-12MP-16MJ  | 1/2 in Hose x 1/2 MP x 1 MJ x 60in       | 2  |
| 0  | H12-62-12MP-16MJ  | 1/2 in hose 1/2 MP x 1 MJIC x 62 in long | 2  |
| 0  | h12-69-12mp-16mj  | 1/2 Hose x 1/2 MP x 1 MJ x 69 in Long    | 1  |
| 0  | H12-79-12MP-12MP  | 1/2 in hose 1/2 MP x 1/2 MP x 79 in long | 2  |
| 0  | H12-90-12MP-12MP  | 1/2 in hose 1/2 x 1/2 x 90 in long       | 2  |
| 0  | H12-95-12MP-12MP  | 1/2 in Hose x 1/2 mp x 1/2 mp x 95       | 1  |
| 0  | H24-S-228         | 1 7/8' Suction Hose 228' Long            | 2  |
| 0  | H24-S-74          | 1-1/2' Suction Hose 74' long             | 2  |
| 0  | H32-216           | 2' Suction Hose 216' long                | 1  |
| 0  | H40-S-241         | 2-1/2' Suction Hose 241' long            | 1  |
| 0  | H6-PL-102         | 3/8in Push Lock 102in Long               | 2  |
| 0  | H6-PL-16          | 3/8in Push Lock 16in Long                | 1  |
| 0  | H6-PL-20          | 3/8' Push Loc Hose 20'                   | 1  |
| 0  | H6-PL-28          | 3/8in Push Lock Hose 28in Long           | 1  |
| 0  | H6-PL-300         | 3/8' Push-Lock Hose 300'                 | 1  |
| 0  | H6-PL-72          | 3/8in Push Lock 72in Long                | 1  |
| 0  | H6-PL-78          | 3/8' Push Loc Hose 78' long              | 1  |
| 0  | H6-PL-86          | 3/8' Push Loc Hose 86'                   | 1  |
| 1  | A-6900-10-8       | 10 SAE x 1/2 FPX                         | 15 |
| 2  | A-6900-12-12      | 12 SAE x 1/2 FPX                         | 8  |
| 3  | A-6901-12-12-4SAE | 12 SAE x 1/2 FPX 90-w/4 SAE Port, Forged | 2  |
| 4  | A-6901-10-8       | 10 SAE x 1/2 FPX90-, Forged              | 2  |
| 5  | A-6901-12-12      | 12 SAE x 1/2 FPX 90-, Forged             | 24 |
| 6  | A-6901-12-8       | 12 SAE x 1/2' FPX 90-, Forged            | 6  |
| 7  | A-6902-10-8       | 10 SAE X 1/2' FPX 45-                    | 14 |
| 8  | A-6900-10-12      | 10 SAE x 1/2 FPX                         | 1  |
| 9  | A-6901-10-12      | 10 SAE x 1/2 FPX90-, Forged              | 0  |
| 10 | A-4124-6-4        | 1/4 Male Pipe x 3/8 Push Loc             | 8  |
| 11 | A-1404-4-4        | 1/4 MP x 1/4 FPX                         | 4  |
| 12 | A-1603-4-4        | Swivel T 1/4' NPTF                       | 2  |



|    |                  |   |     |                             |
|----|------------------|---|-----|-----------------------------|
| 13 | A-4129-6-4       | 1/4' NPT 90- w/3/8' Push-Loc                  | 7   |                             |
| 14 | A-4601-24-24     | 1 1/2 x 24 SAE 90- Male O-Ring Beaded Insert  | 3   |                             |
| 15 | A-5404-4         | Hex Nipple 1/4'                               | 1   |                             |
| 16 | A-6901-10-8-4SAE | 10 SAE x 1/2 FPX90- W/ 4SAE Port, Forged      | 4   |                             |
| 18 | A-5404-8-8       | Hex Nipple 1/2' x 1/2'                        | 0   |                             |
| 19 | A-4129-6-6       | 3/8' NPT90- w/3/8' Push-Loc                   | 3   |                             |
| 20 | A-6806-10-8      | 10 SAE x 1/2' MP 90-                          | 0   |                             |
| 21 | A-4456-32-32     | Flange Nipple, 2' 45-                         | 1   |                             |
| 23 | CL-200           | 17' Hose Clamp, Heavy Duty T-Bar, 1.89-2.00'  | 4   | 1-1/2' I.D.<br>Suction Hose |
| 24 | CL-225           | 2 1/4' T-Bolt Clamp                           | 12  |                             |
| 25 | CL-250           | T-Bolt Clamp for 2 1/2' Suction Hose          | 10  |                             |
| 26 | A-SFK-32         | 2' Split Flange Kit                           | 2   |                             |
| 27 | A-4459-40-32     | Flange Nipple, 2-1/2' barb x 2 flange' 90-    | 3   |                             |
| 28 | A-6408-10        | 10 SAE Plug                                   | 2   |                             |
| 29 | A-4501-24-24     | 1 1/2' Hose Barb to 1 1/2' Pipe Elbow, 90-    | 2   |                             |
| 30 | AN-24-32-HS      | 1 1/2' Male NPT with Combination 2' Hose Barb | 1   |                             |
| 34 | A-1501-12-12     | MP x FPX 90-                                  | 0   |                             |
| 37 | HV-CKV-800S      | 1/2' Parker Check Valve                       | 1   |                             |
| 38 | A-1404-8-8       | 1/2 MP to 1/2 FPX, Straight                   | 1   |                             |
| 39 | H13-RFL          | Hose Protection Shield, Size 13               | 20  |                             |
| 40 | H-18RFL          | Hose Protection Shield, Size 18 @ Foot        | 20  |                             |
| 41 | WT-17H           | Heavy Duty Wire Tie 17.5'                     | 100 |                             |
| 42 | A-6900-12-8      | 12 SAE x 1/2' FPX                             | 6   |                             |
| 43 | HA-1004-4        | Test Point Plug #4 SAE Thread                 | 6   |                             |
| 44 | A-6401-12-12     | 12 SAE x MP Hex Nipple                        | 0   |                             |
| 45 | A-1603-12-12     | Swivel T NPTF                                 | 1   |                             |
| 46 | A-6902-12-12     | 12 SAE X FPX 45-                              | 3   |                             |
| 47 | A-2404-16-12     | 1' MJIC X MP                                  | 0   |                             |
| 48 | A-1601-8-8-8     | 1/2 MP x 1/2 FPX x 1/2 FPX Tee                | 0   |                             |
| 49 | A-1501-8-8       | 1/2 MP x 1/2 FPX90-                           | 0   |                             |
| 50 | A-6401-10-8      | 10 SAE x 1/2 MPT Male                         | 0   |                             |

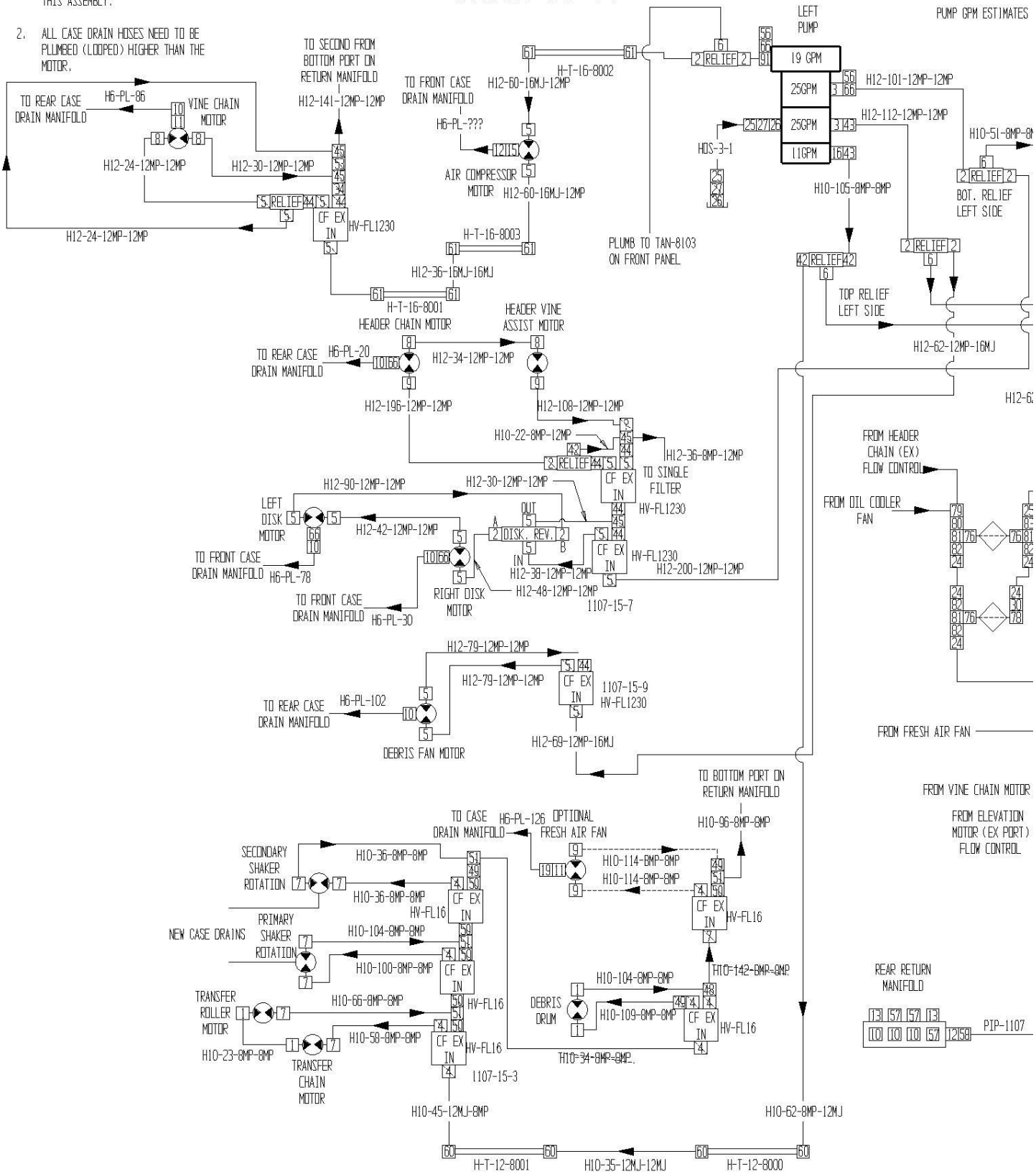
|    |                 |   |    |             |
|----|-----------------|---|----|-------------|
| 51 | A-1603-8-8-8    | Swivel T 1/2' NPTF                                | 0  |             |
| 52 | A-2404-12-8     | ½' MJIC X 1/2' MP                                 | 2  |             |
| 53 | A-5404-12-12    | Hex Nipple ½' x ½'                                | 1  |             |
| 54 | A-6900-8-8      | 8 SAE x 1/2' FPX                                  | 6  |             |
| 56 | HA-1004-T       | Test Point Plug, 1/4' NPT                         | 2  |             |
| 57 | AP-4            | 1/4 MIP plug                                      | 7  |             |
| 58 | A-1405-12-12    | ½ NPT coupler w/swivel                            | 1  |             |
| 59 | A-1601-6-6-6    | 3/8 MP x 3/8 FPX x 3/8FPX Tee                     | 1  |             |
| 60 | HW-12           | #12 OD Washer for Hydraulic Tube/Hose             | 6  |             |
| 61 | HW-16           | #16 OD Washer for Hydraulic Tube/Hose             | 10 |             |
| 62 | AB-12-6         | ½' x 3/8' Bushing                                 | 1  |             |
| 63 | ATB-12-12-12    | ½ x ½ x ½, Brass Tee                              | 1  |             |
| 64 | A-1404-12-12    | ½ MP x ½ FPX                                      | 1  |             |
| 65 | ASL-4           | 1/4' Black Street Elbow                           | 2  |             |
| 66 | A-6901-4-4      | 4 SAE X 1/4 FPX 90-, Forged                       | 3  |             |
| 67 | BAR-2011        | Bar, Security Copper Wire Seal                    | 8  | relief lock |
| 68 | HA-1071-H       | Hydra-zorb Tube Clamp 1' (3 pc.)                  | 39 | 19401-      |
| 69 | HA-1072-H       | Hydra-zorb Tube Clamp ½' (3 pc.)                  | 16 | 19401-      |
| 70 | HA-1073-H       | Hydra-zorb Tube Clamp 1/2' (3 pc.)                | 3  | 19401       |
| 71 | A-4601-32-24    | 2' x 24 SAE 90- Male O Ring Beaded Insert         | 2  |             |
| 72 | A-4450-32-32    | Straight Suction Nipple, 2'Flange, 2' Hose        | 1  |             |
| 73 | A-6900-16-12    | 16 SAE x ½' FPX                                   | 2  |             |
| 74 | TAN-8102        | Tank, Manifold, Drain Lines, Harvester            | 2  |             |
| 75 | A-6901-16-12    | 16 SAE x ½' FPX 90-, Forged                       | 2  |             |
| 76 | AN-24-CL        | 1 1/2' Black (Nipple Close)                       | 3  |             |
| 77 | AT-24-24-12     | 1 1/2 x 1 1/2 x ½ Black Tee                       | 1  |             |
| 78 | ASL-24          | 1 1/2 ST ELL, Domestic Only                       | 1  |             |
| 79 | A-1601-16-12-12 | 1'MP x ½'FPX x ½'FPX Tee                          | 1  |             |
| 80 | AB-32-16        | 2' x 1' Bushing, Black Iron Domestic              | 1  |             |
| 81 | AT-32-24-32     | 2 x 1½ x 2 Reducing Tee                           | 3  |             |
| 82 | AN-32-HS        | 2' NPT, Combination Nipple/Hose Shank, 2' ID Hose | 3  |             |

|    |                   |   |   |
|----|-------------------|---|---|
| 83 | AN-32-40-HS       | 2' NPTx 2 1/2" ID Hose, Combination Nipple/Hose Shank     | 2 |
| 85 | A-6401-24-24      | 24 SAE x 1 1/2 MP   | 2 |
| 86 | AR-40-24          | 2 1/2" x 1 1/2" Bell Reducer                              | 1 |
| 87 | AN-40-40-HS       | 2 1/2" NPTx 2 1/2" ID Hose, Combination Nipple/Hose Shank | 1 |
| 88 | ARL-24-32-90      | Reducing Elbow, 1 1/2" x 2in 90°                          | 1 |
| 89 | A-6806-24-24      | 24 SAE x 1 1/2 Male Pipe, 90°                             | 1 |
| 90 | CL-251            | 2 1/2" Hose Clamp   | 2 |
| 91 | A-6901-10-12-4SAE | 10 SAE x 3/4 FPX 90 w/ 4SAE Port                          | 1 |

12012-13-01

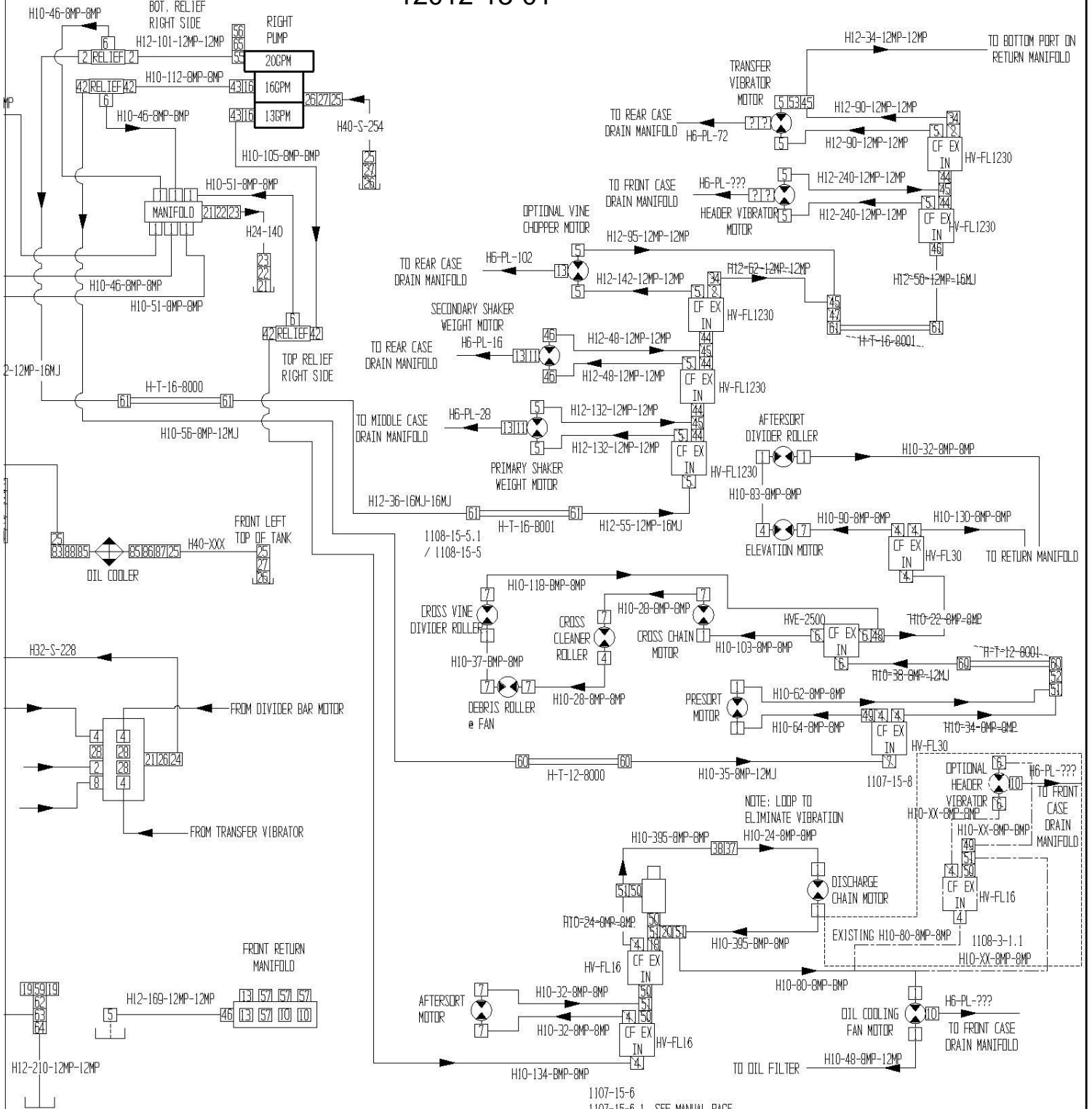
NOTE:  
1. \ LINE THRU NUMBERS MEANS PARTS ARE NOT INCLUDED IN THE BOM. FOR THIS ASSEMBLY.

2. ALL CASE DRAIN HOSES NEED TO BE PLUMBED (LOOPED) HIGHER THAN THE MOTOR.



# 12012-13-01

AT 850 PTO



- [39] USE AS NEEDED
- [40] USE AS NEEDED
- [41] USE AS NEEDED

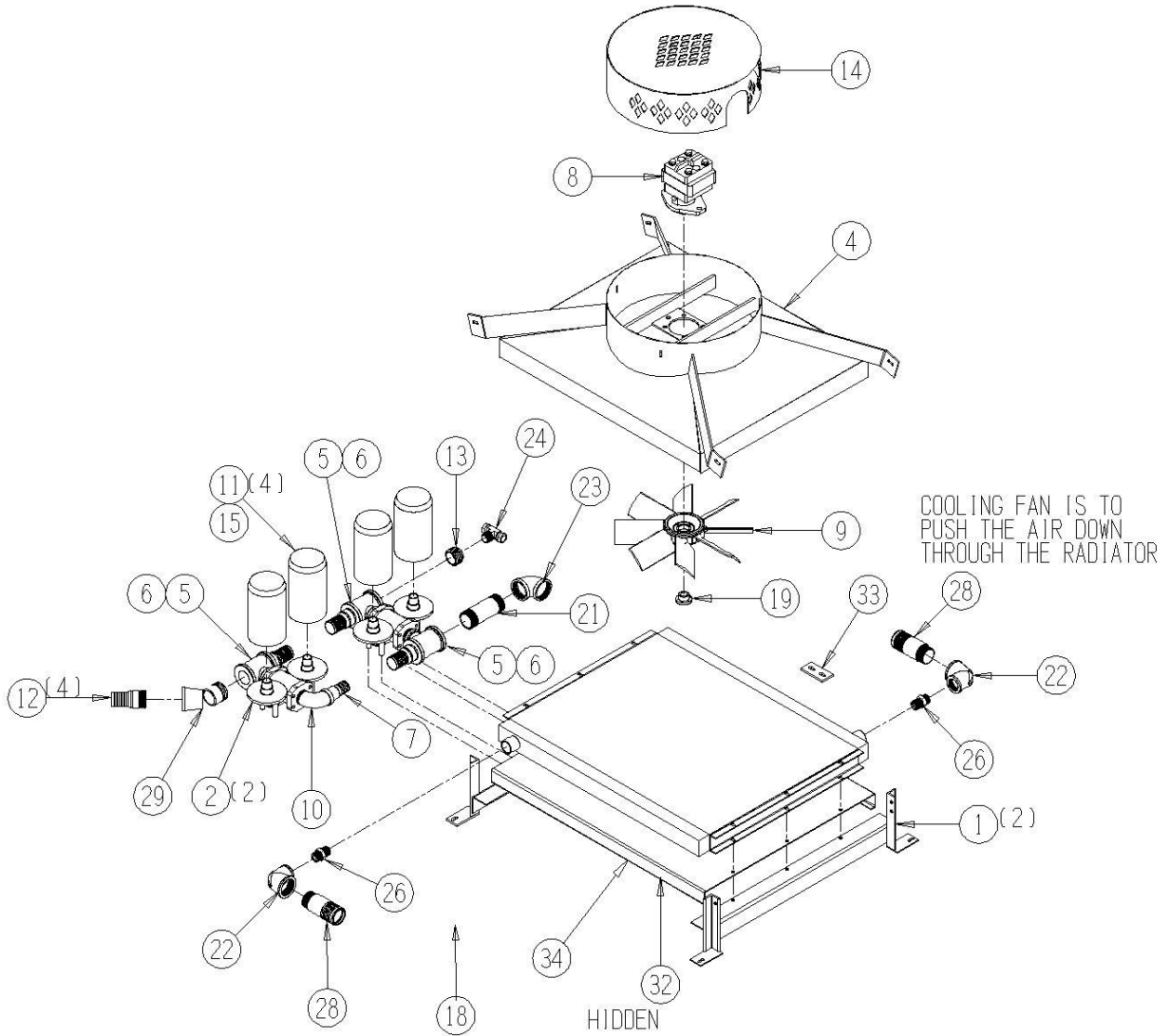
1107-15-6  
1107-15-6.1 SEE MANUAL PAGE

# 12011-13-02 Oil Cooler Assembly

| <u>Ref</u> | <u>Part No.</u> | <u>Description</u>                                | <u>Parts –<br/>Assembly</u> | <u>Will Fit SN</u> | <u>Remarks</u>   |
|------------|-----------------|---|-----------------------------|--------------------|--|
|            | MOU-9008        | Mount, Oil Cooler, 240 Tomato Harvester           | 1                           |                    |  |
|            | MOU-9009        | Mount, Sides, Oil Cooler, 240 Tomato Harvester    | 2                           |                    |  |
|            | MOU-9032        | Mount, Dual Oil Filter, 240 Tomato Harvester      | 1                           |                    |  |
| 1          | MOU-0207        | Mount, Oil CoolerSupport                          | 2                           |                    |  |
| 2          | HA-1023-Z       | Double Filter Head, Side by Side                  | 2                           |                    |  |
| 3          | HA-1036         | Oil Cooler  | 1                           |                    |  |
| 4          | SHD-0207        | Fan Shroud, Lg Oil Cooler, Harvester              | 1                           |                    |  |
| 5          | AN-24-CL        | 1 1/2' Black (Nipple Close)                       | 3                           |                    |  |
| 6          | AT-32-24-32     | 2 x 1½ x 2 Reducing Tee                           | 3                           |                    |  |
| 7          | AN-24-32-HS     | 1 1/2' Male NPT with Combination 2' Hose Barb     | 1                           |                    |  |
| 8          | HM-412-1        | Hydraulic Motor                                   | 1                           |                    | Same as HM-412C except w/1' shaft<br>REPLACES HM-412C<br>IF REPLACING A HM-412C<br>WITH THIS MOTOR BE SURE<br>THAT THE PROPER<br>COUPLER SIZES ARE<br>SUPPLIED |
| 9          | FAN-290-18      | HC 290 Oil Cooler Fan, 18' w/o JA Bushing/Rev     | 1                           |                    | Replaces FAN-190-18 & HA-1019-G  |
| 10         | ASL-24C         | 1½', Street Elbow, Cast                           | 1                           |                    |  |
| 11         | HA-1029         | Hydraulic Fluid Filter, 11'                       | 4                           |                    |  |
| 12         | AN-32-HS        | 2' NPT, Combination Nipple/Hose Shank, 2' ID Hose | 4                           |                    |  |
| 13         | AB-32-16        | 2' x 1' Bushing, Black Iron Domestic              | 1                           |                    |  |
| 14         | 191-1082        | Shield, Cooling Fan                               | 1                           |                    |  |
| 15         | HA-1023A        | Filter Gage, 50 psi Service                       | 1                           |                    |  |
| 16         | CL-250          | T-Bolt Clamp for 2 1/2' Suction Hose              | 4                           |                    |  |
| 17         | DC-1175         | Decal, Danger, Rotating Blade Hazard              | 1                           |                    |  |
| 19         | PU-JA-16        | Bushing, JA x 1'                                  | 1                           |                    |  |
| 23         | AL-32           | 2' NPT, Black Elbow                               | 1                           |                    |  |
| 24         | A-1601-16-12-12 | 1'MP x ¾'FPX x ¾'FPX Tee                          | 1                           |                    |  |
| 26         | A-4601-32-24    | 2' x 24 SAE 90° Male O Ring Beaded Insert         | 2                           |                    |  |
| 29         | ASL-32-45       | 2' Street Elbow, 45°, Cast                        | 1                           |                    |  |
| 33         | BAR-0253        | Flat Bar  | 1                           |                    |  |

|     |              |  |    |                      |
|-----|--------------|--|----|----------------------|
| 36  | SHD-0208     | Shield, Lg Oil Cooler, Harvester                       | 1  |                      |
| 37  | WT-17H       | Heavy Duty Wire Tie 17.5'                              | 15 |                      |
| 601 | AN-32-40-HS  | 2' NPTx 2½' ID Hose, Combination Nipple/Hose Shank     | 3  |                      |
| 602 | A-4603-24-24 | 1 1/2 x 24 SAE 45° Male O-Ring Beaded Insert           | 0  |                      |
| 603 | H40-S        | 2 1/2' Suction Hose                                    | 0  |                      |
| 800 | HM-412B      | Key for Hydraulic Motor -Shaker Weight-Vibrator        | 1  | HM-412C &<br>HM-712C |
| 801 | HM-2100-SK   | Shaft Seal & Gasket Kit for Permco Motor, M2100 Series | 1  |                      |
| 802 | HM-2100-BRG  | Bearing for Permco Motor, M2100 Series                 | 1  |                      |

12011-13-02



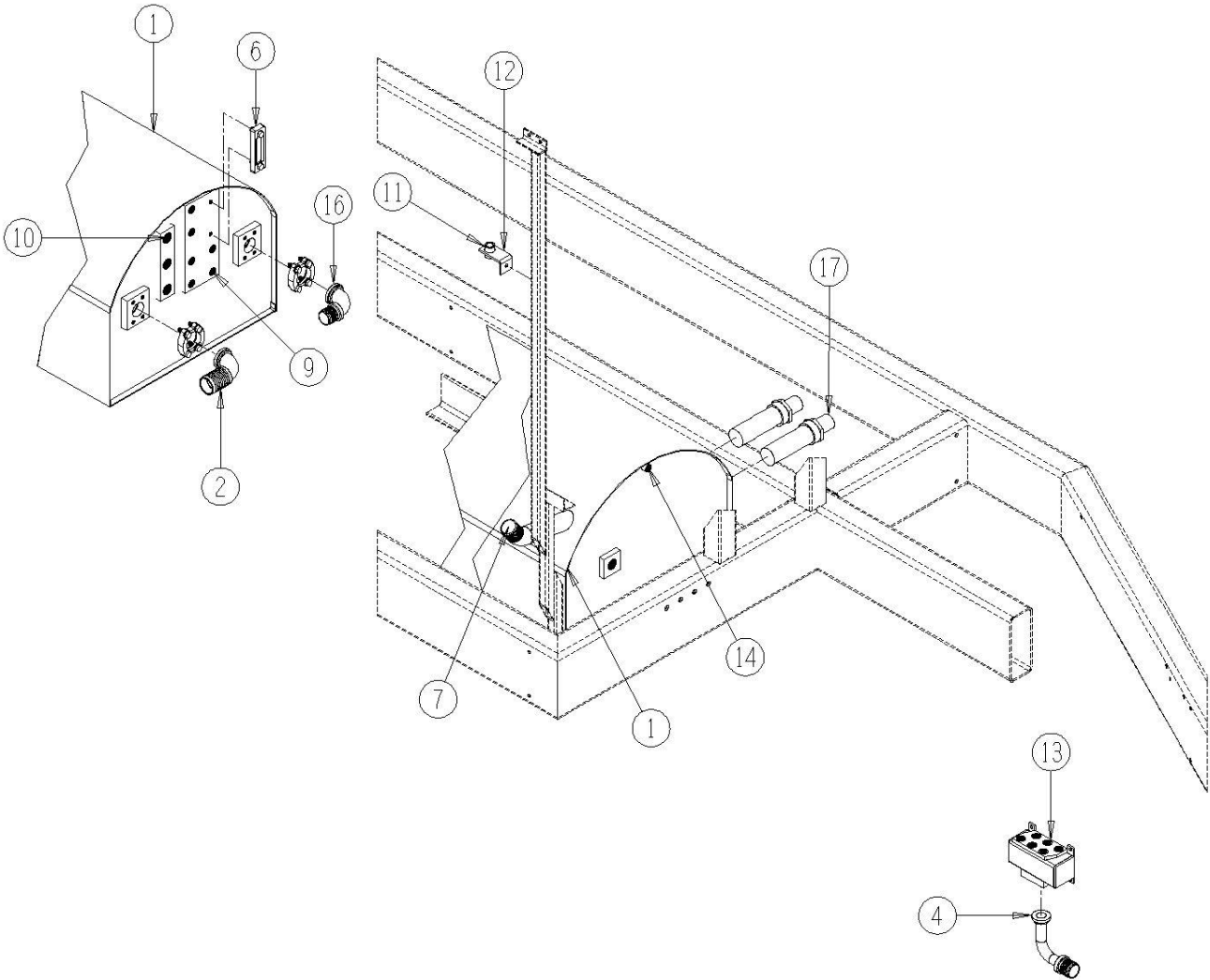




# 12011-13-03 Oil Tank Assembly

| <u>Ref</u> | <u>Part No.</u> | <u>Description</u>                                | <u>Parts –<br/>Assembly</u> | <u>Will Fit SN</u> | <u>Remarks</u>      |
|------------|-----------------|---|-----------------------------|--------------------|---------------------|
| 1          | TAN-9000        | Oil Tank, 240 Tomato Harvester                    | 1                           |                    |                     |
| 2          | A-4459-40-32    | Flange Nipple, 2-1/2' barb x 2 flange' 90°        | 1                           |                    |                     |
| 3          | A-SFK-32        | 2' Split Flange Kit                               | 2                           |                    |                     |
| 4          | A-4459-24-24    | Flange Nipple, 1 1/2' 90°                         | 1                           |                    |                     |
| 5          | A-SFK-24        | 1 1/2' Split Flange Kit                           | 1                           |                    |                     |
| 6          | HA-1041         | Hyd, Level Gauge & Therm                          | 1                           | 19201-             |                     |
| 7          | ACP-32          | 2' Black Pipe Cap                                 | 1                           |                    |                     |
| 8          | HA-1007         | Hydraulic, Magnetic Drain Plug                    | 1                           | 11101-             |                     |
| 9          | A-6408-8        | 8 SAE Plug  | 2                           |                    |                     |
| 10         | A-6408-12       | 12 SAE Plug                                       | 2                           |                    |                     |
| 11         | HA-1012A        | Vescor Breather Element (3 micron)                | 1                           | HA-1012            | w/o Adapter Fitting |
| 12         | BRA-8755        | Bracket, Mount, Air Breather Filter, HC290 Tomato | 1                           |                    |                     |
| 13         | TAN-8106        | Oil Manifold, 290 Harvester                       | 1                           |                    |                     |
| 14         | A-4129-10-8     | 1/2 NPT 90° w/ 5/8' push-loc                      | 1                           |                    |                     |
| 15         | A-4456-32-32    | Flange Nipple, 2' 45°                             | 1                           |                    |                     |
| 16         | A-4459-32-24    | 90° Flange Nipple, 1 1/2 Barb x 2' Flange         | 1                           |                    |                     |
| 17         | HA-1006-5       | Suction Screen, SAE 3 3/8-12UN with 2' Hose Barb  | 2                           | 19904-             |                     |
| 800        | OR-236          | O Ring, 3 1/4 x 3 1/2                             | 2                           |                    |                     |

12011-13-03



# 12011-13-10 Disk Reversing Valve Assembly

| <u>Ref</u> | <u>Part No.</u> | <u>Description</u>                                     | <u>Parts –<br/>Assembly</u> | <u>Will Fit SN</u> | <u>Remarks</u>                    |
|------------|-----------------|--|-----------------------------|--------------------|-----------------------------------|
| 601        | A-6900-10-12    | 10 SAE x 3/4 FPX                                       | 4                           |                    |                                   |
| 602        | HVE-1005        | D05 Directional Valve, 25 GPM with Motor Spool,<br>12v | 1                           |                    | Order PN was 5358<br>KMB 12/13/12 |
| 603        | ELC-1045        | Electrical Cable, Disk Reversing Valve                 | 1                           |                    |                                   |

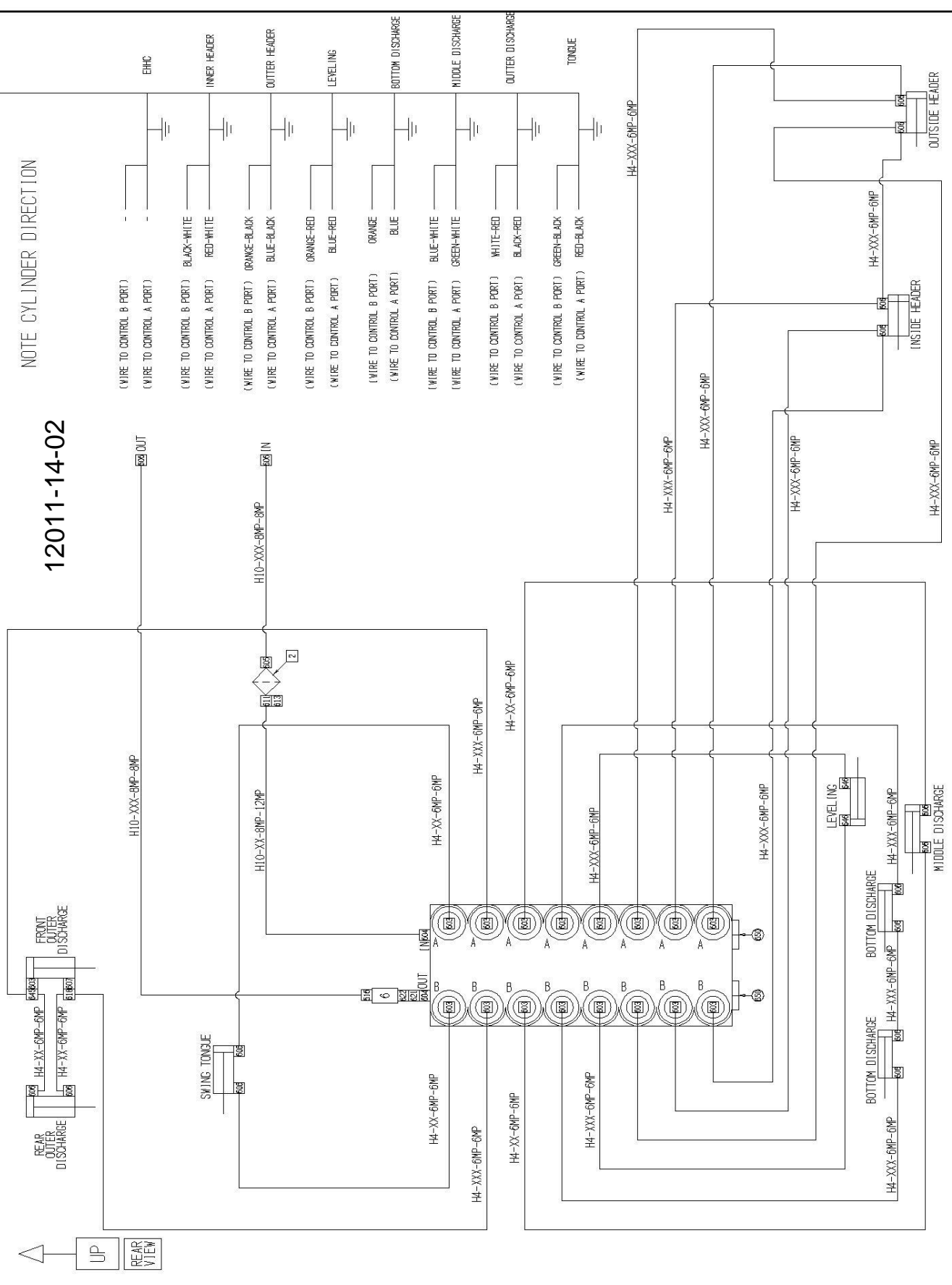


# 12011-14-02 Hydraulic Cylinder Plumbing, Single HHC

| <u>Ref</u> | <u>Part No.</u>   | <u>Description</u>                        | <u>Parts –<br/>Assembly</u> | <u>Will Fit SN</u> | <u>Remarks</u>  |
|------------|-------------------|---|-----------------------------|--------------------|---|
| 1          | HVE-1017          | 240 D03 Control Valve, Single HHC         | 1                           |                    |   |
| 2          | HA-1037           | Pressure Filter                           | 1                           |                    | Most machines 1997 and previous used Parker filter. 1998-2001 Zinga style 2002-present parker style |
| 6          | HV-CKV-800S       | 1/2' Parker Check Valve                   | 1                           |                    |   |
| 603        | A-6900-8-6        | 8 SAE x 3/8' FPX With 7/8' Stock Body     | 15                          | 20095001-          |   |
| 604        | A-6901-10-8       | 10 SAE x 1/2 FPX90°, Forged               | 2                           |                    |   |
| 605        | A-6901-12-8       | 12 SAE x 1/2' FPX 90°, Forged             | 1                           |                    |   |
| 606        | A-6901-8-6        | 8 SAE x 3/8' FPX90°, Forged               | 12                          | 20095001-          |   |
| 607        | A-6955-8-6-6      | 8 SAE x 3/8' FPX Tee                      | 1                           |                    |   |
| 608        | A-QD2010-8-8      | Tractor Quick Coupler, Male, 1/2' w/ FPT  | 2                           |                    |   |
| 611        | A-6901-12-12-4SAE | 12 SAE x 3/4' FPX 90°w/4 SAE Port, Forged | 1                           |                    |   |
| 613        | HA-1004-4         | Test Point Plug #4 SAE Thread             | 1                           |                    |   |
| 616        | A-1404-8-8        | 1/2 MP to 1/2 FPX, Straight               | 1                           |                    |   |
| 621        | A-1601-8-8-8      | 1/2 MP x 1/2 FPX x 1/2 FPX Tee            | 1                           |                    |   |
| 622        | A-5404-8-8        | Hex Nipple 1/2' x 1/2'                    | 1                           |                    |   |
| 646        | A-1501-8-6        | 1/2 MP x 3/8 FPX 90°                      | 2                           |                    |   |
| 650        | A-6408-10         | 10 SAE Plug                               | 2                           |                    |   |
| 657        | HY-TRAN           | Hytran @ gal                              | 20                          |                    |   |
| 800        | HA-1037A          | Pressure Filter Element                   | 1                           |                    |   |

NOTE CYLINDER DIRECTION

12011-14-02



# 12011-14-02H Hydraulic Control Valve, Single EHC

| <u>Ref</u> | <u>Part No.</u> | <u>Description</u>                                      | <u>Parts –<br/>Assembly</u> | <u>Will Fit SN</u> | <u>Remarks</u> |
|------------|-----------------|---|-----------------------------|--------------------|----------------|
| 0          | HVE-1017        | 240 D03 Control Valve, Single HHC                       | 0                           |                    |                |
| 1          | BL-1024-553     | Stud, Hydraulic Valve, 5.535in Long                     | 24                          |                    |                |
| 2          | BL-1024-731     | Stud, Hydraulic Valve, 7.313in Long                     | 4                           |                    |                |
| 3          | HVE-1000-A      | Nachi Directional Control Valve                         | 7                           |                    |                |
| 4          | HVE-1000-B      | A-B Flow Regulator                                      | 7                           |                    |                |
| 5          | HVE-1000-C      | Double Load Control, DO3                                | 8                           |                    |                |
| 6          | HVE-1000-D      | 3 Port Counter Balance Cartridge                        | 16                          |                    |                |
| 7          | HVE-1000-E      | 10-24 Stud Nut  | 32                          |                    |                |
| 8          | HVE-1000-H      | DO3 Sandwich Body w/ reverse free flow check            | 1                           |                    |                |
| 9          | HVE-1000-M8     | DO3 8 Valve Parallel Manifold , SAE #10 in/out, #8 work | 1                           |                    |                |
| 10         | HVE-1000-PR     | Pressure Reducing/Relieving Cartridge                   | 1                           |                    |                |
| 11         | HVE-1006        | Proportional Valve, D03                                 | 1                           |                    |                |
| 12         | BL-1024-375     | Stud, Hydraulic Valve, 3.75in Long                      | 4                           |                    |                |





# 12011-15-01 Electrical Panel Assembly

| <u>Ref</u> | <u>Part No.</u> | <u>Description</u>                            | <u>Parts –<br/>Assembly</u> | <u>Will Fit SN</u>  | <u>Remarks</u> |
|------------|-----------------|---|-----------------------------|---------------------|----------------|
| 1          | EL-1206         | Double Amber Lamp                             | 3                           |                     |                |
| 2          | EL-1307         | High Output LED Work Lamp                     | 7                           |                     |                |
| 3          | ELC-9000        | Control Box Power Cord                        | 1                           |                     |                |
| 4          | ELC-9001        | Power Cable, 240 Harvester                    | 1                           |                     |                |
| 5          | ELC-9002        | Power Cord for Light, 240 Harvester           | 1                           |                     |                |
| 6          | ELC-9004        | Flow Control Box, 240 Harvester               | 1                           |                     |                |
| 7          | ELC-9005        | Flow Control Box, Power Cord, 240 Harvester   | 1                           |                     |                |
| 8          | ELC-9006        | Flow Control Box, Control Cord, 240 Harvester | 1                           |                     |                |
| 9          | ELC-9007        | Acuator Control Cord, 240 Harvester           | 1                           |                     |                |
| 10         | ELC-9008        | Level Control Cord, 240 Harvester             | 1                           |                     |                |
| 11         | ELC-9009        | Horn Cord, Safty Switch, 240 Harvester        | 1                           |                     |                |
| 12         | ELC-9010        | Temp Oil Sensor Cord, 240 Harvester           | 1                           |                     |                |
| 13         | ELC-9011        | Converter Box, 3 Prong, 240 Harvester         | 1                           |                     |                |
| 14         | ELP-9000        | Electrical Panel, 240 Harvester               | 1                           |                     |                |
| 15         | SHD-1206        | Shield, Flashing Light                        | 3                           | 30097001-<br>19601- |                |
| 16         | PR19480         | Light Housing, LH, 1190 Spreader              | 1                           |                     |                |
| 17         | PR19481         | Light Housing, RH, 1190 Spreader              | 1                           |                     |                |
| 18         | ELS-02008       | Temperature Switch                            | 1                           |                     |                |



# 12011-15-02 Control Valve Electrical Assembly

---

---

| <u>Ref</u> | <u>Part No.</u> | <u>Description</u> | <u>Parts –<br/>Assembly</u> | <u>Will Fit SN</u> | <u>Remarks</u> |
|------------|-----------------|--------------------|-----------------------------|--------------------|----------------|
| 1          | ELC-9003        | D03 Control Cord   | 1                           |                    |                |



## 12011-15-10 Control Box, Single HHC Assembly

| <u>Ref</u> | <u>Part No.</u> | <u>Description</u>           | <u>Parts –<br/>Assembly</u> | <u>Will Fit SN</u> | <u>Remarks</u> |
|------------|-----------------|------------------------------|-----------------------------|--------------------|----------------|
| 1          | EL-9000         | Control Box, Single HHC      | 1                           |                    |                |
| 800        | EL-805          | Automotive Fuses 10 Amp      | 0                           |                    |                |
| 801        | DC-9000         | Decal 240 Tomato, Single HHC | 1                           |                    |                |



# 12011-15-11 Control Box, Dual HHC Assembly

| <u>Ref</u> | <u>Part No.</u> | <u>Description</u>                | <u>Parts –<br/>Assembly</u> | <u>Will Fit SN</u> | <u>Remarks</u> |
|------------|-----------------|-----------------------------------|-----------------------------|--------------------|----------------|
| 1          | EL-9001         | Control Box, 240 Tomato, Dual HHC | 1                           |                    |                |
| 800        | DC-9006         | Decal, 240 Tomato, Dual HHC       | 0                           |                    |                |
| 801        | EL-805          | Automotive Fuses 10 Amp           | 0                           |                    |                |





# 12011-15-30 Optional Remote Activated Flow Control

| <u>Ref</u> | <u>Part No.</u> | <u>Description</u>                               | <u>Parts –<br/>Assembly</u> | <u>Will Fit SN</u> | <u>Remarks</u>    |
|------------|-----------------|--|-----------------------------|--------------------|-------------------|
| 0          | KIT-0210        | Remote Electric 25 GPM Flow Control Fits All     | 0                           |                    |                   |
| 1          | A-1405-8-8      | 1/2' NPT Coupler W/Swivel                        | 2                           |                    |                   |
| 2          | A-1601-8-8-8    | 1/2 MP x 1/2 FPX x 1/2 FPX Tee                   | 1                           |                    |                   |
| 3          | A-6901-12-8     | 12 SAE x 1/2' FPX 90°, Forged                    | 2                           |                    |                   |
| 4          | A-6900-12-12    | 12 SAE x 3/4'FPX                                 | 1                           |                    |                   |
| 5          | A-6901-12-12    | 12 SAE x 3/4' FPX 90°, Forged                    | 2                           |                    |                   |
| 6          | HV-1201         | Brand Flow Valve Electronic Box                  | 1                           |                    |                   |
| 7          | HVE-2500        | Electronic Flow Control Valve                    | 1                           |                    |                   |
| 8          | H12-36-12MP-8MP | 3/4 in hose 3/4MP x 1/2MP x 36 in long           | 3                           |                    |                   |
| 100        | BL-4-125-H      | 1/4-20 X 1 1/4 HEX CAP G5 ZC                     | 2                           |                    |                   |
| 101        | BL-4-300-H      | 1/4-20 X 3 HEX CAP G5 ZC                         | 2                           |                    |                   |
| 102        | BL-4-FW         | 1/4 USS FW ZC                                    | 8                           |                    |                   |
| 103        | BL-4-LN         | 1/4-20 HEX LN NE ZC                              | 4                           |                    |                   |
| 601        | A-1404-8-12     | 1/2 MP x 3/4 FPX                                 | 2                           |                    |                   |
| 602        | A-6401-12-8     | 12 SAE x 1/2' MP Hex Nipple                      | 1                           |                    |                   |
| 603        | A-6900-12-8     | 12 SAE x 1/2' FPX                                | 2                           |                    |                   |
| 604        | EL-46000        | Inline Fuse Holder                               | 1                           |                    |                   |
| 605        | EL-46102        | 2 Amp Fuse, Type AGC                             | 1                           |                    |                   |
| 606        | ELC-14-BL       | 14 Gauge Wire (Blue)                             | 120                         |                    |                   |
| 607        | ELC-14-BLK      | 14 Gauge Wire, Black                             | 5                           |                    |                   |
| 608        | ELC-14-R        | 14 Gauge Wire, Red                               | 5                           |                    |                   |
| 609        | ELL-375         | 3/8' Wire Loom @ft                               | 60                          |                    |                   |
| 610        | ELT-31712       | Push On Male 14-16 ga                            | 2                           | HV-1045K           |                   |
| 611        | ELT-31713       | Push On Female Terminal 14-16 ga.                | 4                           | HV-1045K           |                   |
| 612        | ELT-52565       | Ring Terminal 5/16 x 14-16ga                     | 2                           | HV-1045K           |                   |
| 613        | HV-FL-B         | Flo Control Adjust Rod                           | 1                           |                    |                   |
| 614        | VC-0550         | Velcro One Wrap Strap @ yd                       | 0.5                         |                    |                   |
| 615        | VC-9001         | 4' Velcro Loop w/ Pressure Sensative Back @ yard | 0.1                         |                    | 25 Yards Per Roll |

|     |         |  |     |
|-----|---------|--|-----|
| 616 | VC-9151 | 4' Velcro Hook w/ Pressure Sensative Back @ yard | 0.1 |
| 617 | WT-17H  | Heavy Duty Wire Tie 17.5'                        | 20  |

# 12011-15-30

PIK RITE recommends removing the existing flow control when adding the Electronic Flow Control. This is the most efficient method. Leaving the existing flow control in line and wide open will cause a slight pressure drop in the system. If the existing Flow Control is left in line, take the one short hose included in the Kit from "M1" to the "IN" on the Electronic Flow Control. The other short hose will go from the Electronic Flow Control "Tee" in the Ex Port to the "M2" in the existing flow control.

