



PARTS CATALOG

HYDRA-RAM 490 VB MANURE SPREADER



Pik Rite, Inc
60 Pik Rite Lane
Lewisburg, PA 17837
Ph. 800-326-9763
Fx. 570-523-8175
www.pikrite.com

February 2014





HYDRA-RAM 490 VB MANURE SPREADER

(SPECIFICATIONS AND DESIGN SUBJECT TO CHANGE WITHOUT NOTICE)

DIRECTION ARROW

ARROWS ARE USED WITH ILLUSTRATIONS TO INDICATE THE FRONT OF THE UNIT. "RIGHT-HAND" AND "LEFT-HAND" SIDES ARE DETERMINED BY FACING THE DIRECTION OF MACHINE FORWARD TRAVEL.

BOX ENCLOSED ILLUSTRATIONS

A REFERENCE NUMBER, SHOWN IN THE PARTS LIST, IS ASSIGNED TO A BOX ENCOMPASSING ALL PARTS SOLD AS A SERVICE ASSEMBLY.

REFERENCE NUMBER IDENTIFICATION

000-099 PARTS USED FOR ASSEMBLY
100-199 BOLTS & FASTENERS
800-899 REPLACEMENT PARTS OR SERVICE ASSEMBLIES –
USED TO REPLACE OR REBUILD COMPONENTS OF THE
MACHINE

TABLE OF CONTENTS

7209-1-1	490 VB MAIN FRAME & SIDE PANELS	8
7204-1-2	MAIN FLOOR & WEAR STRIPS	10
7209-1-3	SLIDING FLOOR, 490 VB SPREADER.....	12
7209-1-4	MOVING PANEL 490 VB.....	14
7209-1-5	FRONT PANELS & SHIELDS, 490 VB	16
7204-1-7	WHEEL & HUB, TRUCK TIRES, 11.00	18
7209-1-10	ENDGATE, 490 VB	20
7209-2-1	DRIVESHAFT, 540 RPM, 1-3/8' CV	22
7209-2-2	REAR DRIVE SHAFT & CLUTCHES VB SPREADER.....	24
7209-2-3	OPTIONAL DRIVESHAFT, 1000 RPM, 1-3/8' CV.....	28
7209-2-5	MAIN DRIVE SHAFT & SHIELDS, 490 VB.....	32
7209-2-7	490VB MAIN BEATER, 540 RPM, S.N.'s 72110001-	34
7209-2-7.1	GEAR BOX, MAIN BEATER.....	38
7209-2-7A	MAIN BEATER, 540 RPM, S.N.'s -72109003	40
7209-2-9	490VB MAIN BEATER, 1000 RPM, S.N.'s 72110001-	44
7209-2-9.1	GEARBOX, MAIN BEATER, 1000 RPM	48
7209-2-9A	OPTIONAL MAIN BEATER, 1000 RPM S.N.'s -72109003.....	50
7209-3-1	HYDRAULICS, CONTROL VALVE TO PUSH OFF CYLINDERS, 4	52
7209-3-2	HYDRAULICS, ENDGATE CYLINDERS, 490 VB	54
7204-3-3	MAIN CYLINDER	56
7204-3-4	SECONDARY CYLINDER.....	58
7204-3-5	ENDGATE CYLINDER.....	60
7204-3-6	OPTIONAL,CONTROL VALVE,CLOSED CENTER.....	62

7204-3-7 OPTIONAL, CONTROL VALVE, OPEN CENTER..... 64

7204-4-2 SMV EMBLEM & BRACKETS 66

7204-4-3 JACK STAND 68

7209-4-4 DECALS, FRONT OF SPREADER 70

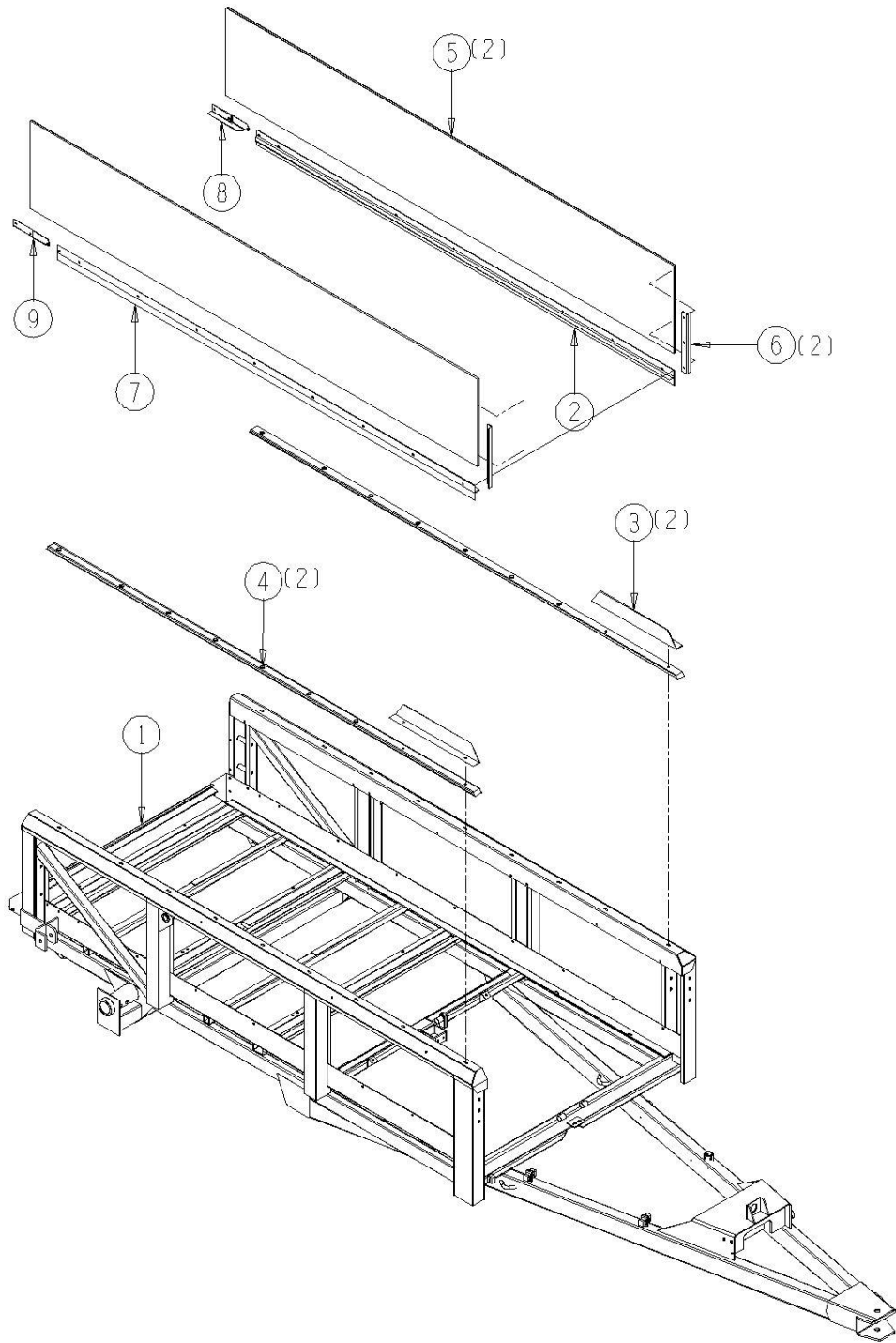
7209-4-5 DECALS, SIDE OF SPREADER, 490VB..... 72

7209-4-6 MANUAL HOLDER 74

7209-1-1 490 VB Main Frame & Side Panels

<u>Ref</u>	<u>Part No.</u>	<u>Description</u>	<u>Parts – Assembly</u>	<u>Will Fit SN</u>	<u>Remarks</u>
1	PR22480	490 Vertical Beater Main Frame	1		
2	PR51533	Angle, Sliding Floor, Left Side, 490VB	1		
3	PR39181	Splash Guard, 490	2		
4	PR44526	Bumper Rail, Top Rail Protector, 490	2		
5	PR44534	Panel Side Walls, 490 Spreader	2		
6	PR51535	End Cover, Front Side Panel, 490 Spreader	2		
7	PR51534	Angle, Sliding Floor, Right Side, 490VB	1		
8	PR38368	Floor Retainer, Rear, LH	1	72005020-	
9	PR38369	Floor Retainer, Rear, RH	1	72005020-	
101	BL-6-150-C	3/8 UNC X 1 1/2 CARRIAGE BOLT GR5 ZINC	18		
102	BL-6-FW	3/8 USS FW ZC	18		
103	BL-6-LW	3/8 SPLIT LW ZC	18		
104	BL-6-N	3/8-16 HEX NUTS ZC	18		

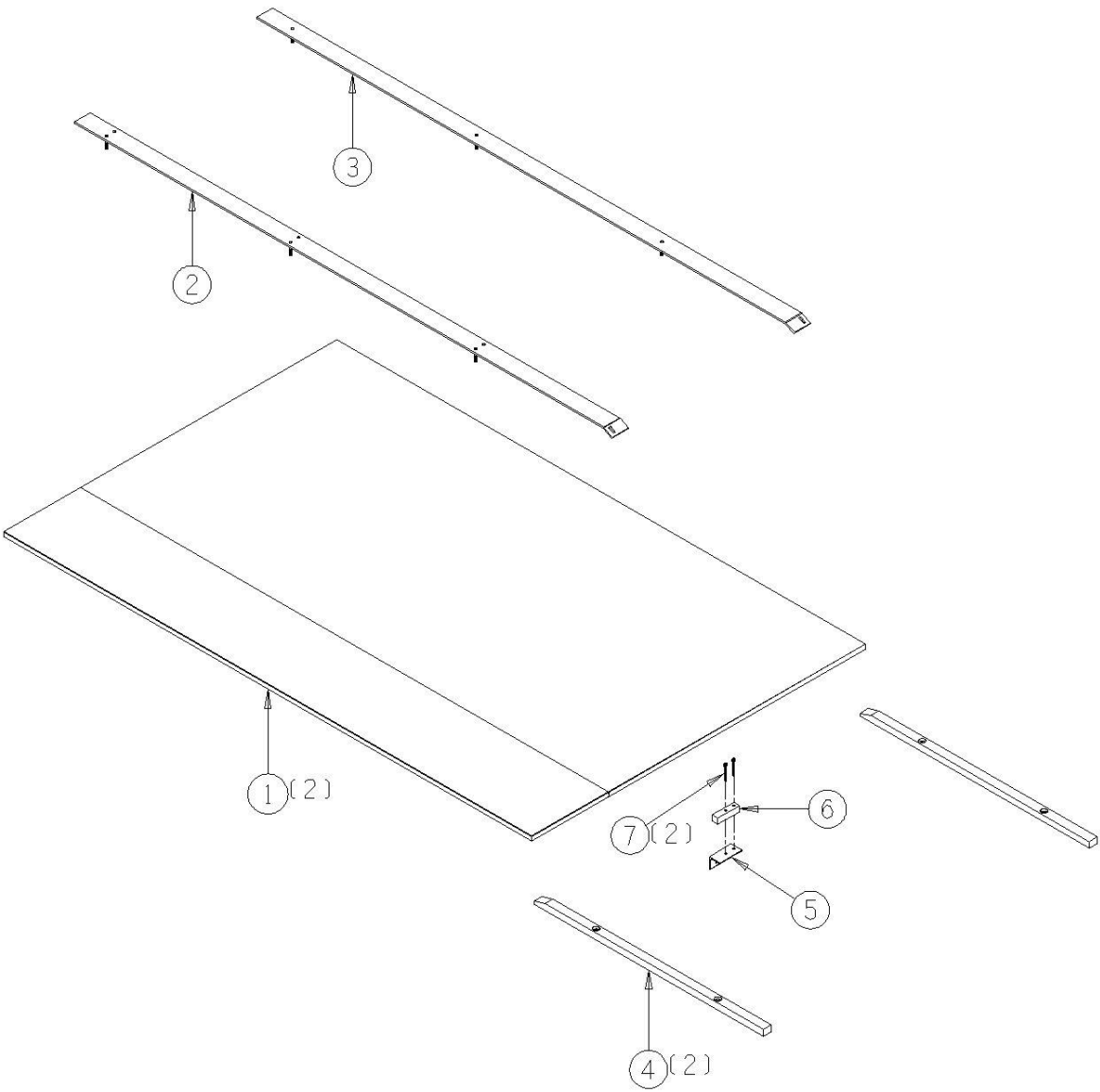
7209-1-1
MAIN FRAME & SIDE PANELS



7204-1-2 Main Floor & Wear Strips

<u>Ref</u>	<u>Part No.</u>	<u>Description</u>	<u>Parts – Assembly</u>	<u>Will Fit SN</u>	<u>Remarks</u>
1	PR44530	Panel, Main Floor, High Density, 490 Spreader	1		
2	PR21065	Wear Strip, 490 Spreader	1		
3	PR21066	Wear Strip, Spreader Floor, 490 Spreader	1		
4	PR30998	Slide, Wood, 490 Spreader	2		
5	PR33555	Angle	1		
6	PR32639	Support, Cylinder, UHMW	1		
7	PIN-C4-32	Cotter Pin .25 x 2"	2		
101	BL-6-FW	3/8 USS FW ZC	9		
102	BL-6-LN	3/8 UNC FIN HEX LOCK NUT NE A563 GrA ZINC	15		
103	BL-6-200-C	3/8 UNC X 2 CARRIAGE BOLT GR5 ZINC	4		
104	BL-6-150-C	3/8 UNC X 1 1/2 CARRIAGE BOLT GR5 ZINC	2		

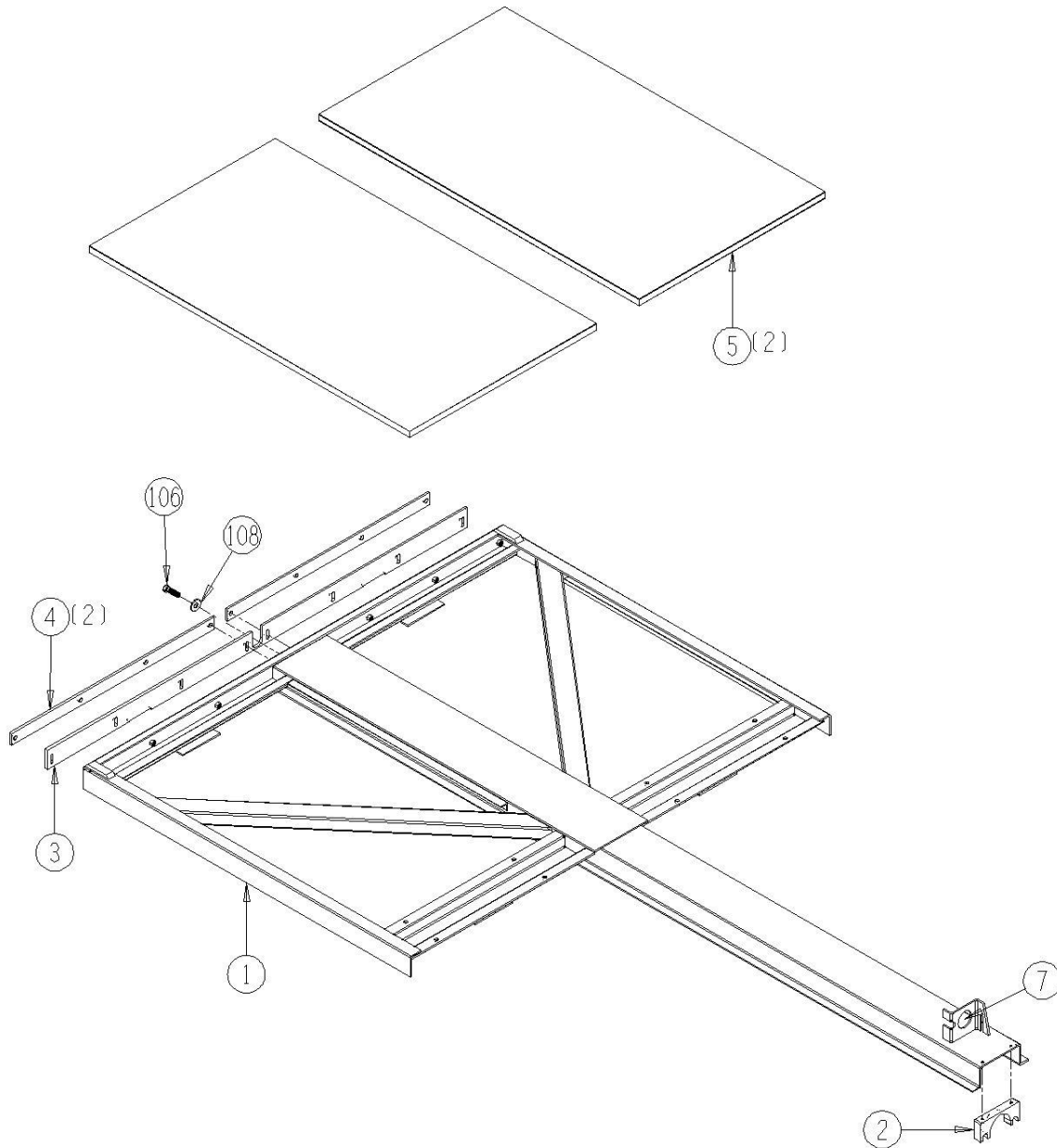
7204-1-2
MAIN FLOOR & WEAR STRIPS



7209-1-3 Sliding Floor, 490 VB Spreader

<u>Ref</u>	<u>Part No.</u>	<u>Description</u>	<u>Parts – Assembly</u>	<u>Will Fit SN</u>	<u>Remarks</u>
1	PR51532	Sliding Floor, 490 VB Spreader	1		
2	PR27331	Hydraulic Cylinder Guide, 490 Spreader	1		
3	PR32601	Flat, Rubber Scaper, 490 Spreader	1		
4	PR32599	Flat Bar, Scraper, 490 Spreader	2		
5	PR44562	Sliding Floor Panel, 490 Spreader	2		
6	HA-1031	Hydraulic Hose Holder 3/8	1		
7	PR15411	Retaining Ring, 490	1		
101	BL-5-200-H	5/16-18 X 2 HEX CAP G5 ZC	8		
102	BL-6-FW	3/8 USS FW ZC	12		
103	BL-6-250-C	3/8 UNC X 2 1/2 CARRIAGE BOLT GR5 ZINC	4		
104	BL-4-075-H	1/4 UNC X 3/4 HH C/S BOLT GR5 ZINC	1		
105	BL-4-FW	1/4 USS FW ZC	1		
106	BL-M12-40	12MM Bolt, Coarse Thread, 40MM Length	1		
107	BL-4-125-HL	1/4 X 1 1/4 HEX Lag Screw G2 ZC	2		
108	BL-8-FW-8	1/2 FLAT WASHER G8 ZC	1		

7209-1-3
SLIDING FLOOR

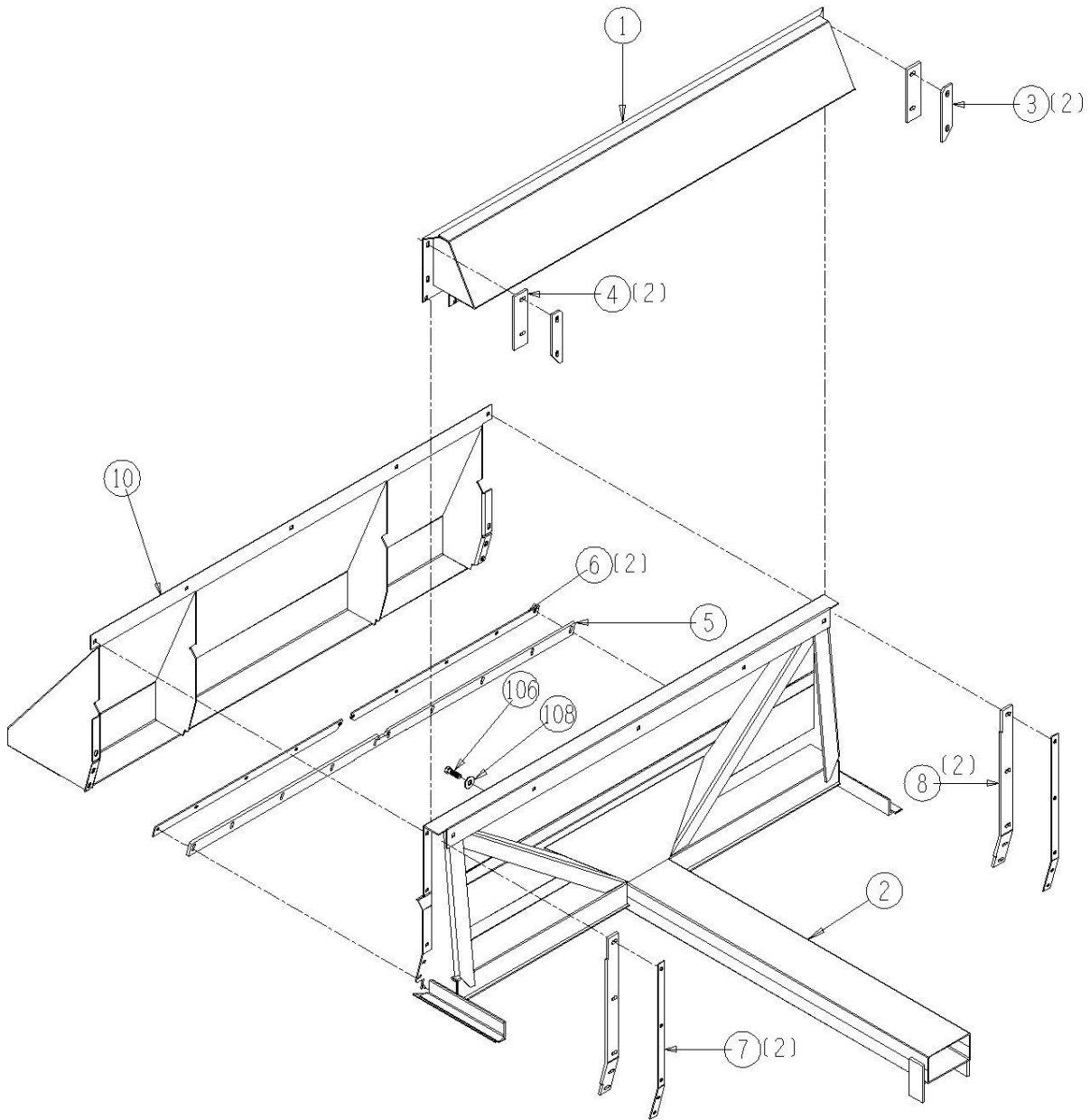


⑥ NOT SHOWN

7209-1-4 Moving Panel 490 VB

<u>Ref</u>	<u>Part No.</u>	<u>Description</u>	<u>Parts – Assembly</u>	<u>Will Fit SN</u>	<u>Remarks</u>
1	PR51530	Pusher Extension, 490VB	1		
2	PR51529	Front Panel, Moving Panel, 490VB Spreader	1		
2	PR25870	Front Panel, Moving Panel, 490 Spreader	0	S.N. - 72009012	
3	PR39188	Top Panel Plate, Top Panel, 490 Spreader	2	PR39188	
4	PR51531	Top Panel Rubber,Pusher, 490 VB	2		
5	PR33400	Bottom Rubber, Moving Panel, 490	1		
6	PR33057	Bottom Plate, Moving Panel, 490 Spreader	2		
7	PR37307	Side Plate, 490 Spreader	2		
8	PR37305	Side Rubber, Moving Panel, 490 Spreader	2		
9	PR15411	Retaining Ring, 490	1		
10	PR51525	Pusher Extension Snout,490VB	1		
101	BL-6-250-C	3/8 UNC X 2 1/2 CARRIAGE BOLT GR5 ZINC	5		
102	BL-6-150-C	3/8 UNC X 1 1/2 CARRIAGE BOLT GR5 ZINC	12		
103	BL-6-125-8	3/8-16 X 1 1/4 HH C/S GR8 ZC	10		
104	BL-6-FW	3/8 USS FW ZC	10		
105	BL-6-LN	3/8 UNC FIN HEX LOCK NUT NE A563 GrA ZINC	19		
106	BL-M12-40	12MM Bolt,Coarse Thread,40MM Length	1		
108	BL-8-FW-8	1/2 FLAT WASHER G8 ZC	1		

7209-1-4
MOVING PANEL

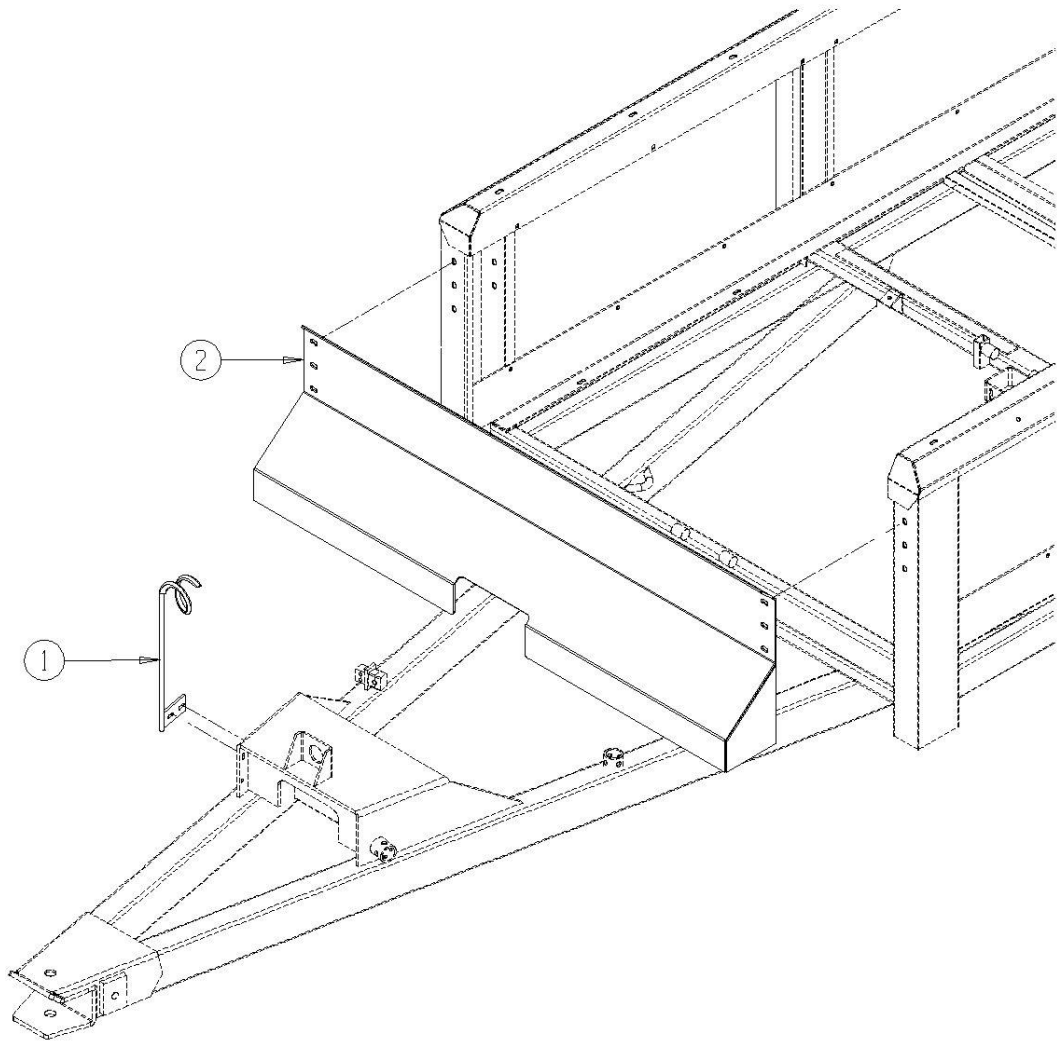


9 NOT SHOWN

7209-1-5 Front Panels & Shields, 490 VB

<u>Ref</u>	<u>Part No.</u>	<u>Description</u>	<u>Parts – Assembly</u>	<u>Will Fit SN</u>	<u>Remarks</u>
1	PR50203	Support,Hose Spreader	1		
2	PR51504	Panel,Front,490 Vert.BeaterSpreader	1		

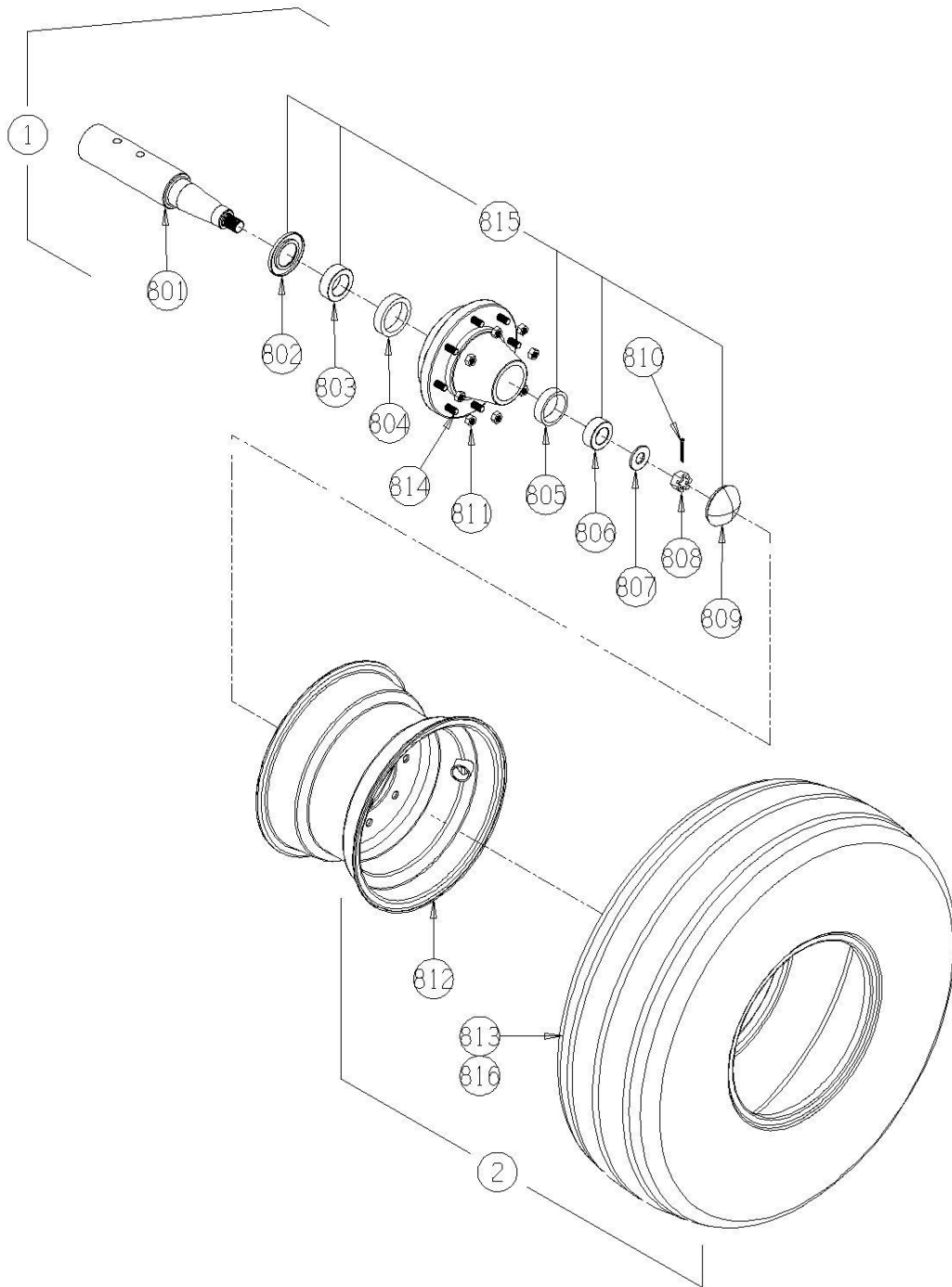
7209-1-5
FRONT PANEL & SHIELDS



7204-1-7 Wheel & Hub, Truck Tires, 11.00

<u>Ref</u>	<u>Part No.</u>	<u>Description</u>	<u>Parts – Assembly</u>	<u>Will Fit SN</u>	<u>Remarks</u>
1	WHL-3000	Hub Assembly Complete (includes spindle)	2		rated for 7500 lbs. CJM
2	WHM-7107	11.00-22.5 Tire & Wheel Assy.	2		
801	WHL-3001	Spindle 3" x 16"	2	WHL-3000	
802	WHL-3000G	Seal	2	WHL-3000	
803	WHL-3000C	Inner Cone	2	WHL-3000	
804	WHL-3000A	Inner Cup	2	WHL-3000	
805	WHL-3000B	Outer Cup	2	WHL-3000	
806	WHL-3000D	Outer Cone	2	WHL-3000	
807	WHL-3000K	Spindle Washer	2	WHL-3000	
808	WHL-3000J	Spindle Nut	2	WHL-3000	
809	WHL-3000H	Hub Cap	2	WHL-3000	3 1/8 od
810	PIN-C3-16-32	Cotter Pin 3/16 x 2"	2		
811	WHL-3000F	Lug Nut	16	WHL-3000	
812	WHL-7107	22.5 x 8.25 Wheel - 8-8-6 - 3/8" Positive Offset	2		
813	WHT-7107	11-22.5 Recapped Implement Tire	2		
814	WHL-3000E	Stud Bolt	16	WHL-3000	
815	WBR-3000K	Wheel Bearing Kit for WHL-3000 Hub & Spindle Assy.	2	WHL-3000	
816	WHT-1021	Bias Tube	2	WHT-1020 OR WHT-7107	

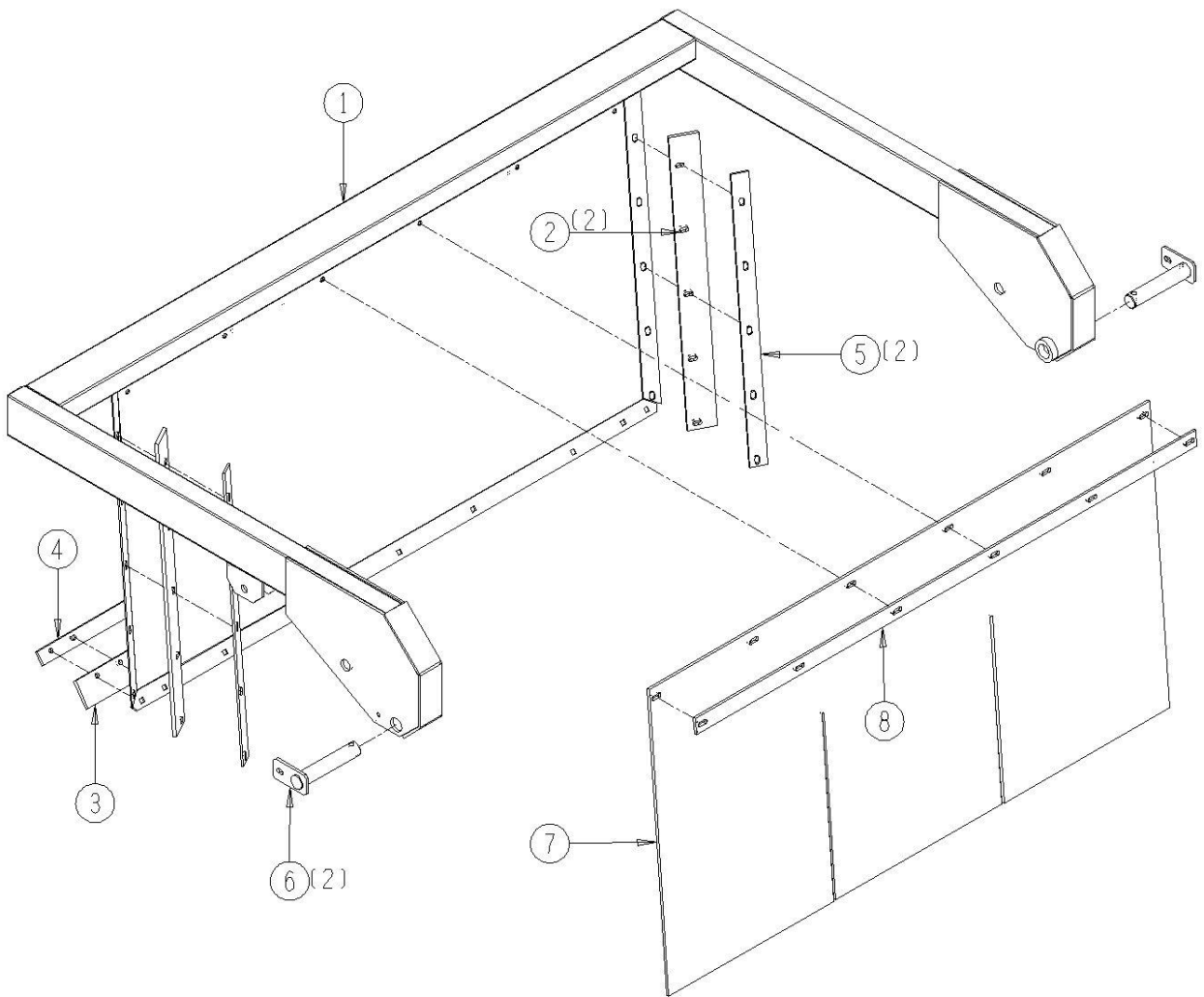
7204-1-7
WHEEL & HUB, TRUCK TIRES, 10.00



7209-1-10 Endgate, 490 VB

<u>Ref</u>	<u>Part No.</u>	<u>Description</u>	<u>Parts – Assembly</u>	<u>Will Fit SN</u>	<u>Remarks</u>
1	PR20186	End Gate	1		
2	PR29509	Side Rubber, Endgate, 490 Spreader	2		
3	PR29514	Rubber Bottom, Endgate, 490 Spreader	1		
4	PR29508	Back Plate	1		
5	PR29510	Side Back Plate, Endgate, 490 Spreader	2		
6	PR20187	Endgate Pin, 490 Spreader	2		
7	BT-0085	Engate Belting, 490 Spreader	1		
8	BAR-0167	Backing Bar, Endgate Belting, 490 Spreader	1		
101	BL-6-125-C	3/8 UNC X 1 1/4 CARRIAGE BOLT GR5 ZINC	19		
102	BL-6-FW	3/8 USS FW ZC	21		
103	BL-6-100-H	3/8 UNC X 1 HH C/S BOLT GR5 ZINC	2		
104	BL-6-N	3/8-16 HEX NUTS ZC	25		
105	BL-6-LW	3/8 SPLIT LW ZC	33		
106	BL-6-200-H	3/8-16 X 2 HEX CAP G5 ZC	1		
107	BL-6-LN	3/8 UNC FIN HEX LOCK NUT NE A563 GrA ZINC	1		
108	BL-6-175-C	3/8 UNC X 1 3/4 CARRIAGE BOLT GR5 ZINC	6		
109	BL-20-FW	1 1/4" Flat Washer, Zinc	1		

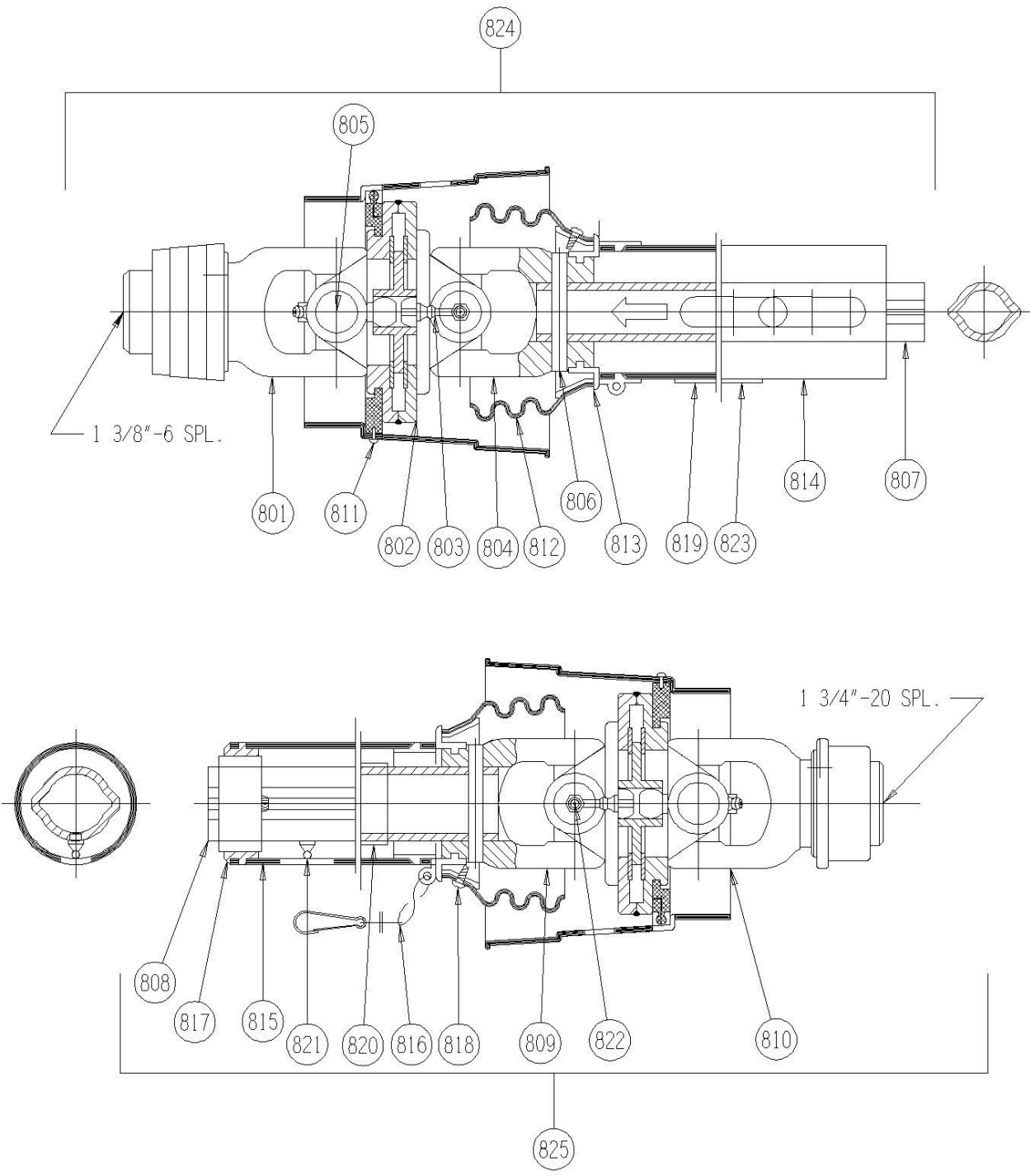
7209-1-10
ENDGATE



7209-2-1 Driveshaft, 540 RPM, 1-3/8' CV

<u>Ref</u>	<u>Part No.</u>	<u>Description</u>	<u>Parts – Assembly</u>	<u>Will Fit SN</u>	<u>Remarks</u>
1	PTS-1012	540 rpm CV Driveline, Front, Vert.	1		
801	PTS-1012A	Yoke ASGE	1		
802	PTS-1008B	Double Yoke	2		Special Order Only
803	PTS-1017C	Zerk-in Item 2	2		
804	PTS-1008D	Inboard Yoke, 1b	1		
805	PTS-1008E	Cross & Bearing Kit	2		
806	PTS-1010C	Spring Pin	2		Special Order Only
807	PTS-1008F	Inner Profile, 1bGA	1		
809	PTS-1008H	Inboard Yoke, 2a	1		Special Order Only
810	PTS-1008J	Yoke, 1 3/4'-20 Spline	1		
811	PTS-1008K	CV Guard and Bearing Assy	2		Special Order Only
812	PTS-1008L	Guard Cone, 3 Rib	2		Special Order Only
813	PTS-1002J	PTO Shield Bearing Ring	2		Special Order Only
816	PTS-1002K	PTO Shield Safety Chain	1		Special Order Only
817	PTS-1010N	Support Bearing	1		Special Order Only
818	PTS-1010K	Screw	14		Special Order Only
819	PTS-1010L	Decal, Outer	1		Special Order Only
820	PTS-1010M	Decal, Inner	1		Special Order Only
821	PTB-1014L	Zerk	1		Special Order Only
822	PTS-1008P	Cross Bearing & Kit	2		
823	PTS-1008Q	CV Lubrication Decal	1		Special Order Only
824	PTS-1012-FH	Front, Half Shaft	1		
825	PTS-1008-RH	Rear, Half Shaft	1		

7209-2-1
DRIVESHAFT, 540 RPM, 1-3/8" CV

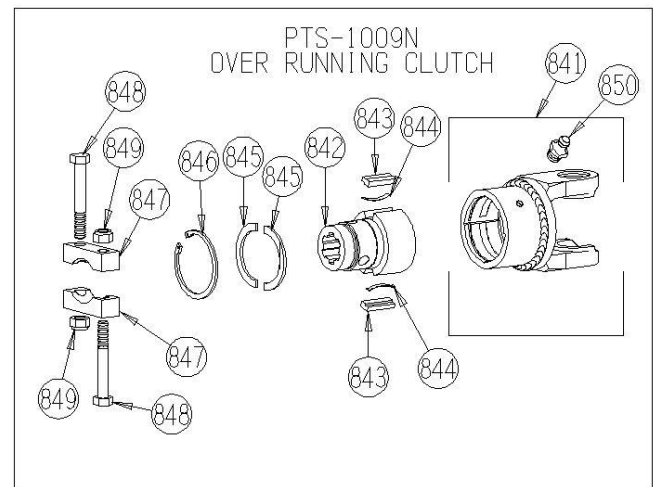
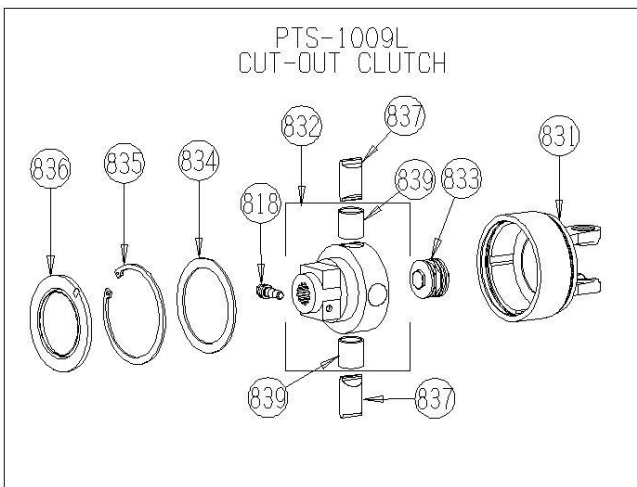
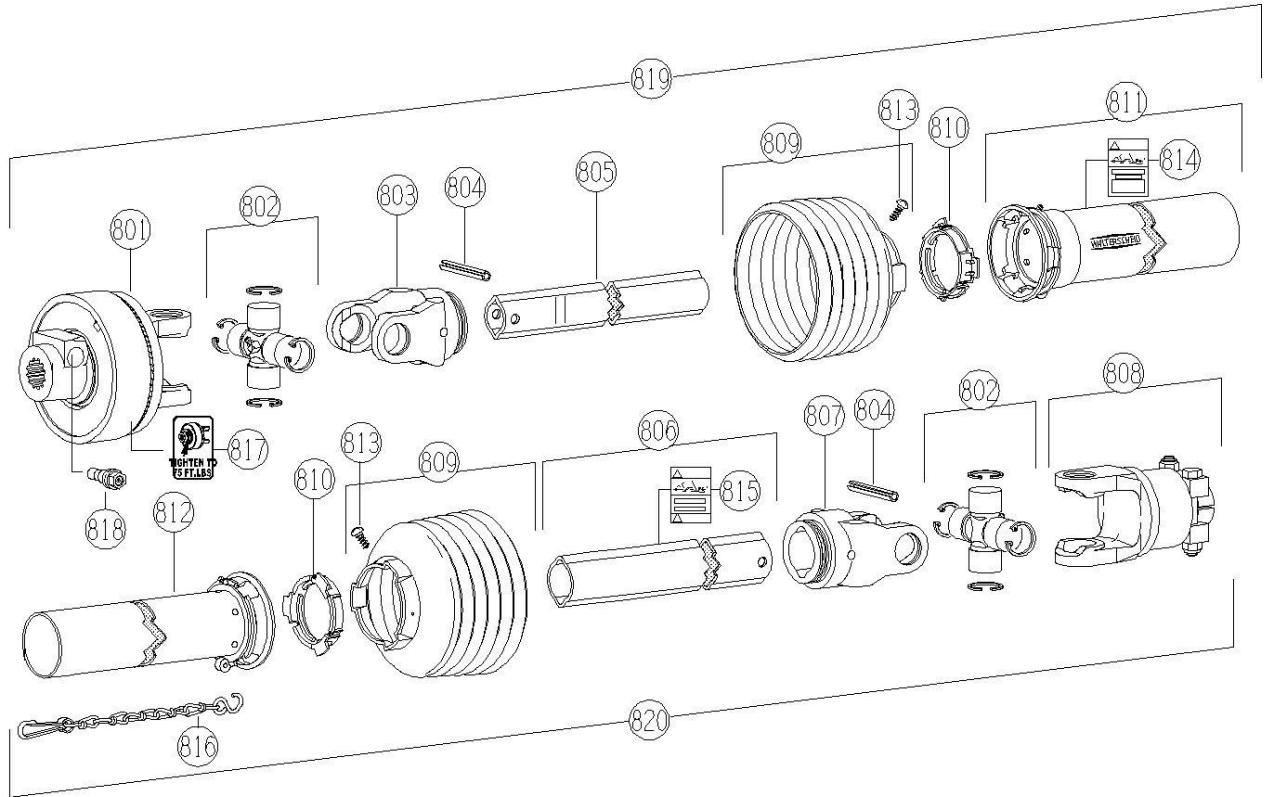


7209-2-2 Rear Drive Shaft & Clutches VB Spreader

<u>Ref</u>	<u>Part No.</u>	<u>Description</u>	<u>Parts – Assembly</u>	<u>Will Fit SN</u>	<u>Remarks</u>
1	PTS-1009	Driveline,Rear, 1190 Vert.	1		
801	PTS-1009L	Cut-Out Clutch	1		Special Order Only
802	PTS-1010B	Cross & Bearing Kit	2		
803	PTS-1009B	Inboard Yoke, 1b	1		Special Order Only
804	PTS-1010C	Spring Pin	2		Special Order Only
805	PTB-1014E	Inner Profile	1		Special Order Only
806	PTS-1009M	Outer Profile	1		Special Order Only
807	PTS-1010D	Inboard Yoke	1		Special Order Only
808	PTS-1009N	Overrunning Clutch	1		
809	PTB-1014I	Shield Cone 6 Rib	2		Special Order Only
810	PTS-1002J	PTO Shield Bearing Ring	2		Special Order Only
811	PTS-1009P	Guard Tube Outer	1		Special Order Only
812	PTS-1009Q	Guard Tube Inner	1		Special Order Only
813	PTS-1010K	Screw	2		Special Order Only
814	PTS-1010L	Decal, Outer	1		Special Order Only
815	PTS-1010M	Decal, Inner	1		Special Order Only
816	PTS-1002K	PTO Shield Safety Chain	1		Special Order Only
817	PTS-1009J	Decal	1		Special Order Only
818	PTS-1009K	CC Lock Assembly	1		Special Order Only
819	PTS-1009-FH	Front, Half Shaft	1		Special Order Only
820	PTS-1009-RH	Rear, Half Shaft	1		Special Order Only
831	PTS-1009E-B	Housing	1		Special Order Only
832	PTS-1009E-C	Hub 1-3/4'-20 Spl CC	1		Special Order Only
833	PTS-1009E-D	Spring Pack	1		
834	PTS-1009E-E	Washer	1		Special Order Only
835	PTS-1009E-F	Retaining Ring	1		Special Order Only
836	PTS-1009E-G	Sealing Ring	1		Special Order Only
838	PTS-1009E-A	Cam	2		

839	PTS-1009E-H	Bushing - In Part PTS-1009E-C	2	
841	PTS-1020A-A	Clutch Housing	1	Special Order Only
842	PTS-1009N-A	Hub	1	Special Order Only
843	PTS-1010F-A	Key	2	
844	PTS-1010F-B	Leaf Spring	2	
845	PTS-1009N-B	Supporting Ring	1	Special Order Only
846	PTS-1010F-G	Retaining Ring	1	Special Order Only
847	PTS-1009N-C	Clamp Bridge	2	Special Order Only
848	PTS-1009N-D	Hex Bolt - M16 x 110L	2	
849	PTS-1009N-E	Locknut - M16	2	
850	PTS-1008C	Zerk, Double Yoke	1	Special Order Only

7209-2-2 REAR DRIVE SHAFT & CLUTCHES

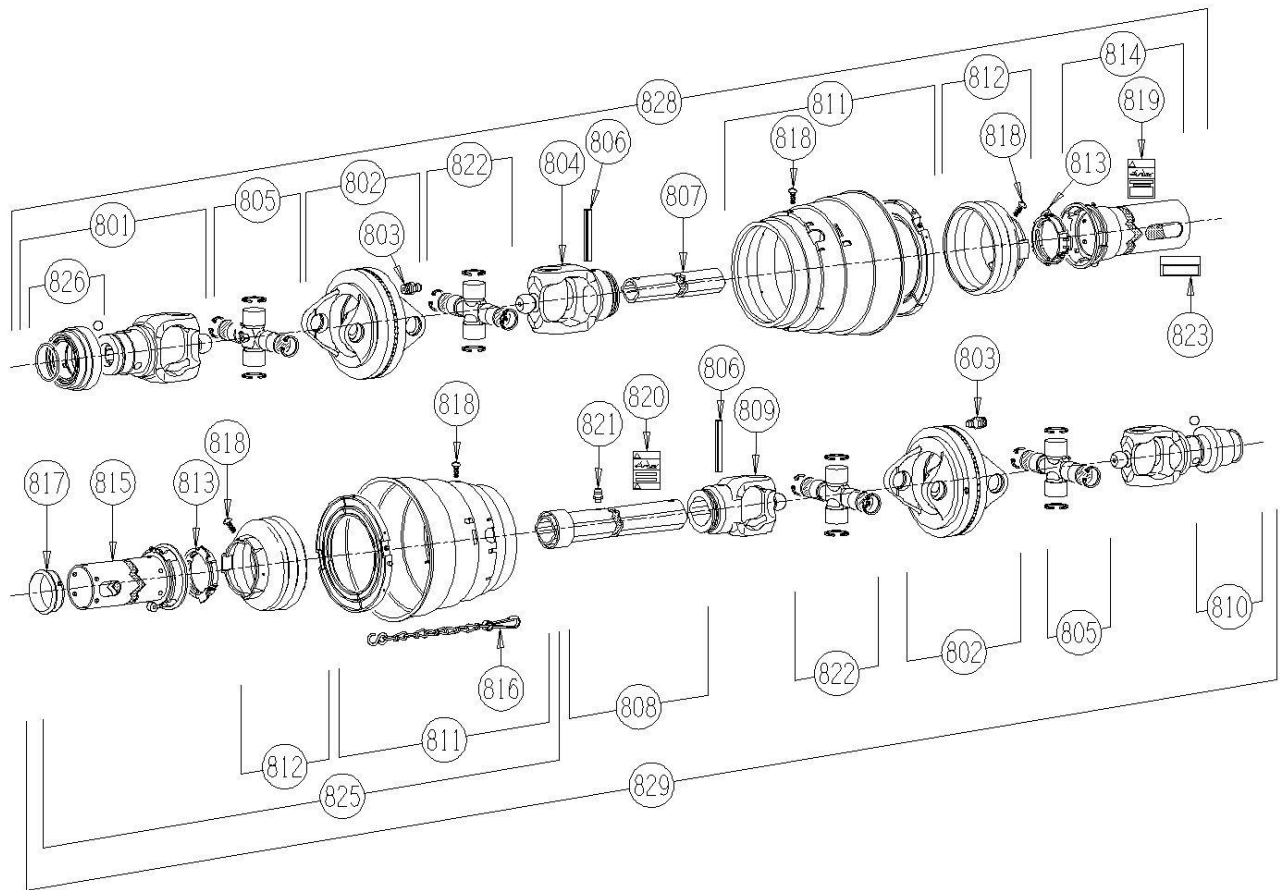


7209-2-3 Optional Driveshaft, 1000 RPM, 1-3/8' CV

<u>Ref</u>	<u>Part No.</u>	<u>Description</u>	<u>Parts – Assembly</u>	<u>Will Fit SN</u>	<u>Remarks</u>
1	PTS-1008	1000 rpm CV Driveline, 1-3/8' Front, 7109	1		
801	PTS-1008A	Yoke, 1 3/8'-21 Spline	1		
802	PTS-1008B	Double Yoke	2		Special Order Only
803	PTS-1008C	Zerk, Double Yoke	2		Special Order Only
804	PTS-1008D	Inboard Yoke, 1b	1		
805	PTS-1008E	Cross & Bearing Kit	2		
806	PTB-1014C	Spring Pin 10 X 75	2		Special Order Only
807	PTS-1008F	Inner Profile, 1bGA	1		
808	PTS-1008G	Profile and Sleeve WA	1		
809	PTS-1008H	Inboard Yoke, 2a	1		Special Order Only
810	PTS-1008J	Yoke, 1 3/4'-20 Spline	1		
811	PTS-1008K	CV Guard and Bearing Assy	2		Special Order Only
812	PTS-1008L	Guard Cone, 3 Rib	2		Special Order Only
813	PTS-1002J	PTO Shield Bearing Ring	2		Special Order Only
814	PTS-1008M	Guard Tube Outer	1		Special Order Only
815	PTS-1008N	Guard Tube, Inner	1		Special Order Only
816	PTS-1002K	PTO Shield Safety Chain	1		Special Order Only
817	PTS-1010N	Support Bearing	1		Special Order Only
818	PTS-1010K	Screw	14		Special Order Only
819	PTS-1010L	Decal, Outer	1		Special Order Only
820	PTS-1010M	Decal, Inner	1		Special Order Only
821	PTB-1014L	Zerk	1		Special Order Only
822	PTS-1008P	Cross Bearing & Kit	2		
823	PTS-1008Q	CV Lubrication Decal	1		Special Order Only
824	PTS-1008-FS	Front Shield Kit, Complete	1		
825	PTS-1008-RS	Rear Shield Kit, Complete	1		
826	PTB-1014P	ASGE Collar Kit	1		
827	PTS-1008R	ASG Collar Kit	1		

828	PTS-1008-FH	Front, Half Shaft	1
829	PTS-1008-RH	Rear, Half Shaft	1

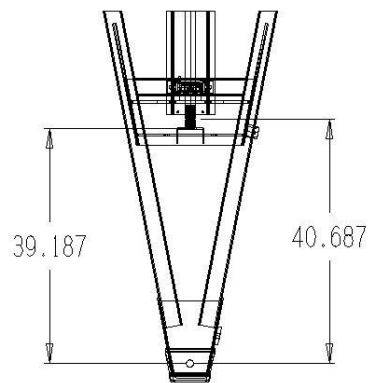
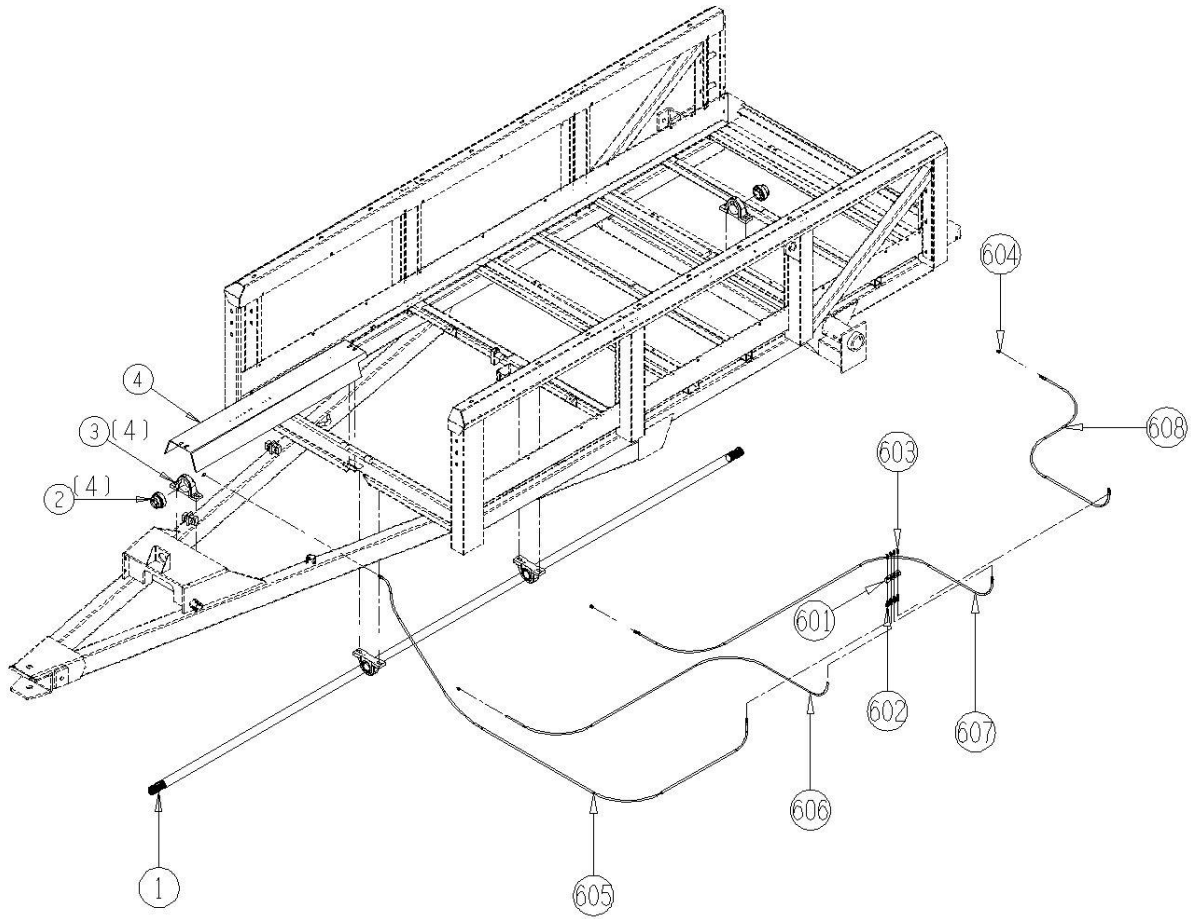
7209-2-3
OPTIONAL DRIVESHAFT, 1000 RPM, 1-3/8" CV



7209-2-5 Main Drive Shaft & Shields, 490 VB

<u>Ref</u>	<u>Part No.</u>	<u>Description</u>	<u>Parts – Assembly</u>	<u>Will Fit SN</u>	<u>Remarks</u>
1	PR38261	Shaft,Main,490 Vertical Beater Spreader	1		
2	BR-175-085-I	Bearing, 1 3/4" ID, TS	4		
3	BR-085-RAK	Bearing Housing 85 mm	4		
4	PR51505	Main Shaft Shield, 490VB	1		
601	GF-4-4	4" Grease Manifold	1		
602	A-1404-4-2	1/4 MP x 1/8 FPX	8		
603	GF-1827-45	Grease Fitting 1/8 NPT 45°	4		
604	GFA-51942	1/4"-28 Straight Adapter	4		
605	H2-23-2MP-2MP	1/8 in grease hose 1/8MP x 1/8MP x 23 in long	1		
606	H2-52-2MP-2MP	1/8in Hose x 1/8MP x 1/8MP x 52in	1		
607	H2-112-2MP-2MP	1/8 in grease hose 1/8MP x 1/8MP x 112 in long	1		
608	H2-148-2MP-2MP	1/8 in grease hose 1/8MP x 1/8MP x 148 in long	1		
609	HA-1031	Hydraulic Hose Holder 3/8	5		
610	WT-11	Wire Tie 11"	12		
611	A-1503-2-2	1/8" MP x 1/8" FPX 45°	4		

7209-2-5
MAIN DRIVE SHAFT & SHIELDS

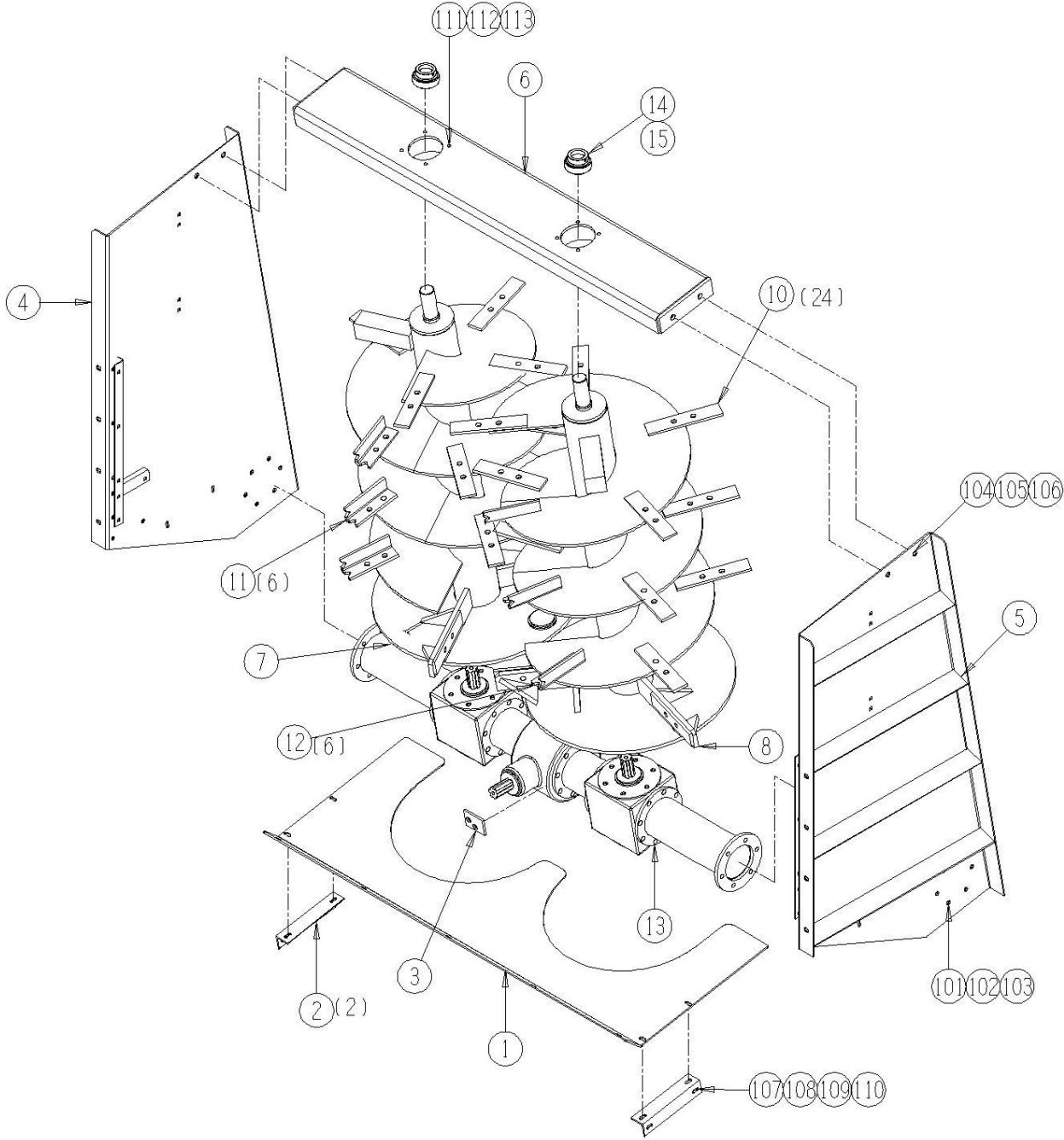


7209-2-7 490VB Main Beater, 540 RPM, S.N.'s 72110001-

<u>Ref</u>	<u>Part No.</u>	<u>Description</u>	<u>Parts – Assembly</u>	<u>Will Fit SN</u>	<u>Remarks</u>
0	HP-1038	Gear Lube, 80W90 @ Quart	11	Hydra Ram Spreader	
1	PR51500	Lower Beater Panel, 490 Spreader	1		
2	PR51503	Angle, Floor Panel, Vertical Beater	2		
3	PR50502	Shim, Bottom Panel under Gearbox	1		
4	PR51551	Panel, Vertical Beater R.H. 490	1		
5	PR51552	Panel, Vertical Beater L.H. 490	1		
6	VTB-0002	Top Plate, Bearing Plate, Vert Beater, 490	1		
7	VTB-0003	Beater W, LH, 490VB	1		
8	VTB-0004	Beater W, RH, 490VB	1		
10	VTB-1899-A3	Knife	30		
11	VTB-1899-B3	Right Blade	6		
12	VTB-1899-C3	Left Blade	6		
13	VTB-1879-A1	Gearbox Assembly, 490/540 rpm	1		
14	BR-175-085-I	Bearing, 1 1/2" ID, TS	2		
15	BR-085-4PF	85mm Four Bolt Piloted Flange Housing	2		
16	GFA-51942	1/4"-28 Straight Adapter	2		
101	BL-9-200-H8	9/16-12 x 2, Hex Head, Grade 8	12		
102	BL-9-FW-8	9/16" Grade 8 Flat Washer	12		
103	BL-9-LN	9/16" Lock Nuts w/Nylon Inserts	12		
104	BL-6-100-C	3/8 UNC X 1 CARRIAGE BOLT GR5 ZINC	17		
105	BL-6-SW	3/8 SAE FW ZC	17		
106	BL-6-LN	3/8 UNC FIN HEX LOCK NUT NE A563 GrA ZINC	17		
107	BL-10-200-H8	5/8-11 X 2 HEX CAP G8 ZC	12		
108	BL-10-SW	5/8 SAE FW ZC @	8		
109	BL-7-125-HH	7/16" x 1 1/4", Hex Head, Gr 5, Zinc	8		
110	BL-10-200-H	5/8-11 X 2 HEX CAP G5 ZC	4		
111	BL-10-175-H8	5/8-11 X 1 1/2" HEX CAP G8 ZC	72		
112	BL-10-LN	5/8-11 HEX LN NE ZC	76		

113	BL-7-LW	7/16' Split LW,Zinc Coated	8
114	BL-7-SW	7/16 SAE FW ZC	8
601	GF-2-2	2' Grease Manifold	1
602	A-1404-4-4	1/4 MP x 1/4 FPX	2
603	GF-1827-45	Grease Fitting 1/8 NPT 45-	2
603	H2-52-2MP-2MP	1/8in Hose x 1/8MP x 1/8MP x 52in	1
604	H2-26-2MP-2MP	1/8in Hose x 1/8MP x 1/8MP x 26in	1

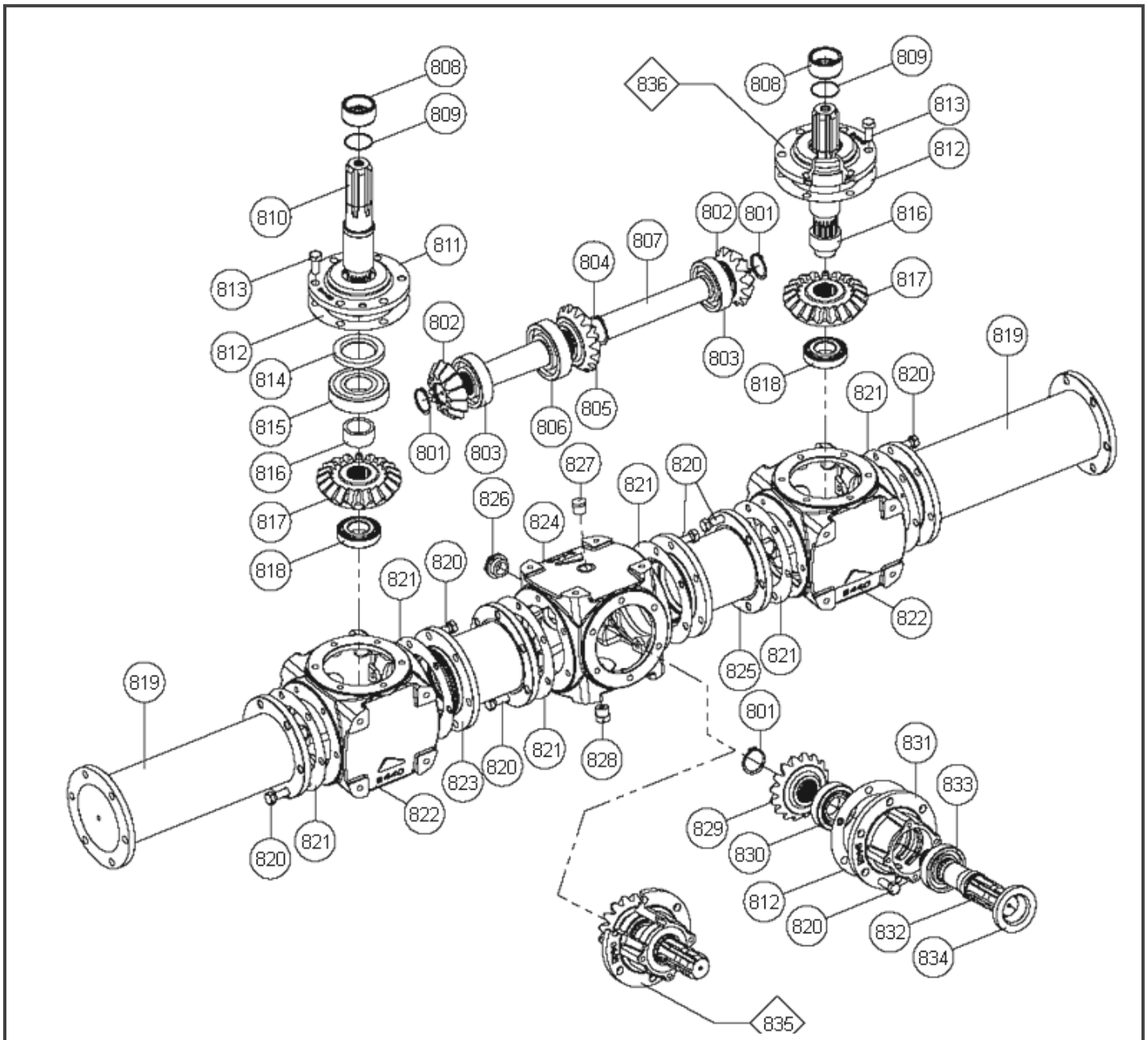
7209-2-7
 MAIN BEATER 540 RPM



7209-2-7.1 Gear Box, Main Beater

<u>Ref</u>	<u>Part No.</u>	<u>Description</u>	<u>Parts – Assembly</u>	<u>Will Fit SN</u>	<u>Remarks</u>
801	VTB-1879-B1	Circlip E 40	3		
802	VTB-1879-C1	Pinion Z=13	2		
803	VTB-1879-D1	Bearing 6308	2		
804	GBX-5-ST10-R	Snap Ring, E 45	1		Reference Only,Special Order
805	VTB-1879-E1	Pinion Z=16	1		
806	VTB-1879-F1	Bearing 6309	1		
807	VTB-1879-G1	Shaft	1		
808	VTB-1879-H1	Spacer	2		
809	VTB-1879-I1	O-ring 2175	2		
810	VTB-1879-J1	Shaft	2		
811	VTB-1879-K1	Calotte	2		
812	VTB-1879-L1	Gasket	3		
813	VTB-1879-M1	Screw, hex-hd M12x30	12		
814	VTB-1899-K2	Oil Seal	2		
815	VTB-1879-N1	Bearing 6309-2RS	2		
816	VTB-1879-O1	Spacer 40/51/25	2		
817	VTB-1879-P1	Gear Z=20	2		
818	VTB-1879-Q1	Bearing 30207	2		
819	VTB-1879-R1	Spacer	2		
820	VTB-1879-S1	Screw, hex-hd M12x35	42		
821	VTB-1879-T1	Gasket	6		
822	VTB-1879-U1	Housing	2		
823	VTB-1879-V1	Spacer L=134.65	1		
824	VTB-1879-W1	Housing	1		
825	VTB-1879-X1	Spacer L=134.65	1		
826	VTB-1879-Y1	Oil Lev. Indicator Ø1" Gas	1		
827	VTB-1879-Z1	Plug Ø1/2" Gas	1		
828	VTB-1899-D2	Oil Plug, 1/2" Gas	1		

829	VTB-1879-A2	Pinion Z=16	1
830	VTB-1879-B2	Bearing 32208	1
831	VTB-1879-C2	Hub	1
832	VTB-1879-D2	Shaft	1
833	VTB-1879-E2	Bearing 6208	1
834	VTB-1879-F2	Oil Seal 48/80/10	1
835	VTB-1879-G2	Hub Complete	1
836	VTB-1879-H2	Calotte Complete	2

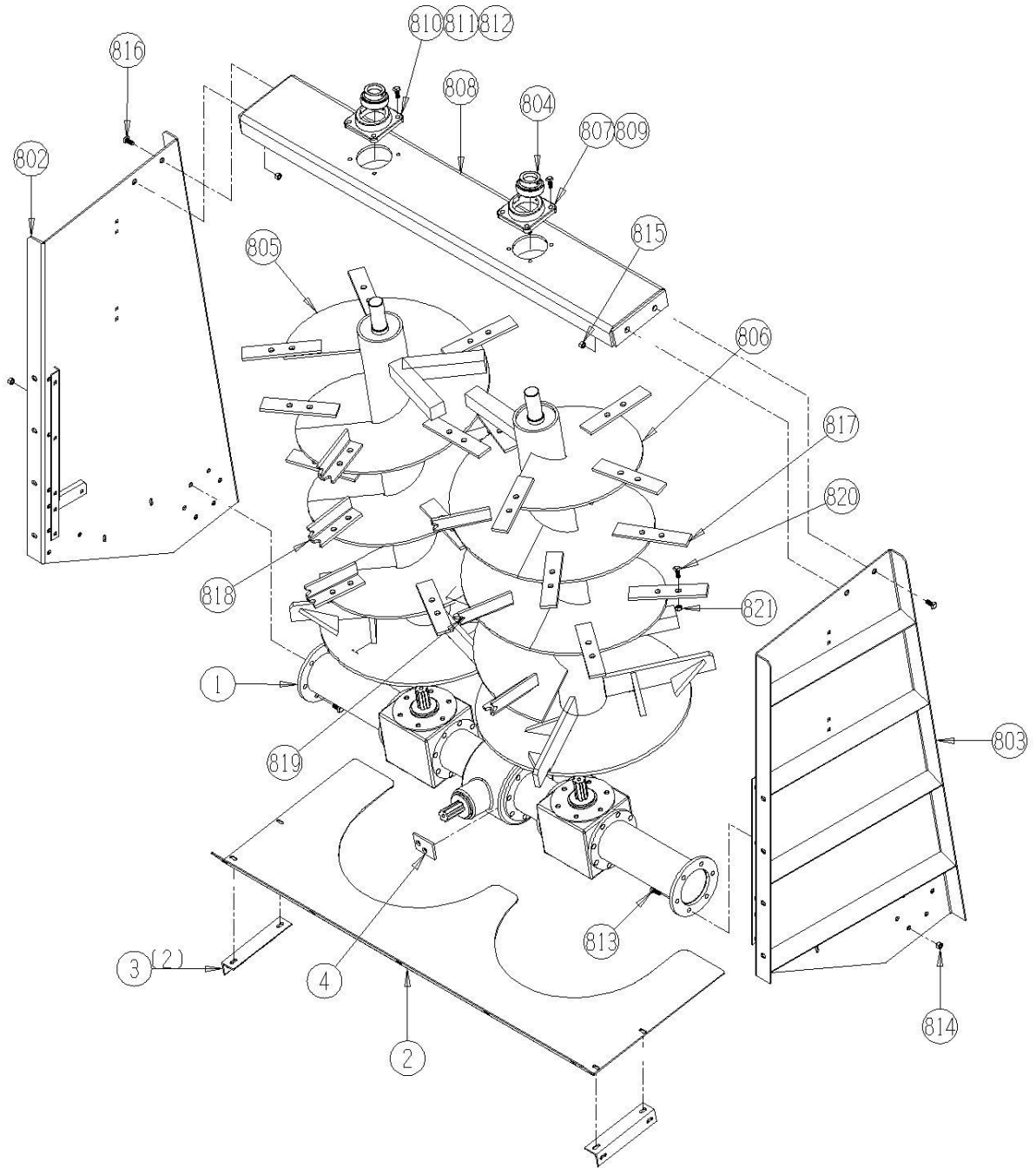


7209-2-7A Main Beater, 540 RPM, S.N.'s -72109003

<u>Ref</u>	<u>Part No.</u>	<u>Description</u>	<u>Parts – Assembly</u>	<u>Will Fit SN</u>	<u>Remarks</u>
1	VTB-1879-A1	Gearbox Assembly, 490/540 rpm	1		
2	PR51500	Lower Beater Panel, 490 Spreader	1		
3	PR51503	Angle,Floor Panel, Vertical Beater	2		
4	PR50502	Shim, Bottom Panel under Gearbox	1		
100	BL-10-200-H8	5/8-11 X 2 HEX CAP G8 ZC	12		
601	GF-2-2	2' Grease Manifold	1		
602	HP-1038	Gear Lube, 80W90 @ Quart	11	Hydra Ram Spreader	
602	A-1404-4-4	1/4 MP x 1/4 FPX	2		
603	GF-1827-45	Grease Fitting 1/8 NPT 45-	2		
802	PR51551	Panel, Vertical Beater R.H. 490	0		
802	PR51560	Panel,R.H.Vertical Beater 490 (long) 540RPM	0		
803	PR51561	Panel,L.H.490 Verical Beater (long) 540RPM	0		
803	PR51552	Panel, Vertical Beater L.H. 490	0		
804	VTB-1879-K2	Cross Bar	1		
805	VTB-1879-L2	Right Beater	1		
806	VTB-1879-M2	Left Beater	1		
807	VTB-1879-N2	Oil Seal 45/72/10	2		
808	VTB-1879-O2	Bearing 1307 E	2		
809	VTB-1879-P2	O-Ring 176	2		
810	VTB-1879-Q2	Coverplate	2		
811	GBX-1893-K	Circlip I 80	2		
812	VTB-1879-R2	Grease fitting	2		
813	VTB-1879-S2	Screw, hex-hd M12x35	12		
814	VTB-1879-T2	Nut M12-8G	12		
815	VTB-1879-U2	Nut M16-8G	4		
816	VTB-1879-V2	Screw, hex-hd M16x35	4		
817	VTB-1899-A3	Knife	32		
818	VTB-1899-B3	Right Blade	7		

819	VTB-1899-C3	Left Blade	7
820	VTB-1899-D3	Screw, hex-hd M16x40	80
821	VTB-1899-E3	Nut M16x1.5	80

7209-2-7A
MAIN BEATER 540 RPM
S.N. -72109003

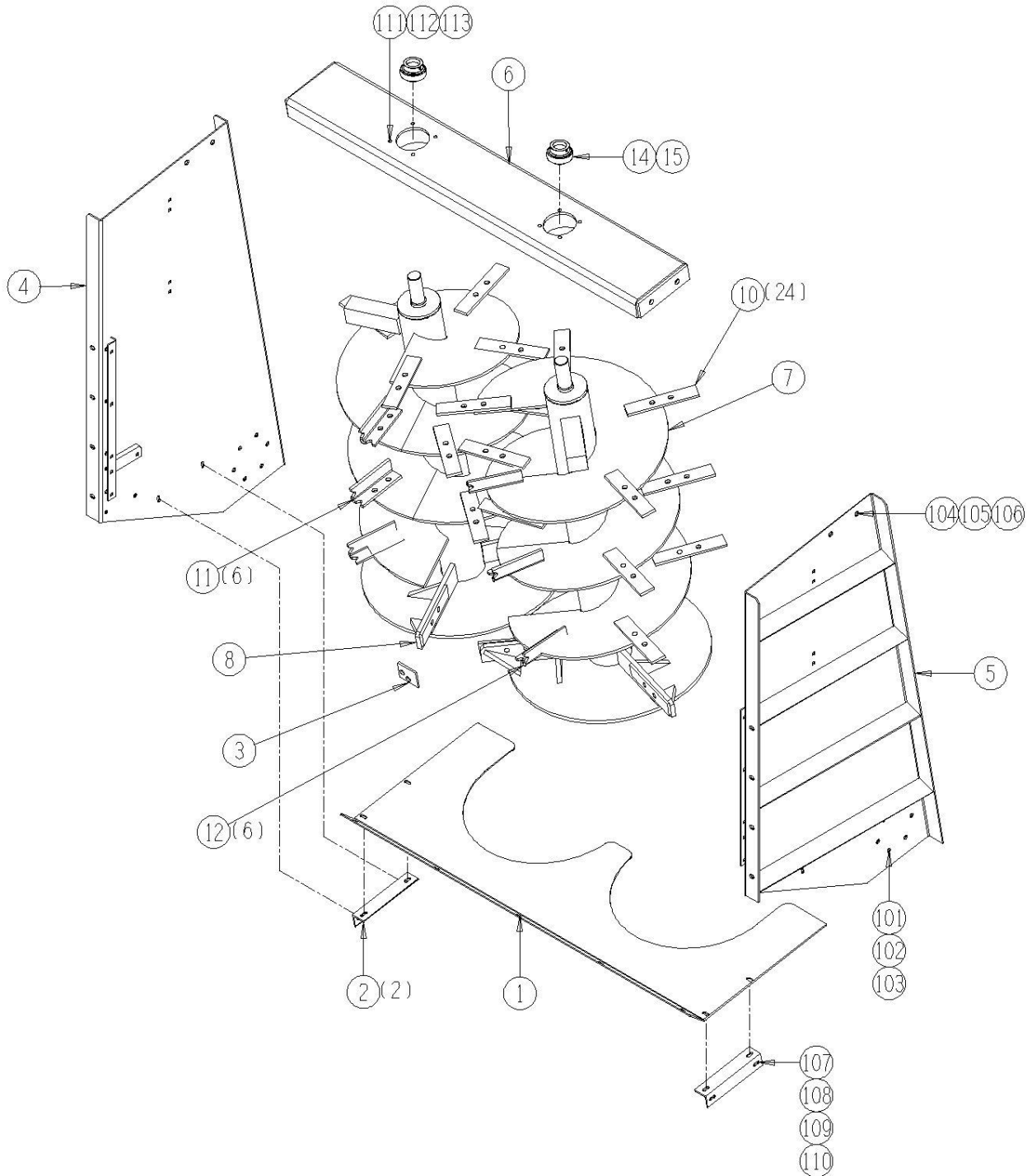


7209-2-9 490VB Main Beater,1000 RPM, S.N.'s 72110001-

<u>Ref</u>	<u>Part No.</u>	<u>Description</u>	<u>Parts – Assembly</u>	<u>Will Fit SN</u>	<u>Remarks</u>
0	HP-1038	Gear Lube, 80W90 @ Quart	11	Hydra Ram Spreader	
1	PR51500	Lower Beater Panel, 490 Spreader	1		
2	PR51503	Angle,Floor Panel, Vertical Beater	2		
3	PR50502	Shim, Bottom Panel under Gearbox	1		
4	PR51551	Panel, Vertical Beater R.H. 490	1		
5	PR51552	Panel, Vertical Beater L.H. 490	1		
6	VTB-0002	Top Plate, Bearing Plate, Vert Beater, 490	1		
7	VTB-0003	Beater W, LH, 490VB	1		
8	VTB-0004	Beater W, RH, 490VB	1		
10	VTB-1899-A3	Knife	30		
11	VTB-1899-B3	Right Blade	6		
12	VTB-1899-C3	Left Blade	6		
13	VTB-1877-A1	Gearbox Assembly, 490/1000 rpm	1		
14	BR-175-085-I	Bearing, 1 1/2" ID, TS	2		
15	BR-085-4PF	85mm Four Bolt Piloted Flange Housing	2		
101	BL-9-200-H8	9/16-12 x 2, Hex Head, Grade 8	12		
102	BL-9-FW-8	9/16" Grade 8 Flat Washer	12		
103	BL-9-LN	9/16" Lock Nuts w/Nylon Inserts	12		
104	BL-6-100-C	3/8 UNC X 1 CARRIAGE BOLT GR5 ZINC	17		
105	BL-6-SW	3/8 SAE FW ZC	17		
106	BL-6-LN	3/8 UNC FIN HEX LOCK NUT NE A563 GrA ZINC	17		
107	BL-10-200-H8	5/8-11 X 2 HEX CAP G8 ZC	12		
108	BL-10-SW	5/8 SAE FW ZC @	8		
109	BL-7-125-HH	7/16" x 1 1/4", Hex Head, Gr 5, Zinc	8		
110	BL-10-200-H	5/8-11 X 2 HEX CAP G5 ZC	4		
111	BL-10-175-H8	5/8-11 X 1 1/4" HEX CAP G8 ZC	72		
112	BL-10-LN	5/8-11 HEX LN NE ZC	76		
113	BL-7-LW	7/16" Split LW,Zinc Coated	8		

114	BL-7-SW	7/16 SAE FW ZC	8
601	GF-2-2	2' Grease Manifold	1
602	A-1404-4-4	1/4 MP x 1/4 FPX	2
603	GF-1827-45	Grease Fitting 1/8 NPT 45-	2

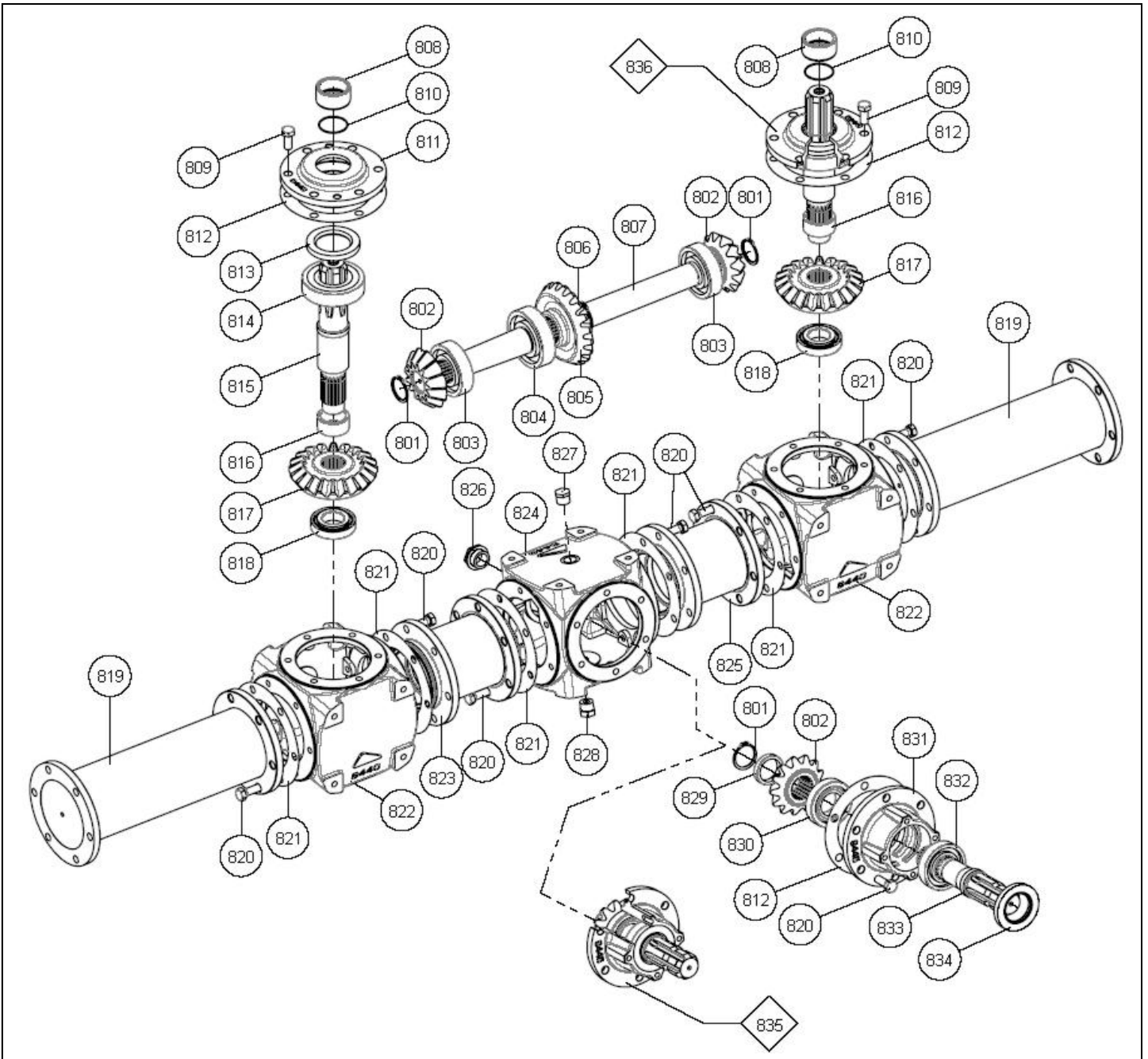
7209-2-9
MAIN BEATER 1000 RPM



7209-2-9.1 Gearbox, Main Beater, 1000 rpm

<u>Ref</u>	<u>Part No.</u>	<u>Description</u>	<u>Parts – Assembly</u>	<u>Will Fit SN</u>	<u>Remarks</u>
801	VTB-1879-B1	Circlip E 40	3		
802	VTB-1879-C1	Pinion Z=13	3		
803	VTB-1879-D1	Bearing 6308	2		
804	VTB-1879-F1	Bearing 6309	1		
805	VTB-1877-B1	Gear, Z=20	1		
806	GBX-5-ST10-R	Snap Ring, E 45	1		Reference Only,Special Order
807	VTB-1879-G1	Shaft	1		
808	VTB-1879-H1	Spacer	2		
809	VTB-1879-M1	Screw, hex-hd M12x30	12		
810	VTB-1879-I1	O-ring 2175	2		
811	VTB-1877-C1	Calotte	2		
812	VTB-1879-L1	Gasket	3		
813	VTB-1899-K2	Oil Seal	2		
814	VTB-1879-N1	Bearing 6309-2RS	2		
815	VTB-1879-J1	Shaft	2		
816	VTB-1879-O1	Spacer 40/51/25	2		
817	VTB-1879-P1	Gear Z=20	2		
818	VTB-1879-Q1	Bearing 30207	2		
819	VTB-1879-R1	Spacer	2		
820	VTB-1879-S2	Screw, hex-hd M12x35	42		
821	VTB-1879-T1	Gasket	6		
822	VTB-1879-U1	Housing	2		
823	VTB-1879-V1	Spacer L=134.65	1		
824	VTB-1879-W1	Housing	1		
825	VTB-1879-X1	Spacer L=134.65	1		
826	VTB-1879-Y1	Oil Lev. Indicator Ø1" Gas	1		
827	VTB-1879-Z1	Plug Ø1/2" Gas	1		
828	VTB-1899-D2	Oil Plug, 1/2" Gas	1		

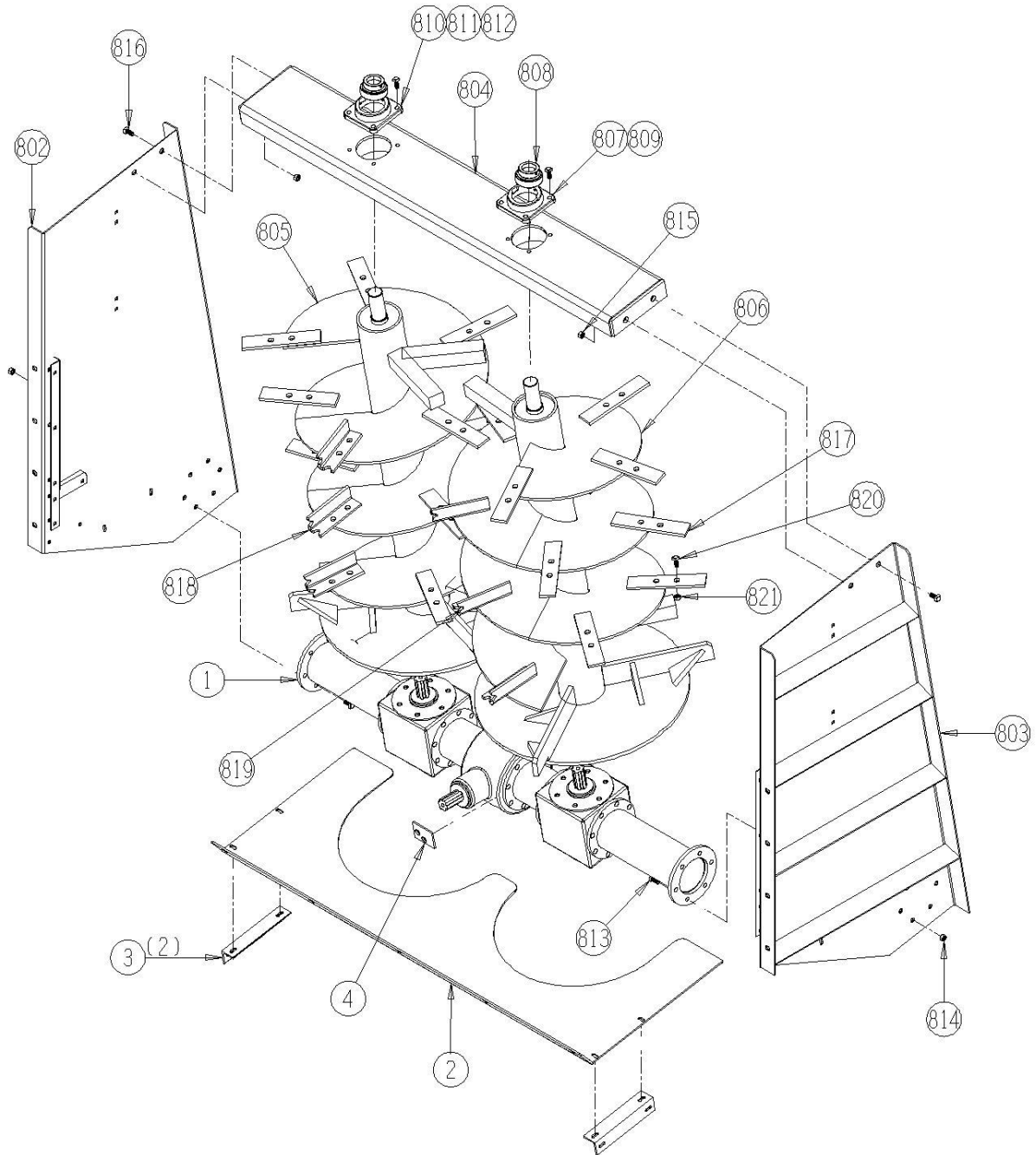
829	VTB-1877-D1	Spacer	1
830	VTB-1877-E1	Bearing, 30208	1
831	VTB-1879-C2	Hub	1
832	VTB-1879-E2	Bearing 6208	1
833	VTB-1879-D2	Shaft	1
834	VTB-1879-F2	Oil Seal 48/80/10	1
835	VTB-1877-F1	Hub, Complete	1
836	VTB-1879-H2	Calotte Complete	2



7209-2-9A Optional Main Beater, 1000 RPM S.N.'s -72109003

<u>Ref</u>	<u>Part No.</u>	<u>Description</u>	<u>Parts – Assembly</u>	<u>Will Fit SN</u>	<u>Remarks</u>
1	VTB-1877	Vertical Beater System, 490, 1000rpm	1		
2	PR51500	Lower Beater Panel, 490 Spreader	1		
3	PR51503	Angle,Floor Panel, Vertical Beater	2		
4	PR50502	Shim, Bottom Panel under Gearbox	1		
100	BL-10-200-H8	5/8-11 X 2 HEX CAP G8 ZC	12		
601	GF-2-2	2' Grease Manifold	1		
602	A-1404-4-4	1/4 MP x 1/4 FPX	2		
603	GF-1827-45	Grease Fitting 1/8 NPT 45°	2		
802	PR51551	Panel, Vertical Beater R.H. 490	0		
803	PR51552	Panel, Vertical Beater L.H. 490	0		
804	VTB-1879-K2	Cross Bar	1		
805	VTB-1879-L2	Right Beater	1		
806	VTB-1879-M2	Left Beater	1		
807	VTB-1879-N2	Oil Seal 45/72/10	2		
808	VTB-1879-O2	Bearing 1307 E	2		
809	VTB-1879-P2	O-Ring 176	2		
810	VTB-1879-Q2	Coverplate	2		
811	GBX-1893-K	Circlip I 80	2		
812	VTB-1879-R2	Grease fitting	2		
813	VTB-1879-S2	Screw, hex-hd M12x35	12		
814	VTB-1879-T2	Nut M12-8G	12		
815	VTB-1879-U2	Nut M16-8G	4		
816	VTB-1879-V2	Screw, hex-hd M16x35	4		
817	VTB-1899-A3	Knife	32		
818	VTB-1899-B3	Right Blade	7		
819	VTB-1899-C3	Left Blade	7		
820	VTB-1899-D3	Screw, hex-hd M16x40	80		
821	VTB-1899-E3	Nut M16x1.5	80		

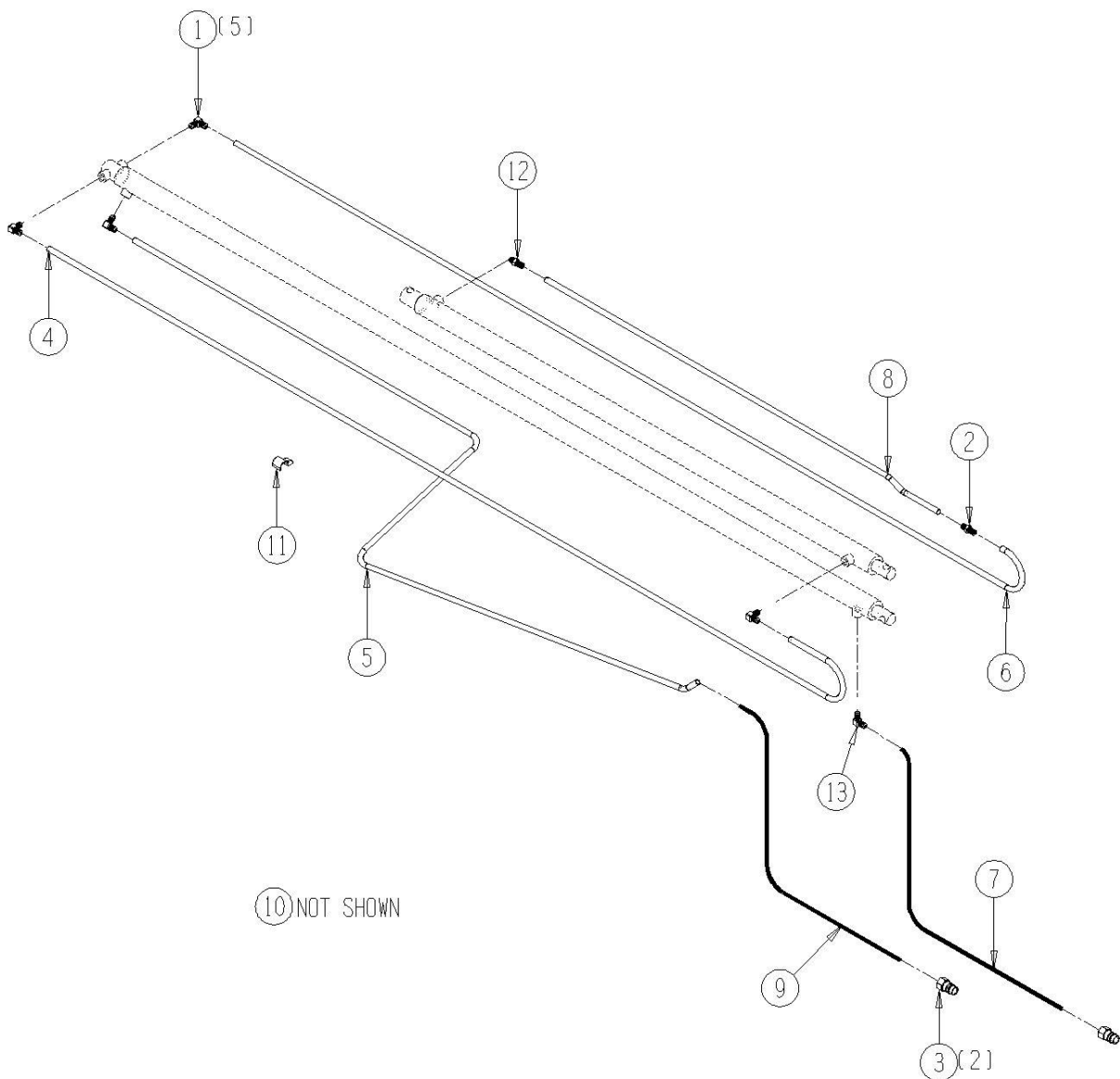
7209-2-9A
OPTIONAL MAIN BEATER, 1000 RPM



7209-3-1 Hydraulics, Control Valve to Push Off Cylinders, 4

<u>Ref</u>	<u>Part No.</u>	<u>Description</u>	<u>Parts – Assembly</u>	<u>Will Fit SN</u>	<u>Remarks</u>
1	A-6801-8-8	Elbow, 1/2" MJ x 8 SAE	4		
2	A-2403-8-8	1/2" JIC Male Union	1		
3	A-QD2010-8-8	Tractor Quick Coupler, Male, 1/2" w/ FPT	2		
4	H-T7013	Oil Line	1		
5	H-T7022	Hyd. Tube,Pusher Cyl.,Rear To Tractor 490VB	1		
6	H-T7015	Oil Line	1		
7	H8-88-8MP-8FJ	1/2 in hose 1/2MP x 1/2 FJ x 88 in long	1		
8	H-T7017	Oil Line	1		
9	H8-100-8MP-8MJ	1/2 in hose 1/2MP x 1/2MJ x100 in long	1		
10	HW-08	1/2" OD Washer for Hydraulic Tube/Hose	10		
11	HA-1032	Hydraulic Hose Holder 1/2	3	19101	
12	A-6400-8-8	1/2" MJIC x 8 SAE	1		
13	A-6801-L-8	Elbow, Long,1/2" MJ x 8 SAE	1		
602	HY-TRAN	Hytran @ gal	4.5		

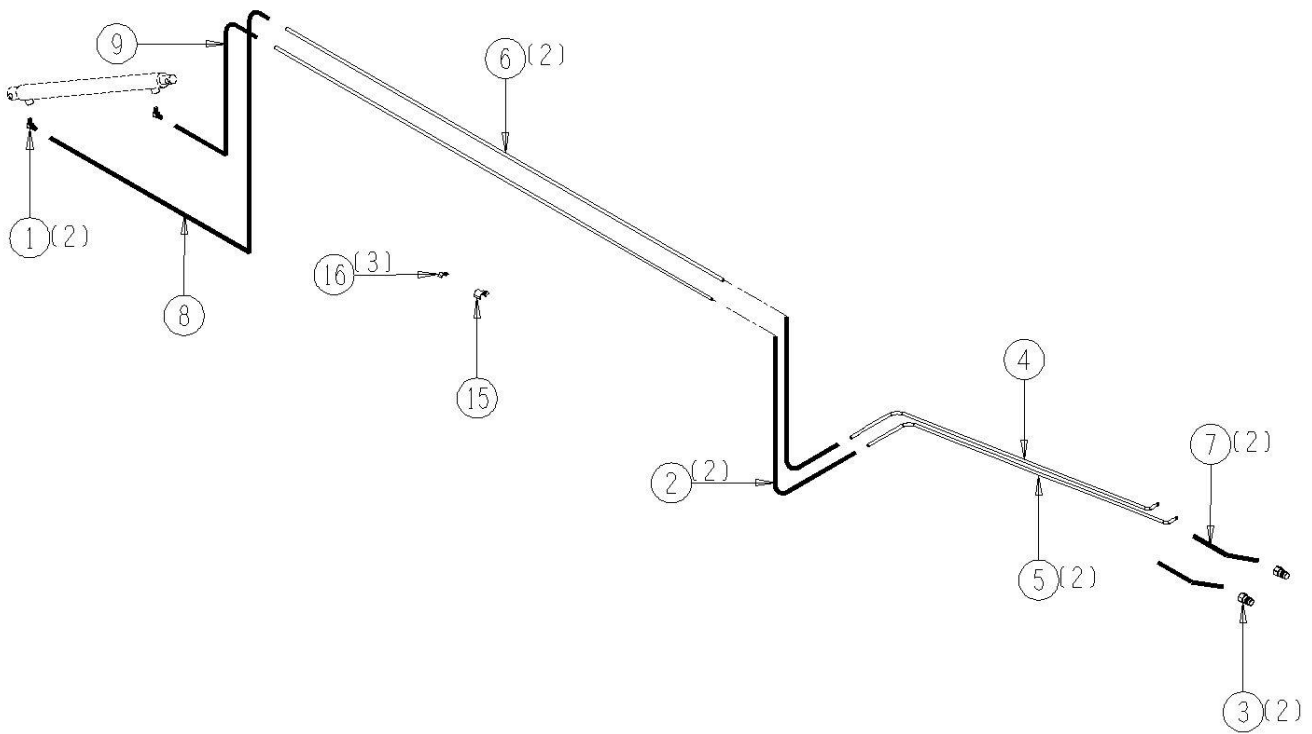
7209-3-1
HYDRAULICS,
CONTROL VALVE TO PUSH OFF CYLINDERS



7209-3-2 Hydraulics, Endgate Cylinders, 490 VB

<u>Ref</u>	<u>Part No.</u>	<u>Description</u>	<u>Parts – Assembly</u>	<u>Will Fit SN</u>	<u>Remarks</u>
1	A-6809-6-6	Elbow, 3/8" FJX x 6 SAE	2		
2	H4-44-6MJ-6MJ	1/4 in hose 6MJ x6ML x 44 in long	2		
3	A-QD2010-8-8	Tractor Quick Coupler, Male, 1/2" w/ FPT	2		
4	H-T7020	Hyd, Tube, Endgate, Front 3/8 Dia. 490VB	1		
5	H-T7021	Hyd, Tube, Endgate, Front 3/8 Dia. 490VB	1		
6	H-T7018	Oil Line	2		
7	H4-100-6MJ-8MP	1/4" hose 3/8" MJ x 1/2" MP x100" long	2		
8	H4-54-6MJ-6MJ	1/4" hose 3/8" MJ x 3/8" MJ x 54" long	1		
9	H4-28-6MJ-6MJ	1/4" hose 3/8" MJ x 3/8" MJ x 28" long	1		
10	HW-06	3/8" OD Washer for Hydraulic Tube/Hose	16		
11	PR34896	Hose Clamp, 1/4" Hydraulic, 1/2" O.D. Hose	1		
12	PR34894	Support, Clamp, 1/4" Double Hose Clamp	1		
13	WT-17H	Heavy Duty Wire Tie 17.5"	2		
14	HA-1031	Hydraulic Hose Holder 3/8	1		
15	HA-1032	Hydraulic Hose Holder 1/2	1	19101	
16	CL-6-3	Clamp, 3/8" O.D., Dual Tube, 1/4" Bolt Mount	3		

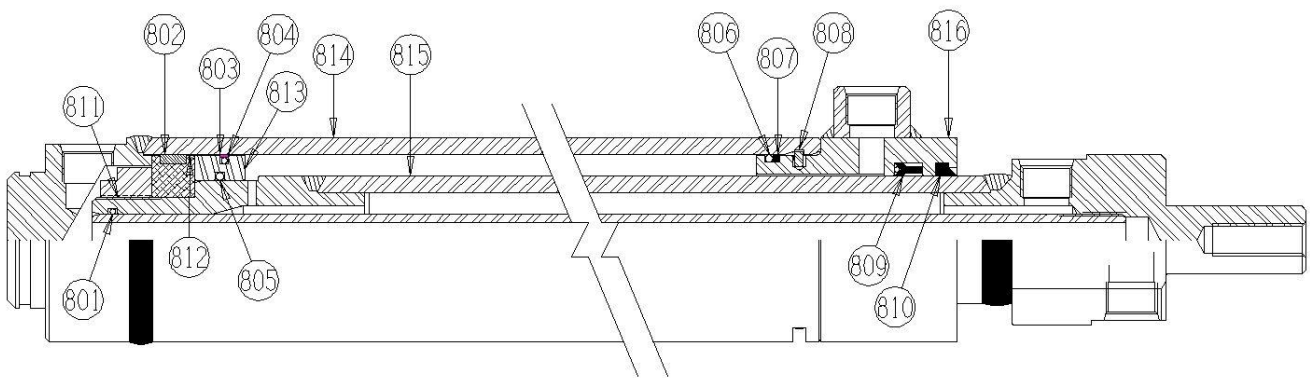
7209-3-2
HYDRAULICS, ENDGATE CYLINDER



7204-3-3 Main Cylinder

<u>Ref</u>	<u>Part No.</u>	<u>Description</u>	<u>Parts – Assembly</u>	<u>Will Fit SN</u>	<u>Remarks</u>
1	PR24701	Hydraulic Cylinder, Main, 490	1		
801	PR24701-A	O Ring	1		Part of Seal Kit, Not Sold Separately
802	PR24701-B	Wear Ring	1		Part of Seal Kit, Not Sold Separately
803	PR24701-C	Poly Hone	1		Part of Seal Kit, Not Sold Separately
804	PR24701-D	O Ring	1		Part of Seal Kit, Not Sold Separately
805	PR24701-E	O Ring	1		Part of Seal Kit, Not Sold Separately
806	PR24701-F	O Ring	1		Part of Seal Kit, Not Sold Separately
807	PR24701-G	Back-up Ring	1		Part of Seal Kit, Not Sold Separately
808	PR24701-H	Wire Retaining Ring	1		Part of Seal Kit, Not Sold Separately
809	PR24701-I	Loaded U-Cup	1		Part of Seal Kit, Not Sold Separately
810	PR24701-J	Rod Wiper	1		Part of Seal Kit, Not Sold Separately
811	PR24701-K	Thin Locknut	1		Reference Only, Special Order
812	PR24701-L	Piston	1		Reference Only, Special Order
813	PR24701-M	Piston	1		Reference Only, Special Order
814	PR24701-N	Barrel Assembly	1		Reference Only, Special Order
815	PR24701-O	Rod Assembly	1		Reference Only, Special Order
816	PR24701-P	Head Assembly	1		Reference Only, Special Order
817	PR24701-SK	Seal Kit, Main Cylinder	1		

7204-3-3
MAIN CYLINDER

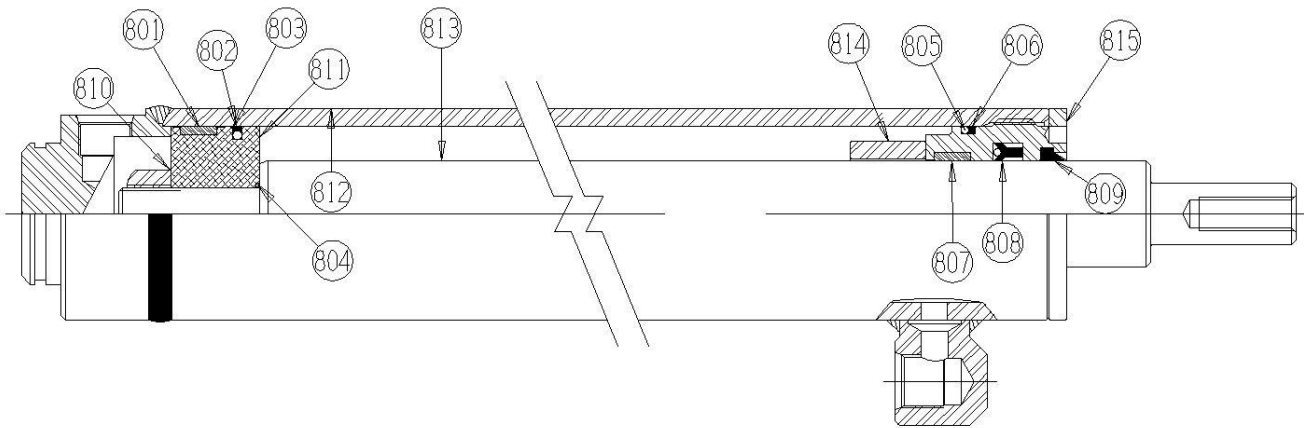


817 SEAL KIT

7204-3-4 Secondary Cylinder

<u>Ref</u>	<u>Part No.</u>	<u>Description</u>	<u>Parts – Assembly</u>	<u>Will Fit SN</u>	<u>Remarks</u>
1	PR24702	Hydraulic Cylinder, Secondary, 490	1		
801	PR24702-A	Wear Ring	1		Part of Seal Kit, Not Sold Separately
802	PR24701-C	Poly Hone	1		Part of Seal Kit, Not Sold Separately
803	PR24701-D	ORing	1		Part of Seal Kit, Not Sold Separately
804	PR24702-B	O Ring	1		Part of Seal Kit, Not Sold Separately
805	PR24702-C	O Ring	1		Part of Seal Kit, Not Sold Separately
806	PR24701-G	Back-up Ring	1		Part of Seal Kit, Not Sold Separately
807	PR24702-D	Wear Ring	1		Part of Seal Kit, Not Sold Separately
808	PR24702-E	Loaded U-Cup	1		Part of Seal Kit, Not Sold Separately
809	PR24702-F	Rod Wiper	1		Part of Seal Kit, Not Sold Separately
810	PR24702-G	Locknut	1		Reference Only, Special Order
811	PR24702-H	Piston	1		Reference Only, Special Order
812	PR24702-I	Barrel Assembly	1		Reference Only, Special Order
813	PR24702-J	Rod	1		Reference Only, Special Order
814	PR24702-K	Spacer	1		Reference Only, Special Order
815	PR24702-L	Internal Head	1		Reference Only, Special Order
816	PR24702-SK	Seal Kit, Secondary Cylinder	1		

7204-3-4
SECONDARY CYLINDER

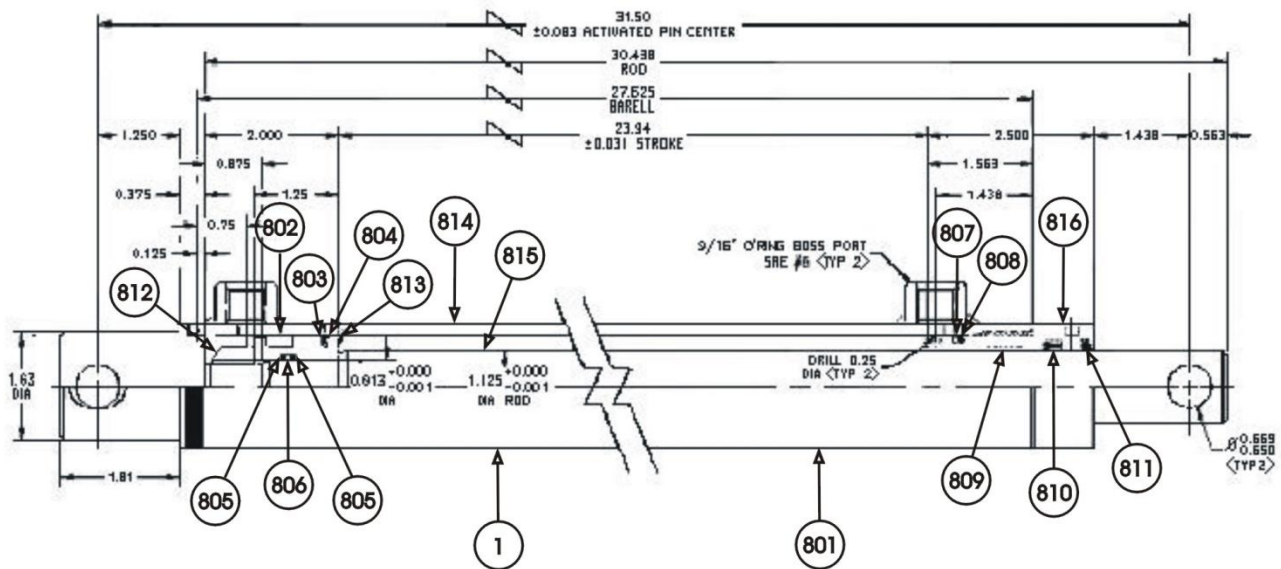


816 SEAL KIT

7204-3-5 Endgate Cylinder

<u>Ref</u>	<u>Part No.</u>	<u>Description</u>	<u>Parts – Assembly</u>	<u>Will Fit SN</u>	<u>Remarks</u>
1	PR39068	Cylinder, Endgate, 1.5 bore	1		
802	PR39068-A	Wear Ring	1		Part of Seal Kit, Not Sold Separately
803	PR39068-B	TFE Seal	1		Part of Seal Kit, Not Sold Separately
804	PR39068-C	O Ring	1		Part of Seal Kit, Not Sold Separately
805	PR39068-D	Back-Up Ring	2		Part of Seal Kit, Not Sold Separately
806	PR39068-E	O Ring	1		Part of Seal Kit, Not Sold Separately
807	PR39068-F	O Ring	1		Part of Seal Kit, Not Sold Separately
808	PR39068-G	Back-Up Ring	1		Part of Seal Kit, Not Sold Separately
809	PR39068-H	Wear Ring	1		Part of Seal Kit, Not Sold Separately
810	PR39068-I	Loaded U-Cup	1		Part of Seal Kit, Not Sold Separately
811	PR39068-J	Rod Wiper	1		Part of Seal Kit, Not Sold Separately
812	PR39068-K	Locknut	1		Reference Only, Special Order
813	PR39068-L	Piston	1		Reference Only, Special Order
814	PR39068-M	Barrel Assembly	1		Reference Only, Special Order
815	PR39068-N	Rod	1		Reference Only, Special Order
816	PR39068-OB	Internal Cylinder Head 1 1/2" (Fine)	1		Verify Stamp Location
816	PR39068-O	Internal Cylinder Head 1 1/2" (coarse)	1		Verify Stamp Location
817	PR39068-SK	Seal Kit, Endgate Cylinder, Per Each	1		

7204-3-5 ENDGATE LIFT CYLINDER

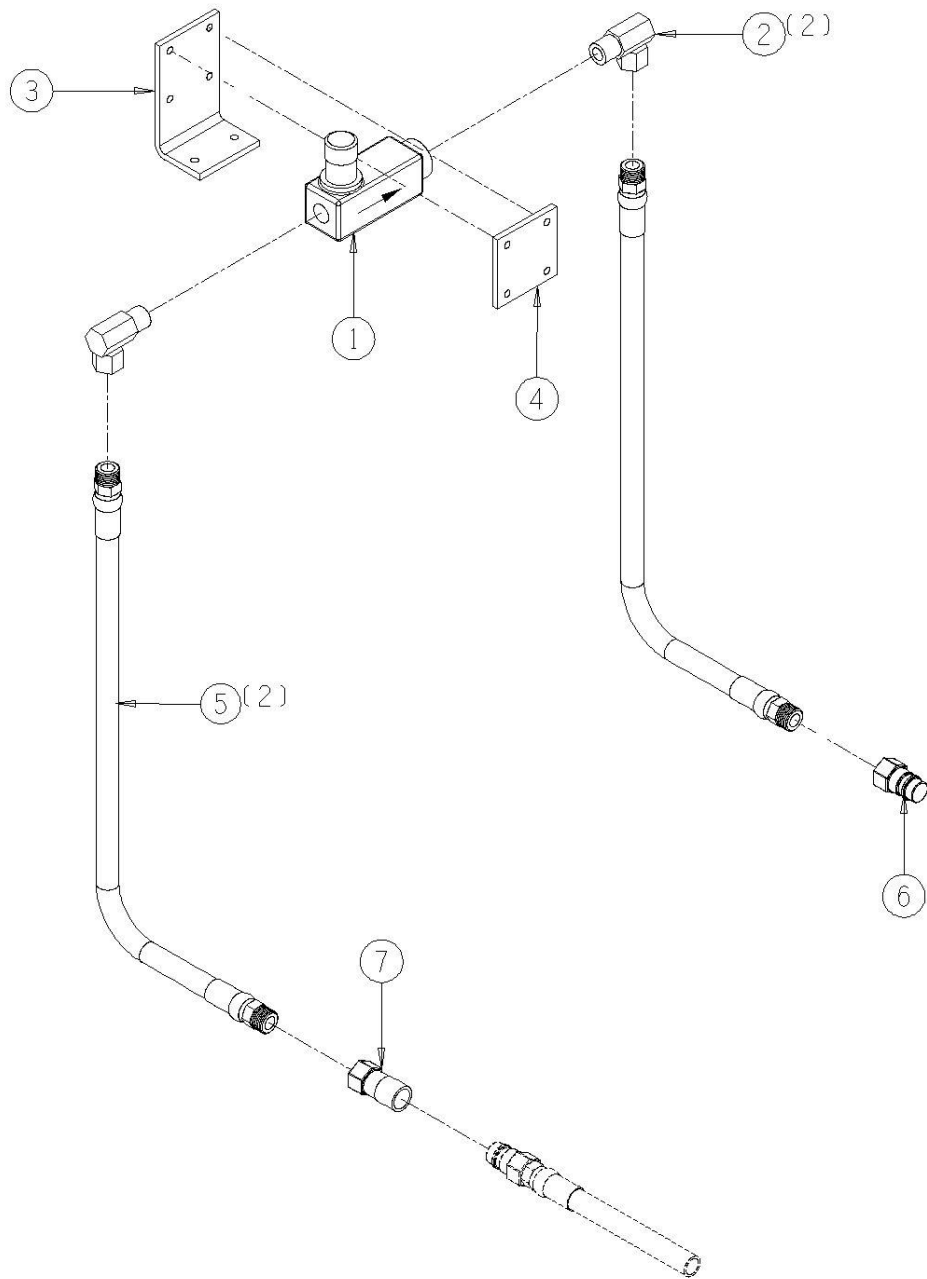


805 Seal Kit

7204-3-6 Optional,Control Valve,Closed Center

<u>Ref</u>	<u>Part No.</u>	<u>Description</u>	<u>Parts – Assembly</u>	<u>Will Fit SN</u>	<u>Remarks</u>
1	HV-8-8M-RFF	Flow Control Valve w/ reverse free flow/closed center	1		
2	A-1501-8-8	1/2 MP x 1/2 FPX90°	2		
3	MOU-0015	Mount, Control Valve, Closed Center, Spreader	1		
4	MOU-0016	Mount, Mating Plate, Control Valve, Closed Center	1		
5	H8-70-8MP-8MP	1/2 in hose 1/2MP x 1/2MP x 70 in long	2		
6	A-QD2010-8-8	Tractor Quick Coupler, Male, 1/2" w/ FPT	1		
7	A-QD2050-8-8	Tractor Quick Coupler, Female, 1/2" w/ FPT	1		
101	BL-4-275-H	1/4-20 X 2 3/4 HEX CAP G5 ZC	4		
102	BL-4-LN	1/4-20 HEX LN NE ZC	6		
103	BL-6-FW	3/8 USS FW ZC	6		
104	BL-4-175-H	1/4-20 X 1 3/4 HEX CAP G5 ZC	2		

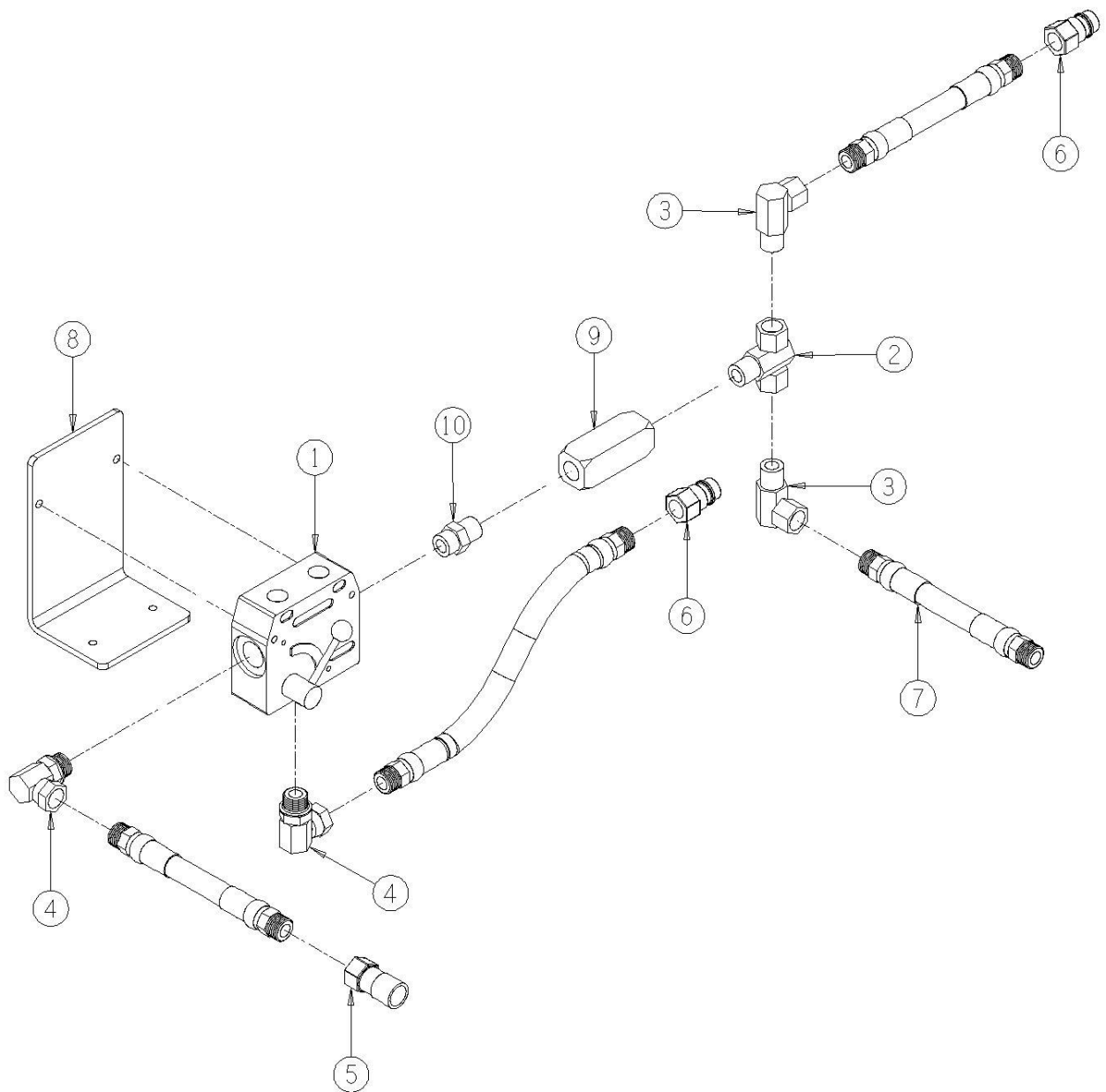
7204-3-6
OPTIONAL, CONTROL VALVE, CLOSED CENTER



7204-3-7 Optional, Control Valve, Open Center

<u>Ref</u>	<u>Part No.</u>	<u>Description</u>	<u>Parts – Assembly</u>	<u>Will Fit SN</u>	<u>Remarks</u>
1	HV-FC5510	Flow Control	1		
2	A-1601-8-8-8	1/2 MP x 1/2 FPX x 1/2 FPX Tee	1		
3	A-1501-8-8	1/2 MP x 1/2 FPX90°	2		
4	A-6901-10-8	10 SAE x 1/2 FPX90°, Forged	2		
5	A-QD2050-8-8	Tractor Quick Coupler, Female, 1/2" w/ FPT	2		
6	A-QD2010-8-8	Tractor Quick Coupler, Male, 1/2" w/ FPT	2		
7	H8-70-8MP-8MP	1/2 in hose 1/2MP x 1/2MP x 70 in long	4		
8	MOU-0014	Mount, Control Valve, Open Center, Spreader	1		
9	HV-CKV-800S	1/2" Parker Check Valve	1		
10	A-6401-10-8	10 SAE x 1/2 MPT Male	1		
101	BL-4-175-H	1/4-20 X 1 3/4 HEX CAP G5 ZC	4		
102	BL-4-LN	1/4-20 HEX LN NE ZC	4		
103	BL-4-FW	1/4 USS FW ZC	4		

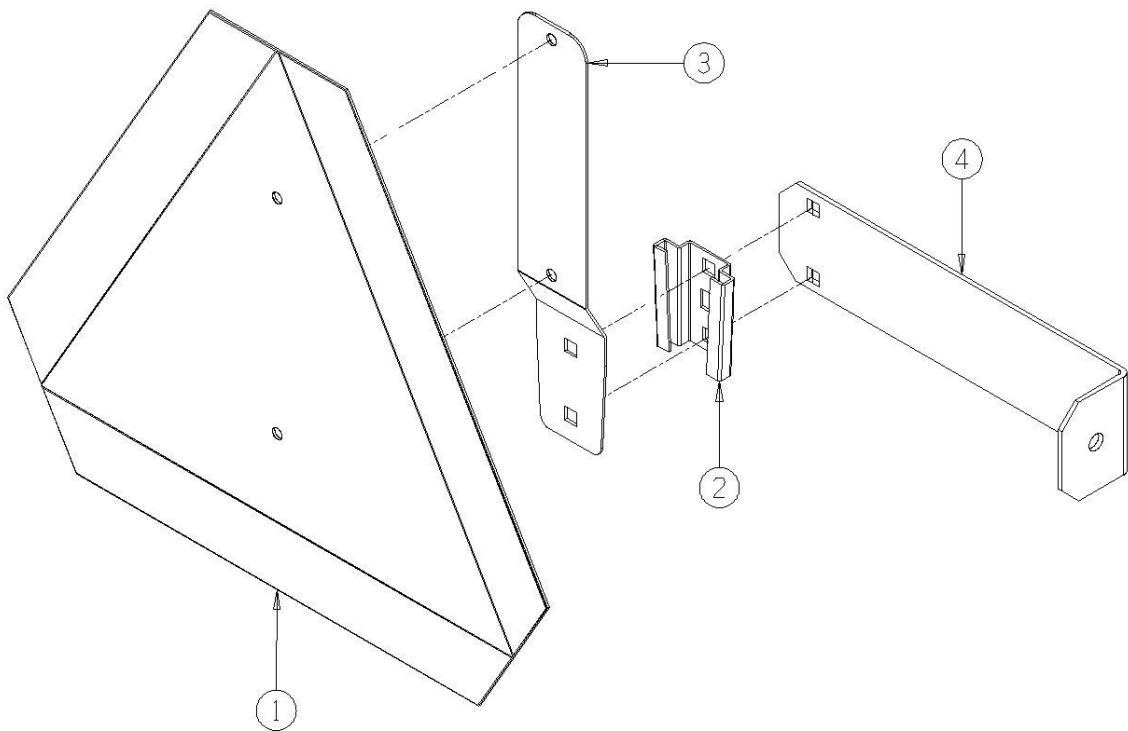
7204-3-7
OPTIONAL, CONTROL VALVE, OPEN CENTER



7204-4-2 SMV Emblem & Brackets

<u>Ref</u>	<u>Part No.</u>	<u>Description</u>	<u>Parts – Assembly</u>	<u>Will Fit SN</u>	<u>Remarks</u>
1	SMV-PL	SMV Sign, Metal	1		
2	SMV-S	Socket for Spade Mount	1		
3	SMV-SM	Spade Mount	1		
4	PR39117	Bracket, SMV Sign, Spreader	1		
101	BL-5-075-H	5/16-18 X ¾ HEX CAP G5 ZC	2		
102	BL-4-062-C	1/4" x 5/8" Zinc Carriage Bolt	2		
103	BL-5-LN	5/16-18 HEX LN NE ZC	2		
104	BL-4-LN	1/4-20 HEX LN NE ZC	2		
105	BL-5-FW	5/16 USS FW ZC	2		

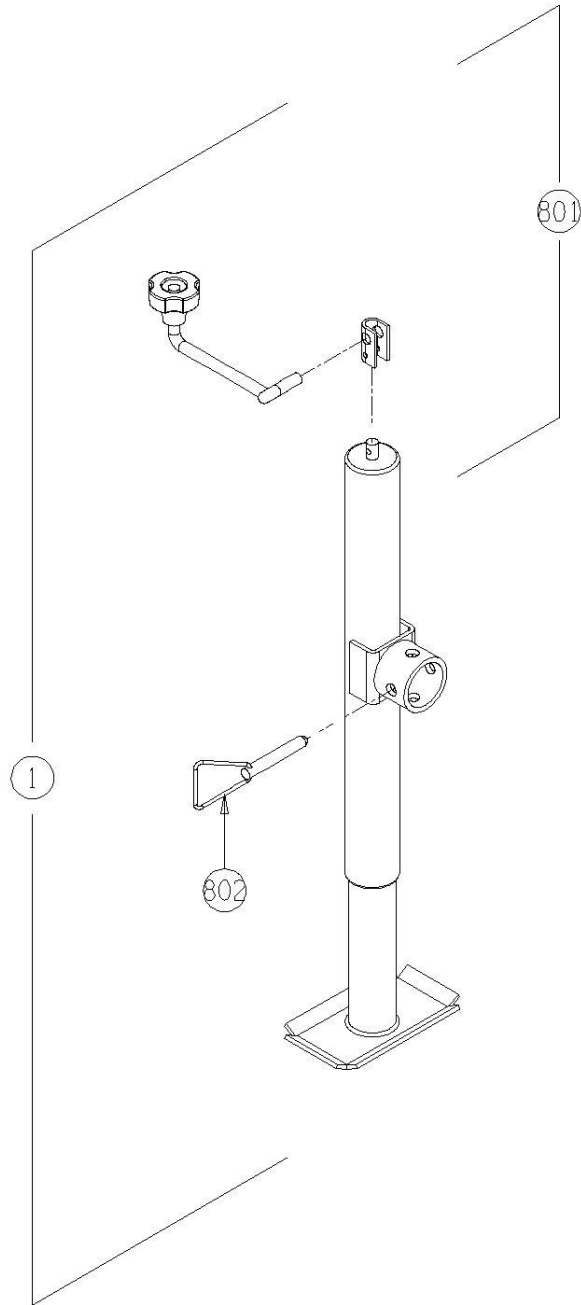
7204-4-2
SMV EMBLEM & BRACKETS



7204-4-3 Jack Stand

<u>Ref</u>	<u>Part No.</u>	<u>Description</u>	<u>Parts – Assembly</u>	<u>Will Fit SN</u>	<u>Remarks</u>
1	WH-16122	Bulldog Sidewind Swivel Jack, 5,000 lb.	1	-71009001	Old Style-Topwind, Part No. 18-450-3
801	WH-16122-D	Crank Assy for Bulldog Topwind Swivel Jack	1	-71009001	
802	WH-16122-E	Pin & Chain Assy for Bulldog Topwind Swivel Jack	1	-71009001	

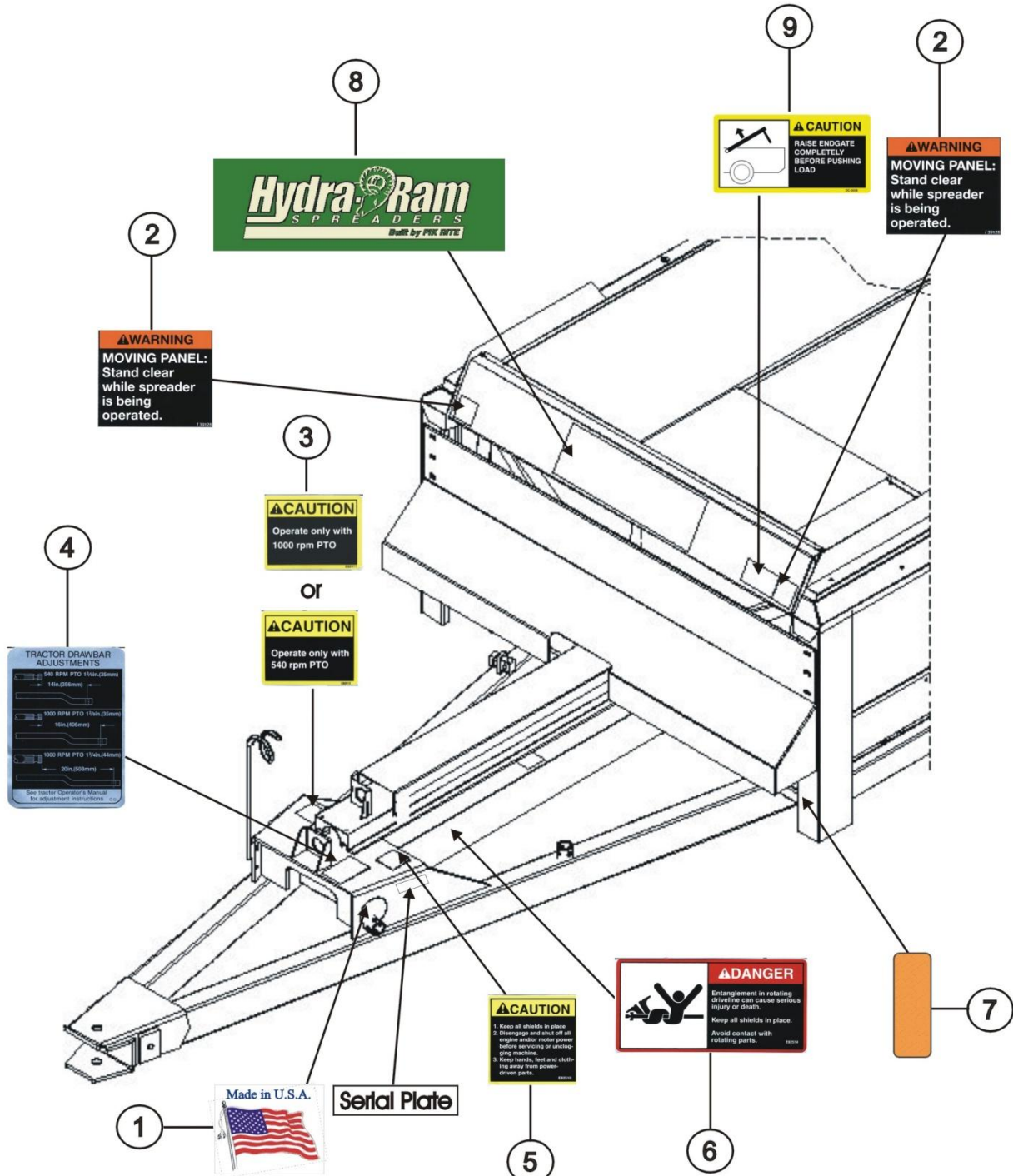
7204-4-3
JACK STAND



7209-4-4 Decals, Front of Spreader

<u>Ref</u>	<u>Part No.</u>	<u>Description</u>	<u>Parts – Assembly</u>	<u>Will Fit SN</u>	<u>Remarks</u>
0	MAN-0043	Manual, Parts, 490vb Spreader	0		
0	MAN-0044	Manual, Operators, 490vb Spreader	0		
1	DC-0011	Decal, All, 'Made in USA', White Back w/ Red & Blue Letters	1		
2	DC-0020	Decal, Warning, Moving Panel	2		
3	DC-0024	Decal, Caution, 540 rpm PTO	1		
3	DC-0021	Decal, Caution, 1000 rpm PTO	0		
4	DC-0022	Decal, Tractor Drawbar Adjustments	1		
5	DC-0023	Decal, Caution, Keep All Shields In Place	1		
6	DC-0025	Decal, Danger, Entanglement In Rotating Drive	1		
7	DC-0034	Decal, Amber, Reflector, Spreader	1		
8	DC-0052	Decal, 'Hydra Ram Spreaders' Logo, Large	1		
9	DC-0038	Decal, Caution, Raise Endgate Completely	1		
101	RI-3-6-P	Pop Rivets 3/16 x 3/8 Domed, .375 head, ea.	2		

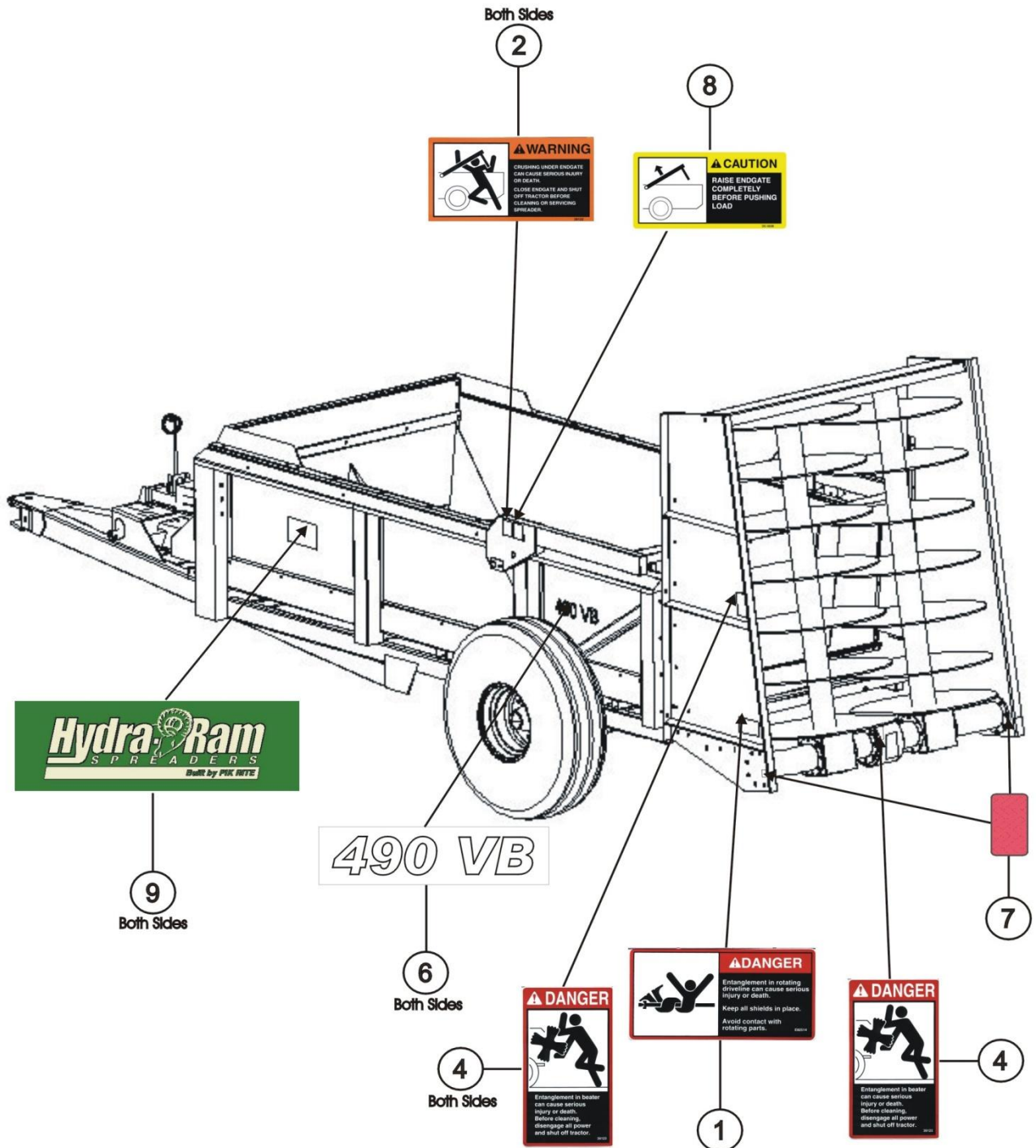
7209-4-4 DECALS, FRONT OF SPREADER



7209-4-5 Decals, Side of Spreader, 490VB

<u>Ref</u>	<u>Part No.</u>	<u>Description</u>	<u>Parts – Assembly</u>	<u>Will Fit SN</u>	<u>Remarks</u>
1	DC-0025	Decal, Danger, Entanglement In Rotating Drive	1		
2	DC-0026	Decal, Warning, Crushing Under Endgate	2		
4	DC-0030	Decal, Danger, Entanglement In Beater	3		
6	DC-0078	Decal, '490 VB', Spreader	2		
7	DC-0033	Decal, Red, Reflector, Spreader	2		
8	DC-0038	Decal, Caution, Raise Endgate Completely	1		
9	DC-0052	Decal, 'Hydra Ram Spreaders' Logo, Large	2		

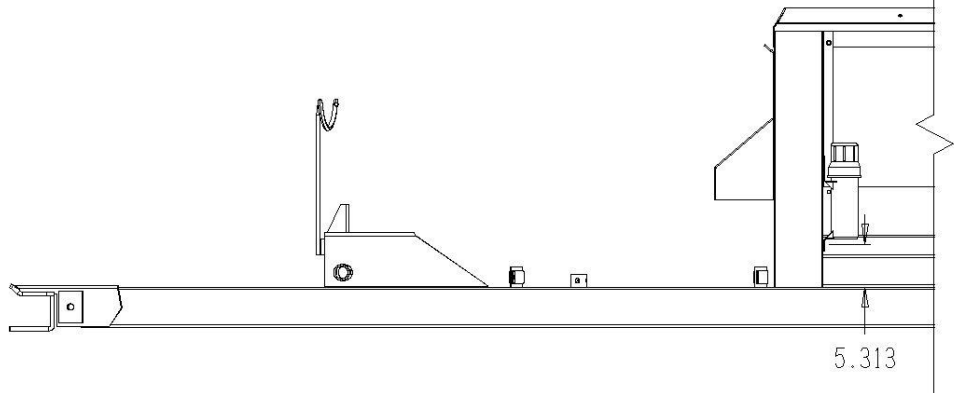
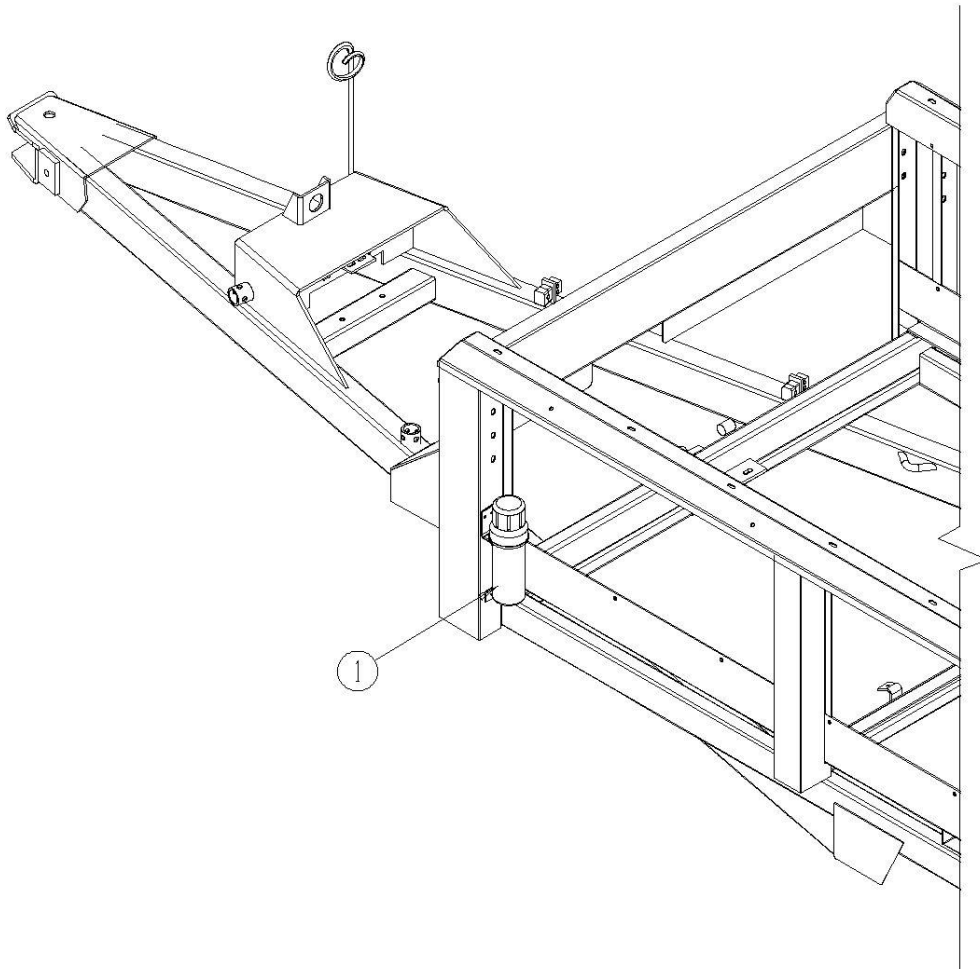
7209-4-5 DECALS, SIDE OF SPREADER



7209-4-6 Manual Holder

<u>Ref</u>	<u>Part No.</u>	<u>Description</u>	<u>Parts – Assembly</u>	<u>Will Fit SN</u>	<u>Remarks</u>
1	MAN-67670	Manual Holder/Canister	1		
101	BL-1224-087-DT	12-24 x 7/8 Drill and Tap Screw	4		

7209-4-6
MANUAL HOLDER



5.313