



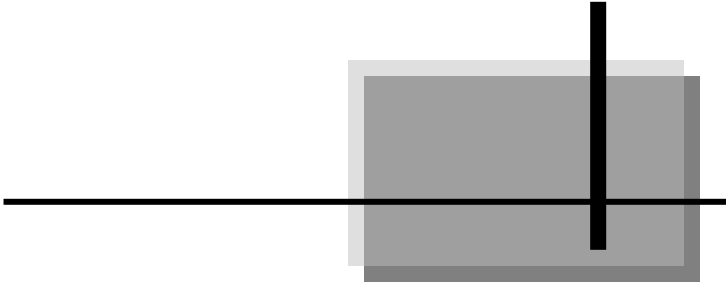
PARTS CATALOG

HYDRA-RAM 795 MANURE SPREADER



Pik Rite, Inc
60 Pik Rite Lane
Lewisburg, PA 17837
Ph. 800-326-9763
Fx. 570-523-8175
www.pikrite.com

June 10, 2014





HYDRA-RAM 795 MANURE SPREADER

(SPECIFICATIONS AND DESIGN SUBJECT TO CHANGE WITHOUT NOTICE)

DIRECTION ARROW

ARROWS ARE USED WITH ILLUSTRATIONS TO INDICATE THE FRONT OF THE UNIT. "RIGHT-HAND" AND "LEFT-HAND" SIDES ARE DETERMINED BY FACING THE DIRECTION OF MACHINE FORWARD TRAVEL.

BOX ENCLOSED ILLUSTRATIONS

A REFERENCE NUMBER, SHOWN IN THE PARTS LIST, IS ASSIGNED TO A BOX ENCOMPASSING ALL PARTS SOLD AS A SERVICE ASSEMBLY.

REFERENCE NUMBER IDENTIFICATION

000-099 PARTS USED FOR ASSEMBLY
100-199 BOLTS & FASTENERS
800-899 REPLACEMENT PARTS OR SERVICE ASSEMBLIES –
USED TO REPLACE OR REBUILD COMPONENTS OF THE
MACHINE

TABLE OF CONTENTS

| | | |
|------------|---|----|
| 7306-1-1 | 795 Main Frame & Side Panels..... | 8 |
| 7307-1-1 | Main Frame & Side Panels, Tandem Rockers..... | 10 |
| 7306-1-2 | Main Floor | 12 |
| 7306-1-3 | Sliding Floor | 14 |
| 7306-1-4 | Moving Panel..... | 16 |
| 7306-1-6 | Beater Support Panels | 18 |
| 7306-1-7 | Endgate..... | 20 |
| 7306-1-8 | Front Splash Guard..... | 22 |
| 7306-1-9 | Tires and Wheels | 24 |
| 7307-1-10 | Walking Beam, Tandem | 26 |
| 7307-1-11 | Wheel, Hub and Bearings (Implement Tires)..... | 28 |
| 7307-1-12 | Optional - Wheel, Hub and Bearings (Truck Tires)..... | 30 |
| 7307-1-13 | Optional - Wheel & Hub (385 Truck Tires)..... | 32 |
| 7306-2-7 | Main Beater..... | 34 |
| 7306-2-8 | Upper Beater | 36 |
| 7306-2-9 | Upper Beater Drive Sprockets and Chain | 38 |
| 7306-2-13 | Spinner..... | 40 |
| 7306-2-13A | Gearbox | 42 |
| 7306-2-14 | Driveline, 1000 rpm C/V | 44 |
| 7306-3-1 | Hydraulics, Control Valve to Push off Cylinder | 48 |
| 7306-3-2 | Hydraulics, Endgate Cylinders | 50 |
| 7306-3-3 | Main Cylinder, Sliding Floor..... | 52 |
| 7306-3-4 | Secondary Cylinder, Moving Panel | 54 |

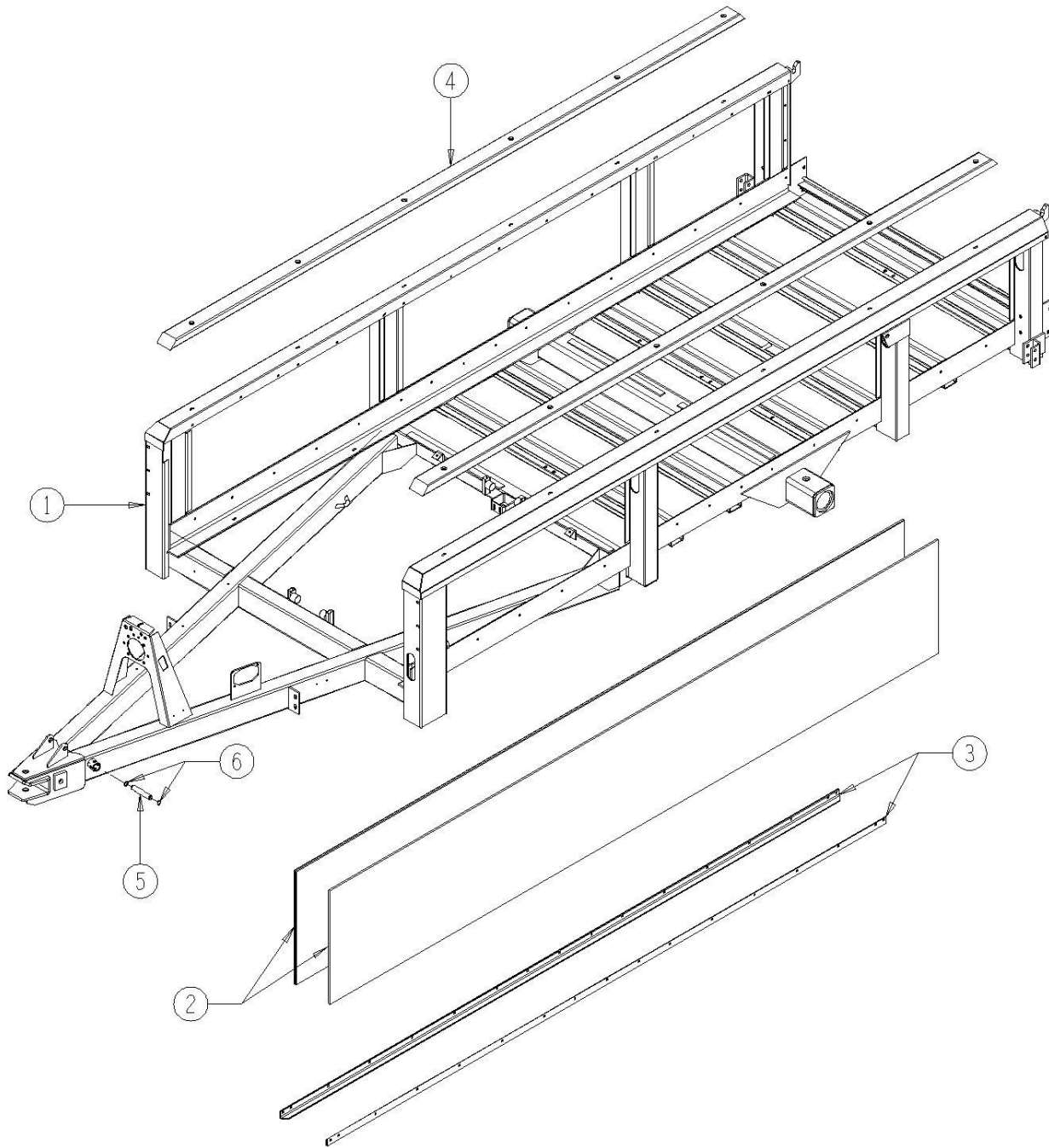
| | | |
|------------|--|----|
| 7306-3-5 | Endgate Lift Cylinder | 56 |
| 7306-3-6 | Optional Control Valve, Closed Center..... | 58 |
| 7306-3-7 | Optional Control Valve, Open Center | 60 |
| 7306-3-8 | Oil Tank..... | 62 |
| 7306-3-9 | Hydraulics, Drive System | 64 |
| 7306-3-9.1 | Optional - Hydraulics With Rear Disconnects..... | 68 |
| 7306-4-2 | Optional Safety Tow Chain..... | 72 |
| 7306-4-3 | Jack Stand..... | 74 |
| 7306-4-5 | Decals, Front..... | 77 |
| 7306-4-6 | Decals, Sides & Rear | 79 |
| 7306-4-7 | Manual Holder | 81 |

PARTS
CATALOG

7306-1-1 795 Main Frame & Side Panels

| <u>Ref</u> | <u>Part No.</u> | <u>Description</u> | <u>Parts – Assembly</u> | <u>Will Fit SN</u> | <u>Remarks</u> |
|------------|-----------------|--|-----------------------------|--------------------|----------------|
| 1 | PR22471 | Frame,Weldment,Spreader 795 Single Wheel | 1 | PR22471 | |
| 2 | PR44537 | Panel, Side Walls, 790 Spreader | 2 | | |
| 3 | PR38365 | Angle, Sliding Floor | 2 | | |
| 4 | PR39185 | Bumper Rail, Top Rail Protector | 2 | | |
| 5 | PR30289 | Cylinder Pin | 1 | | |
| 6 | PR58806 | Retaining Ring, 63/64" (.984) Shaft Size, External | 2 | | |
| 101 | BL-6-125-C | 3/8 UNC X 1 1/4 CARRIAGE BOLT GR5 ZINC | 20 | | |
| 102 | BL-6-150-C | 3/8 UNC X 1 1/2 CARRIAGE BOLT GR5 ZINC | 10 | | |
| 103 | BL-6-175-C | 3/8 UNC X 1 3/4 CARRIAGE BOLT GR5 ZINC | 30 | | |
| 104 | BL-6-250-H | 3/8-16 X 2 1/2 HH C/S GR5 ZC | 6 | | |
| 105 | BL-6-300-H | 3/8 UNC X 3 HH C/S BOLT GR5 ZINC | 3 | | |
| 106 | BL-6-350-H | 3/8-16 X 3 1/2 HEX CAP G5 ZC | 2 | | |
| 107 | BL-6-400-H | 3/8-16 X 4 HEX CAP G5 ZC | 1 | | |
| 108 | BL-6-N | 3/8-16 HEX NUTS ZC | 60 | | |
| 109 | BL-6-LW | 3/8 SPLIT LW ZC | 60 | | |
| 110 | BL-6-SW | 3/8 SAE FW ZC | 30 | | |
| 111 | BL-6-FW | 3/8 USS FW ZC | 50 | | |
| 112 | BL-6-LN | 3/8 UNC FIN HEX LOCK NUT NE A563 GrA ZINC | 12 | | |

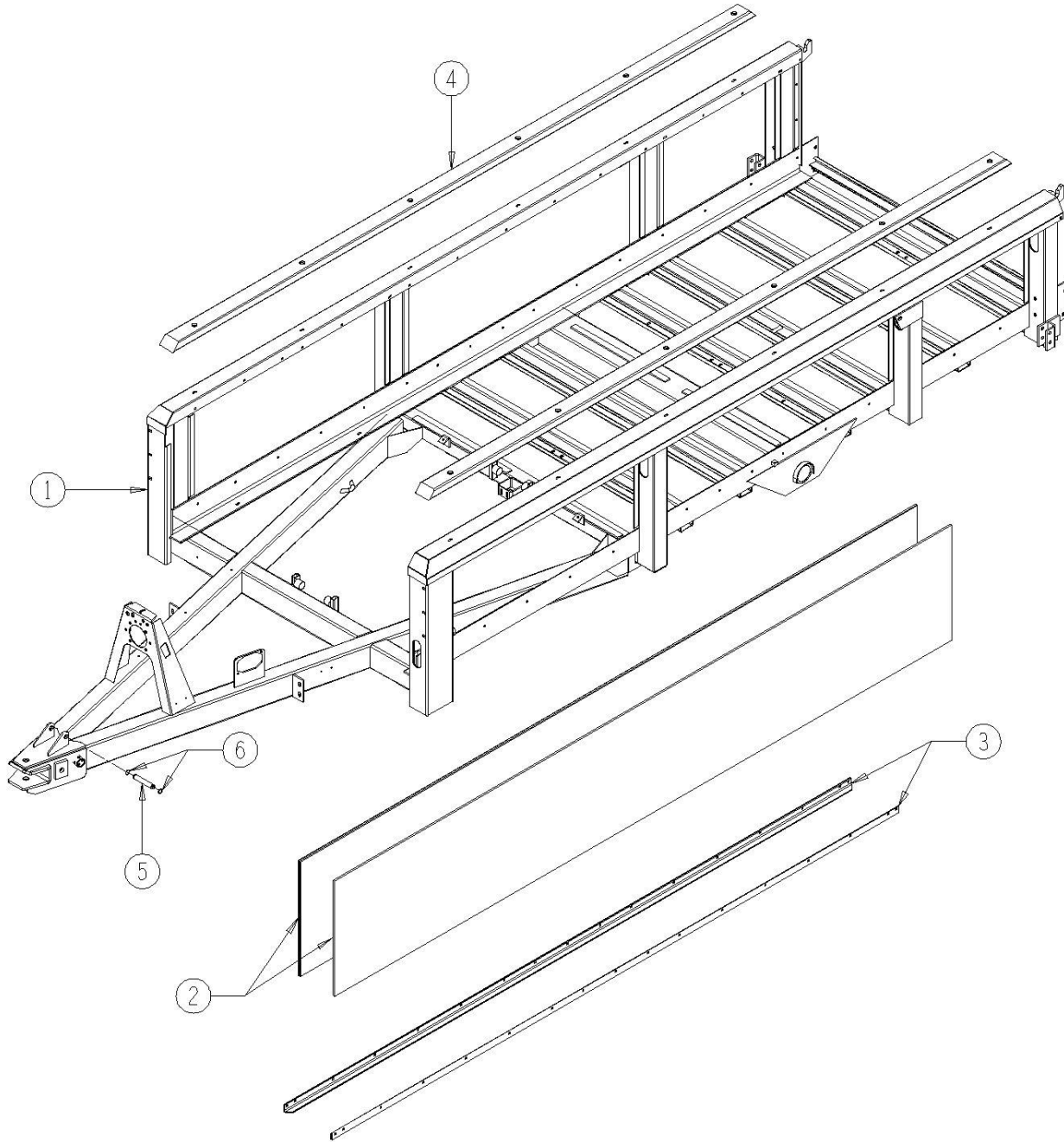
7306-1-1
795 MAIN FRAME & SIDE PANELS



7307-1-1 Main Frame & Side Panels, Tandem Rockers

| <u>Ref</u> | <u>Part No.</u> | <u>Description</u> | <u>Parts – Assembly</u> | <u>Will Fit SN</u> | <u>Remarks</u> |
|------------|-----------------|--|-----------------------------|--------------------|----------------|
| 1 | PR22474 | Frame W, Spreader 795 w/ Tandem Walking Beam | 1 | | |
| 2 | PR44537 | Panel, Side Walls, 790 Spreader | 2 | | |
| 3 | PR38365 | Angle, Sliding Floor | 2 | | |
| 4 | PR39185 | Bumper Rail, Top Rail Protector | 2 | | |
| 5 | PR30289 | Cylinder Pin | 1 | | |
| 6 | PR58806 | Retaining Ring, 63/64" (.984) Shaft Size, External | 2 | | |
| 101 | BL-6-125-C | 3/8 UNC X 1 1/4 CARRIAGE BOLT GR5 ZINC | 20 | | |
| 102 | BL-6-150-C | 3/8 UNC X 1 1/2 CARRIAGE BOLT GR5 ZINC | 10 | | |
| 103 | BL-6-175-C | 3/8 UNC X 1 3/4 CARRIAGE BOLT GR5 ZINC | 30 | | |
| 104 | BL-6-250-H | 3/8-16 X 2 1/2 HH C/S GR5 ZC | 6 | | |
| 105 | BL-6-300-H | 3/8 UNC X 3 HH C/S BOLT GR5 ZINC | 3 | | |
| 106 | BL-6-350-H | 3/8-16 X 3 1/2 HEX CAP G5 ZC | 2 | | |
| 107 | BL-6-400-H | 3/8-16 X 4 HEX CAP G5 ZC | 1 | | |
| 108 | BL-6-N | 3/8-16 HEX NUTS ZC | 60 | | |
| 109 | BL-6-LW | 3/8 SPLIT LW ZC | 60 | | |
| 110 | BL-6-SW | 3/8 SAE FW ZC | 30 | | |
| 111 | BL-6-FW | 3/8 USS FW ZC | 50 | | |
| 112 | BL-6-LN | 3/8 UNC FIN HEX LOCK NUT NE A563 GrA ZINC | 12 | | |

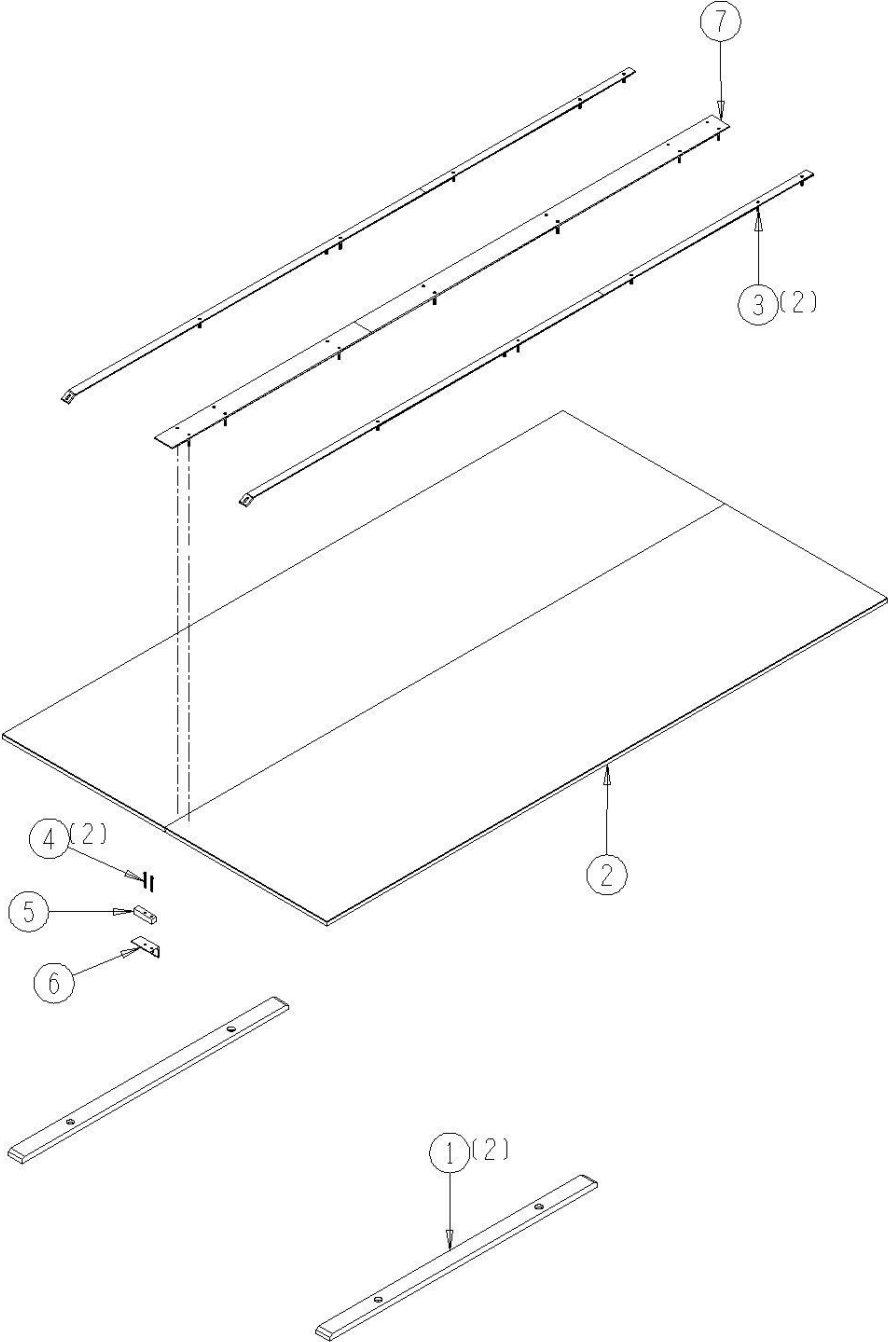
7307-1-1
795 MAIN FRAME & SIDE PANELS, TANDEM



7306-1-2 Main Floor

| <u>Ref</u> | <u>Part No.</u> | <u>Description</u> | <u>Parts – Assembly</u> | <u>Will Fit SN</u> | <u>Remarks</u> |
|------------|-----------------|---|-----------------------------|--------------------|----------------|
| 1 | PR33358 | Slide, Wood, Front, Spreader | 2 | | |
| 2 | PR33279 | Panel, Main Floor, Spreader, 790,1190 | 1 | | |
| 3 | PR22499 | Wear Plate | 2 | | |
| 4 | PIN-C4-32 | Cotter Pin .25 x 2" | 2 | | |
| 5 | PR33555 | Angle | 1 | | |
| 6 | PR32639 | Support, Cylinder, UHMW | 1 | | |
| 7 | PR22497 | Retaining Bar, Main Floor | 1 | | |
| 101 | BL-6-150-H | 3/8-16 X 1 1/2 HEX CAP G5 ZC | 4 | | |
| 102 | BL-6-125-C | 3/8 UNC X 1 1/4 CARRIAGE BOLT GR5 ZINC | 2 | | |
| 103 | BL-6-100-H | 3/8 UNC X 1 HH C/S BOLT GR5 ZINC | 2 | | |
| 104 | BL-6-LN | 3/8 UNC FIN HEX LOCK NUT NE A563 GrA ZINC | 32 | | |
| 105 | BL-6-FW | 3/8 USS FW ZC | 34 | | |
| 106 | BL-6-SW | 3/8 SAE FW ZC | 4 | | |

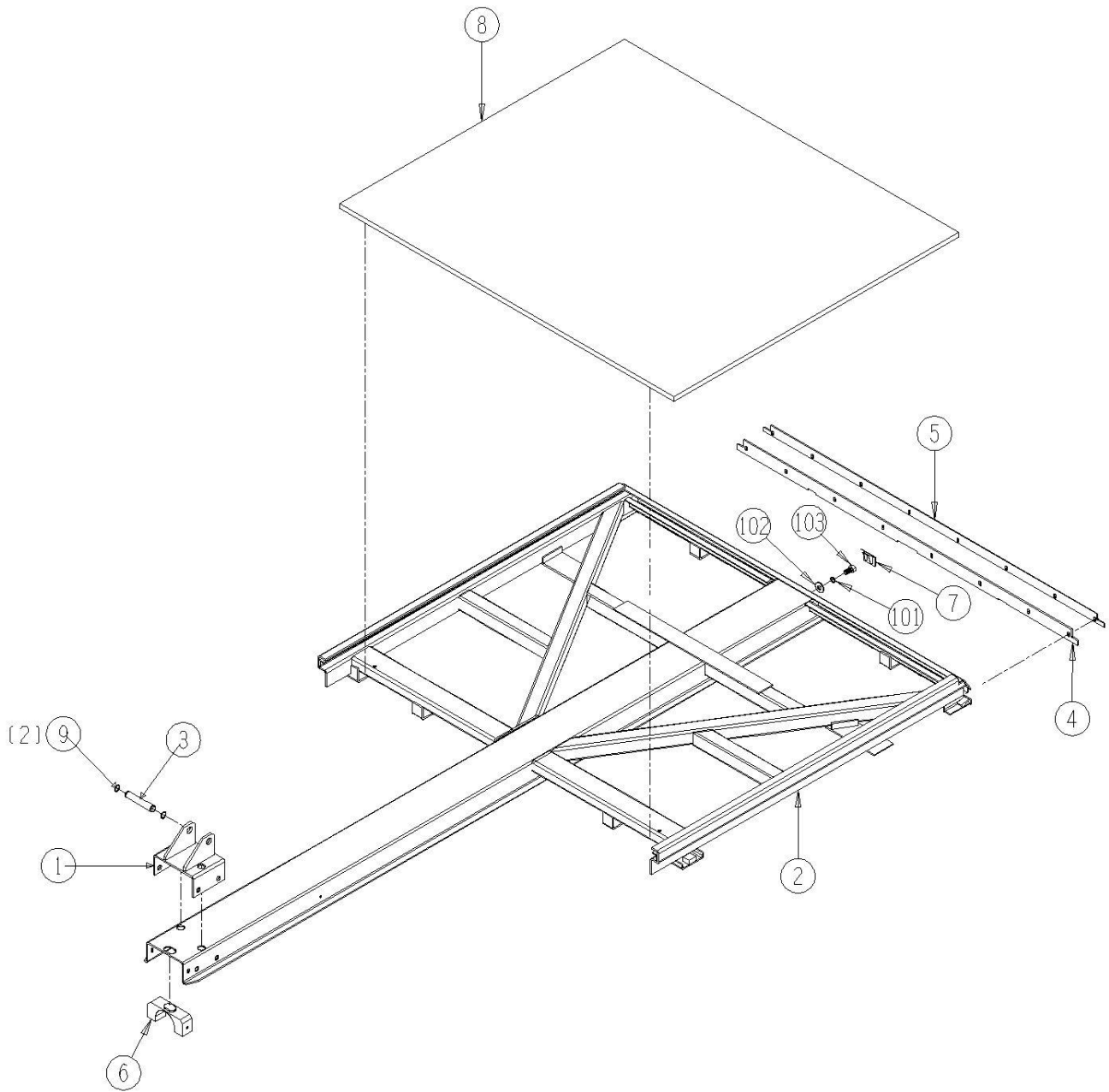
7306-1-2
MAIN FLOOR AND GUIDES FOR SLIDING FLOOR



7306-1-3 Sliding Floor

| <u>Ref</u> | <u>Part No.</u> | <u>Description</u> | <u>Parts – Assembly</u> | <u>Will Fit SN</u> | <u>Remarks</u> |
|------------|-----------------|--|-----------------------------|--------------------|----------------|
| 1 | PR23219 | Support, Cylinder Mount, Sliding Floor | 1 | | |
| 2 | PR25873 | Sliding Floor, Inside, Spreader, 790,1190 | 1 | | |
| 3 | PR30289 | Cylinder Pin | 1 | | |
| 4 | PR33352 | Belting, Bottom Bed Scraper, Sliding Floor | 1 | | |
| 5 | PR33354 | Retaining Bar, Sliding Floor, 790,1190 | 1 | | |
| 6 | PR38758 | Plastic Guide, Hydraulic Cylinder, Sliding Floor | 1 | | |
| 7 | PR38760 | Plug, Sliding Floor, Spreader | 1 | | |
| 8 | PR44533 | Panel, Sliding Floor, Spreader | 1 | | |
| 9 | PR58806 | Retaining Ring, 63/64" (.984) Shaft Size, External | 2 | | |
| 101 | BL-10-LW | 5/8 SPLIT LW ZC | 1 | | |
| 103 | BL-8-200-35H8 | 0.8 x 16mm-2.0 x 35 Gr 8 HH Bolt Zinc Coated | 1 | | |
| 104 | BL-6-350-C | 3/8 UNC X 3 1/2 CARRIAGE BOLT GR5 ZINC | 2 | | |
| 105 | BL-5-125-H | 5/16-18 X 1 1/4 HEX CAP G5 ZC | 8 | | |
| 106 | BL-10-150-H | 5/8-11 X 1 1/2 HEX CAP G5 ZC | 4 | | |
| 107 | BL-5-075-H | 5/16-18 X 3/4 HEX CAP G5 ZC | 2 | | |
| 108 | BL-6-SW | 3/8 SAE FW ZC | 2 | | |
| 109 | BL-10-LN | 5/8-11 HEX LN NE ZC | 4 | | |
| 110 | BL-10-SW | 5/8 SAE FW ZC @ | 9 | | |
| 111 | BL-5-FW | 5/16 USS FW ZC | 10 | | |
| 112 | BL-5-LW | 5/16 SPLIT LW ZC | 10 | | |
| 113 | BL-6-N | 3/8-16 HEX NUTS ZC | 2 | | |
| 114 | BL-6-LW | 3/8 SPLIT LW ZC | 2 | | |

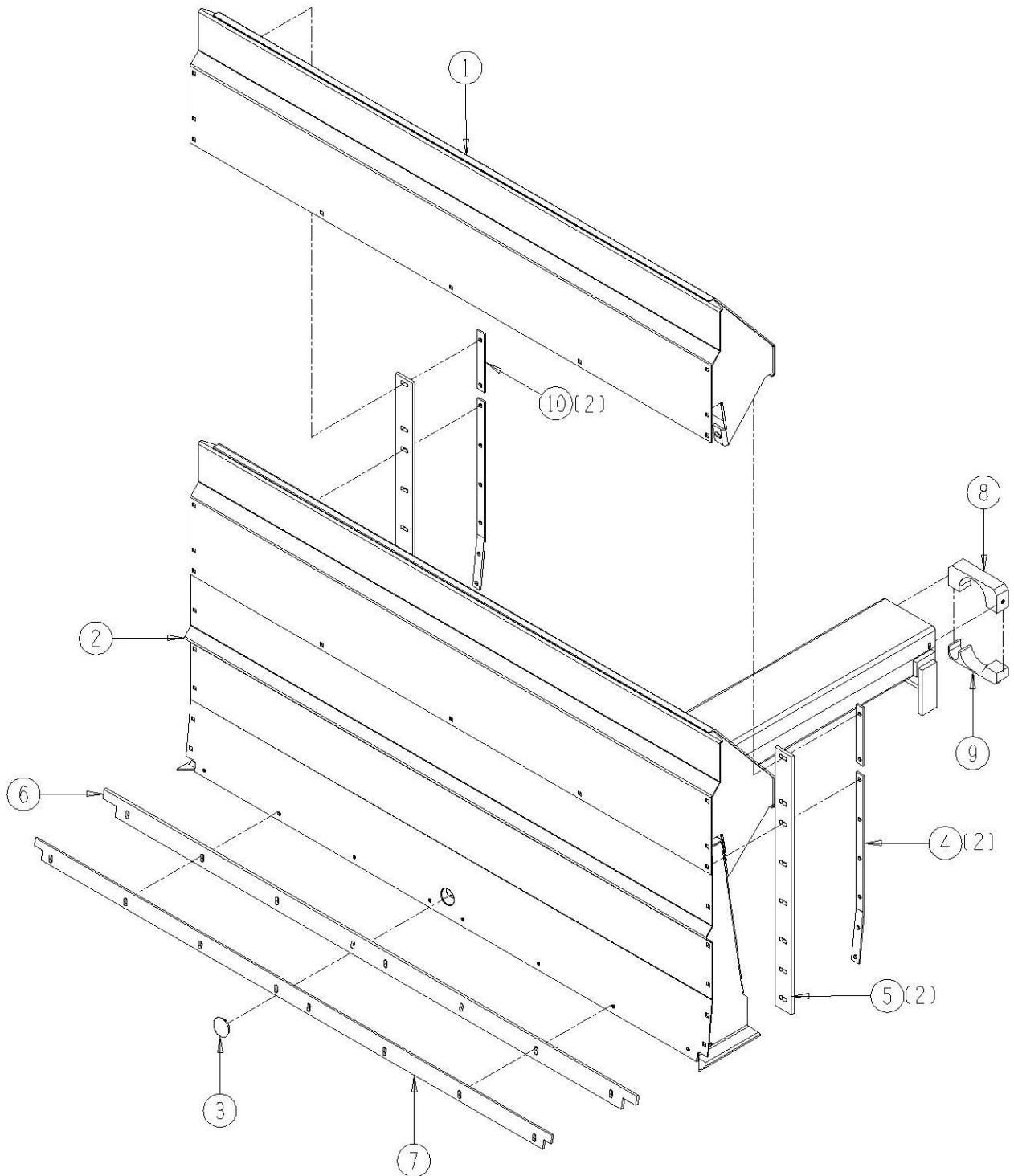
7306-1-3
SLIDING FLOOR



7306-1-4 Moving Panel

| <u>Ref</u> | <u>Part No.</u> | <u>Description</u> | <u>Parts – Assembly</u> | <u>Will Fit SN</u> | <u>Remarks</u> |
|------------|-----------------|---|-----------------------------|--------------------|----------------|
| 1 | PR22461 | Extension, Moving Panel, Spreader | 1 | | |
| 2 | PR25872 | Front Panel, Sliding, Spreader | 1 | | |
| 3 | PL-0024 | Plastic, Nylon, 1-3/4" Hole Plug, Locking, Unvented | 1 | | |
| 4 | PR33435 | Strap, Moving Panel, Spreader | 2 | | |
| 5 | PR33440 | Flap, Moving Panel Scraper Belt, Spreader | 2 | | |
| 6 | PR33441 | Flap, Moving Panel Scraper Belting, Bottom | 1 | | |
| 7 | PR33443 | Retaining Bar, Moving Panel, Bottom | 1 | | |
| 8 | PR34750 | Guide, Plastic, Cylinder Holder, Moving Panel | 1 | | |
| 9 | PR34751 | Guide, Plastic, Cylinder Mount, Lower, Moving Pnl | 1 | | |
| 10 | PR34268 | Retainer Bar, Top, Side Scraper, Moving Panel | 2 | | |
| 101 | BL-6-075-C | 3/8 UNC X 3/4 CARRIAGE BOLT GR5 ZINC | 8 | | |
| 102 | BL-6-125-C | 3/8 UNC X 1 1/4 CARRIAGE BOLT GR5 ZINC | 14 | | |
| 103 | BL-6-150-C | 3/8 UNC X 1 1/2 CARRIAGE BOLT GR5 ZINC | 2 | | |
| 104 | BL-5-125-H | 5/16-18 X 1 1/4 HEX CAP G5 ZC | 8 | | |
| 105 | BL-M16-40 | Hex Bolt, 16mm x 40mm | 2 | | |
| 106 | BL-6-075-H | 3/8-16 X 3/4 HHCS G5 ZC | 2 | | |
| 107 | BL-6-SW | 3/8 SAE FW ZC | 26 | | |
| 108 | BL-10-LW | 5/8 SPLIT LW ZC | 2 | | |
| 109 | BL-10-FW-8 | 5/8" Grade 8 Flat Washer | 1 | | |
| 110 | BL-5-FW | 5/16 USS FW ZC | 8 | | |
| 111 | BL-5-LW | 5/16 SPLIT LW ZC | 8 | | |
| 112 | BL-10-FWSS | 5/8 USS FW SS | 1 | | |
| 113 | BL-6-N | 3/8-16 HEX NUTS ZC | 24 | | |
| 114 | BL-6-LW | 3/8 SPLIT LW ZC | 26 | | |

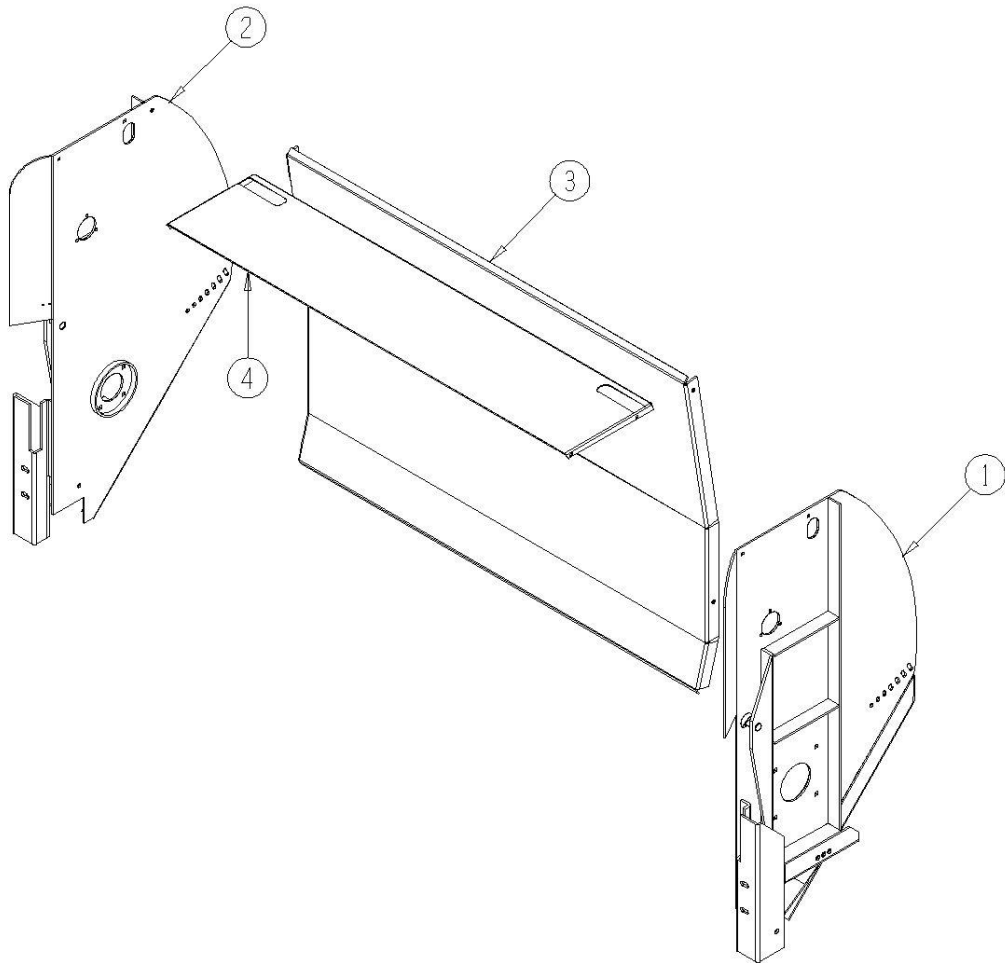
7306-1-4
MOVING PANEL



7306-1-6 Beater Support Panels

| <u>Ref</u> | <u>Part No.</u> | <u>Description</u> | <u>Parts – Assembly</u> | <u>Will Fit SN</u> | <u>Remarks</u> |
|------------|-----------------|--------------------------------|-----------------------------|--------------------|----------------|
| 1 | PR45000 | Left Panel, Beater,795 | 1 | PR45000 | |
| 2 | PR45001 | Right Panel,Beater,795 | 1 | PR45001 | |
| 3 | PR45002 | Rear Panel,Beater,795 Spreader | 1 | | |
| 4 | PR45021 | Hood, Upper Beater | 1 | | |
| 101 | BL-10-SW | 5/8 SAE FW ZC @ | 4 | | |
| 102 | BL-10-LN | 5/8-11 HEX LN NE ZC | 4 | | |
| 103 | BL-10-FW-8 | 5/8" Grade 8 Flat Washer | 4 | | |
| 104 | BL-10-550-H | 5/8" x 5 1/2" HH Bolt | 4 | | |

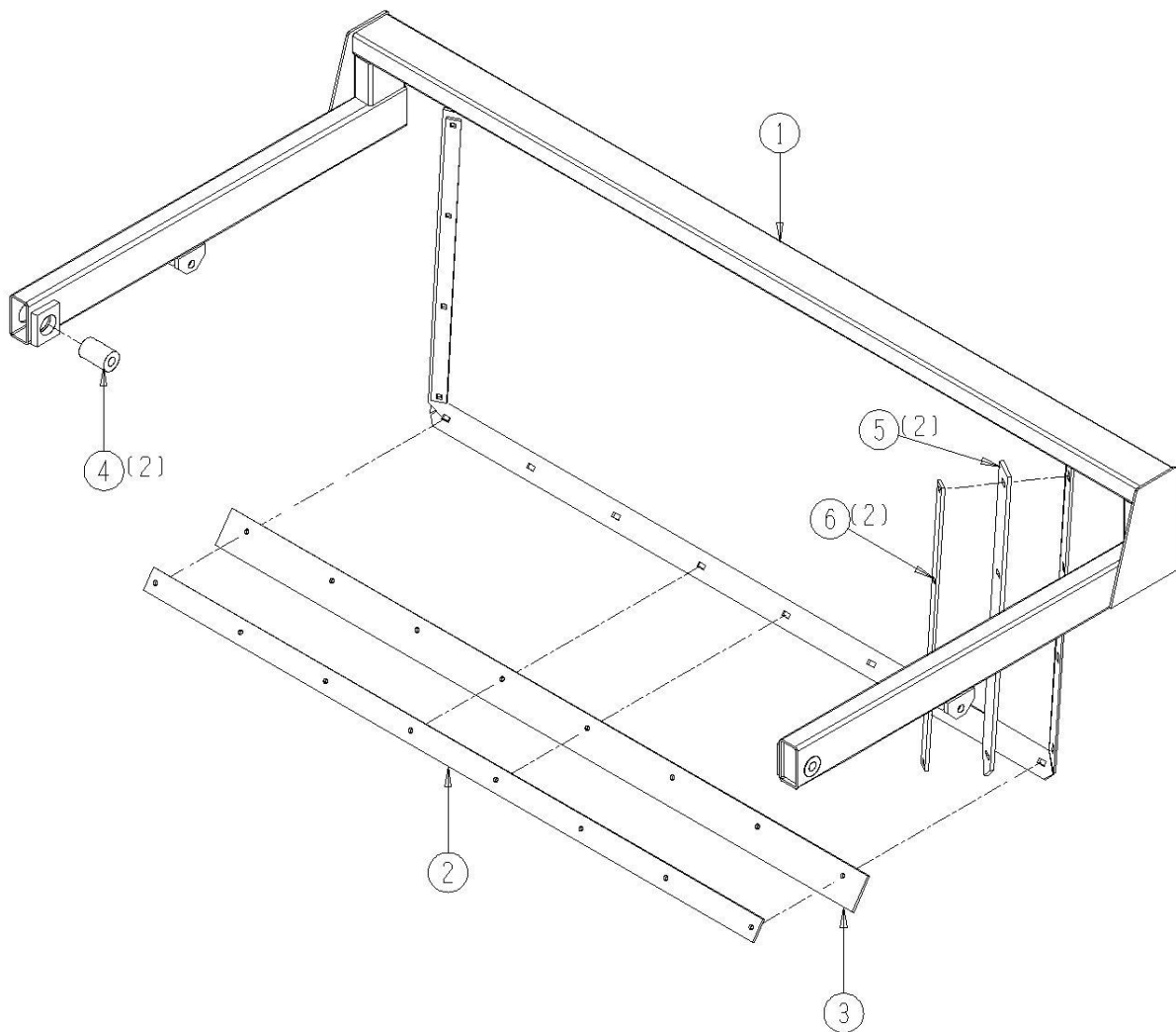
7306-1-6
BEATER SUPPORT PANELS



7306-1-7 Endgate

| <u>Ref</u> | <u>Part No.</u> | <u>Description</u> | <u>Parts – Assembly</u> | <u>Will Fit SN</u> | <u>Remarks</u> |
|------------|-----------------|---|-----------------------------|--------------------|----------------|
| 1 | PR39046 | End Gate Wldmt, Spreader | 1 | | |
| 2 | PR39063 | Bar, Bottom, Belting Holder, End Gate, Spreader | 1 | | |
| 3 | PR39064 | Belting, Bottom, End Gate, Spreader | 1 | | |
| 4 | PR39065 | Spacer, Pivot End Bushing, End Gate, Spreader | 2 | | |
| 5 | PR39062 | Belting, Side, End Gate, Spreader | 2 | | |
| 6 | PR39061 | Bar, Side Belting Holder, End Gate, Spreader | 2 | | |
| 101 | BL-12-450-8 | ¾" x 4 1/2", HH C/S G8 ZC | 2 | | |
| 102 | BL-10-300-H | 5/8-11 X 3 HEX CAP G5 ZC | 2 | | |
| 103 | BL-10-375-H | 5/8-11 X 3 ¾ HEX CAP G5 ZC | 2 | | |
| 104 | BL-6-125-C | 3/8 UNC X 1 1/4 CARRIAGE BOLT GR5 ZINC | 14 | | |
| 105 | BL-6-150-C | 3/8 UNC X 1 1/2 CARRIAGE BOLT GR5 ZINC | 2 | | |
| 106 | BL-10-SW | 5/8 SAE FW ZC @ | 8 | | |
| 107 | BL-12-FW | ¾" Flat Washer | 4 | | |
| 108 | BL-12-LN | ¾" Lock Nuts w/Nylon Inserts | 2 | | |
| 109 | BL-10-LN | 5/8-11 HEX LN NE ZC | 4 | | |
| 110 | BL-6-N | 3/8-16 HEX NUTS ZC | 16 | | |
| 111 | BL-6-LW | 3/8 SPLIT LW ZC | 16 | | |
| 112 | BL-6-SW | 3/8 SAE FW ZC | 16 | | |

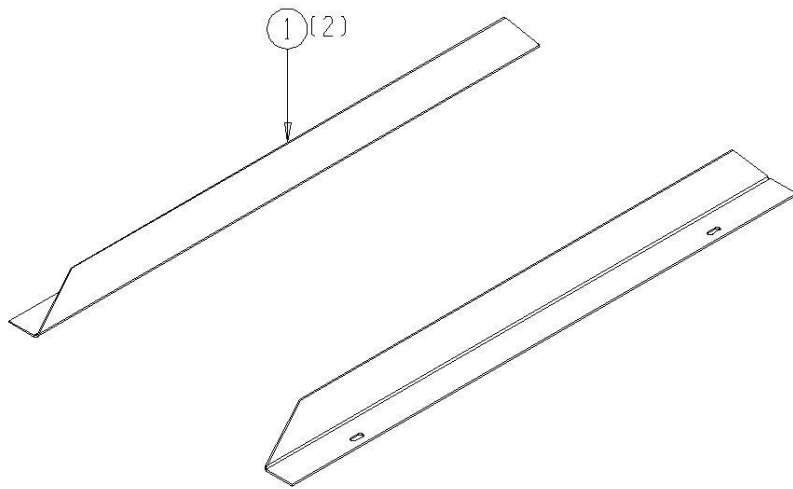
7306-1-7
ENDGATE



7306-1-8 Front Splash Guard

| <u>Ref</u> | <u>Part No.</u> | <u>Description</u> | <u>Parts – Assembly</u> | <u>Will Fit SN</u> | <u>Remarks</u> |
|------------|-----------------|--------------------------|-----------------------------|--------------------|----------------|
| 1 | PR39182 | Splash Guard, 790 & 1190 | 2 | | |

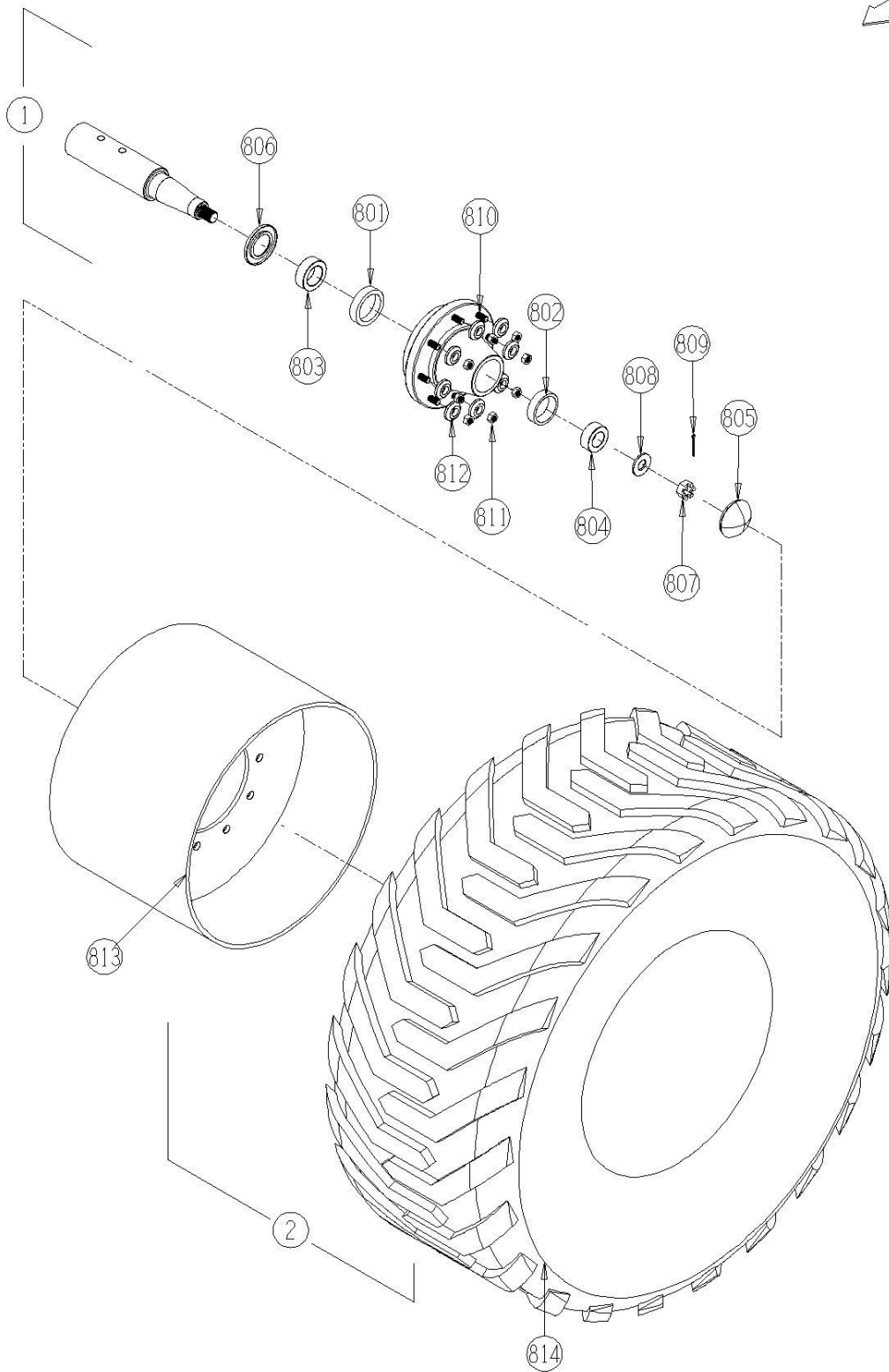
7306-1-8
FRONT SPLASH GUARD



7306-1-9 Tires and Wheels

| <u>Ref</u> | <u>Part No.</u> | <u>Description</u> | <u>Parts – Assembly</u> | <u>Will Fit SN</u> | <u>Remarks</u> |
|------------|-----------------|---|-----------------------------|--------------------|--|
| 1 | WHL-1210 | Hub and Spindle Assembly | 2 | | |
| 2 | WHM-7101 | 550/60-22.5 Tire & Wheel Assy | 2 | 1190 | |
| 800 | WBR-1210K | Wheel Bearing Kit for WHL-1210 Hub & Spindle Assy. | 1 | WHL-1210 | inner & outer cones & cups and grease seal |
| 801 | WHL-1210A | Inner Cup | 1 | | |
| 802 | WHL-1210B | Outter Cup | 1 | | |
| 803 | WHL-1210C | Inner Cone | 1 | | |
| 804 | WHL-1210D | Outer Cone | 1 | | |
| 805 | WHL-1210E | Dust Cap | 1 | | |
| 806 | WHL-1210F | Grease Seal | 1 | | |
| 807 | WHL-1210G | Flange Nut, Spindle | 1 | | |
| 808 | WHL-1210H | Washer, Spindle | 1 | | |
| 809 | WHL-1210I | Cotter Pin, Spindle | 1 | | |
| 810 | WHL-1210J | Wheel Stud Bolt | 8 | | |
| 811 | WHL-1210K | Wheel Stud Nut | 8 | | |
| 812 | WHL-1210L | Wheel Stud Washer | 8 | | |
| 813 | WHL-7104 | Wheel, 16 x 22.5 - 7/15, 3/8" (+) Offset, HD, Painted | 1 | WHL-7101 | |
| 814 | WHT-7101 | Tire, Implement, 560/60-22.5, 404 Tread | 1 | | |
| 815 | WHL-1210M | Spindle | 1 | | |

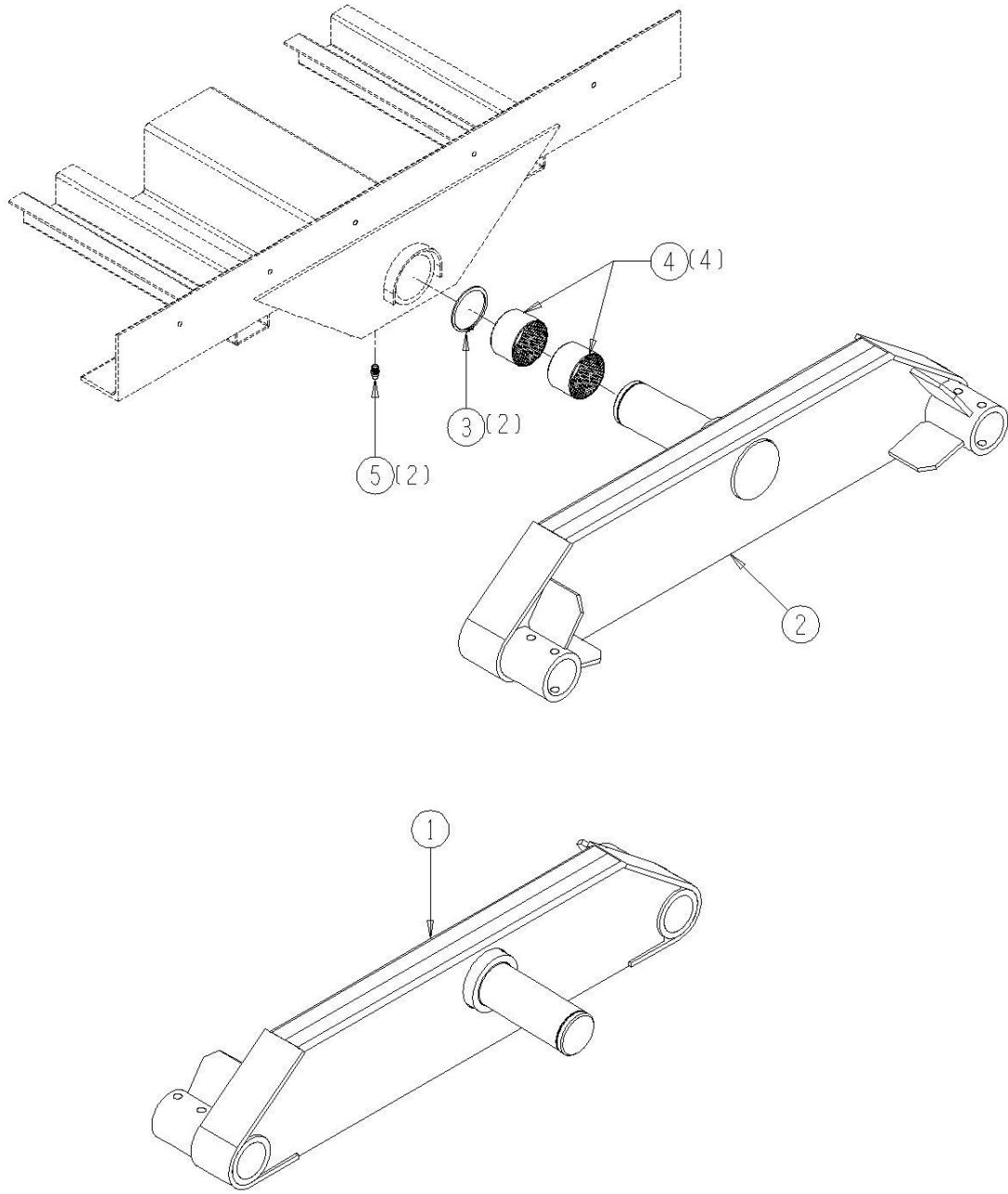
7306-1-9 TIRES AND WHEELS



7307-1-10 Walking Beam, Tandem

| <u>Ref</u> | <u>Part No.</u> | <u>Description</u> | <u>Parts – Assembly</u> | <u>Will Fit SN</u> | <u>Remarks</u> |
|------------|-----------------|---|-----------------------------|--------------------|----------------|
| 1 | PR22987 | Walking Beam, Right, 795 Spreader | 1 | | |
| 2 | PR22986 | Walking Beam, Left, 795 Spreader | 1 | | |
| 3 | PR43595 | Retaining Ring, 3 1/2", External | 2 | | |
| 4 | PR34413 | Bronze Bushing for Spreader, 3½" Dia Shaft | 4 | | |
| 5 | GF-1827-65L | Grease Fitting 1/8 NPT Long 65° | 2 | | |
| 6 | H2-16-2MP-2MP | 1/8 in grease hose 1/8MP x 1/8MP x 16 in long | 2 | | |
| 7 | DC-0010 | Decal, Grease Every 10 hrs. | 2 | | |
| 8 | A-1501-2-2 | 1/8" MP x 1/8" FPX90° | 2 | | |
| 9 | A-1404-2-2 | 1/8 MP x 1/8 FPX | 2 | | |
| 101 | BL-10-500-H | 5/8-11 X 5 HEX CAP G5 ZC | 4 | | |
| 102 | BL-10-LN | 5/8-11 HEX LN NE ZC | 4 | | |

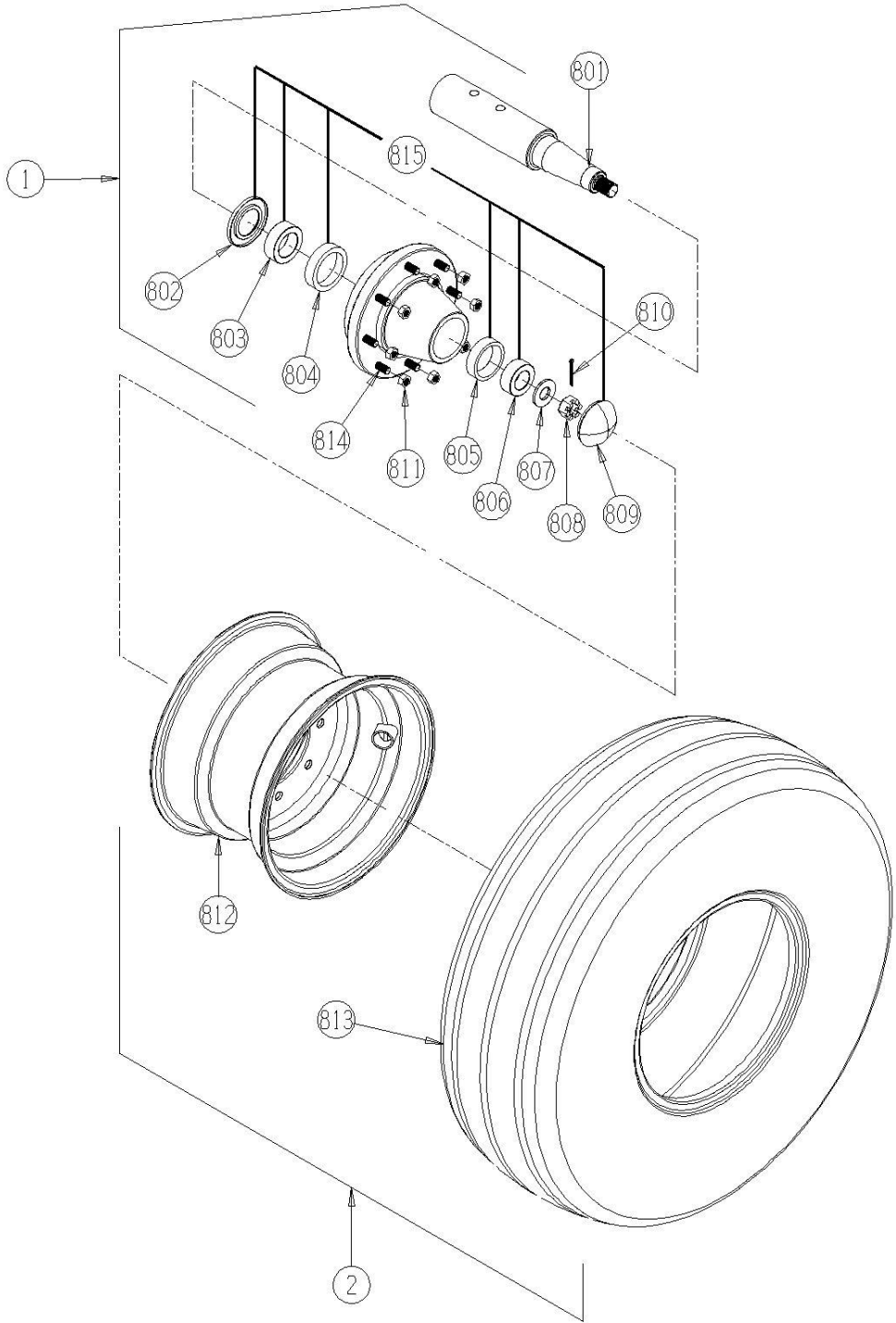
7307-1-10
WALKING BEAM



7307-1-11 Wheel, Hub and Bearings (Implement Tires)

| <u>Ref</u> | <u>Part No.</u> | <u>Description</u> | <u>Parts – Assembly</u> | <u>Will Fit SN</u> | <u>Remarks</u> |
|------------|-----------------|---|-----------------------------|--------------------|-------------------------|
| 1 | WHL-3000 | Hub Assembly Complete (includes spindle) | 4 | | rated for 7500 lbs. CJM |
| 2 | WHM-1514 | 16.5-16.1 Tire & Wheel Assembly (Spreader, Tubeless) | 4 | 790 | |
| 801 | WHL-3001 | Spindle 3" x 16" | 4 | WHL-3000 | |
| 802 | WHL-3000G | Seal | 4 | WHL-3000 | |
| 803 | WHL-3000C | Inner Cone | 4 | WHL-3000 | |
| 804 | WHL-3000A | Inner Cup | 4 | WHL-3000 | |
| 805 | WHL-3000B | Outer Cup | 4 | WHL-3000 | |
| 806 | WHL-3000D | Outer Cone | 4 | WHL-3000 | |
| 807 | WHL-3000K | Spindle Washer | 4 | WHL-3000 | |
| 808 | WHL-3000J | Spindle Nut | 4 | WHL-3000 | |
| 809 | WHL-3000H | Hub Cap | 4 | WHL-3000 | 3 1/8 od |
| 810 | PIN-C3-16-32 | Cotter Pin 3/16 x 2" | 4 | | |
| 811 | WHL-3000F | Lug Nut | 32 | WHL-3000 | |
| 812 | WHL-1614 | 16 x 14 Wheel 8-8-6 (3/8 Positive Offset) | 4 | | |
| 813 | WHT-1614 | 16.5 x 16.1 14 Ply Ribbed Implement Tire (Spreader, Tubeless) | 4 | | |
| 814 | WHL-3000E | Stud Bolt | 32 | WHL-3000 | |
| 815 | WBR-3000K | Wheel Bearing Kit for WHL-3000 Hub & Spindle Assy. | 4 | WHL-3000 | |

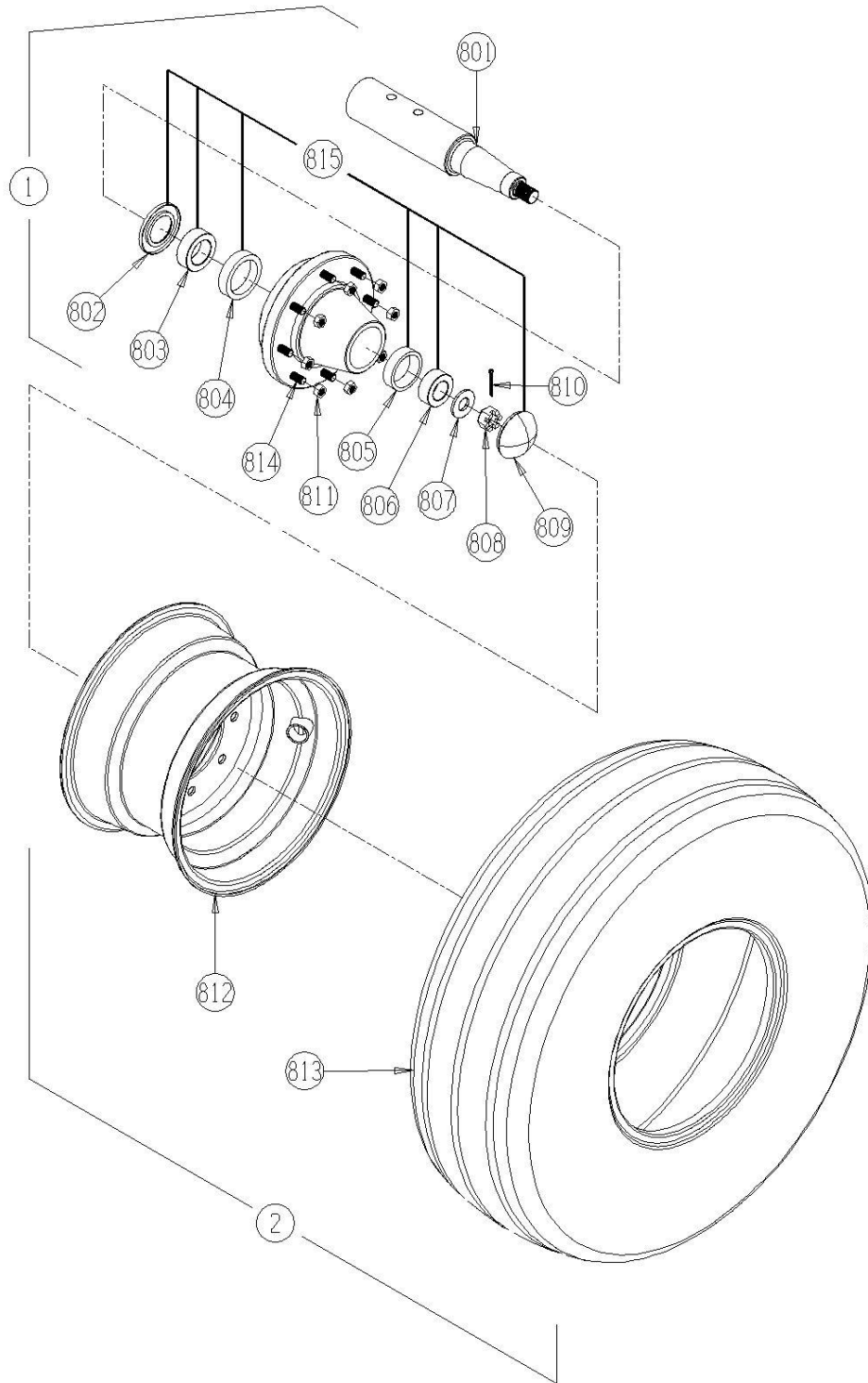
7307-1-11
WHEEL, HUB & BEARINGS
(IMPLEMENT TIRES)



7307-1-12 Optional - Wheel, Hub and Bearings (Truck Tires)

| <u>Ref</u> | <u>Part No.</u> | <u>Description</u> | <u>Parts - Assembly</u> | <u>Will Fit SN</u> | <u>Remarks</u> |
|------------|-----------------|--|-----------------------------|-------------------------|-------------------------|
| 1 | WHL-3000 | Hub Assembly Complete (includes spindle) | 4 | | rated for 7500 lbs. CJM |
| 2 | WHM-7107 | 11.00-22.5 Tire & Wheel Assy. | 4 | | |
| 801 | WHL-3001 | Spindle 3" x 16" | 4 | WHL-3000 | |
| 802 | WHL-3000G | Seal | 4 | WHL-3000 | |
| 803 | WHL-3000C | Inner Cone | 4 | WHL-3000 | |
| 804 | WHL-3000A | Inner Cup | 4 | WHL-3000 | |
| 805 | WHL-3000B | Outer Cup | 4 | WHL-3000 | |
| 806 | WHL-3000D | Outer Cone | 4 | WHL-3000 | |
| 807 | WHL-3000K | Spindle Washer | 4 | WHL-3000 | |
| 808 | WHL-3000J | Spindle Nut | 4 | WHL-3000 | |
| 809 | WHL-3000H | Hub Cap | 4 | WHL-3000 | 3 1/8 od |
| 810 | PIN-C3-16-32 | Cotter Pin 3/16 x 2" | 4 | | |
| 811 | WHL-3000F | Lug Nut | 32 | WHL-3000 | |
| 812 | WHL-7107 | 22.5 x 8.25 Wheel - 8-8-6 - 3/8" Positive Offset | 4 | | |
| 813 | WHT-7107 | 11-22.5 Recapped Implement Tire | 4 | | |
| 814 | WHL-3000E | Stud Bolt | 32 | WHL-3000 | |
| 815 | WBR-3000K | Wheel Bearing Kit for WHL-3000 Hub & Spindle Assy. | 4 | WHL-3000 | |
| 816 | WHT-1021 | Bias Tube | 4 | WHT-1020 OR WHT-7107 | |

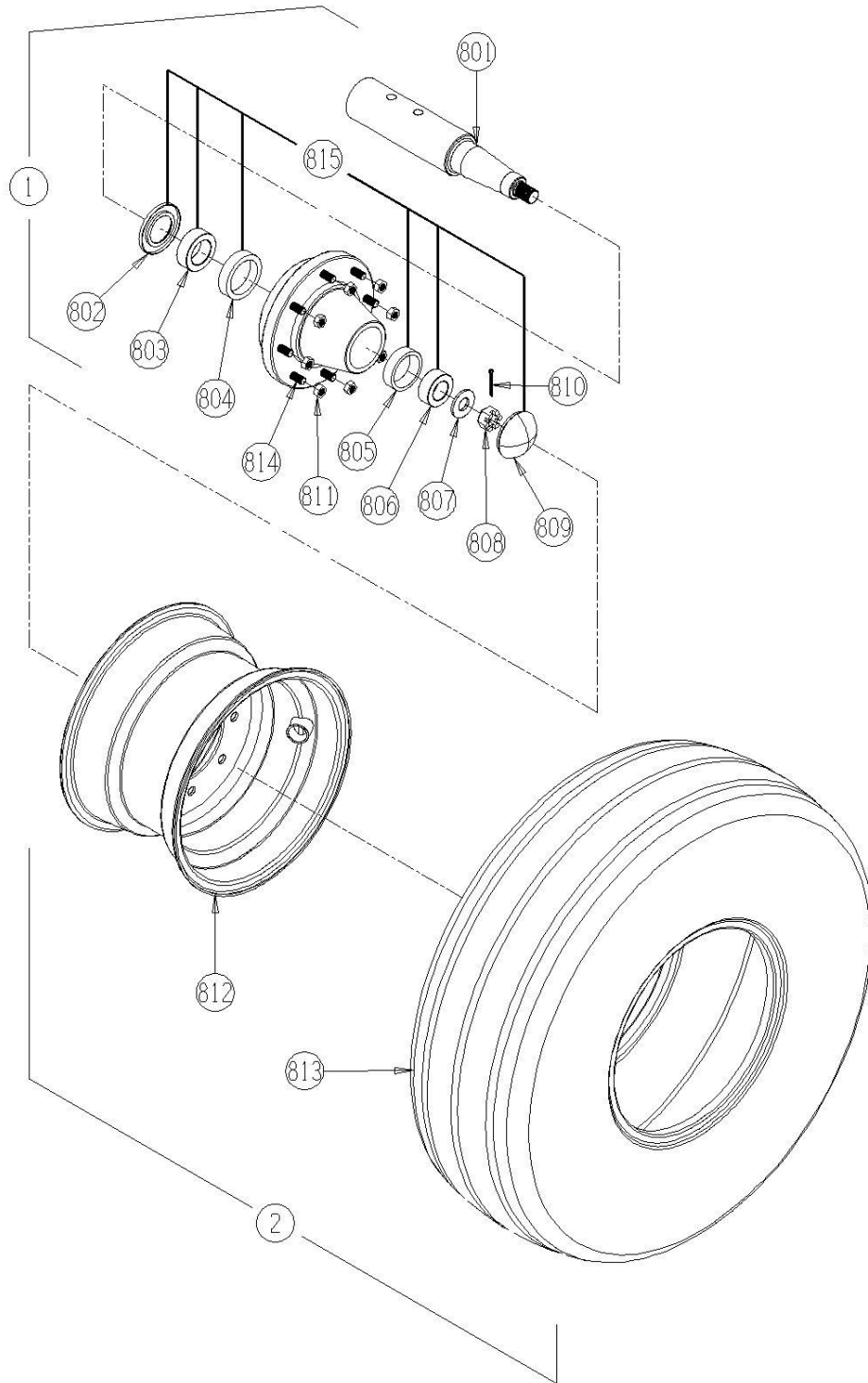
7307-1-12
OPTIONAL WHEEL, HUB & BEARINGS
(TRUCK TIRES)



7307-1-13 Optional - Wheel & Hub (385 Truck Tires)

| <u>Ref</u> | <u>Part No.</u> | <u>Description</u> | <u>Parts – Assembly</u> | <u>Will Fit SN</u> | <u>Remarks</u> |
|------------|-----------------|--|-----------------------------|--------------------|-------------------------|
| 1 | WHL-3000 | Hub Assembly Complete (includes spindle) | 4 | | rated for 7500 lbs. CJM |
| 2 | WHM-7106 | 385/65R22.5 Tire & Wheel Assy | 4 | 790 | |
| 801 | WHL-3001 | Spindle 3" x 16" | 4 | WHL-3000 | |
| 802 | WHL-3000G | Seal | 4 | WHL-3000 | |
| 803 | WHL-3000C | Inner Cone | 4 | WHL-3000 | |
| 804 | WHL-3000A | Inner Cup | 4 | WHL-3000 | |
| 805 | WHL-3000B | Outer Cup | 4 | WHL-3000 | |
| 806 | WHL-3000D | Outer Cone | 4 | WHL-3000 | |
| 807 | WHL-3000K | Spindle Washer | 4 | WHL-3000 | |
| 808 | WHL-3000J | Spindle Nut | 4 | WHL-3000 | |
| 809 | WHL-3000H | Hub Cap | 4 | WHL-3000 | 3 1/8 od |
| 810 | PIN-C3-16-32 | Cotter Pin 3/16 x 2" | 4 | | |
| 811 | WHL-3000F | Lug Nut | 32 | WHL-3000 | |
| 812 | WHL-7106 | 22.5 X 11.75 Wheel 8-8-6 3/8" positive offset | 4 | | |
| 813 | WHT-7106 | Used Truck Tire 385/65R22.5 | 4 | | |
| 814 | WHL-3000E | Stud Bolt | 32 | WHL-3000 | |
| 815 | WBR-3000K | Wheel Bearing Kit for WHL-3000 Hub & Spindle Assy. | 4 | WHL-3000 | |

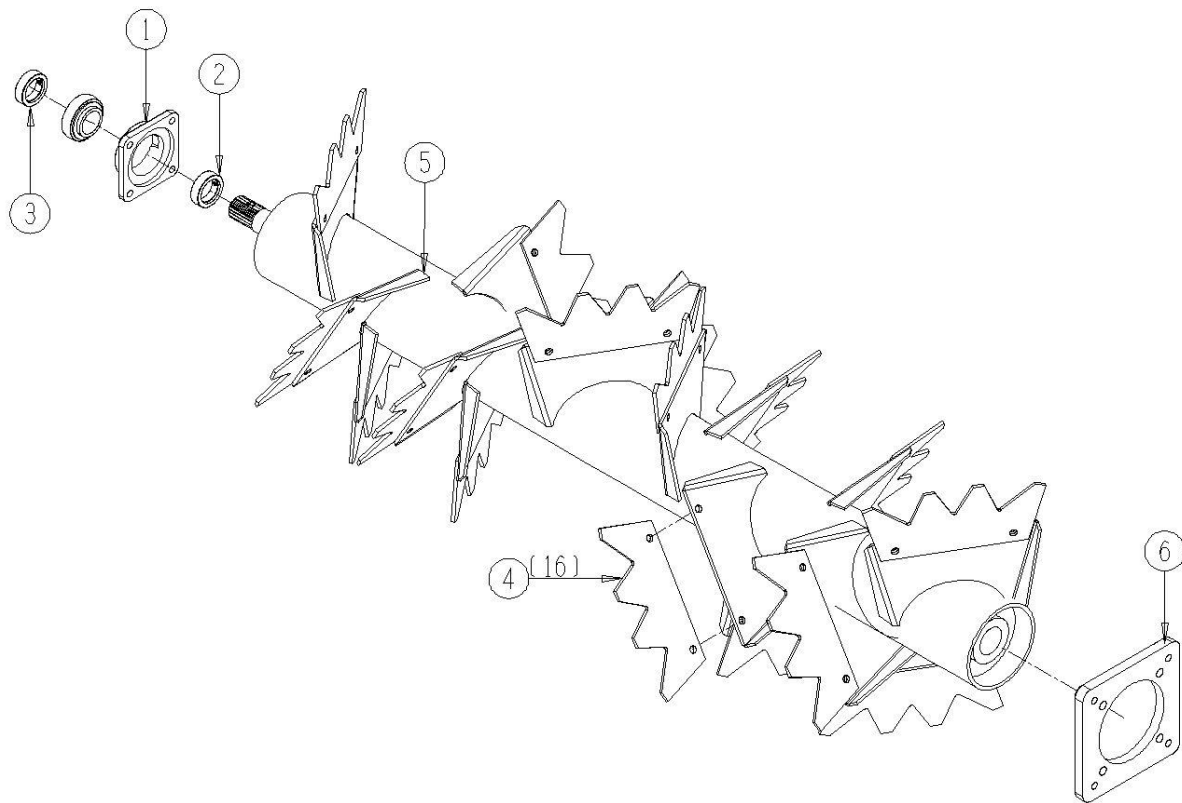
7307-1-13
OPTIONAL WHEEL, HUB & BEARINGS
(385 TRUCK TIRES)



7306-2-7 Main Beater

| <u>Ref</u> | <u>Part No.</u> | <u>Description</u> | <u>Parts – Assembly</u> | <u>Will Fit SN</u> | <u>Remarks</u> |
|------------|-----------------|---|-----------------------------|--------------------|----------------|
| 1 | BR-085-RCJ | RCJ Bearing Housing | 1 | 11001 | |
| 2 | BR-175-C | 1 ¾" Bearing Collar | 1 | BR-175-100 | |
| 3 | BR-175-085-I | Bearing, 1 ¾" ID, TS | 1 | | |
| 4 | PR34822 | Beater Blade for Spreader, 790 & 1190 | 16 | | |
| 5 | PR45003 | Lower Beater, 795 Spreader | 1 | | |
| 6 | PR45006 | Motor Mount, Lower Beater, 795 Spreader | 1 | | |

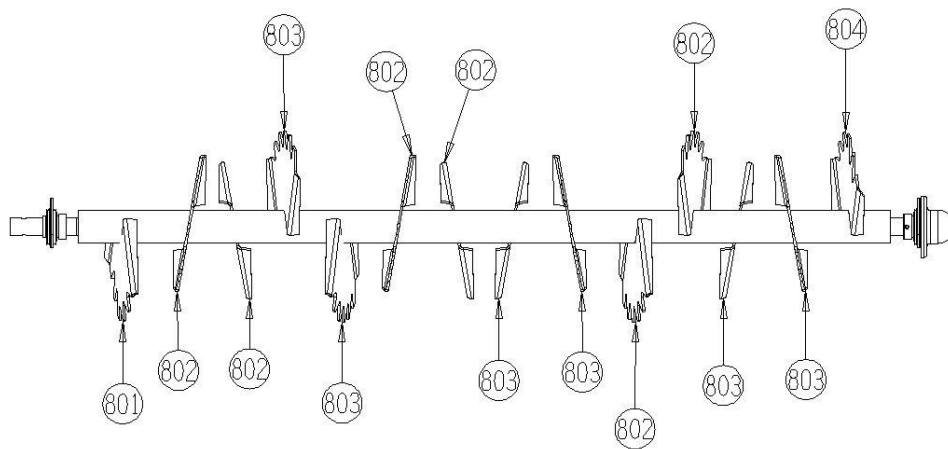
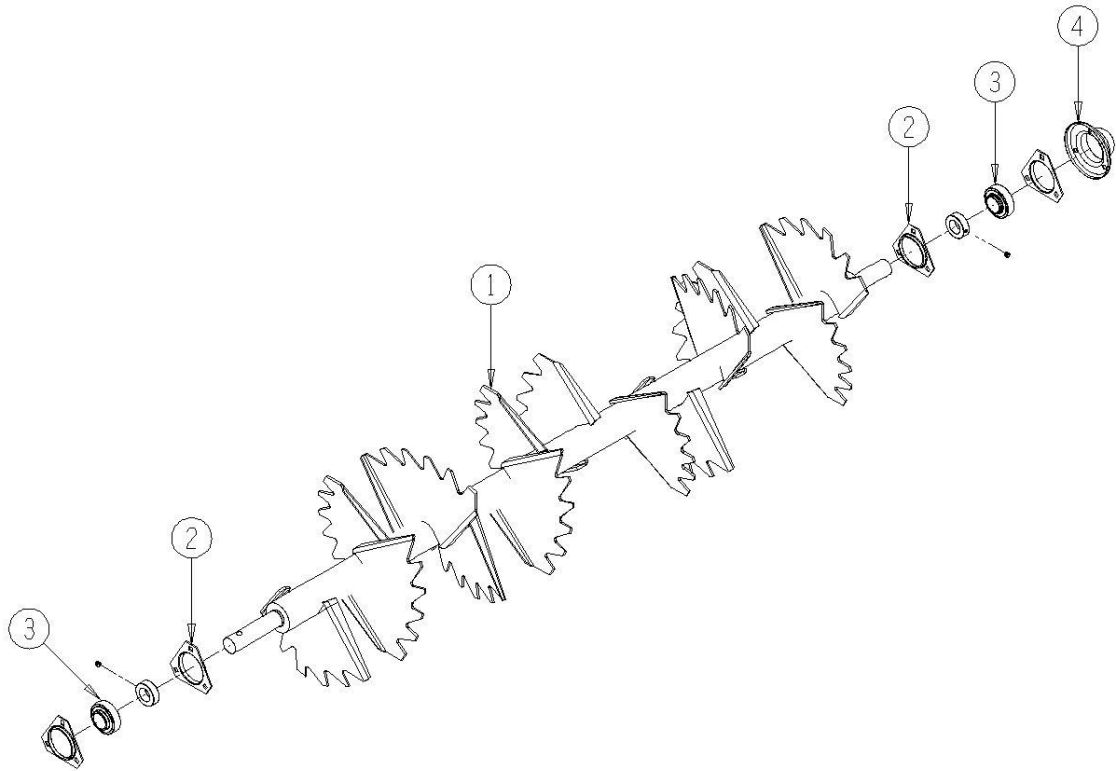
7306-2-7
MAIN BEATER



7306-2-8 Upper Beater

| <u>Ref</u> | <u>Part No.</u> | <u>Description</u> | <u>Parts – Assembly</u> | <u>Will Fit SN</u> | <u>Remarks</u> |
|------------|-----------------|---|-----------------------------|--------------------|----------------|
| 1 | PR45004 | Upper Beater, 795 Spreader | 1 | | |
| 2 | BR-072-MSTR | Stamped Bearing Housing for 1 7/16" Bearing, 3 Bolt | 4 | | |
| 3 | BR-144-072-I | Bearing, 1 7/16" ID, TS | 2 | | |
| 4 | PR28029 | Upper Beater Cap | 1 | | |
| 102 | BL-6-100-C | 3/8 UNC X 1 CARRIAGE BOLT GR5 ZINC | 3 | | |
| 103 | BL-6-150-C | 3/8 UNC X 1 1/2 CARRIAGE BOLT GR5 ZINC | 3 | | |
| 104 | BL-6-SW | 3/8 SAE FW ZC | 9 | | |
| 105 | BL-6-N | 3/8-16 HEX NUTS ZC | 9 | | |
| 106 | BL-6-LW | 3/8 SPLIT LW ZC | 9 | | |
| 801 | PR35262 | Impeller, RH, End, Upper Beater | 0 | | |
| 802 | PR26858 | Impeller, RH, Center, Upper Beater | 0 | | |
| 803 | PR26866 | Impeller, LH, Center, Upper Beater | 0 | | |
| 804 | PR35263 | Impeller, LH, End, Upper Beater | 0 | | |

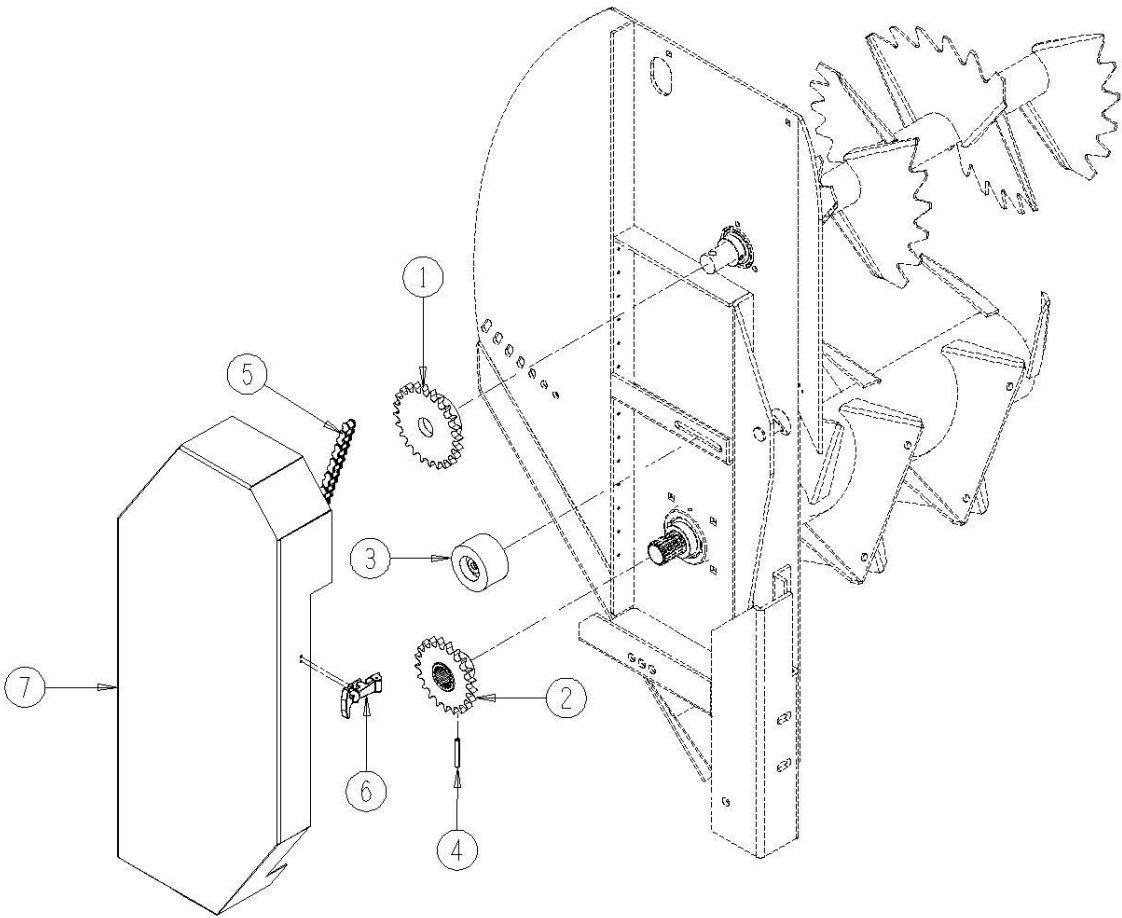
7306-2-8
UPPER BEATER



7306-2-9 Upper Beater Drive Sprockets and Chain

| <u>Ref</u> | <u>Part No.</u> | <u>Description</u> | <u>Parts – Assembly</u> | <u>Will Fit SN</u> | <u>Remarks</u> |
|------------|-----------------|--|-----------------------------|--------------------|----------------|
| 1 | PR39085 | Sprocket Wldmt, Upper Beater, Spreader | 1 | | |
| 2 | PR45060 | Lower Beater Sprocket #60 | 1 | | |
| 3 | RLT-035-228 | Roller 3.5 dia x 2.2 x 1/2" bore, no flange | 1 | | |
| 4 | PIN-5-36 | Roll Pin, 5/16 x 2 1/4 | 1 | | |
| 5 | CH-60H-93 | Roller Chain 93 pitches #60H, UB Drive, 795 w/master | 1 | | |
| 6 | LA-1530 | Medium Rubber T Latch Assembly | 1 | | |
| 7 | PR45015 | Chain Shield Beater (795 Spreader) | 1 | | |

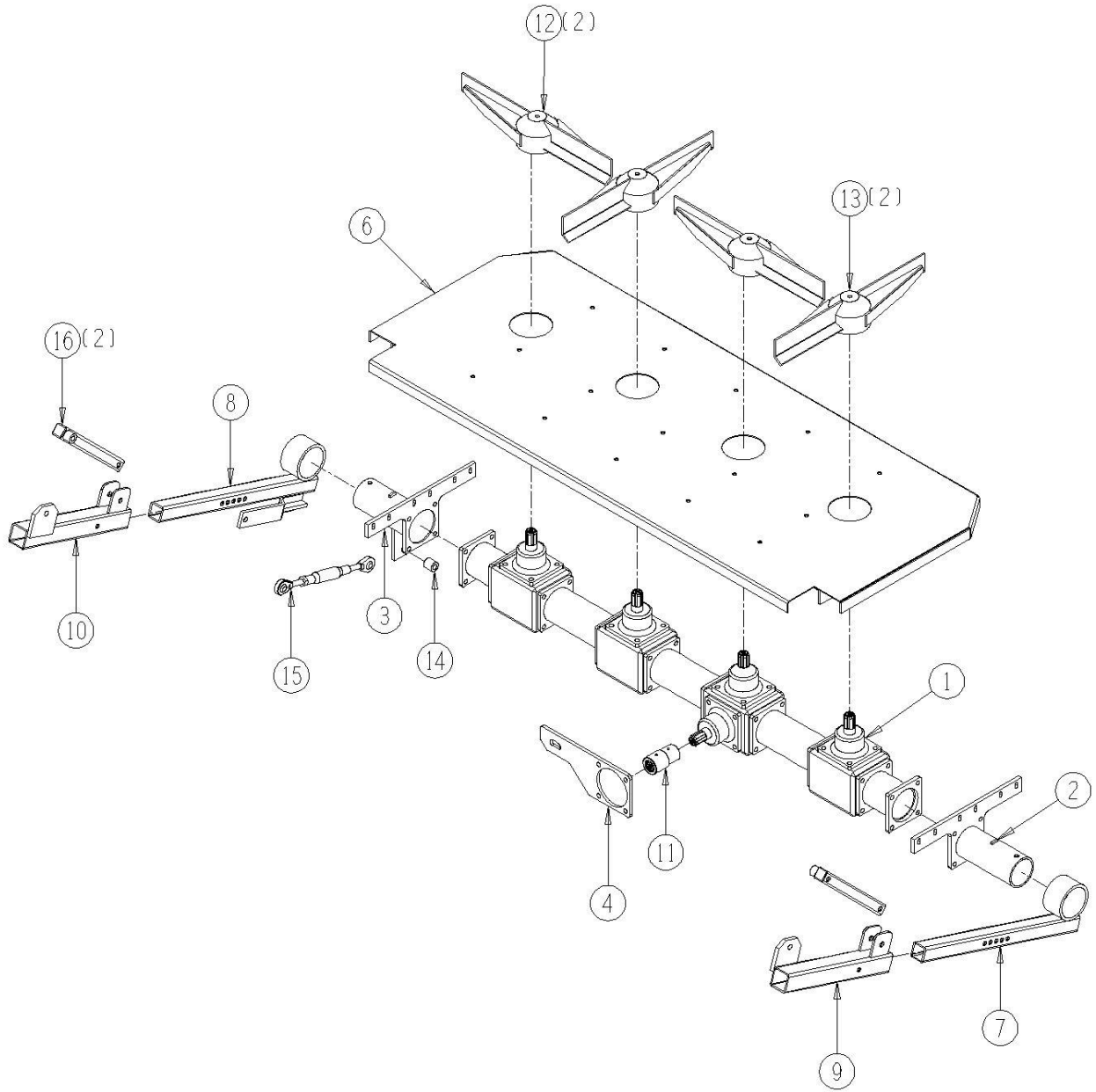
7306-2-9
UPPER BEATER DRIVE SPROCKETS AND CHAIN



7306-2-13 Spinner

| <u>Ref</u> | <u>Part No.</u> | <u>Description</u> | <u>Parts – Assembly</u> | <u>Will Fit SN</u> | <u>Remarks</u> |
|------------|-----------------|---|-----------------------------|-----------------------|----------------|
| 1 | GBX-5-ST10 | Spinner Gearbox | 1 | | |
| 2 | MOU-0072 | Mount,Left Pivot,Spinner,Hydra Push | 1 | MOU-0072 | |
| 3 | MOU-0073 | Mount,Right Pivot,Spinner,Hydra Push | 1 | MOU-0073 | |
| 4 | MOU-0074 | Motor Mount,Spinner Drive | 1 | MOU-0074 | |
| 6 | PAN-0029 | Spinner, Hydra Ram ,Main Panel | 1 | PAN-0029 | |
| 7 | PR45008 | Spinner Inner Arm Left 795 | 1 | | |
| 8 | PR45009 | Arm, Spinner Right Inner 795 | 1 | | |
| 9 | PR45010 | Left Outer Arm Spinner 795 | 1 | | |
| 10 | PR45011 | Right Outer Arm Spinner,795 | 1 | | |
| 11 | PR45017 | Coupler Weldment, Spinner/Gearbox, 795 | 1 | | |
| 12 | SFT-102 | Spinner Paddle, Clockwise Rotation | 2 | SFT-102 | |
| 13 | SFT-103 | Spinner Paddle,Counter Clockwise Rotation | 2 | SFT-103 | |
| 14 | SPA-0022 | Spacer, Spinner Turnbuckle, 795 | 1 | | |
| 15 | TL-03470 | Top Link, Category '0' (11in.-15-1/2in.) | 1 | | |
| 16 | PR45023 | Spacer Tube, Spinner Deck, 795 | 2 | | S.N. 73007004- |
| 17 | HP-1038 | Gear Lube, 80W90 @ Quart | 11 | Hydra Ram Spreader | |
| 100 | BL-M12-40 | 12MM Bolt,Coarse Thread,40MM Length | 4 | | |

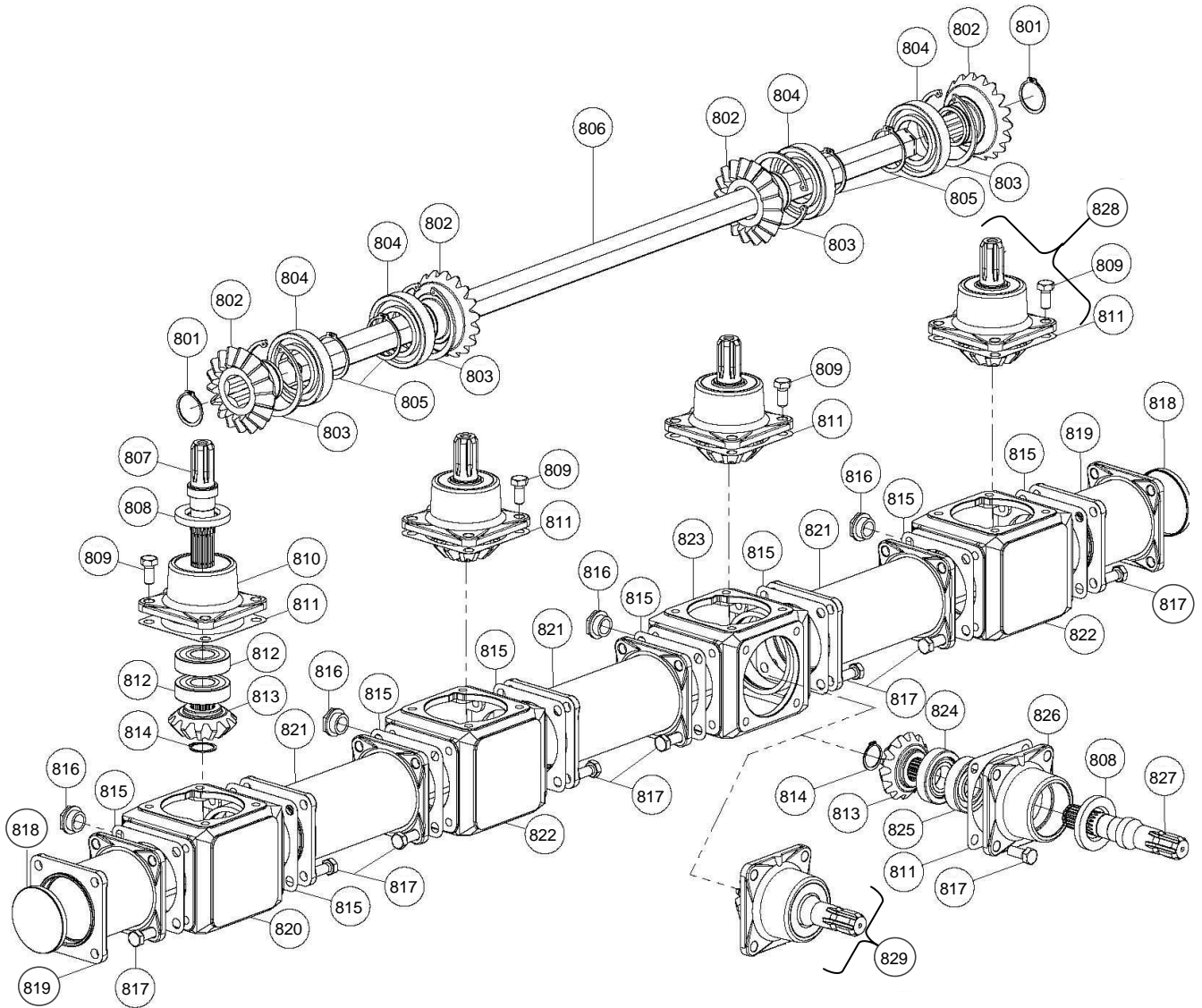
7306-2-13
SPINNER



7306-2-13A Gearbox

| <u>Ref</u> | <u>Part No.</u> | <u>Description</u> | <u>Parts – Assembly</u> | <u>Will Fit SN</u> | <u>Remarks</u> |
|------------|-----------------|-----------------------------------|-----------------------------|--------------------|-------------------------------|
| 801 | GBX-5-ST10-R | Snap Ring, E 45 | 2 | | Reference Only, Special Order |
| 802 | GBX-5-ST10-B | Line Shaft Gear | 4 | | Reference Only, Special Order |
| 803 | GBX-5-ST10-C | Snap Ring | 4 | | Reference Only, Special Order |
| 804 | GBX-5-ST10-D | Line Shaft Bearing | 4 | | Reference Only, Special Order |
| 805 | GBX-5-ST10-S | Snap Ring, I 110 | 4 | | Reference Only, Special Order |
| 806 | GBX-5-ST10-T | Shaft | 1 | | Reference Only, Special Order |
| 807 | GBX-5-ST10-E | Driven Shaft | 4 | | Reference Only, Special Order |
| 808 | GBX-5-ST10-F | Driven Shaft Seal | 5 | | Reference Only, Special Order |
| 809 | VTB-1899-P1 | Screw, hex-hd M14X30 | 16 | | Reference Only, Special Order |
| 810 | GBX-5-ST10-U | Top Hub | 4 | | Reference Only, Special Order |
| 811 | GBX-5-ST10-Q | Gasket, Replaces Berma Part #7735 | 5 | | Reference Only, Special Order |
| 812 | GBX-5-ST10-G | Shaft Bearing | 8 | | Reference Only, Special Order |
| 813 | GBX-5-ST10-H | Driven Gear | 5 | | Reference Only, Special Order |
| 814 | GBX-5-ST10-J | Snap Ring | 5 | | Reference Only, Special Order |
| 815 | GBX-5-ST10-M | Gasket | 8 | | Reference Only, Special Order |
| 816 | GBX-5-ST10-N | Sight Glass | 4 | | Reference Only, Special Order |
| 817 | VTB-1899-Z1 | Screw, hex-hd M14X35 | 36 | | Reference Only, Special Order |
| 818 | GBX-5-ST10-V | Cap | 2 | | Reference Only, Special Order |
| 819 | GBX-5-ST10-W | Spacer | 2 | | Reference Only, Special Order |
| 820 | GBX-5-ST10-X | Housing | 1 | | Reference Only, Special Order |
| 821 | GBX-5-ST10-Y | Spacer | 3 | | Reference Only, Special Order |
| 822 | GBX-5-ST10-Z | Housing | 2 | | Reference Only, Special Order |
| 823 | GBX-5-ST10-A1 | Main Housing | 1 | | Reference Only, Special Order |
| 824 | GBX-5-ST10-K | Drive Shaft Bearing | 1 | | Reference Only, Special Order |
| 825 | GBX-5-ST10-B1 | Bearing | 1 | | Reference Only, Special Order |
| 826 | GBX-5-ST10-C1 | Hub | 1 | | Reference Only, Special Order |
| 827 | GBX-5-ST10-L | Drive Shaft | 1 | | Reference Only, Special Order |
| 828 | GBX-5-ST10-D1 | Shaft Assembly | 4 | | Reference Only, Special Order |
| 829 | GBX-5-ST10-P | Input Shaft Assembly | 1 | | Reference Only, Special Order |

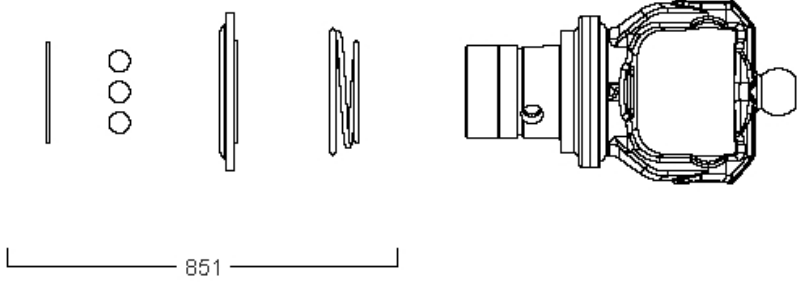
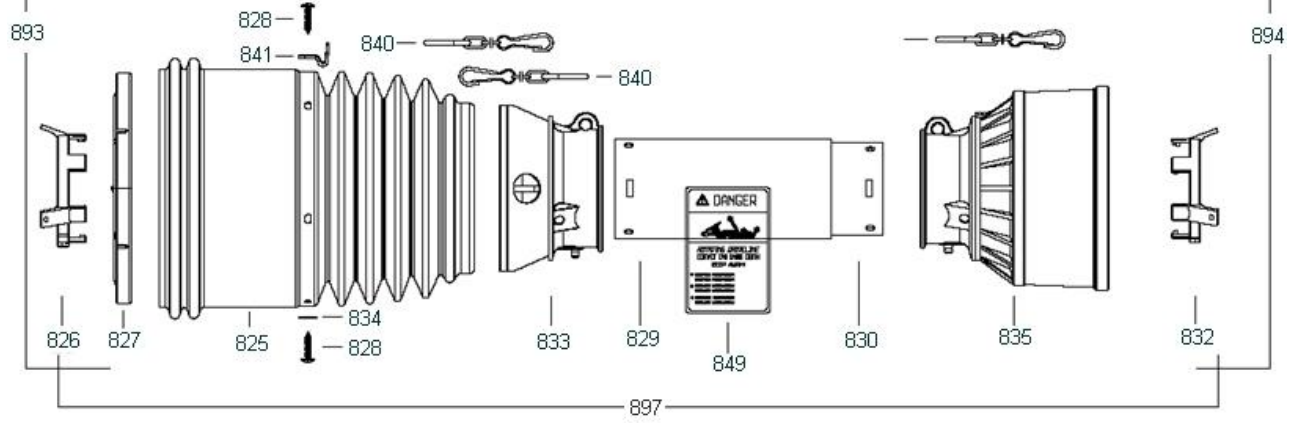
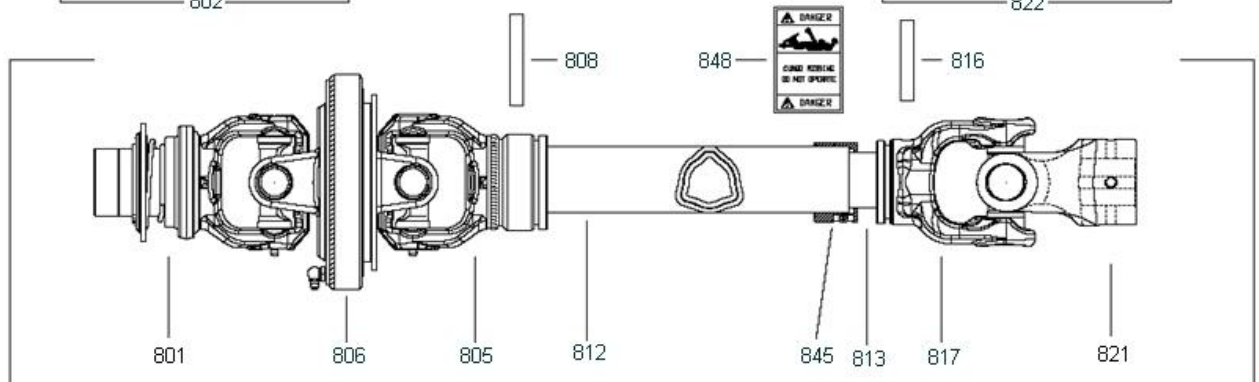
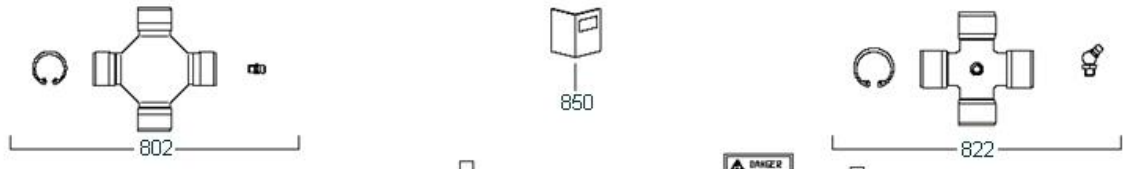
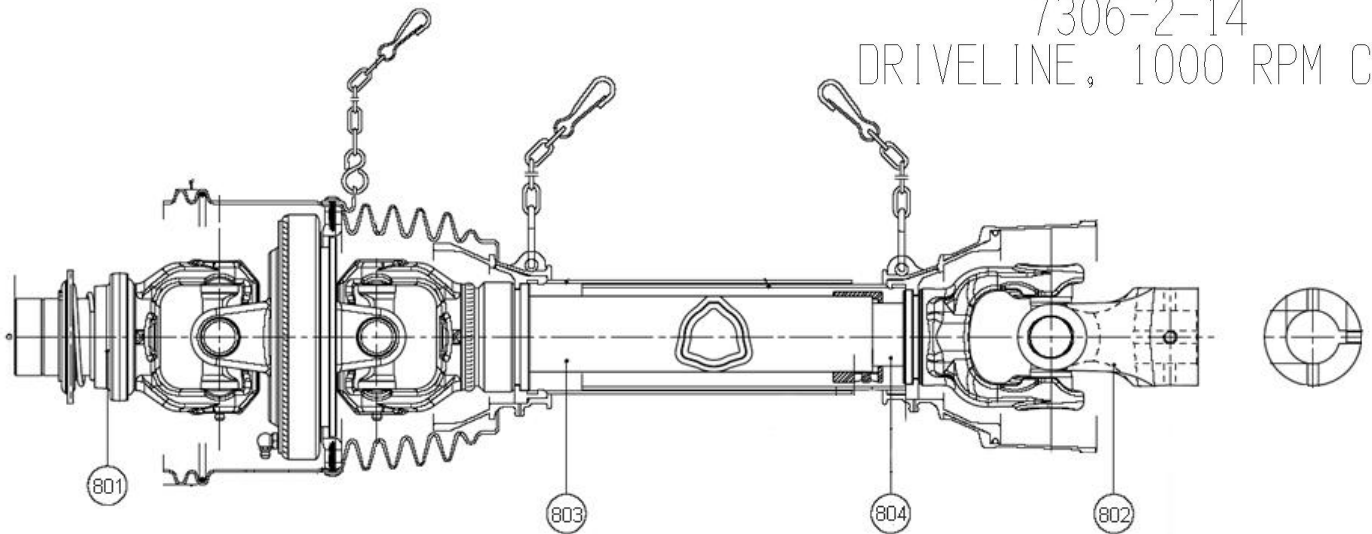
7306-2-13A GEARBOX



7306-2-14 Driveline, 1000 rpm C/V

| <u>Ref</u> | <u>Part No.</u> | <u>Description</u> | <u>Parts – Assembly</u> | <u>Will Fit SN</u> | <u>Remarks</u> |
|------------|-----------------|--|-----------------------------|--------------------|----------------|
| 0 | KEY-6-6-32 | Shaft Key 3/8" x 2 " Square Cut (1018) | 1 | | |
| 0 | PTB-1016 | DriveLine for Hydra-Ram 795 | 1 | | |
| 0 | BL-6-050-SC | 3/8-16 x 1/2" Knurled Point Set Screw | 2 | | |
| 801 | PTB-1012A | Yoke, 1-3/8" - 21 Spline | 1 | | |
| 802 | PTB-1016E | Cross Kit, S6 SFT 80°, EL 27X100 | 2 | | |
| 805 | PTB-1011C | Outer Tube Yoke, 1R6 | 1 | | |
| 806 | PTB-1011D | Central Body Sft, CV S6 | 1 | | |
| 808 | PTB-1011E | Flexible Roll Pin, #6/7 Outer 10X75MM | 1 | | |
| 816 | PTB-1012O | Flexible Pin | 1 | | |
| 817 | PTB-1012P | Inner Tube Yoke | 1 | | |
| 821 | PTB-1016A | Yoke,#6,1-1/2-3/8 KW | 1 | | |
| 822 | PTB-1011I | Cross Kit | 1 | | |
| 825 | PTB-1011J | Shield Cone, 80° CV | 1 | | |
| 826 | PTB-1012S | Shield Support 6-7 | 1 | | |
| 827 | PTB-1011K | Shield Support Sft | 1 | | |
| 828 | PTB-1011L | Self Tapping Shielding Screw | 6 | | |
| 832 | PTB-1012V | Shield Support 6-7 | 1 | | |
| 833 | PTB-1011O | Base Cone, Outer for 80° CV | 1 | | |
| 834 | PTB-1011P | Washer | 5 | | |
| 835 | PTB-1012U | I.Cone Sets F5-6-7 | 1 | | |
| 840 | PTB-1011Q | Shield Chain, S-Hook | 3 | | |
| 841 | PTB-1011R | Clip-Chain Attachment | 1 | | |
| 845 | PTB-1012G | Support Bearing | 1 | | |
| 848 | PTB-1012R | Label | 1 | | |
| 849 | PTB-1012Z | Label | 1 | | |
| 850 | PTB-1011S | Instruction Booklet, USA | 1 | | |
| 851 | PTB-1011T | Ball Collar Kit, 1-3/8" | 1 | | |
| 893 | PTB-1016B | PTO,Front Half Shaft,795 | 1 | | |
| 894 | PTB-1016C | PTO,Rear Half,795 | 1 | | |

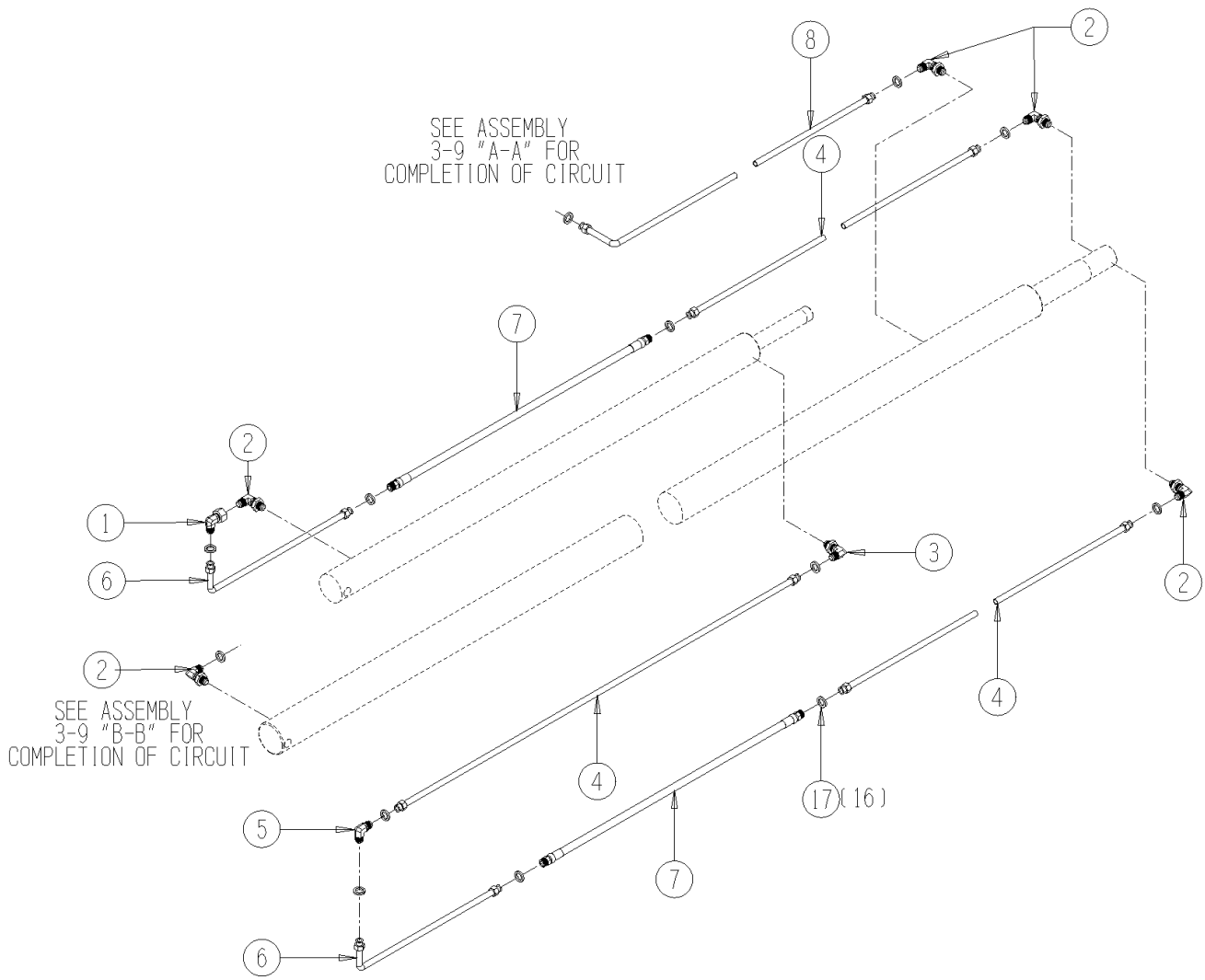
7306-2-14
 DRIVELINE, 1000 RPM C/V



7306-3-1 Hydraulics, Control Valve to Push off Cylinder

| <u>Ref</u> | <u>Part No.</u> | <u>Description</u> | <u>Parts – Assembly</u> | <u>Will Fit SN</u> | <u>Remarks</u> |
|------------|-----------------|---|-----------------------------|--------------------|----------------|
| 1 | A-6500-10 | Elbow, 5/8" MJ x 5/8" FJX | 1 | | |
| 2 | A-6801-L-10 | Elbow, Long, 5/8" MJ x 10 SAE | 5 | | |
| 3 | A-6801-10 | Elbow, 5/8" MJ x 10 SAE | 1 | | |
| 4 | H-T7001 | Hyd Tube, Primary/Sec Cylinder, 5/8" Dia. | 3 | | |
| 5 | A-2500-10 | Elbow, 5/8" MJ x 5/8" MJ | 1 | | |
| 6 | H-T7002 | Hyd Tube, Primary to Sec. Cylinder, 5/8" dia. | 2 | | |
| 7 | H8-40-10MJ-10MJ | 1/2" hose 5/8" MJ x 5/8" MJ x 39.75" long | 2 | | |
| 8 | H-T7003 | Hyd Tube, Primary Cylinder, Rear, 5/8" dia. | 1 | | |
| 17 | HW-10 | 5/8" OD Washer for Hydraulic Tube/Hose | 13 | | |
| 19 | HA-1031 | Hydraulic Hose Holder 3/8 | 2 | | |
| 101 | BL-6-200-C | 3/8 UNC X 2 CARRIAGE BOLT GR5 ZINC | 1 | | |
| 102 | BL-6-N | 3/8-16 HEX NUTS ZC | 1 | | |
| 103 | BL-6-LW | 3/8 SPLIT LW ZC | 1 | | |
| 104 | BL-6-SW | 3/8 SAE FW ZC | 1 | | |
| 601 | HY-TRAN | Hytran @ gal | 5 | | |

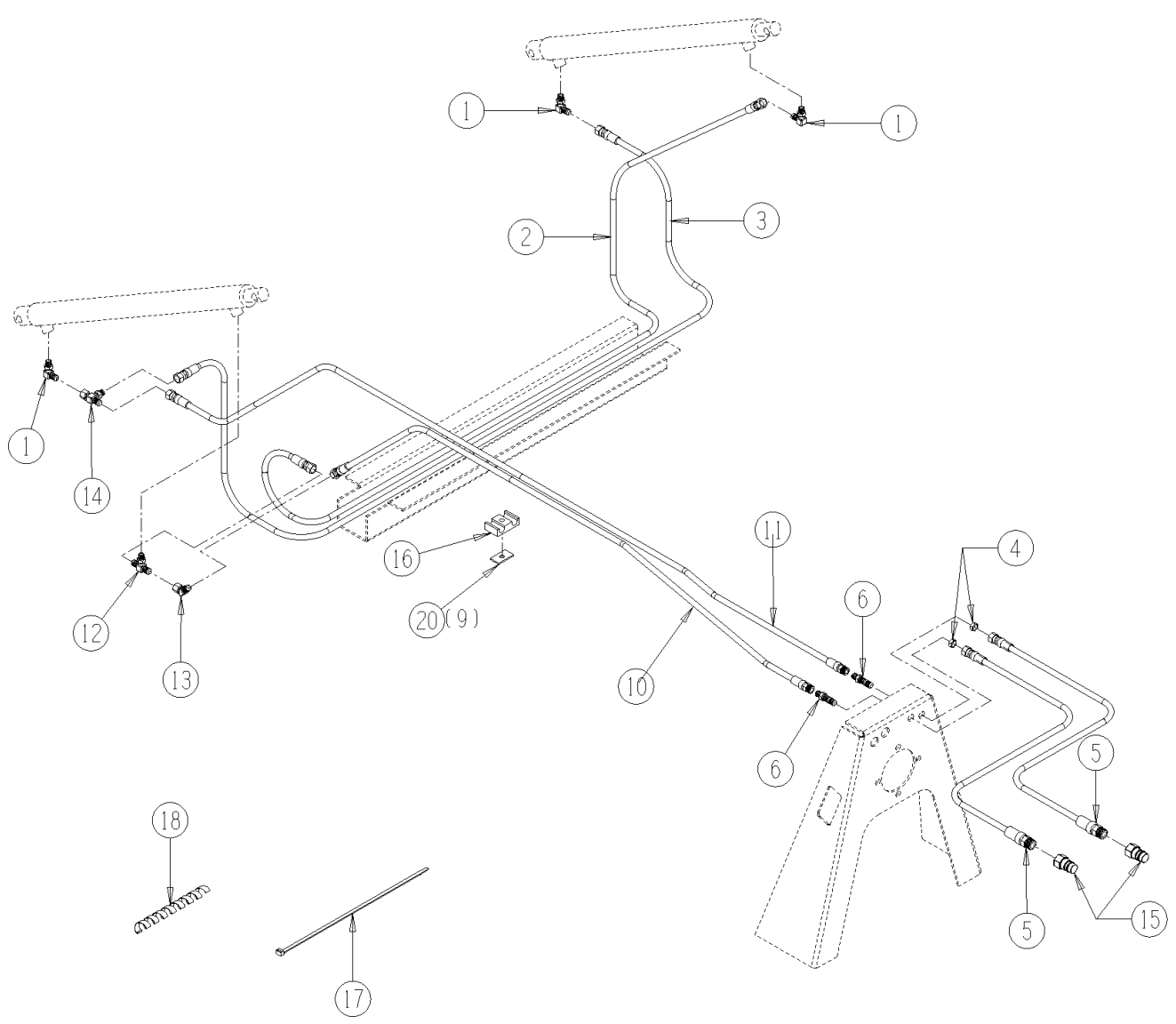
7306-3-1
HYDRAULICS, CONTROL VALVE
TO PUSH OFF CYLINDERS



7306-3-2 Hydraulics, Endgate Cylinders

| <u>Ref</u> | <u>Part No.</u> | <u>Description</u> | <u>Parts – Assembly</u> | <u>Will Fit SN</u> | <u>Remarks</u> |
|------------|-----------------|--|-----------------------------|--------------------|----------------|
| 1 | A-6801-6 | Elbow, 3/8" MJ x 6 SAE | 3 | | |
| 2 | H4-153-6FJ-6FJ | 1/4" hose 3/8" FJ x 3/8" FJ x 153.5" long | 1 | | |
| 3 | H4-107-6FJ-6FJ | 1/4" hose 3/8" FJ x 3/8" FJ x 107.5" long | 1 | | |
| 4 | A-306-6 | Lock Nut, Bulkhead, For 3/8" MJIC | 2 | | |
| 5 | H4-75-6FJ-8MP | 1/4" hose 3/8" FJ x 1/2" MP x 75" long | 2 | | |
| 6 | A-2700-6 | Union, Bulkhead, 3/8" MJ x 3/8" MJ | 2 | | |
| 10 | H4-276-6FJ-6FJ | 1/4" hose 3/8" FJ x 3/8" FJ x 276" long | 1 | | |
| 11 | H4-299-6FJ-6FJ | 1/4" hose 3/8" FJ x 3/8" FJ x 299" long | 1 | | |
| 12 | A-6803-6 | Tee, 3/8" MJ x 3/8" MJ x 6 SAE | 1 | | |
| 13 | A-6502-6 | Elbow, 45°, 3/8" MJ x 3/8" FJX | 1 | | |
| 14 | A-6602-6 | Tee, 3/8" MJ x 3/8" FJX x 3/8" MJ | 1 | | |
| 15 | A-QD2010-8-8 | Tractor Quick Coupler, Male, 1/2" w/ FPT | 2 | | |
| 16 | PR34896 | Hose Clamp, 1/4" Hydraulic, 1/2" O.D. Hose | 4 | | |
| 17 | WT-17H | Heavy Duty Wire Tie 17.5" | 6 | | |
| 18 | ELL-12 | ¾" OD Black Spiral Wrap @ Foot | 2.7 | | |
| 19 | HW-06 | 3/8" OD Washer for Hydraulic Tube/Hose | 8 | | |
| 20 | PR34894 | Support, Clamp, 1/4" Double Hose Clamp | 4 | | |
| 101 | BL-6-200-C | 3/8 UNC X 2 CARRIAGE BOLT GR5 ZINC | 1 | | |
| 102 | BL-6-N | 3/8-16 HEX NUTS ZC | 1 | | |
| 103 | BL-6-LW | 3/8 SPLIT LW ZC | 1 | | |
| 104 | BL-6-SW | 3/8 SAE FW ZC | 1 | | |

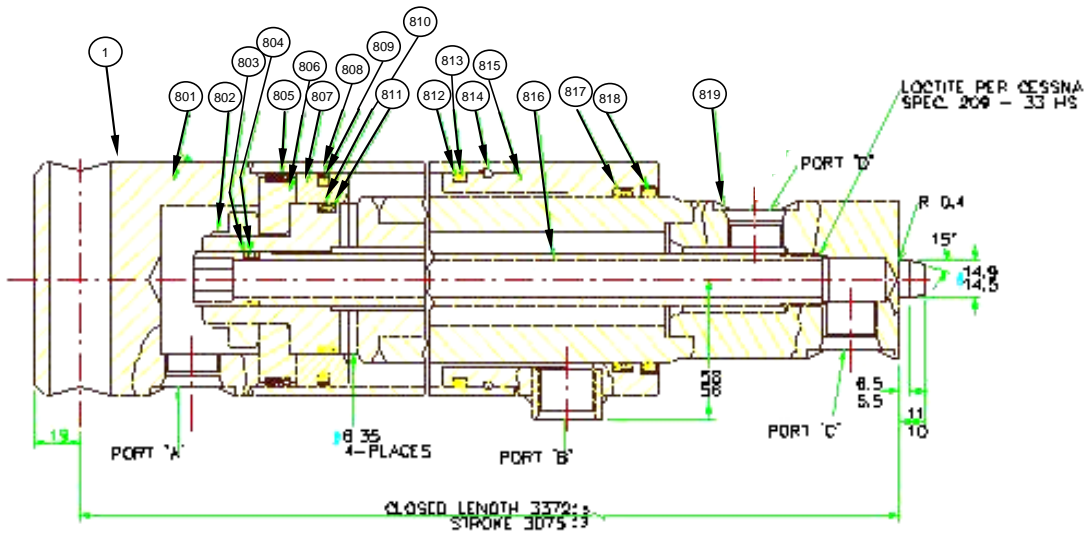
7306-3-2
HYDRAULICS, TRACTOR TO ENDGATE CYLINDERS



7306-3-3 Main Cylinder, Sliding Floor

| <u>Ref</u> | <u>Part No.</u> | <u>Description</u> | <u>Parts – Assembly</u> | <u>Will Fit SN</u> | <u>Remarks</u> |
|------------|-----------------|-----------------------------------|-----------------------------|--------------------|--|
| 1 | PR23131 | Main Cylinder | 1 | | |
| 801 | PR23131-L | Barrel Assy. | 1 | | Reference Only, Special Order |
| 802 | PR23131-M | Locknut - Thin | 1 | | Reference Only, Special Order |
| 803 | PR23131-N | Back Up Washer | 2 | | Reference Only, Special Order |
| 804 | PR23131-O | O Ring | 1 | | Part of Seal Kit, Not Sold Separately |
| 805 | PR23131-P | Wear Ring | 1 | | Part of Seal Kit, Not Sold Separately |
| 806 | PR23131-Q | Piston | 1 | | Reference Only, Special Order |
| 807 | PR23131-R | Piston | 1 | | Reference Only, Special Order |
| 808 | PR23131-A | Piston Ring | 1 | | Reference Only, Special Order |
| 809 | PR23131-B | O-Ring | 1 | | Part of Seal Kit, Not Sold Separately |
| 810 | PR23131-C | O-Ring | 1 | | Part of Seal Kit, Not Sold Separately |
| 811 | PR23131-D | Back-up Washer | 2 | | Part of Seal Kit, Not Sold Separately |
| 812 | PR23131-E | O Ring | 1 | | Part of Seal Kit, Not Sold Separately |
| 813 | PR23131-F | Backup Washer | 1 | | Part of Seal Kit, Not Sold Separately |
| 814 | PR23131-LR | Lock Ring | 1 | | Reference Only, Special Order |
| 815 | PR23131-G | Bearing Assembly | 1 | | Reference Only, Special Order |
| 816 | PR23131-H | Transfer Tube | 1 | | Reference Only, Special Order |
| 817 | PR23131-I | Bearing Seal | 1 | | Part of Seal Kit, Not Sold Separately |
| 818 | PR23131-J | Wiper | 1 | | Part of Seal Kit, Not Sold Separately |
| 819 | PR23131-K | Piston Rod Assy. w/ Transfer Tube | 1 | | Reference Only, Special Order Sold only with PR23131-H Transfer Tube |
| 820 | PR23131-SK | Seal Kit, Main Cylinder, Per Each | 1 | | |

7306-3-3 MAIN CYLINDER (SLIDING FLOOR)

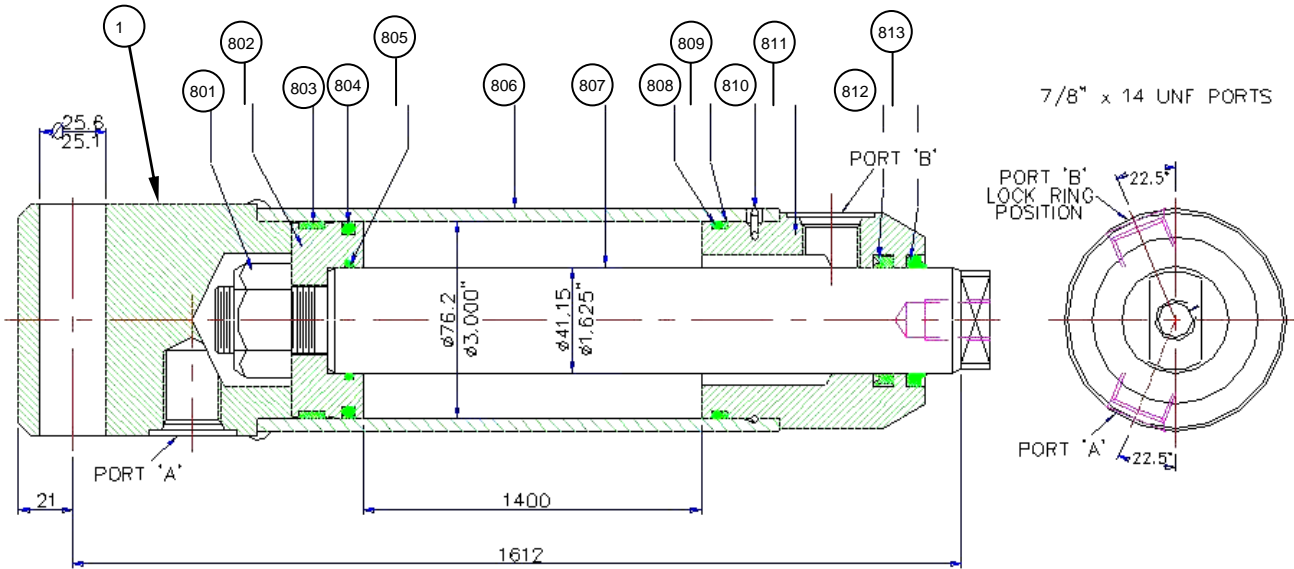


820 Seal Kit

7306-3-4 Secondary Cylinder, Moving Panel

| <u>Ref</u> | <u>Part No.</u> | <u>Description</u> | <u>Parts – Assembly</u> | <u>Will Fit SN</u> | <u>Remarks</u> |
|------------|-----------------|--|-----------------------------|--------------------|---------------------------------------|
| 1 | PR23143 | Secondary Cylinder | 1 | | |
| 801 | PR23143-M | 1" BSF Nut | 1 | | Reference Only, Special Order |
| 802 | PR23143-L | P/Head | 1 | | Reference Only, Special Order |
| 803 | PR23143-A | P/Seal | 1 | | Part of Seal Kit, Not Sold Separately |
| 804 | PR23143-B | O-Ring | 1 | | Part of Seal Kit, Not Sold Separately |
| 805 | PR23143-C | Rod Seal | 1 | | Part of Seal Kit, Not Sold Separately |
| 806 | PR23143-I | Cylinder Assy | 1 | | Reference Only, Special Order |
| 807 | PR23143-J | P/Rod | 1 | | Reference Only, Special Order |
| 808 | PR23143-D | O-Ring | 1 | | Part of Seal Kit, Not Sold Separately |
| 809 | PR23143-E | Back Up Ring | 1 | | Part of Seal Kit, Not Sold Separately |
| 810 | PR23143-H | Lock Ring | 1 | | Part of Seal Kit, Not Sold Separately |
| 811 | PR23143-K | Gland Bearing | 1 | | Reference Only, Special Order |
| 812 | PR23143-F | Rod Seal | 1 | | Part of Seal Kit, Not Sold Separately |
| 813 | PR23143-G | Wiper | 1 | | Part of Seal Kit, Not Sold Separately |
| 814 | PR23143-SK | Seal Kit, Secondary Cylinder, Per Each | 1 | | |

7306-3-4
 SECONDARY CYLINDER (MOVING PANEL)

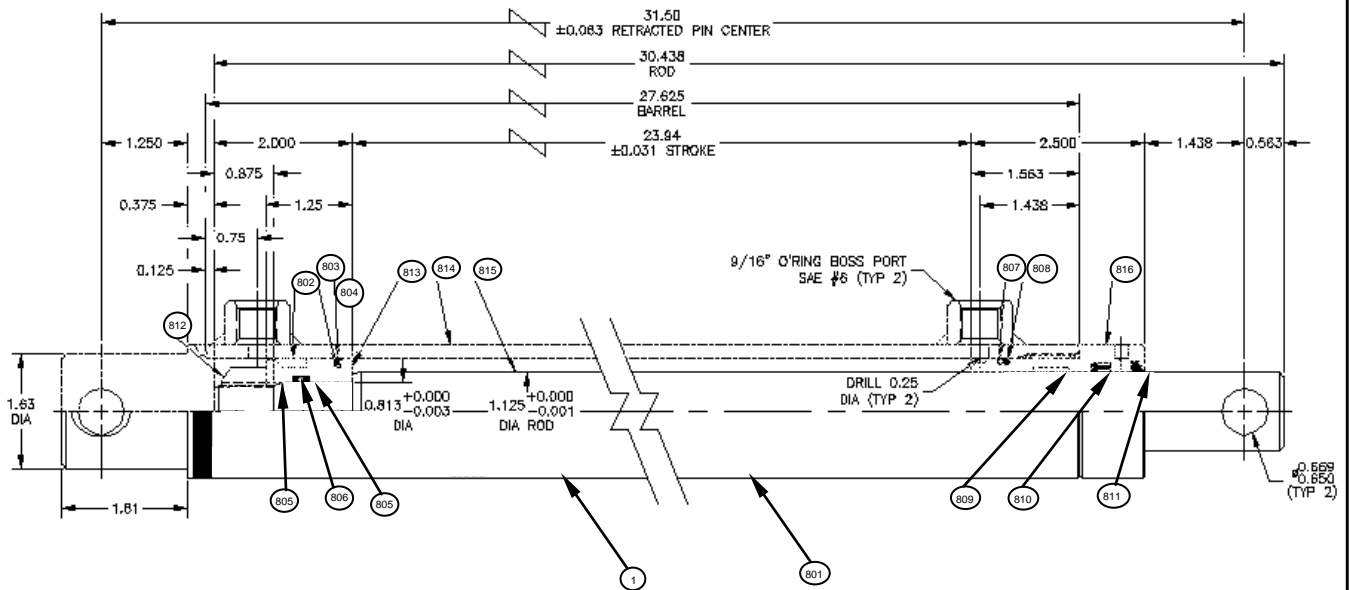


814 Seal Kit

7306-3-5 Endgate Lift Cylinder

| <u>Ref</u> | <u>Part No.</u> | <u>Description</u> | <u>Parts – Assembly</u> | <u>Will Fit SN</u> | <u>Remarks</u> |
|------------|-----------------|--|-----------------------------|--------------------|---------------------------------------|
| 1 | PR39068 | Cylinder, Endgate, 1.5 bore | 2 | | |
| 802 | PR39068-A | Wear Ring | 1 | | Part of Seal Kit, Not Sold Separately |
| 803 | PR39068-B | TFE Seal | 1 | | Part of Seal Kit, Not Sold Separately |
| 804 | PR39068-C | O Ring | 1 | | Part of Seal Kit, Not Sold Separately |
| 805 | PR39068-D | Back-Up Ring | 2 | | Part of Seal Kit, Not Sold Separately |
| 806 | PR39068-E | O Ring | 1 | | Part of Seal Kit, Not Sold Separately |
| 807 | PR39068-F | O Ring | 1 | | Part of Seal Kit, Not Sold Separately |
| 808 | PR39068-G | Back-Up Ring | 1 | | Part of Seal Kit, Not Sold Separately |
| 809 | PR39068-H | Wear Ring | 1 | | Part of Seal Kit, Not Sold Separately |
| 810 | PR39068-I | Loaded U-Cup | 1 | | Part of Seal Kit, Not Sold Separately |
| 811 | PR39068-J | Rod Wiper | 1 | | Part of Seal Kit, Not Sold Separately |
| 812 | PR39068-K | Locknut | 1 | | Reference Only, Special Order |
| 813 | PR39068-L | Piston | 1 | | Reference Only, Special Order |
| 814 | PR39068-M | Barrel Assembly | 1 | | Reference Only, Special Order |
| 815 | PR39068-N | Rod | 1 | | Reference Only, Special Order |
| 816 | PR39068-O | Internal Cylinder Head 1 1/2" (coarse) | 1 | | Verify Stamp Location |
| 816 | PR39068-OB | Internal Cylinder Head 1 1/2" (Fine) | 1 | | Verify Stamp Location |
| 817 | PR39068-SK | Seal Kit, Endgate Cylinder, Per Each | 1 | | |

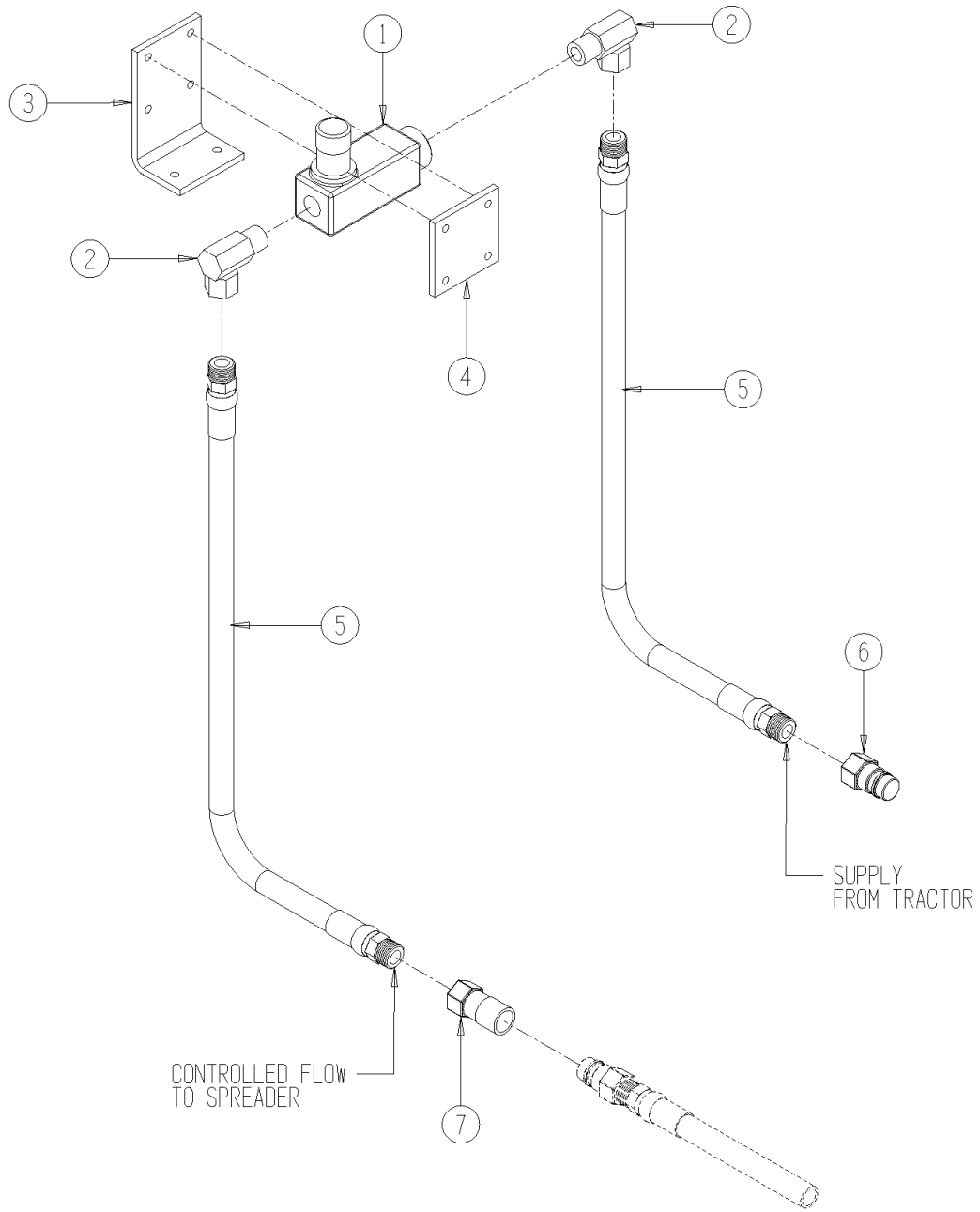
7306-3-5 ENDGATE LIFT CYLINDER



7306-3-6 Optional Control Valve, Closed Center

| <u>Ref</u> | <u>Part No.</u> | <u>Description</u> | <u>Parts – Assembly</u> | <u>Will Fit SN</u> | <u>Remarks</u> |
|------------|-----------------|---|-----------------------------|--------------------|----------------|
| 1 | HV-8-8M-RFF | Flow Control Valve w/ reverse free flow/closed center | 1 | | |
| 2 | A-1501-8-8 | 1/2 MP x 1/2 FPX90° | 2 | | |
| 3 | MOU-0015 | Mount, Control Valve, Closed Center, Spreader | 1 | | |
| 4 | MOU-0016 | Mount, Mating Plate, Control Valve, Closed Center | 1 | | |
| 5 | H8-70-8MP-8MP | 1/2 in hose 1/2MP x 1/2MP x 70 in long | 2 | | |
| 6 | A-QD2010-8-8 | Tractor Quick Coupler, Male, 1/2" w/ FPT | 1 | | |
| 7 | A-QD2050-8-8 | Tractor Quick Coupler, Female, 1/2" w/ FPT | 1 | | |
| 101 | BL-4-275-H | 1/4-20 X 2 3/4 HEX CAP G5 ZC | 4 | | |
| 102 | BL-4-LN | 1/4-20 HEX LN NE ZC | 6 | | |
| 103 | BL-4-FW | 1/4 USS FW ZC | 12 | | |
| 104 | BL-4-175-H | 1/4-20 X 1 3/4 HEX CAP G5 ZC | 2 | | |

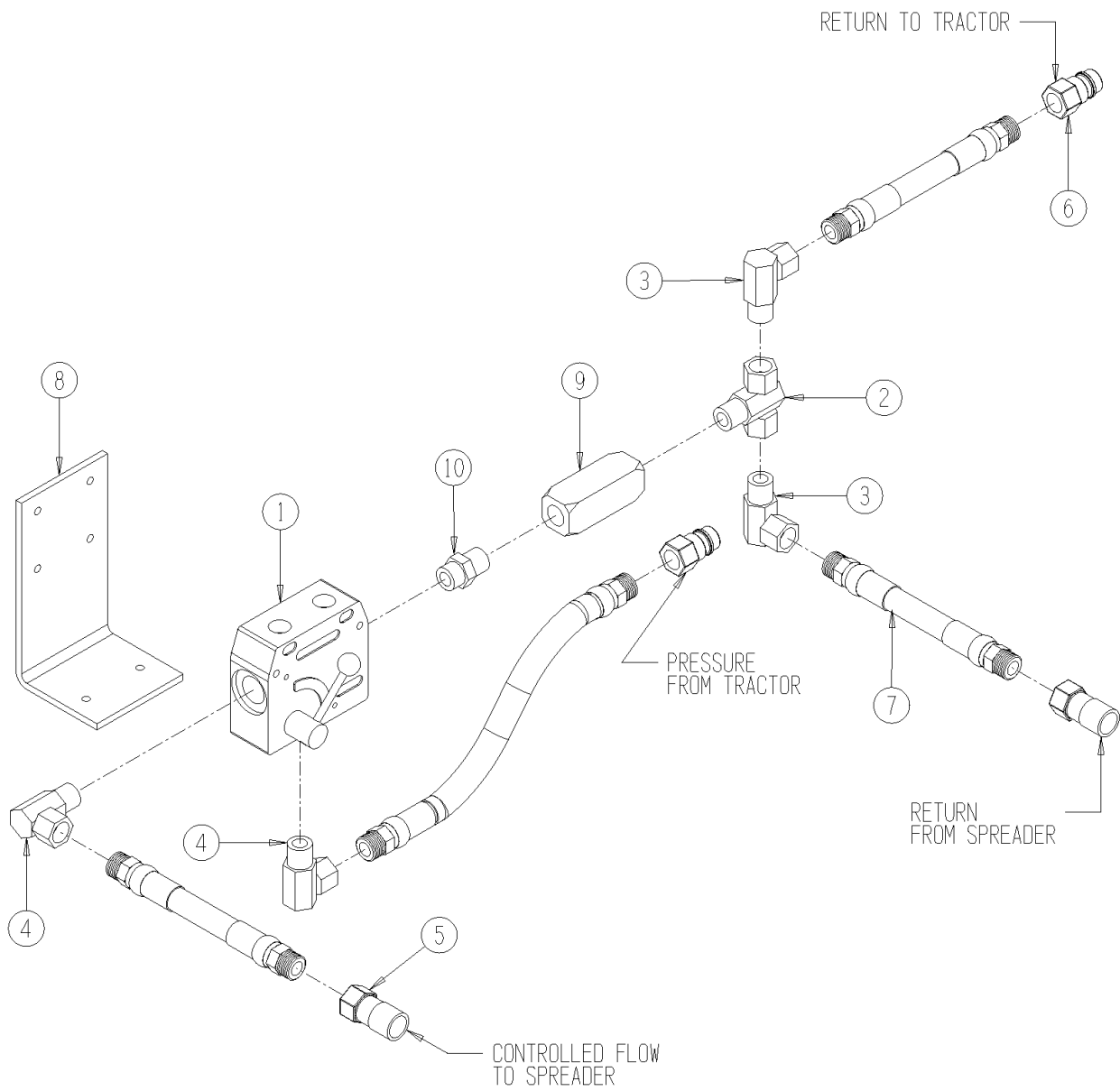
7306-3-6
CONTROL VALVE, CLOSED CENTER



7306-3-7 Optional Control Valve, Open Center

| <u>Ref</u> | <u>Part No.</u> | <u>Description</u> | <u>Parts – Assembly</u> | <u>Will Fit SN</u> | <u>Remarks</u> |
|------------|-----------------|---|-----------------------------|--------------------|----------------|
| 1 | HV-FC5510 | Flow Control | 1 | | |
| 2 | A-1601-8-8-8 | 1/2 MP x 1/2 FPX x 1/2 FPX Tee | 1 | | |
| 3 | A-1501-8-8 | 1/2 MP x 1/2 FPX90° | 2 | | |
| 4 | A-6901-10-8 | 10 SAE x 1/2 FPX90°, Forged | 2 | | |
| 5 | A-QD2050-8-8 | Tractor Quick Coupler, Female, 1/2" w/ FPT | 2 | | |
| 6 | A-QD2010-8-8 | Tractor Quick Coupler, Male, 1/2" w/ FPT | 2 | | |
| 7 | H8-70-8MP-8MP | 1/2 in hose 1/2MP x 1/2MP x 70 in long | 4 | | |
| 8 | MOU-0014 | Mount, Control Valve, Open Center, Spreader | 1 | | |
| 9 | HV-CKV-800S | 1/2" Parker Check Valve | 1 | | |
| 10 | A-6401-10-8 | 10 SAE x 1/2 MPT Male | 1 | | |
| 101 | BL-4-175-H | 1/4-20 X 1 3/4 HEX CAP G5 ZC | 4 | | |
| 102 | BL-4-LN | 1/4-20 HEX LN NE ZC | 4 | | |
| 103 | BL-4-FW | 1/4 USS FW ZC | 4 | | |

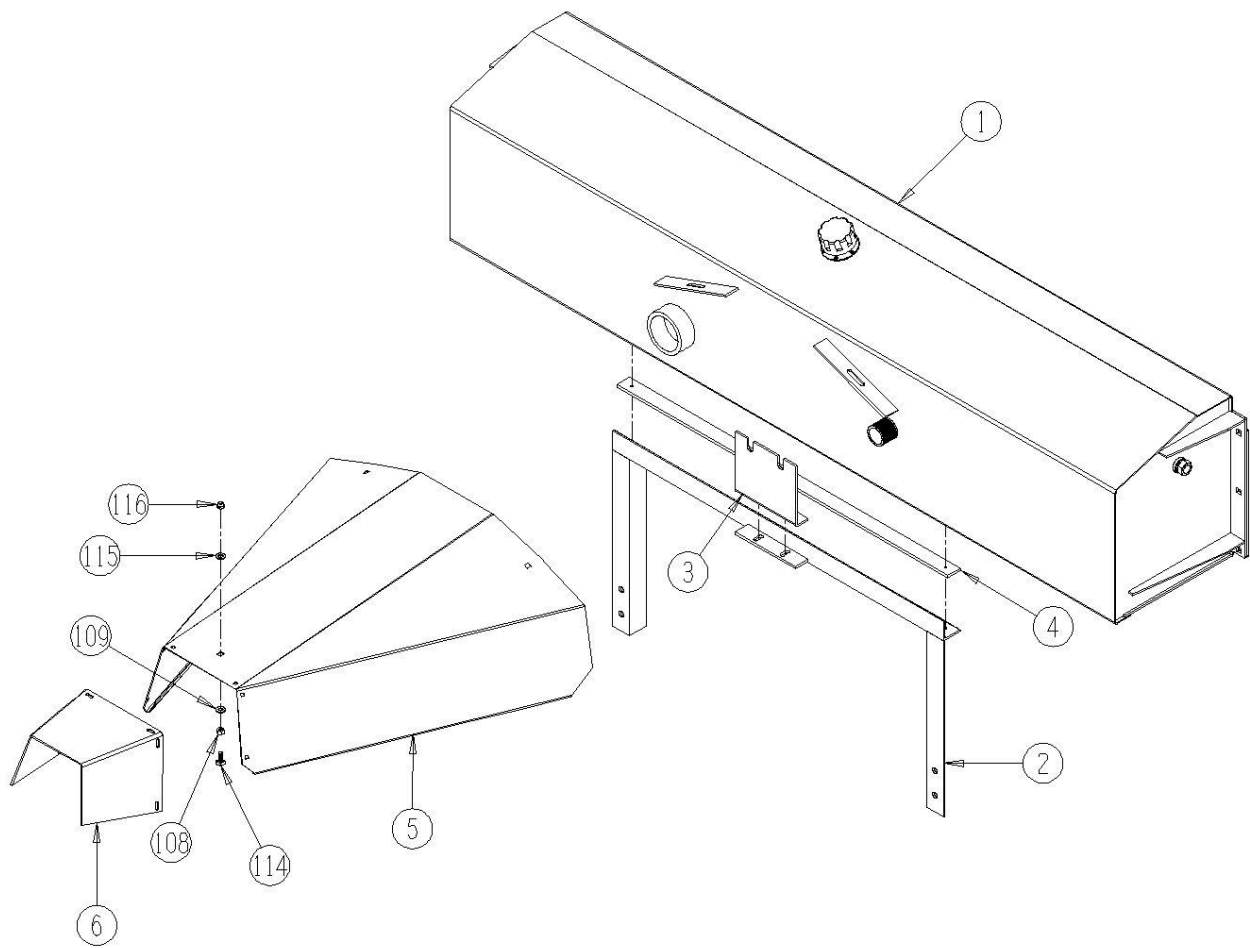
7306-3-7
CONTROL VALVE, OPEN CENTER



7306-3-8 Oil Tank

| <u>Ref</u> | <u>Part No.</u> | <u>Description</u> | <u>Parts – Assembly</u> | <u>Will Fit SN</u> | <u>Remarks</u> |
|------------|-----------------|---|-----------------------------|--------------------|---|
| 1 | PR45007 | Oil Tank , 795Spreader | 1 | | |
| 2 | PR45012 | Mount,Tank,Pump Support | 1 | | |
| 3 | PR45013 | Rear Pump Mount | 1 | | |
| 4 | PR45014 | Tank Wear Guard,795 | 1 | | |
| 5 | PR45019 | Shield, Front, Hyd. Pump | 1 | | |
| 6 | PR45025 | Shield, Belting, PTO Cover | 1 | | |
| 101 | BC-1032-FS | 10-32 x 1 1/4' bolts Flat Socket Head | 4 | | |
| 102 | BL-1032-N | 10-32 HH Machine Screw Nut Zinc | 4 | | |
| 103 | BL-10-FWSS | 5/8 USS FW SS | 12 | | |
| 104 | BL-10-LW | 5/8 SPLIT LW ZC | 2 | | |
| 105 | BL-10-N | 5/8-11 HEX FIN NUTS ZC | 2 | | |
| 106 | BL-6-125-C | 3/8 UNC X 1 1/4 CARRIAGE BOLT GR5 ZINC | 2 | | |
| 107 | BL-6-LW | 3/8 SPLIT LW ZC | 2 | | |
| 108 | BL-6-N | 3/8-16 HEX NUTS ZC | 3 | | |
| 109 | BL-6-SW-8 | 3/8 SAE FW G8 ,Yellow Zinc, Thru Hardened | 3 | | |
| 110 | BL-8-125-H | 1/2-13 X 1 1/4 HEX CAP G5 ZC | 10 | | |
| 111 | BL-8-FW | 1/2 USS FW ZC | 14 | | |
| 112 | BL-8-FW-8 | 1/2 FLAT WASHER G8 ZC | 6 | | |
| 113 | BL-8-LN | 1/2-13 HEX LOCK NUT NYLON INSERT ZC | 10 | | |
| 114 | BL-6-100-C | 3/8 UNC X 1 CARRIAGE BOLT GR5 ZINC | 1 | | |
| 115 | BL-6-SW | 3/8 SAE FW ZC | 1 | | |
| 116 | BL-6-SS-A | AcornNut, 3/8 - 16, Stainless Steel | 1 | | |
| 601 | HA-0002 | Filler-Strainer Breather Cap Assembly | 1 | | |
| 602 | HA-1006-3 | Hydraulic Suction Screens, 3' Male NPT x 2' Female NPT | 1 | 19501-19903 | |
| 603 | HA-1007 | Hydraulic, Magnetic Drain Plug | 1 | 11101- | |
| 604 | HA-1029 | Hydraulic Fluid Filter, 11' | 1 | | |
| 605 | HP-1031 | Hydraulic oil (per gal.)with anti-wear and anti-foam properties | 63 | | ISO grade 46 with anti-wear and anti-foam properties. Harvesters, Approx. 140 gal |
| 606 | HA-HSG075 | Hydraulic Sight Level Gauge, 1"npt, Bullseye | 1 | | |

7306-3-8
OIL TANK



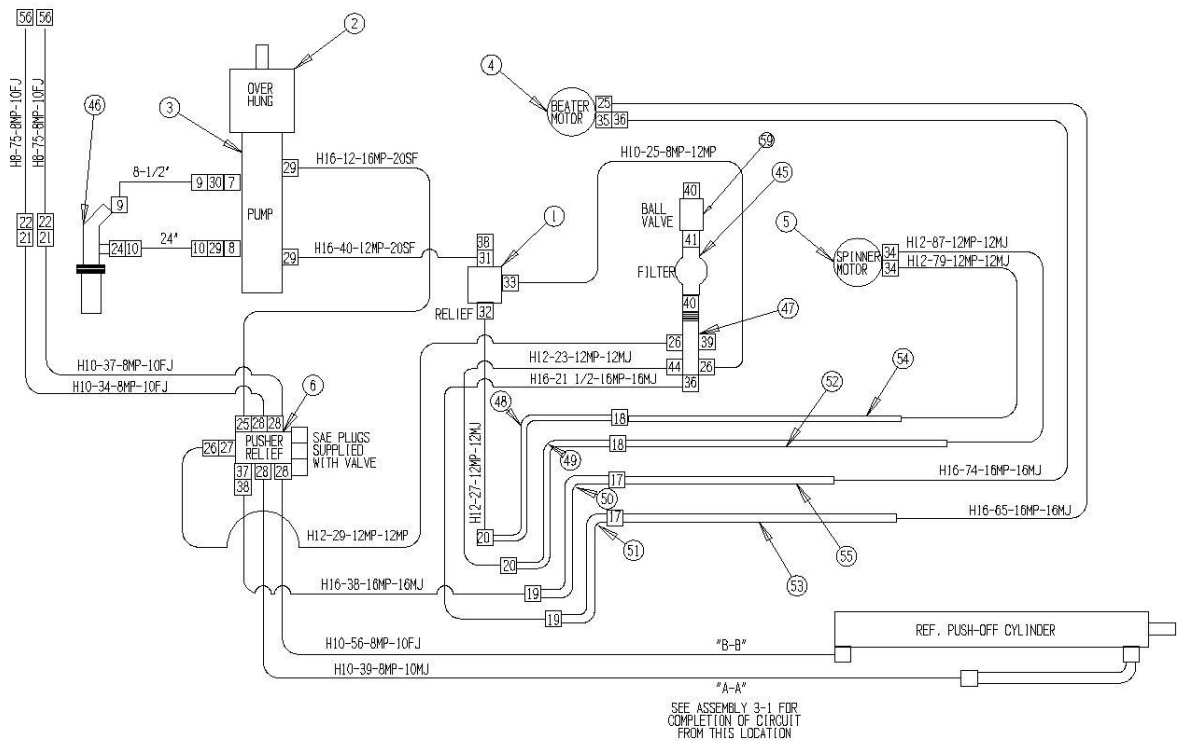
7306-3-9 Hydraulics, Drive System

| <u>Ref</u> | <u>Part No.</u> | <u>Description</u> | <u>Parts – Assembly</u> | <u>Will Fit SN</u> | <u>Remarks</u> |
|------------|------------------|---|-----------------------------|--------------------|----------------|
| 0 | H10-25-8MP-12MP | 5/8 Hose x 1/2MP x 3/4MP x 25 in. Long | 1 | | |
| 0 | H12-27-12MP-12MJ | 3/4 in hose 3/4MP X 3/4MJIC 27 in long | 1 | | |
| 0 | H12-23-12MP-12MJ | 3/4 in hose 3/4MP X 3/4MJIC 23 in long | 1 | | |
| 0 | H10-56-8MP-10FJ | 5/8 Hose 5/8 MP x 5/8FJIC x 56in. Long | 1 | | |
| 0 | H10-39-8MP-10MJ | 5/8 in hose 1/2MP X 5/8MJIC 39 in long | 1 | | |
| 0 | H12-29-12MP-12MP | 3/4 in. hose 29 in. 3/4 x 3/4 | 1 | | |
| 0 | H10-34-8MP-10FJ | 5/8 in hose 1/2MP X 5/8FJIC 34 in long | 1 | | |
| 0 | H16-22-16MP-16MJ | 1 in hose 1MP X 1MJIC 22 in long | 1 | | |
| 0 | EL-1279 | Grommet, TL60, Oval, TL#60700 | 4 | | |
| 0 | BL-8-FW | 1/2 USS FW ZC | 12 | | |
| 0 | BL-8-LN | 1/2-13 HEX LOCK NUT NYLON INSERT ZC | 6 | | |
| 0 | BL-8-750-H | 1/2 x 7 1/2 HEX BOLT | 4 | | |
| 0 | H10-37-8MP-10FJ | 5/8 in hose 1/2MP X 5/8FJIC 37 in long | 1 | | |
| 0 | H12-79-12MP-12MJ | 3/4 in hose 12MP x 12MJ x 79 in long | 1 | | |
| 0 | H16-12-16MP-20SF | 1 in.Hose x 1MP x 1-1/4SF x 12 in.Long | 1 | | |
| 0 | H16-38-16MP-16MJ | 1 in hose 1MP X 1MJIC 38 in long | 1 | | |
| 0 | H16-40-12MP-20SF | 1in.Hose x 3/4MP x 1-1/4SF x 40 in. Long | 1 | | |
| 0 | H16-65-16MP-16MJ | 1 in hose 1MP x 1MJ x 65 in long | 1 | | |
| 0 | H16-74-16MP-16MJ | 1 in hose 1MP x 1MJ x 74 in long | 1 | | |
| 0 | HOS-2-3 | 2" Suction Hose, Nitrile/Neoprene, Black | 0 | | |
| 0 | H8-75-8MP-10FJ | 1/2" hose 1/2" MP x 5/8" FJ x 75" long | 2 | | |
| 0 | HOS-150-1 | 1-1/2" I.D., Hose, Suction, Nitrile/Neoprene, Black | 0 | | |
| 0 | HW-12 | #12 OD Washer for Hydraulic Tube/Hose | 8 | | |
| 0 | HW-16 | #16 OD Washer for Hydraulic Tube/Hose | 8 | | |
| 0 | BL-8-650-H | Grade 5 Bolt 1/2 x 6 1/2 | 2 | | |
| 0 | H12-87-12MP-12MJ | 3/4 in hose 12MP x 12MJ x 87 in long | 1 | | |
| 1 | HV-RV-1H | Relief valve w/ SAE #12 ports | 1 | | |

| | | | | | |
|----|--------------------|--|---|------------------|--|
| 2 | HP-1003-XSP | Overhung Load Adapter With Weep Hole, Splined Int, Extended External | 1 | 73008001- | |
| 2 | HP-1003 | Overhung Load Adapter (Modified to Pik Rite Standards) | 0 | 11001, -73007005 | |
| 3 | HP-257-175-175-225 | Hydraulic Pump | 0 | -73007005 | No Paint - Pik Rite will paint in house. |
| 3 | HP-257-17-17-22-SP | Hydraulic Pump | 1 | 73008001- | |
| 4 | HM-400-TC | Hydraulic Motor, 2 1/8 -16 splined shaft | 1 | | Seal Kit # TCI-SKMLHV |
| 5 | HM-200-TC | Hydraulic Motor | 1 | | Seal Kit # TCI-SKMLHT |
| 6 | HV-60454 | Manifold with Valves | 1 | | |
| 7 | A-4456-32-32 | Flange Nipple, 2" 45° | 1 | | |
| 8 | A-4459-20-20 | Flange Nipple, 1 1/4" 90° | 1 | | |
| 9 | CL-225 | 2 1/4" T-Bolt Clamp | 2 | | |
| 10 | CL-125 | 1 1/4"Hose Clamp, Heavy Duty T-Bar, 1.5625"-1.875" | 2 | | |
| 17 | A-2403-16 | Union, 1" MJ x 1" MJ | 2 | | |
| 18 | A-2403-12 | Union, 3/4" MJ x 3/4" MJ | 2 | | |
| 19 | A-6500-16 | 90° Elbow, 1" MJ x 1" FJX | 2 | | |
| 20 | A-6500-12 | 90° Elbow, 3/4" MJ x 3/4" FJX | 2 | | |
| 21 | A-2700-10 | Union, Bulkhead, 5/8" MJ x 5/8" MJ | 2 | | |
| 22 | A-306-10 | Lock Nut, Bulkhead, For 5/8" MJIC | 2 | | |
| 24 | A-4444-20-20 | 1 1/4" Male Pipe Hose Barb | 1 | | |
| 25 | A-6901-16-16 | 16 SAE x 1" FPX 90° , Forged | 2 | | |
| 26 | A-1501-12-12 | 3/4MP x 3/4 FPX 90° | 3 | | |
| 27 | A-6405-16-12 | 16 SAE x 3/4"FP | 1 | | |
| 28 | A-6901-10-8 | 10 SAE x 1/2 FPX90° , Forged | 4 | | |
| 29 | A-SFK-20 | 1 1/4" Split Flange Kit | 3 | | |
| 30 | A-SFK-32 | 2" Split Flange Kit | 1 | | |
| 31 | A-6901-12-12-4SAE | 12 SAE x 3/4" FPX 90° w/4 SAE Port, Forged | 1 | | |
| 32 | A-6901-12-12 | 12 SAE x 3/4" FPX 90° , Forged | 1 | | |
| 33 | A-6901-12-8 | 12 SAE x 1/2" FPX 90° , Forged | 1 | | |
| 34 | A-6900-12-12 | 12 SAE x 3/4"FPX | 2 | | |
| 35 | A-6900-16-16 | 16 SAE x 1"FPX | 1 | | |
| 36 | A-1501-16-16 | 1"MP x 1"FPX 90° | 2 | | |
| 37 | A-6901-16-16-4SAE | 16SAE x 1" FPX 90° w/4 SAE Port, Forged | 1 | | |

| | | | | |
|-----|--------------|---|---|----------|
| 38 | HA-1004-4 | Test Point Plug #4 SAE Thread | 2 | |
| 39 | AP-8 | 1/2" Pipe Plug | 1 | |
| 40 | ASL-24C | 1", Street Elbow, Domestic Only, Cast | 2 | |
| 41 | AN-24-48 | 1 1/2" Black Nipple x 3" Long | 1 | |
| 44 | A-1404-12-12 | 3/4 MP x 3/4 FPX | 1 | |
| 45 | HA-1030 | Filter Head, Single, Spin-On, 5.1 Dia, 1 1/2" NPT | 1 | |
| 46 | PR45016 | Manifold, Oil Resv, 795 | 1 | |
| 47 | PR45018 | Manifold Weldment, Oil, 795 | 1 | |
| 48 | H-T45003 | .75 Stainless Steel Tube (795 Spreader) | 1 | H-T45003 |
| 49 | H-T45005 | .75 Stainless Steel Tube (795 Spreader) | 1 | H-T45005 |
| 50 | H-T45002 | 1.00 Stainless Steel Tube (795 Spreader) | 1 | H-T45002 |
| 51 | H-T45004 | 1.00 Stainless Steel Tube (795 Spreader) | 1 | H-T45004 |
| 52 | H-T45001 | .75 Stainless Steel Tube (795 Spreader) | 1 | H-T45001 |
| 53 | H-T45000 | 1.00 Stainless steel tube (795 Spreader) | 1 | H-T45000 |
| 54 | H-T45008 | .75 Stainless steel tube (795 Spreader) | 1 | |
| 55 | H-T45009 | 1.00 Stainless steel tube (795 Spreader) | 1 | |
| 56 | A-QD2010-8-8 | Tractor Quick Coupler, Male, 1/2" w/ FPT | 2 | |
| 57 | HA-1071-H | Hydra-zorb Tube Clamp 1" (3 pc.) | 6 | 19401- |
| 58 | HA-1072-H | Hydra-zorb Tube Clamp 3/4" (3 pc.) | 6 | 19401- |
| 59 | VLV-150-B | Valve, Ball, 1", Full Port | 1 | |
| 800 | HV-60454-A | Cartridge Valve / spreader control | 1 | |
| 801 | HV-60454-B | Seal Kit for PD12-32-0-NS-170 | 1 | |
| 802 | HV-60454-C | Relief Valve for Spreader Manifold | 1 | |
| 803 | HV-60454-D | Sequence Valve for Spreader Manifold | 1 | |

7306-3-9 HYDRAULIC DRIVE ASSEMBLY



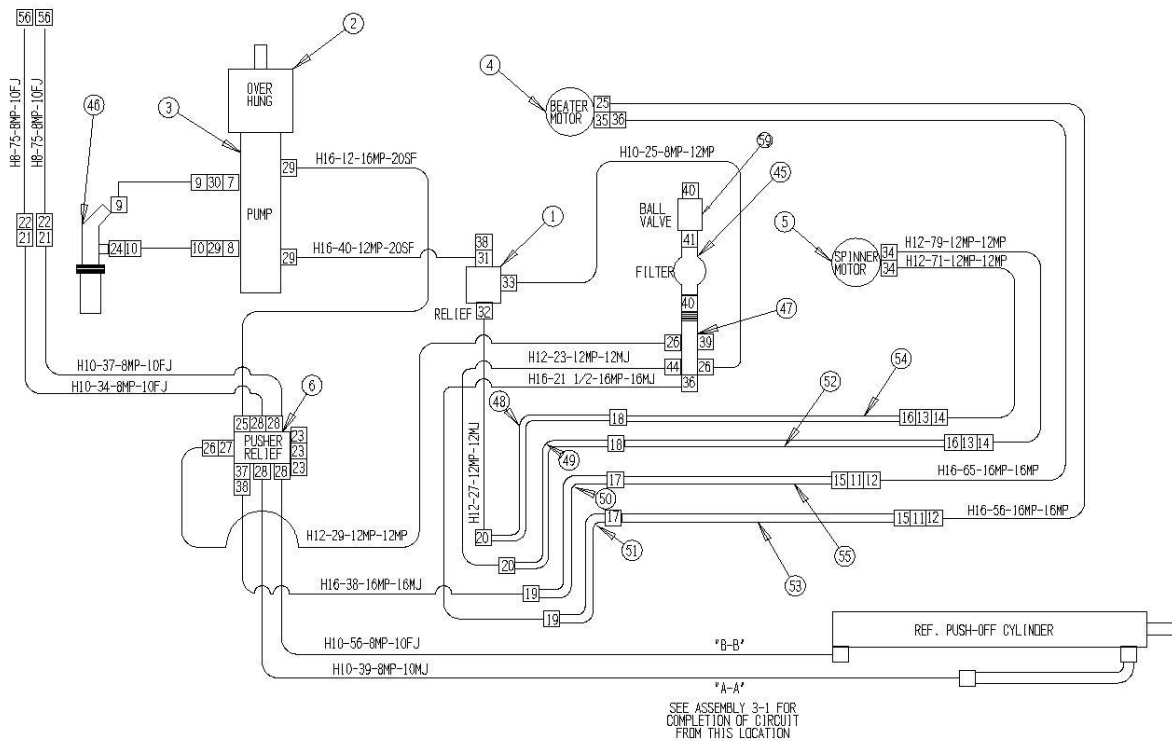
7306-3-9.1 Optional - Hydraulics With Rear Disconnects

| <u>Ref</u> | <u>Part No.</u> | <u>Description</u> | <u>Parts – Assembly</u> | <u>Will Fit SN</u> | <u>Remarks</u> |
|------------|------------------|---|-----------------------------|--------------------|----------------|
| 0 | H12-27-12MP-12MJ | ¾ in hose ¾MP X ¾MJIC 27 in long | 1 | | |
| 0 | BL-8-FW | 1/2 USS FW ZC | 12 | | |
| 0 | BL-8-LN | 1/2-13 HEX LOCK NUT NYLON INSERT ZC | 6 | | |
| 0 | EL-1279 | Grommet, TL60, Oval, TL#60700 | 4 | | |
| 0 | H16-65-16MP-16MP | 1 in hose 1MP x 1MP x 65 in long | 1 | | |
| 0 | H10-25-8MP-12MP | 5/8 Hose x 1/2MP x ¾MP x 25 in. Long | 1 | | |
| 0 | BL-8-750-H | 1/2 x 7 1/2 HEX BOLT | 4 | | |
| 0 | H10-34-8MP-10FJ | 5/8 in hose 1/2MP X 5/8FJIC 34 in long | 1 | | |
| 0 | H10-37-8MP-10FJ | 5/8 in hose 1/2MP X 5/8FJIC 37 in long | 1 | | |
| 0 | H10-39-8MP-10MJ | 5/8 in hose 1/2MP X 5/8MJIC 39 in long | 1 | | |
| 0 | H10-56-8MP-10FJ | 5/8 Hose 5/8 MP x 5/8FJIC x 56in. Long | 1 | | |
| 0 | H12-23-12MP-12MJ | ¾ in hose ¾MP X ¾MJIC 23 in long | 1 | | |
| 0 | HW-16 | #16 OD Washer for Hydraulic Tube/Hose | 8 | | |
| 0 | H12-29-12MP-12MP | ¾ in. hose 29 in. ¾ x ¾ | 1 | | |
| 0 | H12-71-12MP-12MP | ¾ in hose ¾MP x ¾MP x 71 in long | 1 | | |
| 0 | H12-79-12MP-12MP | ¾ in hose ¾MP x ¾MP x 79 in long | 1 | | |
| 0 | H16-12-16MP-20SF | 1 in.Hose x 1MP x 1-1/4SF x 12 in.Long | 1 | | |
| 0 | H16-22-16MP-16MJ | 1 in hose 1MP X 1MJIC 22 in long | 1 | | |
| 0 | H16-38-16MP-16MJ | 1 in hose 1MP X 1MJIC 38 in long | 1 | | |
| 0 | H16-56-16MP-16MP | 1 in hose 1MP x 1MP x 56 in long | 1 | | |
| 0 | HOS-2-3 | 2" Suction Hose, Nitrile/Neoprene, Black | 0 | | |
| 0 | H8-75-8MP-10FJ | 1/2" hose 1/2" MP x 5/8" FJ x 75" long | 2 | | |
| 0 | HOS-150-1 | 1-1/2" I.D., Hose, Suction, Nitrile/Neoprene, Black | 0 | | |
| 0 | HW-12 | #12 OD Washer for Hydraulic Tube/Hose | 8 | | |
| 0 | BL-8-650-H | Grade 5 Bolt 1/2 x 6 1/2 | 2 | | |
| 0 | H16-40-12MP-20SF | 1in.Hose x ¾MP x 1-1/4SF x 40 in. Long | 1 | | |
| 1 | HV-RV-1H | Relief valve w/ SAE #12 ports | 1 | | |

| | | | | |
|----|--------------------|--|---|-----------------------|
| 2 | HP-1003-XSP | Overhung Load Adapter With Weep Hole, Splined Int, Extended External | 1 | 73008001- |
| 3 | HP-257-17-17-22-SP | Hydraulic Pump | 1 | 73008001- |
| 4 | HM-400-TC | Hydraulic Motor, 2 1/8 -16 splined shaft | 1 | Seal Kit # TCI-SKMLHV |
| 5 | HM-200-TC | Hydraulic Motor | 1 | Seal Kit # TCI-SKMLHT |
| 6 | HV-60454 | Manifold with Valves | 1 | |
| 7 | A-4456-32-32 | Flange Nipple, 2" 45° | 1 | |
| 8 | A-4459-20-20 | Flange Nipple, 1 1/4" 90° | 1 | |
| 9 | CL-225 | 2 1/4" T-Bolt Clamp | 2 | |
| 10 | CL-125 | 1 1/4"Hose Clamp, Heavy Duty T-Bar, 1.5625"-1.875" | 2 | |
| 11 | A-QDFF-1001-16 | Non Spill Disconnect Quick Coupler, 1" Female | 2 | |
| 12 | A-QDFF-1002-16 | Non Spill Disconnect Quick Coupler Nipple, 1" Male | 2 | |
| 13 | A-QDFF-751-12 | Non Spill Disconnect Quick Coupler, 3/4" Female | 2 | |
| 14 | A-QDFF-752-12 | Non Spill Disconnect Quick Coupler Nipple, 3/4" Male | 2 | |
| 15 | A-2404-16-16 | 1" MJIC x 1" MP | 2 | |
| 16 | A-2404-12-12 | 3/4" MJIC X 3/4" MP | 2 | |
| 17 | A-2403-16 | Union, 1" MJ x 1" MJ | 2 | |
| 18 | A-2403-12 | Union, 3/4" MJ x 3/4" MJ | 2 | |
| 19 | A-6500-16 | 90° Elbow, 1" MJ x 1" FJX | 2 | |
| 20 | A-6500-12 | 90° Elbow, 3/4" MJ x 3/4" FJX | 2 | |
| 21 | A-2700-10 | Union, Bulkhead, 5/8" MJ x 5/8" MJ | 2 | |
| 22 | A-306-10 | Lock Nut, Bulkhead, For 5/8" MJIC | 2 | |
| 23 | A-6408-6 | 6 SAE Plug | 3 | |
| 24 | A-4444-20-20 | 1 1/4" Male Pipe Hose Barb | 1 | |
| 25 | A-6901-16-16 | 16 SAE x 1" FPX 90°, Forged | 2 | |
| 26 | A-1501-12-12 | 3/4"MP x 3/4" FPX 90° | 3 | |
| 27 | A-6405-16-12 | 16 SAE x 3/4"FP | 1 | |
| 28 | A-6901-10-8 | 10 SAE x 1/2 FPX90°, Forged | 4 | |
| 29 | A-SFK-20 | 1 1/4" Split Flange Kit | 3 | |
| 30 | A-SFK-32 | 2" Split Flange Kit | 1 | |
| 31 | A-6901-12-12-4SAE | 12 SAE x 3/4" FPX 90°w/4 SAE Port, Forged | 1 | |
| 32 | A-6901-12-12 | 12 SAE x 3/4" FPX 90°, Forged | 1 | |

| | | | | |
|-----|-------------------|---|---|----------|
| 33 | A-6901-12-8 | 12 SAE x 1/2" FPX 90°, Forged | 1 | |
| 34 | A-6900-12-12 | 12 SAE x 3/4"FPX | 2 | |
| 35 | A-6900-16-16 | 16 SAE x 1"FPX | 1 | |
| 36 | A-1501-16-16 | 1"MP x 1"FPX 90° | 2 | |
| 37 | A-6901-16-16-4SAE | 16SAE x 1" FPX 90°w/4 SAE Port, Forged | 1 | |
| 38 | HA-1004-4 | Test Point Plug #4 SAE Thread | 2 | |
| 39 | AP-8 | 1/2" Pipe Plug | 1 | |
| 40 | ASL-24C | 1½", Street Elbow, Domestic Only, Cast | 2 | |
| 41 | AN-24-48 | 1 1/2" Black Nipple x 3" Long | 1 | |
| 44 | A-1404-12-12 | ¾ MP x ¾ FPX | 1 | |
| 45 | HA-1030 | Filter Head, Single, Spin-On, 5.1 Dia, 1 1/2" NPT | 1 | |
| 46 | PR45016 | Manifold, Oil Resv, 795 | 1 | |
| 47 | PR45018 | Manifold Weldment, Oil, 795 | 1 | |
| 48 | H-T45003 | .75 Stainless Steel Tube (795 Spreader) | 1 | H-T45003 |
| 49 | H-T45005 | .75 Stainless Steel Tube (795 Spreader) | 1 | H-T45005 |
| 50 | H-T45002 | 1.00 Stainless Steel Tube (795 Spreader) | 1 | H-T45002 |
| 51 | H-T45004 | 1.00 Stainless Steel Tube (795 Spreader) | 1 | H-T45004 |
| 52 | H-T45001 | .75 Stainless Steel Tube (795Spreader) | 1 | H-T45001 |
| 53 | H-T45000 | 1.00 Stainless steel tube (795 Spreader) | 1 | H-T45000 |
| 54 | H-T45008 | .75 Stainless steel tube (795 Spreader) | 1 | |
| 55 | H-T45009 | 1.00 Stainless steel tube (795 Spreader) | 1 | |
| 56 | A-QD2010-8-8 | Tractor Quick Coupler, Male, 1/2" w/ FPT | 2 | |
| 57 | HA-1071-H | Hydra-zorb Tube Clamp 1" (3 pc.) | 6 | 19401- |
| 58 | HA-1072-H | Hydra-zorb Tube Clamp ¾" (3 pc.) | 6 | 19401- |
| 59 | VLV-150-B | Valve, Ball, 1½", Full Port | 1 | |
| 800 | HV-60454-A | Cartridge Valve / spreader control | 1 | |
| 801 | HV-60454-B | Seal Kit for PD12-32-0-NS-170 | 1 | |
| 802 | HV-60454-C | Relief Valve for Spreader Manifold | 1 | |
| 803 | HV-60454-D | Sequence Valve for Spreader Manifold | 1 | |

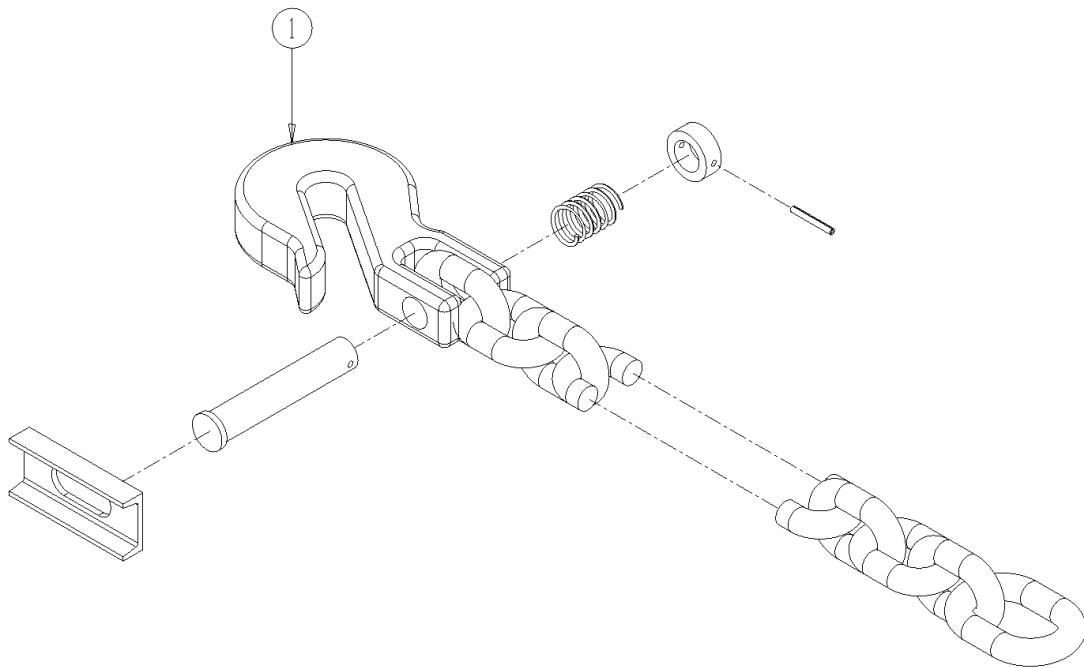
7306-3-9.1
 OPTIONAL - HYDRAULIC DRIVE WITH DISCONNECTS
 S.N. -73007003



7306-4-2 Optional Safety Tow Chain

| <u>Ref</u> | <u>Part No.</u> | <u>Description</u> | <u>Parts – Assembly</u> | <u>Will Fit SN</u> | <u>Remarks</u> |
|------------|-----------------|---|-----------------------------|---------------------|----------------|
| 1 | FRM-3167 | Safety Chain, Agricultural, 30,400 lb. Capacity | 1 | 19701- 30097001- | |
| 101 | BL-12-450-8 | ¾" x 4 1/2", HH C/S G8 ZC | 1 | | |
| 102 | BL-12-LN-8 | ¾" Lock Nuts w/ Nylon Inserts, Grade 8 | 1 | | |
| 103 | PR37152 | Washer, Safety Chain | 1 | | |

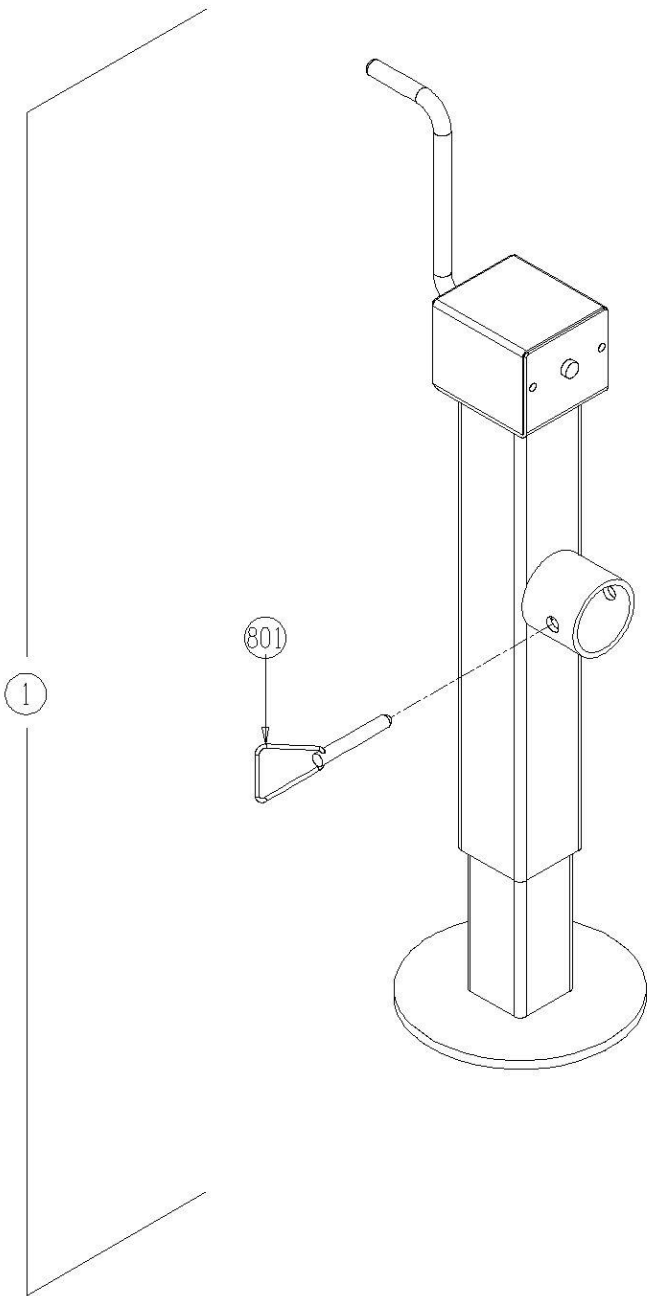
7306-4-2
OPTIONAL SAFETY TOW CHAIN



7306-4-3 Jack Stand

| <u>Ref</u> | <u>Part No.</u> | <u>Description</u> | <u>Parts – Assembly</u> | <u>Will Fit SN</u> | <u>Remarks</u> |
|------------|-----------------|--|-----------------------------|------------------------|----------------|
| 1 | WH-16216 | Jack Weldment, Sidewind Jack, 9,000 lb. | 1 | 71009002- 70209006- | |
| 801 | WH-16122-E | Pin & Chain Assy for Bulldog Topwind Swivel Jack | 1 | -71009001 | |

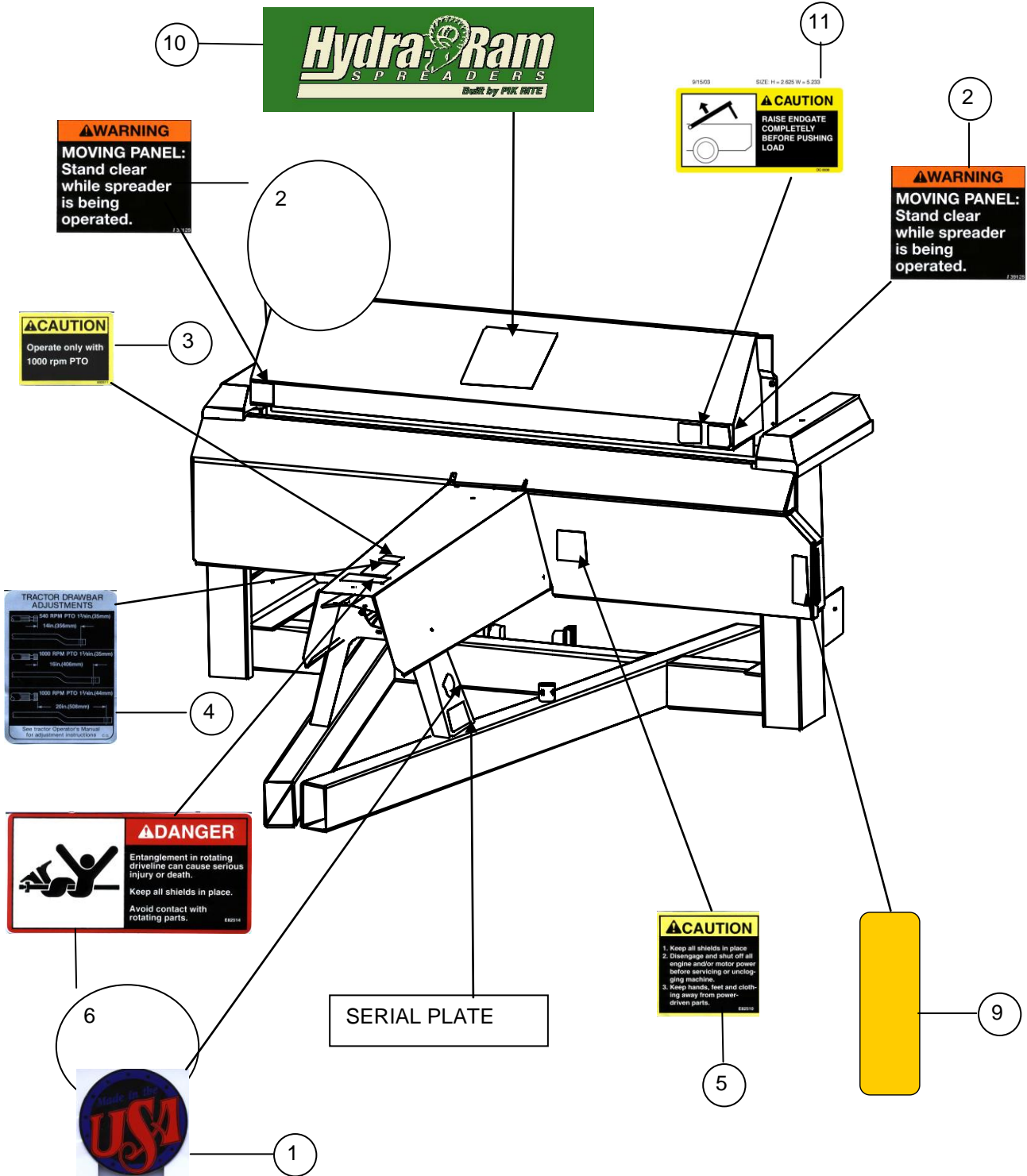
7306-4-3
JACK STAND



7306-4-5 Decals, Front

| <u>Ref</u> | <u>Part No.</u> | <u>Description</u> | <u>Parts – Assembly</u> | <u>Will Fit SN</u> | <u>Remarks</u> |
|------------|-----------------|---|-----------------------------|--------------------|----------------|
| 0 | MAN-0051 | Manual, Parts, 795 Spreader | 0 | | |
| 0 | MAN-0052 | Manual, Operators, 795 Spreader | 0 | | |
| 1 | DC-0011 | Decal, All, 'Made in USA', White Back w/ Red & Blue Letters | 1 | | |
| 2 | DC-0020 | Decal, Warning, Moving Panel | 2 | | |
| 3 | DC-0021 | Decal, Caution, 1000 rpm PTO | 1 | | |
| 4 | DC-0022 | Decal, Tractor Drawbar Adjustments | 1 | | |
| 6 | DC-0025 | Decal, Danger, Entanglement In Rotating Drive | 1 | | |
| 9 | DC-0034 | Decal, Amber, Reflector, Spreader | 1 | | |
| 10 | DC-0052 | Decal, 'Hydra Ram Spreaders' Logo, Large | 1 | | |
| 11 | DC-0038 | Decal, Caution, Raise Endgate Completely | 1 | | |
| 101 | RI-3-6-P | Pop Rivets 3/16 x 3/8 Domed, .375 head, ea. | 2 | | |

7306-4-5 DECALS, FRONT

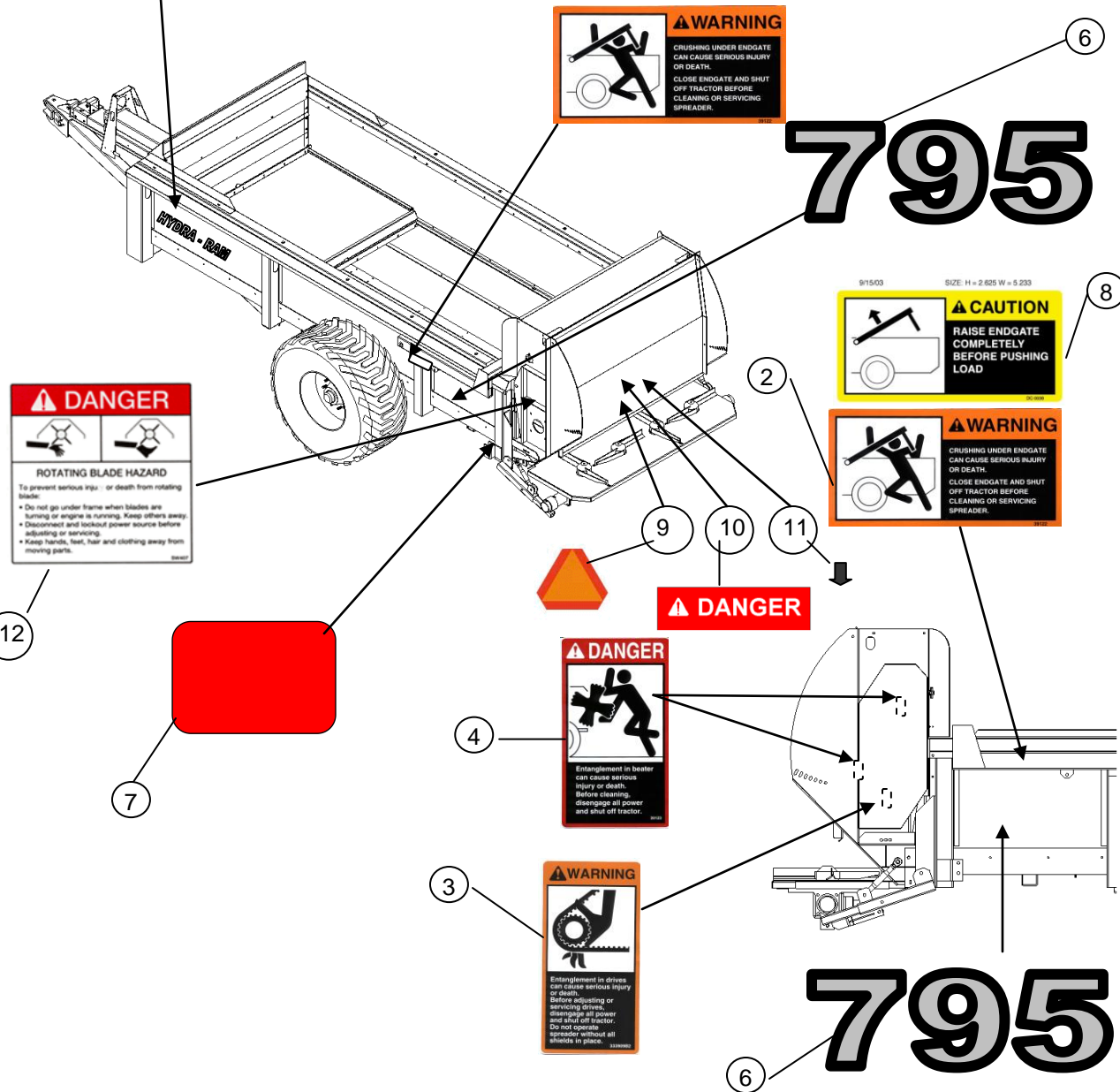


7306-4-6 Decals, Sides & Rear

| <u>Ref</u> | <u>Part No.</u> | <u>Description</u> | <u>Parts – Assembly</u> | <u>Will Fit SN</u> | <u>Remarks</u> |
|------------|-----------------|--|-----------------------------|--------------------|----------------|
| 2 | DC-0026 | Decal, Warning, Crushing Under Endgate | 2 | | |
| 3 | DC-0027 | Decal, Warning, Entanglement In Drives | 1 | | |
| 4 | DC-0030 | Decal, Danger, Entanglement In Beater | 3 | | |
| 5 | DC-0036 | Decal, 'HYDRA-RAM', Side Panels, Block Letters | 2 | | |
| 6 | DC-0057 | Decal, '795', Spreader | 2 | | |
| 7 | DC-0033 | Decal, Red, Reflector, Spreader | 2 | | |
| 8 | DC-0038 | Decal, Caution, Raise Endgate Completely | 1 | | |
| 9 | SMV-D | SMV Sign, Decal | 1 | | |
| 10 | DC-1184 | Danger Decal, 3" x 16" | 1 | | |
| 11 | DC-ARROW | Decal, Yellow Direction Arrow | 2 | | |
| 12 | DC-1175 | Decal, Danger, Rotating Blade Hazard | 1 | | |

7306-4-6
DECALS, SIDE OF SPREADER

5
HYDRA - RAM



7306-4-7 Manual Holder

| <u>Ref</u> | <u>Part No.</u> | <u>Description</u> | <u>Parts – Assembly</u> | <u>Will Fit SN</u> | <u>Remarks</u> |
|------------|-----------------|---------------------------------|-----------------------------|--------------------|----------------|
| 1 | MAN-67670 | Manual Holder/Canister | 1 | | |
| 101 | BL-1224-087-DT | 12-24 x 7/8 Drill and Tap Screw | 4 | | |

7306-4-7
MANUAL HOLDER

