



60 PIK RITE LANE, LEWISBURG PA 17837

PHONE: 570-523-8174 FAX: 570-523-8175

EMAIL: frontdsk@pikrite.com WEBSITE: www.pikrite.com

Dear Grower,

Welcome to the growing family of satisfied Pik Rite equipment owners. Our goal is to help make your harvest as enjoyable and trouble free as possible by providing equipment that is durable and keeps down time to a minimum.

In order to provide customer service and a supply of original equipment parts to keep your machine well maintained, we are continually striving to keep our systems state-of-the-art. We utilize all available resources that allow us to provide accurate and timely deliveries.

We will continue to give you the service you have come to expect from our dealer representatives and us. In order to avoid any delays during your harvest season we make every effort to have someone available to take your calls 24 hours a day. We have shipping companies in place to deliver your parts as expediently as possible. Whether you live a few miles down the road or on the other side of the globe you can count on us.

Sincerely,

Clint Morris
Parts Sales
parts@pikrite.com

Parts and Service Hotline
800-326-9763

www.pikrite.com

Table of Contents

12011-01-01	Main Frame Assembly	8
12011-01-02	Tongue Assembly	12
12011-01-03	Hitch Assembly	14
12011-01-04	1 3/4-20 PTO Assembly.....	18
12011-01-05	1 3/8-21 PTO (Optional)	20
12011-01-06	Standard Axle Assembly.....	22
12011-01-20	Automatic Leveling Assembly	26
12011-02-01	Disk Header Frame Assembly	28
12011-02-02	Disk Drive Shaft Assembly	30
12011-02-03	34in Standard Disk Shaft Assembly.....	32
12011-02-04	36in Optional Disk Shaft Assembly.....	34
12011-02-05	Gathering Chain Assembly	36
12011-02-07	Gauge Wheel Assembly	38
12011-02-70	Single Header Height Control Assembly.....	40
12011-02-70H	Single Header Height Control Hydraulic Assembly	44
12011-02-71	Dual Header Height Control Assembly	46
12011-02-71H	Dual HHC Hydraulic Assembly.....	50
12011-03-01	Primary Header Assembly	52
12011-03-02	Secondary Header Frame Assembly	56
12011-03-03	Header Conveyor Drive Shaft Assembly	58

12011-03-04	Header Conveyor Return Roller Assembly	62
12011-03-05	Secondary Header Frame Assembly Less Vine Assist.....	64
12011-03-10	Optional Mud Pusher Assembly.....	66
12011-03-11	Header Conveyor Vibrator Shaft Assembly	68
12011-03-12	Header Conveyor Bar Cleaner Assembly	70
12011-03-13	Full Length Vine Assist Assembly.....	72
12011-03-14	Optional Second Vibrator Assembly	74
12011-04-01	Shaker Weight Box Cover Assembly	76
12011-04-02	Shaker Drum Assembly	78
12011-04-03	Shaker Weight & Box Assembly	80
12011-04-04	Primary Shaker Ring and Finger Assembly	82
12011-04-05	Secondary Shaker Ring and Finger Assembly	84
12011-04-06	Shaker Spacer Tube Assembly	86
12011-04-07	Optional Shaker Half-Ring & Finger Assembly	88
12011-04-08	Optional Shaker Tine Cover Assembly	90
12011-05-01	Vine & Transfer Chamber Assembly.....	92
12011-05-02	Vine & Transfer Cover Assembly.....	96
12011-05-03	Transfer Drive Shaft Assembly	98
12011-05-04	Transfer Return Roller Assembly.....	100
12011-05-05	Transfer Bar Cleaner Assembly.....	102

12011-05-06	Transfer Dirt Vibrator Assembly.....	104
12011-05-07	Rear Transfer Drive Shaft Assembly	108
12011-05-08	Rear Transfer Return Roller Assembly	110
12011-05-09	Shaker Chamber Ladder Assembly	112
12011-05-20	Vine Chain Drive Assembly	114
12011-05-30	Vine Chopper Assembly	116
12011-06-01	Cross Conveyor Frame Assembly	120
12011-06-02	Cross Conveyor Drive Assembly	122
12011-06-03	Cross Conveyor Return Roller Assembly	124
12011-06-04	Cross Conveyor Chain Cleaner Assembly.....	126
12011-06-05	Opt. Cross Drive Anti-Wrap Shield Assembly.....	128
12011-06-20	Opt. Cross Conveyor Vibrator Assembly	130
12011-06-20H	Opt. Cross Vibrator Hydraulic Assembly	134
12011-07-01	Debris Fan Assembly.....	136
12011-07-02	Debris Fan Paddle Assembly.....	138
12011-07-03	Debris Drum Assembly	140
12011-07-04	Debris Fan Cover Assembly	142
12011-08-01	Rear Elevation Assembly.....	144
12011-08-02	Front Elevation Assembly	146
12011-08-03	Elevation Drive Shaft Assembly.....	148

12011-08-07	Opt. Elevation Conveyor Bar Cleaner Assembly	150
12011-08-40	Presort Assembly.....	152
12011-08-41	Front Presort Roller Assembly	156
12011-08-42	Rear Presort Roller Assembly.....	158
12011-08-43	NFM Sorter Assembly.....	160
12011-09-01	Aftersort Assembly.....	162
12011-09-02	Aftersort Drive Shaft Assembly	164
12011-09-03	Aftersort Divider Bar Assembly	166
12011-09-04	Aftersort Roller Assembly	168
12011-10-01	Discharge Basket Assembly	170
12011-10-02	Inner Discharge Assembly	172
12011-10-03	Middle Discharge Assembly.....	174
12011-10-04	Outer Discharge Assembly	176
12011-10-05	Discharge Drive Shaft Assembly	178
12011-11-02	Optional Canopy Enclosure Assembly.....	180
12011-11-03	Optional Enclosure Assembly	182
12011-11-03H	Enclosure Fresh Air Fan Hydraulic Assembly	184
12011-11-04	Inner Decking Assembly	186
12011-11-05	Outer Decking Assembly	188
12011-12-01	Air Compressor Assembly	190

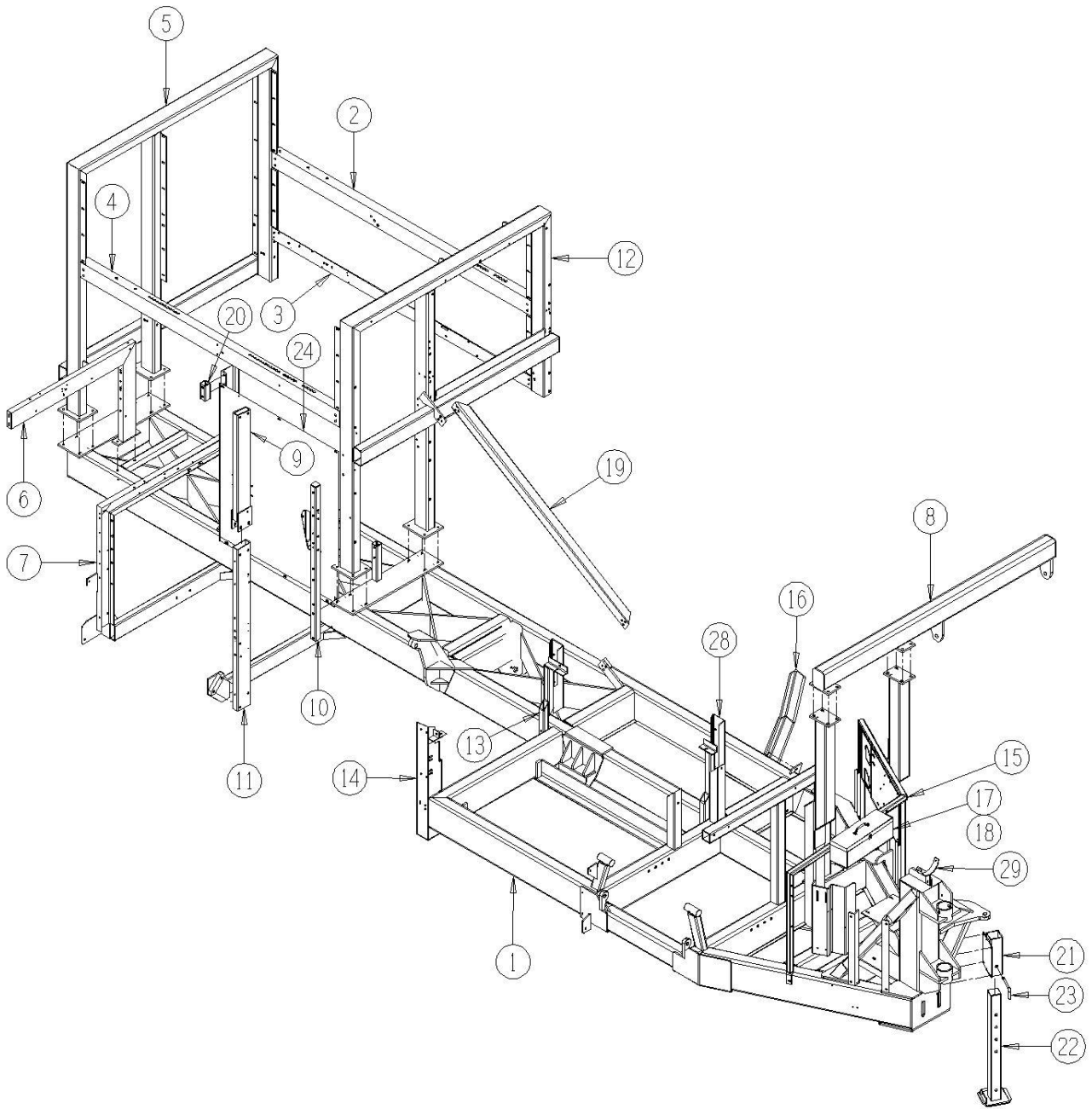
12011-12-02	Air Tank Assembly	192
12011-12-03	Pneumatics Schematic	194
12011-13-01	Double Pump Hydraulic Motor Assembly	197
12011-13-02	Oil Cooler Assembly	202
12011-13-03	Oil Tank Assembly	206
12011-13-10	Disk Reversing Valve Assembly	208
12011-14-02	Hydraulic Cylinder Plumbing, Single HHC	210
12011-14-02H	Hydraulic Control Valve, Single EHC	212
12011-15-01	Electrical Panel Assembly	214
12011-15-02	Control Valve Electrical Assembly	216
12011-15-10	Control Box, Single HHC Assembly	218
12011-15-11	Control Box, Dual HHC Assembly	220
12011-15-30	Optional Remote Activated Flow Control	222

**PARTS
CATALOG**

12011-01-01 Main Frame Assembly

<u>Ref</u>	<u>Part No.</u>	<u>Description</u>	<u>Parts – Assembly</u>	<u>Will Fit SN</u>	<u>Remarks</u>
1	FRM-9000	Main Frame, 240 Harvester	1		
2	MOU-9000	Shaker Angle, Outside	1		
3	MOU-9001	Shaker Mount Angle, Lower Outside	1		
4	MOU-9002	Shaker Angle, Inside	1		
5	FRM-9003	Rear Shaker Frame	1		
6	FRM-9004	Frame, Channel, Rear Cross Drive Frame, 240 Harvester	1		
7	FRM-9005	Frame, Channel, Front Cross Drive Frame, 240 Harvester	1		
8	FRM-9002	Overhead Header Lift (upper) 240 Tomato Harvester	1		
9	POS-9003	Canopy Post, 240 Harvester	1		
10	193-1138c	Post, Rear Inner Presort	1	19301-	
11	MOU-9003	Aftersort Upright Post, 240 Harvester	1		
12	FRM-9001	Front Shaker Frame, 240 Harvester	1		
13	POS-9000	Table Post, LR, Aftersort Table, 240	1		
14	POS-9001	Post,Rear Outer, Aftersort,240 Tomato Harvester	1		
15	MOU-9006	Handrail, Front, w/ Toolbox, 240 Tomato Harvester	1		
16	200-108	Slide Guide Wldmt, Reinforced	1		
17	BOX-7022	Removable Tool Box	1		
18	BOX-7025	Removable Tool Box Mounting	1		
19	SUP-1101	Support,Shaker Frame	1		
20	SPA-9000	Spacer Block, Shaker Chamber, 240 Harvester	1		
21	192-1125	Mount, Jack Stand, Frame, 2-Point Hitch	1		
22	192-1125A	Adjuster	1		
23	192-1125B	Pin, Jack Stand, Frame, 2-Point Hitch Machines	1		
24	PAN-9000	Panel, Inner Elevation, 240 Tomato Harvester	1		
25	HC-250-2408-OR	Hydraulic Cylinder 2 1/2 x 24 #8 SAE w/O-Piston Ring Seal	2		NOT TO BE USED IN SINGLE ACTING APPLICATIONS
26	HA-1071-H	Hydra-zorb Tube Clamp 1" (3 pc.)	2	19401-	
27	HA-1072-H	Hydra-zorb Tube Clamp 3/4" (3 pc.)	3	19401-	
28	POS-9002	Post, Aftersort, Left Front, 240 Tomato Harvester	1		

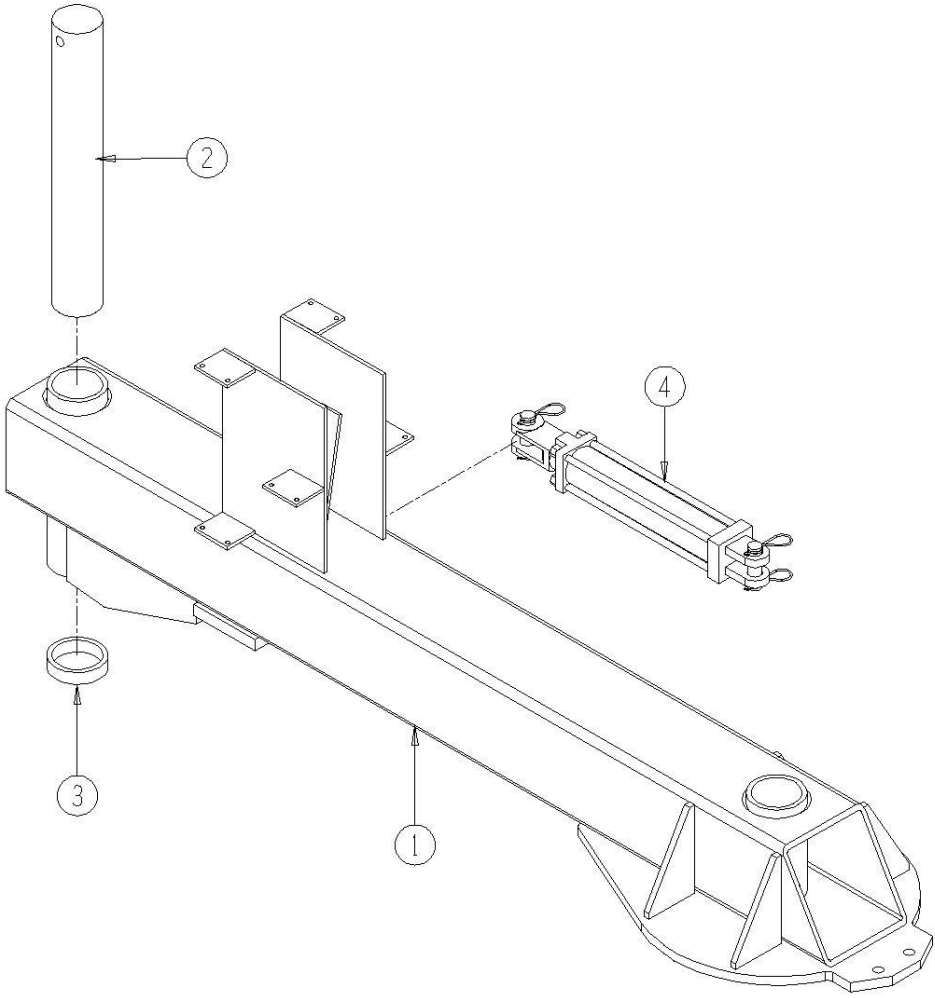
12011-01-01



12011-01-02 Tongue Assembly

<u>Ref</u>	<u>Part No.</u>	<u>Description</u>	<u>Parts – Assembly</u>	<u>Will Fit SN</u>	<u>Remarks</u>
1	FRM-9006	Tongue, 240 Harvester	1		
2	PIN-8110	Tongue Swivel, Main Frame, High Cap Tomato	1		
3	SPA-8110	Bushing, Tongue Swivel, High Cap Tom	1		
4	HC-250-1208	Tie Rod Cylinder, Standard 2 1/2" x 12"	1		Seal Kit Part No. HC-250-1208-SK (PMCK-B200000)
5	DC-1180	Serious Injur/Death Decal, Read Manual	1		
6	DC-1183	Company Information Decal, 3" x 7.75"	1		
7	DC-4W	Decal, Logo, White, 5.25" Long, Tanks, 1/29/99	1		

12011-01-02

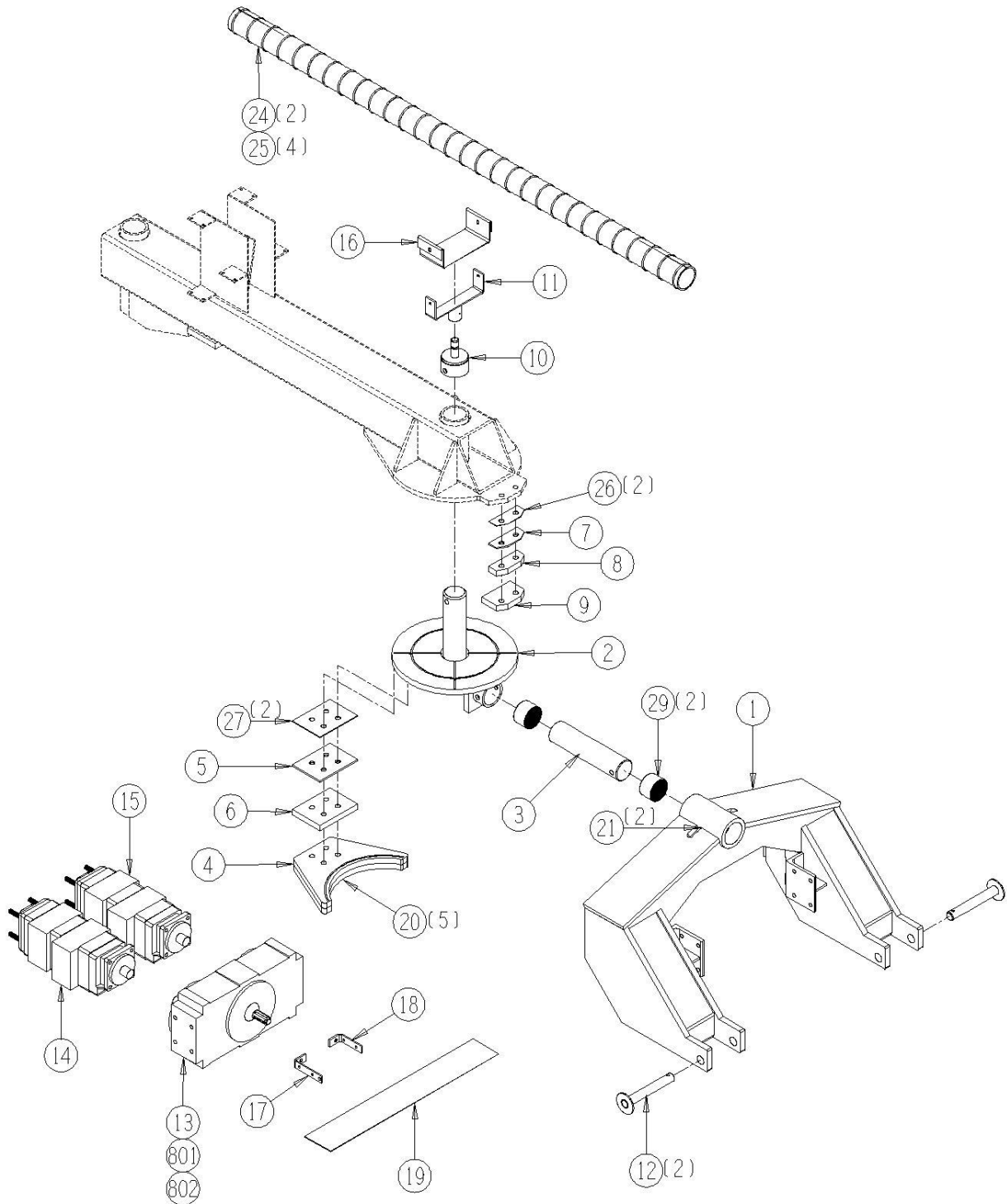


12011-01-03 Hitch Assembly

<u>Ref</u>	<u>Part No.</u>	<u>Description</u>	<u>Parts – Assembly</u>	<u>Will Fit SN</u>	<u>Remarks</u>
1	FRM-8111	Frame, 2 Point Hitch HC290 Tomato	1		
2	PIN-8210	Gooseneck Hitch Pivot/Swivel, Tractor Hitch Frm	1		
3	SFT-8112	Shaft, Gooseneck Hitch Pivot, HC290	1		
4	SUP-8210	Support, Rear Swivel Plate, Gooseneck Hitch	1		
5	BAR-8213	Bar, Spacer, Back Top, Hitch/Tongue, HC290	1		
6	BAR-8214	Bar, Spacer, Back, Bottom, Hitch/Tongue, HC290	1	BAR-8214	
7	BAR-8215	Bar, Spacer, Front Top, Hitch/Tongue, HC290	1		
8	BAR-8216	Bar, Spacer, Front Middle, Hitch/Tongue, HC290	1		
9	BAR-8217	Bar, Spacer, Front Bottom, Hitch/Tongue, HC290	1		
10	POS-8110	Post, Pivot Holder, Tongue	1		
11	SUP-8110	Support, Pivoting Hose Holder, Tongue HC290	1		
12	PIN-0002	Pin Weldment	2		
13	GBX-252	Two Pad Gearbox for double pump	1		Use only HP-630 Oil 3.5 Quart
14	HP-365-C15	Hydraulic Pump, Model 365	1		Can be Replaced with HP-257-P18
15	HP-365-C17	Hydraulic Pump, Model 365	1		
16	BT-8110	Belting, Hose Holder, Gooseneck	1		
17	BRA-8200	Bracket, Outsd, PTO Belting, Hitch Assy, HC290	1		
18	BRA-8201	Bracket, Inside, PTO Belting, Hitch Assy, HC290	1		
19	BT-8200	Belting, PTO, Hitch Assembly, HC290 Tomato	1		
20	GF-1827-45	Grease Fitting 1/8 NPT 45°	5		
21	GF-1827	Grease Fitting 1/8 NPT Straight	2		
22	DC-0021	Decal, Caution, 1000 rpm PTO	1		
23	DC-0025	Decal, Danger, Entanglement In Rotating Drive	1		
24	HOS-350-4-96S	3-1/2" ID, Clear Suction Line Covering	2		
25	CL-72	5" Gear Clamp	4		
26	BAR-8218	Bar, Spacer, Front, Gooseneck Hitch	2		
27	SPA-8213	Spacer, Back, Hitch Support	2		
28	HP-630	Synthetic Gear & Bearing Oil @ Qt.	3.5		

29	PR34413	Bronze Bushing for Spreader, 3½" Dia Shaft	2	
100	BL-24-FW	1 1/2" Flat Washer, Zinc	20	
801	GBXA-252D	Dipstick for GBX-252	1	
802	GBX-252-B	O-Ring	1	GBX-252

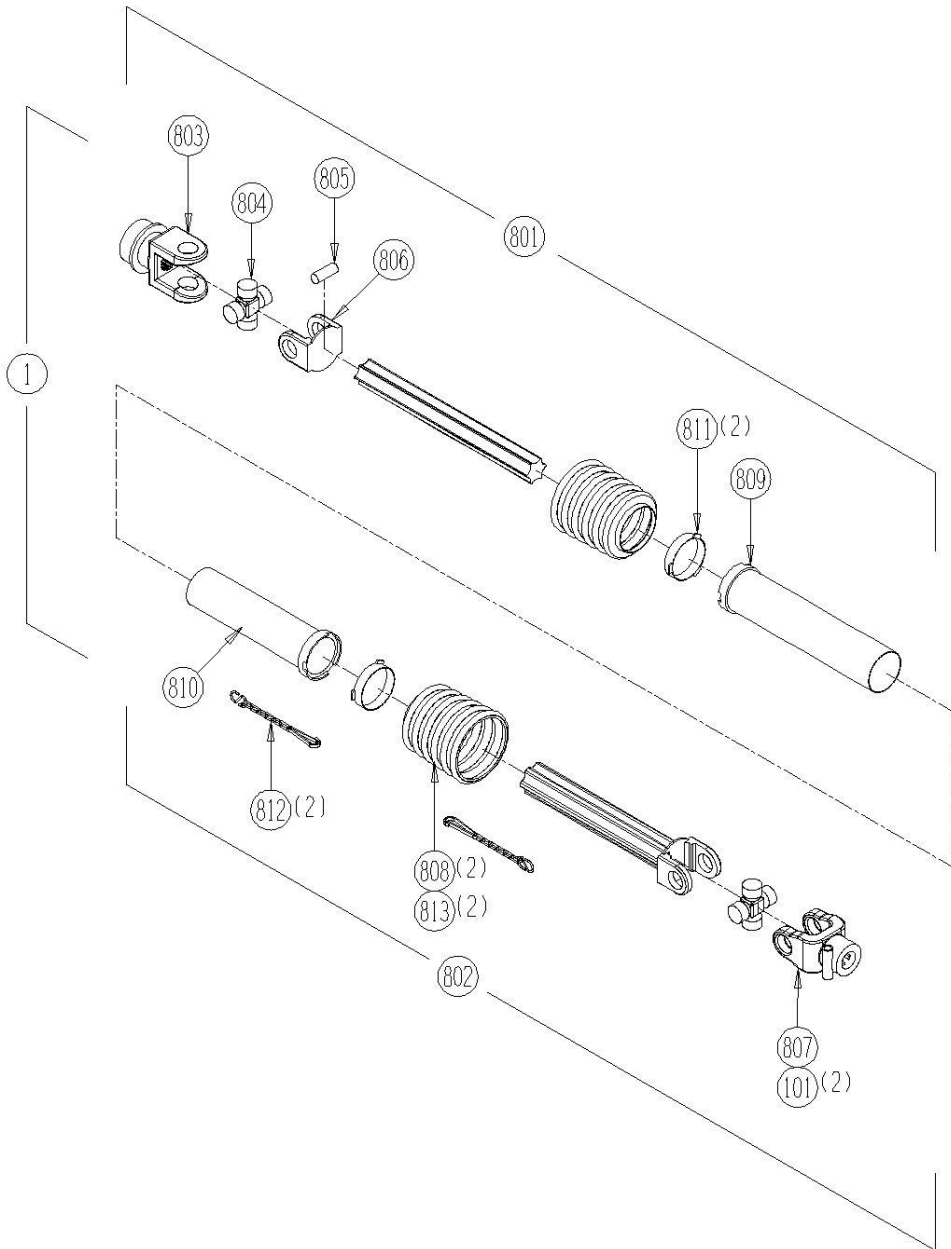
12011-01-03



12011-01-04 1 3/4-20 PTO Assembly

<u>Ref</u>	<u>Part No.</u>	<u>Description</u>	<u>Parts – Assembly</u>	<u>Will Fit SN</u>	<u>Remarks</u>
1	PTS-8106	1-3/4 x 20-spline x 1-3/8 6-spline gearbox (HC290)	1		
801	PTS-8106-FH	1-3/4 x 20-spline Front Half 2600 Series (HC290)	1		
802	PTS-8106-RH	1-3/8 6-spline Rear Half 2600 Series (HC290)	1		
803	PTS-8106C	Drive Shaft Yoke, 1 3/4 x 20 Spline	1		
804	PTS-8106A	Cross & Bearing Kit	1		
805	PTS-8106D	Spring Pin 13 x 95	1		
806	PTS-8106E	Inboard Yoke S5	1		
807	PTS-8106H	Yoke 1 3/8-6 SPL.	1		
808	PTS-8106I	Shield Cone 5 Rib	2		
809	PTS-8106J	Outside Shield Tube Ovl	1		
810	PTS-8106K	Inside Shield Tube Round	1		
811	PTS-8106L	Bearing Ring SC35	2		
812	PTS-1002K	PTO Shield Safety Chain	2		
813	PTS-1010K	Screw	2		

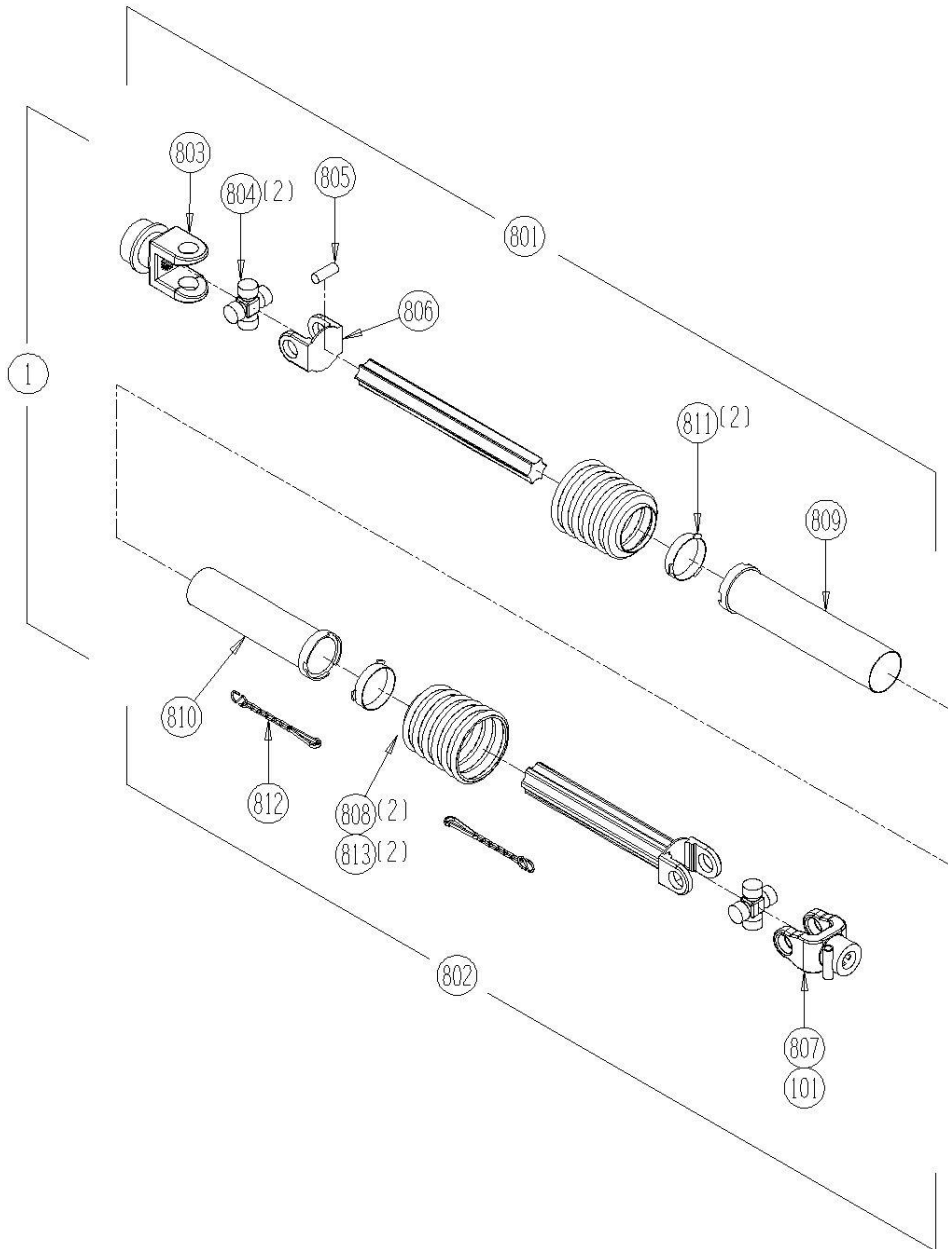
12011-01-04



12011-01-05 1 3/8-21 PTO (Optional)

<u>Ref</u>	<u>Part No.</u>	<u>Description</u>	<u>Parts – Assembly</u>	<u>Will Fit SN</u>	<u>Remarks</u>
1	PTS-8100	1-3/8 21-spline, x 1-3/8 6-spline gearbox (HC290)	1		IH MX Series Quick Hitch On Ford New Hol. Quick Hitch Off JD 7000 & 8000 both Hitch configs Case IH above 160 HP Quick H on Case IH Under 159 HP Both Hitch configs
801	PTS-8100-FH	1-3/8 x 21-spline, Front Half for PTS-8100, PTS-4002	1		
802	PTS-8100-RH	1-3/8 x 6-Spline, Rear Half for PTS-8100, PTS-8101	1		
803	PTS-1002C	PTO Yoke (Walterscheid) 1 3/8" x 21 spline	1	19101-	John Deere PN AW25386
804	PTS-4001B	Extended Lube Cross & Bearing Kit	2	Walterscheid Yokes	Replaces PTS-1002B
805	PTS-3001-D	Spring Pin 10x90	1		
806	PTS-4001IY	Inboard Yoke, Tractor Half	1		
807	PTS-8100-A	1-3/8 x 6-spline, Clamp Type	1		
808	PTS-1002E	7 Rib PTO Shield Cone (Walterscheid)	2	19101-	
809	PTS-4001OS	PTO Outer Shield (Walterscheid) Chili	1		
810	PTS-4001IS	PTO Inner Shield (Walterscheid) Chili	1		
811	PTS-1002J	PTO Shield Bearing Ring	2		
812	PTS-1002K	PTO Shield Safety Chain	1		
813	PTS-1010K	Screw	2		

12011-01-05

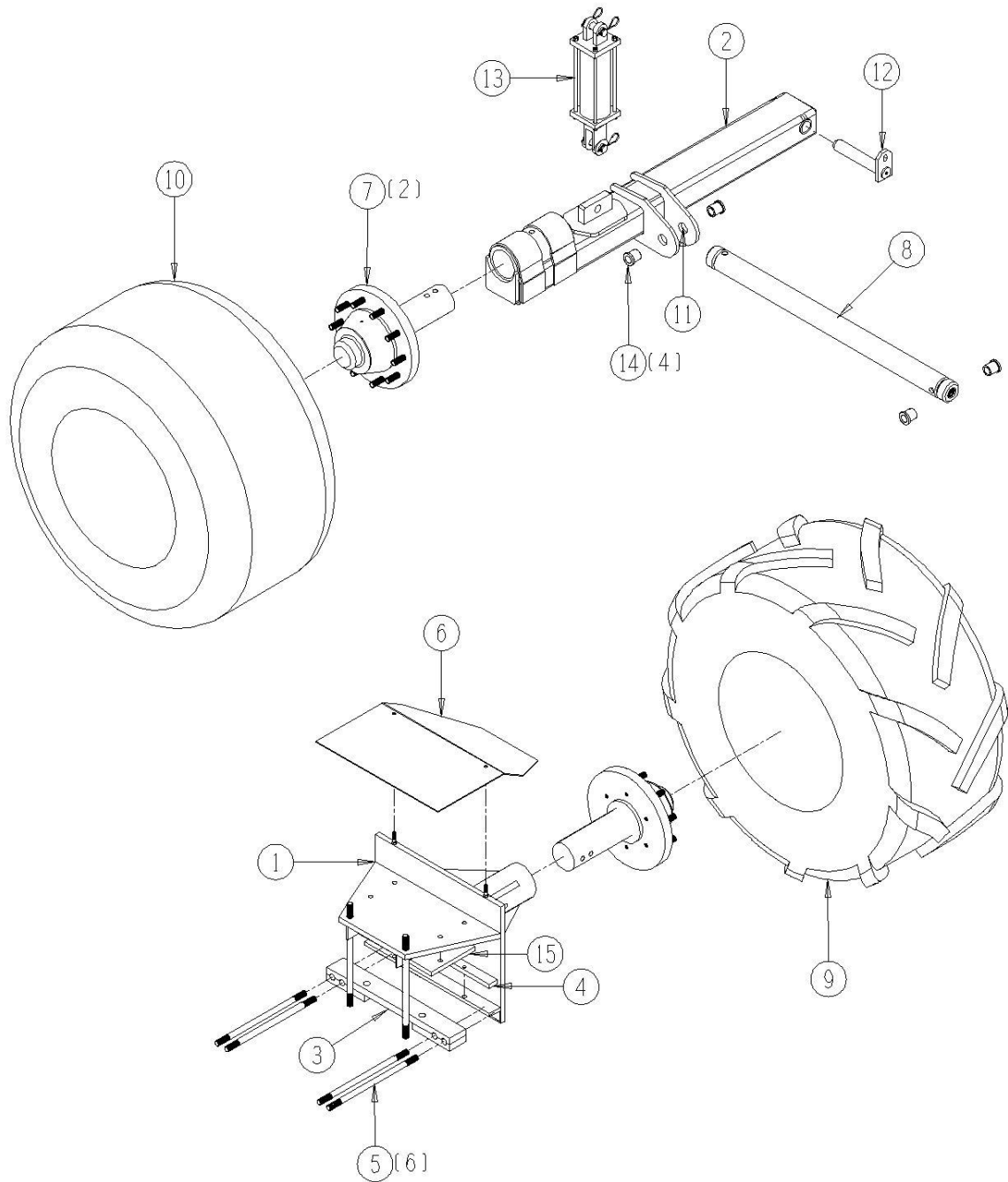


12011-01-06 Standard Axle Assembly

<u>Ref</u>	<u>Part No.</u>	<u>Description</u>	<u>Parts – Assembly</u>	<u>Will Fit SN</u>	<u>Remarks</u>
1	WHA-9000	Wheel Axle, Header Side, 240 Harvester	1		
2	FRM-9007	Axle, R.H., 240 Tomato Harvester	1		
3	BAR-9000	Bar Support, Single Tire Under Header, 240 Tomato Harvester	1		
4	SPA-1203	Spacer, Bottom, Header Side, 190 Tom.	1		
5	BL-12-1600-SUS-G8	3/4-10 x 16" Setup Stud 2" Min Thrd @ Ends, Gr8	6		
6	SHD-1201	Shield, Single Wheel, Header, Tom.	1		
7	WHL-1210	Hub and Spindle Assembly	2		
8	WHL-9000	Stabilizer Arm, Axle 240 Tomato Harvester	1		
9	WHM-9000	Large Single Wheel, 850/50-30.5	1		
10	WHM-1518	Tomato Tire/Wheel Assy. Mounted, HD	1		
11	HA-2012	Rod End, 1 1/4-12 male RH HD	2		
12	191-1112	Axle Pin	1	19101-	
13	HC-350-0808	Hydraulic Cylinder 3 1/2" x 8" #8 SAE Ports	1		Seal kit for Lion, HC-350-125
14	SPA-9002	Spacer, Axle, 240 Tomato Harvester	4		
15	SPA-9003	Spacer Bar, Axle, 240 Tomato Harvester	1		
100	BL-10-500-H	5/8-11 X 5 HEX CAP G5 ZC	1		
101	BL-10-600-H	5/8-11 X 6 HEX CAP G5 ZC	1		
102	BL-10-LN	5/8-11 HEX LN NE ZC	2		
103	BL-12-FW	3/4" Flat Washer	12		
104	BL-12-LW	3/4" Lock Washer	6		
105	BL-12-N	3/4" Nut	12		
106	BL-6-FW	3/8 USS FW ZC	8		
107	BL-6-LN	3/8 UNC FIN HEX LOCK NUT NE A563 GrA ZINC	2		
108	BL-6-N	3/8-16 HEX NUTS ZC	2		
109	BL-8-350-H	1/2-13 X 3 1/2 HEX CAP G5 ZC	8		
110	BL-8-LN	1/2-13 HEX LOCK NUT NYLON INSERT ZC	8		
111	BL-8-FW	1/2 USS FW ZC	22		
112	BL-8-100-H	1/2-13 X 1 HEX CAP G5 ZC	6		

113	BL-8-LW	1/2 SPLIT LW ZC	6
114	BL-8-SW-8	1/2 SAE FW G8 ZC	6
115	BL-20-JN	1 1/4" UNC FIN HEX JAM NUT A563 GrA ZINC	2
800	WHL-1210M	Spindle	1

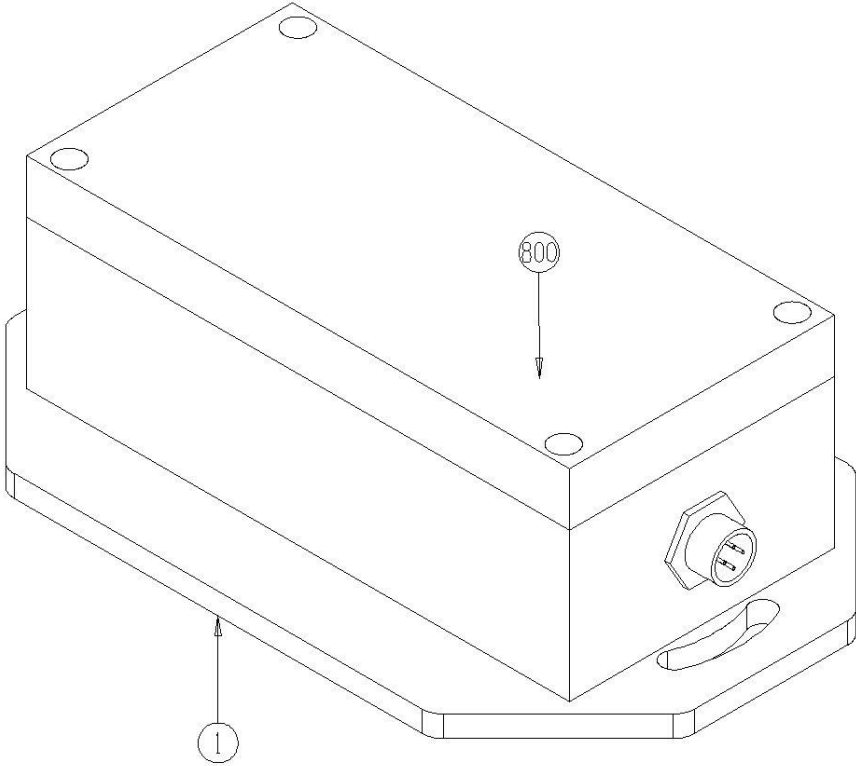
12011-01-06



12011-01-20 Automatic Leveling Assembly

<u>Ref</u>	<u>Part No.</u>	<u>Description</u>	<u>Parts – Assembly</u>	<u>Will Fit SN</u>	<u>Remarks</u>
1	ELS-1256	Machine Leveler, Complete	1	190 & HC290	Use ELS-1253
800	DC-191-LV	Decal, Level Control Box, Tomato, '97	1		

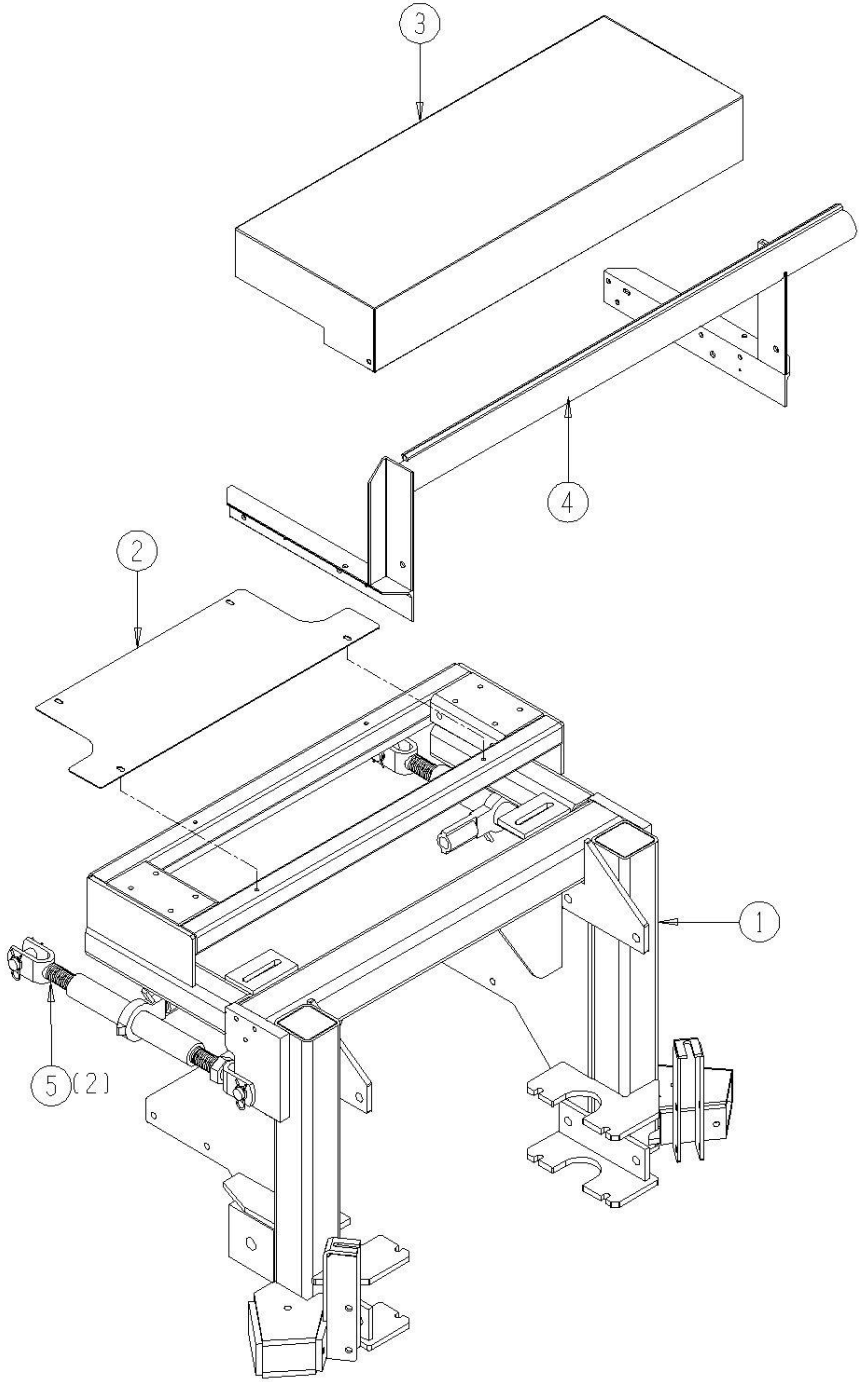
12011-01-20



12011-02-01 Disk Header Frame Assembly

<u>Ref</u>	<u>Part No.</u>	<u>Description</u>	<u>Parts – Assembly</u>	<u>Will Fit SN</u>	<u>Remarks</u>
1	FRM-9100	Disk Header, 240 Harvester	1		
2	SHD-9100	Top Bearing Cover, 240 Harvester	1		
3	SHD-9101	Disk Shield, 240 Harvester	1		
4	BAR-9100	HHC Mount, 240 Harvester	1		
5	TL-1541	Top Link Ratchet Handle 20-28in.	2	TL-1541	
6	DC-1176	Decal, Danger-Hand Chain Sprockets	2		
7	DC-1184	Danger Decal, 3" x 16"	1		
8	DC-ARROW	Decal, Yellow Direction Arrow	2		

12011-02-01

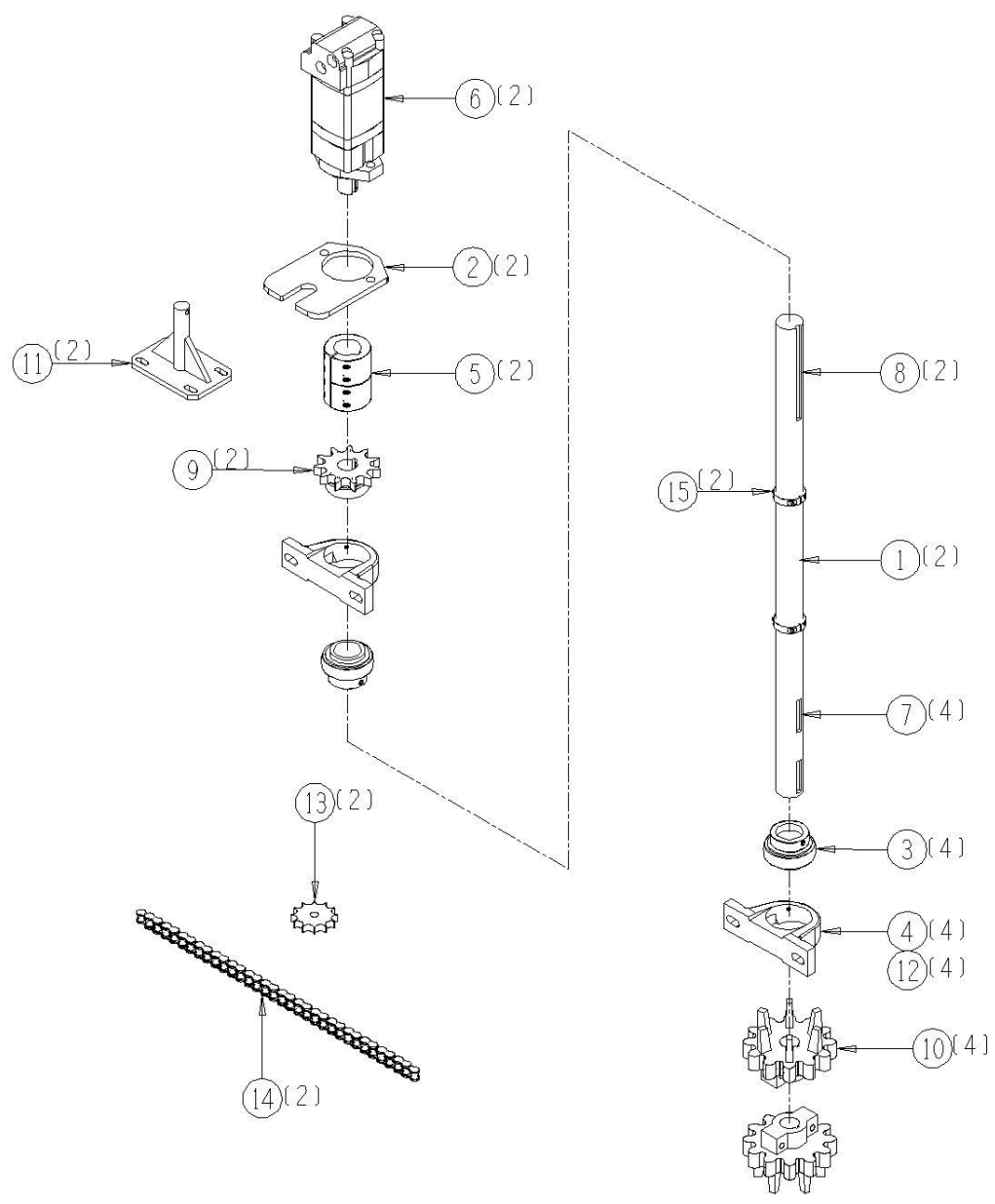


12011-02-02 Disk Drive Shaft Assembly

<u>Ref</u>	<u>Part No.</u>	<u>Description</u>	<u>Parts – Assembly</u>	<u>Will Fit SN</u>	<u>Remarks</u>
	ADJ-8204	Adjuster, Roller Chain, Disk Header, HC 290	2		
	RLA-006-078	Bushing 1/2' x 5/8' x .75'	2		
1	SFT-8250	Gathering Chain Shaft, Tomato 1-3/4 Shaft	2		
2	ARM-1420	Arm, Short Mount, Motor w/ SAE A Two Bolt Pad	2		
3	BR-175-085	Fafnir Bearing 1 1/2 Tri Seal	4		
4	BR-085-RAK	Bearing Housing 85 mm	4		
5	CPS-2820	Steel Coupler 1 1/2 x 1 1/4 ID with 3/8' Keyway on 1 1/2 ID	2		
6	HM-1420-CH	Char Lynn Motor	2		
7	KEY-5-6-24	Keystock 5/16 x 3/8 x 1 1/2	4		5/16 x 3/8 x 1.5' Long
8	KEY-6-6-24	Keystock 3/8' x 3/8' x 1 1/2' Square Cut (1018)	2		
9	SP-80B11-28-6	Hardened Tooth Sprocket, #80, 11 Tooth, 1.75' Bore with 3/8' Keyway	2		
10	SP-3612-28-6	36-12 Sprocket	4		
11	STP-1228	Stop, Motor, Arm Mounted, High Tor. Motors	2		
12	GF-1428	Grease Fitting 1/4' x 28 straight	4		
13	SP-8012-T	#80 Idler Sprocket	2		
14	CH-80-51	Roller Chain #80 51 Pitches Disk Header (Tomato)	2		
15	SC-28-2	Shaft Collar, 2 piece 1 3/4' bore	2		
100	BL-8-175-H8	1/2 x 1 1/2, Grade 8, Hex Head	4		
101	BL-8-LNS	1/2 Stover Lock Nut	4		
801	KEY-5-5-20	Shaft Key 5/16' sq x 1 1/4' Square Cut (1018)	0		



12011-02-02

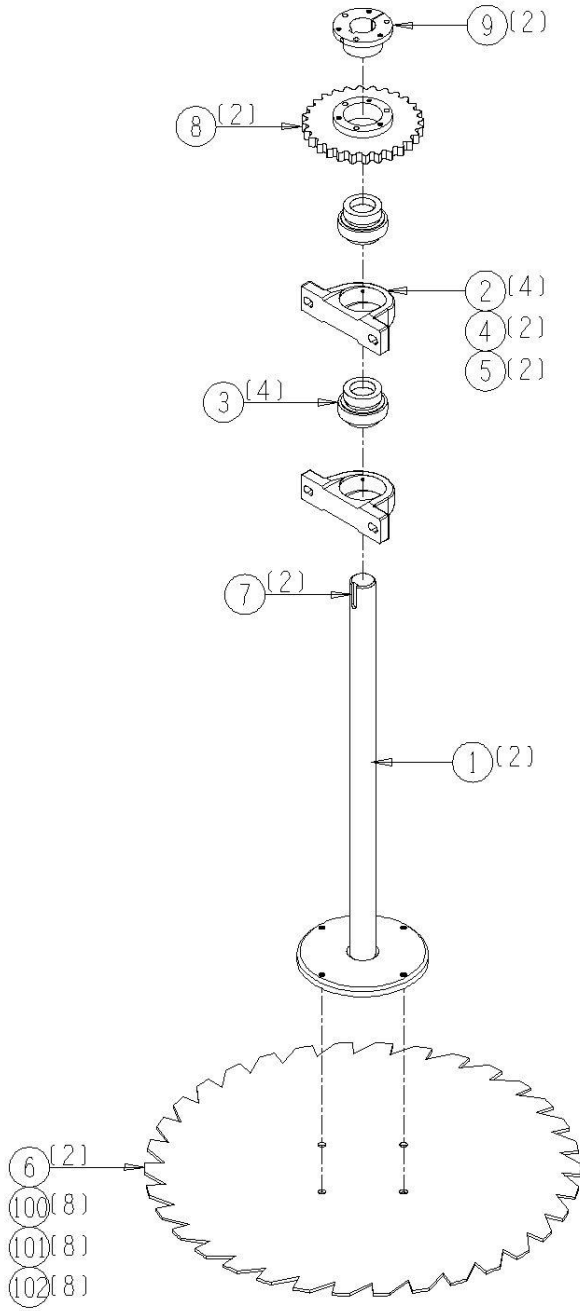


12011-02-03 34in Standard Disk Shaft Assembly

<u>Ref</u>	<u>Part No.</u>	<u>Description</u>	<u>Parts – Assembly</u>	<u>Will Fit SN</u>	<u>Remarks</u>
1	191-131	Shaft, Disk	2		
2	BR-100-RAK	Bearing Housing 100 mm	4	11001	
3	BR-200-100I	Bearing, 2" ID, TS	4		Replaces BR-200-100
4	GF-1428	Grease Fitting 1/4" x 28 straight	2		
5	GF-1428-90	Grease Fitting 1/4" x 28 90	2		
6	HD-140-34-34	Header Disk, 34", 34 Notches, AR400	2		
7	KEY-8-8-40	Shaft Key 1/2" x 1/2" x 2 1/2"	2		
8	SP-80SF28	Hardened Tooth Sprocket, #80, 28 Tooth, Uses SF Bushing	2		
9	SP-SF-2	Bushing, SF x 2"	2		
100	BL-8-FW-8	1/2 FLAT WASHER G8 ZC	8		
101	BL-8-LW	1/2 SPLIT LW ZC	8		
102	BL-8-SW	1/2 SAE FW ZC	8		



12011-02-03

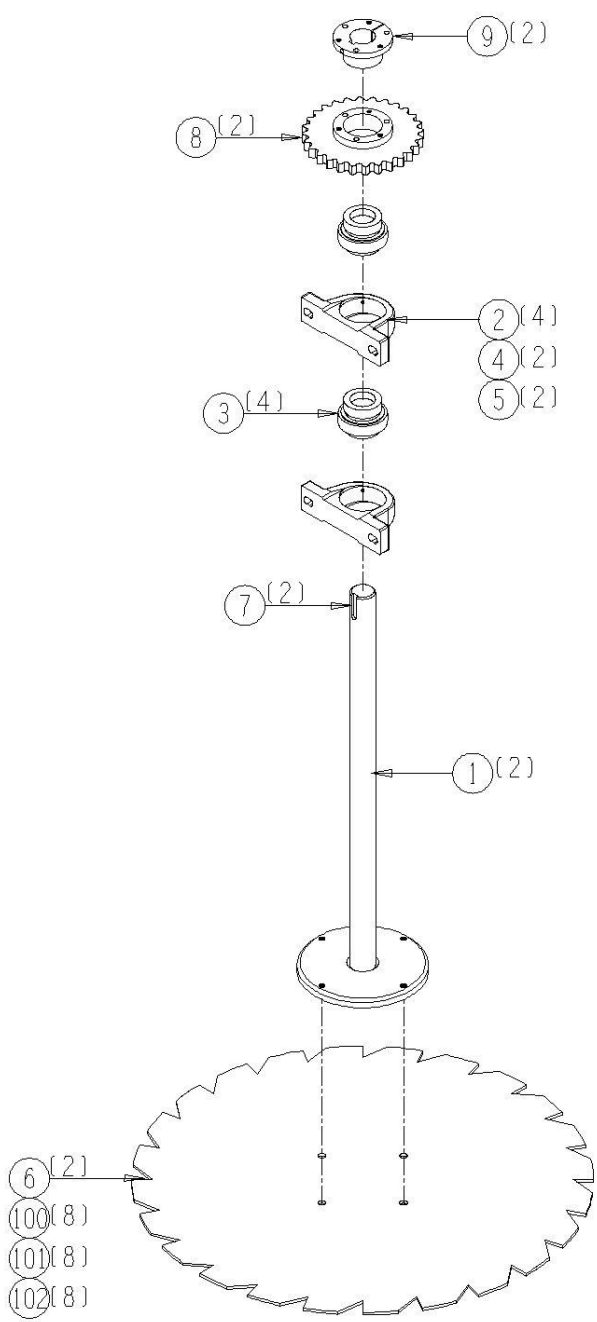


12011-02-04 36in Optional Disk Shaft Assembly

<u>Ref</u>	<u>Part No.</u>	<u>Description</u>	<u>Parts – Assembly</u>	<u>Will Fit SN</u>	<u>Remarks</u>
1	191-131	Shaft, Disk	2		
2	BR-100-RAK	Bearing Housing 100 mm	4	11001	
3	BR-200-100I	Bearing, 2" ID, TS	4		Replaces BR-200-100
4	GF-1428	Grease Fitting 1/4" x 28 straight	2		
5	GF-1428-90	Grease Fitting 1/4" x 28 90	2		
6	HD-140-06	36" Header Disk	2		MADE FROM AR 400
7	KEY-8-8-40	Shaft Key 1/2" x 1/2" x 2 1/2"	2		
8	SP-80SF28	Hardened Tooth Sprocket, #80, 28 Tooth, Uses SF Bushing	2		
9	SP-SF-2	Bushing, SF x 2"	2		
100	BL-8-FW-8	1/2 FLAT WASHER G8 ZC	8		
101	BL-8-LW	1/2 SPLIT LW ZC	8		
102	BL-8-SW	1/2 SAE FW ZC	8		



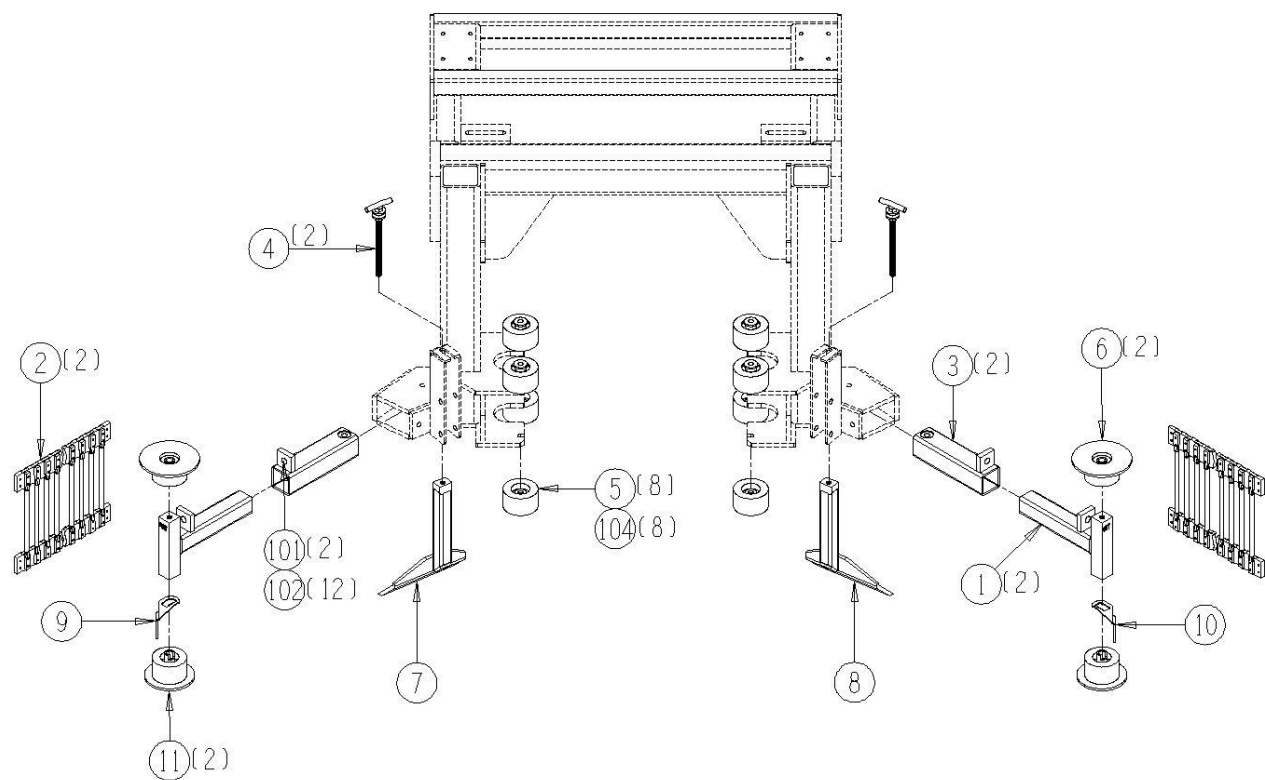
12011-02-04



12011-02-05 Gathering Chain Assembly

<u>Ref</u>	<u>Part No.</u>	<u>Description</u>	<u>Parts – Assembly</u>	<u>Will Fit SN</u>	<u>Remarks</u>
1	BRA-9101	Roller Mount, Gathering Chain, 240 Harvester	2		
2	BC-6-1236-60	Gathering chain, 3/8 bars 12in wide x 60 links 36mm	2		
3	BRA-9100	Gathering Chain Bracket	2		
4	ADJ-9100	Adjuster, Disk Scraper, 240 Harvester	2		
5	RLT-035-228	Roller 3.5 dia x 2.2 x 1/2" bore, no flange	8		
6	RLT-635-2210-RV	6" Flange Roller 2.2WF 3.5 Dia, 5/8" Bore w/Inverted Spindle	2		
7	SCR-9100	Disk Scraper, LH, 240 Harvester	1		
8	SCR-9101	Disk Scraper, RH, 240 Harvester	1		
9	RLA-3023-T	Straight Scraper, RH	1		
10	RLA-3024-T	Straight Scraper	1		
11	RLT-535-2210-SC	5" Flange Roller 2.2 WF 3.5 dia, 5/8" bore w/ Hub for Scraper	2		
12	HA-1052	Hyd, Cover Plate	1	19101-	
101	BL-10-600-T	5/8-11 X 6 HEX TAP G8 ZC	2		
102	BL-10-N	5/8-11 HEX FIN NUTS ZC	12		
103	BL-8-1100-H8	1/2-13 x 11 HEX CAP G8 ZC	2		
104	BL-8-LN	1/2-13 HEX LOCK NUT NYLON INSERT ZC	8		

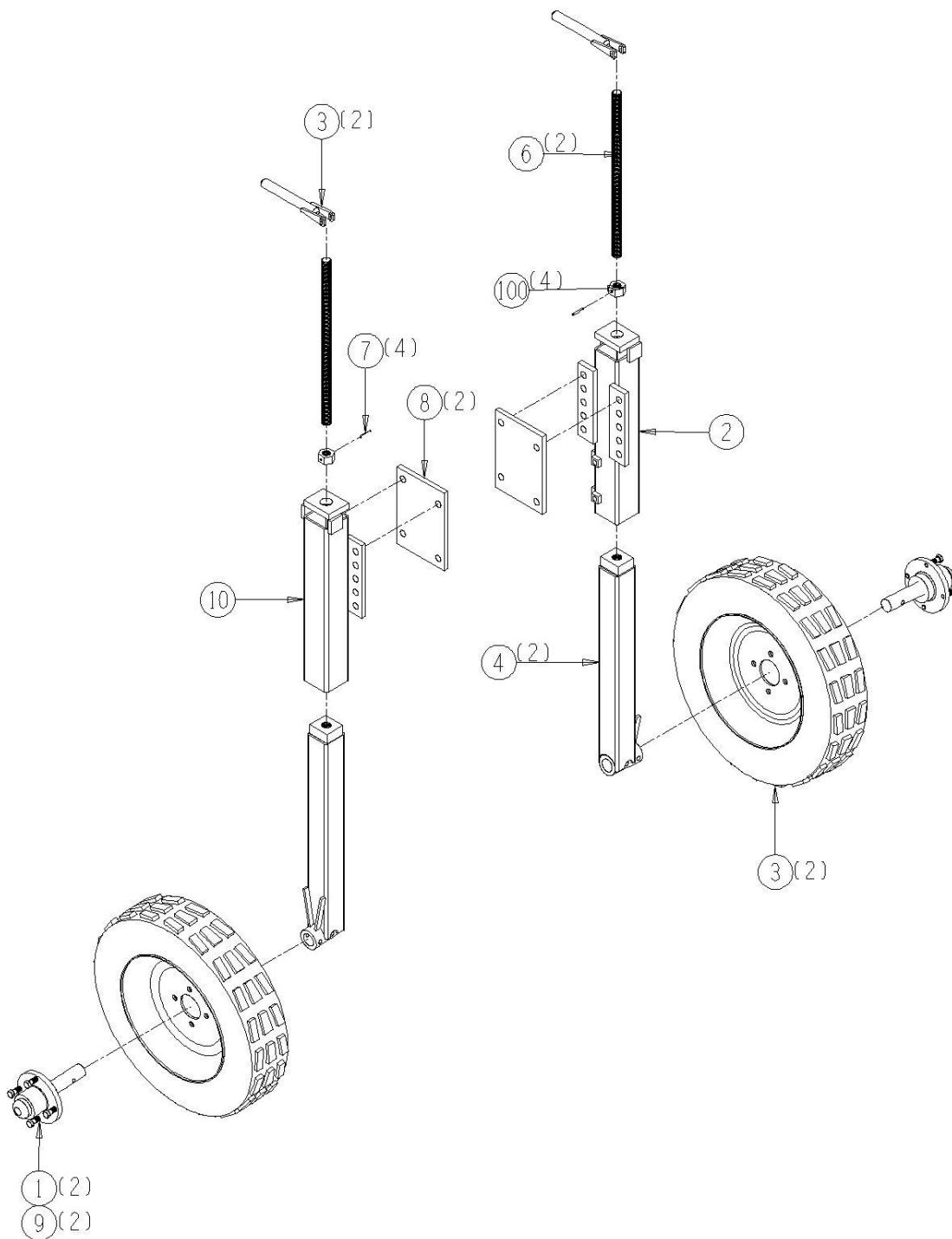
12011-02-05



12011-02-07 Gauge Wheel Assembly

<u>Ref</u>	<u>Part No.</u>	<u>Description</u>	<u>Parts – Assembly</u>	<u>Will Fit SN</u>	<u>Remarks</u>
1	WHL-190	Gauge Wheel Hub and Spindle Complete	2		
2	WHL-9100	Gauge Wheel Mount, 240 Harvester	1		
3	WHL-192-H	Gauge Wheel 480-12 (Heavy Duty)	2		
4	WHL-6139	Gauge Wheel, 2010 290 Tomato Harvester	2		
5	ADJ-8202	Adjuster, Handle, Gauge Wheel, HC290 Tomato	2		
6	ADJ-8203	Threaded Rod W/ Holes, Gauge Wheel, HC290	2		
7	PIN-3-20	Roll Pin 3/16 x 1-1/4 Stainless Steel	4		Sold in Pkg. of 100
8	BAR-9101	Backing Bar, Gauge Wheel Mount, 240 Harvester	2		
9	WHL-178	Bearing Protector @Pair	2		
10	WHL-9101	Gauge Wheel Mount, RH, 240 Harvester	1		
100	BL-14-N-HOLE	Nut W/ Holes, Disk Header, HC290 Tomato	4		
101	BL-4-FW	1/4 USS FW ZC	4		
102	BL-4-LN	1/4-20 HEX LN NE ZC	2		
103	BL-4-200-H	1/4-20 X 2 HEX CAP G5 ZC	2		

12011-02-07



12011-02-70 Single Header Height Control Assembly

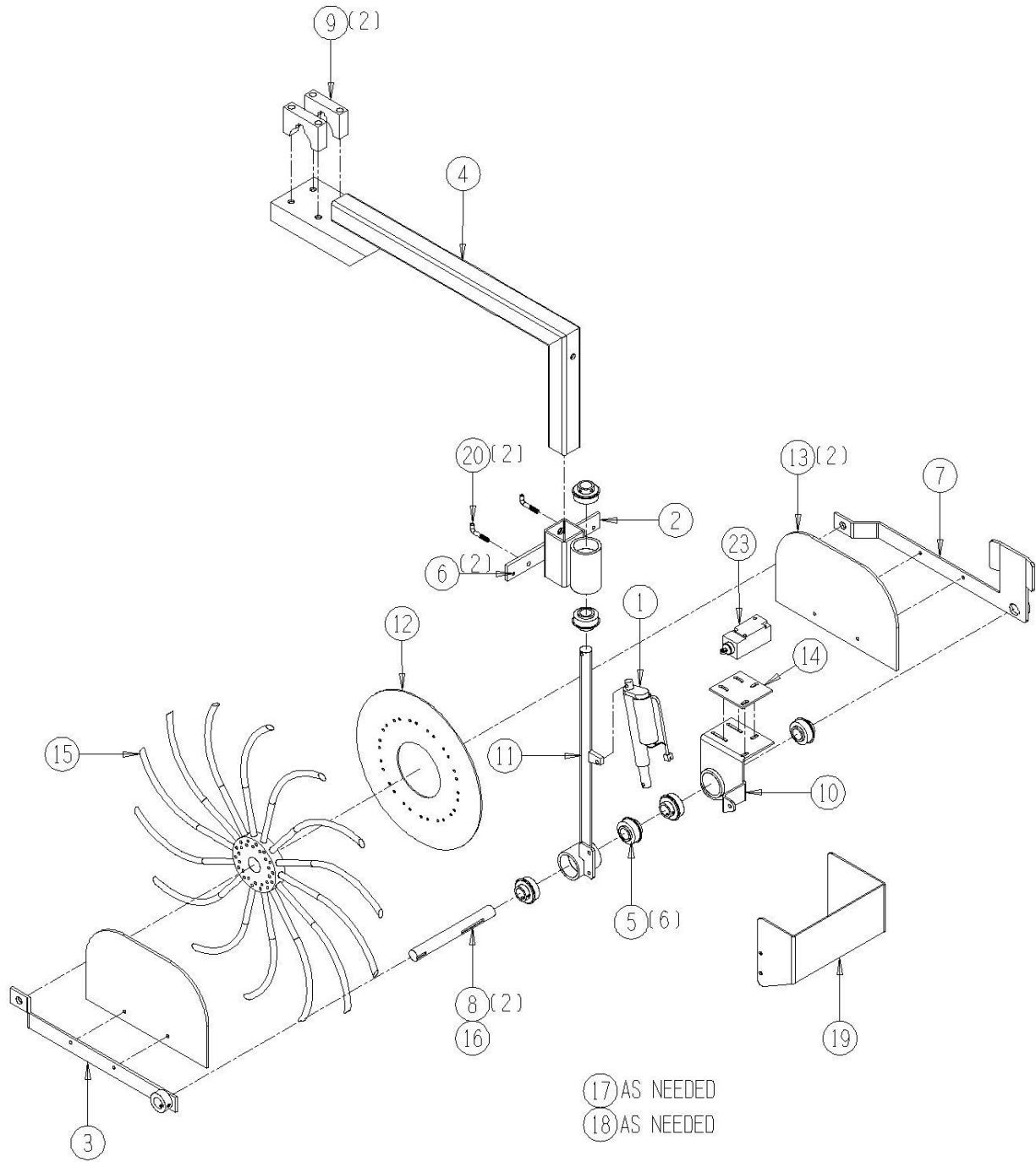
<u>Ref</u>	<u>Part No.</u>	<u>Description</u>	<u>Parts – Assembly</u>	<u>Will Fit SN</u>	<u>Remarks</u>
1	ACT-042B-2	Actuator, Wired For any Length Harness, 08 and Later	1		
2	ADJ-HC99	Adjuster, Wheel Control Height Adj, HHC	1		
3	ARM-HC99R	Arm, Right, Control Wheel, HHC	1		
4	BAR-9023	Bar, AHHC Trailing Wheel Mount	1		
5	BR-100-ER	Bearing, 1" ER	6		
6	CH-3-28	3/16 LINK CHAIN 28 LINKS	2		
7	ARM-0069	HHC Arm, Electronic Header Height	1		
8	KEY-4-4-12	SHAFT KEY 1/4"x3/4" SQUARE CUT (1018)	2		
9	MOU-103	Mount, Wheel Arm Bar Support, HHC, Cuc & Tom	2		
10	ARM-0070	Switch Mount, HHC	1		
11	MOU-HC03	Mount, Trailing Wheel Arms, HHC, 2003	1		
12	PL-6192	Depth Disk Wheel, 14.375 Dia.	1		
13	PL-HC99	Plastic, Chain Guard Wheel Arm, HHC	2		
14	ARM-1007	Sensor Arm	1		
15	WHL-HHC-99	Spider Wheel Assembly	1		
16	SFT-HC07	HHC Shaft	1		
17	WT-14	Wire Tie 14 1/4"	25		
18	WT-7	Wire Tie 7"	25		
19	SHD-HC07	HHC Sheild, Electronic Switch	1		
20	SUP-8100	Support, Wheel Hold Up, Header Height, HC290	2		
21	ELC-1009	Control Cord, HHC, 190	1		
22	ELC-0009	Actuator Control Cord, Control Box to Electrical Panel	1		
23	ELC-1008	Rotary Sensor, Single Output BEI	1		
24	DC-1047	Decal, HV-1047, White	3		Use w/HV-1047
25	DC-1184	Danger Decal, 3" x 16"	1		
26	DC-ARROW	Decal, Yellow Direction Arrow	2		
27	ELC-1008-C	Wiring Harness For ELC-1008	1		
28	ELC-1006	Valve Driver, PVD3D2R	1		

29	SFT-HC12	Shaft, EHHC Control, Tomato Harvester	1
30	CPL-1006	Helical Beam Shaft Coupling 1/4x3/8	1
31	SFT-HC11	Shaft, HHC Control	1
100	BL-1224-087-DT	12-24 x 7/8 Drill and Tap Screw	2
101	BL-4-050-H	1/4-20 X 1/2 HEX CAP G5 ZC	4
102	BL-4-100-H	1/4-20 X 1 HEX CAP G5 ZC	4
103	BL-4-125-H	1/4-20 X 1 1/4 HEX CAP G5 ZC	2
104	BL-4-175-H	1/4-20 X 1 3/4 HEX CAP G5 ZC	1
105	BL-4-400-H	1/4-20 X 4 HEX CAP G5 ZC	4
106	BL-4-FW-8	1/4" Flat Washer Grade 8	20
107	BL-4-LN	1/4-20 HEX LN NE ZC	14
108	BL-4-LW	1/4 SPLIT LW ZC	4
109	BL-5-031-SC	5/16-18 x 5/16 Knurled Point Set Screw	8
110	BL-6-100-H	3/8 UNC X 1 HH C/S BOLT GR5 ZINC	4
111	BL-6-125-H	3/8-16 X 1 1/4 HHCS G5 ZC	4
112	BL-6-LN	3/8 UNC FIN HEX LOCK NUT NE A563 GrA ZINC	7
113	BL-6-LW	3/8 SPLIT LW ZC	4
114	BL-6-SW-8	3/8 SAE FW G8 ,Yellow Zinc, Thru Hardened	20
115	BL-8-100-SQSS	1/2 x 1 Square Head Set Screw (USS)	2
116	BL-8-475-H	1/2-13 X 4 3/4 HEX CAP G5 ZC	4
117	BL-8-FW-8	1/2 FLAT WASHER G8 ZC	4
118	BL-8-LN	1/2-13 HEX LOCK NUT NYLON INSERT ZC	5
119	BL-8-SW-8	1/2 SAE FW G8 ZC	5
120	BL-10-325-H	5/8 UNC X 3 1/4 HH C/S BOLT GR ZINC	1
121	BL-10-LN	5/8-11 HEX LN NE ZC	1
122	BL-10-SM	5/8 x 1 x 14ga Shim	5
123	BL-10-SW	5/8 SAE FW ZC @	5
125	BL-4-175-HFT	1/4-20 X 1-3/4 HEX CAP G5 ZC, Fully Threaded	1
126	BL-4-200-HFT	1/4-20 X 2 HEX CAP G5 ZC, Fully Threaded	1
127	BL-4-N	1/4-20 HEX FIN NUTS ZC	2
128	BL-6-325-H	3/8 UNC X 3 1/2 HH C/S BOLT GR5 ZINC	3

129	BL-8-150-H	1/2 UNC X 1 1/2 HH C/S BOLT GR5 ZINC	1
130	RI-3-6-P	Pop Rivets 3/16 x 3/8 Domed, .375 head, ea.	15
800	WHL-200-C	Wheel Bearing, 5/8" Bore	0
801	WHL-6195A	Spoke	0



12011-02-70



12011-02-70H Single Header Height Control Hydraulic Assembly

<u>Ref</u>	<u>Part No.</u>	<u>Description</u>	<u>Parts – Assembly</u>	<u>Will Fit SN</u>	<u>Remarks</u>
1	HA-1031	Hydraulic Hose Holder 3/8	4		
2	HC-1129-A	Hyd. Cyl Pin, 1" x 2 3/4" Between the Grooves	4		
3	HC-1130B	Hair Pin Clip	8		
4	HC-250-2408-OR	Hydraulic Cylinder 2 1/2 x 24 #8 SAE w/O-Piston Ring Seal	-2		NOT TO BE USED IN SINGLE ACTING APPLICATIONS
5	HC-275-2408-RP	2 3/4 x 24 Rephasing Cylinder	1		Seal Kit Part No. HC-250R-112 (639557)
6	HC-300-2408-RP	3 x 24 Rephasing Cylinder	1		Seal Kit Part No. HC-300R-125 (639558)
7	RI-3-6-P	Pop Rivets 3/16 x 3/8 Domed, .375 head, ea.	15		
8	WT-14	Wire Tie 14 1/4"	25		
9	WT-7	Wire Tie 7"	25		

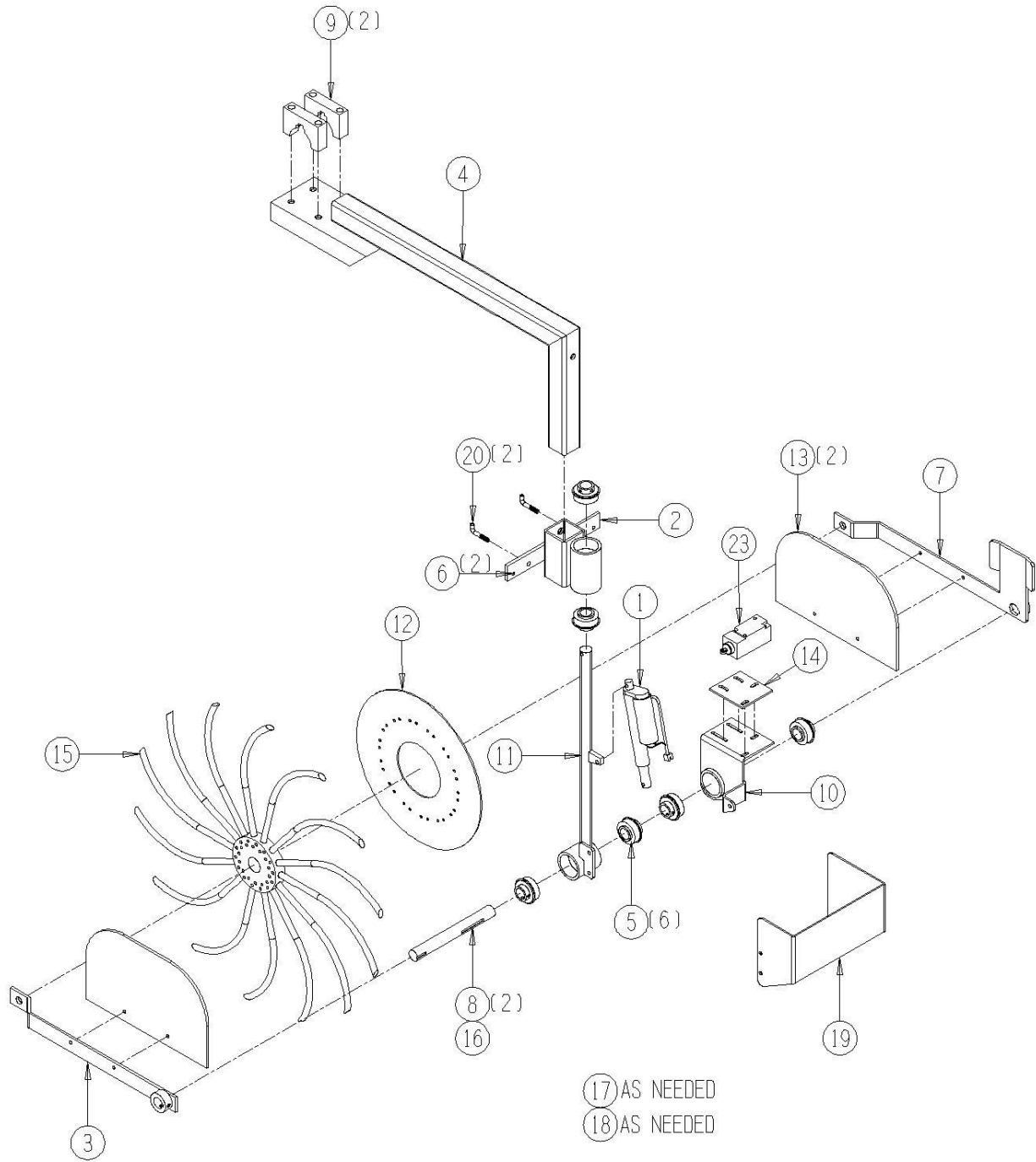
12011-02-71 Dual Header Height Control Assembly

<u>Ref</u>	<u>Part No.</u>	<u>Description</u>	<u>Parts – Assembly</u>	<u>Will Fit SN</u>	<u>Remarks</u>
1	ACT-042B-2	Actuator, Wired For any Length Harness, 08 and Later	2		
2	ADJ-HC99	Adjuster, Wheel Control Height Adj, HHC	2		
3	ARM-HC99R	Arm, Right, Control Wheel, HHC	2		
4	BAR-9023	Bar, AHHC Trailing Wheel Mount	2		
5	BR-100-ER	Bearing, 1" ER	12		
6	CH-3-28	3/16 LINK CHAIN 28 LINKS	4		
7	ARM-0069	HHC Arm, Electronic Header Height	2		
8	KEY-4-4-12	SHAFT KEY 1/4"x3/4" SQUARE CUT (1018)	4		
9	MOU-103	Mount, Wheel Arm Bar Support, HHC, Cuc & Tom	4		
10	ARM-0070	Switch Mount, HHC	2		
11	MOU-HC03	Mount, Trailing Wheel Arms, HHC, 2003	2		
12	PL-6192	Depth Disk Wheel, 14.375 Dia.	2		
13	PL-HC99	Plastic, Chain Guard Wheel Arm, HHC	4		
14	ARM-1007	Sensor Arm	2		
15	WHL-HHC-99	Spider Wheel Assembly	2		
16	SFT-HC07	HHC Shaft	2		
17	WT-14	Wire Tie 14 1/4"	25		
18	WT-7	Wire Tie 7"	25		
19	SHD-HC07	HHC Sheild, Electronic Switch	2		
20	SUP-8100	Support, Wheel Hold Up, Header Height, HC290	4		
21	ELC-042B-28	Actuator Cable Only 28" 08 to Present	1		
22	ELC-042B-19	Actuator Cable Only 19" 08 to Present	1		
23	ELC-1008	Rotary Sensor, Single Output BEI	2		
27	ELC-1008-C	Wiring Harness For ELC-1008	2		
28	ELC-1006	Valve Driver, PVD3D2R	2		
29	SFT-HC12	Shaft, EHHC Control, Tomato Harvester	2		
30	CPL-1006	Helical Beam Shaft Coupling 1/4x3/8	2		
31	SFT-HC11	Shaft, HHC Control	2		

100	BL-1224-087-DT	12-24 x 7/8 Drill and Tap Screw	4
101	BL-4-050-H	1/4-20 X 1/2 HEX CAP G5 ZC	8
102	BL-4-100-H	1/4-20 X 1 HEX CAP G5 ZC	8
103	BL-4-125-H	1/4-20 X 1 1/4 HEX CAP G5 ZC	4
104	BL-4-175-H	1/4-20 X 1 3/4 HEX CAP G5 ZC	2
105	BL-4-400-H	1/4-20 X 4 HEX CAP G5 ZC	8
106	BL-4-FW-8	1/4" Flat Washer Grade 8	40
107	BL-4-LN	1/4-20 HEX LN NE ZC	28
108	BL-4-LW	1/4 SPLIT LW ZC	8
109	BL-5-031-SC	5/16-18 x 5/16 Knurled Point Set Screw	16
110	BL-6-100-H	3/8 UNC X 1 HH C/S BOLT GR5 ZINC	8
111	BL-6-125-H	3/8-16 X 1 1/4 HHCS G5 ZC	8
112	BL-6-LN	3/8 UNC FIN HEX LOCK NUT NE A563 GrA ZINC	14
113	BL-6-LW	3/8 SPLIT LW ZC	8
114	BL-6-SW-8	3/8 SAE FW G8 ,Yellow Zinc, Thru Hardened	40
115	BL-8-100-SQSS	1/2 x 1 Square Head Set Screw (USS)	4
116	BL-8-475-H	1/2-13 X 4 3/4 HEX CAP G5 ZC	8
117	BL-8-FW-8	1/2 FLAT WASHER G8 ZC	8
118	BL-8-LN	1/2-13 HEX LOCK NUT NYLON INSERT ZC	10
119	BL-8-SW-8	1/2 SAE FW G8 ZC	10
120	BL-10-325-H	5/8 UNC X 3 1/4 HH C/S BOLT GR ZINC	2
121	BL-10-LN	5/8-11 HEX LN NE ZC	2
122	BL-10-SM	5/8 x 1 x 14ga Shim	10
123	BL-10-SW	5/8 SAE FW ZC @	10
124	BL-4-175-HFT	1/4-20 X 1-3/4 HEX CAP G5 ZC, Fully Threaded	2
125	BL-4-200-HFT	1/4-20 X 2 HEX CAP G5 ZC, Fully Threaded	2
126	BL-4-N	1/4-20 HEX FIN NUTS ZC	4
127	BL-6-325-H	3/8 UNC X 3 1/2 HH C/S BOLT GR5 ZINC	6
128	BL-8-150-H	1/2 UNC X 1 1/2 HH C/S BOLT GR5 ZINC	2
801	WHL-6195A	Spoke	0



12011-02-71



12011-02-71H Dual HHC Hydraulic Assembly

<u>Ref</u>	<u>Part No.</u>	<u>Description</u>	<u>Parts – Assembly</u>	<u>Will Fit SN</u>	<u>Remarks</u>
600	H10-37-8MP-8MP	5/8" hose 1/2MP x 1/2MP x 37" long	2		
601	H4-150-6MP-6MP	1/4 in hose 3/8MP x 3/8MP x 150 in long	1		
602	H6-204-6MP-6MP	3/8 hose 3/8MP x 3/8MP x 204 in long	1		
603	HA-1031	Hydraulic Hose Holder 3/8	4		
604	HC-1129-A	Hyd. Cyl Pin, 1" x 2 3/4" Between the Grooves	8		
605	HC-1130B	Hair Pin Clip	16		

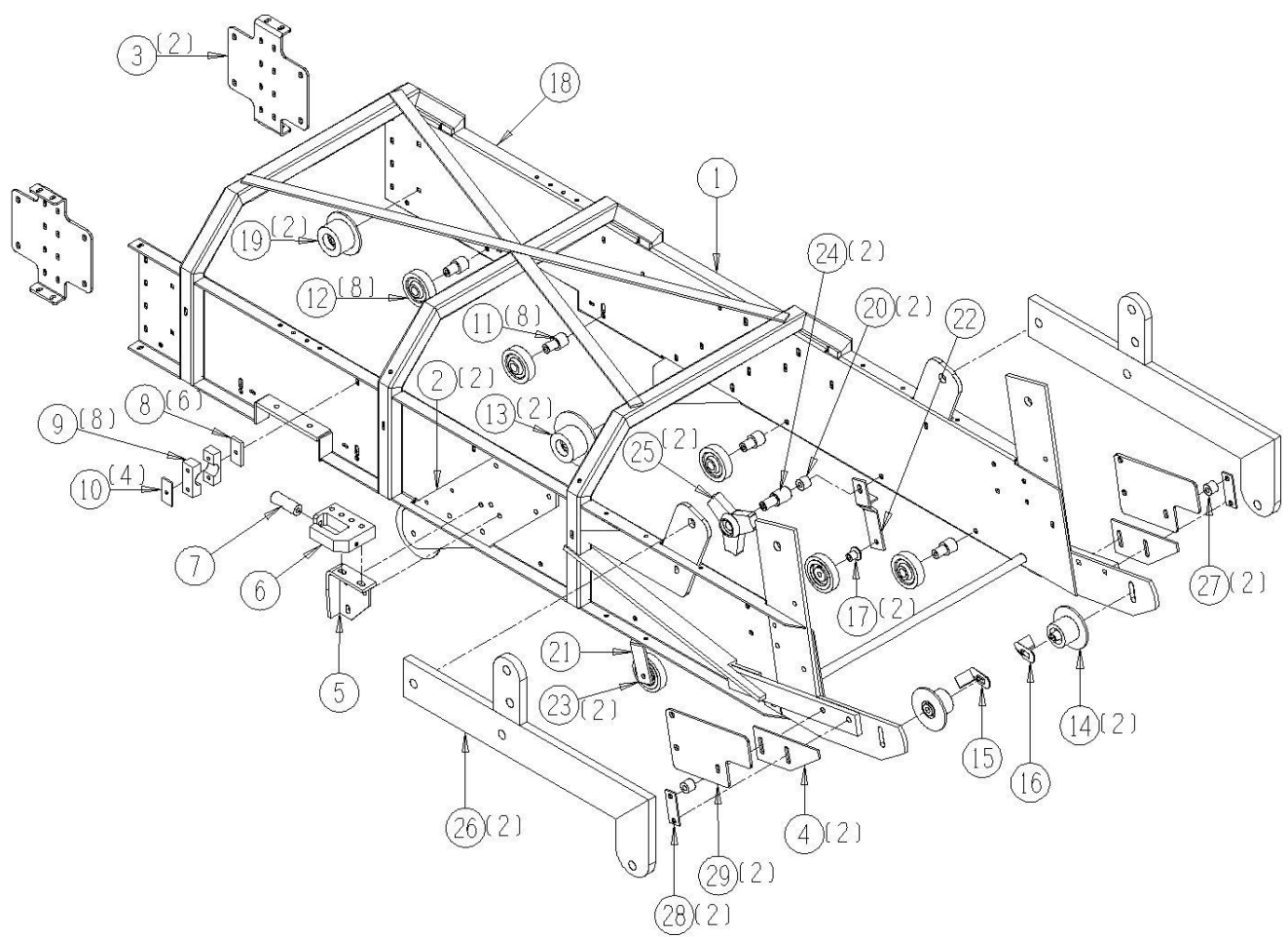
12011-03-01 Primary Header Assembly

<u>Ref</u>	<u>Part No.</u>	<u>Description</u>	<u>Parts – Assembly</u>	<u>Will Fit SN</u>	<u>Remarks</u>
1	FRM-9200	Frame, Lower Header Conveyor, 240 Tomato Harvester	1		
2	MOU-0095	Header Side Bar, 190 Harvester	2		
3	SUP-102	Support, Header Side Rail Splice, 190	2		
4	191-142	Scraper, Under Disk	2	19101-	
5	195-101J	Slide Guide Mount, Header	1	19501-	
6	BRA-190	Bracket, Slide Guide, 190 Tomato	1		
7	192-107a	Slide Guide Roller, 3.5" Long	1		
8	SPA-1050	Spacer for Hydraulic Tube Mount	6		
9	HA-1051	Hyd, Clamp Halves	8	19101-	
10	HA-1052	Hyd, Cover Plate	4	19101-	
11	RLA-010-0108	Spindle / Standoff for Urethane Roller (heat treated)	8	19101-	
12	RLG-040-1016	4" Urethane Roller	8	Old Terog Part No. RU4	
13	RLT-635-228	6 1/2" Flange Roller 2.2 WF 3.5 dia, 1/2" bore	2		
14	RLS-522-2010-SC	Steel Roller, 5" Flange, 2.2" Dia, 2" wide, w/Hub for Scraper	2	For use with scrapers RLA-3023- TM (RH) and RLA-3024- TM (LH) only	
15	RLA-3023-TM	Scraper for Nose Roller, RH	1	For use with RLS-522- 2010-SC roller only	
16	RLA-3024-TM	Scraper for Nose Roller, LH	1	For use with RLS-522- 2010-SC roller only	
17	RLA-000-118	Standoff, 1/2" X 1 1/8"	2		
18	DC-1177	Decal, Large White PIK RITE 8" x 58"	1		
19	RLT-535-228	5" Flange Roller 2.2WF x 3 1/2" dia, 1/2" bore	2		
20	SPA-6131	Spacer, Gathering Chain Assy, Rollers	2	60097001-	
21	BRA-1936	Bracket, Lower Roller for Header Chain (L.H.)	1		
22	BRA-1938	Bracket, Lower Roller for Header Chain (R.H.)	1	192-101K	
23	RLR-040-108	4" Flat Roller	2		Changed to Urethane in 2006
24	RLA-015-308	Spindle for 3 Point Shakers	2		

25	RLT-324	Rubber 3 Point Shaker	2
26	MOU-9100	Disc Head Mount, 240 Tomato Harvester	2
27	SPA-0040	Spacer, Stripper Head, Cucumber	2
28	BAR-8525	Bar, Bolt-on, Primary Header, HC290 Tomato	2
29	PL-8200	Plastic Shield, Primary Header, HC290 Tomato	2



12011-03-01

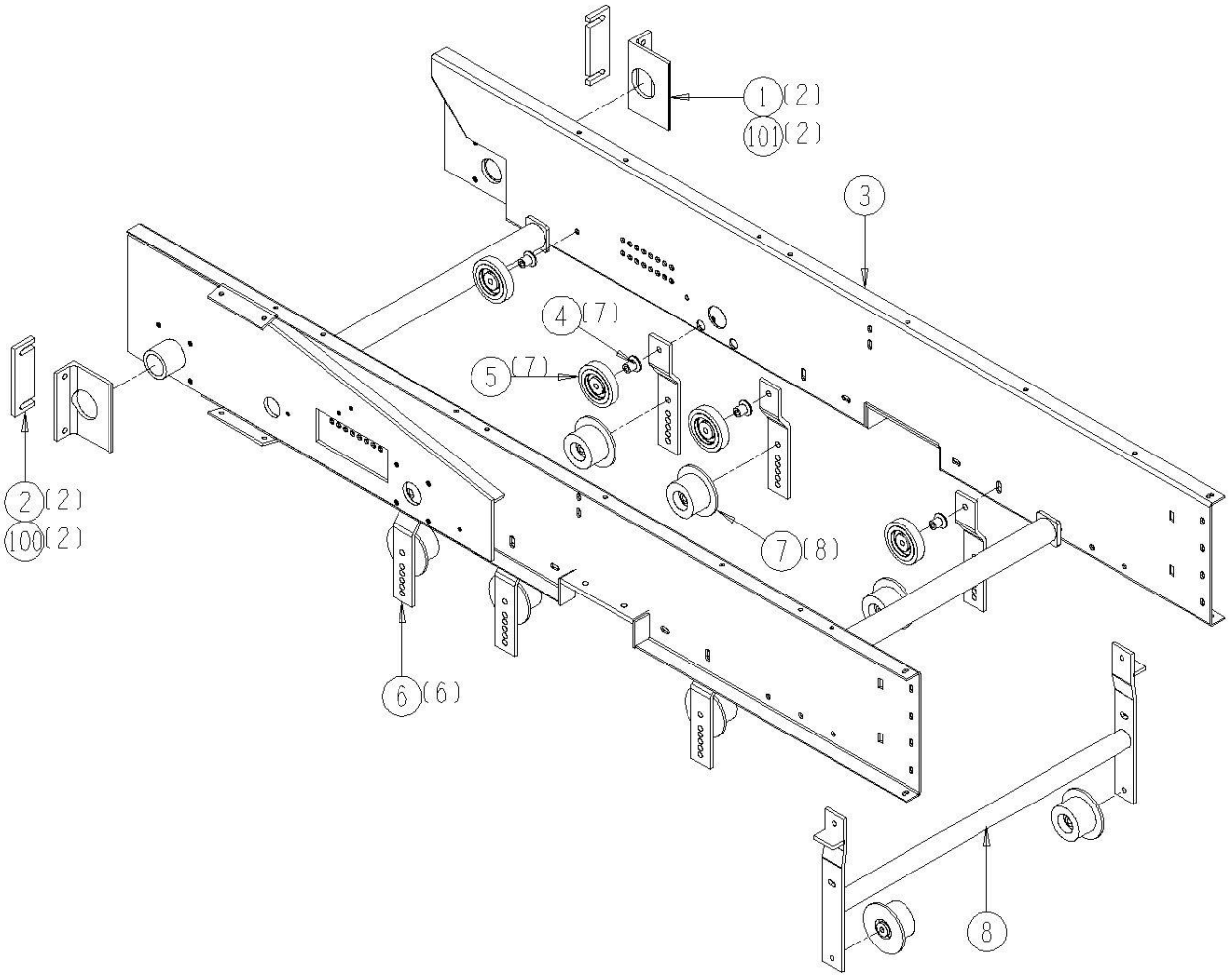


12011-03-02 Secondary Header Frame Assembly

<u>Ref</u>	<u>Part No.</u>	<u>Description</u>	<u>Parts – Assembly</u>	<u>Will Fit SN</u>	<u>Remarks</u>
1	191-106	Bracket, Header Mount, Pivot	2	19101-	
2	SPA-106-4	Spacer, Header Mount, Pivot (Tomato)	0	19201-	
2	SPA-106-6	Spacer, Header Mount, Pivot (Tomato)	0	19201-	
2	SPA-106-6-A	Spacer	0	SPA-106-6	
2	SPA-106-8	Spacer, Header Mount, Pivot (Tomato)	2	19201-	
3	FRM-9201	Header Conveyor, Upper, 240 Tomato Harvester	1		
4	RLA-000-118	Standoff, 1/2" X 1 1/8"	7		
5	RLR-040-108	4" Flat Roller	7		Changed to Urethane in 2006
6	BRA-8400	Bracket, Hold Up Rollers	6		
7	RLT-535-228	5" Flange Roller 2.2WF x 3 1/2" dia, 1/2" bore	8		
8	BAR-9201	Bar, Hold Up, Header Chain, 240 Tomato Harvester	1		
100	BL-8-750-8	1/2-13 x 7 1/2 Grade 8 Hex Head Cap Screws	2		
101	BL-8-650-8	1/2-13 X 6 1/2 GR8 HH BOLT	2		



12011-03-02

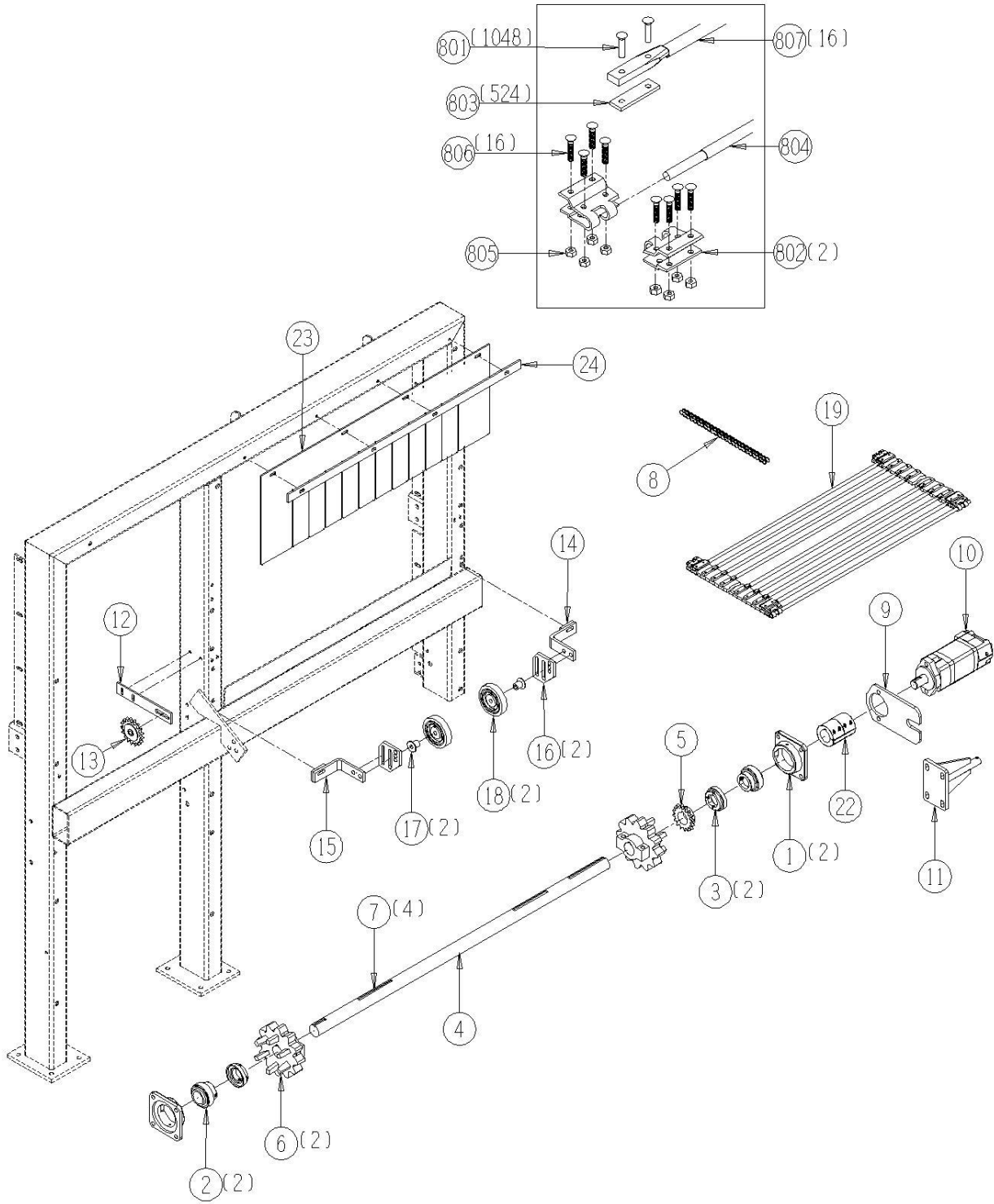


12011-03-03 Header Conveyor Drive Shaft Assembly

<u>Ref</u>	<u>Part No.</u>	<u>Description</u>	<u>Parts – Assembly</u>	<u>Will Fit SN</u>	<u>Remarks</u>
1	BR-085-RCJ	RCJ Bearing Housing	2	11001	
2	BR-175-085	Fafnir Bearing 1 ¾ Tri Seal	2		
3	BR-175-LC	1 ¾" Locking Collar - Bearing Protector	2		
4	SFT-9201	Header Drive Shaft, 240 Tomato Harvester	1		
5	SP-50B16-28-6	Hardened Tooth Sprocket, #50, 16 Tooth, 1.75" Bore	1	11001	
6	SP-4212-28-6-H	Sprocket, 12T Drive #4212 1 ¾" Bore Heat Treated	2		
7	KEY-6-6-24	Keystock 3/8" x 3/8" x 1 1/2" Square Cut (1018)	4		
8	CH-50-41	Roller Chain 41 pitches #50 w/master link	1		
9	MOU-9201	Motor Mount, Header, 240 Tomato Harvester	1		
10	HM-1228-TC	TCI Motor	1	Direct Interchange with HM-400-OMS	Replaces HM-1228-CH, And HM-188R. Seal Kit # TCI-SKMLHS
11	STP-9201	Motor Stop, Header, 240 Tomato Harvester	1		
12	194-114	Tightner Bracket	1	19401-	
13	SP-5017-T	Idler, 17 tooth x #50 Chain	1		
14	BRA-109	Bracket Header Roller, Inner	1	BRA-109	
15	BRA-112	Bracket, Header Roller, Outer	1	BRA-112	
16	BRA-108	Bracket Header Roller	2		
17	RLA-000-118	Standoff, 1/2" X 1 1/8"	2		
18	RLR-040-108	4" Flat Roller	2		Changed to Urethane in 2006
19	BC-7-3642-265	Header Chain, 42mm Pitch 265 Links Long, 240 Chain	1		
20	HA-1031	Hydraulic Hose Holder 3/8	2		
21	BL-4-075-H	1/4 UNC X ¾ HH C/S BOLT GR5 ZINC	2		
22	CPS-2820	Steel Coupler 1 ¾" x 1 1/4" ID with 3/8" Keyway on 1 ¾" ID	1		
23	BT-9300	Belting, Splash Guard, Header Entrance, 240 Tomato Harvester	1		
24	BAR-9300	Bar, Belting, Shaker Entrance Flap, 240 Tomato Harvester	1		
801	RI-25-BC	25mm Belted Chain Rivets	1048		
802	BC-F-42-32-UG	Ultra Gold F Connecting Clips 42-32 @ pair	2		Replaces BC-F-42-32
803	BC-BP32	Belt, Rivet backing plates 32mm	524	11001	Lap Splice Option, Used only with BC-1032-LN Lock Nuts

804	BC-7-32-CN	Connecting Rod, 11mm, 32" Wide Belted Chain, 60mm Traction Belts	1		For Clip Splice Option
805	BC-7-36-CN	Connecting Rod, 11mm, 36" Wide Belted Chain, 60mm Traction Belts	1	11001	For Clip Splice Option
806	BC-1032-LN	10-32 lock nuts	16		
807	BC-1032-FS	10-32 x 1 1/4" bolts Flat Socket Head	16		
808	KEY-5-5-20	Shaft Key 5/16" sq x 1 1/4" Square Cut (1018)	1		

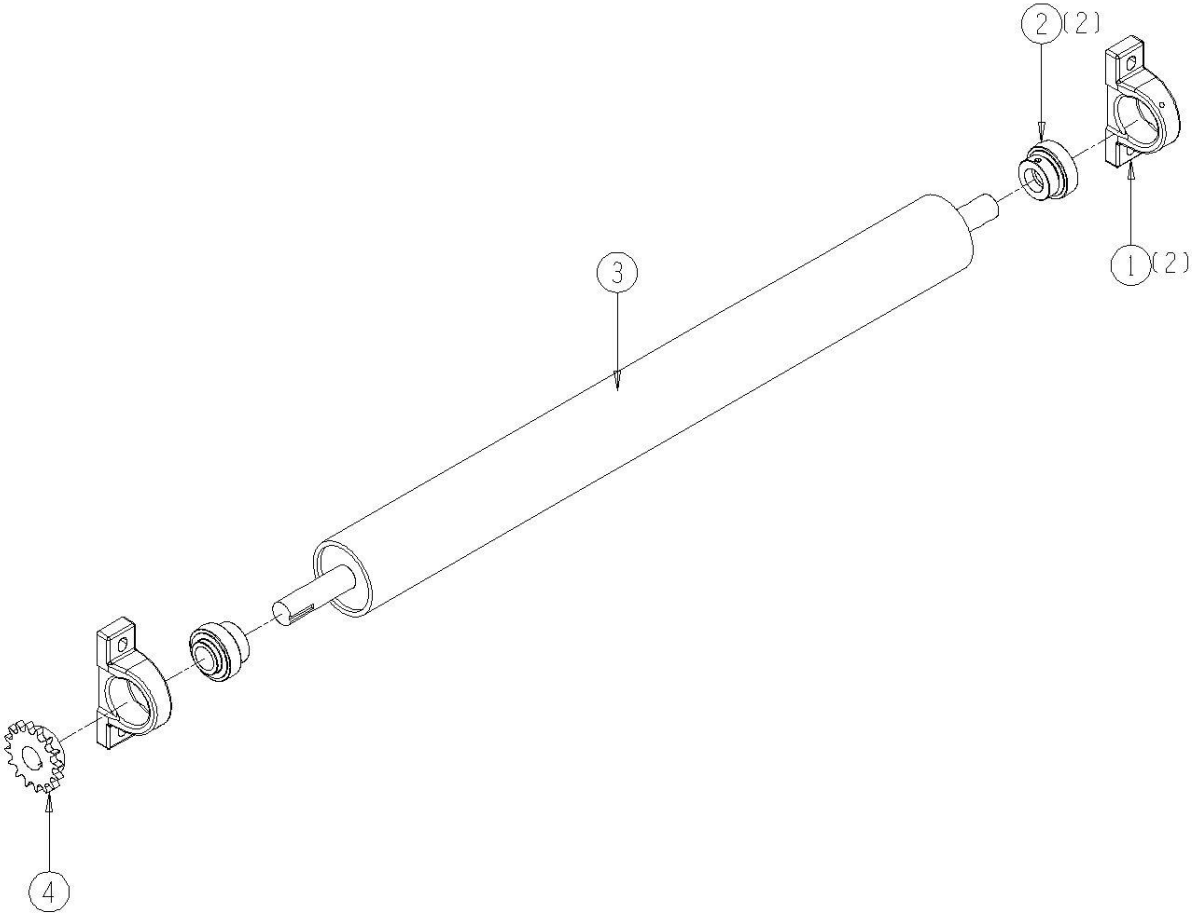
12011-03-03



12011-03-04 Header Conveyor Return Roller Assembly

<u>Ref</u>	<u>Part No.</u>	<u>Description</u>	<u>Parts – Assembly</u>	<u>Will Fit SN</u>	<u>Remarks</u>
1	BR-072-RAK	72mm Cast Housing	2		
2	BR-125-072	Bearing, 1 1/4 Fafnir tri-seal, 72mm OD	2		
3	SFT-9203	Pipe Roller, Header Return, 240 Tomato Harvester	1		
4	SP-50B16-20-4	Hardened Tooth Sprocket, #50, 16 Tooth, 1.25" Bore	1		
5	KEY-4-4-20	Shaft Key 1/4" x 1 1/4"	1		

12011-03-04

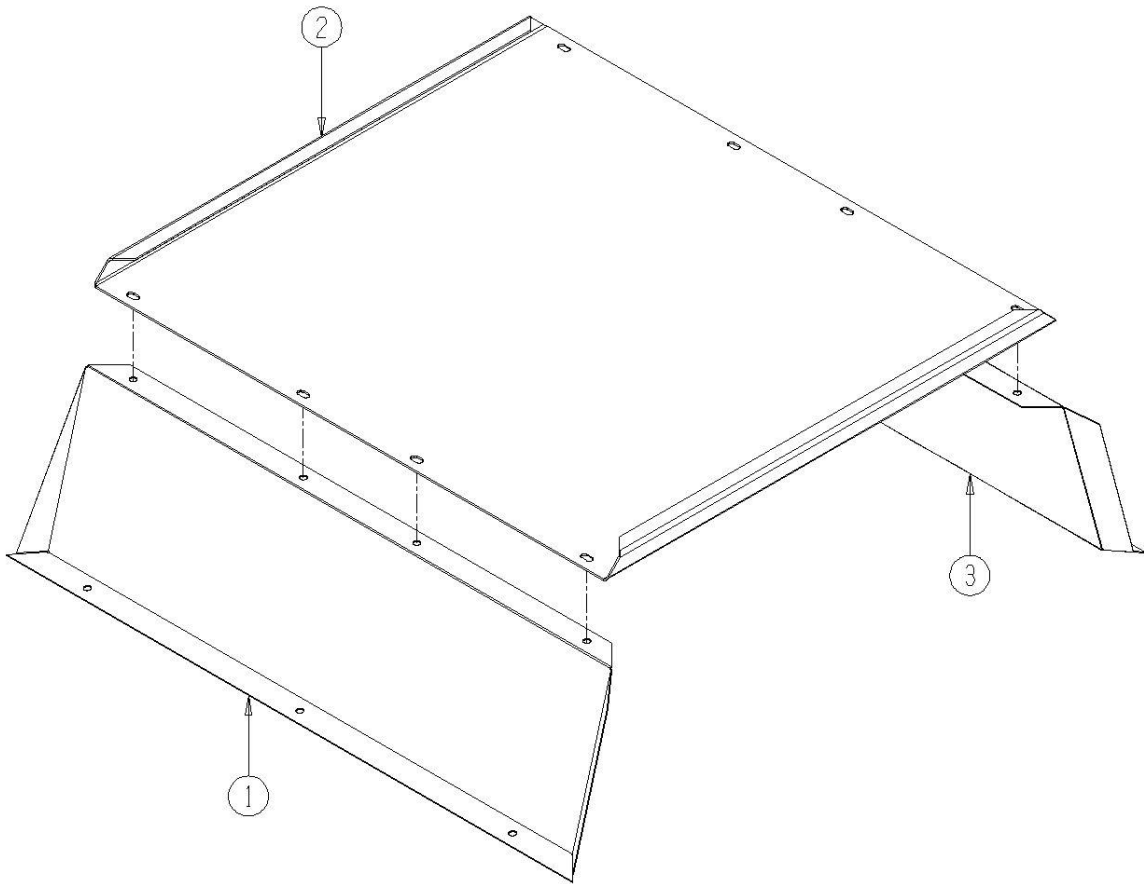


12011-03-05 Secondary Header Frame Assembly Less Vine Assist

<u>Ref</u>	<u>Part No.</u>	<u>Description</u>	<u>Parts – Assembly</u>	<u>Will Fit SN</u>	<u>Remarks</u>
1	191-137b	Vibrator cover, inner	1	19101-	
2	SHD-9200	Vibrator Cover, Top, 240 Harvester	1		
3	191-137a	Vibrator cover, outer	1	19101-	



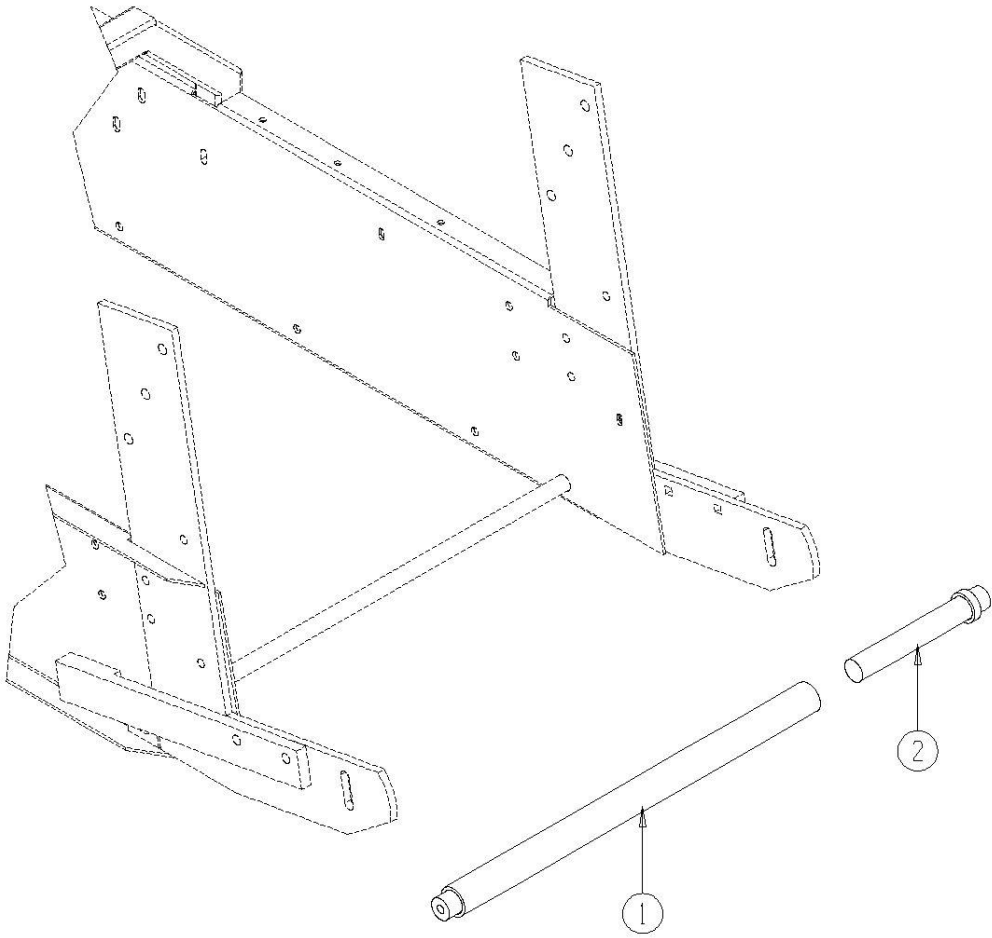
12011-03-05



12011-03-10 Optional Mud Pusher Assembly

<u>Ref</u>	<u>Part No.</u>	<u>Description</u>	<u>Parts – Assembly</u>	<u>Will Fit SN</u>	<u>Remarks</u>
1	ARM-9200	Slide Style Mud Pusher(Pipe End), 240 Harvester	1		
2	ARM-106	King Style Mud Pusher,Shaft End	1		
100	BL-10-LW	5/8 SPLIT LW ZC	2		

12011-03-10

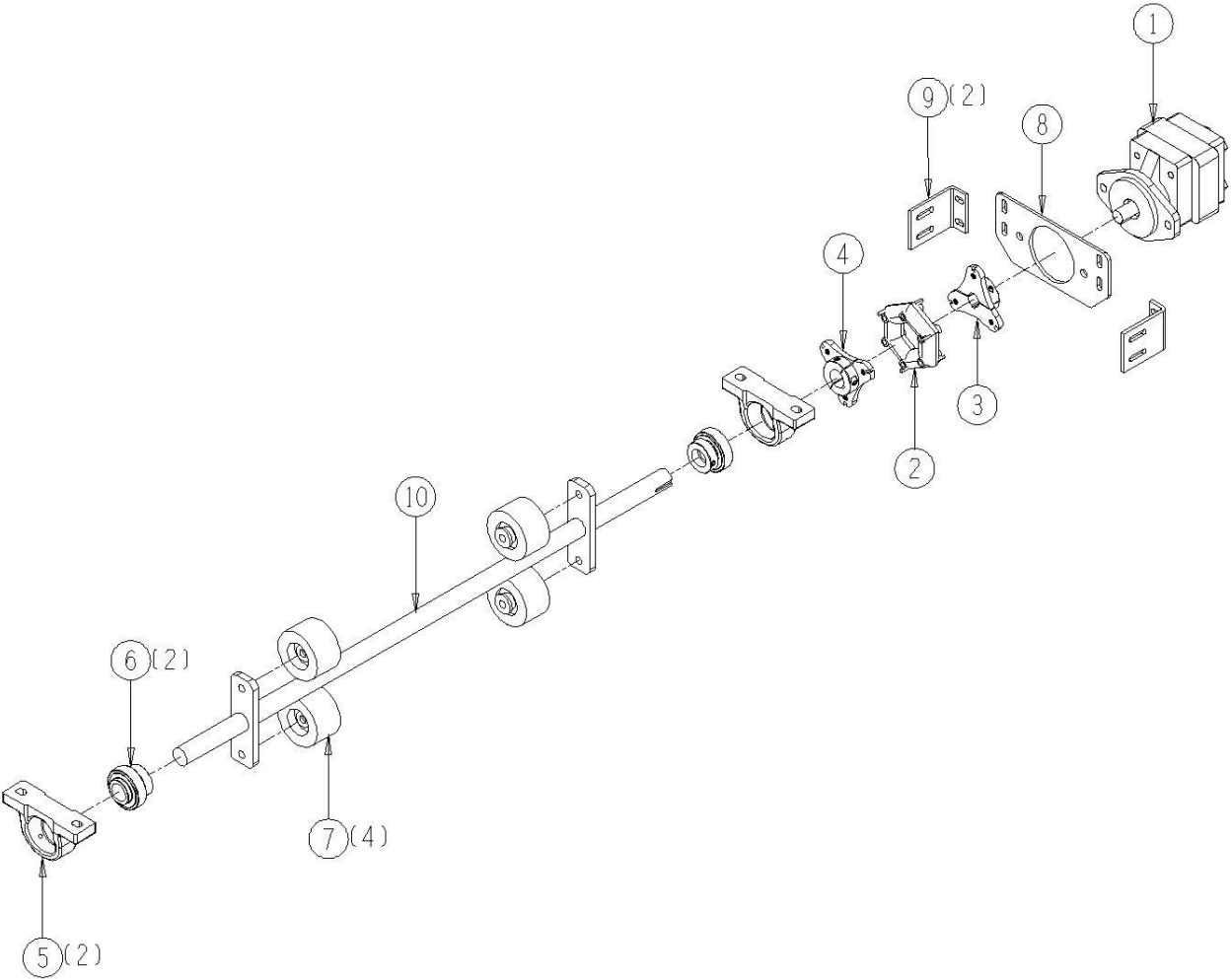


12011-03-11 Header Conveyor Vibrator Shaft Assembly

<u>Ref</u>	<u>Part No.</u>	<u>Description</u>	<u>Parts – Assembly</u>	<u>Will Fit SN</u>	<u>Remarks</u>
1	HM-412-1	Hydraulic Motor	1		Same as HM-412C except w/1" shaft
2	CPR-422-15	Primary Shaker Drive Coupler	1		Used on Sec. Sh. Beginning 2000
3	CPR-422a-15	Primary Shaker Coupler (Motor Side)	1	Years 1995 - 2000	Used on Sec. Sh. Beginning 2000
4	CPR-422D-15	Coupler, 1-1/4" Bore, 1/4" Key	1		
5	BR-072-RAK	72mm Cast Housing	2		
6	BR-125-072	Bearing, 1 1/4 Fafnir tri-seal, 72mm OD	2		
7	RLT-035-228	Roller 3.5 dia x 2.2 x 1/2" bore, no flange	4		
8	MOU-0167	Mount, Motor Cross Vibrator, 190	1		
9	MOU-9202	Vibrator Motor Mount, 240 Tomato Harvester	2		
10	SFT-9202	Vibrator Shaft, 36 Inch Chain	1		
11	DC-1176	Decal, Danger-Hand Chain Sprockets	1		
12	KEY-4-4-20	Shaft Key 1/4" x 1 1/4"	1		
13	STP-FL30	Stop, Flow Control	1	19101-	
800	HM-412B	Key for Hydraulic Motor -Shaker Weight-Vibrator	1	HM-412C & HM-712C	
801	HM-2686	Snap Ring, Commercial Motor	1	HM-1020	
802	HM-0381	Ball Bearing, Motor	1	HM-1020	
803	HM-2585	Ring Seal, Commercial Motor	2	HM-1020	
804	HM-1801	Seal Kit for Commercial Intertech	1	P20 & M20 Series	Includes:(1) Length of HM-2882,(1)HM-2883,(2)HM-2884
805	BR-025-052-C	Bearing Kit for Vibrator Roller (2 brg)	1	RLT-027-108	
806	BR-017-040	Bearing for Vibrator Roller	2		
807	RLT-SSC1	Stub Shaft for Vibrator Roller	2		
808	RLA-0275-SR4	Snap Ring for Vibrator Roller	1	RLT-027-108	



12011-03-11

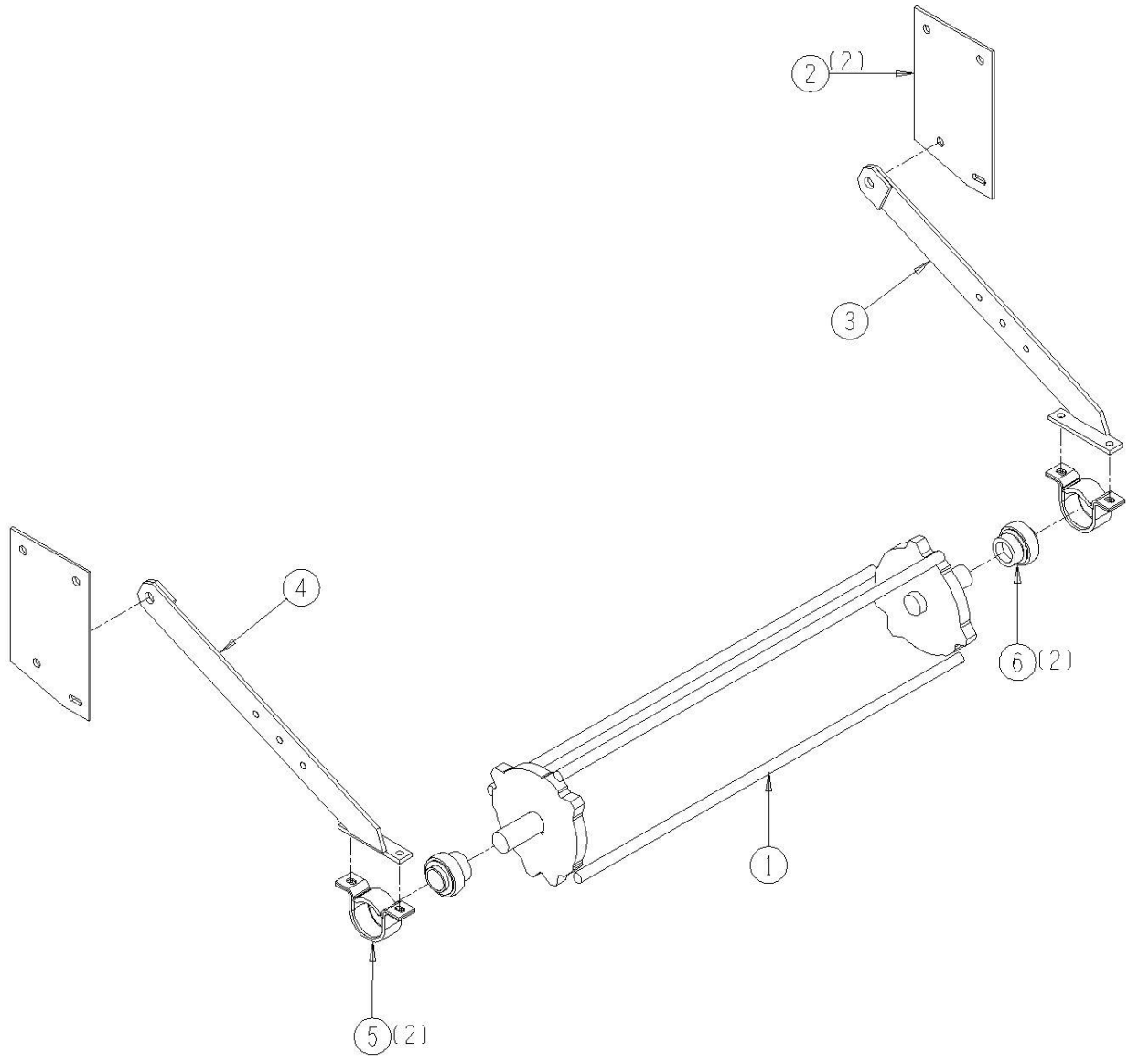


12011-03-12 Header Conveyor Bar Cleaner Assembly

<u>Ref</u>	<u>Part No.</u>	<u>Description</u>	<u>Parts – Assembly</u>	<u>Will Fit SN</u>	<u>Remarks</u>
1	BAR-9203	Bar Cleaner, Header Chain,240 Tomato Harvester	1		
2	192-163	Cleaner bar bracket	2	19101-	
3	192-362A	Chain cleaner bar (Left)	1	19101-	
4	192-362B	Chain cleaner bar (Right)	1	19101	
5	BR-062-MPB	Stamped Bearing Housing for 1 1/4" bearing	2		
6	BR-125-062I	Bearing, 1 1/4" ID, TS	2		FIT Bearing
100	BL-10-075-SH	5/8 X 3/4 SHOULDER BOLTS	2	11001-	



12011-03-12

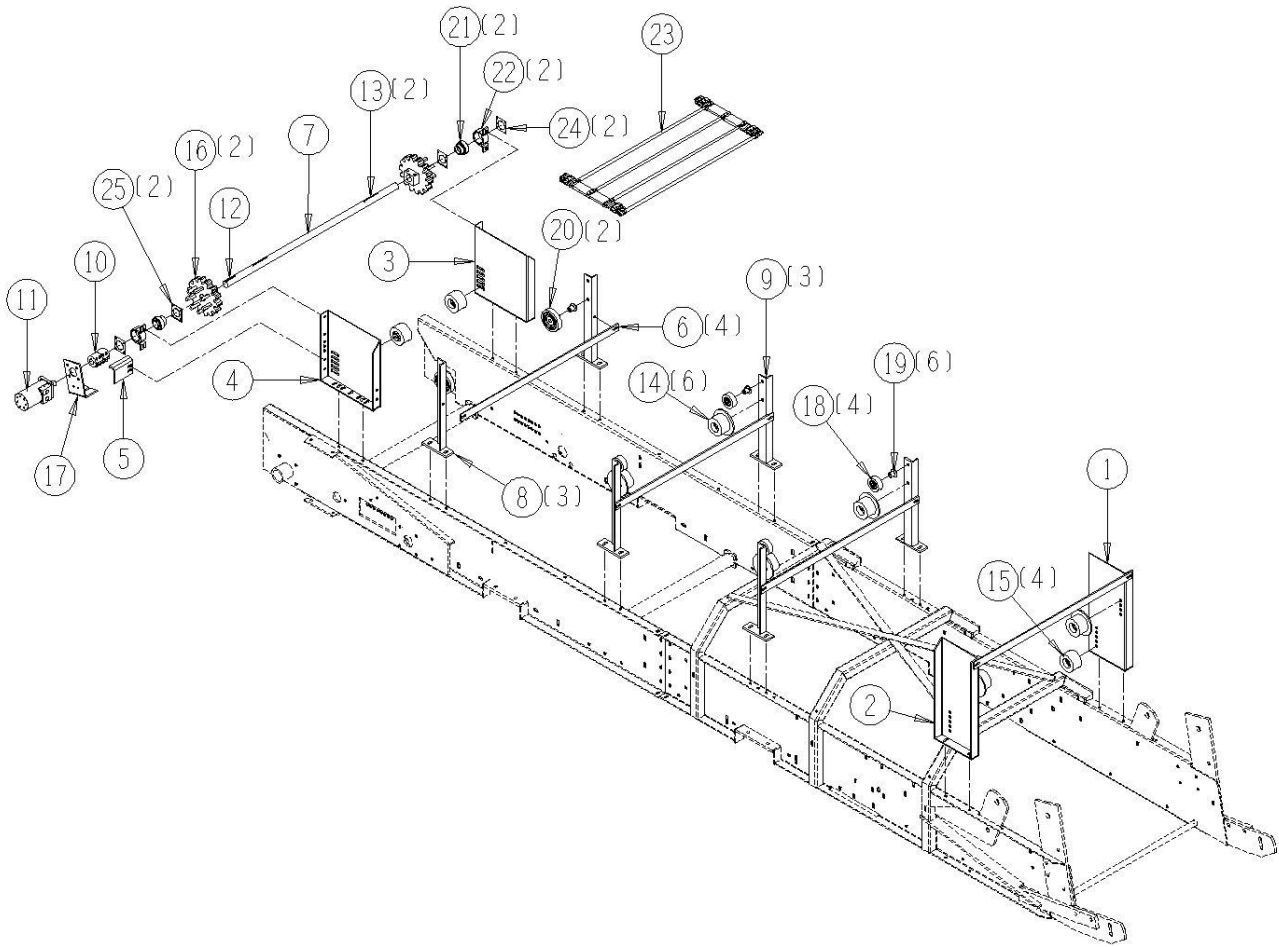


12011-03-13 Full Length Vine Assist Assembly

<u>Ref</u>	<u>Part No.</u>	<u>Description</u>	<u>Parts – Assembly</u>	<u>Will Fit SN</u>	<u>Remarks</u>
1	MOU-9203	Panel, Vine Assist, Front Panel, Outer, 240 Harvester	1		
2	MOU-9204	Panel, Vine Assist, Front Panel, Inner, 240 Harvester	1		
3	PAN-1106	Panel, Weldment, Outer Rear, Vine Assist	1	Kit-0050	
4	PAN-1107	Panel, Weldment, Inner Rear, Vine Assist	1	Kit-0050	
5	193-806B	Motor Mount Stop	1		
6	BAR-9202	Bar, Vine Assist, Cross Bar, 240 Harvester	4		
7	SFT-9204	Shaft, Vine Assist Drive, Header, 240 Tomato Harvester	1		
8	BRA-0217	Vine Assist, Roller Mount, Outer 32" wide	3		
9	BRA-0218	Vine Assist, Roller Mount, INNERr 32" wide	3		
10	CPS-6060	Steel Coupler (offcenter) 1 1/4" x 1"	1		
11	HM-210-TC	TCI Motor	1		Seal Kit # TCI-SKHPQ
12	KEY-4-4-20	Shaft Key 1/4" x 1 1/4"	1		
13	KEY-4-4-28	Shaft Key 1/4" x 1 3/4"	2		
14	RLT-535-228	5" Flange Roller 2.2WF x 3 1/2" dia, 1/2" bore	6		
15	RLT-035-228	Roller 3.5 dia x 2.2 x 1/2" bore, no flange	4		
16	SPU-3614-20-4	Belted Chain Sprocket, 36mm x 14 tooth, Urethane	2		Use SP-3614-20-4 for 190, 290, and Bell Pepper Discharge Drive Shafts
17	193-806	Mount motor	1		
18	RLT-027-108	Roller 2.75" dia. 1/2" Bore	4		2755C1X (Old Number, Single Bearing)
19	RLA-000-118	Standoff, 1/2" X 1 1/8"	6		
20	RLR-040-108	4" Flat Roller	2		Changed to Urethane in 2006
21	BR-125-062	Bearing, 1 1/4 Fafnir tri-seal, 62mm OD	2		
22	BR-062-MPB	Stamped Bearing Housing for 1 1/4" bearing	2		
23	BC-6-36108-88	Belted Chain, 3/8 x 36, 2 x 60, 88 Pitches Long	1		
24	SC-20-6	Bearing Protector, 1 1/4", Inner Side	2		
25	SC-20-7	Bearing Protector, 1 1/4", Outer, Lock Collar Side	2		



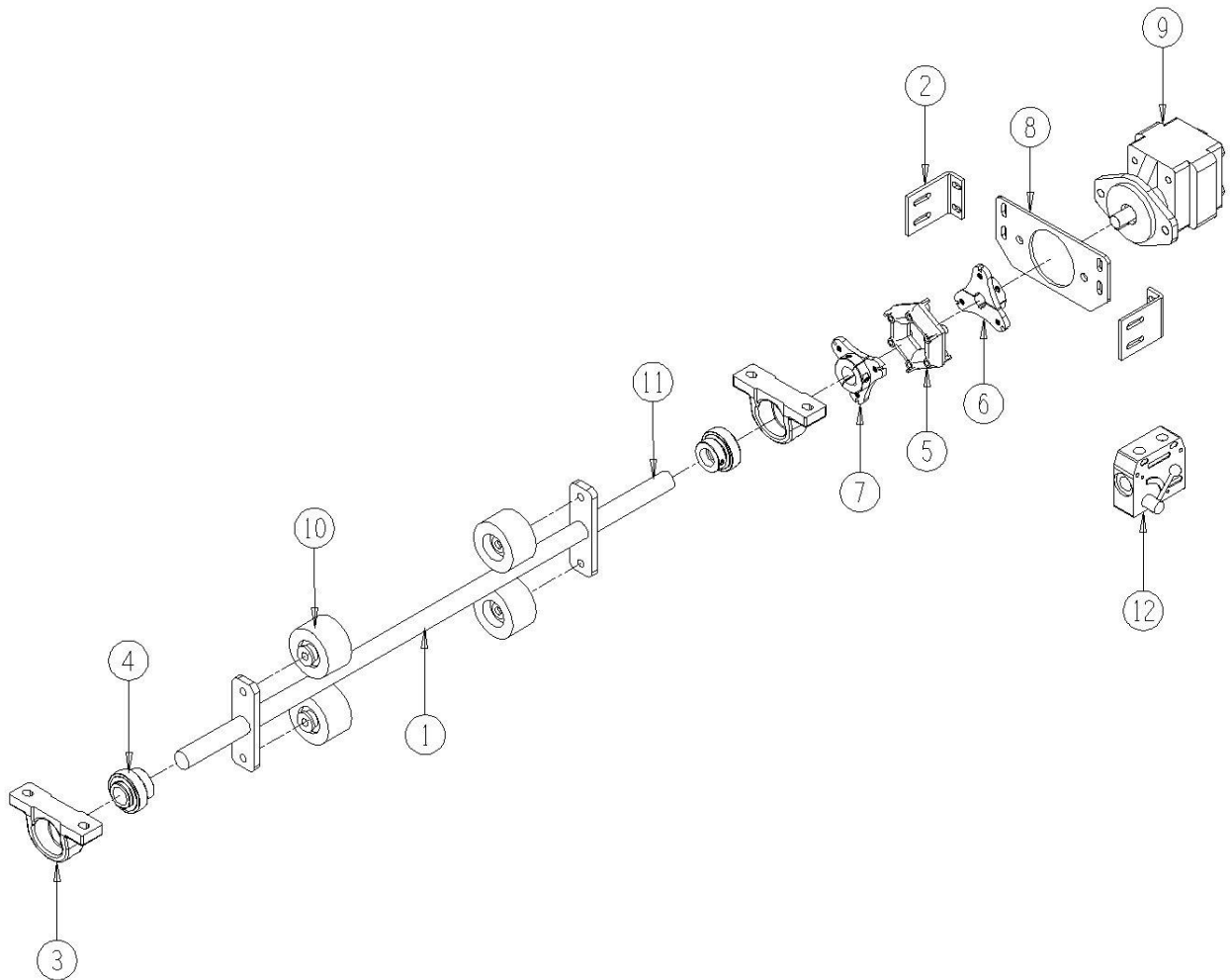
12011-03-13



12011-03-14 Optional Second Vibrator Assembly

<u>Ref</u>	<u>Part No.</u>	<u>Description</u>	<u>Parts – Assembly</u>	<u>Will Fit SN</u>	<u>Remarks</u>
1	SFT-9202	Vibrator Shaft, 36 Inch Chain	1		
2	MOU-9202	Vibrator Motor Mount, 240 Tomato Harvester	2		
3	BR-072-RAK	72mm Cast Housing	2		
4	BR-125-072	Bearing, 1 1/4 Fafnir tri-seal, 72mm OD	2		
5	CPR-422-15	Primary Shaker Drive Coupler	1		Used on Sec. Sh. Beginning 2000
6	CPR-422a-15	Primary Shaker Coupler (Motor Side)	1	Years 1995 - 2000	Used on Sec. Sh. Beginning 2000
7	CPR-422D-15	Coupler, 1-1/4" Bore, 1/4" Key	1		
8	MOU-0167	Mount, Motor Cross Vibrator, 190	1		
9	HM-412-1	Hydraulic Motor	1		Same as HM-412C except w/1" shaft
10	RLT-035-228	Roller 3.5 dia x 2.2 x 1/2" bore, no flange	4		
11	KEY-4-4-20	Shaft Key 1/4" x 1 1/4"	1		
12	HV-FL30	Flow Control Valve 30GPM	1		
801	HM-412B	Key for Hydraulic Motor -Shaker Weight-Vibrator	1	HM-412C & HM-712C	
802	HM-2686	Snap Ring, Commercial Motor	1	HM-1020	
803	HM-0381	Ball Bearing, Motor	1	HM-1020	
804	HM-2585	Ring Seal, Commercial Motor	2	HM-1020	

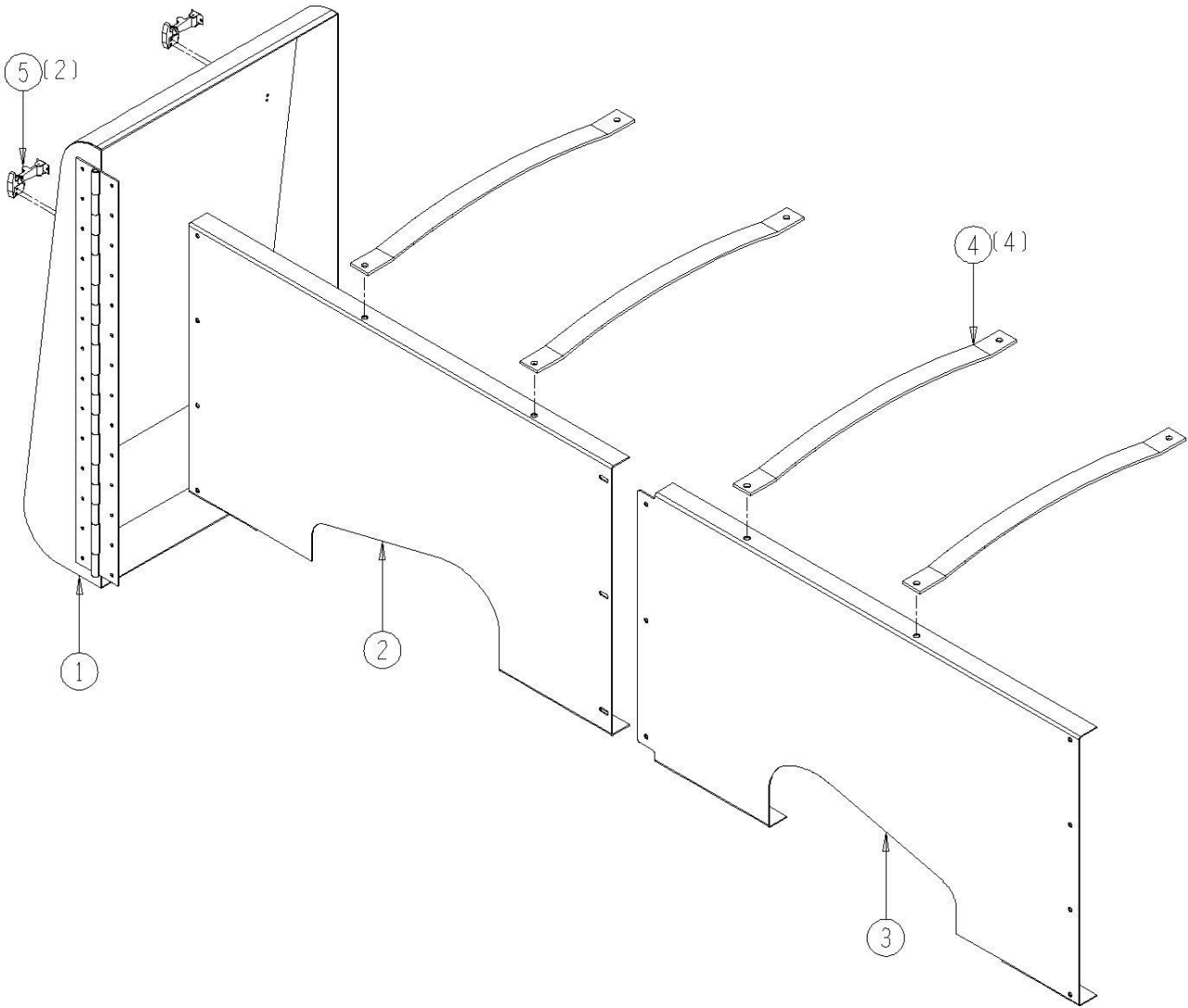
12011-03-14



12011-04-01 Shaker Weight Box Cover Assembly

<u>Ref</u>	<u>Part No.</u>	<u>Description</u>	<u>Parts – Assembly</u>	<u>Will Fit SN</u>	<u>Remarks</u>
	BT-9104	Cross Cover Belting, 240	1		
	SHD-9128	Shield, Guard, Cross/Shaker, 240 Tomato Harvester	1		
	SHD-9129	Shield, Coupler, Shaker, 240 Tomato Harvester	2		
	SHD-9130	Shield, Belt, Shaker, 240 Tomato Harvester	2		
1	SHD-9105	Shield, Box Cover, Shaker Weight, 240 Tomato Harvester	1		
2	SHD-9106	Shield, Back, Box Cover, Shaker Weight, 240 Tomato Harvester	1		
3	SHD-9107	Shield, Front, Box Cover, Shaker Weight, 240 Tomato Harvester	1		
4	BAR-9102	Brace, Tarp, Primary Shaker	4		
5	LA-703	Large Rubber T Latch Assembly	2		

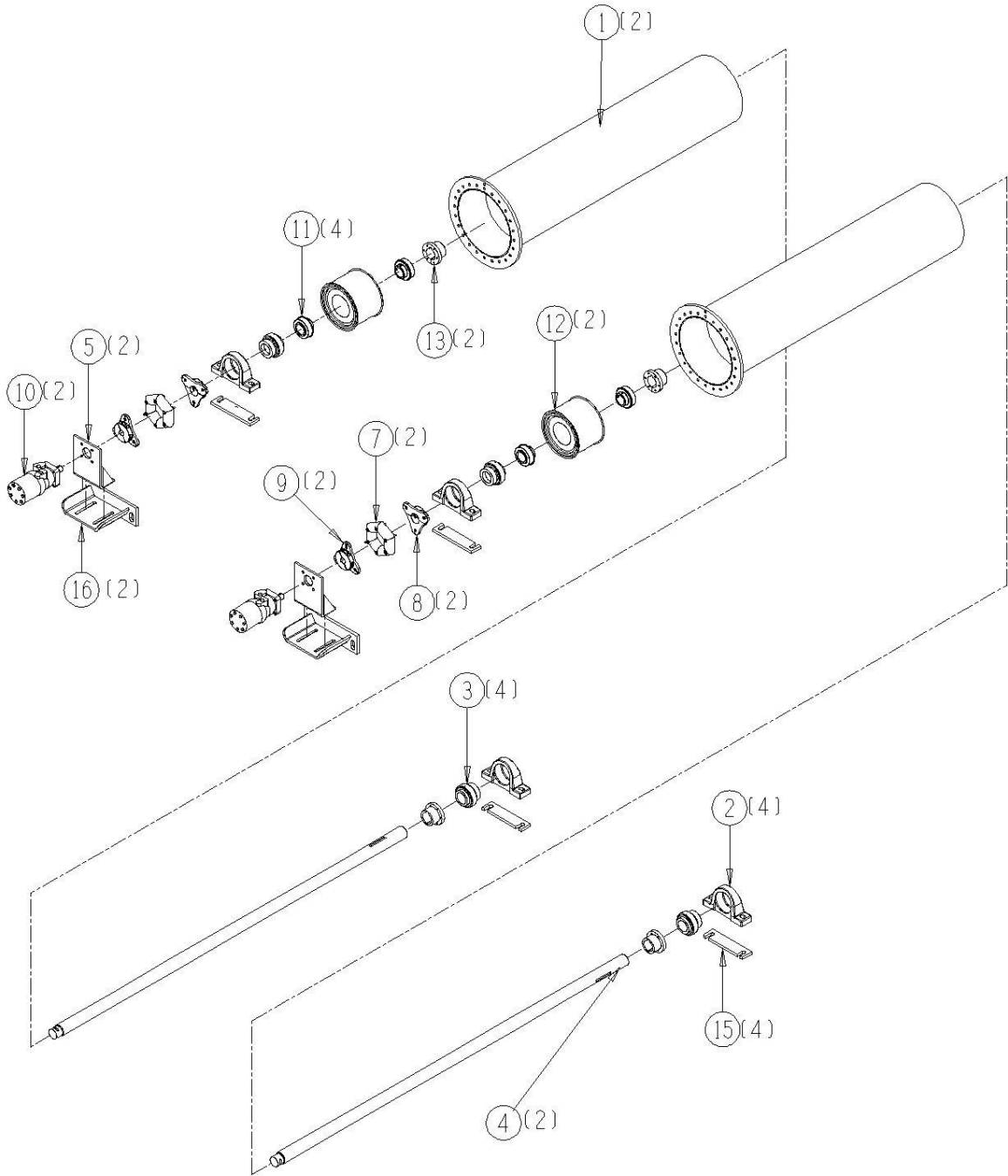
12011-04-01



12011-04-02 Shaker Drum Assembly

<u>Ref</u>	<u>Part No.</u>	<u>Description</u>	<u>Parts – Assembly</u>	<u>Will Fit SN</u>	<u>Remarks</u>
1	SHA-1005	Shaker Drum, Primary Secondary, 40' Sorter	2		
2	BR-100-RAK	Bearing Housing 100 mm	4	11001	
3	BR-200-100	2' Fafnir Bearing, Tri-ply	4	11001	Replace with BR-200-100I
4	SHA-1000	Shaft, Primary Secondary Shaker, 40' Sorter	2		
5	194-416	Mount, Shaker Rotation Motor	2	19101	For use with 194-416a
7	CPR-422-18	Lovejoy Donut W/ Hardware	2		
8	CPR-422C-18	Coupler, Shaker Side	2	30095001-	
9	CPR-422D-18	Coupler, Shaker, Motor Side, 1' Shaft	2	30095001-	
10	HM-103-TC	TCI Motor	2		Seal Kit # TCI-SKHRQ
11	BR-200-ER	Bearings, 2' ER	4		
12	PU-80-8M-525-2	Pulley, 2 & 2-3/16 Sfts., 5-1/2 Wide for Panther Belts	2		
13	SP-SK-2	Bushing, SK x 2'	2	19101	
15	SHM-100-500	Shim, 100mm Pillow Block Bearing, .500 Thick	4		
16	MOU-9300	Mount, Shaker Rotation Motor	2		

12011-04-02

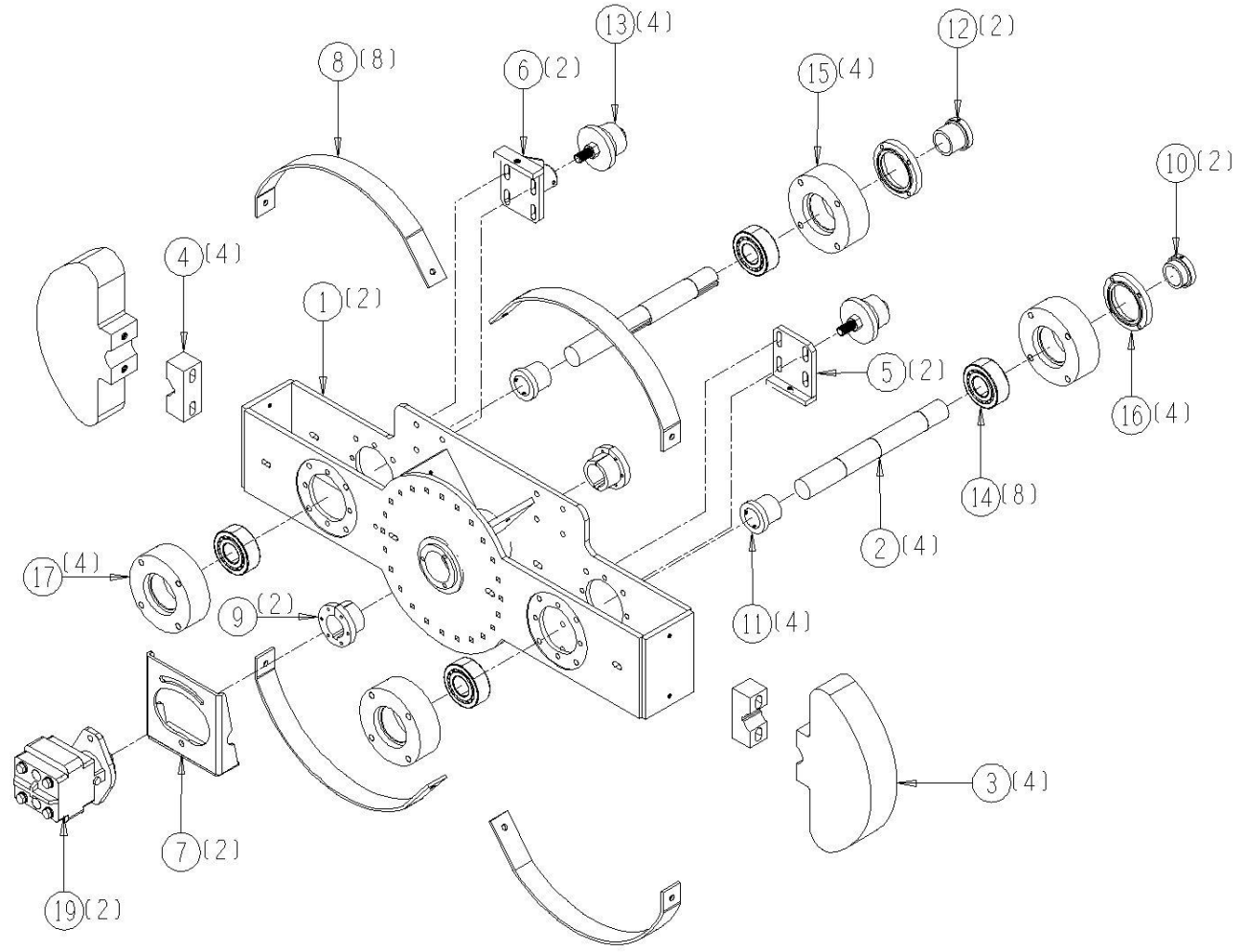


12011-04-03 Shaker Weight & Box Assembly

<u>Ref</u>	<u>Part No.</u>	<u>Description</u>	<u>Parts – Assembly</u>	<u>Will Fit SN</u>	<u>Remarks</u>
1	SHA-1001	Shaker Box, 2010 Prototype Tomato	2		
2	SFT-9300	Shaker Weight Shaft, 240 Harvester	4		
3	WGT-402	Weight, Primary Shaker	4		
4	WGT-402C	Cap, Primary & Secondary Shaker Weight	4		
5	SHA-9300	Belt Tension Bracket, Shaker Box, 240 Harvester	2		
6	SHA-9301	Shaker Tension Bracket	2		
7	MOU-0022	Mount, Weight Motor, Shakers, Harvesters	2		Replaces 110-515
8	SHD-9300	Shield, Shaker Box	8		
9	SP-SK-2	Bushing, SK x 2'	2	19101	
10	SPA-9300	Shaft, Weight Spacer, 240 Harvester	2		
11	SPA-9301	Shaft, Weight Shaft, 240 Harvester	4		
12	SPA-9302	Shaft, Weight Shaft, 240 Harvester	2		
13	PUI-SKBB	SK Idler w 1/2" Mounting Stud	4		
14	BR-045-100	Spherical Roller Bearing 45mm	8		
15	BR-100-TFIHS	Bearing Housing, 100mm, Fixed	4		
16	BR-100-TFICP	Bearing Housing Cap, 100mm, Fixed	4		
17	BR-100-TFLHS	Bearing Housing 100mm, Float	4		
18	BR-100-TFLCP	Bearing Housing Cap, 100mm, Float	4		
19	HM-122	Motor, Hydraulic, 1-1/2" Gear, #12 SAE Ports	2		
20	BT-1400-14M-42	SYN Belt 1400mm long, 14mm tooth, 42mm wide	6		
21	PU-28-14M-42SK	Pulley, 28 Tooth, 14mm, 42mm Wide w/ SK bushing	6		
22	PU-48-14M-42E	Pulley, 48 Tooth, 14mm, 42mm Wide w/ E bushing	4		
23	PU-E-28	E Bushing, 1 3/4" Bore	4		
24	PU-SK-16	SK Bushing 1" bore	2		
25	OS-36-60-08	Oil Seal, 2 1/4" ID X 3 3/4" OD x 1/2" Width	8		
26	OS-45-62-9	Oil Seal, 45MM ID X 62MM OD x 9MM Width	8		



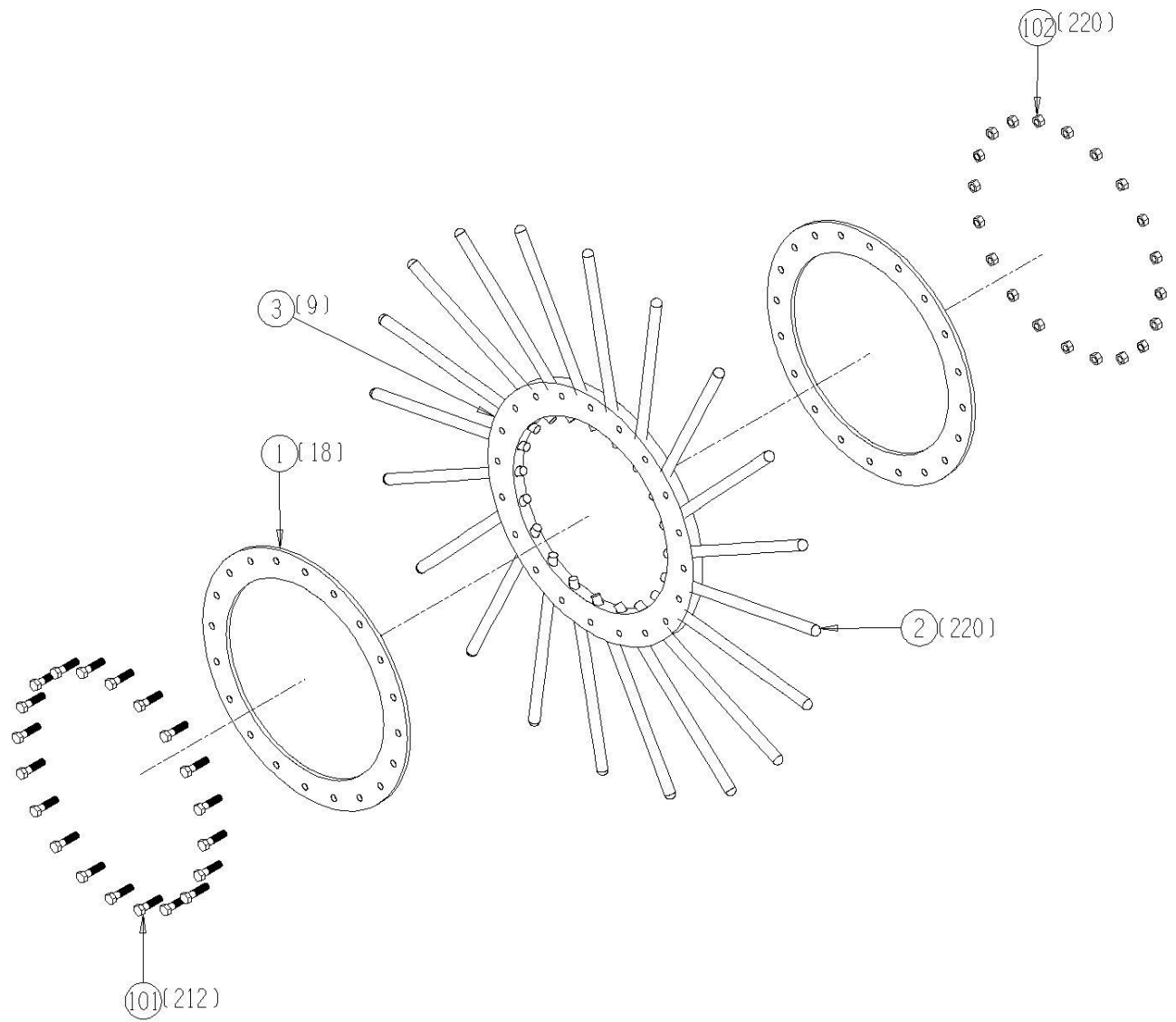
12011-04-03



12011-04-04 Primary Shaker Ring and Finger Assembly

<u>Ref</u>	<u>Part No.</u>	<u>Description</u>	<u>Parts – Assembly</u>	<u>Will Fit SN</u>	<u>Remarks</u>
1	191-432	Tine Holder Flanges	20	11001- 30095001-	
2	ST-430-P	Shaker Tines , Molded Urethane	200		
3	192-431	Moulded Rubber Tine Holders	10	19101- 30095001-	
101	BL-6-150-H	3/8-16 X 1 1/2 HEX CAP G5 ZC	200		
102	BL-6-LN	3/8 UNC FIN HEX LOCK NUT NE A563 GrA ZINC	200		

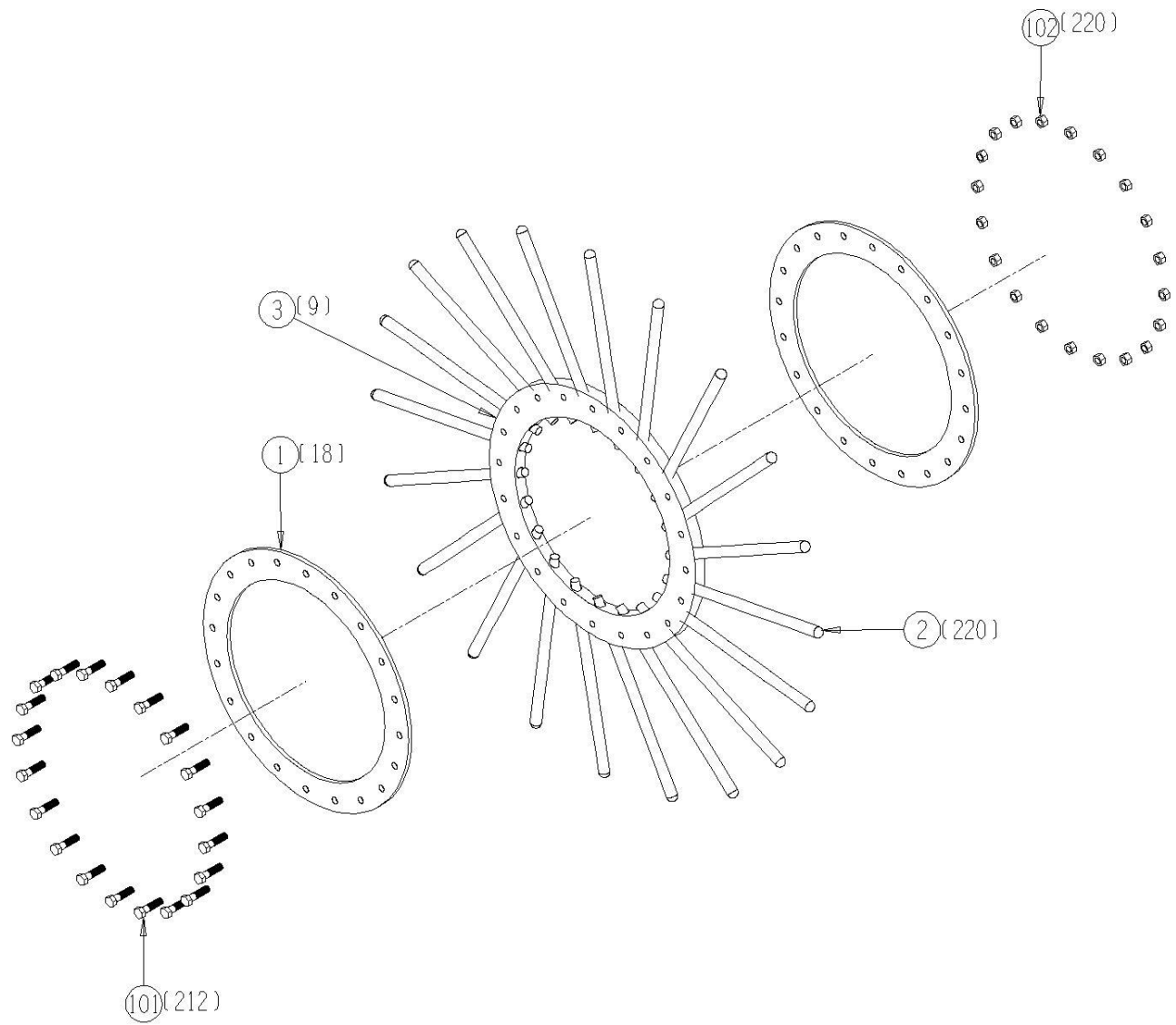
12011-04-04



12011-04-05 Secondary Shaker Ring and Finger Assembly

<u>Ref</u>	<u>Part No.</u>	<u>Description</u>	<u>Parts – Assembly</u>	<u>Will Fit SN</u>	<u>Remarks</u>
1	191-432	Tine Holder Flanges	20	11001- 30095001-	
2	ST-430-P	Shaker Tines , Molded Urethane	200		
3	192-431	Moulded Rubber Tine Holders	10	19101- 30095001-	
101	BL-6-150-H	3/8-16 X 1 1/2 HEX CAP G5 ZC	200		
102	BL-6-LN	3/8 UNC FIN HEX LOCK NUT NE A563 GrA ZINC	200		

12011-04-05

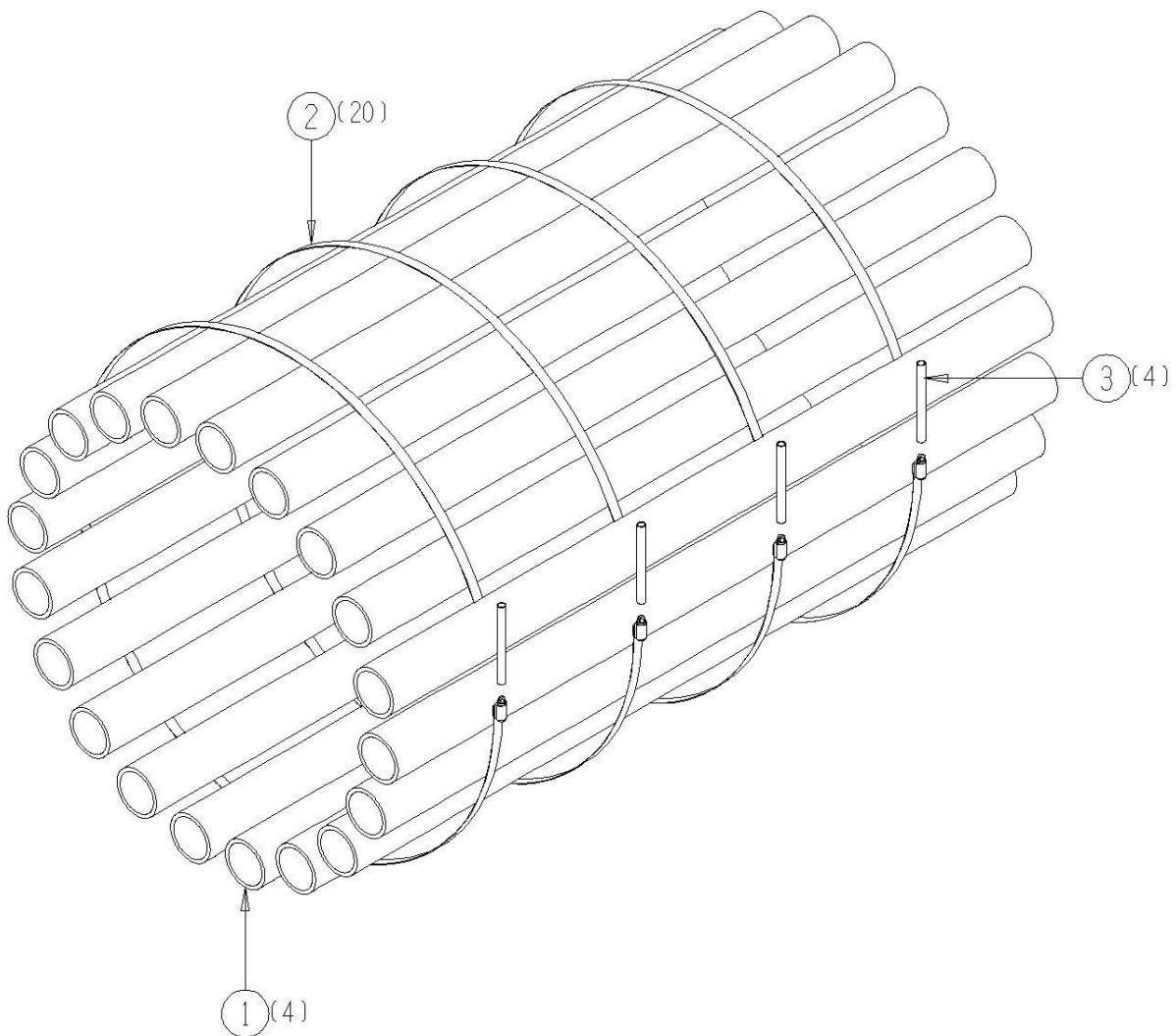


12011-04-06 Shaker Spacer Tube Assembly

<u>Ref</u>	<u>Part No.</u>	<u>Description</u>	<u>Parts – Assembly</u>	<u>Will Fit SN</u>	<u>Remarks</u>
1	PL-32-40	PVC Pipe, Shaker Tube, 240 Harvester	20		
2	CL-001	Clamp, 71.5" Long, For 21.5" Dia, SS Gear Clamp	4		100 Pc. Minimum From Mfg.
3	PL-7504-4	PVC Clamp Cover, 4"	4		

12011-04-06

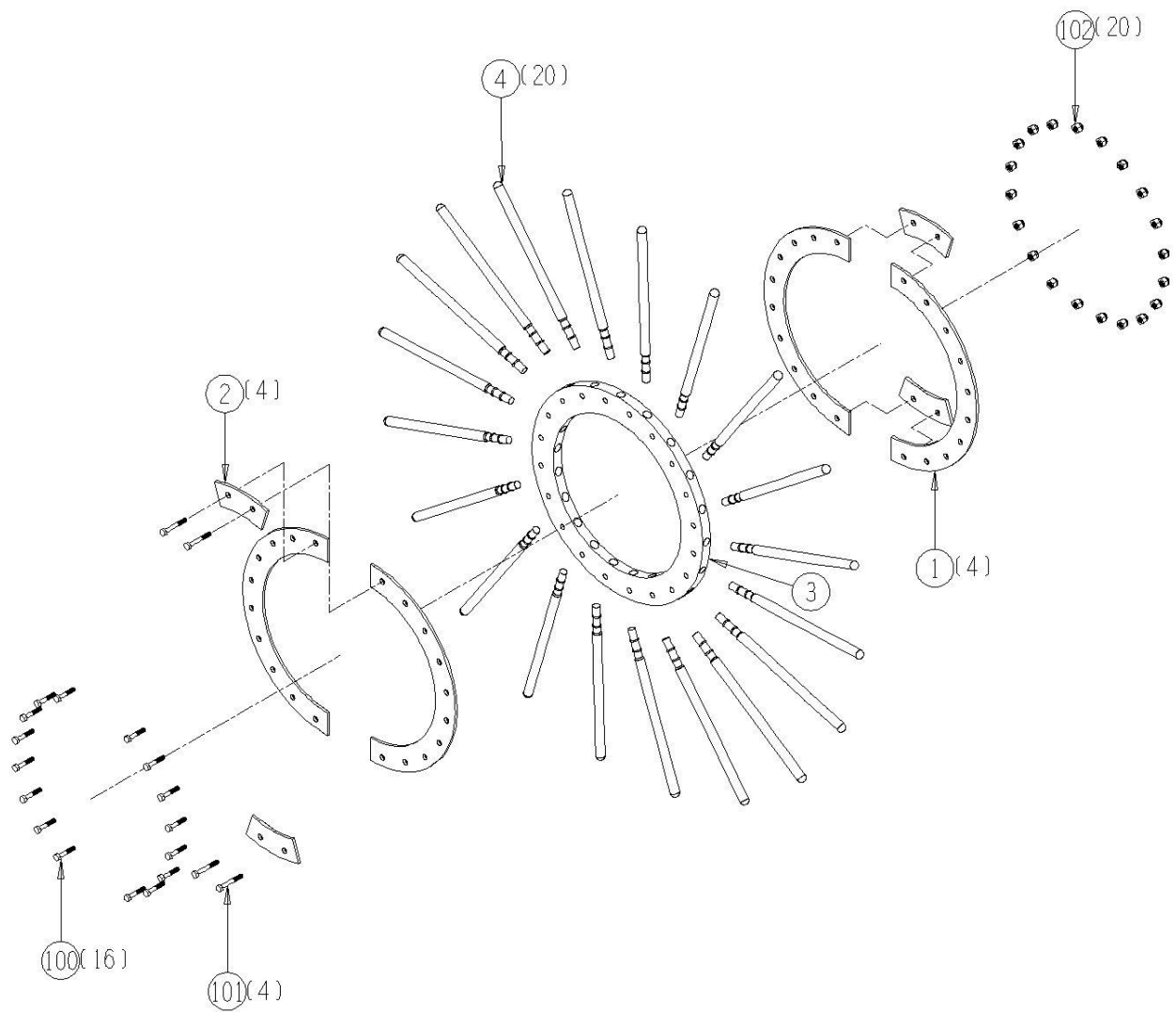
NOTE:
STAGGER PIPES IN SHAKER
CHAMBER. EVERY OTHER PIPE
TOWARDS THE OPPOSITE SIDE
PANEL OF THE PIPE BEFORE IT.



12011-04-07 Optional Shaker Half-Ring & Finger Assembly

<u>Ref</u>	<u>Part No.</u>	<u>Description</u>	<u>Parts – Assembly</u>	<u>Will Fit SN</u>	<u>Remarks</u>
1	191-432a	Half flanges	4		
2	191-432B	Connecting Bar, Shaker Ring Half-Flange	4		
3	192-431	Moulded Rubber Tine Holders	1	19101- 30095001-	
4	ST-430-P	Shaker Tines , Molded Urethane	20		
100	BL-6-150-SS	3/8-16 X 1 1/2 HEX CAP SS	16		
101	BL-6-200-HSS	3/8-16 x 2 Hex Head Stainless	4		
102	BL-6-LN	3/8 UNC FIN HEX LOCK NUT NE A563 GrA ZINC	20		

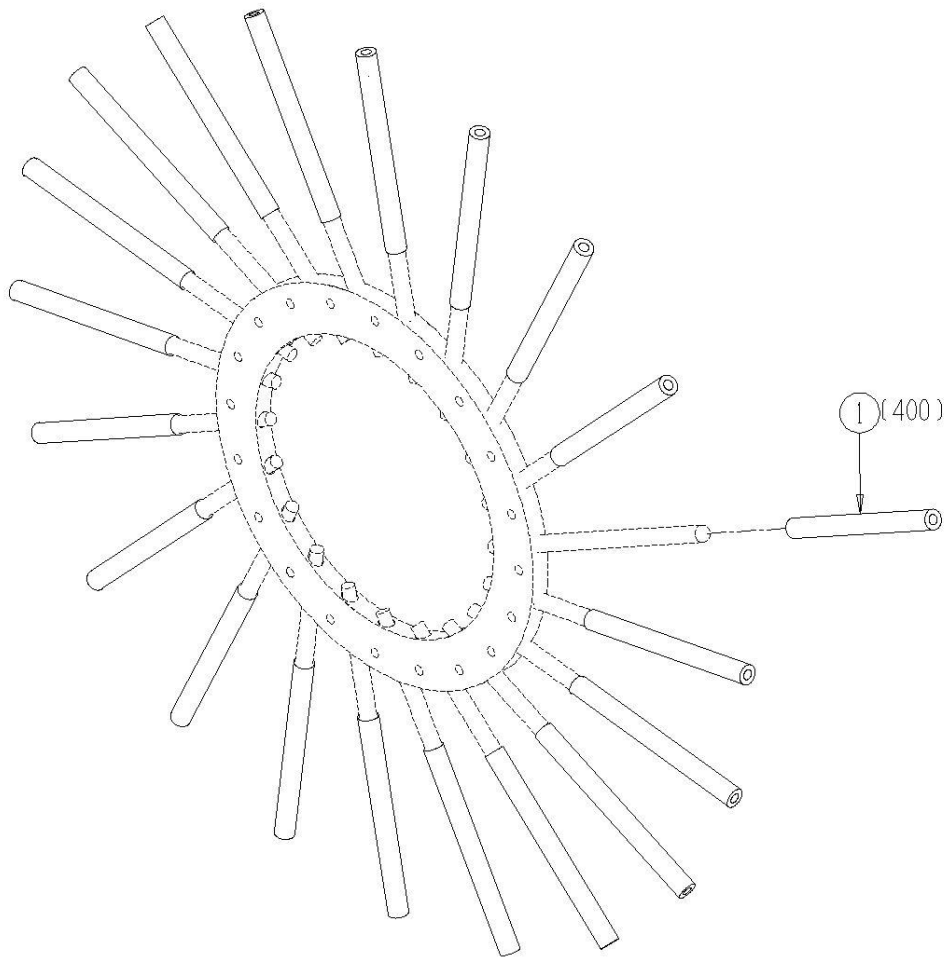
12011-04-07



12011-04-08 Optional Shaker Tine Cover Assembly

<u>Ref</u>	<u>Part No.</u>	<u>Description</u>	<u>Parts – Assembly</u>	<u>Will Fit SN</u>	<u>Remarks</u>
1	BC-6000-8	Shaker Finger Protectors, 3/8" ID x 3/4" OD x 8"	400		Bundled in 100 Piece Lots

12011-04-08



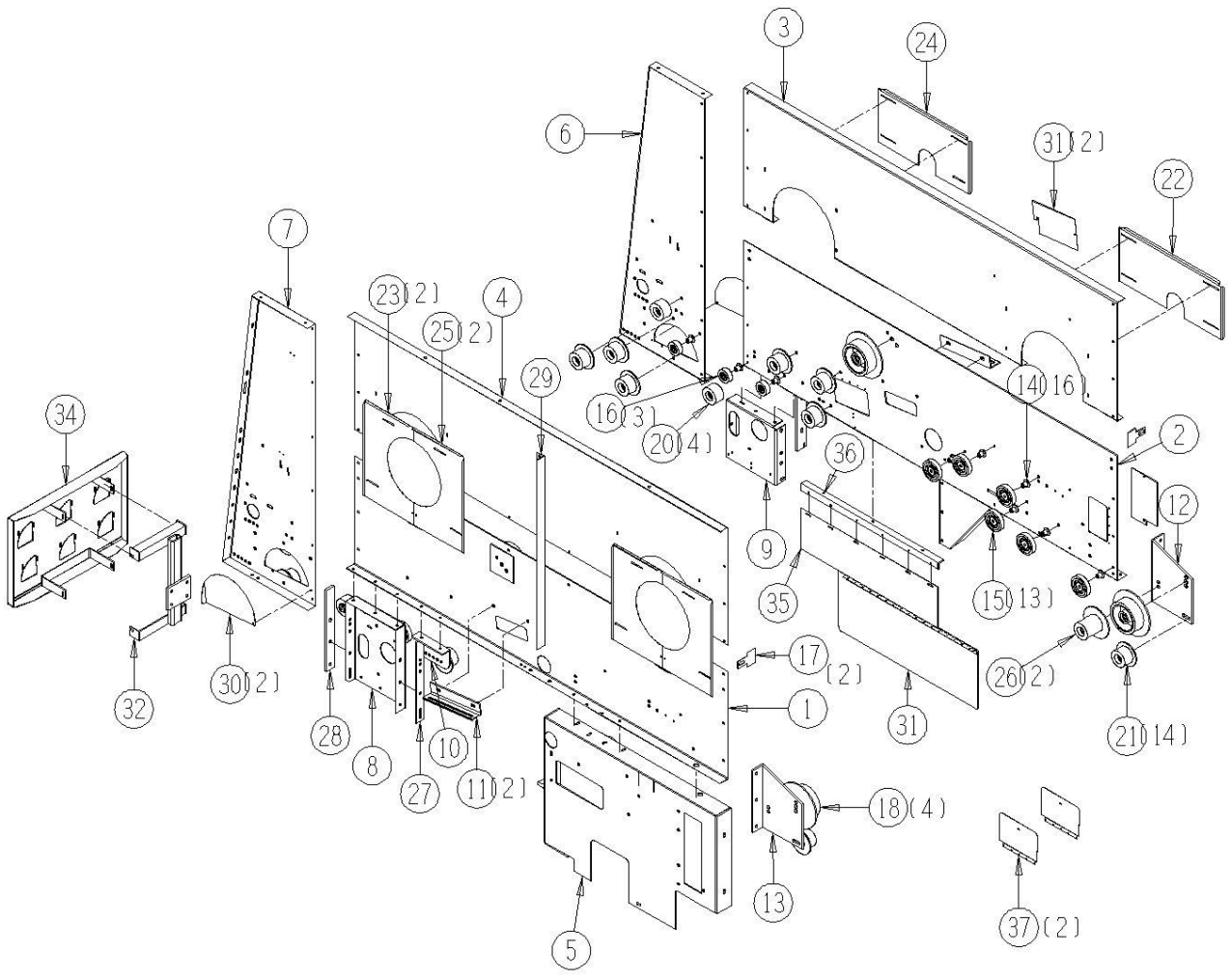
12011-05-01 Vine & Transfer Chamber Assembly

<u>Ref</u>	<u>Part No.</u>	<u>Description</u>	<u>Parts – Assembly</u>	<u>Will Fit SN</u>	<u>Remarks</u>
1	PAN-9100	Panel, Inner, Vine & Chain Transfer, 240 Tomato Harvester	1		
2	PAN-9101	Panel, Outer, Vine & Chain Transfer, 240 Tomato Harvester	1		
3	PAN-9102	Panel, Outer, Top, Vine & Chain Transfer, 240 Tomato Harvester	1		
4	PAN-9103	Panel, Inner, Top, Vine & Chain Transfer, 240 Tomato Harvester	1		
5	PAN-9104	Panel, Inner, Bottom, Vine & Chain Transfer, 240 Tomato Harvester	1		
6	PAN-9105	Panel, Outer, Back, Vine & Chain Transfer, 240 Tomato Harvester	1		
7	PAN-9106	Panel, Inner, Back, Vine & Chain Transfer, 240 Tomato Harvester	1		
8	PAN-9107	Panel, Inner, Bottom, Back, Vine & Chain Transfer, 240 Tomato Harvester	1		
9	PAN-9108	Panel, Outer, Bottom, Back, Vine & Chain Transfer, 240 Tomato Harvester	1		
10	PAN-9109	Panel, Outer, Bottom, Back, Vine & Chain Transfer, 240 Tomato Harvester	1		
11	MOU-9102	Mount, Angle, Vine & Chain Transfer, 240 Tomato Harvester	2		
12	SUP-1423	Support, Roller, Transfer, Outer, Tomato	1		
13	SUP-1424	Support, Roller, Transfer Chain, Inner, Tomato	1		
14	RLA-000-118	Standoff, 1/2' X 1 1/8'	16		
15	RLR-040-108	4' Flat Roller	13		Changed to Urethane in 2006
16	RLT-027-108	Roller 2.75' dia. 1/2' Bore	3		2755C1X (Old Number, Single Bearing)
17	193-126	Saver Tab	2	19301-	
18	RLT-965-2212	9.5' Flange Roller 6.5 WF 2.2 WW 3/4 bore, 3 brng.	4		
19	RLT-535-2210	5' Flange Roller 2.2 WF 3.5 dia, 5/8' bore	4		
20	RLT-035-228	Roller 3.5 dia x 2.2 x 1/2' bore, no flange	4		
21	RLT-535-228	5' Flange Roller 2.2WF x 3 1/2' dia, 1/2' bore	14		
22	SHD-9119	Shield, Outer Primary Shaker Cover 240 Tomato	1		
23	191-312L	Primary Shaker End Cover, Left	2	19101-	
24	SHD-9121	Shield, Sec. Shaker, Outer Shield, 240 Tomato	1		
25	191-312R	Primary Shaker End Cover, Right	2	19101-	
26	RLT-635-4210	6' Flange Roller, 4.25' wide	2		
27	SPA-9004	Spacer, Front, Shaker Chamber, 240 Tomato Harvester	1		

28	SPA-9005	Spacer, Rear, Shaker Chamber, 240 Tomato Harvester	1	
29	MOU-9007	Shaker Chamber Support, 240 Harvester	1	
30	PAN-920C	Panel, Access [Red]	2	19301-
31	SHD-0148	Shield, Nose Cone End, Cross, HC 290	1	
32	MOU-9200	Mount, Flow Control Panel	1	
33	MOU-9302	Mount, Flow Control	4	
34	PAN-9131	Panel, Rear Flow Control	1	
35	BT-9106	Front Guard, Cross Conveyor Belting, 240 Harvester	1	
36	MOU-9908	Mount, Cross Conveyor Belting	1	
37	195-304D	Access Door w/Hinge	2	



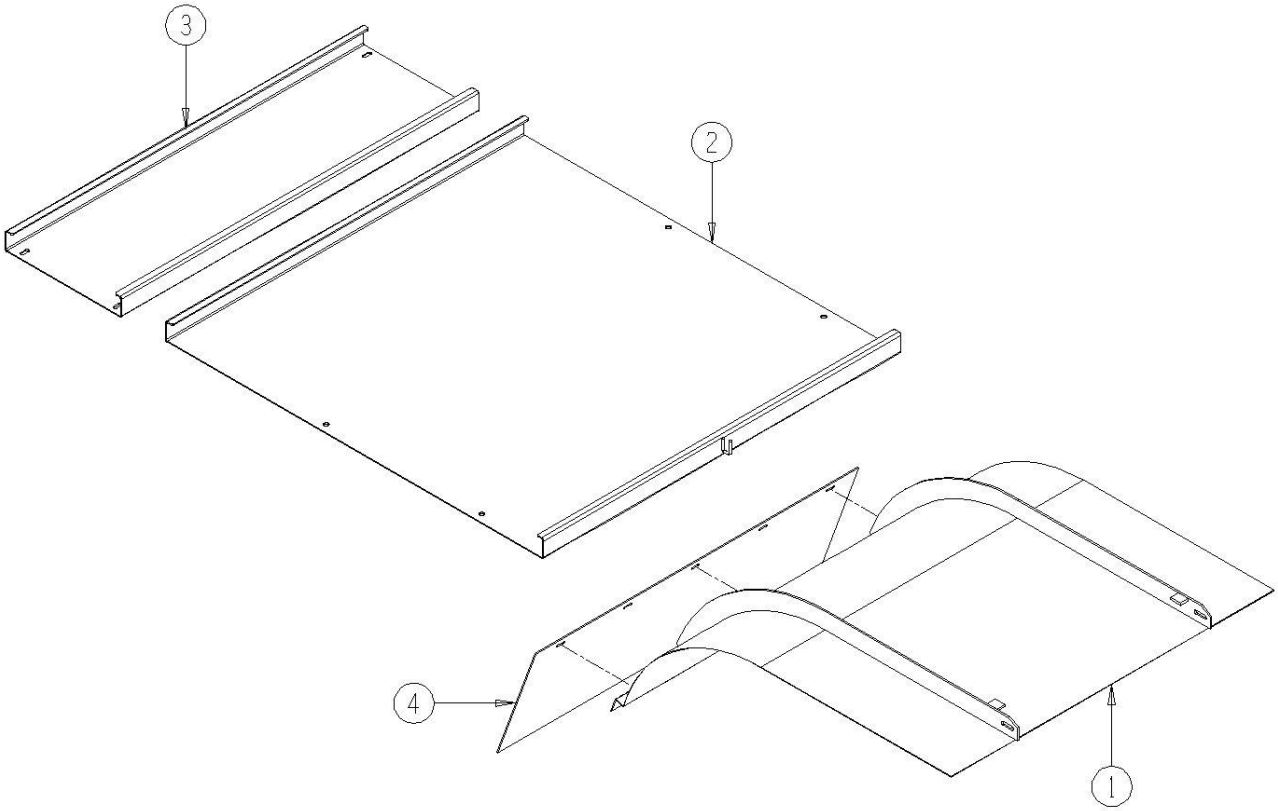
12011-05-01



12011-05-02 Vine & Transfer Cover Assembly

<u>Ref</u>	<u>Part No.</u>	<u>Description</u>	<u>Parts – Assembly</u>	<u>Will Fit SN</u>	<u>Remarks</u>
1	COV-9100	Cover, Primary Shaker, Vine & Transfer, 240 Tomato Harvester	1		
2	COV-9101	Cover, Middle, Primary Shaker, Vine & Transfer, 240 Tomato Harvester	1		
3	COV-9102	Cover, Back, Primary Shaker, Vine & Transfer, 240 Tomato Harvester	1		
4	BT-9400	Belting, Shaker Chamber, 240 Tomato Harvester	1		

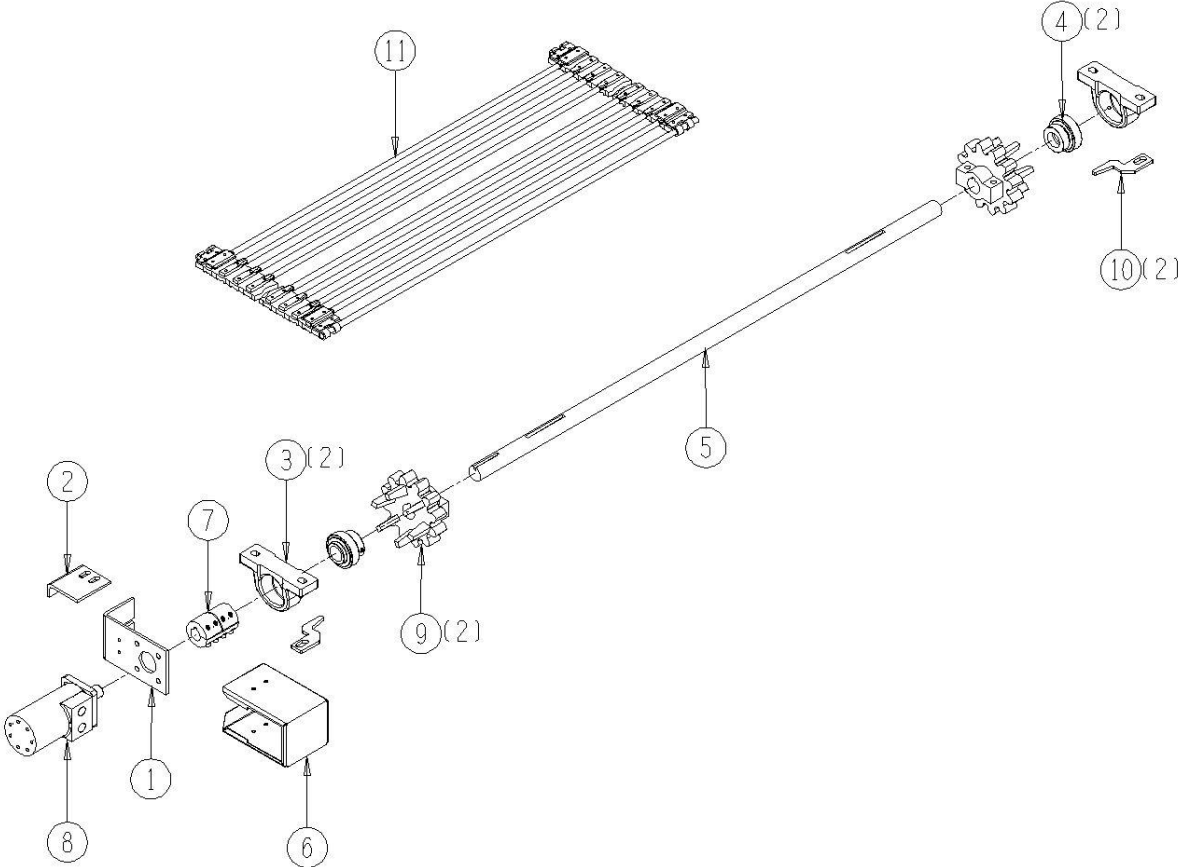
12011-05-02



12011-05-03 Transfer Drive Shaft Assembly

<u>Ref</u>	<u>Part No.</u>	<u>Description</u>	<u>Parts – Assembly</u>	<u>Will Fit SN</u>	<u>Remarks</u>
1	193-806	Mount motor	1		
2	193-806a	Motor mount stop	1		
3	BR-072-RAK	72mm Cast Housing	2		
4	BR-125-072	Bearing, 1 1/4 Fafnir tri-seal, 72mm OD	2		
5	SFT-9400	Shaft, Transfer Chain, 240 Harvester	1		
6	193-806c	Motor Guard	1	19301-	
7	CPS-6060	Steel Coupler (offcenter) 1 1/4" x 1"	1		
8	HM-210-TC	TCI Motor	1		Seal Kit # TCI-SKHPQ
9	SPU-3612-20-4	Urethane Sprocket 36-12 1 1/4 bore 1/4" key	2		Sub SP-3612-20-4
10	SCR-102	Scraper, For 72mm Bearings, Tomato Harvester	2		
11	BC-7-4036-105	Transfer Chain, 40in Wide, 36mm Pitch, 105 Links, 240 Harvester	1		
800	BC-1032-FS	10-32 x 1 1/4" bolts Flat Socket Head	0		
801	BC-1032-LN	10-32 lock nuts	0		
802	BC-7-36-AC	7/16" x 36" Rod w/ 24mm Air Cushion Cover	0		
803	BC-BP32	Belt, Rivet backing plates 32mm	0	11001	Lap Splice Option, Used only with BC-1032-LN Lock Nuts
804	BC-3525	Snap Ring, 11mm.	0		
806	BC-F-36-32-UG	Ultra Gold F Connecting Clips 36-32 @ pair	0		Replaces BC-F-36-32
807	KEY-4-4-15	Shaft Key 1/4" X 1/4" X 15/16" Woodruff Key	1		

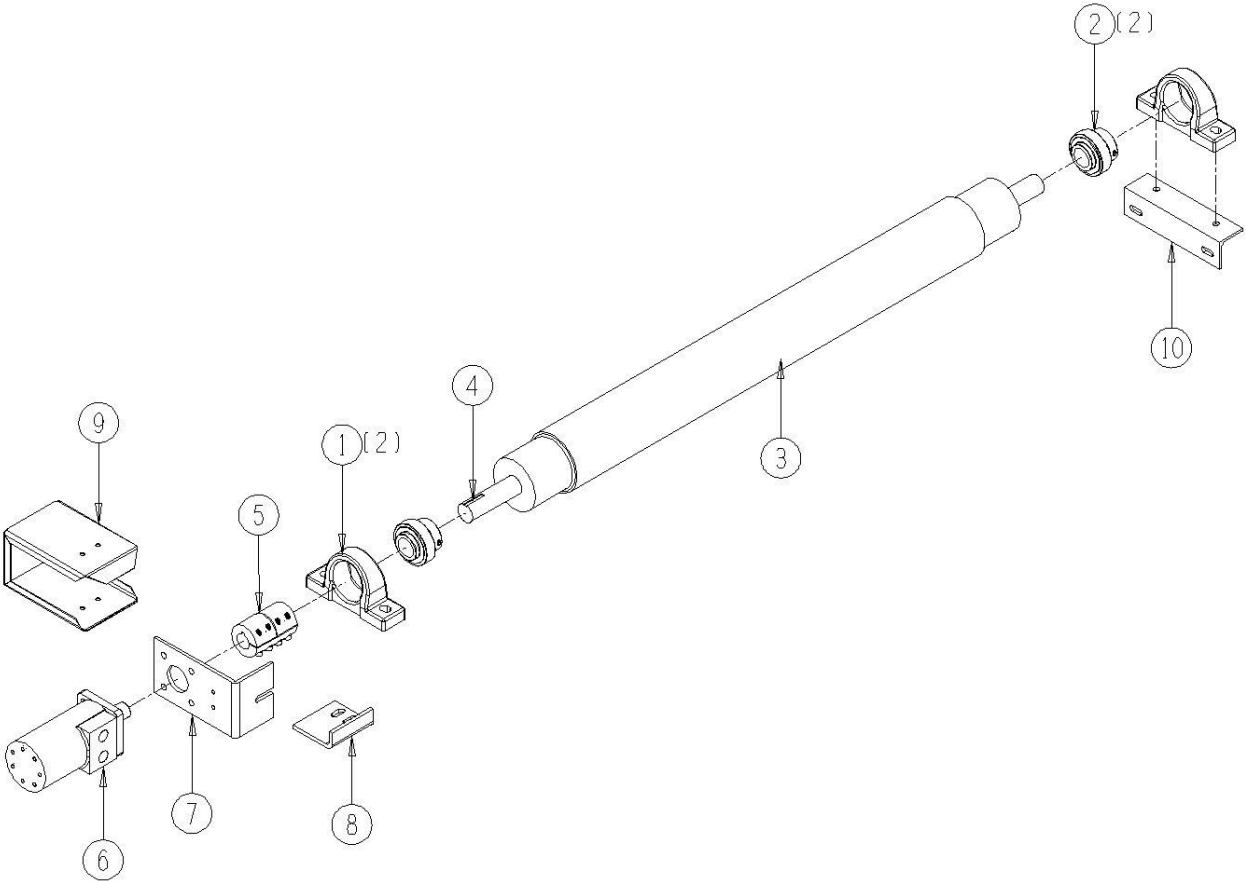
12011-05-03



12011-05-04 Transfer Return Roller Assembly

<u>Ref</u>	<u>Part No.</u>	<u>Description</u>	<u>Parts – Assembly</u>	<u>Will Fit SN</u>	<u>Remarks</u>
1	BR-072-RAK	72mm Cast Housing	2		
2	BR-125-072	Bearing, 1 1/4 Fafnir tri-seal, 72mm OD	2		
3	RLR-9400	Roller, Rubber, Transfer Return Roller, 40in Chain	1		
4	KEY-4-4-16	Shaft Key 1/4" X 1/4" X 1" Square Cut (1018)	1	20095001-	
5	CPS-6060	Steel Coupler (offcenter) 1 1/4" x 1"	1		
6	HM-210-TC	TCI Motor	1		Seal Kit # TCI-SKHPQ
7	193-806	Mount motor	1		
8	193-806a	Motor mount stop	1		
9	193-806c	Motor Guard	1	19301-	
10	MOU-9400	Bearing Mount, Transfer Return Roller, 240 Harvester	1		
101	BL-4-500-H	1/4-20 X 5 HEX CAP G5 ZC	1		
102	BL-4-FW	1/4 USS FW ZC	2		
103	BL-4-WN	1/4-20 FORGED W/NUTS ZC	1		
800	KEY-4-4-15	Shaft Key 1/4" X 1/4" X 15/16" Woodruff Key	1		

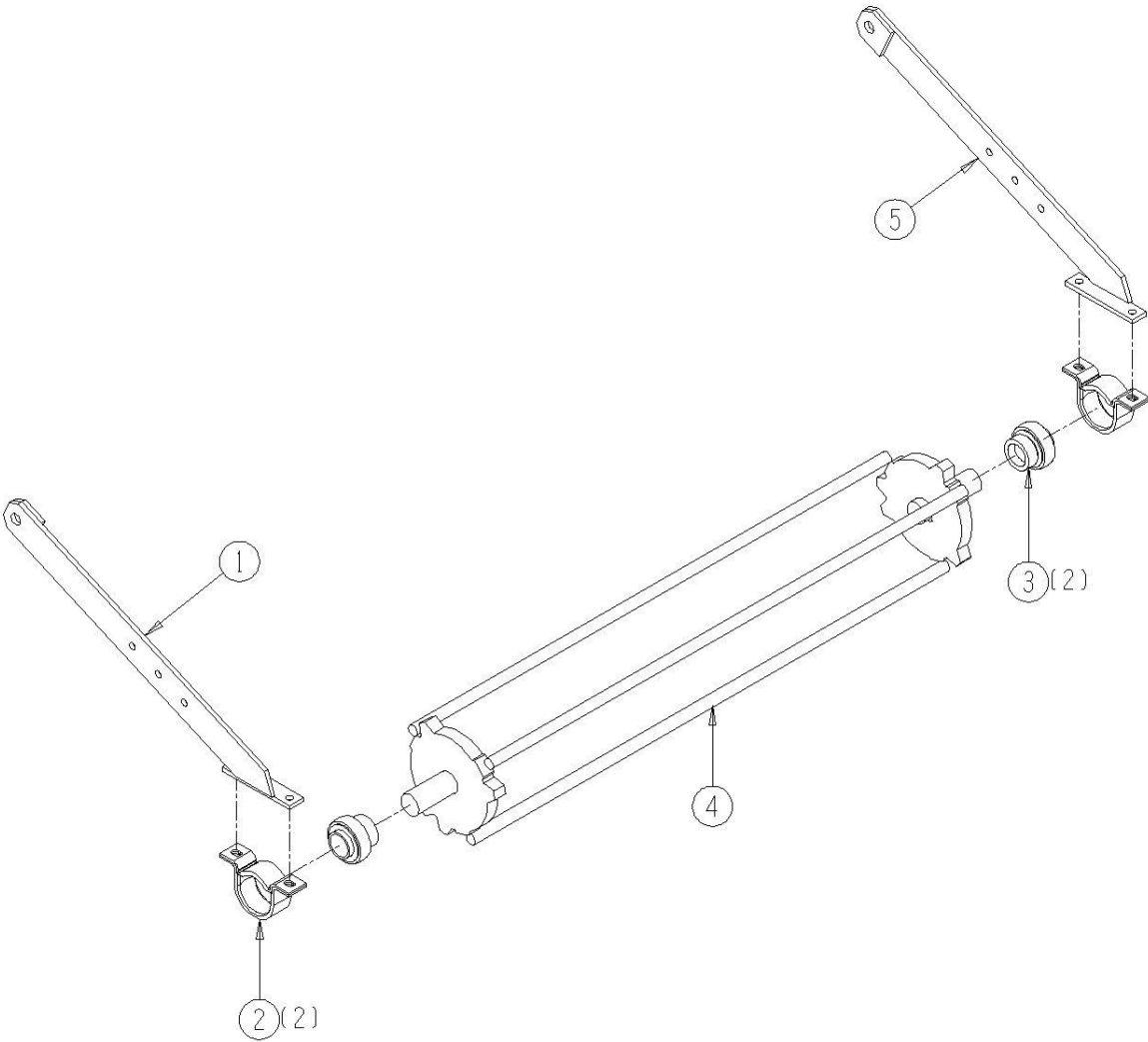
12011-05-04



12011-05-05 Transfer Bar Cleaner Assembly

<u>Ref</u>	<u>Part No.</u>	<u>Description</u>	<u>Parts – Assembly</u>	<u>Will Fit SN</u>	<u>Remarks</u>
1	192-362B	Chain cleaner bar (Right)	1	19101	
2	BR-062-MPB	Stamped Bearing Housing for 1 1/4" bearing	2		
3	BR-125-062I	Bearing, 1 1/4" ID, TS	2		FIT Bearing
4	BAR-9400	Bar Cleaner, 40-36 Chain	1		
5	192-362A	Chain cleaner bar (Left)	1	19101-	
100	BL-6-125-H	3/8-16 X 1 1/4 HHCS G5 ZC	4		
101	BL-6-LN	3/8 UNC FIN HEX LOCK NUT NE A563 GrA ZINC	4		
102	BL-6-SW	3/8 SAE FW ZC	8		
103	BL-10-075-SH	5/8 X 3/4 SHOULDER BOLTS	2	11001-	
104	BL-8-FW-8	1/2 FLAT WASHER G8 ZC	2		
105	BL-8-LN	1/2-13 HEX LOCK NUT NYLON INSERT ZC	2		

12011-05-05

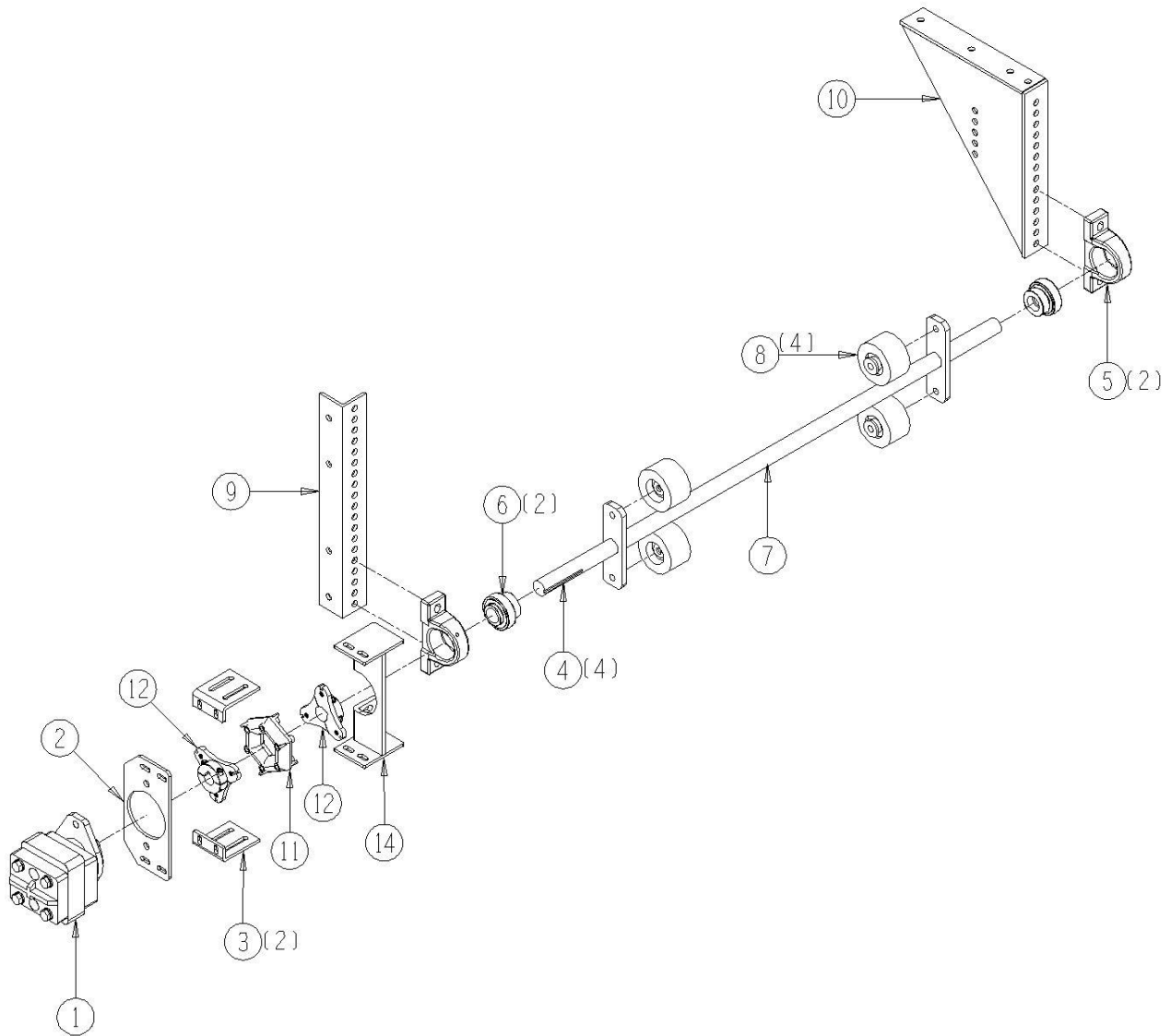


12011-05-06 Transfer Dirt Vibrator Assembly

<u>Ref</u>	<u>Part No.</u>	<u>Description</u>	<u>Parts – Assembly</u>	<u>Will Fit SN</u>	<u>Remarks</u>
1	HM-412-1	Hydraulic Motor	1		Same as HM-412C except w/1" shaft
2	MOU-0167	Mount, Motor Cross Vibrator,190	1		
3	MOU-0177	Mount, Long Vibrator, Harvester	2		
4	KEY-4-4-20	Shaft Key 1/4" x 1 1/4"	4		
5	BR-072-RAK	72mm Cast Housing	2		
6	BR-125-072	Bearing, 1 1/4 Fafnir tri-seal, 72mm OD	2		
7	SFT-9401	Vibrator Shaft,40in Wide Chain	1		
8	RLT-035-228	Roller 3.5 dia x 2.2 x 1/2" bore, no flange	4		
9	BRA-1360	Bracket, Vibrator, Transfer Chain	1		
10	BRA-1362	Bracket, Vibrator Transfer Return	1		
11	CPR-422-15	Primary Shaker Drive Coupler	1		Used on Sec. Sh. Beginning 2000
12	CPR-422a-15	Primary Shaker Coupler (Motor Side)	1	Years 1995 - 2000	Used on Sec. Sh. Beginning 2000
13	CPR-422D-15	Coupler,1-1/4" Bore, 1/4" Key	1		
14	MOU-0165	Motor Mount, Stop, Cross Vibrator, 190 Tomato	1		
100	BL-6-125-H	3/8-16 X 1 1/4 HHCS G5 ZC	8		
101	BL-6-LN	3/8 UNC FIN HEX LOCK NUT NE A563 GrA ZINC	8		
102	BL-6-FW	3/8 USS FW ZC	16		
103	BL-8-275-H	1/2 UNC X 2 3/4 HH C/S BOLT GR5 ZINC	4		
104	BL-8-200-H8	1/2 x 2,Grade 8,Hex Head	2		
105	BL-8-LN	1/2-13 HEX LOCK NUT NYLON INSERT ZC	14		
106	BL-8-SW	1/2 SAE FW ZC	20		
107	BL-8-125-H	1/2-13 X 1 1/4 HEX CAP G5 ZC	6		
108	BL-4-225-H	1/4 UNC X 2 1/4 HH C/S BOLT GR5 ZINC	2		
109	BL-4-FW-8	1/4" Flat Washer Grade 8	2		
110	BL-4-LN	1/4-20 HEX LN NE ZC	2		
111	BL-8-225-H	1/2-13 X 2 1/4 HEX CAP G5 ZC	2		
112	BL-8-200-H	1/2-13 X 2 HEX CAP G5 ZC	0		
800	KEY-4-4-15	Shaft Key 1/4" X 1/4" X 15/16" Woodruff Key	1		

801	BL-5-100-SF	5/16-24 x 1 Socket Head Cap Screw	1	CPS-6057
802	HM-2100-SK	Shaft Seal & Gasket Kit for Permco Motor, M2100 Series	1	
803	HM-2100-BRG	Bearing for Permco Motor, M2100 Series	1	

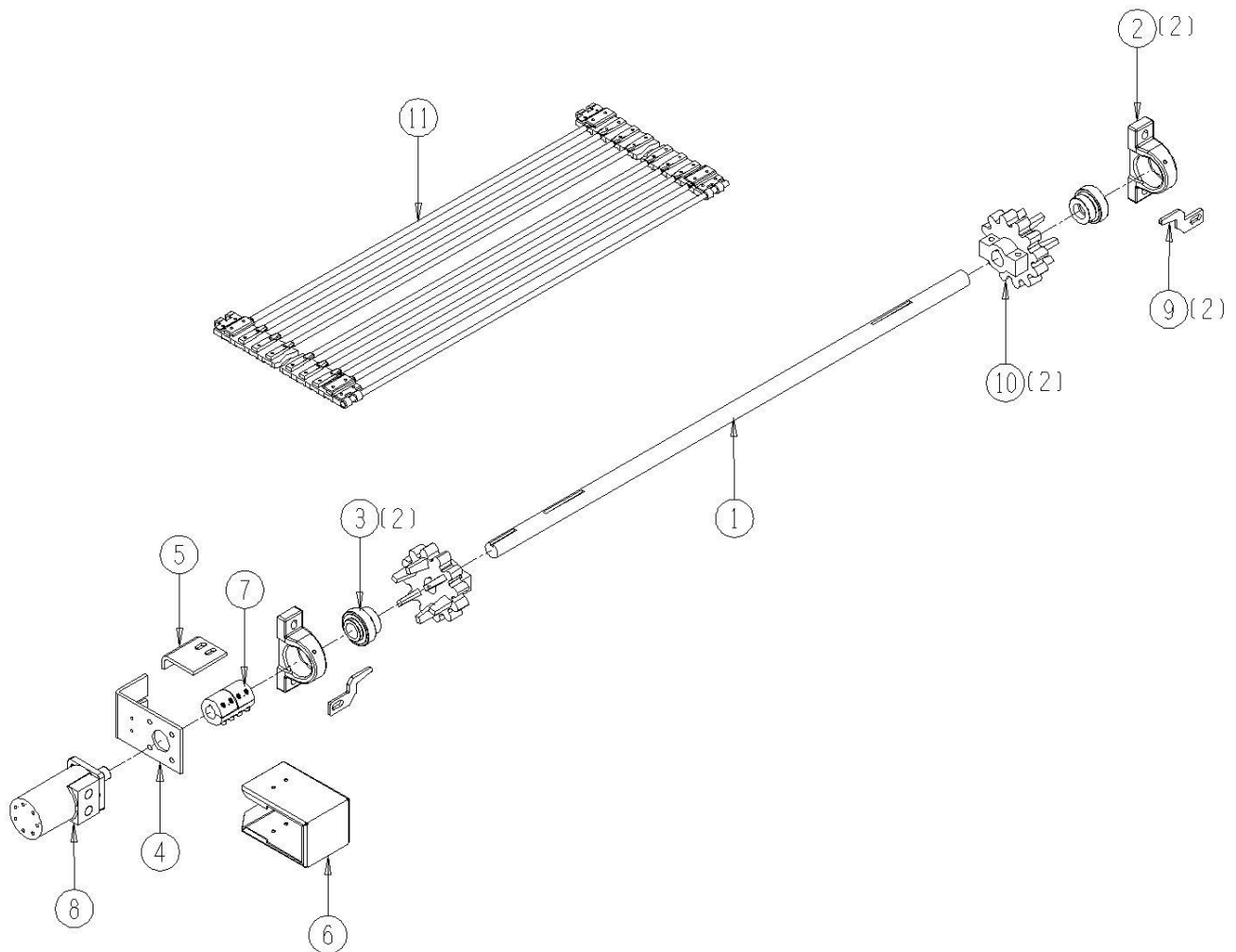
12011-05-06



12011-05-07 Rear Transfer Drive Shaft Assembly

<u>Ref</u>	<u>Part No.</u>	<u>Description</u>	<u>Parts – Assembly</u>	<u>Will Fit SN</u>	<u>Remarks</u>
1	SFT-9400	Shaft, Transfer Chain, 240 Harvester	1		
2	BR-072-RAK	72mm Cast Housing	2		
3	BR-125-072	Bearing, 1 1/4 Fafnir tri-seal, 72mm OD	2		
4	193-806	Mount motor	1		
5	193-806a	Motor mount stop	1		
6	193-806c	Motor Guard	1	19301-	
7	CPS-6060	Steel Coupler (offcenter) 1 1/4" x 1"	1		
8	HM-210-TC	TCI Motor	1		Seal Kit # TCI-SKHPQ
9	SCR-102	Scraper, For 72mm Bearings, Tomato Harvester	2		
10	SPU-3612-20-4	Urethane Sprocket 36-12 1 1/4 bore 1/4" key	2		Sub SP-3612-20-4
11	BC-7-4036-75	Belted Chain, Rear Transfer, 40in Wide, 75 Link, 240 Tomatoe	1		
800	BC-1032-FS	10-32 x 1 1/4" bolts Flat Socket Head	0		
801	BC-1032-LN	10-32 lock nuts	0		
802	BC-7-36-AC	7/16" x 36" Rod w/ 24mm Air Cushion Cover	0		
803	BC-BP32	Belt, Rivet backing plates 32mm	0	11001	Lap Splice Option, Used only with BC-1032-LN Lock Nuts
804	BC-3525	Snap Ring, 11mm.	0		
806	BC-F-36-32-UG	Ultra Gold F Connecting Clips 36-32 @ pair	0		Replaces BC-F-36-32
807	KEY-4-4-15	Shaft Key 1/4" X 1/4" X 15/16" Woodruff Key	1		

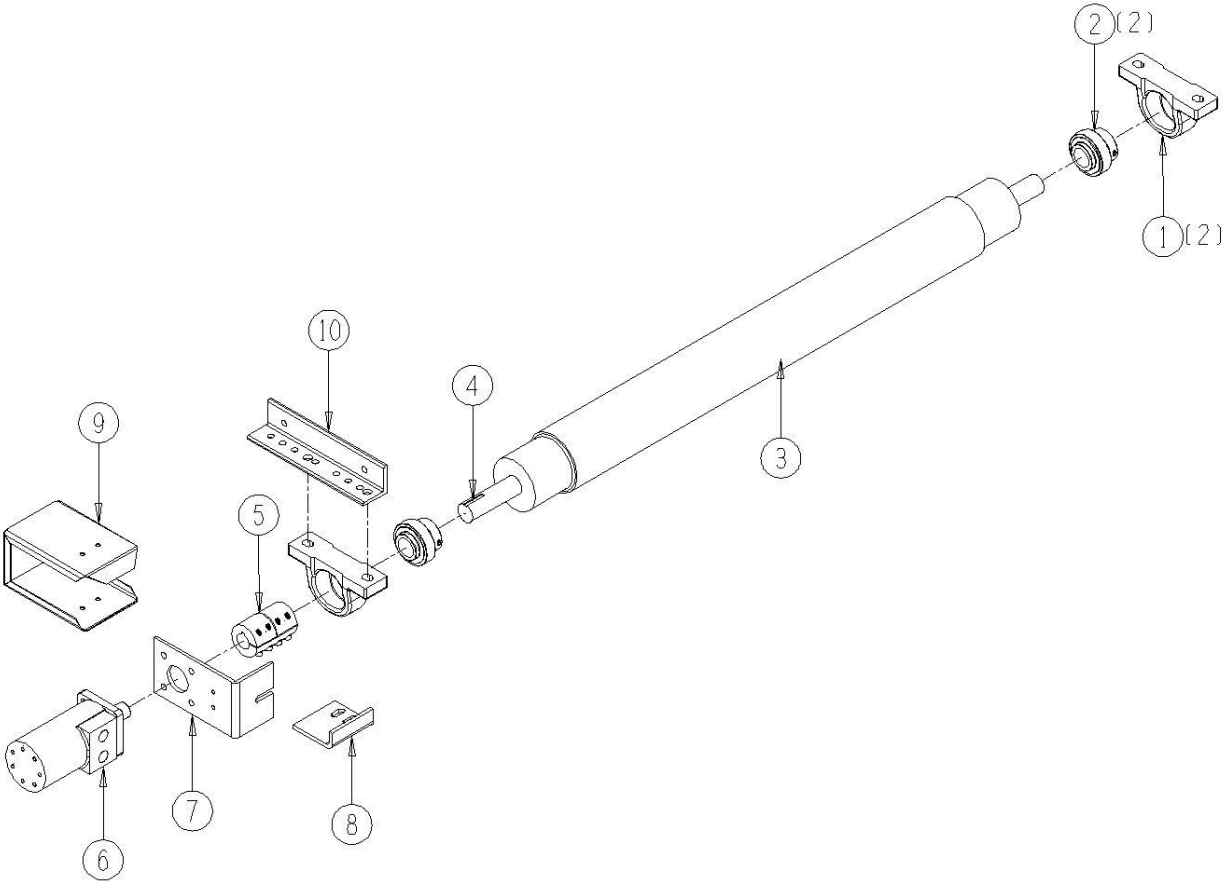
12011-05-07



12011-05-08 Rear Transfer Return Roller Assembly

<u>Ref</u>	<u>Part No.</u>	<u>Description</u>	<u>Parts – Assembly</u>	<u>Will Fit SN</u>	<u>Remarks</u>
1	BR-072-RAK	72mm Cast Housing	2		
2	BR-125-072	Bearing, 1 1/4 Fafnir tri-seal, 72mm OD	2		
3	RLR-9400	Roller, Rubber, Transfer Return Roller, 40in Chain	1		
4	KEY-4-4-16	Shaft Key 1/4" X 1/4" X 1" Square Cut (1018)	1	20095001-	
5	CPS-6060	Steel Coupler (offcenter) 1 1/4" x 1"	1		
6	HM-210-TC	TCI Motor	1		Seal Kit # TCI-SKHPQ
7	193-806	Mount motor	1		
8	193-806a	Motor mount stop	1		
9	193-806c	Motor Guard	1	19301-	
10	BRA-1422	Bracket, Roller	1	KIT-0080	
11	DC-1176	Decal, Danger-Hand Chain Sprockets	1		
101	BL-4-500-H	1/4-20 X 5 HEX CAP G5 ZC	1		
102	BL-4-FW	1/4 USS FW ZC	2		
103	BL-4-WN	1/4-20 FORGED W/NUTS ZC	1		

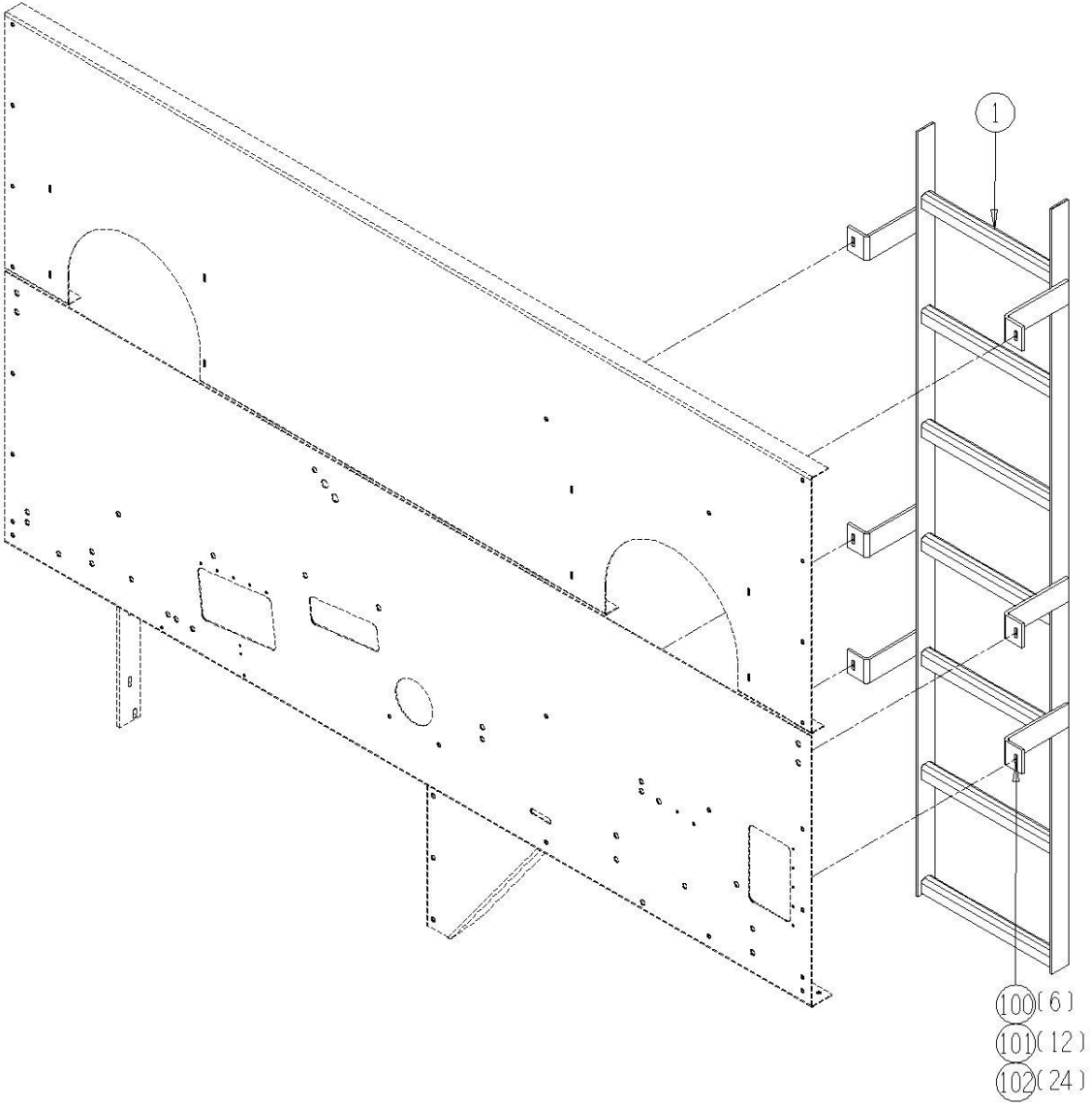
12011-05-08



12011-05-09 Shaker Chamber Ladder Assembly

<u>Ref</u>	<u>Part No.</u>	<u>Description</u>	<u>Parts – Assembly</u>	<u>Will Fit SN</u>	<u>Remarks</u>
1	STD-8403	Header Side Ladder, Shaker Chamber, 190 Tomato	1		
100	BL-6-175-H	3/8-16 X 1 ¼ HHCS G5 ZC	6		
101	BL-6-LN	3/8 UNC FIN HEX LOCK NUT NE A563 GrA ZINC	12		
102	BL-6-FWSS	3/8 USS FW SS	24		

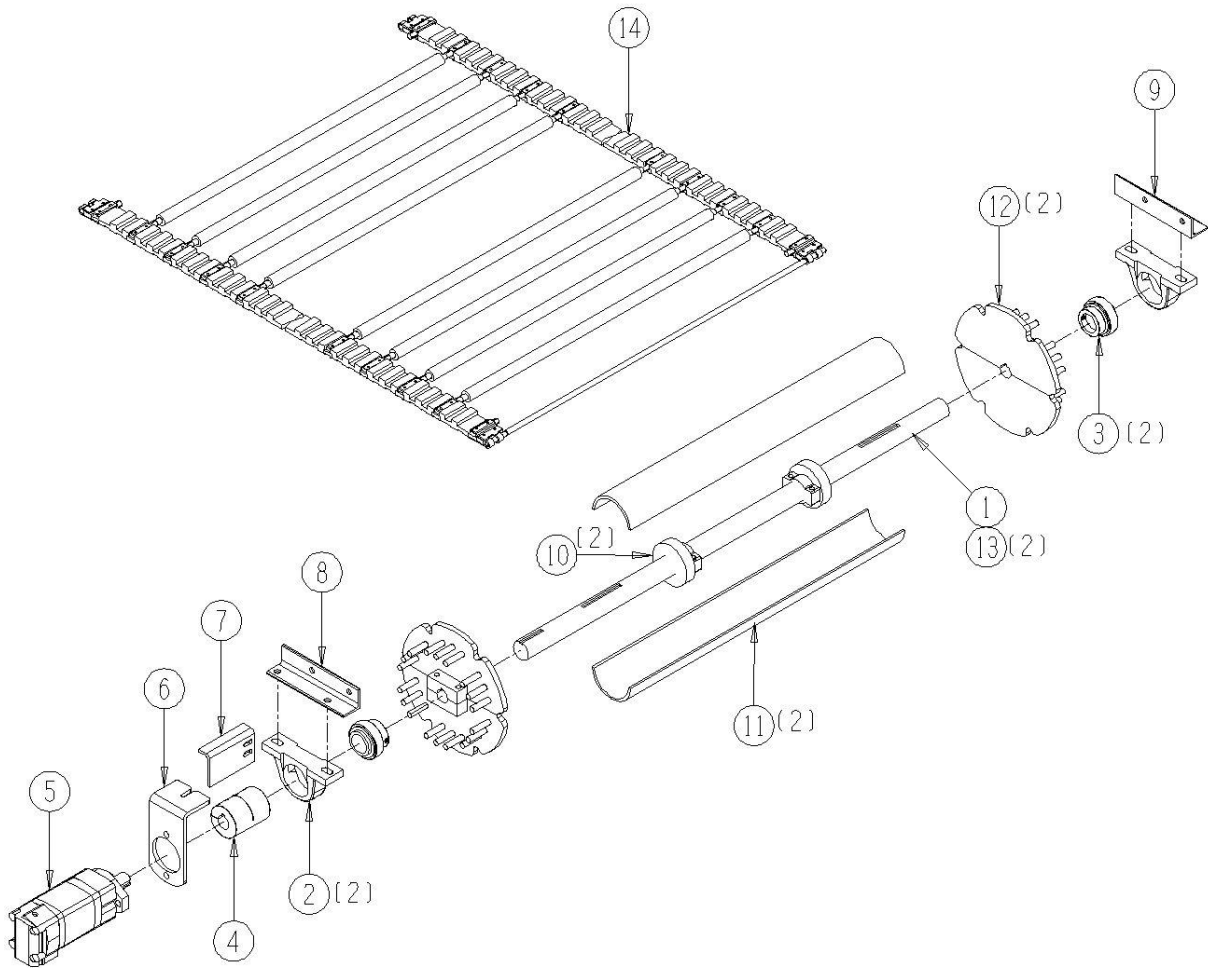
12011-05-09



12011-05-20 Vine Chain Drive Assembly

<u>Ref</u>	<u>Part No.</u>	<u>Description</u>	<u>Parts – Assembly</u>	<u>Will Fit SN</u>	<u>Remarks</u>
1	SFT-9402	Drive Shaft, Vine Chain, 240 Harvester	1		
2	BR-085-RAK	Bearing Housing 85 mm	2		
3	BR-175-085	Fafnir Bearing 1 ¼ Tri Seal	2		
4	CPS-2820	Steel Coupler 1 ¾" x 1 1/4" ID with 3/8" Keyway on 1 ¾" ID	1		
5	HM-1420-CH	Char Lynn Motor	1		
6	MOU-0091	Motor Mount, 2000 Series Face, 2 Bolt, SAE-A	1		
7	MOU-807	Motor Stop, 240 Harvester	1		
8	MOU-9401	Bearing Mount, Vine Chain, 240 Harvester	1		
9	MOU-9402	Bearing Mount, Vine Chain, LH, 240 Harvester	1		
10	PL-1421	Urethane Hub for Shaft Cover 1 1/4" Bore	2		Replaces PL-1415
11	PL-9400	Plastic Pipe, Vine Chain, 240 Harvester	2		
12	SP-10806-28-6	Sprocket, 108mm Pitch, 6 Tooth, 1 3/4in w 3/8in Keyway	2		
13	CL-72	5" Gear Clamp	2		
14	BC-8-40108-102ACDS	Vine Chain, Double Skived, 40" Wide, 102 Links, 240 Harvester	1		

12011-05-20

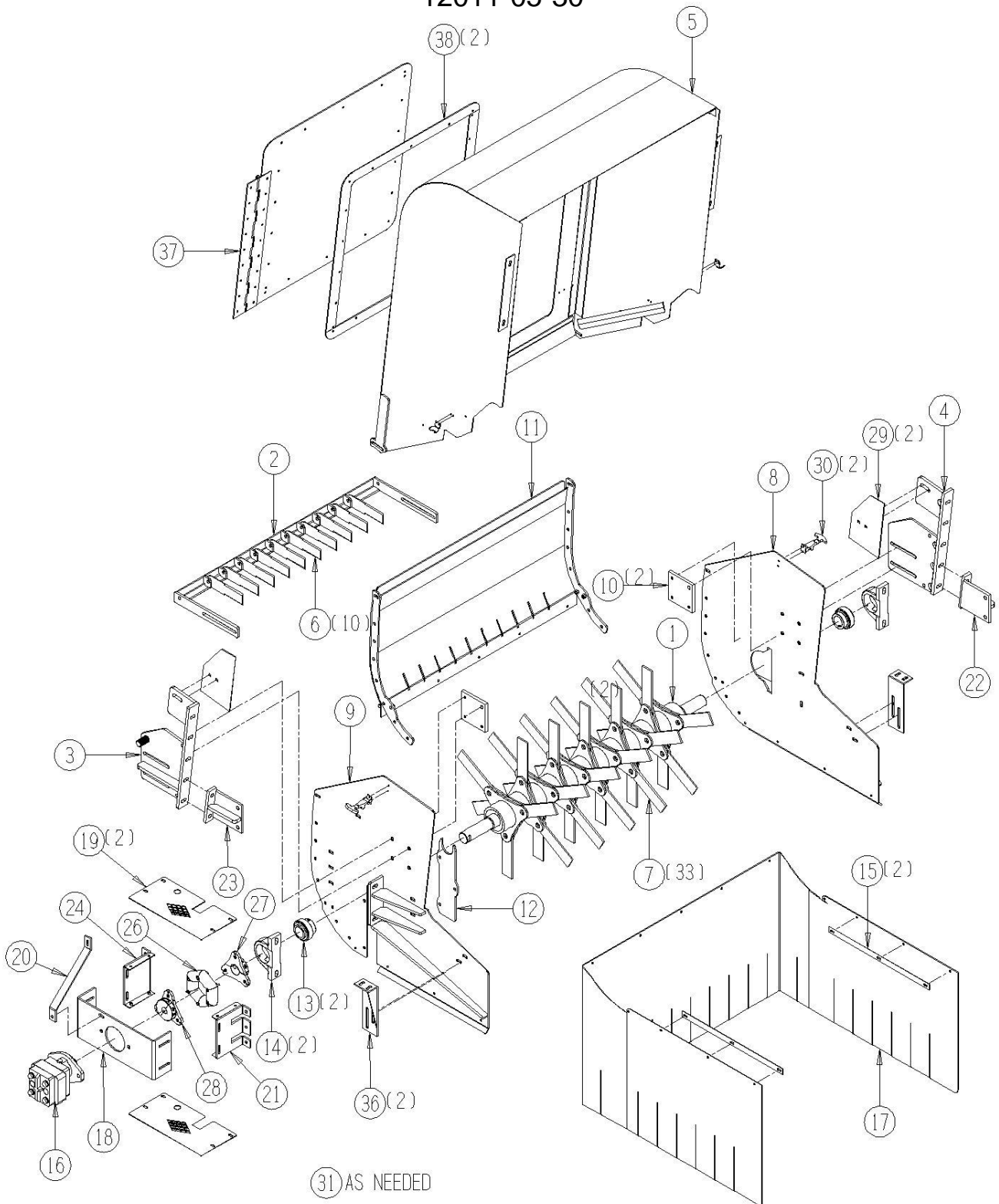


12011-05-30 Vine Chopper Assembly

<u>Ref</u>	<u>Part No.</u>	<u>Description</u>	<u>Parts – Assembly</u>	<u>Will Fit SN</u>	<u>Remarks</u>
1	SFT-9100	Shaft, Flair Rotor, Vine Chopper, 240 Tomato Harvester	1		
2	BRA-9102	Bracket, Knife Holder, Vine Chopper, 240 Tomato Harvester	1		
3	MOU-2013	Hefty Right Mount, Vine Chopper, 190 Tomato	1		
4	MOU-2014	Hefty Left Mount, Vine Chopper, 190 Tomato	1		
5	SHD-9108	Shield, Top, Rounded, Vine Chopper, 240 Tomato Harvester	1		
6	KN-142141	Knife	10		
7	BAR-2020	Bar, Long Flail, Vine Chopper	33		
8	PAN-2012	Panel, LH Housing, Vine Chopper, 190 Tomato	1		
9	PAN-2013	Panel, RH Housing, Vine Chopper, 190 Tomato	1		
10	BAR-2013	Bar, Inside Plate, Vine Chopper, 190 Tomato	2		
11	SHD-9109	Shield, Back, Vine Chopper, 240 Tomato Harvester	1		
12	BAR-2012	Bar, End Plate, Vine Chopper, 190 Tomato	1		
13	BR-175-085-KB	Fafnir Bearing 1 3/4" Heavy SS1	2		
14	BR-085-RAK	Bearing Housing 85 mm	2		
15	BAR-2015	Belting Bar, Vine Chopper, 190 Tomato	2		
16	HM-115	Hydraulic Motor	1		
17	BT-9101	Belting, Vine Chopper, 240 Tomato Harvester	1		
18	MOU-2010	Motor Mount, Vine Chopper, 190 Tomato Machine	1		
19	SHD-2009	Coupler Shield, Vine Chopper	2		
20	SUP-2002	Motor Mount Support, Vine Chopper	1		
21	MOU-2011	Side of Motor Mount, Vine Chopper, 190 Tomato	1		
22	MOU-2003	Left, Front Mount, Vine Chopper, 190 Tomato	1		
23	MOU-2004	Right, Front Mount, Vine Chopper, 190 Tomato	1		
24	MOU-2012	Side of Motor Mount, Vine Chopper, 190 Tomato	1		
25	GF-1428	Grease Fitting 1/4" x 28 straight	2		
26	CPR-422-18	Lovejoy Donut W/ Hardware	1		
27	CPR-422C-18	Coupler, Shaker Side	1	30095001-	
28	CPR-422D-18	Coupler, Shaker, Motor Side, 1" Shaft	1	30095001-	

29	SHD-2031	Shield, Vine Chopper, 190Tomato Harvester	2	10011-
30	LA-703	Large Rubber T Latch Assembly	2	
31	WT-17H	Heavy Duty Wire Tie 17.5"	30	
32	DC-1174	Decal, Danger Keep Hands and Feet Away	1	
33	DC-1176	Decal, Danger-Hand Chain Sprockets	1	
34	DC-1182	Decal, White "PIK RITE" 3 1/4" x 23"	1	
35	DC-1184	Danger Decal, 3" x 16"	1	
36	BRA-0115	Stiffner Bracket, Vine Chopper, 190	2	
37	SHD-9110	Shield, Door, Vine Chopper, 240 Tomato Harvester	1	
38	BT-2013	Belting,Vine Chopper Door	2	BT-2013

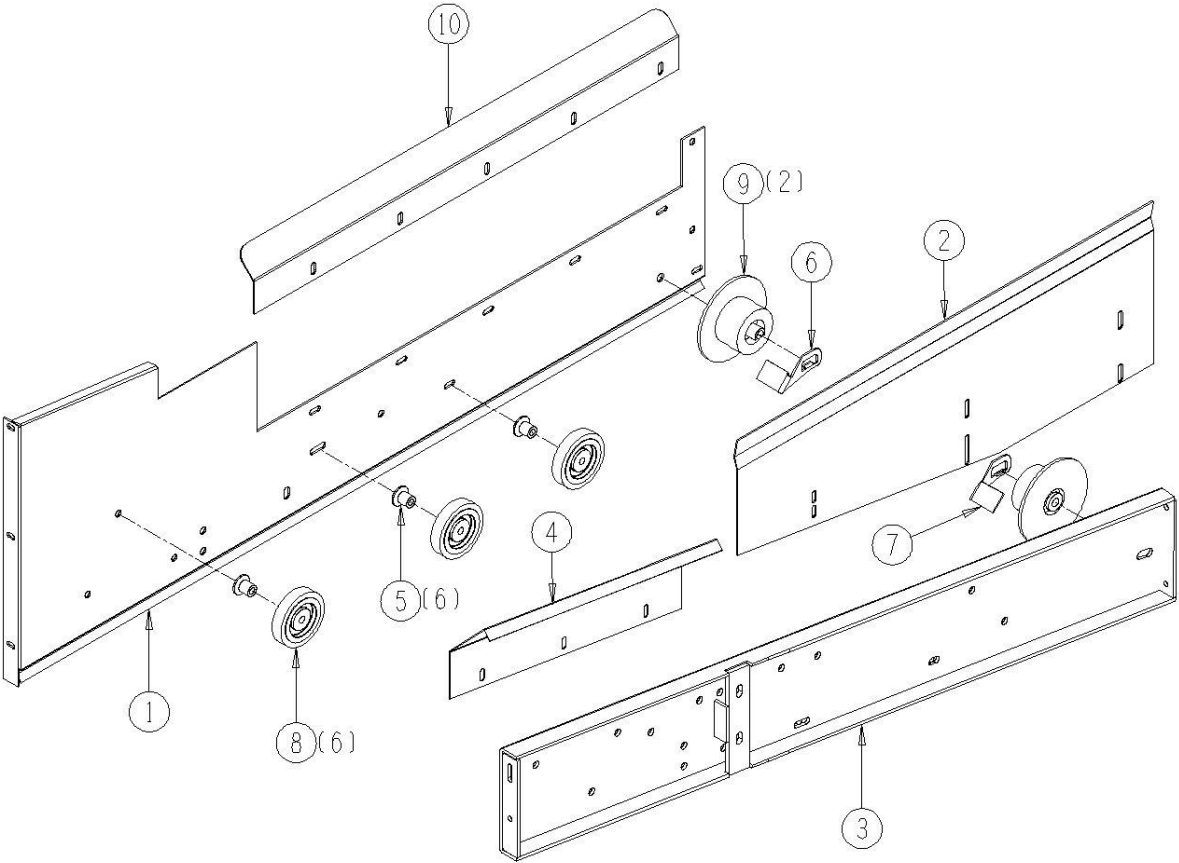
12011-05-30



12011-06-01 Cross Conveyor Frame Assembly

<u>Ref</u>	<u>Part No.</u>	<u>Description</u>	<u>Parts – Assembly</u>	<u>Will Fit SN</u>	<u>Remarks</u>
1	PAN-9110	Panel, Rear, Cross Conveyor, 240 Tomato Harvester	1		
2	PAN-9111	Panel, Scraper, Transfer Return, Cross Conveyor, 240 Tomato Harvester	1		
3	PAN-9112	Panel, Front, Cross Conveyor, 240 Tomato Harvester	1		
4	PAN-9113	Panel, Front, Top, Cross Conveyor, 240 Tomato Harvester	1		
5	RLA-000-118	Standoff, 1/2" X 1 1/8"	6		
6	RLA-3023-T	Straight Scraper, RH	1		
7	RLA-3024-T	Straight Scraper	1		
8	RLR-040-108	4" Flat Roller	6		Changed to Urethane in 2006
9	RLT-635-2210-SC	6 1/2" Flange Roller w/Shaft for Scraper 5/8" Bore	2		
10	SHD-9700	Cross Sheild	1		

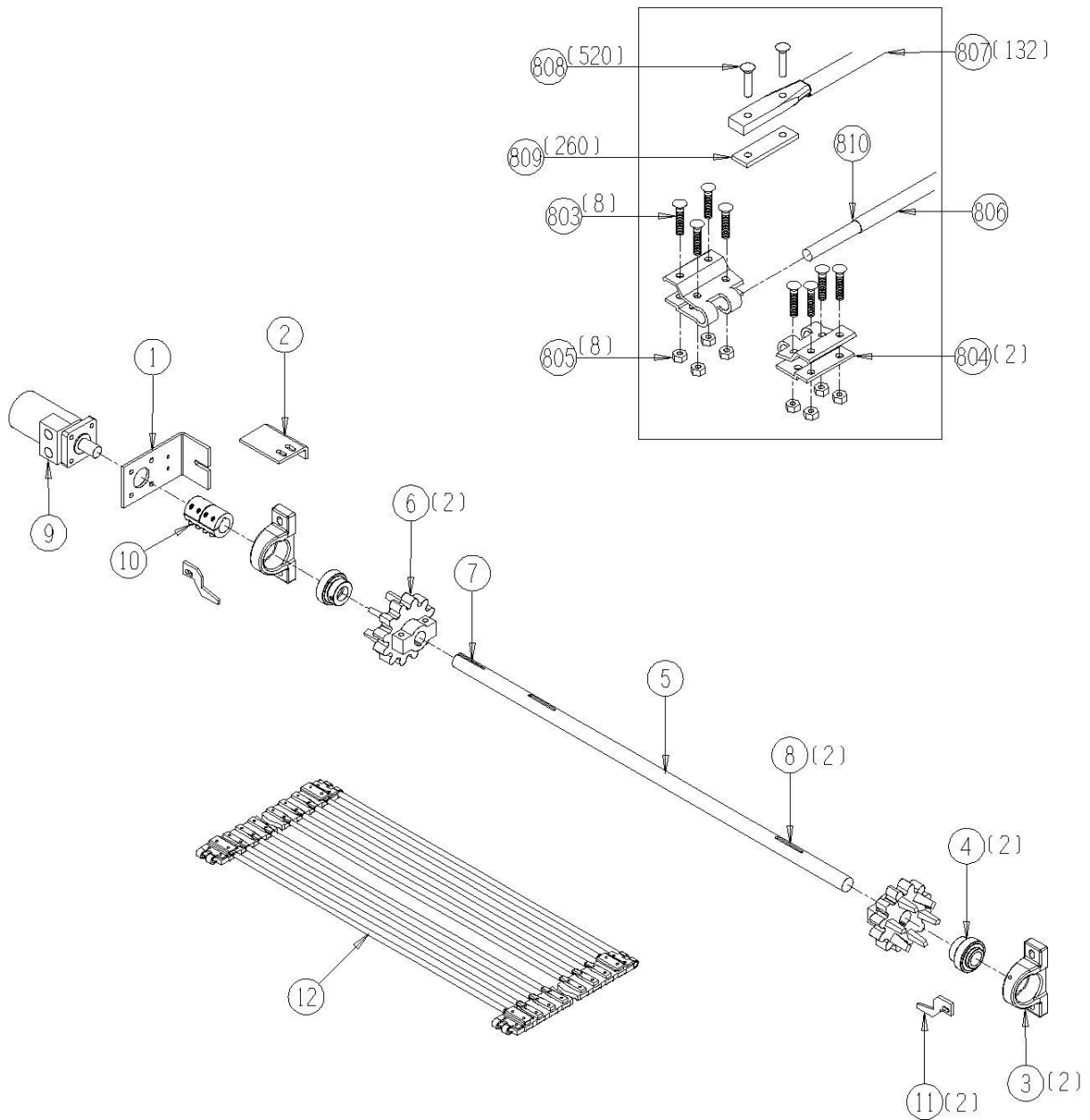
12011-06-01



12011-06-02 Cross Conveyor Drive Assembly

<u>Ref</u>	<u>Part No.</u>	<u>Description</u>	<u>Parts – Assembly</u>	<u>Will Fit SN</u>	<u>Remarks</u>
1	193-806	Mount motor	1		
2	193-806B	Motor Mount Stop	1		
3	BR-072-RAK	72mm Cast Housing	2		
4	BR-125-072	Bearing, 1 1/4 Fafnir tri-seal, 72mm OD	2		
5	SFT-9101	Shaft, Drive, Cross Conveyor, 240 Tomato Harvester	1		
6	SPU-3612-20-4	Urethane Sprocket 36-12 1 1/4 bore 1/4" key	2		Sub SP-3612-20-4
7	KEY-4-4-20	Shaft Key 1/4" x 1 1/4"	1		
8	KEY-4-4-32	Shaft Key 1/4" x 2" Square Cut (1018)	2		
9	HM-204-TC	TCI Motor	1		Seal Kit # TCI-SKHPQ
10	CPS-6060	Steel Coupler (offcenter) 1 1/4" x 1"	1		
11	SCR-101	Scraper, Sprocket, Hi Clearance	2		
12	BC-7-3636-133	Belted Chain, Cross Chain, 36in Wide, 133 Links, 240 Harvester	1		
101	BL-5-125-H	5/16-18 X 1 1/4 HEX CAP G5 ZC	1		
801	KEY-4-4-15	Shaft Key 1/4" X 1/4" X 15/16" Woodruff Key	1		
802	BL-5-100-SF	5/16-24 x 1 Socket Head Cap Screw	4	CPS-6057	
803	BC-1032-FS	10-32 x 1 1/4" bolts Flat Socket Head	8		
804	BC-F-36-32-UG	Ultra Gold F Connecting Clips 36-32 @ pair	2		Replaces BC-F-36-32
805	BC-1032-LN	10-32 lock nuts	8		
806	BC-7-32-CN	Connecting Rod, 11mm, 32" Wide Belted Chain, 60mm Traction Belts	1		For Clip Splice Option
807	BC-7-32-ST	7/16" x 32" Belted Chain Rod for 60mm Belt	132	11001	
808	RI-25-BC	25mm Belted Chain Rivets	520		
809	BC-BP32	Belt, Rivet backing plates 32mm	260	11001	Lap Splice Option, Used only with BC-1032-LN Lock Nuts
810	BC-3525	Snap Ring, 11mm.	2		

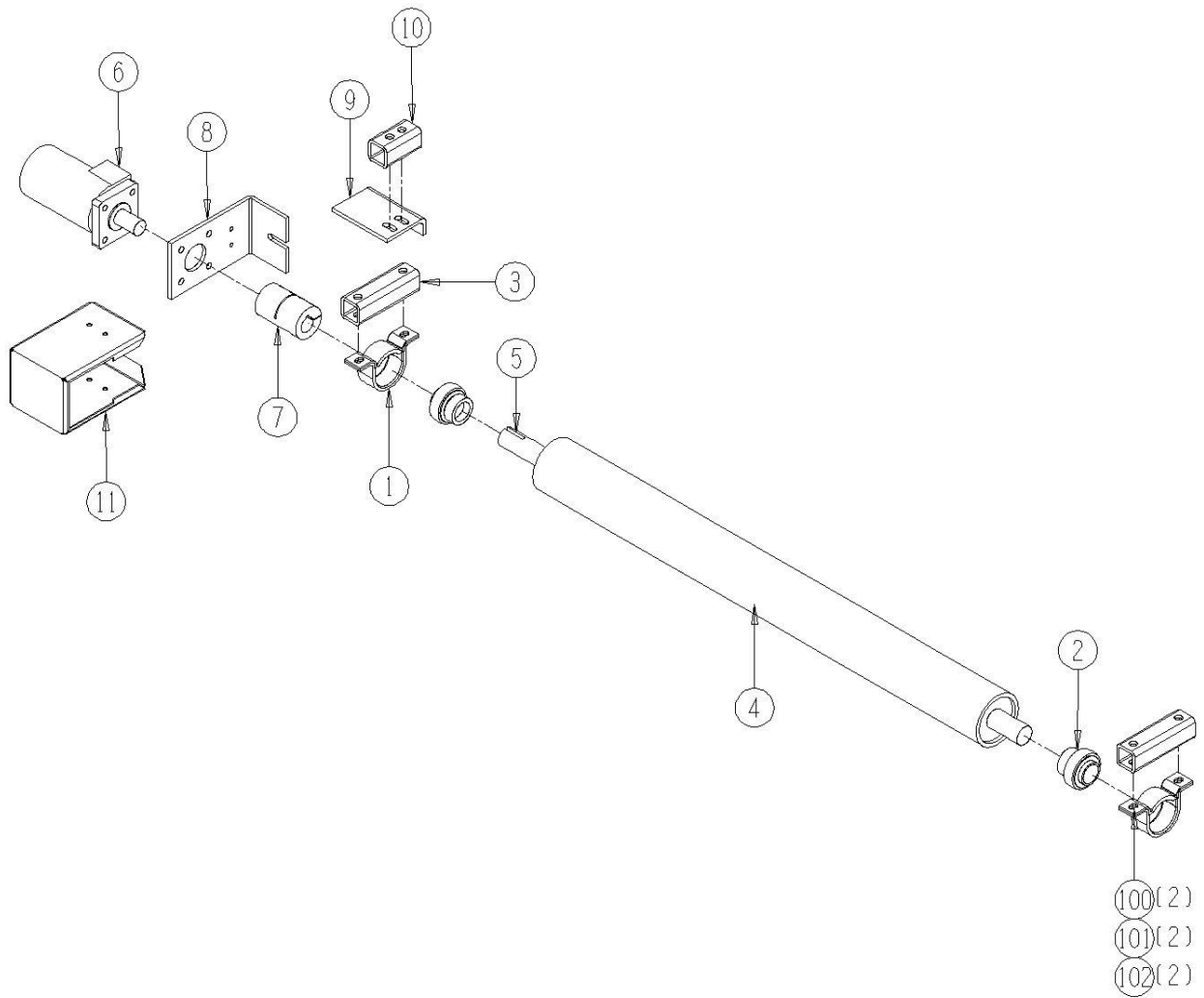
12011-06-02



12011-06-03 Cross Conveyor Return Roller Assembly

<u>Ref</u>	<u>Part No.</u>	<u>Description</u>	<u>Parts – Assembly</u>	<u>Will Fit SN</u>	<u>Remarks</u>
1	BR-072-RAK	72mm Cast Housing	2		
2	BR-125-072	Bearing, 1 1/4 Fafnir tri-seal, 72mm OD	2		
3	191-611	Spacer blocks for bearing	2	19101-	
4	RLS-9500	Return Roller, Cross Chain, 240 Harvester	1		
5	KEY-4-4-24	Shaft Key 1/4" x 1 1/2" Square Cut (1018)	1		
6	HM-214-TC	Hydraulic Motor	1		Seal Kit # TCI-SKHPQ
7	CPS-6060	Steel Coupler (offcenter) 1 1/4" x 1"	1		
8	193-806	Mount motor	1		
9	193-806B	Motor Mount Stop	1		
10	SPA-0071	Motor Stop Spacer	1		
11	193-806c	Motor Guard	1	19301-	

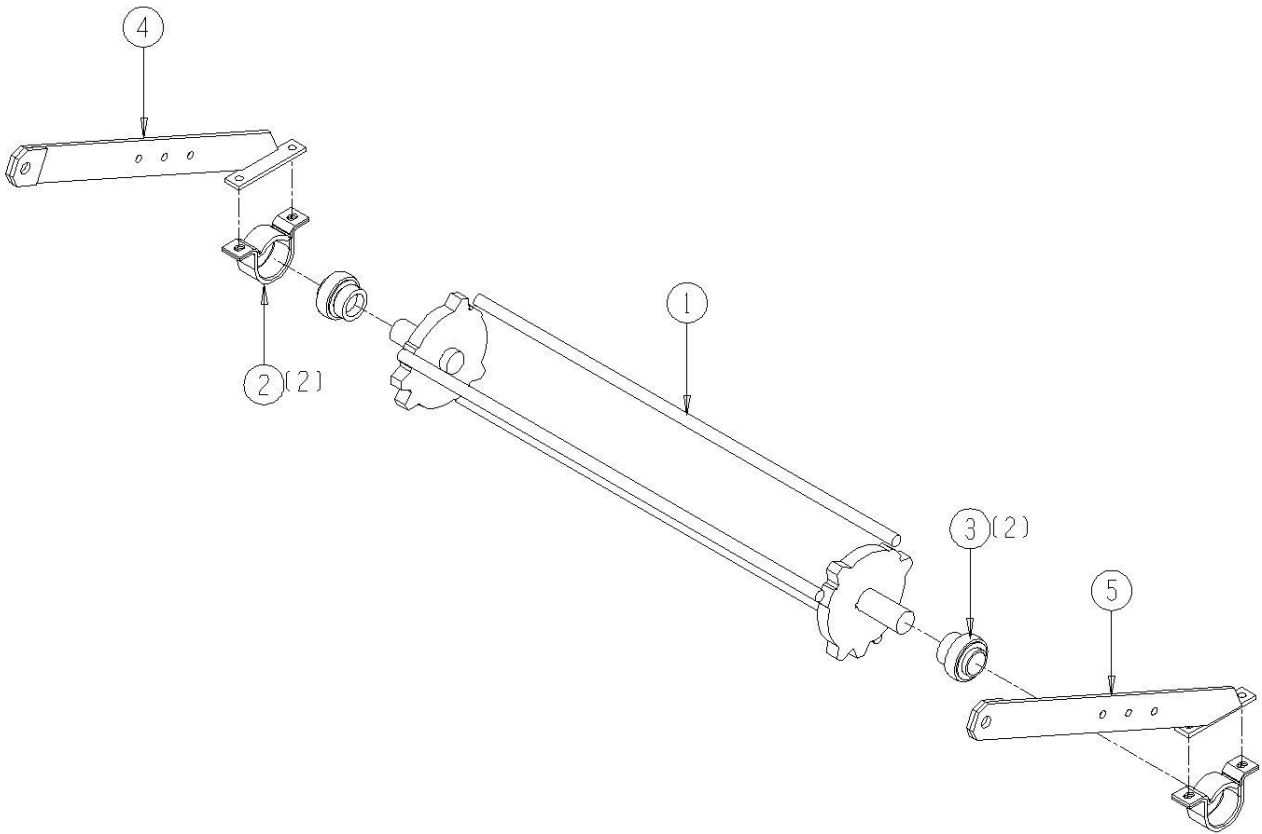
12011-06-03



12011-06-04 Cross Conveyor Chain Cleaner Assembly

<u>Ref</u>	<u>Part No.</u>	<u>Description</u>	<u>Parts – Assembly</u>	<u>Will Fit SN</u>	<u>Remarks</u>
1	194-361	Bar Cleaner, 36mm pitch x 36in wide chain	1	19401-	Replaces 192-361
2	BR-062-MPB	Stamped Bearing Housing for 1 1/4" bearing	2		
3	BR-125-062I	Bearing, 1 1/4" ID, TS	2		FIT Bearing
4	192-362A	Chain cleaner bar (Left)	1	19101-	
5	192-362B	Chain cleaner bar (Right)	1	19101	
100	BL-6-125-H	3/8-16 X 1 1/4 HHCS G5 ZC	4		
101	BL-6-LN	3/8 UNC FIN HEX LOCK NUT NE A563 GrA ZINC	4		
102	BL-6-SW	3/8 SAE FW ZC	8		
103	BL-10-075-SH	5/8 X 3/4 SHOULDER BOLTS	2	11001-	
104	BL-8-FW-8	1/2 FLAT WASHER G8 ZC	2		
105	BL-8-LN	1/2-13 HEX LOCK NUT NYLON INSERT ZC	2		

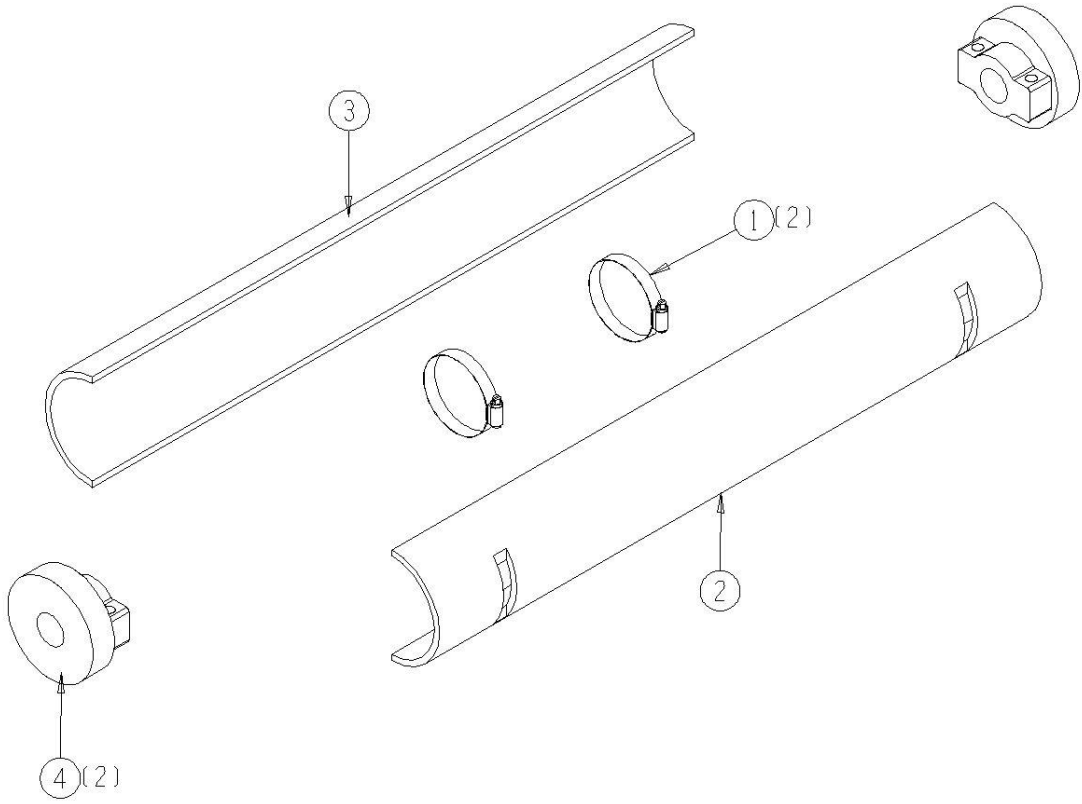
12011-06-04



12011-06-05 Opt. Cross Drive Anti-Wrap Shield Assembly

<u>Ref</u>	<u>Part No.</u>	<u>Description</u>	<u>Parts – Assembly</u>	<u>Will Fit SN</u>	<u>Remarks</u>
1	CL-72	5" Gear Clamp	2		
2	PL-1413	Plastic, Shield, Anti-Wrap, Shaft Drive	1		
3	PL-1414	Drive Shaft, Plastic, 28.25"	1	KIT-0075	
4	PL-1421	Urethane Hub for Shaft Cover 1 1/4" Bore	2		Replaces PL-1415

12011-06-05

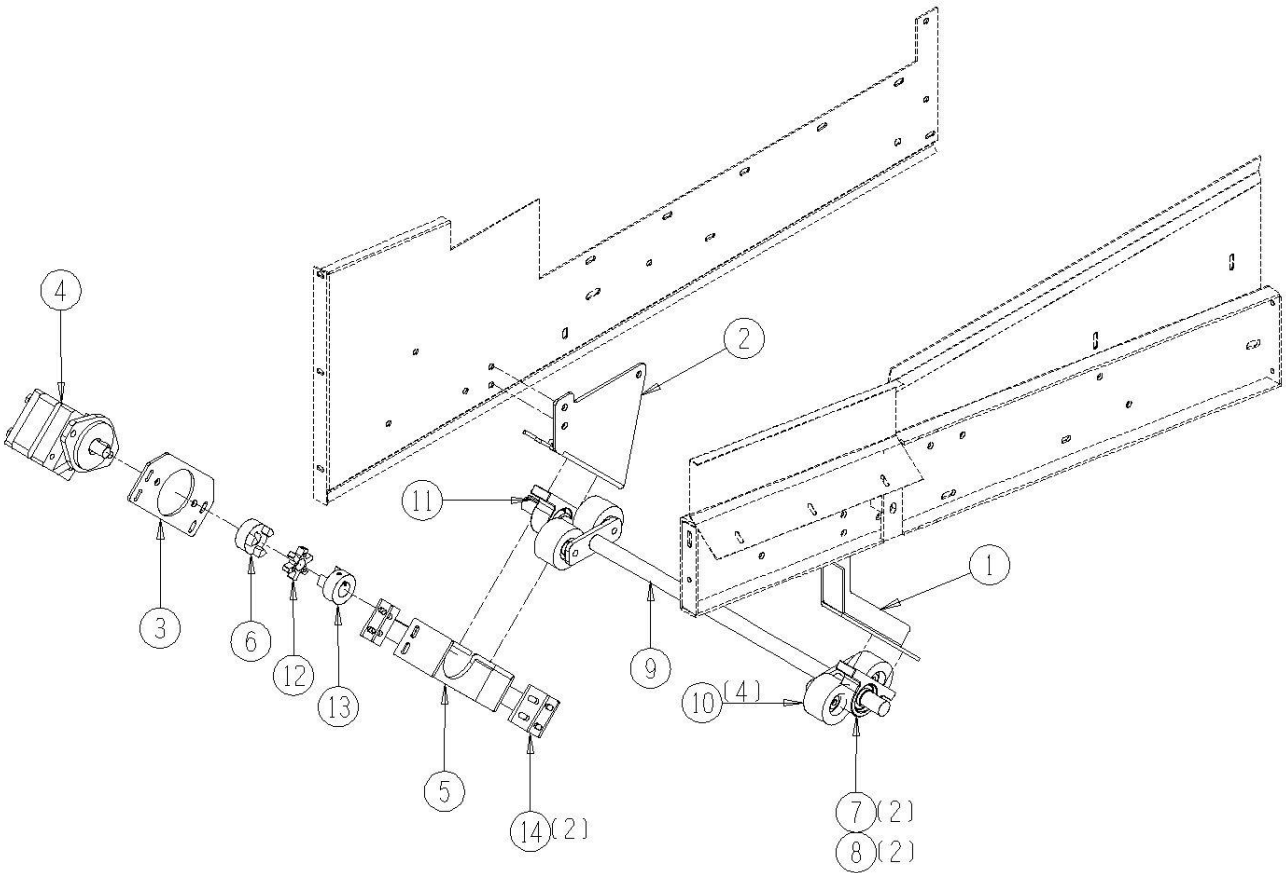


12011-06-20 Opt. Cross Conveyor Vibrator Assembly

<u>Ref</u>	<u>Part No.</u>	<u>Description</u>	<u>Parts – Assembly</u>	<u>Will Fit SN</u>	<u>Remarks</u>
1	MOU-0107	Dirt Vibrator Cross Conveyor Mount, 290	1		
2	MOU-0108	Cross Conveyor Dirt Vibrator Mount, 290 Harvester	1	MOU-0108	
3	MOU-0167	Mount, Motor Cross Vibrator,190	1		
4	HM-412-1	Hydraulic Motor	1		Same as HM-412C except w/1" shaft
5	MOU-0165	Motor Mount, Stop, Cross Vibrator, 190 Tomato	1		
6	CPJ-6051	Coupler, L099, Motor Side 1in. Bore	1	19101	Sub 194-6053
7	BR-062-RAK	62mm Cast Housing	2		
8	BR-125-062	Bearing, 1 1/4 Fafnir tri-seal, 62mm OD	2		
9	SFT-9202	Vibrator Shaft, 36 Inch Chain	1		
10	RLT-035-228	Roller 3.5 dia x 2.2 x 1/2" bore, no flange	4		
11	KEY-4-4-16	Shaft Key 1/4" X 1/4" X 1" Square Cut (1018)	1	20095001-	
12	CPJ-6055	Coupler, L100, Urethene Spider	1	19101	For use with CPJ-6052 and CPJ-6051 Sub CPS-6053
13	CPJ-6052	Coupler, L100, Shaft side 1 1/4in. Bore	1	19101	Sub 194-6053 Except on Debris Fan
14	MOU-0175	Mount, Cross Vibrator 190	2		
100	BL-8-150-H	1/2 UNC X 1 1/2 HH C/S BOLT GR5 ZINC	5		
101	BL-8-200-H	1/2-13 X 2 HEX CAP G5 ZC	4		
102	BL-8-LN	1/2-13 HEX LOCK NUT NYLON INSERT ZC	13		
103	BL-8-FW	1/2 USS FW ZC	18		
104	BL-8-275-H	1/2 UNC X 2 3/4 HH C/S BOLT GR5 ZINC	2		
105	BL-8-250-H	1/2-13 X 2 1/2 HEX CAP G5 ZC	2		
600	HV-FL16	Flow control valve 16GPM	1		
601	A-6901-10-8	10 SAE x 1/2 FPX90°, Forged	1		
602	A-6901-10-12	10 SAE x 3/4 FPX90°, Forged	1		
603	A-6901-12-8	12 SAE x 1/2" FPX 90°, Forged	2		
604	A-6401-10-8	10 SAE x 1/2 MPT Male	1		
605	A-1603-8-8-8	Swivel T 1/2" NPTF	1		
606	H10-48-8MP-8MP	5/8 in hose 1/2MP x 1/2MP x 48 in long	2		
607	H12-76-12MP-8MP	3/4 in hose 3/4MP x 1/2MP x 76 in long	1		

800	HM-412B	Key for Hydraulic Motor -Shaker Weight-Vibrator	1	HM-412C & HM-712C
801	HM-2100-SK	Shaft Seal & Gasket Kit for Permco Motor, M2100 Series	1	
802	HM-2100-BRG	Bearing for Permco Motor, M2100 Series	1	

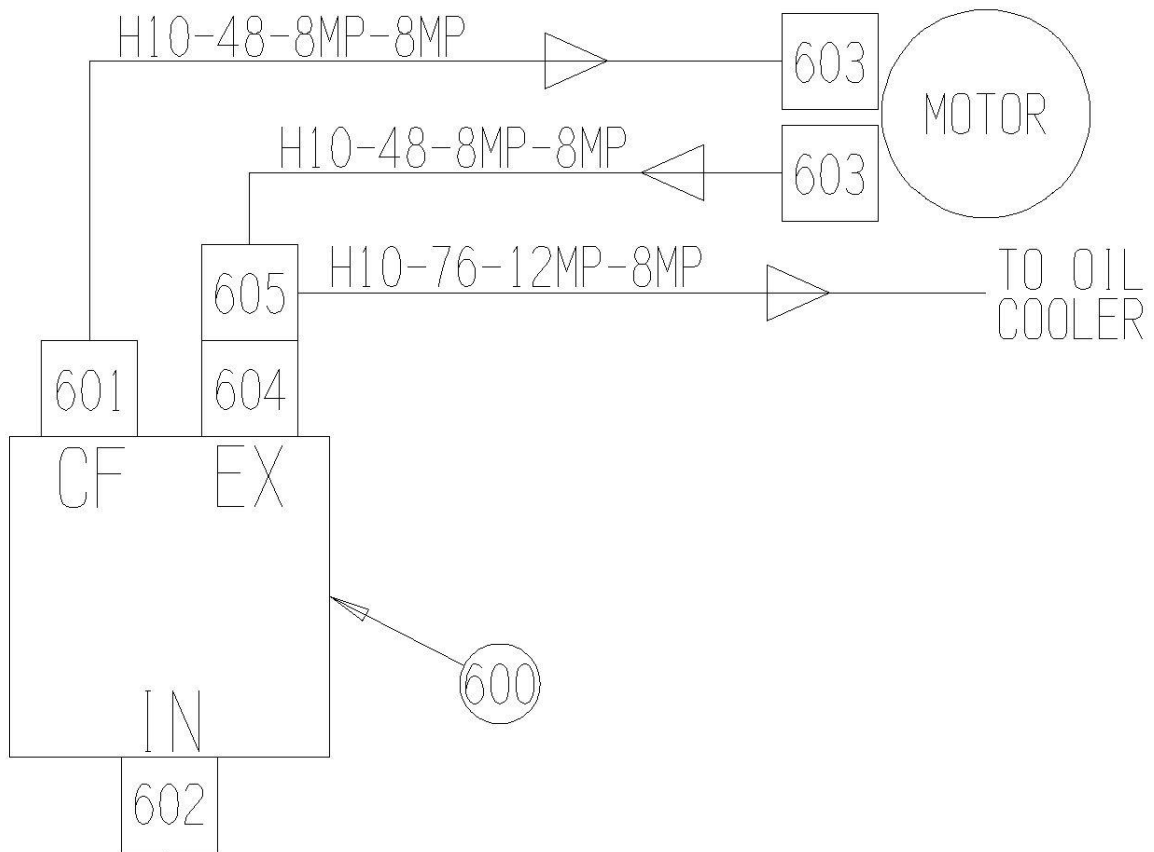
12011-06-20



12011-06-20H Opt. Cross Vibrator Hydraulic Assembly

<u>Ref</u>	<u>Part No.</u>	<u>Description</u>	<u>Parts – Assembly</u>	<u>Will Fit SN</u>	<u>Remarks</u>
600	HV-FL16	Flow control valve 16GPM	1		
601	A-6901-10-8	10 SAE x 1/2 FPX90°, Forged	1		
602	A-6901-10-12	10 SAE x 3/4 FPX90°, Forged	1		
603	A-6900-10-8	10 SAE x 1/2 FPX	2		
604	A-6401-10-8	10 SAE x 1/2 MPT Male	1		
605	A-1603-8-8-8	Swivel T 1/2" NPTF	1		
606	H10-48-8MP-8MP	5/8 in hose 1/2MP x 1/2MP x 48 in long	2		
607	H12-76-12MP-8MP	3/4 in hose 3/4MP x 1/2MP x 76 in long	1		

12011-06-20H

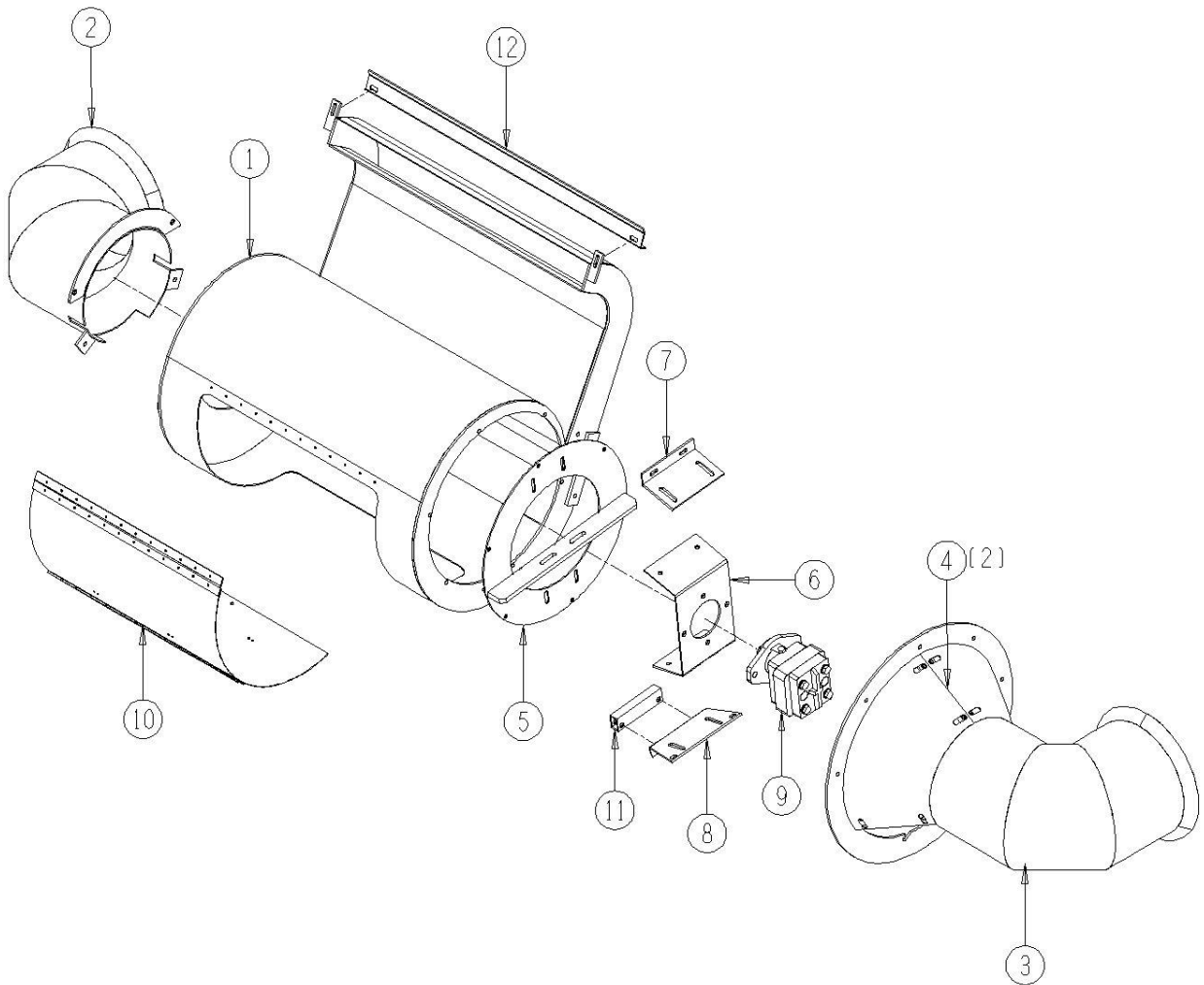


162" EXISTING HOSE THAT WAS PLUMBED FROM ELEVATIONS
FLOW CONTROL EX. FLOW TO OIL COOLER

12011-07-01 Debris Fan Assembly

<u>Ref</u>	<u>Part No.</u>	<u>Description</u>	<u>Parts – Assembly</u>	<u>Will Fit SN</u>	<u>Remarks</u>
1	FAN-9100	Fan Housing, Debris Fan, 240 Tomato Harvester	1		
2	FAN-9101	Fan, Rear Air Intake, Debris Fan, 240 Tomato Harvester	1		
3	FAN-9102	Fan, Front Air Intake, Debris Fan, 240 Tomato Harvester	1		
4	FAN-9103	Motor Cover, Front Air Intake, Debris Fan, 240 Tomato Harvester	2		
5	FAN-9104	Fan, Access Panel, Debris Fan, 240 Tomato Harvester	1		
6	192-704	Mount, Debris Fan	1	19201-	
7	192-704B	Bracket, Debris Fan Motor, Bottom	1	19201-	
8	192-704T	Motor mount, Top	1	19201-	
9	HM-712-1	Hydraulic Gear Motor	1		Same as HM-712C except w/ 1" shaft
10	FAN-9601	Cover, Fan Housing, 240 Harvester	1		
11	SPA-735A	Spacer, Housing-Frame(NARROW)	1		Sub SPA-735(NARROW)
12	SCR-9900	Scraper, Cross Conveyor, Return Roller, 240 Tomato Harvester	1		

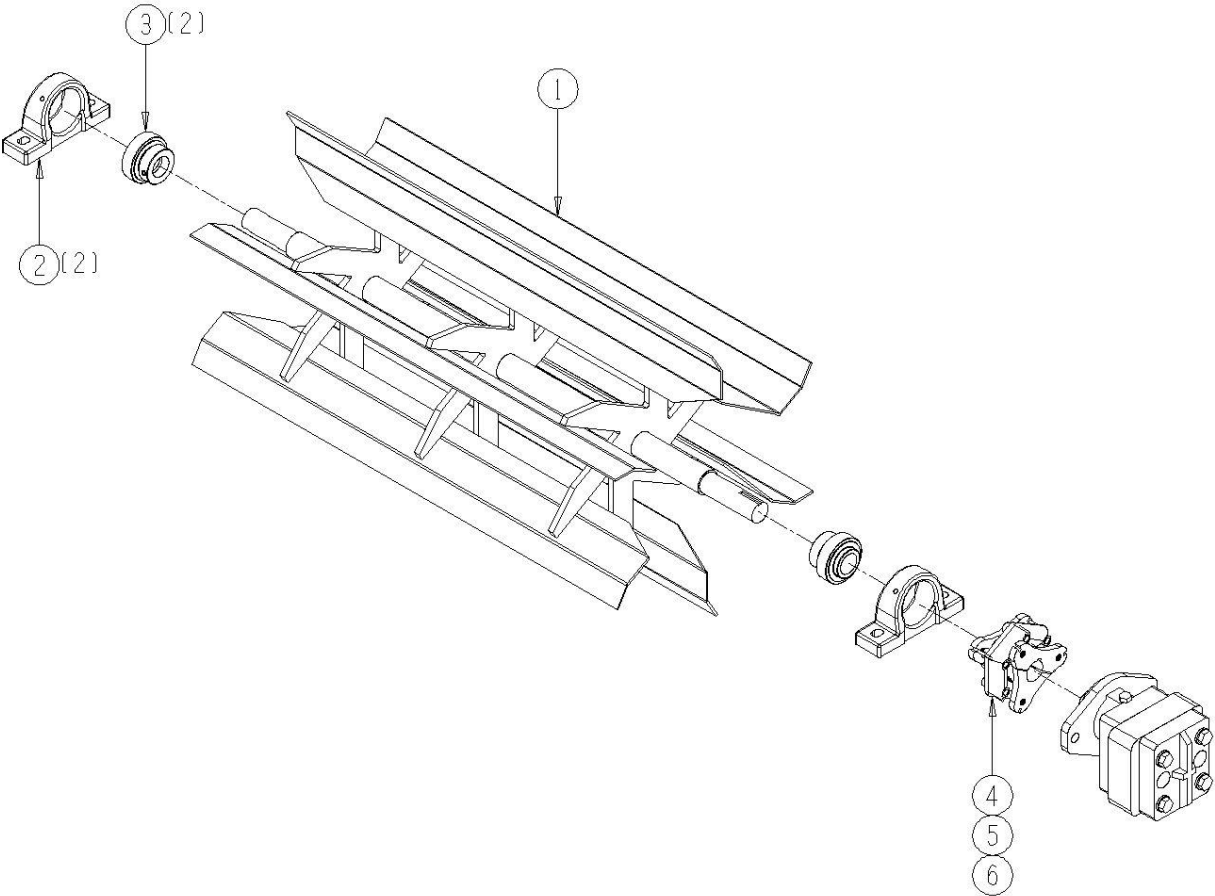
12011-07-01



12011-07-02 Debris Fan Paddle Assembly

<u>Ref</u>	<u>Part No.</u>	<u>Description</u>	<u>Parts – Assembly</u>	<u>Will Fit SN</u>	<u>Remarks</u>
1	FAN-9501	Fan, Paddle, Cross Conveyor	1		
2	BR-072-RAK	72mm Cast Housing	2		
3	BR-125-072	Bearing, 1 1/4 Fafnir tri-seal, 72mm OD	2		
4	CPR-422D-15	Coupler, 1-1/4' Bore, 1/4' Key	1		
5	CPR-422a-15	Primary Shaker Coupler 1' Bore (Motor Side)	1	Years 1995 - 2000	Used on Sec. Sh. Beginning 2000
6	CPR-422-15	Primary Shaker Drive Coupler	1		Used on Sec. Sh. Beginning 2000
7	HM-712-1	Hydraulic Gear Motor	1		Same as HM-712C except w/ 1' shaft
800	HM-412B	Key for Hydraulic Motor -Shaker Weight-Vibrator	0	HM-412C & HM-712C	
801	HM-2100-SK	Shaft Seal & Gasket Kit for Permco Motor, M2100 Series	0		
802	HM-2100-BRG	Bearing for Permco Motor, M2100 Series	0		
803	HM-1801	Seal Kit for Commercial Intertech	0	P20 & M20 Series	Includes:(1) Length of HM-2882,(1)HM-2883,(2)HM-2884

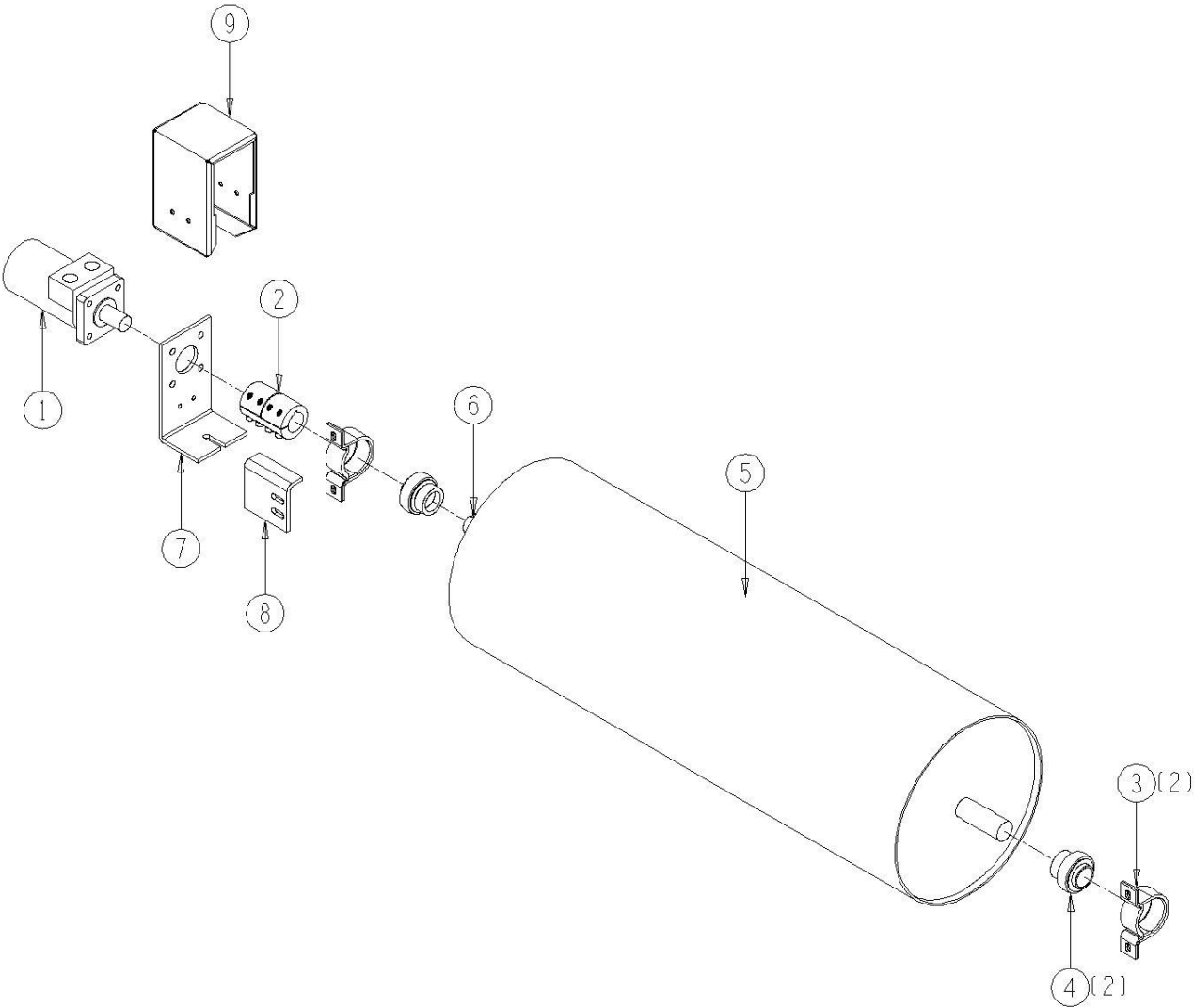
12011-07-02



12011-07-03 Debris Drum Assembly

<u>Ref</u>	<u>Part No.</u>	<u>Description</u>	<u>Parts – Assembly</u>	<u>Will Fit SN</u>	<u>Remarks</u>
1	HM-204-TC	TCI Motor	1		Seal Kit # TCI-SKHPQ
2	CPS-6060	Steel Coupler (offcenter) 1 1/4" x 1"	1		
3	BR-062-MPB	Stamped Bearing Housing for 1 1/4" bearing	2		
4	BR-125-062	Bearing, 1 1/4 Fafnir tri-seal, 62mm OD	2		
5	RLS-9600	Debris Drum	1		
6	KEY-4-4-20	Shaft Key 1/4" x 1 1/4"	1		
7	193-806	Mount motor	1		
8	193-806a	Motor mount stop	1		
9	193-806c	Motor Guard	1	19301-	
800	KEY-4-4-15	Shaft Key 1/4" X 1/4" X 15/16" Woodruff Key	0		
801	BL-5-100-SF	5/16-24 x 1 Socket Head Cap Screw	0	CPS-6057	

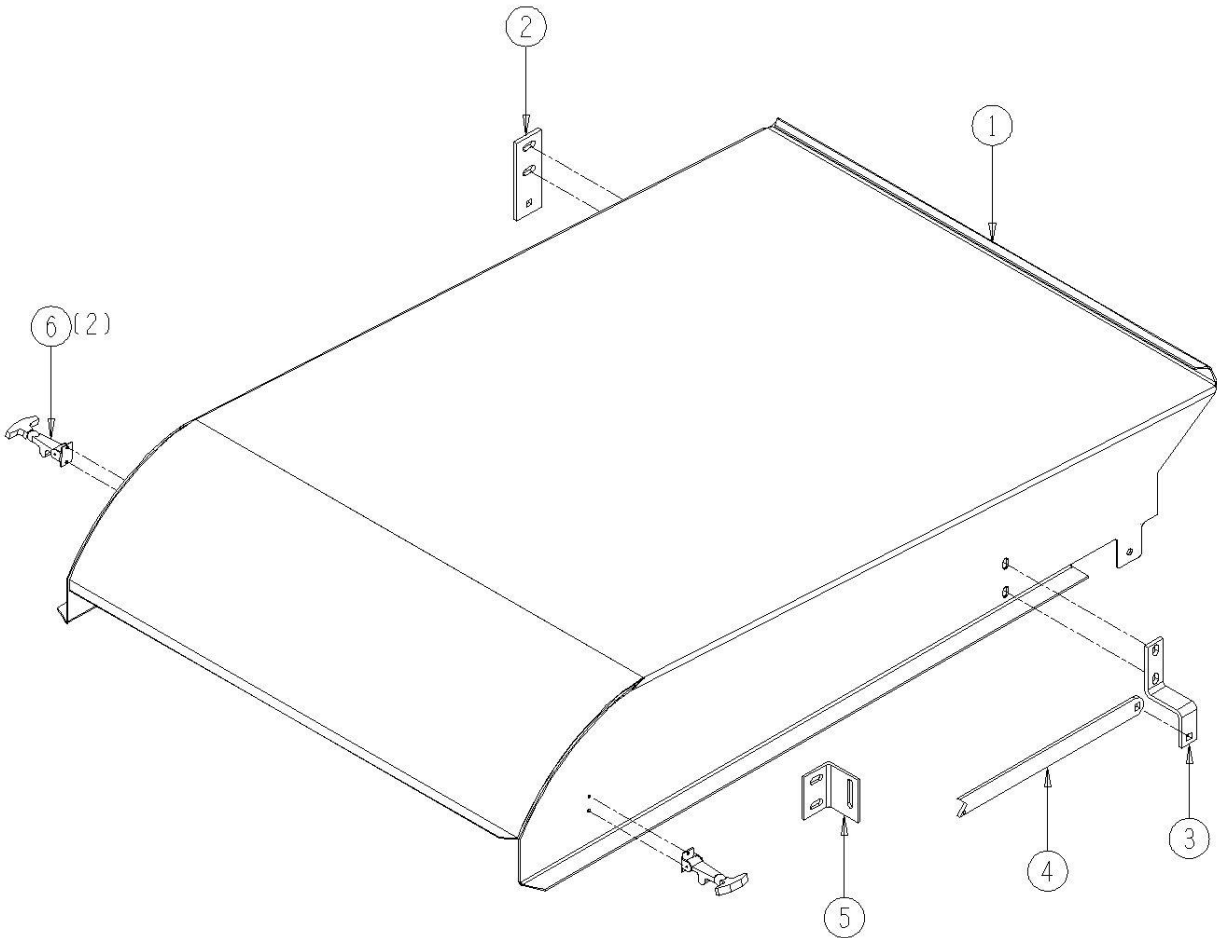
12011-07-03



12011-07-04 Debris Fan Cover Assembly

<u>Ref</u>	<u>Part No.</u>	<u>Description</u>	<u>Parts – Assembly</u>	<u>Will Fit SN</u>	<u>Remarks</u>
1	SHD-9600	Cover, Debris Chamber, 240 Harvester	1		
2	193-725	Hinge Bar for Air Deflector Hood	1	19301- 193-729K	
3	193-728	Hinge Bracket for Air Deflector Hood	1	19301- 193-729K	
4	193-729	Hinge Brace for Air Deflector Hood	1	19301- 193-729K	
5	193-729A	Hinge Brace Latch for Air Deflector Hood	1	19301- 193-729K	
6	LA-703	Large Rubber T Latch Assembly	2		

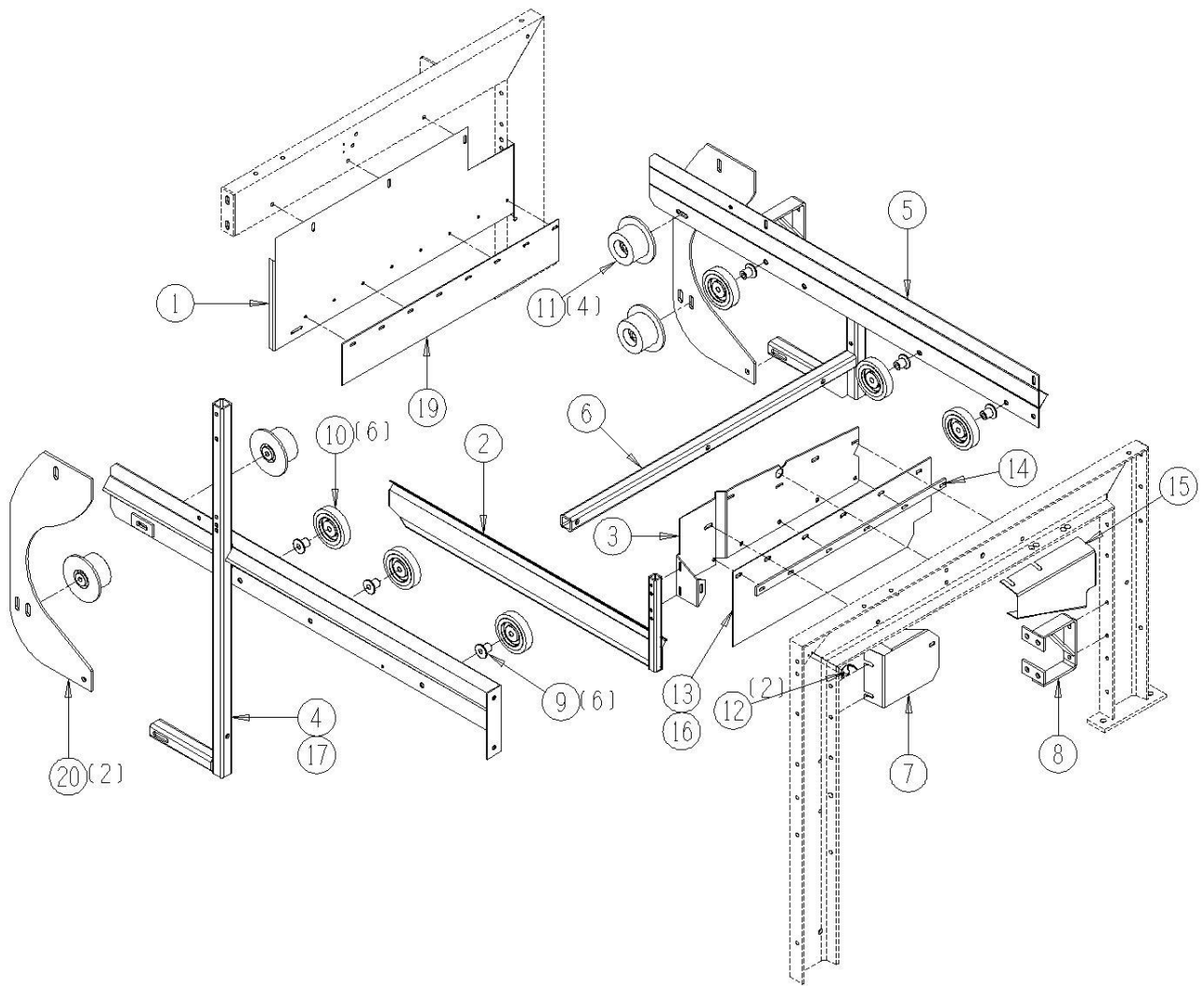
12011-07-04



12011-08-01 Rear Elevation Assembly

<u>Ref</u>	<u>Part No.</u>	<u>Description</u>	<u>Parts – Assembly</u>	<u>Will Fit SN</u>	<u>Remarks</u>
1	PAN-9114	Panel, Closure, Rear Elevation, 240 Tomato Harvester	1		
2	PAN-9115	Panel, Drum Guard, Rear Elevation, 240 Tomato Harvester	1		
3	PAN-9116	Panel, Front Closure, Rear Elevation, 240 Tomato Harvester	1		
4	PAN-9117	Panel, Roller Support, Rear Elevation, 240 Tomato Harvester	1		
5	PAN-9118	Panel, Roller Support, Inner, Rear Elevation, 240 Tomato Harvester	1		
6	SUP-9100	Support, Debris Fan, Rear Elevation, 240 Tomato Harvester	1		
7	194-731A	Debris Drum Sprocket Shield	1	19401-	
8	191-739	Bracket, Panel support	1	19101-	
9	RLA-000-118	Standoff, 1/2" X 1 1/8"	6		
10	RLR-040-108	4" Flat Roller	6		Changed to Urethane in 2006
11	RLT-535-228	5" Flange Roller 2.2WF x 3 1/2" dia, 1/2" bore	4		
12	LA-703B	T Latch Keeper	2		
13	BT-1731	Belting, Front Closure, Rear Elevation	1	19701-	
14	BAR-1731	Elevation, Front Closure	1	19701-	
15	SHD-1137	Shield, Shaft End, Rear Elevation	1	19101- kit-0038	
16	DC-1174	Decal, Danger Keep Hands and Feet Away	1		
17	STRP-610	6" Tarp Strap (ea.)	1		
18	DC-3025	Red and White Reflective Tape @ 150 ft Roll	0.06		
19	BT-9102	Belting, Closure, Rear Elevation, 240 Tomato Harvester	1		
20	MOU-1750	Mount, Roller, Debris Fan Intake	2		

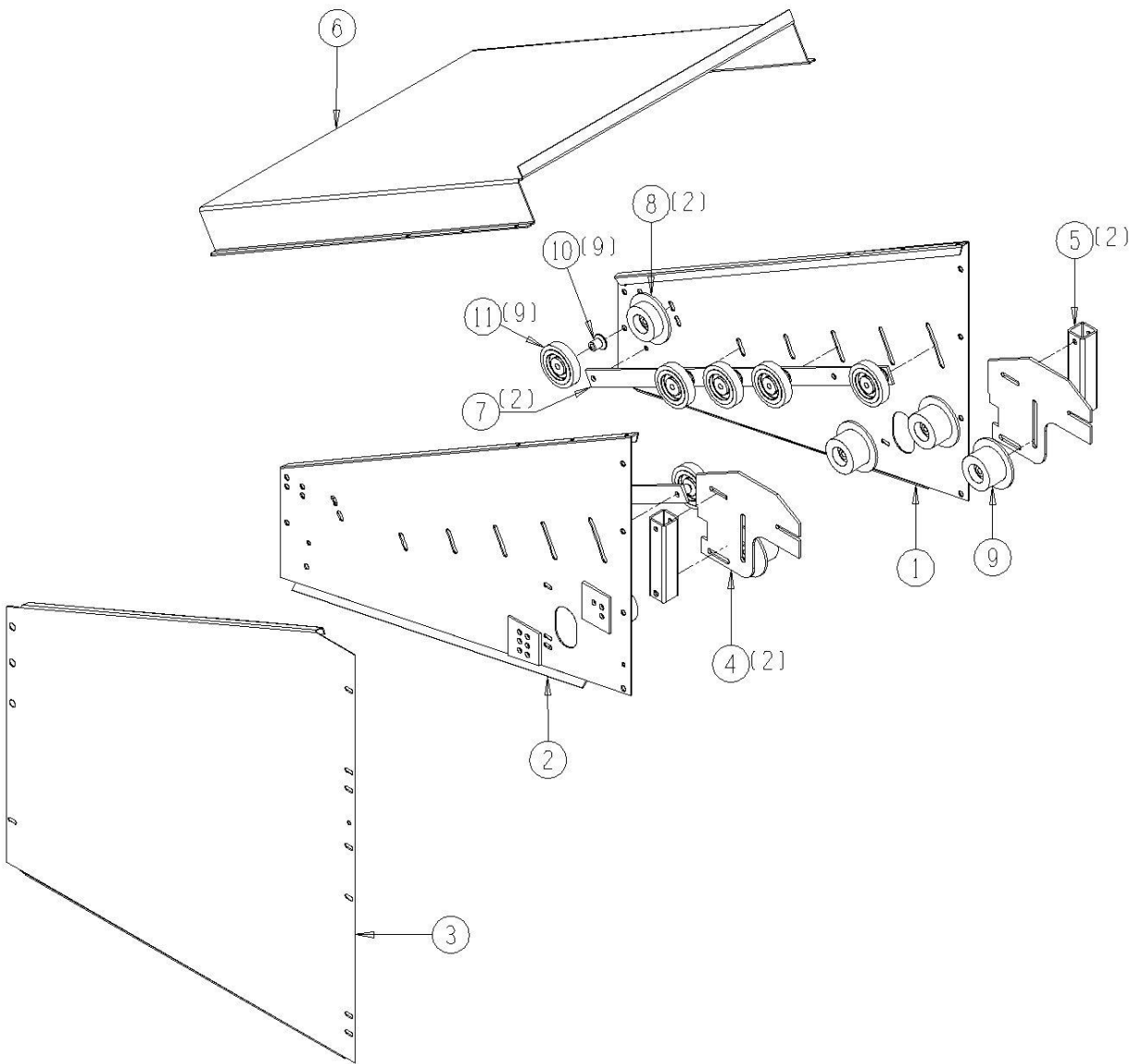
12011-08-01



12011-08-02 Front Elevation Assembly

<u>Ref</u>	<u>Part No.</u>	<u>Description</u>	<u>Parts – Assembly</u>	<u>Will Fit SN</u>	<u>Remarks</u>
1	SID-740	Side, Inner, Front Elevation	1	19705	
2	SID-741	Side, Outer, Front Elevation	1	19705	
3	193-743	Debris chute (outer)	1	19301-	
4	MOU-9901	Mount, Presort Nose, Front Elevation, 240 Tomato Harvester	2		
5	SPA-9100	Spacer, Roller Mount, Front Elevation, 240 Tomato Harvester	2		
6	PAN-9119	Panel, Top Shield, Front Elevation, 240 Tomato Harvester	1		
7	BAR-742	Bar, Roller Adjuster, Front Elevation	2	19705	
8	RLT-535-128	Narrow Flange Roller 1.2 WF 3.5 dia, 1/2" Bore	2		
9	RLT-535-228	5" Flange Roller 2.2WF x 3 1/2" dia, 1/2" bore	6		
10	RLA-000-118	Standoff, 1/2" X 1 1/8"	9		
11	RLR-040-108	4" Flat Roller	9		Changed to Urethane in 2006

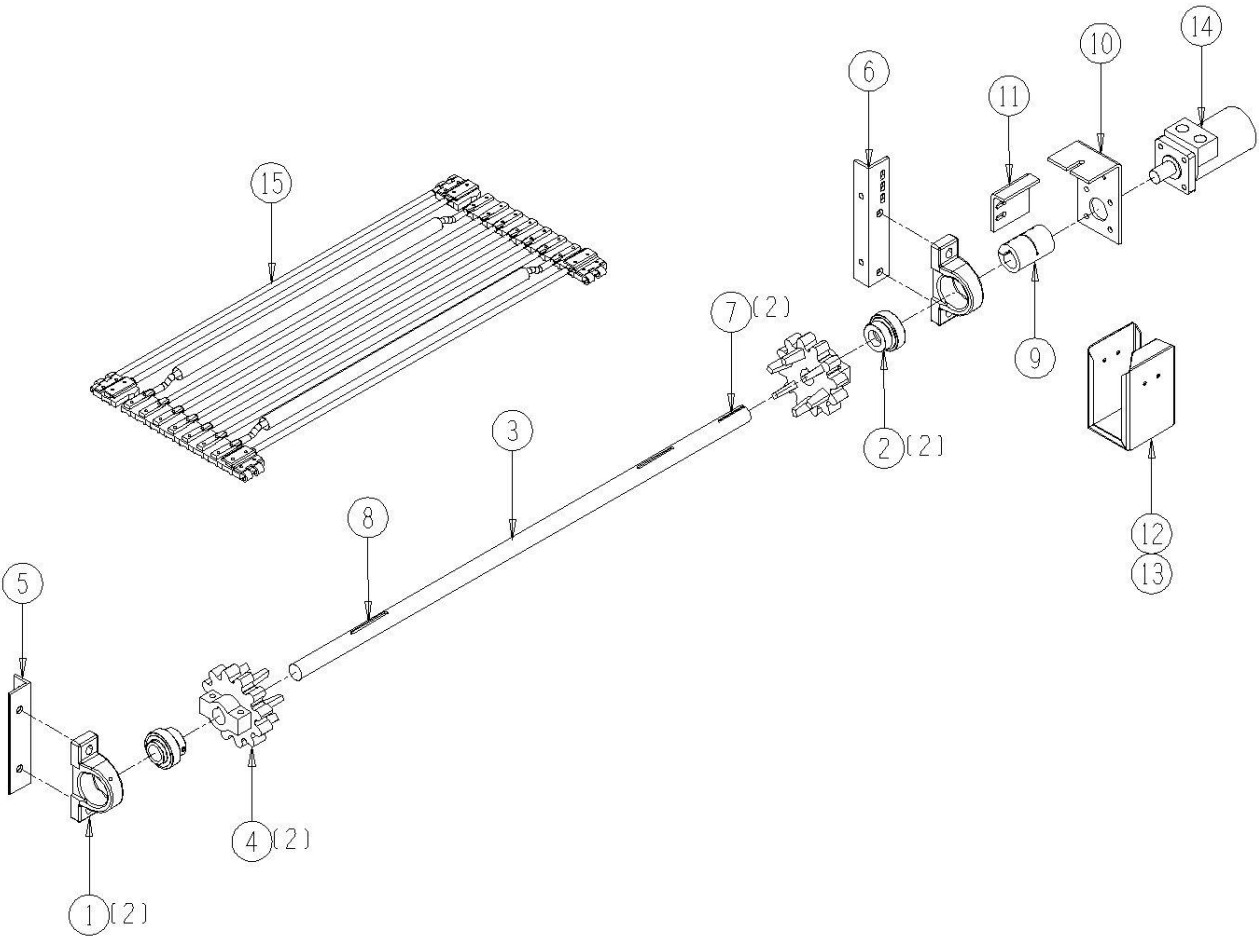
12011-08-02



12011-08-03 Elevation Drive Shaft Assembly

<u>Ref</u>	<u>Part No.</u>	<u>Description</u>	<u>Parts – Assembly</u>	<u>Will Fit SN</u>	<u>Remarks</u>
1	BR-072-RAK	72mm Cast Housing	2		
2	BR-125-072	Bearing, 1 1/4 Fafnir tri-seal, 72mm OD	2		
3	SFT-9700	Drive Shaft, Elevation Chain, 240 Harvester	1		
4	SPU-3612-20-4	Urethane Sprocket 36-12 1 1/4 bore 1/4" key	2		Sub SP-3612-20-4
5	MOU-9700	Bearing Mount, Angle, Elevation Chain, 240 Harvester	1		
6	MOU-9701	Bearing Mount, Elevation Chain, 240 Harvester	1		
7	KEY-4-4-32	Shaft Key 1/4" x 2" Square Cut (1018)	2		
8	KEY-4-4-20	Shaft Key 1/4" x 1 1/4"	1		
9	CPS-6060	Steel Coupler (offcenter) 1 1/4" x 1"	1		
10	193-806	Mount motor	1		
11	193-806a	Motor mount stop	1		
12	193-806c	Motor Guard	1	19301-	
13	DC-1176	Decal, Danger-Hand Chain Sprockets	1		
14	HM-204-TC	TCI Motor	1		Seal Kit # TCI-SKHPQ
15	BC-7-3636-212-UC	36mm x 36" Belted Chain, 212 Pitches, Upcranked Rods	1		

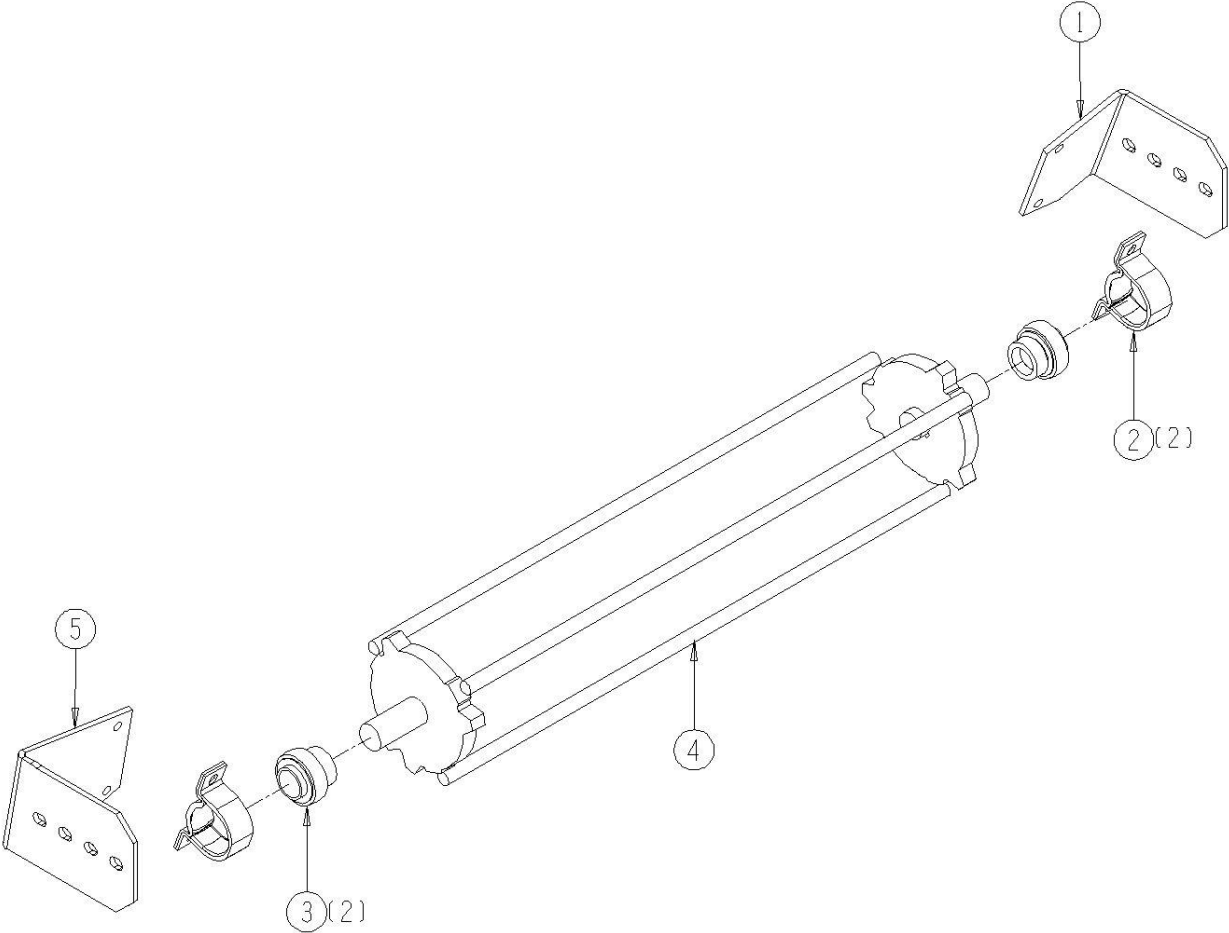
12011-08-03



12011-08-07 Opt. Elevation Conveyor Bar Cleaner Assembly

<u>Ref</u>	<u>Part No.</u>	<u>Description</u>	<u>Parts – Assembly</u>	<u>Will Fit SN</u>	<u>Remarks</u>
1	BRA-739	Bracket, RH, Elevation Conveyor Bar Cleaner, Tom	1		
2	BR-062-MPB	Stamped Bearing Housing for 1 1/4" bearing	2		
3	BR-125-062	Bearing, 1 1/4 Fafnir tri-seal, 62mm OD	2		
4	194-361	Bar Cleaner, 36mm pitch x 36in wide chain	1	19401-	Replaces 192-361
5	BRA-740	Bracket, LH, Elevation Conveyor Bar Cleaner, Tom	0		

12011-08-07

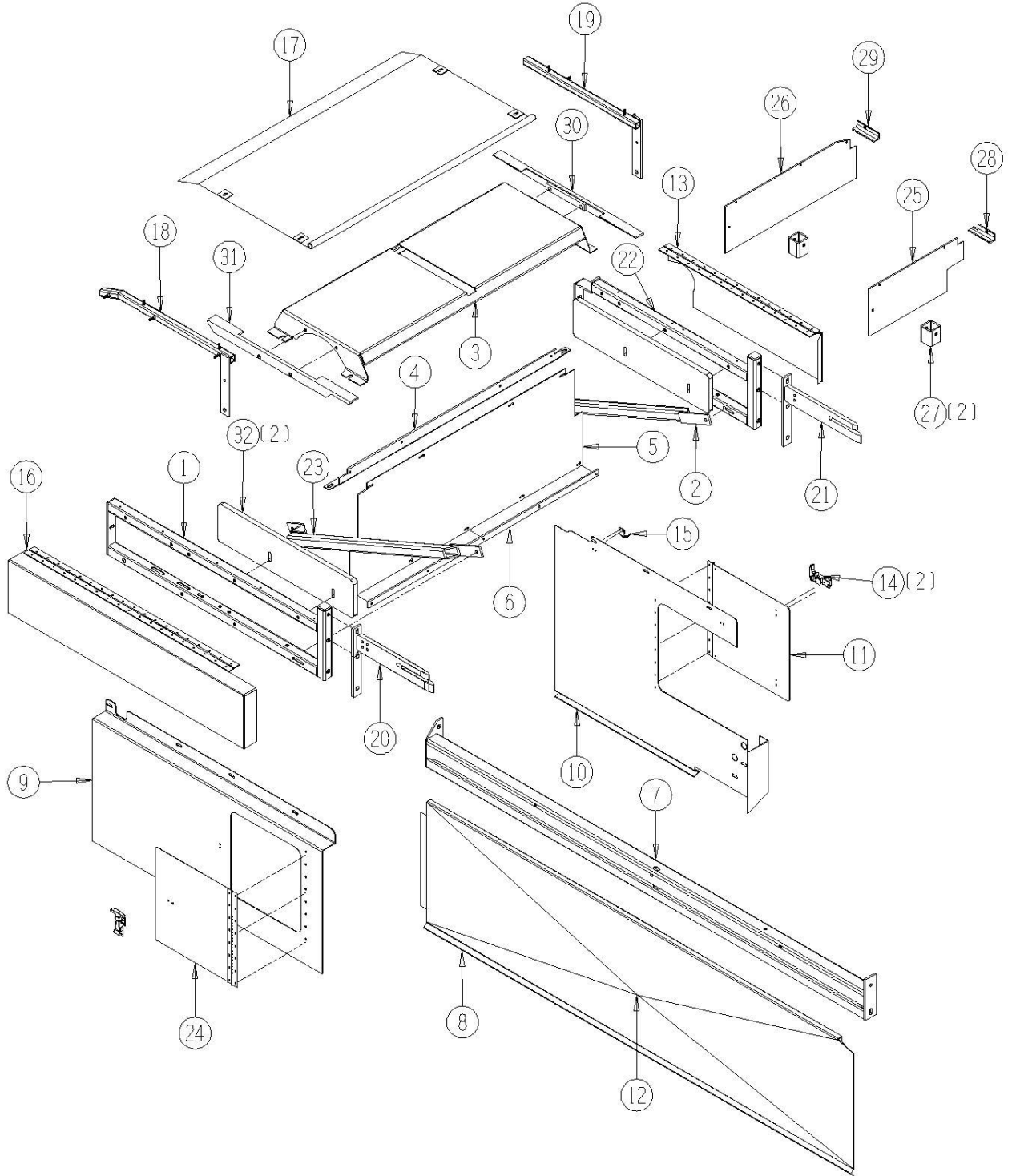


12011-08-40 Presort Assembly

<u>Ref</u>	<u>Part No.</u>	<u>Description</u>	<u>Parts – Assembly</u>	<u>Will Fit SN</u>	<u>Remarks</u>
	SHD-9124	Shield, Outer, Adjuster, Sorting Table	1		
1	FRM-9102	Presort Frame, RH Side, 240 Harvester	1		
2	BRA-9103	Bracket, Inner Support Brace, Presort, 240 Tomato Harvester	1		
3	PAN-9120	Panel, Slider, Presort, 240 Tomato Harvester	1		
4	BAR-9103	Bar, Scraper, Presort, 240 Tomato Harvester	1		
5	BT-9103	Belting, Scraper Shield, Presort, 240 Tomato Harvester	1		
6	BAR-9104	Bar, Belting, Presort, 240 Tomato Harvester	1		
7	BRA-9104	Bracket, Cross Bar, Presort, 240 Tomato Harvester	1		
8	194-827	Cover, Wheel	1	19401-	
9	SHD-9111	Shield, Outer, Presort, 240 Tomato Harvester	1		
10	SHD-9112	Shield, Inner, Presort, 240 Tomato Harvester	1		
11	SHD-1532	Presort Access Door w/ Sliding Aftersort	1		
12	DC-3025	Red and White Reflective Tape @ 150 ft Roll	0.01		
13	SHD-9114	Shield, Inner, Upper Access Door, Presort, 240 Tomato Harvester	1		
14	LA-1530	Medium Rubber T Latch Assembly	2		
15	LA-703B	T Latch Keeper	1		
16	SHD-9115	Shield, Outer, Upper Access Door, Presort, 240 Tomato Harvester	1		
17	SHD-9116	Shield, Cover, Presort, 240 Tomato Harvester	1		
18	BRA-9105	Bracket, Outer, Cover, Presort, 240 Tomato Harvester	1		
19	BRA-9106	Bracket, Inner, Cover, Presort, 240 Tomato Harvester	1		
20	BRA-9701	Sorter Bracket, RH Side, 240 Harvester	1		
21	BRA-9700	Sorter Bracket, LH Side, 240 Harvester	1		
22	FRM-9101	Frame, Inner, Presort, 240 Tomato Harvester	1		
23	BRA-9107	Bracket, Outer Support Brace, Presort, 240 Tomato Harvester	1		
24	SHD-9113	Shield, Outer, Lower Access Door, Presort, 240 Tomato Harvester	1		
25	SHD-9117	Shield, Front, Presort, 240 Tomato Harvester	1		
26	SHD-9118	Shield, Rear, Presort, 240 Tomato Harvester	1		

27	BRA-9108	Bracket, Presort, 240 Tomato Harvester	2	
28	BRA-9109	Bracket, Front, Presort, 240 Tomato Harvester	1	
29	BRA-9110	Bracket, Rear, Presort, 240 Tomato Harvester	1	
30	EX-1520A	extension, Slider, Outer	1	19601-
31	EX-1520B	extension, Slider, Inner	1	19601-
32	PL-8756	Presort Plastic, Narrow Elevation Chain, '11 290	2	

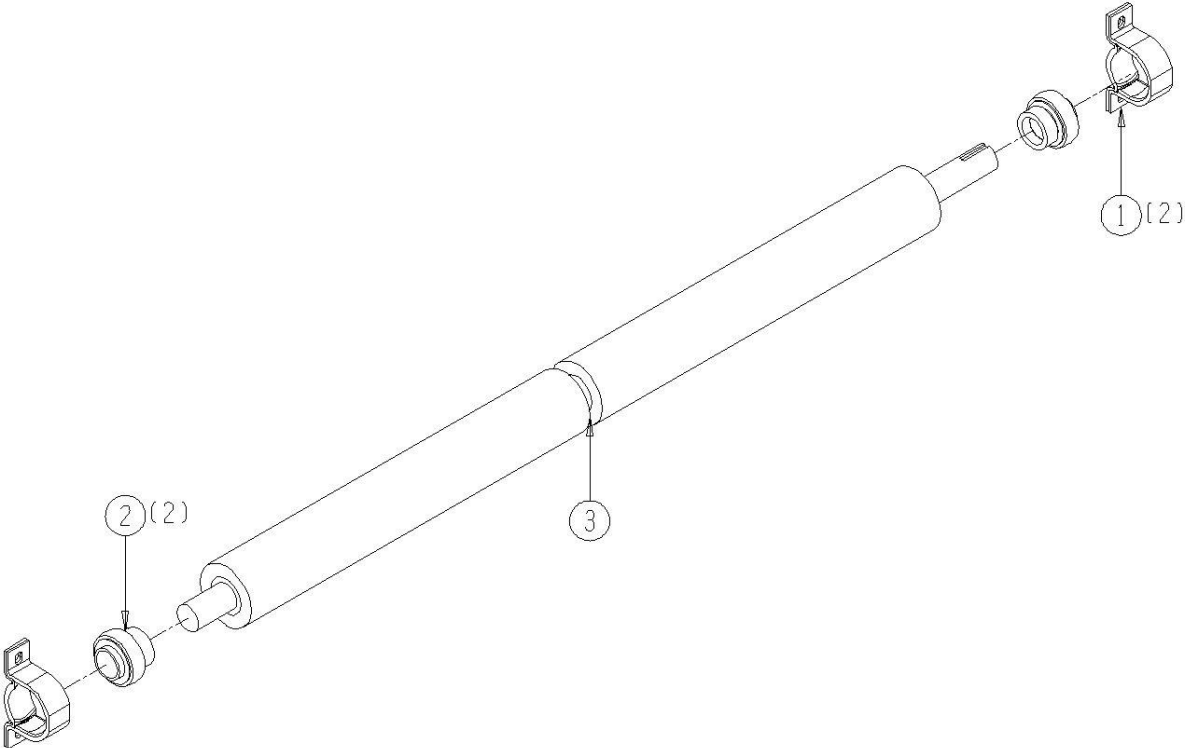
12011-08-40



12011-08-41 Front Presort Roller Assembly

<u>Ref</u>	<u>Part No.</u>	<u>Description</u>	<u>Parts – Assembly</u>	<u>Will Fit SN</u>	<u>Remarks</u>
1	BR-062-MPB	Stamped Bearing Housing for 1 1/4" bearing	2		
2	BR-125-062	Bearing, 1 1/4 Fafnir tri-seal, 62mm OD	2		
3	RLR-1000	Roller for 40 1/2 Presort Flat Belt Drive & Nose (Tomato)	1		
101	BL-6-100-H	3/8 UNC X 1 HH C/S BOLT GR5 ZINC	4		
102	BL-6-LW	3/8 SPLIT LW ZC	4		
103	BL-6-SW	3/8 SAE FW ZC	4		

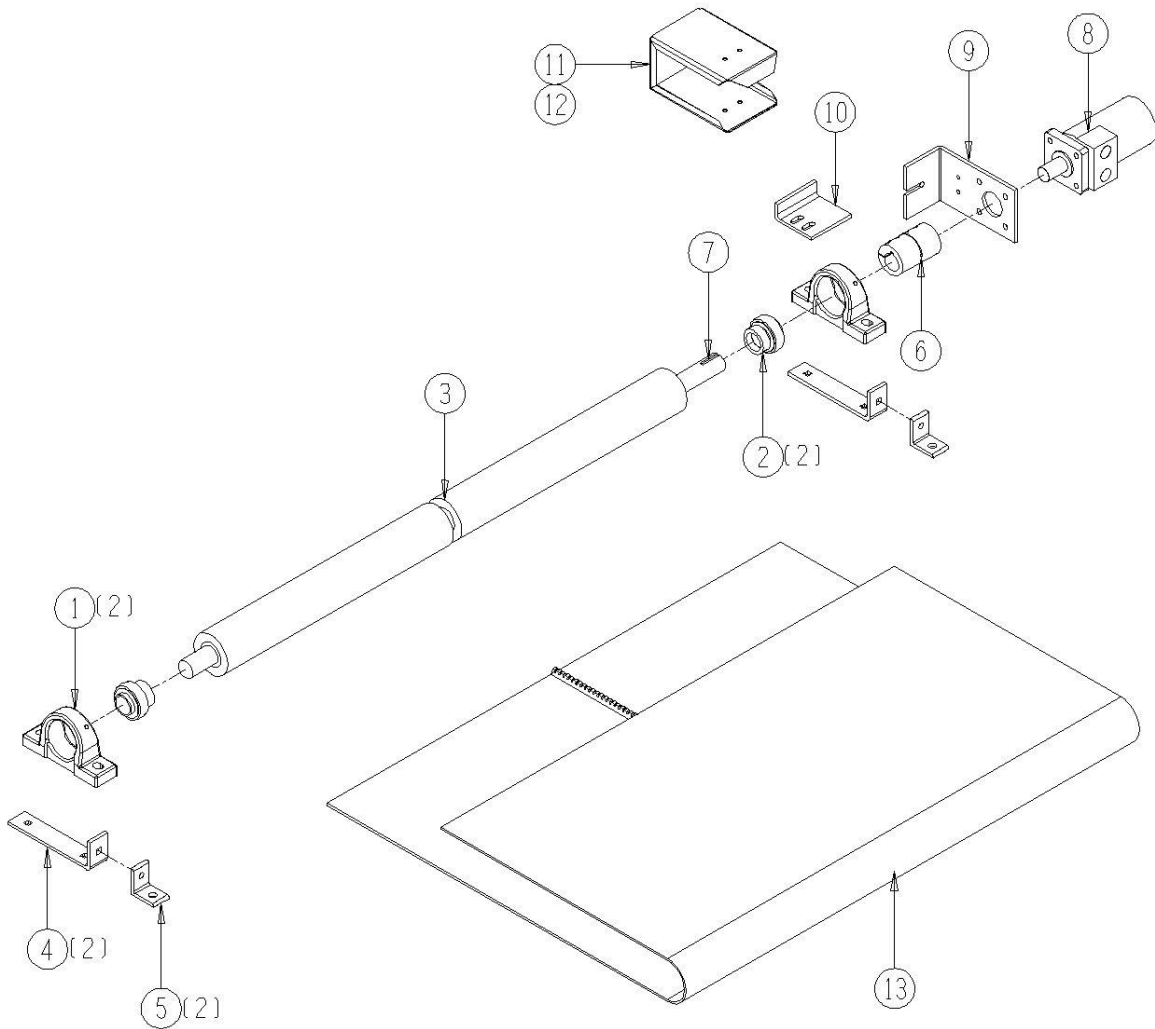
12011-08-41



12011-08-42 Rear Presort Roller Assembly

<u>Ref</u>	<u>Part No.</u>	<u>Description</u>	<u>Parts – Assembly</u>	<u>Will Fit SN</u>	<u>Remarks</u>
1	BR-072-RAK	72mm Cast Housing	2		
2	BR-125-072	Bearing, 1 1/4 Fafnir tri-seal, 72mm OD	2		
3	RLR-1000	Roller for 40 1/2 Presort Flat Belt Drive & Nose (Tomato)	1		
4	BRA-9702	Bearing Adjuster	2		
5	BRA-1528	Bracket, Tightener	2	19705 19801-	
6	CPS-6060	Steel Coupler (offcenter) 1 1/4" x 1"	1		
7	KEY-4-4-20	Shaft Key 1/4" x 1 1/4"	1		
8	HM-208-TC	TCI Motor	1		Seal Kit # TCI-SKHPQ
9	193-806	Mount motor	1		
10	193-806a	Motor mount stop	1		
11	193-806c	Motor Guard	1	19301-	
12	DC-1176	Decal, Danger-Hand Chain Sprockets	1		
13	BT-72V40E	Presort Belt 40" X 72.25" Endless	1		
100	BL-4-500-H	1/4-20 X 5 HEX CAP G5 ZC	1		
101	BL-4-FW-8	1/4" Flat Washer Grade 8	4		
102	BL-4-WN	1/4-20 FORGED W/NUTS ZC	1		
801	KEY-4-4-15	Shaft Key 1/4" X 1/4" X 15/16" Woodruff Key	1		
802	BL-5-100-SF	5/16-24 x 1 Socket Head Cap Screw	4	CPS-6057	

12011-08-42

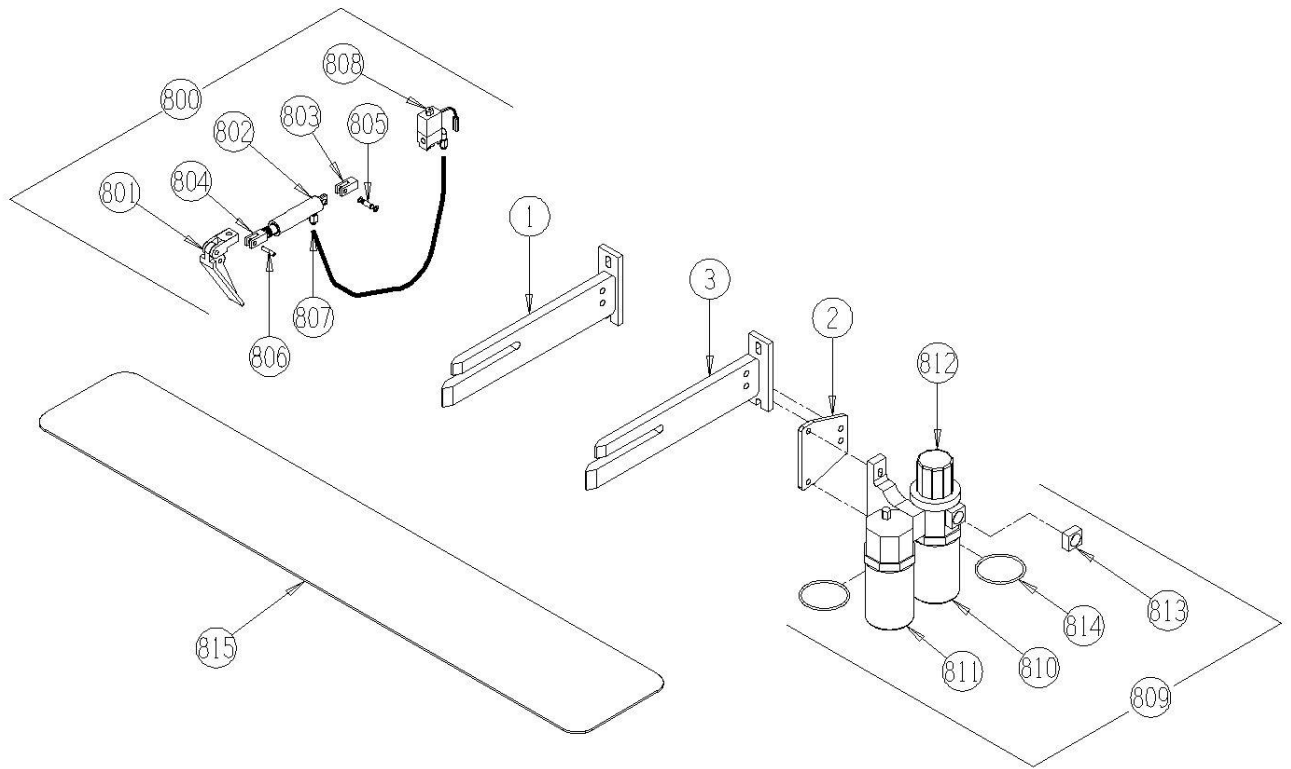


12011-08-43 NFM Sorter Assembly

<u>Ref</u>	<u>Part No.</u>	<u>Description</u>	<u>Parts – Assembly</u>	<u>Will Fit SN</u>	<u>Remarks</u>
1	BRA-1570	Bracket, Grademaster, Outer	1	19801-, 19705	
2	SPA-1568	Spacer, FRL, Sorter Bracket, Tom.	1		
3	BRA-1568	Bracket, Grademaster, Inner	1	19801-, 19705 19705	
4	SRT-1517	Rejector oil @ Gallon	1		
5	SRT-1540	40" Odenberg NFM Color Sorter	1	2010 Prototype	
800	SRT-1575	Finger Cylinder Assy	32	Grademaster	
801	SRT-1575A	Finger Only	1	SRT-1575	
802	SRT-1575B	Air Cylinder	1	SRT-1575	
803	SRT-1575C	Rejector Clevis (Hardened)	1	SRT-1575	
804	SRT-1575D	Cylinder Rod Clevis	1	SRT-1575	
805	SRT-1575E	Cylinder pin w/ (2) Circlips	1	SRT-1575	
806	SRT-1575F	Finger Pin (roll pin) @ each	1	SRT-1575	
807	SRT-1576B	Connector P-Loc 1/8" x 1/8" nylon	1		
808	SRT-1578	Air Valve Assy for Grademaster	1	Grademaster	Replaced By SRT-1577
809	AIR-1578	MILLER FRL Complete	1		
810	AIR-1576	Air Filter Regulator (Miller)	1	AIR-1578	
811	AIR-1577	Lubricator (Miller)	1	AIR-1578	
812	AIR-1578A	T-Type Bracket for FRL	1	AIR-1578	
813	AIR-1576G	Gauge for Miller FRL	1	AIR-1578	
814	AIR-1577-O	O-Ring for Miller Lubricator	2	AIR-1578	
815	SRT-1540-G	Glass, 40" Odenberg NFM Color Sorter	1		



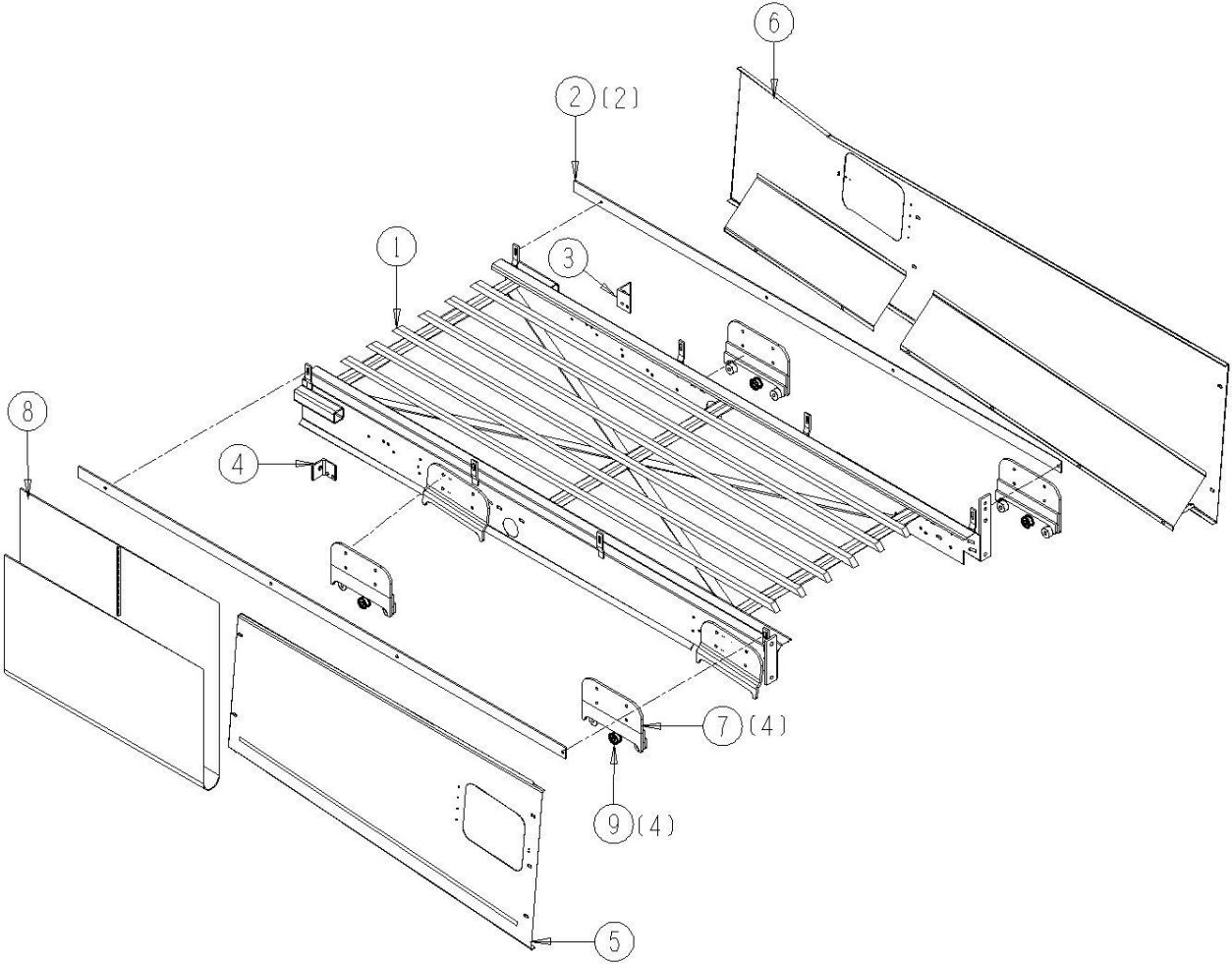
12011-08-43



12011-09-01 Aftersort Assembly

<u>Ref</u>	<u>Part No.</u>	<u>Description</u>	<u>Parts – Assembly</u>	<u>Will Fit SN</u>	<u>Remarks</u>
	SHD-8768	Fill Door, Hyd. Fluid. 290 Harvester	2		
1	HAN-9800	Aftersort Table, 240 Harvester	1		
2	BAR-9800	Bar, Aftersort Side Rail, 240 Harvester	2		
3	STP-8501	Stop, Outside, Adjuster Belt	1		
4	STP-8502	Stop, Inside, Adjuster Belt, Crss Convyr	1		
5	SHD-9123	Shield, Outer, Sorting Table, 240 Tomato Harvester	1		
6	SHD-9126	Shield, Inner, Sorting Table, 240 Tomato Harvester	1		
7	BRA-9111	Bracket, Sorting Table Guide, 240	4		
8	BT-230V40L	Sort Belt w/A-Guide (laced) 230 x 40	1		
9	PU-9800-CI	Pulley, Flat Flanged Idler, Cast Iron, Sorting Table	4		
101	BL-8-200-H	1/2-13 X 2 HEX CAP G5 ZC	2		
102	BL-8-LN	1/2-13 HEX LOCK NUT NYLON INSERT ZC	2		
103	BL-8-SW	1/2 SAE FW ZC	4		
104	BL-6-125-H	3/8-16 X 1 1/4 HHCS G5 ZC	16		
105	BL-6-FW	3/8 USS FW ZC	32		
106	BL-6-LN	3/8 UNC FIN HEX LOCK NUT NE A563 GrA ZINC	16		

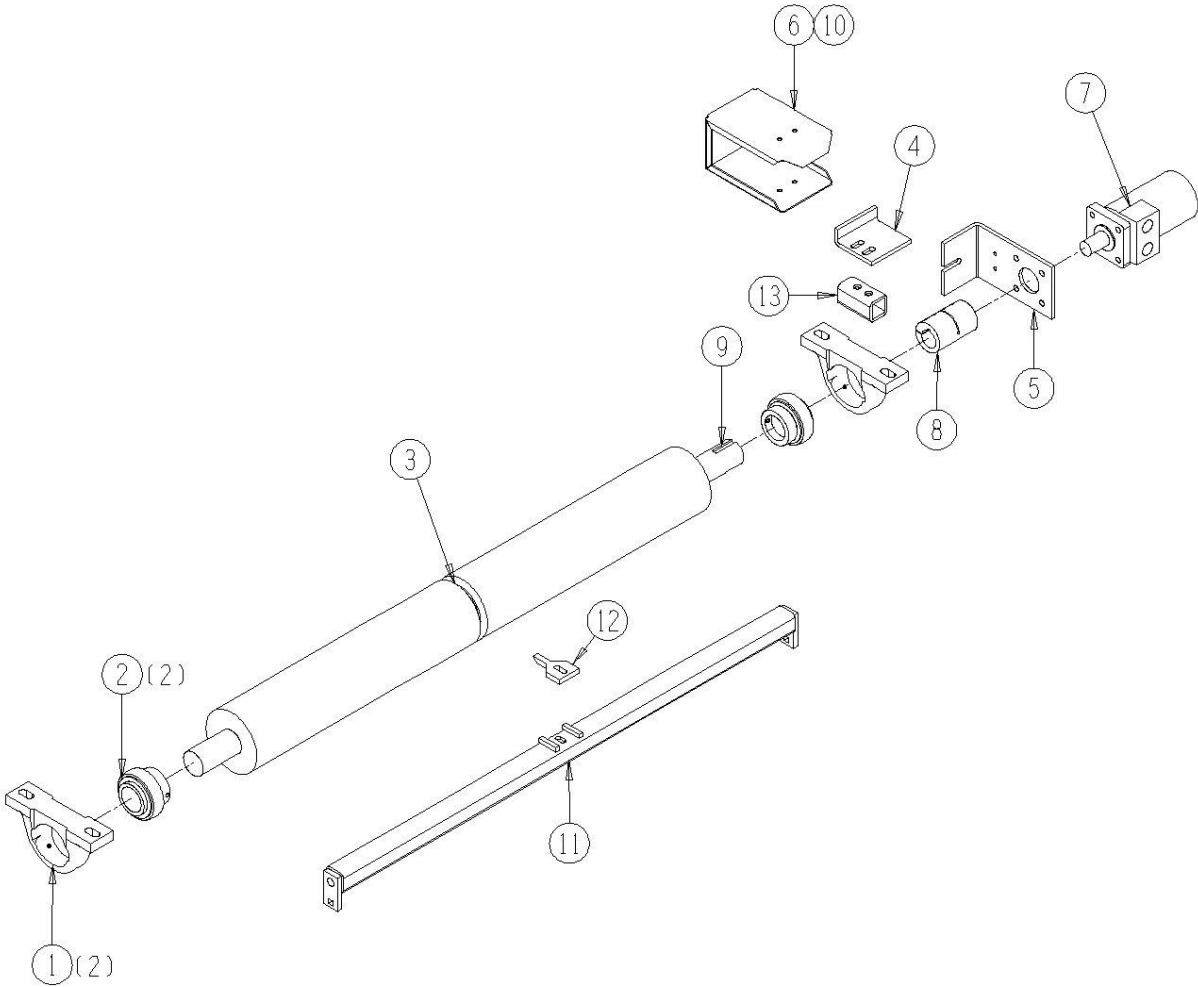
12011-09-01



12011-09-02 Aftersort Drive Shaft Assembly

<u>Ref</u>	<u>Part No.</u>	<u>Description</u>	<u>Parts – Assembly</u>	<u>Will Fit SN</u>	<u>Remarks</u>
1	BR-085-RAK	Bearing Housing 85 mm	2		
2	BR-175-085	Fafnir Bearing 1 3/4 Tri Seal	2		
3	RLR-1040	A-Guide Roller, 40" Aftersort Table, Prototype Tomato	1		
4	193-806a	Motor mount stop	1		
5	193-806	Mount motor	1		
6	193-806c	Motor Guard	1	19301-	
7	HM-204-TC	TCI Motor	1		Seal Kit # TCI-SKHPQ
8	CPS-6060	Steel Coupler (offcenter) 1 1/4" x 1"	1		
9	KEY-4-4-20	Shaft Key 1/4" x 1 1/4"	1		
10	DC-1176	Decal, Danger-Hand Chain Sprockets	1		
11	SCR-1040	Roller Scraper, Front, 40" Aftersort, Prototype Tomato	1		
12	SCR-803	Scraper, A-Guide Groove, Aftersort 190 Tom.	1		
13	SPA-0071	Motor Stop Spacer	1		
100	BL-4-500-H	1/4-20 X 5 HEX CAP G5 ZC	1		
101	BL-4-FW-8	1/4" Flat Washer Grade 8	4		
102	BL-4-WN	1/4-20 FORGED W/NUTS ZC	1		
800	KEY-4-4-15	Shaft Key 1/4" X 1/4" X 15/16" Woodruff Key	1		
801	BL-5-100-SF	5/16-24 x 1 Socket Head Cap Screw	4	CPS-6057	

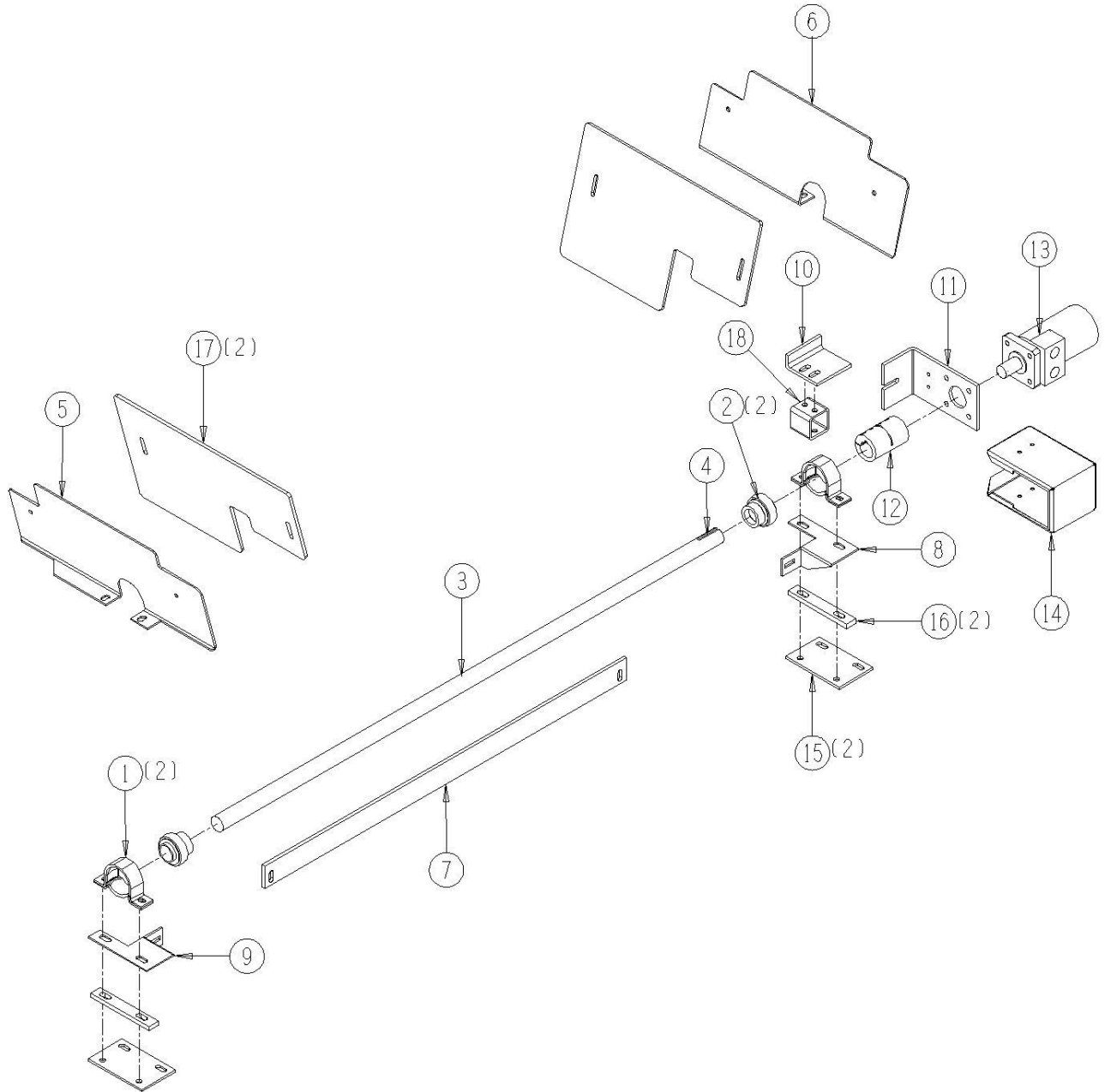
12011-09-02



12011-09-03 Aftersort Divider Bar Assembly

<u>Ref</u>	<u>Part No.</u>	<u>Description</u>	<u>Parts – Assembly</u>	<u>Will Fit SN</u>	<u>Remarks</u>
1	BR-062-MPB	Stamped Bearing Housing for 1 1/4" bearing	2		
2	BR-125-062	Bearing, 1 1/4 Fafnir tri-seal, 62mm OD	2		
3	SFT-1040	Divider Shaft, 40" Aftersort Table, Prototype Tomato	1		
4	KEY-4-4-20	Shaft Key 1/4" x 1 1/4"	1		
5	SHD-8751	Divider Roller Shield, Aftersort LH, HC290	1		
6	SHD-8750	Divider Roller Shield, Aftersort, RH, HC290	1		
7	SCR-1042	Divider Bar, Scraper, 40" Aftersort Table, Prototype Tomato	1		
8	BRA-850	Bracket, Rolling Guard, Scraper, Outer	1	19101-Kit-0007	
9	BRA-851	Bracket, Rolling Guard, Scraper, Inner	1	19101-kit-0007	
10	193-806a	Motor mount stop	1		
11	193-806	Mount motor	1		
12	CPS-6060	Steel Coupler (offcenter) 1 1/4" x 1"	1		
13	HM-210-TC	TCI Motor	1		Seal Kit # TCI-SKHPQ
14	193-806c	Motor Guard	1	19301-	
15	BAR-8755	Bar, Divider Roller Bar, Aftersort, HC290 Tomato	2		
16	SPA-0076	Divider Bar Spacer	2		
17	PL-8750	Plastic, Divider Roller Shield, Aftersort, HC290	2		
18	SPA-0007	Spacer, Motor Stop, Cleaner Table Drives	1		
100	BL-6-150-H	3/8-16 X 1 1/2 HEX CAP G5 ZC	4		
101	BL-6-250-H	3/8-16 X 2 1/2 HH C/S GR5 ZC	4		
102	BL-6-LW	3/8 SPLIT LW ZC	4		
103	BL-6-SW	3/8 SAE FW ZC	4		
104	RI-3-5-P	Pop Rivet 3/16 x 5/16 Domed, .375 head, ea	2		

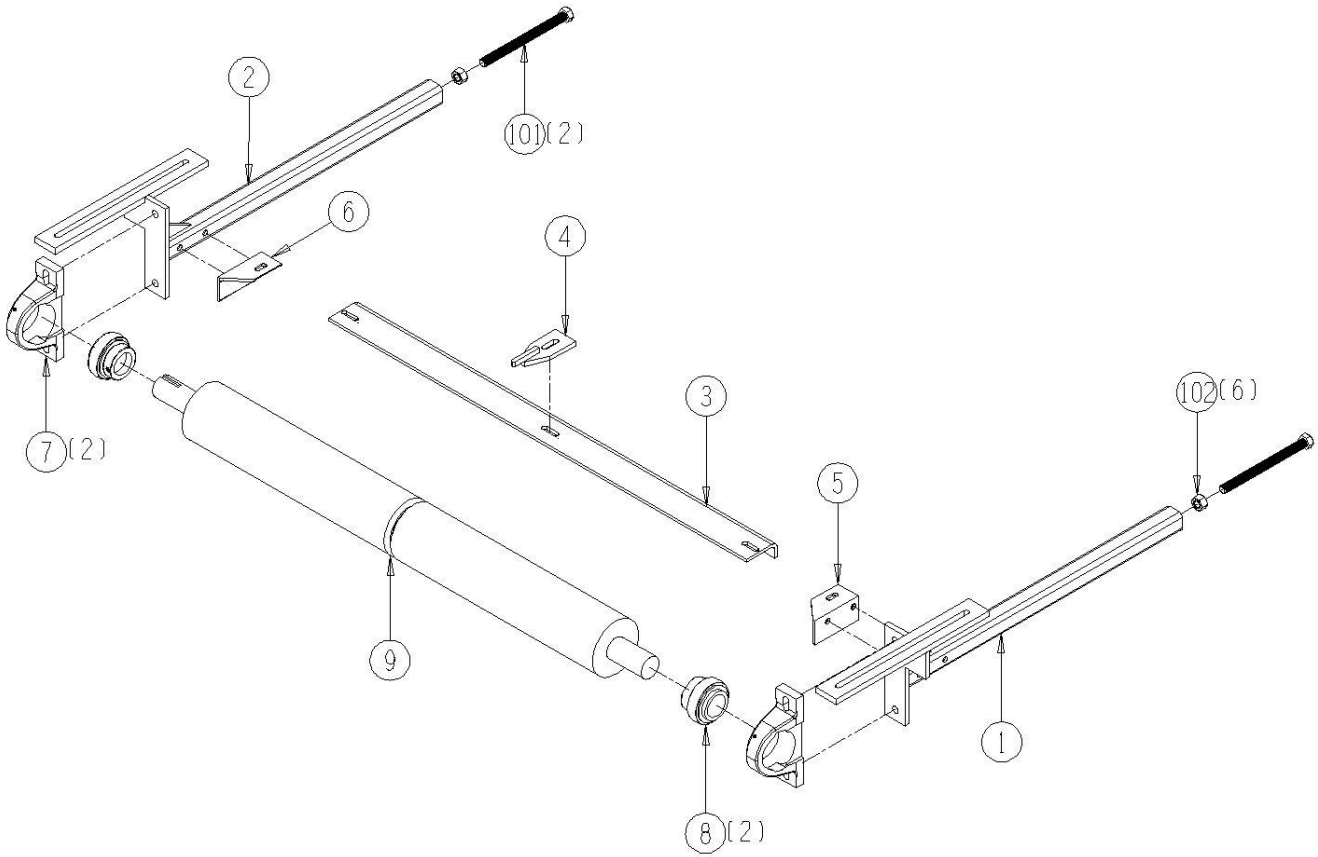
12011-09-03



12011-09-04 Aftersort Roller Assembly

<u>Ref</u>	<u>Part No.</u>	<u>Description</u>	<u>Parts – Assembly</u>	<u>Will Fit SN</u>	<u>Remarks</u>
1	ADJ-8756	Adjuster, Divider Bar, Aftersort, RH	1		
2	ADJ-8757	Adjuster, Dibider Bar, Aftersort, LH	1		
3	SCR-1041	A-Guide Scraper Mount, Rear, 40" Aftersort, Prototype Tomato	1		
4	SCR-0213	Rear Scraper, 190 Tomato	1		
5	BRA-0211	Bracket, Outer Scraper Mount, 190 Tomato	1		
6	BRA-0212	Bracket, Inner Scraper Mount, 190 Tomato	1		
7	BR-085-RAK	Bearing Housing 85 mm	2		
8	BR-175-085	Fafnir Bearing 1 ¼ Tri Seal	2		
9	RLR-1040	A-Guide Roller, 40" Aftersort Table, Prototype Tomato	1		
101	BL-10-800-TS	5/8-11 X 8 HEX TAP Stainless Steel	2		
102	BL-10-N	5/8-11 HEX FIN NUTS ZC	6		

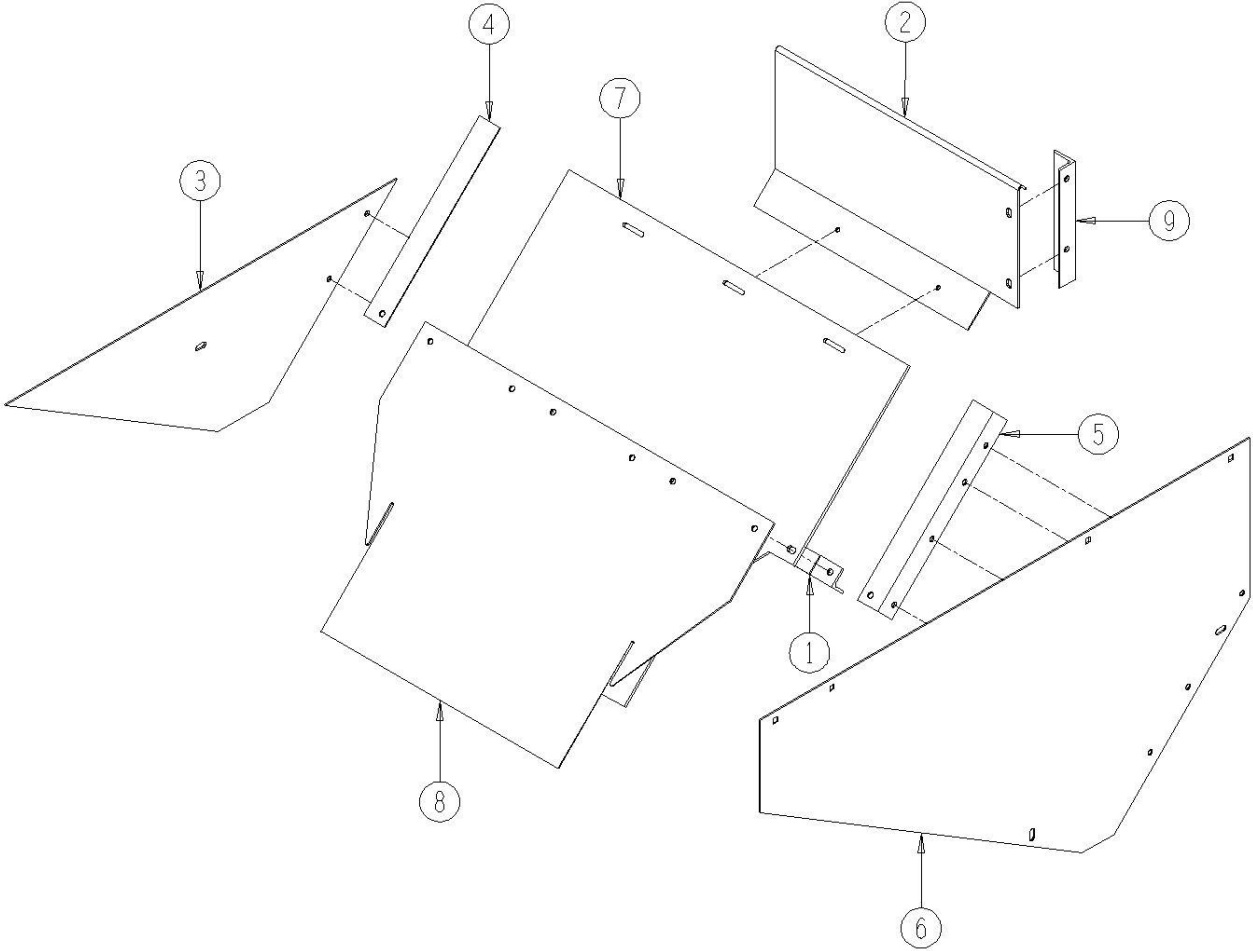
12011-09-04



12011-10-01 Discharge Basket Assembly

<u>Ref</u>	<u>Part No.</u>	<u>Description</u>	<u>Parts – Assembly</u>	<u>Will Fit SN</u>	<u>Remarks</u>
1	SPA-9001	Spacer, Discharge Basket, 240 Tomato Harvester	1		
2	SHD-9102	Top Shield, Discharge Basket, 240 Tomato Harvester	1		
3	SHD-9103	Back Shield, Discharge Basket, 240 Tomato Harvester	1		
4	ARM-8801	Angle, Discharge Basket, 290 Harvester	1		
5	ARM-8800	Angle, Discharge Basket, 290 Harvester	1		
6	SHD-9104	Front Shield, Discharge Basket, 240 Tomato Harvester	1		
7	BT-9100	Belting, Bottom, Discharge Basket, 240 Tomato Harvester	1		
8	PL-9100	Plastic, Bottom, Discharge Basket, 240 Tomato Harvester	1		
9	MOU-9902	Mount, Discharge Basket, 240 Tomato Harvester	1		

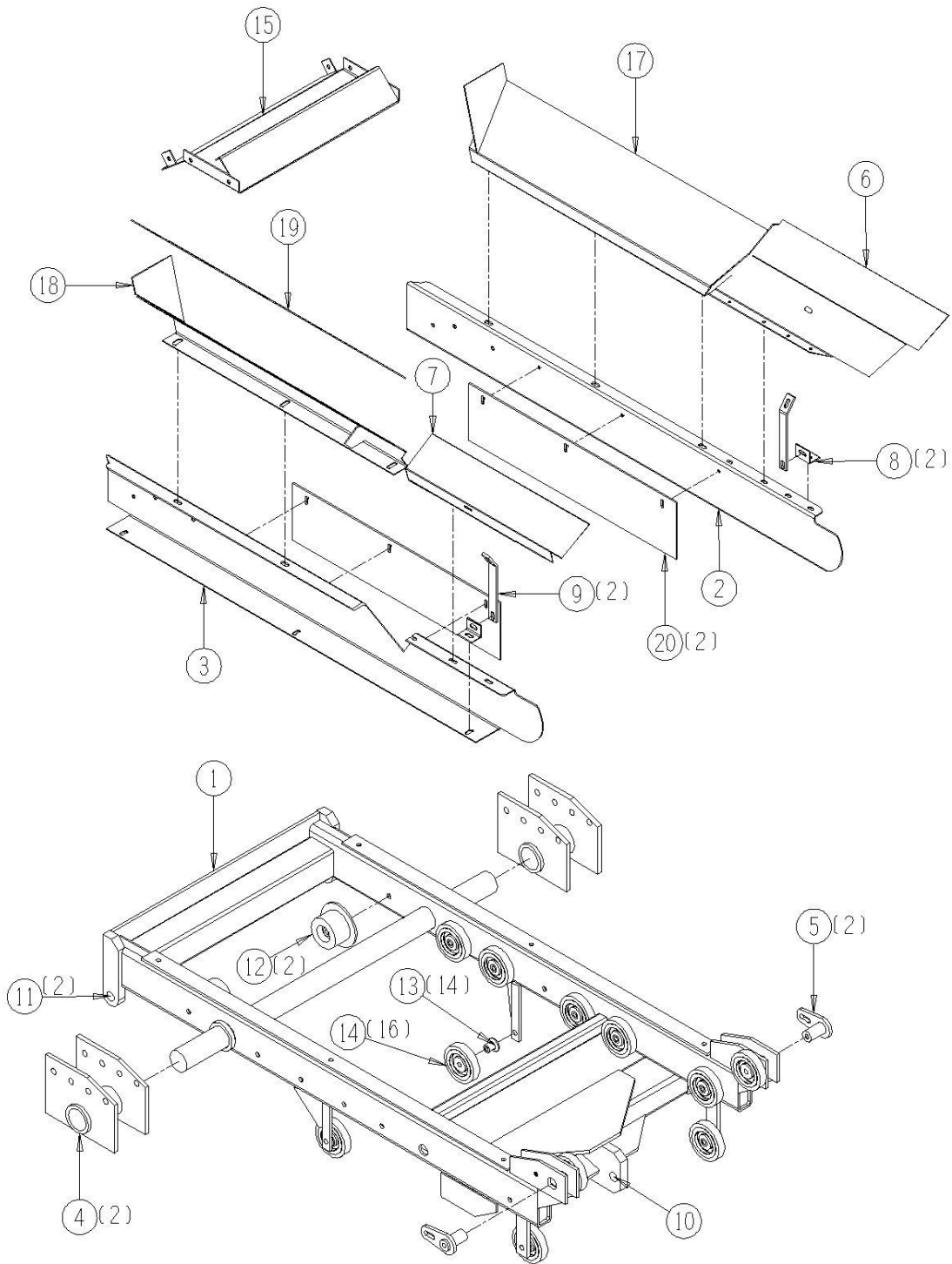
12011-10-01



12011-10-02 Inner Discharge Assembly

<u>Ref</u>	<u>Part No.</u>	<u>Description</u>	<u>Parts – Assembly</u>	<u>Will Fit SN</u>	<u>Remarks</u>
1	FRM-9900	Lower Discharge, 240 Harvester	1		
2	PAN-8800	Panel, Front, Inner Discharge, HC290 Tomato	1		
3	PAN-9901	Panel, Back, Inner Discharge, 240 Tomato Harvester	1		
4	BRA-9900	Discharge Mount, 240 Harvester	2		
5	PIN-8800	Pin, Inner Discharge, HC290 Tomato	2		
6	PAN-8802	Panel, Top, Front, Inner Discharge, HC290	1		
7	PAN-8804	Panel, Top, Back, Inner Discharge, 2010 290 Tomato Harvester	1		
8	BRA-8800	Bracket, Panel Mount, Inner Discharge, HC290	2		
9	BAR-8801	Bar, Panel Support, Inner Discharge, HC290	2		
10	HC-350-0808	Hydraulic Cylinder 3 1/2" x 8" #8 SAE Ports	1		Seal kit for Lion, HC-350-125
11	HC-200-1212	Hydraulic Cylinder, 2" Bore, 12" Stroke, 3/4"SAE	2		
12	RLT-535-228	5" Flange Roller 2.2WF x 3 1/2" dia, 1/2" bore	2		
13	RLA-000-118	Standoff, 1/2" X 1 1/8"	14		
14	RLR-040-108	4" Flat Roller	16		Changed to Urethane in 2006
15	VLV-9900	Valve, Lower Discharge, 240 Harvester	1		
16	DC-1174	Decal, Danger Keep Hands and Feet Away	1		
17	SHD-8803	Shield, Discharge Basket, 290 Tomato Harvester	1	SHD-8803	
18	SHD-8773	Shield, Rear, Discharge Basket, 2010 290 Tomato Harvester	1		
19	BT-8004	Belting, Cover, Discharge Basket 2010 290 Tomato Harvester	1		
20	PL-8001	Discharge Plastic, Lower Sides, 290 Harvester	2		

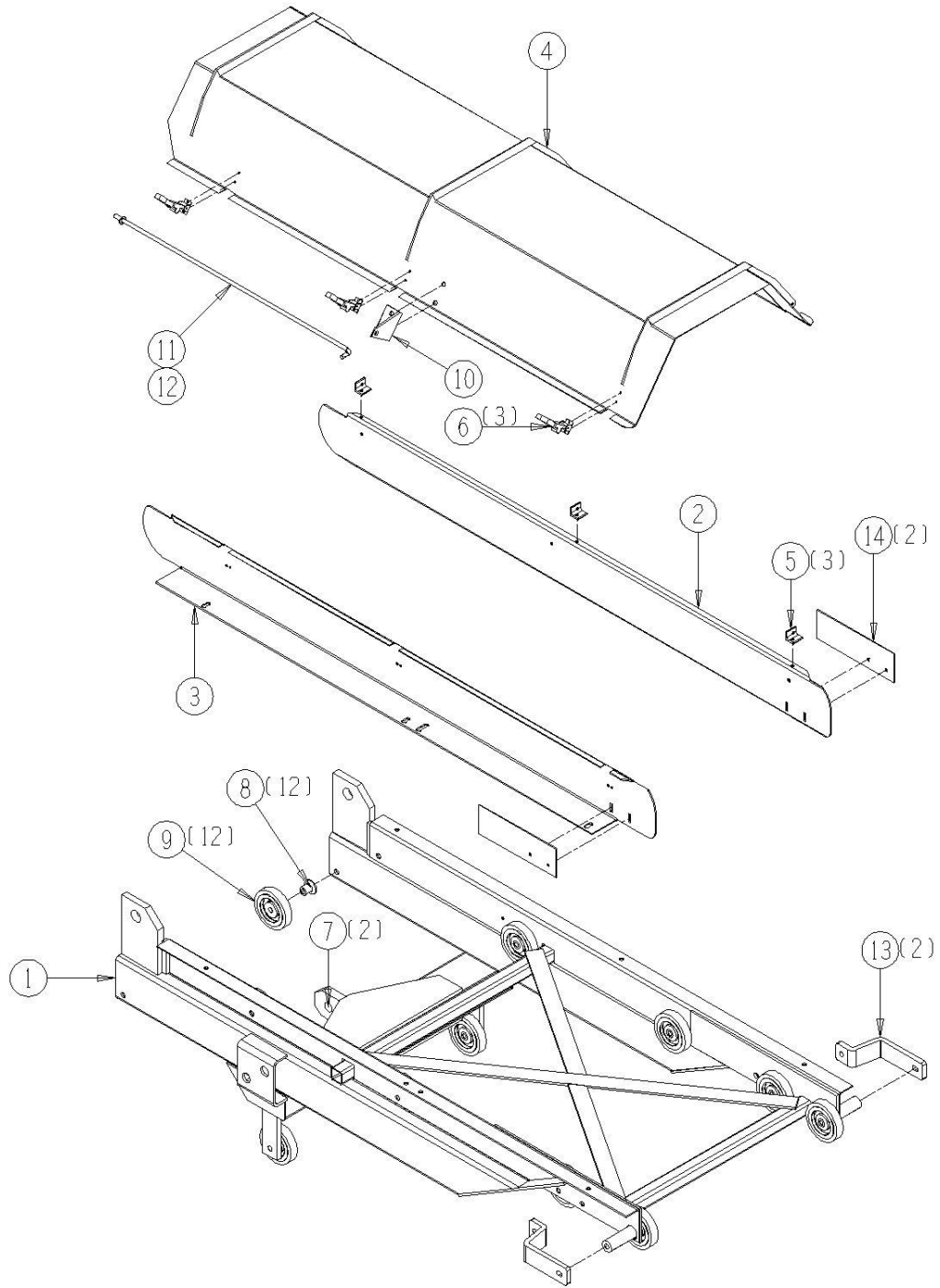
12011-10-02



12011-10-03 Middle Discharge Assembly

<u>Ref</u>	<u>Part No.</u>	<u>Description</u>	<u>Parts – Assembly</u>	<u>Will Fit SN</u>	<u>Remarks</u>
1	FRM-9901	Middle Discharge Frame, 240 Harvester	1		
2	PAN-8822	Panel, Front, Middle Discharge 2010 290 Tomato Harvester	1		
3	PAN-8823	Panel, Back, Middle Discharge 2010 290 Tomato Harvester	1		
4	SHD-9900	Cover, Middle Discharge, 240 Harvester	1		
5	BRA-8801	Bracket, Panel Mount, Middle Discharge, HC290	3		
6	LA-703	Large Rubber T Latch Assembly	3		
7	HC-200-2408	Hydraulic cylinder 2" x 24" #8 SAE Ports	2		Seal kit for Lion, HC-200-112
8	RLA-000-118	Standoff, 1/2" X 1 1/8"	12		
9	RLR-040-108	4" Flat Roller	12		Changed to Urethane in 2006
10	BRA-8802	Bracket for Cover Prop, Middle Discharge, HC290	1		
11	ADJ-8800	Adjuster, Cover Prop, Middle Discharge, HC290	1		
12	PIN-C2-16	Cotter Pin, 1/8" x 1"	1		
13	BAR-0114	Discharge Strap, Tomato Harvester	2		
14	PL-8805	Plastic Shield, Discharge 2010 290 Tomato Harvester	2		

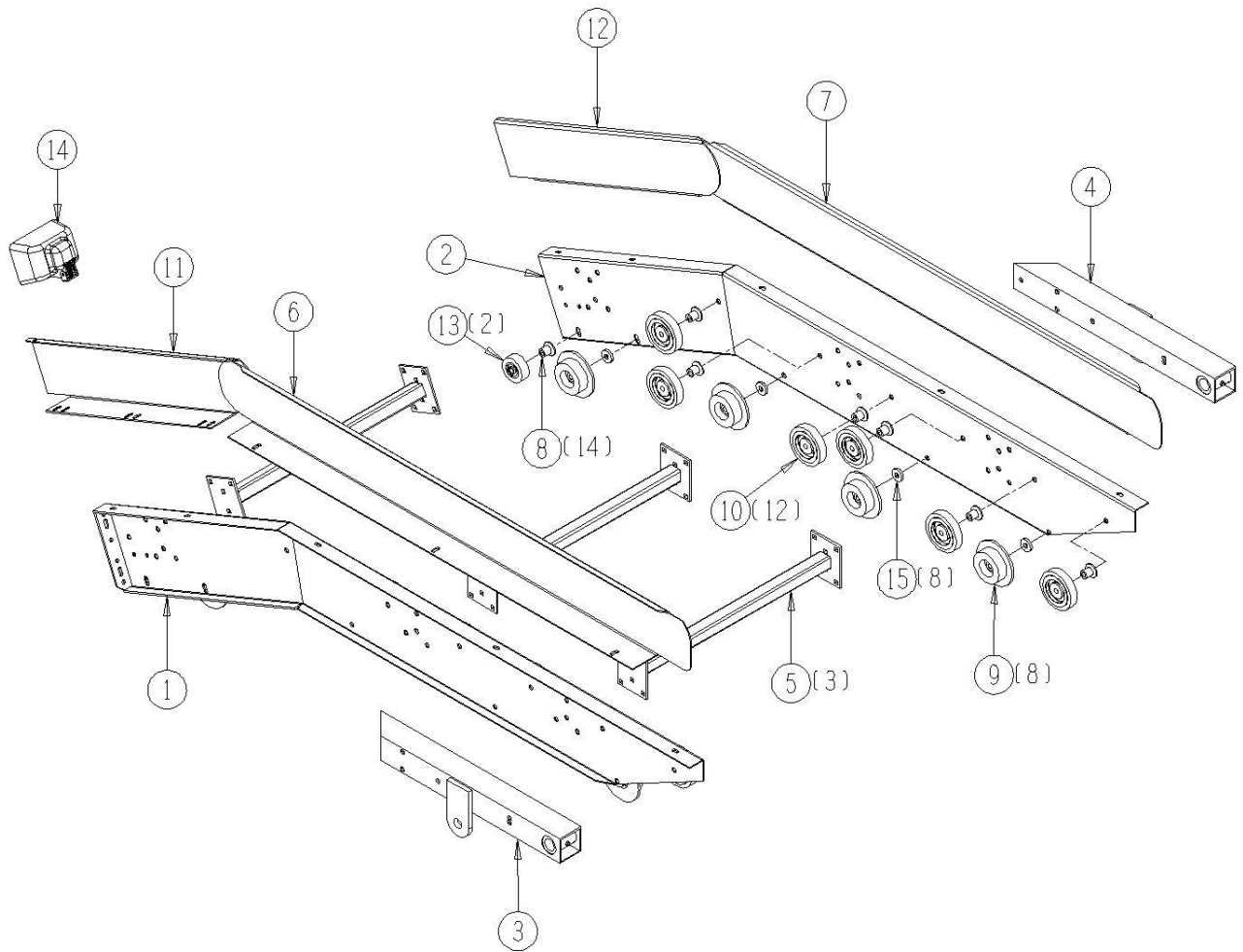
12011-10-03



12011-10-04 Outer Discharge Assembly

<u>Ref</u>	<u>Part No.</u>	<u>Description</u>	<u>Parts – Assembly</u>	<u>Will Fit SN</u>	<u>Remarks</u>
1	PAN-8816	Panel, Front, Outer Discharge, HC290 Tomato	1		
2	PAN-8817	Panel, Rear, Outer Discharge, HC290 Tomato	1		
3	192-905	Cylinder Mount, Front Discharge	1	19201-	
4	192-906	Cylinder Mount, Rear Discharge	1	19201- 192-900K	
5	BAR-9900	Cross Bar, Outer Discharge, 240 Harvester	3		
6	PAN-8820	Panel, Front, Outer Discharge, HC290 Tomato	1		
7	PAN-8821	Panel, Back, Outer Discharge, HC290 Tomato	1		
8	RLA-000-118	Standoff, 1/2" X 1 1/8"	14		
9	RLT-535-128	Narrow Flange Roller 1.2 WF 3.5 dia, 1/2" Bore	8		
10	RLR-040-108	4" Flat Roller	12		Changed to Urethane in 2006
11	PAN-8814	Panel, Top, Front, Discharge extension, HC290	1		
12	PAN-8815	Panel, Top, Back, Discharge extension, HC290	1		
13	RLT-027-108	Roller 2.75" dia. 1/2" Bore	2		2755C1X (Old Number, Single Bearing)
14	EL-1233	Light, Auxiliary Work Light, Clear, Trapezoid Beam, TL#80394	1		Replaces EL-1201
15	RLA-000-028	Washer/Spacer	8	11001-	

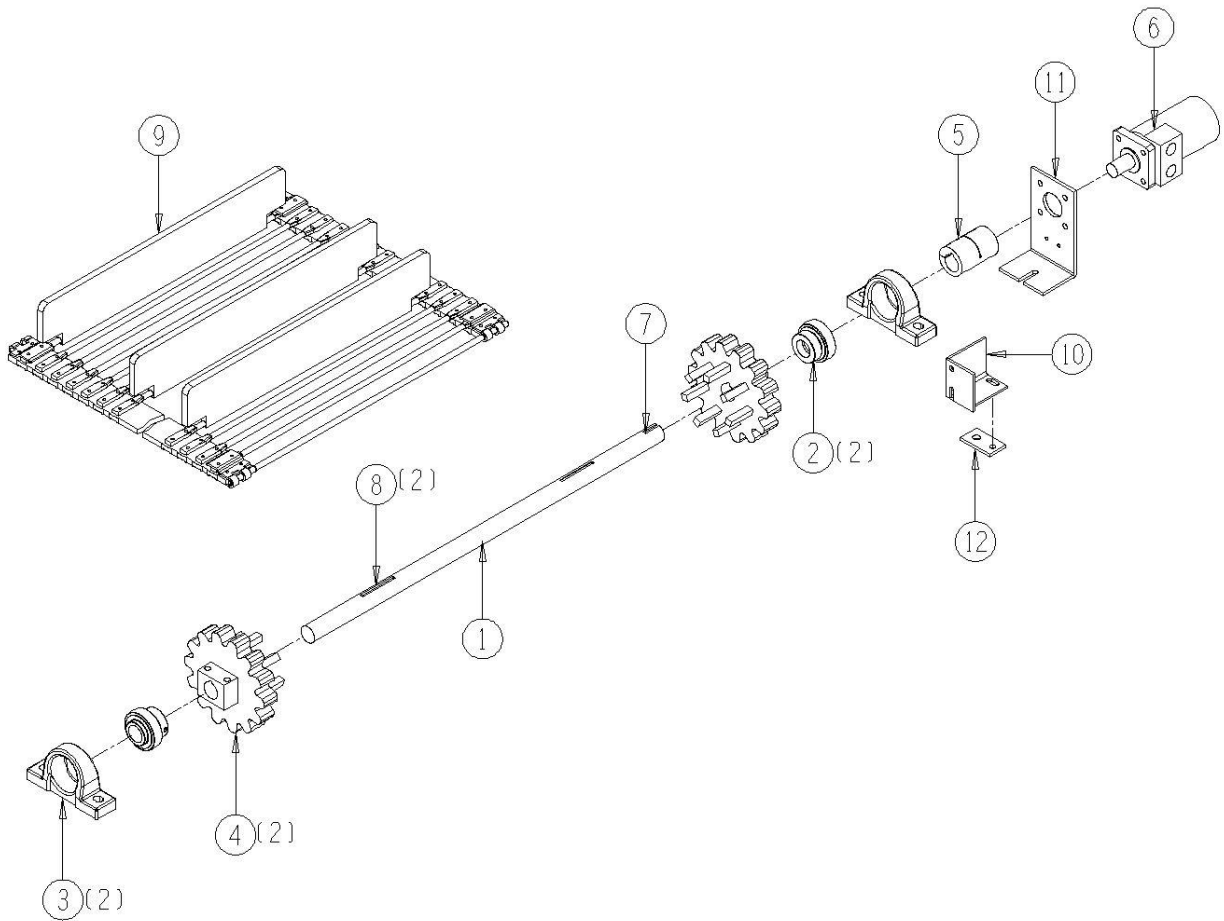
12011-10-04



12011-10-05 Discharge Drive Shaft Assembly

<u>Ref</u>	<u>Part No.</u>	<u>Description</u>	<u>Parts – Assembly</u>	<u>Will Fit SN</u>	<u>Remarks</u>
1	SFT-9900	Drive Shaft, Discharge, 240 Harvester	1		
2	BR-125-072	Bearing, 1 1/4 Fafnir tri-seal, 72mm OD	2		
3	BR-072-RAK	72mm Cast Housing	2		
4	SP-3618-20-4	Sprocket 36mm 18 Tooth, 1 1/4" Bore, Splitt & Bolted	2		
5	CPS-6060	Steel Coupler (offcenter) 1 1/4" x 1"	1		
6	HM-210-TC	TCI Motor	1		Seal Kit # TCI-SKHPQ
7	KEY-4-4-20	Shaft Key 1/4" x 1 1/4"	1		
8	KEY-4-4-32	Shaft Key 1/4" x 2" Square Cut (1018)	2		
9	BC-6-2636-319FL	Discharge Elevator, 3/8" Bars, 26" Wide x 319 Bars, 36mm Pitch	1		
10	193-915	Stop, Discharge Motor	1	19301-	
11	193-806	Mount motor	1		
12	BAR-1510	Bar, Light Holder	1		
800	BC-6-32-CN	Connecting Rod, 10mm, 32" Wide Belted Chain, 60mm Traction Belts	0	11101	For Clip Splice Option
801	BC-F-36-32-UG	Ultra Gold F Connecting Clips 36-32 @ pair	0		Replaces BC-F-36-32
802	BC-1032-FS	10-32 x 1 1/4" bolts Flat Socket Head	0		
803	BC-1032-LN	10-32 lock nuts	0		
804	BC-6-32-ST	3/8" x 32" Belted Chain Rods for 60mm Belt	0	11001	
805	BC-BP32	Belt, Rivet backing plates 32mm	0	11001	Lap Splice Option, Used only with BC-1032-LN Lock Nuts
806	KEY-4-4-15	Shaft Key 1/4" X 1/4" X 15/16" Woodruff Key	1		

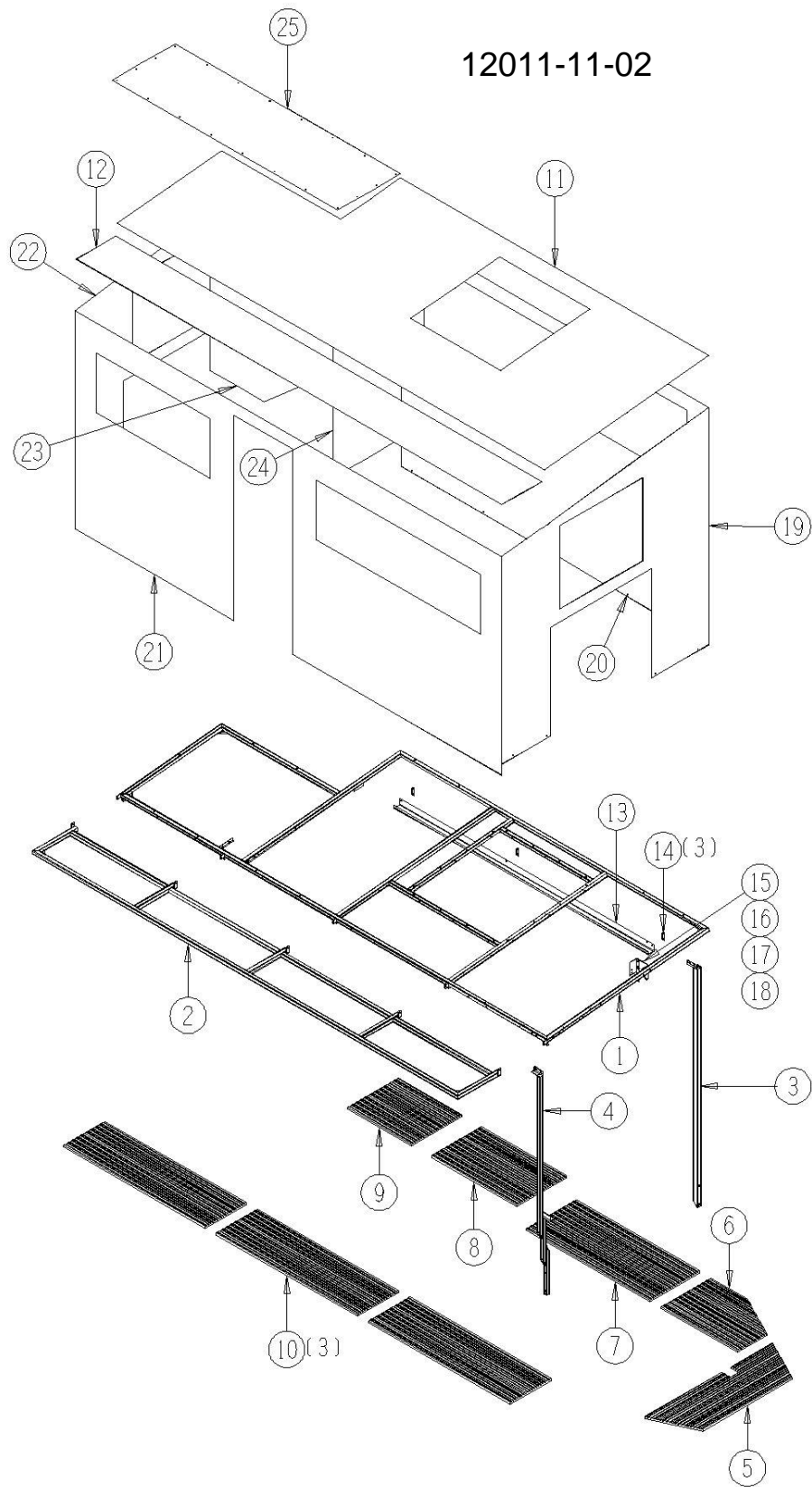
12011-10-05



12011-11-02 Optional Canopy Enclosure Assembly

<u>Ref</u>	<u>Part No.</u>	<u>Description</u>	<u>Parts – Assembly</u>	<u>Will Fit SN</u>	<u>Remarks</u>
1	FRM-9103	Canopy Frame, Tarp Enclosure, 240 Tomato Harvester	1		
2	FRM-9104	Canopy Frame, Upper Fold-out, Tarp Enclosure, 240 Tomato	1		
3	POS-9100	Post, Inner, Front Handsort, Canopy, 240 Tomato Harvester	1		
4	POS-9101	Post, Outer, Front Handsort, Canopy, 240 Tomato Harvester	1		
5	CM-9100	Deck Mat, Front, 240 Tomato Harvester	1		
6	CM-9101	Deck Mat, Front, Inner, 240 Tomato Harvester	1		
7	CM-9102	Deck Mat, Front, Mid, Inner, 240 Tomato Harvester	1		
8	CM-9103	Deck Mat, Rear, Mid, Inner, 240 Tomato Harvester	1		
9	CM-9104	Deck Mat, Rear, Inner, 240 Tomato Harvester	1		
10	CM-9105	Deck Mat, Outside, 240 Tomato Harvester	3		
11	COV-9900	Cover, Trans Roof, Canopy, 240 Tomato Harvester	1		
12	COV-9901	Cover, Trans Roof, Canopy, 240 Tomato Harvester	1		
13	BRA-0133	J Channel, Canopy, HC290	1		
14	BRA-0134	Angle Hanger, Channel, HC290	3		
15	195-1455	Horn Bracket	1	19501-	
16	195-1456	Horn Switch Bar	1	19501-	
17	SPG-9654	extension Spring for Horn Switch	1		
18	BAR-9001	Channel Brackets, 240 Harvester	4		
19	TRP-9000	Front Panel, 240 Tomato Harvester	1		
20	TRP-9001	Inside Panel, 240 Tomato Harvester	1		
21	TRP-9002	Outside Panel, 240 Tomato Harvester	1		
22	TRP-9003	Rear Panel, 240 Tomato Harvester	1		
23	TRP-9004	Outside Shaker Panel, 240 Tomato Harvester	1		
24	TRP-9005	Front Shaker Panel, 240 Tomato Harvester	1		
25	TRP-9006	Top Shaker Panel, 240 Tomato Harvester	1		

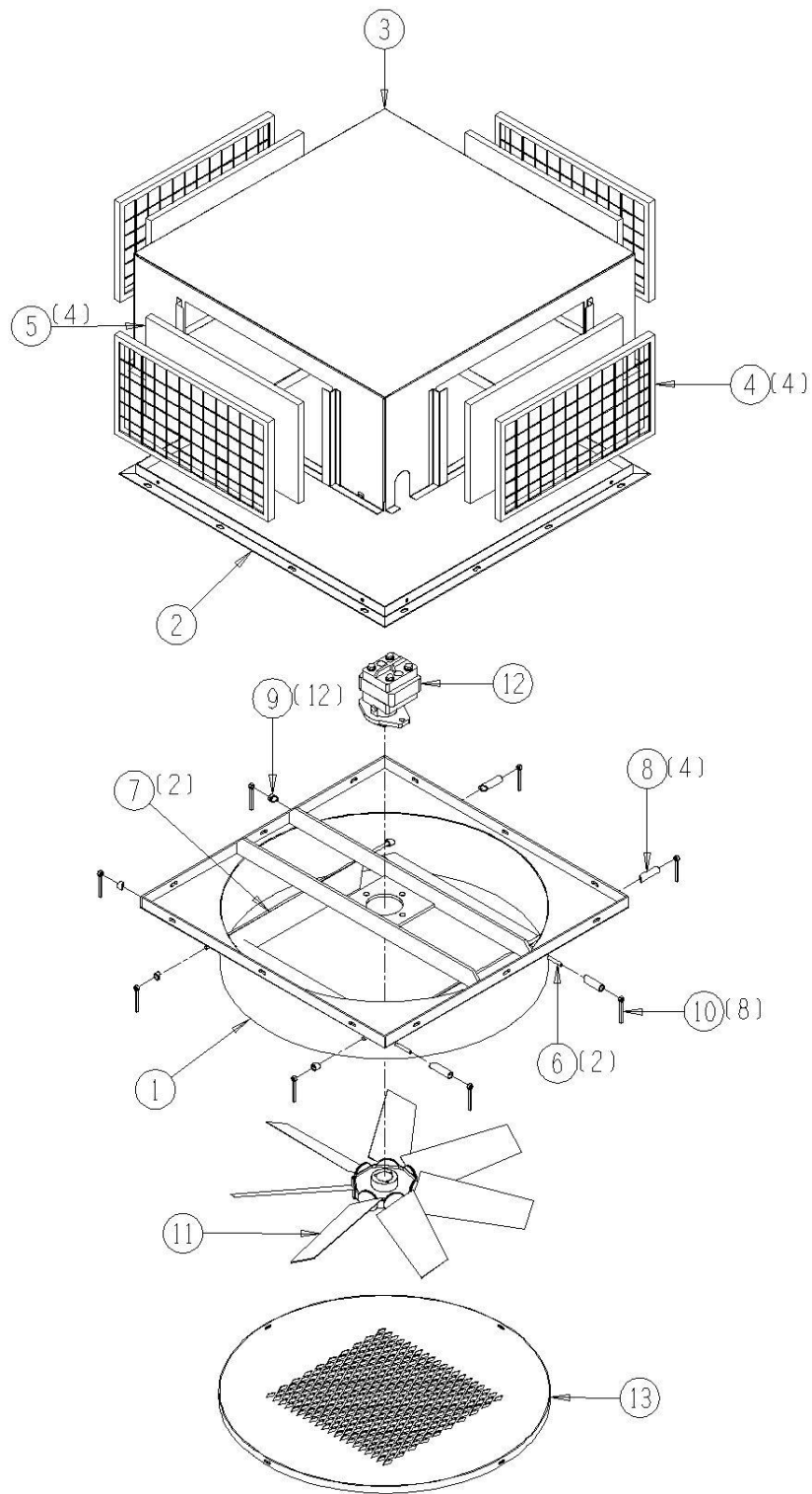
12011-11-02



12011-11-03 Optional Enclosure Assembly

<u>Ref</u>	<u>Part No.</u>	<u>Description</u>	<u>Parts – Assembly</u>	<u>Will Fit SN</u>	<u>Remarks</u>
1	FAN-8100	Fan, Fresh Air Fan Housing, Canopy	1		
2	FRM-0011	Frame, Ventilation Fan, Over Sorting	1		
3	FAN-4751	Fan Housing, Fresh Air Fans, Hand Sort Tables	1		
4	FFR-14251	Filter Frame, 14 x 25 x 1	4		
5	FP-14251	Filter Pad, 14 x 25 x 1	4		
6	FAN-8102	Fan, RH/LH Diffuser, Fresh Air Fan	2		
7	FAN-8103	Fan, Front/Back Diffuser, Fresh Air Fan	2		
8	SPA-8000	Spacer, Outside, Fresh Air Fan, Harvester	4		
9	SPA-8001	Spacer, Inside, Fresh Air Fan, Harvester	12		
10	ARM-8000	Arm, Diffuser Outside, Fresh Air Fan	8		
11	FAN-290-36	Fresh Air Fan, 36' with PU-SH-16 bushing	1		PU-SH-16 Bushing included.
12	HM-115	Hydraulic Motor	1		
13	FAN-8101	Fan, Shield, Fresh Air, Canopy	1		
14	HV-FL30	Flow Control Valve 30GPM	1		
15	WT-7	Wire Tie 7'	15		
800	PU-SH-16	Bushing, SH x 1', 1/4' Keyway	1		
801	HM-2100-SK	Shaft Seal & Gasket Kit for Permco Motor, M2100 Series	1		
802	HM-2100-BRG	Bearing for Permco Motor, M2100 Series	1		

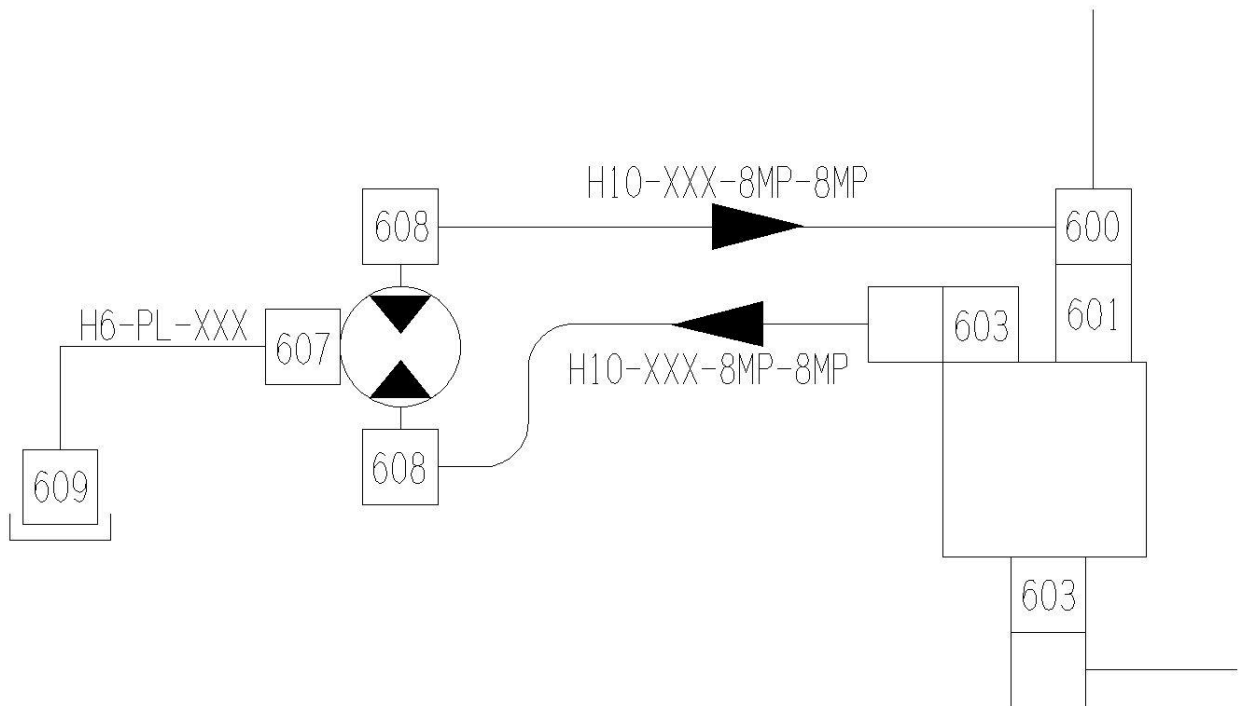
12011-11-03



12011-11-03H Enclosure Fresh Air Fan Hydraulic Assembly

<u>Ref</u>	<u>Part No.</u>	<u>Description</u>	<u>Parts – Assembly</u>	<u>Will Fit SN</u>	<u>Remarks</u>
600	A-1603-8-8-8	Swivel T 1/2" NPTF	1		
601	A-6401-10-8	10 SAE x 1/2 MPT Male	1		
603	A-6901-10-8	10 SAE x 1/2 FPX90°, Forged	2		
606	HA-1032	Hydraulic Hose Holder 1/2	4	19101	
607	A-4124-6-4	1/4 Male Pipe x 3/8 Push Loc	1		
608	A-6900-12-8	12 SAE x 1/2" FPX	2		
609	ATB-06-06-06	3/8" x 3/8" x 3/8" Brass Hose Barb Tee	1		CL-10 needs to be used with this tee.

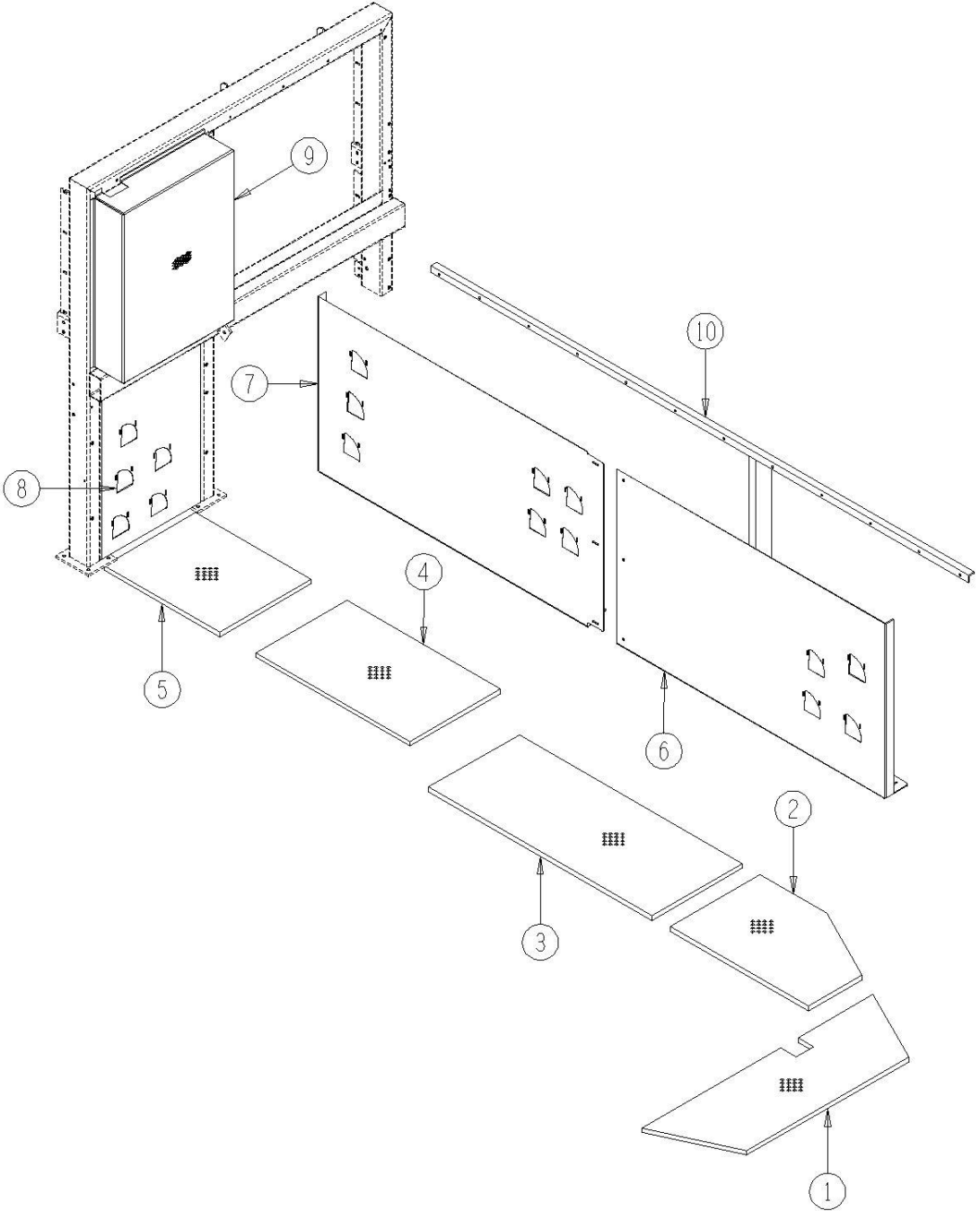
12011-11-03H



12011-11-04 Inner Decking Assembly

<u>Ref</u>	<u>Part No.</u>	<u>Description</u>	<u>Parts – Assembly</u>	<u>Will Fit SN</u>	<u>Remarks</u>
1	STD-9100	Decking, Over Head Lift, Inner Decking, 240 Tomato Harvester	1		
2	STD-9101	Decking, Front Presort, Inner Decking, 240 Tomato Harvester	1		
3	STD-9102	Decking, Front, Aftersort, Inner Decking, 240 Tomato Harvester	1		
4	STD-9103	Decking, Rear, Aftersort, Inner Decking, 240 Tomato Harvester	1		
5	STD-9104	Decking, Rear, Inner Decking, 240 Tomato Harvester	1		
6	PAN-9121	Panel, Front, Flow Control, 240 Tomato Harvester	1		
7	PAN-9122	Panel, Middle, Flow Control, 240 Tomato Harvester	1		
8	PAN-9123	Panel, Rear, Flow Control, 240 Tomato Harvester	1		
9	SHD-9127	Exp. Metal Guard, Front Shaker Chamber, 240	1		
10	SHD-9125	Support, Shield, Flow Control, 240 Tomato Harvester	1		

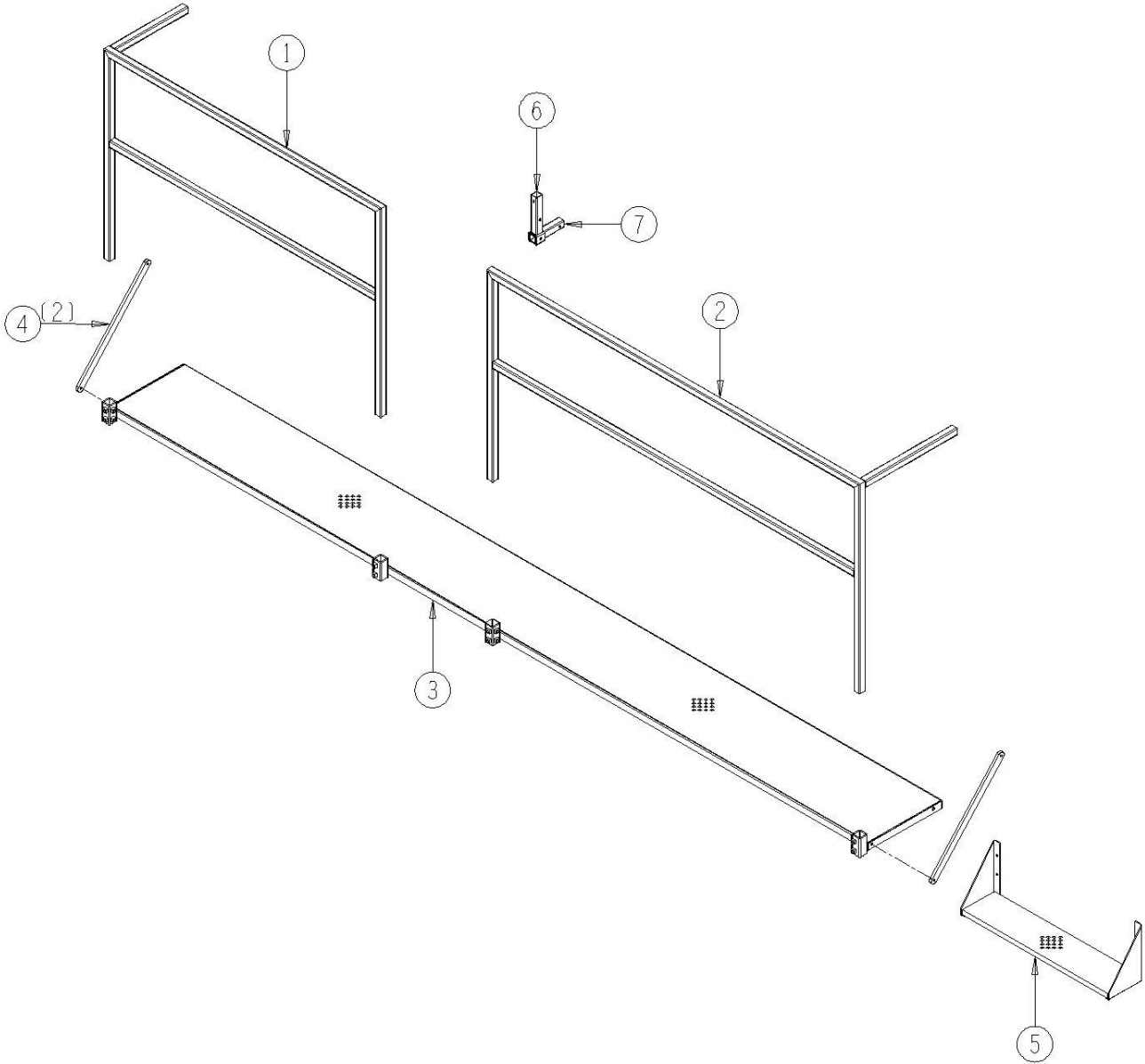
12011-11-04



12011-11-05 Outer Decking Assembly

<u>Ref</u>	<u>Part No.</u>	<u>Description</u>	<u>Parts – Assembly</u>	<u>Will Fit SN</u>	<u>Remarks</u>
1	STD-8105	Stand, Back Hand Rail, HC290 Tomato	1		
2	STD-9105	Stand, Front Hand Rail, Outer Decking, 240 Tomato Harvester	1		
3	STD-9106	Decking, RH Side, Under Canopy, Outer Decking, 240 Tomato Harvester	1		
4	BAR-9105	Bar, Ends, Outer Decking, 240 Tomato Harvester	2		
5	STD-1411	Deck, Step	1	19401-	
6	SUP-9900	Support, Outside Decking, 240 Tomato Harvester	1		
7	SUP-0109	Tube, Decking Support	1		

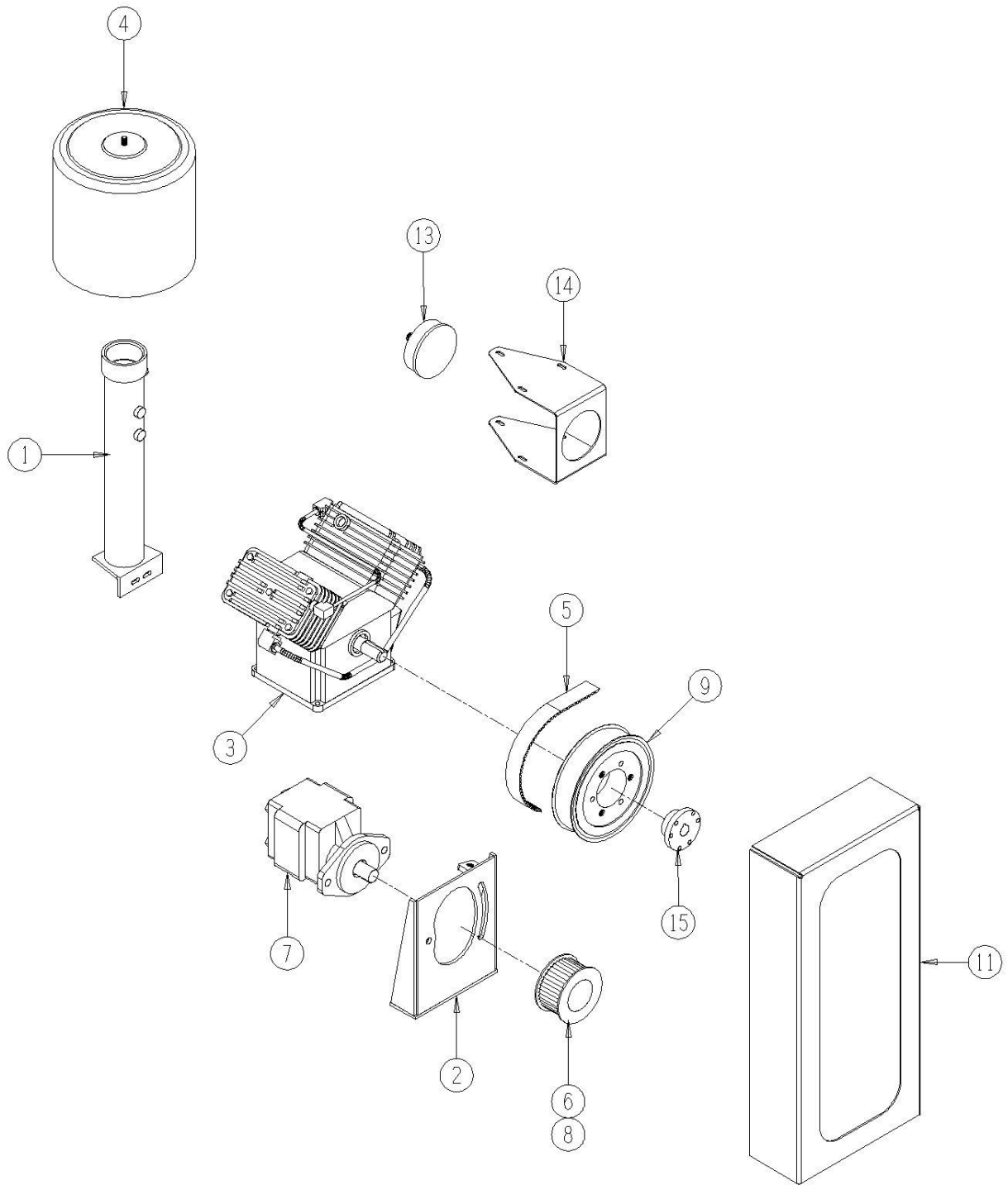
12011-11-05



12011-12-01 Air Compressor Assembly

<u>Ref</u>	<u>Part No.</u>	<u>Description</u>	<u>Parts – Assembly</u>	<u>Will Fit SN</u>	<u>Remarks</u>
1	MOU-0088	Air Intake, Filter Mount	1		
2	MOU-9900	Mount, Motor, Air Compressor, 240 Tomato Harvester	1		
3	AIR-1508	Air Compressor	1		
4	AIR-1510	2 ½" Air Filter	1		
5	BT-1280-8M-30	Primary Weight Drive Belt	1	19101	Can not replace with BT-390H100 belts unless all the pulleys are changed.
6	PU-42-8M-30-2012	HTD Pulley	1		
7	HM-122	Motor, Hydraulic, 1-¾" Gear, #12 SAE Ports	1		
8	PU-2012-16	Taperloc Bushing - 1" Bore	1		
9	PU-80-8PTH-35-SF	Primary Weight Pulley, 35mm Wide, Panther Style	1		
10	Air-0001	Synthetic Compressor Oil (ISO 100 SAE 40): 1 quart bottle	1		
11	SHD-9901	Air Compressor Cover	1		
12	DC-1506B	Decal,White:AIR FILTER-CLEAN DAILY BLOW	1	11001-	
13	AIR-0002	4", 0-160 PSI Liquid Filled Gauge, Back-Mount with Bracket	1		
14	AIR-0003	Air, Gauge Mount, Header Cylinder Mount, 290	1		
15	PU-SF-18	Bushing, SF x 1 1/8"	1		
16	AIR-1355	Air Filter Monitor(15# H2O) with O-Ring fitting	1		

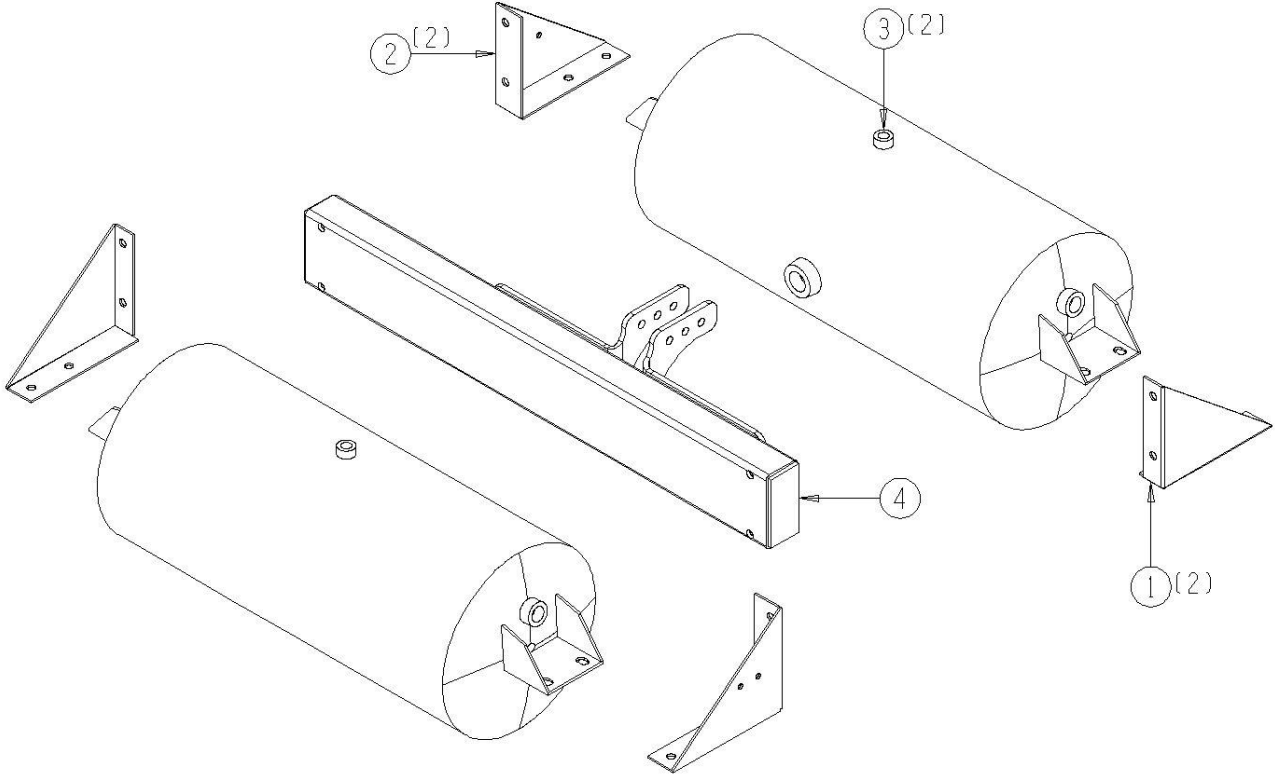
12011-12-01



12011-12-02 Air Tank Assembly

<u>Ref</u>	<u>Part No.</u>	<u>Description</u>	<u>Parts – Assembly</u>	<u>Will Fit SN</u>	<u>Remarks</u>
1	194-1513a	Air Tank Bracket	2	19401-	
2	194-1513B	Bracket, Air Reservoir	2	19401-	
3	AIR-1513	Air Reservoir Tank	2		
4	MOU-9031	Mount Bracket, Air Tank, 240 Tomato Harvester	1		
100	BL-6-125-H	3/8-16 X 1 1/4 HHCS G5 ZC	8		
101	BL-6-225-H	3/8 UNC X 2 1/4 HH C/S BOLT GR5 ZINC	8		
102	BL-6-LN	3/8 UNC FIN HEX LOCK NUT NE A563 GrA ZINC	16		
103	BL-6-FW	3/8 USS FW ZC	16		

12011-12-02

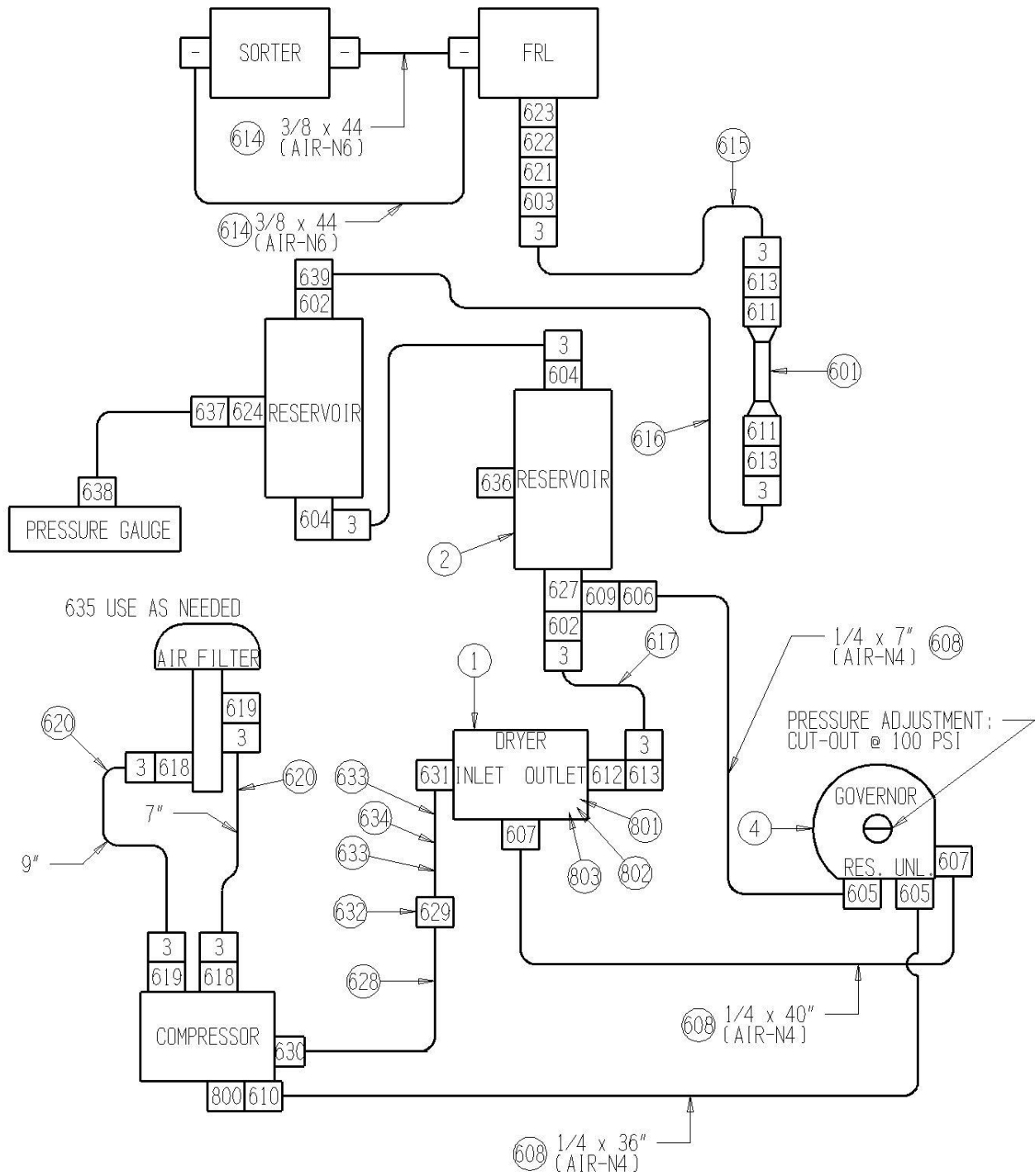


12011-12-03 Pneumatics Schematic

<u>Ref</u>	<u>Part No.</u>	<u>Description</u>	<u>Parts – Assembly</u>	<u>Will Fit SN</u>	<u>Remarks</u>
1	AIR-1514-M	Air Dryer	1		Will replace 110-1514 with minor modifications
3	CL-16	1' Stainless Steel Gear Clamp	10		
4	AIR-1512	Air Compressor Governor	1		
5	AIR-0002	4', 0-160 PSI Liquid Filled Gauge, Back-Mount with Bracket	1		
6	AIR-0003	Air, Gauge Mount, Header Cylinder Mount	1		
601	H-T12	½' Air Line	1		
602	A-4124-10-8	1/2 Male Pipe x 5/8 Push Loc	2		
603	A-4104-10-6	3/8 MP to 5/8 Hose Barb	1		
604	A-4129-10-8	1/2 NPT 90- w/ 5/8' push-loc	1		
605	AIR-N4-2	Auto-loc Male Adapter 1/4 x 1/8 NPT	2		
606	AIR-NL-4-4	Auto-loc Elbow 1/4 n 1/4 NPT	1		
607	AIR-PL-4-2	Male Elbow, 1/4 x 1/8NPT, Brass, D.O.T., Prestomatic	2		
608	AIR-N4	1/4'Nylon Tubing @ ft., Black	7		
609	AB-8-4	1/2 x 1/4 Bushing	1		
610	AIR-60BI	Brass Insert, 1/4' Nylon Tube	1		
611	A-2403-12-10	½' MJIC x 5/8' MJIC	2		
612	A-2501L-10-8	5/8MJIC x 1/2MP(Long)90-	1	19701-	
613	A-4121-10-10	5/8' Push Loc x 5/8' JIC Female	3		
614	AIR-N6	3/8' Nylon Tubing @ ft., Black	8		
615	H10-PL-130	5/8' Push Loc Hose 130'	1	19701-	
616	H10-PL-41	5/8' Push Loc Hose 41'	1		
617	H10-PL-51	5/8' Push Loc Hose 51'	1		
618	A-4109-12-8	1/2 MP to ½ Hose Barb 90-	2		
619	A-4104-12-8	1/2 MP to ½ Hose Barb	2		
620	H12-20-12MP-12MP	½ in hose ½MP x ½MP x 20 in long	1	Kit-0050	
621	SRT-1579	3/8' Ball Valve	1		
622	A-5404-6-6	Hex Nipple, 3/8' x 3/8'	1		
623	A-1501-6-6	3/8' MP x 3/8' FPX90-	1		

624	AB-12-4	1/2" x 1/4" Bushing	2	
625	A-5500-4	1/4" 90° Male Pipe Elbow	1	
626	AIR-375-25F	Air Coupler 3/8" Body - 1/4" NPT Female Thread	1	
627	A-5602-8	Run Tee 1/2" NPT	1	
628	HSST-72-12-12	SS Braid Hose with Teflon Core 3/4" x 72'	1	
629	A-1405-8-8	1/2" NPT Coupler w/Swivel	1	
630	A-1503-8-8	Elbow, 1/2" MP X 1/2" FPX45°	1	
631	A-5405-8-12	Pipe Adapter 1/2" MPT x 1/2" FPT	1	
632	H-18RFL	Hose Protection Shield, Size 18 @ Foot	1	
633	H13-RFL	Hose Protection Shield, Size 13	2	
635	WT-17H	Heavy Duty Wire Tie 17.5'	10	
636	AIR-8000	Safety Valve, Air Tank 290	1	
637	A-1501-4-4	1/4" MP x 1/4" FPX90°	1	
638	A-5504-4	1/4" Pipe Elbow	1	
639	CL-1208	Hose Clamp, Size 12 - 1/8"	4	
800	AIR-60	Brass Compression Sleeve, 1/4" Nylon Tube	1	
801	AIR-1514-M-A	Air Dryer Acc., Coalescing Filter Kit	1	AIR-1514-M
802	AIR-1514-M-B	Air Dryer Acc., Desiccant Filter Kit	1	AIR-1514-M
803	AIR-1514-M-C	Air Dryer Acc., Purge Valve Kit	1	AIR-1514-M

12011-12-03



12011-13-01 Double Pump Hydraulic Motor Assembly

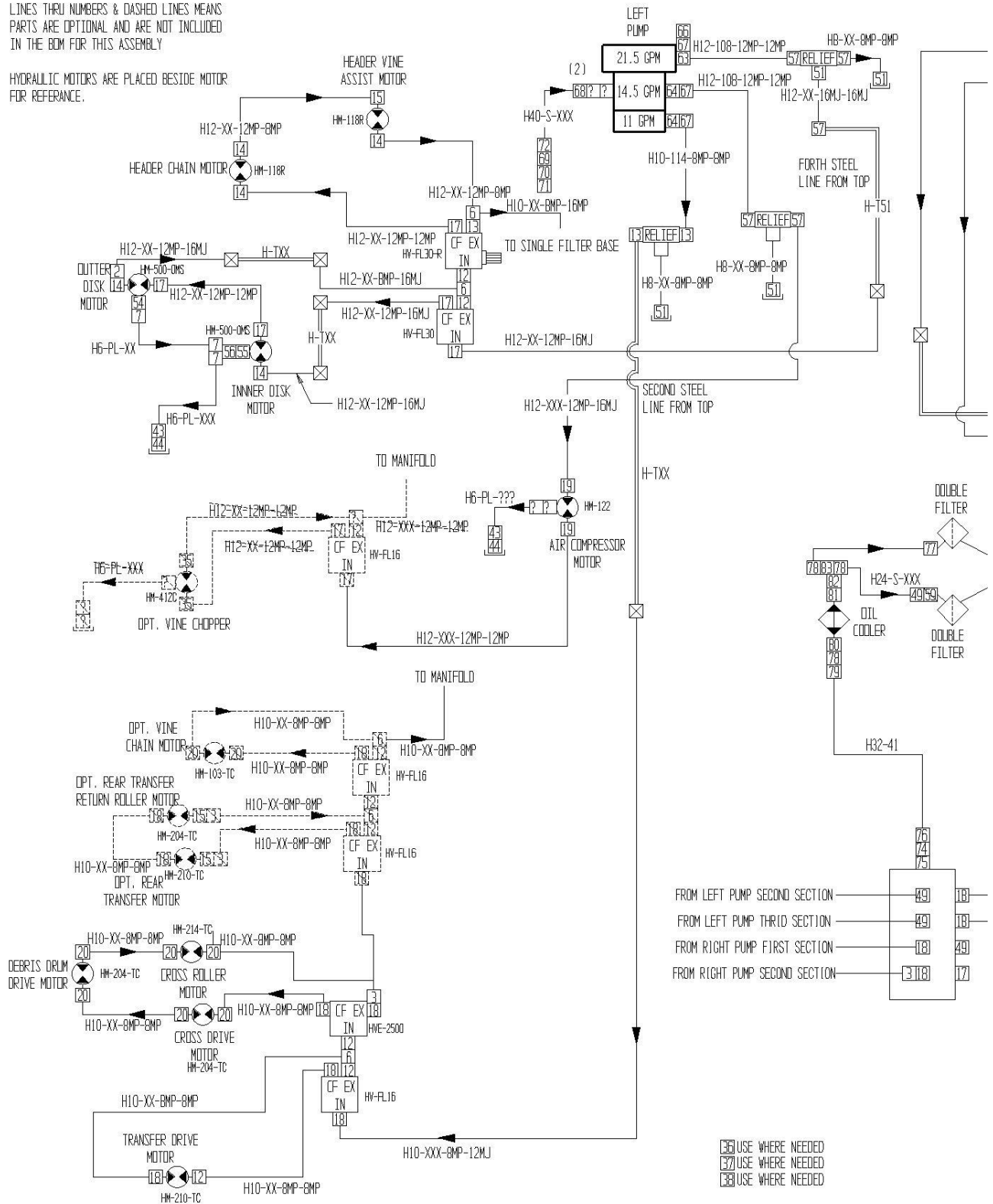
<u>Ref</u>	<u>Part No.</u>	<u>Description</u>	<u>Parts – Assembly</u>	<u>Will Fit SN</u>	<u>Remarks</u>
1	A-1404-4-4	1/4 MP x 1/4 FPX	2		
2	A-1501-12-12	3/4MP x 3/4 FPX 90°	2		
3	A-1501-8-8	1/2 MP x 1/2 FPX90°	4		
4	A-1503-8-8	Elbow, 1/2' MP X 1/2' FPX45°	2		
5	A-1601-8-8-8	1/2 MP x 1/2 FPX x 1/2 FPX Tee	0		
6	A-1603-8-8-8	Swivel T 1/2' NPTF	16		
7	A-4124-6-4	1/4 Male Pipe x 3/8 Push Loc	6		
8	A-4129-6-4	1/4' NPT 90° w/3/8' Push-Loc	2		
9	A-5404-8-8	Hex Nipple 1/2' x 1/2'	2		
10	A-6400-12-10	3/4' MJIC X 10 SAE	2		
11	A-6400-16-12	1' MJIC X 12 SAE	4		
12	A-6401-10-8	10 SAE x 1/2 MPT Male	21		
13	A-6806-10-8	10 SAE x 1/2' MP 90°	1		
14	A-6900-10-12	10 SAE x 3/4 FPX	7		
15	A-6900-10-8	10 SAE x 1/2 FPX	14		
17	A-6901-10-12	10 SAE x 3/4 FPX90° , Forged	10		
18	A-6901-10-8	10 SAE x 1/2 FPX90° , Forged	18		
19	A-6901-12-12	12 SAE x 3/4' FPX 90° , Forged	6		
20	A-6902-10-8	10 SAE X 1/2' FPX 45°	12		
21	BAR-2011	Bar, Security Copper Wire Seal	6		relief lock
24	HA-1090K	Fine Tune Speed Control Kit	2	Prince & Brand Flow Controls	All
25	HA-2011	Copper Wire Security Seals	6		
28	HV-FL16	Flow control valve 16GPM	6		
29	HV-FL30	Flow Control Valve 30GPM	6		
30	HV-FL30-R	Hydraulic Flo Control Valve with Relief 30GPM	2		
31	HV-RV-1H	Relief valve w/ SAE #12 ports	4		
32	HV-RV-3H	Relief Valve w/ SAE #10 Ports	2		
33	STP-FL30	Stop, Flow Control	1	19101-	

34	A-1405-8-8	1/2' NPT Coupler W/Swivel	1	
35	A-6901-12-8	12 SAE x 1/2' FPX 90° , Forged	4	
36	H13-RFL	Hose Protection Shield, Size 13	10	
37	H-18RFL	Hose Protection Shield, Size 18 @ Foot	10	
38	WT-17H	Heavy Duty Wire Tie 17.5'	60	
39	HV-900A	Electronic Valve (Discharge conveyor)	1	
39	A-6900-12-8	12 SAE x 1/2' FPX	0	
40	ATB-06-06-06	3/8' x 3/8' x 3/8' Brass Hose Barb Tee	0	CL-10 needs to be used with this tee.
42	A-4603-24-24	1 1/2 x 24 SAE 45° Male O-Ring Beaded Insert	0	
43	A-4124-6-6	3/8 Male Pipe x 3/8 Push Loc	7	
44	A-6900-8-6	8 SAE x 3/8' FPX With 7/8' Stock Body	7	20095001-
47	A-6408-10	10 SAE Plug	4	
49	CL-200-SD	Two Bolt Hose Clamp, Super Duty, Galvanized	8	1 1/2' Suction Hose
50	A-2404-12-8	3/4' MJIC X 1/2' MP	2	
51	A-1404-8-8	1/2 MP to 1/2 FPX, Straight	6	
52	A-2404-16-12	1' MJIC X 3/4' MP	4	
53	ASL-24	1 1/2 ST ELL, Domestic Only	0	
54	A-6901-4-4	4 SAE X 1/4 FPX 90° , Forged	1	
55	A-6401-4-4	4 SAE x 1/4' MP	1	
56	A-5605-4	1/4' Pipe Tee	1	
57	A-6900-12-12	12 SAE x 3/4' FPX	2	
58	AN-24-24-HS	1 1/2' Male NPT with Combination 1-1/2' Hose Barb	0	
59	AN-24-CL	1 1/2' Black (Nipple Close)	0	
60	AB-40-24	2 1/2 x 1 1/2 Black Hexagon Bushing	0	
61	AT-40-40-40	2 1/2 x 2 1/2 x 2 1/2 Black Tee	0	
62	A-6901-12-12-4PT	12 SAE x 3/4' FPX 90 W/1/4' port, Forged	2	
64	A-6901-10-8-4SAE	10 SAE x 1/2 FPX90° W/ 4SAE Port, Forged	4	
65	ASL-4	1/4' Black Street Elbow	2	
66	HA-1004-T	Test Point Plug, 1/4' NPT	2	
67	HA-1004-4	Test Point Plug #4 SAE Thread	4	
68	CL-249-SD	Two Bolt Hose Clamp, Super Duty, Galvanized	8	2 1/2' Suction Hose

70	A-4444-32-32	2' Male Pipe Hose Barb	2		
72	AN-32-40-HS	2' NPTx 2" ID Hose, Combination Nipple/Hose Shank	2		
73	TAN-8103	Tank,Oil Return Manifold, HC 290 (Single Cooler)	1		
84	BAR-0115	Hose Holder Bracket, 190 Harvester	1		
85	EL-EC-1202	Controller for Brand Valve	1		
86	HVE-2500	Electronic Flow Control Valve	1		
87	HA-8400	Hose Holder, Shaker Weigh Box, 290	10		
88	TAN-8102	Tank, Manifold, Drain Lines, HC 290	2		
89	H-T45	Tubing, Hydraulic, Header Tube	2	19501-	Replaces H-T44(except <19501)

NOTE:

1. ALL CASE DRAIN HOSES NEED TO BE PLUMBED (LOOPE) HIGHER THAN THE MOTOR.
2. LINES THRU NUMBERS & DASHED LINES MEANS PARTS ARE OPTIONAL AND ARE NOT INCLUDED IN THE BOM FOR THIS ASSEMBLY
3. HYDRAULIC MOTORS ARE PLACED BESIDE MOTOR FOR REFERENCE.

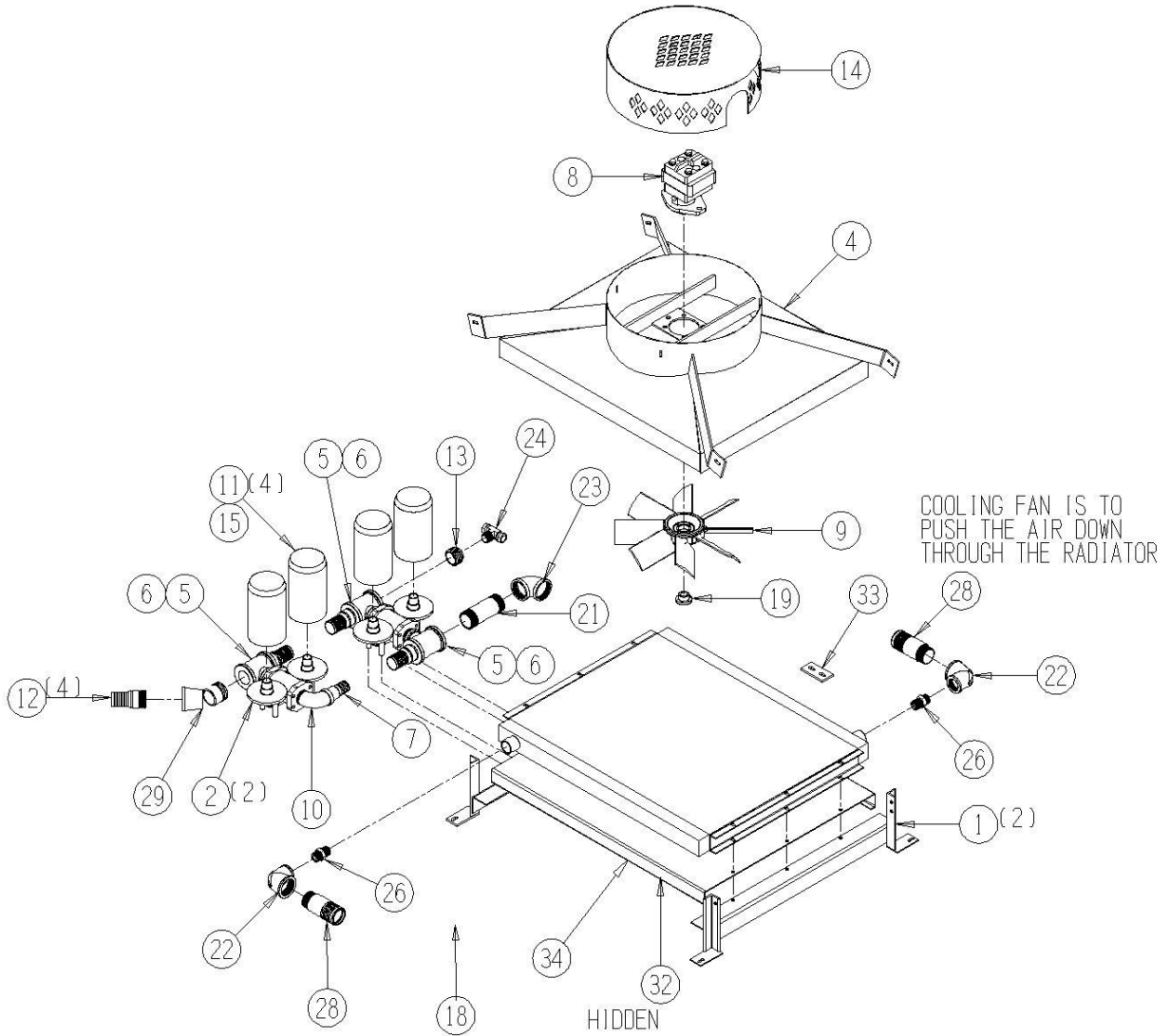


12011-13-02 Oil Cooler Assembly

<u>Ref</u>	<u>Part No.</u>	<u>Description</u>	<u>Parts – Assembly</u>	<u>Will Fit SN</u>	<u>Remarks</u>
1	MOU-0207	Mount, Oil CoolerSupport	2		
2	HA-1023-Z	Double Filter Head, Side by Side	2		
3	HA-1036	Oil Cooler	1		
4	SHD-0207	Fan Shroud, Lg Oil Cooler, 290 Tomato Harvester	1		
5	AN-24-CL	1 1/2" Black (Nipple Close)	3		
6	AT-32-24-32	2 x 1 1/2 x 2 Reducing Tee	3		
7	AN-24-32-HS	1 1/2" Male NPT with Combination 2" Hose Barb	1		
8	HM-412-1	Hydraulic Motor	1		Same as HM-412C except w/1" shaft
9	FAN-290-18	HC 290 Oil Cooler Fan, 18" w/o JA Bushing/Rev	1		Replaces FAN-190-18 & HA-1019-G
10	ASL-24C	1 1/2", Street Elbow, Domestic Only, Cast	1		
11	HA-1029	Hydraulic Fluid Filter, 11'	4		
12	AN-32-HS	2" NPT, Combination Nipple/Hose Shank, 2" ID Hose	4		
13	AB-32-16	2" x 1" Bushing, Black Iron Domestic	1		
14	191-1082	Shield, Cooling Fan	1		
15	HA-1023A	Filter Gage	1		
16	CL-250	T-Bolt Clamp for 2 1/2" Suction Hose	4		
17	DC-1175	Decal, Danger, Rotating Blade Hazard	1		
19	PU-JA-16	Bushing, JA x 1"	1		
23	AL-32	2" NPT, Black Elbow	1		
24	A-1601-16-12-12	1"MP x 3/4"FPX x 3/4"FPX Tee	1		
26	A-4601-32-24	2" x 24 SAE 90° Male O Ring Beaded Insert	2		
29	ASL-32-45	2" Street Elbow, 45° , Domestic Only, Cast	1		
33	BAR-0253	Flat Bar	1		
36	SHD-0208	Shield, Lg Oil Cooler, 290 Tomamato Harvester	1		
37	WT-17H	Heavy Duty Wire Tie 17.5"	15		
601	AN-32-40-HS	2" NPTx 2 1/2" ID Hose, Combination Nipple/Hose Shank	3		
602	A-4603-24-24	1 1/2 x 24 SAE 45° Male O-Ring Beaded Insert	0		
603	H40-S	2 1/2" Suction Hose	0		

800	HM-412B	Key for Hydraulic Motor -Shaker Weight-Vibrator	1	HM-412C & HM-712C
801	HM-2100-SK	Shaft Seal & Gasket Kit for Permco Motor, M2100 Series	1	
802	HM-2100-BRG	Bearing for Permco Motor, M2100 Series	1	

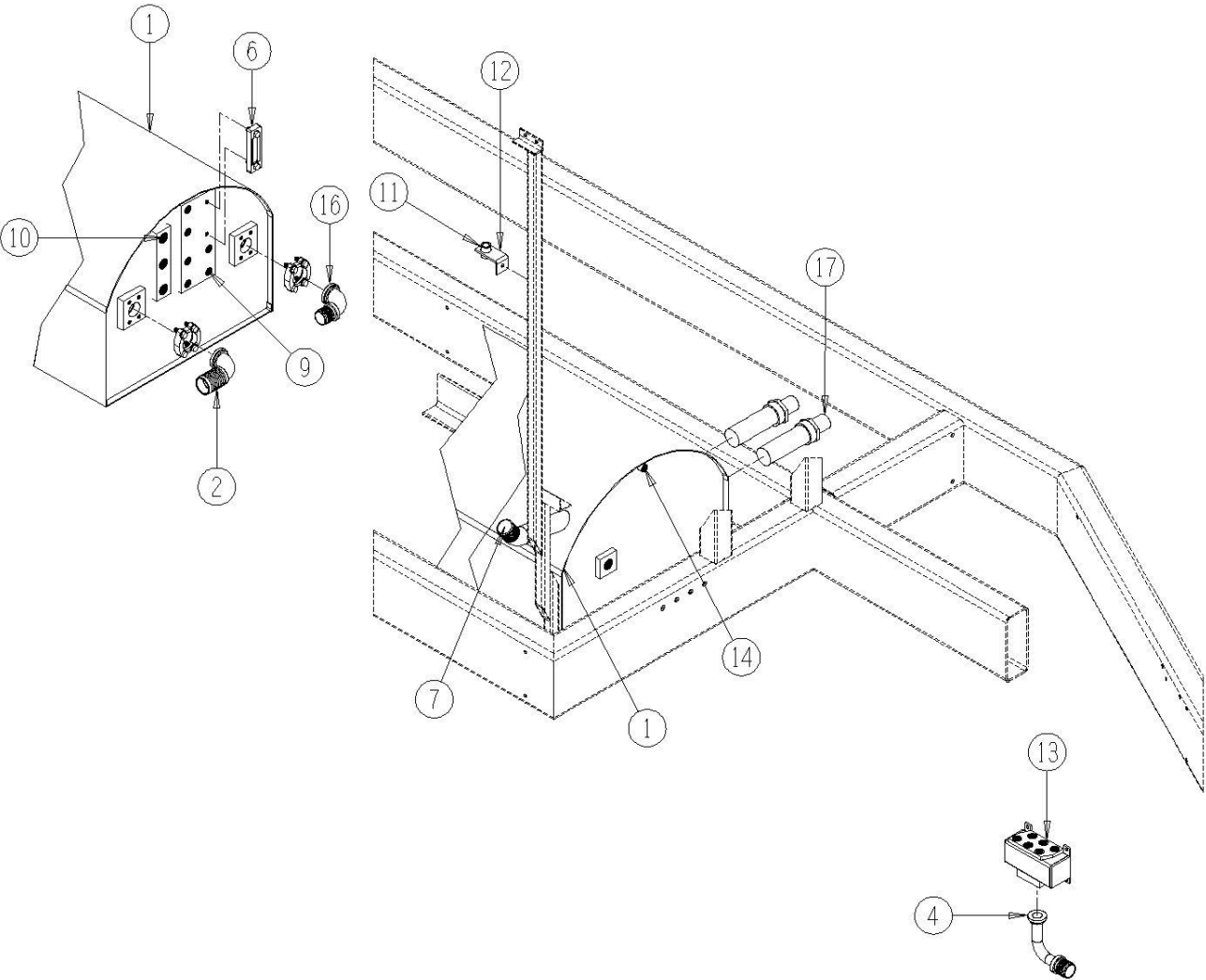
12011-13-02



12011-13-03 Oil Tank Assembly

<u>Ref</u>	<u>Part No.</u>	<u>Description</u>	<u>Parts – Assembly</u>	<u>Will Fit SN</u>	<u>Remarks</u>
1	TAN-9000	Oil Tank, 240 Tomato Harvester	1		
2	A-4459-40-32	Flange Nipple, 2-1/2" barb x 2 flange' 90°	1		
3	A-SFK-32	2" Split Flange Kit	2		
4	A-4459-24-24	Flange Nipple, 1 1/2" 90°	1		
5	A-SFK-24	1 1/2" Split Flange Kit	1		
6	HA-1041	Hyd, Level Gauge & Therm	1	19201-	
7	ACP-32	2" Black Pipe Cap	1		
8	HA-1007	Hydraulic, Magnetic Drain Plug	1	11101-	
9	A-6408-8	8 SAE Plug	2		
10	A-6408-12	12 SAE Plug	2		
11	HA-1012A	Vescor Breather Element (3 micron)	1	HA-1012	w/o Adapter Fitting
12	BRA-8755	Bracket, Mount, Air Breather Filter, HC290 Tomato	1		
13	TAN-8106	Oil Manifold, 290 Harvester	1		
14	A-4129-10-8	1/2 NPT 90° w/ 5/8" push-loc	1		
15	A-4456-32-32	Flange Nipple, 2" 45°	1		
16	A-4459-32-24	90° Flange Nipple, 1 1/2 Barb x 2" Flange	1		
17	HA-1006-5	Suction Screen, SAE 3 3/8-12UN with 2" Hose Barb	2	19904-	
800	OR-236	O Ring, 3 1/4 x 3 1/2	2		

12011-13-03



12011-13-10 Disk Reversing Valve Assembly

<u>Ref</u>	<u>Part No.</u>	<u>Description</u>	<u>Parts – Assembly</u>	<u>Will Fit SN</u>	<u>Remarks</u>
601	A-6900-10-12	10 SAE x 3/4 FPX	4		
602	HVE-1005	D05 Directional Valve, 25 GPM with Motor Spool, 12v	1		

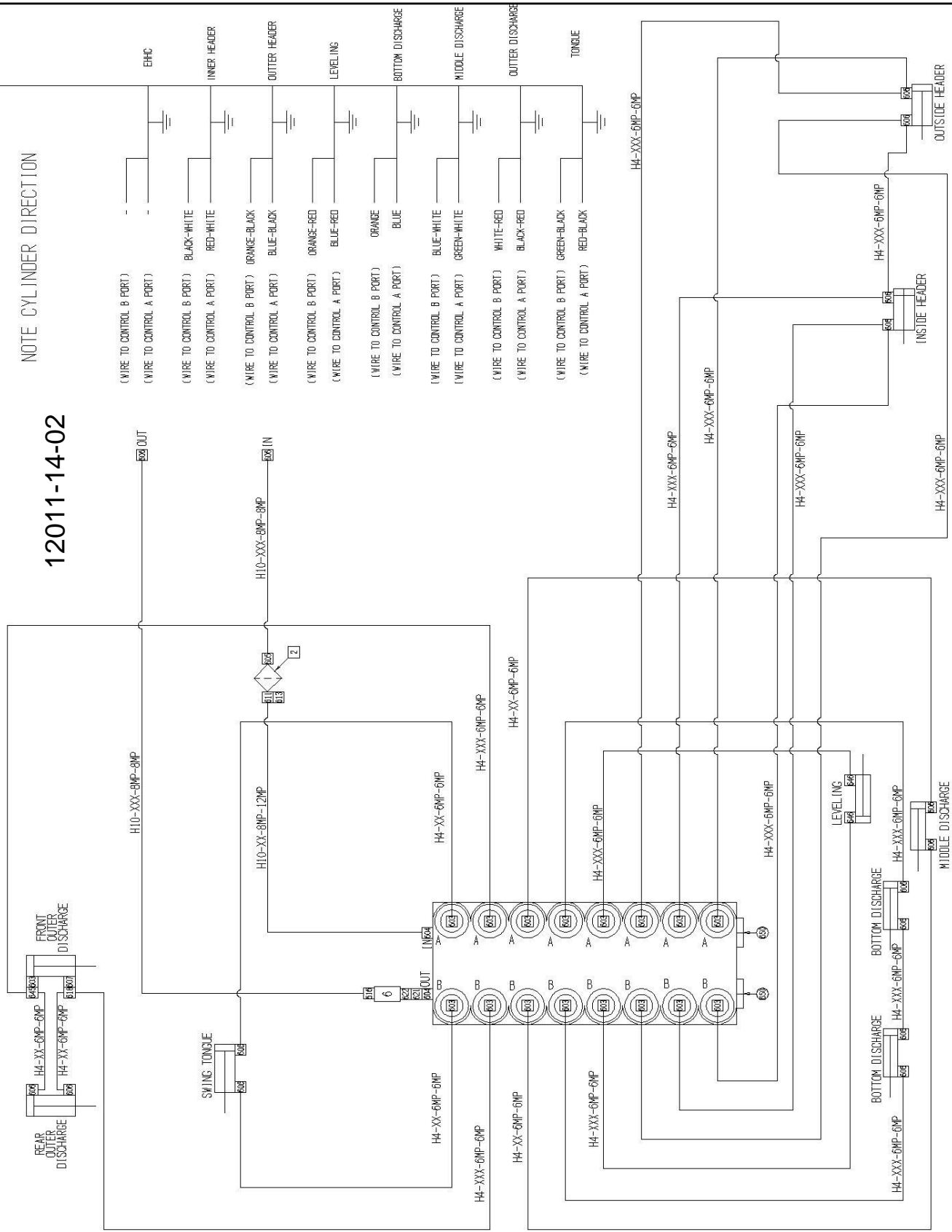
12011-14-02 Hydraulic Cylinder Plumbing, Single HHC

<u>Ref</u>	<u>Part No.</u>	<u>Description</u>	<u>Parts – Assembly</u>	<u>Will Fit SN</u>	<u>Remarks</u>
1	HVE-1017	240 D03 Control Valve, Single HHC	1		
2	HA-1037	Pressure Filter	1		Most machines 1997 and previous used Parker filter. 1998-2001 Zinga style 2002-present parker style
6	HV-CKV-800S	1/2" Parker Check Valve	1		
603	A-6900-8-6	8 SAE x 3/8" FPX With 7/8" Stock Body	15	20095001-	
604	A-6901-10-8	10 SAE x 1/2 FPX90°, Forged	2		
605	A-6901-12-8	12 SAE x 1/2" FPX 90°, Forged	1		
606	A-6901-8-6	8 SAE x 3/8" FPX90°, Forged	12	20095001-	
607	A-6955-8-6-6	8 SAE x 3/8" FPX Tee	1		
608	A-QD2010-8-8	Tractor Quick Coupler, Male, 1/2" w/ FPT	2		
611	A-6901-12-12-4SAE	12 SAE x 3/4" FPX 90°w/4 SAE Port, Forged	1		
613	HA-1004-4	Test Point Plug #4 SAE Thread	1		
616	A-1404-8-8	1/2 MP to 1/2 FPX, Straight	1		
621	A-1601-8-8-8	1/2 MP x 1/2 FPX x 1/2 FPX Tee	1		
622	A-5404-8-8	Hex Nipple 1/2" x 1/2"	1		
646	A-1501-8-6	1/2 MP x 3/8 FPX 90°	2		
650	A-6408-10	10 SAE Plug	2		
657	HY-TRAN	Hytran @ gal	20		
800	HA-1037A	Pressure Filter Element	1		

NOTE CYLINDER DIRECTION

12011-14-02

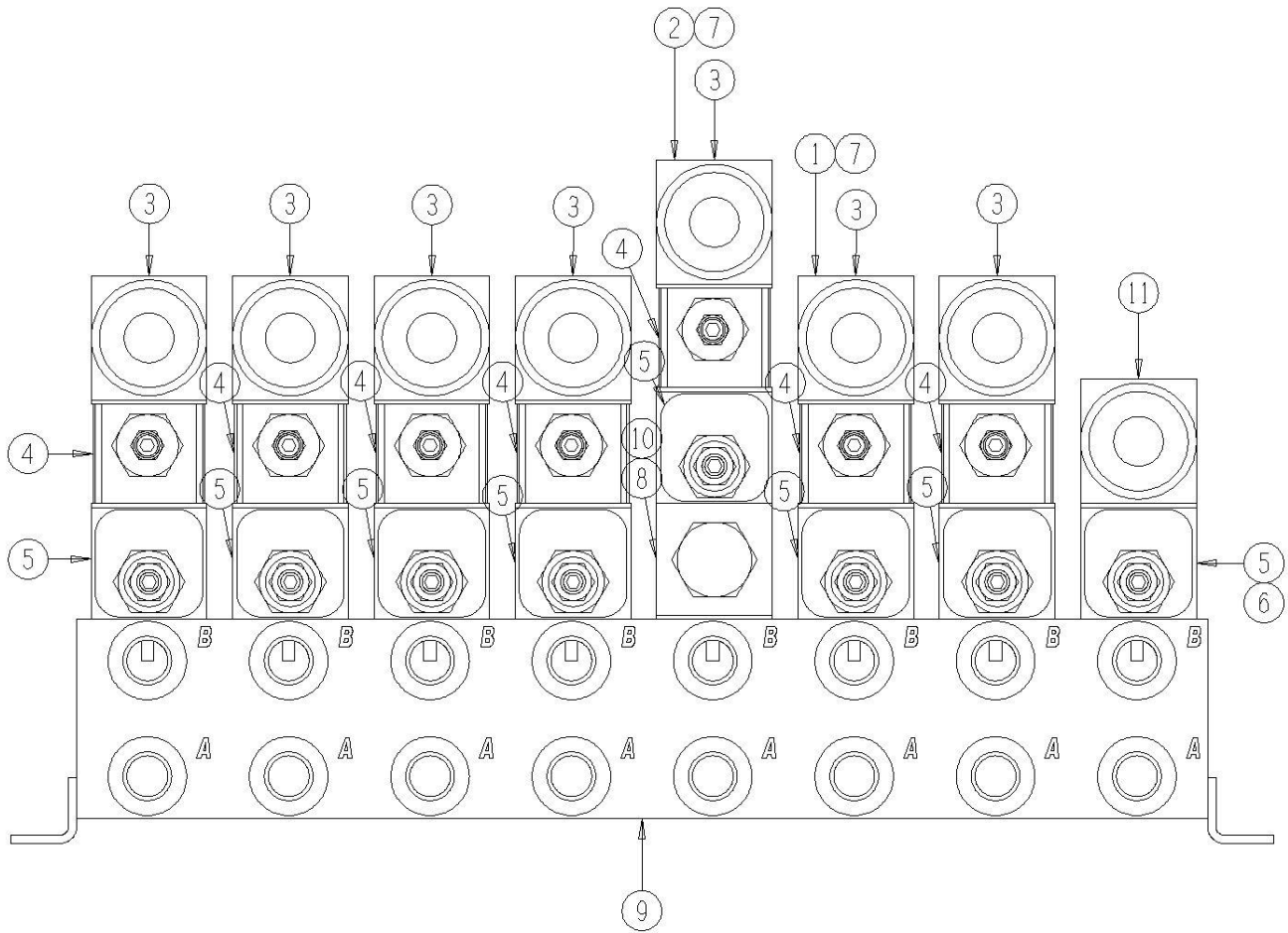
UP
REAR VIEW



12011-14-02H Hydraulic Control Valve, Single EHC

<u>Ref</u>	<u>Part No.</u>	<u>Description</u>	<u>Parts – Assembly</u>	<u>Will Fit SN</u>	<u>Remarks</u>
0	HVE-1017	240 D03 Control Valve, Single HHC	0		
1	BL-1024-553	Stud, Hydraulic Valve, 5.535in Long	24		
2	BL-1024-731	Stud, Hydraulic Valve, 7.313in Long	4		
3	HVE-1000-A	Nachi Directional Control Valve	7		
4	HVE-1000-B	A-B Flow Regulator	7		
5	HVE-1000-C	Double Load Control, DO3	8		
6	HVE-1000-D	3 Port Counter Balance Cartridge	16		
7	HVE-1000-E	10-24 Stud Nut	32		
8	HVE-1000-H	DO3 Sandwich Body w/ reverse free flow check	1		
9	HVE-1000-M8	DO3 8 Valve Parallel Manifold , SAE #10 in/out, #8 work	1		
10	HVE-1000-PR	Pressure Reducing/Relieving Cartridge	1		
11	HVE-1006	Proportional Valve, D03	1		
12	BL-1024-375	Stud, Hydraulic Valve, 3.75in Long	4		

12011-14-02H



12011-15-01 Electrical Panel Assembly

<u>Ref</u>	<u>Part No.</u>	<u>Description</u>	<u>Parts – Assembly</u>	<u>Will Fit SN</u>	<u>Remarks</u>
1	EL-1206	Double Amber Lamp	3		
2	EL-1307	High Output LED Work Lamp	7		
3	ELC-9000	Control Box Power Cord	1		
4	ELC-9001	Power Cable, 240 Harvester	1		
5	ELC-9002	Power Cord for Light, 240 Harvester	1		
6	ELC-9004	Flow Control Box, 240 Harvester	1		
7	ELC-9005	Flow Control Box, Power Cord, 240 Harvester	1		
8	ELC-9006	Flow Control Box, Control Cord, 240 Harvester	1		
9	ELC-9007	Acuator Control Cord, 240 Harvester	1		
10	ELC-9008	Level Control Cord, 240 Harvester	1		
11	ELC-9009	Horn Cord, Safty Switch, 240 Harvester	1		
12	ELC-9010	Temp Oil Sensor Cord, 240 Harvester	1		
13	ELC-9011	Converter Box, 3 Prong, 240 Harvester	1		
14	ELP-9000	Electrical Panel, 240 Harvester	1		
15	SHD-1206	Shield, Flashing Light	3	30097001- 19601-	
16	PR19480	Light Housing, LH, 1190 Spreader	1		
17	PR19481	Light Housing, RH, 1190 Spreader	1		
18	ELS-02008	Temperature Switch	1		

12011-15-02 Control Valve Electrical Assembly

<u>Ref</u>	<u>Part No.</u>	<u>Description</u>	<u>Parts – Assembly</u>	<u>Will Fit SN</u>	<u>Remarks</u>
1	ELC-9003	D03 Control Cord	1		

12011-15-10 Control Box, Single HHC Assembly

<u>Ref</u>	<u>Part No.</u>	<u>Description</u>	<u>Parts – Assembly</u>	<u>Will Fit SN</u>	<u>Remarks</u>
1	EL-9000	Control Box, Single HHC	1		
800	EL-805	Automotive Fuses 10 Amp	0		
801	DC-9000	Decal 240 Tomato, Single HHC	1		

12011-15-11 Control Box, Dual HHC Assembly

<u>Ref</u>	<u>Part No.</u>	<u>Description</u>	<u>Parts – Assembly</u>	<u>Will Fit SN</u>	<u>Remarks</u>
1	EL-9001	Control Box, 240 Tomato, Dual HHC	1		
800	DC-9006	Decal, 240 Tomato, Dual HHC	0		
801	EL-805	Automotive Fuses 10 Amp	0		

12011-15-30 Optional Remote Activated Flow Control

<u>Ref</u>	<u>Part No.</u>	<u>Description</u>	<u>Parts – Assembly</u>	<u>Will Fit SN</u>	<u>Remarks</u>
0	KIT-0210	Remote Electric 25 GPM Flow Control Fits All	0		
1	A-1405-8-8	1/2" NPT Coupler W/Swivel	2		
2	A-1601-8-8-8	1/2 MP x 1/2 FPX x 1/2 FPX Tee	1		
3	A-6901-12-8	12 SAE x 1/2" FPX 90°, Forged	2		
4	A-6900-12-12	12 SAE x 3/4"FPX	1		
5	A-6901-12-12	12 SAE x 3/4" FPX 90°, Forged	2		
6	HV-1201	Brand Flow Valve Electronic Box	1		
7	HVE-2500	Electronic Flow Control Valve	1		
8	H12-36-12MP-8MP	3/4 in hose 3/4MP x 1/2MP x 36 in long	3		
100	BL-4-125-H	1/4-20 X 1 1/4 HEX CAP G5 ZC	2		
101	BL-4-300-H	1/4-20 X 3 HEX CAP G5 ZC	2		
102	BL-4-FW	1/4 USS FW ZC	8		
103	BL-4-LN	1/4-20 HEX LN NE ZC	4		
601	A-1404-8-12	1/2 MP x 3/4 FPX	2		
602	A-6401-12-8	12 SAE x 1/2" MP Hex Nipple	1		
603	A-6900-12-8	12 SAE x 1/2" FPX	2		
604	EL-46000	Inline Fuse Holder	1		
605	EL-46102	2 Amp Fuse, Type AGC	1		
606	ELC-14-BL	14 Gauge Wire (Blue)	120		
607	ELC-14-BLK	14 Gauge Wire, Black	5		
608	ELC-14-R	14 Gauge Wire, Red	5		
609	ELL-375	3/8" Wire Loom @ft	60		
610	ELT-31712	Push On Male 14-16 ga	2	HV-1045K	
611	ELT-31713	Push On Female Terminal 14-16 ga.	4	HV-1045K	
612	ELT-52565	Ring Terminal 5/16 x 14-16ga	2	HV-1045K	
613	HV-FL-B	Flo Control Adjust Rod	1		
614	VC-0550	Velcro One Wrap Strap @ yd	0.5		
615	VC-9001	4" Velcro Loop w/ Pressure Sensative Back @ yard	0.1		25 Yards Per Roll

616	VC-9151	4" Velcro Hook w/ Pressure Sensative Back @ yard	0.1
617	WT-17H	Heavy Duty Wire Tie 17.5"	20

12011-15-30

PIK RITE recommends removing the existing flow control when adding the Electronic Flow Control. This is the most efficient method. Leaving the existing flow control in line and wide open will cause a slight pressure drop in the system. If the existing Flow Control is left in line, take the one short hose included in the Kit from "M1" to the "IN" on the Electronic Flow Control. The other short hose will go from the Electronic Flow Control "Tee" in the Ex Port to the "M2" in the existing flow control.

