



60 PIK RITE LANE, LEWISBURG PA 17837

PHONE: 570-523-8174 FAX: 570-523-8175

EMAIL: [frontdsk@pikrite.com](mailto:frontdsk@pikrite.com) WEBSITE: [www.pikrite.com](http://www.pikrite.com)

---

Dear Grower,

Welcome to the growing family of satisfied Pik Rite equipment owners. Our goal is to help make your harvest as enjoyable and trouble free as possible by providing equipment that is durable and keeps down time to a minimum.

In order to provide customer service and a supply of original equipment parts to keep your machine well maintained, we are continually striving to keep our systems state-of-the-art. We utilize all available resources that allow us to provide accurate and timely deliveries.

We will continue to give you the service you have come to expect from our dealer representatives and us. In order to avoid any delays during your harvest season we make every effort to have someone available to take your calls 24 hours a day. We have shipping companies in place to deliver your parts as expediently as possible. Whether you live a few miles down the road or on the other side of the globe you can count on us.

Sincerely,

Dave Gearhart  
Sales / Customer Service  
[dave@pikrite.com](mailto:dave@pikrite.com)

Parts and Service Hotline  
800-326-9763

[www.pikrite.com](http://www.pikrite.com)

or find us on Facebook!

## Table of Contents

BELTED CHAIN REPLACEMENT PARTS .....	8
MOTOR REPLACEMENT PARTS.....	10
MOTOR REPLACEMENT PARTS FOR OPT. COMPONENTS .....	13
OIL & FILTERS.....	14
12012-01-01 Main Frame Assembly .....	16
12013-01-03 Gooseneck Hitch Assembly .....	20
12011-01-04 1 3/4-20 PTO Assembly.....	24
12013-01-06 Standard Axle Assembly.....	26
12011-01-20 Automatic Leveling Assembly .....	30
12011-02-01 Disk Header Frame Assembly .....	32
12011-02-02 Disk Drive Shaft Assembly .....	34
12011-02-03 34in Standard Disk Shaft Assembly.....	36
12011-02-05 Gathering Chain Assembly .....	38
12011-02-07 Gauge Wheel Assembly .....	40
12011-02-71 Dual Header Height Control Assembly .....	42
12011-02-71H Dual HHC Hydraulic Assembly.....	46
12011-03-01 Primary Header Assembly .....	48
12011-03-02 Secondary Header Frame Assembly .....	52
12011-03-03 Header Conveyor Drive Shaft Assembly .....	54
12011-03-04 Header Conveyor Return Roller Assembly .....	56

12011-03-11	Header Conveyor Vibrator Shaft Assembly .....	58
12011-03-13	Full Length Vine Assist Assembly .....	60
12011-03-14	Optional Second Vibrator Assembly .....	62
12011-04-01	Shaker Weight Box Cover Assembly .....	64
12011-04-02	Shaker Drum Assembly .....	66
12013-04-03	Shaker Weight & Box Assembly .....	68
12011-04-04	Primary Shaker Ring and Finger Assembly .....	72
12011-04-05	Secondary Shaker Ring and Finger Assembly .....	74
12011-05-01	Vine & Transfer Chamber Assembly.....	76
12011-05-02	Vine & Transfer Cover Assembly.....	80
12011-05-03	Transfer Drive Shaft Assembly .....	82
12011-05-04	Transfer Return Roller Assembly.....	84
12011-05-06	Transfer Dirt Vibrator Assembly.....	86
12011-05-07	Rear Transfer Drive Shaft Assembly .....	90
12011-05-08	Rear Transfer Return Roller Assembly .....	92
12011-05-09	Shaker Chamber Ladder Assembly .....	94
12011-05-20	Vine Chain Drive Assembly .....	96
12011-05-30	Vine Chopper Assembly .....	98
12011-06-01	Cross Conveyor Frame Assembly .....	102
12011-06-02	Cross Conveyor Drive Assembly .....	104

12011-06-03	Cross Conveyor Return Roller Assembly .....	106
12011-06-20	Opt. Cross Conveyor Vibrator Assembly .....	108
12011-06-20H	Opt. Cross Vibrator Hydraulic Assembly .....	112
12012-07-01	Debris Fan Assembly.....	114
12013-07-02	Debris Fan Paddle Assembly.....	116
12011-07-03	Debris Drum Assembly .....	118
12011-07-04	Debris Fan Cover Assembly .....	120
12012-08-01	Elevation Assembly .....	122
12012-08-03	Elevation Drive Shaft Assembly.....	124
12014-08-40	Presort Assembly.....	126
12011-08-41	Front Presort Roller Assembly .....	128
12011-08-42	Rear Presort Roller Assembly.....	130
12013-09-01	Aftersort Assembly.....	132
12011-09-02	Aftersort Drive Shaft Assembly .....	134
12011-09-03	Aftersort Divider Bar Assembly .....	136
12011-09-04	Aftersort Roller Assembly .....	138
12015-09-10	Double Sorter Assembly, Complete.....	140
12011-10-01	Discharge Basket Assembly .....	144
12011-10-02	Inner Discharge Assembly .....	146
12011-10-03	Middle Discharge Assembly.....	148

12011-10-04	Outer Discharge Assembly .....	150
12011-10-05	Discharge Drive Shaft Assembly .....	152
12013-11-01	Canopy Assembly.....	154
12011-11-04	Inner Decking Assembly .....	156
12012-11-05	Outer Decking Assembly .....	158
12011-12-01	Air Compressor Assembly .....	160
12011-12-02	Air Tank Assembly.....	162
12011-12-03	Pneumatics Schematic .....	164
12015-13-01	Double Pump Hydraulic Motor Assembly .....	168
12011-13-02	Oil Cooler Assembly .....	182
12013-13-03	Oil Tank Assembly.....	186
12011-13-10	Disk Reversing Valve Assembly .....	188
12011-14-03	Hydraulic Control Valve, Dual HHC .....	190
12011-15-01	Electrical Panel Assembly .....	192
12011-15-02	Control Valve Electrical Assembly .....	194
12011-15-11	Control Box, Dual HHC Assembly .....	196
12011-15-30	Optional Remote Activated Flow Control .....	198





# BELTED CHAIN REPLACEMENT PARTS

	<b>Part #</b>	<b>Description</b>
<b>Gathering Chain</b> <b>12011-02-05</b>	BC-6-1236-60	Gathering Chain, 3/8 bars 12in wide x 60 links 36mm
	BC-1032-FS	10-32 x 1-1/4" Bolts Flat Head Socket
	BC-6-12-ST	3/8" x 12 Belted Chain Rod for 50mm
	BC-BP20-10-T	20mm Backing Plates / 10-32 T Nuts
	BC-1032-TN	10-32 T Nuts
<b>Header Conveyor Drive Shaft</b> <b>12011-03-03</b>	BC-7-3642-265	Header Chain, 42mm Pitch 265 Links Long
	BC-7-36-ST	7/16" x 36" Belted Chain Rod for 60mm Belt
	RI-25-BC	25mm Belted Chain Rivets
	BC-BP32	Belt, Rivet backing plate 32mm
	BC-7-36-CN	Conn. Rod, 11mm, 36" Wide Belted Chain, 60mm Tr. Belt
	BC-3525	Snap Ring, 11mm
	BC-F-42-32-UG	Ultra Gold F Connecting Clip 42-32
	BC-1032-FS	10-32 x 1 1/4" bolts Flat Socket Head
	BC-1032-LN	10-32 lock nuts
<b>Full Length Vine Assist Assembly</b> <b>12011-03-13</b>	BC-6-36108-84	Belted Chain, 3/8 x 36, 2 x 60, 84 Pitches Long
<b>Transfer Drive Shaft</b> <b>12011-05-03</b>	BC-7-4036-105	7/16" x 36" Rod w/ 24mm Air Cushion Cover
	BC-7-40-ST	7/16" x 40" Belted Chain Rod for 60mm Belt
	RI-25-BC	25mm Belted Chain Rivets
	BC-BP32	Belt, Rivet backing plate 32mm
	BC-7-36-AC	7/16" x 36" Rod w/24mm Air Cushion Cover
	BC-3525	Snap Ring, 11mm
	BC-F-36-32-UG	Ultra Gold F Connecting Clips 36-32
	BC-1032-FS	10-32 x 1 1/4" bolts Flat Socket Head
	BC-1032-LN	10-32 lock nuts
<b>Rear Transfer Drive Shaft Assembly</b> <b>12011-05-07</b>	BC-7-4036-75	Belted Chain, Rear Transfer, 40in Wide, 75 Link
	BC-7-40-ST	7/16" x 40" Belted Chain Rod for 60mm Belt
	RI-25-BC	25mm Belted Chain Rivets
	BC-BP32	Belt, Rivet backing plates 32mm
	BC-7-36-AC	7/16" x 36" Rod w/ 24mm Air Cushion Cover
	BC-3525	Snap Ring, 11mm
	BC-F-36-32-UG	Ultra Gold F Connecting Clips 36-32 @ pair
	BC-1032-FS	10-32 x 1 1/4" bolts Flat Socket Head
	BC-1032-LN	10-32 lock nuts



<b>Vine Chain Drive Assembly</b> <b>12011-05-20</b>	BC-12-40144-77DS	Vine Chain, 40" Wide, 144 Pitch, 77 Links
	BC-12-40-ST	Belted Chain Rod, 5/8" Dia.
	RI-25-BC	25mm Belted Chain Rivets
	BC-BP32	Belt, Rivet backing plate 32mm
	BC-12-40-CN	40" Con Rod, 1/2" Diameter
	BC-3525	Snap Ring, 11mm
	BC-F-36-32-UG	Ultra Gold F Connecting Clips 36-32
	BC-1032-FS	10-32 x 1 1/4" bolts Flat Socket Head
BC-1032-LN	10-32 lock nuts	
<b>Cross Conveyor Drive</b> <b>12011-06-02</b>	BC-7-3636-133	Belted Chain, Cross Chain, 36in Wide, 133 Links
	BC-7-32-ST	7/16" x 32" Belted Chain Rod for 60mm Belt
	RI-25-BC	25mm Belted Chain Rivets
	BC-BP32	Belt, Rivet backing plate 32mm
	BC-7-32-CN	Conn. Rod, 11mm, 32" W Belt Chain, 60mm Tr. Belt
	BC-3525	Snap Ring, 11mm
	BC-F-36-32-UG	Ultra Gold F Connecting Clips 36-32
	BC-1032-FS	10-32 x 1 1/4" bolts Flat Socket Head
BC-1032-LN	10-32 lock nuts	
<b>Elevation Drive Shaft</b> <b>12012-08-03</b>	BC-7-3636-175-UC	36mm x 36" Belted Chain, 175 Pitches, Upcrank Cushioned
	BC-7-36-ST	7/16" x 36" Belted Chain Rod for 60mm Belt
	RI-19-BC	19mm Belted Chain Rivets
	BC-BP32	Belt, Rivet backing plate 32mm
	BC-7-36-CN	Conn. Rod, 11mm, 36" Wide Belted Chain, 60mm Tr. Belt
	BC-3525	Snap Ring, 11mm
	BC-F-36-32-UG	Ultra Gold F Connecting Clips 36-32
	BC-1032-FS	10-32 x 1 1/4" bolts Flat Socket Head
BC-1032-LN	10-32 lock nuts	
<b>Double Sorter Assembly, Complete</b> <b>12015-09-10</b>	BC-7-3636-175-UC	36mm x 36" Belted Chain, 175 Pitches, Upcrank Cushioned
	BC-7-3636-195-FL	36mm x 36" Belted Chain, 195 Pitches, 3/4" Flights
<b>Discharge Drive</b> <b>12011-10-05</b>	BC-6-2636-319FL	Discharge Elevator, 3/8" Bars, 26" Wide x 319 Bars, 36mm Pitch
	BC-6-32-ST	3/8" x 32" Belted Chain Rods for 60mm Belt
	RI-25-BC	25mm Belted Chain Rivets
	BC-BP32	Belt, Rivet backing plates 32mm
	BC-6-26-CN	Conn. Rod, 10mm, 26" Wide Belted Chain, 50mm Tr. Belts
	BC-3525	Snap Ring, 11mm
	BC-F-36-32-UG	Ultra Gold F Connecting Clips 36-20
	BC-1032-FS	10-32 x 1 1/4" bolts Flat Socket Head
BC-1032-LN	10-32 lock nuts	

## MOTOR REPLACEMENT PARTS

	<b>Part #</b>	<b>Description</b>
<b>Disk Header Drive Shaft</b> <b>12011-02-02</b>	HM-1420-CH	Char Lynn Motor
	KEY-5-5-20	Shaft Key
	KEY-5-6-24	Key 5/16 x 3/8 x 1 1/2
	KEY-6-6-24	Key 3/8" x 3/8" x 1 1/2" Square Cut
<b>Header Conveyor Drive Shaft</b> <b>12011-03-03</b>	HM-1420-CH	Char Lynn Motor
	KEY-5-5-20	Shaft Key
<b>Header Conveyor Vibrator Shaft</b> <b>12011-03-11</b>	HM-122	Motor, Hydraulic, 1-3/4" Gear, #12 SAE Ports
	HM-412B	Key for Hyd. Motor -Shaker Weight-Vibrator
	HM-2686	Snap Ring, Commercial Motor
	HM-0381	Ball Bearing, Motor
	HM-2585	Ring Seal, Commercial Motor
	HM-1801	Seal Kit for Commercial Intertech
	KEY-4-4-20	Shaft Key 1/4" x 1 1/4"
<b>Full Length Vine Assist Assembly</b> <b>12011-03-13</b>	HM-210-TC	TCI Motor
	KEY-4-4-20	Shaft Key 1/4" x 1 1/4"
	KEY-4-4-28	Shaft Key 1/4" x 1 3/4"
<b>Shaker Drum</b> <b>12011-04-02</b>	HM-103-TC	TCI Motor
	KEY-6-6-24	Key 3/8" x 3/8" x 1 1/2" Square Cut
<b>Shaker Weight &amp; Box</b> <b>12013-04-03</b>	HM-412-1	Hydraulic Motor
	HM-412B	Key for Hyd. Motor -Shaker Weight-Vibrator
	HM-2100-SK	Seal & Gasket Kit
	HM-2100-BRG	Bearing
	HM-1801	Seal Kit for Commercial Intertech
<b>Transfer Drive Shaft</b> <b>12011-05-03</b>	HM-210-TC	TCI Motor
	KEY-4-4-15	Shaft Key, 1/4" x 1/4" x 15/16" Woodruff Key
	KEY-4-4-24	Shaft Key 1/4" x 1 1/2" Square Cut (1018)
<b>Transfer Return Roller</b> <b>12011-05-04</b>	HM-210-TC	TCI Motor
	KEY-4-4-15	Shaft Key, 1/4" x 1/4" x 15/16" Woodruff Key
	KEY-4-4-16	Shaft Key, 1/4" x 1/4" x 1" Square Key

<b>Transfer Dirt Vibrator</b> 12011-05-06	HM-122	Motor, Hydraulic, 1- $\frac{3}{4}$ " Gear, #12 SAE Ports
	HM-2100-SK	Seal & Gasket Kit
	HM-2100-BRG	Bearing
	KEY-4-4-15	Shaft Key, 1/4" x 1/4" x 15/16" Woodruff Key
	KEY-4-4-20	Shaft Key 1/4" x 1 1/4"
<b>Rear Transfer Drive Shaft</b> 12011-05-07	HM-210-TC	TCI Motor
	KEY-4-4-15	Shaft Key, 1/4" x 1/4" x 15/16" Woodruff Key
	KEY-4-4-24	Shaft Key 1/4" x 1 1/2" Square Cut (1018)
<b>Rear Transfer Return Roller</b> 12011-05-08	HM-210-TC	TCI Motor
	KEY-4-4-16	Shaft Key, 1/4" x 1/4" x 1" Square Key
<b>Vine Chain Drive Assembly</b> 12011-05-20	HM-1420-CH	Char Lynn Motor
	HM-103-SK	Seal Kit for Char Lynn Motor
	KEY-4-4-15	Shaft Key, 1/4" x 1/4" x 15/16" Woodruff Key
	KEY-4-4-20	Shaft Key 1/4" x 1 1/4"
	KEY-4-4-32	Shaft Key, $\frac{1}{4}$ " x 2" Square Cut
<b>Vine Chopper Assembly</b> 12011-05-30	HM-115	Hydraulic Motor
<b>Cross Conveyor Drive</b> 12011-06-02	HM-204-TC	TCI Motor
	KEY-4-4-15	Shaft Key, 1/4" x 1/4" x 15/16" Woodruff Key
	KEY-4-4-20	Shaft Key 1/4" x 1 1/4"
	KEY-4-4-32	Shaft Key, $\frac{1}{4}$ " x 2" Square Cut
<b>Cross Conveyor Return Roller</b> 12011-06-03	HM-214-TC	Hydraulic Motor
	KEY-4-4-24	Shaft Key, 1/4" x 1-1/2" Square Key
<b>Debris Fan Paddle Assembly</b> 12013-07-02	HM-712-1	Hydraulic Gear Motor
	HM-412B	Key for Hyd. Motor -Shaker Weight-Vibrator
	HM-2100-SK	Seal & Gasket Kit
	HM-2100-BRG	Bearing
	HM-1801	Seal Kit for Commercial Intertech
<b>Debris Drum</b> 12011-07-03	HM-204-TC	TCI Motor
	KEY-4-4-15	Shaft Key, 1/4" x 1/4" x 15/16" Woodruff Key
	KEY-4-4-20	Shaft Key, 1/4" x 1-1/4"
<b>Elevation Drive Shaft</b> 12012-08-03	HM-204-TC	TCI Motor
	KEY-4-4-20	Shaft Key, 1/4" x 1-1/4"
	KEY-4-4-32	Shaft Key, $\frac{1}{4}$ " x 2" Square Cut

<b>Rear Presort Roller</b> <b>12011-08-42</b>	HM-208-TC	TCI Motor
	KEY-4-4-15	Shaft Key, 1/4" x 1/4" x 15/16" Woodruff Key
	KEY-4-4-20	Shaft Key, 1/4" x 1-1/4"
<b>Aftersort Drive Shaft</b> <b>12011-09-02</b>	HM-214-TC	Hydraulic Motor
	KEY-4-4-15	Shaft Key, 1/4" x 1/4" x 15/16" Woodruff Key
	KEY-4-4-20	Shaft Key, 1/4" x 1-1/4"
<b>Aftersort Divider Bar</b> <b>12011-09-03</b>	HM-210-TC	TCI Motor
	KEY-4-4-20	Shaft Key, 1/4" x 1-1/4"
<b>Double Sorter Assembly, Complete</b> <b>12015-09-10</b>	HM-208-TC	TCI Motor
	HM-210-TC	TCI Motor
	KEY-4-4-15	Shaft Key, 1/4" x 1/4" x 15/16" Woodruff Key
	KEY-4-4-32	Shaft Key, 1/4" x 2" Square Cut
<b>Discharge Drive Shaft</b> <b>12011-10-05</b>	HM-210-TC	TCI Motor
	KEY-4-4-15	Shaft Key, 1/4" x 1/4" x 15/16" Woodruff Key
	KEY-4-4-20	Shaft Key, 1/4" x 1-1/4"
	KEY-4-4-32	Shaft Key, 1/4" x 2" Square Cut
<b>Air Compressor Assembly</b> <b>12011-12-01</b>	HM-122	Motor, Hydraulic, 1-3/4" Gear, #12 SAE Ports
<b>Oil Cooler</b> <b>12011-13-02</b>	HM-412-1	Hydraulic Motor
	HM-412B	Key for Hyd. Motor -Shaker Weight-Vibrator
	HM-2100-SK	Seal & Gasket Kit
	HM-2100-BRG	Bearing

# MOTOR REPLACEMENT PARTS FOR OPT. COMPONENTS

## **Opt. Second Vibrator Assembly**

**12011-03-14**

HM-122	Motor, Hydraulic, 1- $\frac{3}{4}$ " Gear, #12 SAE Ports
HM-412B	Key
HM-2686	Snap Ring, Commercial Motor
HM-0381	Ball Bearing, Motor
HM-2585	Ring Seal, Commercial Motor
KEY-4-4-20	Shaft Key 1/4" x 1 1/4"

## **Opt. Cross Conveyor Vibrator Assembly**

**12011-06-20**

HM-122	Motor, Hydraulic, 1- $\frac{3}{4}$ " Gear, #12 SAE Ports
HM-412B	Key
HM-2100-SK	Seal & Gasket Kit
HM-2100-BRG	Bearing
KEY-4-4-16	Shaft Key, 1/4" x 1/4" x 1" Square Key

## OIL & FILTERS

	<b>Part #</b>	<b>Description</b>
<b>Air Compressor</b> <b>12011-12-01</b>	AIR-1508	Air Compressor--Large
	AIR-1510	2 ½" Air Filter
	AIR-0001	Synthetic Compressor Oil (ISO 100 SAE 40): 1 quart bottle
	AIR-0002	4", 0-160 PSI Liquid Filled Gauge, Back-Mount with Bracket
	AIR-0003	Air, Gauge Mount, Header Cylinder Mount
	AIR-1355	Air Filter Monitor(15# H2O) with O-Ring fitting
	AIR-1510A	Filter Element
<b>Oil Cooler</b> <b>12011-13-02</b>	HA-1023-Z	Double Filter Head, Side by Side
	HA-1036	Oil Cooler
	HA-1012A	Vescor Breather Filter (3 micron)
	HA-1029	Hydraulic Fluid Filter, 11"
	HA-1023A	Filter Gage
<b>Oil Tank</b> <b>12011-13-03</b>	HA-1041	Hyd, Level Gauge & Therm
	HA-1007	Hydraulic, Magnetic Drain Plug
	HA-1012A	Vescor Breather Filter (3 micron)
	HA-1006-5	Suction Screen, SAE 3 3/8-12UN with 2" Hose Barb
<b>Hydraulic Control Valve, Dual HHC</b> <b>12011-14-03</b>	HA-1037	Pressure Filter
	HA-1004-4	Test Point Plug #4 SAE Thread
	HA-1037A	Pressure Filter Element

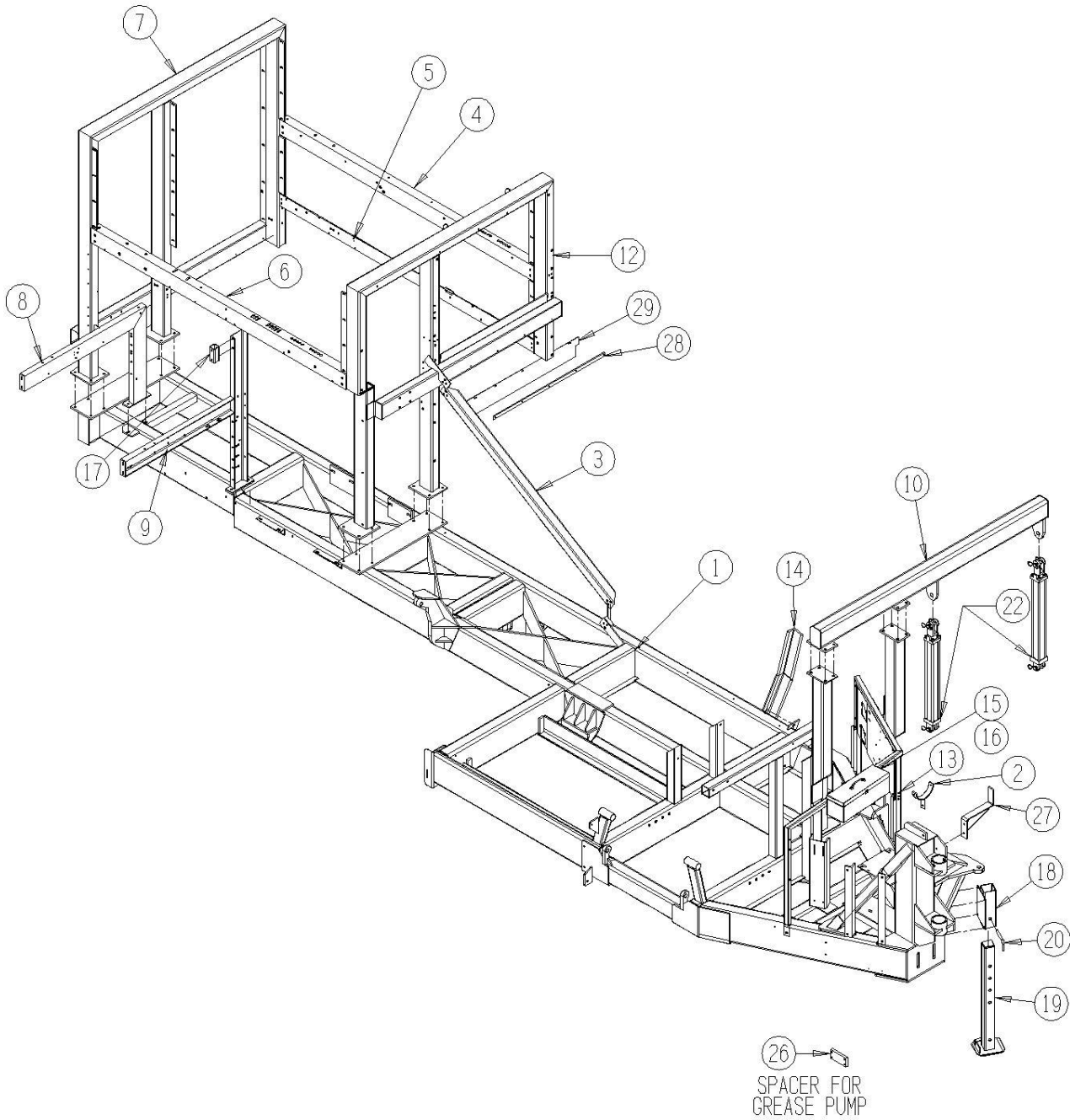
**PARTS  
CATALOG**

# 12012-01-01 Main Frame Assembly

<u>Ref</u>	<u>Part No.</u>	<u>Description</u>	<u>Parts – Assembly</u>	<u>Will Fit SN</u>	<u>Remarks</u>
1	FRM-9008	Main Frame,240 Harvester, 2012 Revised Fan Location	1		
2	SUP-0016	Support, Hose, Hydraulic Hose, Tongue, Rear	1		
3	SUP-1101	Support,Shaker Frame	1		
4	MOU-9000	Shaker Angle, Outside	1		
5	MOU-9001	Shaker Mount Angle, Lower Outside	1		
6	MOU-9002	Shaker Angle, Inside	1		
7	FRM-9003	Rear Shaker Frame	1		
8	FRM-9009	Frame, Rear Cross-Drive, 240 Harvester	1		
9	FRM-9010	Frame, Front Cross-Drive	1		
10	FRM-9002	Overhead Header Lift (upper) 240 Tomato Harvester	1		
12	FRM-9011	Front Shaker Frame, 240 Harvester	1		
13	MOU-9006	Handrail, Front, w/ Toolbox, 240 Tomato Harvester	1		
14	200-108	Slide Guide Wldmt, Reinforced	1		
15	BOX-7022	Removable Tool Box	1		
16	BOX-7025	Removable Tool Box Mounting	1		
17	SPA-9000	Spacer Block, Shaker Chamber, 240 Harvester	1		
18	192-1125	Mount, Jack Stand, Frame, 2-Point Hitch	1		
19	192-1125A	Adjuster	1		
20	192-1125B	Pin, Jack Stand, Frame, 2-Point Hitch Machines	1		
22	HC-250-2408-OR	Hydraulic Cylinder 2 1/2 x 24 #8 SAE w/O-Piston Ring Seal	2		NOT TO BE USED IN SINGLE ACTING APPLICATIONS Replaces HC-250-2408-IV
23	HA-1071-H	Hydra-zorb Tube Clamp 1' (3 pc.)	2	19401-	
24	HA-1072-H	Hydra-zorb Tube Clamp ¾' (3 pc.)	3	19401-	
26	SPA-240-0001	Spacer, Grease Pump	1		
27	BRA-6207	Hose Holder Bracket	1		
28	BAR-9104	Bar, Belting, Presort	1		
29	BT-9109	Belting, Transfer, Vine Chain Area	1		



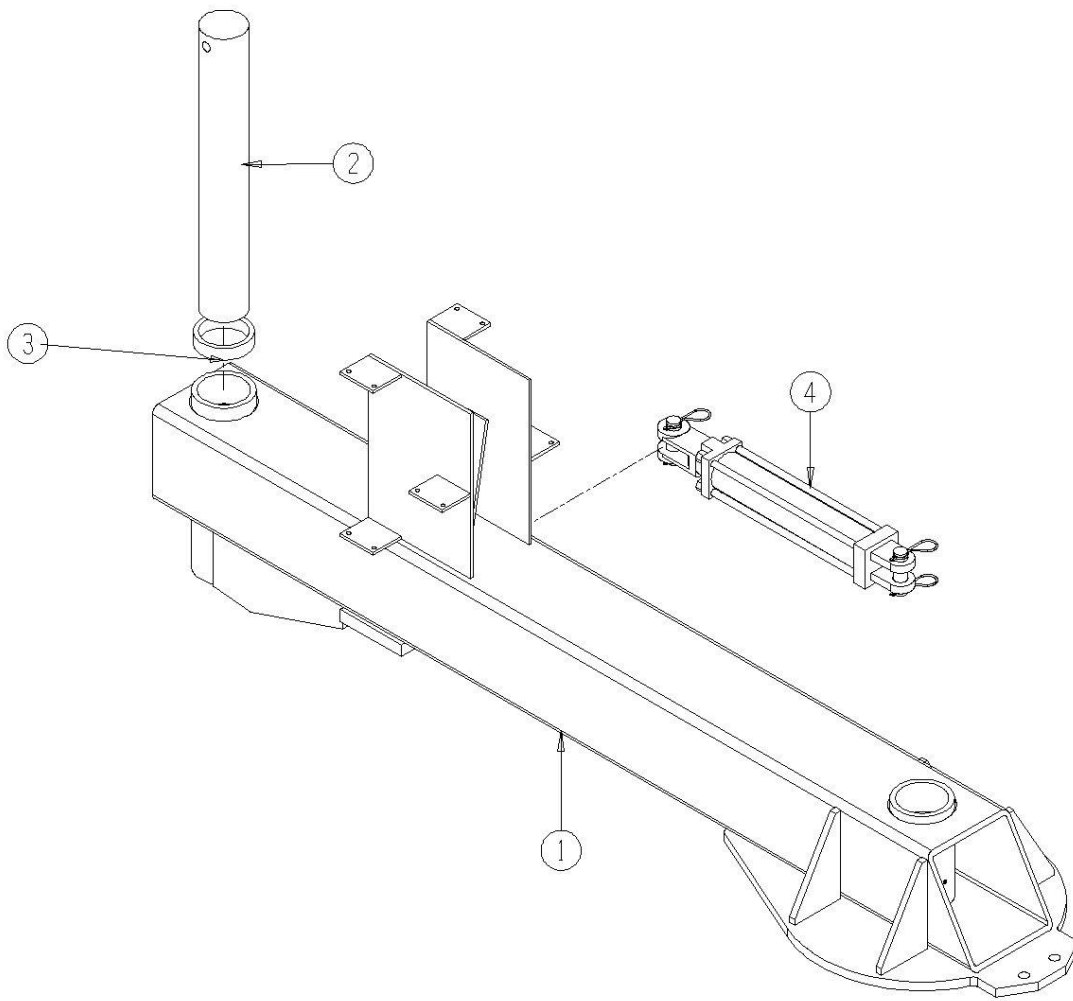
12012-01-01



## 12011-01-02 Tongue Assembly

<u>Ref</u>	<u>Part No.</u>	<u>Description</u>	<u>Parts – Assembly</u>	<u>Will Fit SN</u>	<u>Remarks</u>
1	FRM-9006	Tongue, 240 Harvester	1		
2	PIN-8110	Tongue Swivel, Main Frame, High Cap Tomato	1		
3	SPA-8110	Bushing, Tongue Swivel, High Cap Tom	1		
4	HC-350-1008	Hydraulic Cylinder 3 1/2' x 10', #8 SAE Ports	1		
5	DC-1180	Serious Injury/Death Decal, Read Manual	1		
6	DC-1183	Company Information Decal, 3' x 7.75'-	1		
7	DC-4W	Decal, Logo, White, 5.25' Long, Tanks, 1/29/99	1		

12011-01-02

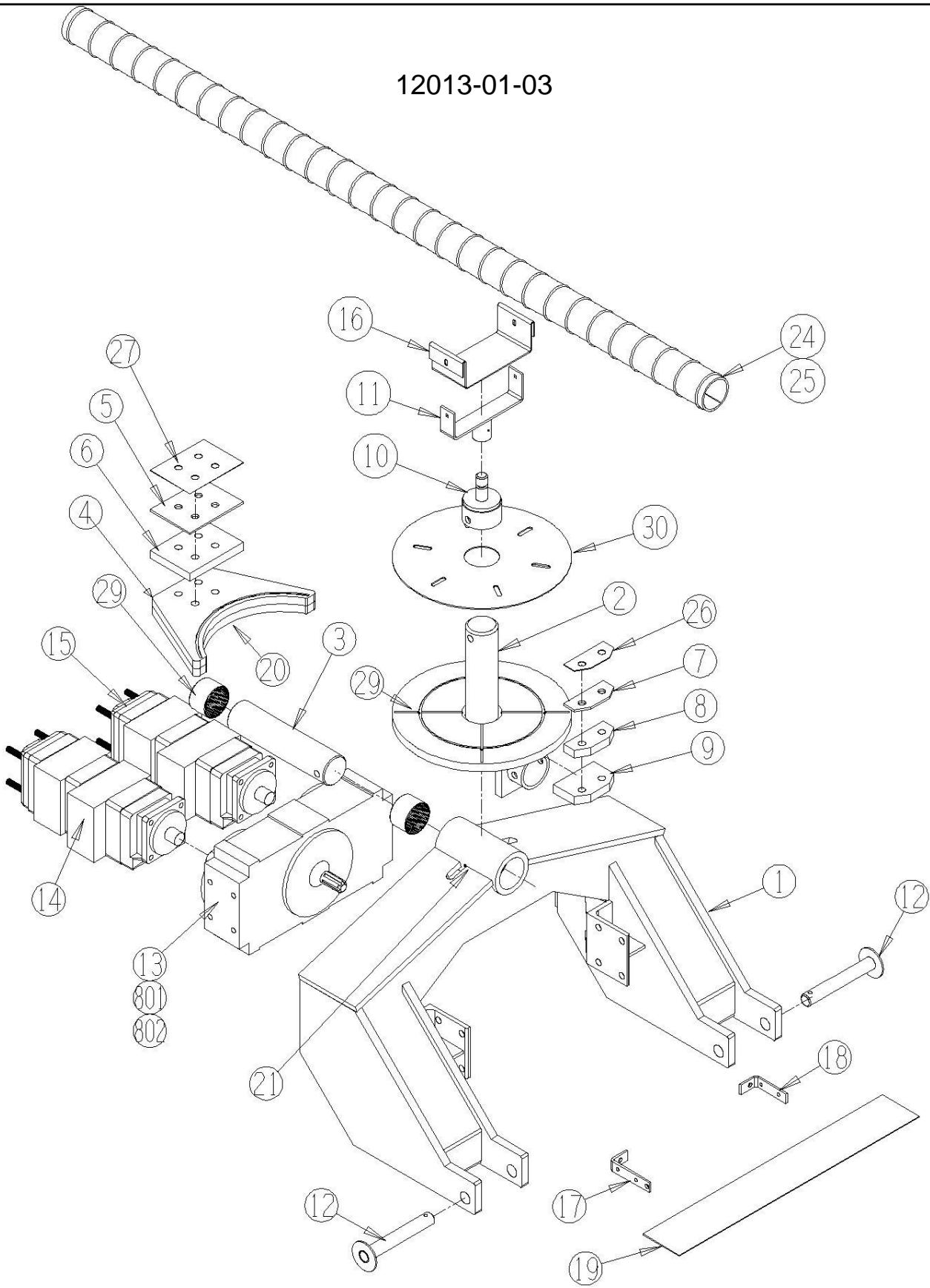


# 12013-01-03 Gooseneck Hitch Assembly

<u>Ref</u>	<u>Part No.</u>	<u>Description</u>	<u>Parts – Assembly</u>	<u>Will Fit SN</u>	<u>Remarks</u>
	A-4459-40-48	90° Flange Nipple, 3' Barb x 2.5' Flange	1		
	AN-48-40-HS	3' NPT, Combination Nipple/Hose Shank, 2 1/2' ID Hose	1		
	AN-48-HS	3' NPT, Combination Nipple/Hose Shank, 3' ID Hose	3		
	A-SFK-40	2.5' Split Flange Kit	1		
	CL-250	T-Bolt Clamp for 2 1/2' Suction Hose	2		
	CL-375	3' Hose Clamp, Heavy Duty T-Bar, 3.375-3.75'	6		
	H40-S	2 1/2' Suction Hose	14		
	HOS-3-1	3' I.D., Hose, Suction, Nitrile/Neoprene, Black	26		
	HV-GV-300	3 in Brass Gate Valve	2		
1	FRM-8111	Frame, 2 Point Hitch	1		
2	PIN-8210	Gooseneck Hitch Pivot/Swivel, Tractor Hitch Frm	1		
3	SFT-8112	Shaft, Gooseneck Hitch Pivot	1		
4	SUP-8210	Support, Rear Swivel Plate, Gooseneck Hitch	1		
5	BAR-8213	Bar, Spacer, Back Top, Hitch/Tongue, HC290	1		
6	BAR-8214	Bar, Spacer, Back, Bottom, Hitch/Tongue	1	BAR-8214	
7	BAR-8215	Bar, Spacer, Front Top, Hitch/Tongue, HC290	1		
8	BAR-8216	Bar, Spacer, Front Middle, Hitch/Tongue	1		
9	BAR-8217	Bar, Spacer, Front Bottom, Hitch/Tongue	1		
10	POS-8110	Post, Pivot Holder, Tongue	1		
11	SUP-8110	Support, Pivoting Hose Holder, Tongue	1		
12	PIN-0002	Pin Weldment	2		
13	GBX-252	Two Pad Gearbox for double pump	1		Use only HP-630 Oil 3.5 Quart
14	HP-257-P18	Hydraulic Pump	1		
15	HP-257-P22	Hydraulic Pump, 4 Section	1		
16	BT-8110	Belting, Hose Holder, Gooseneck	2		
17	BRA-8200	Bracket, Outsd, PTO Belting, Hitch Assy	1		
18	BRA-8201	Bracket, Inside, PTO Belting, Hitch Assy	1		

19	BT-8200	Belting, PTO, Hitch Assembly, HC290 Tomato	1	
20	GF-1827-45	Grease Fitting 1/8 NPT 45°	5	
21	GF-1827	Grease Fitting 1/8 NPT Straight	2	
22	DC-0021	Decal, Caution, 1000 rpm PTO	1	
23	DC-0025	Decal, Danger, Entanglement In Rotating Drive	1	
24	HOS-350-4-96S	3-1/2' ID, Clear Suction Line Covering	2	
25	CL-72	5' Gear Clamp	4	
26	BAR-8218	Bar, Spacer, Front, Gooseneck Hitch	2	
27	SPA-8213	Spacer, Back, Hitch Support	2	
28	HP-630	Synthetic Gear & Bearing Oil @ Qt.	3.5	
29	PR34413	Bronze Bushing for Spreader, 3-1/2' Dia Shaft	2	
30	PL-9200	Pivot Slide, Gooseneck Hitch	1	
100	BL-24-FW	1 1/2' Flat Washer, Zinc	20	
801	GBXA-252D	Dipstick for GBX-252	1	
802	GBX-252-B	O-Ring	1	GBX-252

12013-01-03



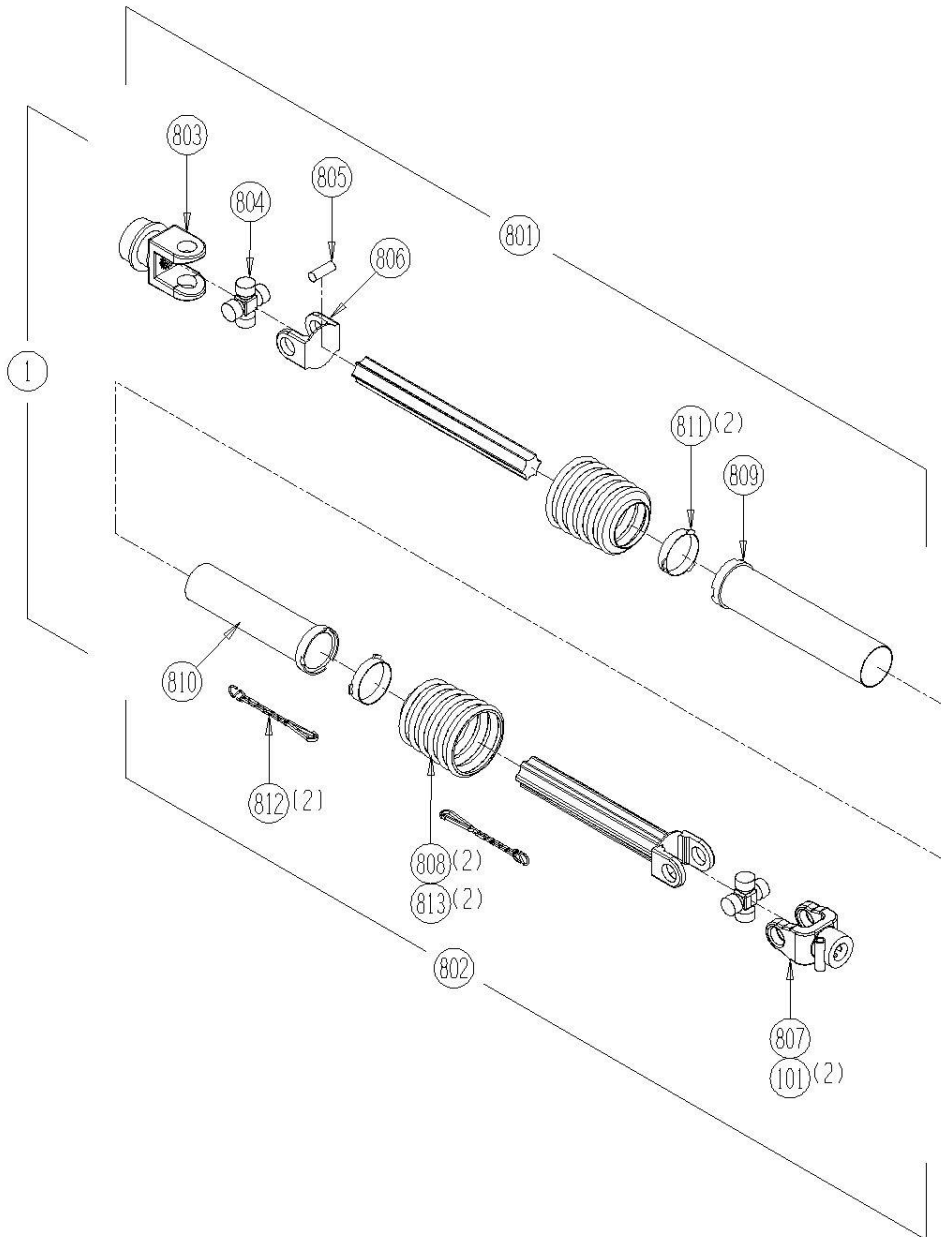


# 12011-01-04 1 3/4-20 PTO Assembly

<u>Ref</u>	<u>Part No.</u>	<u>Description</u>	<u>Parts – Assembly</u>	<u>Will Fit SN</u>	<u>Remarks</u>
1	PTS-8107	1-¾ x 20-spline x 1-3/8 6-spline gearbox, 780-1088mm	1		Replaces PTS-8106 for longer length
801	PTS-8106-FH	1-¾ x 20-spline Front Half 2600 Series	1		
802	PTS-8106-RH	1-3/8 6-spline Rear Half 2600 Series	1		
803	PTS-8106C	Drive Shaft Yoke, 1 3/4 x 20 Spline	1		
804	PTS-8106A	Cross & Bearing Kit	1		
805	PTS-8106D	Spring Pin 13 x 95	1		
806	PTS-8106E	Inboard Yoke S5	1		
807	PTS-8106H	Yoke 1 3/8-6 SPL.	1		
808	PTS-8106I	Shield Cone 5 Rib	2		
809	PTS-8106J	Outside Shield Tube Ovl	1		
810	PTS-8106K	Inside Shield Tube Round	1		
811	PTS-8106L	Bearing Ring SC35	2		
812	PTS-1002K	PTO Shield Safety Chain	2		Special Order Only
813	PTS-1010K	Screw	2		Special Order Only



12011-01-04



# 12013-01-06 Standard Axle Assembly

<u>Ref</u>	<u>Part No.</u>	<u>Description</u>	<u>Parts – Assembly</u>	<u>Will Fit SN</u>	<u>Remarks</u>
1	WHA-9000	Wheel Axle, Header Side, 240 Harvester	1		
2	FRM-9007	Axle, R.H., 240 Tomato Harvester	1		
3	BAR-9000	Bar Support, Single Tire Under Header	1		
5	BL-12-1600-SUS-G8	½-10 x 16' Setup Stud 2' Min Thrd @ Ends, Gr8	6		
6	SHD-1202	Shield, Single Wheel Axle, 240	1		
7	WHL-1210	Hub and Spindle Assembly 10 Bolt	2		4' Spindle 18K Rated
8	WHL-9000	Stabilizer Arm, Axle 240 Tomato Harvester	1		
9	WHM-9003	Header Side Tire & Wheel, 800/45-30.5	1		
10	WHM-7101	550/60-22.5 Tire & Wheel Assy	1	1190	
11	HA-2012	Rod End, 1 1/4-12 male RH HD	2		
12	191-1112	Axle Pin	1	19101-	
13	HC-400-08	Tie Rod Cylinder, 4' x 8', #8 SAE Port	1		Seal Kit Part No. HC-400-08-SK (PMCK-B400000)
14	SPA-9002	Spacer, Axle, 240 Tomato Harvester	4		
15	SPA-9003	Spacer Bar, Axle, 240 Tomato Harvester	1		
100	BL-10-500-H	5/8-11 X 5 HEX CAP G5 ZC	1		
101	BL-10-600-H	5/8-11 X 6 HEX CAP G5 ZC	1		
102	BL-10-LN	5/8-11 HEX LN NE ZC	2		
103	BL-12-FW	½ Flat Washer	12		
104	BL-12-LW	½ Lock Washer	6		
105	BL-12-N	½ Nut	12		
106	BL-6-FW	3/8 USS FW ZC	8		
107	BL-6-LN	3/8 UNC FIN HEX LOCK NUT NE A563 GrA ZINC	2		
108	BL-6-N	3/8-16 HEX NUTS ZC	2		
109	BL-8-350-H	1/2-13 X 3 1/2 HEX CAP G5 ZC	8		
110	BL-8-LN	1/2-13 HEX LOCK NUT NYLON INSERT ZC	8		
111	BL-8-FW	1/2 USS FW ZC	22		
112	BL-8-100-H	1/2-13 X 1 HEX CAP G5 ZC	6		
113	BL-8-LW	1/2 SPLIT LW ZC	6		

114	BL-8-SW-8	1/2 SAE FW G8 ZC	6		
115	BL-20-JN	1 1/4' UNC FIN HEX JAM NUT A563 GrA ZINC	2		
116	BL-16-600-H8	1' x6', HH C/S G8 ZC	2		
117	BL-16-FW-8	1' Gr 8 Flat Washer	4		
118	BL-16-LN-8	1' Hex LN ZC, Grade 8	2		
801	WHL-1210A	Inner Cup	2		
802	WHL-1210B	Outer Cup	2		
803	WHL-1210C	Inner Cone	2		
804	WHL-1210D	Outer Cone	2		
805	WHL-1210E	Dust Cap	2		
806	WHL-1210F	Grease Seal	2		
807	WHL-1210G	Flange Nut, Spindle	2		
808	WHL-1210H	Washer, Spindle	2		
809	WHL-1210I	Cotter Pin, Spindle	2		
810	WHL-1210J	Wheel Stud Bolt	16		
811	WHL-1210K	Wheel Stud Nut	16		
812	WHL-1210L	Wheel Stud Washer	16		
813	WHL-1210M	Spindle	2		
814	WBR-1210K	Wheel Bearing Kit for WHL-1210 Hub & Spindle Assy.	2	WHL-1210	inner & outer cones & cups and grease seal & gasket

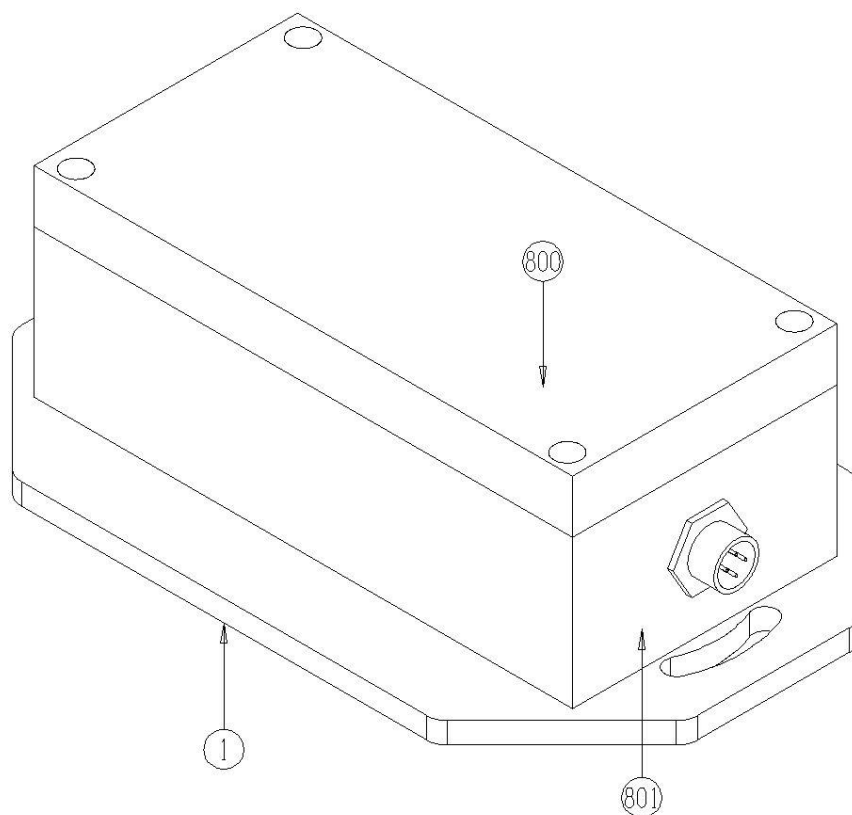




# 12011-01-20 Automatic Leveling Assembly

<u>Ref</u>	<u>Part No.</u>	<u>Description</u>	<u>Parts – Assembly</u>	<u>Will Fit SN</u>	<u>Remarks</u>
1	ELS-1256	Machine Leveler, Complete	1	190 &240, HC290	
800	DC-191-LV	Decal, Level Control Box, Tomato, '97	1		
801	ELS-1254	Tilt Controller Cable (Round Plug)	1		

12011-01-20

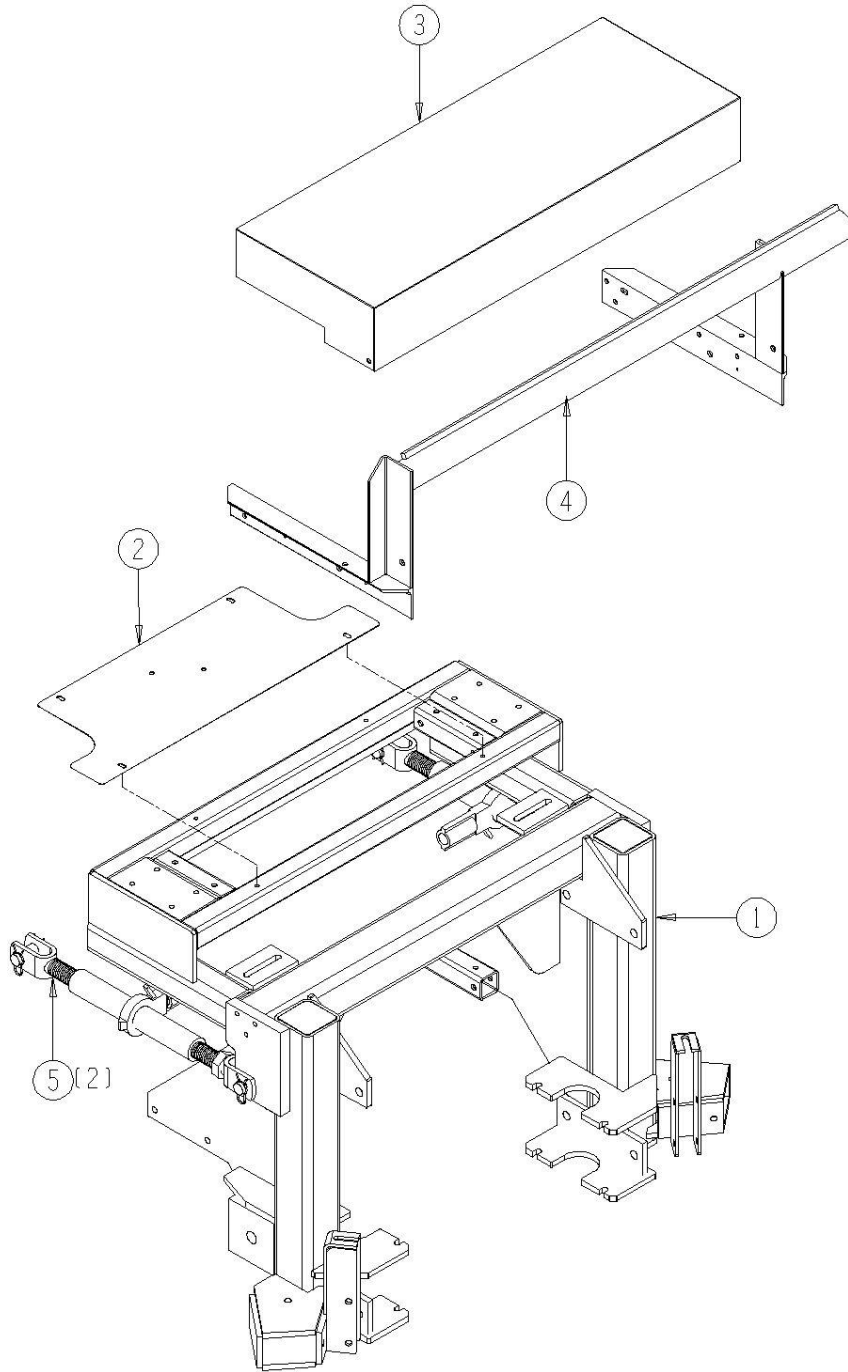


# 12011-02-01 Disk Header Frame Assembly

<u>Ref</u>	<u>Part No.</u>	<u>Description</u>	<u>Parts – Assembly</u>	<u>Will Fit SN</u>	<u>Remarks</u>
	194-1418	Rubber Bumper	2	19401	
1	FRM-9100	Disk Header, 240 Harvester	1		
2	SHD-9100	Top Bearing Cover, 240 Harvester	1		
3	SHD-9101	Disk Shield, 240 Harvester	1		
4	BAR-9100	HHC Mount, 240 Harvester	1		
5	TL-1541	Top Link Ratchet Handle 20-28in.	2	TL-1541	
6	DC-1176	Decal, Danger-Hand Chain Sprockets	2		
7	DC-1184	Danger Decal, 3' x 16'	1		
8	DC-ARROW	Decal, Yellow Direction Arrow	2		



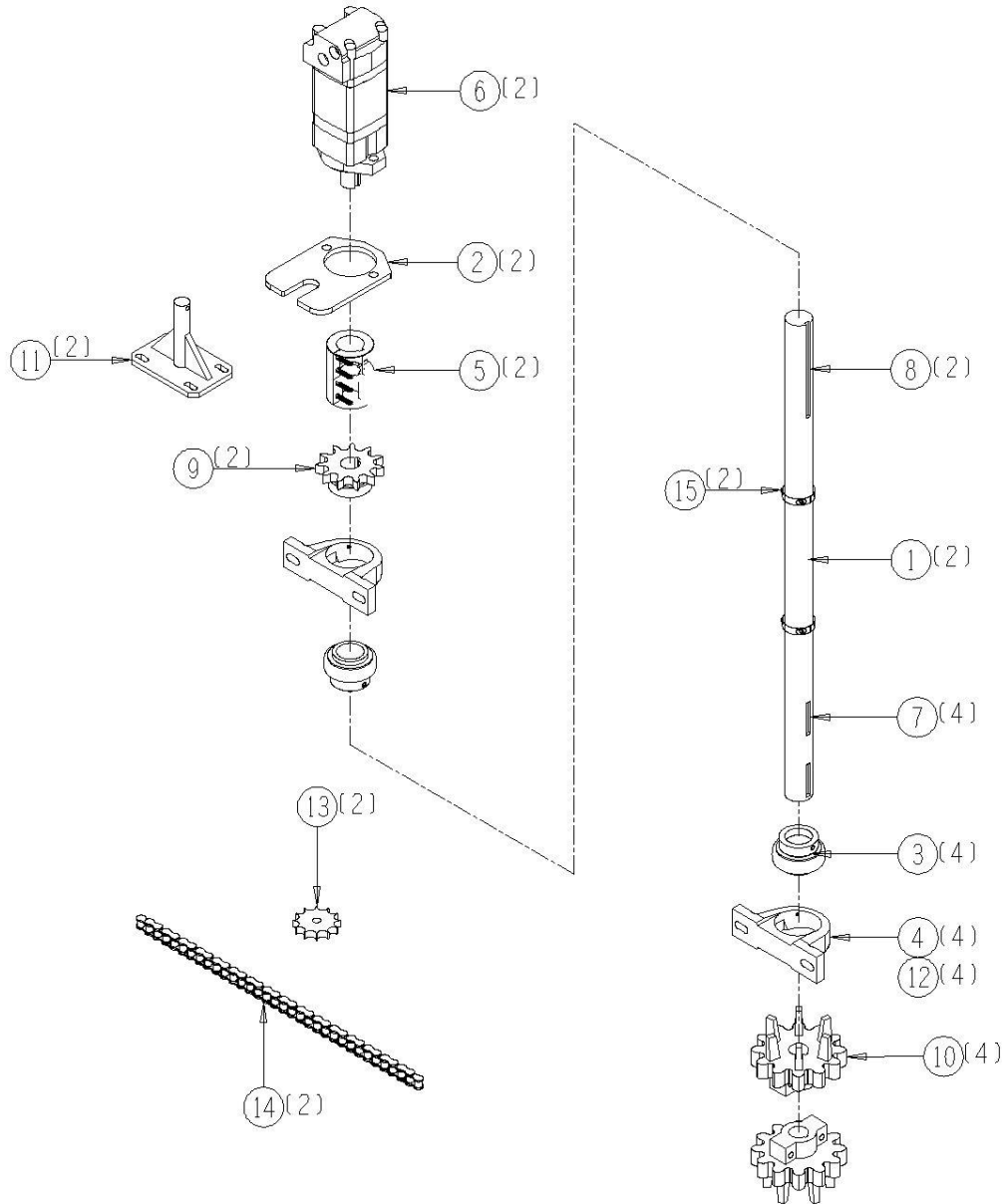
12011-02-01



# 12011-02-02 Disk Drive Shaft Assembly

<u>Ref</u>	<u>Part No.</u>	<u>Description</u>	<u>Parts – Assembly</u>	<u>Will Fit SN</u>	<u>Remarks</u>
	ADJ-8204	Adjuster, Roller Chain, Disk Header, HC 290	2		
	RLA-006-078	Bushing 1/2' x 5/8' x .75'	2		
1	SFT-8250	Gathering Chain Shaft, Tomato 1-3/4 Shaft	2		
2	ARM-1420	Arm, Short Mount, Motor w/ SAE A Two Bolt Pad	2		
3	BR-175-085	Fafnir Bearing 1 3/4 Tri Seal	4		
4	BR-085-RAK	Bearing Housing 85 mm	4		
5	CPS-2820	Steel Coupler 1 3/4' x 1 1/4' ID with 3/8' Keyway on 1 3/4' ID	2		
6	HM-1420-CH	Char Lynn Motor	2		
7	KEY-5-6-24	Keystock 5/16 x 3/8 x 1 1/2	4		5/16 x 3/8 x 1.5' Long
8	KEY-6-6-24	Keystock 3/8' x 3/8' x 1 1/2' Square Cut (1018)	2		
9	SP-80B11-28-6	Hardened Tooth Sprocket, #80, 11 Tooth, 1.75' Bore with 3/8' Keyway	2		
10	SP-3612-28-6	36-12 Sprocket	4		
11	STP-1228	Stop, Motor, Arm Mounted, High Tor. Motors	2		
12	GF-1428	Grease Fitting 1/4' x 28 straight	4		
13	SP-8012-T	#80 Idler Sprocket	2		
14	CH-80-51	Roller Chain #80 51 Pitches Disk Header (Tomato)	2		
15	SC-28-2	Shaft Collar, 2 piece 1 3/4' bore	2		
100	BL-8-175-H8	1/2 x 1 3/4', Grade 8, Hex Head	4		
101	BL-8-LNS	1/2 Stover Lock Nut	4		
801	KEY-5-5-20	Shaft Key 5/16' sq x 1 1/4' Square Cut (1018)	0		

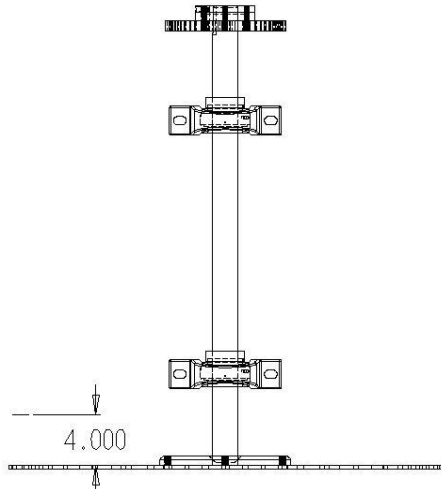
12011-02-02



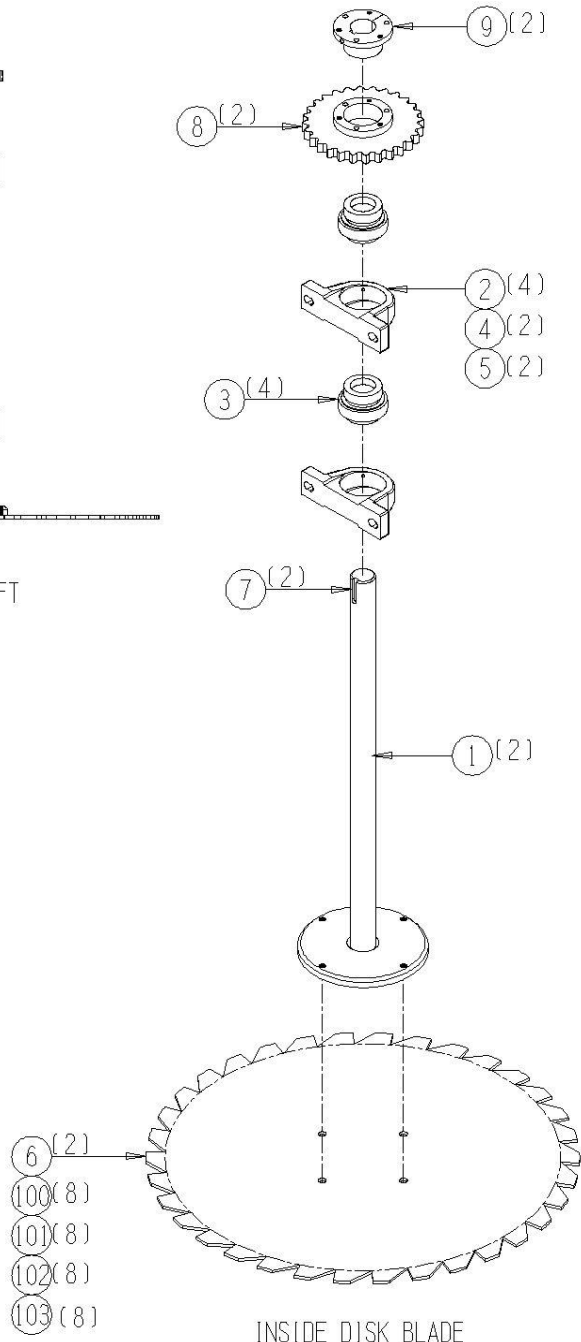
# 12011-02-03 34in Standard Disk Shaft Assembly

<u>Ref</u>	<u>Part No.</u>	<u>Description</u>	<u>Parts – Assembly</u>	<u>Will Fit SN</u>	<u>Remarks</u>
1	191-131	Shaft, Disk	2		
2	BR-100-RAK	Bearing Housing 100 mm	4	11001	
3	BR-200-100	2' Fafnir Bearing, Tri-ply	4	11001	Replace with BR-200-100I
4	GF-1428	Grease Fitting 1/4' x 28 straight	2		
5	GF-1428-90	Grease Fitting 1/4' x 28 90	2		
6	HD-140-34-34	Header Disk, 34',34 Notches, AR400	2		
7	KEY-8-8-40	Shaft Key 1/2' x 1/2' x 2 1/2'	2		
8	SP-80SF28	Hardened Tooth Sprocket, #80, 28 Tooth, Uses SF Bushing	2		
9	SP-SF-2	Bushing, SF x 2'	2		
100	BL-8-FW-8	1/2 FLAT WASHER G8 ZC	8		
101	BL-8-LW	1/2 SPLIT LW ZC	8		
102	BL-8-SW	1/2 SAE FW ZC	8		
103	BL-8-100-H8	1/2x 1 Grade 8 Hex Head	8		

12011-02-03



DIMENSION IS FROM THE  
BOTTOM OF THE DISK SHAFT  
TO THE BOTTOM OF THE  
DISK HEADER FRAME

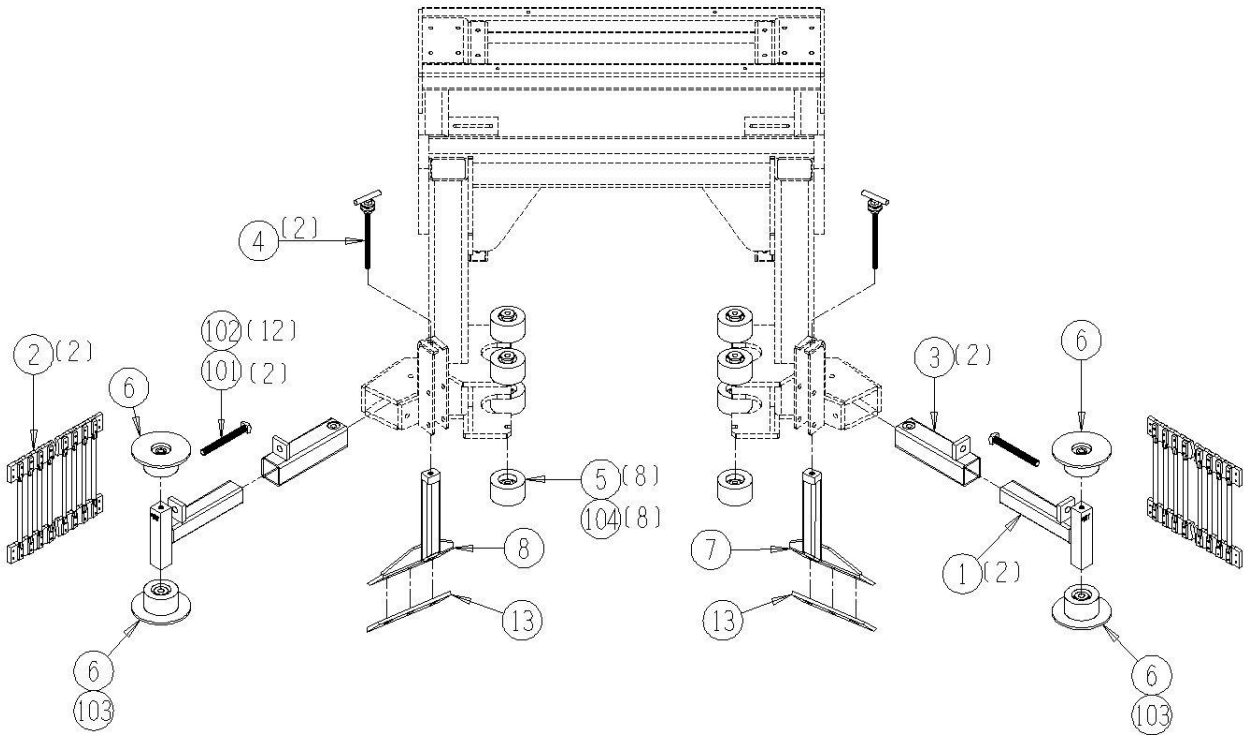


INSIDE DISK BLADE  
(OUTSIDE DISK BLADE GOES  
OPPOSITE)

# 12011-02-05 Gathering Chain Assembly

<u>Ref</u>	<u>Part No.</u>	<u>Description</u>	<u>Parts – Assembly</u>	<u>Will Fit SN</u>	<u>Remarks</u>
1	BRA-9101	Roller Mount, Gathering Chain, 240 Harvester	2		
2	BC-6-1236-60	Gathering chain, 3/8 bars 12in wide x 60 links 36mm	2		
3	BRA-9100	Gathering Chain Bracket	2		
4	ADJ-9100	Adjuster, Disk Scraper, 240 Harvester	2		
5	RLT-035-228	Roller 3.5 dia x 2.2 x 1/2' bore, no flange	8		
6	RLT-635-2210-RV	6' Flange Roller 2.2WF 3.5 Dia, 5/8' Bore w/Inverted Spindle	4		
7	SCR-9100	Disk Scraper, LH, 240 Harvester	1		
8	SCR-9101	Disk Scraper, RH, 240 Harvester	1		
12	HA-1052	Hyd, Cover Plate	1	19101-	
13	SCR-9102	240, Scraper Edge	2		
101	BL-10-600-T	5/8-11 X 6 HEX TAP G8 ZC	2		
102	BL-10-N	5/8-11 HEX FIN NUTS ZC	12		
103	BL-8-1100-H8	1/2-13 x 11 HEX CAP G8 ZC	2		
104	BL-8-LN	1/2-13 HEX LOCK NUT NYLON INSERT ZC	8		
105	BL-6-100-H-8	3/8-16 X 1 HEX CAP GR8ZC	6		
106	BL-8-250-T	1/2 - 13 X 2 1/2 TAP BOLT GR5 ZINC	2		
800	BC-1032-FS	10-32 x 1 1/4' bolts Flat Socket Head	16		
801	BC-6-12-ST	3/8' x 12' Belted Chain Rod for 50mm Belt	4	1910119320	
802	BC-BP20-10-T	20mm Backing Plates /10-32 T Nuts	8		
803	BC-1032-TN	10-32 T Nuts	16	11001	

12011-02-05

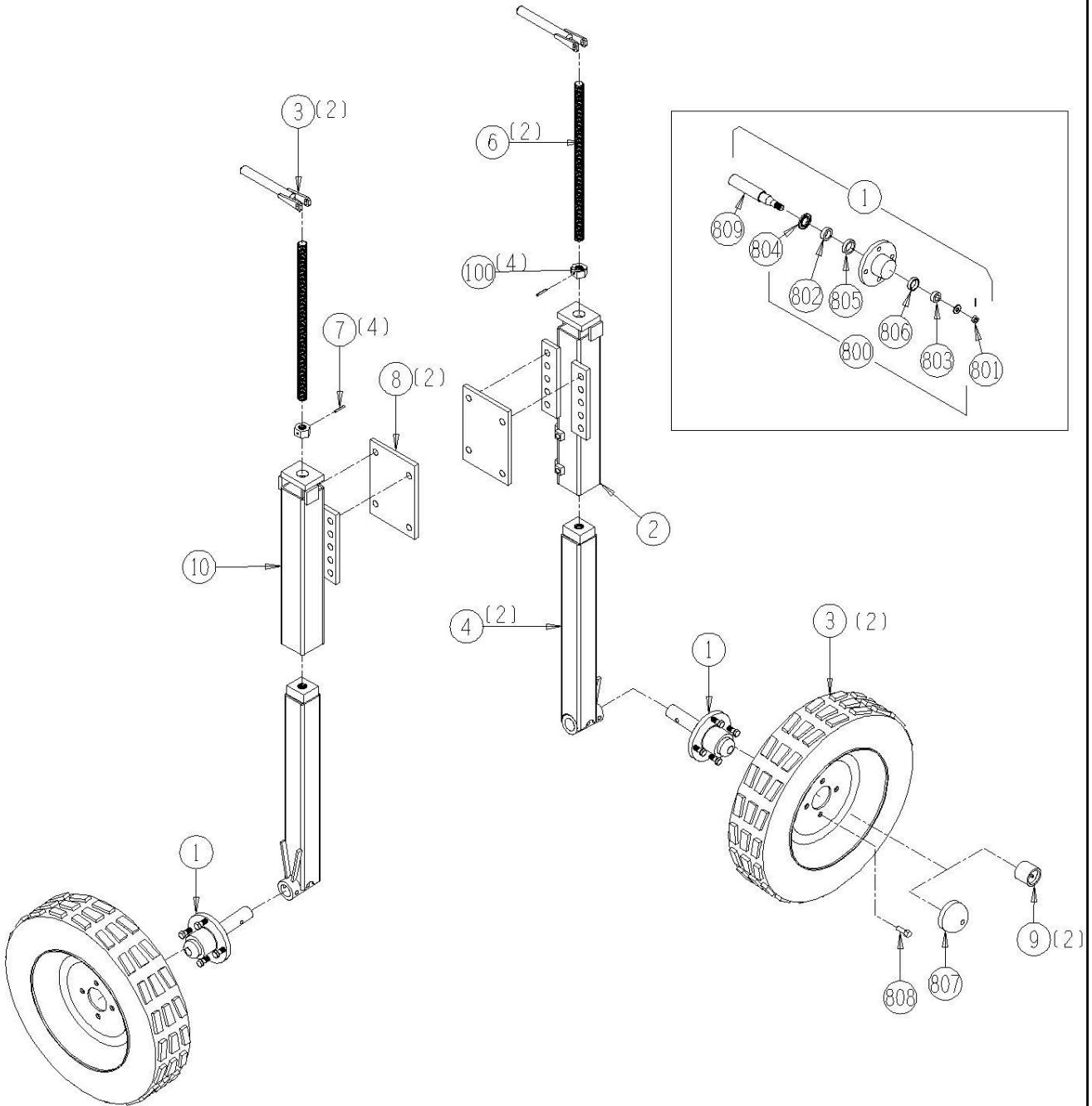


# 12011-02-07 Gauge Wheel Assembly

<u>Ref</u>	<u>Part No.</u>	<u>Description</u>	<u>Parts – Assembly</u>	<u>Will Fit SN</u>	<u>Remarks</u>
1	WHL-190	Hub and Spindle Complete, Gauge Wheel	2		
2	WHL-9100	Gauge Wheel Mount, 240 Harvester	1		
3	WHL-192-H	Gauge Wheel 480-12 (Heavy Duty)	2		
4	WHL-6139	Gauge Wheel, 2010 290 Tomato Harvester	2		
5	ADJ-8202	Adjuster, Handle, Gauge Wheel, HC290 Tomato	2		
6	ADJ-8203	Threaded Rod W/ Holes, Gauge Wheel, HC290	2		
7	PIN-3-20	Roll Pin 3/16 x 1-1/4 Stainless Steel	4		
8	BAR-9101	Backing Bar, Gauge Wheel Mount, 240 Harvester	2		
9	WHL-178	Bearing Protector @Pair	1		
10	WHL-9101	Gauge Wheel Mount, RH, 240 Harvester	1		
100	BL-14-N-HOLE	Nut W/ Holes, Disk Header	4		
101	BL-4-FW	1/4 USS FW ZC	4		
102	BL-4-LN	1/4-20 HEX LN NE ZC	2		
103	BL-4-200-H	1/4-20 X 2 HEX CAP G5 ZC	2		
800	WBR-199K	Gauge Wheel Bearing Kit	1	WHL-190	Includes seal, inner and outer bearings and cones
801	WBR-199E	Spindle Nut	1	WHL-190	
802	WBR-199C	Inner Bearing	1	WHL-190	
803	WBR-199D	Outer Bearing	1	WHL-190	
804	WBR-199F	Seal	1	WHL-190	
805	WBR-199H	Cup	1	WHL-190, WHL-4000	
806	WBR-199I	Outer cup	1	WHL-190	
807	WBR-199G	Hub cap	1	WHL-190	
808	WBR-199L	Lug Bolt for Gauge Wheel	8	WHL-190	
809	WBR-199S	Gauge Wheel Spindle Only	2	WHL-190	w/ WHL-191 replaces WBR-199A



12011-02-07

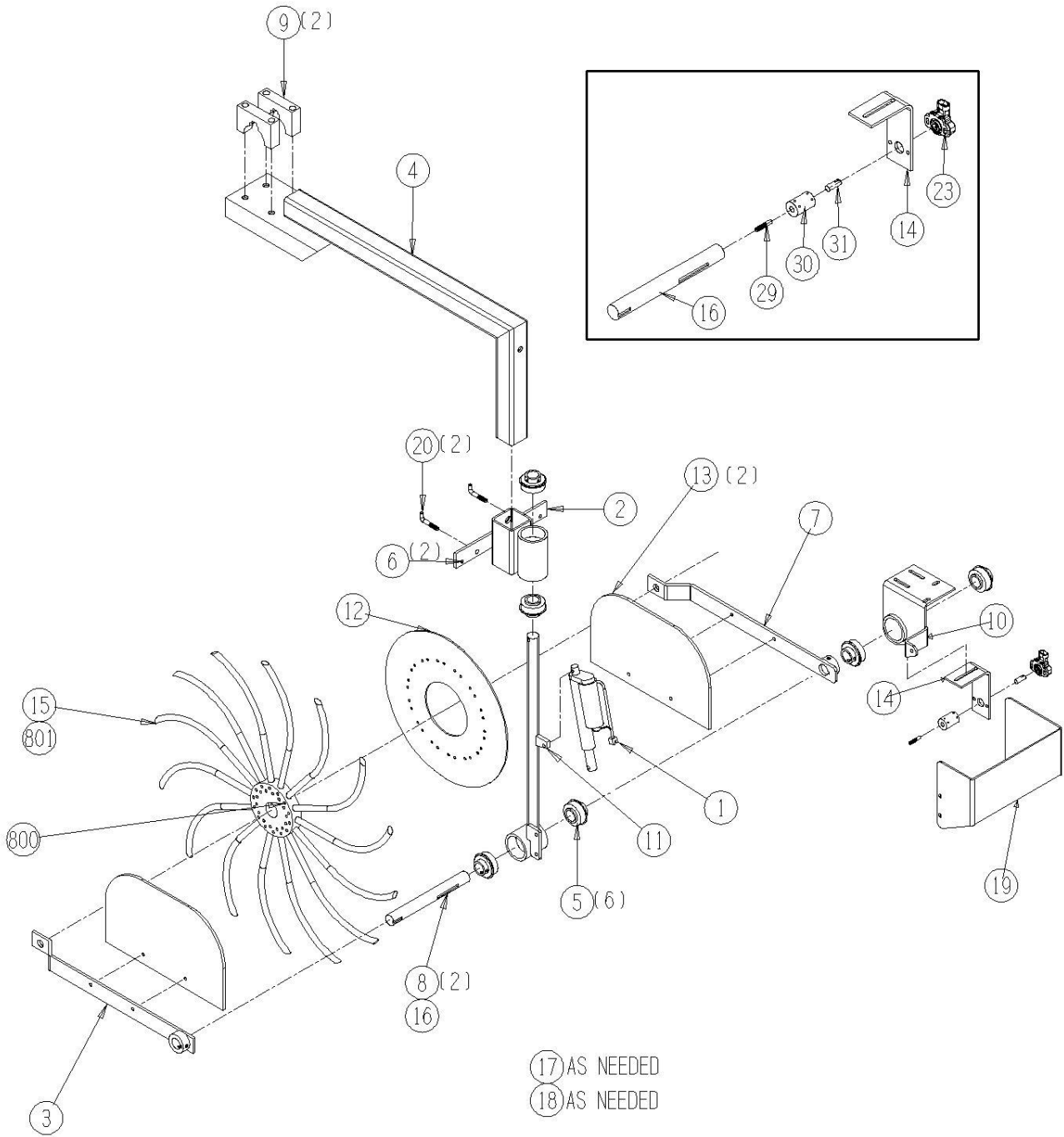


# 12011-02-71 Dual Header Height Control Assembly

<u>Ref</u>	<u>Part No.</u>	<u>Description</u>	<u>Parts – Assembly</u>	<u>Will Fit SN</u>	<u>Remarks</u>
1	ACT-042B-2	Actuator, Wired For any Length Harness, 08 and Later	2		
2	ADJ-HC99	Adjuster, Wheel Control Height Adj, HHC	2		
3	ARM-HC99R	Arm, Right, Control Wheel, HHC	2		
4	BAR-9023	Bar, AHHC Trailing Wheel Mount	2		
5	BR-100-ER	Bearing, 1' ER	12		
6	CH-3-28	3/16 LINK CHAIN 28 LINKS	4		
7	ARM-0069	HHC Arm, Electronic Header Height	2		
8	KEY-4-4-12	SHAFT KEY 1/4"x½" SQUARE CUT (1018)	4		
9	MOU-103	Mount, Wheel Arm Bar Support, HHC, Cuc & Tom	4		
10	ARM-0070	Switch Mount, HHC	2		
11	MOU-HC03	Mount, Trailing Wheel Arms, HHC, 2003	2		
12	PL-6192	Depth Disk Wheel, 14.375 Dia.	2		
13	PL-HC99	Plastic, Chain Guard Wheel Arm, HHC	4		
14	ARM-1007	Sensor Arm	2		
15	WHL-HHC-99	Spider Wheel Assembly	2		
16	SFT-HC07	HHC Shaft	2		
17	WT-14	Wire Tie 14 1/4'	25		
18	WT-7	Wire Tie 7'	25		
19	SHD-HC07	HHC Shield, Electronic Switch	2		
20	SUP-8100	Support, Wheel Hold Up, Header Height, HC290	4		
21	ELC-042B-28	Actuator Cable Only 28' 08 to Present	1		
22	ELC-042B-19	Actuator Cable Only 19' 08 to Present	1		
23	ELC-1008	Rotary Sensor, Single Output BEI	2		
27	ELC-1008-C	Wiring Harness For ELC-1008	2		
28	ELC-1006	Valve Driver, PVD3D2R	2		
29	SFT-HC12	Shaft, EHHC Control, Tomato Harvester	2		
30	CPL-1006	Helical Beam Shaft Coupling 1/4x3/8	2		
31	SFT-HC11	Shaft, HHC Control	2		

100	BL-1224-087-DT	12-24 x 7/8, Drill and Tap Screw	4
101	BL-4-050-H	1/4-20 X 1/2 HEX CAP G5 ZC	8
102	BL-4-100-H	1/4-20 X 1 HEX CAP G5 ZC	8
103	BL-4-125-H	1/4-20 X 1 1/4 HEX CAP G5 ZC	4
104	BL-4-175-H	1/4-20 X 1 1/2 HEX CAP G5 ZC	2
105	BL-4-400-H	1/4-20 X 4 HEX CAP G5 ZC	8
106	BL-4-FW-8	1/4" Flat Washer Grade 8	40
107	BL-4-LN	1/4-20 HEX LN NE ZC	28
108	BL-4-LW	1/4 SPLIT LW ZC	8
109	BL-5-031-SC	5/16-18 x 5/16 Knurled Point Set Screw	16
110	BL-6-100-H	3/8 UNC X 1 HH C/S BOLT GR5 ZINC	8
111	BL-6-125-H	3/8-16 X 1 1/4 HHCS G5 ZC	8
112	BL-6-LN	3/8 UNC FIN HEX LOCK NUT NE A563 GrA ZINC	14
113	BL-6-LW	3/8 SPLIT LW ZC	8
114	BL-6-SW-8	3/8 SAE FW G8 ,Yellow Zinc, Thru Hardened	40
115	BL-8-100-SQSS	1/2 x 1 Square Head Set Screw (USS)	4
116	BL-8-475-H	1/2-13 X 4 1/2 HEX CAP G5 ZC	8
117	BL-8-FW-8	1/2 FLAT WASHER G8 ZC	8
118	BL-8-LN	1/2-13 HEX LOCK NUT NYLON INSERT ZC	10
119	BL-8-SW-8	1/2 SAE FW G8 ZC	10
120	BL-10-325-H	5/8 UNC X 3 1/4 HH C/S BOLT GR ZINC	2
121	BL-10-LN	5/8-11 HEX LN NE ZC	2
122	BL-10-SM	5/8 x 1 x 14ga Shim	10
123	BL-10-SW	5/8 SAE FW ZC @	10
124	BL-4-175-HFT	1/4-20 X 1-1/2 HEX CAP G5 ZC, Fully Threaded	2
125	BL-4-200-HFT	1/4-20 X 2 HEX CAP G5 ZC, Fully Threaded	2
126	BL-4-N	1/4-20 HEX FIN NUTS ZC	4
127	BL-6-325-H	3/8 UNC X 3 1/2 HH C/S BOLT GR5 ZINC	6
128	BL-8-150-H	1/2 UNC X 1 1/2 HH C/S BOLT GR5 ZINC	2
801	WHL-6195A	Spoke	0

12011-02-71





# 12011-02-71H Dual HHC Hydraulic Assembly

<u>Ref</u>	<u>Part No.</u>	<u>Description</u>	<u>Parts – Assembly</u>	<u>Will Fit SN</u>	<u>Remarks</u>
600	H10-37-8MP-8MP	5/8' hose 1/2MP x 1/2MP x 37' long	2		
601	H4-150-6MP-6MP	1/4 in hose 3/8MP x 3/8MP x 150 in long	1		
602	H6-204-6MP-6MP	3/8 hose 3/8MP x 3/8MP x 204 in long	1		
603	HA-1031	Hydraulic Hose Holder 3/8	4		
604	HC-1129-A	Hyd. Cyl Pin, 1' x 2 3/4' Between the Grooves	8		
605	HC-1130B	Hairpin, 7/8'-1' Rod Dia Range	16		



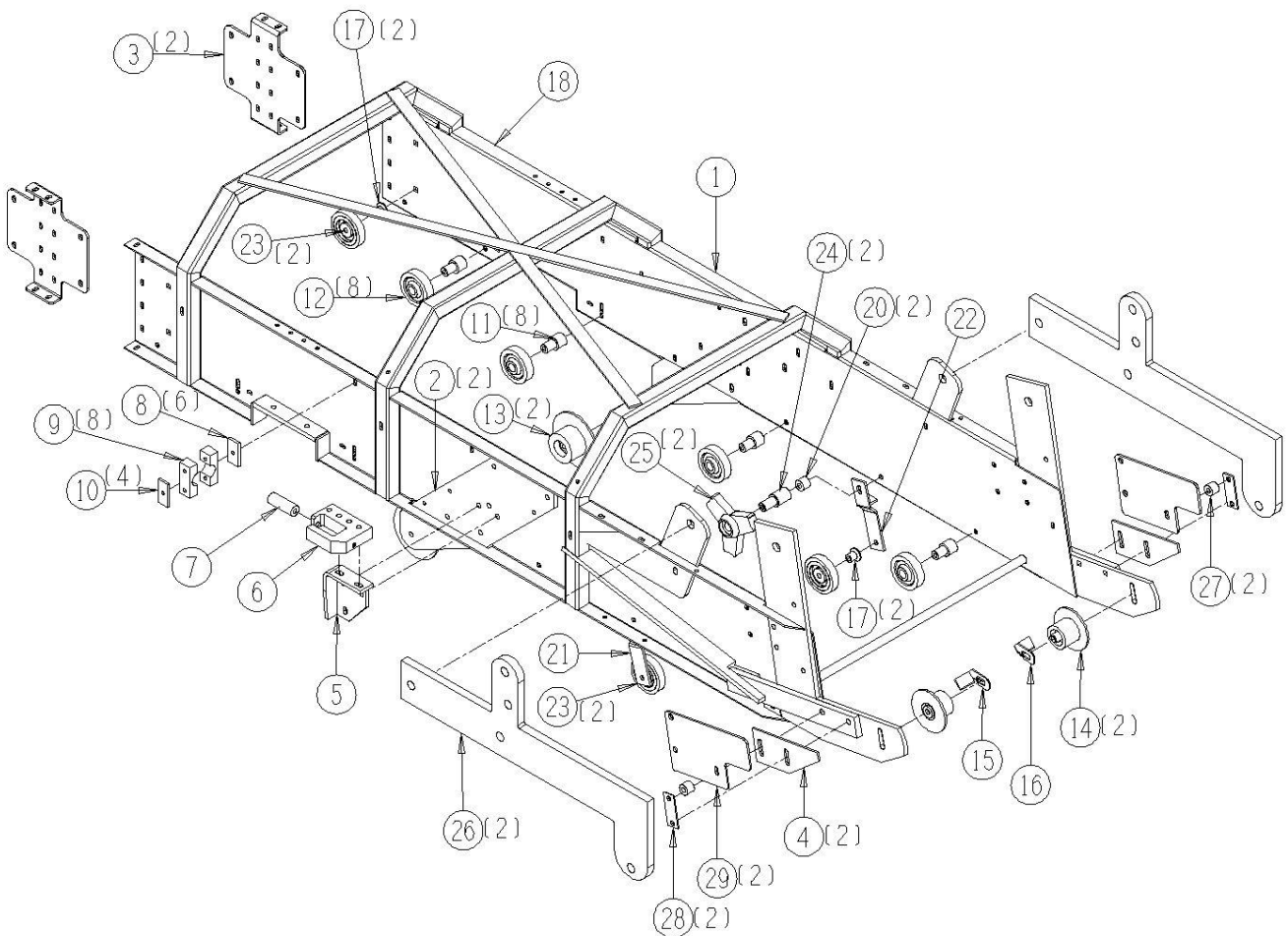
# 12011-03-01 Primary Header Assembly

<u>Ref</u>	<u>Part No.</u>	<u>Description</u>	<u>Parts – Assembly</u>	<u>Will Fit SN</u>	<u>Remarks</u>
1	FRM-9200	Frame, Lower Header Conveyor	1		
2	MOU-0095	Header Side Bar	2		
3	SUP-102	Support, Header Side Rail Splice	2		
4	191-142	Scraper, Under Disk	2	19101-	
5	195-101J	Slide Guide Mount, Header	1	19501-	
6	BRA-190	Bracket, Slide Guide, 190 Tomato	1		
7	192-107a	Slide Guide Roller, 3.5' Long	1		
8	SPA-1050	Spacer for Hydraulic Tube Mount	6		
9	HA-1051	Hyd, Clamp Halves	8	19101-	
10	HA-1052	Hyd, Cover Plate	4	19101-	
11	RLA-010-0108	Spindle / Standoff for Urethane Roller (heat treated)	8	19101-	
12	RLG-040-1016	4' Urethane Roller	8	Old Terog Part No. RU4	
13	RLT-635-228	6 1/2' Flange Roller 2.2 WF 3.5 dia, 1/2' bore	2		
14	RLS-522-2010-SC	Steel Roller, 5' Flange, 2.2' Dia, 2' wide, w/Hub for Scraper	2		For use with scrapers RLA-3023- TM (RH) and RLA-3024- TM (LH) only
15	RLA-3023-TM	Scraper for Nose Roller, RH	1		For use with RLS-522- 2010-SC roller only
16	RLA-3024-TM	Scraper for Nose Roller, LH	1		For use with RLS-522- 2010-SC roller only
17	RLA-000-118	Standoff, 1/2' X 1 1/8'	4		
18	DC-1177	Decal, Large White PIK RITE 8' x 58'	1		
20	SPA-6131	Spacer, Gathering Chain Assy, Rollers	2	60097001-	
21	BRA-1936	Bracket, Lower Roller for Header Chain (L.H.)	1		
22	BRA-1938	Bracket, Lower Roller for Header Chain (R.H.)	1	192-101K	
23	RLR-040-108	4' Flat Roller	4		
24	RLA-015-308	Spindle for 3 Point Shakers	2		
25	RLT-324	Rubber 3 Point Shaker	2		



26	MOU-9100	Disc Head Mount, 240 Tomato Harvester	2
27	SPA-0040	Spacer, Stripper Head, Cucumber	2
28	BAR-8525	Bar, Bolt-on, Primary Header	2
29	PL-8200	Plastic Shield, Primary Header, HC290 Tomato	2

12011-03-01

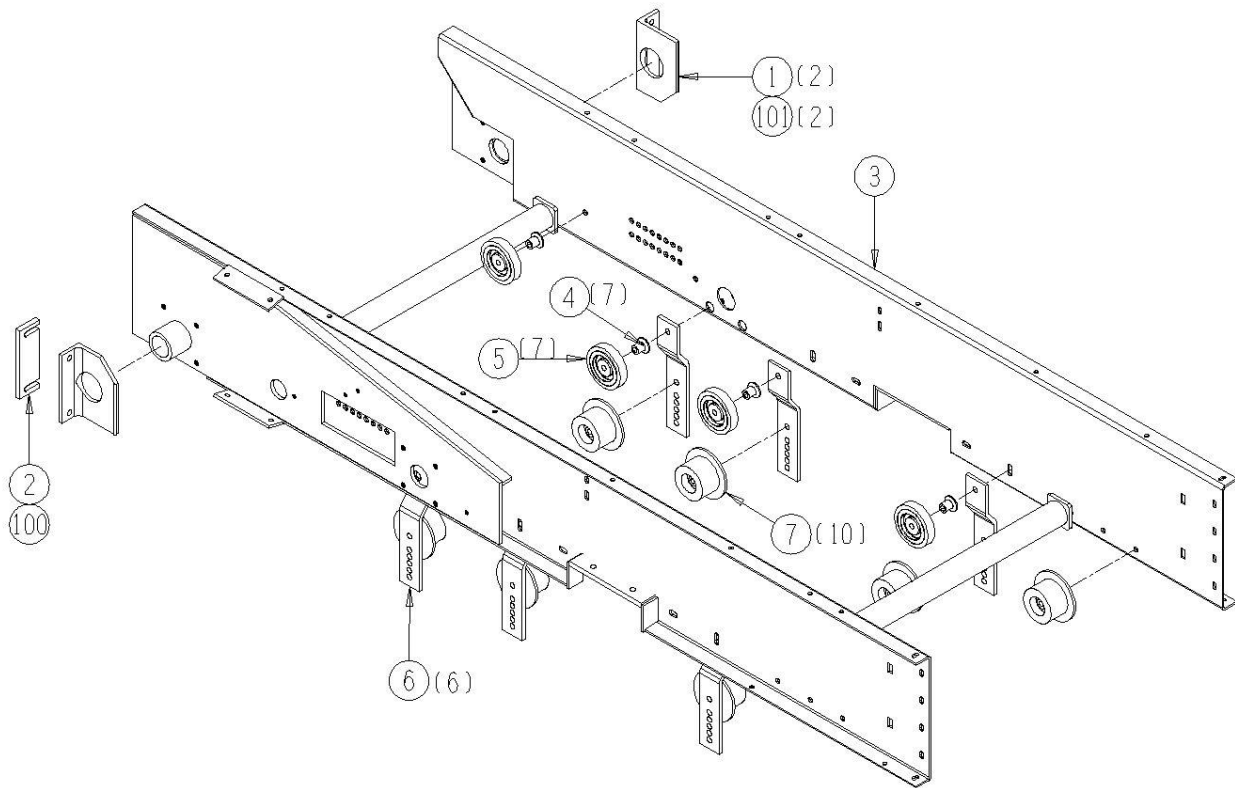




## 12011-03-02 Secondary Header Frame Assembly

<u>Ref</u>	<u>Part No.</u>	<u>Description</u>	<u>Parts – Assembly</u>	<u>Will Fit SN</u>	<u>Remarks</u>
1	191-106	Bracket, Header Mount, Pivot	2	19101-	
2	SPA-106-8	Spacer, Header Mount, Pivot (Tomato)	1	19201-	
3	FRM-9201	Header Conveyor, Upper, 240 Tomato Harvester	1		
4	RLA-000-118	Standoff, 1/2' X 1 1/8'	7		
5	RLR-040-108	4' Flat Roller	7		
6	BRA-8400	Bracket, Hold Up Rollers	6		
7	RLT-535-228	5' Flange Roller 2.2WF x 3 1/2' dia, 1/2' bore	10		
100	BL-8-750-8	1/2-13 x 7 1/2 Grade 8 Hex Head Cap Screws	2		
101	BL-8-650-8	1/2-13 X 6 1/2 GR8 HH BOLT	2		

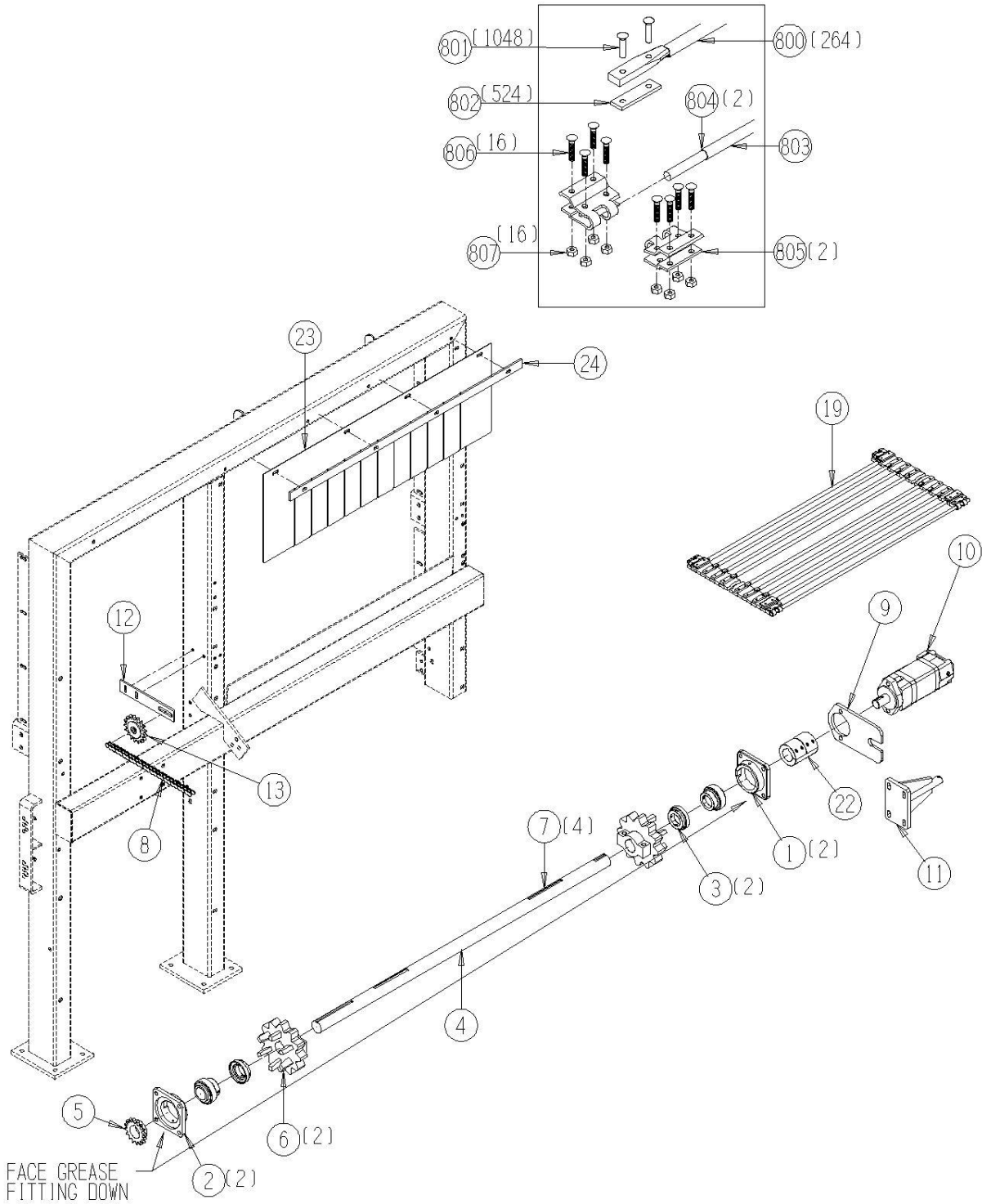
12011-03-02



# 12011-03-03 Header Conveyor Drive Shaft Assembly

<u>Ref</u>	<u>Part No.</u>	<u>Description</u>	<u>Parts – Assembly</u>	<u>Will Fit SN</u>	<u>Remarks</u>
1	BR-085-RCJ	RCJ Bearing Housing	2	11001	
2	BR-175-085	Fafnir Bearing 1 ½ Tri Seal	2		
3	BR-175-LC	1 ½ Locking Collar - Bearing Protector	2		
4	SFT-9201	Header Drive Shaft, 240 Tomato Harvester	1		
5	SP-50B16-28-6	Hardened Tooth Sprocket, #50, 16 Tooth, 1.75" Bore	1	11001	
6	SP-4212-28-6-H	Sprocket, 12T Drive #4212 1 ½ Bore Heat Treated	2		
7	KEY-6-6-24	Keystock 3/8" x 3/8" x 1 1/2" Square Cut (1018)	4		
8	CH-50-41	Roller Chain 41 pitches #50 w/master link	1		
9	MOU-9201	Motor Mount, Header, 240 Tomato Harvester	1		
10	HM-1420-CH	Char Lynn Motor	1		
11	STP-9201	Motor Stop, Header, 240 Tomato Harvester	1		
12	194-114	Tightener Bracket	1	19401-	
13	SP-5017-T	Idler, 17 tooth x #50 Chain	1		
19	BC-7-3642-265	Header Chain, 42mm Pitch 265 Links Long, 240 Chain	1		
20	HA-1031	Hydraulic Hose Holder 3/8	2		
21	BL-4-075-H	1/4 UNC X ½ HH C/S BOLT GR5 ZINC	2		
22	CPS-2820	Steel Coupler 1 ½ x 1 1/4" ID with 3/8" Keyway on 1 ½ ID	1		
23	BT-9300	Belting, Splash Guard, Header Entrance, 240 Tomato Harvester	1		
24	BAR-9300	Bar, Belting, Shaker Entrance Flap	1		
800	BC-7-36-ST	7/16" x 36" Belted Chain Rod for 60mm Belt	264		
801	RI-25-BC	25mm Belted Chain Rivets	1048		
802	BC-BP32	Belt, Rivet Backing Plates 32mm	524	11001	Lap Splice Option, Used only with BC-1032-LN Lock Nuts
803	BC-7-36-CN	Connecting Rod, 11mm, 36" Wide Belted Chain, 60mm Traction Belts	1	11001	For Clip Splice Option
804	BC-3525	Snap Ring, 11mm.	2		
805	BC-F-42-32-UG	Ultra Gold F Connecting Clips 42-32 @ pair	2		Replaces BC-F-42-32
806	BC-1032-FS	10-32 x 1 1/4" Bolts Flat Socket Head	16		
807	BC-1032-LN	10-32 Lock Nuts	16		
808	KEY-5-5-20	Shaft Key 5/16" sq x 1 1/4" Square Cut (1018)	1		

12011-03-03

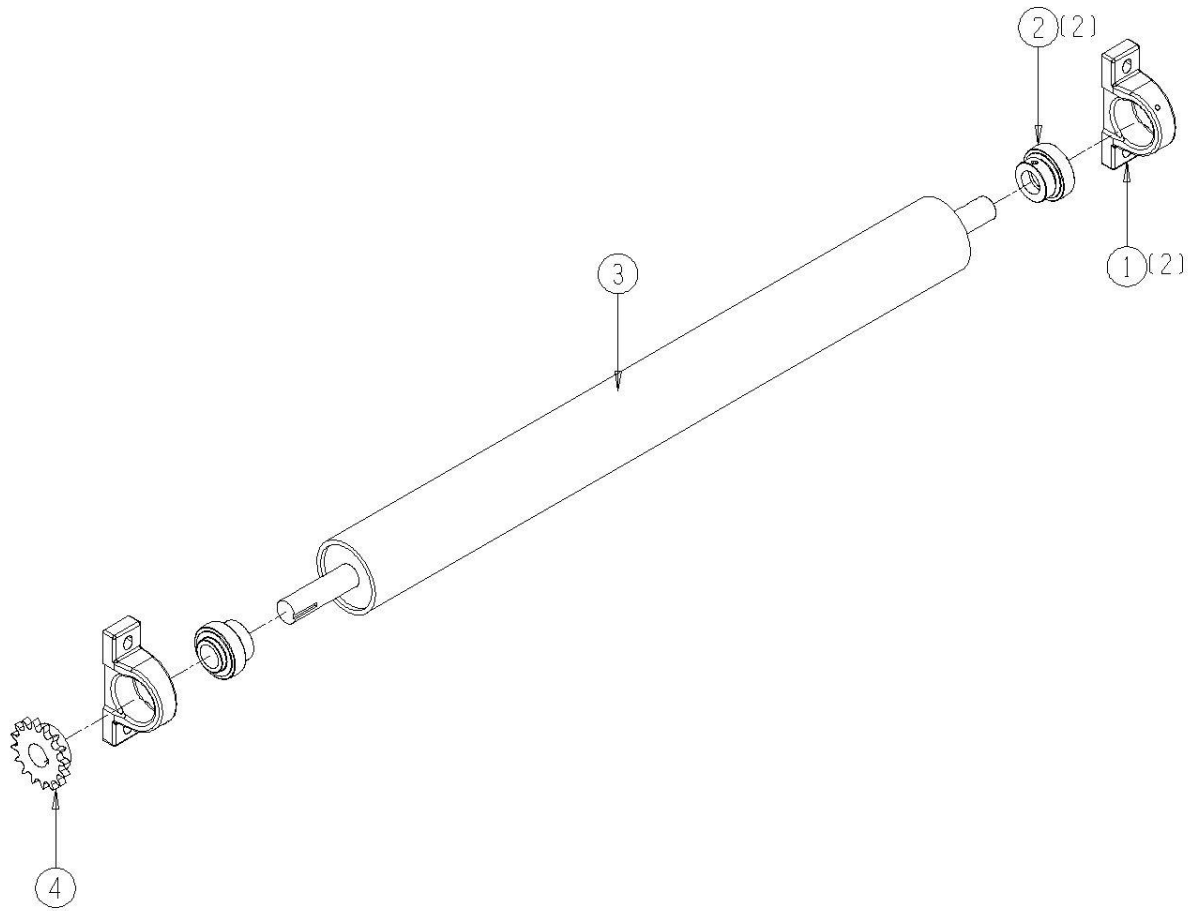


# 12011-03-04 Header Conveyor Return Roller Assembly

<u>Ref</u>	<u>Part No.</u>	<u>Description</u>	<u>Parts – Assembly</u>	<u>Will Fit SN</u>	<u>Remarks</u>
1	BR-072-RAK	72mm Cast Housing	2		
2	BR-125-072	Bearing, 1 1/4 Fafnir tri-seal, 72mm OD	2		
3	SFT-9203	Pipe Roller, Header Return, 240 Tomato Harvester	1		
4	SP-50B16-20-4	Hardened Tooth Sprocket, #50, 16 Tooth, 1. 25' Bore	1		
5	KEY-4-4-20	Shaft Key 1/4' x 1 1/4'	1		



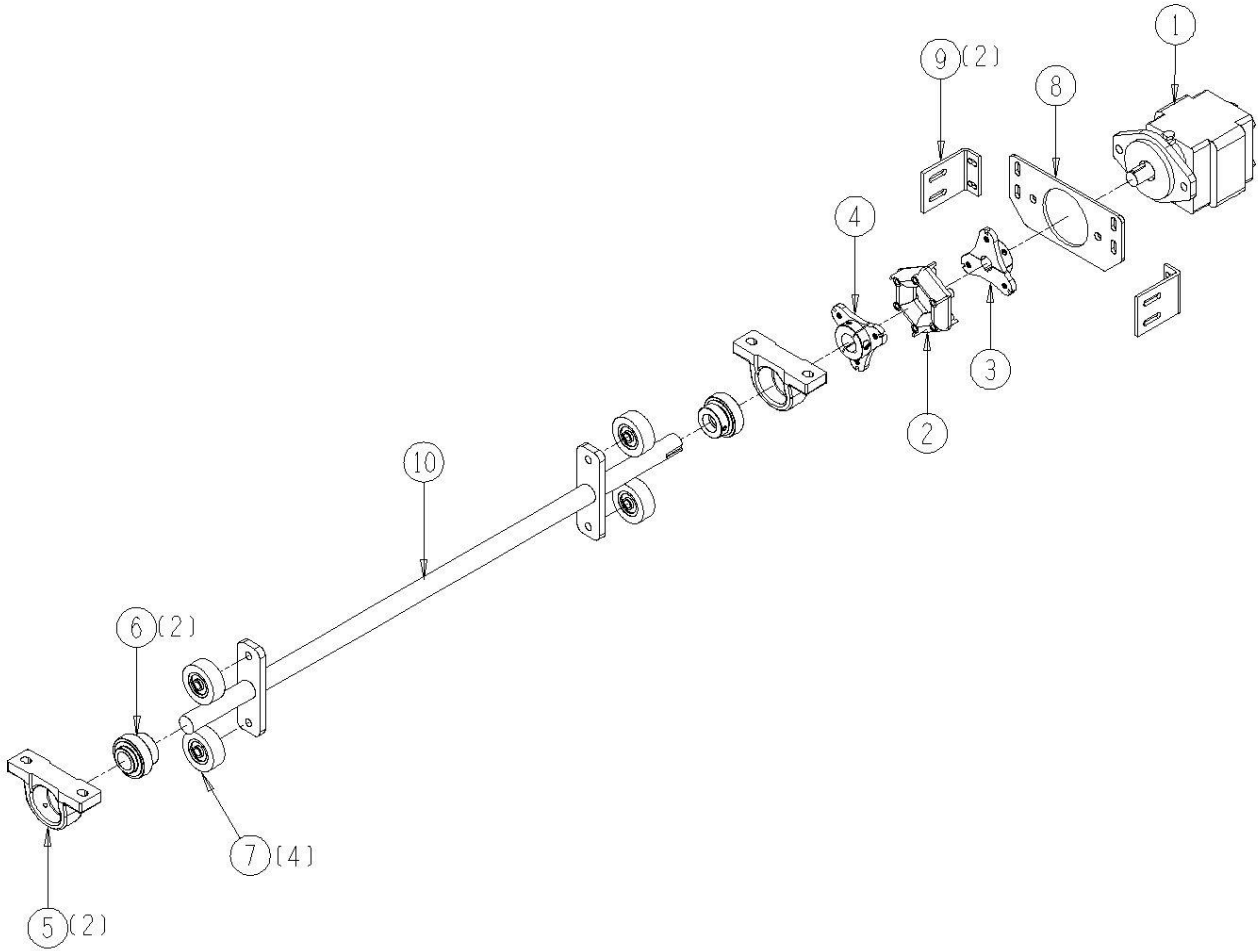
12011-03-04



# 12011-03-11 Header Conveyor Vibrator Shaft Assembly

<u>Ref</u>	<u>Part No.</u>	<u>Description</u>	<u>Parts – Assembly</u>	<u>Will Fit SN</u>	<u>Remarks</u>
	SHD-9131	Shield, Shaker Coupler Cover, Header, 240 Tomato Harvester	1		
	SHD-9132	Shield, Top, Shaker Coupler Cover, Header, 240 Tomato Harvester	1		
1	HM-122	Motor, Hydraulic, 1-3/4' Gear, #12 SAE Ports	1		
2	CPR-422-15	Primary Shaker Drive Coupler	1		Used on Sec. Sh. Beginning 2000
3	CPR-422a-15	Primary Shaker Coupler 1' Bore (Motor Side)	1	Years 1995 - 2000	Used on Sec. Sh. Beginning 2000
4	CPR-422D-15	Coupler, 1-1/4' Bore, 1/4' Key	1		
5	BR-072-RAK	72mm Cast Housing	2		
6	BR-125-072	Bearing, 1 1/4 Fafnir tri-seal, 72mm OD	2		
7	RLT-027-108	Roller 2.75' dia. 1/2' Bore	4		
8	MOU-0167	Mount, Motor Cross Vibrator	1		
9	MOU-9202	Vibrator Motor Mount, 240 Tomato Harvester	2		
10	SFT-9202	Vibrator Shaft, 36 Inch Chain	1		
11	DC-1176	Decal, Danger-Hand Chain Sprockets	1		
12	KEY-4-4-20	Shaft Key 1/4' x 1 1/4'	1		
13	STP-FL30	Stop, Flow Control	1	19101-	
800	HM-412B	Key for Hydraulic Motor -Shaker Weight-Vibrator	1	HM-412C & HM-712C	
801	HM-2686	Snap Ring, Commercial Motor	1	HM-1020	
802	HM-0381	Ball Bearing, Motor	1	HM-1020	
803	HM-2585	Ring Seal, Commercial Motor	2	HM-1020	
804	HM-1801	Seal Kit for Commercial Intertech	1	P20 & M20 Series	Includes:(1) Length of HM-2882,(1)HM-2883,(2)HM-2884
805	BR-025-052-C	Bearing Kit for Vibrator Roller (2 brg)	1	RLT-027-108	
806	BR-017-040	Bearing for Vibrator Roller	2		
807	RLT-SSC1	Stub Shaft for Vibrator Roller	2		
808	RLA-0275-SR4	Snap Ring for Vibrator Roller	1	RLT-027-108	

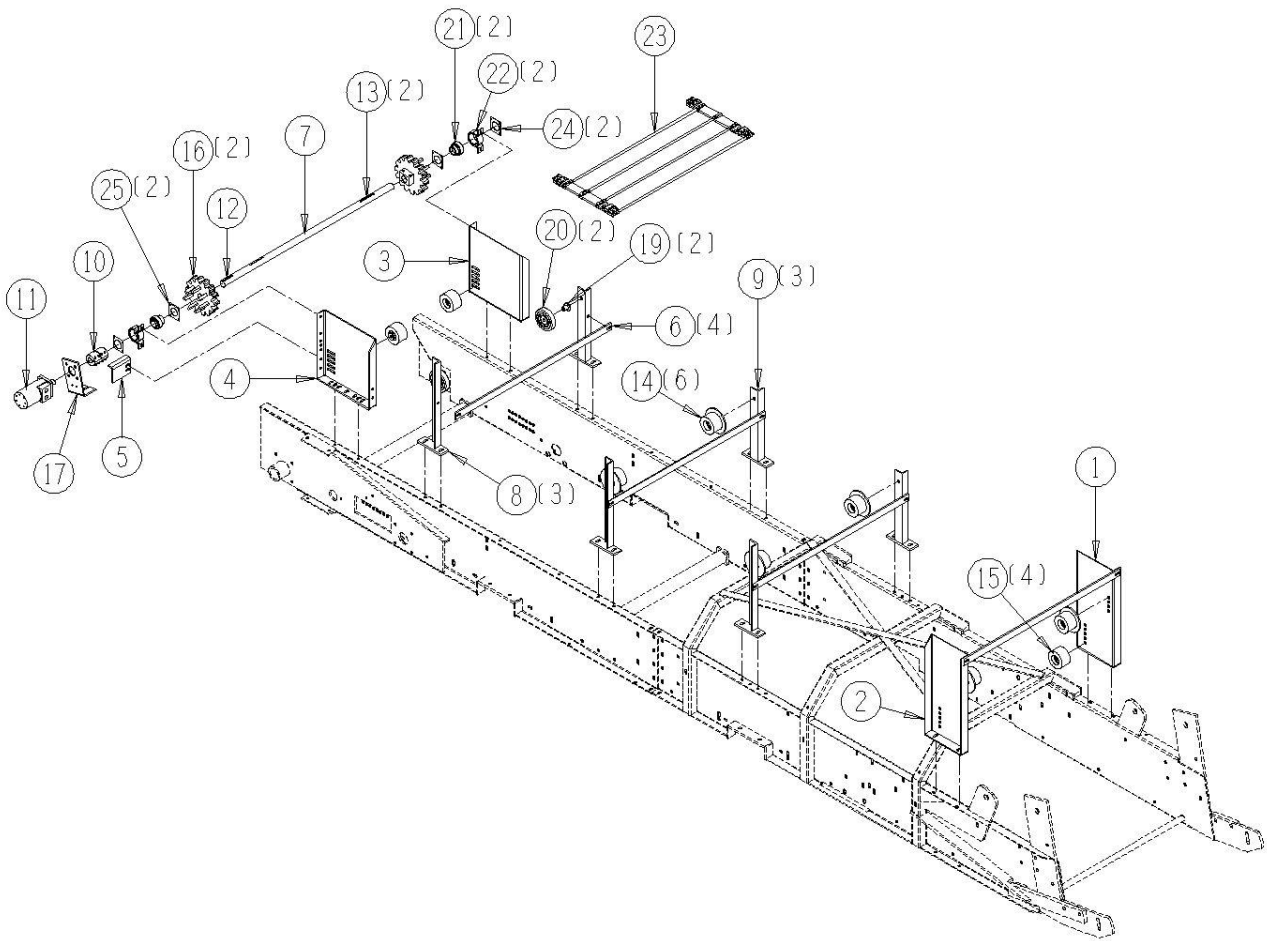
12011-03-11



# 12011-03-13 Full Length Vine Assist Assembly

<u>Ref</u>	<u>Part No.</u>	<u>Description</u>	<u>Parts – Assembly</u>	<u>Will Fit SN</u>	<u>Remarks</u>
1	MOU-9203	Panel, Vine Assist, Front Panel, Outer, 240 Harvester	1		
2	MOU-9204	Panel, Vine Assist, Front Panel, Inner, 240 Harvester	1		
3	PAN-1106	Panel, Weldment, Outer Rear, Vine Assist	1	Kit-0050	
4	PAN-1107	Panel, Weldment, Inner Rear, Vine Assist	1	Kit-0050	
5	193-806B	Motor Mount Stop	1		
6	BAR-9202	Bar, Vine Assist, Cross Bar	4		
7	SFT-9204	Shaft, Vine Assist Drive, Header, 240 Tomato Harvester	1		
8	BRA-0217	Vine Assist, Roller Mount, Outer 32' wide	3		
9	BRA-0218	Vine Assist, Roller Mount, Inner 32' wide	3		
10	CPS-6060	Steel Coupler (off center) 1 1/4' x 1'	1		
11	HM-210-TC	TCI Motor	1		Seal Kit # TCI-SKHPQ
12	KEY-4-4-20	Shaft Key 1/4' x 1 1/4'	1		
13	KEY-4-4-28	Shaft Key 1/4' x 1 3/4'	2		
14	RLT-535-228	5' Flange Roller 2.2WF x 3 1/2' dia, 1/2' bore	6		
15	RLT-035-228	Roller 3.5 dia x 2.2 x 1/2' bore, no flange	4		
16	SPU-3610-20-4	Sprocket 36-10 1 1/4 bore 1/4' key urethane	2		
17	193-806	Mount Motor	1		
19	RLA-000-118	Standoff, 1/2' X 1 1/8'	2		
20	RLR-040-108	4' Flat Roller	2		
21	BR-125-062	Bearing, 1 1/4 Fafnir Tri-Seal, 62mm OD	2		
22	BR-062-MPB	Stamped Bearing Housing for 1 1/4' bearing	2		
23	BC-6-36108-84	Belted Chain, 3/8 x 36, 2 x 60, 84 Pitches Long	1		
24	SC-20-6	Bearing Protector, 1 1/4', Inner Side	2		
25	SC-20-7	Bearing Protector, 1 1/4', Outer, Lock Collar Side	2		

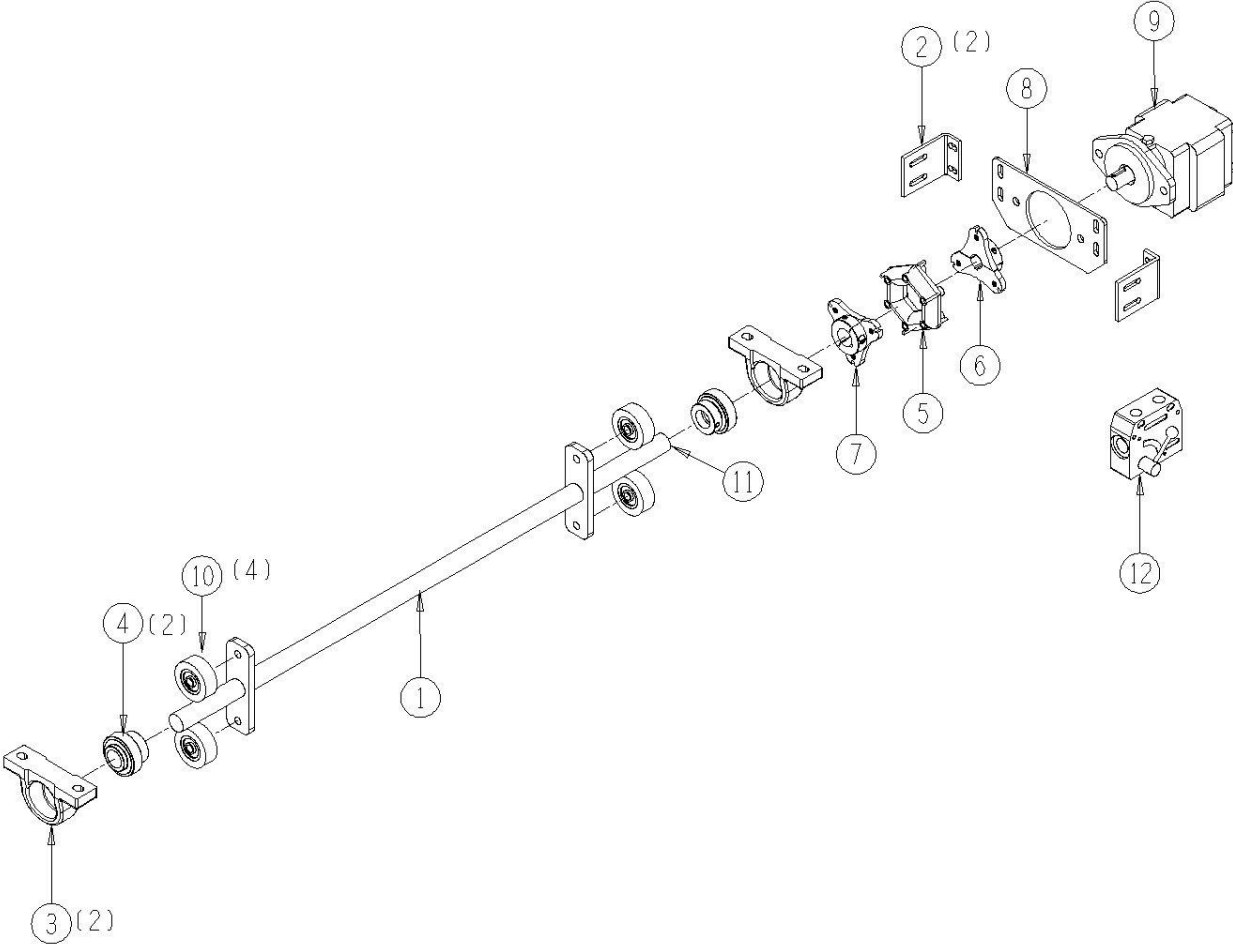
12011-03-13



# 12011-03-14 Optional Second Vibrator Assembly

<u>Ref</u>	<u>Part No.</u>	<u>Description</u>	<u>Parts – Assembly</u>	<u>Will Fit SN</u>	<u>Remarks</u>
	SHD-9131	Shield, Shaker Coupler Cover, Header, 240 Tomato Harvester	1		
	SHD-9132	Shield, Top, Shaker Coupler Cover, Header, 240 Tomato Harvester	1		
1	SFT-9202	Vibrator Shaft, 36 Inch Chain	1		
2	MOU-9202	Vibrator Motor Mount, 240 Tomato Harvester	2		
3	BR-072-RAK	72mm Cast Housing	2		
4	BR-125-072	Bearing, 1 1/4 Fafnir tri-seal, 72mm OD	2		
5	CPR-422-15	Primary Shaker Drive Coupler	1		Used on Sec. Sh. Beginning 2000
6	CPR-422a-15	Primary Shaker Coupler 1' Bore (Motor Side)	1	Years 1995 - 2000	Used on Sec. Sh. Beginning 2000
7	CPR-422D-15	Coupler, 1-1/4' Bore, 1/4' Key	1		
8	MOU-0167	Mount, Motor Cross Vibrator	1		
9	HM-122	Motor, Hydraulic, 1-3/4' Gear, #12 SAE Ports	1		
10	RLT-027-108	Roller 2.75' dia. 1/2' Bore	4		
11	KEY-4-4-20	Shaft Key 1/4' x 1 1/4'	1		
12	HV-FL30	Flow Control Valve 30GPM	1		
801	HM-412B	Key for Hydraulic Motor -Shaker Weight-Vibrator	1	HM-412C & HM-712C	
802	HM-2686	Snap Ring, Commercial Motor	1	HM-1020	
803	HM-0381	Ball Bearing, Motor	1	HM-1020	
804	HM-2585	Ring Seal, Commercial Motor	2	HM-1020	

12011-03-14

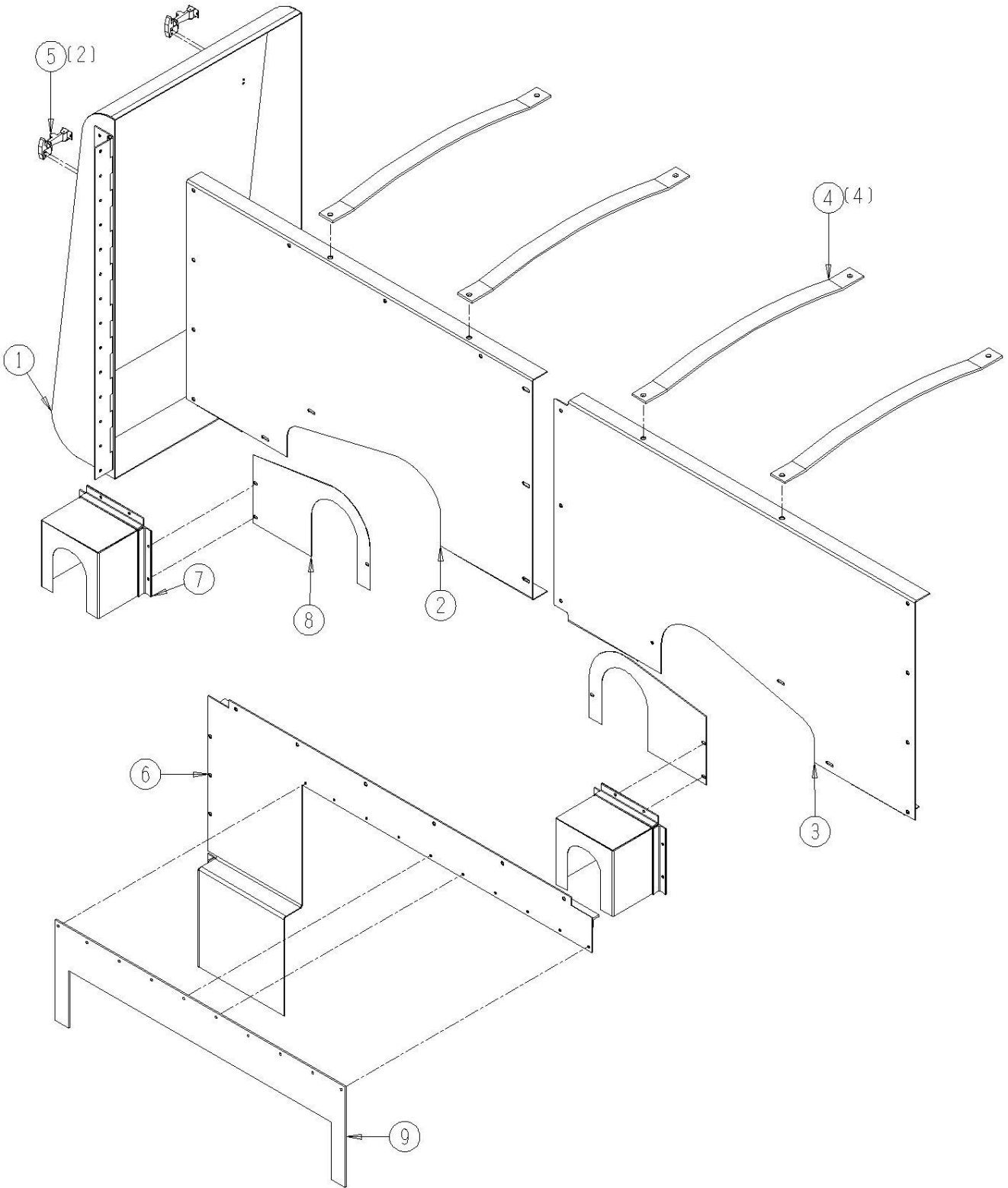


# 12011-04-01 Shaker Weight Box Cover Assembly

<u>Ref</u>	<u>Part No.</u>	<u>Description</u>	<u>Parts – Assembly</u>	<u>Will Fit SN</u>	<u>Remarks</u>
1	SHD-9105	Shield, Box Cover, Shaker Weight, 240 Tomato Harvester	1		
2	SHD-9106	Shield, Back, Box Cover, Shaker Weight, 240 Tomato Harvester	1		
3	SHD-9107	Shield, Front, Box Cover, Shaker Weight, 240 Tomato Harvester	1		
4	BAR-9102	Brace, Tarp, Primary Shaker	4		
5	LA-703	Large Rubber T Latch Assembly	2		
6	SHD-9128	Shield, Guard, Cross/Shaker, 240 Tomato Harvester	1		
7	SHD-9129	Shield, Coupler, Shaker, 240 Tomato Harvester	2		
8	SHD-9130	Shield, Belt, Shaker, 240 Tomato Harvester	2		
9	BT-9104	Cross Cover Belting, 240	1		



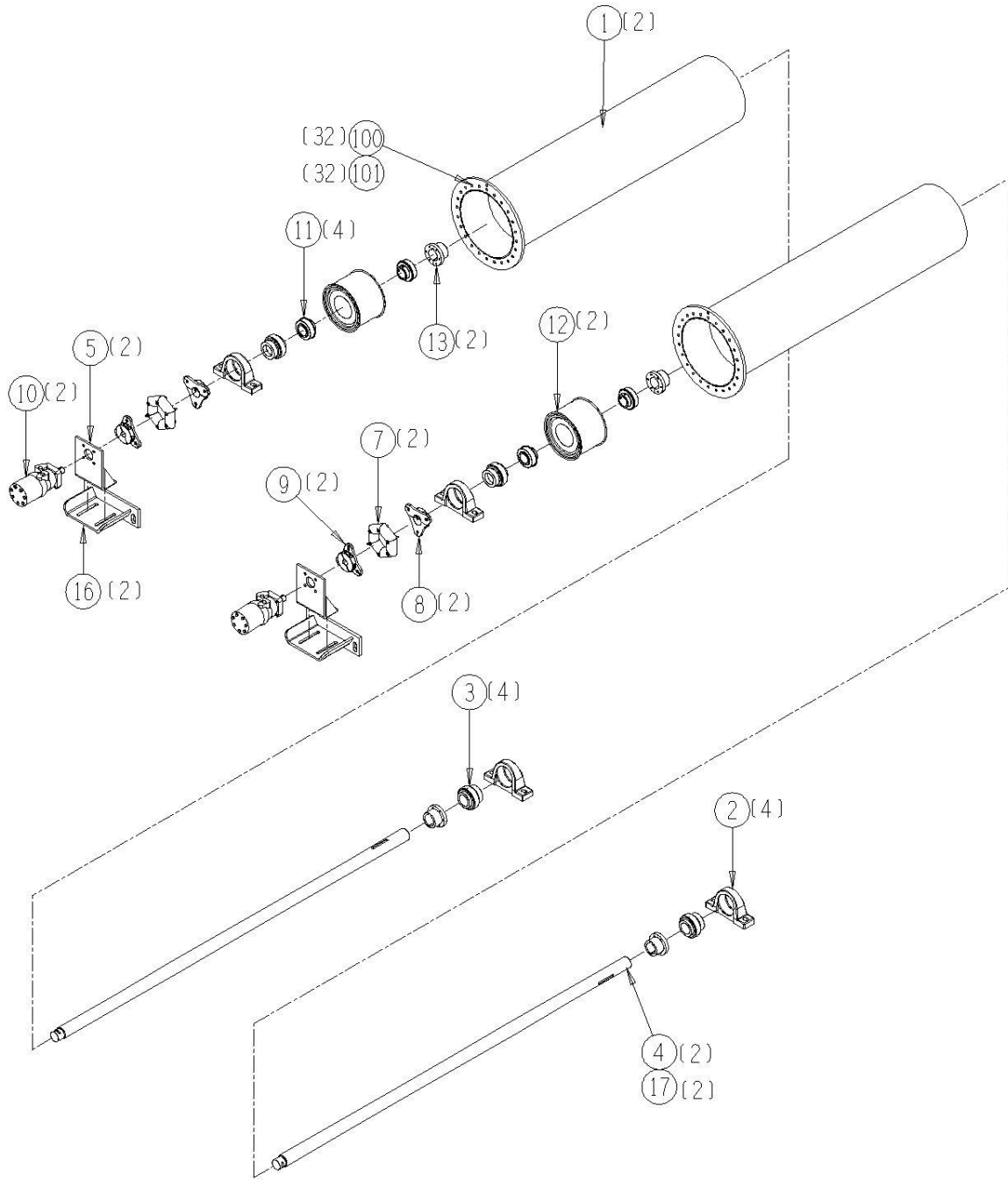
12011-04-01



# 12011-04-02 Shaker Drum Assembly

<u>Ref</u>	<u>Part No.</u>	<u>Description</u>	<u>Parts – Assembly</u>	<u>Will Fit SN</u>	<u>Remarks</u>
1	SHA-1005	Shaker Drum, Primary Secondary, 40' Sorter	2		
2	BR-100-RAK	Bearing Housing 100 mm	4	11001	
3	BR-200-100	2' Fafnir Bearing, Tri-ply	4	11001	Replace with BR-200-100I
4	SHA-1000	Shaft, Primary Secondary Shaker, 40' Sorter	2		
5	194-416	Mount, Shaker Rotation Motor	2	19101	For use with 194-416a
7	CPR-422-18	Lovejoy Donut W/ Hardware	2		
8	CPR-422C-18	Coupler, Shaker Side	2	30095001-	
9	CPR-422D-18	Coupler, Shaker, Motor Side, 1' Shaft	2	30095001-	
10	HM-103-TC	TCI Motor	2		Seal Kit # TCI-SKHRQ
11	BR-200-ER	Bearings, 2' ER	4		
12	PU-80-8M-525-2	Pulley, 2 & 2-3/16 Sfts., 5-1/2 Wide for Panther Belts	2		
13	SP-SK-2	Bushing, SK x 2'	2	19101	
16	MOU-9300	Mount, Shaker Rotation Motor	2		
17	KEY-6-6-24	Keystock 3/8' x 3/8' x 1 1/2' Square Cut (1018)	2		
100	BL-6-100-C	3/8 UNC X 1 CARRIAGE BOLT GR5 ZINC	32		
101	BL-6-LN	3/8 UNC FIN HEX LOCK NUT NE A563 GrA ZINC	32		

12011-04-02

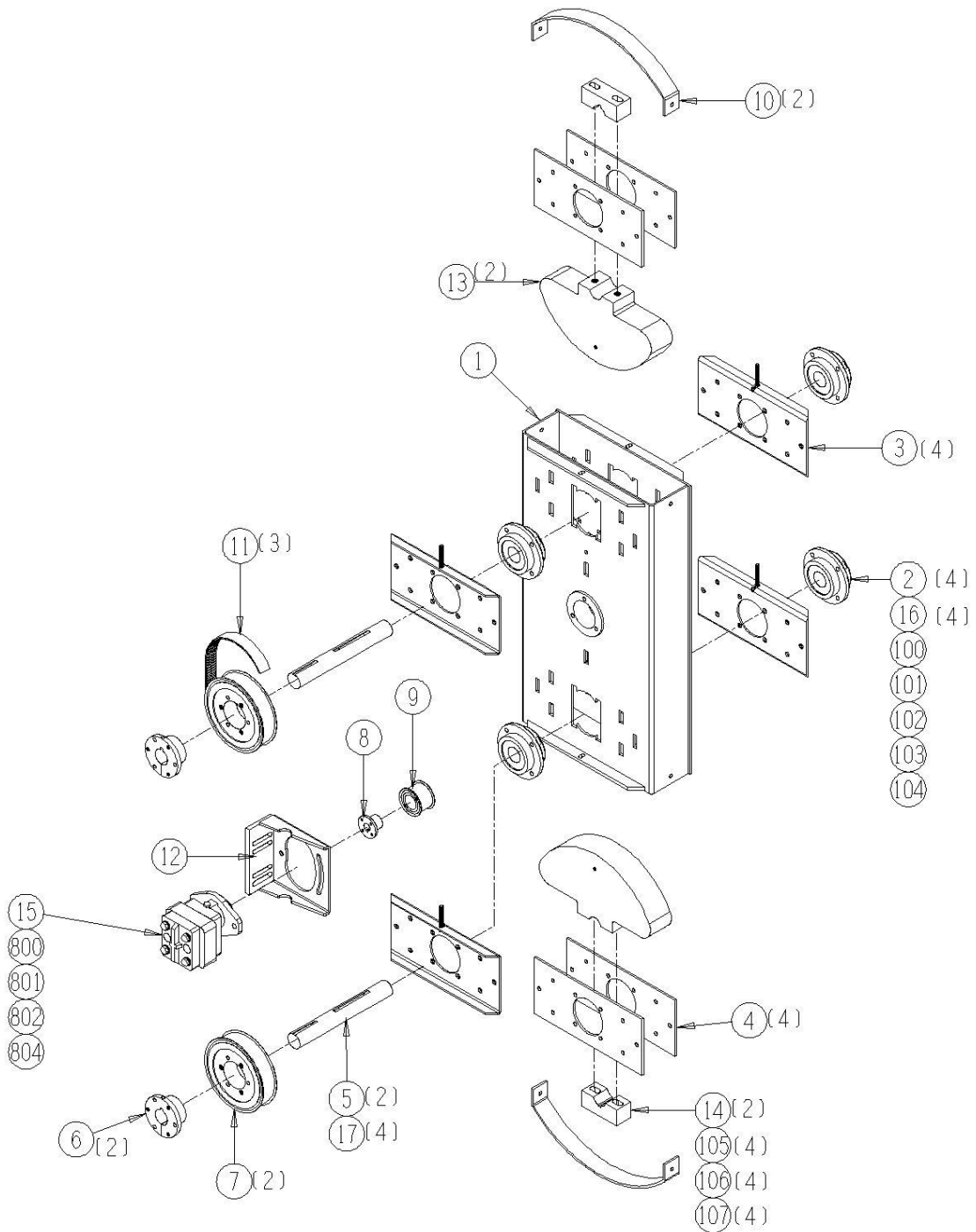


# 12013-04-03 Shaker Weight & Box Assembly

<u>Ref</u>	<u>Part No.</u>	<u>Description</u>	<u>Parts – Assembly</u>	<u>Will Fit SN</u>	<u>Remarks</u>
1	SHA-8503	Shaker, Weight Box, Primary, SF Bushing	2		
2	BR-PFB-175	Round Piloted Flange with Spherical Roller Bearing, 1 3/4'	8		
3	MOU-096	Shaker Bearing Mount, QM Style	8		
4	MOU-095	Shaker Bearing Mount, Backing Plate, QM Style	8		
5	SFT-098	Shaft	4		
6	PU-SF-28	Bushing, SF x 1 1/2'	4		
7	PU-80-8PTH-35-SF	Primary Weight Pulley, 35mm Wide, Panther Style	4		
8	PU-QT-16	QT Bushing 1' bore 3/8" key	2		
9	PU-28-8PTH-35-QT	Panther Sprocket, 8mm Pitch, 28 Tooth, 35mm Wide	2		
10	193-403	Shaker, Weight Guards	4		
11	BT-1280-8M-35E	Shaker Drive Belt, Eliminator Series, 1280MM	6		
12	MOU-9022	Mount, Shaker Weight Motor	2		
13	WGT-402	Weight, Primary Shaker	4		
14	WGT-402C	Cap, Primary & Secondary Shaker Weight	4		
15	HM-412-1	Hydraulic Motor, 1' Shaft	2		Same as HM-412C except w/1' shaft REPLACES HM-412C IF REPLACING A HM-412C WITH THIS MOTOR BE SURE THAT THE PROPER COUPLER SIZES ARE SUPPLIED
16	GF-1428	Grease Fitting 1/4" x 28 straight	8		
17	KEY-6-6-24	Keystock 3/8" x 3/8" x 1 1/2" Square Cut (1018)	8		
18	SP-SF-2	Bushing, SF x 2'	2		
100	BL-6-275-ST	3/8-16 x 2.75 Fully Threaded Stud	4		
101	BL-6-N	3/8-16 HEX NUTS ZC	16		
102	BL-7-150-H8	7/16-14 x1 1/2', Hex Head, Grade 8	16		
103	BL-7-FW-8	7/16' Grade 8 Flat Washer	48		
104	BL-7-LN	7/16' Lock Nuts w/Nylon Inserts	32		
105	BL-10-375-8	5/8-11 X 3 1/2" HEX CAP G8 ZC	4		
106	BL-10-LW	5/8 SPLIT LW ZC	4		

107	BL-10-FW-8	5/8" Grade 8 Flat Washer	4		
800	HM-412B	Key for Hydraulic Motor -Shaker Weight-Vibrator	1	HM-412C & HM-712C	
801	HM-2100-SK	Shaft Seal & Gasket Kit for Permco Motor, M2100 Series	1		
802	HM-2100-BRG	Bearing for Permco Motor, M2100 Series	1		
804	HM-1801	Seal Kit for Commercial Intertech	1	P20 & M20 Series	Includes:(1) Length of HM-2882,(1)HM-2883,(2)HM-2884
805	PU-JA-14B	Bolt for PU-JA-14 (3 @ pkg)	1		

12013-04-03



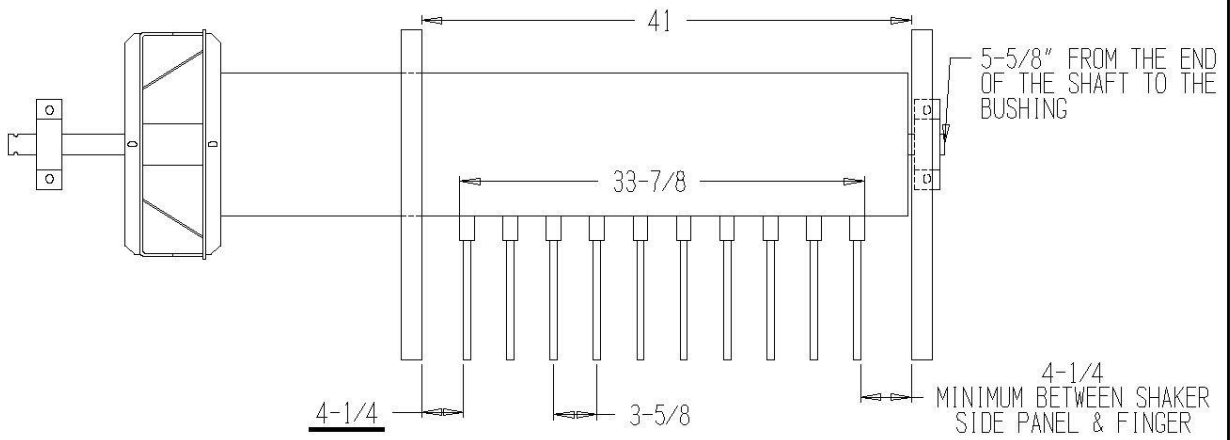
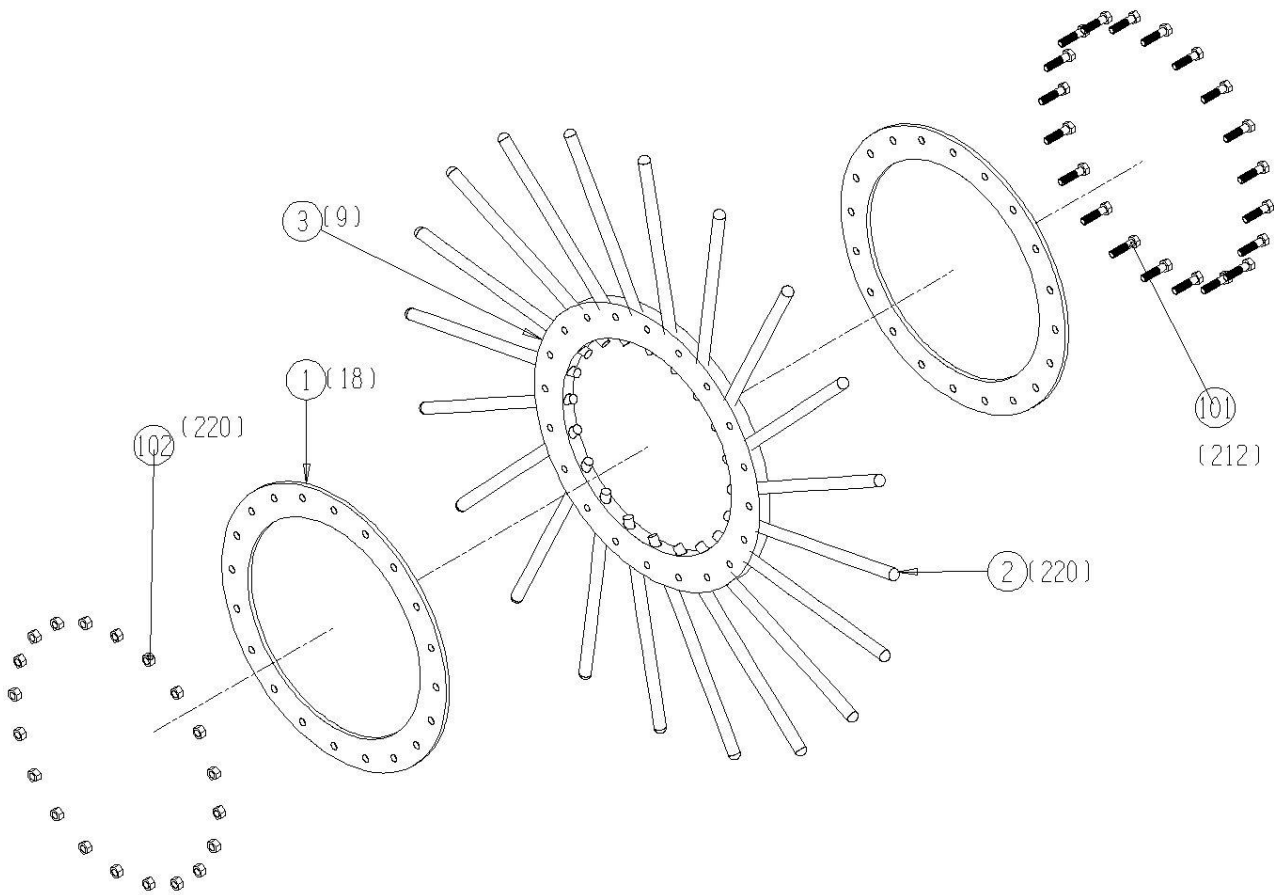


# 12011-04-04 Primary Shaker Ring and Finger Assembly

<u>Ref</u>	<u>Part No.</u>	<u>Description</u>	<u>Parts – Assembly</u>	<u>Will Fit SN</u>	<u>Remarks</u>
1	191-432	Tine Holder Flanges	20	11001- 30095001-	
2	ST-430-P	Shaker Tines , Molded Urethane	200		
3	192-431	Molded Rubber Tine Holders	10	19101- 30095001-	
101	BL-6-150-SS	3/8-16 X 1 1/2 HEX CAP SS	200		
102	BL-6-LN	3/8 UNC FIN HEX LOCK NUT NE A563 GrA ZINC	200		



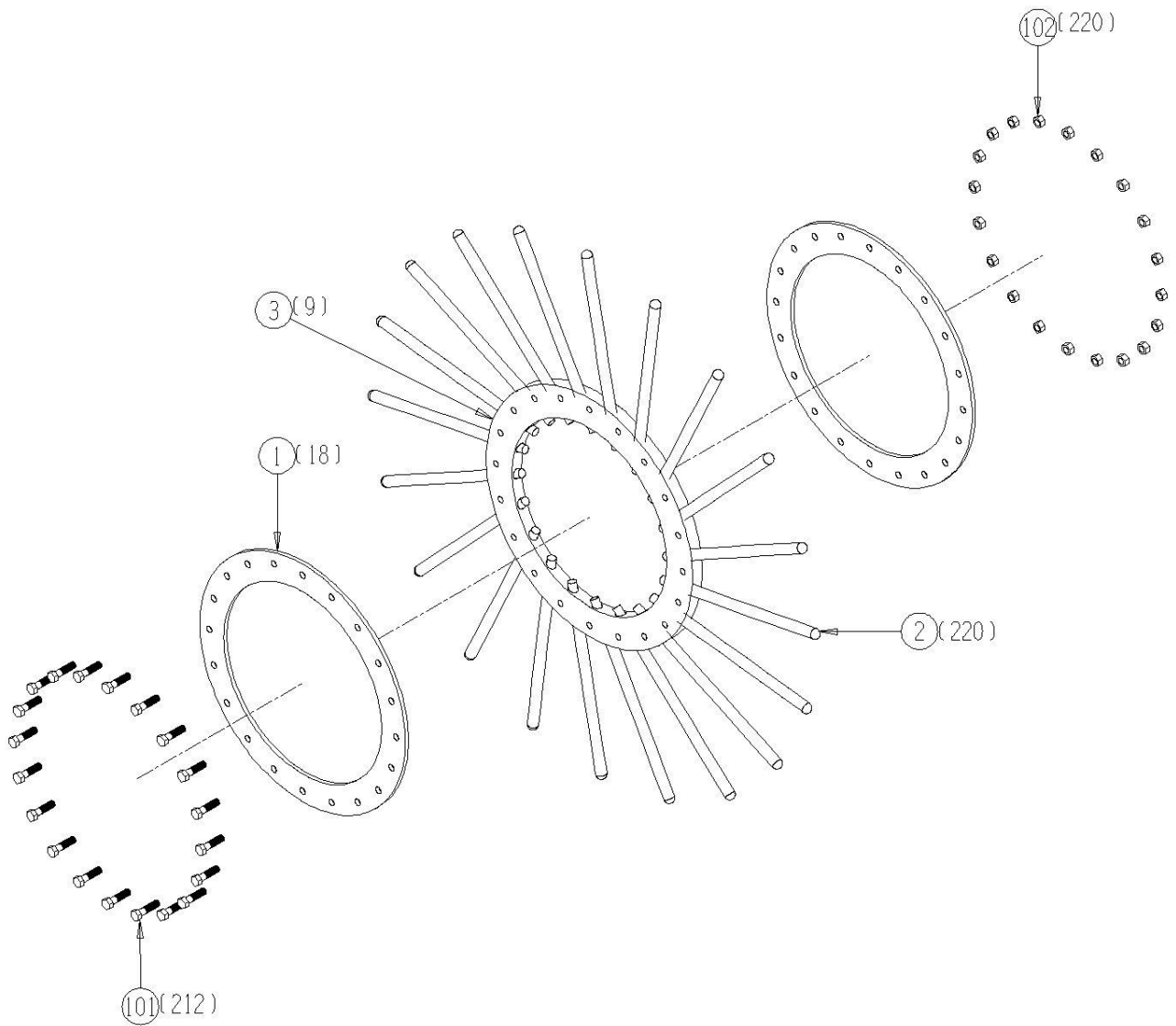
12011-04-04



# 12011-04-05 Secondary Shaker Ring and Finger Assembly

<u>Ref</u>	<u>Part No.</u>	<u>Description</u>	<u>Parts – Assembly</u>	<u>Will Fit SN</u>	<u>Remarks</u>
1	191-432	Tine Holder Flanges	20	11001- 30095001-	
2	ST-430-P	Shaker Tines , Molded Urethane	200		
3	192-431	Molded Rubber Tine Holders	10	19101- 30095001-	
101	BL-6-150-H	3/8-16 X 1 1/2 HEX CAP G5 ZC	200		
102	BL-6-LN	3/8 UNC FIN HEX LOCK NUT NE A563 GrA ZINC	200		

12011-04-05

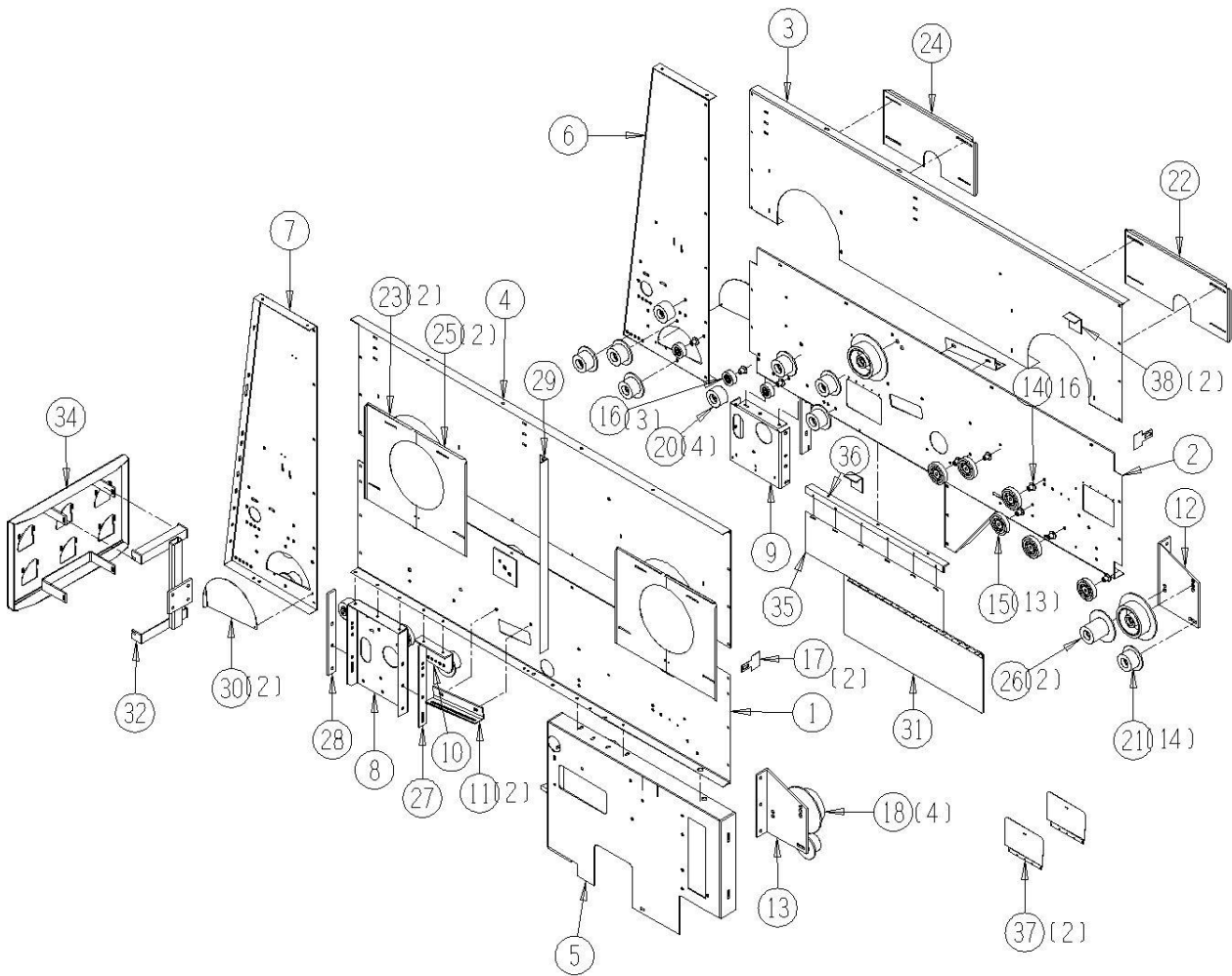


# 12011-05-01 Vine & Transfer Chamber Assembly

<u>Ref</u>	<u>Part No.</u>	<u>Description</u>	<u>Parts – Assembly</u>	<u>Will Fit SN</u>	<u>Remarks</u>
1	PAN-9100	Panel, Inner, Vine & Chain Transfer	1		
2	PAN-9101	Panel, Outer, Vine & Chain Transfer	1		
3	PAN-9102	Panel, Outer, Top, Vine & Chain Transfer	1		
4	PAN-9103	Panel, Inner, Top, Vine & Chain Transfer	1		
5	PAN-9104	Panel, Inner, Bottom, Vine & Chain Transfer	1		
6	PAN-9105	Panel, Outer, Back, Vine & Chain Transfer	1		
7	PAN-9106	Panel, Inner, Back, Vine & Chain Transfer	1		
8	PAN-9107	Panel, Inner, Bottom, Back, Vine & Chain Transfer	1		
9	PAN-9108	Panel, Outer, Bottom, Back, Vine & Chain Transfer	1		
10	PAN-9109	Panel, Outer, Bottom, Back, Vine & Chain Transfer	1		
11	MOU-9102	Mount, Angle, Vine & Chain Transfer	2		
12	SUP-1423	Support, Roller, Transfer, Outer, Tomato	1		
13	SUP-1424	Support, Roller, Transfer Chain, Inner, Tomato	1		
14	RLA-000-118	Standoff, 1/2' X 1 1/8'	16		
15	RLR-040-108	4' Flat Roller	13		
16	RLT-027-108	Roller 2.75' dia. 1/2' Bore	3		
17	193-126	Saver Tab	2	19301-	
18	RLT-965-2212	9.5' Flange Roller 6.5 WF 2.2 WW 3/4 bore, 3 brng.	4		
19	RLT-535-2210	5' Flange Roller 2.2 WF 3.5 dia, 5/8' bore	4		
20	RLT-035-228	Roller 3.5 dia x 2.2 x 1/2' bore, no flange	4		
21	RLT-535-228	5' Flange Roller 2.2WF x 3 1/2' dia, 1/2' bore	14		
22	SHD-9119	Shield, Outer Primary Shaker Cover	1		
23	191-312L	Primary Shaker End Cover, Left	2	19101-	
24	SHD-9121	Shield, Sec. Shaker, Outer Shield	1		
25	191-312R	Primary Shaker End Cover, Right	2	19101-	
26	RLT-635-4210	6' Flange Roller, 4.25' wide	2		
27	SPA-9004	Spacer, Front, Shaker Chamber	1		
28	SPA-9005	Spacer, Rear, Shaker Chamber	1		

29	MOU-9007	Shaker Chamber Support	1	
30	PAN-920C	Panel, Access [Red]	2	19301-
31	SHD-0148	Shield, Nose Cone End, Cross	1	
32	MOU-9200	Mount, Flow Control Panel	1	
33	MOU-9302	Mount, Flow Control	4	
34	PAN-9131	Panel, Rear Flow Control	1	
35	BT-9106	Front Guard, Cross Conveyor Belting	1	
36	MOU-9908	Mount, Cross Conveyor Belting	1	
37	195-304D	Access Door w/Hinge	2	
38	193-309	Primary Cover Stop	2	19301-

12011-05-01



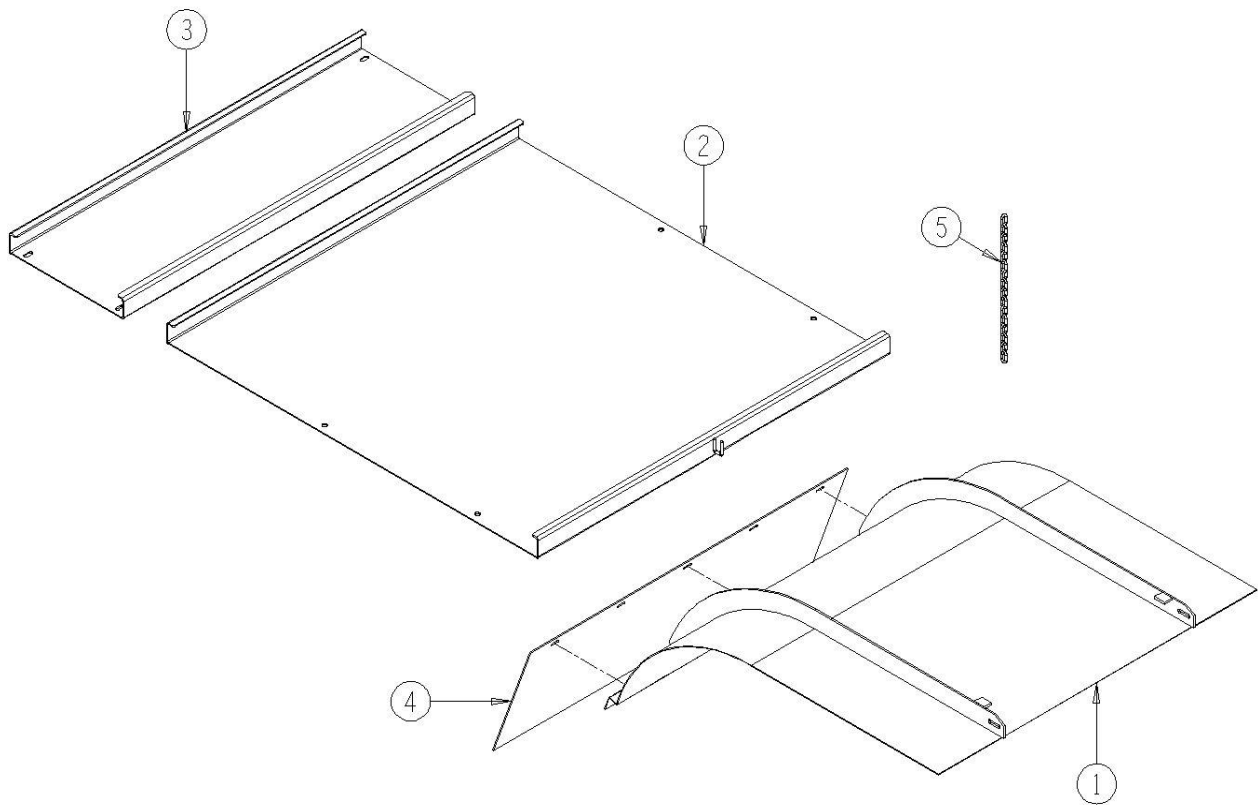


# 12011-05-02 Vine & Transfer Cover Assembly

<u>Ref</u>	<u>Part No.</u>	<u>Description</u>	<u>Parts – Assembly</u>	<u>Will Fit SN</u>	<u>Remarks</u>
1	COV-9100	Cover, Primary Shaker, Vine & Transfer	1		
2	COV-9101	Cover, Middle, Primary Shaker, Vine & Transfer	1		
3	COV-9102	Cover, Back, Primary Shaker, Vine & Transfer	1		
4	BT-9400	Belting, Shaker Chamber, 240 Tomato Harvester	1		
5	191-313	Chain, Shaker Cover, Panel Stiffener	1	19101- 30095001-	



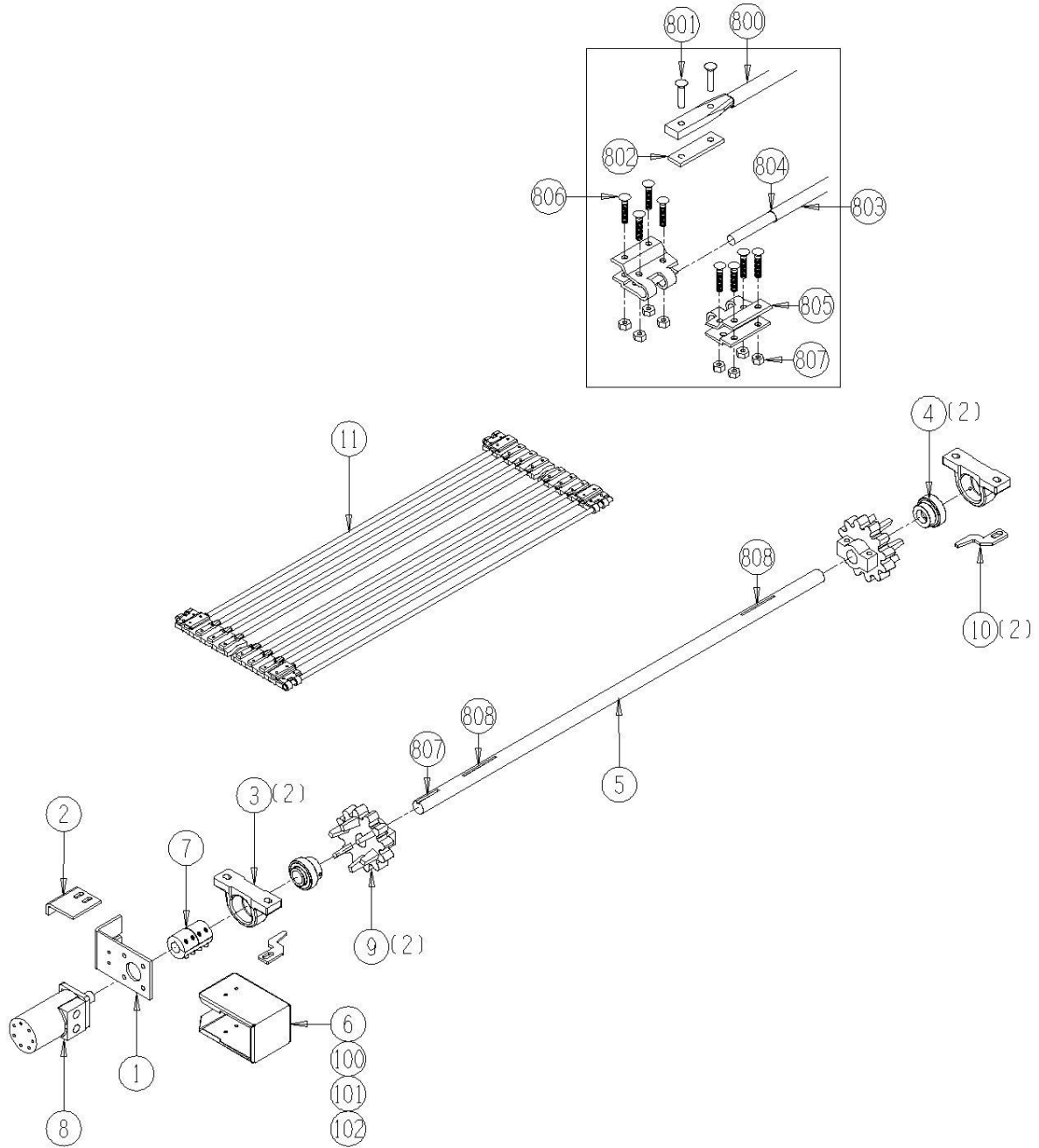
12011-05-02



# 12011-05-03 Transfer Drive Shaft Assembly

<u>Ref</u>	<u>Part No.</u>	<u>Description</u>	<u>Parts – Assembly</u>	<u>Will Fit SN</u>	<u>Remarks</u>
1	193-806	Mount Motor	1		
2	193-806a	Motor Mount Stop	1		
3	BR-072-RAK	72mm Cast Housing	2		
4	BR-125-072	Bearing, 1 1/4 Fafnir tri-seal, 72mm OD	2		
5	SFT-9400	Shaft, Transfer Chain, 240 Harvester	1		
6	193-806c	Motor Guard	1	19301-	
7	CPS-6060	Steel Coupler (off center) 1 1/4' x 1'	1		
8	HM-210-TC	TCI Motor	1		Seal Kit # TCI-SKHPQ
9	SPU-3612-20-4	Urethane Sprocket 36-12 1 1/4 bore 1/4' key	2		Sub SP-3612-20-4
10	SCR-102	Scraper, For 72mm Bearings, Tomato Harvester	2		
11	BC-7-4036-105	Transfer Chain, 40in Wide, 36mm Pitch, 105 Links, 240 Harvester	1		
100	BL-4-500-H	1/4-20 X 5 HEX CAP G5 ZC	1		
101	BL-4-FW	1/4 USS FW ZC	2		
102	BL-4-WN	1/4-20 FORGED WINGNUT ZC	1		
800	BC-7-40-ST	7/16' x 40' Belted Chain Rod for 60mm Belt	104		
801	RI-25-BC	25mm Belted Chain Rivets	0		
802	BC-BP32	Belt, Rivet Backing Plates 32mm	0	11001	Lap Splice Option, Used only with BC-1032-LN Lock Nuts
803	BC-7-36-AC	7/16' x 36' Rod w/ 24mm Air Cushion Cover	0		
804	BC-3525	Snap Ring, 11mm.	0		
805	BC-F-36-32-UG	Ultra Gold F Connecting Clips 36-32 @ pair	0		Replaces BC-F-36-32
806	BC-1032-FS	10-32 x 1 1/4' bolts Flat Socket Head	0		
807	BC-1032-LN	10-32 Lock Nuts	0		
808	KEY-4-4-15	Shaft Key 1/4' X 1/4' X 15/16' Woodruff Key	1		
809	KEY-4-4-24	Shaft Key 1/4' x 1 1/2' Square Cut (1018)	2		

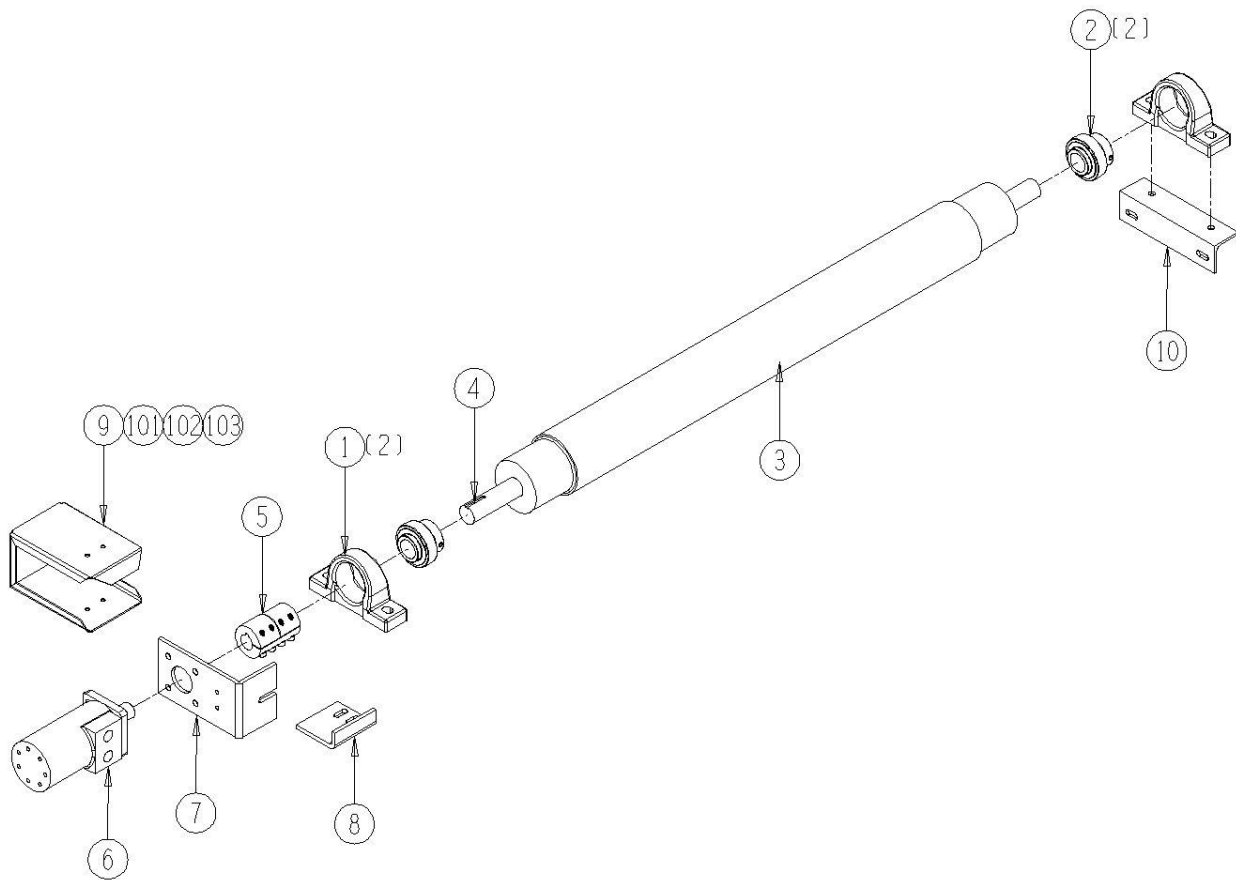
12011-05-03



# 12011-05-04 Transfer Return Roller Assembly

<u>Ref</u>	<u>Part No.</u>	<u>Description</u>	<u>Parts – Assembly</u>	<u>Will Fit SN</u>	<u>Remarks</u>
1	BR-072-RAK	72mm Cast Housing	2		
2	BR-125-072	Bearing, 1 1/4 Fafnir Tri-Seal, 72mm OD	2		
3	RLR-9400	Roller, Rubber, Transfer Return Roller, 40in Chain	1		
4	KEY-4-4-16	Shaft Key 1/4' X 1/4' X 1' Square Cut (1018)	1	20095001-	
5	CPS-6060	Steel Coupler (off center) 1 1/4' x 1'	1		
6	HM-210-TC	TCI Motor	1		Seal Kit # TCI-SKHPQ
7	193-806	Mount Motor	1		
8	193-806a	Motor Mount Stop	1		
9	193-806c	Motor Guard	1	19301-	
10	MOU-9400	Bearing Mount, Transfer Return Roller, 240 Harvester	1		
101	BL-4-500-H	1/4-20 X 5 HEX CAP G5 ZC	1		
102	BL-4-FW	1/4 USS FW ZC	2		
103	BL-4-WN	1/4-20 FORGED WINGNUT ZC	1		
800	KEY-4-4-15	Shaft Key 1/4' X 1/4' X 15/16' Woodruff Key	1		

12011-05-04

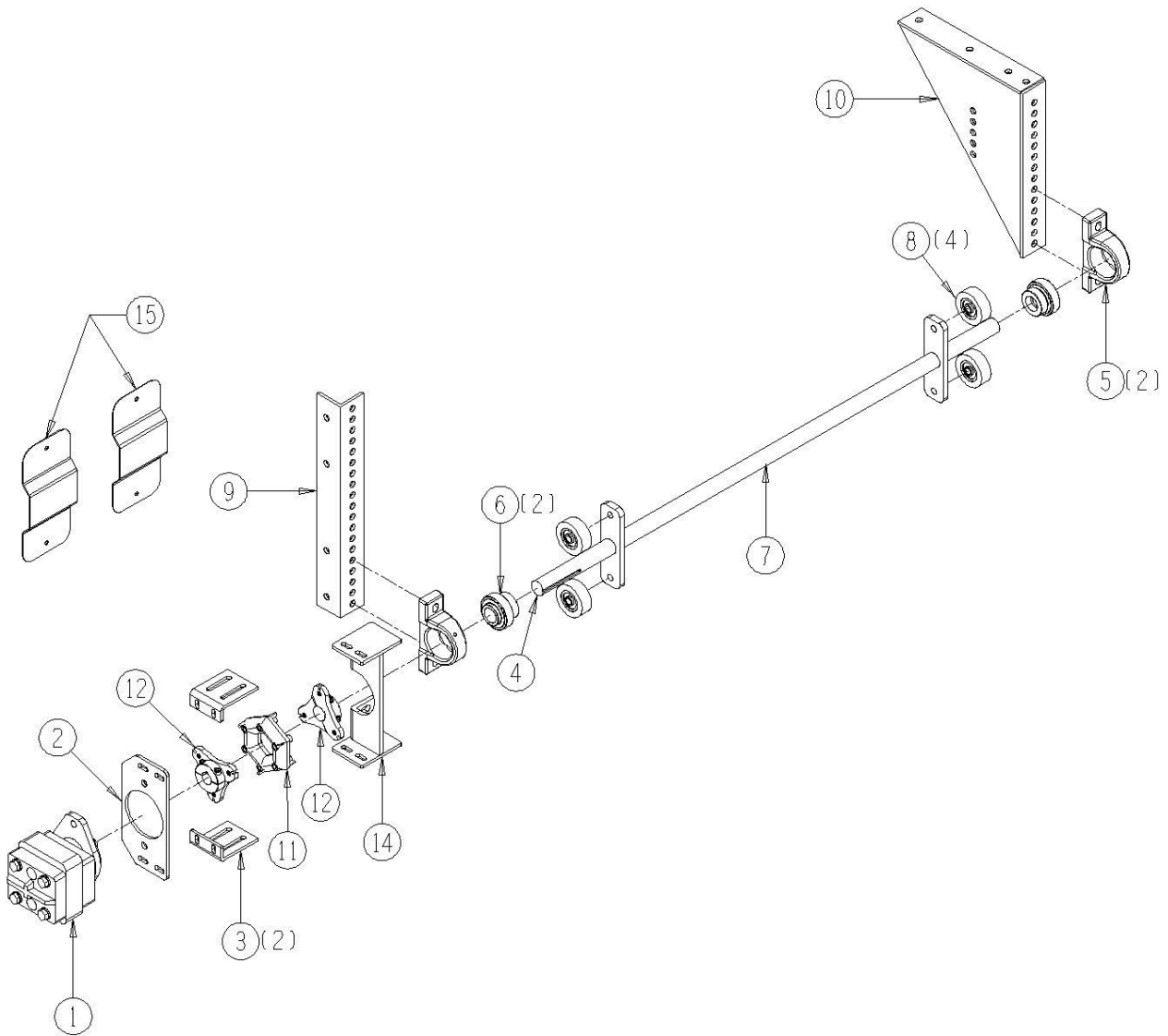


# 12011-05-06 Transfer Dirt Vibrator Assembly

<u>Ref</u>	<u>Part No.</u>	<u>Description</u>	<u>Parts – Assembly</u>	<u>Will Fit SN</u>	<u>Remarks</u>
1	HM-122	Motor, Hydraulic, 1-3/4' Gear, #12 SAE Ports	1		
2	MOU-0167	Mount, Motor Cross Vibrator	1		
3	MOU-0177	Mount, Long Vibrator, Harvester	2		
4	KEY-4-4-20	Shaft Key 1/4' x 1 1/4'	1		
5	BR-072-RAK	72mm Cast Housing	2		
6	BR-125-072	Bearing, 1 1/4 Fafnir Tri-Seal, 72mm OD	2		
7	SFT-9401	Vibrator Shaft, 40in Wide Chain	1		
8	RLT-027-108	Roller 2.75' dia. 1/2' Bore	4		
9	BRA-1360	Bracket, Vibrator, Transfer Chain	1		
10	BRA-1362	Bracket, Vibrator Transfer Return	1		
11	CPR-422-15	Primary Shaker Drive Coupler	1		Used on Sec. Sh. Beginning 2000
12	CPR-422a-15	Primary Shaker Coupler 1' Bore (Motor Side)	1	Years 1995 - 2000	Used on Sec. Sh. Beginning 2000
13	CPR-422D-15	Coupler, 1-1/4' Bore, 1/4' Key	1		
14	MOU-0165	Motor Mount, Stop, Cross Vibrator	1		
15	SHD-9201	Vibrator Coupler Shield	2		
100	BL-6-125-H	3/8-16 X 1 1/4 HHCS G5 ZC	8		
101	BL-6-LN	3/8 UNC FIN HEX LOCK NUT NE A563 GrA ZINC	8		
102	BL-6-FW	3/8 USS FW ZC	16		
103	BL-8-275-H	1/2 UNC X 2 3/4 HH C/S BOLT GR5 ZINC	4		
104	BL-8-200-H8	1/2 x 2, Grade 8, Hex Head	2		
105	BL-8-LN	1/2-13 HEX LOCK NUT NYLON INSERT ZC	14		
106	BL-8-SW	1/2 SAE FW ZC	20		
107	BL-8-125-H	1/2-13 X 1 1/4 HEX CAP G5 ZC	6		
108	BL-4-225-H	1/4 UNC X 2 1/4 HH C/S BOLT GR5 ZINC	2		
109	BL-4-FW-8	1/4' Flat Washer Grade 8	2		
110	BL-4-LN	1/4-20 HEX LN NE ZC	2		
111	BL-8-225-H	1/2-13 X 2 1/4 HEX CAP G5 ZC	2		
112	BL-8-200-H	1/2-13 X 2 HEX CAP G5 ZC	0		

800	KEY-4-4-15	Shaft Key 1/4' X 1/4' X 15/16' Woodruff Key	1	
801	BL-5-100-SF	5/16-24 x 1 Socket Head Cap Screw	1	CPS-6057
802	HM-2100-SK	Shaft Seal & Gasket Kit for Permco Motor, M2100 Series	1	
803	HM-2100-BRG	Bearing for Permco Motor, M2100 Series	1	

12011-05-06



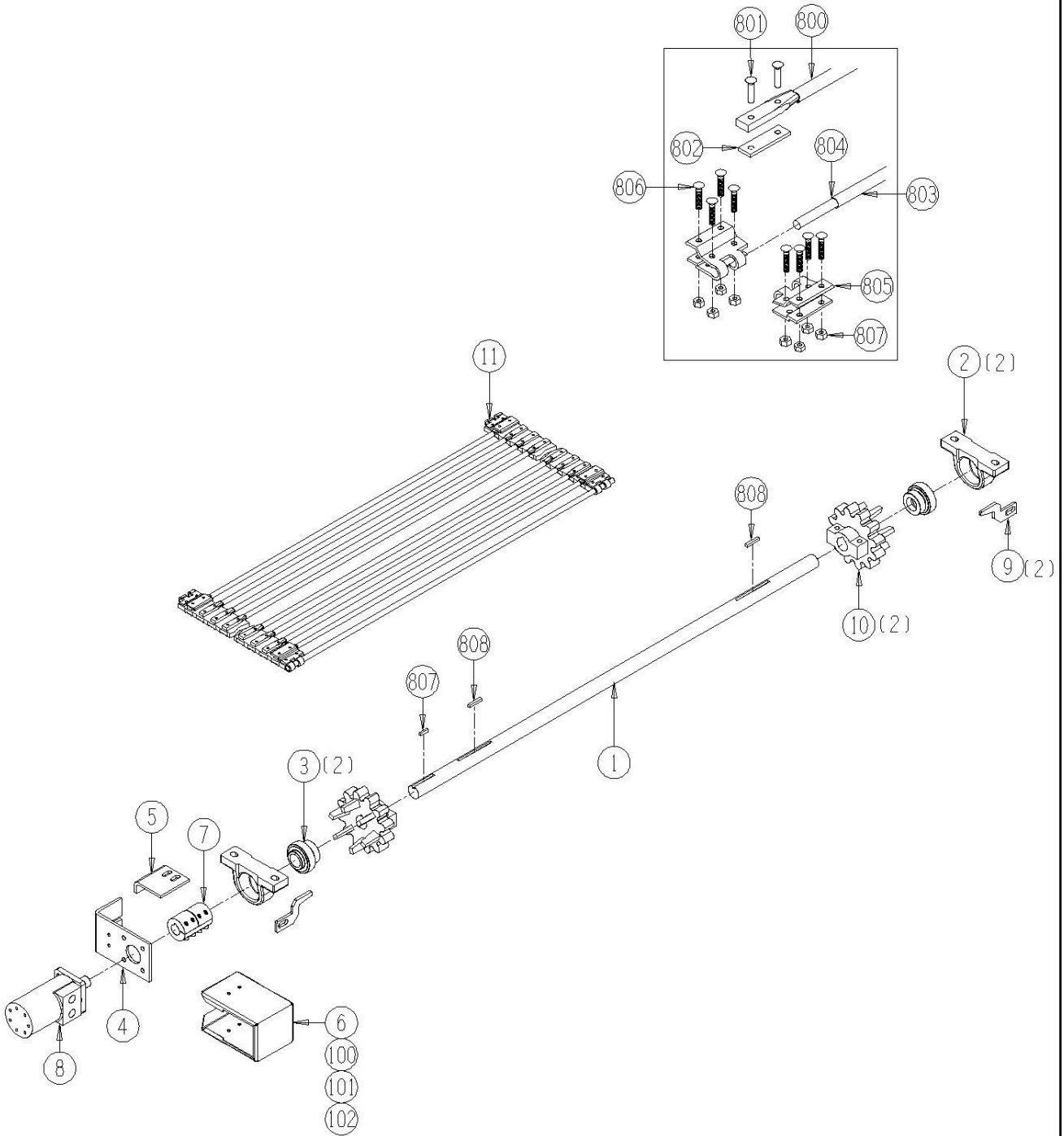




# 12011-05-07 Rear Transfer Drive Shaft Assembly

<u>Ref</u>	<u>Part No.</u>	<u>Description</u>	<u>Parts – Assembly</u>	<u>Will Fit SN</u>	<u>Remarks</u>
1	SFT-9400	Shaft, Transfer Chain, 240 Harvester	1		
2	BR-072-RAK	72mm Cast Housing	2		
3	BR-125-072	Bearing, 1 1/4 Fafnir Tri-Seal, 72mm OD	2		
4	193-806	Mount Motor	1		
5	193-806a	Motor Mount Stop	1		
6	193-806c	Motor Guard	1	19301-	
7	CPS-6060	Steel Coupler (off center) 1 1/4' x 1'	1		
8	HM-210-TC	TCI Motor	1		Seal Kit # TCI-SKHPQ
9	SCR-102	Scraper, For 72mm Bearings, Tomato Harvester	2		
10	SPU-3612-20-4	Urethane Sprocket 36-12 1 1/4 bore 1/4' key	2		Sub SP-3612-20-4
11	BC-7-4036-75	Belted Chain, Rear Transfer, 40in Wide, 75 Link, 240 Tomato	1		
100	BL-4-500-H	1/4-20 X 5 HEX CAP G5 ZC	1		
101	BL-4-FW	1/4 USS FW ZC	2		
102	BL-4-WN	1/4-20 FORGED WINGNUT ZC	1		
800	BC-7-40-ST	7/16' x 40' Belted Chain Rod for 60mm Belt	0		
801	RI-25-BC	25mm Belted Chain Rivets	0		
802	BC-BP32	Belt, Rivet Backing Plates 32mm	0	11001	Lap Splice Option, Used only with BC-1032-LN Lock Nuts
803	BC-7-36-AC	7/16' x 36' Rod w/ 24mm Air Cushion Cover	0		
804	BC-3525	Snap Ring, 11mm.	0		
805	BC-F-36-32-UG	Ultra Gold F Connecting Clips 36-32 @ pair	0		Replaces BC-F-36-32
806	BC-1032-FS	10-32 x 1 1/4' Bolts Flat Socket Head	0		
807	BC-1032-LN	10-32 Lock Nuts	0		
808	KEY-4-4-15	Shaft Key 1/4' X 1/4' X 15/16' Woodruff Key	1		
809	KEY-4-4-24	Shaft Key 1/4' x 1 1/2' Square Cut (1018)	2		

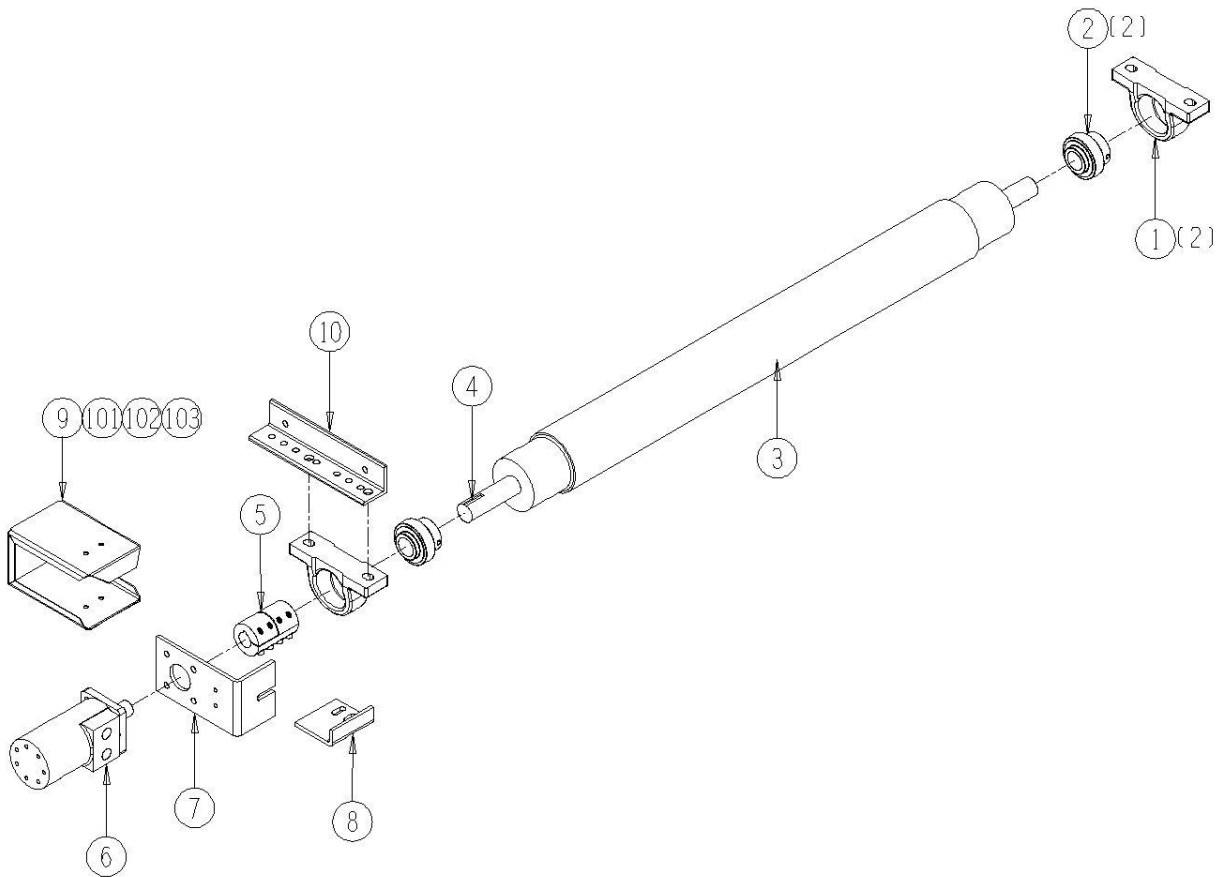
12011-05-07



# 12011-05-08 Rear Transfer Return Roller Assembly

<u>Ref</u>	<u>Part No.</u>	<u>Description</u>	<u>Parts – Assembly</u>	<u>Will Fit SN</u>	<u>Remarks</u>
1	BR-072-RAK	72mm Cast Housing	2		
2	BR-125-072	Bearing, 1 1/4 Fafnir Tri-Seal, 72mm OD	2		
3	RLR-9400	Roller, Rubber, Transfer Return Roller, 40in Chain	1		
4	KEY-4-4-16	Shaft Key 1/4' X 1/4' X 1' Square Cut (1018)	1	20095001-	
5	CPS-6060	Steel Coupler (off center) 1 1/4' x 1'	1		
6	HM-210-TC	TCI Motor	1		Seal Kit # TCI-SKHPQ
7	193-806	Mount Motor	1		
8	193-806a	Motor Mount Stop	1		
9	193-806c	Motor Guard	1	19301-	
10	BRA-1422	Bracket, Roller	1	KIT-0080	
11	DC-1176	Decal, Danger-Hand Chain Sprockets	1		
101	BL-4-500-H	1/4-20 X 5 HEX CAP G5 ZC	1		
102	BL-4-FW	1/4 USS FW ZC	2		
103	BL-4-WN	1/4-20 FORGED WINGNUT ZC	1		

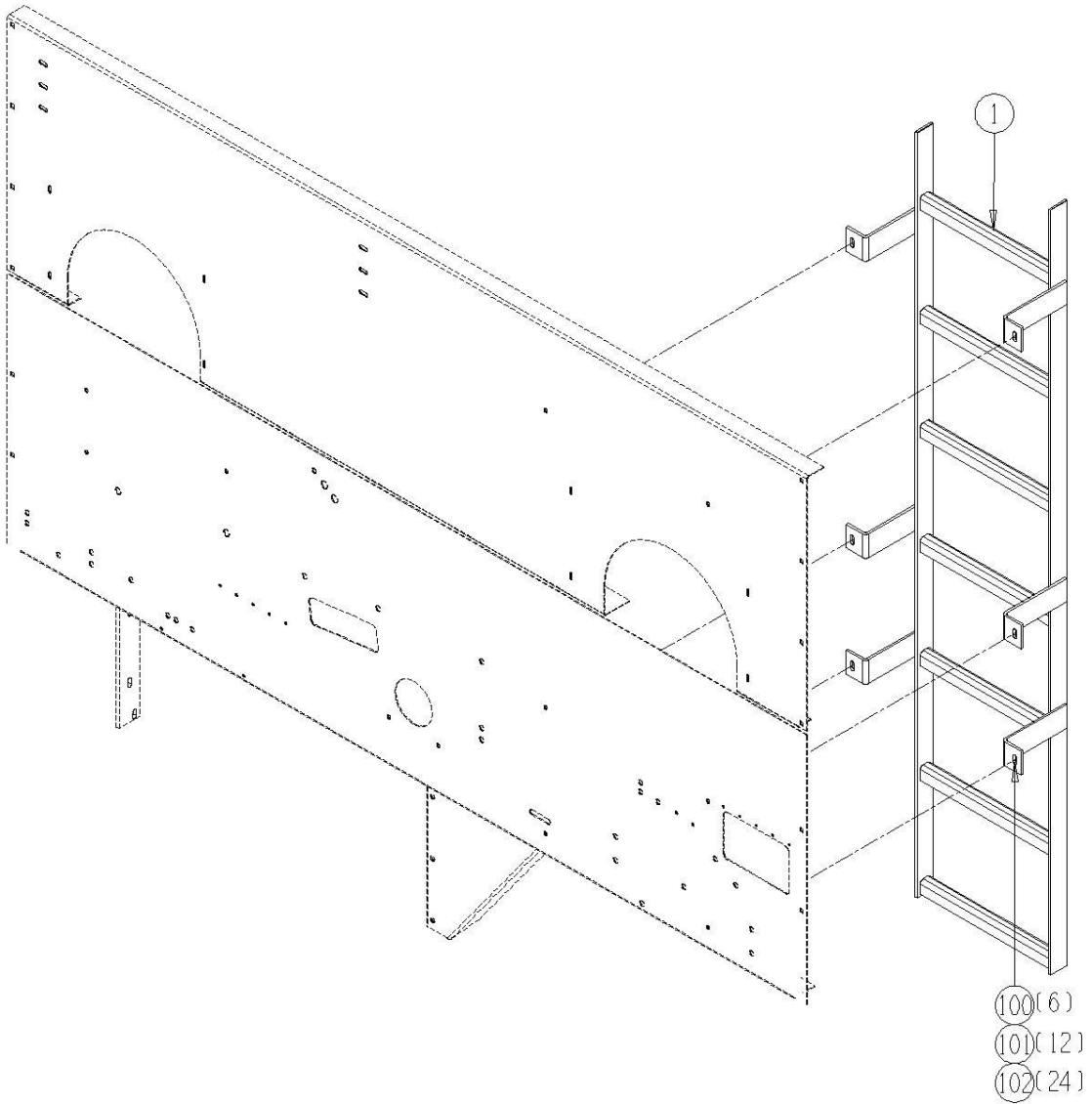
12011-05-08



# 12011-05-09 Shaker Chamber Ladder Assembly

<u>Ref</u>	<u>Part No.</u>	<u>Description</u>	<u>Parts – Assembly</u>	<u>Will Fit SN</u>	<u>Remarks</u>
1	STD-8403	Header Side Ladder, Shaker Chamber	1		
100	BL-6-175-H	3/8-16 X 1 ¼ HHCS G5 ZC	6		
101	BL-6-LN	3/8 UNC FIN HEX LOCK NUT NE A563 GrA ZINC	12		
102	BL-6-FWSS	3/8 USS FW SS	24		

12011-05-09

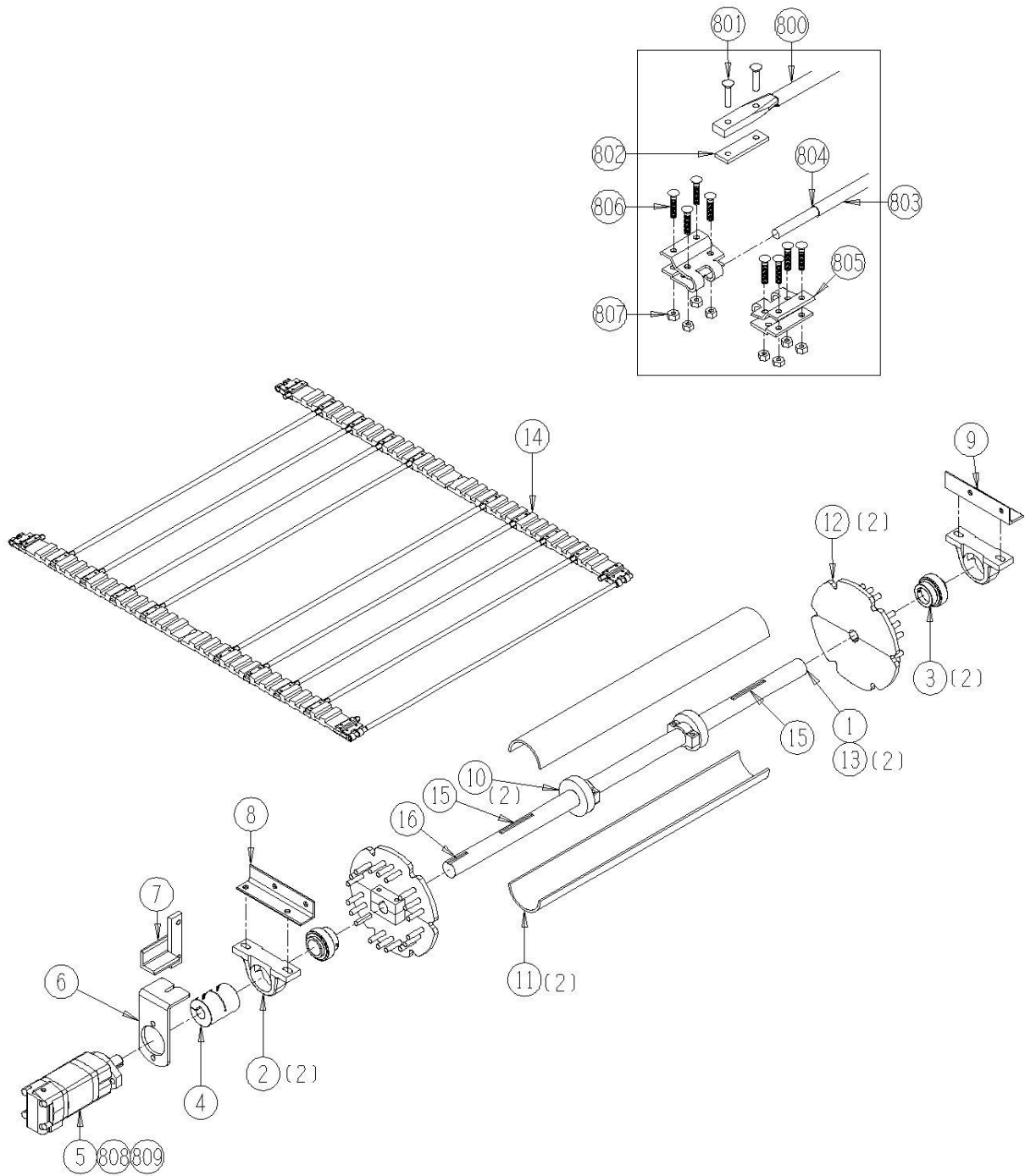


# 12011-05-20 Vine Chain Drive Assembly

<u>Ref</u>	<u>Part No.</u>	<u>Description</u>	<u>Parts – Assembly</u>	<u>Will Fit SN</u>	<u>Remarks</u>
1	SFT-9402	Drive Shaft, Vine Chain, 240 Harvester	1		
2	BR-085-RAK	Bearing Housing 85 mm	2		
3	BR-175-085	Fafnir Bearing 1 ¾ Tri Seal	2		
4	CPS-2820	Steel Coupler 1 ¾' x 1 1/4' ID with 3/8' Keyway on 1 ¾' ID	1		
5	HM-1420-CH	Char Lynn Motor	1		
6	MOU-0091	Motor Mount, 2000 Series Face, 2 Bolt, SAE-A	1		
7	STP-9000	Motor Stop, Vine Chain Drive	1		
8	MOU-9401	Bearing Mount, Vine Chain, 240 Harvester	1		
9	MOU-9402	Bearing Mount, Vine Chain, LH, 240 Harvester	1		
10	PL-1419	Plastic, Molded Hub for Drive Drum, 1 ¾' bore	2		
11	PL-9400	Plastic Pipe, Vine Chain, 240 Harvester	2		
12	SP-14406-28-6	Sprocket, 144mm Pitch, 6 Tooth, 1 3/4in w 3/8in Keyway	2		
13	CL-72	5' Gear Clamp	2		
14	BC-12-40144-77DS	Vine Chain, 40' Wide, 144 Pitch, 77 Links	1		
15	KEY-4-4-32	Shaft Key 1/4' x 2' Square Cut (1018)	2		
16	KEY-4-4-20	Shaft Key 1/4' x 1 1/4'	1		
800	BC-12-40-ST	Belted Chain Rod, 5/8' Dia	76		
801	RI-25-BC	25mm Belted Chain Rivets	300		
802	BC-BP32	Belt, Rivet Backing Plates 32mm	150	11001	Lap Splice Option, Used only with BC-1032-LN Lock Nuts
803	BC-12-40-CN	40' Con Rod, 1/2' Diameter	1		
804	BC-3525	Snap Ring, 11mm.	2		
805	BC-F-36-32-UG	Ultra Gold F Connecting Clips 36-32 @ pair	2		Replaces BC-F-36-32
806	BC-1032-FS	10-32 x 1 1/4' Bolts Flat Socket Head	8		
807	BC-1032-LN	10-32 Lock Nuts	8		
808	HM-103-SK	Seal Kit for Char-Lynn Motor	1	S Series - 010	
809	KEY-4-4-15	Shaft Key 1/4' X 1/4' X 15/16' Woodruff Key	1		



12011-05-20

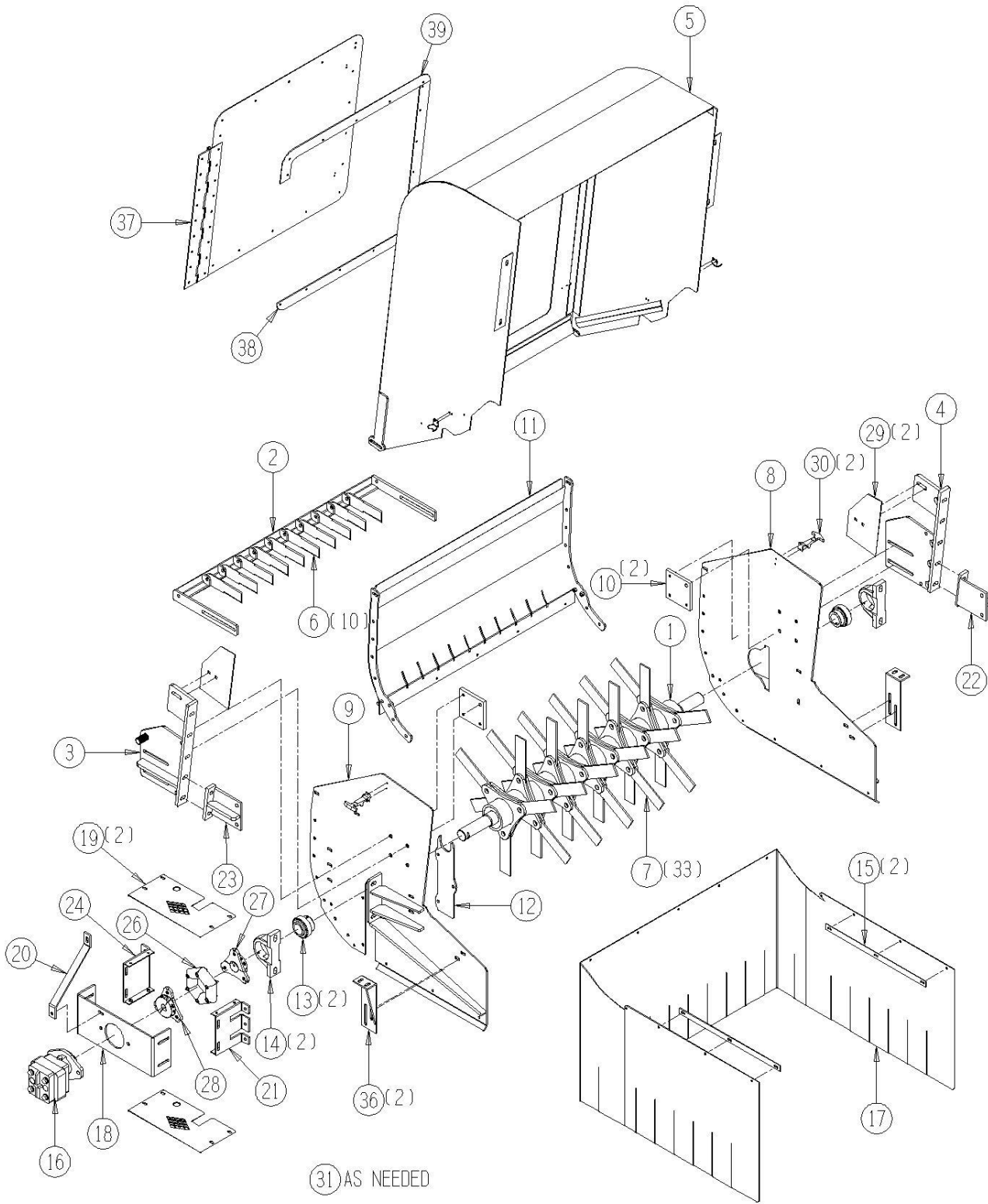


# 12011-05-30 Vine Chopper Assembly

<u>Ref</u>	<u>Part No.</u>	<u>Description</u>	<u>Parts – Assembly</u>	<u>Will Fit SN</u>	<u>Remarks</u>
1	SFT-9100	Shaft, Flail Rotor, Vine Chopper	1		
2	BRA-9102	Bracket, Knife Holder, Vine Chopper, 240 Tomato Harvester	1		
3	MOU-2013	Hefty Right Mount, Vine Chopper, 190 Tomato	1		
4	MOU-2014	Hefty Left Mount, Vine Chopper, 190 Tomato	1		
5	SHD-9108	Shield, Top, Rounded, Vine Chopper, 240 Tomato Harvester	1		
6	KN-142141	Knife	10		
7	BAR-2020	Bar, Long Flail, Vine Chopper	33		
8	PAN-2012	Panel, LH Housing, Vine Chopper, 190 Tomato	1		
9	PAN-2013	Panel, RH Housing, Vine Chopper, 190 Tomato	1		
10	BAR-2013	Bar, Inside Plate, Vine Chopper, 190 Tomato	2		
11	SHD-9109	Shield, Back, Vine Chopper, 240 Tomato Harvester	1		
12	BAR-2012	Bar, End Plate, Vine Chopper, 190 Tomato	1		
13	BR-175-085-KB	Fafnir Bearing 1 3/4' Heavy SS1	2		
14	BR-085-RAK	Bearing Housing 85 mm	2		
15	BAR-2015	Belting Bar, Vine Chopper, 190 Tomato	2		
16	HM-115	Hydraulic Motor	1		
17	BT-9101	Belting, Vine Chopper, 240 Tomato Harvester	1		
18	MOU-2010	Motor Mount, Vine Chopper, 190 Tomato Machine	1		
19	SHD-2009	Coupler Shield, Vine Chopper	2		
20	SUP-2002	Motor Mount Support, Vine Chopper	1		
21	MOU-2011	Side of Motor Mount, Vine Chopper, 190 Tomato	1		
22	MOU-2003	Left, Front Mount, Vine Chopper, 190 Tomato	1		
23	MOU-2004	Right, Front Mount, Vine Chopper, 190 Tomato	1		
24	MOU-2012	Side of Motor Mount, Vine Chopper, 190 Tomato	1		
25	GF-1428	Grease Fitting 1/4' x 28 straight	2		
26	CPR-422-18	Lovejoy Donut W/ Hardware	1		
27	CPR-422C-18	Coupler, Shaker Side	1	30095001-	
28	CPR-422D-18	Coupler, Shaker, Motor Side, 1' Shaft	1	30095001-	

29	SHD-2031	Shield, Vine Chopper, 190Tomato Harvester	2	10011-
30	LA-703	Large Rubber T Latch Assembly	2	
31	WT-17H	Heavy Duty Wire Tie 17.5'	30	
32	DC-1174	Decal, Danger Keep Hands and Feet Away	1	
33	DC-1176	Decal, Danger-Hand Chain Sprockets	1	
34	DC-1182	Decal, White 'PIK RITE' 3 1/4' x 23'	1	
35	DC-1184	Danger Decal, 3' x 16'	1	
36	BRA-0115	Stiffener Bracket, Vine Chopper	2	
37	SHD-9110	Shield, Door, Vine Chopper, 240 Tomato Harvester	1	
38	BT-2015	Belting, Gasket, Vine Chopper Door	1	
39	BT-2016	Belting, Gasket, Vine Chopper Door	1	

12011-05-30

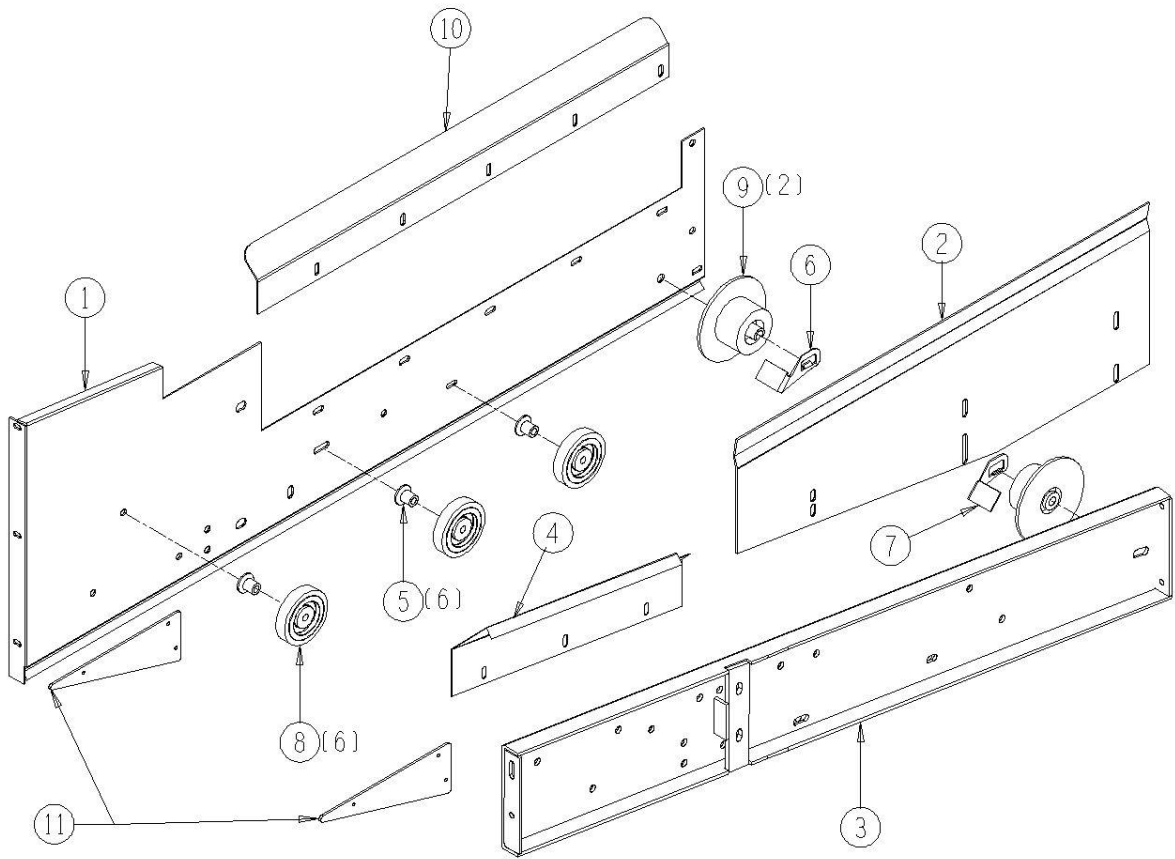




# 12011-06-01 Cross Conveyor Frame Assembly

<u>Ref</u>	<u>Part No.</u>	<u>Description</u>	<u>Parts – Assembly</u>	<u>Will Fit SN</u>	<u>Remarks</u>
1	PAN-9110	Panel, Rear, Cross Conveyor	1		
2	PAN-9111	Panel, Scraper, Transfer Return, Cross Conveyor	1		
3	PAN-9112	Panel, Front, Cross Conveyor	1		
4	PAN-9113	Panel, Front, Top, Cross Conveyor	1		
5	RLA-000-118	Standoff, 1/2' X 1 1/8'	6		
6	RLA-3023-T	Straight Scraper, RH	1		
7	RLA-3024-T	Straight Scraper	1		
8	RLR-040-108	4' Flat Roller	6		
9	RLT-635-2210-SC	6 1/2' Flange Roller w/Shaft for Scraper 5/8' Bore	2		
10	SHD-9700	Cross Shield	1		
11	PL-9103	Cover, Chain	2		

12011-06-01

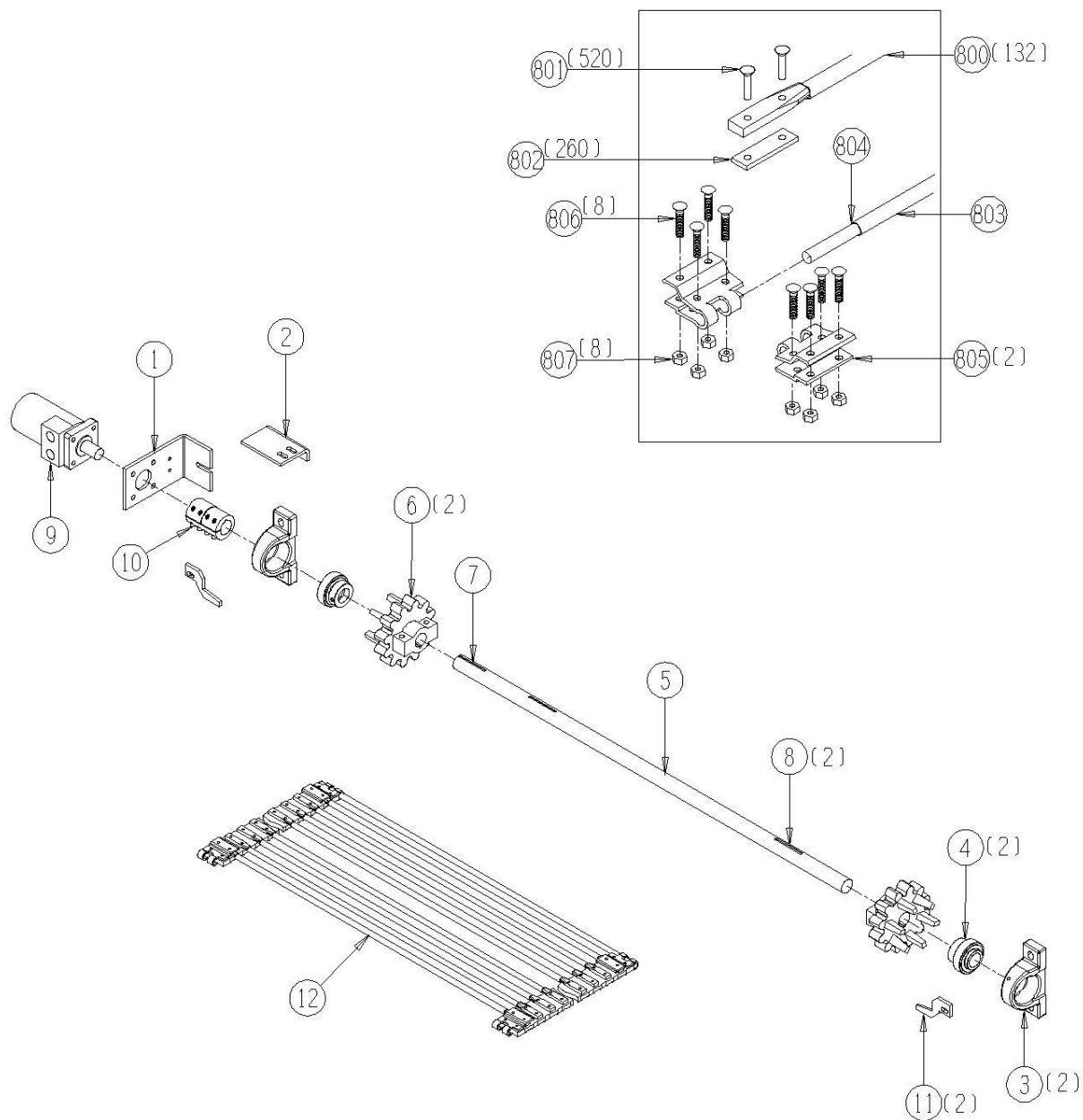


# 12011-06-02 Cross Conveyor Drive Assembly

<u>Ref</u>	<u>Part No.</u>	<u>Description</u>	<u>Parts – Assembly</u>	<u>Will Fit SN</u>	<u>Remarks</u>
1	193-806	Mount Motor	1		
2	193-806B	Motor Mount Stop	1		
3	BR-072-RAK	72mm Cast Housing	2		
4	BR-125-072	Bearing, 1 1/4 Fafnir Tri-Seal, 72mm OD	2		
5	SFT-9101	Shaft, Drive, Cross Conveyor, 240 Tomato Harvester	1		
6	SPU-3612-20-4	Urethane Sprocket 36-12 1 1/4 bore 1/4' key	2		Sub SP-3612-20-4
7	KEY-4-4-20	Shaft Key 1/4' x 1 1/4'	1		
8	KEY-4-4-32	Shaft Key 1/4' x 2' Square Cut (1018)	2		
9	HM-204-TC	TCI Motor	1		Seal Kit # TCI-SKHPQ can replace with HM-204-OMS
10	CPS-6060	Steel Coupler (off center) 1 1/4' x 1'	1		
11	SCR-101	Scraper, Sprocket, Hi Clearance	2		
12	BC-7-3636-133	Belted Chain, Cross Chain, 36in Wide, 133 Links, 240 Harvester	1		
101	BL-5-125-H	5/16-18 X 1 1/4 HEX CAP G5 ZC	1		
800	BC-7-32-ST	7/16' x 32' Belted Chain Rod for 60mm Belt	132	11001	
801	RI-25-BC	25mm Belted Chain Rivets	520		
802	BC-BP32	Belt, Rivet Backing Plates 32mm	260	11001	Lap Splice Option, Used only with BC-1032-LN Lock Nuts
803	BC-7-32-CN	Connecting Rod, 11mm, 32' Wide Belted Chain, 60mm Traction Belts	1		For Clip Splice Option
804	BC-3525	Snap Ring, 11mm.	2		
805	BC-F-36-32-UG	Ultra Gold F Connecting Clips 36-32 @ pair	2		Replaces BC-F-36-32
806	BC-1032-FS	10-32 x 1 1/4' Bolts Flat Socket Head	8		
807	BC-1032-LN	10-32 Lock Nuts	8		
808	BL-5-100-SF	5/16-24 x 1 Socket Head Cap Screw	4	CPS-6057	
809	KEY-4-4-15	Shaft Key 1/4' X 1/4' X 15/16' Woodruff Key	1		



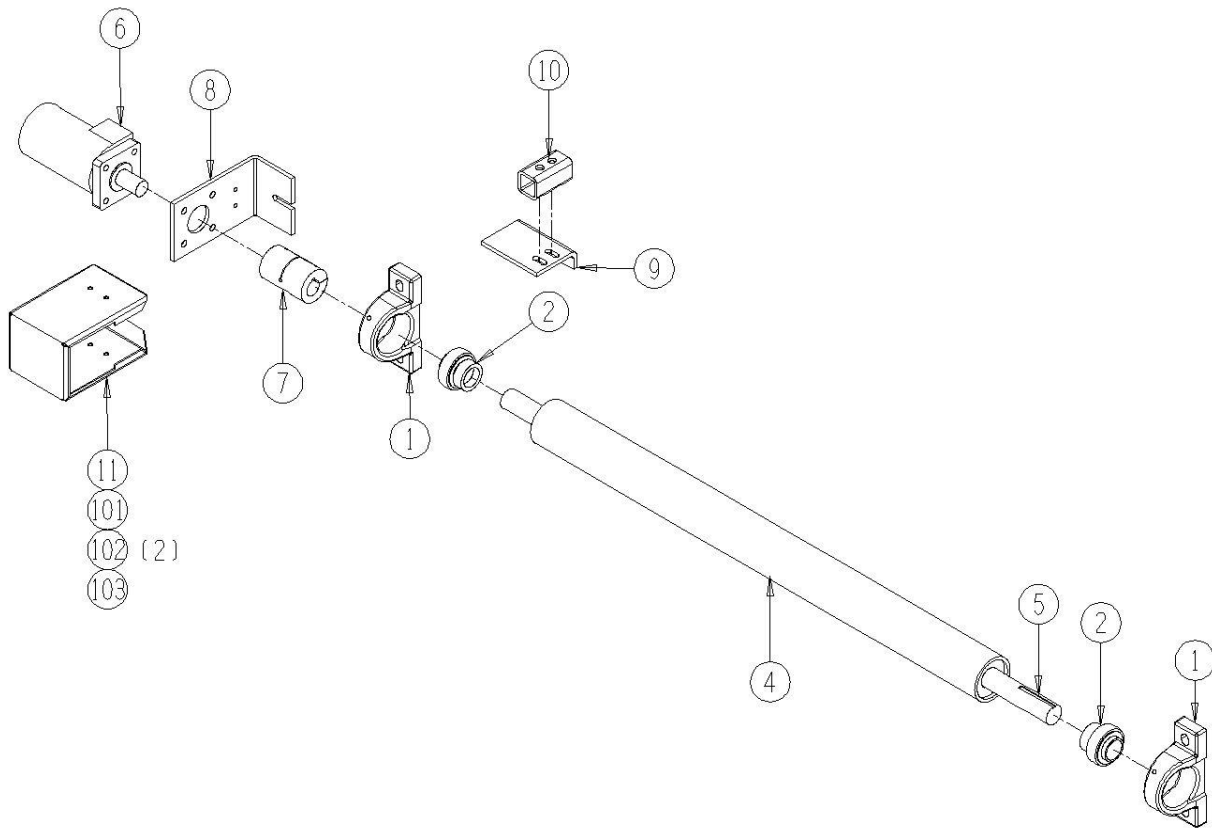
12011-06-02



# 12011-06-03 Cross Conveyor Return Roller Assembly

<u>Ref</u>	<u>Part No.</u>	<u>Description</u>	<u>Parts – Assembly</u>	<u>Will Fit SN</u>	<u>Remarks</u>
1	BR-072-RAK	72mm Cast Housing	2		
2	BR-125-072	Bearing, 1 1/4 Fafnir tri-seal, 72mm OD	2		
4	SFT-8550	Shaft,Cross Conveyor Return Roller	1		
5	KEY-4-4-24	Shaft Key 1/4' x 1 1/2' Square Cut (1018)	1		
6	HM-214-TC	Hydraulic Motor	1		Seal Kit # TCI-SKHPQ
7	CPS-6060	Steel Coupler (off center) 1 1/4' x 1'	1		
8	193-806	Mount motor	1		
9	193-806B	Motor Mount Stop	1		
10	SPA-0071	Motor Stop Spacer	1		
11	193-806c	Motor Guard	1	19301-	
101	BL-4-500-H	1/4-20 X 5 HEX CAP G5 ZC	1		
102	BL-4-FW	1/4 USS FW ZC	2		
103	BL-4-WN	1/4-20 FORGED WINGNUT ZC	1		

12011-06-03

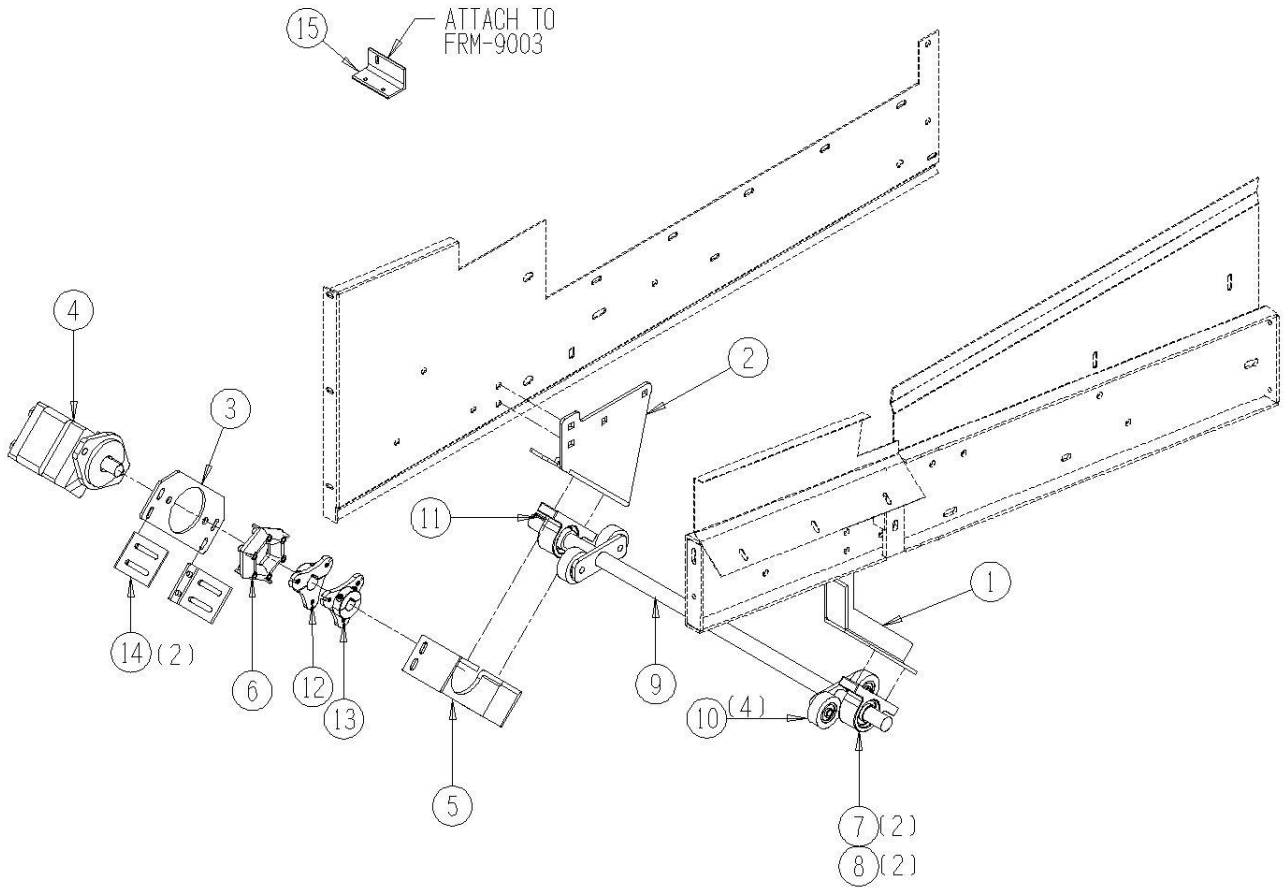


# 12011-06-20 Opt. Cross Conveyor Vibrator Assembly

<u>Ref</u>	<u>Part No.</u>	<u>Description</u>	<u>Parts – Assembly</u>	<u>Will Fit SN</u>	<u>Remarks</u>
1	MOU-0107	Dirt Vibrator Cross Conveyor Mount, 290	1		
2	MOU-0108	Cross Conveyor Dirt Vibrator Mount, 290 Harvester	1	MOU-0108	
3	MOU-0167	Mount, Motor Cross Vibrator	1		
4	HM-122	Motor, Hydraulic, 1-3/4' Gear, #12 SAE Ports	1		
5	MOU-0165	Motor Mount, Stop, Cross Vibrator	1		
6	CPR-422-15	Primary Shaker Drive Coupler	1		Used on Sec. Sh. Beginning 2000
7	BR-062-RAK	62mm Cast Housing	2		
8	BR-125-062	Bearing, 1 1/4 Fafnir Tri-Seal, 62mm OD	2		
9	SFT-9202	Vibrator Shaft, 36 Inch Chain	1		
10	RLT-027-108	Roller 2.75' dia. 1/2' Bore	4		
11	KEY-4-4-16	Shaft Key 1/4' X 1/4' X 1' Square Cut (1018)	1	20095001-	
12	CPR-422D-15	Coupler, 1-1/4' Bore, 1/4' Key	1		
13	CPR-422a-15	Primary Shaker Coupler 1' Bore (Motor Side)	1	Years 1995 - 2000	Used on Sec. Sh. Beginning 2000
14	MOU-0177	Mount, Long Vibrator, Harvester	2		
15	BRA-0165	Bracket, Cross Vibrator Flow Control	1		
100	BL-8-150-H	1/2 UNC X 1 1/2 HH C/S BOLT GR5 ZINC	5		
101	BL-8-200-H	1/2-13 X 2 HEX CAP G5 ZC	4		
102	BL-8-LN	1/2-13 HEX LOCK NUT NYLON INSERT ZC	13		
103	BL-8-FW	1/2 USS FW ZC	18		
104	BL-8-275-H	1/2 UNC X 2 3/4 HH C/S BOLT GR5 ZINC	2		
105	BL-8-250-H	1/2-13 X 2 1/2 HEX CAP G5 ZC	2		
600	HV-FL16	Flow Control Valve 16GPM	1		
601	A-6901-10-8	10 SAE x 1/2 FPX90°, Forged	1		
602	A-6901-10-12	10 SAE x 3/4 FPX90°, Forged	1		
603	A-6901-12-8	12 SAE x 1/2' FPX 90°, Forged	2		
604	A-6401-10-8	10 SAE x 1/2 MPT Male	1		
605	A-1603-8-8-8	Swivel T 1/2' NPTF	1		
606	H10-48-8MP-8MP	5/8 in Hose 1/2MP x 1/2MP x 48 in Long	2		

607	H12-76-12MP-8MP	¾ in Hose ¾MP x 1/2MP x 76 in Long	1	
800	HM-412B	Key for Hydraulic Motor -Shaker Weight-Vibrator	1	HM-412C & HM-712C
801	HM-2100-SK	Shaft Seal & Gasket Kit for Permco Motor, M2100 Series	1	
802	HM-2100-BRG	Bearing for Permco Motor, M2100 Series	1	

12011-06-20



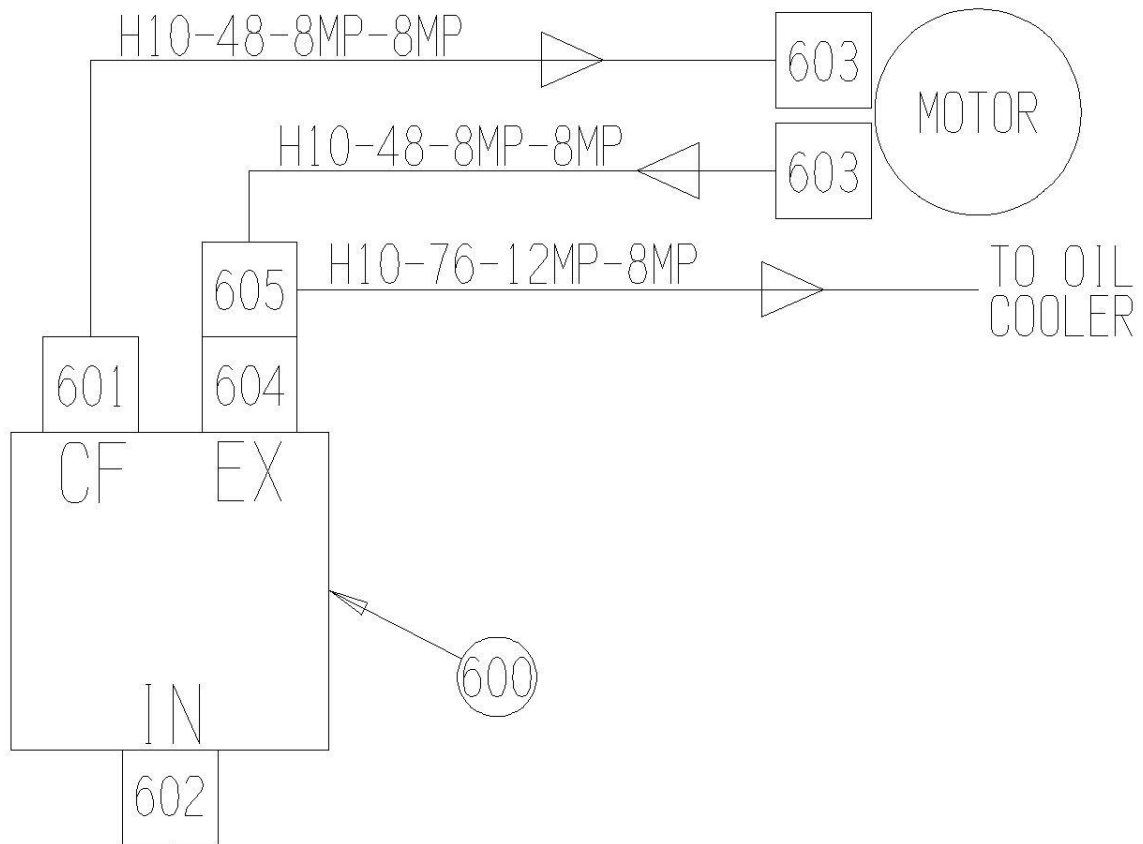


# 12011-06-20H Opt. Cross Vibrator Hydraulic Assembly

<u>Ref</u>	<u>Part No.</u>	<u>Description</u>	<u>Parts – Assembly</u>	<u>Will Fit SN</u>	<u>Remarks</u>
600	HV-FL16	Flow Control Valve 16GPM	1		
601	A-6901-10-8	10 SAE x 1/2 FPX90°, Forged	1		
602	A-6901-10-12	10 SAE x 3/4 FPX90°, Forged	1		
603	A-6900-10-8	10 SAE x 1/2 FPX	2		
604	A-6401-10-8	10 SAE x 1/2 MPT Male	1		
605	A-1603-8-8-8	Swivel T 1/2' NPTF	1		
606	H10-48-8MP-8MP	5/8 in Hose 1/2MP x 1/2MP x 48 in Long	2		
607	H12-76-12MP-8MP	3/4 in Hose 3/4MP x 1/2MP x 76 in Long	1		



12011-06-20H

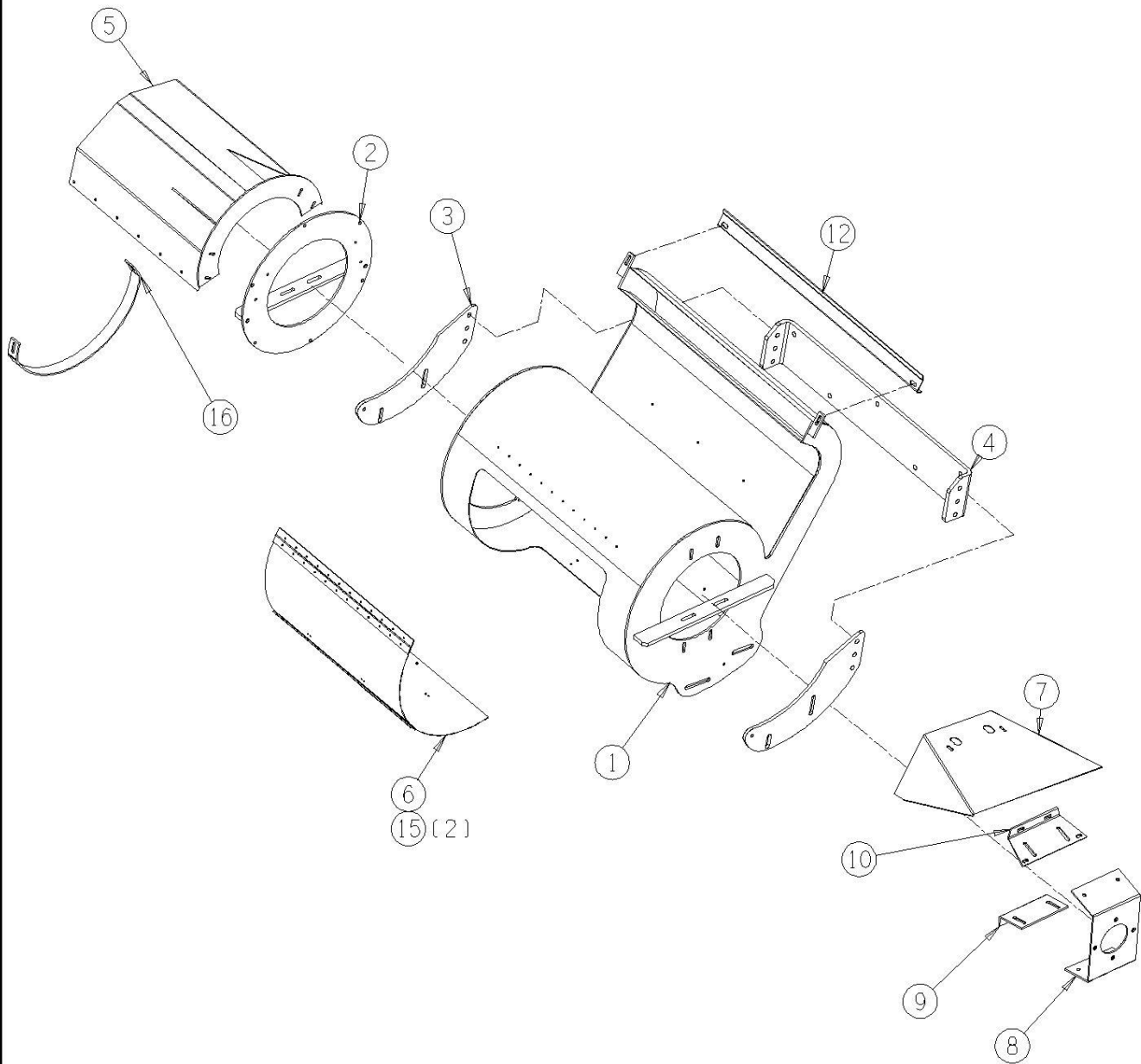


162" EXISTING HOSE THAT WAS PLUMBED FROM ELEVATIONS  
FLOW CONTROL EX. FLOW TO OIL COOLER

# 12012-07-01 Debris Fan Assembly

<u>Ref</u>	<u>Part No.</u>	<u>Description</u>	<u>Parts – Assembly</u>	<u>Will Fit SN</u>	<u>Remarks</u>
1	FAN-9107	Housing, Debris Fan	1		
2	FAN-9110	End Cover, Debris Fan	1		
3	FAN-9109	Debris Fan Side Mount	2		
4	FAN-9108	Mount, Debris Fan	1		
5	FAN-9106	Debris Fan, Rear Intake	1		
6	FAN-9601	Cover, Fan Housing	1		
7	191-734	Fan Dirt Guard (Motor Side)	1	19101-	
8	192-704	Mount, Debris Fan	1	19201-	
9	192-704B	Bracket, Debris Fan Motor, Bottom	1	19201-	
10	192-704T	Motor Mount, Top	1	19201-	
12	SCR-9900	Scraper, Cross Conveyor, Return Roller, 240 Tomato Harvester	1		
13	BT-2008	Belting, Fan Intake Shield, 190 Chopper	1		
14	BT-9107	Belting	1		
15	LA-703	Large Rubber T Latch Assembly	2		
16	MOU-9403	Belting Support, Debris Fan	2		

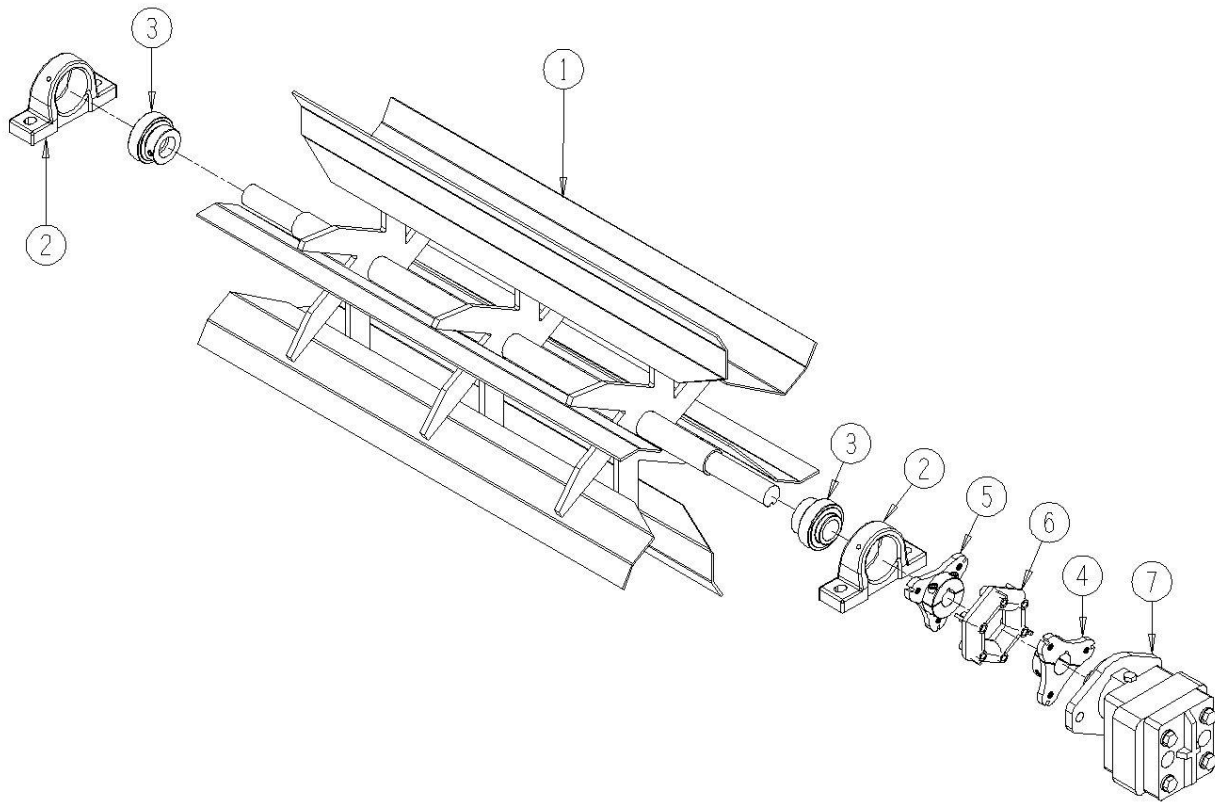
12012-07-01



# 12013-07-02 Debris Fan Paddle Assembly

<u>Ref</u>	<u>Part No.</u>	<u>Description</u>	<u>Parts – Assembly</u>	<u>Will Fit SN</u>	<u>Remarks</u>
1	FAN-9502	Debris Fan	1		Replaces FAN-9501
2	BR-072-RAK	72mm Cast Housing	2		
3	BR-125-072	Bearing, 1 1/4 Fafnir Tri-Seal, 72mm OD	2		
4	CPR-422D-15	Coupler, 1-1/4' Bore, 1/4' Key	1		
5	CPR-422a-15	Primary Shaker Coupler 1' Bore (Motor Side)	1	Years 1995 - 2000	Used on Sec. Sh. Beginning 2000
6	CPR-422-15	Primary Shaker Drive Coupler	1		Used on Sec. Sh. Beginning 2000
7	HM-712-1	Hydraulic Gear Motor	1		Same as HM-712C except w/ 1' shaft
800	HM-412B	Key for Hydraulic Motor -Shaker Weight-Vibrator	0	HM-412C & HM-712C	
801	HM-2100-SK	Shaft Seal & Gasket Kit for Permco Motor, M2100 Series	0		
802	HM-2100-BRG	Bearing for Permco Motor, M2100 Series	0		
803	HM-1801	Seal Kit for Commercial Intertech	0	P20 & M20 Series	Includes:(1) Length of HM-2882,(1)HM-2883,(2)HM-2884

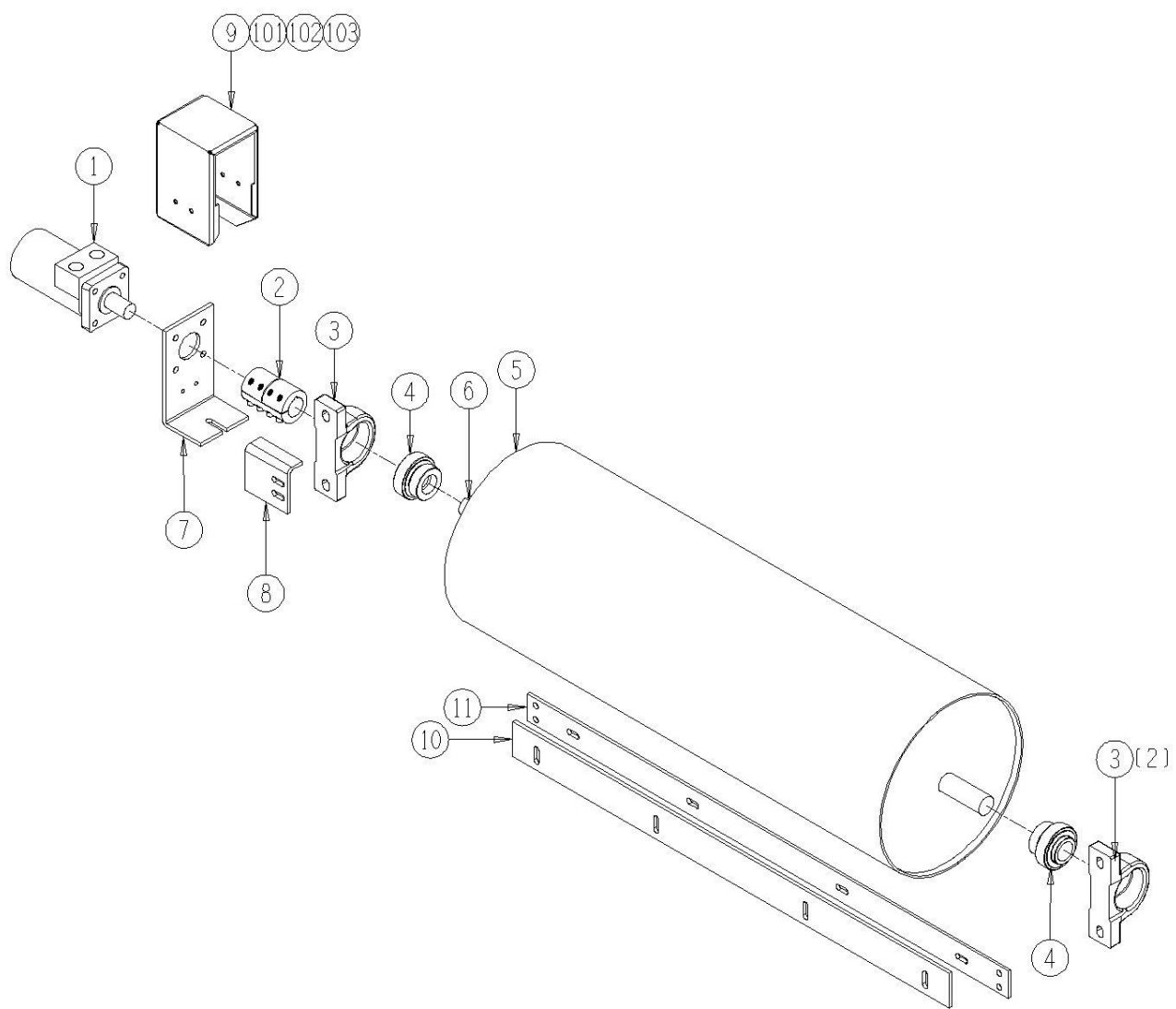
12013-07-02



# 12011-07-03 Debris Drum Assembly

<u>Ref</u>	<u>Part No.</u>	<u>Description</u>	<u>Parts – Assembly</u>	<u>Will Fit SN</u>	<u>Remarks</u>
1	HM-204-TC	TCI Motor	1		Seal Kit # TCI-SKHPQ can replace with HM-204-OMS
2	CPS-6060	Steel Coupler (off center) 1 1/4' x 1'	1		
3	BR-072-RAK	72mm Cast Housing	2		
4	BR-125-072	Bearing, 1 1/4 Fafnir Tri-Seal, 72mm OD	2		
5	RLS-9600	Debris Drum	1		
6	KEY-4-4-20	Shaft Key 1/4' x 1 1/4'	1		
7	193-806	Mount Motor	1		
8	193-806a	Motor Mount Stop	1		
9	193-806c	Motor Guard	1	19301-	
10	SCR-9103	Scraper, Debris Drum	1		
11	SCR-9104	Mount, Debris Drum Scraper	1		
101	BL-4-500-H	1/4-20 X 5 HEX CAP G5 ZC	1		
102	BL-4-FW	1/4 USS FW ZC	2		
103	BL-4-WN	1/4-20 FORGED WINGNUT ZC	1		
800	KEY-4-4-15	Shaft Key 1/4' X 1/4' X 15/16' Woodruff Key	0		
801	BL-5-100-SF	5/16-24 x 1 Socket Head Cap Screw	0	CPS-6057	

12011-07-03

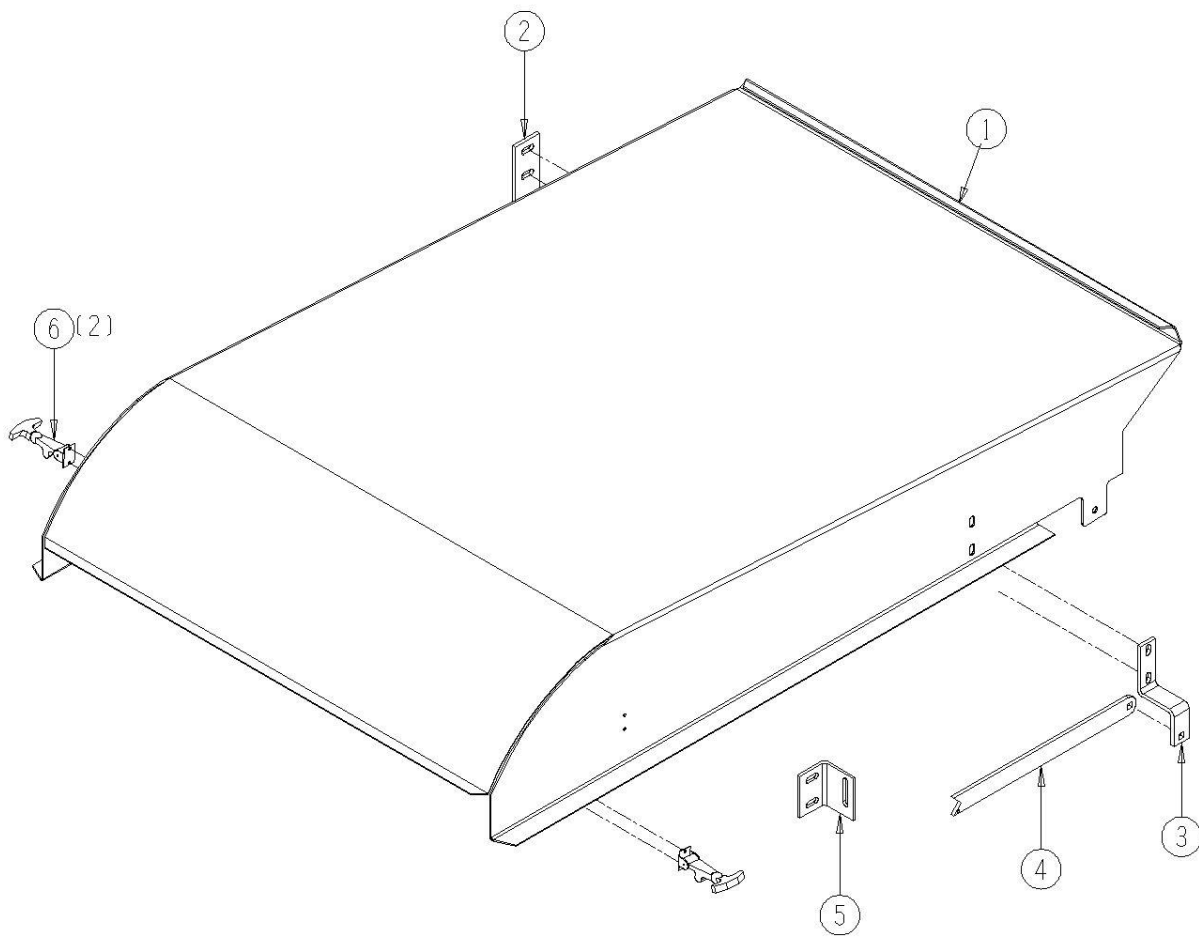


# 12011-07-04 Debris Fan Cover Assembly

<u>Ref</u>	<u>Part No.</u>	<u>Description</u>	<u>Parts – Assembly</u>	<u>Will Fit SN</u>	<u>Remarks</u>
1	SHD-9600	Cover, Debris Chamber, 240 Harvester	1		
2	193-725	Hinge Bar for Air Deflector Hood	1	19301- 193-729K	
3	193-728	Hinge Bracket for Air Deflector Hood	1	19301- 193-729K	
4	193-729	Hinge Brace for Air Deflector Hood	1	19301- 193-729K	
5	193-729A	Hinge Brace Latch for Air Deflector Hood	1	19301- 193-729K	
6	LA-703	Large Rubber T Latch Assembly	2		



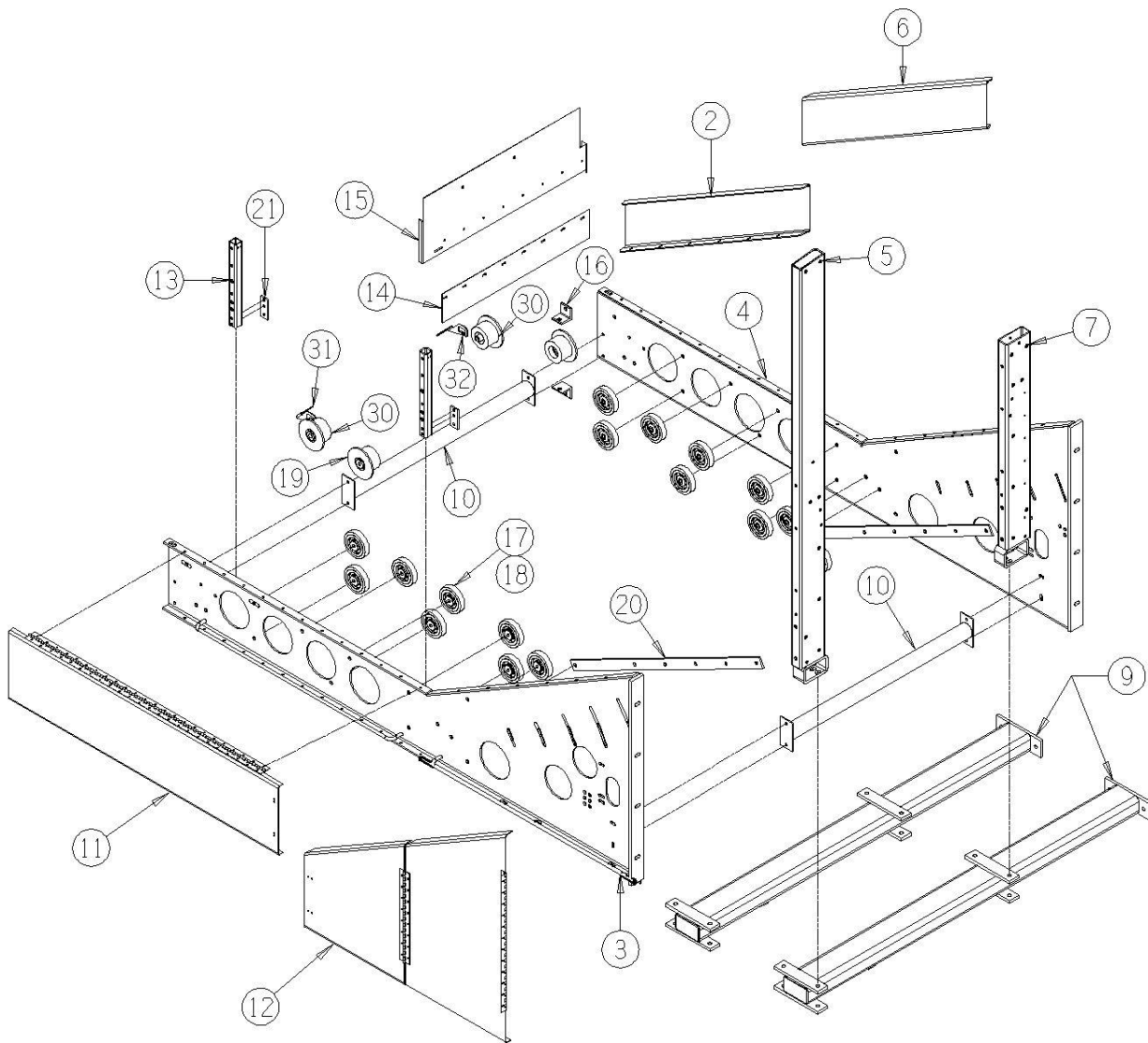
12011-07-04



# 12012-08-01 Elevation Assembly

<u>Ref</u>	<u>Part No.</u>	<u>Description</u>	<u>Parts – Assembly</u>	<u>Will Fit SN</u>	<u>Remarks</u>
2	PAN-9133	Outer Upper Elevation Panel	1		
3	PAN-9125	Panel, Outside Elevation	1		
4	PAN-9126	Panel, Inside Elevation	1		
5	POS-9007	Canopy Post	1		
6	PAN-9134	Inner Upper Elevation Panel	1		
7	MOU-9018	Mount, Rear Elevation	1		
9	MOU-9904	Elevation Support	2		
10	SUP-9104	Cross Member, Rear Elevation, 240 Harvester	2		
11	SHD-9133	Shield, Elevation, Rear	1		
12	SHD-9134	Shield, Elevation, Rear	1		
13	SUP-9103	Support Post, Debris Drum, 240 Harvester	2		
14	BT-9102	Belting, Closure, Rear Elevation, 240 Tomato Harvester	1		
15	PAN-9114	Panel, Closure, Rear Elevation	1		
16	MOU-9010	Angle Mount, Rear Elevation, 240 Harvester	2		
17	RLA-000-118	Standoff, 1/2' X 1 1/8'	18		
18	RLR-040-108	4' Flat Roller	18		
19	RLT-535-228	5' Flange Roller 2.2WF x 3 1/2' dia, 1/2' bore	8		
20	BAR-742	Bar, Roller Adjuster, Front Elevation	2	19705	
21	MOU-9301	Mount, Debris Drum	2		
24	194-731A	Debris Drum Sprocket Shield	1	19401-	
25	MOU-9911	Mount, Presort Nose, Front Elevation	2		
26	SHD-1137	Shield, Shaft End, Rear Elevation	1	19101- kit-0038	
27	SPA-9100	Spacer, Roller Mount, Front Elevation	2		
28	SPA-9102	Spacer, Nose Roller, Elevation	2		
29	LA-1530	Medium Rubber T Latch Assembly	2		
30	RLT-535-2210-SC	5' Flange Roller 2.2 WF 3.5 dia, 5/8' bore w/ Hub for Scraper	2		
31	RLA-3023-T	Straight Scraper, RH	1		
32	RLA-3024-T	Straight Scraper	1		

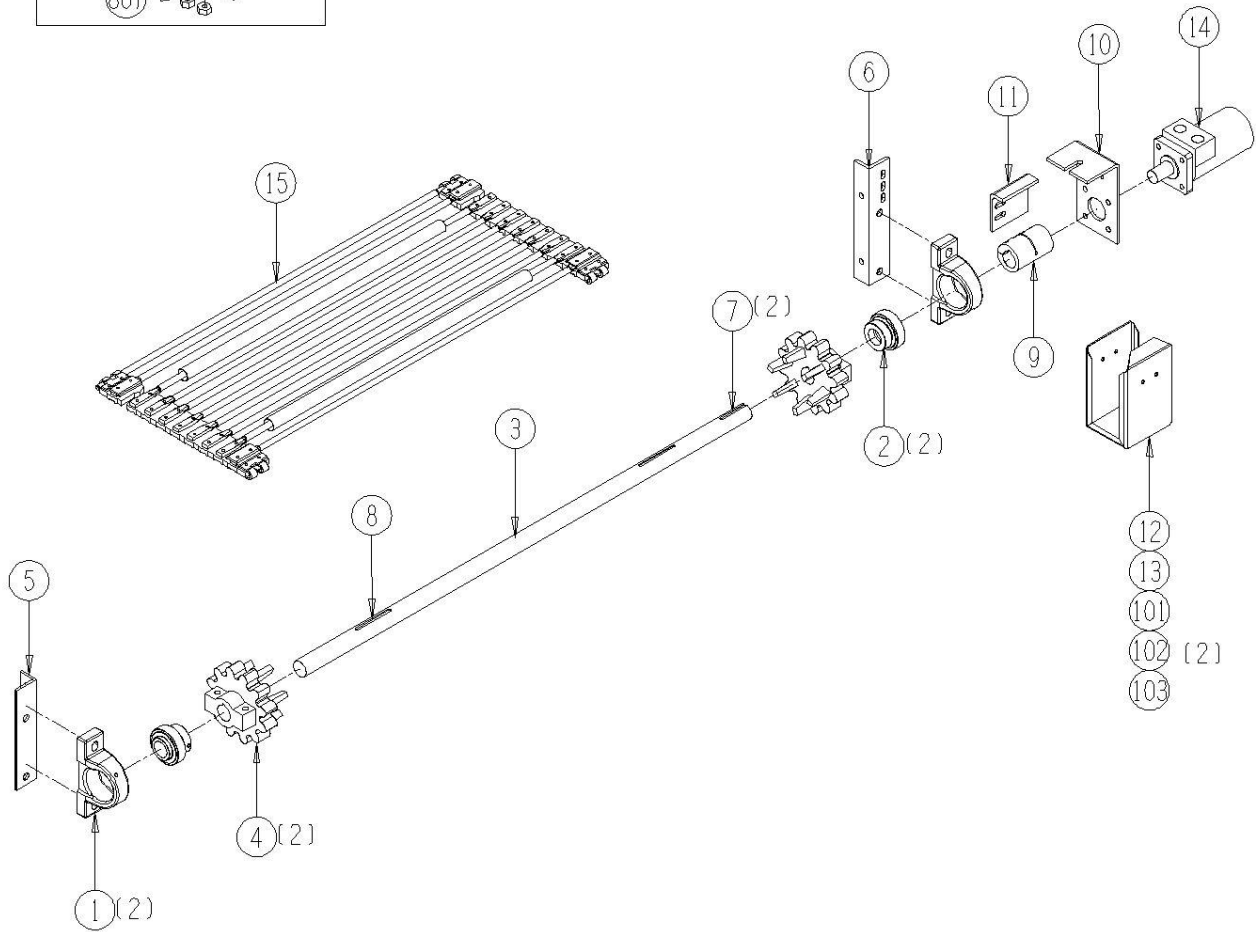
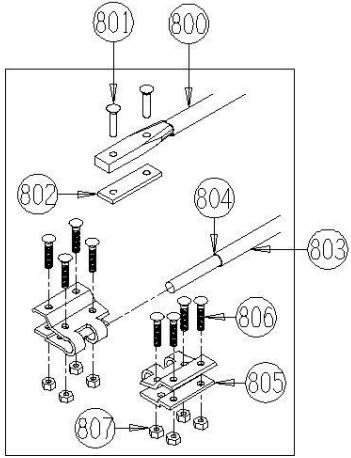
12012-08-01



# 12012-08-03 Elevation Drive Shaft Assembly

<u>Ref</u>	<u>Part No.</u>	<u>Description</u>	<u>Parts – Assembly</u>	<u>Will Fit SN</u>	<u>Remarks</u>
1	BR-072-RAK	72mm Cast Housing	2		
2	BR-125-072	Bearing, 1 1/4 Fafnir Tri-Seal, 72mm OD	2		
3	SFT-9700	Drive Shaft, Elevation Chain, 240 Harvester	1		
4	SPU-3612-20-4	Urethane Sprocket 36-12 1 1/4 bore 1/4' key	2		Sub SP-3612-20-4
5	MOU-9700	Bearing Mount, Angle, Elevation Chain, 240 Harvester	1		
6	MOU-9701	Bearing Mount, Elevation Chain, 240 Harvester	1		
7	KEY-4-4-32	Shaft Key 1/4' x 2' Square Cut (1018)	2		
8	KEY-4-4-20	Shaft Key 1/4' x 1 1/4'	1		
9	CPS-6060	Steel Coupler (off center) 1 1/4' x 1'	1		
10	193-806	Mount Motor	1		
11	193-806a	Motor Mount Stop	1		
12	193-806c	Motor Guard	1	19301-	
13	DC-1176	Decal, Danger-Hand Chain Sprockets	1		
14	HM-204-TC	TCI Motor	1		Seal Kit # TCI-SKHPQ can replace with HM-204-OMS
15	BC-7-3636-175-UC	36mm x 36' Belted Chain, 175 Pitches, Upcrank Cushioned	1		
101	BL-4-500-H	1/4-20 X 5 HEX CAP G5 ZC	1		
102	BL-4-FW	1/4 USS FW ZC	2		
103	BL-4-WN	1/4-20 FORGED WINGNUT ZC	1		
800	BC-7-36-ST	7/16' x 36' Belted Chain Rod for 60mm Belt	174		
801	RI-19-BC	19mm Belted Chain Rivets	632		
802	BC-BP32	Belt, Rivet Backing Plates 32mm	340	11001	Lap Splice Option, Used only with BC-1032-LN Lock Nuts
803	BC-7-36-CN	Connecting Rod, 11mm, 36' Wide Belted Chain, 60mm Traction Belts	1	11001	For Clip Splice Option
804	BC-3525	Snap Ring, 11mm.	2		
805	BC-F-36-32-UG	Ultra Gold F Connecting Clips 36-32 @ pair	2		Replaces BC-F-36-32
806	BC-1032-FS	10-32 x 1 1/4' Bolts Flat Socket Head	16		
807	BC-1032-LN	10-32 Lock Nuts	16		

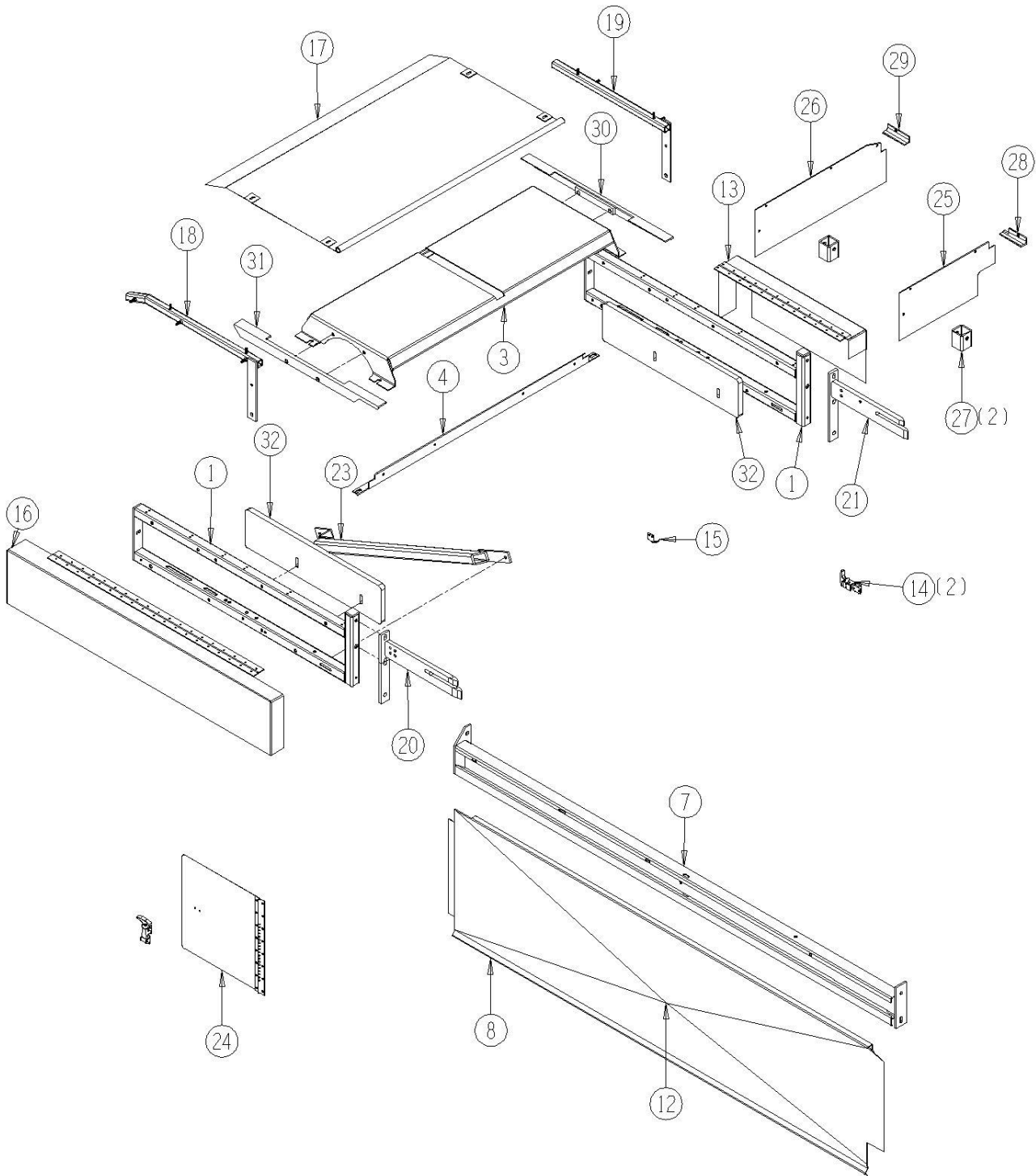
12012-08-03



# 12014-08-40 Presort Assembly

<u>Ref</u>	<u>Part No.</u>	<u>Description</u>	<u>Parts – Assembly</u>	<u>Will Fit SN</u>	<u>Remarks</u>
	SHD-9124	Shield, Outer, Adjuster, Sorting Table	1		
1	FRM-9102	Presort Frame, RH Side	2		
3	PAN-9120	Panel, Slider, Presort	1		
4	BAR-9103	Bar, Scraper, Presort	1		
7	BRA-9104	Bracket, Cross Bar, Presort	1		
8	SHD-0139	Cover, Wheel	1		
12	DC-3025	Red and White Reflective Tape @ 150 ft Roll	0.01		
13	SHD-9136	Shield, Inner, Upper Access Door, Presort	1		
14	LA-1530	Medium Rubber T Latch Assembly	2		
15	LA-703B	T Latch Keeper	1		
16	SHD-9115	Shield, Outer, Upper Access Door, First Presort	1		
17	SHD-9116	Shield, Cover, Presort	1		
18	BRA-9105	Bracket, Outer, Cover, Presort	1		
19	BRA-9106	Bracket, Inner, Cover, Presort	1		
20	BRA-9701	Sorter Bracket, RH Side	1		
21	BRA-9700	Sorter Bracket, LH Side	1		
23	BRA-9107	Bracket, Outer Support Brace, Presort	2		
24	SHD-9113	Shield, Outer, Lower Access Door, Presort	1		
25	SHD-9117	Shield, Front, Presort	1		
26	SHD-9118	Shield, Rear, Presort	1		
27	BRA-9108	Bracket, Presort	2		
28	BRA-9109	Bracket, Front, Presort	1		
29	BRA-9110	Bracket, Rear, Presort	1		
30	EX-1520A	Extension, Slider, Outer	1	19601-	
31	EX-1520B	Extension, Slider, Inner	1	19601-	
32	PL-8756	Presort Plastic, Narrow Elevation Chain	2		

12014-08-40

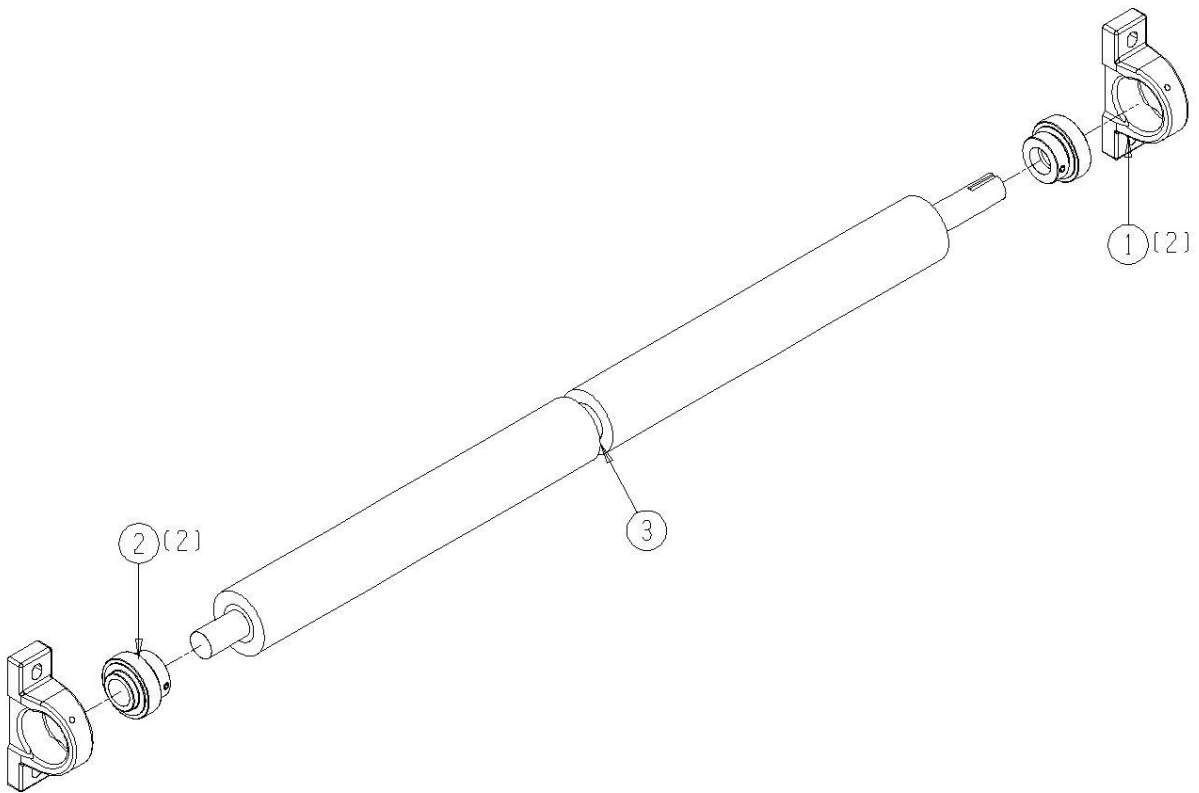


# 12011-08-41 Front Presort Roller Assembly

<u>Ref</u>	<u>Part No.</u>	<u>Description</u>	<u>Parts – Assembly</u>	<u>Will Fit SN</u>	<u>Remarks</u>
1	BR-072-RAK	72mm Cast Housing	2		
2	BR-125-072	Bearing, 1 1/4 Fafnir Tri-Seal, 72mm OD	2		
3	RLR-1000	Roller for 40 1/2 Presort Flat Belt Drive & Nose (Tomato)	1		
101	BL-6-100-H	3/8 UNC X 1 HH C/S BOLT GR5 ZINC	4		
102	BL-6-LW	3/8 SPLIT LW ZC	4		
103	BL-6-SW	3/8 SAE FW ZC	4		



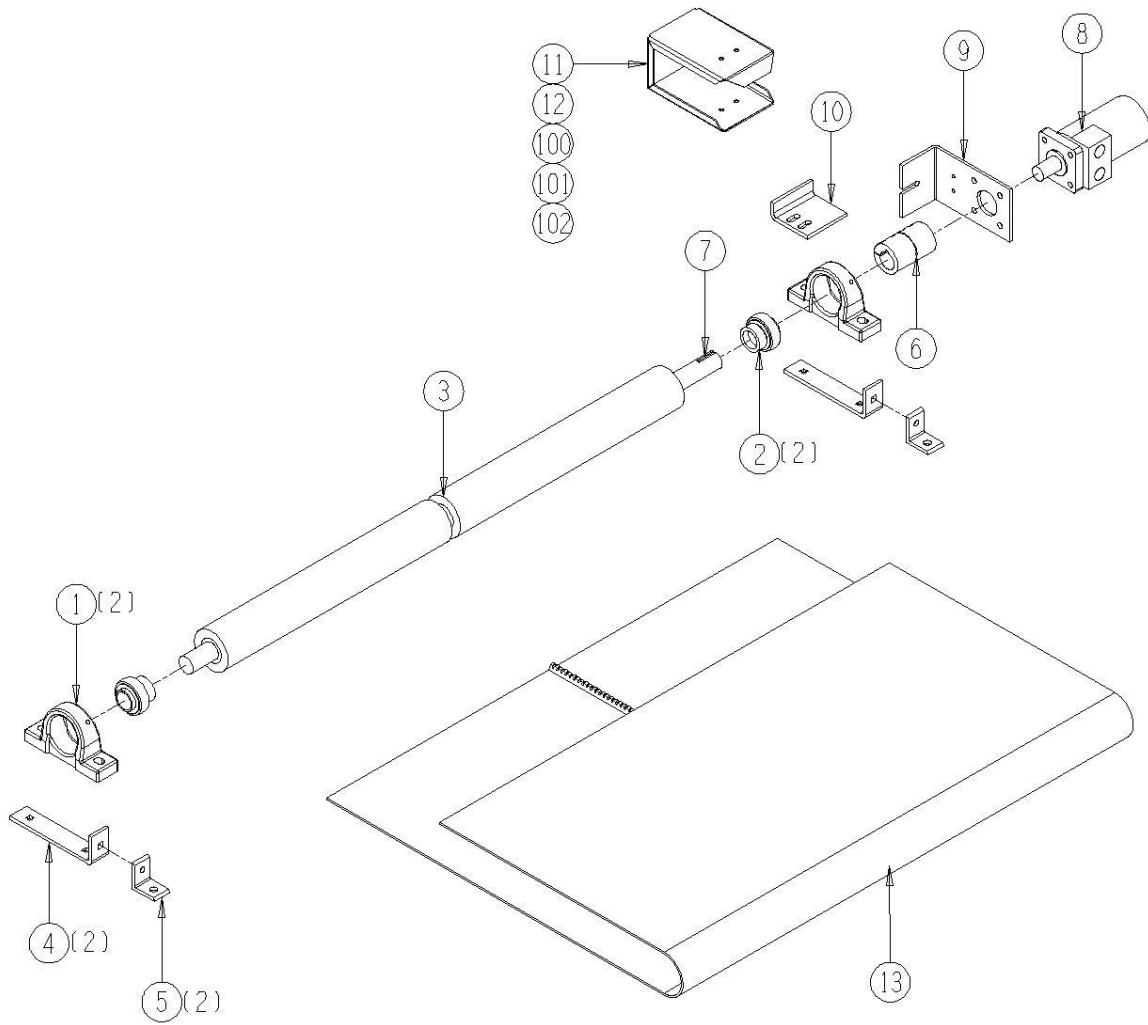
12011-08-41



# 12011-08-42 Rear Presort Roller Assembly

<u>Ref</u>	<u>Part No.</u>	<u>Description</u>	<u>Parts – Assembly</u>	<u>Will Fit SN</u>	<u>Remarks</u>
1	BR-072-RAK	72mm Cast Housing	2		
2	BR-125-072	Bearing, 1 1/4 Fafnir Tri-Seal, 72mm OD	2		
3	RLR-1000	Roller for 40 1/2 Presort Flat Belt Drive & Nose (Tomato)	1		
4	BRA-9702	Bearing Adjuster	2		
5	BRA-1528	Bracket, Tightener	2	19705 19801-	
6	CPS-6060	Steel Coupler (off center) 1 1/4' x 1'	1		
7	KEY-4-4-20	Shaft Key 1/4' x 1 1/4'	1		
8	HM-208-TC	TCI Motor	1		Seal Kit # TCI-SKHPQ
9	193-806	Mount Motor	1		
10	193-806a	Motor Mount Stop	1		
11	193-806c	Motor Guard	1	19301-	
12	DC-1176	Decal, Danger-Hand Chain Sprockets	1		
13	BT-72V40E	Presort Belt 40' X 72.25' Endless	1		
100	BL-4-500-H	1/4-20 X 5 HEX CAP G5 ZC	1		
101	BL-4-FW-8	1/4' Flat Washer Grade 8	4		
102	BL-4-WN	1/4-20 FORGED WINGNUT ZC	1		
801	KEY-4-4-15	Shaft Key 1/4' X 1/4' X 15/16' Woodruff Key	1		
802	BL-5-100-SF	5/16-24 x 1 Socket Head Cap Screw	4	CPS-6057	

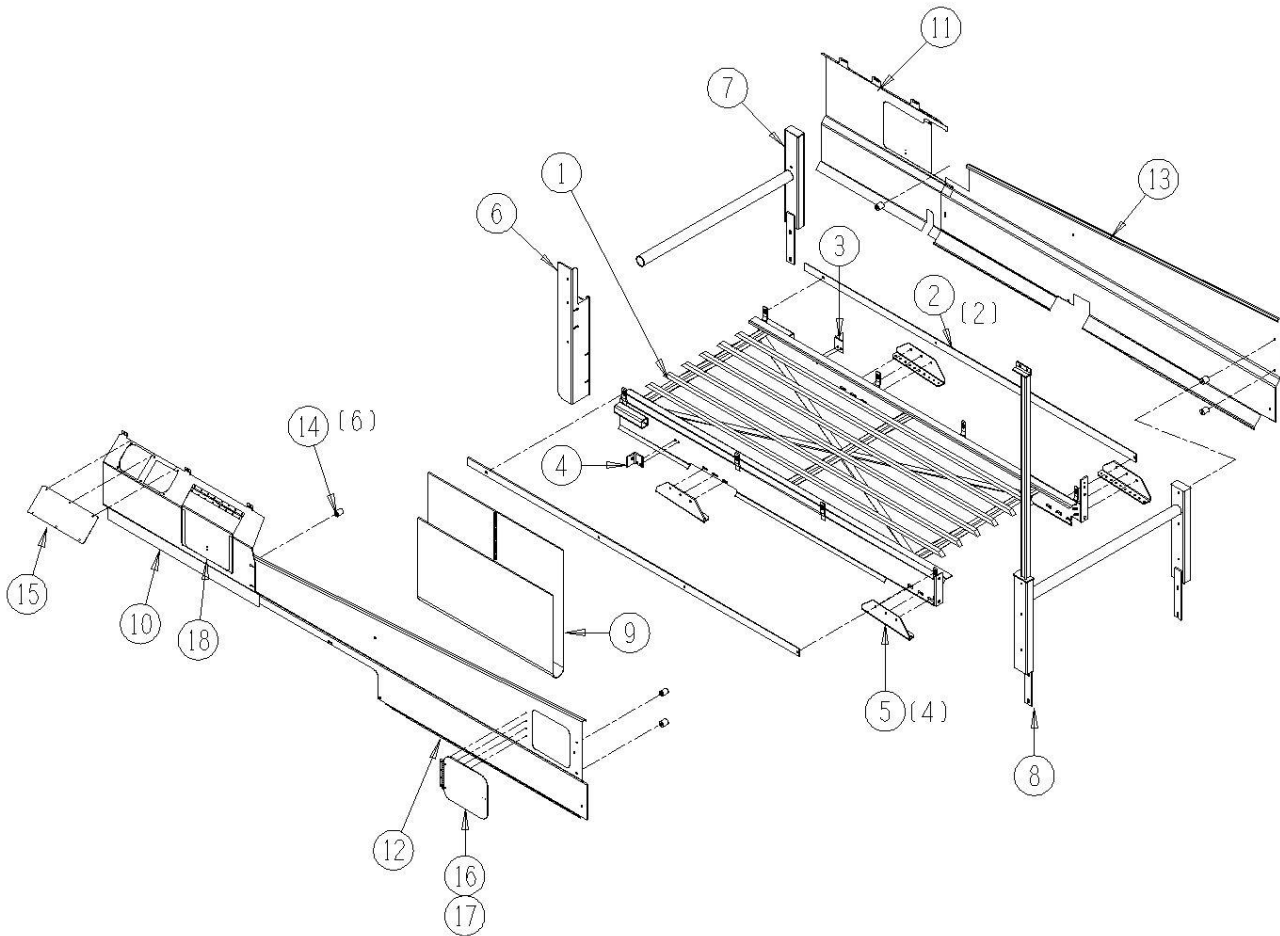
12011-08-42



# 12013-09-01 Aftersort Assembly

<u>Ref</u>	<u>Part No.</u>	<u>Description</u>	<u>Parts – Assembly</u>	<u>Will Fit SN</u>	<u>Remarks</u>
1	HAN-9802	Aftersort Table, 240	1		
2	BAR-9800	Bar, Aftersort Side Rail, 240 Harvester	2		
3	STP-8501	Stop, Outside, Adjuster Belt	1		
4	STP-8502	Stop, Inside, Adjuster Belt, Crss Convyr	1		
5	MOU-9104	Mount, Aftersort Table	4		
6	POS-9004	Rear Post, Aftersort Table	1		
7	POS-9006	Rear Post, Aftersort Table	1		
8	POS-9005	Front Post, Aftersort Table	1		
9	BT-230V40L	Sort Belt w/A-Guide (laced) 230 x 40	1		
10	SHD-9500	Outer Presort Panel, 240	1		
11	SHD-9501	Inner Presort Panel	1		
12	SHD-9502	Outer Aftersort Panel	1		
13	SHD-9503	Inner Aftersort Panel	1		
14	SPA-9500	Aftersort Cover Spacer	6		
15	PAN-9132	Backer Plate, Flow Control, Cover - No F/C Holes	1		
16	SHD-8768	Fill Door, Hyd. Fluid	1		
17	LA-703A	Large Rubber T Latch	1		
18	LA-703B	T Latch Keeper	1		
101	BL-8-200-H	1/2-13 X 2 HEX CAP G5 ZC	2		
102	BL-8-LN	1/2-13 HEX LOCK NUT NYLON INSERT ZC	2		
103	BL-8-SW	1/2 SAE FW ZC	4		
104	BL-6-125-H	3/8-16 X 1 1/4 HHCS G5 ZC	16		
105	BL-6-FW	3/8 USS FW ZC	32		
106	BL-6-LN	3/8 UNC FIN HEX LOCK NUT NE A563 GrA ZINC	16		
107	BL-5-32-U	5/16-18 x 2' Pipe Size, U-Bolt, Zinc Plated, Round Bend	4		

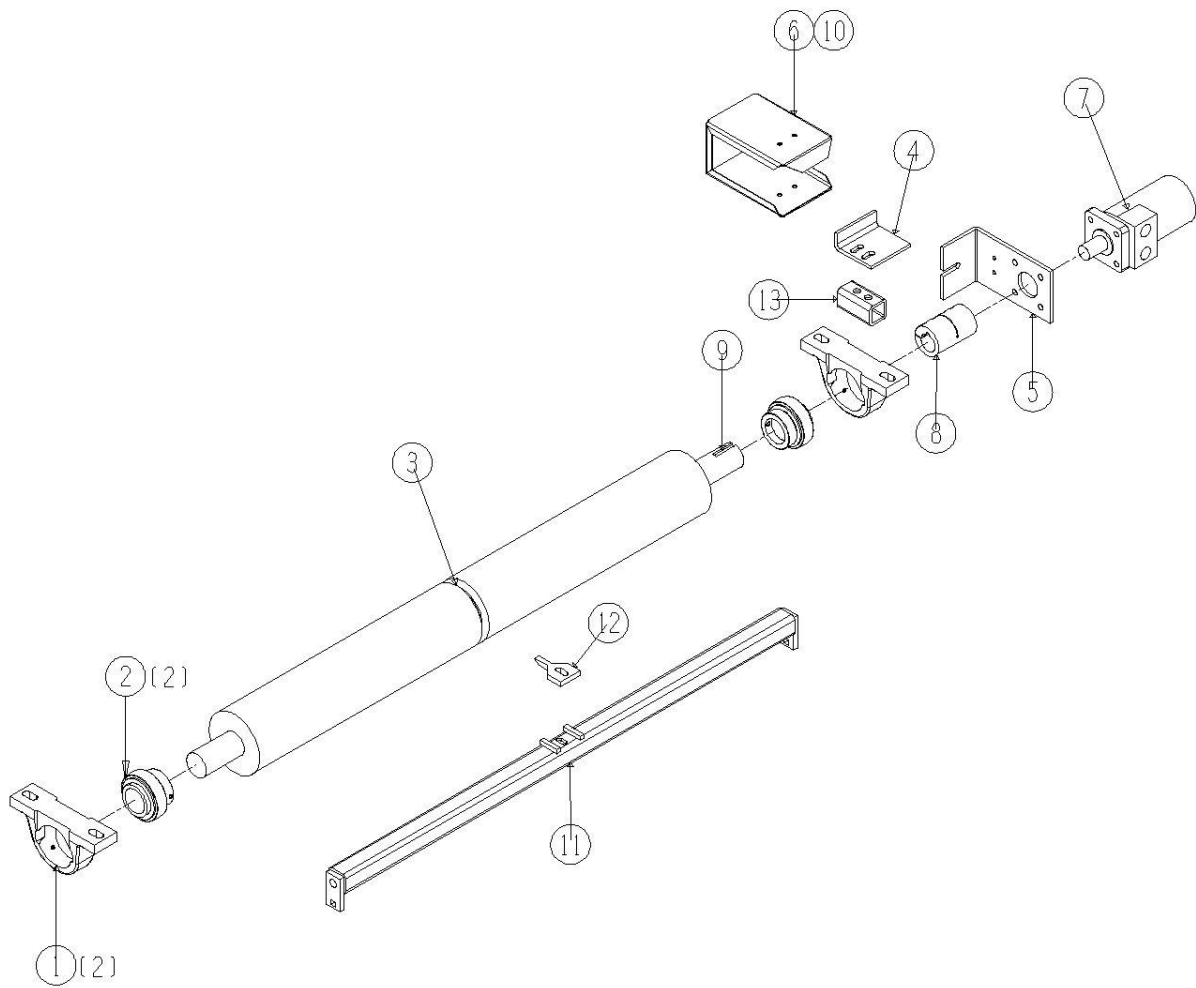
12013-09-01



# 12011-09-02 Aftersort Drive Shaft Assembly

<u>Ref</u>	<u>Part No.</u>	<u>Description</u>	<u>Parts – Assembly</u>	<u>Will Fit SN</u>	<u>Remarks</u>
1	BR-085-RAK	Bearing Housing 85 mm	2		
2	BR-175-085	Fafnir Bearing 1 ¾ Tri Seal	2		
3	RLR-1040	A-Guide Roller, 40' Aftersort Table, Tomato	1		
4	193-806a	Motor mount stop	1		
5	193-806	Mount motor	1		
6	193-806c	Motor Guard	1	19301-	
7	HM-214-TC	Hydraulic Motor	1		Seal Kit # TCI-SKHPQ
8	CPS-2816	Steel Coupler 1 ¾' x 1' ID x 3' OD x 4' Long with 5/16-24' Clamp Screw	1		
9	KEY-4-4-20	Shaft Key 1/4' x 1 1/4'	1		
10	DC-1176	Decal, Danger-Hand Chain Sprockets	1		
11	SCR-1040	Roller Scraper, Front, 40' Aftersort, Prototype Tomato	1		
12	SCR-803	Scraper, A-Guide Groove, Aftersort	1		
13	SPA-0071	Motor Stop Spacer	1		
100	BL-4-500-H	1/4-20 X 5 HEX CAP G5 ZC	1		
101	BL-4-FW-8	1/4' Flat Washer Grade 8	4		
102	BL-4-WN	1/4-20 FORGED WINGNUT ZC	1		
800	KEY-4-4-15	Shaft Key 1/4' X 1/4' X 15/16' Woodruff Key	1		
801	BL-5-100-SF	5/16-24 x 1 Socket Head Cap Screw	4	CPS-6057	

12011-09-02

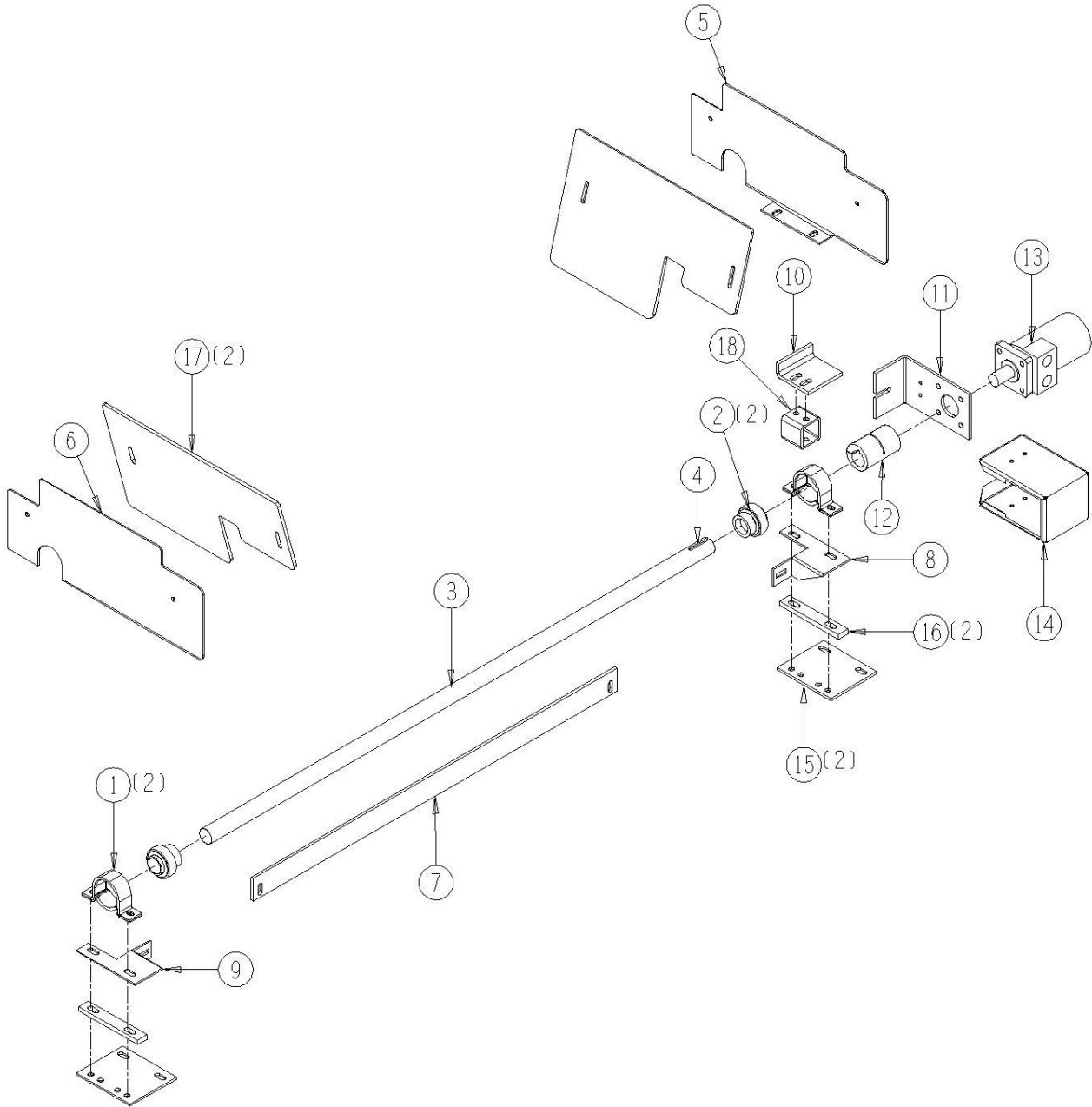


# 12011-09-03 Aftersort Divider Bar Assembly

<u>Ref</u>	<u>Part No.</u>	<u>Description</u>	<u>Parts – Assembly</u>	<u>Will Fit SN</u>	<u>Remarks</u>
1	BR-062-MPB	Stamped Bearing Housing for 1 1/4' bearing	2		
2	BR-125-062	Bearing, 1 1/4 Fafnir Tri-Seal, 62mm OD	2		
3	SFT-1040	Divider Shaft, 40' Aftersort Table	1		
4	KEY-4-4-20	Shaft Key 1/4' x 1 1/4'	1		
5	SHD-8851	Divider Roller Shield, Aftersort, LH	1		
6	SHD-8850	Divider Roller Shield, Aftersort, RH	1		
7	SCR-1042	Divider Bar, Scraper, 40' Aftersort Table	1		
8	BRA-850	Bracket, Rolling Guard, Scraper, Outer	1	19101- Kit-0007	
9	BRA-851	Bracket, Rolling Guard, Scraper, Inner	1	19101- kit-0007	
10	193-806a	Motor Mount Stop	1		
11	193-806	Mount Motor	1		
12	CPS-6060	Steel Coupler (off center) 1 1/4' x 1'	1		
13	HM-210-TC	TCI Motor	1		Seal Kit # TCI-SKHPQ
14	193-806c	Motor Guard	1	19301-	
15	BAR-8775	Bar, Divider Roller Bar, Aftersort	2		
16	SPA-0076	Divider Bar Spacer	2		
17	PL-8750	Plastic, Divider Roller Shield, Aftersort	2		
18	SPA-0007	Spacer, Motor Stop, Cleaner Table Drives	1		
100	BL-6-150-H	3/8-16 X 1 1/2 HEX CAP G5 ZC	4		
101	BL-6-250-H	3/8-16 X 2 1/2 HH C/S GR5 ZC	4		
102	BL-6-LW	3/8 SPLIT LW ZC	4		
103	BL-6-SW	3/8 SAE FW ZC	4		
104	RI-3-5-P	Pop Rivet 3/16 x 5/16 Domed, .375 head, ea	2		



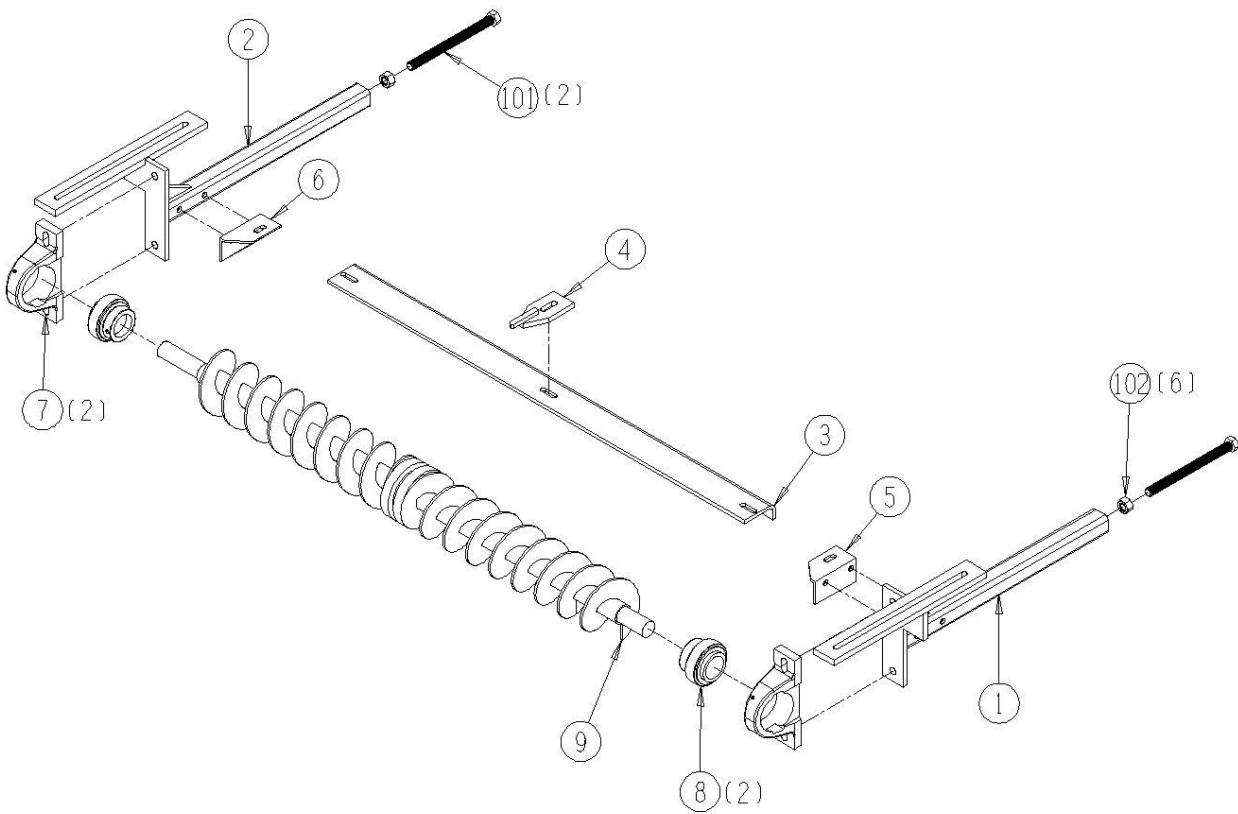
12011-09-03



## 12011-09-04 Aftersort Roller Assembly

<u>Ref</u>	<u>Part No.</u>	<u>Description</u>	<u>Parts – Assembly</u>	<u>Will Fit SN</u>	<u>Remarks</u>
1	ADJ-9700	Adjuster, Divider Bar, Aftersort, RH	1		
2	ADJ-9701	Adjuster, Divider Bar, Aftersort, LH	1		
3	SCR-1041	A-Guide Scraper Mount, Rear, 40" Aftersort	1		
4	SCR-0213	Rear Scraper	1		
5	BRA-0211	Bracket, Outer Scraper Mount	1		
6	BRA-0212	Bracket, Inner Scraper Mount	1		
7	BR-085-RAK	Bearing Housing 85 mm	2		
8	BR-175-085	Fafnir Bearing 1 ¼ Tri Seal	2		
9	RLS-8004	Roller Steel, Auger with A-Guide, Aftersort, 40'	1		
101	BL-10-800-TS	5/8-11 X 8 HEX TAP Stainless Steel	2		
102	BL-10-N	5/8-11 HEX FIN NUTS ZC	6		

12011-09-04



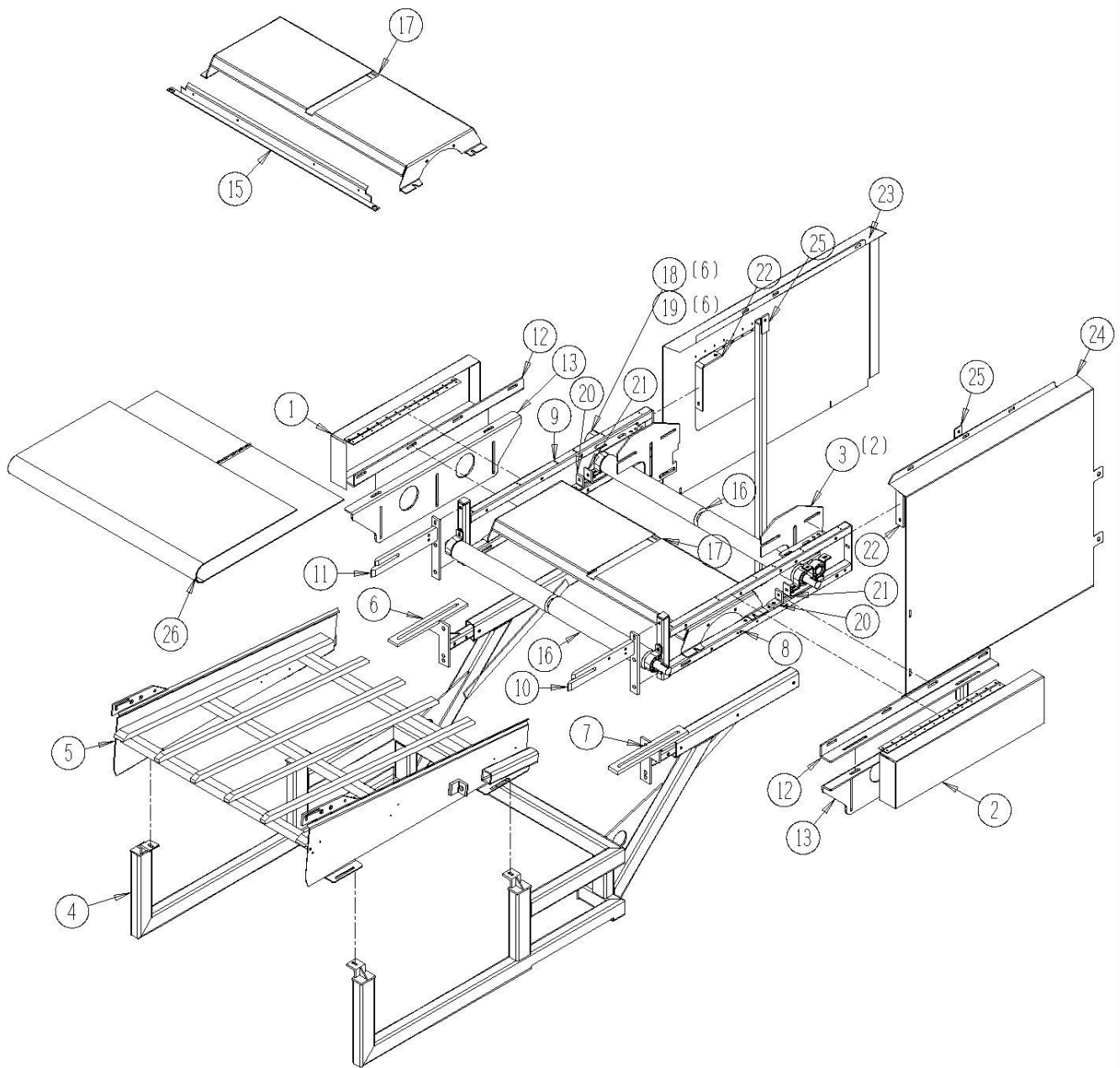
# 12015-09-10 Double Sorter Assembly, Complete

<u>Ref</u>	<u>Part No.</u>	<u>Description</u>	<u>Parts – Assembly</u>	<u>Will Fit SN</u>	<u>Remarks</u>
	BR-072-RAK	72mm Cast Housing	10		
	BT-72V40E	Presort Belt 40' X 72.25' Endless	1		
	CPS-6060	Steel Coupler (off center) 1 1/4' x 1'	2		
	DC-1176	Decal, Danger-Hand Chain Sprockets	2		
	EX-1521A	Extension, Slider, Outer	1		
	EX-1521B	Extension, Slider, Inner	1		
	193-806	Mount Motor	2		
	193-806a	Motor Mount Stop	2		
	193-806c	Motor Guard	2	19301-	
	194-1418	Rubber Bumper	2	19401	
	A-1501-8-8	1/2 MP x 1/2 FPX90°	2		
	A-6900-10-8	10 SAE x 1/2 FPX	2		
	A-6901-10-8	10 SAE x 1/2 FPX90°, Forged	2		
	BC-7-3636-175-UC	36mm x 36' Belted Chain, 175 Pitches, Upcrank Cushioned	-1		
	BC-7-3636-195-FL	36mm x 36' Belted Chain, 195 Pitches, 3/4' Flights	1		
	BL-6-075-C	3/8 UNC X 3/4 CARRIAGE BOLT GR5 ZINC	6		
	BL-6-200-C	3/8 UNC X 2 CARRIAGE BOLT GR5 ZINC	20		
	BL-6-500-H	3/8-16 X 5 HEX CAP GR5 ZC	6		
	BL-6-FW	3/8 USS FW ZC	64		
	BL-6-LN	3/8 UNC FIN HEX LOCK NUT NE A563 GrA ZINC	32		
	BR-125-072	Bearing, 1 1/4 Fafnir Tri-Seal, 72mm OD	10		
	FRM-4802	Fold-Up Sorting Table	1		
	H10-48-8MP-8MP	5/8 in Hose 1/2MP x 1/2MP x 48 in Long	2		
	H10-84-8MP-8MP	5/8 in Hose 1/2 x 1/2 x 84 in Long	2		
	HM-208-TC	TCI Motor	1		Seal Kit # TCI-SKHPQ
	HM-210-TC	TCI Motor	1		Seal Kit # TCI-SKHPQ
	KEY-4-4-15	Shaft Key 1/4' X 1/4' X 15/16' Woodruff Key	1		
	KEY-4-4-32	Shaft Key 1/4' x 2' Square Cut (1018)	2		

	MOU-9018	Mount, Rear Elevation	2
	PAN-1205	Deflector, Aftersort	2
	PL-8756	Presort Plastic, Narrow Elevation Chain	4
	POS-9005	Front Post, Aftersort Table	1
	POS-9006	Rear Post, Aftersort Table	1
	POS-9008	Post, Outer Aftersort, Double Sorter	1
	POS-9009	Post, Inner Aftersort, Double Sorter	1
	POS-9010	Rear Post, Double Sort	1
	PAN-9130	Backer Plate, Flow Control	1
	PAN-9132	Backer Plate, Flow Control, Cover - No F/C Holes	1
	SHD-9500	Outer Presort Panel, 240	1
	SHD-9501	Inner Presort Panel	1
	SHD-9504	Outer Aftersort Panel, Double Sort	1
	SHD-9505	Inner Aftersort Panel, Double Sort	1
	SPA-9100	Spacer, Roller Mount, Front Elevation	2
	SPA-9500	Aftersort Cover Spacer	6
	SHD-8768	Fill Door, Hyd. Fluid	1
1	SHD-9138	Shield, Outer, Upper Access Door, Double Sort	2
2	SHD-9137	Shield, Inner, Upper Access Door, Presort	1
3	MOU-9901	Mount, Presort Nose, Front Elevation	2
4	FRM-1211	Double Sort Kit, Frame	1
5	FRM-1210	Double Sort Kit, Table	1
6	SFT-1040	Divider Shaft, 40' Aftersort Table	2
6	ADJ-9701	Adjuster, Divider Bar, Aftersort, LH	1
7	ADJ-9700	Adjuster, Divider Bar, Aftersort, RH	1
8	FRM-9110	Second Presort Frame, RH Side	1
9	FRM-9111	Second Presort Frame, LH Side	1
10	BRA-9700	Sorter Bracket, LH Side	1
11	BRA-9701	Sorter Bracket, RH Side	1
12	MOU-1201	Upper Sorter Bracket	2
13	MOU-1200	Lower Sorter Bracket	2

15	BAR-9103	Bar, Scraper, Presort	1	
16	RLR-1000	Roller for 40 1/2 Presort Flat Belt Drive & Nose	2	
17	PAN-9120	Panel, Slider, Presort	2	
18	BR-062-MPB	Stamped Bearing Housing for 1 1/4' bearing	4	
19	BR-125-062	Bearing, 1 1/4 Fafnir Tri-Seal, 62mm OD	4	
20	BRA-1528	Bracket, Tightener	4	19705 19801-
21	BRA-9702	Bearing Adjuster	4	
22	FRM-1208	Support Bracket, Presort	2	
23	PAN-9203	Outer Presort Panel, Double Sort	1	
24	PAN-1202	Panel, Inner Presort	1	
25	FRM-1206	Support Post, Presort	2	
26	BT-164V40L	Sort Belt w/A-Guide (laced) 164 x 40	1	

12015-09-10

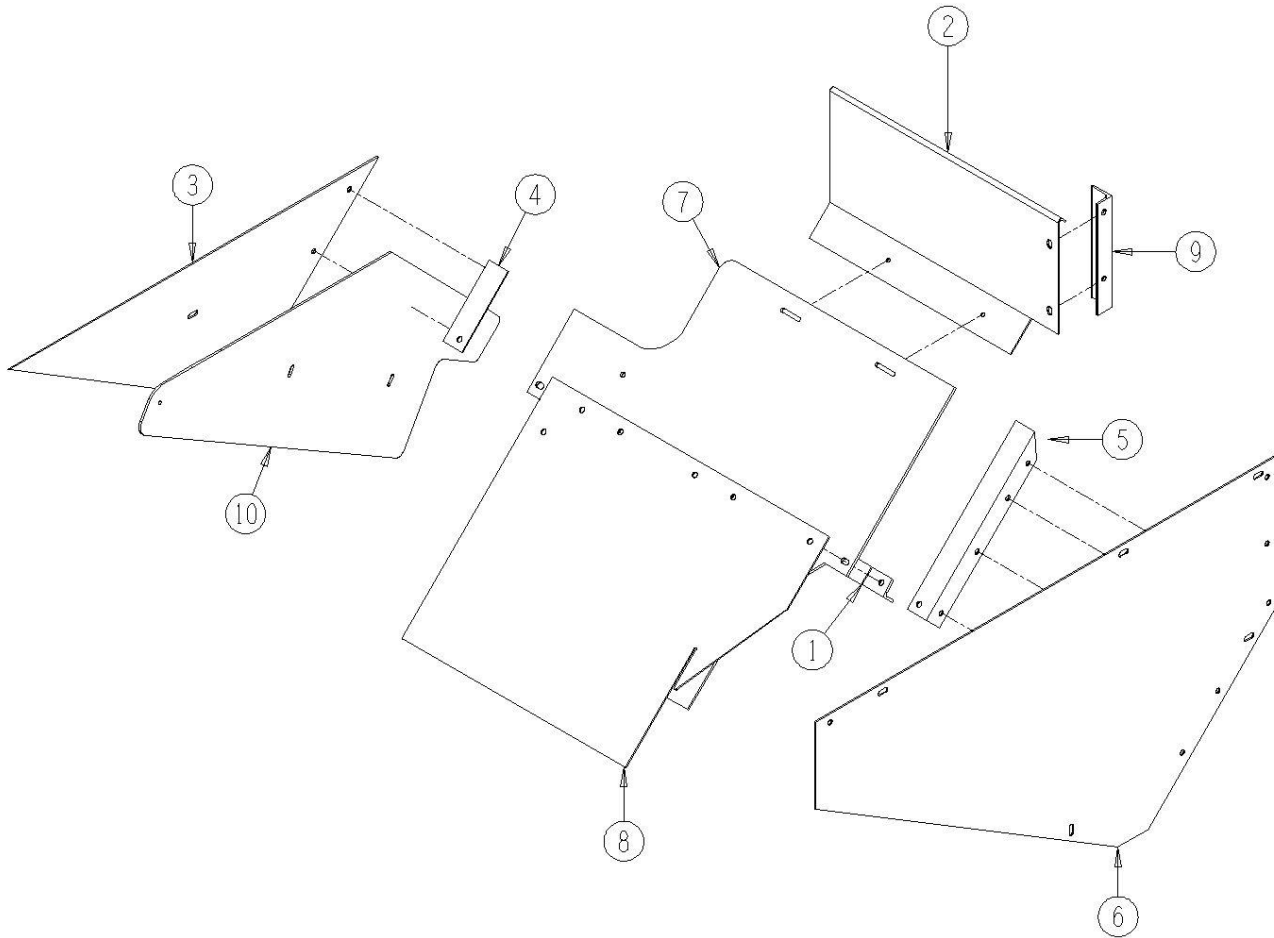


# 12011-10-01 Discharge Basket Assembly

<u>Ref</u>	<u>Part No.</u>	<u>Description</u>	<u>Parts – Assembly</u>	<u>Will Fit SN</u>	<u>Remarks</u>
	MOU-9907	Mount, Stationary Shield	1		
	PL-9102	Stationary Shield, Discharge Basket	1		
1	SPA-9001	Spacer, Discharge Basket, 240 Tomato Harvester	1		
2	SHD-9102	Top Shield, Discharge Basket, 240 Tomato Harvester	1		
3	SHD-9103	Back Shield, Discharge Basket, 240 Tomato Harvester	1		
4	ARM-8801	Angle, Discharge Basket, 290 Harvester	1		
5	ARM-8800	Angle, Discharge Basket	1		
6	SHD-9104	Front Shield, Discharge Basket, 240 Tomato Harvester	1		
7	BT-9100	Belting, Bottom, Discharge Basket, 240 Tomato Harvester	1		
8	PL-9100	Plastic, Bottom, Discharge Basket, 240 Tomato Harvester	1		
9	MOU-9902	Mount, Discharge Basket, 240 Tomato Harvester	1		
10	PL-9101	Discharge Basket, Inner Shield	1		



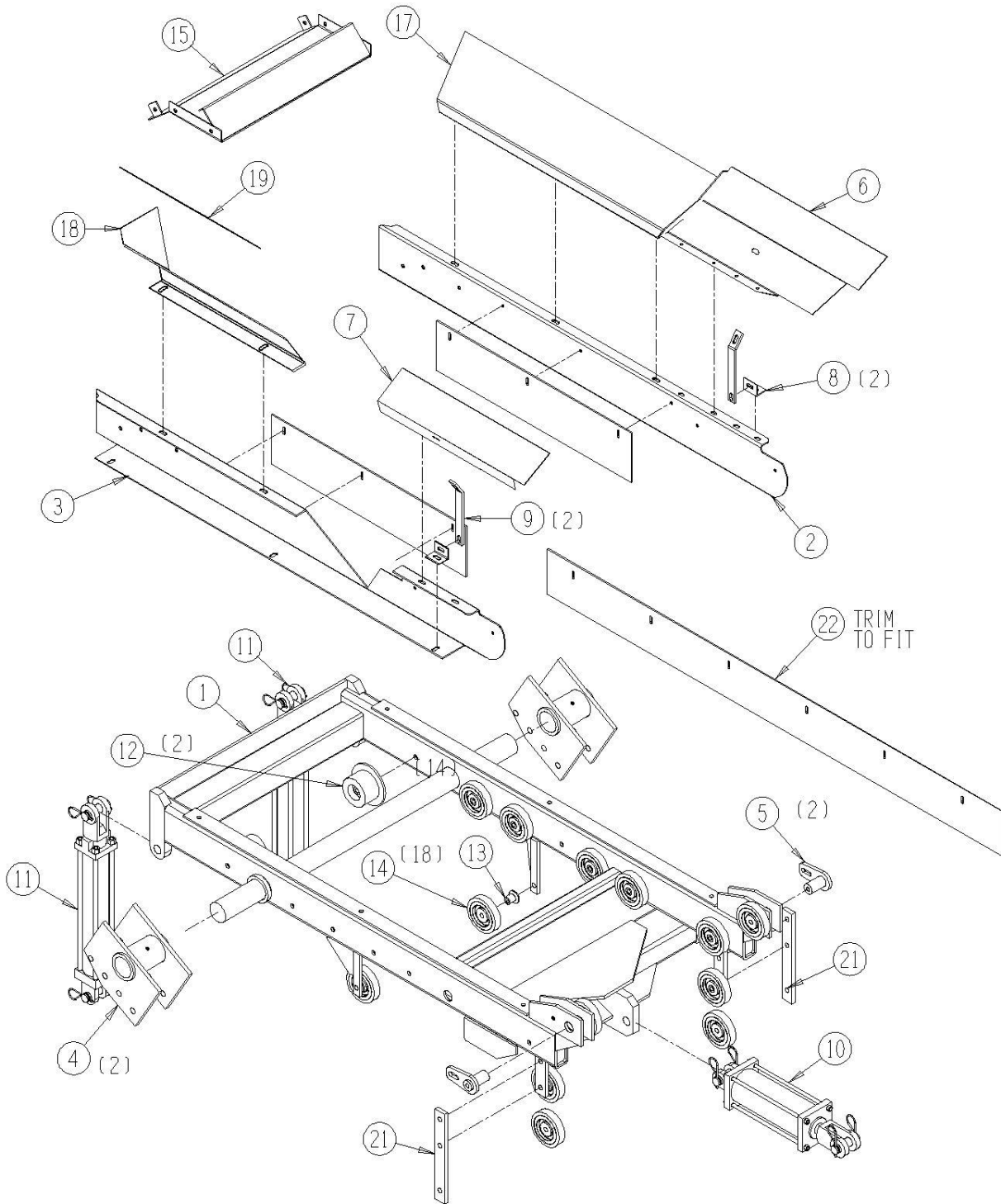
12011-10-01



# 12011-10-02 Inner Discharge Assembly

<u>Ref</u>	<u>Part No.</u>	<u>Description</u>	<u>Parts – Assembly</u>	<u>Will Fit SN</u>	<u>Remarks</u>
1	FRM-9900	Lower Discharge	1		
2	PAN-8800	Panel, Front, Inner Discharge	1		
3	PAN-9901	Panel, Back, Inner Discharge	1		
4	BRA-9900	Discharge Mount	2		
5	PIN-8800	Pin, Inner Discharge	2		
6	PAN-8802	Panel, Top, Front, Inner Discharge	1		
7	PAN-8804	Panel, Top, Back, Inner Discharge	1		
8	BRA-8800	Bracket, Panel Mount, Inner Discharge	2		
9	BAR-8801	Bar, Panel Support, Inner Discharge	2		
10	HC-350-0808	Hydraulic Cylinder 3 1/2' x 8' #8 SAE Ports	1		Seal kit for Lion, HC-350-125
11	HC-250-1408	Tie Rod Cylinder, Standard 2 1/2' x 14'	2		
12	RLT-535-228	5' Flange Roller 2.2WF x 3 1/2' dia, 1/2' bore	2		
13	RLA-000-118	Standoff, 1/2' X 1 1/8'	14		
14	RLR-040-108	4' Flat Roller	18		
15	VLV-9900	Valve, Lower Discharge	1		
16	DC-1174	Decal, Danger Keep Hands and Feet Away	1		
17	SHD-8803	Shield, Discharge Basket	1	SHD-8803	
18	SHD-9139	Shield, Rear, Discharge Basket, 240	1		
19	BT-8004	Belting, Cover, Discharge Basket	1		
20	PL-8001	Discharge Plastic, Lower Sides	2		
21	BAR-9002	Roller Hold Up Bar	2		
22	PL-8002	Plastic Shield, Discharge	1		

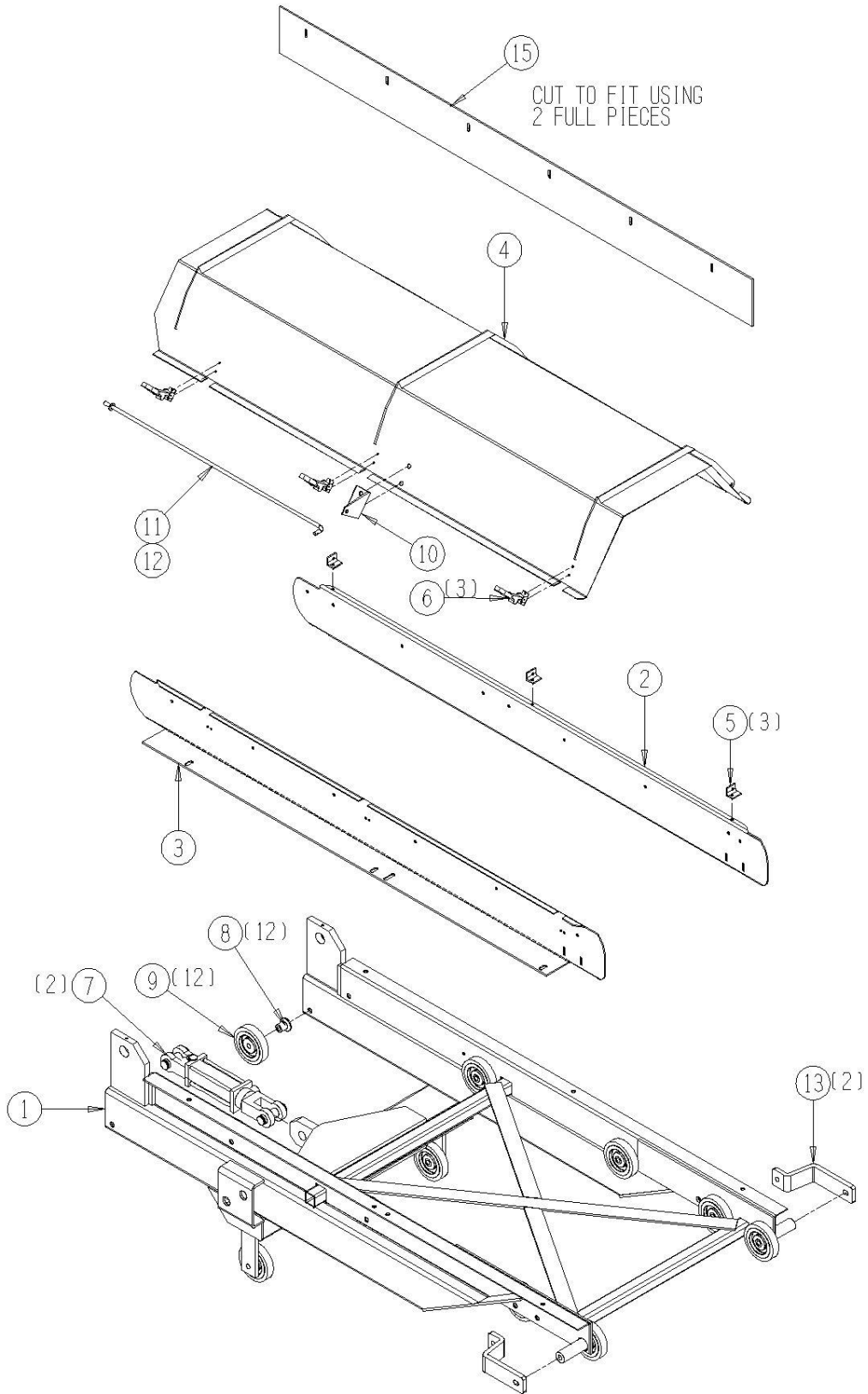
12011-10-02



# 12011-10-03 Middle Discharge Assembly

<u>Ref</u>	<u>Part No.</u>	<u>Description</u>	<u>Parts – Assembly</u>	<u>Will Fit SN</u>	<u>Remarks</u>
1	FRM-9901	Middle Discharge Frame	1		
2	PAN-8822	Panel, Front, Middle Discharge	1		
3	PAN-8823	Panel, Back, Middle Discharge	1		
4	SHD-9900	Cover, Middle Discharge	1		
5	BRA-8801	Bracket, Panel Mount, Middle Discharge	3		
6	LA-703	Large Rubber T Latch Assembly	3		
7	HC-200-2408	Hydraulic Cylinder 2' x 24' #8 SAE Ports	2		Seal kit for Lion, HC-200-112
8	RLA-000-118	Standoff, 1/2' X 1 1/8'	12		
9	RLR-040-108	4' Flat Roller	12		
10	BRA-8802	Bracket for Cover Prop, Middle Discharge	1		
11	ADJ-8800	Adjuster, Cover Prop, Middle Discharge	1		
12	PIN-C2-16	Cotter Pin, 1/8' x 1'	1		
13	BAR-0114	Discharge Strap	2		
15	PL-8002	Plastic Shield, Discharge	2		

12011-10-03



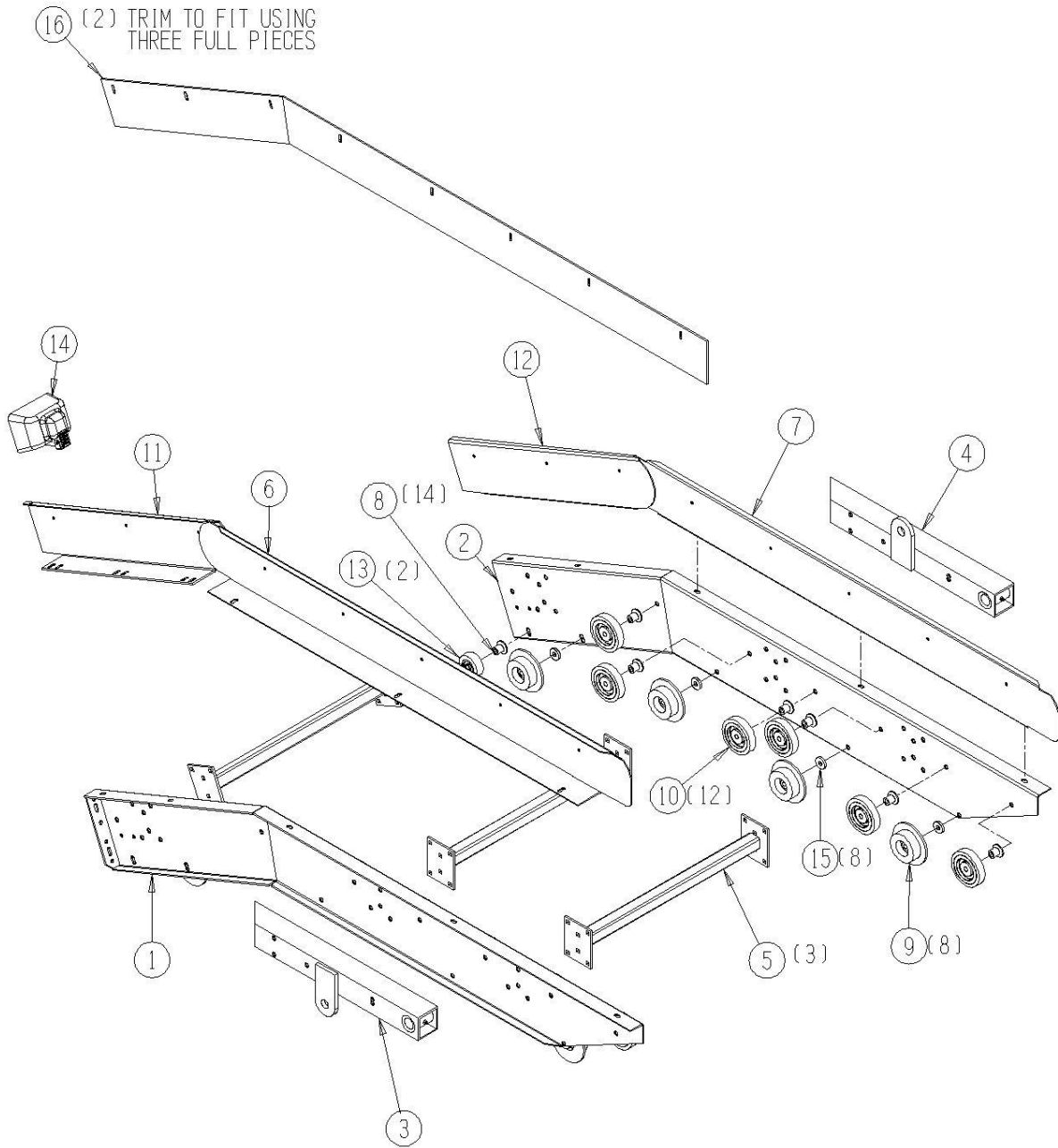
## 12011-10-04 Outer Discharge Assembly

<u>Ref</u>	<u>Part No.</u>	<u>Description</u>	<u>Parts – Assembly</u>	<u>Will Fit SN</u>	<u>Remarks</u>
1	PAN-8816	Panel, Front, Outer Discharge, HC290 Tomato	1		
2	PAN-8817	Panel, Rear, Outer Discharge, HC290 Tomato	1		
3	192-905	Cylinder Mount, Front Discharge	1	19201-	
4	192-906	Cylinder Mount, Rear Discharge	1	19201- 192-900K	
5	BAR-9900	Cross Bar, Outer Discharge, 240 Harvester	3		
6	PAN-8820	Panel, Front, Outer Discharge, HC290 Tomato	1		
7	PAN-8821	Panel, Back, Outer Discharge, HC290 Tomato	1		
8	RLA-000-118	Standoff, 1/2' X 1 1/8'	14		
9	RLT-535-128	Narrow Flange Roller 1.2 WF 3.5 dia, 1/2' Bore	8		
10	RLR-040-108	4' Flat Roller	12		
11	PAN-8814	Panel, Top, Front, Discharge extension, HC290	1		
12	PAN-8815	Panel, Top, Back, Discharge extension, HC290	1		
13	RLT-027-108	Roller 2.75' dia. 1/2' Bore	2		
14	EL-1233	Light, Auxiliary Work Light, Clear, Trapezoid Beam, TL#80394	1		Replaces EL-1201
15	RLA-000-028	Washer/Spacer	8	11001-	
16	PL-8002	Plastic Shield, 290/240 Discharge	3		

12011-10-04



16 (2) TRIM TO FIT USING  
THREE FULL PIECES

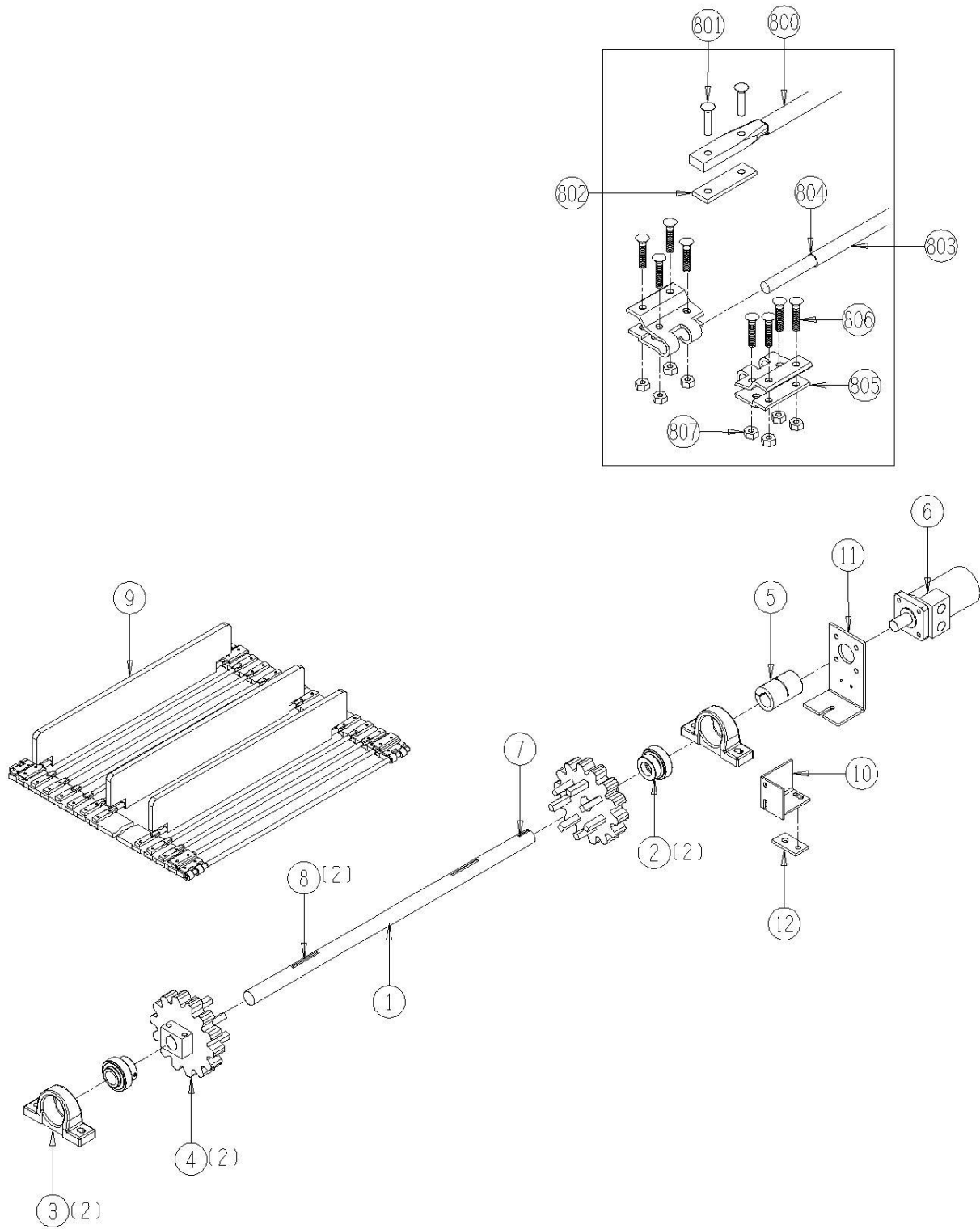


# 12011-10-05 Discharge Drive Shaft Assembly

<u>Ref</u>	<u>Part No.</u>	<u>Description</u>	<u>Parts – Assembly</u>	<u>Will Fit SN</u>	<u>Remarks</u>
1	SFT-9900	Drive Shaft, Discharge, 240 Harvester	1		
2	BR-125-072	Bearing, 1 1/4 Fafnir Tri-Seal, 72mm OD	2		
3	BR-072-RAK	72mm Cast Housing	2		
4	SP-3618-20-4	Sprocket 36mm 18 Tooth, 1 1/4' Bore, Split & Bolted	2		
5	CPS-6060	Steel Coupler (off center) 1 1/4' x 1'	1		
6	HM-210-TC	TCI Motor	1		Seal Kit # TCI-SKHPQ
7	KEY-4-4-20	Shaft Key 1/4' x 1 1/4'	1		
8	KEY-4-4-32	Shaft Key 1/4' x 2' Square Cut (1018)	2		
9	BC-6-2636-319FL	Discharge Elevator, 3/8' Bars, 26' Wide x 319 Bars, 36mm Pitch	1		
10	193-915	Stop, Discharge Motor	1	19301-	
11	193-806	Mount Motor	1		
12	BAR-1510	Bar, Light Holder	1		
800	BC-6-32-ST	3/8' x 32' Belted Chain Rods for 60mm Belt	0	11001	
801	RI-25-BC	25mm Belted Chain Rivets	0		
802	BC-BP32	Belt, Rivet Backing Plates 32mm	0	11001	Lap Splice Option, Used only with BC-1032-LN Lock Nuts
803	BC-6-26-CN	Connecting Rod, 10mm, 26' Wide Belted Chain, 60mm Traction Belts	0		
804	BC-3525	Snap Ring, 11mm.	0		
805	BC-F-36-32-UG	Ultra Gold F Connecting Clips 36-32 @ pair	0		Replaces BC-F-36-32
806	BC-1032-FS	10-32 x 1 1/4' Bolts Flat Socket Head	0		
807	BC-1032-LN	10-32 Lock Nuts	0		
808	KEY-4-4-15	Shaft Key 1/4' X 1/4' X 15/16' Woodruff Key	1		



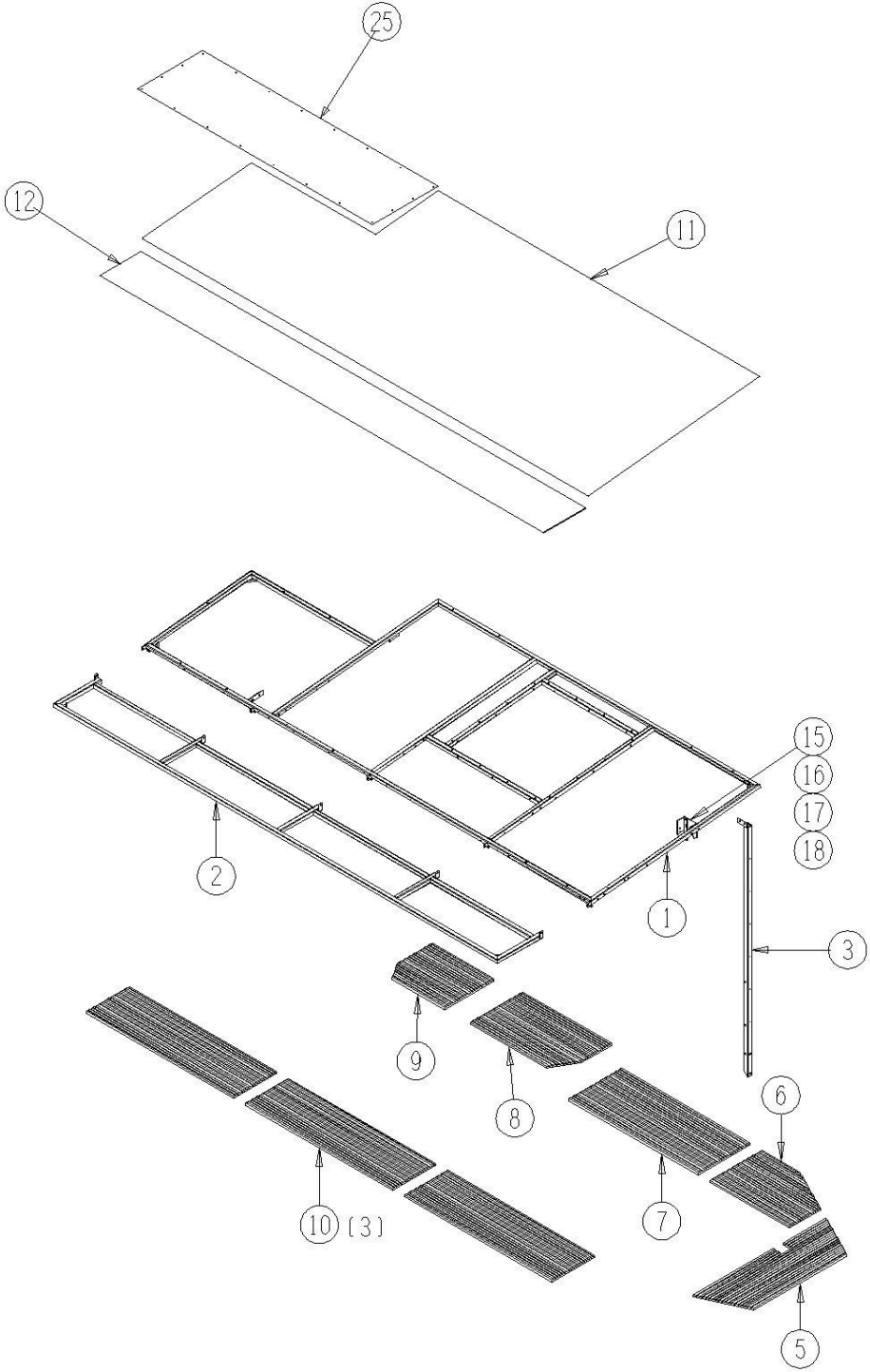
12011-10-05



# 12013-11-01 Canopy Assembly

<u>Ref</u>	<u>Part No.</u>	<u>Description</u>	<u>Parts – Assembly</u>	<u>Will Fit SN</u>	<u>Remarks</u>
1	FRM-9105	Canopy Frame, Tarp, Enclosure	1		
2	FRM-9104	Canopy Frame, Upper Fold-out, Tarp Enclosure, 240 Tomato	1		
3	POS-9100	Post, Inner, Front Handsort, Canopy, 240 Tomato Harvester	1		
5	CM-9100	Deck Mat, Front, 240 Tomato Harvester	1		
6	CM-9101	Deck Mat, Front, Inner, 240 Tomato Harvester	1		
7	CM-9102	Deck Mat, Front, Mid, Inner, 240 Tomato Harvester	1		
8	CM-9103	Deck Mat, Rear, Mid, Inner, 240 Tomato Harvester	1		
9	CM-9104	Deck Mat, Rear, Inner, 240 Tomato Harvester	1		
10	CM-9105	Deck Mat, Outside, 240 Tomato Harvester	3		
11	COV-9903	Cover, Trans Roof, Canopy, 240	1		
12	COV-9901	Cover, Trans Roof, Canopy, 240 Tomato Harvester	1		
15	195-1455	Horn Bracket	1	19501-	
16	195-1456	Horn Switch Bar	1	19501-	
17	SPG-9654	Extension Spring for Horn Switch	1		
18	BAR-9001	Channel Brackets, 240 Harvester	4		
25	TRP-9006	Top Shaker Panel, 240 Tomato Harvester	1		
601	BAR-1510	Bar, Light Holder	3		

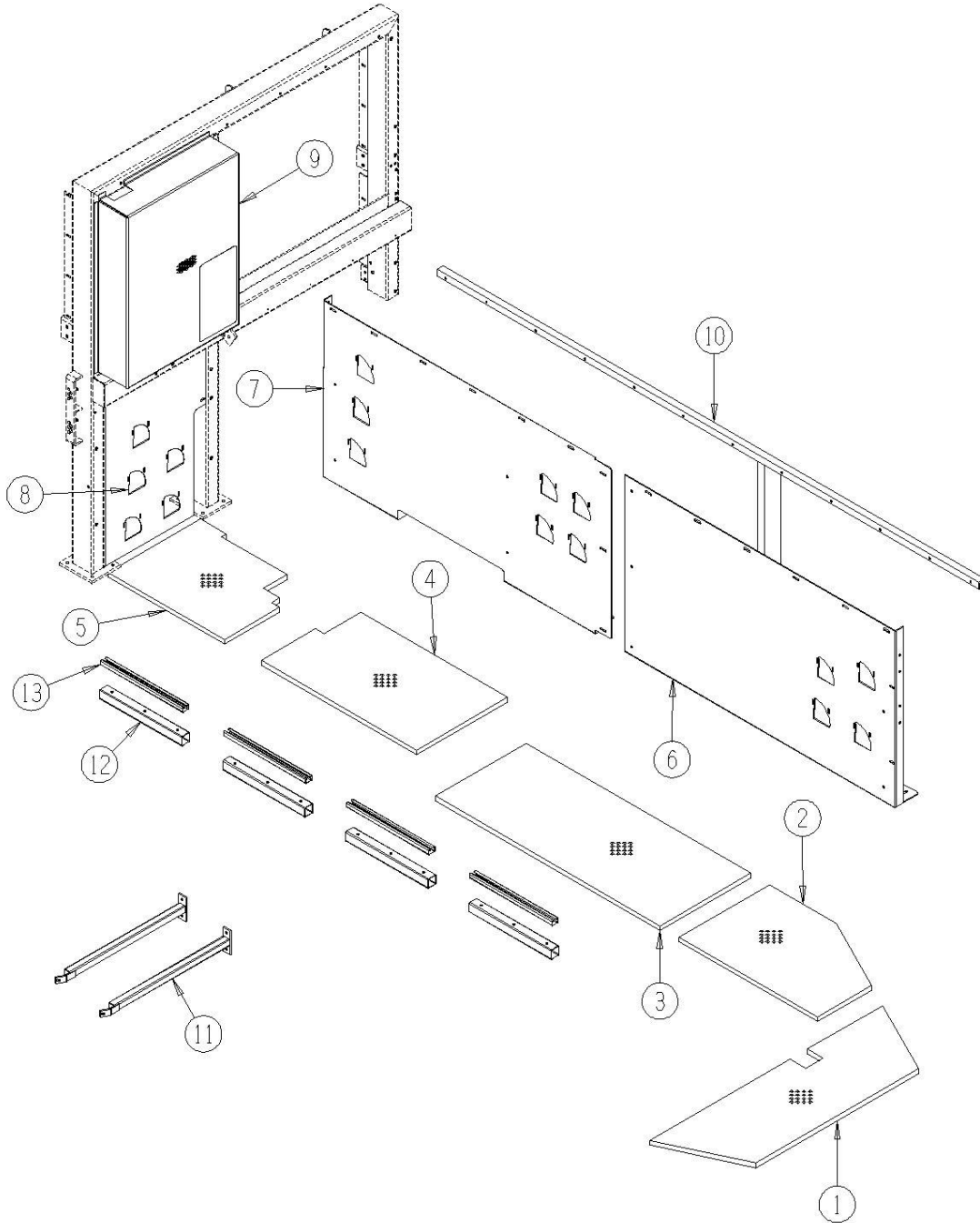
12013-11-01



# 12011-11-04 Inner Decking Assembly

<u>Ref</u>	<u>Part No.</u>	<u>Description</u>	<u>Parts – Assembly</u>	<u>Will Fit SN</u>	<u>Remarks</u>
1	STD-9100	Decking, Over Head Lift, Inner Decking, 240 Tomato Harvester	1		
2	STD-9101	Decking, Front Presort, Inner Decking, 240 Tomato Harvester	1		
3	STD-9102	Decking, Front, Aftersort, Inner Decking, 240 Tomato Harvester	1		
4	STD-9103	Decking, Rear, Aftersort, Inner Decking, 240 Tomato Harvester	1		
5	STD-9104	Decking, Rear, Inner Decking, 240 Tomato Harvester	1		
6	PAN-9121	Panel, Front, Flow Control	1		
7	PAN-9122	Panel, Middle, Flow Control	1		
8	PAN-9123	Panel, Rear, Flow Control	1		
9	SHD-9127	Exp. Metal Guard, Front Shaker Chamber	1		
10	SHD-9125	Support, Shield, Flow Control	1		
11	HAN-9801	Hand Rail Extension, Header Side, 240	2		
12	MOU-9020	Spacer, Hose Mount	4		
13	MOU-9021	Hose Mount	4		

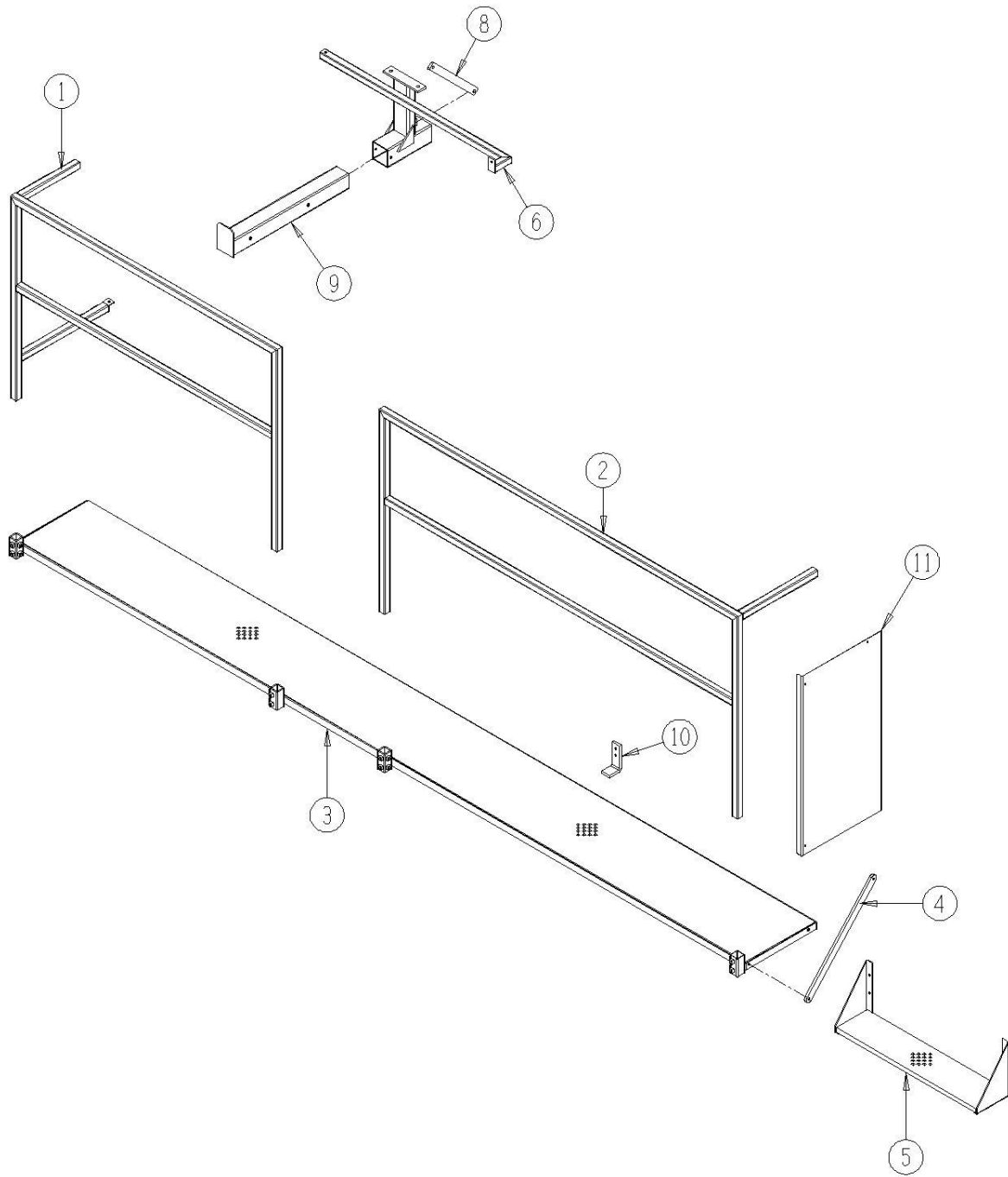
12011-11-04



# 12012-11-05 Outer Decking Assembly

<u>Ref</u>	<u>Part No.</u>	<u>Description</u>	<u>Parts – Assembly</u>	<u>Will Fit SN</u>	<u>Remarks</u>
1	STD-9112	Stand, Back, Hand Rail	1		
2	STD-9105	Stand, Front Hand Rail, Outer Decking, 240 Tomato Harvester	1		
3	STD-9106	Decking, RH Side, Under Canopy, Outer Decking, 240 Tomato Harvester	1		
4	BAR-9105	Bar, Ends, Outer Decking, 240 Tomato Harvester	1		
5	STD-1411	Deck, Step	1	19401-	
6	STD-9107	Support, Rear Catwalk, 240 Harvester	1		
8	STD-9109	Mount Gusset, Rear Catwalk, 240 Harvester	1		
9	STD-9110	Rear Support Bar, Outer Decking, 240	1		
10	STD-9111	Mid Support, Outer Decking	1		
11	PAN-9903	Panel, Front Catwalk	1		

12012-11-05

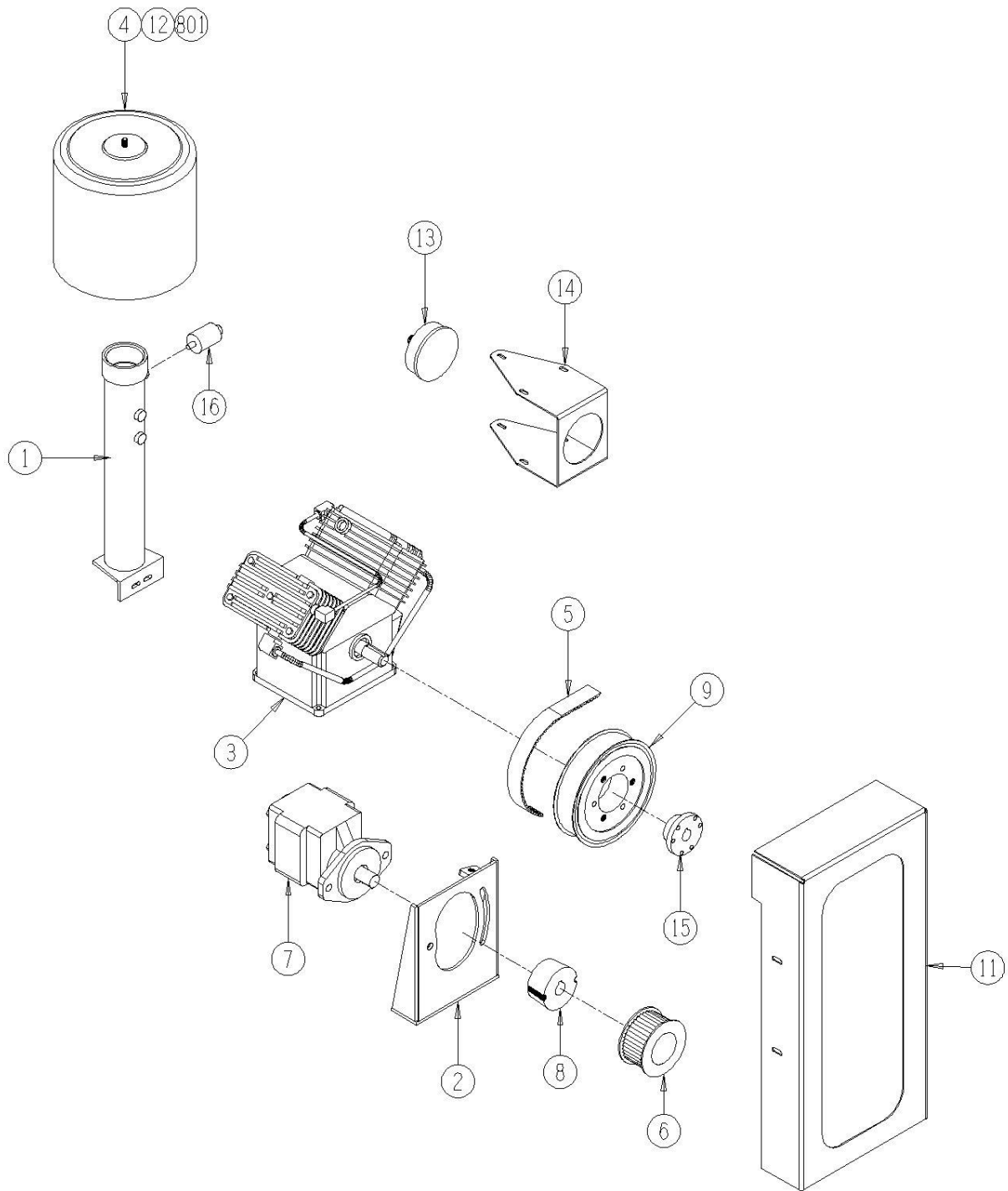


# 12011-12-01 Air Compressor Assembly

<u>Ref</u>	<u>Part No.</u>	<u>Description</u>	<u>Parts – Assembly</u>	<u>Will Fit SN</u>	<u>Remarks</u>
	MOU-9903	Mount, Air Compressor Shield, 240	2		
1	MOU-0088	Air Intake, Filter Mount	1		
2	MOU-9900	Mount, Motor, Air Compressor, 240 Tomato Harvester	1		
3	AIR-1508	Air Compressor--Large	1		<ul style="list-style-type: none"> <li>•Four Cylinder, single stage pump.</li> <li>•2.5' bore x 3.25' stroke.</li> <li>•Pump has 16' flywheel.</li> <li>•CFM displ. 28.8 w/ 5 HP motor</li> <li>•Min. RPM 450 Max RPM 775</li> <li>•Oil capacity 48 oz.</li> <li>•Pump weight 175#</li> </ul>
4	AIR-1510	2 ½' Air Filter	1		
5	BT-1280-8M-30	Primary Weight Drive Belt	1	19101	Can not replace with BT-390H100 belts unless all the pulleys are changed.
6	PU-42-8M-30-2012	HTD Pulley	1		
7	HM-122	Motor, Hydraulic, 1-¾' Gear, #12 SAE Ports	1		
8	PU-2012-16	Taperloc Bushing - 1' Bore	1		
9	PU-80-8PTH-35-SF	Primary Weight Pulley, 35mm Wide, Panther Style	1		
10	Air-0001	Synthetic Compressor Oil (ISO 100 SAE 40): 1 quart bottle	1		
11	SHD-9901	Air Compressor Cover	1		
12	DC-1506B	Decal,White:AIR FILTER-CLEAN DAILY BLOW	1	11001-	
13	AIR-0002	4', 0-160 PSI Liquid Filled Gauge, Back-Mount with Bracket	1		
14	AIR-0003	Air, Gauge Mount, Header Cylinder Mount	1		
15	PU-SF-18	Bushing, SF x 1 1/8'	1		
16	AIR-1355	Air Filter Monitor(15# H2O) with O-Ring Fitting	1		
801	AIR-1510A	Filter Element	0	AIR-1510	



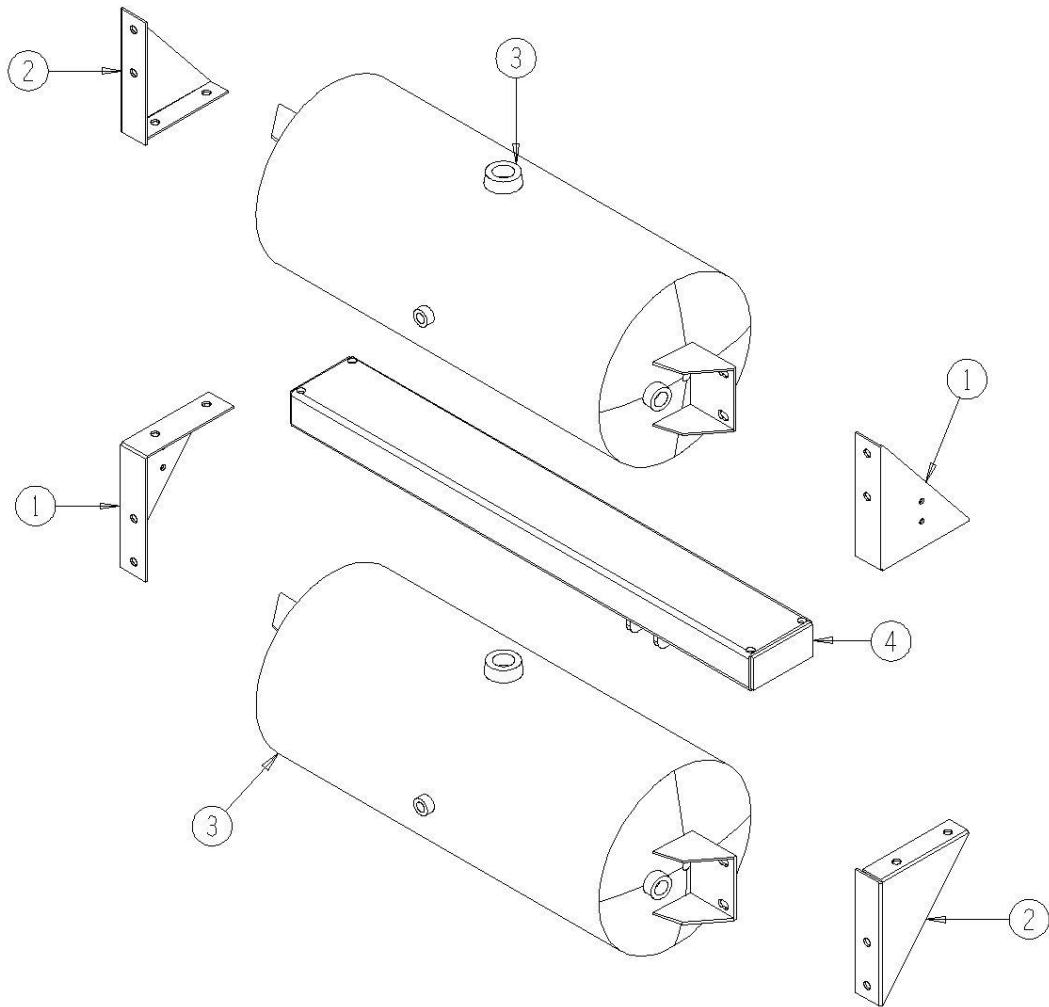
12011-12-01



# 12011-12-02 Air Tank Assembly

<u>Ref</u>	<u>Part No.</u>	<u>Description</u>	<u>Parts – Assembly</u>	<u>Will Fit SN</u>	<u>Remarks</u>
1	194-1513a	Air Tank Bracket	2	19401-	
2	194-1513B	Bracket, Air Reservoir	2	19401-	
3	AIR-1513	Air Reservoir Tank	2		
4	MOU-9031	Mount Bracket, Air Tank, 240 Tomato Harvester	1		
100	BL-6-125-H	3/8-16 X 1 1/4 HHCS G5 ZC	8		
101	BL-6-225-H	3/8 UNC X 2 1/4 HH C/S BOLT GR5 ZINC	8		
102	BL-6-LN	3/8 UNC FIN HEX LOCK NUT NE A563 GrA ZINC	16		
103	BL-6-FW	3/8 USS FW ZC	16		

12011-12-02

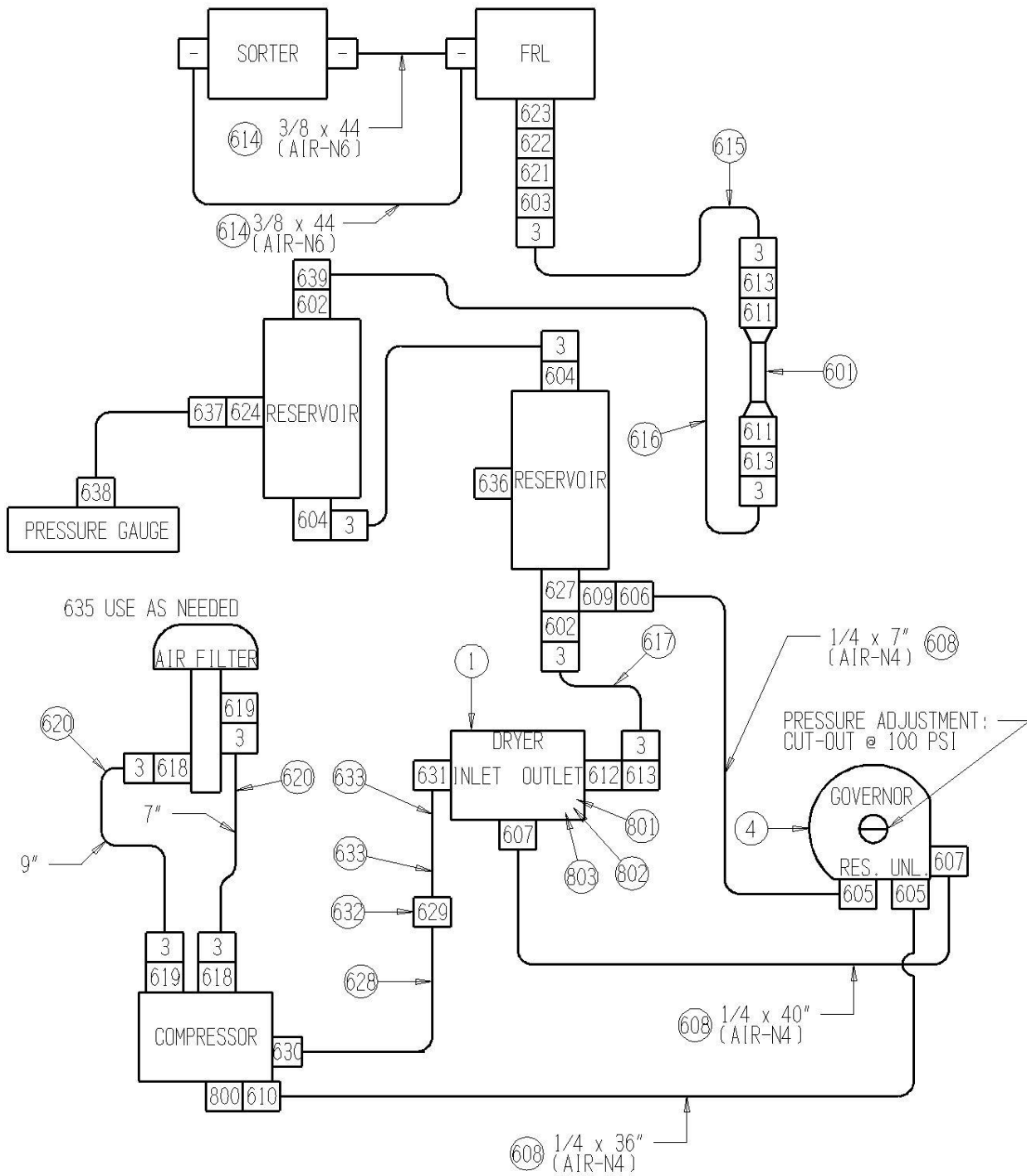


# 12011-12-03 Pneumatics Schematic

<u>Ref</u>	<u>Part No.</u>	<u>Description</u>	<u>Parts – Assembly</u>	<u>Will Fit SN</u>	<u>Remarks</u>
1	AIR-1514-M	Air Dryer	1		Will replace 110-1514 with minor modifications
3	CL-16	1' Stainless Steel Gear Clamp	10		
4	AIR-1512	Air Compressor Governor	1		
5	AIR-0002	4', 0-160 PSI Liquid Filled Gauge, Back-Mount with Bracket	1		
6	AIR-0003	Air, Gauge Mount, Header Cylinder Mount	1		
601	H-T12	½' Air Line	1		
602	A-4124-10-8	1/2 Male Pipe x 5/8 Push Loc	2		
603	A-4104-10-6	3/8 MP to 5/8 Hose Barb	1		
604	A-4129-10-8	1/2 NPT 90- w/ 5/8' push-loc	1		
605	AIR-N4-2	Auto-loc Male Adapter 1/4 x 1/8 NPT	2		
606	AIR-NL-4-4	Auto-loc Elbow 1/4 n 1/4 NPT	1		
607	AIR-PL-4-2	Male Elbow, 1/4 x 1/8NPT, Brass, D.O.T., Prestomatic	2		
608	AIR-N4	1/4'Nylon Tubing @ ft., Black	7		
609	AB-8-4	1/2 x 1/4 Bushing	1		
610	AIR-60BI	Brass Insert, 1/4' Nylon Tube	1		
611	A-2403-12-10	½' MJIC x 5/8' MJIC	2		
612	A-2501L-10-8	5/8MJIC x 1/2MP(Long)90-	1	19701-	
613	A-4121-10-10	5/8' Push Loc x 5/8' JIC Female	3		
614	AIR-N6	3/8' Nylon Tubing @ ft., Black	8		
615	H10-PL-130	5/8' Push Loc Hose 130'	1	19701-	
616	H10-PL-41	5/8' Push Loc Hose 41'	1		
617	H10-PL-51	5/8' Push Loc Hose 51'	1		
618	A-4109-12-8	1/2 MP to ½ Hose Barb 90-	2		
619	A-4104-12-8	1/2 MP to ½ Hose Barb	2		
620	H12-20-12MP-12MP	½ in hose ½MP x ½MP x 20 in long	1	Kit-0050	
621	SRT-1579	3/8' Ball Valve	1		
622	A-5404-6-6	Hex Nipple, 3/8' x 3/8'	1		
623	A-1501-6-6	3/8' MP x 3/8' FPX90-	1		

624	AB-12-4	1/2" x 1/4" Bushing	2	
625	A-5500-4	1/4" 90° Male Pipe Elbow	1	
626	AIR-375-25F	Air Coupler 3/8" Body - 1/4" NPT Female Thread	1	
627	A-5602-8	Run Tee 1/2" NPT	1	
628	HSST-72-12-12	SS Braid Hose with Teflon Core 3/4" x 72'	1	
629	A-1405-8-8	1/2" NPT Coupler w/Swivel	1	
630	A-1503-8-8	Elbow, 1/2" MP X 1/2" FPX45°	1	
631	A-5405-8-12	Pipe Adapter 1/2" MPT x 1/2" FPT	1	
632	H-18RFL	Hose Protection Shield, Size 18 @ Foot	1	
633	H13-RFL	Hose Protection Shield, Size 13	2	
635	WT-17H	Heavy Duty Wire Tie 17.5'	10	
636	AIR-8000	Safety Valve, Air Tank 290	1	
637	A-1501-4-4	1/4" MP x 1/4" FPX90°	1	
638	A-5504-4	1/4" Pipe Elbow	1	
639	CL-1208	Hose Clamp, Size 12 - 1/2" x 1/8"	4	
800	AIR-60	Brass Compression Sleeve, 1/4" Nylon Tube	1	
801	AIR-1514-M-A	Air Dryer Acc., Coalescing Filter Kit	1	AIR-1514-M
802	AIR-1514-M-B	Air Dryer Acc., Desiccant Filter Kit	1	AIR-1514-M
803	AIR-1514-M-C	Air Dryer Acc., Purge Valve Kit	1	AIR-1514-M

12011-12-03





# 12015-13-01 Double Pump Hydraulic Motor Assembly

<u>Ref</u>	<u>Part No.</u>	<u>Description</u>	<u>Parts – Assembly</u>	<u>Will Fit SN</u>	<u>Remarks</u>
0	A-6805-4-4	90- O-Ring to Pipe Fitting, 1/4' x 1/4'	3		
0	EL-EC-1202	Controller for Brand Valve	5		
0	H10-100-8MP-8MP	5/8 in Hose 1/2MP x 1/2MP x 100 in Long	1		
0	H10-103-8MP-8MP	5/8' Hose 1/2MP x 1/2MP x 103' Long	1		
0	H10-104-8MP-8MP	5/8' Hose 1/2MP x 1/2MP x 104' Long	2		
0	H10-105-8MP-8MP	5/8'Hose, 1/2'MP x 1/2'MP x 105' Long	2		
0	H10-112-8MP-8MP	5/8in Hose x 1/2mp x 1/2mp x 112in Long	1		
0	H10-118-8MP-8MP	5/8Hose x 1/2MP x 1/2MP x 118' Long	1		
0	h10-130-8mp-8mp	5/8 in Hose 1/2MP x 1/2MP x 130 in Long	1		
0	H10-134-8MP-8MP	5/8' Hose 1/2MP x 1/2MP x 134' Long	1		
0	H10-22-8MP-8MP	5/8 in Hose x 1/2MP x 1/2MP x 22 in Long Hose	1		
0	H10-23-8MP-8MP	5/8' hose 1/2MP x 1/2MP x 23' long	1		
0	H10-24-8MP-8MP	5/8 in hose 1/2MP x 1/2MP x 24 in long	1		
0	H10-28-8MP-8MP	5/8' hose 1/2MP x 1/2MP x 28' long	2		
0	H10-32-8MP-8MP	5/8Hose x 1/2MP x 1/2MP x 32' Long	3		
0	H10-35-12MJ-12MJ	5/8Hose x tMJ x tMJ x 35' Long	1		
0	H10-35-8MP-12MJ	5/8'Hose x 1/2'MP x t'MJ x 35' Long	1		
0	H10-36-8MP-8MP	5/8 in hose 1/2MP x 1/2MP x 36 in long	2		
0	H10-37-8MP-8MP	5/8' hose 1/2MP x 1/2MP x 37' long	1		
0	H10-395-8MP-8MP	5/8' hose 1/2MP x 1/2MP x 395' long	2		
0	H10-45-12MJ-8MP	5/8Hose x tMJ x 1/2MP x 45 in Long	1		
0	H10-46-8MP-8MP	5/8in Hose x 1/2mp x 1/2mp x 46in	3		
0	H10-48-8MP-8MP	5/8 in Hose 1/2MP x 1/2MP x 48 in Long	1		
0	H10-51-8MP-8MP	5/8'Hose x 1/2'MP x 1/2'MP x51' Long	3		
0	H10-56-8MP-12MJ	5/8'Hose x 1/2'MP x t'MJ x 56'Long	1		
0	H10-58-8MP-8MP	5/8' hose 1/2MP x 1/2MP x 58' long	1		
0	H10-62-8MP-12MJ	5/8Hose x 1/2MP x tMJ x 62' Long	1		
0	h10-62-8MP-8mp	5/8 in hose t x 1/2 x 62 in long	1		



0	H10-64-8MP-8MP	5/8 in hose 1/2MP x 1/2MP x 64 in long	1
0	H10-66-8MP-8MP	5/8 in hose 1/2MP x 1/2MP x 66 in long	1
0	H10-83-8MP-8MP	5/8 in Hose 1/2MP x 1/2MP x 83 in Long	1
0	H10-90-8MP-8MP	5/8Hose x 1/2MP x 1/2MP x 90' Long	1
0	H12-101-12MP-12MP	1/2 in hose 1/2MP x 1/2MP x 101 in hose	2
0	H12-108-12MP-12MP	1/2 in Hose 1/2MP x 1/2MP x 108' Long	1
0	H12-112-12MP-12MP	1/2 in hose 1/2MP x 1/2MP x 112 in hose	1
0	H12-132-12MP-12MP	3/4 in Hose x 3/4MP x 3/4MP x 132in Long	2
0	H12-141-12MP-12MP	1/2' Hose, 1/2' MP x 1/2' MP x 141' Long	1
0	H12-142-12MP-12MP	1/2'Hose x 1/2'MP x 1/2'MP x 142' Long	1
0	H12-196-12MP-12MP	1/2 in Hose 1/2MP x 1/2MP x 196 in Long	1
0	H12-200-12MP-12MP	1/2 in hose 1/2MP x 1/2MP x 200 in long	1
0	H12-210-12MP-12MP	1/2' Hose, 1/2'MP x 1/2' MP x 210'	1
0	H12-240-12MP-12MP	1/2'Hose x 1/2'MP x 1/2'MP x 240' Long	2
0	H12-24-12MP-12MP	1/2 in hose 1/2 x 1/2 x 24 in long	2
0	H12-30-12MP-12MP	1/2 in hose 1/2MP x 1/2MP x 30 in long	2
0	H12-34-12MP-12MP	1/2' hose 1/2MP x 1/2MP x 34' long	2
0	H12-36-12MP-8MP	1/2 in Hose 1/2MP x 1/2MP x 36 in Long	1
0	H12-36-16MJ-16MJ	1/2'Hose x 1MJ x 1MJ x 36' Long	2
0	H12-38-12MP-12MP	1/2 in Hose 1/2MP x 1/2MP x 38in Long	1
0	H12-42-12MP-12MP	1/2 in Hose x 1/2mp x 1/2mp x 42in	1
0	H12-48-12MP-12MP	1/2'Hose x 1/2'MP x 1/2'MP x 48'Long	3
0	H12-55-12MP-16MJ	1/2 in. hose 1/2 MP x 1' MJIC x 55 in long	1
0	H12-60-12MP-16MJ	1/2 in Hose x 1/2mp x 1mj x 60in	2
0	H12-62-12MP-16MJ	1/2 in hose 1/2MP x 1MJIC x 62 in long	2
0	h12-69-12mp-16mj	1/2 Hose x 1/2MP x 1MJ x 69 in Long	1
0	H12-79-12MP-12MP	1/2 in Hose 1/2MP x 1/2MP x 79 in Long	2
0	H12-90-12MP-12MP	1/2 in Hose 1/2 x 1/2 x 90 in Long	2

0	H12-95-12MP-12MP	1/2 in Hose x 1/2 in x 1/2 in x 95	1		
0	H24-S-228	1 1/2' Suction Hose 228' Long	2		
0	H24-S-74	1-1/2' Suction Hose 74' long	2		
0	H32-216	2' Suction Hose 216' long	1		
0	H40-S-241	2-1/2' Suction Hose 241' long	1		
0	H6-PL-102	3/8in Push Lock 102in Long	2		
0	H6-PL-16	3/8in Push Lock 16in Long	1		
0	H6-PL-20	3/8' Push Loc Hose 20'	1		
0	H6-PL-28	3/8in Push Lock Hose 28in Long	1		
0	H6-PL-300	3/8' Push-Lock Hose 300'	1		
0	H6-PL-72	3/8in Push Lock 72in Long	1		
0	H6-PL-78	3/8' Push Loc Hose 78' long	1		
0	H6-PL-86	3/8' Push Loc Hose 86'	1		
0	HVE-2500	Electronic Flow Control Valve	4		
0	HV-FL16	Flow Control Valve 16GPM	3		
0	HV-FL30	Flow Control Valve 30GPM	8		
0	H-T45	Tubing, Hydraulic, Header Tube	2	19501-	Replaces H-T44(except <19501)
0	TAN-8103	Tank,Oil Return Manifold, HC 290 (Single Cooler)	1		
0	TAN-9001	Tank, Case Drain Return	1		
1	A-6900-10-8	10 SAE x 1/2 FPX	15		
2	A-6900-12-12	12 SAE x 1/2 FPX	8		
3	A-6901-12-12-4SAE	12 SAE x 1/2 FPX 90-w/4 SAE Port, Forged	2		
4	A-6901-10-8	10 SAE x 1/2 FPX90-, Forged	2		
5	A-6901-12-12	12 SAE x 1/2 FPX 90-, Forged	24		
6	A-6901-12-8	12 SAE x 1/2' FPX 90-, Forged	6		
7	A-6902-10-8	10 SAE X 1/2' FPX 45-	14		
8	A-6900-10-12	10 SAE x 1/2 FPX	1		
9	A-6901-10-12	10 SAE x 1/2 FPX90-, Forged	0		
10	A-4124-6-4	1/4 Male Pipe x 3/8 Push Loc	8		
11	A-1404-4-4	1/4 MP x 1/4 FPX	4		
12	A-1603-4-4	Swivel T 1/4' NPTF	2		

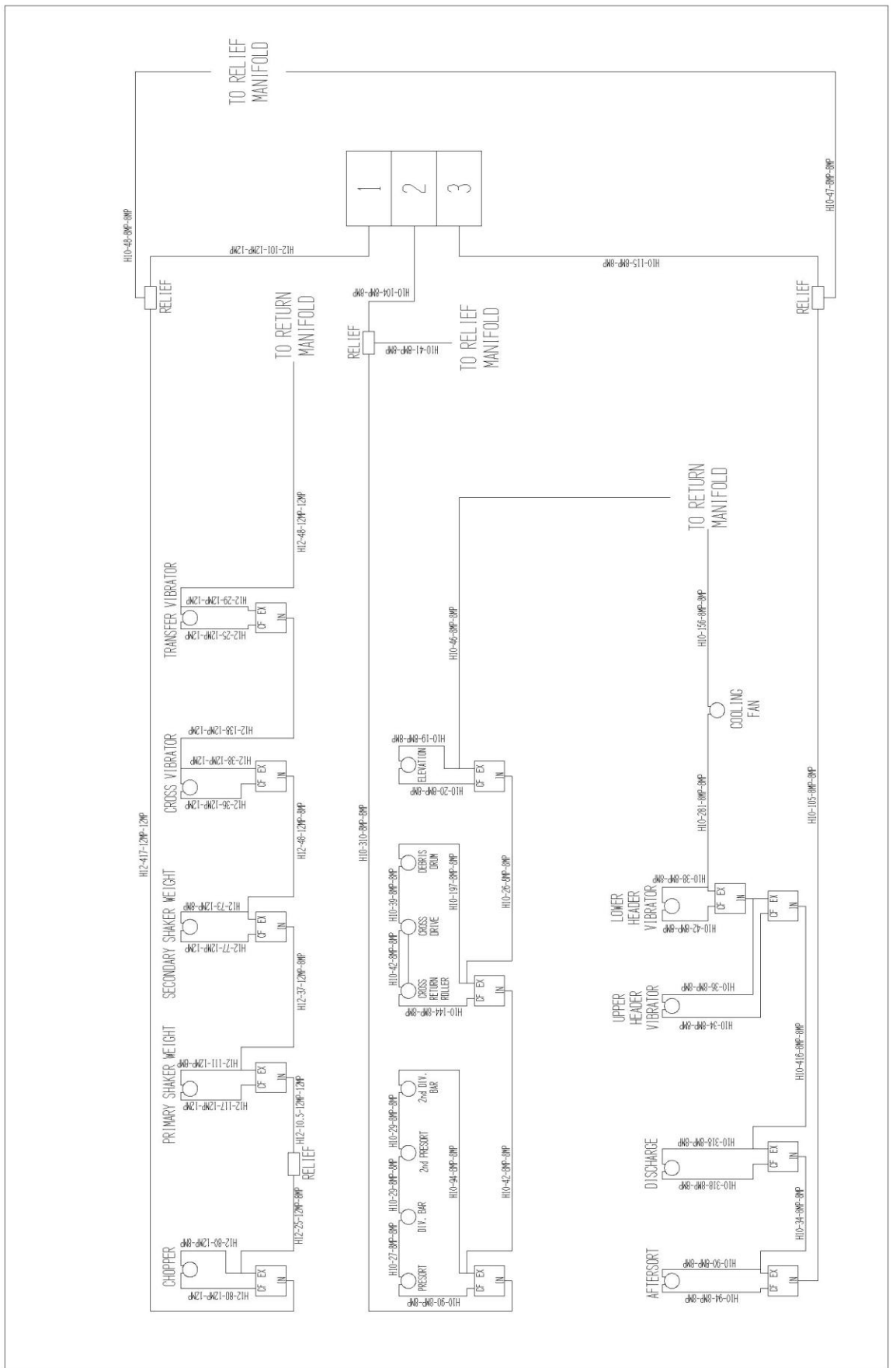
13	A-4129-6-4	1/4' NPT 90- w/3/8' Push-Loc	7	
14	A-4601-24-24	1 1/2 x 24 SAE 90- Male O-Ring Beaded Insert	3	
15	A-5404-4	Hex Nipple 1/4'	1	
16	A-6901-10-8-4SAE	10 SAE x 1/2 FPX90- W/ 4SAE Port, Forged	4	
18	A-5404-8-8	Hex Nipple 1/2' x 1/2'	0	
19	A-4129-6-6	3/8' NPT90- w/3/8' Push-Loc	3	
20	A-6806-10-8	10 SAE x 1/2' MP 90-	0	
21	A-4456-32-32	Flange Nipple, 2' 45-	1	
23	CL-200	17' Hose Clamp, Heavy Duty T-Bar, 1.89-2.00'	4	1-1/2' I.D. Suction Hose
24	CL-225	2 1/4' T-Bolt Clamp	12	
25	CL-250	T-Bolt Clamp for 2 1/2' Suction Hose	10	
26	A-SFK-32	2' Split Flange Kit	2	
27	A-4459-40-32	Flange Nipple, 2-1/2' barb x 2 flange' 90-	3	
28	A-6408-10	10 SAE Plug	2	
29	A-4501-24-24	1 1/2' Hose Barb to 1 1/2' Pipe Elbow, 90-	2	
30	AN-24-32-HS	1 1/2' Male NPT with Combination 2' Hose Barb	1	
31	HV-RV-1H	Relief valve w/ SAE #12 ports	7	
32	HV-RV-3H	Relief Valve w/ SAE #10 Ports	3	
34	A-1501-12-12	MP x MP FPX 90-	0	
37	HV-CKV-800S	1/2' Parker Check Valve	1	
38	A-1404-8-8	1/2 MP to 1/2 FPX, Straight	1	
39	H13-RFL	Hose Protection Shield, Size 13	20	
40	H-18RFL	Hose Protection Shield, Size 18 @ Foot	20	
41	WT-17H	Heavy Duty Wire Tie 17.5'	100	
42	A-6900-12-8	12 SAE x 1/2' FPX	6	
43	HA-1004-4	Test Point Plug #4 SAE Thread	6	
44	A-6401-12-12	12 SAE x MP Hex Nipple	0	
45	A-1603-12-12	Swivel T NPTF	1	
46	A-6902-12-12	12 SAE X MP FPX 45-	3	
47	A-2404-16-12	1' MJIC X MP	0	
48	A-1601-8-8-8	1/2 MP x 1/2 FPX x 1/2 FPX Tee	0	

49	A-1501-8-8	1/2 MP x 1/2 FPX90-	0	
50	A-6401-10-8	10 SAE x 1/2 MPT Male	0	
51	A-1603-8-8-8	Swivel T 1/2' NPTF	0	
52	A-2404-12-8	½' MJIC X 1/2' MP	2	
53	A-5404-12-12	Hex Nipple ½' x ½'	1	
54	A-6900-8-8	8 SAE x 1/2' FPX	6	
56	HA-1004-T	Test Point Plug, 1/4' NPT	2	
57	AP-4	1/4 MIP plug	7	
58	A-1405-12-12	½ NPT coupler w/swivel	1	
59	A-1601-6-6-6	3/8 MP x 3/8 FPX x 3/8FPX Tee	1	
60	HW-12	#12 OD Washer for Hydraulic Tube/Hose	6	
61	HW-16	#16 OD Washer for Hydraulic Tube/Hose	10	
62	AB-12-6	½' x 3/8' Bushing	1	
63	ATB-12-12-12	½ x ½ x ½, Brass Tee	1	
64	A-1404-12-12	½ MP x ½ FPX	1	
65	ASL-4	1/4' Black Street Elbow	2	
66	A-6901-4-4	4 SAE X 1/4 FPX 90-, Forged	3	
67	BAR-2011	Bar, Security Copper Wire Seal	8	relief lock
68	HA-1071-H	Hydra-zorb Tube Clamp 1' (3 pc.)	39	19401-
69	HA-1072-H	Hydra-zorb Tube Clamp ½' (3 pc.)	16	19401-
70	HA-1073-H	Hydra-zorb Tube Clamp 1/2' (3 pc.)	3	19401
71	A-4601-32-24	2' x 24 SAE 90- Male O Ring Beaded Insert	2	
72	A-4450-32-32	Straight Suction Nipple, 2'Flange, 2' Hose	1	
73	A-6900-16-12	16 SAE x ½' FPX	2	
74	TAN-8102	Tank, Manifold, Drain Lines, Harvester	2	
75	A-6901-16-12	16 SAE x ½' FPX 90-, Forged	2	
76	AN-24-CL	1 1/2' Black (Nipple Close)	3	
77	AT-24-24-12	1 1/2 x 1 1/2 x ½ Std Black Malleable Tee	1	
78	ASL-24	1 1/2 ST ELL, Domestic Only	1	
79	A-1601-16-12-12	1'MP x ½'FPX x ½'FPX Tee	1	
80	AB-32-16	2' x 1' Bushing, Black Iron Domestic	1	

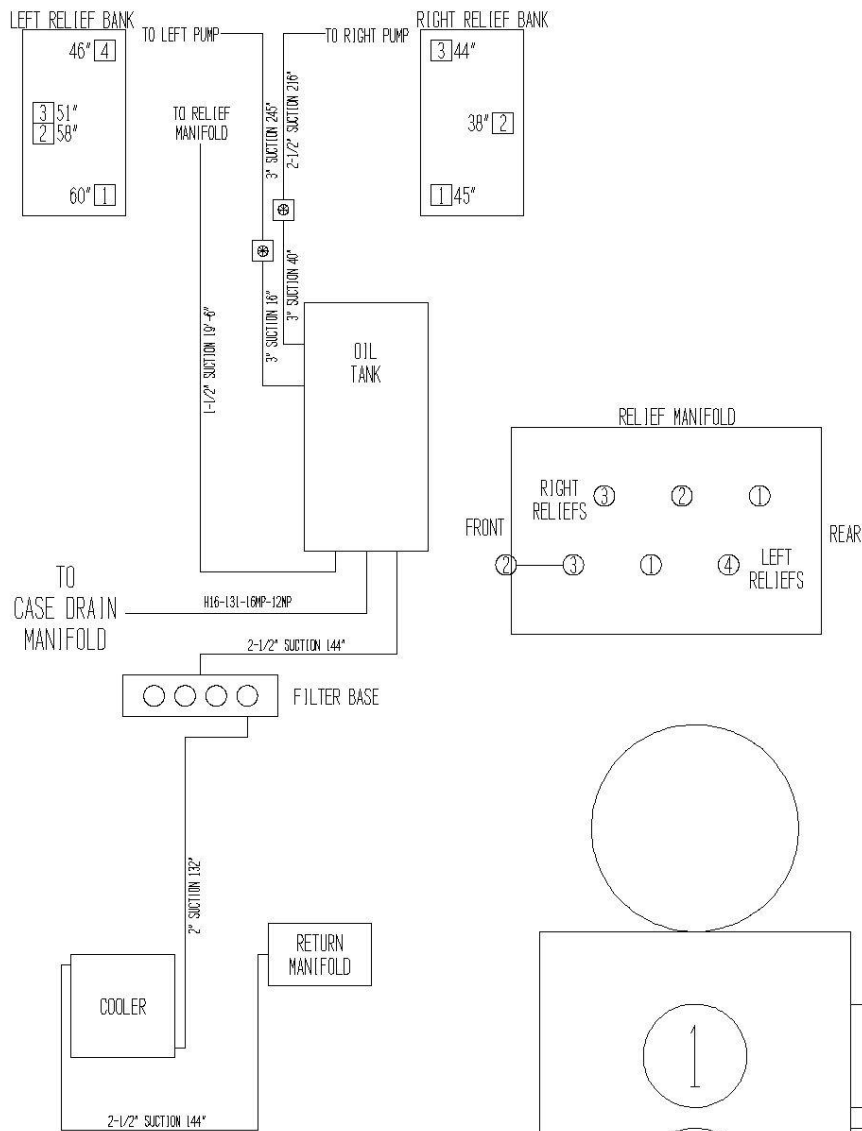
81	AT-32-32-24	2'x2'x(1-1/2' Mid), Black Steel Tee	3
82	AN-32-HS	2' NPT, Combination Nipple/Hose Shank, 2' ID Hose, ALUMINUM	3
83	AN-32-40-HS	2' NPTx 2' ID Hose, Combination Nipple/Hose Shank	2
85	A-6401-24-24	24 SAE x 1 1/2 MP	2
86	AR-40-24	2 1/2' x 1 1/2' Bell Reducer	1
87	AN-40-40-HS	2' NPTx 2 1/2' ID Hose, Combination Nipple/Hose Shank	1
88	ARL-24-32-90	Reducing Elbow, 1 1/2' x 2in 90-	1
89	A-6806-24-24	24 SAE x 1 1/2 Male Pipe, 90-	1
90	CL-251	2 1/2' Hose Clamp	2
91	A-6901-10-12-4SAE	10 SAE x 3/4 FPX 90 w/ 4SAE Port	1



# 12015-13-01 Right Relief Circuits



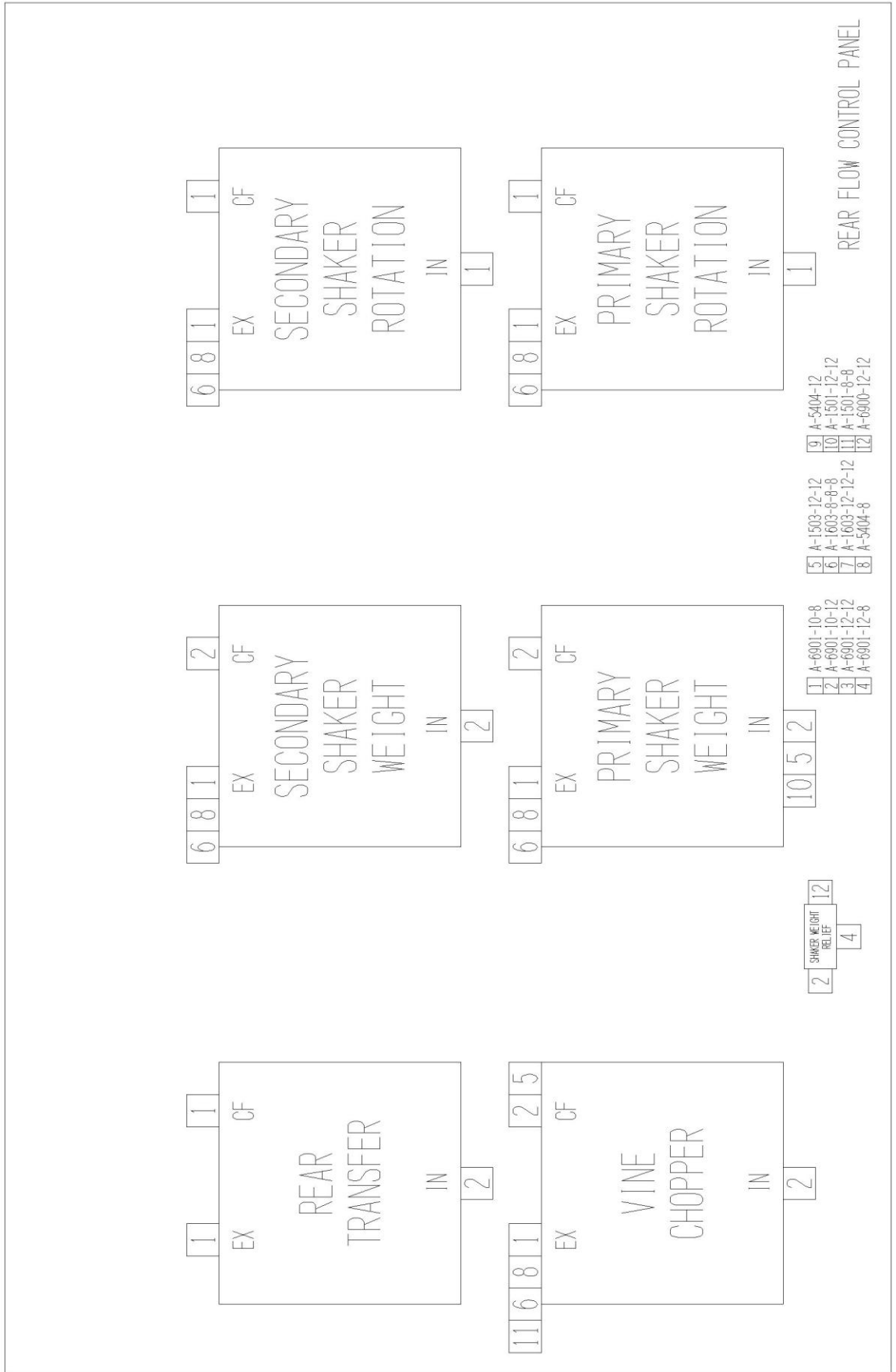
# 12015-13-01 Relief - Return Circuits



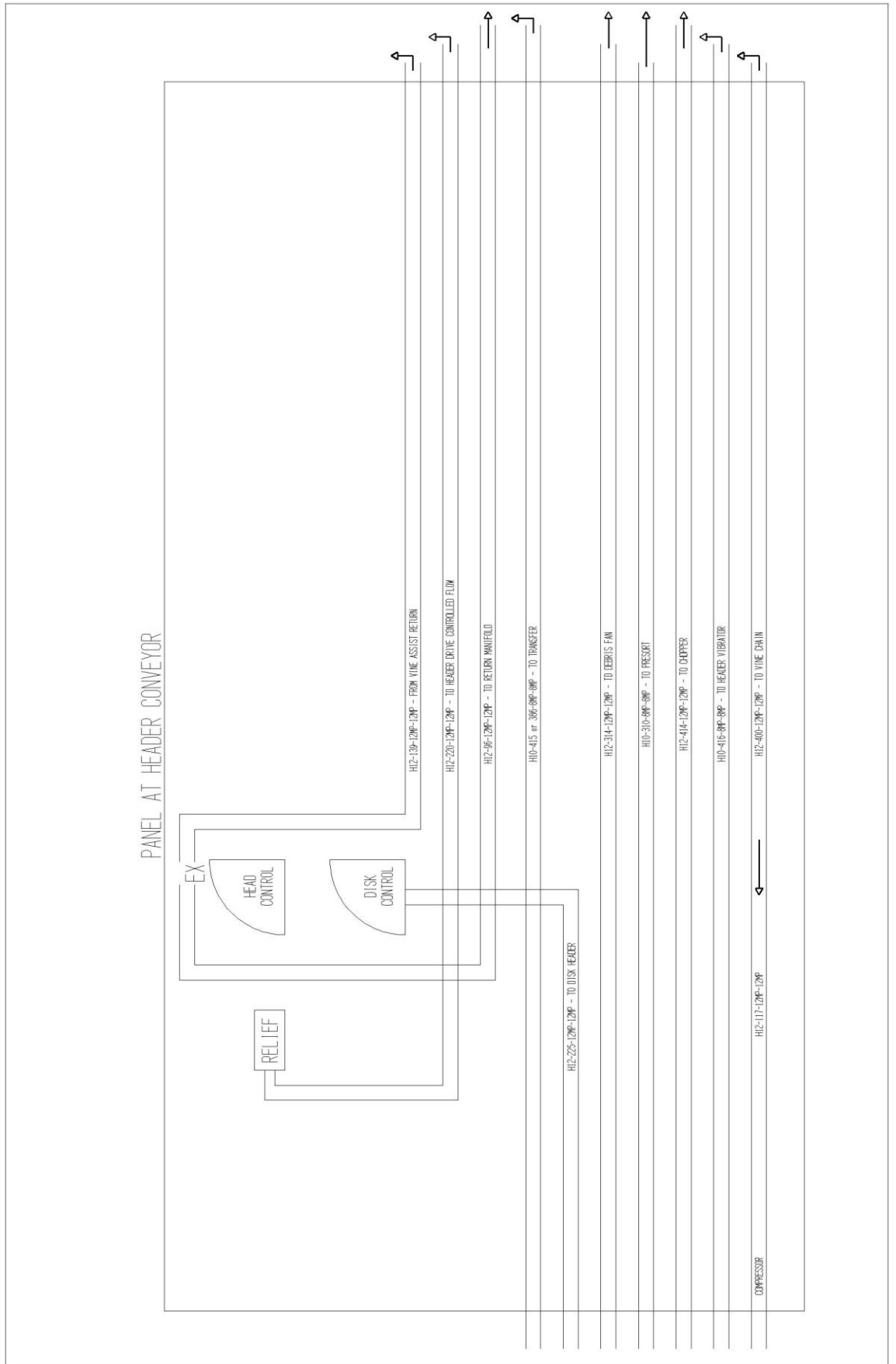
- 1 SECONDARY TRANSFER - H10-88-8MP-8MP
- 2 SHAKER ROTATIONS - H10-100-8MP-8MP
- 3 WEIGHT RELIEF - H10-92-8MP-8MP
- 4 VINE CHAIN - H12-109-12MP-12MP
- 5 COOLING FAN - H10-156-8MP-8MP
- 6 HEADER - H12-96-12MP-12MP
- 7 TRANSFER VIBRATOR - H12-48-12MP-12MP
- 8 ELEVATION - H10-46-8MP-8MP



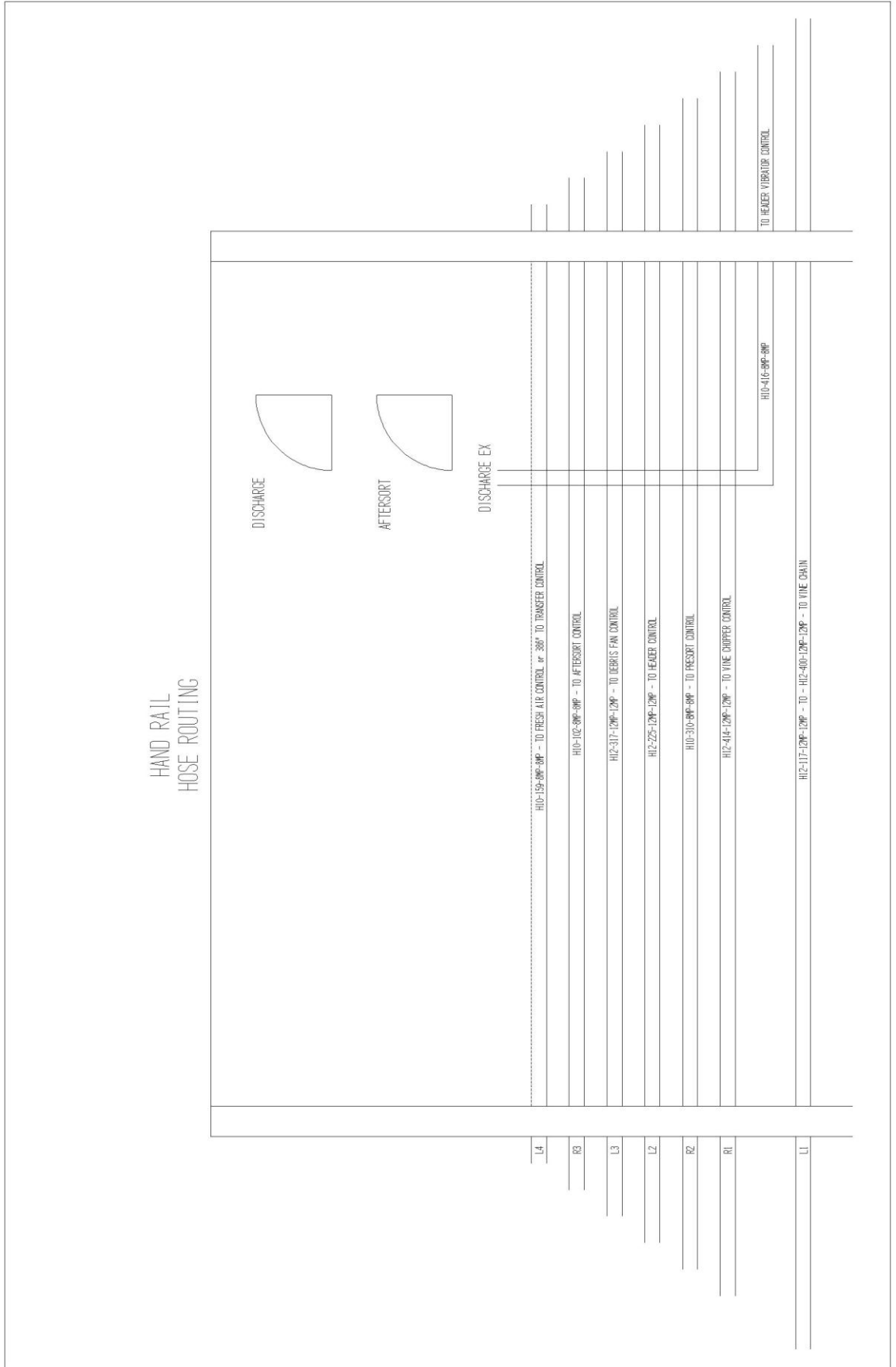
# 12015-13-01 Rear Flow Control Panel



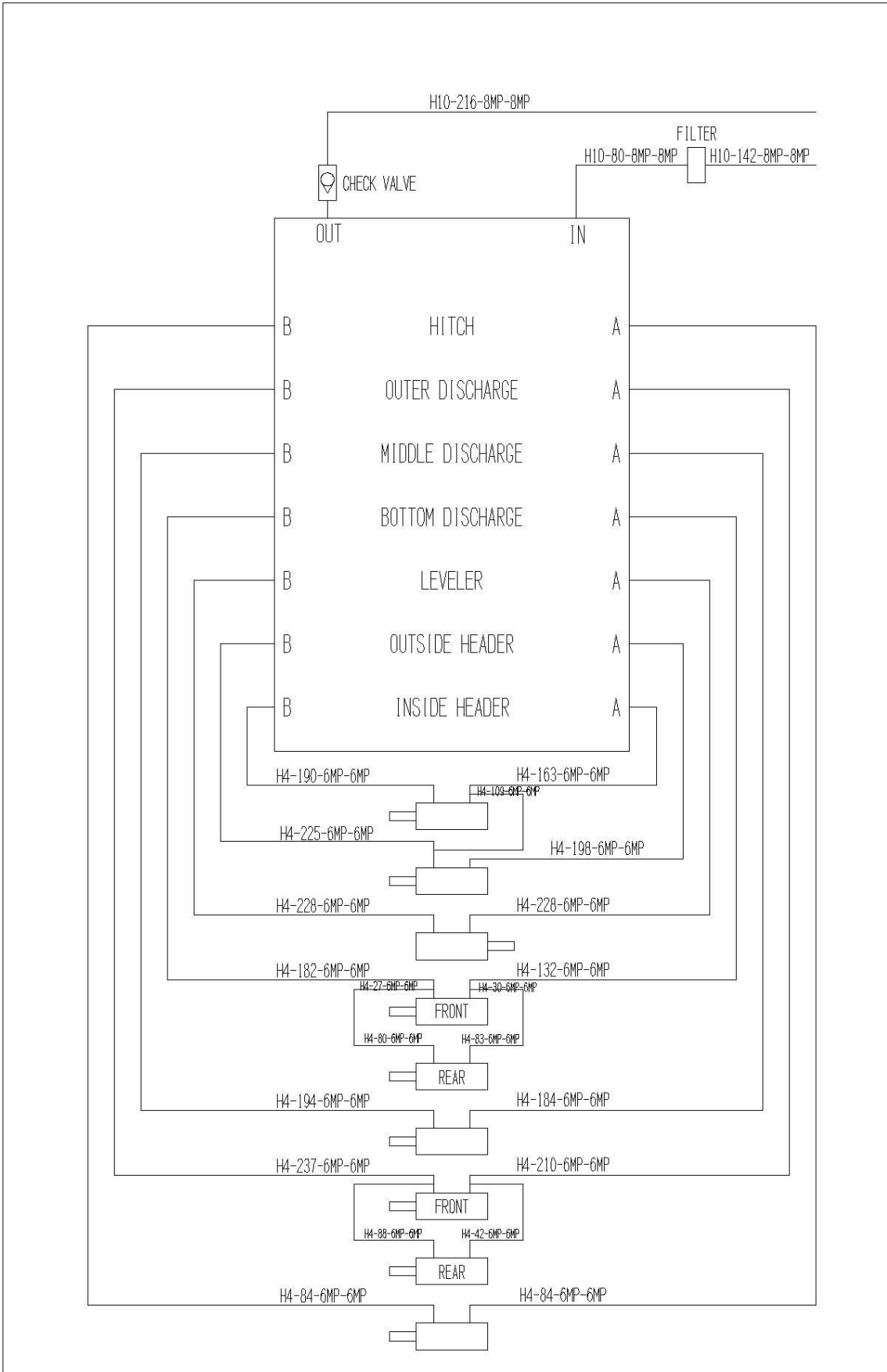
12015-13-01  
 Panel at Header Conveyor



# 12015-13-01 Hand Rail Hose Routing



# 12015-13-01 Dual AHHC





# 12011-13-02 Oil Cooler Assembly

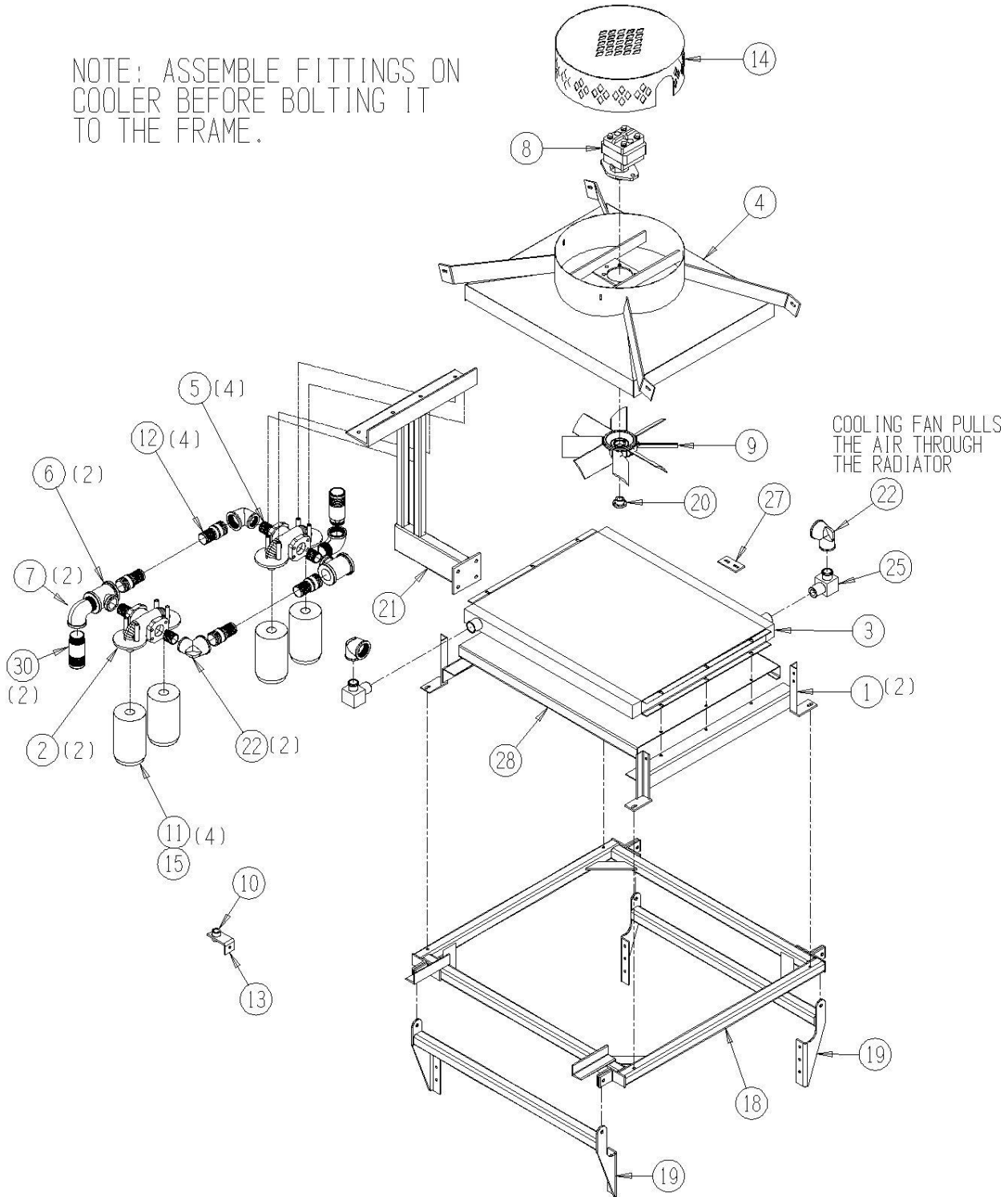
<u>Ref</u>	<u>Part No.</u>	<u>Description</u>	<u>Parts – Assembly</u>	<u>Will Fit SN</u>	<u>Remarks</u>
1	MOU-0207	Mount, Oil Cooler Support	2		
2	HA-1023-Z	Double Filter Head, Side by Side	2		
3	HA-1036	Oil Cooler	1		
4	SHD-0207	Fan Shroud, Lg Oil Cooler, Harvester	1		
5	AN-24-CL	1 1/2' Black (Nipple Close)	4		
6	AT-32-32-24	2'x2'x(1-1/2' Mid), Black Steel Tee	2		
7	ASL-32	2' Street Elbow, Domestic Only	2		
8	HM-412-1	Hydraulic Motor, 1' Shaft	1		Same as HM-412C except w/1' shaft REPLACES HM-412C IF REPLACING A HM-412C WITH THIS MOTOR BE SURE THAT THE PROPER COUPLER SIZES ARE SUPPLIED
9	FAN-290-18	Oil Cooler Fan, 18' w/o JA Bushing/Rev	1		Replaces FAN-190-18 & HA-1019-G
10	HA-1012A	Vescor Breather Element (3 micron)	1	HA-1012	w/o Adapter Fitting
11	HA-1029	Hydraulic Fluid Filter, 11'	4		
12	AN-32-HS	2' NPT, Combination Nipple/Hose Shank, 2' ID Hose, ALUMINUM	4		
13	BRA-8755	Bracket, Mount, Air Breather Filter	1		
14	191-1082	Shield, Cooling Fan	1		
15	HA-1023A	Filter Gauge, 50 psi Service	1		
16	CL-250	T-Bolt Clamp for 2 1/2' Suction Hose	4		
17	DC-1175	Decal, Danger, Rotating Blade Hazard	1		
18	MOU-9008	Mount, Oil Cooler, 240 Tomato Harvester	1		
19	MOU-9009	Mount, Sides, Oil Cooler, 240 Tomato Harvester	2		
20	PU-JA-16	Bushing, JA x 1'	1		
21	MOU-9032	Mount, Dual Oil Filter, 240 Tomato Harvester	1		
22	ARL-24-32-90	Reducing Elbow, 1 1/2 x 2in 90-	4		
25	A-4601-32-24	2' x 24 SAE 90- Male O Ring Beaded Insert	2		
27	BAR-0253	Flat Bar	1		
28	SHD-0208	Shield, Lg Oil Cooler, Harvester	1		

29	WT-17H	Heavy Duty Wire Tie 17.5'	15	
30	AN-32-40-HS	2' NPTx 2 1/2" ID Hose, Combination Nipple/Hose Shank	4	
602	A-4603-24-24	1 1/2 x 24 SAE 45- Male O-Ring Beaded Insert	0	
603	H40-S	2 1/2' Suction Hose	0	
800	HM-412B	Key for Hydraulic Motor -Shaker Weight-Vibrator	1	HM-412C & HM-712C
801	HM-2100-SK	Shaft Seal & Gasket Kit for Permco Motor, M2100 Series	1	
802	HM-2100-BRG	Bearing for Permco Motor, M2100 Series	1	

12011-13-02



NOTE: ASSEMBLE FITTINGS ON COOLER BEFORE BOLTING IT TO THE FRAME.



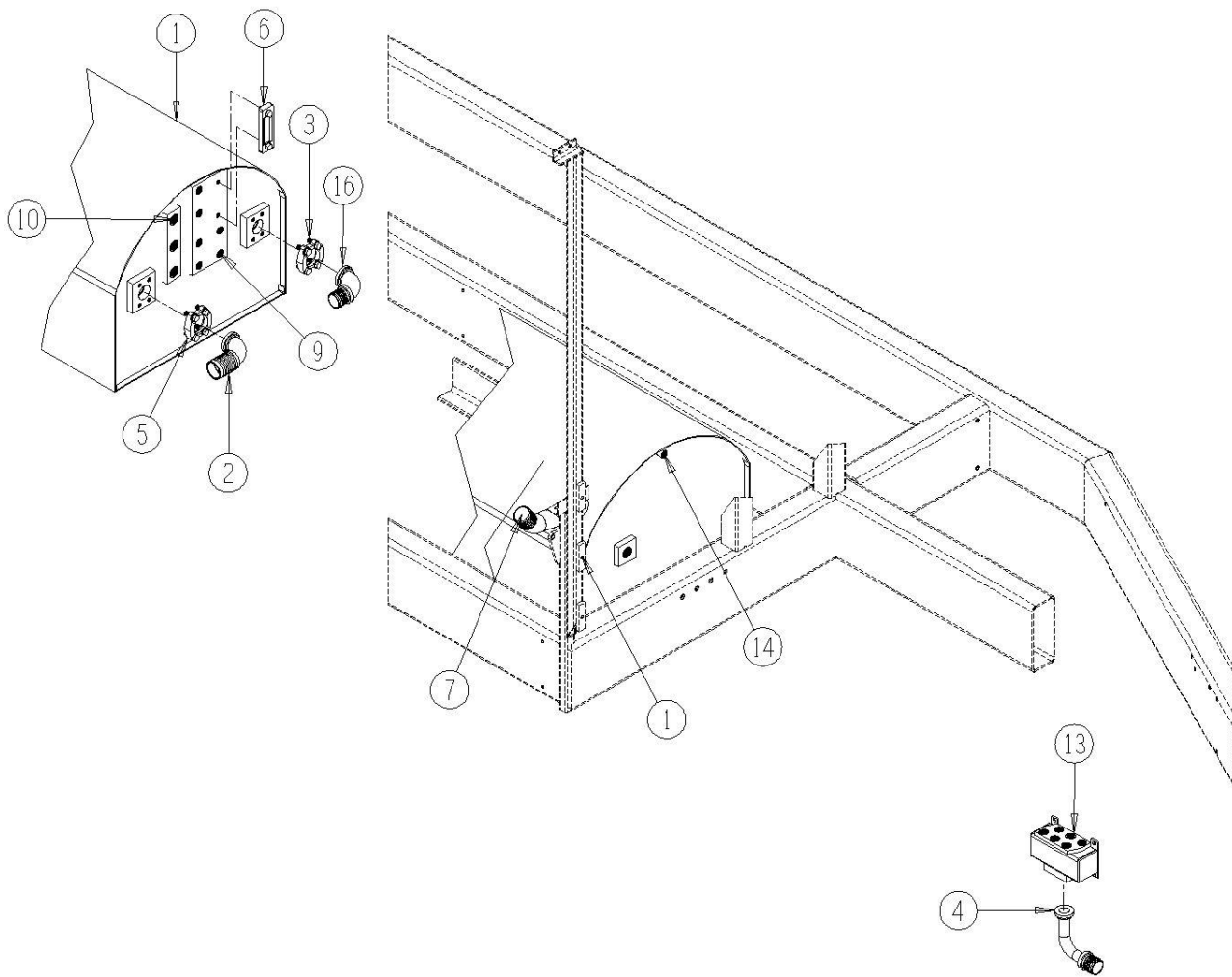




# 12013-13-03 Oil Tank Assembly

<u>Ref</u>	<u>Part No.</u>	<u>Description</u>	<u>Parts – Assembly</u>	<u>Will Fit SN</u>	<u>Remarks</u>
1	TAN-9000	Oil Tank, 240 Tomato Harvester	1		
2	A-4459-40-32	Flange Nipple, 2-1/2' barb x 2 flange' 90-	1		
3	A-SFK-32	2' Split Flange Kit	2		
4	A-4459-24-24	Flange Nipple, 1 1/2' 90-	1		
5	A-SFK-40	2.5' Split Flange Kit	1		
6	HA-1041	Hyd, Level Gauge & Therm	1	19201-	
7	ACP-32	2' Black Pipe Cap	1		
8	HA-1007	Hydraulic, Magnetic Drain Plug	1	11101-	
9	A-6408-8	8 SAE Plug	2		
10	A-6408-12	12 SAE Plug	2		
13	TAN-8106	Oil Manifold, Harvester	1		
14	A-4129-10-8	1/2 NPT 90- w/ 5/8' push-loc	1		
15	A-4456-32-32	Flange Nipple, 2' 45-	1		
16	A-4459-32-24	90- Flange Nipple, 1 1/2 Barb x 2' Flange	1		
18	A-6405-8-4	8 SAE x 1/4'FP	1		
800	OR-236	O Ring, 3 1/4 x 3 1/2	2		
803	AN-40-48-HS	2 1/2' NPTx 3' ID Hose, Combination Nipple/Hose Shank	1		

12013-13-03



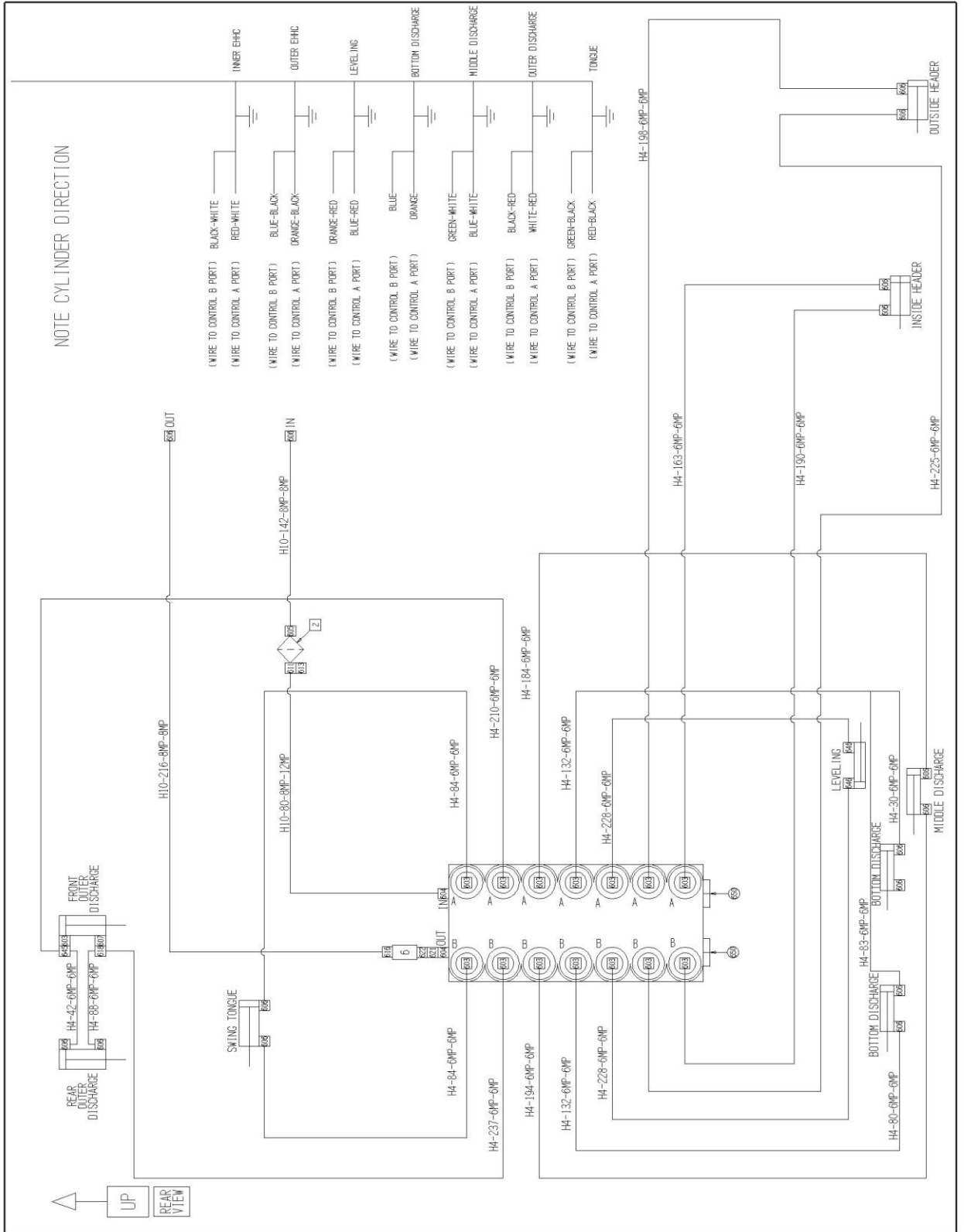
# 12011-13-10 Disk Reversing Valve Assembly

<u>Ref</u>	<u>Part No.</u>	<u>Description</u>	<u>Parts – Assembly</u>	<u>Will Fit SN</u>	<u>Remarks</u>
601	A-6900-10-12	10 SAE x 3/4 FPX	4		
602	HVE-1005	D05 Directional Valve, 25 GPM with Motor Spool, 12v	1		Order PN was 5358 KMB 12/13/12
603	ELC-1046	Electrical Cord, Reversing Valve to Panel, Deutsch	1		



# 12011-14-03 Hydraulic Control Valve, Dual HHC

<u>Ref</u>	<u>Part No.</u>	<u>Description</u>	<u>Parts – Assembly</u>	<u>Will Fit SN</u>	<u>Remarks</u>
1	HVE-1021	240 D03 Control Valve, Dual HHC	1		
2	HA-1037	Pressure Filter	1		Most machines 1997 and previous used Parker filter. 1998-2001 Zinga style 2002-present parker style
6	HV-CKV-800S	1/2' Parker Check Valve	1		
603	A-6900-8-6	8 SAE x 3/8' FPX With 7/8' Stock Body	15	20095001-	
604	A-6901-10-8	10 SAE x 1/2 FPX90-, Forged	2		
605	A-6901-12-8	12 SAE x 1/2' FPX 90-, Forged	1		
606	A-6901-8-6	8 SAE x 3/8' FPX90-, Forged	12	20095001-	
607	A-6955-8-6-6	8 SAE x 3/8' FPX Tee	1		
608	A-QD2010-8-8	Tractor Quick Coupler, Male, 1/2' w/ FPT	2		
611	A-6901-12-12-4SAE	12 SAE x 1/2' FPX 90-w/4 SAE Port, Forged	1		
613	HA-1004-4	Test Point Plug #4 SAE Thread	1		
616	A-1404-8-8	1/2 MP to 1/2 FPX, Straight	1		
621	A-1601-8-8-8	1/2 MP x 1/2 FPX x 1/2 FPX Tee	1		
622	A-5404-8-8	Hex Nipple 1/2' x 1/2'	1		
646	A-1501-8-6	1/2 MP x 3/8 FPX 90-	2		
650	A-6408-10	10 SAE Plug	2		
657	HY-TRAN	Hytran @ gal	20		
800	HA-1037A	Pressure Filter Element	1		



# 12011-15-01 Electrical Panel Assembly

<u>Ref</u>	<u>Part No.</u>	<u>Description</u>	<u>Parts – Assembly</u>	<u>Will Fit SN</u>	<u>Remarks</u>
	ELE-0014	Actuator, Main Junction Box	1		
	ELE-0015	Junction Box, HHC Cord, 08 290	1		
	ELC-8002	Shaft Sensor Control Cable 40', HC290	1		
	ELC-8021	Control Cord, HHC, HC290	2		
1	EL-1206	Double Amber Lamp	3		
2	EL-1307	High Output LED Work Lamp	3		
3	ELC-9000	Control Box Power Cord	1		
4	ELC-9001	Power Cable, 240 Harvester	1		
5	ELC-9002	Power Cord for Light, 240 Harvester	1		
6	ELC-9004	Flow Control Box, 240 Harvester	1		
7	ELC-9005	Flow Control Box, Power Cord, 240 Harvester	1		
8	ELC-9006	Flow Control Box, Control Cord, 240 Harvester	1		
9	ELC-9007	Acuator Control Cord, 240 Harvester	1		
10	ELC-9008	Level Control Cord, 240 Harvester	1		
11	ELC-9009	Horn Cord, Safety Switch	1		
12	ELC-9010	Temp Oil Sensor Cord, 240 Harvester	1		
13	ELC-9011	Converter Box, 3 Prong, 240 Harvester	1		
14	ELP-9000	Electrical Panel, 240 Harvester	1		
15	SHD-1206	Shield, Flashing Light	3	30097001- 19601-	
18	ELS-02008	Temperature Switch	1		
19	ELE-892	Large Nema Enclosure Box	1		
20	EL-1233	Light, Auxiliary Work Light, Clear, Trapezoid Beam, TL#80394	4		Replaces EL-1201





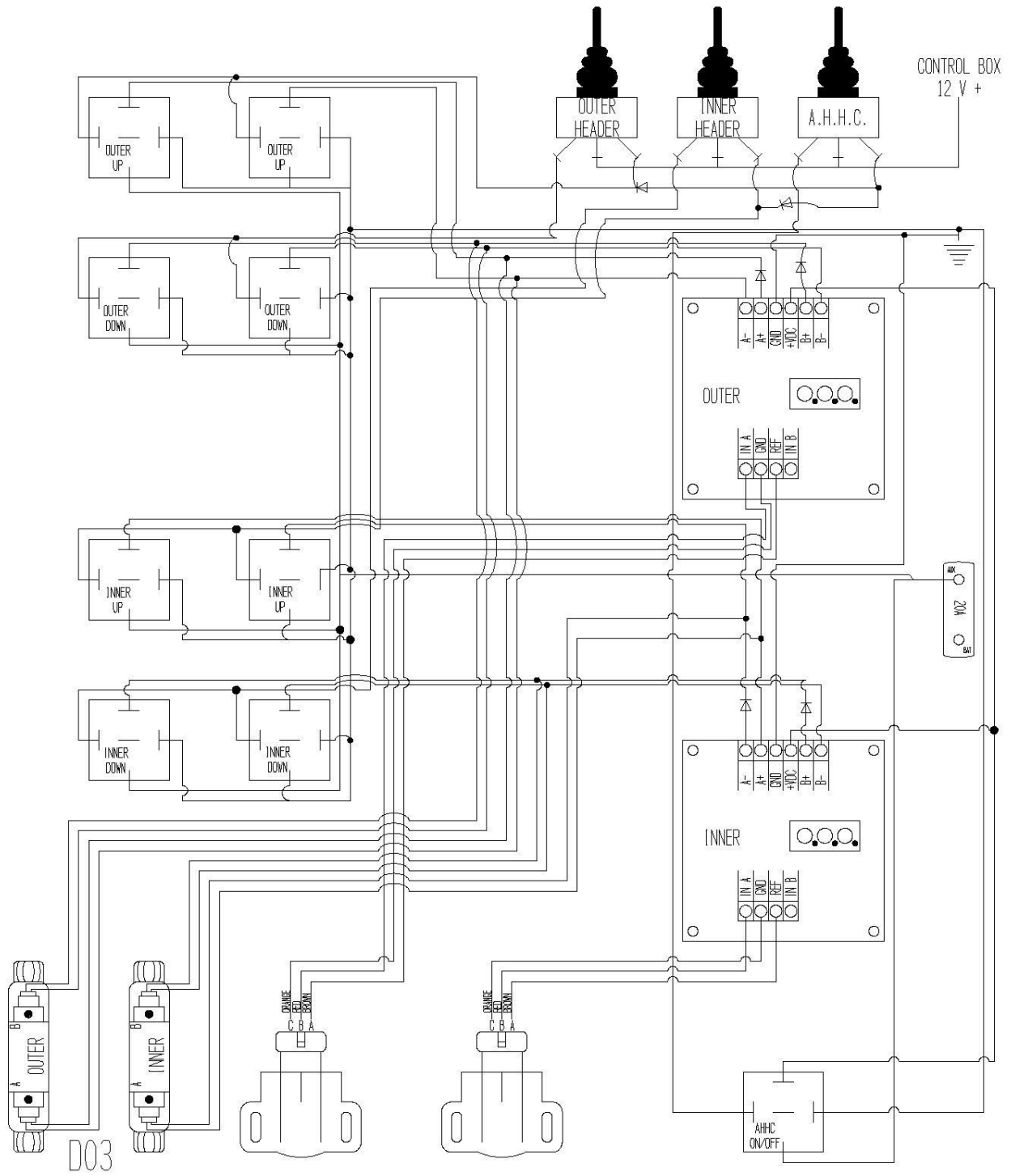
# 12011-15-02 Control Valve Electrical Assembly

---

---

<u>Ref</u>	<u>Part No.</u>	<u>Description</u>	<u>Parts – Assembly</u>	<u>Will Fit SN</u>	<u>Remarks</u>
1	ELC-9003	D03 Control Cord	1		

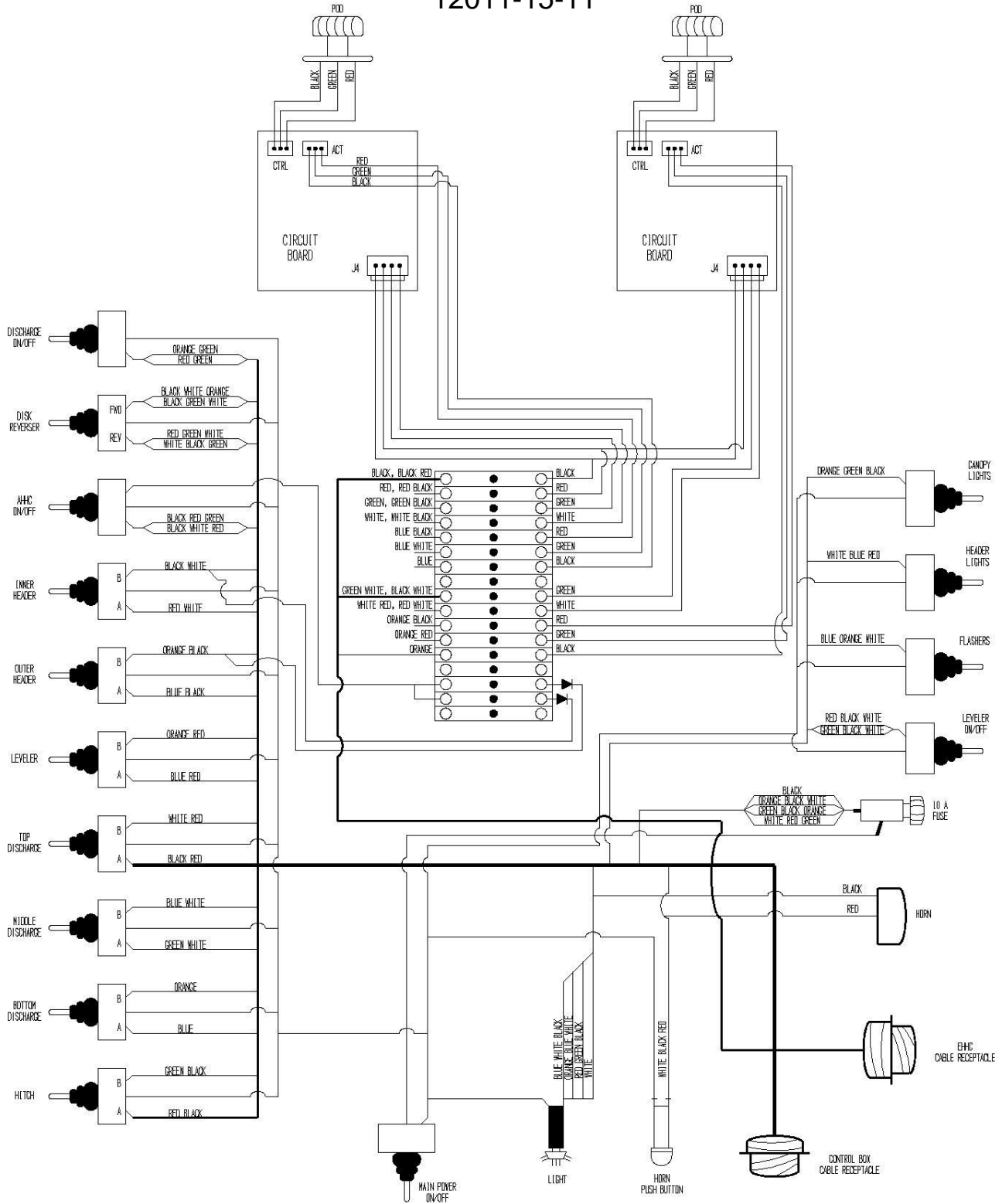
12011-15-02



# 12011-15-11 Control Box, Dual HHC Assembly

<u>Ref</u>	<u>Part No.</u>	<u>Description</u>	<u>Parts – Assembly</u>	<u>Will Fit SN</u>	<u>Remarks</u>
1	EL-9001	Control Box, 240 Tomato, Dual HHC	1		
800	DC-8001	Decal, Control Box, HC290, 08	1		
801	EL-805	Automotive Fuses 10 Amp	0		

12011-15-11



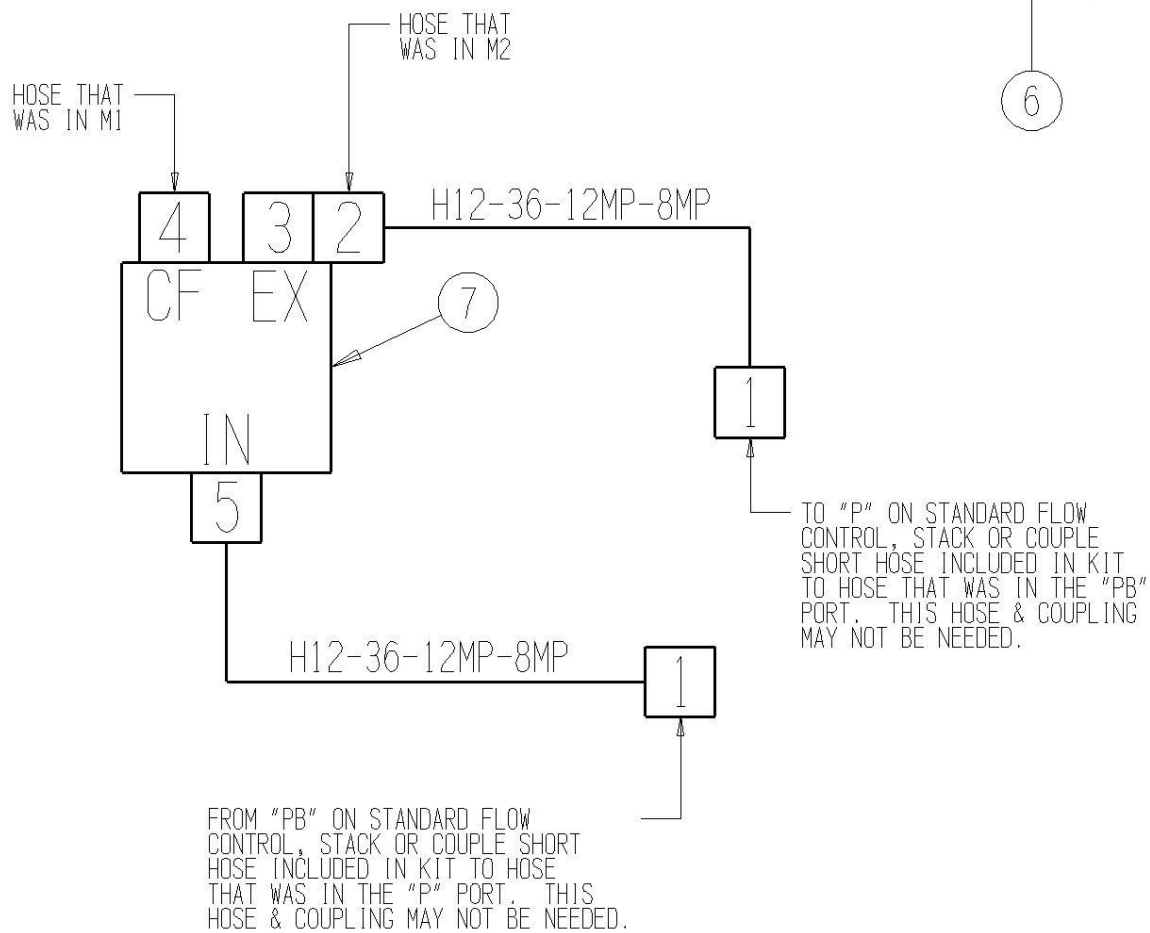
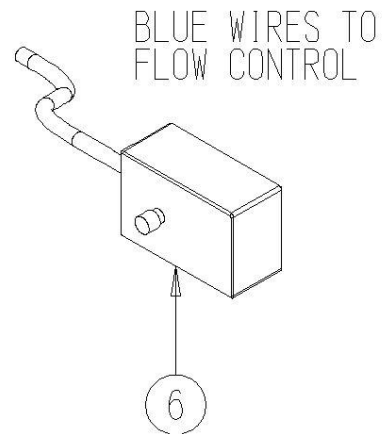
# 12011-15-30 Optional Remote Activated Flow Control

<u>Ref</u>	<u>Part No.</u>	<u>Description</u>	<u>Parts – Assembly</u>	<u>Will Fit SN</u>	<u>Remarks</u>
0	KIT-0210	Remote Electric 25 GPM Flow Control Fits All	0		
1	A-1405-8-8	1/2' NPT Coupler w/Swivel	2		
2	A-1601-8-8-8	1/2 MP x 1/2 FPX x 1/2 FPX Tee	1		
3	A-6901-12-8	12 SAE x 1/2' FPX 90°, Forged	2		
4	A-6900-12-12	12 SAE x 3/4'FPX	1		
5	A-6901-12-12	12 SAE x 3/4' FPX 90°, Forged	2		
6	HV-1201	Brand Flow Valve Electronic Box	1		
7	HVE-2500	Electronic Flow Control Valve	1		
8	H12-36-12MP-8MP	3/4 in Hose 3/4MP x 1/2MP x 36 in Long	3		
100	BL-4-125-H	1/4-20 X 1 1/4 HEX CAP G5 ZC	2		
101	BL-4-300-H	1/4-20 X 3 HEX CAP G5 ZC	2		
102	BL-4-FW	1/4 USS FW ZC	8		
103	BL-4-LN	1/4-20 HEX LN NE ZC	4		
601	A-1404-8-12	1/2 MP x 3/4 FPX	2		
602	A-6401-12-8	12 SAE x 1/2' MP Hex Nipple	1		
603	A-6900-12-8	12 SAE x 1/2' FPX	2		
604	EL-46000	Inline Fuse Holder	1		
605	EL-46102	2 Amp Fuse, Type AGC	1		
606	ELC-14-BL	14 Gauge Wire (Blue)	120		
607	ELC-14-BLK	14 Gauge Wire, Black	5		
608	ELC-14-R	14 Gauge Wire, Red	5		
609	ELL-375	3/8' Wire Loom @ft	60		
610	ELT-31712	Push On Male 14-16 ga	2	HV-1045K	
611	ELT-31713	Push On Female Terminal 14-16 ga.	4	HV-1045K	
612	ELT-52565	Ring Terminal 5/16 x 14-16ga	2	HV-1045K	
613	HV-FL-B	Flow Control Adjust Rod	1		
614	VC-0550	Velcro One Wrap Strap @ yd	0.5		
615	VC-9001	4' Velcro Loop w/ Pressure Sensitive Back @ yard	0.1		

616	VC-9151	4' Velcro Hook w/ Pressure Sensitive Back @ yard	0.1
617	WT-17H	Heavy Duty Wire Tie 17.5'	20

## 12011-15-30 - HYDRAULICS

PIK RITE RECOMMENDS REMOVING THE EXISTING FLOW CONTROL WHEN ADDING THE ELECTRONIC FLOW CONTROL. THIS IS THE MOST EFFICIENT METHOD. LEAVING THE EXISTING FLOW CONTROL IN LINE AND WIDE OPEN WILL CAUSE A SLIGHT PRESSURE DROP IN THE SYSTEM. IF THE EXISTING FLOW CONTROL IS LEFT IN LINE, TAKE THE ONE SHORT HOSE INCLUDED IN THE KIT FROM "M1" TO THE "IN" ON THE ELECTRONIC FLOW CONTROL. THE OTHER SHORT HOSE WILL GO FROM THE ELECTRONIC FLOW CONTROL "TEE" IN THE EX PORT TO THE "M2" IN THE EXISTING FLOW CONTROL.





# 12011-15-30 - ELECTRICAL

