



PARTS CATALOG

HYDRA-RAM 1190 VB MANURE SPREADER



Pik Rite, Inc
60 Pik Rite Lane
Lewisburg, PA 17837
Phone: 800-326-9763
Fax: 570-523-8175
www.pikrite.com

January 2014





HYDRA-RAM 1190VB MANURE SPREADER

(SPECIFICATIONS AND DESIGN SUBJECT TO CHANGE WITHOUT NOTICE)

DIRECTION ARROW

ARROWS ARE USED WITH ILLUSTRATIONS TO INDICATE THE FRONT OF THE UNIT. "RIGHT-HAND" AND "LEFT-HAND" SIDES ARE DETERMINED BY FACING THE DIRECTION OF MACHINE FORWARD TRAVEL.

BOX ENCLOSED ILLUSTRATIONS

A REFERENCE NUMBER, SHOWN IN THE PARTS LIST, IS ASSIGNED TO A BOX ENCOMPASSING ALL PARTS SOLD AS A SERVICE ASSEMBLY.

REFERENCE NUMBER IDENTIFICATION

000-099 PARTS USED FOR ASSEMBLY
100-199 BOLTS & FASTENERS
800-899 REPLACEMENT PARTS OR SERVICE ASSEMBLIES –
USED TO REPLACE OR REBUILD COMPONENTS OF THE
MACHINE

TABLE OF CONTENTS

7109-1-1	VB MAIN FRAME & SIDE PANELS.....	8
7103-1-2	MAIN FLOOR & GUIDES FOR SLIDING FLOOR	10
7103-1-3	SLIDING FLOOR	12
7109-1-4	MOVING PANEL.....	14
7109-1-5	FRONT PANELS & SHIELDS, VB.....	16
7109-1-7	ENDGATE, 1190VB.....	18
7103-1-8	FRONT SPLASH GUARD	20
7103-1-10	WALKING BEAM.....	22
7109-1-10	WALKING BEAM, DRUM BRAKES.....	24
7109-1-10.1	HYDRAULIC BRAKE ASSEMBLY	26
7103-1-11	HUBS & SPINDLE, TIRES & WHEELS, IMPLEMENT	28
7109-1-11	TIRES & WHEELS, (IMPLEMENT TIRES), DRUM BRAKES	30
7103-1-12	HUBS & SPINDLES, TIRES & WHEELS, TRUCK.....	32
7109-2-1	1,000 RPM, 1-3/8' CV DRIVELINE, FRONT	34
7109-2-2	DRIVELINE, REAR	38
7109-2-3	1,000 RPM, 1-3/4' CV DRIVELINE	42
7109-2-5	MAIN DRIVE SHAFT & SHIELDS.....	44
7109-2-7	1190VB MAIN BEATER, S.N.'s 71111001-.....	46
7109-2-7.1	GEAR BOX, MAIN BEATER.....	50
7109-2-7A	MAIN BEATER, S.N.'s -71110016.....	52
7109-3-1	HYDRAULICS, CONTROL VALVE TO PUSH OFF CYLINDERS	56
7109-3-2	HYDRAULICS, ENDGATE CYLINDERS	58
7103-3-3	MAIN CYLINDER	60

7103-3-4 SECONDARY CYLINDER..... 62

7103-3-5 ENDGATE CYLINDER..... 64

7103-3-6 OPTIONAL CONTROL VALVE, CLOSED CENTER HYDRAULIC SY..... 66

7103-3-7 OPTIONAL CONTROL VALVE, OPEN CENTER HYDRAULIC SYSTEM 68

7103-4-2 SAFETY TOW CHAIN 70

7103-4-3 JACK STAND 72

7103-4-4 SMV EMBLEM & BRACKETS 74

7109-4-5 DECALS, FRONT OF SPREADER 76

7109-4-6 DECALS, SIDES & REAR..... 78

7109-4-7 MANUAL HOLDER 80

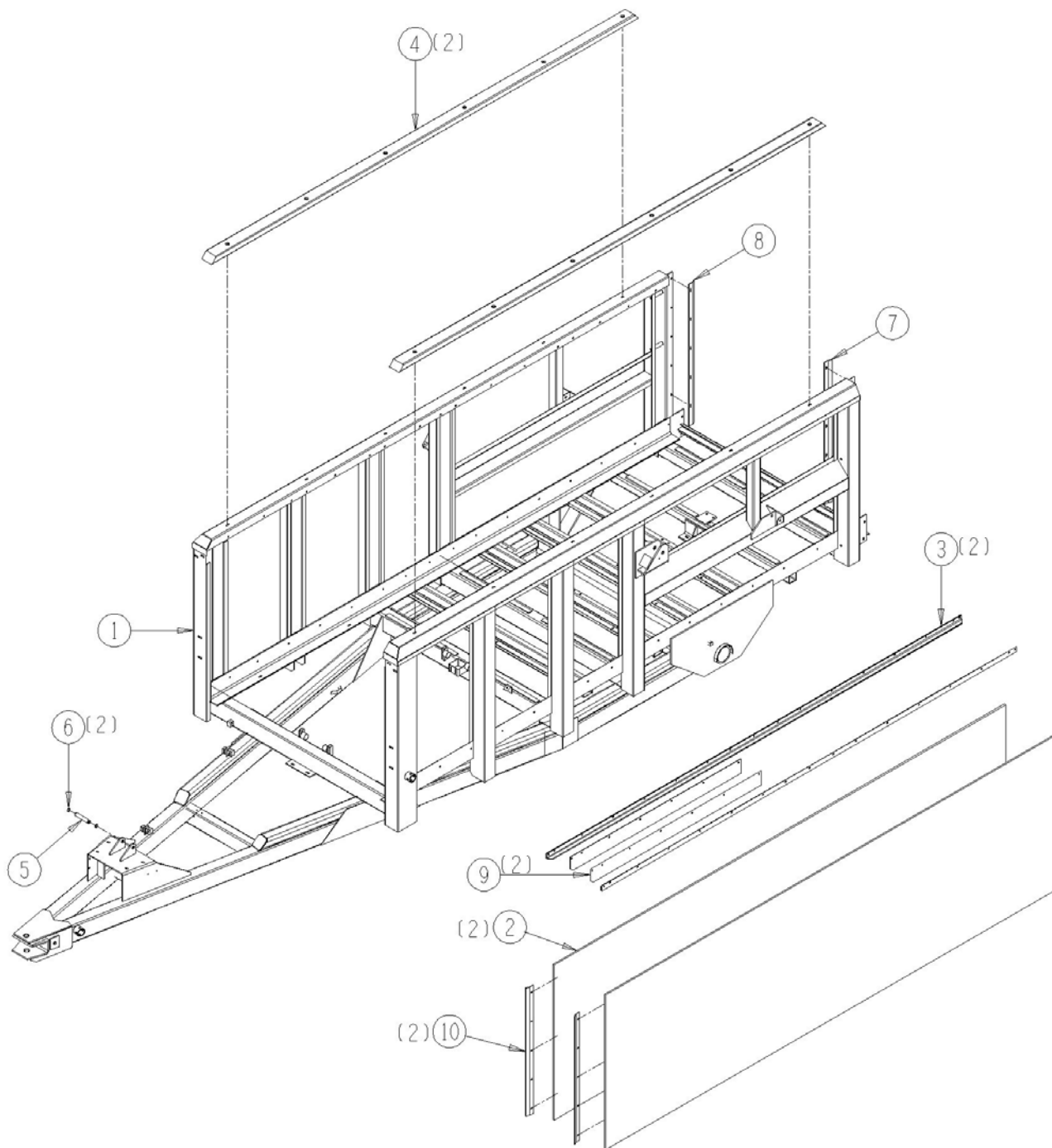
7009-4-8 LIGHT ASSEMBLY, LED..... 82

PARTS
CATALOG

7109-1-1 VB Main Frame & Side Panels

<u>Ref</u>	<u>Part No.</u>	<u>Description</u>	<u>Parts – Assembly</u>	<u>Will Fit SN</u>	<u>Remarks</u>
1	PR22479	Main Frame Weldment, 1190 Vertical Beater Spreader	1		
2	PR44542	Panel, Side, 1190 Spreader	2		
3	PR38365	Angle, Sliding Floor	2		
4	PR39185	Bumper Rail, Top Rail Protector	2		
5	PR30289	Cylinder Pin	1		
6	PR58806	Retaining Ring, 63/64' (.984) Shaft Size, External	2		
7	PR5055	End Cap,Side Cover,1190 Vert. Spreader	1		
8	PR5056	End Cap,Side Cover,Right,1190 Vert. Spreader	1		
9	PR22488	Steel Board, Spreader Spacer	2		
10	PR5057	Shield, Side Board Cover, 1190 Spreader	2		
101	BL-6-125-C	3/8 UNC X 1 1/4 CARRIAGE BOLT GR5 ZINC	20		
102	BL-6-150-C	3/8 UNC X 1 1/2 CARRIAGE BOLT GR5 ZINC	34		
103	BL-6-175-C	3/8 UNC X 1 3/4 CARRIAGE BOLT GR5 ZINC	30		
104	BL-6-250-H	3/8-16 X 2 1/2 HH C/S GR5 ZC	6		
105	BL-6-300-H	3/8 UNC X 3 HH C/S BOLT GR5 ZINC	3		
106	BL-6-350-H	3/8-16 X 3 1/2 HEX CAP G5 ZC	2		
107	BL-6-400-H	3/8-16 X 4 HEX CAP G5 ZC	1		
108	BL-6-N	3/8-16 HEX NUTS ZC	84		
109	BL-6-LW	3/8 SPLIT LW ZC	84		
110	BL-6-SW	3/8 SAE FW ZC	30		
111	BL-6-FW	3/8 USS FW ZC	66		
112	BL-6-LN	3/8 UNC FIN HEX LOCK NUT NE A563 GrA ZINC	12		
113	BL-6-FFW	3/8 Finish Fender Washer, 2' OD, ZC	8		

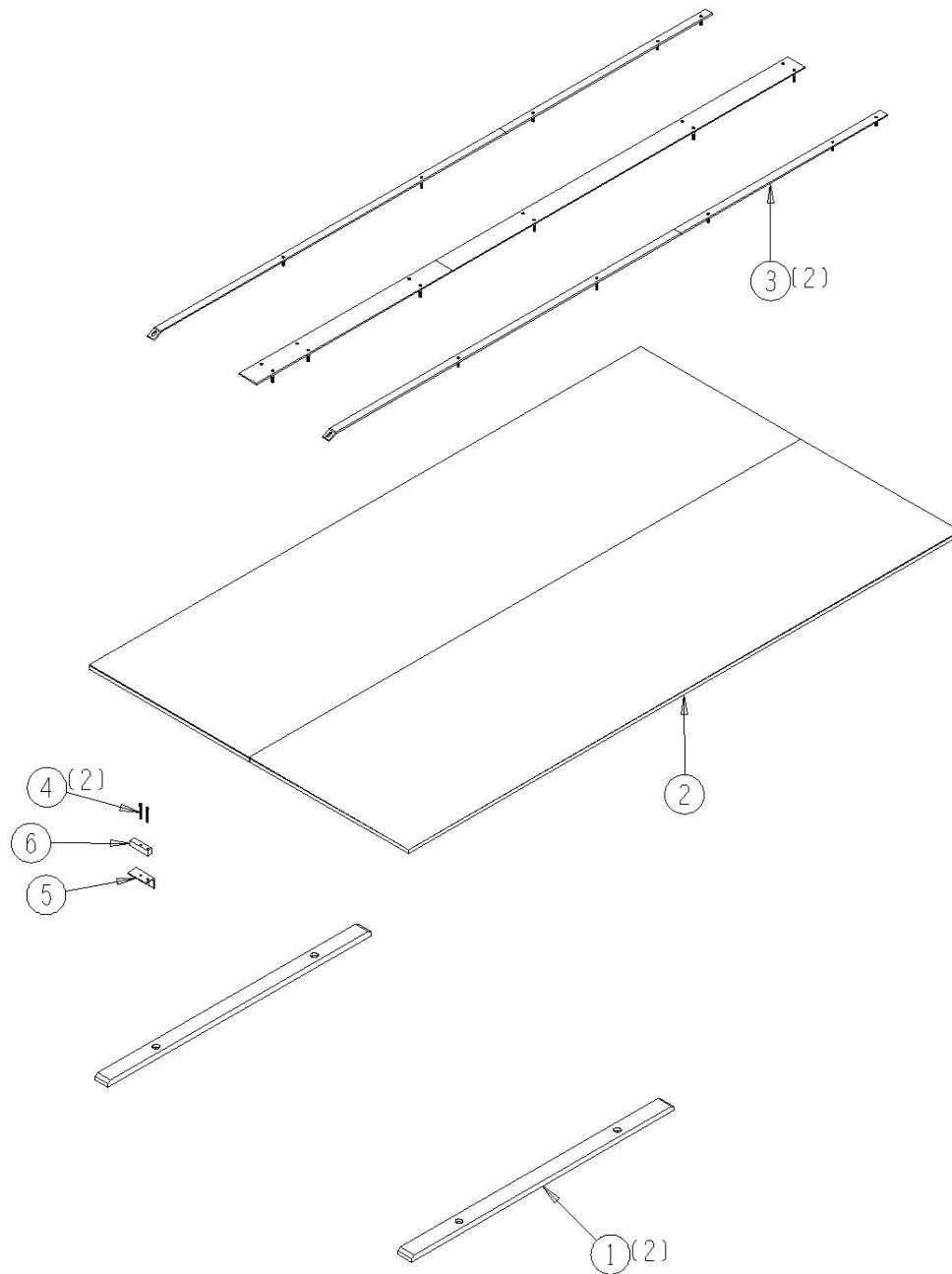
7109-1-1
VB MAIN FRAME & SIDE PANELS



7103-1-2 Main Floor & Guides for Sliding Floor

<u>Ref</u>	<u>Part No.</u>	<u>Description</u>	<u>Parts – Assembly</u>	<u>Will Fit SN</u>	<u>Remarks</u>
1	PR33358	Slide, Wood, Front, Spreader	2		
2	PR33279	Panel, Main Floor, Spreader, 790,1190	1		
3	PR22499	Wear Plate	2		
4	PIN-C4-32	Cotter Pin .25 x 2"	2		
5	PR33555	Angle	1		
6	PR32639	Support, Cylinder, UHMW	1		
7	PR22495	Floor Retainer, 1190, 2-Piece Floor	1		
101	BL-6-150-H	3/8-16 X 1 1/2 HEX CAP G5 ZC	4		
102	BL-6-125-C	3/8 UNC X 1 1/4 CARRIAGE BOLT GR5 ZINC	2		
103	BL-6-100-H	3/8 UNC X 1 HH C/S BOLT GR5 ZINC	2		
104	BL-6-LN	3/8 UNC FIN HEX LOCK NUT NE A563 GrA ZINC	18		
105	BL-6-FW	3/8 USS FW ZC	20		
106	BL-6-SW	3/8 SAE FW ZC	4		

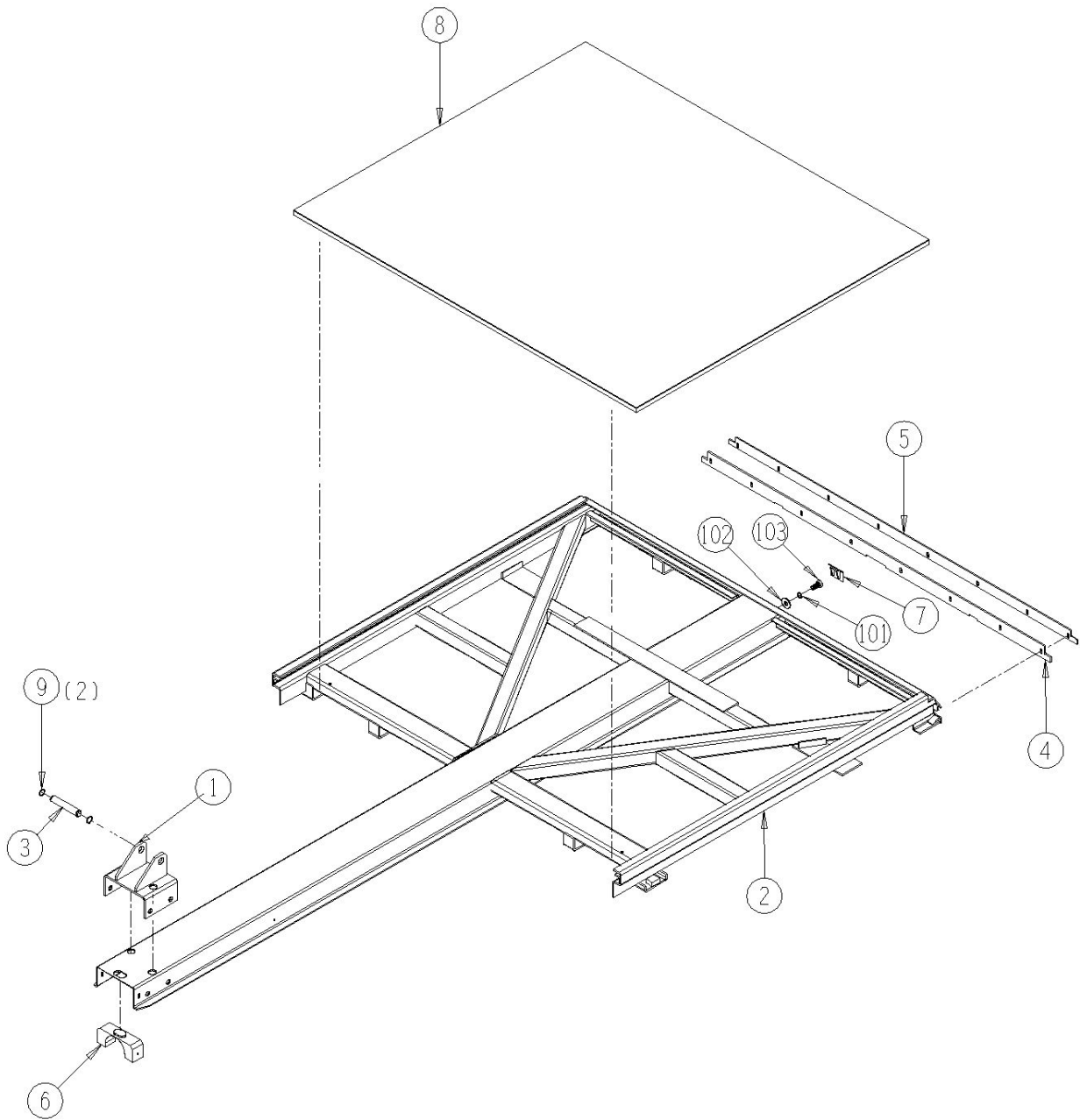
7103-1-2
MAIN FLOOR & GUIDES FOR SLIDING FLOOR



7103-1-3 Sliding Floor

<u>Ref</u>	<u>Part No.</u>	<u>Description</u>	<u>Parts – Assembly</u>	<u>Will Fit SN</u>	<u>Remarks</u>
1	PR23219	Support, Cylinder Mount, Sliding Floor	1		
2	PR25873	Sliding Floor, Inside, Spreader	1		
3	PR30289	Cylinder Pin	1		
4	PR33353	Flap, Bottom Bed Scraper, Sliding Table, Slurry, Spreader	1		
5	PR33355	Bottom Bed Scraper, Sliding Floor, Slurry, Spreader	1		
6	PR38758	Plastic Guide, Hydraulic Cylinder, Sliding Floor	1		
7	PR38760	Plug, Sliding Floor, Spreader	1		
8	PR44533	Panel, Sliding Floor, Spreader	1		
9	PR58806	Retaining Ring, 63/64" (.984) Shaft Size, External	2		
101	BL-10-LW	5/8 SPLIT LW ZC	1		
103	BL-8-200-35H8	0.8 x 16mm-2.0 x 35 Gr 8 HH Bolt Zinc Coated	1		
104	BL-6-350-C	3/8 UNC X 3 1/2 CARRIAGE BOLT GR5 ZINC	2		
105	BL-5-125-H	5/16-18 X 1 1/4 HEX CAP G5 ZC	8		
106	BL-10-150-H	5/8-11 X 1 1/2 HEX CAP G5 ZC	4		
107	BL-5-075-H	5/16-18 X 3/4 HEX CAP G5 ZC	2		
108	BL-6-SW	3/8 SAE FW ZC	2		
109	BL-10-LN	5/8-11 HEX LN NE ZC	4		
110	BL-10-SW	5/8 SAE FW ZC @	9		
111	BL-5-FW	5/16 USS FW ZC	10		
112	BL-5-LW	5/16 SPLIT LW ZC	10		
113	BL-6-N	3/8-16 HEX NUTS ZC	2		
114	BL-6-LW	3/8 SPLIT LW ZC	2		

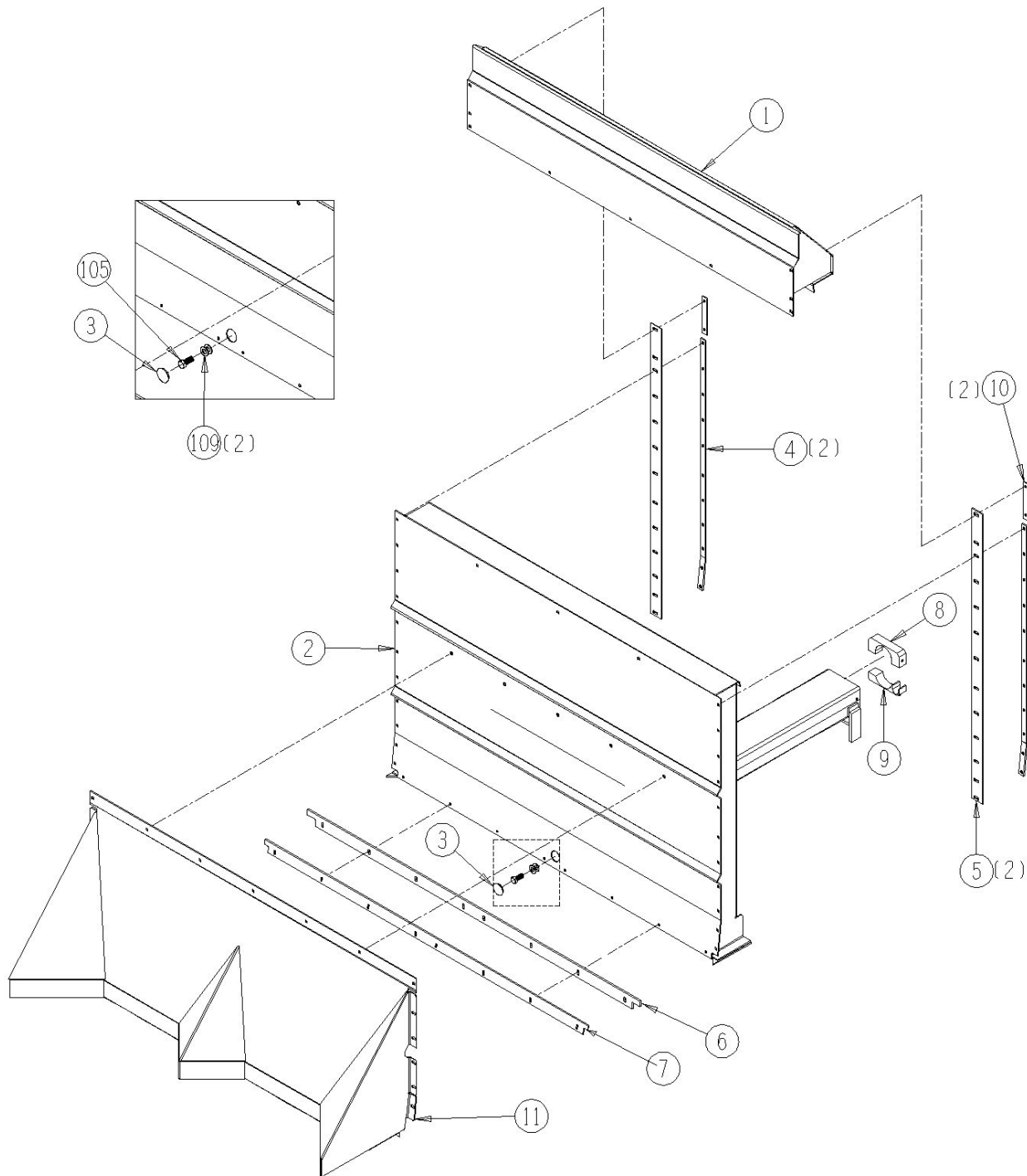
7103-1-3
SLIDING FLOOR



7109-1-4 Moving Panel

<u>Ref</u>	<u>Part No.</u>	<u>Description</u>	<u>Parts – Assembly</u>	<u>Will Fit SN</u>	<u>Remarks</u>
1	PR22463	Extension, Moving Panel, 1190	1		
2	PR25877	Moving Panel Wldmt, 1190vb	1		
3	PL-0024	Plastic, Nylon, 1-3/4" Hole Plug, Locking, Unvented	1		
4	PR33445	Retainer Bar, Side, Moving Panel	2		
5	PR33447	Belting, Moving Panel, Side	2		
6	PR33441	Flap, Moving Panel Scraper Belting, Bottom	1		
7	PR33443	Retaining Bar, Moving Panel, Bottom	1		
8	PR34750	Guide, Plastic, Cylinder Holder, Moving Panel	1		
9	PR34751	Guide, Plastic, Cylinder Mount, Lower, Moving Pnl	1		
10	PR34268	Retainer Bar, Top, Side Scraper, Moving Panel	2		
11	PR50503	Pusher Shield Extension, 1190 Vert.	1		
101	BL-6-075-C	3/8 UNC X 3/4 CARRIAGE BOLT GR5 ZINC	8		
102	BL-6-125-C	3/8 UNC X 1 1/4 CARRIAGE BOLT GR5 ZINC	24		
103	BL-6-150-C	3/8 UNC X 1 1/2 CARRIAGE BOLT GR5 ZINC	2		
104	BL-5-125-H	5/16-18 X 1 1/4 HEX CAP G5 ZC	8		
105	BL-M16-40	Hex Bolt, 16mm x 40mm	2		
106	BL-6-075-H	3/8-16 X 3/4 HHCS G5 ZC	2		
107	BL-6-SW	3/8 SAE FW ZC	26		
109	BL-10-FW-8	5/8" Grade 8 Flat Washer	2		
110	BL-5-FW	5/16 USS FW ZC	8		
111	BL-5-LW	5/16 SPLIT LW ZC	8		
113	BL-6-N	3/8-16 HEX NUTS ZC	34		
114	BL-6-LW	3/8 SPLIT LW ZC	36		

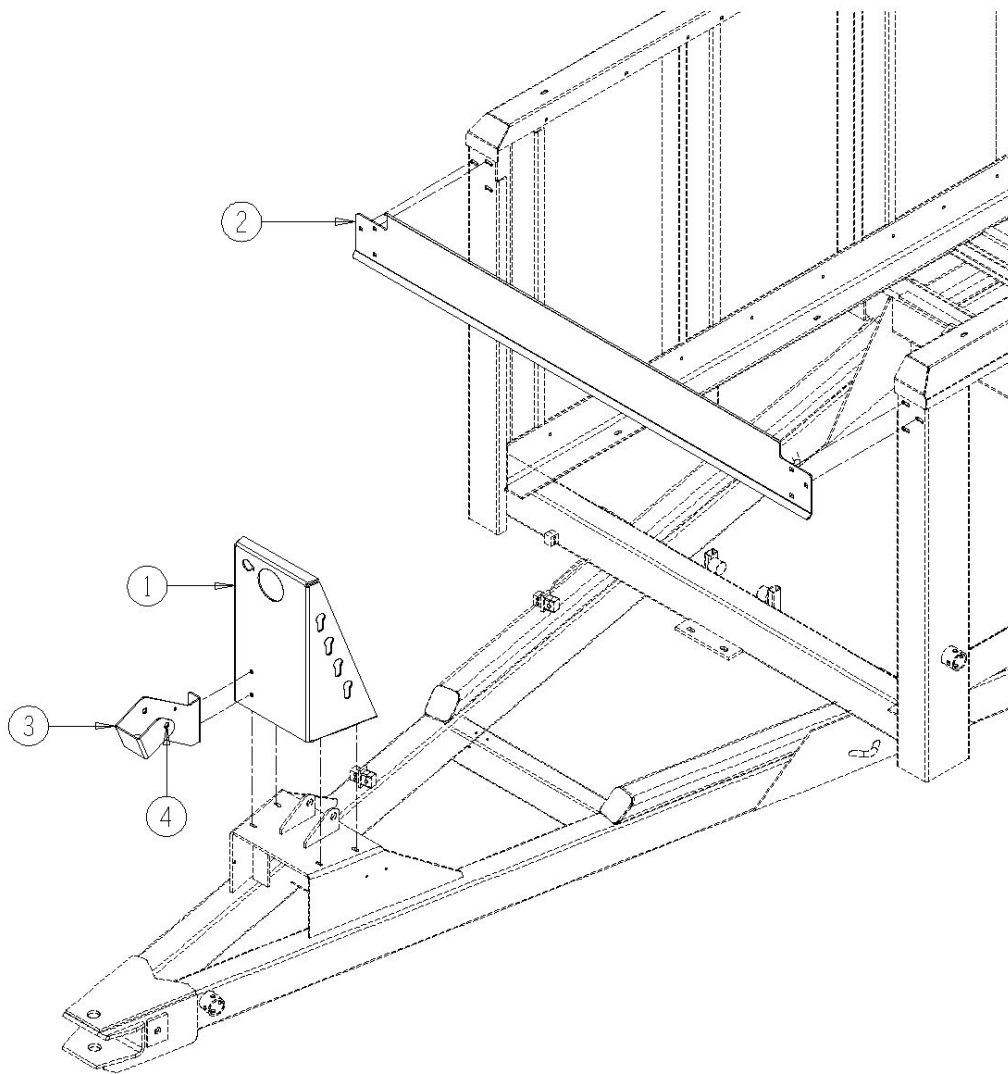
7109-1-4
MOVING PANEL



7109-1-5 Front Panels & Shields, VB

<u>Ref</u>	<u>Part No.</u>	<u>Description</u>	<u>Parts – Assembly</u>	<u>Will Fit SN</u>	<u>Remarks</u>
1	PR50206	Mount, Hose holder	1		
2	PR50204	Panel,Front Upper Panel,1190 VB	1		
3	PR50207	PTO Holder Mount	1		
4	PIN-500-575	Pin 1/2 x 5-3/4 w/Lanyard & hairpin Clip	1		
101	BL-8-125-C	1/2 UNC X 1 1/4 CARRIAGE BOLT GR5 ZINC	8		
102	BL-6-100-C	3/8 UNC X 1 CARRIAGE BOLT GR5 ZINC	4		
103	BL-6-075-C	3/8 UNC X 1 CARRIAGE BOLT GR5 ZINC	2		
105	BL-8-SW	1/2 SAE FW ZC	8		
106	BL-6-FW	3/8 USS FW ZC	1		
107	BL-6-LN	3/8 UNC FIN HEX LOCK NUT NE A563 GrA ZINC	1		
108	BL-6-LW	3/8 SPLIT LW ZC	5		
109	BL-6-N	3/8-16 HEX NUTS ZC	5		
110	BL-6-SW	3/8 SAE FW ZC	7		
111	BL-8-N	1/2-13 HEX FIN NUTS ZC	8		
112	BL-8-LW	1/2 SPLIT LW ZC	8		

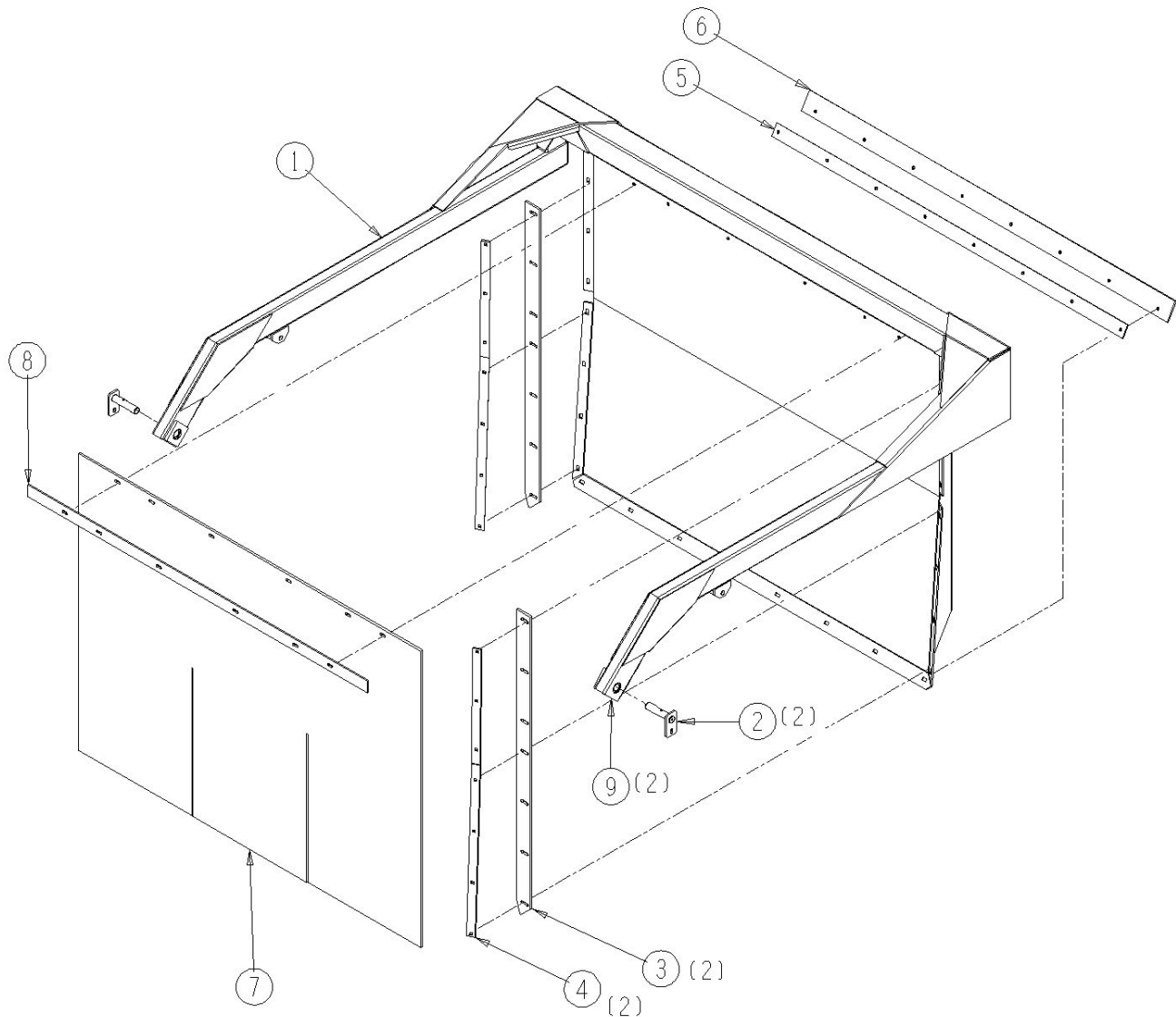
7109-1-5
FRONT PANELS & SHIELDS, VB



7109-1-7 Endgate, 1190VB

<u>Ref</u>	<u>Part No.</u>	<u>Description</u>	<u>Parts – Assembly</u>	<u>Will Fit SN</u>	<u>Remarks</u>
1	PR39050	Endgate Wldmt, 1190	1		
2	PR39052	Hinge Pin, Endgate, 1190	2		
3	PR39056	Rubber Flap, Endgate, 1190	2		
4	PR39057	Retaining Bar, Endgate Flap, Vertical	2		
5	PR39063	Bar, Bottom, Belting Holder, End Gate, Spreader	1		
6	PR39064	Belting, Bottom, End Gate, Spreader	1		
7	PR50200	Belting,Endgate Flap	1		
8	PR50201	Flat Bar	1		
9	GF-1428	Grease Fitting 1/4" x 28 straight	2		
101	BL-12-450-8	¾" x 4 1/2", HH C/S G8 ZC	2		
102	BL-10-300-H	5/8-11 X 3 HEX CAP G5 ZC	2		
103	BL-10-375-H	5/8-11 X 3 ¾ HEX CAP G5 ZC	2		
104	BL-6-125-C	3/8 UNC X 1 1/4 CARRIAGE BOLT GR5 ZINC	26		
105	BL-6-150-C	3/8 UNC X 1 1/2 CARRIAGE BOLT GR5 ZINC	2		
106	BL-10-SW	5/8 SAE FW ZC @	8		
107	BL-12-FW	¾" Flat Washer	4		
108	BL-12-LN	¾" Lock Nuts w/Nylon Inserts	2		
109	BL-10-LN	5/8-11 HEX LN NE ZC	4		
110	BL-6-N	3/8-16 HEX NUTS ZC	28		
111	BL-6-LW	3/8 SPLIT LW ZC	28		
112	BL-6-SW	3/8 SAE FW ZC	28		

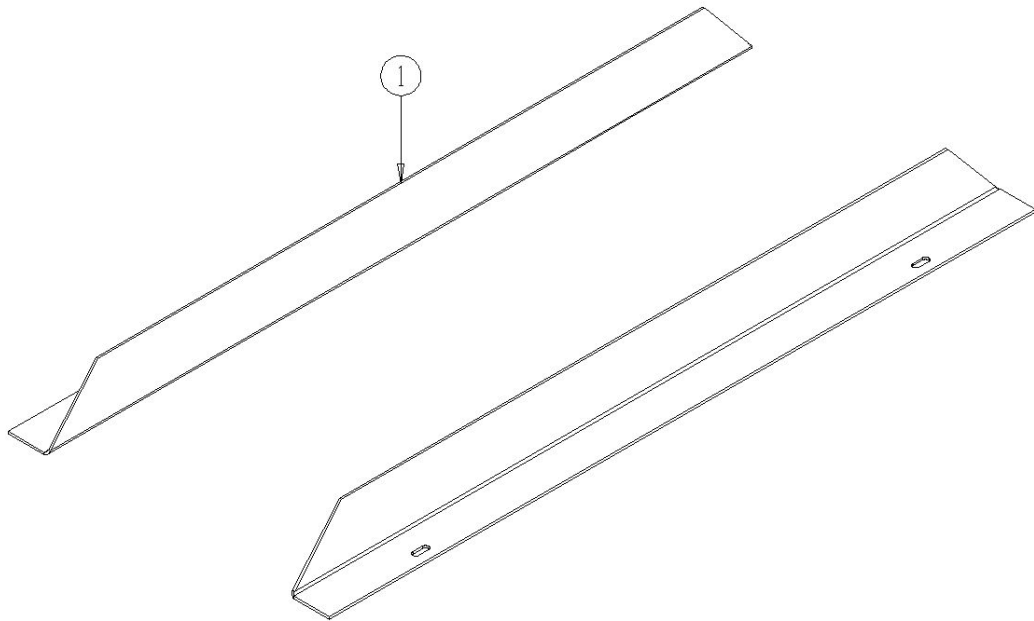
7109-1-7
ENGATE, 1190 VB



7103-1-8 Front Splash Guard

<u>Ref</u>	<u>Part No.</u>	<u>Description</u>	<u>Parts – Assembly</u>	<u>Will Fit SN</u>	<u>Remarks</u>
1	PR39182	Splash Guard, 790 & 1190	2		

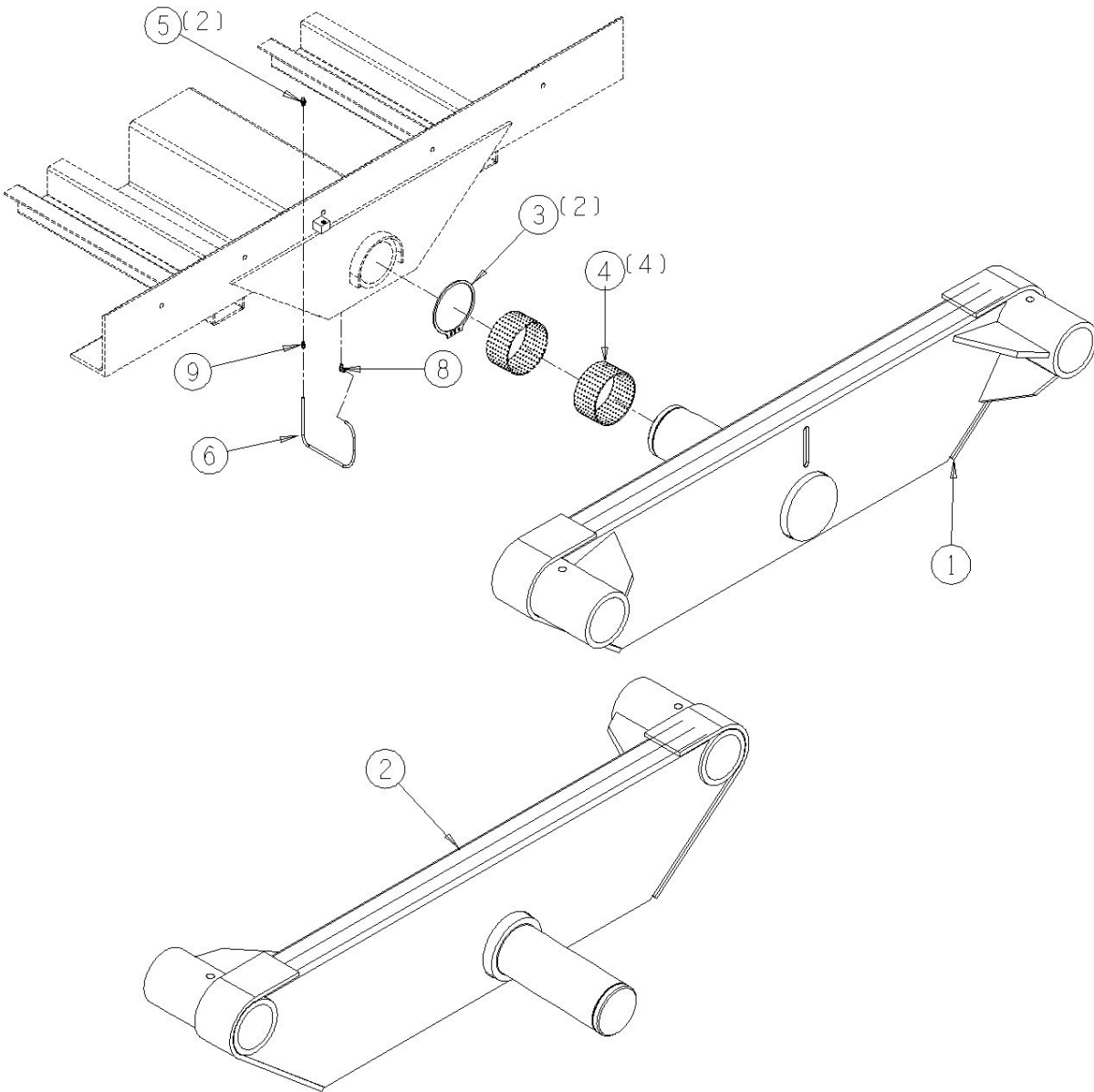
7103-1-8
FRONT SPLASH GUARD



7103-1-10 Walking Beam

<u>Ref</u>	<u>Part No.</u>	<u>Description</u>	<u>Parts – Assembly</u>	<u>Will Fit SN</u>	<u>Remarks</u>
1	PR22972	Rocker, LH, 1190, 4½" Center Shaft, 4" Spindles	1		
2	PR22973	Rocker, RH, 1190, 4½" Center Shaft, 4" Spindles	1		
3	PR43596	Retaining Ring, 4 1/2", External	2		
4	PR34415	Bronze Bushing for Spreader, 4½" Dia Shaft	4		
5	GF-1827-65L	Grease Fitting 1/8 NPT Long 65°	2		
6	H2-20-2MP-2MP	1/8in Grease Hose x 1/8MP x 1/8MP x 20in Long	2		
7	DC-0010	Decal, Grease Every 10 hrs.	2		
8	A-1501-2-2	1/8" MP x 1/8" FPX90°	2		
9	A-1404-2-2	1/8 MP x 1/8 FPX	2		

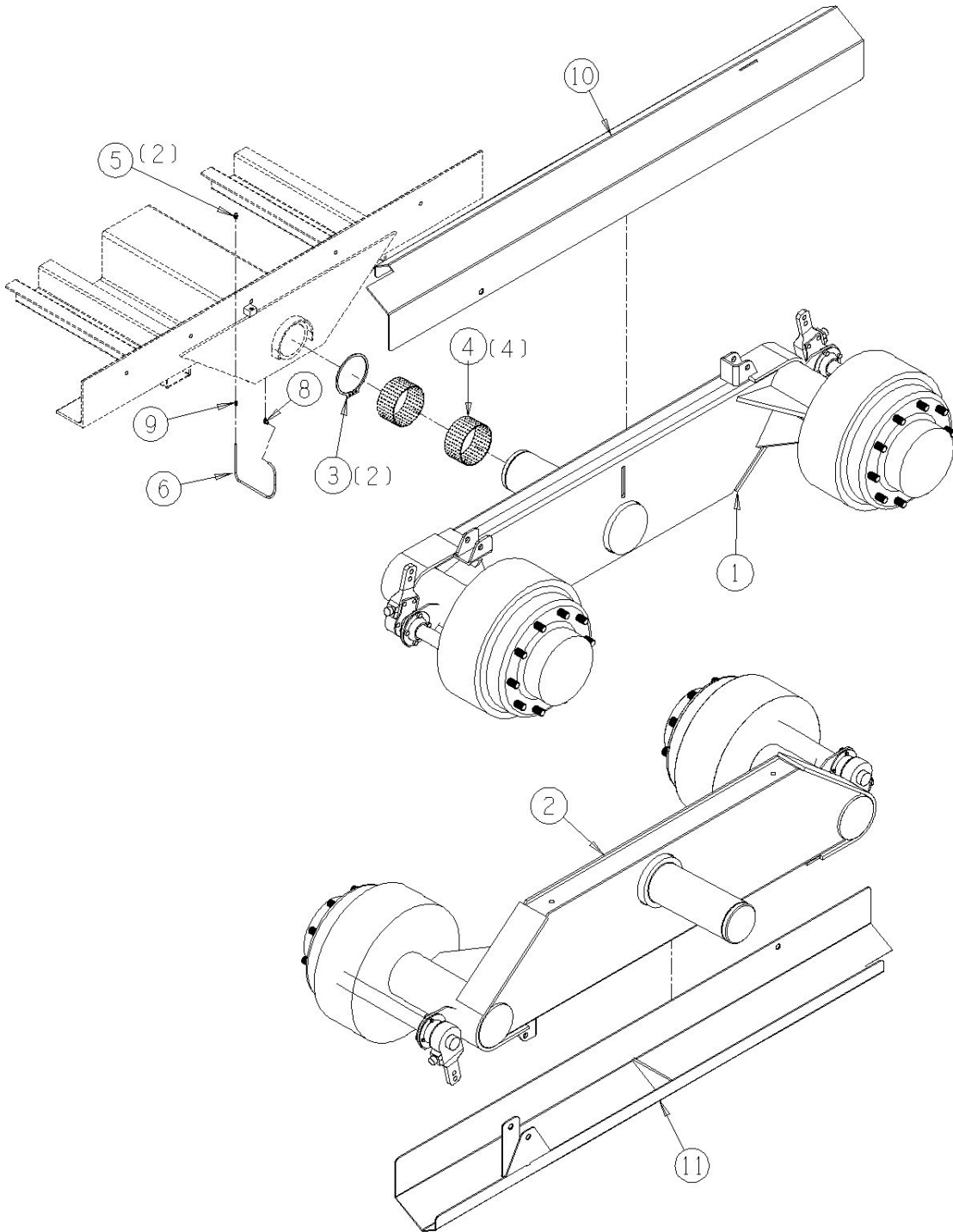
7103-1-10
WALKING BEAM



7109-1-10 Walking beam, Drum Brakes

<u>Ref</u>	<u>Part No.</u>	<u>Description</u>	<u>Parts – Assembly</u>	<u>Will Fit SN</u>	<u>Remarks</u>
1	PR22974	Rocker, 1190 V, LH, Drum Brakes	1		
2	PR22975	Rocker, 1190 V, RH, Drum Brakes	1		
3	PR43596	Retaining Ring, 4 1/2', External	2		
4	PR34415	Bronze Bushing for Spreader, 4½' Dia Shaft	4		
5	GF-1827-65L	Grease Fitting 1/8 NPT Long 65°	2		
6	H2-20-2MP-2MP	1/8in Grease Hose x 1/8MP x 1/8MP x 20in Long	2		
7	DC-0010	Decal, Grease Every 10 hrs.	2		
8	A-1501-2-2	1/8' MP x 1/8' FPX90°	2		
9	A-1404-2-2	1/8 MP x 1/8 FPX	2		
10	PR22976	Brake Cylinder Cover, 1190 VB	1		
11	PR22977	Cylinder Cover, 1190 VB drum brake	1		

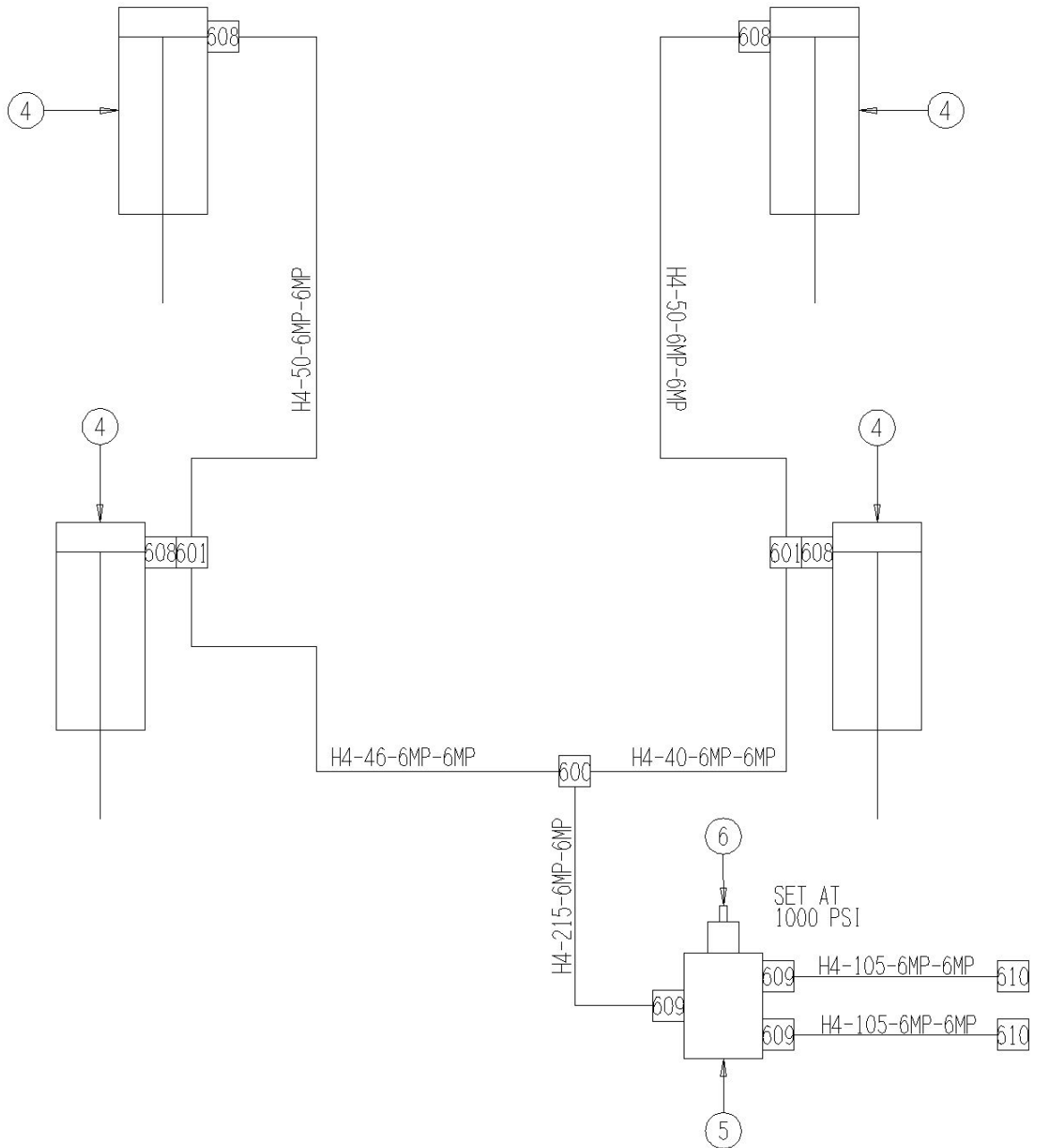
7109-1-10
WALKING BEAM



7109-1-10.1 Hydraulic Brake Assembly

<u>Ref</u>	<u>Part No.</u>	<u>Description</u>	<u>Parts – Assembly</u>	<u>Will Fit SN</u>	<u>Remarks</u>
4	PR60073	Spring Return Brake Cylinder, Hyd. Brakes	4		
5	HV-1002	Pressure Reducing/Relieving Valve 50-1500 w/RFF Body	1		
6	HV-1002-K	Standard Knob for HV-1002	1		
600	A-1603-6-6-6	Swivel T 3/8' NPTF	1		
601	A-1601-6-6-6	3/8 MP x 3/8 FPX x 3/8FPX Tee	1		
602	H4-50-6MP-6MP	1/4 in hose 3/8MP x 3/8MP x 50 in long	2		
603	H4-46-6MP-6MP	1/4 in hose 3/8MP x 3/8MP x 46 in long	1		
604	H4-40-6MP-6MP	1/4 in hose 3/8MP x 3/8MP x 40 in long	1		
605	H4-215-6MP-6MP	1/4 in hose 3/8MP x 3/8MP x 215 in long	1		
606	H4-105-6MP-6MP	1/4 in hose 3/8MP x 3/8MP x 105 in long	2		
608	A-1404-6-6	3/8 MP x 3/8 FPX	4		
609	A-6900-6-6	6 SAE x 3/8' FPX	3		
610	A-QD2010-8-8	Tractor Quick Coupler, Male, 1/2' w/ FPT	2		

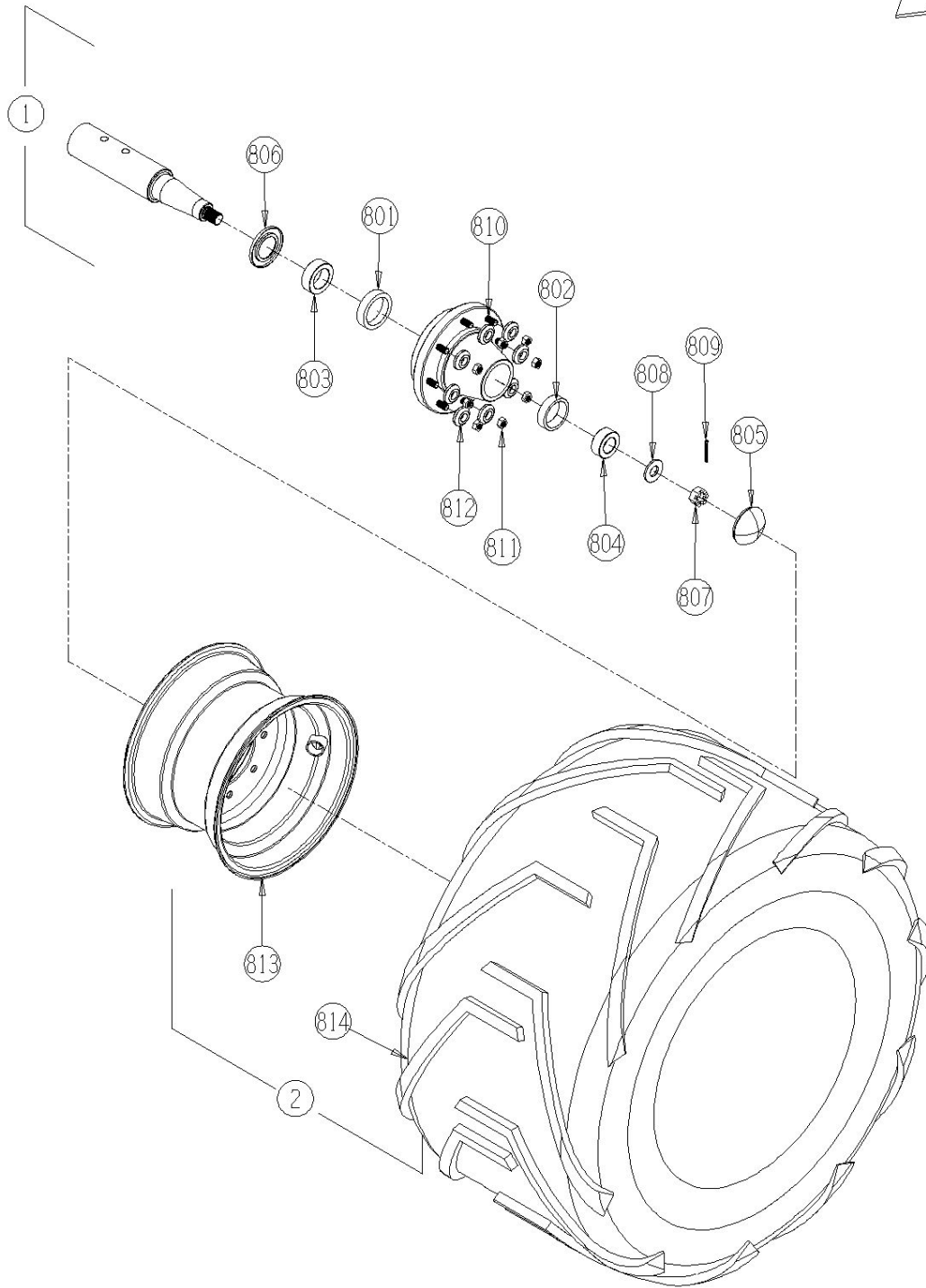
7109-1-10.1 HYDRAULIC BRAKE ASSEMBLY



7103-1-11 Hubs & Spindle, Tires & Wheels, Implement

<u>Ref</u>	<u>Part No.</u>	<u>Description</u>	<u>Parts – Assembly</u>	<u>Will Fit SN</u>	<u>Remarks</u>
1	WHL-1210	Hub and Spindle Assembly	4		
2	WHM-7101	550/60-22.5 Tire & Wheel Assy	4	1190	
800	WBR-1210K	Wheel Bearing Kit for WHL-1210 Hub & Spindle Assy.	1	WHL-1210	inner & outer cones & cups and grease seal
801	WHL-1210A	Inner Cup	1		
802	WHL-1210B	Outter Cup	1		
803	WHL-1210C	Inner Cone	1		
804	WHL-1210D	Outer Cone	1		
805	WHL-1210E	Dust Cap	1		
806	WHL-1210F	Grease Seal	1		
807	WHL-1210G	Flange Nut, Spindle	1		
808	WHL-1210H	Washer, Spindle	1		
809	WHL-1210I	Cotter Pin, Spindle	1		
810	WHL-1210J	Wheel Stud Bolt	8		
811	WHL-1210K	Wheel Stud Nut	8		
812	WHL-1210L	Wheel Stud Washer	8		
813	WHL-7104	Wheel, 16 x 22.5 - 7/15, 3/8" (+) Offset, HD, Painted	1	WHL-7101	
814	WHT-7101	Tire, Implement, 560/60-22.5, 404 Tread	1		
815	WHL-1210M	Spindle	1		

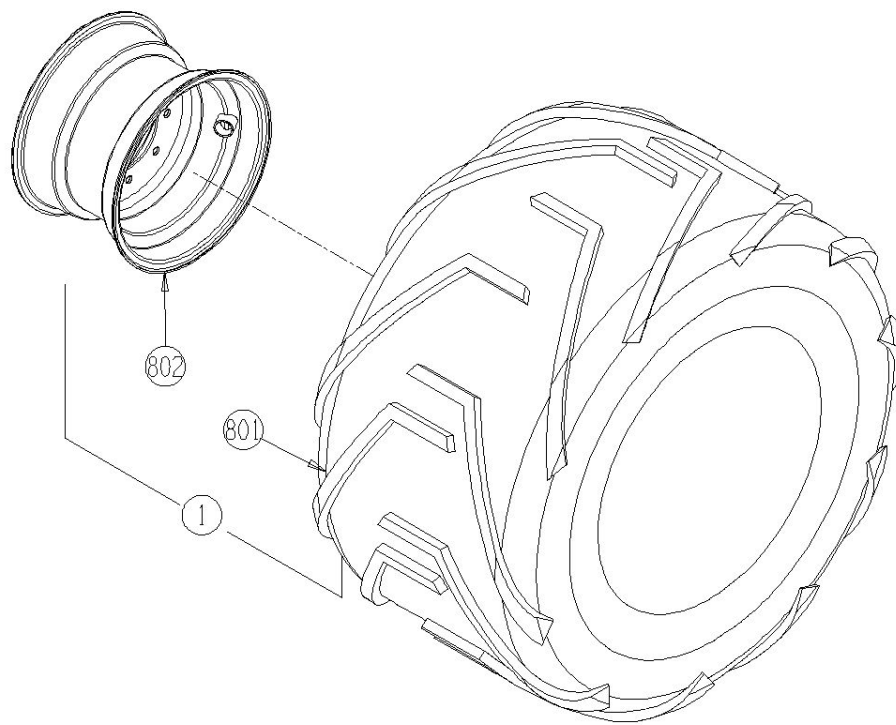
7103-1-11
HUBS & SPINDLE, TIRES & WHEELS, IMPLEMENT



7109-1-11 Tires & Wheels, (Implement Tires), Drum Brakes

<u>Ref</u>	<u>Part No.</u>	<u>Description</u>	<u>Parts – Assembly</u>	<u>Will Fit SN</u>	<u>Remarks</u>
1	WHM-7102	550/60-22.5 Tire & Wheel Assy, 7/8" Stud Diameter	4		Use a 7/8" diameter taper ream bit to enlarge stude holes.
801	WHT-7101	Tire, Implement, 560/60-22.5, 404 Tread	1		
802	WHL-7108	Wheel, 7/8 Stud, 16x22.5-7/15, 3/8"(+)Offset, Painted	1		

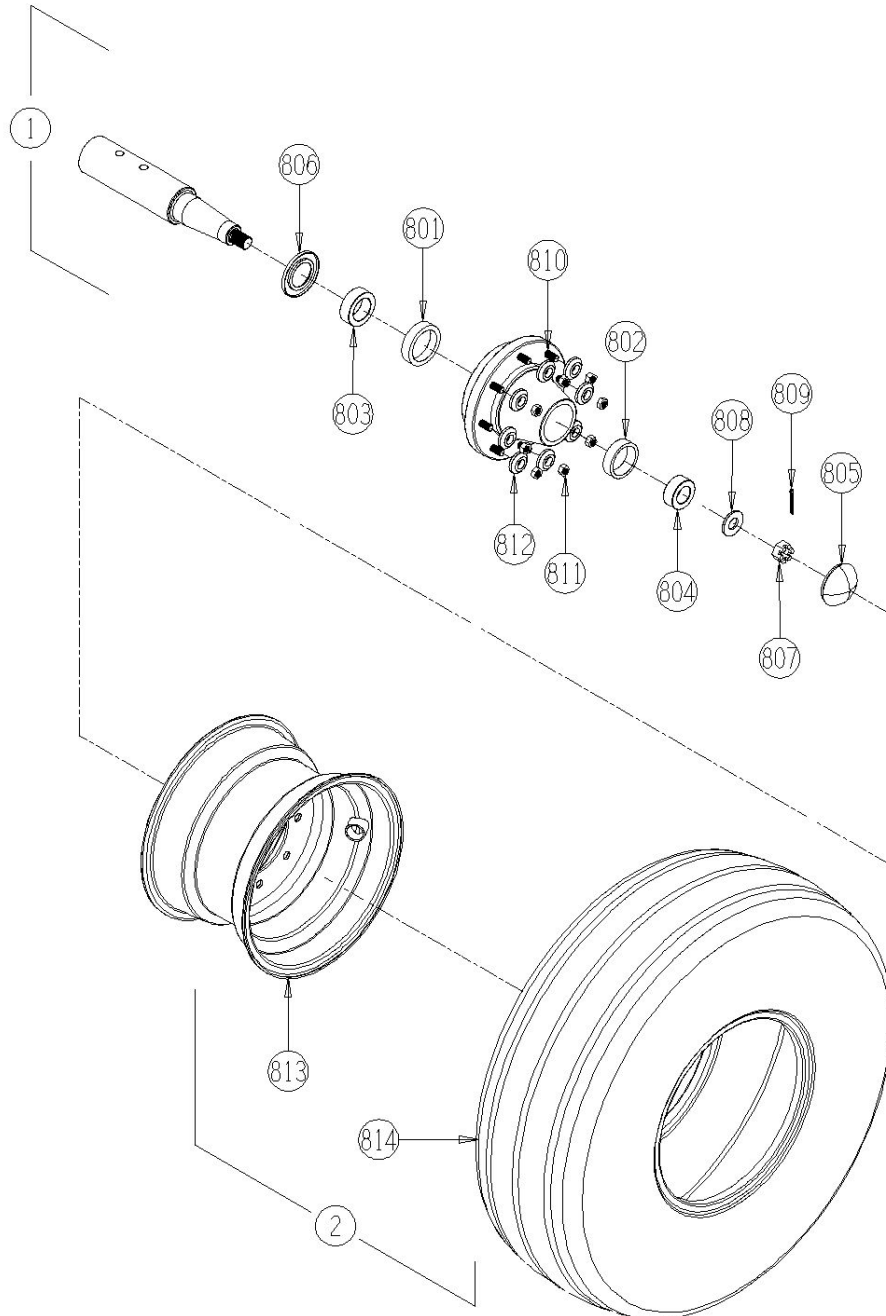
7109-1-11
TIRES & WHEELS, IMPLEMENT, DRUM BRAKES



7103-1-12 Hubs & Spindles, Tires & Wheels, Truck

<u>Ref</u>	<u>Part No.</u>	<u>Description</u>	<u>Parts – Assembly</u>	<u>Will Fit SN</u>	<u>Remarks</u>
1	WHL-1210	Hub and Spindle Assembly	4		
2	WHM-7105	425/65R22.5 Tire & Wheel Assy	4	1190	
800	WBR-1210K	Wheel Bearing Kit for WHL-1210 Hub & Spindle Assy.	1	WHL-1210	inner & outer cones & cups and grease seal
801	WHL-1210A	Inner Cup	1		
802	WHL-1210B	Outter Cup	1		
803	WHL-1210C	Inner Cone	1		
804	WHL-1210D	Outer Cone	1		
805	WHL-1210E	Dust Cap	1		
806	WHL-1210F	Grease Seal	1		
807	WHL-1210G	Flange Nut, Spindle	1		
808	WHL-1210H	Washer, Spindle	1		
809	WHL-1210I	Cotter Pin, Spindle	1		
810	WHL-1210J	Wheel Stud Bolt	8		
811	WHL-1210K	Wheel Stud Nut	8		
812	WHL-1210L	Wheel Stud Washer	8		
813	WHL-7105	22.5 X 13 Wheel	1	WHM-7105	
814	WHT-7105	Used Truck Tire 425/65R22.5	1		
815	WHL-1210M	Spindle	1		

7103-1-12
HUBS & SPINDLES, TIRES & WHEELS, TRUCK

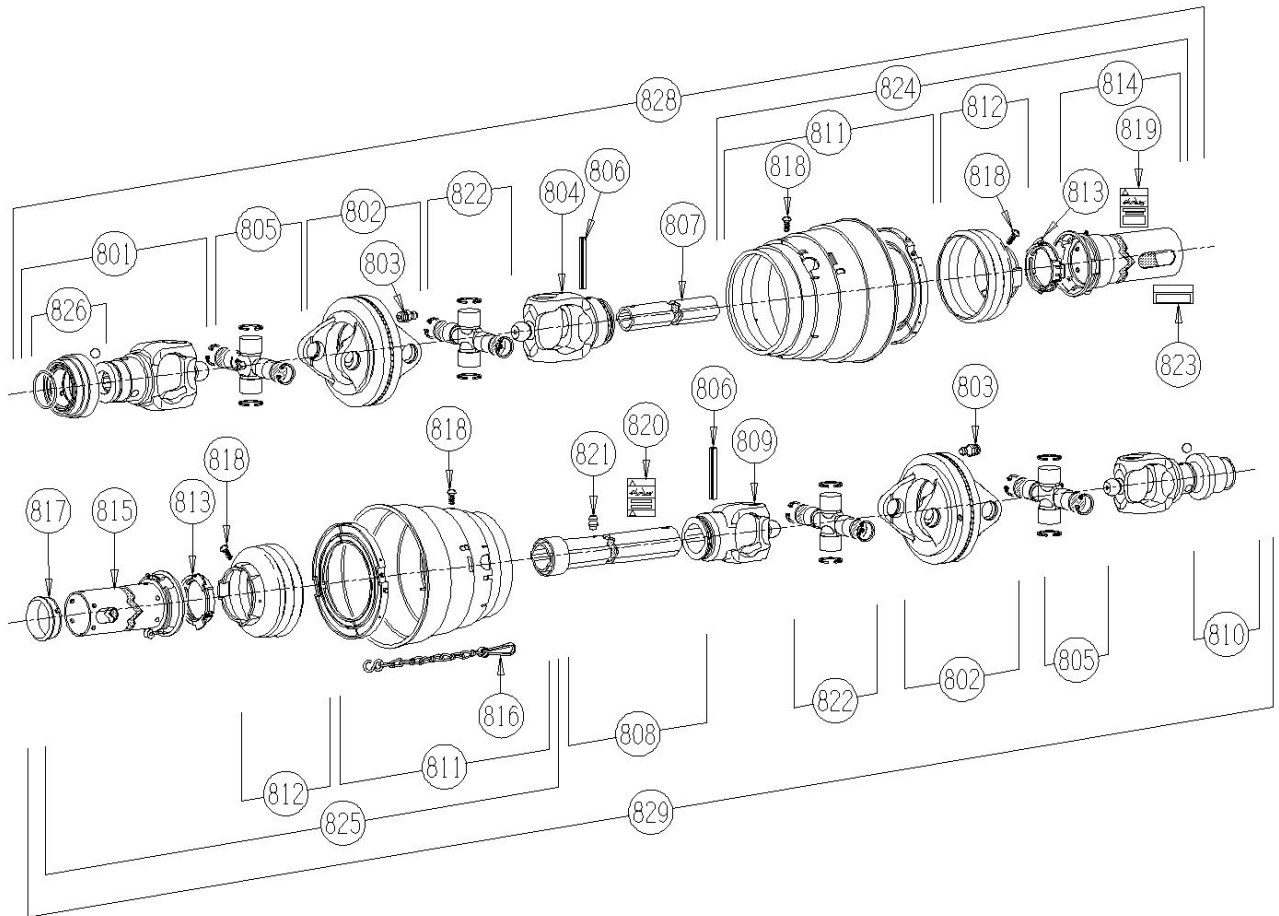


7109-2-1 1,000 RPM, 1-3/8' CV Driveline, Front

<u>Ref</u>	<u>Part No.</u>	<u>Description</u>	<u>Parts – Assembly</u>	<u>Will Fit SN</u>	<u>Remarks</u>
1	PTS-1008	1000 rpm CV Driveline, 1-3/8' Front, 7109	1		
801	PTS-1008A	Yoke, 1 3/8'-21 Spline	1		
802	PTS-1008B	Double Yoke	2		Special Order Only
803	PTS-1008C	Zerk, Double Yoke	2		Special Order Only
804	PTS-1008D	Inboard Yoke, 1b	1		
805	PTS-1008E	Cross & Bearing Kit	2		
806	PTB-1014C	Spring Pin 10 X 75	2		Special Order Only
807	PTS-1008F	Inner Profile, 1bGA	1		
808	PTS-1008G	Profile and Sleeve WA	1		
809	PTS-1008H	Inboard Yoke, 2a	1		Special Order Only
810	PTS-1008J	Yoke, 1 3/4'-20 Spline	1		
811	PTS-1008K	CV Guard and Bearing Assy	2		Special Order Only
812	PTS-1008L	Guard Cone, 3 Rib	2		Special Order Only
813	PTS-1002J	PTO Shield Bearing Ring	2		Special Order Only
814	PTS-1008M	Guard Tube Outer	1		Special Order Only
815	PTS-1008N	Guard Tube, Inner	1		Special Order Only
816	PTS-1002K	PTO Shield Safety Chain	1		Special Order Only
817	PTS-1010N	Support Bearing	1		Special Order Only
818	PTS-1010K	Screw	14		Special Order Only
819	PTS-1010L	Decal, Outer	1		Special Order Only
820	PTS-1010M	Decal, Inner	1		Special Order Only
821	PTB-1014L	Zerk	1		Special Order Only
822	PTS-1008P	Cross Bearing & Kit	2		
823	PTS-1008Q	CV Lubrication Decal	1		Special Order Only
824	PTS-1008-FS	Front Shield Kit, Complete	1		
825	PTS-1008-RS	Rear Shield Kit, Complete	1		
826	PTB-1014P	ASGE Collar Kit	1		
827	PTS-1008R	ASG Collar Kit	1		

828	PTS-1008-FH	Front, Half Shaft	1
829	PTS-1008-RH	Rear, Half Shaft	1

7109-2-1
1000 RPM, 1-3/8" CV DRIVELINE, FRONT

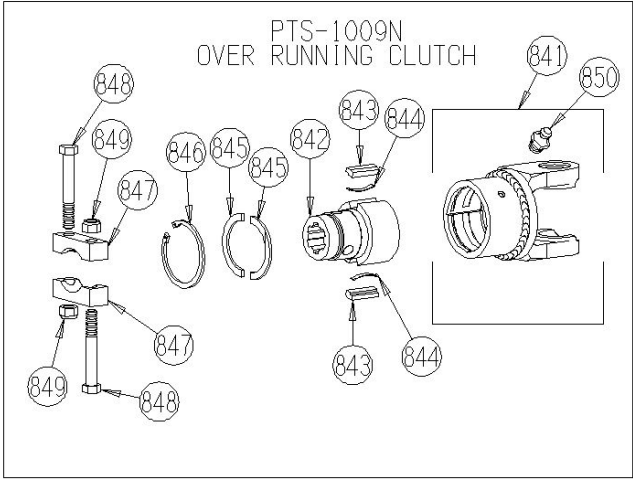
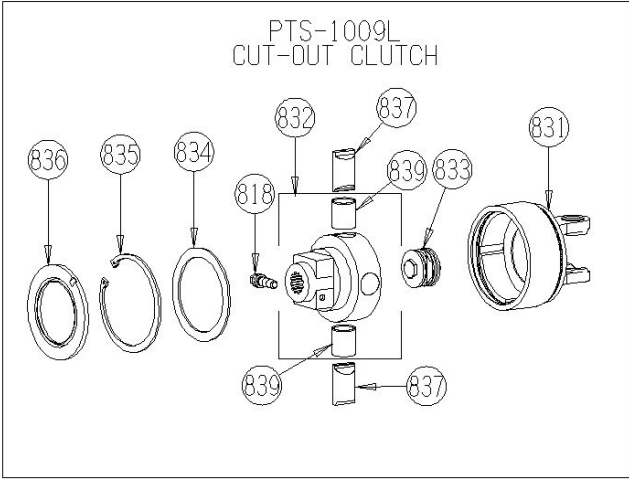
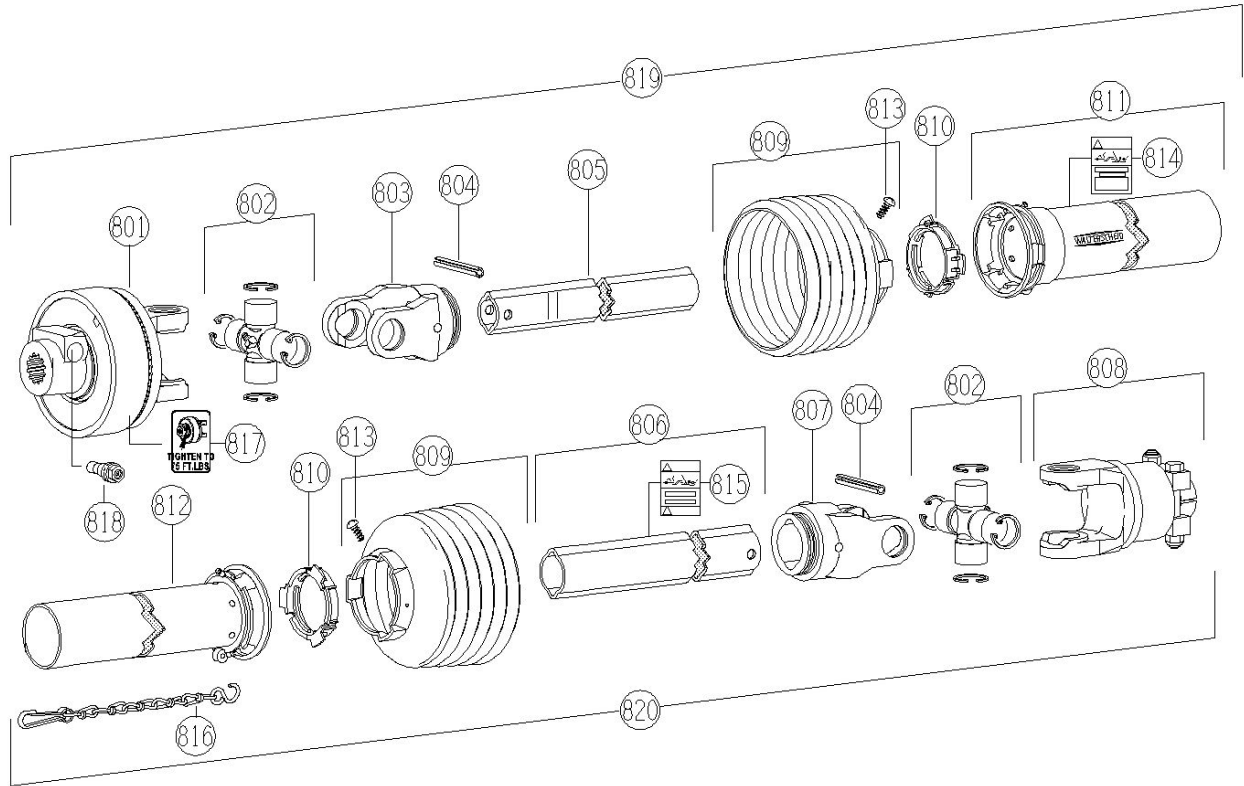


7109-2-2 Driveline, Rear

<u>Ref</u>	<u>Part No.</u>	<u>Description</u>	<u>Parts – Assembly</u>	<u>Will Fit SN</u>	<u>Remarks</u>
1	PTS-1009	Driveline,Rear, 1190 Vert.	1		
801	PTS-1009L	Cut-Out Clutch	1		Special Order Only
802	PTS-1010B	Cross & Bearing Kit	2		
803	PTS-1009B	Inboard Yoke, 1b	1		Special Order Only
804	PTS-1010C	Spring Pin	2		Special Order Only
805	PTB-1014E	Inner Profile	1		Special Order Only
806	PTS-1009M	Outer Profile	1		Special Order Only
807	PTS-1010D	Inboard Yoke	1		Special Order Only
808	PTS-1009N	Overrunning Clutch	1		
809	PTB-1014I	Shield Cone 6 Rib	2		Special Order Only
810	PTS-1002J	PTO Shield Bearing Ring	2		Special Order Only
811	PTS-1009P	Guard Tube Outer	1		Special Order Only
812	PTS-1009Q	Guard Tube Inner	1		Special Order Only
813	PTS-1010K	Screw	2		Special Order Only
814	PTS-1010L	Decal, Outer	1		Special Order Only
815	PTS-1010M	Decal, Inner	1		Special Order Only
816	PTS-1002K	PTO Shield Safety Chain	1		Special Order Only
817	PTS-1009J	Decal	1		Special Order Only
818	PTS-1009K	CC Lock Assembly	1		Special Order Only
819	PTS-1009-FH	Front, Half Shaft	1		Special Order Only
820	PTS-1009-RH	Rear, Half Shaft	1		Special Order Only
831	PTS-1009E-B	Housing	1		Special Order Only
832	PTS-1009E-C	Hub 1-3/4'-20 Spl CC	1		Special Order Only
833	PTS-1009E-D	Spring Pack	1		
834	PTS-1009E-E	Washer	1		Special Order Only
835	PTS-1009E-F	Retaining Ring	1		Special Order Only
836	PTS-1009E-G	Sealing Ring	1		Special Order Only
838	PTS-1009E-A	Cam	2		

839	PTS-1009E-H	Bushing - In Part PTS-1009E-C	2	
841	PTS-1020A-A	Clutch Housing	1	Special Order Only
842	PTS-1009N-A	Hub	1	Special Order Only
843	PTS-1010F-A	Key	2	
844	PTS-1010F-B	Leaf Spring	2	
845	PTS-1009N-B	Supporting Ring	1	Special Order Only
846	PTS-1010F-G	Retaining Ring	1	Special Order Only
847	PTS-1009N-C	Clamp Bridge	2	Special Order Only
848	PTS-1009N-D	Hex Bolt - M16 x 110L	2	
849	PTS-1009N-E	Locknut - M16	2	
850	PTS-1008C	Zerk, Double Yoke	1	Special Order Only

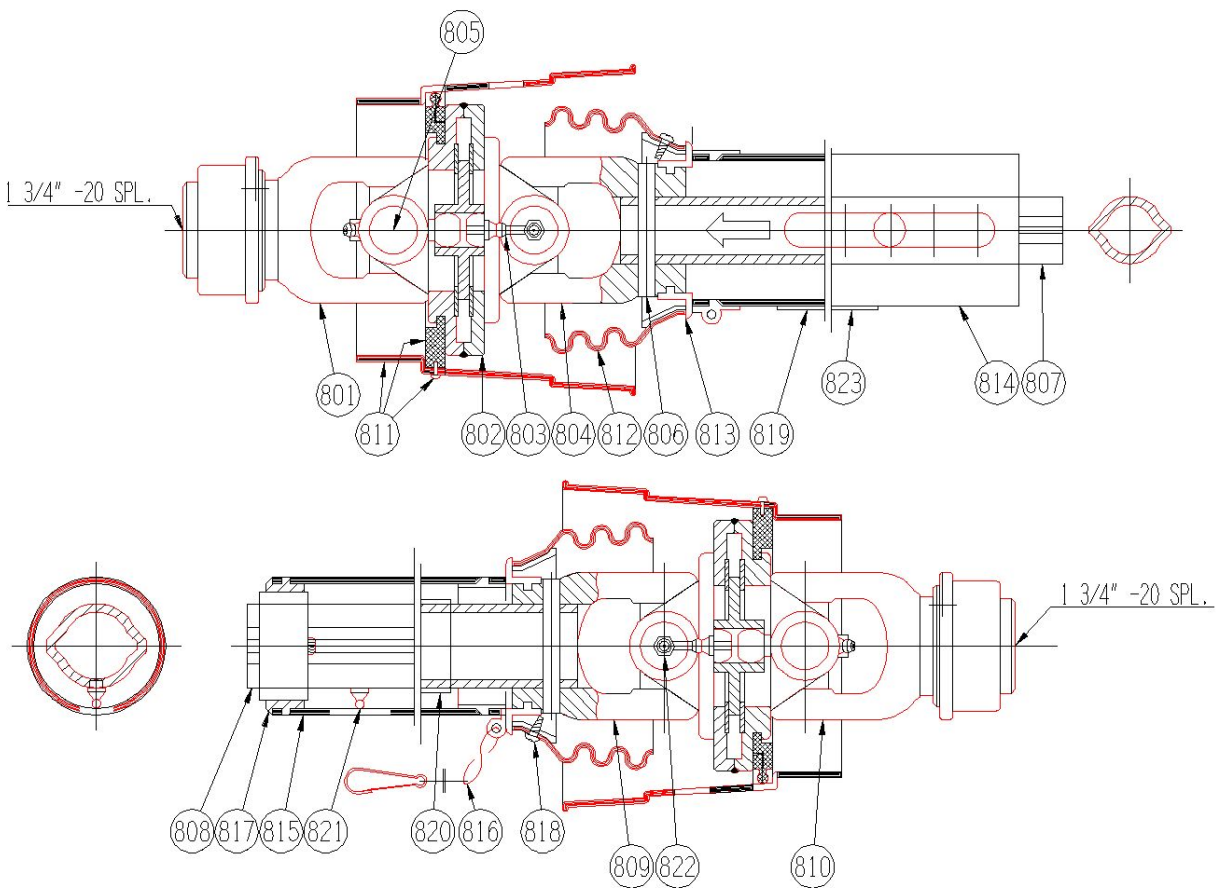
7109-2-2
 1000 RPM, 1-3/4" CV DRIVELINE



7109-2-3 1,000 RPM, 1-3/4' CV Driveline

<u>Ref</u>	<u>Part No.</u>	<u>Description</u>	<u>Parts – Assembly</u>	<u>Will Fit SN</u>	<u>Remarks</u>
1	PTS-1013	1000 rpm CV Driveline, 1-3/4' Primary, 1190 Vert.	1		
800	PTS-1013-FH	Front, Half Shaft	1		
801	PTS-1008J	Yoke, 1 3/4'-20 Spline	2		
802	PTS-1008B	Double Yoke	2		Special Order Only
803	PTS-1017C	Zerk-in Item 2	2		
804	PTS-1008D	Inboard Yoke, 1b	1		
805	PTS-1008E	Cross & Bearing Kit	2		
806	PTS-1010C	Spring Pin	2		Special Order Only
807	PTS-1008F	Inner Profile, 1bGA	1		
809	PTS-1008H	Inboard Yoke, 2a	1		Special Order Only
811	PTS-1008S	CV Guard & Bearing Assy	2		
812	PTS-1008L	Guard Cone, 3 Rib	2		Special Order Only
813	PTS-1002J	PTO Shield Bearing Ring	2		Special Order Only
816	PTS-1002K	PTO Shield Safety Chain	1		Special Order Only
817	PTS-1010N	Support Bearing	1		Special Order Only
818	PTS-1010K	Screw	14		Special Order Only
819	PTS-1010L	Decal, Outer	1		Special Order Only
820	PTS-1010M	Decal, Inner	1		Special Order Only
821	PTB-1014L	Zerk	1		Special Order Only
822	PTS-1008P	Cross Bearing & Kit	2		
823	PTS-1008Q	CV Lubrication Decal	1		Special Order Only
826	PTS-1013-RH	Rear, Half Shaft	1		

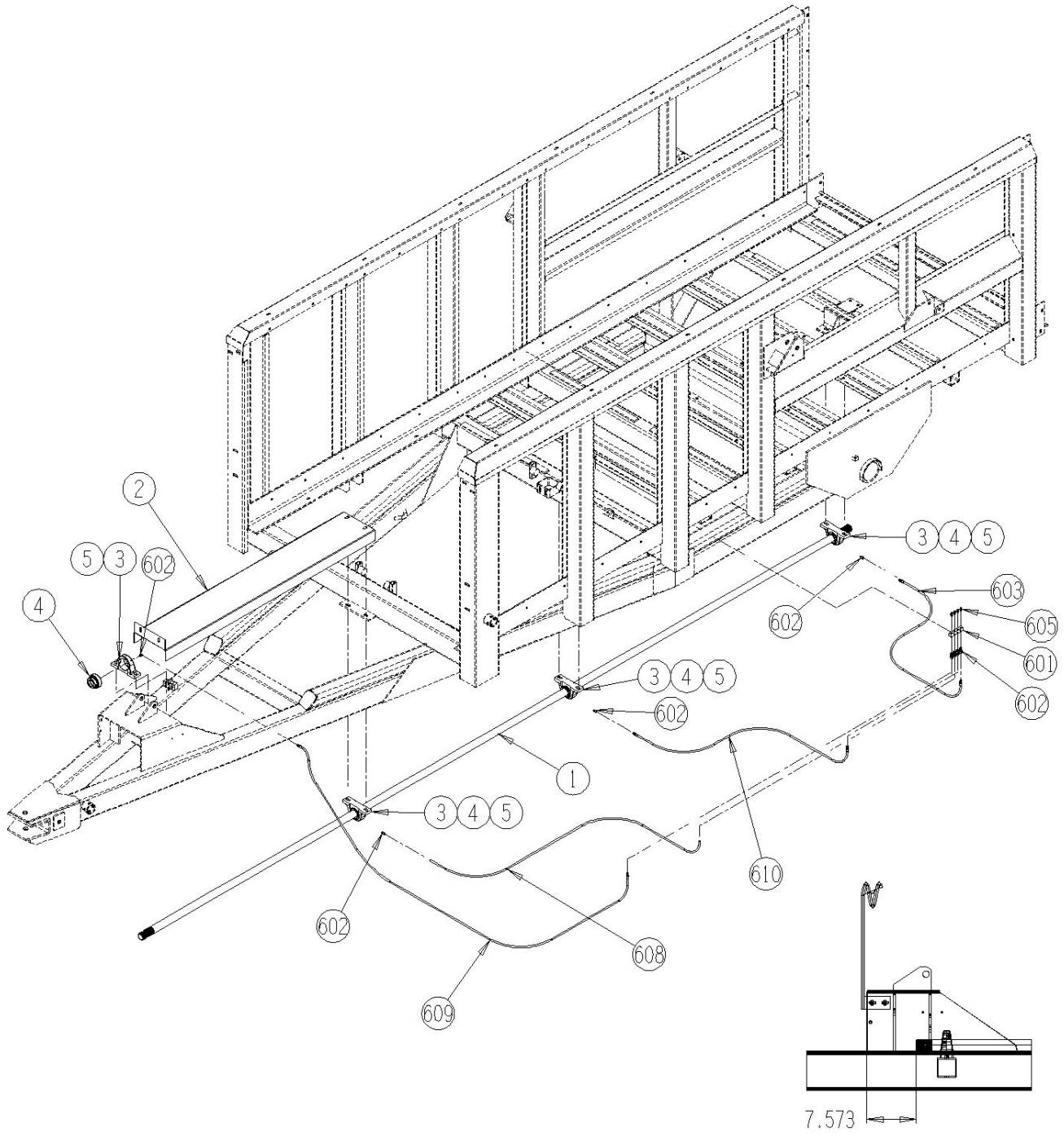
7109-2-3
1000 RPM, 1-3/4" CV DRIVELINE



7109-2-5 Main Drive Shaft & Shields

<u>Ref</u>	<u>Part No.</u>	<u>Description</u>	<u>Parts – Assembly</u>	<u>Will Fit SN</u>	<u>Remarks</u>
1	PR33228	Shaft, Main, Vertical Beater Spreader	1		
2	PR50202	PTO Shield, 1190 Vertical Beater Spreader	1		
3	BR-085-RAK	Bearing Housing 85 mm	4		
4	BR-175-085-I	Bearing, 1 3/4" ID, TS	4		
5	GF-1827	Grease Fitting 1/8 NPT Straight	4		
601	GF-4-4	4" Grease Manifold	1		
602	A-1404-2-2	1/8 MP x 1/8 FPX	4		
603	H2-200-2mp-2mp	1/8 in grease hose 1/8MP x 1/8MP x 200 in long	1		
604	GFA-51942	1/4"-28 Straight Adapter	4		
606	A-1501-2-2	1/8" MP x 1/8" FPX90°	4		
608	H2-56-2MP-2MP	1/8in Hose x 1/8MP x 1/8MP x 56in	1		
609	H2-41-2MP-2MP	1/8 in grease hose 1/8MP x 1/8MP x 41 in long	1		
610	H2-130-2MP-2MP	1/8" Grease Hose 1/8MP x 1/8MP x 130" Long	1		
611	HA-1031	Hydraulic Hose Holder 3/8	5		
612	WT-11	Wire Tie 11"	12		

7109-2-5
MAIN DRIVE SHAFT & SHIELDS

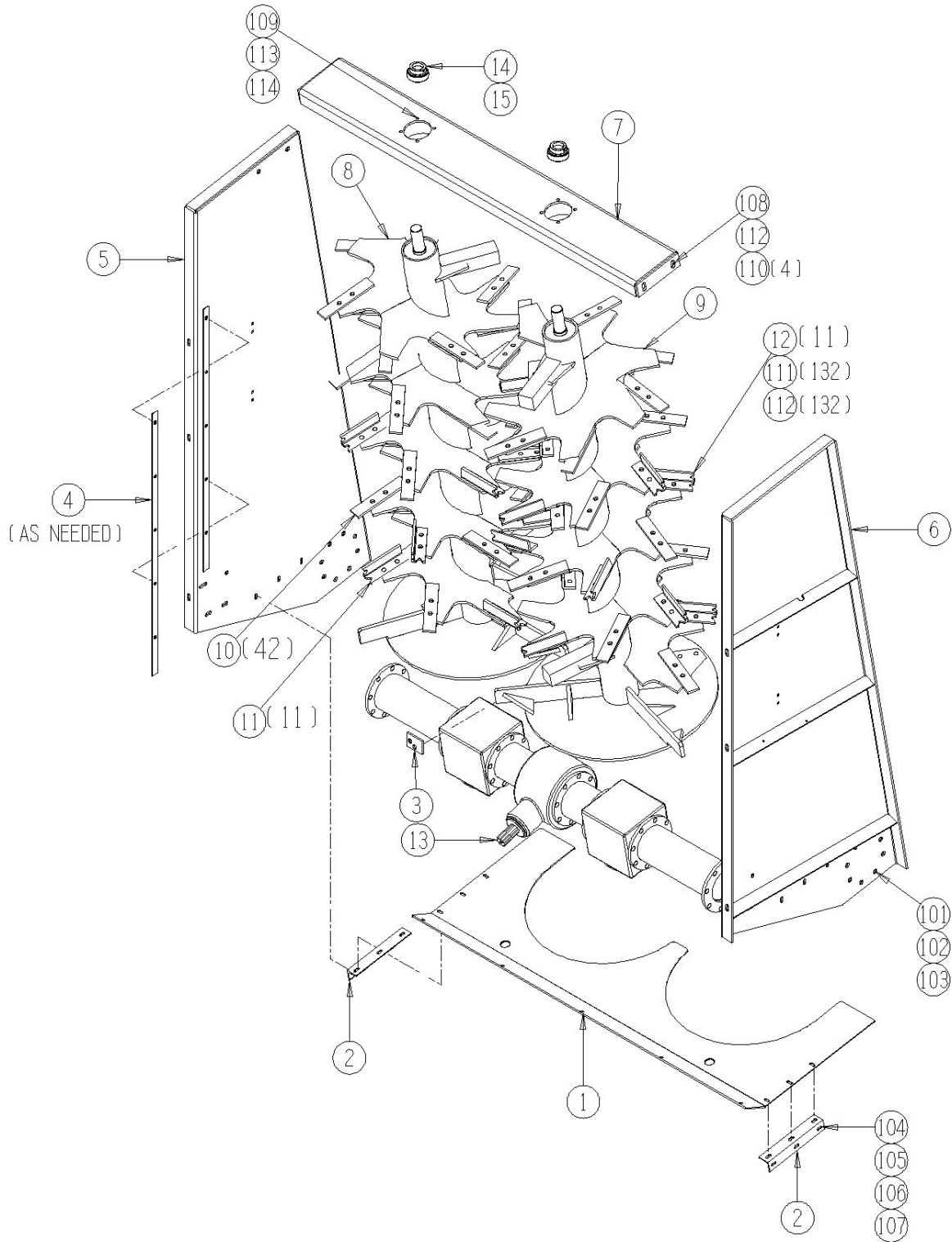


7109-2-7 1190VB Main Beater, S.N.'s 71111001-

<u>Ref</u>	<u>Part No.</u>	<u>Description</u>	<u>Parts – Assembly</u>	<u>Will Fit SN</u>	<u>Remarks</u>
0	HP-1038	Gear Lube, 80W90 @ Quart	11	Hydra Ram Spreader	
1	PR5052	Panel,Bottom Vertical Beater	1		
2	PR50501	Angle, Floor Vertical Beater	2		
3	PR50502	Shim, Bottom Panel under Gearbox	1		
4	PR5050-B	Sheet Steel	0		
5	PR50601	Panel,Right Side,1190 Vertical Beater	1		
6	PR50600	Panel, Left Side,1190Vertical Beater	1		
7	VTB-0001	Top Plate, Bearing Plate, Vert Beater	1		
8	VTB-0008	Vertical Beater, RH, 1190VB	1		
9	VTB-0007	Vertical Beater, LH, 1190VB	1		
10	VTB-1899-F3	Knife, Weight Specific	42	71113001-	
11	VTB-1899-B3	Right Blade	11		
12	VTB-1899-C3	Left Blade	11		
13	VTB-1899-P2	Gear Box, 1000 RPM, 790VB, 1190VB	1		
14	BR-175-085-I	Bearing, 1 1/2" ID, TS	2		
15	BR-085-4PF	85mm Four Bolt Piloted Flange Housing	2		
101	BL-9-200-H8	9/16-12 x 2, Hex Head, Grade 8	16		
102	BL-9-FW-8	9/16" Grade 8 Flat Washer	16		
103	BL-9-LN	9/16" Lock Nuts w/Nylon Inserts	16		
104	BL-6-100-C	3/8 UNC X 1 CARRIAGE BOLT GR5 ZINC	17		
105	BL-6-SW	3/8 SAE FW ZC	17		
106	BL-6-N	3/8-16 HEX NUTS ZC	17		
107	BL-6-LW	3/8 SPLIT LW ZC	17		
108	BL-10-SW	5/8 SAE FW ZC @	8		
109	BL-7-125-HH	7/16" x 1 1/4", Hex Head, Gr 5, Zinc	8		
110	BL-10-200-H	5/8-11 X 2 HEX CAP G5 ZC	4		
111	BL-10-175-H8	5/8-11 X 1 1/2 HEX CAP G8 ZC	132		
112	BL-10-LN	5/8-11 HEX LN NE ZC	136		

113	BL-7-LW	7/16' Split LW,Zinc Coated	8
114	BL-7-SW	7/16 SAE FW ZC	8
601	GF-2-2	2' Grease Manifold	1
602	A-1404-2-2	1/8 MP x 1/8 FPX	4
603	GF-1827	Grease Fitting 1/8 NPT Straight	2
604	H2-71-2MP-2MP	1/8 in grease hose 1/8MP x 1/8MP x 71 in long	1
605	H2-102-2MP-2MP	1/8 in grease hose 1/8MP x 1/8MP x 102 in long	1
606	A-1503-2-2	1/8' MP x 1/8' FPX 45-	2
810	VTB-1899-A3	Knife	6

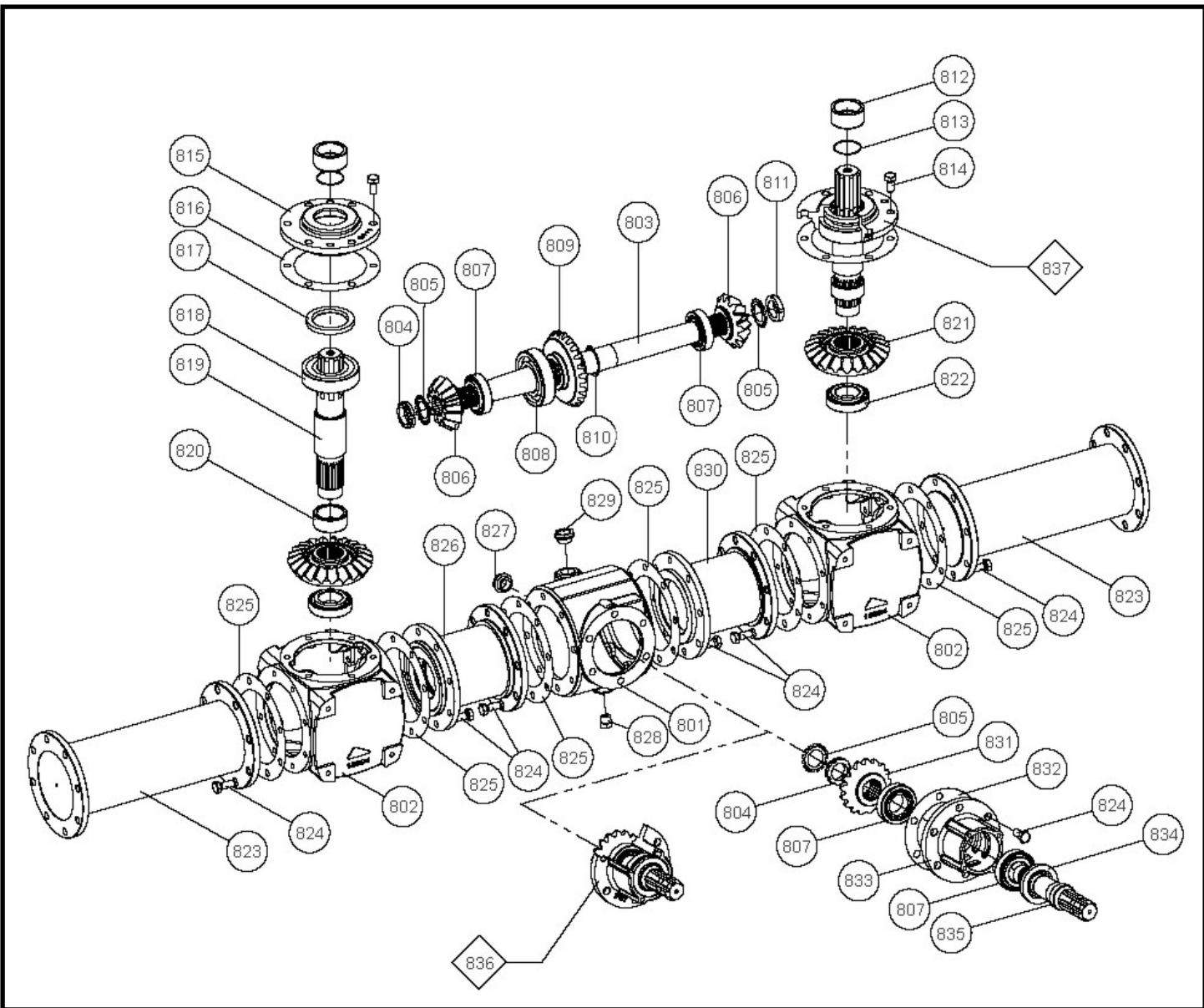
7109-2-7 MAIN BEATER



7109-2-7.1 Gear Box, Main Beater

<u>Ref</u>	<u>Part No.</u>	<u>Description</u>	<u>Parts – Assembly</u>	<u>Will Fit SN</u>	<u>Remarks</u>
801	VTB-1899-A1	Housing	1		
802	VTB-1899-B1	Housing	2		
803	VTB-1899-C1	Shaft	1		
804	VTB-1899-D1	Threaded Ring	2		
805	VTB-1899-E1	Washer	3		
806	VTB-1899-F1	Bevel Pinion Z=13	2		
807	VTB-1899-G1	Bearing 32209	4		
808	VTB-1899-H1	Bearing 6311	1		
809	VTB-1899-J1	Gear Z=24	1		
810	VTB-1899-K1	Circlip E 55	1		
811	VTB-1899-L1	Threaded Ring	1		
812	VTB-1899-M1	Spacer	2		
813	VTB-1899-N1	O-ring 2212	2		
814	VTB-1899-P1	Screw, hex-hd M14X30	12		Reference Only, Special Order
815	VTB-1899-Q1	Calotte	2		
816	VTB-1899-R1	Gasket	2		
817	VTB-1899-S1	Oil Seal	2		
818	VTB-1899-T1	Bearing 6311-2RS	2		
819	VTB-1899-U1	Shaft	2		
820	VTB-1899-V1	Spacer	2		
821	VTB-1899-W1	Gear Z=22	2		
822	VTB-1899-X1	Bearing 32210	2		
823	VTB-1899-Y1	Spacer L=428	2		
824	VTB-1899-Z1	Screw, hex-hd M14X35	54		Reference Only, Special Order
825	VTB-1899-A2	Gasket	6		
826	VTB-1899-B2	Right Spacer L=178	1		
827	VTB-1899-C2	Oil Lev. Indicator	1		Replace with #GBXA-5-ST10B
828	VTB-1899-D2	Oil Plug, 1/2" Gas	1		

829	VTB-1899-E2	Oil Plug, 1" Gas.	1
830	VTB-1899-G2	Bevel Pinion Z=17	1
830	VTB-1899-F2	Left Spacer, L=178	1
832	VTB-1899-H2	Gasket	1
833	VTB-1899-J2	Hub	1
834	VTB-1899-K2	Oil Seal	1
835	VTB-1899-L2	Shaft	1
836	VTB-1899-M2	Hub Complete, 790, 1190VB Gearbox	1
837	VTB-1899-N2	Calotte Complete, 790, 1190VB Gearbox	2

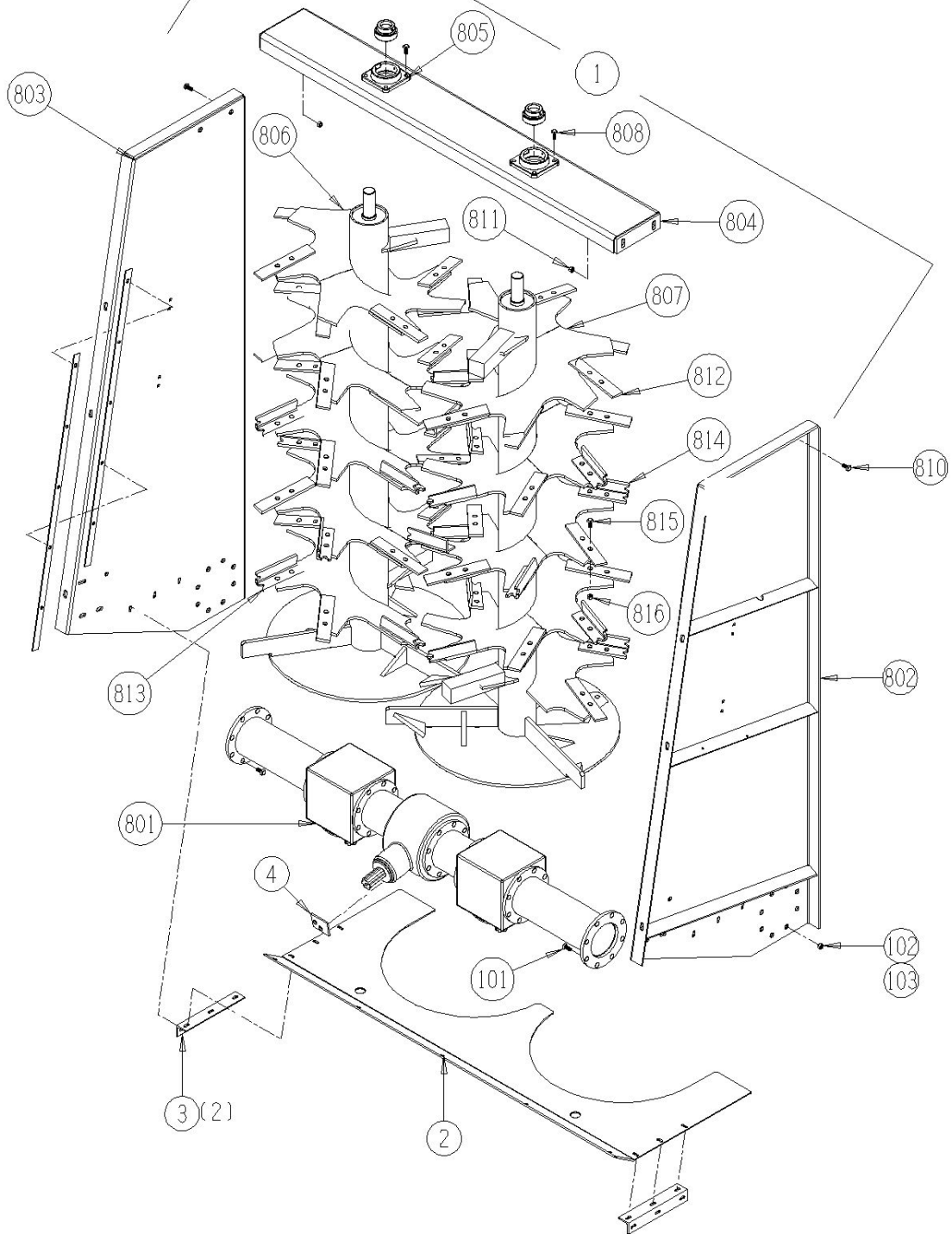


7109-2-7A Main Beater, S.N.'s -71110016

<u>Ref</u>	<u>Part No.</u>	<u>Description</u>	<u>Parts – Assembly</u>	<u>Will Fit SN</u>	<u>Remarks</u>
0	HP-1038	Gear Lube, 80W90 @ Quart	11	Hydra Ram Spreader	
1	VTB-1899	Vertical Beater System, 1190, 1000rpm	1		
2	PR5052	Panel,Bottom Vertical Beater	1		
3	PR50501	Angle, Floor Vertical Beater	2		
4	PR50502	Shim, Bottom Panel under Gearbox	1		
5	PR5050-B	Sheet Steel	0		
101	BL-9-200-H8	9/16-12 x 2, Hex Head, Grade 8	16		
102	BL-9-FW-8	9/16' Grade 8 Flat Washer	16		
103	BL-9-LN	9/16' Lock Nuts w/Nylon Inserts	16		
601	GF-2-2	2' Grease Manifold	1		
602	A-1404-4-4	1/4 MP x 1/4 FPX	2		
603	GF-1827-45	Grease Fitting 1/8 NPT 45-	2		
604	H2-71-2MP-2MP	1/8 in grease hose 1/8MP x 1/8MP x 71 in long	1		
605	H2-102-2MP-2MP	1/8 in grease hose 1/8MP x 1/8MP x 102 in long	1		
801	VTB-1899-P2	Gear Box, 1000 RPM, 790VB, 1190VB	1		
802	VTB-1899-Q2	Right Panel	1		
803	VTB-1899-R2	Left Panel	1		
804	VTB-1899-S2	Cross Bar	1		
805	VTB-1899-T2	Bearing, Vertical Beater -70210019	2		
806	VTB-1899-U2	Right Beater	1		
807	VTB-1899-V2	Left Beater	1		
808	VTB-1899-W2	Screw, hex-hd M14X40	8		
810	VTB-1899-Y2	Screw, hex-hd M18X45	4		
811	VTB-1899-Z2	Nut M18-8G	4		
812	VTB-1899-A3	Knife	48		
813	VTB-1899-B3	Right Blade	11		
814	VTB-1899-C3	Left Blade	11		
815	VTB-1899-D3	Screw, hex-hd M16x40	128		

816	VTB-1899-E3	Nut M16x1.5	128
817	PR50600	Panel, Left Side, 1190 Vertical Beater	0
818	PR50601	Panel, Right Side, 1190 Vertical Beater	0

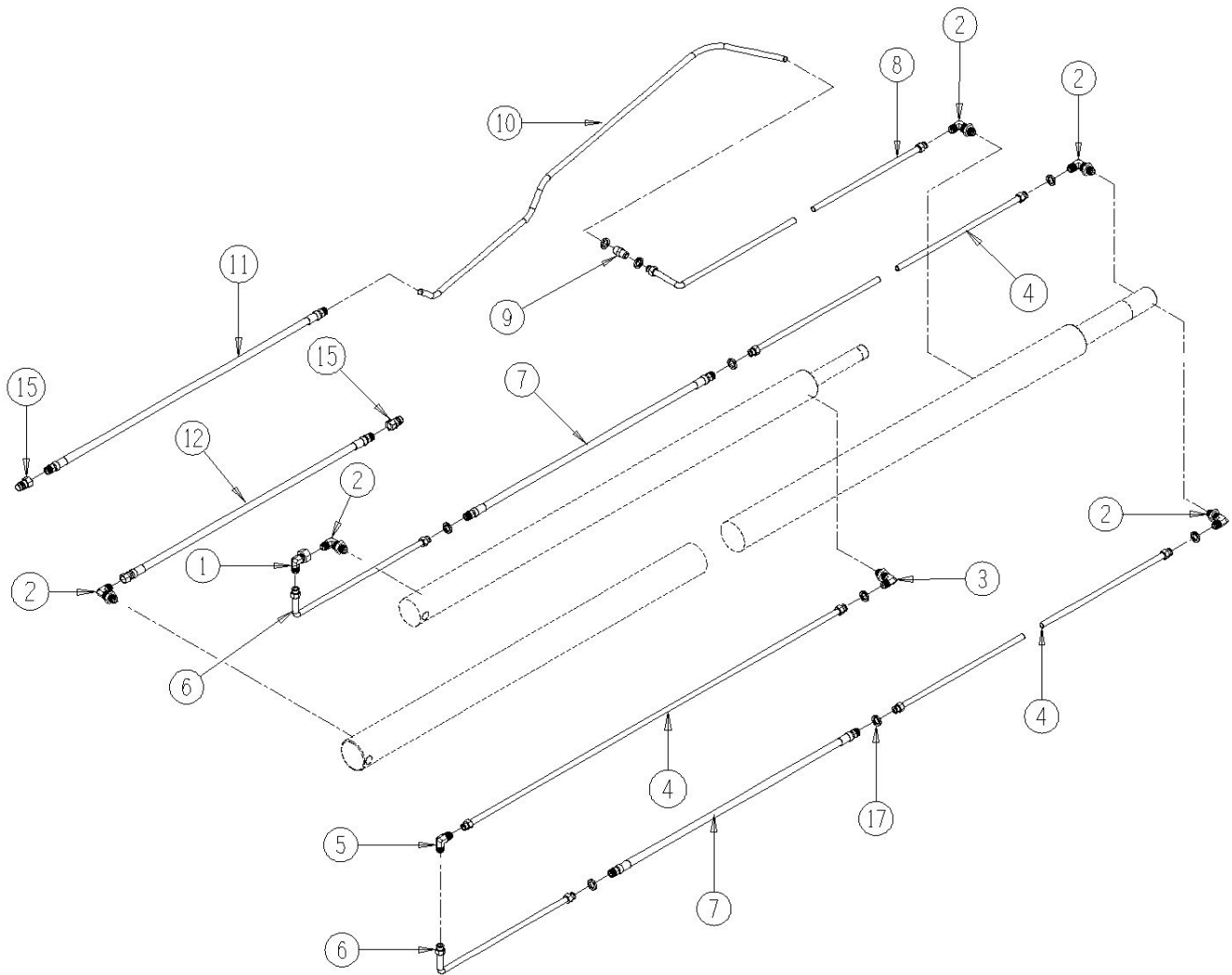
7109-2-7A
MAIN BEATER



7109-3-1 Hydraulics, Control Valve To Push Off Cylinders

<u>Ref</u>	<u>Part No.</u>	<u>Description</u>	<u>Parts – Assembly</u>	<u>Will Fit SN</u>	<u>Remarks</u>
1	A-6500-10	Elbow, 5/8" MJ x 5/8" FJX	1		
2	A-6801-L-10	Elbow, Long, 5/8" MJ x 10 SAE	5		
3	A-6801-10	Elbow, 5/8" MJ x 10 SAE	1		
4	H-T7001	Hyd Tube, Primary/Sec Cylinder, 5/8" Dia.	3		
5	A-2500-10	Elbow, 5/8" MJ x 5/8" MJ	1		
6	H-T7002	Hyd Tube, Primary to Sec. Cylinder, 5/8" dia.	2		
7	H8-40-10MJ-10MJ	1/2" hose 5/8" MJ x 5/8" MJ x 39.75" long	2		
8	H-T7003	Hyd Tube, Primary Cylinder, Rear, 5/8" dia.	1		
9	A-2403-10	Union, 5/8" MJ x 5/8" MJ	1		
10	H-T7024	Hyd. Tube, Pusher Cyl., Rear To Tractor, 1190VB	1		
11	H8-100-8MP-10MJ	1/2 in hose 1/2MP x 5/8 MJ x 110 in long	1		
12	H8-88-8MP-10FJ	1/2 in hose 1/2MP x 5/8 FJ x 88 in long	1		
15	A-QD2010-8-8	Tractor Quick Coupler, Male, 1/2" w/ FPT	2		
17	HW-10	5/8" OD Washer for Hydraulic Tube/Hose	14		
601	HY-TRAN	Hytran @ gal	5		

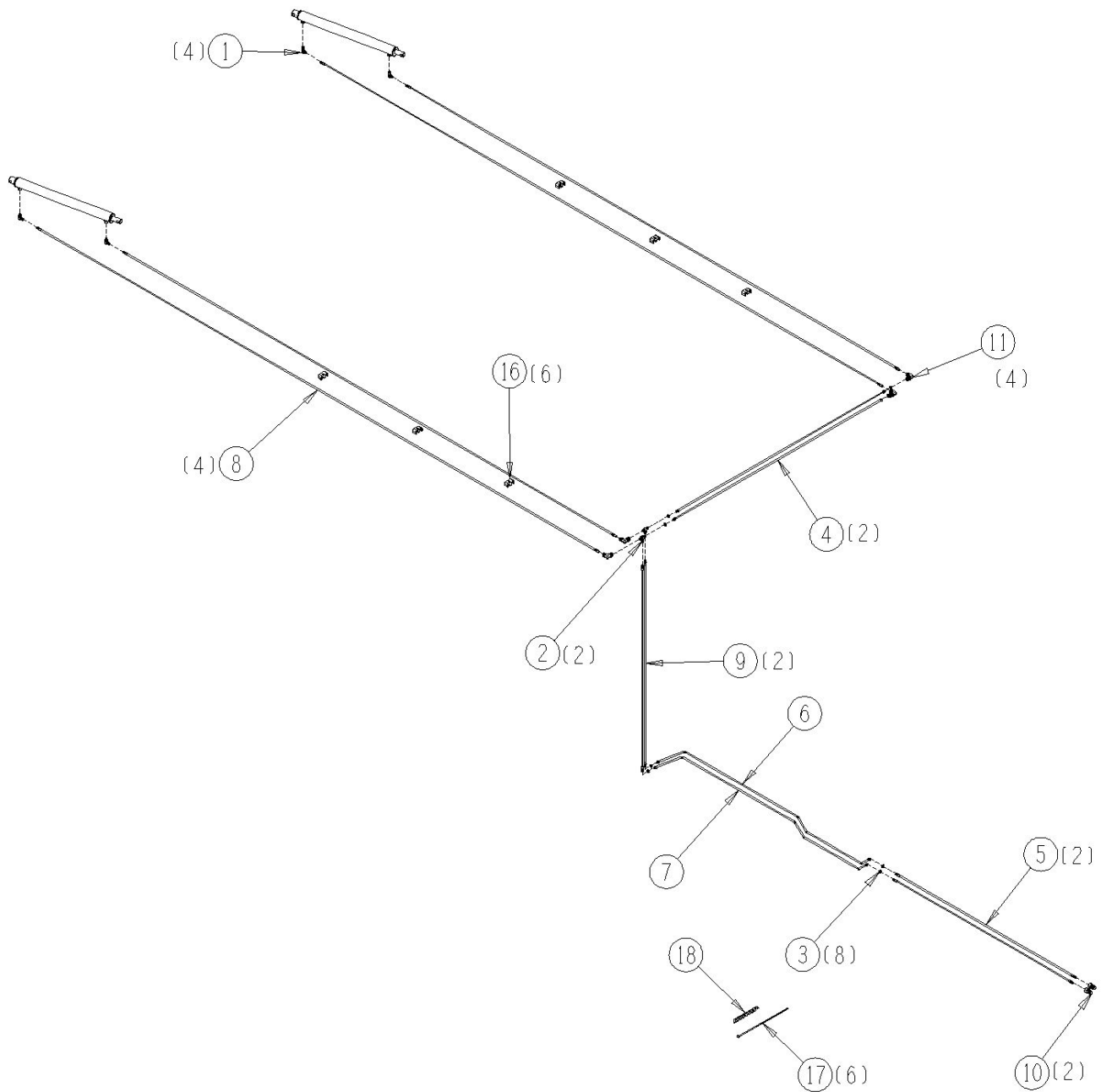
7109-3-1
HYDRAULICS, CONTROL VALVE TO PUSH OFF CYLINDERS



7109-3-2 Hydraulics, Endgate Cylinders

<u>Ref</u>	<u>Part No.</u>	<u>Description</u>	<u>Parts – Assembly</u>	<u>Will Fit SN</u>	<u>Remarks</u>
1	A-6801-6	Elbow, 3/8' MJ x 6 SAE	4		
2	A-6602-6	Tee, 3/8' MJ x 3/8' FJX x 3/8' MJ	2		
3	HW-06	3/8' OD Washer for Hydraulic Tube/Hose	8		
4	H-T7025	Hydraulic Tube, Cross Over, Endgate Line, 1190VB	2		
5	H4-100-6MJ-8MP	1/4' hose 3/8' MJ x 1/2' MP x100' long	2		
6	H-T7026	Hyd, Tube, Endgate, Upper, Front 3/8 Dia., 1190VB	1		
7	H-T7023	Hyd, Tube, Endgate, Lower, Front 3/8 Dia., 1190VB	1		
8	H4-192-6FJ-6FJ	1/4' hose 3/8' FJ x 3/8' FJ x 192' long	4		
9	H4-62-6FJ-6MJ	1/4' hose 3/8' FJ x 3/8' MJ x 62' long	2		
10	A-QD2010-8-8	Tractor Quick Coupler, Male, 1/2' w/ FPT	2		
11	A-2500-6	Elbow, 3/8' MJ x 3/8' MJ	4		
16	PR34896	Hose Clamp, 1/4' Hydraulic, 1/2' O.D. Hose	6		
17	WT-17H	Heavy Duty Wire Tie 17.5'	6		
18	ELL-12	¾' OD Black Spiral Wrap @ Foot	2.7		

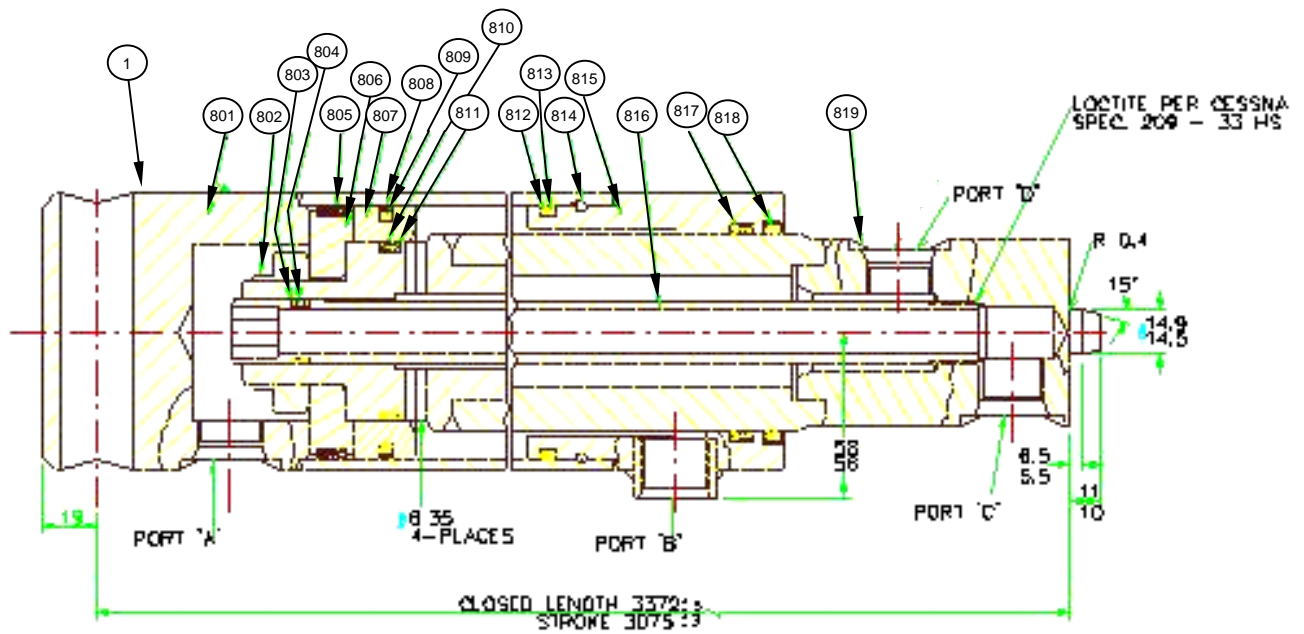
7109-3-2
HYDRAULICS, ENDGATE CYLINDERS



7103-3-3 Main Cylinder

<u>Ref</u>	<u>Part No.</u>	<u>Description</u>	<u>Parts – Assembly</u>	<u>Will Fit SN</u>	<u>Remarks</u>
1	PR23131	Main Cylinder	1		
801	PR23131-L	Barrel Assy.	1		Reference Only, Special Order
802	PR23131-M	Locknut - Thin	1		Reference Only, Special Order
803	PR23131-N	Back Up Washer	2		Reference Only, Special Order
804	PR23131-O	O Ring	1		Part of Seal Kit, Not Sold Separately
805	PR23131-P	Wear Ring	1		Part of Seal Kit, Not Sold Separately
806	PR23131-Q	Piston	1		Reference Only, Special Order
807	PR23131-R	Piston	1		Reference Only, Special Order
808	PR23131-A	Piston Ring	1		Reference Only, Special Order
809	PR23131-B	O-Ring	1		Part of Seal Kit, Not Sold Separately
810	PR23131-C	O-Ring	1		Part of Seal Kit, Not Sold Separately
811	PR23131-D	Back-up Washer	2		Part of Seal Kit, Not Sold Separately
812	PR23131-E	O Ring	1		Part of Seal Kit, Not Sold Separately
813	PR23131-F	Backup Washer	1		Part of Seal Kit, Not Sold Separately
814	PR23131-LR	Lock Ring	1		Reference Only, Special Order
815	PR23131-G	Bearing Assembly	1		Reference Only, Special Order
816	PR23131-H	Transfer Tube	1		Reference Only, Special Order
817	PR23131-I	Bearing Seal	1		Part of Seal Kit, Not Sold Separately
818	PR23131-J	Wiper	1		Part of Seal Kit, Not Sold Separately
819	PR23131-K	Piston Rod Assy. w/ Transfer Tube	1		Reference Only, Special Order Sold only with PR23131-H Transfer Tube
820	PR23131-SK	Seal Kit, Main Cylinder, Per Each	1		

7103-3-3 MAIN CYLINDER



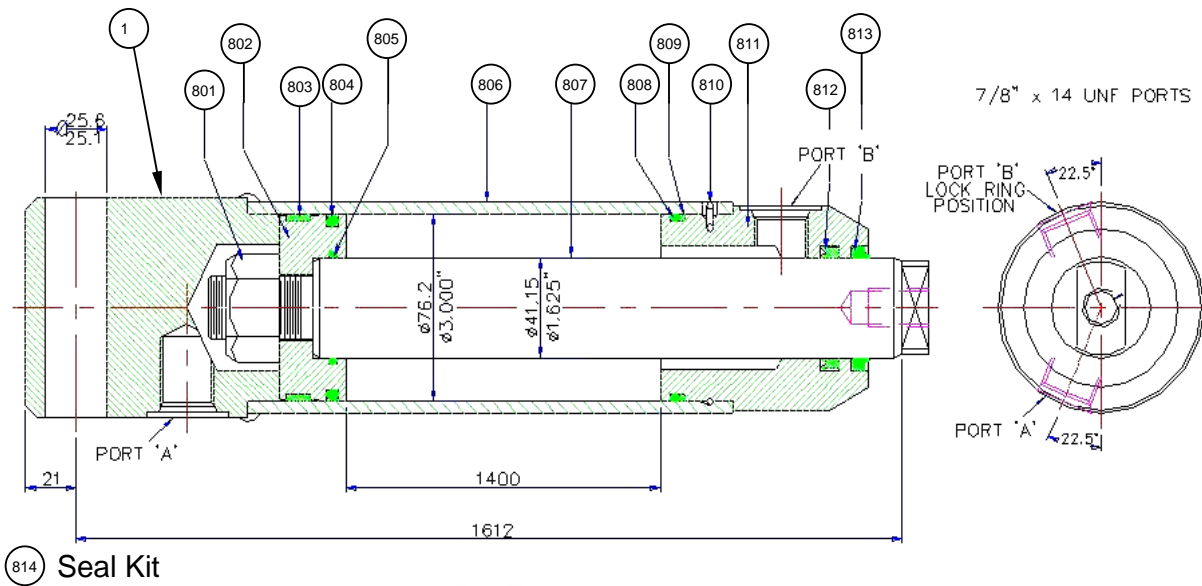
820 Seal Kit

LOCTITE PER CESSNA

7103-3-4 Secondary Cylinder

<u>Ref</u>	<u>Part No.</u>	<u>Description</u>	<u>Parts – Assembly</u>	<u>Will Fit SN</u>	<u>Remarks</u>
1	PR23143	Secondary Cylinder	1		
801	PR23143-M	1" BSF Nut	1		Reference Only, Special Order
802	PR23143-L	P/Head	1		Reference Only, Special Order
803	PR23143-A	P/Seal	1		Part of Seal Kit, Not Sold Separately
804	PR23143-B	O-Ring	1		Part of Seal Kit, Not Sold Separately
805	PR23143-C	Rod Seal	1		Part of Seal Kit, Not Sold Separately
806	PR23143-I	Cylinder Assy	1		Reference Only, Special Order
807	PR23143-J	P/Rod	1		Reference Only, Special Order
808	PR23143-D	O-Ring	1		Part of Seal Kit, Not Sold Separately
809	PR23143-E	Back Up Ring	1		Part of Seal Kit, Not Sold Separately
810	PR23143-H	Lock Ring	1		Part of Seal Kit, Not Sold Separately
811	PR23143-K	Gland Bearing	1		Reference Only, Special Order
812	PR23143-F	Rod Seal	1		Part of Seal Kit, Not Sold Separately
813	PR23143-G	Wiper	1		Part of Seal Kit, Not Sold Separately
814	PR23143-SK	Seal Kit, Secondary Cylinder, Per Each	1		

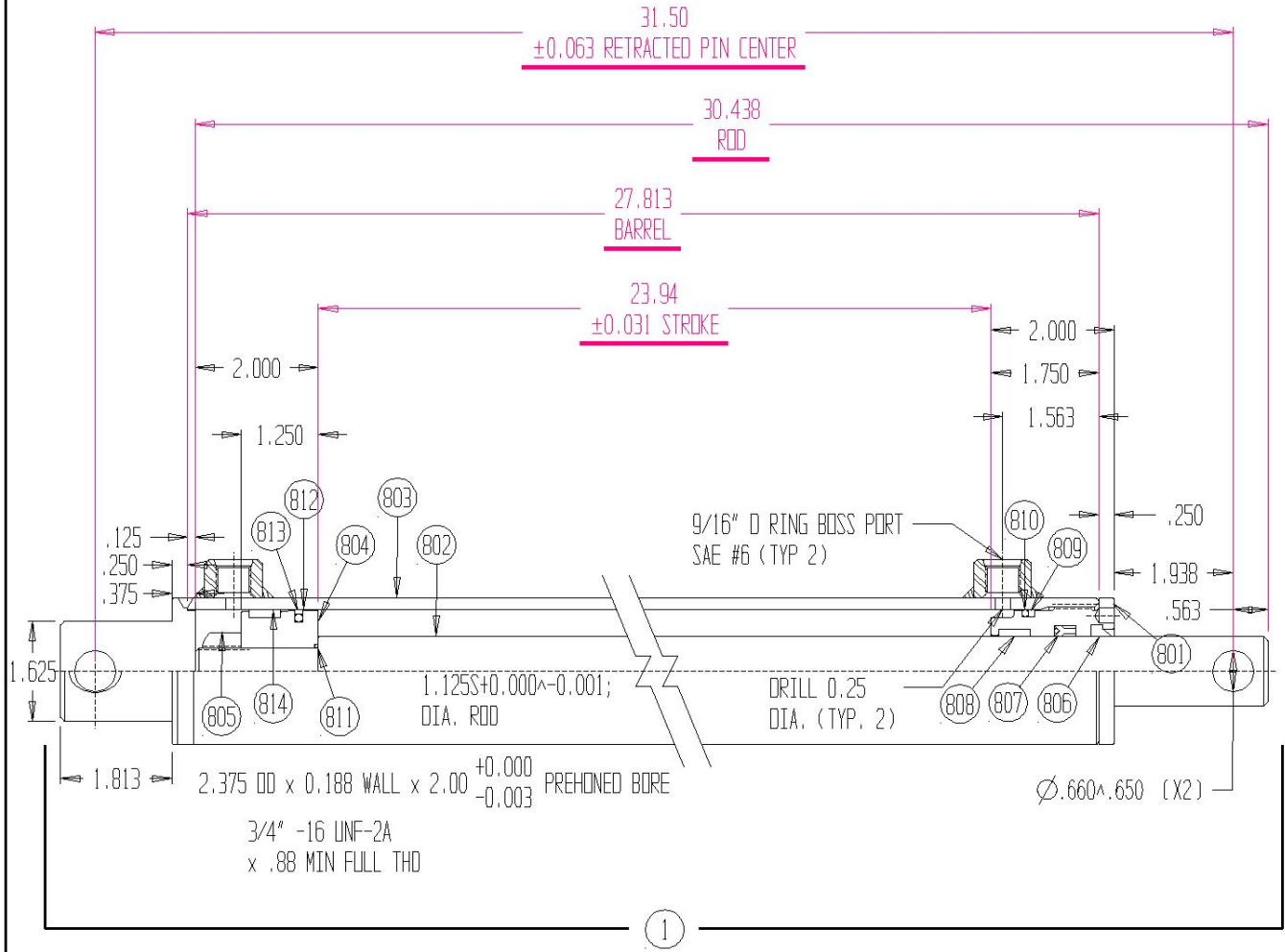
7103-3-4 SECONDARY CYLINDER



7103-3-5 Endgate Cylinder

<u>Ref</u>	<u>Part No.</u>	<u>Description</u>	<u>Parts – Assembly</u>	<u>Will Fit SN</u>	<u>Remarks</u>
1	PR39069	Cylinder, Endgate, 2.0 bore	2		
801	PR39069A	Internal Cylinder Head 2" (coarse)	1	Verify Stamp Location	
801	PR39069AB	Internal Cylinder Head 2" (fine)	1	Verify Stamp Location	
802	PR39069B	Rod	1		
803	PR39069C	Barrel Assembly	1		
804	PR39069D	Piston	1		
805	PR39069E	Locknut	1		
806	PR39069F	Rod Wiper	1		
807	PR39069G	Loaded U-Cup	1		
808	PR39069H	Wear Ring	1		
809	PR39069I	Back-up Ring	1		
810	PR39069J	O'Ring	1		
811	PR39069K	O'Ring	1		
812	PR39069L	O'Ring	1		
813	PR39069M	Poly Hone	1		
814	PR39069N	Wear Ring	1		

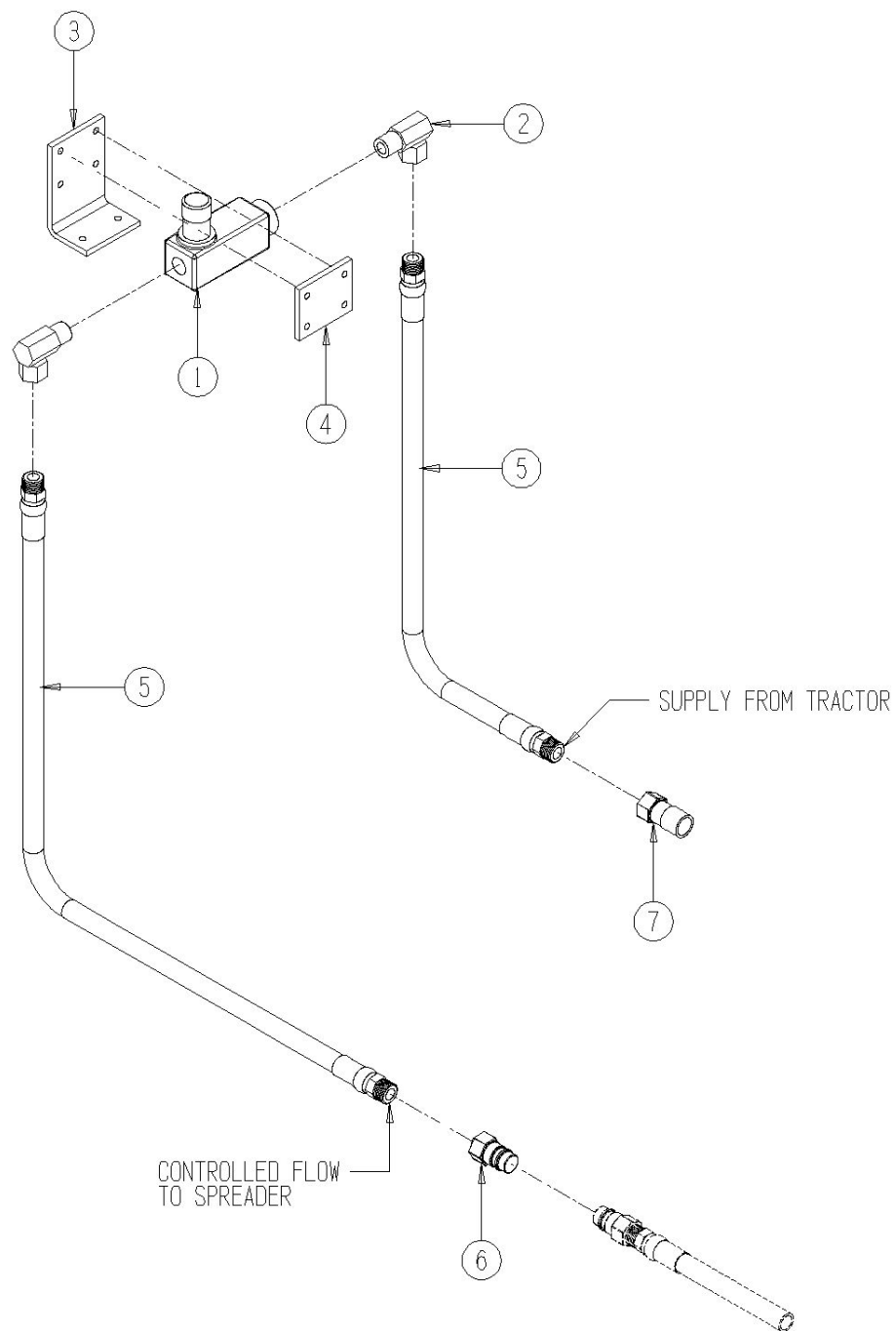
7103-3-5 ENDGATE LIFT CYLINDER



7103-3-6 Optional Control Valve, Closed Center Hydraulic Sy

<u>Ref</u>	<u>Part No.</u>	<u>Description</u>	<u>Parts – Assembly</u>	<u>Will Fit SN</u>	<u>Remarks</u>
1	HV-8-8M-RFF	Flow Control Valve w/ reverse free flow/closed center	1		
2	A-1501-8-8	1/2 MP x 1/2 FPX90°	2		
3	MOU-0015	Mount, Control Valve, Closed Center, Spreader	1		
4	MOU-0016	Mount, Mating Plate, Control Valve, Closed Center	1		
5	H8-70-8MP-8MP	1/2 in hose 1/2MP x 1/2MP x 70 in long	2		
6	A-QD2010-8-8	Tractor Quick Coupler, Male, 1/2" w/ FPT	1		
7	A-QD2050-8-8	Tractor Quick Coupler, Female, 1/2" w/ FPT	1		
101	BL-4-275-H	1/4-20 X 2 3/4 HEX CAP G5 ZC	4		
102	BL-4-LN	1/4-20 HEX LN NE ZC	6		
103	BL-6-FW	3/8 USS FW ZC	6		
104	BL-4-175-H	1/4-20 X 1 3/4 HEX CAP G5 ZC	2		

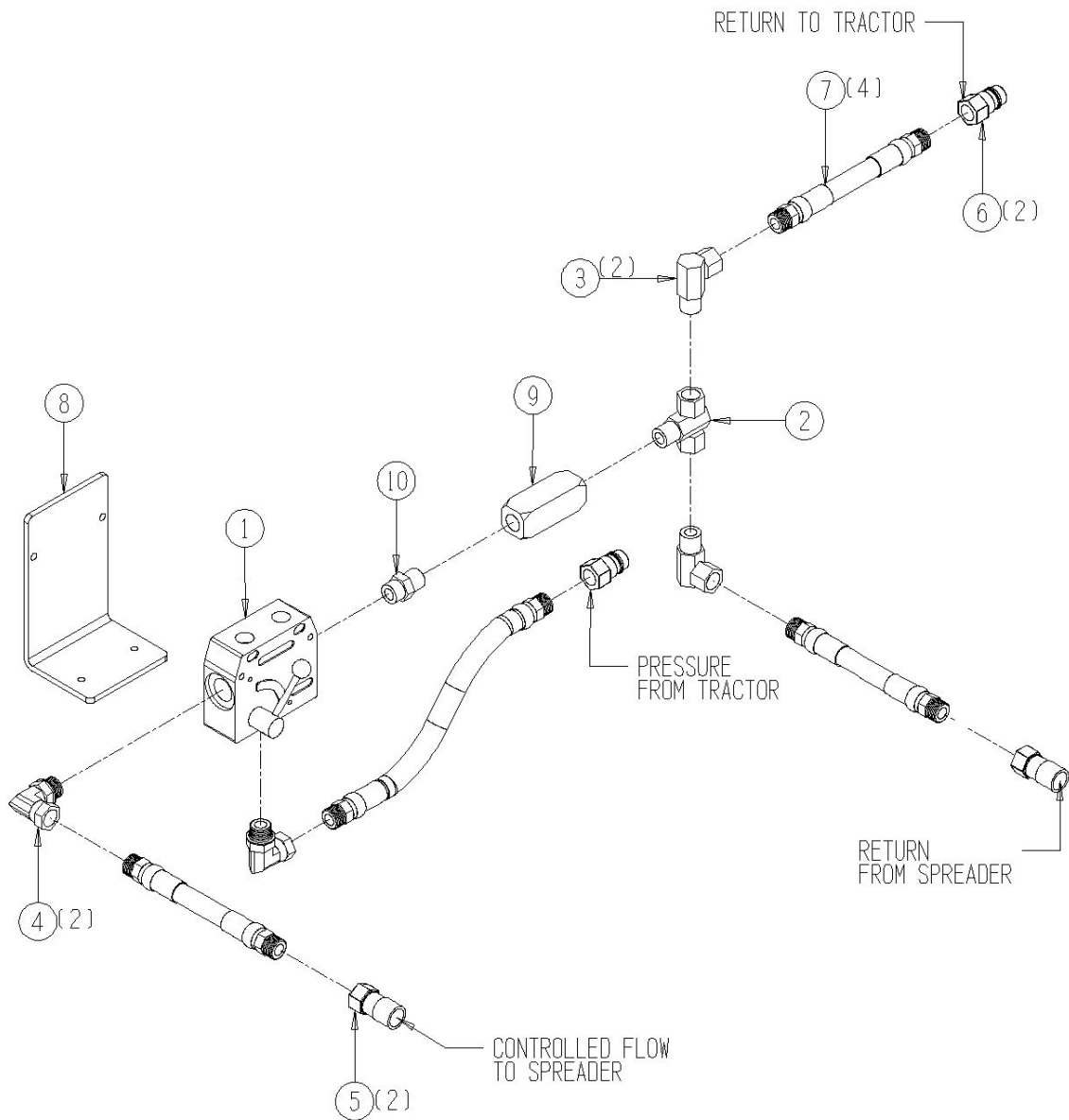
7103-3-6
OPTIONAL CONTROL VALVE, CLOSED CENTER HYDRAULIC SYSTEM



7103-3-7 Optional Control Valve, Open Center Hydraulic System

<u>Ref</u>	<u>Part No.</u>	<u>Description</u>	<u>Parts – Assembly</u>	<u>Will Fit SN</u>	<u>Remarks</u>
1	HV-FC5510	Flow Control	1		
2	A-1601-8-8-8	1/2 MP x 1/2 FPX x 1/2 FPX Tee	1		
3	A-1501-8-8	1/2 MP x 1/2 FPX90°	2		
4	A-6901-10-8	10 SAE x 1/2 FPX90°, Forged	2		
5	A-QD2050-8-8	Tractor Quick Coupler, Female, 1/2" w/ FPT	2		
6	A-QD2010-8-8	Tractor Quick Coupler, Male, 1/2" w/ FPT	2		
7	H8-70-8MP-8MP	1/2 in hose 1/2MP x 1/2MP x 70 in long	4		
8	MOU-0014	Mount, Control Valve, Open Center, Spreader	1		
9	HV-CKV-800S	1/2" Parker Check Valve	1		
10	A-6401-10-8	10 SAE x 1/2 MPT Male	1		
101	BL-4-175-H	1/4-20 X 1 3/4 HEX CAP G5 ZC	4		
102	BL-4-LN	1/4-20 HEX LN NE ZC	4		
103	BL-4-FW	1/4 USS FW ZC	4		

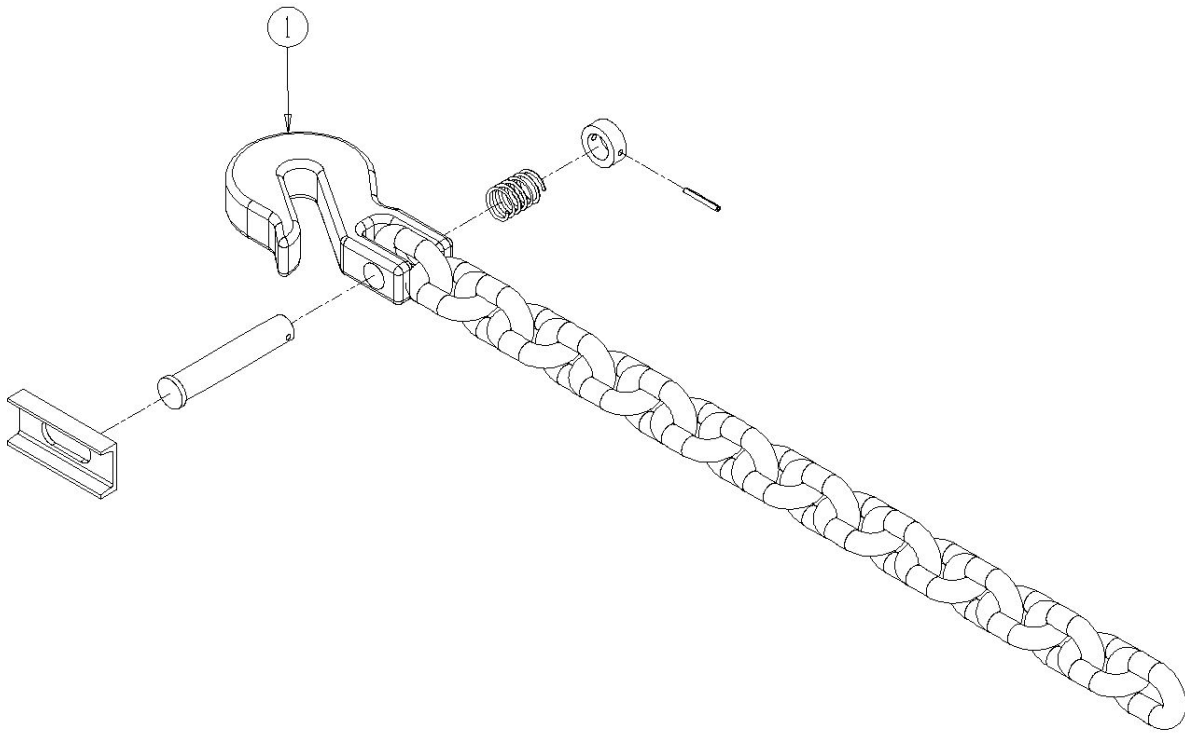
7103-3-7
OPTIONAL CONTROL VALVE, OPEN CENTER HYDRAULIC SYSTEM



7103-4-2 Safety Tow Chain

<u>Ref</u>	<u>Part No.</u>	<u>Description</u>	<u>Parts – Assembly</u>	<u>Will Fit SN</u>	<u>Remarks</u>
1	FRM-3165	Safety Chain, Agricultural, 40,500 lb. Capacity	1		
101	BL-24-FW	1 1/2" Flat Washer, Zinc	1		
102	BL-16-FW	1" Flat Washer, Zinc	2		
103	BL-16-500-H	1 UNC x 5 HH C/S GR5 ZINC	1		
104	BL-16-LN	1" Lock Nuts w/ Nylon Inserts	1		

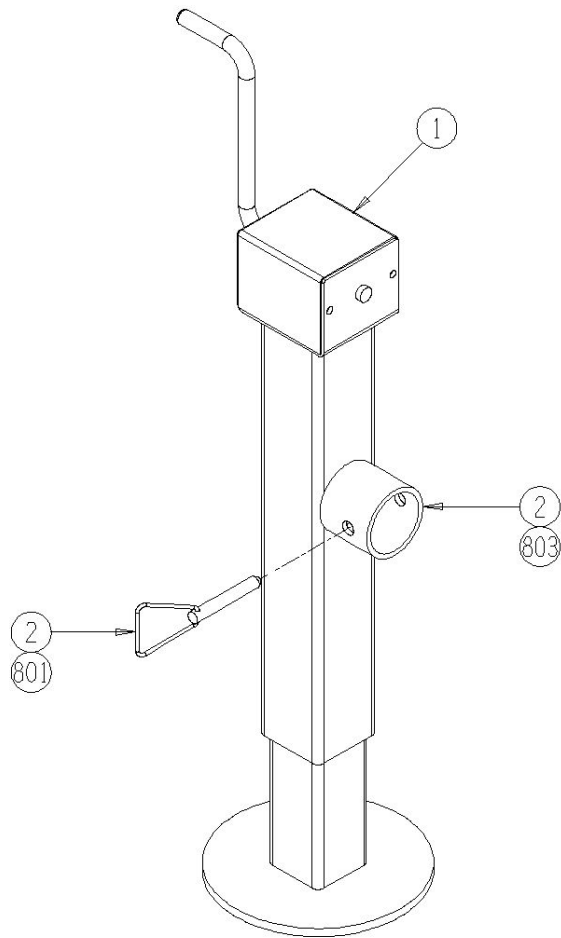
7103-4-2
SAFETY TOW CHAIN



7103-4-3 Jack Stand

<u>Ref</u>	<u>Part No.</u>	<u>Description</u>	<u>Parts – Assembly</u>	<u>Will Fit SN</u>	<u>Remarks</u>
1	WH-16122	Bulldog Sidewind Swivel Jack, 5,000 lb.	0	-71009001 -70209005	Old Style-Topwind, Part No. 18-450-3
1	WH-16216	Jack Weldment, Sidewind Jack, 9,000 lb.	1	71009002- 70209006-	
2	WH-16402	Sleeve Kit, Spreader, 9k	1	WH-16215 -71009001	
801	WH-16402-A	Pin & Chain Assembly for WH-16402	1	71009002-	
802	WH-16402-B	Weld-On Hub, Implement Side, For WH-16402	1	WH-16215 71009002-	
803	WH-16402-C	Weld-On Hub, Jack Side, For WH-16402	1	71009002-	
804	WH-16122-D	Crank Assy for Bulldog Topwind Swivel Jack	0	-71009001	
805	WH-16122-E	Pin & Chain Assy for Bulldog Topwind Swivel Jack	0	-71009001	

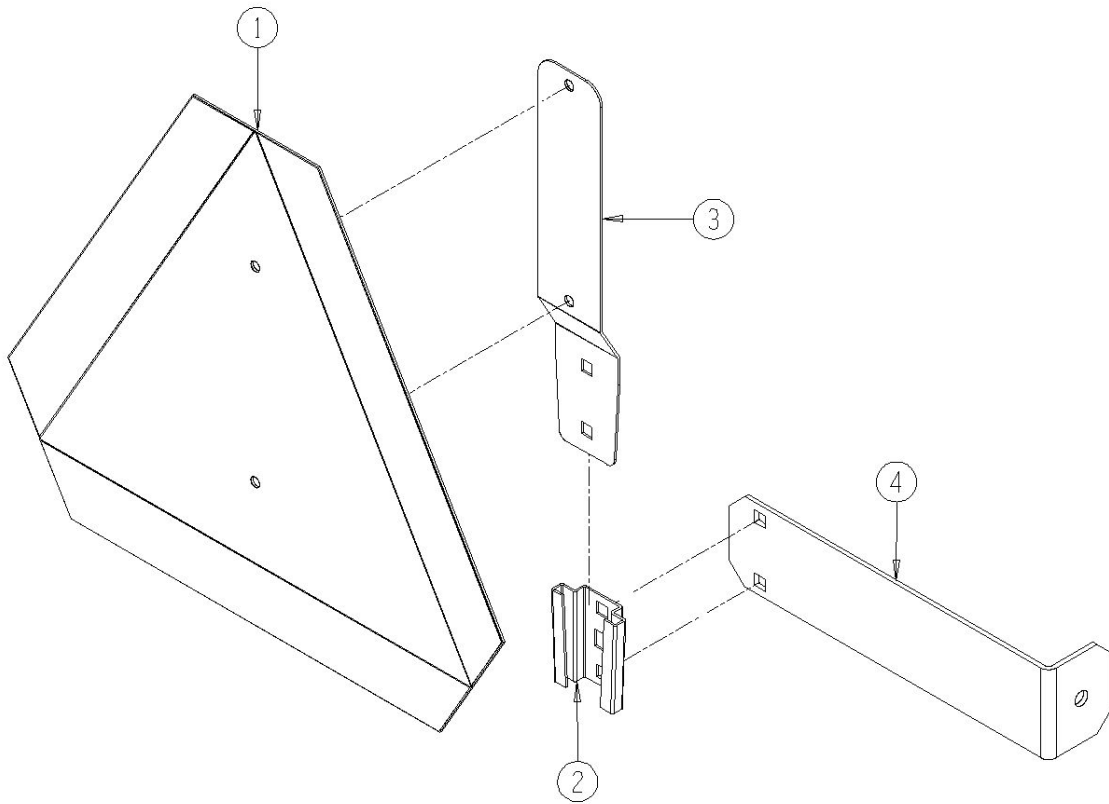
7103-4-3
JACK STAND



7103-4-4 SMV Emblem & Brackets

<u>Ref</u>	<u>Part No.</u>	<u>Description</u>	<u>Parts – Assembly</u>	<u>Will Fit SN</u>	<u>Remarks</u>
1	SMV-PL	SMV Sign, Metal	1		
2	SMV-S	Socket for Spade Mount	1		
3	SMV-SM	Spade Mount	1		
4	PR39117	Bracket, SMV Sign, Spreader	1		
101	BL-5-075-H	5/16-18 X ¾ HEX CAP G5 ZC	2		
102	BL-4-062-C	1/4" x 5/8" Zinc Carriage Bolt	2		
103	BL-5-LN	5/16-18 HEX LN NE ZC	2		
104	BL-4-LN	1/4-20 HEX LN NE ZC	2		
105	BL-5-FW	5/16 USS FW ZC	2		

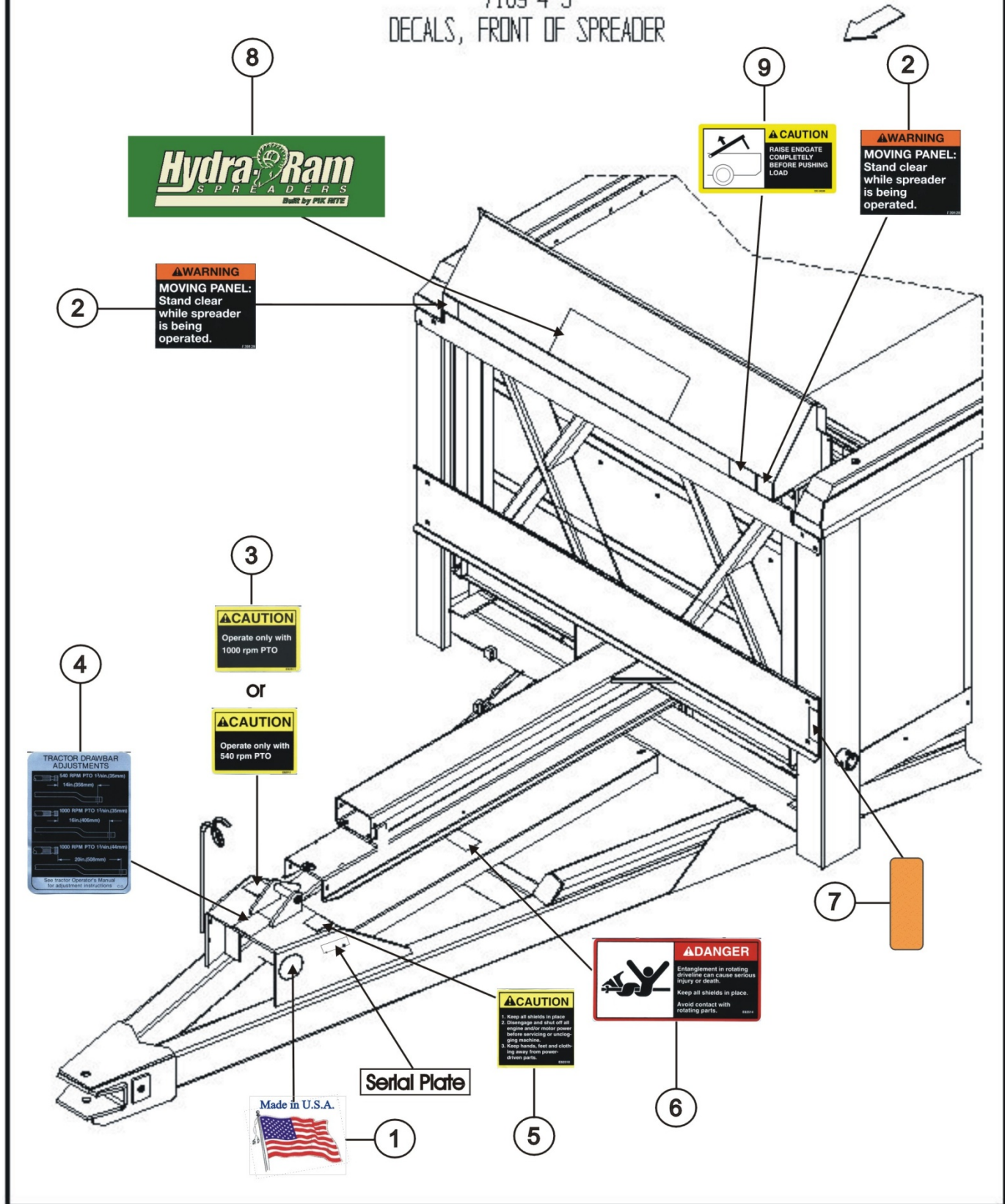
7103-4-4
SLOW MOVING VEHICLE EMBLEM & BRACKETS



7109-4-5 Decals, Front of Spreader

<u>Ref</u>	<u>Part No.</u>	<u>Description</u>	<u>Parts – Assembly</u>	<u>Will Fit SN</u>	<u>Remarks</u>
0	MAN-0056	Manual, Operators, 1190vb Spreader	0		
0	MAN-0055	Manual, Parts, 1190vb Spreader	0		
1	DC-0011	Decal, All, 'Made in USA', White Back w/ Red & Blue Letters	1		
2	DC-0020	Decal, Warning, Moving Panel	2		
3	DC-0024	Decal, Caution, 540 rpm PTO	0		
3	DC-0021	Decal, Caution, 1000 rpm PTO	1		
4	DC-0022	Decal, Tractor Drawbar Adjustments	1		
5	DC-0023	Decal, Caution, Keep All Shields In Place	1		
6	DC-0025	Decal, Danger, Entanglement In Rotating Drive	1		
7	DC-0034	Decal, Amber, Reflector, Spreader	1		
8	DC-0052	Decal, 'Hydra Ram Spreaders' Logo, Large	1		
9	DC-0038	Decal, Caution, Raise Endgate Completely	1		
101	RI-3-6-P	Pop Rivets 3/16 x 3/8 Domed, .375 head, ea.	2		

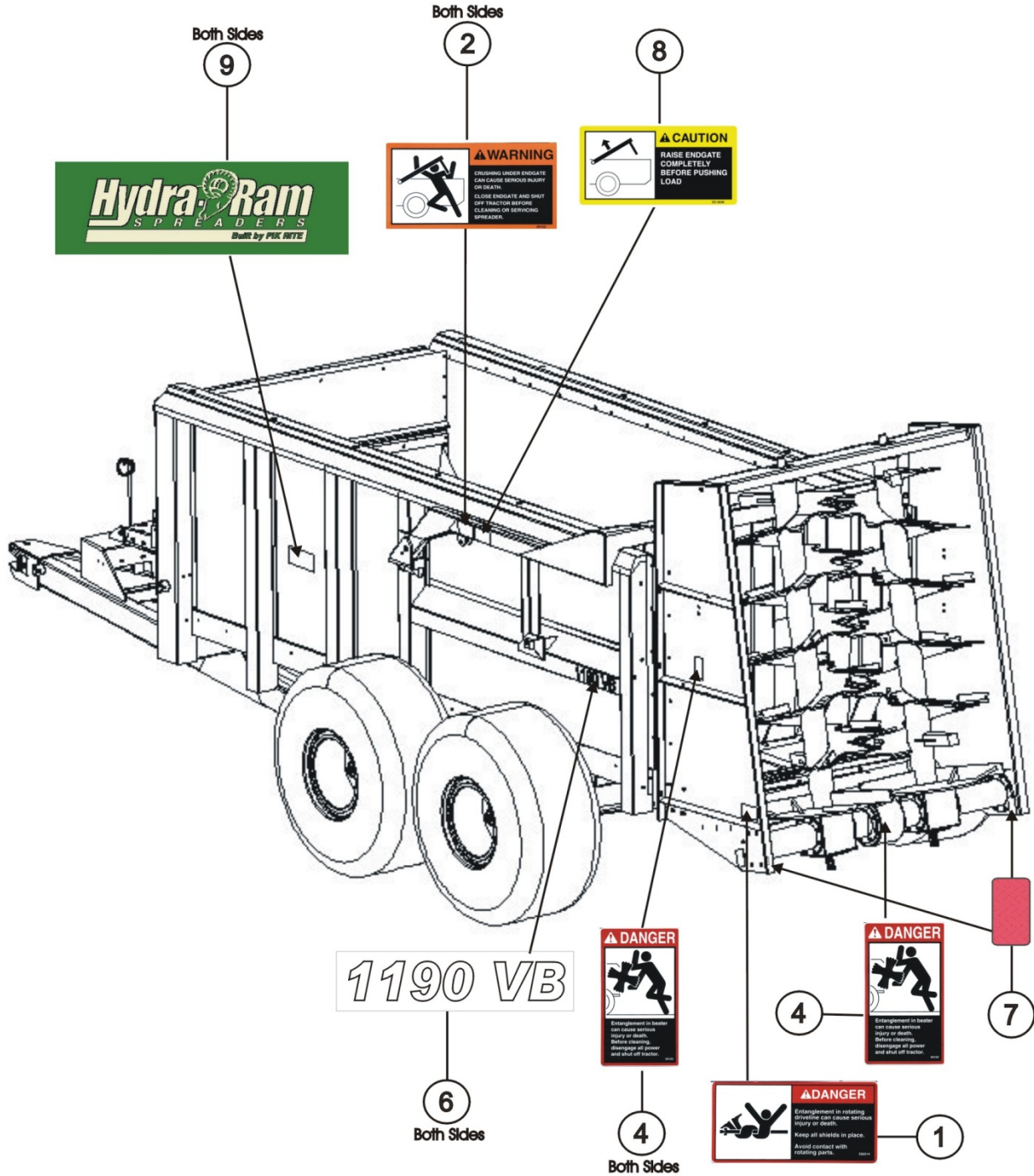
7109-4-5
DECALS, FRONT OF SPREADER



7109-4-6 Decals, Sides & Rear

<u>Ref</u>	<u>Part No.</u>	<u>Description</u>	<u>Parts – Assembly</u>	<u>Will Fit SN</u>	<u>Remarks</u>
1	DC-0025	Decal, Danger, Entanglement In Rotating Drive	1		
2	DC-0026	Decal, Warning, Crushing Under Endgate	2		
4	DC-0030	Decal, Danger, Entanglement In Beater	3		
6	DC-0074	Decal, '1190 VB', Spreader	2		
7	DC-0033	Decal, Red, Reflector, Spreader	2		
8	DC-0038	Decal, Caution, Raise Endgate Completely	1		
9	DC-0052	Decal, 'Hydra Ram Spreaders' Logo, Large	3		

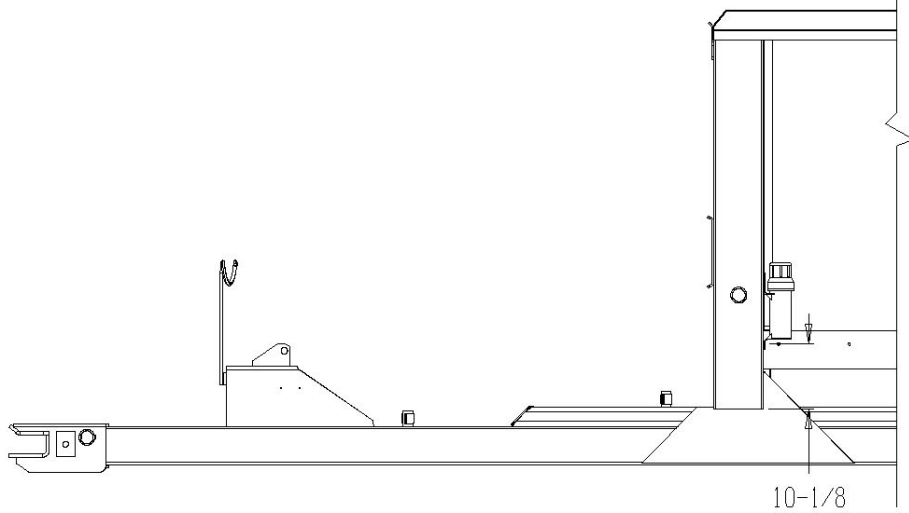
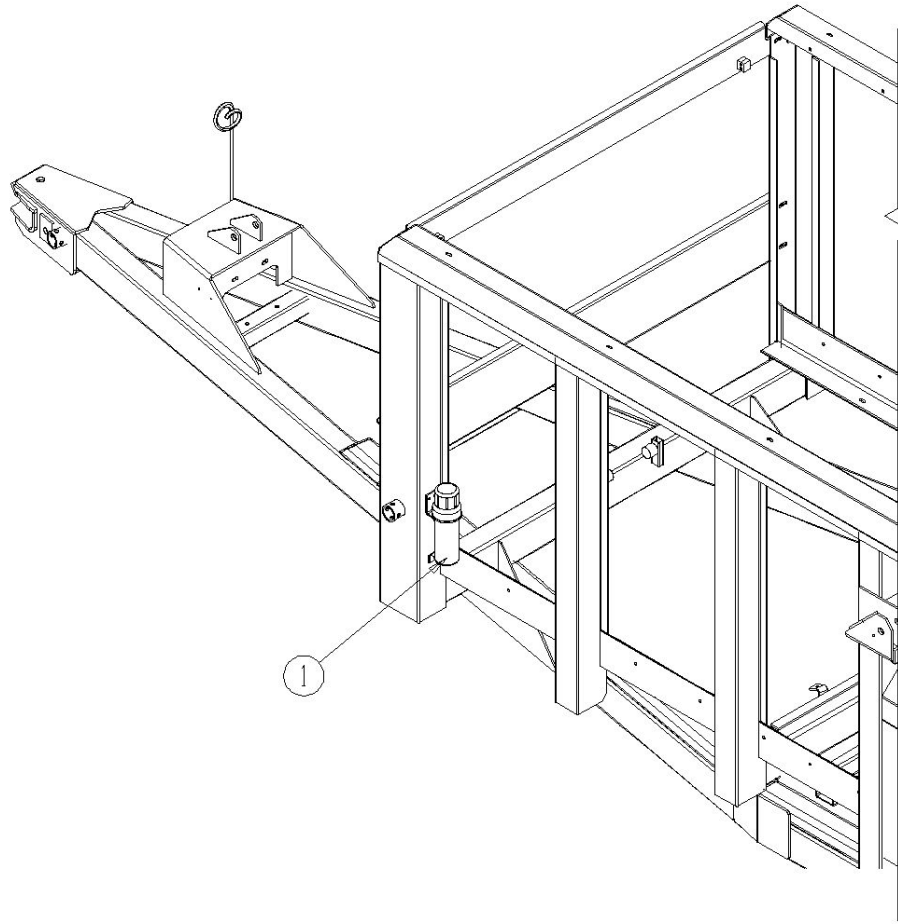
7109-4-6
DECALS, SIDES & REAR



7109-4-7 Manual Holder

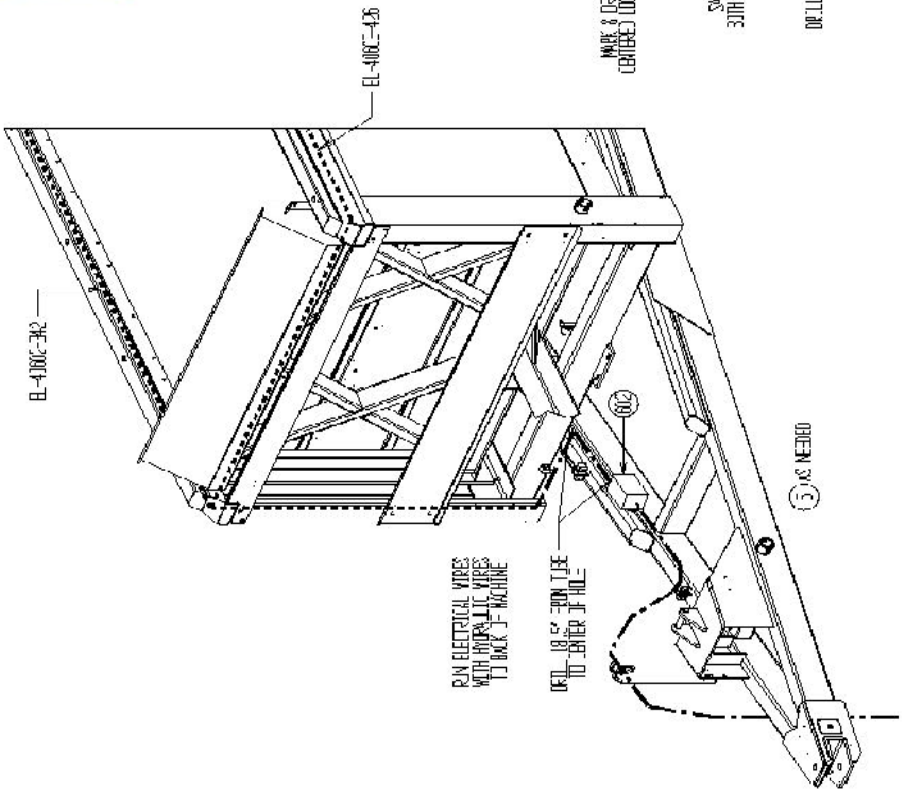
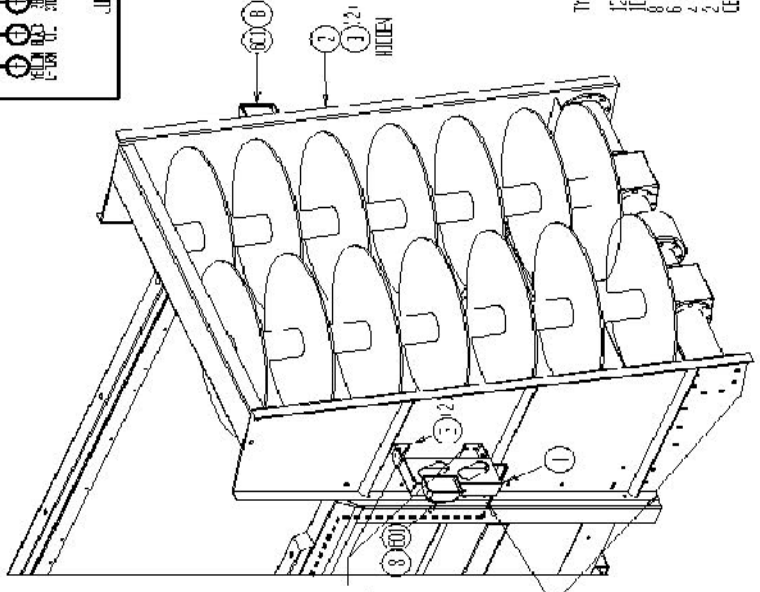
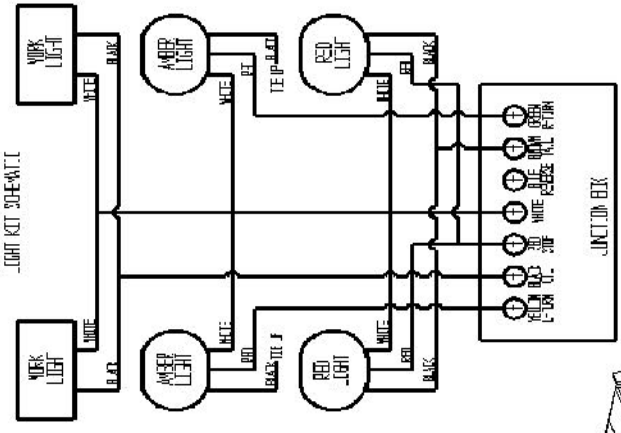
<u>Ref</u>	<u>Part No.</u>	<u>Description</u>	<u>Parts – Assembly</u>	<u>Will Fit SN</u>	<u>Remarks</u>
1	MAN-67670	Manual Holder/Canister	1		
101	BL-1224-087-DT	12-24 x 7/8 Drill and Tap Screw	4		

7109-4-7
MANUAL HOLDER



7009-4-8 Light Assembly, LED

<u>Ref</u>	<u>Part No.</u>	<u>Description</u>	<u>Parts – Assembly</u>	<u>Will Fit SN</u>	<u>Remarks</u>
1	PR19480	Light Housing, LH, 1190 Spreader	1		
2	PR19481	Light Housing, RH, 1190 Spreader	1		
3	PR19482	Mount, Light Housing, 1190	4		
4	RI-3-6-SS	SS Pop Rivets, 3/16 x .251-.375, Buttonhead	18		
5	WT-11	Wire Tie 11"	10		
6	EL-40602-342	Harness, Right Side Spreader Light	1		
7	EL-40603-426	Harness, Left Side Spreader Lights	1		
8	EL-40604-13	Harness, Work Lights, Spreader	2		
9	EL-1233	Light, Auxiliary Work Light, Clear, Trapezoid Beam, TL#80394	2		Replaces EL-1201
10	ELE-15-964	Junction Box, 4x8x3.5deep, plastic, w/knockouts & plugs	1	19426	
11	EL-1257	Light, STT, L.E.D., TL60, Red, Lamp/Grommet Kit	2		
12	EL-1297	Light, Aux/Turn, L.E.D., TL60, Yellow	2		
13	EL-50780-146	7 Conductor, 12' Long, Harness, Spreaders	1		
14	EL-1279	Grommet, TL60, Oval, TL#60700	2		
19	ELT-25054	Black Cable Clamp, 3/8"	12		
20	ELT-31703	Terminal Ring, 16-14 Ga.#10 Blue Insulated Nylon	1		
22	ELT-25056	Black Cable Clamp, 1/2"	6		Sold in Pkg. of 100 Pieces
23	EL-0021	Grommet, 1/2" id, 3/4" Groove Dia, 1/8" Groove Width	4		
101	BL-6-350-H	3/8-16 X 3 1/2 HEX CAP G5 ZC	2		
102	BL-6-650-H	3/8-16 X 6 1/2 HEX CAP G5 ZC	4		
103	BL-6-SW	3/8 SAE FW ZC	12		
104	BL-6-LN	3/8 UNC FIN HEX LOCK NUT NE A563 GrA ZINC	6		



TYPICAL TRACTOR PIGS (CLOSING AT 2:00):

- 1/2" DRILL - WHITE - GROUND
- 1/2" DRILL - BLACK - FIELD LIGHTS
- 6" DRILL - YELLOW - LEFT TURN
- 6" DRILL - RED - RIGHT TURN
- 6" DRILL - GREEN - REVERSE/AUXILIARY
- 2" DRILL - BROWN - BACK TURN
- 2" DRILL - CENTER - FULL LAMP
- CENTER - BLUE - SPEC. AUXILIARY