



60 PIK RITE LANE, LEWISBURG PA 17837

PHONE: 570-523-8174 FAX: 570-523-8175

EMAIL: frontdsk@pikrite.com WEBSITE: www.pikrite.com

Dear Grower,

Welcome to the growing family of satisfied Pik Rite equipment owners. Our goal is to help make your harvest as enjoyable and trouble free as possible by providing equipment that is durable and keeps down time to a minimum.

In order to provide customer service and a supply of original equipment parts to keep your machine well maintained, we are continually striving to keep our systems state-of-the-art to utilize all available resources that allow us to provide better and more accurate deliveries on time.

We will continue to give you the service you have come to expect from our dealer representatives and us. In order to avoid any delays during your harvest season we make every effort to have someone available to take your calls 24 hours a day. We have shipping companies in place to deliver your parts as expediently as possible whether you live a few miles down the road or on the other side of the globe. Count on us.

Sincerely,

Andy Kling
Vice President
andy@pikrite.com

Clint Morris
Parts Sales
parts@pikrite.com

Mobile 570-412-0066

Parts and Service Hotline
800-326-9763

www.pikrite.com

TABLE OF CONTENTS

1004-1-1 Tongue Assembly	10
1004-1-2 PTO Assembly.....	12
1004-1-3 Air Compressor Assembly	14
1004-1-4 Front End Assembly	16
1004-1-5 Oil Tank Assembly.....	19
1004-1-6 Oil Cooler Assembly	22
1004-1-7 Canopy Assembly.....	24
1004-1-8 Axle Assembly	26
1004-1-9 "Standard" Wheel & Rocker Assembly	28
1004-1-10 Roller Parts Assembly	30
1004-1-11 Air Tank Assembly & Pneumatics.....	32
1004-1-12 Handrail Assembly.....	36
1004-1-13 Hydraulics, Aftersort, Discharge @ Handrail	38
1004-1-14 Optional Gooseneck Hitch Assembly.....	40
1004-1-14.1 Gooseneck Hitch PTO Assembly.....	44
1004-1-15 Optional Wheel, Single For Header Side, 190 Tom.....	46
WHL-1201 Wheel, Single For Header Side, 190 Tom.....	46
1004-1-16 Optional Single Wheel System, Right Side.....	50
WHL-1202 Single Wheel System, Right Side	50
1004-1-17 Spindle & Hub Assembly	52
1004-1-18 Optional Big Wheels Axle Assembly.....	54
1004-2-2 Primary Header Conveyor	56
1004-2-3 Secondary Header Frame Assembly.....	60

1004-2-4	Vibrator Shaft Assembly	62
1004-2-5	Header Conveyor Drive Shaft Assembly	64
1004-2-6	Header Chain Cleaner Assembly.....	66
1004-2-7	Header Roller Assembly	68
1004-2-8	Optional Overhead Vine Assist Assembly	70
KIT-0050	Vine Assist Kit, Tomato	70
1004-2-9	Hydraulics, Header @ Dust Shield	74
1004-2-10	Optional Spring-Assisted Lift Assembly.....	76
KIT-0077	Spring-Assisted Header Lift.....	76
1004-2-11	Optional Remote Activated Flow Control	78
1004-3-1	Shaker Frame Assembly	80
1004-3-2	Shaker Chamber Assembly	82
1004-3-3	Primary Shaker Drum Assembly.....	84
1004-3-4	Primary Shaker Weight & Box Assembly.....	87
1004-3-5	Secondary Shaker Drum Assembly.....	90
1004-3-6	Secondary Shaker Weight & Box Assembly	93
1004-3-7	Shaker Cover Assembly	96
1004-3-8	Shaker Shield Assembly.....	98
1004-3-9	Shaker Ring & Finger Assembly.....	100
1004-3-10	Optional Shaker Half-Ring & Finger Assembly	102
KIT-0091	Shaker Ring, Half-Flange Kit.....	102
1004-3-11	Hydraulics, Shaker Angle Panel	104
1004-4-1	Transfer Assembly.....	106
1004-4-2	Transfer Drive Shaft Assembly	109
1004-4-3	Transfer Return Roller Assembly.....	112

1004-4-4	Transfer Chain Cleaner Assembly	114
1004-4-5	Optional Transfer Dirt Vibrator Assembly	116
KIT-0112	Power Vibrator,Transfer (19500-) w/Brackets, Tomato	116
1004-4-6	Rear Transfer Assembly	120
1004-4-7	Rear Transfer Drive Shaft Assembly	122
1004-4-8	Rear Transfer Return Roller Assembly	124
1004-4-9	Vine Chain & Drive Assembly	126
1004-5-1	Debris Fan Assembly.....	129
1004-6-1	Cross Conveyor Frame Assembly	132
1004-6-2	Cross Conveyor Drive Shaft Assembly	134
1004-6-3	Cross Conveyor Return Roller Assembly	136
1004-6-4	Cross Conveyor Chain Cleaner Assembly.....	138
1004-6-5	Debris Drum Assembly	140
1004-6-6	Cross Conveyor Cover Assembly	142
1004-6-7	Cross Conveyor Drive Shield Assembly	144
1004-6-8	Optional Cross Conveyor Anti-Wrap Shield Assembly	146
KIT-0057	Mud Shield,Cross Conveyor Drive, PVC pipe	146
1004-7-1	Rear Elevation Assembly.....	148
1004-7-2	Elevation Drive Shaft Assembly.....	150
1004-7-3	Front Elevation Assembly	152
1004-7-4	Optional Elevation Conveyor Bar Cleaner Assembly.....	154
KIT-0127	Bar Cleaner Kit, Elevation Conveyor, Tomato	154
1004-7-5	Optional Fan Air Intake Extension	156
KIT-0123	Fan Intake Extension, Tomato	156
1004-7-6	Optional Fan Intake with Elevation Bar Cleaner	158

KIT-0137 Fan Intake Extension with Elevation Bar Cleaner	158
1004-8-1 Presort Assembly.....	160
1004-8-2 Front Presort Roller Assembly.....	162
1004-8-3 Rear Presort Roller Assembly	164
1004-8-5 Grademaster Presort Assembly.....	166
1004-8-6 No Sorter Presort Parts ONLY.....	168
1004-9-1 Aftersort Assembly.....	170
1004-9-2 Aftersort Drive Shaft Assembly.....	172
1004-9-3 Aftersort Divider Bar Assembly	174
1004-9-4 Aftersort Auger Assembly	176
1004-9-5 Optional Long Aftersort Table Assembly	178
KIT-800 Handsort Kit (Tomato 1996-).....	178
1004-10-1 Discharge Basket Assembly	182
1004-10-2 Discharge Drive Shaft Assembly	184
1004-10-3 Inner Discharge Assembly.....	186
1004-10-4 Outer Discharge Assembly	188
1004-10-5 Optional Discharge Sides/Belting (Narrow)	190
OPT-900 Narrow Discharge Flights Chain, Sides and Belting	190
OPT-910 Discharge, Belting for Sides	190
1004-10-6 Optional Discharge 22" Extension Kit	192
KIT-0103 DISCHARGE EXTENSION KIT (22" LONG), TOMATO.....	192
1004-11-1 Hydraulic Schematic.....	194
1004-11-2 Hydraulic Cylinder Plumbing.....	196
1004-11-3 Elect./Hyd.Valve Assembly, Tomato.....	200
1004-11-4 Elect./Hyd. Valve Section, Unloading Inlet.....	202

1004-11-5	Elect./Hyd. Valve Section, with Locks.....	204
1004-11-6	Elect./Hyd. Valve Section,w/ Relief.....	206
1004-11-7	Elect./Hyd. Valve Section, Float w/Detent	208
1004-11-8	Hydraulics, Flow Control Parts Assembly	210
HV-1030E	Flow Control Handle Hardware Kit	210
HA-1090K	Flow Control Linkage Kit.....	210
1004-11-9	Hydraulics, Relief Valve Parts Assembly	212
1004-12-0	Complete Electrical Schematic	214
1004-12-1	Electrical Panel Schematic, Tomato	216
1004-12-3	Control Box & Hyd.Valve Color Code	218
1004-12-4	190 Level Control.....	220
1004-14-1	Inner Decking Assembly	222
1004-14-2	Outer Front Decking	224
1004-14-3	Outer Rear Decking.....	226
1004-14-4	Optional Canopy Enclosure Assembly.....	228
KIT-0144	190 TOMATO CANOPY ENCLOSURE 2003 & LATER.....	228
1004-15-1	Disk Header Frame Assembly	234
1004-15-2	Drive Shaft Assembly	236
1004-15-3	Disk Shaft Assembly.....	240
1004-15-4	Gathering Chain Assembly	242
1004-15-5	Gauge Wheel Assembly	244
1004-15-6	Optional Header Height Control System.....	246
1004-15-7	Optional Gathering Chain Roller Assembly	251
KIT-0028	Gathering Chain Roller Kit.....	251
1004-15-8	Optional Disk Reversing Valve Assembly.....	254

HV-1045K Reversing Valve Kit254

1004-15-9 Coulter Kit Assembly256

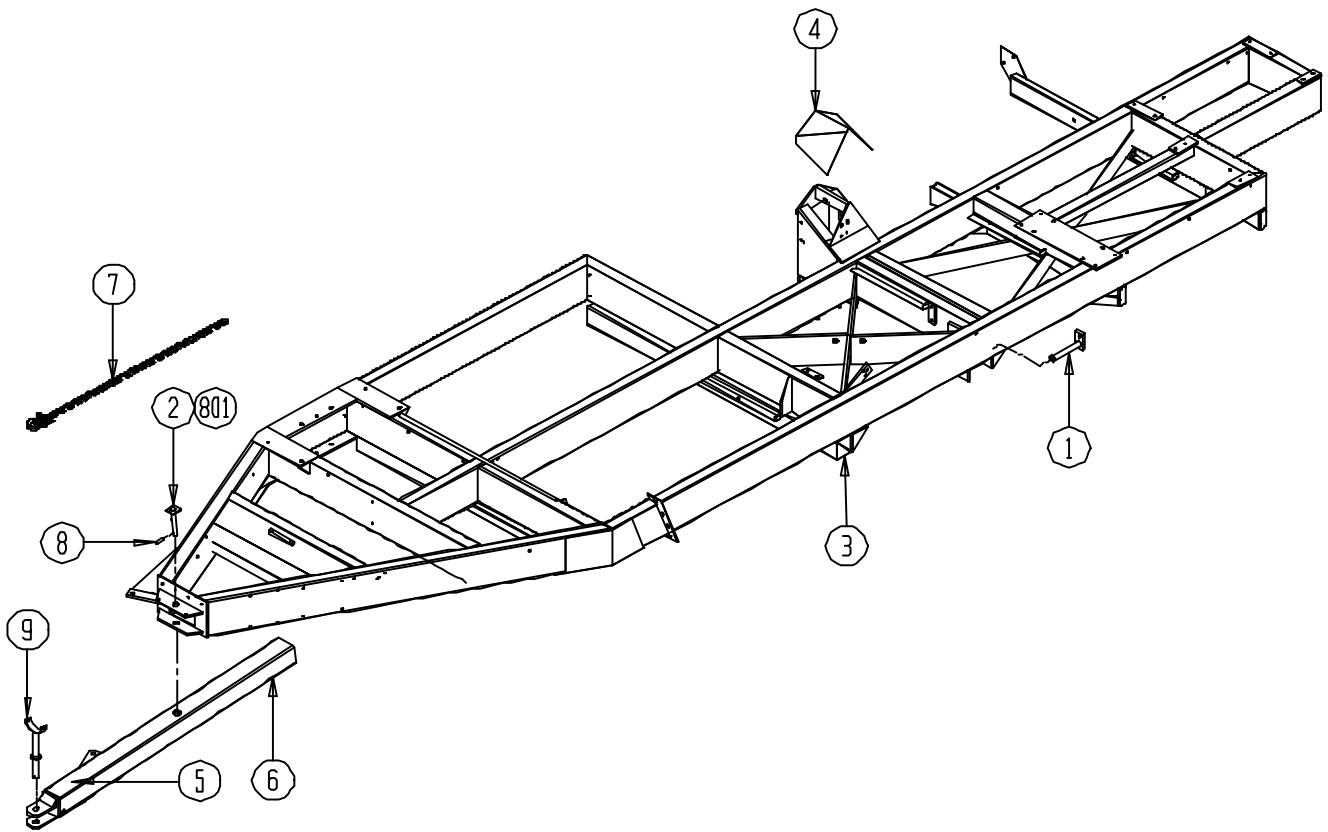
KIT-135 Coulter Kit256

**PARTS
CATALOG**

1004-1-1 Tongue Assembly

<u>Ref</u>	<u>Part No.</u>	<u>Description</u>	<u>Parts – Assembly</u>	<u>Will Fit SN</u>	<u>Remarks</u>
1	191-1112	Axle Pin	1	19101-	
2	192-1103	Frame, Swivel Pin	1	19201-	
3	194-1101	Main Frame	1	19401-	
4	194-1131	Leveling Cylinder Cover	1	19401-	
5	DC-0013	Decal, "Improper Hookup May Cause PTO Shaft Failure, Harvesters	1		
6	FRM-1102	TONGUE	1	19701-	Replaces 194-1102
7	FRM-3167	Safety Chain, Agricultural, 30,400 lb. Capacity	1	19701- 30097001-	
8	PIN-6-32	Roll Pin 3/8" x 2"	1		
9	STD-1002	Stand, PTO, Black	1		
100	BL-16-700-H	Hex Bolt 1 x 7 Zinc Grade 5	1		
101	BL-16-LN	1" Lock Nuts w/ Nylon Inserts	1		
102	BL-16-SW	1" SAE Washer	2		
801	GF-1827-65L	Grease Fitting 1/8 NPT Long 65	1		

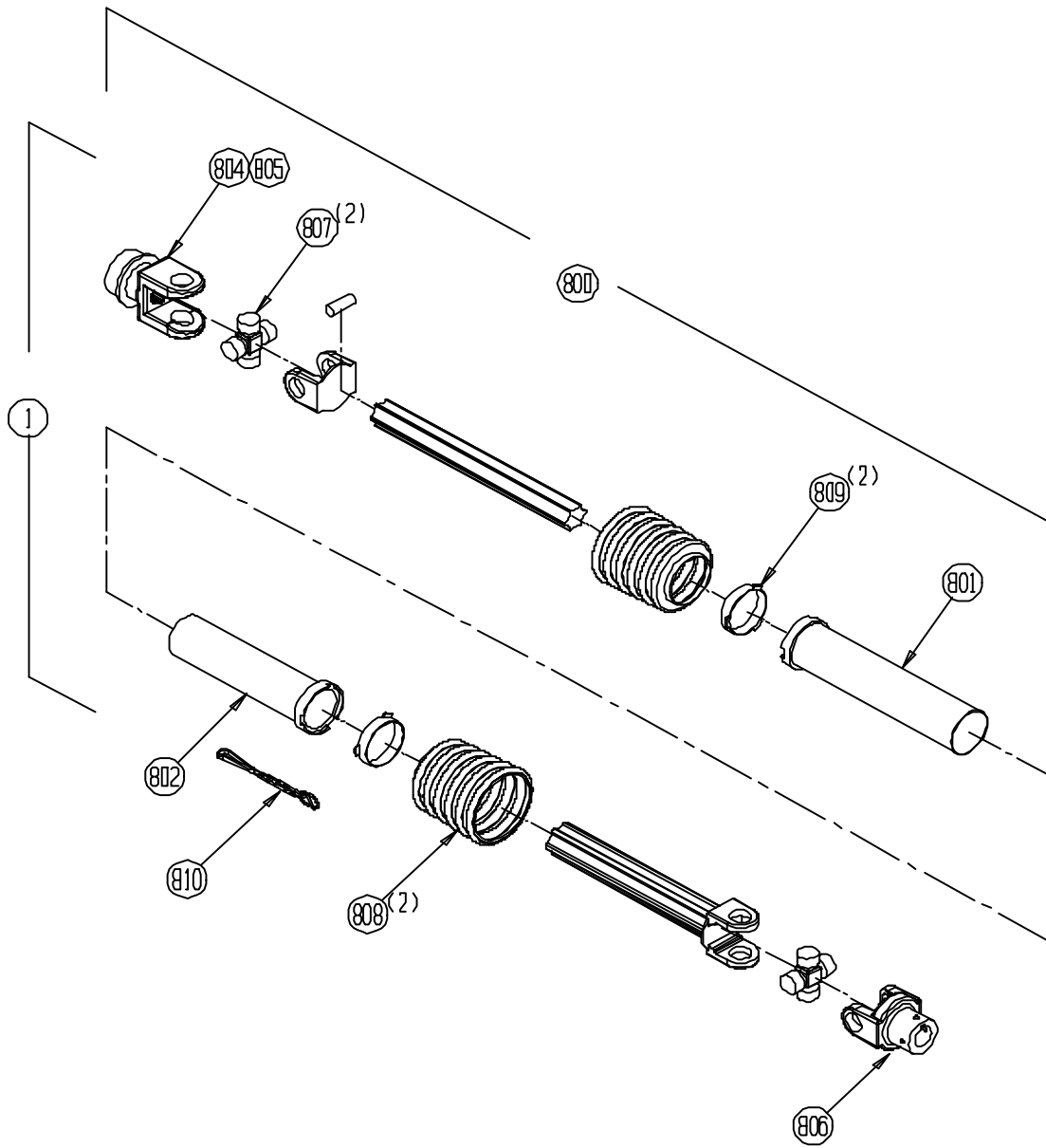
1004-1-1 TONGUE ASSEMBLY



1004-1-2 PTO Assembly

<u>Ref</u>	<u>Part No.</u>	<u>Description</u>	<u>Parts – Assembly</u>	<u>Will Fit SN</u>	<u>Remarks</u>
1	PTS-1001	Waltersheid Power Shaft, 190 model, with 1 3/4" x 21 spline	1		
1	PTS-1002	Waltersheid Power Shaft, 190 model, with 1 3/8" x 21 spline	1	19101-	Used on some 1994 machines
101	BL-6-050-SC	3/8-16 x 1/2" Knurled Point Set Screw	2		
800	PTS-1002-FH	Front Half Only for All PTO (Waltersheid) Shafts 1 3/8 - 21	1		
800	PTS-1003-FH	Front Half Only for All PTO (Waltersheid) Shafts 1 3/4-20	1		
801	PTS-1002F	PTO Outer Sheild (Waltersheid)	1	19101-	
802	PTS-1002G	PTO Inner Shield (Waltersheid) Tomato Shaft	1	19101-	For use on PTS-1002 and PTS-1001 model Only
804	PTS-1002A	PTO Tractor Yoke (Waltersheid) 1 3/4" x 20 Spline	1	19101-	John Deere PN AW25387
805	PTS-1002C	PTO Yoke (Waltersheid) 1 3/8" x 21 spline	1	19101-	John Deere PN AW25386
806	PTS-1003-H	PTO Inner Yoke (Waltersheid)	1		
807	PTS-4001B	Extended Lube Cross & Bearing Kit	2	Waltersheid Yokes	Replaces PTS-1002B
808	PTS-1002E	PTO Shield Cone (Waltersheid)	2	19101-	
809	PTS-1002J	PTO Shield Bearing Ring	2		
810	PTS-1002K	PTO Shield Safety Chain	1		

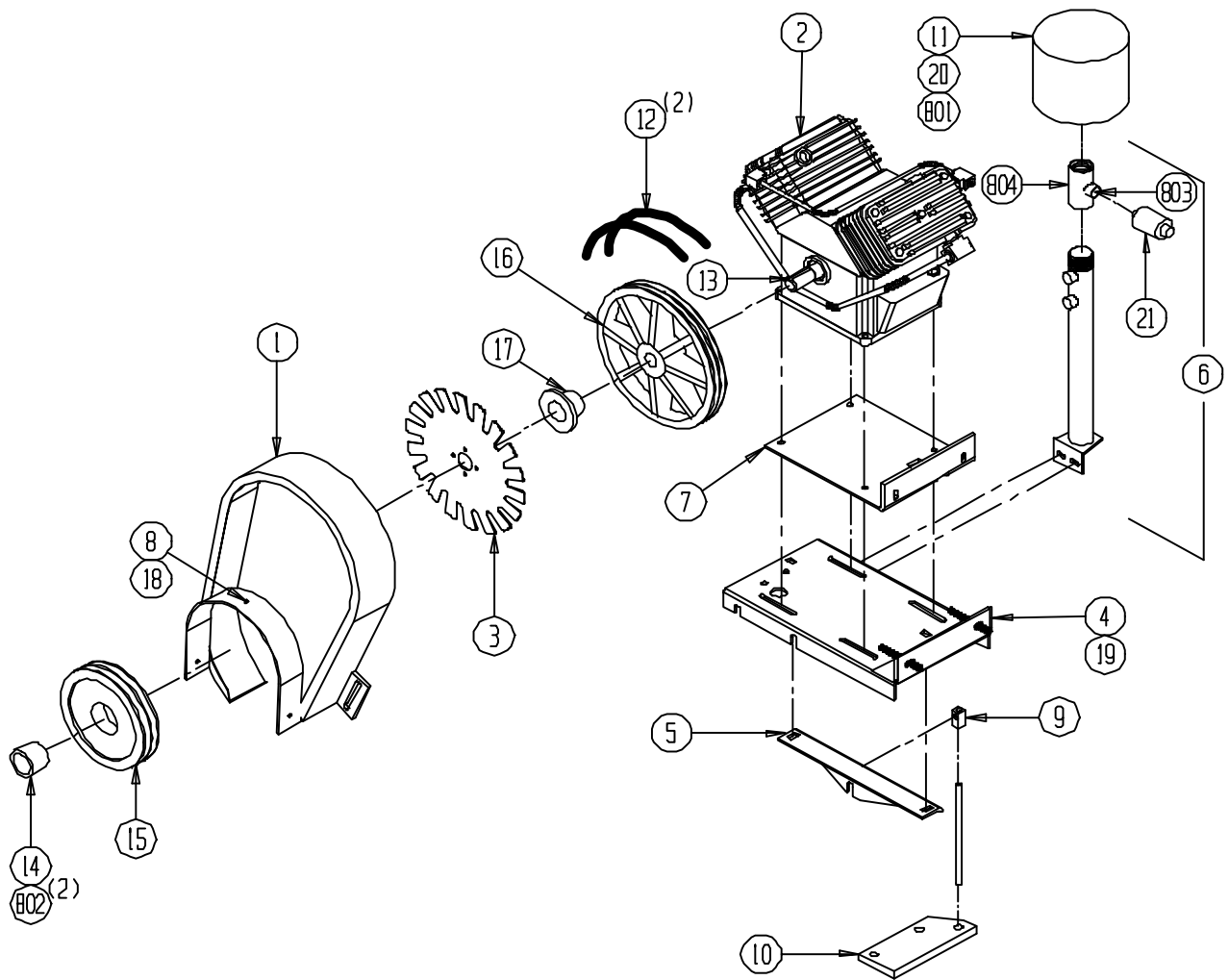
1004-1-2 PTD ASSEMBLY



1004-1-3 Air Compressor Assembly

<u>Ref</u>	<u>Part No.</u>	<u>Description</u>	<u>Parts – Assembly</u>	<u>Will Fit SN</u>	<u>Remarks</u>
0	AIR-1516	Air compressor oil, quart	1		
1	110-1507	Air Compressor Shield	1	11001-	
2	AIR-1506	Air Compressor w/Flywheel	1		Replaces AIR-1507
3	FAN-1610	FAN BLADE, PULLEY	1	KIT-0025	
4	MOU-1509	Air Compressor Mount	1	19201- KIT-0026	
5	192-1509B	Mounting Tab, Air Compressor Mount	1	19201-	
6	194-1510	Air Filter Mount	1	19401-	
7	MOU-1511	Compressor Slide Plate	1	19701-	
8	BT-1507	Belting, Air Compressor Shield	1	11001-	
9	ADJ-1509	Adjuster, Air Compressor height stabilizer bracket	1	19701-	
10	BAR-1509	Tilting Adjuster Plate, Air Compressor Support	1	19701-	
11	AIR-1506A	Air, Compressor Filter	1		
12	BT-A-40	Air Compressor Belts	2	KIT-0025	
13	PIN-4-16-C	1/4" x 1' Coil Pin	1		
14	PU-1610-24	Taper Loc Hub 1610-1 1/2	1		
15	PU-2A74	Air Compressor Pulley Taper Loc	1		
16	PU-2AK74	Cast Iron Pulley	1		
17	PU-QT-14	Bushing, QT x 7/8"	1		Drill keyway undersize to install 1/4" roll pin
18	DC-1176	Decal, Danger-Hand Chain Sprockets	1		
19	DC-1506	Decal, White, Air Comp. Cap., 1qt SAE 30 Non Detergent, Tom	1	19801-	
20	DC-1506B	Decal,White:AIR FILTER-CLEAN DAILY BLOW	1	11001-	
21	AIR-1355	Air Filter Monitor(15# H2O) with O-Ring fitting	1		
116	BL-6-400-ST	3/8-16 x 4 Grade 5 Full Threaded Stud	2		
117	BL-6-800-SSST	3/8-16 x 8" SS Threaded Rod B8-Class 2	1		
801	AIR-1506B	Air, Compressor Filter Element	1	AIR-1506A	
802	BL-6-0625-SCF	Setscrew, Flat End 3/8-16 x 5/8"	2		
803	AB-8-2	1/2" x 1/8" Hex Bushing Black	1		
804	AT-24-24-8	1 1/2 x 1 1/2 x 1/2" Black Tee	1		

1004-1-3 AIR COMPRESSOR ASSEMBLY

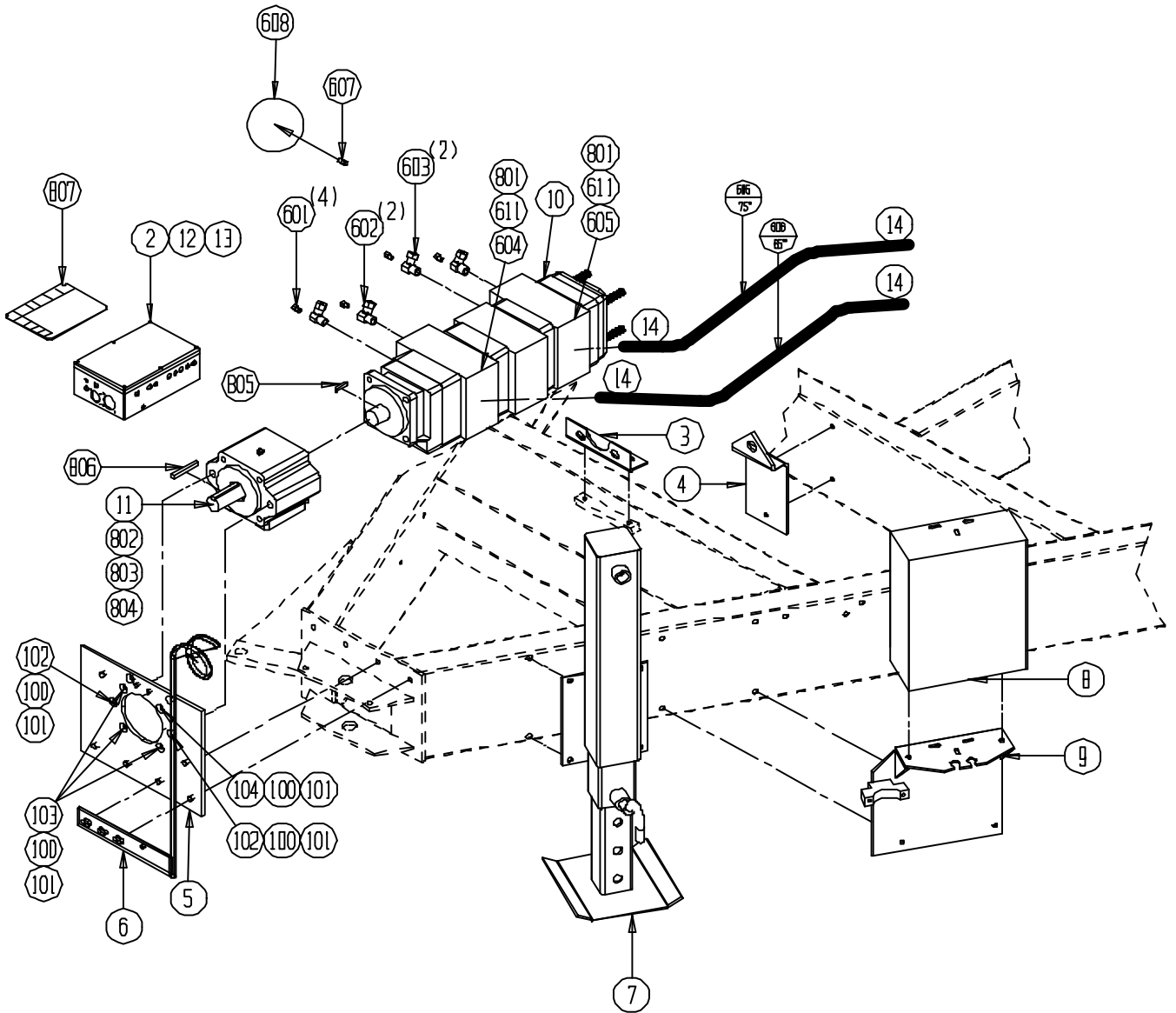


1004-1-4 Front End Assembly

<u>Ref</u>	<u>Part No.</u>	<u>Description</u>	<u>Parts – Assembly</u>	<u>Will Fit SN</u>	<u>Remarks</u>
2	EL-0002	Electrical Control Box 02 Tom. Act. Ready	1		
3	196-1129	Mount, Rear Pump (Tomato)	1	19101-	Replaces 191-1129 NOTE: Use with #HP-365-C1
4	193-918	Cylinder bracket frame	1		
5	191-1128	Mount, Hydraulic Pump (Tomato)	1	19101-	
6	SUP-3200	Hose Support	1	19100- 30095001-	
7	WH-1125	Machine Jack for Tomato Harvester	1	19101-	
8	SHD-B8	Shield, Electrohydraulic "Brand", 8-Stack	1	19601-	
9	MOU-3112	Mount, Hydraulic Valve, Control Valve, Cuc & Tom	1		
10	HP-365-C1	Hydraulic Pump, Commercial 365	1		
11	HP-1003	Overhung Load Adapter	1	11001	
12	PL-U003	Plastic, Urethane, Control Box Toggle Connector	1		
13	EL-805	Automotive Fuses 10 Amp	1		
14	CL-201	2" Hose Clamp, Heavy Duty T-Bar, 2.25-2.5"	8		
100	BL-8-LW	1/2 SPLIT LW ZC	6		
101	BL-8-N	1/2-13 HEX FIN NUTS ZC	6		
102	BL-8-700-FS	1/2-13 X 7 FL SOC CAPS	2		
103	BL-8-750-FS	1/2-13 X 7 1/2 FL SOC CAPS	3		
104	BL-8-800-FS	1/2-13 X 8 FL SOC CAPS	1		
601	HA-1004-4	Test Point Plug #4 SAE Thread	4		
602	A-6901-12-12-4SAE	12 SAE x 3/4" FPX 90 w/4 SAE Port	2		
603	A-6901-10-8-4SAE	10 SAE x 1/2 FPX90 W/ 4SAE Port	2		
604	A-4459-32-32	Flange Nipple, 2" 90	1		
605	A-4456-32-32	Flange Nipple, 2" 45	1		
606	H32-S	2" Suction Hose	12		
607	HA-1005-T	Test Point Probe	1		
608	HA-1004-G	Hydraulic, Pressure Gauge w/1/4 NPT Stem	1		
609	A-4444-32-32	2" Male Pipe Hose Barb	4		
610	HV-GV-200	2" Brass Gate Valve	2		
611	A-SFK-32	2" Split Flange Kit	2		
801	A-90DF-32	O Ring for Flange Face 2"	1	A-SFK-32	
802	HP-1003A	Rear seal for HP-1003	1	11001	

803	HP-1003B	Front seal for HP-1003	1	11101
804	HP-1003S	Output Shaft for HP-1003	1	HP-1003
805	HP-365B	Key for Hydraulic Pump, Model 365	1	HP-365-C1 & HP-365-C3
806	KEY-6-6-40	Keystock 3/8" x 3/8" x 2 1/2" Square Cut (1018)	1	
807	DC-0041	Decal, Control Box, Tomato, '02	1	

1004-1-4 FRONT END ASSEMBLY

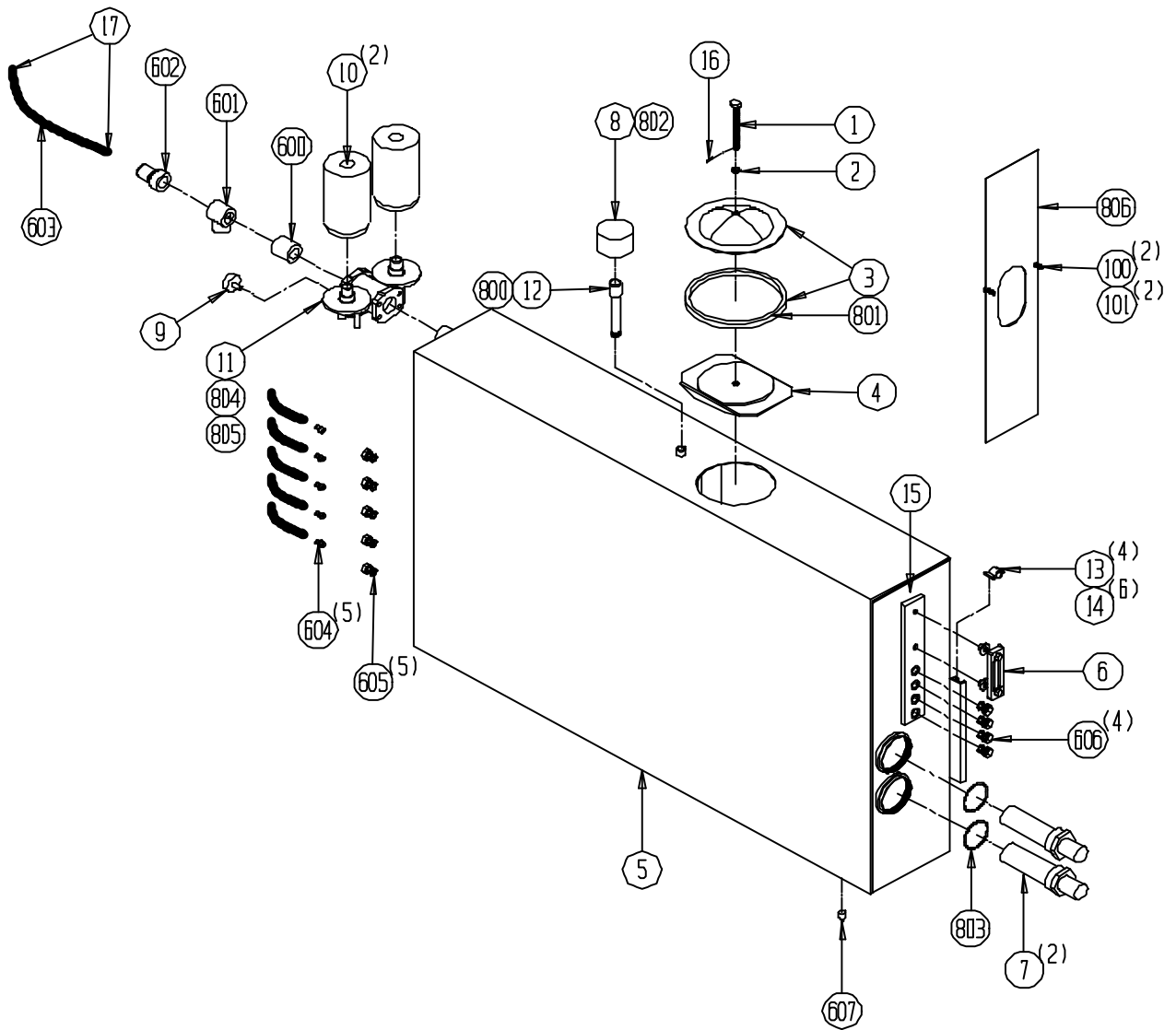


1004-1-5 Oil Tank Assembly

<u>Ref</u>	<u>Part No.</u>	<u>Description</u>	<u>Parts – Assembly</u>	<u>Will Fit SN</u>	<u>Remarks</u>
0	HP-1030	Hydraulic Oil Sample Kit	1		
0	HP-1031	Hydraulic oil (per gal.)	140		ISO grade 46 with anti-wear and anti-foam properties. Harvesters, Approx. 140 gal
1	HA-5070E	Tank Cover Bolt	1	19501-30095001-	
2	HA-5070B	Nylon Washer for Tank Cover Kit	1	19501-30095001-	
3	HA-5070	Hydraulic Tank Cover w/Gasket	1	19501-30095001-	
4	HA-5070D	Tank Cover Holddown	1	19501-30095001-	
5	TAN-1010	Tank, Oil Reservoir, 1999	1		
6	HA-1041	Hyd, Level Gauge & Therm	1	19201-	
7	HA-1006-5	Suction Screen, SAE 3 3/8-12UN with 2" Hose Barb	2	19904-	
8	HA-1012	Vescor Breather Filter (3 micron)w/Adapter Fitting	1		
9	HA-1023A	Filter Gage	1		
10	HA-1029	Hydraulic Fluid Filter	2		
11	HA-1023-Z	Double Filter Head, Side by Side	1		
12	EX-1012	extension, Filter, Oil Tank	1	19501-	
13	HA-1071-H	Hydra-zorb Tube Clamp 1" (3 pc.)	4	19401-	
14	HA-1072-H	Hydra-zorb Tube Clamp 3/4" (3 pc.)	6	19401-	
15	DC-1008	Decal, Yellow, Tank Capacity: 140 Gal., ISO Grade 46 Hyd. Oil, Tom.	1	19801-	
16	PIN-3-14	Roll Pin, 3/16 x 7/8	1	193-729K	Pkg. of 100
17	CL-175	1½" Hose Clamp, Heavy Duty T-Bar, 1.73-1.85"	2		
100	BL-6-LN	3/8 UNC FIN HEX LOCK NUT NE A563 GrA ZINC	2		
101	BL-6-FW-8	3/8 FLAT WASHER G8 ZC	2		
600	AN-24-CL	1 1/2" Black (Nipple Close)	1		
601	AT-24-24-12	1 1/2 x 1 1/2 x 3/4 Black Tee	1		
602	A-ST-20	1 1/2 NPT to 1 1/2 Hose Barb Adapter	1		
603	H24-180	1 1/2" Return hose 180"	1		
604	A-4124-6-6	3/8 Male Pipe x 3/8 Push Loc	5		
605	A-6900-8-6	8 SAE x 3/8" FPX With 7/8" Stock Body	5	20095001-	
606	A-6900-10-8	10 SAE x 1/2 FPX	4	20095001-	
607	HA-1007	Hydraulic, Magnetic Drain Plug	1	11101-	

800	HA-1009	Filter Adapter 3/4 NPT x 1"-12 UNF	1		
801	HA-5070A	Replacement Gasket for Tank Cover Kit	1	HA-5070	
802	HA-1012A	Vescor Breather Element (3 micron)	1	HA-1012	w/o Adapter Fitting
803	OR-236	O Ring, 3 1/4 x 3 1/2	2		
804	HA-1023-P	Poppet for Filter Bypass	1	HA-1023-Z	
805	HA-1023-S	25 PSI Filter Bypass Spring	1	HA-1023-Z	
806	195-1008A	Baffle, Oil Tank	1	(TAN-1010) 19601-	

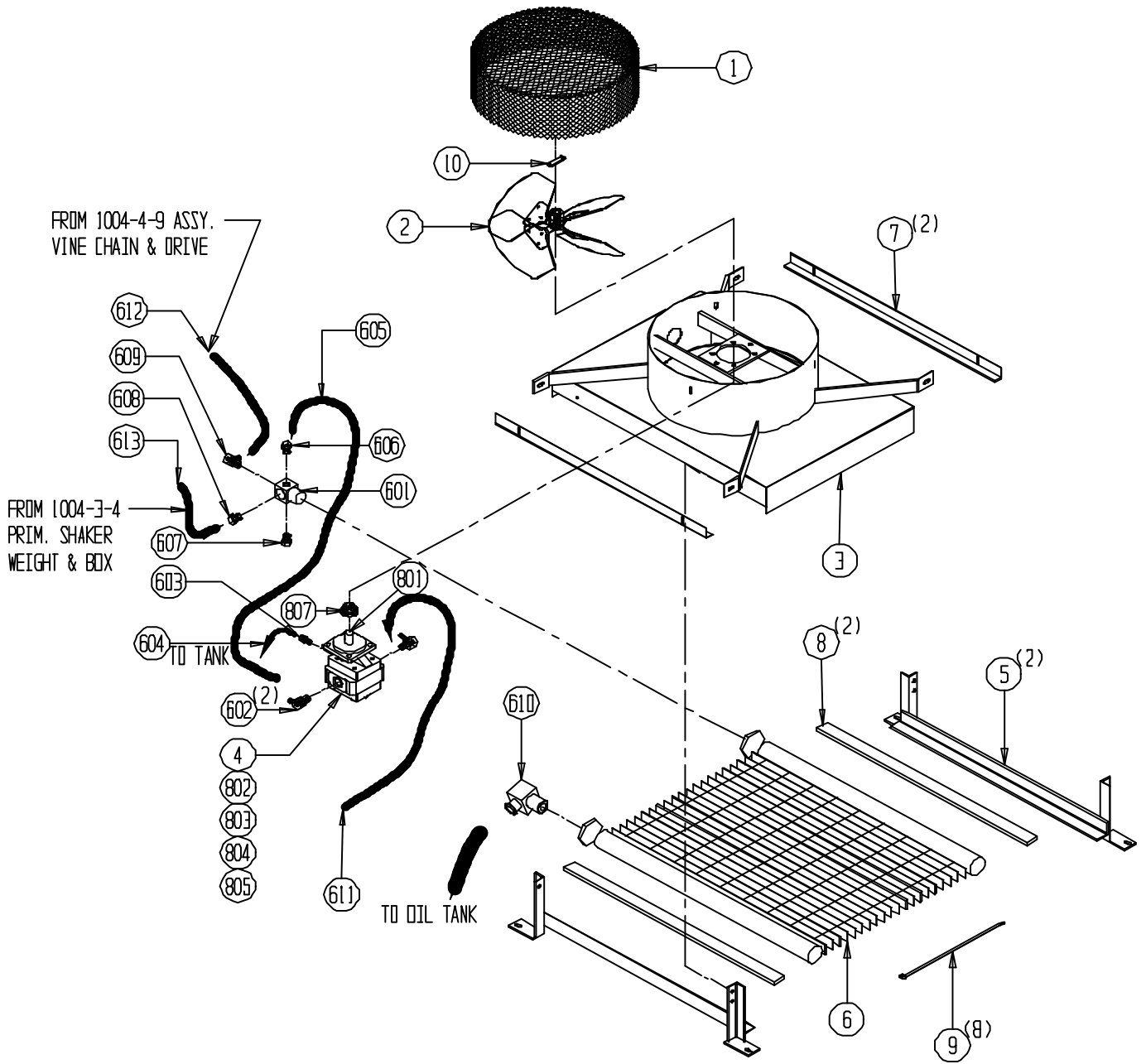
1004-1-5 OIL TANK ASSEMBLY



1004-1-6 Oil Cooler Assembly

<u>Ref</u>	<u>Part No.</u>	<u>Description</u>	<u>Parts – Assembly</u>	<u>Will Fit SN</u>	<u>Remarks</u>
1	191-1082	Shield, Cooling Fan	1		
2	FAN-290-18	Oil Cooler Fan, 18"	1		
3	110-1016	Oil Cooler Shroud	1		
4	HM-1020	Cooling Fan Motor	1	19201-	When installing on '90 and '91 machines must be accompanied by fan blade 192-1019
5	110-1017	Mount, Oil Cooler Support	2		
6	HA-1016	Hydraulic Oil Cooler Radiator w/o Mounting Kit & w/ SAE24 Ports	1		Replaces HA-1015
7	COV-1016	Cover, Shroud Cover, Oil Cooler	2	30097001-	
8	RS-100	Rubber Sheeting, .500 x 1.75 x 35.5, Oil Cooler Damper	2	19401-	EPDM Sponge Rubber Sheeting
9	WT-17H	Heavy Duty Wire Tie 17.5"	8		
10	BAR-FAN-290-18	Bar, Retainer, Cooling Fan	1		
601	A-WF-24-10-3	24 SAE Male O-Ring w/ (3) #10 SAE Ports	1		
602	A-6901-12-8	12 SAE x 1/2" FPX 90	2		
603	A-4124-6-4	1/4 Male Pipe x 3/8 Push Loc	1	HV-1045K	
604	H6-PL-228	3/8" Push Loc Hose 228" (Cooling Fan)	1		
605	H10-36-8MP-8MP	5/8 in hose 1/2MP x 1/2MP x 36 in long	1		
606	A-6900-10-8	10 SAE x 1/2 FPX	1	20095001-	
607	A-6408-10	10 SAE Plug	1		
608	A-6900-10-12	10 SAE x 3/4 FPX	1		
609	A-6901-10-8	10 SAE x 1/2 FPX90	1		
610	A-4603-24-24	1 1/2 x 24 SAE 45 Male O-Ring Beaded Insert	1		
611	H10-162-8MP-8MP	5/8 in hose 1/2MP x 1/2MP x 162 in long	1		
612	H10-30-8MP-8MP	5/8 in hose 1/2MP x 1/2MP x 30 in long	1		
613	H12-122-12MP-8MP	3/4" Hose 3/4"MP x 1/2"MP x 122" Long	1		
801	HM-1020B	Key for Fan Motor	1	HM-1020	
802	HM-0381	Ball Bearing, Motor	1	HM-1020	
803	HM-2585	Ring Seal, Commercial Motor	2	HM-1020	
804	HM-2686	Snap Ring, Commercial Motor	1	HM-1020	
805	HM-1801	Seal Kit for Commercial Intertech	1	P20 & M20 Series	Includes:(1) Length of HM-2882,(1)HM-2883,(2)HM-2884
806	FAN-290-18BL	Blade for 18" Fan	8		
807	PU-JA-16	Bushing, JA x 1"	1		

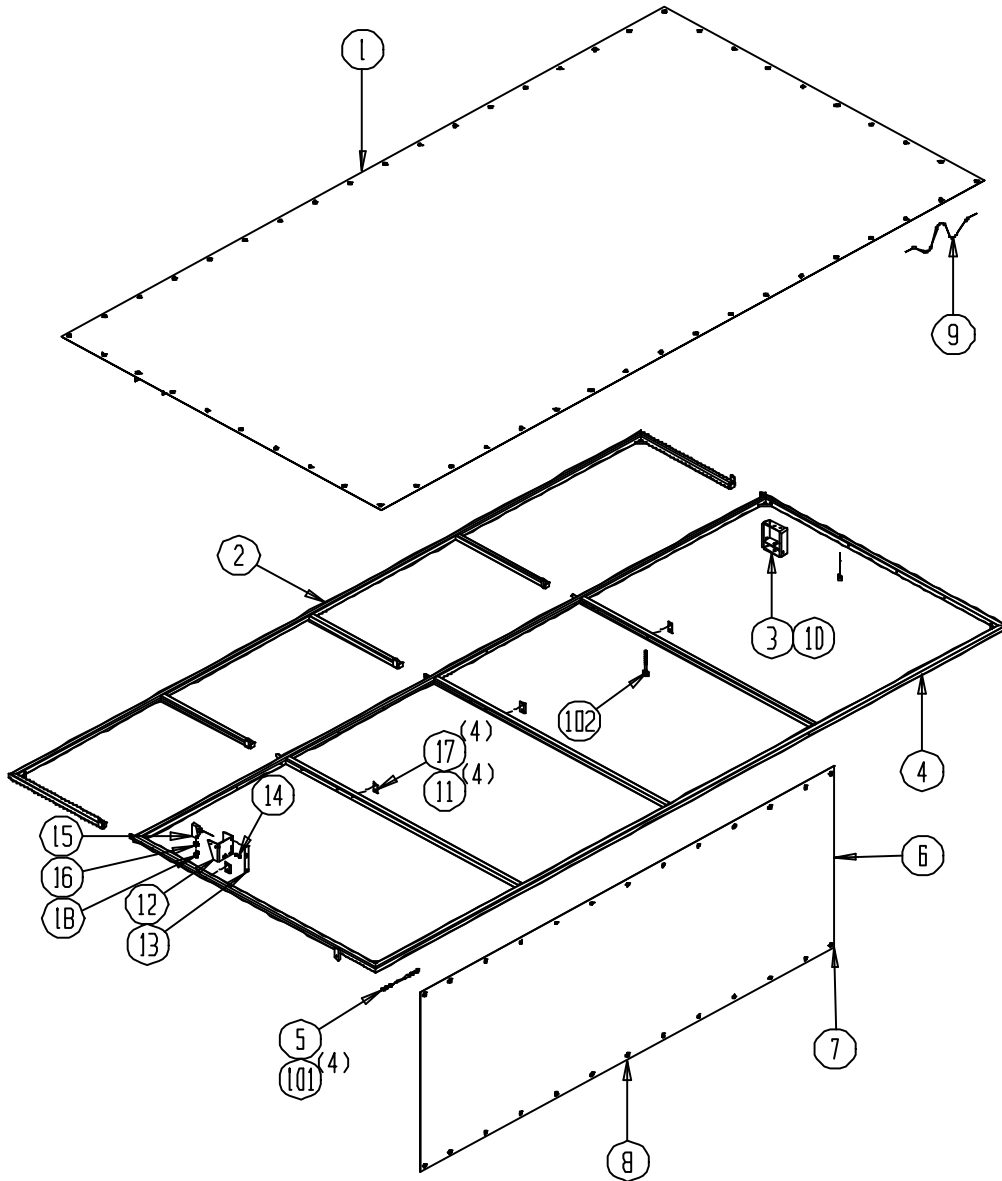
1004-1-6 OIL COOLER ASSEMBLY



1004-1-7 Canopy Assembly

<u>Ref</u>	<u>Part No.</u>	<u>Description</u>	<u>Parts – Assembly</u>	<u>Will Fit SN</u>	<u>Remarks</u>
1	TRP-1115	Tarp, Sun tarp	1	19101-	
2	192-1116a	Fold out	1	19201-	
3	SHD-1206	Shield, Flashing Light	1	30097001- 19601-	
4	192-1116	Main sun tarp frame	1	19201-	
5	194-1146	Stainless Steel Cable Assembly	1	19201- TRP-1145K	
6	TRP-1145	Dust Tarp	1	19201- TRP-1145K	
7	STRP-1410	14" Tarp Strap-pkg of 10	1		
8	STRP-610	6" Tarp Strap (ea.)	10		
9	TRP-0006	Nylon Rope #6 @ foot	100		
10	EL-1206	Double Amber Lamp	1		
11	EL-1201	Halogen Lights	4	19201	
12	195-1455	Horn Bracket	1	19501-	
13	195-1456	Horn Switch Bar	1	19501-	
14	SPG-9654	extension Spring for Horn Switch	1		
15	EL-6610	Horn Switch	1		
16	BU-6-8-N	Bushing, Threaded Pipe, Nylon, 3/8" x 1/2"	1		
17	BAR-1510	Bar, Light Holder	4		
18	ELC-2638	3/8" Plastic Cord Connector	1		
101	BL-5-FN	5/16" Fine Thread Nuts	4		
102	BL-6-600-I	Eye Bolt for Horn Cord SS	2		

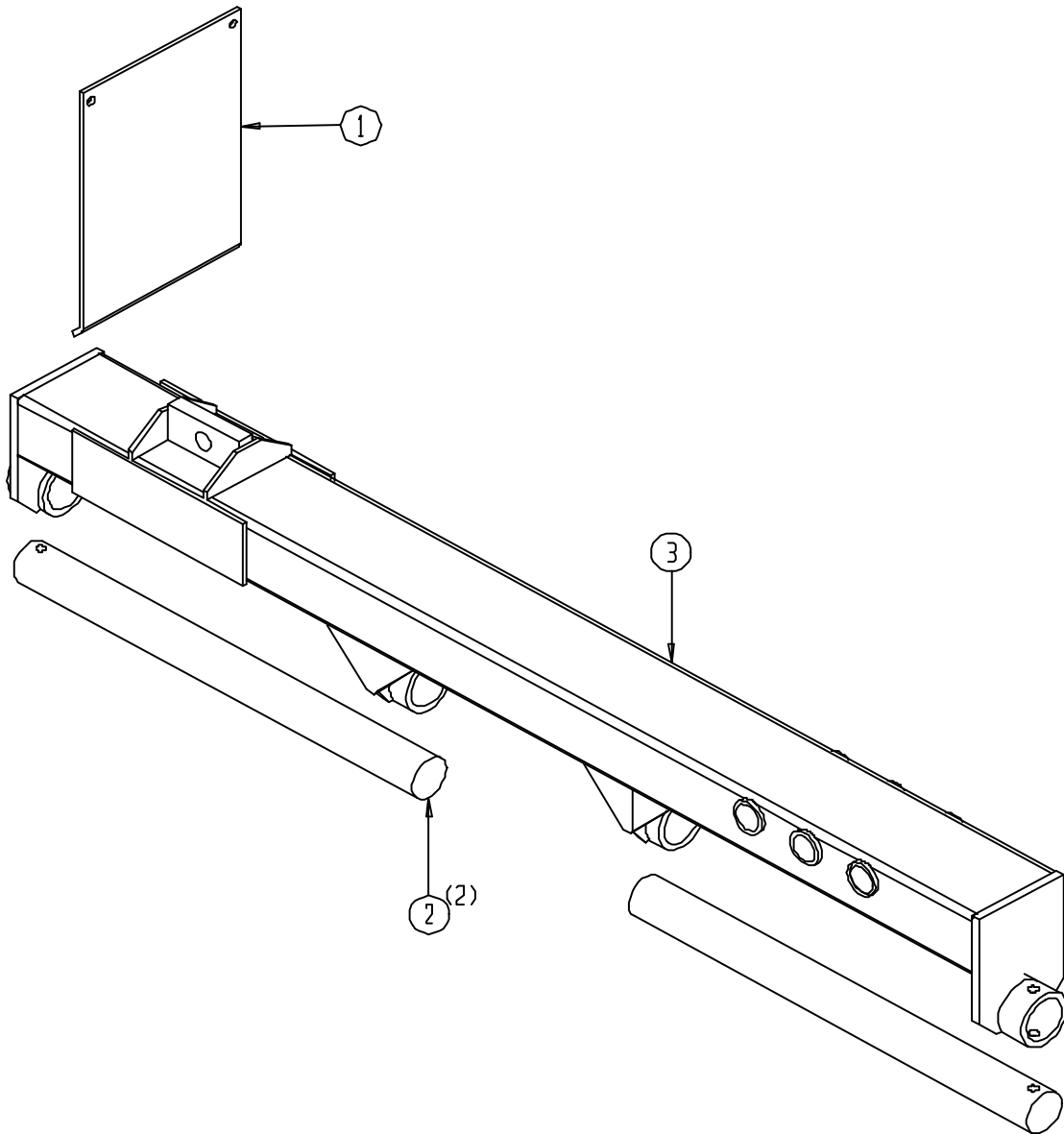
1004-1-7 CANOPY ASSEMBLY



1004-1-8 Axle Assembly

<u>Ref</u>	<u>Part No.</u>	<u>Description</u>	<u>Parts – Assembly</u>	<u>Will Fit SN</u>	<u>Remarks</u>
1	PL-1101	Plastic Cover	1	19501-	
2	110-1110	Pin, Rocker	2	110-90-01-	
3	191-1111	Axle	1	19101-	

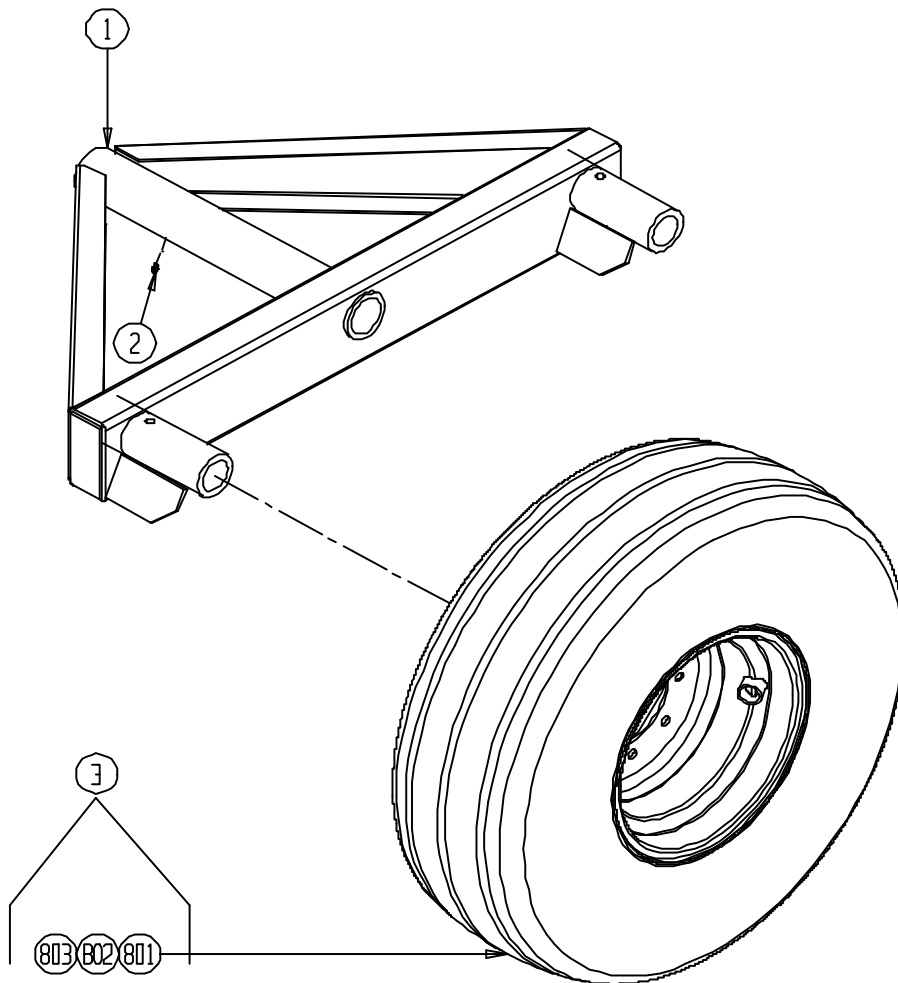
1004-1-8 AXLE ASSEMBLY



1004-1-9 "Standard" Wheel & Rocker Assembly

<u>Ref</u>	<u>Part No.</u>	<u>Description</u>	<u>Parts – Assembly</u>	<u>Will Fit SN</u>	<u>Remarks</u>
1	193-1109	Complete rocker, less spindles (Tomato)	2	19101-	Replaces 110-1109
2	GF-1428	Grease Fitting 1/4" x 28 straight	8		
3	WHM-1100	Mounted Tire Tube/ Wheel Assembly for 12.5 L15 15 ply Tire	4	190	
3	WHM-1125	Mounted Small Bar Rim/Tire/Tube	0	190	
101	BL-8-400-H	1/2-13 X 4 HEX CAP G5 ZC	2		
102	BL-8-LN	1/2-13 HEX LOCK NUT NYLON INSERT ZC	2		
801	WHT-1121	12.5 L15 14 ply McCreary Tire	1	19101	
802	WHT-1122	12.5 x L15 Tube (Heavy Duty)	1	19101	
803	WHT-1123	10 x 15 8 lug Rim	1	19101	8-8-6

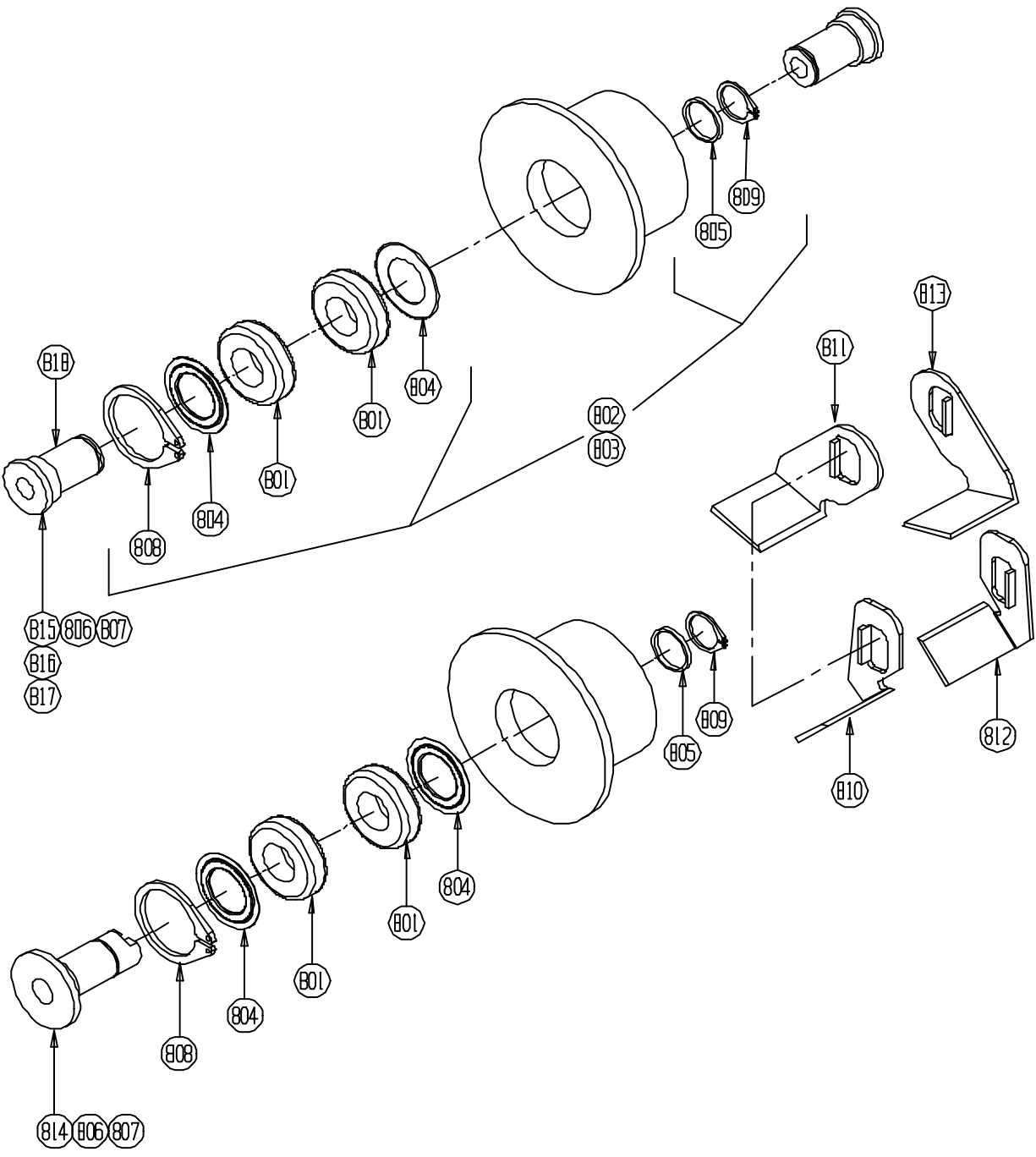
1004-1-9 "STANDARD" WHEEL & ROCKER ASSEMBLY



1004-1-10 Roller Parts Assembly

<u>Ref</u>	<u>Part No.</u>	<u>Description</u>	<u>Parts – Assembly</u>	<u>Will Fit SN</u>	<u>Remarks</u>
801	BR-025-052	Bearing, for Terog Rollers	2		
802	BR-025-052-U	Bearing Kit for Terog Rollers	1		Includes (1)RLA-103, (2)RLA-000-101, (2)BR-025-052, (1)RLA-000-102, (1)RLA-104
803	BR-025-052-W	Bearing Kit for Terog Roller, Single Bearing	1		Same as BR-025-052-U, except has only (1)BR-025-052.
804	RLA-000-101	Metal Seal	2		
805	RLA-000-102	Seperator Ring	1		
806	RLA-006-078	Bushing 1/2" x 5/8" x .75"	1		
807	RLA-006-128	Bushing, 1/2" x 5/8" x 1.25	1		
808	RLA-103	Snap Ring	1		
809	RLA-104	Snap Ring	1		
810	RLA-3023-TM	Scraper for Nose Roller, RH	1		For use with RLS-522-2010-SC roller only
811	RLA-3023S	Curved Scraper, RH	1		
812	RLA-3024-TM	Scraper for Nose Roller, LH	1		For use with RLS-522-2010-SC roller only
813	RLA-3024S	Curved Scraper, LH	1		
814	RLT-SSP2	Stub Shaft Only for mounting 3023S and 3024S: 5/8 bore	1		
815	RLT-SSU1	Stub Shafts for Rollers: 1/2" bore, 2" Length	1		
816	RLT-SSU2	Stub Shafts for Rollers: 5/8" bore, 2" Length	1		
817	RLT-SSU3	Stub Shafts for Rollers: 3/4" bore, 2" Length	1		
818	RLT-SSW1	Stub Shaft for Rollers: 1/2" Bore, 1 1/4" Length	1		RLT-535-12*

1004-1-10 ROLLER PARTS ASSEMBLY

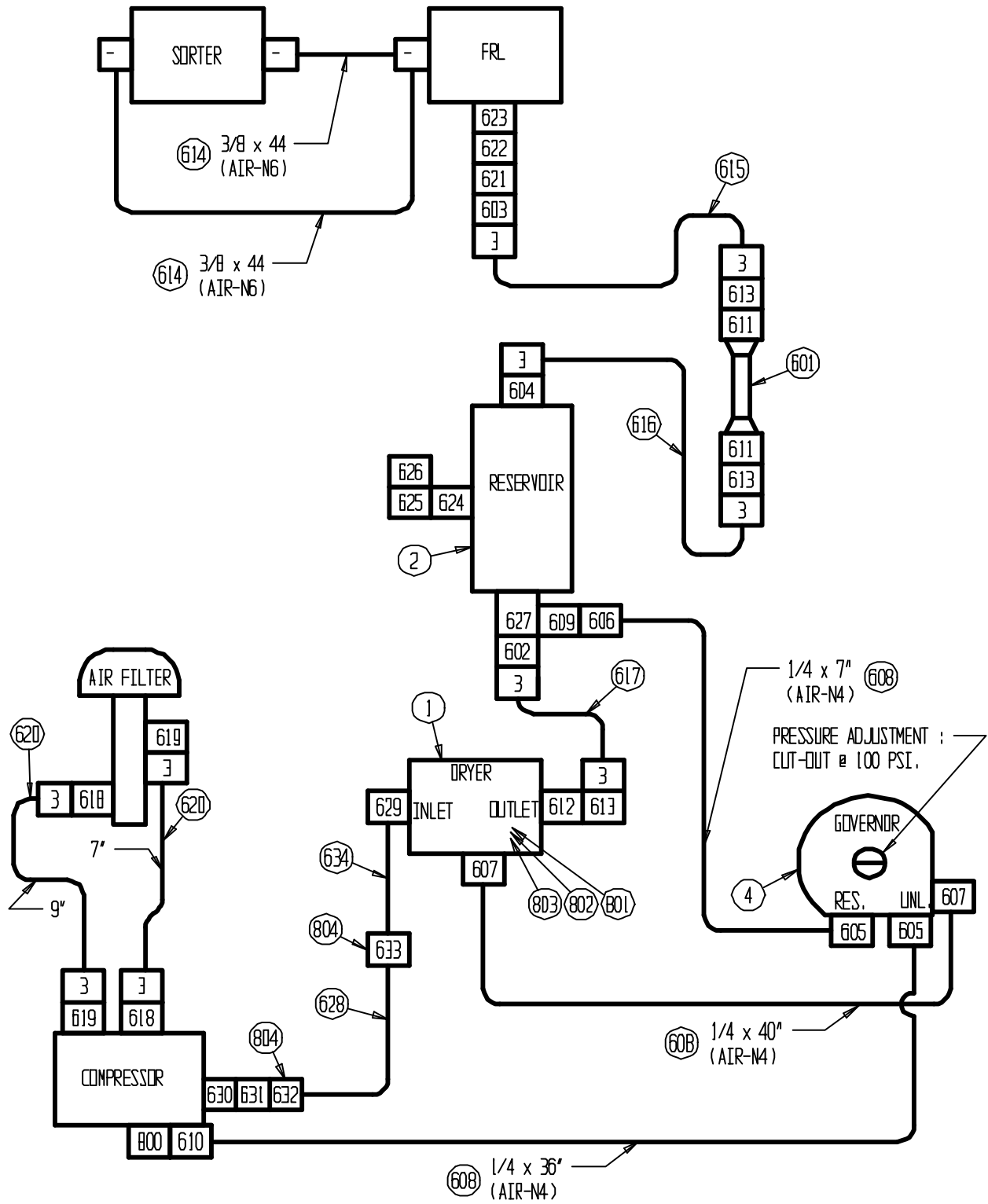


1004-1-11 Air Tank Assembly & Pneumatics

<u>Ref</u>	<u>Part No.</u>	<u>Description</u>	<u>Parts – Assembly</u>	<u>Will Fit SN</u>	<u>Remarks</u>
1	AIR-1514-M	Air Dryer	1		Will replace 110-1514 with minor modifications
2	AIR-1513	Air Reservoir Tank	1		
3	CL-16	1" Stainless Steel Gear Clamp	10		
4	AIR-1512	Air Compressor Governor	1		
601	H-T12	3/4" Air Line	1		
602	A-4124-10-8	1/2 Male Pipe x 5/8 Push Loc	1		
603	A-4104-10-6	3/8 MP to 5/8 Hose Barb	1		
604	A-4129-10-8	1/2 NPT 90 w/ 5/8" push-loc	1		
605	AIR-N4-2	Auto-loc Male Adapter 1/4 x 1/8 NPT	2		
606	AIR-NL-4-4	Auto-loc Elbow 1/4 n 1/4 NPT	1		
607	AIR-NL4-2	Auto-loc Elbow 1/4 - 1/8 NPT	2		
608	AIR-N4	1/4"Nylon Tubing @ ft., Black	7		
609	AB-8-4	1/2 x 1/4 Bushing	1		
610	AIR-60BI	Brass Insert, 1/4" Nylon Tube	1		
611	A-2403-12-10	3/4" MJIC x 5/8" MJIC	2		
612	A-2501L-10-8	5/8MJIC x 1/2MP(Long)90	1	19701-	
613	A-4121-10-10	5/8" Push Loc x 5/8" JIC Female	3		
614	AIR-N6	3/8" Nylon Tubing @ ft., Black	8		
615	H10-PL-130	5/8" Push Loc Hose 130"	1	19701-	
616	H10-PL-41	5/8" Push Loc Hose 41"	1		
617	H10-PL-51	5/8" Push Loc Hose 51"	1		
618	A-4109-12-8	1/2 MP to 3/4 Hose Barb 90	2		
619	A-4104-12-8	1/2 MP to 3/4 Hose Barb	2		
620	H12C-4	3/4" Suction Hose @ ft	1,333		
621	SRT-1579	3/8" Ball Valve	1		
622	A-5404-6-6	Hex Nipple, 3/8" x 3/8"	1		
623	A-1501-6-6	3/8" MP x 3/8" FPX90	1		
624	AB-12-4	3/4 x 1/4 Bushing	1		
625	A-5500-4	1/4" 90 Male Pipe Elbow	1		
626	AIR-375-25F	Air Coupler 3/8 Body - 1/4NPT Female Thread	1		
627	A-5602-8	Run Tee 1/2" NPT	1		
628	COP-12	7/8" OD Copper Tubing @ Foot	10		

629	A-1501-8-8	1/2 MP x 1/2 FPX90	1	
630	A-1503-8-8	Elbow, 1/2" MP X 1/2" FPX45	1	
631	A-5405-8-12	Pipe Adapter 1/2 MPT x 3/4 FPT	1	
632	A-5628-14-12	Compression Adapter, 7/8"OD x 3/4"MPT, Brass	1	
633	A-6600-14-12	Compression Adapter, 7/8"OD x 3/4"FPT, Brass	1	
634	H12-30-12MP-8MP	3/4 in hose 3/4MP x 1/2MP x 30 in long	1	
800	AIR-60	Brass Compression Sleeve, 1/4" Nylon Tube	1	
801	AIR-1514-M-A	Air Dryer Acc., Coalescing Filter Kit	1	AIR-1514-M
802	AIR-1514-M-B	Air Dryer Acc., Coalescing & Desiccant Filter Kit	1	AIR-1514-M
803	AIR-1514-M-C	Air Dryer Acc., Purge Valve Kit	1	AIR-1514-M
804	AIR-60-14	Brass Compression Sleeve, 7/8" OD	2	

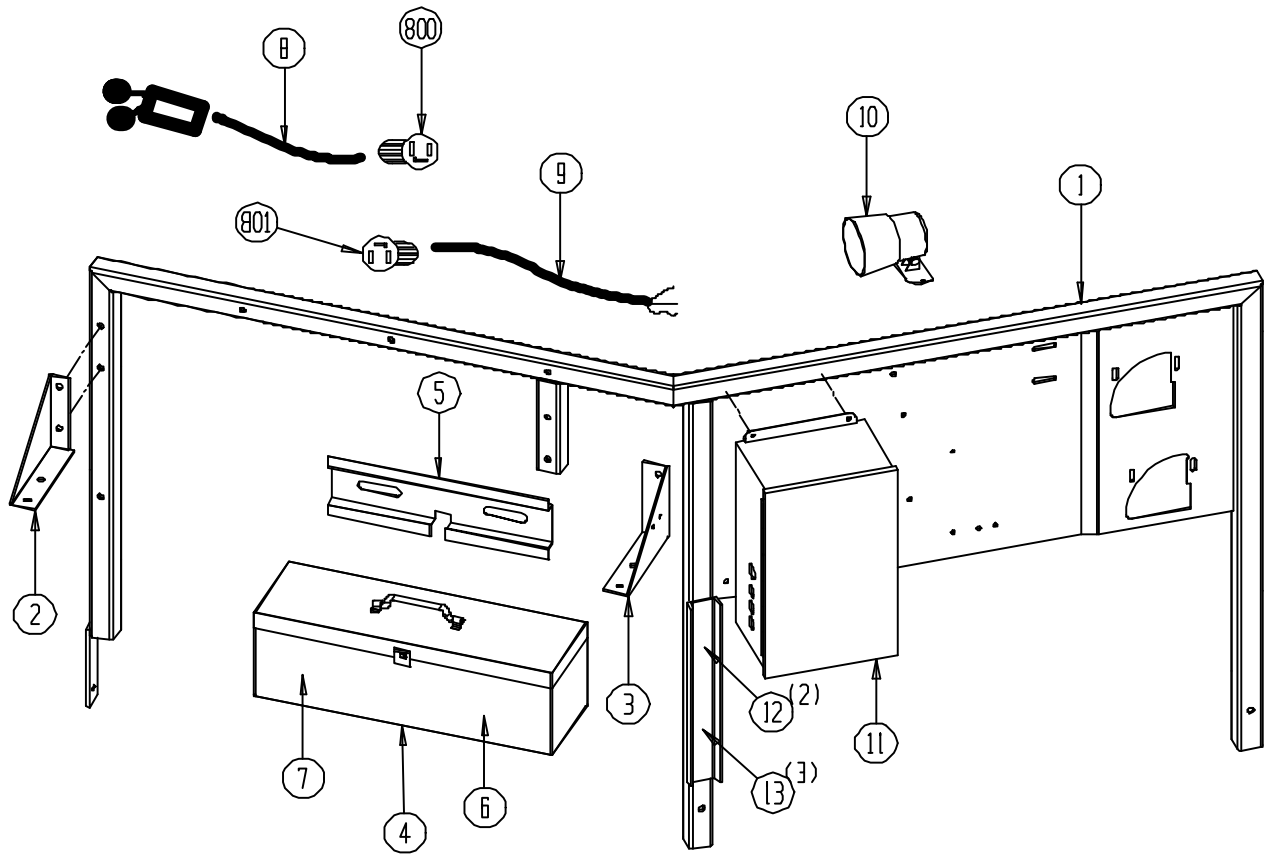
1004-1-11 AIR TANK & PNEUMATICS



1004-1-12 Handrail Assembly

<u>Ref</u>	<u>Part No.</u>	<u>Description</u>	<u>Parts – Assembly</u>	<u>Will Fit SN</u>	<u>Remarks</u>
1	194-1414	Front Rail	1	19401-	
2	194-1513A	Air Tank Bracket	1	19401-	
3	194-1513B	Bracket, Air Reservoir	1	19401-	
4	BOX-7022	Removable Tool Box	1		
5	BOX-7025	Removable Tool Box Mounting	1		
6	DC-1180	Serious Injur/Death Decal, Read Manual	1		
7	DC-1183	Company Information Decal, 3" x 7.75"-	1		
8	EL-1251	Power Cable Assembly (for Tractor only)	1		
9	EL-1252	Power Cable (Machine end only)	1		
10	EL-6600	Warning Horn	1		
11	ELE-891-T	Electrical, Panel Box, Tomato Hole Pattern	1		
12	HA-1071-H	Hydra-zorb Tube Clamp 1" (3 pc.)	2	19401-	
13	HA-1072-H	Hydra-zorb Tube Clamp 3/4" (3 pc.)	3	19401-	
800	EL-27W470	Tractor Connector (Female)	1		
801	EL-26W47	Machine Plug (Male)	1		

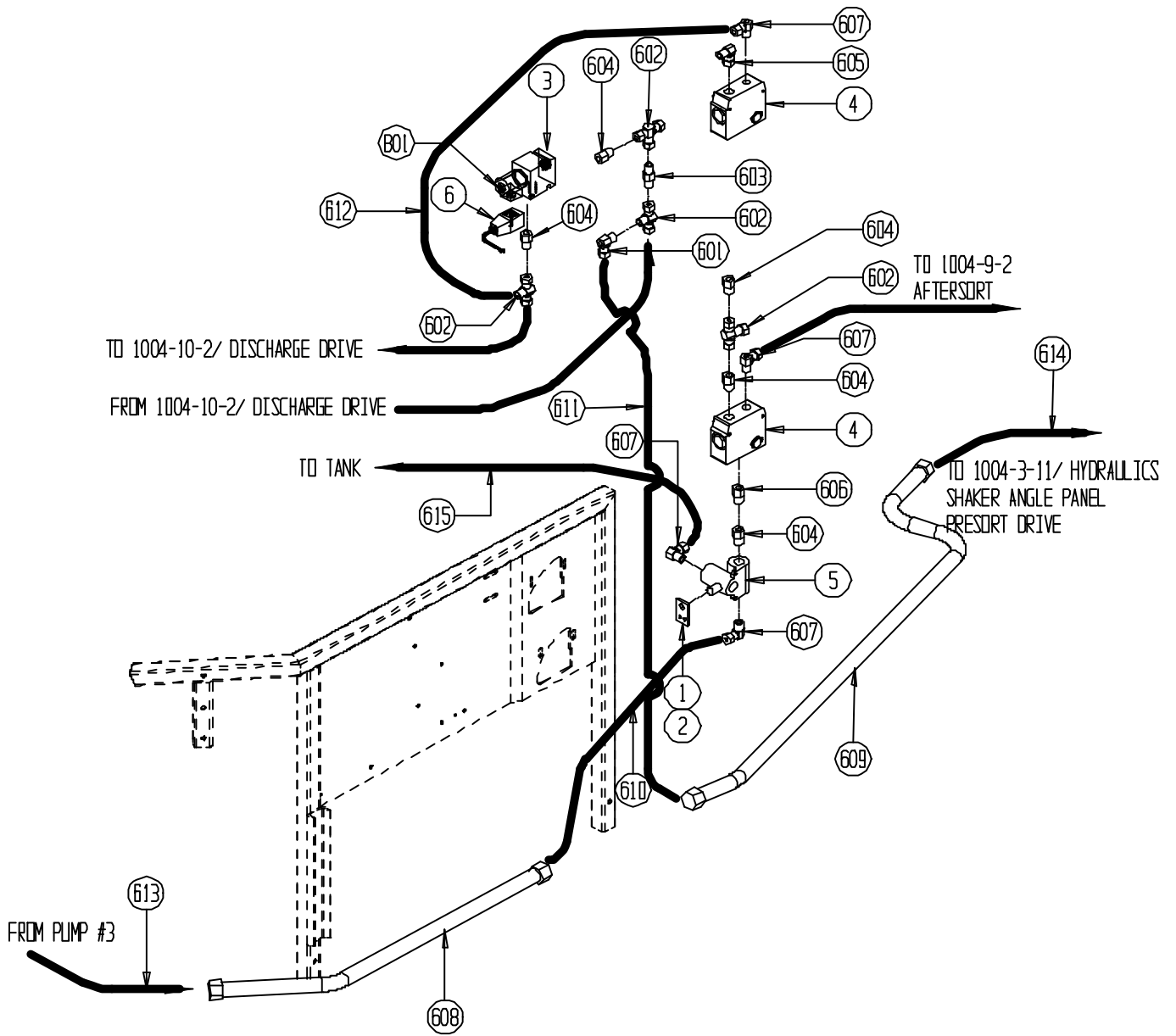
1004-1-12 HANDRAIL ASSEMBLY



1004-1-13 Hydraulics, Aftersort, Discharge @ Handrail

<u>Ref</u>	<u>Part No.</u>	<u>Description</u>	<u>Parts – Assembly</u>	<u>Will Fit SN</u>	<u>Remarks</u>
1	BAR-2011	Bar, Security Copper Wire Seal	1	19601-	
2	HA-2011	Copper Wire Security Seals	1		
3	HV-290	Soft Start Valve & Body	1		
4	HV-FL30	Flow Control Valve 30GPM	2		
5	HV-RV-3H	Relief Valve w/ SAE #10 Ports	1		
6	HV-291	Soft Start Valve Wiring Harness	1		
601	A-1501-8-8	1/2 MP x 1/2 FPX90	1		
602	A-1603-8-8-8	Swivel T 1/2" NPTF	4	20095001-	
603	A-5404-8-8	Hex Nipple 1/2" x 1/2"	1		
604	A-6401-10-8	10 SAE x 1/2 MPT Male	5		
605	A-6806-10-8	10 SAE x 1/2" MP 90	1		
606	A-6900-10-8	10 SAE x 1/2 FPX	1	20095001-	
607	A-6901-10-8	10 SAE x 1/2 FPX90	4		
608	H-T30	Hyd Tube #3 Front 3/4" dia	1	19401-	
609	H-T41	Hyd Tube #4 Main 3/4" dia	1	19401-	
610	H10-12-8MP-12MJ	5/8 in hose 1/2MP X 3/4MJIC 12 in long	1		
611	H10-24-8MP-12MJ	5/8 in hose 1/2MP x 3/4MJIC x 24 in long	1		
612	H10-24-8MP-8MP	5/8 in hose 1/2MP x 1/2MP x 24 in long	1		
613	H10-38-8MP-12MJ	5/8 in hose 1/2MP-3/4MJIC x 38 in long	1		
614	H10-80-8MP-12MJ	5/8 in hose 1/2MP x 3/4MJIC x 80 in long	1		
615	H8-24-8MP-8MP	1/2 in hose 1/2MPx 1/2MP x 24 in long	1		
801	HA-1008	Soft Start Cartridge Only	1	HV-1008 & HV-290	

1004-1-13 HYDRAULICS, AFTERSORT, DISCHARGE & HANDRAIL



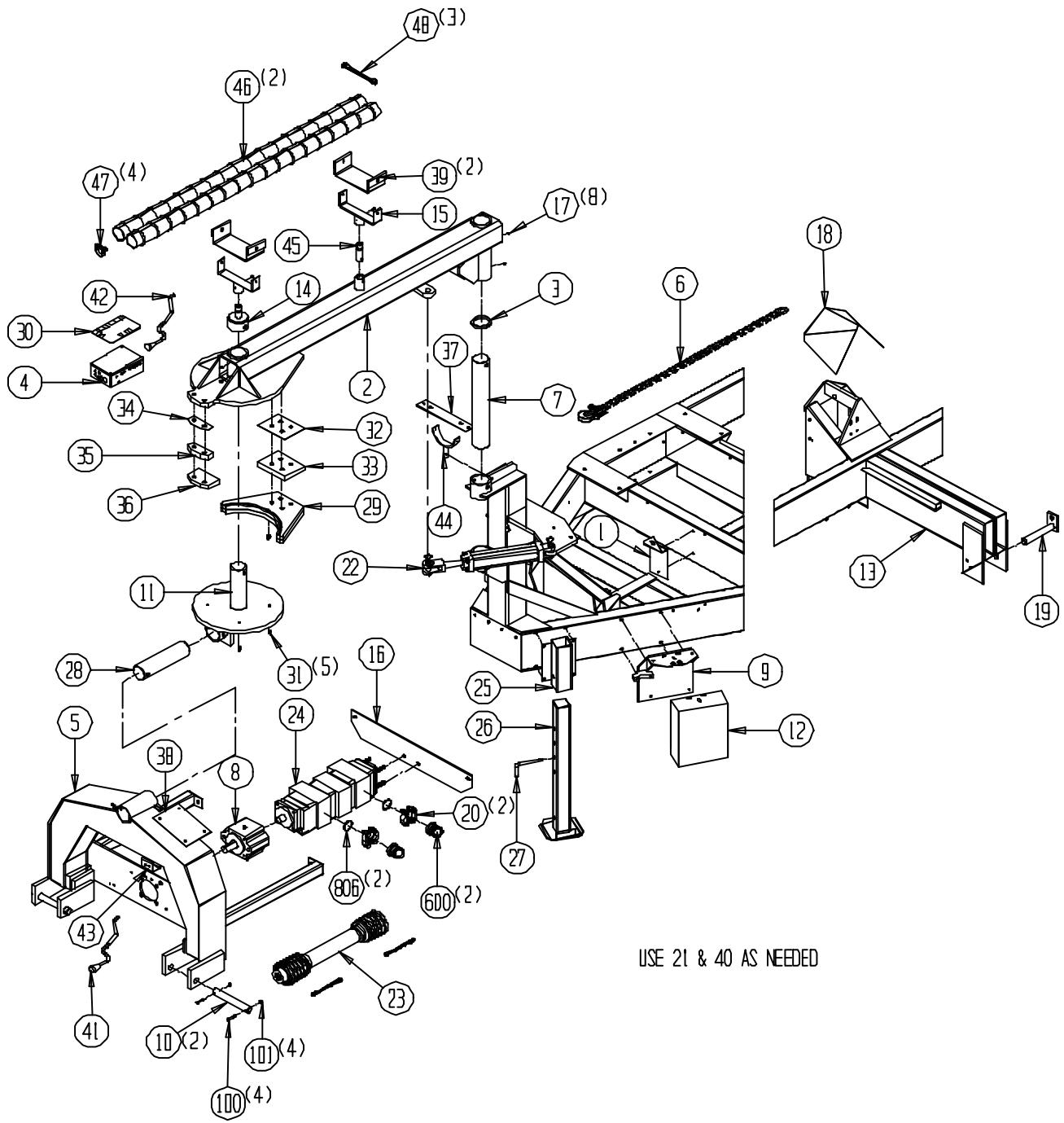
1004-1-14 Optional Gooseneck Hitch Assembly

<u>Ref</u>	<u>Part No.</u>	<u>Description</u>	<u>Parts – Assembly</u>	<u>Will Fit SN</u>	<u>Remarks</u>
0	PTS-4002	1 3/8" x 21 Spline, PTO shaft for 190 Gneck Hitch	0		
1	193-918	Cylinder bracket frame	1		
2	ARM-2P01	Arm, Gooseneck Hitch, Machine Connection	1		May require modification to PIN-2P01 when installing on 40001001-40002003 or on 10002005.
3	BU-2P01	Bushing, Arm, Gooseneck, Main Frame	1		
4	EL-0002	Electrical Control Box 02 Tom. Act. Ready	1		
5	FRM-2P04	Frame, 190 Gooseneck Hitch Mount	1		
6	FRM-3167	Safety Chain, Agricultural, 30,400 lb. Capacity	0	19701-30097001-	
7	HP-1003	Overhung Load Adapter	1	11001	
8	MOU-2P01	Pin, Mount, Gooseneck Hitch	1		
9	MOU-3112	Mount, Hydraulic Valve, Control Valve, Cuc & Tom	1		
10	PIN-003P	Pin, Quick Hitch & Tomato	2		
11	PIN-2P01	Pin, Gooseneck Hitch Pivot, Top of Tractor	1		Will require modification to ARM-2P01 when installing on 40001001-40002003 or on 10002005.
12	SHD-B8	Shield, Electrohydraulic "Brand", 8-Stack	1	19601-	
13	FRM-1101	Frame, Main W/Gooseneck Hitch	1		
14	POS-8110	Post, Pivot Holder, Tongue HC290	1		
15	SUP-8110	Support, Pivoting Hose Holder, Tongue HC290	2		
16	SUP-2P01	Support, hydraulic Pump, Bottom Arms	1		
17	GF-1428	Grease Fitting 1/4" x 28 straight	8		
18	194-1131	Leveling Cylinder Cover	1	19401-	
19	191-1112	Axle Pin	1	19101-	
20	A-SFK-32	2" Split Flange Kit	2		
21	WT-17H	Heavy Duty Wire Tie 17.5"	20		
22	HC-250-1208	Tie Rod Cylinder, Standard 2 1/2" x 12"	1		
23	PTS-4001	1 3/4" x 20 Spline, PTO shaft for 190 Gneck Hitch	1		IH MX Series Quick Hitch On Ford New Hol. Quick Hitch Off JD 7000 & 8000 both Hitch configs Case IH above 160 HP Quick H on Case IH Under 159 HP Both Hitch configs
24	HP-365-C1	Hydraulic Pump, Commercial 365	1		
25	192-1125	Mount, Jack Stand, Frame, 2-Point Hitch	1		

26	192-1125A	Adjuster	1	
27	192-1125B	Pin, Jack Stand, Frame, 2-Point Hitch Machines	1	
28	SFT-2P01	Shaft, Gooseneck Hitch Pivot, Swivel	1	
29	SUP-8210	Support, Rear Swivel Plate, Gooseneck Hitch	1	
30	DC-0041	Decal, Control Box, Tomato, '02	1	
31	GF-1827-45	Grease Fitting 1/8 NPT 45	5	
32	BAR-8213	Bar, Spacer, Back Top, Hitch/Tongue, HC290	1	
33	BAR-8214	Bar, Spacer, Back, Bottom, Hitch/Tongue, HC290	1	BAR-8214
34	BAR-8215	Bar, Spacer, Front Top, Hitch/Tongue, HC290	1	
35	BAR-8216	Bar, Spacer, Front Middle, Hitch/Tongue, HC290	1	
36	BAR-8217	Bar, Spacer, Front Bottom, Hitch/Tongue, HC290	1	
37	BT-0018	Belting, Hose Holder, Hitch Arm, 2-Point Hitch	1	
38	BT-1402	Belting on Gooseneck Hitch Mount	1	
39	BT-8110	Belting, Hose Holder, Tongue, HC290	2	
40	CL-201	2" Hose Clamp, Heavy Duty T-Bar, 2.25-2.5"	8	
41	EL-1258	Goose Neck Hitch Machine Power Cord	1	
42	ELC-4000	Control Box Power Cord (Chili)	1	
43	SPA-1510	Spacer, Air Filter Mount, 2-Point Hitch, Tom.	1	
44	SUP-0016	Support, Hose, Hydraulic Hose, Tongue, Rear	1	
45	SFT-8210	Shaft, Hose Holder, 190 Frame	1	
46	HOS-3-4-72SP	Hose 3", Suction Line Cover Clear, 190 Tomato	2	
47	CL-375	3" Hose Clamp, Heavy Duty T-Bar, 3.375-3.75"	4	
48	STRP-1050	10" Tarp Straps	3	
100	BL-4-200-H	1/4-20 X 2 HEX CAP G5 ZC	4	
101	BL-4-LN	1/4-20 HEX LN NE ZC	4	
102	BL-4-150-H	1/4-20 X 1 1/2 HEX CAP G5 ZC	2	
103	BL-4-FW	1/4 USS FW ZC	4	
104	BL-4-N	1/4-20 HEX FIN NUTS ZC	3	
105	BL-6-275-H	3/8-16 X 2 3/4 HEX CAP G5 ZC	1	
106	BL-6-LN	3/8 UNC FIN HEX LOCK NUT NE A563 GrA ZINC	1	
107	BL-4-075-H	1/4 UNC X 3/4 HH C/S BOLT GR5 ZINC	2	
600	A-4456-32-32	Flange Nipple, 2" 45	2	
601	H12-174-12MP-16MJ	3/4 in hose 3/4MP-1MJIC x 174 in long	2	
603	A-6901-10-8-4SAE	10 SAE x 1/2 FPX90 W/ 4SAE Port	2	
604	HA-1004-G	Hydraulic, Pressure Gauge w/1/4 NPT Stem	1	
605	A-6901-12-12-4SAE	12 SAE x 3/4" FPX 90 w/4 SAE Port	2	

606	H10-180-8MP-12MJ	5/8 in hose 1/2MP X 3/4MJIC 180 in long	2	
608	HA-1004-4	Test Point Plug #4 SAE Thread	4	
609	HA-1005-T	Test Point Probe	1	
610	H12-122-12MP-8MP	3/4" Hose 3/4"MP x 1/2"MP x 122" Long	1	
611	AIR-N4	1/4"Nylon Tubing @ ft., Black	15	
612	A-4444-32-32	2" Male Pipe Hose Barb	2	
613	H10-184-8MP-8MP	5/8 in hose 1/2MP X 1/2MP x184 in long	1	
614	H10-195-8MP-8MP	5/8 in hose 1/2MP X 1/2MP x 195 in long	1	
615	H12-140-12MP-8MP	3/4" Hose 3/4"MP x 1/2"MP x 140 in long	1	
616	H32-150	2" Suction Hose From Valve 2-Point	2	
617	H32-75	2" Suction Hose From Tank 2-Point	2	
618	HV-GV-200	2" Brass Gate Valve	2	
800	EL-805	Automotive Fuses 10 Amp	1	
801	HP-1003A	Rear seal for HP-1003	1	11001
802	HP-1003B	Front seal for HP-1003	1	11101
803	HP-1003S	Output Shaft for HP-1003	1	HP-1003
804	HP-365B	Key for Hydraulic Pump, Model 365	1	HP-365-C1 & HP-365-C3
805	KEY-6-6-40	Keystock 3/8" x 3/8" x 2 1/2" Square Cut (1018)	1	
806	A-90DF-32	O Ring for Flange Face 2"	2	A-SFK-32

1004-1-14 OPTIONAL GOOSENECK HITCH ASSEMBLY

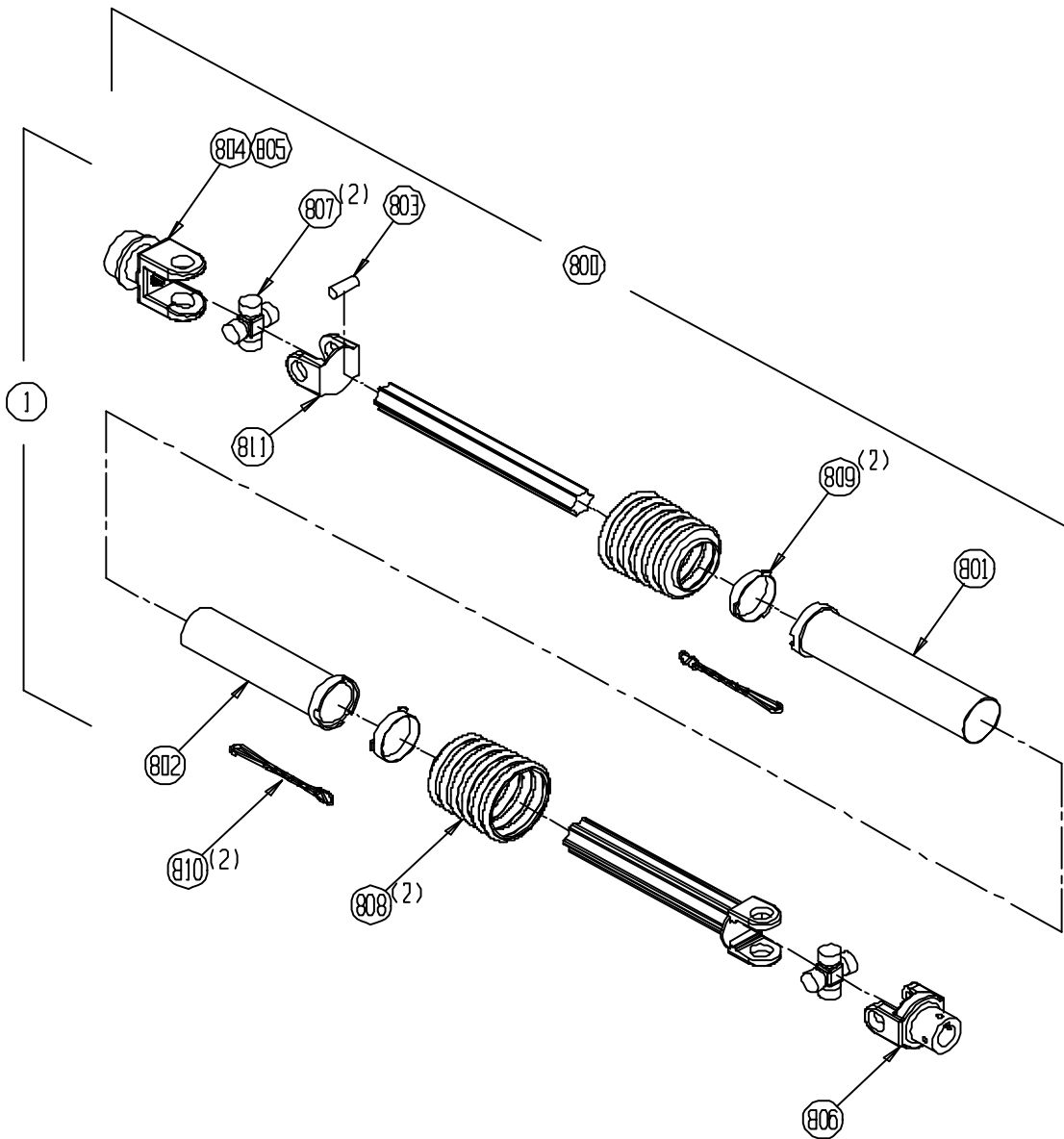


USE 21 & 40 AS NEEDED

1004-1-14.1 Gooseneck Hitch PTO Assembly

<u>Ref</u>	<u>Part No.</u>	<u>Description</u>	<u>Parts – Assembly</u>	<u>Will Fit SN</u>	<u>Remarks</u>
1	PTS-4001	1 3/4" x 20 Spline, PTO shaft for 190 Gneck Hitch	1		IH MX Series Quick Hitch On Ford New Hol. Quick Hitch Off JD 7000 & 8000 both Hitch configs Case IH above 160 HP Quick H on Case IH Under 159 HP Both Hitch configs
101	BL-6-050-SC	3/8-16 x 1/2" Knurled Point Set Screw	2		
800	PTS-4001-FH	1-3/4 x 20 Spline, Front Half for PTS-8101, PTS-4001	1		
801	PTS-4001OS	PTO Outer Shield (Waltershied) Chili	1		
802	PTS-4001IS	PTO Inner Shield (Waltershied) Chili	1		
803	PTS-3001-D	Spring Pin 10x90	1		
804	PTS-1002A	PTO Tractor Yoke (Waltershied) 1 3/4" x 20 Spline	1	19101-	John Deere PN AW25387
805	PTS-1002C	PTO Yoke (Waltershied) 1 3/8" x 21 spline	0	19101-	John Deere PN AW25386
806	PTS-1003-H	PTO Inner Yoke (Waltershied)	1		
807	PTS-4001B	Extended Lube Cross & Bearing Kit	2	Waltershied Yokes	Replaces PTS-1002B
808	PTS-1002E	PTO Shield Cone (Waltershied)	2	19101-	
809	PTS-1002J	PTO Shield Bearing Ring	2		
810	PTS-1002K	PTO Shield Safety Chain	2		
811	PTS-4001Y	Inboard Yoke, Tractor Half	1		

1004-1-14.1 GOOSENECK HITCH PTO ASSEMBLY



1004-1-15 Optional Wheel, Single For Header Side, 190 Tom.

<u>Ref</u>	<u>Part No.</u>	<u>Description</u>	<u>Parts – Assembly</u>	<u>Will Fit SN</u>	<u>Remarks</u>
0	WHL-1201	Single Wheel System (Under Header)	0		Used on machines without straping on top of the frame tube
801	WHL-1210A	Inner Cup	1		
802	WHL-1210B	Outter Cup	1		
803	WHL-1210C	Inner Cone	1		
804	WHL-1210D	Outter Cone	1		
805	WHL-1210E	Dust Cap	1		
806	WHL-1210F	Grease Seal	1		
807	WHL-1210G	Flange Nut, Spindle	1		
808	WHL-1210H	Washer, Spindle	1		
809	WHL-1210I	Cotter Pin, Spindle	1		
810	WHL-1210J	Wheel Stud Bolt	8		
811	WHL-1210K	Wheel Stud Nut	8		
812	WHL-1210L	Wheel Stud Washer	8		
813	WHL-2201	Wheel Rim, 20 x 26" Dia with Straight Plate Center	1		
814	WHT-2201	Tire, 23.1 B26, 12 Ply R1, Super Traction, Tubeless	1		
815	WHL-1210M	Spindle	0		
816	WBR-1210K	Wheel Bearing Kit for WHL-1210 Hub & Spindle Assy.	0		

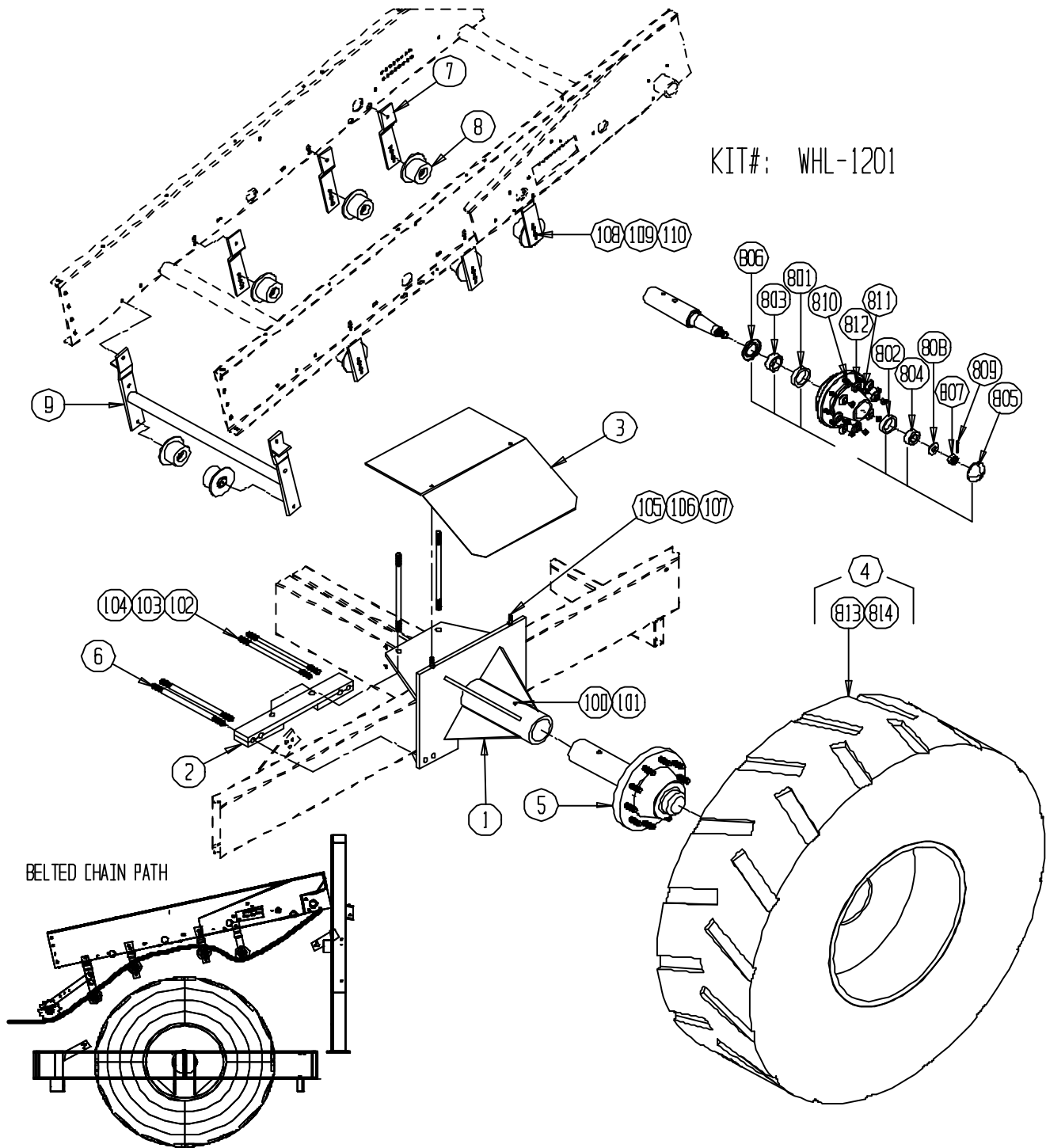
WHL-1201 Wheel, Single For Header Side, 190 Tom.

<u>Ref</u>	<u>Part No.</u>	<u>Description</u>	<u>Parts – Assembly</u>	<u>Will Fit SN</u>	<u>Remarks</u>
1	WHA-1201	Wheel Axle, Single, Header Tom.	1		
2	BAR-1201	Bar, Support, Single Tire, Header, Tom.	1		
3	SHD-1201	Shield, Single Wheel, Header, Tom.	1		
4	WHM-1201	Single Wheel Tire and Rim (Under Header)	1	190	
5	WHL-1210	Hub and Spindle Assembly	1		
6	BL-12-1500-SUS-G8	3/4-10 x 15" Setup Stud 2" Min Thrd @ Ends, Gr8	6		
7	BRA-8400	Bracket, Hold Up Rollers, HC290 Tomato	6		
8	RLT-535-228	5" Flange Roller 2.2WF x 3 1/2" dia, 1/2" bore	8		
9	BAR-1118	Bar, Hold up, Head Chain, Big Wheel Kit	1	KIT-1118	
10	SPA-1201	Spacer, Top Outer, Header Side, 190 Tom.	1		

11	SPA-1202	Spacer, Top Inner, Header Side, 190 Tom.	1
12	SPA-1203	Spacer, Bottom, Header Side, 190 Tom.	1
100	BL-10-600-H	5/8-11 X 6 HEX CAP G5 ZC	1
101	BL-10-LN	5/8-11 HEX LN NE ZC	1
102	BL-12-FW	3/4" Flat Washer	12
103	BL-12-LW	3/4" Lock Washer	6
104	BL-12-N	3/4" Nut	12
105	BL-6-FW	3/8 USS FW ZC	8
106	BL-6-LN	3/8 UNC FIN HEX LOCK NUT NE A563 GrA ZINC	2
107	BL-6-N	3/8-16 HEX NUTS ZC	2
108	BL-8-350-H	1/2-13 X 3 1/2 HEX CAP G5 ZC	8
109	BL-8-LN	1/2-13 HEX LOCK NUT NYLON INSERT ZC	8
110	BL-8-FW	1/2 USS FW ZC	22
111	BL-8-100-H	1/2-13 X 1 HEX CAP G5 ZC	6
112	BL-8-LW	1/2 SPLIT LW ZC	6
113	BL-8-SW-8	1/2 SAE FW G8 ZC	6

1004-1-15 OPTIONAL WHEEL, SINGLE FOR HEADER SIDE, 190 TOMATO

KIT#: WHL-1201



1004-1-16 Optional Single Wheel System, Right Side

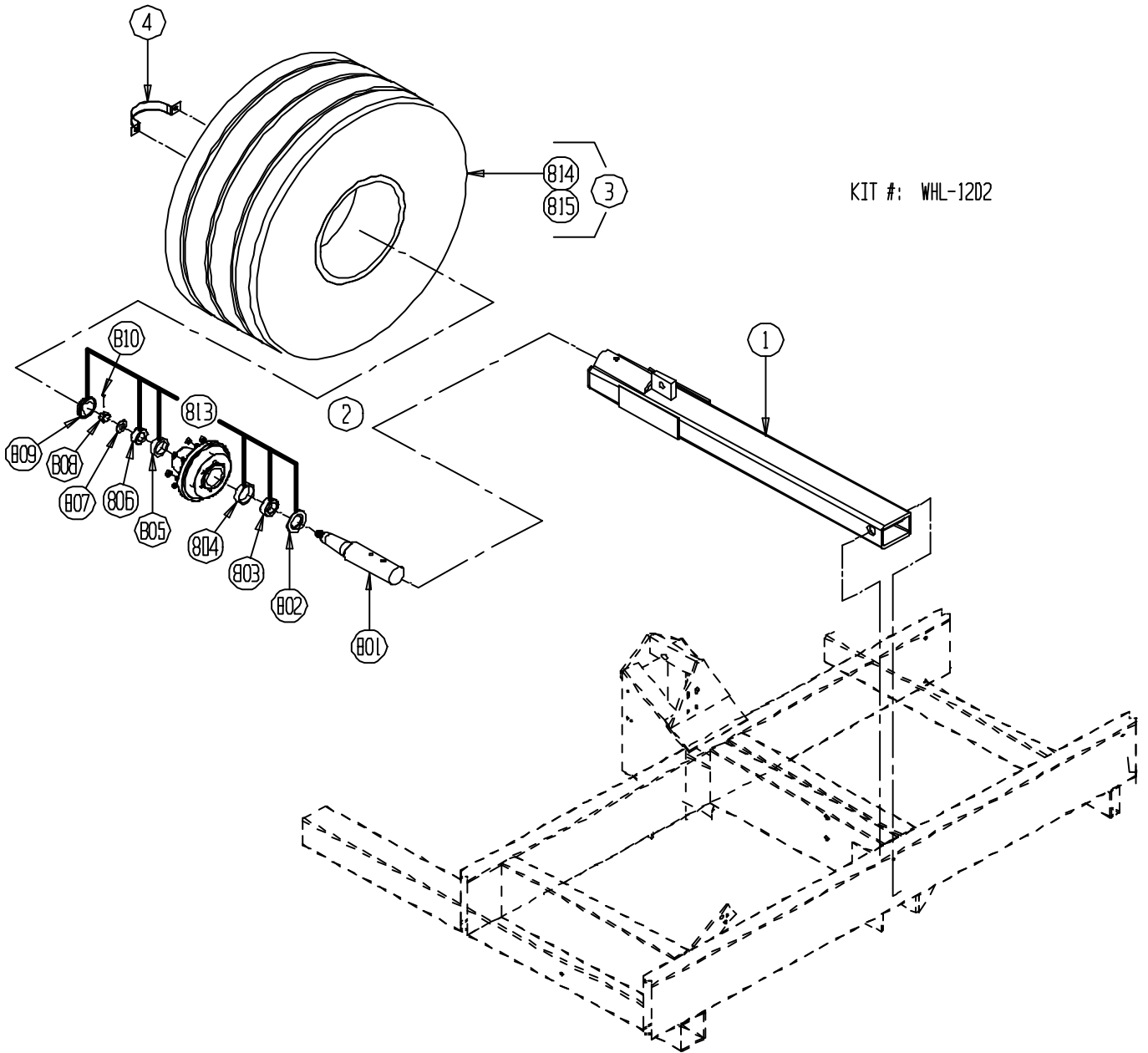
<u>Ref</u>	<u>Part No.</u>	<u>Description</u>	<u>Parts – Assembly</u>	<u>Will Fit SN</u>	<u>Remarks</u>
0	WHL-1202	Single Wheel System, Sorter Side	0		
801	WHL-3001	Spindle 3" x 16"	1	WHL-3000	
802	WHL-3000G	Seal	1	WHL-3000	
803	WHL-3000C	Inner Cone	1	WHL-3000	
804	WHL-3000A	Inner Cup	1	WHL-3000	
805	WHL-3000B	Outer Cup	1	WHL-3000	
806	WHL-3000D	Outer Cone	1	WHL-3000	
807	WHL-3000K	Spindle Washer	1	WHL-3000	
808	WHL-3000J	Spindle Nut	1	WHL-3000	
809	WHL-3000H	Hub Cap	1	WHL-3000	
810	PIN-C3-16-32	Cotter Pin 3/16 x 2"	1		
811	WHL-3000F	Lug Nut	8	WHL-3000	
812	WHL-3000E	Stud Bolt	8	WHL-3000	
813	WBR-3000K	Wheel Bearing Kit for WHL-3000 Hub & Spindle Assy.	1	WHL-3000	
814	WHL-2202	Wheel, 18 x 16.1" Dia with Straight Plate Center	1		
815	WHT-2202	Tire, 21.5L x 16.1, 14 Ply Tubeless Farm Utility Tire	1		

WHL-1202 Single Wheel System, Right Side

<u>Ref</u>	<u>Part No.</u>	<u>Description</u>	<u>Parts – Assembly</u>	<u>Will Fit SN</u>	<u>Remarks</u>
1	WHA-1202	Wheel Axle, Single Tire, Sorter Side, 190 Tom.	1		
2	WHL-3000	Hub Assembly Complete (includes spindle)	1		
3	WHM-1202	Single Wheel System Tire and Rim (Right Side)	1	190	
4	BRA-8111	Bracket, Strap, Wheel & Rocker, HC290 Tomato	1		
100	BL-10-500-H	5/8-11 X 5 HEX CAP G5 ZC	1		
101	BL-10-LN	5/8-11 HEX LN NE ZC	1		

1004-1-16 OPTIONAL SINGLE WHEEL SYSTEM, RIGHT SIDE

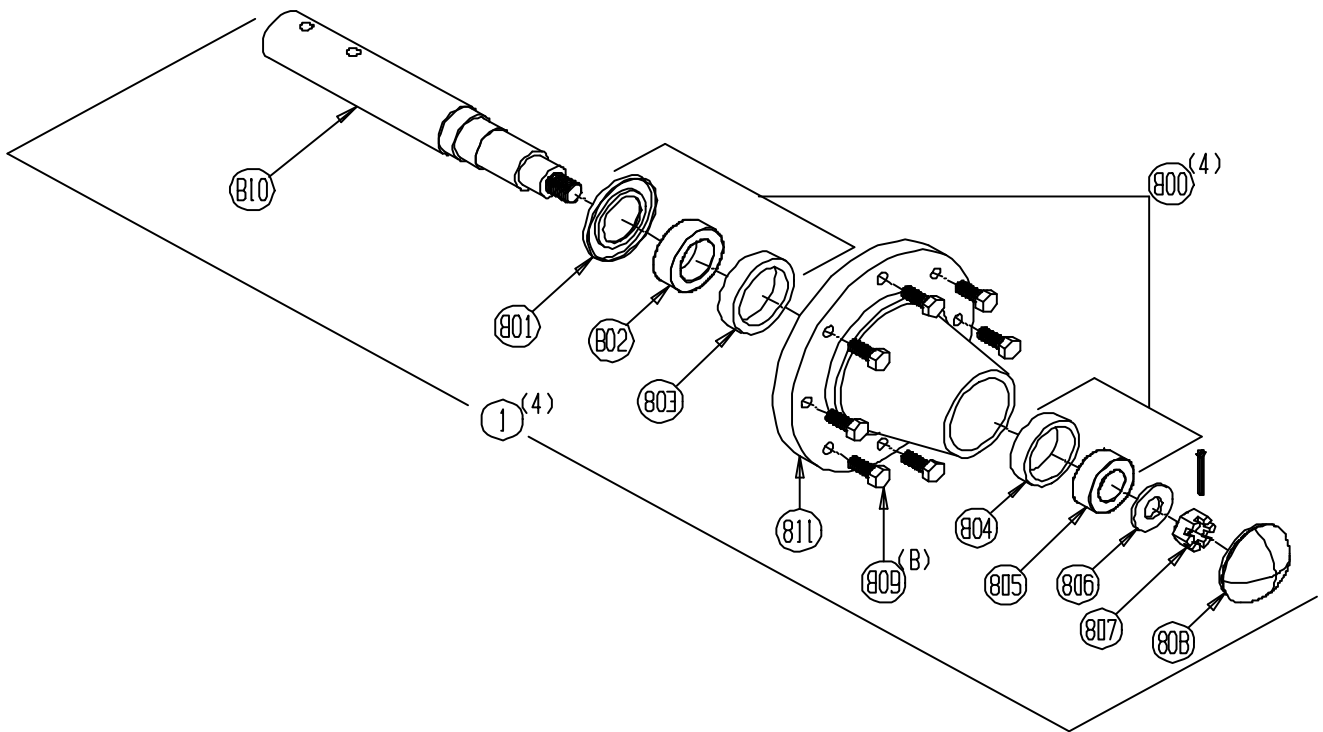
KIT #: WHL-1202



1004-1-17 Spindle & Hub Assembly

<u>Ref</u>	<u>Part No.</u>	<u>Description</u>	<u>Parts – Assembly</u>	<u>Will Fit SN</u>	<u>Remarks</u>
1	WHL-1115	Complete Hub and Spindle Assembly	4	193-1109 / WHL-1121	
800	WBR-1107K	Complete Wheel Bearing Kit	4	WHL-1115	All
801	WBR-1107A	Seal CR-20148	1	WHL-1115	
802	WBR-1107B	Inside Wheel Bearing	1	WHL-1115	
803	WBR-1107F	Inner cup	1	WHL-1115	
804	WBR-1107G	Outer cup	1	WHL-1115	
805	WBR-1107C	Outside Wheel Bearing	1	WHL-1115	
806	WBR-1107H	Washer	1	WHL-1115	
807	WBR-1107D	Nut 7/8-14	1	WHL-1115	
808	WBR-1107E	Cap	1	WHL-1115	
809	WBR-1107L	Wheel, Lug bolts	8	WHL-1115	
810	WBR-1108	Spindle for Machine Wheel	1	WHL-1115	Drilled

1004-1-17 SPINDLE & HUB ASSEMBLY



1004-1-18 Optional Big Wheels Axle Assembly

<u>Ref</u>	<u>Part No.</u>	<u>Description</u>	<u>Parts – Assembly</u>	<u>Will Fit SN</u>	<u>Remarks</u>
0	HA-9005	Primerless Threadlocker, 10ml	0.01		
1	BAR-1118	Bar, Hold up, Head Chain, Big Wheel Kit	1	KIT-1118	
2	BT-1118	Belting, Aftersort, "Big Wheel" Kit	1		
3	SUP-1121	Support, Rocker, Big Wheel (Tomato)	2	KIT-1118	
4	SFT-1118	Shaft, Rocker Mount, Big Wheel (Tomato)	2	KIT-1118	
5	PIN-1118	Pin, Shaft Holder, Big Wheel (Tomato)	2	KIT-1118	
6	COV-1118	Cover, Level Cylinder	1		
7	WHL-1121	Rocker, Big Wheel	2	WHL-1118 / WHL-1138 / WHL-1136	
8	PIN-6-32	Roll Pin 3/8" x 2"	2		
9	WHL-1118	Wheel, Axle, Big Wheel (Tomato)	1	KIT-1118	
10	RLT-535-228	5" Flange Roller 2.2WF x 3 1/2" dia, 1/2" bore	2		
11	BRA-1936	Bracket, Lower Roller for Header Chain (L.H.)	1		
12	BRA-1938	Bracket, Lower Roller for Header Chain (R.H.)	1	192-101K	
13	RLR-040-108R	4" Flat Roller with Replaceable Bearings	2		
14	RLA-000-118	Standoff, 1/2" X 1 1/8"	2		
15	GF-1827-90	Grease Fitting 1/8 NPT x 90	4		
16	WHM-1135	Mounted 16.1 x 16.5L Tire/Wheel for Tomato Harvester (tubeless)	4	190	
100	BL-10-150-H	5/8-11 X 1 1/2 HEX CAP G5 ZC	4		
101	BL-10-LW	5/8 SPLIT LW ZC	4		
102	BL-10-SW	5/8 SAE FW ZC @	4		
600	AC-2	1/8" NPT Coupler	2		
601	AN-2-CL	1/8" NPT Close Nipple	2		
800	WHL-1123	16.1 x 14 Big Wheel Rim for Tomato Harvester	1	KIT-1118	Replaces WHL-3007 (Tomato)
801	WHT-1135	16.5L x 16.1 10 ply Traction Implement Tire	1		
802	WHT-1136	Heavy Duty Tube for 16.5L x 16.1 Tire	1		

1004-2-2 Primary Header Conveyor

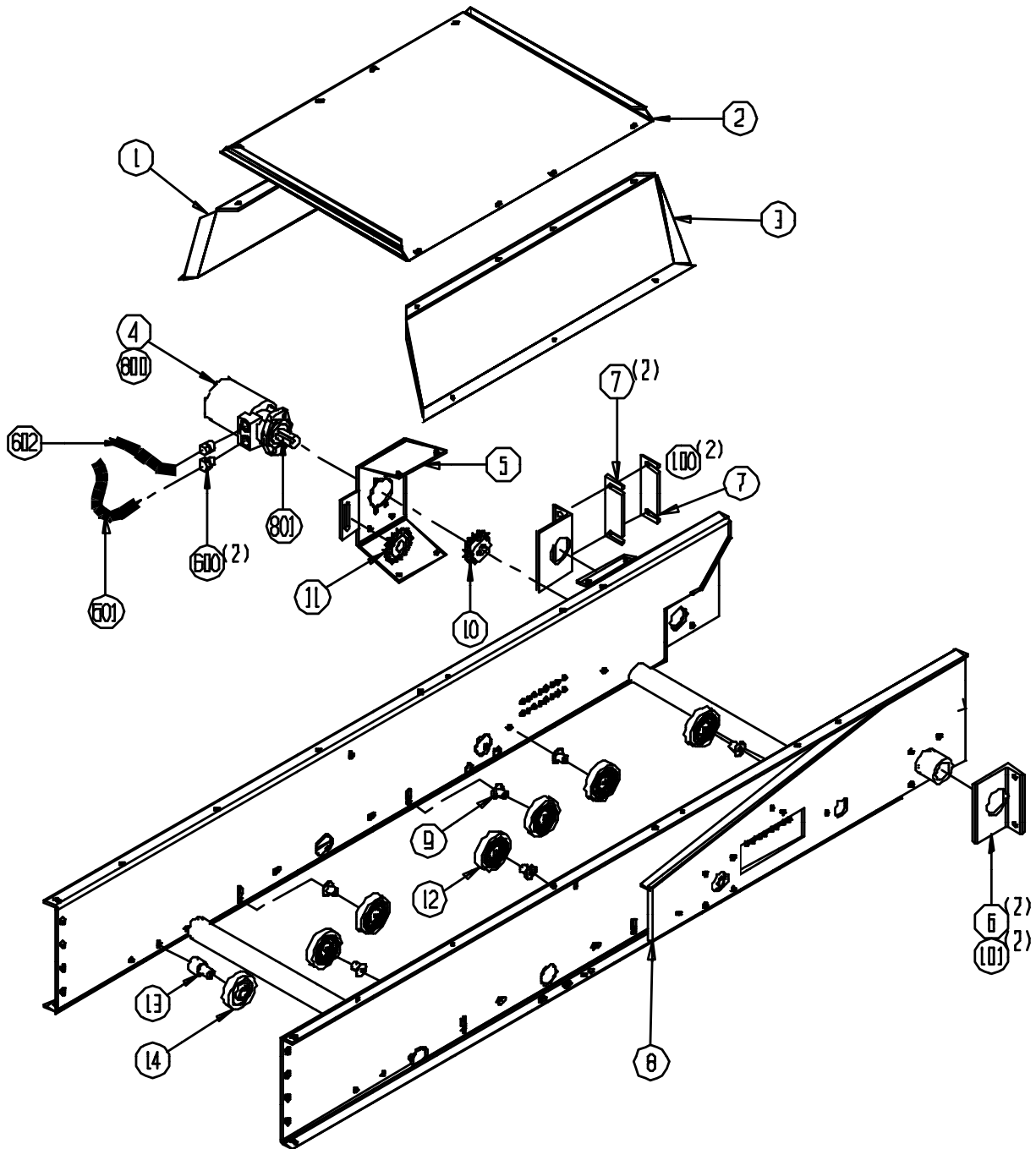
<u>Ref</u>	<u>Part No.</u>	<u>Description</u>	<u>Parts – Assembly</u>	<u>Will Fit SN</u>	<u>Remarks</u>
1	200-108	Slide Guide Wldmt, Reinforced	1		
2	192-107A	Slide Guide Roller	1		
3	192-107	Slide Guide, Header	1	19201-	
4	195-101J	Slide Guide Mount, Header	1	19501-	
5	195-101D	Header Cylinder Mounts	2	19501-	
6	195-101F	Front Header Conveyor	1	19501-	
7	191-142	Scraper, Under Disk	2	19101-	
8	RLA-3024-TM	Scraper for Nose Roller, LH	1		For use with RLS-522- 2010-SC roller only
9	RLA-3023-TM	Scraper for Nose Roller, RH	1		For use with RLS-522- 2010-SC roller only
10	192-1113	Mount, Header Cylinder	1	19201-	
11	195-101C	Header Connector Bar	2	19501-	
12	RLS-522-2010	Steel Roller, 5" Flange, 2.2" Dia, 2" wide	0		Sub RLU-522-2010
12	RLS-522-2010-SC	Steel Roller, 5" Flange, 2.2" Dia, 2" wide, w/Hub for Scraper	2		For use with scrapers RLA-3023- TM (RH) and RLA-3024- TM (LH) only
13	RLT-635-228	6 1/2" Flange Roller 2.2 WF 3.5 dia, 1/2" bore	2		
14	RLA-010-0108	Spindle / Standoff for Urethane Roller (heat treated)	8	19101-	
15	RLG-040-1016	4" Urethane Roller	8		
16	SPA-1050	Spacer for Hydraulic Tube Mount	6		
17	HA-1051	Hyd, Clamp Halves	8	19101-	
18	HA-1052	Hyd, Cover Plate	4	19101-	
19	DC-1177	Decal, Large White PIK RITE 8" x 58"	1		
20	BC-7-3242-265	Header chains, 7/16" bar 42 mm pitch 265 links	1	19001	
21	DC-3025	Red and White Reflective Tape @ 150 ft Roll	0.01		
22	BC-3525	Snap Ring, 11mm.	2		
23	192-1509C	Air compressor adjuster	2	19201-	
24	HK-9862	S Hook for 3/16 Wire Diameter	2		
25	STP-195101	Stop, Cylinder Latch, Lower Header	2		
26	PR34896	Hose Clamp, 1/4" Hydraulic, 1/2" O.D. Hose	9		
27	RLA-000-118	Standoff, 1/2" X 1 1/8"	2		

800	BC-1032-FS	10-32 x 1 1/4" bolts Flat Socket Head	16		
801	BC-F-42-32	F Connecting Clip 42-32 @ pair	2		
802	BC-1032-LN	10-32 lock nuts	16		
803	BC-7-32-CN	Connecting Rod, 11mm, 32" Wide Belted Chain, 60mm Traction Belts	1		For Clip Splice Option
804	BC-7-32-ST	7/16" x 32" Belted Chain Rod for 60mm Belt	264	11001	
805	RI-25-BC	25mm Belted Chain Rivets	1048		
806	BC-BP32	Belt, Rivet backing plates 32mm	524	11001	Lap Splice Option, Used only with BC-1032-LN Lock Nuts
807	RLA-015-308	Spindle for 3 Point Shakers	2		
808	RLT-324	Rubber 3 Point Shaker	2		

1004-2-3 Secondary Header Frame Assembly

<u>Ref</u>	<u>Part No.</u>	<u>Description</u>	<u>Parts – Assembly</u>	<u>Will Fit SN</u>	<u>Remarks</u>
1	191-137B	Vibrator cover, inner	1	19101-	
2	191-137	Vibrator cover, Top	1	19101-	
3	191-137A	Vibrator cover, outer	1	19101-	
4	HM-118R	Motor	1		
5	MOU-101R	Mount, Motor, Header (Tomato)	1	19601-	
6	191-106	Bracket, Header Mount, Pivot	2	19101-	
7	SPA-106-4	Spacer, Header Mount, Pivot (Tomato)	1	19201-	
7	SPA-106-6	Spacer, Header Mount, Pivot (Tomato)	0	19201-	
7	SPA-106-8	Spacer, Header Mount, Pivot (Tomato)	2	19201-	
8	FRM-101R	Frame, Header Conveyor, Rear (Tomato)	1	19601-	Replaces 195-101R
9	RLA-000-118	Standoff, 1/2" X 1 1/8"	6		
10	SP-60B20-20-5	Sprocket, Header Drive (motor), #60, 20 tooth, 1.25" bore	1		
11	SP-6015-T	Idler, # 60 Roller Chain Adjuster	1	19201	
12	RLR-040-108R	4" Flat Roller with Replaceable Bearings	6		
13	RLA-010-0108	Spindle / Standoff for Urethane Roller (heat treated)	1	19101-	
14	RLG-040-1016	4" Urethane Roller	1		
100	BL-8-750-8	1/2-13 x 7 1/2 Grade 8 Hex Head Cap Screws	2		
101	BL-8-650-8	1/2-13 X 6 1/2 GR8 HH BOLT	2		
600	A-6900-10-12	10 SAE x 3/4 FPX	2		
601	H12-55-12MP-12MP	3/4 in hose 3/4MP x 3/4MP x 55 in long	1		
602	H12-55-12MP-8MP	3/4 in hose 3/4MP x 1/2MP x 55 in long	1		
800	HM-118R-SK	Seal Kit for Ross Motor MB-23	1		
801	KEY-5-5-20	Shaft Key 5/16" sq x 1 1/4" Square Cut (1018)	1		

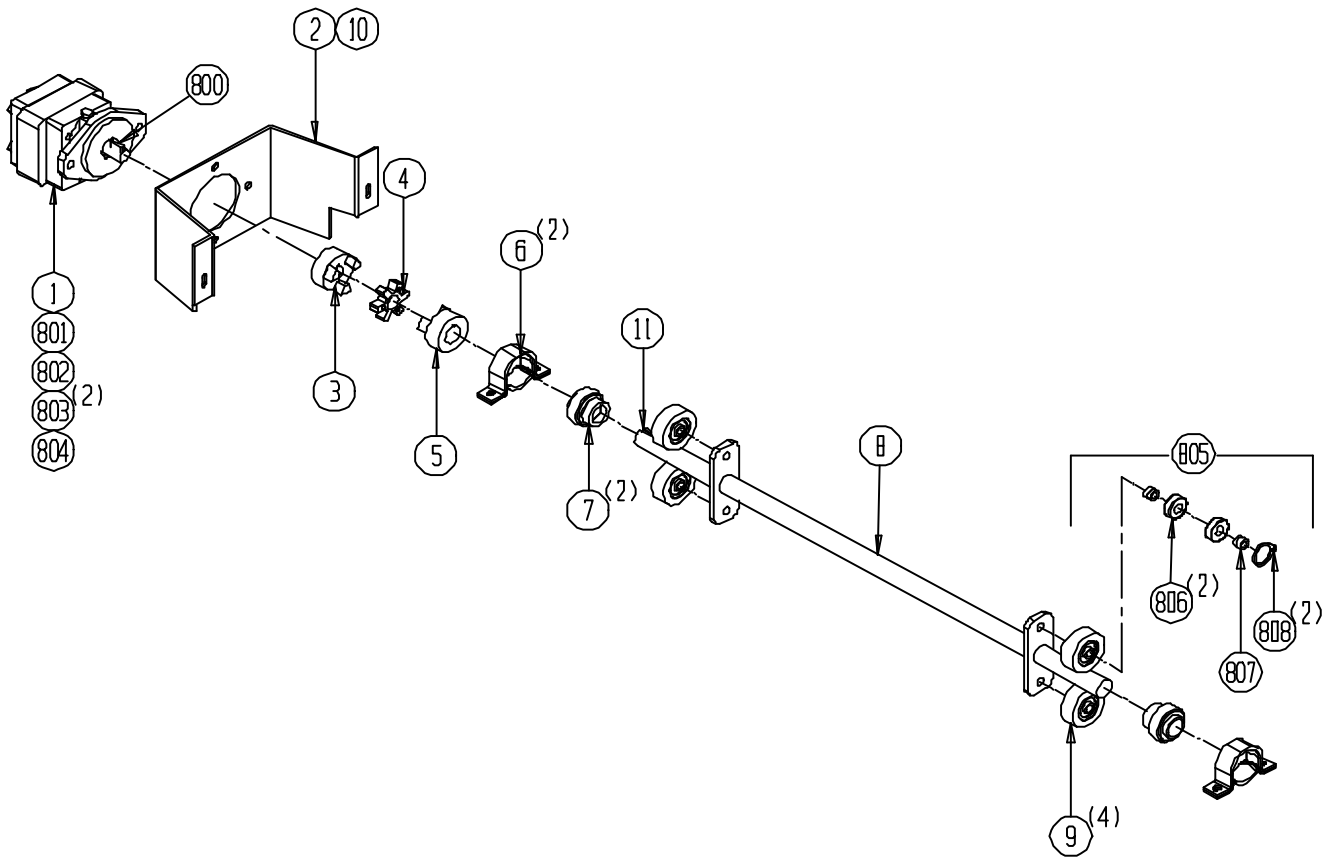
1004-2-3 SECONDARY HEADER FRAME ASSEMBLY



1004-2-4 Vibrator Shaft Assembly

<u>Ref</u>	<u>Part No.</u>	<u>Description</u>	<u>Parts – Assembly</u>	<u>Will Fit SN</u>	<u>Remarks</u>
1	HM-412C	Hydraulic Motor	1	19101	Sub 191-412
2	192-138	Mount, Vibrator Motor	1	19201-	
3	CPJ-7081	Coupler, Motor side 7/8 bore	1	1910119320	Sub 194-7081 Assembly
4	CPJ-6055	Coupler, Urethene Spider	1	19101	For use with CPJ-6052 and CPJ-6051 Sub CPS-6053
5	CPJ-6052	Coupler, Shaft side 1 1/4in. bore	1	19101	Sub 194-6053 Except on Debris Fan
6	BR-062-MPB	Stamped Bearing Housing for 1 1/4" bearing	2		
7	BR-125-062	Bearing, 1 1/4 Fafnir tri-seal, 62mm OD	2		
8	192-136	Vibrator shaft	1	19201-	
9	RLT-027-108	Roller 2.75" dia. 1/2" Bore	4		2755C1X (Old Number, Single Bearing)
10	DC-1176	Decal, Danger-Hand Chain Sprockets	1		
11	KEY-4-4-20	Shaft Key 1/4" x 1 1/4"	1		
600	H10-30-8MP-8MP	5/8 in hose 1/2MP x 1/2MP x 30 in long	2		
601	A-4124-6-4	1/4 Male Pipe x 3/8 Push Loc	1	HV-1045K	
602	A-6901-12-8	12 SAE x 1/2" FPX 90	2		
603	H6-PL-40	3/8" Push Loc Hose 40" (Vibrator)	1		
800	HM-412B	Key for Hydraulic Motor -Shaker Weight-Vibrator	1	HM-412C & HM-712C	
801	HM-2686	Snap Ring, Commercial Motor	1	HM-1020	
802	HM-0381	Ball Bearing, Motor	1	HM-1020	
803	HM-2585	Ring Seal, Commercial Motor	2	HM-1020	
804	HM-1801	Seal Kit for Commercial Intertech	1	P20 & M20 Series	Includes:(1) Length of HM- 2882,(1)HM-2883,(2)HM-2884
805	BR-025-052-C	Bearing Kit for Vibrator Roller (2 brg)	1	RLT-027-108	

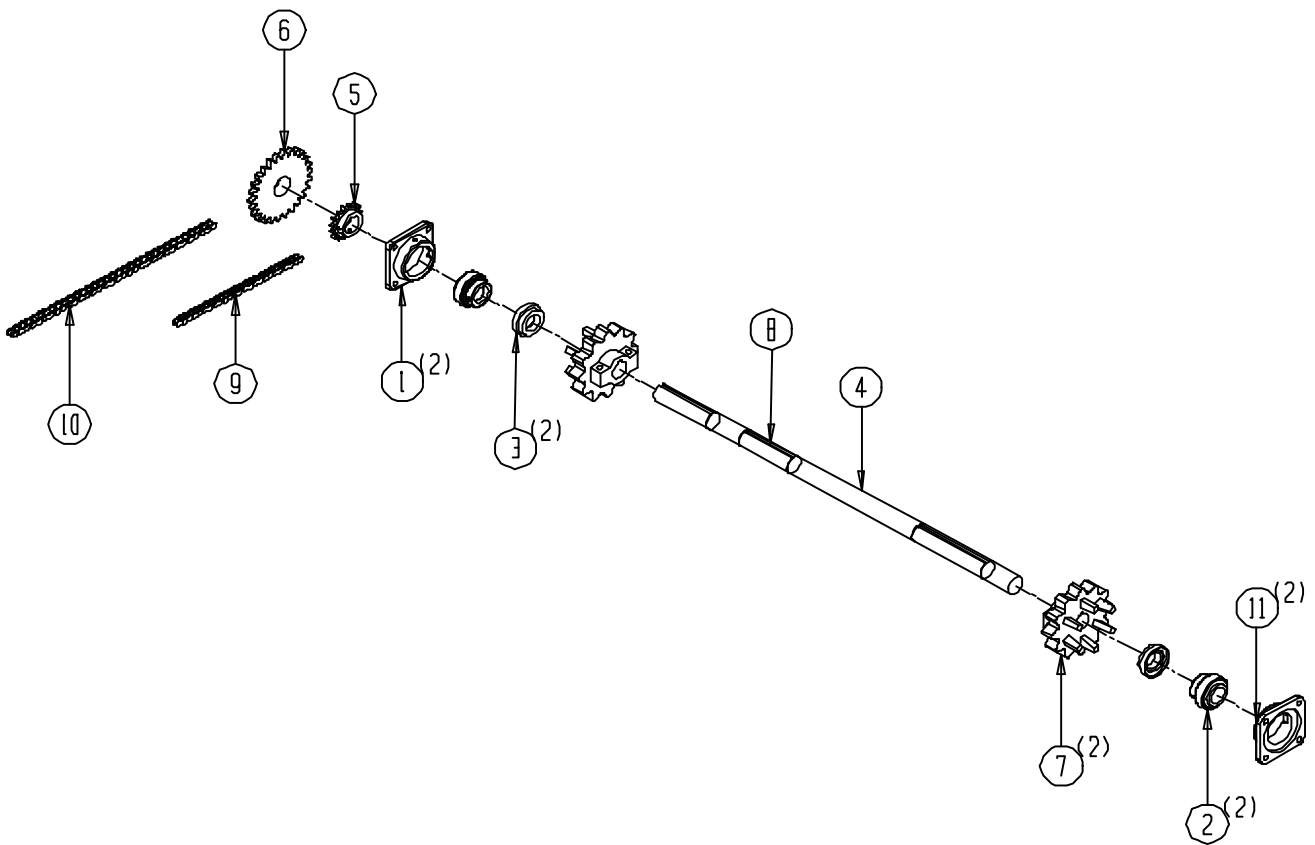
1004-2-4 VIBRATOR SHAFT ASSEMBLY



1004-2-5 Header Conveyor Drive Shaft Assembly

<u>Ref</u>	<u>Part No.</u>	<u>Description</u>	<u>Parts – Assembly</u>	<u>Will Fit SN</u>	<u>Remarks</u>
1	BR-085-RCJ	RCJ Bearing Housing	2	11001	
2	BR-175-085	Fafnir Bearing 1 3/4 Tri Seal	2		
3	BR-175-LC	1 3/4" Locking Collar - Bearing Protector	2		
4	110-112	Shaft, Header Drive	1	11001-	
5	SP-50B16-28-6	Sprocket, #50, 16 tooth, 1.75" bore	1	11001	
6	SP-60B27-28-6	Sprocket, Header Drive (shaft), #60, 27 tooth, 1.75" bore	1	19101-	
7	SPU-4212-28-6	Urethane Sprocket 42mm x 12 tooth, 1 3/4" x 3/8 key	2		
8	KEY-6-6-24	Keystock 3/8" x 3/8" x 1 1/2" Square Cut (1018)	4		
9	CH-50-41	Roller Chain 41 pitches #50 w/master link	1		
10	CH-60H-51	Roller Chain 51 pitches #60H Header Drive(Tomato & Cucumber) w/master link	1		
11	GF-1428-65	Grease Fitting 1/4" x 28 65	2		

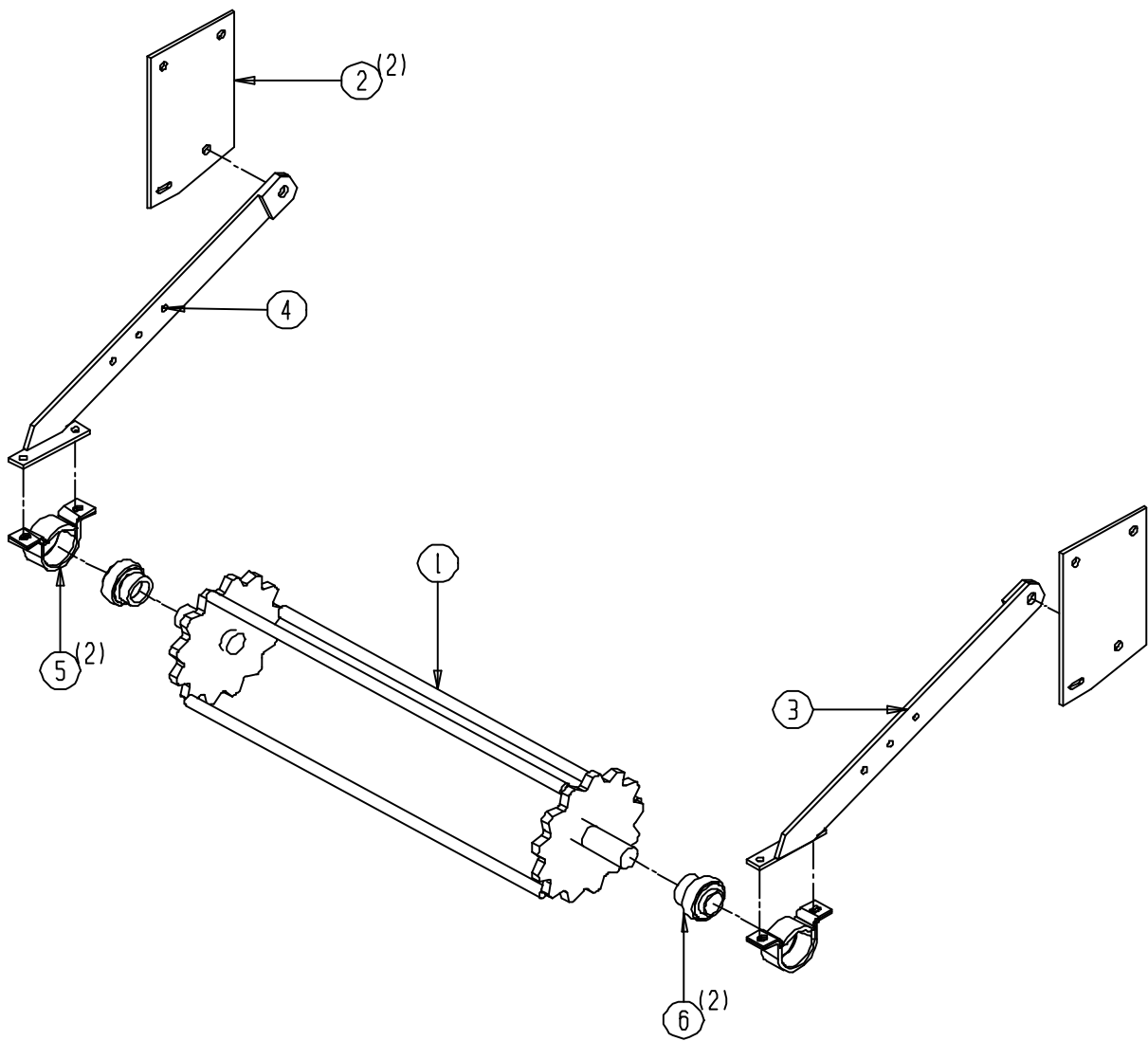
1004-2-5 HEADER CONVEYOR DRIVE SHAFT ASSEMBLY



1004-2-6 Header Chain Cleaner Assembly

<u>Ref</u>	<u>Part No.</u>	<u>Description</u>	<u>Parts – Assembly</u>	<u>Will Fit SN</u>	<u>Remarks</u>
1	192-162	Belted Chain Bar Cleaner, for 42mm pitch x 32" wide chain	1		
2	192-163	Cleaner bar bracket	2	19101-	
3	192-362A	Chain cleaner bar (Left)	1	19101-	
4	192-362B	Chain cleaner bar (Right)	1	19101	
5	BR-062-MPB	Stamped Bearing Housing for 1 1/4" bearing	2		
6	BR-125-062	Bearing, 1 1/4 Fafnir tri-seal, 62mm OD	2		
100	BL-10-075-SH	5/8 X 3/4 SHOULDER BOLTS	2	11001-	

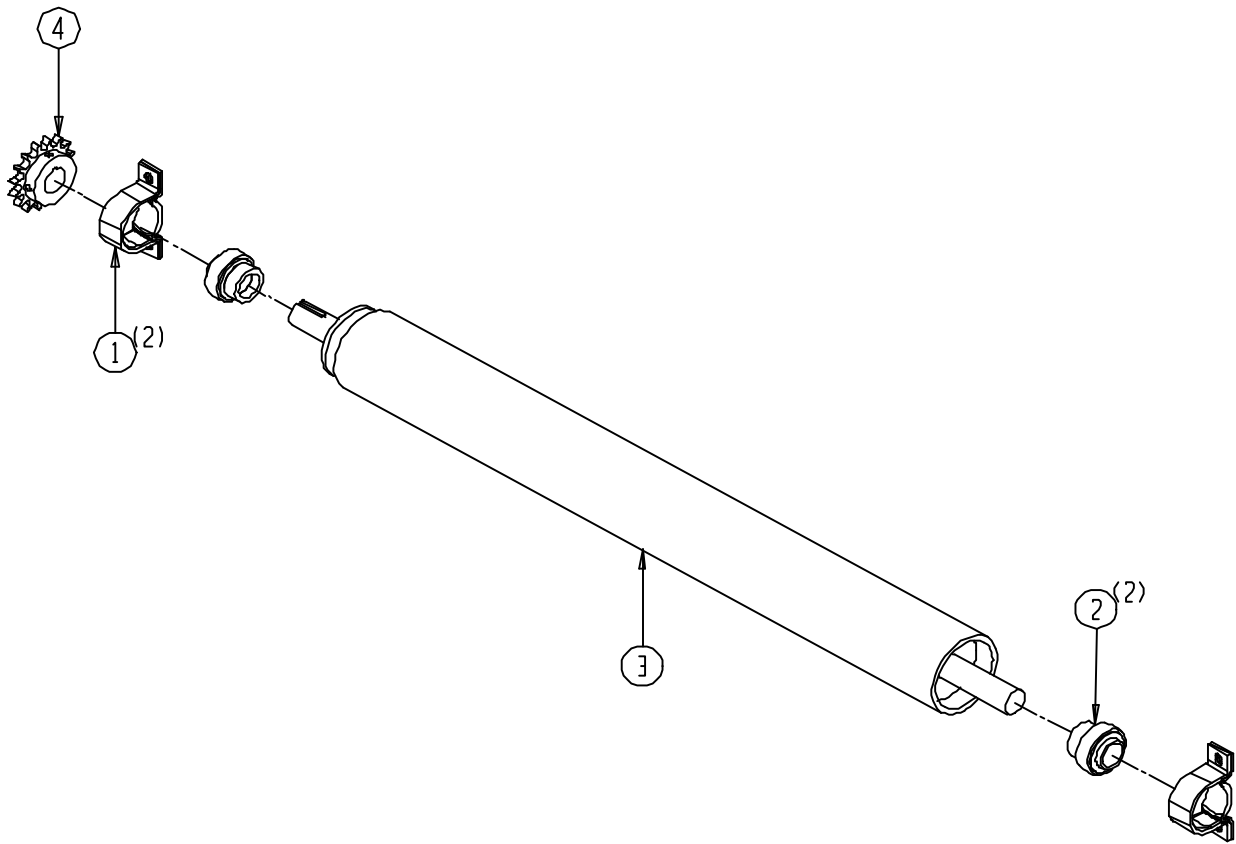
1004-2-6 HEADER CHAIN CLEANER ASSEMBLY



1004-2-7 Header Roller Assembly

<u>Ref</u>	<u>Part No.</u>	<u>Description</u>	<u>Parts – Assembly</u>	<u>Will Fit SN</u>	<u>Remarks</u>
1	BR-062-MPB	Stamped Bearing Housing for 1 1/4" bearing	2		
2	BR-125-062	Bearing, 1 1/4 Fafnir tri-seal, 62mm OD	2		
3	194-209	Transfer - Header Roller	1	19401-	
4	SP-50B16-20-4	Sprocket, #50, 16 tooth, 1.25" bore	1		
5	KEY-4-4-20	Shaft Key 1/4" x 1 1/4"	1		

1004-2-7 HEADER ROLLER ASSEMBLY



1004-2-8 Optional Overhead Vine Assist Assembly

<u>Ref</u>	<u>Part No.</u>	<u>Description</u>	<u>Parts – Assembly</u>	<u>Will Fit SN</u>	<u>Remarks</u>
0	KIT-0050	Overhead Vine Assist Kit	0		
800	BC-F-36-32	F Connecting Clips 36-32 @ pair	2	11001	
801	BC-1032-FS	10-32 x 1 1/4" bolts Flat Socket Head	16		
802	BC-1032-LN	10-32 lock nuts	24		
803	BC-F-60SP	60mm Connecting Pin, Smooth w/ Grooves for Grip Clip	1		
804	BC-6-32-ST	3/8" x 32" Belted Chain Rods for 60mm Belt	73	11001	
805	RI-19-BC	19mm Belted Chain Rivets	288		
806	BC-BP32	Belt, Rivet backing plates 32mm	72	11001	Lap Splice Option, Used only with BC-1032-LN Lock Nuts
807	BC-3510	Grooveless Snap Ring, 10mm.	4		
808	BL-5-125-SCF	5/16 - 24 x 1 1/4", Socket Head Cap Screw	4		
809	HM-118R-SK	Seal Kit for Ross Motor MB-23	1		

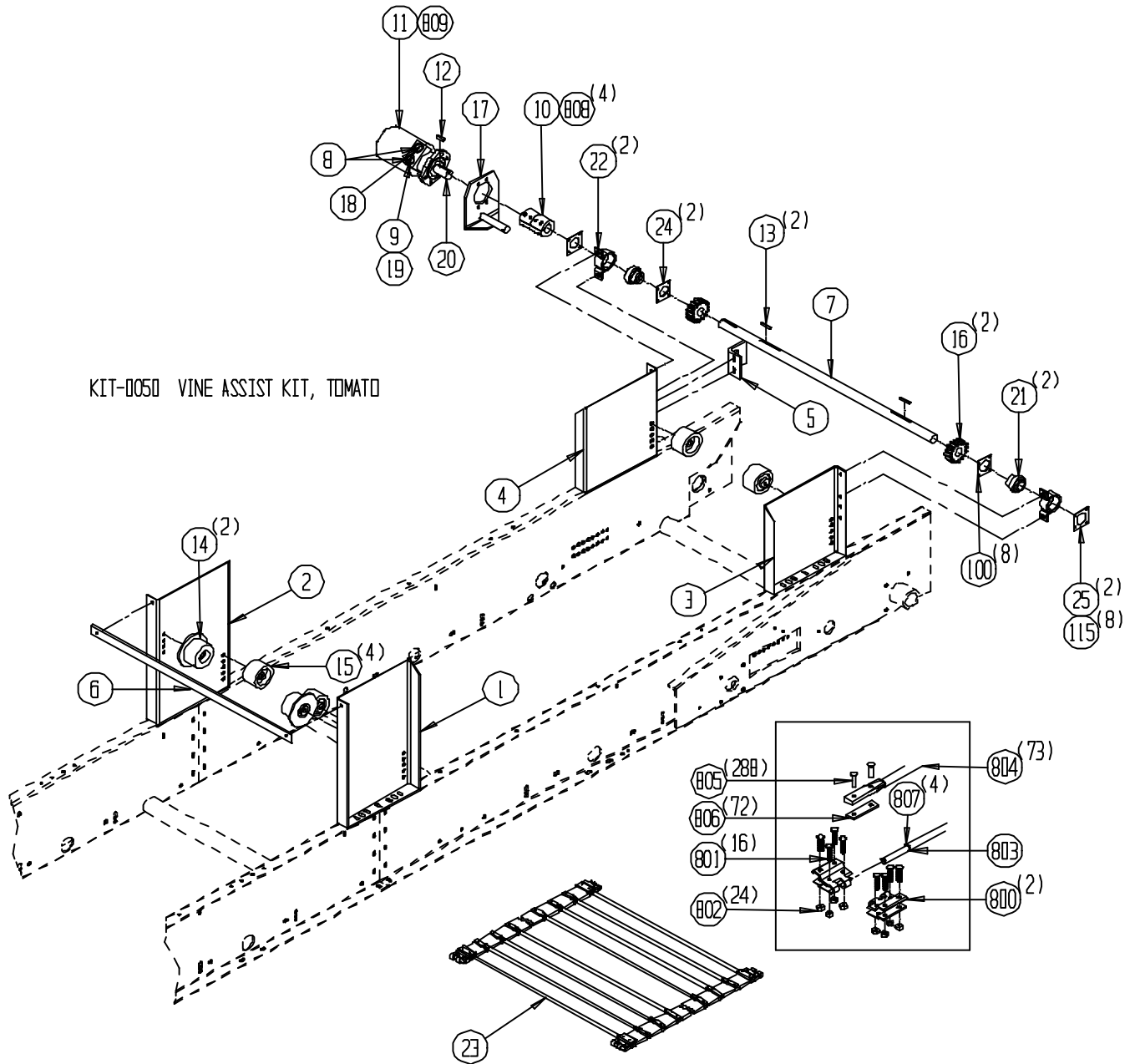
KIT-0050 Vine Assist Kit, Tomato

<u>Ref</u>	<u>Part No.</u>	<u>Description</u>	<u>Parts – Assembly</u>	<u>Will Fit SN</u>	<u>Remarks</u>
1	PAN-1104	Panel, Weldment, Outer Forward, Vine Assist	1	Kit-0050	
2	PAN-1105	Panel, Weldment, Inner Forward, Vine Assist	1	Kit-0050	
3	PAN-1106	Panel, Weldment, Outer Rear, Vine Assist	1	Kit-0050	
4	PAN-1107	Panel, Weldment, Inner Rear, Vine Assist	1	Kit-0050	
5	BRA-1100	Bracket, Motor Mount, Vine Assist	1	Kit-0050	
6	BAR-1100	Bar, Connecting Bar, Front, Vine Assist	1	Kit-0050	
7	SFT-050	Shaft, 1.25 dia. x 39, 5/16" Keyway, Vine Assist	1	KIT-0050	
8	A-6900-10-12	10 SAE x 3/4 FPX	2		
9	A-1405-12-12	3/4 NPT coupler w/swivel	1		
10	CPS-6057	Coupler, Solid, 1.25", Cucumber & Tomato	1		This Replaces CPS-6056.
11	HM-118R	Motor	1		
12	KEY-5-5-20	Shaft Key 5/16" sq x 1 1/4" Square Cut (1018)	1		
13	KEY-4-4-28	Shaft Key 1/4" x 1 3/4"	2		
14	RLT-535-228	5" Flange Roller 2.2WF x 3 1/2" dia, 1/2" bore	2		
15	RLT-035-228	Roller 3.5 dia x 2.2 x 1/2" bore, no flange	4		
16	SPU-3610-20-4	Sprocket 36-10 1 1/4 bore 1/4" key urethane	2		

17	194-108	Disk Motor Mount	1	Available as update kit
18	H12-35-12MP-12MP	3/4 in hose 3/4MP x 3/4MP x 35 in long	1	Kit-0050
19	H12-20-12MP-12MP	3/4 in hose 3/4MP x 3/4MP x 20 in long	1	Kit-0050
20	PIN-9069	Roll Pin, 3/16" x 1 1/2"	1	
21	BR-125-062	Bearing, 1 1/4 Fafnir tri-seal, 62mm OD	2	
22	BR-062-MPB	Stamped Bearing Housing for 1 1/4" bearing	2	
23	BC-6-3272-74-AL	32" x 72mm,74 Bars (209.76"), 60mm Belting,3/8"Bar	1	
24	SC-20-6	Bearing Protector, 1 1/4", Inner Side	2	
25	SC-20-7	Bearing Protector, 1 1/4", Outer, Lock Collar Side	2	
100	BL-1032-175P	10/32 x 1 3/4" Pan Head, Phillips Machine Screw	8	
101	BL-6-SW	3/8 SAE FW ZC	42	
102	BL-6-SW-8	3/8 SAE FW G8 ,Yellow Zinc, Thru Hardened	6	
103	BL-6-LN	3/8 UNC FIN HEX LOCK NUT NE A563 GrA ZINC	20	
104	BL-6-125-H	3/8-16 X 1 1/4 HHCS G5 ZC	12	
105	BL-6-150-H	3/8-16 X 1 1/2 HEX CAP G5 ZC	4	
106	BL-6-150-C	3/8 UNC X 1 1/2 CARRIAGE BOLT GR5 ZINC	4	
107	BL-6-LW	3/8 SPLIT LW ZC	4	
108	BL-6-N	3/8-16 HEX NUTS ZC	4	
109	BL-6-275-H	3/8-16 X 2 3/4 HEX CAP G5 ZC	4	
110	BL-8-325-H	1/2 UNC X 3 1/4 HH C/S BOLT GR5 ZINC	6	
111	BL-8-SW	1/2 SAE FW ZC	6	
112	BL-8-LN	1/2-13 HEX LOCK NUT NYLON INSERT ZC	6	
113	BL-8-FW-8	1/2 FLAT WASHER G8 ZC	2	
114	BL-6-100-H	3/8 UNC X 1 HH C/S BOLT GR5 ZINC	4	
115	BC-1032-LN	10-32 lock nuts	8	

1004-2-8 OPTIONAL OVERHEAD VINE ASSIST ASSEMBLY

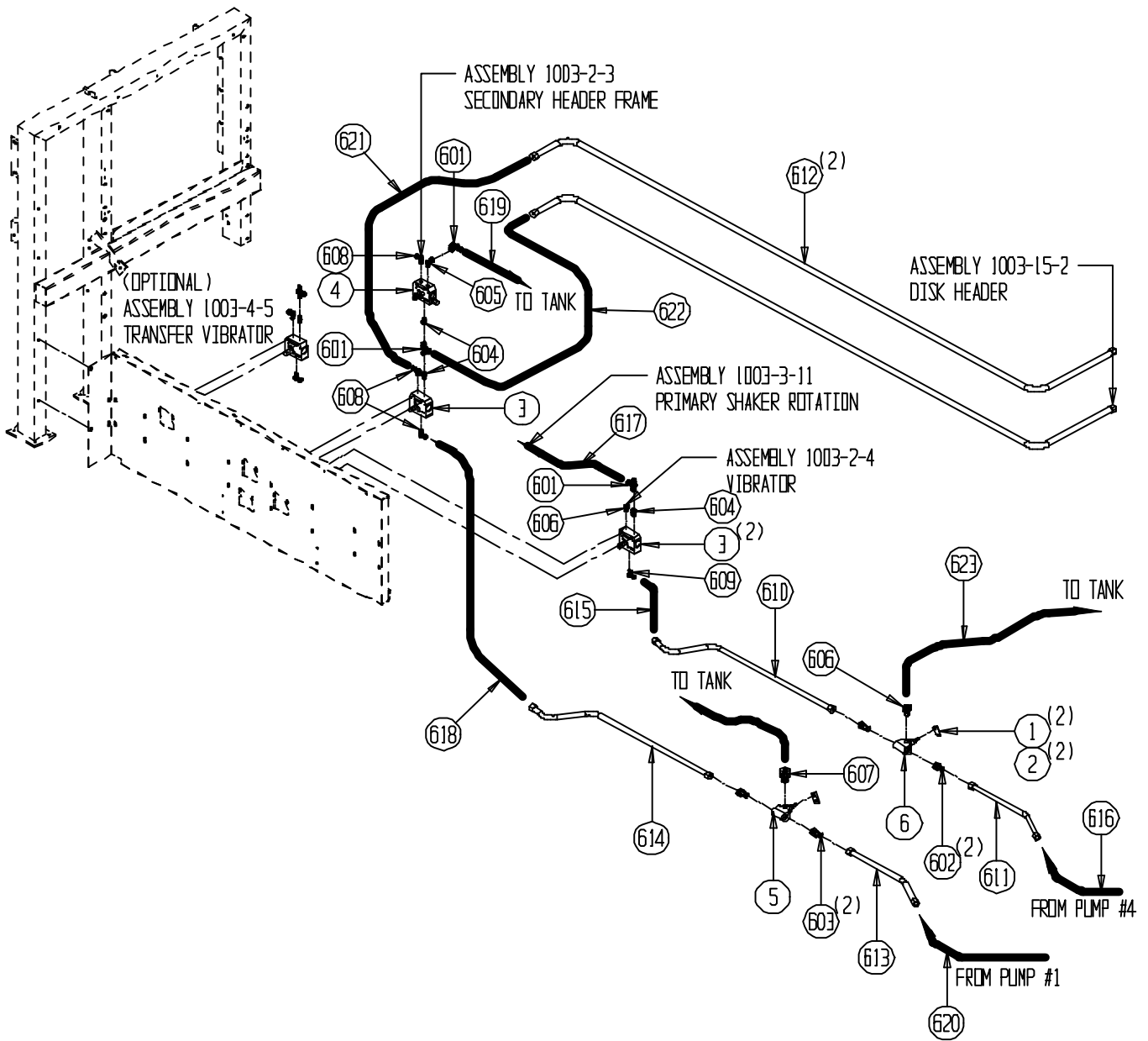
KIT-0050 VINE ASSIST KIT, TOMATO



1004-2-9 Hydraulics, Header @ Dust Shield

<u>Ref</u>	<u>Part No.</u>	<u>Description</u>	<u>Parts – Assembly</u>	<u>Will Fit SN</u>	<u>Remarks</u>
1	BAR-2011	Bar, Security Copper Wire Seal	2	19601-	
2	HA-2011	Copper Wire Security Seals	2		
3	HV-FL30	Flow Control Valve 30GPM	2		
4	HV-FL30-R	Hydraulic Flo Control Valve with Relief 30GPM	1		
5	HV-RV-1H	Relief valve w/ SAE #12 ports	1		
6	HV-RV-3H	Relief Valve w/ SAE #10 Ports	1		
601	A-1603-8-8-8	Swivel T 1/2" NPTF	3	20095001-	
602	A-6400-12-10	3/4" MJIC X 10 SAE	2		
603	A-6400-16-12	1" MJIC X 12 SAE	2		
604	A-6401-10-8	10 SAE x 1/2 MPT Male	3		
605	A-6806-10-8	10 SAE x 1/2" MP 90	1		
606	A-6900-10-8	10 SAE x 1/2 FPX	2	20095001-	
607	A-6900-12-12	12 SAE x 3/4"FPX	1		
608	A-6901-10-12	10 SAE x 3/4 FPX90	3	HV-1045K	
609	A-6901-10-8	10 SAE x 1/2 FPX90	1		
610	H-T31	Hyd Tube #3 Main 3/4"	1	19401	
611	H-T40	Hyd Tube #4 Front 3/4" dia	1	19401-	
612	H-T45	Tubing, Hydraulic, Header Tube	2	19501-	Replaces H-T44(except <19501)
613	H-T50	Hyd Tube #5 Front 1" dia	1	19401-	
614	H-T51	Hyd Tube, #5 Main 1" dia	1	19401-	
615	H10-12-8MP-12MJ	5/8 in hose 1/2MP X 3/4MJIC 12 in long	1		
616	H10-38-8MP-12MJ	5/8 in hose 1/2MP-3/4MJIC x 38 in long	1		
617	H10-84-8MP-8MP	5/8 in hose 1/2 x 1/2 x 84 in long	1		
618	H12-22-12MP-16MJ	3/4 in hose 3/4MP-1MJIC x 22 in long	1		
619	H12-36-12MP-8MP	3/4 in hose 3/4MP x 1/2MP x 36 in long	1		
620	H12-45-12MP-16MJ	3/4 in hose 3/4 MP x 1" MJIC x 45 in long	1		
621	H12-50-12MP-16MJ	3/4 in hose 3/4MP x 1MJIC x 50 in long	1		
622	H12-50-8MP-16MJ	3/4 in hose 1/2MP x 1MJIC x 50 in long	1		
623	H8-16-8MP-12MP	1/2 in hose 1/2MP x 3/4MP x 16 in long	1		

1004-2-9 HYDRAULICS, HEADER & DUST SHIELD



1004-2-10 Optional Spring-Assisted Lift Assembly

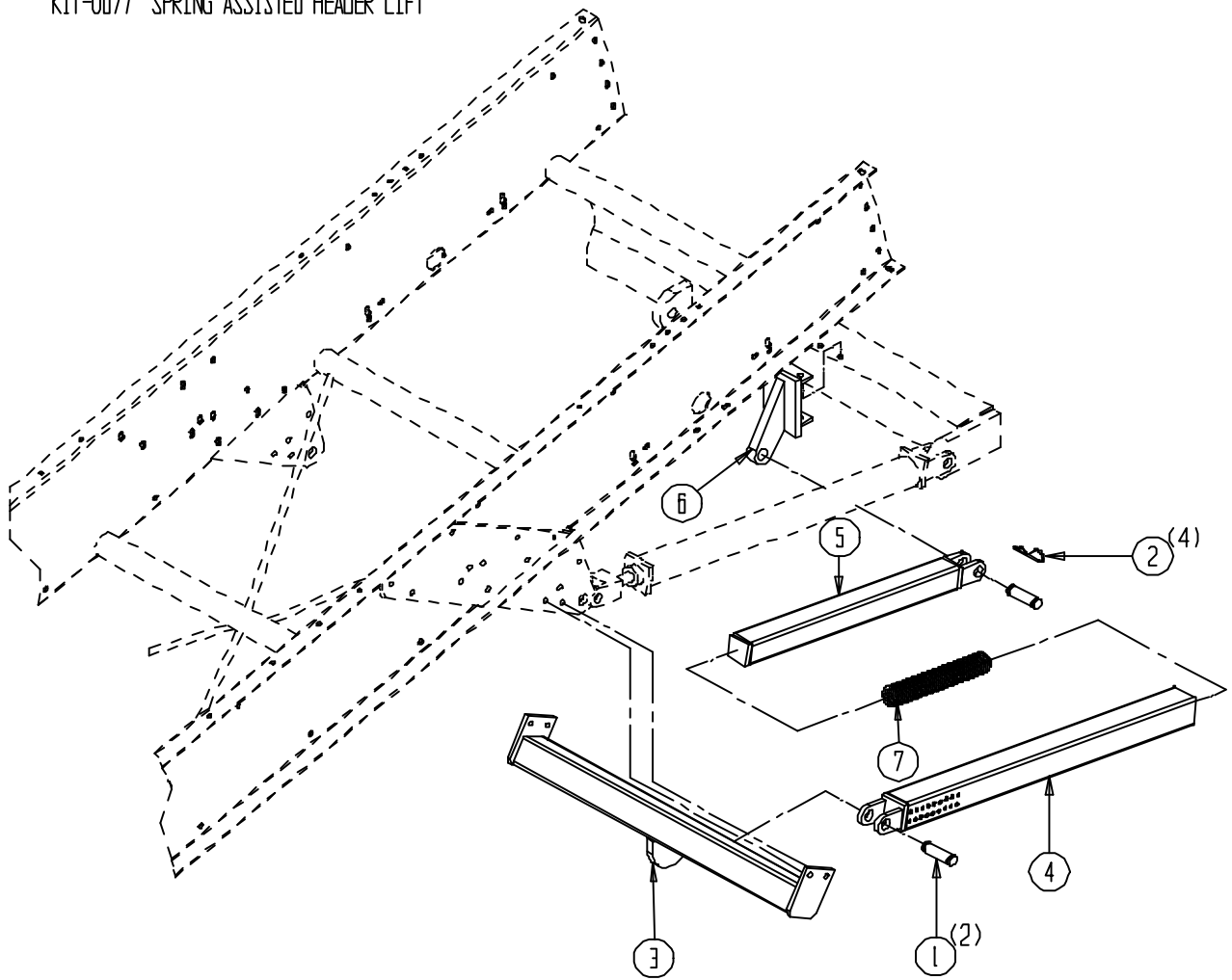
<u>Ref</u>	<u>Part No.</u>	<u>Description</u>	<u>Parts – Assembly</u>	<u>Will Fit SN</u>	<u>Remarks</u>
0	KIT-0077	Spring Header Lift Assist	0		

KIT-0077 Spring-Assisted Header Lift

<u>Ref</u>	<u>Part No.</u>	<u>Description</u>	<u>Parts – Assembly</u>	<u>Will Fit SN</u>	<u>Remarks</u>
1	HC-1129-A	Hyd. Cyl Pin, 1" x 2 3/4" Between the Grooves	2		
2	HC-1130B	Hair Pin Clip	4		
3	MOU-1350	Mount, Cylinder, Header Lift	1	KIT-0077	
4	MOU-1352	Mount, Spring, Outer	1	KIT-0077	
5	MOU-1354	Mount, Spring, Inner	1	KIT-0077	
6	MOU-1356	Mount, Adjuster	1	KIT-0077	
7	SPRG-1200-EH	Spring, Extra Heavy 2" Hole Dia., 1" Rod x 12" Long	1		
101	BL-6-375-H	3/8 UNC X 3 3/4 HH C/S BOLT GR5 ZINC	2		
102	BL-6-LN	3/8 UNC FIN HEX LOCK NUT NE A563 GrA ZINC	2		
103	BL-6-SW	3/8 SAE FW ZC	4		
105	BL-8-200-H	1/2-13 X 2 HEX CAP G5 ZC	4		
106	BL-8-650-H	Grade 5 Bolt 1/2 x 6 1/2	2		
107	BL-8-LN	1/2-13 HEX LOCK NUT NYLON INSERT ZC	6		
108	BL-8-SW-8	1/2 SAE FW G8 ZC	12		

1004-2-10 OPTIONAL SPRING-ASSISTED LIFT ASSEMBLY

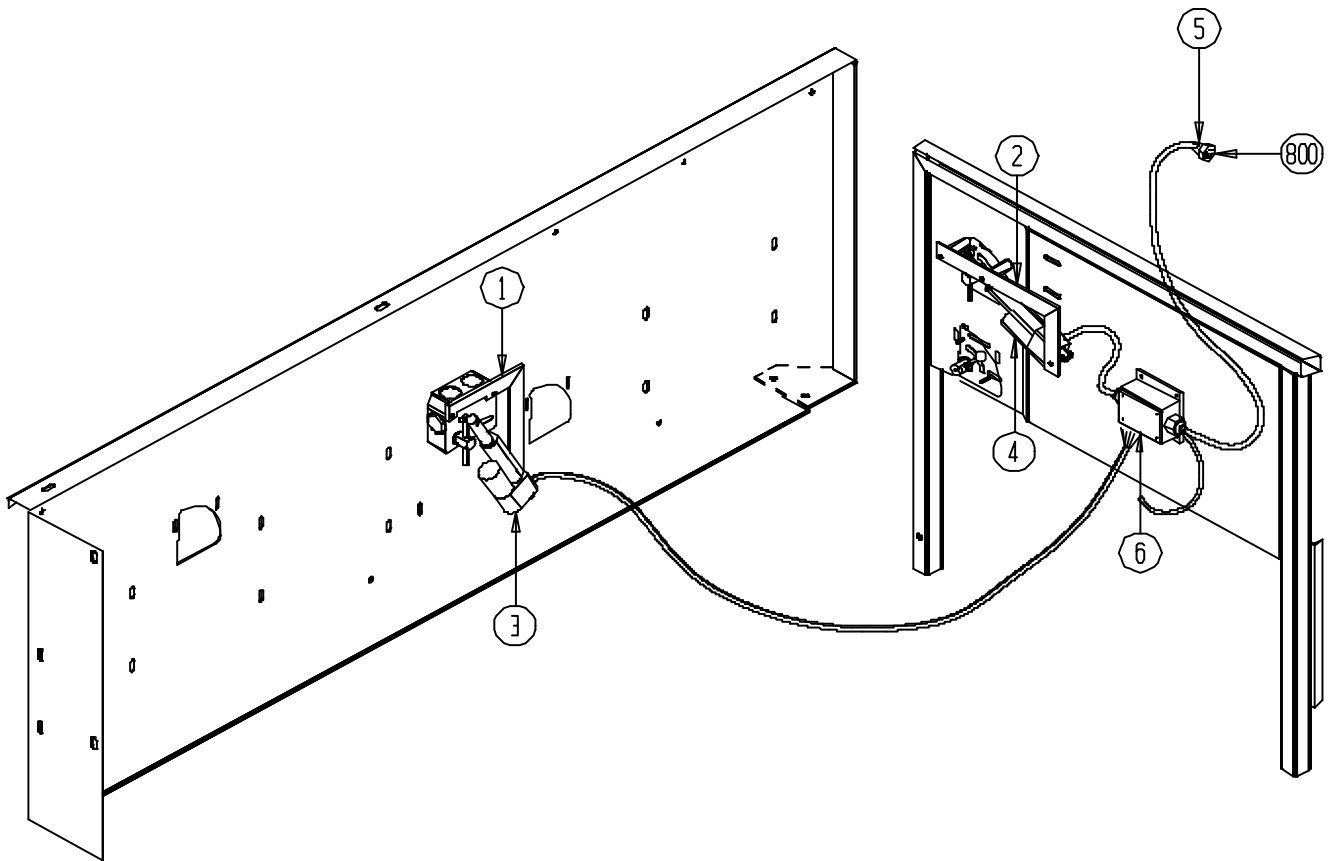
KIT-0077 SPRING ASSISTED HEADER LIFT



1004-2-11 Optional Remote Activated Flow Control

<u>Ref</u>	<u>Part No.</u>	<u>Description</u>	<u>Parts – Assembly</u>	<u>Will Fit SN</u>	<u>Remarks</u>
0	EL-0007	Actuator Control Box, Single	0		
0	EL-0008	Actuator Control Box, Double	0		
1	KIT-0066	R.A.F.C.for flow controls mounted	0		Use universal Kit. KIT-0087
2	KIT-0087	Universal Remote Activated Flow Control	0		
3	ACT-042-17	Actuator, Single Control, 17' Lead	0		Includes 17' Cable
4	ACT-042-2	Actuator, Single Control, 2' Lead	0		Includes 2' Cable
5	ELC-0009	Actuator Cord, Control Box-#1 Junction Box	0		
5	ELC-0010	Actuator Cord, Control Box-#1 Junction Box, Long	0		
6	ELE-0014	Actuator, Main Junction Box	0		
800	EL-16057	Replacement Coupling Ring	1	EL-60371	
801	ELE-0009	Elec. Schematic, Actuator Kit, Front F. C. Panel	0	Tomato & Cucumber	Single actuator: Front Flow Control Panel
802	ELE-0010	Elec. Schematic, Actuator Kit, Front F. C. Panel (Multi-)	0	Tomato & Cucumber	Multiple actuators: Front F.C. panel. ACT-042-2 and/or ACT-042-17
803	ELE-0011	Elec. Schematic, Actuator Kit, "Middle" F.C. Panel Tom&Cuc	0	Tomato & Cucumber	Single actuator: Middle Flow Control panel
804	ELE-0012	Elec. Schematic, Actuator Kit, "Middle" F.C.Panel (Multi-)	0	Tomato & Cucumber	Multiple actuators: Middle F.C. panel. ACT-042-2 and/or ACT-042-17

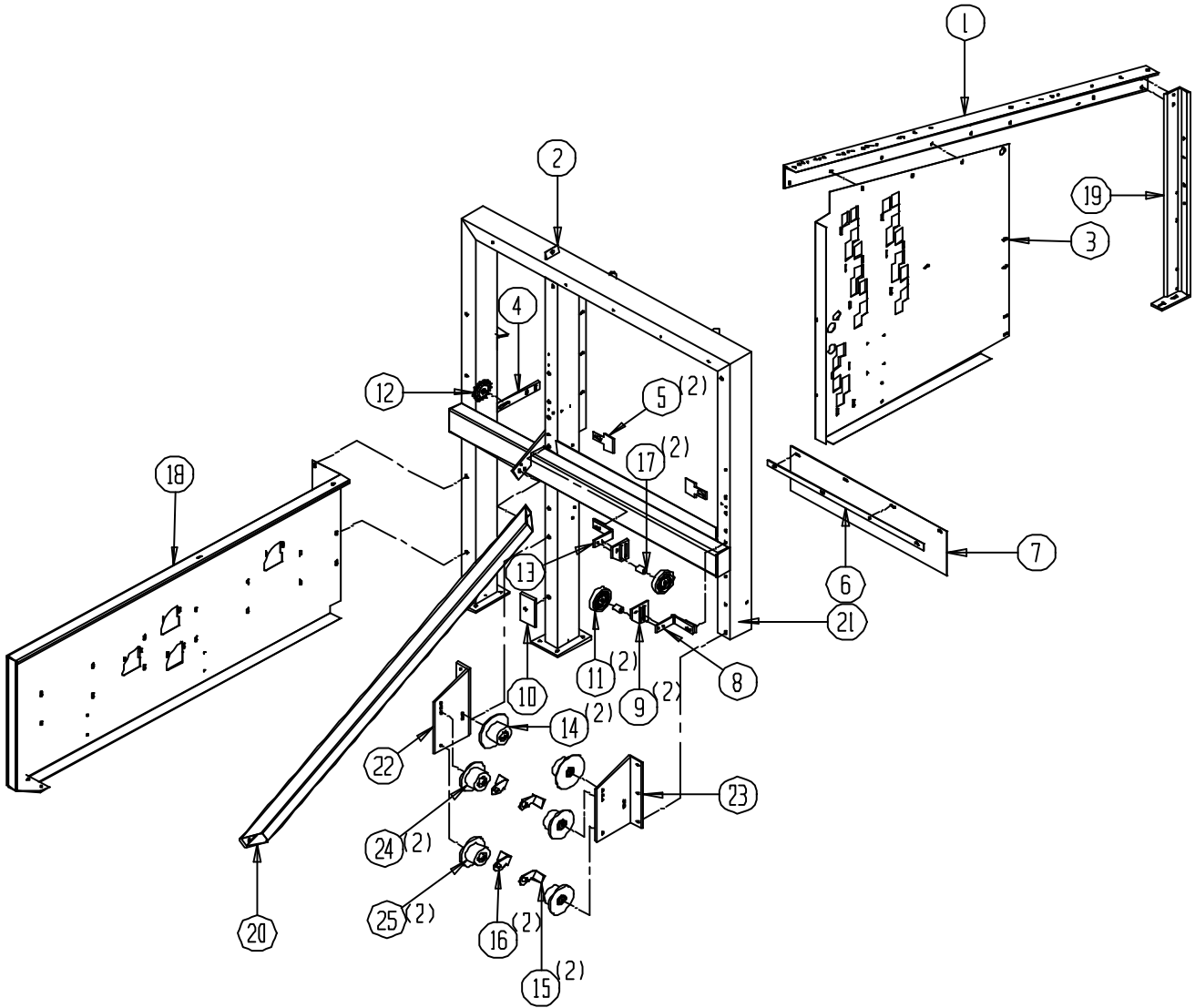
1004-2-11 OPTIONAL REMOTE ACTIVATED FLOW CONTROL



1004-3-1 Shaker Frame Assembly

<u>Ref</u>	<u>Part No.</u>	<u>Description</u>	<u>Parts – Assembly</u>	<u>Will Fit SN</u>	<u>Remarks</u>
1	191-1133A	Shaker Angle (3 x 5 angle)	1	19101-	
2	191-1132	Frame, Shaker	1	19101-	
3	PAN-1134	Panel, Shaker Angle	1		
4	194-114	Tightner Bracket	1	19401-	
5	193-126	Saver Tab	2	19301-	
6	191-210A	Transfer Entrance Belting Bar	1	19101-	
7	191-210	Transfer Belting Shield	1	19101-	
8	BRA-106	Bracket, Header Roller, Outer	1	19101-	
9	BRA-107	Bracket, Header Roller	2		
10	BAR-1129	Bar, Backing Plate, Shaker Frame Assy.	1		
11	RLR-040-108R	4" Flat Roller with Replaceable Bearings	2		
12	SP-5017-T	Idler, 17 tooth x #50 Chain	1		
13	BRA-105	Bracket, Header Roller, Inner	1		
14	RLT-635-2210-SC	6 1/2" Flange Roller w/Shaft for Scraper 5/8" Bore	2		
15	RLA-3024S	Curved Scraper, LH	2		
16	RLA-3023S	Curved Scraper, RH	2		
17	RLA-010-013-8	Spindle for Urethane Roller (no standoff)	2		
18	194-1135	Shield, Dust	1		
19	POS-1134	Post, Shaker Angle, W.A.	1		
20	SUP-1101	Support, Shaker Frame	1		
21	DC-3025	Red and White Reflective Tape @ 150 ft Roll	0.027		
22	SUP-1422	Support, Roller, Transfer, Inner, Tomato	1	KIT-0080	
23	SUP-1420	Support, Roller, Transfer, Outer, Tomato	1		
24	RLT-535-2210-SC	5" Flange Roller 2.2 WF 3.5 dia, 5/8" bore w/ Hub for Scraper	2		
25	RLT-535-2210	5" Flange Roller 2.2 WF 3.5 dia, 5/8" bore	2		

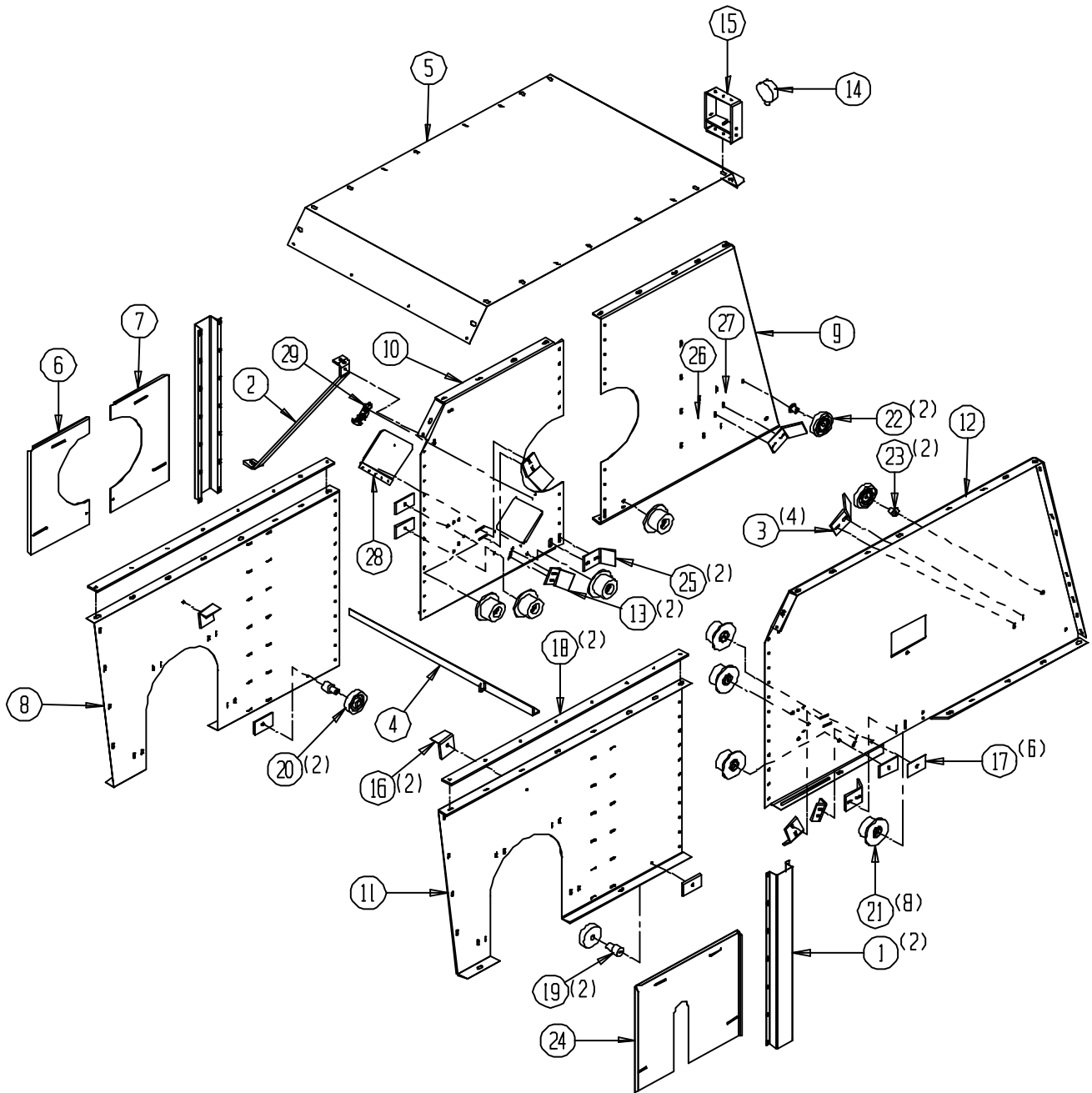
1004-3-1 SHAKER FRAME ASSEMBLY



1004-3-2 Shaker Chamber Assembly

<u>Ref</u>	<u>Part No.</u>	<u>Description</u>	<u>Parts – Assembly</u>	<u>Will Fit SN</u>	<u>Remarks</u>
1	194-301B	Post, Shaker Side	2	19401-	
2	195-320	Support Brace (Shaker Side)	1		
3	SHD-1898	Shield, Push Offs, Product Deflectors	4		
4	BAR-303	Bar, Angle, Shaker Cover Hook Bar Mount	1		
5	PAN-307	Cover, Diagonal, Top, Tomato	1	KIT-0080	
6	191-312R	Primary Shaker End Cover, Right	1	19101-	
7	191-312L	Primary Shaker End Cover, Left	1	19101-	
8	196-302	Panel, Right-Front Shaker (Tomato)	1		Replaces 192-302
9	PAN-308	Panel, Right, Rear, Tomato	1	KIT-0080	
10	PAN-309	Panel, Right/Mid, Tomato	1	KIT-0080	
11	196-301	Panel, Left-Front Shaker (Tomato)	1	19601-	
12	PAN-306	Panel, Left/Rear	1	KIT-0080	
13	SHD-1893	Deflector, Roller Diverter, Belted Chains, Steel	2		Replaces PL-1893
14	EL-1206	Double Amber Lamp	1		
15	SHD-1206	Shield, Flashing Light	1	30097001- 19601-	
16	193-309	Primary cover stop	2	19301-	
17	BAR-1861	Bar, Roller Backing Plate	6		
18	BAR-302	Bar, Shaker Panel, Front, Top Support	2		
19	RLA-010-0108	Spindle / Standoff for Urethane Roller (heat treated)	2	19101-	
20	RLG-040-1016	4" Urethane Roller	2		
21	RLT-535-228	5" Flange Roller 2.2WF x 3 1/2" dia, 1/2" bore	8		
22	RLR-040-108R	4" Flat Roller with Replaceable Bearings	2		
23	RLA-000-118	Standoff, 1/2" X 1 1/8"	2		
24	195-312	Cover, Shaker End (Outer)	1	19501-	
25	SHD-1895	Deflector, Roller, Long, Belted Chains, Steel	2		Replaces PL-1895
26	DC-1400	Decal, Secondary Transfer, Yellow	1		
27	DC-1430	Decal, Vine Chain	1		
28	195-304D	Access Door w/Hinge	1		
29	LA-1530	Medium Rubber T Latch Assembly	1		
30	DC-1176	Decal, Danger-Hand Chain Sprockets	1		
150	RI-3-6-SS	SS Pop Rivets, 3/16 x .251-.375, Buttonhead	9		

1004-3-2 SHAKER CHAMBER ASSEMBLY

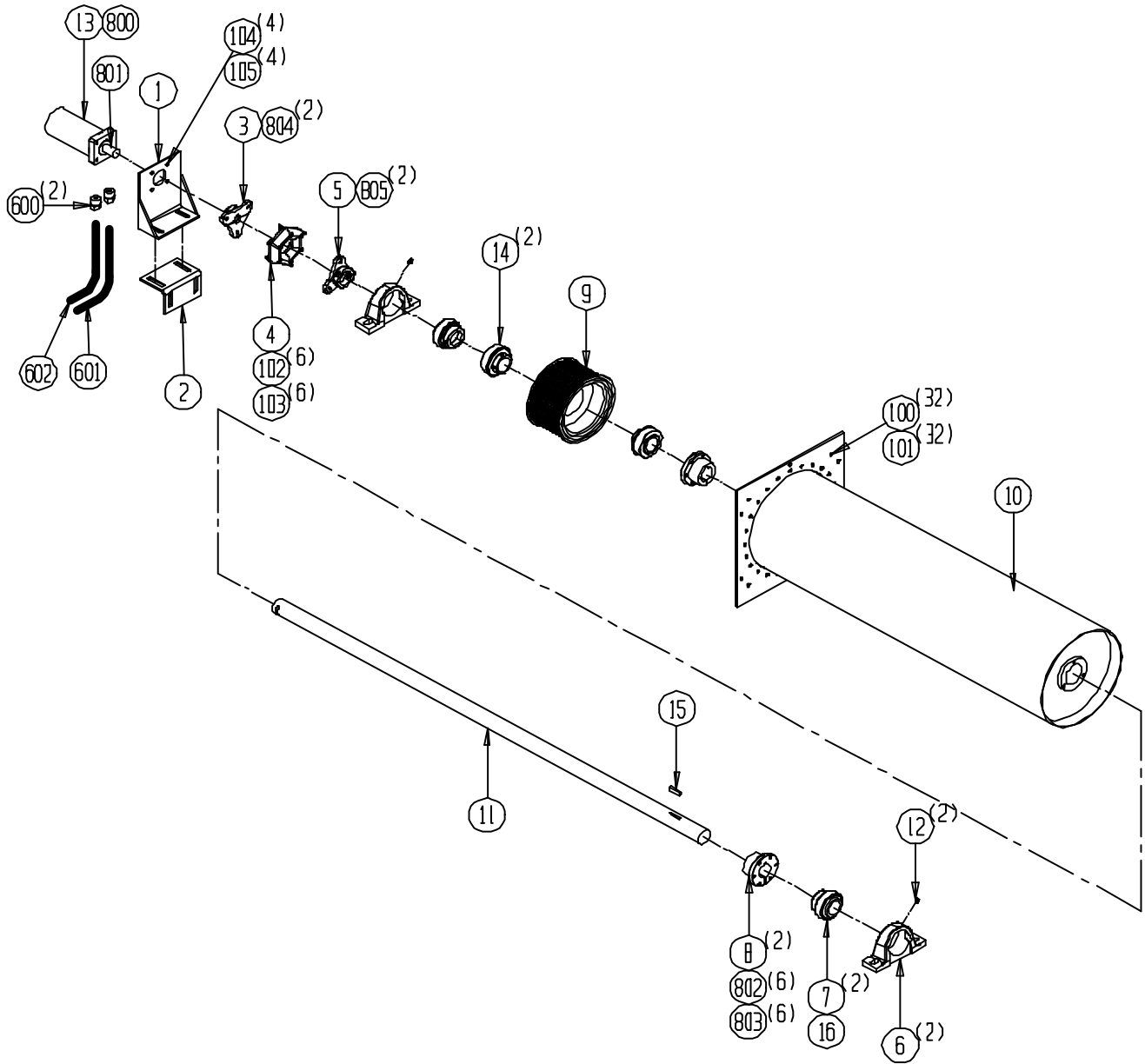


1004-3-3 Primary Shaker Drum Assembly

<u>Ref</u>	<u>Part No.</u>	<u>Description</u>	<u>Parts – Assembly</u>	<u>Will Fit SN</u>	<u>Remarks</u>
1	194-416	Mount, Shaker Rotation Motor	1	19101	For use with 194-416a
2	194-416A	Mount, Shaker Rotation Motor	1	19101-	For use with 194-416
3	CPR-422A-15	Primary Shaker Coupler (Motor Side)	1	Years 1995 - 2000	Used on Sec. Sh. Beginning 2000
4	CPR-422-15	Primary Shaker Drive Coupler	1		Used on Sec. Sh. Beginning 2000
5	CPR-422B-15	Primary Shaker Coupler (Shaker Side)	1		Used on Sec. Sh. Beginning 2000
6	BR-085-RAK	Bearing Housing (1 3/4") Main Shaker	2	19101	
7	BR-175-085	Fafnir Bearing 1 3/4 Tri Seal	2		
8	PU-SK-28	Bushing, SK x 1 3/4"	2	19101	
9	PU-80-8M-114-BO	Pulley, Center 4-1/2" wide Bored Out	1	All Primary Shakers	Can replace with PU-80-8M-114
10	SHA-3403	Shaker Tube	1	19101-	Must use SHA-3402 with this part to be compatible with 192-401
11	191-400	Shaker main Shaft	1		Used on Sec. Sh. beginning 1994.
12	GF-1428	Grease Fitting 1/4" x 28 straight	2		
13	HM-103-CH	Char-Lynn Motor	1		
14	BR-175-ER	Bearings, 1 3/4" ER	2	11001	
15	KEY-6-6-24	Keystock 3/8" x 3/8" x 1 1/2" Square Cut (1018)	1		
16	BR-175-LC	1 3/4" Locking Collar - Bearing Protector	1		
100	BL-6-100-C	3/8 UNC X 1 CARRIAGE BOLT GR5 ZINC	32		
101	BL-6-LN	3/8 UNC FIN HEX LOCK NUT NE A563 GrA ZINC	32		
102	BL-6-N	3/8-16 HEX NUTS ZC	6		
103	BL-6-250-8	3/8-16 X 2 1/2 HH C/S GR8 ZC	6		
104	BL-6-100-H-8	3/8-16 X 1 HEX CAP GR8ZC	4		
105	BL-6-LW	3/8 SPLIT LW ZC	4		
600	A-6900-10-8	10 SAE x 1/2 FPX	2	20095001-	
601	H10-34-8MP-8MP	5/8 in hose 1/2MP x 1/2MP x 34 in long	1		
602	H10-36-8MP-8MP	5/8 in hose 1/2MP x 1/2MP x 36 in long	1		
800	HM-103-SK	Seal Kit for Char-Lynn Motor	1	S Series - 010	
801	KEY-4-4-15	Shaft Key 1/4" X 1/4" X 15/16" Woodruff Key	1		
802	BL-5-LW	5/16 SPLIT LW ZC	6		
803	BL-5-200-8T	5/16-18 x 2 Grade 8 Tap Bolt	6		

804	BL-5-150-SCF	5/16-24 x 1 1/2" Socket Head Cap Screw	2
805	BL-5-175-SCF	5/16-24 x 1 3/4" Socket Head Cap Screw	2

1004-3-3 PRIMARY SHAKER DRUM ASSEMBLY

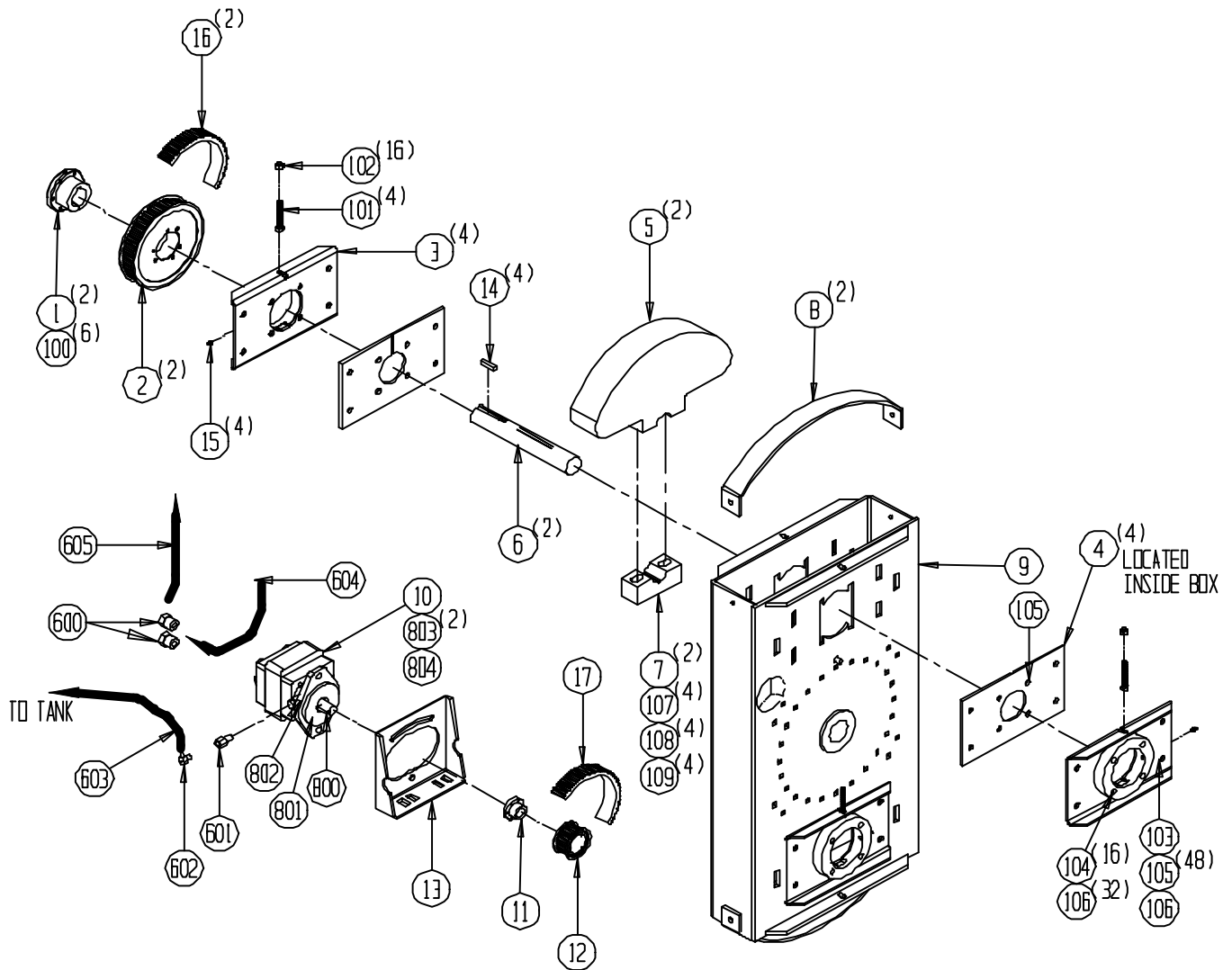


1004-3-4 Primary Shaker Weight & Box Assembly

<u>Ref</u>	<u>Part No.</u>	<u>Description</u>	<u>Parts – Assembly</u>	<u>Will Fit SN</u>	<u>Remarks</u>
1	PU-SK-28	Bushing, SK x 1 3/4"	2	19101	
2	PU-80-8M-30-SK	Primary Weight Pulley HTD	2	1910119115	
3	BR-100-SUP	Bearing Holder Wldmt, Primary Shaker	4		
4	MOU-098	Backing Plate, Shaker	4		Replaces MOU-097
5	WGT-402	Weight, Primary Shaker	2		
6	SFT-097	Weight Shaft	2		
7	WGT-402C	Cap, Primary & Secondary Shaker Weight	2		
8	193-403	Shaker, Weight guards	2		
9	SHA-8402	Shaker Weight Box	1		Replaces SHA-3402.
10	HM-412C	Hydraulic Motor	1	19101	Sub 191-412
11	PU-JA-14	Bushing, JA x 7/8"	1	11001	
12	PU-26-8M-30-JA	HTD Sprocket 8mm pitch, 26 Tooth, 30mm wide JA Bushing	1		
13	110-515	Mount, Weight Motor	1	19101-	
14	KEY-6-6-24	Keystock 3/8" x 3/8" x 1 1/2" Square Cut (1018)	4		
15	GF-1428	Grease Fitting 1/4" x 28 straight	4		
16	BT-1280-8M-30	Primary Weight Drive Belt	2	19101	Can not replace with BT-390H100 belts unless all the pulleys are changed.
17	BT-960-8M-30	Shaker Drive Belt(30MM Wide)	1		Can not replace with BT-390H100 belts unless all the pulleys are changed.
100	BL-5-200-8T	5/16-18 x 2 Grade 8 Tap Bolt	6		
101	BL-6-275-ST	3/8-16 x 2.75 Grade 5 Stud	4		
102	BL-6-N	3/8-16 HEX NUTS ZC	16		
103	BL-8-150-H8	1/2x1 1/2 Grade 8 Hex Head	16		
104	BL-8-225-H8	1/2 x 2 1/4,Grade 8,Hex Head	16		
105	BL-8-FW-8	1/2 FLAT WASHER G8 ZC	48		
106	BL-8-LNS	1/2 Stover Lock Nut	32		
107	BL-10-375-8	5/8-11 X 3 3/4 HEX CAP G8 ZC	4		
108	BL-10-LW	5/8 SPLIT LW ZC	4		
109	BL-10-FW-8	5/8" Grade 8 Flat Washer	4		
600	A-6901-12-12	12 SAE x 3/4" FPX 90	2		
601	A-1404-4-4	1/4 MP x 1/4 FPX	1		
602	A-4129-6-4	1/4" NPT 90 w/3/8" Push-Loc	1		
603	H6-PL-136	3/8" Push Loc Hose 136" (primary shaker)	1		

604	H12-30-12MP-12MP	3/4 in hose 3/4MP x 3/4MP x 30 in long	1		
605	H12-36-12MP-8MP	3/4 in hose 3/4MP x 1/2MP x 36 in long	1		
800	HM-412B	Key for Hydraulic Motor -Shaker Weight-Vibrator	1	HM-412C & HM-712C	
801	HM-2686	Snap Ring, Commercial Motor	1	HM-1020	
802	HM-0381	Ball Bearing, Motor	1	HM-1020	
803	HM-2585	Ring Seal, Commercial Motor	2	HM-1020	
804	HM-1801	Seal Kit for Commercial Intertech	1	P20 & M20 Series	Includes:(1) Length of HM-2882,(1)HM-2883,(2)HM-2884
805	PU-JA-14B	Bolt for PU-JA-14 (3 @ pkg)	1		

1004-3-4 PRIMARY SHAKER WEIGHT & BOX ASSEMBLY



1004-3-5 Secondary Shaker Drum Assembly

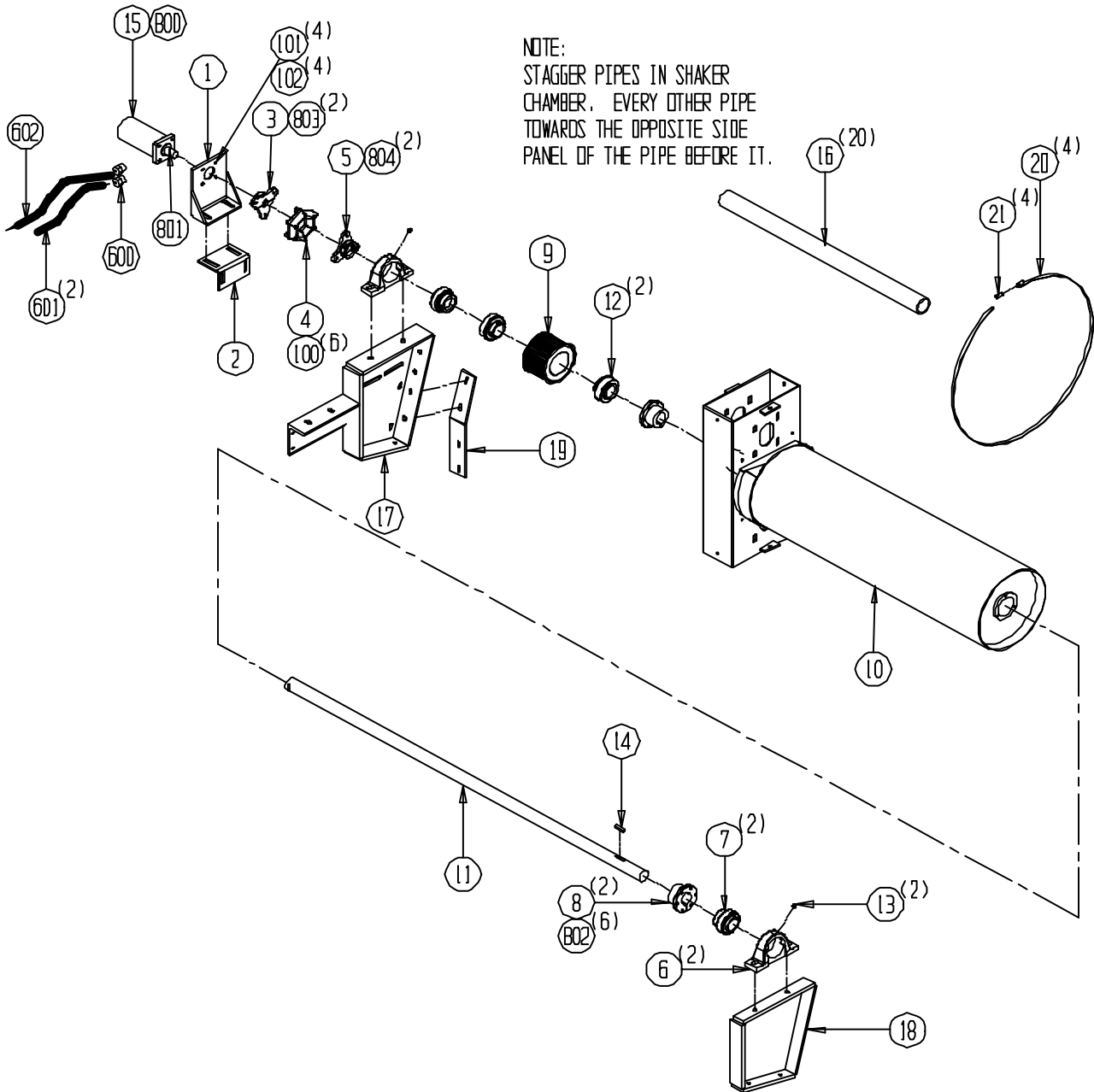
<u>Ref</u>	<u>Part No.</u>	<u>Description</u>	<u>Parts – Assembly</u>	<u>Will Fit SN</u>	<u>Remarks</u>
1	194-416	Mount, Shaker Rotation Motor	1	19101	For use with 194-416a
2	194-416A	Mount, Shaker Rotation Motor	1	19101-	For use with 194-416
3	CPR-422A-15	Primary Shaker Coupler (Motor Side)	1	Years 1995 - 2000	Used on Sec. Sh. Beginning 2000
4	CPR-422-15	Primary Shaker Drive Coupler	1		Used on Sec. Sh. Beginning 2000
5	CPR-422B-15	Primary Shaker Coupler (Shaker Side)	1		Used on Sec. Sh. Beginning 2000
6	BR-085-RAK	Bearing Housing (1 3/4") Main Shaker	2	19101	
7	BR-175-085	Fafnir Bearing 1 3/4 Tri Seal	2		
8	PU-SK-28	Bushing, SK x 1 3/4"	2	19101	
9	PU-56-8M-89	Pulley, Center Idler, HTD	1	19201-	
10	194-501	Secondary Shaker Box and Drum	1		Replaces 110-501
11	191-400	Shaker main Shaft	1		Used on Sec. Sh. beginning 1994.
12	BR-175-ER	Bearings, 1 3/4" ER	2	11001	
13	GF-1428	Grease Fitting 1/4" x 28 straight	2		
14	KEY-6-6-24	Keystock 3/8" x 3/8" x 1 1/2" Square Cut (1018)	1		
15	HM-103-CH	Char-Lynn Motor	1		
16	PL-32-355	Plastic PVC Pipe, Shaker Tine Spacer	20		
17	MOU-1416	Mount, Sec. Shaker, Inner	1	KIT-0080	
18	MOU-1418	Mount, Sec. Shaker, Outer	1	KIT-0080	
19	BAR-1416	Bar, Stiffner, Secondary Shaker Mount	1		
20	CL-001	Clamp, 71.5" Long, For 21.5" Dia, SS Gear Clamp	4		100 Pc. Minimum From Mfg.
21	PL-7504-4	PVC Clamp Cover, 4"	4		
100	BL-6-250-H	3/8-16 X 2 1/2 HH C/S GR5 ZC	6		
101	BL-6-100-H-8	3/8-16 X 1 HEX CAP GR8ZC	4		
102	BL-6-LW	3/8 SPLIT LW ZC	4		
600	A-6902-10-8	10 SAE X 1/2" FPX 45	2	20095001-	
601	H10-70-8MP-8MP	5/8 in. hose 1/2 x 1/2 x 70 in long	1		
602	H10-72-8MP-8MP	5/8 in. hose 1/2 x 1/2 x 72 in long	1		
800	HM-103-SK	Seal Kit for Char-Lynn Motor	1	S Series - 010	
801	KEY-4-4-15	Shaft Key 1/4" X 1/4" X 15/16" Woodruff Key	1		
802	BL-5-200-8T	5/16-18 x 2 Grade 8 Tap Bolt	6		
803	BL-5-150-SCF	5/16-24 x 1 1/2" Socket Head Cap Screw	2		

804 BL-5-175-SCF

5/16-24 x 1 3/4" Socket Head Cap Screw

2

1004-3-5 SECONDARY SHAKER DRUM ASSEMBLY

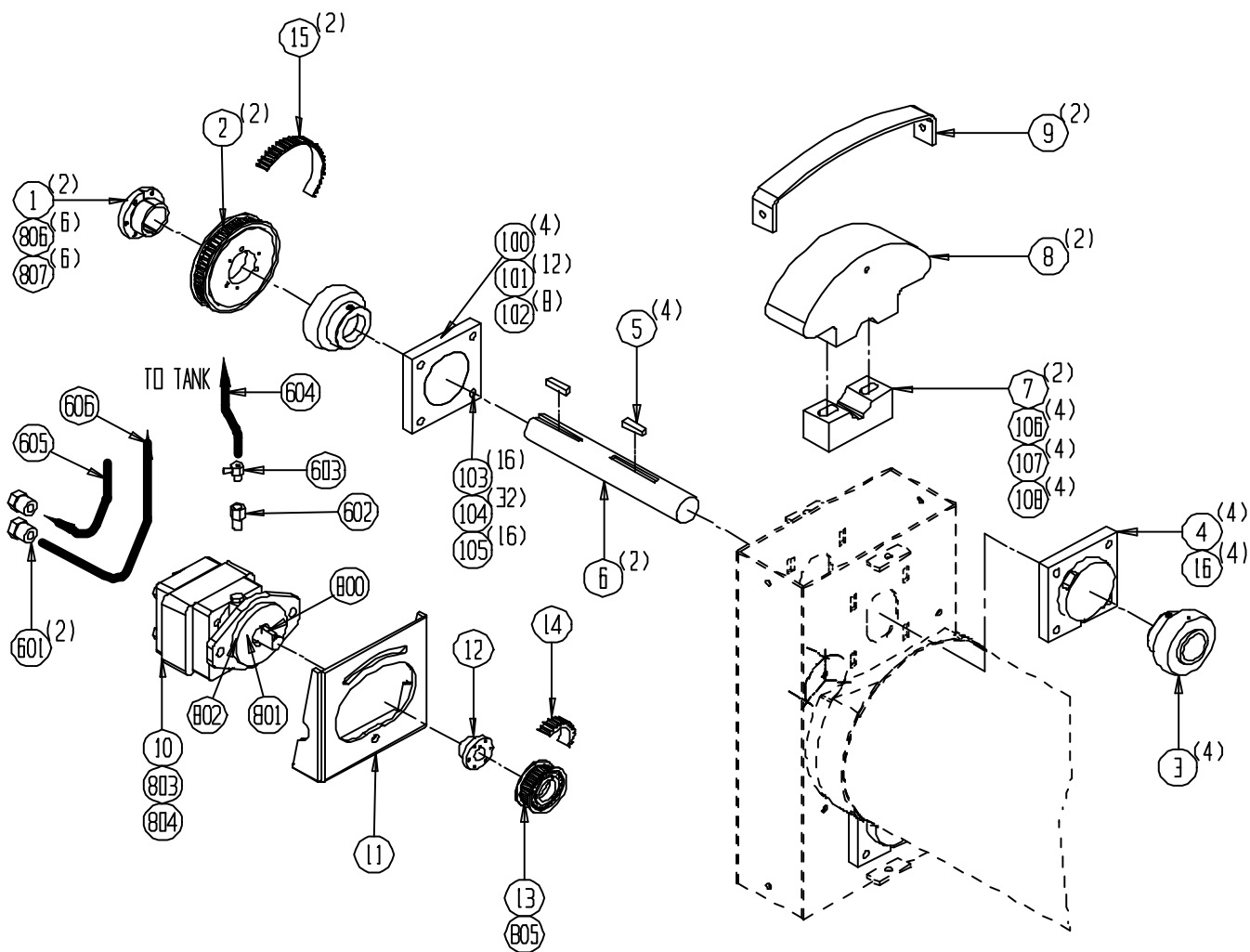


1004-3-6 Secondary Shaker Weight & Box Assembly

<u>Ref</u>	<u>Part No.</u>	<u>Description</u>	<u>Parts – Assembly</u>	<u>Will Fit SN</u>	<u>Remarks</u>
1	PU-SDS-28	Bushing, SDS x 1 3/4"	2		
2	PU-56-8M-20-SDS	Secondary Weight Pulley HTD	2	19201	
3	BR-175-085-KB	Fafnir Bearing 1 3/4" Heavy SS1	4		
3	BR-175-100	Heavy Duty I 3/4" Bearing	0		
4	BR-085-100F	Bearing Mounting	4		
4	BR-100-100F	Bearing Mounting, Shaker 1995 and previous	0	19901-19525	Used with BR-175-100 bearing upgrade
5	KEY-6-6-24	Keystock 3/8" x 3/8" x 1 1/2" Square Cut (1018)	4		
6	110-404	Shaft, Secondary Shaker	2	11001-	
7	WGT-402C	Cap, Primary & Secondary Shaker Weight	2		
8	WGT-502	Weight, Secondary Shaker	2	19601-	
9	192-503	Shaker weight guards	2	19201-	
10	HM-412C	Hydraulic Motor	1	19101	Sub 191-412
11	110-515	Mount, Weight Motor	1	19101-	
12	PU-JA-14	Bushing, JA x 7/8"	1	11001	
13	PU-26-8M-20-JA	Weight Motor Pulley HTD	1	19201	
14	BT-960-8M-20	Shaker Drive Belt(20MM Wide)	1	19201-	Can not replace with BT-300H100 belts unless all the pulleys are changed.
15	BT-800-8M-20	Secondary Weight Drive Belt	2	19201	Can not replace with BT-300H100 belts unless all the pulleys are changed.
16	GF-1428	Grease Fitting 1/4" x 28 straight	4		
100	BL-6-275-ST	3/8-16 x 2.75 Grade 5 Stud	4		
101	BL-6-N	3/8-16 HEX NUTS ZC	12		
102	BL-6-SW	3/8 SAE FW ZC	8		
103	BL-8-175-H	1/2-13 X 1 3/4 HEX CAP G5 ZC	16		
104	BL-8-SW-8	1/2 SAE FW G8 ZC	32		
105	BL-8-LNS	1/2 Stover Lock Nut	16		
106	BL-10-375-8	5/8-11 X 3 3/4 HEX CAP G8 ZC	4		
107	BL-10-FW-8	5/8" Grade 8 Flat Washer	4		
108	BL-10-LW	5/8 SPLIT LW ZC	4		
601	A-6901-12-12	12 SAE x 3/4" FPX 90	2		
602	A-1404-4-4	1/4 MP x 1/4 FPX	1		
603	A-4129-6-4	1/4" NPT 90 w/3/8" Push-Loc	1		
604	H6-PL-198	3/8" Push Loc Hose 198" (Secondary Shaker)	1		

605	H12-80-12MP-12MP	3/4 in hose 3/4MP x 3/4MP x 80 in long	1		
606	H12-82-12MP-8MP	3/4 in hose 3/4MP x 1/2MP x 82 in long	1		
800	HM-412B	Key for Hydraulic Motor -Shaker Weight-Vibrator	1	HM-412C & HM-712C	
801	HM-2686	Snap Ring, Commercial Motor	1	HM-1020	
802	HM-0381	Ball Bearing, Motor	1	HM-1020	
803	HM-2585	Ring Seal, Commercial Motor	1	HM-1020	
804	HM-1801	Seal Kit for Commercial Intertech	1	P20 & M20 Series	Includes:(1) Length of HM-2882,(1)HM-2883,(2)HM-2884
805	PU-JA-14B	Bolt for PU-JA-14 (3 @ pkg)	1		
806	BL-4-LW	1/4 SPLIT LW ZC	6		
807	BL-4-150-T	1/4-20 x 1 1/2 Tap Bolt GR5 Plated	6		

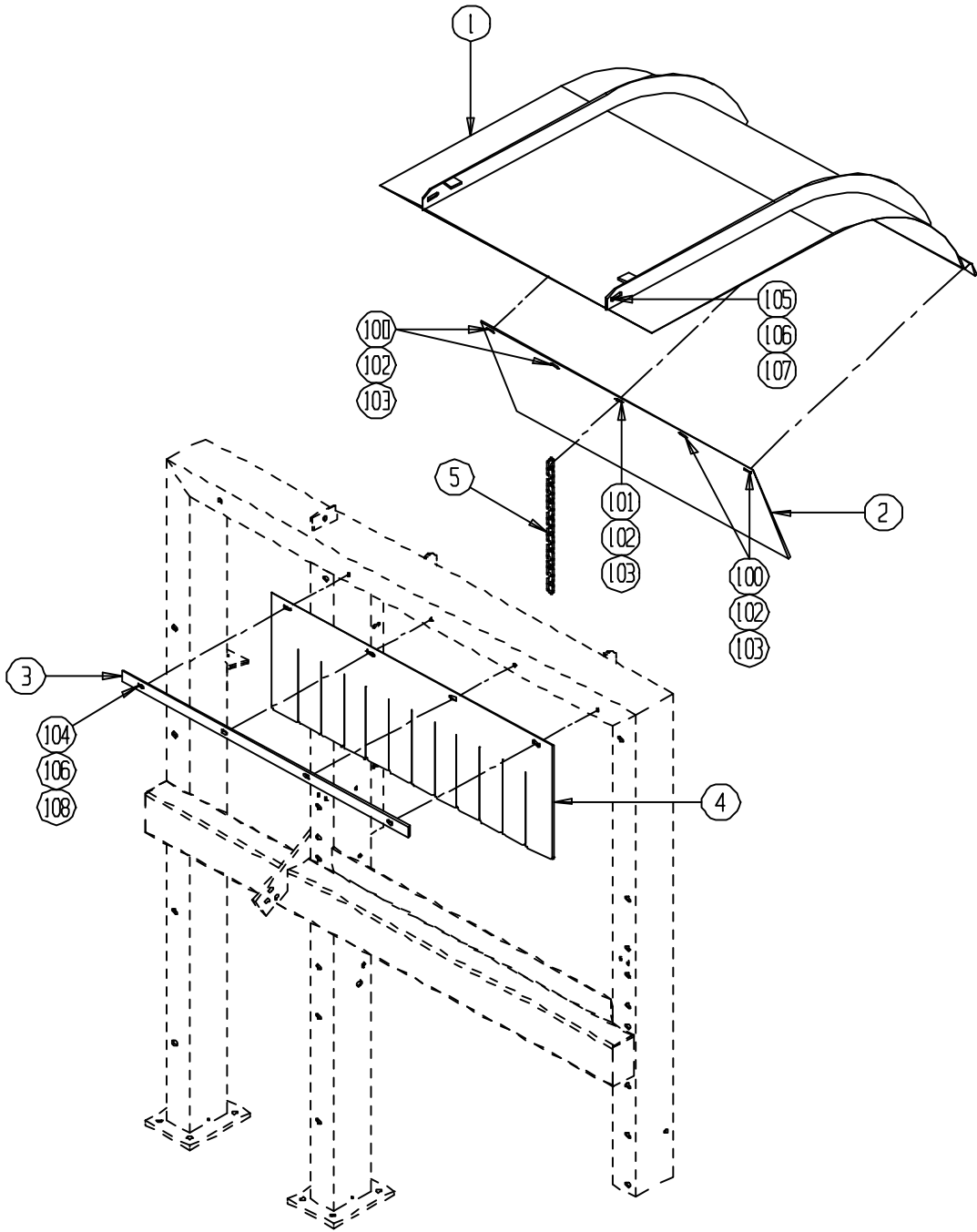
1004-3-6 SECONDARY SHAKER WEIGHT & BOX ASSEMBLY



1004-3-7 Shaker Cover Assembly

<u>Ref</u>	<u>Part No.</u>	<u>Description</u>	<u>Parts – Assembly</u>	<u>Will Fit SN</u>	<u>Remarks</u>
1	192-310	Cover, Primary Shaker	1	19201-	
2	191-310B	Belting, Primary Shaker Cover	1	19101-	
3	191-119A	Shaker Entrance Belting Bar	1	19101-	
4	191-119	Header Throat Belting Shield	1	19101-	
5	191-313	Chain, Shaker Cover, Panel Stiffener	1	19101- 30095001-	
100	BL-4-075-H	1/4 UNC X 3/4 HH C/S BOLT GR5 ZINC	4		
101	BL-4-100-H	1/4-20 X 1 HEX CAP G5 ZC	1		
102	BL-4-FW-8	1/4" Flat Washer Grade 8	10		
103	BL-4-LN	1/4-20 HEX LN NE ZC	5		
104	BL-6-100-H	3/8 UNC X 1 HH C/S BOLT GR5 ZINC	4		
105	BL-6-125-H	3/8-16 X 1 1/4 HHCS G5 ZC	2		
106	BL-6-FW-8	3/8 FLAT WASHER G8 ZC	8		
107	BL-6-LN	3/8 UNC FIN HEX LOCK NUT NE A563 GrA ZINC	2		
108	BL-6-LW	3/8 SPLIT LW ZC	4		

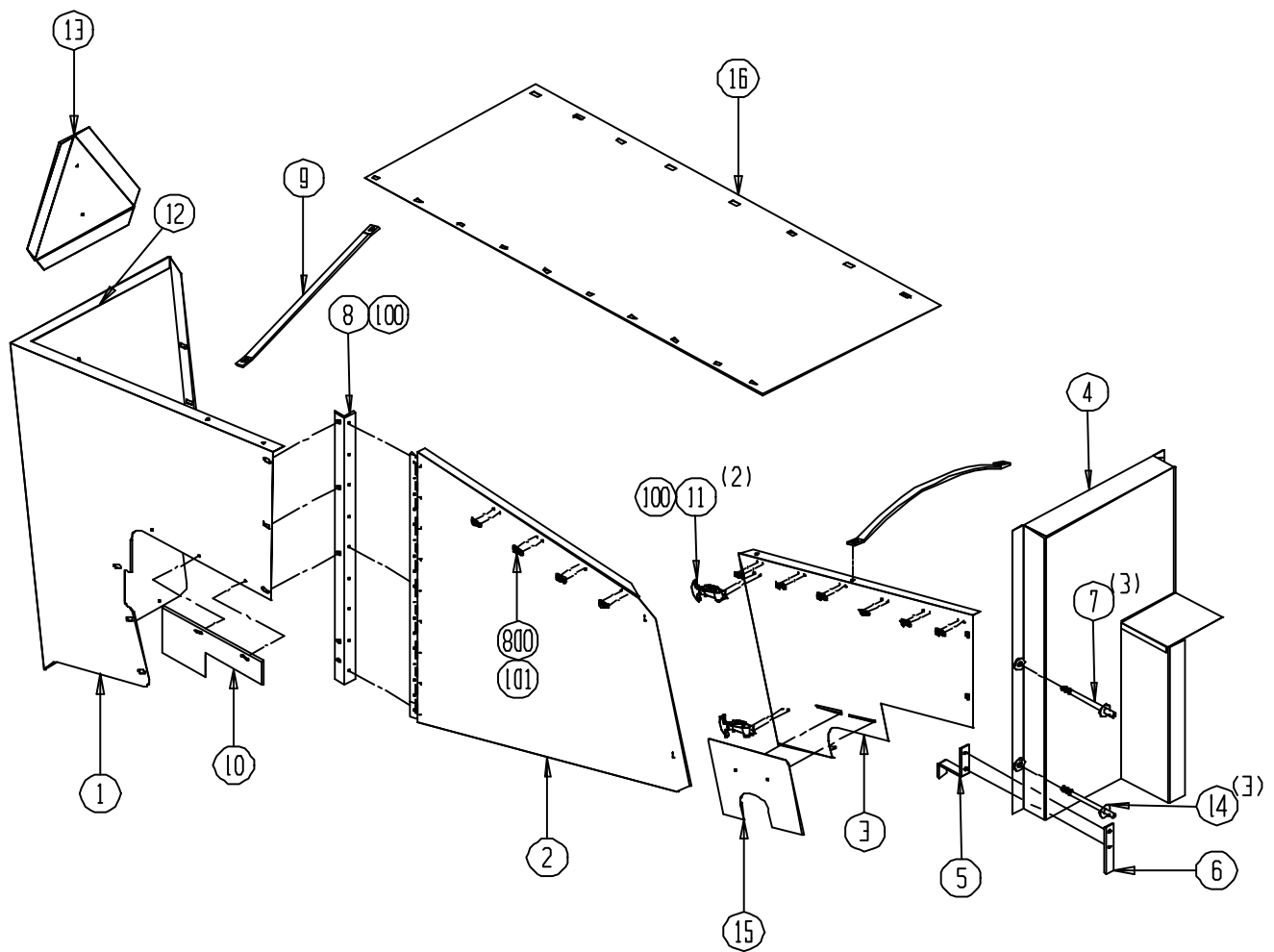
1004-3-7 SHAKER COVER ASSEMBLY



1004-3-8 Shaker Shield Assembly

<u>Ref</u>	<u>Part No.</u>	<u>Description</u>	<u>Parts – Assembly</u>	<u>Will Fit SN</u>	<u>Remarks</u>
1	SHD-1416	Shield, Rear Shaker	1		
2	SHD-1417	Shield, Middle Shaker, Separation Kit	1	<19601 & 19901-	
3	195-1140	Shaker Shield (Front)	1	19501-19524 & 19901-	
4	SHD-1142	Shield, Shaker, Front of Shaker Frame	1		
5	192-1142A	Bracket for Front Shaker Shield	1		
6	BAR-1142A	Bar, Shield, Shaker (Tomato)	1	19201-	
7	192-1142B	Holder Bolt	3	19201-	
8	POS-1416	Post, Angle, Shaker Shield, Door	1		
9	195-1140B	Brace for Shaker Shield	1		
10	PL-1420	Shield, Secondary Shaker Belt	1		
11	LA-1530	Medium Rubber T Latch Assembly	2		
12	DC-1178	Decal, Small Red PIK RITE 4.25" x 31"	1		
13	SMV-PL	SMV Sign, Metal	1		
14	HC-1130B	Hair Pin Clip	3		
15	SHD-1145	Shield, Shaker, Front	1		
16	TRP-1140	Shaker Shield Tarp	1		
17	BAR-1140	Bar, Tarp Brace, Above Primary Shaker	1		
100	RI-3-6-SS	SS Pop Rivets, 3/16 x .251-.375, Buttonhead	37		
101	RI-3-5-P	Pop Rivet 3/16 x 5/16 Domed, .375 head, ea	20		
800	TRP-CFM	Curtain Fastner With (2) 3/16" Holes	10		Used For Metal

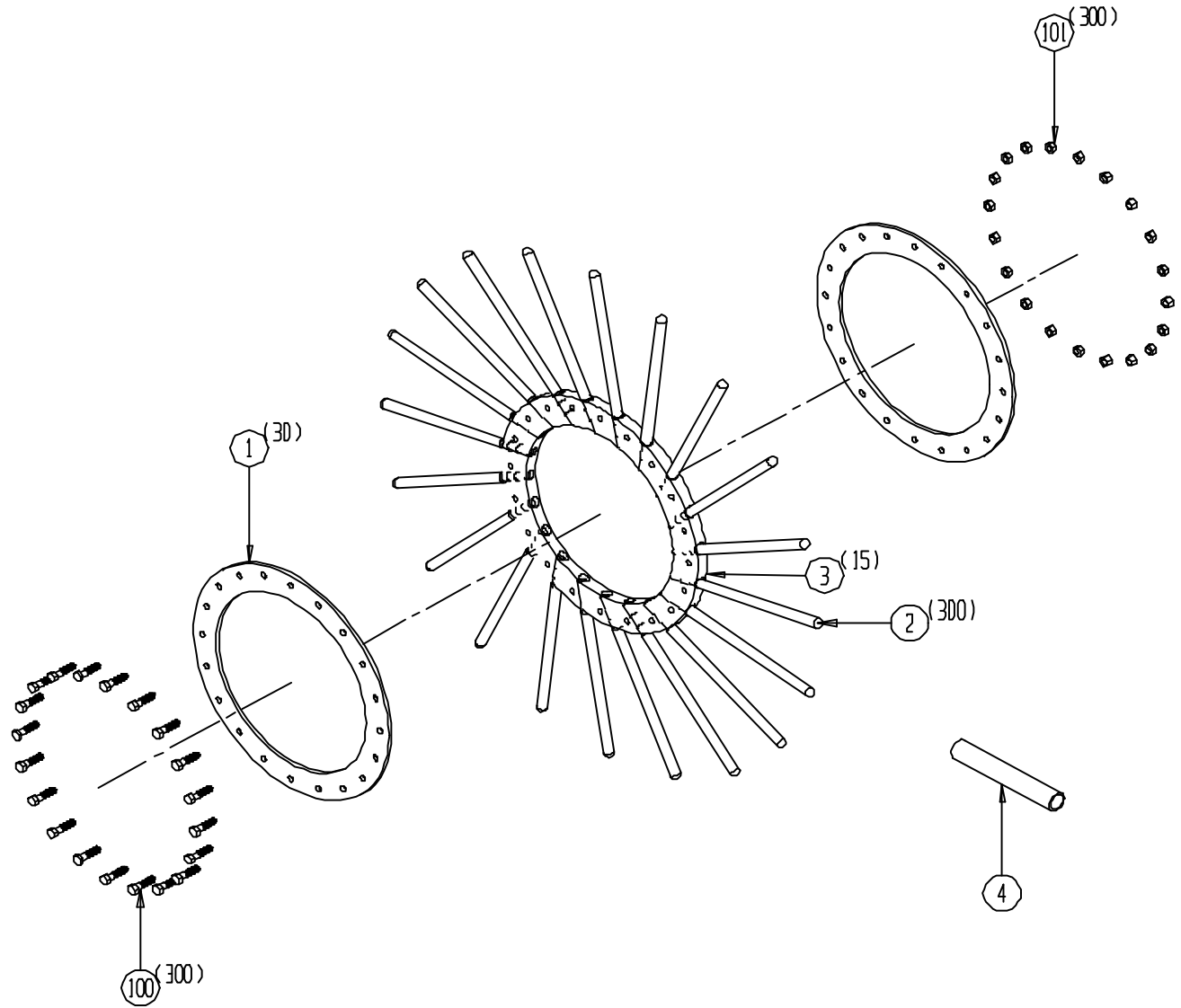
1004-3-8 SHAKER SHIELD ASSEMBLY



1004-3-9 Shaker Ring & Finger Assembly

<u>Ref</u>	<u>Part No.</u>	<u>Description</u>	<u>Parts – Assembly</u>	<u>Will Fit SN</u>	<u>Remarks</u>
1	191-432	Tine Holder Flanges	30	11001-30095001-	
2	ST-430-P	Shaker Tines , Molded Urethane	300		
3	192-431	Moulded Rubber Tine Holders	15	19101-30095001-	
4	BC-6000-8	Shaker Finger Protectors, 3/8" ID x 3/4" OD x 8"	0		
4	BC-6000-8-120	8" Shaker Protector Kit (Secondary)	0		Includes protectors for all the fingers on the secondary shaker
4	BC-6000-8-180	8" Shaker Protector Kit (Primary)	0		Includes protectors for all the fingers on the primary shaker
100	BL-6-150-H	3/8-16 X 1 1/2 HEX CAP G5 ZC	300		
101	BL-6-LN	3/8 UNC FIN HEX LOCK NUT NE A563 GrA ZINC	300		

1004-3-9 SHAKER RING & FINGER ASSEMBLY



1004-3-10 Optional Shaker Half-Ring & Finger Assembly

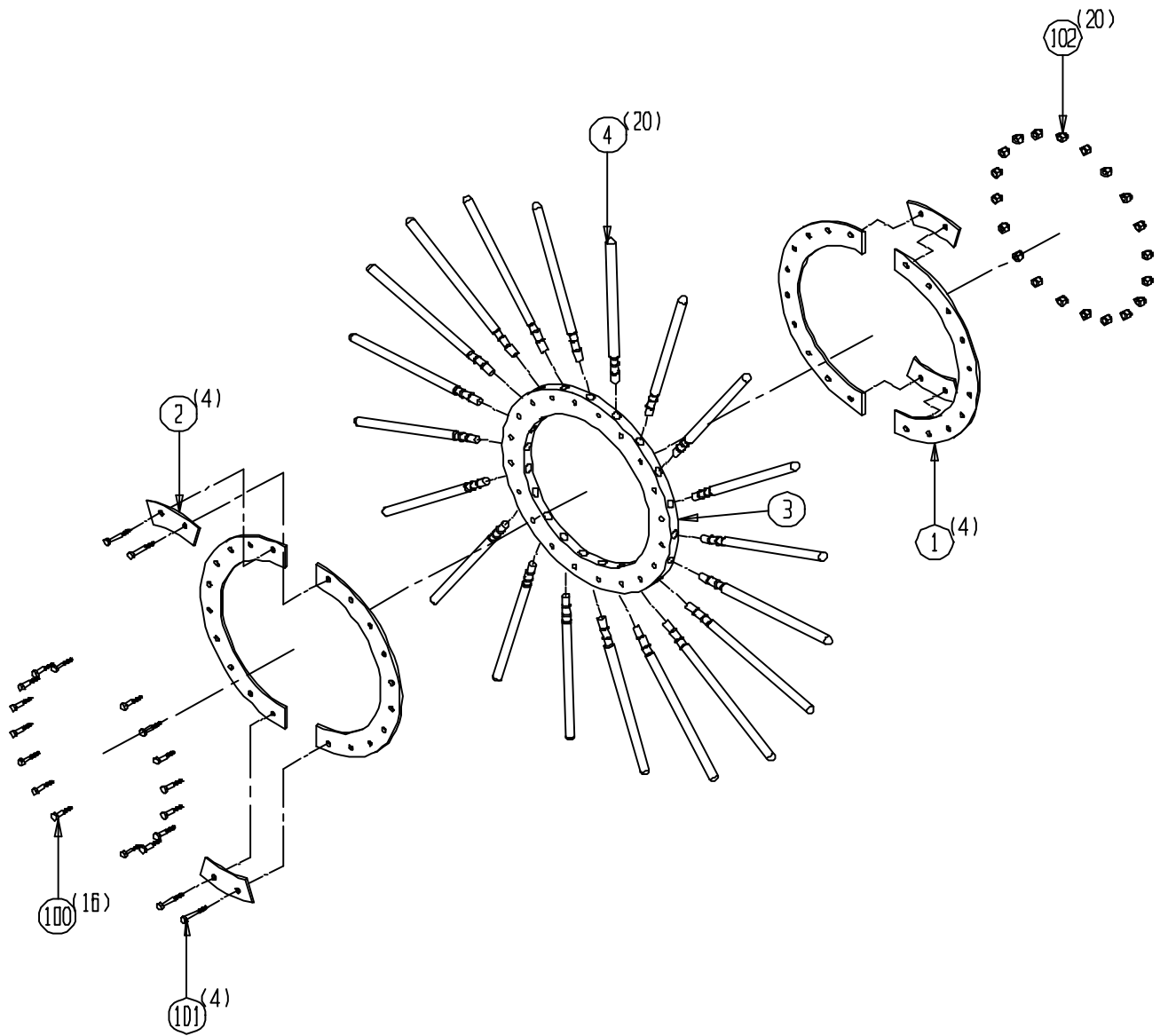
<u>Ref</u>	<u>Part No.</u>	<u>Description</u>	<u>Parts – Assembly</u>	<u>Will Fit SN</u>	<u>Remarks</u>
0	KIT-0091	Shaker Ring, Half-Flange Kit	0		

KIT-0091 Shaker Ring, Half-Flange Kit

<u>Ref</u>	<u>Part No.</u>	<u>Description</u>	<u>Parts – Assembly</u>	<u>Will Fit SN</u>	<u>Remarks</u>
1	191-432A	Half flanges	4		
2	191-432B	Connecting Bar, Shaker Ring Half-Flange	4		
3	192-431	Moulded Rubber Tine Holders	1	19101- 30095001-	
4	ST-430-P	Shaker Tines , Molded Urethane	20		
100	BL-6-150-H	3/8-16 X 1 1/2 HEX CAP G5 ZC	16		
101	BL-6-200-H	3/8-16 X 2 HEX CAP G5 ZC	4		
102	BL-6-LN	3/8 UNC FIN HEX LOCK NUT NE A563 GrA ZINC	20		

1004-3-10 OPTIONAL SHAKER HALF-RING & FINGER ASSEMBLY

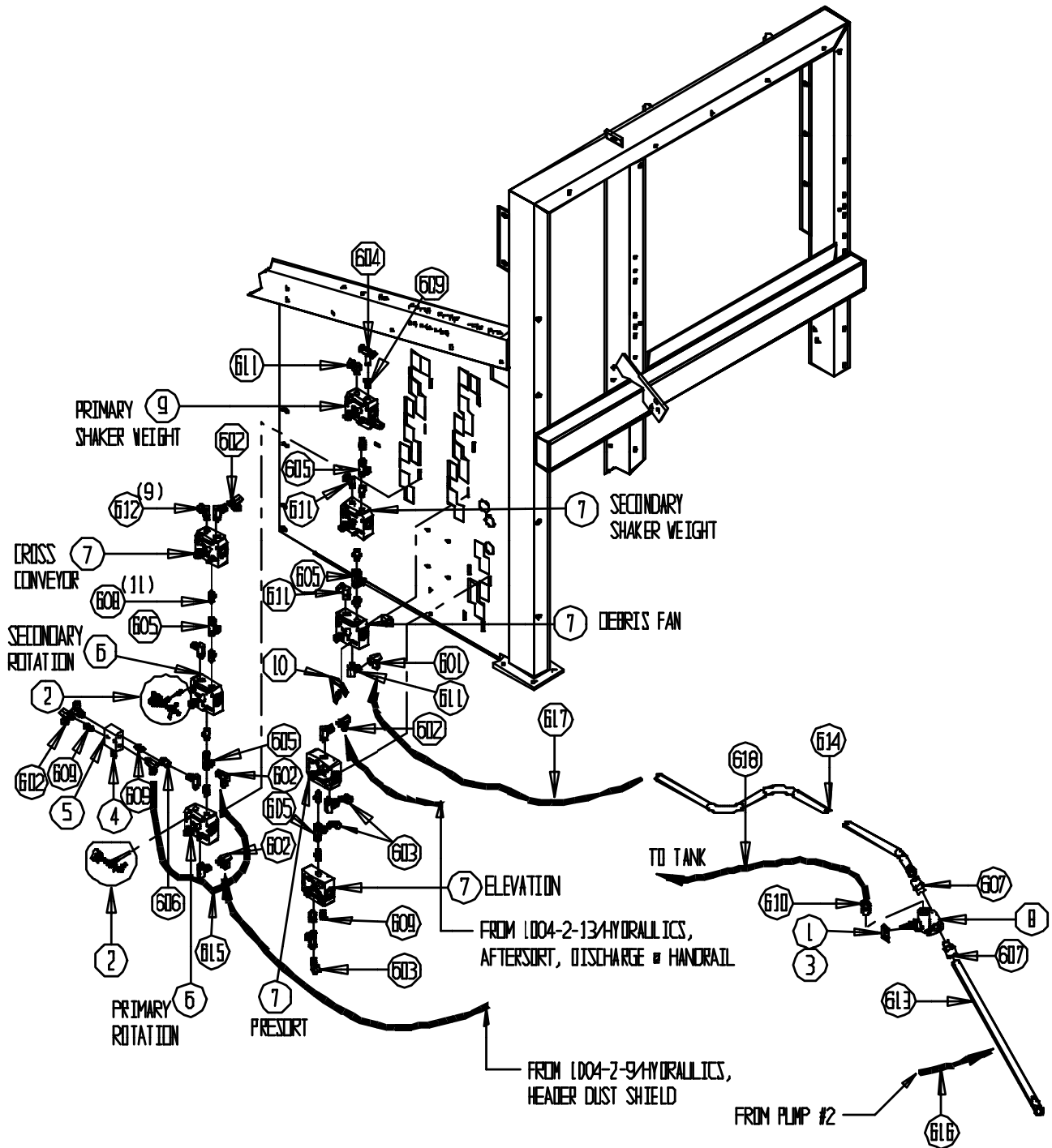
KIT-0091 SHAKER RING, HALF- FLANGE KIT



1004-3-11 Hydraulics, Shaker Angle Panel

<u>Ref</u>	<u>Part No.</u>	<u>Description</u>	<u>Parts – Assembly</u>	<u>Will Fit SN</u>	<u>Remarks</u>
1	BAR-2011	Bar, Security Copper Wire Seal	1	19601-	
2	HA-1090K	Fine Tune Speed Control Kit	2	Prince & Brand Flow Controls	All
3	HA-2011	Copper Wire Security Seals	1		
4	HV-1975	Cartridge Relief Valve	1		
5	HV-1975B	Body For HV-1975	1		
6	HV-FL16	Flow control valve 16GPM	2		
7	HV-FL30	Flow Control Valve 30GPM	5		
8	HV-RV-1H	Relief valve w/ SAE #12 ports	1		
9	HV-FL30-R	Hydraulic Flo Control Valve with Relief 30GPM	1		
10	STP-FL30	Stop, Flow Control	1	19101-	
601	A-1501-12-12	3/4MP x 3/4 FPX 90	1		
602	A-1501-8-8	1/2 MP x 1/2 FPX90	5		
603	A-1503-8-8	Elbow, 1/2" MP X 1/2" FPX45	3		
604	A-1601-8-8-8	1/2 MP x 1/2 FPX x 1/2 FPX Tee	1		
605	A-1603-8-8-8	Swivel T 1/2" NPTF	6	20095001-	
606	A-5404-8-8	Hex Nipple 1/2" x 1/2"	1		
607	A-6400-16-12	1" MJIC X 12 SAE	2		
608	A-6401-10-8	10 SAE x 1/2 MPT Male	11		
609	A-6900-10-8	10 SAE x 1/2 FPX	4	20095001-	
610	A-6900-12-12	12 SAE x 3/4"FPX	1		
611	A-6901-10-12	10 SAE x 3/4 FPX90	4	HV-1045K	
612	A-6901-10-8	10 SAE x 1/2 FPX90	9		
613	H-T20	Hyd Tube #2 Front 1" dia.	1	19401-	
614	H-T21	Hyd Tube #2 Main 1" dia	1	19401	
615	H10-20-8MP-8MP	5/8 in hose 1/2MP x 1/2MP x 20 long	1		
616	H12-39-12MP-16MJ	3/4 in hose 3/4MP-1MJIC x 39 in long	1		
617	H12-94-12MP-16MJ	3/4 in hose 3/4MP x 1MJIC x 94 in long	1		
618	H8-16-8MP-12MP	1/2 in hose 1/2MP x 3/4MP x 16 in long	1		

1004-3-11 HYDRAULICS, SHAKER ANGLE PANEL

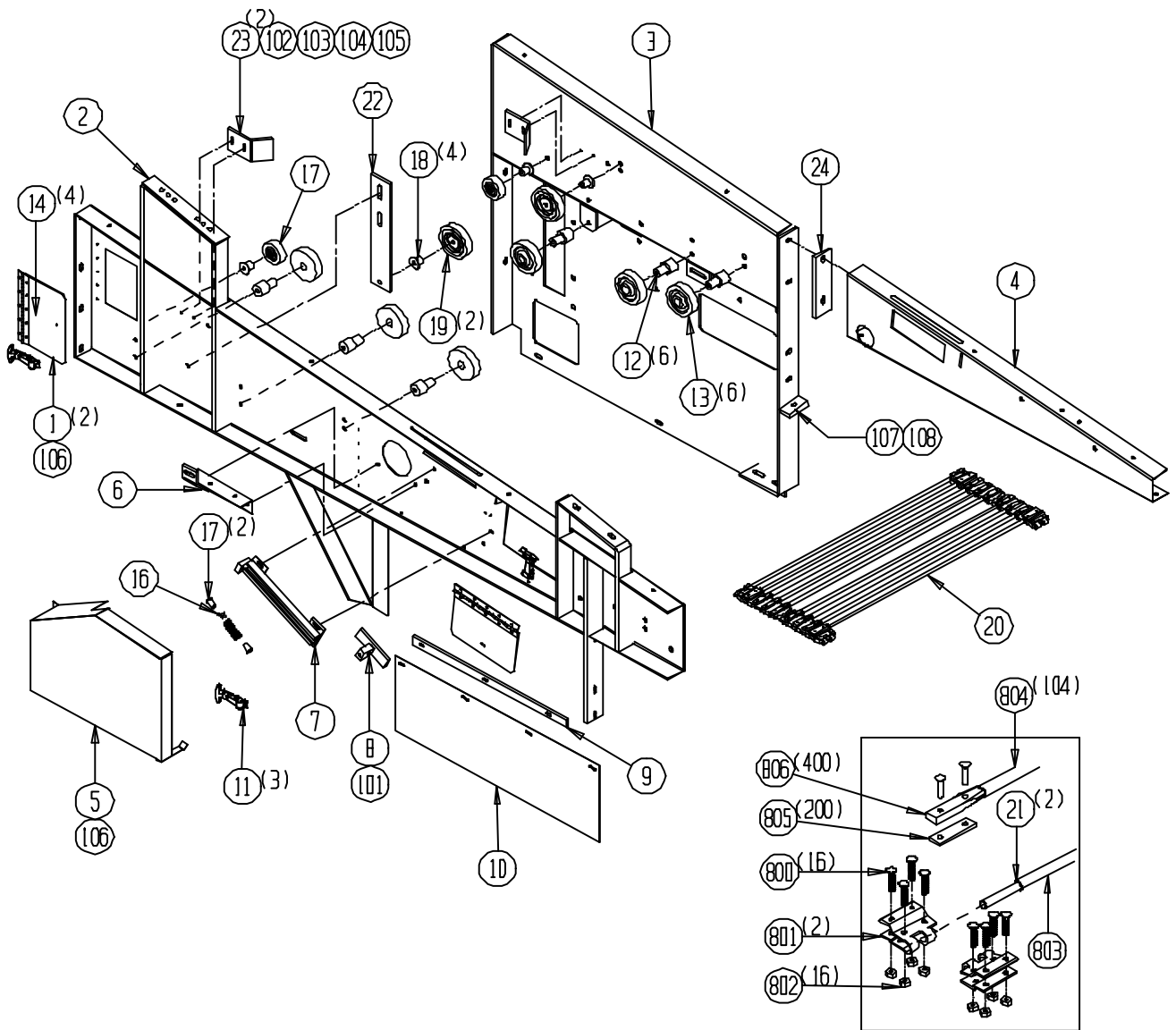


1004-4-1 Transfer Assembly

<u>Ref</u>	<u>Part No.</u>	<u>Description</u>	<u>Parts – Assembly</u>	<u>Will Fit SN</u>	<u>Remarks</u>
1	195-304D	Access Door w/Hinge	2		
2	192-304	Shaker chamber support panel left	1	19201-	Must use SUP-1304 with this part.
3	PAN-325	Panel, Inner Shaker, Side Support	1		
4	192-306	Shaker chamber support panel rear	1	19201-	Must use SUP-1306 with this part.
5	195-207	Transfer Roller Drive Shield	1		
6	195-208	Idler Bracket for Transfer Roller Drive	1		
7	195-206	Transfer Roller Drive Adjuster Bracket	1		
8	195-206A	Transfer Roller Drive Slider	1		
9	BAR-646	Bar, Belting, Cross Conv. Entr, Separation Kit	1		
10	191-646	Belting, Cross Conveyor	1	19101-	
11	LA-1530	Medium Rubber T Latch Assembly	3		
12	RLA-010-0108	Spindle / Standoff for Urethane Roller (heat treated)	6	19101-	
13	RLG-040-1016	4" Urethane Roller	6		
14	DC-1176	Decal, Danger-Hand Chain Sprockets	4		
15	SPG-9657C	Compression Spring for Transfer Roller Drive	1	195-208K	
16	BU-6389N	Nylon Bushing for Transfer Roller Drive	2	195-208K	
17	RLT-027-108	Roller 2.75" dia. 1/2" Bore	2		2755C1X (Old Number, Single Bearing)
18	RLA-000-118	Standoff, 1/2" X 1 1/8"	4		
19	RLR-040-108R	4" Flat Roller with Replaceable Bearings	2		
20	BC-7-3636-105	Transfer Chain, 7/16" Bars 36" Wide, 105 Links 36mm	1		
21	BC-3526	Split Retaining Ring (Cross Clip)	2		
22	BAR-1307	Bar, Hold Down, Transfer Roller	1		
23	SHD-1899	Shield, Push Offs, 1" Wide Rollers	2		
24	SPA-306	Spacer, Inner Rear Panel, Shaker	1		
25	DC-3025	Red and White Reflective Tape @ 150 ft Roll	0		
101	BL-8-1200-T	1/2-13 X 12" Hex head Tap Bolt Grade 5 Plated	1		
102	BL-4-075-C	1/4 UNC X 3/4 CARRIAGE BOLT GR5 ZINC	4		
103	BL-4-N	1/4-20 HEX FIN NUTS ZC	4		
104	BL-4-FW-8	1/4" Flat Washer Grade 8	4		
105	BL-4-LW	1/4 SPLIT LW ZC	4		
106	RI-3-6-SS	SS Pop Rivets, 3/16 x .251-.375, Buttonhead	22		

107	BL-10-200-H	5/8-11 X 2 HEX CAP G5 ZC	1		
108	BL-10-N	5/8-11 HEX FIN NUTS ZC	1		
800	BC-1032-FS	10-32 x 1 1/4" bolts Flat Socket Head	16		
801	BC-F-36-32	F Connecting Clips 36-32 @ pair	2	11001	
802	BC-1032-LN	10-32 lock nuts	16		
803	BC-7-36-CN	Connecting Rod, 11mm, 36" Wide Belted Chain, 60mm Traction Belts	1	11001	For Clip Splice Option
804	BC-7-36-ST	7/16" x 36" Belted Chain Rod for 60mm Belt	104		
805	BC-BP32	Belt, Rivet backing plates 32mm	200	11001	Lap Splice Option, Used only with BC-1032-LN Lock Nuts
806	RI-25-BC	25mm Belted Chain Rivets	400		

1004-4-1 TRANSFER ASSEMBLY

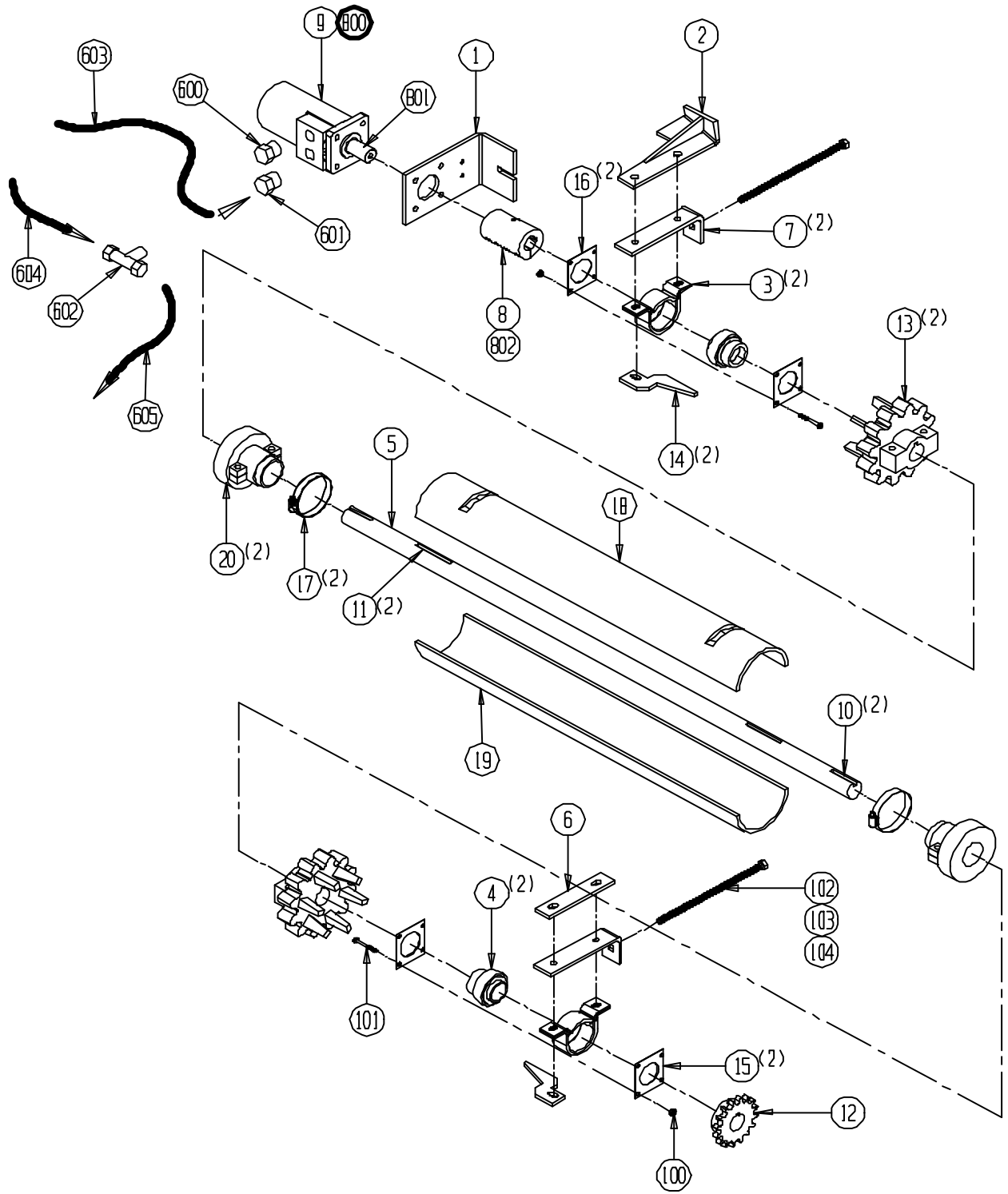


1004-4-2 Transfer Drive Shaft Assembly

<u>Ref</u>	<u>Part No.</u>	<u>Description</u>	<u>Parts – Assembly</u>	<u>Will Fit SN</u>	<u>Remarks</u>
1	193-806	Mount motor	1		
2	195-213	Stop, Transfer Motor Drive	1	19501- 194-806K	
3	BR-062-MPB	Stamped Bearing Housing for 1 1/4" bearing	2		
4	BR-125-062	Bearing, 1 1/4 Fafnir tri-seal, 62mm OD	2		
5	195-202	Shaft for kit 44 1/2"long keyed both ends	1	19501- 195-208K	
6	192-805	Bracket, Outer Transfer Drive	1	19201-	
7	192-1528	Bearing Adjuster	2	19201-	
8	CPS-6060	Steel Coupler (offcenter) 1 1/4" x 1"	1		
9	HM-210-CH	Char-Lynn Hydraulic Motor	1		
10	KEY-4-4-20	Shaft Key 1/4" x 1 1/4"	2		
11	KEY-4-4-44	Shaft Key 1/4" x 2 3/4"	2		
12	SP-50B16-20-4	Sprocket, #50, 16 tooth, 1.25" bore	1		
13	SPU-3612-20-4	Urethane Sprocket 36-12 1 1/4 bore 1/4" key	2		Sub SP-3612-20-4
14	SCR-100	Scraper, Sprocket, Inner	2		
15	SC-20-6	Bearing Protector, 1 1/4", Inner Side	2		
16	SC-20-7	Bearing Protector, 1 1/4", Outer, Lock Collar Side	2		
17	CL-72	5" Gear Clamp	2		
18	PL-1413	Plastic, Shield, Anti-Wrap, Shaft Drive	1		
19	PL-1414	Drive Shaft, Plastic, 28.25"	1	KIT-0075	
20	PL-1421	Urethane Hub for Shaft Cover 1 1/4" Bore	2		Replaces PL-1415
100	BC-1032-LN	10-32 lock nuts	8		
101	BL-1032-175P	10/32 x 1 3/4" Pan Head, Phillips Machine Screw	8		
102	BL-6-900-T	3/8-16 X 9 HEX TAP G5 ZC	2		
103	BL-6-N	3/8-16 HEX NUTS ZC	6		
104	BL-6-FW-8	3/8 FLAT WASHER G8 ZC	4		
600	A-6901-10-8	10 SAE x 1/2 FPX90	1		
601	A-6401-10-8	10 SAE x 1/2 MPT Male	1		
602	A-1603-8-8-8	Swivel T 1/2" NPTF	1	20095001-	
603	H10-96-8MP-8MP	5/8 in hose 1/2 x 1/2 x 96 in long	1		
604	H10-48-8MP-8MP	5/8 in hose 1/2MP x 1/2MP x 48 in long	1		
605	H10-56-8MP-8MP	5/8 in hose 1/2MP x 1/2MP x 56 in long	1		
800	HM-200S	Seal Kit For Char Lyn Motor	1	H Series - 008 A	

801	KEY-4-4-15	Shaft Key 1/4" X 1/4" X 15/16" Woodruff Key	1	
802	BL-5-100-SF	5/16-24 x 1 Socket Head Cap Screw	4	CPS-6057

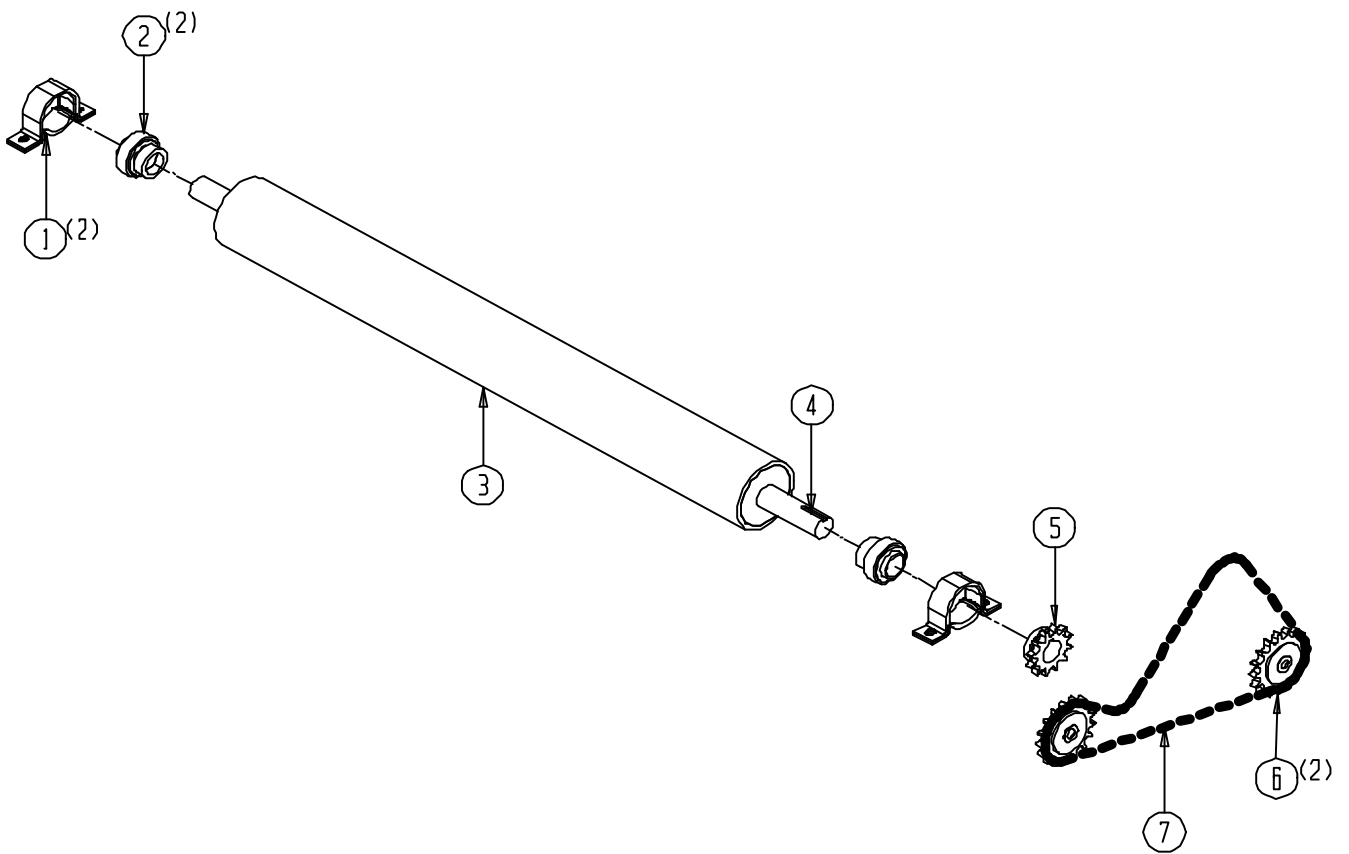
1004-4-2 TRANSFER DRIVE SHAFT ASSEMBLY



1004-4-3 Transfer Return Roller Assembly

<u>Ref</u>	<u>Part No.</u>	<u>Description</u>	<u>Parts – Assembly</u>	<u>Will Fit SN</u>	<u>Remarks</u>
1	BR-062-MPB	Stamped Bearing Housing for 1 1/4" bearing	2		
2	BR-125-062	Bearing, 1 1/4 Fafnir tri-seal, 62mm OD	2		
3	194-209	Transfer - Header Roller	1	19401-	
4	KEY-4-4-20	Shaft Key 1/4" x 1 1/4"	1		
5	SP-50B12-20-4	Sprocket, #50, 12 tooth, 1.25" bore	1	19201-	
6	SP-5017-T	Idler, 17 tooth x #50 Chain	2		
7	CH-50-73	Roller Chain 73 pitches #50, w/master link	1	19401- 195-208K	

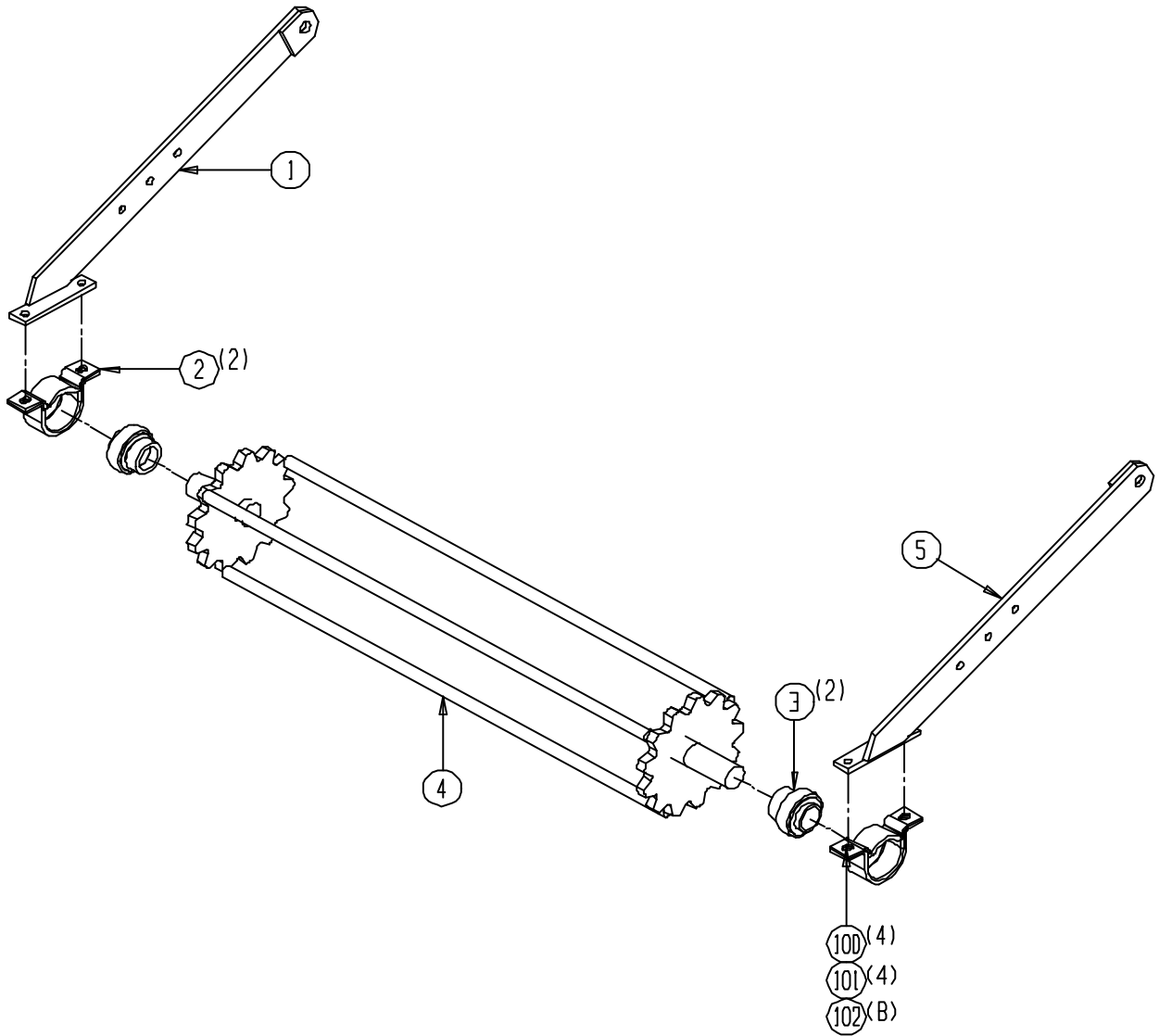
1004-4-3 TRANSFER RETURN ROLLER ASSEMBLY



1004-4-4 Transfer Chain Cleaner Assembly

<u>Ref</u>	<u>Part No.</u>	<u>Description</u>	<u>Parts – Assembly</u>	<u>Will Fit SN</u>	<u>Remarks</u>
1	192-362B	Chain cleaner bar (Right)	1	19101	
2	BR-062-MPB	Stamped Bearing Housing for 1 1/4" bearing	2		
3	BR-125-062	Bearing, 1 1/4 Fafnir tri-seal, 62mm OD	2		
4	194-361	Belted chain bar cleaner, for 36mm pitch x 36in wide chain	1	19401-	Replaces 192-361
5	192-362A	Chain cleaner bar (Left)	1	19101-	
100	BL-6-125-H	3/8-16 X 1 1/4 HHCS G5 ZC	4		
101	BL-6-LN	3/8 UNC FIN HEX LOCK NUT NE A563 GrA ZINC	4		
102	BL-6-SW	3/8 SAE FW ZC	8		
103	BL-10-075-SH	5/8 X 3/4 SHOULDER BOLTS	2	11001-	
104	BL-8-FW-8	1/2 FLAT WASHER G8 ZC	2		
105	BL-8-LN	1/2-13 HEX LOCK NUT NYLON INSERT ZC	2		

1004-4-4 TRANSFER CHAIN CLEANER ASSEMBLY



1004-4-5 Optional Transfer Dirt Vibrator Assembly

<u>Ref</u>	<u>Part No.</u>	<u>Description</u>	<u>Parts – Assembly</u>	<u>Will Fit SN</u>	<u>Remarks</u>
0	KIT-0112	Power Vibrator, Transfer w/brackets	0	19501-	send hyd. schematic drawing along 1003-11-1
800	HM-200S	Seal Kit For Char Lyn Motor	1	H Series - 008 A Series -002	
801	KEY-4-4-15	Shaft Key 1/4" X 1/4" X 15/16" Woodruff Key	1		
802	BL-5-100-SF	5/16-24 x 1 Socket Head Cap Screw	1	CPS-6057	

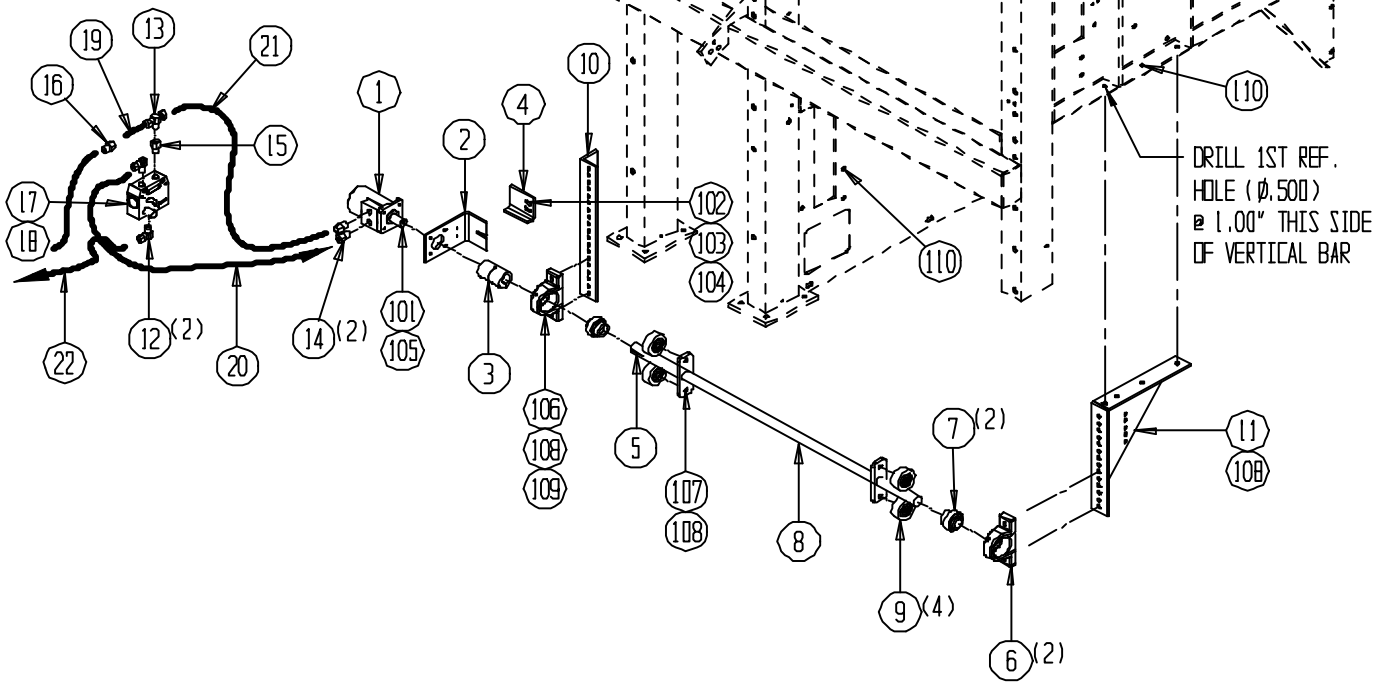
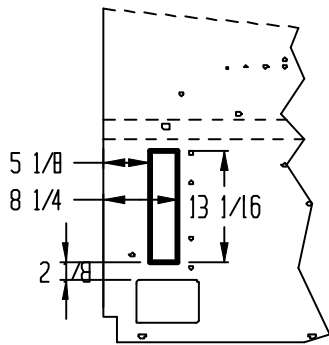
KIT-0112 Power Vibrator, Transfer (19500-) w/Brackets, Tomato

<u>Ref</u>	<u>Part No.</u>	<u>Description</u>	<u>Parts – Assembly</u>	<u>Will Fit SN</u>	<u>Remarks</u>
1	HM-212-CH	Char-Lynn Hydraulic Motor	1		Maximum continous flow 15 GPM
2	193-806	Mount motor	1		
3	CPS-6060	Steel Coupler (offcenter) 1 1/4" x 1"	1		
4	193-806A	Motor mount stop	1		
5	KEY-4-4-20	Shaft Key 1/4" x 1 1/4"	1		
6	BR-072-RAK	Bearing Housing	2		
7	BR-125-072	Bearing, 1 1/4 Fafnir tri-seal, 72mm OD	2		
8	SFT-1360	Shaft, Dirt Vibrator, Transfer Belt	1		
9	RLT-027-108	Roller 2.75" dia. 1/2" Bore	4		2755C1X (Old Number, Single Bearing)
10	BRA-1360	Bracket, Vibrator, Transfer Chain	1		
11	BRA-1362	Bracket, Vibrator Transfer Return	1		
12	A-6901-10-12	10 SAE x 3/4 FPX90	2	HV-1045K	
13	A-1601-8-8-8	1/2 MP x 1/2 FPX x 1/2 FPX Tee	1		
14	A-6900-10-12	10 SAE x 3/4 FPX	2		
15	A-6900-10-8	10 SAE x 1/2 FPX	1	20095001-	
16	A-1405-8-8	1/2" NPT Coupler W/Swivel	1		
17	HV-FL30	Flow Control Valve 30GPM	1		
18	STP-FL30	Stop, Flow Control	1	19101-	
19	H12-27-8MP-8MP	3/4 in hose 1/2MP x 1/2MP x 27 in long	1		
20	H12-27.5-12MP-12MP	3/4 in hose 3/4MP x 3/4MP x 27.5 in long	1	HV-1045K	
21	H12-30-12MP-8MP	3/4 in hose 3/4MP x 1/2MP x 30 in long	1		

22	H12-50-12MP-8MP	3/4 in hose 3/4MP x 1/2MP x 50 in long	1
101	BL-6-100-H	3/8 UNC X 1 HH C/S BOLT GR5 ZINC	4
102	BL-6-125-H	3/8-16 X 1 1/4 HHCS G5 ZC	2
103	BL-6-LN	3/8 UNC FIN HEX LOCK NUT NE A563 GrA ZINC	2
104	BL-6-FW-8	3/8 FLAT WASHER G8 ZC	4
105	BL-6-LW	3/8 SPLIT LW ZC	4
106	BL-8-200-H	1/2-13 X 2 HEX CAP G5 ZC	4
107	BL-8-275-H	1/2 UNC X 2 3/4 HH C/S BOLT GR5 ZINC	4
108	BL-8-LN	1/2-13 HEX LOCK NUT NYLON INSERT ZC	14
109	BL-8-SW	1/2 SAE FW ZC	20
110	BL-8-125-H	1/2-13 X 1 1/4 HEX CAP G5 ZC	6
111	BL-4-225-H	1/4 UNC X 2 1/4 HH C/S BOLT GR5 ZINC	2
112	BL-4-FW-8	1/4" Flat Washer Grade 8	2
113	BL-4-LN	1/4-20 HEX LN NE ZC	2

1004-4-5 OPTIONAL TRANSFER DIRT VIBRATOR ASSEMBLY

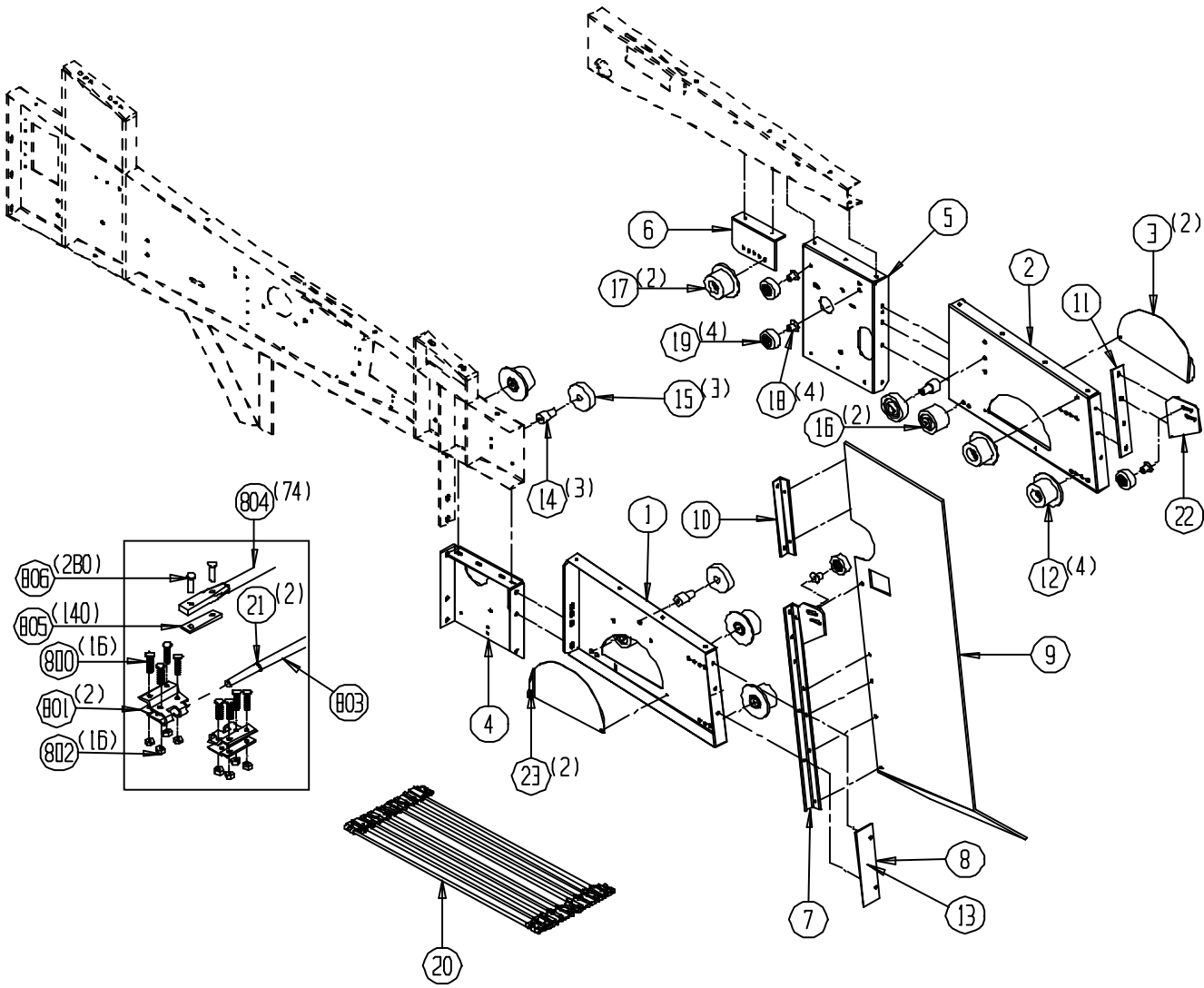
KIT-0112 POWERED VIBRATOR TRANSFER CHAIN (TOMATO)



1004-4-6 Rear Transfer Assembly

<u>Ref</u>	<u>Part No.</u>	<u>Description</u>	<u>Parts – Assembly</u>	<u>Will Fit SN</u>	<u>Remarks</u>
1	PAN-315	Panel, Roller, Outer	1	KIT-0080	
2	PAN-316	Panel, Roller, Inner	1	KIT-0080	
3	PAN-920C	Panel, Access [Red]	2	19301-	
4	SUP-1304	Support Panel, Rear, Outer, Lower Shaker	1		
5	SUP-1306	Support Panel, Rear, Inner, Lower Shaker	1		
6	BRA-306	Bracket, Roller, Inner Side, Rear Trans.	1	kit-0080	
7	BAR-306	Bar, Angle, Stiffner, Lower Vine Deflector Holder	1		
8	BAR-310	Bar, Reflective Tape Mounting	1		
9	PL-306	Plastic, Vine Deflector, Outer	1		
10	BAR-308	Bar, Stiffner, Inner Rear Shaker Panels	1		
11	BAR-307	Bar, Angle, Stiffner, Upper Vine Deflector Holder	1		
12	RLT-635-228	6 1/2" Flange Roller 2.2 WF 3.5 dia, 1/2" bore	4		
13	DC-3025	Red and White Reflective Tape @ 150 ft Roll	0.08		
14	RLA-010-0108	Spindle / Standoff for Urethane Roller (heat treated)	3	19101-	
15	RLG-040-1016	4" Urethane Roller	3		
16	RLT-035-228	Roller 3.5 dia x 2.2 x 1/2" bore, no flange	2		
17	RLT-535-228	5" Flange Roller 2.2WF x 3 1/2" dia, 1/2" bore	2		
18	RLA-000-118	Standoff, 1/2" X 1 1/8"	4		
19	RLT-027-108	Roller 2.75" dia. 1/2" Bore	4		2755C1X (Old Number, Single Bearing)
20	BC-7-3636-75	Rear Transfer, Belted Chain for Tomato	1		
21	BC-3525	Snap Ring, 11mm.	2		
22	MOU-306	Mount, Roller Holder, Inner, Vine Chain, Tom	1		
23	DC-1176	Decal, Danger-Hand Chain Sprockets	2		
800	BC-1032-FS	10-32 x 1 1/4" bolts Flat Socket Head	16		
801	BC-F-36-32	F Connecting Clips 36-32 @ pair	2	11001	
802	BC-1032-LN	10-32 lock nuts	16		
803	BC-7-36-CN	Connecting Rod, 11mm, 36" Wide Belted Chain, 60mm Traction Belts	1	11001	For Clip Splice Option
804	BC-7-36-ST	7/16" x 36" Belted Chain Rod for 60mm Belt	74		
805	BC-BP32	Belt, Rivet backing plates 32mm	140	11001	Lap Splice Option, Used only with BC-1032-LN Lock Nuts
806	RI-25-BC	25mm Belted Chain Rivets	280		

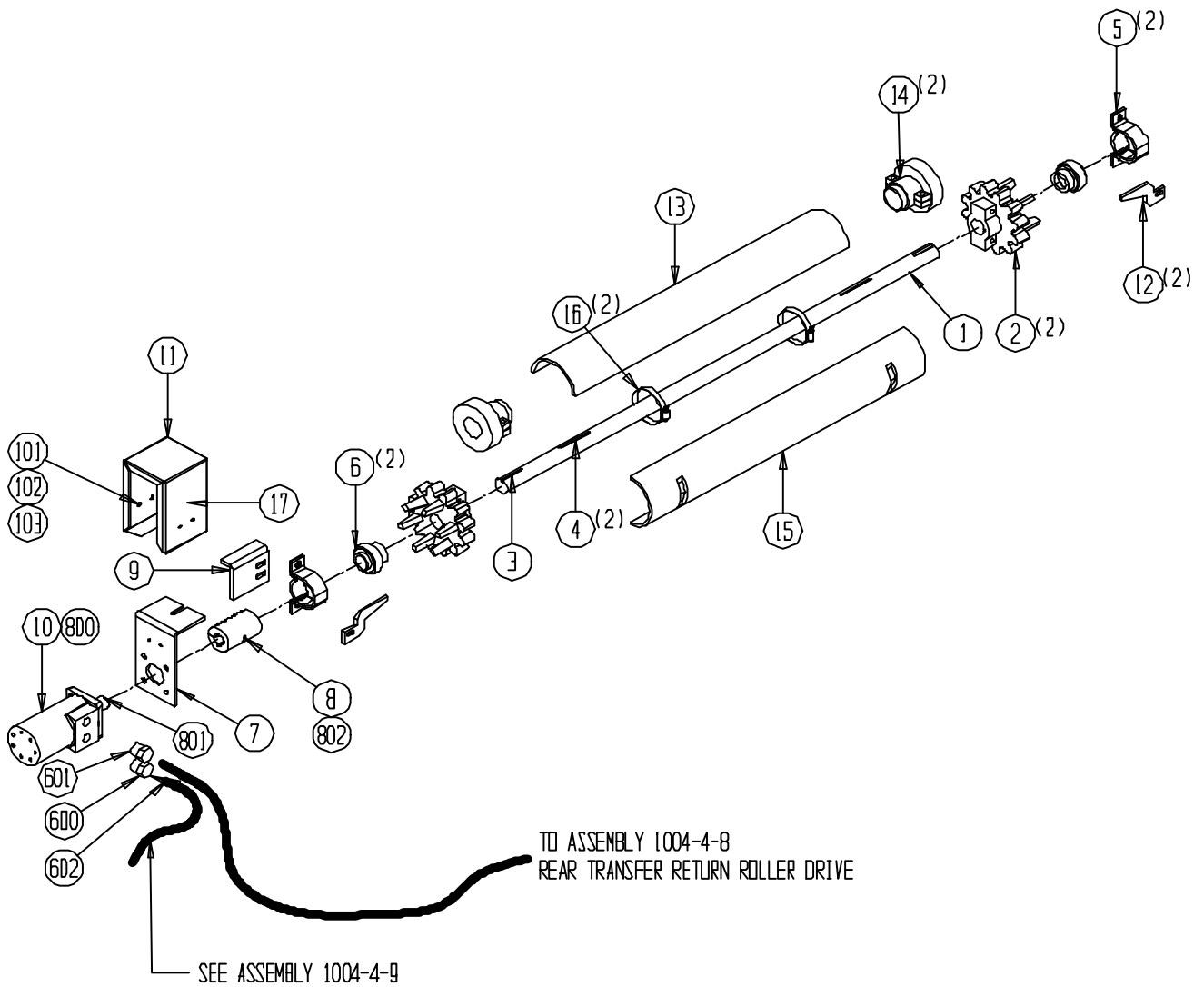
1004-4-6 REAR TRANSFER ASSEMBLY



1004-4-7 Rear Transfer Drive Shaft Assembly

<u>Ref</u>	<u>Part No.</u>	<u>Description</u>	<u>Parts – Assembly</u>	<u>Will Fit SN</u>	<u>Remarks</u>
1	195-202	Shaft for kit 44 1/2"long keyed both ends	1	19501- 195-208K	
2	SPU-3612-20-4	Urethane Sprocket 36-12 1 1/4 bore 1/4" key	2		Sub SP-3612-20-4
3	KEY-4-4-20	Shaft Key 1/4" x 1 1/4"	1		
4	KEY-4-4-32	Shaft Key 1/4" x 2" Square Cut (1018)	2		
5	BR-062-MPB	Stamped Bearing Housing for 1 1/4" bearing	2		
6	BR-125-062	Bearing, 1 1/4 Fafnir tri-seal, 62mm OD	2		
7	193-806	Mount motor	1		
8	CPS-6060	Steel Coupler (offcenter) 1 1/4" x 1"	1		
9	193-806A	Motor mount stop	1		
10	HM-210-CH	Char-Lynn Hydraulic Motor	1		
11	193-806C	Motor Guard	1	19301-	
12	SCR-100	Scraper, Sprocket, Inner	2		
13	PL-1414	Drive Shaft, Plastic, 28.25"	1	KIT-0075	
14	PL-1421	Urethane Hub for Shaft Cover 1 1/4" Bore	2		Replaces PL-1415
15	PL-1413	Plastic, Shield, Anti-Wrap, Shaft Drive	1		
16	CL-72	5" Gear Clamp	2		
17	DC-1176	Decal, Danger-Hand Chain Sprockets	1		
101	BL-4-500-H	1/4-20 X 5 HEX CAP G5 ZC	1		
102	BL-4-FW	1/4 USS FW ZC	2		
103	BL-4-WN	1/4-20 FORGED W/NUTS ZC	1		
600	A-6902-10-8	10 SAE X 1/2" FPX 45	1	20095001-	
601	A-6900-10-8	10 SAE x 1/2 FPX	1	20095001-	
602	H10-30-8MP-8MP	5/8 in hose 1/2MP x 1/2MP x 30 in long	1		
800	HM-200S	Seal Kit For Char Lyn Motor	1	H Series - 008 A Series -002	
801	KEY-4-4-15	Shaft Key 1/4" X 1/4" X 15/16" Woodruff Key	1		
802	BL-5-100-SF	5/16-24 x 1 Socket Head Cap Screw	4	CPS-6057	

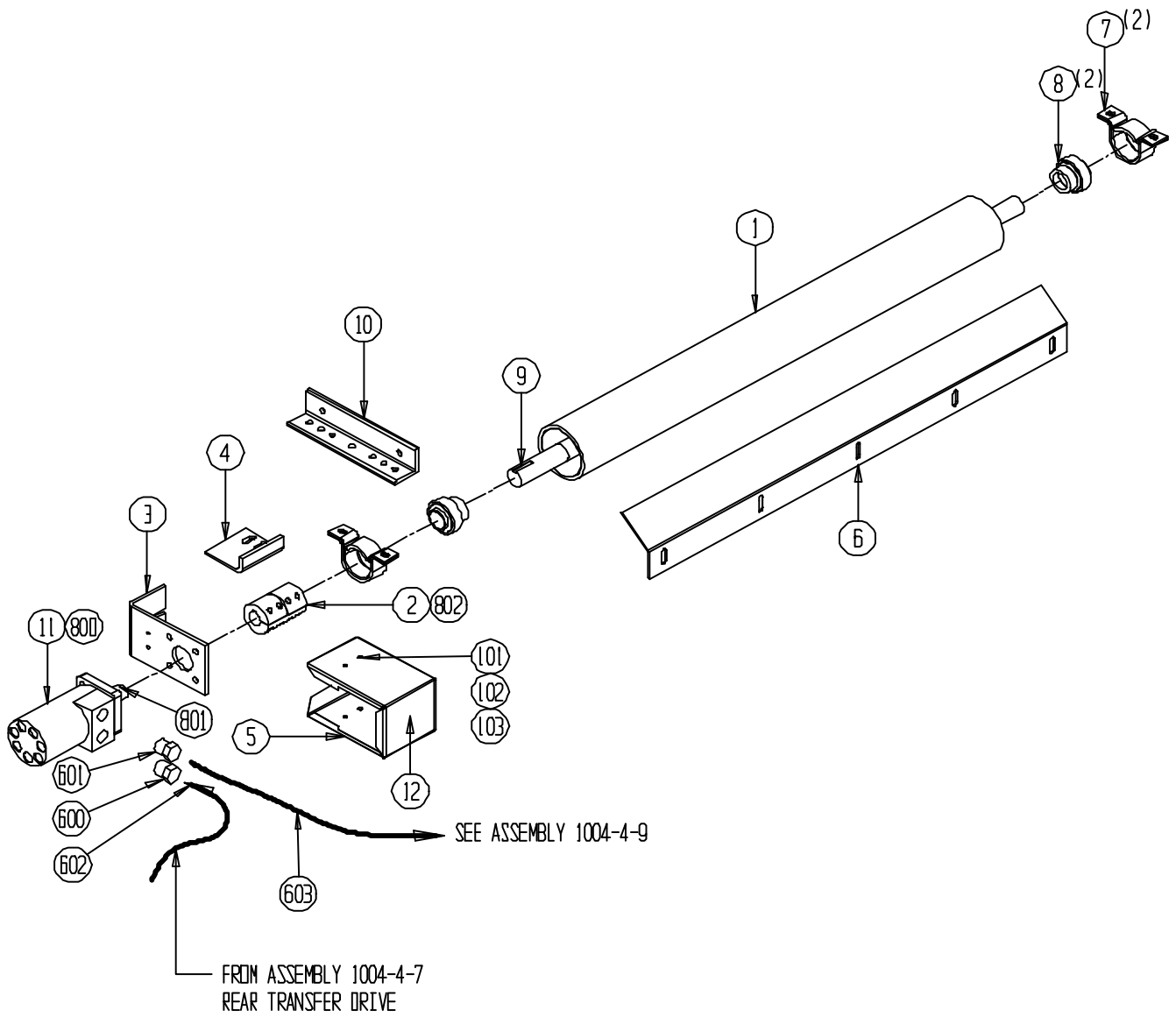
1004-4-7 REAR TRANSFER DRIVE SHAFT ASSEMBLY



1004-4-8 Rear Transfer Return Roller Assembly

<u>Ref</u>	<u>Part No.</u>	<u>Description</u>	<u>Parts – Assembly</u>	<u>Will Fit SN</u>	<u>Remarks</u>
1	194-209	Transfer - Header Roller	1	19401-	
2	CPS-6060	Steel Coupler (offcenter) 1 1/4" x 1"	1		
3	193-806	Mount motor	1		
4	193-806A	Motor mount stop	1		
5	193-806C	Motor Guard	1	19301-	
6	SCR-616	Scraper, Rear Transfer, Return Roller	1	KIT-0080	
7	BR-062-MPB	Stamped Bearing Housing for 1 1/4" bearing	2		
8	BR-125-062	Bearing, 1 1/4 Fafnir tri-seal, 62mm OD	2		
9	KEY-4-4-20	Shaft Key 1/4" x 1 1/4"	1		
10	BRA-1422	Bracket, Roller	1	KIT-0080	
11	HM-204-CH	Char-Lyn Hydraulic Motor	1		
12	DC-1176	Decal, Danger-Hand Chain Sprockets	1		
101	BL-4-500-H	1/4-20 X 5 HEX CAP G5 ZC	1		
102	BL-4-FW	1/4 USS FW ZC	2		
103	BL-4-WN	1/4-20 FORGED W/NUTS ZC	1		
600	A-6900-10-8	10 SAE x 1/2 FPX	1	20095001-	
601	A-6902-10-8	10 SAE X 1/2" FPX 45	1	20095001-	
602	H10-30-8MP-8MP	5/8 in hose 1/2MP x 1/2MP x 30 in long	1		
603	H10-34-8MP-8MP	5/8 in hose 1/2MP x 1/2MP x 34 in long	1		
800	HM-200S	Seal Kit For Char Lyn Motor	1	H Series - 008 A Series -002	
801	KEY-4-4-15	Shaft Key 1/4" X 1/4" X 15/16" Woodruff Key	1		
802	BL-5-100-SF	5/16-24 x 1 Socket Head Cap Screw	4	CPS-6057	

1004-4-8 REAR TRANSFER RETURN ROLLER ASSEMBLY



1004-4-9 Vine Chain & Drive Assembly

<u>Ref</u>	<u>Part No.</u>	<u>Description</u>	<u>Parts – Assembly</u>	<u>Will Fit SN</u>	<u>Remarks</u>
1	195-202	Shaft for kit 44 1/2" long keyed both ends	1	19501- 195-208K	
2	SP-3618-20-4-RG	3618 Hardened Steel Sprocket w/ Ring	2		
3	KEY-4-4-20	Shaft Key 1/4" x 1 1/4"	1		
4	KEY-4-4-32	Shaft Key 1/4" x 2" Square Cut (1018)	2		
5	BR-062-MPB	Stamped Bearing Housing for 1 1/4" bearing	2		
6	BR-125-062	Bearing, 1 1/4 Fafnir tri-seal, 62mm OD	2		
7	193-806	Mount motor	1		
8	CPS-6060	Steel Coupler (offcenter) 1 1/4" x 1"	1		
9	193-806A	Motor mount stop	1		
10	HM-103-CH	Char-Lynn Motor	1		
11	PL-1414	Drive Shaft, Plastic, 28.25"	2	KIT-0075	
12	CL-72	5" Gear Clamp	2		
13	BAR-806	Bar, Mount Stop, Backing Plate	1		
14	BC-7-36144-61	Vine Chain	1	190	
15	BC-3525	Snap Ring, 11mm.	4		
16	HV-FL30	Flow Control Valve 30GPM	2		
600	H10-15-8MP-8MP	5/8 in hose 1/2MP x 1/2MP x 15" long	1		
601	H10-17-8MP-8MP	5/8 in hose 1/2MP x 1/2MP x 17" long	1		
602	A-6902-10-8	10 SAE X 1/2" FPX 45	2	20095001-	
603	A-6401-10-8	10 SAE x 1/2 MPT Male	3		
604	A-6901-10-8	10 SAE x 1/2 FPX90	3		
605	A-1603-8-8-8	Swivel T 1/2" NPTF	2	20095001-	
800	HM-103-SK	Seal Kit for Char-Lynn Motor	1	S Series - 010	
801	KEY-4-4-15	Shaft Key 1/4" X 1/4" X 15/16" Woodruff Key	1		
802	BC-1032-FS	10-32 x 1 1/4" bolts Flat Socket Head	16		
803	BC-F-36-32	F Connecting Clips 36-32 @ pair	2	11001	
804	BC-1032-LN	10-32 lock nuts	16		
805	BC-7-36-CN	Connecting Rod, 11mm, 36" Wide Belted Chain, 60mm Traction Belts	2	11001	For Clip Splice Option
806	BC-7-36-ST	7/16" x 36" Belted Chain Rod for 60mm Belt	61		
807	RI-25-BC	25mm Belted Chain Rivets	244		
808	BC-BP32	Belt, Rivet backing plates 32mm	122	11001	Lap Splice Option, Used only with BC-1032-LN Lock Nuts

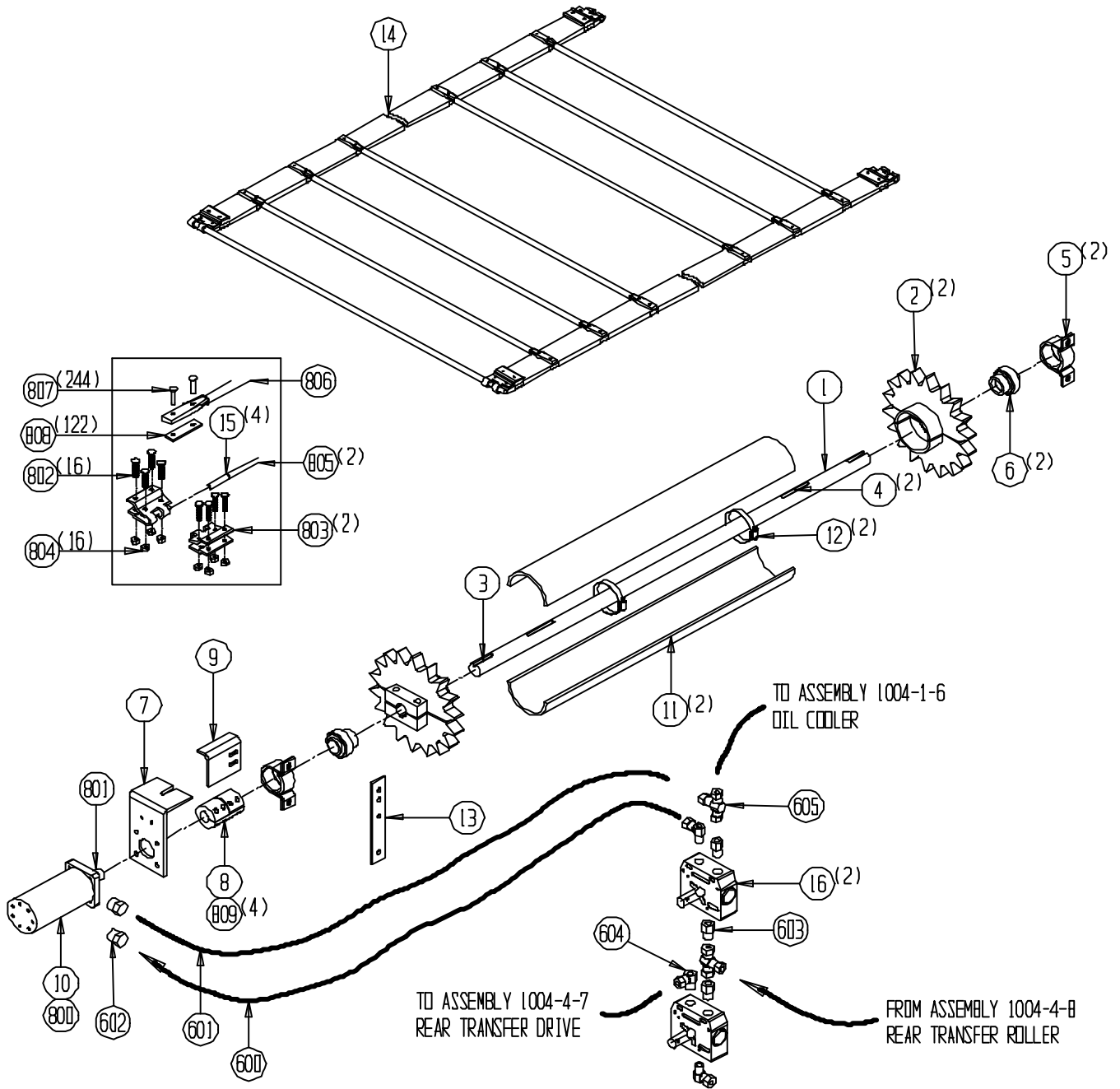
809 BL-5-100-SF

5/16-24 x 1 Socket Head Cap Screw

4

CPS-6057

1004-4-9 VINE CHAIN & DRIVE ASSEMBLY

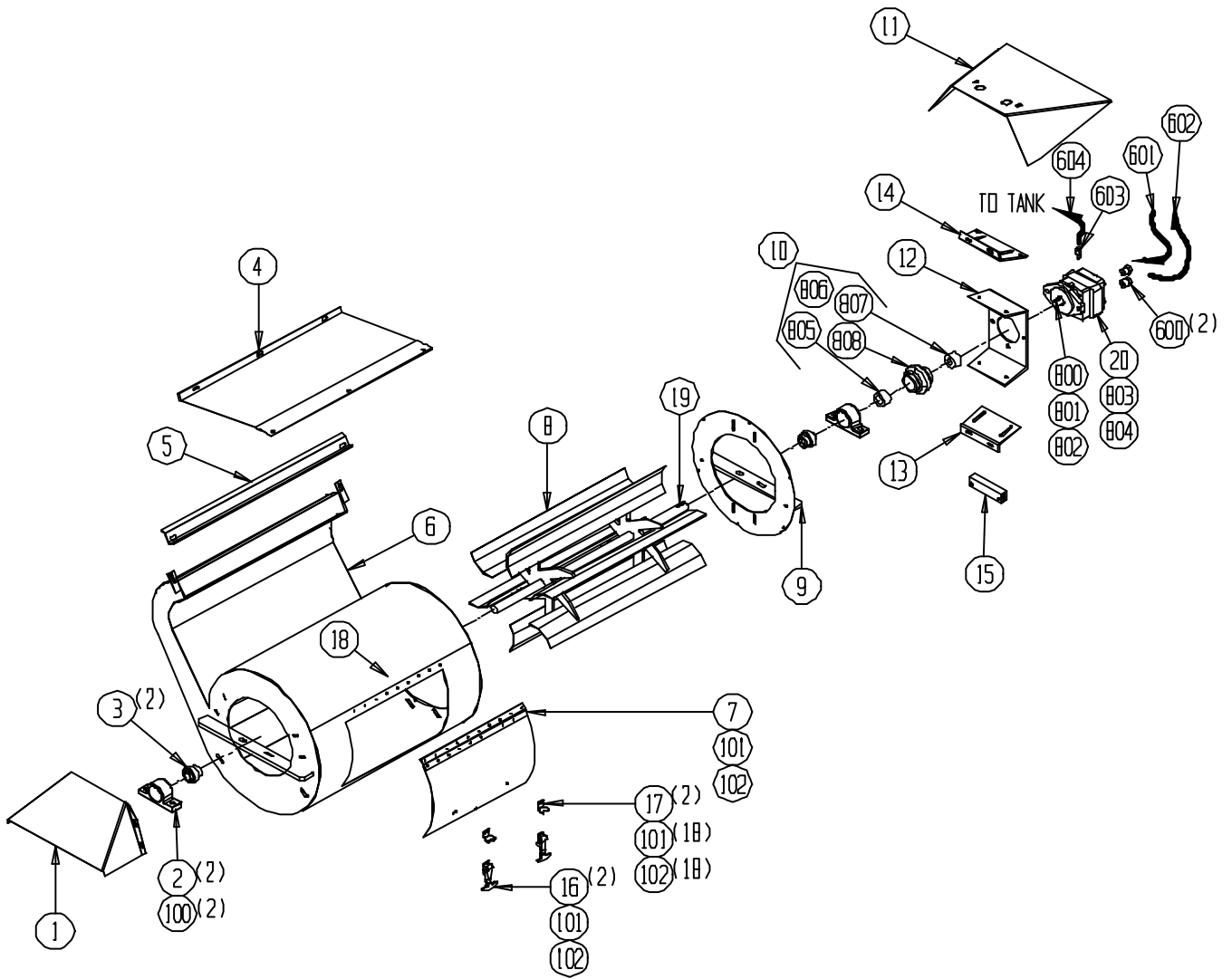


1004-5-1 Debris Fan Assembly

<u>Ref</u>	<u>Part No.</u>	<u>Description</u>	<u>Parts – Assembly</u>	<u>Will Fit SN</u>	<u>Remarks</u>
1	191-733	Fan dirt guard (rear)	1	19101-	
2	BR-062-RAK	62mm Cast Housing	2		
3	BR-125-062	Bearing, 1 1/4 Fafnir tri-seal, 62mm OD	2		
4	191-732	Cover, Debris Fan	1	19101-	
5	110-611	Scraper, Cross Conveyor, Return Roller	1	11001-	
6	191-701	Fan housing & diffuser	1	19101-	
7	COV-703	Cover, Fan Clean-Out Door	1	19701-	
8	195-702	Debris Fan	1	19101-	
9	191-701A	Access Panel, Debris Fan	1	19101-	
10	CPR-7081	Debris Fan Coupler	1		Replaces Lovejoy Coupler In pre 1994 Machines (PN CPJ-7081;CPJ-6055;CPJ-6053) Pre 1992 May require some modifications
11	191-734	Fan dirt guard (motor side)	1	19101-	
12	192-704	Mount, Debris Fan	1	19201-	
13	192-704B	Bracket, Debris Fan Motor, Bottom	1	19201-	
14	192-704T	Motor mount, Top	1	19201-	
15	SPA-735A	Spacer,Housing-Frame(NARROW)	1		Sub SPA-735(NARROW)
16	LA-703A	Large Rubber T Latch	2		
17	LA-703B	T Latch Keeper	2		
18	DC-1175	Decal, Danger, Fan Blade	1		
19	KEY-4-4-16	Shaft Key 1/4" X 1/4" X 1" Square Cut (1018)	1	20095001-	
20	HM-712C	Hydraulic Motor	1	19101	
100	BL-4-037-BH	1/4-28 X 3/8 Button Head Cap Screw	2		
101	BL-1032-050	10-32 x 1/2" Bolt	18		
102	BC-1032-LN	10-32 lock nuts	18		
600	A-6901-12-12	12 SAE x 3/4" FPX 90	2		
601	H12-76-12MP-12MP	3/4 in hose 3/4MP x 3/4MP x 76 in long	1		
602	H12-82-12MP-8MP	3/4 in hose 3/4MP x 1/2MP x 82 in long	1		
603	A-4124-6-4	1/4 Male Pipe x 3/8 Push Loc	1	HV-1045K	
604	H6-PL-186	3/8" Push Loc Hose 186" (Debris Fan)	1		
800	HM-412B	Key for Hydraulic Motor -Shaker Weight-Vibrator	1	HM-412C & HM-712C	
801	HM-2686	Snap Ring, Commercial Motor	1	HM-1020	

802	HM-0381	Ball Bearing, Motor	1	HM-1020	
803	HM-2585	Ring Seal, Commercial Motor	1	HM-1020	
804	HM-1801	Seal Kit for Commercial Intertech	1	P20 & M20 Series	Includes:(1) Length of HM-2882,(1)HM-2883,(2)HM-2884
805	CPR-7081A	Omega Coupler Hub 1 1/4"	1	19401	
806	CPR-7081B	Bolts for Omega Coupler (8 @ pkg)	1	19401	
807	CPR-7081C	Omega Hub 7/8	1	19401	
808	CPR-7081E	Coupler Element Only	1	19401	

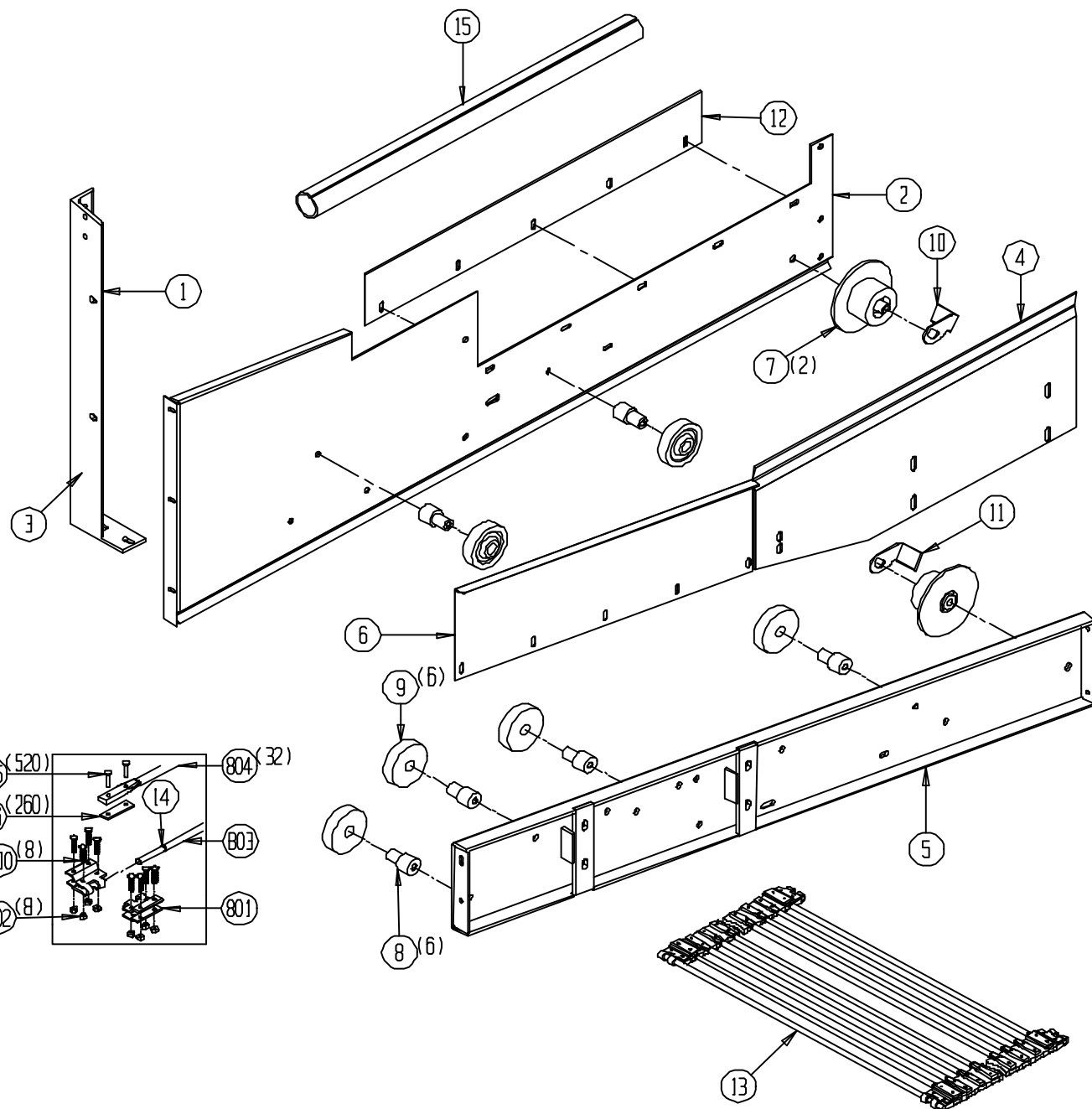
1004-5-1 DEBRIS FAN ASSEMBLY



1004-6-1 Cross Conveyor Frame Assembly

<u>Ref</u>	<u>Part No.</u>	<u>Description</u>	<u>Parts – Assembly</u>	<u>Will Fit SN</u>	<u>Remarks</u>
1	191-1133R	Post, Shaker Angle	1	19101-	
2	192-616	Cross conveyer panel, rear	1	19201-	
3	DC-3025	Red and White Reflective Tape @ 150 ft Roll	0.07		
4	195-211	Scraper, Transfer Return Roller	1	19201-	
5	195-615	Cross Conveyer Panel, front	1	19501-	
6	PAN-1615	Cross Conveyor Panel	1		
7	RLT-635-2210-SC	6 1/2" Flange Roller w/Shaft for Scraper 5/8" Bore	2		
8	RLA-010-0108	Spindle / Standoff for Urethane Roller (heat treated)	6	19101-	
9	RLG-040-1016	4" Urethane Roller	6		
10	RLA-3023S	Curved Scraper, RH	1		
11	RLA-3024S	Curved Scraper, LH	1		
12	SHD-617	Shield, Rear Cross Panel	1	19901-w/o Separation Kit	
13	BC-7-3236-133	Cross Conveyor (Tomato)	1		
14	BC-3525	Snap Ring, 11mm.	2		
15	SHD-616	Shield, Plastic, Rear Cross Panel	0	19201-19810 / 19901-w/o Separation Kit	
800	BC-1032-FS	10-32 x 1 1/4" bolts Flat Socket Head	8		
801	BC-F-36-32	F Connecting Clips 36-32 @ pair	2	11001	
802	BC-1032-LN	10-32 lock nuts	8		
803	BC-7-32-CN	Connecting Rod, 11mm, 32" Wide Belted Chain, 60mm Traction Belts	1		For Clip Splice Option
804	BC-7-32-ST	7/16" x 32" Belted Chain Rod for 60mm Belt	132	11001	
805	RI-25-BC	25mm Belted Chain Rivets	520		
806	BC-BP32	Belt, Rivet backing plates 32mm	260	11001	Lap Splice Option, Used only with BC-1032-LN Lock Nuts

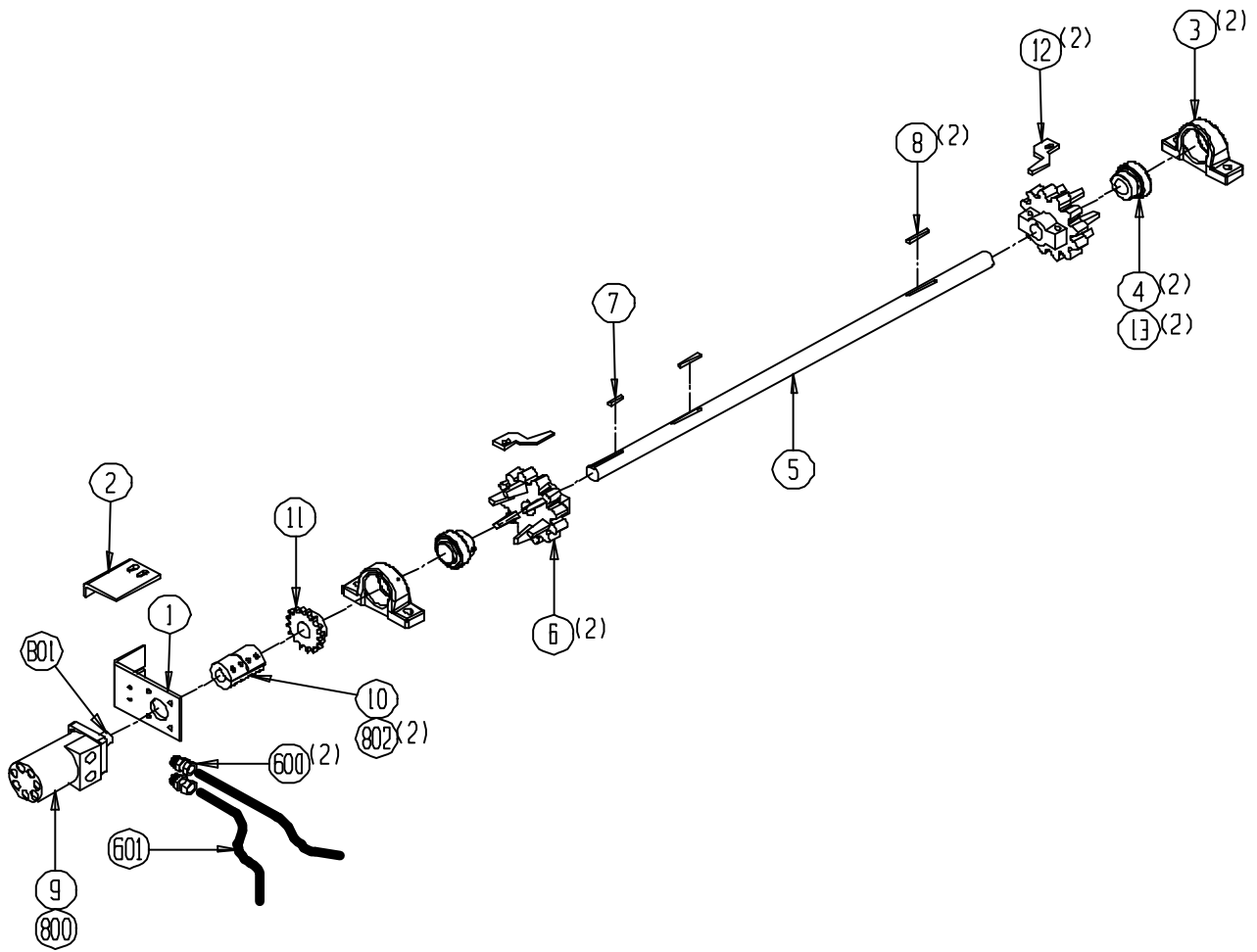
1004-6-1 CROSS CONVEYOR FRAME ASSEMBLY



1004-6-2 Cross Conveyor Drive Shaft Assembly

<u>Ref</u>	<u>Part No.</u>	<u>Description</u>	<u>Parts – Assembly</u>	<u>Will Fit SN</u>	<u>Remarks</u>
1	193-806	Mount motor	1		
2	193-806B	Motor Mount Stop	1		
3	BR-072-RAK	Bearing Housing	2		
4	BR-125-072	Bearing, 1 1/4 Fafnir tri-seal, 72mm OD	2		
5	SFT-603	Shaft, Drive, Cross Conveyor	1	19201-19724	Replaces 193-603 on Cross Conveyor
6	SPU-3612-20-4	Urethane Sprocket 36-12 1 1/4 bore 1/4" key	2		Sub SP-3612-20-4
7	KEY-4-4-20	Shaft Key 1/4" x 1 1/4"	1		
8	KEY-4-4-32	Shaft Key 1/4" x 2" Square Cut (1018)	2		
9	HM-204-CH	Char-Lyn Hydraulic Motor	1		
10	CPS-6060	Steel Coupler (offcenter) 1 1/4" x 1"	1		
11	SP-50B16-20-4	Sprocket, #50, 16 tooth, 1.25" bore	1		
12	SCR-101	Scraper, Sprocket, Hi Clearance	2		
13	BR-12572-LC	1 1/4" Locking Collar - Bearing Protector	2		
101	BL-5-125-H	5/16-18 X 1 1/4 HEX CAP G5 ZC	1		
600	A-6902-10-8	10 SAE X 1/2" FPX 45	2	20095001-	
601	H10-94-8MP-8MP	5/8 in hose 1/2MP x 1/2MP x 94 in long	1		
800	HM-200S	Seal Kit For Char Lyn Motor	1	H Series - 008 A Series -002	
801	KEY-4-4-15	Shaft Key 1/4" X 1/4" X 15/16" Woodruff Key	1		
802	BL-5-100-SF	5/16-24 x 1 Socket Head Cap Screw	4	CPS-6057	

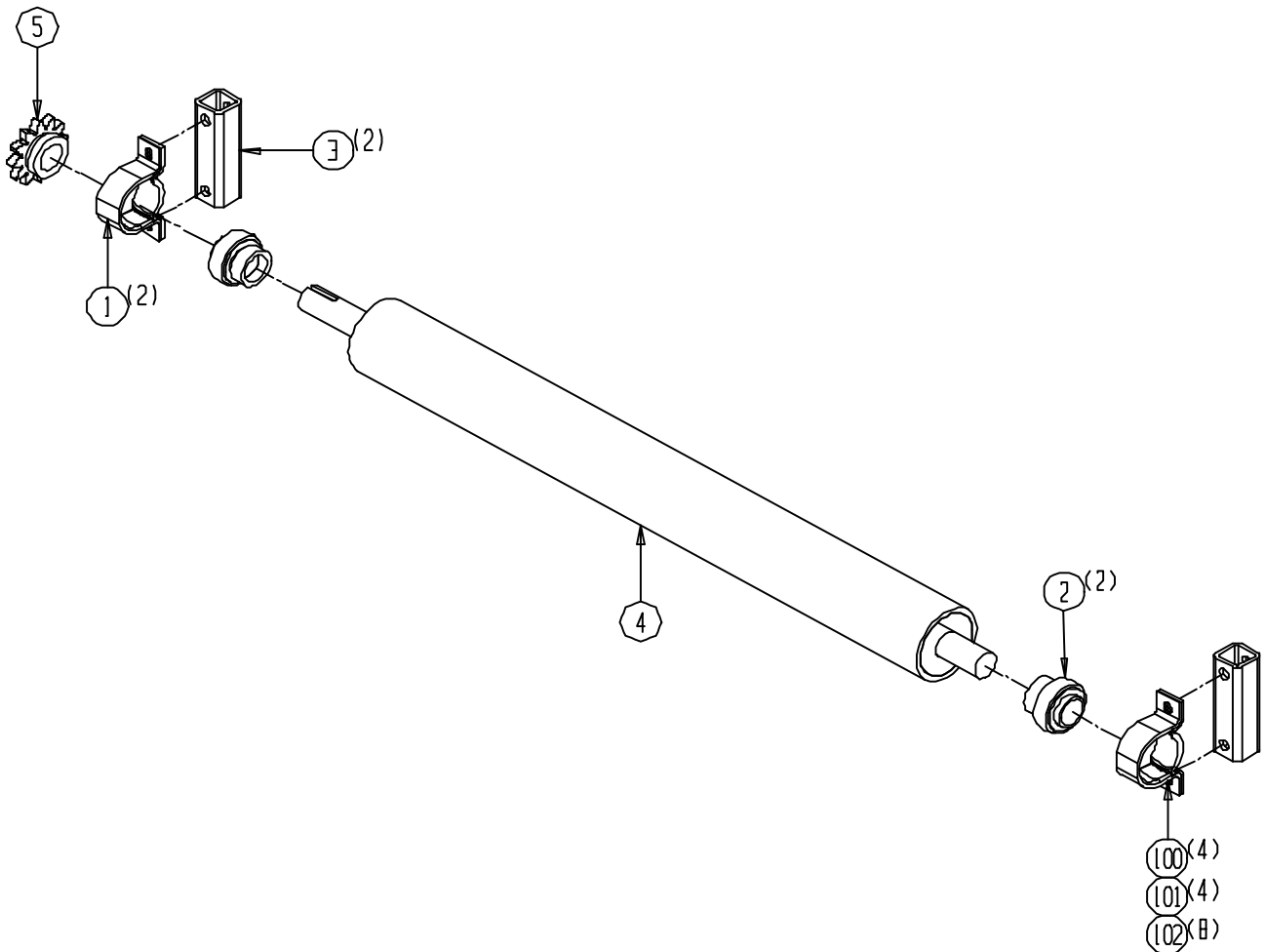
1004-6-2 CROSS CONVEYOR DRIVE SHAFT ASSEMBLY



1004-6-3 Cross Conveyor Return Roller Assembly

<u>Ref</u>	<u>Part No.</u>	<u>Description</u>	<u>Parts – Assembly</u>	<u>Will Fit SN</u>	<u>Remarks</u>
1	BR-062-MPB	Stamped Bearing Housing for 1 1/4" bearing	2		
2	BR-125-062	Bearing, 1 1/4 Fafnir tri-seal, 62mm OD	2		
3	191-611	Spacer blocks for bearing	2	19101-	
4	194-610	Cross Chain cleaner Roller	1	19401-	
5	KEY-4-4-24	Shaft Key 1/4" x 1 1/2" Square Cut (1018)	1		
6	SP-50B12-20-4	Sprocket, #50, 12 tooth, 1.25" bore	1	19201-	
100	BL-6-300-H	3/8 UNC X 3 HH C/S BOLT GR5 ZINC	4		
101	BL-6-LN	3/8 UNC FIN HEX LOCK NUT NE A563 GrA ZINC	4		
102	BL-6-SW	3/8 SAE FW ZC	8		

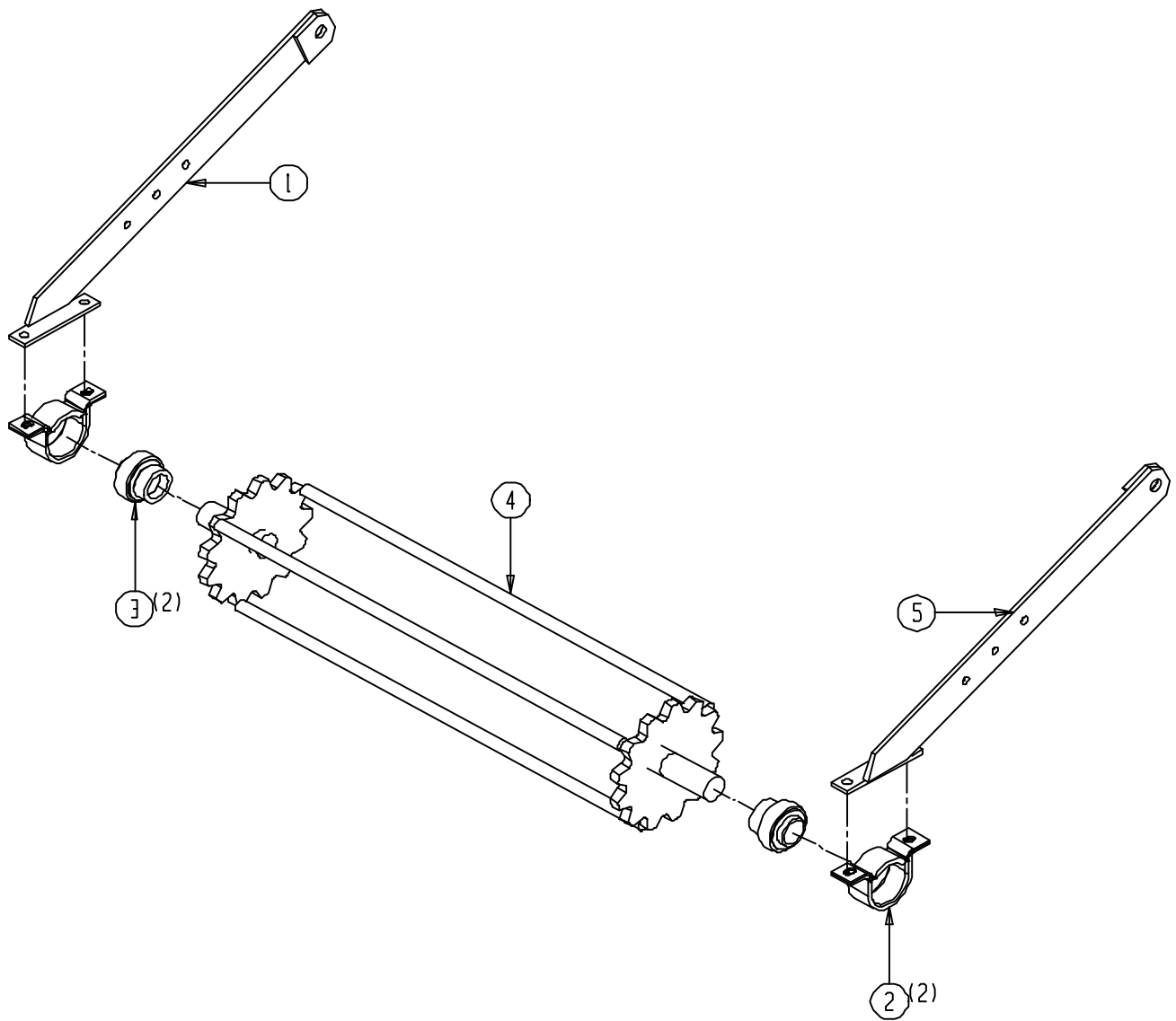
1004-6-3 CROSS CONVEYOR RETURN ROLLER ASSEMBLY



1004-6-4 Cross Conveyor Chain Cleaner Assembly

<u>Ref</u>	<u>Part No.</u>	<u>Description</u>	<u>Parts – Assembly</u>	<u>Will Fit SN</u>	<u>Remarks</u>
1	192-362B	Chain cleaner bar (Right)	1	19101	
2	BR-062-MPB	Stamped Bearing Housing for 1 1/4" bearing	2		
3	BR-125-062	Bearing, 1 1/4 Fafnir tri-seal, 62mm OD	2		
4	194-661	Belted chain bar cleaner, for 36mm pitch x 32" wide chain	1		
5	192-362A	Chain cleaner bar (Left)	1	19101-	
100	BL-6-125-H	3/8-16 X 1 1/4 HHCS G5 ZC	4		
101	BL-6-LN	3/8 UNC FIN HEX LOCK NUT NE A563 GrA ZINC	4		
102	BL-6-SW	3/8 SAE FW ZC	8		
103	BL-10-075-SH	5/8 X 3/4 SHOULDER BOLTS	2	11001-	
104	BL-8-LN	1/2-13 HEX LOCK NUT NYLON INSERT ZC	2		
105	BL-8-SW	1/2 SAE FW ZC	2		

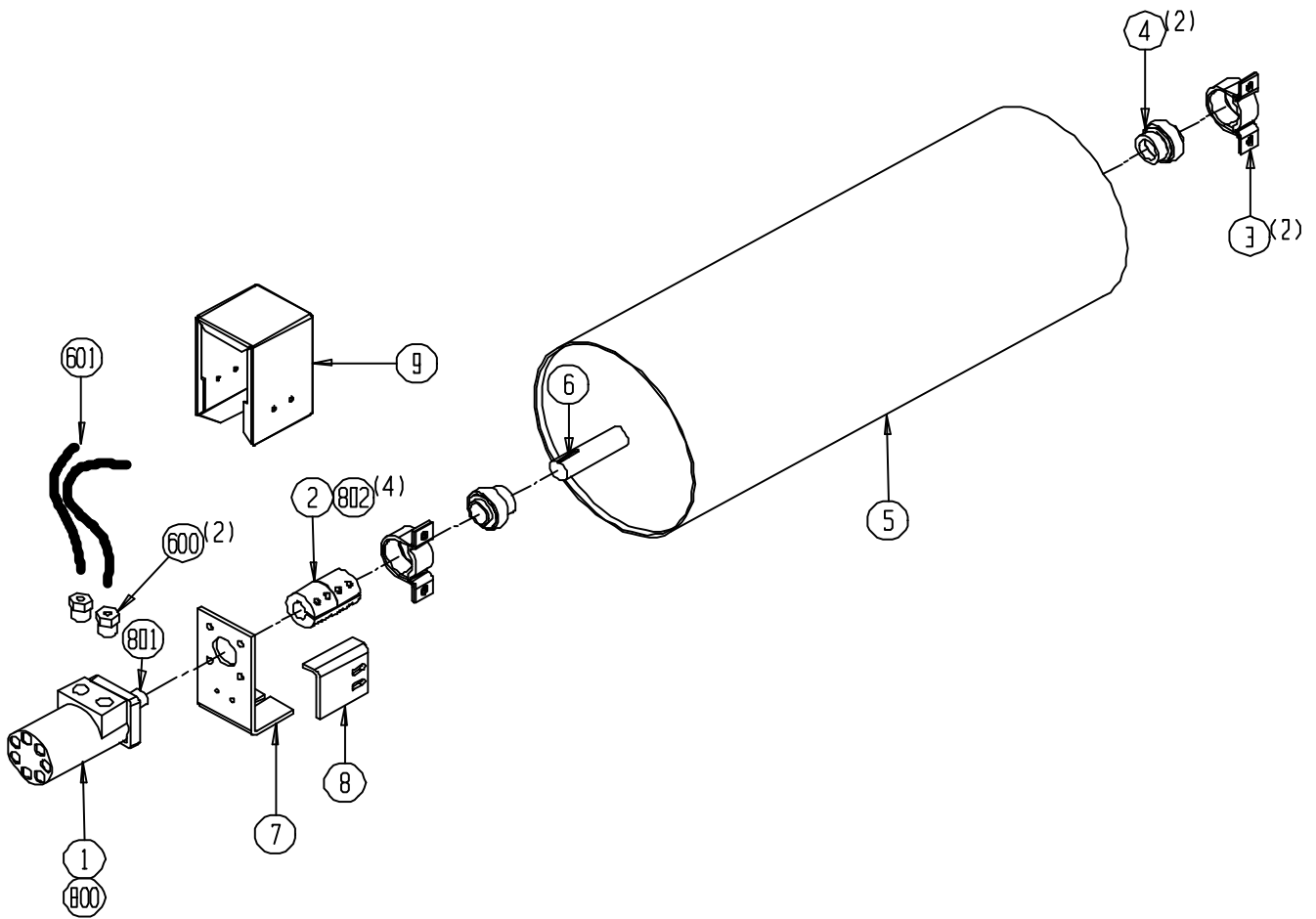
1004-6-4 CROSS CONVEYOR CHAIN CLEANER ASSEMBLY



1004-6-5 Debris Drum Assembly

<u>Ref</u>	<u>Part No.</u>	<u>Description</u>	<u>Parts – Assembly</u>	<u>Will Fit SN</u>	<u>Remarks</u>
1	HM-204-CH	Char-Lyn Hydraulic Motor	1		
2	CPS-6060	Steel Coupler (offcenter) 1 1/4" x 1"	1		
3	BR-062-MPB	Stamped Bearing Housing for 1 1/4" bearing	2		
4	BR-125-062	Bearing, 1 1/4 Fafnir tri-seal, 62mm OD	2		
5	191-745	Debris Drum	1	19101-	
6	KEY-4-4-20	Shaft Key 1/4" x 1 1/4"	1		
7	193-806	Mount motor	1		
8	193-806A	Motor mount stop	1		
9	193-806C	Motor Guard	1	19301-	
600	A-6902-10-8	10 SAE X 1/2" FPX 45	2	20095001-	
601	H10-36-8MP-8MP	5/8 in hose 1/2MP x 1/2MP x 36 in long	1		
800	HM-200S	Seal Kit For Char Lyn Motor	1	H Series - 008 A Series -002	
801	KEY-4-4-15	Shaft Key 1/4" X 1/4" X 15/16" Woodruff Key	1		
802	BL-5-100-SF	5/16-24 x 1 Socket Head Cap Screw	4	CPS-6057	

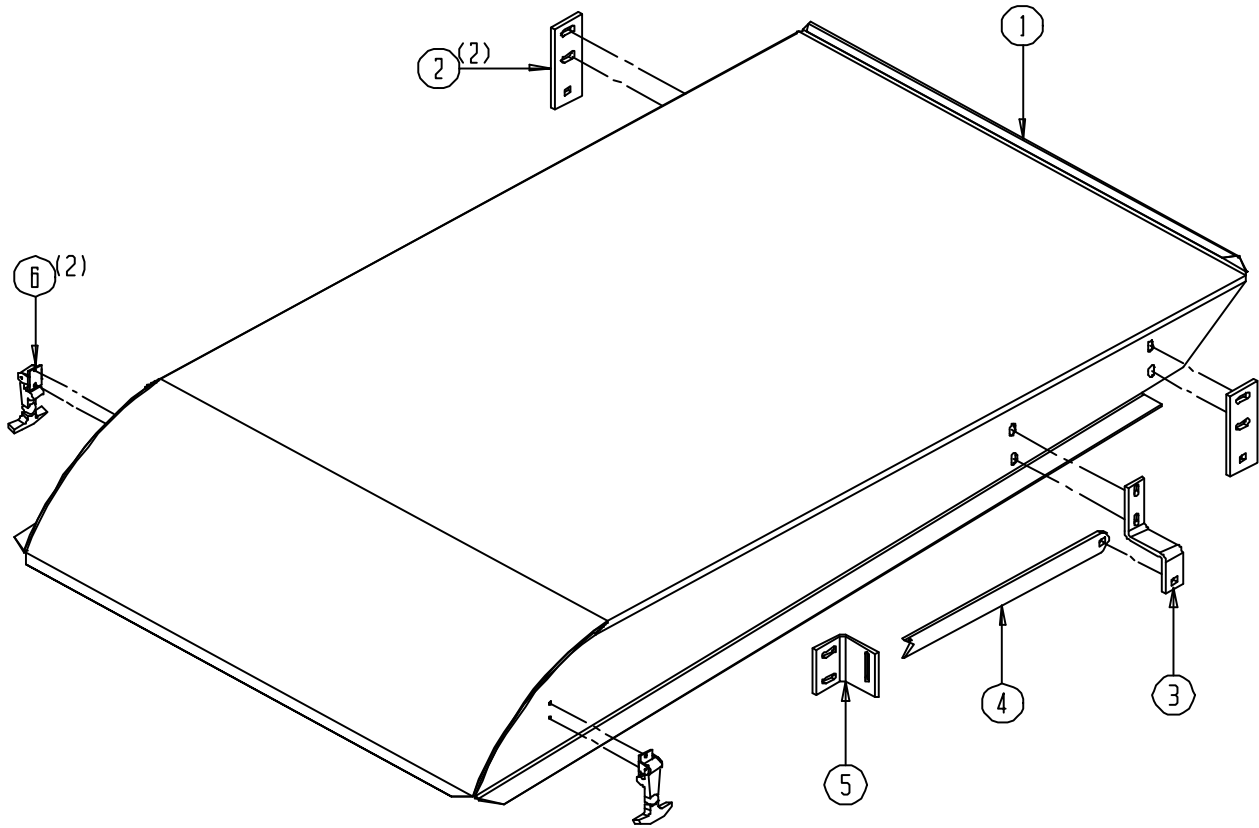
1004-6-5 DEBRIS DRUM ASSEMBLY



1004-6-6 Cross Conveyor Cover Assembly

<u>Ref</u>	<u>Part No.</u>	<u>Description</u>	<u>Parts – Assembly</u>	<u>Will Fit SN</u>	<u>Remarks</u>
1	SHD-726	Cover, Air Deflector	1	19701-	
2	193-725	Hinge Bar for Air Deflector Hood	2	19301- 193-729K	
3	193-728	Hinge Bracket for Air Deflector Hood	1	19301- 193-729K	
4	193-729	Hinge Brace for Air Deflector Hood	1	19301- 193-729K	
5	193-729A	Hinge Brace Latch for Air Deflector Hood	1	19301- 193-729K	
6	LA-703A	Large Rubber T Latch	2		

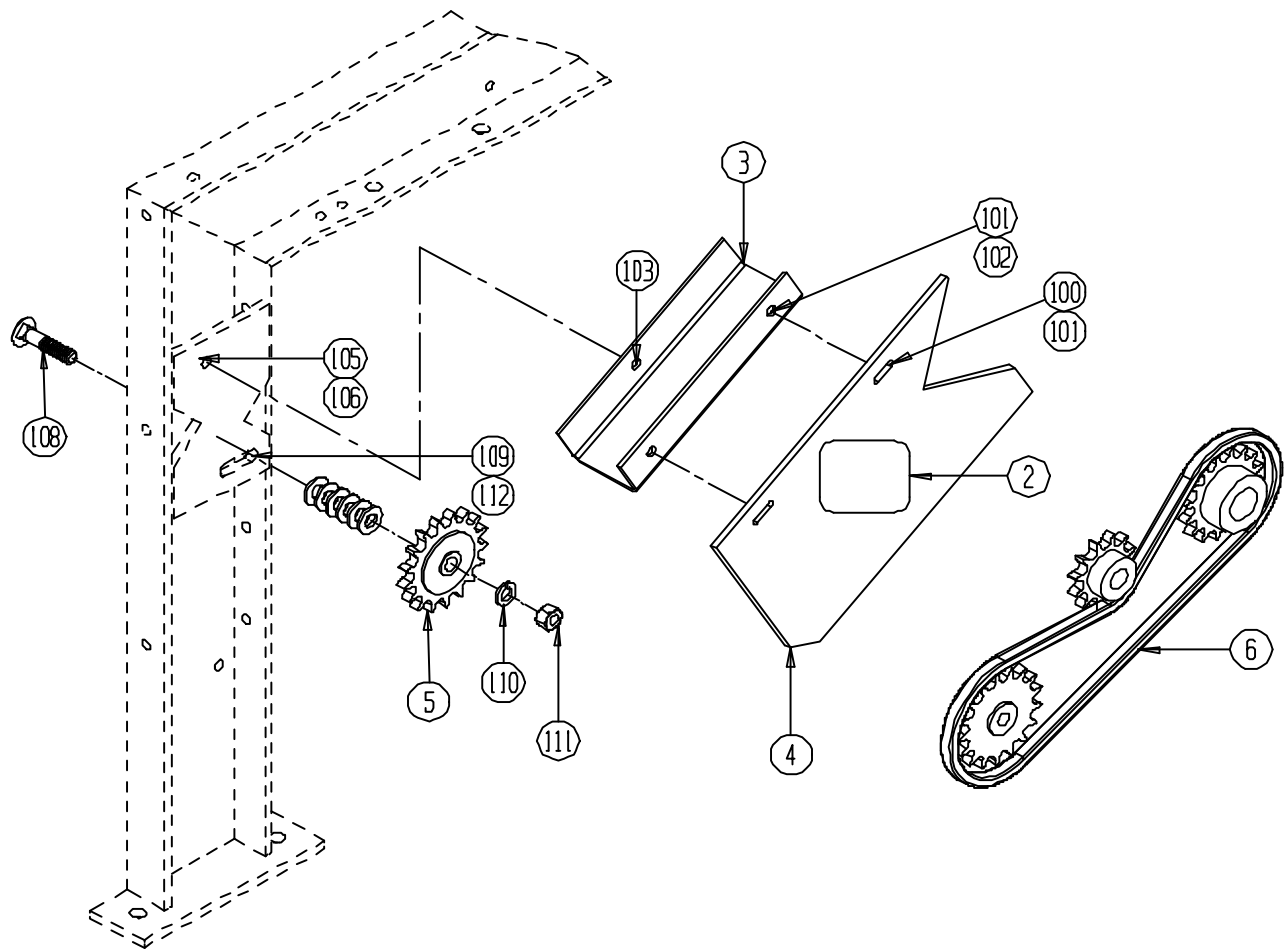
1004-6-6 CROSS CONVEYOR COVER ASSEMBLY



1004-6-7 Cross Conveyor Drive Shield Assembly

<u>Ref</u>	<u>Part No.</u>	<u>Description</u>	<u>Parts – Assembly</u>	<u>Will Fit SN</u>	<u>Remarks</u>
2	DC-1176	Decal, Danger-Hand Chain Sprockets	1		
3	MOU-0004	Mount, Shield, Rear Cross Chain Shield	1		
4	SHD-0004	Shield, Motor, Rear Sorting Conveyor	1		
5	SP-5017-T	Idler, 17 tooth x #50 Chain	1		
6	CH-50-53	Roller Chain, 53 pitches, #50, w/master link	1		
100	BL-4-100-H	1/4-20 X 1 HEX CAP G5 ZC	2		
101	BL-4-FW	1/4 USS FW ZC	4		
102	BL-4-LN	1/4-20 HEX LN NE ZC	2		
103	BL-6-100-H	3/8 UNC X 1 HH C/S BOLT GR5 ZINC	1		
105	BL-6-LN	3/8 UNC FIN HEX LOCK NUT NE A563 GrA ZINC	1		
106	BL-6-SW	3/8 SAE FW ZC	2		
108	BL-8-225-C	1/2 UNC X 2 1/4 CARRIAGE BOLT GR5 ZINC	1		
110	BL-8-LW	1/2 SPLIT LW ZC	1		
111	BL-8-N	1/2-13 HEX FIN NUTS ZC	1		
112	BL-8-SW	1/2 SAE FW ZC	6		

1004-6-7 CROSS CONVEYOR DRIVE SHIELD ASSEMBLY



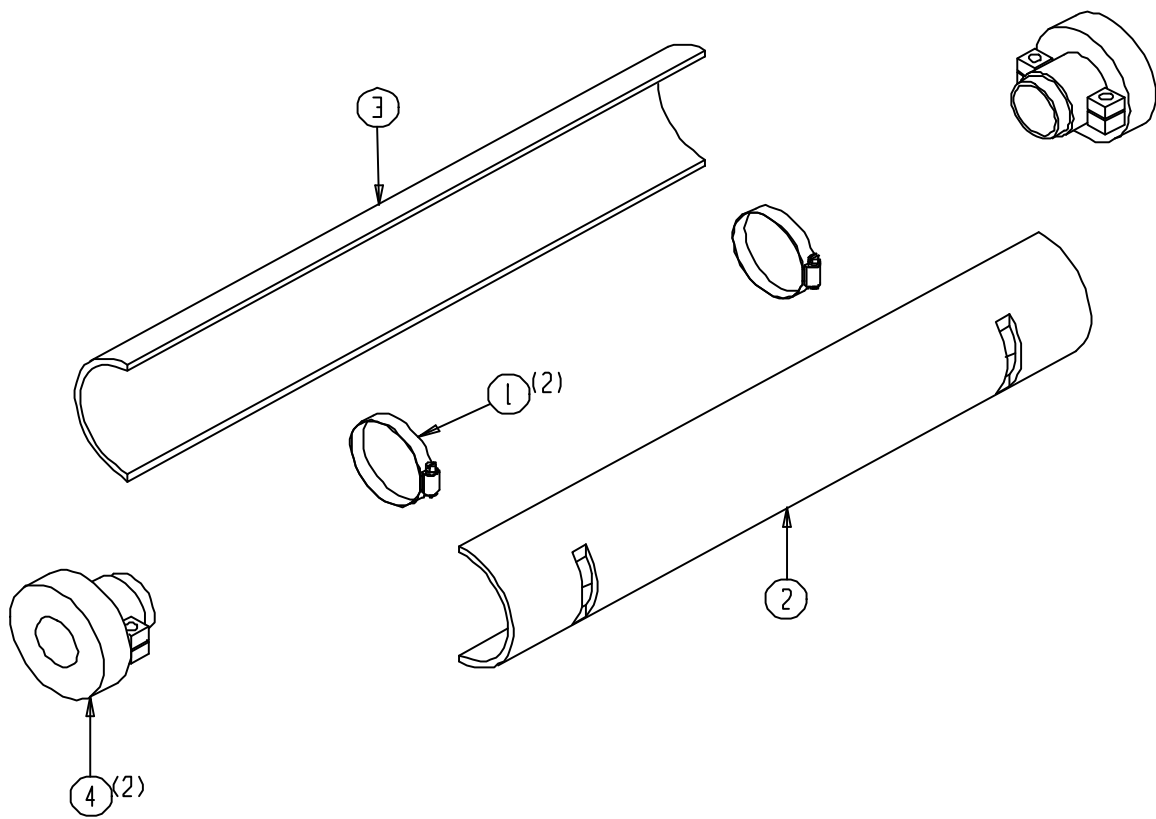
1004-6-8 Optional Cross Conveyor Anti-Wrap Shield Assembly

<u>Ref</u>	<u>Part No.</u>	<u>Description</u>	<u>Parts – Assembly</u>	<u>Will Fit SN</u>	<u>Remarks</u>
0	KIT-0057	Cross Conveyor Anti Wrap Shield	0		For 32" Wide Belted Chains

KIT-0057 Mud Shield,Cross Conveyor Drive, PVC pipe

<u>Ref</u>	<u>Part No.</u>	<u>Description</u>	<u>Parts – Assembly</u>	<u>Will Fit SN</u>	<u>Remarks</u>
1	CL-72	5" Gear Clamp	2		
2	PL-1412	Plastic, Shield, Anti-Wrap, Shaft Drv, 32" Chains	1		
3	PL-1416	Shield, Anti Wrap, Cross Conveyor, 24.375"	1	KIT-0057	
4	PL-1421	Urethane Hub for Shaft Cover 1 1/4" Bore	2		Replaces PL-1415

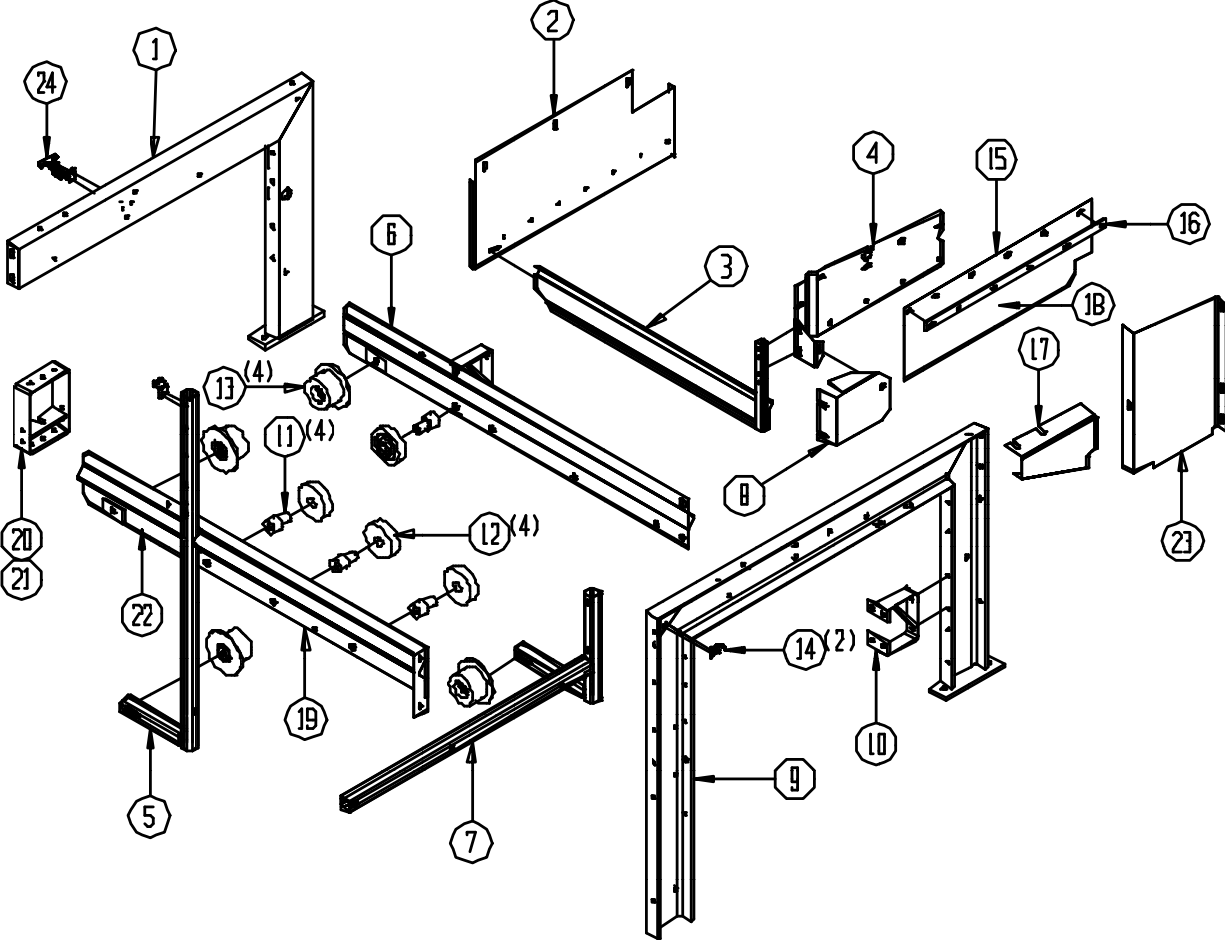
1004-6-8 OPTIONAL CROSS CONVEYOR ANTI-WRAP SHIELD ASSEMBLY



1004-7-1 Rear Elevation Assembly

<u>Ref</u>	<u>Part No.</u>	<u>Description</u>	<u>Parts – Assembly</u>	<u>Will Fit SN</u>	<u>Remarks</u>
1	191-1136	Frame, Debris Air Flow, Rear Channel	1	19101-	
2	192-730	Rear Closure	1	19201-	
3	194-1545	Debris Drum Guard (Tomato)	1	19401-	
4	194-731	Front Closure	1	19401-	
5	191-738	Roller Support, Outer	1	19101-	
6	191-737	Roller support, Inner	1	19101-	
7	191-736	Support, rear debris fan	1	19101-	
8	194-731A	Debris Drum Sprocket Shield	1	19401-	
9	191-1137	Frame, Front Debris	1	19101-	
10	191-739	Bracket, Panel support	1	19101-	
11	RLA-010-0108	Spindle / Standoff for Urethane Roller (heat treated)	4	19101-	
12	RLG-040-1016	4" Urethane Roller	4		
13	RLT-535-228	5" Flange Roller 2.2WF x 3 1/2" dia, 1/2" bore	4		
14	LA-703B	T Latch Keeper	2		
15	BT-1731	Belting, Front Closure, Rear Elevation	1	19701-	
16	BAR-1731	Elevation, Front Closure	1	19701-	
17	SHD-1137	Shield, Shaft End, Rear Elevation	1	19101- kit-0038	
18	DC-1174	Decal, Danger Keep Hands and Feet Away	1		
19	STRP-610	6" Tarp Strap (ea.)	1		
20	SHD-1206	Shield, Flashing Light	0	30097001- 19601-	
21	EL-1206	Double Amber Lamp	0		
22	DC-3025	Red and White Reflective Tape @ 150 ft Roll	0.06		
23	SHD-0028	Shield, Dirt Guard, Sorting Area	1		
24	LA-1530	Medium Rubber T Latch Assembly	1		

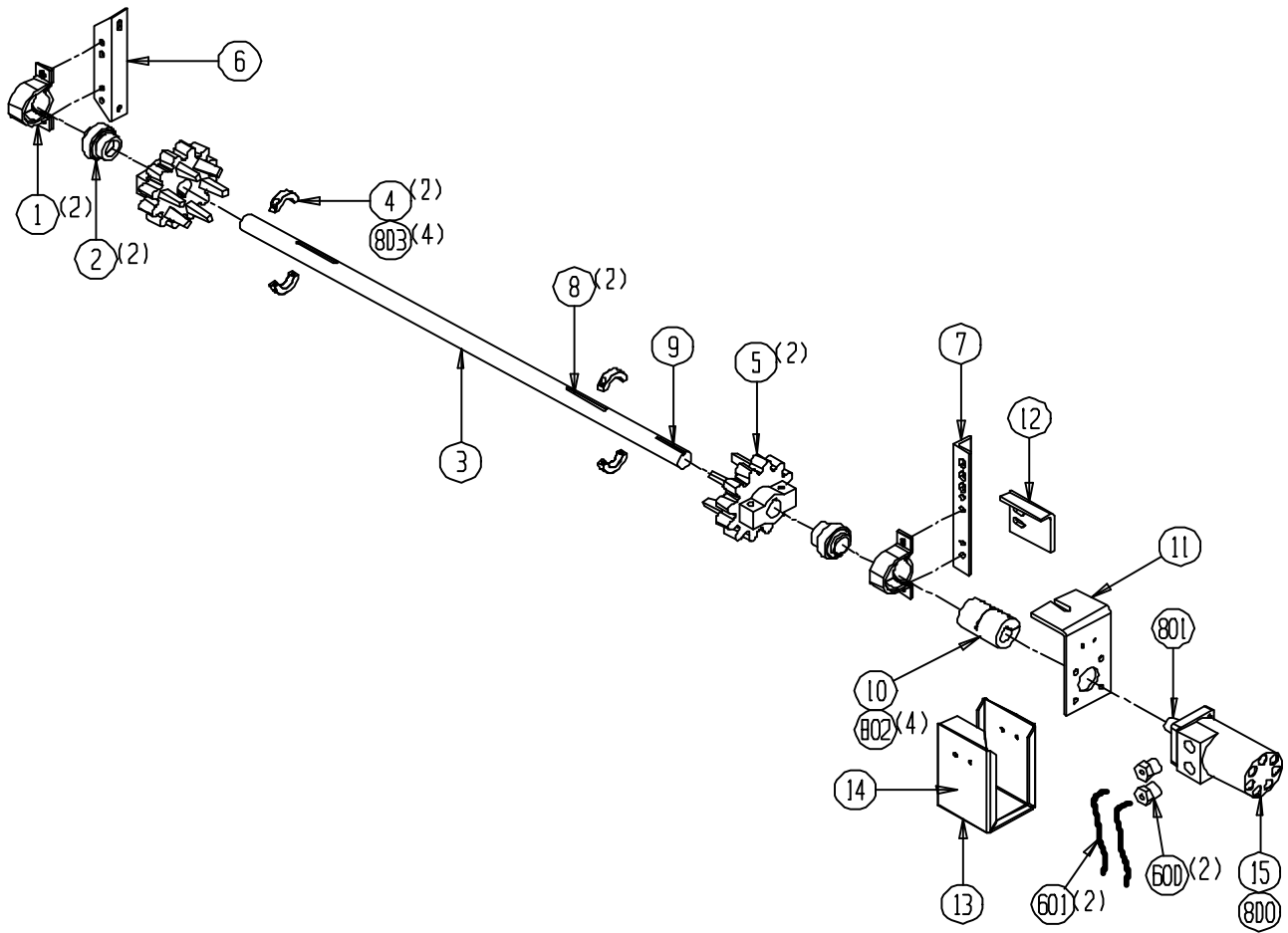
1004-7-1 REAR ELEVATION ASSEMBLY



1004-7-2 Elevation Drive Shaft Assembly

<u>Ref</u>	<u>Part No.</u>	<u>Description</u>	<u>Parts – Assembly</u>	<u>Will Fit SN</u>	<u>Remarks</u>
1	BR-062-MPB	Stamped Bearing Housing for 1 1/4" bearing	2		
2	BR-125-062	Bearing, 1 1/4 Fafnir tri-seal, 62mm OD	2		
3	193-603	Shaft, Elevation	1	19301- (Elevation), KIT-0101	
4	SC-20-2	Shaft Collar, 2 piece 1 1/4" bore	2		
5	SPU-3612-20-4	Urethane Sprocket 36-12 1 1/4 bore 1/4" key	2		Sub SP-3612-20-4
6	MOU-742	Mount, Elevation, Drive Shaft Bearing, Outer	1	19705	
7	MOU-740	Mount, Elevation, Drive Shaft Bearing, Inner	1	MOU-740	
8	KEY-4-4-32	Shaft Key 1/4" x 2" Square Cut (1018)	2		
9	KEY-4-4-20	Shaft Key 1/4" x 1 1/4"	1		
10	CPS-6060	Steel Coupler (offcenter) 1 1/4" x 1"	1		
11	193-806	Mount motor	1		
12	193-806A	Motor mount stop	1		
13	193-806C	Motor Guard	1	19301-	
14	DC-1176	Decal, Danger-Hand Chain Sprockets	1		
15	HM-204-CH	Char-Lyn Hydraulic Motor	1		
600	A-6900-10-8	10 SAE x 1/2 FPX	2	20095001-	
601	H10-56-8MP-8MP	5/8 in hose 1/2MP x 1/2MP x 56 in long	2		
800	HM-200S	Seal Kit For Char Lyn Motor	1	H Series - 008 A Series -002	
801	KEY-4-4-15	Shaft Key 1/4" X 1/4" X 15/16" Woodruff Key	1		
802	BL-5-100-SF	5/16-24 x 1 Socket Head Cap Screw	4	CPS-6057	
803	BL-4-075-SCS	1/4-28 x 3/4" Socket Head Cap Screw	4		

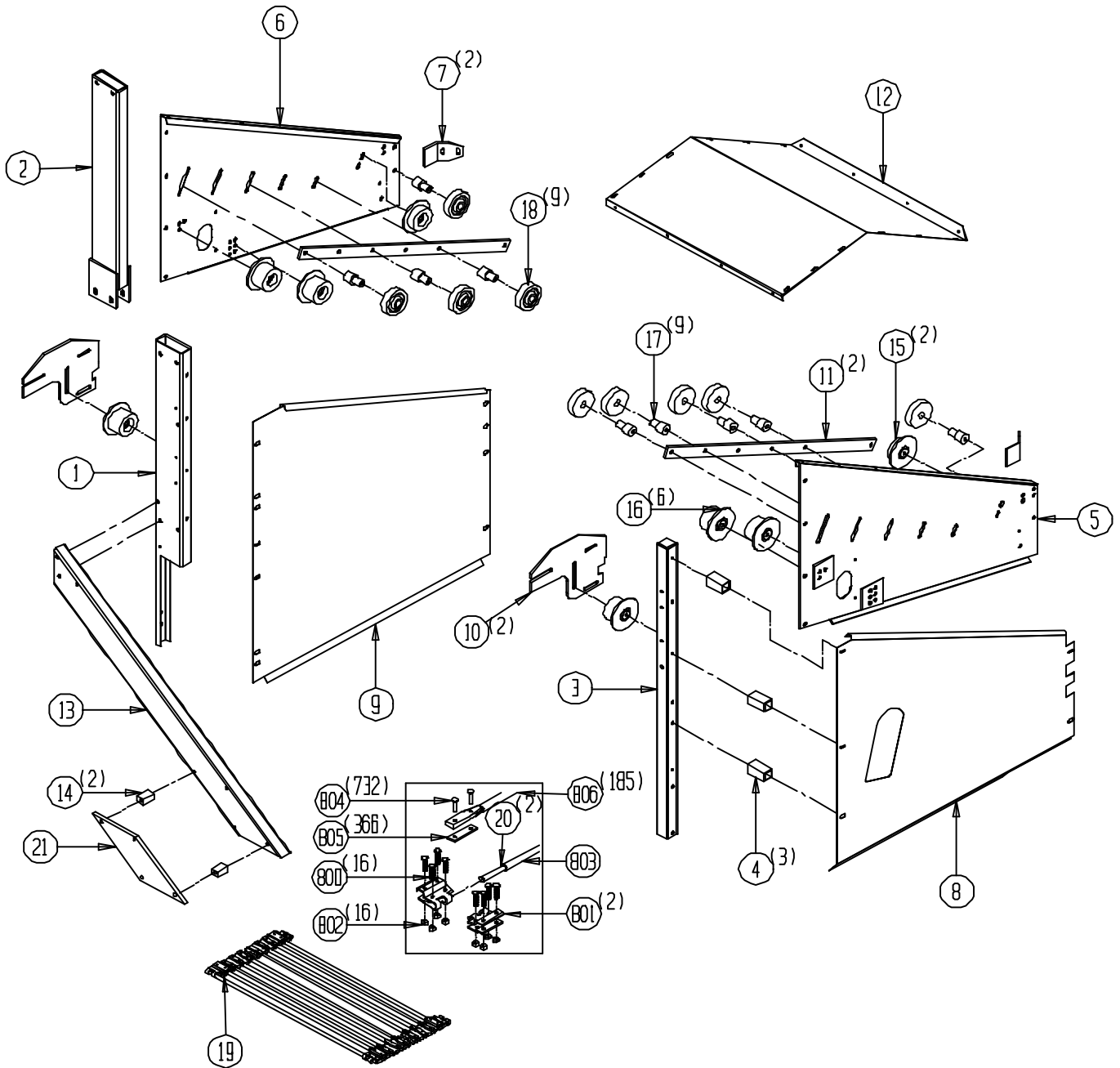
1004-7-2 ELEVATION DRIVE SHAFT ASSEMBLY



1004-7-3 Front Elevation Assembly

<u>Ref</u>	<u>Part No.</u>	<u>Description</u>	<u>Parts – Assembly</u>	<u>Will Fit SN</u>	<u>Remarks</u>
1	POS-1121	Post with Cut-out	1	KIT-1118	
2	193-1138A	Rear roof support, upper	1	19301-	
3	193-1138C	Post, Rear Inner Presort	1	19301-	
4	191-1555	Spacer, debris chute	3	11001-19301	
5	SID-740	Side, Inner, Front Elevation	1	19705	
6	SID-741	Side, Outer, Front Elevation	1	19705	
7	SHD-1897	Shield, Deflector, Narrow Flange Roller	2		
8	SHD-744	Debris Chute, Inner Elevation	1	19705 19801-	
9	193-743	Debris chute (outer)	1	19301-	
10	MOU-1130	Mount, Roller, Front Elevation	2	19705	
11	BAR-742	Bar, Roller Adjuster, Front Elevation	2	19705	
12	194-1550	Elevation Shield	1	19401	
13	POS-1118	Post, Support	1	KIT-1118	
14	SPA-1118	Spacer, CAM	2	KIT-1118	
15	RLT-535-128	Narrow Flange Roller 1.2 WF 3.5 dia, 1/2" Bore	2		
16	RLT-535-228	5" Flange Roller 2.2WF x 3 1/2" dia, 1/2" bore	6		
17	RLA-010-0108	Spindle / Standoff for Urethane Roller (heat treated)	9	19101-	
18	RLG-040-1016	4" Urethane Roller	9		
19	BC-7-3236-186	Elevation Chain	1		
20	BC-3525	Snap Ring, 11mm.	2		
21	MOU-1118	Mount Plate	1		
800	BC-1032-FS	10-32 x 1 1/4" bolts Flat Socket Head	16		
801	BC-F-36-32	F Connecting Clips 36-32 @ pair	2	11001	
802	BC-1032-LN	10-32 lock nuts	16		
803	BC-7-32-CN	Connecting Rod, 11mm, 32" Wide Belted Chain, 60mm Traction Belts	1		For Clip Splice Option
804	RI-25-BC	25mm Belted Chain Rivets	732		
805	BC-BP32	Belt, Rivet backing plates 32mm	366	11001	Lap Splice Option, Used only with BC-1032-LN Lock Nuts
806	BC-7-32-ST	7/16" x 32" Belted Chain Rod for 60mm Belt	185	11001	

1004-7-3 FRONT ELEVATION ASSEMBLY



1004-7-4 Optional Elevation Conveyor Bar Cleaner Assembly

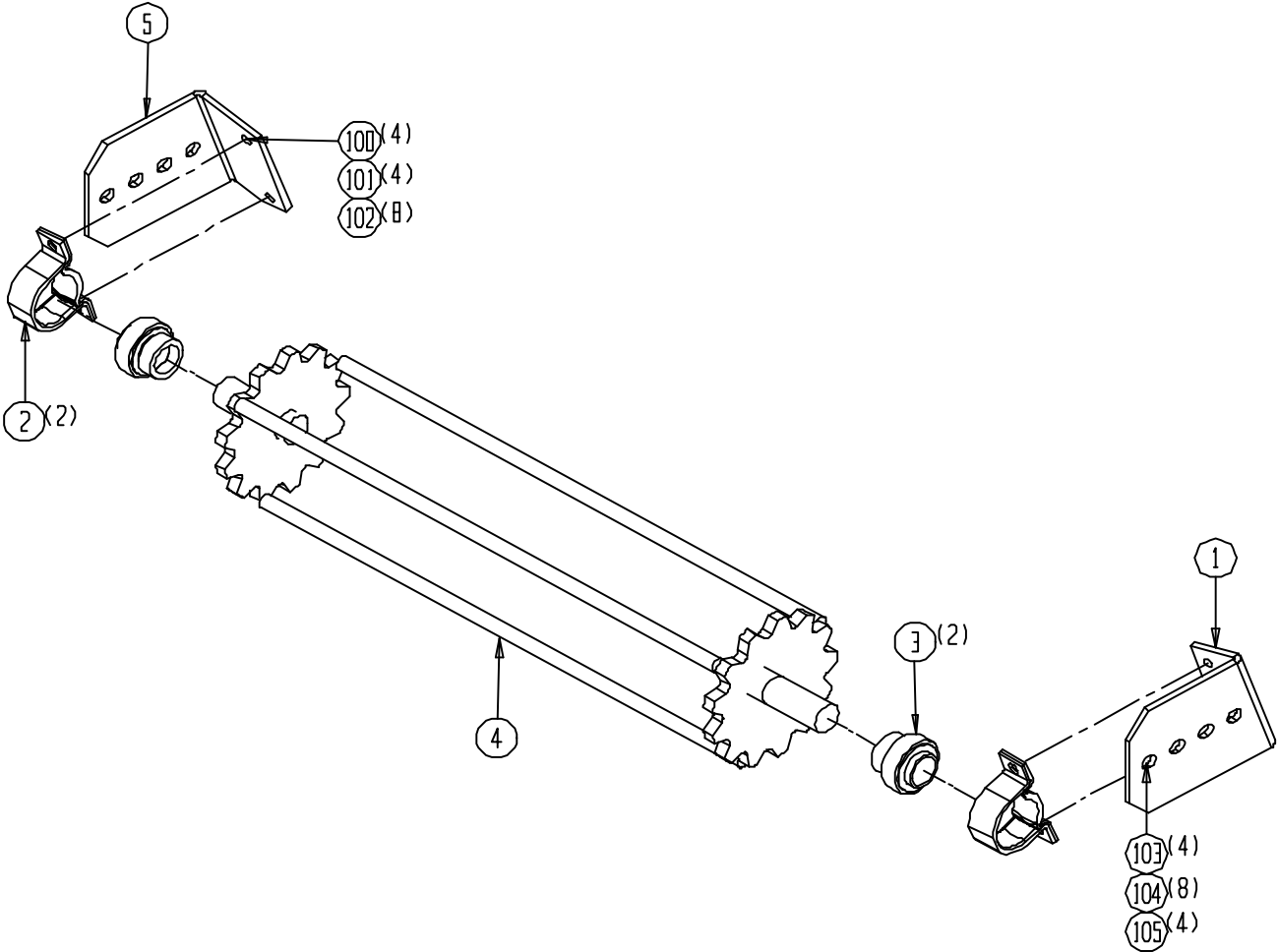
<u>Ref</u>	<u>Part No.</u>	<u>Description</u>	<u>Parts – Assembly</u>	<u>Will Fit SN</u>	<u>Remarks</u>
0	KIT-0127	Bar Cleaner Kit, Elevation Conveyor	0		

KIT-0127 Bar Cleaner Kit, Elevation Conveyor, Tomato

<u>Ref</u>	<u>Part No.</u>	<u>Description</u>	<u>Parts – Assembly</u>	<u>Will Fit SN</u>	<u>Remarks</u>
1	BRA-738	Bracket, Elevation Conveyor Bar Cleaner	1		
2	BR-062-MPB	Stamped Bearing Housing for 1 1/4" bearing	2		
3	BR-125-062	Bearing, 1 1/4 Fafnir tri-seal, 62mm OD	2		
4	194-661	Belted chain bar cleaner, for 36mm pitch x 32" wide chain	1		
5	BRA-736	Bracket, Elevation Conveyor Bar Cleaner	1		
100	BL-6-125-H	3/8-16 X 1 1/4 HHCS G5 ZC	4		
101	BL-6-LN	3/8 UNC FIN HEX LOCK NUT NE A563 GrA ZINC	4		
102	BL-6-SW	3/8 SAE FW ZC	8		
103	BL-8-275-H	1/2 UNC X 2 3/4 HH C/S BOLT GR5 ZINC	4		
104	BL-8-FW-8	1/2 FLAT WASHER G8 ZC	8		
105	BL-8-LN	1/2-13 HEX LOCK NUT NYLON INSERT ZC	4		

1004-7-4 OPTIONAL ELEVATION CONVEYOR BAR CLEANER ASSEMBLY

KIT-0127 BAR CLEANER KIT, ELEVATION, CONVEYOR, TOMATO



1004-7-5 Optional Fan Air Intake Extension

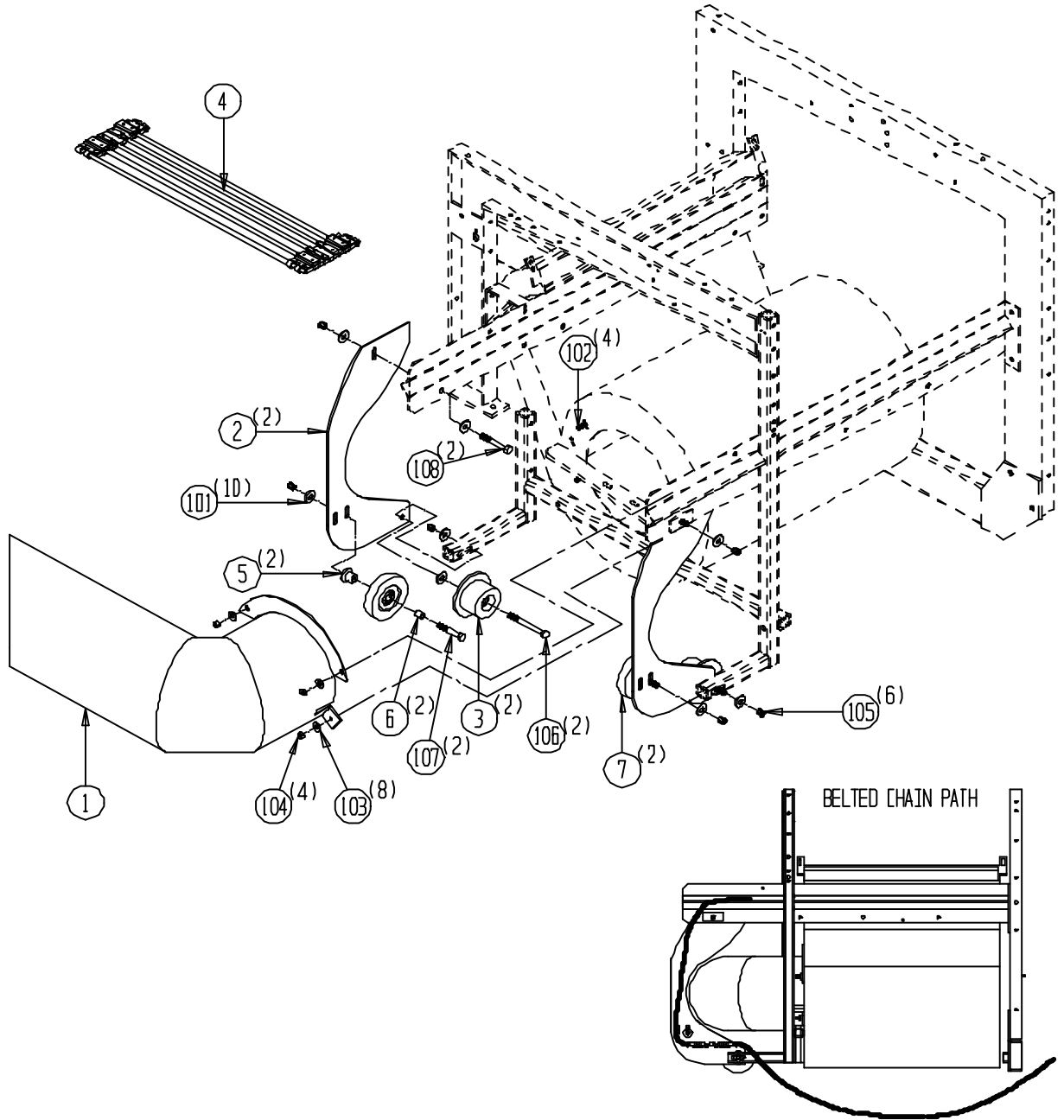
<u>Ref</u>	<u>Part No.</u>	<u>Description</u>	<u>Parts – Assembly</u>	<u>Will Fit SN</u>	<u>Remarks</u>
0	KIT-0123	Air Intake Kit	0		

KIT-0123 Fan Intake Extension, Tomato

<u>Ref</u>	<u>Part No.</u>	<u>Description</u>	<u>Parts – Assembly</u>	<u>Will Fit SN</u>	<u>Remarks</u>
1	FAN-1750	FAN, REAR AIR INTAKE, DEBRIS FAN	1		
2	MOU-1750	Mount, Roller, Debris Fan Intake	2		
3	RLT-535-228	5" Flange Roller 2.2WF x 3 1/2" dia, 1/2" bore	2		
4	BC-7-3236-5	Belted Chain, 5 Bar Ele. Ext. W/out Bar Cleaner, Tom	1		
5	RLA-000-118	Standoff, 1/2" X 1 1/8"	2		
6	RLA-006-078	Bushing 1/2" x 5/8" x .75"	2		
7	RLT-050-1010	5" Flat Idler Roller 5/8" Bore	2		
101	BL-8-FW-8	1/2 FLAT WASHER G8 ZC	10		
102	BL-6-125-H	3/8-16 X 1 1/4 HHCS G5 ZC	4		
103	BL-6-FW-8	3/8 FLAT WASHER G8 ZC	8		
104	BL-6-LN	3/8 UNC FIN HEX LOCK NUT NE A563 GrA ZINC	4		
105	BL-8-LN	1/2-13 HEX LOCK NUT NYLON INSERT ZC	6		
106	BL-8-475-H	1/2-13 X 4 3/4 HEX CAP G5 ZC	2		
107	BL-8-300-H	1/2-13 X 3 HEX CAP G5 ZC	2		
108	BL-8-350-H	1/2-13 X 3 1/2 HEX CAP G5 ZC	2		

1004-7-5 OPTIONAL FAN AIR INTAKE EXTENSION ASSEMBLY

KIT-0123 FAN INTAKE EXTENSION, TOMATO



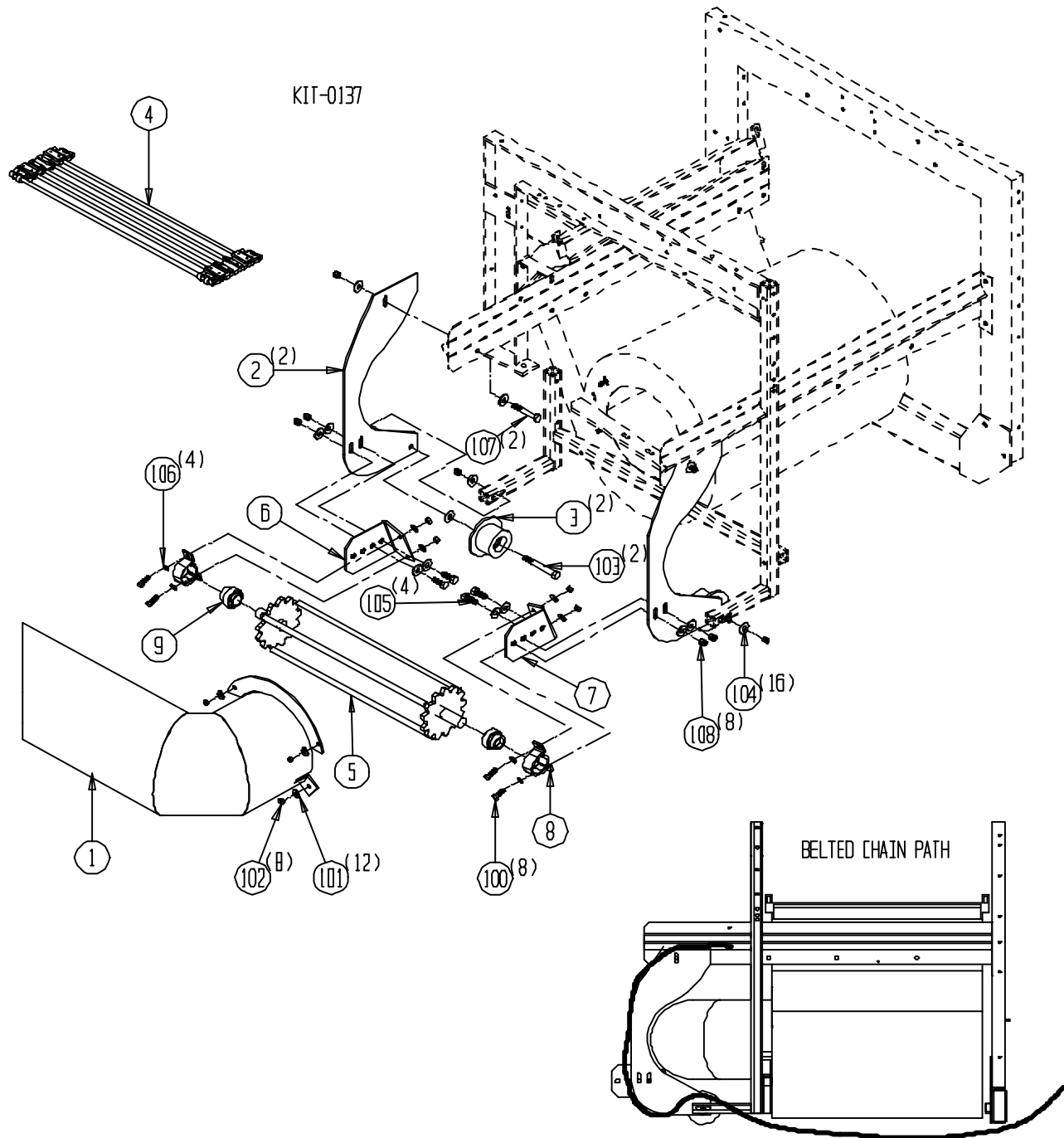
1004-7-6 Optional Fan Intake with Elevation Bar Cleaner

<u>Ref</u>	<u>Part No.</u>	<u>Description</u>	<u>Parts – Assembly</u>	<u>Will Fit SN</u>	<u>Remarks</u>
0	KIT-0137	Fan Intake Extension with Elevation Bar Cleaner	0		

KIT-0137 Fan Intake Extension with Elevation Bar Cleaner

<u>Ref</u>	<u>Part No.</u>	<u>Description</u>	<u>Parts – Assembly</u>	<u>Will Fit SN</u>	<u>Remarks</u>
1	FAN-1750	FAN, REAR AIR INTAKE, DEBRIS FAN	1		
2	MOU-1750	Mount, Roller, Debris Fan Intake	2		
3	RLT-535-228	5" Flange Roller 2.2WF x 3 1/2" dia, 1/2" bore	2		
4	BC-7-3236-5	Belted Chain, 5 Bar Ele. Ext. W/out Bar Cleaner, Tom	1		
5	194-661	Belted chain bar cleaner, for 36mm pitch x 32" wide chain	1		
6	BRA-736	Bracket, Elevation Conveyor Bar Cleaner	1		
7	BRA-738	Bracket, Elevation Conveyor Bar Cleaner	1		
8	BR-062-MPB	Stamped Bearing Housing for 1 1/4" bearing	1		
9	BR-125-062	Bearing, 1 1/4 Fafnir tri-seal, 62mm OD	1		
100	BL-6-125-H	3/8-16 X 1 1/4 HHCS G5 ZC	8		
101	BL-6-FW-8	3/8 FLAT WASHER G8 ZC	12		
102	BL-6-LN	3/8 UNC FIN HEX LOCK NUT NE A563 GrA ZINC	8		
103	BL-8-475-H	1/2-13 X 4 3/4 HEX CAP G5 ZC	2		
104	BL-8-FW	1/2 USS FW ZC	16		
105	BL-8-150-H	1/2 UNC X 1 1/2 HH C/S BOLT GR5 ZINC	4		
106	BL-6-SW	3/8 SAE FW ZC	4		
107	BL-8-350-H	1/2-13 X 3 1/2 HEX CAP G5 ZC	2		
108	BL-8-LN	1/2-13 HEX LOCK NUT NYLON INSERT ZC	8		

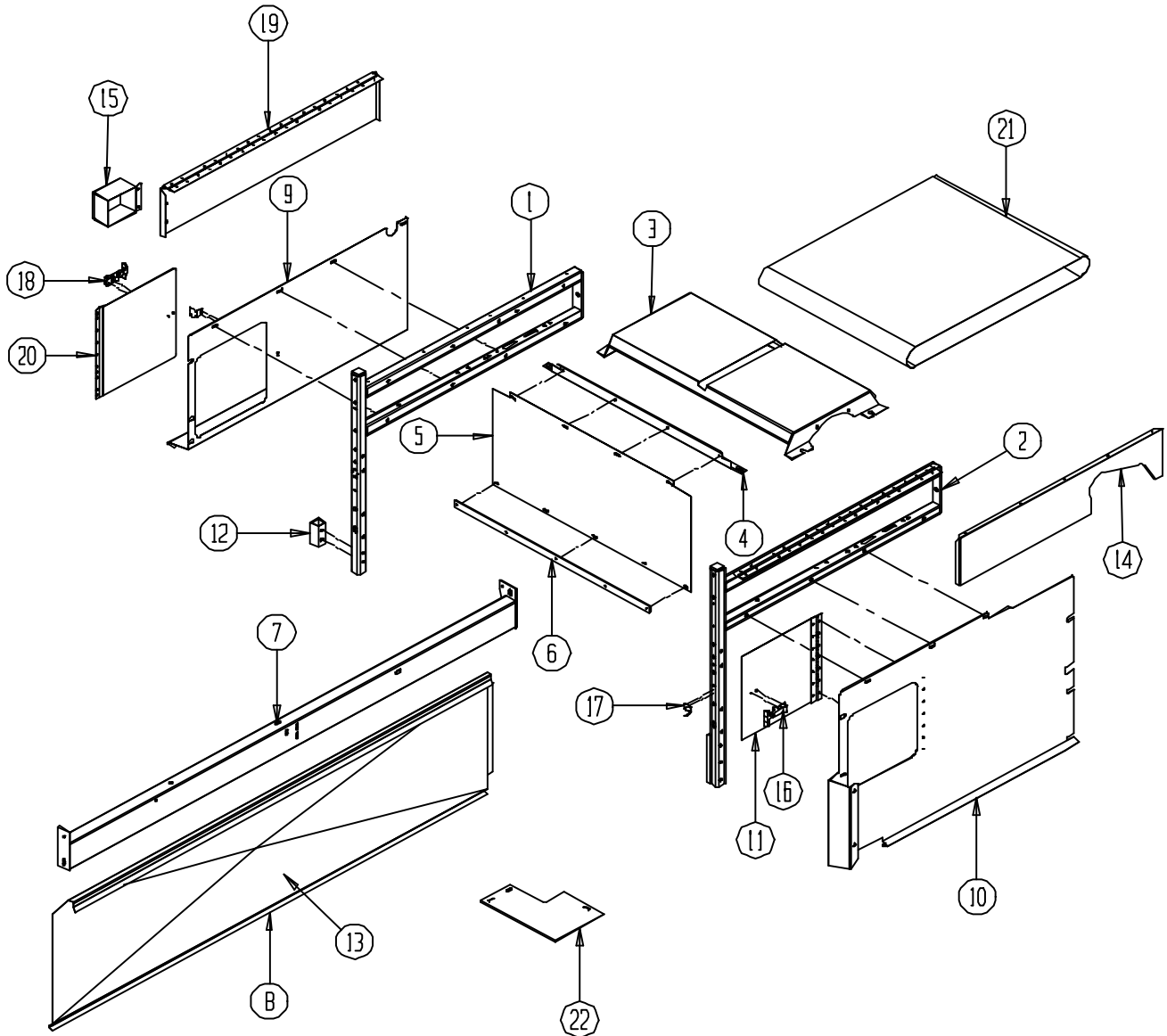
1004-7-6 OPTIONAL FAN INTAKE W/ ELEVATION BAR CLEANER



1004-8-1 Presort Assembly

<u>Ref</u>	<u>Part No.</u>	<u>Description</u>	<u>Parts – Assembly</u>	<u>Will Fit SN</u>	<u>Remarks</u>
1	196-1525	Frame, Presort,Outer	1	19601-	Replaces 193-1525
2	FRM-1526	Presort Frame, Inner	1	19801- 19705	
3	193-1520	Slider, Presort	1	19101-	
4	193-1546	Endless belt scraper	1	19301-	
5	BT-1548	Belting, Presort Scraper, Big Wheel, Narrow Shield	1	KIT-1118 19801-	
6	BAR-1548	Bar, Belting, Presort, Narrow Shield	1	19705 19801-	
7	194-834	Cross Bar (over wheel well)	1	19401-	Replaces 191-834
8	194-827	Cover, Wheel	1	19401-	
9	SHD-1526	Shield, Presort, Lower, Outer	1	19801-	
10	SHD-1538	Shield, Inner, Presort, Lower	1	19705 19801-	
11	SHD-1525	Shield, Access Panel, Presort Door, Inner	1	19705 19801-	
12	SPA-1526	Spacer, Outer, Presort	1	19801- 19705	
13	DC-3025	Red and White Reflective Tape @ 150 ft Roll	0.01		
14	SHD-1539	Shield, Presort, Inner Presort, Upper	1		
15	SHD-1523	Shield, Shaft End, Outer, Presort	1	19705 19801-	
16	LA-703A	Large Rubber T Latch	1		
17	LA-703B	T Latch Keeper	1		
18	LA-1530	Medium Rubber T Latch Assembly	1		
19	SHD-1529	Shield, Presort, Outer Presort, Upper	1		
20	SHD-1528	Shield, Access Panel, Presort Door, Outer	1	19801-	
21	BT-72V32E	Presort Belt 32" X 72.25" Endless	1	19101	
22	BT-0014	Belting, Inside Presort Tomato Deflector	1		

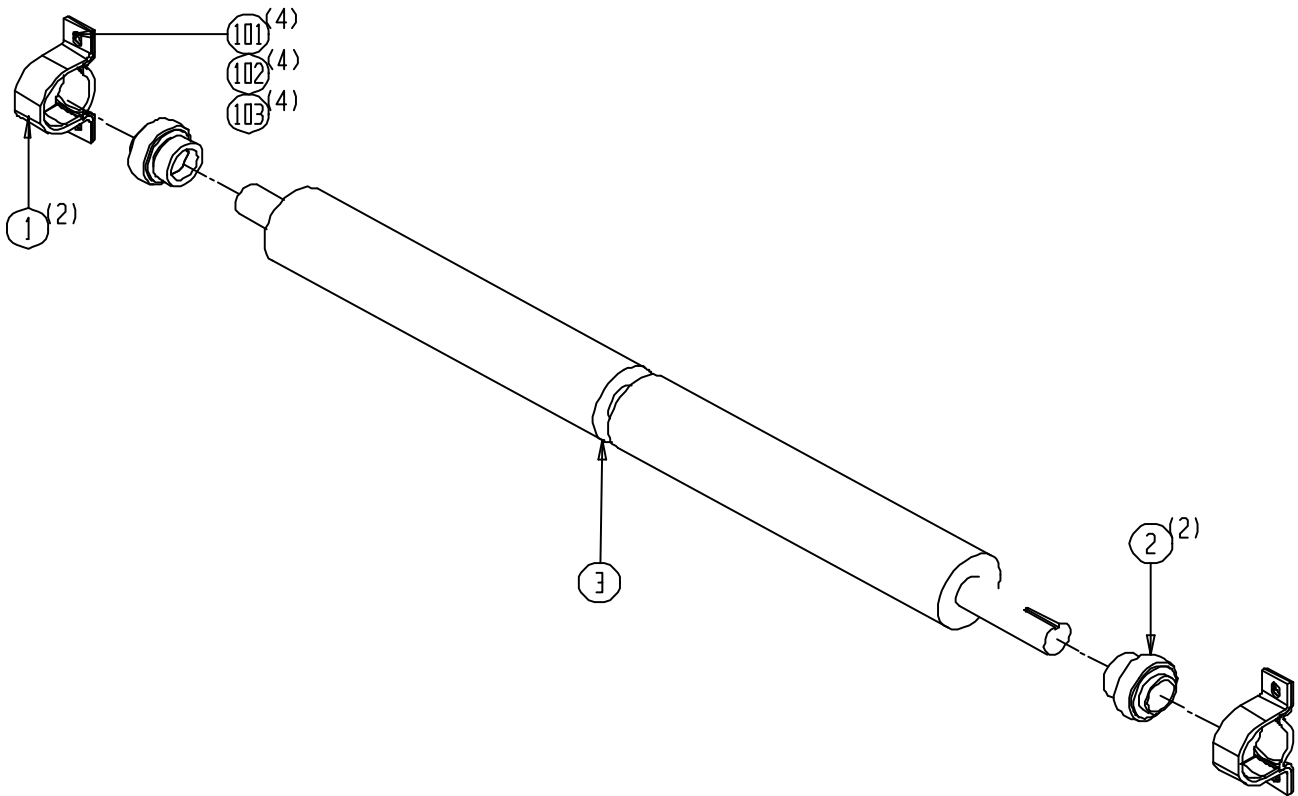
1004-8-1 PRESORT ASSEMBLY



1004-8-2 Front Presort Roller Assembly

<u>Ref</u>	<u>Part No.</u>	<u>Description</u>	<u>Parts – Assembly</u>	<u>Will Fit SN</u>	<u>Remarks</u>
1	BR-062-MPB	Stamped Bearing Housing for 1 1/4" bearing	2		
2	BR-125-062	Bearing, 1 1/4 Fafnir tri-seal, 62mm OD	2		
3	RLR-1523	Roller for 32 1/2 Presort Flat Belt Drive & Nose (Tomato)	1		
101	BL-6-100-H	3/8 UNC X 1 HH C/S BOLT GR5 ZINC	4		
102	BL-6-LW	3/8 SPLIT LW ZC	4		
103	BL-6-SW	3/8 SAE FW ZC	4		

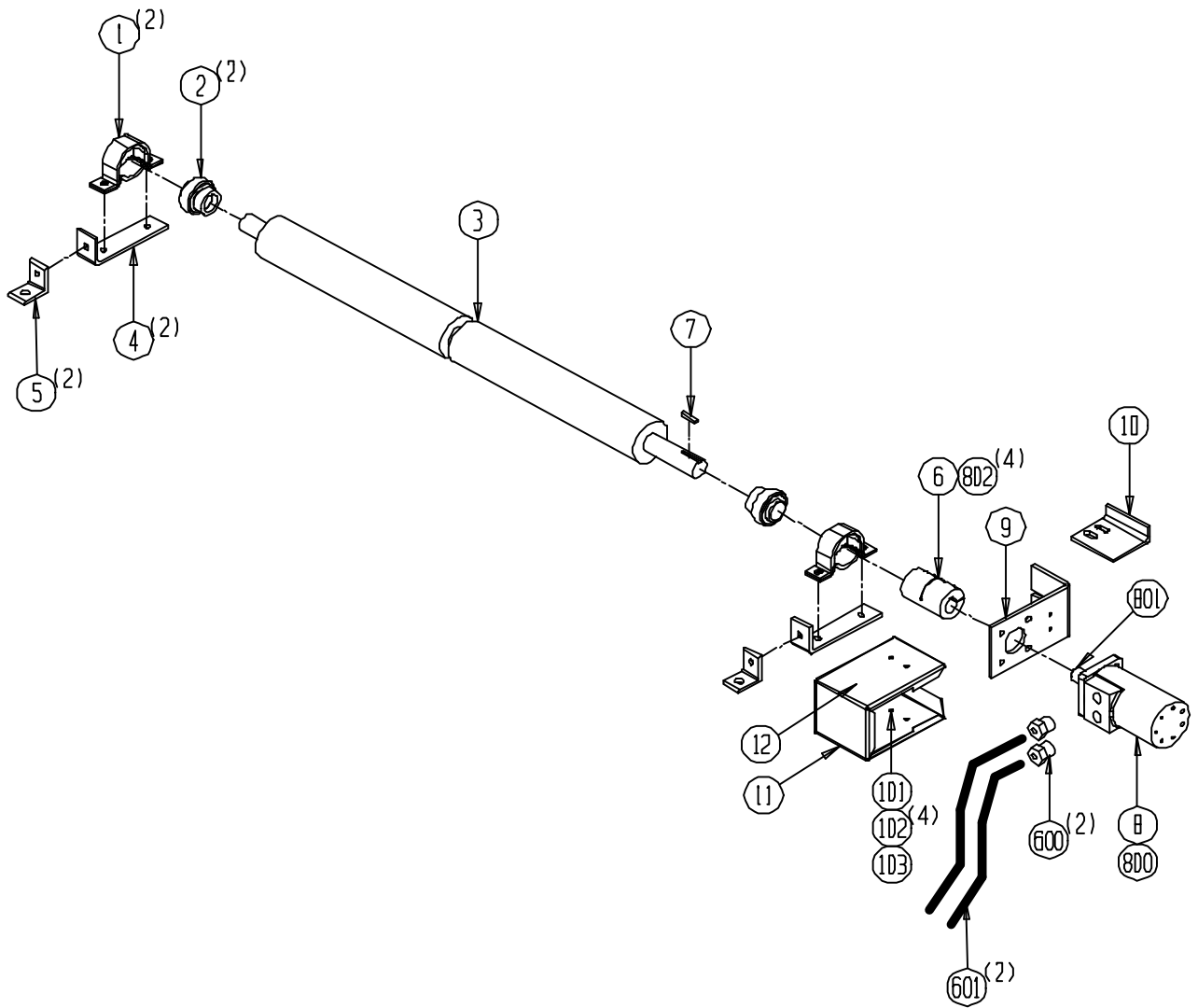
1004-8-2 FRONT PRESORT ROLLER ASSEMBLY



1004-8-3 Rear Presort Roller Assembly

<u>Ref</u>	<u>Part No.</u>	<u>Description</u>	<u>Parts – Assembly</u>	<u>Will Fit SN</u>	<u>Remarks</u>
1	BR-062-MPB	Stamped Bearing Housing for 1 1/4" bearing	2		
2	BR-125-062	Bearing, 1 1/4 Fafnir tri-seal, 62mm OD	2		
3	RLR-1523	Roller for 32 1/2 Presort Flat Belt Drive & Nose (Tomato)	1		
4	192-1528	Bearing Adjuster	2	19201-	
5	BRA-1528	Bracket, Tightener	2	19705 19801-	
6	CPS-6060	Steel Coupler (offcenter) 1 1/4" x 1"	1		
7	KEY-4-4-20	Shaft Key 1/4" x 1 1/4"	1		
8	HM-208-CH	Char-Lynn Hydraulic Motor	1		
9	193-806	Mount motor	1		
10	193-806A	Motor mount stop	1		
11	193-806C	Motor Guard	1	19301-	
12	DC-1176	Decal, Danger-Hand Chain Sprockets	1		
101	BL-4-500-H	1/4-20 X 5 HEX CAP G5 ZC	1		
102	BL-4-FW-8	1/4" Flat Washer Grade 8	4		
103	BL-4-WN	1/4-20 FORGED W/NUTS ZC	1		
600	A-6902-10-8	10 SAE X 1/2" FPX 45	2	20095001-	
601	H10-94-8MP-8MP	5/8 in hose 1/2MP x 1/2MP x 94 in long	2		
800	HM-200S	Seal Kit For Char Lyn Motor	1	H Series - 008 A Series -002	
801	KEY-4-4-15	Shaft Key 1/4" X 1/4" X 15/16" Woodruff Key	1		
802	BL-5-100-SF	5/16-24 x 1 Socket Head Cap Screw	4	CPS-6057	

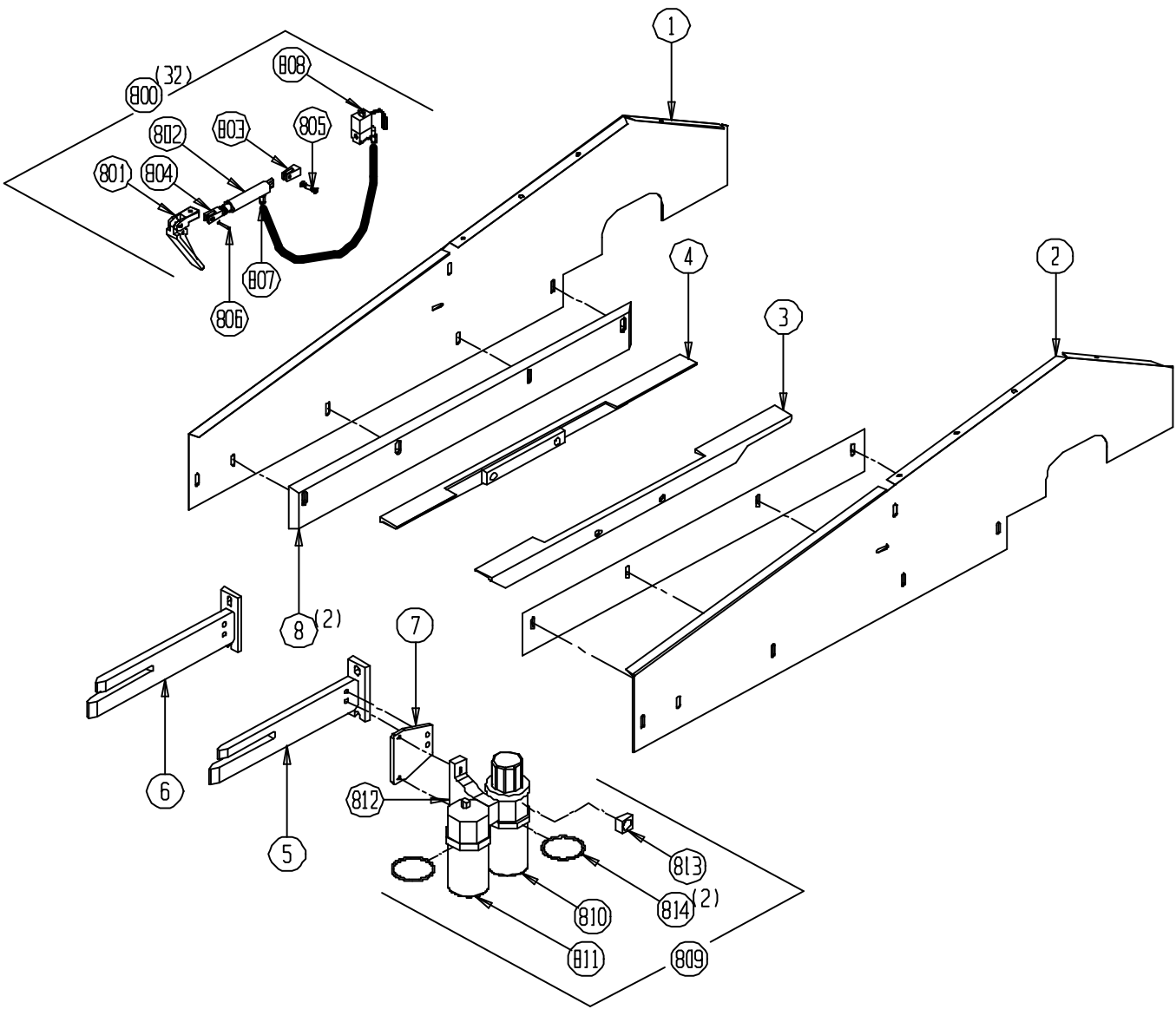
1004-8-3 REAR RESORT ROLLER ASSEMBLY



1004-8-5 Grademaster Presort Assembly

<u>Ref</u>	<u>Part No.</u>	<u>Description</u>	<u>Parts – Assembly</u>	<u>Will Fit SN</u>	<u>Remarks</u>
0	SRT-1517	Rejector oil	1		
0	SRT-1522	32" Odenberg GradeMaster Color Sorter	1		
0	SRT-1578G	"POST- 96" Grademaster Sorter Glass	1	1997- Gradmaster	
0	SRT-1595	Sorter Cable (GradeMaster)	1		
1	PAN-1566	Panel, Outer, Presort, Straight w/Cut-out	1	19705 19801-	
2	PAN-1567	Panel, Inner, Presort, Straight w/Cut-out	1	19705 19801-	
3	EX-1520B	extension, Slider, Inner	1	19601-	
4	EX-1520A	extension, Slider, Outer	1	19601-	
5	BRA-1568	Bracket, Grademaster, Inner	1	19801-, 19705 19705	
6	BRA-1570	Bracket, Grademaster, Outer	1	19801-, 19705	
7	SPA-1568	Spacer, FRL, Sorter Bracket, Tom.	1		
8	PL-1564	Guide, Plastic, Grademaster Presort Assy.	2	19601- KIT-0047	
800	SRT-1575	Finger Cylinder Assy	32	Grademaster	
801	SRT-1575A	Finger Only	1	SRT-1575	
802	SRT-1575B	Air Cylinder	1	SRT-1575	
803	SRT-1575C	Rejector Clevis (Hardened)	1	SRT-1575	
804	SRT-1575D	Cylinder Rod Clevis	1	SRT-1575	
805	SRT-1575E	Cylinder pin w/ (2) Circlips	1	SRT-1575	
806	SRT-1575F	Finger Pin (roll pin) @ each	1	SRT-1575	
807	SRT-1576B	Connector P-Loc 1/8" x 1/8" nylon	1		
808	SRT-1578	Air Valve Assy for Grademaster	1	Grademaster	Replaced By SRT-1577
809	AIR-1578	MILLER FRL Complete	1		
810	AIR-1576	Air Filter Regulator (Miller)	1	AIR-1578	
811	AIR-1577	Lubricator (Miller)	1	AIR-1578	
812	AIR-1578A	T-Type Bracket for FRL	1	AIR-1578	
813	AIR-1576G	Gauge for Miller FRL	1	AIR-1578	
814	AIR-1577-O	O-Ring for Miller Lubricator	2	AIR-1578	

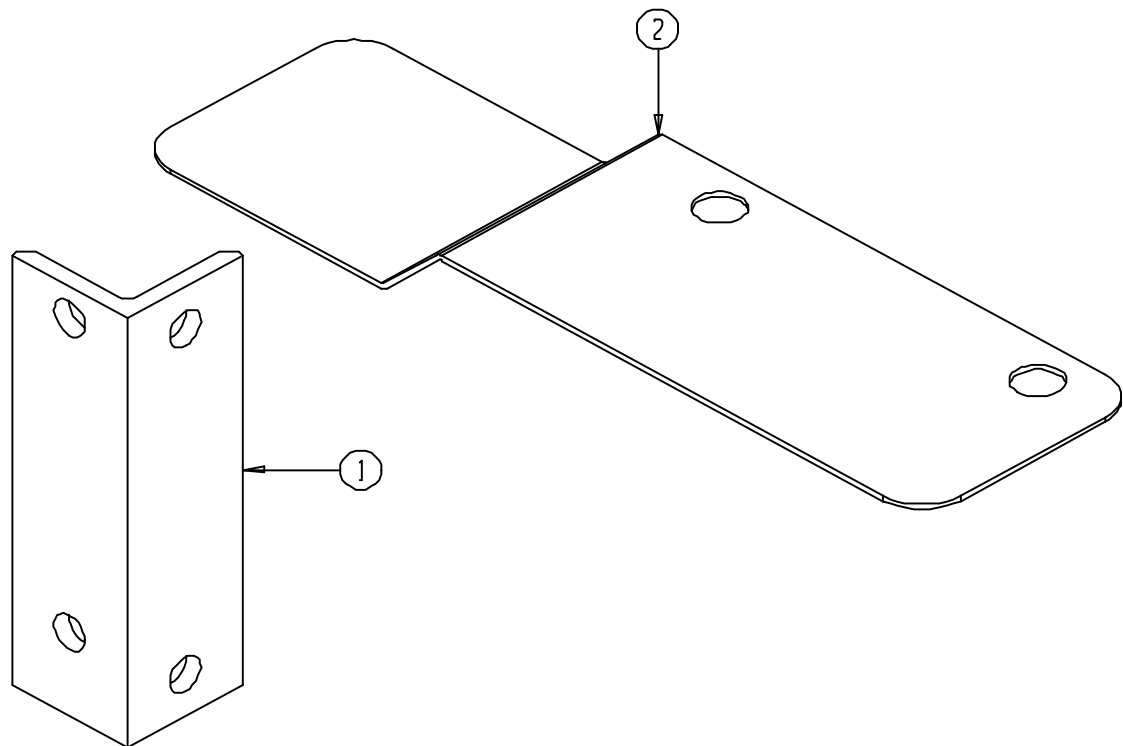
1004-8-5 GRADEMASTER PRESORT ASSEMBLY



1004-8-6 No Sorter Presort Parts ONLY

<u>Ref</u>	<u>Part No.</u>	<u>Description</u>	<u>Parts – Assembly</u>	<u>Will Fit SN</u>	<u>Remarks</u>
1	BRA-1569	Bracket, FRL, Grademaster	1	19601-	
2	SHD-1569	Shield, Shaft, Inner Presort	1	19601-	

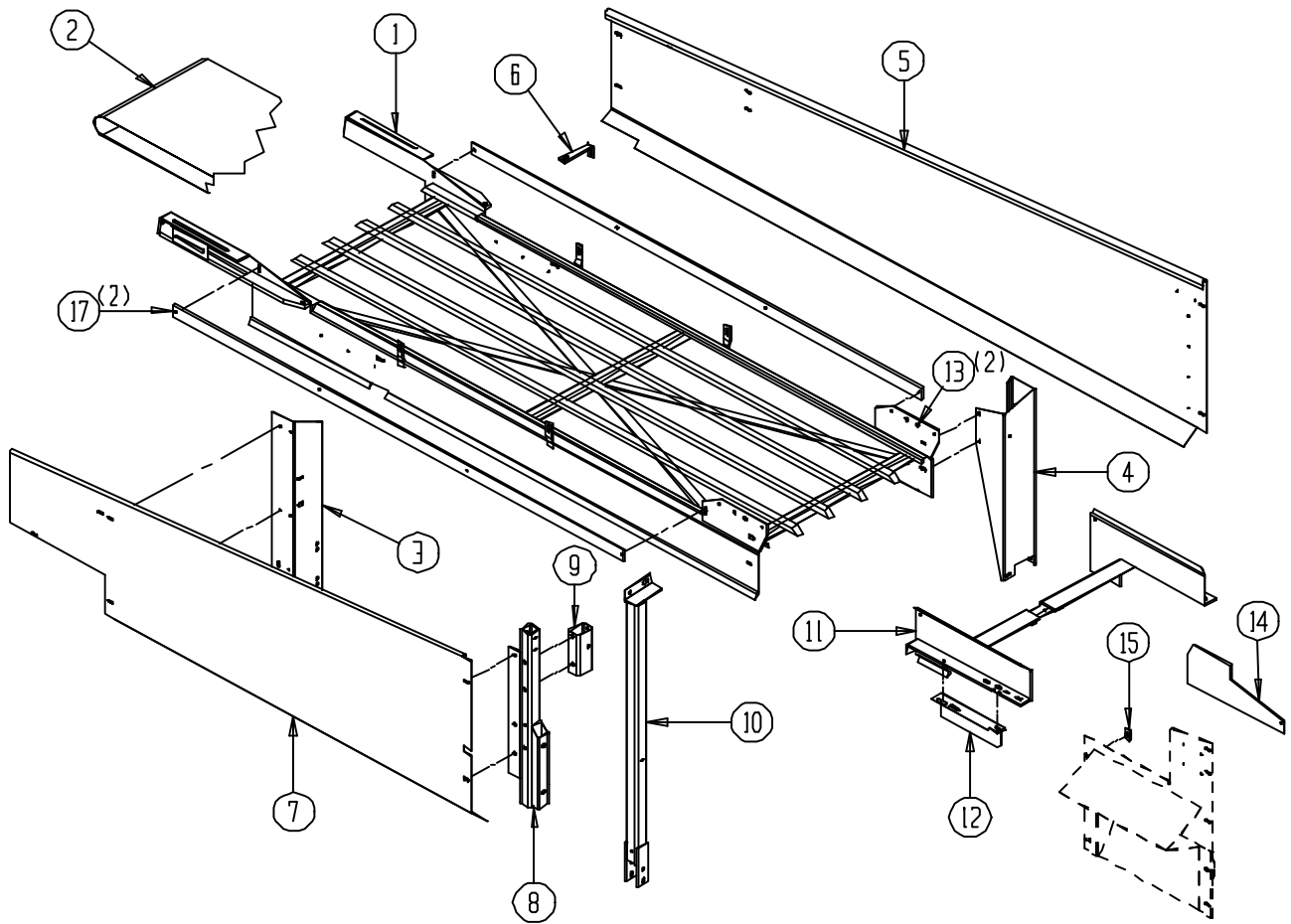
1004-8-6 NO SORTER PRESORT PARTS ONLY



1004-9-1 Aftersort Assembly

<u>Ref</u>	<u>Part No.</u>	<u>Description</u>	<u>Parts – Assembly</u>	<u>Will Fit SN</u>	<u>Remarks</u>
1	HAN-803	Handsort, Table for A-Guide Belts, 190 Tom	1		
2	BT-257V32L	Sort Belt w/A-Guide (laced) 257 x 32	1		
3	193-841	Rear outer aftersort post	1	19301-	
4	193-840	Front inner aftersort post	1	19301- KIT-0007	
5	192-127	Debris Chute, Inner Aftersort (Tomato)	1	19201-	
6	191-129	Bracket, Inner Debris Chute	1	19101-	
7	193-128	Debris Chute, Outer Front (Tomato)	1	19301-	
8	193-1139B	Front Roof support, Bottom	1	19301-	
9	193-800S	Spacer, Outer Front Aftersort	1	19301-	
10	193-1139A	Front Canopy Support , Top	1	19301-	
11	193-800A	Sorting Table, Foldup	1	19301- KIT-0007	
12	COV-803	Cover, Flip up,Aftersort Table w/ A-Guide	1		
13	194-1418	Rubber Bumper	2	19401	
14	SHD-8001	Shield, Plastic, Inner Front Aftersort	1		
15	BAR-8001	Bar, Shield Holder, Inner Front Aftersort	1		
17	SID-803	Side, Bar, Aftersort Table, 190 Tomato	2		

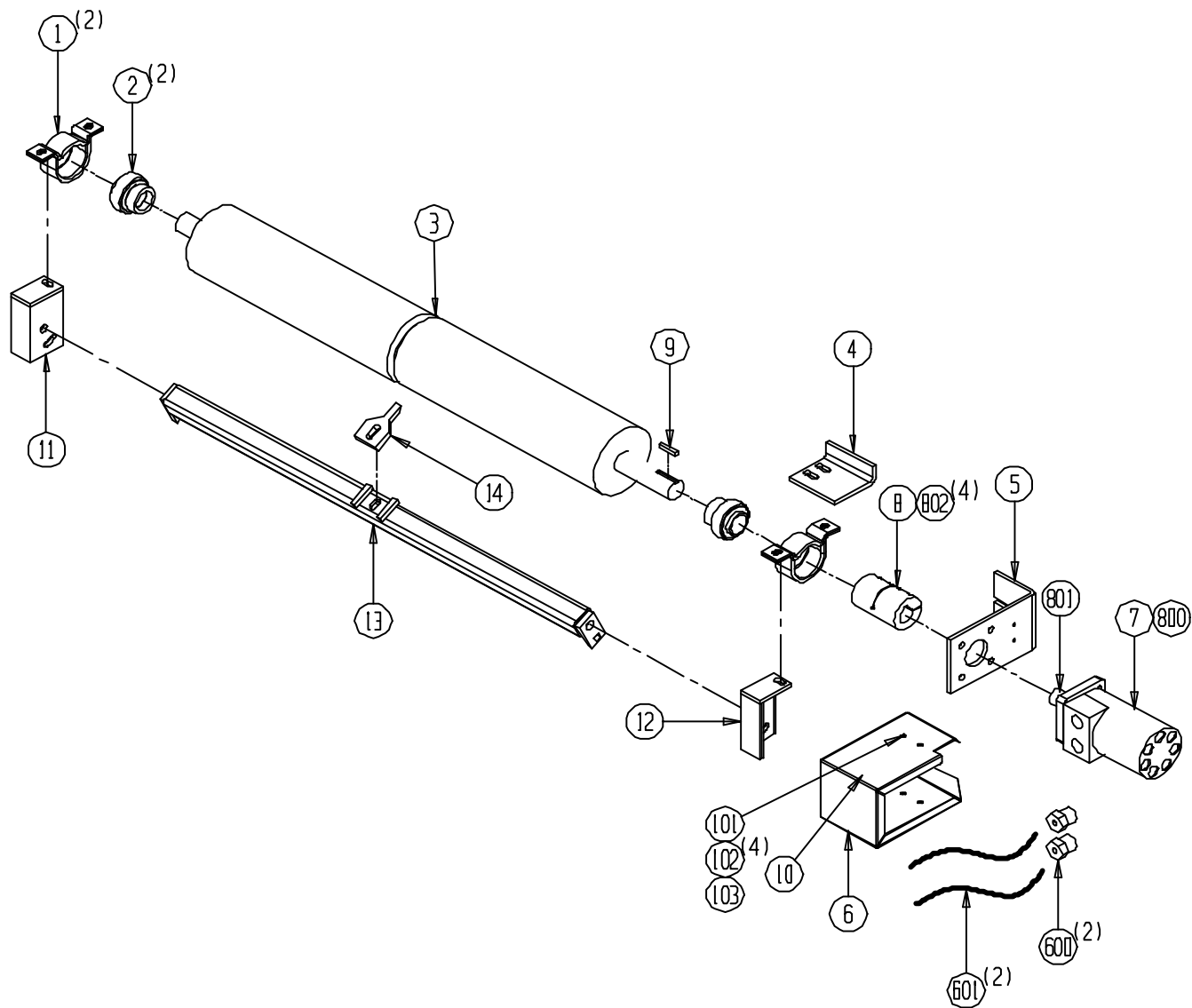
1004-9-1 AFTERSORT ASSEMBLY



1004-9-2 Aftersort Drive Shaft Assembly

<u>Ref</u>	<u>Part No.</u>	<u>Description</u>	<u>Parts – Assembly</u>	<u>Will Fit SN</u>	<u>Remarks</u>
1	BR-062-MPB	Stamped Bearing Housing for 1 1/4" bearing	2		
2	BR-125-062	Bearing, 1 1/4 Fafnir tri-seal, 62mm OD	2		
3	RLR-1524	Drive Roller with "A"Guide for Aftersort (Tomato)	1		
4	193-806A	Motor mount stop	1		
5	193-806	Mount motor	1		
6	shd-0053	Shield, Motor, Aftersort w/ A-Guide Scraper, 190	1		
7	HM-204-CH	Char-Lyn Hydraulic Motor	1		
8	CPS-6060	Steel Coupler (offcenter) 1 1/4" x 1"	1		
9	KEY-4-4-20	Shaft Key 1/4" x 1 1/4"	1		
10	DC-1176	Decal, Danger-Hand Chain Sprockets	1		
11	BRA-803	Bracket, A-Guide Cleaner Holder, 190 Tom.	1		
12	BRA-804	Bracket, Other Side A-Guide Cleaner Holder	1		
13	MOU-803	Mount, A-Guide Scraper Holder, 190 Tom.	1		
14	SCR-803	Scraper, A-Guide Groove, Aftersort 190 Tom.	1		
101	BL-4-500-H	1/4-20 X 5 HEX CAP G5 ZC	1		
102	BL-4-FW-8	1/4" Flat Washer Grade 8	4		
103	BL-4-WN	1/4-20 FORGED W/NUTS ZC	1		
600	A-6902-10-8	10 SAE X 1/2" FPX 45	2	20095001-	
601	H10-94-8MP-8MP	5/8 in hose 1/2MP x 1/2MP x 94 in long	2		
800	HM-200S	Seal Kit For Char Lyn Motor	1	H Series - 008 A Series -002	
801	KEY-4-4-15	Shaft Key 1/4" X 1/4" X 15/16" Woodruff Key	1		
802	BL-5-100-SF	5/16-24 x 1 Socket Head Cap Screw	4	CPS-6057	

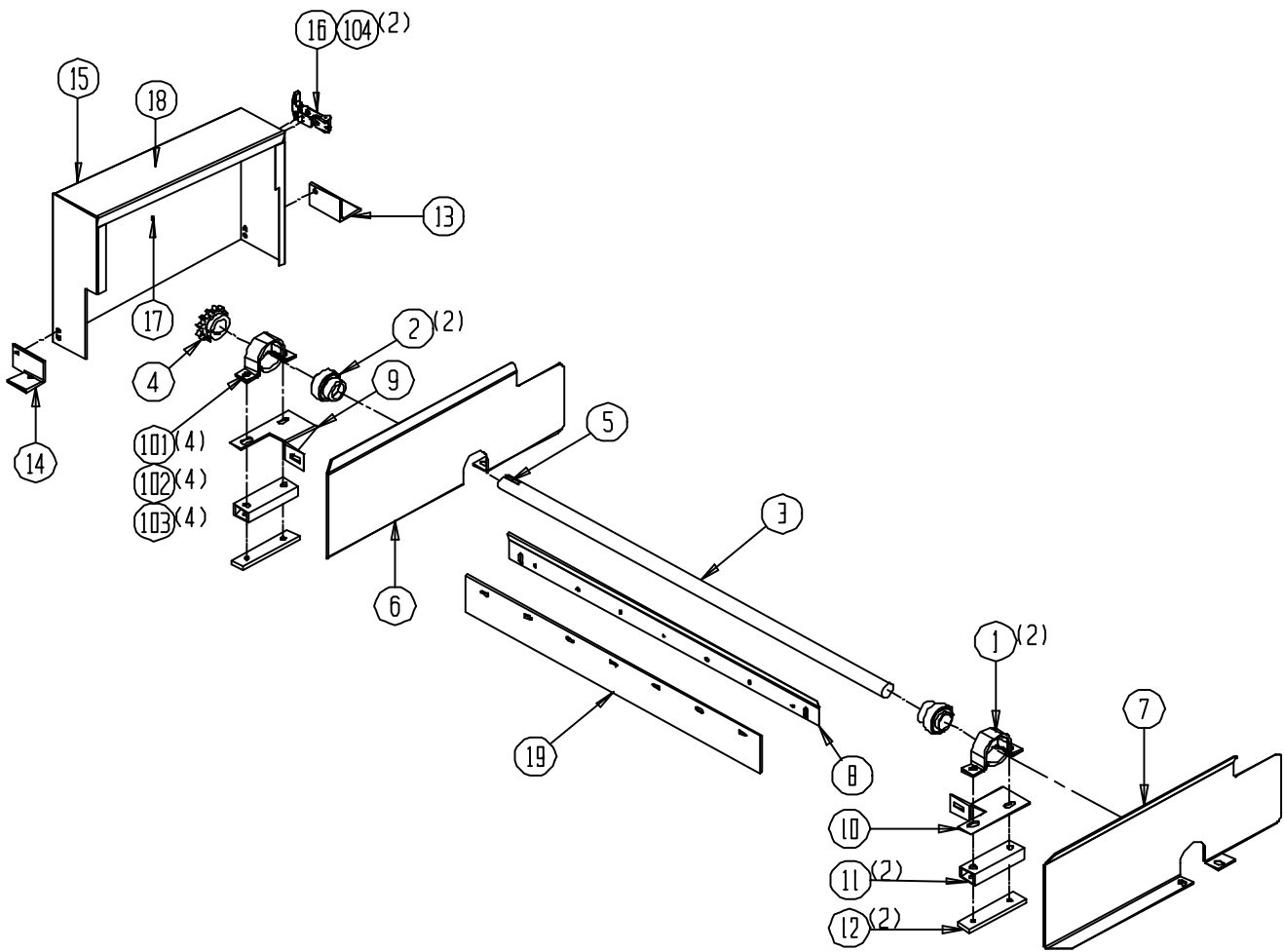
1004-9-2 AFTERSORT DRIVE SHAFT ASSEMBLY



1004-9-3 Aftersort Divider Bar Assembly

<u>Ref</u>	<u>Part No.</u>	<u>Description</u>	<u>Parts – Assembly</u>	<u>Will Fit SN</u>	<u>Remarks</u>
1	BR-062-MPB	Stamped Bearing Housing for 1 1/4" bearing	2		
2	BR-125-062	Bearing, 1 1/4 Fafnir tri-seal, 62mm OD	2		
3	191-848	Shaft, Rolling Guard	1	19101-	
4	SP-50B12-20-4	Sprocket, #50, 12 tooth, 1.25" bore	1	19201-	
5	KEY-4-4-20	Shaft Key 1/4" x 1 1/4"	1		
6	SHD-848	Guard, Outer Aftersort	1	19801- kit-0059	
7	SHD-849	Guard, Inner Aftersort	1	19801- kit-0059	
8	193-849	Rolling guard scraper	1	19301-	
9	BRA-850	Bracket, Rolling Guard, Scraper, Outer	1	19101- Kit-0007	
10	BRA-851	Bracket, Rolling Guard, Scraper, Inner	1	19101- kit-0007	
11	SPA-810	Spacer, Divider Bar, Aftersort	2	19801- 19705	
12	191-805	Bracket, Rear Aftersort	2	19101-	
13	BRA-1536	Bracket, Cover Hinge, Aftersort	1	19705 19801-	
14	193-1536	Mounting Angle, Outer Presort Shield	1	19301-	
15	COV-845	Cover, Divider Shaft Drive, Aftersort	1	19705 19801-	
16	LA-1530	Medium Rubber T Latch Assembly	1		
17	194-1418	Rubber Bumper	1	19401	
18	DC-1176	Decal, Danger-Hand Chain Sprockets	1		
19	BT-849	Belting, Rear Aftersort Rolling Guard Scraper	1		
101	BL-6-150-H	3/8-16 X 1 1/2 HEX CAP G5 ZC	4		
101	BL-6-250-H	3/8-16 X 2 1/2 HH C/S GR5 ZC	4		
102	BL-6-LW	3/8 SPLIT LW ZC	4		
103	BL-6-SW	3/8 SAE FW ZC	4		
104	RI-3-5-P	Pop Rivet 3/16 x 5/16 Domed, .375 head, ea	2		

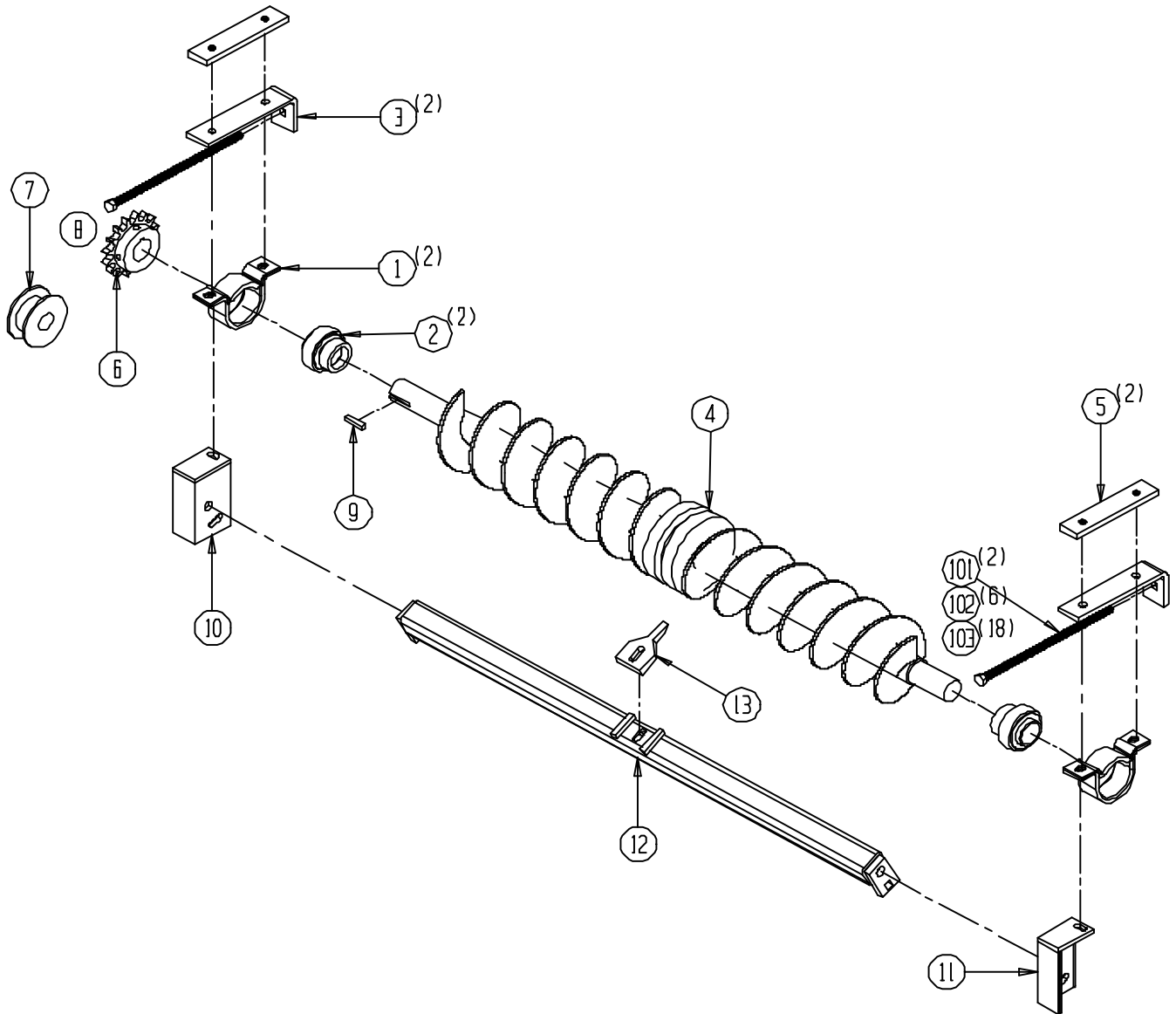
1004-9-3 AFTERSORT DIVIDER BAR ASSEMBLY



1004-9-4 Aftersort Auger Assembly

<u>Ref</u>	<u>Part No.</u>	<u>Description</u>	<u>Parts – Assembly</u>	<u>Will Fit SN</u>	<u>Remarks</u>
1	BR-062-MPB	Stamped Bearing Housing for 1 1/4" bearing	2		
2	BR-125-062	Bearing, 1 1/4 Fafnir tri-seal, 62mm OD	2		
3	192-1528	Bearing Adjuster	2	19201-	
4	RLS-803	Roller Steel, Auger w/A-Guide, Aftersort, 190 Tom.	1		Replaces RLS-804. Must be installed so that augers run out from center.
5	191-805	Bracket, Rear Aftersort	2	19101-	
6	SP-50B16-20-4	Sprocket, #50, 16 tooth, 1.25" bore	1		
7	SP-FLT-T	Flat Roller Chain Idler	1	11001	
8	CH-50-35	Roller Chain 35 pitches #50 Power Divider w/master link	1	19101- 19625,19801 -	
9	KEY-4-4-20	Shaft Key 1/4" x 1 1/4"	1		
10	BRA-803	Bracket, A-Guide Cleaner Holder, 190 Tom.	1		
11	BRA-804	Bracket, Other Side A-Guide Cleaner Holder	1		
12	MOU-803	Mount, A-Guide Scraper Holder, 190 Tom.	1		
13	SCR-803	Scraper, A-Guide Groove, Aftersort 190 Tom.	1		
101	BL-6-900-T	3/8-16 X 9 HEX TAP G5 ZC	2		
102	BL-6-N	3/8-16 HEX NUTS ZC	6		
103	BL-6-SW	3/8 SAE FW ZC	18		

1004-9-4 AFTERSORT AUGER ASSEMBLY



1004-9-5 Optional Long Aftersort Table Assembly

<u>Ref</u>	<u>Part No.</u>	<u>Description</u>	<u>Parts – Assembly</u>	<u>Will Fit SN</u>	<u>Remarks</u>
0	KIT-800	Kit, Handsort for Tomato Models	0	19600-	SHD-8021, SHD-8022 are for '96 and later model sorting tables. SHD-8023, SHD-8024 are used on 95 and earlier model sorting tables.

KIT-800 Handsort Kit (Tomato 1996-)

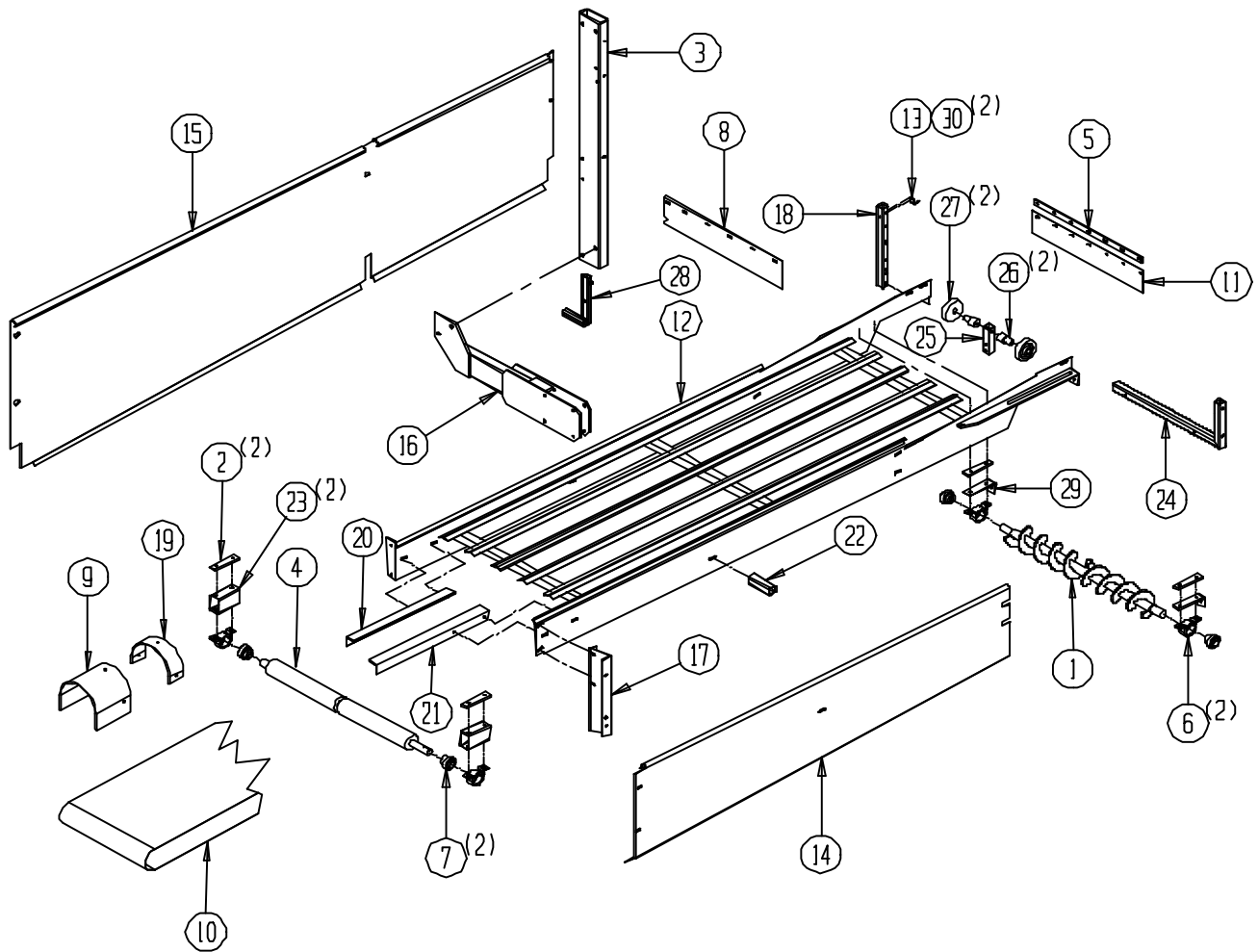
<u>Ref</u>	<u>Part No.</u>	<u>Description</u>	<u>Parts – Assembly</u>	<u>Will Fit SN</u>	<u>Remarks</u>
1	RLS-805	Aftersort Auger, Non Drive	1		
2	191-805	Bracket, Rear Aftersort	2	19101-	
3	193-1138B	Rear roof support, lower	1	19301-	
4	RLR-1523	Roller for 32 1/2 Presort Flat Belt Drive & Nose (Tomato)	1		
5	BAR-730	Bar, Belting, Rear Closure	1	19701- kit-800	
6	BR-062-MPB	Stamped Bearing Housing for 1 1/4" bearing	2		
7	BR-125-062	Bearing, 1 1/4 Fafnir tri-seal, 62mm OD	2		
8	BT-1831	Belting, Front, Closure, Sorting Table	1	19701- kit-800	
9	BT-3100	Belting, PTO Shield, Compressorless	1	30095001- KIT-800	Used ONLY on machines with no air compressor
10	BT-508-32E	Flat Belt for Hand Sort 32" x 508" Endless	1	KIT-800	Use w/193-800A
11	BT-730	Belting, Rear Closure	1	19701- kit-800	
12	HAN-800	Handsort Table	1	KIT-800	
13	LA-703B	T Latch Keeper	1		
14	PAN-1742	Panel, Debris Chute, Handsort, Inner Rear	1	KIT-800	
15	PAN-1843	Panel, Debris Chute, Handsort, Outer Rear	1	KIT-800	
16	POS-1138	Post, Frame Mount, Long Aftersort Table	1		
17	POS-130	Post, Handsort, Inner	1	KIT-800	For serial group: 19601-
18	POS-738	Post, Rear Handsort	1	KIT-800	
19	SHD-3100	Shield, PTO, Compressorless	1	KIT-800 30095001- 40096001-	Used ONLY on machines with no air compressor.
20	SHD-8021	Shield, Handsort, Outer	1	19601- kit-800	
20	SHD-8023	Shield, Handsort, Outer	1	19201-19525	Used on KIT-800
21	SHD-8022	Shield, Handsort, Inner	1	19601-	

			kit-800		
21	SHD-8024	Shield, Handsort, Inner	1	19201-19525	Used on KIT-800
22	SPA-800	Spacer, Sq. Tube, 1/8x1-1/2x1-1/2x5, Red	1		
23	SPA-0013	Spacer, Handsort, Idler Roller	2		Replaces SPA-8020
24	SUP-736	Support, Rear Debris Fan, Handsort	1	KIT-800	
25	SPA-740	Spacer, Roller, Long Handsort	1		
26	RLA-010-0108	Spindle / Standoff for Urethane Roller (heat treated)	2	19101-	
27	RLG-040-1016	4" Urethane Roller	2		
28	SUP-1122	Support, Decking, Rear, Right, Long Sort Table	1	KIT-800	Use w/# 193-1138B
29	192-1528	Bearing Adjuster	1	19201-	
30	RI-3-7-P	Pop Rivet, .375 Domed head 3/16 x 1/2	2		
100	BL-6-600-T	3/8 X 6 Tap Bolt	2		
101	BL-8-LN	1/2-13 HEX LOCK NUT NYLON INSERT ZC	1		
102	BL-8-FW-8	1/2 FLAT WASHER G8 ZC	2		
103	BL-8-800-H	1/2 x 8 HEX CAP G5 ZC	1		
104	BL-6-N	3/8-16 HEX NUTS ZC	20		
105	BL-6-LW	3/8 SPLIT LW ZC	12		
106	BL-6-LN	3/8 UNC FIN HEX LOCK NUT NE A563 GrA ZINC	10		
107	BL-6-FW-8	3/8 FLAT WASHER G8 ZC	36		
108	BL-6-600-H	3/8 UNC X 6 HH C/S BOLT GR5 ZINC	1		
109	BL-6-100-H	3/8 UNC X 1 HH C/S BOLT GR5 ZINC	6		
110	BL-6-100-C	3/8 UNC X 1 CARRIAGE BOLT GR5 ZINC	3		
111	BL-6-250-H	3/8-16 X 2 1/2 HH C/S GR5 ZC	7		
112	BL-6-400-H	3/8-16 X 4 HEX CAP G5 ZC	4		
113	BL-6-575-H	3/8-16 X 5 3/4 HEX CAP G5 ZC	1		
600	AC-8	1/2 NPT Coupler, Steel Only	1		

1004-9-5 OPTIONAL LONG AFTERSORT TABLE ASSEMBLY

KIT-800 HANDSORT KIT

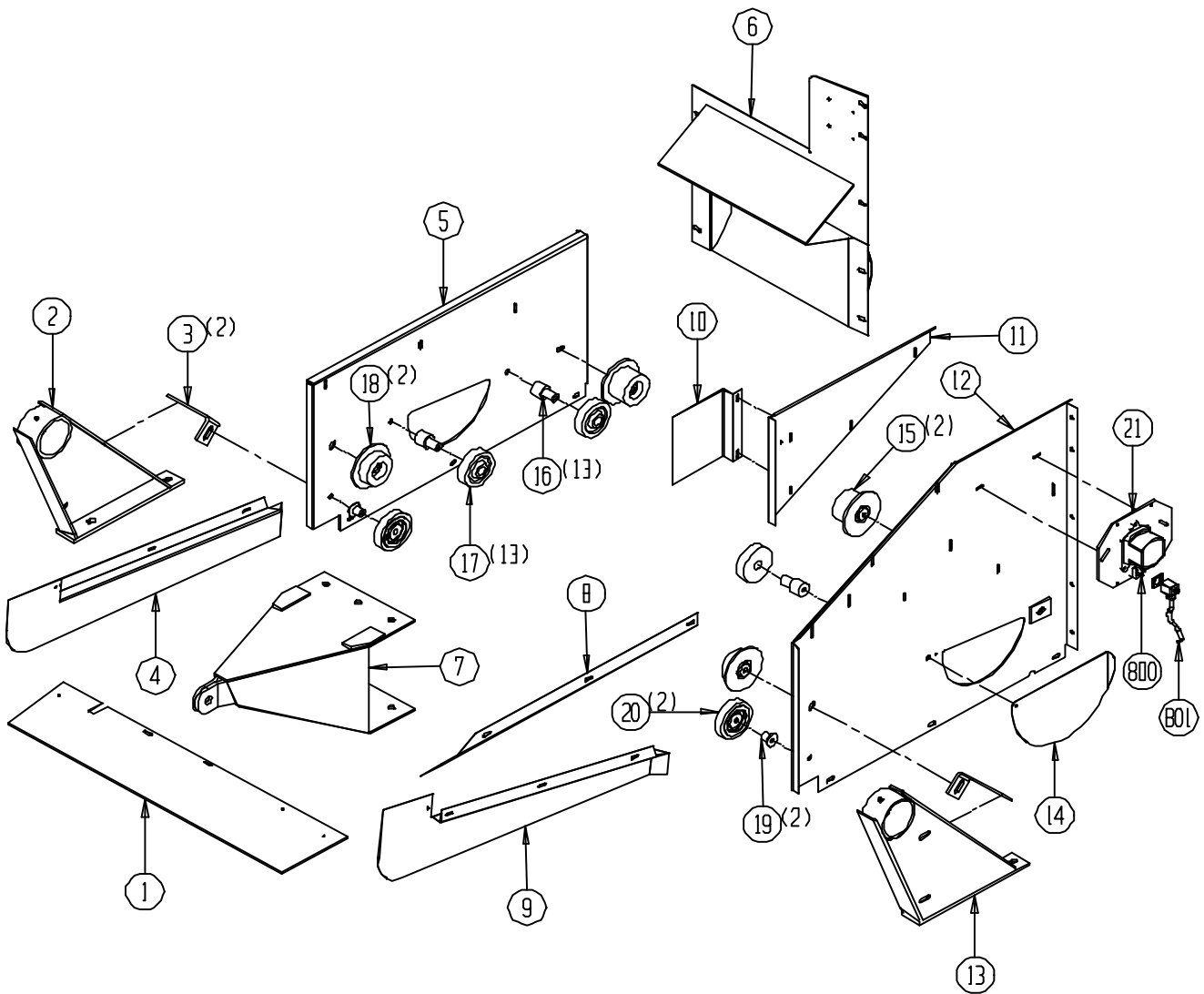
TUBE MOUNTING INSTRUCTIONS:
DRILL (2) 3/8" DIA. HOLES ON
FRONT SIDE OF DEBRIS FAN
(NEAR TOP OF FAN HOUSING), TO
MAINTAIN CLEARANCE BETWEEN
BELT AND FAN.



1004-10-1 Discharge Basket Assembly

<u>Ref</u>	<u>Part No.</u>	<u>Description</u>	<u>Parts – Assembly</u>	<u>Will Fit SN</u>	<u>Remarks</u>
1	BT-0013	Belting, Shield, Inner Discharge & Basket	1		
2	191-927	Discharge Elevator Mount, Rear	1	19101	
3	191-928	Bracket for front panel-elevator mount	2	19101-	
4	191-937	Discharge, Tomato guard rear	1	19101-	
5	191-921	Panel, Rear Discharge	1	19101-	
6	194-925	Discharge Valve	1	19401-	
7	191-917	Discharge Cylinder Mount	1	19101-	
8	193-922	Deflector	1	19301-	
9	192-936	Tomato Guard, Front Discharge	1	19201-	
10	192-936A	Discharge basket, Front Extension	1	19201-	
11	193-920A	Front Discharge Panel Extension	1	19301-	
12	193-920	Front Discharge panel	1	19301-	
13	191-926	Discharge Elevator Mount, Front	1	19101-	
14	PAN-920C	Panel, Access [Red]	1	19301-	
15	RLT-535-228	5" Flange Roller 2.2WF x 3 1/2" dia, 1/2" bore	2		
16	RLA-010-0108	Spindle / Standoff for Urethane Roller (heat treated)	3	19101-	
17	RLG-040-1016	4" Urethane Roller	3		
18	RLT-535-128	Narrow Flange Roller 1.2 WF 3.5 dia, 1/2" Bore	2		
19	RLA-000-118	Standoff, 1/2" X 1 1/8"	2		
20	RLR-040-108R	4" Flat Roller with Replaceable Bearings	2		
21	EL-1120	Machine Leveler, Complete w/ Decal & Mount	1		
800	DC-0040	Decal, Level Control	1		
801	ELC-1120	Cable, Level Control, w/ Receptacle	1		

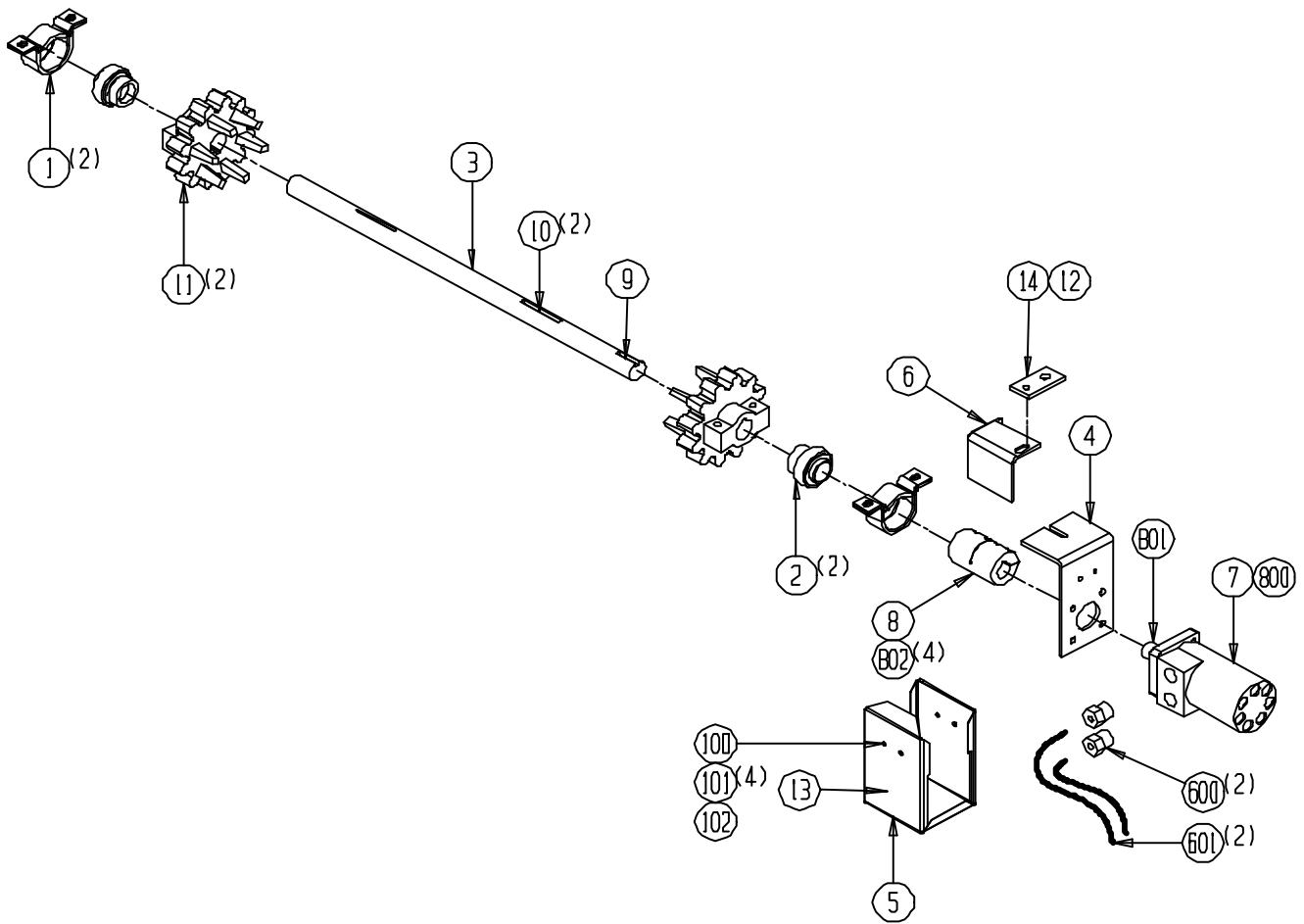
1004-10-1 DISCHARGE BASKET ASSEMBLY



1004-10-2 Discharge Drive Shaft Assembly

<u>Ref</u>	<u>Part No.</u>	<u>Description</u>	<u>Parts – Assembly</u>	<u>Will Fit SN</u>	<u>Remarks</u>
1	BR-062-MPB	Stamped Bearing Housing for 1 1/4" bearing	2		
2	BR-125-062	Bearing, 1 1/4 Fafnir tri-seal, 62mm OD	2		
3	110-911	Shaft, Discharge Drive	1	11001-	
4	193-806	Mount motor	1		
5	193-806C	Motor Guard	1	19301-	
6	193-915	Stop, Discharge Motor	1	19301-	
7	HM-204-CH	Char-Lyn Hydraulic Motor	1		
8	CPS-6060	Steel Coupler (offcenter) 1 1/4" x 1"	1		
9	KEY-4-4-20	Shaft Key 1/4" x 1 1/4"	1		
10	KEY-4-4-32	Shaft Key 1/4" x 2" Square Cut (1018)	2		
11	SPU-3612-20-4	Urethane Sprocket 36-12 1 1/4 bore 1/4" key	2		Sub SP-3612-20-4
11	SPU-3614-20-4	Belted Chain Sprocket, 36mm x 14 tooth, Urethane	2		
12	EL-1201	Halogen Lights	1	19201	
13	DC-1176	Decal, Danger-Hand Chain Sprockets	1		
14	BAR-1510	Bar, Light Holder	1		
100	BL-4-500-H	1/4-20 X 5 HEX CAP G5 ZC	1		
101	BL-4-FW-8	1/4" Flat Washer Grade 8	4		
102	BL-4-WN	1/4-20 FORGED W/NUTS ZC	1		
600	A-6900-10-8	10 SAE x 1/2 FPX	2	20095001-	
601	H10-280-8MP-8MP	5/8 in hose 1/2MP x 1/2MP x 280" long	2		
800	HM-200S	Seal Kit For Char Lyn Motor	1	H Series - 008 A Series -002	
801	KEY-4-4-15	Shaft Key 1/4" X 1/4" X 15/16" Woodruff Key	1		
802	BL-5-100-SF	5/16-24 x 1 Socket Head Cap Screw	4	CPS-6057	

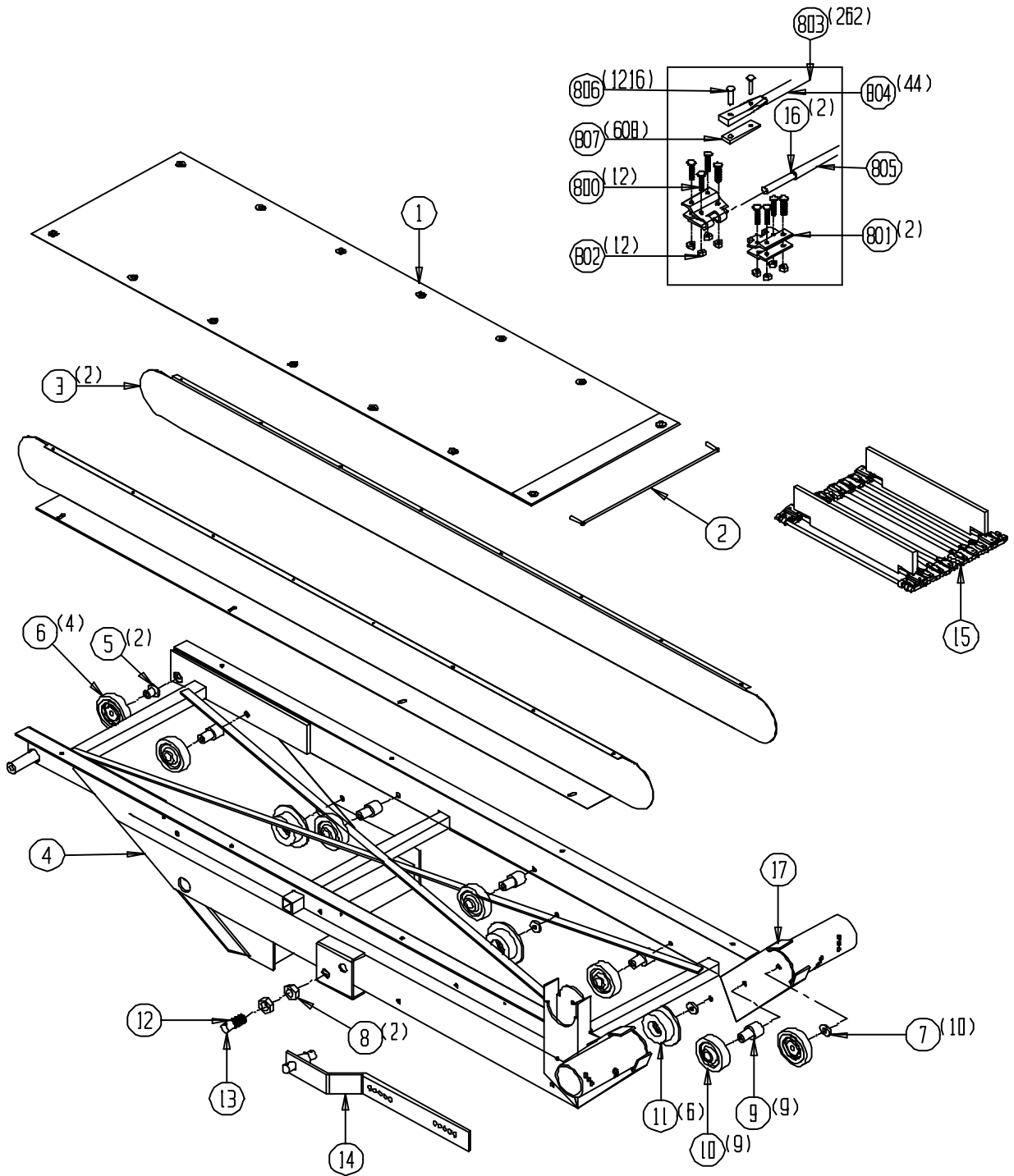
1004-10-2 DISCHARGE DRIVE SHAFT ASSEMBLY



1004-10-3 Inner Discharge Assembly

<u>Ref</u>	<u>Part No.</u>	<u>Description</u>	<u>Parts – Assembly</u>	<u>Will Fit SN</u>	<u>Remarks</u>
1	TRP-938	Discharge Tarp	1	19101-	
2	194-938A	Tarp Support	1	19401-	
3	191-907	Shield, extension lower level	2		Same Front and Back
4	194-901	Frame, Discharge Elevator	1	19201	
5	RLA-000-118	Standoff, 1/2" X 1 1/8"	2		
6	RLR-040-108R	4" Flat Roller with Replaceable Bearings	4		
7	RLA-000-028	Washer/Spacer	10	11001-	
8	BL-16-JN	1 UNC FIN HEX JAM NUT A563 GrA ZINC	2		
9	RLA-010-0108	Spindle / Standoff for Urethane Roller (heat treated)	9	19101-	
10	RLG-040-1016	4" Urethane Roller	9		
11	RLT-535-128	Narrow Flange Roller 1.2 WF 3.5 dia, 1/2" Bore	6		
12	192-907P	Discharge Stabilizer Pin	1	19201	
13	HC-1130B	Hair Pin Clip	1		
14	193-919	Transport bar	1	19301-	
15	BC-6-2036-307	Discharge chain with flights (3/8 bars 20in wide 307 bars)	1	19101	
16	BC-3525	Snap Ring, 11mm.	2		
17	DC-1174	Decal, Danger Keep Hands and Feet Away	1		
800	BC-1032-FS	10-32 x 1 1/4" bolts Flat Socket Head	12		
801	BC-F-36-20	F Connecting Clips 36-20 @ pair	2		
802	BC-1032-LN	10-32 lock nuts	12		
803	BC-6-20-ST	3/8" x 20" Belted Chain Rod (Straight)	262	11001	
804	BC-6-20-FL	Rubber Elevator Flights	44	19201	
805	BC-7-20-CN	Connecting Rod, 11mm, 20" Wide Belted Chain, 50mm Traction Belts	1		
806	RI-19-BC	19mm Belted Chain Rivets	1216		
807	BC-BP20	Belt, Rivet backing plates 20mm	608	19101	Lap Splice Option

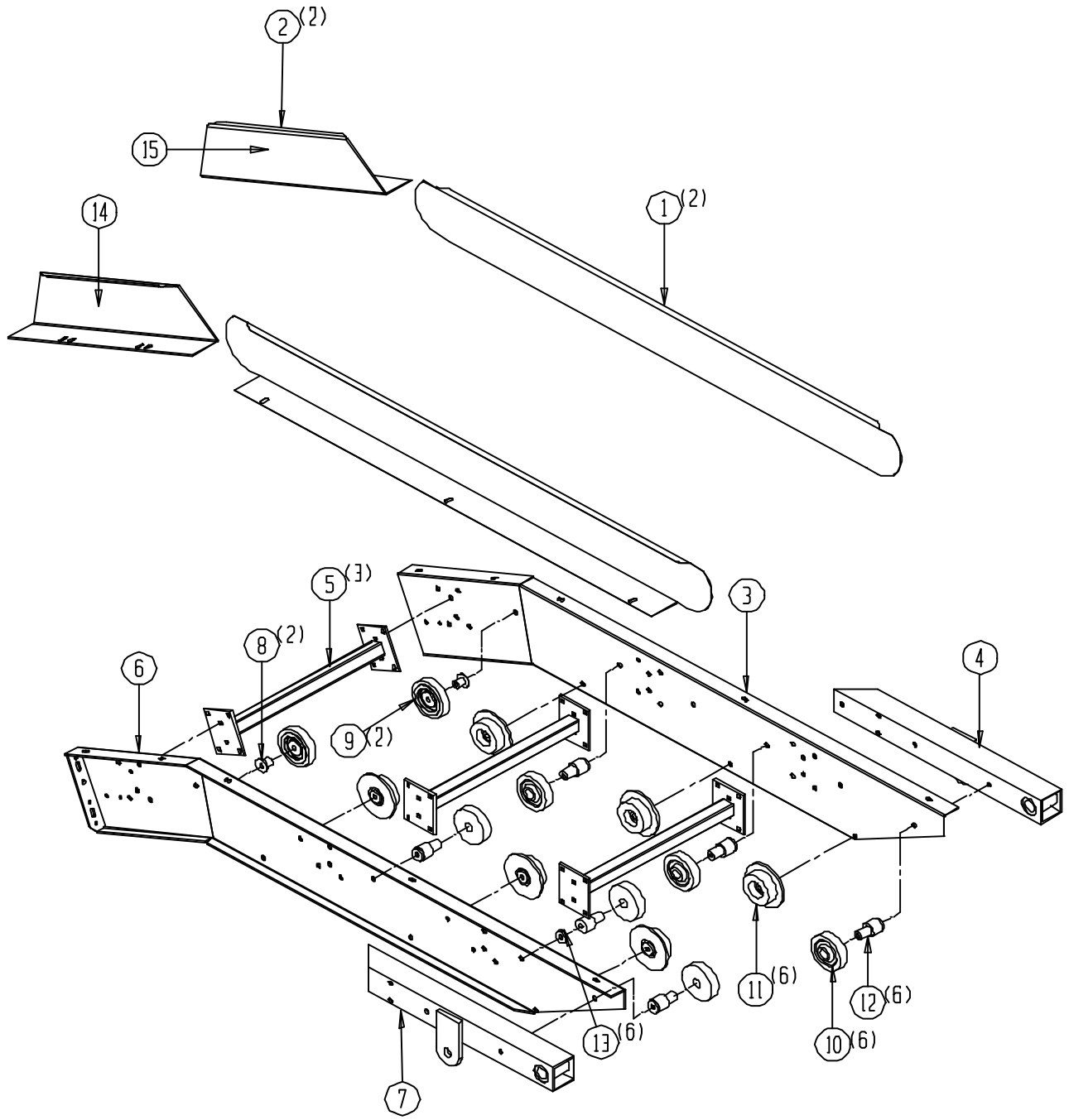
1004-10-3 INNER DISCHARGE ASSEMBLY



1004-10-4 Outer Discharge Assembly

<u>Ref</u>	<u>Part No.</u>	<u>Description</u>	<u>Parts – Assembly</u>	<u>Will Fit SN</u>	<u>Remarks</u>
1	191-909	Mid Elevator Extension	2		Same Front and Back
2	SID-911	Side, Extension Discharge, Outer, Tom.	2		Replaces 191-910
3	195-9024	Outer Discharge Elevator Frame (rear)	1		
4	192-906	Cylinder Mount, Rear Discharge	1	19201- 192-900K	
5	BAR-9026	Bar, Cross Member, Discharge (Tomato)	3	19201- 192-900K	Replaces BAR-9025
6	195-9023	Outer Discharge Elevator Frame (front)	1	19501-	
7	192-905	Cylinder Mount, Front Discharge	1	19201-	
8	RLA-000-118	Standoff, 1/2" X 1 1/8"	2		
9	RLR-040-108R	4" Flat Roller with Replaceable Bearings	2		
10	RLG-040-1016	4" Urethane Roller	6		
11	RLT-535-128	Narrow Flange Roller 1.2 WF 3.5 dia, 1/2" Bore	6		
12	RLA-010-0108	Spindle / Standoff for Urethane Roller (heat treated)	6	19101-	
13	RLA-000-028	Washer/Spacer	6	11001-	
14	DC-3026	Orange Reflective Tape @ 50ft Roll	0.12		
15	DC-3025	Red and White Reflective Tape @ 150 ft Roll	0.04		

1004-10-4 OUTER DISCHARGE ASSEMBLY



1004-10-5 Optional Discharge Sides/Belting (Narrow)

<u>Ref</u>	<u>Part No.</u>	<u>Description</u>	<u>Parts – Assembly</u>	<u>Will Fit SN</u>	<u>Remarks</u>
0	OPT-900	Narrow Discharge Flight Kit	0		
0	OPT-910	Belting on Discharge Sides	0		

OPT-900 Narrow Discharge Flights Chain, Sides and Belting

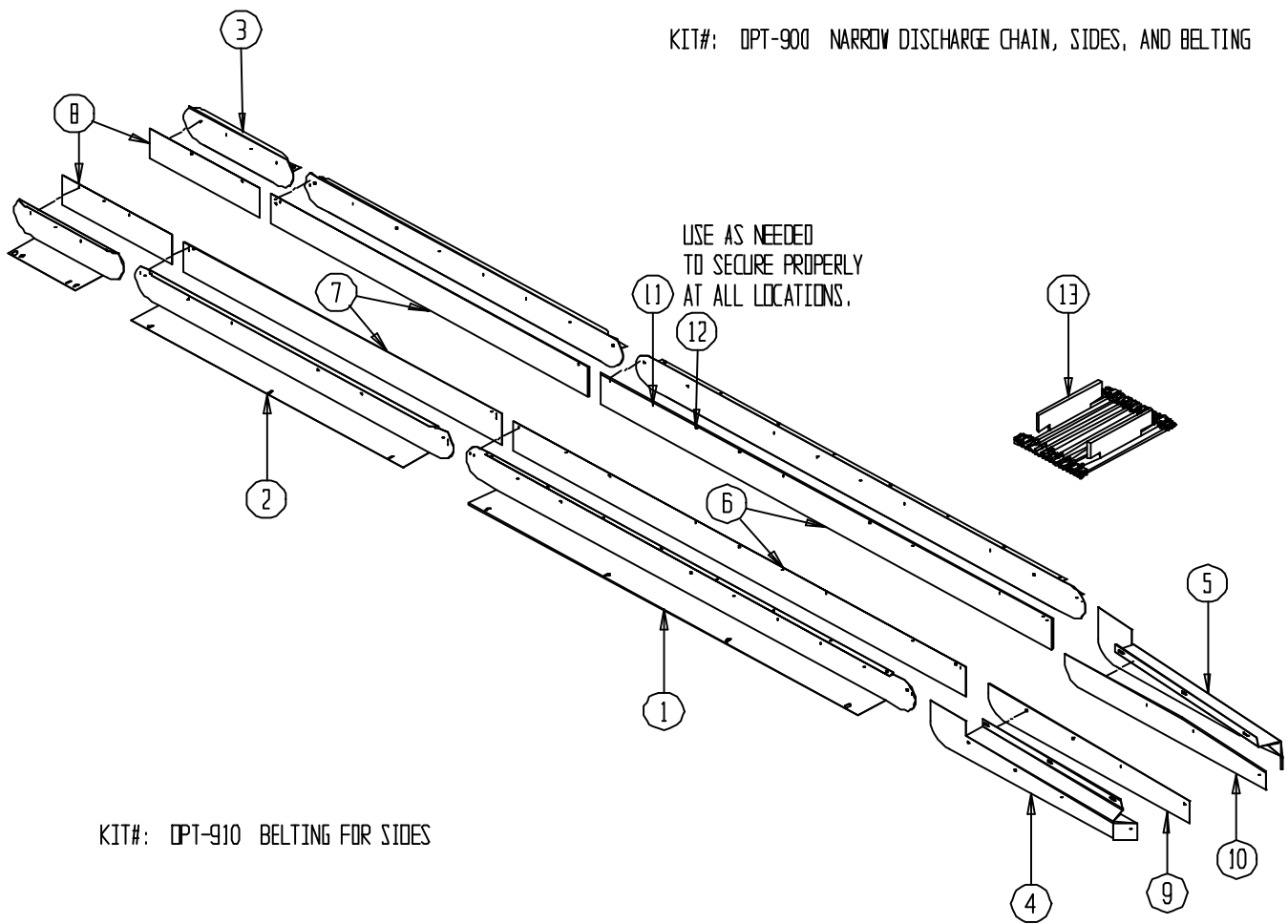
<u>Ref</u>	<u>Part No.</u>	<u>Description</u>	<u>Parts – Assembly</u>	<u>Will Fit SN</u>	<u>Remarks</u>
1	SID-907	Side, Extension, Lower, Front & Rear, Discharge (Tomato)	2	19201-	
2	SID-909	Side, Extension, Top Middle, Discharge (Tomato)	2	19201-	
3	SID-910	Side, Extension, Top Outer, Discharge (Tomato)	2	19201-	
4	SID-936	Side, Discharge Guard, Front (Tomato)	1	19201-	
5	SID-937	Side, Discharge Guard, Rear (Tomato)	1	19201-	
6	BT-907	Belting, Extensions, Top Intern	2	19201-	
7	BT-909	Belting, Extensions, Top Intern	2	19201-	
8	BT-910	Belting, Extensions, Top Outer	2	19201-	
9	BT-936	Belting, Extensions, Front	1	19201-	
10	BT-937	Belting, Extensions, Rear	1	19201-	
11	RI-3-5-SS	SS Pop Rivets, 5/32 x .063-.125, Buttonhead	20		
12	RI-3-66-P	Pop Rivets 3/16 x 1/2 Domed, .625 head , ea.	100		
13	BC-6-2036-307-SF	Discharge Chain With Short Flites (3/8" Bars x 20" Widex307)	1		

OPT-910 Discharge, Belting for Sides

<u>Ref</u>	<u>Part No.</u>	<u>Description</u>	<u>Parts – Assembly</u>	<u>Will Fit SN</u>	<u>Remarks</u>
0	0000	Shop labor	3		
6	BT-907	Belting, Extensions, Top Intern	2	19201-	
7	BT-909	Belting, Extensions, Top Intern	2	19201-	
8	BT-910	Belting, Extensions, Top Outer	2	19201-	
9	BT-936	Belting, Extensions, Front	1	19201-	
10	BT-937	Belting, Extensions, Rear	1	19201-	
11	RI-3-5-SS	SS Pop Rivets, 5/32 x .063-.125, Buttonhead	20		
12	RI-3-66-P	Pop Rivets 3/16 x 1/2 Domed, .625 head , ea.	100		

1004-10-5 OPTIONAL DISCHARGE SIDES/BELTING (NARROW)

KIT#: OPT-900 NARROW DISCHARGE CHAIN, SIDES, AND BELTING



1004-10-6 Optional Discharge 22" Extension Kit

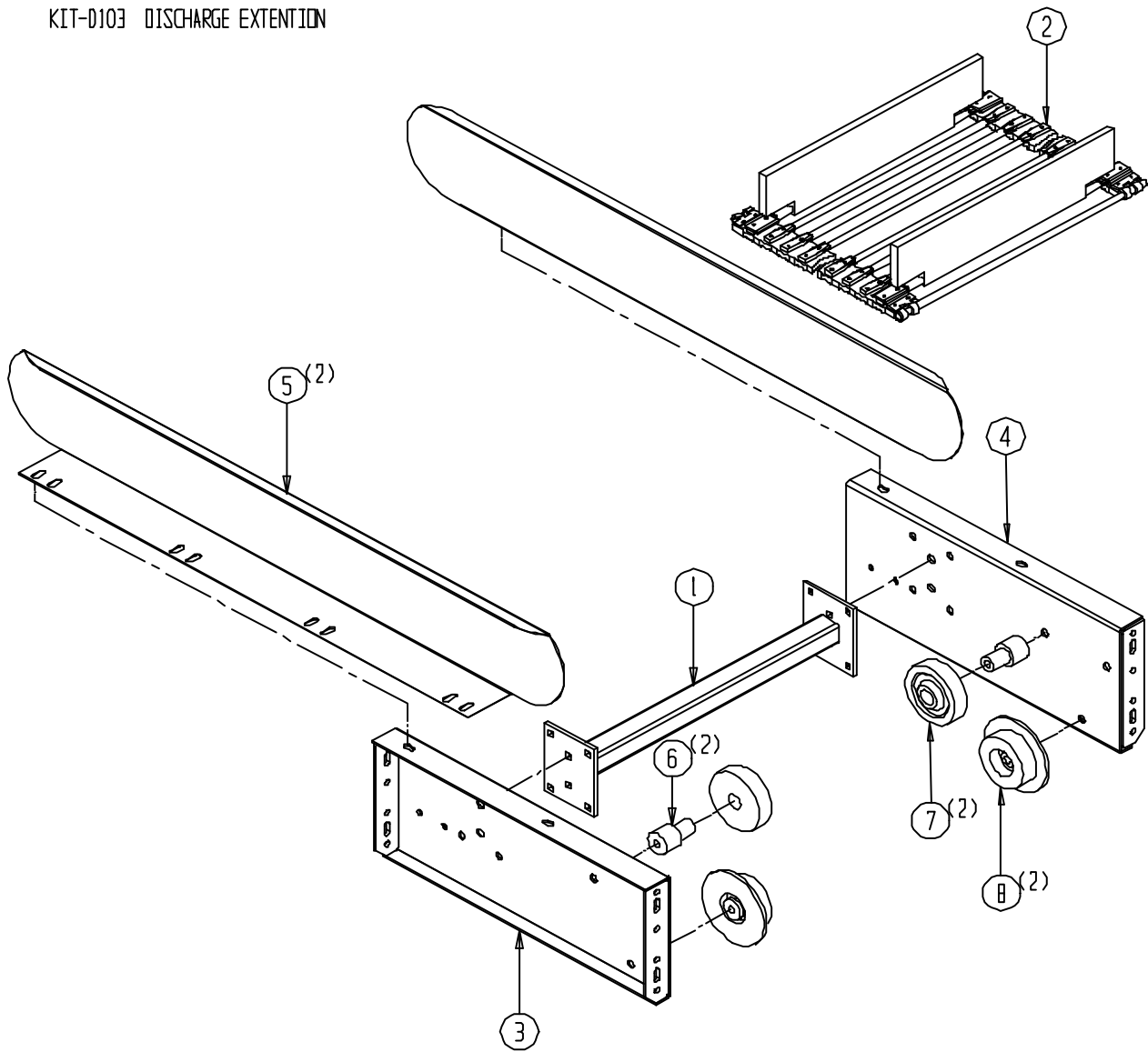
<u>Ref</u>	<u>Part No.</u>	<u>Description</u>	<u>Parts – Assembly</u>	<u>Will Fit SN</u>	<u>Remarks</u>
0	KIT-0103	22" Discharge Elevator Extension	0		

KIT-0103 DISCHARGE EXTENSION KIT (22" LONG), TOMATO

<u>Ref</u>	<u>Part No.</u>	<u>Description</u>	<u>Parts – Assembly</u>	<u>Will Fit SN</u>	<u>Remarks</u>
1	BAR-9026	Bar, Cross Member, Discharge (Tomato)	1	19201- 192-900K	Replaces BAR-9025
2	BC-6-2036-30FL	Extension for Tomato Discharge Elevator	1		
3	PAN-9023	Panel, Discharge extension, Front	1		
4	PAN-9024	Panel, Discharge extension, Rear	1		
5	PAN-910	Panel, Top extension, Discharge Ext. Kit	2		
6	RLA-010-0108	Spindle / Standoff for Urethane Roller (heat treated)	2	19101-	
7	RLG-040-1016	4" Urethane Roller	2		
8	RLT-535-128	Narrow Flange Roller 1.2 WF 3.5 dia, 1/2" Bore	2		
100	BL-6-100-C	3/8 UNC X 1 CARRIAGE BOLT GR5 ZINC	8		
101	BL-6-LN	3/8 UNC FIN HEX LOCK NUT NE A563 GrA ZINC	14		
102	BL-6-LW	3/8 SPLIT LW ZC	8		
103	BL-6-N	3/8-16 HEX NUTS ZC	8		
104	BL-6-SW	3/8 SAE FW ZC	36		
105	BL-6-100-H	3/8 UNC X 1 HH C/S BOLT GR5 ZINC	8		
106	BL-6-125-H	3/8-16 X 1 1/4 HHCS G5 ZC	6		
110	BL-8-275-H	1/2 UNC X 2 3/4 HH C/S BOLT GR5 ZINC	2		
111	BL-8-375-H	1/2 UNC X 3 3/4 HH C/S BOLT GR5 ZINC	2		
112	BL-8-FW-8	1/2 FLAT WASHER G8 ZC	8		
113	BL-8-LN	1/2-13 HEX LOCK NUT NYLON INSERT ZC	4		
114	BL-8-SW	1/2 SAE FW ZC	4		
600	A-1405-8-8	1/2" NPT Coupler W/Swivel	2		
601	H10-24-8MP-8MP	5/8 in hose 1/2MP x 1/2MP x 24 in long	2		

1004-10-6 OPTIONAL DISCHARGE 22" EXTENTION KIT

KIT-D103 DISCHARGE EXTENTION



1004-11-1 Hydraulic Schematic

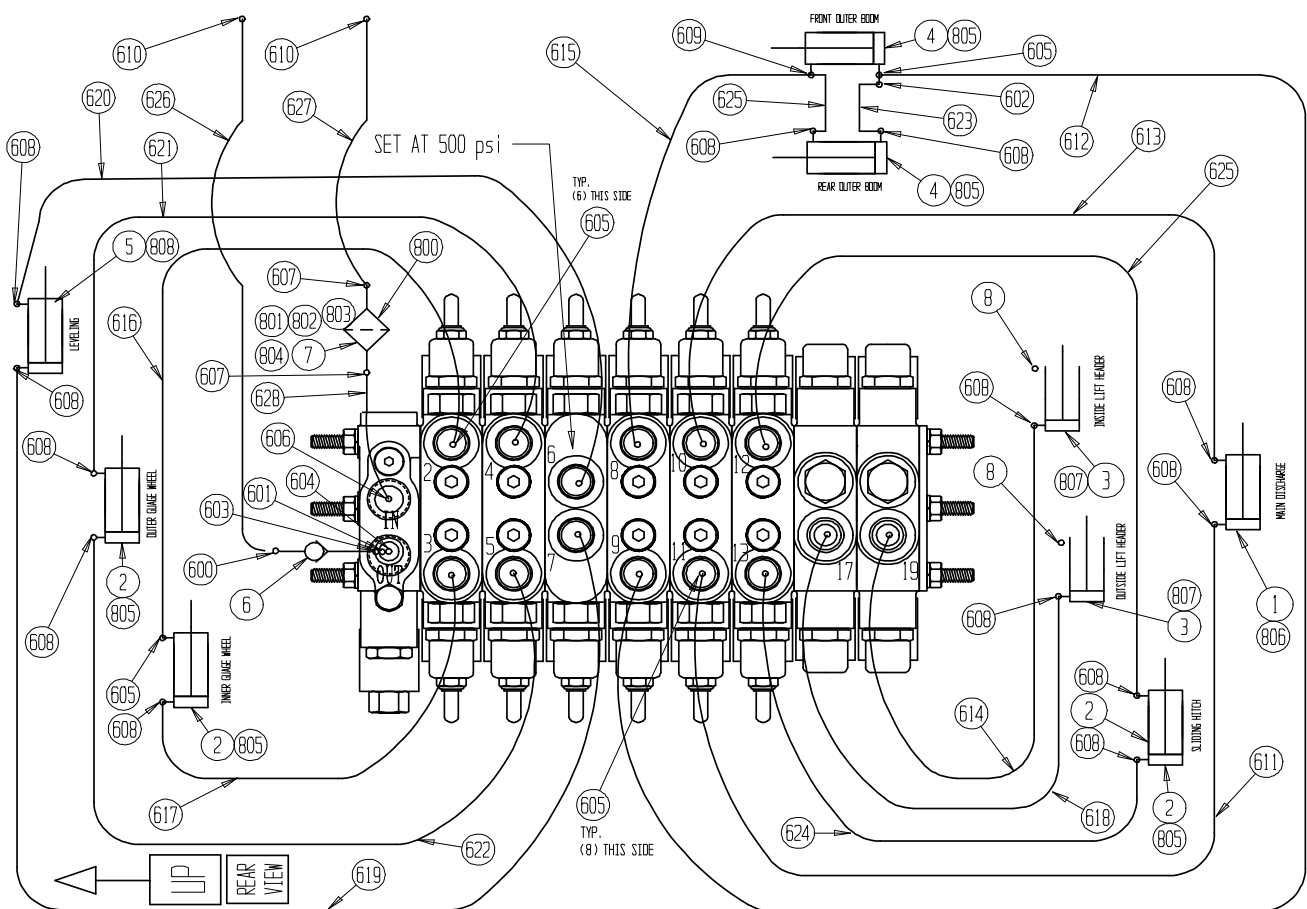
<u>Ref</u>	<u>Part No.</u>	<u>Description</u>	<u>Parts – Assembly</u>	<u>Will Fit SN</u>	<u>Remarks</u>
0	0010	Misc Parts (enter description)	0		

1004-11-2 Hydraulic Cylinder Plumbing

<u>Ref</u>	<u>Part No.</u>	<u>Description</u>	<u>Parts – Assembly</u>	<u>Will Fit SN</u>	<u>Remarks</u>
0	HVE-1076	Control Valve for Tomato Harvester w/ relief	1		
1	HC-250-3008	Hydraulic cylinder 2 1/2" x 30" #8 SAE Ports	1	11001-	
2	HC-200-0808	Hydraulic Cylinder 2" x 8" #8 SAE Ports	3	19201- 20095001-	Same as sliding hitch
3	HC-250-2408	Hydraulic cylinder 2 1/2 x 24 #8 SAE w/ U cup seal	2		Sub 193-102
4	HC-200-2408	Hydraulic cylinder 2" x 24" #8 SAE Ports	2	19201	
5	HC-350-0808	Hydraulic Cylinder 3 1/2" x 8" #8 SAE Ports	1	20095001-	
6	HV-CKV-800S	1/2" Parker Check Valve	1		
7	HA-1037	Pressure Filter	1		Most machines 1997 and previous used Parker filter. 1998> Zinga style
8	HC-08-V	Hydraulic cylinder vents	2	11001-	
600	A-1404-8-8	1/2 MP to 1/2 FPX, Straight	1		
601	A-1501-8-8	1/2 MP x 1/2 FPX90	1		
602	A-1601-6-6-6	3/8 MP x 3/8 FPX x 3/8FPX Tee	1		
603	A-5404-8-8	Hex Nipple 1/2" x 1/2"	1		
604	A-6900-10-8	10 SAE x 1/2 FPX	1	20095001-	
605	A-6900-8-6	8 SAE x 3/8" FPX With 7/8" Stock Body	16	20095001-	
606	A-6901-10-8	10 SAE x 1/2 FPX90	1		
607	A-6901-12-8	12 SAE x 1/2" FPX 90	2		
608	A-6901-8-6	8 SAE x 3/8" FPX90	13	20095001-	
609	A-6955-8-6-6	8 SAE x 3/8" FPX Tee	1		
610	A-QD2010-8-8	Tractor Quick Coupler, Male, 1/2" w/ FPT	2		
611	H4-149-6MP-6MP	1/4 in hose 3/8MP x 3/8MP x 149 in long	1		
612	H4-172-6MP-6MP	1/4 in hose 3/8MP X 3/8MP x 172 in long	1		
613	H4-179-6MP-6MP	1/4 in hose 3/8MP x 3/8MP x 179 in long	1		
614	H4-203-6MP-6MP	1/4 in hose 3/8MP x 3/8MP x 203 in long	1		
615	H4-205-6MP-6MP	1/4 in hose 3/8MP x 3/8MP x 205 in long	1		
616	H4-216-6MP-6MP	1/4 in hose 3/8MP x 3/8MP x 216 in long	1		
617	H4-221-6MP-6MP	1/4 in hose 3/8MP x 3/8MP x 221 in long	1		
618	H4-230-6MP-6MP	1/4 in hose 3/8MP x 3/8MP x 230 in long	1		
619	H4-240-6MP-6MP	1/4 in hose 3/8MP x 3/8MP x 240 in long	1		
620	H4-248-6MP-6MP	1/4 in hose 3/8MP x 3/8MP x 248 in long	1		
621	H4-254-6MP-6MP	1/4 in hose 3/8MP x 3/8MP x 254 in long	1		
622	H4-260-6MP-6MP	1/4 in hose 3/8MP x 3/8MP x 260 in long	1		

623	H4-40-6MP-6MP	1/4 in hose 3/8MP x 3/8MP x 40 in long	1
624	H4-60-6MP-6MP	1/4 in hose 3/8MP x 3/8MP x 60 in long	1
625	H4-70-6MP-6MP	1/4 in hose 3/8MP x 3/8MP x 70 in long	2
626	H8-108-8MP-8MP	1/2 in hose 1/2MP x 1/2MP x 108 in long	1
627	H8-120-8MP-8MP	1/2 in hose 1/2MP x 1/2MP 120 in. long	1
628	H8-42-8MP-8MP	1/2 in hose 1/2MP x 1/2MP x 42 in long	1
800	HA-1037A	Pressure Filter Element	1
801	HA-1037-C	O-Ring for Zinga Pressure Filter	1
802	HA-1037-D	Back-Up Ring for Zinga Pressure Filter	1
803	HA-1037-G	Indicator for Parker Pressure Filter	1
804	HA-1037-O	O-Ring for Visual Indicator for Pressure Filter	1
805	HC-200-112	Seal Kit for 2" x 1 1/8" Lion Cylinder	1
806	HC-250-125	Seal Kit for 2 1/2" x 1 1/4" Lion Cylinder	1
807	HC-250-125U	U-Cup Seal Kit for 2 1/2" x 1 1/4" Lion Cylinder	1
808	HC-350-125	Seal Kit for 3 1/2" x 1 1/4" Lion Cylinder	1

1004-11-2 HYDRAULIC CYLINDER PLUMBING

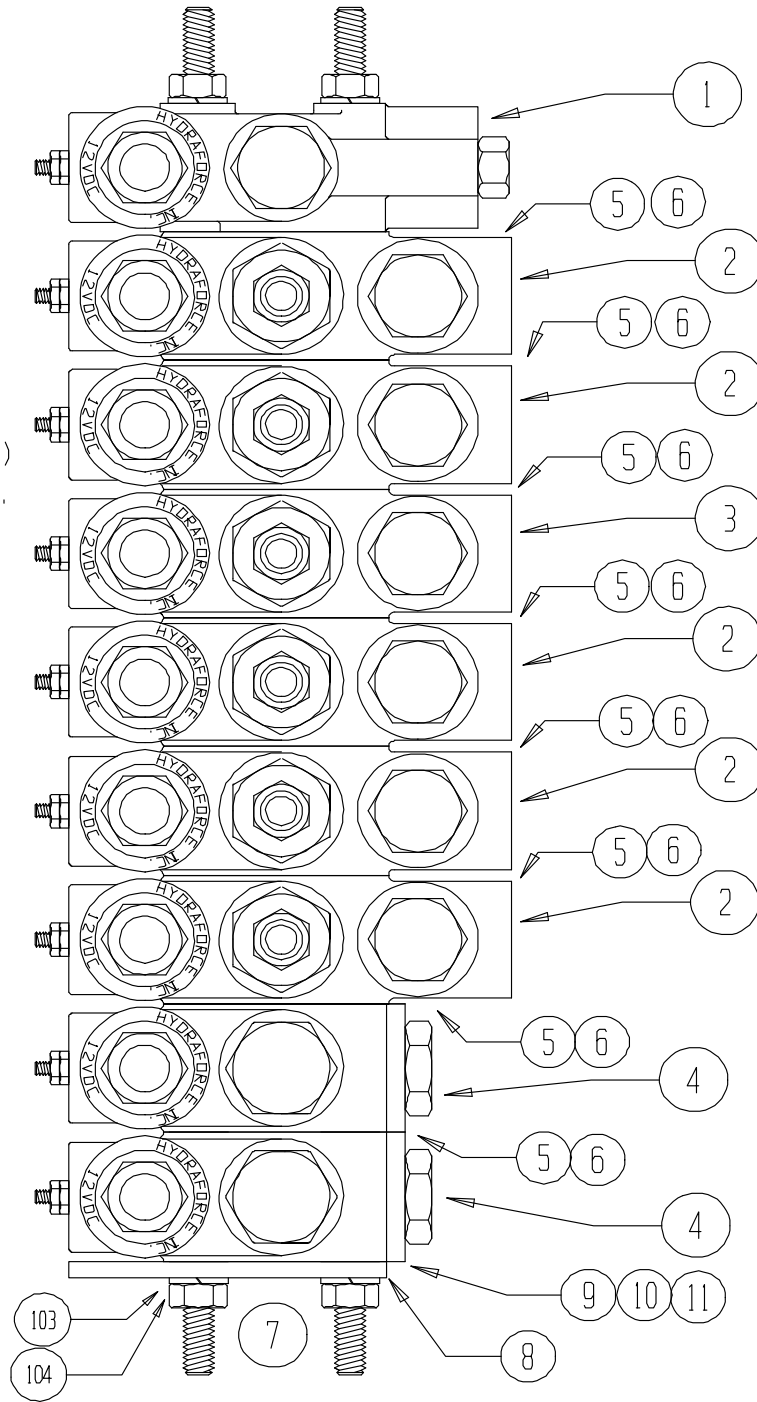


1004-11-3 Elect./Hyd.Valve Assembly, Tomato

<u>Ref</u>	<u>Part No.</u>	<u>Description</u>	<u>Parts – Assembly</u>	<u>Will Fit SN</u>	<u>Remarks</u>
0	TL-790-KIT	Brand Valve Repair Kit	0		
1	HVE-1036C	Unloaded Inlet Section	1		
2	HVE-1036BL	Brand Valve Section with Locks	5	HVE-1076, HVE-3046,	Complete, w/o Cartridges & Coils
3	HVE-1046-RL	Valve Section With Relief on Port B	1	HVE-1076	Complete, w/o Cartridges & Coils
4	HVE-1037N	Series 36 Floating Section, Detent, w/no wire	2	HVE-1076	Complete, w/o Cartridges & Coils
5	HVE-1036S	Shim (Between Sections)	24		
6	HVE-1037O	O-Ring, Buna N 90 Durometer	24		
7	HVE-1037M	Tie Rod Kit for Tomato Harvester	1		
8	HVE-1046Z	End Plate, Valve Stack	1		
9	HVE-1046C	Plug, End Section, Brand Valve	3		
10	HVE-1037Q	Backup for O-Ring (Parker #3-012)	3		
11	HVE-1037H	O Ring (Parker #2-012)	3		
103	BL-5-LW	5/16 SPLIT LW ZC	6		
104	BL-5-N	5/16 UNF FIN HEX NUT A563 GrA ZINC	6		

1004-11-3 ELECT/HYD. VALVE ASSEMBLY

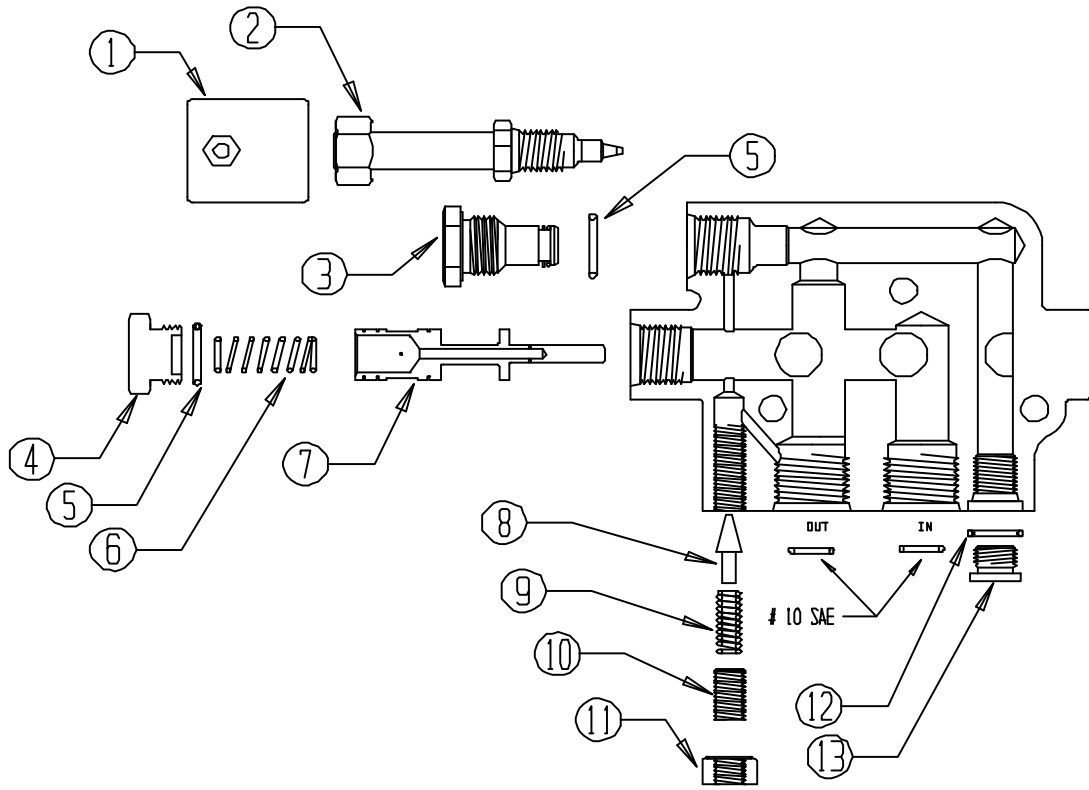
NOTE:
TORQUE NUTS
(ON LONG BOLTS)
TO 95 Inch/Lbs.



1004-11-4 Elect./Hyd. Valve Section, Unloading Inlet

<u>Ref</u>	<u>Part No.</u>	<u>Description</u>	<u>Parts – Assembly</u>	<u>Will Fit SN</u>	<u>Remarks</u>
1	HVE-1036P	Coil	1		Replaces HA-431-B on Manifold Block.
2	HVE-1036N	Unloading Section Cartridge	1		
3	HVE-1036D	Closed Center Plug	1		
4	HVE-1037D	Unloading Cap	1		
5	HVE-1037P	O-Ring	2		
6	HVE-1037B	Unloading Spring	1		
7	HVE-1037C	Unloading Spool	1		
8	HVE-1037A	Relief Poppet	1		
9	HVE-1036K	Unload Section Relief Spring (Bare Metal-no color)	1		
10	HVE-1037E	Adjusting Screw	1		
11	HVE-1037Y	Nut, Nylon Insert, Sealing	1		Replaces HVE-1037F
12	HVE-1037J	O Ring	1		
13	A-6408-5HHP	#5 SAE Hollow Hex Plug	1		Replaces HVE-1037V

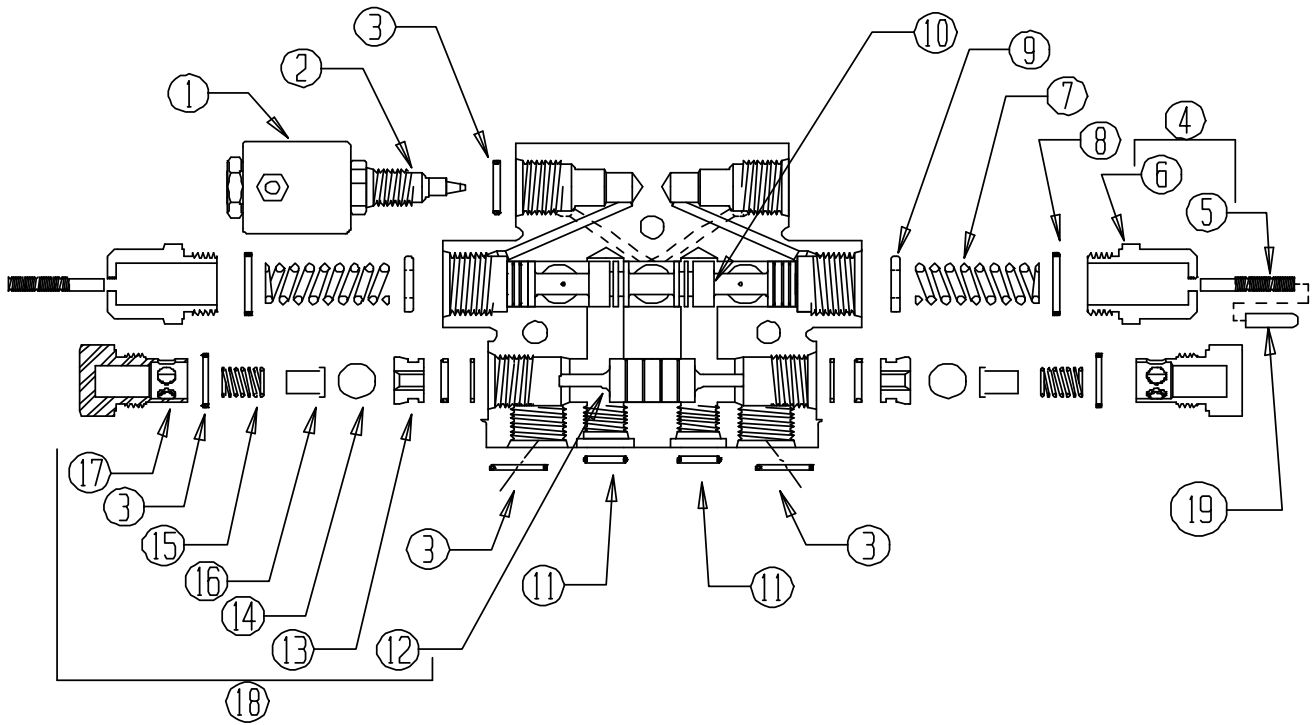
1004-11-4 ELECT/HYD. VALVE SECTION, UNLOADING INLET



1004-11-5 Elect./Hyd. Valve Section, with Locks

<u>Ref</u>	<u>Part No.</u>	<u>Description</u>	<u>Parts – Assembly</u>	<u>Will Fit SN</u>	<u>Remarks</u>
1	HVE-1036P	Coil	2		Replaces HA-431-B on Manifold Block.
2	HVE-1036M	Work Section Cartridge	2		
3	HVE-1037P	O-Ring	4		
4	HVE-1036R	Maual Override Kit for Brand 36 Valve	2		
5	BL-5-250-SS	5/16-24 x 2 1/2" Set Screw, Cup Point	2		
6	HVE-1036WT	End Cap, Threaded for Manual Override	2		
7	HVE-1036Y	Spool Spring for End Cap	2		Replaces # HVE-1036L
8	HVE-1036X	"O" Ring for End Cap	2		
9	HVE-1046V	End spacer for Work Section	2		
10	HVE-1036Z	Spool, Double-Lock Section	1		
11	A-OR-6	O Ring for #6 Adapter	2		
12	HVE-1046P	Lock Spool	1		
13	HVE-1046T	Seat, Delrin	2		REPLACES HVE-1046U & HVE-1047U
14	HVE-1047R	7/16" Steel Ball	2		
15	HVE-1046S	Spring	2		
16	HVE-1047Q	7/16" Spring Plunger	2		
17	HVE-1047W	End Cap, Double Lock Spring Retainer for 7/16" Ball	2		
18	HVE-1047KS	7/16" Double Lock Rebuild Kit W/Delrin Seat	1		
19	HVE-1036R-PC	Plastic Cover for Manual Override Kit	2		
20	A-6408-6HHP	#6 SAE Hollow Hex Plug	2		

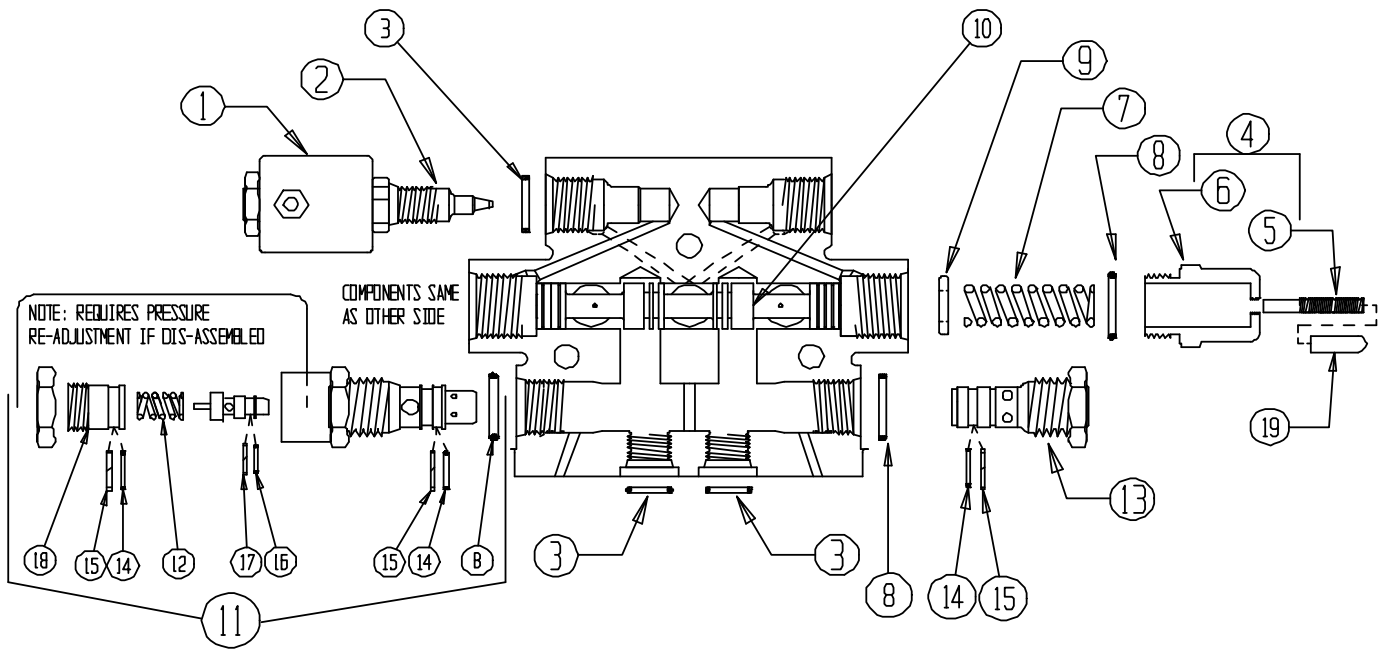
1004-11-5 ELECT./HYD. VALVE DOUBLE LOCK SECTION



1004-11-6 Elect./Hyd. Valve Section,w/ Relief

<u>Ref</u>	<u>Part No.</u>	<u>Description</u>	<u>Parts – Assembly</u>	<u>Will Fit SN</u>	<u>Remarks</u>
1	HVE-1036P	Coil	2		Replaces HA-431-B on Manifold Block.
2	HVE-1036M	Work Section Cartridge	2		
3	HVE-1037P	O-Ring	4		
4	HVE-1036R	Maual Override Kit for Brand 36 Valve	2		
5	BL-5-250-SS	5/16-24 x 2 1/2" Set Screw, Cup Point	2		
6	HVE-1036WT	End Cap,Threaded for Manual Override	2		
7	HVE-1036Y	Spool Spring for End Cap	2		Replaces # HVE-1036L
8	HVE-1036X	"O" Ring for End Cap	4		
9	HVE-1046V	End spacer for Work Section	2		
10	HVE-1046E	Spool,	1		Same as HVE-1037Z, but has smaller hole/ no wire.
11	HVE-1046K	Cartridge, Relief	1	HVE-1046-RL	
12	HVE-1056S	Spring for Relief Valve on port B	1	HVE-1046K	Bare Metal Coil Spring or Yellow Square Die Spring
13	HVE-1046L	Plug, Relief Section	1	HVE-1046-RL	
14	HVE-1037I	O-Ring	3		
15	HVE-1037X	Backup Ring	3		
16	HVE-1037H	O Ring (Parker #2-012)	1		
17	HVE-1037Q	Backup for O-Ring (Parker #3-012)	1		
18	HVE-1056A	Adjusting Screw	1	HVE-1046K	
19	HVE-1036R-PC	Plastic Cover for Manual Override Kit	2		

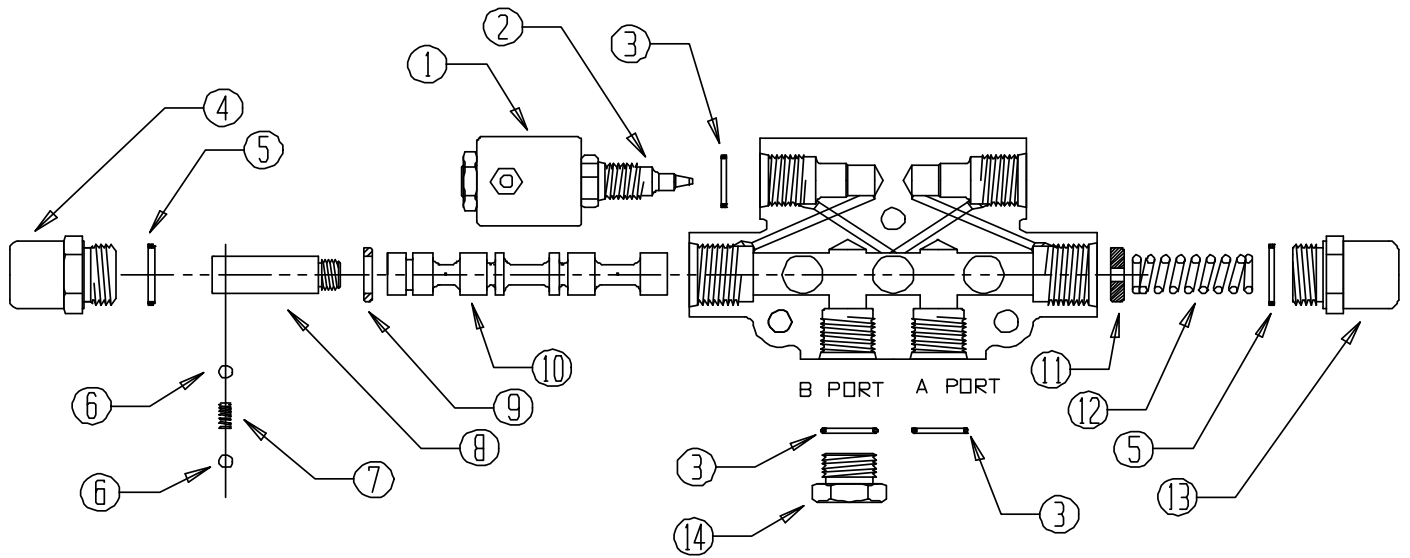
1004-11-6 ELECT./HYD. VALVE SECTION w/RELIEF



1004-11-7 Elect./Hyd. Valve Section, Float w/Detent

<u>Ref</u>	<u>Part No.</u>	<u>Description</u>	<u>Parts – Assembly</u>	<u>Will Fit SN</u>	<u>Remarks</u>
1	HVE-1036P	Coil	2		Replaces HA-431-B on Manifold Block.
2	HVE-1036M	Work Section Cartridge	2		
3	HVE-1037P	O-Ring	4		
4	HVE-1036T	Detented End Cap (2 inside grooves)Stamped "TB"	1	HVE-1037N	
5	HVE-1036X	"O" Ring for End Cap	2		
6	HVE-1036V	Detent Ball for HVE-1037N	2		
7	HVE-1036U	Detent Spring, HVE-1037N	1		
8	HVE-1046J	Detent Ball Housing for 36BFXD	1		
9	HVE-1046N	Detent End Spacer for Detent Section	1		
10	HVE-1036E	Valve Spool	1		
11	HVE-1046M	End Spacer for Detent Section	1		
12	HVE-1036Y	Spool Spring for End Cap	1		Replaces # HVE-1036L
13	HVE-1036W	End Cap	1		
14	A-6408-8	8 SAE Plug	1		

1004-11-7 BRAND VALVE SECTION FLOAT w/DETENT



1004-11-8 Hydraulics, Flow Control Parts Assembly

<u>Ref</u>	<u>Part No.</u>	<u>Description</u>	<u>Parts – Assembly</u>	<u>Will Fit SN</u>	<u>Remarks</u>
8	HV-FL16	Flow control valve 16GPM	0		
8	HV-FL16-R	Hydraulics, Flow control valve 16GPM	0		
8	HV-FL30	Flow Control Valve 30GPM	0		
8	HV-FL30-R	Hydraulic Flo Control Valve with Relief 30GPM	0		
801	HV-1030C	Flo control spool spring	1		
802	HV-1030F	Flo Control Rotary Spool Snap Ring	2		
803	HV-1030G	Crush Washer	1		
804	HV-1030B	Flo control relief ball	1		
805	HV-1030A	Flow control relief spring	1		
806	HV-1030D	Flo control seal kit	1		(2) O-Rings, (2) Backups for Rotary Spool, & (2) End Cap O-Rings for Pressure Spool.
811	HV-1030E	Flo Control Handle Hardware Kit	1		
812	HA-1090K	Fine Tune Speed Control Kit	1	Prince & Brand Flow Controls	All

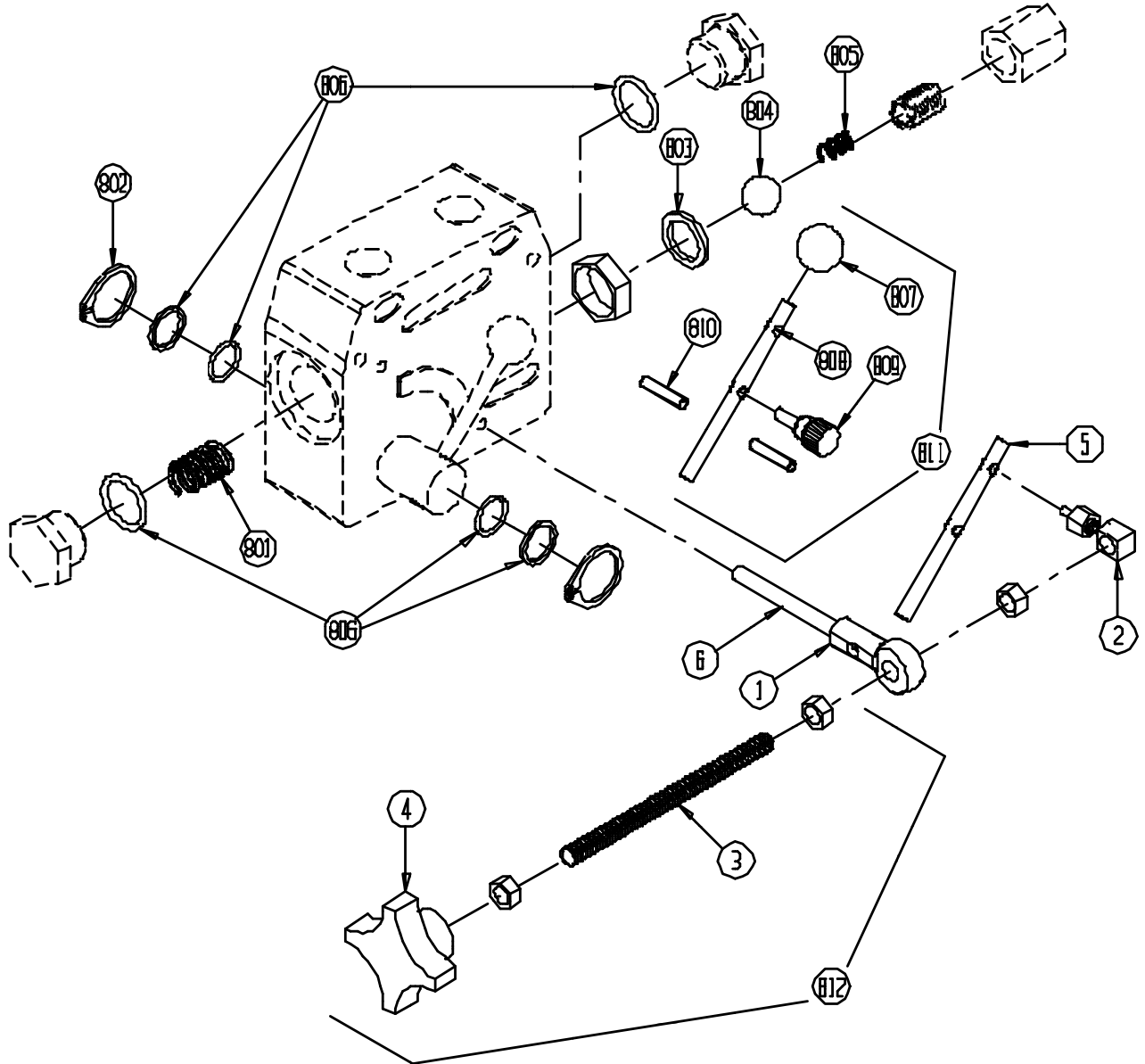
HV-1030E Flow Control Handle Hardware Kit

<u>Ref</u>	<u>Part No.</u>	<u>Description</u>	<u>Parts – Assembly</u>	<u>Will Fit SN</u>	<u>Remarks</u>
807	HV-FL-C	Flo Control Adjust End	1		
808	HV-FL-B	Flo Control Adjust Rod	1		
809	HV-FL-A	Flo Control Securing Knob	1		
810	PIN-3-14	Roll Pin, 3/16 x 7/8	2	193-729K	Pkg. of 100

HA-1090K Flow Control Linkage Kit

<u>Ref</u>	<u>Part No.</u>	<u>Description</u>	<u>Parts – Assembly</u>	<u>Will Fit SN</u>	<u>Remarks</u>
1	HA-1090	Control Rod End	1		
2	HA-1096	Swivel Assembly, Fine Tube Speed Control Kit	1		
3	HA-1092	Threaded Rod 4.5" x 5/16-18 SS	1		
4	HA-1093	Control Knob	1		
6	HA-1095	Control Mounting Stud	1		
7	BL-5-LN	5/16-18 HEX LN NE ZC	3		

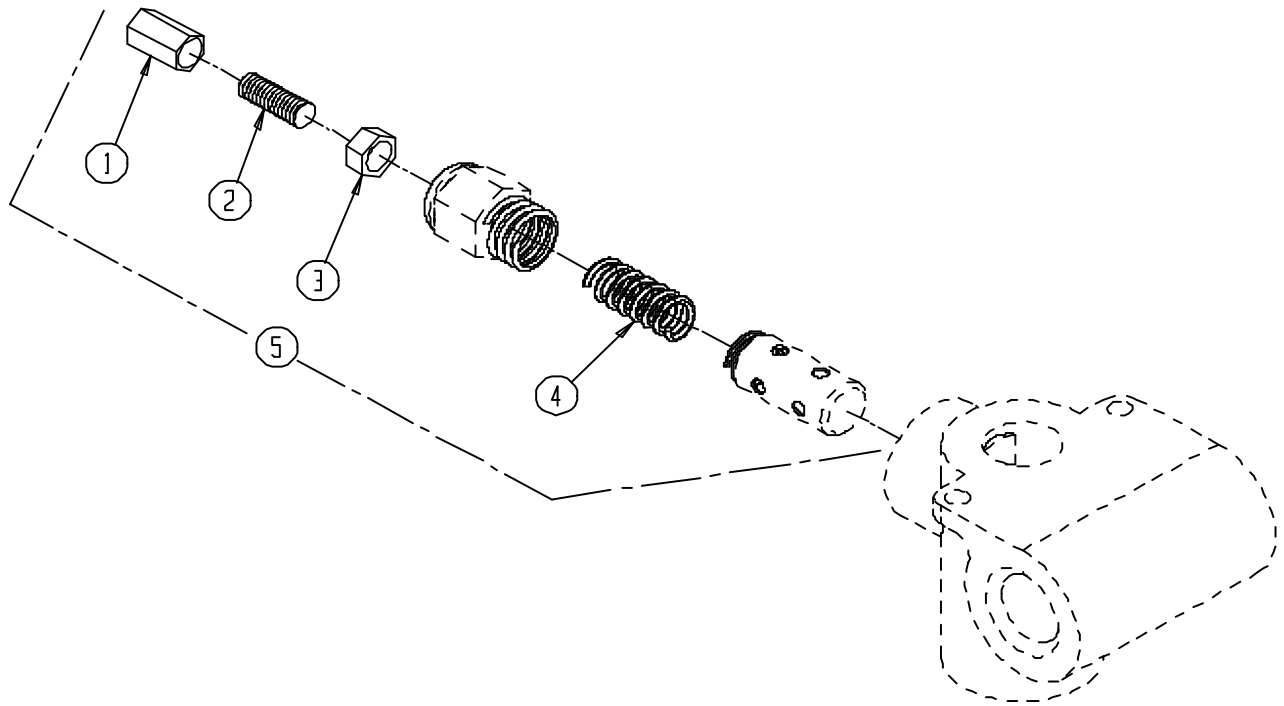
1004-11-8 HYDRAULICS, FLOW CONTROL PARTS ASSEMBLY



1004-11-9 Hydraulics, Relief Valve Parts Assembly

<u>Ref</u>	<u>Part No.</u>	<u>Description</u>	<u>Parts – Assembly</u>	<u>Will Fit SN</u>	<u>Remarks</u>
0	HV-RV-1H	Relief valve w/ SAE #12 ports	0		
0	HV-RV-3H	Relief Valve w/ SAE #10 Ports	0		
1	HV-RV-C	Relief Valve Adjuster Cap	1	HV-RV-0H	
2	HV-RV-A	Relief Valve Adjuster	1	HV-RV-0H	
3	HV-RV-N	Relief Valve Adjuster Lock Nut	1	HV-RV-0H	
4	HV-RV-S	Relief Valve Spring	1	HV-RV-0H	
5	HV-RV-0H	Relief Valve Cartridge	1	HV-RV-1H, HV-RV-2H, HV-RV-3H, HV-RV-4H	

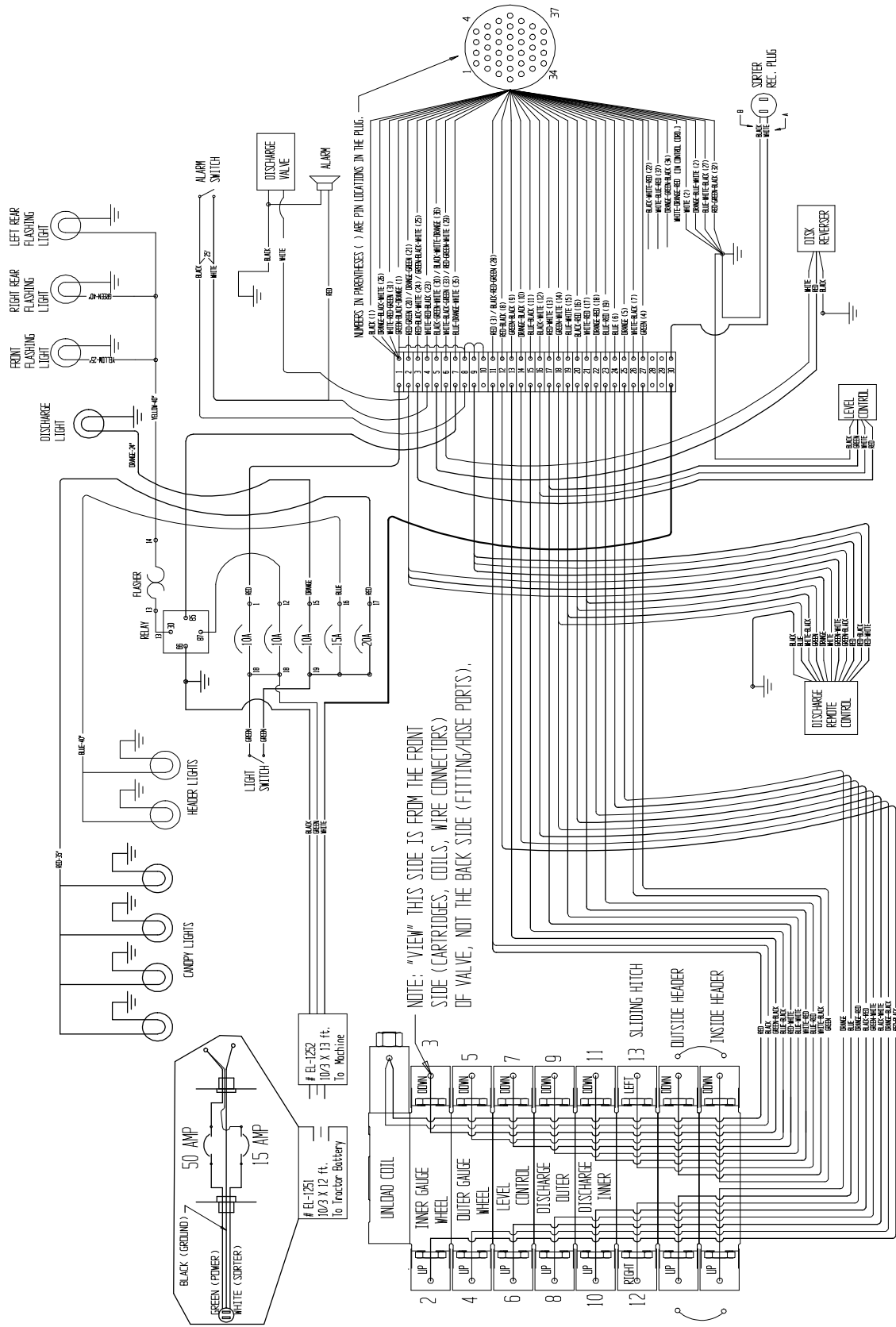
1004-11-9 RELIEF VALVE PARTS ASSEMBLY



1004-12-0 Complete Electrical Schematic

<u>Ref</u>	<u>Part No.</u>	<u>Description</u>	<u>Parts – Assembly</u>	<u>Will Fit SN</u>	<u>Remarks</u>
0	0010	Misc Parts (enter description)	0		

1004-12-0 COMPLETE ELECTRICAL SCHEMATIC



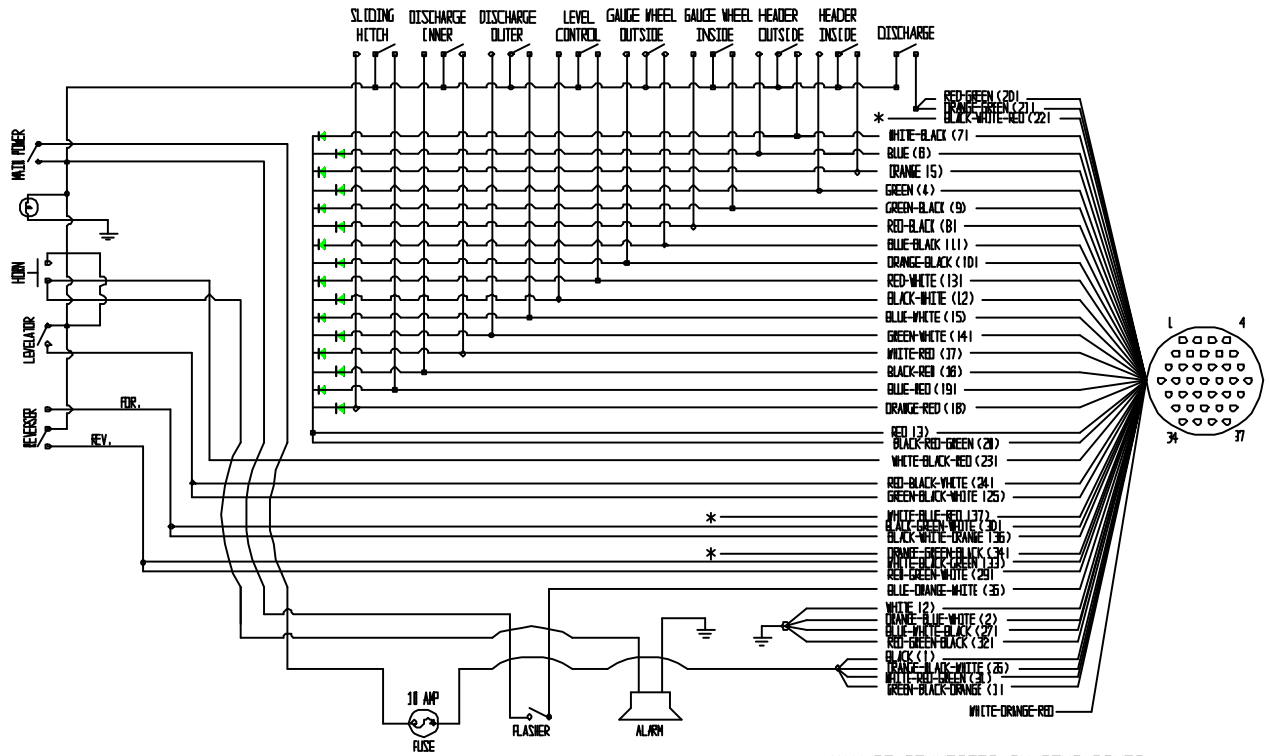
1004-12-1 Electrical Panel Schematic, Tomato

<u>Ref</u>	<u>Part No.</u>	<u>Description</u>	<u>Parts – Assembly</u>	<u>Will Fit SN</u>	<u>Remarks</u>
1	ELP-1912	Electrical Panel, Breaker Box, 2002 Tomato	1		
2	EL-12210	Connector Cable (Terminal Strip to Brand Valve) Connectors @ 1 End	1		
3	EL-12160	Power Cable for Control Box(Plug & No Connectors)	1		2001 and above

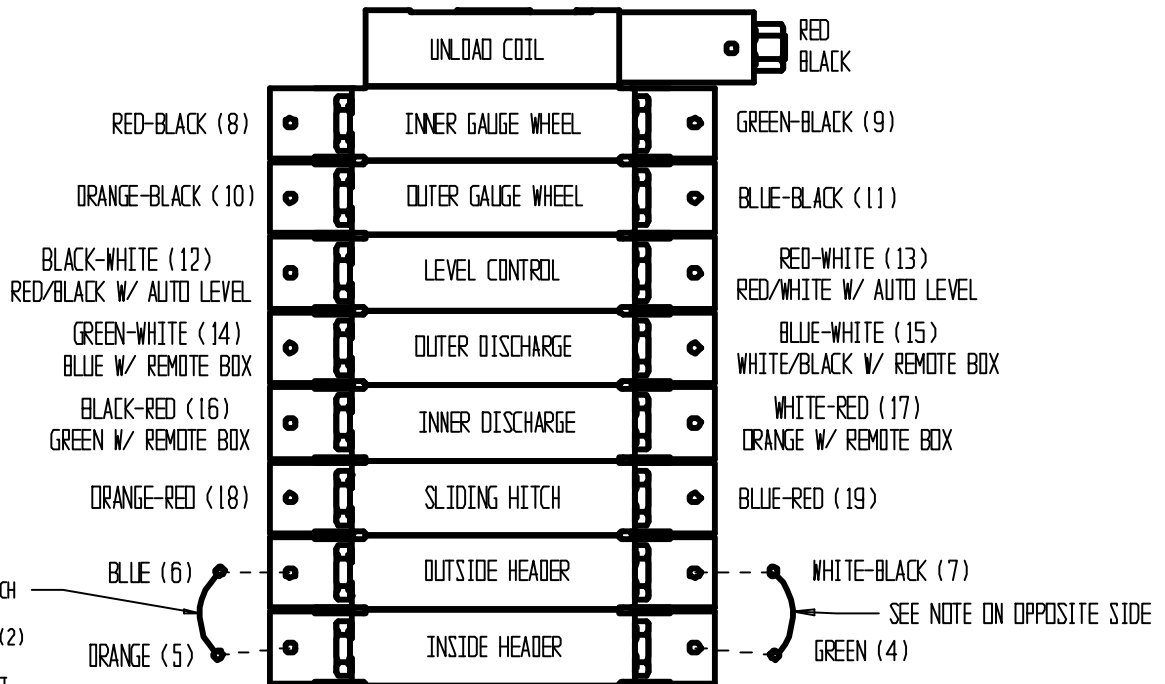
1004-12-3 Control Box & Hyd.Valve Color Code

<u>Ref</u>	<u>Part No.</u>	<u>Description</u>	<u>Parts – Assembly</u>	<u>Will Fit SN</u>	<u>Remarks</u>
0	EL-0003	COMPLETE Control Box less cable (Tomato)	0	19701-	
0	EL-12160	Power Cable for Control Box(Plug & No Connectors)	0		2001 and above

1004-12-3 CONTROL BOX & HYD. VALVE COLOR CODE



* MAY BE CONNECTED IN SOME BOXES

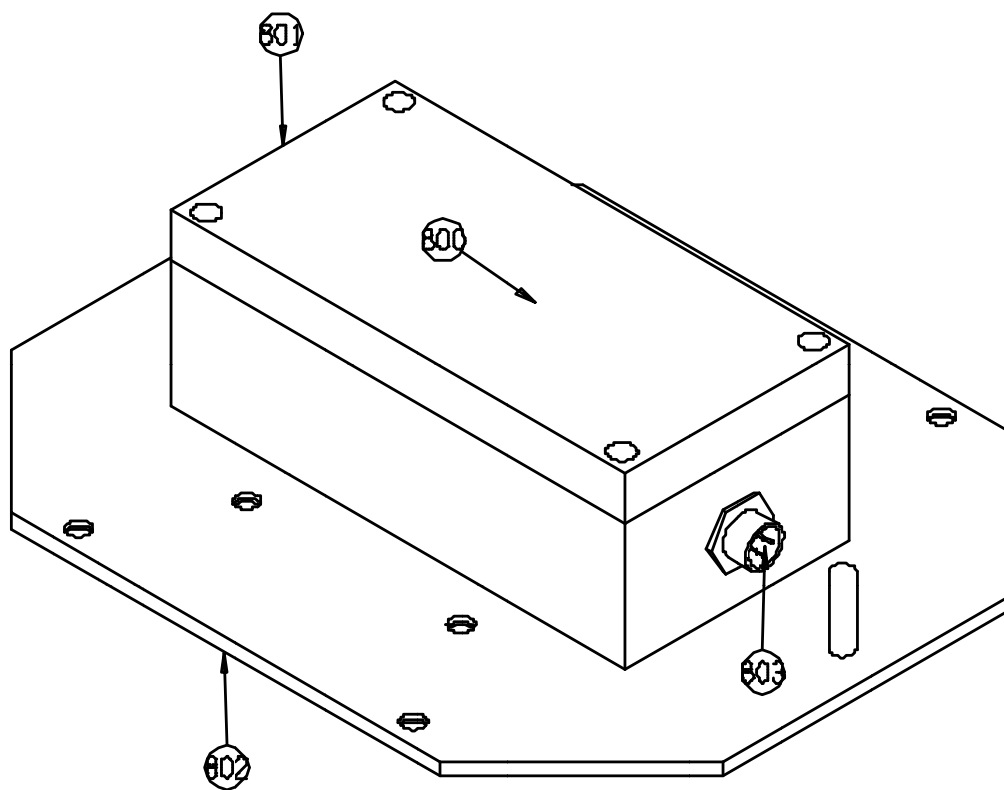


NOTE: FOR SINGLE SWITCH OPERATION: DISCONNECT 4 & 5 AND SECURE, USE (2) OF PART NUMBER EL-0005 (JUMPER WIRES), CONNECT TERMINALS AS SHOWN.

1004-12-4 190 Level Control

<u>Ref</u>	<u>Part No.</u>	<u>Description</u>	<u>Parts – Assembly</u>	<u>Will Fit SN</u>	<u>Remarks</u>
1	ELS-1250	Machine Leveler, Complete w/Decal & Mount (Round Plug)	1		
800	DC-191-LV	Decal, Level Control Box, Tomato, '97	1		
801	ELS-1253	Tilt Controller for Model 190	1	190 Tomato Harvesters	
802	PL-1149	Plastic, Levelator Mount	1	EL-112	
803	ELC-1253	190 Tilt Controller Replacement Cable	1		

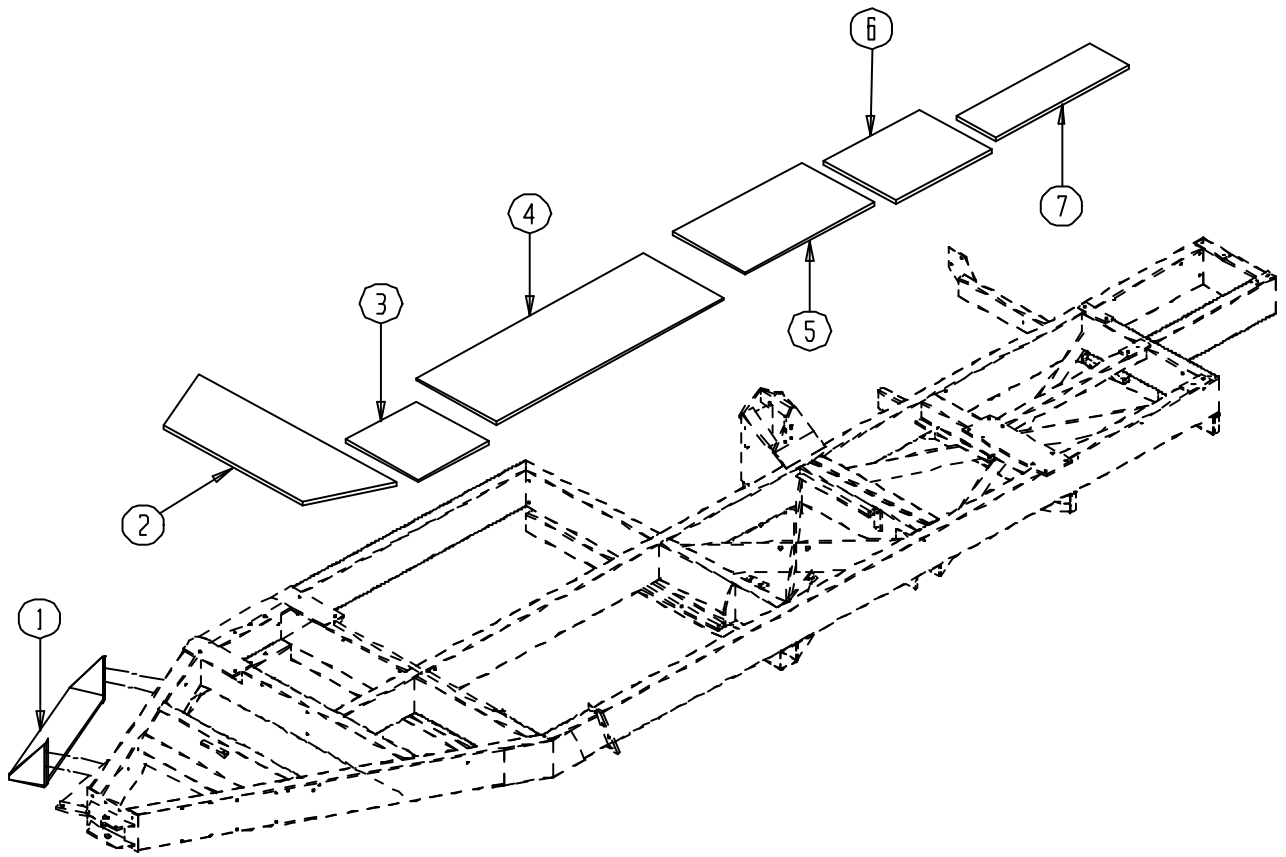
1004-12-4 190 LEVEL CONTROL



1004-14-1 Inner Decking Assembly

<u>Ref</u>	<u>Part No.</u>	<u>Description</u>	<u>Parts – Assembly</u>	<u>Will Fit SN</u>	<u>Remarks</u>
1	STD-1411	Deck, Step	1	19401-	
2	STD-1410	Deck, Cross Entrance (Trapazoid)	1	19201-	
3	STD-1409	Deck, Inner Entrance	1	19101-	
4	STD-1406	Deck, Inner (Front) Aftersort	1	19201-	
5	STD-0004	Stand, Inner Decking, Rear Aftersort	1		
6	STD-1405B	Deck, Presort, Rear	1	19201-	
7	STD-1404	Deck, Inner Elevation	1	19101-	

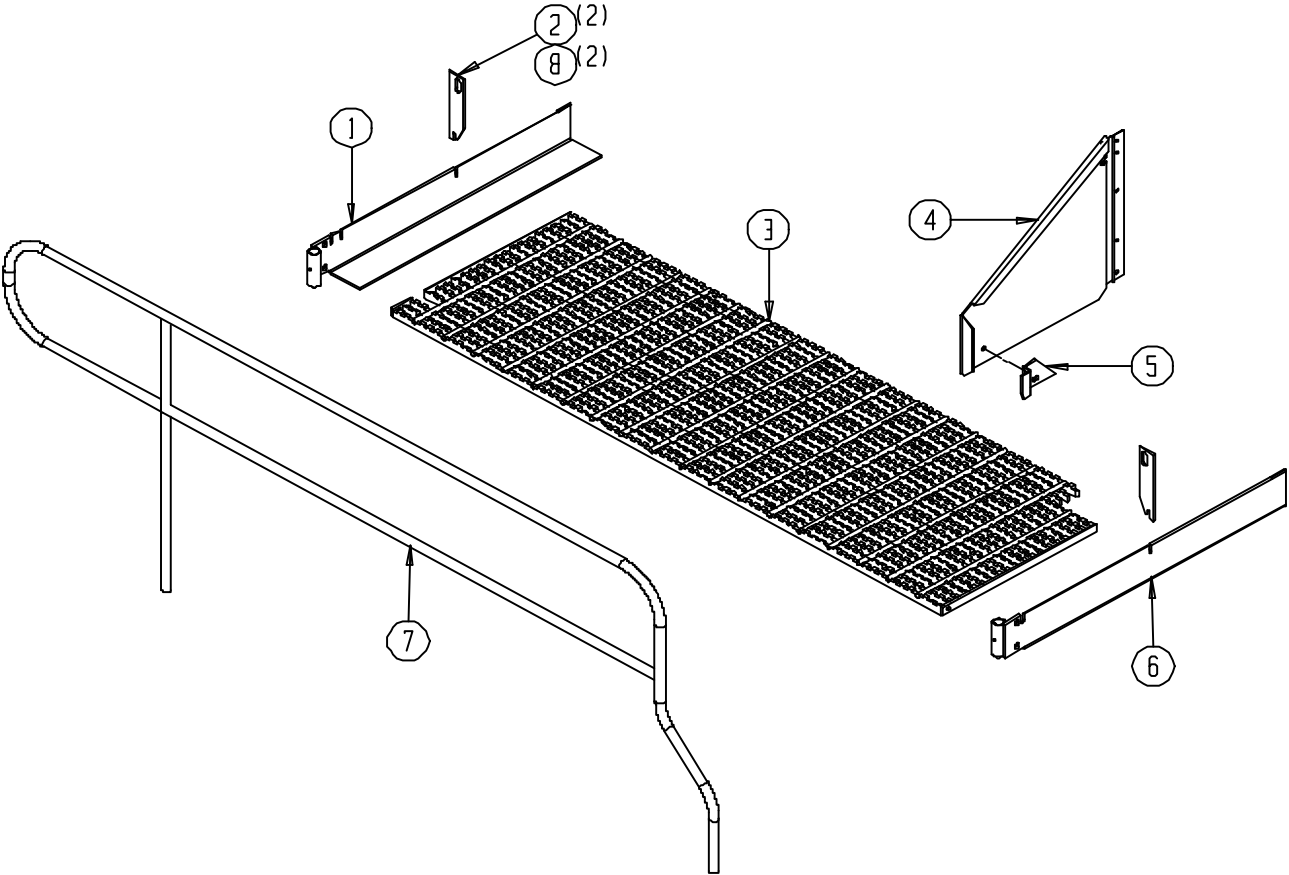
1004-14-1 INNER DECKING ASSEMBLY



1004-14-2 Outer Front Decking

<u>Ref</u>	<u>Part No.</u>	<u>Description</u>	<u>Parts – Assembly</u>	<u>Will Fit SN</u>	<u>Remarks</u>
0	DC-1402B	Decal, "CAUTION Keep Locks in Place" (Deck Lock)	2		
1	194-1408A	Decking Strut, Forward Deck, Rear	1	19401-	
2	194-1402B	Deck Slide Lock	2	19401-	
3	STD-1408	Decking, Outer Front	1	19401-	
4	194-727	Guard, Deck End (Rear and Front)	1	19401-	
5	194-727A	Latch, Deck End Guard	1	19401-	
6	194-1402	Slide-In, Front Deck	1	19401-	
7	194-1413	Deck Rail, Forward	1	19401-	
8	194-1418	Rubber Bumper	2	19401	

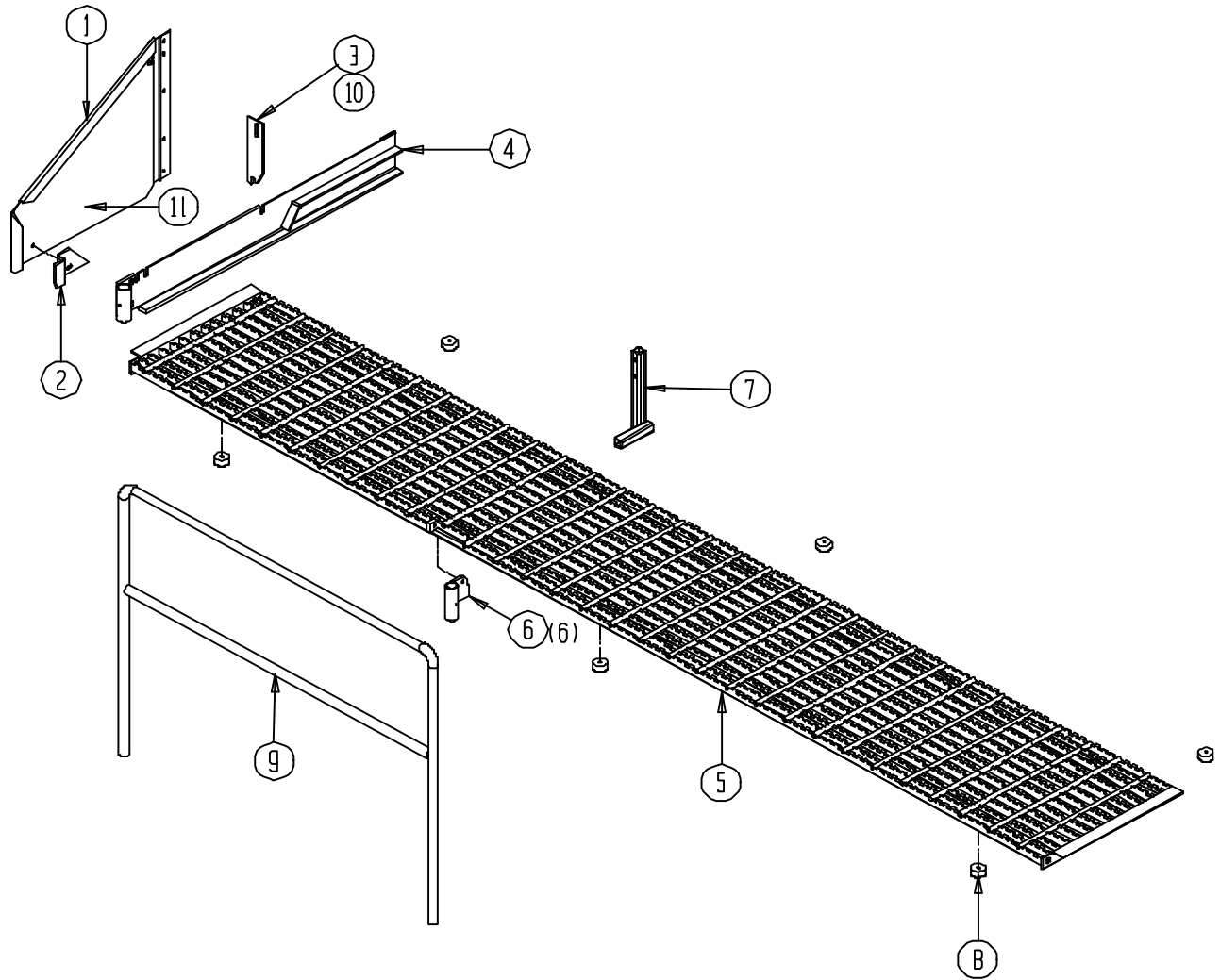
1004-14-2 OUTER FRONT DECKING ASSEMBLY



1004-14-3 Outer Rear Decking

<u>Ref</u>	<u>Part No.</u>	<u>Description</u>	<u>Parts – Assembly</u>	<u>Will Fit SN</u>	<u>Remarks</u>
1	194-727	Guard, Deck End (Rear and Front)	1	19401-	
2	194-727A	Latch, Deck End Guard	1	19401-	
3	194-1402B	Deck Slide Lock	1	19401-	
4	194-1401	Slide-In Deck (Rear)	1	19401-	
5	STD-1120	Stand, Outer Rear	1	KIT-1118, 19801-	
6	STD-1118	Stand, extension, Slider, Outer	1	KIT-1118	
7	STD-1121	Stand Support, Decking Support, Inner	1	KIT-1118	Use w/# POS-1121
7	SUP-1122	Support, Decking, Rear, Right, Long Sort Table	0	KIT-800	Use w/# 193-1138B
8	194-1418	Rubber Bumper	6	19401	
9	193-1412	Rear Deck Rail, SS	1	19301-	
10	DC-1402B	Decal, "CAUTION Keep Locks in Place" (Deck Lock)	1		
11	DC-3025	Red and White Reflective Tape @ 150 ft Roll	0.106		

1004-14-3 OUTER REAR DECKING



1004-14-4 Optional Canopy Enclosure Assembly

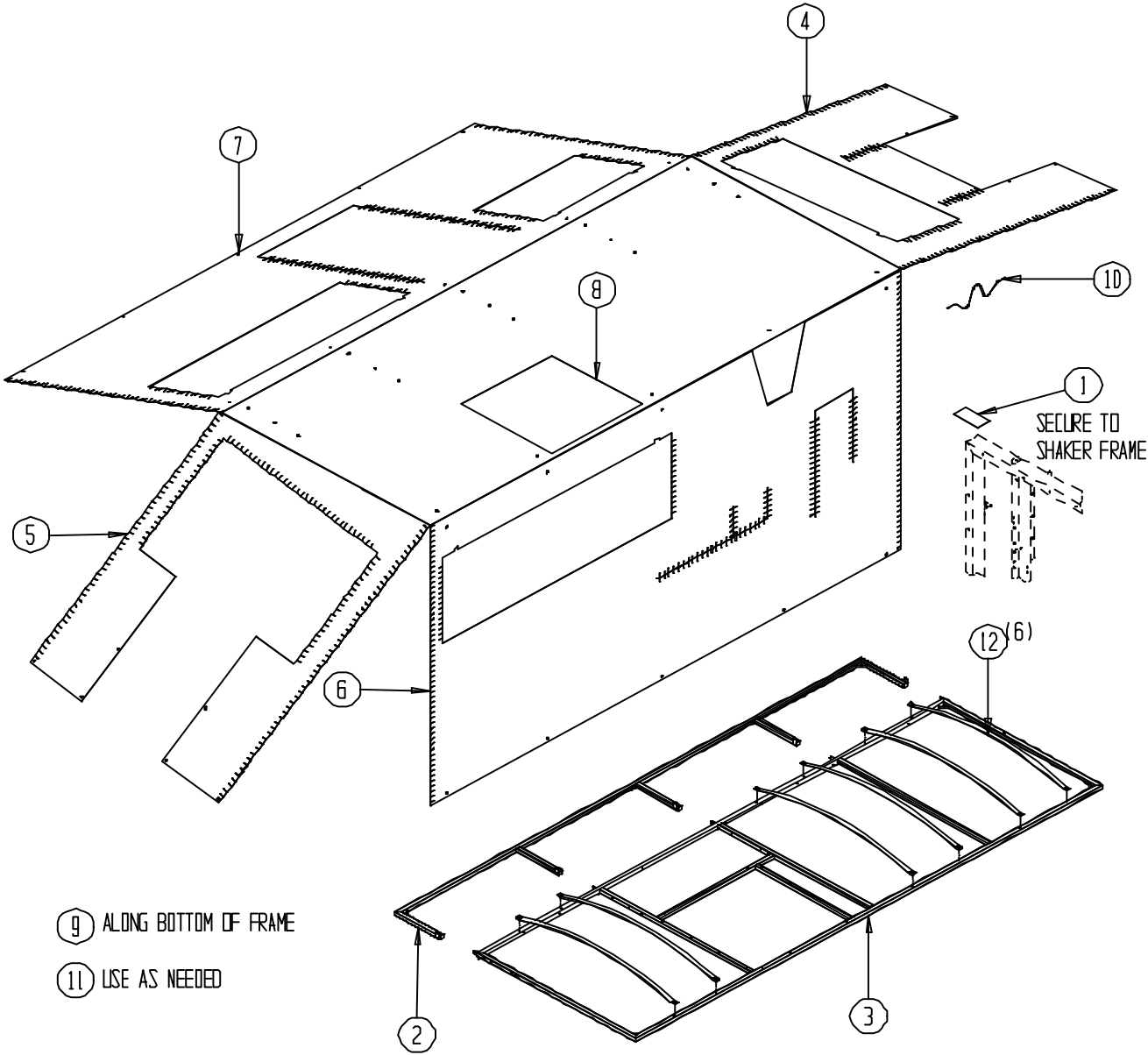
<u>Ref</u>	<u>Part No.</u>	<u>Description</u>	<u>Parts – Assembly</u>	<u>Will Fit SN</u>	<u>Remarks</u>
0	KIT-0144	190 Tomato Canopy Enclosure 2003-	1		

KIT-0144 190 TOMATO CANOPY ENCLOSURE 2003 & LATER

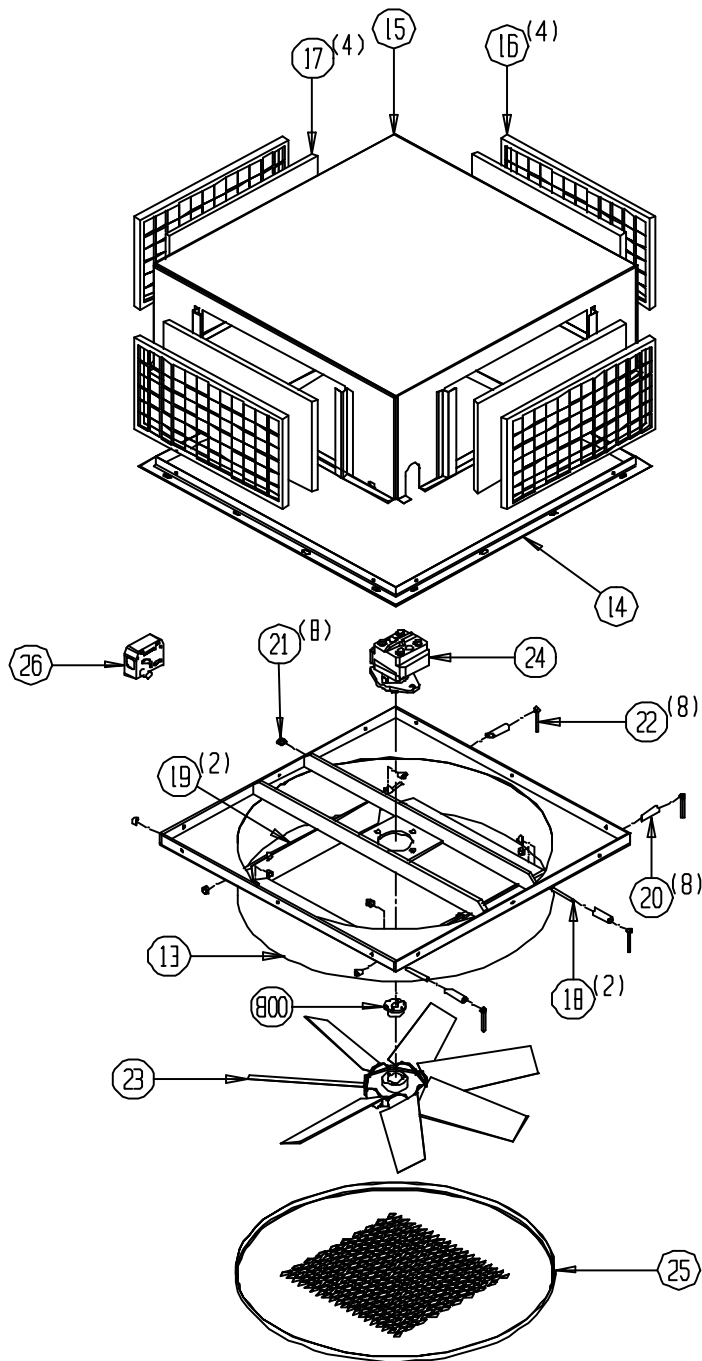
<u>Ref</u>	<u>Part No.</u>	<u>Description</u>	<u>Parts – Assembly</u>	<u>Will Fit SN</u>	<u>Remarks</u>
1	bt-0009	Belting, Enclosure Tarp Protector, @ Shaker Frame	1		
2	FRM-0003	Canopy Wldmt, Outside, Main Frame,Tarp Enclosure	1		
3	FRM-0006	Canopy Wldmt, Main Frame, Tarp Enclosure	1		
4	TRP-1150-BSP	Back Side Panel, Canopy Assembly, 190 Tom.	1		
5	TRP-1150-FSP	Front Side Panel, Canopy Enclosure 190 Tom.	1		
6	TRP-1150-LSP	Left Side Panel, Canopy Enclosure, 190 Tomato	1		
7	TRP-1150-RSP	Right Side Panel, Canopy Enclosure, 190 Tom.	1		
8	TRP-1150-TCP	Top Cover Panel, Canopy Enclosure, 190 Tom.	1		
9	TT-2771	Tarp Tracking, 16' Sections	3		
10	TRP-0006	Nylon Rope #6 @ foot	100		
11	WT-7	Wire Tie 7"	15		
12	ARM-0006	Arm, Tarp Bows, Enclosure Frame	6		
13	FAN-8100	Fan, Fresh Air Fan Housing, Canopy, HC290 Tomato	1		
14	FRM-0011	Frame, Ventilation Fan, Over Sorting	1		
15	FAN-4750	Filtered Fan Ventilation, Sorting Area	1		
16	FFR-14251	Filter Frame, 14 x 25 x 1	4		
17	FP-14251	Filter Pad, 14 x 25 x 1	4		
18	FAN-8102	Fan, RH/LH Diffuser, Fresh Air Fan	2		
19	FAN-8103	Fan, Front/Back Diffuser, Fresh Air Fan	2		
20	SPA-8000	Spacer, Outside, Fresh Air Fan, HC290	8		
21	spa-8001	Spacer, Inside, Fresh Air Fan, HC290	8		
22	arm-8000	Arm, Diffuser Outside, Fresh Air Fan, HC290	8		
23	FAN-290-36	Fresh Air Fan, 36"	1		
24	HM-115	Hydraulic Motor	1		
25	FAN-8101	Fan, Shield, Fresh Air, Canopy	1		
26	HV-FL30	Flow Control Valve 30GPM	1		
27	CM-01	Deck Mat, Outer Front, Rubber	1		

28	CM-04	Deck Mat, Inside, Rubber	1	
29	CM-05	Deck Mat, Inner, Rubber	1	
30	CM-06	Deck Mat, Inner Decking, Rubber	1	
31	CM-08	Deck Mat, Outer Mid, Big Wheels	1	
32	CM-09	Deck Mat, Outer Rear, Big Wheels	1	Must Modify to fit small wheel machines pre '98
33	CM-10	Deck Mat, Inner Elevation w/ Presort	1	
100	BL-1224-087-DT	12-24 x 3/4 Drill and Tap Screw	25	
101	BL-1224-150-DT	12-24 x 1 1/2 Drill & Tap Screw	6	
102	BL-4-075-H	1/4 UNC X 3/4 HH C/S BOLT GR5 ZINC	4	
103	BL-4-225-H	1/4 UNC X 2 1/4 HH C/S BOLT GR5 ZINC	16	
104	BL-4-FW-8	1/4" Flat Washer Grade 8	50	
105	BL-4-LN	1/4-20 HEX LN NE ZC	20	
106	BL-6-100-H	3/8 UNC X 1 HH C/S BOLT GR5 ZINC	10	
107	BL-6-125-H	3/8-16 X 1 1/4 HHCS G5 ZC	3	
108	BL-6-400-H	3/8-16 X 4 HEX CAP G5 ZC	3	
109	BL-6-FW-8	3/8 FLAT WASHER G8 ZC	40	
110	BL-6-LN	3/8 UNC FIN HEX LOCK NUT NE A563 GrA ZINC	20	
111	BL-8-125-H	1/2-13 X 1 1/4 HEX CAP G5 ZC	5	
112	RI-3-6-SS	SS Pop Rivets, 3/16 x .251-.375, Buttonhead	25	
600	A-1603-8-8-8	Swivel T 1/2" NPTF	1	20095001-
601	A-6401-10-8	10 SAE x 1/2 MPT Male	2	
602	A-6901-12-12	12 SAE x 3/4" FPX 90	2	
603	A-6901-10-8	10 SAE x 1/2 FPX90	1	
604	H10-190-8MP-8MP	5/8 in hose 1/2MP x 1/2MP x 190 in long	2	
605	H6-PL-198	3/8" Push Loc Hose 198" (Secondary Shaker)	1	
606	HA-1032	Hydraulic Hose Holder 1/2	4	19101
607	A-4124-6-4	1/4 Male Pipe x 3/8 Push Loc	1	HV-1045K
608	A-6900-12-8	12 SAEx 1/2" FPX	2	
609	ATB-06-06-06	3/8" x 3/8" x 3/8" Brass Hose Barb Tee	1	CL-10 needs to be used with this tee.
610	EL-31562	Splice Tap for 18-14 Gauge Wire	1	
611	ELC-16-G	16 Gauge Wire (Green)	10	
612	ELT-25054	Black Cable Clamp, 3/8"	25	
613	ELT-31712	Push On Male 14-16 ga	1	HV-1045K
614	ELT-31713	Push On Female Terminal 14-16 ga.	1	HV-1045K
800	PU-SH-16	Bushing, SH x 1", 1/4" Keyway	1	

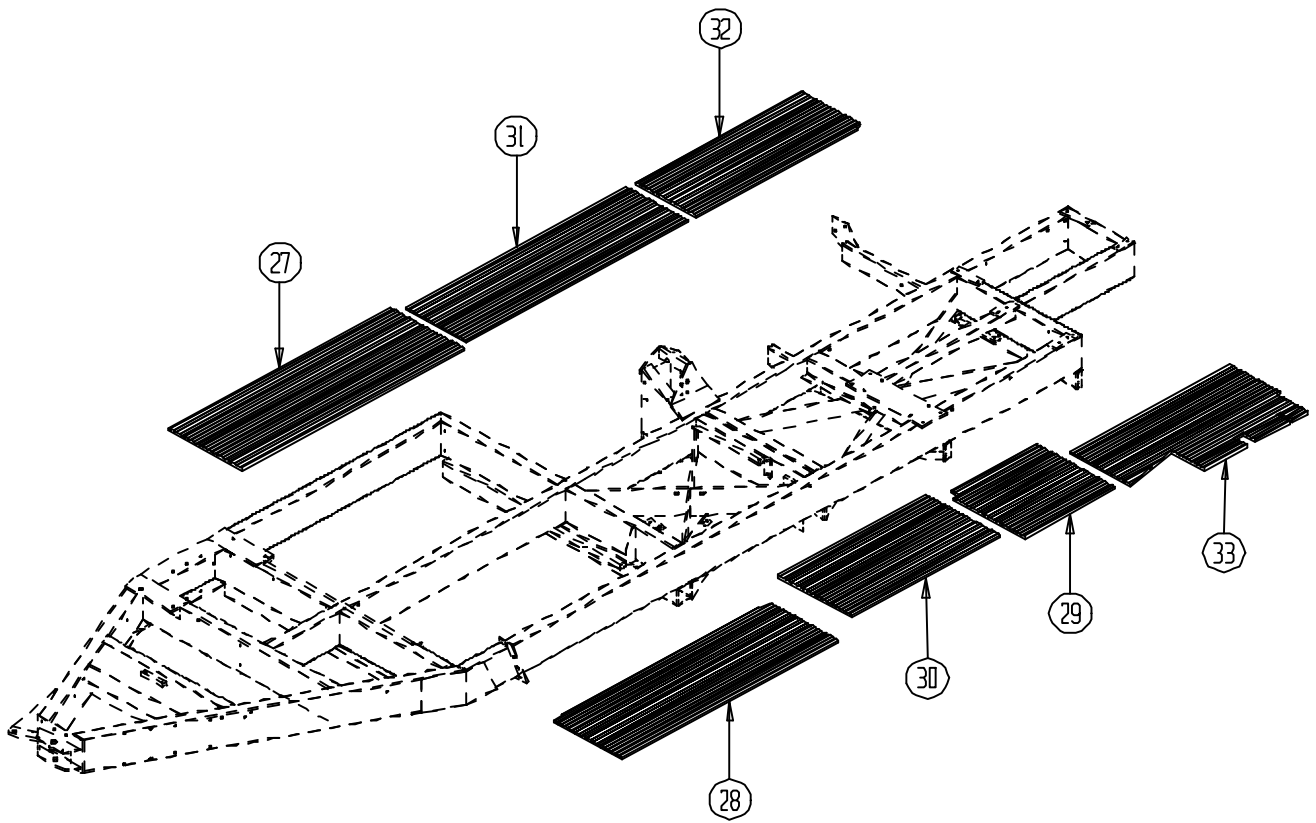
CANOPY ENCLOSURE ASSEMBLY



CANOPY ENCLOSURE VENTILATION FAN ASSEMBLY



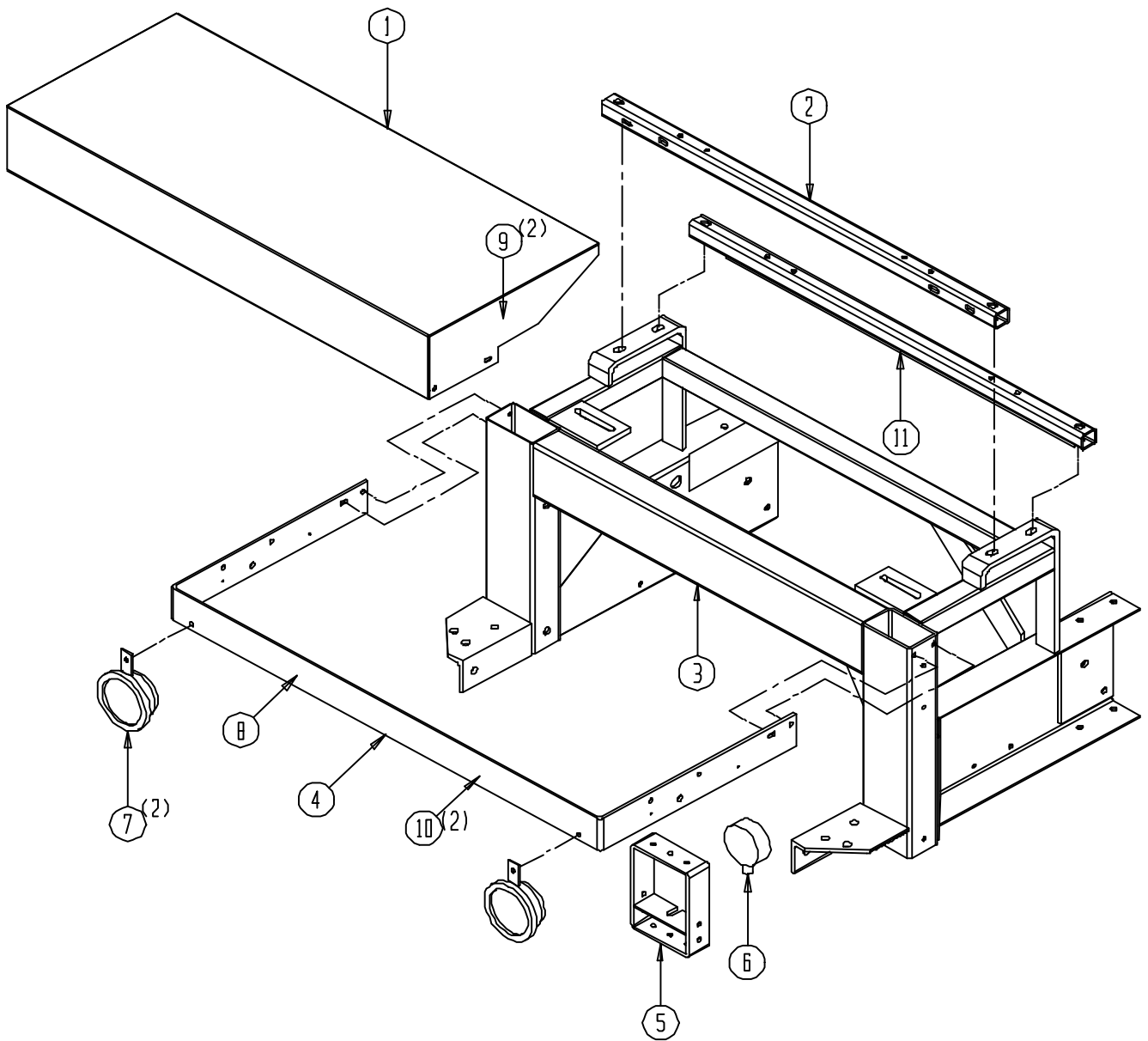
CANOPY ENCLOSURE DECKING ASSEMBLY



1004-15-1 Disk Header Frame Assembly

<u>Ref</u>	<u>Part No.</u>	<u>Description</u>	<u>Parts – Assembly</u>	<u>Will Fit SN</u>	<u>Remarks</u>
1	192-139	Shield, Disk Header Cover (Tomato)	1	19201-	
2	194-109	Disk Motor Stabilizer Bar	1	19401-19525 60096001- 61096001- 194-231K	
3	194-130	Disk Header (Tomato)	1	19401-	
4	192-139A	Safety Bar	1	19201-	
5	SHD-1206	Shield, Flashing Light	1	30097001- 19601-	
6	EL-1206	Double Amber Lamp	1		
7	EL-1201	Halogen Lights	2	19201	
8	DC-1184	Danger Decal, 3" x 16"	1		
9	DC-1176	Decal, Danger-Hand Chain Sprockets	2		
10	DC-ARROW	Decal, Yellow Direction Arrow	2		
11	194-109R	Bar, Motor Stop Stabilizer, Tom. Disk Header	1		

1004-15-1 DISK HEADER FRAME ASSEMBLY

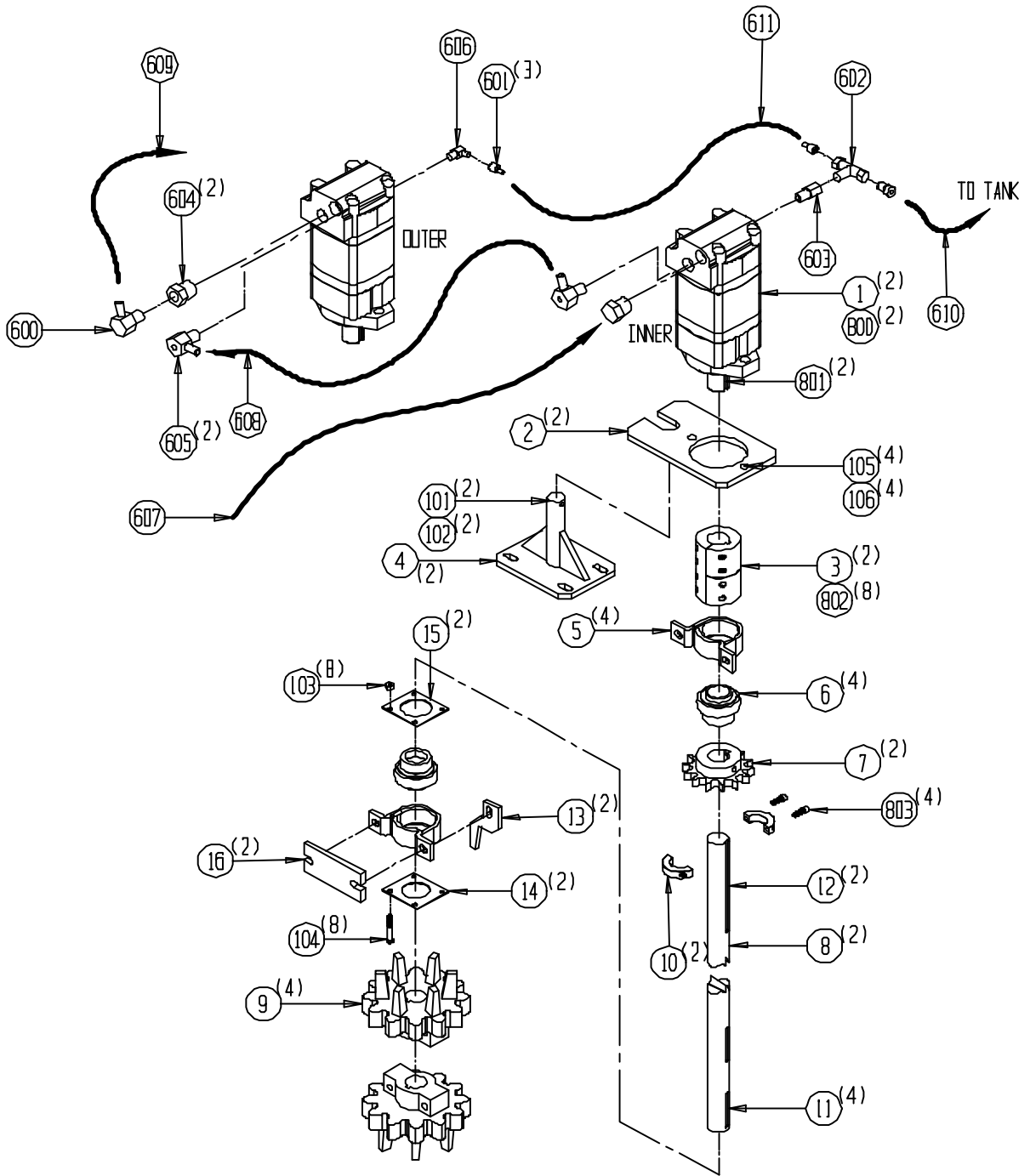


1004-15-2 Drive Shaft Assembly

<u>Ref</u>	<u>Part No.</u>	<u>Description</u>	<u>Parts – Assembly</u>	<u>Will Fit SN</u>	<u>Remarks</u>
1	HM-1228-CH	Char Lynn Motor	2		
2	ARM-1228	Arm, Mount, Motor Mounting Pad, High Tor. Motors	2		
3	CPS-6057	Coupler, Solid, 1.25", Cucumber & Tomato	2		This Replaces CPS-6056.
4	STP-1228	Stop, Motor, Arm Mounted, High Tor. Motors	2		
5	BR-062-MPB	Stamped Bearing Housing for 1 1/4" bearing	4		
6	BR-125-062	Bearing, 1 1/4 Fafnir tri-seal, 62mm OD	4		
7	SP-60B14-20-5	Sprocket, #60, 14 tooth, 1.25" bore	2		191-116 Old P/N Not used '91 to '93 except on machines without gathreing chains. Used on all machines upgraded with direct drive gathering chin kits.
8	194-155	Shaft, Gathering Chain	2		Available as update kit
9	SPU-3612-20-4	Urethane Sprocket 36-12 1 1/4 bore 1/4" key	4		Sub SP-3612-20-4
10	SC-20-2	Shaft Collar, 2 piece 1 1/4" bore	2		
11	KEY-4-4-32	Shaft Key 1/4" x 2" Square Cut (1018)	4		
12	KEY-4-4-20	Shaft Key 1/4" x 1 1/4"	2		
13	SCR-101	Scraper, Sprocket, Hi Clearence	2		
14	SC-20-6	Bearing Protector, 1 1/4", Inner Side	2		
15	SC-20-7	Bearing Protector, 1 1/4", Outer, Lock Collar Side	2		
16	SPA-1300	Spacer, Bearing, Gathering Chain Roller	2	Kit-0028	
101	BL-5-150-H	5/16-18 X 1 1/2 HEX CAP G5 ZC	2		
102	BL-5-LN	5/16-18 HEX LN NE ZC	2		
103	BC-1032-LN	10-32 lock nuts	8		
104	BL-1032-175P	10/32 x 1 3/4" Pan Head, Phillips Machine Screw	8		
105	BL-8-175-H8	1/2 x 1 3/4", Grade 8, Hex Head	4		
106	BL-8-LNS	1/2 Stover Lock Nut	4		
600	A-1501-12-12	3/4MP x 3/4 FPX 90	1		
601	A-4124-6-4	1/4 Male Pipe x 3/8 Push Loc	3	HV-1045K	
602	A-5605-4	1/4" Pipe Tee	1		
603	A-6401-4-4	4 SAE x 1/4"MP	1		
604	A-6900-10-12	10 SAE x 3/4 FPX	2		
605	A-6901-10-12	10 SAE x 3/4 FPX90	2	HV-1045K	
606	A-6901-4-4	4 SAE X 1/4 FPX 90	1		
607	H12-30-12MP-16MJ	3/4 in hose 3/4 MP x 1" MJIC x 30 in long	1		
608	H12-39-12MP-	3/4 in hose 3/4MP x 3/4MP x 39 in long	1		

12MP				
609	H12-62-12MP-16MJ	3/4 in hose 3/4MP x 1MJIC x 62 in long	1	
610	H6-PL-300	3/8" Push-Loc Hose 300"	1	
611	H6-PL-48	3/8" Push Loc Hose 48" (Reverse Kit)	1	HV-1045K
800	HM-1228-SK	Seal Kit for Char-Lynn	2	2000 Series -
801	KEY-5-5-20	Shaft Key 5/16" sq x 1 1/4" Square Cut (1018)	2	
802	BL-5-125-SCF	5/16 - 24 x 1 1/4", Socket Head Cap Screw	8	
803	BL-4-075-SCS	1/4-28 x 3/4" Socket Head Cap Screw	4	

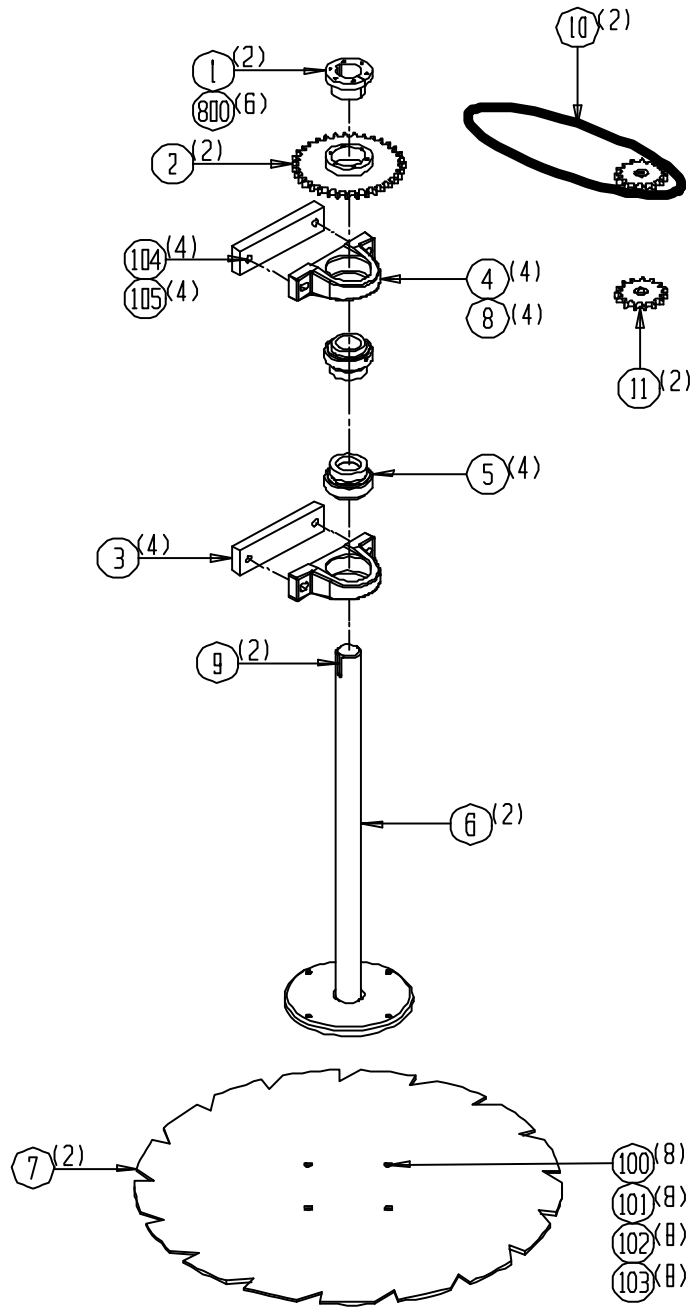
1004-15-2 DRIVE SHAFT ASSEMBLY



1004-15-3 Disk Shaft Assembly

<u>Ref</u>	<u>Part No.</u>	<u>Description</u>	<u>Parts – Assembly</u>	<u>Will Fit SN</u>	<u>Remarks</u>
1	SP-SK-2	Sprocket, Bushing SK	2	19101	
2	SP-60SK35	Sprocket, #60, 35 tooth	2	19101	
3	192-131S	Disk Bearing Spacer	4	19201-	May be omitted
4	BR-100-RAK	2" Bearing Housing	4	11001	
5	BR-200-100	2" Fafnir Bearing, Tri-ply	4	11001	
6	191-131	Shaft, Disk	2		
7	HD-140-04	34" Header Disk	2	11001-19525 60096001-	Replace with HD-150-34
7	HD-140-06	36" Header Disk	0		Replace with HD-150-36
8	GF-1428	Grease Fitting 1/4" x 28 straight	4		
9	KEY-8-8-40	Shaft Key 1/2" x 1/2" x 2 1/2"	2		
10	CH-60H-67	Roller Chain 67 pitches #60H Disk Drive(Tomato) w/master link	2	19101	
11	SP-6015-T	Idler, # 60 Roller Chain Adjuster	2	19201	
100	BL-8-100-H	1/2-13 X 1 HEX CAP G5 ZC	8		
101	BL-8-LW	1/2 SPLIT LW ZC	8		
102	BL-8-SW	1/2 SAE FW ZC	8		
103	BL-8-FW-8	1/2 FLAT WASHER G8 ZC	8		
104	BL-10-450-H	5/8-11 X 4 1/2 HEX CAP G5 ZC	4		
104	BL-8-450-H	1/2-13 X 4 1/2 HEX CAP G5 ZC	4		
105	BL-10-LN	5/8-11 HEX LN NE ZC	4		
105	BL-8-LN	1/2-13 HEX LOCK NUT NYLON INSERT ZC	4		
800	BL-5-200-8T	5/16-18 x 2 Grade 8 Tap Bolt	6		

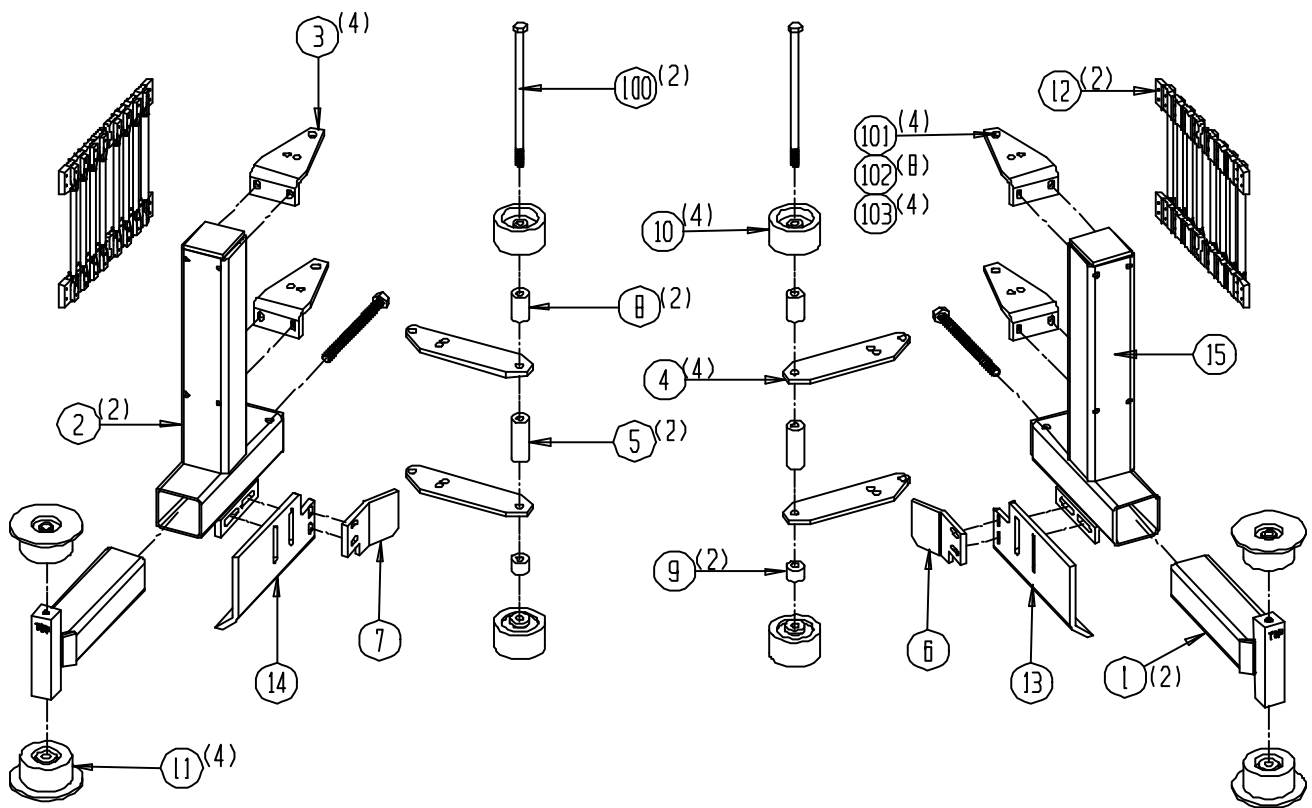
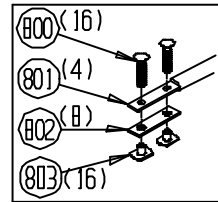
1004-15-3 DISK SHAFT ASSEMBLY



1004-15-4 Gathering Chain Assembly

<u>Ref</u>	<u>Part No.</u>	<u>Description</u>	<u>Parts – Assembly</u>	<u>Will Fit SN</u>	<u>Remarks</u>
1	ADJ-155	Adjuster, Nose Tightener, Gathering Chain	2		
2	BRA-1821	Gathering Chain Bracket	2		
3	BRA-1811	Mounting Bracket, Gathering Chain	4		
4	194-184	Roller Positioner	4		
5	192-107A	Slide Guide Roller	2		
6	SCR-176	Scraper, Disk, Hub,Outer	1	SCR-164	Use if equipped w/(1)#192-131S @ Disk Shaft Bearing.
7	SCR-175	Scraper, Disk Hub, Inner	1	SCR-162	Use if equipped w/(1)#192-131S @ Disk Shaft Bearing.
8	SPA-6130	Roller Spacer (Gathering Chain)	2		
9	SPA-6131	Spacer, Gathering Chain Assy, Rollers	2	60097001-	
10	RLT-035-228	Roller 3.5 dia x 2.2 x 1/2" bore, no flange	4		
11	RLT-535-2210-RV	5" Flange Roller 2.2 WF 3.5 dia, 5/8" bore w/ Inverted Spindle	4		
12	BC-6-1236-60	Gathering chain, 3/8 bars 12in wide x 60 links 36mm	2		
13	SCR-164	Scraper, Upper, Outer, Disk Header	1		
14	SCR-162	Scraper, Upper, Inner, Disk Header	1		
15	DC-3026	Orange Reflective Tape @ 50ft Roll	0.02		
100	BL-8-1200-H	1/2-13 X 12 HEX CAP G5 ZC	2		
101	BL-10-200-H	5/8-11 X 2 HEX CAP G5 ZC	4		
102	BL-10-SW	5/8 SAE FW ZC @	8		
103	BL-10-LN	5/8-11 HEX LN NE ZC	4		
104	BL-10-800-T	5/8-11 X 8 HEX TAP G8 ZC	2		
105	BL-10-N	5/8-11 HEX FIN NUTS ZC	2		
800	BC-1032-FS	10-32 x 1 1/4" bolts Flat Socket Head	16		
801	BC-6-12-ST	3/8" x 12" Belted Chain Rod for 50mm Belt	4	1910119320	
802	BC-BP20-10-T	20mm Backing Plates /10-32 T Nuts	8		
803	BC-1032-TN	10-32 T Nuts	16	11001	

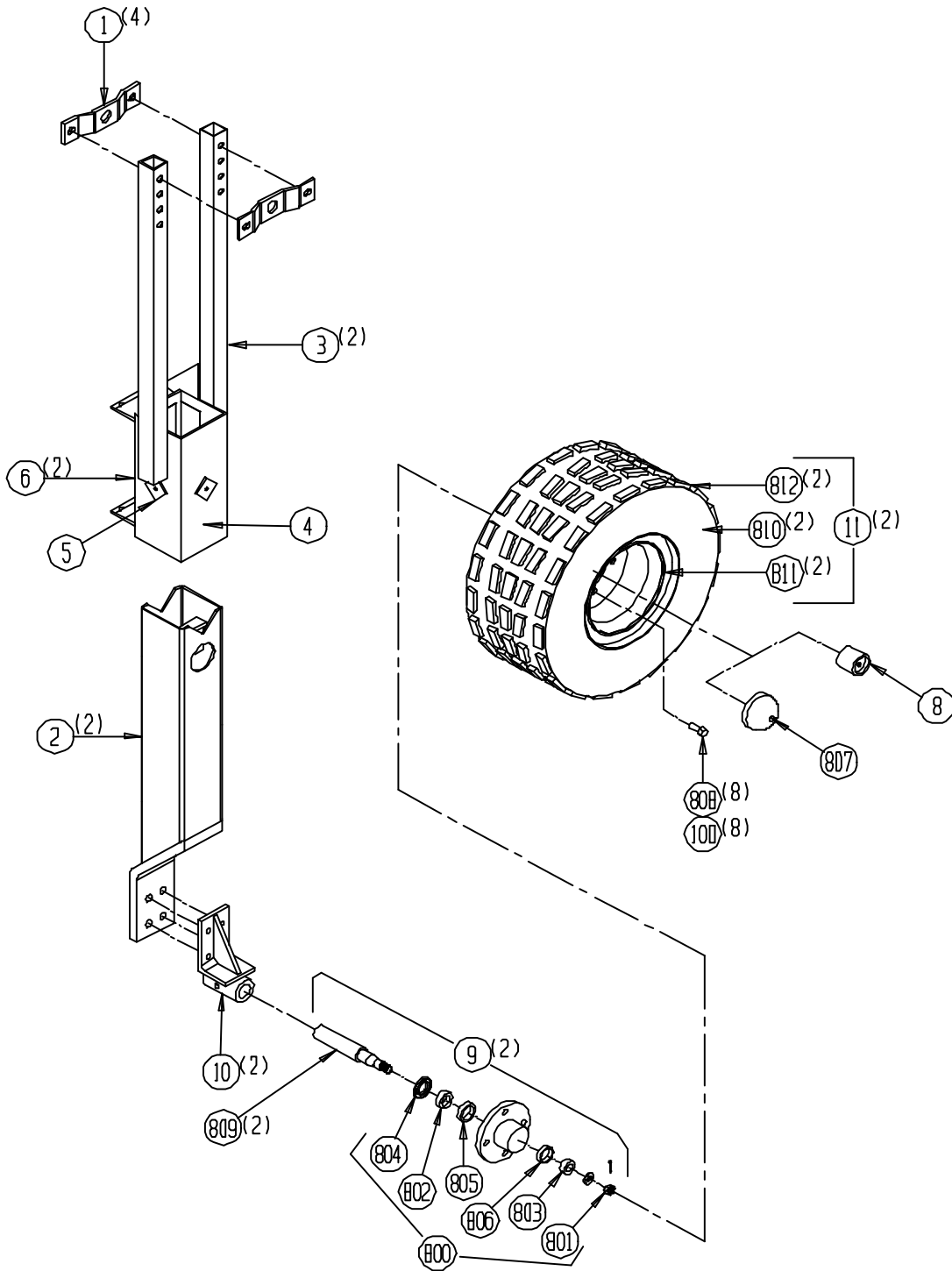
1004-15-4 GATHERING CHAIN ASSEMBLY



1004-15-5 Gauge Wheel Assembly

<u>Ref</u>	<u>Part No.</u>	<u>Description</u>	<u>Parts – Assembly</u>	<u>Will Fit SN</u>	<u>Remarks</u>
1	193-188	Adjuster, Gauge Wheels	4	19301-	
2	194-186	Gauge Wheel, Inner slider	2	19201-	
3	194-187	Gauge Wheel, Outer Frame	2	19201-	
4	DC-3025	Red and White Reflective Tape @ 150 ft Roll	0.03		
5	GF-1428	Grease Fitting 1/4" x 28 straight	6		
6	GF-1428-90	Grease Fitting 1/4" x 28 90	2		
8	WHL-178	Bearing Protector @Pair	1		
9	WHL-190	Gauge Wheel Hub and Spindle Complete	2		
10	WHL-1941	Wheel, Spindle Holder, Gauge Wheel, 190	2		
100	BL-8-NF	1/2-20 HEX FIN NUTS ZC	8		
800	WBR-199K	Gauge Wheel Bearing Kit	1	WHL-190	Includes seal, inner and outer bearings and cones
801	WBR-199E	Spindle Nut	1	WHL-190	
802	WBR-199C	Inner Bearing	1	WHL-190	
803	WBR-199D	Outer Bearing	1	WHL-190	
804	WBR-199F	Seal	1	WHL-190	
805	WBR-199H	Cup	1	WHL-190, WHL-4000	
806	WBR-199I	Outer cup	1	WHL-190	
807	WBR-199G	Hub cap	1	WHL-190	
808	WBR-199L	Lug Bolt for Gauge Wheel	8	WHL-190	
809	WBR-199S	Gauge Wheel Spindle Only	2	WHL-190	w/ WHL-191 replaces WBR-199A
810	WHL-195	Gauge Wheel Tube	2		
811	WHL-197	Gauge Wheel Rim	2	19201	
812	WHL-198	Gauge Wheel Tire	2	19201	

1004-15-5 GAUGE WHEEL ASSEMBLY



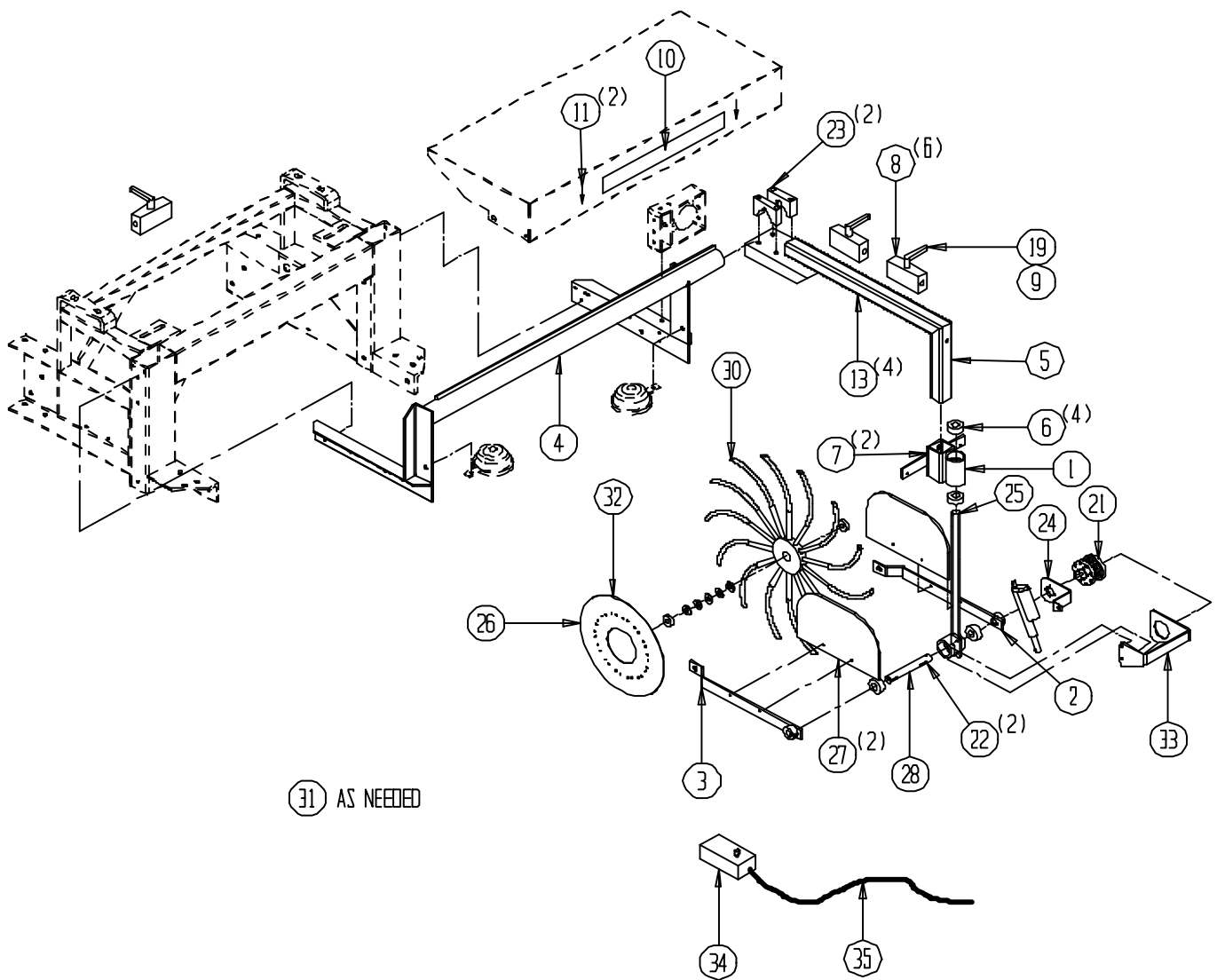
1004-15-6 Optional Header Height Control System

<u>Ref</u>	<u>Part No.</u>	<u>Description</u>	<u>Parts – Assembly</u>	<u>Will Fit SN</u>	<u>Remarks</u>
1	ADJ-HC99	Adjuster, Wheel Control Height Adj, HHC	1		
2	ARM-HC99L	Arm, Left, Control Wheel, HHC	1		
3	ARM-HC99R	Arm, Right, Control Wheel, HHC	1		
4	BAR-9022	Bar, AHHC Trailing Wheel Mount, Support Bar	1		
5	BAR-9023	Bar, AHHC Trailing Wheel Mount	1		
6	BR-100-ER	Bearing, 1" ER	4		
7	CH-3-28	3/16 LINK CHAIN 28 LINKS	2		
8	CL-44	3" SS GEAR CLAMP	6		
9	DC-1047	Decal, HV-1047, White	3		Use w/HV-1047
10	DC-1184	Danger Decal, 3" x 16"	1		
11	DC-ARROW	Decal, Yellow Direction Arrow	2		
12	PR34896	Hose Clamp, 1/4" Hydraulic, 1/2" O.D. Hose	6		
13	HA-1031	Hydraulic Hose Holder 3/8	4		
14	ACT-042-28	Actuator, Single Control, 28' Lead	1		
15	HC-1129-A	Hyd. Cyl Pin, 1" x 2 3/4" Between the Grooves	4		
16	HC-1130B	Hair Pin Clip	8		
17	HC-175-0808-1	Hydraulic Cylinder, 1 3/4" x 8", #8 SAE Ports	1		
18	HC-200-0808-1	Hydraulic Cylinder, 2" x 8", #8 SAE Ports	1		
19	HV-1047	Ball Valve	3		
20	HV-4-4M	Manual Metering Needle Valve	1		
21	HVR-5479	Rotary Valve, Microtorque w/ high pressure ends	1		
22	KEY-4-4-12	SHAFT KEY 1/4"x3/4" SQUARE CUT (1018)	2		
23	MOU-103	Mount, Wheel Arm Bar Support, HHC, Cuc & Tom	2		
24	ARM-HC03	Arm, Rotary Valve. HHC, 2003	1		
25	MOU-HC03	Mount, Trailing Wheel Arms, HHC, 2003	1		
26	PL-6192	Depth Disk Wheel, 14.375 Dia.	1		
27	PL-HC99	Plastic, Chain Guard Wheel Arm, HHC	2		
28	SFT-HC99	Shaft, Wheel Arm Mounts, HHC	1		
30	WHL-HHC-99	Spider Wheel Assembly	1		
31	WT-14	Wire Tie 14 1/4"	25		
32	WT-7	Wire Tie 7"	25		
33	SHD-HC03	Shield, Rotary Valve, HHC, 2003	1		
34	EL-0007	Actuator Control Box, Single	1		

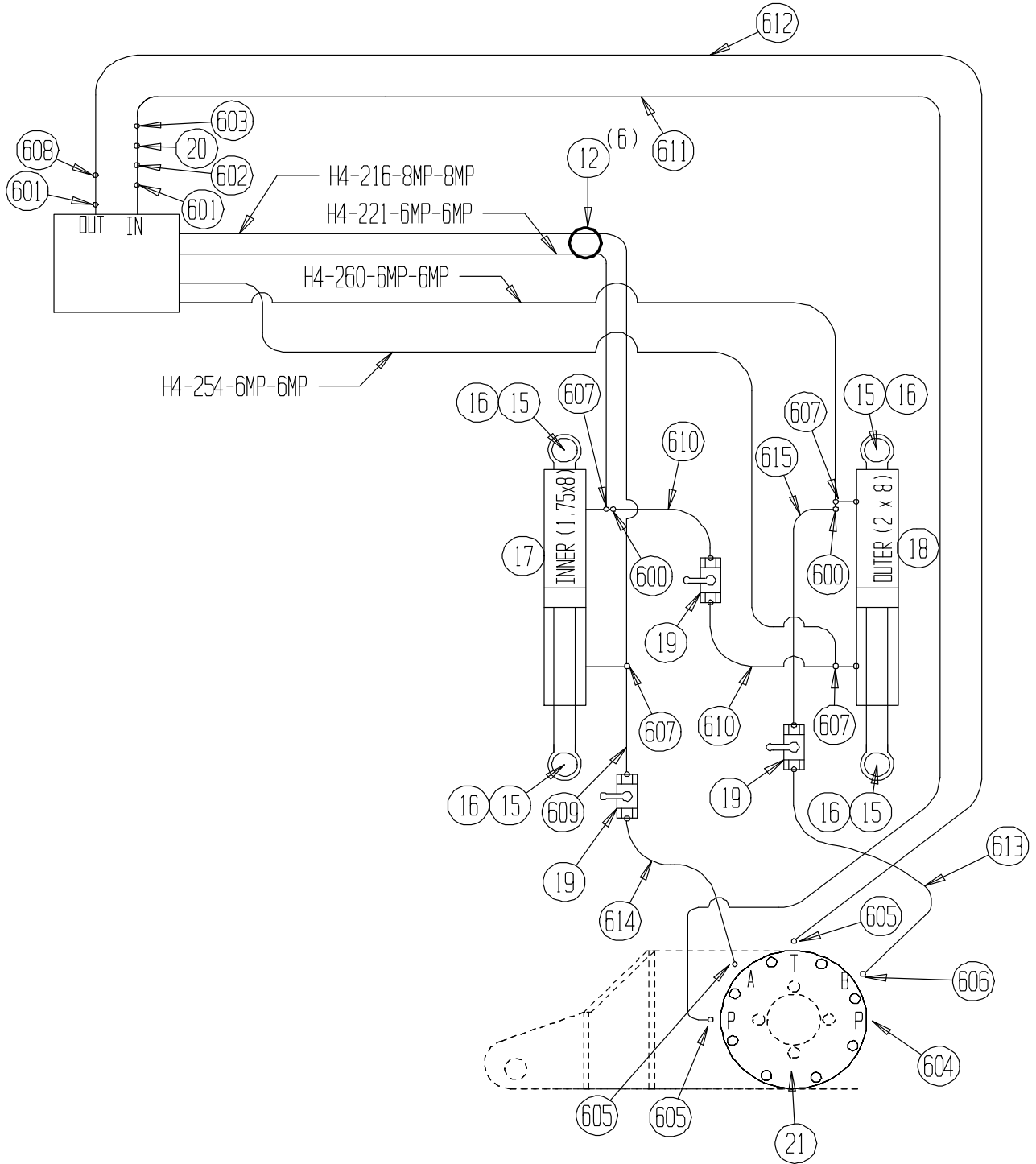
35	ELC-0009	Actuator Cord, Control Box-#1 Junction Box	1
100	BL-1224-087-DT	12-24 x 3/4 Drill and Tap Screw	2
101	BL-4-050-H	1/4-20 X 1/2 HEX CAP G5 ZC	4
102	BL-4-100-H	1/4-20 X 1 HEX CAP G5 ZC	4
103	BL-4-125-H	1/4-20 X 1 1/4 HEX CAP G5 ZC	2
104	BL-4-175-H	1/4-20 X 1 3/4 HEX CAP G5 ZC	1
105	BL-4-400-H	1/4-20 X 4 HEX CAP G5 ZC	4
106	BL-4-FW-8	1/4" Flat Washer Grade 8	12
107	BL-4-LN	1/4-20 HEX LN NE ZC	11
108	BL-4-LW	1/4 SPLIT LW ZC	4
109	BL-5-031-SC	5/16-18 x 5/16 Knurled Point Set Screw	8
110	BL-6-100-H	3/8 UNC X 1 HH C/S BOLT GR5 ZINC	4
111	BL-6-125-H	3/8-16 X 1 1/4 HHCS G5 ZC	4
112	BL-6-LN	3/8 UNC FIN HEX LOCK NUT NE A563 GrA ZINC	4
113	BL-6-LW	3/8 SPLIT LW ZC	4
114	BL-6-SW-8	3/8 SAE FW G8 ,Yellow Zinc, Thru Hardened	14
115	BL-8-100-SQSS	1/2 x 1 Square Head Set Screw (USS)	2
116	BL-8-475-H	1/2-13 X 4 3/4 HEX CAP G5 ZC	4
117	BL-8-FW-8	1/2 FLAT WASHER G8 ZC	4
118	BL-8-LN	1/2-13 HEX LOCK NUT NYLON INSERT ZC	4
119	BL-8-SW-8	1/2 SAE FW G8 ZC	4
120	BL-10-325-H	5/8 UNC X 3 1/4 HH C/S BOLT GR ZINC	1
121	BL-10-LN	5/8-11 HEX LN NE ZC	1
122	BL-10-SM	5/8 x 1 x 14ga Shim	5
123	BL-10-SW	5/8 SAE FW ZC @	5
124	RI-3-6-P	Pop Rivets 3/16 x 3/8 Domed, .375 head, ea.	15
600	A-1501-6-6	3/8" MP x 3/8" FPX90	2
601	A-1601-8-8-8	1/2 MP x 1/2 FPX x 1/2 FPX Tee	2
602	A-5404-8-4	Hex Nipple 1/2" x 1/4"	1
603	A-5405-4-6	Pipe Adapter 3/8 FPT x 1/4 MPT	1
604	A-6408-4	4 SAE Plug	1
605	A-6900-4-2	4 SAE x 1/8" FPX	3
606	A-6901-4-2	4 SAE x 1/8" FPX90 With 9/16" Body	1
607	A-6955-8-6-6	8 SAE x 3/8" FPX Tee	4
608	AB-8-6	1/2 X 3/8 Bushing	1
609	H4-112-6MP-6MP	1/4 IN HOSE 3/8MP x 3/8MP x 112 LONG	1
610	H4-29-6MP-6MP	1/4 in. hose 3/8MP x 3/8MP x 29 in long	2

611	H4-344-2MP-6MP	1/4 in hose 1/8mp x 3/8mp x 344 long	1	
612	H4-353-2MP-6MP	1/4 in hose 1/8mp x 3/8mp x 353 long	1	
613	H4-36-2MP-6MP	1/4 IN HOSE 1/8MP x 3/8MP x 36 LONG	1	
614	H4-46-2MP-6MP	1/4 IN HOSE 1/8MP x 3/8MP x 46 LONG	1	
615	H4-94-6MP-6MP	1/4 in hose 3/8MP x 3/8MP x 94 in long	1	
800	HVR-5479-RB	Microtorque Valve, Rebuilt	1	To be used in "exchange" program only, not generally in new applications. Contact Pik-Rite Dealer for Details on "Rebuild" Program.
801	WHL-200-C	Wheel Bearing, 5/8" Bore	2	

1004-15-6 OPTIONAL HEADER HEIGHT CONTROL SYSTEM



1003-15-6 OPTIONAL HEADER HEIGHT CONTROL HYDRAULICS



1004-15-7 Optional Gathering Chain Roller Assembly

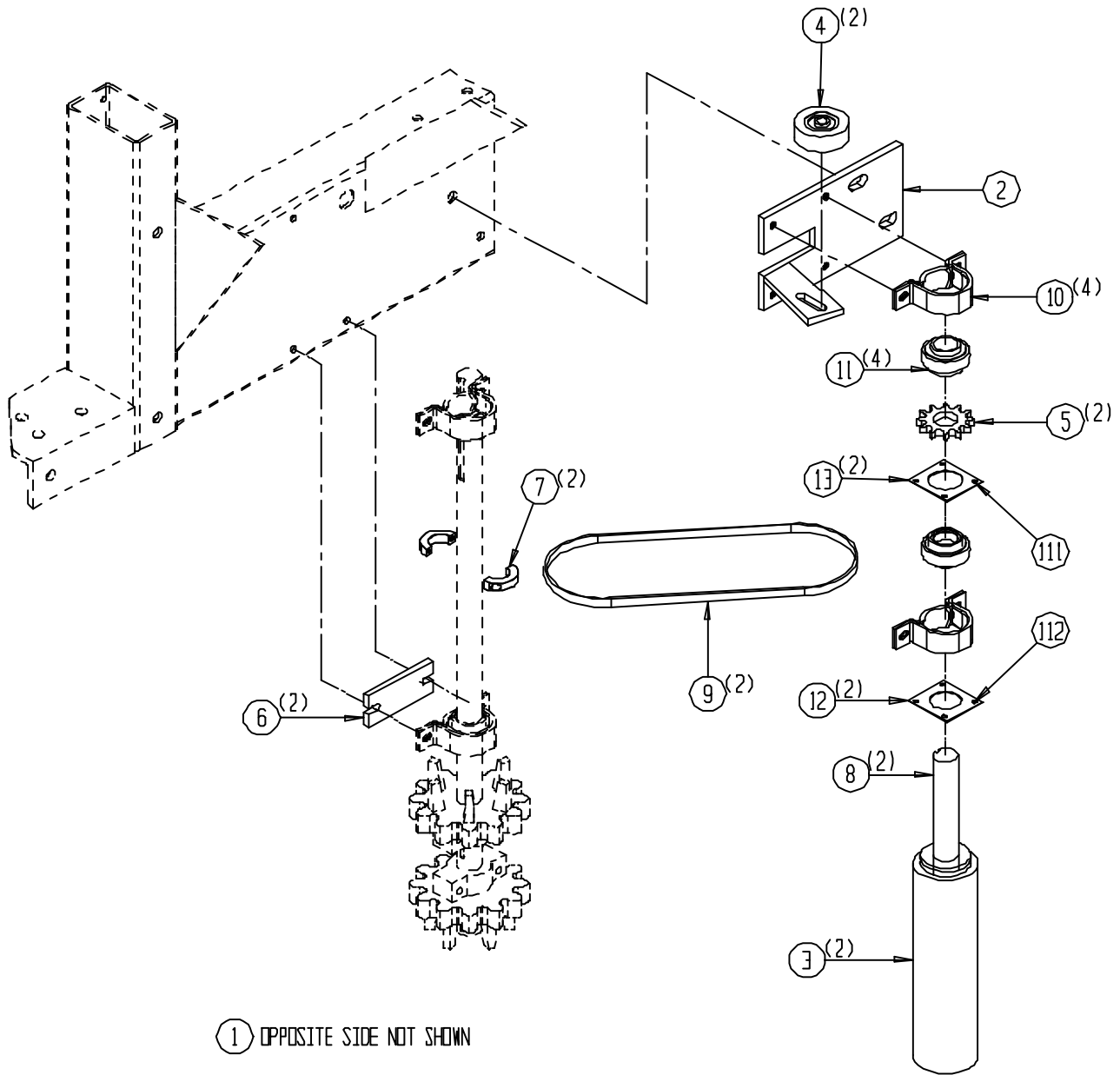
<u>Ref</u>	<u>Part No.</u>	<u>Description</u>	<u>Parts – Assembly</u>	<u>Will Fit SN</u>	<u>Remarks</u>
0	KIT-0028	Gathering Chain Roller Kit	0		Rollers behind gathering chains give better protection from wrapping.

KIT-0028 Gathering Chain Roller Kit

<u>Ref</u>	<u>Part No.</u>	<u>Description</u>	<u>Parts – Assembly</u>	<u>Will Fit SN</u>	<u>Remarks</u>
0	BL-6-150-C	3/8 UNC X 1 1/2 CARRIAGE BOLT GR5 ZINC	4		
0	BL-6-175-C	3/8 UNC X 1 3/4 CARRIAGE BOLT GR5 ZINC	4		
0	BL-6-SW	3/8 SAE FW ZC	8		
1	MOU-1300	Mount, Bearing, outer, Gathering Chain Roller	1	Kit-0028	
2	MOU-1302	Mount, Bearing, Inner, Gathering Chain Roller	1	Kit-0028	
3	RLP-1300	Roller, Gathering Chain	2	KIT-0028	
4	RLT-027-108	Roller 2.75" dia. 1/2" Bore	2		2755C1X (Old Number, Single Bearing)
5	SP-50B12-20-4	Sprocket, #50, 12 tooth, 1.25" bore	2	19201-	
6	SPA-1300	Spacer, Bearing, Gathering Chain Roller	2	Kit-0028	
7	SP-50B12-20-S	Sprocket, Split w/ coupler, 12 Tooth, #50, 1-1/4 bore	2	Kit-0028	
8	KEY-4-4-16	Shaft Key 1/4" X 1/4" X 1" Square Cut (1018)	2	20095001-	
9	CH-50-27	Roller Chain, 27 pitches, #50, Gathering Chain Roller	2	Kit-0028	
10	BR-125-062	Bearing, 1 1/4 Fafnir tri-seal, 62mm OD	4		
11	BR-062-MPB	Stamped Bearing Housing for 1 1/4" bearing	4		
12	SC-20-6	Bearing Protector, 1 1/4", Inner Side	2		
13	SC-20-7	Bearing Protector, 1 1/4", Outer, Lock Collar Side	2		
100	BL-6-075-H	3/8-16 X 3/4 HHCS G5 ZC	8		
101	BL-6-LW	3/8 SPLIT LW ZC	12		
102	BL-6-N	3/8-16 HEX NUTS ZC	4		
103	BL-6-FW	3/8 USS FW ZC	4		
104	BL-8-250-H	1/2-13 X 2 1/2 HEX CAP G5 ZC	2		
105	BL-8-FW-8	1/2 FLAT WASHER G8 ZC	2		
106	BL-8-LN	1/2-13 HEX LOCK NUT NYLON INSERT ZC	2		
107	BL-10-250-H	5/8-11 X 2 1/2 HEX CAP G5 ZC	4		
108	BL-10-FW-8	5/8" Grade 8 Flat Washer	4		
109	BL10-SW	#10 SAE Flat Washer	4		

110	BL-10-SW	5/8 SAE FW ZC @	4
111	BC-1032-LN	10-32 lock nuts	8
112	BL-1032-175P	10/32 x 1 3/4" Pan Head, Phillips Machine Screw	8

1004-15-7 OPTIONAL GATHERING CHAIN ROLLER ASSEMBLY



1004-15-8 Optional Disk Reversing Valve Assembly

<u>Ref</u>	<u>Part No.</u>	<u>Description</u>	<u>Parts – Assembly</u>	<u>Will Fit SN</u>	<u>Remarks</u>
0	HV-1045K	Disk Reversing Valve Kit	0	All	
800	HV-1045-D	Replacement Cartridge for Reversing Valve	2	HV-1045	
801	HV-1045-C	Replacement Coil for Reversing/No Drift Valve	2	HV-1045, HV-910	replaces HV-910-B

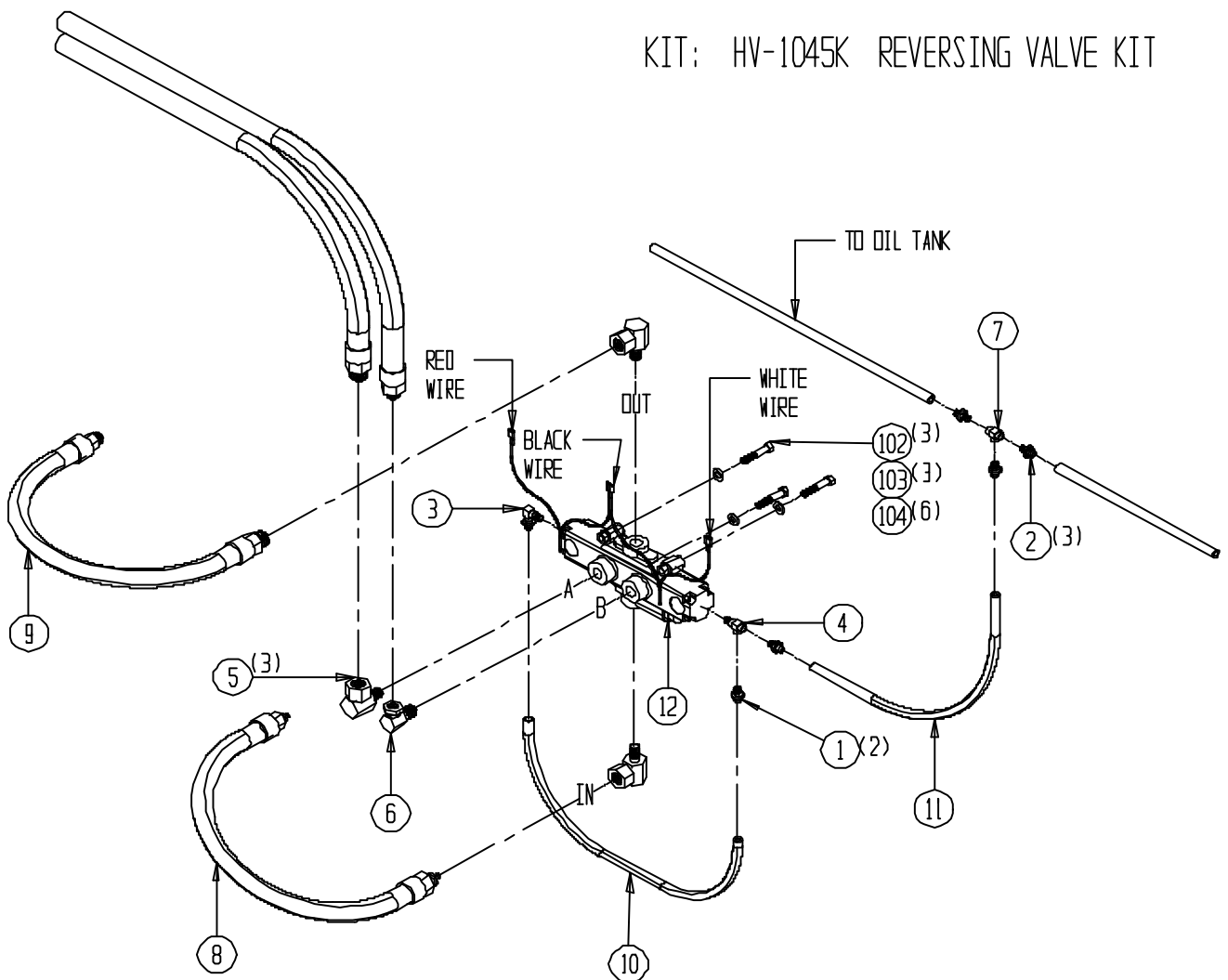
HV-1045K Reversing Valve Kit

<u>Ref</u>	<u>Part No.</u>	<u>Description</u>	<u>Parts – Assembly</u>	<u>Will Fit SN</u>	<u>Remarks</u>
0	0000	Shop labor	2		
0	ELC-1045	Electrical Cable, Disk Reversing Valve	1		
0	ELS-3T	Reversing valve switch (50 Amp)	1	HV-1045K	
0	ELT-31712	Push On Male 14-16 ga	3	HV-1045K	
0	ELT-31713	Push On Female Terminal 14-16 ga.	3	HV-1045K	
1	A-4124-6-2	1/8 Male Pipe x 3/8 Push Loc	2	HV-1045K	
2	A-4124-6-4	1/4 Male Pipe x 3/8 Push Loc	3	HV-1045K	
3	A-4129-6-2	1/8"NPT 90 w/3/8" Push-Loc	1	HV-1045K	
4	A-5602-2-2-2	Run Tee 1/8" NPT	1	HV-1045K	
5	A-6901-10-12	10 SAE x 3/4 FPX90	3	HV-1045K	
6	A-6901-10-8	10 SAE x 1/2 FPX90	1		
7	AT-4-4-4	1/4 NPT TEE	1		
8	H12-27.5-12MP-12MP	3/4 in hose 3/4MP x 3/4MP x 27.5 in long	1	HV-1045K	
9	H12-27.5-12MP-8MP	3/4 in. hose 27 1/2 in. 1/2 x 3/4	1	HV-1045K	
10	H6-PL-26	3/8" Push Loc Hose 26" (Reverse Kit)	1	HV-1045K	
11	H6-PL-48	3/8" Push Loc Hose 48" (Reverse Kit)	1	HV-1045K	
12	HV-1045	Reversing Valve	1	HV-1045K	
102	BL-6-200-H	3/8-16 X 2 HEX CAP G5 ZC	3		
103	BL-6-LN	3/8 UNC FIN HEX LOCK NUT NE A563 GrA ZINC	3		
104	BL-6-SW	3/8 SAE FW ZC	6		

1004-15-8 OPTIONAL DISK REVERSING VALVE ASSEMBLY

FROM DISK HEADER

KIT: HV-1045K REVERSING VALVE KIT



1004-15-9 Coulter Kit Assembly

<u>Ref</u>	<u>Part No.</u>	<u>Description</u>	<u>Parts – Assembly</u>	<u>Will Fit SN</u>	<u>Remarks</u>
0	KIT-135	Coulter Kit for Tomato Harvester	1		
800	CLT-0060	Spindle	1		
801	CLT-0060-A	Seal	1		
802	CLT-0060-B	Bearing	2		
803	CLT-0060-C	Race	2		
804	CLT-0060-CP	Coulter Pin	1		
805	CLT-0060-D	Coulter Hub Cap	1		
806	CLT-0060-H	Hub, Seal, & Bearings for Coulter	1		Includes: Seal, 2 Bearings, 2 Cups, Hub, Hub Cap
807	CLT-0060-I	Hub,Cap Assembly, No Bearings	1		Includes: 2 Cups, Hub, Hub Cap
808	CLT-0060-K	Coulter Wheel Bearing Kit	1		Includes: 2 Bearings, 2 Cups, Seal, Hub Cap
809	CLT-0060-N	Nut	1		
810	CLT-0060-WC	Washer Cap for Coulter	1		
811	GF-1428	Grease Fitting 1/4" x 28 straight	1		

KIT-135 Coulter Kit

<u>Ref</u>	<u>Part No.</u>	<u>Description</u>	<u>Parts – Assembly</u>	<u>Will Fit SN</u>	<u>Remarks</u>
1	MOU-135	Mount, Support, Coulter Kit (Tomato)	1	KIT-135	
2	BRA-135	Bracket, Mount Support, Coulter Mount (Tomato)	1	KIT-135	
3	SUP-135	Support, Mount Coulter Kit (Tomato)	1	KIT-135	
4	BAR-135	Bar, Mount Support, Coulter Mount (Tomato)	1	KIT-135	
5	BL-8-SW	1/2 SAE FW ZC	16		
6	BL-8-LW	1/2 SPLIT LW ZC	4		
7	BL-8-750-H	1/2 x 7 1/2 HEX BOLT	2		
8	BL-8-275-H	1/2 UNC X 2 3/4 HH C/S BOLT GR5 ZINC	2		
9	BL-8-225-H	1/2-13 X 2 1/4 HEX CAP G5 ZC	2		
10	BL-8-300-H	1/2-13 X 3 HEX CAP G5 ZC	4		
11	BL-8-LN	1/2-13 HEX LOCK NUT NYLON INSERT ZC	6		
12	CLT-324L	Utility Coulter	1		Refer to manufacturer's literature.
13	CLT-132C	Offset Shank	1		Refer to manufacturer's literature.
14	CLT-074C	Narrow Fluted Blade	1		Refer to manufacturer's

literature.

15 CLT-064K

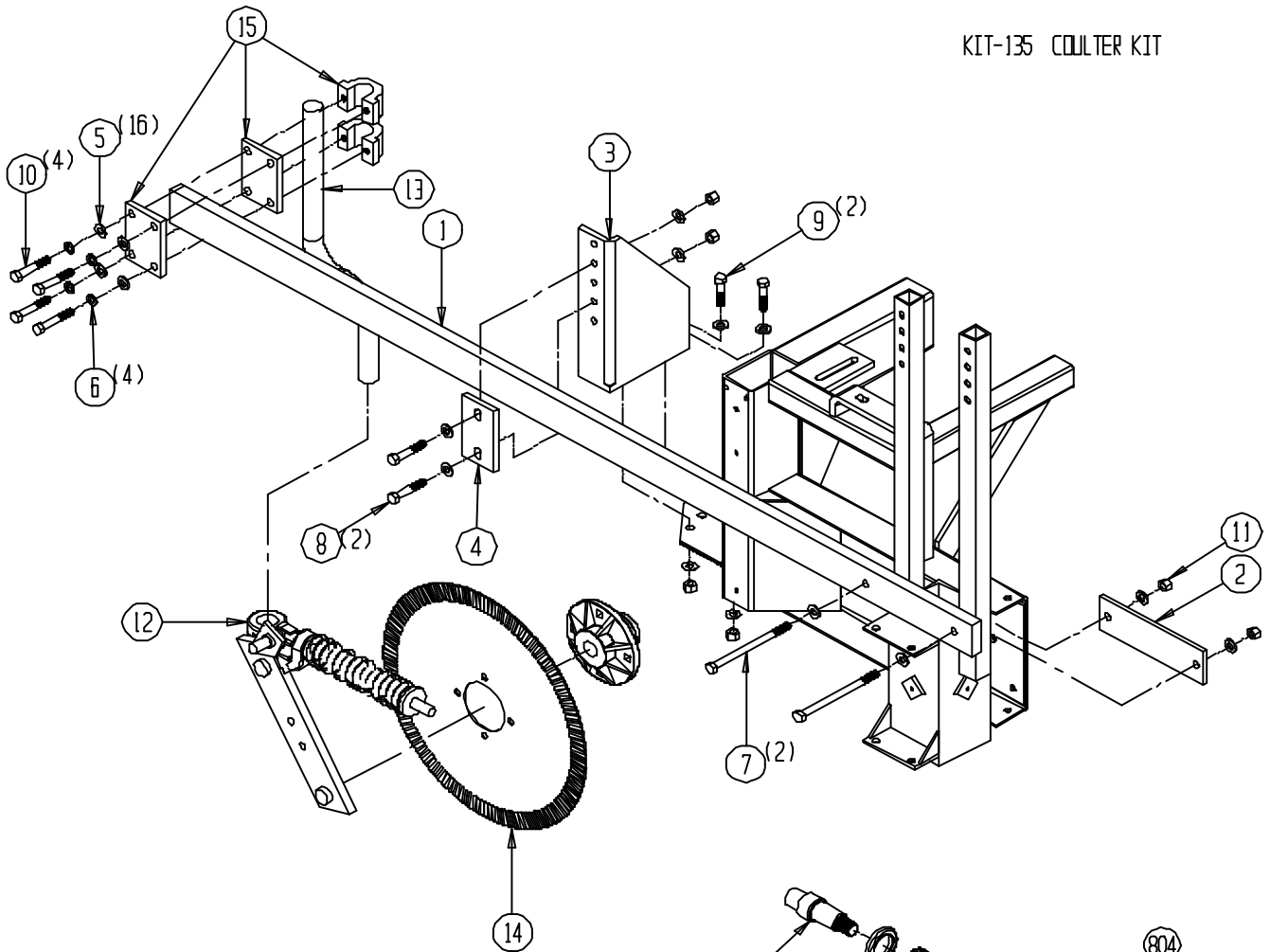
3" x 3" Clamp Kit

1

Refer to manufacturer's literature.

1004-15-9 COULTER KIT ASSEMBLY

KIT-135 COULTER KIT



- #806 INCLUDES: SEAL, 2 BEARINGS, 2 CLIPS, HUB, HUB CAPS
- #807 INCLUDES: 2 CLIPS, HUB, HUB CAP
- #808 INCLUDES: 2 BEARINGS, 2 CLIPS, SEAL, HUB CAP

