



PARTS CATALOG

Sickle Bar Header Model 65400



Pik Rite, Inc
60 Pik Rite Lane
Lewisburg, PA 17837
Ph. 800-326-9763
Fx. 570-523-8175
www.pikrite.com

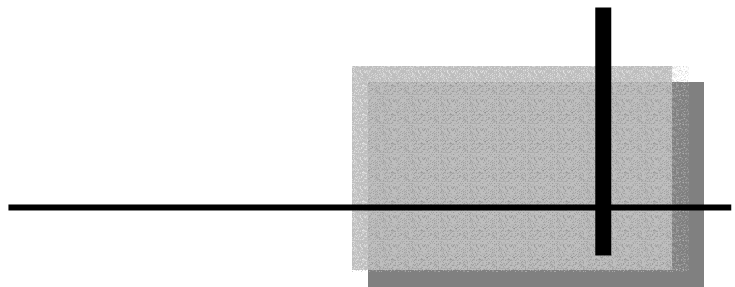


TABLE OF CONTENTS

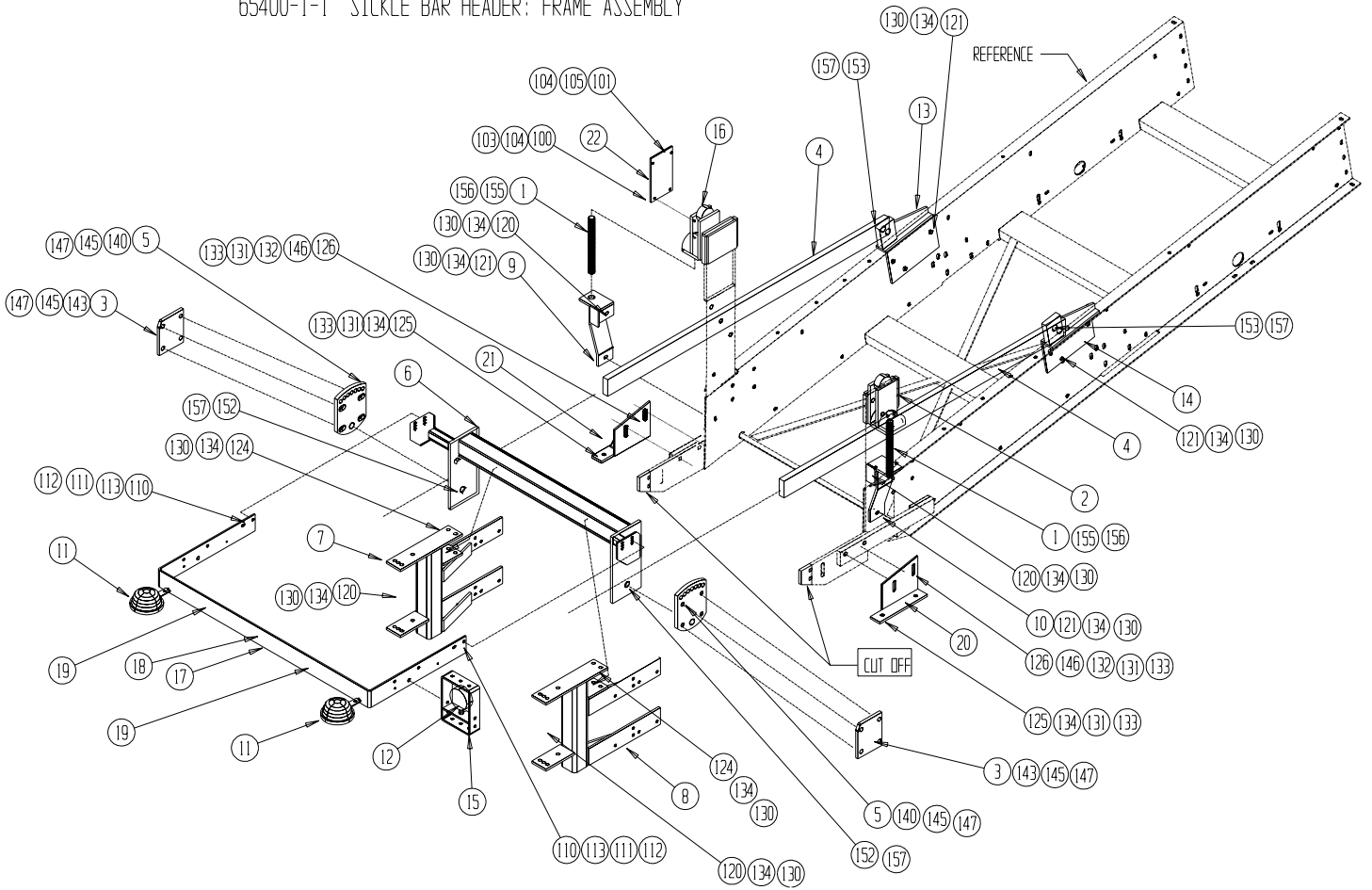
65400-1-1	Sickle Bar Header Frame Assmbly	3
65400-1-2	Sickle Bar Header Roller & Drive Shaft Assembly	6
65400-1-3	Sickle Bar Header, Gathering Chain Assembly.....	8
65400-1-4	Sickle Bar Header, Sickle Assembly	10
65400-1-5	Sickle Bar Header, Hydraulics	12

65400-1-1 Sickle Bar Header Frame Assmby

<u>Ref</u>	<u>Part No.</u>	<u>Description</u>	<u>Parts – Assembly</u>	<u>Will Fit SN</u>	<u>Remarks</u>
1	ADJ-1311	Bolt, Adjuster, 1" dia x 10" long	2	KIT-0055	
2	MOU-1321	Slider Mount, Adj Header, Outer, Sickle Bar	1		
3	BAR-1313	Bar, Clamp, Disk Header Assy.	2	KIT-0055	
4	BAR-1316	Arm, Adjuster, Adj Disk Header, Sickle Bar	2		
5	BRA-0002	Bracket, Pivoting Header, Tomato	2	19701-	
6	BRA-0004	Bracket, Main Beam, Header, Tomato	1		
7	BRA-0005	Bracket, Gathering Chain, Inside	1		
8	BRA-0006	Bracket, Gathering Chain, Outside	1		
9	BRA-0007	Bracket, Adjuster, Adj Header, Inner	1		
10	BRA-0008	Bracket, Adjuster, Adj Header, Outer	1		
11	EL-1201	Halogen Lights	2	19201	
12	EL-1206	Double Amber Lamp	1		
13	MOU-1313	Mount, Bar, Inner, Adjustable Disk Header, Tomato	1	KIT-0055	
14	MOU-1311	Mount, Bar, Outer, Adjustable Disk Header, Tomato	1	KIT-0055	
15	SHD-1206	Shield, Flashing Light	1	30097001- 19601-	
16	MOU-1322	Slider Mount, Adj Header, Inner, Sickle Bar	1		
17	192-139A	Safety Bar	1	19201-	
18	DC-1184	Danger Decal, 3" x 16"	1		
19	DC-ARROW	Decal, Yellow Direction Arrow	2		
20	BRA-0009	Bracket, Sickle Bar, Outer	1		
21	BRA-0023	Bracket, Sickle Bar, Inner	1		
22	MOU-0003	Mount, Flow Control, Gathering Chain Bracket	1	MOU-0003	
100	BL-4-075-H	1/4 UNC X 3/4 HH C/S BOLT GR5 ZINC	2		
101	BL-4-250-H	1/4-20 X 2 1/2 HEX CAP G5 ZC	2		
103	BL-4-LW	1/4 SPLIT LW ZC	2		
104	BL-4-FW-8	1/4" Flat Washer Grade 8	7		
105	BL-4-LN	1/4-20 HEX LN NE ZC	2		
110	BL-6-125-H	3/8-16 X 1 1/4 HHCS G5 ZC	4		
111	BL-6-SW	3/8 SAE FW ZC	4		
112	BL-6-FW-8	3/8 FLAT WASHER G8 ZC	4		
113	BL-6-LN	3/8 UNC FIN HEX LOCK NUT NE A563 GrA ZINC	4		
120	BL-8-200-H	1/2-13 X 2 HEX CAP G5 ZC	10		

121	BL-8-225-H	1/2-13 X 2 1/4 HEX CAP G5 ZC	8
124	BL-8-500-H	1/2-13 X 5 HEX CAP G5 ZC	4
125	BL-8-150-C	1/2 UNC X 1 1/2 CARRIAGE BOLT GR5 ZINC	4
126	BL-8-250-C	1/2 UNC X 2 1/2 CARRIAGE BOLT GR5 ZINC	4
130	BL-8-LN	1/2-13 HEX LOCK NUT NYLON INSERT ZC	22
131	BL-8-LW	1/2 SPLIT LW ZC	8
132	BL-8-FW-8	1/2 FLAT WASHER G8 ZC	4
133	BL-8-N	1/2-13 HEX FIN NUTS ZC	8
134	BL-8-SW	1/2 SAE FW ZC	45
140	BL-10-200-H	5/8-11 X 2 HEX CAP G5 ZC	4
143	BL-10-300-H	5/8-11 X 3 HEX CAP G5 ZC	8
145	BL-10-SW	5/8 SAE FW ZC @	12
146	BL-10-FW-8	5/8" Grade 8 Flat Washer	4
147	BL-10-LN	5/8-11 HEX LN NE ZC	12
152	BL-16-250H	1" x 2 1/2" Gr 5 HH Bolt Zinc Coated	2
153	BL-16-350H	1" x 3 1/2" Gr 5 HH Bolt Zinc Coated	2
155	BL-16-SW	1" SAE Washer	4
156	BL-16-JN	1 UNC FIN HEX JAM NUT A563 GrA ZINC	4
157	BL-16-LN	1" Lock Nuts w/ Nylon Inserts	4

65400-1-1 STICKLE BAR HEADER: FRAME ASSEMBLY



65400-1-2 Sickle Bar Header Roller & Drive Shaft Assembly

<u>Ref</u>	<u>Part No.</u>	<u>Description</u>	<u>Parts – Assembly</u>	<u>Will Fit SN</u>	<u>Remarks</u>
1	193-806	Mount motor	4		
2	BR-062-MPB	Stamped Bearing Housing for 1 1/4" bearing	8		
3	BR-125-062	Bearing, 1 1/4 Fafnir tri-seal, 62mm OD	8		
4	CPS-6060	Steel Coupler (offcenter) 1 1/4" x 1"	4		
5	HM-204-CH	Char-Lyn Hydraulic Motor	4		
6	KEY-4-4-20	Shaft Key 1/4" x 1 1/4"	4		
7	KEY-4-4-32	Shaft Key 1/4" x 2" Square Cut (1018)	4		
8	RLP-1305	Roller, Gathering Chain Pipe Roller	2		
9	SFT-001	Shaft, Gathering Chain Drive	2		
10	SPU-3612-20-4	Urethane Sprocket 36-12 1 1/4 bore 1/4" key	4		Sub SP-3612-20-4
11	STP-0001	Stop, Motor, Rollers Behind Gathering Chain Motors	2		
12	STP-0002	Stop, Motor, Gathering Chain Shaft	2	STP-0002	
13	KEY-4-4-15	Shaft Key 1/4" X 1/4" X 15/16" Woodruff Key	0		
100	BL-6-100-H	3/8 UNC X 1 HH C/S BOLT GR5 ZINC	16		
101	BL-6-125-H	3/8-16 X 1 1/4 HHCS G5 ZC	20		
102	BL-6-150-H	3/8-16 X 1 1/2 HEX CAP G5 ZC	4		
105	BL-6-LN	3/8 UNC FIN HEX LOCK NUT NE A563 GrA ZINC	24		
106	BL-6-LW	3/8 SPLIT LW ZC	16		
107	BL-6-SW	3/8 SAE FW ZC	50		
200	HM-200S	Seal Kit For Char Lyn Motor	0	H Series - 008 A Series -002	

65400-1-2 SICKLE BAR HEADER: ROLLER & DRIVE SHAFT ASSEMBLY

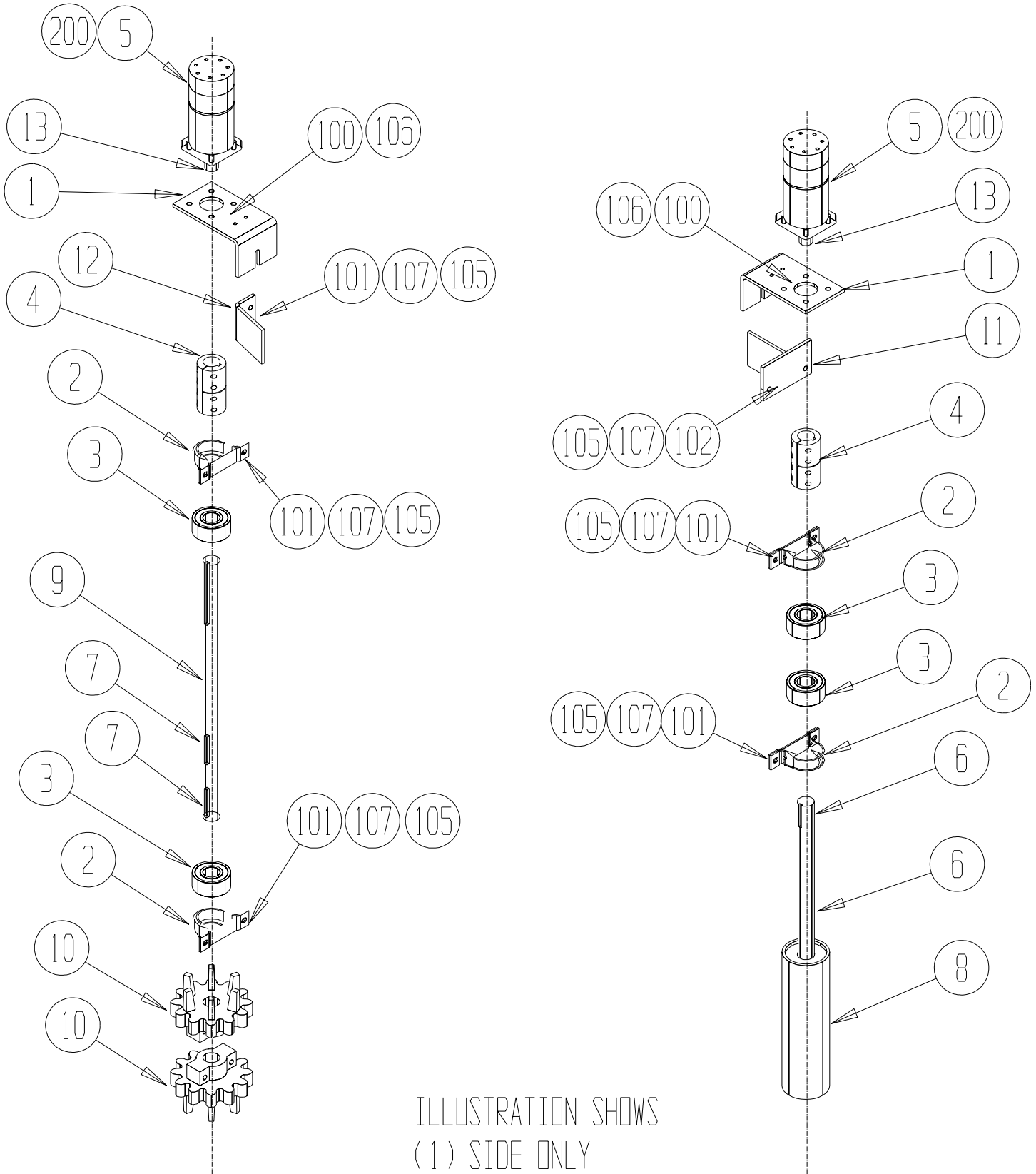
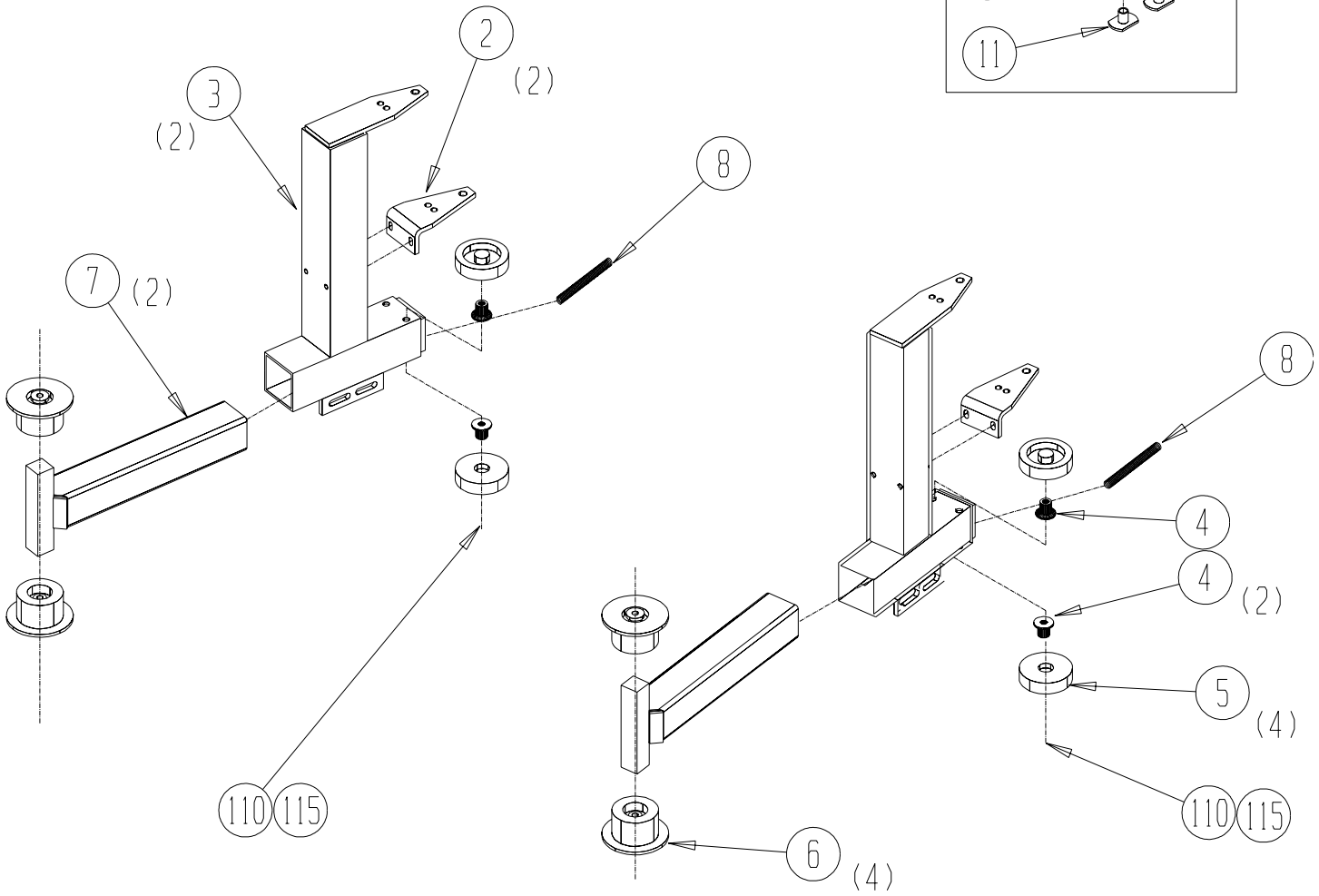
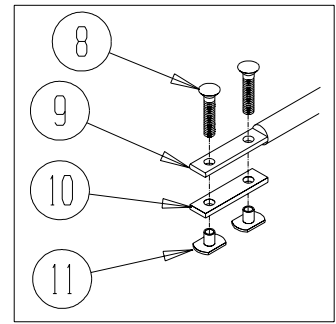


ILLUSTRATION SHOWS
(1) SIDE ONLY

65400-1-3 Sickle Bar Header, Gathering Chain Assembly

<u>Ref</u>	<u>Part No.</u>	<u>Description</u>	<u>Parts – Assembly</u>	<u>Will Fit SN</u>	<u>Remarks</u>
1	BC-6-1236-60	Gathering chain, 3/8 bars 12in wide x 60 links 36mm	2		
2	BRA-1811	Mounting Bracket, Gathering Chain	2		
3	BRA-1821	Gathering Chain Bracket	2		
4	RLA-000-118	Standoff, 1/2" X 1 1/8"	2		
5	RLR-040-108	4" Flat Roller	4		
6	RLT-535-2210-RV	5" Flange Roller 2.2 WF 3.5 dia, 5/8" bore w/ Inverted Spindle	4		
7	ADJ-6155	Adjuster, Nose Cones	2	61396001-	Replaces ADJ-6153 and ADJ-6154
8	BL-10-625-T	5/8-11 X 625 HEX TAP G5 ZC	2		
110	BL-8-800-H	1/2 x 8 HEX CAP G5 ZC	2		
115	BL-8-LN	1/2-13 HEX LOCK NUT NYLON INSERT ZC	2		

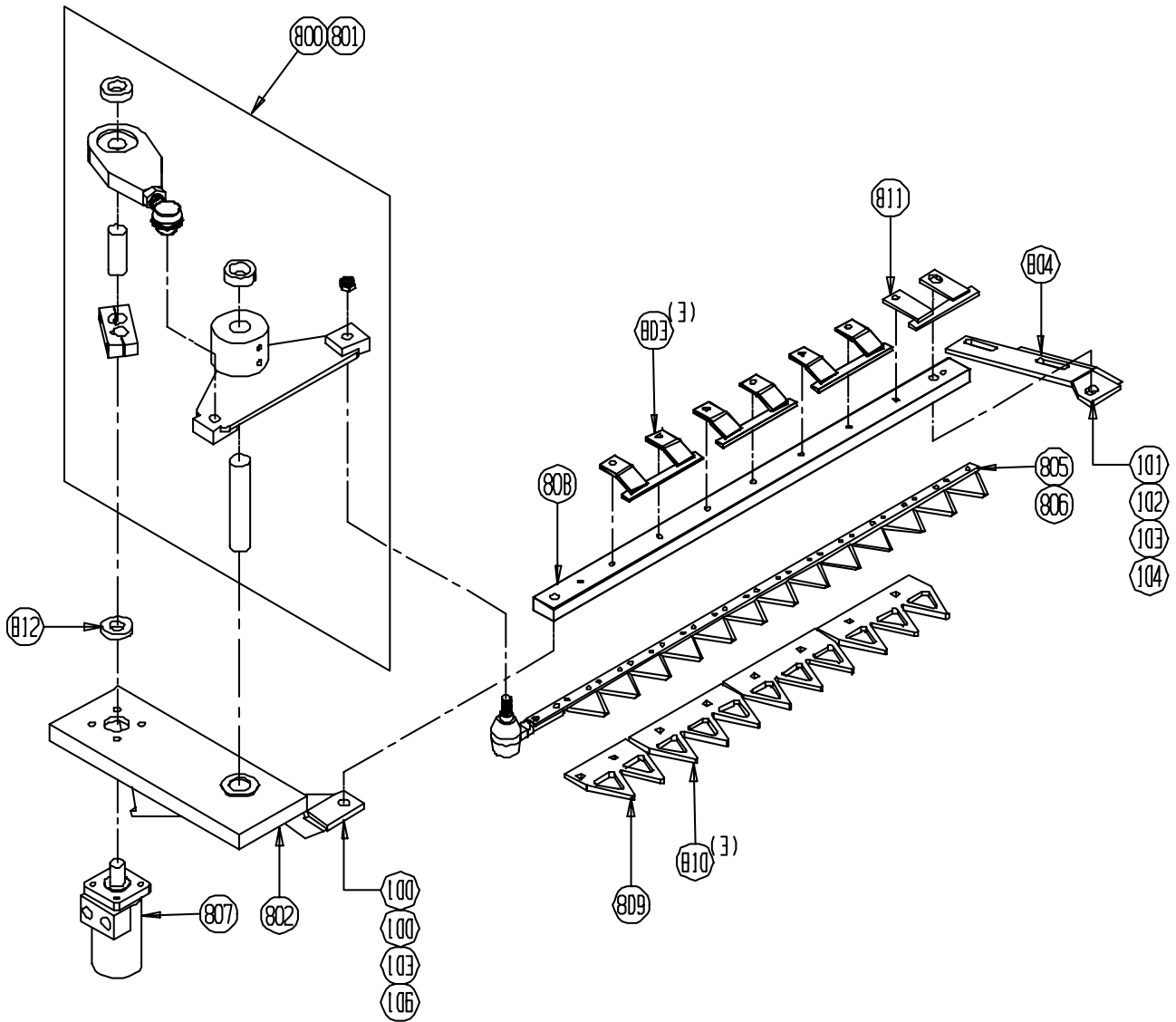
65400-1-3 SICKLE BAR HEADER: GATHERING CHAIN ASSEMBLY



65400-1-4 Sickle Bar Header, Sickle Assembly

<u>Ref</u>	<u>Part No.</u>	<u>Description</u>	<u>Parts – Assembly</u>	<u>Will Fit SN</u>	<u>Remarks</u>
0	SIC-0102	Sickle Bar Assy, Modifications to Purchased Assy	0		
0	SIC-106972	Sickle Bar Assembly w/o Knife	0		
100	BL-10-250-H	5/8-11 X 2 1/2 HEX CAP G5 ZC	1		
101	BL-10-300-H	5/8-11 X 3 HEX CAP G5 ZC	1		
102	BL-10-SW-8	5/8 S.A.E. FLAT WASHERS	1		
103	BL-10-LW	5/8 SPLIT LW ZC	2		
104	BL-10-N	5/8-11 HEX FIN NUTS ZC	2		
800	PIT-973	Pitman Assembly w/o Knife	0		
801	SIC-106973	Pitman Assembly, Pitman Plt, Crank Arm, Eccentric	1		
802	SIC-110970	Mounting Plate Weldment, RH, Pitman Side	1		
803	SIC-264	Sickle Hold Downs	3		
804	SIC-979	Sickle Bar Mount	1		
805	SIC-0002	Sickle Knife w/ Ball Joint, Sickle Bar	1		
806	SIC-0004	Sickle Knife w/o Ball Joint, Sickle Bar	0		
807	HM-71687	Hydraulic Motor, Sickle Drive	1		
808	SIC-263	Backing Bar for Sickle Assembly	1		
809	SIC-305	2V Sickle Guard Sections	1		
810	SIC-265	3V Sickle Guard Section	3		
811	SIC-267	Sickle Hold Down (Modified)	1		
812	SIC-107938	Seal Guard, Motor Shaft	1		

65400-1-4 SICKLE BAR HEADER: SICKLE ASSEMBLY



65400-1-5 Sickle Bar Header, Hydraulics

<u>Ref</u>	<u>Part No.</u>	<u>Description</u>	<u>Parts – Assembly</u>	<u>Will Fit SN</u>	<u>Remarks</u>
1	H10-25-8MP-8MP	5/8 in hose 1/2MP x 1/2MP x 25 in long	1		
2	H10-260-8MP-8MP	5/8 in hose 1/2MP x 1/2MP x 260 in long	1		
3	H10-30-8MP-8MP	5/8 in hose 1/2MP x 1/2MP x 30 in long	1		
4	H10-31-8MP-8MP	5/8 in hose 1/2MP x 1/2MP x 31 in long	1		
5	H10-36-8MP-8MP	5/8 in hose 1/2MP x 1/2MP x 36 in long	1		
6	H10-45-8MP-8MP	5/8" hose 1/2MP x 1/2MP x 45" long	1	20095001-	
7	H10-52-8MP-8MP	5/8" hose 1/2MP x 1/2MP x 52" long	1		
8	H12-30-8MP-16MJ	3/4 in hose 1/2 MP x 1" MJIC x 30 in long	1		
9	H12-50-12MP-16MJ	3/4 in hose 3/4MP x 1MJIC x 50 in long	1		
11	HV-FL30	Flow Control Valve 30GPM	1		
12	A-6408-8	8 SAE Plug	4		
20	A-6401-10-8	10 SAE x 1/2 MPT Male	2	20095001-	
21	A-1603-8-8-8	Swivel T 1/2" NPTF	2	20095001-	
22	A-6901-10-8	10 SAE x 1/2 FPX90	7	HV-1045K	
23	A-6902-10-8	10 SAE X 1/2" FPX 45	6	20095001-	
25	A-6901-10-12	10 SAE x 3/4 FPX90	1	HV-1045K	

65400-1-5 SICKLE BAR HEADER: HYDRAULIC SCHEMATIC

