



60 PIK RITE LANE, LEWISBURG PA 17837

PHONE: 570-523-8174 FAX: 570-523-8175

EMAIL: [frontdsk@pikrite.com](mailto:frontdsk@pikrite.com) WEBSITE: [www.pikrite.com](http://www.pikrite.com)

---

Dear Grower,

Welcome to the growing family of satisfied Pik Rite equipment owners. Our goal is to help make your harvest as enjoyable and trouble free as possible by providing equipment that is durable and keeps down time to a minimum.

In order to provide customer service and a supply of original equipment parts to keep your machine well maintained, we are continually striving to keep our systems state-of-the-art. We utilize all available resources that allow us to provide accurate and timely deliveries.

We will continue to give you the service you have come to expect from our dealer representatives and us. In order to avoid any delays during your harvest season, we make every effort to have someone available to take your calls 24 hours a day. We have shipping companies in place to deliver your parts as expediently as possible. Whether you live a few miles down the road or on the other side of the globe you can count on us.

Sincerely,

Clint Morris  
Parts Sales  
[parts@pikrite.com](mailto:parts@pikrite.com)

Parts and Service Hotline  
800-326-9763

[www.pikrite.com](http://www.pikrite.com)

# TABLE OF CONTENTS

1007-1-1	Frame Assembly.....	10
1007-1-2	Tongue Assembly.....	13
1007-1-2H	Tongue Hydraulic Assembly .....	16
1007-1-3	Tongue 1-3/8-21 PTO Assembly .....	18
1007-1-4	Tongue 1-3/4-20 PTO Assembly .....	20
1007-1-5	Optional Double Pump Assembly .....	22
1007-1-5H	Optional Double Pump Hydraulic Assembly.....	24
1007-1-6	Optional Gooseneck Hitch Frame Assembly .....	26
1007-1-7	Optional Gooseneck Tongue Assembly .....	30
1007-1-8	Optional Gooseneck Hitch Assembly .....	32
1007-1-8H	Gooseneck Hitch Hydraulic Assembly .....	34
1007-1-9	Optional Gooseneck 1-3/8 PTO Assembly .....	36
1007-1-10	Optional Gooseneck 1-3/4 PTO Assembly .....	38
1007-1-11	Standard Axle & Rocker Assembly.....	40
1007-1-12	Standard Axle Tire & Wheel Assembly.....	42
1007-1-13	Standard Axle Bar Tire & Wheel Assembly .....	44
1007-1-14	Optional Tandem Floation Axle Assembly.....	46
1007-1-15	Optional Tandem Bar Tire Assembly.....	48
1007-1-16	Optional Single Wheel System Assembly.....	50
1007-1-17	Optional Spindle & Hub for Single Wheel, Left .....	54
1007-1-18	Optional Spindle & Hub for Single Wheel, Right.....	56
1007-1-19	Optional Automatic Leveling Assembly.....	58
1007-1-20	Single Pump Air Compressor Assembly.....	60

1007-1-21	Air Tank Assembly & Pneumatics.....	62
1007-1-22	Optional Overhead Lift/Gooseneck Hitch Assy.....	65
1007-1-23	Double Pump Air Compressor Assembly.....	68
1007-2-1	Disk Header Frame Assembly.....	70
1007-2-2	Disk Header Drive Shaft Assembly.....	72
1007-2-3	Disk Header 34" Disk Shaft Assembly.....	74
1007-2-4	Disk Header 36" Disk Shaft Assembly.....	76
1007-2-5	Disk Header Gathering Chain Assembly.....	78
1007-2-6	Optional Gathering Chain Roller Assembly.....	80
KIT-0028	Gathering Chain Roller Kit.....	80
1007-2-7	Optional Disk Header Gauge Wheel Assembly - Manual.....	84
1007-2-7H	Disk Header Gauge Wheel Assembly - Hydraulic.....	86
1007-2-8	Optional Disk Header Coulter Assembly.....	88
KIT-135	Coulter Kit.....	88
1007-2-9	Optional Mud Pusher Assembly.....	92
KIT-0049	Clod Busting Attachment / Header Nose Cones(Tomato.....	92
1007-2-10	Optional Disk Reversing Valve Assembly.....	94
HV-1045K	Reversing Valve Kit.....	94
1007-2-11	Optional Header Height Control System.....	96
1007-2-11H	Optional Header Height Control Hydraulic.....	100
1007-2-12	Overhead Header Lift w/ HHC Assembly.....	102
1007-3-1	Primary Header Assembly.....	108
1007-3-2	Secondary Header Frame Assembly.....	110
1007-3-3	Header Conveyor Drive Shaft Assembly.....	112
1007-3-4	Header Conveyor Return Roller Assembly.....	116

1007-3-5	Optional Header Conveyor Spring Lift Assembly.....	118
KIT-0077	Spring-Assisted Header Lift.....	118
1007-3-6	Header Conveyor Vibrator Shaft Assembly .....	120
1007-3-7	Optional Header Conveyor Bar Cleaner Assembly.....	122
1007-3-8	Optional Overhead Vine Assist Assembly .....	124
KIT-0050	Vine Assist Kit, Tomato .....	124
1007-4-1	Standard Shaker Chamber Assembly .....	127
1007-4-2	Standard Shaker Chamber Box Shield Assembly .....	130
1007-4-3	Opt. Shaker Chamber w/Vine Chain Assembly .....	132
1007-4-4	Optional Shaker Chamber Box Shield Assembly.....	136
1007-4-5	Optional Vine Chain Drive Assembly.....	138
1007-4-5H	Opt. Vine Chain Drive Hyd. Assembly.....	140
1007-4-6	Shaker Cover Assembly .....	142
1007-4-7	Primary Shaker Drum Assembly.....	144
1007-4-8	Primary Shaker Weight & Box Assembly.....	146
1007-4-9	Secondary Shaker Drum Assembly .....	150
1007-4-10	Secondary Shaker Weight & Box Assembly .....	152
1007-4-11	Primary Shaker Ring & Finger Assembly.....	156
1007-4-12	Secondary Shaker Ring & Finger Assembly.....	158
1007-4-13	Optional Shaker Half-Ring & Finger Assembly .....	160
KIT-0091	Shaker Ring, Half-Flange Kit.....	160
1007-4-14	Optional Shaker Tine Covers Assembly .....	162
1007-4-15	Opt Shaker Spacer Tube (per shaker) Assembly .....	164
1007-5-1	Transfer Assembly.....	166
1007-5-2	Optional Transfer w/ Vine Chain Assembly .....	168

1007-5-3	Transfer Drive Shaft Assembly .....	170
1007-5-4	Transfer Return Roller Assembly.....	174
1007-5-5	Optional Transfer Chain Cleaner Assembly.....	176
1007-5-6	Optional Transfer Dirt Vibrator Assembly .....	178
KIT-0112	Power Vibrator,Transfer (19500-) w/Brackets, Tomato .....	178
1007-5-7	Optional Rear Transfer Assembly.....	182
1007-5-8	Optional Rear Transfer Drive Shaft Assembly .....	184
1007-5-9	Optional Rear Transfer Return Roller Assembly.....	188
1007-5-10	Optional Vine Chopper w/ Separation Extension.....	190
KIT-0150	Vine Chopper for 190 w/ Separation Extension.....	190
1007-5-11	Opt. Vine Chopper w/o Sep. Ext. Plumb to Machine .....	194
KIT-0174	Vine Chopper for 190 w/o Sep. Ext. Plumb to Mach. ....	194
1007-5-12	Opt. Vine Chopper w/o Sep. Ext. Plumb to Tractor .....	198
KIT-0175	Vine Chopper for 190 w/o Sep. Ext. Plumbed to Trac.....	198
1007-5-13	Opt. Vine Chopper w/ Sep. Ext. Plumb To System.....	202
KIT-0206	190 Vine Chopper w/Sep Ext Plumbed to Opt Pump .....	202
1007-6-1	Cross Conveyor Frame Assembly .....	206
1007-6-2	Optional Cross Frame (for Vine Chain) Assembly .....	208
1007-6-3	Cross Conveyor Drive Assembly .....	210
1007-6-4	Cross Conveyor Return Roller Assembly .....	212
1007-6-5	Cross Conveyor Drive Shield Assembly .....	214
1007-6-6	Cross Conveyor Cover Assembly .....	216
1007-6-7	Optional Cross Conveyor Chain Cleaner Assembly .....	218
1007-6-8	Opt. Cross Drive Anti-Wrap Shield Assembly.....	220
KIT-0057	Mud Shield,Cross Conveyor Drive, PVC pipe .....	220

1007-6-9 Debris Drum Assembly .....	222
1007-6-10 Opt. Cross Conveyor Vibrator Assembly .....	224
1007-6-10H Opt. Cross Vibrator Hydraulic Assembly .....	226
1007-7-1 Debris Fan Assembly.....	228
1007-7-2 Rear Elevation Assembly.....	232
1007-7-3 Elevation Drive Shaft Assembly.....	234
1007-7-4 Front Elevation Assembly .....	236
1007-7-5 Opt. Elevation Conveyor Bar Cleaner Assembly .....	238
KIT-0127 Bar Cleaner Kit, Elevation Conveyor, Tomato.....	238
1007-7-6 Optional Fan Air Intake Extension Assembly.....	240
KIT-0123 Fan Intake Extension, Tomato .....	240
1007-7-7 Opt. Fan Intake w/ Elevation Bar Cleaner Assembly .....	242
KIT-0137 Fan Intake Extension with Elevation Bar Cleaner .....	242
1007-8-1 Presort Assembly .....	244
1007-8-2 Front Presort Roller Assembly.....	246
1007-8-3 Rear Presort Roller Assembly .....	248
1007-8-4 Grademaster Presort Assembly.....	250
1007-8-5 No Sorter Presort Parts ONLY.....	252
1007-9-1 Aftersort Assembly .....	254
1007-9-2 Aftersort Drive Shaft Assembly.....	256
1007-9-3 Aftersort Divider Bar Assembly.....	258
1007-9-4 Aftersort Auger Assembly.....	260
1007-10-1 Discharge Basket Assembly.....	262
1007-10-2 Discharge Inner Section Assembly.....	264
1007-10-3 Discharge Outer Section Assembly .....	266

1007-10-4 Discharge Drive Assembly.....	268
1007-10-5 Optional Narrow Discharge Assembly .....	270
OPT-900 Narrow Discharge Flights Chain, Sides and Belting .....	270
OPT-910 Discharge, Belting for Sides .....	270
1007-10-6 Optional Discharge 22" Extension Kit .....	272
KIT-0103 DISCHARGE EXTENSION KIT (22" LONG), TOMATO.....	272
1007-11-1 Canopy Assembly.....	274
1007-11-2 Optional Canopy Enclosure Assembly.....	276
1007-11-3 Optional Enclosure Fresh Air Fan Assembly .....	280
1007-11-3H Enclosure Fresh Air Fan Hydraulic Assembly .....	282
1007-11-4 Inner Decking Assembly.....	284
1007-11-5 Outer Decking Assembly .....	286
1007-11-6 Opt. Overhead Lift Inner Decking Assembly.....	288
1007-13-1 Hydraulic Motor Plumbing Assembly .....	290
1007-13-2 Oil Tank Assembly.....	296
1007-13-3 Oil Cooler Assembly .....	298
1007-13-4 Hydraulics, Flow Control Parts Assembly .....	300
1007-13-5 Hydraulics, Relief Valve Parts Assembly.....	302
1007-13-6 Double Oil Cooler Assembly.....	304
1007-13-7 Double Pump Hydraulic Motor Assembly .....	306
1007-13-10 Hydraulic Cylinder Plumbing.....	312
1007-13-10.1 Hydraulic Cylinder Plumbing w/ Overhead Lift.....	315
1007-13-11 Elect./Hyd. Valve Assembly, Tomato.....	318
1007-13-13 Elect./Hyd. Valve Section, Unloading Inlet.....	320
1007-13-14 Elect./Hyd. Valve Section, w/ Locks .....	322

1007-13-15	Elect./Hyd. Valve Section, w/ Relief.....	324
1007-13-16	Elect./Hyd. Valve Section, Float w/ Detent .....	326
1007-14-1	Complete Electrical Schematic .....	328
1007-14-2	Electrical Panel Schematic, Tomato .....	332
1007-14-3	Control Box & Hyd. Valve Color Code .....	334
1007-14-4	Optional Remote Activated Flow Control.....	336
KIT-0210	Remote Electric 25 GPM Flow Control Fits All .....	336
1007-15-1	Roller Parts Assembly .....	338



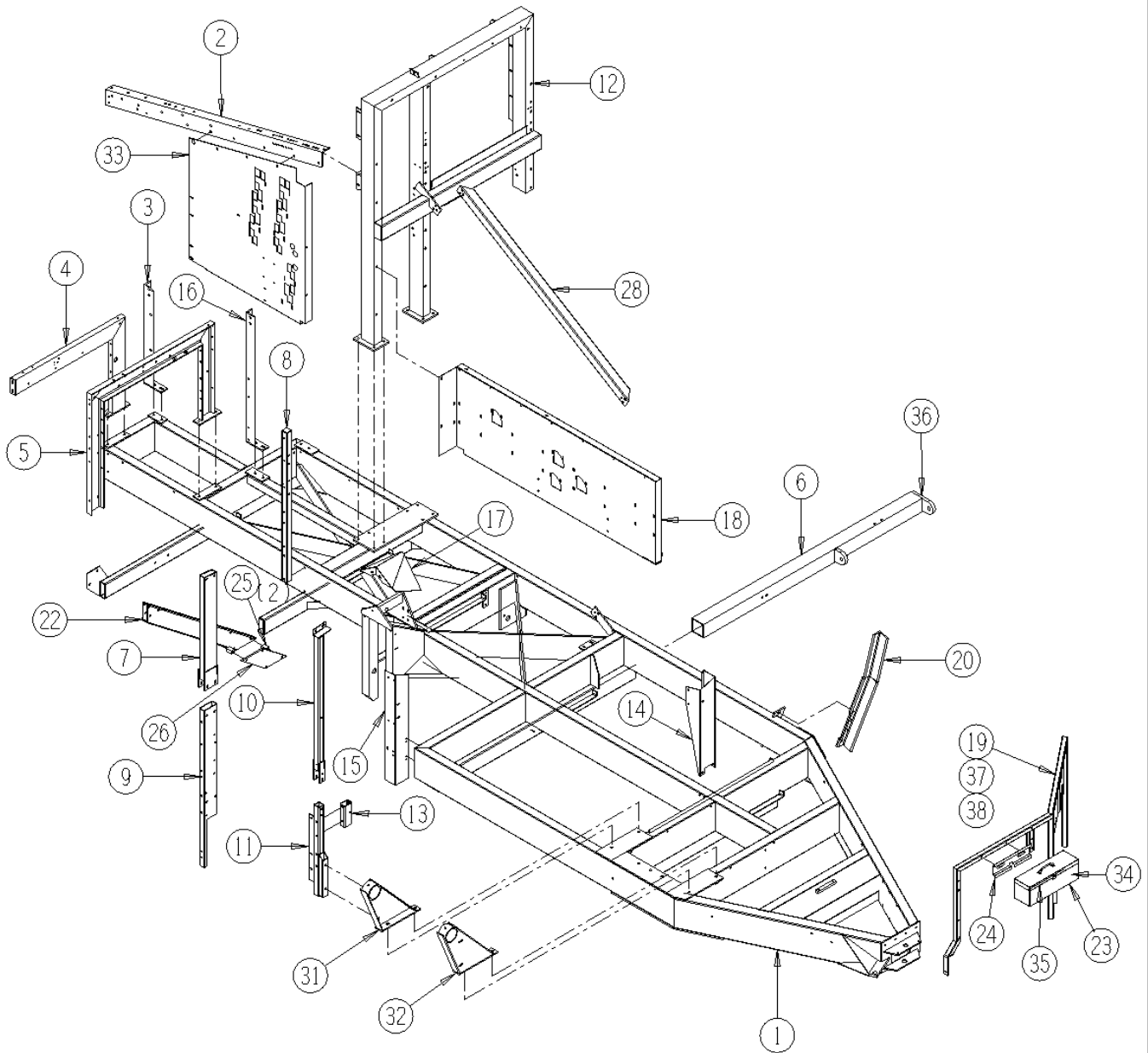
**PARTS  
CATALOG**

# 1007-1-1 Frame Assembly

<u>Ref</u>	<u>Part No.</u>	<u>Description</u>	<u>Parts – Assembly</u>	<u>Will Fit SN</u>	<u>Remarks</u>
1	194-1101	Main Frame	1	19401-	
2	191-1133A	Shaker Angle (3 x 5 angle)	1	19101-	
3	191-1133R	Post, Shaker Angle	1	19101-	
4	191-1136	Frame, Debris Air Flow, Rear Channel	1	19101-	
5	191-1137	Frame, Front Debris	1	19101-	
6	192-1113	Mount, Header Cylinder	1	19201-	
7	193-1138A	Rear roof support, upper	1	19301-	
8	193-1138C	Post, Rear Inner Presort	1	19301-	
9	POS-1121	Post with Cut-out	1	KIT-1118	
10	193-1139A	Front Canopy Support , Top	1	19301-	
11	193-1139B	Front Roof support, Bottom	1	19301-	
12	191-1132	Frame, Shaker	1	19101-	
13	193-800S	Spacer, Outer Front Aftersort	1	19301-	
14	193-840	Front inner aftersort post	1	19301- KIT-0007	
15	193-841	Rear outer aftersort post	1	19301-	
16	POS-1134	Post, Shaker Angle, W.A.	1		
17	194-1131	Leveling Cylinder Cover	1	19401-	
18	194-1135	Shield, Dust	1		
19	194-1414	Front Rail	1	19401-	
20	200-108	Slide Guide Wldmt, Reinforced	1		
22	POS-1118	Post, Support	1	KIT-1118	
23	BOX-7022	Removable Tool Box	1		
24	BOX-7025	Removable Tool Box Mounting	1		
25	SPA-1118	Spacer, CAM	2	KIT-1118	
26	MOU-1118	Mount Plate	1		
28	SUP-1101	Support, Shaker Frame	1		
31	191-927	Discharge Elevator Mount, Rear	1	19101	
32	191-926	Discharge Elevator Mount, Front	1	19101-	
33	PAN-1134	Panel, Shaker Angle	1		
34	DC-1180	Serious Injur/Death Decal, Read Manual	1		
35	DC-1183	Company Information Decal, 3" x 7.75"-	1		

36	DC-3025	Red and White Reflective Tape @ 150 ft Roll	1	
37	HA-1071-H	Hydra-zorb Tube Clamp 1" (3 pc.)	2	19401-
38	HA-1072-H	Hydra-zorb Tube Clamp 3/4" (3 pc.)	3	19401-

# 1007-1-1

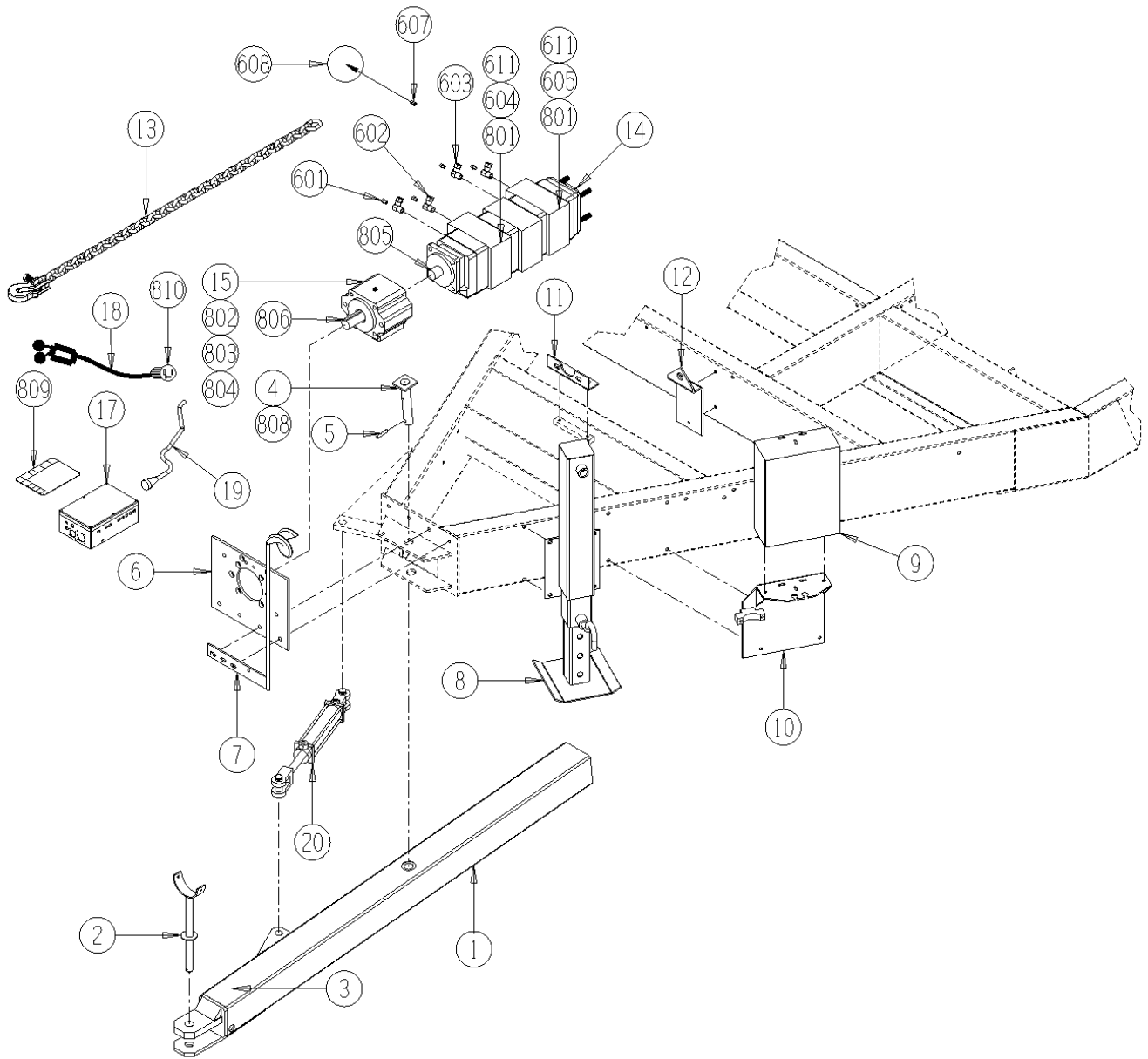


## 1007-1-2 Tongue Assembly

<u>Ref</u>	<u>Part No.</u>	<u>Description</u>	<u>Parts – Assembly</u>	<u>Will Fit SN</u>	<u>Remarks</u>
1	FRM-1102	TONGUE	1	19701-	Replaces 194-1102
2	STD-1002	Stand, PTO, Black	1		
3	DC-0013	Decal, "Improper Hookup May Cause PTO Shaft Failure, Harvesters	1		
4	192-1103	Frame, Swivel Pin	1	19201-	
5	PIN-6-32	Roll Pin 3/8" x 2"	1		
6	MOU-1005	Mount, Pony Pump, Vine Chopper, 190 Tomato	1		
7	SUP-3200	Hose Support	1	19100-30095001-	
8	WH-1125	Machine Jack for Tomato Harvester	1	19101-	
9	SHD-B8	Shield, Electrohydraulic "Brand", 8-Stack	1	19601-	
10	MOU-3112	Mount, Hydraulic Valve, Control Valve, Cuc & Tom	1		
11	196-1129	Mount, Rear Pump (Tomato)	1	19101-	Replaces 191-1129 NOTE: Use with #HP-365-C1
12	193-918	Cylinder bracket frame	1		
13	FRM-3167	Safety Chain, Agricultural, 30,400 lb. Capacity	1	19701-30097001-	
14	HP-365-P1	Hydraulic Pump, Permco 360	1		
15	HP-1003-XSP	Overhung Load Adapter, Splined Int, Extended External	1		
17	EL-0002	Electrical Control Box 02 Tom. Act. Ready	1		
18	EL-1251	Power Cable Assembly (for Tractor only)	1		
19	el-12160	Power Cable for Control Box(Plug & No Connectors)	1		2001 and above
20	HC-200-0808	Hydraulic Cylinder 2" x 8" #8 SAE Ports	1	19201-	Seal kit for Lion, HC-200-112
100	BL-8-LW	1/2 SPLIT LW ZC	6		
101	BL-8-N	1/2-13 HEX FIN NUTS ZC	6		
102	BL-8-700-FS	1/2-13 X 7 FL SOC CAPS	2		
103	BL-8-750-FS	1/2-13 X 7 1/2 FL SOC CAPS	3		
104	BL-8-800-FS	1/2-13 X 8 FL SOC CAPS	1		
105	BL-16-700-H	Hex Bolt 1 x 7 Zinc Grade 5	1		
106	BL-16-LN	1" Lock Nuts w/ Nylon Inserts	1		
107	BL-16-SW	1" SAE Washer	2		
601	HA-1004-4	Test Point Plug #4 SAE Thread	4		
602	A-6901-12-12-4SAE	12 SAE x 3/4" FPX 90 w/4 SAE Port, Forged	2		
603	A-6901-10-8-4SAE	10 SAE x 1/2 FPX90 W/ 4SAE Port, Forged)	2		

604	A-4459-32-32	Flange Nipple, 2" 90	1	
605	A-4456-32-32	Flange Nipple, 2" 45	1	
606	H32-S	2" Suction Hose, Nitrile/Neoprene, Black	12	
607	HA-1005-T	Test Point Probe	1	
608	HA-1004-G	Hydraulic, Pressure Gauge w/1/4 NPT Stem	1	
609	A-4444-32-32	2" Male Pipe Hose Barb	4	
610	HV-GV-200	2" Brass Gate Valve	2	
611	A-SFK-32	2" Split Flange Kit	2	
801	A-90DF-32	O Ring for Flange Face 2"	1	A-SFK-32
802	HP-1003A	Rear seal for HP-1003	1	11001
803	HP-1003B	Front seal for HP-1003	1	11101
804	HP-1003S	Output Shaft for HP-1003	1	HP-1003
805	HP-365B	Key for Hydraulic Pump, Model 365	1	HP-365-C1 & HP-365-C3
806	KEY-6-6-40	Keystock 3/8" x 3/8" x 2 1/2" Square Cut (1018)	1	
808	GF-1827-65L	Grease Fitting 1/8 NPT Long 65	1	
809	DC-0041	Decal, Control Box, Tomato, '02	1	
810	EL-27W470	Tractor Connector (Female)	1	

# 1007-1-2

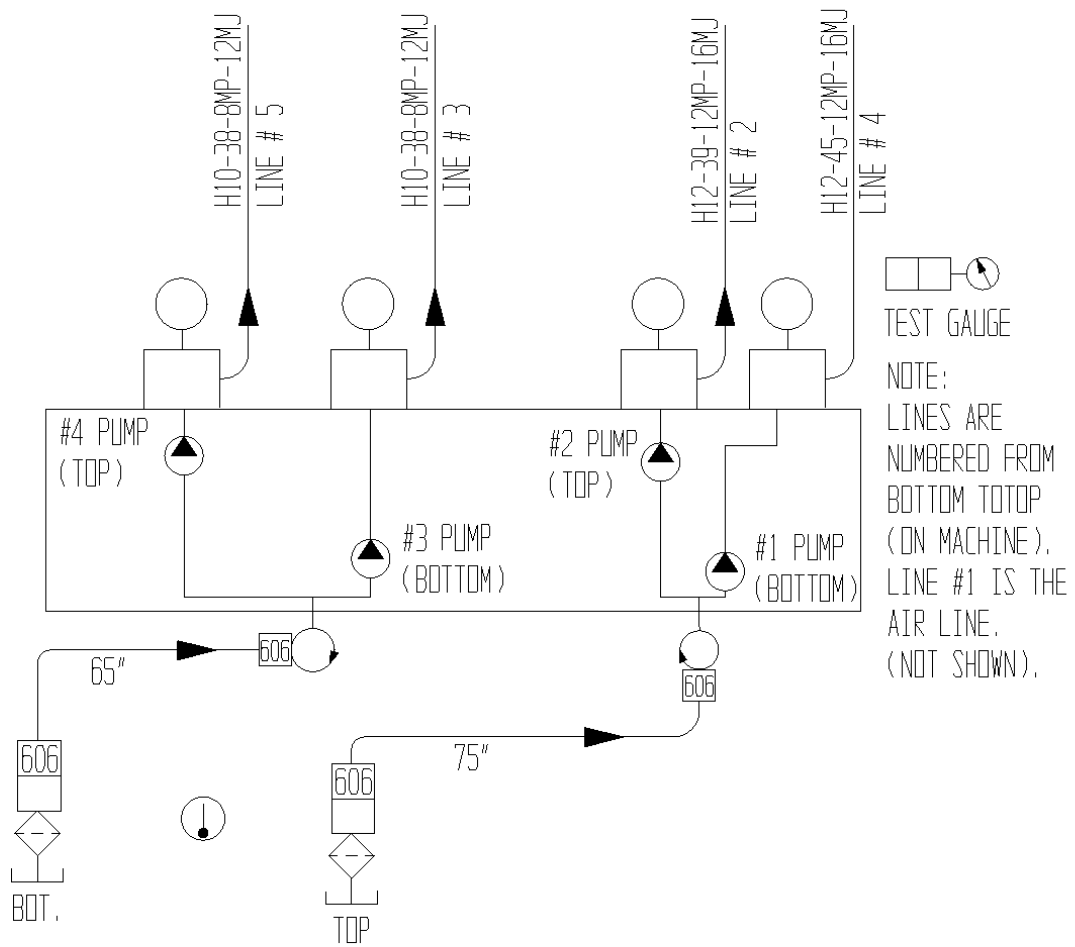


## 1007-1-2H Tongue Hydraulic Assembly

<u>Ref</u>	<u>Part No.</u>	<u>Description</u>	<u>Parts – Assembly</u>	<u>Will Fit SN</u>	<u>Remarks</u>
601	H32-65	2" Suction Hose From Tank 2-Point 65"	1		
602	H32-75	2" Suction Hose From Tank 2-Point	1		
603	H10-38-8MP-12MJ	5/8 in hose 1/2MP-3/4MJIC x 38 in long	2		
604	H12-39-12MP-16MJ	3/4 in hose 3/4MP-1MJIC x 39 in long	1		
605	H12-45-12MP-16MJ	3/4 in hose 3/4 MP x 1" MJIC x 45 in long	1		
606	CL-201SD	Two Bolt Hose Clamp, 2" Hose, Super Duty, Galvanized	8		



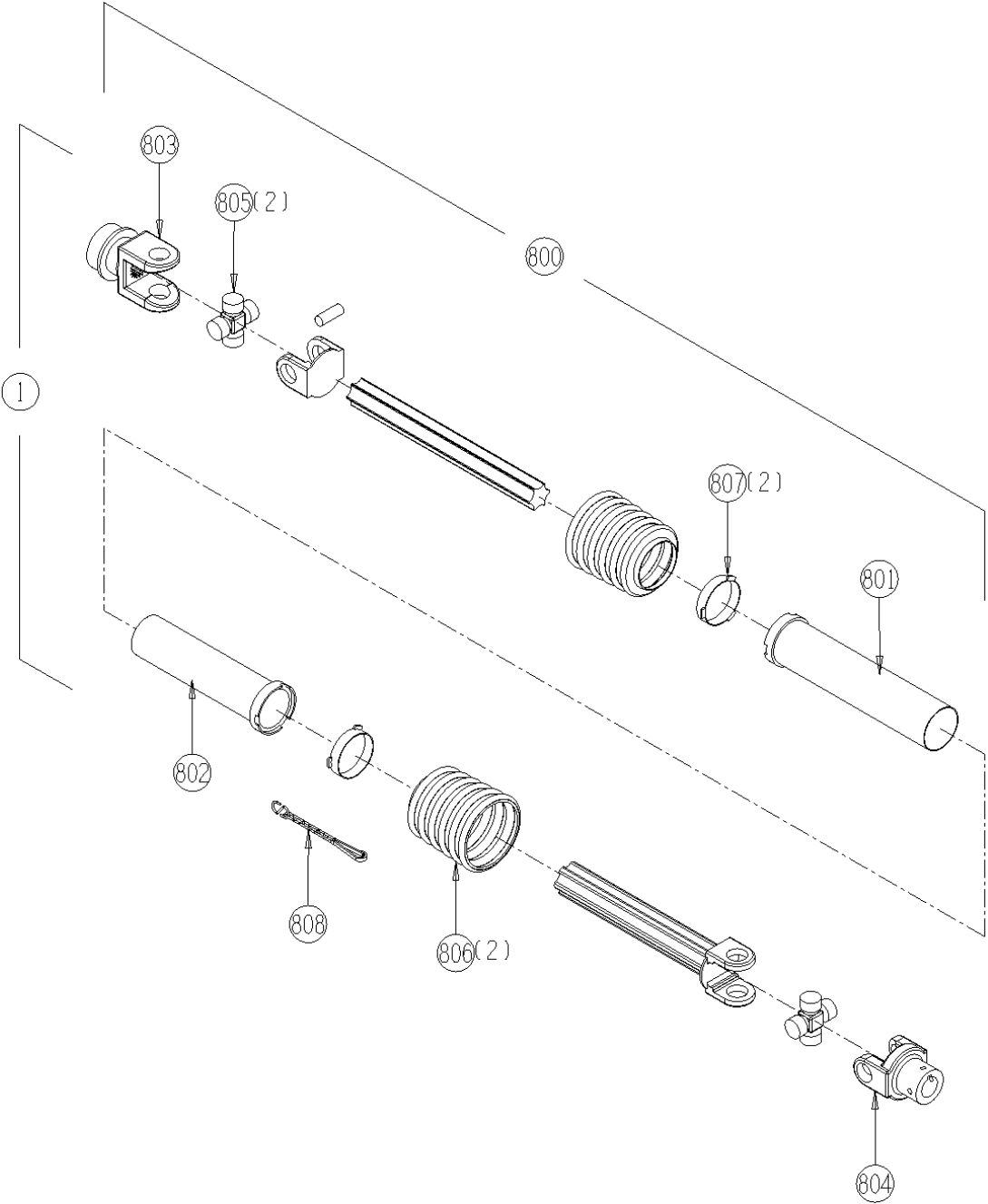
# 1007-1-2H



## 1007-1-3 Tongue 1-3/8-21 PTO Assembly

<u>Ref</u>	<u>Part No.</u>	<u>Description</u>	<u>Parts – Assembly</u>	<u>Will Fit SN</u>	<u>Remarks</u>
1	PTS-1002	1-3/8 21-spline x Overhung LA, 190, Walterscheid	1	19101-	Used on some 1994 machines
101	BL-6-050-SC	3/8-16 x 1/2" Knurled Point Set Screw	2		
800	PTS-1002-FH	1-3/8 21-spline, Front Half Only for All PTO (Walterscheid) Shafts	1		
801	PTS-1002F	PTO Outer Shield (Walterscheid)	1	19101-	
802	PTS-1002G	PTO Inner Shield (Walterscheid) Tomato Shaft	1	19101-	For use on PTS-1002 and PTS-1001 model Only
803	PTS-1002C	PTO Yoke (Walterscheid) 1 3/8" x 21 spline	1	19101-	John Deere PN AW25386
804	PTS-1003-H	PTO Inner Yoke (Walterscheid)	1		
805	PTS-4001B	Extended Lube Cross & Bearing Kit	2	Walterscheid Yokes	Replaces PTS-1002B
806	PTS-1002E	PTO Shield Cone (Walterscheid)	2	19101-	
807	PTS-1002J	PTO Shield Bearing Ring	2		
808	PTS-1002K	PTO Shield Safety Chain	1		

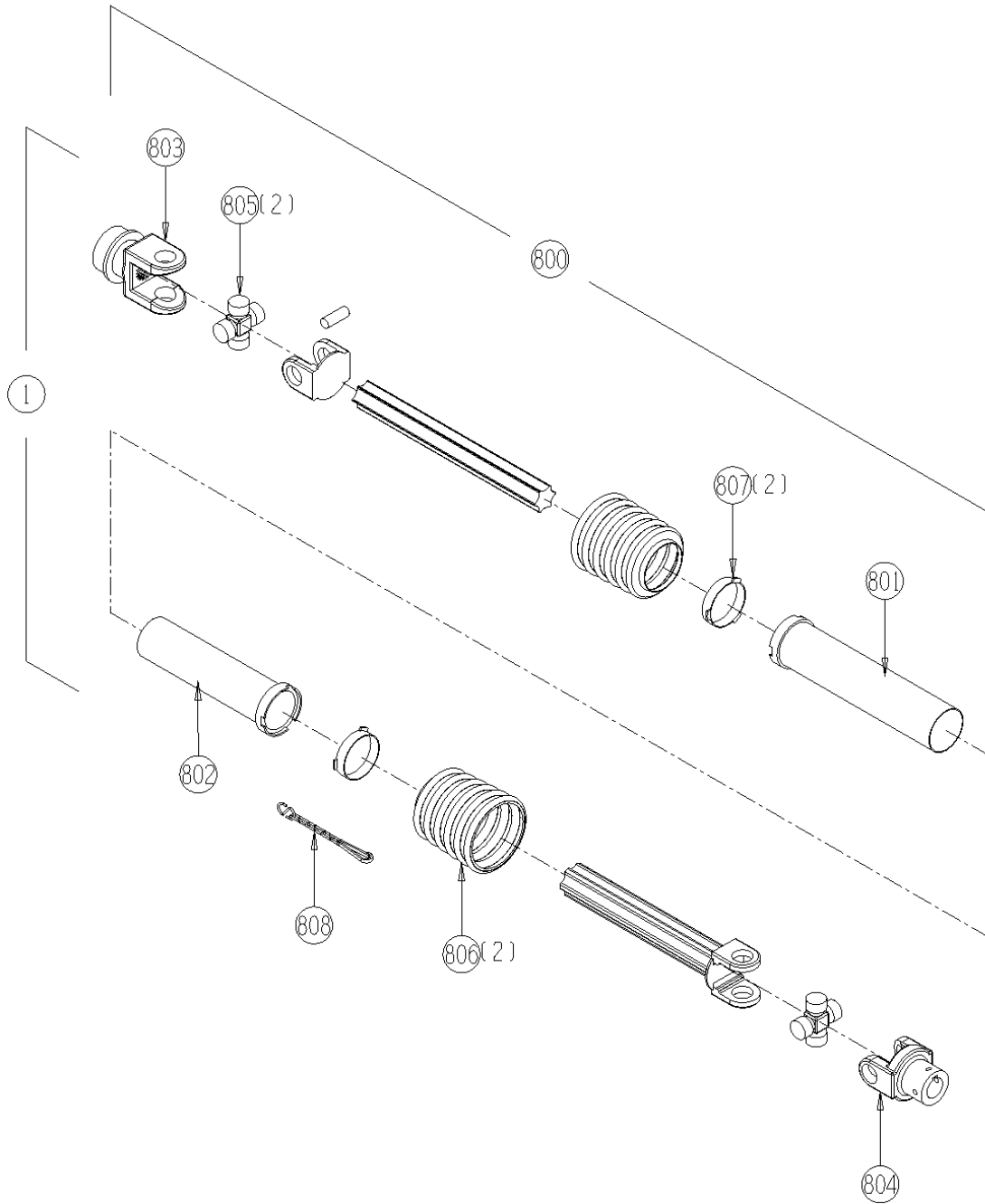
1007-1-3



## 1007-1-4 Tongue 1-3/4-20 PTO Assembly

<u>Ref</u>	<u>Part No.</u>	<u>Description</u>	<u>Parts – Assembly</u>	<u>Will Fit SN</u>	<u>Remarks</u>
1	PTS-1001	1-3/4 20-spline x Overhung LA, 190, Walterscheid	1		
101	BL-6-050-SC	3/8-16 x 1/2" Knurled Point Set Screw	2		
800	PTS-1003-FH	1-3/4 20-spline, Front Half Only, Tom or Cuc (Walterscheid)	1		
801	PTS-1002F	PTO Outer Shield (Walterscheid)	1	19101-	
802	PTS-1002G	PTO Inner Shield (Walterscheid) Tomato Shaft	1	19101-	For use on PTS-1002 and PTS-1001 model Only
803	PTS-1002A	PTO Tractor Yoke (Walterscheid) 1-3/4 x 20 Spline	1	19101-	John Deere PN AW25387
804	PTS-1003-H	PTO Inner Yoke (Walterscheid)	1		
805	PTS-4001B	Extended Lube Cross & Bearing Kit	2	Walterscheid Yokes	Replaces PTS-1002B
806	PTS-1002E	PTO Shield Cone (Walterscheid)	2	19101-	
807	PTS-1002J	PTO Shield Bearing Ring	2		
808	PTS-1002K	PTO Shield Safety Chain	1		

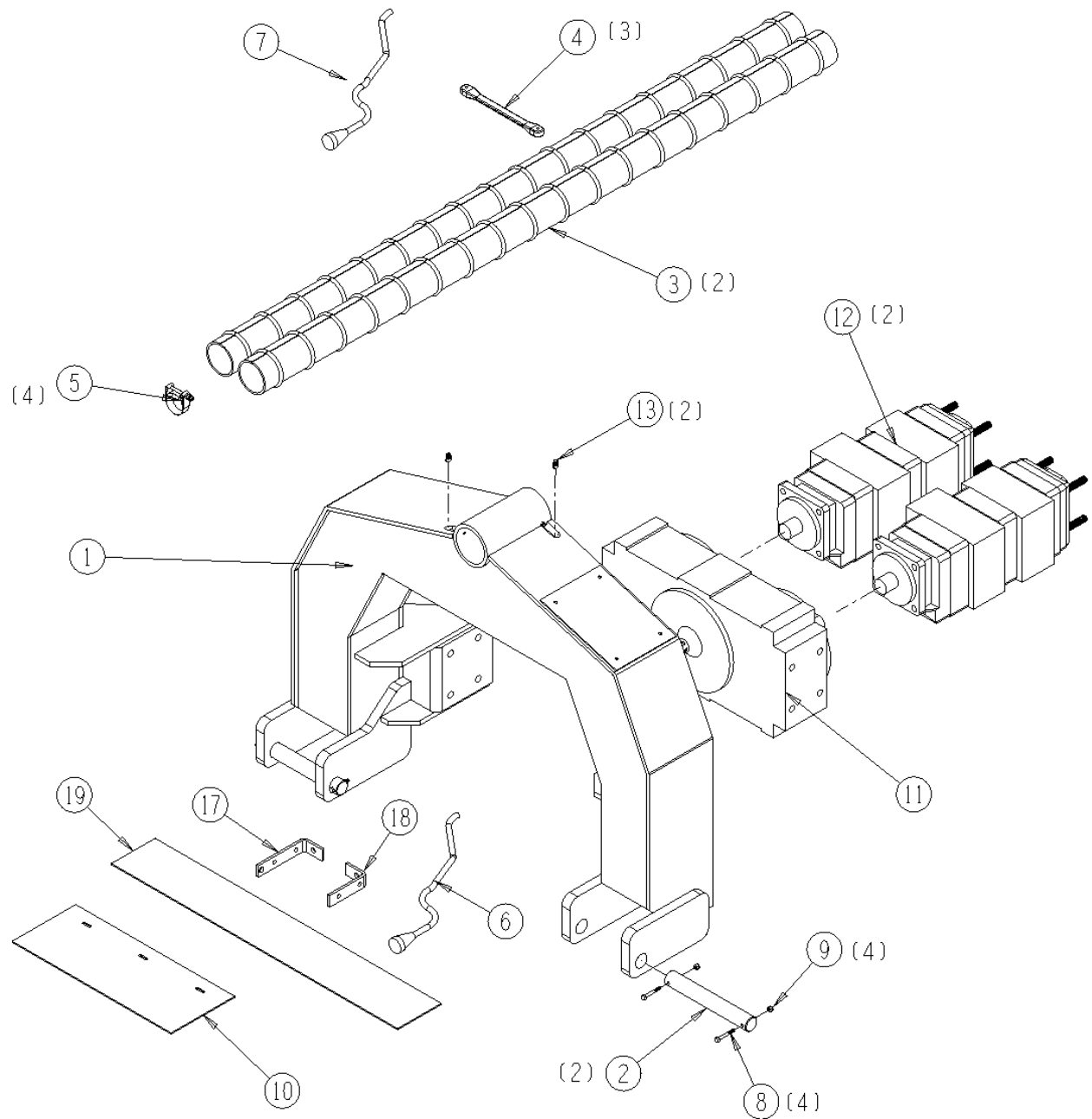
# 1007-1-4



## 1007-1-5 Optional Double Pump Assembly

<u>Ref</u>	<u>Part No.</u>	<u>Description</u>	<u>Parts – Assembly</u>	<u>Will Fit SN</u>	<u>Remarks</u>
1	FRM-0015	Frame, Mount, Gooseneck Hitch, 190 Tomato	1		
2	PIN-003P	Pin, Quick Hitch & Tomato	2		
3	HOS-3-4-72SP	Hose 3", Suction Line Cover Clear, 190 Tomato	2		
4	STRP-1050	10" Tarp Straps	2		
5	CL-375	3" Hose Clamp, Heavy Duty T-Bar, 3.375-3.75"	4		
6	EL-1258	Goose Neck Hitch Machine Power Cord	1		
7	BL-4-200-H	1/4-20 X 2 HEX CAP G5 ZC	4		
8	BL-4-LN	1/4-20 HEX LN NE ZC	12		
9	BT-3100	Belting, PTO Shield, Compressorless	1	30095001- KIT-800	Used ONLY on machines with no air compressor
10	GBX-252	Two Pad Gearbox for HC290	1		Use only HP-630 Oil 3.5 Quart
11	HP-365-C15	Hydraulic Pump, Model 365	2		
12	HV-GV-200	2" Brass Gate Valve	2		
13	A-4444-32-32	2" Male Pipe Hose Barb	2		
14	AN-32-40-HS	2" NPTx 2½" ID Hose, Combination Nipple/Hose Shank	2		
15	A-4459-40-32	Flange Nipple, 2-1/2" barb x 2 flange" 90	2		
16	A-SFK-32	2" Split Flange Kit	2		
17	BRA-8200	Bracket, Outsd, PTO Belting, Hitch Assy, HC290	1		
18	BRA-8201	Bracket, Inside, PTO Belting, Hitch Assy, HC290	1		
19	BT-8200	Belting, PTO, Hitch Assembly, HC290 Tomato	1		
20	HP-630	Synthetic Gear & Bearing Oil @ Qt.	1		

# 1007-1-5

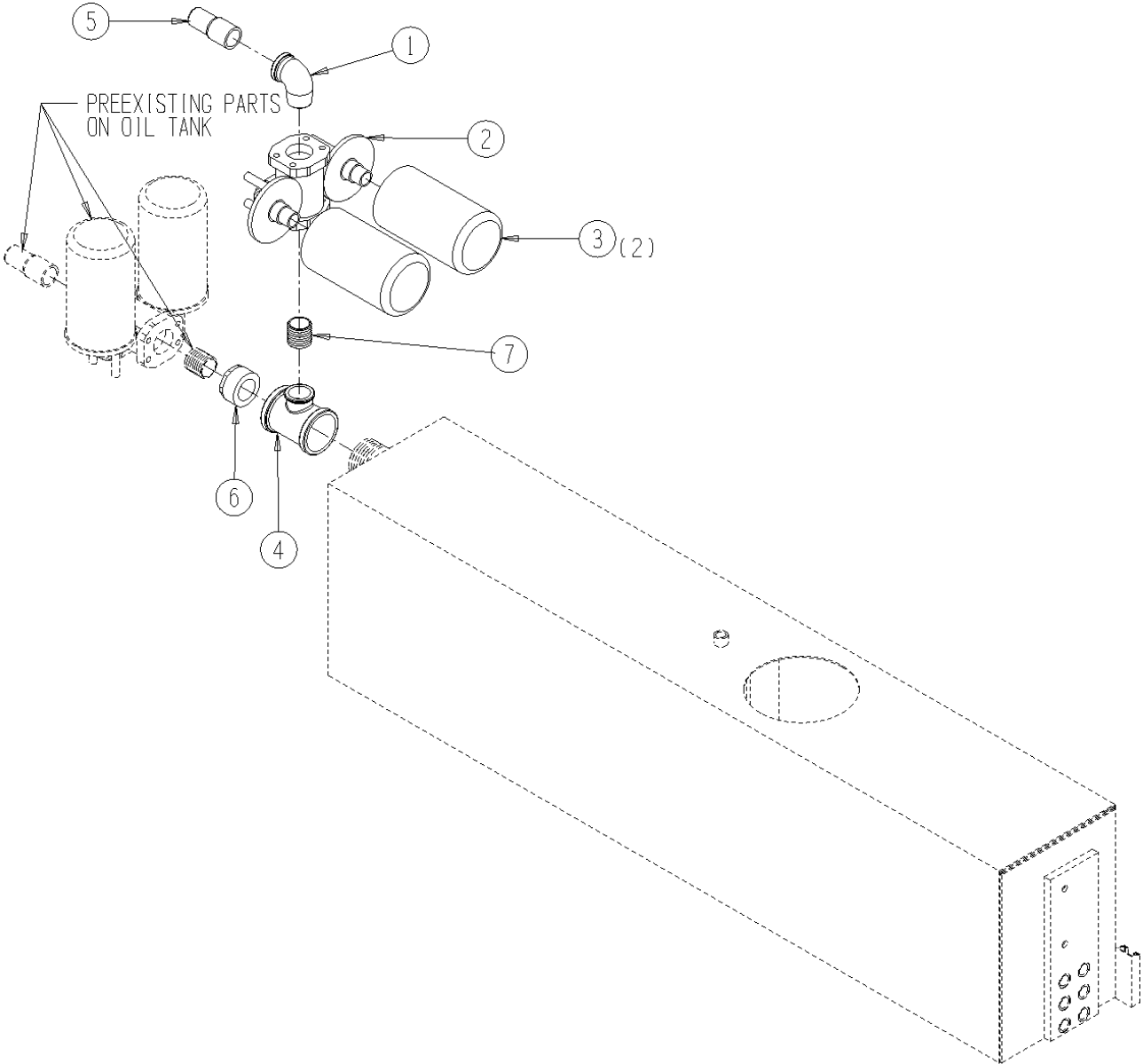


## 1007-1-5H Optional Double Pump Hydraulic Assembly

<u>Ref</u>	<u>Part No.</u>	<u>Description</u>	<u>Parts – Assembly</u>	<u>Will Fit SN</u>	<u>Remarks</u>
0	AR-40-24	2" x 1 1/2" Bell Reducer	-1		
1	ASL-24	1 1/2 ST ELL, Domestic Only	1		
2	HA-1023-Z	Double Filter Head, Side by Side	1		
3	HA-1029	Hydraulic Fluid Filter, 11"	2		
4	AT-40-40-24	2 1/2 x 2 1/2 x 1 1/2 Black Tee	1		
5	AN-24-24-HS	1 1/2" Male NPT with Combination 1-1/2" Hose Barb	1		
6	AB-40-24	2 1/2 x 1 1/2 Black Hexagon Bushing	1		
7	AN-24-CL	1 1/2" Black (Nipple Close)	1		
8	CL-375	3" Hose Clamp, Heavy Duty T-Bar, 3.375-3.75"	4		
9	CL-200-SD	Two Bolt Hose Clamp, Super Duty, Galvanized	4	1 1/2" Suction Hose	
10	CL-249-SD	Two Bolt Hose Clamp, Super Duty, Galvanized	4	2 1/2" Suction Hose	
800	HA-1023-P	Poppet for Filter Bypass	1	HA-1023-Z	
801	HA-1023-S	25 PSI Filter Bypass Spring	1	HA-1023-Z	



**1007-1-5H**

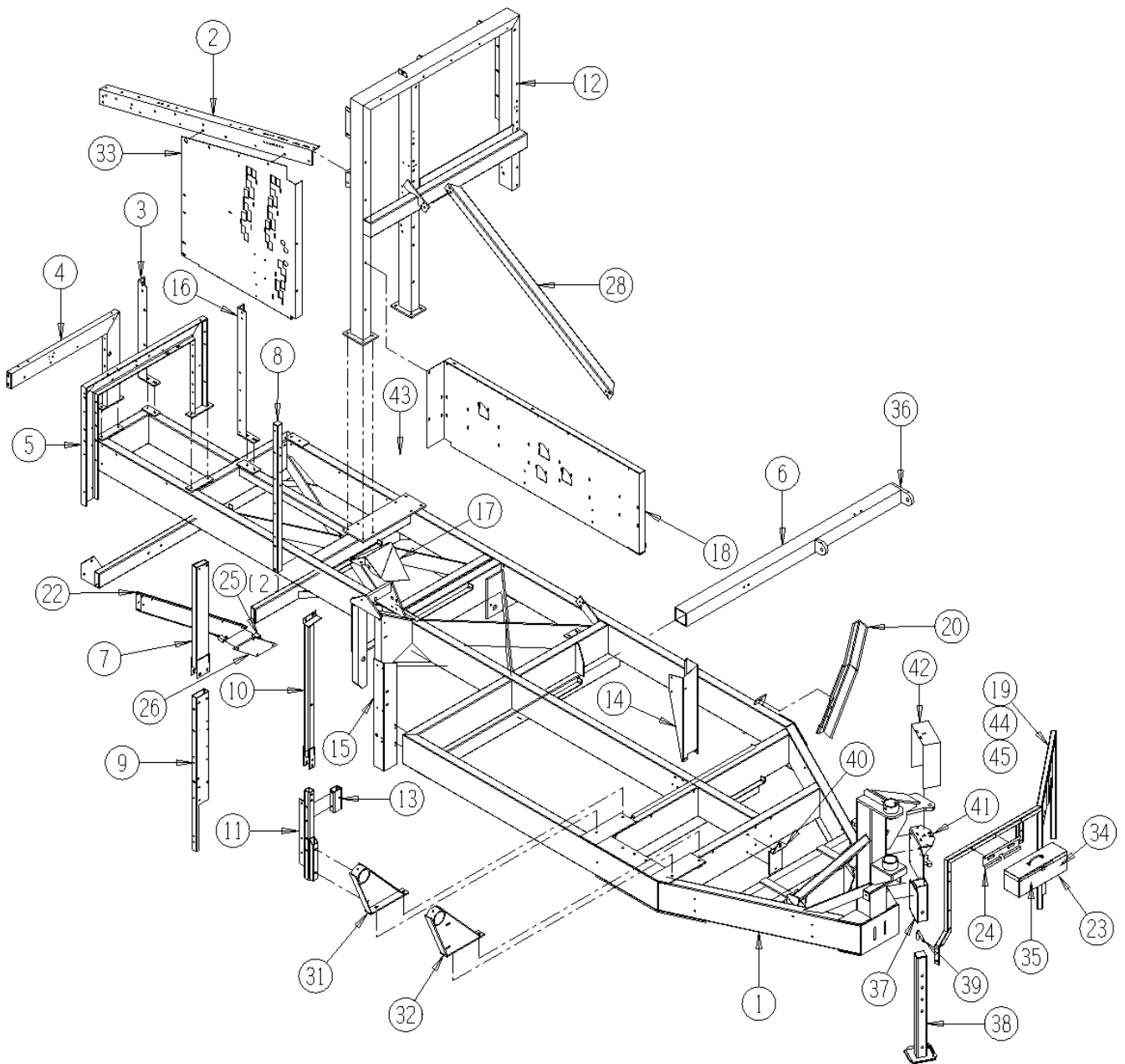


## 1007-1-6 Optional Gooseneck Hitch Frame Assembly

<u>Ref</u>	<u>Part No.</u>	<u>Description</u>	<u>Parts – Assembly</u>	<u>Will Fit SN</u>	<u>Remarks</u>
1	FRM-1101	Frame, Main W/Gooseneck Hitch	1		
2	191-1133A	Shaker Angle (3 x 5 angle)	1	19101-	
3	191-1133R	Post, Shaker Angle	1	19101-	
4	191-1136	Frame, Debris Air Flow, Rear Channel	1	19101-	
5	191-1137	Frame, Front Debris	1	19101-	
6	192-1113	Mount, Header Cylinder	1	19201-	
7	193-1138A	Rear roof support, upper	1	19301-	
8	193-1138C	Post, Rear Inner Presort	1	19301-	
9	POS-1121	Post with Cut-out	1	KIT-1118	
10	193-1139A	Front Canopy Support , Top	1	19301-	
11	193-1139B	Front Roof support, Bottom	1	19301-	
12	191-1132	Frame, Shaker	1	19101-	
13	193-800S	Spacer, Outer Front Aftersort	1	19301-	
14	193-840	Front inner aftersort post	1	19301- KIT-0007	
15	193-841	Rear outer aftersort post	1	19301-	
16	POS-1134	Post, Shaker Angle, W.A.	1		
17	194-1131	Leveling Cylinder Cover	1	19401-	
18	194-1135	Shield, Dust	1		
19	194-1414	Front Rail	1	19401-	
20	200-108	Slide Guide Wldmt, Reinforced	1		
22	POS-1118	Post, Support	1	KIT-1118	
23	BOX-7022	Removable Tool Box	1		
24	BOX-7025	Removable Tool Box Mounting	1		
25	SPA-1118	Spacer, CAM	2	KIT-1118	
26	MOU-1118	Mount Plate	1		
28	SUP-1101	Support, Shaker Frame	1		
31	191-927	Discharge Elevator Mount, Rear	1	19101	
32	191-926	Discharge Elevator Mount, Front	1	19101-	
33	PAN-1134	Panel, Shaker Angle	1		
34	DC-1180	Serious Injur/Death Decal, Read Manual	1		
35	DC-1183	Company Information Decal, 3" x 7.75"-	1		
36	DC-3025	Red and White Reflective Tape @ 150 ft Roll	1		
37	192-1125	Mount, Jack Stand, Frame, 2-Point Hitch	1		

38	192-1125A	Adjuster	1	
39	192-1125B	Pin, Jack Stand, Frame, 2-Point Hitch Machines	1	
40	193-918	Cylinder bracket frame	1	
41	MOU-3112	Mount, Hydraulic Valve, Control Valve, Cuc & Tom	1	
42	SHD-B8	Shield, Electrohydraulic "Brand", 8-Stack	1	19601-
44	HA-1071-H	Hydra-zorb Tube Clamp 1" (3 pc.)	2	19401-
45	HA-1072-H	Hydra-zorb Tube Clamp 3/4" (3 pc.)	3	19401-
101	BL-16-SW	1" SAE Washer	4	

1007-1-6

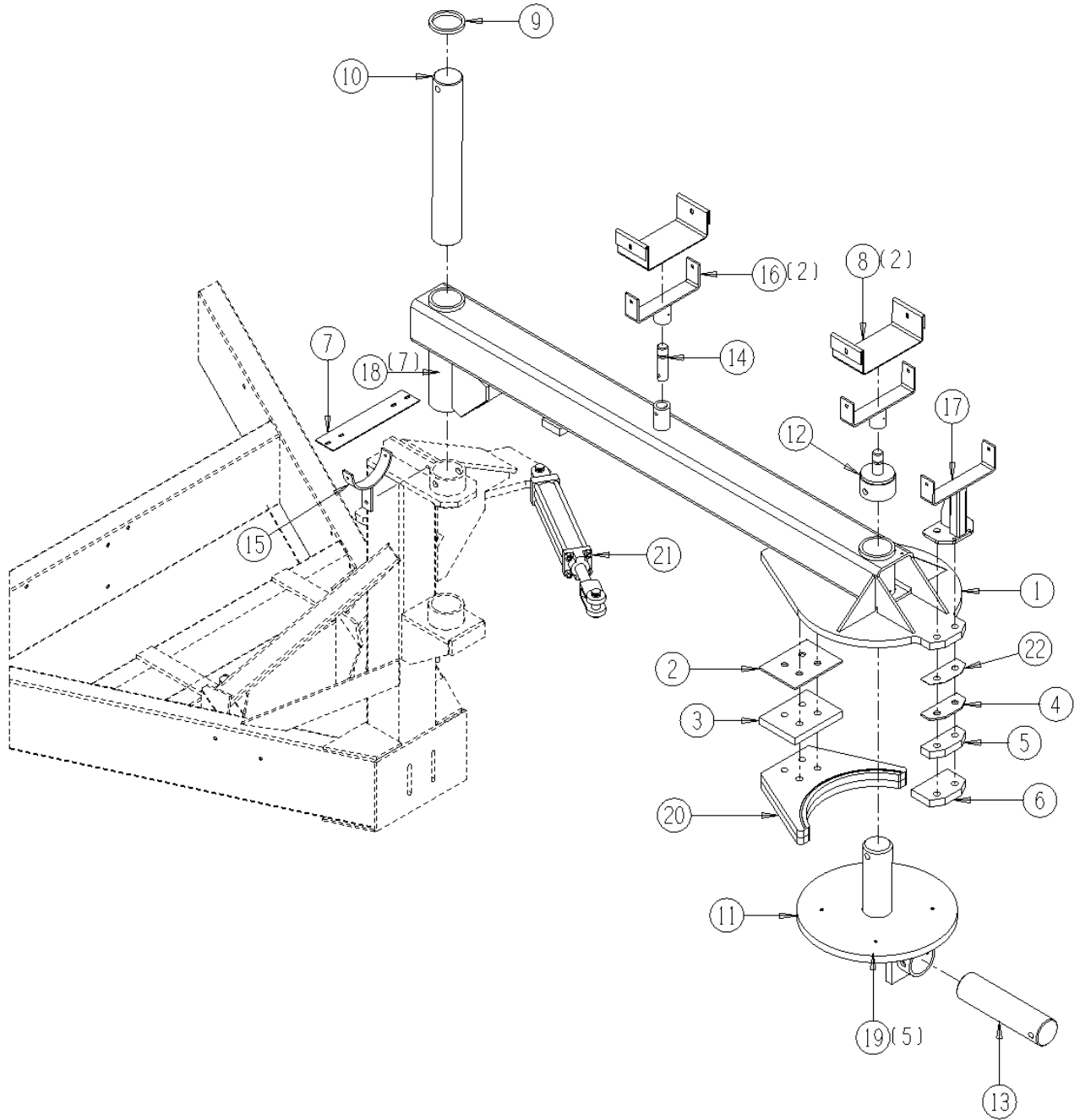




## 1007-1-7 Optional Gooseneck Tongue Assembly

<u>Ref</u>	<u>Part No.</u>	<u>Description</u>	<u>Parts – Assembly</u>	<u>Will Fit SN</u>	<u>Remarks</u>
1	ARM-2P01	Arm, Gooseneck Hitch, Machine Connection	1		May require modification to PIN-2P01 when installing on 40001001-40002003 or on 10002005.
2	BAR-8213	Bar, Spacer, Back Top, Hitch/Tongue, HC290	1		
3	BAR-8214	Bar, Spacer, Back, Bottom, Hitch/Tongue, HC290	1	BAR-8214	
4	BAR-8215	Bar, Spacer, Front Top, Hitch/Tongue, HC290	1		
5	BAR-8216	Bar, Spacer, Front Middle, Hitch/Tongue, HC290	1		
6	BAR-8217	Bar, Spacer, Front Bottom, Hitch/Tongue, HC290	1		
7	BT-0018	Belting, Hose Holder, Hitch Arm, 2-Point Hitch	1		
8	BT-8110	Belting, Hose Holder, Gooseneck	3		
9	BU-2P01	Bushing, Arm, Gooseneck, Main Frame	1		
10	MOU-2P01	Pin, Mount, Gooseneck Hitch	1		
11	PIN-2P01	Pin, Gooseneck Hitch Pivot, Top of Tractor	1		Will require modification to ARM-2P01 when installing on 40001001-40002003 or on 10002005.
12	POS-8110	Post, Pivot Holder, Tongue	1		
13	SFT-2P01	Shaft, Gooseneck Hitch Pivot, Swivel	1		
14	SFT-8210	Shaft, Hose Holder, 190 Frame	1		
15	SUP-0016	Support, Hose, Hydraulic Hose, Tongue, Rear	1		
16	SUP-8110	Support, Pivoting Hose Holder, Tongue HC290	2		
17	SUP-8210	Support, Rear Swivel Plate, Gooseneck Hitch	1		
18	GF-1428	Grease Fitting 1/4" x 28 straight	8		
19	GF-1827-45	Grease Fitting 1/8 NPT 45	5		
20	SUP-0009	Support, Hose Holder, Gooseneck Hitch, 190 Tom	1		
21	HC-250-1208	Tie Rod Cylinder, Standard 2 1/2" x 12"	1		Seal Kit Part No. HC-250-1208-SK (PMCK-B200000)
22	BAR-8218	Bar, Spacer, Front, Gooseneck Hitch	0		
108	BL-16-400-H	1" x 4" Gr 5 HH Bolt Zinc Coated	2		
109	BL-16-LN	1" Lock Nuts w/ Nylon Inserts	2		
110	BL-12-550-8	3/4" x 5 1/2", HH C/S G8 ZC	3		

# 1007-1-7

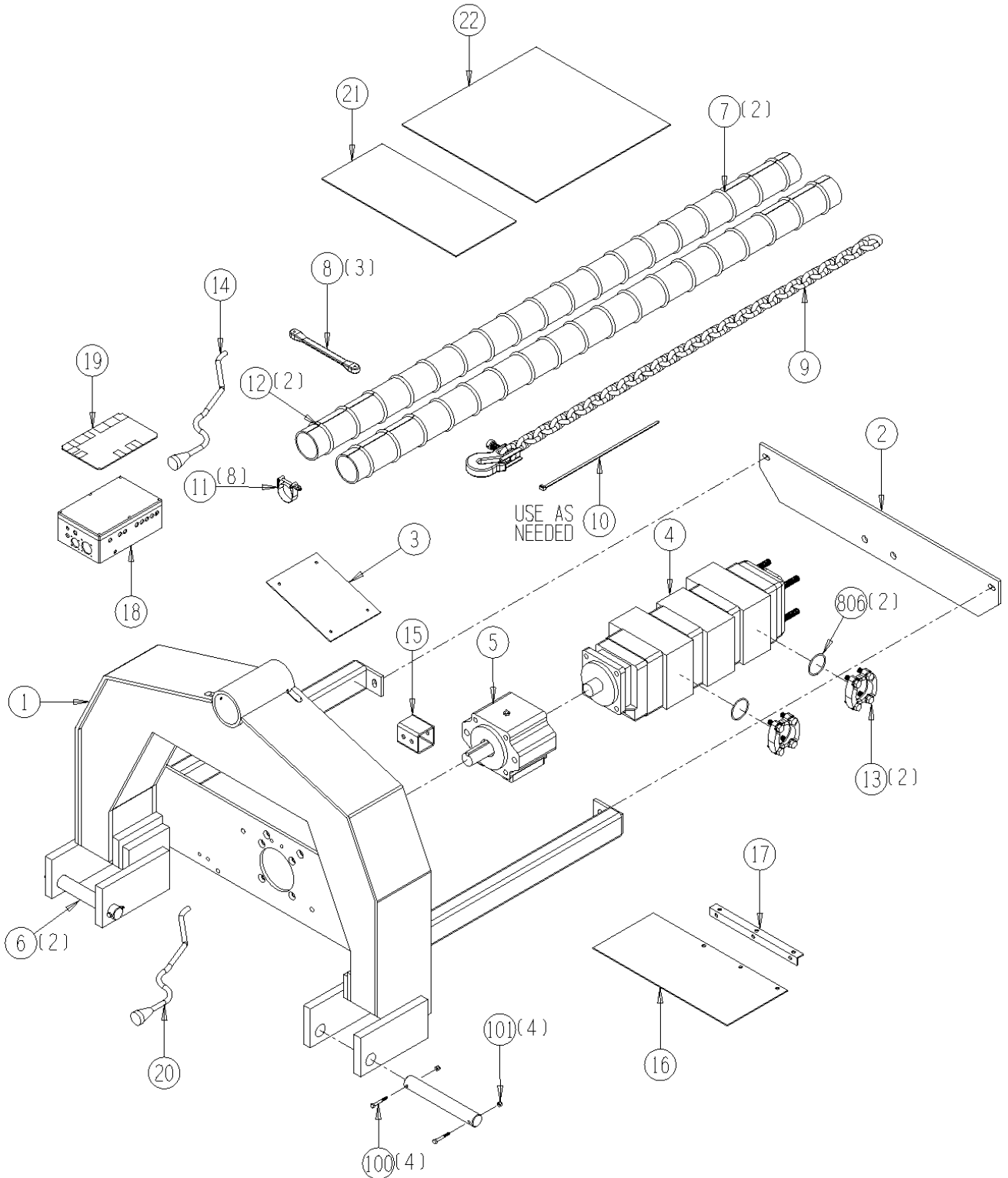


## 1007-1-8 Optional Gooseneck Hitch Assembly

<u>Ref</u>	<u>Part No.</u>	<u>Description</u>	<u>Parts – Assembly</u>	<u>Will Fit SN</u>	<u>Remarks</u>
1	FRM-2P04	Frame, 190 Gooseneck Hitch Mount	1		
2	SUP-2P01	Support, hydraulic Pump, Bottom Arms	1		
3	BT-1402	Belting on Gooseneck Hitch Mount	1		
4	HP-365-P1	Hydraulic Pump, Permco 360	1		
5	HP-1003-XSP	Overhung Load Adapter, Splined Int, Extended External	1		
6	PIN-003P	Pin, Quick Hitch & Tomato	2		
7	HOS-3-4-72SP	Hose 3", Suction Line Cover Clear, 190 Tomato	2		
8	STRP-1050	10" Tarp Straps	3		
9	FRM-3167	Safety Chain, Agricultural, 30,400 lb. Capacity	0	19701-30097001-	
10	WT-17H	Heavy Duty Wire Tie 17.5"	20		
11	CL-201SD	Two Bolt Hose Clamp, 2" Hose, Super Duty, Galvanized	8		
12	CL-375	3" Hose Clamp, Heavy Duty T-Bar, 3.375-3.75"	4		
13	A-SFK-32	2" Split Flange Kit	2		
14	ELC-4000	Control Box Power Cord 25' G-Neck Hitch	1		
15	SPA-1510	Spacer, Air Filter Mount, 2-Point Hitch, Tom.	1		
16	BT-0058	Belting, Pump Cover, Tomato	1		
17	BRA-0116	Bracket, Pump Cover, Tomato	1		
18	EL-0002	Electrical Control Box 02 Tom. Act. Ready	1		
19	DC-0041	Decal, Control Box, Tomato, '02	1		
20	EL-1258	Goose Neck Hitch Machine Power Cord	1		
21	BT-0056	Belting, Hose Wrap, Tomato	2		
22	BT-0057	Belting, Suction Hose Wrap	1		
100	BL-4-200-H	1/4-20 X 2 HEX CAP G5 ZC	4		
101	BL-4-LN	1/4-20 HEX LN NE ZC	4		
800	EL-805	Automotive Fuses 10 Amp	1		
801	HP-1003A	Rear seal for HP-1003	1	11001	
802	HP-1003B	Front seal for HP-1003	1	11101	
803	HP-1003S	Output Shaft for HP-1003	1	HP-1003	
804	HP-365B	Key for Hydraulic Pump, Model 365	1	HP-365-C1 & HP-365-C3	
805	KEY-6-6-40	Keystock 3/8" x 3/8" x 2 1/2" Square Cut (1018)	1		
806	A-90DF-32	O Ring for Flange Face 2"	2	A-SFK-32	



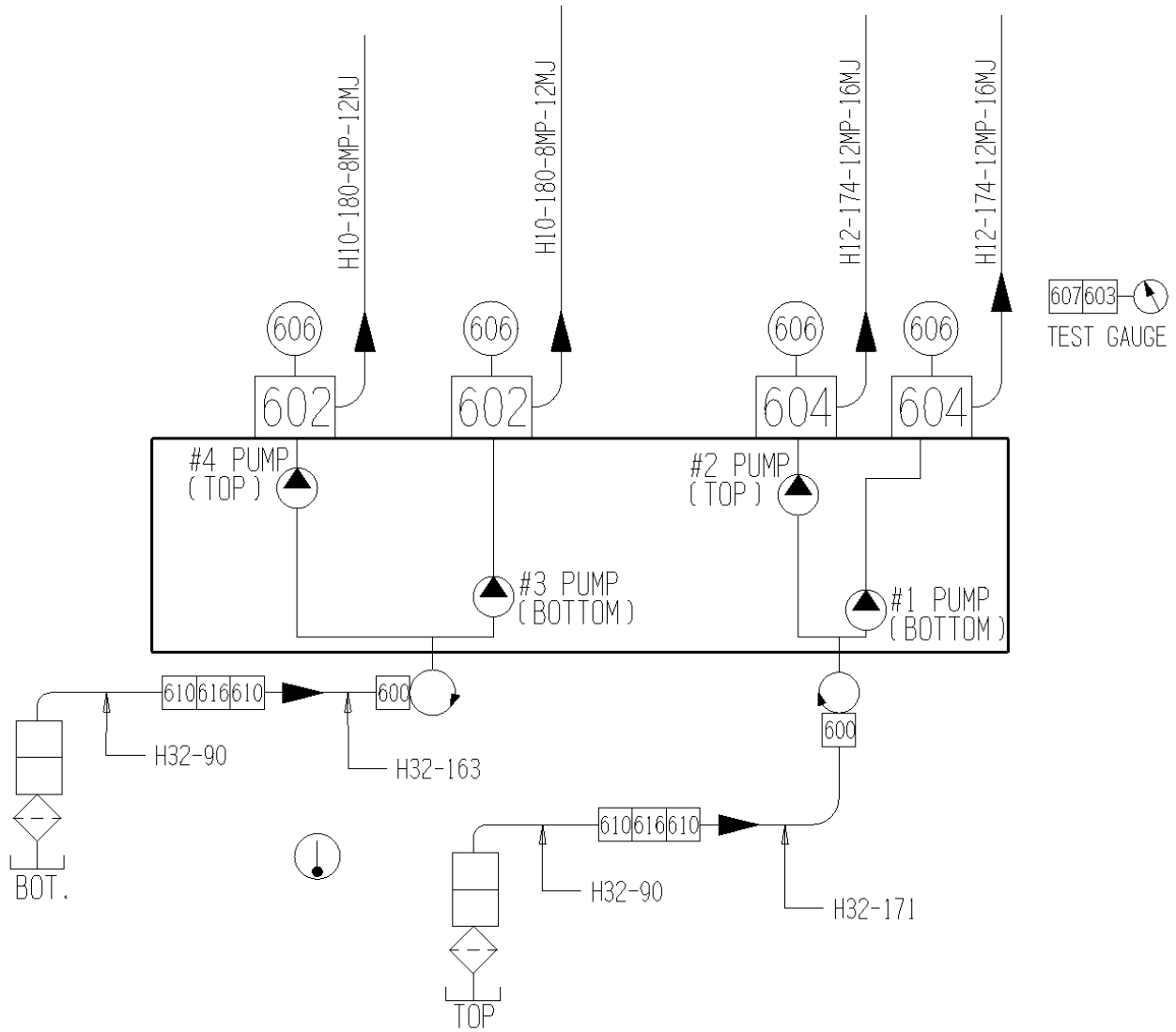
# 1007-1-8



## 1007-1-8H Gooseneck Hitch Hydraulic Assembly

<u>Ref</u>	<u>Part No.</u>	<u>Description</u>	<u>Parts – Assembly</u>	<u>Will Fit SN</u>	<u>Remarks</u>
600	A-4456-32-32	Flange Nipple, 2" 45	2		
601	H12-174-12MP-16MJ	3/4 in hose 3/4MP-1MJIC x 174 in long	2		
602	A-6901-10-8-4SAE	10 SAE x 1/2 FPX90 W/ 4SAE Port, Forged)	2		
603	HA-1004-G	Hydraulic, Pressure Gauge w/1/4 NPT Stem	1		
604	A-6901-12-12-4SAE	12 SAE x 3/4" FPX 90 w/4 SAE Port, Forged	2		
605	H10-180-8MP-12MJ	5/8 in hose 1/2MP X 3/4MJIC 180 in long	2		
606	HA-1004-4	Test Point Plug #4 SAE Thread	4		
607	HA-1005-T	Test Point Probe	1		
608	H12-122-12MP-8MP	3/4" Hose 3/4"MP x 1/2"MP x 122" Long	1		
609	AIR-N4	1/4"Nylon Tubing @ ft., Black	15		assembly personnel will monitor inventory
610	A-4444-32-32	2" Male Pipe Hose Barb	4		
611	H10-184-8MP-8MP	5/8 in hose 1/2MP X 1/2MP x184 in long	1		
612	H10-195-8MP-8MP	5/8 in hose 1/2MP X 1/2MP x 195 in long	1		
613	H32-171	2" Suction Hose, To Front Pump	1		
614	H32-163	2" Suction Hose, To Back Pump	1		
615	H32-90	2" Suction Hose, From Tank to Gate Valve	2		
616	HV-GV-200	2" Brass Gate Valve	2		
617	A-LV1501-8-8	Live Swivel 90 with AFLAS Seals	1		

# 1007-1-8H

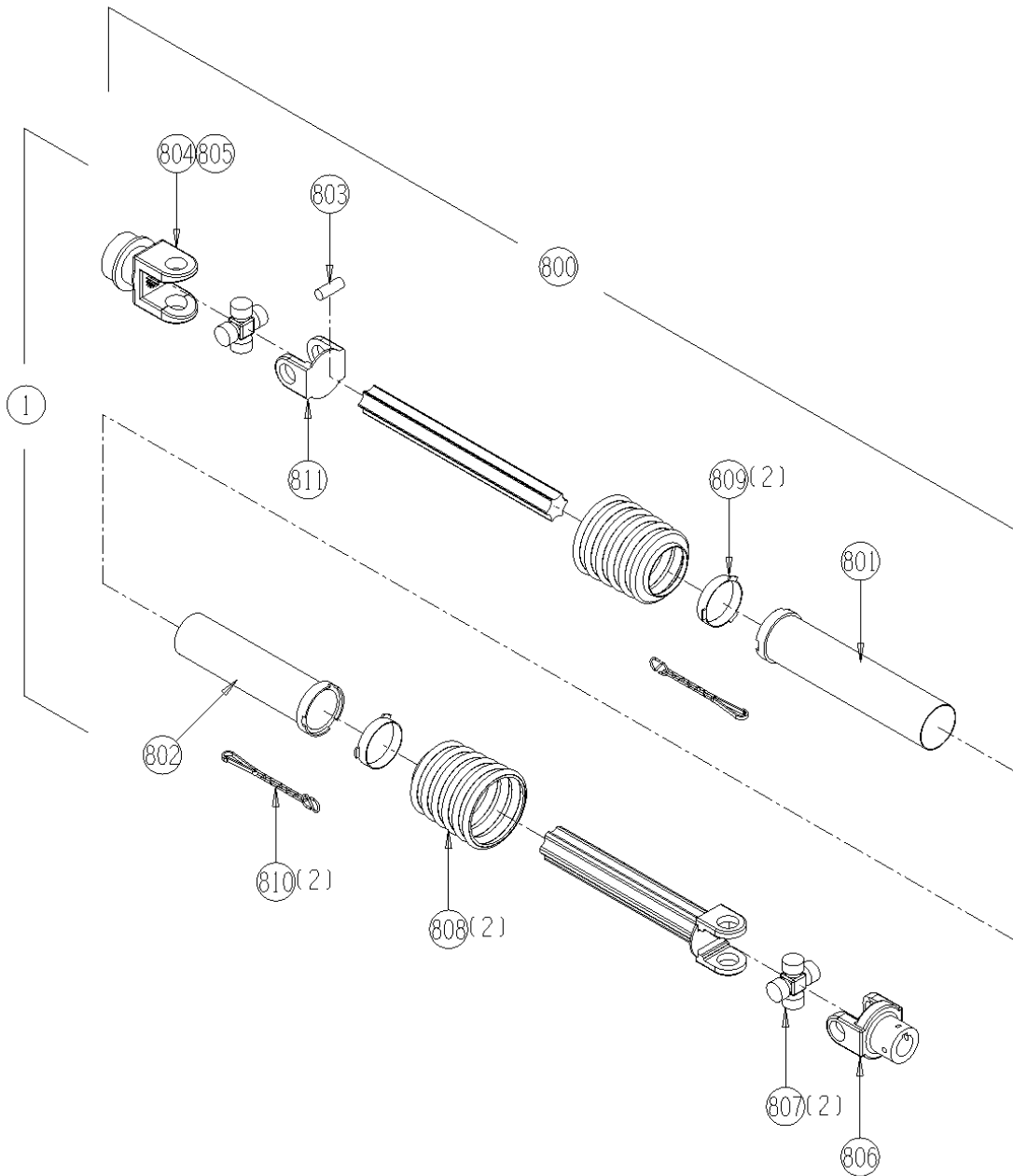


- 611 FROM TRACTOR IN TO BRAND VALVE OUT
- 612 FROM TRACTOR OUT TO PRESSURE FILTER
- 608 AIR COMPRESSOR SS LINE TO AIR DRYER
- 609 AIR COMPRESSOR UNLOADER
- 617 OUT ON AIR COMPRESSOR

## 1007-1-9 Optional Gooseneck 1-3/8 PTO Assembly

<u>Ref</u>	<u>Part No.</u>	<u>Description</u>	<u>Parts – Assembly</u>	<u>Will Fit SN</u>	<u>Remarks</u>
1	PTS-4002	1-3/8 21-spline x Overhung LA, 2-Point Hitch	1		
101	BL-6-050-SC	3/8-16 x 1/2" Knurled Point Set Screw	2		
800	PTS-4001-RH	Rear Half Only, Overhung LA, 2-Point Hitch	1		
800	PTS-8100-FH	1-3/8 x 21-spline, Front Half for PTS-8100, PTS-4002	1		
801	PTS-4001OS	PTO Outer Shield (Walterscheid) Chili	1		
802	PTS-4001IS	PTO Inner Shield (Walterscheid) Chili	1		
803	PTS-3001-D	Spring Pin 10x90	1		
804	PTS-1002A	PTO Tractor Yoke (Walterscheid) 1-3/4 x 20 Spline	1	19101-	John Deere PN AW25387
805	PTS-1002C	PTO Yoke (Walterscheid) 1 3/8" x 21 spline	0	19101-	John Deere PN AW25386
806	PTS-1003-H	PTO Inner Yoke (Walterscheid)	1		
807	PTS-4001B	Extended Lube Cross & Bearing Kit	2	Walterscheid Yokes	Replaces PTS-1002B
808	PTS-1002E	PTO Shield Cone (Walterscheid)	2	19101-	
809	PTS-1002J	PTO Shield Bearing Ring	2		
810	PTS-1002K	PTO Shield Safety Chain	2		
811	PTS-4001Y	Inboard Yoke, Tractor Half	1		

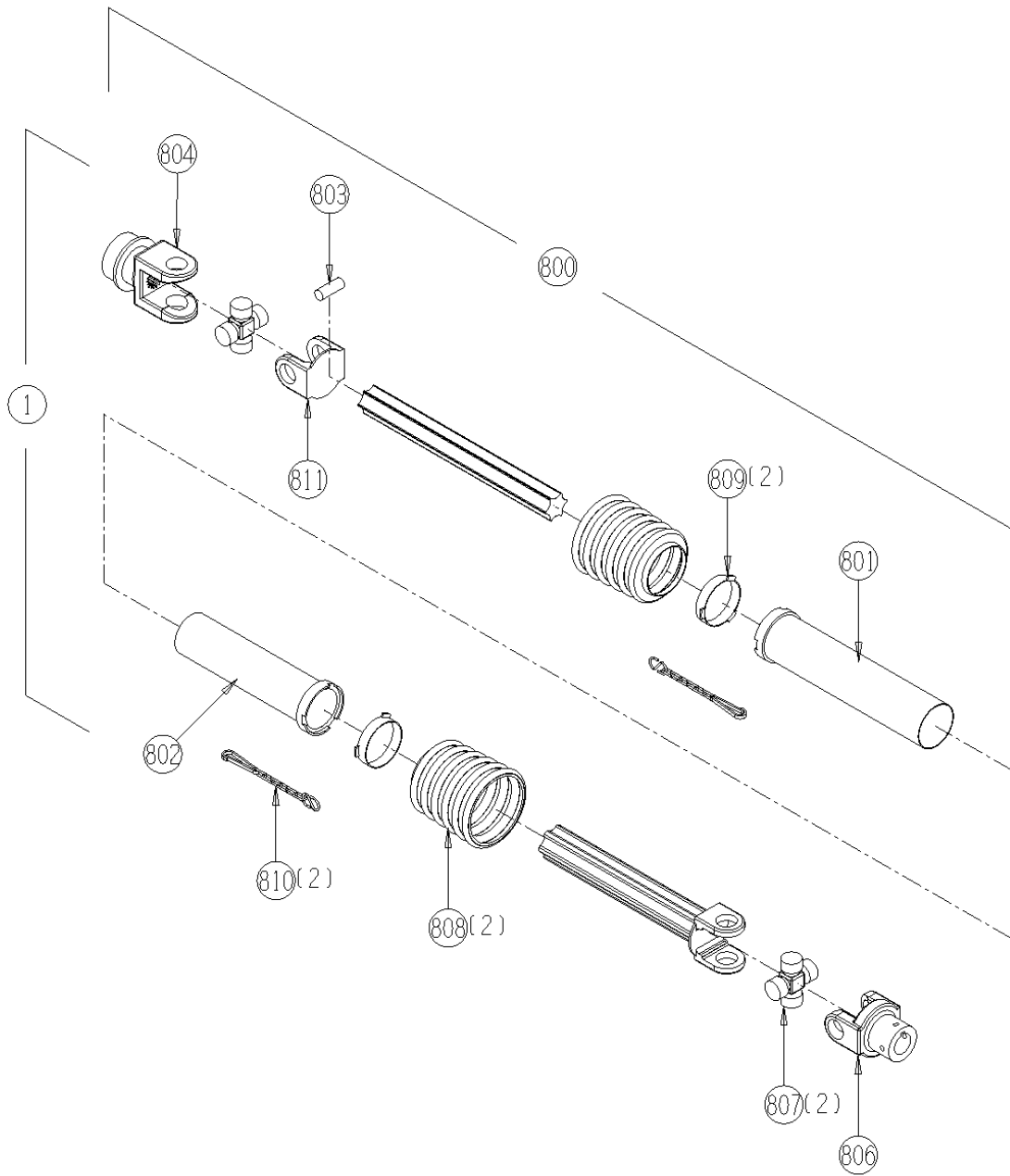
# 1007-1-9



## 1007-1-10 Optional Gooseneck 1-3/4 PTO Assembly

<u>Ref</u>	<u>Part No.</u>	<u>Description</u>	<u>Parts – Assembly</u>	<u>Will Fit SN</u>	<u>Remarks</u>
1	PTS-4001	1-3/4 20-spline x Overhung LA, 2-Point Hitch	1		IH MX Series Quick Hitch On Ford New Hol. Quick Hitch Off JD 7000 & 8000 both Hitch configs Case IH above 160 HP Quick H on Case IH Under 159 HP Both Hitch configs
101	BL-6-050-SC	3/8-16 x 1/2" Knurled Point Set Screw	2		
800	PTS-4001-FH	1-3/4 x 20-spline, Front Half for PTS-8101, PTS-4001	1		
800	PTS-4001-RH	Rear Half Only, Overhung LA, 2-Point Hitch	1		
801	PTS-4001OS	PTO Outer Shield (Walterscheid) Chili	1		
802	PTS-4001IS	PTO Inner Shield (Walterscheid) Chili	1		
803	PTS-3001-D	Spring Pin 10x90	1		
804	PTS-1002A	PTO Tractor Yoke (Walterscheid) 1-3/4 x 20 Spline	1	19101-	John Deere PN AW25387
806	PTS-1003-H	PTO Inner Yoke (Walterscheid)	1		
807	PTS-4001B	Extended Lube Cross & Bearing Kit	2	Walterscheid Yokes	Replaces PTS-1002B
808	PTS-1002E	PTO Shield Cone (Walterscheid)	2	19101-	
809	PTS-1002J	PTO Shield Bearing Ring	2		
810	PTS-1002K	PTO Shield Safety Chain	2		
811	PTS-4001IY	Inboard Yoke, Tractor Half	1		

# 1007-1-10

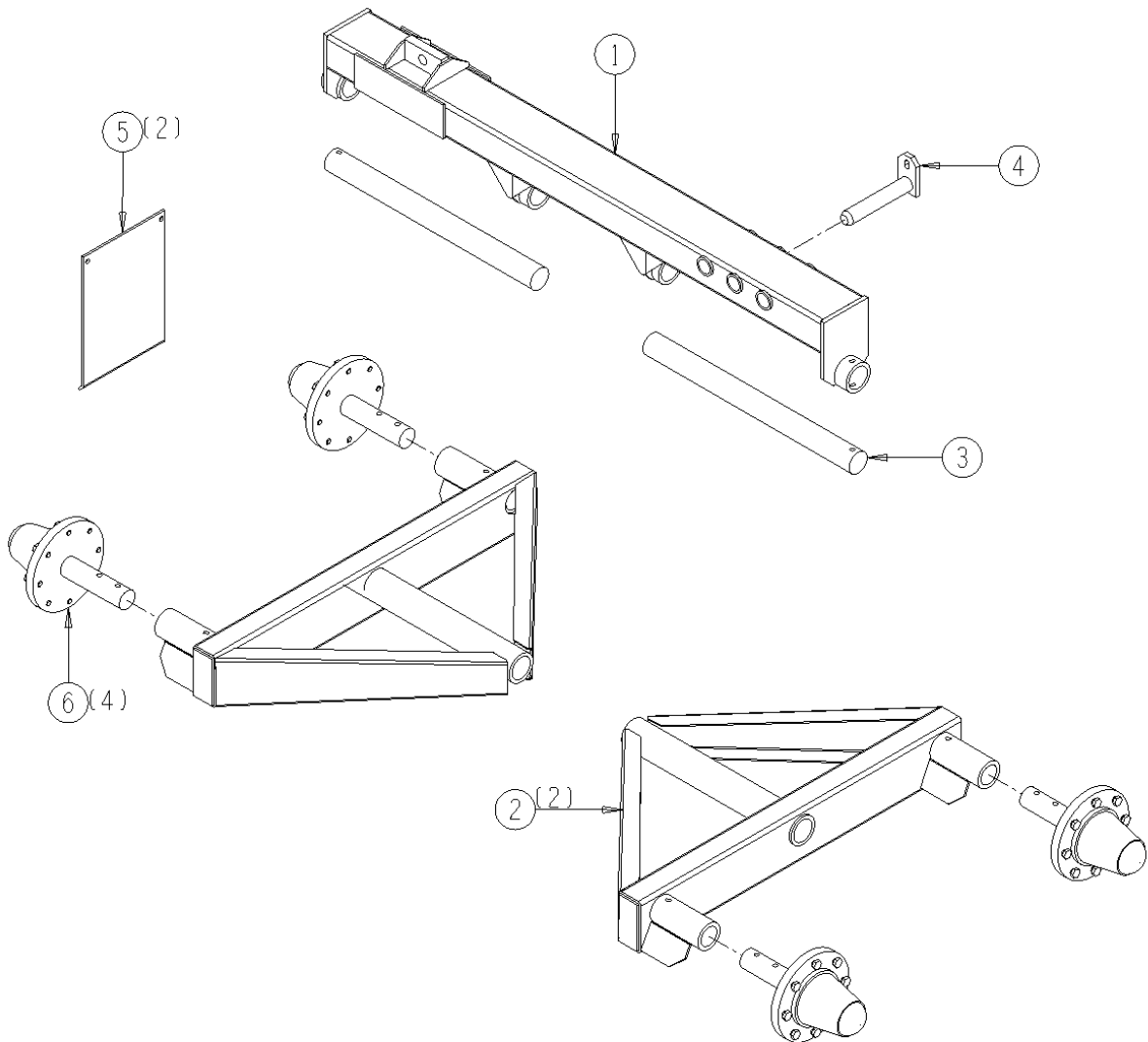


## 1007-1-11 Standard Axle & Rocker Assembly

<u>Ref</u>	<u>Part No.</u>	<u>Description</u>	<u>Parts – Assembly</u>	<u>Will Fit SN</u>	<u>Remarks</u>
1	191-1111	Axle	1	19101-	
2	110-1110	Pin, Rocker	2	110-90-01-	
3	191-1112	Axle Pin	1	19101-	
4	PL-1101	Plastic Cover	1	19501-	
5	193-1109	Complete rocker, less spindles (Tomato)	2	19101-	Replaces 110-1109
6	GF-1428	Grease Fitting 1/4" x 28 straight	8		
7	WHL-1115	Complete Hub and Spindle Assembly	4	193-1109 / WHL-1121	
101	BL-8-400-H	1/2-13 X 4 HEX CAP G5 ZC	2		
102	BL-8-LN	1/2-13 HEX LOCK NUT NYLON INSERT ZC	2		
800	WBR-1107K	Complete Wheel Bearing Kit	4	WHL-1115	All
801	WBR-1107A	Seal 1115 Series Hub	1	WHL-1115	
802	WBR-1107B	Inside Wheel Bearing	1	WHL-1115	
803	WBR-1107F	Inner cup	1	WHL-1115	
804	WBR-1107G	Outer cup	1	WHL-1115	
805	WBR-1107C	Outside Wheel Bearing	1	WHL-1115	
806	WBR-1107H	Washer	1	WHL-1115	
807	WBR-1107D	Nut 7/8-14	1	WHL-1115	
808	WBR-1107E	Cap	1	WHL-1115	
809	WBR-1107L	Wheel, Lug bolts	8	WHL-1115	
810	WBR-1108	Spindle for Machine Wheel	1	WHL-1115	Drilled



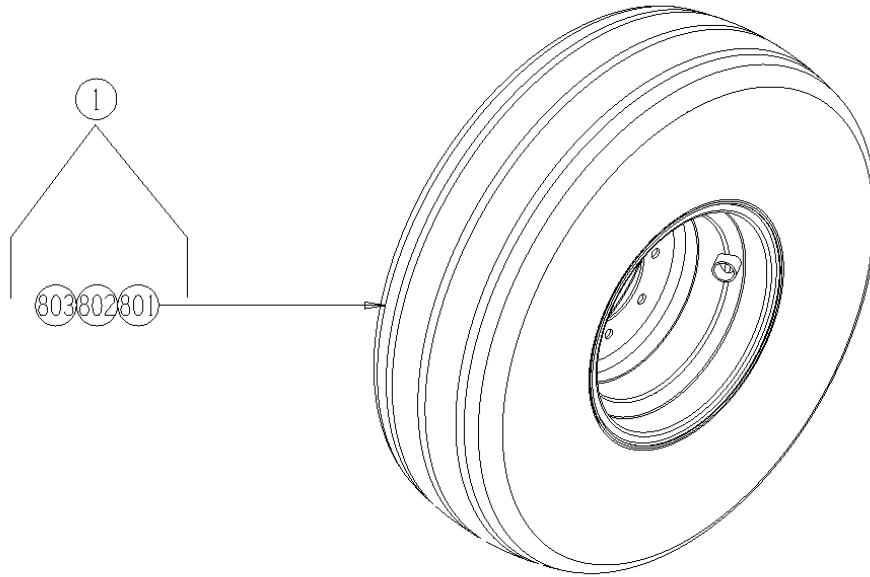
1007-1-11



## 1007-1-12 Standard Axle Tire & Wheel Assembly

<u>Ref</u>	<u>Part No.</u>	<u>Description</u>	<u>Parts – Assembly</u>	<u>Will Fit SN</u>	<u>Remarks</u>
1	WHM-1100	Mounted Tire Tube/ Wheel Assembly for 12.5 L15 15 ply Tire	4	190	
801	WHT-1121	12.5 L15 14 ply McCreary Tire	1	19101	
802	WHT-1122	12.5 x L15 Tube (Heavy Duty)	1	19101	
803	WHT-1123	10 x 15 8 lug Rim	1	19101	8-8-6

1007-1-12

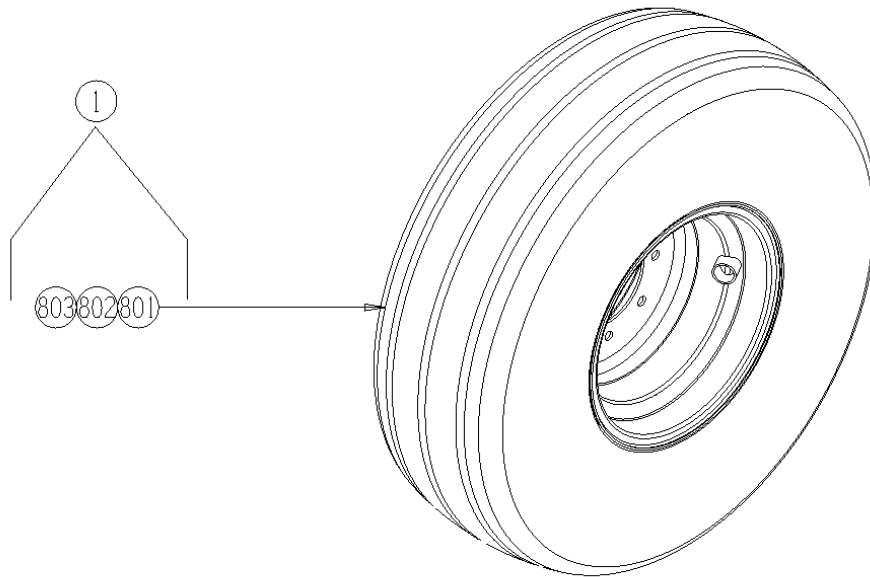


## 1007-1-13 Standard Axle Bar Tire & Wheel Assembly

---

<u>Ref</u>	<u>Part No.</u>	<u>Description</u>	<u>Parts – Assembly</u>	<u>Will Fit SN</u>	<u>Remarks</u>
1	WHM-1125	Mounted Small Bar Rim/Tire/Tube	4	190	
801	WHT-1122	12.5 x L15 Tube (Heavy Duty)	1	19101	
802	WHT-1123	10 x 15 8 lug Rim	1	19101	8-8-6
803	WHT-1125	Goodyear Sure Grip Traction Implement Tire 12 ply	1		

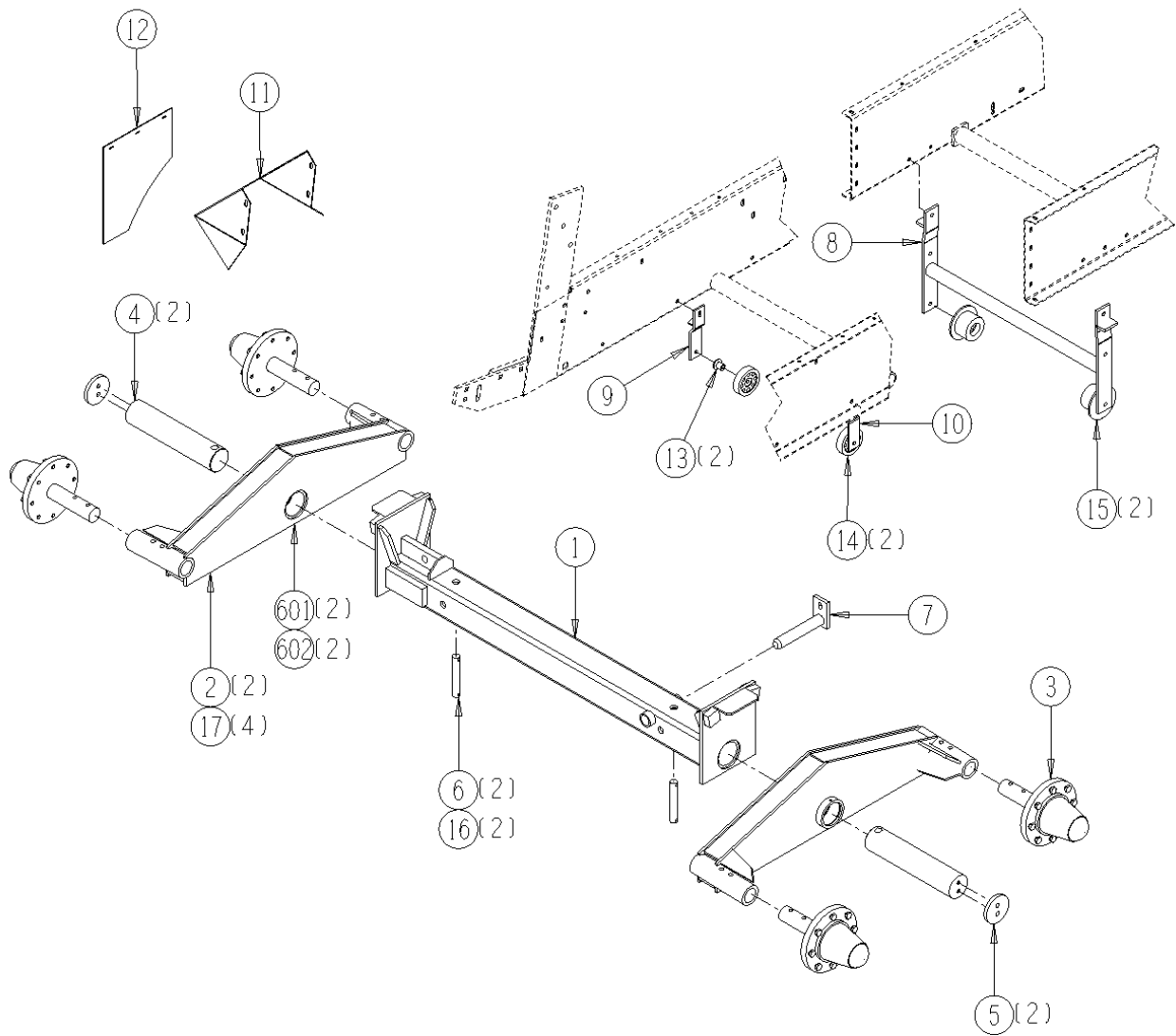
**1007-1-13**



## 1007-1-14 Optional Tandem Floation Axle Assembly

<u>Ref</u>	<u>Part No.</u>	<u>Description</u>	<u>Parts – Assembly</u>	<u>Will Fit SN</u>	<u>Remarks</u>
1	WHL-1118	Wheel, Axle, Big Wheel (Tomato)	1	KIT-1118	
2	WHL-1121	Rocker, Big Wheel	2	WHL-1118 / WHL-1138 / WHL-1136	
3	WHL-1115	Complete Hub and Spindle Assembly	4	193-1109 / WHL-1121	
4	SFT-1118	Shaft, Rocker Mount, Big Wheel (Tomato)	2	KIT-1118	
5	SUP-1121	Support, Rocker, Big Wheel (Tomato)	2	KIT-1118	
6	PIN-1118	Pin, Shaft Holder, Big Wheel (Tomato)	2	KIT-1118	
7	191-1112	Axle Pin	1	19101-	
8	BAR-1118	Bar, Hold up, Head Chain, Big Wheel	1	KIT-1118	
9	BRA-1936	Bracket, Lower Roller for Header Chain (L.H.)	1		
10	BRA-1938	Bracket, Lower Roller for Header Chain (R.H.)	1	192-101K	
11	COV-1118-A	Cover	1		
12	BT-1118	Belting, Aftersort, "Big Wheel" Kit	1		
13	RLA-000-118	Standoff, 1/2" X 1 1/8"	2		
14	RLR-040-108	4" Flat Roller	2		Changed to Urethane in 2006
15	RLT-535-228	5" Flange Roller 2.2WF x 3 1/2" dia, 1/2" bore	2		
16	PIN-6-32	Roll Pin 3/8" x 2"	2		
17	GF-1827-90	Grease Fitting 1/8 NPT x 90	4		
18	HA-9005	Primerless Threadlocker, 10ml	0.01		
101	BL-10-150-H	5/8-11 X 1 1/2 HEX CAP G5 ZC	4		
102	BL-10-SW	5/8 SAE FW ZC @	4		
103	BL-10-LW	5/8 SPLIT LW ZC	4		
601	AC-2	1/8" NPT Coupler	2		
602	AN-2-CL	1/8" NPT Close Nipple	2		

# 1007-1-14

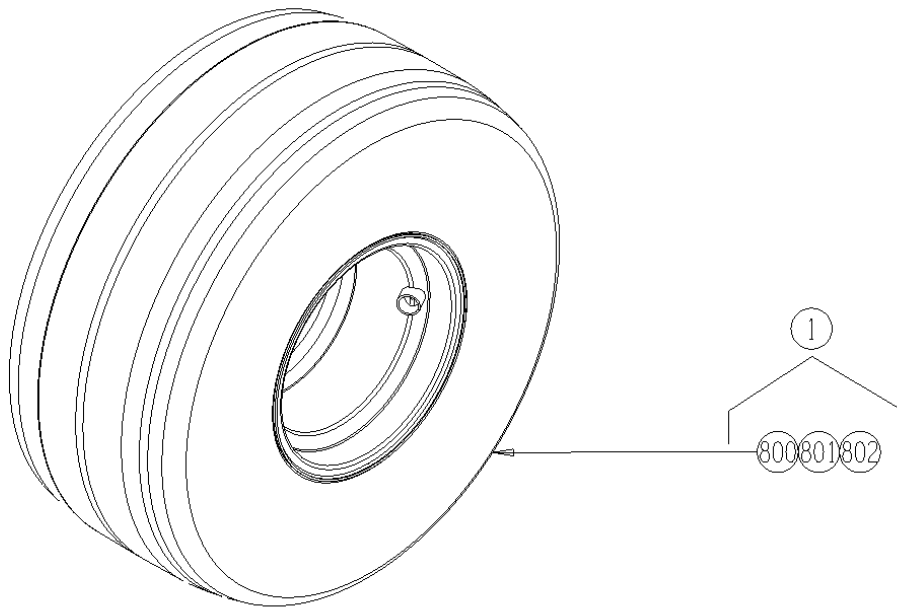


## 1007-1-15 Optional Tandem Bar Tire Assembly

<u>Ref</u>	<u>Part No.</u>	<u>Description</u>	<u>Parts – Assembly</u>	<u>Will Fit SN</u>	<u>Remarks</u>
1	WHM-1135	Mounted 16.1 x 16.5L Traction Tire for 190's (tubeless)	4	190	
800	WHT-1136	Heavy Duty Tube for 16.5L x 16.1 Tire	1		
801	WHT-1135	16.5L x 16.1 10 ply Traction Implement Tire	1		
802	WHL-1123	16.1 x 14 Big Wheel Rim for 190's	1		Replaces WHL-3007 (Tomato)



1007-1-15

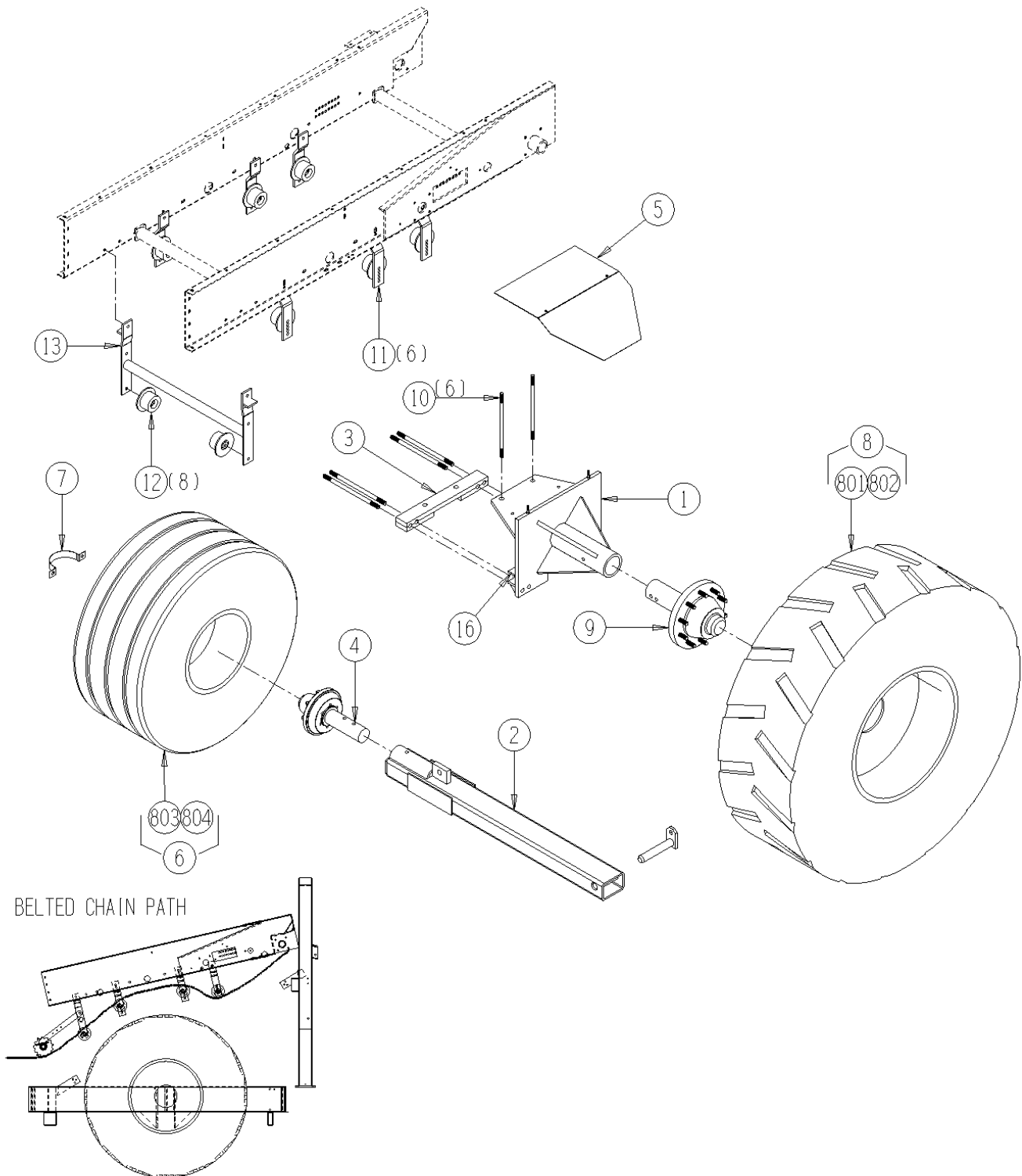


## 1007-1-16 Optional Single Wheel System Assembly

<u>Ref</u>	<u>Part No.</u>	<u>Description</u>	<u>Parts – Assembly</u>	<u>Will Fit SN</u>	<u>Remarks</u>
1	WHA-1201	Wheel Axle, Single, Header Tom.	1		
2	WHA-1202	Wheel Axle, Single Tire, Sorter Side, 190 Tom.	1		
3	BAR-1201	Bar, Support, Single Tire, Header, Tom.	1		
4	WHL-3000	Hub Assembly Complete (includes spindle)	1		
5	SHD-1201	Shield, Single Wheel, Header, Tom.	1		
6	WHM-1202	Single Wheel System Tire and Rim (Right Side)	1	190	
7	BRA-8111	Bracket, Strap, Wheel & Rocker	1		
8	WHM-1201	Single Wheel Tire and Rim (Under Header)	1	190	
9	WHL-1210	Hub and Spindle Assembly	1		
10	BL-12-1500-SUS-G8	3/4-10 x 15" Setup Stud 2" Min Thrd @ Ends, Gr8	6		
11	BRA-8400	Bracket, Hold Up Rollers, HC290 Tomato	6		
12	RLT-535-228	5" Flange Roller 2.2WF x 3 1/2" dia, 1/2" bore	8		
13	BAR-1118	Bar, Hold up, Head Chain, Big Wheel	1	KIT-1118	
16	SPA-1203	Spacer, Bottom, Header Side, 190 Tom.	1		
17	191-1112	Axle Pin	1	19101-	
100	BL-10-500-H	5/8-11 X 5 HEX CAP G5 ZC	1		
101	BL-10-600-H	5/8-11 X 6 HEX CAP G5 ZC	1		
102	BL-10-LN	5/8-11 HEX LN NE ZC	2		
103	BL-12-FW	3/4" Flat Washer	12		
104	BL-12-LW	3/4" Lock Washer	6		
105	BL-12-N	3/4" Nut	12		
106	BL-6-FW	3/8 USS FW ZC	8		
107	BL-6-LN	3/8 UNC FIN HEX LOCK NUT NE A563 GrA ZINC	2		
108	BL-6-N	3/8-16 HEX NUTS ZC	2		
109	BL-8-350-H	1/2-13 X 3 1/2 HEX CAP G5 ZC	8		
110	BL-8-LN	1/2-13 HEX LOCK NUT NYLON INSERT ZC	8		
111	BL-8-FW	1/2 USS FW ZC	22		
112	BL-8-100-H	1/2-13 X 1 HEX CAP G5 ZC	6		
113	BL-8-LW	1/2 SPLIT LW ZC	6		
114	BL-8-SW-8	1/2 SAE FW G8 ZC	6		
800	WHL-1210M	Spindle	1		
801	WHL-2201	Wheel, 20 x 26" Dia with Straight Plate Center	1		
802	WHT-2201	Tire, 23.1 B26, 12 Ply R1, Super Traction, Tubeless	1		

803	WHL-2202	Wheel, 18 x 16.1" Dia with Straight Plate Center	1
804	WHT-2202	Tire, 21.5L x 16.1, 14 Ply Tubeless Farm Utility Tire	1

# 1007-1-16



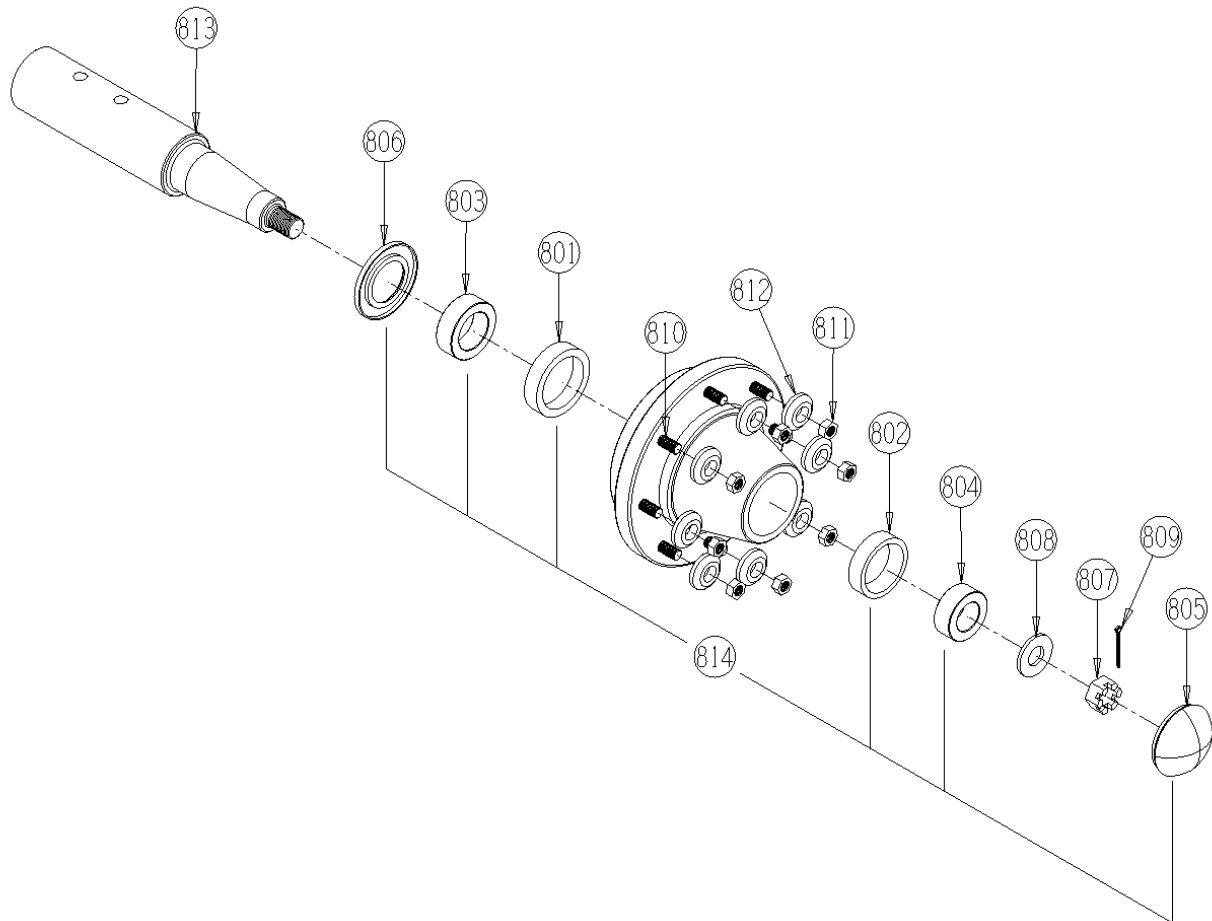
BELTED CHAIN PATH



## 1007-1-17 Optional Spindle & Hub for Single Wheel, Left

<u>Ref</u>	<u>Part No.</u>	<u>Description</u>	<u>Parts – Assembly</u>	<u>Will Fit SN</u>	<u>Remarks</u>
0	WHL-1210	Hub and Spindle Assembly	0		
801	WHL-1210A	Inner Cup	1		
802	WHL-1210B	Outer Cup	1		
803	WHL-1210C	Inner Cone	1		
804	WHL-1210D	Outer Cone	1		
805	WHL-1210E	Dust Cap	1		
806	WHL-1210F	Grease Seal	1		
807	WHL-1210G	Flange Nut, Spindle	1		
808	WHL-1210H	Washer, Spindle	1		
809	WHL-1210I	Cotter Pin, Spindle	1		
810	WHL-1210J	Wheel Stud Bolt	8		
811	WHL-1210K	Wheel Stud Nut	8		
812	WHL-1210L	Wheel Stud Washer	8		
813	WHL-1210M	Spindle	1		
814	WBR-1210K	Wheel Bearing Kit for WHL-1210 Hub & Spindle Assy.	1	WHL-1210	inner & outer cones & cups and grease seal

1007-1-17

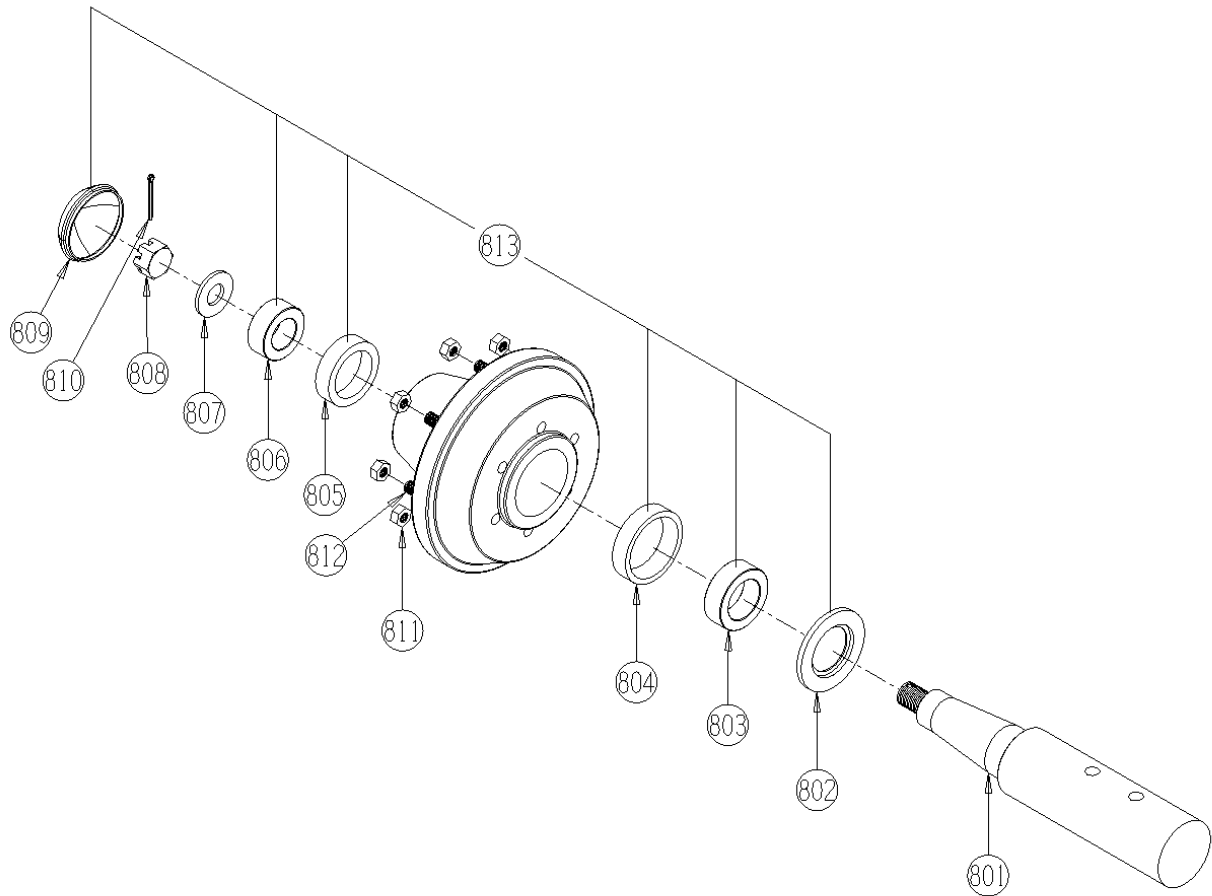


## 1007-1-18 Optional Spindle & Hub for Single Wheel, Right

<u>Ref</u>	<u>Part No.</u>	<u>Description</u>	<u>Parts – Assembly</u>	<u>Will Fit SN</u>	<u>Remarks</u>
0	WHL-3000	Hub Assembly Complete (includes spindle)	0		
801	WHL-3001	Spindle 3" x 16"	1	WHL-3000	
802	WHL-3000G	Seal	1	WHL-3000	
803	WHL-3000C	Inner Cone	1	WHL-3000	
804	WHL-3000A	Inner Cup	1	WHL-3000	
805	WHL-3000B	Outer Cup	1	WHL-3000	
806	WHL-3000D	Outer Cone	1	WHL-3000	
807	WHL-3000K	Spindle Washer	1	WHL-3000	
808	WHL-3000J	Spindle Nut	1	WHL-3000	
809	WHL-3000H	Hub Cap	1	WHL-3000	
810	PIN-C3-16-32	Cotter Pin 3/16 x 2"	1		
811	WHL-3000F	Lug Nut	8	WHL-3000	
812	WHL-3000E	Stud Bolt	8	WHL-3000	
813	WBR-3000K	Wheel Bearing Kit for WHL-3000 Hub & Spindle Assy.	1	WHL-3000	



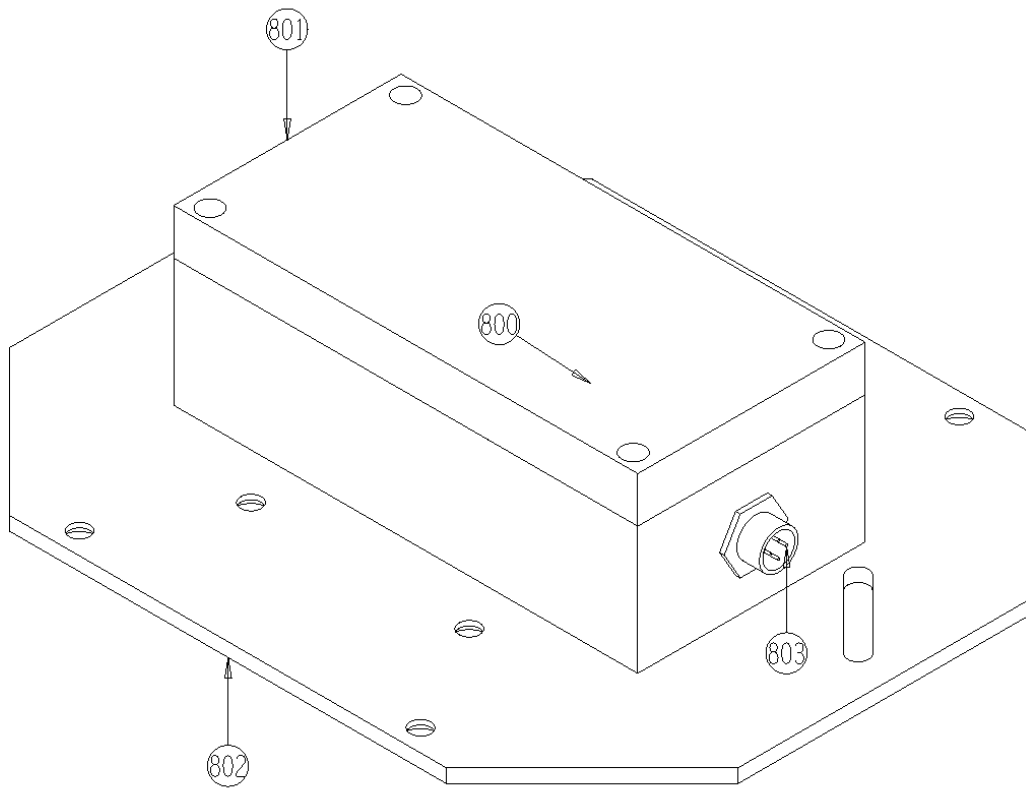
1007-1-18



## 1007-1-19 Optional Automatic Leveling Assembly

<u>Ref</u>	<u>Part No.</u>	<u>Description</u>	<u>Parts – Assembly</u>	<u>Will Fit SN</u>	<u>Remarks</u>
1	ELS-1256	Machine Leveler, Complete	1	190 & HC290	
601	A-6900-8-6	8 SAE x 3/8" FPX With 7/8" Stock Body	2	20095001-	
602	A-6901-8-6	8 SAE x 3/8" FPX90 , Forged	2	20095001-	
603	H4-240-6MP-6MP	1/4 in hose 3/8MP x 3/8MP x 240 in long	1		
604	H4-248-6MP-6MP	1/4 in hose 3/8MP x 3/8MP x 248 in long	1		
605	HC-350-0808	Hydraulic Cylinder 3 1/2" x 8" #8 SAE Ports	1		Seal kit for Lion, HC-350-125
800	DC-191-LV	Decal, Level Control Box, Tomato, '97	1		
801	ELS-1253	Tilt Controller for Model 190, 290	1	190, 290 Tomato Harvesters	2007 - new controller will fit both 190 and 290 model
802	PL-1149	Plastic, Levelator Mount	1	EL-112	
803	ELC-1253	190 Tilt Controller Replacement Cable	1		

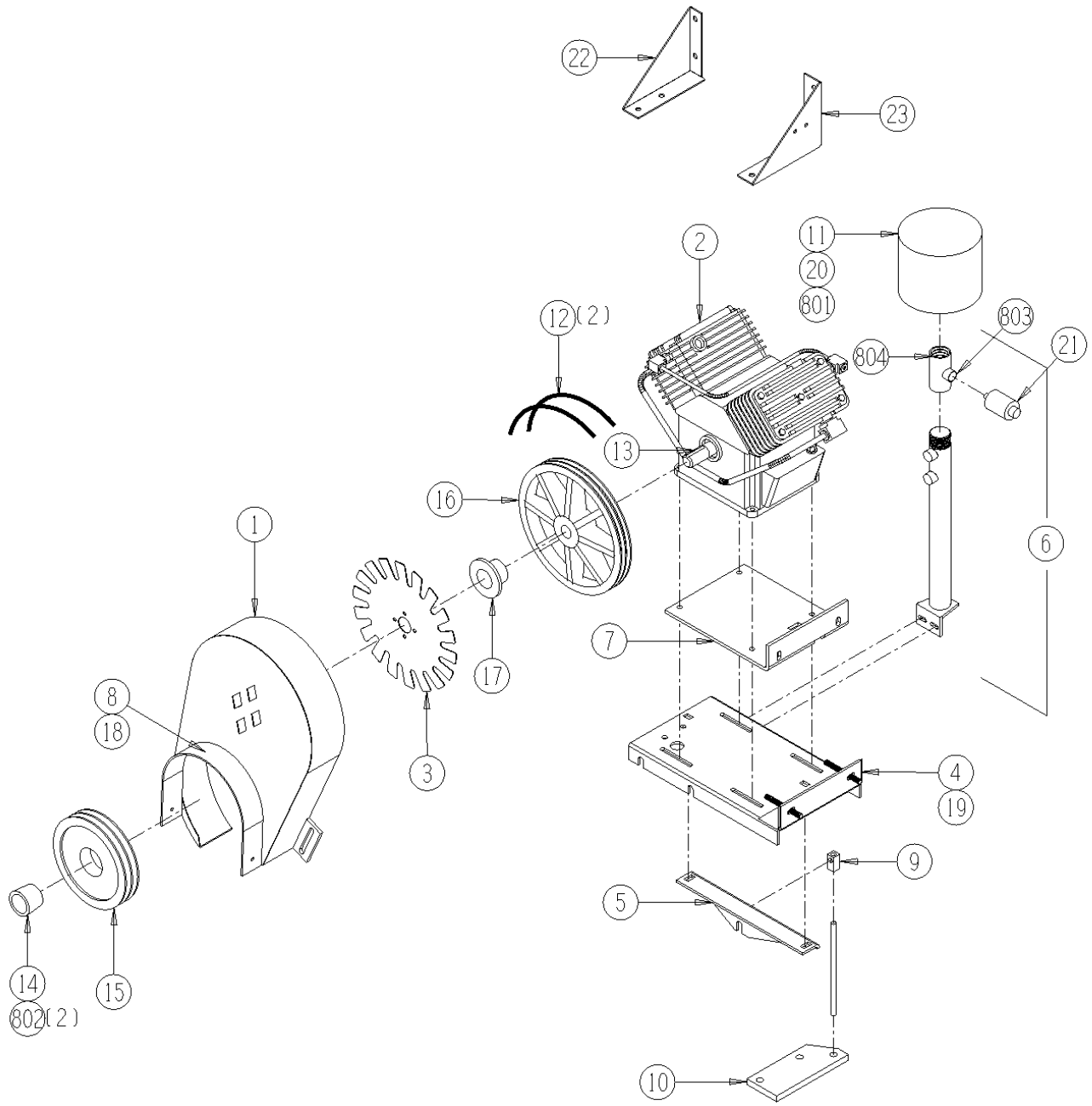
1007-1-19



# 1007-1-20 Single Pump Air Compressor Assembly

<u>Ref</u>	<u>Part No.</u>	<u>Description</u>	<u>Parts – Assembly</u>	<u>Will Fit SN</u>	<u>Remarks</u>
0	AIR-1516	Oil, SAE #30, Non Detergent	1		
1	110-1507	Air Compressor Shield	1	11001-	
2	AIR-1506	Air Compressor w/Flywheel	1		Replaces AIR-1507
3	FAN-1610	FAN BLADE, PULLEY	1	KIT-0025	
4	MOU-1509	Air Compressor Mount	1	19201- KIT-0026	
5	192-1509B	Mounting Tab, Air Compressor Mount	1	19201-	
6	194-1510	Air Filter Mount	1	19401-	
7	MOU-1511	Compressor Slide Plate	1	19701-	
8	BT-1507	Belting, Air Compressor Shield	1	11001-	
9	ADJ-1509	Adjuster, Air Compressor height stabilizer bracket	1	19701-	
10	BAR-1509	Tilting Adjuster Plate, Air Compressor Support	1	19701-	
11	AIR-1506A	Air Compressor Filter Canister Assy.	1		
12	BT-A-40	Air Compressor Belts	2	KIT-0025	
13	PIN-4-16-C	1/4" x 1' Coil Pin	1		
14	PU-1610-24	Taper Loc Hub 1610-1 1/2	1		
15	PU-2A74	Air Compressor Pulley Taper Loc	1		
16	PU-2AK74	Cast Iron Pulley	1		
17	PU-QT-14	QT Bushing, 7/8 bore, 1/4 keyway	1		2) BL-4-100-H grade 5 bolts and 2) BL-4-LW
18	DC-1176	Decal, Danger-Hand Chain Sprockets	1		
19	DC-1506	Decal, White, Air Comp. Cap., 1qt SAE 30 Non Detergent, Tom	1	19801-	
20	DC-1506B	Decal,White:AIR FILTER-CLEAN DAILY BLOW	1	11001-	
21	AIR-1355	Air Filter Monitor(15# H2O) with O-Ring fitting	1		
22	194-1513A	Air Tank Bracket	1	19401-	
23	194-1513B	Bracket, Air Reservoir	1	19401-	
101	BL-6-400-ST	3/8-16 x 4 Grade 5 Full Threaded Stud	2		
102	BL-6-800-SSST	3/8-16 x 8" SS Threaded Rod B8-Class 2	1		
801	AIR-1506B	Air, Compressor Filter Element	1	AIR-1506A	
802	BL-6-0625-SCF	Setscrew, Flat End 3/8-16 x 5/8"	2		
803	AB-8-2	1/2" x 1/8" Hex Bushing Black	1		
804	AT-24-24-8	1 1/2 x 1 1/2 x 1/2" Black Tee	1		

# 1007-1-20

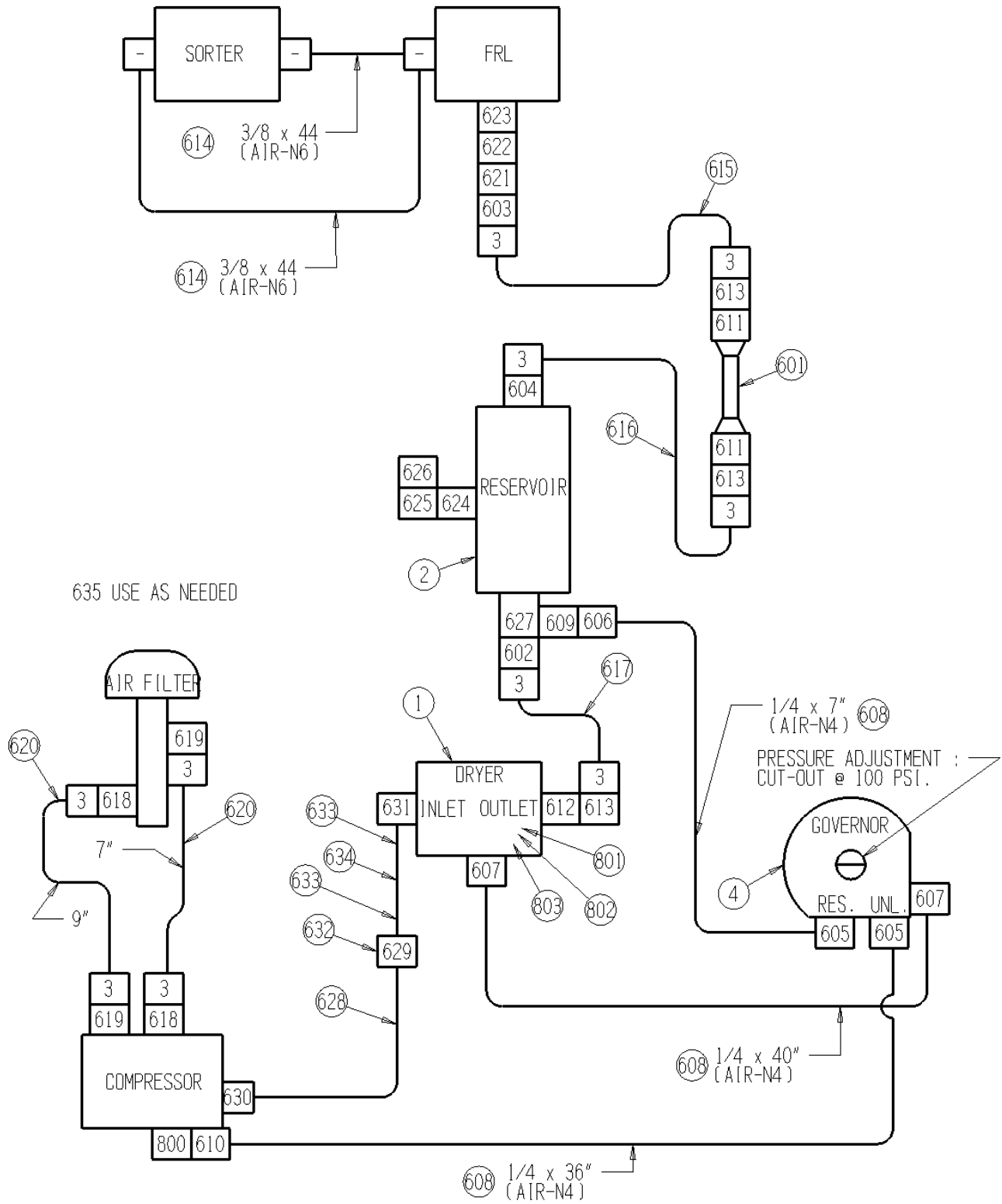


# 1007-1-21 Air Tank Assembly & Pneumatics

<u>Ref</u>	<u>Part No.</u>	<u>Description</u>	<u>Parts – Assembly</u>	<u>Will Fit SN</u>	<u>Remarks</u>
1	AIR-1514-M	Air Dryer	1		Will replace 110-1514 with minor modifications
2	AIR-1513	Air Reservoir Tank	1		
3	CL-16	1" Stainless Steel Gear Clamp	10		
4	AIR-1512	Air Compressor Governor	1		
601	H-T12	3/4" Air Line	1		
602	A-4124-10-8	1/2 Male Pipe x 5/8 Push Loc	1		
603	A-4104-10-6	3/8 MP to 5/8 Hose Barb	1		
604	A-4129-10-8	1/2 NPT 90 w/ 5/8" push-loc	1		
605	AIR-N4-2	Auto-loc Male Adapter 1/4 x 1/8 NPT	2		
606	AIR-NL-4-4	Auto-loc Elbow 1/4 n 1/4 NPT	1		
607	AIR-NL4-2	Auto-loc Elbow 1/4 - 1/8 NPT	2		
608	AIR-N4	1/4"Nylon Tubing @ ft., Black	7		assembly personnel will monitor inventory
609	AB-8-4	1/2 x 1/4 Bushing	1		
610	AIR-60BI	Brass Insert, 1/4" Nylon Tube	1		
611	A-2403-12-10	3/4" MJIC x 5/8" MJIC	2		
612	A-2501L-10-8	5/8MJIC x 1/2MP(Long)90	1	19701-	
613	A-4121-10-10	5/8" Push Loc x 5/8" JIC Female	3		
614	AIR-N6	3/8" Nylon Tubing @ ft., Black	8		
615	H10-PL-130	5/8" Push Loc Hose 130"	1	19701-	
616	H10-PL-41	5/8" Push Loc Hose 41"	1		
617	H10-PL-51	5/8" Push Loc Hose 51"	1		
618	A-4109-12-8	1/2 MP to 3/4 Hose Barb 90	2		
619	A-4104-12-8	1/2 MP to 3/4 Hose Barb	2		
620	H12C-4	3/4" Suction Hose @ ft	1.333		
621	SRT-1579	3/8" Ball Valve	1		
622	A-5404-6-6	Hex Nipple, 3/8" x 3/8"	1		
623	A-1501-6-6	3/8" MP x 3/8" FPX90	1		
624	AB-12-4	3/4 x 1/4 Bushing	1		
625	A-5500-4	1/4" 90 Male Pipe Elbow	1		
626	AIR-375-25F	Air Coupler 3/8 Body - 1/4NPT Female Thread	1		
627	A-5602-8	Run Tee 1/2" NPT	1		
628	HSST-72-8-8	SS Braid Hose with Teflon Core 1/2" x 72"	1		

629	A-1405-8-8	1/2" NPT Coupler W/Swivel	1	
630	A-1503-8-8	Elbow, 1/2" MP X 1/2" FPX45	1	
631	A-5405-8-12	Pipe Adapter 1/2 MPT x 3/4 FPT	1	
632	H-18RFL	Hose Protection Shield, Size 18 @ Foot	1	
633	H13-RFL	Hose Protection Shield, Size 13	2	
634	H12-122-12MP-8MP	3/4" Hose 3/4"MP x 1/2"MP x 122" Long	1	
635	WT-17H	Heavy Duty Wire Tie 17.5"	10	
800	AIR-60	Brass Compression Sleeve, 1/4" Nylon Tube	1	
801	AIR-1514-M-A	Air Dryer Acc., Coalescing Filter Kit	1	AIR-1514-M
802	AIR-1514-M-B	Air Dryer Acc., Coalescing & Desiccant Filter Kit	1	AIR-1514-M
803	AIR-1514-M-C	Air Dryer Acc., Purge Valve Kit	1	AIR-1514-M

# 1007-1-21



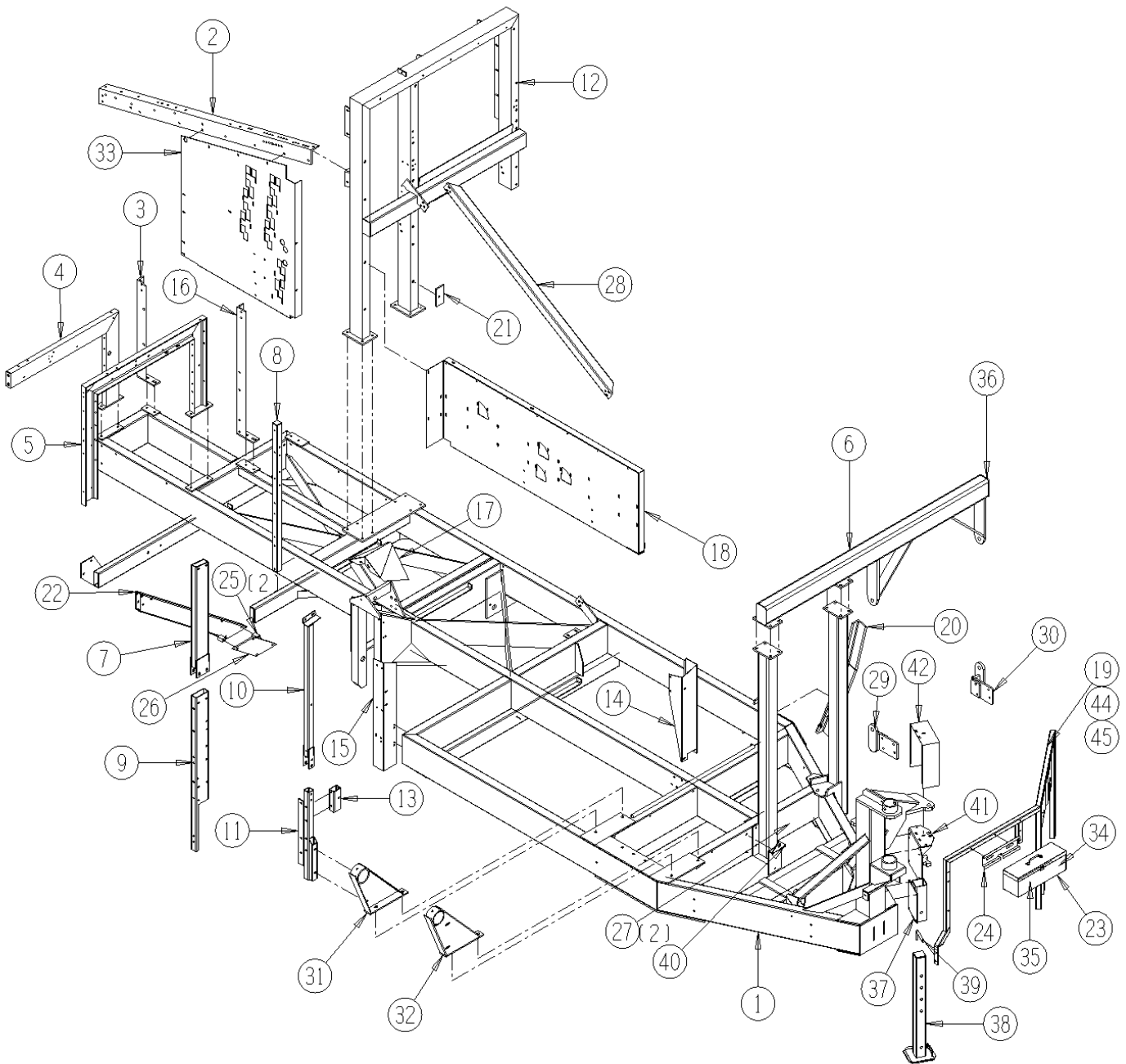


## 1007-1-22 Optional Overhead Lift/Gooseneck Hitch Assy

<u>Ref</u>	<u>Part No.</u>	<u>Description</u>	<u>Parts – Assembly</u>	<u>Will Fit SN</u>	<u>Remarks</u>
1	FRM-1007	190 Frame, Overhead Lift, Gooseneck Hitch	1		
2	191-1133A	Shaker Angle (3 x 5 angle)	1	19101-	
3	191-1133R	Post, Shaker Angle	1	19101-	
4	191-1136	Frame, Debris Air Flow, Rear Channel	1	19101-	
5	191-1137	Frame, Front Debris	1	19101-	
6	FRM-1151	Overhead Header Lift (upper)	1	FRM-1151	
7	193-1138A	Rear roof support, upper	1	19301-	
8	193-1138C	Post, Rear Inner Presort	1	19301-	
9	POS-1121	Post with Cut-out	1	KIT-1118	
10	193-1139A	Front Canopy Support , Top	1	19301-	
11	193-1139B	Front Roof support, Bottom	1	19301-	
12	191-1132	Frame, Shaker	1	19101-	
13	193-800S	Spacer, Outer Front Aftersort	1	19301-	
14	193-800S	Spacer, Outer Front Aftersort	1	19301-	
14	193-840	Front inner aftersort post	1	19301- KIT-0007	
15	193-841	Rear outer aftersort post	1	19301-	
16	POS-1134	Post, Shaker Angle, W.A.	1		
17	194-1131	Leveling Cylinder Cover	1	19401-	
18	194-1135	Shield, Dust	1		
19	194-1414	Front Rail	1	19401-	
20	200-108	Slide Guide Wldmt, Reinforced	1		
22	POS-1118	Post, Support	1	KIT-1118	
23	BOX-7022	Removable Tool Box	1		
24	BOX-7025	Removable Tool Box Mounting	1		
25	SPA-1118	Spacer, CAM	2	KIT-1118	
26	MOU-1118	Mount Plate	1		
28	SUP-1101	Support, Shaker Frame	1		
29	FRM-1153	Inner Cyl. Mount Overhead Lift Header	1	FRM-1153	
30	FRM-1152	Outer Cyl. Mount Overhead Lift Header	1	FRM-1152	
31	191-927	Discharge Elevator Mount, Rear	1	19101	
32	191-926	Discharge Elevator Mount, Front	1	19101-	
33	PAN-1134	Panel, Shaker Angle	1		

34	DC-1180	Serious Injur/Death Decal, Read Manual	1	
35	DC-1183	Company Information Decal, 3" x 7.75"-	1	
36	DC-3025	Red and White Reflective Tape @ 150 ft Roll	1	
37	192-1125	Mount, Jack Stand, Frame, 2-Point Hitch	1	
38	192-1125A	Adjuster	1	
39	192-1125B	Pin, Jack Stand, Frame, 2-Point Hitch Machines	1	
40	193-918	Cylinder bracket frame	1	
41	MOU-3112	Mount, Hydraulic Valve, Control Valve, Cuc & Tom	1	
42	SHD-B8	Shield, Electrohydraulic "Brand", 8-Stack	1	19601-
44	HA-1071-H	Hydra-zorb Tube Clamp 1" (3 pc.)	2	19401-

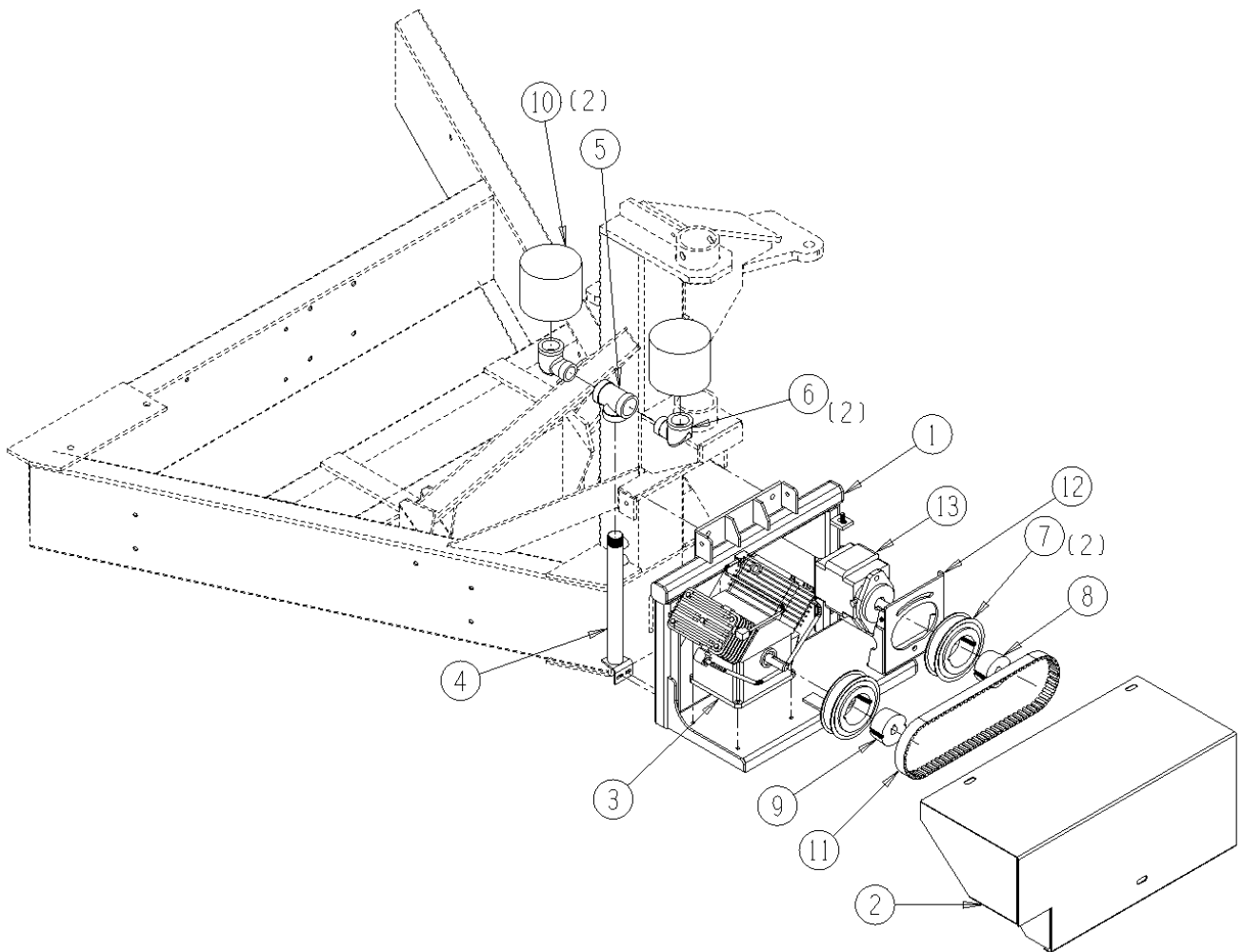
# 1007-1-22



## 1007-1-23 Double Pump Air Compressor Assembly

<u>Ref</u>	<u>Part No.</u>	<u>Description</u>	<u>Parts – Assembly</u>	<u>Will Fit SN</u>	<u>Remarks</u>
1	MOU-1007	Air Compressor Mount, 190 Tomato Harvester	1		
2	SHD-1007	Shield, Air Compressor, 190 Tomato Double Pump	1		
3	AIR-1506	Air Compressor w/Flywheel	1		Replaces AIR-1507
4	191-1007	Air Compressor Intake, 190 Double Pump	1		
5	AT-24-24-24	1 1/2 x 1 1/2 x 1 1/2 Black Tee	1		
6	ASL-24C	1½", Street Elbow, Domestic Only, Cast	2		
7	PU-64-8M-30-2517	HTD Pulley	2		
8	PU-2517-16-4	TaperLoc Bushing 1" bore 1/4" key	1		
9	PU-2517-14-4	TaperLoc Bushing 7/8" Bore 1/4" Key	1		
10	AIR-1506A	Air Compressor Filter Canister Assy.	2		
11	BT-1280-8M-30	Primary Weight Drive Belt	1	19101	Can not replace with BT-390H100 belts unless all the pulleys are changed.
12	MOU-0204	Mount, Motor w/Tensioner, Air Compressor, HC 290	1		
13	HM-122	Motor, Hydraulic, 1-3/4" Gear, #12 SAE Ports	1		
14	AIR-0001	Synthetic Compressor Oil (ISO 100 SAE 40): 1 quart bottle	1		
15	DC-8100	Decal,White, Use ISO100 SAE 40 Syn. Oil Only	1		

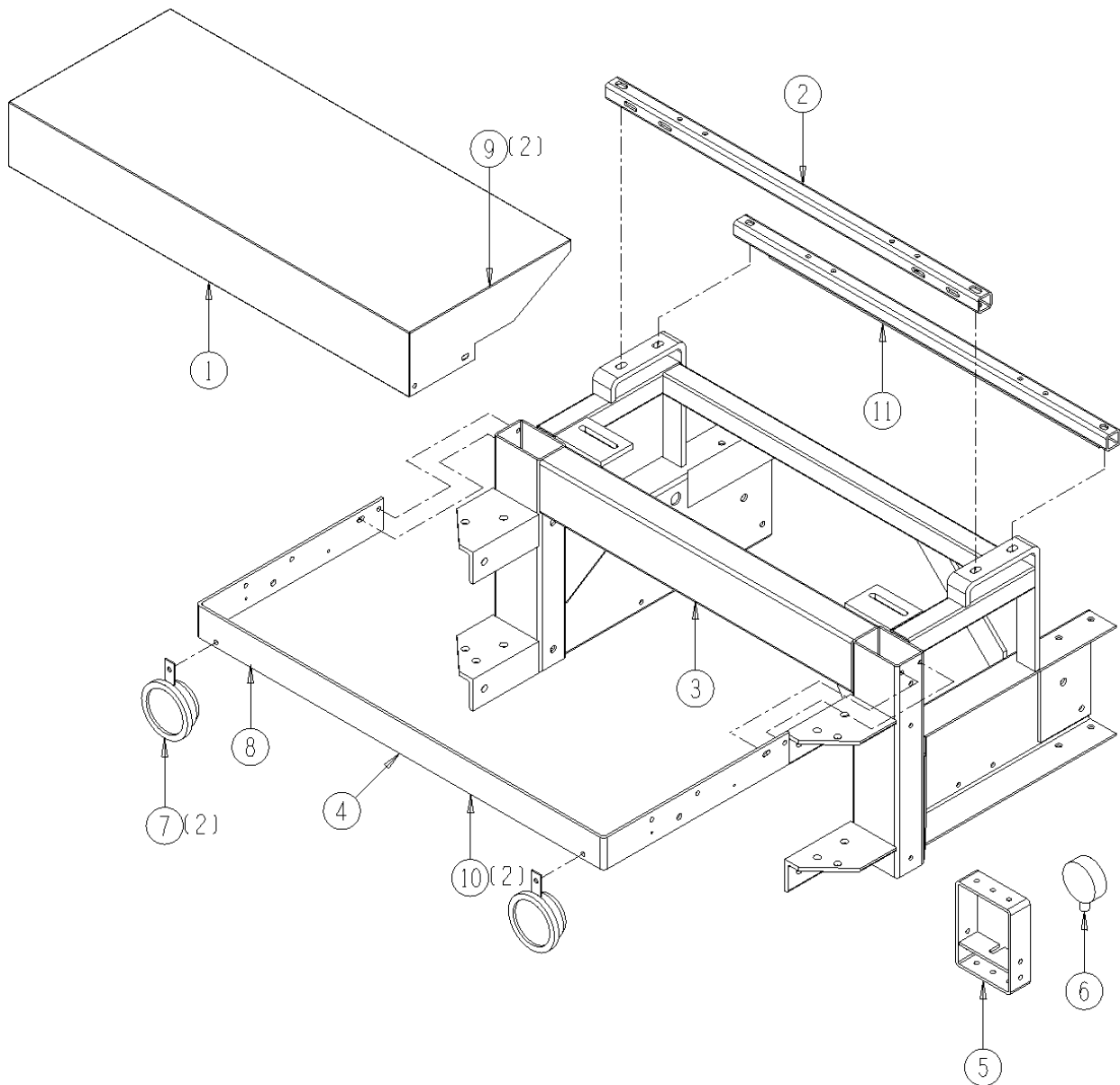
1007-1-23



## 1007-2-1 Disk Header Frame Assembly

<u>Ref</u>	<u>Part No.</u>	<u>Description</u>	<u>Parts – Assembly</u>	<u>Will Fit SN</u>	<u>Remarks</u>
1	192-139	Shield, Disk Header Cover (Tomato)	1	19201-	
2	194-109	Disk Motor Stabilizer Bar	1	19401-19525 60096001- 61096001- 194-231K	
3	194-130	Disk Header (Tomato)	1	19401-	
4	192-139A	Safety Bar	1	19201-	
5	SHD-1206	Shield, Flashing Light	1	30097001- 19601-	
6	EL-1206	Double Amber Lamp	1		
7	EL-1233	Light, Auxiliary Work Light, Clear, Trapezoid Beam, TL#80394	2		Replaces EL-1201
8	DC-1184	Danger Decal, 3" x 16"	1		
9	DC-1176	Decal, Danger-Hand Chain Sprockets	2		
10	DC-ARROW	Decal, Yellow Direction Arrow	2		
11	194-109R	Bar, Motor Stop Stabilizer, Tom. Disk Header	1		

# 1007-2-1

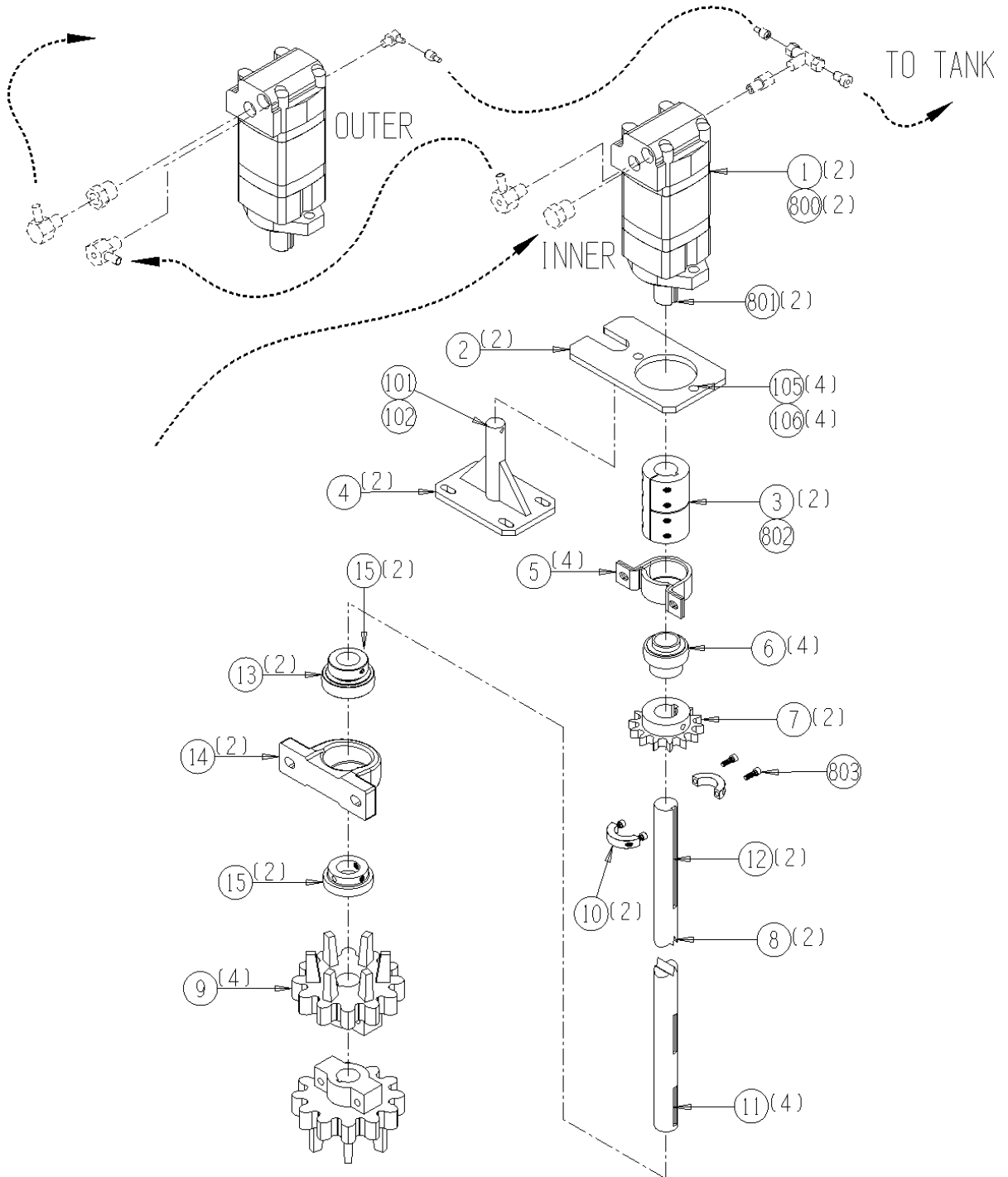


## 1007-2-2 Disk Header Drive Shaft Assembly

<u>Ref</u>	<u>Part No.</u>	<u>Description</u>	<u>Parts – Assembly</u>	<u>Will Fit SN</u>	<u>Remarks</u>
1	HM-500-OMS	Hydraulic Motor	2		Replaces HM-1420-TC
2	ARM-1228	Arm, Mount, Motor Mounting Pad, High Tor. Motors	2		
3	CPS-6057	Coupler, Solid, 1.25", Cucumber & Tomato	2		This Replaces CPS-6056.
4	STP-1228	Stop, Motor, Arm Mounted, High Tor. Motors	2		
5	BR-062-MPB	Stamped Bearing Housing for 1 1/4" bearing	2		
6	BR-125-062	Bearing, 1 1/4 Fafnir tri-seal, 62mm OD	2		
7	SP-60B14-20-5	Sprocket, #60, 14 tooth, 1.25" bore	2		191-116 Old P/N Not used '91 to '93 except on machines without gathreing chains. Used on all machines upgraded with direct drive gathering chin kits.
8	194-155	Shaft, Gathering Chain	2		
9	SPU-3612-20-4	Urethane Sprocket 36-12 1 1/4 bore 1/4" key	4		Sub SP-3612-20-4
10	SC-20-2	Shaft Collar, 2 piece 1 1/4" bore	2		
11	KEY-4-4-32	Shaft Key 1/4" x 2" Square Cut (1018)	4		
12	KEY-4-4-20	Shaft Key 1/4" x 1 1/4"	2		
13	BR-072-RAK	Bearing Housing 72 mm	2		
14	BR-125-072	Bearing, 1 1/4 Fafnir tri-seal, 72mm OD	2		
15	BR-12572-LC	1 1/4" Locking Collar - Bearing Protector	2		
101	BL-5-150-H	5/16-18 X 1 1/2 HEX CAP G5 ZC	2		
102	BL-5-LN	5/16-18 HEX LN NE ZC	2		
105	BL-8-175-H8	1/2 x 1 3/4", Grade 8, Hex Head	4		
106	BL-8-LNS	1/2 Stover Lock Nut	4		
801	KEY-5-5-20	Shaft Key 5/16" sq x 1 1/4" Square Cut (1018)	2		
802	BL-5-125-SCF	5/16 - 24 x 1 1/4", Socket Head Cap Screw	8		
803	BL-4-075-SCS	1/4-28 x 3/4" Socket Head Cap Screw	4		



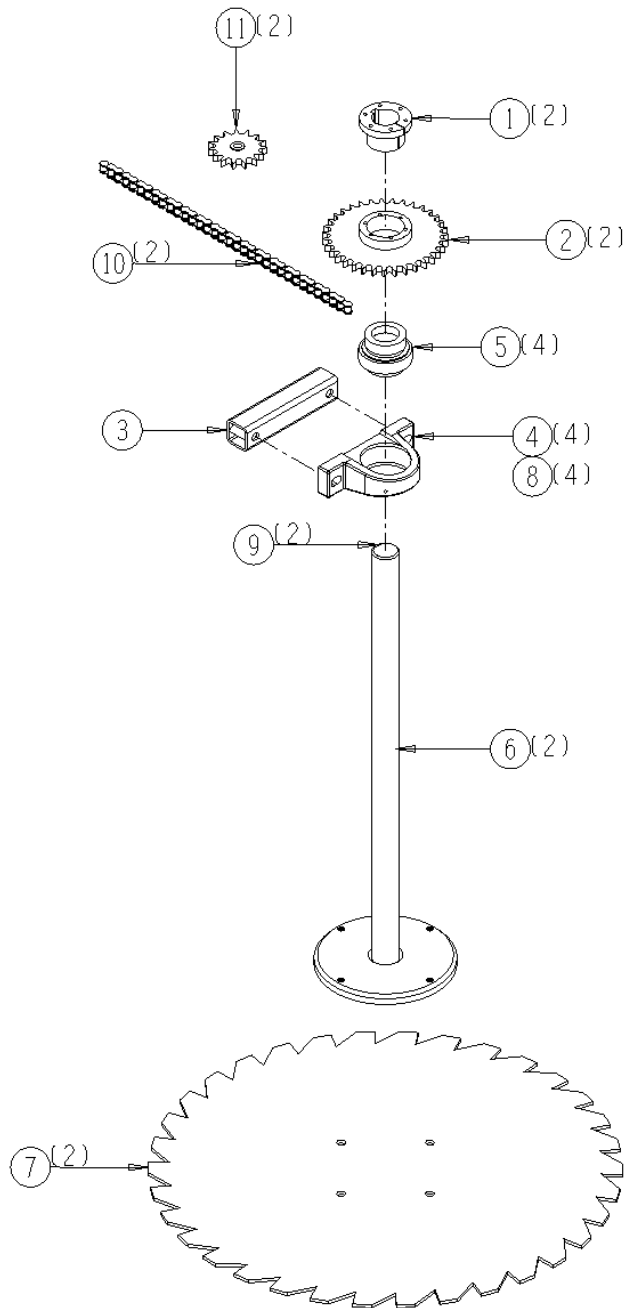
# 1007-2-2



## 1007-2-3 Disk Header 34" Disk Shaft Assembly

<u>Ref</u>	<u>Part No.</u>	<u>Description</u>	<u>Parts – Assembly</u>	<u>Will Fit SN</u>	<u>Remarks</u>
1	SP-SK-2	Sprocket, Bushing SK	2	19101	
2	SP-60SK35	Sprocket, #60, 35 tooth	2	19101	
3	KIT-0172	2" Disk Shaft Spacer, 190 Tomato	1		
4	BR-100-RAK	Bearing Housing 100 mm	4	11001	
5	BR-200-100	2" Fafnir Bearing, Tri-ply	4	11001	
6	191-131	Shaft, Disk	2		
7	HD-150-34-34	34" Header Disk, 34 Notches	2		
8	GF-1428	Grease Fitting 1/4" x 28 straight	4		
9	KEY-8-8-40	Shaft Key 1/2" x 1/2" x 2 1/2"	2		
10	CH-60H-67	Roller Chain 67 pitches #60H Disk Drive(Tomato) w/master link	2	19101	
11	SP-6015-T	Idler, # 60 Roller Chain Adjuster	2	19201	
100	BL-8-100-H	1/2-13 X 1 HEX CAP G5 ZC	8		
101	BL-8-LW	1/2 SPLIT LW ZC	8		
102	BL-8-SW	1/2 SAE FW ZC	8		
103	BL-8-FW-8	1/2 FLAT WASHER G8 ZC	8		
800	BL-5-200-8T	5/16-18 x 2 Grade 8 Tap Bolt	6		

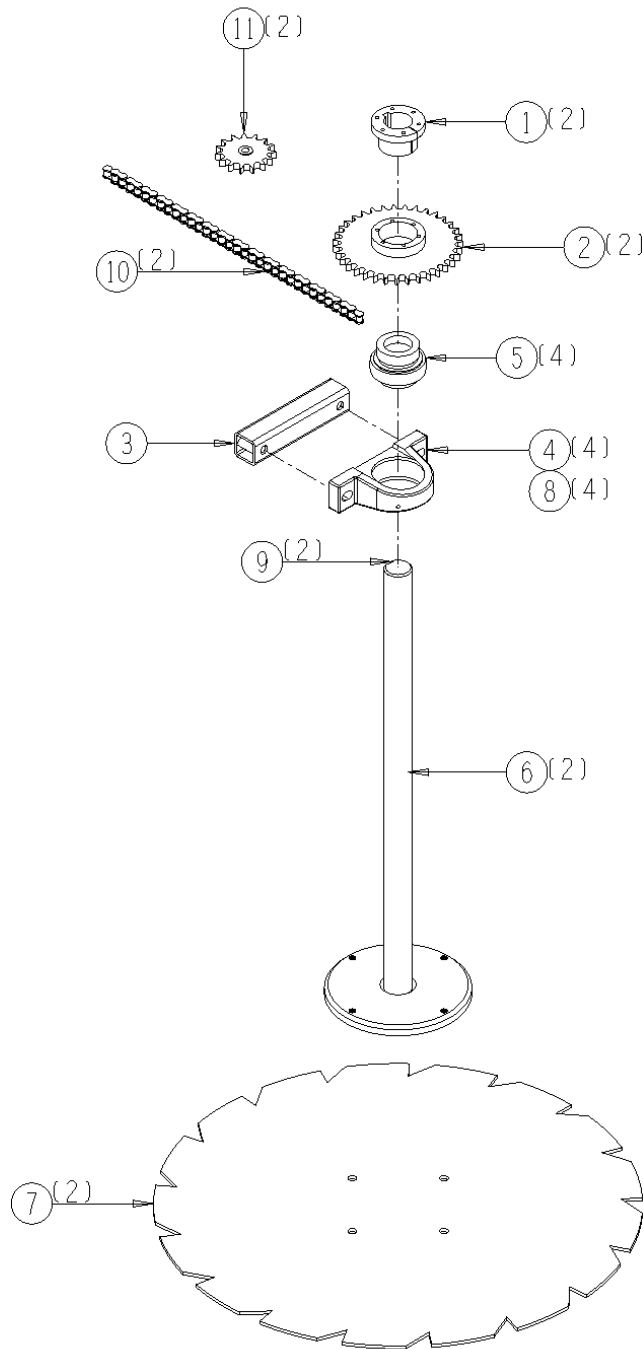
# 1007-2-3



## 1007-2-4 Disk Header 36" Disk Shaft Assembly

<u>Ref</u>	<u>Part No.</u>	<u>Description</u>	<u>Parts – Assembly</u>	<u>Will Fit SN</u>	<u>Remarks</u>
1	SP-SK-2	Sprocket, Bushing SK	2	19101	
2	SP-60SK35	Sprocket, #60, 35 tooth	2	19101	
3	KIT-0172	2" Disk Shaft Spacer, 190 Tomato	1		
4	BR-100-RAK	Bearing Housing 100 mm	4	11001	
5	BR-200-100	2" Fafnir Bearing, Tri-ply	4	11001	
6	191-131	Shaft, Disk	2		
7	HD-140-06	36" Header Disk	0		MADE FROM AR 400
8	GF-1428	Grease Fitting 1/4" x 28 straight	4		
9	KEY-8-8-40	Shaft Key 1/2" x 1/2" x 2 1/2"	2		
10	CH-60H-67	Roller Chain 67 pitches #60H Disk Drive(Tomato) w/master link	2	19101	
11	SP-6015-T	Idler, # 60 Roller Chain Adjuster	2	19201	
100	BL-8-100-H	1/2-13 X 1 HEX CAP G5 ZC	8		
101	BL-8-LW	1/2 SPLIT LW ZC	8		
102	BL-8-SW	1/2 SAE FW ZC	8		
103	BL-8-FW-8	1/2 FLAT WASHER G8 ZC	8		
800	BL-5-200-8T	5/16-18 x 2 Grade 8 Tap Bolt	6		

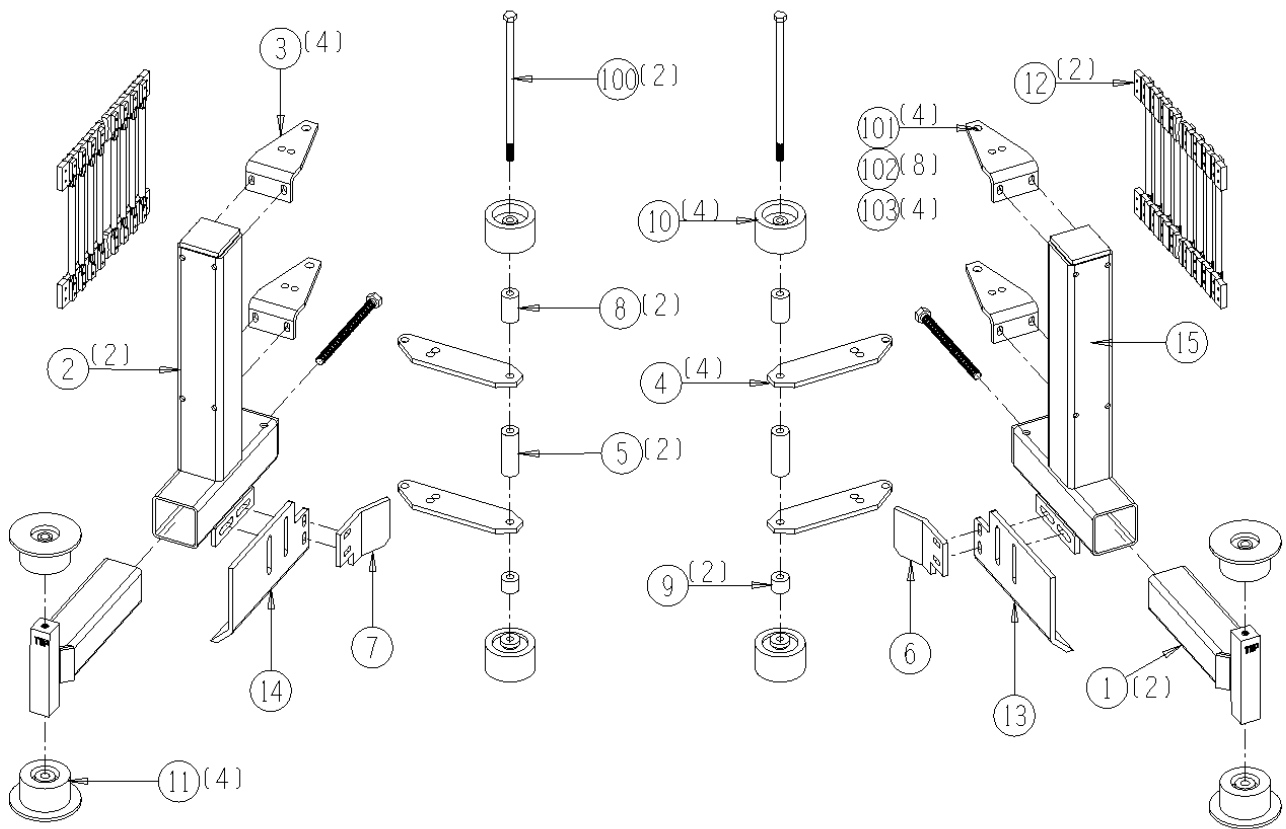
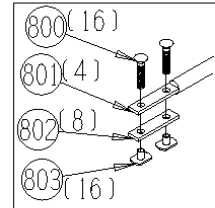
# 1007-2-4



## 1007-2-5 Disk Header Gathering Chain Assembly

<u>Ref</u>	<u>Part No.</u>	<u>Description</u>	<u>Parts – Assembly</u>	<u>Will Fit SN</u>	<u>Remarks</u>
1	ADJ-155	Adjuster, Nose Tightener, Gathering Chain	2		
2	BRA-1821	Gathering Chain Bracket	2		
3	BRA-1811	Mounting Bracket, Gathering Chain	4		
4	194-184	Roller Positioner	4		
5	192-107A	Slide Guide Roller	2		
6	SCR-176	Scraper, Disk, Hub,Outer	1	SCR-164	Use if equipped w/(1)#192-131S @ Disk Shaft Bearing.
7	SCR-175	Scraper, Disk Hub, Inner	1	SCR-162	Use if equipped w/(1)#192-131S @ Disk Shaft Bearing.
8	SPA-6130	Roller Spacer (Gathering Chain)	2		
9	SPA-6131	Spacer, Gathering Chain Assy, Rollers	2	60097001-	
10	RLT-035-228	Roller 3.5 dia x 2.2 x 1/2" bore, no flange	4		
11	RLT-535-2210-RV	5" Flange Roller 2.2 WF 3.5 dia, 5/8" bore w/ Inverted Spindle	4		
12	BC-6-1236-60	Gathering chain, 3/8 bars 12in wide x 60 links 36mm	2		
13	SCR-164	Scraper, Upper, Outer, Disk Header	1		
14	SCR-162	Scraper, Upper, Inner, Disk Header	1		
15	DC-3026	Orange Reflective Tape @ 50ft Roll	0.02		
100	BL-8-1200-H	1/2-13 X 12 HEX CAP G5 ZC	2		
101	BL-10-200-H	5/8-11 X 2 HEX CAP G5 ZC	4		
102	BL-10-SW	5/8 SAE FW ZC @	8		
103	BL-10-LN	5/8-11 HEX LN NE ZC	4		
104	BL-10-800-T	5/8-11 X 8 HEX TAP G8 ZC	2		
105	BL-10-N	5/8-11 HEX FIN NUTS ZC	2		
106	BL-8-400-H	1/2-13 X 4 HEX CAP G5 ZC	8		
107	BL-8-LN	1/2-13 HEX LOCK NUT NYLON INSERT ZC	8		
108	BL-8-SW	1/2 SAE FW ZC	16		
800	BC-1032-FS	10-32 x 1 1/4" bolts Flat Socket Head	16		
801	BC-6-12-ST	3/8" x 12" Belted Chain Rod for 50mm Belt	4	1910119320	
802	BC-BP20-10-T	20mm Backing Plates /10-32 T Nuts	8		
803	BC-1032-TN	10-32 T Nuts	16	11001	

# 1007-2-5



## 1007-2-6 Optional Gathering Chain Roller Assembly

<u>Ref</u>	<u>Part No.</u>	<u>Description</u>	<u>Parts – Assembly</u>	<u>Will Fit SN</u>	<u>Remarks</u>
0	KIT-0028	Gathering Chain Roller Kit	1		Rollers behind gathering chains give better protection from wrapping.

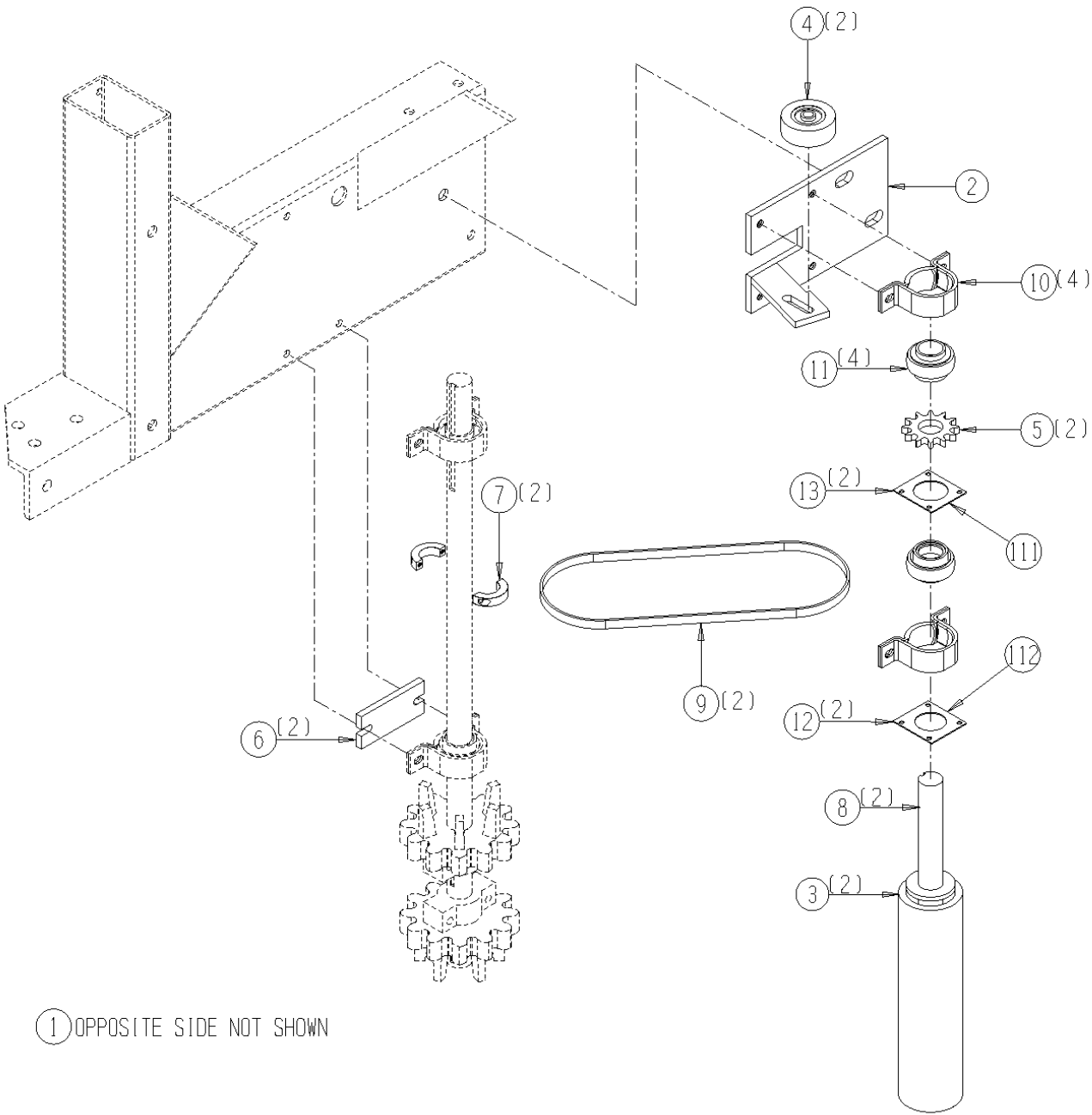
## KIT-0028 Gathering Chain Roller Kit

<u>Ref</u>	<u>Part No.</u>	<u>Description</u>	<u>Parts – Assembly</u>	<u>Will Fit SN</u>	<u>Remarks</u>
1	MOU-1308	Mount, Right Side, Roller, 190	1		
2	MOU-1309	Mount, Left Gath. Chain, Assembly	1		
3	RLP-1300	Roller, Gathering Chain	2	KIT-0028	
4	RLT-027-108	Roller 2.75" dia. 1/2" Bore	2		2755C1X (Old Number, Single Bearing)
5	SP-50B12-20-4	Sprocket, #50, 12 tooth, 1.25" bore	2	19201-	
6	SUP-1308	Support, Right Mount, 190	1		
7	SP-50B12-20-S	Split Sprocket, 12 Tooth, #50, 1-1/4 bore	2	Kit-0028	
8	KEY-4-4-16	Shaft Key 1/4" X 1/4" X 1" Square Cut (1018)	2	20095001-	
9	CH-50-27	Roller Chain, 27 pitches, #50, Gathering Chain Roller	2	Kit-0028	
10	BR-125-062	Bearing, 1 1/4 Fafnir tri-seal, 62mm OD	4		
11	BR-062-MPB	Stamped Bearing Housing for 1 1/4" bearing	4		
12	SC-20-6	Bearing Protector, 1 1/4", Inner Side	2		
13	SC-20-7	Bearing Protector, 1 1/4", Outer, Lock Collar Side	2		
14	BR-125-072	Bearing, 1 1/4 Fafnir tri-seal, 72mm OD	2		
15	BR-072-RAK	Bearing Housing 72 mm	2		
16	SHD-1308	Shield, Right Gathering Roller, 190	1		
17	SHD-1309	Shield, Left Gathering Roller, 190	1		
18	SUP-1309	Support, Left Mount, 190	1		
19	BR-12572-LC	1 1/4" Locking Collar - Bearing Protector	2		
20	SCR-1308	Scraper, 72mm Housing, 36 12 Sprockets	2		
100	BL-6-075-H	3/8-16 X 3/4 HHCS G5 ZC	8		
101	BL-6-LW	3/8 SPLIT LW ZC	18		
102	BL-6-N	3/8-16 HEX NUTS ZC	4		
103	BL-6-FW	3/8 USS FW ZC	4		
104	BL-8-250-H	1/2-13 X 2 1/2 HEX CAP G5 ZC	2		
105	BL-8-FW-8	1/2 FLAT WASHER G8 ZC	4		
106	BL-8-LN	1/2-13 HEX LOCK NUT NYLON INSERT ZC	2		



107	BL-10-250-H	5/8-11 X 2 1/2 HEX CAP G5 ZC	8
108	BL-10-FW-8	5/8" Grade 8 Flat Washer	20
111	BC-1032-LN	10-32 lock nuts	8
112	BL-10-300-H	5/8-11 X 3 HEX CAP G5 ZC	4
112	BL-1032-175P	10/32 x 1 3/4" Pan Head, Phillips Machine Screw	8
113	BL-6-SW	3/8 SAE FW ZC	8
114	BL-6-150-H	3/8-16 X 1 1/2 HEX CAP G5 ZC	2
115	BL-6-150-C	3/8 UNC X 1 1/2 CARRIAGE BOLT GR5 ZINC	4
116	BL-6-175-C	3/8 UNC X 1 3/4 CARRIAGE BOLT GR5 ZINC	4
117	BL-10-LN	5/8-11 HEX LN NE ZC	12
118	BL-6-LN	3/8 UNC FIN HEX LOCK NUT NE A563 GrA ZINC	18
119	BL-6-100-H	3/8 UNC X 1 HH C/S BOLT GR5 ZINC	4

1007-2-6



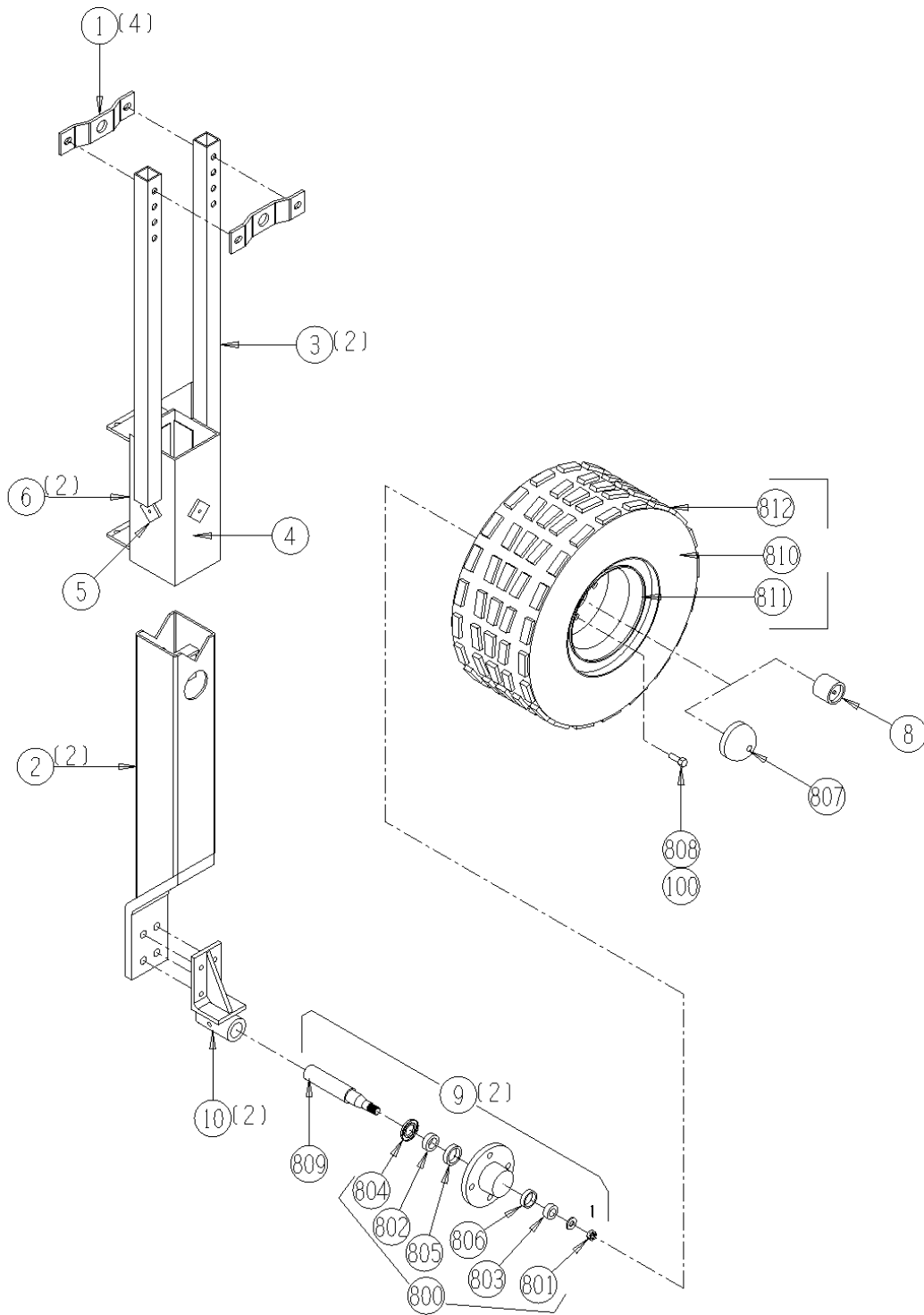
① OPPOSITE SIDE NOT SHOWN



## 1007-2-7 Optional Disk Header Gauge Wheel Assembly - Manual

<u>Ref</u>	<u>Part No.</u>	<u>Description</u>	<u>Parts – Assembly</u>	<u>Will Fit SN</u>	<u>Remarks</u>
0	A-6408-8	8 SAE Plug	2		
1	193-188	Adjuster, Gauge Wheels	4	19301-	
2	194-186	Gauge Wheel, Inner slider	2	19201-	
3	194-187	Gauge Wheel, Outer Frame	2	19201-	
4	DC-3025	Red and White Reflective Tape @ 150 ft Roll	0.03		
5	GF-1428	Grease Fitting 1/4" x 28 straight	6		
6	GF-1428-90	Grease Fitting 1/4" x 28 90	2		
8	WHL-178	Bearing Protector @Pair	1		
9	WHL-190	Gauge Wheel Hub and Spindle Complete	2		
10	WHL-1941	Wheel, Spindle Holder, Gauge Wheel, 190	2		Replaces WHL-191 for tomato machine
11	TL-1541	Top Link Ratchet Handle 20-28in.	2	TL-1541	
100	BL-8-NF	1/2-20 HEX FIN NUTS ZC	8		
800	WBR-199K	Gauge Wheel Bearing Kit	1	WHL-190	Includes seal, inner and outer bearings and cones
801	WBR-199E	Spindle Nut	1	WHL-190	
802	WBR-199C	Inner Bearing	1	WHL-190	
803	WBR-199D	Outer Bearing	1	WHL-190	
804	WBR-199F	Seal	1	WHL-190	
805	WBR-199H	Cup	1	WHL-190, WHL-4000	
806	WBR-199I	Outer cup	1	WHL-190	
807	WBR-199G	Hub cap	1	WHL-190	
808	WBR-199L	Lug Bolt for Gauge Wheel	8	WHL-190	
809	WBR-199S	Gauge Wheel Spindle Only	2	WHL-190	w/ WHL-191 replaces WBR-199A
810	WHL-195	Gauge Wheel Tube	2		
811	WHL-197	Gauge Wheel Rim	2	19201	
812	WHL-198	Gauge Wheel Tire	2	19201	

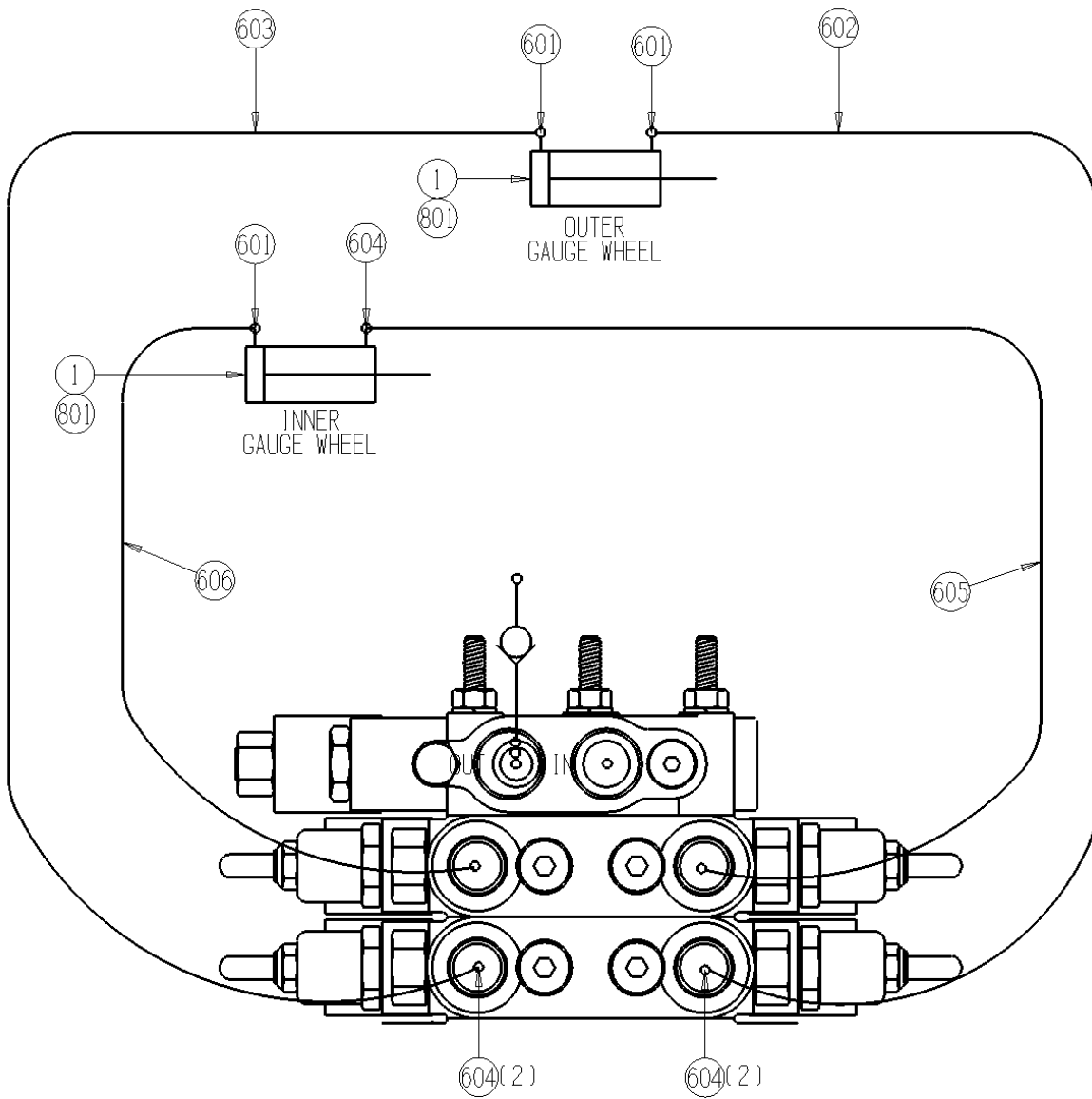
# 1007-2-7



## 1007-2-7H Disk Header Gauge Wheel Assembly - Hydraulic

<u>Ref</u>	<u>Part No.</u>	<u>Description</u>	<u>Parts – Assembly</u>	<u>Will Fit SN</u>	<u>Remarks</u>
0	A-6408-8	8 SAE Plug	-2		
0	TL-1541	Top Link Ratchet Handle 20-28in.	-2	TL-1541	
1	HC-200-0808	Hydraulic Cylinder 2" x 8" #8 SAE Ports	2	19201-	Seal kit for Lion, HC-200-112
601	A-6901-8-6	8 SAE x 3/8" FPX90 , Forged	3	20095001-	
602	H4-254-6MP-6MP	1/4 in hose 3/8MP x 3/8MP x 254 in long	1		
603	H4-260-6MP-6MP	1/4 in hose 3/8MP x 3/8MP x 260 in long	1		
604	A-6900-8-6	8 SAE x 3/8" FPX With 7/8" Stock Body	5	20095001-	
605	H4-216-6MP-6MP	1/4 in hose 3/8MP x 3/8MP x 216 in long	1		
606	H4-221-6MP-6MP	1/4 in hose 3/8MP x 3/8MP x 221 in long	1		
801	HC-200-112	Seal Kit for 2" x 1 1/8" Lion Cylinder	1	HC-200-0808 (642599, 645593), HC-200-2408 (642600, 645596)	2500 or 3000psi cylinders

# 1007-2-7H



## 1007-2-8 Optional Disk Header Coulter Assembly

<u>Ref</u>	<u>Part No.</u>	<u>Description</u>	<u>Parts – Assembly</u>	<u>Will Fit SN</u>	<u>Remarks</u>
0	KIT-135	Coulter Kit for Tomato Harvester	1		
800	CLT-0060	Spindle	1		
801	CLT-0060-A	Seal	1		
802	CLT-0060-B	Bearing	2		
803	CLT-0060-C	Race	2		
804	CLT-0060-CP	Coulter Pin	1		
805	CLT-0060-D	Coulter Hub Cap	1		
806	CLT-0060-H	Hub, Seal, & Bearings for Coulter	1		Includes: Seal, 2 Bearings, 2 Cups, Hub, Hub Cap Sold Complete with spindle as CLT-0025A
807	CLT-0060-I	Hub,Cap Assembly, No Bearings	1		Includes: 2 Cups, Hub, Hub Cap
808	CLT-0060-K	Coulter Wheel Bearing Kit	1		Includes: 2 Bearings, 2 Cups, Seal, Hub Cap
809	CLT-0060-N	Nut	1		
810	CLT-0060-WC	Washer Cap for Coulter	1		
811	GF-1428	Grease Fitting 1/4" x 28 straight	1		

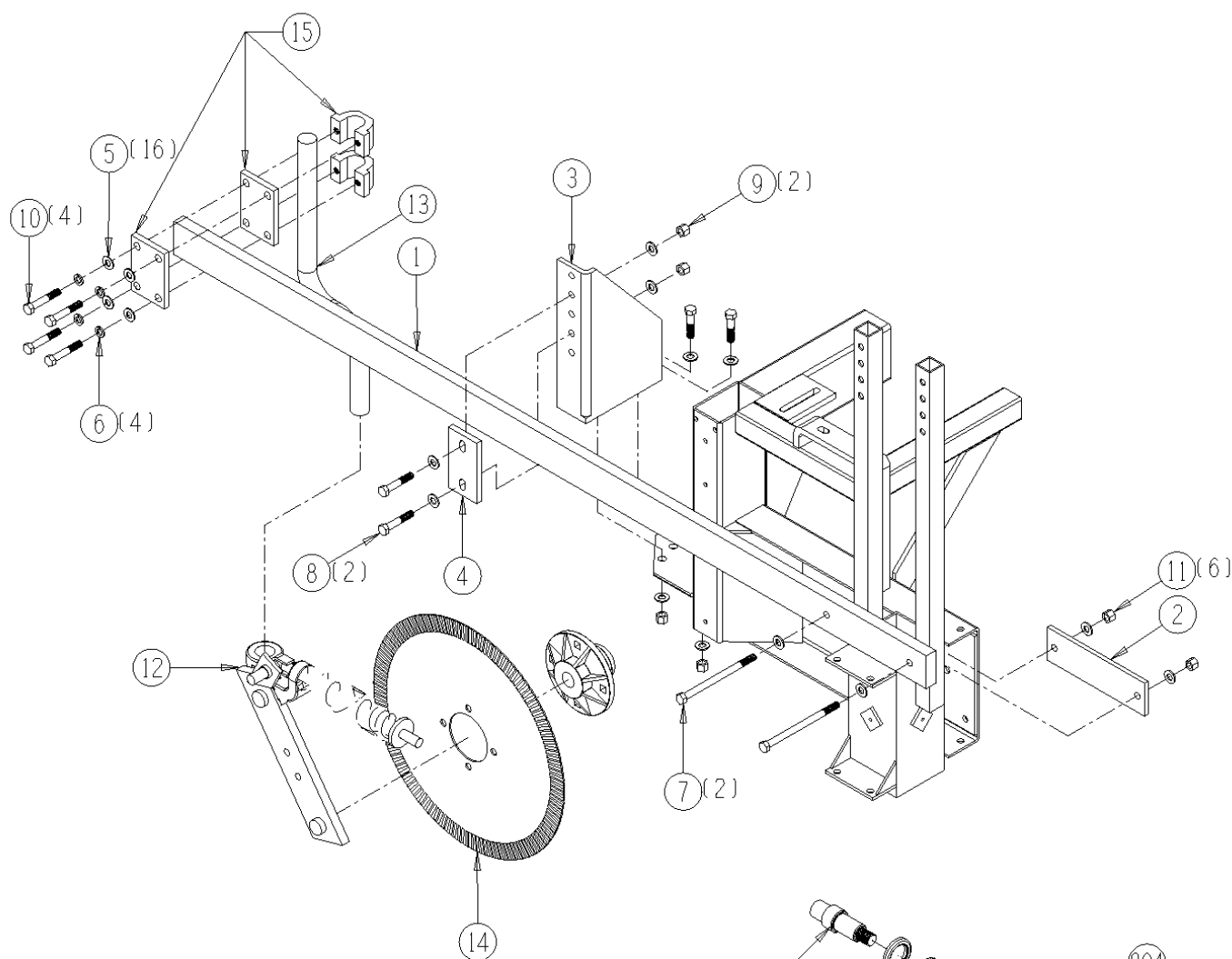
## KIT-135 Coulter Kit

<u>Ref</u>	<u>Part No.</u>	<u>Description</u>	<u>Parts – Assembly</u>	<u>Will Fit SN</u>	<u>Remarks</u>
1	MOU-135	Mount, Support, Coulter Kit (Tomato)	1	KIT-135	
2	BRA-135	Bracket, Mount Support, Coulter Mount (Tomato)	1	KIT-135	
3	SUP-135	Support, Mount Coulter Kit (Tomato)	1	KIT-135	
4	BAR-135	Bar, Mount Support, Coulter Mount (Tomato)	1	KIT-135	
5	BL-8-SW	1/2 SAE FW ZC	16		
6	BL-8-LW	1/2 SPLIT LW ZC	4		
7	BL-8-750-H	1/2 x 7 1/2 HEX BOLT	2		
8	BL-8-275-H	1/2 UNC X 2 3/4 HH C/S BOLT GR5 ZINC	2		
9	BL-8-225-H	1/2-13 X 2 1/4 HEX CAP G5 ZC	2		
10	BL-8-300-H	1/2-13 X 3 HEX CAP G5 ZC	4		
11	BL-8-LN	1/2-13 HEX LOCK NUT NYLON INSERT ZC	6		
12	CLT-324L	Utility Coulter	1		Refer to manufacturer's literature.
13	CLT-132C	Offset Shank	1		Refer to manufacturer's literature.

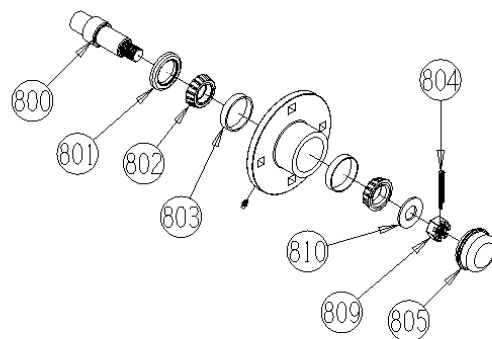


14	CLT-074C	Narrow Fluted Blade	1	Refer to manufacturer's literature.
15	CLT-064K	3" x 3" Clamp Kit	1	Refer to manufacturer's literature.

# 1007-2-8



- #806 INCLUDES: SEAL, 2 BEARINGS, 2 CUPS, HUB, HUB CAPS
- #807 INCLUDES: 2 CUPS, HUB, HUB CAP
- #808 INCLUDES: 2 BEARINGS, 2 CUPS, SEAL, HUB CAP





## 1007-2-9 Optional Mud Pusher Assembly

<u>Ref</u>	<u>Part No.</u>	<u>Description</u>	<u>Parts – Assembly</u>	<u>Will Fit SN</u>	<u>Remarks</u>
0	KIT-0049	Clodbuster Kit	1		Gives more stability and strength to nose of header chain in muddy or rocky conditions.

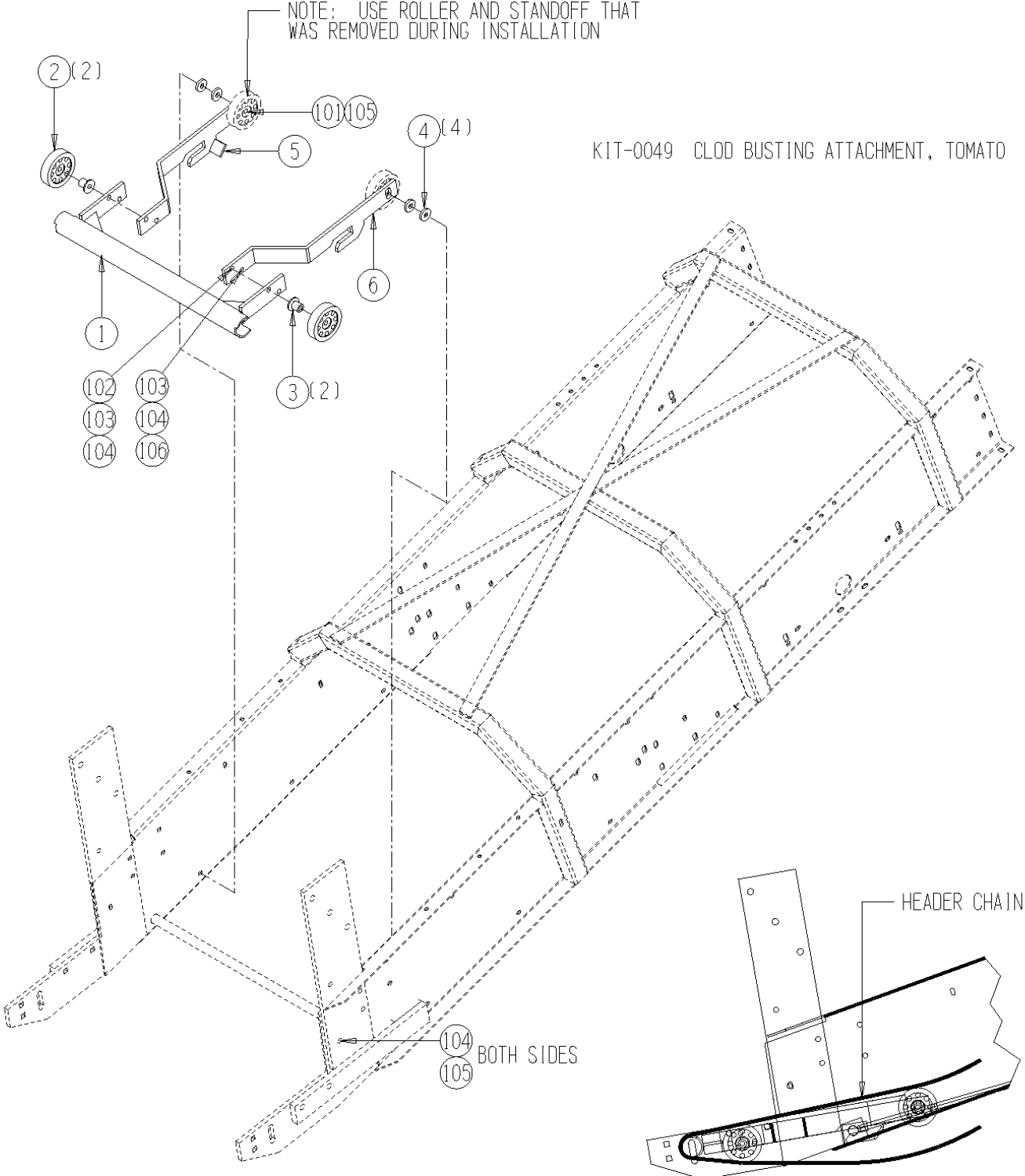
## KIT-0049 Clod Busting Attachment / Header Nose Cones(Tomato

<u>Ref</u>	<u>Part No.</u>	<u>Description</u>	<u>Parts – Assembly</u>	<u>Will Fit SN</u>	<u>Remarks</u>
1	ARM-102	Clod Buster,Front 190Tomato Harvesterr	1		
2	RLR-040-108	4" Flat Roller	2		Changed to Urethane in 2006
3	RLA-000-118	Standoff, 1/2" X 1 1/8"	2		
4	RLA-000-028	Washer/Spacer	4	11001-	
5	ARM-103	Flat Bar	1		
6	ARM-104	Right Side Arm, Clod Buster ,190 Harvester	1		
101	BL-8-425-H	1/2-13 X 4 1/4 HEX CAP G5 ZC	2		
102	BL-8-375-H	1/2 UNC X 3 3/4 HH C/S BOLT GR5 ZINC	2		
103	BL-8-SW-8	1/2 SAE FW G8 ZC	6		
104	BL-8-LN	1/2-13 HEX LOCK NUT NYLON INSERT ZC	6		
105	BL-8-FW-8	1/2 FLAT WASHER G8 ZC	4		
106	BL-8-150-H	1/2 UNC X 1 1/2 HH C/S BOLT GR5 ZINC	2		

# 1007-2-9

NOTE: USE ROLLER AND STANDOFF THAT WAS REMOVED DURING INSTALLATION

KIT-0049 CLOD BUSTING ATTACHMENT, TOMATO



## 1007-2-10 Optional Disk Reversing Valve Assembly

<u>Ref</u>	<u>Part No.</u>	<u>Description</u>	<u>Parts – Assembly</u>	<u>Will Fit SN</u>	<u>Remarks</u>
0	HV-1045K	Disk Reversing Valve Kit	1	All	
800	HV-1045-D	Replacement Cartridge for Reversing Valve	2	HV-1045	
801	HV-1045-C	Replacement Coil for Reversing/No Drift Valve	2	HV-1045, HV-910	replaces HV-910-B

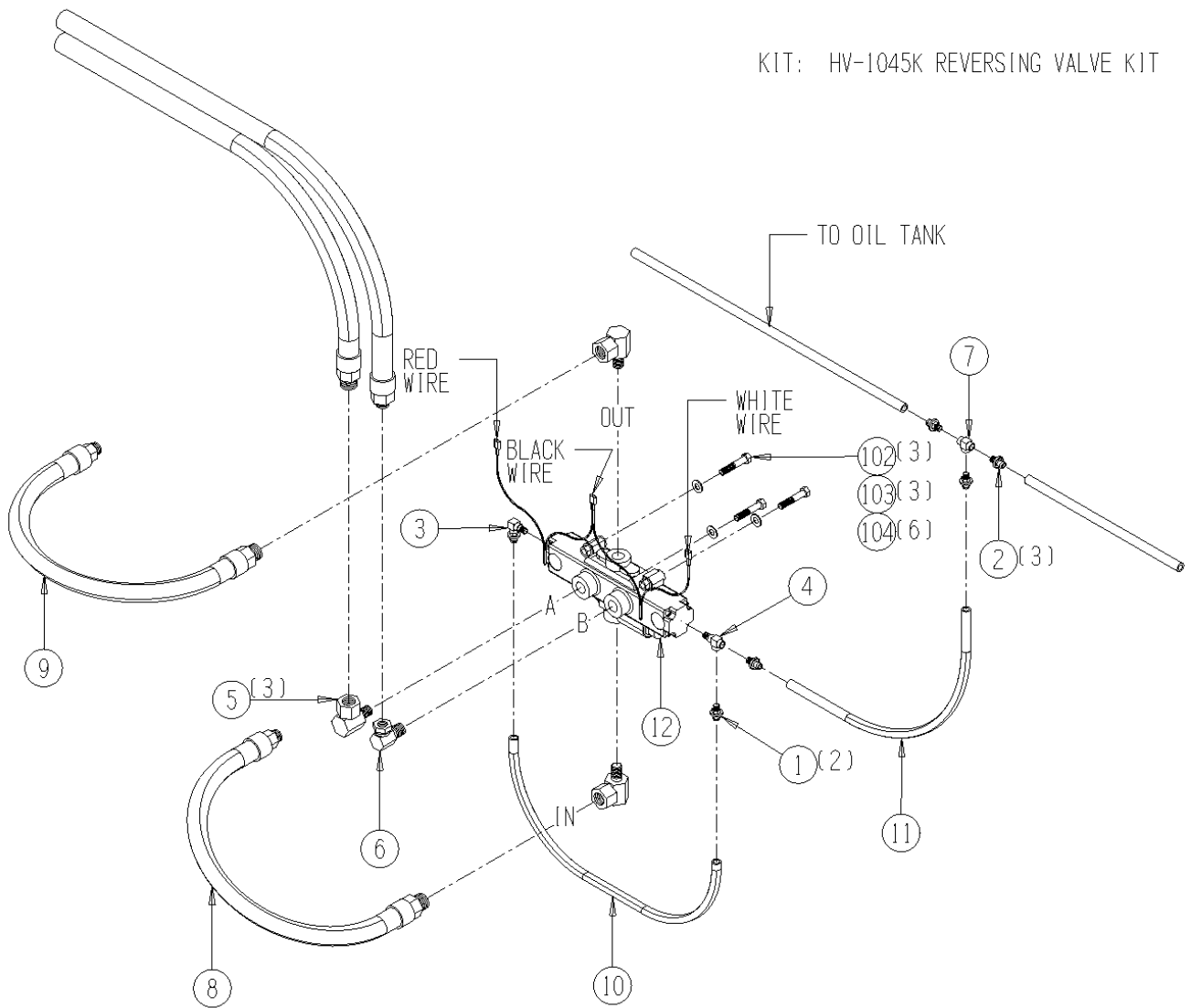
## HV-1045K Reversing Valve Kit

<u>Ref</u>	<u>Part No.</u>	<u>Description</u>	<u>Parts – Assembly</u>	<u>Will Fit SN</u>	<u>Remarks</u>
0	0000	Manufacturing Labor	2		
0	ELC-1045	Electrical Cable, Disk Reversing Valve	1		
0	ELS-3T	Reversing valve switch (50 Amp)	1	HV-1045K	
0	ELT-31712	Push On Male 14-16 ga	3	HV-1045K	
0	ELT-31713	Push On Female Terminal 14-16 ga.	3	HV-1045K	
1	A-4124-6-2	1/8 Male Pipe x 3/8 Push Loc	2	HV-1045K	
2	A-4124-6-4	1/4 Male Pipe x 3/8 Push Loc	3		
3	A-4129-6-2	1/8"NPT 90 w/3/8" Push-Loc	1	HV-1045K	
4	A-5602-2-2-2	Run Tee 1/8" NPT	1	HV-1045K	
5	A-6901-10-12	10 SAE x 3/4 FPX90 , Forged	3		
6	A-6901-10-8	10 SAE x 1/2 FPX90 , Forged	1		
7	AT-4-4-4	1/4 NPT TEE	1		
8	H12-27.5-12MP-12MP	3/4 in hose 3/4MP x 3/4MP x 27.5 in long	1	HV-1045K	
9	H12-27.5-12MP-8MP	3/4 in. hose 27 1/2 in. 1/2 x 3/4	1	HV-1045K	
10	H6-PL-26	3/8" Push Loc Hose 26" (Reverse Kit)	1	HV-1045K	
11	H6-PL-48	3/8" Push Loc Hose 48" (Reverse Kit)	1	HV-1045K	
12	HV-1044	Solenoid Operated Directional Valve	1		Replaces HV-1045
102	BL-6-200-H	3/8-16 X 2 HEX CAP G5 ZC	3		
103	BL-6-LN	3/8 UNC FIN HEX LOCK NUT NE A563 GrA ZINC	3		
104	BL-6-SW	3/8 SAE FW ZC	6		

# 1007-2-10

FROM DISK HEADER

KIT: HV-1045K REVERSING VALVE KIT



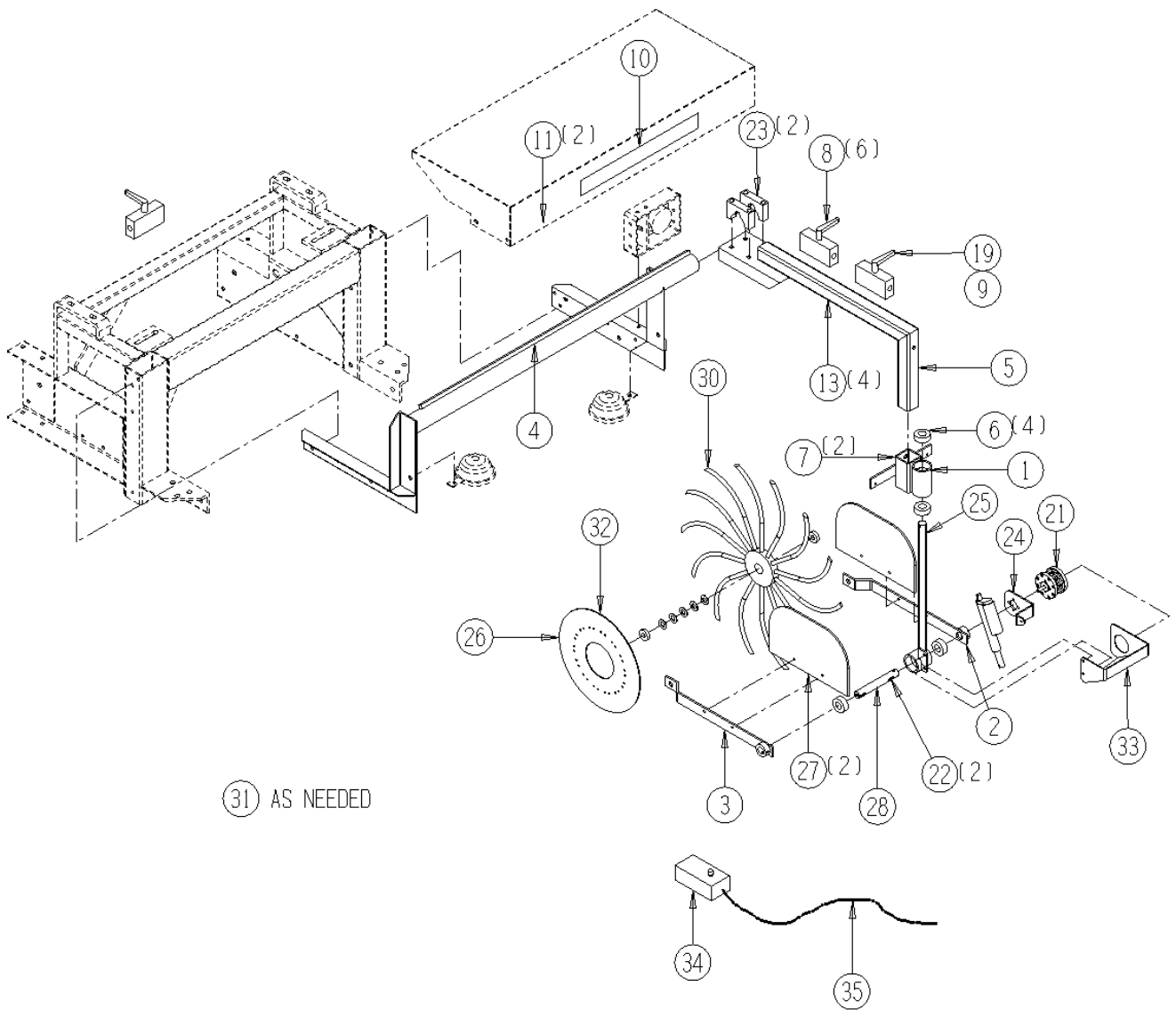
## 1007-2-11 Optional Header Height Control System

<u>Ref</u>	<u>Part No.</u>	<u>Description</u>	<u>Parts – Assembly</u>	<u>Will Fit SN</u>	<u>Remarks</u>
0	192-139A	Safety Bar	-1	19201-	
0	ACT-042-2	Actuator, Wired for Any Length Harness, Fits All	1		
1	ADJ-HC99	Adjuster, Wheel Control Height Adj, HHC	1		
2	ARM-HC99L	Arm, Left, Control Wheel, HHC	1		
3	ARM-HC99R	Arm, Right, Control Wheel, HHC	1		
4	BAR-9022	Bar, AHHC Trailing Wheel Mount, Support Bar	1		
5	BAR-9023	Bar, AHHC Trailing Wheel Mount	1		
6	BR-100-ER	Bearing, 1" ER	4		
7	CH-3-28	3/16 LINK CHAIN 28 LINKS	2		
8	CL-44	3" SS GEAR CLAMP	6		
9	DC-1047	Decal, HV-1047, White	3		Use w/HV-1047
10	DC-1184	Danger Decal, 3" x 16"	1		
11	DC-ARROW	Decal, Yellow Direction Arrow	2		
12	PR34896	Hose Clamp, 1/4" Hydraulic, 1/2" O.D. Hose	6		
13	HA-1031	Hydraulic Hose Holder 3/8	4		
14	ELC-042-28	Actuator Cable Only 28'	1		
15	HC-1129-A	Hyd. Cyl Pin, 1" x 2 3/4" Between the Grooves	4		
16	HC-1130B	Hair Pin Clip	8		
17	HC-175-0808-1	Hydraulic Cylinder, 1 3/4" x 8", #8 SAE Ports	1		Seal kits depend on manu. HC-175-0808-1-SK or HC-175-0808-1-SK1
18	HC-200-0808-1	Hydraulic Cylinder, 2" x 8", #8 SAE Ports	1		Seal kits depend on manu. HC-200-0808-1-SK or HC-200-0808-1-SK1
19	HV-1047	Ball Valve	3		
20	HV-4-4M	Manual Metering Needle Valve	1		
21	HVR-5479	Rotary Valve, Microtorque w/ high pressure ends	1		
22	KEY-4-4-12	SHAFT KEY 1/4"x3/4" SQUARE CUT (1018)	2		
23	MOU-103	Mount, Wheel Arm Bar Support, HHC, Cuc & Tom	2		
24	ARM-HC03	Arm, Rotary Valve. HHC, 2003	1		
25	MOU-HC03	Mount, Trailing Wheel Arms, HHC, 2003	1		
26	PL-6192	Depth Disk Wheel, 14.375 Dia.	1		
27	PL-HC99	Plastic, Chain Guard Wheel Arm, HHC	2		
28	SFT-HC99	Shaft, Wheel Arm Mounts, HHC	1		
30	WHL-HHC-99	Spider Wheel Assembly	1		



31	WT-14	Wire Tie 14 1/4"	25	
32	WT-7	Wire Tie 7"	25	
33	SHD-HC03	Shield, Rotary Valve, HHC, 2003	1	
35	ELC-0009	Actuator Cord, Control Box-#1 Junction Box	1	
100	BL-1224-087-DT	12-24 x 3/4 Drill and Tap Screw	2	
101	BL-4-050-H	1/4-20 X 1/2 HEX CAP G5 ZC	4	
102	BL-4-100-H	1/4-20 X 1 HEX CAP G5 ZC	4	
103	BL-4-125-H	1/4-20 X 1 1/4 HEX CAP G5 ZC	2	
104	BL-4-175-H	1/4-20 X 1 3/4 HEX CAP G5 ZC	1	
105	BL-4-400-H	1/4-20 X 4 HEX CAP G5 ZC	4	
106	BL-4-FW-8	1/4" Flat Washer Grade 8	12	
107	BL-4-LN	1/4-20 HEX LN NE ZC	11	
108	BL-4-LW	1/4 SPLIT LW ZC	4	
109	BL-5-031-SC	5/16-18 x 5/16 Knurled Point Set Screw	8	
110	BL-6-100-H	3/8 UNC X 1 HH C/S BOLT GR5 ZINC	4	
111	BL-6-125-H	3/8-16 X 1 1/4 HHCS G5 ZC	4	
112	BL-6-LN	3/8 UNC FIN HEX LOCK NUT NE A563 GrA ZINC	4	
113	BL-6-LW	3/8 SPLIT LW ZC	4	
114	BL-6-SW-8	3/8 SAE FW G8 ,Yellow Zinc, Thru Hardened	14	
115	BL-8-100-SQSS	1/2 x 1 Square Head Set Screw (USS)	2	
116	BL-8-475-H	1/2-13 X 4 3/4 HEX CAP G5 ZC	4	
117	BL-8-FW-8	1/2 FLAT WASHER G8 ZC	4	
118	BL-8-LN	1/2-13 HEX LOCK NUT NYLON INSERT ZC	4	
119	BL-8-SW-8	1/2 SAE FW G8 ZC	4	
120	BL-10-325-H	5/8 UNC X 3 1/4 HH C/S BOLT GR ZINC	1	
121	BL-10-LN	5/8-11 HEX LN NE ZC	1	
122	BL-10-SM	5/8 x 1 x 14ga Shim	5	
123	BL-10-SW	5/8 SAE FW ZC @	5	
124	RI-3-6-P	Pop Rivets 3/16 x 3/8 Domed, .375 head, ea.	15	
800	HVR-5479-RB	Microtorque Valve, Rebuilt (requires core)	1	To be used in "exchange" program only, not in new applications. Contact Pik-Rite Dealer for Details on "Rebuild" Program.
801	WHL-200-C	Wheel Bearing, 5/8" Bore	2	

# 1007-2-11

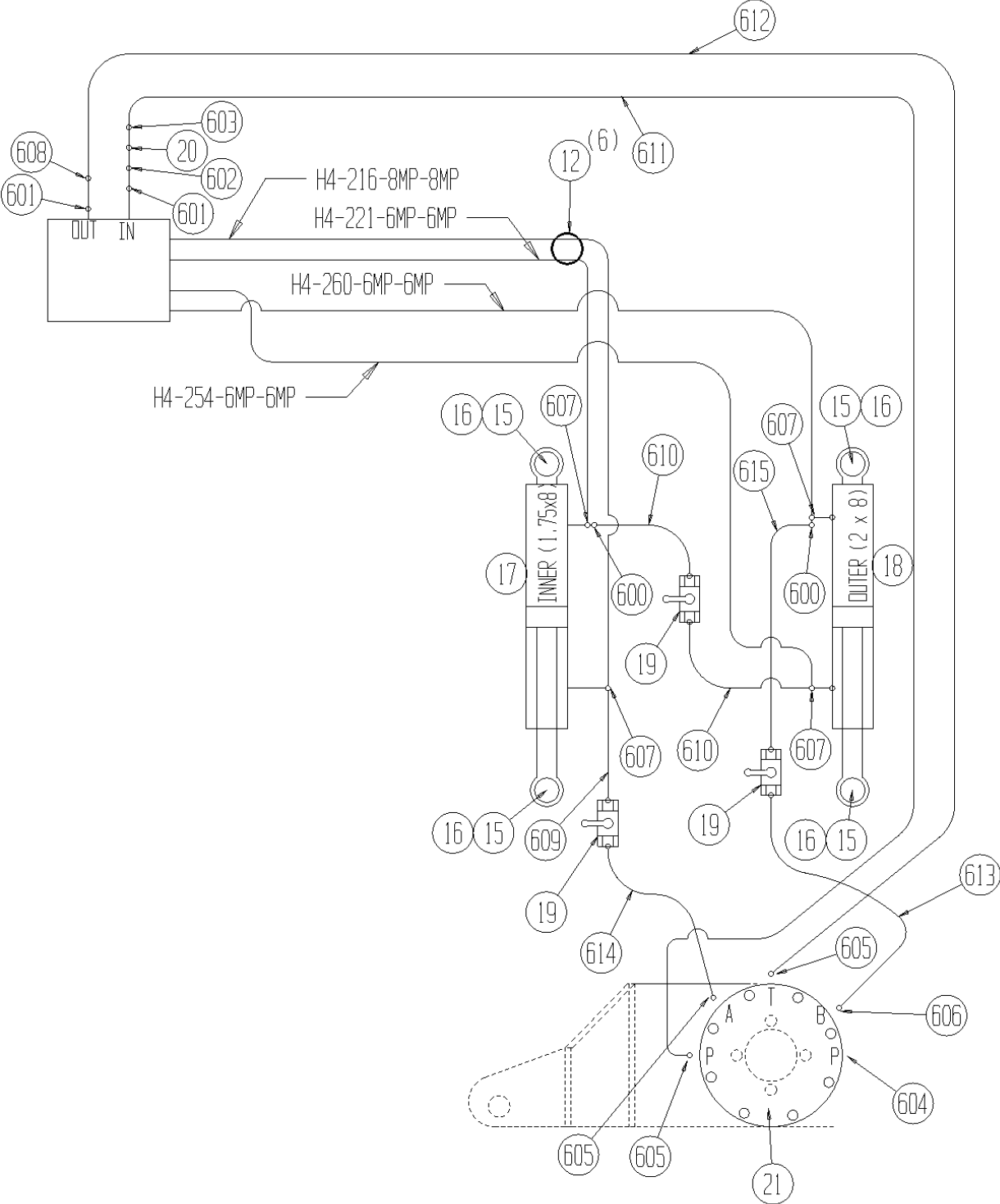




## 1007-2-11H Optional Header Height Control Hydraulic

<u>Ref</u>	<u>Part No.</u>	<u>Description</u>	<u>Parts – Assembly</u>	<u>Will Fit SN</u>	<u>Remarks</u>
600	A-1501-6-6	3/8" MP x 3/8" FPX90	2		
601	A-1601-8-8-8	1/2 MP x 1/2 FPX x 1/2 FPX Tee	2		
602	A-5404-8-4	Hex Nipple 1/2" x 1/4"	1		
603	A-5405-4-6	Pipe Adapter 3/8 FPT x 1/4 MPT	1		
604	A-6408-4	4 SAE Plug	1		
605	A-6900-4-2	4 SAE x 1/8" FPX	3		
606	A-6901-4-2	4 SAE x 1/8" FPX90 With 9/16" Body, Forged	1		
607	A-6955-8-6-6	8 SAE x 3/8" FPX Tee	4		
608	AB-8-6	1/2 X 3/8 Bushing	1		
609	H4-112-6MP-6MP	1/4 IN HOSE 3/8MP x 3/8MP x 112 LONG	1		
610	H4-29-6MP-6MP	1/4 in. hose 3/8MP x 3/8MP x 29 in long	2		
611	H4-344-2MP-6MP	1/4 in hose 1/8mp x 3/8mp x 344 long	1		
612	H4-353-2MP-6MP	1/4 in hose 1/8mp x 3/8mp x 353 long	1		
613	H4-36-2MP-6MP	1/4 IN HOSE 1/8MP x 3/8MP x 36 LONG	1		
614	H4-46-2MP-6MP	1/4 IN HOSE 1/8MP x 3/8MP x 46 LONG	1		
615	H4-94-6MP-6MP	1/4 in hose 3/8MP x 3/8MP x 94 in long	1		

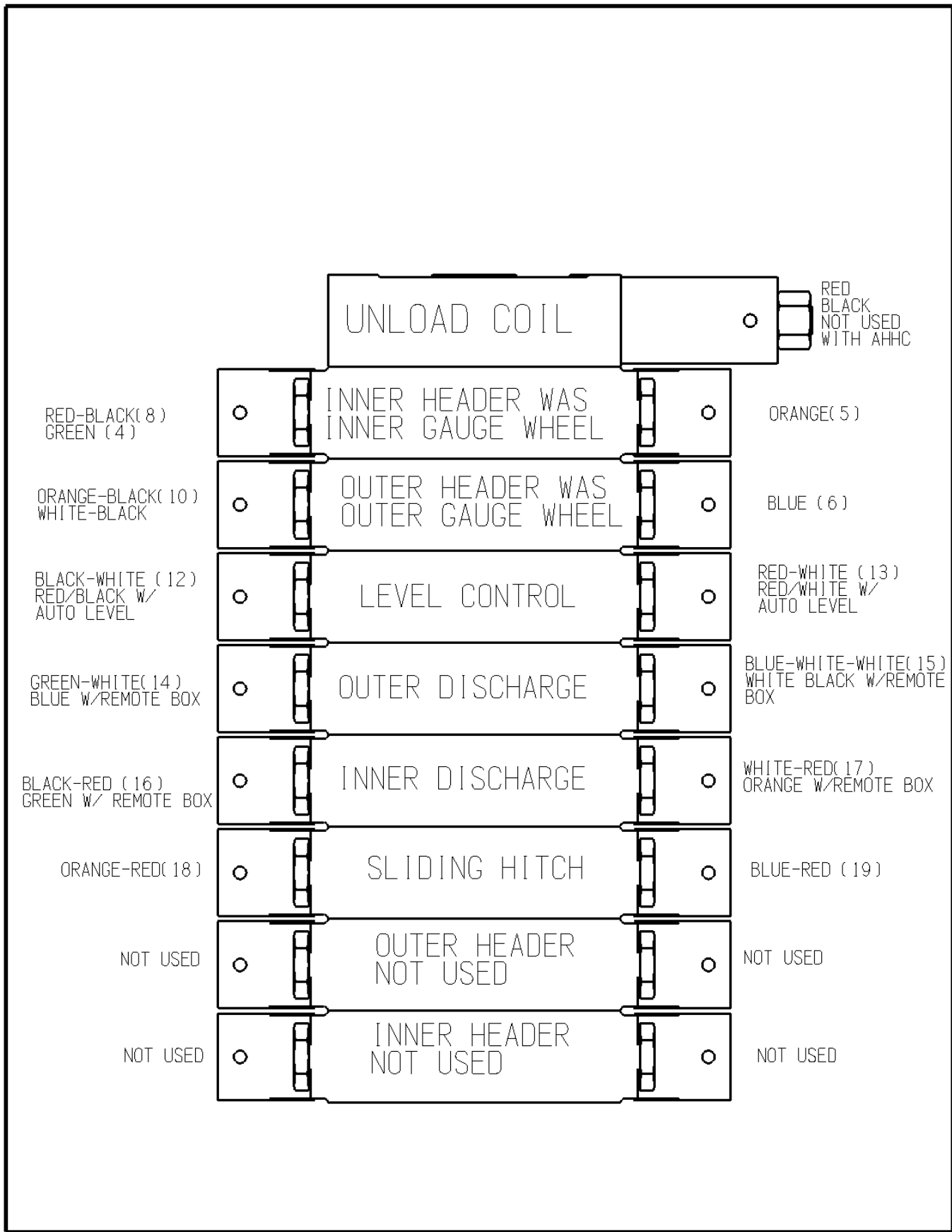
# 1007-2-11H



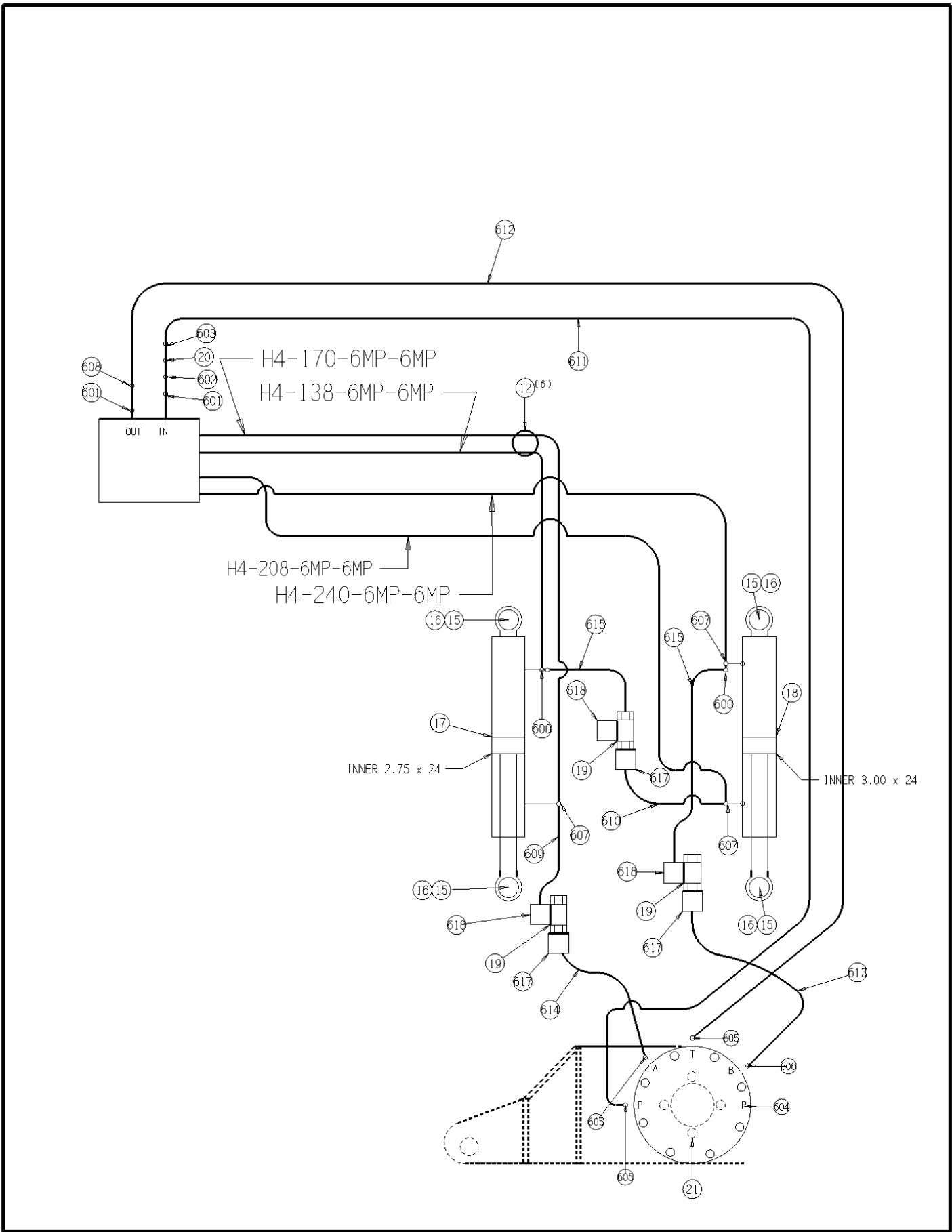
## 1007-2-12 Overhead Header Lift w/ HHC Assembly

<u>Ref</u>	<u>Part No.</u>	<u>Description</u>	<u>Parts – Assembly</u>	<u>Will Fit SN</u>	<u>Remarks</u>
0	HC-250-2408	Hydraulic cylinder 2 1/2 x 24 #8 SAE w/ U cup seal	-2		Seal kit for Lion, HC-250-125U, Replaces 193-102
12	PR34896	Hose Clamp, 1/4" Hydraulic, 1/2" O.D. Hose	6		
13	HA-1031	Hydraulic Hose Holder 3/8	4		
15	HC-1129-A	Hyd. Cyl Pin, 1" x 2 3/4" Between the Grooves	4		
16	HC-1130B	Hair Pin Clip	8		
17	HC-275-2408-RP	2 3/4 x 24 Rephasing Cylinder	1		Seal Kit Part No. HC-250R-112 (639557)
18	HC-300-2408-RP	3 x 24 Rephasing Cylinder	1		Seal Kit Part No. HC-300R-125 (639558)
19	HV-1977	Header Height, Leveling Circuit Valve	3		
20	HV-4-4M	Manual Metering Needle Valve	1		
21	HVR-5479	Rotary Valve, Microtorque w/ high pressure ends	1		
31	WT-14	Wire Tie 14 1/4"	25		
32	WT-7	Wire Tie 7"	25		
124	RI-3-6-P	Pop Rivets 3/16 x 3/8 Domed, .375 head, ea.	15		
600	A-1501-6-6	3/8" MP x 3/8" FPX90	2		
601	A-1601-8-8-8	1/2 MP x 1/2 FPX x 1/2 FPX Tee	2		
602	A-5404-8-4	Hex Nipple 1/2" x 1/4"	1		
603	A-5405-4-6	Pipe Adapter 3/8 FPT x 1/4 MPT	1		
604	A-6408-4	4 SAE Plug	1		
605	A-6900-4-2	4 SAE x 1/8" FPX	3		
606	A-6901-4-2	4 SAE x 1/8" FPX90 With 9/16" Body, Forged	1		
607	A-6955-8-6-6	8 SAE x 3/8" FPX Tee	4		
608	AB-8-6	1/2 X 3/8 Bushing	1		
609	H4-112-6MP-6MP	1/4 IN HOSE 3/8MP x 3/8MP x 112 LONG	1		
610	H4-94-6MP-6MP	1/4 in hose 3/8MP x 3/8MP x 94 in long	1		
611	H4-344-2MP-6MP	1/4 in hose 1/8mp x 3/8mp x 344 long	1		
612	H4-353-2MP-6MP	1/4 in hose 1/8mp x 3/8mp x 353 long	1		
613	H4-200-2MP-6MP	1/4 in hose 1/8MP x 3/8MP x 200 in long	1		
614	H4-228-2MP-6MP	1/4 in hose 1/8MP x 3/8MP x 228 in long	1		
615	H4-29-6MP-6MP	1/4 in. hose 3/8MP x 3/8MP x 29 in long	2		
617	A-6900-6-6	6 SAE x 3/8" FPX	3		

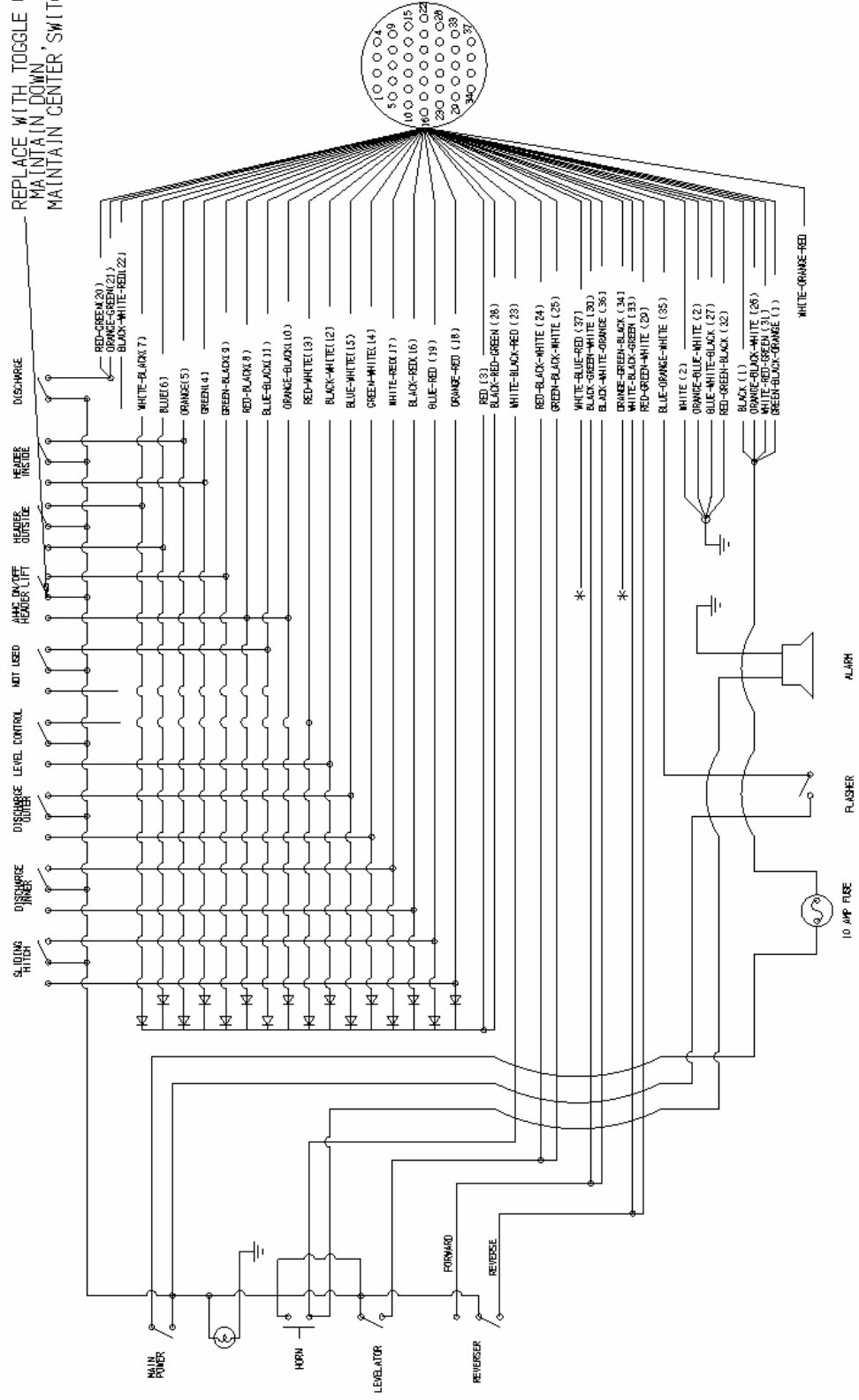
618	A-6901-6-6	6 SAE x 3/8" FPX 90 , Forged	3	
800	HVR-5479-RB	Microtorque Valve, Rebuilt (requires core)	1	To be used in "exchange" program only, not in new applications. Contact Pik-Rite Dealer for Details on "Rebuild" Program.



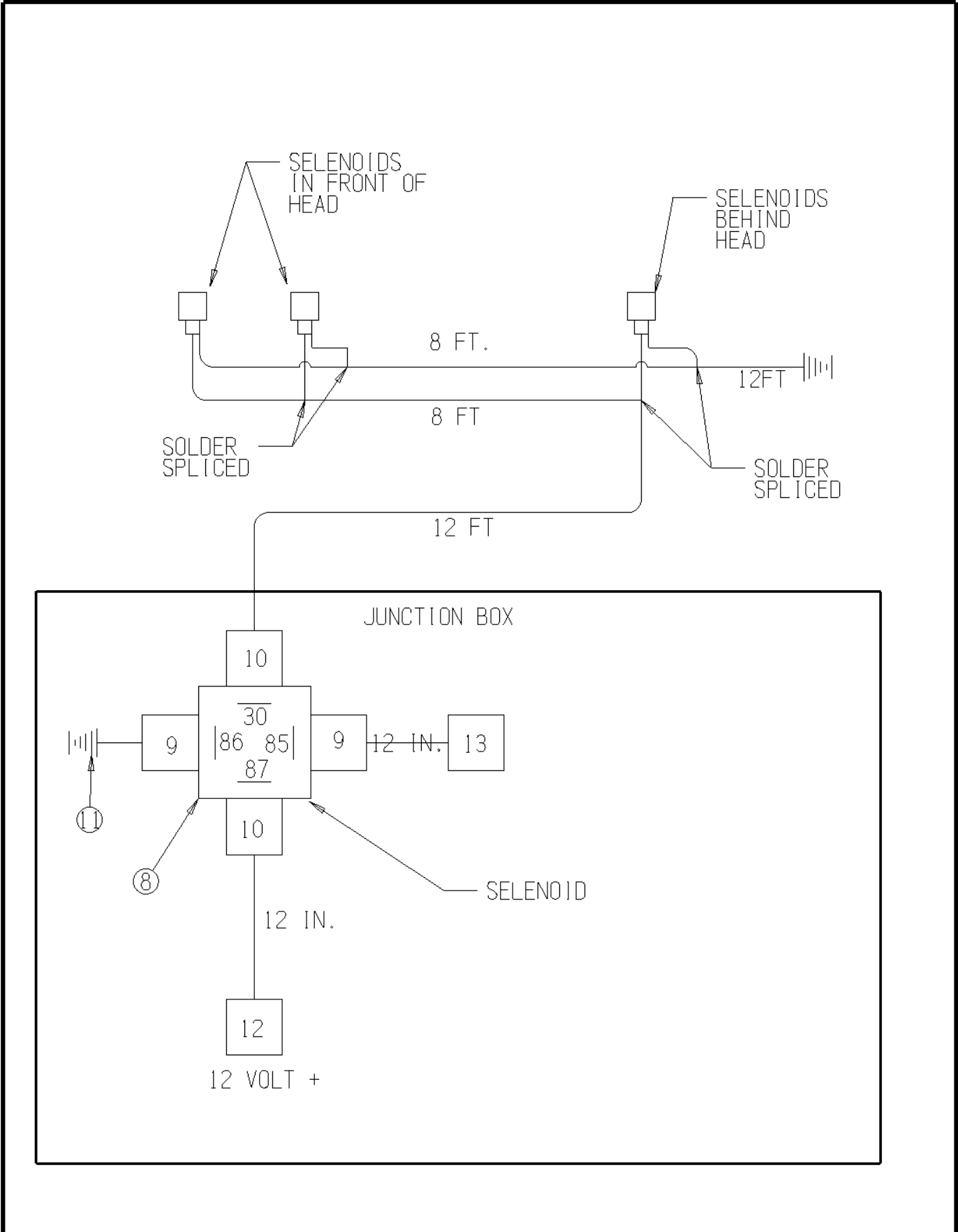




REPLACE WITH TOGGLE UP,  
 MAINTAIN DOWN,  
 MAINTAIN CENTER SWITCH



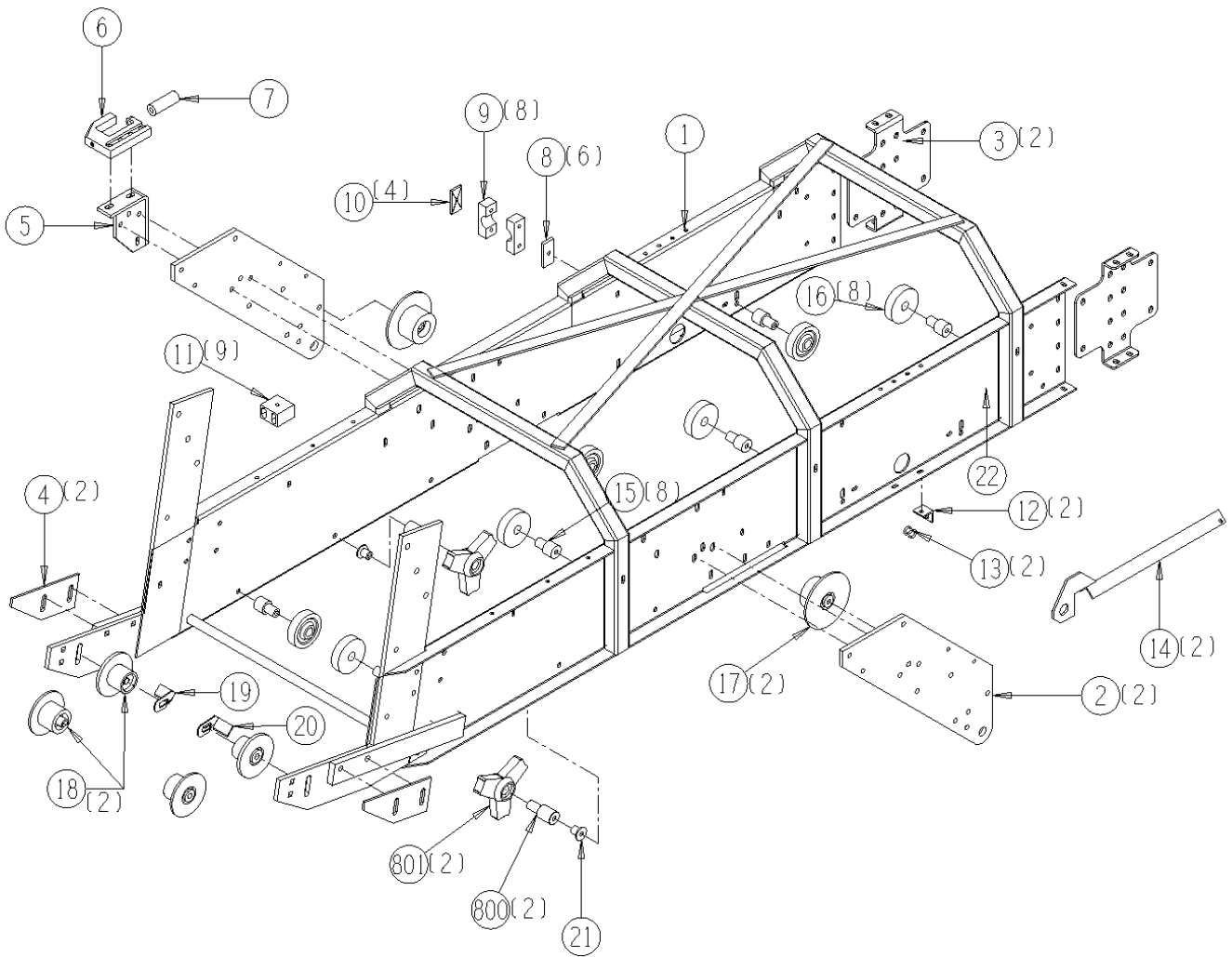
\* MAY BE CONNECTED IN SOME BOXES



## 1007-3-1 Primary Header Assembly

<u>Ref</u>	<u>Part No.</u>	<u>Description</u>	<u>Parts – Assembly</u>	<u>Will Fit SN</u>	<u>Remarks</u>
0	SPA-6131	Spacer, Gathering Chain Assy, Rollers	2	60097001-	
1	FRM-102	Over Top Cross Member Header 190 Tomato	1		
2	195-101D	Header Cylinder Mounts	2	19501-	
3	SUP-102	Support, Header Side Rail Splice, 190	2		
4	191-142	Scraper, Under Disk	2	19101-	
5	195-101J	Slide Guide Mount, Header	1	19501-	
6	BRA-190	Bracket, Slide Guide, 190 Tomato	1		
7	192-107A	Slide Guide Roller	1		
8	SPA-1050	Spacer for Hydraulic Tube Mount	6		
9	HA-1051	Hyd, Clamp Halves	8	19101-	
10	HA-1052	Hyd, Cover Plate	4	19101-	
11	PR34896	Hose Clamp, 1/4" Hydraulic, 1/2" O.D. Hose	9		
12	192-1509C	Air compressor adjuster	2	19201-	
13	HK-9862	S Hook for 3/16 Wire Diameter	2		
14	STP-195101	Stop, Cylinder Latch, Lower Header	2		
15	RLA-010-0108	Spindle / Standoff for Urethane Roller (heat treated)	8	19101-	
16	RLG-040-1016	4" Urethane Roller	8	Old Terog Part No. RU4	
17	RLT-635-228	6 1/2" Flange Roller 2.2 WF 3.5 dia, 1/2" bore	2		
18	RLS-522-2010	Steel Roller, 5" Flange, 2.2" Dia, 2" wide	0		Sub RLU-522-2010
18	RLS-522-2010-SC	Steel Roller, 5" Flange, 2.2" Dia, 2" wide, w/Hub for Scraper	2	For use with scrapers RLA-3023- TM (RH) and RLA-3024- TM (LH) only	
19	RLA-3023-TM	Scraper for Nose Roller, RH	1	For use with RLS-522- 2010-SC roller only	
20	RLA-3024-TM	Scraper for Nose Roller, LH	1	For use with RLS-522- 2010-SC roller only	
21	RLA-000-118	Standoff, 1/2" X 1 1/8"	2		
22	DC-1177	Decal, Large White PIK RITE 8" x 58"	1		
800	RLA-015-308	Spindle for 3 Point Shakers	2		
801	RLT-324	Rubber 3 Point Shaker	2		

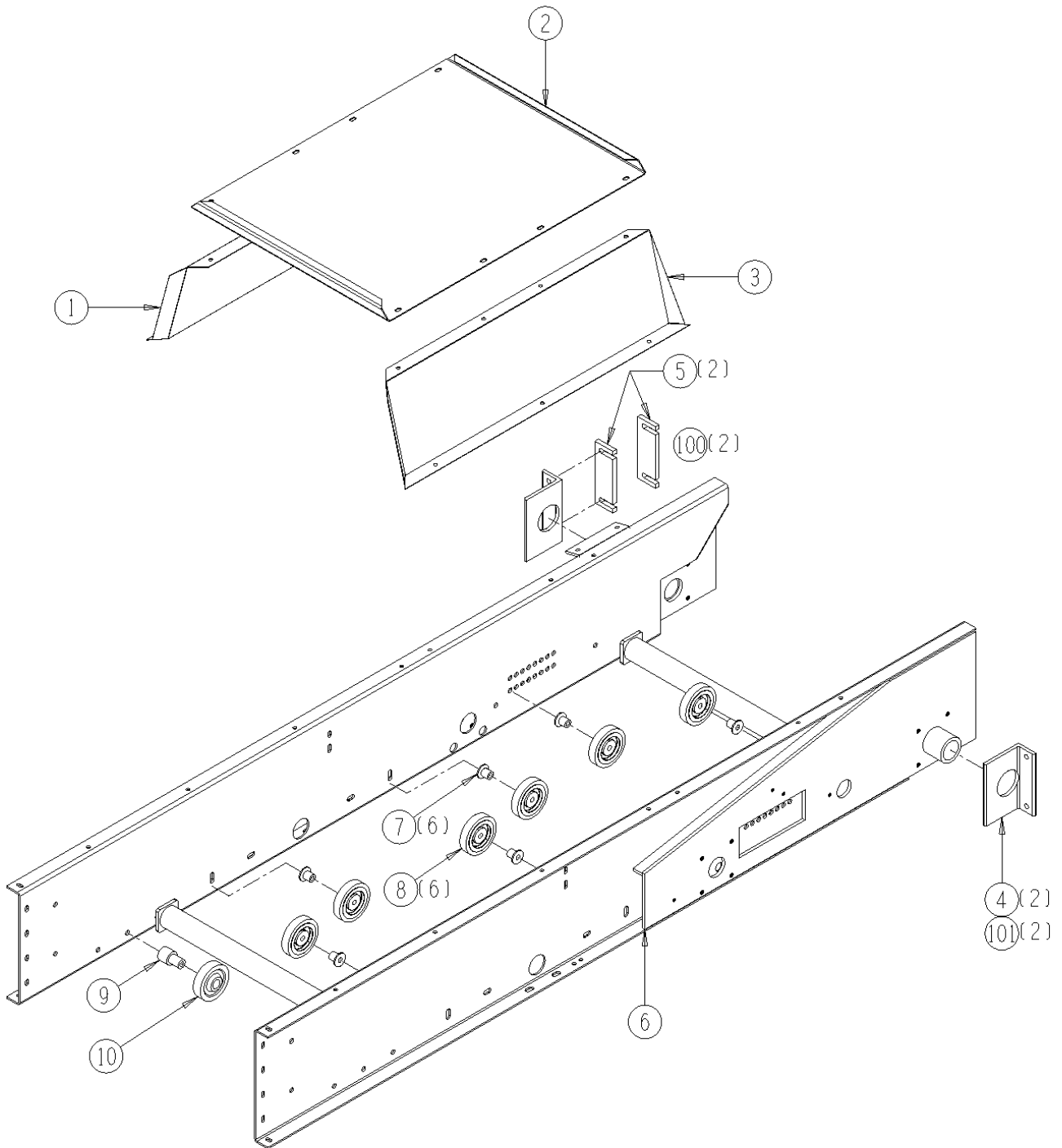
# 1007-3-1



## 1007-3-2 Secondary Header Frame Assembly

<u>Ref</u>	<u>Part No.</u>	<u>Description</u>	<u>Parts – Assembly</u>	<u>Will Fit SN</u>	<u>Remarks</u>
1	191-137B	Vibrator cover, inner	1	19101-	
2	191-137	Vibrator cover, Top	1	19101-	
3	191-137A	Vibrator cover, outer	1	19101-	
4	191-106	Bracket, Header Mount, Pivot	2	19101-	
5	SPA-106-4	Spacer, Header Mount, Pivot (Tomato)	0	19201-	
5	SPA-106-6	Spacer, Header Mount, Pivot (Tomato)	0	19201-	
5	SPA-106-8	Spacer, Header Mount, Pivot (Tomato)	2	19201-	
6	FRM-101R	Frame, Header Conveyor, Rear (Tomato)	1	19601-	Replaces 195-101R
7	RLA-000-118	Standoff, 1/2" X 1 1/8"	6		
8	RLR-040-108	4" Flat Roller	6		Changed to Urethane in 2006
9	RLA-010-0108	Spindle / Standoff for Urethane Roller (heat treated)	1	19101-	
10	RLG-040-1016	4" Urethane Roller	1	Old Terog Part No. RU4	
100	BL-8-750-8	1/2-13 x 7 1/2 Grade 8 Hex Head Cap Screws	2		
101	BL-8-650-8	1/2-13 X 6 1/2 GR8 HH BOLT	2		

# 1007-3-2



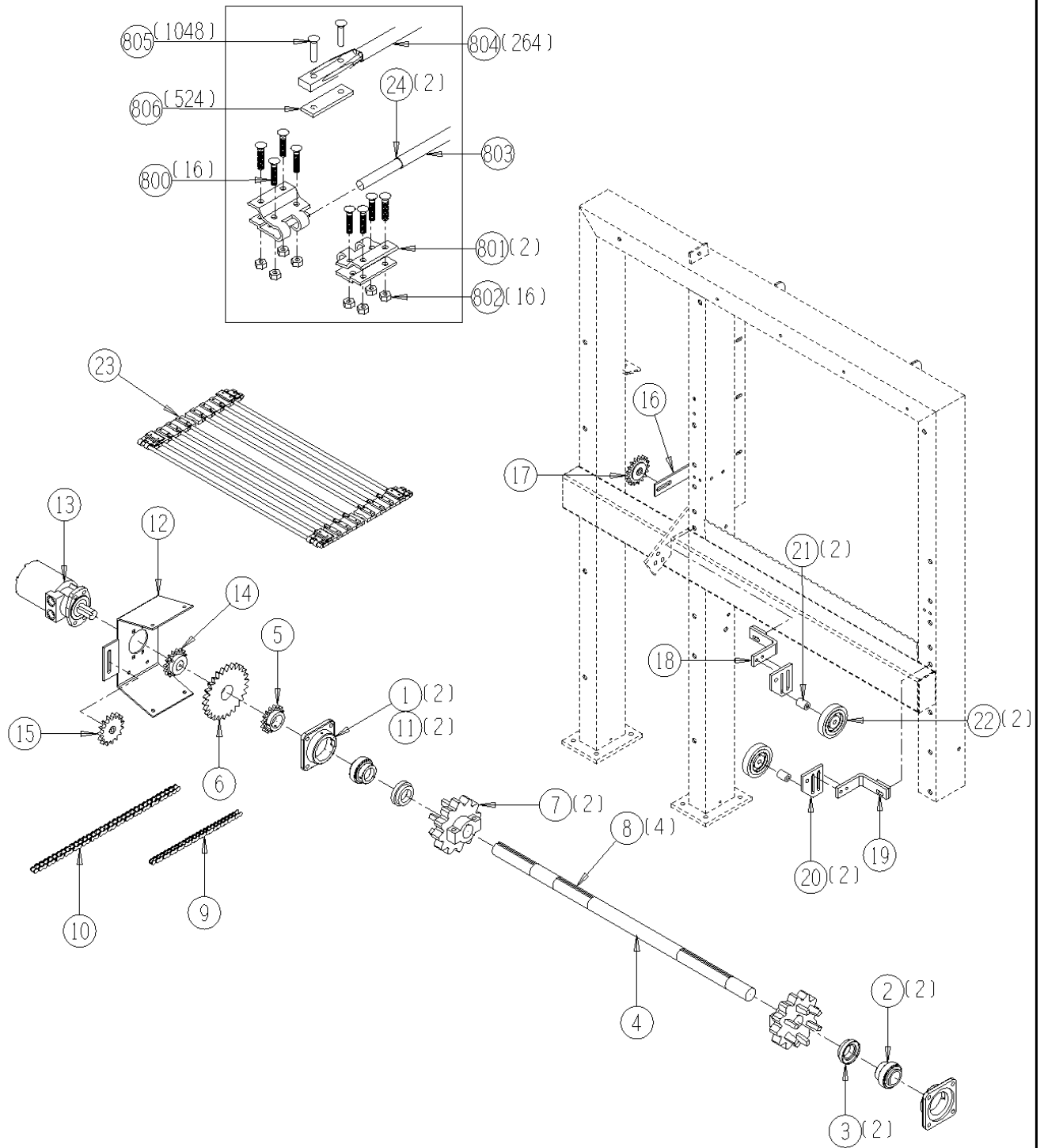
## 1007-3-3 Header Conveyor Drive Shaft Assembly

<u>Ref</u>	<u>Part No.</u>	<u>Description</u>	<u>Parts – Assembly</u>	<u>Will Fit SN</u>	<u>Remarks</u>
1	BR-085-RCJ	RCJ Bearing Housing	2	11001	
2	BR-175-085	Fafnir Bearing 1 3/4 Tri Seal	2		
3	BR-175-LC	1 3/4" Locking Collar - Bearing Protector	2		
4	110-112	Shaft, Header Drive	1	11001-	
5	SP-50B16-28-6	Sprocket, #50, 16 tooth, 1.75" bore	1	11001	
6	SP-60B27-28-6	Sprocket, Header Drive (shaft), #60, 27 tooth, 1.75" bore	1	19101-	
7	SP-4212-28-6-H	Sprocket, 12T Drive #4212 1 3/4" Bore Heat Treated	2		
8	KEY-6-6-24	Keystock 3/8" x 3/8" x 1 1/2" Square Cut (1018)	4		
9	CH-50-41	Roller Chain 41 pitches #50 w/master link	1		
10	CH-60H-51	Roller Chain 51 pitches #60H Header Drive(Tomato & Cucumber) w/master link	1		
11	GF-1428-65	Grease Fitting 1/4" x 28 65	2		
12	MOU-101R	Mount, Motor, Header (Tomato)	1	19601-	
13	HM-1228-TC	TCI Motor	1	Direct Interchange with HM-400-OMS	Replaces HM-1228-CH, And HM-188R. Seal Kit # TCI-SKMLHS
14	SP-60B20-20-5	Sprocket, Header Drive (motor), #60, 20 tooth, 1.25" bore	1		
15	SP-6015-T	Idler, # 60 Roller Chain Adjuster	1	19201	
16	194-114	Tightner Bracket	1	19401-	
17	SP-5017-T	Idler, 17 tooth x #50 Chain	1		
18	BRA-105	Bracket, Header Roller, Inner	1		
19	BRA-106	Bracket, Header Roller, Outer	1	19101-	
20	BRA-107	Bracket, Header Roller	2		
21	RLA-010-013-8	Spindle for Urethane Roller (no standoff)	2		
22	RLR-040-108	4" Flat Roller	2		Changed to Urethane in 2006
23	BC-7-3242-265	Header chain, 7/16" bar 42 mm pitch 265 links	1	19001	
24	BC-3525	Snap Ring, 11mm.	2		
800	BC-1032-FS	10-32 x 1 1/4" bolts Flat Socket Head	16		
801	BC-F-42-32	F Connecting Clip 42-32 @ pair	2		
802	BC-1032-LN	10-32 lock nuts	16		
803	BC-7-32-CN	Connecting Rod, 11mm, 32" Wide Belted Chain, 60mm Traction Belts	1		For Clip Splice Option
804	BC-7-32-ST	7/16" x 32" Belted Chain Rod for 60mm Belt	264	11001	



805	RI-25-BC	25mm Belted Chain Rivets	1048		
806	BC-BP32	Belt, Rivet backing plates 32mm	524	11001	Lap Splice Option, Used only with BC-1032-LN Lock Nuts
808	KEY-5-5-20	Shaft Key 5/16" sq x 1 1/4" Square Cut (1018)	1		

# 1007-3-3



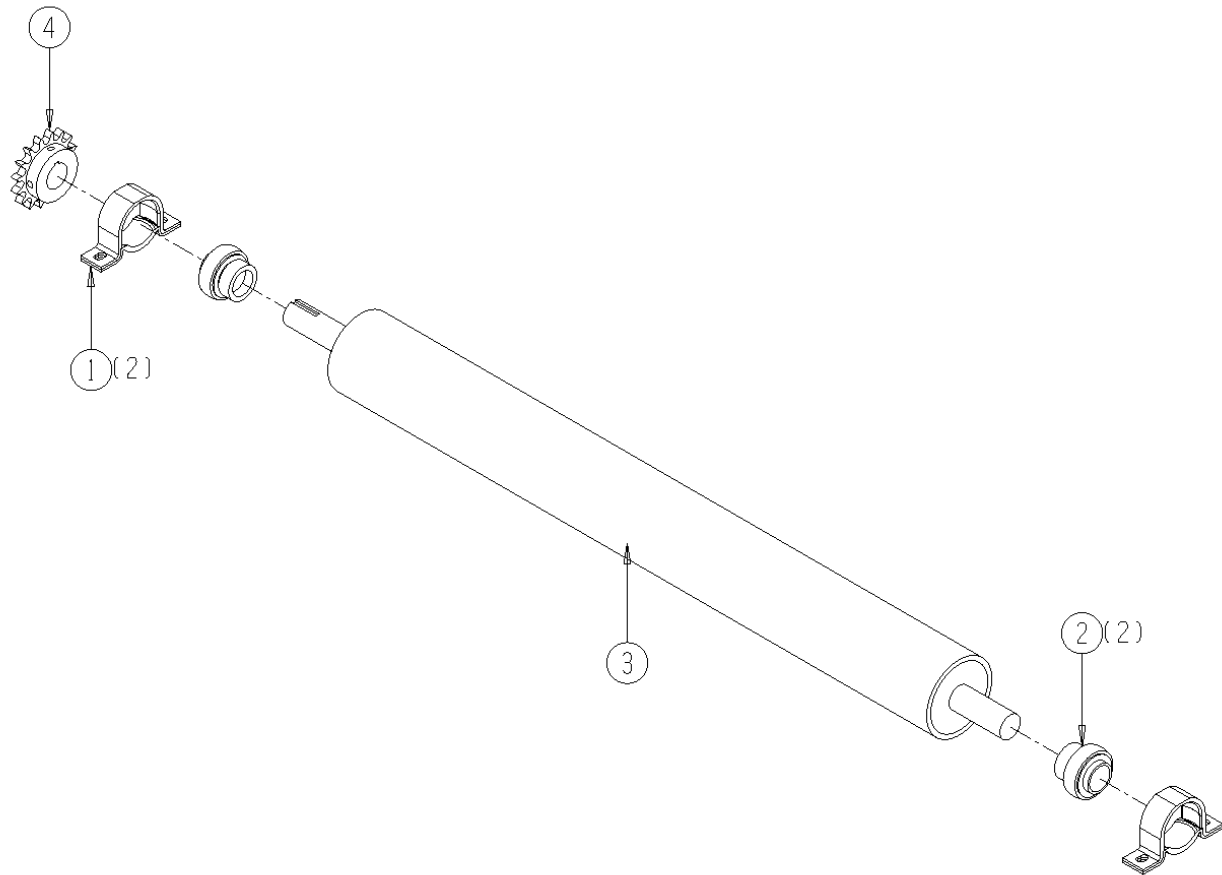


## 1007-3-4 Header Conveyor Return Roller Assembly

---

<u>Ref</u>	<u>Part No.</u>	<u>Description</u>	<u>Parts – Assembly</u>	<u>Will Fit SN</u>	<u>Remarks</u>
1	BR-062-MPB	Stamped Bearing Housing for 1 1/4" bearing	2		
2	BR-125-062	Bearing, 1 1/4 Fafnir tri-seal, 62mm OD	2		
3	194-209	Transfer - Header Roller	1	19401-	
4	SP-50B16-20-4	Sprocket, #50, 16 tooth, 1.25" bore	1		
5	KEY-4-4-20	Shaft Key 1/4" x 1 1/4"	1		

# 1007-3-4



## 1007-3-5 Optional Header Conveyor Spring Lift Assembly

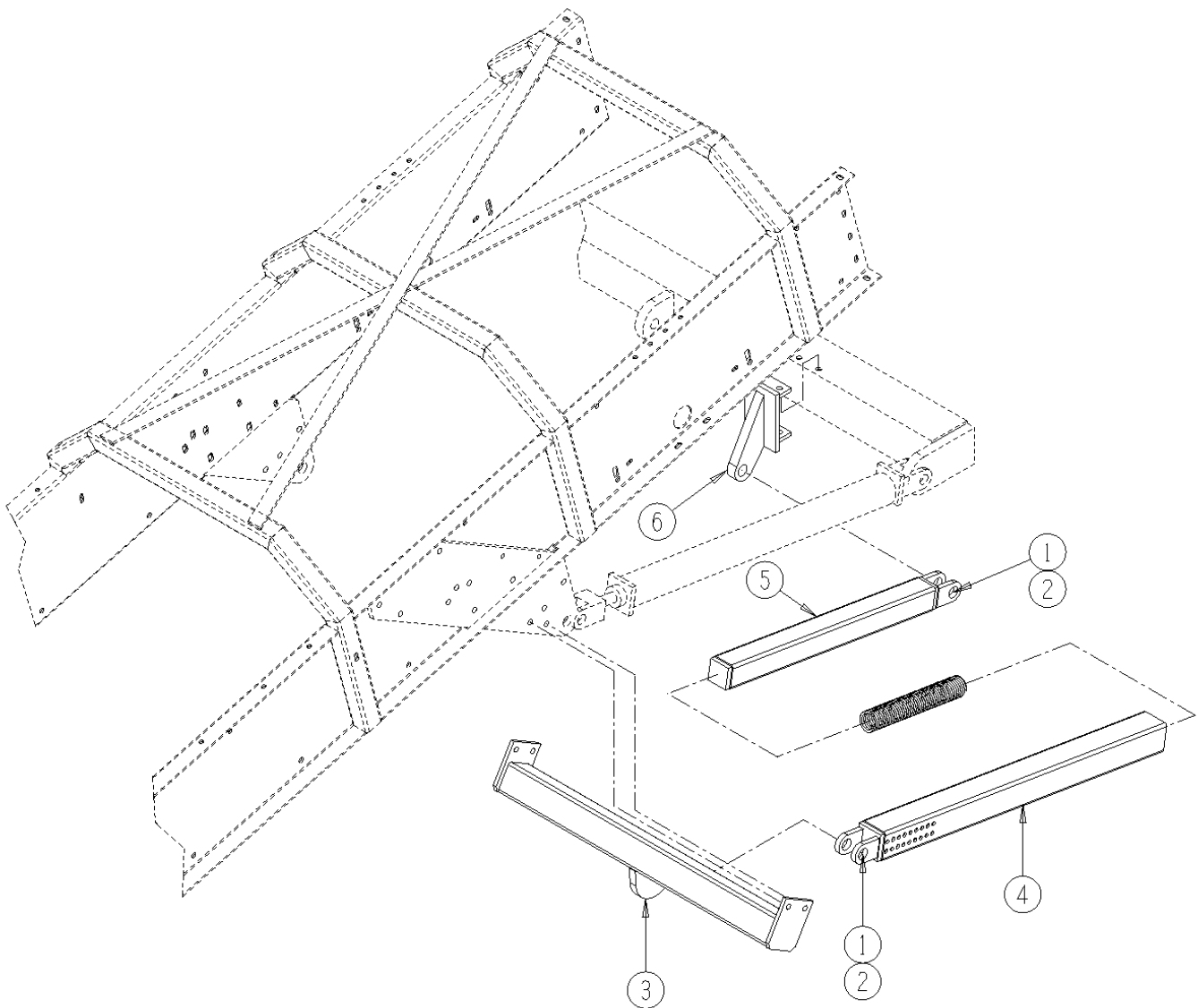
<u>Ref</u>	<u>Part No.</u>	<u>Description</u>	<u>Parts – Assembly</u>	<u>Will Fit SN</u>	<u>Remarks</u>
0	KIT-0077	Spring Header Lift Assist	0		

## KIT-0077 Spring-Assisted Header Lift

<u>Ref</u>	<u>Part No.</u>	<u>Description</u>	<u>Parts – Assembly</u>	<u>Will Fit SN</u>	<u>Remarks</u>
1	BL-16-400-H	1" x 4" Gr 5 HH Bolt Zinc Coated	2		
2	BL-16-LN	1" Lock Nuts w/ Nylon Inserts	2		
3	MOU-1350	Mount, Cylinder, Header Lift	1	KIT-0077	
4	MOU-1352	Mount, Spring, Outer	1	KIT-0077	
5	MOU-1354	Mount, Spring, Inner	1	KIT-0077	
6	MOU-1356	Mount, Adjuster	1	KIT-0077	
7	SPRG-1200-EH	Spring, Extra Heavy 2" Hole Dia., 1" Rod x 12" Long	1		
8	BL-16-SW	1" SAE Washer	4		
101	BL-6-375-H	3/8 UNC X 3 3/4 HH C/S BOLT GR5 ZINC	2		
102	BL-6-LN	3/8 UNC FIN HEX LOCK NUT NE A563 GrA ZINC	2		
103	BL-6-SW	3/8 SAE FW ZC	4		
105	BL-8-200-H	1/2-13 X 2 HEX CAP G5 ZC	4		
106	BL-8-650-H	Grade 5 Bolt 1/2 x 6 1/2	2		
107	BL-8-LN	1/2-13 HEX LOCK NUT NYLON INSERT ZC	6		
108	BL-8-SW-8	1/2 SAE FW G8 ZC	12		

1007-3-5

KIT-0077 SPRING ASSISTED HEADER LIFT

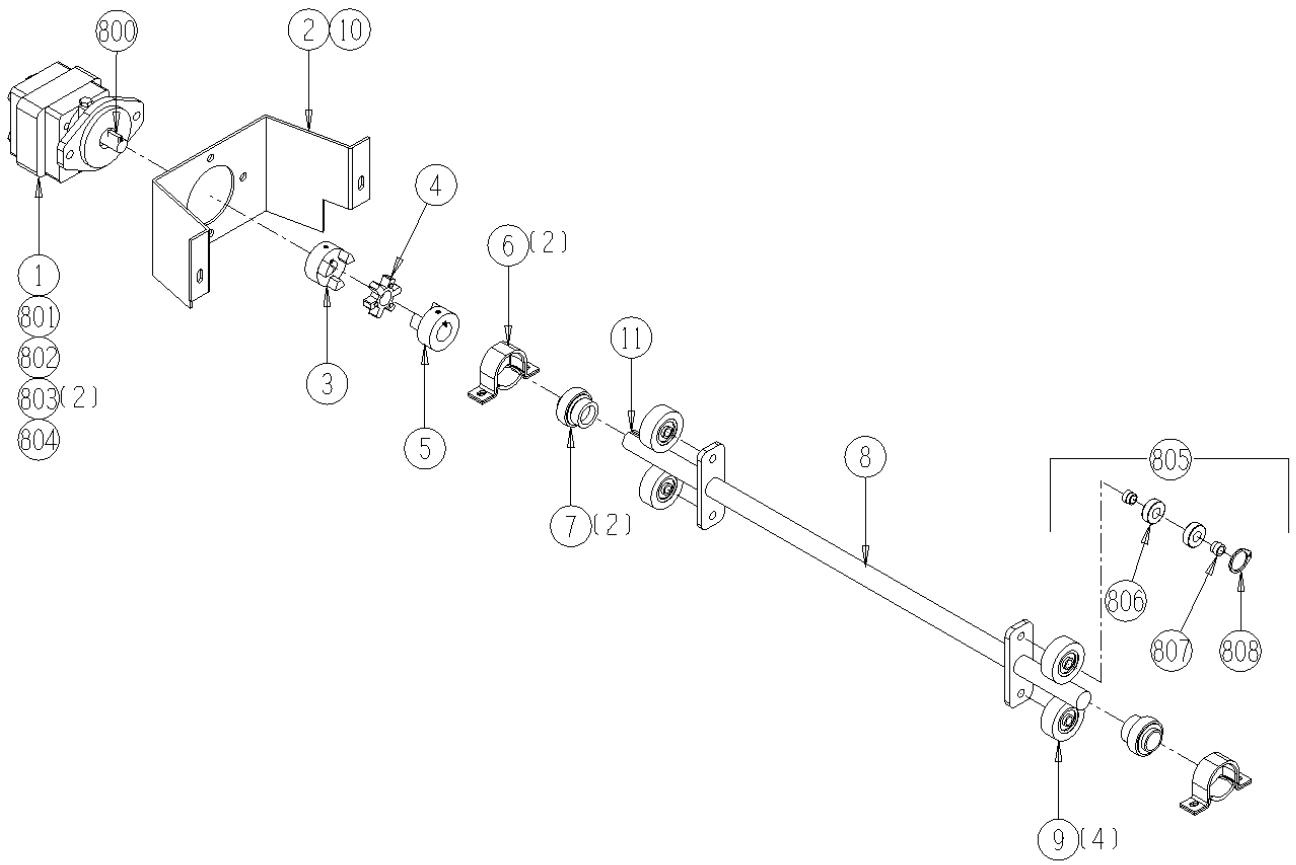


## 1007-3-6 Header Conveyor Vibrator Shaft Assembly

<u>Ref</u>	<u>Part No.</u>	<u>Description</u>	<u>Parts – Assembly</u>	<u>Will Fit SN</u>	<u>Remarks</u>
1	HM-412C	Hydraulic Motor	1	19101	Replaces 191-412 RP: HM-0381, HM-1801, HM-2585, HM-2686, HM-412B
2	192-138	Mount, Vibrator Motor	1	19201-	
3	CPJ-7081	Coupler, Motor side 7/8 bore	1	1910119320	Sub 194-7081 Assembly
4	CPJ-6055	Coupler, Urethane Spider	1	19101	For use with CPJ-6052 and CPJ-6051 Sub CPS-6053
5	CPJ-6052	Coupler, Shaft side 1 1/4in. bore	1	19101	Sub 194-6053 Exept on Debris Fan
6	BR-062-MPB	Stamped Bearing Housing for 1 1/4" bearing	2		
7	BR-125-062	Bearing, 1 1/4 Fafnir tri-seal, 62mm OD	2		
8	192-136	Vibrator shaft	1	19201-	
9	RLT-027-108	Roller 2.75" dia. 1/2" Bore	4		2755C1X (Old Number, Single Bearing)
10	DC-1176	Decal, Danger-Hand Chain Sprockets	1		
11	KEY-4-4-20	Shaft Key 1/4" x 1 1/4"	1		
800	HM-412B	Key for Hydraulic Motor -Shaker Weight-Vibrator	1	HM-412C & HM-712C	
801	HM-2686	Snap Ring, Commercial Motor	1	HM-1020	
802	HM-0381	Ball Bearing, Motor	1	HM-1020	
803	HM-2585	Ring Seal, Commercial Motor	2	HM-1020	
804	HM-1801	Seal Kit for Commercial Intertech	1	P20 & M20 Series	Includes:(1) Length of HM-2882,(1)HM-2883,(2)HM-2884
805	BR-025-052-C	Bearing Kit for Vibrator Roller (2 brg)	1	RLT-027-108	



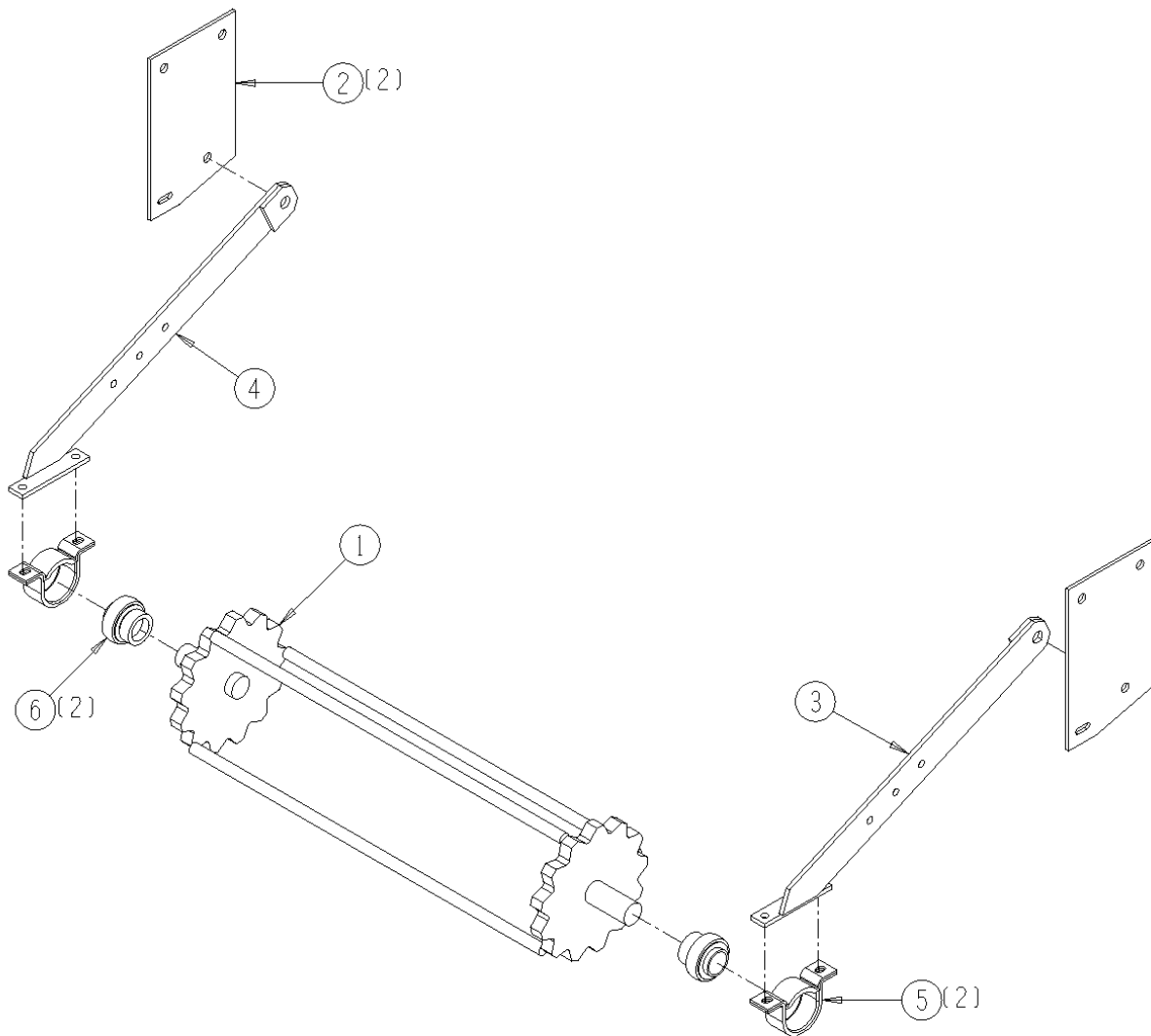
# 1007-3-6



## 1007-3-7 Optional Header Conveyor Bar Cleaner Assembly

<u>Ref</u>	<u>Part No.</u>	<u>Description</u>	<u>Parts – Assembly</u>	<u>Will Fit SN</u>	<u>Remarks</u>
1	192-162	Bar Cleaner, for 42mm pitch x 32" wide chain	1		
2	192-163	Cleaner bar bracket	2	19101-	
3	192-362A	Chain cleaner bar (Left)	1	19101-	
4	192-362B	Chain cleaner bar (Right)	1	19101	
5	BR-062-MPB	Stamped Bearing Housing for 1 1/4" bearing	2		
6	BR-125-062I	Bearing, 1 1/4" ID, TS	2		FIT Bearing
100	BL-10-075-SH	5/8 X 3/4 SHOULDER BOLTS	2	11001-	

# 1007-3-7



## 1007-3-8 Optional Overhead Vine Assist Assembly

<u>Ref</u>	<u>Part No.</u>	<u>Description</u>	<u>Parts – Assembly</u>	<u>Will Fit SN</u>	<u>Remarks</u>
0	191-137	Vibrator cover, Top	-1	19101-	
0	191-137a	Vibrator cover, outer	-1	19101-	
0	191-137B	Vibrator cover, inner	-1	19101-	
0	KIT-0050	Overhead Vine Assist Kit	1		
800	BC-F-36-32	F Connecting Clips 36-32 @ pair	2	11001	
801	BC-1032-FS	10-32 x 1 1/4" bolts Flat Socket Head	16		
802	BC-1032-LN	10-32 lock nuts	24		
803	BC-F-60SP	60mm Connecting Pin, Smooth w/ Grooves for Grip Clip	1		
804	BC-6-32-ST	3/8" x 32" Belted Chain Rods for 60mm Belt	73	11001	
805	RI-19-BC	19mm Belted Chain Rivets	288		
806	BC-BP32	Belt, Rivet backing plates 32mm	72	11001	Lap Splice Option, Used only with BC-1032-LN Lock Nuts
807	BC-3510	Grooveless Snap Ring, 10mm.	4		
808	BL-5-125-SCF	5/16 - 24 x 1 1/4", Socket Head Cap Screw	4		
809	HM-118R-SK	Seal Kit for Ross Motor MB-23	1		

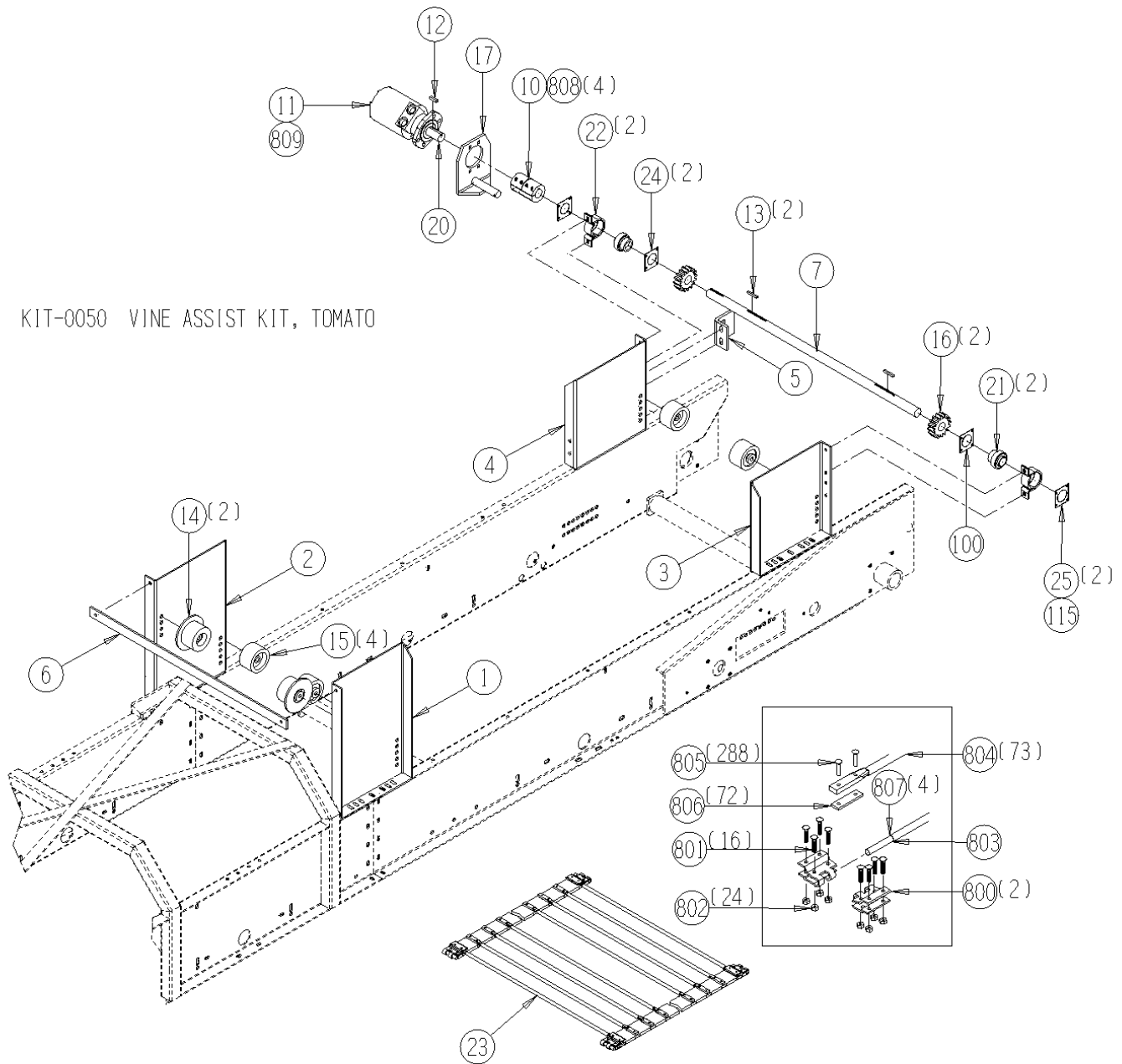
## KIT-0050 Vine Assist Kit, Tomato

<u>Ref</u>	<u>Part No.</u>	<u>Description</u>	<u>Parts – Assembly</u>	<u>Will Fit SN</u>	<u>Remarks</u>
1	PAN-1104	Panel, Weldment, Outer Forward, Vine Assist	1	Kit-0050	
2	PAN-1105	Panel, Weldment, Inner Forward, Vine Assist	1	Kit-0050	
3	PAN-1106	Panel, Weldment, Outer Rear, Vine Assist	1	Kit-0050	
4	PAN-1107	Panel, Weldment, Inner Rear, Vine Assist	1	Kit-0050	
5	193-806B	Motor Mount Stop	1		
6	BAR-1100	Bar, Connecting Bar, Front, Vine Assist	1	Kit-0050	
7	193-603	Shaft, Elevation	1	19301- (Elevation), KIT-0101 (Vine Assist ),KIT- 0050,Kit- 0051	
10	CPS-6060	Steel Coupler (offcenter) 1 1/4" x 1"	1		
11	HM-210-TC	TCI Motor	1		Seal Kit # TCI-SKHPQ
12	KEY-4-4-20	Shaft Key 1/4" x 1 1/4"	1		
13	KEY-4-4-28	Shaft Key 1/4" x 1 3/4"	2		
14	RLT-535-228	5" Flange Roller 2.2WF x 3 1/2" dia, 1/2" bore	2		

15	RLT-035-228	Roller 3.5 dia x 2.2 x 1/2" bore, no flange	4
16	SPU-3610-20-4	Sprocket 36-10 1 1/4 bore 1/4" key urethane	2
17	193-806	Mount motor	1
21	BR-125-062	Bearing, 1 1/4 Fafnir tri-seal, 62mm OD	2
22	BR-062-MPB	Stamped Bearing Housing for 1 1/4" bearing	2
23	BC-6-3272-74-AL	32" x 72mm,74 Bars (209.76"), 60mm Belting,3/8"Bar	1
24	SC-20-6	Bearing Protector, 1 1/4", Inner Side	2
25	SC-20-7	Bearing Protector, 1 1/4", Outer, Lock Collar Side	2
100	BL-1032-175P	10/32 x 1 3/4" Pan Head, Phillips Machine Screw	8
101	BL-6-SW	3/8 SAE FW ZC	42
102	BL-6-SW-8	3/8 SAE FW G8 ,Yellow Zinc, Thru Hardened	6
103	BL-6-LN	3/8 UNC FIN HEX LOCK NUT NE A563 GrA ZINC	20
104	BL-6-125-H	3/8-16 X 1 1/4 HHCS G5 ZC	12
105	BL-6-150-H	3/8-16 X 1 1/2 HEX CAP G5 ZC	4
106	BL-6-150-C	3/8 UNC X 1 1/2 CARRIAGE BOLT GR5 ZINC	4
107	BL-6-LW	3/8 SPLIT LW ZC	4
108	BL-6-N	3/8-16 HEX NUTS ZC	4
109	BL-6-275-H	3/8-16 X 2 3/4 HEX CAP G5 ZC	4
110	BL-8-325-H	1/2 UNC X 3 1/4 HH C/S BOLT GR5 ZINC	6
111	BL-8-SW	1/2 SAE FW ZC	6
112	BL-8-LN	1/2-13 HEX LOCK NUT NYLON INSERT ZC	6
113	BL-8-FW-8	1/2 FLAT WASHER G8 ZC	2
114	BL-6-100-H	3/8 UNC X 1 HH C/S BOLT GR5 ZINC	4
115	BC-1032-LN	10-32 lock nuts	8
601	A-6900-10-8	10 SAE x 1/2 FPX	2
602	A-1405-12-12	3/4 NPT coupler w/swivel	1
604	H12-36-12MP-8MP	3/4 in hose 3/4MP x 1/2MP x 36 in long	1
605	H12-20-12MP-8MP	3/4 in hose 3/4MP x 1/2MP x 20 in long	1

# 1007-3-8

KIT-0050 VINE ASSIST KIT, TOMATO



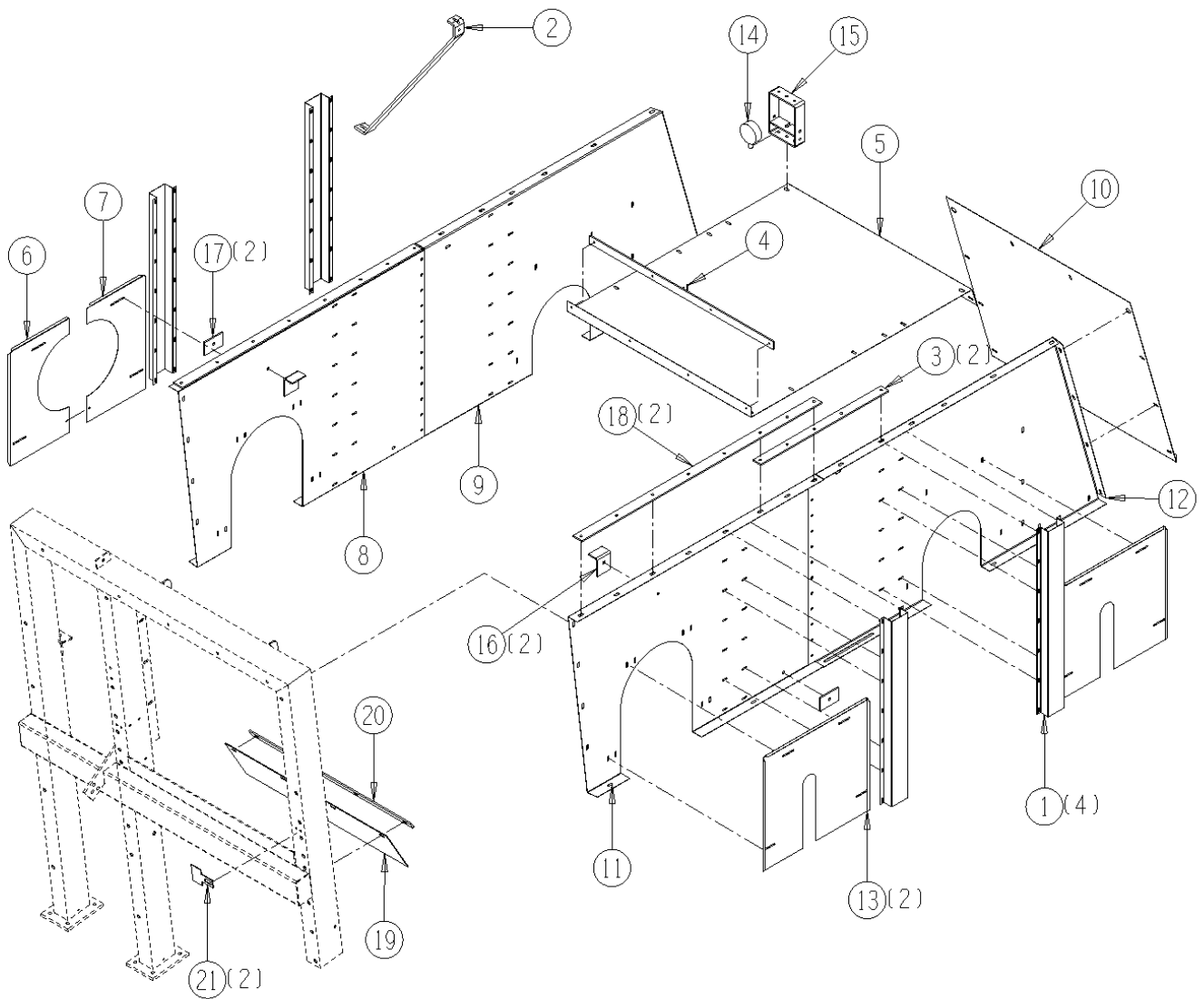
## 1007-4-1 Standard Shaker Chamber Assembly

<u>Ref</u>	<u>Part No.</u>	<u>Description</u>	<u>Parts – Assembly</u>	<u>Will Fit SN</u>	<u>Remarks</u>
1	194-301B	Post, Shaker Side	4	19401-	
2	195-320	Support Brace (Shaker Side)	1		
3	BAR-301	Bar, Shaker Panel, Support (Tomato)	2	19601-	
4	193-303C	Support Bar	1	19301-	
5	193-303A	Shaker chamber diagonal cover, top	1	19301-	
6	191-312R	Primary Shaker End Cover, Right	1	19101-	
7	191-312L	Primary Shaker End Cover, Left	1	19101-	
8	196-302	Panel, Right-Front Shaker (Tomato)	1		Replaces 192-302
9	196-304	Panel, Right-Rear Shaker (Tomato)	1	19601-	Replaces 192-302
10	193-303B	Shaker chamber diagonal cover, back	1	19301-	
11	196-301	Panel, Left-Front Shaker (Tomato)	1	19601-	
12	196-303	Panel, Left-Rear Shaker (Tomato)	1	19601-	Replaces 192-301
13	195-312	Cover, Shaker End (Outer)	2	19501-	
14	EL-1206	Double Amber Lamp	1		
15	SHD-1206	Shield, Flashing Light	1	30097001- 19601-	
16	193-309	Primary cover stop	2	19301-	
17	BAR-1861	Bar, Roller Backing Plate	2		
18	BAR-302	Bar, Shaker Panel, Front, Top Support	2		
19	191-210	Transfer Belting Shield	1	19101-	
20	191-210A	Transfer Entrance Belting Bar	1	19101-	
21	193-126	Saver Tab	2	19301-	
100	BL-4-050-H	1/4-20 X 1/2 HEX CAP G5 ZC	1		
101	BL-4-062-C	1/4" x 5/8" Zinc Carriage Bolt	68		
102	BL-4-075-H	1/4 UNC X 3/4 HH C/S BOLT GR5 ZINC	4		
103	BL-4-FW-8	1/4" Flat Washer Grade 8	76		
104	BL-4-LN	1/4-20 HEX LN NE ZC	5		
105	BL-4-LW	1/4 SPLIT LW ZC	68		
106	BL-4-N	1/4-20 HEX FIN NUTS ZC	68		
107	BL-6-075-C	3/8 UNC X 3/4 CARRIAGE BOLT GR5 ZINC	12		
108	BL-6-075-H	3/8-16 X 3/4 HHCS G5 ZC	24		
109	BL-6-100-C	3/8 UNC X 1 CARRIAGE BOLT GR5 ZINC	12		
110	BL-6-100-H	3/8 UNC X 1 HH C/S BOLT GR5 ZINC	14		
111	BL-6-125-C	3/8 UNC X 1 1/4 CARRIAGE BOLT GR5 ZINC	1		

112	BL-6-FW-8	3/8 FLAT WASHER, G8 ZC	64
113	BL-6-LN	3/8 UNC FIN HEX LOCK NUT NE A563 GrA ZINC	39
114	BL-6-LW	3/8 SPLIT LW ZC	24
115	BL-6-N	3/8-16 HEX NUTS ZC	24
116	BL-6-SW	3/8 SAE FW ZC	62
117	BL-8-150-H	1/2 UNC X 1 1/2 HH C/S BOLT GR5 ZINC	1
118	BL-8-LN	1/2-13 HEX LOCK NUT NYLON INSERT ZC	1
119	BL-8-SW	1/2 SAE FW ZC	1



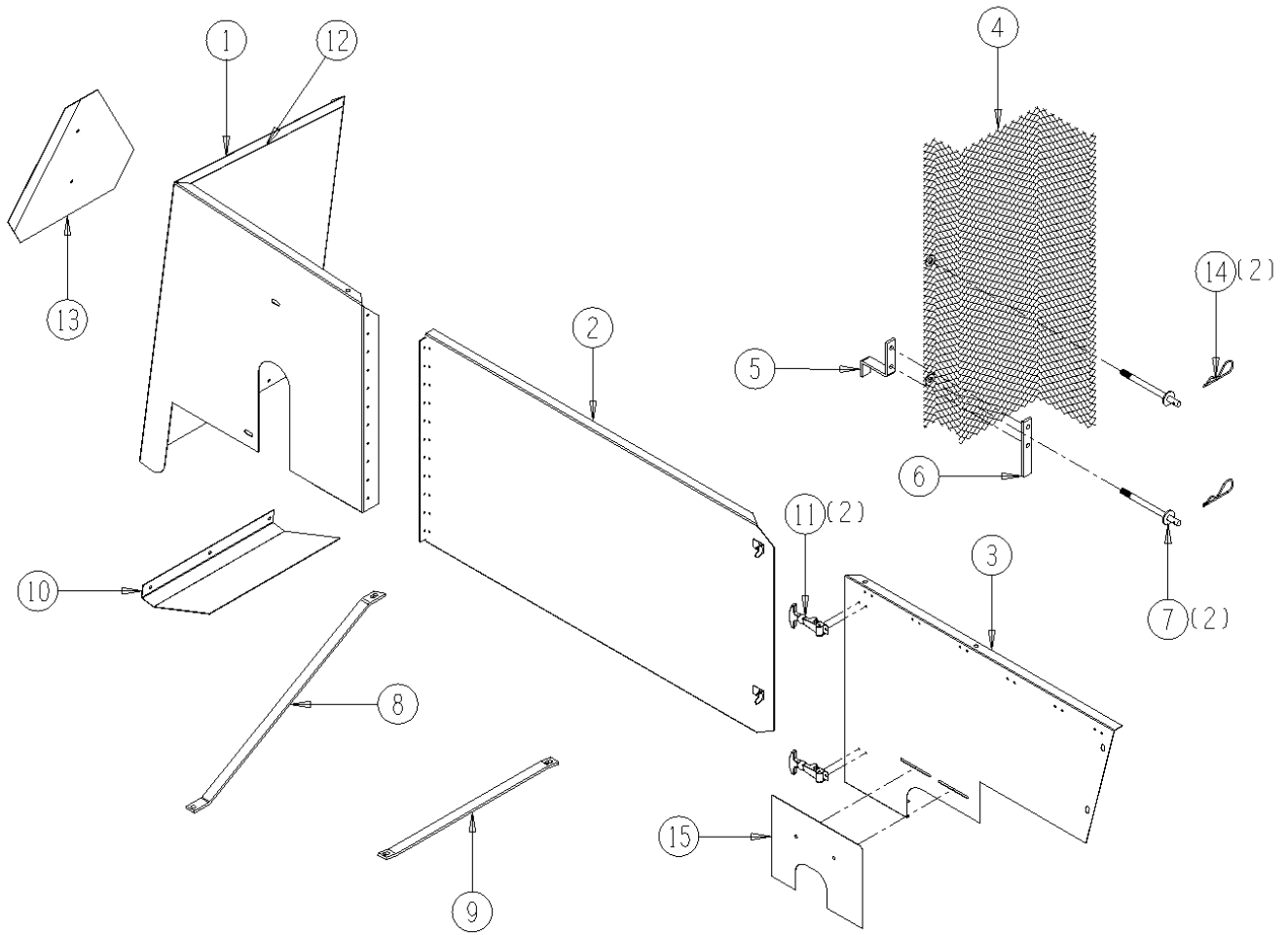
# 1007-4-1



## 1007-4-2 Standard Shaker Chamber Box Shield Assembly

<u>Ref</u>	<u>Part No.</u>	<u>Description</u>	<u>Parts – Assembly</u>	<u>Will Fit SN</u>	<u>Remarks</u>
1	195-1141	Shield, Shaker (Rear)	1	19501-	
2	195-1143	Shaker Shield,Middle, Tomato	1	19500 & 19901-	
3	195-1140	Shaker Shield (Front)	1	19501-19524 & 19901-	
4	192-1142	Shaker shield-expanded metal	1	19101-	
5	192-1142A	Bracket for Front Shaker Shield	1		
6	BAR-1142A	Bar, Shield, Shaker	1	19201-	
7	192-1142B	Holder Bolt	2	19201-	
8	195-1140A	Brace for Shaker Shield	1		
9	195-1140B	Brace for Shaker Shield	1		
10	SHD-1141A	Shield, Secondary Shaker Add-On	1	19501-	
11	LA-1530	Medium Rubber T Latch Assembly	2		
12	DC-1178	Decal, Small Red PIK RITE 4.25" x 31"	1		
13	SMV-PL	SMV Sign, Metal	1		
14	HC-1130B	Hair Pin Clip	2		
15	SHD-1145	Shield, Shaker, Front	1		
16	RI-3-5-SS	SS Pop Rivets, 5/32 x .063-.125, Buttonhead	11		

1007-4-2

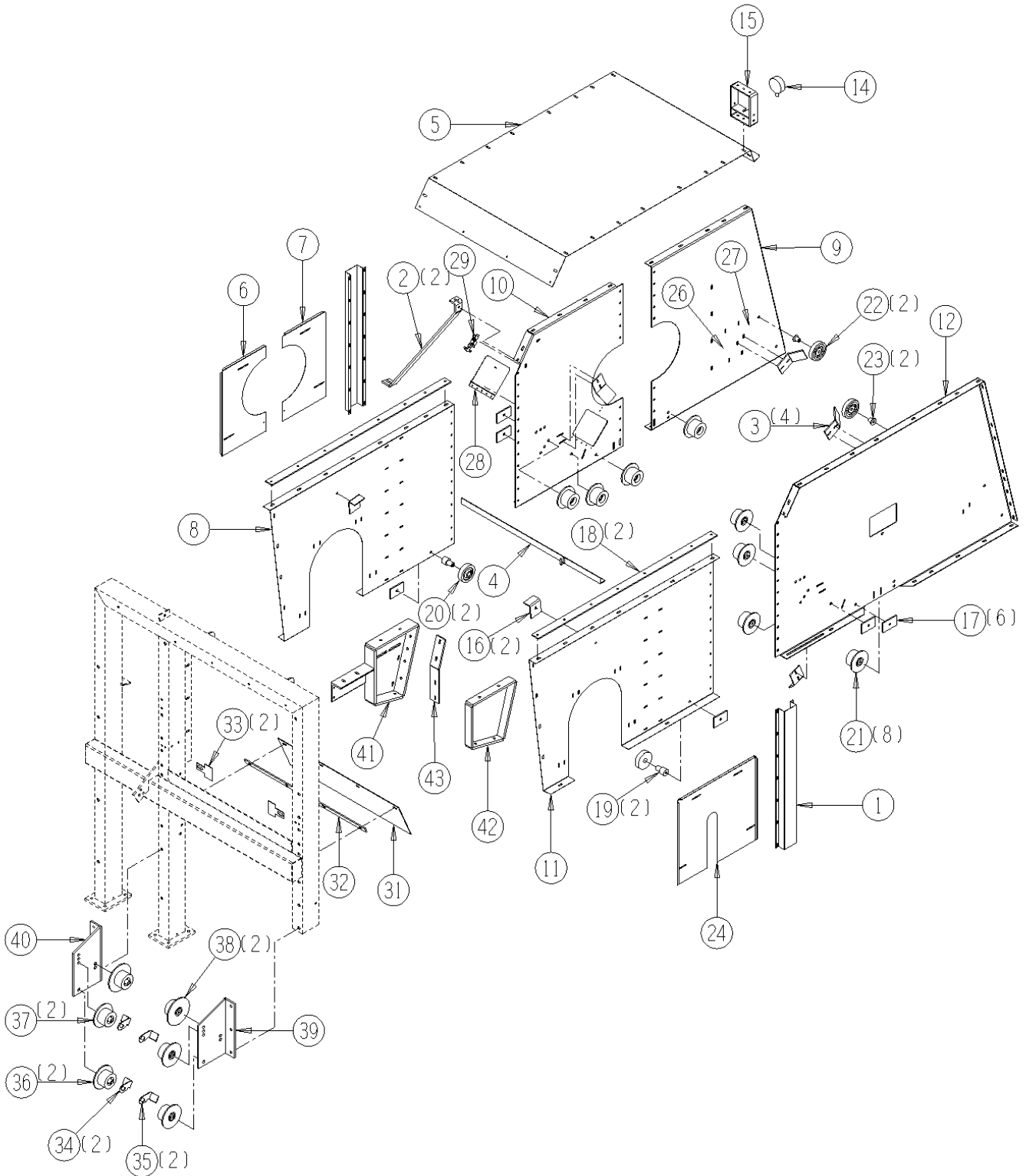


## 1007-4-3 Opt. Shaker Chamber w/Vine Chain Assembly

<u>Ref</u>	<u>Part No.</u>	<u>Description</u>	<u>Parts – Assembly</u>	<u>Will Fit SN</u>	<u>Remarks</u>
1	194-301B	Post, Shaker Side	2	19401-	
2	195-320	Support Brace (Shaker Side)	1		
3	SHD-1898	Shield, Push Offs, Product Deflectors	4		
4	BAR-303	Bar, Angle, Shaker Cover Hook Bar Mount	1		
5	PAN-307	Cover, Diagonal, Top, Tomato	1	KIT-0080	
6	191-312R	Primary Shaker End Cover, Right	1	19101-	
7	191-312L	Primary Shaker End Cover, Left	1	19101-	
8	196-302	Panel, Right-Front Shaker (Tomato)	1		Replaces 192-302
9	PAN-308	Panel, Right, Rear, Tomato	1	KIT-0080	
10	PAN-309	Panel, Right/Mid, Tomato	1	KIT-0080	
11	196-301	Panel, Left-Front Shaker (Tomato)	1	19601-	
12	PAN-306	Panel, Left/Rear	1	KIT-0080	
14	EL-1206	Double Amber Lamp	1		
15	SHD-1206	Shield, Flashing Light	1	30097001- 19601-	
16	193-309	Primary cover stop	2	19301-	
17	BAR-1861	Bar, Roller Backing Plate	6		
18	BAR-302	Bar, Shaker Panel, Front, Top Support	2		
19	RLA-010-0108	Spindle / Standoff for Urethane Roller (heat treated)	2	19101-	
20	RLG-040-1016	4" Urethane Roller	2	Old Terog Part No. RU4	
21	RLT-535-228	5" Flange Roller 2.2WF x 3 1/2" dia, 1/2" bore	8		
22	RLR-040-108	4" Flat Roller	2		Changed to Urethane in 2006
23	RLA-000-118	Standoff, 1/2" X 1 1/8"	2		
24	195-312	Cover, Shaker End (Outer)	1	19501-	
26	DC-1400	Decal, Secondary Transfer, Yellow	1		
27	DC-1430	Decal, Vine Chain	1		
28	195-304D	Access Door w/Hinge	1		
29	LA-1530	Medium Rubber T Latch Assembly	1		
30	DC-1176	Decal, Danger-Hand Chain Sprockets	1		
31	191-210	Transfer Belting Shield	1	19101-	
32	191-210A	Transfer Entrance Belting Bar	1	19101-	
33	193-126	Saver Tab	2	19301-	
34	RLA-3023-T	Straight Scraper, RH	2		

35	RLA-3024-T	Straight Scraper	2	
36	RLT-535-2210	5" Flange Roller 2.2 WF 3.5 dia, 5/8" bore	2	
37	RLT-535-2210-SC	5" Flange Roller 2.2 WF 3.5 dia, 5/8" bore w/ Hub for Scraper	2	
38	RLT-635-2210-SC	6 1/2" Flange Roller w/Shaft for Scraper 5/8" Bore	2	
39	SUP-1420	Support, Roller, Transfer, Outer, Tomato	1	
40	SUP-1422	Support, Roller, Transfer, Inner, Tomato	1	KIT-0080
41	MOU-1416	Mount, Sec. Shaker, Inner	1	KIT-0080
42	MOU-1418	Mount, Sec. Shaker, Outer	1	KIT-0080
43	BAR-1416	Bar, Stiffner, Secondary Shaker Mount	1	
150	RI-3-6-SS	SS Pop Rivets, 3/16 x .251-.375, Buttonhead	9	

# 1007-4-3



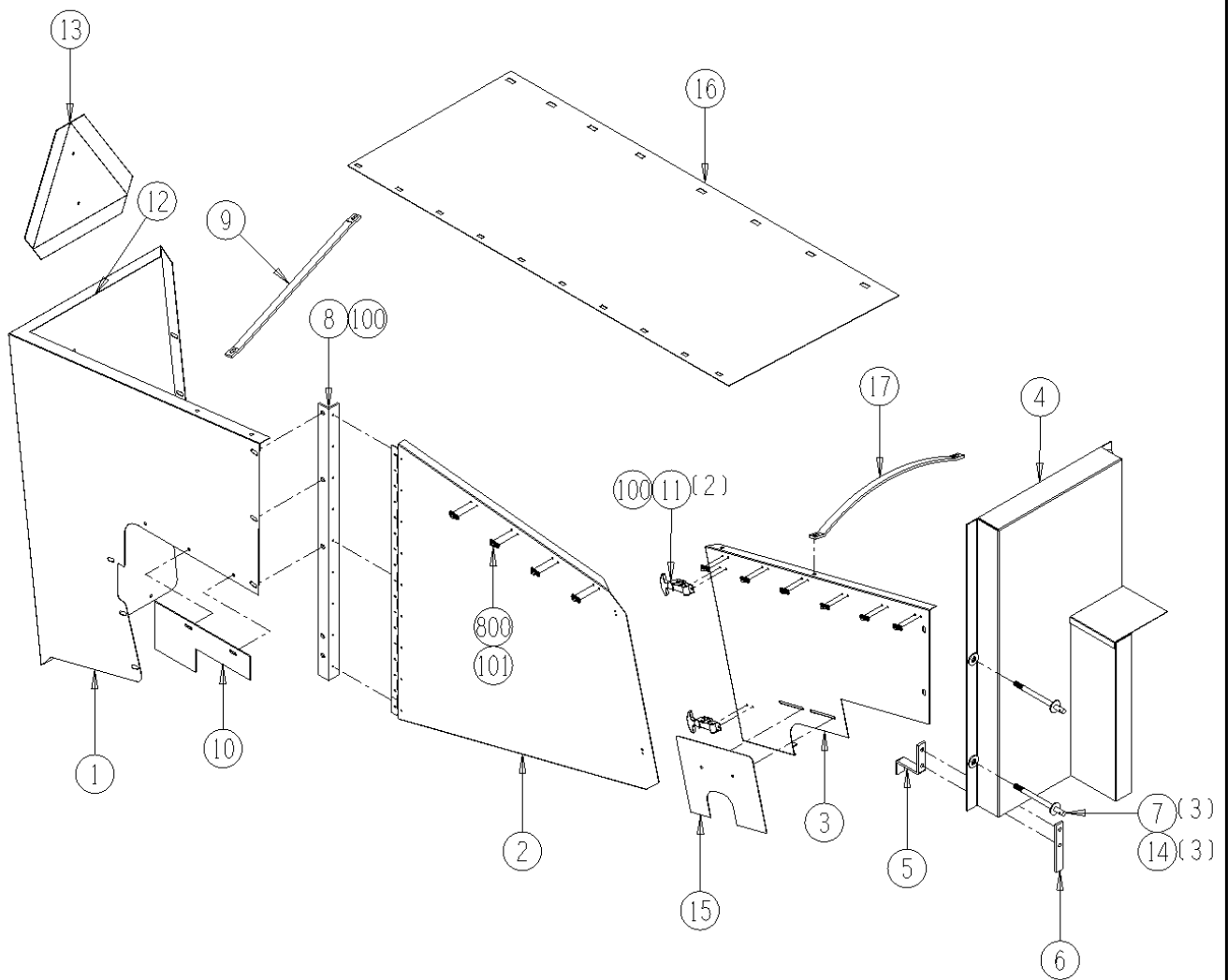


## 1007-4-4 Optional Shaker Chamber Box Shield Assembly

<u>Ref</u>	<u>Part No.</u>	<u>Description</u>	<u>Parts – Assembly</u>	<u>Will Fit SN</u>	<u>Remarks</u>
1	SHD-1416	Shield, Rear Shaker	1		
2	SHD-1417	Shield, Middle Shaker, Separation Kit	1	<19601 & 19901-	
3	195-1140	Shaker Shield (Front)	1	19501-19524 & 19901-	
4	SHD-1142	Shield, Shaker, Front of Shaker Frame	1		
5	192-1142A	Bracket for Front Shaker Shield	1		
6	BAR-1142A	Bar, Shield, Shaker	1	19201-	
7	192-1142B	Holder Bolt	3	19201-	
8	POS-1416	Post, Angle, Shaker Shield, Door	1		
9	195-1140B	Brace for Shaker Shield	1		
10	PL-1420	Shield, Secondary Shaker Belt	1		
11	LA-1530	Medium Rubber T Latch Assembly	2		
12	DC-1178	Decal, Small Red PIK RITE 4.25" x 31"	1		
13	SMV-PL	SMV Sign, Metal	1		
14	HC-1130B	Hair Pin Clip	3		
15	SHD-1145	Shield, Shaker, Front	1		
16	TRP-1140	Shaker Shield Tarp	1		
17	BAR-1140	Bar, Tarp Brace, Above Primary Shaker	1		
100	RI-3-6-SS	SS Pop Rivets, 3/16 x .251-.375, Buttonhead	37		
101	RI-3-5-P	Pop Rivet 3/16 x 5/16 Domed, .375 head, ea	20		
800	TRP-CFM	Curtain Fastner With (2) 3/16" Holes	10		Used For Metal



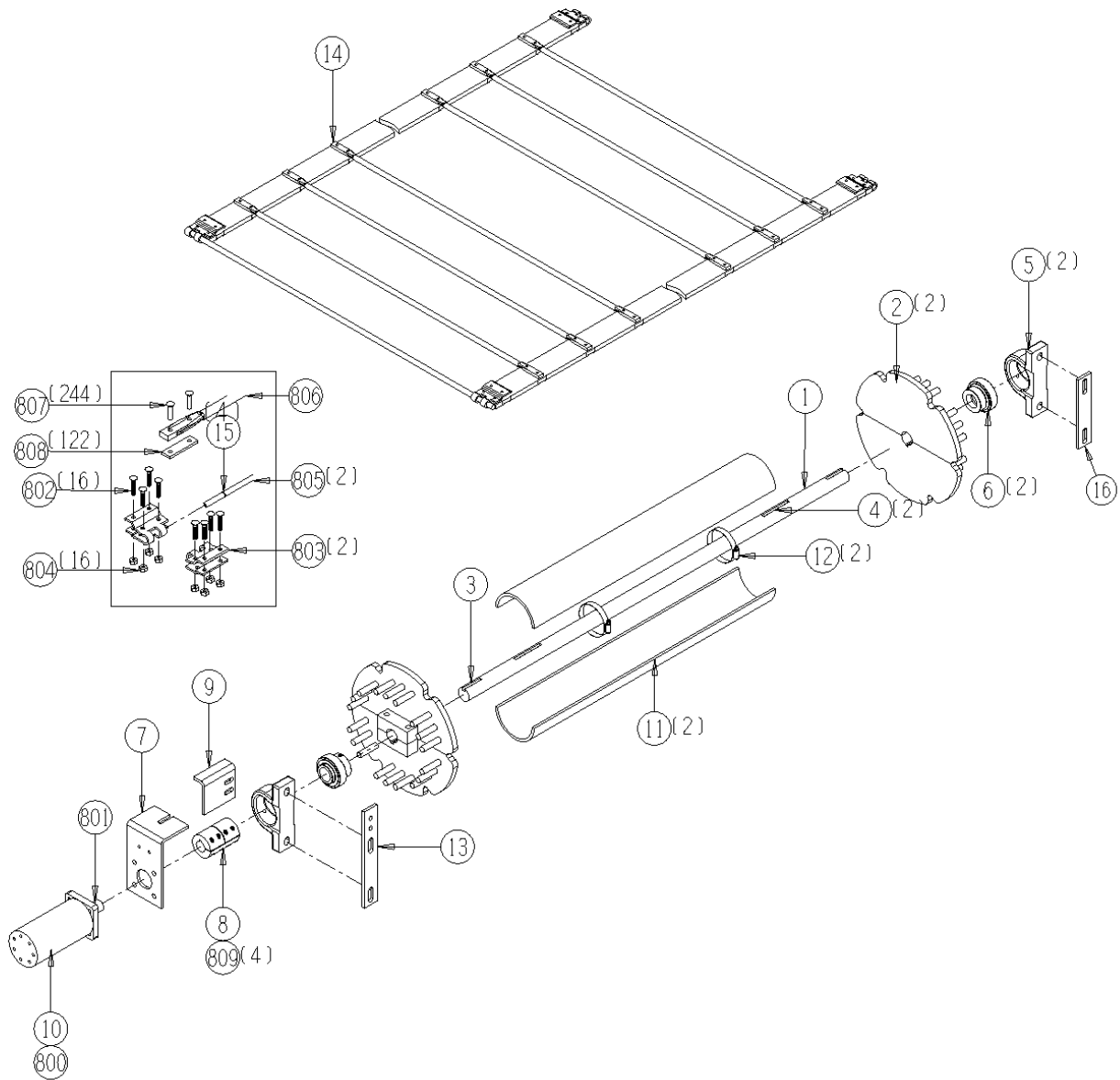
# 1007-4-4



## 1007-4-5 Optional Vine Chain Drive Assembly

<u>Ref</u>	<u>Part No.</u>	<u>Description</u>	<u>Parts – Assembly</u>	<u>Will Fit SN</u>	<u>Remarks</u>
0	PL-1421	Urethane Hub for Shaft Cover 1 1/4" Bore	2		Replaces PL-1415
1	195-202	Shaft for kit 44 1/2" long keyed both ends	1	19501- 195-208K	
2	SP-14406-20-4	Sprocket, 144mm Pitch, 6 Tooth, 1 1/4" Bore w/1/4" Keyway	2		Replaces SP-3618-20-4-RG and SP-14404-20-4
3	KEY-4-4-20	Shaft Key 1/4" x 1 1/4"	1		
4	KEY-4-4-32	Shaft Key 1/4" x 2" Square Cut (1018)	2		
5	BR-072-RAK	Bearing Housing 72 mm	2		
6	BR-125-072	Bearing, 1 1/4 Fafnir tri-seal, 72mm OD	2		
7	193-806	Mount motor	1		
8	CPS-6060	Steel Coupler (offcenter) 1 1/4" x 1"	1		
9	193-806A	Motor mount stop	1		
10	HM-103-tc	TCI Motor	1		Seal Kit # TCI-SKHRQ
11	PL-1414	Drive Shaft, Plastic, 28.25"	2	KIT-0075	
12	CL-72	5" Gear Clamp	2		
13	BAR-0130	Flat Bar, Bearing Backing Mount	1		
14	BC-7-36144-61	Vine Chain	1	190	
15	BC-3525	Snap Ring, 11mm.	4		
16	BAR-0131	Flat Bar, Bearing Backing Mount	1		
600	H10-15-8MP-8MP	5/8 in hose 1/2MP x 1/2MP x 15" long	1		
800	HM-103-SK	Seal Kit for Char-Lynn Motor	1	S Series - 010	
801	KEY-4-4-15	Shaft Key 1/4" X 1/4" X 15/16" Woodruff Key	1		
802	BC-1032-FS	10-32 x 1 1/4" bolts Flat Socket Head	16		
803	BC-F-36-32	F Connecting Clips 36-32 @ pair	2	11001	
804	BC-1032-LN	10-32 lock nuts	16		
805	BC-7-36-CN	Connecting Rod, 11mm, 36" Wide Belted Chain, 60mm Traction Belts	2	11001	For Clip Splice Option
806	BC-7-36-ST	7/16" x 36" Belted Chain Rod for 60mm Belt	61		
807	RI-25-BC	25mm Belted Chain Rivets	244		
808	BC-BP32	Belt, Rivet backing plates 32mm	122	11001	Lap Splice Option, Used only with BC-1032-LN Lock Nuts
809	BL-5-100-SF	5/16-24 x 1 Socket Head Cap Screw	4	CPS-6057	

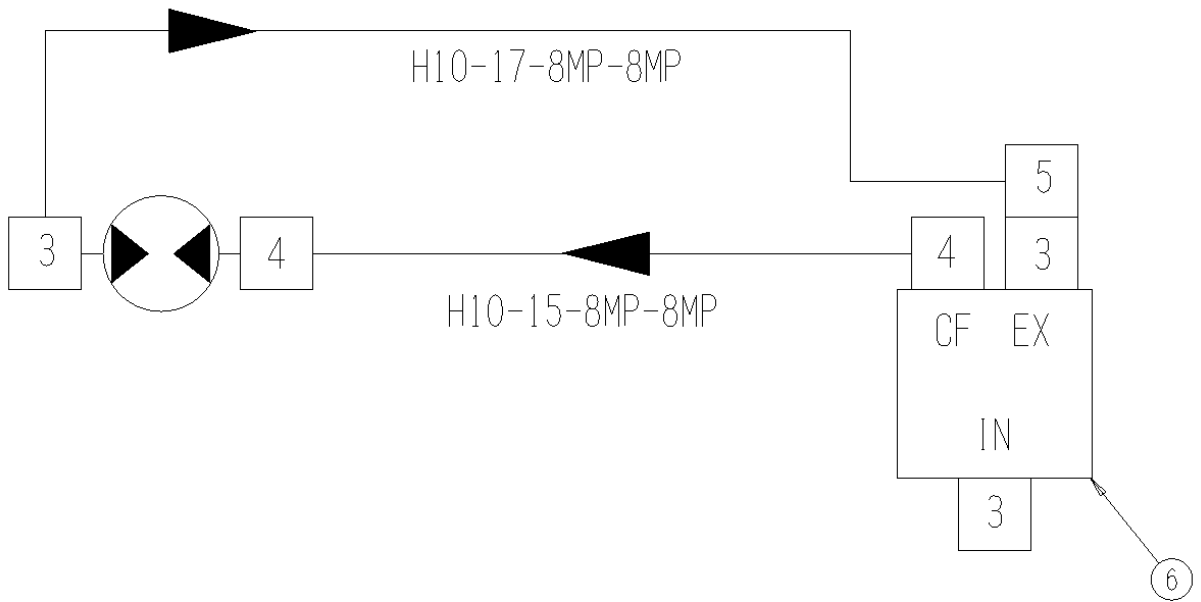
# 1007-4-5



## 1007-4-5H Opt. Vine Chain Drive Hyd. Assembly

<u>Ref</u>	<u>Part No.</u>	<u>Description</u>	<u>Parts – Assembly</u>	<u>Will Fit SN</u>	<u>Remarks</u>
1	H10-17-8MP-8MP	5/8 in hose 1/2MP x 1/2MP x 17" long	1		
2	H10-15-8MP-8MP	5/8 in hose 1/2MP x 1/2MP x 15" long	1		
3	A-6401-10-8	10 SAE x 1/2 MPT Male	3		
4	A-6901-10-8	10 SAE x 1/2 FPX90 , Forged	2		
5	A-1603-8-8-8	Swivel T 1/2" NPTF	1		
6	HV-FL30	Flow Control Valve 30GPM	1		

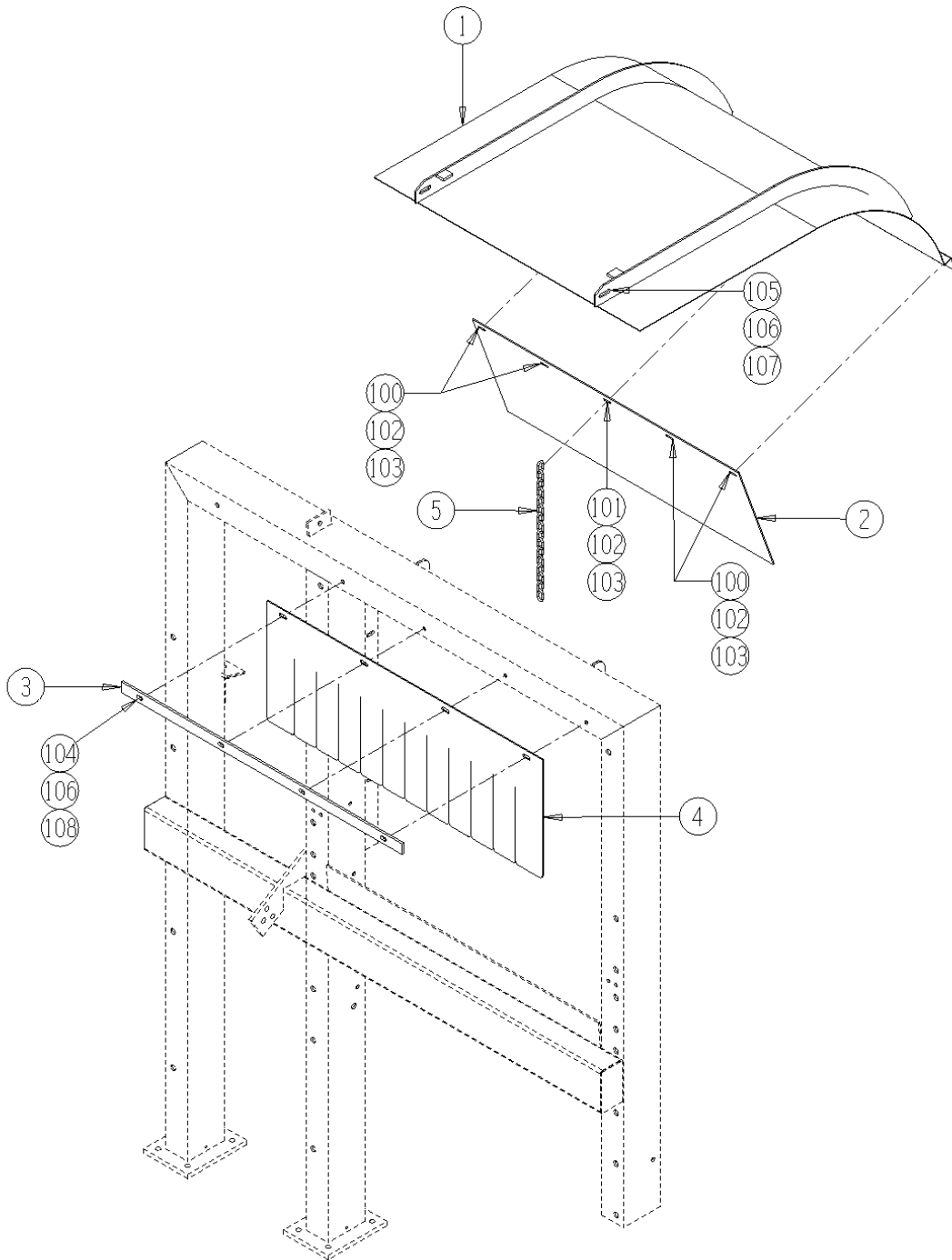
**1007-4-5H**



## 1007-4-6 Shaker Cover Assembly

<u>Ref</u>	<u>Part No.</u>	<u>Description</u>	<u>Parts – Assembly</u>	<u>Will Fit SN</u>	<u>Remarks</u>
1	192-310	Cover, Primary Shaker	1	19201-	
2	191-310B	Belting, Primary Shaker Cover	1	19101-	
3	191-119A	Shaker Entrance Belting Bar	1	19101-	
4	191-119	Header Throat Belting Shield	1	19101-	
5	191-313	Chain, Shaker Cover, Panel Stiffener	1	19101- 30095001-	
100	BL-4-075-H	1/4 UNC X 3/4 HH C/S BOLT GR5 ZINC	4		
101	BL-4-100-H	1/4-20 X 1 HEX CAP G5 ZC	1		
102	BL-4-FW-8	1/4" Flat Washer Grade 8	10		
103	BL-4-LN	1/4-20 HEX LN NE ZC	5		
104	BL-6-100-H	3/8 UNC X 1 HH C/S BOLT GR5 ZINC	4		
105	BL-6-125-H	3/8-16 X 1 1/4 HHCS G5 ZC	2		
106	BL-6-FW-8	3/8 FLAT WASHER, G8 ZC	8		
107	BL-6-LN	3/8 UNC FIN HEX LOCK NUT NE A563 GrA ZINC	2		
108	BL-6-LW	3/8 SPLIT LW ZC	4		

# 1007-4-6

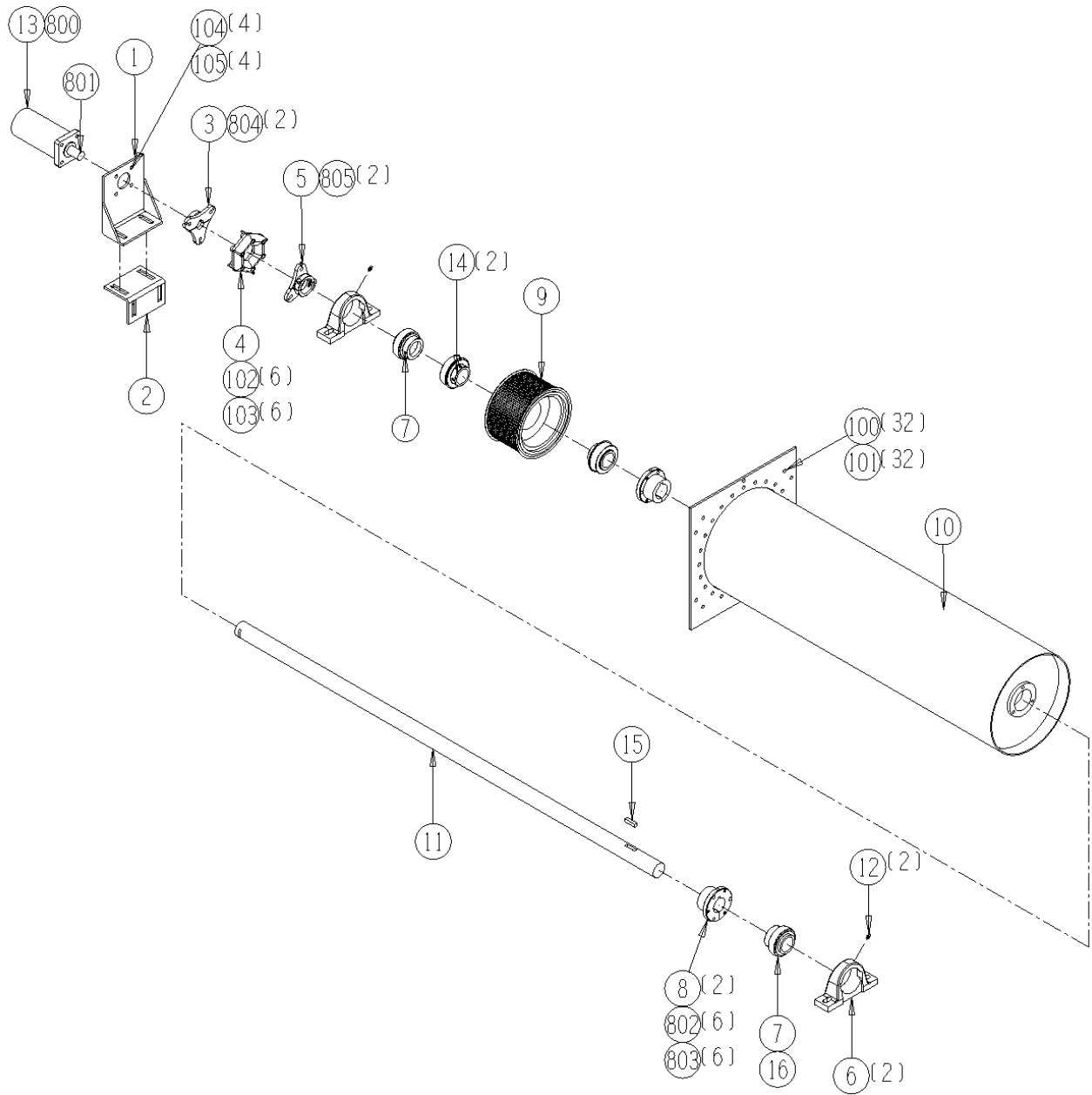


## 1007-4-7 Primary Shaker Drum Assembly

<u>Ref</u>	<u>Part No.</u>	<u>Description</u>	<u>Parts – Assembly</u>	<u>Will Fit SN</u>	<u>Remarks</u>
1	194-416	Mount, Shaker Rotation Motor	1	19101	For use with 194-416a
2	194-416A	Mount, Shaker Rotation Motor	1	19101-	For use with 194-416
3	CPR-422A-15	Primary Shaker Coupler (Motor Side)	1	Years 1995 - 2000	Used on Sec. Sh. Beginning 2000
4	CPR-422-15	Primary Shaker Drive Coupler	1		Used on Sec. Sh. Beginning 2000
5	CPR-422B-15	Primary Shaker Coupler (Shaker Side)	1		Used on Sec. Sh. Beginning 2000
6	BR-085-RAK	Bearing Housing 85 mm	2		
7	BR-175-085	Fafnir Bearing 1 3/4 Tri Seal	2		
8	PU-SK-28	Bushing, SK x 1 3/4"	2	19101	
9	PU-80-8M-114-BO	Pulley, Center 4-1/2" Wide, Bored, HTD tooth config	1	All Primary Shakers	Can replace with PU-80-8M-114 Shakers
10	SHA-3403	Shaker Tube	1	19101-	Must use SHA-3402 with this part to be compatible with 192-401
11	191-400	Shaker main Shaft	1		Used on Sec. Sh. beginning 1994. Old shafts had two keys-new shaft has only one key
12	GF-1428	Grease Fitting 1/4" x 28 straight	2		
13	HM-103-TC	TCI Motor	1		Seal Kit # TCI-SKHRQ
14	BR-175-ER	Bearings, 1 3/4" ER	2	11001	
15	KEY-6-6-24	Keystock 3/8" x 3/8" x 1 1/2" Square Cut (1018)	1		
16	BR-175-LC	1 3/4" Locking Collar - Bearing Protector	1		
100	BL-6-100-C	3/8 UNC X 1 CARRIAGE BOLT GR5 ZINC	32		
101	BL-6-LN	3/8 UNC FIN HEX LOCK NUT NE A563 GrA ZINC	32		
102	BL-6-N	3/8-16 HEX NUTS ZC	6		
103	BL-6-250-8	3/8-16 X 2 1/2 HH C/S GR8 ZC	6		
104	BL-6-100-H-8	3/8-16 X 1 HEX CAP GR8ZC	4		
105	BL-6-LW	3/8 SPLIT LW ZC	4		
801	KEY-4-4-15	Shaft Key 1/4" X 1/4" X 15/16" Woodruff Key	1		
802	BL-5-LW	5/16 SPLIT LW ZC	6		
803	BL-5-200-8T	5/16-18 x 2 Grade 8 Tap Bolt	6		
804	BL-5-150-SCF	5/16-24 x 1 1/2" Socket Head Cap Screw	2		
805	BL-5-175-SCF	5/16-24 x 1 3/4" Socket Head Cap Screw	2		



# 1007-4-7

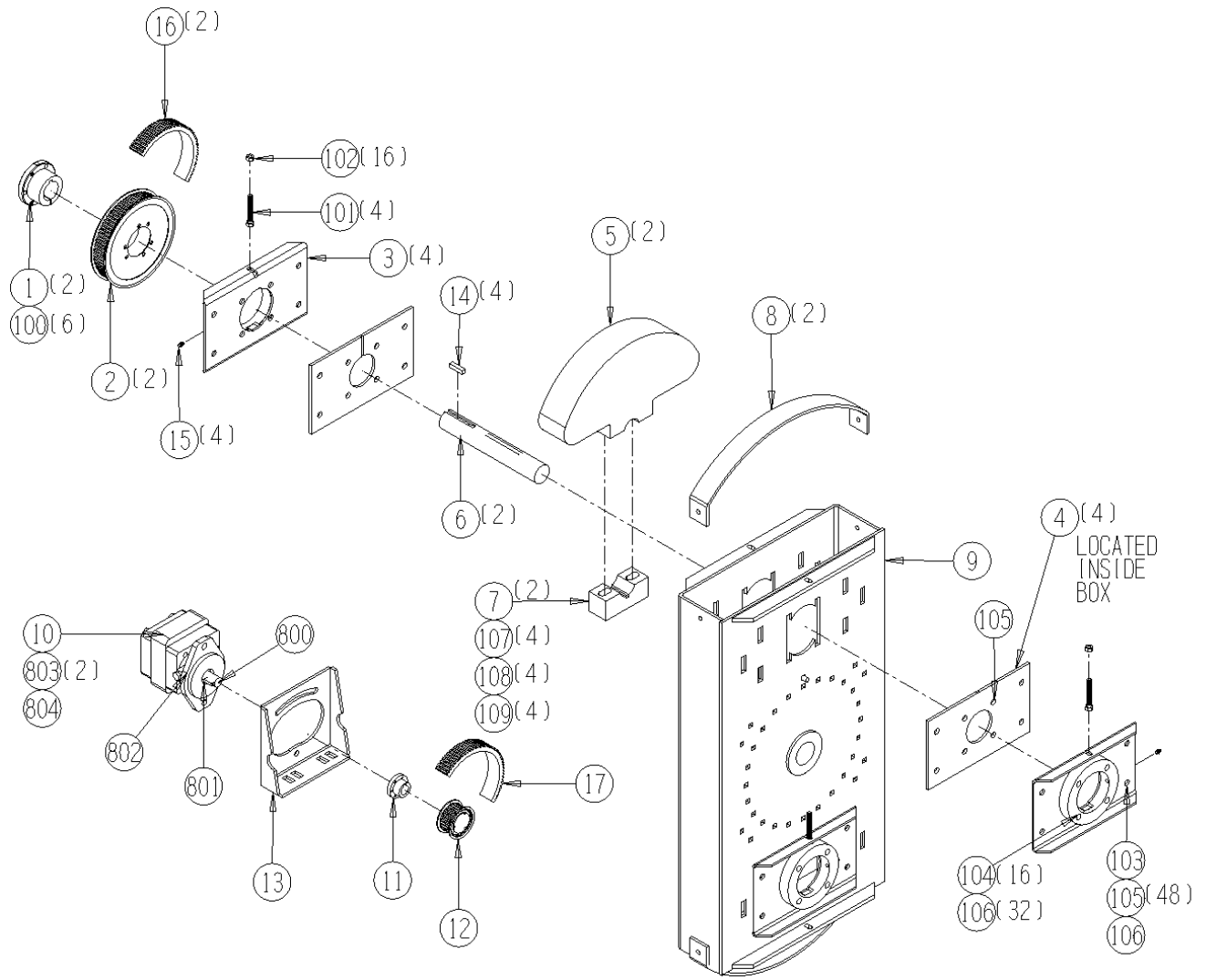


## 1007-4-8 Primary Shaker Weight & Box Assembly

<u>Ref</u>	<u>Part No.</u>	<u>Description</u>	<u>Parts – Assembly</u>	<u>Will Fit SN</u>	<u>Remarks</u>
1	PU-SK-28	Bushing, SK x 1 3/4"	2	19101	
2	PU-80-8M-30-SK	Primary Weight Pulley HTD	2	1910119115	
3	BR-100-SUP	Bearing Holder Wldmt, Primary Shaker	4		
4	MOU-098	Backing Plate, Shaker	4		Replaces MOU-097
5	WGT-402	Weight, Primary Shaker	2		
6	SFT-097	Weight Shaft	2		
7	WGT-402C	Cap, Primary & Secondary Shaker Weight	2		
8	193-403	Shaker, Weight guards	2		
9	SHA-8402	Shaker Weight Box	1		Replaces SHA-3402.
10	HM-412C	Hydraulic Motor	1	19101	Replaces 191-412 RP: HM-0381, HM-1801, HM-2585, HM-2686, HM-412B
11	PU-JA-14	JA Bushing, 7/8 bore, 1/4 keyway	1		
12	PU-26-8M-30-JA	HTD Sprocket 8mm pitch, 26 Tooth, 30mm wide JA Bushing	1		
13	MOU-0022	Mount, Weight Motor, Shakers, Harvesters	1		Replaces 110-515
14	KEY-6-6-24	Keystock 3/8" x 3/8" x 1 1/2" Square Cut (1018)	4		
15	GF-1428	Grease Fitting 1/4" x 28 straight	4		
16	BT-1280-8M-30	Primary Weight Drive Belt	2	19101	Can not replace with BT-390H100 belts unless all the pulleys are changed.
17	BT-960-8M-30	Shaker Drive Belt(30MM Wide)	1		Can not replace with BT-390H100 belts unless all the pulleys are changed.
100	BL-5-200-8T	5/16-18 x 2 Grade 8 Tap Bolt	6		
101	BL-6-275-ST	3/8-16 x 2.75 Grade 5 Stud	4		
102	BL-6-N	3/8-16 HEX NUTS ZC	16		
103	BL-8-150-H8	1/2x1 1/2 Grade 8 Hex Head	16		
104	BL-8-225-H8	1/2 x 2 1/4,Grade 8,Hex Head	16		
105	BL-8-FW-8	1/2 FLAT WASHER G8 ZC	48		
106	BL-8-LNS	1/2 Stover Lock Nut	32		
107	BL-10-375-8	5/8-11 X 3 3/4 HEX CAP G8 ZC	4		
108	BL-10-LW	5/8 SPLIT LW ZC	4		
109	BL-10-FW-8	5/8" Grade 8 Flat Washer	4		
800	HM-412B	Key for Hydraulic Motor -Shaker Weight-Vibrator	1	HM-412C & HM-712C	
801	HM-2686	Snap Ring, Commercial Motor	1	HM-1020	

802	HM-0381	Ball Bearing, Motor	1	HM-1020	
803	HM-2585	Ring Seal, Commercial Motor	2	HM-1020	
804	HM-1801	Seal Kit for Commercial Intertech	1	P20 & M20 Series	Includes:(1) Length of HM-2882,(1)HM-2883,(2)HM-2884
805	PU-JA-14B	Bolt for PU-JA-14 (3 @ pkg)	1		

# 1007-4-8

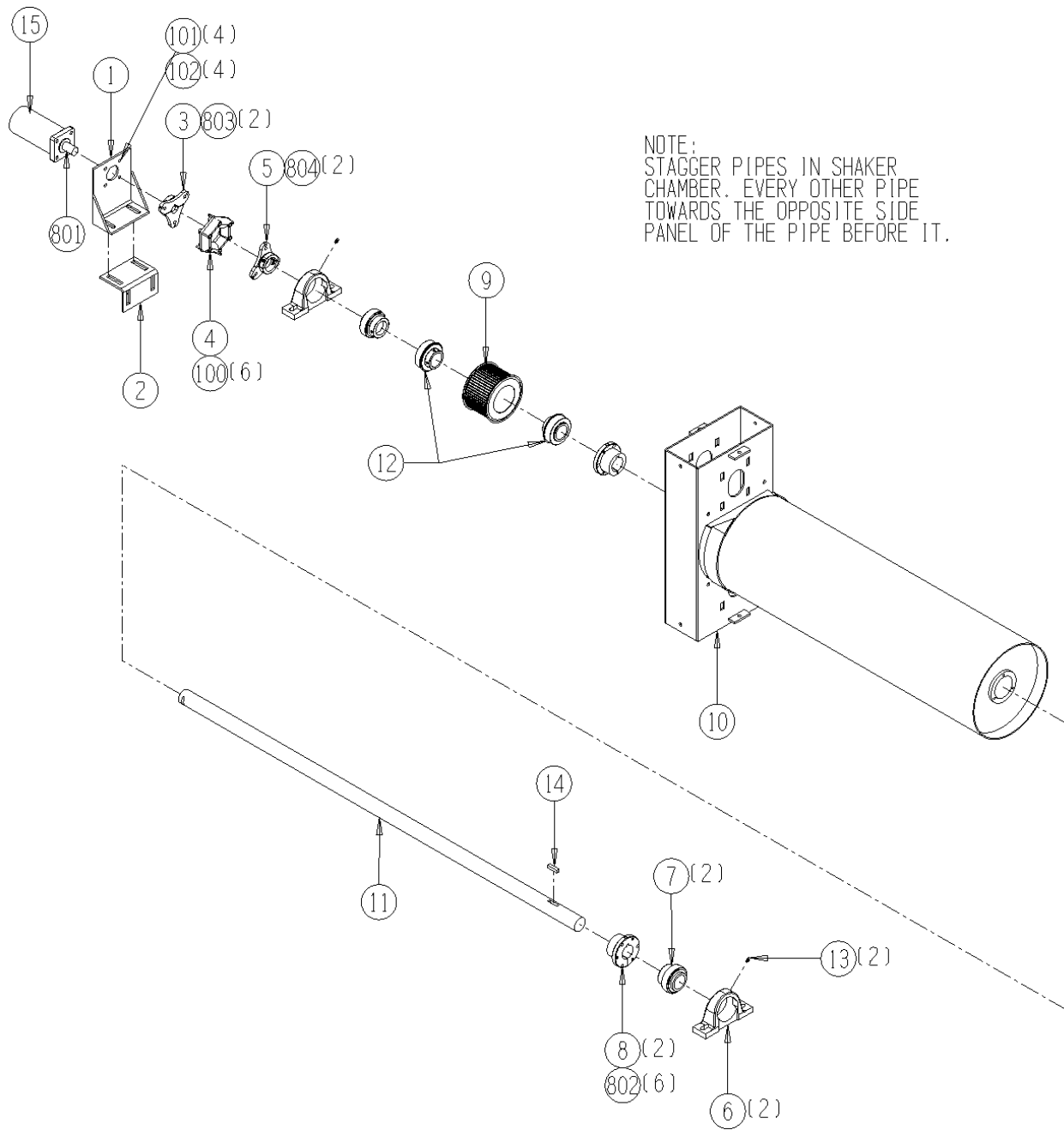




## 1007-4-9 Secondary Shaker Drum Assembly

<u>Ref</u>	<u>Part No.</u>	<u>Description</u>	<u>Parts – Assembly</u>	<u>Will Fit SN</u>	<u>Remarks</u>
1	194-416	Mount, Shaker Rotation Motor	1	19101	For use with 194-416a
2	194-416A	Mount, Shaker Rotation Motor	1	19101-	For use with 194-416
3	CPR-422A-15	Primary Shaker Coupler (Motor Side)	1	Years 1995 - 2000	Used on Sec. Sh. Beginning 2000
4	CPR-422-15	Primary Shaker Drive Coupler	1		Used on Sec. Sh. Beginning 2000
5	CPR-422B-15	Primary Shaker Coupler (Shaker Side)	1		Used on Sec. Sh. Beginning 2000
6	BR-085-RAK	Bearing Housing 85 mm	2		
7	BR-175-085	Fafnir Bearing 1 3/4 Tri Seal	2		
8	PU-SK-28	Bushing, SK x 1 3/4"	2	19101	
9	PU-56-8M-89	Pulley, Center Idler, HTD	1	19201-	
10	194-501	Secondary Shaker Box and Drum	1		Replaces 110-501
11	191-400	Shaker main Shaft	1		Used on Sec. Sh. beginning 1994. Old shafts had two keys-new shaft has only one key
12	BR-175-ER	Bearings, 1 3/4" ER	2	11001	
13	GF-1428	Grease Fitting 1/4" x 28 straight	2		
14	KEY-6-6-24	Keystock 3/8" x 3/8" x 1 1/2" Square Cut (1018)	1		
15	HM-103-TC	TCI Motor	1		Seal Kit # TCI-SKHRQ
100	BL-6-250-H	3/8-16 X 2 1/2 HH C/S GR5 ZC	6		
101	BL-6-100-H-8	3/8-16 X 1 HEX CAP GR8ZC	4		
102	BL-6-LW	3/8 SPLIT LW ZC	4		
801	KEY-4-4-15	Shaft Key 1/4" X 1/4" X 15/16" Woodruff Key	1		
802	BL-5-200-8T	5/16-18 x 2 Grade 8 Tap Bolt	6		
803	BL-5-150-SCF	5/16-24 x 1 1/2" Socket Head Cap Screw	2		
804	BL-5-175-SCF	5/16-24 x 1 3/4" Socket Head Cap Screw	2		

# 1007-4-9



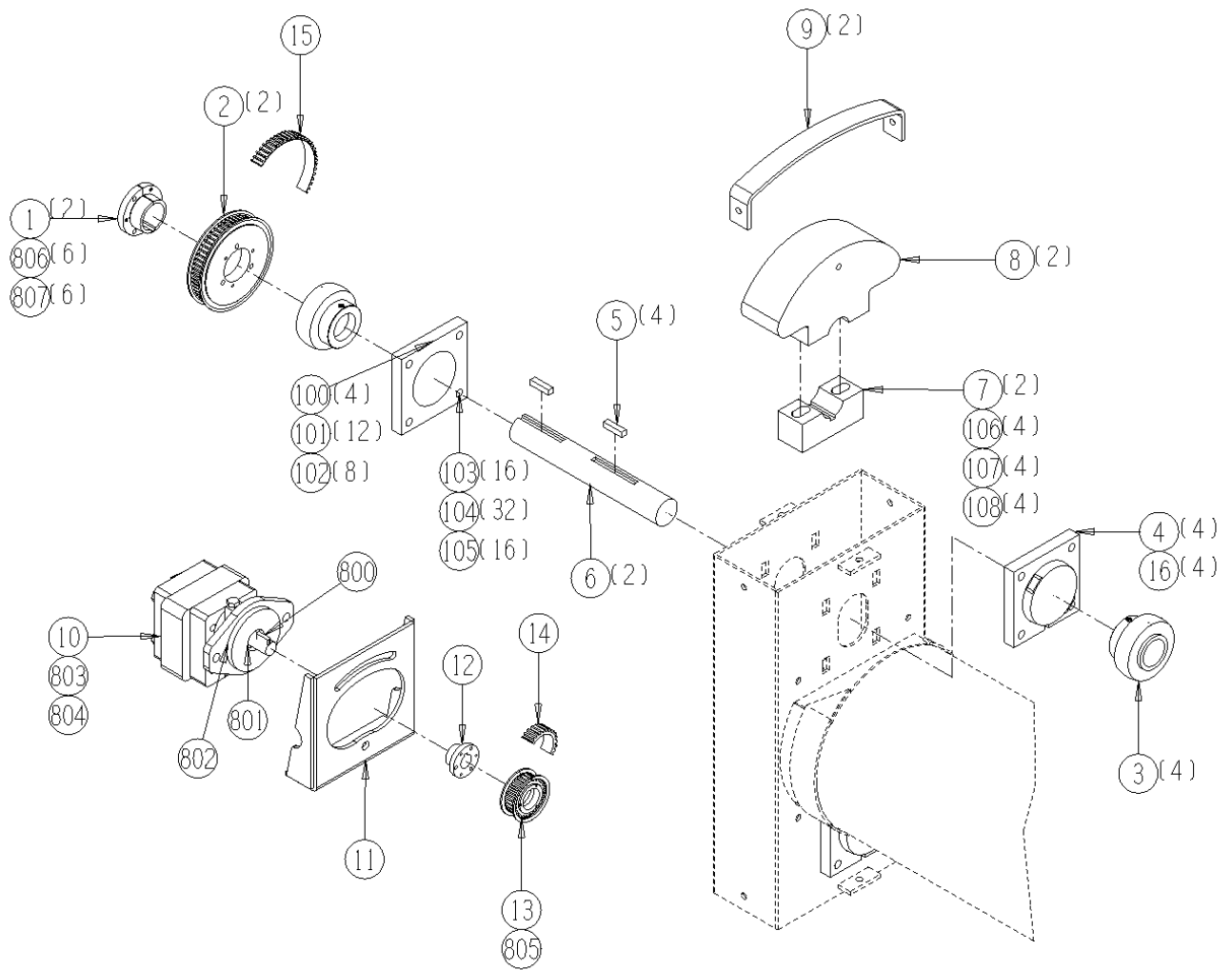
## 1007-4-10 Secondary Shaker Weight & Box Assembly

<u>Ref</u>	<u>Part No.</u>	<u>Description</u>	<u>Parts – Assembly</u>	<u>Will Fit SN</u>	<u>Remarks</u>
1	PU-SDS-28	Bushing, SDS x 1 3/4"	2		
2	PU-56-8M-20-SDS	Secondary Weight Pulley HTD	2	19201	
3	BR-175-085-KB	Fafnir Bearing 1 3/4" Heavy SS1	4		
3	BR-175-100	Heavy Duty I 3/4" Bearing	0		
4	BR-085-100F	Bearing Mounting	4		
4	BR-100-100F	Bearing Mounting, Shaker 1995 and previous	0	19901-19525	Used with BR-175-100 bearing upgrade
5	KEY-6-6-24	Keystock 3/8" x 3/8" x 1 1/2" Square Cut (1018)	4		
6	110-404	Shaft, Secondary Shaker	2	11001-	
7	WGT-402C	Cap, Primary & Secondary Shaker Weight	2		
8	WGT-502	Weight, Secondary Shaker	2	19601-	
9	192-503	Shaker weight guards	2	19201-	
10	HM-412C	Hydraulic Motor	1	19101	Replaces 191-412 RP: HM-0381, HM-1801, HM-2585, HM-2686, HM-412B
11	MOU-0022	Mount, Weight Motor, Shakers, Harvesters	1		Replaces 110-515
12	PU-JA-14	JA Bushing, 7/8 bore, 1/4 keyway	1		
13	PU-26-8M-20-JA	Weight Motor Pulley HTD	1	19201	
14	BT-960-8M-20	Shaker Drive Belt(20MM Wide)	1	19201-	Can not replace with BT-300H100 belts unless all the pulleys are changed.
15	BT-800-8M-20	Secondary Weight Drive Belt	2	19201	Can not replace with BT-300H100 belts unless all the pulleys are changed.
16	GF-1428	Grease Fitting 1/4" x 28 straight	4		
100	BL-6-275-ST	3/8-16 x 2.75 Grade 5 Stud	4		
101	BL-6-N	3/8-16 HEX NUTS ZC	12		
102	BL-6-SW	3/8 SAE FW ZC	8		
103	BL-8-175-H	1/2-13 X 1 3/4 HEX CAP G5 ZC	16		
104	BL-8-SW-8	1/2 SAE FW G8 ZC	32		
105	BL-8-LNS	1/2 Stover Lock Nut	16		
106	BL-10-375-8	5/8-11 X 3 3/4 HEX CAP G8 ZC	4		
107	BL-10-FW-8	5/8" Grade 8 Flat Washer	4		
108	BL-10-LW	5/8 SPLIT LW ZC	4		
800	HM-412B	Key for Hydraulic Motor -Shaker Weight-Vibrator	1	HM-412C & HM-712C	
801	HM-2686	Snap Ring, Commercial Motor	1	HM-1020	



802	HM-0381	Ball Bearing, Motor	1	HM-1020	
803	HM-2585	Ring Seal, Commercial Motor	1	HM-1020	
804	HM-1801	Seal Kit for Commercial Intertech	1	P20 & M20 Series	Includes:(1) Length of HM-2882,(1)HM-2883,(2)HM-2884
805	PU-JA-14B	Bolt for PU-JA-14 (3 @ pkg)	1		
806	BL-4-LW	1/4 SPLIT LW ZC	6		
807	BL-4-150-T	1/4-20 x 1 1/2 Tap Bolt GR5 Plated	6		

# 1007-4-10

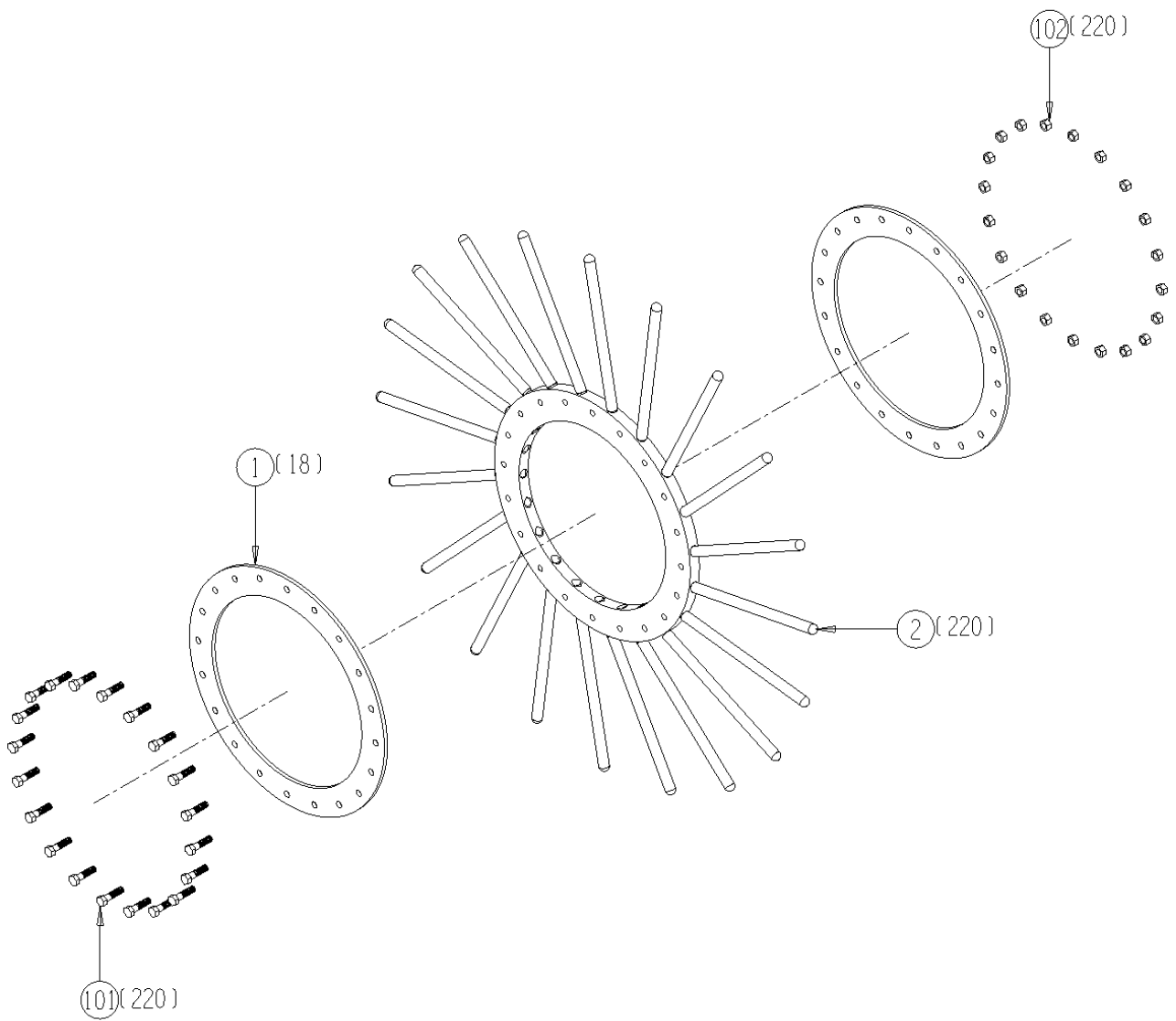




## 1007-4-11 Primary Shaker Ring & Finger Assembly

<u>Ref</u>	<u>Part No.</u>	<u>Description</u>	<u>Parts – Assembly</u>	<u>Will Fit SN</u>	<u>Remarks</u>
1	191-432	Tine Holder Flanges	18	11001- 30095001-	
2	ST-430-P	Shaker Tines , Molded Urethane	220		
101	BL-6-150-H	3/8-16 X 1 1/2 HEX CAP G5 ZC	212		
102	BL-6-LN	3/8 UNC FIN HEX LOCK NUT NE A563 GrA ZINC	220		

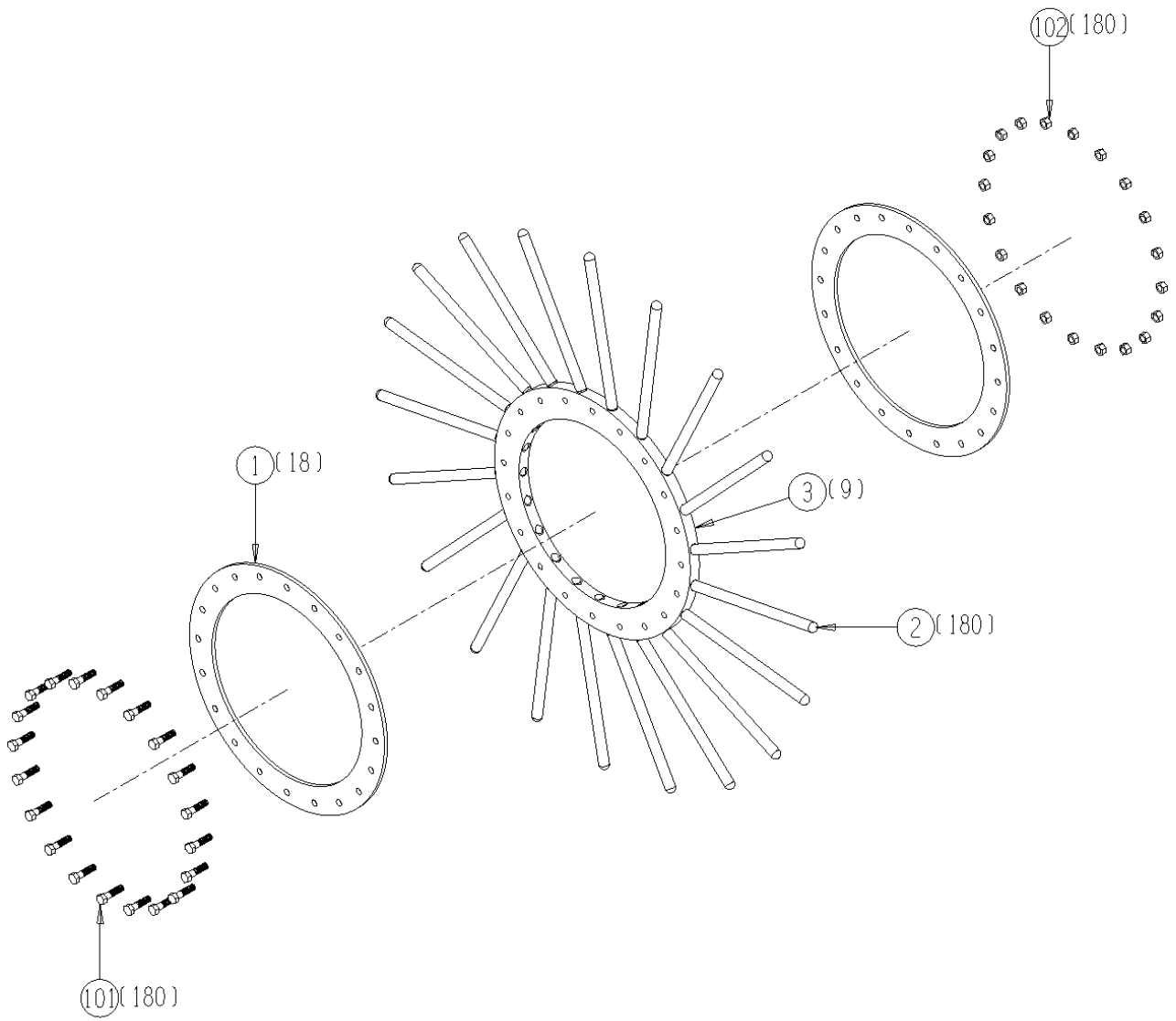
1007-4-11



## 1007-4-12 Secondary Shaker Ring & Finger Assembly

<u>Ref</u>	<u>Part No.</u>	<u>Description</u>	<u>Parts – Assembly</u>	<u>Will Fit SN</u>	<u>Remarks</u>
1	191-432	Tine Holder Flanges	18	11001- 30095001-	
2	ST-430-P	Shaker Tines , Molded Urethane	180		
3	192-431	Moulded Rubber Tine Holders	9	19101- 30095001-	
101	BL-6-150-H	3/8-16 X 1 1/2 HEX CAP G5 ZC	180		
102	BL-6-LN	3/8 UNC FIN HEX LOCK NUT NE A563 GrA ZINC	180		

1007-4-12



## 1007-4-13 Optional Shaker Half-Ring & Finger Assembly

<u>Ref</u>	<u>Part No.</u>	<u>Description</u>	<u>Parts – Assembly</u>	<u>Will Fit SN</u>	<u>Remarks</u>
0	KIT-0091	Shaker Ring, Half-Flange Kit	0		

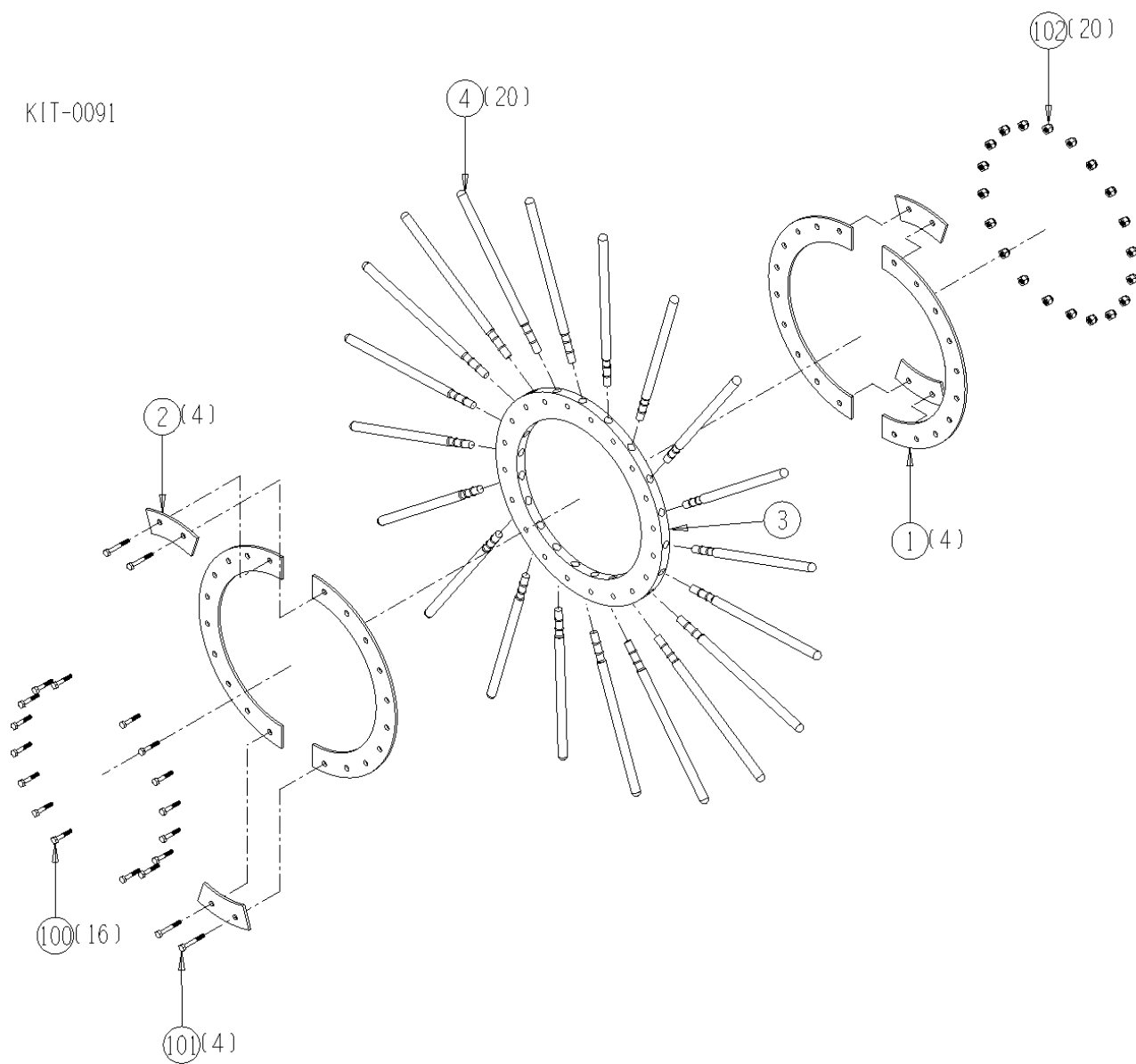
### KIT-0091 Shaker Ring, Half-Flange Kit

<u>Ref</u>	<u>Part No.</u>	<u>Description</u>	<u>Parts – Assembly</u>	<u>Will Fit SN</u>	<u>Remarks</u>
1	191-432A	Half flanges	4		
2	191-432B	Connecting Bar, Shaker Ring Half-Flange	4		
3	192-431	Moulded Rubber Tine Holders	1	19101- 30095001-	
4	ST-430-P	Shaker Tines , Molded Urethane	20		
100	BL-6-150-SS	3/8-16 X 1 1/2 HEX CAP SS	16		
101	BL-6-200-HSS	3/8-16 x 2 Hex Head Stainless	4		
102	BL-6-LN	3/8 UNC FIN HEX LOCK NUT NE A563 GrA ZINC	20		



# 1007-4-13

KIT-0091

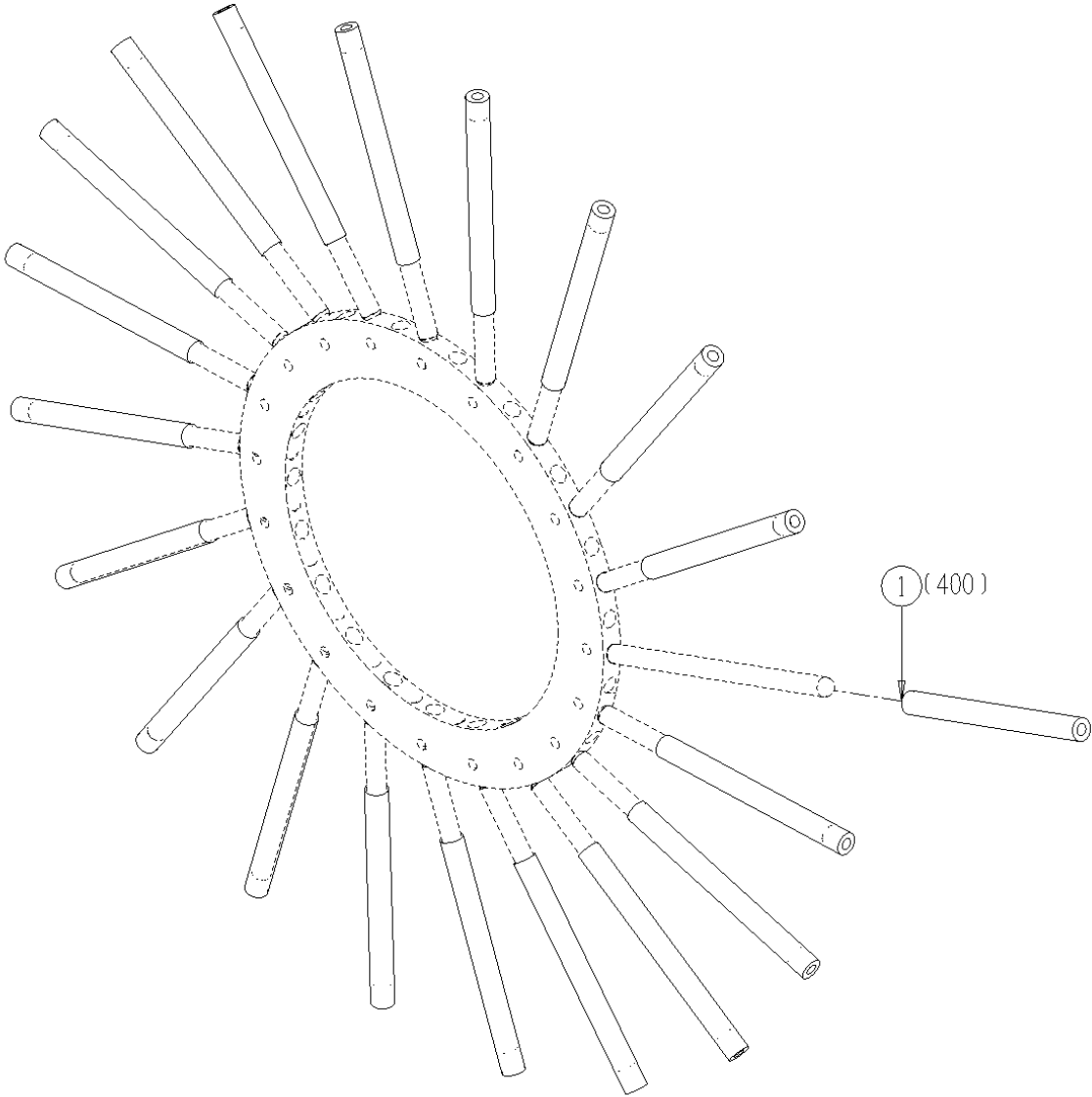


## 1007-4-14 Optional Shaker Tine Covers Assembly

---

<u>Ref</u>	<u>Part No.</u>	<u>Description</u>	<u>Parts – Assembly</u>	<u>Will Fit SN</u>	<u>Remarks</u>
0	BC-6000-8	Shaker Finger Protectors, 3/8" ID x 3/4" OD x 8"	400		

1007-4-14



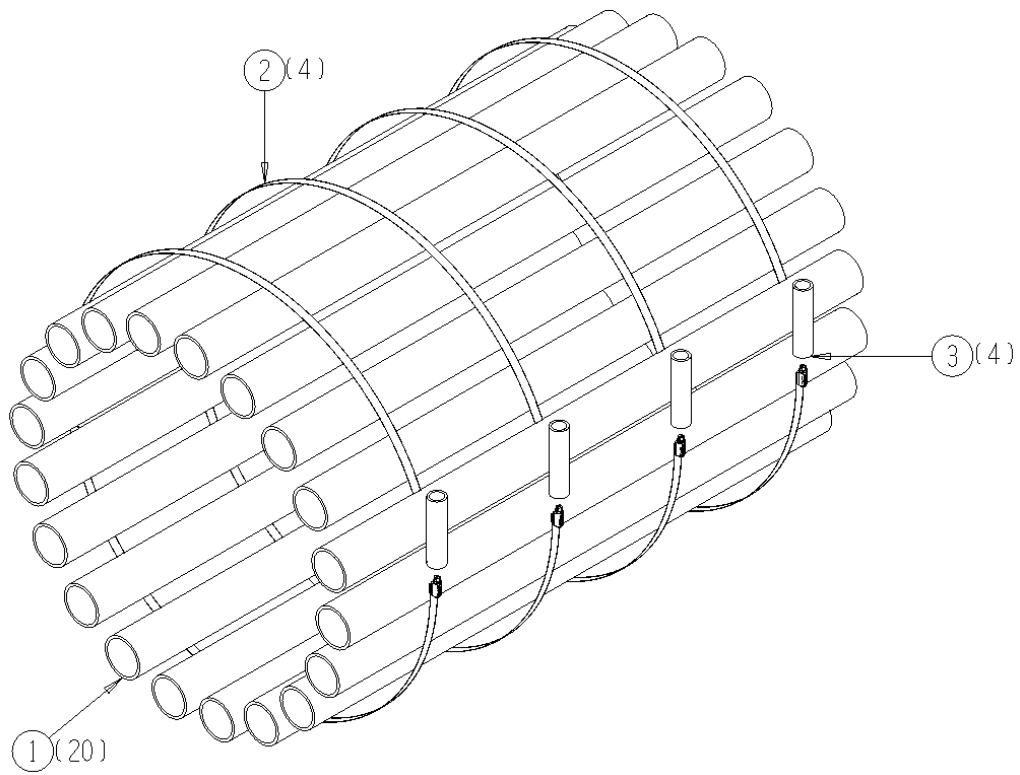
## 1007-4-15 Opt Shaker Spacer Tube (per shaker) Assembly

---

<u>Ref</u>	<u>Part No.</u>	<u>Description</u>	<u>Parts – Assembly</u>	<u>Will Fit SN</u>	<u>Remarks</u>
1	PL-32-355	Plastic PVC Pipe, Shaker Tine Spacer	20		
2	CL-001	Clamp, 71.5" Long, For 21.5" Dia, SS Gear Clamp	4		100 Pc. Minimum From Mfg.
3	PL-7504-4	PVC Clamp Cover, 4"	4		

# 1007-4-15

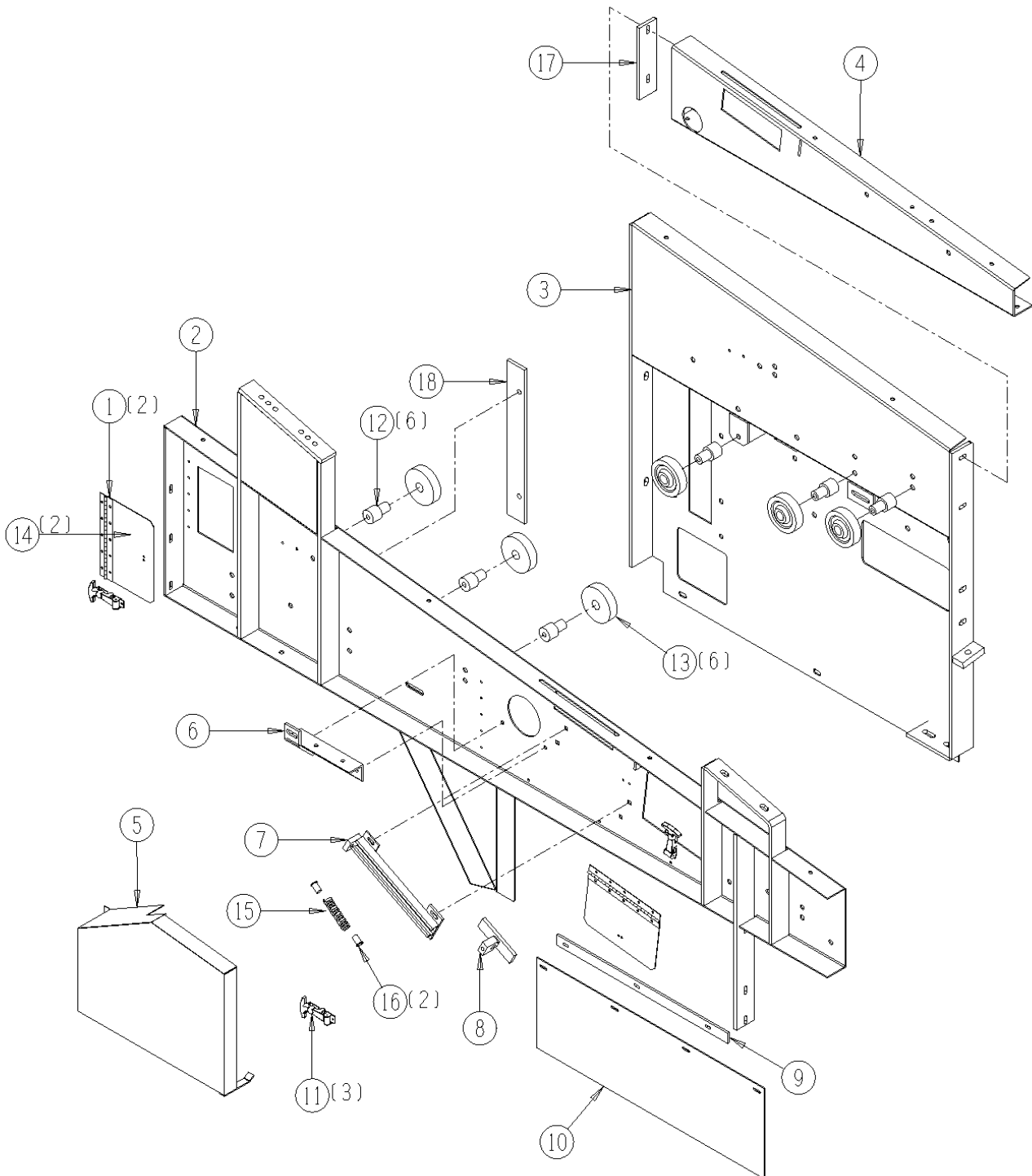
NOTE:  
STAGGER PIPES IN SHAKER  
CHAMBER. EVERY OTHER PIPE  
TOWARDS THE OPPOSITE SIDE  
PANEL OF THE PIPE BEFORE IT.



## 1007-5-1 Transfer Assembly

<u>Ref</u>	<u>Part No.</u>	<u>Description</u>	<u>Parts – Assembly</u>	<u>Will Fit SN</u>	<u>Remarks</u>
1	195-304D	Access Door w/Hinge	2		
2	192-304	Shaker chamber support panel left	1	19201-	Must use SUP-1304 with this part.
3	PAN-325	Panel, Inner Shaker, Side Support	1		
4	192-306	Shaker chamber support panel rear	1	19201-	Must use SUP-1306 with this part.
5	195-207	Transfer Roller Drive Shield	1		
6	195-208	Idler Bracket for Transfer Roller Drive	1		
7	195-206	Transfer Roller Drive Adjuster Bracket	1		
8	195-206A	Transfer Roller Drive Slider	1		
9	BAR-646	Bar, Belting, Cross Conv. Entr, Separation Kit	1		
10	191-646	Belting, Cross Conveyor	1	19101-	
11	LA-1530	Medium Rubber T Latch Assembly	3		
12	RLA-010-0108	Spindle / Standoff for Urethane Roller (heat treated)	6	19101-	
13	RLG-040-1016	4" Urethane Roller	6	Old Terog Part No. RU4	
14	DC-1176	Decal, Danger-Hand Chain Sprockets	2		
15	SPG-9657C	Compression Spring for Transfer Roller Drive	1	195-208K	
16	BU-6389N	Nylon Bushing for Transfer Roller Drive	2	195-208K	
17	SPA-306	Spacer, Inner Rear Panel, Shaker	1		
18	BAR-305	Bar, Panel Backing, Transfer	1	19501- KIT-0030	
19	DC-3025	Red and White Reflective Tape @ 150 ft Roll	0.005		
101	BL-10-200-H	5/8-11 X 2 HEX CAP G5 ZC	1		
102	BL-10-N	5/8-11 HEX FIN NUTS ZC	1		
103	BL-8-1200-T	1/2-13 X 12" Hex head Tap Bolt Grade 5 Plated	1		
104	RI-3-6-SS	SS Pop Rivets, 3/16 x .251-.375, Buttonhead	22		

# 1007-5-1

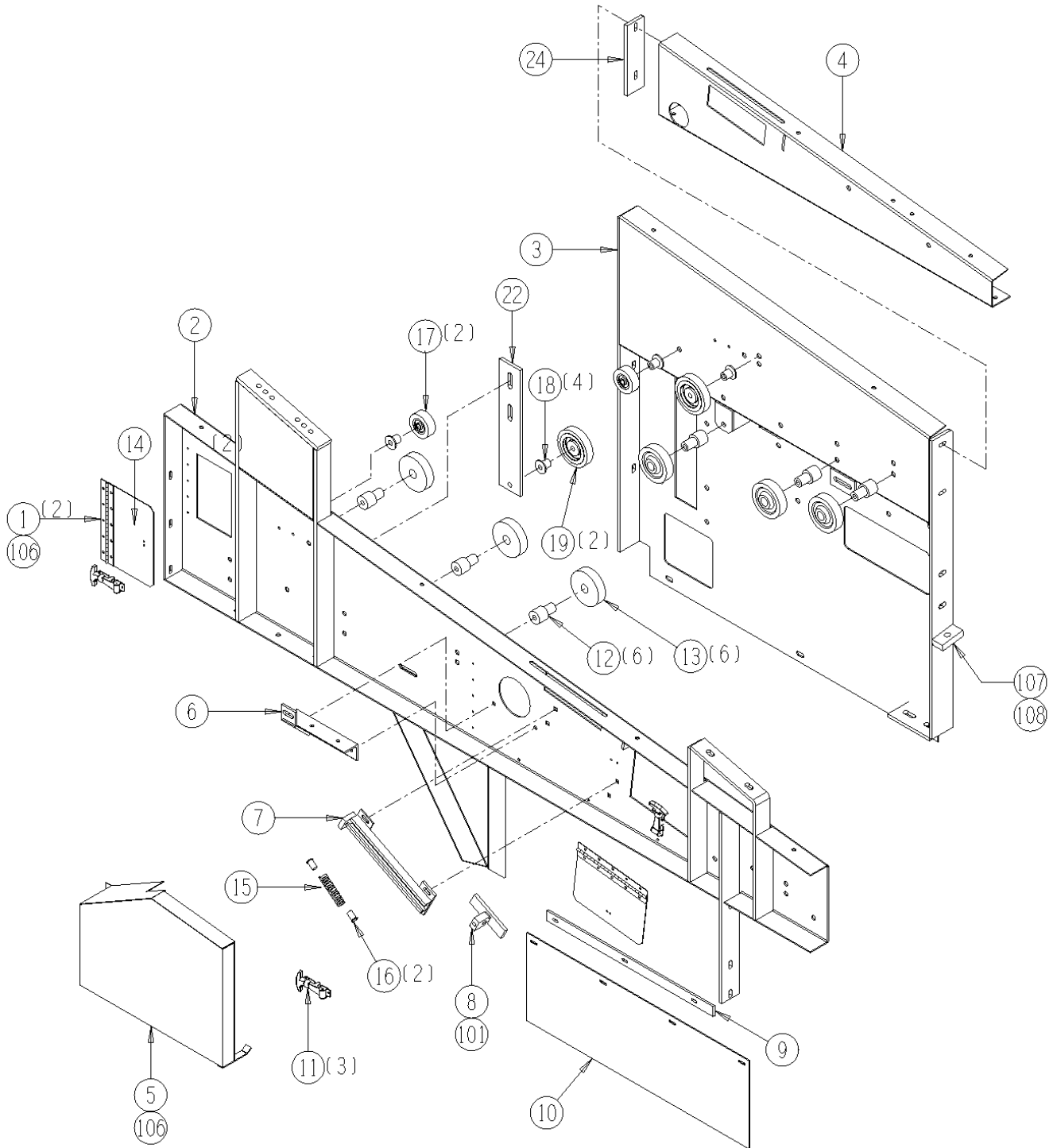


## 1007-5-2 Optional Transfer w/ Vine Chain Assembly

<u>Ref</u>	<u>Part No.</u>	<u>Description</u>	<u>Parts – Assembly</u>	<u>Will Fit SN</u>	<u>Remarks</u>
1	195-304D	Access Door w/Hinge	2		
2	192-304	Shaker chamber support panel left	1	19201-	Must use SUP-1304 with this part.
3	PAN-325	Panel, Inner Shaker, Side Support	1		
4	192-306	Shaker chamber support panel rear	1	19201-	Must use SUP-1306 with this part.
5	195-207	Transfer Roller Drive Shield	1		
6	195-208	Idler Bracket for Transfer Roller Drive	1		
7	195-206	Transfer Roller Drive Adjuster Bracket	1		
8	195-206A	Transfer Roller Drive Slider	1		
9	BAR-646	Bar, Belting, Cross Conv. Entr, Separation Kit	1		
10	191-646	Belting, Cross Conveyor	1	19101-	
11	LA-1530	Medium Rubber T Latch Assembly	3		
12	RLA-010-0108	Spindle / Standoff for Urethane Roller (heat treated)	6	19101-	
13	RLG-040-1016	4" Urethane Roller	6	Old Terog Part No. RU4	
14	DC-1176	Decal, Danger-Hand Chain Sprockets	4		
15	SPG-9657C	Compression Spring for Transfer Roller Drive	1	195-208K	
16	BU-6389N	Nylon Bushing for Transfer Roller Drive	2	195-208K	
17	RLT-027-108	Roller 2.75" dia. 1/2" Bore	2		2755C1X (Old Number, Single Bearing)
18	RLA-000-118	Standoff, 1/2" X 1 1/8"	4		
19	RLR-040-108	4" Flat Roller	2		Changed to Urethane in 2006
21	BC-3526	Split Retaining Ring (Cross Clip)	2		
22	BAR-1307	Bar, Hold Down, Transfer Roller	1		
24	SPA-306	Spacer, Inner Rear Panel, Shaker	1		
25	DC-3025	Red and White Reflective Tape @ 150 ft Roll	0.005		
101	BL-8-1200-T	1/2-13 X 12" Hex head Tap Bolt Grade 5 Plated	1		
102	BL-4-075-C	1/4 UNC X 3/4 CARRIAGE BOLT GR5 ZINC	4		
103	BL-4-N	1/4-20 HEX FIN NUTS ZC	4		
104	BL-4-FW-8	1/4" Flat Washer Grade 8	4		
105	BL-4-LW	1/4 SPLIT LW ZC	4		
106	RI-3-6-SS	SS Pop Rivets, 3/16 x .251-.375, Buttonhead	22		
107	BL-10-200-H	5/8-11 X 2 HEX CAP G5 ZC	1		
108	BL-10-N	5/8-11 HEX FIN NUTS ZC	1		



1007-5-2

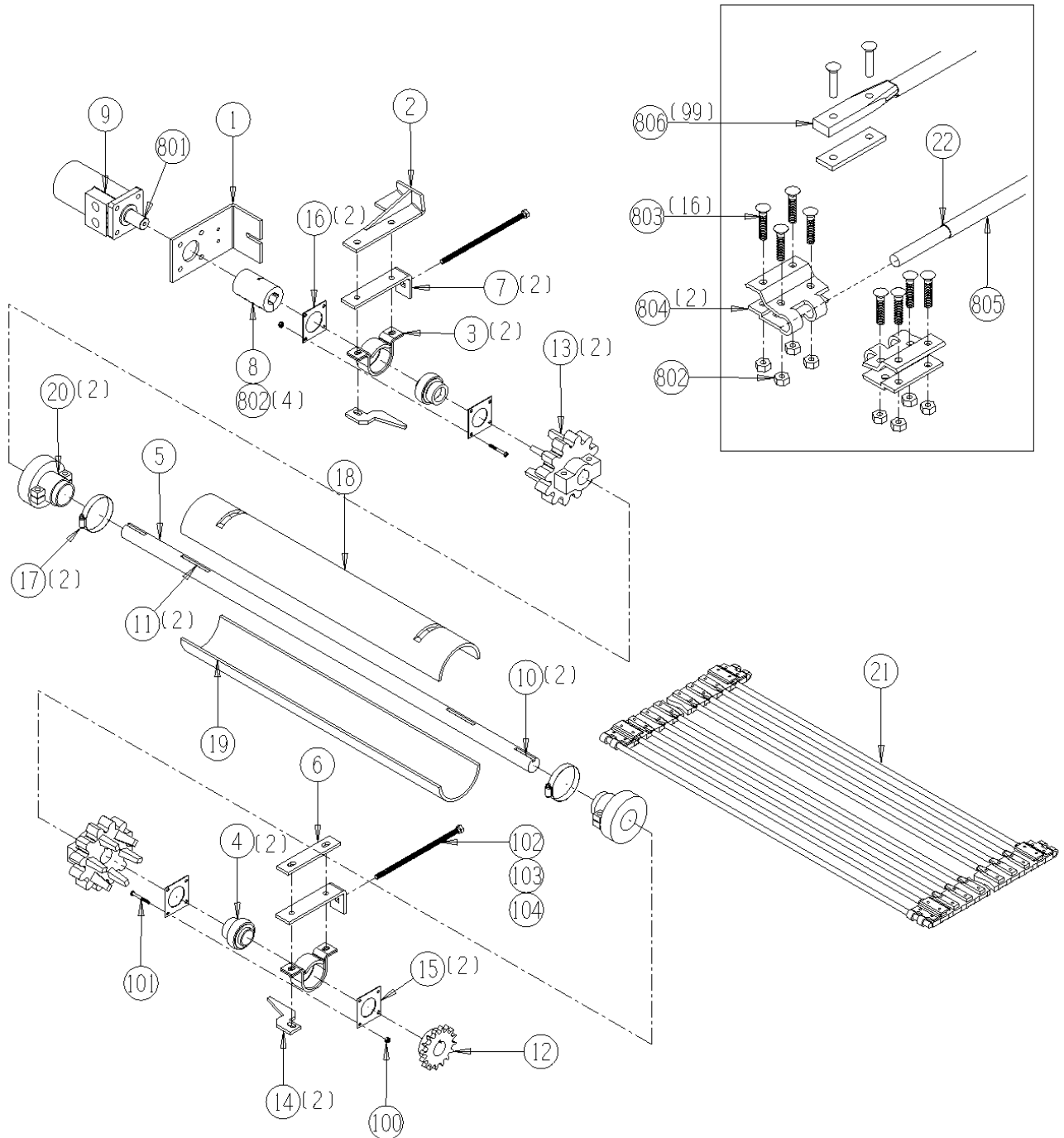


## 1007-5-3 Transfer Drive Shaft Assembly

<u>Ref</u>	<u>Part No.</u>	<u>Description</u>	<u>Parts – Assembly</u>	<u>Will Fit SN</u>	<u>Remarks</u>
1	193-806	Mount motor	1		
2	195-213	Stop, Transfer Motor Drive	1	19501- 194-806K	
3	BR-062-MPB	Stamped Bearing Housing for 1 1/4" bearing	2		
4	BR-125-062	Bearing, 1 1/4 Fafnir tri-seal, 62mm OD	2		
5	195-202	Shaft for kit 44 1/2"long keyed both ends	1	19501- 195-208K	
6	192-805	Bracket, Outer Transfer Drive	1	19201-	
7	192-1528	Bearing Adjuster	2	19201-	
8	CPS-6060	Steel Coupler (offcenter) 1 1/4" x 1"	1		
9	HM-210-TC	TCI Motor	1		Seal Kit # TCI-SKHPQ
10	KEY-4-4-20	Shaft Key 1/4" x 1 1/4"	2		
11	KEY-4-4-44	Shaft Key 1/4" x 2 3/4"	2		
12	SP-50B16-20-4	Sprocket, #50, 16 tooth, 1.25" bore	1		
13	SPU-3612-20-4	Urethane Sprocket 36-12 1 1/4 bore 1/4" key	2		Sub SP-3612-20-4
14	SCR-100	Scraper, Sprocket, Inner	2		
15	SC-20-6	Bearing Protector, 1 1/4", Inner Side	2		
16	SC-20-7	Bearing Protector, 1 1/4", Outer, Lock Collar Side	2		
17	CL-72	5" Gear Clamp	2		
18	PL-1413	Plastic, Shield, Anti-Wrap, Shaft Drive	1		
19	PL-1414	Drive Shaft, Plastic, 28.25"	1	KIT-0075	
20	PL-1421	Urethane Hub for Shaft Cover 1 1/4" Bore	2		Replaces PL-1415
21	BC-7-3636-105	Transfer Chain, 7/16" Bars 36" Wide, 105 Links 36mm	1		
22	BC-3525	Snap Ring, 11mm.	2		
101	BL-1032-175P	10/32 x 1 3/4" Pan Head, Phillips Machine Screw	8		
102	BL-6-900-T	3/8-16 X 9 HEX TAP G5 ZC	2		
103	BL-6-N	3/8-16 HEX NUTS ZC	6		
104	BL-6-FW-8	3/8 FLAT WASHER, G8 ZC	4		
800	BC-1032-FS	10-32 x 1 1/4" bolts Flat Socket Head	16		
801	BC-F-36-32	F Connecting Clips 36-32 @ pair	2	11001	
801	KEY-4-4-15	Shaft Key 1/4" X 1/4" X 15/16" Woodruff Key	1		
802	BC-1032-LN	10-32 lock nuts	16		
802	BL-5-100-SF	5/16-24 x 1 Socket Head Cap Screw	4	CPS-6057	

803	BC-7-36-CN	Connecting Rod, 11mm, 36" Wide Belted Chain, 60mm Traction Belts	1	11001	For Clip Splice Option
804	BC-7-36-AC	7/16" x 36" Rod w/ 24mm Air Cushion Cover	104		
805	BC-BP32	Belt, Rivet backing plates 32mm	200	11001	Lap Splice Option, Used only with BC-1032-LN Lock Nuts
806	RI-25-BC	25mm Belted Chain Rivets	400		

# 1007-5-3

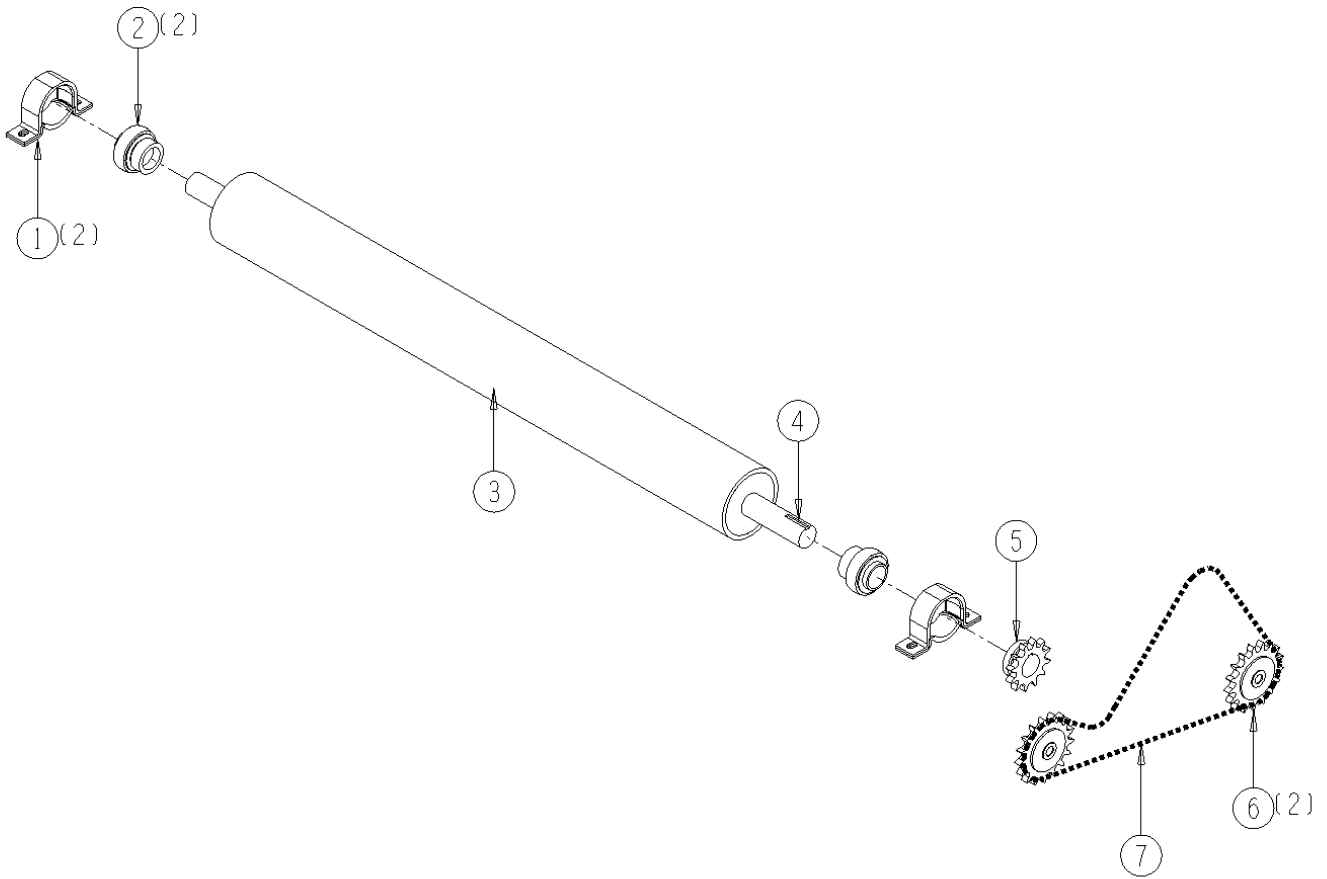




## 1007-5-4 Transfer Return Roller Assembly

<u>Ref</u>	<u>Part No.</u>	<u>Description</u>	<u>Parts – Assembly</u>	<u>Will Fit SN</u>	<u>Remarks</u>
1	BR-062-MPB	Stamped Bearing Housing for 1 1/4" bearing	2		
2	BR-125-062	Bearing, 1 1/4 Fafnir tri-seal, 62mm OD	2		
3	194-209	Transfer - Header Roller	1	19401-	
4	KEY-4-4-20	Shaft Key 1/4" x 1 1/4"	1		
5	SP-50B12-20-4	Sprocket, #50, 12 tooth, 1.25" bore	1	19201-	
6	SP-5017-T	Idler, 17 tooth x #50 Chain	2		
7	CH-50-73	Roller Chain 73 pitches #50, w/master link	1	19401- 195-208K	

1007-5-4

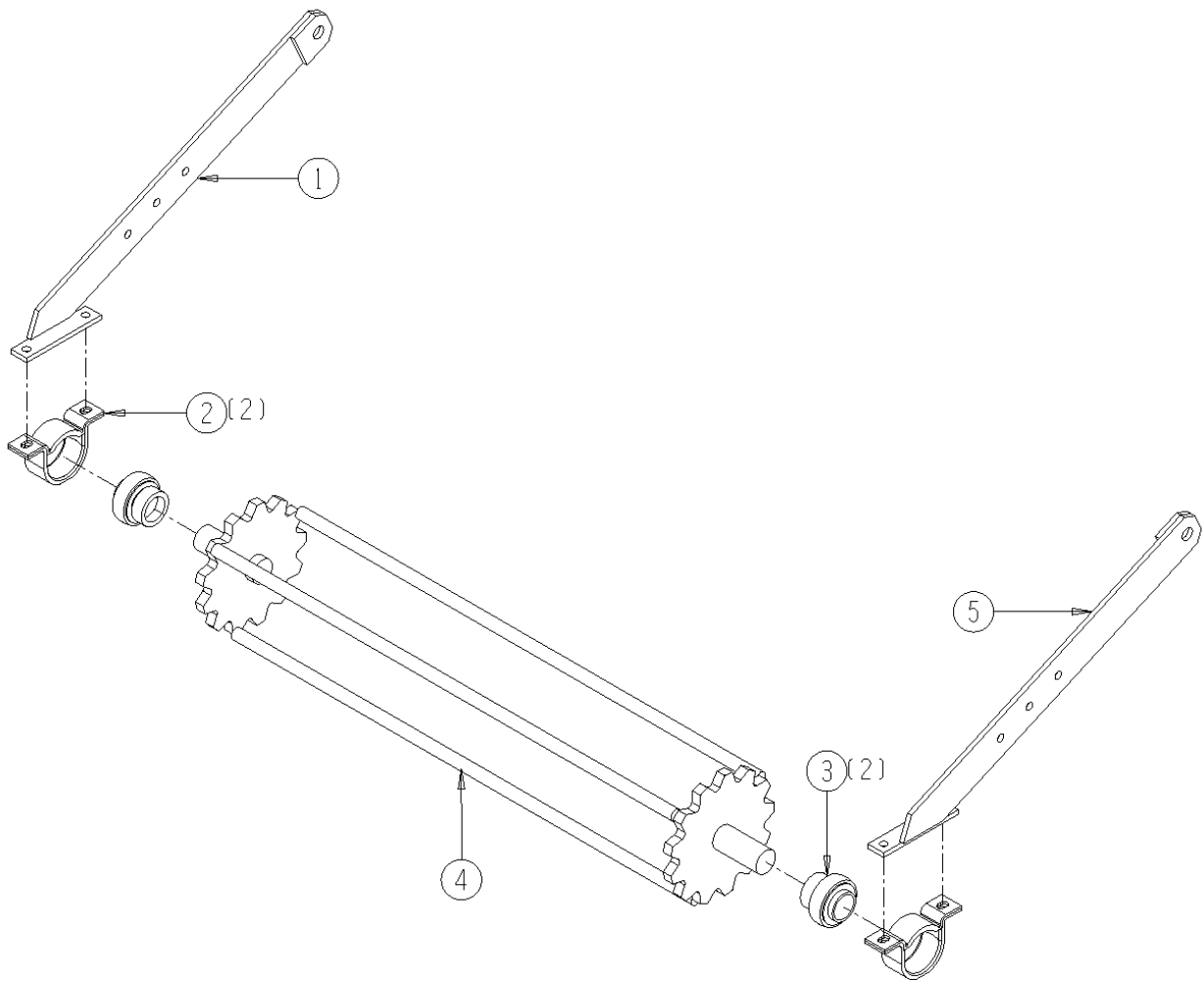


## 1007-5-5 Optional Transfer Chain Cleaner Assembly

<u>Ref</u>	<u>Part No.</u>	<u>Description</u>	<u>Parts – Assembly</u>	<u>Will Fit SN</u>	<u>Remarks</u>
1	192-362B	Chain cleaner bar (Right)	1	19101	
2	BR-062-MPB	Stamped Bearing Housing for 1 1/4" bearing	2		
3	BR-125-062I	Bearing, 1 1/4" ID, TS	2		FIT Bearing
4	194-361	Bar Cleaner, 36mm pitch x 36in wide chain	1	19401-	Replaces 192-361
5	192-362A	Chain cleaner bar (Left)	1	19101-	
100	BL-6-125-H	3/8-16 X 1 1/4 HHCS G5 ZC	4		
101	BL-6-LN	3/8 UNC FIN HEX LOCK NUT NE A563 GrA ZINC	4		
102	BL-6-SW	3/8 SAE FW ZC	8		
103	BL-10-075-SH	5/8 X 3/4 SHOULDER BOLTS	2	11001-	
104	BL-8-FW-8	1/2 FLAT WASHER G8 ZC	2		
105	BL-8-LN	1/2-13 HEX LOCK NUT NYLON INSERT ZC	2		



1007-5-5



## 1007-5-6 Optional Transfer Dirt Vibrator Assembly

<u>Ref</u>	<u>Part No.</u>	<u>Description</u>	<u>Parts – Assembly</u>	<u>Will Fit SN</u>	<u>Remarks</u>
0	KIT-0112	190 Power Vibrator, Transfer w/brackets	1	19501-	send hyd. schematic drawing along 1003-11-1
801	KEY-4-4-15	Shaft Key 1/4" X 1/4" X 15/16" Woodruff Key	1		
802	BL-5-100-SF	5/16-24 x 1 Socket Head Cap Screw	1	CPS-6057	

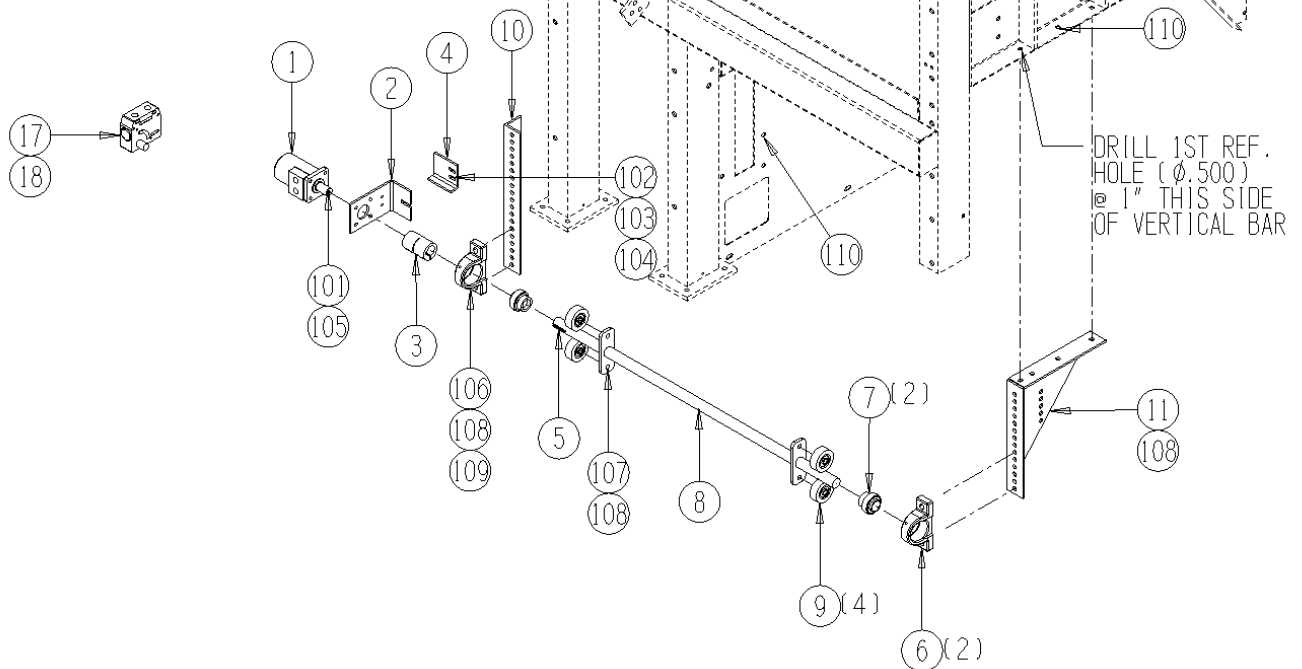
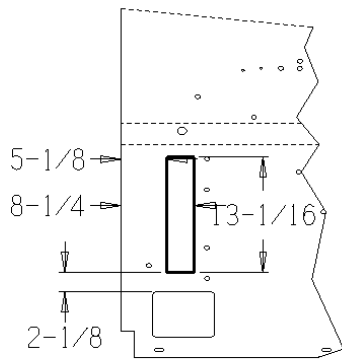
## KIT-0112 Power Vibrator, Transfer (19500-) w/Brackets, Tomato

<u>Ref</u>	<u>Part No.</u>	<u>Description</u>	<u>Parts – Assembly</u>	<u>Will Fit SN</u>	<u>Remarks</u>
1	HM-212-TC	TCI Hydraulic Motor	1		Seal Kit # TCI-SKHPQ
2	193-806	Mount motor	1		
3	CPS-6060	Steel Coupler (offcenter) 1 1/4" x 1"	1		
4	193-806A	Motor mount stop	1		
5	KEY-4-4-20	Shaft Key 1/4" x 1 1/4"	1		
6	BR-072-RAK	Bearing Housing 72 mm	2		
7	BR-125-072	Bearing, 1 1/4 Fafnir tri-seal, 72mm OD	2		
8	SFT-1360	Shaft, Dirt Vibrator, Transfer Belt	1		
9	RLT-027-108	Roller 2.75" dia. 1/2" Bore	4		2755C1X (Old Number, Single Bearing)
10	BRA-1360	Bracket, Vibrator, Transfer Chain	1		
11	BRA-1362	Bracket, Vibrator Transfer Return	1		
12	A-6901-10-12	10 SAE x 3/4 FPX90 , Forged	2		
13	A-1601-8-8-8	1/2 MP x 1/2 FPX x 1/2 FPX Tee	1		
14	A-6900-10-12	10 SAE x 3/4 FPX	2		
15	A-6900-10-8	10 SAE x 1/2 FPX	1		
16	A-1405-8-8	1/2" NPT Coupler W/Swivel	1		
17	HV-FL30	Flow Control Valve 30GPM	1		
18	STP-FL30	Stop, Flow Control	1	19101-	
19	H12-27-8MP-8MP	3/4 in hose 1/2MP x 1/2MP x 27 in long	1		
20	H12-27.5-12MP-12MP	3/4 in hose 3/4MP x 3/4MP x 27.5 in long	1	HV-1045K	
21	H12-30-12MP-8MP	3/4 in hose 3/4MP x 1/2MP x 30 in long	1		
22	H12-50-12MP-8MP	3/4 in hose 3/4MP x 1/2MP x 50 in long	1		
101	BL-6-100-H	3/8 UNC X 1 HH C/S BOLT GR5 ZINC	4		
102	BL-6-125-H	3/8-16 X 1 1/4 HHCS G5 ZC	2		
103	BL-6-LN	3/8 UNC FIN HEX LOCK NUT NE A563 GrA ZINC	2		

104	BL-6-FW-8	3/8 FLAT WASHER, G8 ZC	4
105	BL-6-LW	3/8 SPLIT LW ZC	4
106	BL-8-200-H	1/2-13 X 2 HEX CAP G5 ZC	4
107	BL-8-275-H	1/2 UNC X 2 3/4 HH C/S BOLT GR5 ZINC	4
108	BL-8-LN	1/2-13 HEX LOCK NUT NYLON INSERT ZC	14
109	BL-8-SW	1/2 SAE FW ZC	20
110	BL-8-125-H	1/2-13 X 1 1/4 HEX CAP G5 ZC	6
111	BL-4-225-H	1/4 UNC X 2 1/4 HH C/S BOLT GR5 ZINC	2
112	BL-4-FW-8	1/4" Flat Washer Grade 8	2
113	BL-4-LN	1/4-20 HEX LN NE ZC	2

# 1007-5-6

## KIT-0112 POWERED VIBRATOR TRANSFER CHAIN

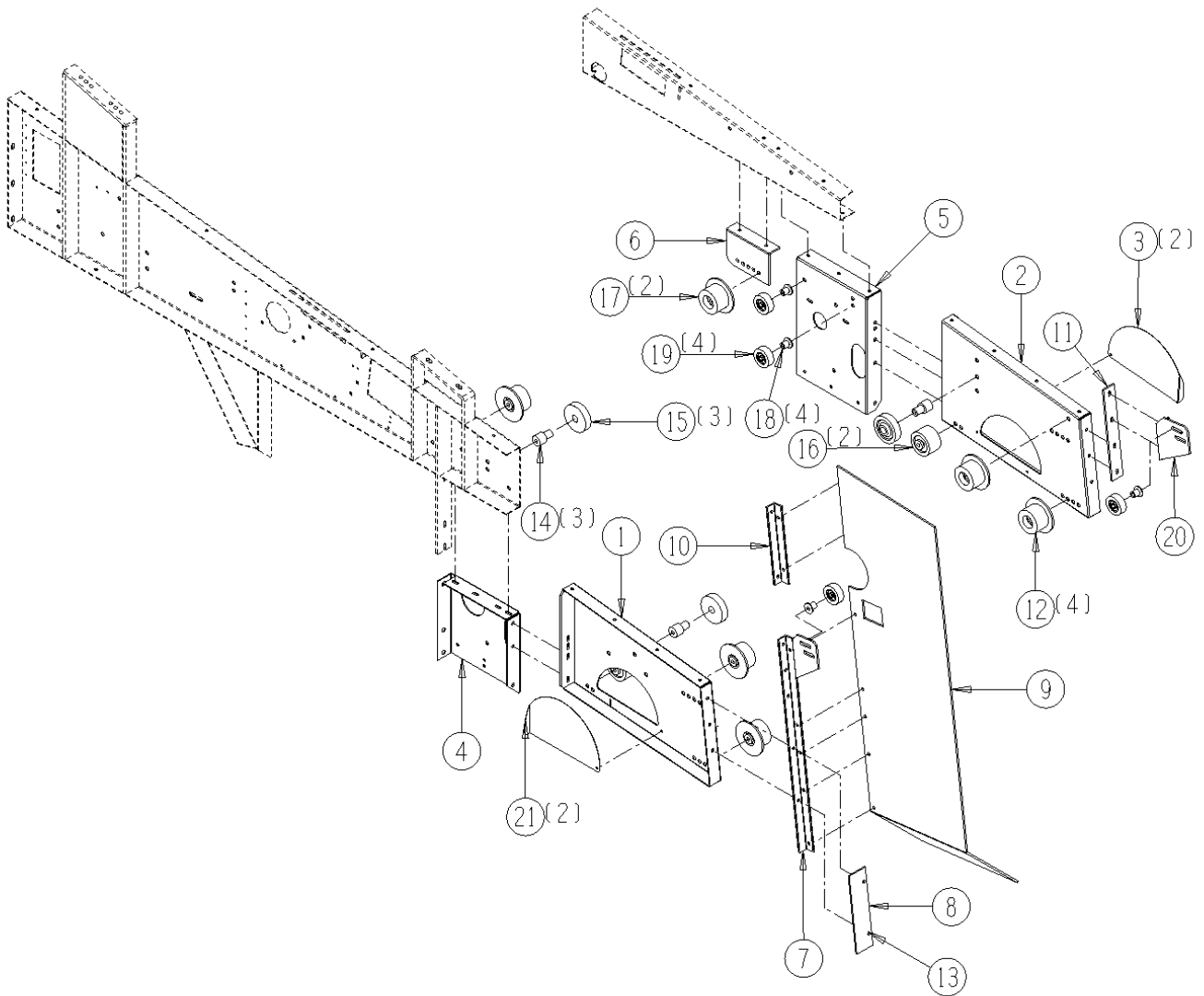




## 1007-5-7 Optional Rear Transfer Assembly

<u>Ref</u>	<u>Part No.</u>	<u>Description</u>	<u>Parts – Assembly</u>	<u>Will Fit SN</u>	<u>Remarks</u>
1	PAN-315	Panel, Roller, Outer	1	KIT-0080	
2	PAN-316	Panel, Roller, Inner	1	KIT-0080	
3	PAN-920C	Panel, Access [Red]	2	19301-	
4	SUP-1304	Support Panel, Rear, Outer, Lower Shaker	1		
5	SUP-1306	Support Panel, Rear, Inner, Lower Shaker	1		
6	BRA-306	Bracket, Roller, Inner Side, Rear Trans.	1	kit-0080	
7	BAR-306	Bar, Angle, Stiffner, Lower Vine Deflector Holder	1		
8	BAR-310	Bar, Reflective Tape Mounting	1		
9	PL-306	Plastic, Vine Deflector, Outer	1		
10	BAR-308	Bar, Stiffner, Inner Rear Shaker Panels	1		
11	BAR-307	Bar, Angle, Stiffner, Upper Vine Deflector Holder	1		
12	RLT-635-228	6 1/2" Flange Roller 2.2 WF 3.5 dia, 1/2" bore	4		
13	DC-3025	Red and White Reflective Tape @ 150 ft Roll	0.08		
14	RLA-010-0108	Spindle / Standoff for Urethane Roller (heat treated)	3	19101-	
15	RLG-040-1016	4" Urethane Roller	3	Old Terog Part No. RU4	
16	RLT-035-228	Roller 3.5 dia x 2.2 x 1/2" bore, no flange	2		
17	RLT-535-228	5" Flange Roller 2.2WF x 3 1/2" dia, 1/2" bore	2		
18	RLA-000-118	Standoff, 1/2" X 1 1/8"	4		
19	RLT-027-108	Roller 2.75" dia. 1/2" Bore	4		2755C1X (Old Number, Single Bearing)
20	MOU-306	Mount, Roller Holder, Inner, Vine Chain, Tom	1		
21	DC-1176	Decal, Danger-Hand Chain Sprockets	2		

1007-5-7



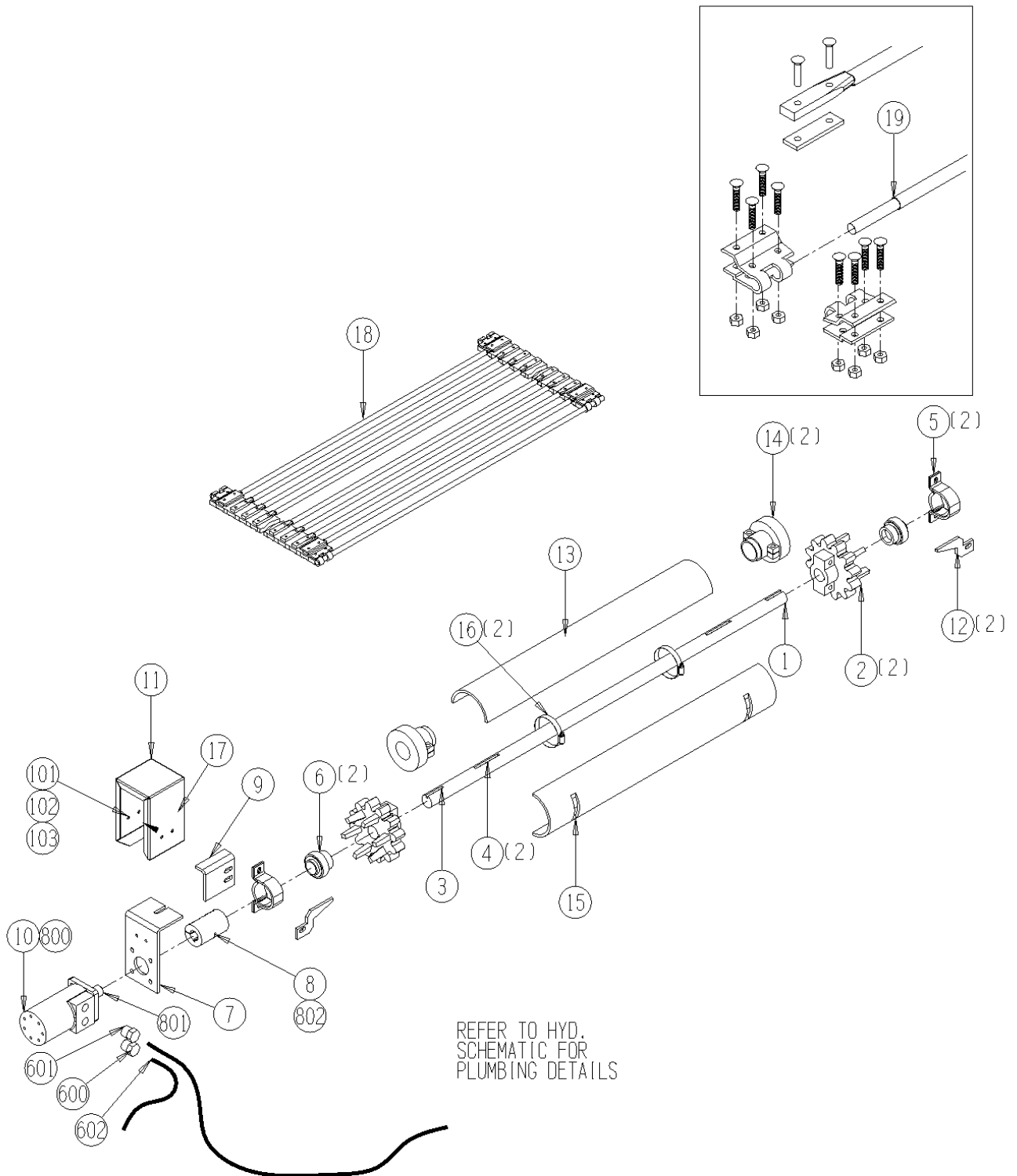
## 1007-5-8 Optional Rear Transfer Drive Shaft Assembly

<u>Ref</u>	<u>Part No.</u>	<u>Description</u>	<u>Parts – Assembly</u>	<u>Will Fit SN</u>	<u>Remarks</u>
1	195-202	Shaft for kit 44 1/2" long keyed both ends	1	19501- 195-208K	
2	SPU-3612-20-4	Urethane Sprocket 36-12 1 1/4 bore 1/4" key	2		Sub SP-3612-20-4
3	KEY-4-4-20	Shaft Key 1/4" x 1 1/4"	1		
4	KEY-4-4-32	Shaft Key 1/4" x 2" Square Cut (1018)	2		
5	BR-062-MPB	Stamped Bearing Housing for 1 1/4" bearing	2		
6	BR-125-062	Bearing, 1 1/4 Fafnir tri-seal, 62mm OD	2		
7	193-806	Mount motor	1		
8	CPS-6060	Steel Coupler (offcenter) 1 1/4" x 1"	1		
9	193-806A	Motor mount stop	1		
10	HM-210-TC	TCI Motor	1		Seal Kit # TCI-SKHPQ
11	193-806C	Motor Guard	1	19301-	
12	SCR-100	Scraper, Sprocket, Inner	2		
13	PL-1414	Drive Shaft, Plastic, 28.25"	1	KIT-0075	
14	PL-1421	Urethane Hub for Shaft Cover 1 1/4" Bore	2		Replaces PL-1415
15	PL-1413	Plastic, Shield, Anti-Wrap, Shaft Drive	1		
16	CL-72	5" Gear Clamp	2		
17	DC-1176	Decal, Danger-Hand Chain Sprockets	1		
18	BC-7-3636-75	Rear Transfer, Belted Chain for Tomato	1		
19	BC-3525	Snap Ring, 11mm.	2		
101	BL-4-500-H	1/4-20 X 5 HEX CAP G5 ZC	1		
102	BL-4-FW	1/4 USS FW ZC	2		
103	BL-4-WN	1/4-20 FORGED W/NUTS ZC	1		
600	A-6902-10-8	10 SAE X 1/2" FPX 45	1		
601	A-6900-10-8	10 SAE x 1/2 FPX	1		
602	H10-30-8MP-8MP	5/8 in hose 1/2MP x 1/2MP x 30 in long	1		
800	BC-1032-FS	10-32 x 1 1/4" bolts Flat Socket Head	16		
801	BC-F-36-32	F Connecting Clips 36-32 @ pair	2	11001	
801	KEY-4-4-15	Shaft Key 1/4" X 1/4" X 15/16" Woodruff Key	1		
802	BC-1032-LN	10-32 lock nuts	16		
802	BL-5-100-SF	5/16-24 x 1 Socket Head Cap Screw	4	CPS-6057	



803	BC-7-36-CN	Connecting Rod, 11mm, 36" Wide Belted Chain, 60mm Traction Belts	1	11001	For Clip Splice Option
804	BC-7-36-AC	7/16" x 36" Rod w/ 24mm Air Cushion Cover	74		
805	BC-BP32	Belt, Rivet backing plates 32mm	140	11001	Lap Splice Option, Used only with BC-1032-LN Lock Nuts
806	RI-25-BC	25mm Belted Chain Rivets	280		

# 1007-5-8

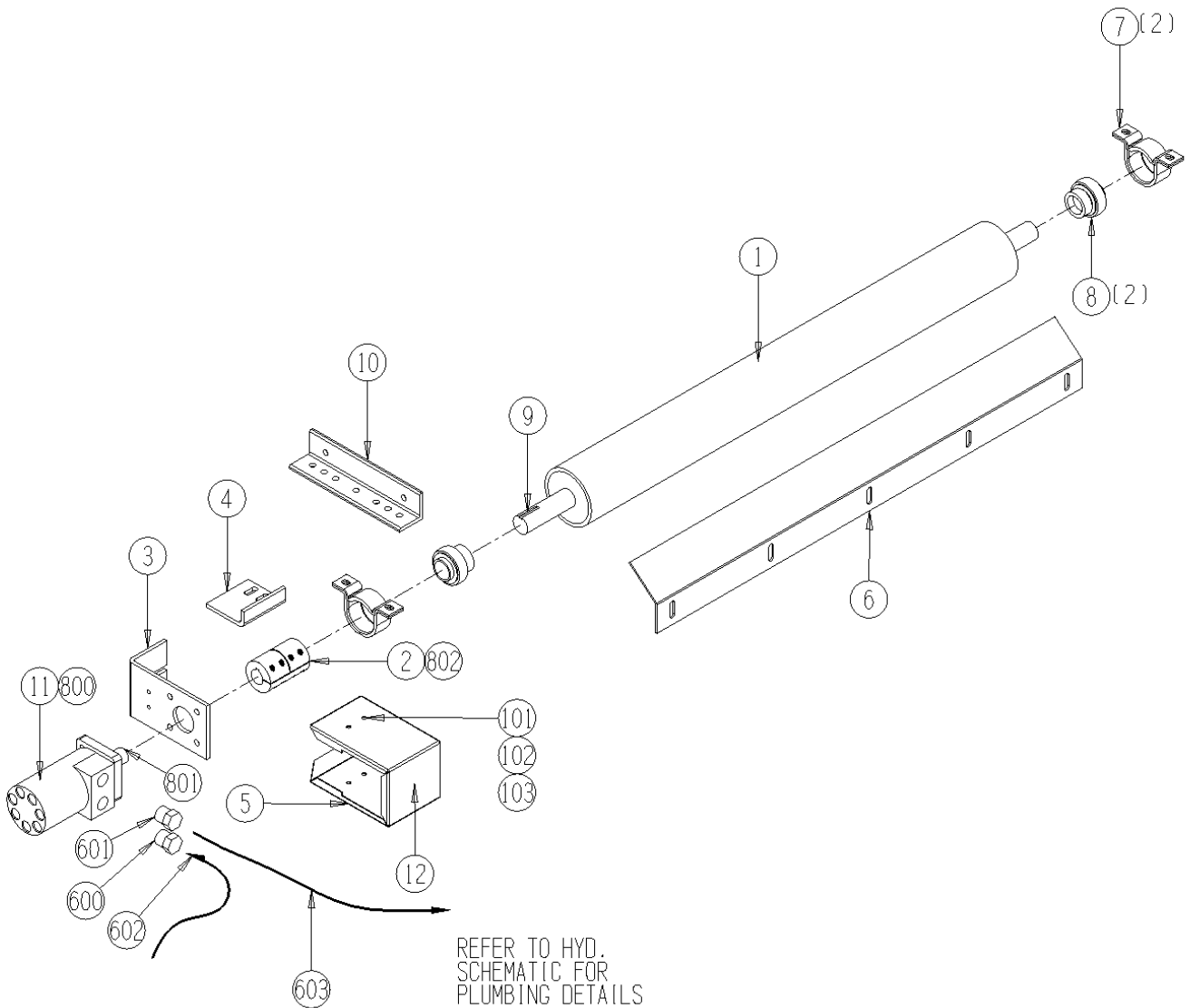




## 1007-5-9 Optional Rear Transfer Return Roller Assembly

<u>Ref</u>	<u>Part No.</u>	<u>Description</u>	<u>Parts – Assembly</u>	<u>Will Fit SN</u>	<u>Remarks</u>
1	194-209	Transfer - Header Roller	1	19401-	
2	CPS-6060	Steel Coupler (offcenter) 1 1/4" x 1"	1		
3	193-806	Mount motor	1		
4	193-806A	Motor mount stop	1		
5	193-806C	Motor Guard	1	19301-	
6	SCR-616	Scraper, Rear Transfer, Return Roller	1	KIT-0080	
7	BR-062-MPB	Stamped Bearing Housing for 1 1/4" bearing	2		
8	BR-125-062	Bearing, 1 1/4 Fafnir tri-seal, 62mm OD	2		
9	KEY-4-4-20	Shaft Key 1/4" x 1 1/4"	1		
10	BRA-1422	Bracket, Roller	1	KIT-0080	
11	HM-204-TC	TCI Motor	1		Seal Kit # TCI-SKHPQ
12	DC-1176	Decal, Danger-Hand Chain Sprockets	1		
101	BL-4-500-H	1/4-20 X 5 HEX CAP G5 ZC	1		
102	BL-4-FW	1/4 USS FW ZC	2		
103	BL-4-WN	1/4-20 FORGED W/NUTS ZC	1		
600	A-6900-10-8	10 SAE x 1/2 FPX	1		
601	A-6902-10-8	10 SAE X 1/2" FPX 45	1		
602	H10-30-8MP-8MP	5/8 in hose 1/2MP x 1/2MP x 30 in long	1		
603	H10-34-8MP-8MP	5/8 in hose 1/2MP x 1/2MP x 34 in long	1		
801	KEY-4-4-15	Shaft Key 1/4" X 1/4" X 15/16" Woodruff Key	1		
802	BL-5-100-SF	5/16-24 x 1 Socket Head Cap Screw	4	CPS-6057	

# 1007-5-9



## 1007-5-10 Optional Vine Chopper w/ Separation Extension

<u>Ref</u>	<u>Part No.</u>	<u>Description</u>	<u>Parts – Assembly</u>	<u>Will Fit SN</u>	<u>Remarks</u>
0	KIT-0150	Vine Chopper for 190 w/ Sep. Ext. Plmbd to Tractor	1	Machine w/ Sep. Ext.	For Pony Pump Sut up use Kit-0206 For Straight Rear Chopper Shield, Use SHD-2011

## KIT-0150 Vine Chopper for 190 w/ Separation Extension

<u>Ref</u>	<u>Part No.</u>	<u>Description</u>	<u>Parts – Assembly</u>	<u>Will Fit SN</u>	<u>Remarks</u>
1	SFT-2016	Shaft, Flail Rotor, 190 Chopper	1		Replaces SFT-2014
2	BRA-2009	Bracket, Knife Holder, Vine Chopper, 190 Tomato	1		
3	MOU-2013	Hefty Right Mount, Vine Chopper, 190 Tomato	1		
4	MOU-2014	Hefty Left Mount, Vine Chopper, 190 Tomato	1		
5	SHD-2003	Shield, Top, Vine Chopper, 190 Tomato	1		
6	KN-142141	Knife	5		
7	BAR-2020	Bar, Long Flail, Vine Chopper	27		Sold in Sets of 36
9	PAN-2012	Panel, LH Housing, Vine Chopper, 190 Tomato	1		
10	PAN-2013	Panel, RH Housing, Vine Chopper, 190 Tomato	1		
11	BAR-2013	Bar, Inside Plate, Vine Chopper, 190 Tomato	2		
12	SHD-2018	Shield, Back, Vine Chopper	1		
13	BAR-2012	Bar, End Plate, Vine Chopper, 190 Tomato	1		
16	BR-175-085-KB	Fafnir Bearing 1 3/4" Heavy SS1	2		
17	BR-085-RAK	Bearing Housing 85 mm	2		
18	BAR-2015	Belting Bar, Vine Chopper, 190 Tomato	2		
19	HM-115	Hydraulic Motor	1		
20	BT-2007	Belting, 190 Vine Chopper, Update Sheild	1	BT-2007	
21	MOU-2010	Motor Mount, Vine Chopper, 190 Tomato Machine	1		
22	SHD-2009	Coupler Shield, Vine Chopper	2		
23	SUP-2002	Motor Mount Support, Vine Chopper	1		
24	MOU-2011	Side of Motor Mount, Vine Chopper, 190 Tomato	1		
25	MOU-2003	Left, Front Mount, Vine Chopper, 190 Tomato	1		
26	MOU-2004	Right, Front Mount, Vine Chopper, 190 Tomato	1		
27	MOU-2012	Side of Motor Mount, Vine Chopper, 190 Tomato	1		
28	GF-1428	Grease Fitting 1/4" x 28 straight	2		
29	CPR-422-18	Lovejoy Donut W/ Hardware	1		
30	CPR-422C-18	Coupler, Shaker Side	1	30095001-	

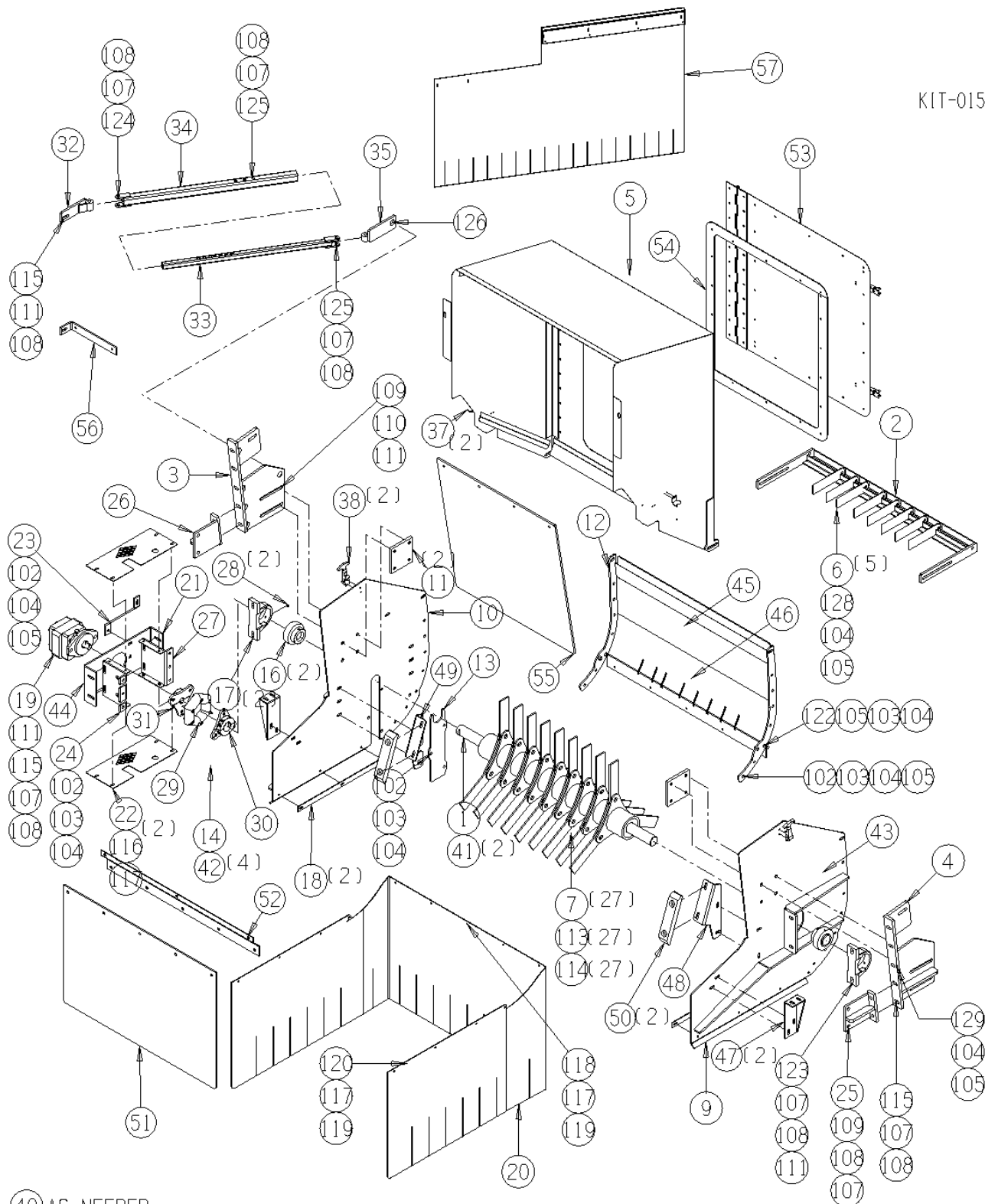
31	CPR-422D-18	Coupler, Shaker, Motor Side, 1" Shaft	1	30095001-
32	ARM-2000	Arm, Outside Mount Support, Vine Chopper, 190	1	
33	ARM-2001	Arm, Support, Inside Tube, Vine Chopper, 190	1	
34	ARM-2002	Arm, Support, Outside Tube, Vine Chopper, 190	1	
35	ARM-2003	Arm, Inside Mount Support, Vine Chopper, 190	1	
40	WT-17H	Heavy Duty Wire Tie 17.5"	30	
43	DC-1174	Decal, Danger Keep Hands and Feet Away	1	
44	DC-1176	Decal, Danger-Hand Chain Sprockets	1	
45	DC-1182	Decal, White "PIK RITE" 3 1/4" x 23"	1	
46	DC-1184	Danger Decal, 3" x 16"	1	
47	BRA-0115	Stiffner Bracket, Vine Chopper, 190	2	
48	BRA-2015	Bracket, For Plastic, LH, Vine Chopper, 190	1	
49	BRA-2016	Bracket, For Plastic, RH, Vine Chopper, 190	1	
50	PL-2015	Plastic, Vine Chopper, 190 Tomato	2	
51	PL-2002	Plastic, Vine Chopper, Vine Chain, 190	1	
52	BRA-2014	Bracket, Plastic Holder, Vine Chopper, 190 Tomato	1	
53	SHD-2013	190 Vine Chopper Door (Rear)	1	SHD-2013
54	BT-2013	Belting, Vine Chopper Door	2	BT-2013
55	BT-2009	Belting, Weed Turner, 190 Chopper w/Sep.	1	
56	ARM-2008	Arm, Belting Holder, Fan Intake Protector, 190	1	
57	BT-2008	Belting, Fan Intake Shield, 190 Chopper	1	
100	BL-12-LN	3/4" Lock Nuts w/Nylon Inserts	2	
101	BL-12-FW	3/4" Flat Washer	2	
102	BL-6-125-H	3/8-16 X 1 1/4 HHCS G5 ZC	18	
103	BL-6-SW	3/8 SAE FW ZC	40	
104	BL-6-LN	3/8 UNC FIN HEX LOCK NUT NE A563 GrA ZINC	63	
105	BL-6-FW-8	3/8 FLAT WASHER, G8 ZC	76	
106	BL-8-175-H	1/2-13 X 1 3/4 HEX CAP G5 ZC	6	
107	BL-8-SW	1/2 SAE FW ZC	31	
108	BL-8-LN	1/2-13 HEX LOCK NUT NYLON INSERT ZC	30	
109	BL-8-150-H	1/2 UNC X 1 1/2 HH C/S BOLT GR5 ZINC	12	
110	BL-8-LW	1/2 SPLIT LW ZC	14	
111	BL-8-FW-8	1/2 FLAT WASHER G8 ZC	15	
112	BL-12-225-H	3/4-10 X 2 1/4" HH GR5 ZC	2	
113	BL-12-LNS	3/4-10 Stover Lock Nut	27	
114	BL-12-175-H-8	3/4-10 x 1-3/4" Grade 8 Hex Head	27	
115	BL-8-200-H	1/2-13 X 2 HEX CAP G5 ZC	7	

116	BL-4-050-H	1/4-20 X 1/2 HEX CAP G5 ZC	8
117	BL-4-FW-8	1/4" Flat Washer Grade 8	126
118	BL-4-075-H	1/4 UNC X 3/4 HH C/S BOLT GR5 ZINC	40
119	BL-4-LN	1/4-20 HEX LN NE ZC	72
120	BL-4-100-H	1/4-20 X 1 HEX CAP G5 ZC	16
121	BL-4-125-H	1/4-20 X 1 1/4 HEX CAP G5 ZC	8
122	BL-6-150-H	3/8-16 X 1 1/2 HEX CAP G5 ZC	17
123	BL-8-225-H	1/2-13 X 2 1/4 HEX CAP G5 ZC	4
124	BL-8-300-H	1/2-13 X 3 HEX CAP G5 ZC	1
125	BL-8-250-H	1/2-13 X 2 1/2 HEX CAP G5 ZC	8
126	BL-16-LN	1" Lock Nuts w/ Nylon Inserts	1
127	BL-4-250-H	1/4-20 X 2 1/2 HEX CAP G5 ZC	2
128	BL-6-100-H	3/8 UNC X 1 HH C/S BOLT GR5 ZINC	24
130	RI-3-5-P	Pop Rivet 3/16 x 5/16 Domed, .375 head, ea	4
131	BL-8-400-H	1/2-13 X 4 HEX CAP G5 ZC	2
600	A-1404-4-6	1/4" MP x 3/8" FPX	1
601	H6-564-6MP-8MP	3/8 in hose 3/8MP x 1/2MP x 564 in long	1
602	A-6901-12-8	12 SAE x 1/2" FPX 90 , Forged	2
603	HV-0110	Three Way Valve, Oil From Tractor, Vine Chopper	1
604	A-QD2010-8-8	Tractor Quick Coupler, Male, 1/2" w/ FPT	3
605	H10-504-8MP-8MP	5/8 in Hose 1/2MP x 1/2MP x 504 in long	2
606	A-6401-10-8	10 SAE x 1/2 MPT Male	1
607	A-6900-10-8	10 SAE x 1/2 FPX	2
608	H10-48-8MP-8MP	5/8 in hose 1/2MP x 1/2MP x 48 in long	2
609	A-1603-8-8-8	Swivel T 1/2" NPTF	1
610	A-6901-6-6	6 SAE x 3/8" FPX 90 , Forged	1
611	H8-120-12MP-6MP	1/2 in Hose 3/4MP x 3/8MP x 120 in long	1
612	A-5404-12-12	Hex Nipple 3/4" x 3/4"	1
613	A-1603-12-12	Swivel T 3/4" NPTF	1
614	A-1501-8-8	1/2 MP x 1/2 FPX90	1



# 1007-5-10

KIT-0150



## 1007-5-11 Opt. Vine Chopper w/o Sep. Ext. Plumb to Machine

<u>Ref</u>	<u>Part No.</u>	<u>Description</u>	<u>Parts – Assembly</u>	<u>Will Fit SN</u>	<u>Remarks</u>
0	KIT-0174	Vine Chopper for 190 w/o Sep. Ext.Plumb to Mach.	1		For Straight Rear Chopper Shield, Use SHD-2008

## KIT-0174 Vine Chopper for 190 w/o Sep. Ext. Plumb to Mach.

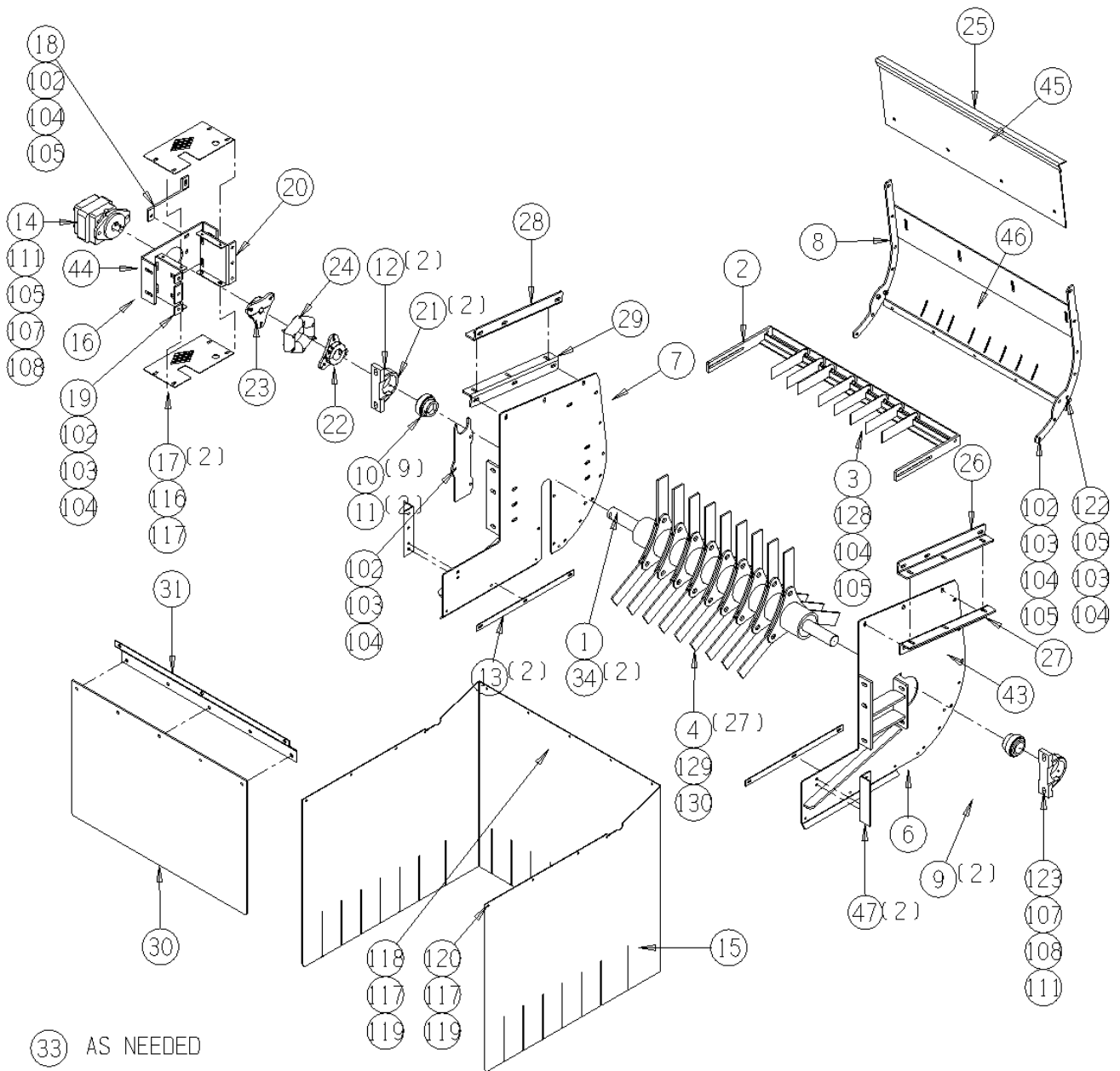
<u>Ref</u>	<u>Part No.</u>	<u>Description</u>	<u>Parts – Assembly</u>	<u>Will Fit SN</u>	<u>Remarks</u>
0	0500	Assembly Area	0		
1	SFT-2016	Shaft, Flail Rotor, 190 Chopper	1		Replaces SFT-2014
2	BRA-2009	Bracket, Knife Holder, Vine Chopper, 190 Tomato	1		
3	KN-142141	Knife	5		
4	BAR-2020	Bar, Long Flail, Vine Chopper	27		Sold in Sets of 36
6	PAN-2010	Panel, LH Housing, Vine Chopper, 190 Tomato	1		
7	PAN-2011	Panel, RH Housing, Vine Chopper, 190 Tomato	1		
8	SHD-2019	Shield, Back Panel, 190 Vine Chopper	1		
9	BAR-2012	Bar, End Plate, Vine Chopper, 190 Tomato	1		
11	BR-175-085-KB	Fafnir Bearing 1 3/4" Heavy SS1	2		
12	BR-085-RAK	Bearing Housing 85 mm	2		
13	BAR-2018	Bar, Vine Chopper, 190 Tomato Machine	2		
14	HM-122	Motor, Hydraulic, 1-3/4" Gear, #12 SAE Ports	1		
15	BT-2010	Vine Chopper, Belting 190, Post 2005	1		
16	MOU-2015	Motor Mount, 190 Vine Chopper	1		
17	SHD-2015	Expanded Metal, Sheild, 190 Vine Chopper	2		
18	SUP-2002	Motor Mount Support, Vine Chopper	1		
19	MOU-2011	Side of Motor Mount, Vine Chopper, 190 Tomato	1		
20	MOU-2012	Side of Motor Mount, Vine Chopper, 190 Tomato	1		
21	GF-1428	Grease Fitting 1/4" x 28 straight	2		
22	CPR-422C-18	Coupler, Shaker Side	1	30095001-	
23	CPR-422D-18	Coupler, Shaker, Motor Side, 1" Shaft	1	30095001-	
24	CPR-422-18	Lovejoy Donut W/ Hardware	1		
25	SHD-2014	Back Sheild, Vine Chopper, 190	1		
26	BRA-2010	Top LH Bent, Vine Chopper, 190 Tomato Machine	1		
27	BRA-2011	Top, LH Sd Bent, Vine Chopper, 190 Tomato	1		
28	BRA-2012	Top RH Bent, Vine Chopper, 190 Tomato	1		
29	BRA-2013	Top RH Sd Bent, Vine Chopper, 190 Tomato	1		

30	PL-2001	Plastic, Vine Chopper, 190 Tomato Machine	1
31	BRA-2014	Bracket, Plastic Holder, Vine Chopper, 190 Tomato	1
33	WT-17H	Heavy Duty Wire Tie 17.5"	15
43	DC-1174	Decal, Danger Keep Hands and Feet Away	1
44	DC-1176	Decal, Danger-Hand Chain Sprockets	1
45	DC-1182	Decal, White "PIK RITE" 3 1/4" x 23"	1
46	DC-1184	Danger Decal, 3" x 16"	1
47	BRA-0114	Stiffener Bracket, Vine Chopper, 190	2
102	BL-6-125-H	3/8-16 X 1 1/4 HHCS G5 ZC	20
103	BL-6-SW	3/8 SAE FW ZC	36
104	BL-6-LN	3/8 UNC FIN HEX LOCK NUT NE A563 GrA ZINC	30
105	BL-6-FW-8	3/8 FLAT WASHER, G8 ZC	45
106	BL-8-175-H	1/2-13 X 1 3/4 HEX CAP G5 ZC	6
107	BL-8-SW	1/2 SAE FW ZC	31
108	BL-8-LN	1/2-13 HEX LOCK NUT NYLON INSERT ZC	22
109	BL-8-150-H	1/2 UNC X 1 1/2 HH C/S BOLT GR5 ZINC	12
110	BL-8-LW	1/2 SPLIT LW ZC	8
111	BL-8-FW-8	1/2 FLAT WASHER G8 ZC	15
115	BL-4-300-H	1/4-20 X 3 HEX CAP G5 ZC	2
116	BL-4-050-H	1/4-20 X 1/2 HEX CAP G5 ZC	8
117	BL-4-FW-8	1/4" Flat Washer Grade 8	46
118	BL-4-075-H	1/4 UNC X 3/4 HH C/S BOLT GR5 ZINC	9
119	BL-4-LN	1/4-20 HEX LN NE ZC	23
120	BL-4-100-H	1/4-20 X 1 HEX CAP G5 ZC	6
121	BL-4-125-H	1/4-20 X 1 1/4 HEX CAP G5 ZC	8
122	BL-6-150-H	3/8-16 X 1 1/2 HEX CAP G5 ZC	10
123	BL-8-225-H	1/2-13 X 2 1/4 HEX CAP G5 ZC	4
124	BL-8-300-H	1/2-13 X 3 HEX CAP G5 ZC	1
125	BL-8-250-H	1/2-13 X 2 1/2 HEX CAP G5 ZC	2
128	BL-6-100-H	3/8 UNC X 1 HH C/S BOLT GR5 ZINC	14
129	BL-12-175-H-8	3/4-10 x 1-3/4" Grade 8 Hex Head	27
130	BL-12-LNS	3/4-10 Stover Lock Nut	27
600	A-4124-6-4	1/4 Male Pipe x 3/8 Push Loc	1
601	A-1405-8-8	1/2" NPT Coupler W/Swivel	1
602	A-6901-12-8	12 SAE x 1/2" FPX 90 , Forged	2
603	A-6408-10	10 SAE Plug	1
604	A-6901-10-8	10 SAE x 1/2 FPX90 , Forged	2

605	ATB-06-06-06	3/8" x 3/8" x 3/8" Brass Hose Barb Tee	1	CL-10 needs to be used with this tee.
606	A-6401-10-8	10 SAE x 1/2 MPT Male	2	
607	A-1603-8-8-8	Swivel T 1/2" NPTF	2	
608	HV-FL30	Flow Control Valve 30GPM	1	
609	H12-91-12MP-8MP	3/4" Hose 3/4MP x 1/2MP x 91 in Long	1	
610	CL-10	Single Snap Grip Clamp for 3/8" Push Loc Hose	3	Use with ATB-06-06-06
611	H10-120-8MP-8MP	5/8 in hose 1/2MP x 1/2MP x 120 in long	2	
612	H12-36-8MP-12MP	3/4 in hose 3/4MP x 1/2MP x 36 in long	2	
613	H6-PL-65	3/8" Push-Loc Hose 65"	1	
614	A-5404-8-12	Hex Nipple 3/4 x 1/2	2	
615	A-1405-12-12	3/4 NPT coupler w/swivel	2	

# 1007-5-11

KIT-0174



## 1007-5-12 Opt. Vine Chopper w/o Sep. Ext. Plumb to Tractor

<u>Ref</u>	<u>Part No.</u>	<u>Description</u>	<u>Parts – Assembly</u>	<u>Will Fit SN</u>	<u>Remarks</u>
0	KIT-0175	Vine Chopper for 190 w/o Sep. Ext. Plumbed to Tractor	1		For Straigh Rear Chopper Sheild, Use SHD-2008

## KIT-0175 Vine Chopper for 190 w/o Sep. Ext. Plumbed to Trac

<u>Ref</u>	<u>Part No.</u>	<u>Description</u>	<u>Parts – Assembly</u>	<u>Will Fit SN</u>	<u>Remarks</u>
1	SFT-2016	Shaft, Flail Rotor, 190 Chopper	1		Replaces SFT-2014
2	BRA-2009	Bracket, Knife Holder, Vine Chopper, 190 Tomato	1		
3	KN-142141	Knife	5		
4	BAR-2020	Bar, Long Flail, Vine Chopper	27		Sold in Sets of 36
6	PAN-2010	Panel, LH Housing, Vine Chopper, 190 Tomato	1		
7	PAN-2011	Panel, RH Housing, Vine Chopper, 190 Tomato	1		
8	SHD-2019	Shield, Back Panel, 190 Vine Chopper	1		
9	BAR-2012	Bar, End Plate, Vine Chopper, 190 Tomato	1		
11	BR-175-085-KB	Fafnir Bearing 1 3/4" Heavy SS1	2		
12	BR-085-RAK	Bearing Housing 85 mm	2		
13	BAR-2018	Bar, Vine Chopper, 190 Tomato Machine	2		
14	HM-115	Hydraulic Motor	1		
15	BT-2010	Vine Chopper, Belting 190, Post 2005	1		
16	MOU-2015	Motor Mount, 190 Vine Chopper	1		
17	SHD-2015	Expanded Metal, Sheild, 190 Vine Chopper	2		
18	SUP-2002	Motor Mount Support, Vine Chopper	1		
19	MOU-2011	Side of Motor Mount, Vine Chopper, 190 Tomato	1		
20	MOU-2012	Side of Motor Mount, Vine Chopper, 190 Tomato	1		
21	GF-1428	Grease Fitting 1/4" x 28 straight	2		
22	CPR-422C-18	Coupler, Shaker Side	1	30095001-	
23	CPR-422D-18	Coupler, Shaker, Motor Side, 1" Shaft	1	30095001-	
24	CPR-422-18	Lovejoy Donut W/ Hardware	1		
25	SHD-2014	Back Sheild, Vine Chopper, 190	1		
26	BRA-2010	Top LH Bent, Vine Chopper, 190 Tomato Machine	1		
27	BRA-2011	Top, LH Sd Bent, Vine Chopper, 190 Tomato	1		
28	BRA-2012	Top RH Bent, Vine Chopper, 190 Tomato	1		
29	BRA-2013	Top RH Sd Bent, Vine Chopper, 190 Tomato	1		
30	PL-2001	Plastic, Vine Chopper, 190 Tomato Machine	1		

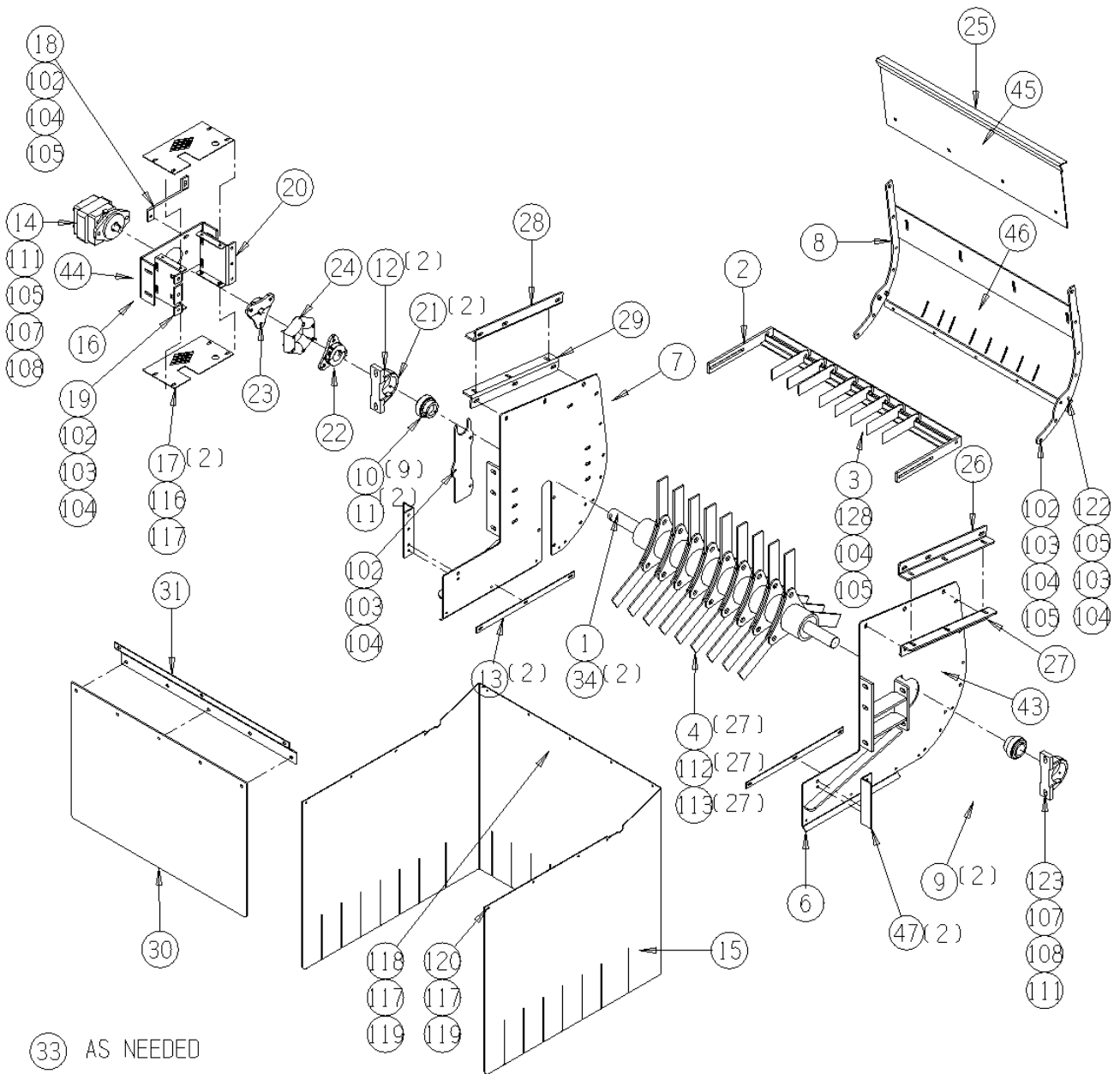
31	BRA-2014	Bracket, Plastic Holder, Vine Chopper, 190 Tomato	1
34	KEY-6-6-32	Shaft Key 3/8" x 2 " Square Cut (1018)	2
40	WT-17H	Heavy Duty Wire Tie 17.5"	15
43	DC-1174	Decal, Danger Keep Hands and Feet Away	1
44	DC-1176	Decal, Danger-Hand Chain Sprockets	1
45	DC-1182	Decal, White "PIK RITE" 3 1/4" x 23"	1
46	DC-1184	Danger Decal, 3" x 16"	1
47	BRA-0114	Stiffener Bracket, Vine Chopper, 190	2
102	BL-6-125-H	3/8-16 X 1 1/4 HHCS G5 ZC	18
103	BL-6-SW	3/8 SAE FW ZC	36
104	BL-6-LN	3/8 UNC FIN HEX LOCK NUT NE A563 GrA ZINC	48
105	BL-6-FW-8	3/8 FLAT WASHER, G8 ZC	54
106	BL-8-175-H	1/2-13 X 1 3/4 HEX CAP G5 ZC	6
107	BL-8-SW	1/2 SAE FW ZC	31
108	BL-8-LN	1/2-13 HEX LOCK NUT NYLON INSERT ZC	22
109	BL-8-150-H	1/2 UNC X 1 1/2 HH C/S BOLT GR5 ZINC	12
110	BL-8-LW	1/2 SPLIT LW ZC	8
111	BL-8-FW-8	1/2 FLAT WASHER G8 ZC	15
112	BL-12-175-H-8	3/4-10 x 1-3/4" Grade 8 Hex Head	27
113	BL-12-LNS	3/4-10 Stover Lock Nut	27
116	BL-4-050-H	1/4-20 X 1/2 HEX CAP G5 ZC	8
117	BL-4-FW-8	1/4" Flat Washer Grade 8	38
118	BL-4-075-H	1/4 UNC X 3/4 HH C/S BOLT GR5 ZINC	9
119	BL-4-LN	1/4-20 HEX LN NE ZC	23
120	BL-4-100-H	1/4-20 X 1 HEX CAP G5 ZC	6
121	BL-4-125-H	1/4-20 X 1 1/4 HEX CAP G5 ZC	8
122	BL-6-150-H	3/8-16 X 1 1/2 HEX CAP G5 ZC	10
123	BL-8-225-H	1/2-13 X 2 1/4 HEX CAP G5 ZC	4
124	BL-8-300-H	1/2-13 X 3 HEX CAP G5 ZC	1
125	BL-8-250-H	1/2-13 X 2 1/2 HEX CAP G5 ZC	2
127	BL-4-250-H	1/4-20 X 2 1/2 HEX CAP G5 ZC	2
128	BL-6-100-H	3/8 UNC X 1 HH C/S BOLT GR5 ZINC	14
600	A-1404-4-6	1/4" MP x 3/8" FPX	1
601	H6-564-6MP-8MP	3/8 in hose 3/8MP x 1/2MP x 564 in long	1
602	A-6901-12-8	12 SAE x 1/2" FPX 90 , Forged	2
603	HV-0110	Three Way Valve, Oil From Tractor, Vine Chopper	1
604	A-QD2010-8-8	Tractor Quick Coupler, Male, 1/2" w/ FPT	3

605	H10-504-8MP-8MP	5/8 in Hose 1/2MP x 1/2MP x 504 in long	2
606	A-6401-10-8	10 SAE x 1/2 MPT Male	1
607	A-6900-10-8	10 SAE x 1/2 FPX	2
608	H10-48-8MP-8MP	5/8 in hose 1/2MP x 1/2MP x 48 in long	2
609	A-1603-8-8-8	Swivel T 1/2" NPTF	1
610	A-6901-6-6	6 SAE x 3/8" FPX 90 , Forged	1
611	H8-120-12MP-6MP	1/2 in Hose 3/4MP x 3/8MP x 120 in long	1
612	A-5404-12-12	Hex Nipple 3/4" x 3/4"	1
613	A-1603-12-12	Swivel T 3/4" NPTF	1
614	A-1501-8-8	1/2 MP x 1/2 FPX90	1



# 1007-5-12

KIT-0175



## 1007-5-13 Opt. Vine Chopper w/ Sep. Ext. Plumb To System

<u>Ref</u>	<u>Part No.</u>	<u>Description</u>	<u>Parts – Assembly</u>	<u>Will Fit SN</u>	<u>Remarks</u>
0	KIT-0206	190 Vine Chopper w/Sep Ext Plumbed to Opt Pump	1		For Straight Chopper Shield, Use SHD-2011

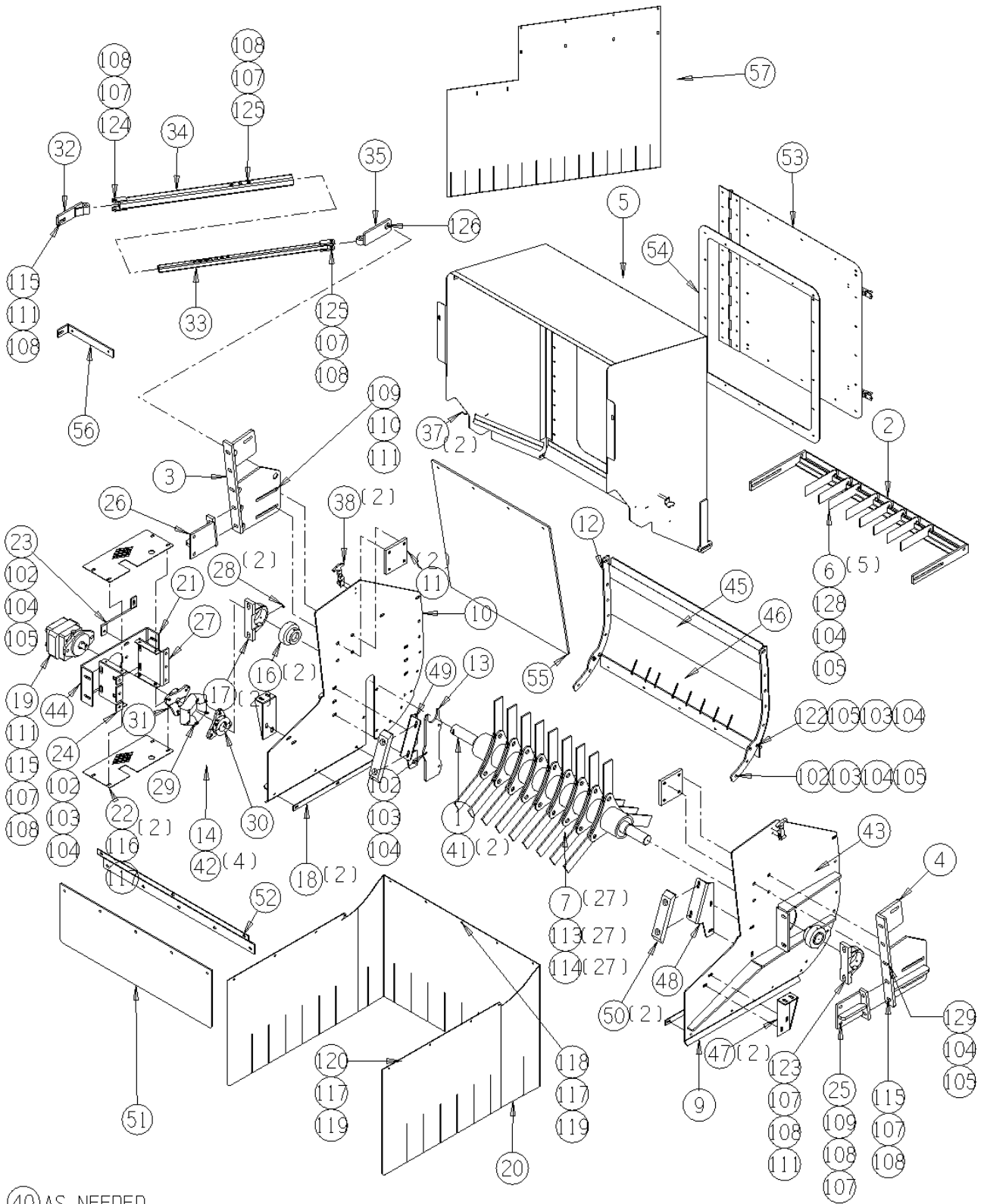
## KIT-0206 190 Vine Chopper w/Sep Ext Plumbed to Opt Pump

<u>Ref</u>	<u>Part No.</u>	<u>Description</u>	<u>Parts – Assembly</u>	<u>Will Fit SN</u>	<u>Remarks</u>
1	SFT-2016	Shaft, Flail Rotor, 190 Chopper	1		Replaces SFT-2014
2	BRA-2009	Bracket, Knife Holder, Vine Chopper, 190 Tomato	1		
3	MOU-2013	Hefty Right Mount, Vine Chopper, 190 Tomato	1		
4	MOU-2014	Hefty Left Mount, Vine Chopper, 190 Tomato	1		
5	SHD-2003	Shield, Top, Vine Chopper, 190 Tomato	1		
6	KN-142141	Knife	5		
7	BAR-2020	Bar, Long Flail, Vine Chopper	27		Sold in Sets of 36
9	PAN-2012	Panel, LH Housing, Vine Chopper, 190 Tomato	1		
10	PAN-2013	Panel, RH Housing, Vine Chopper, 190 Tomato	1		
11	BAR-2013	Bar, Inside Plate, Vine Chopper, 190 Tomato	2		
12	SHD-2018	Shield, Back, Vine Chopper	1		
13	BAR-2012	Bar, End Plate, Vine Chopper, 190 Tomato	1		
16	BR-175-085-KB	Fafnir Bearing 1 3/4" Heavy SS1	2		
17	BR-085-RAK	Bearing Housing 85 mm	2		
18	BAR-2015	Belting Bar, Vine Chopper, 190 Tomato	2		
19	HM-115	Hydraulic Motor	1		
20	BT-2007	Belting, 190 Vine Chopper, Update Sheild	1	BT-2007	
21	MOU-2010	Motor Mount, Vine Chopper, 190 Tomato Machine	1		
22	SHD-2009	Coupler Shield, Vine Chopper	2		
23	SUP-2002	Motor Mount Support, Vine Chopper	1		
24	MOU-2011	Side of Motor Mount, Vine Chopper, 190 Tomato	1		
25	MOU-2003	Left, Front Mount, Vine Chopper, 190 Tomato	1		
26	MOU-2004	Right, Front Mount, Vine Chopper, 190 Tomato	1		
27	MOU-2012	Side of Motor Mount, Vine Chopper, 190 Tomato	1		
28	GF-1428	Grease Fitting 1/4" x 28 straight	2		
29	CPR-422-18	Lovejoy Donut W/ Hardware	1		
30	CPR-422C-18	Coupler, Shaker Side	1	30095001-	
31	CPR-422D-18	Coupler, Shaker, Motor Side, 1" Shaft	1	30095001-	

32	ARM-2000	Arm, Outside Mount Support, Vine Chopper, 190	1	
33	ARM-2001	Arm, Support, Inside Tube, Vine Chopper, 190	1	
34	ARM-2002	Arm, Support, Outside Tube, Vine Chopper, 190	1	
35	ARM-2003	Arm, Inside Mount Support, Vine Chopper, 190	1	
37	LA-703B	T Latch Keeper	2	
38	LA-703A	Large Rubber T Latch Assembly	2	
42	GF-1827	Grease Fitting 1/8 NPT Straight	2	
43	DC-1174	Decal, Danger Keep Hands and Feet Away	1	
44	DC-1176	Decal, Danger-Hand Chain Sprockets	1	
45	DC-1182	Decal, White "PIK RITE" 3 1/4" x 23"	1	
46	DC-1184	Danger Decal, 3" x 16"	1	
47	BRA-0115	Stiffner Bracket, Vine Chopper, 190	2	
48	BRA-2015	Bracket, For Plastic, LH, Vine Chopper, 190	1	
49	BRA-2016	Bracket, For Plastic, RH, Vine Chopper, 190	1	
50	PL-2015	Plastic, Vine Chopper, 190 Tomato	2	
51	PL-2002	Plastic, Vine Chopper, Vine Chain, 190	1	
52	BRA-2014	Bracket, Plastic Holder, Vine Chopper, 190 Tomato	1	
53	SHD-2013	190 Vine Chopper Door (Rear)	1	SHD-2013
54	BT-2013	Belting, Vine Chopper Door	2	BT-2013
55	BT-2009	Belting, Weed Turner, 190 Chopper w/Sep.	1	
56	ARM-2008	Arm, Belting Holder, Fan Intake Protector, 190	1	
57	BT-2008	Belting, Fan Intake Shield, 190 Chopper	1	
100	BL-12-LN	3/4" Lock Nuts w/Nylon Inserts	2	
101	BL-12-FW	3/4" Flat Washer	2	
102	BL-6-125-H	3/8-16 X 1 1/4 HHCS G5 ZC	18	
103	BL-6-SW	3/8 SAE FW ZC	40	
104	BL-6-LN	3/8 UNC FIN HEX LOCK NUT NE A563 GrA ZINC	69	
105	BL-6-FW-8	3/8 FLAT WASHER, G8 ZC	82	
106	BL-8-175-H	1/2-13 X 1 3/4 HEX CAP G5 ZC	6	
107	BL-8-SW	1/2 SAE FW ZC	31	
108	BL-8-LN	1/2-13 HEX LOCK NUT NYLON INSERT ZC	24	
109	BL-8-150-H	1/2 UNC X 1 1/2 HH C/S BOLT GR5 ZINC	12	
110	BL-8-LW	1/2 SPLIT LW ZC	8	
111	BL-8-FW-8	1/2 FLAT WASHER G8 ZC	15	
112	BL-12-225-H	3/4-10 X 2 1/4" HH GR5 ZC	2	
113	BL-12-LNS	3/4-10 Stover Lock Nut	27	
114	BL-12-175-H-8	3/4-10 x 1-3/4" Grade 8 Hex Head	27	

115	BL-8-200-H	1/2-13 X 2 HEX CAP G5 ZC	7
116	BL-4-050-H	1/4-20 X 1/2 HEX CAP G5 ZC	8
117	BL-4-FW-8	1/4" Flat Washer Grade 8	126
118	BL-4-075-H	1/4 UNC X 3/4 HH C/S BOLT GR5 ZINC	40
119	BL-4-LN	1/4-20 HEX LN NE ZC	72
120	BL-4-100-H	1/4-20 X 1 HEX CAP G5 ZC	16
121	BL-4-125-H	1/4-20 X 1 1/4 HEX CAP G5 ZC	8
122	BL-6-150-H	3/8-16 X 1 1/2 HEX CAP G5 ZC	17
123	BL-8-225-H	1/2-13 X 2 1/4 HEX CAP G5 ZC	4
124	BL-8-300-H	1/2-13 X 3 HEX CAP G5 ZC	1
125	BL-8-250-H	1/2-13 X 2 1/2 HEX CAP G5 ZC	2
126	BL-16-LN	1" Lock Nuts w/ Nylon Inserts	1
127	BL-4-250-H	1/4-20 X 2 1/2 HEX CAP G5 ZC	2
128	BL-6-100-H	3/8 UNC X 1 HH C/S BOLT GR5 ZINC	24
129	BL-6-200-H	3/8-16 X 2 HEX CAP G5 ZC	6
130	RI-3-5-P	Pop Rivet 3/16 x 5/16 Domed, .375 head, ea	4
131	BL-8-400-H	1/2-13 X 4 HEX CAP G5 ZC	2

# 1007-5-13

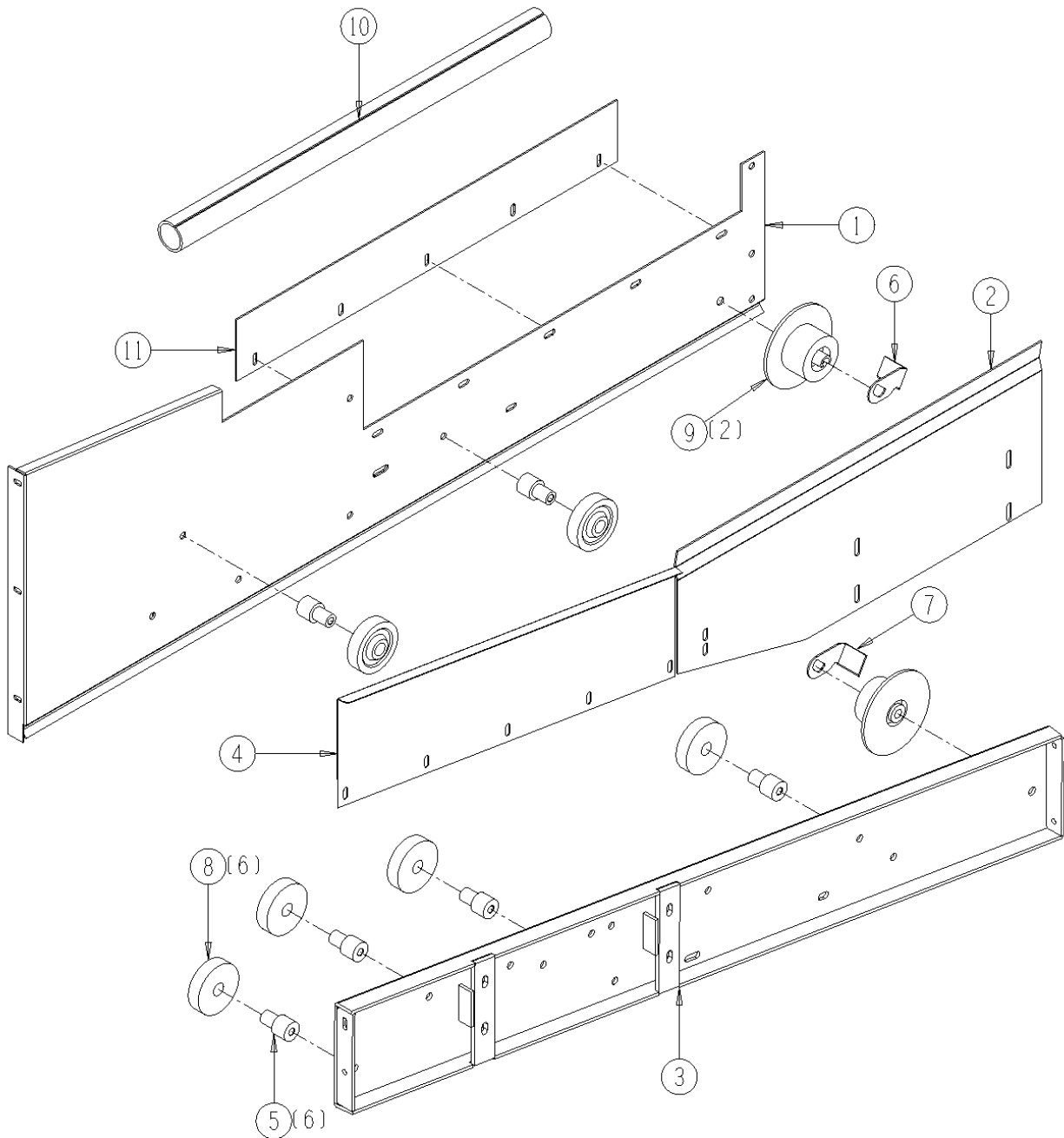


(40) AS NEEDED

## 1007-6-1 Cross Conveyor Frame Assembly

<u>Ref</u>	<u>Part No.</u>	<u>Description</u>	<u>Parts – Assembly</u>	<u>Will Fit SN</u>	<u>Remarks</u>
1	192-616	Cross conveyer panel, rear	1	19201-	
2	195-211	Scraper, Transfer Return Roller	1	19201-	
3	195-615	Cross Conveyer Panel, front	1	19501-	
4	PAN-1615	Cross Conveyor Panel	1		
5	RLA-010-0108	Spindle / Standoff for Urethane Roller (heat treated)	6	19101-	
6	RLA-3023-T	Straight Scraper, RH	1		
7	RLA-3024-T	Straight Scraper	1		
8	RLG-040-1016	4" Urethane Roller	6	Old Terog Part No. RU4	
9	RLT-635-2210-SC	6 1/2" Flange Roller w/Shaft for Scraper 5/8" Bore	2		
10	SHD-616	Shield, Plastic, Rear Cross Panel	0	19201-19810 / 19901-w/o Separation Kit	
11	SHD-617	Shield, Rear Cross Panel	1	19901-w/o Separation Kit	

# 1007-6-1

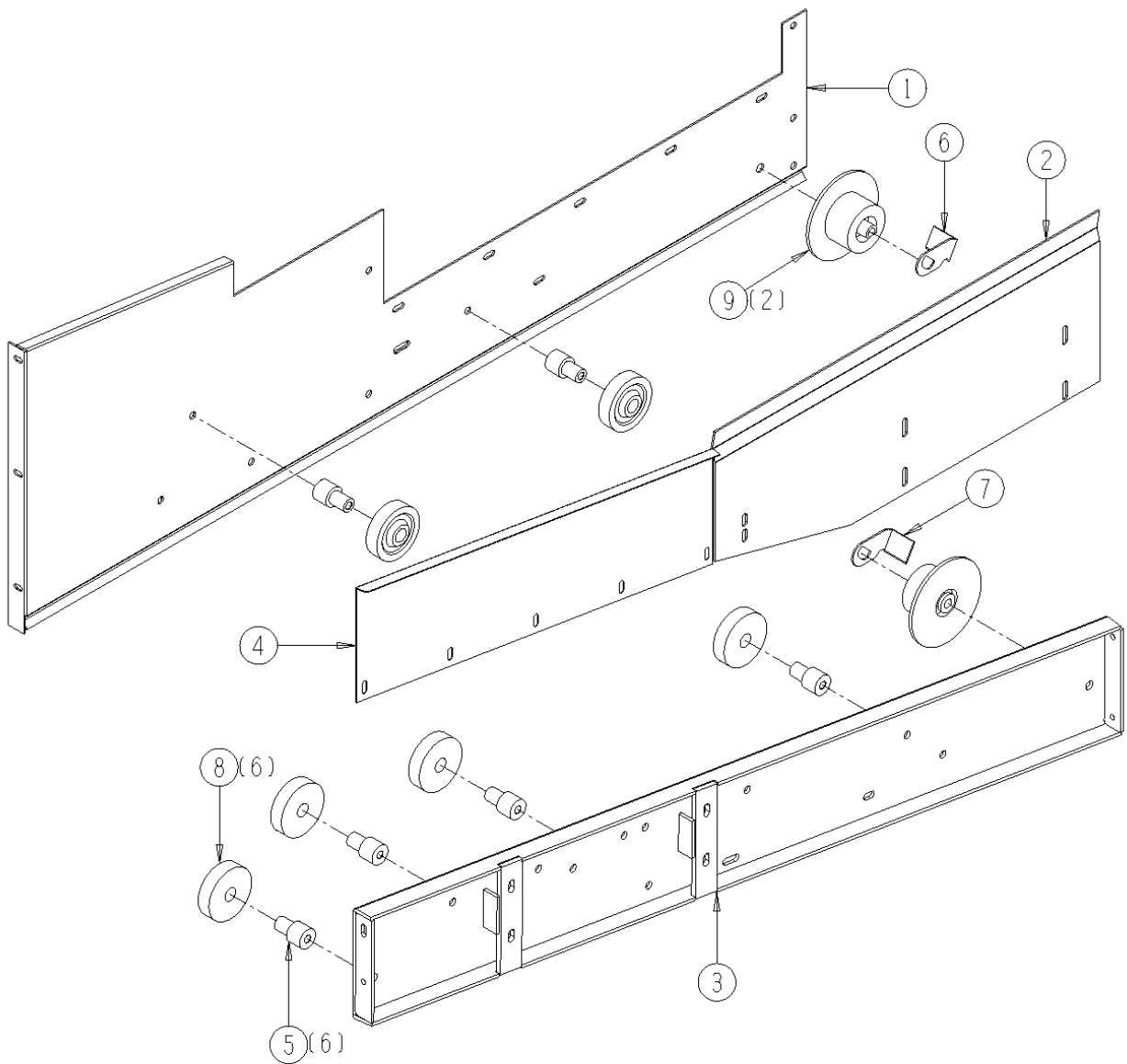


## 1007-6-2 Optional Cross Frame (for Vine Chain) Assembly

<u>Ref</u>	<u>Part No.</u>	<u>Description</u>	<u>Parts – Assembly</u>	<u>Will Fit SN</u>	<u>Remarks</u>
1	192-616	Cross conveyer panel, rear	1	19201-	
2	195-211	Scraper, Transfer Return Roller	1	19201-	
3	195-615	Cross Conveyer Panel, front	1	19501-	
4	PAN-1615	Cross Conveyor Panel	1		
5	RLA-010-0108	Spindle / Standoff for Urethane Roller (heat treated)	6	19101-	
6	RLA-3023-T	Straight Scraper, RH	1		
7	RLA-3024-T	Straight Scraper	1		
8	RLG-040-1016	4" Urethane Roller	6	Old Terog Part No. RU4	
9	RLT-635-2210-SC	6 1/2" Flange Roller w/Shaft for Scraper 5/8" Bore	2		



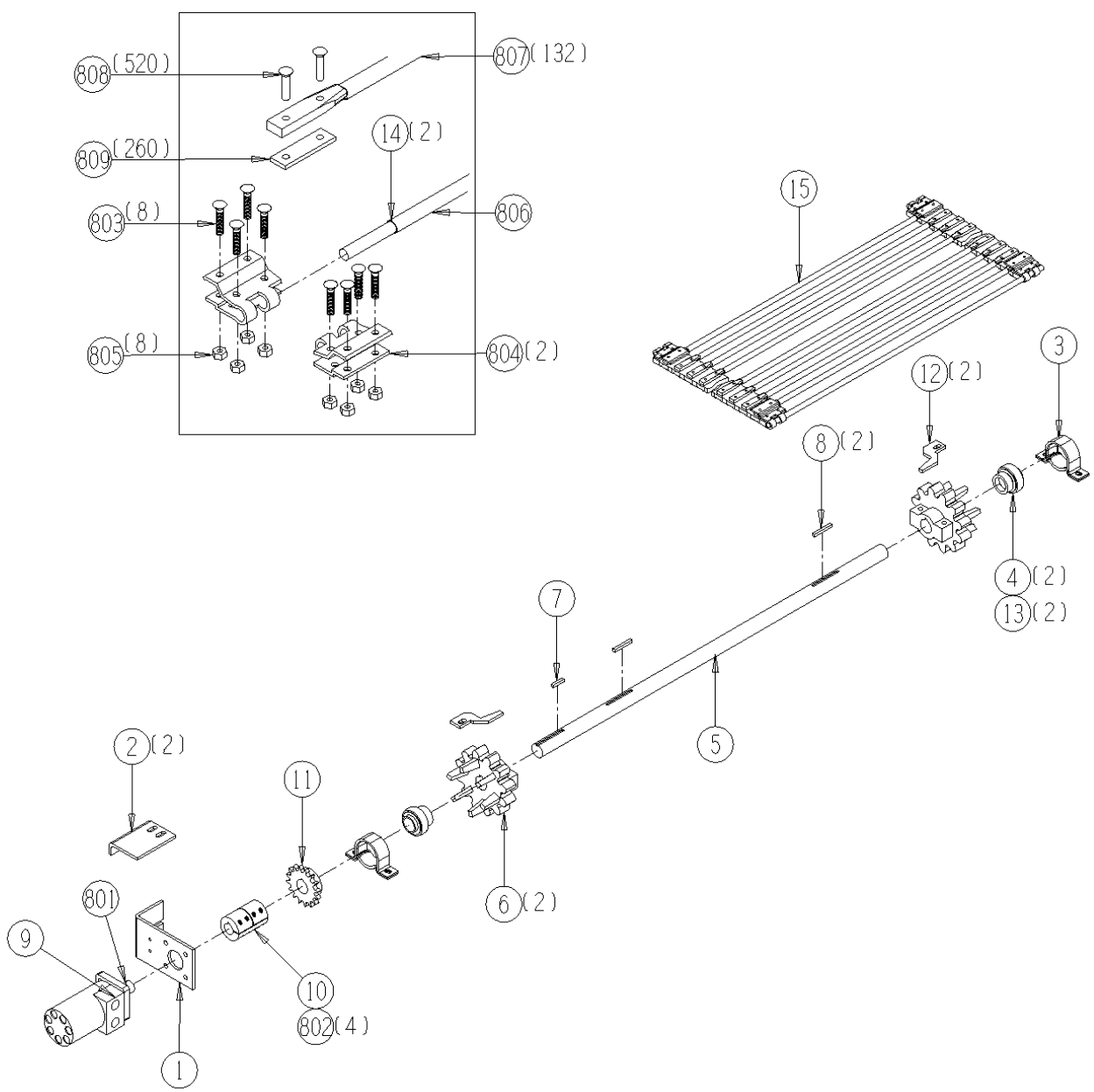
# 1007-6-2



## 1007-6-3 Cross Conveyor Drive Assembly

<u>Ref</u>	<u>Part No.</u>	<u>Description</u>	<u>Parts – Assembly</u>	<u>Will Fit SN</u>	<u>Remarks</u>
1	193-806	Mount motor	1		
2	193-806B	Motor Mount Stop	1		
3	BR-062-MPB	Stamped Bearing Housing for 1 1/4" bearing	2		
4	BR-125-062	Bearing, 1 1/4 Fafnir tri-seal, 62mm OD	2		
5	SFT-603	Shaft, Drive, Cross Conveyor	1	19201-19724	Replaces 193-603 on Cross Conveyor
6	SPU-3612-20-4	Urethane Sprocket 36-12 1 1/4 bore 1/4" key	2		Sub SP-3612-20-4
7	KEY-4-4-20	Shaft Key 1/4" x 1 1/4"	1		
8	KEY-4-4-32	Shaft Key 1/4" x 2" Square Cut (1018)	2		
9	HM-204-TC	TCI Motor	1		Seal Kit # TCI-SKHPQ
10	CPS-6060	Steel Coupler (offcenter) 1 1/4" x 1"	1		
11	SP-50B16-20-4	Sprocket, #50, 16 tooth, 1.25" bore	1		
12	SCR-101	Scraper, Sprocket, Hi Clearance	2		
13	BR-12572-LC	1 1/4" Locking Collar - Bearing Protector	2		
14	BC-3525	Snap Ring, 11mm.	2		
15	BC-7-3236-133	Cross Conveyor Chain (Tomato)	1		Replaces BC-7-3236-135
101	BL-5-125-H	5/16-18 X 1 1/4 HEX CAP G5 ZC	1		
801	KEY-4-4-15	Shaft Key 1/4" X 1/4" X 15/16" Woodruff Key	1		
802	BL-5-100-SF	5/16-24 x 1 Socket Head Cap Screw	4	CPS-6057	
803	BC-1032-FS	10-32 x 1 1/4" bolts Flat Socket Head	8		
804	BC-F-36-32	F Connecting Clips 36-32 @ pair	2	11001	
805	BC-1032-LN	10-32 lock nuts	8		
806	BC-7-32-CN	Connecting Rod, 11mm, 32" Wide Belted Chain, 60mm Traction Belts	1		For Clip Splice Option
807	BC-7-32-ST	7/16" x 32" Belted Chain Rod for 60mm Belt	132	11001	
808	RI-25-BC	25mm Belted Chain Rivets	520		
809	BC-BP32	Belt, Rivet backing plates 32mm	260	11001	Lap Splice Option, Used only with BC-1032-LN Lock Nuts

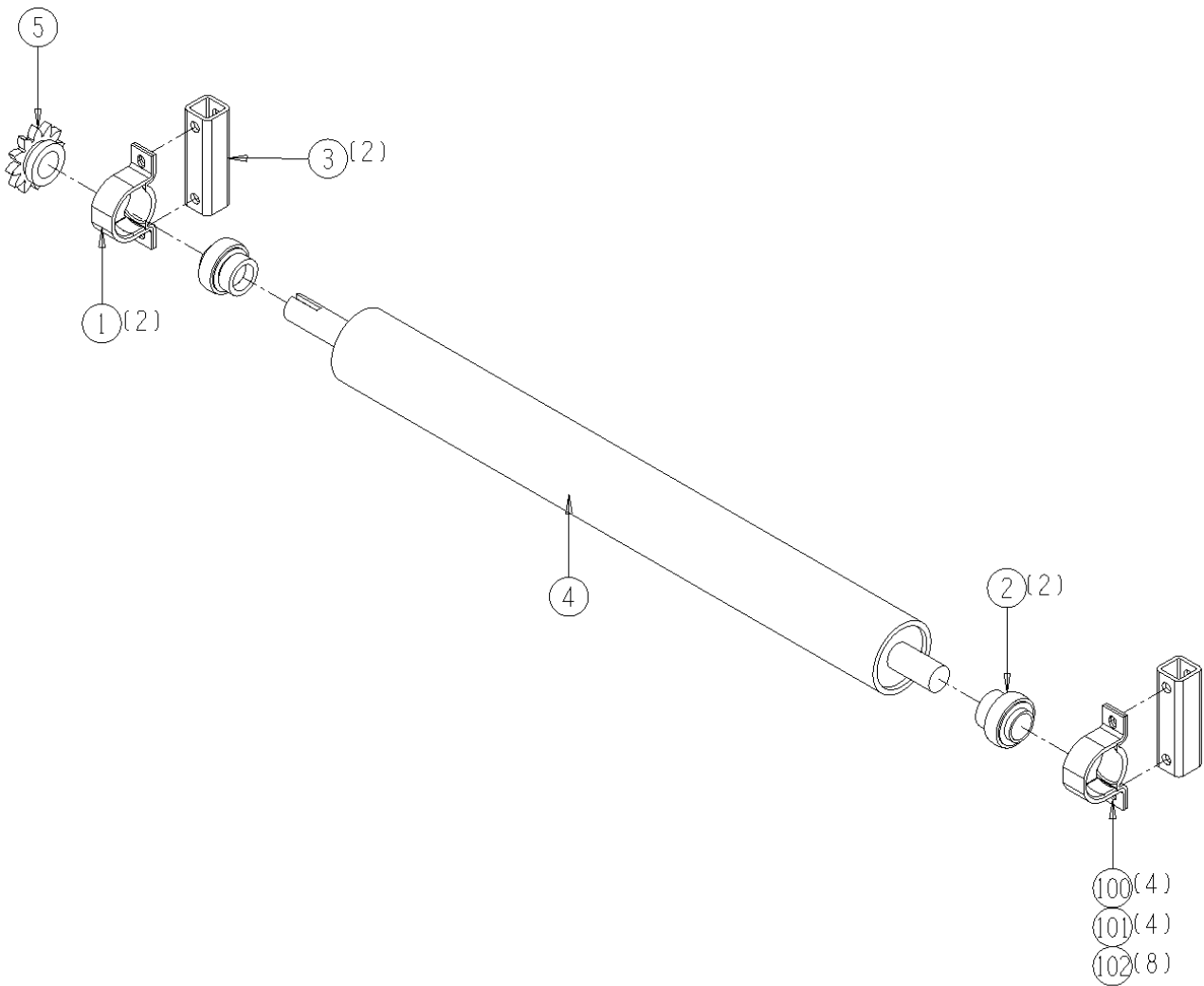
# 1007-6-3



## 1007-6-4 Cross Conveyor Return Roller Assembly

<u>Ref</u>	<u>Part No.</u>	<u>Description</u>	<u>Parts – Assembly</u>	<u>Will Fit SN</u>	<u>Remarks</u>
1	BR-062-MPB	Stamped Bearing Housing for 1 1/4" bearing	2		
2	BR-125-062	Bearing, 1 1/4 Fafnir tri-seal, 62mm OD	2		
3	191-611	Spacer blocks for bearing	2	19101-	
4	194-610	Cross Chain cleaner Roller	1	110-	Replaces 110-610
5	KEY-4-4-24	Shaft Key 1/4" x 1 1/2" Square Cut (1018)	1		
6	SP-50B12-20-4	Sprocket, #50, 12 tooth, 1.25" bore	1	19201-	
100	BL-6-300-H	3/8 UNC X 3 HH C/S BOLT GR5 ZINC	4		
101	BL-6-LN	3/8 UNC FIN HEX LOCK NUT NE A563 GrA ZINC	4		
102	BL-6-SW	3/8 SAE FW ZC	8		

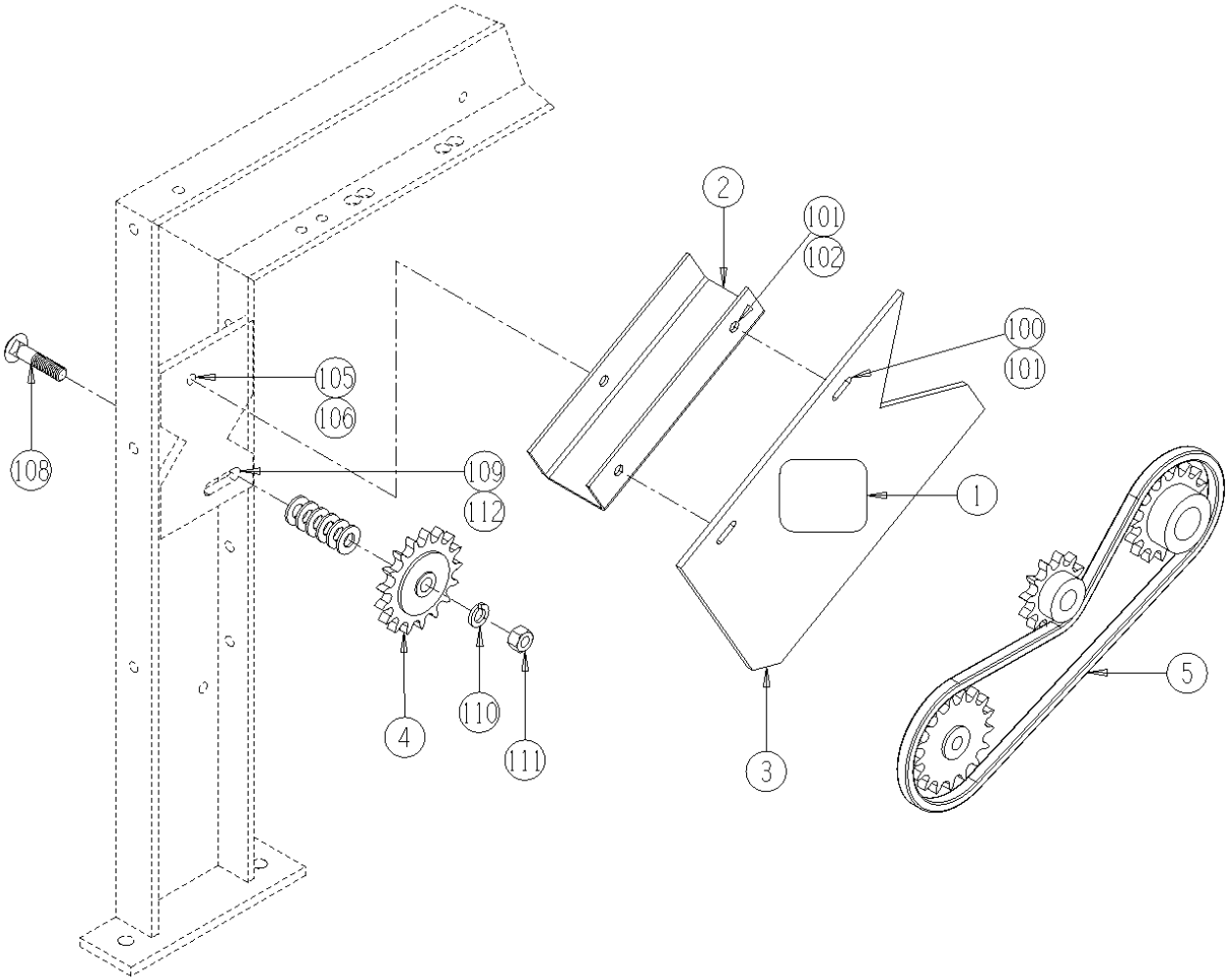
# 1007-6-4



## 1007-6-5 Cross Conveyor Drive Shield Assembly

<u>Ref</u>	<u>Part No.</u>	<u>Description</u>	<u>Parts – Assembly</u>	<u>Will Fit SN</u>	<u>Remarks</u>
1	DC-1176	Decal, Danger-Hand Chain Sprockets	1		
2	MOU-0004	Mount, Shield, Rear Cross Chain Shield	1		
3	SHD-0004	Shield, Motor, Rear Sorting Conveyor	1		
4	SP-5017-T	Idler, 17 tooth x #50 Chain	1		
5	CH-50-53	Roller Chain, 53 pitches, #50, w/master link	1		
100	BL-4-100-H	1/4-20 X 1 HEX CAP G5 ZC	2		
101	BL-4-FW	1/4 USS FW ZC	4		
102	BL-4-LN	1/4-20 HEX LN NE ZC	2		
103	BL-6-100-H	3/8 UNC X 1 HH C/S BOLT GR5 ZINC	1		
104	BL-6-LN	3/8 UNC FIN HEX LOCK NUT NE A563 GrA ZINC	1		
105	BL-6-SW	3/8 SAE FW ZC	2		
106	BL-8-225-C	1/2 UNC X 2 1/4 CARRIAGE BOLT GR5 ZINC	1		
107	BL-8-LW	1/2 SPLIT LW ZC	1		
108	BL-8-N	1/2-13 HEX FIN NUTS ZC	1		
109	BL-8-SW	1/2 SAE FW ZC	6		

1007-6-5

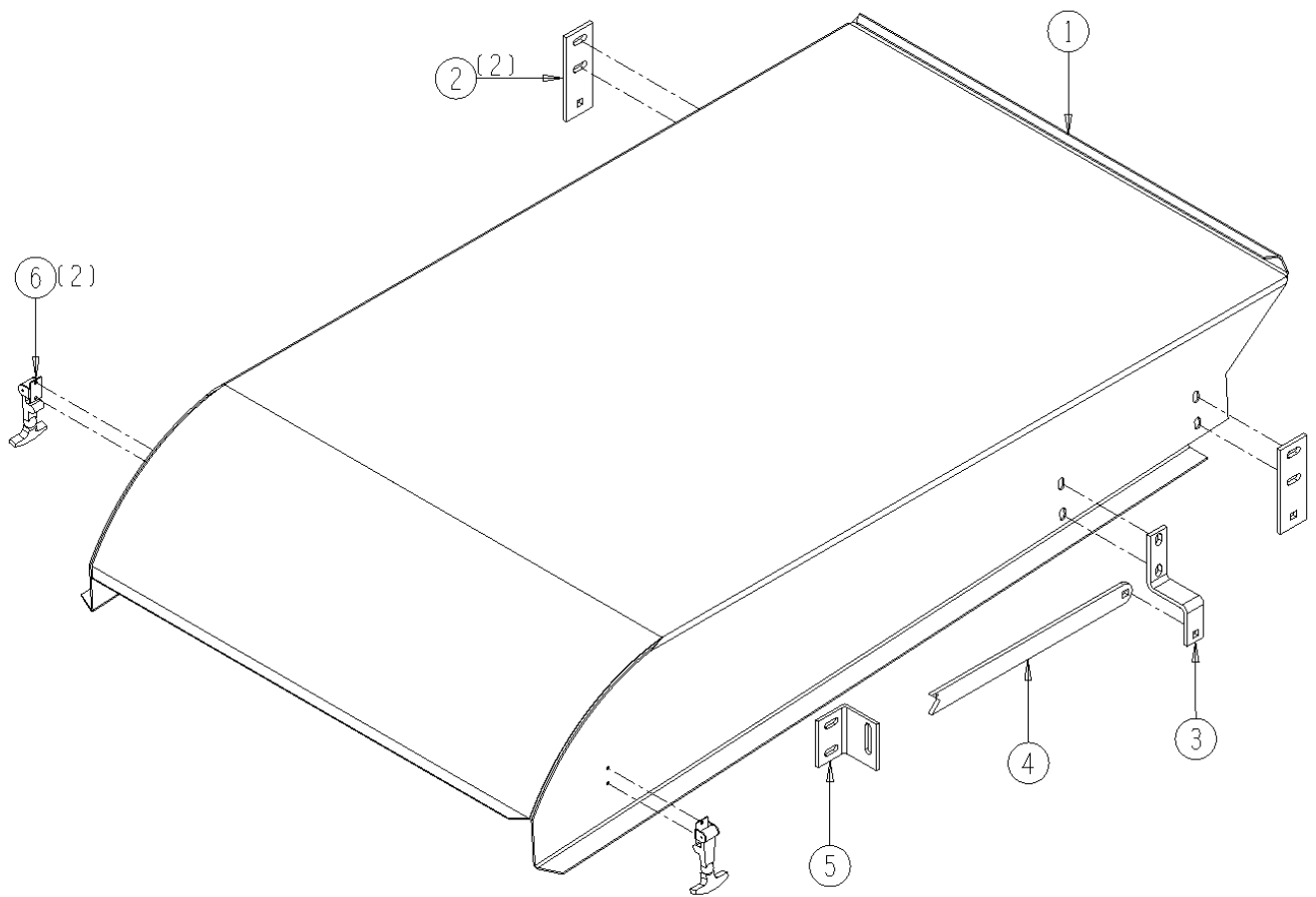


## 1007-6-6 Cross Conveyor Cover Assembly

<u>Ref</u>	<u>Part No.</u>	<u>Description</u>	<u>Parts – Assembly</u>	<u>Will Fit SN</u>	<u>Remarks</u>
1	SHD-0143	Cover, Air Deflector, 190 Tomato	1		
2	193-725	Hinge Bar for Air Deflector Hood	2	19301- 193-729K	
3	193-728	Hinge Bracket for Air Deflector Hood	1	19301- 193-729K	
4	193-729	Hinge Brace for Air Deflector Hood	1	19301- 193-729K	
5	193-729A	Hinge Brace Latch for Air Deflector Hood	1	19301- 193-729K	
6	LA-703A	Large Rubber T Latch Assembly	2		



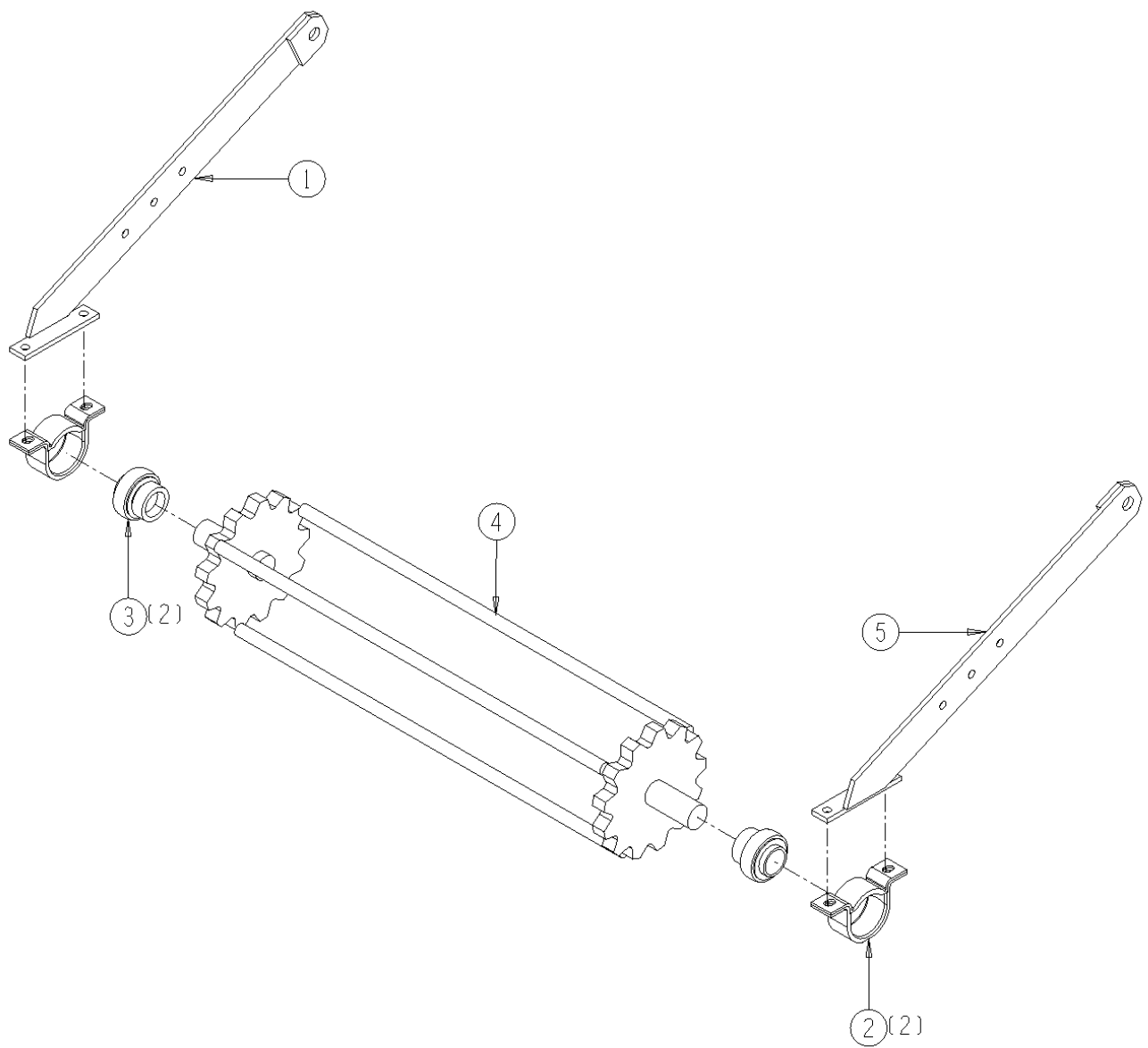
# 1007-6-6



## 1007-6-7 Optional Cross Conveyor Chain Cleaner Assembly

<u>Ref</u>	<u>Part No.</u>	<u>Description</u>	<u>Parts – Assembly</u>	<u>Will Fit SN</u>	<u>Remarks</u>
1	192-362B	Chain cleaner bar (Right)	1	19101	
2	BR-062-MPB	Stamped Bearing Housing for 1 1/4" bearing	2		
3	BR-125-062I	Bearing, 1 1/4" ID, TS	2		FIT Bearing
4	194-661	Bar Cleaner, 36mm pitch x 32" wide chain	1		
5	192-362A	Chain cleaner bar (Left)	1	19101-	
100	BL-6-125-H	3/8-16 X 1 1/4 HHCS G5 ZC	4		
101	BL-6-LN	3/8 UNC FIN HEX LOCK NUT NE A563 GrA ZINC	4		
102	BL-6-SW	3/8 SAE FW ZC	8		
103	BL-10-075-SH	5/8 X 3/4 SHOULDER BOLTS	2	11001-	
104	BL-8-LN	1/2-13 HEX LOCK NUT NYLON INSERT ZC	2		
105	BL-8-SW	1/2 SAE FW ZC	2		

1007-6-7



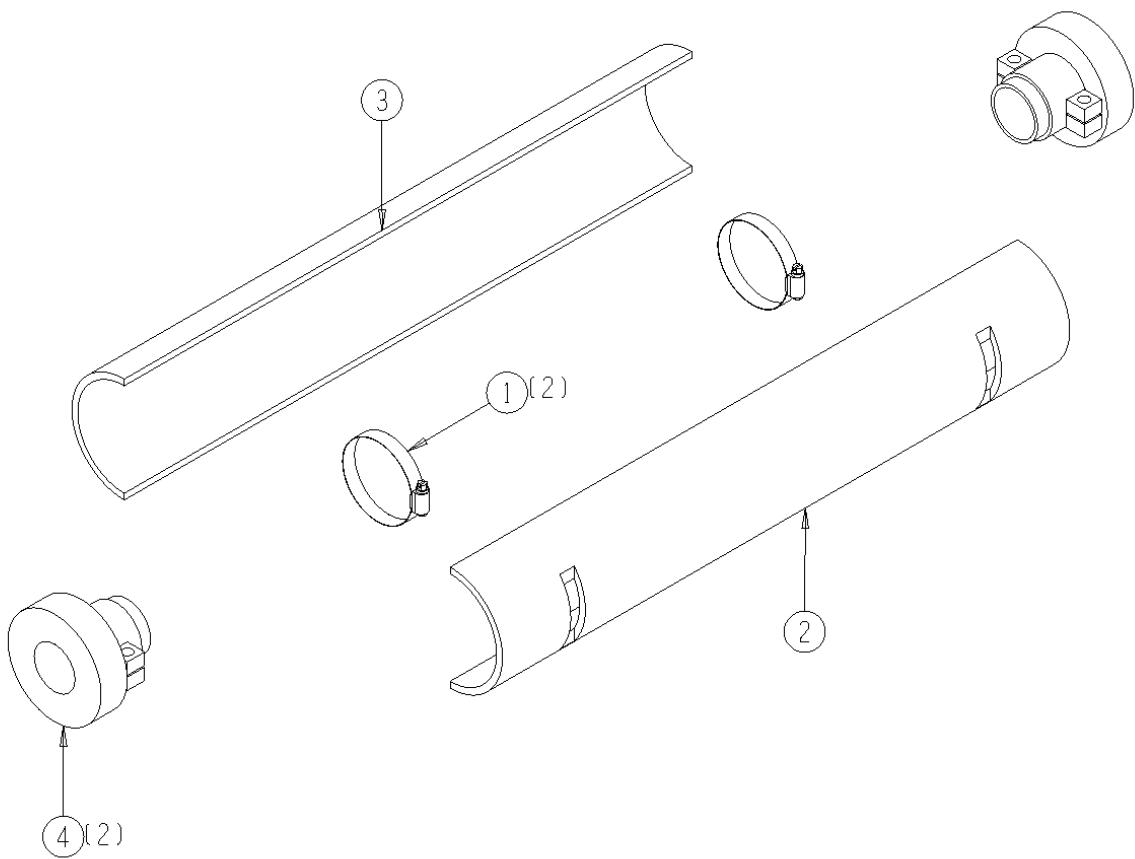
## 1007-6-8 Opt. Cross Drive Anti-Wrap Shield Assembly

<u>Ref</u>	<u>Part No.</u>	<u>Description</u>	<u>Parts – Assembly</u>	<u>Will Fit SN</u>	<u>Remarks</u>
0	KIT-0057	Cross Conveyor Anti Wrap Shield	0		For 32" Wide Belted Chains

## KIT-0057 Mud Shield,Cross Conveyor Drive, PVC pipe

<u>Ref</u>	<u>Part No.</u>	<u>Description</u>	<u>Parts – Assembly</u>	<u>Will Fit SN</u>	<u>Remarks</u>
1	CL-72	5" Gear Clamp	2		
2	PL-1412	Plastic, Shield, Anti-Wrap, Shaft Drv, 32" Chains	1		
3	PL-1416	Shield, Anti Wrap, Cross Conveyor, 24.375"	1	KIT-0057	
4	PL-1421	Urethane Hub for Shaft Cover 1 1/4" Bore	2		Replaces PL-1415

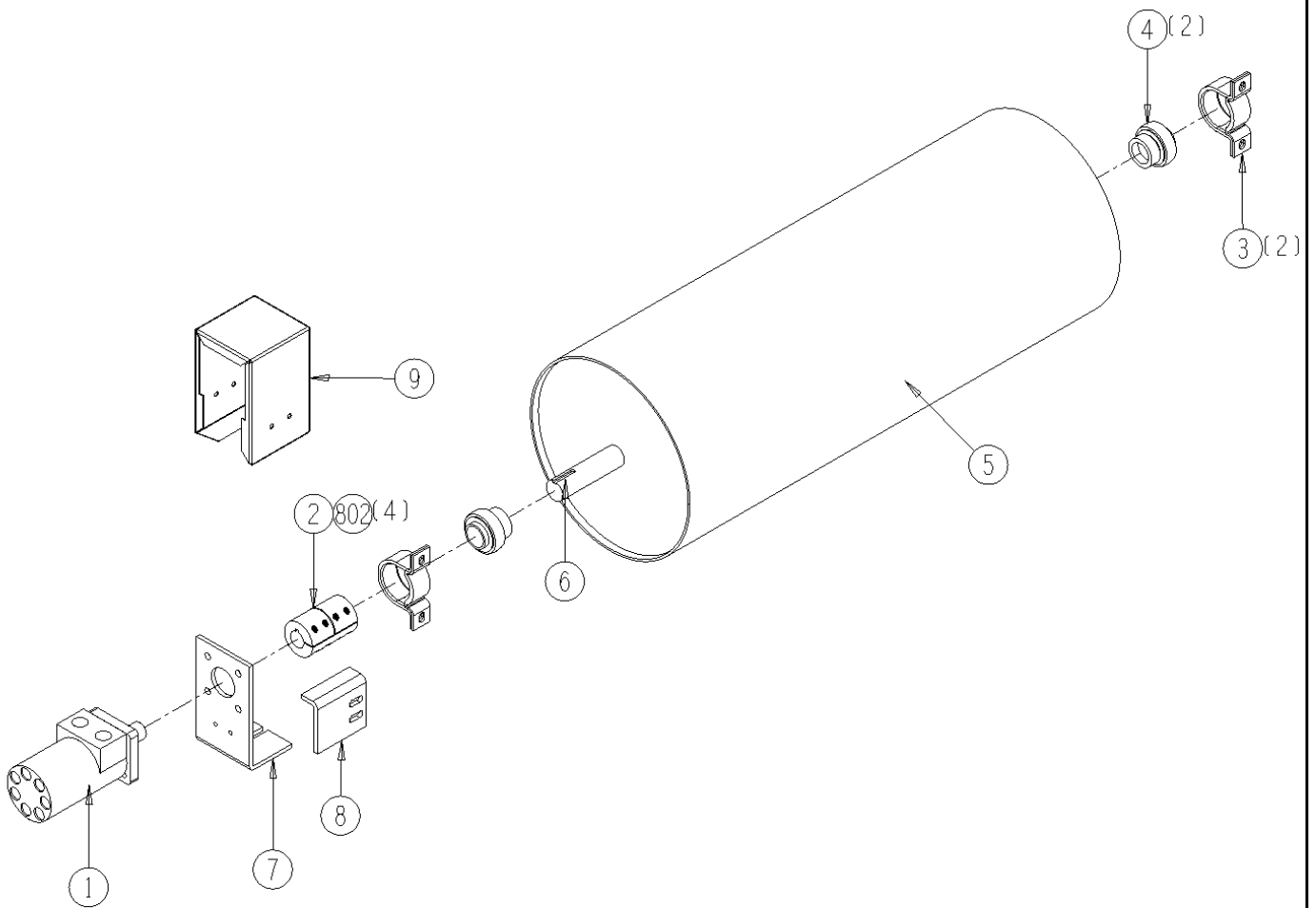
1007-6-8



## 1007-6-9 Debris Drum Assembly

<u>Ref</u>	<u>Part No.</u>	<u>Description</u>	<u>Parts – Assembly</u>	<u>Will Fit SN</u>	<u>Remarks</u>
1	HM-204-TC	TCI Motor	1		Seal Kit # TCI-SKHPQ
2	CPS-6060	Steel Coupler (offcenter) 1 1/4" x 1"	1		
3	BR-062-MPB	Stamped Bearing Housing for 1 1/4" bearing	2		
4	BR-125-062	Bearing, 1 1/4 Fafnir tri-seal, 62mm OD	2		
5	191-745	Debris Drum	1	19101-	
6	KEY-4-4-20	Shaft Key 1/4" x 1 1/4"	1		
7	193-806	Mount motor	1		
8	193-806A	Motor mount stop	1		
9	193-806C	Motor Guard	1	19301-	
801	KEY-4-4-15	Shaft Key 1/4" X 1/4" X 15/16" Woodruff Key	1		
802	BL-5-100-SF	5/16-24 x 1 Socket Head Cap Screw	4	CPS-6057	

# 1007-6-9

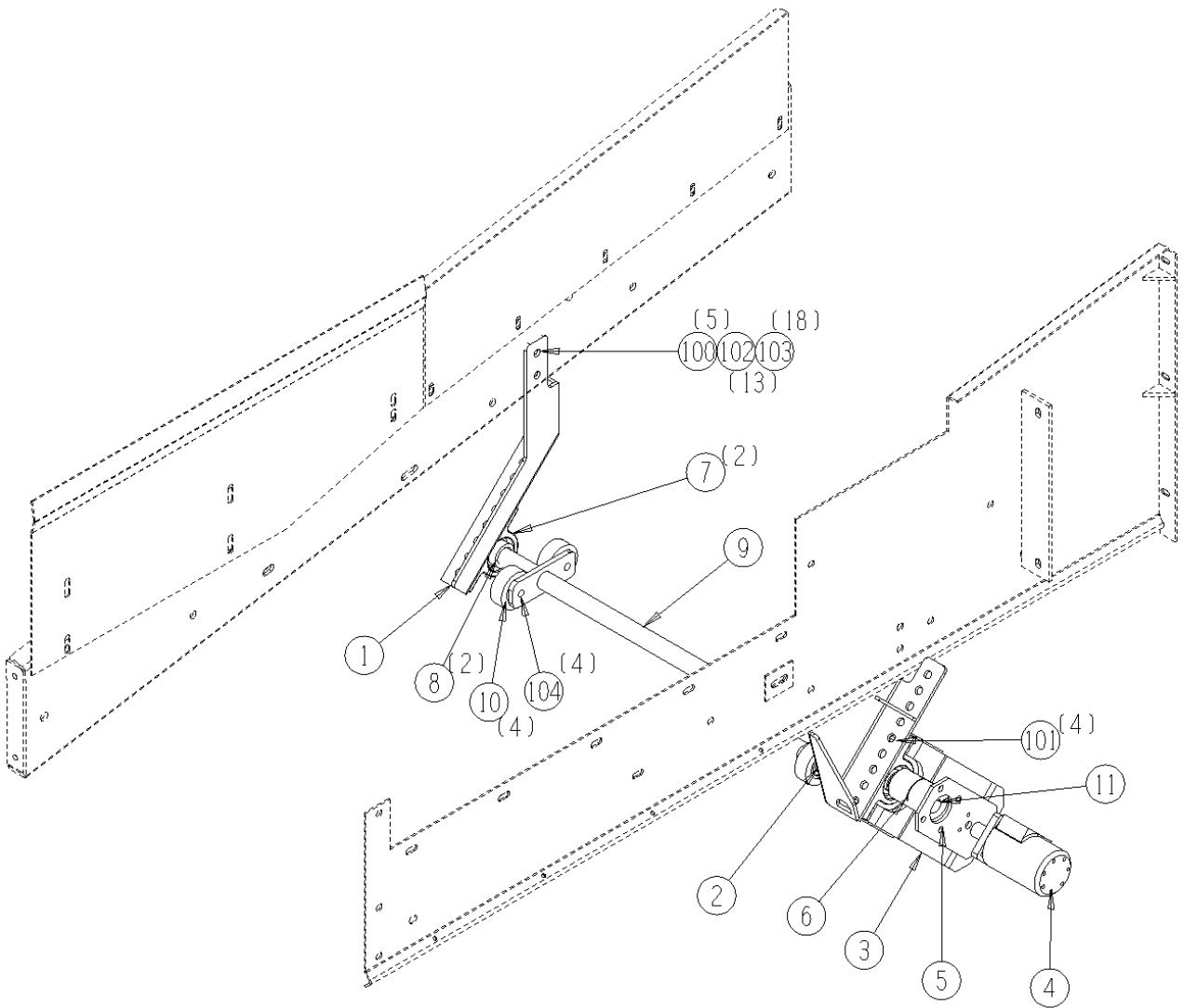


## 1007-6-10 Opt. Cross Conveyor Vibrator Assembly

<u>Ref</u>	<u>Part No.</u>	<u>Description</u>	<u>Parts – Assembly</u>	<u>Will Fit SN</u>	<u>Remarks</u>
1	MOU-0107	Dirt Vibrator Cross Conveyor Mount, 290	1		
2	MOU-0108	Cross Conveyor Dirt Vibrator Mount, 290 Harvester	1	MOU-0108	
3	MOU-0109	Motor Stop Dirt Vibrator, 290 Harvester	1	MOU-0109	
4	HM-212-TC	TCI Hydraulic Motor	1		Seal Kit # TCI-SKHPQ
5	MOU-8505	Mount, Motor, w/Torque Arm, HC290	1		
6	CPS-6060	Steel Coupler (offcenter) 1 1/4" x 1"	1		
7	BR-062-RAK	62mm Cast Housing	2		
8	BR-125-062	Bearing, 1 1/4 Fafnir tri-seal, 62mm OD	2		
9	192-136	Vibrator shaft	1	19201-	
10	RLT-027-108	Roller 2.75" dia. 1/2" Bore	4		2755C1X (Old Number, Single Bearing)
11	KEY-4-4-16	Shaft Key 1/4" X 1/4" X 1" Square Cut (1018)	1	20095001-	
100	BL-8-150-H	1/2 UNC X 1 1/2 HH C/S BOLT GR5 ZINC	5		
101	BL-8-200-H	1/2-13 X 2 HEX CAP G5 ZC	4		
102	BL-8-LN	1/2-13 HEX LOCK NUT NYLON INSERT ZC	13		
103	BL-8-FW	1/2 USS FW ZC	18		
104	BL-8-250-H	1/2-13 X 2 1/2 HEX CAP G5 ZC	4		



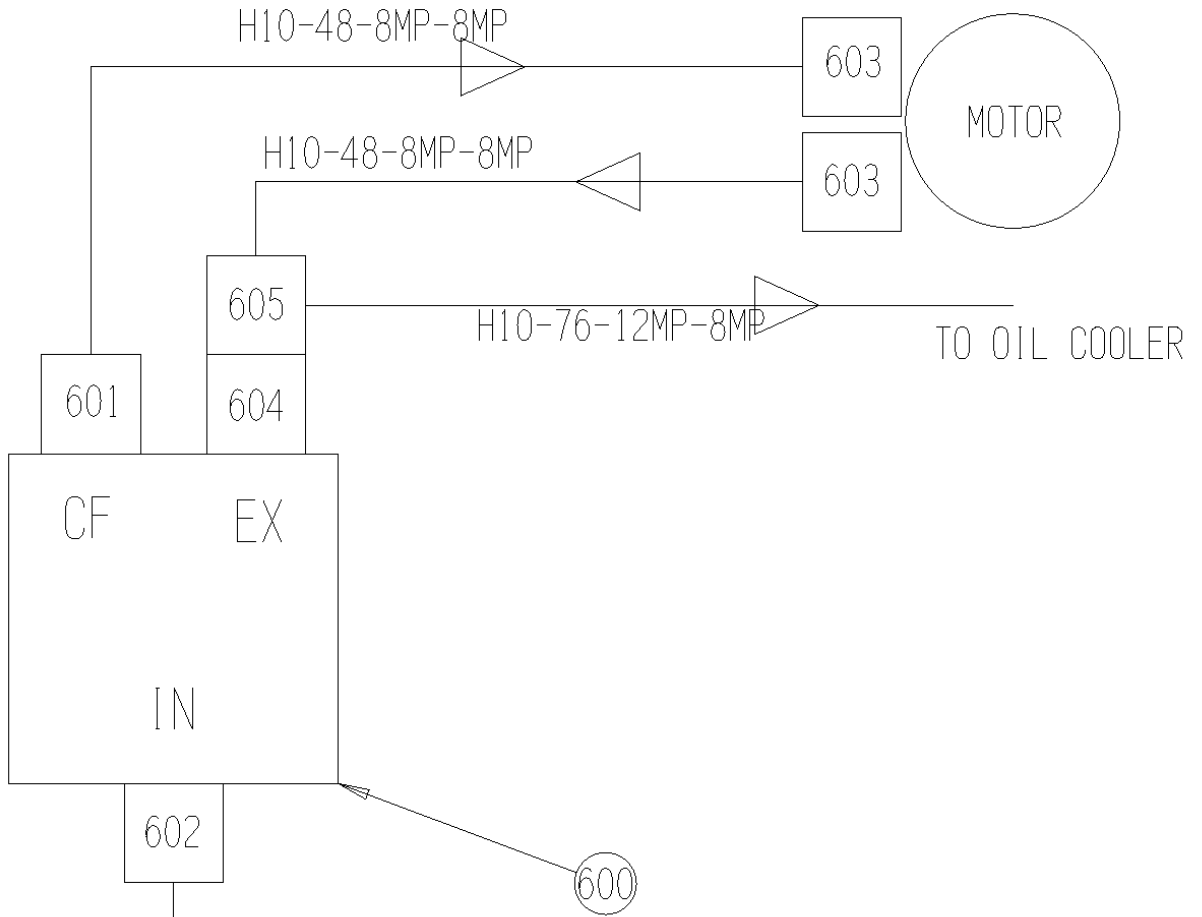
1007-6-10



## 1007-6-10H Opt. Cross Vibrator Hydraulic Assembly

<u>Ref</u>	<u>Part No.</u>	<u>Description</u>	<u>Parts – Assembly</u>	<u>Will Fit SN</u>	<u>Remarks</u>
600	HV-FL30	Flow Control Valve 30GPM	1		
601	A-6901-10-8	10 SAE x 1/2 FPX90 , Forged	1		
602	A-6901-10-12	10 SAE x 3/4 FPX90 , Forged	1		
603	A-6900-10-8	10 SAE x 1/2 FPX	2		
604	A-6401-10-8	10 SAE x 1/2 MPT Male	1		
605	A-1603-8-8-8	Swivel T 1/2" NPTF	1		
606	H10-48-8MP-8MP	5/8 in hose 1/2MP x 1/2MP x 48 in long	2		
607	H12-76-12MP-8MP	3/4 in hose 3/4MP x 1/2MP x 76 in long	1		

**1007-6-10H**



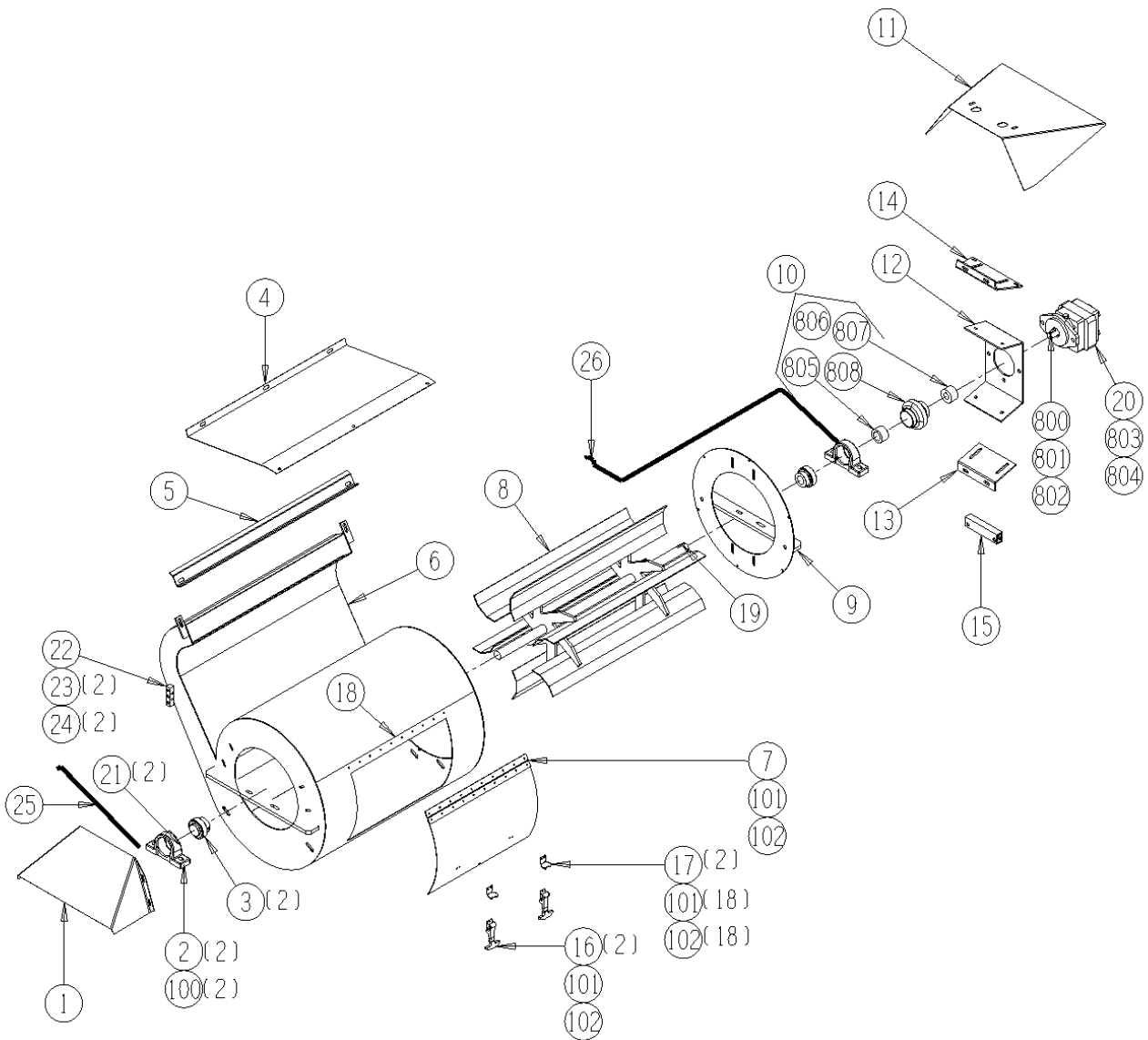
122" EXSITING HOSE THAT WAS PLUMBED FROM ELEVATIONS  
FLOW CONTROL EX. FLOW TO OIL COOLER

# 1007-7-1 Debris Fan Assembly

<u>Ref</u>	<u>Part No.</u>	<u>Description</u>	<u>Parts – Assembly</u>	<u>Will Fit SN</u>	<u>Remarks</u>
1	191-733	Fan dirt guard (rear)	1	19101-	
2	BR-072-RAK	Bearing Housing 72 mm	2		
3	BR-125-072	Bearing, 1 1/4 Fafnir tri-seal, 72mm OD	2		
4	191-732	Cover, Debris Fan	1	19101-	
5	110-611	Scraper, Cross Conveyor, Return Roller	1	11001-	
6	191-701	Fan housing & diffuser	1	19101-	
7	COV-703	Cover, Fan Clean-Out Door	1	19701-	
8	195-702	Debris Fan	1	19101-	
9	191-701A	Access Panel, Debris Fan	1	19101-	
10	CPR-7081	Debris Fan Coupler	1		Replaces Lovejoy Coupler In pre 1994 Machines (PN CPJ-7081;CPJ-6055;CPJ-6053) Pre 1992 May require some modifications
11	191-734	Fan dirt guard (motor side)	1	19101-	
12	192-704	Mount, Debris Fan	1	19201-	
13	192-704B	Bracket, Debris Fan Motor, Bottom	1	19201-	
14	192-704T	Motor mount, Top	1	19201-	
15	SPA-735A	Spacer,Housing-Frame(NARROW)	1		Sub SPA-735(NARROW)
16	LA-703A	Large Rubber T Latch Assembly	2		
17	LA-703B	T Latch Keeper	2		
18	DC-1175	Decal, Danger, Rotating Blade Hazard	1		
19	KEY-4-4-16	Shaft Key 1/4" X 1/4" X 1" Square Cut (1018)	1	20095001-	
20	HM-712C	Hydraulic Motor	1	19101-	RP: HM-0381, HM-1801, HM-2585, HM-2686, HM-412B
21	GFA-51942	1/4"-28 Straight Adapter	2		
22	GF-3-3	3" Grease Manifold	1		
23	GF-1827	Grease Fitting 1/8 NPT Straight	2		
24	A-1404-2-2	1/8 MP x 1/8 FPX	2		
25	H2-30-2MP-2MP	1/8 in Hose x 1/8MP x 1/8MP x 30in Long	1		
26	H2-67-2MP-2MP	1/8in Hose x 1/8MP x 1/8MP x 67in Long	1		
100	BL-4-037-BH	1/4-28 X 3/8 Button Head Cap Screw	2		
101	BL-1032-050	10-32 x 1/2" Bolt	18		
102	BC-1032-LN	10-32 lock nuts	18		

800	HM-412B	Key for Hydraulic Motor -Shaker Weight-Vibrator	1	HM-412C & HM-712C	
801	HM-2686	Snap Ring, Commercial Motor	1	HM-1020	
802	HM-0381	Ball Bearing, Motor	1	HM-1020	
803	HM-2585	Ring Seal, Commercial Motor	1	HM-1020	
804	HM-1801	Seal Kit for Commercial Intertech	1	P20 & M20 Series	Includes:(1) Length of HM-2882,(1)HM-2883,(2)HM-2884
805	CPR-7081A	Omega Coupler Hub 1 1/4"	1	19401	
806	CPR-7081B	Bolts for Omega Coupler (8 @ pkg)	1	19401	
807	CPR-7081C	Omega Hub 7/8	1	19401	
808	CPR-7081E	Coupler Element Only	1	19401	

# 1007-7-1



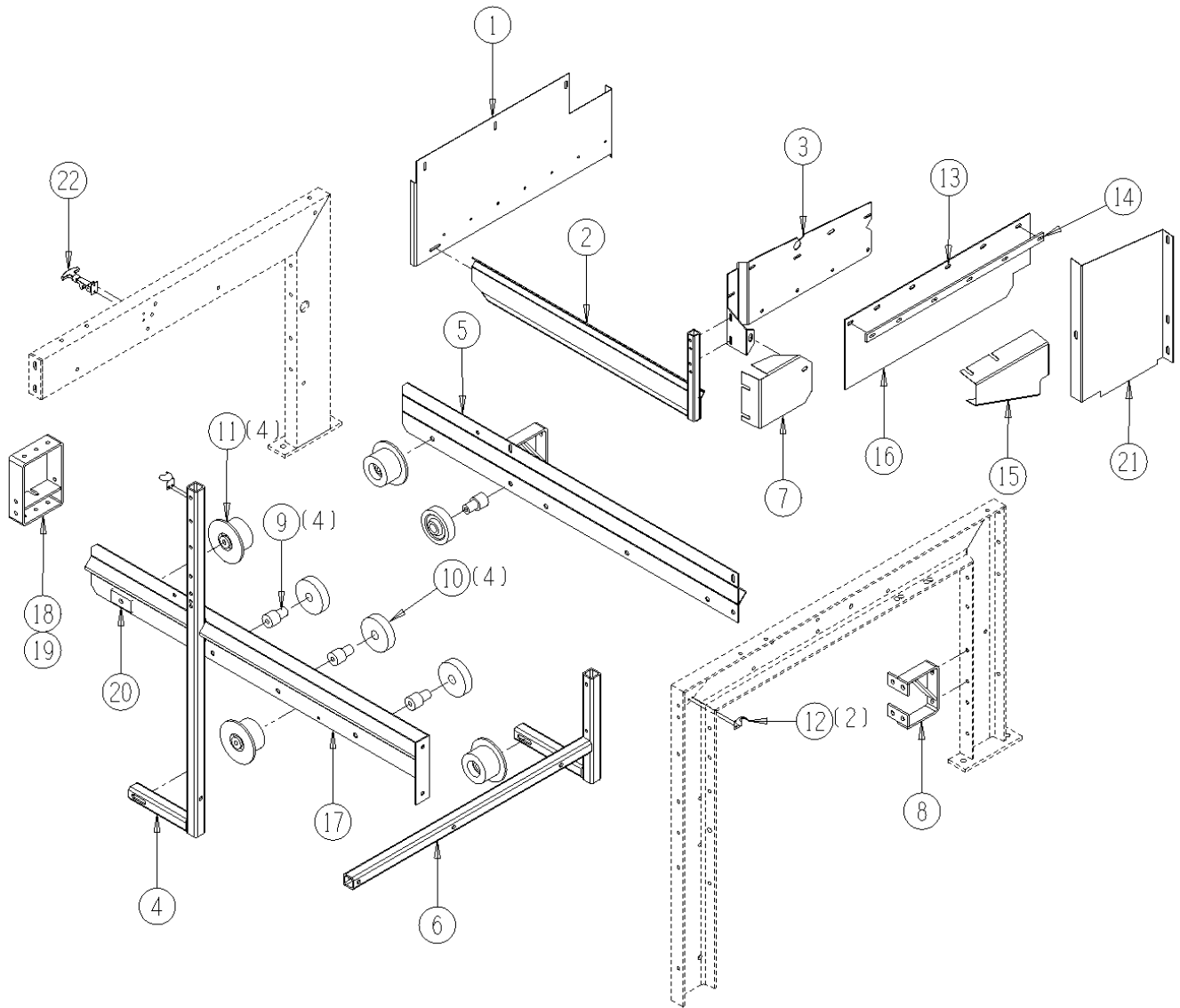


## 1007-7-2 Rear Elevation Assembly

<u>Ref</u>	<u>Part No.</u>	<u>Description</u>	<u>Parts – Assembly</u>	<u>Will Fit SN</u>	<u>Remarks</u>
1	192-730	Rear Closure	1	19201-	
2	194-1545	Debris Drum Guard (Tomato)	1	19401-	
3	194-731	Front Closure	1	19401-	
4	191-738	Roller Support, Outer	1	19101-	
5	191-737	Roller support, Inner	1	19101-	
6	191-736	Support, rear debris fan	1	19101-	
7	194-731A	Debris Drum Sprocket Shield	1	19401-	
8	191-739	Bracket, Panel support	1	19101-	
9	RLA-010-0108	Spindle / Standoff for Urethane Roller (heat treated)	4	19101-	
10	RLG-040-1016	4" Urethane Roller	4	Old Terog Part No. RU4	
11	RLT-535-228	5" Flange Roller 2.2WF x 3 1/2" dia, 1/2" bore	4		
12	LA-703B	T Latch Keeper	2		
13	BT-1731	Belting, Front Closure, Rear Elevation	1	19701-	
14	BAR-1731	Elevation, Front Closure	1	19701-	
15	SHD-1137	Shield, Shaft End, Rear Elevation	1	19101- kit-0038	
16	DC-1174	Decal, Danger Keep Hands and Feet Away	1		
17	STRP-610	6" Tarp Strap (ea.)	1		
18	SHD-1206	Shield, Flashing Light	0	30097001- 19601-	
19	EL-1206	Double Amber Lamp	0		
20	DC-3025	Red and White Reflective Tape @ 150 ft Roll	0.06		
21	SHD-0028	Shield, Dirt Guard, Sorting Area	1		
22	LA-1530	Medium Rubber T Latch Assembly	1		



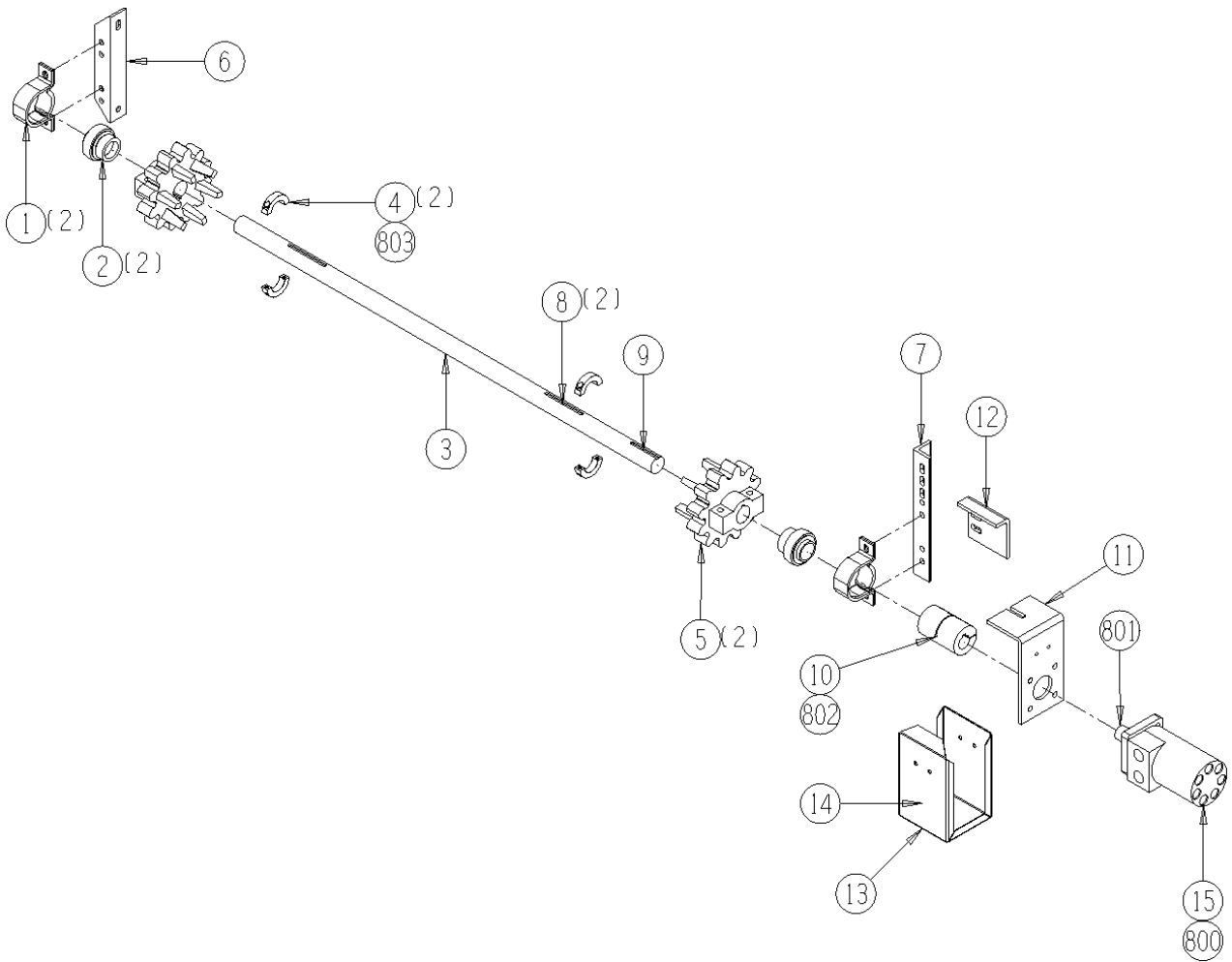
# 1007-7-2



## 1007-7-3 Elevation Drive Shaft Assembly

<u>Ref</u>	<u>Part No.</u>	<u>Description</u>	<u>Parts – Assembly</u>	<u>Will Fit SN</u>	<u>Remarks</u>
1	BR-062-MPB	Stamped Bearing Housing for 1 1/4" bearing	2		
2	BR-125-062	Bearing, 1 1/4 Fafnir tri-seal, 62mm OD	2		
3	193-603	Shaft, Elevation	1	19301- (Elevation), KIT-0101 (Vine Assist ),KIT- 0050,Kit- 0051	
4	SC-20-2	Shaft Collar, 2 piece 1 1/4" bore	2		
5	SPU-3612-20-4	Urethane Sprocket 36-12 1 1/4 bore 1/4" key	2		Sub SP-3612-20-4
6	MOU-742	Mount, Elevation, Drive Shaft Bearing, Outer	1	19705	
7	MOU-740	Mount, Elevation, Drive Shaft Bearing, Inner	1	MOU-740	
8	KEY-4-4-32	Shaft Key 1/4" x 2" Square Cut (1018)	2		
9	KEY-4-4-20	Shaft Key 1/4" x 1 1/4"	1		
10	CPS-6060	Steel Coupler (offcenter) 1 1/4" x 1"	1		
11	193-806	Mount motor	1		
12	193-806A	Motor mount stop	1		
13	193-806C	Motor Guard	1	19301-	
14	DC-1176	Decal, Danger-Hand Chain Sprockets	1		
15	HM-204-TC	TCI Motor	1		Seal Kit # TCI-SKHPQ
801	KEY-4-4-15	Shaft Key 1/4" X 1/4" X 15/16" Woodruff Key	1		
802	BL-5-100-SF	5/16-24 x 1 Socket Head Cap Screw	4	CPS-6057	
803	BL-4-075-SCS	1/4-28 x 3/4" Socket Head Cap Screw	4		

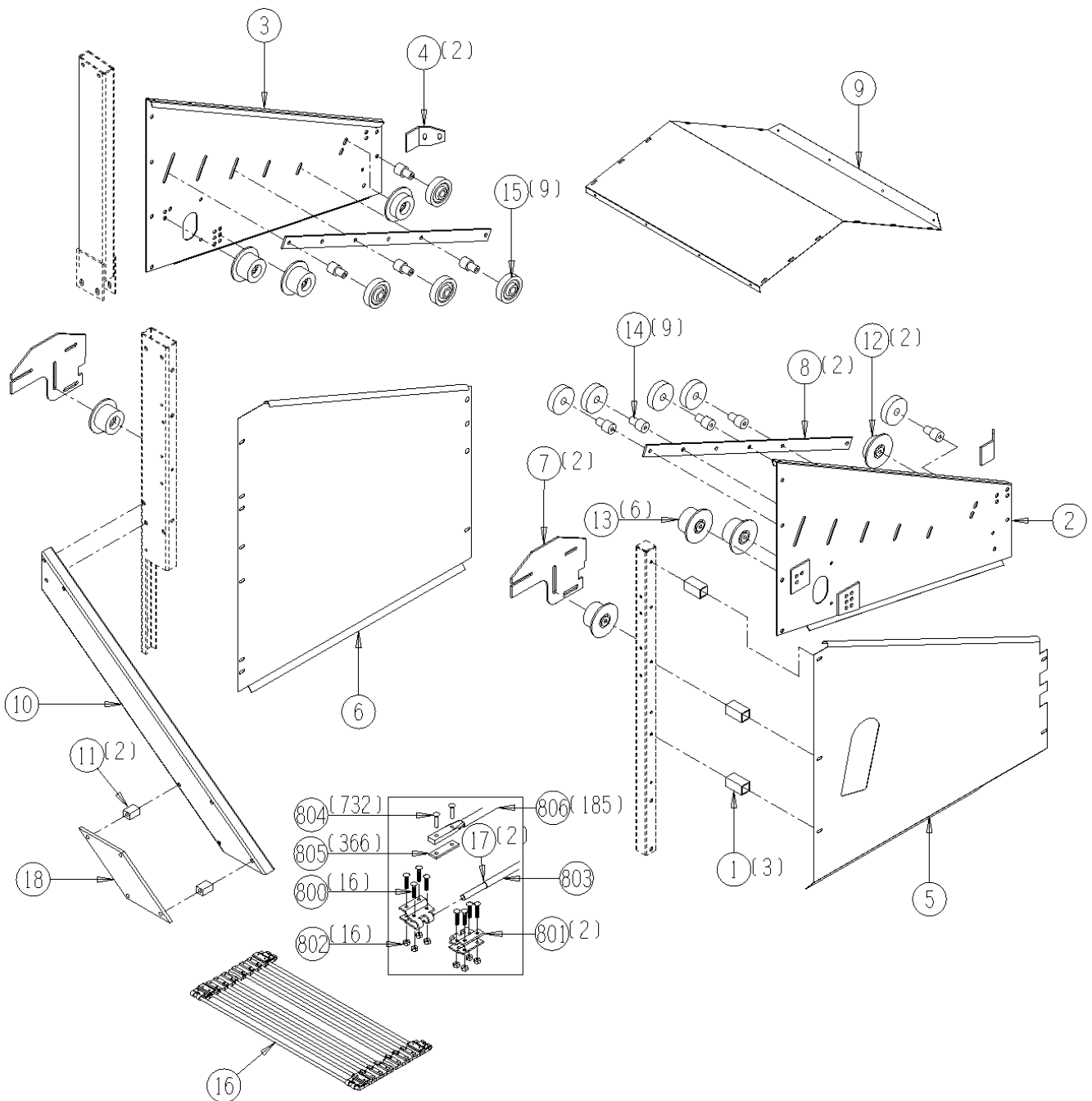
# 1007-7-3



## 1007-7-4 Front Elevation Assembly

<u>Ref</u>	<u>Part No.</u>	<u>Description</u>	<u>Parts – Assembly</u>	<u>Will Fit SN</u>	<u>Remarks</u>
1	191-1555	Spacer, debris chute	3	11001-19301	
2	SID-740	Side, Inner, Front Elevation	1	19705	
3	SID-741	Side, Outer, Front Elevation	1	19705	
4	SHD-1897	Shield, Deflector, Narrow Flange Roller	2		
5	SHD-744	Debris Chute, Inner Elevation	1	19705 19801-	
6	193-743	Debris chute (outer)	1	19301-	
7	MOU-1130	Mount, Roller, Front Elevation	2	19705	
8	BAR-742	Bar, Roller Adjuster, Front Elevation	2	19705	
9	194-1550	Elevation Shield	1	19401	
12	RLT-535-128	Narrow Flange Roller 1.2 WF 3.5 dia, 1/2" Bore	2		
13	RLT-535-228	5" Flange Roller 2.2WF x 3 1/2" dia, 1/2" bore	6		
14	RLA-010-0108	Spindle / Standoff for Urethane Roller (heat treated)	9	19101-	
15	RLG-040-1016	4" Urethane Roller	9	Old Terog Part No. RU4	
16	BC-7-3236-186-UC	36mm x 32" Belted Chain, 186 Pitches, Upcranked Rods	1		
17	BC-3525	Snap Ring, 11mm.	2		
800	BC-1032-FS	10-32 x 1 1/4" bolts Flat Socket Head	16		
801	BC-F-36-32	F Connecting Clips 36-32 @ pair	2	11001	
802	BC-1032-LN	10-32 lock nuts	16		
803	BC-7-32-CN	Connecting Rod, 11mm, 32" Wide Belted Chain, 60mm Traction Belts	1		For Clip Splice Option
804	RI-25-BC	25mm Belted Chain Rivets	732		
805	BC-BP32	Belt, Rivet backing plates 32mm	366	11001	Lap Splice Option, Used only with BC-1032-LN Lock Nuts
806	BC-7-32-ST	7/16" x 32" Belted Chain Rod for 60mm Belt	185	11001	

# 1007-7-4



## 1007-7-5 Opt. Elevation Conveyor Bar Cleaner Assembly

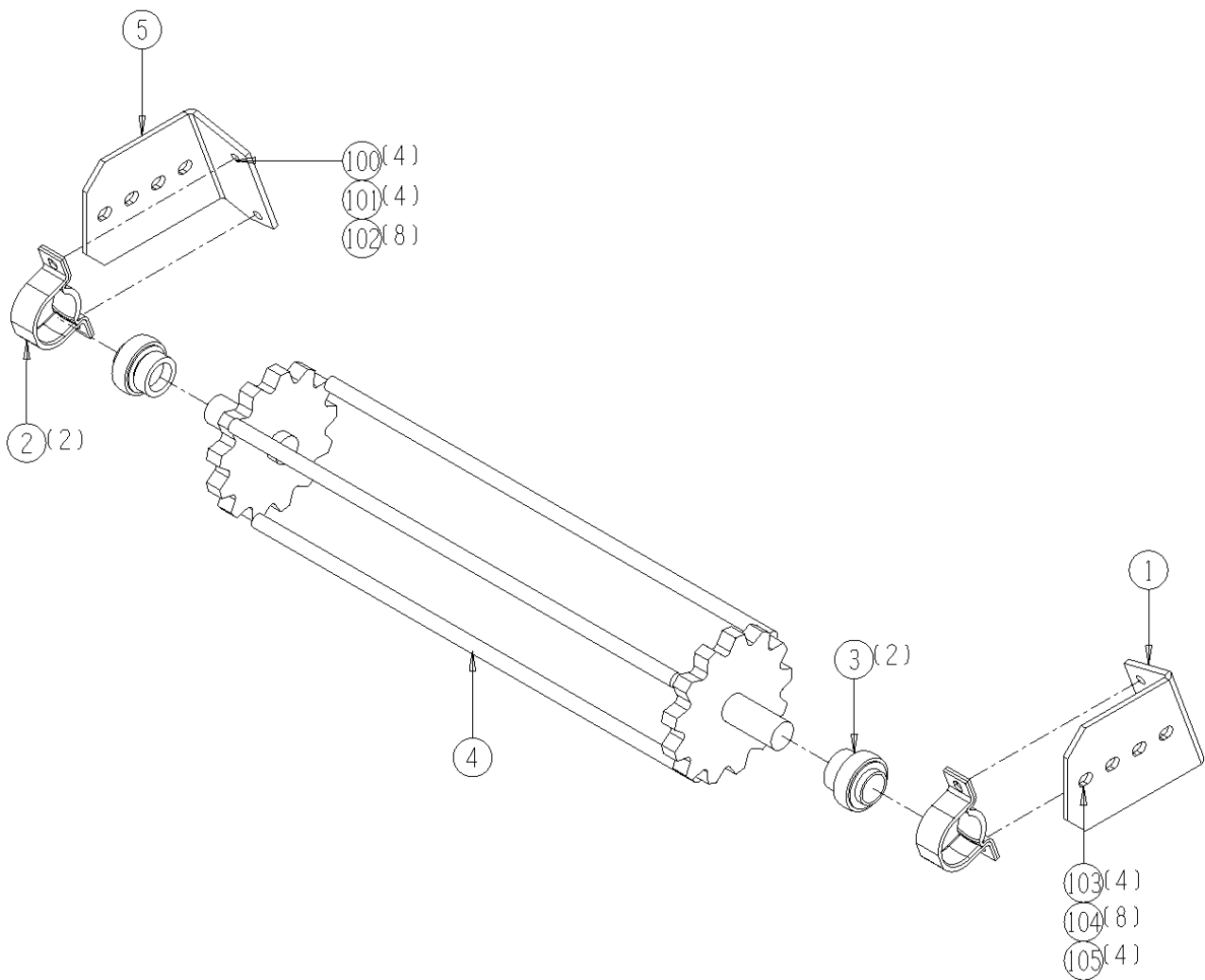
<u>Ref</u>	<u>Part No.</u>	<u>Description</u>	<u>Parts – Assembly</u>	<u>Will Fit SN</u>	<u>Remarks</u>
0	KIT-0127	Bar Cleaner Kit, Elevation Conveyor	1		

## KIT-0127 Bar Cleaner Kit, Elevation Conveyor, Tomato

<u>Ref</u>	<u>Part No.</u>	<u>Description</u>	<u>Parts – Assembly</u>	<u>Will Fit SN</u>	<u>Remarks</u>
1	BRA-738	Bracket, Elevation Conveyor Bar Cleaner	1		
2	BR-062-MPB	Stamped Bearing Housing for 1 1/4" bearing	2		
3	BR-125-062I	Bearing, 1 1/4" ID, TS	2		FIT Bearing
4	194-661	Bar Cleaner, 36mm pitch x 32" wide chain	1		
5	BRA-736	Bracket, Elevation Conveyor Bar Cleaner	1		
100	BL-6-125-H	3/8-16 X 1 1/4 HHCS G5 ZC	4		
101	BL-6-LN	3/8 UNC FIN HEX LOCK NUT NE A563 GrA ZINC	4		
102	BL-6-SW	3/8 SAE FW ZC	8		
103	BL-8-275-H	1/2 UNC X 2 3/4 HH C/S BOLT GR5 ZINC	4		
104	BL-8-FW-8	1/2 FLAT WASHER G8 ZC	8		
105	BL-8-LN	1/2-13 HEX LOCK NUT NYLON INSERT ZC	4		

# 1007-7-5

KIT-0127 BAR CLEANER KIT, ELEVATION, CONVEYOR, TOMATO



## 1007-7-6 Optional Fan Air Intake Extension Assembly

<u>Ref</u>	<u>Part No.</u>	<u>Description</u>	<u>Parts – Assembly</u>	<u>Will Fit SN</u>	<u>Remarks</u>
0	KIT-0123	Air Intake Kit	1		

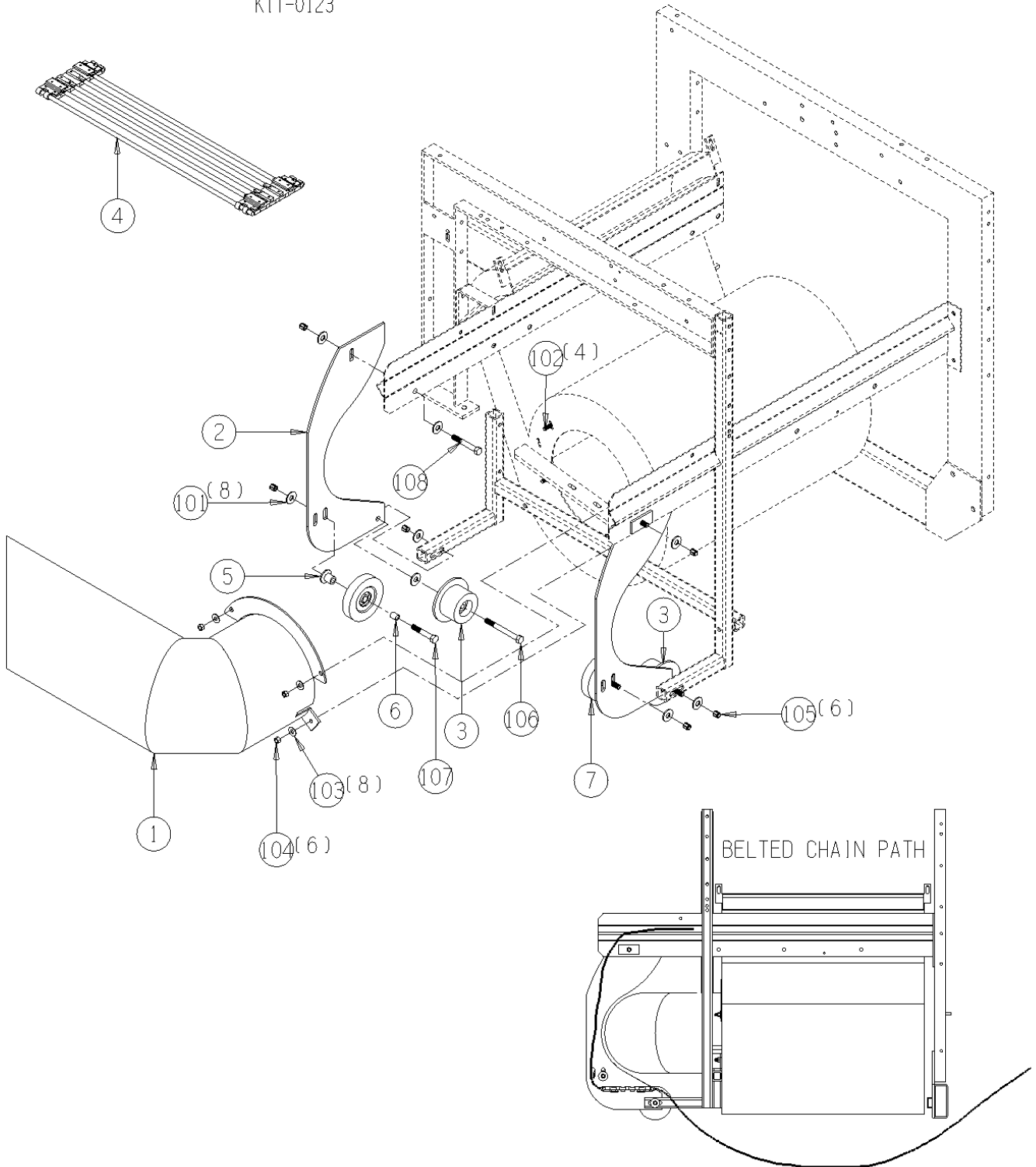
### KIT-0123 Fan Intake Extension, Tomato

<u>Ref</u>	<u>Part No.</u>	<u>Description</u>	<u>Parts – Assembly</u>	<u>Will Fit SN</u>	<u>Remarks</u>
1	FAN-1750	FAN, REAR AIR INTAKE, DEBRIS FAN	1		
2	MOU-1750	Mount, Roller, Debris Fan Intake	2		
3	RLT-535-228	5" Flange Roller 2.2WF x 3 1/2" dia, 1/2" bore	2		
4	BC-7-3236-5	Belted Chain, 5 Bar Ext.	1		
5	RLA-000-118	Standoff, 1/2" X 1 1/8"	2		
6	RLA-006-078	Bushing 1/2" x 5/8" x .75"	2		
7	RLT-050-1010	5" Flat Idler Roller 5/8" Bore	2		
101	BL-8-FW-8	1/2 FLAT WASHER G8 ZC	10		
102	BL-6-125-H	3/8-16 X 1 1/4 HHCS G5 ZC	4		
103	BL-6-FW-8	3/8 FLAT WASHER, G8 ZC	8		
104	BL-6-LN	3/8 UNC FIN HEX LOCK NUT NE A563 GrA ZINC	4		
105	BL-8-LN	1/2-13 HEX LOCK NUT NYLON INSERT ZC	6		
106	BL-8-475-H	1/2-13 X 4 3/4 HEX CAP G5 ZC	2		
107	BL-8-300-H	1/2-13 X 3 HEX CAP G5 ZC	2		
108	BL-8-350-H	1/2-13 X 3 1/2 HEX CAP G5 ZC	2		



# 1007-7-6

KIT-0123



## 1007-7-7 Opt. Fan Intake w/ Elevation Bar Cleaner Assembly

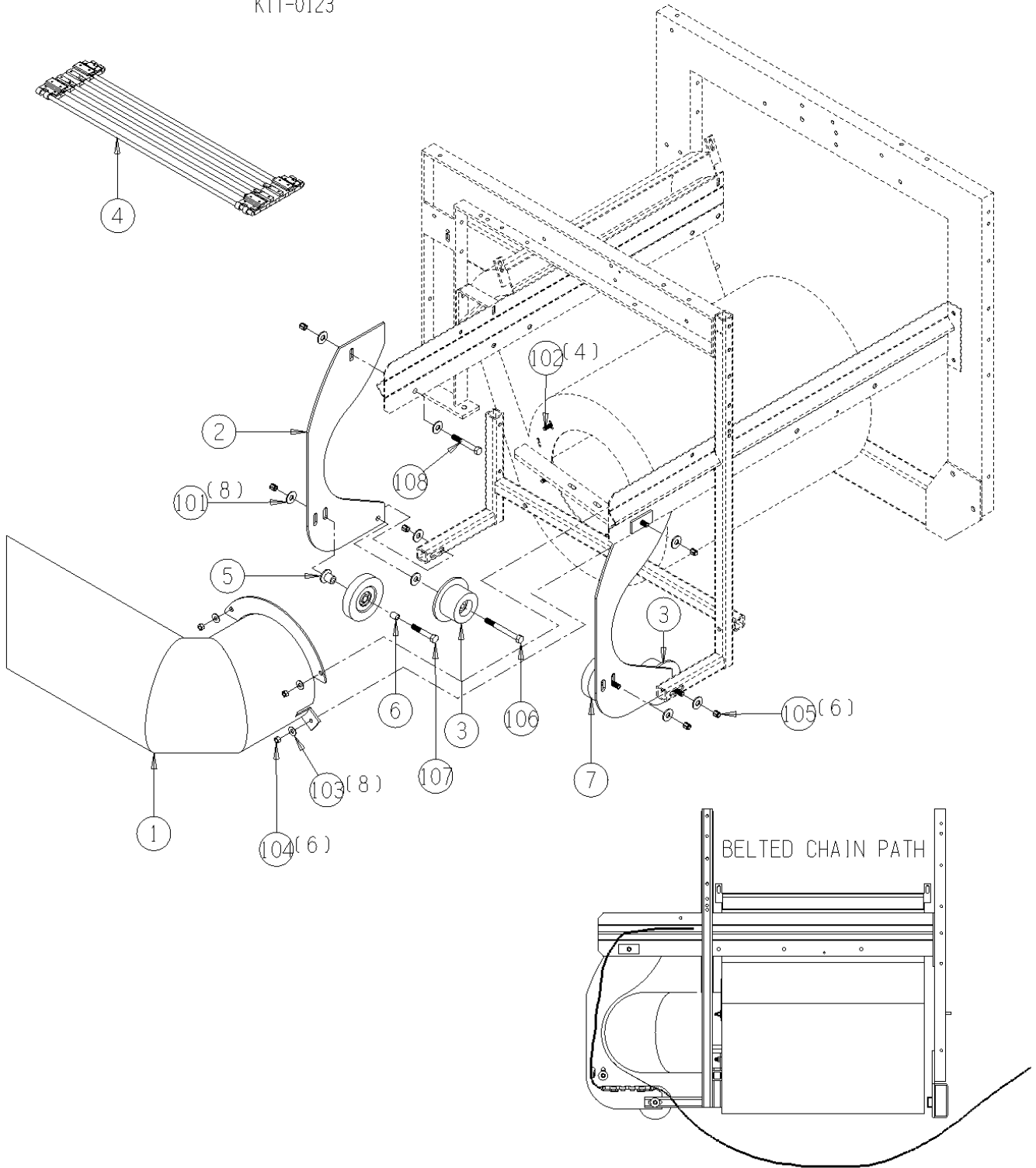
<u>Ref</u>	<u>Part No.</u>	<u>Description</u>	<u>Parts – Assembly</u>	<u>Will Fit SN</u>	<u>Remarks</u>
0	KIT-0137	Fan Intake Extension with Elevation Bar Cleaner	1		

### KIT-0137 Fan Intake Extension with Elevation Bar Cleaner

<u>Ref</u>	<u>Part No.</u>	<u>Description</u>	<u>Parts – Assembly</u>	<u>Will Fit SN</u>	<u>Remarks</u>
1	FAN-1750	FAN, REAR AIR INTAKE, DEBRIS FAN	1		
2	MOU-1750	Mount, Roller, Debris Fan Intake	2		
3	RLT-535-228	5" Flange Roller 2.2WF x 3 1/2" dia, 1/2" bore	2		
4	BC-7-3236-5	Belted Chain, 5 Bar Ext.	1		
5	194-661	Bar Cleaner, 36mm pitch x 32" wide chain	1		
6	BRA-736	Bracket, Elevation Conveyor Bar Cleaner	1		
7	BRA-738	Bracket, Elevation Conveyor Bar Cleaner	1		
8	BR-062-MPB	Stamped Bearing Housing for 1 1/4" bearing	2		
9	BR-125-062I	Bearing, 1 1/4" ID, TS	2		FIT Bearing
100	BL-6-125-H	3/8-16 X 1 1/4 HHCS G5 ZC	8		
101	BL-6-FW-8	3/8 FLAT WASHER, G8 ZC	12		
102	BL-6-LN	3/8 UNC FIN HEX LOCK NUT NE A563 GrA ZINC	8		
103	BL-8-475-H	1/2-13 X 4 3/4 HEX CAP G5 ZC	2		
104	BL-8-FW	1/2 USS FW ZC	16		
105	BL-8-150-H	1/2 UNC X 1 1/2 HH C/S BOLT GR5 ZINC	4		
106	BL-6-SW	3/8 SAE FW ZC	4		
107	BL-8-350-H	1/2-13 X 3 1/2 HEX CAP G5 ZC	2		
108	BL-8-LN	1/2-13 HEX LOCK NUT NYLON INSERT ZC	8		

# 1007-7-7

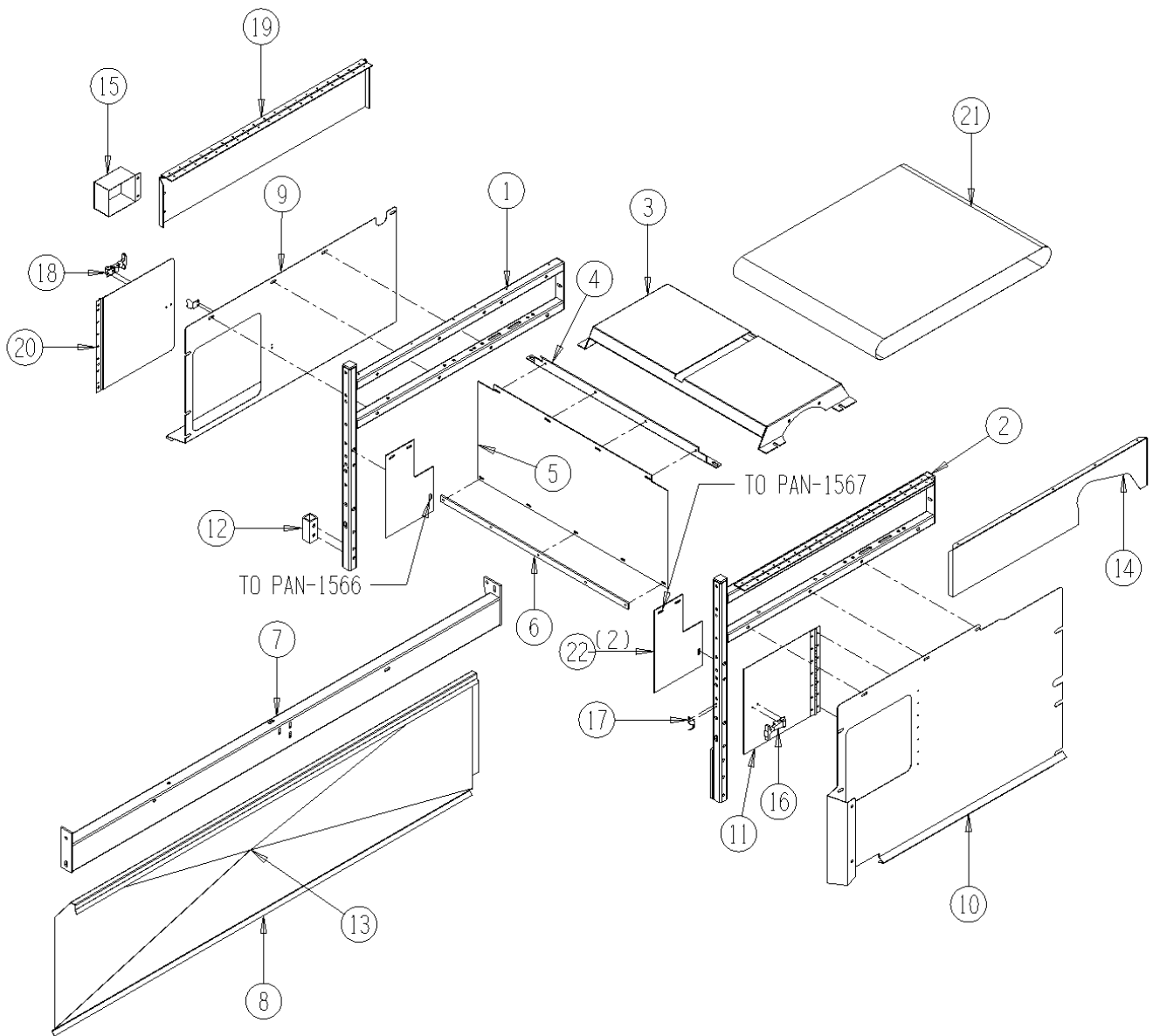
KIT-0123



## 1007-8-1 Presort Assembly

<u>Ref</u>	<u>Part No.</u>	<u>Description</u>	<u>Parts – Assembly</u>	<u>Will Fit SN</u>	<u>Remarks</u>
1	196-1525	Frame, Presort, Outer	1	19601-	Replaces 193-1525
2	FRM-1526	Presort Frame, Inner	1	19801- 19705	
3	193-1520	Slider, Presort	1	19101-	
4	193-1546	Endless belt scraper	1	19301-	
5	BT-1548	Belting, Presort Scraper, Big Wheel, Narrow Shield	1	KIT-1118 19801-	
6	BAR-1548	Bar, Belting, Presort, Narrow Shield	1	19705 19801-	
7	194-834	Cross Bar (over wheel well)	1	19401-	Replaces 191-834
8	194-827	Cover, Wheel	1	19401-	
9	SHD-1526	Shield, Presort, Lower, Outer	1	19801-	
10	SHD-1538	Shield, Inner, Presort, Lower	1	19705 19801-	
11	SHD-1525	Shield, Access Panel, Presort Door, Inner	1	19705 19801-	
12	SPA-1526	Spacer, Outer, Presort	1	19801- 19705	
13	DC-3025	Red and White Reflective Tape @ 150 ft Roll	0.01		
14	SHD-1539	Shield, Presort, Inner Presort, Upper	1		
15	SHD-1523	Shield, Shaft End, Outer, Presort	1	19705 19801-	
16	LA-703A	Large Rubber T Latch Assembly	1		
17	LA-703B	T Latch Keeper	1		
18	LA-1530	Medium Rubber T Latch Assembly	1		
19	SHD-1529	Shield, Presort, Outer Presort, Upper	1		
20	SHD-1528	Shield, Access Panel, Presort Door, Outer	1	19801-	
21	BT-72V32E	Presort Belt 32" X 72.25" Endless	1	19101	
22	BT-0014	Belting, Inside Presort Tomato Deflector	2		

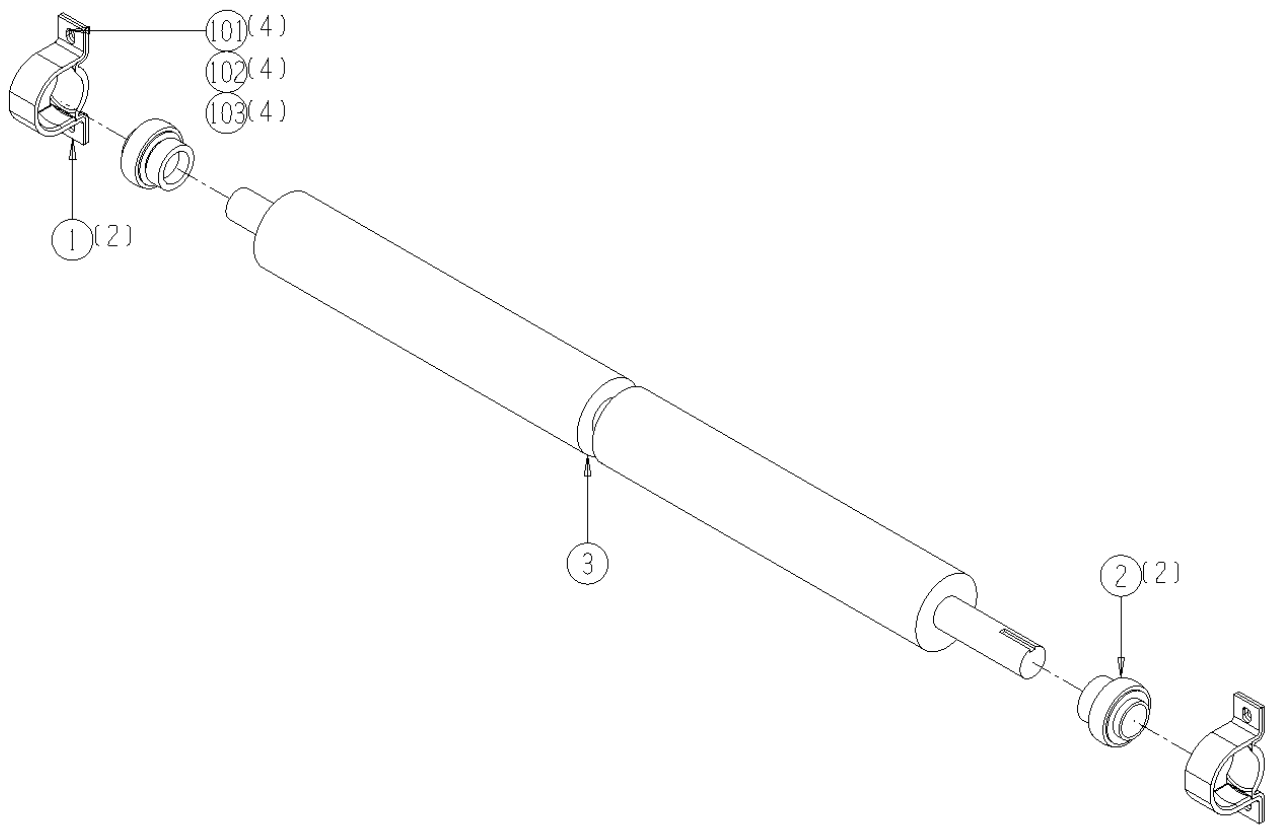
# 1007-8-1



## 1007-8-2 Front Presort Roller Assembly

<u>Ref</u>	<u>Part No.</u>	<u>Description</u>	<u>Parts – Assembly</u>	<u>Will Fit SN</u>	<u>Remarks</u>
1	BR-062-MPB	Stamped Bearing Housing for 1 1/4" bearing	2		
2	BR-125-062	Bearing, 1 1/4 Fafnir tri-seal, 62mm OD	2		
3	RLR-1523	Roller for 32 1/2 Presort Flat Belt Drive & Nose (Tomato)	1		
101	BL-6-100-H	3/8 UNC X 1 HH C/S BOLT GR5 ZINC	4		
102	BL-6-LW	3/8 SPLIT LW ZC	4		
103	BL-6-SW	3/8 SAE FW ZC	4		

# 1007-8-2

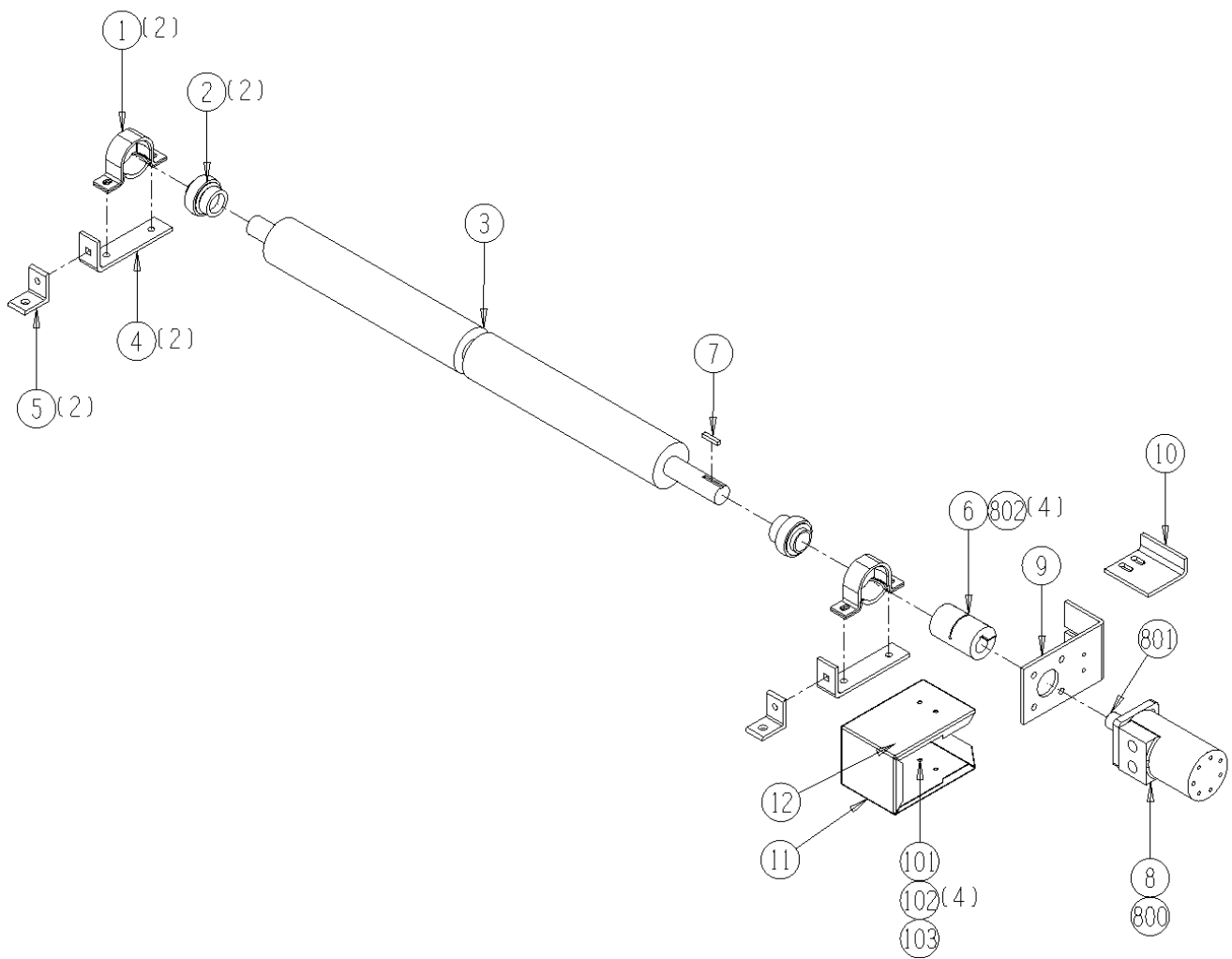


## 1007-8-3 Rear Presort Roller Assembly

<u>Ref</u>	<u>Part No.</u>	<u>Description</u>	<u>Parts – Assembly</u>	<u>Will Fit SN</u>	<u>Remarks</u>
1	BR-062-MPB	Stamped Bearing Housing for 1 1/4" bearing	2		
2	BR-125-062	Bearing, 1 1/4 Fafnir tri-seal, 62mm OD	2		
3	RLR-1523	Roller for 32 1/2 Presort Flat Belt Drive & Nose (Tomato)	1		
4	192-1528	Bearing Adjuster	2	19201-	
5	BRA-1528	Bracket, Tightener	2	19705 19801-	
6	CPS-6060	Steel Coupler (offcenter) 1 1/4" x 1"	1		
7	KEY-4-4-20	Shaft Key 1/4" x 1 1/4"	1		
8	HM-208-TC	TCI Motor	1		Seal Kit # TCI-SKHPQ
9	193-806	Mount motor	1		
10	193-806A	Motor mount stop	1		
11	193-806C	Motor Guard	1	19301-	
12	DC-1176	Decal, Danger-Hand Chain Sprockets	1		
101	BL-4-500-H	1/4-20 X 5 HEX CAP G5 ZC	1		
102	BL-4-FW-8	1/4" Flat Washer Grade 8	4		
103	BL-4-WN	1/4-20 FORGED W/NUTS ZC	1		
801	KEY-4-4-15	Shaft Key 1/4" X 1/4" X 15/16" Woodruff Key	1		
802	BL-5-100-SF	5/16-24 x 1 Socket Head Cap Screw	4	CPS-6057	



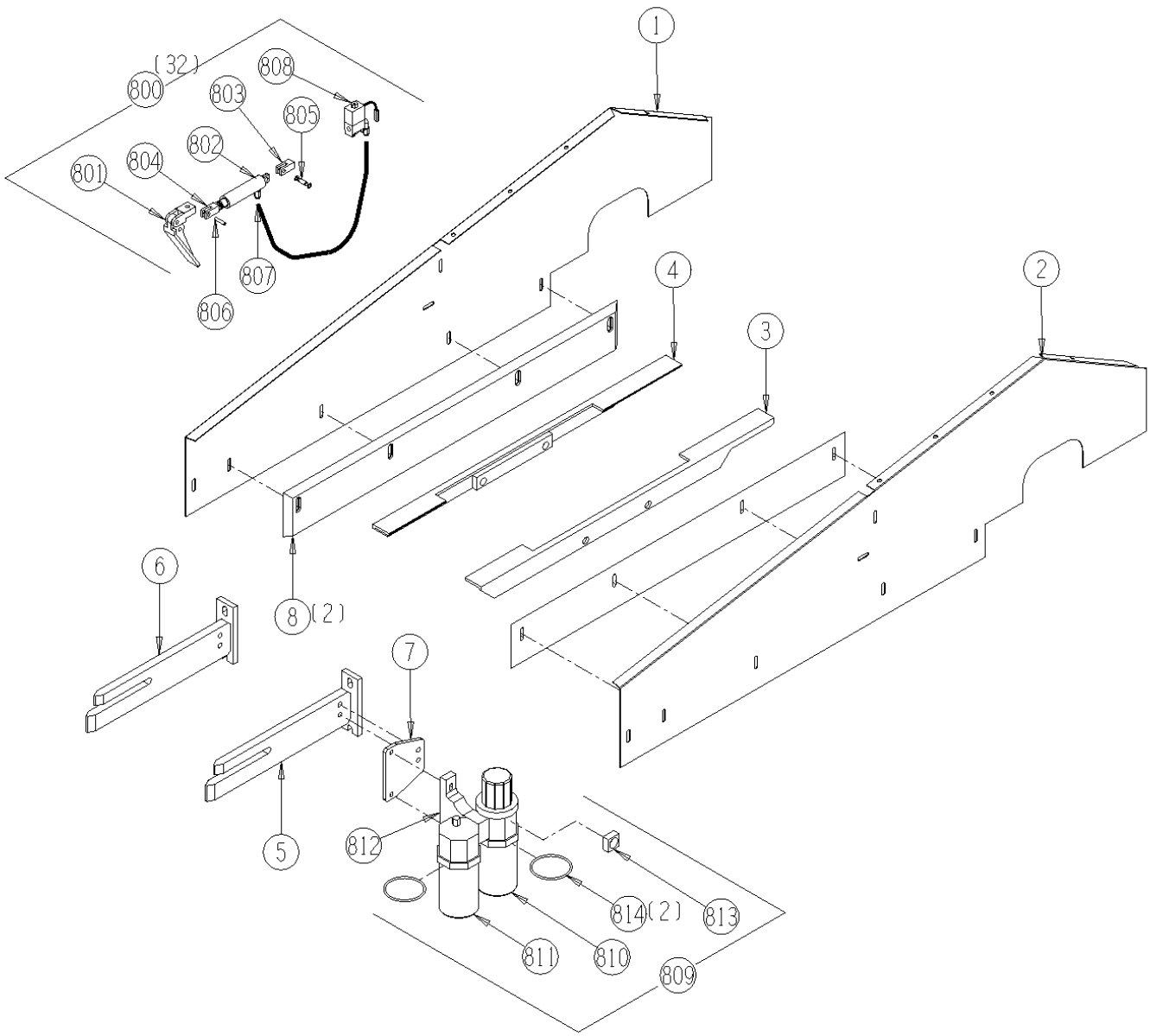
# 1007-8-3



## 1007-8-4 Grademaster Presort Assembly

<u>Ref</u>	<u>Part No.</u>	<u>Description</u>	<u>Parts – Assembly</u>	<u>Will Fit SN</u>	<u>Remarks</u>
0	SRT-1517	Rejector oil @ Gallon	1		
0	SRT-1578G	"POST- 96" Grademaster Sorter Glass	1	1997- Grademaster	
0	SRT-1595	Sorter Cable (GradeMaster)	1		
0	SRT-1632	32" Color and FM Field Sorter with Rejector	1		
1	PAN-1566	Panel, Outer, Presort, Straight w/Cut-out	1	19705 19801-	
2	PAN-1567	Panel, Inner, Presort, Straight w/Cut-out	1	19705 19801-	
3	EX-1520B	extension, Slider, Inner	1	19601-	
4	EX-1520A	extension, Slider, Outer	1	19601-	
5	BRA-1568	Bracket, Grademaster, Inner	1	19801-, 19705 19705	
6	BRA-1570	Bracket, Grademaster, Outer	1	19801-, 19705	
7	SPA-1568	Spacer, FRL, Sorter Bracket, Tom.	1		
8	PL-1564	Guide, Plastic, Grademaster Presort Assy.	2	19601- KIT-0047	
800	SRT-1575	Finger Cylinder Assy	32	Grademaster	
801	SRT-1575A	Finger Only	1	SRT-1575	
802	SRT-1575B	Air Cylinder	1	SRT-1575	
803	SRT-1575C	Rejector Clevis (Hardened)	1	SRT-1575	
804	SRT-1575D	Cylinder Rod Clevis	1	SRT-1575	
805	SRT-1575E	Cylinder pin w/ (2) Circlips	1	SRT-1575	
806	SRT-1575F	Finger Pin (roll pin) @ each	1	SRT-1575	
807	SRT-1576B	Connector P-Loc 1/8" x 1/8" nylon	1		
808	SRT-1578	Air Valve Assy for Grademaster	1	Grademaster	Replaced By SRT-1577
809	AIR-1578	MILLER FRL Complete	1		
810	AIR-1576	Air Filter Regulator (Miller)	1	AIR-1578	
811	AIR-1577	Lubricator (Miller)	1	AIR-1578	
812	AIR-1578A	T-Type Bracket for FRL	1	AIR-1578	
813	AIR-1576G	Gauge for Miller FRL	1	AIR-1578	
814	AIR-1577-O	O-Ring for Miller Lubricator	2	AIR-1578	

# 1007-8-4

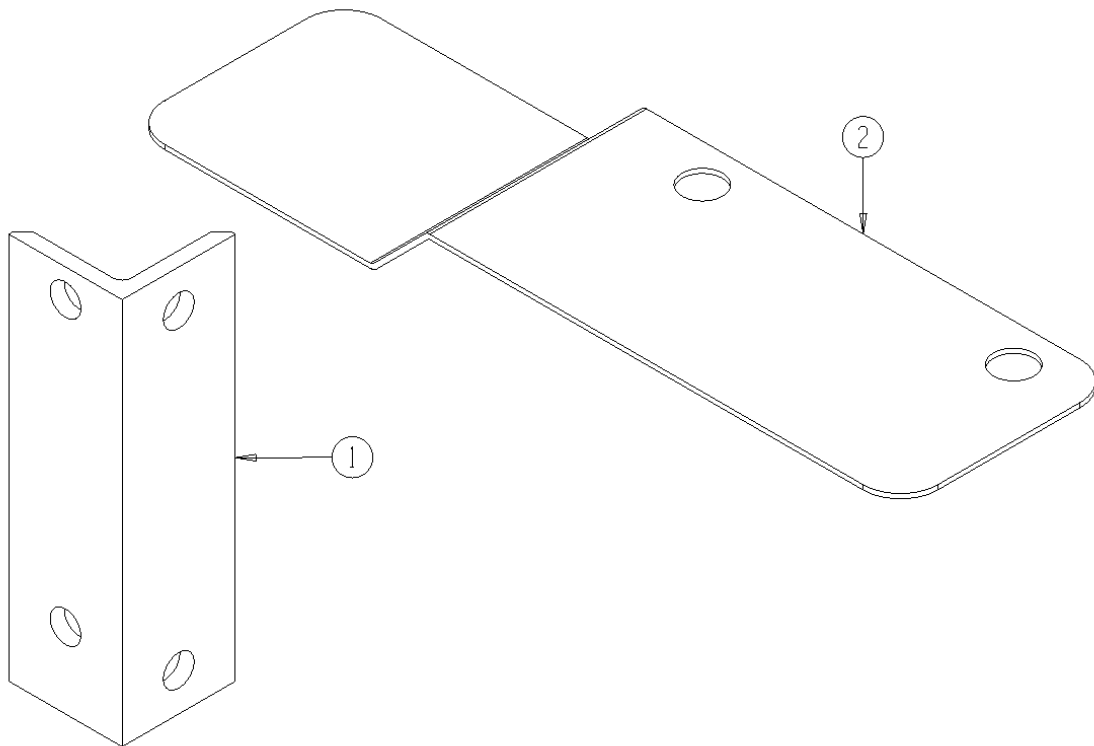


## 1007-8-5 No Sorter Presort Parts ONLY

---

<u>Ref</u>	<u>Part No.</u>	<u>Description</u>	<u>Parts – Assembly</u>	<u>Will Fit SN</u>	<u>Remarks</u>
1	BRA-1569	Bracket, FRL, Grademaster	1	19601-	
2	SHD-1569	Shield, Shaft, Inner Presort	1	19601-	

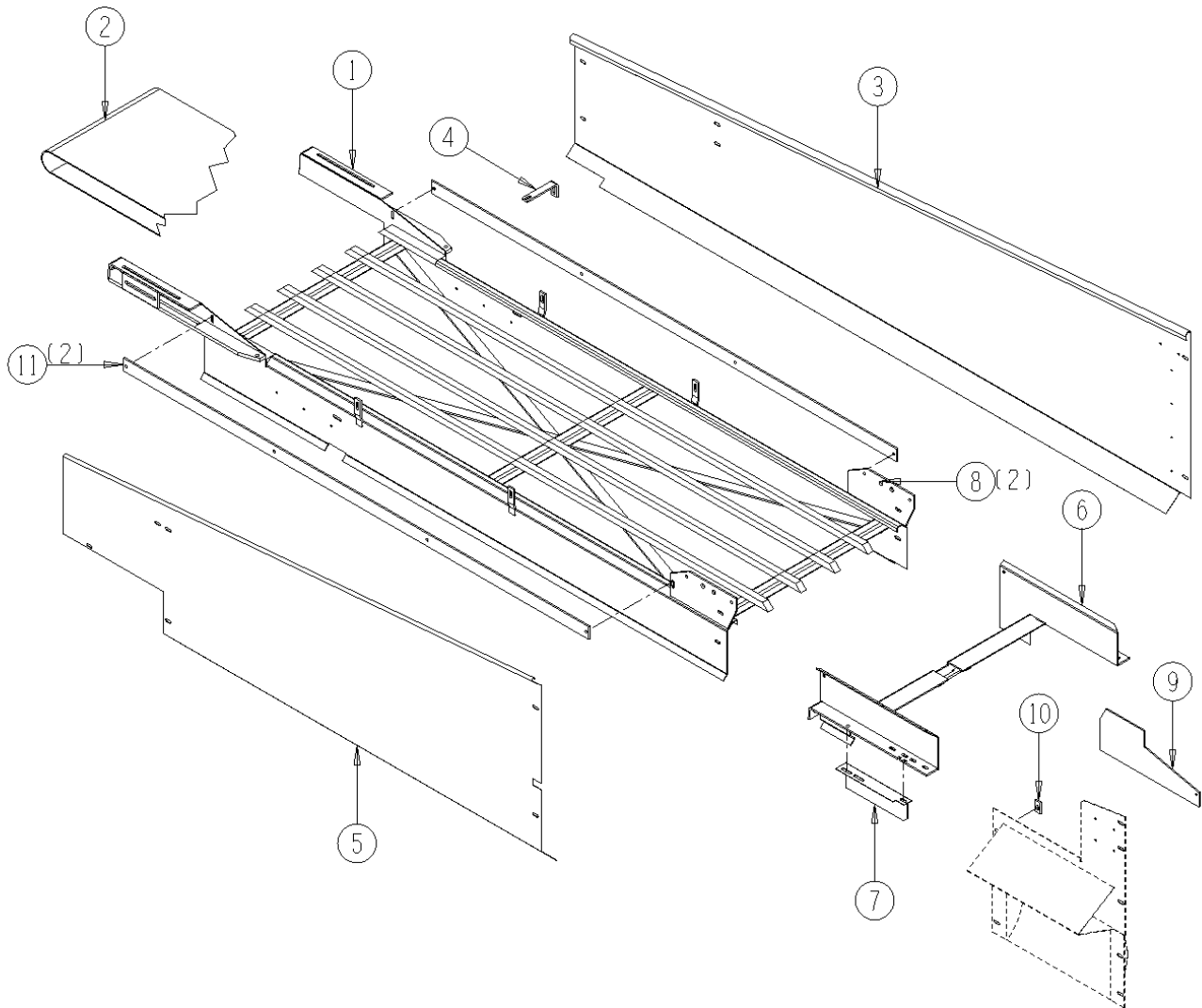
**1007-8-5**



## 1007-9-1 Aftersort Assembly

<u>Ref</u>	<u>Part No.</u>	<u>Description</u>	<u>Parts – Assembly</u>	<u>Will Fit SN</u>	<u>Remarks</u>
1	HAN-803	Handsort, Table for A-Guide Belts, 190 Tom	1		
2	BT-257V32L	Sort Belt w/A-Guide (laced) 257 x 32	1		
3	192-127	Debris Chute, Inner Aftersort (Tomato)	1	19201-	
4	191-129	Bracket, Inner Debris Chute	1	19101-	
5	193-128	Debris Chute, Outer Front (Tomato)	1	19301-	
6	193-800A	Sorting Table, Foldup	1	19301- KIT-0007	
7	COV-803	Cover, Flip up,Aftersort Table w/ A-Guide	1		
8	194-1418	Rubber Bumper	2	19401	
9	SHD-8001	Shield, Plastic, Inner Front Aftersort	1		
10	BAR-8001	Bar, Shield Holder, Inner Front Aftersort	1		
11	SID-803	Side, Bar, Aftersort Table, 190 Tomato	2		

# 1007-9-1

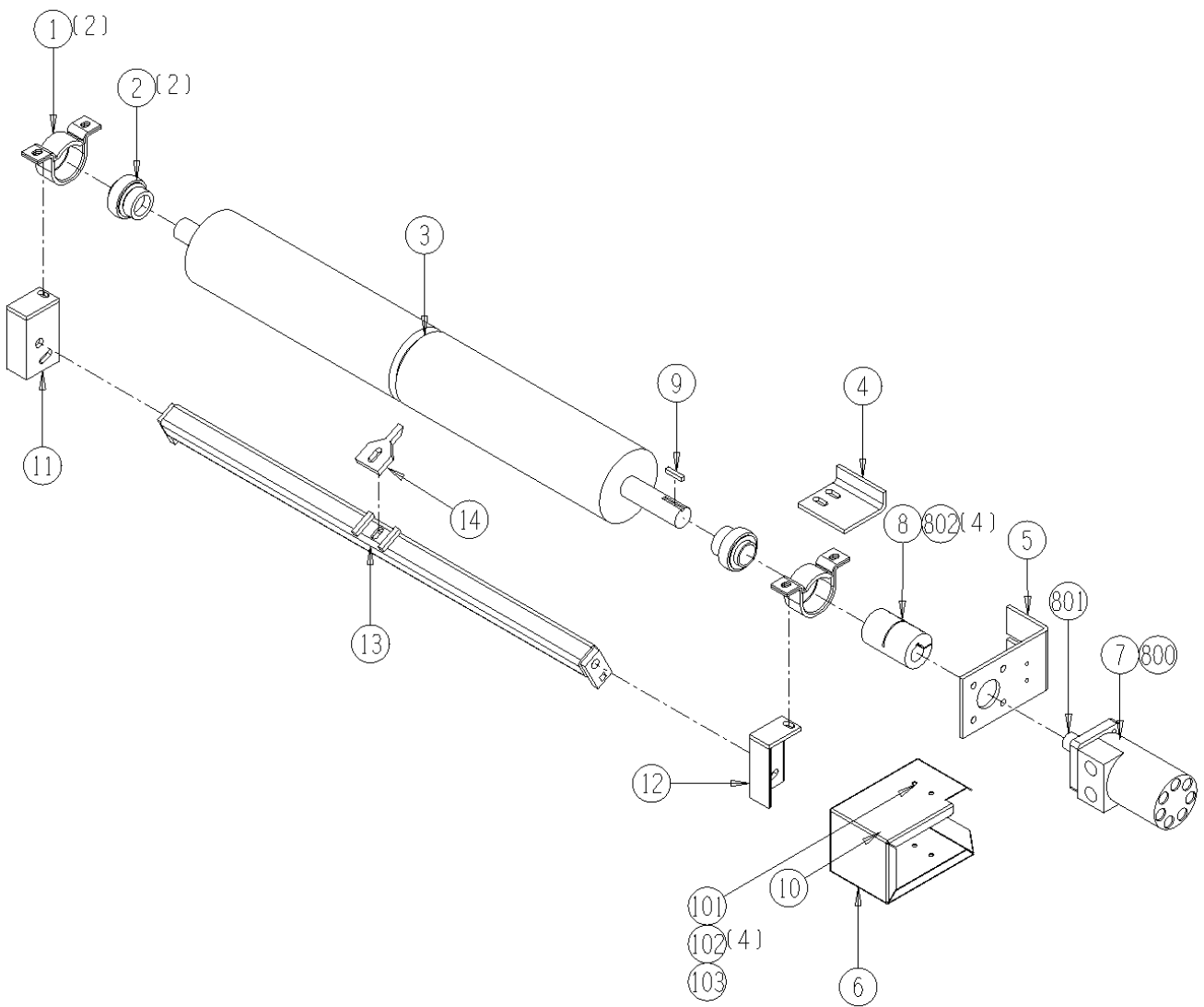


## 1007-9-2 Aftersort Drive Shaft Assembly

<u>Ref</u>	<u>Part No.</u>	<u>Description</u>	<u>Parts – Assembly</u>	<u>Will Fit SN</u>	<u>Remarks</u>
1	BR-062-MPB	Stamped Bearing Housing for 1 1/4" bearing	2		
2	BR-125-062	Bearing, 1 1/4 Fafnir tri-seal, 62mm OD	2		
3	RLR-1524	Drive Roller with "A"Guide for Aftersort (Tomato)	1		
4	193-806A	Motor mount stop	1		
5	193-806	Mount motor	1		
6	shd-0053	Shield, Motor, Aftersort w/ A-Guide Scraper, 190	1		
7	HM-204-TC	TCI Motor	1		Seal Kit # TCI-SKHPQ
8	CPS-6060	Steel Coupler (offcenter) 1 1/4" x 1"	1		
9	KEY-4-4-20	Shaft Key 1/4" x 1 1/4"	1		
10	DC-1176	Decal, Danger-Hand Chain Sprockets	1		
11	BRA-803	Bracket, A-Guide Cleaner Holder, 190 Tom.	1		
12	BRA-804	Bracket, Other Side A-Guide Cleaner Holder	1		
13	MOU-803	Mount, A-Guide Scraper Holder, 190 Tom.	1		
14	SCR-803	Scraper, A-Guide Groove, Aftersort 190 Tom.	1		
101	BL-4-500-H	1/4-20 X 5 HEX CAP G5 ZC	1		
102	BL-4-FW-8	1/4" Flat Washer Grade 8	4		
103	BL-4-WN	1/4-20 FORGED W/NUTS ZC	1		
801	KEY-4-4-15	Shaft Key 1/4" X 1/4" X 15/16" Woodruff Key	1		
802	BL-5-100-SF	5/16-24 x 1 Socket Head Cap Screw	4	CPS-6057	



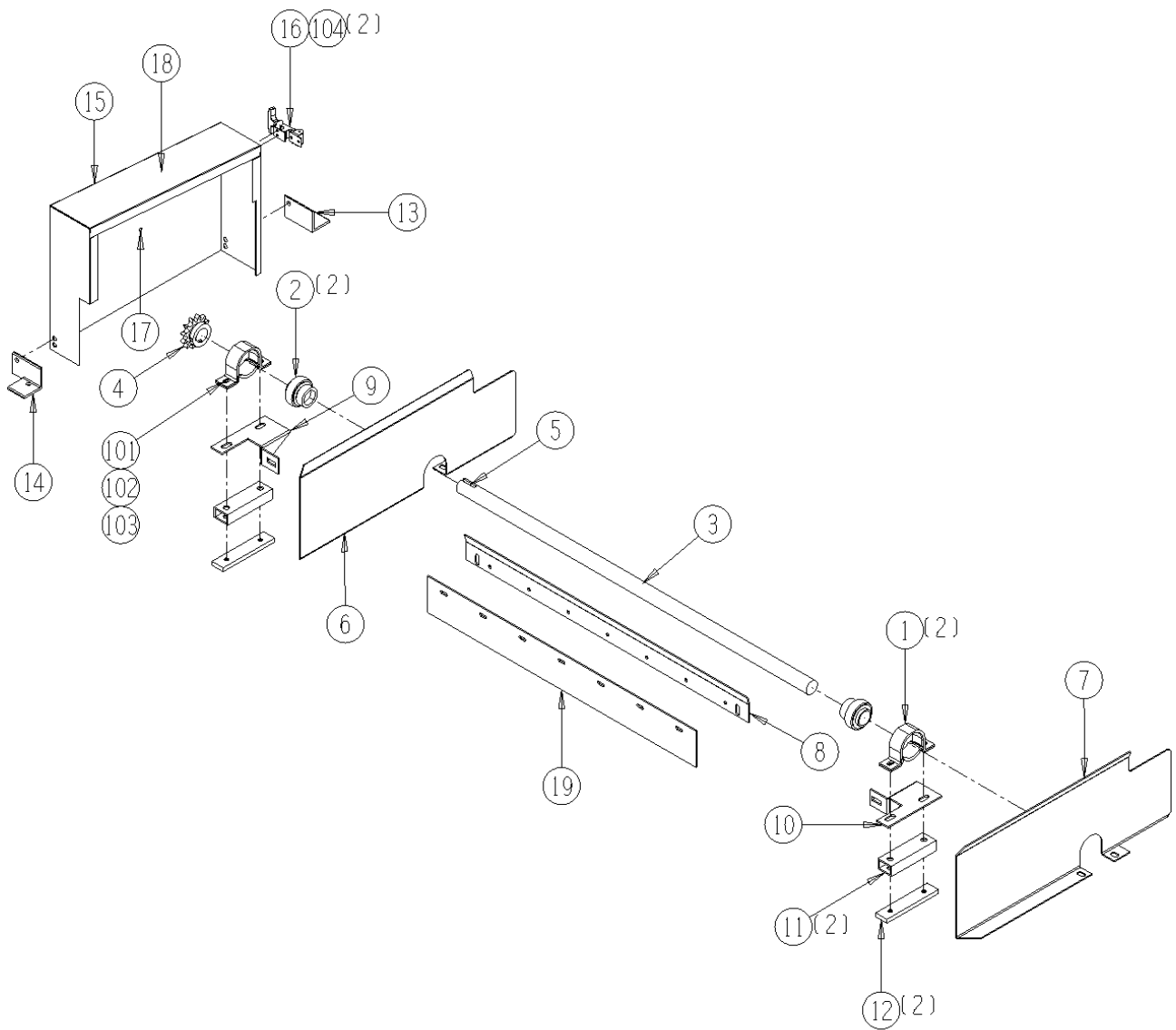
# 1007-9-2



## 1007-9-3 Aftersort Divider Bar Assembly

<u>Ref</u>	<u>Part No.</u>	<u>Description</u>	<u>Parts – Assembly</u>	<u>Will Fit SN</u>	<u>Remarks</u>
1	BR-062-MPB	Stamped Bearing Housing for 1 1/4" bearing	2		
2	BR-125-062	Bearing, 1 1/4 Fafnir tri-seal, 62mm OD	2		
3	191-848	Shaft, Rolling Guard	1	19101-	
4	SP-50B12-20-4	Sprocket, #50, 12 tooth, 1.25" bore	1	19201-	
5	KEY-4-4-20	Shaft Key 1/4" x 1 1/4"	1		
6	SHD-848	Guard, Outer Aftersort	1	19801- kit-0059	
7	SHD-849	Guard, Inner Aftersort	1	19801- kit-0059	
8	193-849	Rolling guard scraper	1	19301-	
9	BRA-850	Bracket, Rolling Guard, Scraper, Outer	1	19101- Kit-0007	
10	BRA-851	Bracket, Rolling Guard, Scraper, Inner	1	19101- kit-0007	
11	SPA-810	Spacer, Divider Bar, Aftersort	2	19801- 19705	
12	191-805	Bracket, Rear Aftersort	2	19101-	
13	BRA-1536	Bracket, Cover Hinge, Aftersort	1	19705 19801-	
14	193-1536	Mounting Angle, Outer Presort Shield	1	19301-	
15	COV-845	Cover, Divider Shaft Drive, Aftersort	1	19705 19801-	
16	LA-1530	Medium Rubber T Latch Assembly	1		
17	194-1418	Rubber Bumper	1	19401	
18	DC-1176	Decal, Danger-Hand Chain Sprockets	1		
19	BT-849	Belting, Rear Aftersort Rolling Guard Scraper	1		
101	BL-6-150-H	3/8-16 X 1 1/2 HEX CAP G5 ZC	4		
101	BL-6-250-H	3/8-16 X 2 1/2 HH C/S GR5 ZC	4		
102	BL-6-LW	3/8 SPLIT LW ZC	4		
103	BL-6-SW	3/8 SAE FW ZC	4		
104	RI-3-5-P	Pop Rivet 3/16 x 5/16 Domed, .375 head, ea	2		

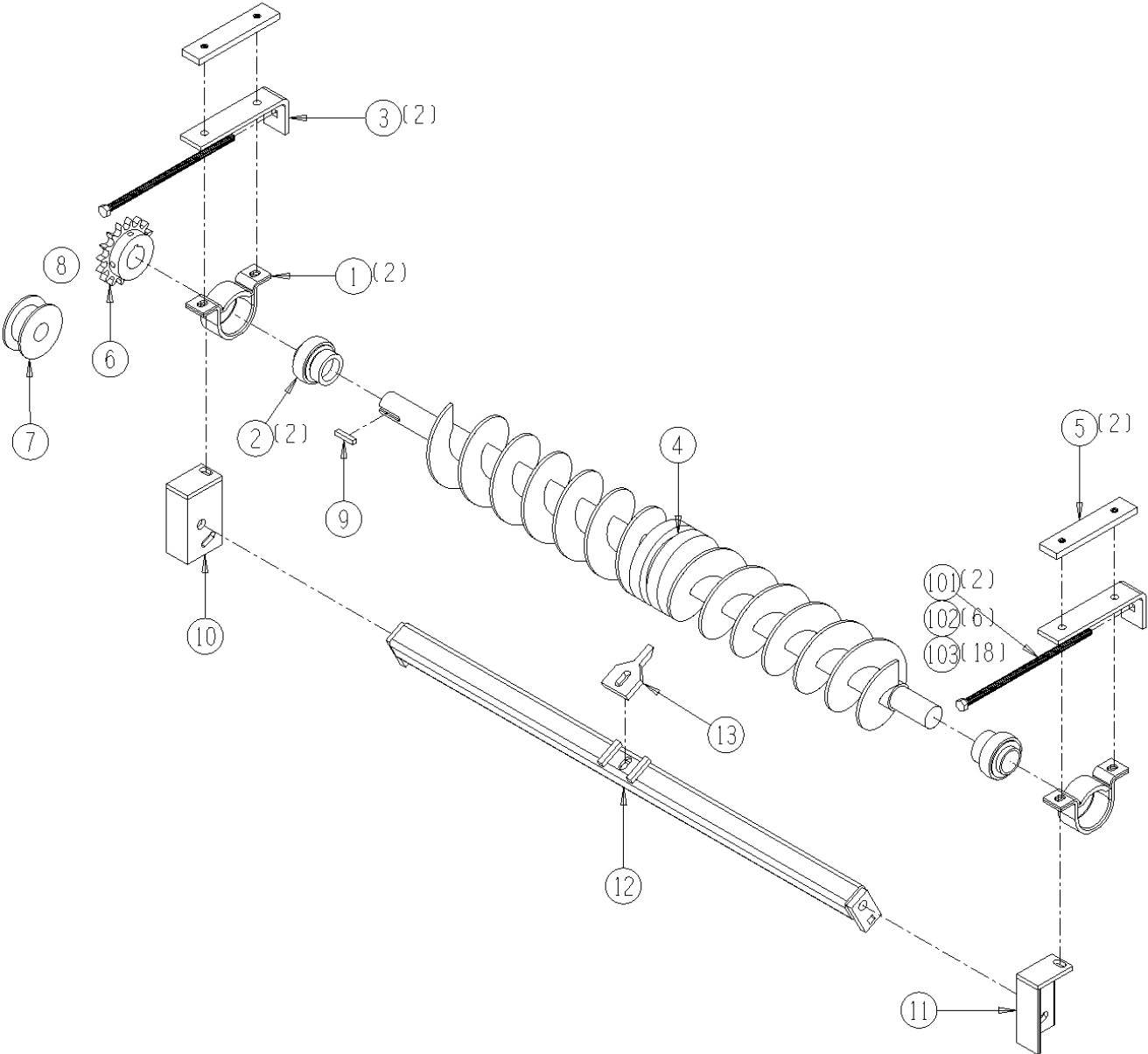
# 1007-9-3



## 1007-9-4 Aftersort Auger Assembly

<u>Ref</u>	<u>Part No.</u>	<u>Description</u>	<u>Parts – Assembly</u>	<u>Will Fit SN</u>	<u>Remarks</u>
1	BR-062-MPB	Stamped Bearing Housing for 1 1/4" bearing	2		
2	BR-125-062	Bearing, 1 1/4 Fafnir tri-seal, 62mm OD	2		
3	192-1528	Bearing Adjuster	2	19201-	
4	RLS-803	Roller Steel, Auger w/A-Guide, Aftersort, 190 Tom.	1		Replaces RLS-804. Must be installed so that augers run out from center.
5	191-805	Bracket, Rear Aftersort	2	19101-	
6	SP-50B16-20-4	Sprocket, #50, 16 tooth, 1.25" bore	1		
7	SP-FLT-T	Flat Roller Chain Idler	1	11001	
8	CH-50-35	Roller Chain 35 pitches #50 Power Divider w/master link	1	19101- 19625,19801 -	
9	KEY-4-4-20	Shaft Key 1/4" x 1 1/4"	1		
10	BRA-803	Bracket, A-Guide Cleaner Holder, 190 Tom.	1		
11	BRA-804	Bracket, Other Side A-Guide Cleaner Holder	1		
12	MOU-803	Mount, A-Guide Scraper Holder, 190 Tom.	1		
13	SCR-803	Scraper, A-Guide Groove, Aftersort 190 Tom.	1		
101	BL-6-900-T	3/8-16 X 9 HEX TAP G5 ZC	2		
102	BL-6-N	3/8-16 HEX NUTS ZC	6		
103	BL-6-SW	3/8 SAE FW ZC	18		

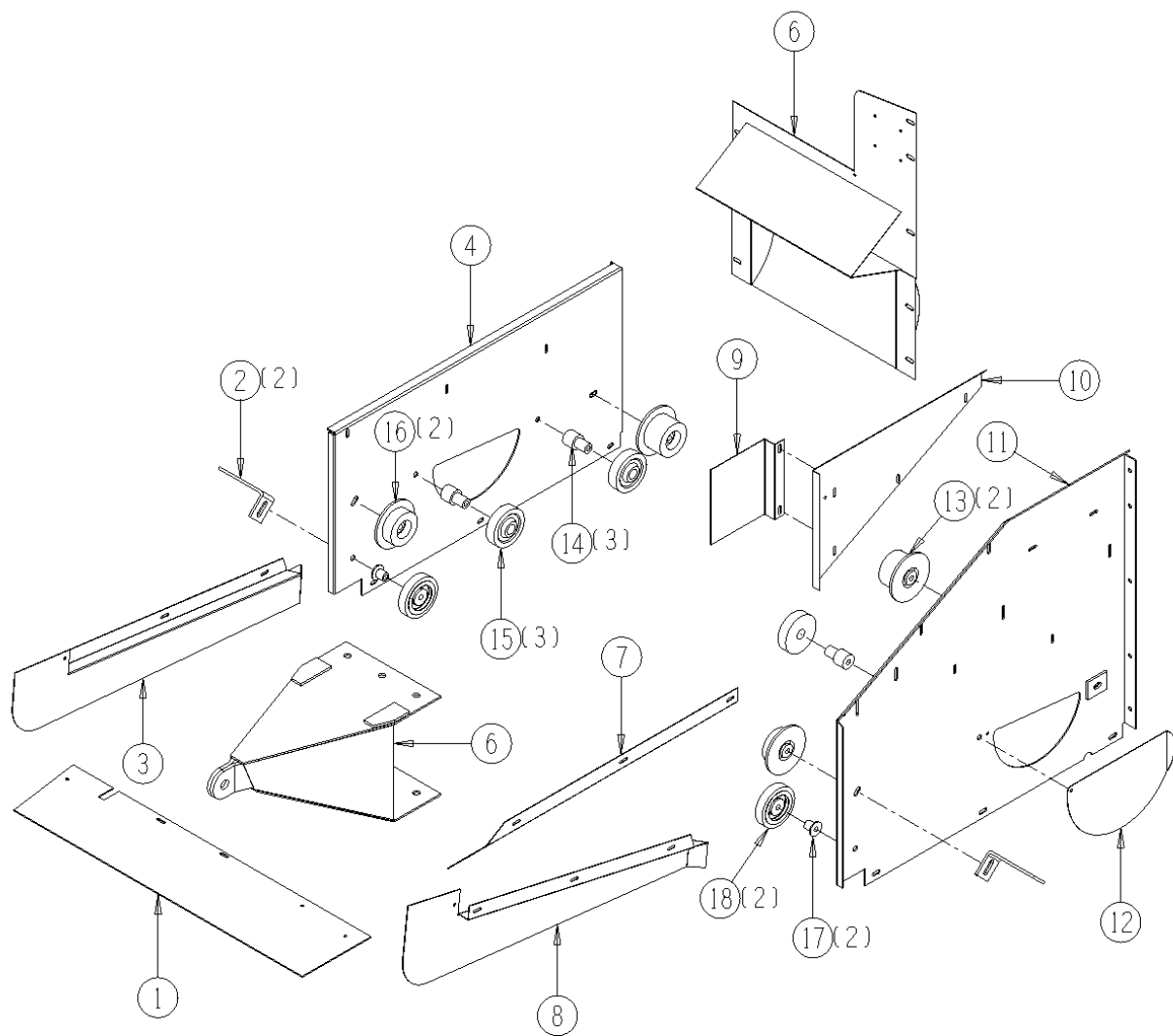
1007-9-4



## 1007-10-1 Discharge Basket Assembly

<u>Ref</u>	<u>Part No.</u>	<u>Description</u>	<u>Parts – Assembly</u>	<u>Will Fit SN</u>	<u>Remarks</u>
1	BT-0013	Belting, Shield, Inner Discharge & Basket	1		
2	191-928	Bracket for front panel-elevator mount	2	19101-	
3	191-937	Tomato Guard, Rear Discharge	1	19101-	
4	191-921	Panel, Rear Discharge	1	19101-	
5	194-925	Discharge Valve	1	19401-	
6	191-917	Discharge Cylinder Mount	1	19101-	
7	193-922	Deflector	1	19301-	
8	192-936	Tomato Guard, Front Discharge	1	19201-	
9	192-936A	Discharge basket, Front Extension	1	19201-	
10	193-920A	Front Discharge Panel Extension	1	19301-	
11	193-920	Front Discharge panel	1	19301-	
12	PAN-920C	Panel, Access [Red]	1	19301-	
13	RLT-535-228	5" Flange Roller 2.2WF x 3 1/2" dia, 1/2" bore	2		
14	RLA-010-0108	Spindle / Standoff for Urethane Roller (heat treated)	3	19101-	
15	RLG-040-1016	4" Urethane Roller	3	Old Terog Part No. RU4	
16	RLT-535-128	Narrow Flange Roller 1.2 WF 3.5 dia, 1/2" Bore	2		
17	RLA-000-118	Standoff, 1/2" X 1 1/8"	2		
18	RLR-040-108	4" Flat Roller	2		Changed to Urethane in 2006

# 1007-10-1

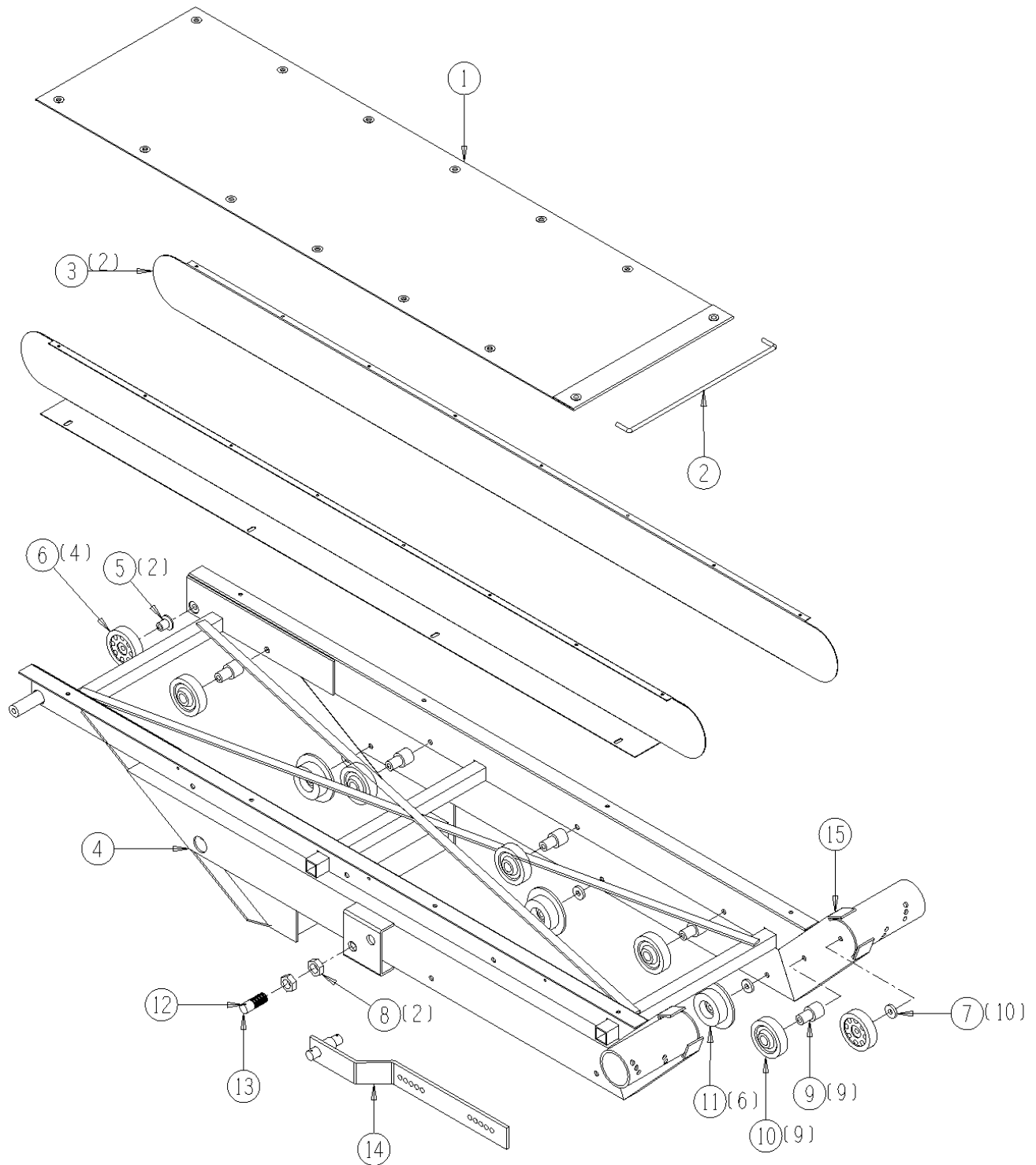


## 1007-10-2 Discharge Inner Section Assembly

<u>Ref</u>	<u>Part No.</u>	<u>Description</u>	<u>Parts – Assembly</u>	<u>Will Fit SN</u>	<u>Remarks</u>
1	TRP-938	Discharge Tarp	1	19101-	
2	194-938A	Tarp Support	1	19401-	
3	191-907	Shield, extension lower level	2		Same Front and Back
4	194-901	Frame, Discharge Elevator	1	19201	
5	RLA-000-118	Standoff, 1/2" X 1 1/8"	2		
6	RLR-040-108	4" Flat Roller	4		Changed to Urethane in 2006
7	RLA-000-028	Washer/Spacer	10	11001-	
8	BL-16-JN	1 UNC FIN HEX JAM NUT A563 GrA ZINC	2		
9	RLA-010-0108	Spindle / Standoff for Urethane Roller (heat treated)	7	19101-	
10	RLG-040-1016	4" Urethane Roller	7	Old Terog Part No. RU4	
11	RLT-535-128	Narrow Flange Roller 1.2 WF 3.5 dia, 1/2" Bore	8		
12	192-907P	Discharge Stabilizer Pin	1	19201	
13	HC-1130B	Hair Pin Clip	1		
14	193-919	Transport bar	1	19301-	
15	DC-1174	Decal, Danger Keep Hands and Feet Away	1		
16	BAR-0114	Discharge Strap, Tomato Harvester	2		



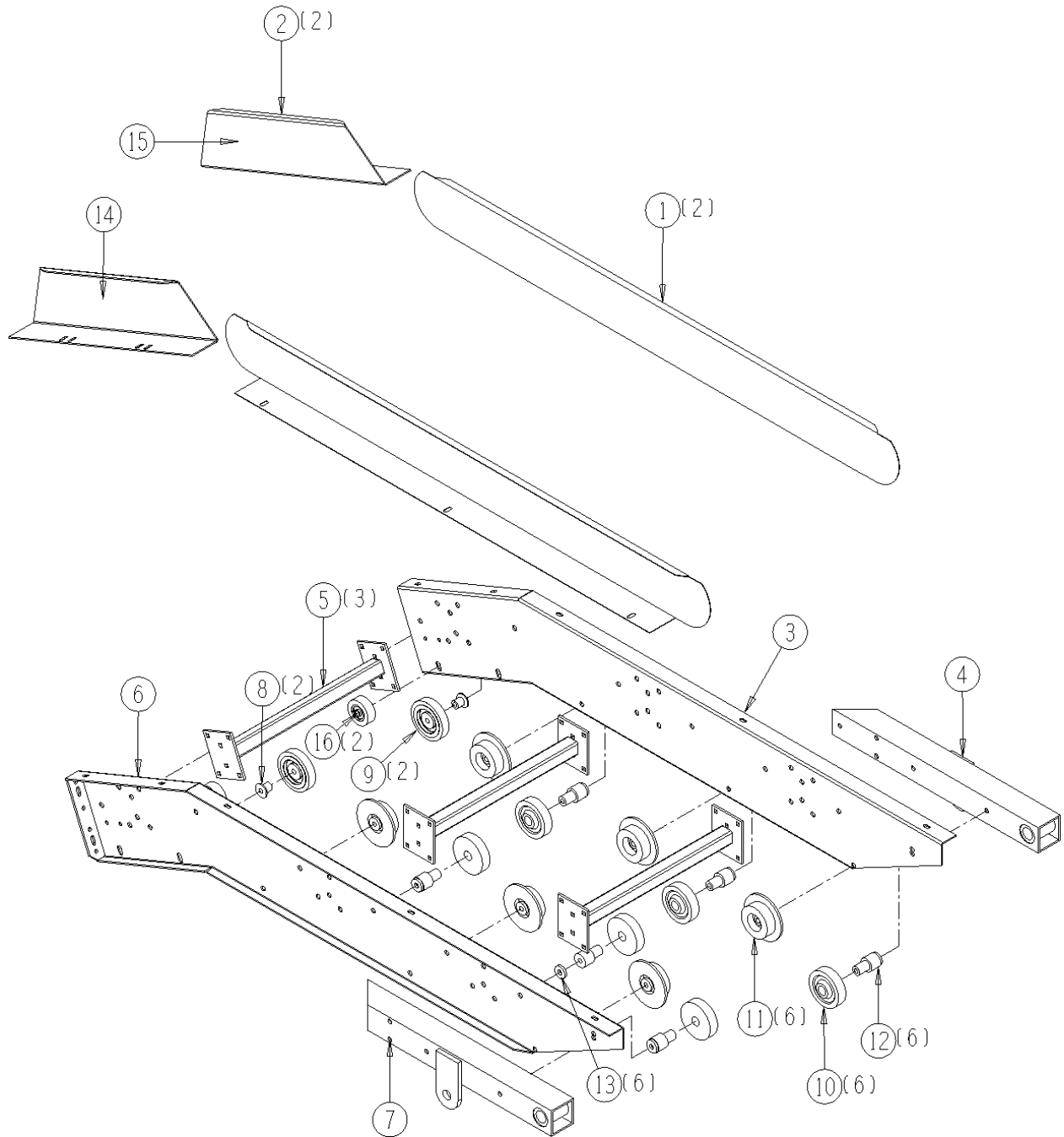
# 1007-10-2



## 1007-10-3 Discharge Outer Section Assembly

<u>Ref</u>	<u>Part No.</u>	<u>Description</u>	<u>Parts – Assembly</u>	<u>Will Fit SN</u>	<u>Remarks</u>
1	191-909	Mid Elevator Extension	2		Same Front and Back
2	SID-911	Side, Extension Discharge, Outer, Tom.	2		Replaces 191-910
3	195-9024	Outer Discharge Elevator Frame (rear)	1		
4	192-906	Cylinder Mount, Rear Discharge	1	19201- 192-900K	
5	BAR-9026	Bar, Cross Member, Discharge	3	19201- 192-900K	Replaces BAR-9025
6	195-9023	Outer Discharge Elevator Frame (front)	1	19501-	
7	192-905	Cylinder Mount, Front Discharge	1	19201-	
8	RLA-000-118	Standoff, 1/2" X 1 1/8"	2		
9	RLR-040-108	4" Flat Roller	2		Changed to Urethane in 2006
10	RLG-040-1016	4" Urethane Roller	4	Old Terog Part No. RU4	
11	RLT-535-128	Narrow Flange Roller 1.2 WF 3.5 dia, 1/2" Bore	8		
12	RLA-010-0108	Spindle / Standoff for Urethane Roller (heat treated)	4	19101-	
13	RLA-000-028	Washer/Spacer	4	11001-	
14	DC-3026	Orange Reflective Tape @ 50ft Roll	0.12		
15	DC-3025	Red and White Reflective Tape @ 150 ft Roll	0.04		
16	RLT-027-108	Roller 2.75" dia. 1/2" Bore	2		2755C1X (Old Number, Single Bearing)

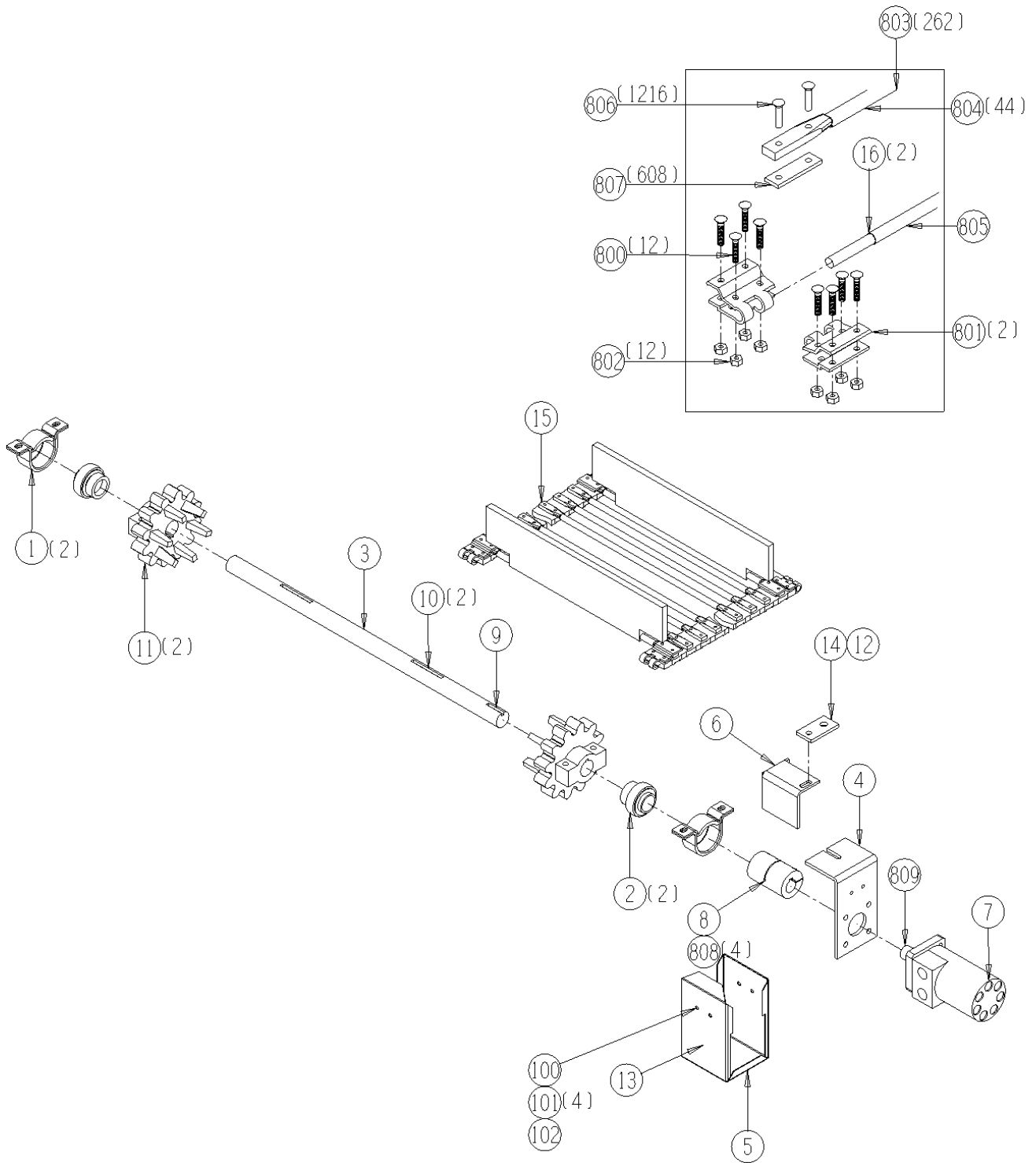
# 1007-10-3



## 1007-10-4 Discharge Drive Assembly

<u>Ref</u>	<u>Part No.</u>	<u>Description</u>	<u>Parts – Assembly</u>	<u>Will Fit SN</u>	<u>Remarks</u>
1	BR-062-MPB	Stamped Bearing Housing for 1 1/4" bearing	2		
2	BR-125-062	Bearing, 1 1/4 Fafnir tri-seal, 62mm OD	2		
3	110-911	Shaft, Discharge Drive	1	11001-	
4	193-806	Mount motor	1		
5	193-806C	Motor Guard	1	19301-	
6	193-915	Stop, Discharge Motor	1	19301-	
7	HM-204-TC	TCI Motor	1		Seal Kit # TCI-SKHPQ
8	CPS-6060	Steel Coupler (offcenter) 1 1/4" x 1"	1		
9	KEY-4-4-20	Shaft Key 1/4" x 1 1/4"	1		
10	KEY-4-4-32	Shaft Key 1/4" x 2" Square Cut (1018)	2		
11	SPU-3614-20-4	Belted Chain Sprocket, 36mm x 14 tooth, Urethane	2		
12	EL-1233	Light, Auxiliary Work Light, Clear, Trapezoid Beam, TL#80394	1		Replaces EL-1201
13	DC-1176	Decal, Danger-Hand Chain Sprockets	1		
14	BAR-1510	Bar, Light Holder	1		
15	BC-6-2036-307	Discharge chain with flights	1	19101	
16	BC-3525	Snap Ring, 11mm.	2		
100	BL-4-500-H	1/4-20 X 5 HEX CAP G5 ZC	1		
101	BL-4-FW-8	1/4" Flat Washer Grade 8	4		
102	BL-4-WN	1/4-20 FORGED W/NUTS ZC	1		
800	BC-1032-FS	10-32 x 1 1/4" bolts Flat Socket Head	12		
801	BC-F-36-20	F Connecting Clips 36-20 @ pair	2		
802	BC-1032-LN	10-32 lock nuts	12		
803	BC-6-20-ST	3/8" x 20" Belted Chain Rod (Straight)	262	11001	
804	BC-6-20-FL	Rubber Elevator Flights	44	19201	
805	BC-7-20-CN	Connecting Rod, 11mm, 20" Wide Belted Chain, 50mm Traction Belts	1		
806	RI-19-BC	19mm Belted Chain Rivets	1216		
807	BC-BP20	Belt, Rivet backing plates 20mm	608	19101	Lap Splice Option
808	BL-5-100-SF	5/16-24 x 1 Socket Head Cap Screw	4	CPS-6057	
809	KEY-4-4-15	Shaft Key 1/4" X 1/4" X 15/16" Woodruff Key	1		

# 1007-10-4



## 1007-10-5 Optional Narrow Discharge Assembly

<u>Ref</u>	<u>Part No.</u>	<u>Description</u>	<u>Parts – Assembly</u>	<u>Will Fit SN</u>	<u>Remarks</u>
0	OPT-900	Narrow Discharge Flight Kit	0		
0	OPT-910	Belting on Discharge Sides	0		

## OPT-900 Narrow Discharge Flights Chain, Sides and Belting

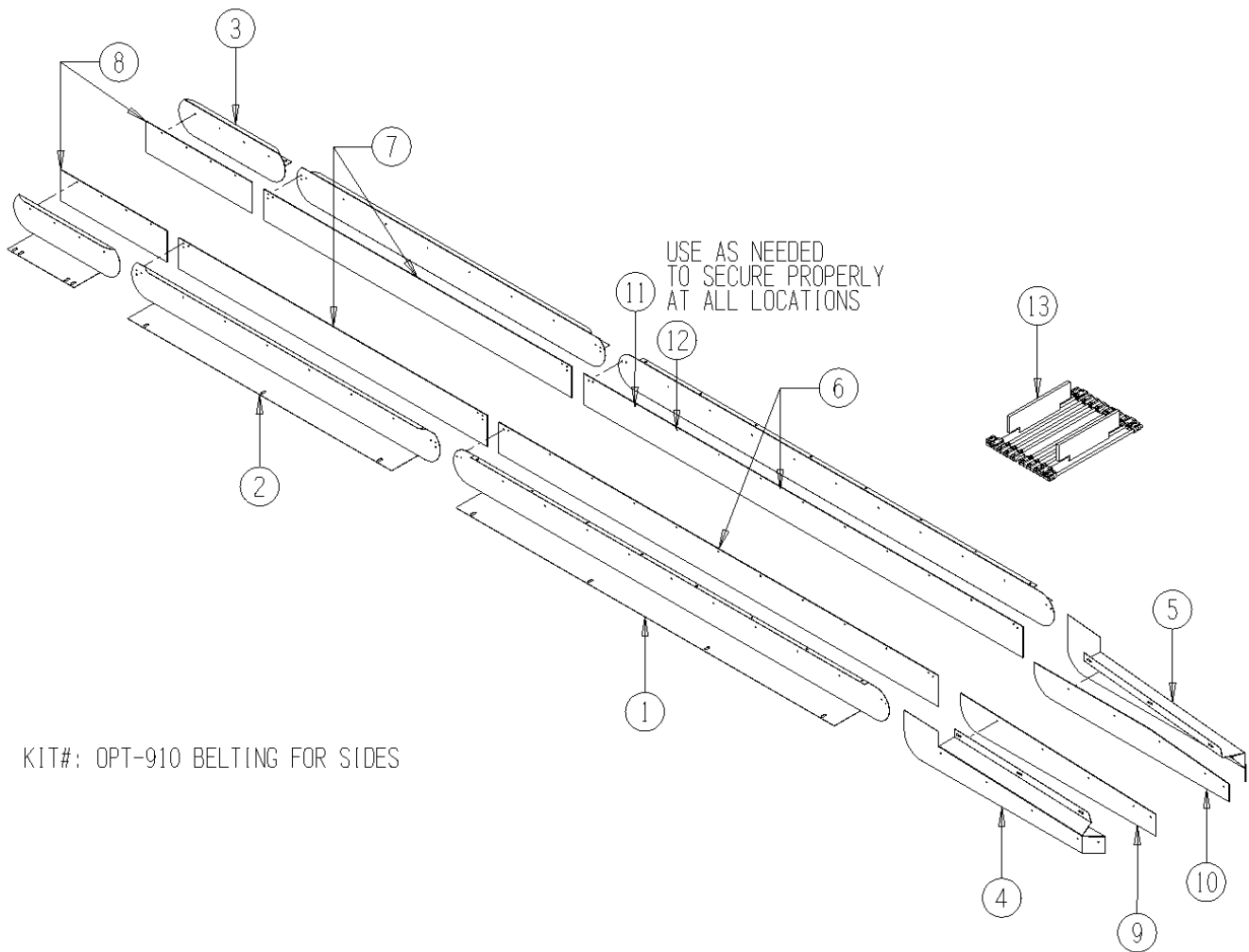
<u>Ref</u>	<u>Part No.</u>	<u>Description</u>	<u>Parts – Assembly</u>	<u>Will Fit SN</u>	<u>Remarks</u>
1	SID-907	Side, Extension, Lower, Front & Rear, Discharge (Tomato)	2	19201-	
2	SID-909	Side, Extension, Top Middle, Discharge (Tomato)	2	19201-	
3	SID-910	Side, Extension, Top Outer, Discharge (Tomato)	2	19201-	
4	SID-936	Side, Discharge Guard, Front (Tomato)	1	19201-	
5	SID-937	Side, Discharge Guard, Rear (Tomato)	1	19201-	
6	BT-907	Belting, Extensions, Top Intern	2	19201-	
7	BT-909	Belting, Extensions, Top Intern	2	19201-	
8	BT-910	Belting, Extensions, Top Outer	2	19201-	
9	BT-936	Belting, Extensions, Front	1	19201-	
10	BT-937	Belting, Extensions, Rear	1	19201-	
11	RI-3-5-SS	SS Pop Rivets, 5/32 x .063-.125, Buttonhead	20		
12	RI-3-66-P	Pop Rivets 3/16 x 1/2 Domed, .625 head , ea.	100		
13	BC-6-2036-307-SF	Discharge Chain With Short Flites (3/8" Bars x 20" Widex307)	1		

## OPT-910 Discharge, Belting for Sides

<u>Ref</u>	<u>Part No.</u>	<u>Description</u>	<u>Parts – Assembly</u>	<u>Will Fit SN</u>	<u>Remarks</u>
0	0000	Manufacturing Labor	3		
6	BT-907	Belting, Extensions, Top Intern	2	19201-	
7	BT-909	Belting, Extensions, Top Intern	2	19201-	
8	BT-910	Belting, Extensions, Top Outer	2	19201-	
9	BT-936	Belting, Extensions, Front	1	19201-	
10	BT-937	Belting, Extensions, Rear	1	19201-	
11	RI-3-5-SS	SS Pop Rivets, 5/32 x .063-.125, Buttonhead	20		
12	RI-3-66-P	Pop Rivets 3/16 x 1/2 Domed, .625 head , ea.	100		

# 1007-10-5

KIT#: OPT-900 NARROW DISCHARGE CHAIN, SIDES, AND BELTING



## 1007-10-6 Optional Discharge 22" Extension Kit

<u>Ref</u>	<u>Part No.</u>	<u>Description</u>	<u>Parts – Assembly</u>	<u>Will Fit SN</u>	<u>Remarks</u>
0	KIT-0103	22" Discharge Elevator Extension	0		

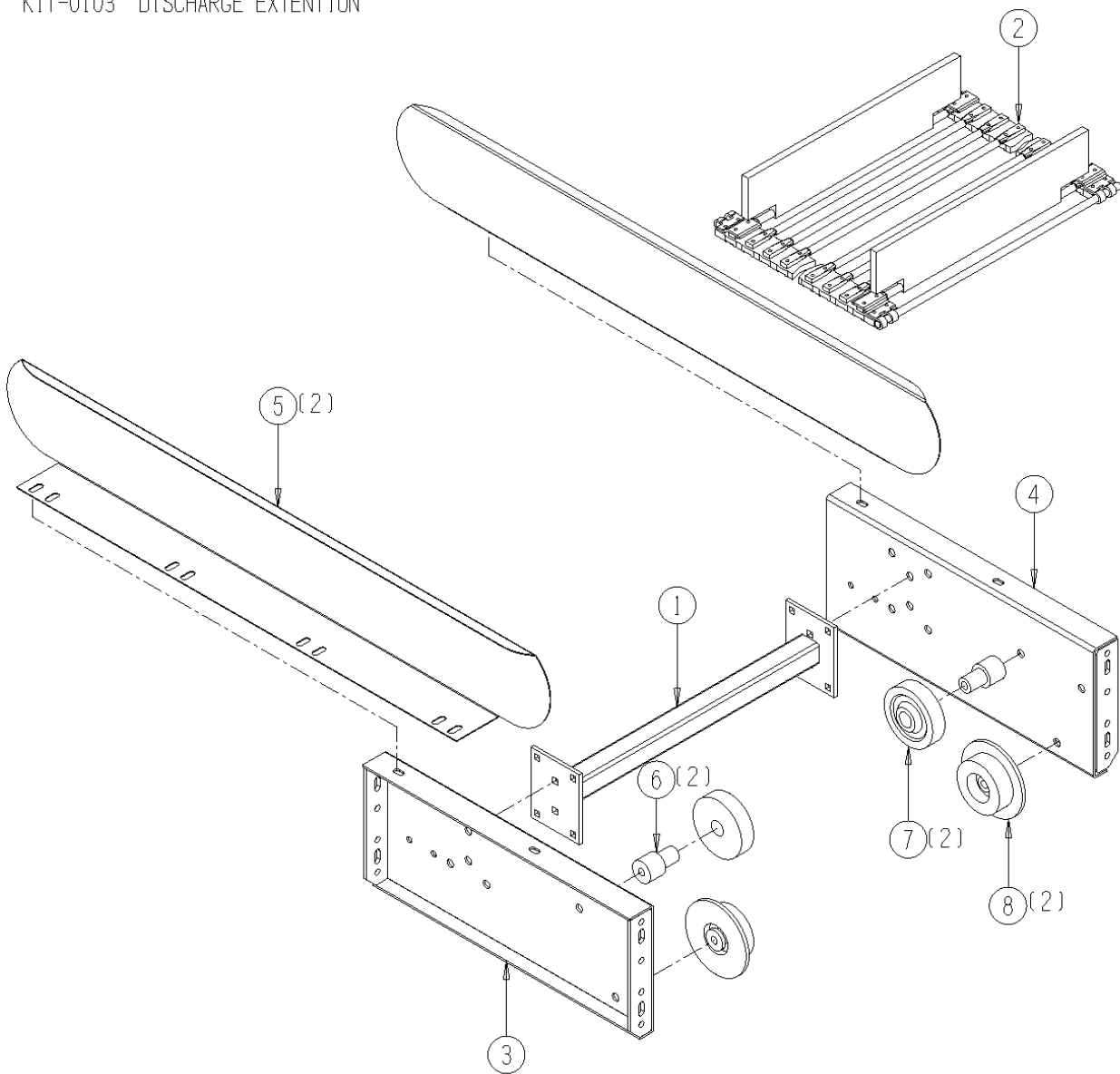
### KIT-0103 DISCHARGE EXTENSION KIT (22" LONG), TOMATO

<u>Ref</u>	<u>Part No.</u>	<u>Description</u>	<u>Parts – Assembly</u>	<u>Will Fit SN</u>	<u>Remarks</u>
1	BAR-9026	Bar, Cross Member, Discharge	1	19201- 192-900K	Replaces BAR-9025
2	BC-6-2036-30FL	Extension for Tomato Discharge Elevator	1		
3	PAN-9023	Panel, Discharge extension, Front	1		
4	PAN-9024	Panel, Discharge extension, Rear	1		
5	PAN-910	Panel, Top extension, Discharge Ext. Kit	2		
6	RLA-010-0108	Spindle / Standoff for Urethane Roller (heat treated)	2	19101-	
7	RLG-040-1016	4" Urethane Roller	2	Old Terog Part No. RU4	
8	RLT-535-128	Narrow Flange Roller 1.2 WF 3.5 dia, 1/2" Bore	2		
100	BL-6-100-C	3/8 UNC X 1 CARRIAGE BOLT GR5 ZINC	8		
101	BL-6-LN	3/8 UNC FIN HEX LOCK NUT NE A563 GrA ZINC	14		
102	BL-6-LW	3/8 SPLIT LW ZC	8		
103	BL-6-N	3/8-16 HEX NUTS ZC	8		
104	BL-6-SW	3/8 SAE FW ZC	36		
105	BL-6-100-H	3/8 UNC X 1 HH C/S BOLT GR5 ZINC	8		
106	BL-6-125-H	3/8-16 X 1 1/4 HHCS G5 ZC	6		
110	BL-8-275-H	1/2 UNC X 2 3/4 HH C/S BOLT GR5 ZINC	2		
111	BL-8-375-H	1/2 UNC X 3 3/4 HH C/S BOLT GR5 ZINC	2		
112	BL-8-FW-8	1/2 FLAT WASHER G8 ZC	8		
113	BL-8-LN	1/2-13 HEX LOCK NUT NYLON INSERT ZC	4		
114	BL-8-SW	1/2 SAE FW ZC	4		
600	A-1405-8-8	1/2" NPT Coupler W/Swivel	2		
601	H10-24-8MP-8MP	5/8 in hose 1/2MP x 1/2MP x 24 in long	2		



# 1007-10-6

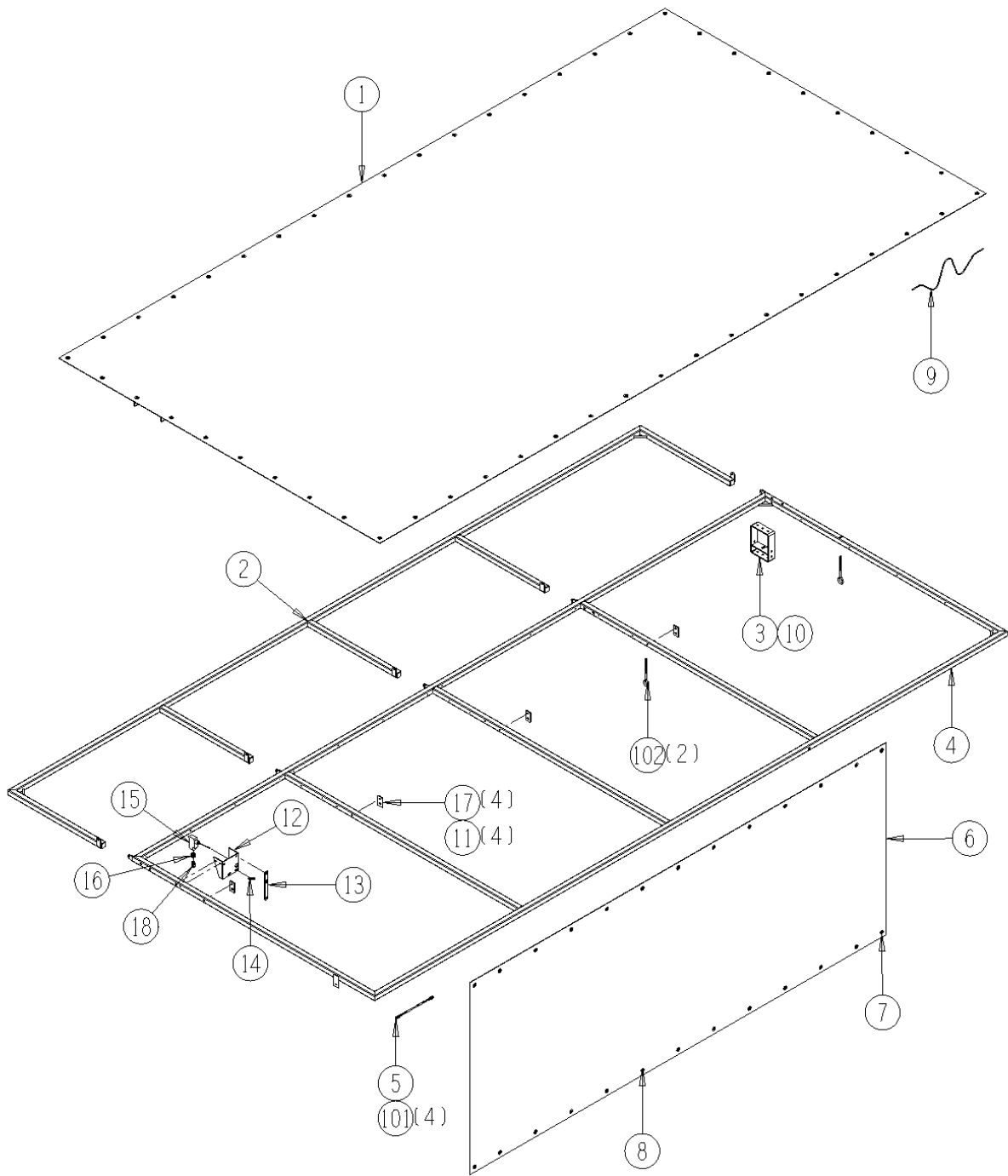
KIT-0103 DISCHARGE EXTENTION



## 1007-11-1 Canopy Assembly

<u>Ref</u>	<u>Part No.</u>	<u>Description</u>	<u>Parts – Assembly</u>	<u>Will Fit SN</u>	<u>Remarks</u>
1	TRP-1115	Tarp, Sun tarp	1	19101-	
2	192-1116a	Fold out	1	19201-	
3	SHD-1206	Shield, Flashing Light	1	30097001- 19601-	
4	192-1116	Main sun tarp frame	1	19201-	
5	194-1146	Stainless Steel Cable Assembly	1	19201- TRP-1145K	
6	TRP-1145	Dust Tarp	1	19201- TRP-1145K	
7	STRP-1410	14" Tarp Strap-pkg of 10	1		
8	STRP-610	6" Tarp Strap (ea.)	10		
9	TRP-0006	Nylon Rope #6 @ foot	100		
10	EL-1206	Double Amber Lamp	1		
11	EL-1233	Light, Auxiliary Work Light, Clear, Trapezoid Beam, TL#80394	4		Replaces EL-1201
12	195-1455	Horn Bracket	1	19501-	
13	195-1456	Horn Switch Bar	1	19501-	
14	SPG-9654	extension Spring for Horn Switch	1		
15	EL-6610	Horn Switch	1		
16	BU-6-8-N	Bushing, Threaded Pipe, Nylon, 3/8" x 1/2"	1		
17	BAR-1510	Bar, Light Holder	4		
18	ELC-2638	3/8" Plastic Cord Connector	1		
101	BL-5-FN	5/16" Fine Thread Nuts	4		
102	BL-6-600-I	Eye Bolt for Horn Cord SS	2		

1007-11-1

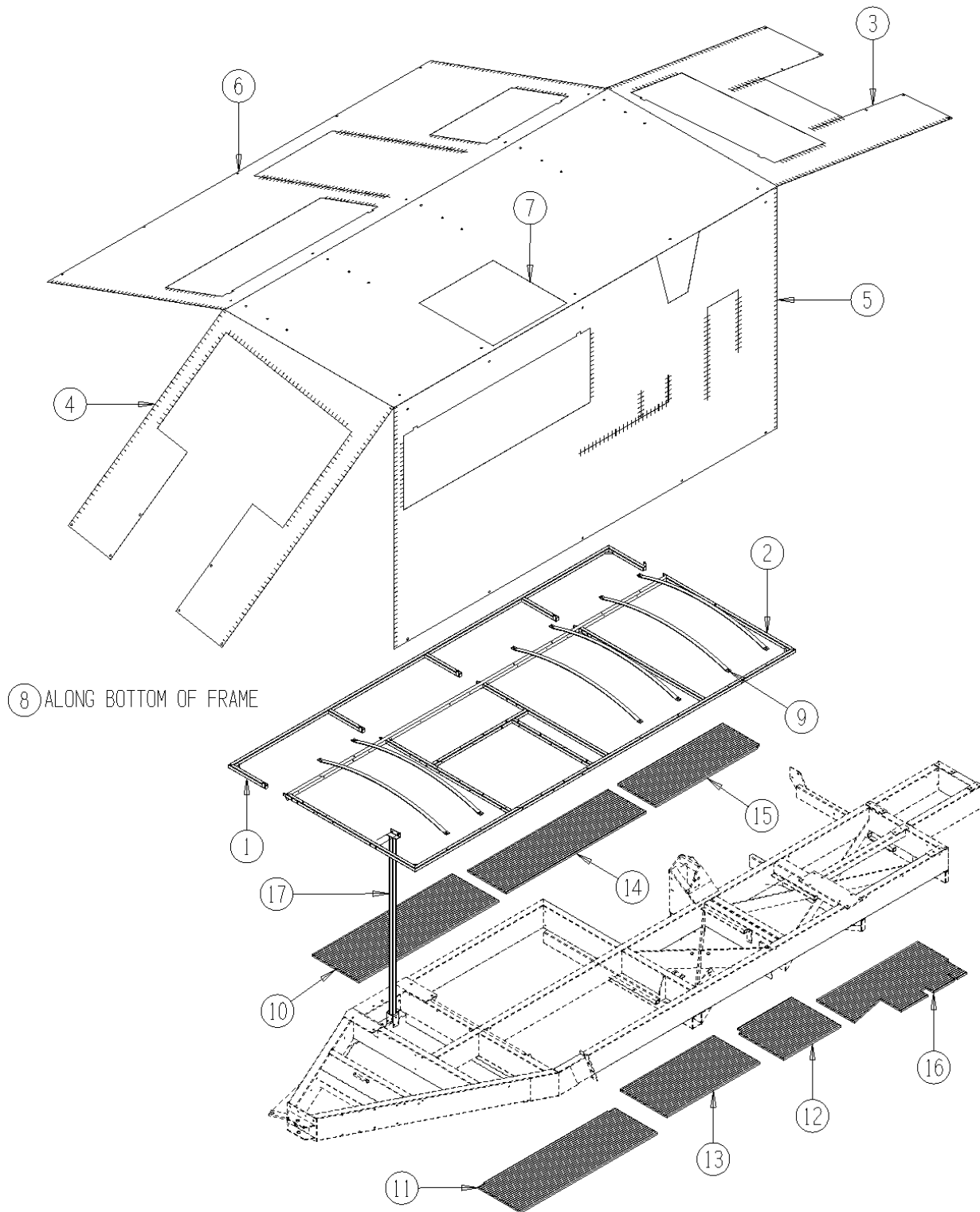


## 1007-11-2 Optional Canopy Enclosure Assembly

<u>Ref</u>	<u>Part No.</u>	<u>Description</u>	<u>Parts – Assembly</u>	<u>Will Fit SN</u>	<u>Remarks</u>
1	FRM-0003	Outside Flip Up, Main Frame,Tarp Enclosure	1		
2	FRM-0006	Canopy Wldmt, Main Frame, Tarp Enclosure	1		
3	TRP-1150-BSP	Back Side Panel, Canopy Assembly, 190 Tom.	1		
4	TRP-1150-FSP	Front Side Panel, Canopy Enclosure 190 Tom.	1		
5	TRP-1150-LSP	Left Side Panel, Canopy Enclosure, 190 Tomato	1		
6	TRP-1150-RSP	Right Side Panel, Canopy Enclosure, 190 Tom.	1		
7	TRP-1150-TCP	Top Cover Panel, Canopy Enclosure, 190 Tom.	1		
8	TT-2771	Tarp Tracking, 16' Sections	3		
9	ARM-0006	Arm, Tarp Bows, Enclosure Frame	6		
10	CM-01	Deck Mat, Outer Front, Rubber	1		
11	CM-04	Deck Mat, Inside, Rubber	1		
12	CM-05	Deck Mat, Inner, Rubber	1		
13	CM-06	Deck Mat, Inner Decking, Rubber	1		
14	CM-08	Deck Mat, Outer Mid, Big Wheels	1		
15	CM-09	Deck Mat, Outer Rear, Big Wheels	1		Must Modify to fit small wheel machines pre '98
16	CM-10	Deck Mat, Inner Elevation w/ Presort	1		
17	POS-1119	Inner Canopy Post, 190 Tomato Harvester	1		
100	BL-1224-087-DT	12-24 x 3/4 Drill and Tap Screw	25		
101	BL-1224-150-DT	12-24 x 1 1/2 Drill & Tap Screw	6		
102	BL-4-075-H	1/4 UNC X 3/4 HH C/S BOLT GR5 ZINC	4		
103	BL-4-225-H	1/4 UNC X 2 1/4 HH C/S BOLT GR5 ZINC	16		
104	BL-4-FW-8	1/4" Flat Washer Grade 8	50		
105	BL-4-LN	1/4-20 HEX LN NE ZC	20		
106	BL-6-100-H	3/8 UNC X 1 HH C/S BOLT GR5 ZINC	10		
107	BL-6-125-H	3/8-16 X 1 1/4 HHCS G5 ZC	3		
108	BL-6-400-H	3/8-16 X 4 HEX CAP G5 ZC	3		
109	BL-6-FW-8	3/8 FLAT WASHER, G8 ZC	40		
110	BL-6-LN	3/8 UNC FIN HEX LOCK NUT NE A563 GrA ZINC	20		
111	BL-8-125-H	1/2-13 X 1 1/4 HEX CAP G5 ZC	5		
112	RI-3-6-SS	SS Pop Rivets, 3/16 x .251-.375, Buttonhead	25		
610	EL-31562	Splice Tap for 18-14 Gauge Wire	1		

611	ELC-16-G	16 Gauge Wire (Green)	10	
612	ELT-25054	Black Cable Clamp, 3/8"	25	
613	ELT-31712	Push On Male 14-16 ga	1	HV-1045K
614	ELT-31713	Push On Female Terminal 14-16 ga.	1	HV-1045K

1007-11-2



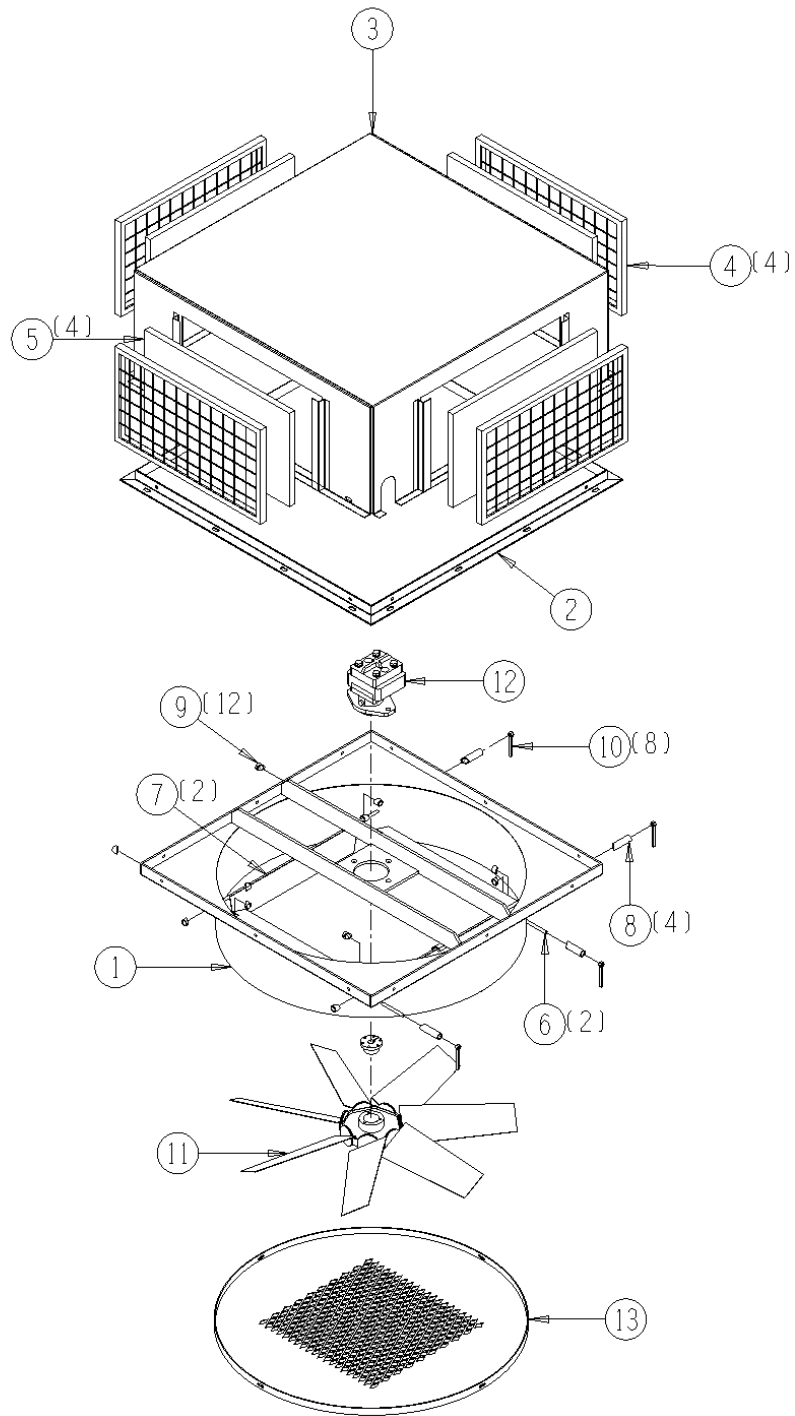


## 1007-11-3 Optional Enclosure Fresh Air Fan Assembly

<u>Ref</u>	<u>Part No.</u>	<u>Description</u>	<u>Parts – Assembly</u>	<u>Will Fit SN</u>	<u>Remarks</u>
1	FAN-8100	Fan, Fresh Air Fan Housing, Canopy, HC290 Tomato	1		
2	FRM-0011	Frame, Ventilation Fan, Over Sorting	1		
3	FAN-4751	Fan Housing, Fresh Air Fans, Hand Sort Tables	1		
4	FFR-14251	Filter Frame, 14 x 25 x 1	4		
5	FP-14251	Filter Pad, 14 x 25 x 1	4		
6	FAN-8102	Fan, RH/LH Diffuser, Fresh Air Fan	2		
7	FAN-8103	Fan, Front/Back Diffuser, Fresh Air Fan	2		
8	SPA-8000	Spacer, Outside, Fresh Air Fan, HC290	4		
9	SPA-8001	Spacer, Inside, Fresh Air Fan, HC290	12		
10	ARM-8000	Arm, Diffuser Outside, Fresh Air Fan, HC290	8		
11	FAN-290-36	Fresh Air Fan, 36" with PU-SH-16 bushing	1		PU-SH-16 Bushing included.
12	HM-115	Hydraulic Motor	1		
13	FAN-8101	Fan, Shield, Fresh Air, Canopy	1		
14	HV-FL30	Flow Control Valve 30GPM	1		
15	WT-7	Wire Tie 7"	15		
800	PU-SH-16	Bushing, SH x 1", 1/4" Keyway	1		



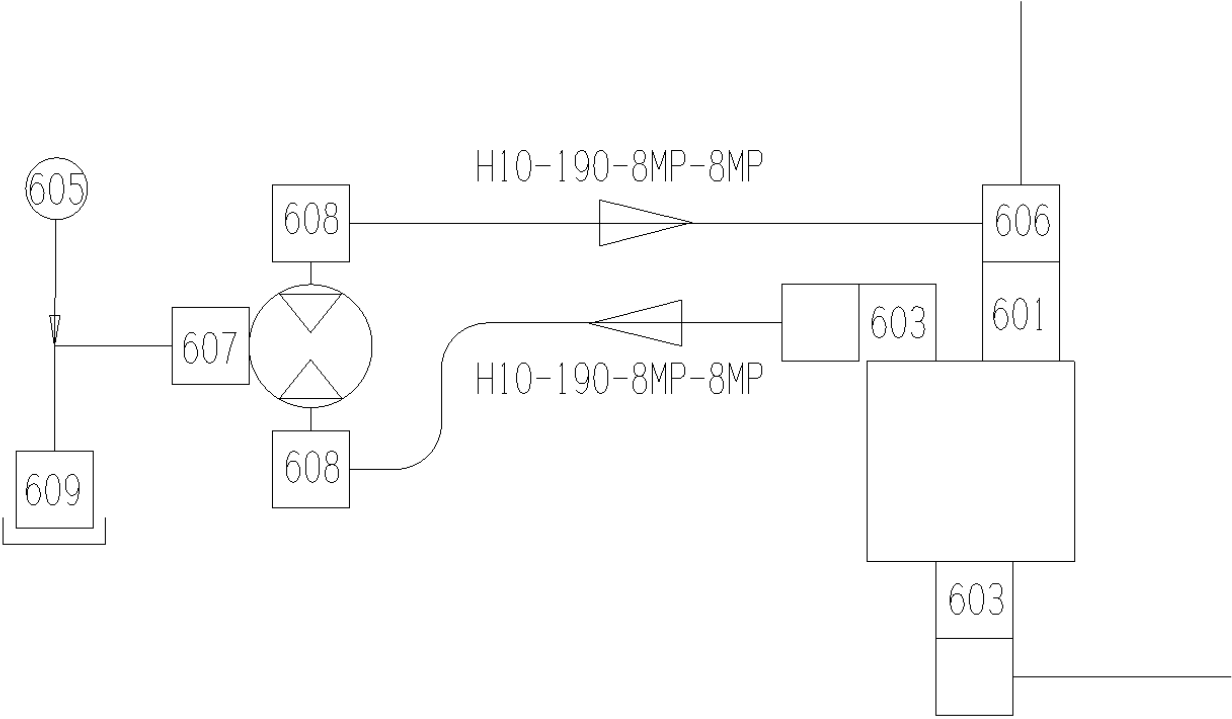
# 1007-11-3



## 1007-11-3H Enclosure Fresh Air Fan Hydraulic Assembly

<u>Ref</u>	<u>Part No.</u>	<u>Description</u>	<u>Parts – Assembly</u>	<u>Will Fit SN</u>	<u>Remarks</u>
600	A-1603-8-8-8	Swivel T 1/2" NPTF	1		
601	A-6401-10-8	10 SAE x 1/2 MPT Male	2		
603	A-6901-10-8	10 SAE x 1/2 FPX90 , Forged	1		
604	H10-190-8MP-8MP	5/8 in hose 1/2MP x 1/2MP x 190 in long	2		
605	H6-PL-198	3/8" Push Loc Hose 198" (Secondary Shaker)	1		
606	HA-1032	Hydraulic Hose Holder 1/2	4	19101	
607	A-4124-6-4	1/4 Male Pipe x 3/8 Push Loc	1		
608	A-6900-12-8	12 SAE x 1/2" FPX	2		
609	ATB-06-06-06	3/8" x 3/8" x 3/8" Brass Hose Barb Tee	1		CL-10 needs to be used with this tee.

**1007-11-3H**

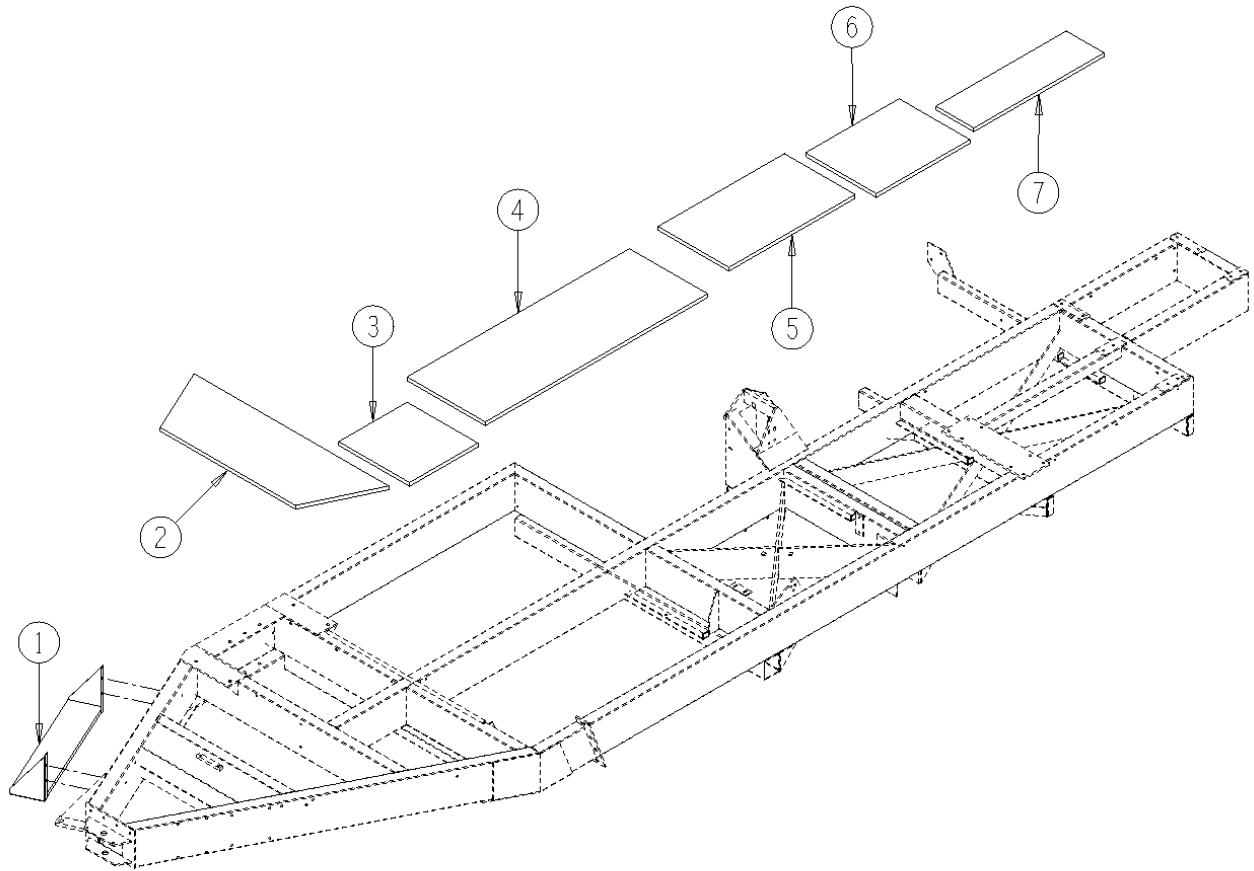


## 1007-11-4 Inner Decking Assembly

---

<u>Ref</u>	<u>Part No.</u>	<u>Description</u>	<u>Parts – Assembly</u>	<u>Will Fit SN</u>	<u>Remarks</u>
1	STD-1411	Deck, Step	1	19401-	
2	STD-1410	Deck, Cross Entrance (Trapazoid)	1	19201-	
3	STD-1409	Deck, Inner Entrance	1	19101-	
4	STD-1406	Deck, Inner (Front) Aftersort	1	19201-	
5	STD-0004	Stand, Inner Decking, Rear Aftersort	1		
6	STD-1405B	Deck, Presort, Rear	1	19201-	
7	STD-1404	Deck, Inner Elevation	1	19101-	

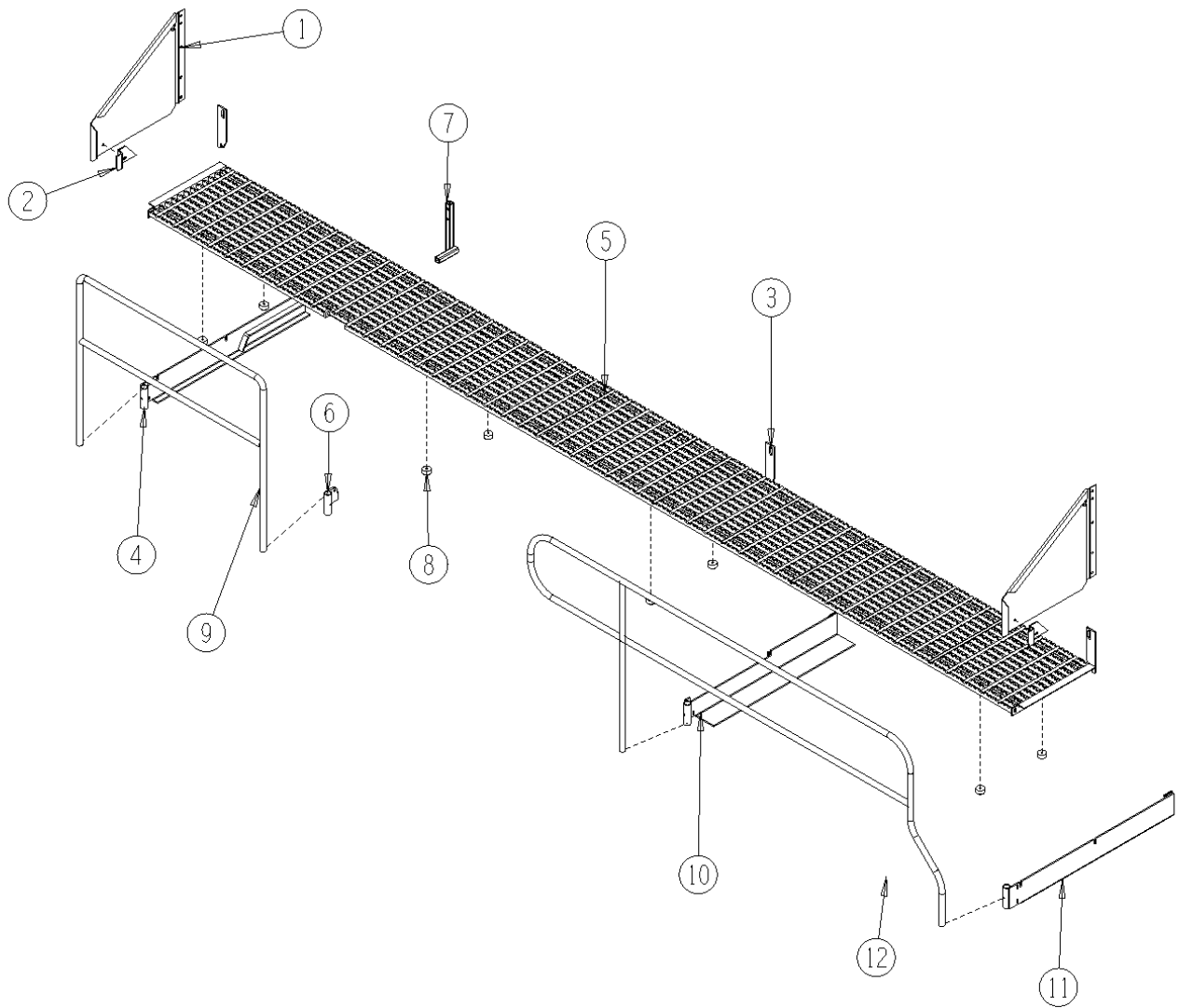
1007-11-4



## 1007-11-5 Outer Decking Assembly

<u>Ref</u>	<u>Part No.</u>	<u>Description</u>	<u>Parts – Assembly</u>	<u>Will Fit SN</u>	<u>Remarks</u>
1	194-727	Guard, Deck End (Rear and Front)	2	19401-	
2	194-727A	Latch, Deck End Guard	2	19401-	
3	194-1402B	Deck Slide Lock	3	19401-	
4	194-1401	Slide-In Deck (Rear)	1	19401-	
5	STD-1122	Outside Decking, 190 Tomato	1		
6	STD-1118	Stand, extension, Slider, Outer	1	KIT-1118	
7	SUP-1122	Support, Decking, Rear, Right, Long Sort Table	1	KIT-800	Use w/# 193-1138B
8	194-1418	Rubber Bumper	8	19401	
9	193-1412	Rear Deck Rail, SS	1	19301-	
10	BRA-1408	Decking Bracket, 190 Outer Decking	1		
11	194-1402	Slide-In, Front Deck	1	19401-	
12	194-1413	Deck Rail, Forward	1	19401-	

1007-11-5



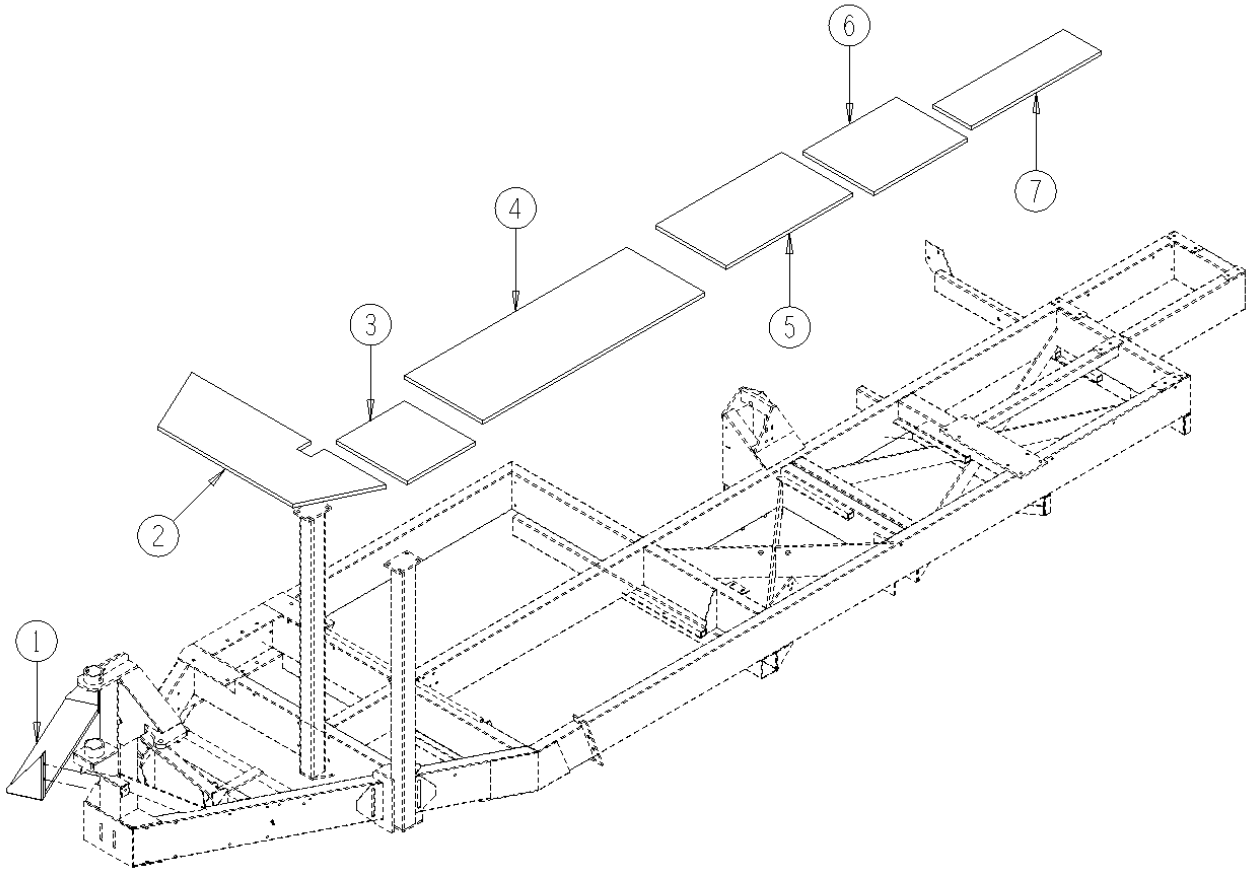
## 1007-11-6 Opt. Overhead Lift Inner Decking Assembly

---

<u>Ref</u>	<u>Part No.</u>	<u>Description</u>	<u>Parts – Assembly</u>	<u>Will Fit SN</u>	<u>Remarks</u>
1	STD-1411	Deck, Step	1	19401-	
2	STD-1007	Front Cross Decking, 190 Tomato Overhead Lift	1		
3	STD-1409	Deck, Inner Entrance	1	19101-	
4	STD-1406	Deck, Inner (Front) Aftersort	1	19201-	
5	STD-0004	Stand, Inner Decking, Rear Aftersort	1		
6	STD-1405B	Deck, Presort, Rear	1	19201-	
7	STD-1404	Deck, Inner Elevation	1	19101-	



1007-11-6



# 1007-13-1 Hydraulic Motor Plumbing Assembly

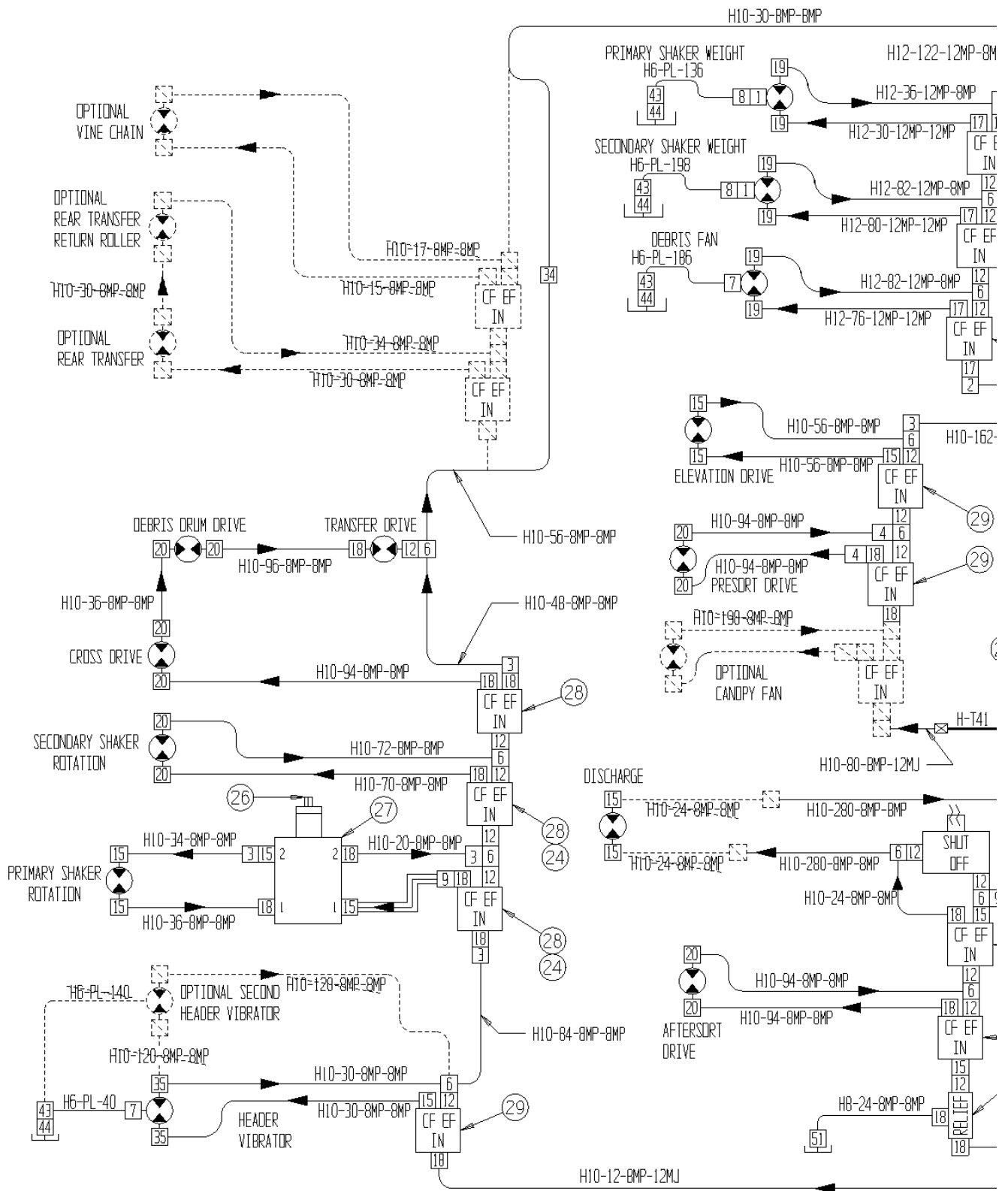
<u>Ref</u>	<u>Part No.</u>	<u>Description</u>	<u>Parts – Assembly</u>	<u>Will Fit SN</u>	<u>Remarks</u>
0	H10-12-8MP-12MJ	5/8 in hose 1/2MP X 3/4MJIC 12 in long	2		
0	H10-162-8MP-8MP	5/8 in hose 1/2MP x 1/2MP x 162 in long	1		
0	H10-20-8MP-8MP	5/8 in hose 1/2MP x 1/2MP x 20 long	1		
0	H10-24-8MP-8MP	5/8 in hose 1/2MP x 1/2MP x 24 in long	1		
0	H10-280-8MP-8MP	5/8 in hose 1/2MP x 1/2MP x 280" long	2		
0	H10-30-8MP-12MJ	5/8 in hose 1/2 MP x 3/4 MJIC x 30 in long	1		
0	H10-30-8MP-8MP	5/8 in hose 1/2MP x 1/2MP x 30 in long	3		
0	H10-34-8MP-8MP	5/8 in hose 1/2MP x 1/2MP x 34 in long	1		
0	H10-36-8MP-8MP	5/8 in hose 1/2MP x 1/2MP x 36 in long	3		
0	H10-48-8MP-8MP	5/8 in hose 1/2MP x 1/2MP x 48 in long	1		
0	H10-56-8MP-8MP	5/8 in hose 1/2MP x 1/2MP x 56 in long	3		
0	H10-70-8MP-8MP	5/8 in. hose 1/2 x 1/2 x 70 in long	1		
0	H10-72-8MP-8MP	5/8 in. hose 1/2 x 1/2 x 72 in long	1		
0	H10-80-8MP-12MJ	5/8 in hose 1/2MP x 3/4MJIC x 80 in long	1		
0	H10-84-8MP-8MP	5/8 in hose 1/2 x 1/2 x 84 in long	1		
0	H10-94-8MP-8MP	5/8 in hose 1/2MP x 1/2MP x 94 in long	5		
0	H10-96-8MP-8MP	5/8 in hose 1/2 x 1/2 x 96 in long	1		
0	H12-122-12MP-8MP	3/4" Hose 3/4"MP x 1/2"MP x 122" Long	1		
0	H12-22-12MP-16MJ	3/4 in hose 3/4MP-1MJIC x 22 in long	1		
0	H12-30-12MP-12MP	3/4 in hose 3/4MP x 3/4MP x 30 in long	1		
0	H12-33-12MP-16MJ	3/4 in hose 3/4 MP x 1" MJIC x 33 in long	1		
0	H12-36-12MP-8MP	3/4 in hose 3/4MP x 1/2MP x 36 in long	2		
0	H12-39-12MP-12MP	3/4 in hose 3/4MP x 3/4MP x 39 in long	1		
0	H12-50-12MP-16MJ	3/4 in hose 3/4MP x 1MJIC x 50 in long	1		
0	H12-50-8MP-16MJ	3/4 in hose 1/2MP x 1MJIC x 50 in long	1		
0	H12-55-12MP-12MP	3/4 in hose 3/4MP x 3/4MP x 55 in long	1		
0	H12-55-12MP-8MP	3/4 in hose 3/4MP x 1/2MP x 55 in long	1		
0	H12-62-12MP-16MJ	3/4 in hose 3/4MP x 1MJIC x 62 in long	1		
0	H12-76-12MP-12MP	3/4 in hose 3/4MP x 3/4MP x 76 in long	1		

0	H12-80-12MP-12MP	3/4 in hose 3/4MP x 3/4MP x 80 in long	1	
0	H12-82-12MP-8MP	3/4 in hose 3/4MP x 1/2MP x 82 in long	2	
0	H12-94-12MP-16MJ	3/4 in hose 3/4MP x 1MJIC x 94 in long	1	
0	H24-180	1 1/2" Return hose 180"	1	
0	H6-PL-136	3/8" Push Loc Hose 136" (primary shaker)	1	
0	H6-PL-186	3/8" Push Loc Hose 186" (Debris Fan)	1	
0	H6-PL-198	3/8" Push Loc Hose 198" (Secondary Shaker)	1	
0	H6-PL-228	3/8" Push Loc Hose 228" (Cooling Fan)	1	
0	H6-PL-300	3/8" Push-Loc Hose 300"	1	
0	H6-PL-40	3/8" Push Loc Hose 40" (Vibrator)	1	
0	H6-PL-48	3/8" Push Loc Hose 48" (Reverse Kit)	1	HV-1045K
0	H8-16-8MP-12MP	1/2 in hose 1/2MP x 3/4MP x 16 in long	2	
0	H8-16-8MP-8MP	1/2 in hose 1/2MP x 1/2MP x 16 in long	1	
0	H8-24-8MP-8MP	1/2 in hose 1/2MPx 1/2MP x 24 in long	1	
0	HP-1031	Hydraulic oil (per gal.)	140	ISO grade 46 with anti-wear and anti-foam properties. Harvesters, Approx. 140 gal
0	H-T20	Hyd Tube #2 Front 1" dia.	1	19401-
0	H-T21	Hyd Tube #2 Main 1" dia	1	19401
0	H-T30	Hyd Tube #3 Front 3/4" dia	1	19401-
0	H-T31	Hyd Tube #3 Main 3/4"	1	19401
0	H-T40	Hyd Tube #4 Front 3/4" dia	1	19401-
0	H-T41	Hyd Tube #4 Main 3/4" dia	1	19401-
0	H-T45	Tubing, Hydraulic, Header Tube	2	19501- Replaces H-T44(except <19501)
0	H-T50	Hyd Tube #5 Front 1" dia	1	19401-
0	H-T51	Hyd Tube, #5 Main 1" dia	1	19401-
1	A-1404-4-4	1/4 MP x 1/4 FPX	2	
2	A-1501-12-12	3/4MP x 3/4 FPX 90	2	
3	A-1501-8-8	1/2 MP x 1/2 FPX90	6	
4	A-1503-8-8	Elbow, 1/2" MP X 1/2" FPX45	2	
5	A-1601-8-8-8	1/2 MP x 1/2 FPX x 1/2 FPX Tee	1	
6	A-1603-8-8-8	Swivel T 1/2" NPTF	14	
7	A-4124-6-4	1/4 Male Pipe x 3/8 Push Loc	6	
8	A-4129-6-4	1/4" NPT 90 w/3/8" Push-Loc	2	
9	A-5404-8-8	Hex Nipple 1/2" x 1/2"	2	
10	A-6400-12-10	3/4" MJIC X 10 SAE	2	

11	A-6400-16-12	1" MJIC X 12 SAE	4		
12	A-6401-10-8	10 SAE x 1/2 MPT Male	21		
13	A-6806-10-8	10 SAE x 1/2" MP 90	1		
14	A-6900-10-12	10 SAE x 3/4 FPX	5		
15	A-6900-10-8	10 SAE x 1/2 FPX	13		
17	A-6901-10-12	10 SAE x 3/4 FPX90 , Forged	9		
18	A-6901-10-8	10 SAE x 1/2 FPX90 , Forged	16		
19	A-6901-12-12	12 SAE x 3/4" FPX 90 , Forged	6		
20	A-6902-10-8	10 SAE X 1/2" FPX 45	10		
21	BAR-2011	Bar, Security Copper Wire Seal	4		relief lock
22	HA-1071-H	Hydra-zorb Tube Clamp 1" (3 pc.)	2	19401-	
23	HA-1072-H	Hydra-zorb Tube Clamp 3/4" (3 pc.)	3	19401-	
24	HA-1090K	Fine Tune Speed Control Kit	2	Prince & Brand Flow Controls	All
25	HA-2011	Copper Wire Security Seals	4		
26	HV-1975	Cartridge Relief Valve	1		
27	HV-1975B	Body For HV-1975	1		
28	HV-FL16	Flow control valve 16GPM	5		
29	HV-FL30	Flow Control Valve 30GPM	6		
30	HV-FL30-R	Hydraulic Flo Control Valve with Relief 30GPM	2		
31	HV-RV-1H	Relief valve w/ SAE #12 ports	2		
32	HV-RV-3H	Relief Valve w/ SAE #10 Ports	2		
33	STP-FL30	Stop, Flow Control	1	19101-	
34	A-1405-8-8	1/2" NPT Coupler W/Swivel	1		
35	A-6901-12-8	12 SAE x 1/2" FPX 90 , Forged	4		
36	H13-RFL	Hose Protection Shield, Size 13	10		
37	H-18RFL	Hose Protection Shield, Size 18 @ Foot	10		
38	WT-17H	Heavy Duty Wire Tie 17.5"	60		
39	AN-24-CL	1 1/2" Black (Nipple Close)	1		
39	HV-900A	Electronic Valve (Discharge conveyor)	1		
40	AT-24-24-12	1 1/2 x 1 1/2 x 3/4 Black Tee	1		
41	A-ST-20	1 1/2 NPT to 1 1/2 Hose Barb Adapter	1		
43	A-4124-6-6	3/8 Male Pipe x 3/8 Push Loc	6		
44	A-6900-8-6	8 SAE x 3/8" FPX With 7/8" Stock Body	6	20095001-	
45	HA-1007	Hydraulic, Magnetic Drain Plug	1	11101-	
47	A-6408-10	10 SAE Plug	1		

49	CL-200-SD	Two Bolt Hose Clamp, Super Duty, Galvanized	1	1 1/2" Suction Hose
50	A-2404-12-8	3/4" MJIC X 1/2" MP	2	
51	A-1404-8-8	1/2 MP to 1/2 FPX, Straight	4	
52	A-2404-16-12	1" MJIC X 3/4" MP	4	
53	ASL-24	1 1/2 ST ELL, Domestic Only	1	
54	A-6901-4-4	4 SAE X 1/4 FPX 90 , Forged	1	
55	A-6401-4-4	4 SAE x 1/4"MP	1	
56	A-5605-4	1/4" Pipe Tee	1	
57	A-6900-12-12	12 SAE x 3/4"FPX	2	
801	HP-1030	Hydraulic Oil Sample Kit	1	

# 1007-13-1



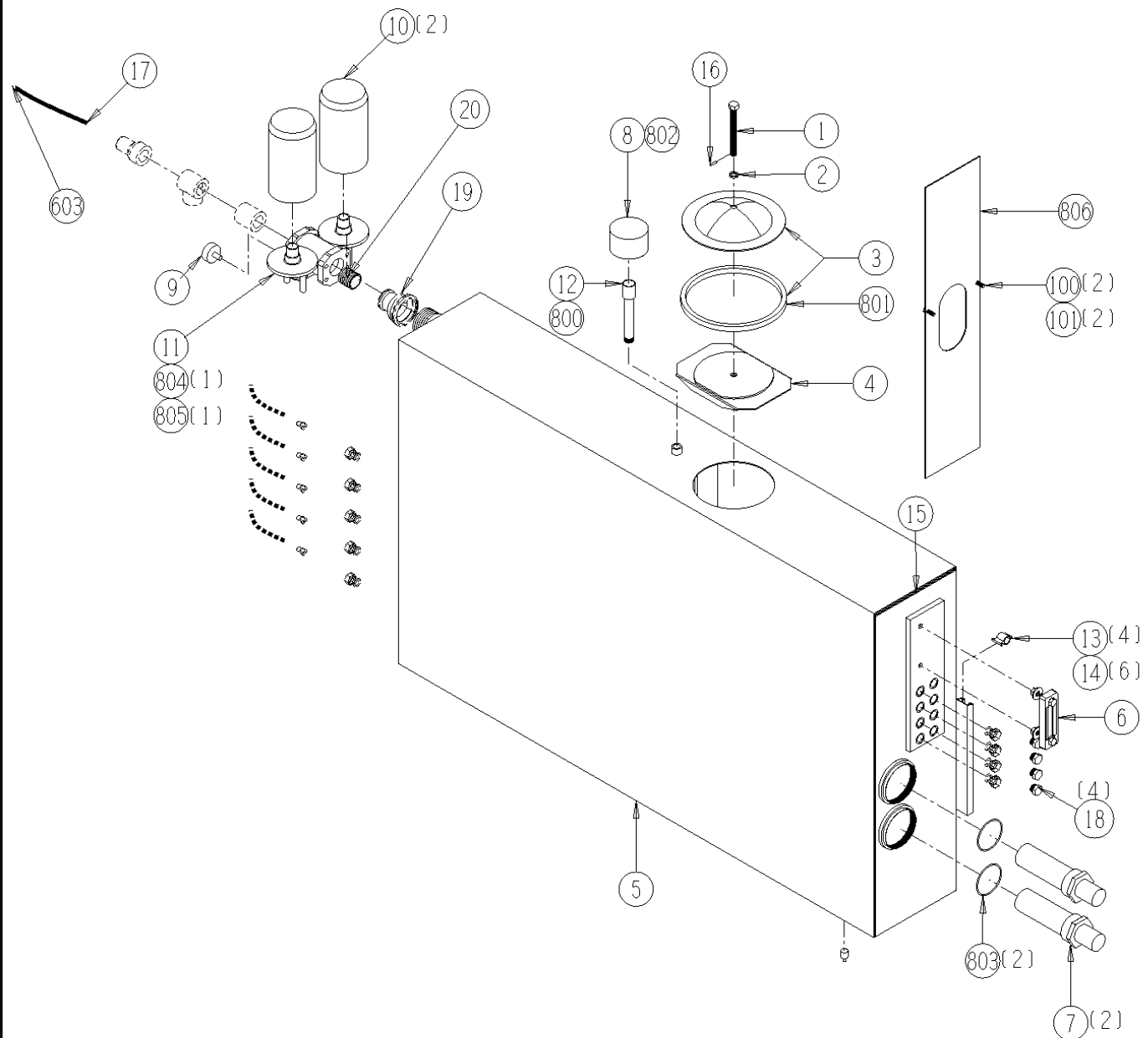


# 1007-13-2 Oil Tank Assembly

<u>Ref</u>	<u>Part No.</u>	<u>Description</u>	<u>Parts – Assembly</u>	<u>Will Fit SN</u>	<u>Remarks</u>
1	HA-5070E	Tank Cover Bolt	1	19501-30095001-	
2	HA-5070B	Nylon Washer for Tank Cover Kit	1	19501-30095001-	
3	HA-5070	Hydraulic Tank Cover w/Gasket	1	19501-30095001-	
4	HA-5070D	Tank Cover Holddown	1	19501-30095001-	
5	TAN-1010	190 model Oil Tank	1	PREVIOUS 2007 NEED 1pcs.AN-24-CL 1pc. AR-40-24	
6	HA-1041	Hyd, Level Gauge & Therm	1	19201-	
7	HA-1006-5	Suction Screen, SAE 3 3/8-12UN with 2" Hose Barb	2	19904-	
8	HA-1012	Vescor Breather Filter (3 micron)w/Adapter Fitting	1		
9	HA-1023A	Filter Gage	1		
10	HA-1029	Hydraulic Fluid Filter, 11"	2		
11	HA-1023-Z	Double Filter Head, Side by Side	1		
12	EX-1012	Extension, Filter, Oil Tank	1	19501-	
13	HA-1071-H	Hydra-zorb Tube Clamp 1" (3 pc.)	4	19401-	
14	HA-1072-H	Hydra-zorb Tube Clamp 3/4" (3 pc.)	6	19401-	
15	DC-1008	Decal, Yellow, Tank Capacity: 140 Gal., ISO Grade 46 Hyd. Oil, Tom.	1	19801-	
16	PIN-3-14	Roll Pin, 3/16 x 7/8	1	193-729K	Pkg. of 100
17	CL-200-SD	Two Bolt Hose Clamp, Super Duty, Galvanized	2	1 1/2" Suction	
18	A-6408-10	10 SAE Plug	4		
19	AR-40-24	2" x 1 1/2" Bell Reducer	1		
20	AN-24-CL	1 1/2" Black (Nipple Close)	1		
100	BL-6-LN	3/8 UNC FIN HEX LOCK NUT NE A563 GrA ZINC	2		
101	BL-6-FW-8	3/8 FLAT WASHER, G8 ZC	2		
800	HA-1009	Filter Adapter 3/4 NPT x 1"-12 UNF	1		
801	HA-5070A	Replacement Gasket for Tank Cover Kit	1	HA-5070	
802	HA-1012A	Vescor Breather Element (3 micron)	1	HA-1012	w/o Adapter Fitting
803	OR-236	O Ring, 3 1/4 x 3 1/2	2		
804	HA-1023-P	Poppet for Filter Bypass	1	HA-1023-Z	
805	HA-1023-S	25 PSI Filter Bypass Spring	1	HA-1023-Z	
806	195-1008A	Baffle, Oil Tank	1	(TAN-1010) 19601-	



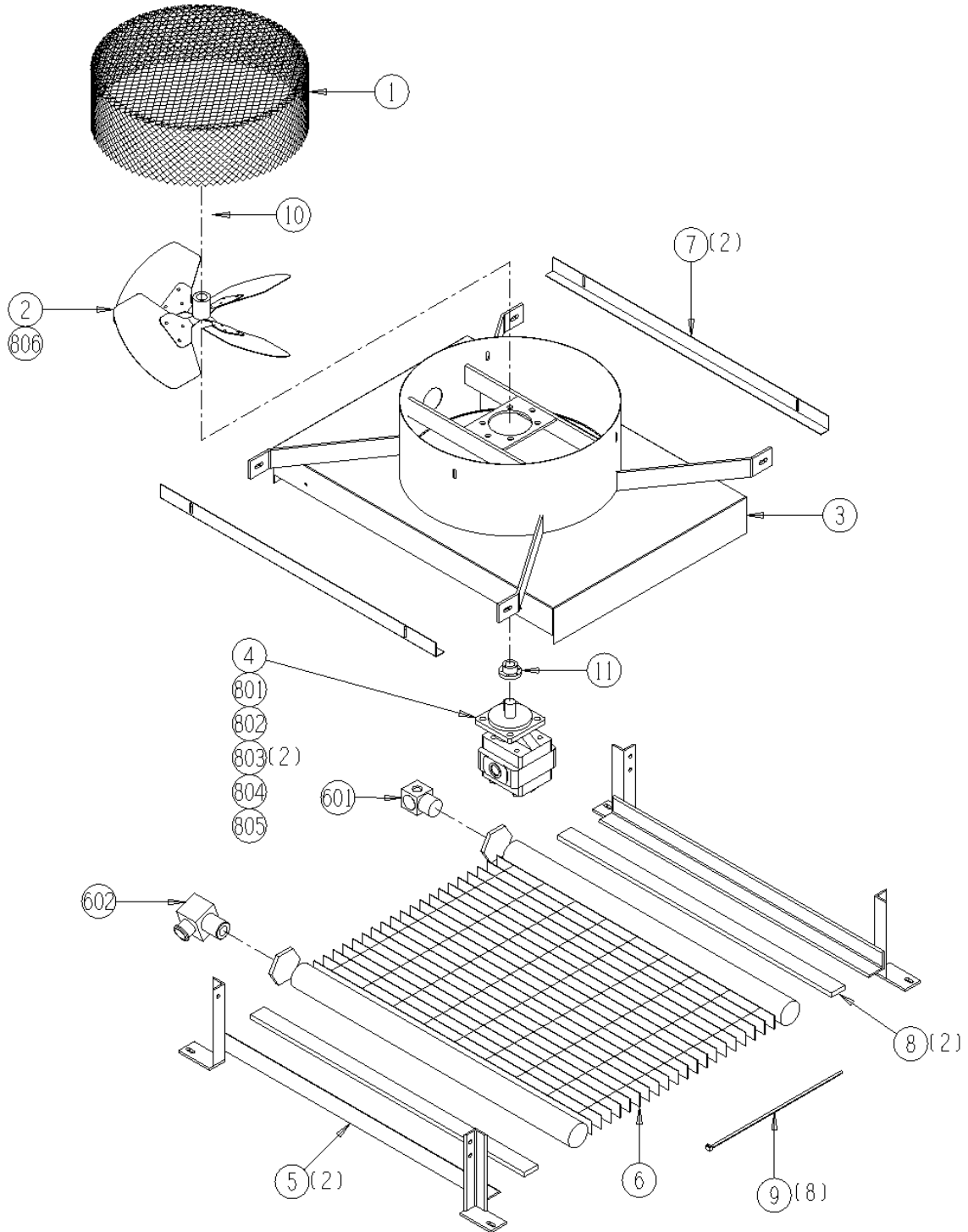
# 1007-13-2



## 1007-13-3 Oil Cooler Assembly

<u>Ref</u>	<u>Part No.</u>	<u>Description</u>	<u>Parts – Assembly</u>	<u>Will Fit SN</u>	<u>Remarks</u>
1	191-1082	Shield, Cooling Fan	1		
2	FAN-290-18	HC 290 Oil Cooler Fan, 18" w/o JA Bushing/Rev	1		Replaces FAN-190-18 & HA-1019-G
3	110-1016	Oil Cooler Shroud	1		
4	HM-1020	Cooling Fan Motor	1	19201-	When installing on '90 and '91 machines must be accompanied by fan blade 192-1019
5	110-1017	Mount, Oil Cooler Support	2		
6	HA-1016	Hydraulic Oil Cooler Radiator w/o Mounting Kit & w/ SAE24 Ports	1		Replaces HA-1015
7	COV-1016	Cover, Shroud Cover, Oil Cooler	2	30097001-	
8	RS-100	Rubber Oil Cooler Damper, .500 x 1.75 x 35.5	2	19401-	EPDM Sponge Rubber Sheeting
9	WT-17H	Heavy Duty Wire Tie 17.5"	8		
11	PU-JA-16	Bushing, JA x 1"	1		
601	A-WF-24-10-3	24 SAE Male O-Ring w/ (3) #10 SAE Ports	1		
602	A-4603-24-24	1 1/2 x 24 SAE 45 Male O-Ring Beaded Insert	1		
802	HM-0381	Ball Bearing, Motor	1	HM-1020	
803	HM-2585	Ring Seal, Commercial Motor	2	HM-1020	
804	HM-2686	Snap Ring, Commercial Motor	1	HM-1020	
805	HM-1801	Seal Kit for Commercial Intertech	1	P20 & M20 Series	Includes:(1) Length of HM-2882,(1)HM-2883,(2)HM-2884

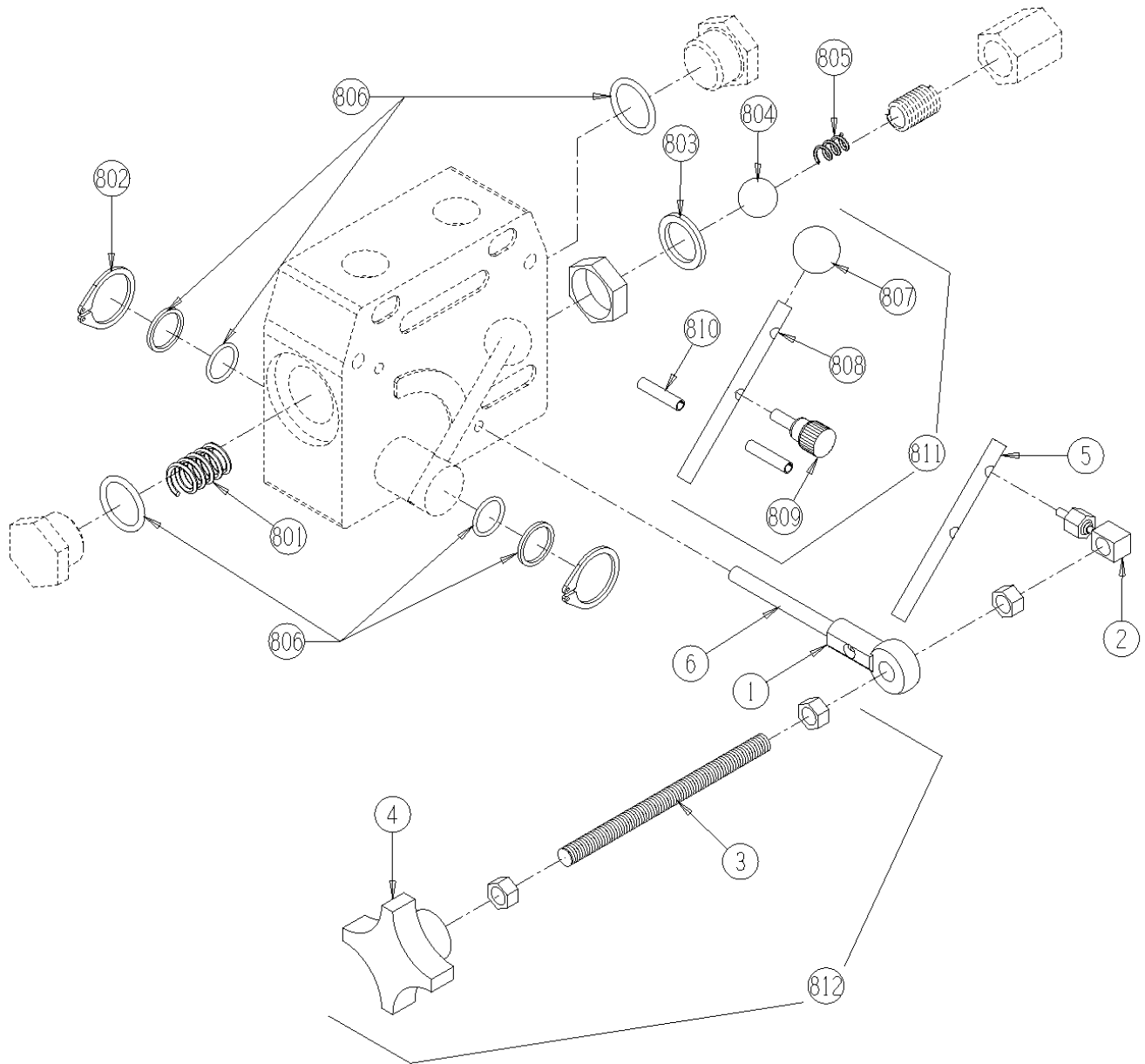
# 1007-13-3



## 1007-13-4 Hydraulics, Flow Control Parts Assembly

<u>Ref</u>	<u>Part No.</u>	<u>Description</u>	<u>Parts – Assembly</u>	<u>Will Fit SN</u>	<u>Remarks</u>
8	HV-FL16	Flow control valve 16GPM	0		
8	HV-FL16-R	Hydraulics, Flow control valve 16GPM	0		
8	HV-FL30	Flow Control Valve 30GPM	0		
8	HV-FL30-R	Hydraulic Flo Control Valve with Relief 30GPM	0		
801	HV-1030C	Flo control spool spring	1		
802	HV-1030F	Flo Control Rotary Spool Snap Ring	2		
803	HV-1030G	Crush Washer	1		
804	HV-1030B	Flo control relief ball	1		
805	HV-1030A	Flow control relief spring	1		
806	HV-1030D	Flo control seal kit	1		(2) O-Rings, (2) Backups for Rotary Spool, & (2) End Cap O-Rings for Pressure Spool.
811	HV-1030E	Flo Control Handle Hardware Kit	1		
812	HA-1090K	Fine Tune Speed Control Kit	1	Prince & Brand Flow Controls	All

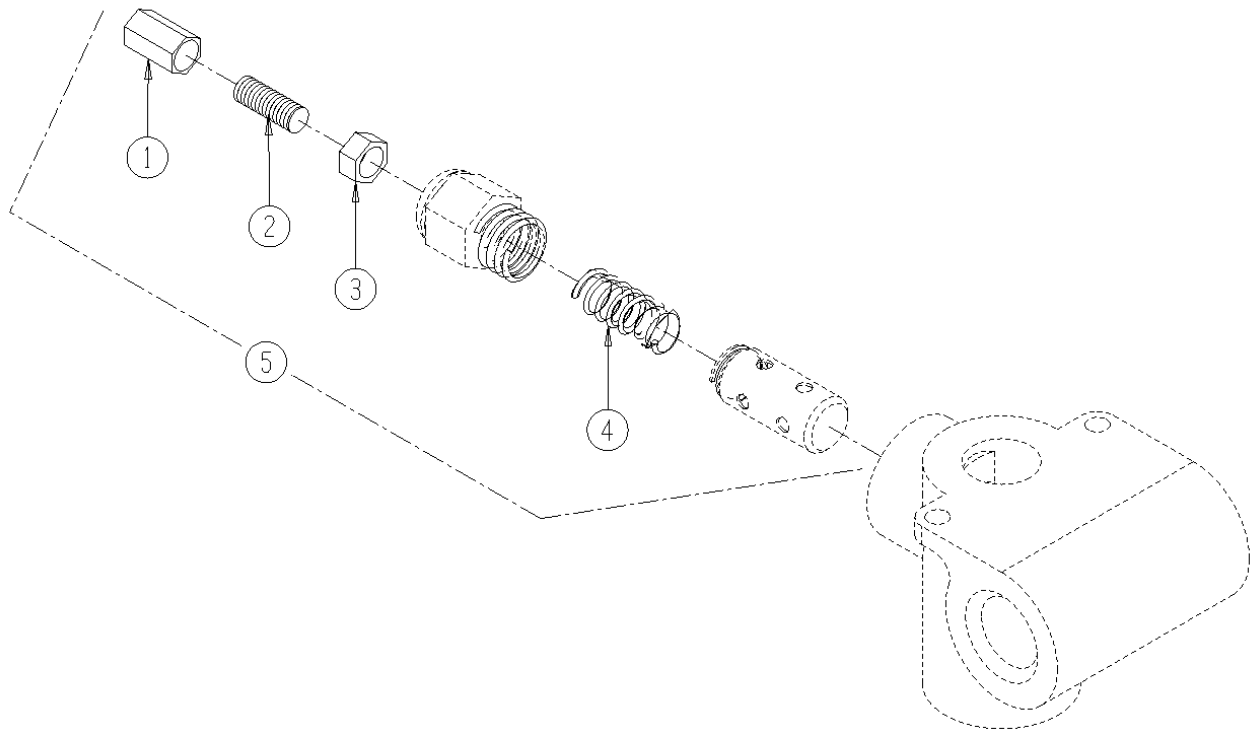
# 1007-13-4



## 1007-13-5 Hydraulics, Relief Valve Parts Assembly

<u>Ref</u>	<u>Part No.</u>	<u>Description</u>	<u>Parts – Assembly</u>	<u>Will Fit SN</u>	<u>Remarks</u>
0	HV-RV-1H	Relief valve w/ SAE #12 ports	0		
0	HV-RV-3H	Relief Valve w/ SAE #10 Ports	0		
1	HV-RV-C	Relief Valve Adjuster Cap	1	HV-RV-0H	
2	HV-RV-A	Relief Valve Adjuster	1	HV-RV-0H	
3	HV-RV-N	Relief Valve Adjuster Lock Nut	1	HV-RV-0H	
4	HV-RV-S	Relief Valve Spring	1	HV-RV-0H	
5	HV-RV-0H	Relief Valve Cartridge	1	HV-RV-1H, HV-RV-2H, HV-RV-3H, HV-RV-4H	

1007-13-5

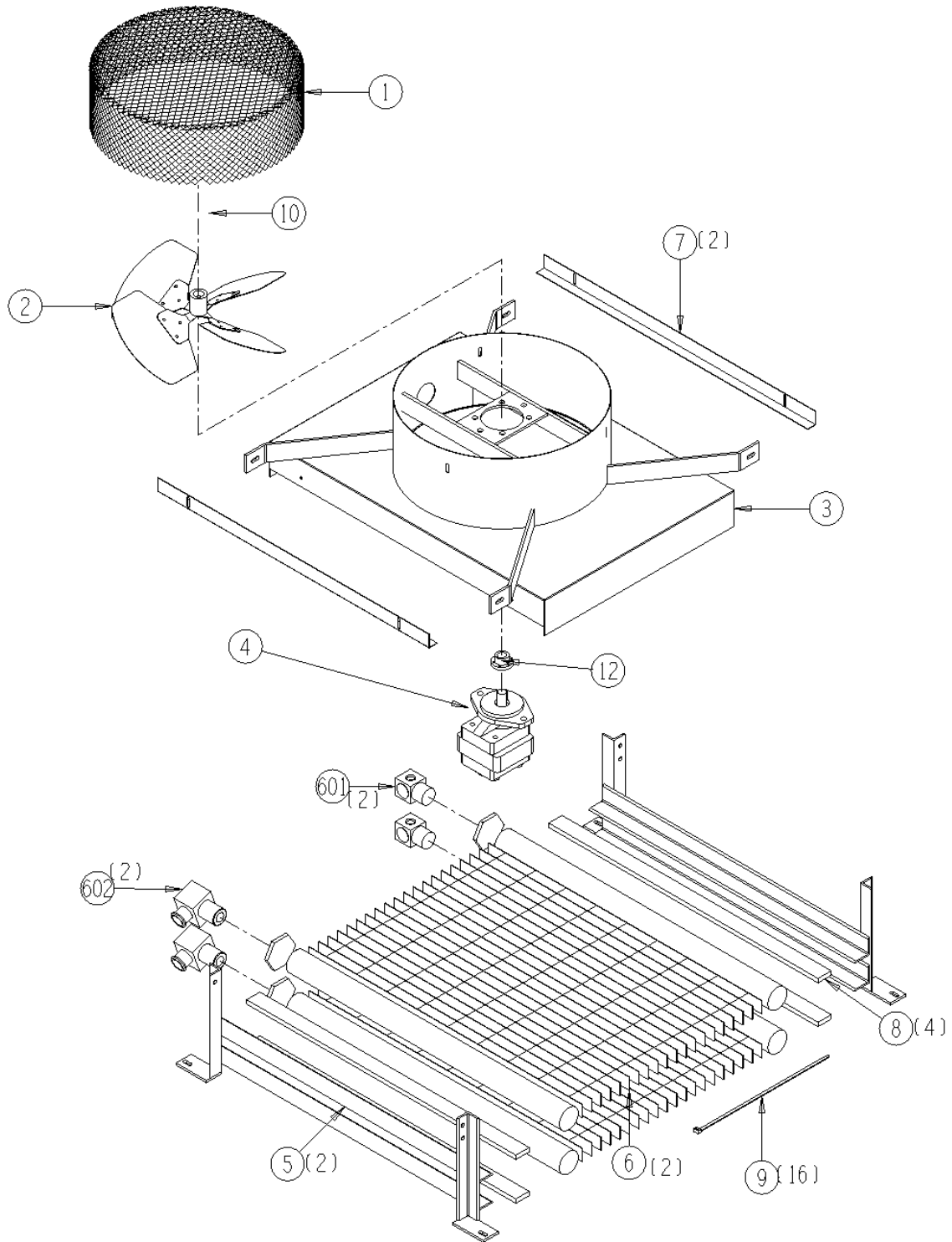


## 1007-13-6 Double Oil Cooler Assembly

<u>Ref</u>	<u>Part No.</u>	<u>Description</u>	<u>Parts – Assembly</u>	<u>Will Fit SN</u>	<u>Remarks</u>
1	191-1082	Shield, Cooling Fan	1		
2	FAN-290-18	HC 290 Oil Cooler Fan, 18" w/o JA Bushing/Rev	1		Replaces FAN-190-18 & HA-1019-G
3	110-1016	Oil Cooler Shroud	1		
4	DC-1175	Decal, Danger, Rotating Blade Hazard	1		
5	HM-412C	Hydraulic Motor	1	19101	Replaces 191-412 RP: HM-0381, HM-1801, HM-2585, HM-2686, HM-412B
6	HA-1016	Hydraulic Oil Cooler Radiator w/o Mounting Kit & w/ SAE24 Ports	2		Replaces HA-1015
7	COV-1016	Cover, Shroud Cover, Oil Cooler	2	30097001-	
8	RS-100	Rubber Oil Cooler Damper, .500 x 1.75 x 35.5	4	19401-	EPDM Sponge Rubber Sheeting
9	WT-17H	Heavy Duty Wire Tie 17.5"	16		
11	MOU-1017	Oil Cooler Mount, Double Cooler, 190 Tomato	2		
12	PU-JA-14	JA Bushing, 7/8 bore, 1/4 keyway	1		
601	A-WF-24-10-3	24 SAE Male O-Ring w/ (3) #10 SAE Ports	2		
602	A-4603-24-24	1 1/2 x 24 SAE 45 Male O-Ring Beaded Insert	2		



# 1007-13-6



# 1007-13-7 Double Pump Hydraulic Motor Assembly

<u>Ref</u>	<u>Part No.</u>	<u>Description</u>	<u>Parts – Assembly</u>	<u>Will Fit SN</u>	<u>Remarks</u>
0	H10-12-8MP-12MJ	5/8 in hose 1/2MP X 3/4MJIC 12 in long	2		
0	H10-24-8MP-8MP	5/8 in hose 1/2MP x 1/2MP x 24 in long	1		
0	H10-280-8MP-8MP	5/8 in hose 1/2MP x 1/2MP x 280" long	2		
0	H10-30-8MP-12MJ	5/8 in hose 1/2 MP x 3/4 MJIC x 30 in long	1		
0	H10-30-8MP-8MP	5/8 in hose 1/2MP x 1/2MP x 30 in long	3		
0	H10-36-8MP-8MP	5/8 in hose 1/2MP x 1/2MP x 36 in long	3		
0	H10-56-8MP-8MP	5/8 in hose 1/2MP x 1/2MP x 56 in long	3		
0	H10-70-8MP-8MP	5/8 in. hose 1/2 x 1/2 x 70 in long	1		
0	H10-72-8MP-8MP	5/8 in. hose 1/2 x 1/2 x 72 in long	1		
0	H10-80-8MP-12MJ	5/8 in hose 1/2MP x 3/4MJIC x 80 in long	1		
0	H10-84-8MP-8MP	5/8 in hose 1/2 x 1/2 x 84 in long	1		
0	H10-94-8MP-8MP	5/8 in hose 1/2MP x 1/2MP x 94 in long	5		
0	H10-96-8MP-8MP	5/8 in hose 1/2 x 1/2 x 96 in long	1		
0	H12-122-12MP-8MP	3/4" Hose 3/4"MP x 1/2"MP x 122" Long	1		
0	H12-22-12MP-16MJ	3/4 in hose 3/4MP-1MJIC x 22 in long	1		
0	H12-30-12MP-12MP	3/4 in hose 3/4MP x 3/4MP x 30 in long	1		
0	H12-36-12MP-8MP	3/4 in hose 3/4MP x 1/2MP x 36 in long	2		
0	H12-50-12MP-16MJ	3/4 in hose 3/4MP x 1MJIC x 50 in long	1		
0	H12-50-8MP-16MJ	3/4 in hose 1/2MP x 1MJIC x 50 in long	1		
0	H12-55-12MP-12MP	3/4 in hose 3/4MP x 3/4MP x 55 in long	1		
0	H12-62-12MP-16MJ	3/4 in hose 3/4MP x 1MJIC x 62 in long	1		
0	H12-76-12MP-12MP	3/4 in hose 3/4MP x 3/4MP x 76 in long	1		
0	H12-80-12MP-12MP	3/4 in hose 3/4MP x 3/4MP x 80 in long	1		
0	H12-82-12MP-8MP	3/4 in hose 3/4MP x 1/2MP x 82 in long	2		
0	H24-180	1 1/2" Return hose 180"	2		
0	H6-PL-136	3/8" Push Loc Hose 136" (primary shaker)	1		
0	H6-PL-186	3/8" Push Loc Hose 186" (Debris Fan)	1		
0	H6-PL-198	3/8" Push Loc Hose 198" (Secondary Shaker)	1		
0	H6-PL-228	3/8" Push Loc Hose 228" (Cooling Fan)	1		

0	H6-PL-300	3/8" Push-Loc Hose 300"	1		
0	H6-PL-40	3/8" Push Loc Hose 40" (Vibrator)	1		
0	H6-PL-48	3/8" Push Loc Hose 48" (Reverse Kit)	1		HV-1045K
0	H8-16-8MP-12MP	1/2 in hose 1/2MP x 3/4MP x 16 in long	2		
0	H8-16-8MP-8MP	1/2 in hose 1/2MP x 1/2MP x 16 in long	1		
0	H8-24-8MP-8MP	1/2 in hose 1/2MPx 1/2MP x 24 in long	1		
0	HP-1031	Hydraulic oil (per gal.)	140		ISO grade 46 with anti-wear and anti-foam properties. Harvesters, Approx. 140 gal
0	H-T20	Hyd Tube #2 Front 1" dia.	1	19401-	
0	H-T21	Hyd Tube #2 Main 1" dia	2	19401	
0	H-T30	Hyd Tube #3 Front 3/4" dia	1	19401-	
0	H-T31	Hyd Tube #3 Main 3/4"	1	19401	
0	H-T40	Hyd Tube #4 Front 3/4" dia	1	19401-	
0	H-T41	Hyd Tube #4 Main 3/4" dia	2	19401-	
0	H-T45	Tubing, Hydraulic, Header Tube	2	19501-	Replaces H-T44(except <19501)
0	H-T50	Hyd Tube #5 Front 1" dia	1	19401-	
0	H-T51	Hyd Tube, #5 Main 1" dia	1	19401-	
1	A-1404-4-4	1/4 MP x 1/4 FPX	2		
2	A-1501-12-12	3/4MP x 3/4 FPX 90	2		
3	A-1501-8-8	1/2 MP x 1/2 FPX90	4		
4	A-1503-8-8	Elbow, 1/2" MP X 1/2" FPX45	2		
5	A-1601-8-8-8	1/2 MP x 1/2 FPX x 1/2 FPX Tee	0		
6	A-1603-8-8-8	Swivel T 1/2" NPTF	15		
7	A-4124-6-4	1/4 Male Pipe x 3/8 Push Loc	6		
8	A-4129-6-4	1/4" NPT 90 w/3/8" Push-Loc	2		
9	A-5404-8-8	Hex Nipple 1/2" x 1/2"	2		
10	A-6400-12-10	3/4" MJIC X 10 SAE	2		
11	A-6400-16-12	1" MJIC X 12 SAE	4		
12	A-6401-10-8	10 SAE x 1/2 MPT Male	19		
13	A-6806-10-8	10 SAE x 1/2" MP 90	1		
14	A-6900-10-12	10 SAE x 3/4 FPX	7		
15	A-6900-10-8	10 SAE x 1/2 FPX	13		
17	A-6901-10-12	10 SAE x 3/4 FPX90 , Forged	9		
18	A-6901-10-8	10 SAE x 1/2 FPX90 , Forged	17		
19	A-6901-12-12	12 SAE x 3/4" FPX 90 , Forged	6		
20	A-6902-10-8	10 SAE X 1/2" FPX 45	10		

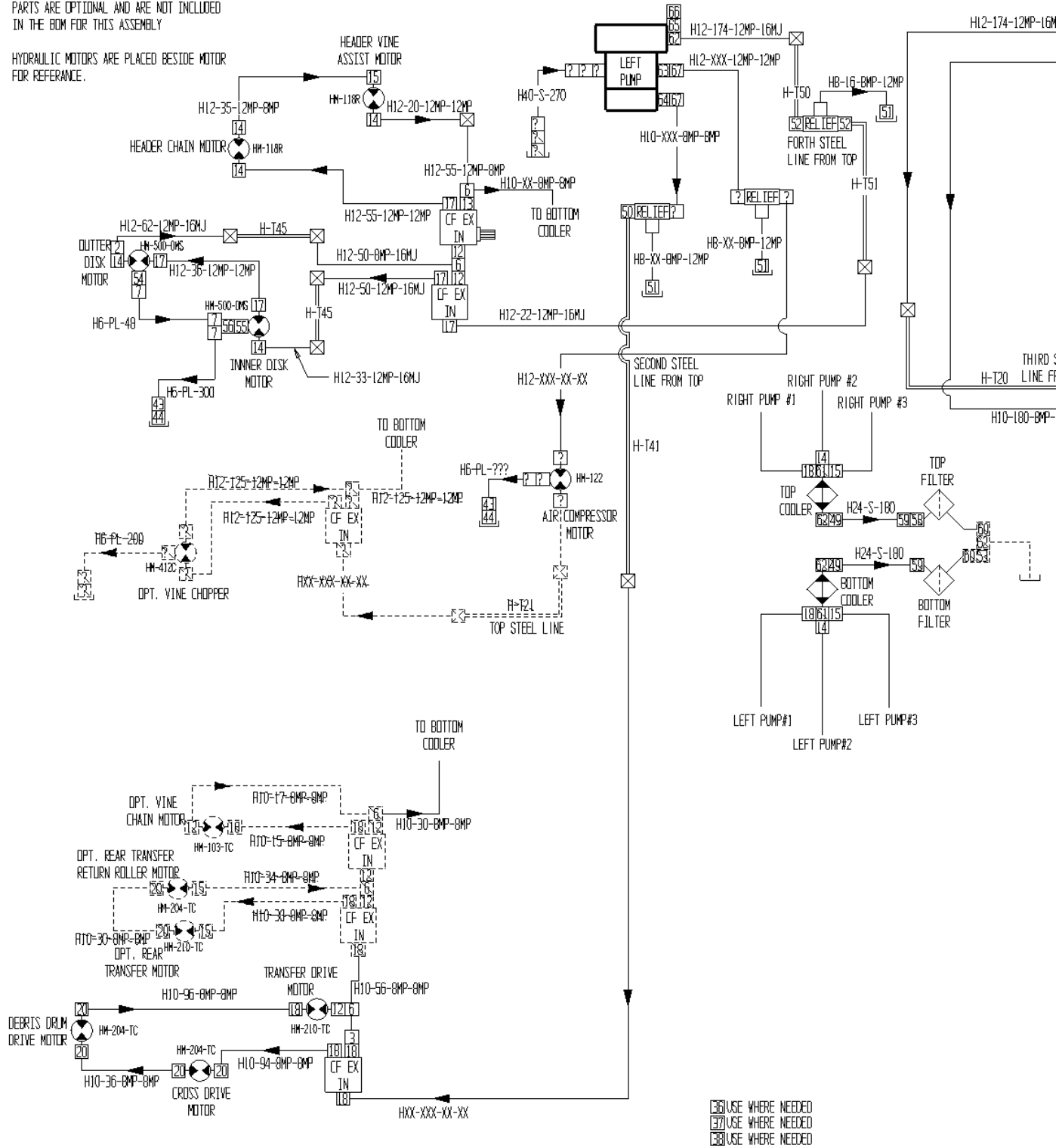
21	BAR-2011	Bar, Security Copper Wire Seal	4		relief lock
22	HA-1071-H	Hydra-zorb Tube Clamp 1" (3 pc.)	2	19401-	
23	HA-1072-H	Hydra-zorb Tube Clamp 3/4" (3 pc.)	3	19401-	
24	HA-1090K	Fine Tune Speed Control Kit	2	Prince & Brand Flow Controls	All
25	HA-2011	Copper Wire Security Seals	4		
26	HV-1975	Cartridge Relief Valve	1		
27	HV-1975B	Body For HV-1975	1		
28	HV-FL16	Flow control valve 16GPM	5		
29	HV-FL30	Flow Control Valve 30GPM	6		
30	HV-FL30-R	Hydraulic Flo Control Valve with Relief 30GPM	2		
31	HV-RV-1H	Relief valve w/ SAE #12 ports	2		
32	HV-RV-3H	Relief Valve w/ SAE #10 Ports	2		
33	STP-FL30	Stop, Flow Control	1	19101-	
34	A-1405-8-8	1/2" NPT Coupler W/Swivel	1		
35	A-6901-12-8	12 SAE x 1/2" FPX 90 , Forged	4		
36	H13-RFL	Hose Protection Shield, Size 13	10		
37	H-18RFL	Hose Protection Shield, Size 18 @ Foot	10		
38	WT-17H	Heavy Duty Wire Tie 17.5"	60		
39	A-6900-12-8	12 SAEx 1/2" FPX	0		
39	HV-900A	Electronic Valve (Discharge conveyor)	1		
40	ATB-06-06-06	3/8" x 3/8" x 3/8" Brass Hose Barb Tee	0		CL-10 needs to be used with this tee.
41	A-WF-24-10-3	24 SAE Male O-Ring w/ (3) #10 SAE Ports	0		
42	A-4603-24-24	1 1/2 x 24 SAE 45 Male O-Ring Beaded Insert	0		
43	A-4124-6-6	3/8 Male Pipe x 3/8 Push Loc	7		
44	A-6900-8-6	8 SAE x 3/8" FPX With 7/8" Stock Body	7	20095001-	
45	HA-1007	Hydraulic, Magnetic Drain Plug	1	11101-	
47	A-6408-10	10 SAE Plug	1		
49	CL-200-SD	Two Bolt Hose Clamp, Super Duty, Galvanized	2	1 1/2"	Suction Hose
50	A-2404-12-8	3/4" MJIC X 1/2" MP	2		
51	A-1404-8-8	1/2 MP to 1/2 FPX, Straight	6		
52	A-2404-16-12	1" MJIC X 3/4" MP	4		
53	ASL-24	1 1/2 ST ELL, Domestic Only	0		
54	A-6901-4-4	4 SAE X 1/4 FPX 90 , Forged	1		
55	A-6401-4-4	4 SAE x 1/4"MP	1		
56	A-5605-4	1/4" Pipe Tee	1		

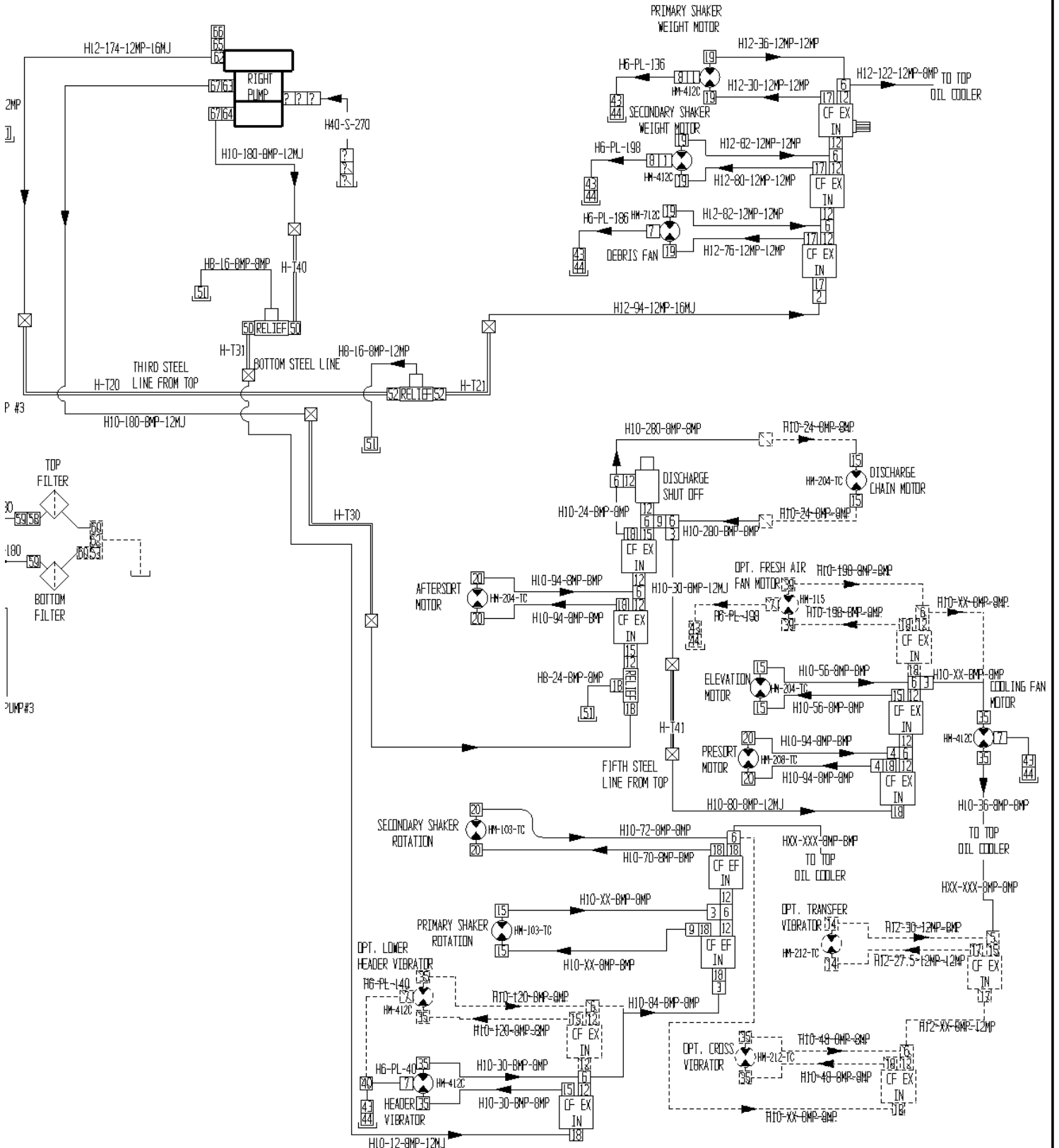
57	A-6900-12-12	12 SAE x 3/4"FPX	2
58	AN-24-24-HS	1 1/2" Male NPT with Combination 1-1/2" Hose Barb	0
59	AN-24-CL	1 1/2" Black (Nipple Close)	0
60	AB-40-24	2 1/2 x 1 1/2 Black Hexagon Bushing	0
61	AT-40-40-24	2 1/2 x 2 1/2 x 1 1/2 Black Tee	0
62	A-6901-12-12-4PT	12 SAE x 3/4" FPX 90 W/1/4" port, Forged	2
63	A-6901-12-12-4SAE	12 SAE x 3/4" FPX 90 w/4 SAE Port, Forged	2
64	A-6901-10-8-4SAE	10 SAE x 1/2 FPX90 W/ 4SAE Port, Forged)	2
65	ASL-4	1/4" Black Street Elbow	2
66	HA-1004-T	Test Point Plug, 1/4" NPT	2
67	HA-1004-4	Test Point Plug #4 SAE Thread	4
801	HP-1030	Hydraulic Oil Sample Kit	1

NOTE:

1. ALL CASE DRAIN HOSES NEED TO BE PLUMBED ( LOOPED ) HIGHER THAN THE MOTOR.
2. LINES THRU NUMBERS & DASHED LINES MEANS PARTS ARE OPTIONAL AND ARE NOT INCLUDED IN THE BOM FOR THIS ASSEMBLY
3. HYDRAULIC MOTORS ARE PLACED BESIDE MOTOR FOR REFERENCE.

# 1007-13-7





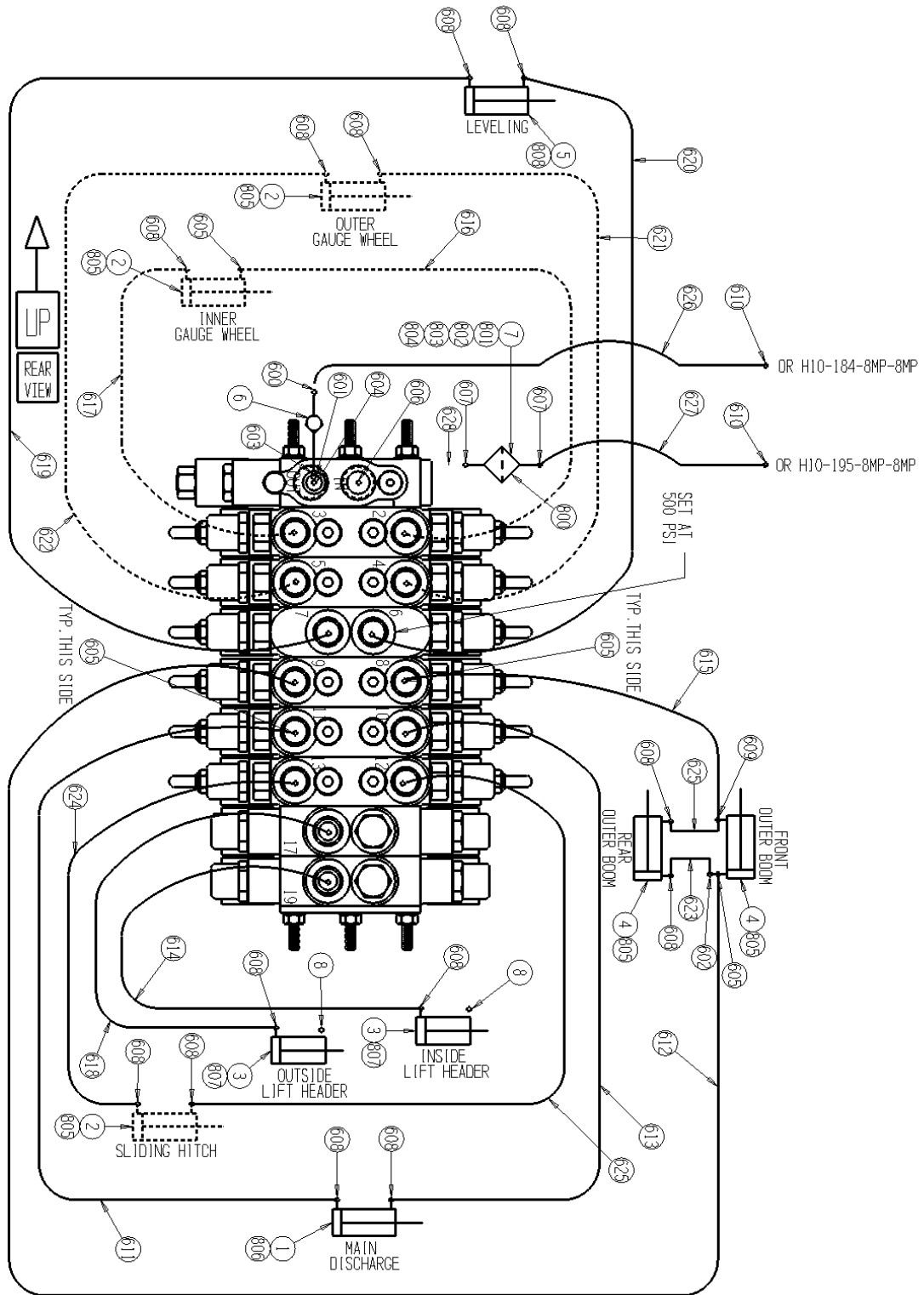
# 1007-13-10 Hydraulic Cylinder Plumbing

<u>Ref</u>	<u>Part No.</u>	<u>Description</u>	<u>Parts – Assembly</u>	<u>Will Fit SN</u>	<u>Remarks</u>
0	HVE-1076	Control Valve for Tomato Harvester w/ relief	1		
1	HC-250-3008	Hydraulic cylinder 2 1/2" x 30" #8 SAE Ports	1	11001-	Seal kit for Lion, HC-250-125
2	HC-200-0808	Hydraulic Cylinder 2" x 8" #8 SAE Ports	0	19201-	Seal kit for Lion, HC-200-112
3	HC-250-2408	Hydraulic cylinder 2 1/2 x 24 #8 SAE w/ U cup seal	2		Seal kit for Lion, HC-250-125U, Replaces 193-102
4	HC-200-2408	Hydraulic cylinder 2" x 24" #8 SAE Ports	2		Seal kit for Lion, HC-200-112
5	HC-350-0808	Hydraulic Cylinder 3 1/2" x 8" #8 SAE Ports	1		Seal kit for Lion, HC-350-125
6	HV-CKV-800S	1/2" Parker Check Valve	1		
7	HA-1037	Pressure Filter	1		Most machines 1997 and previous used Parker filter. 1998> Zinga style
8	HC-08-V	Hydraulic cylinder vents	2	11001-	
600	A-1404-8-8	1/2 MP to 1/2 FPX, Straight	1		
601	A-1501-8-8	1/2 MP x 1/2 FPX90	1		
602	A-1601-6-6-6	3/8 MP x 3/8 FPX x 3/8FPX Tee	1		
603	A-5404-8-8	Hex Nipple 1/2" x 1/2"	1		
604	A-6900-10-8	10 SAE x 1/2 FPX	1		
605	A-6900-8-6	8 SAE x 3/8" FPX With 7/8" Stock Body	11	20095001-	
606	A-6901-10-8	10 SAE x 1/2 FPX90 , Forged	1		
607	A-6901-12-8	12 SAE x 1/2" FPX 90 , Forged	2		
608	A-6901-8-6	8 SAE x 3/8" FPX90 , Forged	10	20095001-	
609	A-6955-8-6-6	8 SAE x 3/8" FPX Tee	1		
610	A-QD2010-8-8	Tractor Quick Coupler, Male, 1/2" w/ FPT	2		
611	H4-149-6MP-6MP	1/4 in hose 3/8MP x 3/8MP x 149 in long	1		
612	H4-172-6MP-6MP	1/4 in hose 3/8MP X 3/8MP x 172 in long	1		
613	H4-179-6MP-6MP	1/4 in hose 3/8MP x 3/8MP x 179 in long	1		
614	H4-203-6MP-6MP	1/4 in hose 3/8MP x 3/8MP x 203 in long	1		
615	H4-205-6MP-6MP	1/4 in hose 3/8MP x 3/8MP x 205 in long	1		
616	H4-216-6MP-6MP	1/4 in hose 3/8MP x 3/8MP x 216 in long	0		
617	H4-221-6MP-6MP	1/4 in hose 3/8MP x 3/8MP x 221 in long	0		
618	H4-230-6MP-6MP	1/4 in hose 3/8MP x 3/8MP x 230 in long	1		
619	H4-240-6MP-6MP	1/4 in hose 3/8MP x 3/8MP x 240 in long	1		
620	H4-248-6MP-6MP	1/4 in hose 3/8MP x 3/8MP x 248 in long	1		
621	H4-254-6MP-6MP	1/4 in hose 3/8MP x 3/8MP x 254 in long	0		
622	H4-260-6MP-6MP	1/4 in hose 3/8MP x 3/8MP x 260 in long	0		



623	H4-40-6MP-6MP	1/4 in hose 3/8MP x 3/8MP x 40 in long	1		
624	H4-60-6MP-6MP	1/4 in hose 3/8MP x 3/8MP x 60 in long	1		
625	H4-70-6MP-6MP	1/4 in hose 3/8MP x 3/8MP x 70 in long	2		
626	H8-108-8MP-8MP	1/2 in hose 1/2MP x 1/2MP x 108 in long	1		
627	H8-120-8MP-8MP	1/2 in hose 1/2MP x 1/2MP 120 in. long	1		
628	H8-42-8MP-8MP	1/2 in hose 1/2MP x 1/2MP x 42 in long	1		
800	HA-1037A	Pressure Filter Element	1		
801	HA-1037-C	O-Ring for Zinga Pressure Filter	1		
802	HA-1037-D	Back-Up Ring for Zinga Pressure Filter	1		
803	HA-1037-G	Indicator for Parker Pressure Filter	1		
804	HA-1037-O	O-Ring for Visual Indicator for Pressure Filter zinga	1		
805	HC-200-112	Seal Kit for 2" x 1 1/8" Lion Cylinder	1	HC-200-0808 (642599, 645593), HC-200-2408 (642600, 645596)	2500 or 3000psi cylinders
806	HC-250-125	Seal Kit for 2 1/2" x 1 1/4" Lion Cylinder	1	HC-250-3008 (642602, 645596)	2500 or 3000psi cylinders
807	HC-250-125U	U-Cup Seal Kit for 2 1/2" x 1 1/4" Lion Cylinder	1	HC-250-2408 (642601, 645594)	2500 or 3000psi cylinders
808	HC-350-125	Seal Kit for 3 1/2" x 1 1/4" Lion Cylinder	1	HC-350-0808 (642603, 645597), HC-350-16 (639188)	2500 or 3000psi cylinders

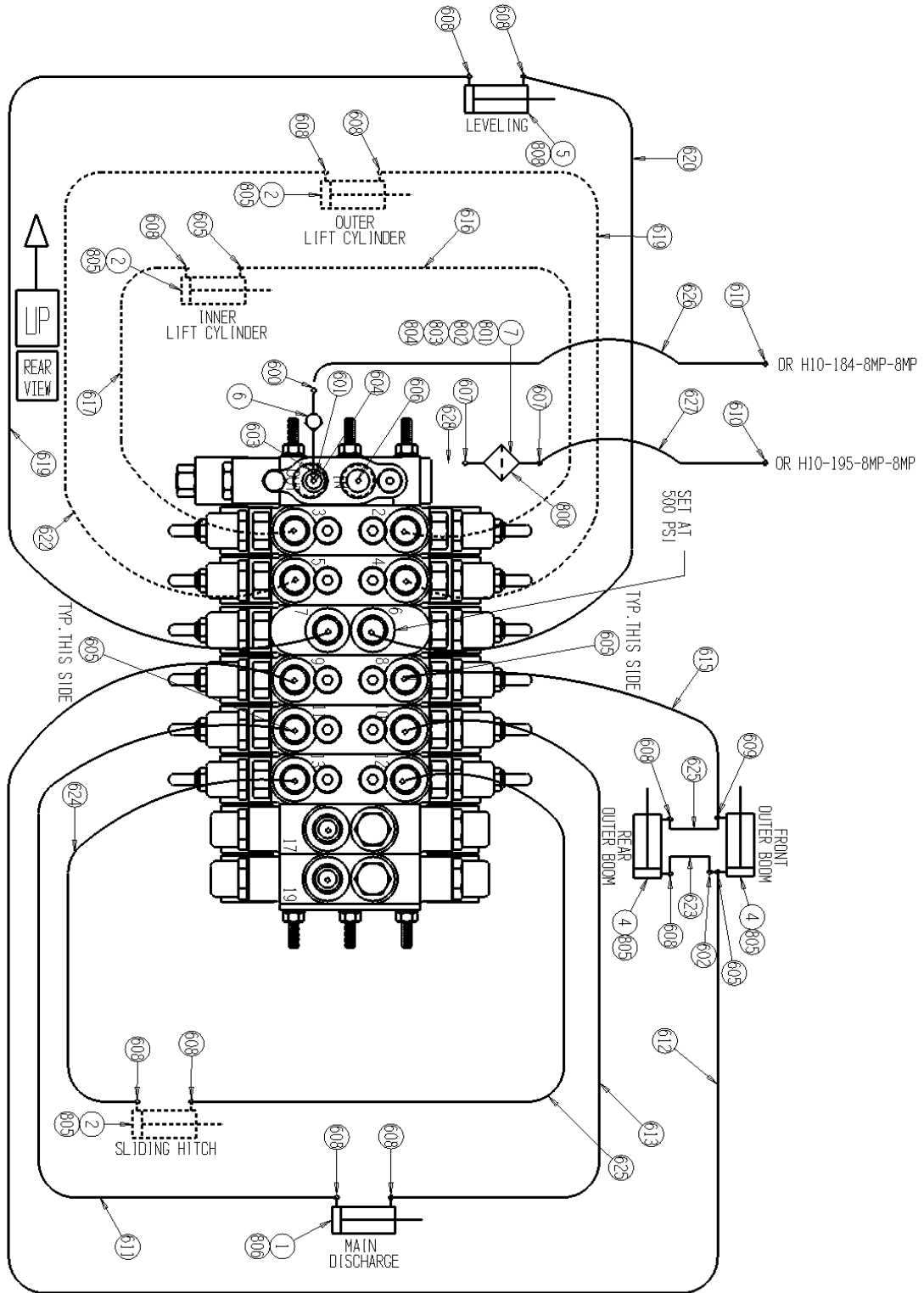
# 1007-13-10



## 1007-13-10.1 Hydraulic Cylinder Plumbing w/ Overhead Lift

<u>Ref</u>	<u>Part No.</u>	<u>Description</u>	<u>Parts – Assembly</u>	<u>Will Fit SN</u>	<u>Remarks</u>
0	HVE-1076	Control Valve for Tomato Harvester w/ relief	1		
1	HC-250-3008	Hydraulic cylinder 2 1/2" x 30" #8 SAE Ports	1	11001-	Seal kit for Lion, HC-250-125
2	HC-200-0808	Hydraulic Cylinder 2" x 8" #8 SAE Ports	0	19201-	Seal kit for Lion, HC-200-112
4	HC-200-2408	Hydraulic cylinder 2" x 24" #8 SAE Ports	2		Seal kit for Lion, HC-200-112
5	HC-350-0808	Hydraulic Cylinder 3 1/2" x 8" #8 SAE Ports	1		Seal kit for Lion, HC-350-125
6	HV-CKV-800S	1/2" Parker Check Valve	1		
7	HA-1037	Pressure Filter	1		Most machines 1997 and previous used Parker filter. 1998> Zinga style
600	A-1404-8-8	1/2 MP to 1/2 FPX, Straight	1		
601	A-1501-8-8	1/2 MP x 1/2 FPX90	1		
602	A-1601-6-6-6	3/8 MP x 3/8 FPX x 3/8FPX Tee	1		
603	A-5404-8-8	Hex Nipple 1/2" x 1/2"	1		
604	A-6900-10-8	10 SAE x 1/2 FPX	1		
605	A-6900-8-6	8 SAE x 3/8" FPX With 7/8" Stock Body	11	20095001-	
606	A-6901-10-8	10 SAE x 1/2 FPX90 , Forged	1		
607	A-6901-12-8	12 SAE x 1/2" FPX 90 , Forged	2		
609	A-6955-8-6-6	8 SAE x 3/8" FPX Tee	1		
610	A-QD2010-8-8	Tractor Quick Coupler, Male, 1/2" w/ FPT	2		
611	H4-149-6MP-6MP	1/4 in hose 3/8MP x 3/8MP x 149 in long	1		
612	H4-172-6MP-6MP	1/4 in hose 3/8MP X 3/8MP x 172 in long	1		
613	H4-179-6MP-6MP	1/4 in hose 3/8MP x 3/8MP x 179 in long	1		
615	H4-205-6MP-6MP	1/4 in hose 3/8MP x 3/8MP x 205 in long	1		
616	H4-170-6MP-6MP	1/4 in hose x 3/8MP x 3/8MP x 170 in hose	0		
617	H4-138-6MP-6MP	1/4 in hose x 3/8MP x 3/8MP x 138 in hose	0		
619	H4-240-6MP-6MP	1/4 in hose 3/8MP x 3/8MP x 240 in long	2		
620	H4-248-6MP-6MP	1/4 in hose 3/8MP x 3/8MP x 248 in long	1		
622	H4-208-6MP-6MP	1/4 in hose x 3/8MP x 3/8MP x 208 in hose	0		
623	H4-40-6MP-6MP	1/4 in hose 3/8MP x 3/8MP x 40 in long	1		
624	H4-60-6MP-6MP	1/4 in hose 3/8MP x 3/8MP x 60 in long	1		
625	H4-70-6MP-6MP	1/4 in hose 3/8MP x 3/8MP x 70 in long	2		
626	H8-108-8MP-8MP	1/2 in hose 1/2MP x 1/2MP x 108 in long	1		
627	H8-120-8MP-8MP	1/2 in hose 1/2MP x 1/2MP 120 in. long	1		
628	H8-42-8MP-8MP	1/2 in hose 1/2MP x 1/2MP x 42 in long	1		

800	HA-1037A	Pressure Filter Element	1		
801	HA-1037-C	O-Ring for Zinga Pressure Filter	1		
802	HA-1037-D	Back-Up Ring for Zinga Pressure Filter	1		
803	HA-1037-G	Indicator for Parker Pressure Filter	1		
804	HA-1037-O	O-Ring for Visual Indicator for Pressure Filter zinga	1		
805	HC-200-112	Seal Kit for 2" x 1 1/8" Lion Cylinder	1	HC-200-0808 (642599, 645593), HC-200-2408 (642600, 645596)	2500 or 3000psi cylinders
806	HC-250-125	Seal Kit for 2 1/2" x 1 1/4" Lion Cylinder	1	HC-250-3008 (642602, 645596)	2500 or 3000psi cylinders
808	HC-350-125	Seal Kit for 3 1/2" x 1 1/4" Lion Cylinder	1	HC-350-0808 (642603, 645597), HC-350-16 (639188)	2500 or 3000psi cylinders

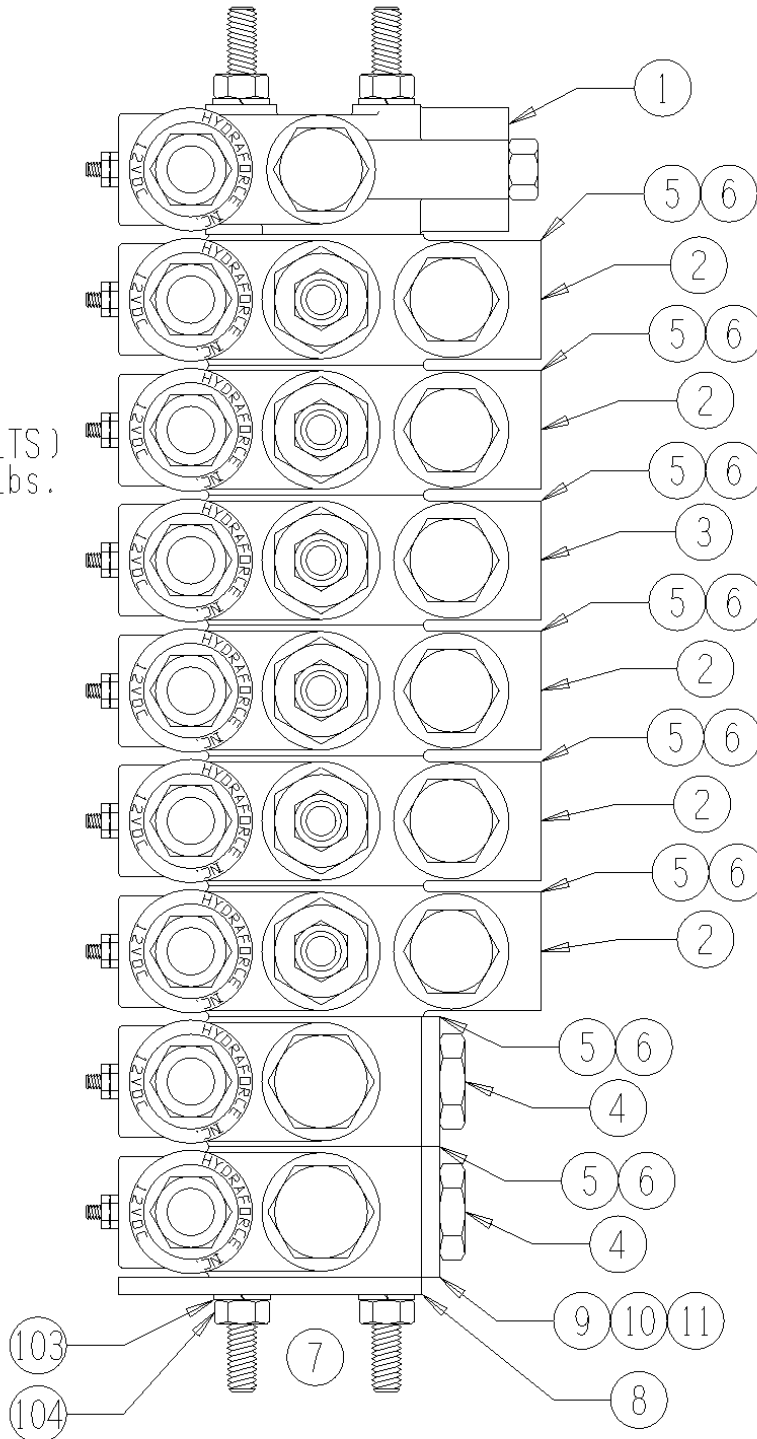


## 1007-13-11 Elect./Hyd. Valve Assembly, Tomato

<u>Ref</u>	<u>Part No.</u>	<u>Description</u>	<u>Parts – Assembly</u>	<u>Will Fit SN</u>	<u>Remarks</u>
1	HVE-1036C	Unloaded Inlet Section	1		
2	HVE-1036BL	Brand Valve Section with Locks	5	HVE-1076, HVE-3046,	Complete, w/o Cartridges & Coils w/ 3 shims & o-rings
3	HVE-1046-RL	Valve Section With Relief on Port B	1	HVE-1076	Complete, w/o Cartridges & Coils
4	HVE-1037N	Series 36 Floating Section, Detent, w/no wire	2	HVE-1076	Complete, w/o Cartridges & Coils
5	HVE-1036S	Shim (Between Sections)	24		
6	HVE-1037O	O-Ring, Buna N 90 Durometer	24		
7	HVE-1037M	Tie Rod Kit for Tomato Harvester	1		
8	HVE-1046Z	End Plate, Valve Stack	1		
9	HVE-1046C	Plug, End Section, Brand Valve	3		
10	HVE-1037Q	Backup for O-Ring (Parker #3-012)	3		
11	HVE-1037H	O Ring (Parker #2-012)	3		
103	BL-5-LW	5/16 SPLIT LW ZC	6		
104	BL-5-N	5/16 UNF FIN HEX NUT A563 GrA ZINC	6		

# 1007-13-11

NOTE:  
TORQUE NUTS  
(ON LONG BOLTS)  
TO 95 Inch/Lbs.

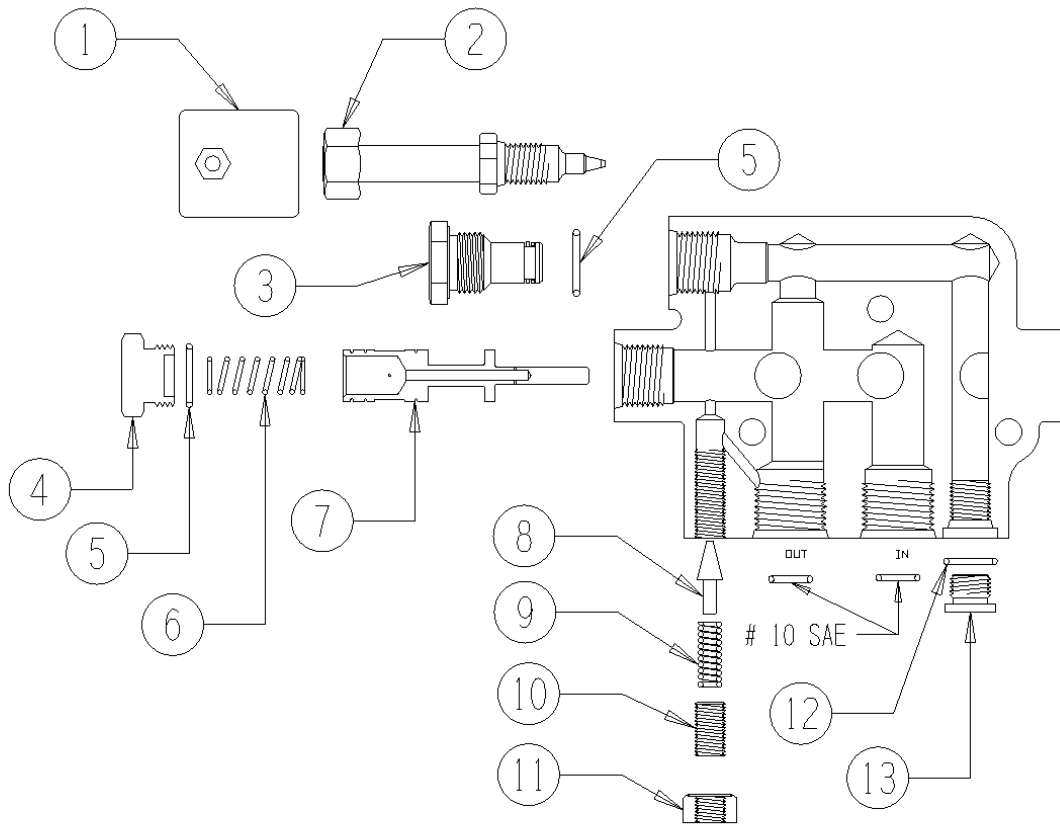


## 1007-13-13 Elect./Hyd. Valve Section, Unloading Inlet

<u>Ref</u>	<u>Part No.</u>	<u>Description</u>	<u>Parts – Assembly</u>	<u>Will Fit SN</u>	<u>Remarks</u>
1	HVE-1036P	Coil	1		Replaces HA-431-B on Manifold Block.
2	HVE-1036N	Unloading Section Cartridge	1		
3	HVE-1036D	Closed Center Plug	1		
4	HVE-1037D	Unloading Cap	1		
5	HVE-1037P	O-Ring	2		
6	HVE-1037B	Unloading Spring	1		
7	HVE-1037C	Unloading Spool	1		
8	HVE-1037A	Relief Poppet	1		
9	HVE-1036K	Unload Section Relief Spring (Bare Metal-no color)	1		
10	HVE-1037E	Adjusting Screw	1		
11	HVE-1037Y	Nut, Nylon Insert, Sealing	1		Replaces HVE-1037F
12	HVE-1037J	O Ring	1		
13	A-6408-5HHP	#5 SAE Hollow Hex Plug	1		Replaces HVE-1037V



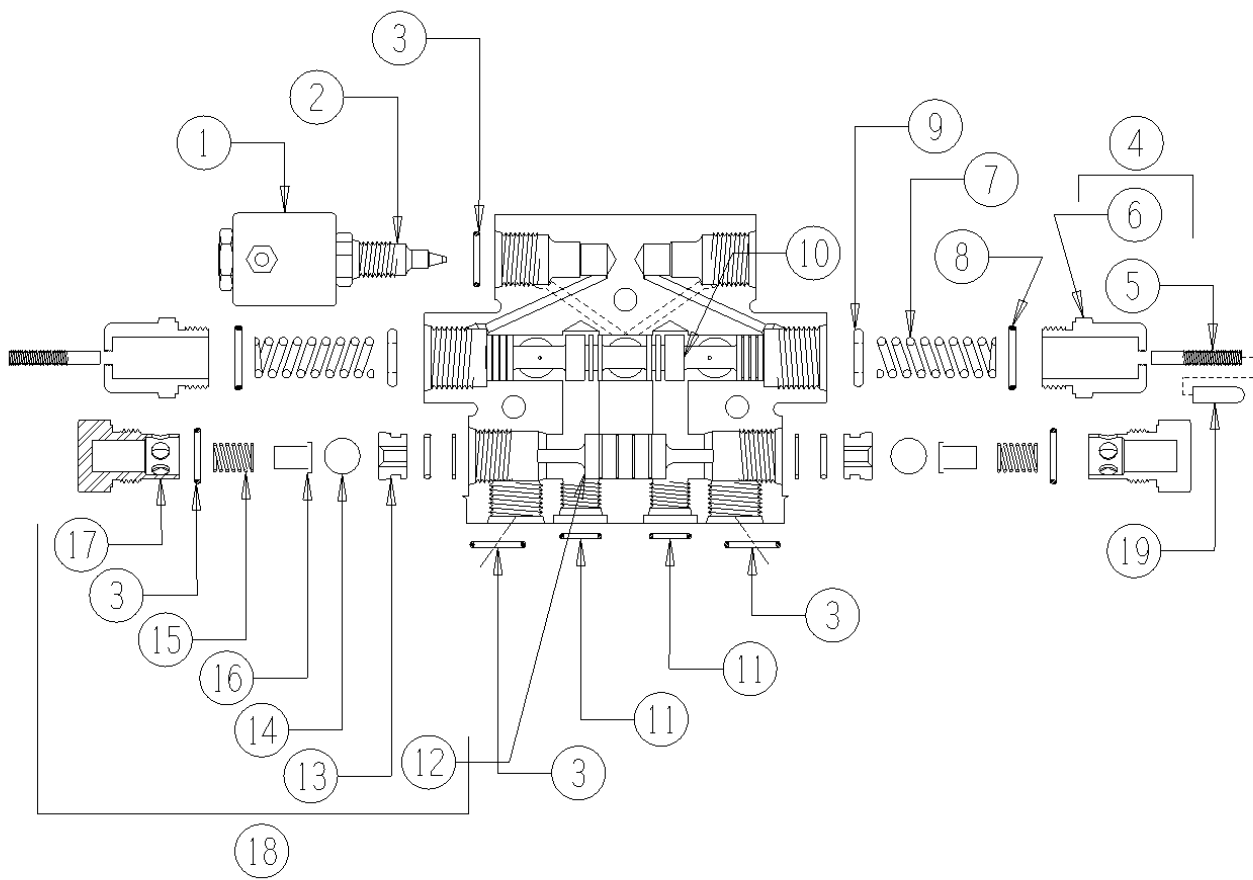
# 1007-13-13



## 1007-13-14 Elect./Hyd. Valve Section, w/ Locks

<u>Ref</u>	<u>Part No.</u>	<u>Description</u>	<u>Parts – Assembly</u>	<u>Will Fit SN</u>	<u>Remarks</u>
1	HVE-1036P	Coil	2		Replaces HA-431-B on Manifold Block.
2	HVE-1036M	Work Section Cartridge	2		
3	HVE-1037P	O-Ring	4		
4	HVE-1036R	Manual Override Kit for Brand 36 Valve	2		
5	BL-5-250-SS	5/16-24 x 2 1/2" Set Screw, Cup Point	2		
6	HVE-1036WT	End Cap, Threaded for Manual Override	2		
7	HVE-1036Y	Spool Spring for End Cap	2		Replaces # HVE-1036L
8	HVE-1036X	"O" Ring for End Cap	2		
9	HVE-1046V	End spacer for Work Section	2		
10	HVE-1036Z	Spool, Double-Lock Section	1		
11	A-OR-6	O Ring for #6 Adapter	2		
12	HVE-1046P	Lock Spool	1		
13	HVE-1046T	Seat, Delrin	2		REPLACES HVE-1046U & HVE-1047U
14	HVE-1047R	7/16" Steel Ball	2		
15	HVE-1046S	Spring	2		
16	HVE-1047Q	7/16" Spring Plunger	2		
17	HVE-1047W	End Cap, Double Lock Spring Retainer for 7/16" Ball	2		
18	HVE-1037K	Double Lock Rebuild Kit w/ Delrin Seat	1		
19	HVE-1036R-PC	Plastic Cover for Manual Override Kit	2		
20	A-6408-6HHP	#6 SAE Hollow Hex Plug	2		

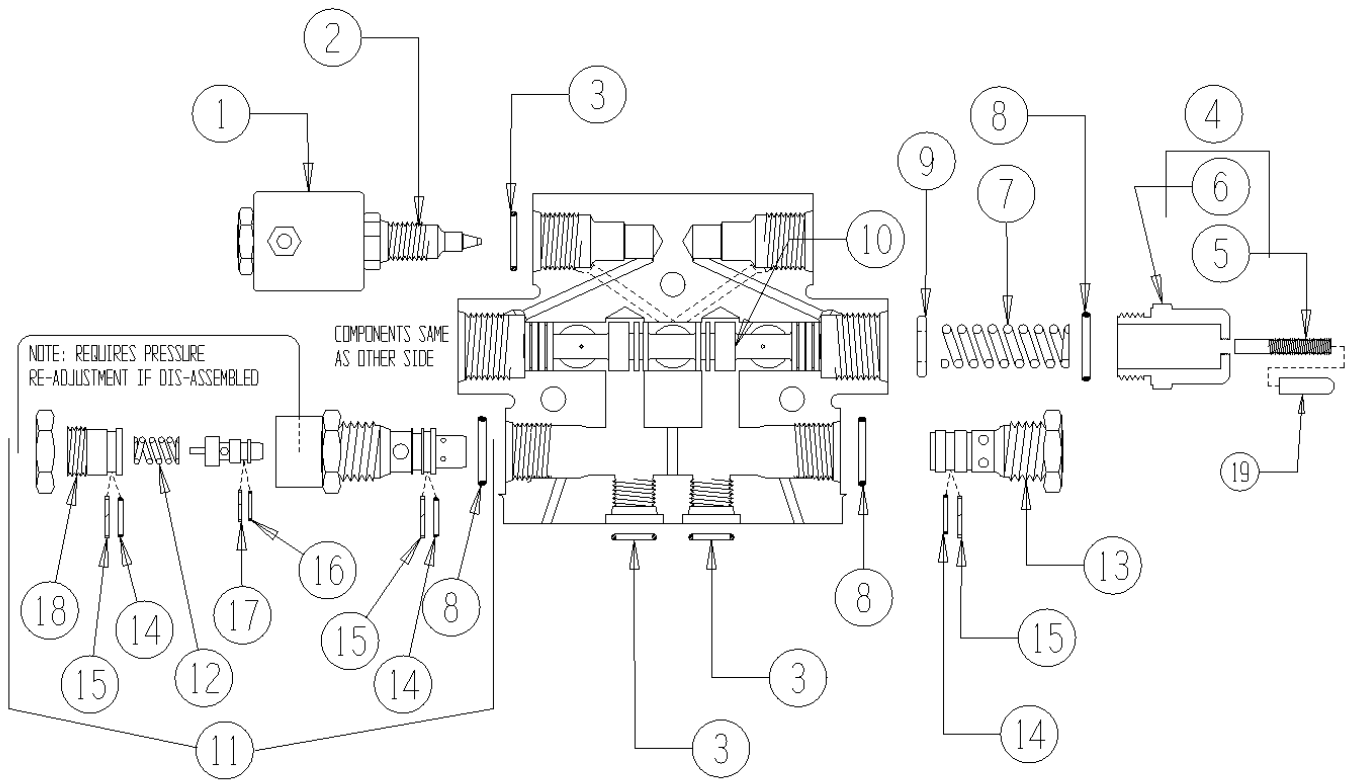
1007-13-14



## 1007-13-15 Elect./Hyd. Valve Section, w/ Relief

<u>Ref</u>	<u>Part No.</u>	<u>Description</u>	<u>Parts – Assembly</u>	<u>Will Fit SN</u>	<u>Remarks</u>
1	HVE-1036P	Coil	2		Replaces HA-431-B on Manifold Block.
2	HVE-1036M	Work Section Cartridge	2		
3	HVE-1037P	O-Ring	4		
4	HVE-1036R	Manual Override Kit for Brand 36 Valve	2		
5	BL-5-250-SS	5/16-24 x 2 1/2" Set Screw, Cup Point	2		
6	HVE-1036WT	End Cap, Threaded for Manual Override	2		
7	HVE-1036Y	Spool Spring for End Cap	2		Replaces # HVE-1036L
8	HVE-1036X	"O" Ring for End Cap	4		
9	HVE-1046V	End spacer for Work Section	2		
10	HVE-1046E	Spool,	1		Same as HVE-1037Z, but has smaller hole/ no wire.
11	HVE-1046K	Cartridge, Relief	1	HVE-1046-RL	
12	HVE-1056S	Spring for Relief Valve on port B	1	HVE-1046K	Bare Metal Coil Spring or Yellow Square Die Spring
13	HVE-1046L	Plug, Relief Section	1	HVE-1046-RL	
14	HVE-1037I	O-Ring	3		
15	HVE-1037X	Backup Ring	3		
16	HVE-1037H	O Ring (Parker #2-012)	1		
17	HVE-1037Q	Backup for O-Ring (Parker #3-012)	1		
18	HVE-1056A	Adjusting Screw	1	HVE-1046K	
19	HVE-1036R-PC	Plastic Cover for Manual Override Kit	2		

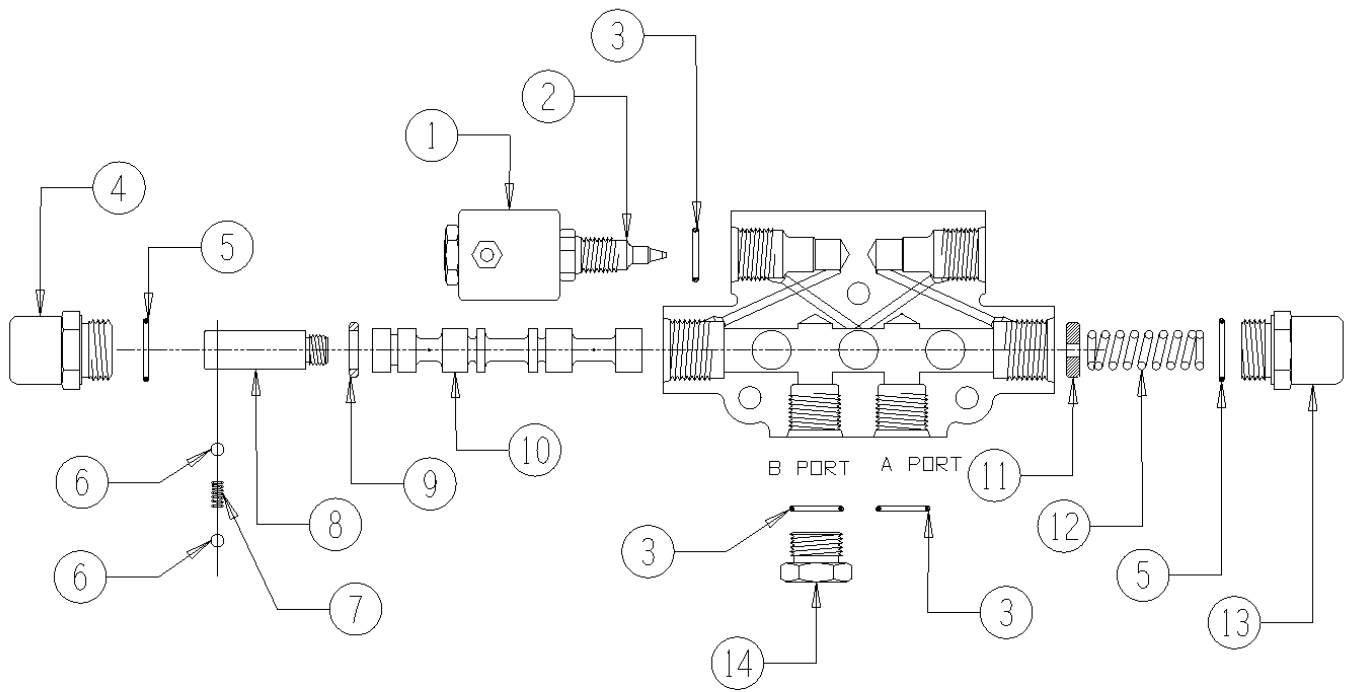
# 1007-13-15



## 1007-13-16 Elect./Hyd. Valve Section, Float w/ Detent

<u>Ref</u>	<u>Part No.</u>	<u>Description</u>	<u>Parts – Assembly</u>	<u>Will Fit SN</u>	<u>Remarks</u>
1	HVE-1036P	Coil	2		Replaces HA-431-B on Manifold Block.
2	HVE-1036M	Work Section Cartridge	2		
3	HVE-1037P	O-Ring	4		
4	HVE-1036T	Detented End Cap ( 2 inside grooves)Stamped "TB"	1	HVE-1037N	
5	HVE-1036X	"O" Ring for End Cap	2		
6	HVE-1036V	Detent Ball for HVE-1037N	2		
7	HVE-1036U	Detent Spring, HVE-1037N	1		
8	HVE-1046J	Detent Ball Housing for 36BFXD	1		
9	HVE-1046N	Detent End Spacer for Detent Section	1		
10	HVE-1036E	Valve Spool	1		
11	HVE-1046M	End Spacer for Detent Section	1		
12	HVE-1036Y	Spool Spring for End Cap	1		Replaces # HVE-1036L
13	HVE-1036W	End Cap	1		
14	A-6408-8	8 SAE Plug	1		

1007-13-16

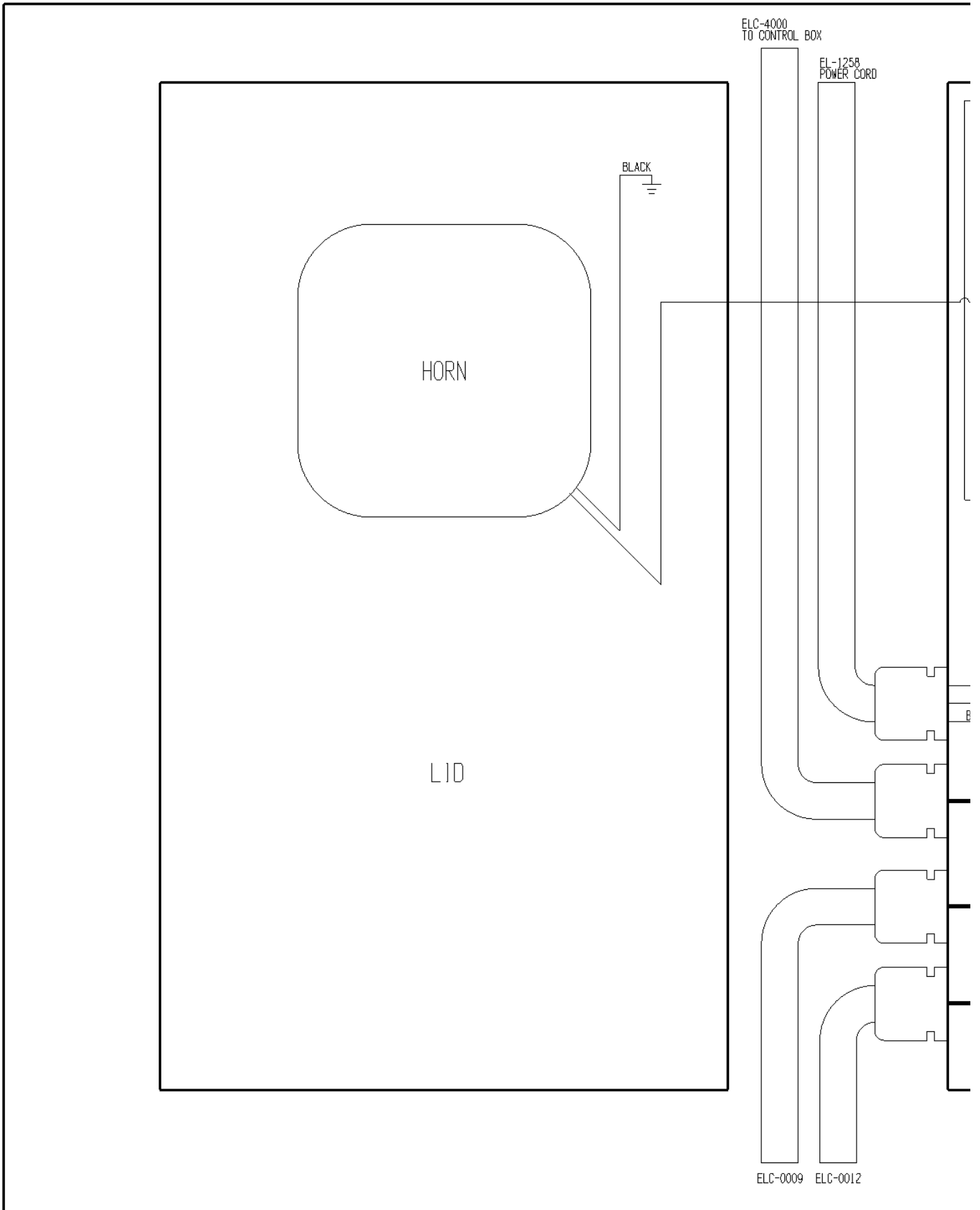


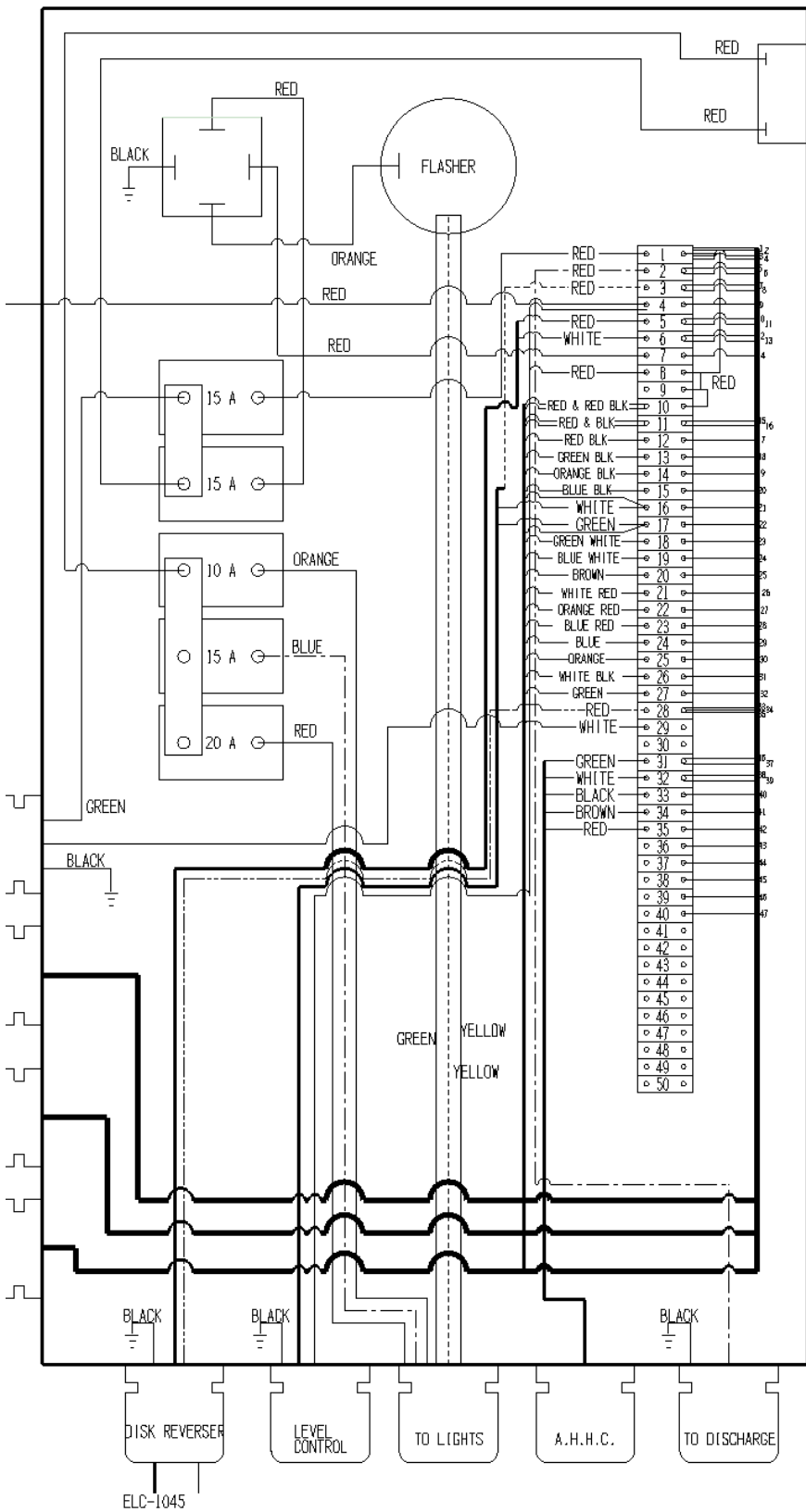
# 1007-14-1 Complete Electrical Schematic

<u>Ref</u>	<u>Part No.</u>	<u>Description</u>	<u>Parts – Assembly</u>	<u>Will Fit SN</u>	<u>Remarks</u>
	ELE-891	Large Terminal Box	1		Hoffman Makes An Equal Box: A14086CH (BOX) & A14P8 (PANEL)
0	BAR-0129	Horn Holder, Tomato Harvester	1		
0	BL-4-125-FP	1/4" x 1 1/4 " Flat Head Phillips	2		
0	BL-4-300-H	1/4-20 X 3 HEX CAP G5 ZC	2		
0	BL-4-FW-8	1/4" Flat Washer Grade 8	4		
0	BL-4-LW	1/4 SPLIT LW ZC	8		
0	BL-4-N	1/4-20 HEX FIN NUTS ZC	4		
0	BL-4-NSS	1/4"-20 Stainless Steel Nuts	4		
0	BL-632-375-SS	6-32 x 3/8" Pan Head Bolt,SS	2		
0	BL-632-NSS	6-32 SS Nuts	2		
0	EL-0015	DIN Rail 6Ft	0.25		
0	EL-0153	Terminal Block	53		
0	EL-101	Lock Nut for Electricial Connectors 1/2"	9		
0	EL-102	Lock Nut for Electricial Connectors 3/4"	1		
0	EL-1252	Power Cable (Machine end only)	1		
0	EL-14D0	Switch Boot	1		
0	EL-2114	Relay	1		
0	EL-5010	End Clamp for Terminal Block	1		
0	EL-6600	Warning Horn	1		
0	ELB-10	Breaker 10 AMP	2		
0	ELB-15	Breaker 15 AMP	2		
0	ELB-20	Breaker, 20 amp	1		Replaces 191-1210
0	ELB-46466	Circuit Breaker Mounting Bracket (6 stack)	1		
0	ELB-46562	Circuit Breaker Buss Bar (2 Stack)	1		
0	ELB-46563	Circuit Breaker Bus Bar (3 Stack)	1		
0	ELC-12-R	12 Gauge Automotive Wire (Red)	37		
0	ELC-14-BL	14 Gauge Wire (Blue)	24		
0	ELC-14-G	14 Gauge Wire (Green)	40		
0	ELC-14-Y	14 Gauge Wire, (Yellow)	64		
0	ELC-16-O	16 Gauge Wire (Orange)	26		
0	ELC-218	18 Gauge-2 Conductor @ Foot	27		
0	ELC-22-BW	22 Gauge Black Wire with White Striping	4		



0	ELC-22-RW	22 Gauge Red Wire with White Striping	6		
0	ELC-2612	1/2" Plastic Cord Connector	9		
0	ELC-2634	3/4" Plastic Cord Connector	1		
0	ELC-4000	Control Box Power Cord 25' G-Neck Hitch	1		
0	ELL-25-0	1/4" Wire Loom @ft	48		
0	ELL-375	3/8" Wire Loom @ft	45	Do Not Order More!!!!!!	Do Not Order More!!!!!!
0	ELS-2T	Two Position Toggle Switch (50 Amp)	1		
0	ELS-73920	Two Pin Flasher	1		
0	ELT-30502	Ring Terminal #8 x 18-22ga	2		
0	ELT-30511	Female Push On 18-22 ga	4		
0	ELT-31004	Terminal Ring, 1/4",16-14 Gauge,Non-insulated	9		
0	ELT-31755	Snap Spade Terminal #10 x 14-16ga	3	HV-1045K	
0	ELT-32203	Terminal Ring,1/4",12-10 Gauge, Non-insulated w/Brazed Seam	1		
0	ELT-32715	Full Insulated Female Push On 10-12ga	4		
0	ELT-32755	Snap Spade Connectors #10 10-12	6		
0	ELT-9806	Adheisive Base	15		
0	VC-9001	4" Velcro Loop w/ Pressure Sensative Back @ yard	0.01		25 Yards Per Roll
0	VC-9151	4" Velcro Hook w/ Pressure Sensative Back @ yard	0.01		
0	WT-3	3 3/4" Wire Tie	16		





- WIRE COLORS**
1. GREEN BLACK
  2. WHITE RED GREEN
  3. BLACK
  4. ORANGE BLACK
  5. GREEN WHITE BLACK
  6. RED WHITE BLACK
  7. WHITE BLACK RED
  8. BLACK GREEN WHITE
  9. BLACK WHITE RED
  10. WHITE GREEN BLACK
  11. RED GREEN WHITE
  12. BLUE WHITE
  13. RED
  14. BLACK RED GREEN
  15. RED BLACK
  16. GREEN BLACK
  17. ORANGE BLACK
  18. BLUE BLACK
  19. BLACK WHITE
  20. RED WHITE
  21. GREEN WHITE
  22. BLUE WHITE
  23. BLACK
  24. WHITE RED
  25. ORANGE RED
  26. BLUE RED
  27. BLUE
  28. ORANGE
  29. WHITE BLACK
  30. GREEN
  31. BLACK RED WHITE
  32. WHITE BLUE RED
  33. ORANGE GREEN BLACK
  34. GREEN BLACK
  35. GREEN
  36. WHITE BLACK
  37. WHITE
  38. BLUE BLACK
  39. BLUE WHITE
  40. BLUE
  41. GREEN WHITE
  42. BLACK WHITE
  43. RED WHITE
  44. WHITE RED
  45. ORANGE BROWN
  46. ORANGE RED
  47. ORANGE

## 1007-14-2 Electrical Panel Schematic, Tomato

<u>Ref</u>	<u>Part No.</u>	<u>Description</u>	<u>Parts – Assembly</u>	<u>Will Fit SN</u>	<u>Remarks</u>
1	ELP-1912	Electrical Panel, Breaker Box, 2002 Tomato	1		
2	EL-12210	Connector Cable (Terminal Strip to Brand Valve) Connectors @ 1 End	1		
3	EL-12160	Power Cable for Control Box(Plug & No Connectors)	0		2001 and above
5	EL-1252	Power Cable (Machine end only)	1		
6	EL-6600	Warning Horn	1		
7	ELE-891-T	Electrical, Panel Box, Tomato Hole Pattern	1		
9	PL-U003	Plastic, Urethane, Control Box Toggle Connector	1		
10	EL-805	Automotive Fuses 10 Amp	1		
802	EL-26W47	Machine Plug (Male)	1		

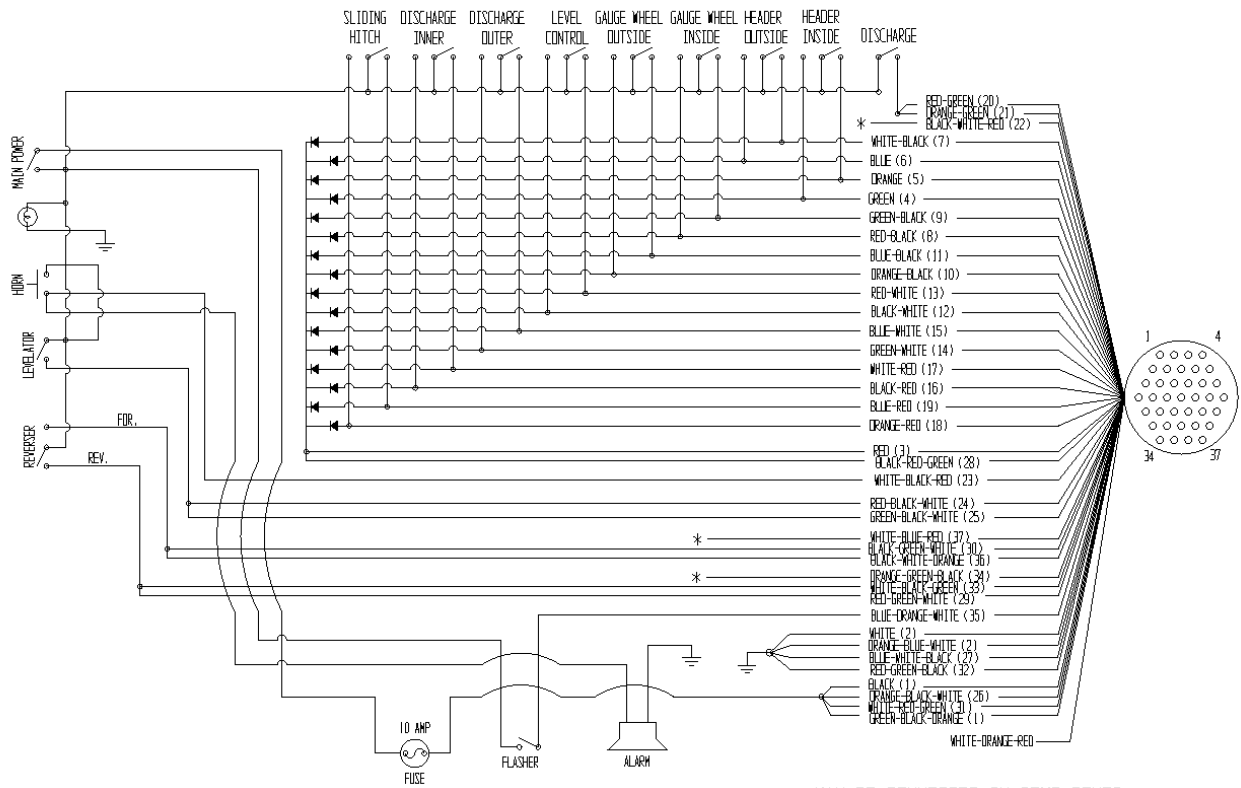


## 1007-14-3 Control Box & Hyd. Valve Color Code

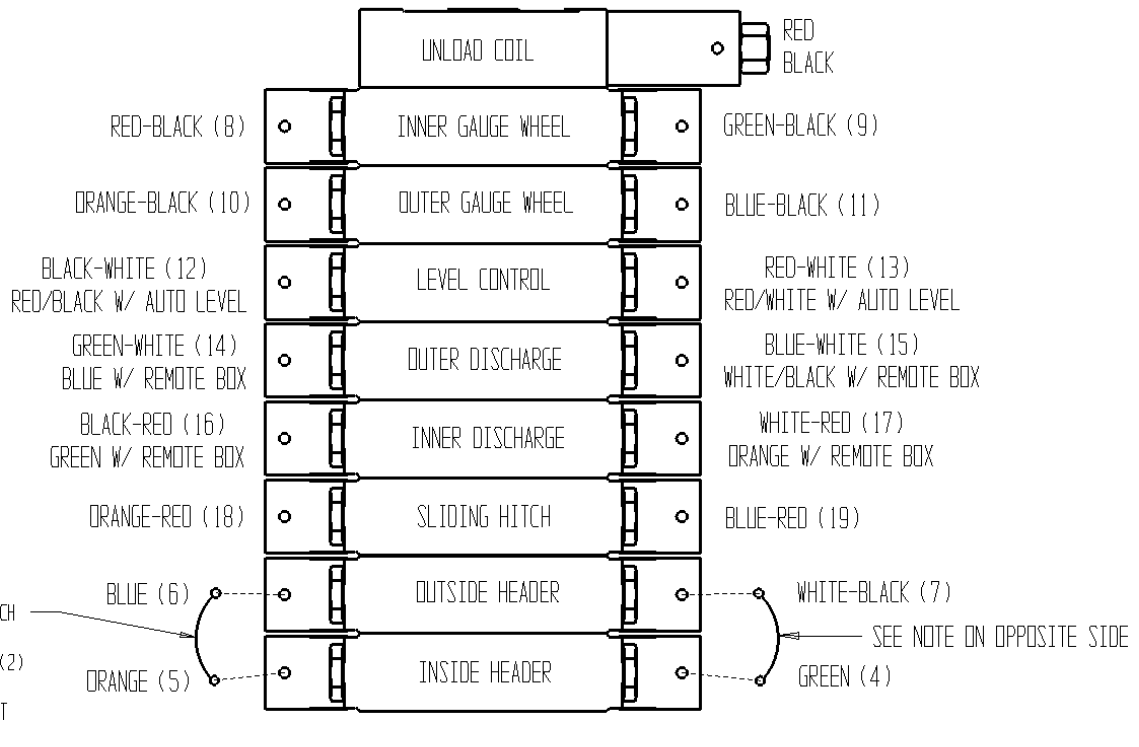
---

<u>Ref</u>	<u>Part No.</u>	<u>Description</u>	<u>Parts – Assembly</u>	<u>Will Fit SN</u>	<u>Remarks</u>
0	EL-0003	COMPLETE Control Box less cable (Tomato)	0	19701-	
0	EL-12160	Power Cable for Control Box(Plug & No Connectors)	0		2001 and above

# 1007-14-3



\* MAY BE CONNECTED IN SOME BOXES



## 1007-14-4 Optional Remote Activated Flow Control

<u>Ref</u>	<u>Part No.</u>	<u>Description</u>	<u>Parts – Assembly</u>	<u>Will Fit SN</u>	<u>Remarks</u>
0	KIT-0210	Remote Electric 25 GPM Flow Control Fits All	1		

### KIT-0210 Remote Electric 25 GPM Flow Control Fits All

<u>Ref</u>	<u>Part No.</u>	<u>Description</u>	<u>Parts – Assembly</u>	<u>Will Fit SN</u>	<u>Remarks</u>
0	0500	Assembly Area	0.5		
0	H12-36-12MP-8MP	3/4 in hose 3/4MP x 1/2MP x 36 in long	3		
1	A-1405-8-8	1/2" NPT Coupler W/Swivel	2		
2	A-6401-12-8	12 SAE x 1/2" MP Hex Nipple	1		
3	A-6900-12-12	12 SAE x 3/4"FPX	2		
4	A-6901-12-12	12 SAE x 3/4" FPX 90 , Forged	2		
5	EL-46000	Inline Fuse Holder	1		
6	EL-46102	2 Amp Fuse, Type AGC	1		
7	HV-1201	Brand Flow Valve Electronic Box	1		
8	HVE-2500	Electronic Flow Control Valve	1		
9	ELC-14-BL	14 Gauge Wire (Blue)	120		
10	ELC-14-R	14 Gauge Wire, Red	5		
11	ELC-14-BLK	14 Gauge Wire, Black	5		
12	ELL-375	3/8" Wire Loom @ft	60	Do Not Order More!!!!!!	Do Not Order More!!!!!!
13	ELT-31712	Push On Male 14-16 ga	2	HV-1045K	
14	ELT-31713	Push On Female Terminal 14-16 ga.	4	HV-1045K	
15	ELT-52565	Ring Terminal 5/16 x 14-16ga	2	HV-1045K	
17	VC-0550	Velcro One Wrap Strap @ yd	0.5		
18	VC-9001	4" Velcro Loop w/ Pressure Sensative Back @ yard	0.1		25 Yards Per Roll
19	VC-9151	4" Velcro Hook w/ Pressure Sensative Back @ yard	0.1		
20	WT-17H	Heavy Duty Wire Tie 17.5"	20		
21	A-6900-12-8	12 SAE x 1/2" FPX	2		
22	A-6901-12-8	12 SAE x 1/2" FPX 90 , Forged	2		
23	A-1404-8-12	3/4 FPX x 1/2 MP	2		
24	A-1601-8-8-8	1/2 MP x 1/2 FPX x 1/2 FPX Tee	1		
100	BL-4-125-H	1/4-20 X 1 1/4 HEX CAP G5 ZC	2		
101	BL-4-300-H	1/4-20 X 3 HEX CAP G5 ZC	2		
102	BL-4-FW	1/4 USS FW ZC	8		
103	BL-4-LN	1/4-20 HEX LN NE ZC	4		



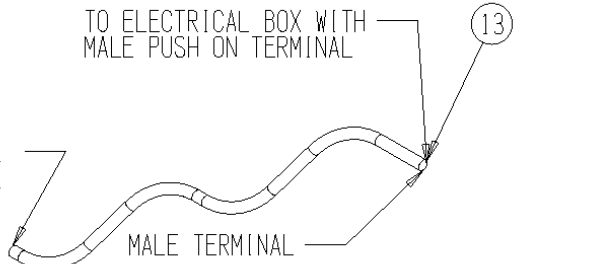
# 1007-14-4

2 EXTRA MALE TERMINALS ARE INCLUDED IN KIT TO SHORTEN HARNESS IF DESIRED

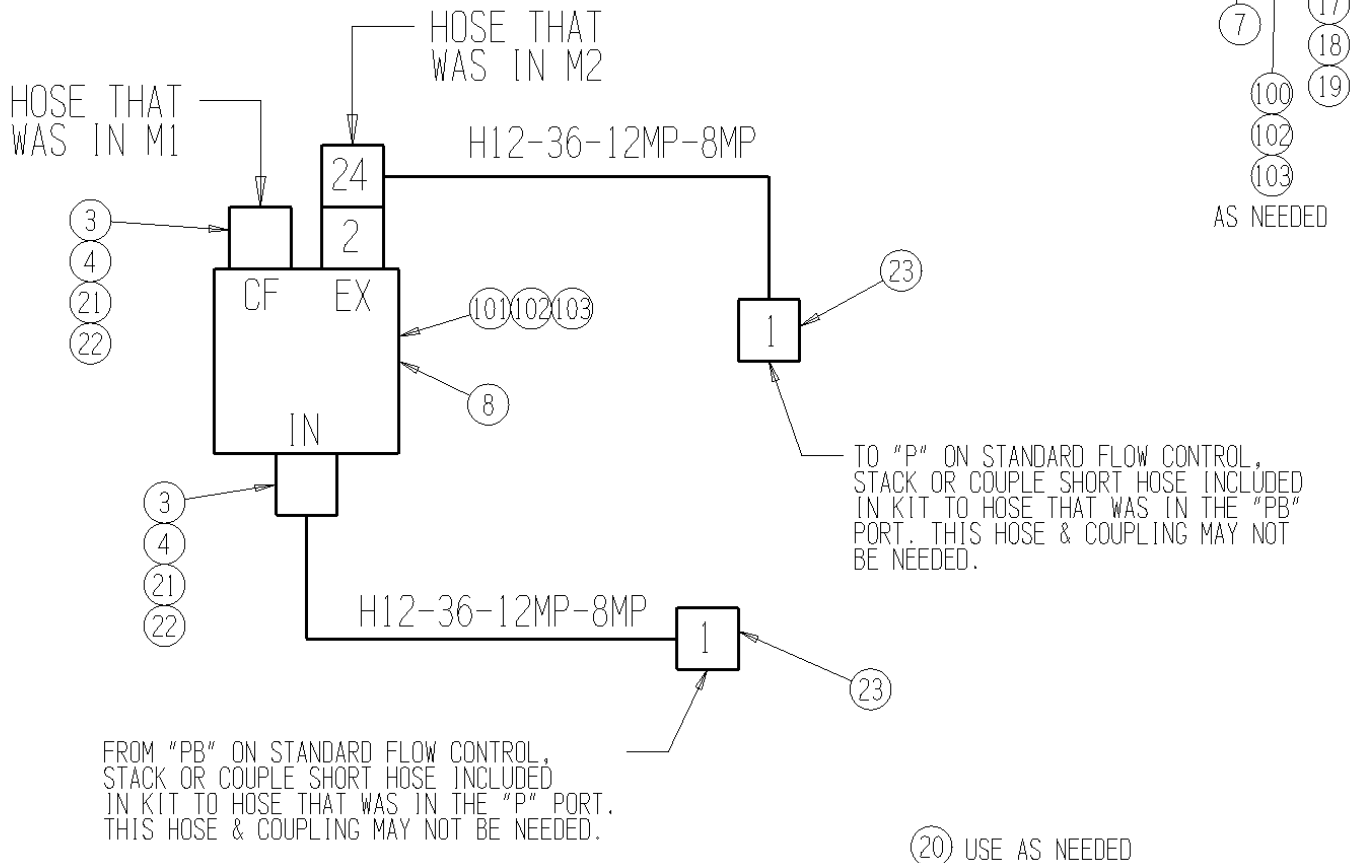
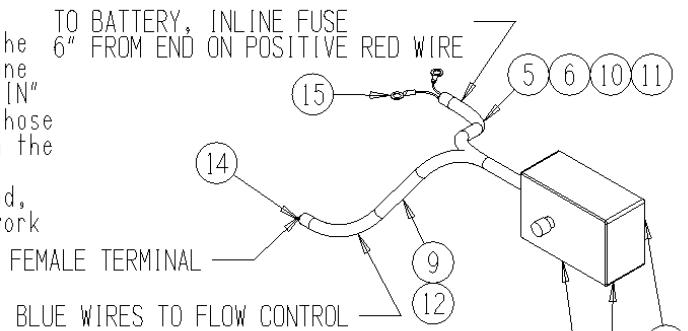
TO ELECTRICAL BOX WITH MALE PUSH ON TERMINAL

TO FLOW CONTROL WITH ELECTRICAL CONNECTOR THAT COMES WITH VALVE

PIK RITE recommends removing the existing flow control when adding the Electronic Flow Control. This is the most efficient method. Leaving the existing flow control in line and wide open will cause a slight pressure drop in the system. If the existing Flow Control is left in line, take the one short hose included in the Kit from "M1" to the "IN" on the Electronic Flow Control. The other short hose will go from the Electronic Flow Control "Tee" in the Ex Port to the "M2" in the existing flow control. You will have extra Fittings When you are finished, Routing the Hydraulics. This kit is designed to work with both 5/8" & 3/4" lines.



TO BATTERY, INLINE FUSE 6" FROM END ON POSITIVE RED WIRE



## 1007-15-1 Roller Parts Assembly

<u>Ref</u>	<u>Part No.</u>	<u>Description</u>	<u>Parts – Assembly</u>	<u>Will Fit SN</u>	<u>Remarks</u>
801	BR-025-052	Bearing, for Terog Rollers	2		
802	BR-025-052-U	Bearing Kit for Terog Rollers	1		Includes (1)RLA-103, (2)RLA-000-101, (2)BR-025-052, (1)RLA-000-102, (1)RLA-104
803	BR-025-052-W	Bearing Kit for Terog Roller, Single Bearing	1		Same as BR-025-052-U, except has only (1)BR-025-052.
804	RLA-000-101	Metal Seal	2		
805	RLA-000-102	Seperator Ring	1		
806	RLA-006-078	Bushing 1/2" x 5/8" x .75"	1		
807	RLA-006-128	Bushing, 1/2" x 5/8" x 1.25	1		
808	RLA-103	Snap Ring	1		
809	RLA-104	Snap Ring	1		
810	RLA-3023-TM	Scraper for Nose Roller, RH	1	For use with RLS-522- 2010-SC roller only	
811	RLA-3023-T	Straight Scraper, RH	1		
812	RLA-3024-TM	Scraper for Nose Roller, LH	1	For use with RLS-522- 2010-SC roller only	
813	RLA-3024-T	Straight Scraper	1		
814	RLT-SSP2	Stub Shaft Only for mounting 3023S and 3024S: 5/8 bore	1		
815	RLT-SSU1	Stub Shafts for Rollers: 1/2" bore, 2" Length	1		
816	RLT-SSU2	Stub Shafts for Rollers: 5/8" bore, 2" Length	1		
817	RLT-SSU3	Stub Shafts for Rollers: 3/4" bore, 2" Length	1		
818	RLT-SSW1	Stub Shaft for Rollers: 1/2" Bore, 1¼" Length	1	RLT-535-12*	

# 1007-15-1

