



60 PIK RITE LANE, LEWISBURG PA 17837

PHONE: 570-523-8174 FAX: 570-523-8175

EMAIL: frontdsk@pikrite.com WEBSITE: www.pikrite.com

Dear Grower,

Welcome to the growing family of satisfied Pik Rite equipment owners. Our goal is to help make your harvest as enjoyable and trouble free as possible by providing equipment that is durable and keeps down time to a minimum.

In order to provide customer service and a supply of original equipment parts to keep your machine well maintained, we are continually striving to keep our systems state-of-the-art. We utilize all available resources that allow us to provide accurate and timely deliveries.

We will continue to give you the service you have come to expect from our dealer representatives and us. In order to avoid any delays during your harvest season we make every effort to have someone available to take your calls 24 hours a day. We have shipping companies in place to deliver your parts as expediently as possible. Whether you live a few miles down the road or on the other side of the globe you can count on us.

Sincerely,

Clint Morris
Parts Sales
parts@pikrite.com

Parts and Service Hotline
800-326-9763

www.pikrite.com

TABLE OF CONTENTS

BELTED CHAIN REPLACEMENT PARTS	6
BELTED CHAIN REPLACEMENT PARTS FOR OPT. COMPONENTS.....	7
MOTOR REPLACEMENT PARTS.....	8
MOTOR REPLACEMENT PARTS FOR OPT. COMPONENTS	10
10010-01-01 Optional Overhead Lift/Standard Tongue	13
10010-01-20 Tongue Assembly.....	16
10010-01-20H Tongue Hydraulic Assembly.....	20
10010-01-50 Tongue 1-3/8-21 PTO Assembly	22
10010-01-60 Standard Axle & Rocker Assembly	24
10010-01-68 Optional Automatic Leveling Assembly.....	26
10010-02-01 Disk Header Frame Assembly	28
10010-02-02 Disk Header Drive Shaft Assembly.....	30
10010-02-04 Disk Header 36' Disk Shaft Assembly.....	32
10012-02-05 Disk Header Gathering Chain Assembly	34
10010-02-06 Optional Gathering Chain Roller Assembly	36
10010-02-07 Optional Disk Header Gauge Wheel Assembly-Manual	40
10010-02-70 Optional Header Height Control System.....	42
10010-02-70H Optional Header Height Control Hydraulic	46
10010-03-01 Primary Header Assembly	48
10010-03-02 Secondary Header Frame Assembly	52

10010-03-03	Header Conveyor Drive Shaft Assembly	54
10010-03-10	Header Conveyor Return Roller Assembly	58
10010-03-11	Header Conveyor Vibrator Shaft Assembly	60
10010-03-17	Optional Overhead Vine Assist/Full Length	64
10010-04-03	Shaker Cover Assembly	68
10010-04-05	Optional Transfer x/Vine Chain Assembly	70
10010-04-06	Transfer Drive Shaft Assembly	74
10010-04-07	Transfer Return Roller Assembly	78
10010-04-10	Shaker Chamber Ladder Assembly	80
10010-04-50	Opt. Shaker Chamber w/Vine Chain Assembly	82
10010-04-51	Optional Shaker Chamber Box Shield Assembly	86
10010-04-52	Optional Vine Chain Drive Assembly	88
10010-04-52H	Opt. Vine Chain Drive Hyd. Assembly	92
10010-04-53	Optional Rear Transfer Assembly	94
10010-04-54	Optional Rear Transfer Drive Shaft Assembly	96
10010-04-55	Optional Rear Transfer Return Roller Assembly	100
10010-04-56	Rear Transfer w/o Chopper	102
10010-05-01	Primary & Secondary Shaker Drum Assembly	104
10010-05-02	Primary & Secondary Shaker Weight & Box Assembly	106
10010-05-10	Primary Shaker Ring & Finger Assembly	110
10010-05-15	Secondary Shaker Ring & Finger Assembly	112

10010-05-18	Shaker Spacer Tube (per shaker) Assembly	114
10010-05-20	Optional ShakerTine Covers Assembly	116
10010-07-02	Cross Conveyor Drive Assembly	118
10010-07-10	Cross Conveyor Return Roller Assembly	120
10010-07-15	Opt. Cross Drive Anti-Wrap Shield Assembly	122
10010-07-50	Optional Cross Frame (for Vine Chain) Assembly	124
10010-07-70	Debris Fan Assembly.....	126
10010-07-71	Debris Drum Assembly	130
10010-07-72	Cross Conveyor Cover Assembly	132
10010-08-60	Debris Panel/Shield Assembly, Long Sorting Table.....	134
10010-08-61	Long Aftersort Frame Assembly	136
10010-08-62	Long Aftersort Auger Assembly	138
10010-08-63	Long Aftersort Center Support Roller Assembly	140
10010-08-64	Long Aftersort Drive Assembly	142
10010-08-65	Long Aftersort Side Panel Assembly	144
10010-10-01	Discharge Basket Assembly	146
10010-10-02	Discharge Inner Section Assembly	148
10010-10-03	Discharge Outer Section Assembly	150
10010-10-04	Discharge Drive Assembly.....	152
10010-11-01	Canopy Assembly.....	156
10010-11-04	Overhead Lift Inner Decking Assembly.....	158

10010-11-05	Outer Decking Assembly	160
10010-13-01	Hydraulic Motor Plumbing Assembly	162
10010-13-03	Oil Cooler Assembly	168
10010-13-05	Oil Tank Assembly.....	170
10010-14-02	Hydraulic Cylinder Plumbing w/ Overhead Single HHC	174
10010-15-10	Electrical Panel Schematic, Tomato	178
10010-15-22	Control Box Single HHC Assembly.....	180
10010-15-30	Optional Remote Activated Flow Control	182

BELTED CHAIN REPLACEMENT PARTS

	Part #	Description
Gathering Chain 10012-02-05	BC-6-1236-60	Gathering Chain, 3/8 bars 12in wide x 60 links 36mm
	BC-1032-FS	10-32 x 1-1/4" Bolts Flat Head Socket
	BC-1032-TN	10-32 T Nuts
	BC-6-12-ST	3/8" x 12 Belted Chain Rod for 50mm
	BC-BP20-10-T	20mm Backing Plates / 10-32 T Nuts
Header Conveyor Drive Shaft 10010-03-03	BC-7-3242-265	Header Chain, 7/16" bar 42mm pitch 265 links
	BC-1032-FS	10-32 x 1 1/4" bolts Flat Socket Head
	BC-1032-LN	10-32 lock nuts
	BC-7-32-CN	Conn. Rod, 11mm, 32" W Belt Chain, 60mm Tr. Belt
	BC-7-32-ST	7/16" x 32" Belted Chain Rod for 60mm Belt
	BC-BP32	Belt, Rivet backing plate 32mm
	BC-F-42-32-UG	Ultra Gold F Connecting Clip 42-32
Transfer Drive Shaft 10010-04-06	BC-7-3636-105	Vine Chain, 1/2" Bars, 53" Wide, 72 Links, 144mm Pitch
	BC-7-36-CN	Conn. Rod, 11mm, 36" W Belt Chain, 60mm Tr. Belt
	BC-1032-FS	10-32 x 1 1/4" bolts Flat Socket Head
	BC-1032-LN	10-32 lock nuts
	BC-7-36-AC	7/16" x 36" Rod w/24mm Air Cushion Cover
	BC-BP32	Belt, Rivet backing plate 32mm
	BC-F-36-32-UG	Ultra Gold F Connecting Clips 36-32
Cross Conveyor Drive 10010-07-02	BC-7-3236-133	Cross Conveyor Chain
	BC-1032-FS	10-32 x 1 1/4" bolts Flat Socket Head
	BC-1032-LN	10-32 lock nuts
	BC-7-32-ST	7/16" x 32" Belted Chain Rod for 60mm Belt
	BC-7-32-CN	Conn. Rod, 11mm, 32" W Belt Chain, 60mm Tr. Belt
	BC-BP32	Belt, Rivet backing plate 32mm
	BC-F-36-32-UG	Ultra Gold F Connecting Clips 36-32
Discharge Drive 10010-10-04	BC-6-2036-307	Discharge Chains with flights
	BC-1032-FS	10-32 x 1 1/4" bolts Flat Socket Head
	BC-1032-LN	10-32 lock nuts
	BC-F-36-20-UG	Ultra Gold F Connecting Clips 36-20
	BC-6-20-ST	3/8" x 20" Belted Chain Rod (Straight)
	BC-6-20-FL	Rubber Elevator Flights
	BC-7-20-CN	Conn. Rod, 11mm, 20" W Belt Chain, 50mm Tr. Belt
	RI-19-BC	19mm Belted Chain Rivets
	BC-BP20	Belt, Rivet Backing Plates

BELTED CHAIN REPLACEMENT PARTS FOR OPT. COMPONENTS

	Part #	Description
Opt. Vine Chain Drive 10010-04-52	BC-7-36144-61	Vine Chain
	BC-1032-FS	10-32 x 1 1/4" bolts Flat Socket Head
	BC-1032-LN	10-32 lock nuts
	BC-F-36-32-UG	Ultra Gold F Connecting Clips 36-32
	BC-7-36-CN	Conn. Rod, 11mm, 36" W Belt Chain, 60mm Tr. Belt
	BC-7-36-ST	7/16" x 36" Belted Chain Rod for 60mm Belt
	BC-BP32	Belt, Rivet backing plate 32mm
Opt. Rear Transfer Drive Shaft 10010-04-54	BC-7-3636-75	Rear Transfer, Belted Chain
	BC-1032-LN	10-32 lock nuts
	BC-1032-FS	10-32 x 1 1/4" bolts Flat Socket Head
	BC-F-36-32-UG	Ultra Gold F Connecting Clips 36-32
	BC-7-36-CN	Conn. Rod, 11mm, 36" W Belt Chain, 60mm Tr. Belt
	BC-7-36-AC	7/16" x 36" Rod w/24mm Air Cushion Cover
	BC-BP32	Belt, Rivet backing plate 32mm

MOTOR REPLACEMENT PARTS

	Assembly	Part #	Description
Disk Header Drive Shaft	10010-02-02	HM-1420-TC KEY-5-5-20	TCI Motor Shaft Key
Header Conveyor Drive Shaft	10010-03-03	HM-1228-TC KEY-5-5-20	TCI Motor Shaft Key
Header Conveyor Vibrator Shaft	10010-03-11	HM-412-1 HM-412B HM-2100-SK HM-2100-BRG	Hydraulic Motor Key Seal & Gasket Kit Bearing
Transfer Drive Shaft	10010-04-06	HM-210-TC KEY-4-4-15	TCI Motor Shaft Key, 1/4" x 1/4" x 15/16" Woodruff Key
Primary & Secondary Shaker Drum	10010-05-01	HM-103-TC HM-103-SK KEY-4-4-15	TCI Motor Seal Kit Shaft Key, 1/4" x 1/4" x 15/16" Woodruff Key
Primary & Secondary Shaker Weight & Box	10010-05-02	HM-412-1 HM-412B HM-2100-SK HM-2100-BRG	Hydraulic Motor Key Seal & Gasket Kit Bearing
Cross Conveyor Drive	10010-07-02	HM-204-TC KEY-4-4-15	TCI Motor Shaft Key, 1/4" x 1/4" x 15/16" Woodruff Key
Cross Conveyor Return Roller	10010-07-10	HM-214-TC	Hydraulic Motor
Debris Fan	10010-07-70	HM-712-1 HM-412B HM-2100-SK HM-2100-BRG	Hydraulic Motor Key Seal & Gasket Kit Bearing
Debris Drum	10010-07-71	HM-204-TC KEY-4-4-15	TCI Motor Shaft Key, 1/4" x 1/4" x 15/16" Woodruff Key
Long Aftersort Drive	10010-08-64	HM-204-TC KEY-4-4-15	TCI Motor Shaft Key, 1/4" x 1/4" x 15/16" Woodruff Key

Discharge Drive

10010-10-04	HM-210-TC KEY-4-4-15	TCI Motor Shaft Key, 1/4" x 1/4" x 15/16" Woodruff Key
--------------------	-------------------------	---

Oil Cooler

10010-13-03	HM-1020 HM-0381 HM-2585 HM-2686 HM-1801	Cooling Fan Motor Ball Bearing Ring Seal Snap Ring Seal Kit for Commercial Intertech
--------------------	---	--

MOTOR REPLACEMENT PARTS FOR OPT. COMPONENTS

Opt. Overhead Vine Assist/Full Length	10010-03-17	HM-210-TC KEY-4-4-15	TCI Motor Shaft Key, 1/4" x 1/4" x 15/16" Woodruff Key
Opt. Vine Chain Drive	10010-04-52	HM-1420-CH HM-103-SK KEY-4-4-15	Char Lynn Motor Seal Kit Shaft Key, 1/4" x 1/4" x 15/16" Woodruff Key
Opt. Rear Transfer Drive Shaft	10010-04-54	HM-210-TC KEY-4-4-15	TCI Motor Shaft Key, 1/4" x 1/4" x 15/16" Woodruff Key
Opt. Rear Transfer Return Roller	10010-04-55	HM-204-TC KEY-4-4-15	TCI Motor Shaft Key, 1/4" x 1/4" x 15/16" Woodruff Key
Opt. Vine Chopper w/o Sep. Ext. Plumb to Machine	10010-06-01	HM-122 HM-2100-SK HM-2100-BRG	Motor, Hydraulic, 1-3/4" Gear, #12 SAE Ports Seal & Gasket Kit Bearing

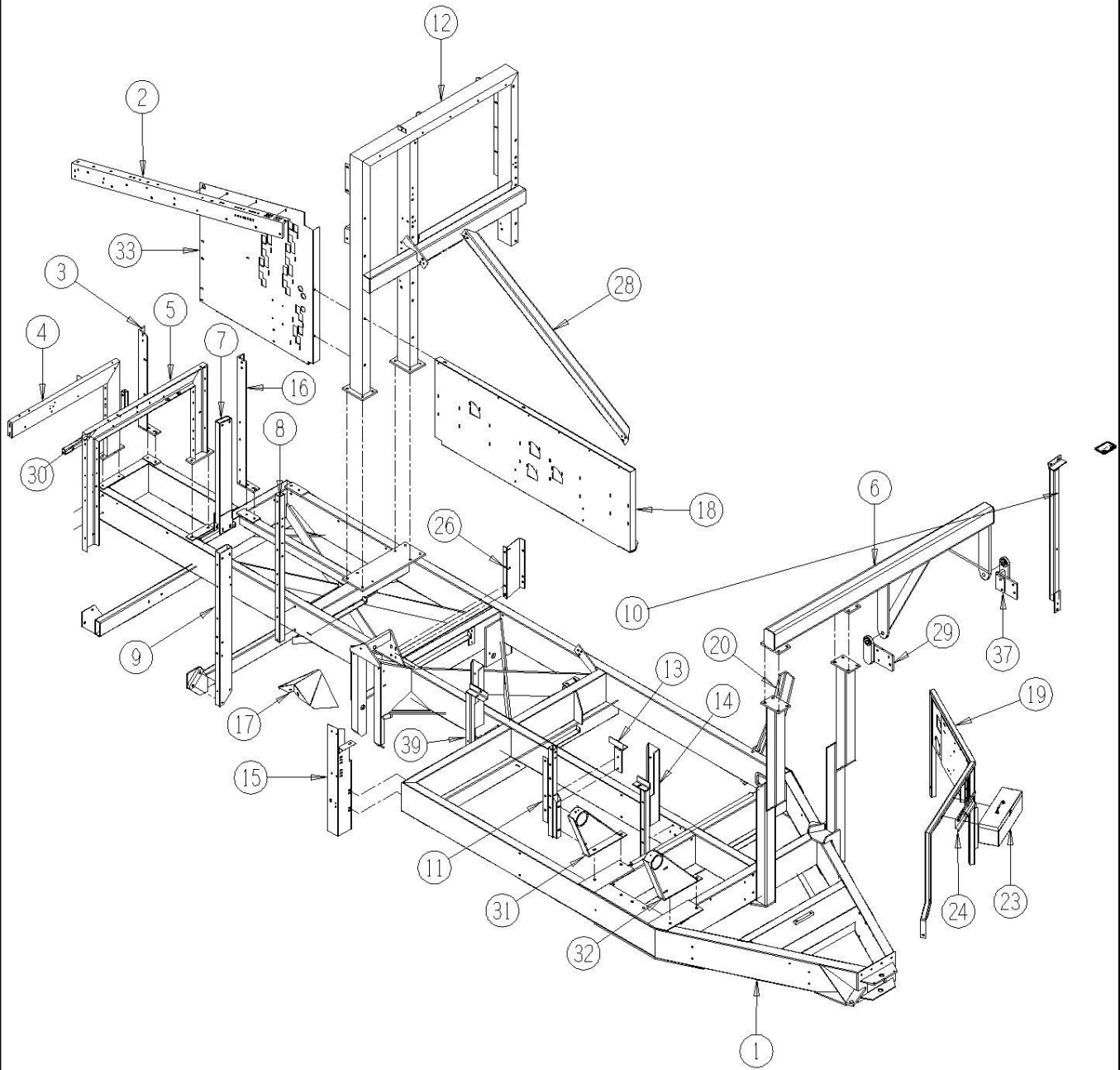
PARTS CATALOG

10010-01-01 Optional Overhead Lift/Standard Tongue

<u>Ref</u>	<u>Part No.</u>	<u>Description</u>	<u>Parts – Assembly</u>	<u>Will Fit SN</u>	<u>Remarks</u>
1	FRM-1018	Overhead Lift Frame/Standard Tongue	1		
2	191-1133A	Shaker Angle (3 x 5 angle)	1	19101-	
3	191-1133R	Post, Shaker Angle	1	19101-	
4	191-1136	Frame, Debris Air Flow, Rear Channel	1	19101-	
5	191-1137	Frame, Front Debris	1	19101-	
6	FRM-1156	Overhead Header Lift (upper)	1		
7	193-1138A	Rear roof support, upper	1	19301-	
8	193-1138C	Post, Rear Inner Presort	1	19301-	
9	193-1138B	Rear roof support, lower	1	19301-	
10	193-1139A	Front Canopy Support , Top	1	19301-	
11	193-1139B	Front Roof support, Bottom	1	19301-	
12	191-1132	Frame, Shaker	1	19101-	
13	POS-0210	Post Mount,Frnt Right Outer, Aftersort,190	1		
14	POS-0211	Post,Frnt Inner,Aftersort,190	1		
15	POS-0209	Post,Rear Outer, Aftersort,190	1		
16	POS-1134	Post, Shaker Angle, W.A.	1		
17	194-1131	Leveling Cylinder Cover	1	19401-	
18	194-1135	Shield, Dust	1		
19	194-1414	Front Rail	1	19401-	
20	200-108	Slide Guide Wldmt, Reinforced	1		
23	BOX-7022	Removable Tool Box	1		
24	BOX-7025	Removable Tool Box Mounting	1		
26	POS-130	Post, Handsort, Inner	1	KIT-800	For serial group: 19601-
28	SUP-1101	Support,Shaker Frame	1		
29	FRM-1158	Cylinder Mount, Inner, Standard Tongue	1		
30	SUP-736	Support, Rear Debris Fan, Handsort	1	KIT-800	
31	191-927	Discharge Elevator Mount, Rear	1	19101	
32	191-926	Discharge Elevator Mount, Front	1	19101-	

33	PAN-1134	Panel, Shaker Angle	1	
34	DC-3025	Red and White Reflective Tape @ 150 ft Roll	0.107	
35	DC-1183	Company Information Decal, 3' x 7.75'-	1	
36	DC-1180	Serious Injury/Death Decal, Read Manual	1	
37	FRM-1157	Outer Cylinder Mount, Standard Tongue	1	
38	HC-250-2408-OR	Hydraulic Cylinder 2 1/2 x 24 #8 SAE w/O-Piston Ring Seal	2	NOT TO BE USED IN SINGLE ACTING APPLICATIONS Replaces HC-250-2408-IV
39	POS-0212	Post,Inner Rear,Aftersort,190	1	

10010-01-01

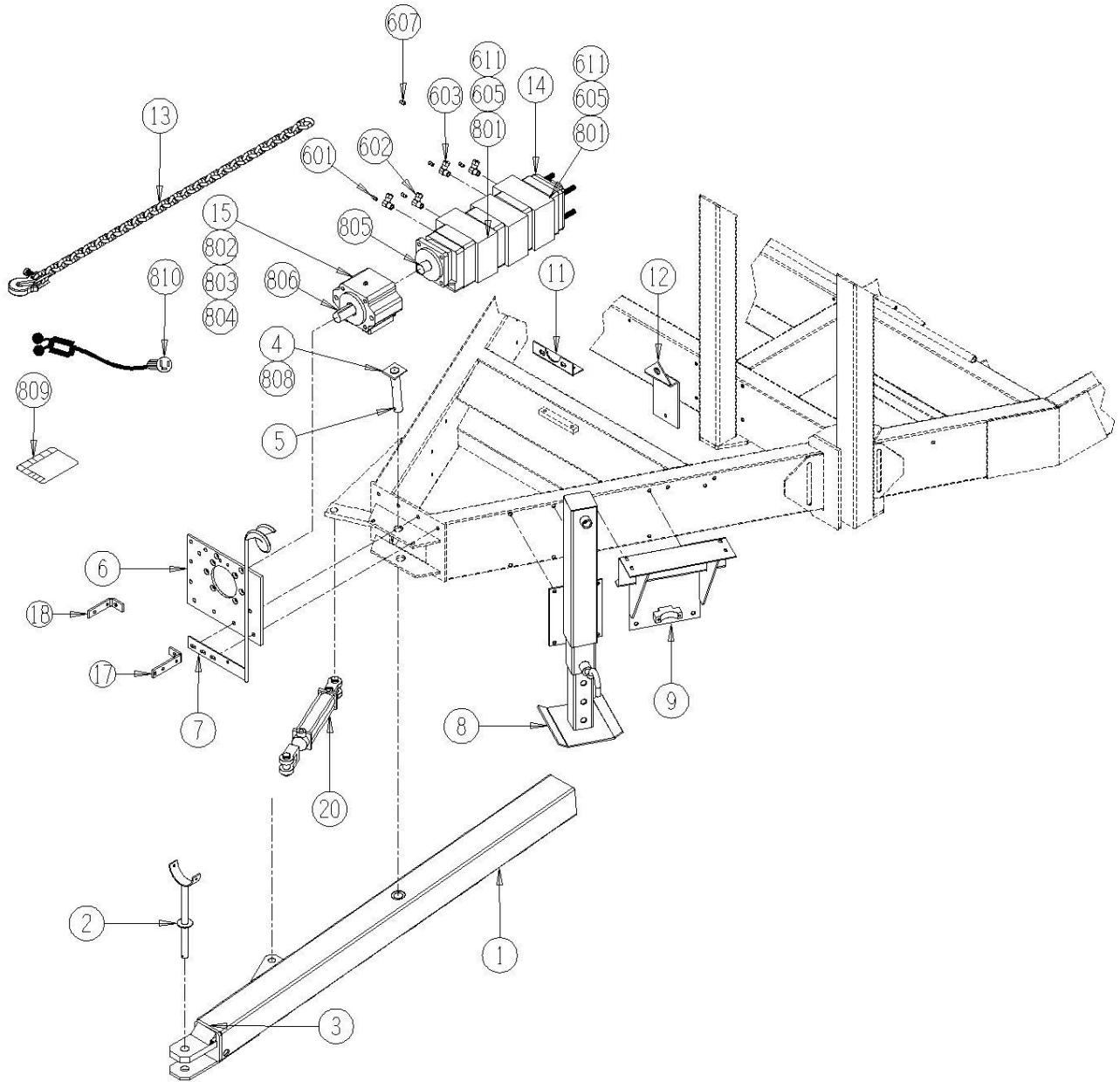


10010-01-20 Tongue Assembly

<u>Ref</u>	<u>Part No.</u>	<u>Description</u>	<u>Parts – Assembly</u>	<u>Will Fit SN</u>	<u>Remarks</u>
1	FRM-1102	TONGUE	1	19701-	Replaces 194-1102
2	STD-1002	Stand, PTO, Black	1		
3	DC-0013	Decal, 'Improper Hookup May Cause PTO Shaft Failure, Harvesters	1		
4	192-1103	Frame, Swivel Pin	1	19201-	
5	PIN-6-32	Roll Pin 3/8' x 2'	1		
6	MOU-1005	Mount, Pony Pump, Vine Chopper, 190 Tomato	1		
7	SUP-3200	Hose Support	1	19100-30095001-	
8	WH-1125	Jack	1	19101-	
9	MOU-0209	Valve Mounting Plate, 190 Tomato	1		
11	196-1129	Mount, Rear Pump (Tomato)	1	19101-	Replaces 191-1129 NOTE: Use with #HP-365-C1
12	193-918	Cylinder bracket frame	1		
13	FRM-3167	Safety Chain, Agricultural, 30,400 lb. Capacity	1	19701-30097001-	
14	HP-365-P1	Hydraulic Pump, Permco 360	1		Replaces HP-365-C1-SP. (requires 1 HP-1003-XSP)
15	HP-1003-XSP	Overhung Load Adapter With Weep Hole, Splined Int, Extended External	1	73008001-	
16	BT-8200	Belting, PTO, Hitch Assembly, HC290 Tomato	1		
17	BRA-8200	Bracket, Outsd, PTO Belting, Hitch Assy	1		
18	BRA-8201	Bracket, Inside, PTO Belting, Hitch Assy	1		
20	HC-200-0808	Hydraulic Cylinder 2' x 8' #8 SAE Ports, 18.25' Retracted	1	19201-	Seal kit for Lion, HC-200-112
100	BL-8-LW	1/2 SPLIT LW ZC	6		
101	BL-8-N	1/2-13 HEX FIN NUTS ZC	6		
102	BL-8-700-FS	1/2-13 X 7 FL SOC CAPS	2		
103	BL-8-750-FS	1/2-13 X 7 1/2 FL SOC CAPS	3		
104	BL-8-800-FS	1/2-13 X 8 FL SOC CAPS	1		
105	BL-16-700-H	Hex Bolt 1 x 7 Zinc Grade 5	1		
106	BL-16-LN	1' Lock Nuts w/ Nylon Inserts	1		
107	BL-16-SW	1' SAE Washer	2		
601	HA-1004-4	Test Point Plug #4 SAE Thread	4		

602	A-6901-12-12-4SAE	12 SAE x 1/2" FPX 90-w/4 SAE Port, Forged	2	
603	A-6901-10-8-4SAE	10 SAE x 1/2" FPX90- W/ 4SAE Port, Forged	2	
605	A-4456-32-32	Flange Nipple, 2" 45-	2	
606	HOS-2-3	2' Suction Hose, Nitrile/Neoprene, Black	12	
607	HA-1005-T	Test Point Probe	1	
608	HA-1004-G	Hydraulic, Pressure Gauge w/1/4 NPT Stem	1	
609	A-4444-32-32	2' Male Pipe Hose Barb	4	
611	A-SFK-32	2' Split Flange Kit	2	
801	A-90DF-32	O Ring for Flange Face 2'	1	A-SFK-32
802	HP-1003A	Rear seal for HP-1003	1	11001
803	HP-1003B	Front seal for HP-1003	1	11101
804	HP-1003S	Output Shaft for HP-1003	1	HP-1003
805	HP-365B	Key for Hydraulic Pump, Model 365	1	HP-365-C1 & HP-365-C3
806	KEY-6-6-40	Keystock 3/8" x 3/8" x 2 1/2" Square Cut (1018)	1	
808	GF-1827-65L	Grease Fitting 1/8 NPT Long 65-	1	
809	DC-0041	Decal, Control Box, Tomato, '02	1	
810	EL-27W470	Tractor Connector (Female)	1	

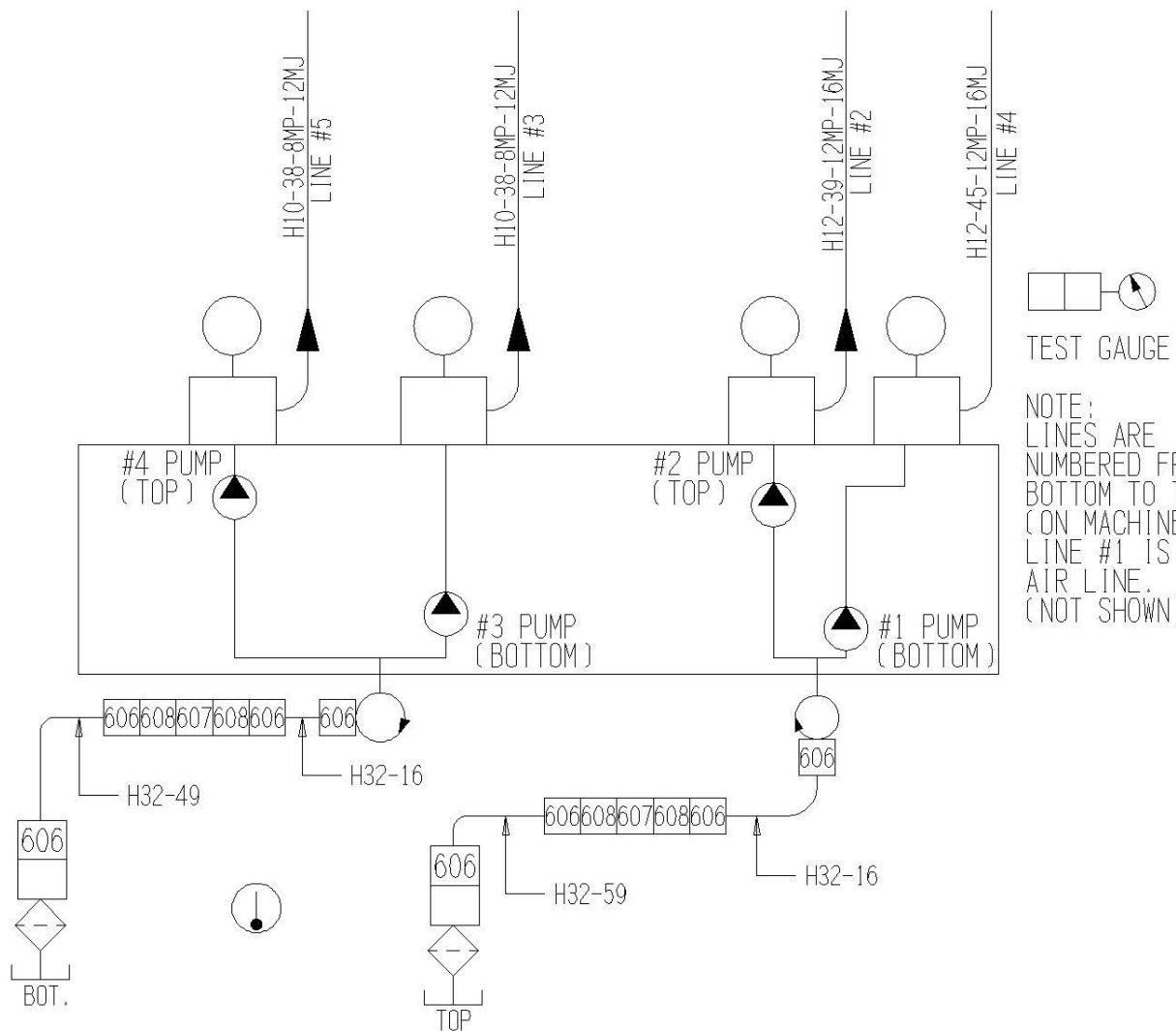
10010-01-20



10010-01-20H Tongue Hydraulic Assembly

<u>Ref</u>	<u>Part No.</u>	<u>Description</u>	<u>Parts – Assembly</u>	<u>Will Fit SN</u>	<u>Remarks</u>
601	H32-49	2' Suction Hose From Tank 2-Point 49'	1		
602	H32-16	2' Suction Hose From Tank 2-Point 16'	2		
603	H10-38-8MP-12MJ	5/8 in hose 1/2MP-3/4MJIC x 38 in long	2		
604	H12-39-12MP-16MJ	3/4 in hose 3/4MP-1MJIC x 39 in long	1		
605	H12-45-12MP-16MJ	3/4 in hose 3/4 MP x 1' MJIC x 45 in long	1		
606	CL-225	2 1/4' T-Bolt Clamp	8		
607	HV-GV-200	2' Brass Gate Valve	2		
608	A-4444-32-32	2' Male Pipe Hose Barb	4		
609	H32-59	2' Suction Hose From Tank 2-Point 59'	1		

10010-01-20H



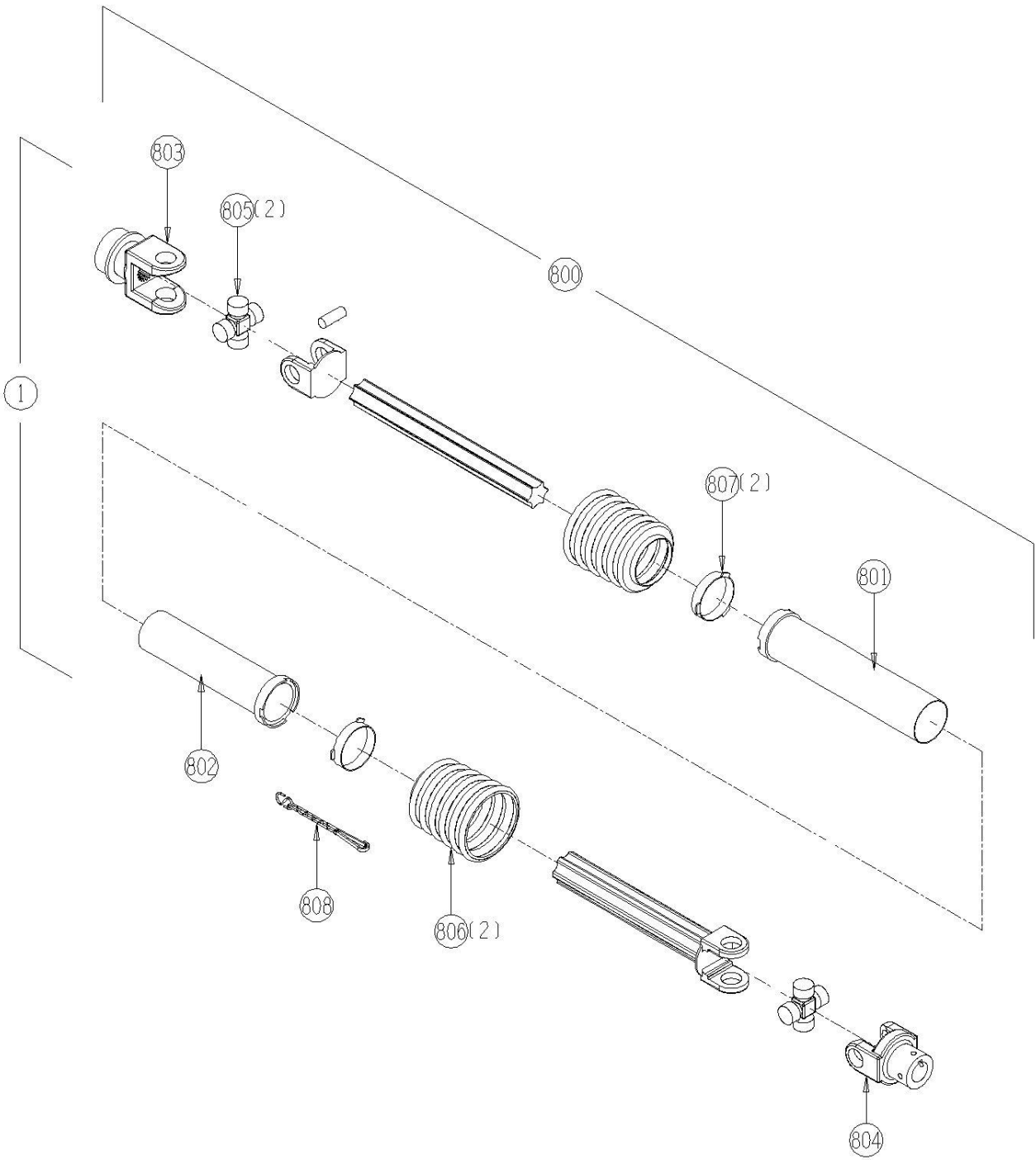
TEST GAUGE

NOTE:
LINES ARE
NUMBERED FROM
BOTTOM TO TOP
(ON MACHINE).
LINE #1 IS THE
AIR LINE.
(NOT SHOWN)

10010-01-50 Tongue 1-3/8-21 PTO Assembly

<u>Ref</u>	<u>Part No.</u>	<u>Description</u>	<u>Parts – Assembly</u>	<u>Will Fit SN</u>	<u>Remarks</u>
1	PTS-1002	1-3/8 21-spline x Overhung LA, 190, Walterscheid	1	19101-	Used on some 1994 machines
101	BL-6-050-SC	3/8-16 x 1/2' Knurled Point Set Screw	2		
800	PTS-1002-FH	1-3/8 21-spline, Front Half Only for All PTO (Walterscheid) Shafts	1		
801	PTS-1002F	PTO Outer Shield (Walterscheid)	1	19101-	
802	PTS-1002G	PTO Inner Shield (Walterscheid) Tomato Shaft	1	19101-	For use on PTS-1002 and PTS-1001 model Only
803	PTS-1002C	PTO Yoke (Walterscheid) 1 3/8' x 21 spline	1	19101-	John Deere PN AW25386
804	PTS-1003-H	PTO Inner Yoke (Walterscheid)	1		
805	PTS-4001B	Extended Lube Cross & Bearing Kit	2	Walterscheid Yokes	Replaces PTS-1002B
806	PTS-1002E	7 Rib PTO Shield Cone (Walterscheid)	2	19101-	
807	PTS-1002J	PTO Shield Bearing Ring	2		Special Order Only
808	PTS-1002K	PTO Shield Safety Chain	1		Special Order Only

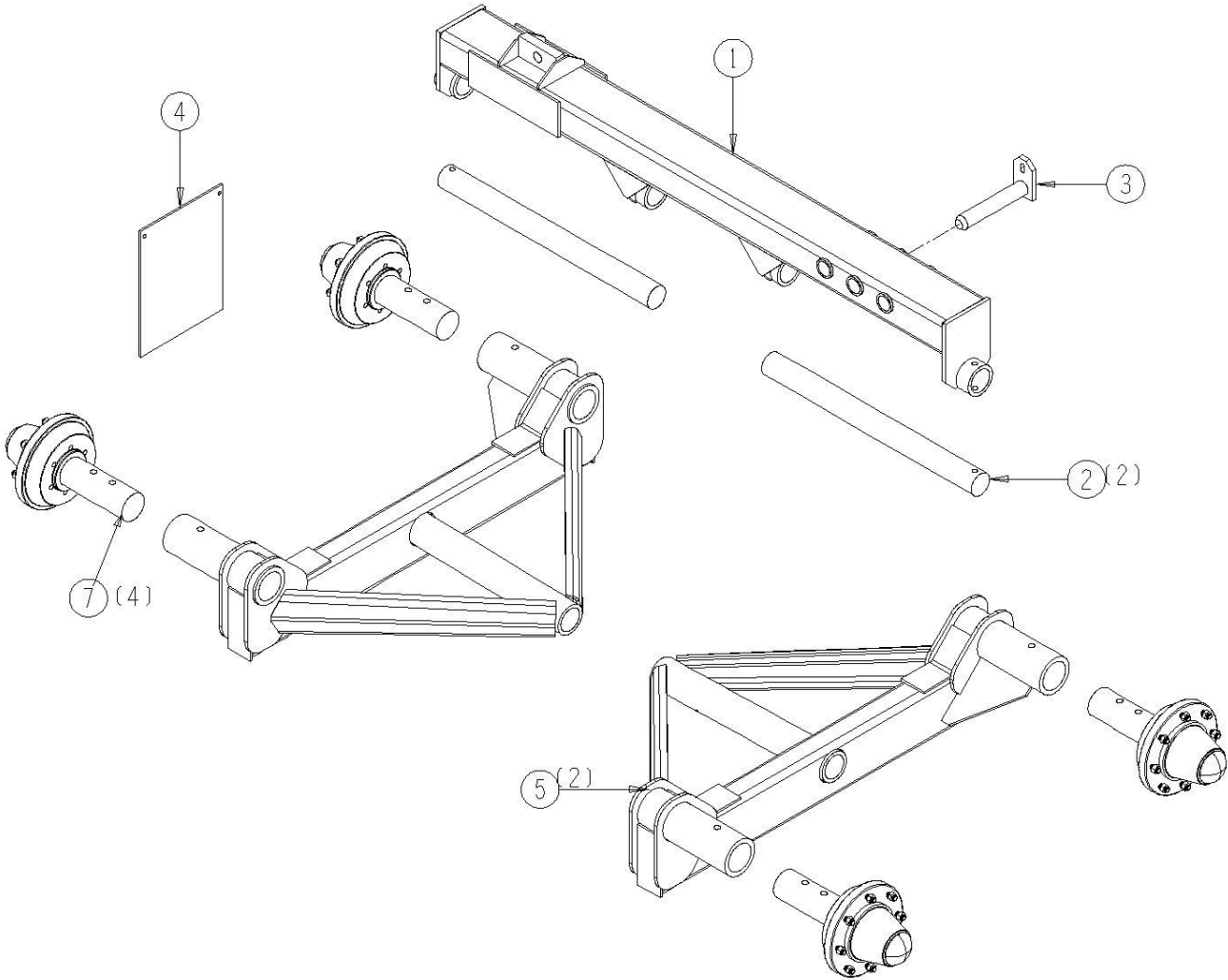
10010-01-50



10010-01-60 Standard Axle & Rocker Assembly

<u>Ref</u>	<u>Part No.</u>	<u>Description</u>	<u>Parts – Assembly</u>	<u>Will Fit SN</u>	<u>Remarks</u>
1	191-1111	Axle	1	19101-	
2	110-1110	Pin, Rocker	2	110-90-01-	
3	191-1112	Axle Pin	1	19101-	
4	PL-1101	Plastic Cover	1	19501-	
5	WHL-3011	Walking Beam, Heavy Duty Big Wheel, Pepper/Tomato	2		
7	WHL-3000-2S	Hub Assembly, HD, Complete (includes spindle)	4	WHL-3000	
8	BAR-1118	Bar, Hold up, Head Chain, Big Wheel	1	KIT-1118	
9	BRA-1936	Bracket, Lower Roller for Header Chain (L.H.)	1		
10	BRA-1938	Bracket, Lower Roller for Header Chain (R.H.)	1	192-101K	
13	RLA-000-118	Standoff, 1/2' X 1 1/8'	2		
14	RLR-040-108	4' Flat Roller	2		Changed to Urethane in 2006
15	RLT-535-228	5' Flange Roller 2.2WF x 3 1/2' dia, 1/2' bore	2		
101	BL-8-400-H	1/2-13 X 4 HEX CAP G5 ZC	2		
102	BL-8-LN	1/2-13 HEX LOCK NUT NYLON INSERT ZC	2		
800	WBR-3000K	Wheel Bearing Kit for WHL-3000 Hub & Spindle Assy.	1	WHL-3000	
801	WHL-3000A	Inner Cup	1	WHL-3000	
802	WHL-3000B	Outer Cup	1	WHL-3000	
803	WHL-3000C	Inner Cone	1	WHL-3000	
804	WHL-3000D	Outer Cone	1	WHL-3000	
805	WHL-3000E	Stud Bolt	1	WHL-3000	
806	WHL-3000F	Lug Nut	1	WHL-3000	
807	WHL-3000G	Seal	1	WHL-3000	
808	WHL-3000H	Hub Cap	1	WHL-3000	3 1/8 od
809	WHL-3000J	Spindle Nut	1	WHL-3000	
810	WHL-3000K	Spindle Washer	1	WHL-3000	

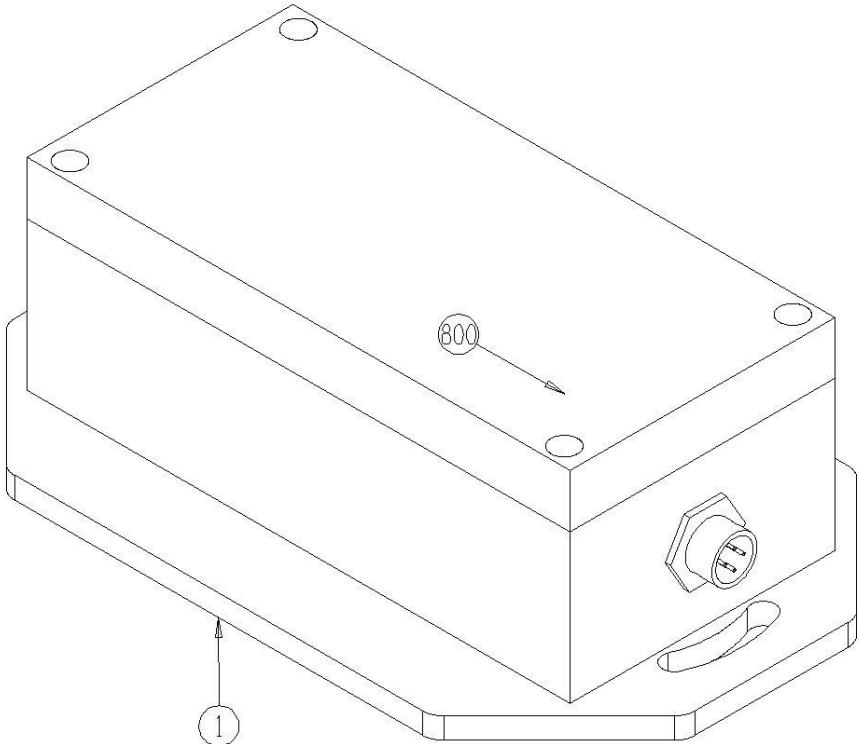
10010-01-60



10010-01-68 Optional Automatic Leveling Assembly

<u>Ref</u>	<u>Part No.</u>	<u>Description</u>	<u>Parts – Assembly</u>	<u>Will Fit SN</u>	<u>Remarks</u>
1	ELS-1256	Machine Leveler, Complete	1	190 & 240, HC290	
601	A-6900-8-6	8 SAE x 3/8' FPX With 7/8' Stock Body	2	20095001-	
602	A-6901-8-6	8 SAE x 3/8' FPX90°, Forged	2	20095001-	
603	H4-240-6MP-6MP	1/4 in hose 3/8MP x 3/8MP x 240 in long	1		
604	H4-248-6MP-6MP	1/4 in hose 3/8MP x 3/8MP x 248 in long	1		
605	HC-350-0808	Hydraulic Cylinder 3 1/2' x 8' #8 SAE Ports	1		Seal kit for Lion, HC-350-125
800	DC-191-LV	Decal, Level Control Box, Tomato, '97	1		

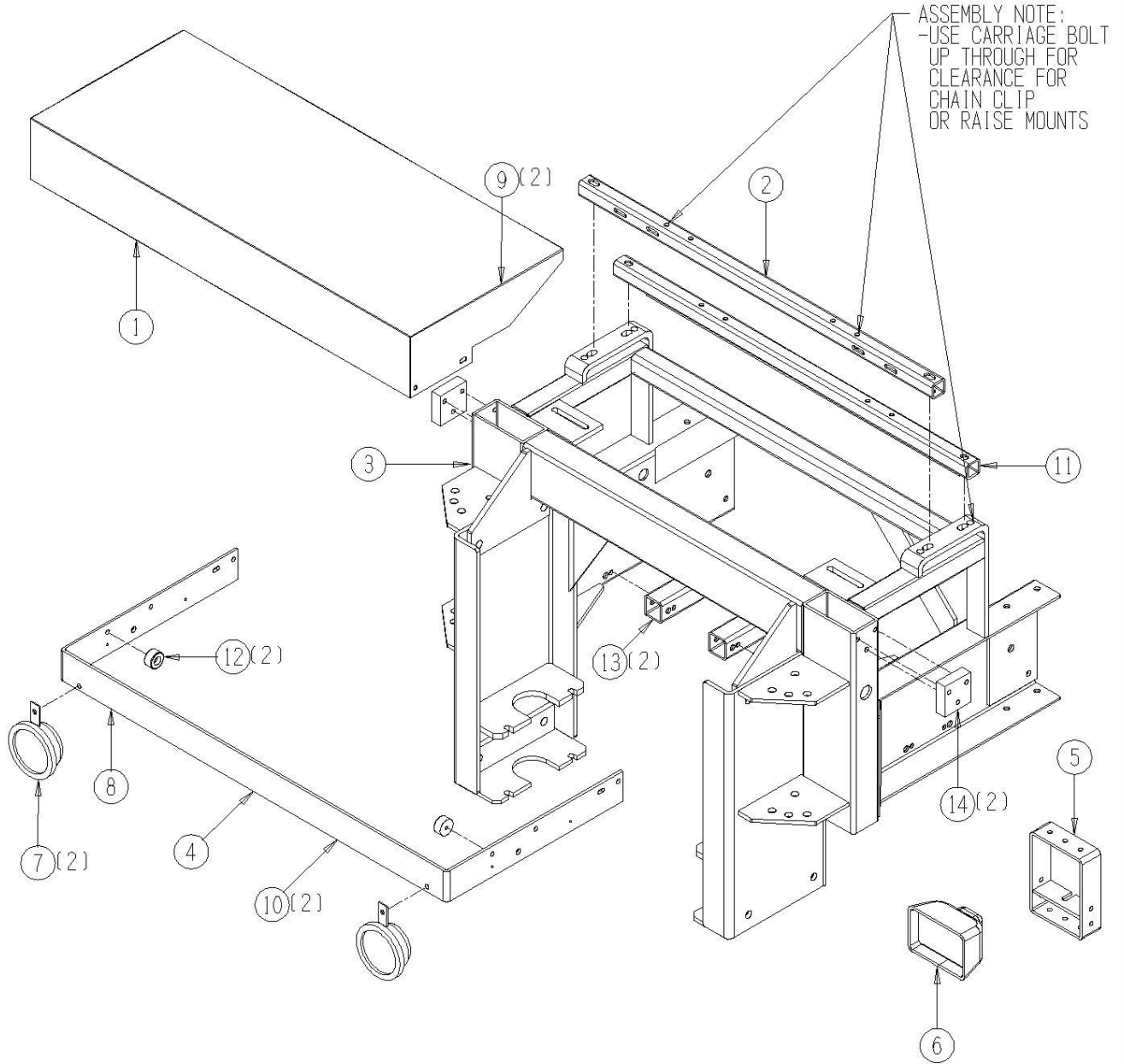
10010-01-68



10010-02-01 Disk Header Frame Assembly

<u>Ref</u>	<u>Part No.</u>	<u>Description</u>	<u>Parts – Assembly</u>	<u>Will Fit SN</u>	<u>Remarks</u>
1	192-139	Shield, Disk Header Cover (Tomato)	1	19201-	
2	MOU-2201	Mount Tube, Top Bearing W/ Spacer Blocks Disk Header, 190	1		
3	FRM-0072	Frame, Disk Header, Lowered Bearing, 190 Harvester	1		
4	192-139A	Safety Bar	1	19201-	
5	SHD-1206	Shield, Flashing Light	1	30097001- 19601-	
6	EL-1206	Double Amber Lamp	1		
7	EL-1233	Light, Auxiliary Work Light, Clear, Trapezoid Beam, TL#80394	2		Replaces EL-1201
8	DC-1184	Danger Decal, 3' x 16'	1		
9	DC-1176	Decal, Danger-Hand Chain Sprockets	2		
10	DC-ARROW	Decal, Yellow Direction Arrow	2		
11	MOU-2202	Mount, Disk Header Motor Rear, W/Spacer Blocks	1		
12	194-1418	Rubber Bumper	2	19401	
13	MOU-2200	Bearing Spacer Tube Gathering Chain Drive, 190	2		
14	SPA-0074	Spacer, Disk Head, 190 Tomato Harvester	2		

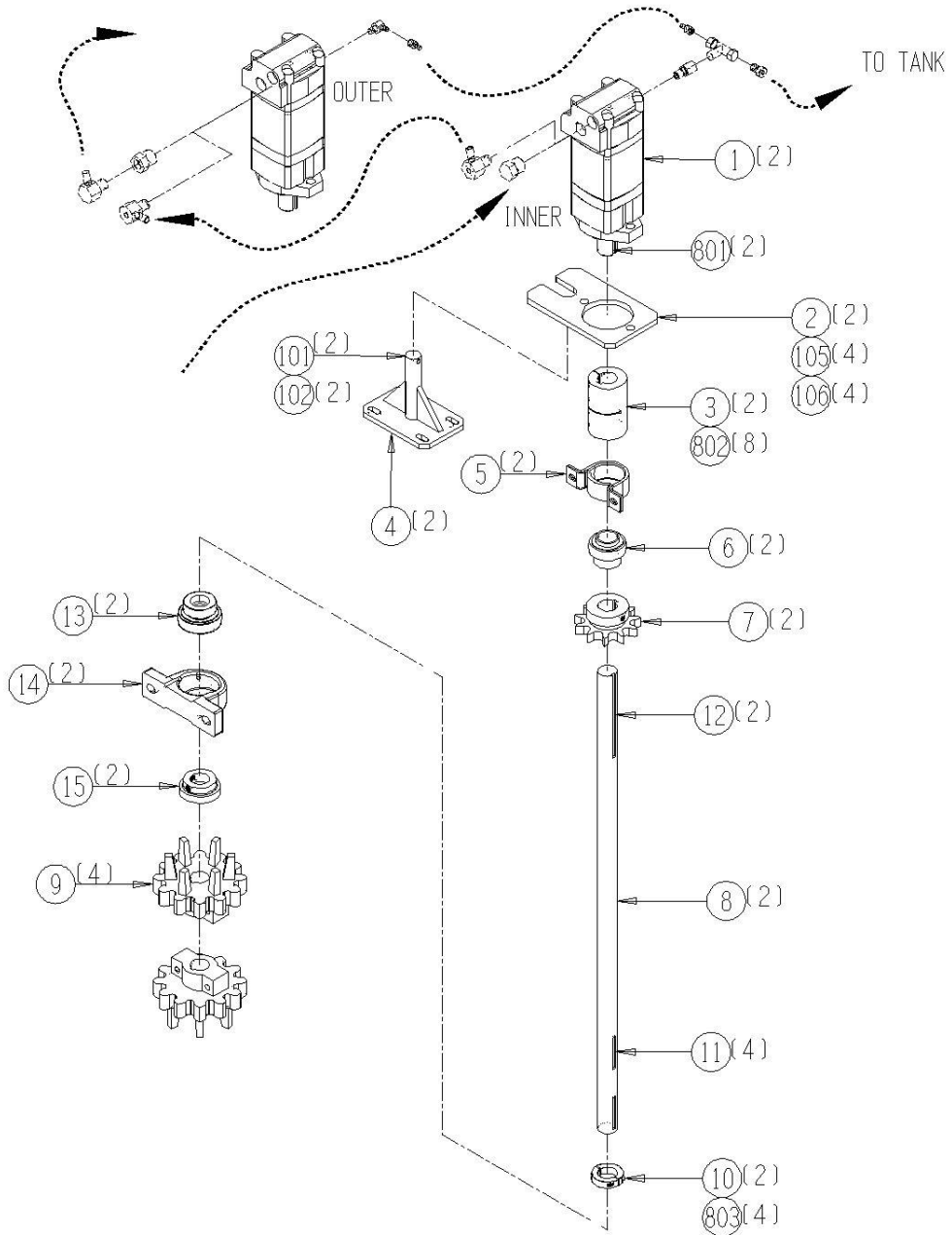
10010-02-01



10010-02-02 Disk Header Drive Shaft Assembly

<u>Ref</u>	<u>Part No.</u>	<u>Description</u>	<u>Parts – Assembly</u>	<u>Will Fit SN</u>	<u>Remarks</u>
1	HM-1420-CH	Char Lynn Motor	2		
2	ARM-1228	Arm, Mount, Motor Mounting Pad, High Tor. Motors	2		
3	CPS-6057	Coupler, Solid, 1.25', Cucumber & Tomato	2		This Replaces CPS-6056.
4	STP-1228	Stop, Motor, Arm Mounted, High Tor. Motors	2		
5	BR-062-MPB	Stamped Bearing Housing for 1 1/4' bearing	2		
6	BR-125-062	Bearing, 1 1/4 Fafnir tri-seal, 62mm OD	2		
7	SP-80B11-20-5	Hardened Tooth Sprocket, #80, 11 Tooth, 1.25' Bore with 5/16' Keyway	2		
8	194-155	Shaft, Gathering Chain	2		
9	SPU-3612-20-4	Urethane Sprocket 36-12 1 1/4 bore 1/4' key	4		Sub SP-3612-20-4
10	SC-20-2	Shaft Collar, 2 piece 1 1/4' bore	2		
11	KEY-4-4-32	Shaft Key 1/4' x 2' Square Cut (1018)	4		
12	KEY-4-4-20	Shaft Key 1/4' x 1 1/4'	2		
13	BR-072-RAK	72mm Cast Housing	2		
14	BR-125-072	Bearing, 1 1/4 Fafnir tri-seal, 72mm OD	2		
15	BR-12572-LC	1 1/4' Locking Collar - Bearing Protector	2		
101	BL-5-150-H	5/16-18 X 1 1/2 HEX CAP G5 ZC	2		
102	BL-5-LN	5/16-18 HEX LN NE ZC	2		
105	BL-8-175-H8	1/2 x 1 3/4', Grade 8, Hex Head	4		
106	BL-8-LNS	1/2 Stover Lock Nut	4		
801	KEY-5-5-20	Shaft Key 5/16' sq x 1 1/4' Square Cut (1018)	2		
802	BL-5-125-SCF	5/16 - 24 x 1 1/4', Socket Head Cap Screw	8		
803	BL-4-075-SCS	1/4-28 x 3/4' Socket Head Cap Screw	4		

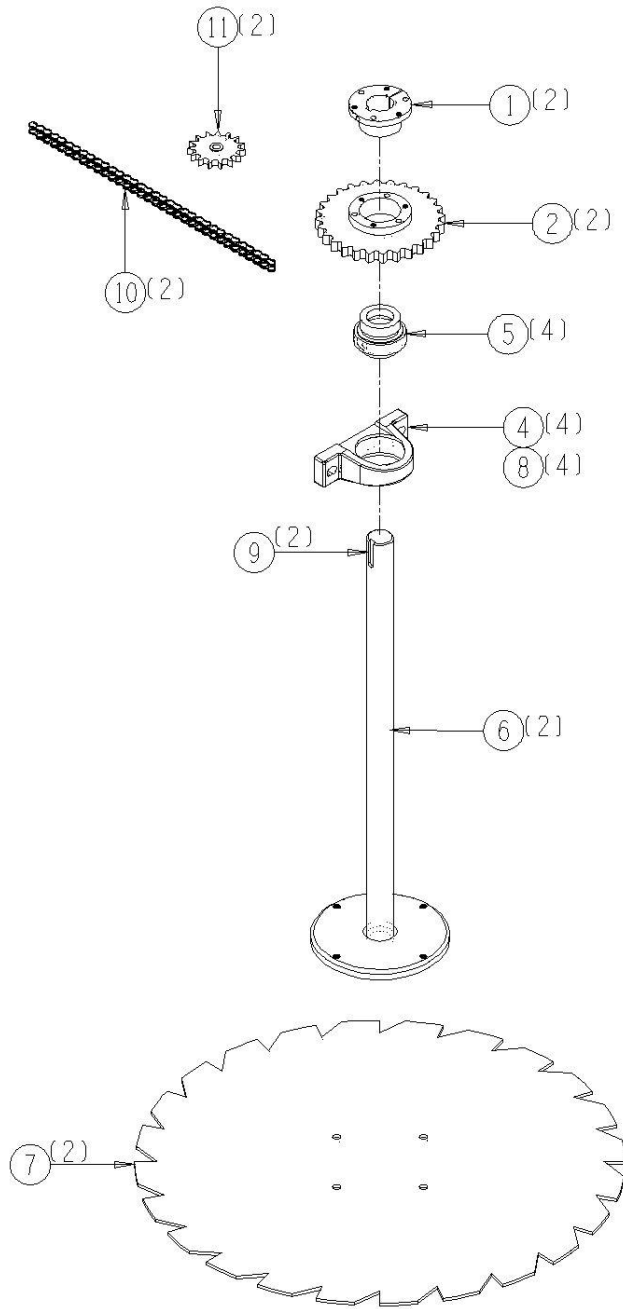
10010-02-02



10010-02-04 Disk Header 36' Disk Shaft Assembly

<u>Ref</u>	<u>Part No.</u>	<u>Description</u>	<u>Parts – Assembly</u>	<u>Will Fit SN</u>	<u>Remarks</u>
1	SP-SF-2	Bushing, SF x 2'	2		
2	SP-80SF28	Hardened Tooth Sprocket, #80, 28 Tooth, Uses SF Bushing	2		
4	BR-100-RAK	Bearing Housing 100 mm	4	11001	
5	BR-200-100I	Bearing, 2' ID, TS	4		Replaces BR-200-100
6	191-131	Shaft, Disk	2		
7	HD-140-06	36' Header Disk	2		MADE FROM AR 400
8	GF-1428	Grease Fitting 1/4" x 28 straight	4		
9	KEY-8-8-40	Shaft Key 1/2" x 1/2" x 2 1/2"	2		
10	CH-80-51	Roller Chain #80 51 Pitches Disk Header (Tomato)	2		
11	SP-8012-T	#80 Idler Sprocket	2		
100	BL-8-100-H	1/2-13 X 1 HEX CAP G5 ZC	8		
101	BL-8-LW	1/2 SPLIT LW ZC	8		
102	BL-8-SW	1/2 SAE FW ZC	8		
103	BL-8-FW-8	1/2 FLAT WASHER G8 ZC	8		
800	BL-5-200-8T	5/16-18 x 2 Grade 8 Tap Bolt	6		

10010-02-04



10012-02-05 Disk Header Gathering Chain Assembly

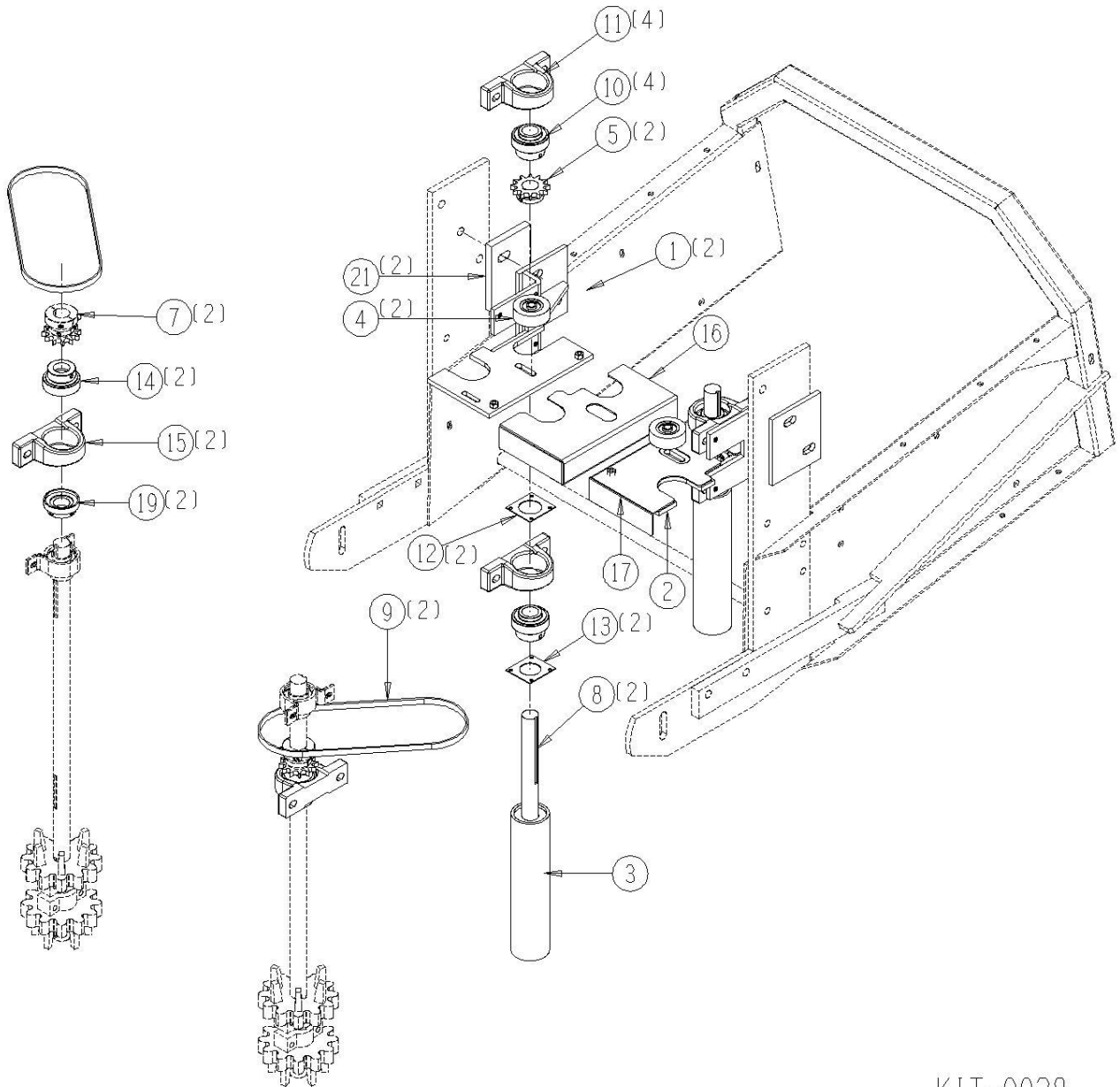
<u>Ref</u>	<u>Part No.</u>	<u>Description</u>	<u>Parts – Assembly</u>	<u>Will Fit SN</u>	<u>Remarks</u>
1	ADJ-155	Adjuster, Nose Tightener, Gathering Chain	2		
2	BRA-1939	Bracket, Header	2		
3	BRA-1811	Mounting Bracket, Gathering Chain	4		
6	SCR-8204	Scraper, Left Side, Hub, HC290	1		
7	SCR-8205	Scraper, Right Side, Hub, HC290	1		
10	RLT-035-228	Roller 3.5 dia x 2.2 x 1/2' bore, no flange	8		
11	RLT-635-2210-RV	6' Flange Roller 2.2WF 3.5 Dia, 5/8' Bore w/Inverted Spindle	2		
12	BC-6-1236-60	Gathering chain, 3/8 bars 12in wide x 60 links 36mm	2		
13	SCR-164	Scraper, Upper, Outer, Disk Header	1		
14	SCR-162	Scraper, Upper, Inner, Disk Header	1		
15	DC-3026	Orange Reflective Tape @ 50ft Roll	1		
16	RLT-535-2210-RV	5' Flange Roller 2.2 WF 3.5 dia, 5/8' bore w/ Inverted Spindle	2		
101	BL-10-200-H	5/8-11 X 2 HEX CAP G5 ZC	4		
102	BL-10-SW	5/8 SAE FW ZC @	8		
103	BL-10-LN	5/8-11 HEX LN NE ZC	4		
104	BL-10-600-T	5/8-11 X 6 HEX TAP G8 ZC	2		
105	BL-10-N	5/8-11 HEX FIN NUTS ZC	2		
106	BL-8-400-H	1/2-13 X 4 HEX CAP G5 ZC	8		
107	BL-8-LN	1/2-13 HEX LOCK NUT NYLON INSERT ZC	8		
108	BL-8-SW	1/2 SAE FW ZC	16		
800	BC-1032-FS	10-32 x 1 1/4' bolts Flat Socket Head	16		
801	BC-6-12-ST	3/8' x 12' Belted Chain Rod for 50mm Belt	4	1910119320	
802	BC-BP20-10-T	20mm Backing Plates /10-32 T Nuts	8		
803	BC-1032-TN	10-32 T Nuts	16	11001	

10010-02-06 Optional Gathering Chain Roller Assembly

<u>Ref</u>	<u>Part No.</u>	<u>Description</u>	<u>Parts – Assembly</u>	<u>Will Fit SN</u>	<u>Remarks</u>
0	KIT-0028	Gathering Chain Roller Kit	0		Rollers behind gathering chains give better protection from wrapping.
1	MOU-1314	Mount, RH, Plate, Gathering Chain Roller	1		
2	MOU-1315	Mount, LH, Plate, Gathering Chain Roller	1		
3	RLP-1300	Roller, Gathering Chain	2	KIT-0028	
4	RLT-027-108	Roller 2.75' dia. 1/2' Bore	2		2755C1X (Old Number, Single Bearing)
5	SP-50B12-20-4	Hardened Tooth Sprocket, #50, 12 Tooth, 1.25' Bore	2	19201-	
7	SP-50B12-20-S	Split Sprocket, 12 Tooth, #50, 1-1/4 bore	2	Kit-0028	
8	KEY-4-4-16	Shaft Key 1/4' X 1/4' X 1' Square Cut (1018)	2	20095001-	
9	CH-50-27	Roller Chain, 27 pitches, #50, Gathering Chain Roller	2	Kit-0028	
10	BR-125-062	Bearing, 1 1/4 Fafnir tri-seal, 62mm OD	4		
11	BR-062-MPB	Stamped Bearing Housing for 1 1/4' bearing	4		
14	BR-125-072	Bearing, 1 1/4 Fafnir tri-seal, 72mm OD	2		
15	BR-072-RAK	72mm Cast Housing	2		
16	SHD-1308	Shield, Right Gathering Roller, 190	1		
17	SHD-1309	Shield, Left Gathering Roller, 190	1		
19	BR-12572-LC	1 1/4' Locking Collar - Bearing Protector	2		
21	SPA-1309	Spacer, Gathering Chain Rollers, 190	2		
100	BL-6-075-H	3/8-16 X 3/4 HHCS G5 ZC	8		
101	BL-6-LW	3/8 SPLIT LW ZC	18		
102	BL-6-N	3/8-16 HEX NUTS ZC	4		
103	BL-6-FW	3/8 USS FW ZC	4		
104	BL-8-250-H	1/2-13 X 2 1/2 HEX CAP G5 ZC	2		
105	BL-8-FW-8	1/2 FLAT WASHER G8 ZC	4		
106	BL-8-LN	1/2-13 HEX LOCK NUT NYLON INSERT ZC	2		
107	BL-10-250-H	5/8-11 X 2 1/2 HEX CAP G5 ZC	8		
108	BL-10-FW-8	5/8' Grade 8 Flat Washer	20		
111	BC-1032-LN	10-32 lock nuts	8		
112	BL-10-300-H	5/8-11 X 3 HEX CAP G5 ZC	4		

112	BL-1032-175P	10/32 x 1 ¼" Pan Head, Phillips Machine Screw	8
113	BL-6-SW	3/8 SAE FW ZC	8
114	BL-6-150-H	3/8-16 X 1 1/2 HEX CAP G5 ZC	2
115	BL-6-150-C	3/8 UNC X 1 1/2 CARRIAGE BOLT GR5 ZINC	4
116	BL-6-175-C	3/8 UNC X 1 ¼ CARRIAGE BOLT GR5 ZINC	4
117	BL-10-LN	5/8-11 HEX LN NE ZC	12
118	BL-6-LN	3/8 UNC FIN HEX LOCK NUT NE A563 GrA ZINC	18
119	BL-6-100-H	3/8 UNC X 1 HH C/S BOLT GR5 ZINC	4

10010-02-06

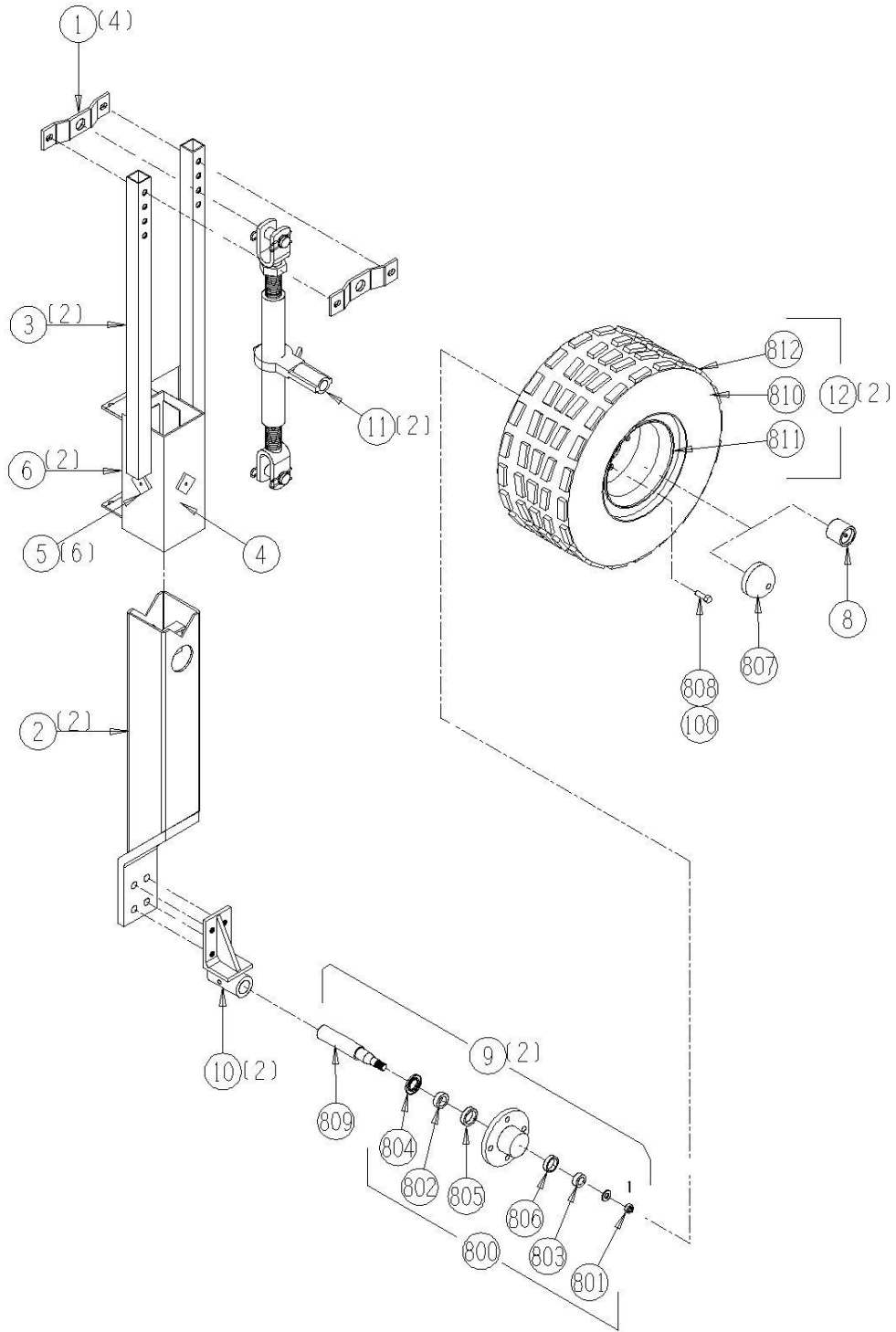


KIT-0028

10010-02-07 Optional Disk Header Gauge Wheel Assembly-Manual

<u>Ref</u>	<u>Part No.</u>	<u>Description</u>	<u>Parts – Assembly</u>	<u>Will Fit SN</u>	<u>Remarks</u>
1	193-188	Adjuster, Gauge Wheels	4	19301-	
2	194-186	Gauge Wheel, Inner slider	2	19201-	
3	194-187	Gauge Wheel, Outer Frame	2	19201-	
4	DC-3025	Red and White Reflective Tape @ 150 ft Roll	0.03		
5	GF-1428	Grease Fitting 1/4' x 28 straight	6		
6	GF-1428-90	Grease Fitting 1/4' x 28 90	2		
8	WHL-178	Bearing Protector @Pair	1		
9	WHL-190	Gauge Wheel Hub and Spindle Complete	2		
10	WHL-1941	Wheel, Spindle Holder, Gauge Wheel, 190	2		Replaces WHL-191 for tomato machine
11	TL-1541	Top Link Ratchet Handle 20-28in.	2	TL-1541	
12	WHL-194	Mounted gauge wheel, including tube.	2		
100	BL-8-NF	1/2-20 HEX FIN NUTS ZC	8		
800	WBR-199K	Gauge Wheel Bearing Kit	1	WHL-190	Includes seal, inner and outer bearings and cones
801	WBR-199E	Spindle Nut	1	WHL-190	
802	WBR-199C	Inner Bearing	1	WHL-190	
803	WBR-199D	Outer Bearing	1	WHL-190	
804	WBR-199F	Seal	1	WHL-190	
805	WBR-199H	Cup	1	WHL-190, WHL-4000	
806	WBR-199I	Outer cup	1	WHL-190	
807	WBR-199G	Hub cap	1	WHL-190	
808	WBR-199L	Lug Bolt for Gauge Wheel	8	WHL-190	
809	WBR-199S	Gauge Wheel Spindle Only	2	WHL-190	w/ WHL-191 replaces WBR-199A
810	WHL-195	Gauge Wheel Tube	2		
811	WHL-197	Gauge Wheel Rim for WHL-194	2	19201	
812	WHL-198	Gauge Wheel Tire	2	19201	

10010-02-07



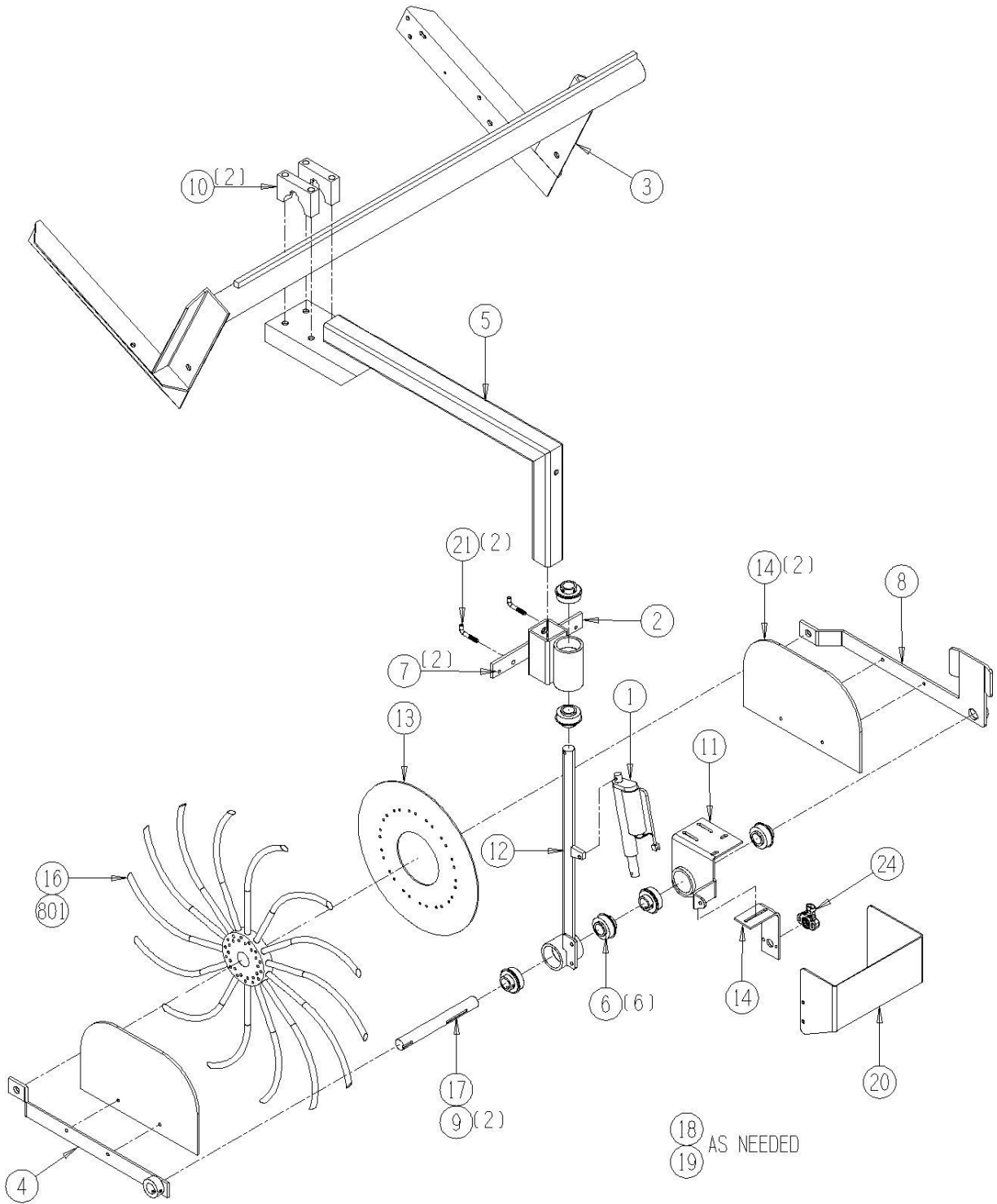
10010-02-70 Optional Header Height Control System

<u>Ref</u>	<u>Part No.</u>	<u>Description</u>	<u>Parts – Assembly</u>	<u>Will Fit SN</u>	<u>Remarks</u>
0	192-139A	Safety Bar	-1	19201-	
1	ACT-042B-2	Actuator, Wired For any Length Harness, 08 and Later	1		
2	ADJ-HC99	Adjuster, Wheel Control Height Adj, HHC	1		
3	BAR-9022	Bar, AHHC Trailing Wheel Mount, Support Bar	1		
4	ARM-HC99R	Arm, Right, Control Wheel, HHC	1		
5	BAR-9023	Bar, AHHC Trailing Wheel Mount	1		
6	BR-100-ER	Bearing, 1' ER	6		
7	CH-3-28	3/16 LINK CHAIN 28 LINKS	2		
8	ARM-0069	HHC Arm, Electronic Header Height	1		
9	KEY-4-4-12	SHAFT KEY 1/4"x3/4" SQUARE CUT (1018)	2		
10	MOU-103	Mount, Wheel Arm Bar Support, HHC, Cuc & Tom	2		
11	ARM-0070	Switch Mount, HHC	1		
12	MOU-HC03	Mount, Trailing Wheel Arms, HHC, 2003	1		
13	PL-6192	Depth Disk Wheel, 14.375 Dia.	1		
14	PL-HC99	Plastic, Chain Guard Wheel Arm, HHC	2		
15	ARM-1007	Sensor Arm	1		
16	WHL-HHC-99	Spider Wheel Assembly	1		
17	SFT-HC07	HHC Shaft	1		
18	WT-14	Wire Tie 14 1/4'	25		
19	WT-7	Wire Tie 7'	25		
20	SHD-HC07	HHC Sheild, Electronic Switch	1		
21	SUP-8100	Support, Wheel Hold Up, Header Height, HC290	2		
22	ELC-1009	Control Cord, HHC, 190	1		
23	ELC-0009	Actuator Control Cord, Control Box to Electrical Panel	1		
24	ELC-1008	Rotary Sensor, Single Output BEI	1		
25	DC-1047	Decal, HV-1047, White	3		Use w/HV-1047
26	DC-1184	Danger Decal, 3' x 16'	1		
27	DC-ARROW	Decal, Yellow Direction Arrow	2		

28	ELC-1008-C	Wiring Harness For ELC-1008	1
29	ELC-1006	Valve Driver, PVD3D2R	1
30	SFT-HC12	Shaft, EHHC Control, Tomato Harvester	1
31	CPL-1006	Helical Beam Shaft Coupling 1/4x3/8	1
32	SFT-HC11	Shaft, HHC Control	1
100	BL-1224-087-DT	12-24 x 7/8 Drill and Tap Screw	2
101	BL-4-050-H	1/4-20 X 1/2 HEX CAP G5 ZC	4
102	BL-4-100-H	1/4-20 X 1 HEX CAP G5 ZC	4
103	BL-4-125-H	1/4-20 X 1 1/4 HEX CAP G5 ZC	2
104	BL-4-175-H	1/4-20 X 1 3/4 HEX CAP G5 ZC	1
105	BL-4-400-H	1/4-20 X 4 HEX CAP G5 ZC	4
106	BL-4-FW-8	1/4' Flat Washer Grade 8	20
107	BL-4-LN	1/4-20 HEX LN NE ZC	14
108	BL-4-LW	1/4 SPLIT LW ZC	4
109	BL-5-031-SC	5/16-18 x 5/16 Knurled Point Set Screw	8
110	BL-6-100-H	3/8 UNC X 1 HH C/S BOLT GR5 ZINC	4
111	BL-6-125-H	3/8-16 X 1 1/4 HHCS G5 ZC	4
112	BL-6-LN	3/8 UNC FIN HEX LOCK NUT NE A563 GrA ZINC	7
113	BL-6-LW	3/8 SPLIT LW ZC	4
114	BL-6-SW-8	3/8 SAE FW G8 , Yellow Zinc, Thru Hardened	20
115	BL-8-100-SQSS	1/2 x 1 Square Head Set Screw (USS)	2
116	BL-8-475-H	1/2-13 X 4 3/4 HEX CAP G5 ZC	4
117	BL-8-FW-8	1/2 FLAT WASHER G8 ZC	4
118	BL-8-LN	1/2-13 HEX LOCK NUT NYLON INSERT ZC	5
119	BL-8-SW-8	1/2 SAE FW G8 ZC	5
120	BL-10-325-H	5/8 UNC X 3 1/4 HH C/S BOLT GR ZINC	1
121	BL-10-LN	5/8-11 HEX LN NE ZC	1
122	BL-10-SM	5/8 x 1 x 14ga Shim	5
123	BL-10-SW	5/8 SAE FW ZC @	5
125	BL-4-175-HFT	1/4-20 X 1-3/4 HEX CAP G5 ZC, Fully Threaded	1
126	BL-4-200-HFT	1/4-20 X 2 HEX CAP G5 ZC, Fully Threaded	1

127	BL-4-N	1/4-20 HEX FIN NUTS ZC	2
128	BL-6-325-H	3/8 UNC X 3 1/2 HH C/S BOLT GR5 ZINC	3
129	BL-8-150-H	1/2 UNC X 1 1/2 HH C/S BOLT GR5 ZINC	1
130	RI-3-6-P	Pop Rivets 3/16 x 3/8 Domed, .375 head, ea.	15
800	WHL-200-C	Wheel Bearing, 5/8' Bore	0
801	WHL-6195A	Spoke	0

10010-02-70



10010-02-70H Optional Header Height Control Hydraulic

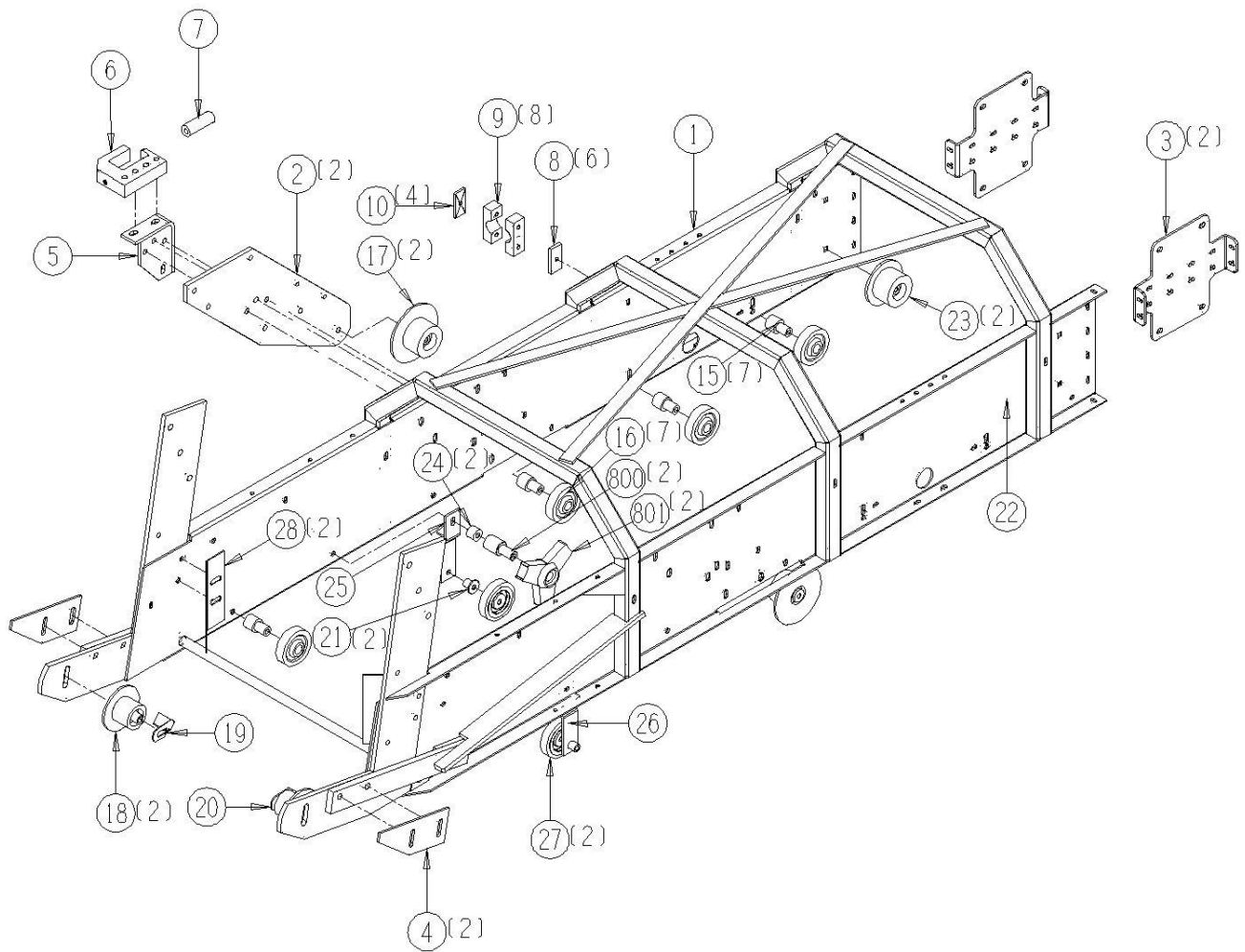
<u>Ref</u>	<u>Part No.</u>	<u>Description</u>	<u>Parts – Assembly</u>	<u>Will Fit SN</u>	<u>Remarks</u>
0	HC-250-2408-OR	Hydraulic Cylinder 2 1/2 x 24 #8 SAE w/O-Piston Ring Seal	-2		NOT TO BE USED IN SINGLE ACTING APPLICATIONS Replaces HC-250-2408-IV
13	HA-1031	Hydraulic Hose Holder 3/8	4		
15	HC-1129-A	Hyd. Cyl Pin, 1' x 2 3/4' Between the Grooves	4		
16	HC-1130B	Hair Pin Clip	8		
17	HC-275-2408-RP	2 3/4 x 24 Rephasing Cylinder	1		Seal Kit Part No. HC-250R-112 (639557)
18	HC-300-2408-RP	3 x 24 Rephasing Cylinder	1		Seal Kit Part No. HC-300R-125 (639558)
31	WT-14	Wire Tie 14 1/4'	25		
32	WT-7	Wire Tie 7'	25		
124	RI-3-6-P	Pop Rivets 3/16 x 3/8 Domed, .375 head, ea.	15		

10010-03-01 Primary Header Assembly

<u>Ref</u>	<u>Part No.</u>	<u>Description</u>	<u>Parts – Assembly</u>	<u>Will Fit SN</u>	<u>Remarks</u>
1	FRM-102	Over Top Cross Member Header 190 Tomato	1		
2	MOU-0095	Header Side Bar	2		
3	SUP-102	Support, Header Side Rail Splice	2		
4	191-142	Scraper, Under Disk	2	19101-	
5	195-101J	Slide Guide Mount, Header	1	19501-	
6	BRA-190	Bracket, Slide Guide, 190 Tomato	1		
7	192-107A	Slide Guide Roller, 3.5' Long	1		
8	SPA-1050	Spacer for Hydraulic Tube Mount	6		
9	HA-1051	Hyd, Clamp Halves	8	19101-	
10	HA-1052	Hyd, Cover Plate	4	19101-	
15	RLA-010-0108	Spindle / Standoff for Urethane Roller (heat treated)	8	19101-	
16	RLG-040-1016	4' Urethane Roller	8	Old Terog Part No. RU4	
17	RLT-635-228	6 1/2' Flange Roller 2.2 WF 3.5 dia, 1/2' bore	2		
18	RLS-522-2010	Steel Roller, 5' Flange, 2.2' Dia, 2' wide	0		Sub RLU-522-2010
18	RLS-522-2010-SC	Steel Roller, 5' Flange, 2.2' Dia, 2' wide, w/Hub for Scraper	2		For use with scrapers RLA-3023- TM (RH) and RLA-3024- TM (LH) only
19	RLA-3023-TM	Scraper for Nose Roller, RH	1		For use with RLS-522- 2010-SC roller only
20	RLA-3024-TM	Scraper for Nose Roller, LH	1		For use with RLS-522- 2010-SC roller only
21	RLA-000-118	Standoff, 1/2' X 1 1/8'	2		
22	DC-1177	Decal, Large White PIK RITE 8' x 58'	1		
23	RLT-535-228	5' Flange Roller 2.2WF x 3 1/2' dia, 1/2' bore	2		
24	SPA-6131	Spacer, Gathering Chain Assy, Rollers	2	60097001-	
25	BRA-1936	Bracket, Lower Roller for Header Chain (L.H.)	1		
26	BRA-1938	Bracket, Lower Roller for Header Chain (R.H.)	1	192-101K	
27	RLR-040-108	4' Flat Roller	2		Changed to Urethane in 2006

28	SCR-0002	Scraper, Gathering Chain Roller, 190 Tomato	2
800	RLA-015-308	Spindle for 3 Point Shakers	2
801	RLT-324	Rubber 3 Point Shaker	2

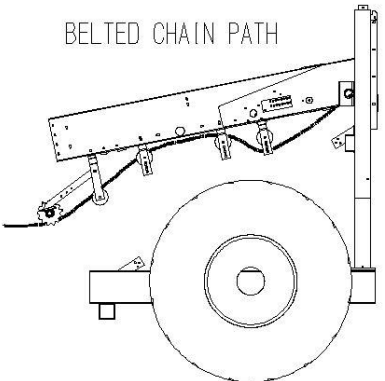
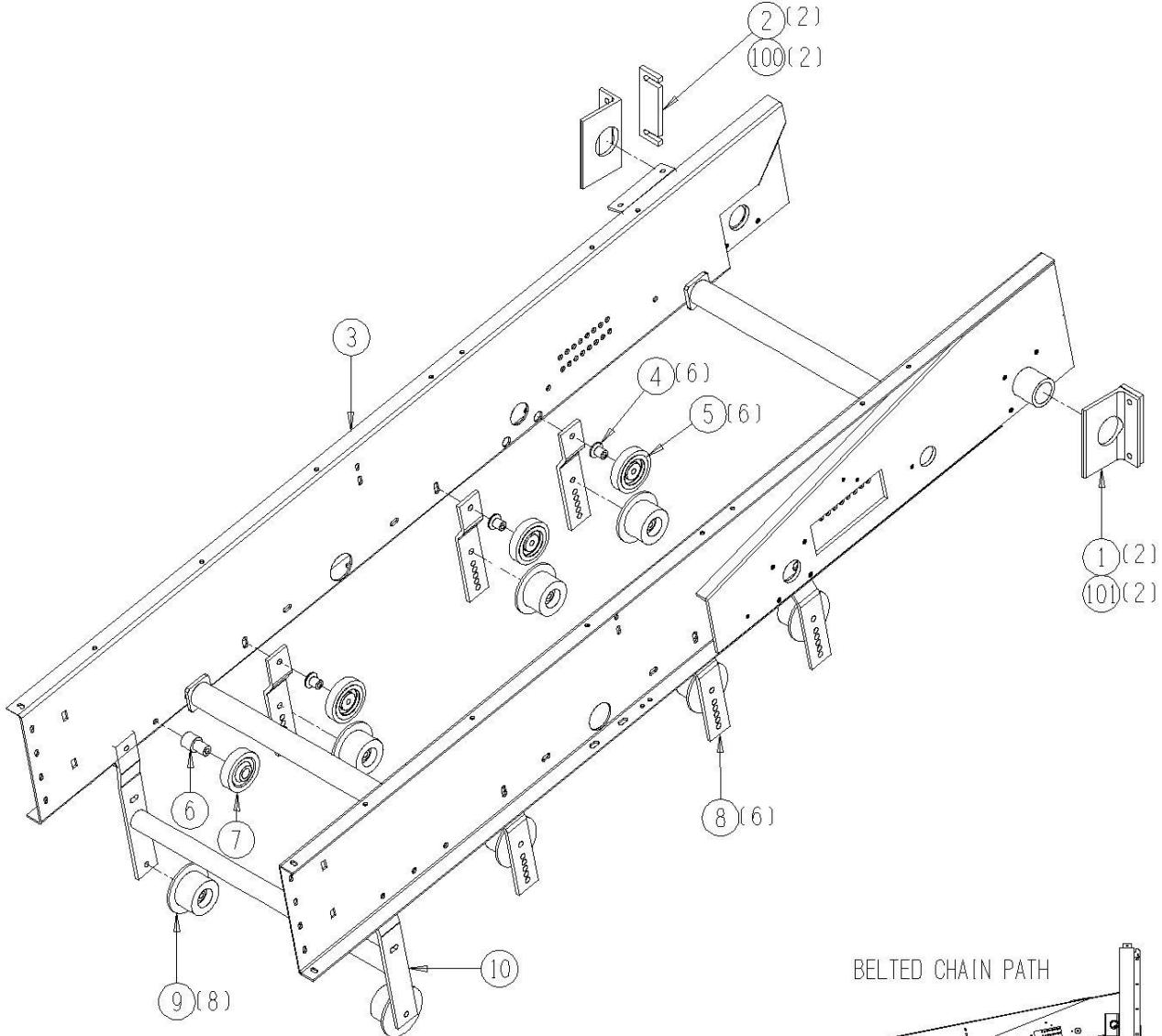
10010-03-01



10010-03-02 Secondary Header Frame Assembly

<u>Ref</u>	<u>Part No.</u>	<u>Description</u>	<u>Parts – Assembly</u>	<u>Will Fit SN</u>	<u>Remarks</u>
1	191-106	Bracket, Header Mount, Pivot	2	19101-	
2	SPA-106-4	Spacer, Header Mount, Pivot (Tomato)	0	19201-	
2	SPA-106-6	Spacer, Header Mount, Pivot (Tomato)	0	19201-	
2	SPA-106-8	Spacer, Header Mount, Pivot (Tomato)	2	19201-	
3	FRM-101R	Frame, Header Conveyor, Rear (Tomato)	1	19601-	Replaces 195-101R
4	RLA-000-118	Standoff, 1/2' X 1 1/8'	6		
5	RLR-040-108	4' Flat Roller	6		Changed to Urethane in 2006
6	RLA-010-0108	Spindle / Standoff for Urethane Roller (heat treated)	1	19101-	
7	RLG-040-1016	4' Urethane Roller	1		Old Terog Part No. RU4
8	BRA-8400	Bracket, Hold Up Rollers	6		
9	RLT-535-228	5' Flange Roller 2.2WF x 3 1/2' dia, 1/2' bore	8		
10	BAR-1118	Bar, Hold up, Head Chain, Big Wheel	1	KIT-1118	
100	BL-8-750-8	1/2-13 x 7 1/2 Grade 8 Hex Head Cap Screws	2		
101	BL-8-650-8	1/2-13 X 6 1/2 GR8 HH BOLT	2		

10010-03-02

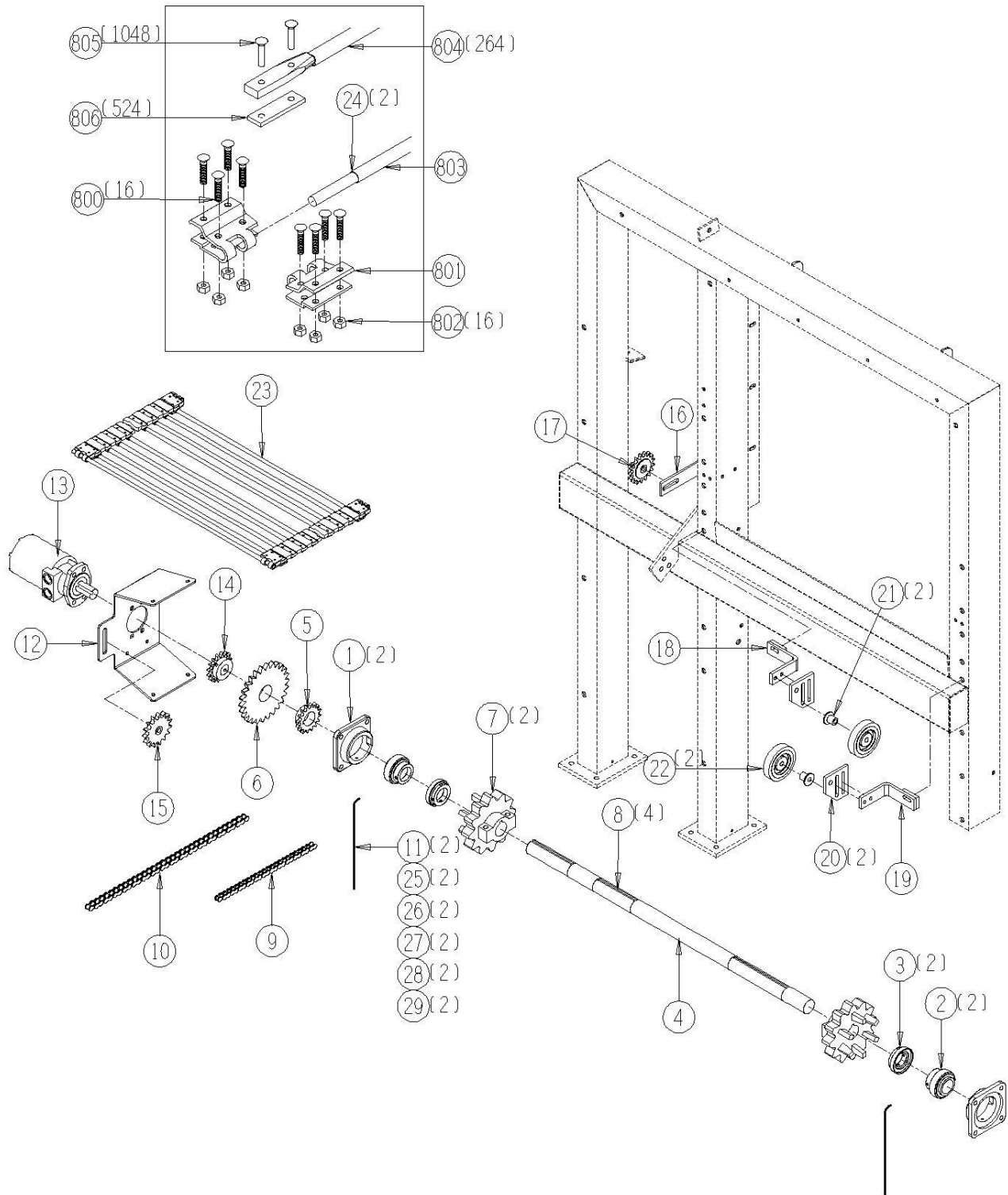


10010-03-03 Header Conveyor Drive Shaft Assembly

<u>Ref</u>	<u>Part No.</u>	<u>Description</u>	<u>Parts – Assembly</u>	<u>Will Fit SN</u>	<u>Remarks</u>
1	BR-085-RCJ	RCJ Bearing Housing	2	11001	
2	BR-175-085	Fafnir Bearing 1 ¾ Tri Seal	2		
3	BR-175-LC	1 ¾' Locking Collar - Bearing Protector	2		
4	110-112	Shaft, Header Drive	1	11001-	
5	SP-50B16-28-6	Hardened Tooth Sprocket, #50, 16 Tooth, 1.75' Bore	1	11001	
6	SP-60B27-28-6	Hardened Tooth Sprocket, #60, 27 Tooth, 1.75' Bore	1	Header Drive (Shaft) - 19101	
7	SP-4212-28-6-H	Sprocket, 12T Drive #4212 1 ¾' Bore Heat Treated	2		
8	KEY-6-6-24	Keystock 3/8' x 3/8' x 1 1/2' Square Cut (1018)	4		
9	CH-50-41	Roller Chain 41 pitches #50 w/master link	1		
10	CH-60H-51	Roller Chain 51 pitches #60H Header Drive(Tomato & Cucumber) w/master link	1		
11	GF-1827	Grease Fitting 1/8 NPT Straight	2		
12	MOU-101R	Mount, Motor, Header (Tomato)	1	19601-	
13	HM-1228-TC	TCI Motor	1	Direct Interchange with HM- 400-OMS	Replaces HM-1228-CH, And HM-188R. Seal Kit # TCI- SKMLHS
14	SP-60B20-20-5	Hardened Tooth Sprocket, #60, 20 Tooth, 1.25' Bore	1	Header Drive (Motor)	
15	SP-6015-T	Idler, # 60 Roller Chain Adjuster	1	19201	
16	194-114	Tightener Bracket	1	19401-	
17	SP-5017-T	Idler, 17 tooth x #50 Chain	1		
18	BRA-106	Bracket, Header Roller, Outer	1	19101-	
19	BRA-105	Bracket, Header Roller, Inner	1		
20	BRA-107	Bracket, Header Roller	2		
21	RLA-000-118	Standoff, 1/2' X 1 1/8'	2		
22	RLR-040-108	4' Flat Roller	2		Changed to Urethane in 2006
23	BC-7-3242-265	Header chain, 7/16' bar 42 mm pitch 265 links	1	19001	
24	BC-3525	Snap Ring, 11mm.	2		
25	GFA-51943	1/4'-28 90° Adapter	2		
26	H2-12-2MP-2MP	1/8in Grease Hose x 1/8MP x 1/8MP x 12in Long	2		
27	AC-2	1/8' NPT Coupler	2		

28	HA-1031	Hydraulic Hose Holder 3/8	2		
29	BL-1224-087-DT	12-24 x 7/8 Drill and Tap Screw	2		
800	BC-1032-FS	10-32 x 1 1/4' bolts Flat Socket Head	16		
801	BC-F-42-32-UG	Ultra Gold F Connecting Clips 42-32 @ pair	2		Replaces BC-F-42-32
802	BC-1032-LN	10-32 lock nuts	16		
803	BC-7-32-CN	Connecting Rod, 11mm, 32' Wide Belted Chain, 60mm Traction Belts	1		For Clip Splice Option
804	BC-7-32-ST	7/16' x 32' Belted Chain Rod for 60mm Belt	264	11001	
805	RI-25-BC	25mm Belted Chain Rivets	1048		
806	BC-BP32	Belt, Rivet backing plates 32mm	524	11001	Lap Splice Option, Used only with BC-1032-LN Lock Nuts
808	KEY-5-5-20	Shaft Key 5/16' sq x 1 1/4' Square Cut (1018)	1		

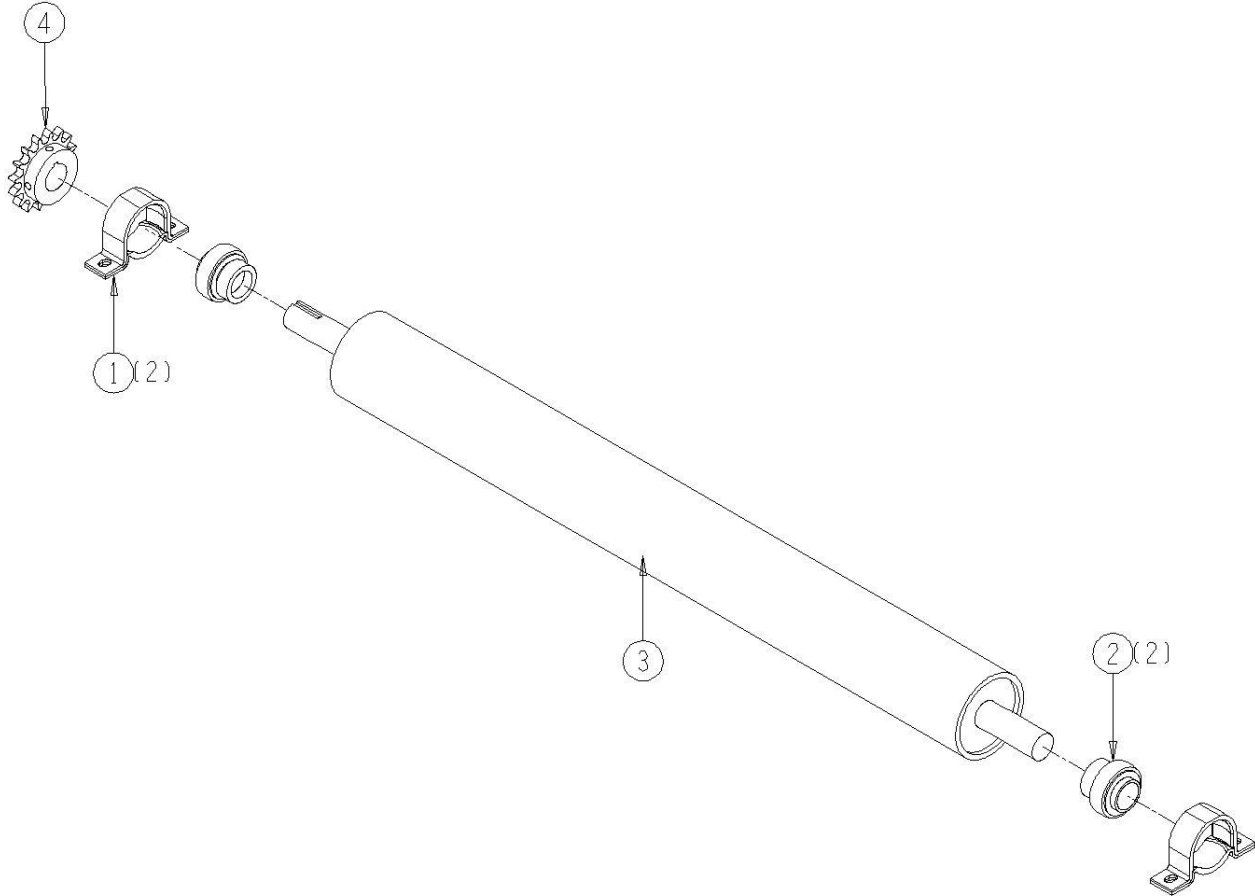
10010-03-03



10010-03-10 Header Conveyor Return Roller Assembly

<u>Ref</u>	<u>Part No.</u>	<u>Description</u>	<u>Parts – Assembly</u>	<u>Will Fit SN</u>	<u>Remarks</u>
1	BR-062-MPB	Stamped Bearing Housing for 1 1/4' bearing	2		
2	BR-125-062	Bearing, 1 1/4 Fafnir tri-seal, 62mm OD	2		
3	194-209	Transfer - Header Roller	1	19401-	
4	SP-50B16-20-4	Hardened Tooth Sprocket, #50, 16 Tooth, 1.25' Bore	1		
5	KEY-4-4-20	Shaft Key 1/4' x 1 1/4'	1		

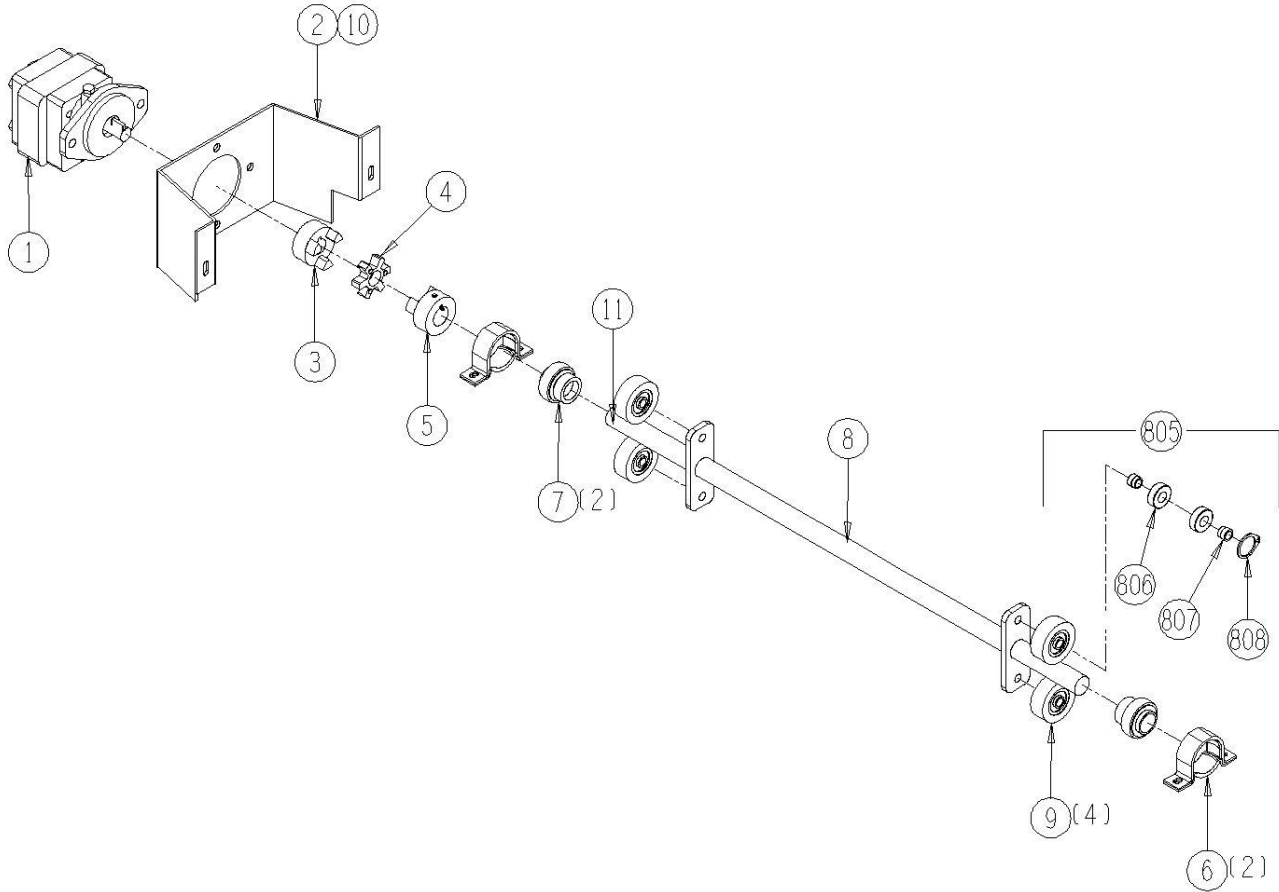
10010-03-10



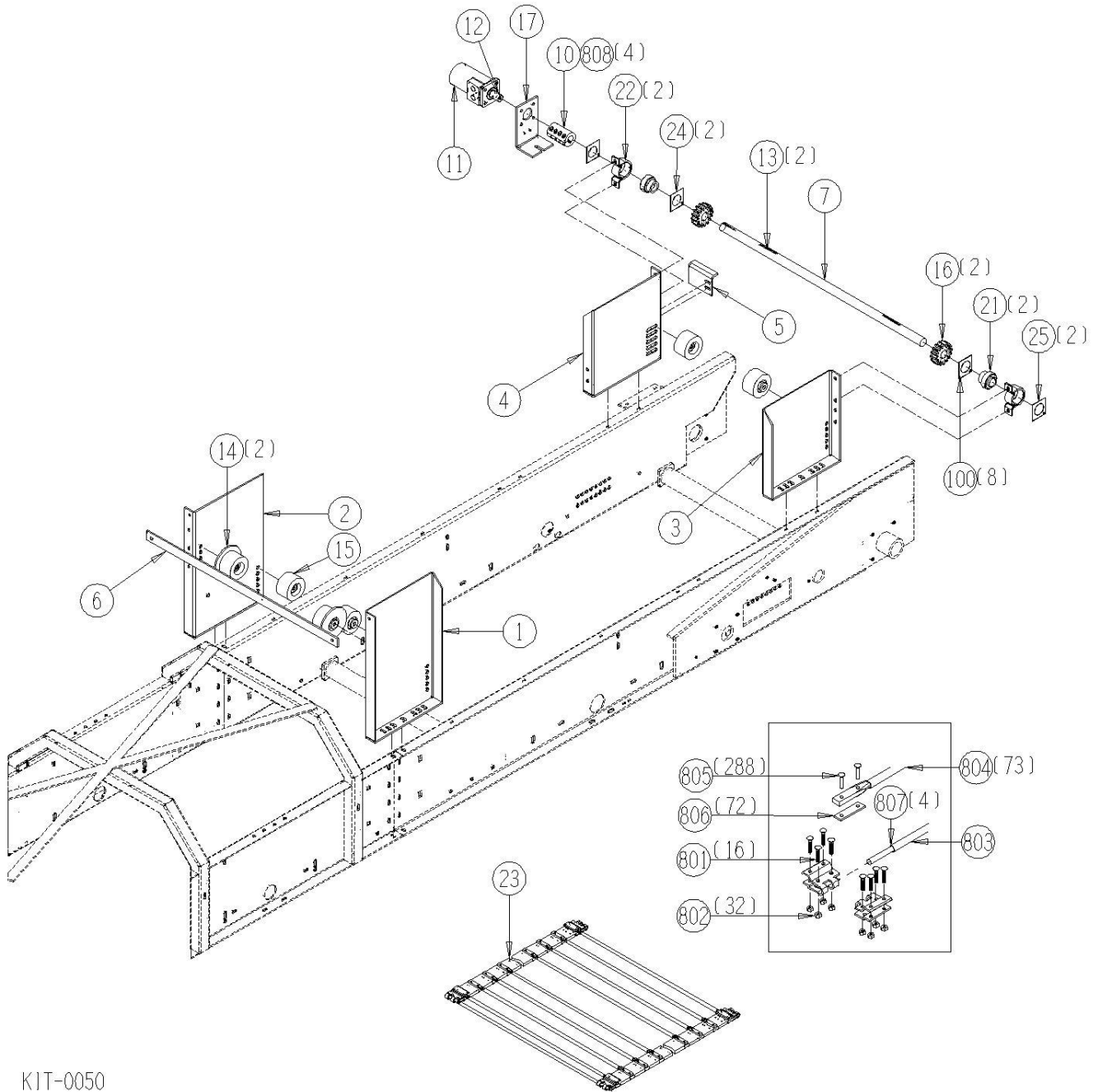
10010-03-11 Header Conveyor Vibrator Shaft Assembly

<u>Ref</u>	<u>Part No.</u>	<u>Description</u>	<u>Parts – Assembly</u>	<u>Will Fit SN</u>	<u>Remarks</u>
1	HM-412-1	Hydraulic Motor	1		Same as HM-412C except w/1' shaft REPLACES HM-412C IF REPLACING A HM-412C WITH THIS MOTOR BE SURE THAT THE PROPER COUPLER SIZES ARE SUPPLIED
2	192-138	Mount, Vibrator Motor	1	19201-	
3	CPJ-6051	Coupler, L099, Motor Side 1in. Bore	1	19101	Sub 194-6053
4	CPJ-6055	Coupler, L099/100, Urethane Spider	1	19101	For use with CPJ-6052 and CPJ-6051 Sub CPS-6053
5	CPJ-6052	Coupler, L100, Shaft side 1 1/4in. Bore x 1/4' Key	1	19101	Sub 194-6053 Except on Debris Fan
6	BR-062-MPB	Stamped Bearing Housing for 1 1/4' bearing	2		
7	BR-125-062	Bearing, 1 1/4 Fafnir tri-seal, 62mm OD	2		
8	192-136	Vibrator shaft	1	19201-	
9	RLT-027-108	Roller 2.75' dia. 1/2' Bore	4		2755C1X (Old Number, Single Bearing)
10	DC-1176	Decal, Danger-Hand Chain Sprockets	1		
11	KEY-4-4-20	Shaft Key 1/4' x 1 1/4'	1		
12	STP-FL30	Stop, Flow Control	1	19101-	
800	HM-412B	Key for Hydraulic Motor -Shaker Weight-Vibrator	1	HM-412C & HM-712C	
801	HM-2100-SK	Shaft Seal & Gasket Kit for Permco Motor, M2100 Series	1		
802	HM-2100-BRG	Bearing for Permco Motor, M2100 Series	1		
804	HM-1801	Seal Kit for Commercial Intertech	1	P20 & M20 Series	Includes:(1) Length of HM- 2882,(1)HM-2883,(2)HM-2884
805	BR-025-052-C	Bearing Kit for Vibrator Roller (2 brg)	1	RLT-027-108	
806	BR-017-040	Bearing for Vibrator Roller	2		
807	RLT-SSC1	Stub Shaft for Vibrator Roller	2		
808	RLA-0275-SR4	Snap Ring for Vibrator Roller	1	RLT-027-108	

10010-03-11



10010-03-15



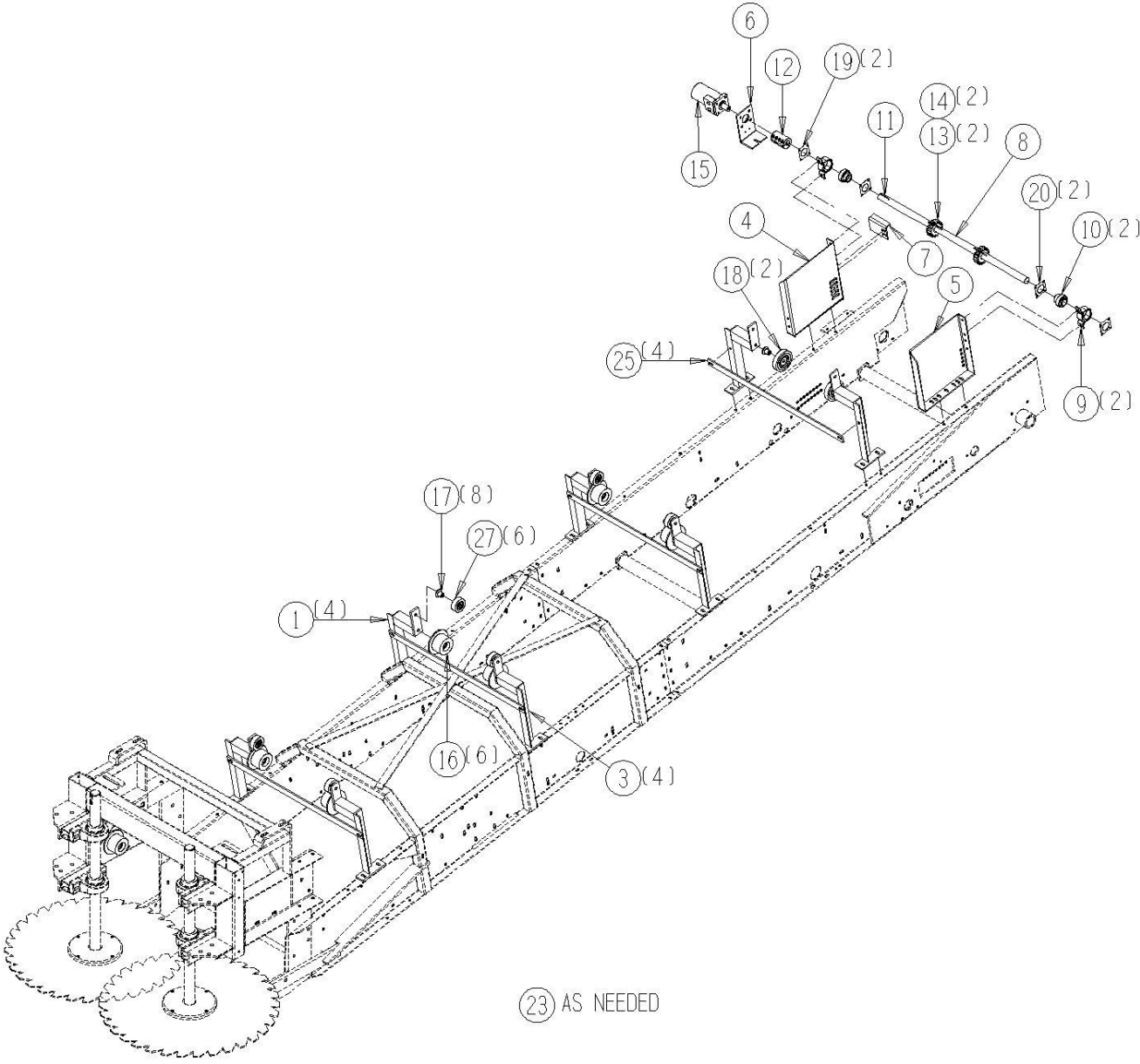
KIT-0050

10010-03-17 Optional Overhead Vine Assist/Full Length

<u>Ref</u>	<u>Part No.</u>	<u>Description</u>	<u>Parts – Assembly</u>	<u>Will Fit SN</u>	<u>Remarks</u>
0	KIT-0215	Full Length Vine Assist for Disk Header	0		
1	BRA-0099	Bracket Roller Mount Overhead Vine Assist Sickle	4	KIT-0011	
3	BRA-0098	Bracket Roller Mount	4	KIT-0011	
4	PAN-1107	Panel, Weldment, Inner Rear, Vine Assist	1	Kit-0050	
5	PAN-1106	Panel, Weldment, Outer Rear, Vine Assist	1	Kit-0050	
6	193-806	Mount motor	1		
7	193-806B	Motor Mount Stop	1		
8	SFT-0020	Shaft, Overhead Vine Assist 190 Sickle, 20in. Wide	1	KIT-0011 KIT-0215	
9	BR-062-MPB	Stamped Bearing Housing for 1 1/4' bearing	2		
10	BR-125-062	Bearing, 1 1/4 Fafnir tri-seal, 62mm OD	2		
11	KEY-4-4-20	Shaft Key 1/4' x 1 1/4'	1		
12	CPS-6060	Steel Coupler (off center) 1 1/4' x 1'	1		
13	SPU-3610-20-4	Sprocket 36-10 1 1/4 bore 1/4' key urethane	2		
14	KEY-4-4-28	Shaft Key 1/4' x 1 3/4'	2		
15	HM-210-TC	TCI Motor	1		Seal Kit # TCI-SKHPQ
16	RLT-535-228	5' Flange Roller 2.2WF x 3 1/2' dia, 1/2' bore	6		
17	RLA-000-118	Standoff, 1/2' X 1 1/8'	8		
18	RLR-040-108	4' Flat Roller	2		Changed to Urethane in 2006
19	SC-20-6	Bearing Protector, 1 1/4', Inner Side	2		
20	SC-20-7	Bearing Protector, 1 1/4', Outer, Lock Collar Side	2		
23	WT-11	Wire Tie 11'	20		
24	BC-6-20108-107	Belted Chain, 3/8 x 20, 2x60, 107 Pitches Long	1		
25	BAR-0134	Vine Assist Tomato, Cross Bar Support	4		
27	RLT-027-108	Roller 2.75' dia. 1/2' Bore	6		2755C1X (Old Number, Single Bearing)
100	BL-1032-175P	10/32 x 1 3/4' Pan Head, Phillips Machine Screw	8		
101	BC-1032-LN	10-32 lock nuts	8		
102	BL-6-125-H	3/8-16 X 1 1/4 HHCS G5 ZC	20		
103	BL-6-SW	3/8 SAE FW ZC	30		

104	BL-6-SW-8	3/8 SAE FW G8 ,Yellow Zinc, Thru Hardened	26
105	BL-6-LN	3/8 UNC FIN HEX LOCK NUT NE A563 GrA ZINC	26
106	BL-6-100-H	3/8 UNC X 1 HH C/S BOLT GR5 ZINC	10
107	BL-6-LW	3/8 SPLIT LW ZC	4
109	BL-8-300-H	1/2-13 X 3 HEX CAP G5 ZC	4
110	BL-8-325-H	1/2 UNC X 3 1/4 HH C/S BOLT GR5 ZINC	8
111	BL-8-550-H	1/2-13 X 5 1/2 HEX CAP G5 ZC	4
112	BL-8-500-H	1/2-13 X 5 HEX CAP G5 ZC	4
113	BL-8-FW-8	1/2 FLAT WASHER G8 ZC	20
114	BL-8-FW	1/2 USS FW ZC	16
115	BL-8-LN	1/2-13 HEX LOCK NUT NYLON INSERT ZC	26
116	BL-10-FW-8	5/8' Grade 8 Flat Washer	32
117	BL-8-350-H	1/2-13 X 3 1/2 HEX CAP G5 ZC	2
118	BL-10-LN	5/8-11 HEX LN NE ZC	2
119	BL-10-650-H	5/8 UNC X 6 1/2 HH C/S BOLT GR ZINC	2
600	A-6900-10-8	10 SAE x 1/2 FPX	2
601	A-1405-12-12	3/4 NPT coupler w/swivel	1
602	H12-20-12MP-8MP	3/4 in hose 3/4MP x 1/2MP x 20 in long	1
603	H12-36-12MP-8MP	3/4 in hose 3/4MP x 1/2MP x 36 in long	1
800	KEY-4-4-15	Shaft Key 1/4' X 1/4' X 15/16' Woodruff Key	1

10010-03-17

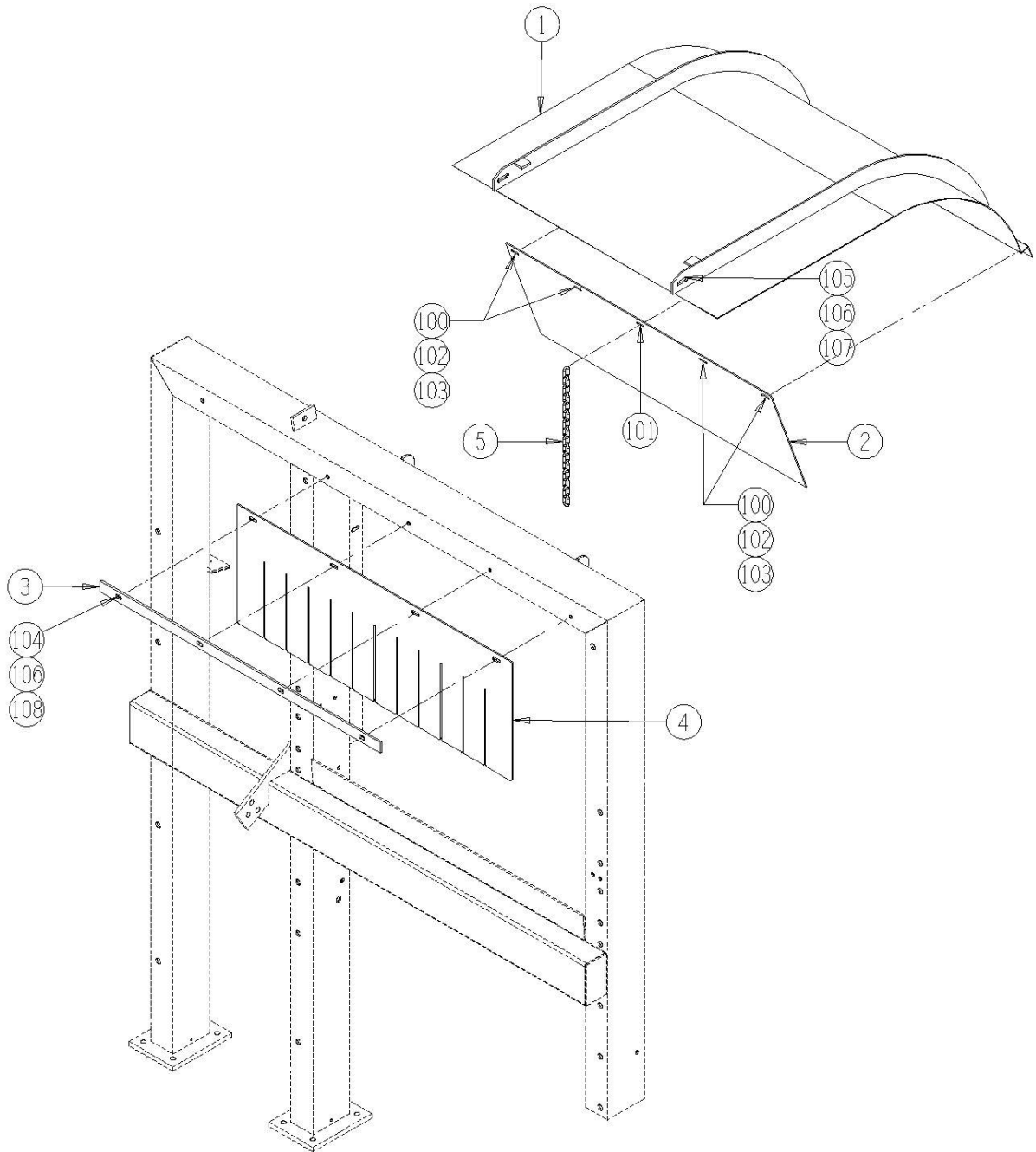


KIT-0215

10010-04-03 Shaker Cover Assembly

<u>Ref</u>	<u>Part No.</u>	<u>Description</u>	<u>Parts – Assembly</u>	<u>Will Fit SN</u>	<u>Remarks</u>
1	192-310	Cover, Primary Shaker	1	19201-	
2	191-310B	Belting, Primary Shaker Cover	1	19101-	
3	191-119A	Shaker Entrance Belting Bar	1	19101-	
4	191-119	Header Throat Belting Shield	1	19101-	
5	191-313	Chain, Shaker Cover, Panel Stiffener	1	19101- 30095001-	
100	BL-4-075-H	1/4 UNC X 3/4 HH C/S BOLT GR5 ZINC	4		
101	BL-4-100-H	1/4-20 X 1 HEX CAP G5 ZC	1		
102	BL-4-FW-8	1/4" Flat Washer Grade 8	10		
103	BL-4-LN	1/4-20 HEX LN NE ZC	5		
104	BL-6-100-H	3/8 UNC X 1 HH C/S BOLT GR5 ZINC	4		
105	BL-6-125-H	3/8-16 X 1 1/4 HHCS G5 ZC	2		
106	BL-6-FW-8	3/8 FLAT WASHER, G8 ZC	8		
107	BL-6-LN	3/8 UNC FIN HEX LOCK NUT NE A563 GrA ZINC	2		
108	BL-6-LW	3/8 SPLIT LW ZC	4		

10010-04-03

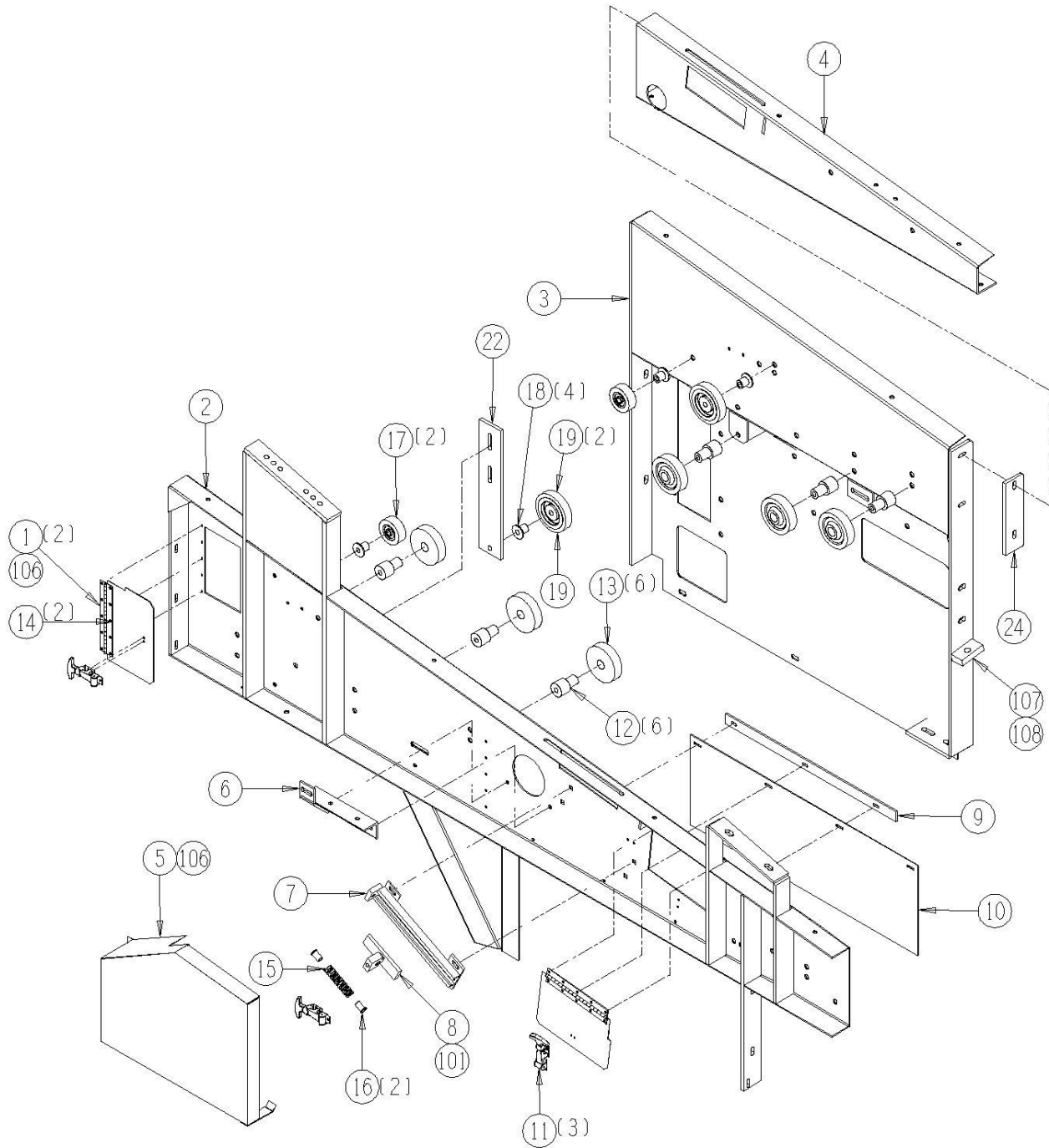


10010-04-05 Optional Transfer x/Vine Chain Assembly

<u>Ref</u>	<u>Part No.</u>	<u>Description</u>	<u>Parts – Assembly</u>	<u>Will Fit SN</u>	<u>Remarks</u>
1	195-304D	Access Door w/Hinge	2		
2	192-304	Shaker chamber support panel left	1	19201-	Must use SUP-1304 with this part.
3	PAN-325	Panel, Inner Shaker, Side Support	1		
4	192-306	Shaker chamber support panel rear	1	19201-	Must use SUP-1306 with this part.
5	195-207	Transfer Roller Drive Shield	1		
6	195-208	Idler Bracket for Transfer Roller Drive	1		
7	195-206	Transfer Roller Drive Adjuster Bracket	1		
8	195-206A	Transfer Roller Drive Slider	1		
9	BAR-646	Bar, Belting, Cross Conv. Entr, Separation Kit	1		
10	191-646	Belting, Cross Conveyor	1	19101-	
11	LA-1530	Medium Rubber T Latch Assembly	3		
12	RLA-010-0108	Spindle / Standoff for Urethane Roller (heat treated)	6	19101-	
13	RLG-040-1016	4' Urethane Roller	6	Old Terog Part No. RU4	
14	DC-1176	Decal, Danger-Hand Chain Sprockets	4		
15	SPG-9657C	Compression Spring for Transfer Roller Drive	1	195-208K	
16	BU-6389N	Nylon Bushing for Transfer Roller Drive	2	195-208K	
17	RLT-027-108	Roller 2.75' dia. 1/2' Bore	2		2755C1X (Old Number, Single Bearing)
18	RLA-000-118	Standoff, 1/2' X 1 1/8'	4		
19	RLR-040-108	4' Flat Roller	2		Changed to Urethane in 2006
21	BC-3526	Split Retaining Ring (Cross Clip)	2		
24	SPA-306	Spacer, Inner Rear Panel, Shaker	1		
25	DC-3025	Red and White Reflective Tape @ 150 ft Roll	0.005		
101	BL-8-1200-T	1/2-13 X 12' Hex head Tap Bolt Grade 5 Plated	1		
102	BL-4-075-C	1/4 UNC X 3/4 CARRIAGE BOLT GR5 ZINC	4		
103	BL-4-N	1/4-20 HEX FIN NUTS ZC	4		
104	BL-4-FW-8	1/4' Flat Washer Grade 8	4		
105	BL-4-LW	1/4 SPLIT LW ZC	4		
106	RI-3-6-SS	SS Pop Rivets, 3/16 x .251-.375, Buttonhead	22		

107	BL-10-200-H	5/8-11 X 2 HEX CAP G5 ZC	1
108	BL-10-N	5/8-11 HEX FIN NUTS ZC	1

10010-04-05

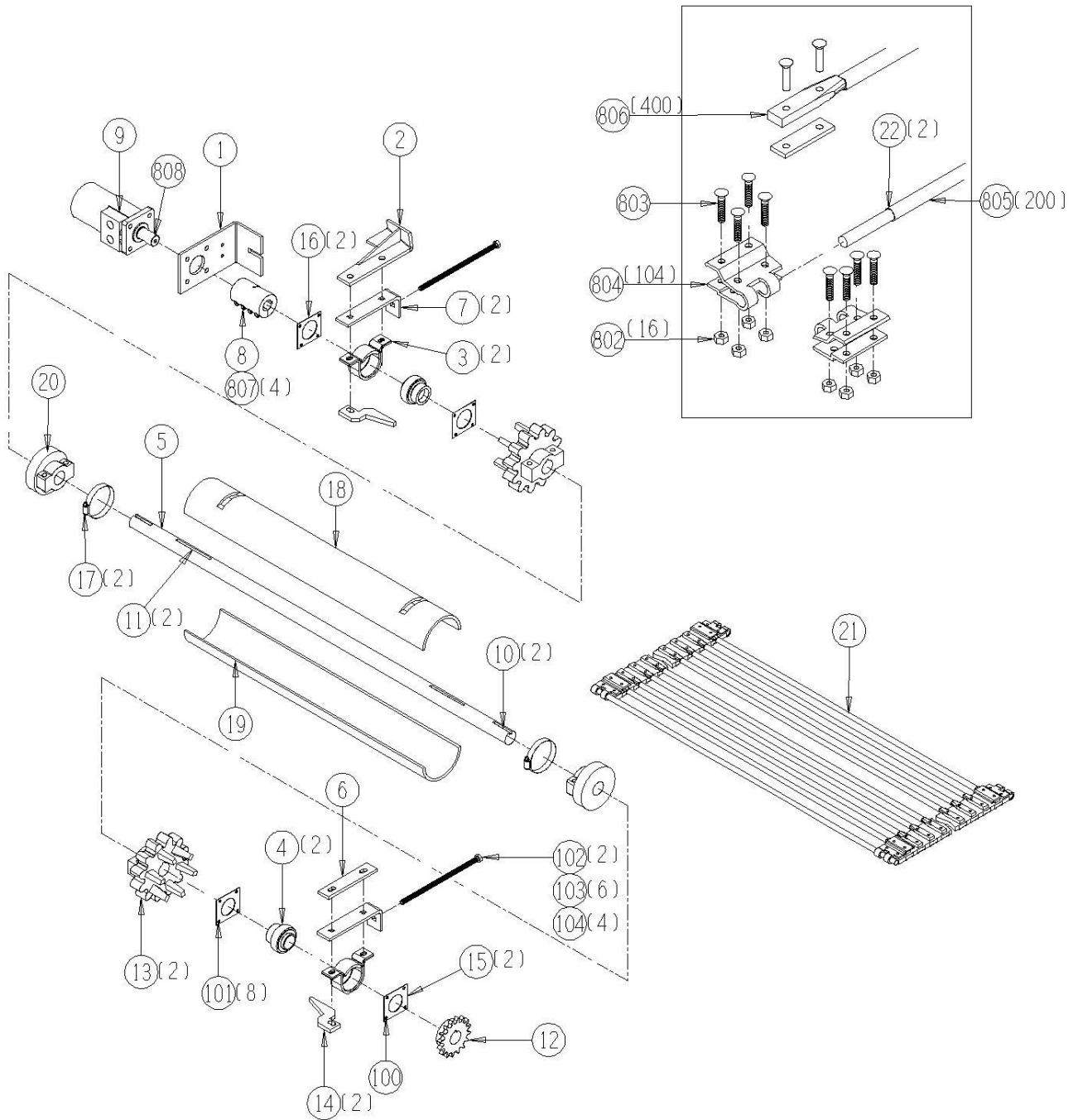


10010-04-06 Transfer Drive Shaft Assembly

<u>Ref</u>	<u>Part No.</u>	<u>Description</u>	<u>Parts – Assembly</u>	<u>Will Fit SN</u>	<u>Remarks</u>
1	193-806	Mount motor	1		
2	195-213	Stop, Transfer Motor Drive	1	19501- 194-806K	
3	BR-062-MPB	Stamped Bearing Housing for 1 1/4' bearing	2		
4	BR-125-062	Bearing, 1 1/4 Fafnir tri-seal, 62mm OD	2		
5	195-202	Shaft for kit 44 1/2'long keyed both ends	1	19501- 195-208K	
6	192-805	Bracket, Outer Transfer Drive	1	19201-	
7	192-1528	Bearing Adjuster	2	19201-	
8	CPS-6060	Steel Coupler (off center) 1 1/4' x 1'	1		
9	HM-210-TC	TCI Motor	1		Seal Kit # TCI-SKHPQ
10	KEY-4-4-20	Shaft Key 1/4' x 1 1/4'	2		
11	KEY-4-4-44	Shaft Key 1/4' x 2 3/4'	2		
12	SP-50B16-20-4	Hardened Tooth Sprocket, #50, 16 Tooth, 1.25' Bore	1		
13	SPU-3612-20-4	Urethane Sprocket 36-12 1 1/4 bore 1/4' key	2		Sub SP-3612-20-4
14	SCR-100	Scraper, Sprocket, Inner	2		
15	SC-20-6	Bearing Protector, 1 1/4', Inner Side	2		
16	SC-20-7	Bearing Protector, 1 1/4', Outer, Lock Collar Side	2		
17	CL-72	5' Gear Clamp	2		
18	PL-1413	Plastic, Shield, Anti-Wrap, Shaft Drive	1		
19	PL-1414	Drive Shaft, Plastic, 28.25'	1	KIT-0075	
20	PL-1421	Urethane Hub for Shaft Cover 1 1/4' Bore	2		Replaces PL-1415
21	BC-7-3636-105	Transfer Chain, 7/16' Bars 36' Wide, 105 Links 36mm	1		
22	BC-3525	Snap Ring, 11mm.	2		
101	BL-1032-175P	10/32 x 1 3/4' Pan Head, Phillips Machine Screw	8		
102	BL-6-900-T	3/8-16 X 9 HEX TAP G5 ZC	2		
103	BL-6-N	3/8-16 HEX NUTS ZC	6		
104	BL-6-FW-8	3/8 FLAT WASHER, G8 ZC	4		
800	BC-1032-FS	10-32 x 1 1/4' bolts Flat Socket Head	16		
801	BC-F-36-32-UG	Ultra Gold F Connecting Clips 36-32 @ pair	2		Replaces BC-F-36-32

802	BC-1032-LN	10-32 lock nuts	16		
803	BC-7-36-CN	Connecting Rod, 11mm, 36' Wide Belted Chain, 60mm Traction Belts	1	11001	For Clip Splice Option
804	BC-7-36-AC	7/16' x 36' Rod w/ 24mm Air Cushion Cover	104		
805	BC-BP32	Belt, Rivet backing plates 32mm	200	11001	Lap Splice Option, Used only with BC-1032-LN Lock Nuts
806	RI-25-BC	25mm Belted Chain Rivets	400		
807	BL-5-100-SF	5/16-24 x 1 Socket Head Cap Screw	4	CPS-6057	
808	KEY-4-4-15	Shaft Key 1/4' X 1/4' X 15/16' Woodruff Key	1		

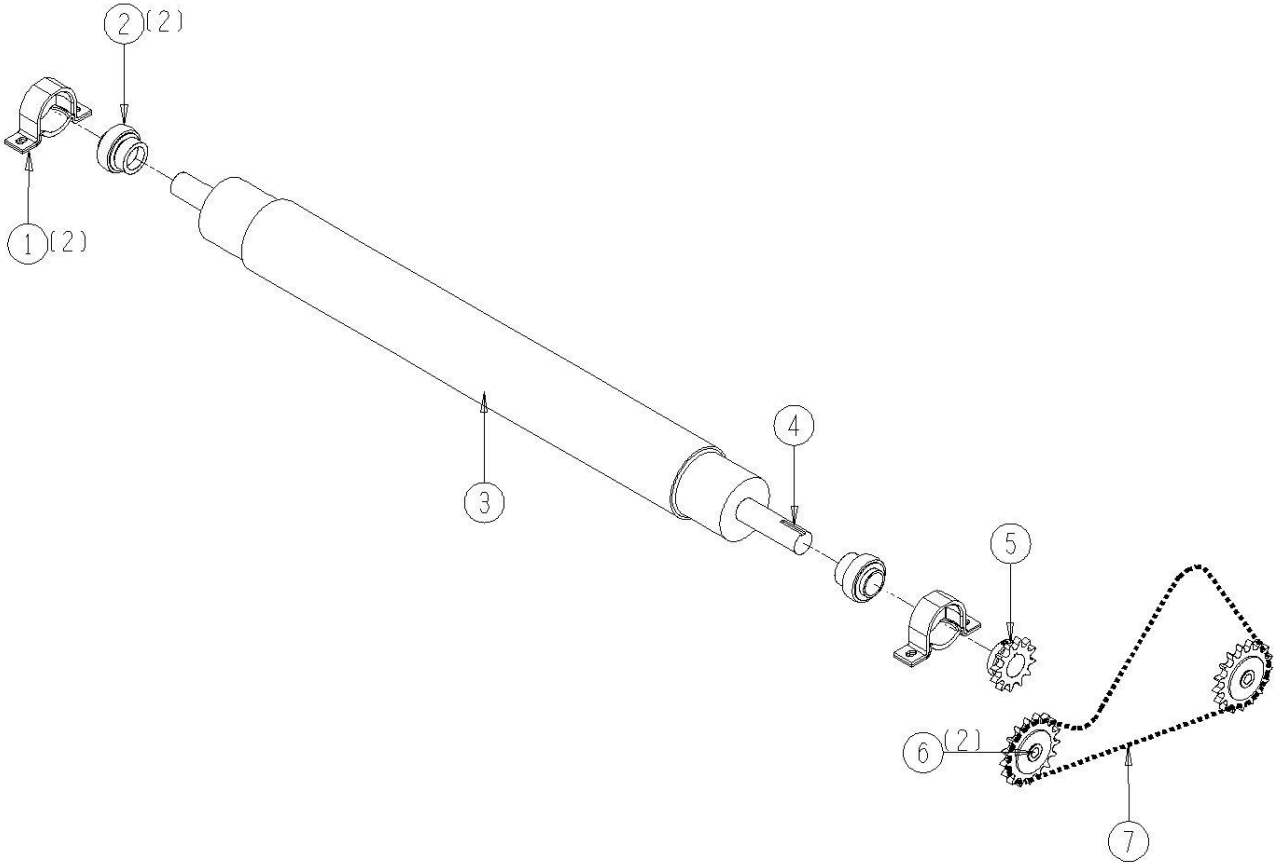
10010-04-06



10010-04-07 Transfer Return Roller Assembly

<u>Ref</u>	<u>Part No.</u>	<u>Description</u>	<u>Parts – Assembly</u>	<u>Will Fit SN</u>	<u>Remarks</u>
1	BR-062-MPB	Stamped Bearing Housing for 1 1/4' bearing	2		
2	BR-125-062	Bearing, 1 1/4 Fafnir tri-seal, 62mm OD	2		
3	RLR-0016	Transfer Return Roller, Rubber, 190 Tomato	1		
4	KEY-4-4-20	Shaft Key 1/4' x 1 1/4'	1		
5	SP-50B12-20-4	Hardened Tooth Sprocket, #50, 12 Tooth, 1.25' Bore	1	19201-	
6	SP-5017-T	Idler, 17 tooth x #50 Chain	2		
7	CH-50-73	Roller Chain 73 pitches #50, w/master link	1	19401- 195-208K	

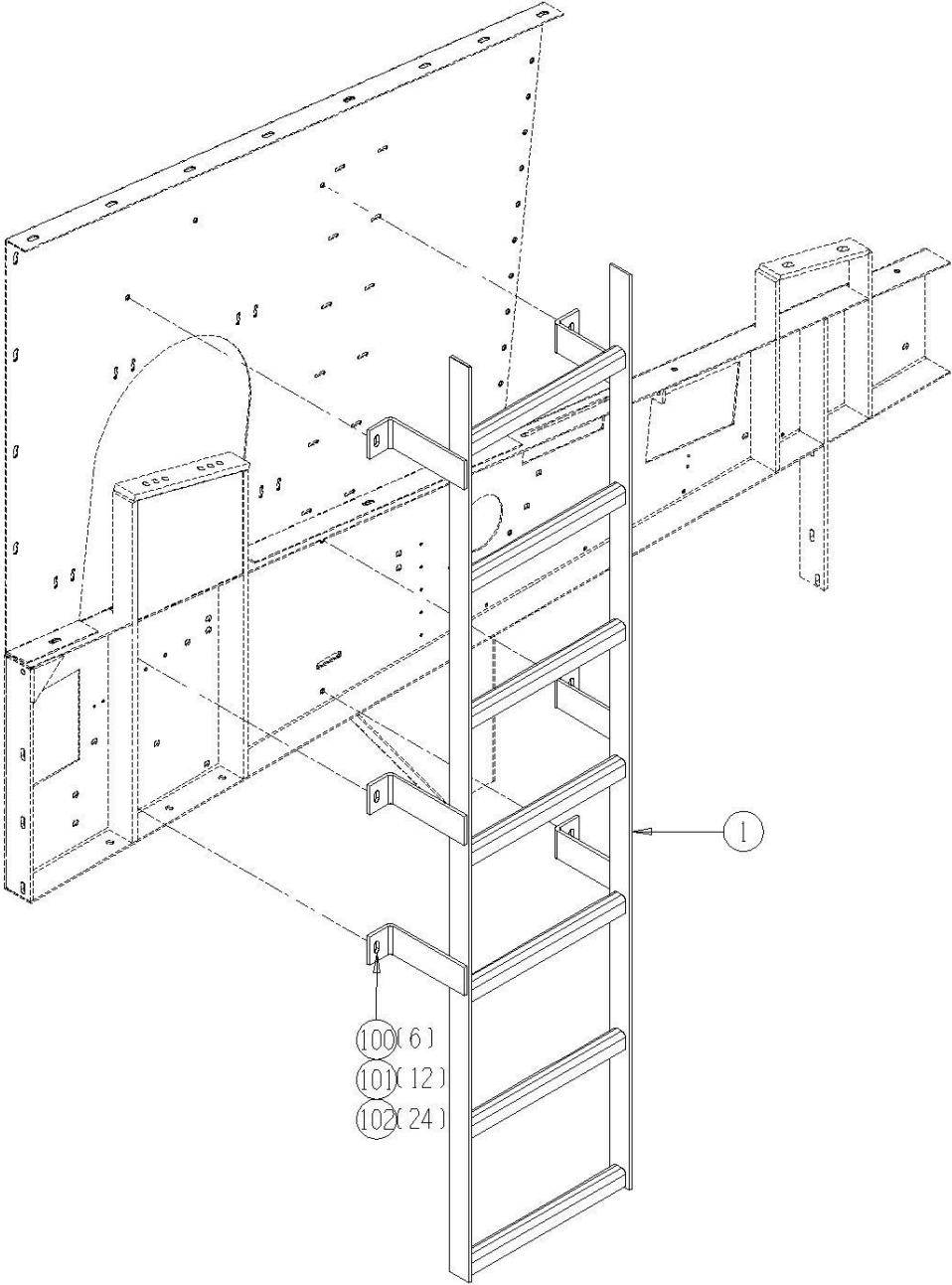
10010-04-07



10010-04-10 Shaker Chamber Ladder Assembly

<u>Ref</u>	<u>Part No.</u>	<u>Description</u>	<u>Parts – Assembly</u>	<u>Will Fit SN</u>	<u>Remarks</u>
1	STD-8403	Header Side Ladder, Shaker Chamber	1		
100	BL-6-175-H	3/8-16 X 1 ¼ HHCS G5 ZC	6		
101	BL-6-LN	3/8 UNC FIN HEX LOCK NUT NE A563 GrA ZINC	12		
102	BL-6-FWSS	3/8 USS FW SS	24		

10010-04-10

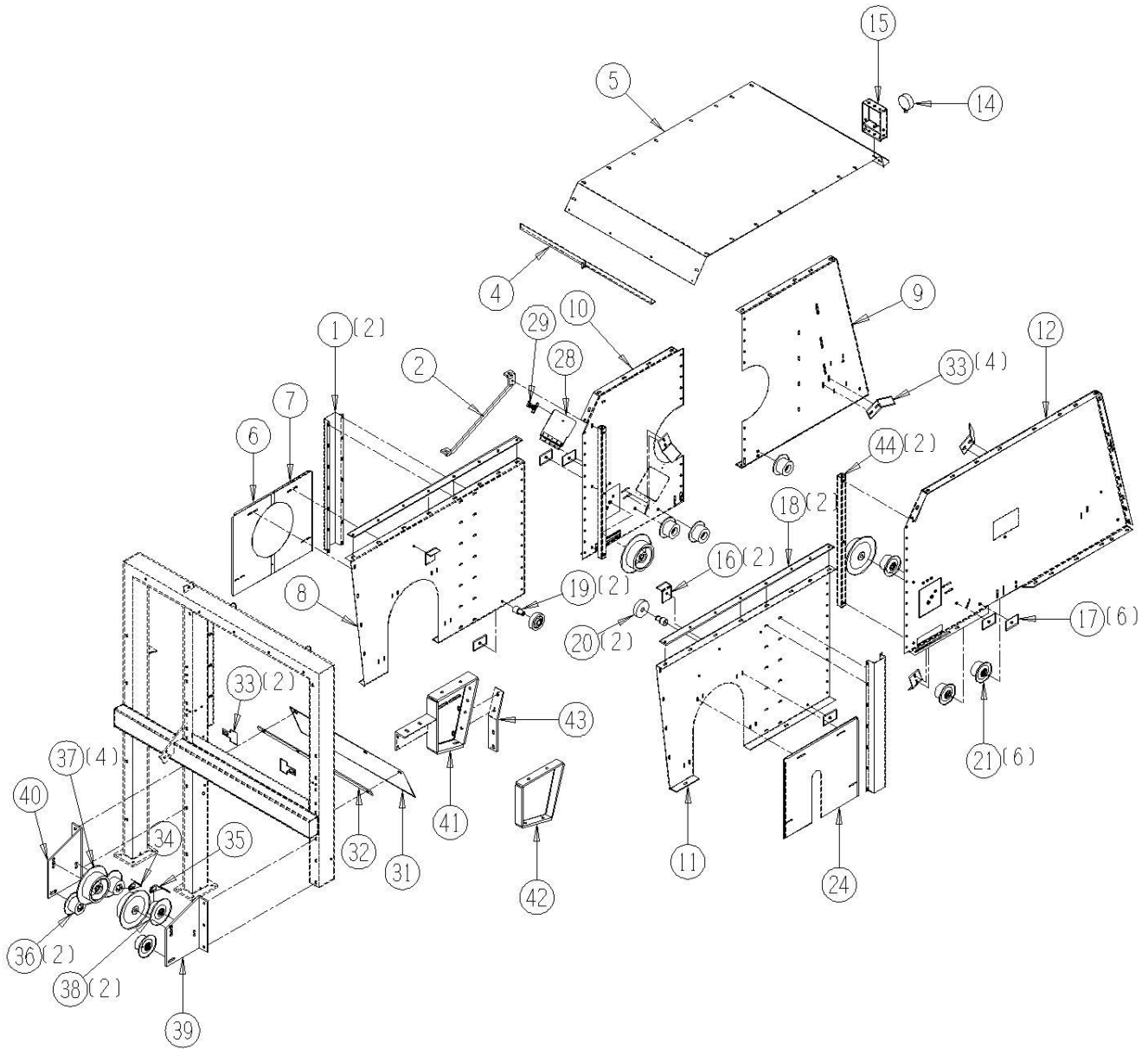


10010-04-50 Opt. Shaker Chamber w/Vine Chain Assembly

<u>Ref</u>	<u>Part No.</u>	<u>Description</u>	<u>Parts – Assembly</u>	<u>Will Fit SN</u>	<u>Remarks</u>
0	BT-960-8M-30	Shaker Drive Belt(30MM Wide)	-1		Can not replace with BT-390H100 belts unless all the pulleys are changed.
1	194-301B	Post, Shaker Side	2	19401-	
2	195-320	Support Brace (Shaker Side)	1		
3	SHD-1898	Shield, Push Offs, Product Deflectors	4		
4	BAR-303	Bar, Angle, Shaker Cover Hook Bar Mount	1		
5	PAN-307	Cover, Diagonal, Top, Tomato	1	KIT-0080	
6	191-312R	Primary Shaker End Cover, Right	1	19101-	
7	191-312L	Primary Shaker End Cover, Left	1	19101-	
8	196-302	Panel, Right-Front Shaker (Tomato)	1		Replaces 192-302
9	PAN-308	Panel, Right, Rear, Tomato	1	KIT-0080	
10	PAN-309	Panel, Right/Mid, Tomato	1	KIT-0080	
11	196-301	Panel, Left-Front Shaker (Tomato)	1	19601-	
12	PAN-306	Panel, Left/Rear	1	KIT-0080	
14	EL-1206	Double Amber Lamp	1		
15	SHD-1206	Shield, Flashing Light	1	30097001-19601-	
16	193-309	Primary cover stop	2	19301-	
17	BAR-1861	Bar, Roller Backing Plate	6		
18	BAR-302	Bar, Shaker Panel, Front, Top Support	2		
19	RLA-010-0108	Spindle / Standoff for Urethane Roller (heat treated)	2	19101-	
20	RLG-040-1016	4' Urethane Roller	2	Old Terog Part No. RU4	
21	RLT-535-228	5' Flange Roller 2.2WF x 3 1/2' dia, 1/2' bore	6		
24	195-312	Cover, Shaker End (Outer)	1	19501-	
26	DC-1400	Decal, Yellow, Secondary Transfer	1		
27	DC-1430	Decal, Vine Chain	1		
28	195-304D	Access Door w/Hinge	1		
29	LA-1530	Medium Rubber T Latch Assembly	1		
30	DC-1176	Decal, Danger-Hand Chain Sprockets	1		
31	191-210	Transfer Belting Shield	1	19101-	

32	191-210A	Transfer Entrance Belting Bar	1	19101-
33	193-126	Saver Tab	2	19301-
34	RLA-3023-T	Straight Scraper, RH	1	
35	RLA-3024-T	Straight Scraper	1	
36	RLT-535-2210	5' Flange Roller 2.2 WF 3.5 dia, 5/8' bore	2	
37	RLT-965-2212	9.5' Flange Roller 6.5 WF 2.2 WW ¾ bore, 3 brng.	4	
38	RLT-635-2210-SC	6 1/2' Flange Roller w/Shaft for Scraper 5/8' Bore	2	
39	SUP-1423	Support, Roller, Transfer, Outer, Tomato	1	
40	SUP-1424	Support, Roller, Transfer Chain, Inner, Tomato	1	
41	MOU-1416	Mount, Sec. Shaker, Inner	1	KIT-0080
42	MOU-1418	Mount, Sec. Shaker, Outer	1	KIT-0080
43	BAR-1416	Bar, Stiffner, Secondary Shaker Mount	1	
44	BAR-0116	Tube, Support, Shaker Panel, 190 Tomato Harvester	2	
150	RI-3-6-SS	SS Pop Rivets, 3/16 x .251-.375, Buttonhead	9	

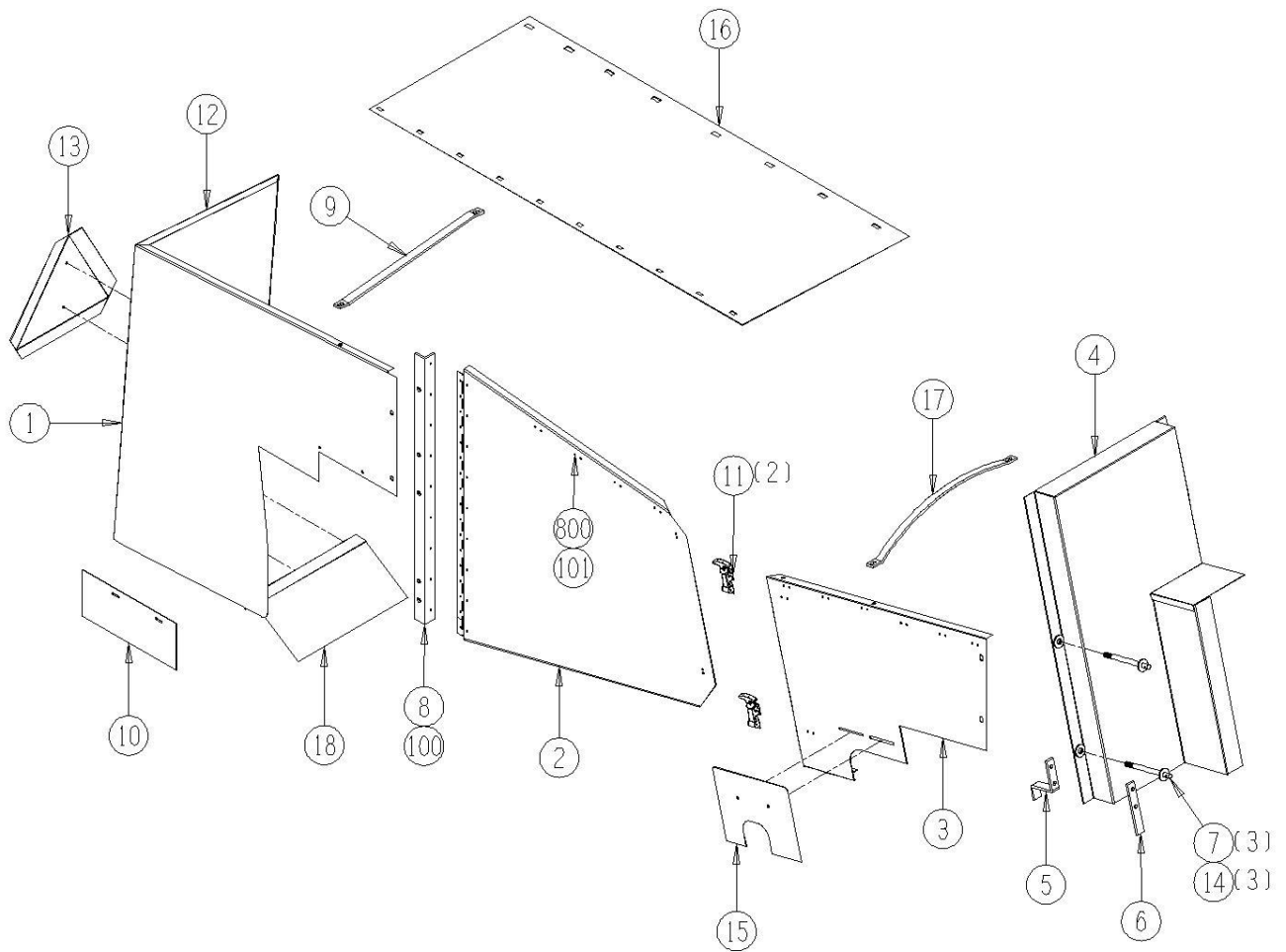
10010-04-50



10010-04-51 Optional Shaker Chamber Box Shield Assembly

<u>Ref</u>	<u>Part No.</u>	<u>Description</u>	<u>Parts – Assembly</u>	<u>Will Fit SN</u>	<u>Remarks</u>
1	SHD-0109	Shield, Rear Primary Shaker, Bell Pepper	1		
2	SHD-1417	Shield, Middle Shaker, Separation Kit	1	<19601 & 19901-	
3	195-1140	Shaker Shield (Front)	1	19501-19524 & 19901-	
4	SHD-1142	Shield, Shaker, Front of Shaker Frame	1		
5	192-1142A	Bracket for Front Shaker Shield	1		
6	BAR-1142A	Bar, Shield, Shaker	1	19201-	
7	192-1142B	Holder Bolt	3	19201-	
8	POS-1416	Post, Angle, Shaker Shield, Door	1		
9	195-1140B	Brace for Shaker Shield	1		
10	PL-1420	Shield, Secondary Shaker Belt	1		
11	LA-1530	Medium Rubber T Latch Assembly	2		
12	DC-1178	Decal, Small Red PIK RITE 4.25' x 31'	1		
13	SMV-PL	SMV Sign, Metal	1		
14	HC-1130B	Hair Pin Clip	3		
15	SHD-1145	Shield, Shaker, Front	1		
16	TRP-1140	Shaker Shield Tarp	1		
17	BAR-1140	Bar, Tarp Brace, Above Primary Shaker	1		
18	SHD-1141A	Shield, Secondary Shaker Add-On	1	19501-	
100	RI-3-6-SS	SS Pop Rivets, 3/16 x .251-.375, Buttonhead	37		
101	RI-3-5-P	Pop Rivet 3/16 x 5/16 Domed, .375 head, ea	20		
800	TRP-CFM	Curtain Fastner With (2) 3/16' Holes	10		Used For Metal

10010-04-51

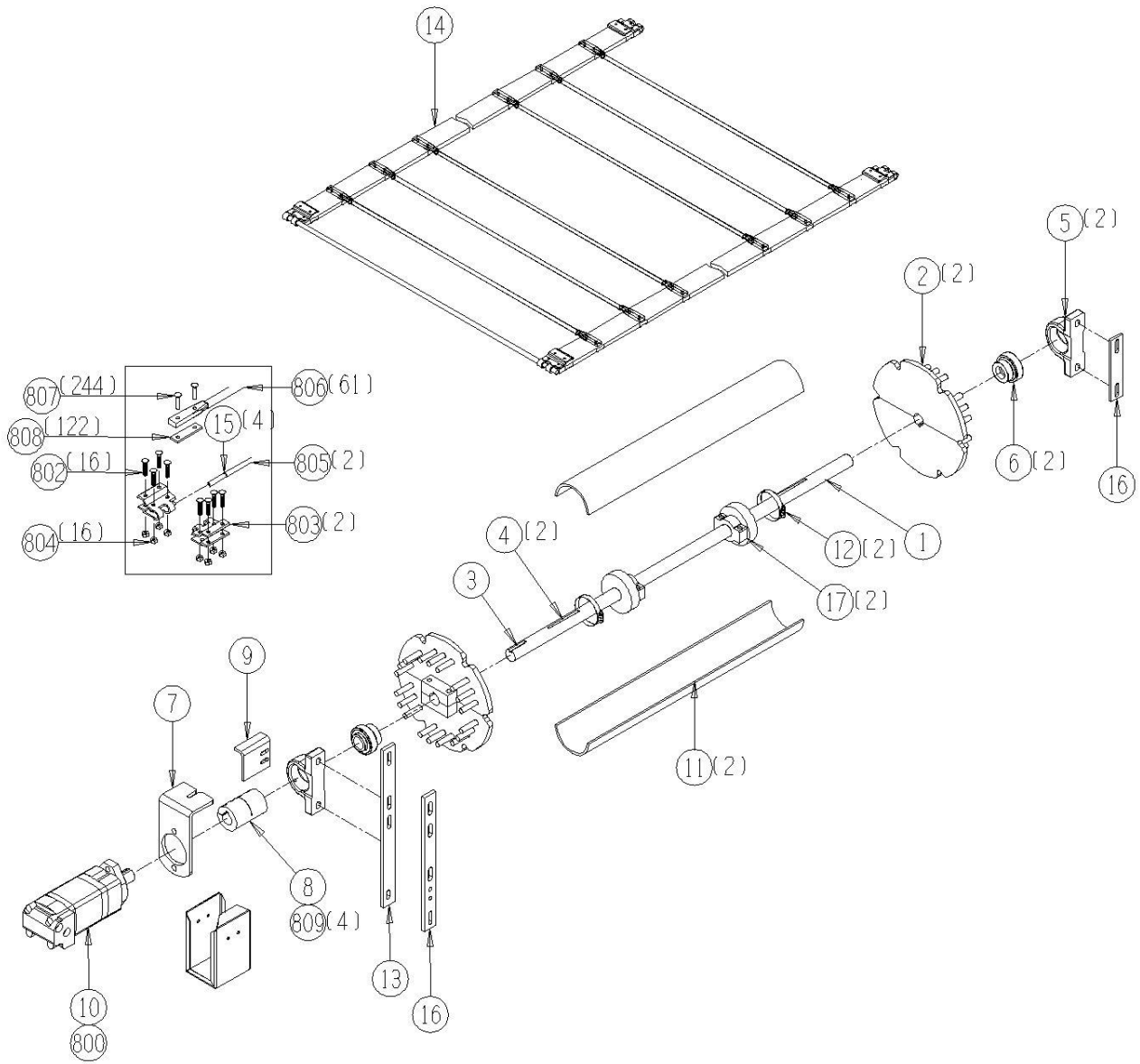


10010-04-52 Optional Vine Chain Drive Assembly

<u>Ref</u>	<u>Part No.</u>	<u>Description</u>	<u>Parts – Assembly</u>	<u>Will Fit SN</u>	<u>Remarks</u>
1	SFT-0130	Shaft, Transfer Drive, 290 Tomato Harvester	1		
2	SP-14406-20-4	Sprocket, 144mm Pitch, 6 Tooth, 1 1/4' Bore w/1/4' Keyway	2		Replaces SP-3618-20-4-RG and SP-14404-20-4
3	KEY-4-4-20	Shaft Key 1/4' x 1 1/4'	1		
4	KEY-4-4-32	Shaft Key 1/4' x 2' Square Cut (1018)	2		
5	BR-072-RAK	72mm Cast Housing	2		
6	BR-125-072	Bearing, 1 1/4 Fafnir tri-seal, 72mm OD	2		
7	MOU-0091	Motor Mount, 2000 Series Face, 2 Bolt, SAE-A	1		
8	CPS-6057	Coupler, Solid, 1.25', Cucumber & Tomato	1		This Replaces CPS-6056.
9	193-806A	Motor mount stop	1		
10	HM-1420-CH	Char Lynn Motor	1		
11	PL-1414	Drive Shaft, Plastic, 28.25'	2	KIT-0075	
12	CL-72	5' Gear Clamp	2		
13	BAR-0135	Vine Assist Tomato, Backing Bar, Motor Stop	1	10011-	
14	BC-8-36144-61DS	Vine Chain Double Skived Belt	1		
15	BC-3525	Snap Ring, 11mm.	4		
16	BAR-0130	Flat Bar, Bearing Backing Mount	1	-10010	
16	BAR-0131	Flat Bar, Bearing Backing Mount	1		
17	PL-1421	Urethane Hub for Shaft Cover 1 1/4' Bore	2		Replaces PL-1415
18	193-806C	Motor Guard	1	19301-	
600	H10-15-8MP-8MP	5/8 in hose 1/2MP x 1/2MP x 15' long	1		
800	HM-103-SK	Seal Kit for Char-Lynn Motor	1	S Series - 010	
801	KEY-4-4-15	Shaft Key 1/4' X 1/4' X 15/16' Woodruff Key	1		
802	BC-1032-FS	10-32 x 1 1/4' bolts Flat Socket Head	16		
803	BC-F-36-32-UG	Ultra Gold F Connecting Clips 36-32 @ pair	2		Replaces BC-F-36-32
804	BC-1032-LN	10-32 lock nuts	16		
805	BC-7-36-CN	Connecting Rod, 11mm, 36' Wide Belted Chain, 60mm Traction Belts	2	11001	For Clip Splice Option
806	BC-7-36-ST	7/16' x 36' Belted Chain Rod for 60mm Belt	61		
807	RI-25-BC	25mm Belted Chain Rivets	244		

808	BC-BP32	Belt, Rivet backing plates 32mm	122	11001	Lap Splice Option, Used only with BC-1032-LN Lock Nuts
809	BL-5-100-SF	5/16-24 x 1 Socket Head Cap Screw	4	CPS-6057	

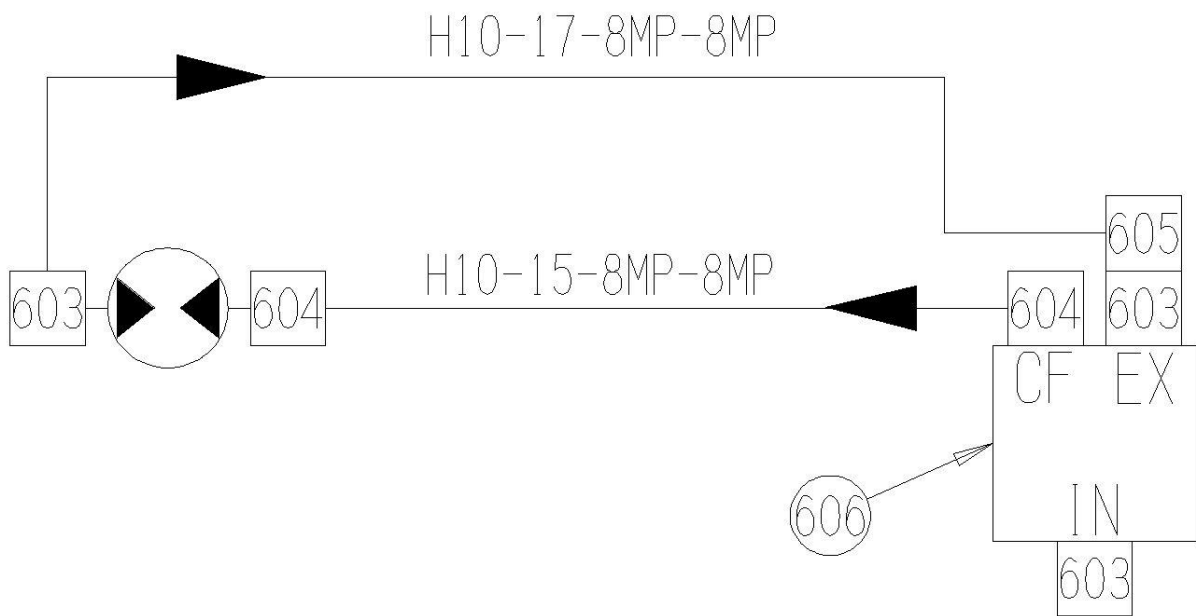
10010-04-52



10010-04-52H Opt. Vine Chain Drive Hyd. Assembly

<u>Ref</u>	<u>Part No.</u>	<u>Description</u>	<u>Parts – Assembly</u>	<u>Will Fit SN</u>	<u>Remarks</u>
601	H10-17-8MP-8MP	5/8 in hose 1/2MP x 1/2MP x 17' long	1		
602	H10-15-8MP-8MP	5/8 in hose 1/2MP x 1/2MP x 15' long	1		
603	A-6401-10-8	10 SAE x 1/2 MPT Male	3		
604	A-6901-10-8	10 SAE x 1/2 FPX90°, Forged	2		
605	A-1603-8-8-8	Swivel T 1/2' NPTF	1		
606	HV-FL16	Flow Control Valve 16GPM	1		

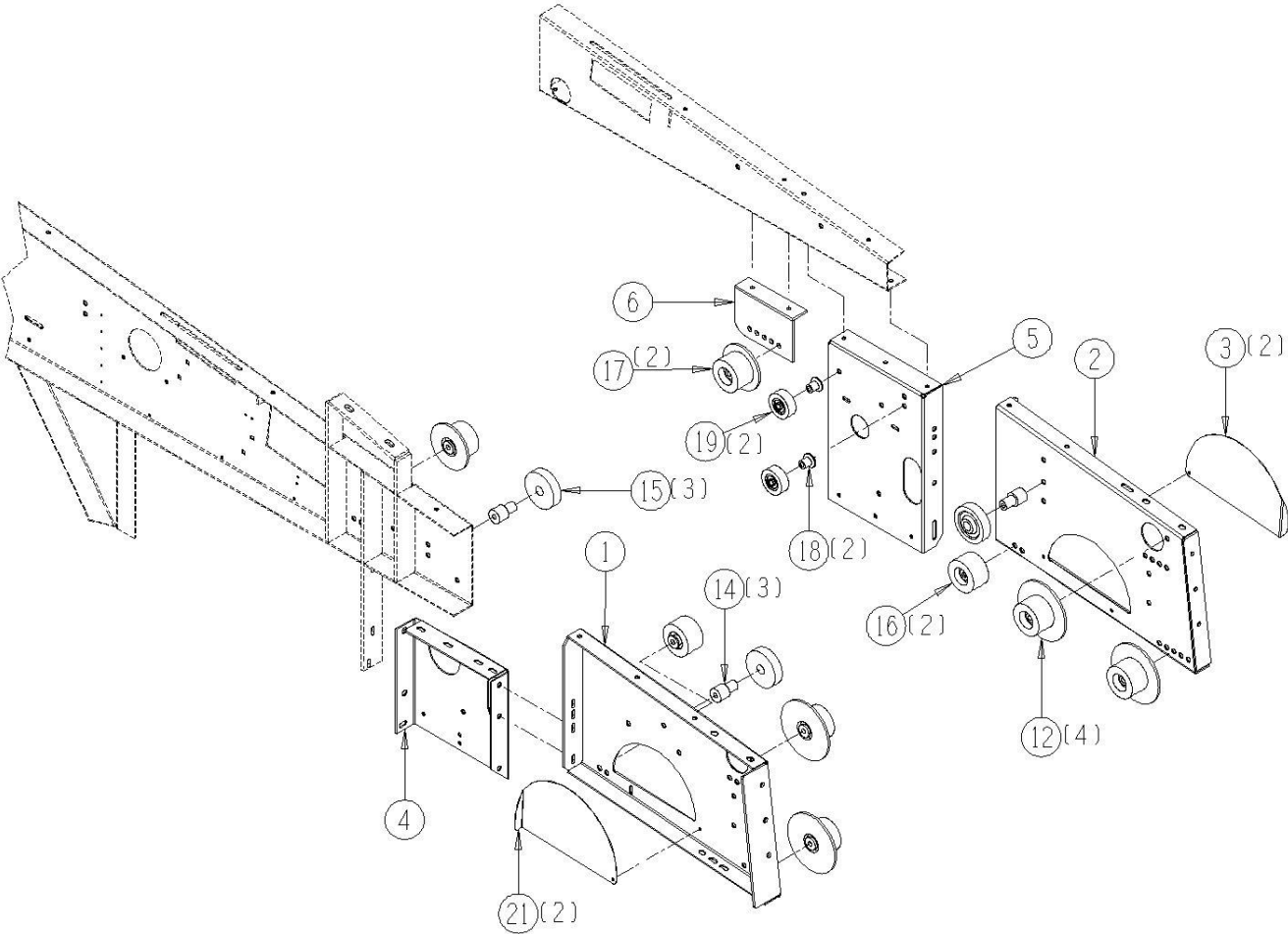
10010-04-52H



10010-04-53 Optional Rear Transfer Assembly

<u>Ref</u>	<u>Part No.</u>	<u>Description</u>	<u>Parts – Assembly</u>	<u>Will Fit SN</u>	<u>Remarks</u>
1	PAN-315	Panel, Roller, Outer	1	KIT-0080	
2	PAN-316	Panel, Roller, Inner	1	KIT-0080	
3	PAN-920C	Panel, Access [Red]	2	19301-	
4	SUP-1304	Support Panel, Rear, Outer, Lower Shaker	1		
5	SUP-1306	Support Panel, Rear, Inner, Lower Shaker	1		
6	BRA-306	Bracket, Roller, Inner Side, Rear Trans.	1	kit-0080	
12	RLT-635-228	6 1/2' Flange Roller 2.2 WF 3.5 dia, 1/2' bore	4		
14	RLA-010-0108	Spindle / Standoff for Urethane Roller (heat treated)	3	19101-	
15	RLG-040-1016	4' Urethane Roller	3	Old Terog Part No. RU4	
16	RLT-035-228	Roller 3.5 dia x 2.2 x 1/2' bore, no flange	2		
17	RLT-535-228	5' Flange Roller 2.2WF x 3 1/2' dia, 1/2' bore	2		
18	RLA-000-118	Standoff, 1/2' X 1 1/8'	2		
19	RLT-027-108	Roller 2.75' dia. 1/2' Bore	2		2755C1X (Old Number, Single Bearing)
21	DC-1176	Decal, Danger-Hand Chain Sprockets	2		

10010-04-53

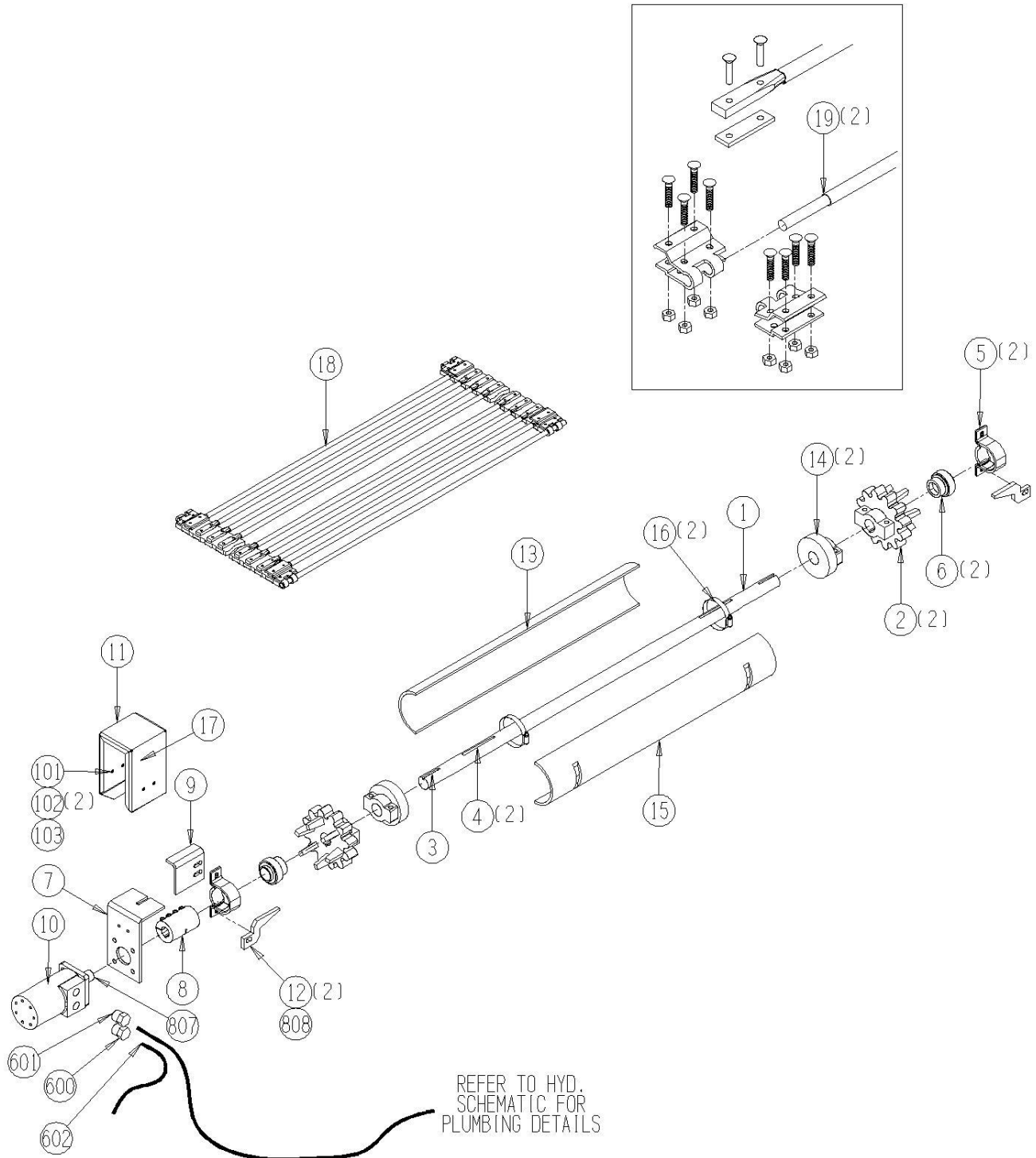


10010-04-54 Optional Rear Transfer Drive Shaft Assembly

<u>Ref</u>	<u>Part No.</u>	<u>Description</u>	<u>Parts – Assembly</u>	<u>Will Fit SN</u>	<u>Remarks</u>
1	195-202	Shaft for kit 44 1/2'long keyed both ends	1	19501- 195-208K	
2	SPU-3612-20-4	Urethane Sprocket 36-12 1 1/4 bore 1/4' key	2		Sub SP-3612-20-4
3	KEY-4-4-20	Shaft Key 1/4' x 1 1/4'	1		
4	KEY-4-4-32	Shaft Key 1/4' x 2' Square Cut (1018)	2		
5	BR-062-MPB	Stamped Bearing Housing for 1 1/4' bearing	2		
6	BR-125-062	Bearing, 1 1/4 Fafnir tri-seal, 62mm OD	2		
7	193-806	Mount motor	1		
8	CPS-6060	Steel Coupler (off center) 1 1/4' x 1'	1		
9	193-806A	Motor mount stop	1		
10	HM-210-TC	TCI Motor	1		Seal Kit # TCI-SKHPQ
11	193-806C	Motor Guard	1	19301-	
12	SCR-100	Scraper, Sprocket, Inner	2		
13	PL-1414	Drive Shaft, Plastic, 28.25'	1	KIT-0075	
14	PL-1421	Urethane Hub for Shaft Cover 1 1/4' Bore	2		Replaces PL-1415
15	PL-1413	Plastic, Shield, Anti-Wrap, Shaft Drive	1		
16	CL-72	5' Gear Clamp	2		
17	DC-1176	Decal, Danger-Hand Chain Sprockets	1		
18	BC-7-3636-75	Rear Transfer, Belted Chain for Tomato	1		
19	BC-3525	Snap Ring, 11mm.	2		
101	BL-4-500-H	1/4-20 X 5 HEX CAP G5 ZC	1		
102	BL-4-FW	1/4 USS FW ZC	2		
103	BL-4-WN	1/4-20 FORGED WINGNUT ZC	1		
600	A-6902-10-8	10 SAE X 1/2' FPX 45°	1		
601	A-6900-10-8	10 SAE x 1/2 FPX	1		
602	H10-30-8MP-8MP	5/8 in hose 1/2MP x 1/2MP x 30 in long	1		
800	BC-1032-FS	10-32 x 1 1/4' bolts Flat Socket Head	16		
801	BC-F-36-32-UG	Ultra Gold F Connecting Clips 36-32 @ pair	2		Replaces BC-F-36-32
802	BC-1032-LN	10-32 lock nuts	16		

803	BC-7-36-CN	Connecting Rod, 11mm, 36' Wide Belted Chain, 60mm Traction Belts	1	11001	For Clip Splice Option
804	BC-7-36-AC	7/16' x 36' Rod w/ 24mm Air Cushion Cover	74		
805	BC-BP32	Belt, Rivet backing plates 32mm	140	11001	Lap Splice Option, Used only with BC-1032-LN Lock Nuts
806	RI-25-BC	25mm Belted Chain Rivets	280		
807	KEY-4-4-15	Shaft Key 1/4' X 1/4' X 15/16' Woodruff Key	1		
808	BL-5-100-SF	5/16-24 x 1 Socket Head Cap Screw	4	CPS-6057	

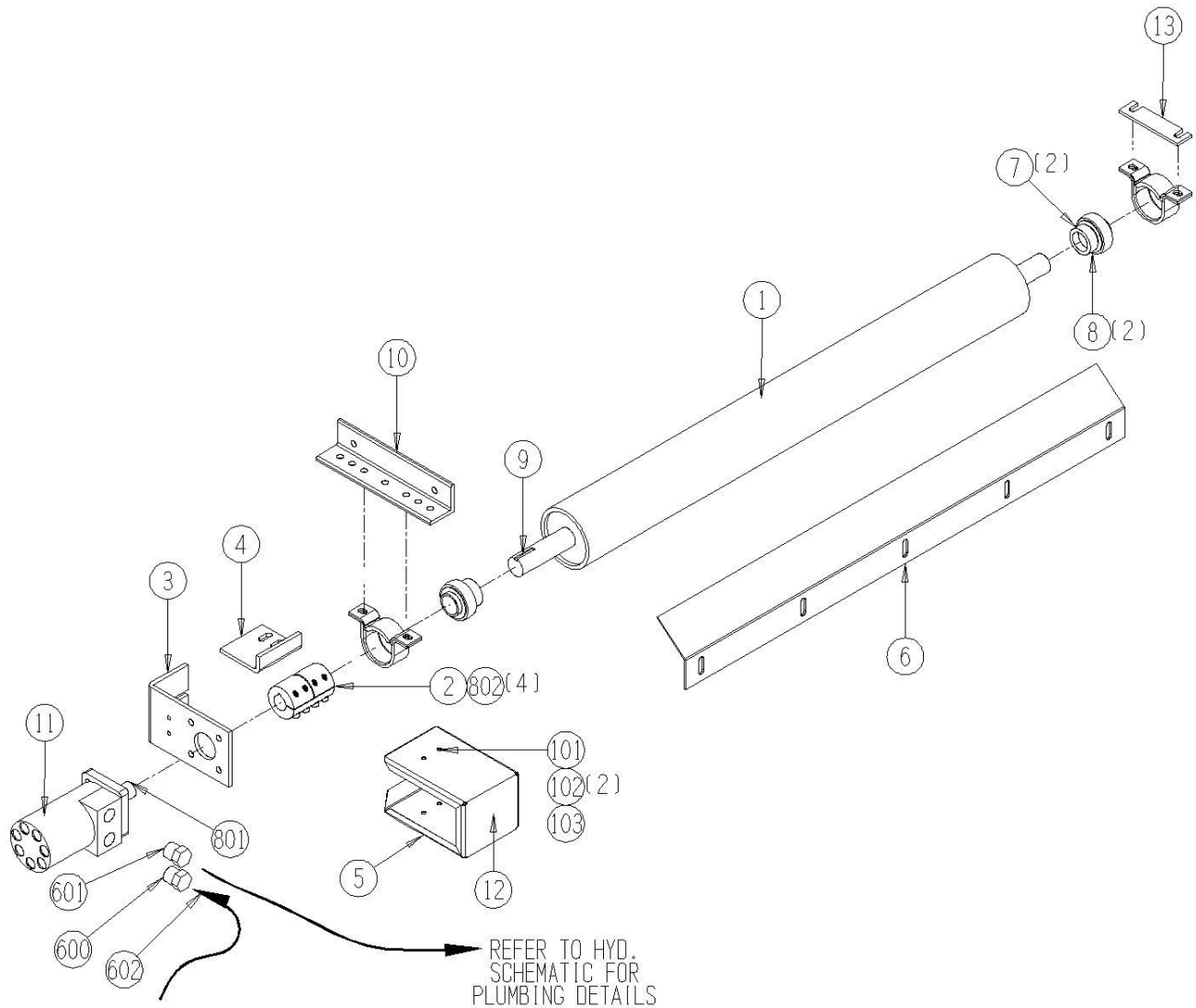
10010-04-54



10010-04-55 Optional Rear Transfer Return Roller Assembly

<u>Ref</u>	<u>Part No.</u>	<u>Description</u>	<u>Parts – Assembly</u>	<u>Will Fit SN</u>	<u>Remarks</u>
1	194-209	Transfer - Header Roller	1	19401-	
2	CPS-6060	Steel Coupler (off center) 1 1/4' x 1'	1		
3	193-806	Mount motor	1		
4	193-806A	Motor mount stop	1		
5	193-806C	Motor Guard	1	19301-	
6	SCR-616	Scraper, Rear Transfer, Return Roller	1	KIT-0080	
7	BR-062-MPB	Stamped Bearing Housing for 1 1/4' bearing	2		
8	BR-125-062	Bearing, 1 1/4 Fafnir tri-seal, 62mm OD	2		
9	KEY-4-4-20	Shaft Key 1/4' x 1 1/4'	1		
10	BRA-1422	Bracket, Roller	1	KIT-0080	
11	HM-204-TC	TCI Motor	1		Seal Kit # TCI-SKHPQ can replace with HM-204-OMS
12	DC-1176	Decal, Danger-Hand Chain Sprockets	1		
13	SHM-062-250	Shim, 062 Stamped Bearing Housing	1		
101	BL-4-500-H	1/4-20 X 5 HEX CAP G5 ZC	1		
102	BL-4-FW	1/4 USS FW ZC	2		
103	BL-4-WN	1/4-20 FORGED WINGNUT ZC	1		
600	A-6900-10-8	10 SAE x 1/2 FPX	1		
601	A-6902-10-8	10 SAE X 1/2' FPX 45°	1		
602	H10-30-8MP-8MP	5/8 in hose 1/2MP x 1/2MP x 30 in long	1		
603	H10-34-8MP-8MP	5/8 in hose 1/2MP x 1/2MP x 34 in long	1		
801	KEY-4-4-15	Shaft Key 1/4' X 1/4' X 15/16' Woodruff Key	1		
802	BL-5-100-SF	5/16-24 x 1 Socket Head Cap Screw	4	CPS-6057	

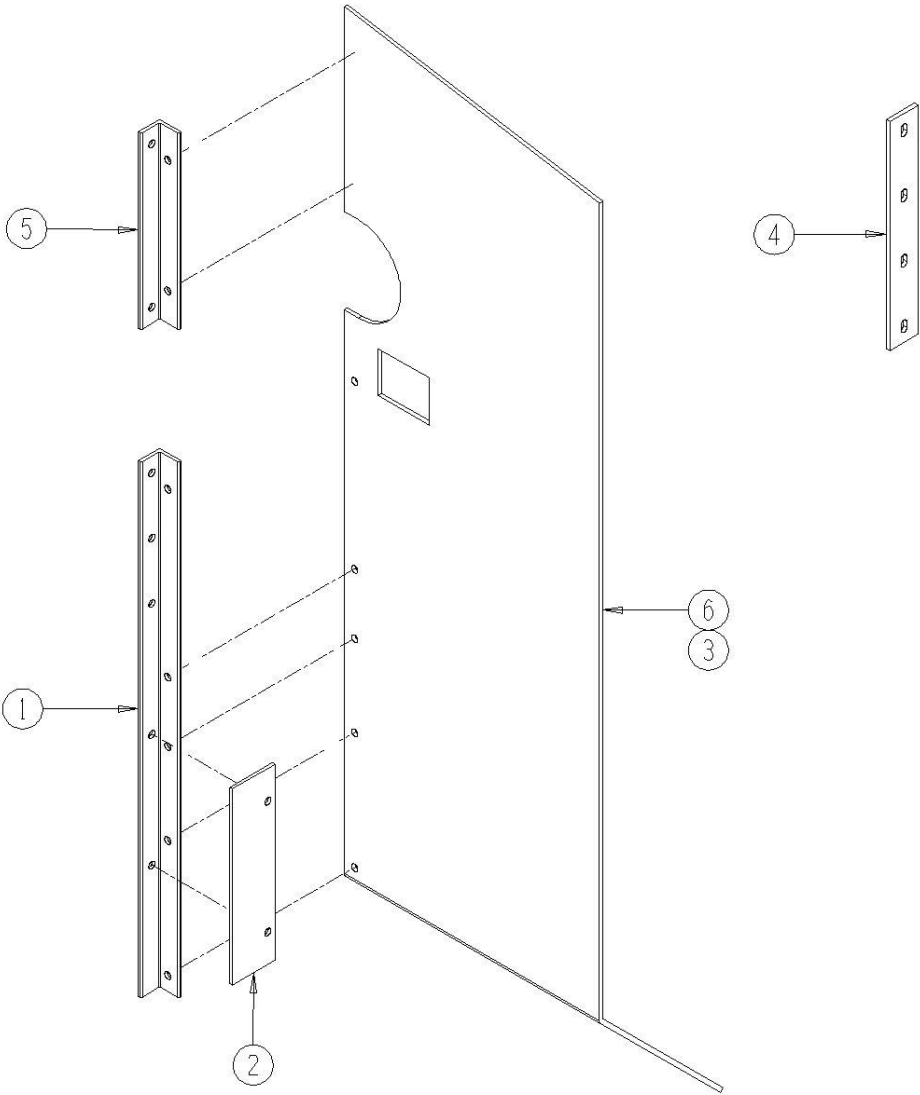
10010-04-55



10010-04-56 Rear Transfer w/o Chopper

<u>Ref</u>	<u>Part No.</u>	<u>Description</u>	<u>Parts – Assembly</u>	<u>Will Fit SN</u>	<u>Remarks</u>
1	BAR-306	Bar, Angle, Stiffner, Lower Vine Deflector Holder	1		
2	BAR-310	Bar, Reflective Tape Mounting	1		
3	DC-3025	Red and White Reflective Tape @ 150 ft Roll	1		
4	BAR-308	Bar, Stiffner, Inner Rear Shaker Panels	1		
5	BAR-307	Bar, Angle, Stiffner, Upper Vine Deflector Holder	1		
6	PL-306	Plastic, Vine Deflector, Outer	1		

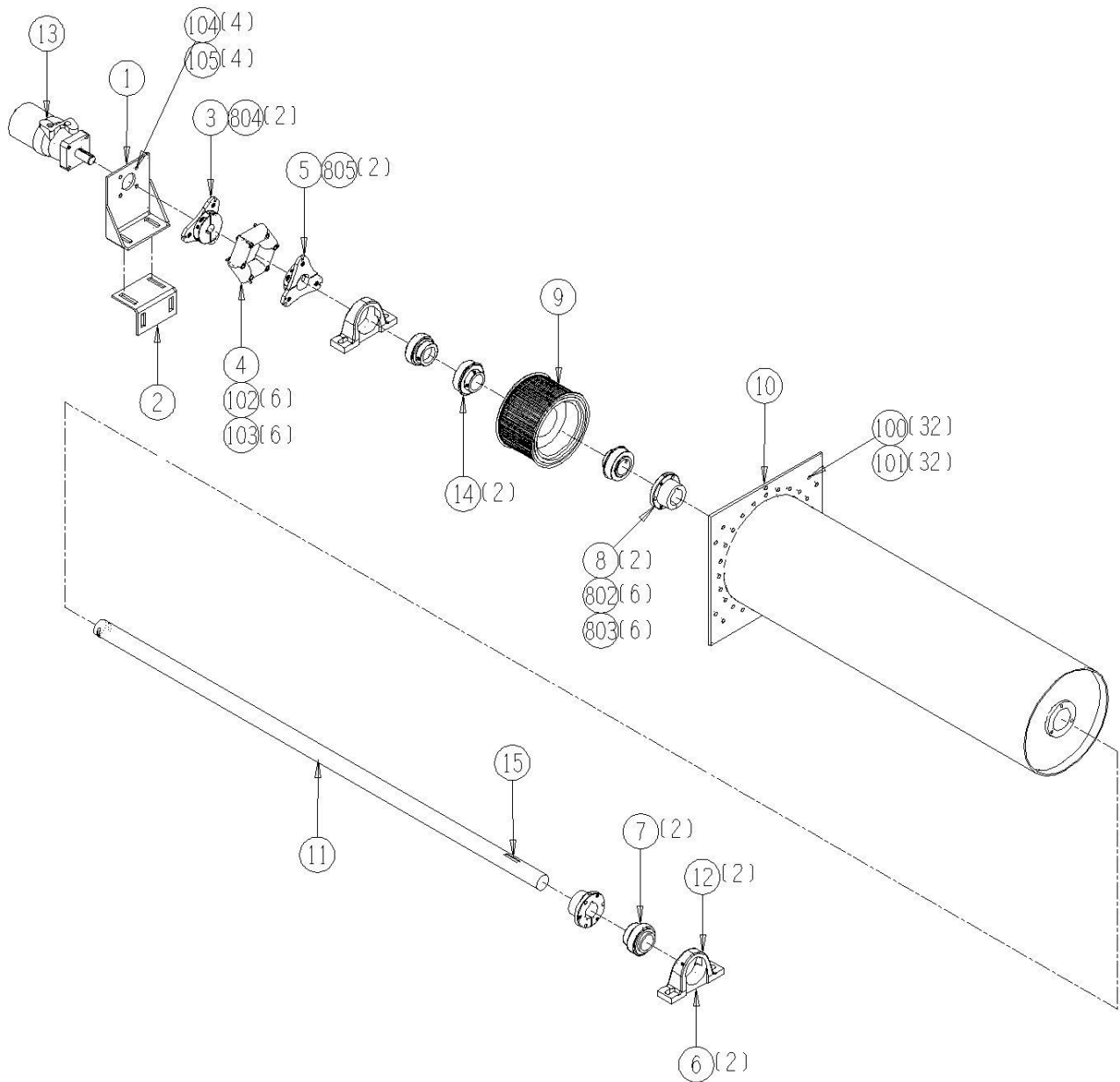
10010-04-56



10010-05-01 Primary & Secondary Shaker Drum Assembly

<u>Ref</u>	<u>Part No.</u>	<u>Description</u>	<u>Parts – Assembly</u>	<u>Will Fit SN</u>	<u>Remarks</u>
1	194-416	Mount, Shaker Rotation Motor	1	19101	For use with 194-416a
2	194-416A	Mount, Shaker Rotation Motor	1	19101-	For use with 194-416
3	CPR-422D-18	Coupler, Shaker, Motor Side, 1' Shaft	1	30095001-	
4	CPR-422-18	Lovejoy Donut W/ Hardware	1		
5	CPR-422C-18	Coupler, Shaker Side	1	30095001-	
6	BR-085-RAK	Bearing Housing 85 mm	2		
7	BR-175-085	Fafnir Bearing 1 ¾ Tri Seal	2		
8	SP-SK-2	Bushing, SK x 2'	2	19101	
9	PU-80-8M-114-2	Center Pulley for 2 & 2-3/16' Shafts	1		
10	SHA-3403	Shaker Tube	1	19101-	Must use SHA-3402 with this part to be compatible with 192-401
11	SFT-1000	2' Shaker Shaft, 190 Tomato Harvester	1		
12	GF-1428	Grease Fitting 1/4' x 28 straight	2		
13	HM-103-TC	TCI Motor	1		Seal Kit # TCI-SKHRQ
14	BR-200-ER	Bearings, 2' ER	2		
15	KEY-6-6-24	Keystock 3/8' x 3/8' x 1 1/2' Square Cut (1018)	1		
17	BL-5-025-SCF	5/16-24 x 1/4' Knurled Point Set Screw	2		
100	BL-6-100-C	3/8 UNC X 1 CARRIAGE BOLT GR5 ZINC	32		
101	BL-6-LN	3/8 UNC FIN HEX LOCK NUT NE A563 GrA ZINC	32		
102	BL-6-N	3/8-16 HEX NUTS ZC	6		
103	BL-6-250-8	3/8-16 X 2 1/2 HH C/S GR8 ZC	6		
104	BL-6-100-H-8	3/8-16 X 1 HEX CAP GR8ZC	4		
105	BL-6-LW	3/8 SPLIT LW ZC	4		
800	HM-103-SK	Seal Kit for Char-Lynn Motor	1	S Series - 010	
801	KEY-4-4-15	Shaft Key 1/4' X 1/4' X 15/16' Woodruff Key	1		
802	BL-5-LW	5/16 SPLIT LW ZC	6		
803	BL-5-200-8T	5/16-18 x 2 Grade 8 Tap Bolt	6		
804	BL-5-150-SCF	5/16-24 x 1 1/2' Socket Head Cap Screw	2		
805	BL-5-175-SCF	5/16-24 x 1 ¾' Socket Head Cap Screw	2		

10010-05-01

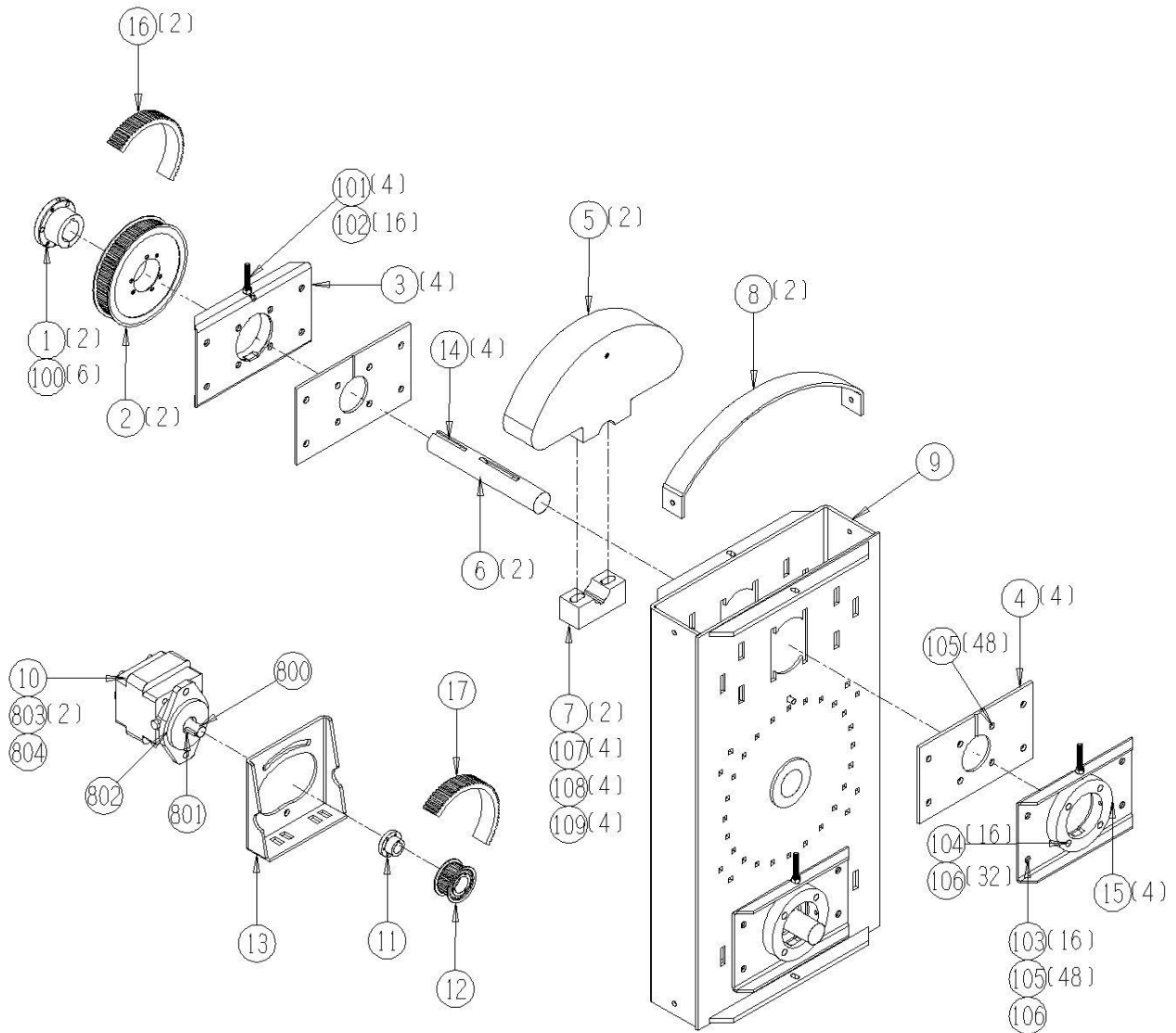


10010-05-02 Primary & Secondary Shaker Weight & Box Assembly

<u>Ref</u>	<u>Part No.</u>	<u>Description</u>	<u>Parts – Assembly</u>	<u>Will Fit SN</u>	<u>Remarks</u>
1	PU-SK-28	Bushing, SK x 1 ¾'	2	19101	
2	PU-80-8M-30-SK	Primary Weight Pulley HTD	2	1910119115	
3	BR-100-SUP	Bearing Holder Wldmt, Primary Shaker	4		
4	MOU-098	Backing Plate, Shaker	4		Replaces MOU-097
5	WGT-402	Weight, Primary Shaker	2		
6	SFT-097	Weight Shaft	2		
7	WGT-402C	Cap, Primary & Secondary Shaker Weight	2		
8	193-403	Shaker, Weight guards	2		
9	SHA-8403	Shaker Weight Box, Short Bushing, Primary, Tomato	1		Repalces SHA-8402 This has a shorter hub
10	HM-412-1	Hydraulic Motor	1		Same as HM-412C except w/1' shaft REPLACES HM-412C IF REPLACING A HM-412C WITH THIS MOTOR BE SURE THAT THE PROPER COUPLER SIZES ARE SUPPLIED
11	PU-JA-16	Bushing, JA x 1'	1		
12	PU-26-8M-30-JA	HTD Sprocket 8mm pitch, 26 Tooth, 30mm wide JA Bushing	1		
13	MOU-0022	Mount, Weight Motor, Shakers, Harvesters	1		Replaces 110-515
14	KEY-6-6-24	Keystock 3/8' x 3/8' x 1 1/2' Square Cut (1018)	4		
15	GF-1428	Grease Fitting 1/4' x 28 straight	4		
16	BT-1280-8M-22E	Shaker Drive Belt, 1280mm	2		
17	BT-960-8M-30	Shaker Drive Belt(30MM Wide)	1		Can not replace with BT-390H100 belts unless all the pulleys are changed.
18	BT-1040-8M-30	HTD Belt (30mm)	1		
100	BL-5-200-8T	5/16-18 x 2 Grade 8 Tap Bolt	6		
101	BL-6-275-ST	3/8-16 x 2.75 Fully Threaded Stud	4		
102	BL-6-N	3/8-16 HEX NUTS ZC	16		
103	BL-8-150-H8	1/2x1 1/2 Grade 8 Hex Head	16		
104	BL-8-225-H8	1/2 x 2 1/4,Grade 8,Hex Head	16		
105	BL-8-FW-8	1/2 FLAT WASHER G8 ZC	48		
106	BL-8-LNS	1/2 Stover Lock Nut	32		

107	BL-10-375-8	5/8-11 X 3 3/4 HEX CAP G8 ZC	4		
108	BL-10-LW	5/8 SPLIT LW ZC	4		
109	BL-10-FW-8	5/8' Grade 8 Flat Washer	4		
800	HM-412B	Key for Hydraulic Motor -Shaker Weight-Vibrator	1	HM-412C & HM-712C	
801	HM-2100-SK	Shaft Seal & Gasket Kit for Permco Motor, M2100 Series	1		
802	HM-2100-BRG	Bearing for Permco Motor, M2100 Series	1		
804	HM-1801	Seal Kit for Commercial Intertech	1	P20 & M20 Series	Includes:(1) Length of HM-2882,(1)HM-2883,(2)HM-2884
805	PU-JA-14B	Bolt for PU-JA-14 (3 @ pkg)	1		

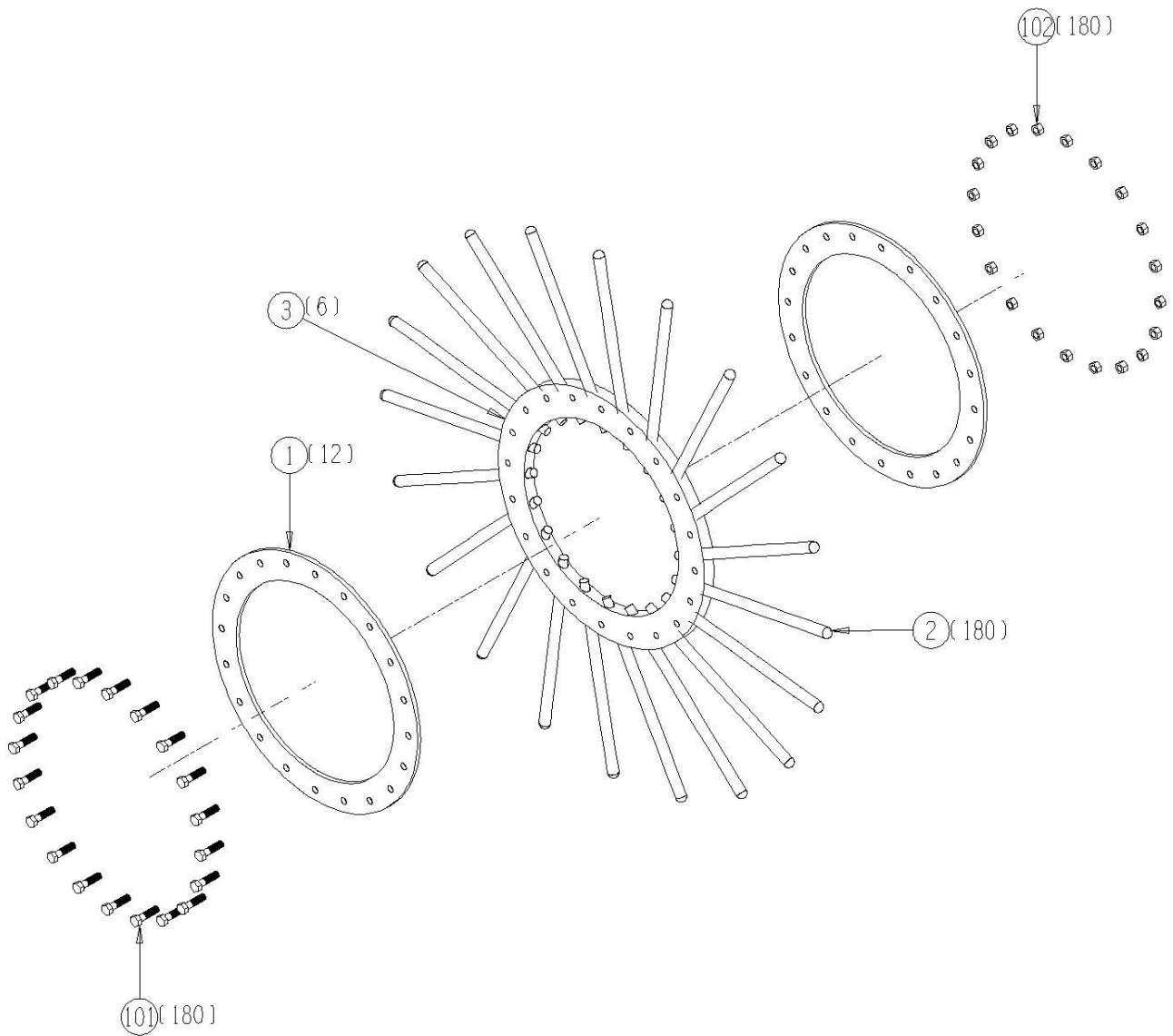
10010-05-02



10010-05-10 Primary Shaker Ring & Finger Assembly

<u>Ref</u>	<u>Part No.</u>	<u>Description</u>	<u>Parts – Assembly</u>	<u>Will Fit SN</u>	<u>Remarks</u>
1	191-432	Tine Holder Flanges	18	11001- 30095001-	
2	ST-430-P	Shaker Tines , Molded Urethane	180		
3	192-431	Molded Rubber Tine Holders	9	19101- 30095001-	
101	BL-6-150-H	3/8-16 X 1 1/2 HEX CAP G5 ZC	180		
102	BL-6-LN	3/8 UNC FIN HEX LOCK NUT NE A563 GrA ZINC	180		

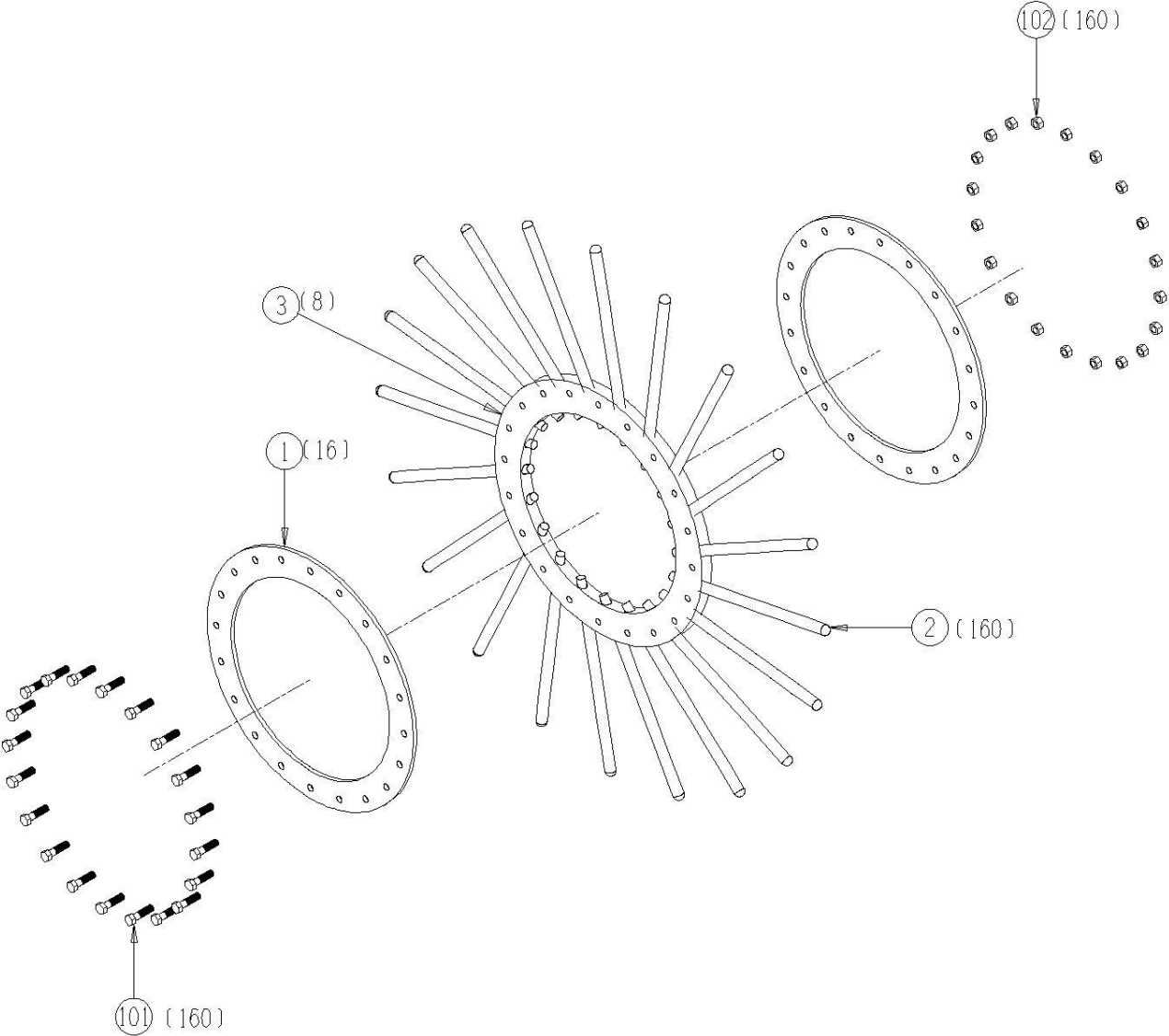
10010-05-10



10010-05-15 Secondary Shaker Ring & Finger Assembly

<u>Ref</u>	<u>Part No.</u>	<u>Description</u>	<u>Parts – Assembly</u>	<u>Will Fit SN</u>	<u>Remarks</u>
1	191-432	Tine Holder Flanges	16	11001- 30095001-	
2	ST-430-P	Shaker Tines , Molded Urethane	160		
3	192-431	Molded Rubber Tine Holders	8	19101- 30095001-	
101	BL-6-150-SS	3/8-16 X 1 1/2 HEX CAP SS	160		
102	BL-6-LNSS	3/8 UNC FIN HEX LOCK NUT NE SS	160		

10010-05-15

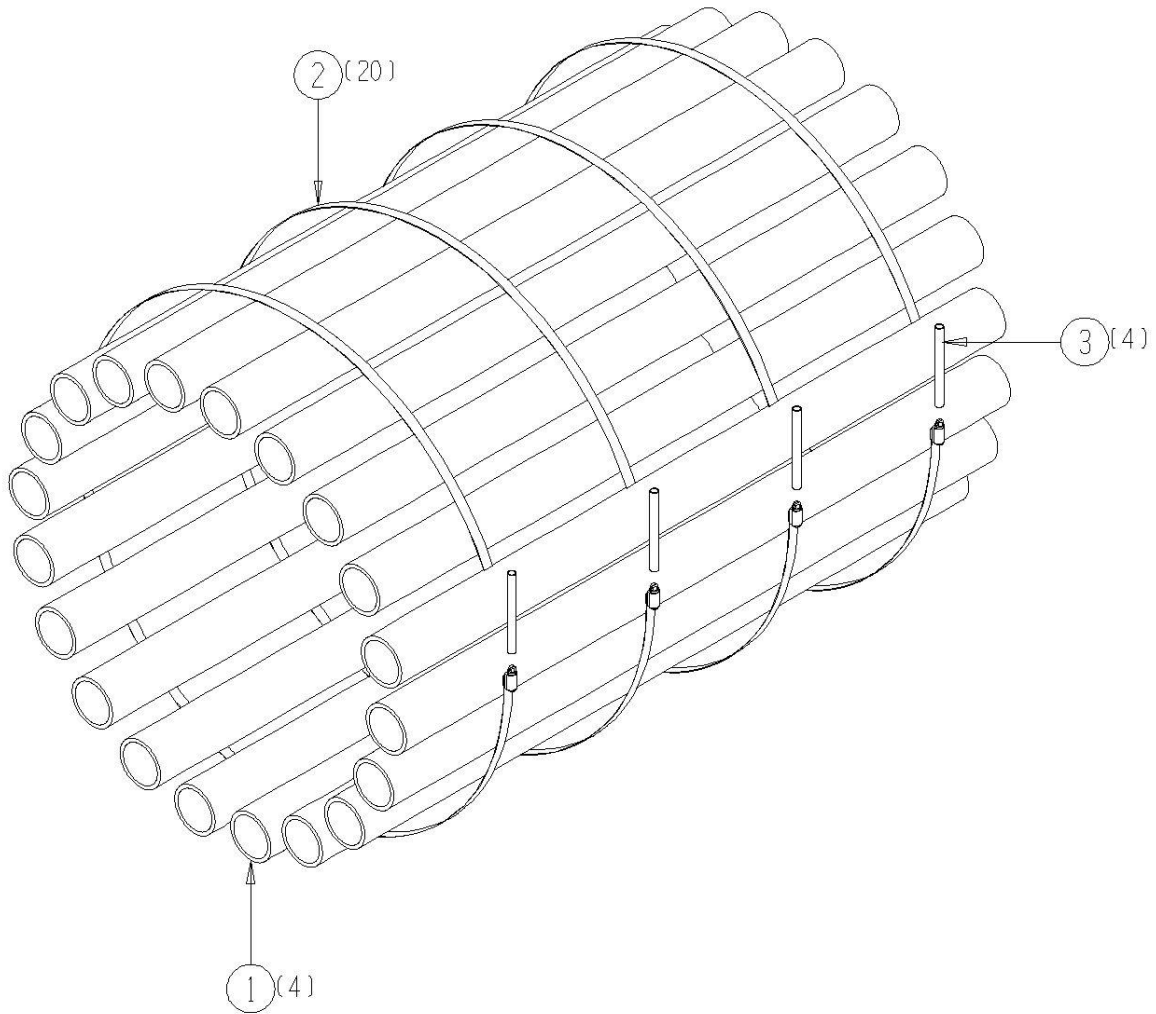


10010-05-18 Shaker Spacer Tube (per shaker) Assembly

<u>Ref</u>	<u>Part No.</u>	<u>Description</u>	<u>Parts – Assembly</u>	<u>Will Fit SN</u>	<u>Remarks</u>
1	PL-32-355	Plastic PVC Pipe, Shaker Tine Spacer	20		
2	CL-001	Clamp, 71.5' Long, For 21.5' Dia, SS Gear Clamp	4		100 Pc. Minimum From Mfg.
3	PL-7504-4	PVC Clamp Cover, 4'	4		

10010-05-18

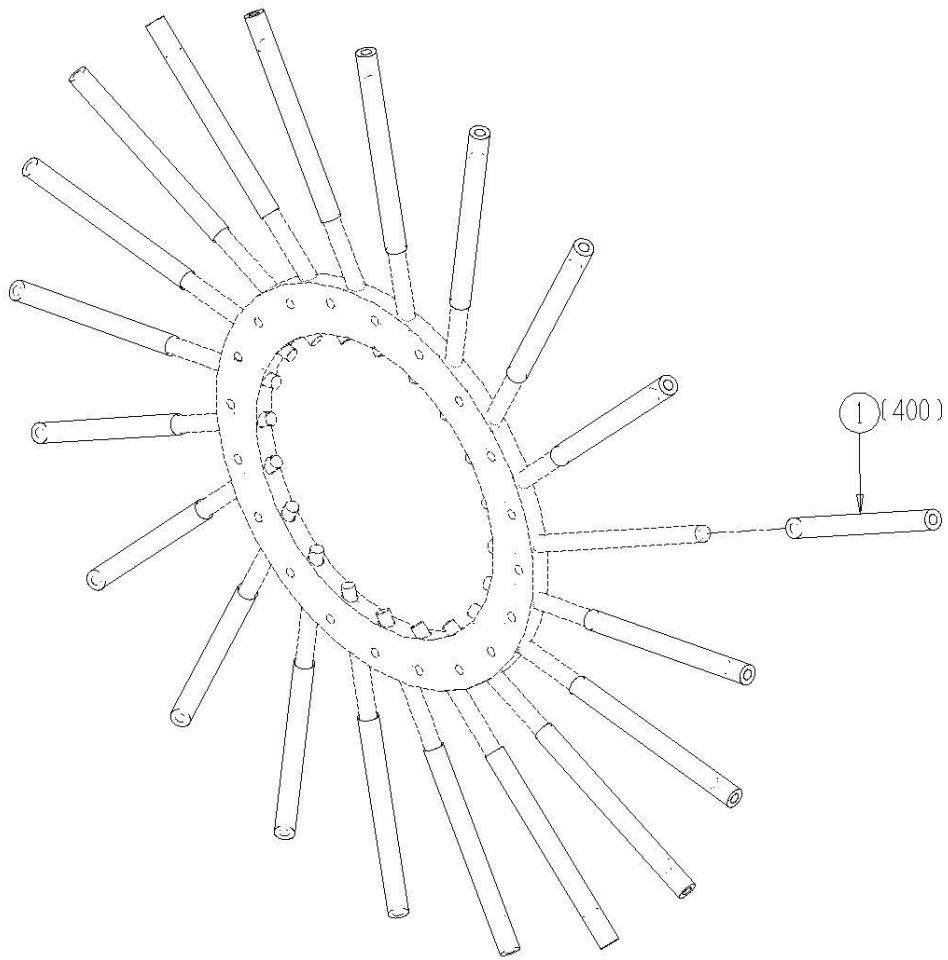
NOTE:
STAGGER PIPES IN SHAKER
CHAMBER. EVERY OTHER PIPE
TOWARDS THE OPPOSITE SIDE
PANEL OF THE PIPE BEFORE IT.



10010-05-20 Optional ShakerTine Covers Assembly

<u>Ref</u>	<u>Part No.</u>	<u>Description</u>	<u>Parts – Assembly</u>	<u>Will Fit SN</u>	<u>Remarks</u>
1	BC-6000-8	Shaker Finger Protectors, 3/8' ID x 3/4' OD x 8'	400		Bundled in 100 Piece Lots

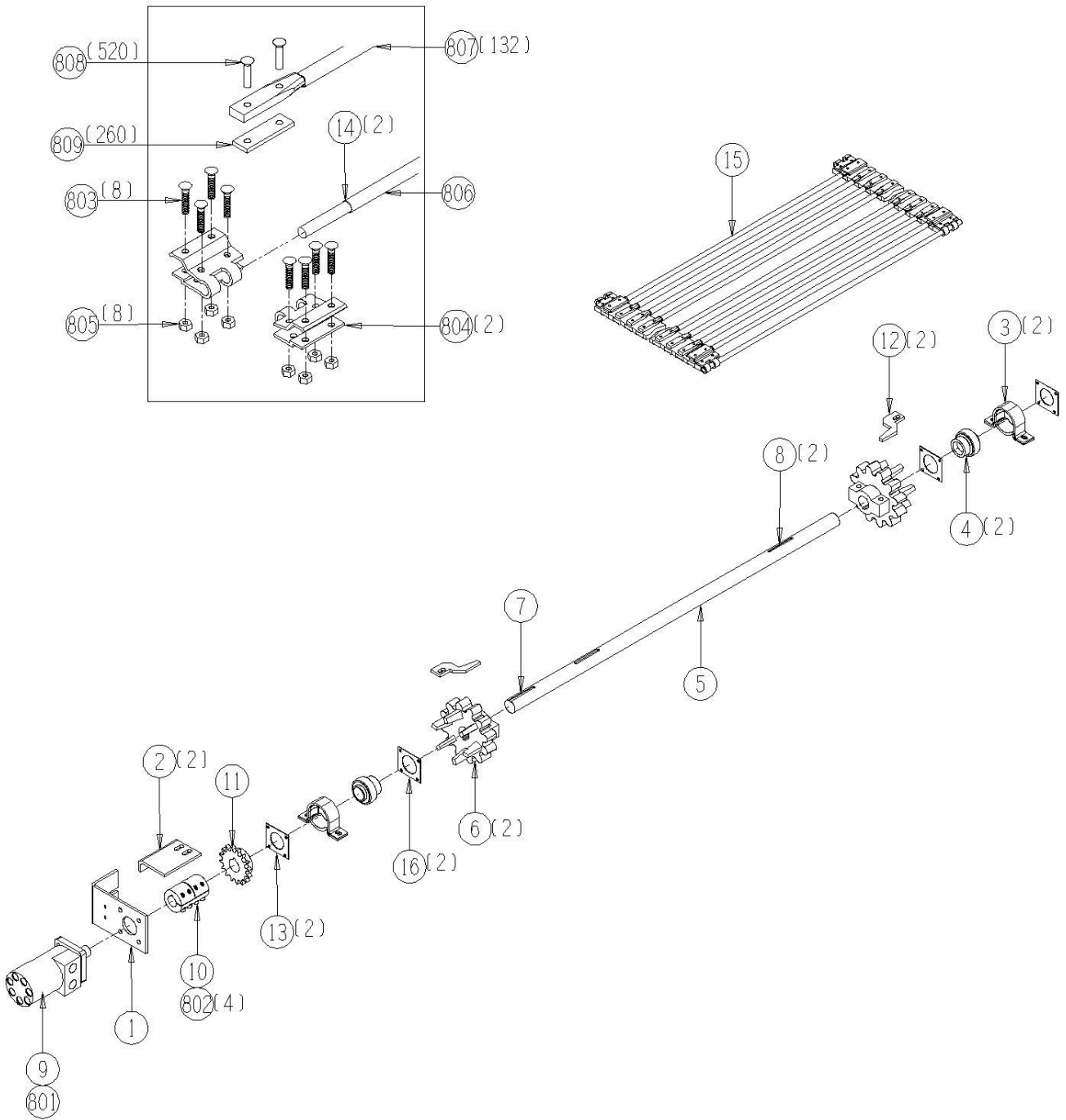
10010-05-20



10010-07-02 Cross Conveyor Drive Assembly

<u>Ref</u>	<u>Part No.</u>	<u>Description</u>	<u>Parts – Assembly</u>	<u>Will Fit SN</u>	<u>Remarks</u>
1	193-806	Mount motor	1		
2	193-806B	Motor Mount Stop	1		
3	BR-062-MPB	Stamped Bearing Housing for 1 1/4' bearing	2		
4	BR-125-062	Bearing, 1 1/4 Fafnir tri-seal, 62mm OD	2		
5	SFT-603	Shaft, Drive, Cross Conveyor	1	19201-19724	Replaces 193-603 on Cross Conveyor
6	SPU-3612-20-4	Urethane Sprocket 36-12 1 1/4 bore 1/4' key	2		Sub SP-3612-20-4
7	KEY-4-4-20	Shaft Key 1/4' x 1 1/4'	1		
8	KEY-4-4-32	Shaft Key 1/4' x 2' Square Cut (1018)	2		
9	HM-204-TC	TCI Motor	1		Seal Kit # TCI-SKHPQ can replace with HM-204-OMS
10	CPS-6060	Steel Coupler (off center) 1 1/4' x 1'	1		
11	SP-50B16-20-4	Hardened Tooth Sprocket, #50, 16 Tooth, 1. 25' Bore	1		
12	SCR-101	Scraper, Sprocket, Hi Clearance	2		
13	SC-20-6	Bearing Protector, 1 1/4', Inner Side	2		
14	BC-3525	Snap Ring, 11mm.	2		
15	BC-7-3236-133	Cross Conveyor Chain (Tomato)	1		Replaces BC-7-3236-135
16	SC-20-7	Bearing Protector, 1 1/4', Outer, Lock Collar Side	2		
101	BL-5-125-H	5/16-18 X 1 1/4 HEX CAP G5 ZC	1		
801	KEY-4-4-15	Shaft Key 1/4' X 1/4' X 15/16' Woodruff Key	1		
802	BL-5-100-SF	5/16-24 x 1 Socket Head Cap Screw	4	CPS-6057	
803	BC-1032-FS	10-32 x 1 1/4' bolts Flat Socket Head	8		
804	BC-F-36-32-UG	Ultra Gold F Connecting Clips 36-32 @ pair	2		Replaces BC-F-36-32
805	BC-1032-LN	10-32 lock nuts	8		
806	BC-7-32-CN	Connecting Rod, 11mm, 32' Wide Belted Chain, 60mm Traction Belts	1		For Clip Splice Option
807	BC-7-32-ST	7/16' x 32' Belted Chain Rod for 60mm Belt	132	11001	
808	RI-25-BC	25mm Belted Chain Rivets	520		
809	BC-BP32	Belt, Rivet backing plates 32mm	260	11001	Lap Splice Option, Used only with BC-1032-LN Lock Nuts

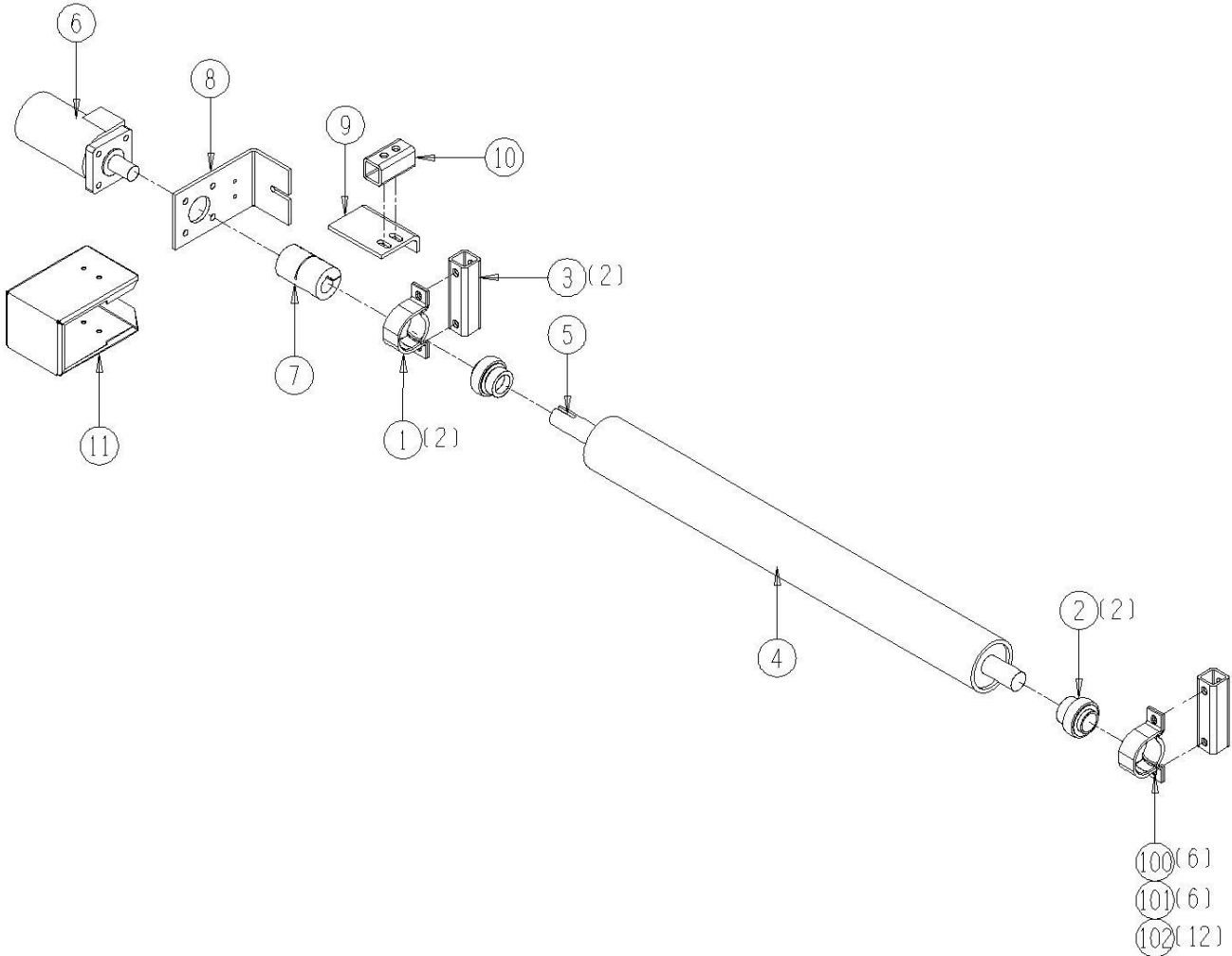
10010-07-02



10010-07-10 Cross Conveyor Return Roller Assembly

<u>Ref</u>	<u>Part No.</u>	<u>Description</u>	<u>Parts – Assembly</u>	<u>Will Fit SN</u>	<u>Remarks</u>
1	BR-062-MPB	Stamped Bearing Housing for 1 1/4' bearing	2		
2	BR-125-062	Bearing, 1 1/4 Fafnir tri-seal, 62mm OD	2		
3	191-611	Spacer blocks for bearing	2	19101-	
4	194-610	Cross Chain cleaner Roller	1	110-	Replaces 110-610
5	KEY-4-4-24	Shaft Key 1/4' x 1 1/2' Square Cut (1018)	1		
6	HM-214-TC	Hydraulic Motor	1		Seal Kit # TCI-SKHPQ
7	CPS-6060	Steel Coupler (off center) 1 1/4' x 1'	1		
8	193-806	Mount motor	1		
9	193-806B	Motor Mount Stop	1		
10	SPA-0071	Motor Stop Spacer	1		
11	193-806C	Motor Guard	1	19301-	
100	BL-6-300-H	3/8 UNC X 3 HH C/S BOLT GR5 ZINC	6		
101	BL-6-LN	3/8 UNC FIN HEX LOCK NUT NE A563 GrA ZINC	6		
102	BL-6-SW	3/8 SAE FW ZC	12		

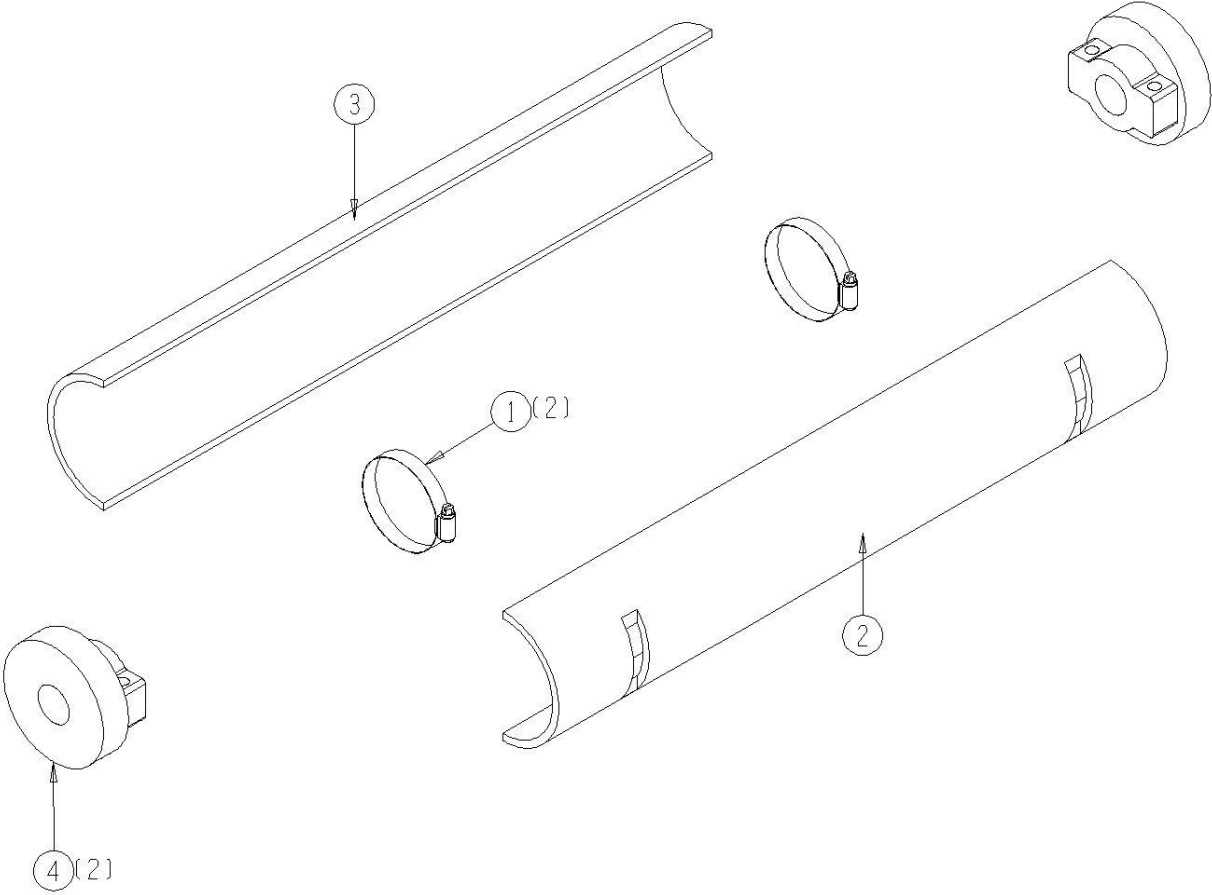
10010-07-10



10010-07-15 Opt. Cross Drive Anti-Wrap Shield Assembly

<u>Ref</u>	<u>Part No.</u>	<u>Description</u>	<u>Parts – Assembly</u>	<u>Will Fit SN</u>	<u>Remarks</u>
0	KIT-0057	Cross Conveyor Anti Wrap Shield	0		For 32' Wide Belted Chains Use Kit-0128 for 36 in chains
1	CL-72	5' Gear Clamp	2		
2	PL-1412	Plastic, Shield, Anti-Wrap, Shaft Drv, 32' Chains	1		
3	PL-1416	Shield, Anti Wrap, Cross Conveyor, 24.375'	1	KIT-0057	
4	PL-1421	Urethane Hub for Shaft Cover 1 1/4' Bore	2		Replaces PL-1415

10010-07-15

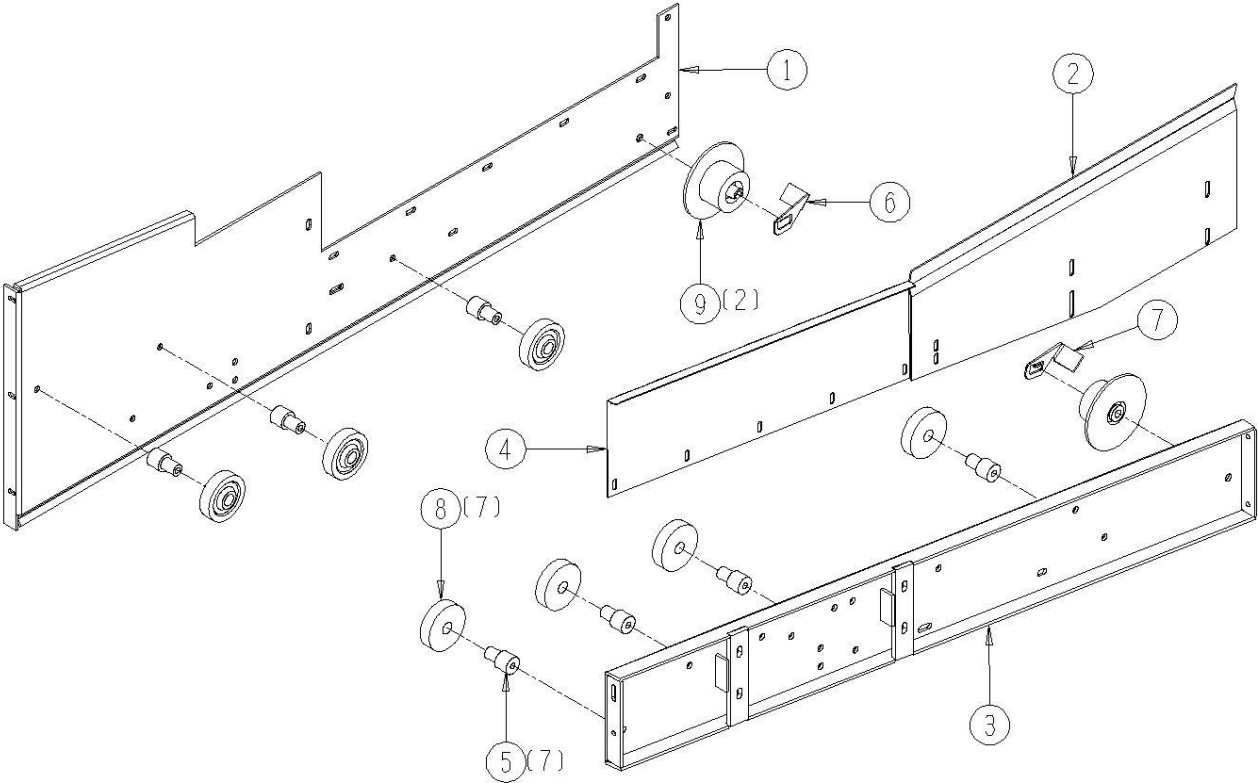


KIT-0057

10010-07-50 Optional Cross Frame (for Vine Chain) Assembly

<u>Ref</u>	<u>Part No.</u>	<u>Description</u>	<u>Parts – Assembly</u>	<u>Will Fit SN</u>	<u>Remarks</u>
1	192-616	Cross conveyer panel, rear	1	19201-	
2	195-211	Scraper, Transfer Return Roller	1	19201-	
3	195-615	Cross Conveyer Panel, front	1	19501-	
4	PAN-1615	Cross Conveyor Panel	1		
5	RLA-010-0108	Spindle / Standoff for Urethane Roller (heat treated)	7	19101-	
6	RLA-3023-T	Straight Scraper, RH	1		
7	RLA-3024-T	Straight Scraper	1		
8	RLG-040-1016	4' Urethane Roller	7	Old Terog Part No. RU4	
9	RLT-635-2210-SC	6 1/2' Flange Roller w/Shaft for Scraper 5/8' Bore	2		

10010-07-50

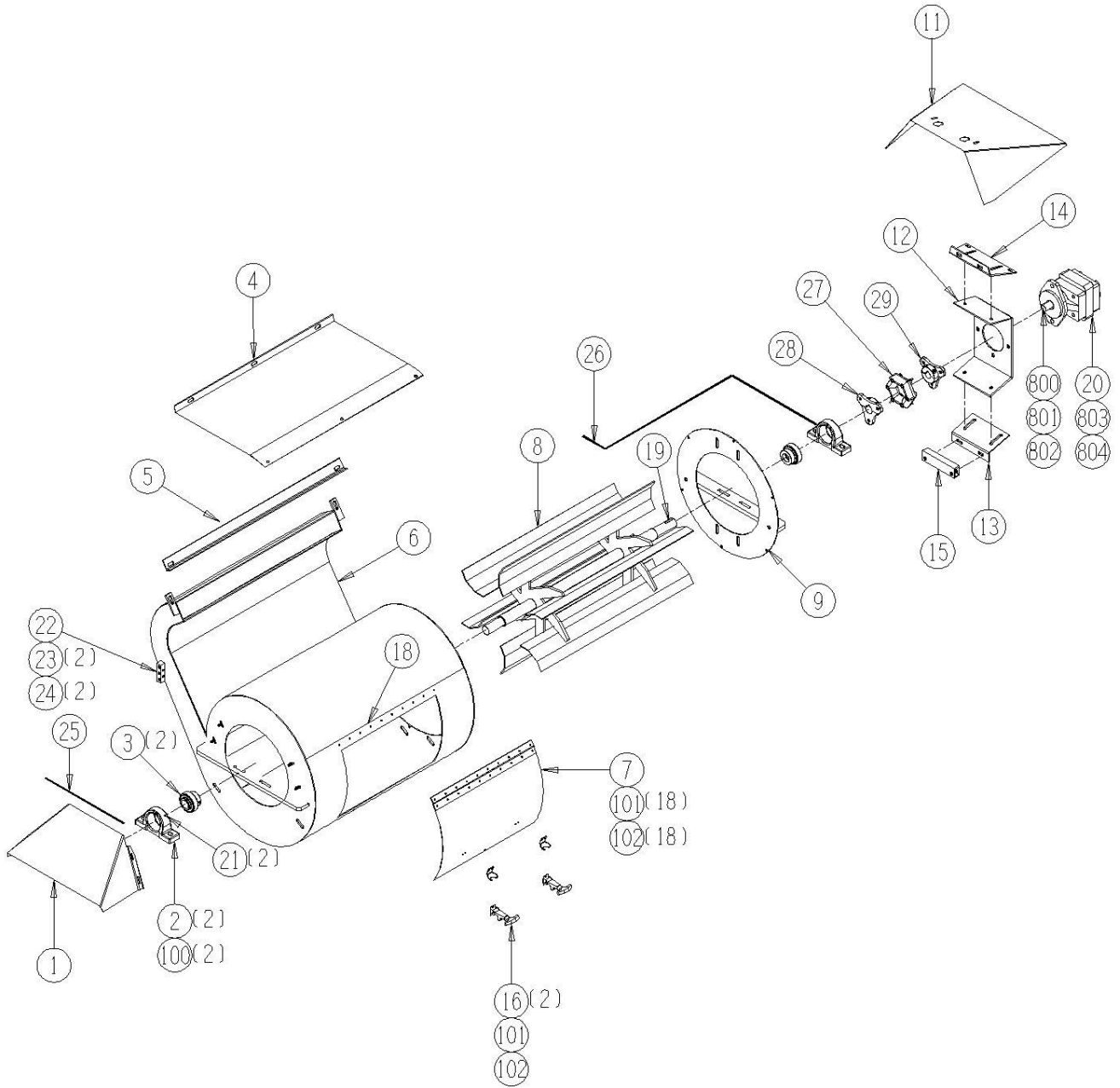


10010-07-70 Debris Fan Assembly

<u>Ref</u>	<u>Part No.</u>	<u>Description</u>	<u>Parts – Assembly</u>	<u>Will Fit SN</u>	<u>Remarks</u>
1	191-733	Fan dirt guard (rear)	1	19101-	
2	BR-072-RAK	72mm Cast Housing	2		
3	BR-125-072	Bearing, 1 1/4 Fafnir tri-seal, 72mm OD	2		
4	191-732	Cover, Debris Fan	1	19101-	
5	110-611	Scraper, Cross Conveyor, Return Roller	1	11001-	
6	191-701	Fan housing & diffuser	1	19101-	
7	COV-703	Cover, Fan Clean-Out Door	1	19701-	
8	195-702	Debris Fan	1	19101-	
9	191-701A	Access Panel, Debris Fan	1	19101-	
11	191-734	Fan dirt guard (motor side)	1	19101-	
12	192-704	Mount, Debris Fan	1	19201-	
13	192-704B	Bracket, Debris Fan Motor, Bottom	1	19201-	
14	192-704T	Motor mount, Top	1	19201-	
15	SPA-735A	Spacer,Housing-Frame(NARROW)	1		Sub SPA-735(NARROW)
16	LA-703	Large Rubber T Latch Assembly	2		
18	DC-1175	Decal, Danger, Rotating Blade Hazard	1		
19	KEY-4-4-16	Shaft Key 1/4' X 1/4' X 1' Square Cut (1018)	1	20095001-	
20	HM-712-1	Hydraulic Gear Motor	1		Same as HM-712C except w/ 1' shaft
21	GFA-51942	1/4'-28 Straight Adapter	2		
22	GF-3-3	3' Grease Manifold	1		
23	GF-1827	Grease Fitting 1/8 NPT Straight	2		
24	A-1404-2-2	1/8 MP x 1/8 FPX	2		
25	H2-30-2MP-2MP	1/8 in Hose x 1/8MP x 1/8MP x 30in Long	1		
26	H2-67-2MP-2MP	1/8in Hose x 1/8MP x 1/8MP x 67in Long	1		
27	CPR-422-15	Primary Shaker Drive Coupler	1		Used on Sec. Sh. Beginning 2000
28	CPR-422D-15	Coupler,1-1/4' Bore, 1/4' Key	1		
29	CPR-422A-15	Primary Shaker Coupler 1' Bore (Motor Side)	1	Years 1995 - 2000	Used on Sec. Sh. Beginning 2000
100	BL-4-037-BH	1/4-28 X 3/8 Button Head Cap Screw	2		

101	BL-1032-050	10-32 x 1/2' Bolt	18		
102	BC-1032-LN	10-32 lock nuts	18		
800	HM-412B	Key for Hydraulic Motor -Shaker Weight-Vibrator	1	HM-412C & HM-712C	
801	HM-2100-SK	Shaft Seal & Gasket Kit for Permco Motor, M2100 Series	1		
802	HM-2100-BRG	Bearing for Permco Motor, M2100 Series	1		
804	HM-1801	Seal Kit for Commercial Intertech	1	P20 & M20 Series	Includes:(1) Length of HM-2882,(1)HM-2883,(2)HM-2884

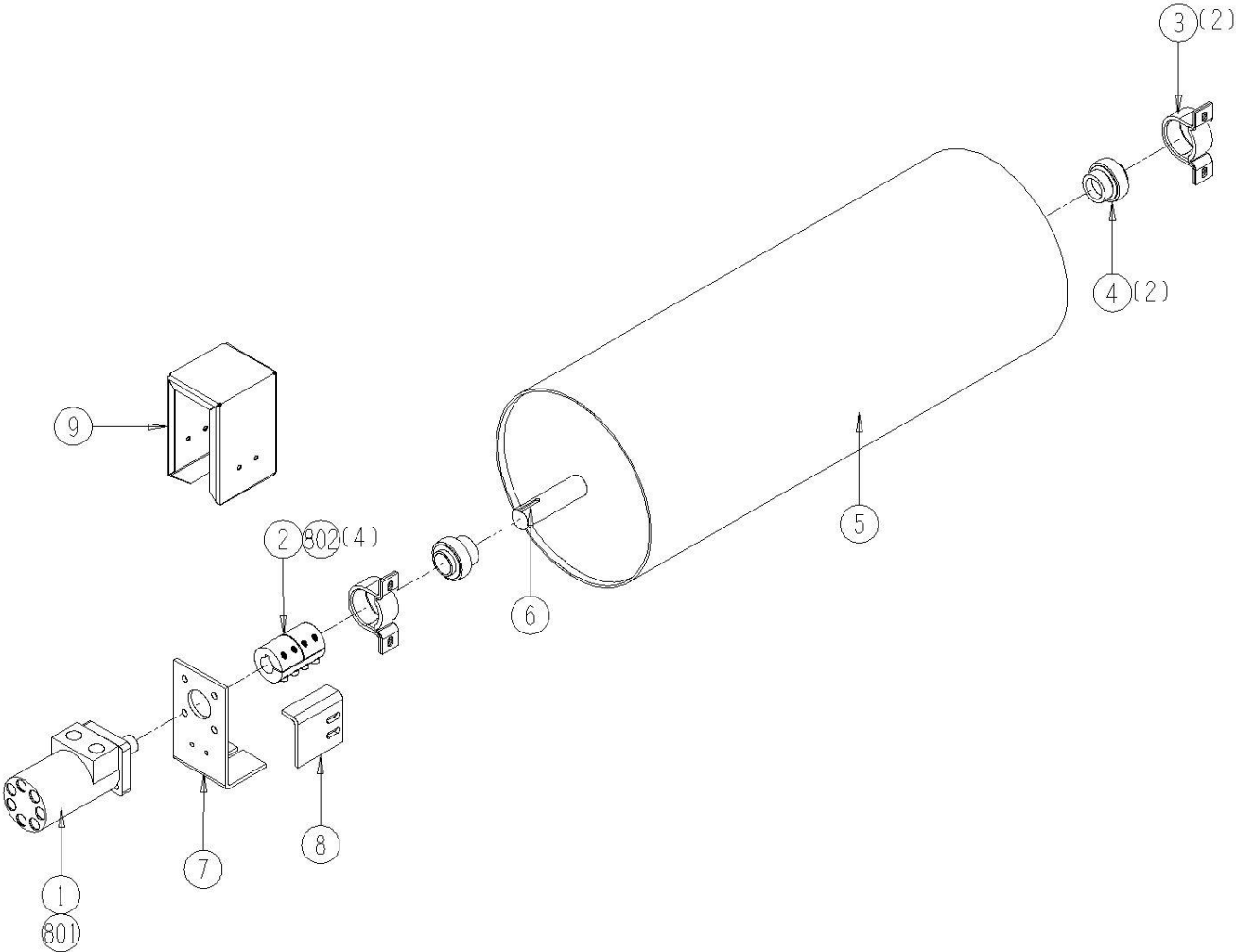
10010-07-70



10010-07-71 Debris Drum Assembly

<u>Ref</u>	<u>Part No.</u>	<u>Description</u>	<u>Parts – Assembly</u>	<u>Will Fit SN</u>	<u>Remarks</u>
1	HM-204-TC	TCI Motor	1		Seal Kit # TCI-SKHPQ can replace with HM-204-OMS
2	CPS-6060	Steel Coupler (off center) 1 1/4' x 1'	1		
3	BR-062-MPB	Stamped Bearing Housing for 1 1/4' bearing	2		
4	BR-125-062	Bearing, 1 1/4 Fafnir tri-seal, 62mm OD	2		
5	191-745	Debris Drum	1	19101-	
6	KEY-4-4-20	Shaft Key 1/4' x 1 1/4'	1		
7	193-806	Mount motor	1		
8	193-806A	Motor mount stop	1		
9	193-806C	Motor Guard	1	19301-	
801	KEY-4-4-15	Shaft Key 1/4' X 1/4' X 15/16' Woodruff Key	1		
802	BL-5-100-SF	5/16-24 x 1 Socket Head Cap Screw	4	CPS-6057	

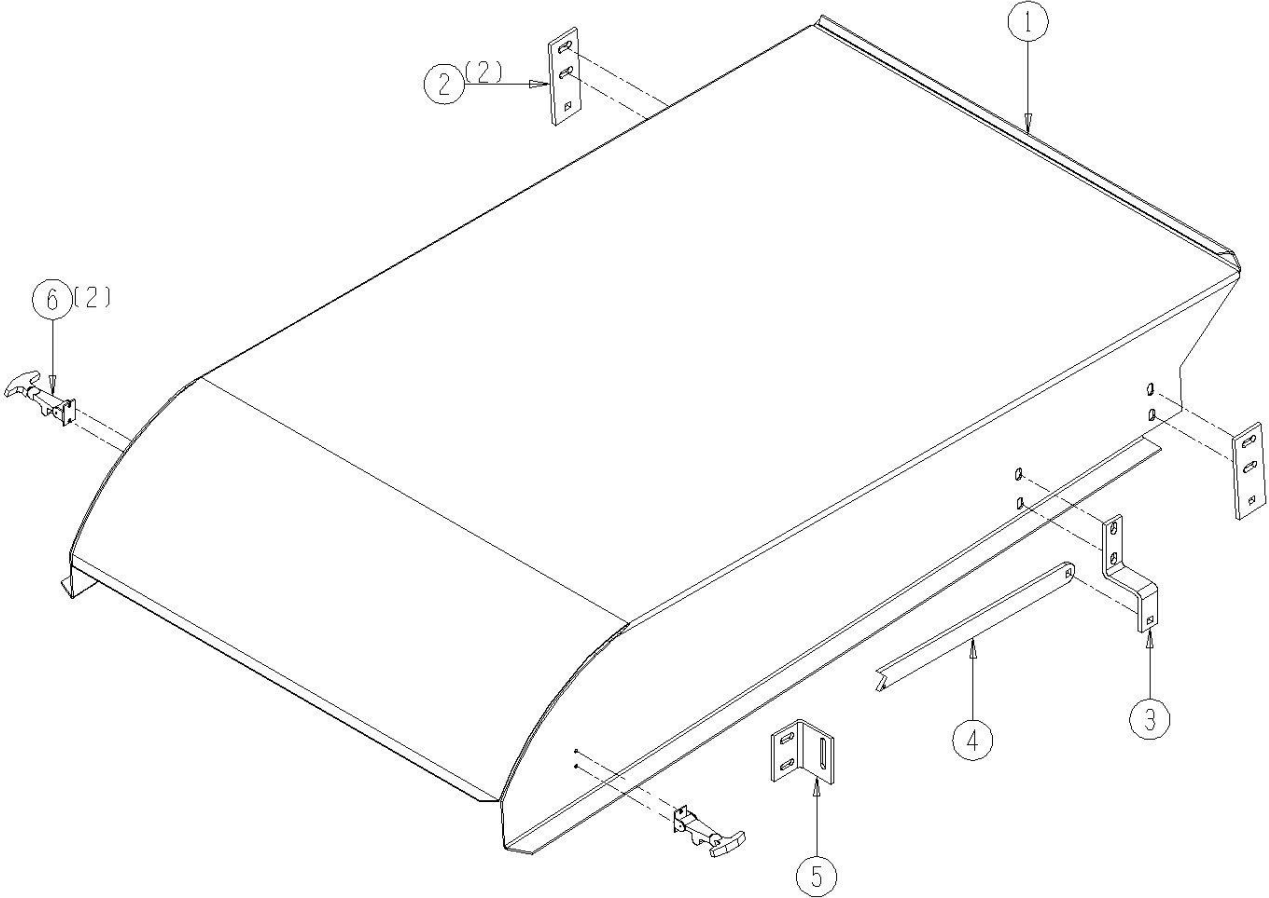
10010-07-71



10010-07-72 Cross Conveyor Cover Assembly

<u>Ref</u>	<u>Part No.</u>	<u>Description</u>	<u>Parts – Assembly</u>	<u>Will Fit SN</u>	<u>Remarks</u>
1	SHD-0143	Cover, Air Deflector, 190 Tomato	1		
2	193-725	Hinge Bar for Air Deflector Hood	2	19301- 193-729K	
3	193-728	Hinge Bracket for Air Deflector Hood	1	19301- 193-729K	
4	193-729	Hinge Brace for Air Deflector Hood	1	19301- 193-729K	
5	193-729A	Hinge Brace Latch for Air Deflector Hood	1	19301- 193-729K	
6	LA-703	Large Rubber T Latch Assembly	2		

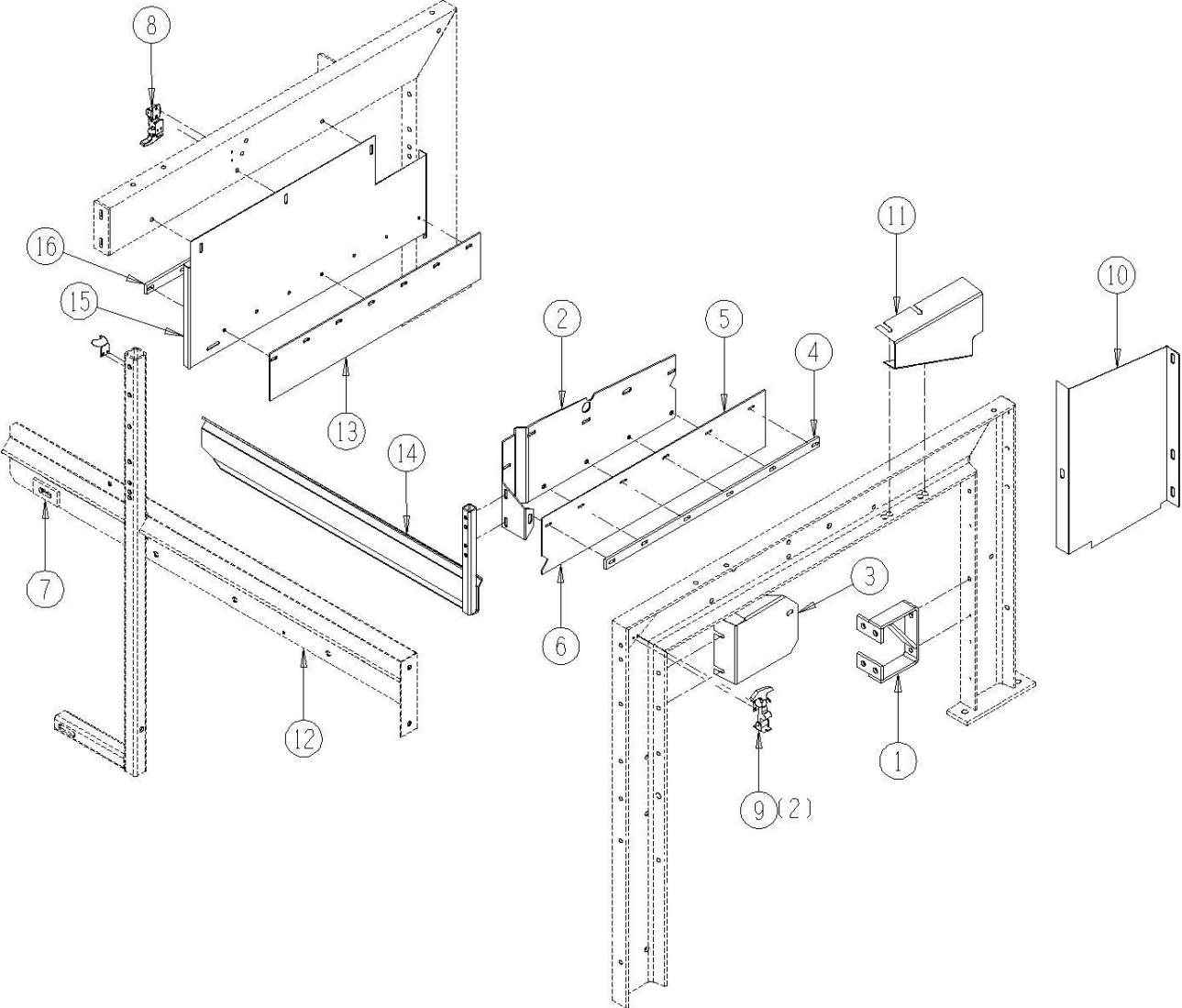
10010-07-72



10010-08-60 Debris Panel/Shield Assembly, Long Sorting Table

<u>Ref</u>	<u>Part No.</u>	<u>Description</u>	<u>Parts – Assembly</u>	<u>Will Fit SN</u>	<u>Remarks</u>
1	191-739	Bracket, Panel Support	1	19101-	
2	194-731	Front Closure	1	19401-	
3	194-731A	Debris Drum Sprocket Shield	1	19401-	
4	BAR-1731	Elevation, Front Closure	1	19701-	
5	BT-1831	Belting, Front, Closure, Sorting Table	1	19701- kit-800	
6	DC-1174	Decal, Danger Keep Hands and Feet Away	1		
7	DC-3025	Red and White Reflective Tape @ 150 ft Roll	0.06		
8	LA-1530	Medium Rubber T Latch Assembly	1		
9	LA-703	Large Rubber T Latch Assembly	2		
10	SHD-0028	Shield, Dirt Guard, Sorting Area	1		
11	SHD-1137	Shield, Shaft End, Rear Elevation	1	19101- kit-0038	
12	STRP-610	6' Tarp Strap (ea.)	1		
13	BT-730	Belting, Rear Closure	1	19701- kit-800	
14	194-1545	Debris Drum Guard (Tomato)	1	19401-	
15	192-730	Rear Closure	1	19201-	
16	BAR-730	Bar, Belting, Rear Closure	1	19701- kit-800	

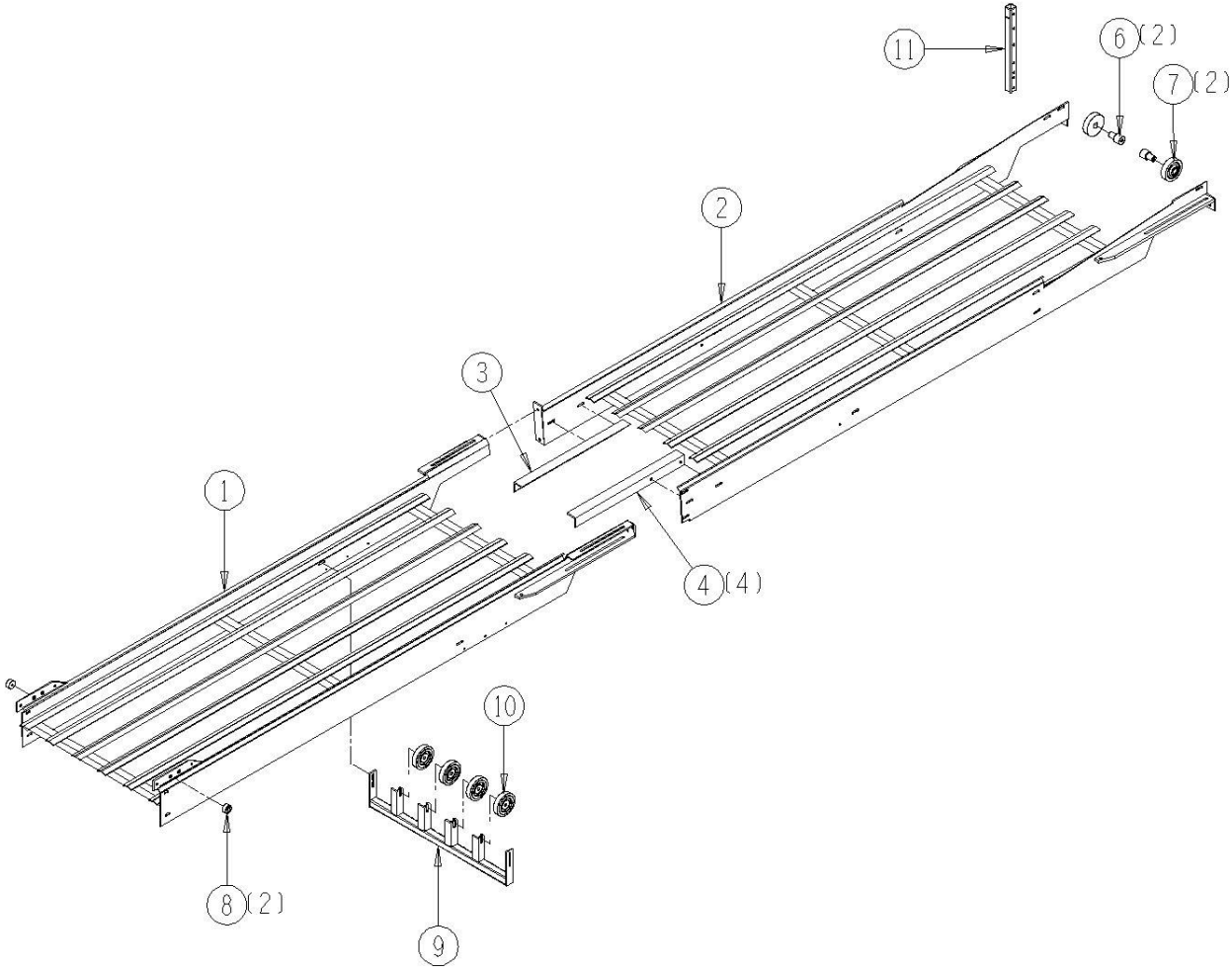
10010-08-60



10010-08-61 Long Aftersort Frame Assembly

<u>Ref</u>	<u>Part No.</u>	<u>Description</u>	<u>Parts – Assembly</u>	<u>Will Fit SN</u>	<u>Remarks</u>
0	193-1138C	Post, Rear Inner Presort	-1	19301-	
1	196-800	Aftersort Table	1	19601- 10002010	
2	HAN-800	Handsort Table	1	KIT-800	
3	SHD-8021	Shield, Handsort, Outer	1	19601- kit-800	
4	SHD-8022	Shield, Handsort, Inner	1	19601- kit-800	
6	RLA-010-0108	Spindle / Standoff for Urethane Roller (heat treated)	2	19101-	
7	RLG-040-1016	4' Urethane Roller	2	Old Terog Part No. RU4	
8	194-1418	Rubber Bumper	2	19401	
9	BRA-0156	Belt Hold Up, Bell Pepper	1		
10	RLR-040-108	4' Flat Roller	4		Changed to Urethane in 2006
11	POS-738	Post, Rear Handsort	1	KIT-800	

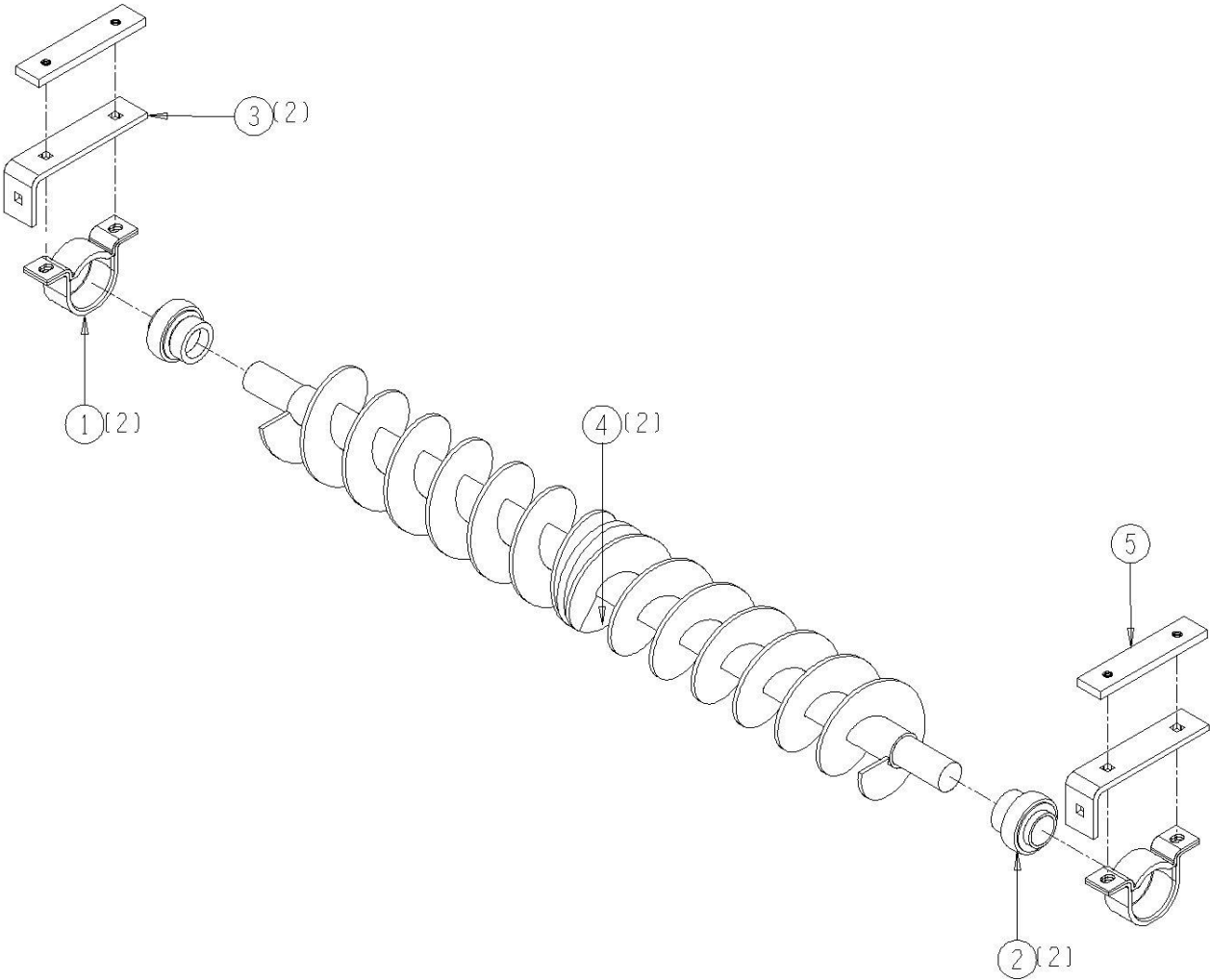
10010-08-61



10010-08-62 Long Aftersort Auger Assembly

<u>Ref</u>	<u>Part No.</u>	<u>Description</u>	<u>Parts – Assembly</u>	<u>Will Fit SN</u>	<u>Remarks</u>
1	BR-062-MPB	Stamped Bearing Housing for 1 1/4' bearing	2		
2	BR-125-062	Bearing, 1 1/4 Fafnir tri-seal, 62mm OD	2		
3	192-1528	Bearing Adjuster	2	19201-	
4	RLS-805	Aftersort Auger, Non Drive	1		
5	191-805	Bracket, Rear Aftersort	2	19101-	
6	KEY-4-4-20	Shaft Key 1/4' x 1 1/4'	1		
100	BL-6-600-T	3/8 X 6 Tap Bolt	2		

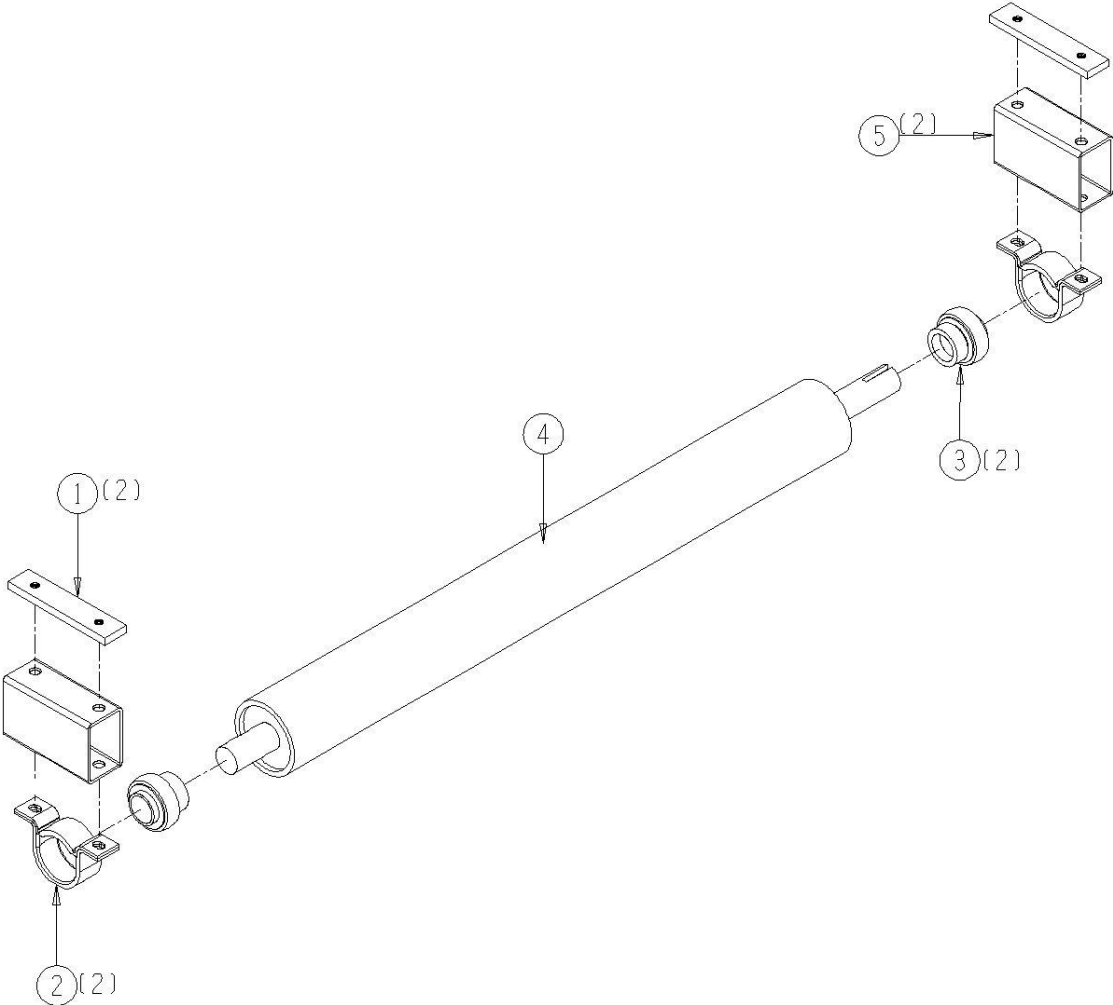
10010-08-62



10010-08-63 Long Aftersort Center Support Roller Assembly

<u>Ref</u>	<u>Part No.</u>	<u>Description</u>	<u>Parts – Assembly</u>	<u>Will Fit SN</u>	<u>Remarks</u>
1	191-805	Bracket, Rear Aftersort	2	19101-	
2	BR-062-MPB	Stamped Bearing Housing for 1 1/4' bearing	2		
3	BR-125-062	Bearing, 1 1/4 Fafnir tri-seal, 62mm OD	2		
4	194-610	Cross Chain cleaner Roller	1	110-	Replaces 110-610
5	SPA-0013	Spacer, Handsort, Idler Roller	2		Replaces SPA-8020

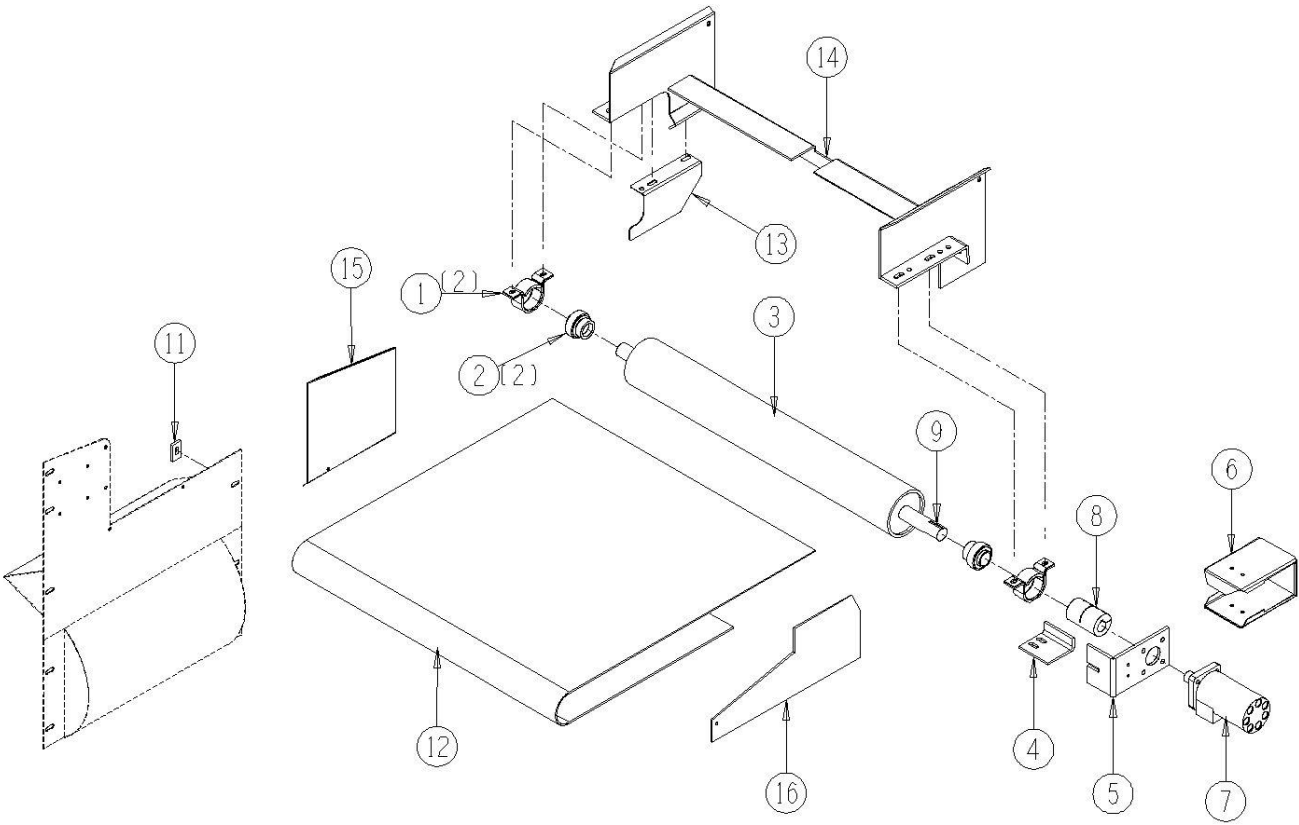
10010-08-63



10010-08-64 Long Aftersort Drive Assembly

<u>Ref</u>	<u>Part No.</u>	<u>Description</u>	<u>Parts – Assembly</u>	<u>Will Fit SN</u>	<u>Remarks</u>
1	BR-062-MPB	Stamped Bearing Housing for 1 1/4' bearing	2		
2	BR-125-062	Bearing, 1 1/4 Fafnir tri-seal, 62mm OD	2		
3	RLR-1524	Drive Roller with 'A'Guide for Aftersort (Tomato)	1		
4	193-806A	Motor mount stop	1		
5	193-806	Mount motor	1		
6	193-806C	Motor Guard	1	19301-	
7	HM-204-TC	TCI Motor	1		Seal Kit # TCI-SKHPQ can replace with HM-204-OMS
8	CPS-6060	Steel Coupler (off center) 1 1/4' x 1'	1		
9	KEY-4-4-20	Shaft Key 1/4' x 1 1/4'	1		
10	DC-1176	Decal, Danger-Hand Chain Sprockets	1		
11	BAR-8001	Bar, Shield Holder, Inner Front Aftersort	1		
12	BT-495F32E	Sort Belt (Endless) 32' x 495'	1	KIT-800	Use w/FRM-4801
13	COV-4801	Cover, Shield, Short Aftersort Flip Up, 190	1		
14	FRM-4801	Fold-Up Sorting Table	1		
15	PL-925	Cover, Short Front Aftersort	1		
16	SHD-8001	Shield, Plastic, Inner Front Aftersort	1		
101	BL-4-500-H	1/4-20 X 5 HEX CAP G5 ZC	1		
102	BL-4-FW-8	1/4' Flat Washer Grade 8	4		
103	BL-4-WN	1/4-20 FORGED WINGNUT ZC	1		
800	KEY-4-4-15	Shaft Key 1/4' X 1/4' X 15/16' Woodruff Key	1		
802	BL-5-100-SF	5/16-24 x 1 Socket Head Cap Screw	4	CPS-6057	

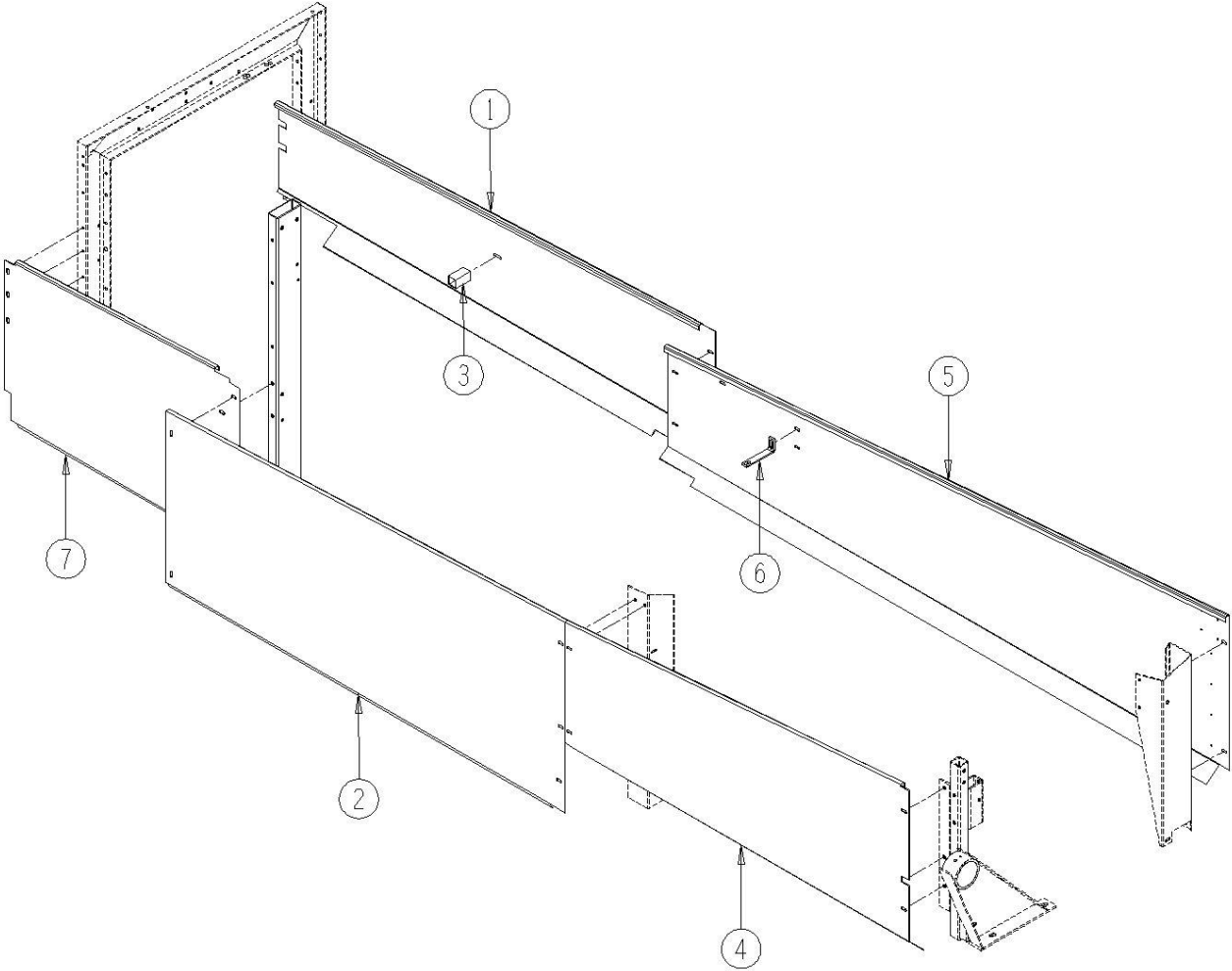
10010-08-64



10010-08-65 Long Aftersort Side Panel Assembly

<u>Ref</u>	<u>Part No.</u>	<u>Description</u>	<u>Parts – Assembly</u>	<u>Will Fit SN</u>	<u>Remarks</u>
1	PAN-1742	Panel, Debris Chute, Handsort, Inner Rear	1	KIT-800	
2	PAN-1841	Panel, Middle Outside, Hand Sort Table, 1010	1		
3	191-1555	Spacer, debris chute	1	11001-19301	
4	PAN-1842	Panel, Front Outside, Hand Sort Table, 1010	1		
5	192-127	Debris Chute, Inner Aftersort (Tomato)	1	19201-	
6	191-129	Bracket, Inner Debris Chute	1	19101-	
7	PAN-1840	Panel, Rear Outside, Long Hand Sort, 1010	1		

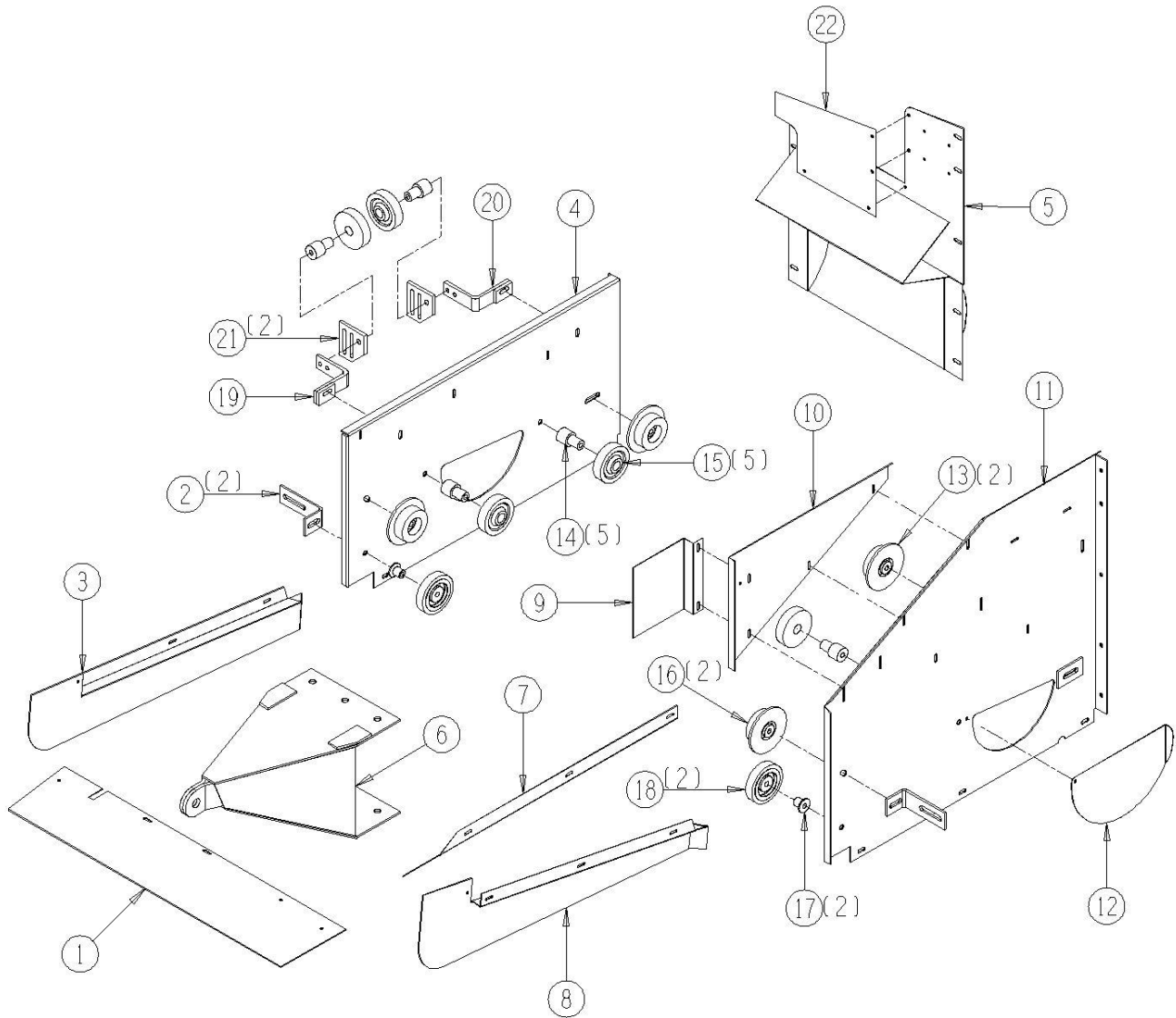
10010-08-65



10010-10-01 Discharge Basket Assembly

<u>Ref</u>	<u>Part No.</u>	<u>Description</u>	<u>Parts – Assembly</u>	<u>Will Fit SN</u>	<u>Remarks</u>
1	BT-0013	Belting, Shield, Inner Discharge & Basket	1		
2	191-928	Bracket for front panel-elevator mount	2	19101-	
3	191-937	Tomato Guard, Rear Discharge	1	19101-	
4	191-921	Panel, Rear Discharge	1	19101-	
5	194-925	Discharge Valve	1	19401-	
6	191-917	Discharge Cylinder Mount	1	19101-	
7	193-922	Deflector	1	19301-	
8	192-936	Tomato Guard, Front Discharge	1	19201-	
9	192-936A	Discharge basket, Front Extension	1	19201-	
10	193-920A	Front Discharge Panel Extension	1	19301-	
11	193-920	Front Discharge panel	1	19301-	
12	PAN-920C	Panel, Access [Red]	1	19301-	
13	RLT-535-228	5' Flange Roller 2.2WF x 3 1/2' dia, 1/2' bore	2		
14	RLA-010-0108	Spindle / Standoff for Urethane Roller (heat treated)	5	19101-	
15	RLG-040-1016	4' Urethane Roller	5	Old Terog Part No. RU4	
16	RLT-535-128	Narrow Flange Roller 1.2 WF 3.5 dia, 1/2' Bore	2		
17	RLA-000-118	Standoff, 1/2' X 1 1/8'	2		
18	RLR-040-108	4' Flat Roller	2		Changed to Urethane in 2006
19	BRA-105	Bracket, Header Roller, Inner	1		
20	BRA-106	Bracket, Header Roller, Outer	1	19101-	
21	BRA-107	Bracket, Header Roller	2		
22	SHD-0155	Shield, Discharge, 2010 190 Tomato Harvester	1		
600	HC-250-3008	Hydraulic cylinder 2 1/2' x 30' #8 SAE Ports	1	11001-	Seal kit for Lion, HC-250-125

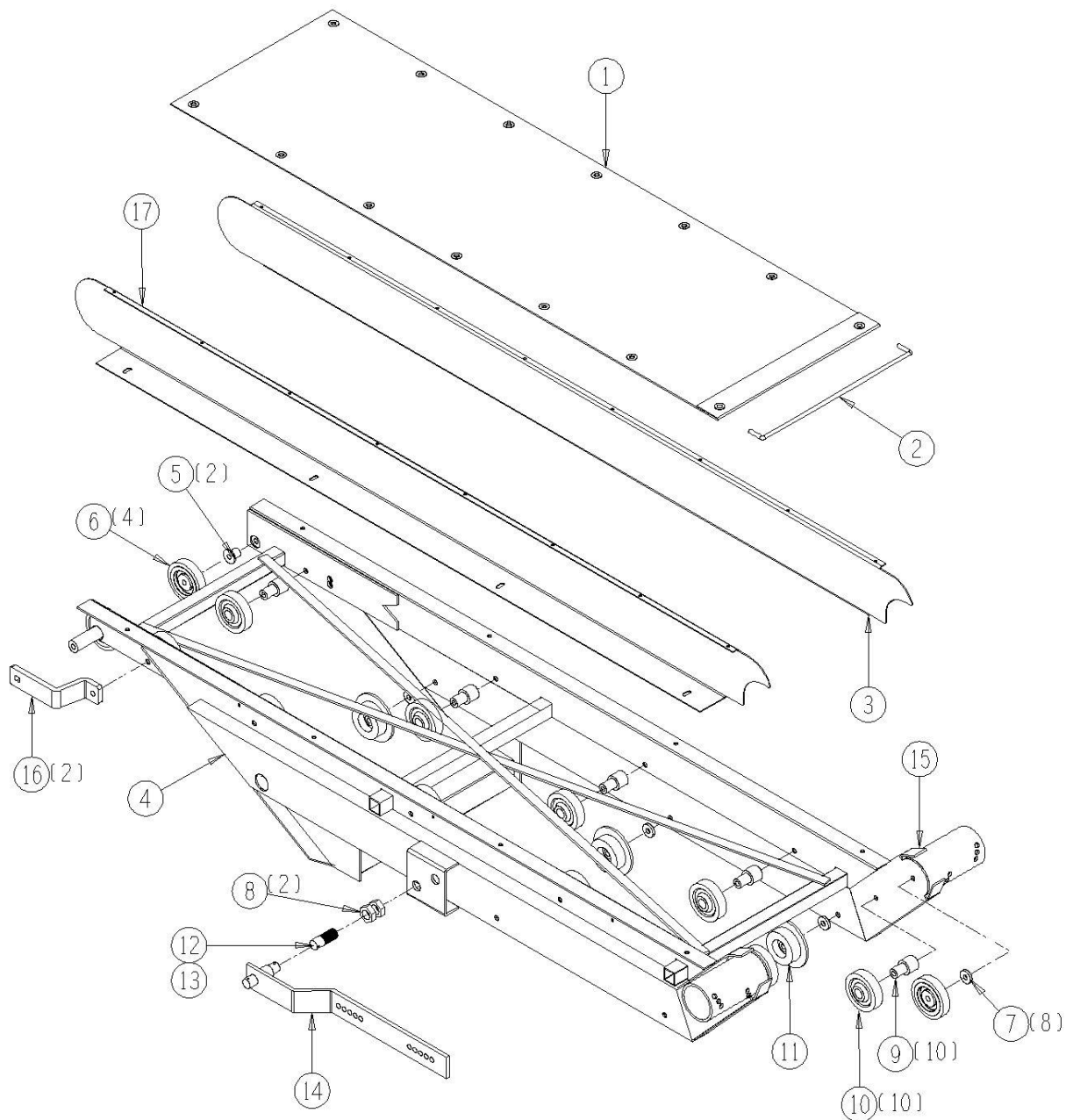
10010-10-01



10010-10-02 Discharge Inner Section Assembly

<u>Ref</u>	<u>Part No.</u>	<u>Description</u>	<u>Parts – Assembly</u>	<u>Will Fit SN</u>	<u>Remarks</u>
1	TRP-938	Discharge Tarp	1	19101-	
2	194-938A	Tarp Support	1	19401-	
3	SHD-0152	Discharge Extension,Lower Rear	1		
4	194-901	Frame, Discharge Elevator	1	19201	
5	RLA-000-118	Standoff, 1/2' X 1 1/8'	2		
6	RLR-040-108	4' Flat Roller	4		Changed to Urethane in 2006
7	RLA-000-028	Washer/Spacer	8	11001-	
8	BL-16-JN	1 UNC FIN HEX JAM NUT A563 GrA ZINC	2		
9	RLA-010-0108	Spindle / Standoff for Urethane Roller (heat treated)	10	19101-	
10	RLG-040-1016	4' Urethane Roller	10		Old Terog Part No. RU4
11	RLT-535-128	Narrow Flange Roller 1.2 WF 3.5 dia,1/2' Bore	8		
12	192-907P	Discharge Stabilizer Pin	1	19201	
13	HC-1130B	Hair Pin Clip	1		
14	193-919	Transport bar	1	19301-	
15	DC-1174	Decal, Danger Keep Hands and Feet Away	1		
16	BAR-0114	Discharge Strap, Tomato Harvester	2		
17	SHD-0151	Discharge Extension,Lower,Front	1		
600	HC-200-2408	Hydraulic cylinder 2' x 24' #8 SAE Ports	2		Seal kit for Lion, HC-200-112

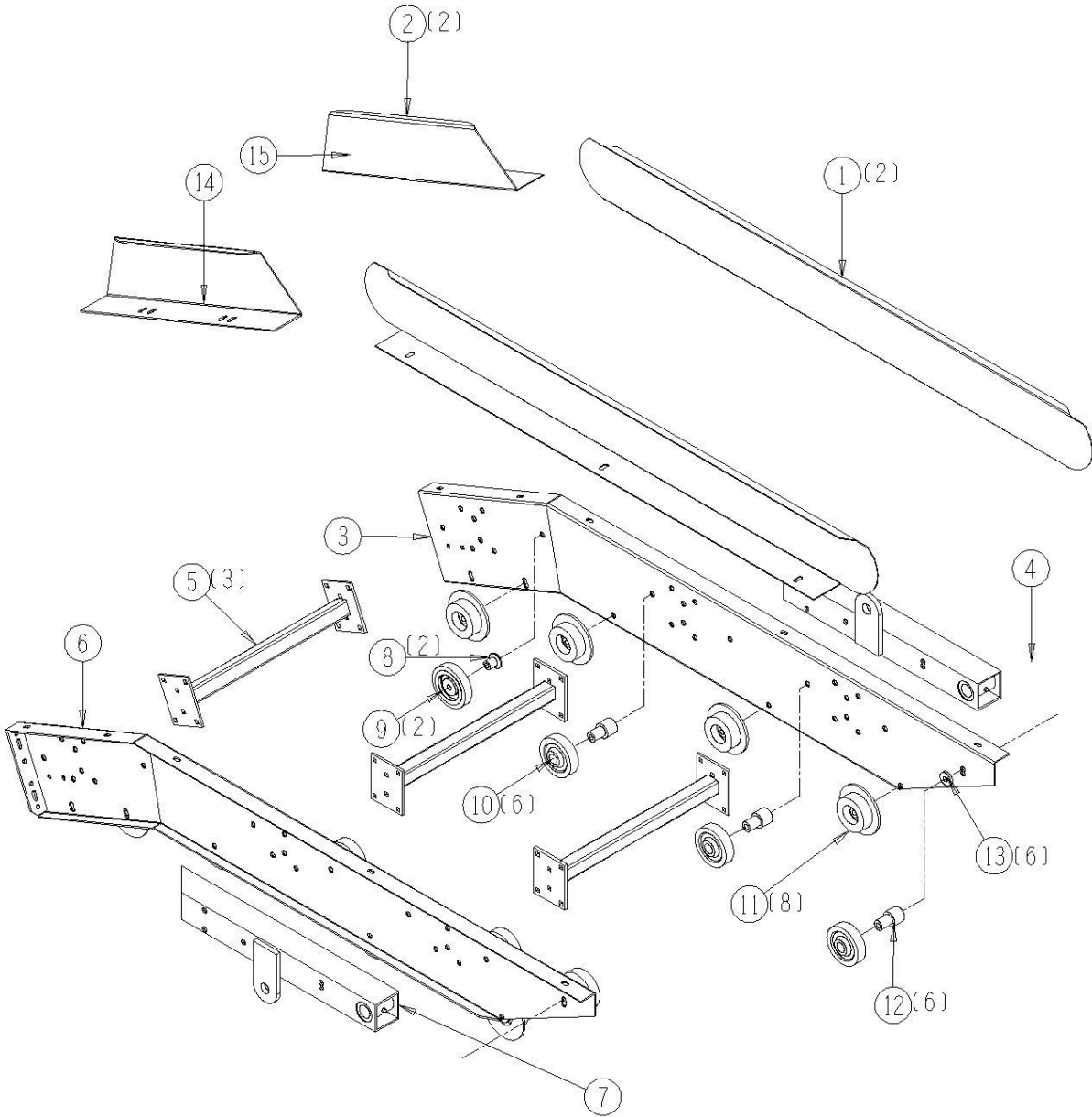
10010-10-02



10010-10-03 Discharge Outer Section Assembly

<u>Ref</u>	<u>Part No.</u>	<u>Description</u>	<u>Parts – Assembly</u>	<u>Will Fit SN</u>	<u>Remarks</u>
1	191-909	Mid Elevator Extension	2		Same Front and Back
2	SID-911	Side, Extension Discharge, Outer, Tom.	2		Replaces 191-910
3	195-9024	Outer Discharge Elevator Frame (rear)	1		
4	192-906	Cylinder Mount, Rear Discharge	1	19201- 192-900K	
5	BAR-9026	Bar, Cross Member, Discharge	3	19201- 192-900K	Replaces BAR-9025
6	195-9023	Outer Discharge Elevator Frame (front)	1	19501-	
7	192-905	Cylinder Mount, Front Discharge	1	19201-	
8	RLA-000-118	Standoff, 1/2' X 1 1/8'	2		
9	RLR-040-108	4' Flat Roller	2		Changed to Urethane in 2006
10	RLG-040-1016	4' Urethane Roller	6	Old Terog Part No. RU4	
11	RLT-535-128	Narrow Flange Roller 1.2 WF 3.5 dia, 1/2' Bore	8		
12	RLA-010-0108	Spindle / Standoff for Urethane Roller (heat treated)	6	19101-	
13	RLA-000-028	Washer/Spacer	6	11001-	
14	DC-3026	Orange Reflective Tape @ 50ft Roll	0.12		
15	DC-3025	Red and White Reflective Tape @ 150 ft Roll	0.04		

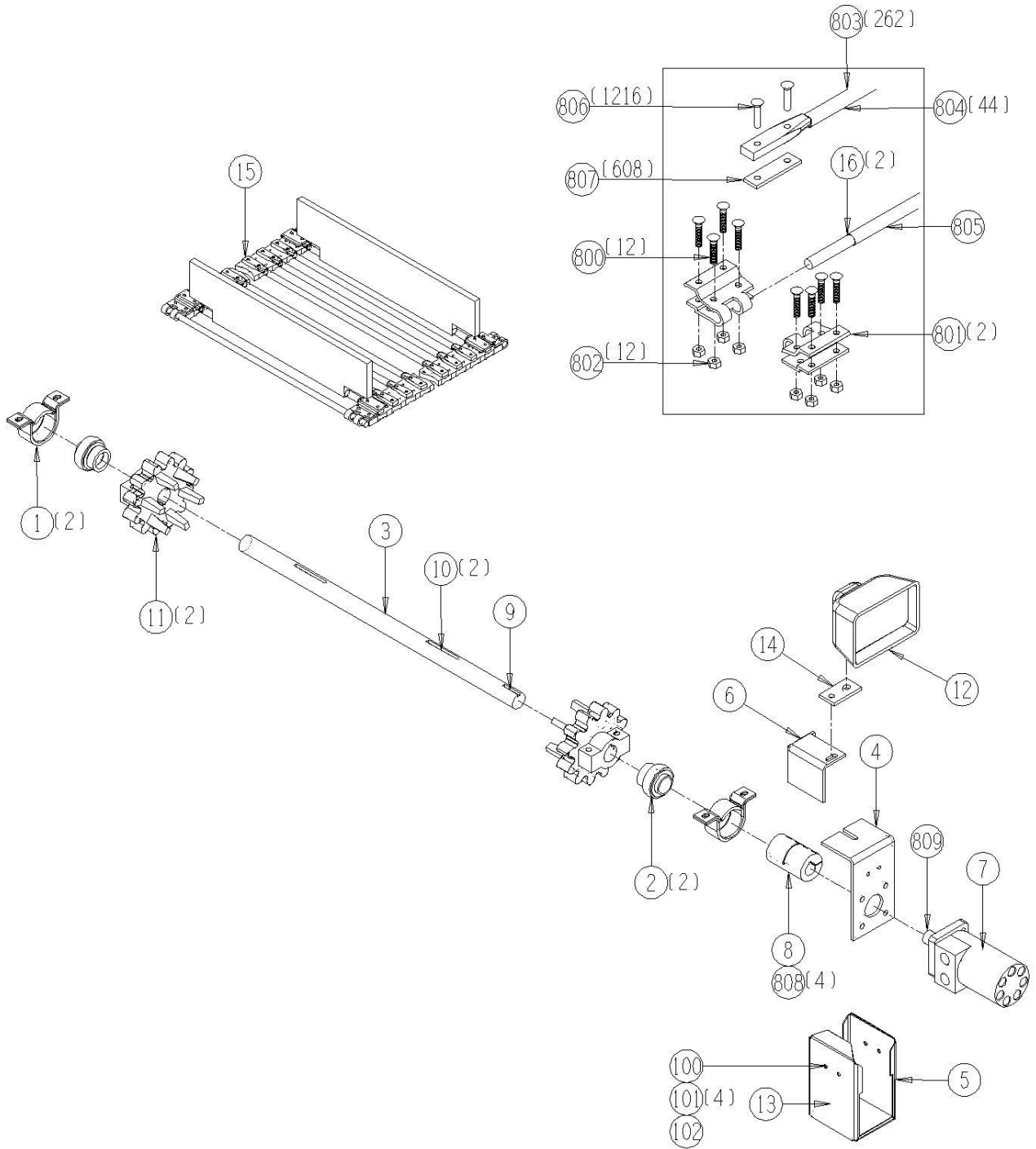
10010-10-03



10010-10-04 Discharge Drive Assembly

<u>Ref</u>	<u>Part No.</u>	<u>Description</u>	<u>Parts – Assembly</u>	<u>Will Fit SN</u>	<u>Remarks</u>
1	BR-062-MPB	Stamped Bearing Housing for 1 1/4' bearing	2		
2	BR-125-062	Bearing, 1 1/4 Fafnir tri-seal, 62mm OD	2		
3	110-911	Shaft, Discharge Drive	1	11001-	
4	193-806	Mount motor	1		
5	193-806C	Motor Guard	1	19301-	
6	193-915	Stop, Discharge Motor	1	19301-	
7	HM-210-TC	TCI Motor	1		Seal Kit # TCI-SKHPQ
8	CPS-6060	Steel Coupler (off center) 1 1/4' x 1'	1		
9	KEY-4-4-20	Shaft Key 1/4' x 1 1/4'	1		
10	KEY-4-4-32	Shaft Key 1/4' x 2' Square Cut (1018)	2		
11	SP-3618-20-4	Sprocket 36mm 18 Tooth, 1 1/4' Bore, Splitt & Bolted	2		
12	EL-1233	Light, Auxiliary Work Light, Clear, Trapezoid Beam, TL#80394	1		Replaces EL-1201
13	DC-1176	Decal, Danger-Hand Chain Sprockets	1		
14	BAR-1510	Bar, Light Holder	1		
15	BC-6-2036-307	Discharge chain with flights	1	19101	
16	BC-3525	Snap Ring, 11mm.	2		
100	BL-4-500-H	1/4-20 X 5 HEX CAP G5 ZC	1		
101	BL-4-FW-8	1/4' Flat Washer Grade 8	4		
102	BL-4-WN	1/4-20 FORGED WINGNUT ZC	1		
800	BC-1032-FS	10-32 x 1 1/4' bolts Flat Socket Head	12		
801	BC-F-36-20	F Connecting Clips 36-20 @ pair	2		
802	BC-1032-LN	10-32 lock nuts	12		
803	BC-6-20-ST	3/8' x 20' Belted Chain Rod (Straight)	262	11001	
804	BC-6-20-FL	Rubber Elevator Flights	44	19201	
805	BC-7-20-CN	Connecting Rod, 11mm, 20' Wide Belted Chain, 50mm Traction Belts	1		
806	RI-19-BC	19mm Belted Chain Rivets	1216		
807	BC-BP20	Belt, Rivet backing plates 20mm	608	19101	Lap Splice Option
808	BL-5-100-SF	5/16-24 x 1 Socket Head Cap Screw	4	CPS-6057	

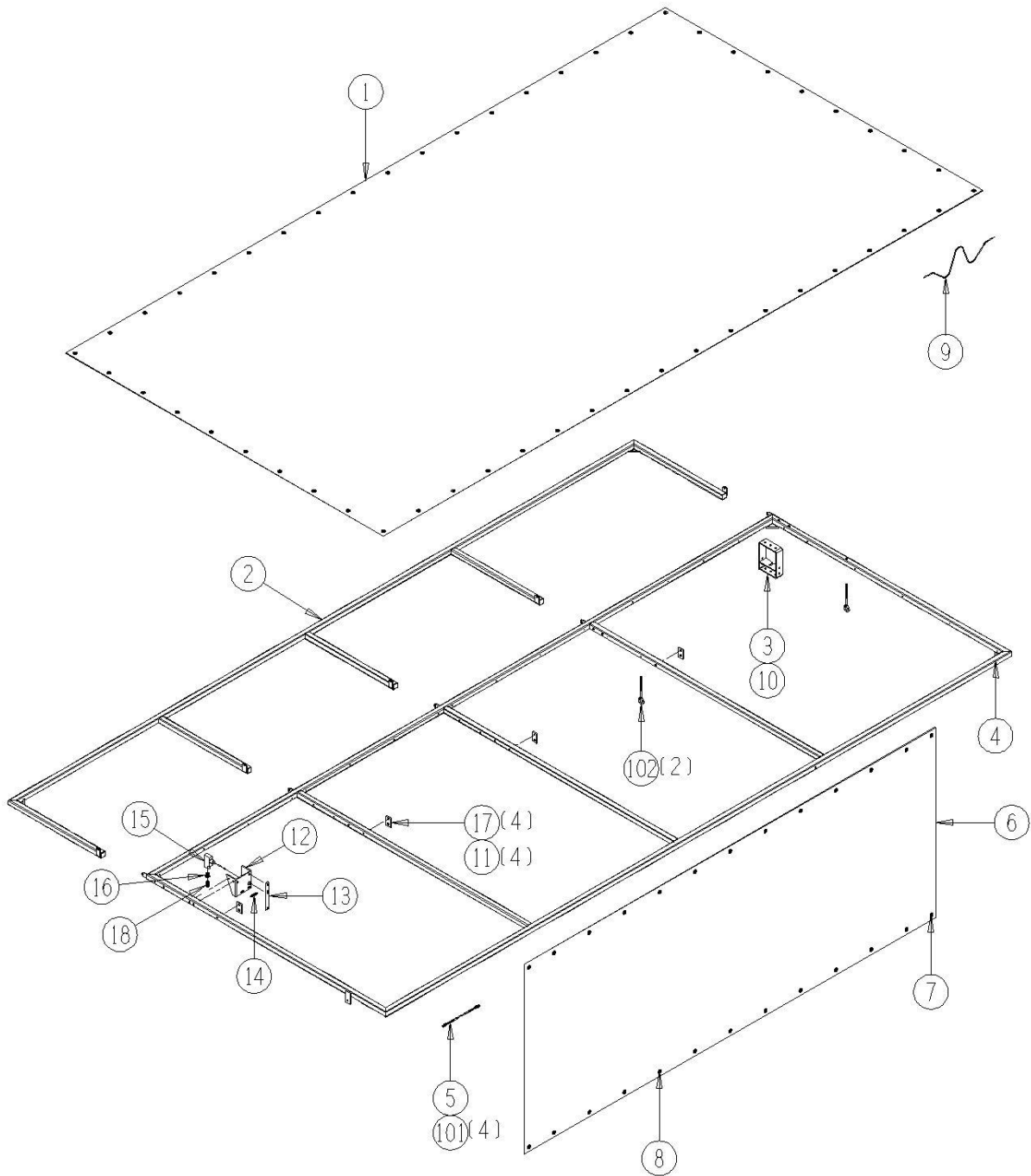
10010-10-04



10010-11-01 Canopy Assembly

<u>Ref</u>	<u>Part No.</u>	<u>Description</u>	<u>Parts – Assembly</u>	<u>Will Fit SN</u>	<u>Remarks</u>
1	TRP-1115	Tarp, Sun tarp	1	19101-	
2	192-1116A	Fold out	1	19201-	
3	SHD-1206	Shield, Flashing Light	1	30097001- 19601-	
4	192-1116	Main sun tarp frame	1	19201-	
5	194-1146	Stainless Steel Cable Assembly	1	19201- TRP-1145K	
6	TRP-1145	Dust Tarp	1	19201- TRP-1145K	
7	STRP-1410	15' Tarp Strap	1		
8	STRP-610	6' Tarp Strap (ea.)	10		
9	TRP-0006	Nylon Rope #6 @ foot	82		
10	EL-1206	Double Amber Lamp	1		
11	EL-1233	Light, Auxiliary Work Light, Clear, Trapezoid Beam, TL#80394	4		Replaces EL-1201
12	195-1455	Horn Bracket	1	19501-	
13	195-1456	Horn Switch Bar	1	19501-	
14	SPG-9654	extension Spring for Horn Switch	1		
15	EL-6610	Horn Switch	1		
16	BU-6-8-N	Bushing, Threaded Pipe, Nylon, 3/8' x 1/2'	1		
17	BAR-1510	Bar, Light Holder	4		
18	ELC-2638	3/8' Plastic Cord Connector	1		
101	BL-5-FN	5/16' Fine Thread Nuts	4		
102	BL-6-600-I	3/8-16 x 6-1/4' Shank, Zinc Plated Turned Eye Bolt for Horn Cord SS	2		

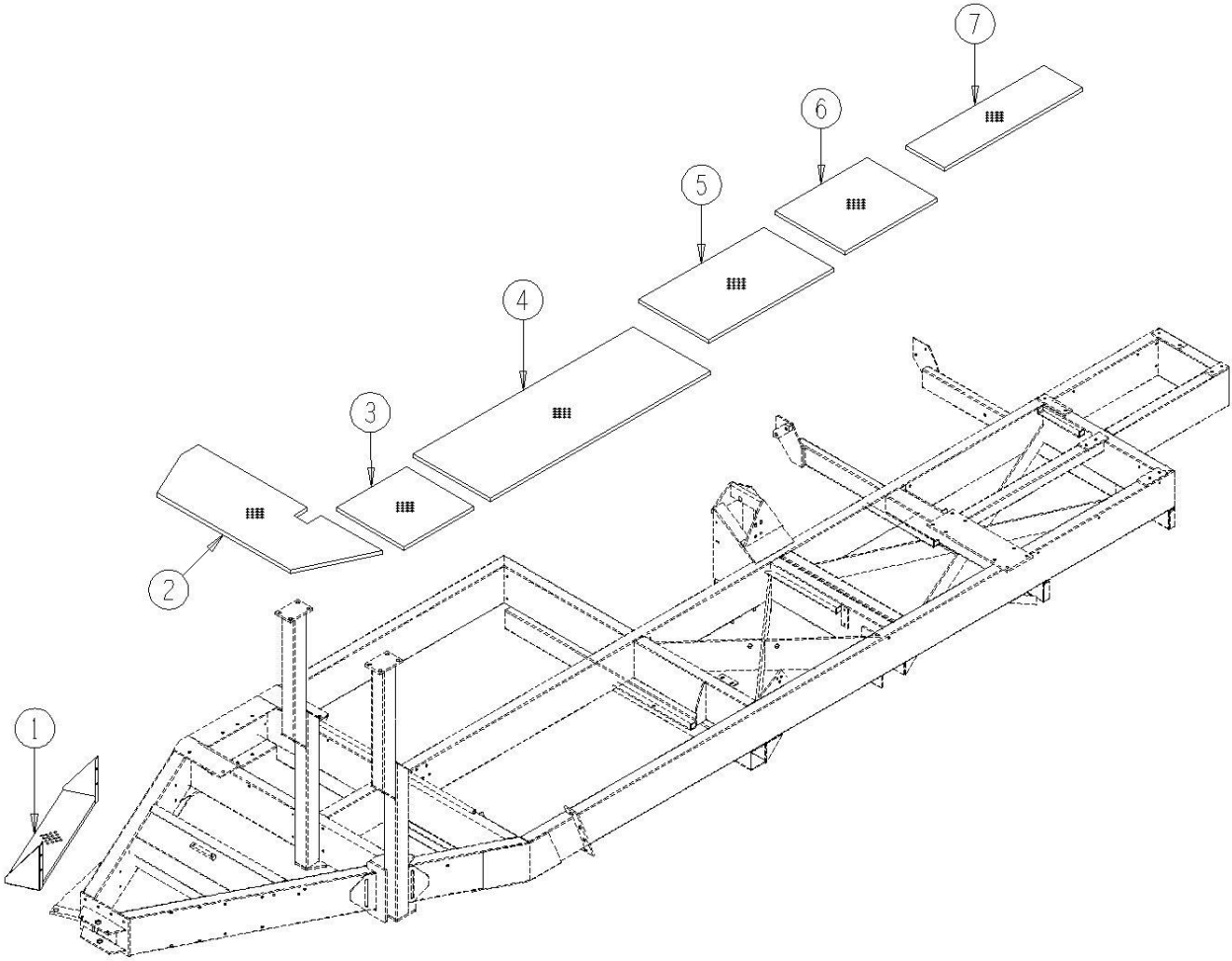
10010-11-01



10010-11-04 Overhead Lift Inner Decking Assembly

<u>Ref</u>	<u>Part No.</u>	<u>Description</u>	<u>Parts – Assembly</u>	<u>Will Fit SN</u>	<u>Remarks</u>
1	STD-1411	Deck, Step	1	19401-	
2	STD-1007	Front Cross Decking, 190 Tomato Overhead Lift	1		
3	STD-1409	Deck, Inner Entrance	1	19101-	
4	STD-1406	Deck, Inner (Front) Aftersort	1	19201-	
5	STD-0004	Stand, Inner Decking, Rear Aftersort	1		
6	STD-1405B	Deck, Presort, Rear	1	19201-	
7	STD-1404	Deck, Inner Elevation	1	19101-	

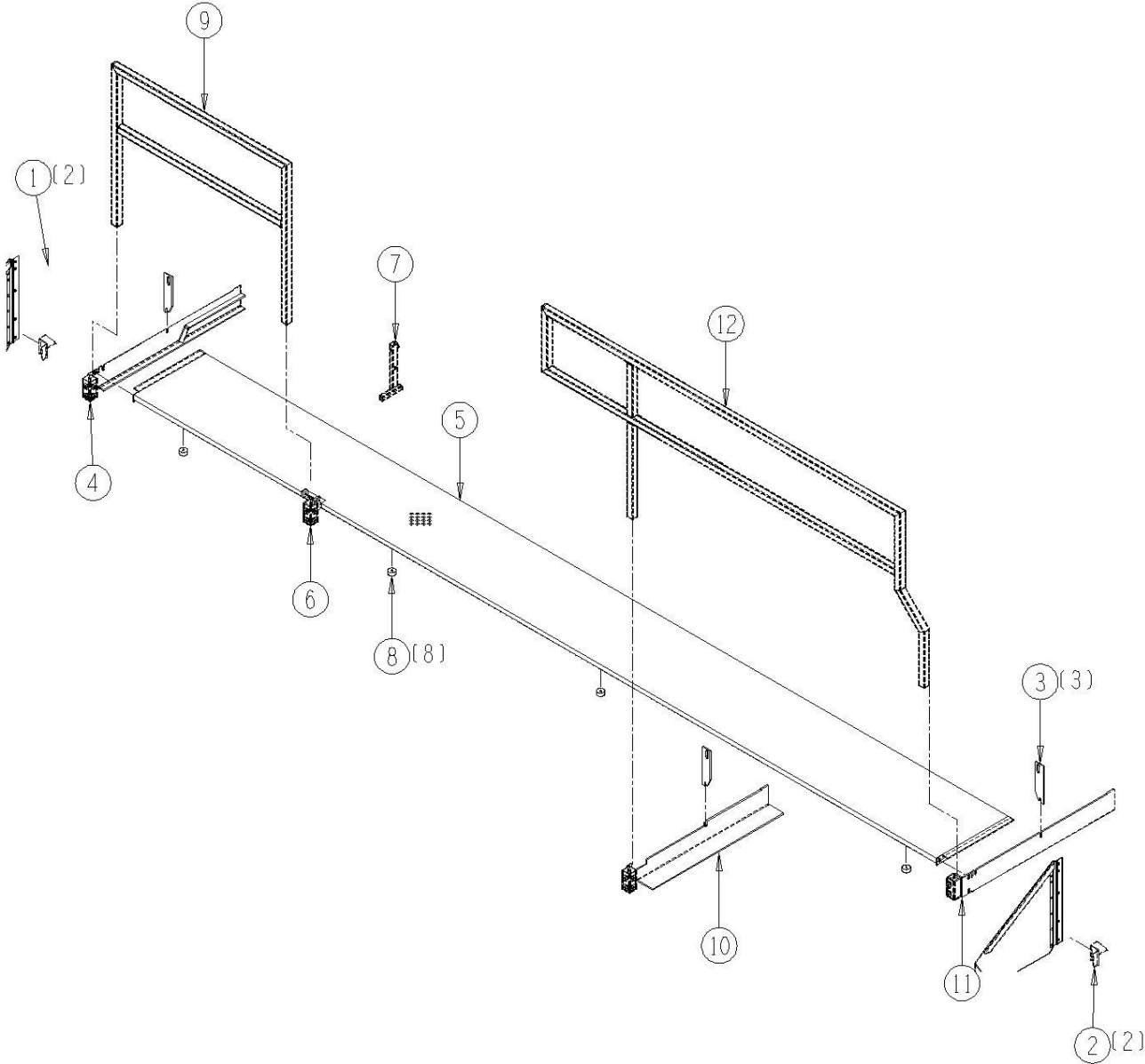
10010-11-04



10010-11-05 Outer Decking Assembly

<u>Ref</u>	<u>Part No.</u>	<u>Description</u>	<u>Parts – Assembly</u>	<u>Will Fit SN</u>	<u>Remarks</u>
1	194-727	Guard, Deck End (Rear and Front)	2	19401-	
2	BAR-0086	Latch, Handrail, 190 Harvester	2		
3	194-1402B	Deck Slide Lock	3	19401-	
4	BRA-0207	Rear Decking Bracket, Tubing, 190 Tomato	1		
5	STD-1122	Outside Decking, 190 Tomato	1		
6	BRA-0208	Middle Decking Bracket, Tubing, 190 Tomato	1		
7	SUP-1122	Support, Decking, Rear, Right, Long Sort Table	1	KIT-800	Use w/# 193-1138B
8	194-1418	Rubber Bumper	8	19401	
9	STD-0009	Decking Rail, Back, Side, 190 Tomato	1		
10	BRA-0205	Back Decking Bracket, Tubing, 190 Tomato	1		
11	BRA-0206	Front Decking Bracket, Tubing, 190 Tomato	1		
12	STD-0008	Decking Rail, Front, Side, 190 Tomato	1		

10010-11-05



10010-13-01 Hydraulic Motor Plumbing Assembly

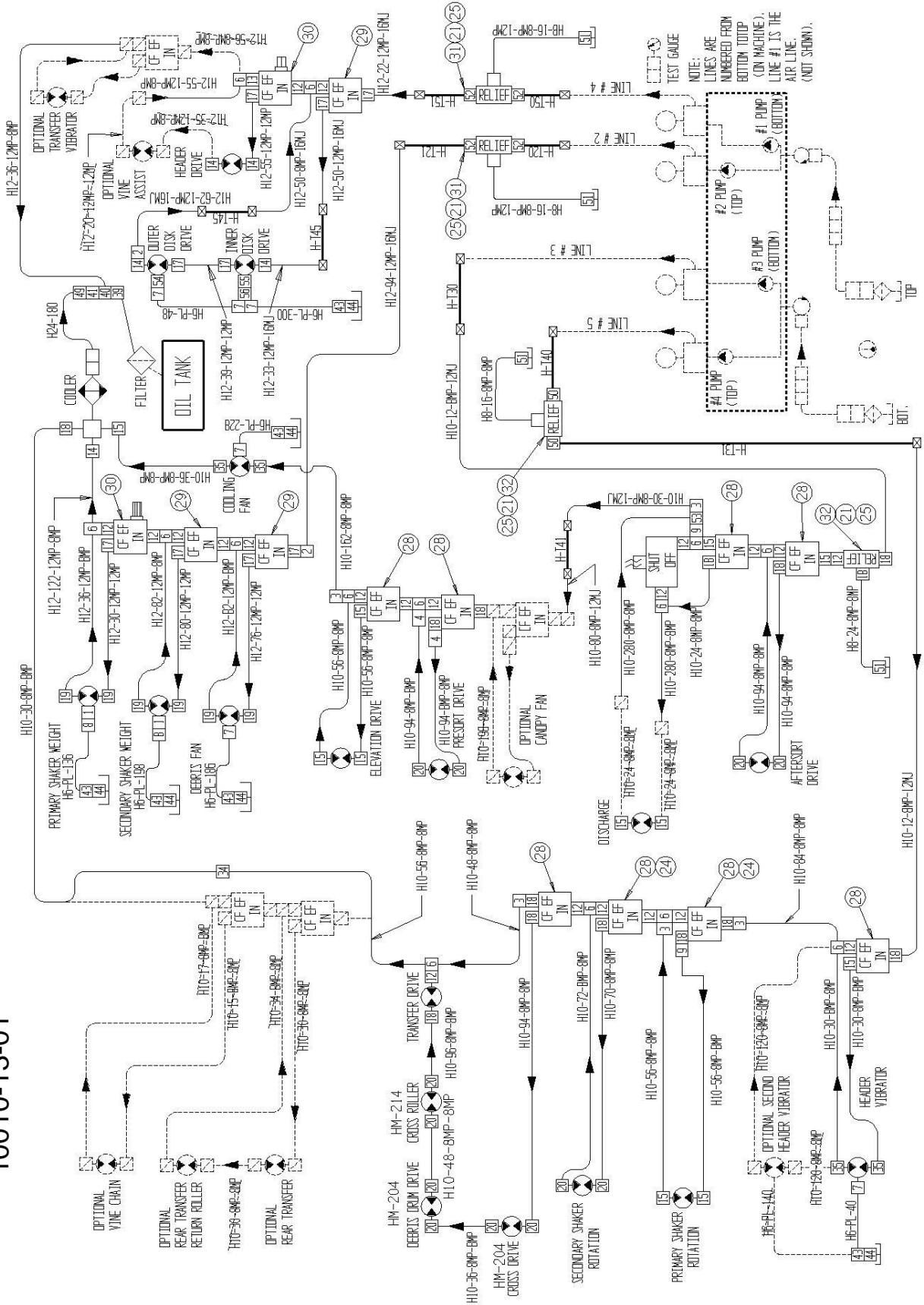
<u>Ref</u>	<u>Part No.</u>	<u>Description</u>	<u>Parts – Assembly</u>	<u>Will Fit SN</u>	<u>Remarks</u>
0	H10-12-8MP-12MJ	5/8 in hose 1/2MP X 3/4MJIC 12 in long	2		
0	H10-162-8MP-8MP	5/8 in hose 1/2MP x 1/2MP x 162 in long	1		
0	H10-24-8MP-8MP	5/8 in hose 1/2MP x 1/2MP x 24 in long	1		
0	H10-280-8MP-8MP	5/8 in hose 1/2MP x 1/2MP x 280' long	2		
0	H10-30-8MP-12MJ	5/8 in hose 1/2 MP x 3/4 MJIC x 30 in long	1		
0	H10-30-8MP-8MP	5/8 in hose 1/2MP x 1/2MP x 30 in long	3		
0	H10-36-8MP-8MP	5/8 in hose 1/2MP x 1/2MP x 36 in long	3		
0	H10-48-8MP-8MP	5/8 in hose 1/2MP x 1/2MP x 48 in long	2		
0	H10-56-8MP-8MP	5/8 in hose 1/2MP x 1/2MP x 56 in long	5		
0	H10-70-8MP-8MP	5/8 in. hose 1/2 x 1/2 x 70 in long	1		
0	H10-72-8MP-8MP	5/8 in. hose 1/2 x 1/2 x 72 in long	1		
0	H10-80-8MP-12MJ	5/8 in hose 1/2MP x 3/4MJIC x 80 in long	1		
0	H10-84-8MP-8MP	5/8 in hose 1/2 x 1/2 x 84 in long	1		
0	H10-94-8MP-8MP	5/8 in hose 1/2MP x 1/2MP x 94 in long	5		
0	H10-96-8MP-8MP	5/8 in hose 1/2 x 1/2 x 96 in long	1		
0	H12-122-12MP-8MP	3/4' Hose 3/4MP x 1/2MP x 122' Long	1		
0	H12-22-12MP-16MJ	3/4 in hose 3/4MP-1MJIC x 22 in long	1		
0	H12-30-12MP-12MP	3/4 in hose 3/4MP x 3/4MP x 30 in long	1		
0	H12-33-12MP-16MJ	3/4 in hose 3/4 MP x 1' MJIC x 33 in long	1		
0	H12-36-12MP-8MP	3/4 in hose 3/4MP x 1/2MP x 36 in long	2		
0	H12-39-12MP-12MP	3/4 in hose 3/4MP x 3/4MP x 39 in long	1		
0	H12-50-12MP-16MJ	3/4 in hose 3/4MP x 1MJIC x 50 in long	1		
0	H12-50-8MP-16MJ	3/4 in hose 1/2MP x 1MJIC x 50 in long	1		
0	H12-55-12MP-12MP	3/4 in hose 3/4MP x 3/4MP x 55 in long	1		
0	H12-55-12MP-8MP	3/4 in hose 3/4MP x 1/2MP x 55 in long	1		
0	H12-62-12MP-16MJ	3/4 in hose 3/4MP x 1MJIC x 62 in long	1		
0	H12-76-12MP-12MP	3/4 in hose 3/4MP x 3/4MP x 76 in long	1		

0	H12-80-12MP-12MP	¾ in hose ¾MP x ¾MP x 80 in long	1	
0	H12-82-12MP-8MP	¾ in hose ¾MP x 1/2MP x 82 in long	2	
0	H12-94-12MP-16MJ	¾ in hose ¾MP x 1MJIC x 94 in long	1	
0	H24-180	1 1/2' Return hose 180'	1	
0	H6-PL-136	3/8' Push Loc Hose 136' (primary shaker)	1	
0	H6-PL-186	3/8' Push Loc Hose 186' (Debris Fan)	1	
0	H6-PL-198	3/8' Push Loc Hose 198' (Secondary Shaker)	1	
0	H6-PL-228	3/8' Push Loc Hose 228' (Cooling Fan)	1	
0	H6-PL-300	3/8' Push-Lock Hose 300'	1	
0	H6-PL-40	3/8' Push Loc Hose 40' (Vibrator)	1	
0	H6-PL-48	3/8' Push Loc Hose 48' (Reverse Kit)	1	HV-1045K
0	H8-16-8MP-12MP	1/2 in hose 1/2MP x ¾MP x 16 in long	2	
0	H8-16-8MP-8MP	1/2 in hose 1/2MP x 1/2MP x 16 in long	1	
0	H8-24-8MP-8MP	1/2 in hose 1/2MPx 1/2MP x 24 in long	1	
0	H-T20	Hyd Tube #2 Front 1' dia.	1	19401-
0	H-T21	Hyd Tube #2 Main 1' dia	1	19401
0	H-T30	Hyd Tube #3 Front ¾' dia	1	19401-
0	H-T31	Hyd Tube #3 Main ¾'	1	19401
0	H-T40	Hyd Tube #4 Front ¾' dia	1	19401-
0	H-T41	Hyd Tube #4 Main ¾' dia	1	19401-
0	H-T45	Tubing, Hydraulic, Header Tube	2	19501- Replaces H-T44(except <19501)
0	H-T50	Hyd Tube #5 Front 1' dia	1	19401-
0	H-T51	Hyd Tube, #5 Main 1' dia	1	19401-
1	A-1404-4-4	1/4 MP x 1/4 FPX	2	
2	A-1501-12-12	¾MP x ¾ FPX 90°	2	
3	A-1501-8-8	1/2 MP x 1/2 FPX90°	6	
4	A-1503-8-8	Elbow, 1/2' MP X 1/2' FPX45°	2	
5	A-1601-8-8-8	1/2 MP x 1/2 FPX x 1/2 FPX Tee	1	
6	A-1603-8-8-8	Swivel T 1/2' NPTF	14	
7	A-4124-6-4	1/4 Male Pipe x 3/8 Push Loc	6	
8	A-4129-6-4	1/4' NPT 90° w/3/8' Push-Loc	2	

9	A-5404-8-8	Hex Nipple 1/2' x 1/2'	2		
10	A-6400-12-10	¾' MJIC X 10 SAE	2		
11	A-6400-16-12	1' MJIC X 12 SAE	4		
12	A-6401-10-8	10 SAE x 1/2 MPT Male	21		
13	A-6806-10-8	10 SAE x 1/2' MP 90°	1		
14	A-6900-10-12	10 SAE x ¾ FPX	5		
15	A-6900-10-8	10 SAE x 1/2 FPX	13		
17	A-6901-10-12	10 SAE x ¾ FPX90°, Forged	9		
18	A-6901-10-8	10 SAE x 1/2 FPX90°, Forged	16		
19	A-6901-12-12	12 SAE x ¾' FPX 90°, Forged	6		
20	A-6902-10-8	10 SAE X 1/2' FPX 45°	12		
21	BAR-2011	Bar, Security Copper Wire Seal	4		relief lock
22	HA-1071-H	Hydra-zorb Tube Clamp 1' (3 pc.)	2	19401-	
23	HA-1072-H	Hydra-zorb Tube Clamp ¾' (3 pc.)	3	19401-	
24	HA-1090K	Fine Tune Speed Control Kit	2	Prince & Brand Flow Controls	All
25	HA-2011	Copper Wire Security Seals	4		
28	HV-FL16	Flow Control Valve 16GPM	8		
29	HV-FL30	Flow Control Valve 30GPM	3		
30	HV-FL30-R	Hydraulic Flo Control Valve with Relief 30GPM	2		
31	HV-RV-1H	Relief valve w/ SAE #12 ports	2		
32	HV-RV-3H	Relief Valve w/ SAE #10 Ports	2		
33	STP-FL30	Stop, Flow Control	1	19101-	
34	A-1405-8-8	1/2' NPT Coupler W/Swivel	1		
35	A-6901-12-8	12 SAE x 1/2' FPX 90°, Forged	4		
36	H13-RFL	Hose Protection Shield, Size 13	10		
37	H-18RFL	Hose Protection Shield, Size 18 @ Foot	10		
38	WT-17H	Heavy Duty Wire Tie 17.5'	60		
39	AN-24-CL	1 1/2' Black (Nipple Close)	1		
39	HV-900A	Electronic Valve (Discharge conveyor)	1		
40	AT-24-24-12	1 1/2 x 1 1/2 x ¾ Black Tee	1		

41	AN-24-24-HS	1 1/2' Male NPT with Combination 1-1/2' Hose Barb	1	
43	A-4124-6-6	3/8 Male Pipe x 3/8 Push Loc	6	
44	A-6900-8-6	8 SAE x 3/8' FPX With 7/8' Stock Body	6	20095001-
45	HA-1007	Hydraulic, Magnetic Drain Plug	1	11101-
47	A-6408-10	10 SAE Plug	1	
49	CL-200-SD	Two Bolt Hose Clamp, Super Duty, Galvanized	2	1 1/2' Suction Hose
50	A-2404-12-8	¾' MJIC X 1/2' MP	2	
51	A-1404-8-8	1/2 MP to 1/2 FPX, Straight	4	
52	A-2404-16-12	1' MJIC X ¾' MP	4	
53	ASL-24	1 1/2 ST ELL, Domestic Only	1	
54	A-6901-4-4	4 SAE X 1/4 FPX 90°, Forged	1	
55	A-6401-4-4	4 SAE x 1/4' MP	1	
56	A-5605-4	1/4' Pipe Tee	1	
57	A-6900-12-12	12 SAE x ¾' FPX	2	

10010-13-01

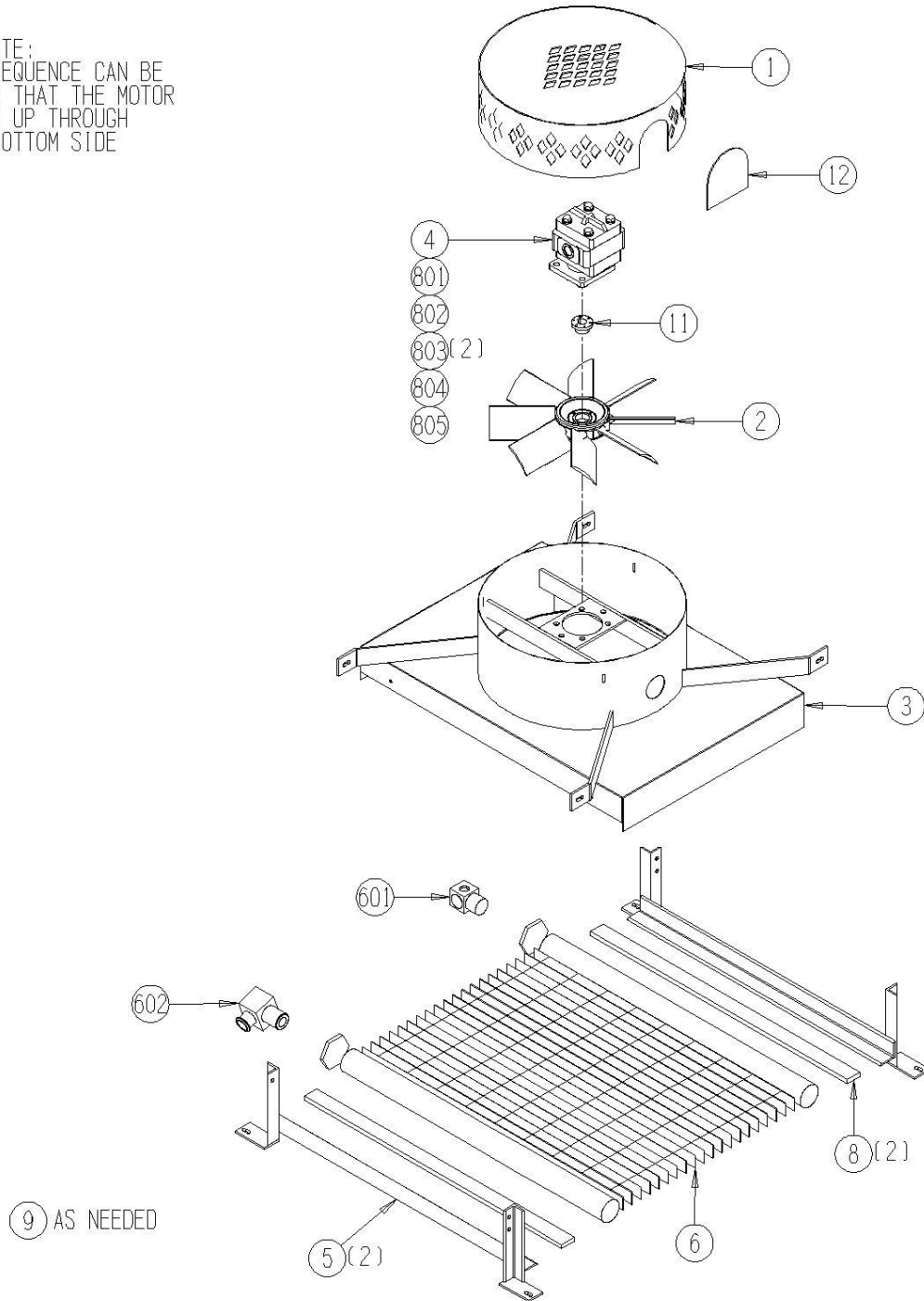


10010-13-03 Oil Cooler Assembly

<u>Ref</u>	<u>Part No.</u>	<u>Description</u>	<u>Parts – Assembly</u>	<u>Will Fit SN</u>	<u>Remarks</u>
1	191-1082	Shield, Cooling Fan	1		
2	FAN-290-18	HC 290 Oil Cooler Fan, 18' w/o JA Bushing/Rev	1		Replaces FAN-190-18 & HA-1019-G
3	110-1016	Oil Cooler Shroud	1		
4	HM-1020	Cooling Fan Motor	1	19201-	When installing on '90 and '91 machines must be accompanied by fan blade 192-1019
5	110-1017	Mount, Oil Cooler Support	2		
6	HA-1016	Hydraulic Oil Cooler Radiator w/o Mounting Kit & w/ SAE24 Ports	1		Replaces HA-1015
8	RS-100	Rubber Oil Cooler Damper, .500 x 1.75 x 35.5	2	19401-	
9	WT-17H	Heavy Duty Wire Tie 17.5'	8		
11	PU-JA-16	Bushing, JA x 1'	1		
12	191-1083	Slot Cover, 190 Fan Shroud	1		
601	A-WF-24-10-3	24 SAE Male O-Ring w/ (3) #10 SAE Ports	1		
602	A-4603-24-24	1 1/2 x 24 SAE 45° Male O-Ring Beaded Insert	1		
802	HM-0381	Ball Bearing, Motor	1	HM-1020	
803	HM-2585	Ring Seal, Commercial Motor	2	HM-1020	
804	HM-2686	Snap Ring, Commercial Motor	1	HM-1020	
805	HM-1801	Seal Kit for Commercial Intertech	1	P20 & M20 Series	Includes:(1) Length of HM-2882,(1)HM-2883,(2)HM-2884

10010-13-03

ASSEMBLY NOTE:
-ASSEMBLY SEQUENCE CAN BE
ALTERED SO THAT THE MOTOR
IS MOUNTED UP THROUGH
FROM THE BOTTOM SIDE

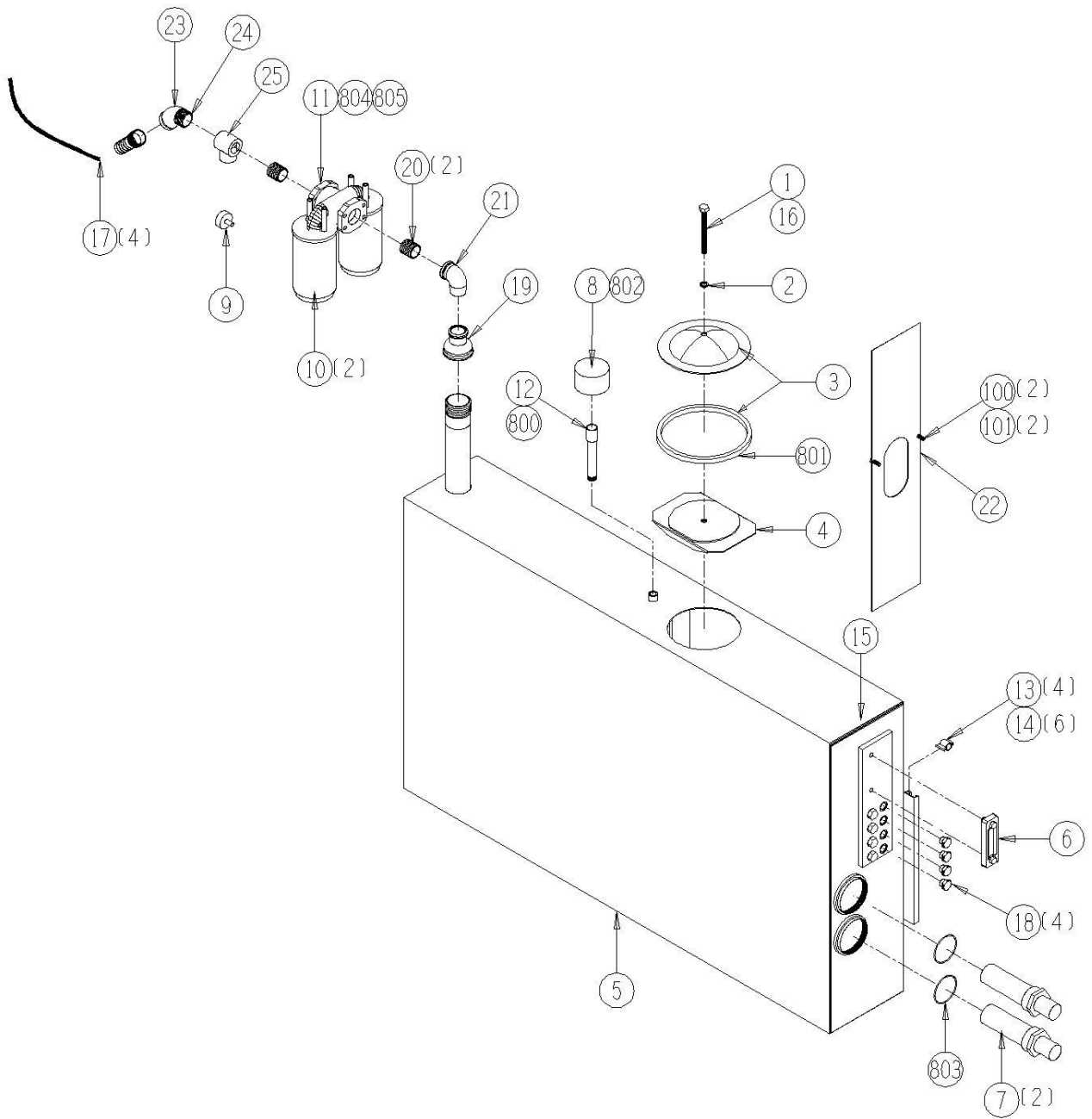


10010-13-05 Oil Tank Assembly

<u>Ref</u>	<u>Part No.</u>	<u>Description</u>	<u>Parts – Assembly</u>	<u>Will Fit SN</u>	<u>Remarks</u>
0	HP-1030	Hydraulic Oil Sample Kit	1		
0	HP-1031	Hydraulic oil (per gal.)with anti-wear and anti-foam properties	140		ISO grade 46 with anti-wear and anti-foam properties. Harvesters, Approx. 140 gal
1	HA-5070E	Tank Cover Bolt	1	19501-30095001-	
2	HA-1041-S	Gasket for Level Therm, Square Cut	2		
3	HA-5070	Hydraulic Tank Cover w/Gasket	1	19501-30095001-	
4	HA-5070D	Tank Cover Holddown	1	19501-30095001-	
5	TAN-1010	190 model Oil Tank	1	PREVIOUS 2007 NEED 1pcs.AN-24-CL 1pc. AR-40-24	
6	HA-1041	Hyd, Level Gauge & Therm	1	19201-	
7	HA-1006-5	Suction Screen, SAE 3 3/8-12UN with 2' Hose Barb	2	19904-	
8	HA-1012	Vescor Breather Filter (3 micron)w/Adapter Fitting	1		
9	HA-1023A	Filter Gage, 50 psi Service	1		
10	HA-1029	Hydraulic Fluid Filter, 11'	2		
11	HA-1023-Z	Double Filter Head, Side by Side	1		
12	EX-1012	Extension, Filter, Oil Tank	1	19501-	
13	HA-1071-H	Hydra-zorb Tube Clamp 1' (3 pc.)	4	19401-	
14	HA-1072-H	Hydra-zorb Tube Clamp ¾' (3 pc.)	6	19401-	
15	DC-1008	Decal, Yellow, Tank Capacity: 140 Gal., ISO Grade 46 Hyd. Oil, Tom.	1	19801-	
16	PIN-3-14	Roll Pin, 3/16 x 7/8	1	193-729K	Pkg. of 100
17	CL-200-SD	Two Bolt Hose Clamp, Super Duty, Galvanized	4	1 1/2' Suction Hose	
18	A-6408-10	10 SAE Plug	4		
19	AR-40-24	2 1/2' x 1 1/2' Bell Reducer	1		
20	AN-24-CL	1 1/2' Black (Nipple Close)	2		
21	ASL-24	1 1/2 ST ELL, Domestic Only	1		
22	195-1008A	Baffle, Oil Tank	1	(TAN-1010) 19601-	
23	AN-24-24-HS	1 1/2' Male NPT with Combination 1-1/2' Hose Barb	1		

24	ASL-24-45	1 1/2' Street Elbow, 45°, Black Malleable	1		
25	AT-24-24-12	1 1/2 x 1 1/2 x 3/4 Black Tee	0		
100	BL-6-LN	3/8 UNC FIN HEX LOCK NUT NE A563 GrA ZINC	2		
101	BL-6-FW-8	3/8 FLAT WASHER, G8 ZC	2		
800	HA-1009	Filter Adapter 3/4 NPT x 1 1/8'-16 UNF	1		
801	HA-5070A	Replacement Gasket for Tank Cover Kit	1	HA-5070	
802	HA-1012A	Vescor Breather Element (3 micron)	1	HA-1012	w/o Adapter Fitting
803	OR-236	O Ring, 3 1/4 x 3 1/2	2		
804	HA-1023-P	Poppet for Filter Bypass	1	HA-1023-Z	
805	HA-1023-S	25 PSI Filter Bypass Spring	1	HA-1023-Z	

10010-13-05

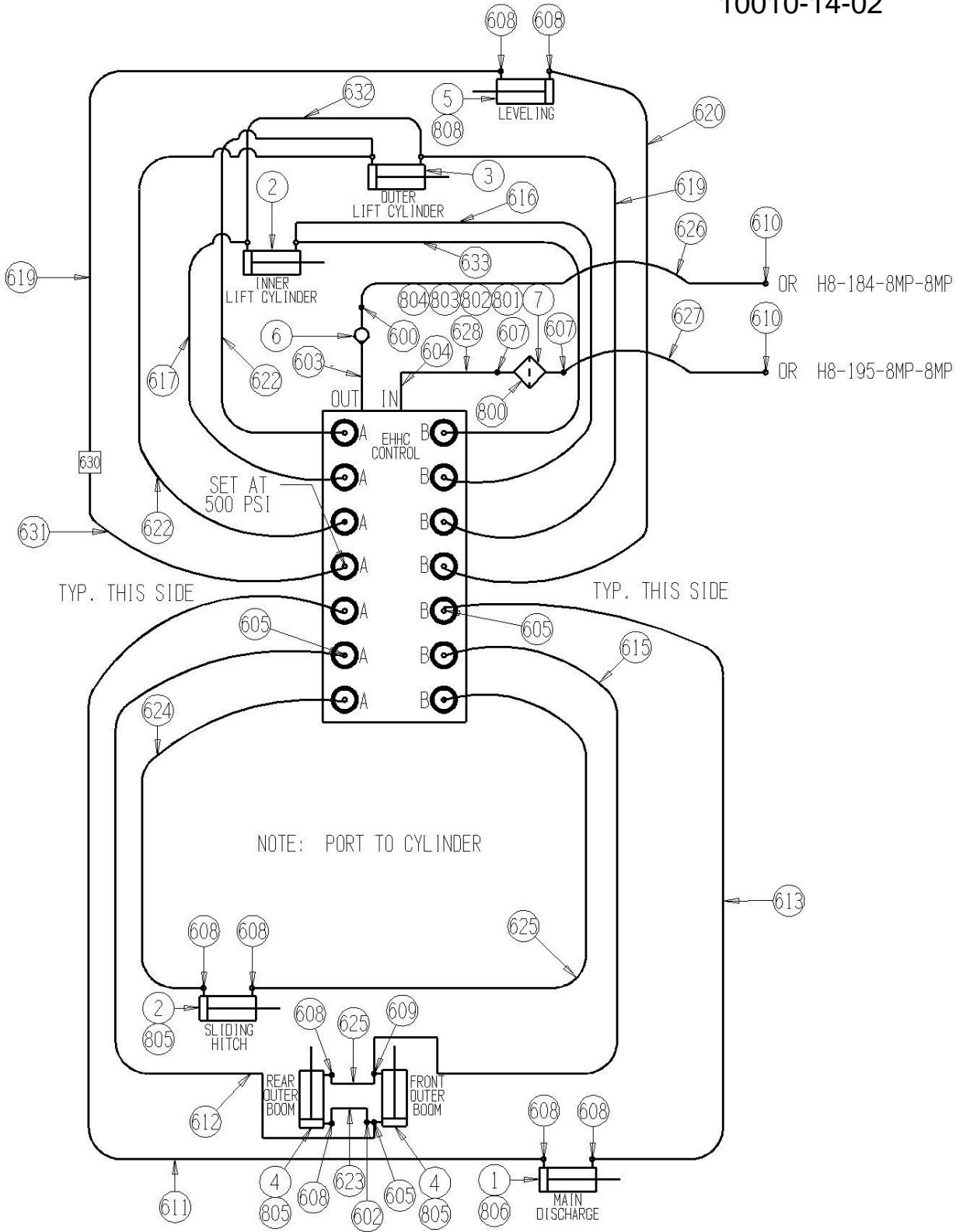


10010-14-02 Hydraulic Cylinder Plumbing w/ Overhead Single HHC

<u>Ref</u>	<u>Part No.</u>	<u>Description</u>	<u>Parts – Assembly</u>	<u>Will Fit SN</u>	<u>Remarks</u>
0	HVE-1016	190 Control Valve, Single HHC	1		
1	HC-250-3008	Hydraulic cylinder 2 1/2' x 30' #8 SAE Ports	0	11001-	Seal kit for Lion, HC-250-125
2	HC-275-2408-RP	2 ¾ x 24 Rephasing Cylinder	0		Seal Kit Part No. HC-250R-112 (639557)
3	HC-300-2408-RP	3 x 24 Rephasing Cylinder	0		Seal Kit Part No. HC-300R-125 (639558)
4	HC-200-2408	Hydraulic cylinder 2' x 24' #8 SAE Ports	0		Seal kit for Lion, HC-200-112
5	HC-350-0808	Hydraulic Cylinder 3 1/2' x 8' #8 SAE Ports	0		Seal kit for Lion, HC-350-125
6	HV-CKV-800S	1/2' Parker Check Valve	1		
7	HA-1037	Pressure Filter	1		Most machines 1997 and previous used Parker filter. 1998-2001 Zinga style 2002-present parker style
8	MOU-0210	D03 7 Bank Valve Extension Mount	1		
600	A-1404-8-8	1/2 MP to 1/2 FPX, Straight	1		
601	A-1501-8-8	1/2 MP x 1/2 FPX90°	1		
602	A-1601-6-6-6	3/8 MP x 3/8 FPX x 3/8FPX Tee	1		
603	A-5404-8-8	Hex Nipple 1/2' x 1/2'	1		
604	A-6900-10-8	10 SAE x 1/2 FPX	2		
605	A-6900-8-6	8 SAE x 3/8' FPX With 7/8' Stock Body	11	20095001-	
607	A-6901-12-8	12 SAE x 1/2' FPX 90°, Forged	2		
609	A-6955-8-6-6	8 SAE x 3/8' FPX Tee	1		
610	A-QD2010-8-8	Tractor Quick Coupler, Male, 1/2' w/ FPT	2		
611	H4-149-6MP-6MP	1/4 in hose 3/8MP x 3/8MP x 149 in long	1		
612	H4-172-6MP-6MP	1/4 in hose 3/8MP X 3/8MP x 172 in long	2		
613	H4-179-6MP-6MP	1/4 in hose 3/8MP x 3/8MP x 179 in long	1		
615	H4-225-6MP-6MP	1/4 in hose 3/8MP x 3/8MP x 225 in long	1		
616	H4-176-6MP-6MP	1/4 in hose 3/8MP x 3/8MP x 176 in long	1		
617	H4-125-6MP-6MP	1/4 in hose 3/8MP x 3/8MP x 125 in long	1		
619	H4-240-6MP-6MP	1/4 in hose 3/8MP x 3/8MP x 240 in long	2		
620	H4-248-6MP-6MP	1/4 in hose 3/8MP x 3/8MP x 248 in long	1		
622	H4-211-6MP-6MP	1/4 in hose 3/8MP x 3/8MP x 211 in long	2		

623	H4-40-6MP-6MP	1/4 in hose 3/8MP x 3/8MP x 40 in long	1		
624	H4-60-6MP-6MP	1/4 in hose 3/8MP x 3/8MP x 60 in long	1		
625	H4-70-6MP-6MP	1/4 in hose 3/8MP x 3/8MP x 70 in long	2		
626	H8-108-8MP-8MP	1/2 in hose 1/2MP x 1/2MP x 108 in long	1		
626	H8-184-8MP-8MP	1/2 in hose 1/2MP x 1/2MP x 184 in long	0		
627	H8-195-8MP-8MP	1/2 in hose 1/2MP x 1/2MP x 195 in long	0		
627	H8-120-8MP-8MP	1/2 in hose 1/2MP x 1/2MP 120 in. long	1		
628	H8-42-8MP-8MP	1/2 in hose 1/2MP x 1/2MP x 42 in long	1		
629	A-6408-10	10 SAE Plug	2		
630	A-1405-6-6	3/8 NPT coupler w/swivel	1		
631	H4-14-6MP-6MP	1/4 in Hose x 3/8MP x 3/8MP x 14 in Long	1		
632	H4-150-6MP-6MP	1/4 in hose 3/8MP x 3/8MP x 150 in long	1		
633	H4-152-6MP-6MP	1/4 in hose 3/8MP x 3/8MP x 152 in long	1		
800	HA-1037A	Pressure Filter Element	1		
801	HA-1037-C	O-Ring for Zinga Pressure Filter	1		
802	HA-1037-D	Back-Up Ring for Zinga Pressure Filter	1		
803	HA-1037-G	Indicator for Parker Pressure Filter	1		
804	HA-1037-O	O-Ring for Visual Indicator for Pressure Filter zinga	1		
805	HC-200-112	Seal Kit for 2' x 1 1/8' Lion Cylinder	1	HC-200-0808 (642599, 645593), HC-200-2408 (642600, 645596)	2500 or 3000psi cylinders
806	HC-250-125	Seal Kit for 2 1/2' x 1 1/4' Cylinder	1	HC-250-3008 (642602, 645596) HC-250-2408-OR	2500 or 3000psi cylinders
808	HC-350-125	Seal Kit for 3 1/2' x 1 1/4' Lion Cylinder	1	HC-350-0808 (642603, 645597), HC-350-16 (639188)	2500 or 3000psi cylinders

10010-14-02

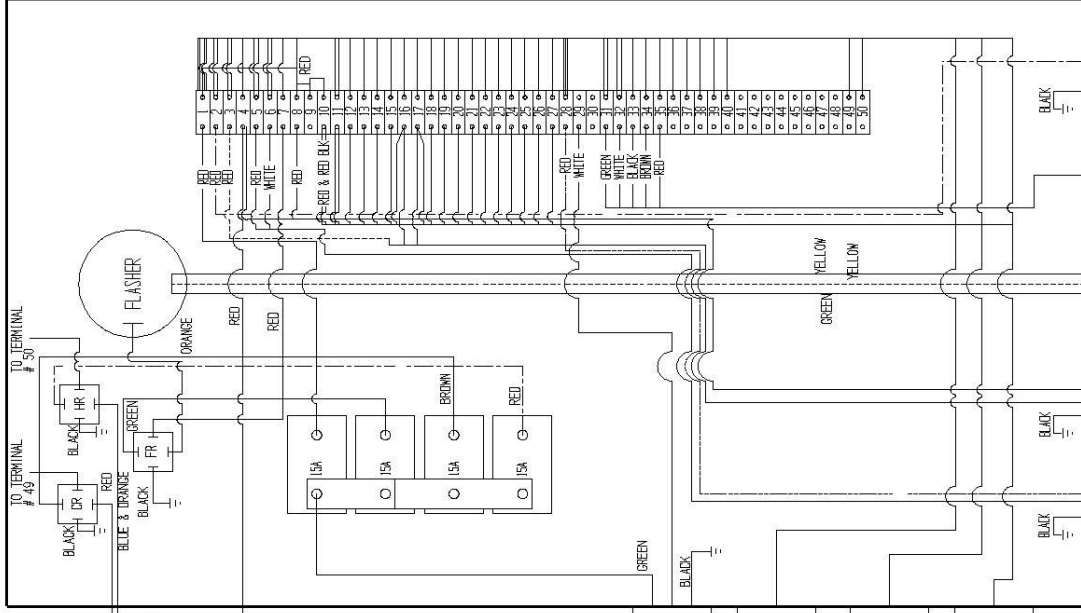
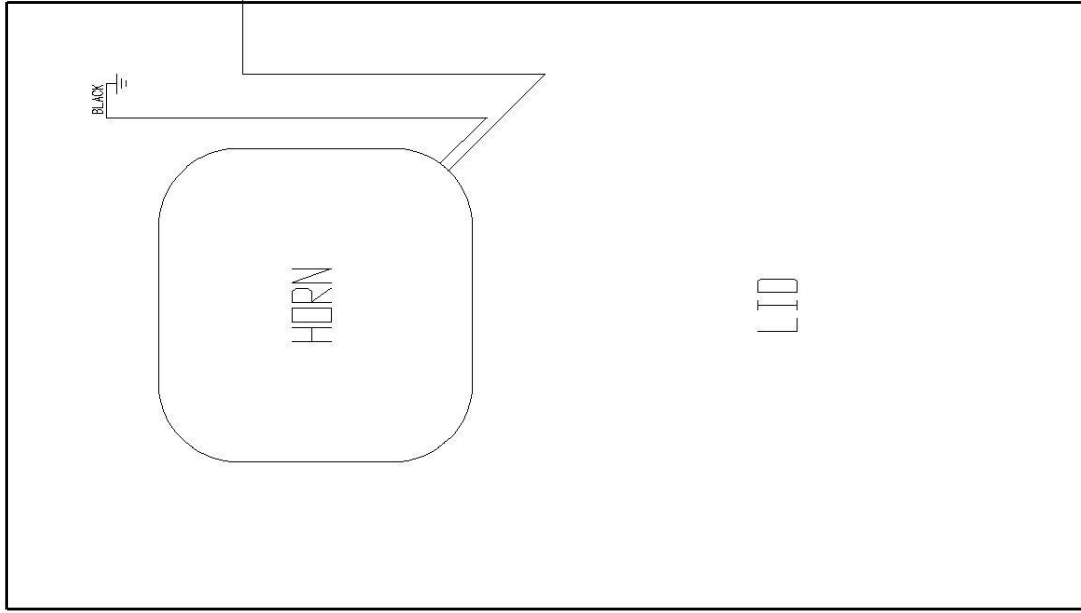


10010-15-10 Electrical Panel Schematic, Tomato

<u>Ref</u>	<u>Part No.</u>	<u>Description</u>	<u>Parts – Assembly</u>	<u>Will Fit SN</u>	<u>Remarks</u>
0	ELP-0001	Converter Box 190 Harvester	1		
1	ELP-1009	Electrical Panel, 190 Tomato Harvester, 2009	1		
3	ELC-4000	Control Box Power Cord	1		
3	EL-1216A	Power Cable for Control Box (w/Connectors)	0		
4	ELC-1000	DO3 Control Cord (190)	1	190	
5	EL-1269	Power Cord 7-Prong Gooseneck Hitch	1		
6	ELC-8000	7-Conductor, Power Cable 14', HC290	1		
9	PL-U003	Plastic, Urethane, Control Box Toggle Connector	1		
802	EL-26W47	Machine Plug (Male)	1		
806	EL-6600	Warning Horn	0		

10010-15-10

ELC-400
TO CONTROL BOX

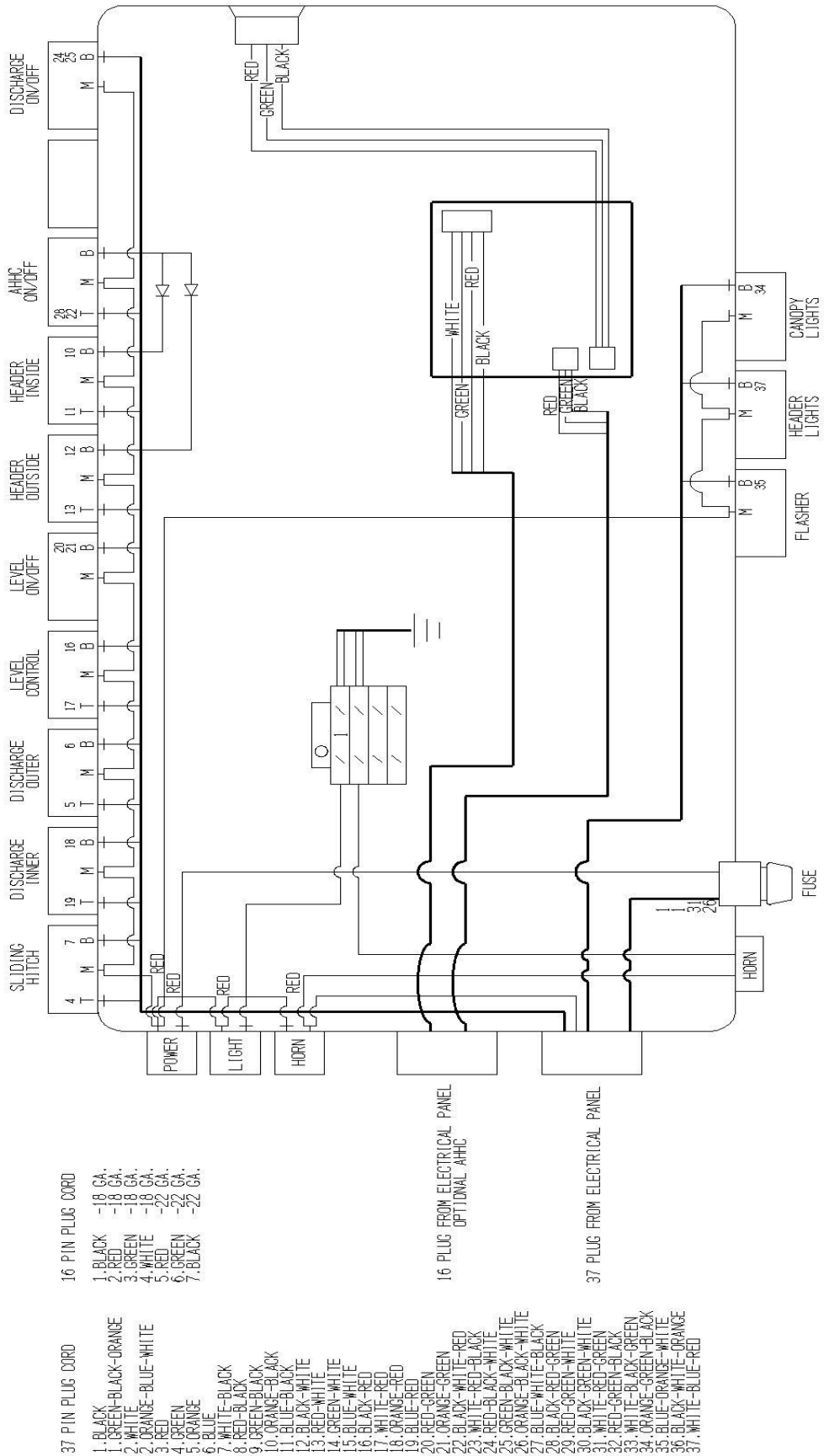


- WIRE COLORS
1. GREEN BLACK
 2. WHITE
 3. RED
 4. ORANGE
 5. GREEN
 6. WHITE
 7. BLACK
 8. GREEN
 9. BLACK
 10. WHITE
 11. GREEN
 12. BLACK
 13. RED
 14. BLACK
 15. GREEN
 16. BLACK
 17. ORANGE
 18. BLUE
 19. WHITE
 20. GREEN
 21. BLUE
 22. WHITE
 23. BLACK
 24. RED
 25. ORANGE
 26. BLUE
 27. BLUE
 28. WHITE
 29. WHITE
 30. GREEN
 31. BLACK
 32. RED
 33. WHITE
 34. GREEN
 35. BLACK
 36. GREEN
 37. WHITE
 38. BLACK
 39. BLUE
 40. GREEN
 41. WHITE
 42. BLACK
 43. RED
 44. WHITE
 45. ORANGE
 46. ORANGE
 47. ORANGE

10010-15-22 Control Box Single HHC Assembly

<u>Ref</u>	<u>Part No.</u>	<u>Description</u>	<u>Parts – Assembly</u>	<u>Will Fit SN</u>	<u>Remarks</u>
0	DC-1009	DECAL 190 TOMATO	1		
1	EL-0036	Control Box, Single HHC, 09 (190)	1		
800	EL-805	Automotive Fuses 10 Amp	0		
801	ELM-107-A	Beeper	1	ELM-107	

10010-15-22



10010-15-30 Optional Remote Activated Flow Control

<u>Ref</u>	<u>Part No.</u>	<u>Description</u>	<u>Parts – Assembly</u>	<u>Will Fit SN</u>	<u>Remarks</u>
0	0500	Assembly Area	0.5		
0	KIT-0210	Remote Electric 25 GPM Flow Control Fits All	0		
1	A-1405-8-8	1/2' NPT Coupler W/Swivel	2		
2	A-6401-12-8	12 SAE x 1/2' MP Hex Nipple	1		
3	A-6900-12-12	12 SAE x 3/4'FPX	2		
4	A-6901-12-12	12 SAE x 3/4' FPX 90°, Forged	2		
5	EL-46000	Inline Fuse Holder	1		
6	EL-46102	2 Amp Fuse, Type AGC	1		
7	HV-1201	Brand Flow Valve Electronic Box	1		
8	HV-FL-B	Flo Control Adjust Rod	1		
9	ELC-14-BL	14 Gauge Wire (Blue)	120		
10	ELC-14-R	14 Gauge Wire, Red	5		
11	ELC-14-BLK	14 Gauge Wire, Black	5		
12	ELL-375	3/8' Wire Loom @ft	60		
13	ELT-31712	Push On Male 14-16 ga	2	HV-1045K	
14	ELT-31713	Push On Female Terminal 14-16 ga.	4	HV-1045K	
15	ELT-52565	Ring Terminal 5/16 x 14-16ga	2	HV-1045K	
17	VC-0550	Velcro One Wrap Strap @ yd	0.5		
18	VC-9001	4' Velcro Loop w/ Pressure Sensative Back @ yard	0.1		
19	VC-9151	4' Velcro Hook w/ Pressure Sensative Back @ yard	0.1		
20	WT-17H	Heavy Duty Wire Tie 17.5'	20		
21	A-6900-12-8	12 SAE x 1/2' FPX	2		
22	A-6901-12-8	12 SAE x 1/2' FPX 90°, Forged	2		
23	A-1404-8-12	1/2 MP x 3/4 FPX	2		
24	A-1601-8-8-8	1/2 MP x 1/2 FPX x 1/2 FPX Tee	1		
25	H12-36-12MP-8MP	3/4 in hose 3/4MP x 1/2MP x 36 in long	3		
26	HVE-2500	Electronic Flow Control Valve	1		
100	BL-4-125-H	1/4-20 X 1 1/4 HEX CAP G5 ZC	2		

101	BL-4-300-H	1/4-20 X 3 HEX CAP G5 ZC	2
102	BL-4-FW	1/4 USS FW ZC	8
103	BL-4-LN	1/4-20 HEX LN NE ZC	4

10010-15-30

KIT-0210

2 EXTRA MALE TERMINALS ARE INCLUDED IN KIT TO SHORTEN HARNESS IF DESIRED

TO FLOW CONTROL WITH ELECTRICAL CONNECTOR THAT COMES WITH VALVE

PIK RITE recommends removing the existing flow control when adding the Electronic Flow Control. This is the most efficient method. Leaving the existing flow control in line and wide open will cause a slight pressure drop in the system. If the existing Flow Control is left in line, take the one short hose included in the Kit from "M1" to the "IN" on the Electronic Flow Control. The other short hose will go from the Electronic Flow Control "Tee" in the Ex Port to the "M2" in the existing flow control. You will have extra Fittings When you are finished, Routing the Hydraulics. This kit is designed to work with both 5/8 & 3/4 lines.

