



60 PIK RITE LANE, LEWISBURG PA 17837

PHONE: 570-523-8174 FAX: 570-523-8175

EMAIL: frontdsk@pikrite.com WEBSITE: www.pikrite.com

Dear Grower,

Welcome to the growing family of satisfied Pik Rite equipment owners. Our goal is to help make your harvest as enjoyable and trouble free as possible by providing equipment that is durable and keeps down time to a minimum.

In order to provide customer service and a supply of original equipment parts to keep your machine well maintained, we are continually striving to keep our systems state-of-the-art. We utilize all available resources that allow us to provide accurate and timely deliveries.

We will continue to give you the service you have come to expect from our dealer representatives and us. In order to avoid any delays during your harvest season we make every effort to have someone available to take your calls 24 hours a day. We have shipping companies in place to deliver your parts as expediently as possible. Whether you live a few miles down the road or on the other side of the globe you can count on us.

Sincerely,

Dave Gearhart
Parts Sales
parts@pikrite.com

Parts and Service Hotline
800-326-9763

www.pikrite.com

TABLE OF CONTENTS

BELTED CHAIN REPLACEMENT PARTS	6
MOTOR REPLACEMENT PARTS.....	8
10016-01-02 Optional Overhead Lift/Gooseneck Hitch Assembly	14
10016-01-21 Optional Gooseneck Tongue Assembly.....	18
10016-01-23 Optional Double Pump Assembly	22
10010-01-23H Optional Double Pump Hydraulic Assembly.....	24
10016-01-54 Optional Double Pump 1-3/4 PTO Assembly.....	26
10016-01-64 Optional Single Wheel Axle, HD Right Side.....	28
10016-01-68 Optional Automatic Leveling Assembly.....	32
10016-02-01 Disk Header Frame Assembly	34
10016-02-02 Disk Header Drive Shaft Assembly.....	36
10016-02-03 Disk Header 34' Disk Shaft Assembly.....	38
10016-02-05 Disk Header Gathering Chain Assembly	40
10016-02-07 Optional Disk Header Gauge Wheel Assembly	42
10016-02-71 Optional Dual HHC System	44
10016-02-71H Optional Dual HHC System Hydraulics	48
10016-03-01 Primary Header Assembly	50
10016-03-02 Secondary Header Frame Assembly	54
10016-03-04 Opt. 42mm Chain Header Drive Assembly	56
10016-03-10 Header Conveyor Return Roller Assembly	60

10016-03-11	Header Conveyor Vibrator Shaft Assembly	62
10016-03-14	Optional Second Vibrator Assembly	64
10016-03-17	Optional Overhead Vine Assist/Full Length and Width	68
10016-04-03	Shaker Cover Assembly	72
10016-04-05	Optional Transfer x/Vine Chain Assembly	74
10016-04-06	Transfer Drive Shaft Assembly	78
10016-04-07	Transfer Return Roller Assembly	82
10016-04-09	Optional Transfer Dirt Vibrator Assembly	84
10016-04-10	Shaker Chamber Ladder Assembly	88
10016-04-50	Opt. Shaker Chamber w/Vine Chain Assembly	90
10016-04-51	Optional Shaker Chamber Box Shield Assembly	94
10016-04-52	Optional Vine Chain Drive Assembly	96
10016-04-52H	Opt. Vine Chain Drive Hyd. Assembly	100
10016-04-53	Optional Rear Transfer Assembly	102
10016-04-54	Optional Rear Transfer Drive Shaft Assembly	104
10016-04-55	Optional Rear Transfer Return Roller Assembly	108
10016-05-01	Primary & Secondary Shaker Drum Assembly	110
10016-05-02	Primary & Secondary Shaker Weight & Box Assembly	114
10016-05-10	Primary Shaker Ring & Finger Assembly	118
10016-05-15	Secondary Shaker Ring & Finger Assembly	120
10016-06-51	Opt. Vine Chopper w/Sep. Ext. Plumb to System	122

10016-07-02	Cross Conveyor Drive Assembly	126
10016-07-10	Cross Conveyor Return Roller Assembly	128
10016-07-16	Opt. Cross Conveyor Vibrator Assembly	130
10016-07-16H	Opt. Cross Vibrator Hydraulic Assembly	134
10016-07-50	Optional Cross Frame (for Vine Chain) Assembly	136
10016-07-70	Debris Fan Assembly.....	138
10016-07-71	Debris Drum Assembly	142
10016-07-72	Cross Conveyor Cover Assembly	144
10016-08-01	Rear Elevation Assembly.....	146
10016-08-02	Front Elevation Assembly	148
10016-08-03	Elevation Drive Shaft Assembly.....	150
10016-08-09	Opt. Fan Intake w/Elevation Bar Cleaner Assembly	152
10016-08-40	Presort Assembly.....	154
10016-08-41	Front Presort Roller Assembly	156
10016-08-42	Rear Presort Roller Assembly.....	158
10016-08-43	NFM Presort Assembly	160
10016-09-40	Aftersort Assembly.....	162
10016-09-41	Aftersort Drive Shaft Assembly	164
10016-09-42	Aftersort Divider Bar Assembly	166
10016-09-43	Aftersort Auger Assembly	168
10016-10-01	Discharge Basket Assembly	170

10016-10-02	Discharge Inner Section Assembly	172
10016-10-03	Discharge Outer Section Assembly	174
10016-10-04	Discharge Drive Assembly.....	176
10016-11-01	Canopy Assembly.....	180
10016-11-04	Opt. Overhead Lift Inner Decking Assembly	182
10016-11-05	Outer Decking Assembly	184
10016-12-02	Air Tank Assembly & Pneumatics.....	186
10016-12-03	Double Pump Air Compressor Assembly.....	190
10016-12-04	Opt. Second Air Tank Assembly	192
10016-13-02	Double Pump Hydraulic Motor Assembly	194
10016-13-04	Double Pump Oil Cooler Assembly.....	202
10016-13-05	Oil Tank Assembly.....	204
10016-13-10	Optional Disk Reversing Valve Assembly	208
10016-14-02	Hydraulic Cylinder Plumbing w/ Overhead Dual HHC	210
10016-14-02H	Hydraulic Control Valve, Dual EHHC	214
10016-15-10	Electrical Panel Schematic, Tomato	216
10016-15-23	Double HHC Control Box Assembly	218
10016-15-30	Optional Remote Activated Flow Control	220

BELTED CHAIN REPLACEMENT PARTS

	Part #	Description
Disk Header Gathering Chain 10016-02-05	BC-6-1236-60	Gathering Chain, 3/8 Bars 12in wide x 60 Links 36mm
	BC-1032-FS	10-32 x 1 1/4" Bolts Flat Socket Head
	BC-6-12-ST	3/8" x 12" Belted Chain Rod for 50mm Belt
	BC-BP20-10-T	20mm Backing Plates /10-32 T Nuts
	BC-1032-TN	10-32 T-NUT
Opt. 42mm Chain Header Drive 10016-03-04	BC-7-3242-265	Header Chain, 7/16" bar 42mm pitch 265 links
	BC-1032-FS	10-32 x 1 1/4" bolts Flat Socket Head
	BC-1032-LN	10-32 lock nuts
	BC-7-32-CN	Conn. Rod, 11mm, 32" W Belt Chain, 60mm Tr. Belt
	BC-7-32-AC	7/16" x 32" Rod w/ 24mm Air Cushion Cover
	BC-BP32	Belt, Rivet backing plate 32mm
	BC-F-42-32-UG	Ultra Gold F Connecting Clip 42-32
	RI-25-BC	25mm Belted Chain Rivets
Opt. Overhead Vine Ass./Full Length & Width 10016-03-17	BC-6-32108-90	Belted Chain, 3/8 x32, 2x60, 90 Pitches Long
	BC-1032-FS	10-32 x 1 1/4" bolts Flat Socket Head
	BC-1032-LN	10-32 lock nuts
	BC-3510	Grooveless Snap Ring, 10mm.
	BC-F-60SP	60mm Connecting Pin, Smooth w/ Grooves for Grip Clip
	BC-6-32-ST	3/8" x 32" Belted Chain Rods for 60mm Belt
	BC-BP32	Belt, Rivet Backing Plates 32mm
	BC-F-36-32-UG	Ultra Gold F Connecting Clips 36-32 @ pair
Transfer Drive Shaft 10016-04-06	BC-7-3636-105	Vine Chain, 1/2" Bars, 53" Wide, 72 Links, 144mm Pitch
	BC-7-36-AC	7/16" x 36" Rod w/ 24mm Air Cushion Cover
	RI-25-BC	25mm Belted Chain Rivets
	BC-BP32	Belt, Rivet Backing Plates 32mm
	BC-7-36-CN	Conn. Rod, 11mm, 36" Wide Belted Chain, 60mm Traction Belts
	BC-3525	Snap Ring, 11mm.
	BC-F-36-32-UG	Ultra Gold F Connecting Clips 36-32 @ pair
	BC-1032-FS	10-32 x 1 1/4" Bolts Flat Socket Head
	BC-1032-LN	10-32 LN

Opt. Rear Transfer Drive Shaft**10016-04-54**

BC-7-3636-75	Rear Transfer, Belted Chain
BC-7-36-AC	7/16" x 36" Rod w/ 24mm Air Cushion Cover
RI-25-BC	25mm Belted Chain Rivets
BC-BP32	Belt, Rivet Backing Plates 32mm
BC-7-36-CN	Conn. Rod, 11mm, 36" Wide Belted Chain, 60mm Traction Belts
BC-3525	Snap Ring, 11mm.
BC-F-36-32-UG	Ultra Gold F Connecting Clips 36-32 @ pair
BC-1032-FS	10-32 x 1 1/4" Bolts Flat Socket Head
BC-1032-LN	10-32 LN

Cross Conveyor Drive**10016-07-02**

BC-7-3236-133	Cross Conveyor Chain
BC-7-32-ST	7/16" x 32" Belted Chain Rod for 60mm Belt
RI-25-BC	25mm Belted Chain Rivets
BC-BP32	Belt, Rivet Backing Plates 32mm
BC-7-32-CN	Conn. Rod, 11mm, 32" W Belt Chain, 60mm Tr. Belt
BC-3525	Snap Ring, 11mm.
BC-F-36-32-UG	Ultra Gold F Connecting Clips 36-32 @ pair
BC-1032-FS	10-32 x 1 1/4" Bolts Flat Socket Head
BC-1032-LN	10-32 LN

Front Elevation Assembly**10016-08-02**

BC-7-3236-186-UC	36mm x 32" Belted Chain, 186 Pitches, Convexity Up Cush. Rods
BC-7-32-ST	7/16" x 32" Belted Chain Rod for 60mm Belt
RI-25-BC	25mm Belted Chain Rivets
BC-BP32	Belt, Rivet Backing Plates 32mm
BC-7-32-CN	Conn. Rod, 11mm, 32" W Belt Chain, 60mm Tr. Belt
BC-3525	Snap Ring, 11mm.
BC-F-36-32-UG	Ultra Gold F Connecting Clips 36-32 @ pair
BC-1032-FS	10-32 x 1 1/4" Bolts Flat Socket Head
BC-1032-LN	10-32 LN

Discharge Drive**10016-10-04**

BC-6-2036-307	Discharge Chain w/ Flights
BC-6-20-ST	3/8" x 20" Belted Chain Rod (Straight)
RI-19-BC	19mm Belted Chain Rivets
BC-BP20	Belt, Rivet backing plates 20mm
BC-7-20-CN	Conn. Rod, 11mm, 20" Wide Belted Chain, 50mm Traction Belts
BC-3525	Snap Ring, 11mm.
BC-F-36-20	F Connecting Clips 36-20 @ pair
BC-1032-FS	10-32 x 1 1/4" Bolts Flat Socket Head
BC-1032-LN	10-32 LN

MOTOR REPLACEMENT PARTS

	Part #	Description
Disk Header Drive Shaft 10016-02-02	HM-1420-CH	Char Lynn Motor
	HM-103-SK	Seal Kit for Char-Lynn Motor
	KEY-4-4-20	Shaft Key 1/4" x 1-1/4"
	KEY-4-4-32	Shaft Key 1/4" x 2" Square Cut
	KEY-5-5-20	Shaft Key 5/16" sq x 1-1/4" Square Cut
Opt. 42mm Chain Header Drive 10016-03-04	HM-1228-TC	TCI Motor
	HM-103-SK	Seal Kit for Char-Lynn Motor
	KEY-5-5-20	Shaft Key 5/16" sq x 1-1/4" Square Cut
	KEY-6-6-24	Keystock 3/8" x 3/8" x 1-1/2" Square Cut
Header Conveyor Vibrator Shaft 10016-03-11	HM-412-1	Hydraulic Motor, 1" Shaft
	HM-412B	Key for Hydraulic Motor -Shaker Weight-Vibrator
	HM-2100-SK	Shaft Seal & Gasket Kit for Permco Motor
	HM-2100-BRG	Bearing for Permco Motor
	HM-1801	Seal Kit for Commercial Intertech
	KEY-4-4-20	Shaft Key 1/4" x 1-1/4"
Opt. Second Vibrator 10016-03-14	HM-412-1	Hydraulic Motor, 1" Shaft
	HM-412B	Key for Hydraulic Motor -Shaker Weight-Vibrator
	HM-2100-SK	Shaft Seal & Gasket Kit for Permco Motor
	HM-2100-BRG	Bearing for Permco Motor
	HM-1801	Seal Kit for Commercial Intertech
	KEY-4-4-20	Shaft Key 1/4" x 1-1/4"
Opt. Overhead Vine Ass./Full Length & Width 10016-03-17	HM-210-TC	TCI Motor
	KEY-4-4-20	Shaft Key 1/4" x 1-1/4"
	KEY-4-4-28	Shaft Key 1/4" x 1-3/4"
Transfer Drive Shaft 10016-04-06	HM-210-TC	TCI Motor
	KEY-4-4-15	Shaft Key 1/4" X 1/4" X 15/16" Woodruff Key
	KEY-4-4-20	Shaft Key 1/4" x 1-1/4"
	KEY-4-4-44	Shaft Key 1/4" x 2-3/4"
Opt. Transfer Dirt Vibrator 10016-04-09	HM-412-1	Hydraulic Motor, 1" Shaft
	KEY-4-4-15	Shaft Key, 1/4" x 1/4" x 15/16" Woodruff Key
	KEY-4-4-20	Shaft Key 1/4" x 1-1/4"

Opt. Vine Chain Drive 10016-04-52	HM-1420-CH	Char Lynn Motor
	HM-103-SK	Seal Kit for Char-Lynn Motor
	KEY-4-4-15	Shaft Key 1/4" X 1/4" X 15/16" Woodruff Key
	KEY-4-4-20	Shaft Key 1/4" x 1-1/4"
	KEY-4-4-32	Shaft Key 1/4" x 2" Square Cut
Opt. Rear Transfer Drive Shaft 10016-04-54	HM-210-TC	TCI Motor
	KEY-4-4-15	Shaft Key 1/4" X 1/4" X 15/16" Woodruff Key
	KEY-4-4-20	Shaft Key 1/4" x 1-1/4"
	KEY-4-4-32	Shaft Key 1/4" x 2" Square Cut
Opt. Rear Transfer Return Roller 10016-04-55	HM-204-TC	TCI Motor
	KEY-4-4-15	Shaft Key 1/4" X 1/4" X 15/16" Woodruff Key
	KEY-4-4-20	Shaft Key 1/4" x 1-1/4"
Primary & Secondary Shaker Drum 10016-05-01	HM-103-TC	TCI Motor
	HM-103-SK	Seal Kit for Char-Lynn Motor
	KEY-4-4-15	Shaft Key 1/4" X 1/4" X 15/16" Woodruff Key
	KEY-6-6-24	Keystock 3/8" x 3/8" x 1-1/2" Square Cut
Primary & Secondary Shaker Weight & Box 10016-05-02	HM-412-1	Hydraulic Motor, 1" Shaft
	HM-412B	Key for Hydraulic Motor -Shaker Weight-Vibrator
	HM-2100-SK	Shaft Seal & Gasket Kit for Permco Motor
	HM-2100-BRG	Bearing for Permco Motor
	HM-1801	Seal Kit for Commercial Intertech
	KEY-6-6-24	Keystock 3/8" x 3/8" x 1-1/2" Square Cut
Opt. Vine Chopper w/Sep. Ext. Plumb to System 10016-06-51	HM-115	Hydraulic Motor
	HM-2100-SK	Shaft Seal & Gasket Kit for Permco Motor
	HM-2100-BRG	Bearing for Permco Motor
Cross Conveyor Drive 10016-07-02	HM-204-TC	TCI Motor
	KEY-4-4-15	Shaft Key 1/4" X 1/4" X 15/16" Woodruff Key
	KEY-4-4-20	Shaft Key 1/4" x 1-1/4"
	KEY-4-4-32	Shaft Key 1/4" x 2" Square Cut
Cross Conveyor Return Roller 10016-07-10	HM-214-TC	Hydraulic Motor
	KEY-4-4-24	Shaft Key 1/4" x 1-1/2" Square Cut
Opt. Cross Conveyor Vibrator 10016-07-16	HM-412-1	Hydraulic Motor, 1" Shaft
	HM-412B	Key for Hydraulic Motor -Shaker Weight-Vibrator
	HM-2100-SK	Shaft Seal & Gasket Kit for Permco Motor
	HM-2100-BRG	Bearing for Permco Motor
	KEY-4-4-16	Shaft Key 1/4" X 1/4" X 1" Square Cut

Debris Fan 10016-07-70	HM-712-1	Hydraulic Gear Motor
	HM-412B	Key for Hydraulic Motor -Shaker Weight-Vibrator
	HM-2100-SK	Shaft Seal & Gasket Kit for Permco Motor
	HM-2100-BRG	Bearing for Permco Motor
	HM-1801	Seal Kit for Commercial Intertech
	KEY-4-4-16	Shaft Key 1/4" X 1/4" X 1" Square Cut
Debris Drum 10016-07-71	HM-204-TC	TCI Motor
	KEY-4-4-15	Shaft Key 1/4" X 1/4" X 15/16" Woodruff Key
	KEY-4-4-20	Shaft Key 1/4" x 1-1/4"
Elevation Drive Shaft 10016-08-03	HM-204-TC	TCI Motor
	KEY-4-4-15	Shaft Key 1/4" X 1/4" X 15/16" Woodruff Key
	KEY-4-4-20	Shaft Key 1/4" x 1-1/4"
	KEY-4-4-32	Shaft Key 1/4" x 2" Square Cut
Rear Presort Roller 10016-08-42	HM-208-TC	TCI Motor
	KEY-4-4-15	Shaft Key 1/4" X 1/4" X 15/16" Woodruff Key
	KEY-4-4-20	Shaft Key 1/4" x 1-1/4"
Aftersort Drive Shaft 10016-09-41	HM-204-TC	TCI Motor
	KEY-4-4-15	Shaft Key 1/4" X 1/4" X 15/16" Woodruff Key
	KEY-4-4-20	Shaft Key 1/4" x 1-1/4"
Discharge Drive 10016-10-04	HM-210-TC	TCI Motor
	KEY-4-4-15	Shaft Key 1/4" X 1/4" X 15/16" Woodruff Key
	KEY-4-4-20	Shaft Key 1/4" x 1-1/4"
	KEY-4-4-32	Shaft Key 1/4" x 2" Square Cut
Double Pump Air Compressor 10016-12-03	HM-122	Motor, Hydraulic, 1-3/4" Gear, #12 SAE Ports
	HM-2100-SK	Shaft Seal & Gasket Kit for Permco Motor
	HM-2100-BRG	Bearing for Permco Motor
Double Pump Oil Cooler 10016-13-04	HM-412-1	Hydraulic Motor, 1" Shaft
	HM-412B	Key for Hydraulic Motor -Shaker Weight-Vibrator
	HM-2100-SK	Shaft Seal & Gasket Kit for Permco Motor
	HM-2100-BRG	Bearing for Permco Motor

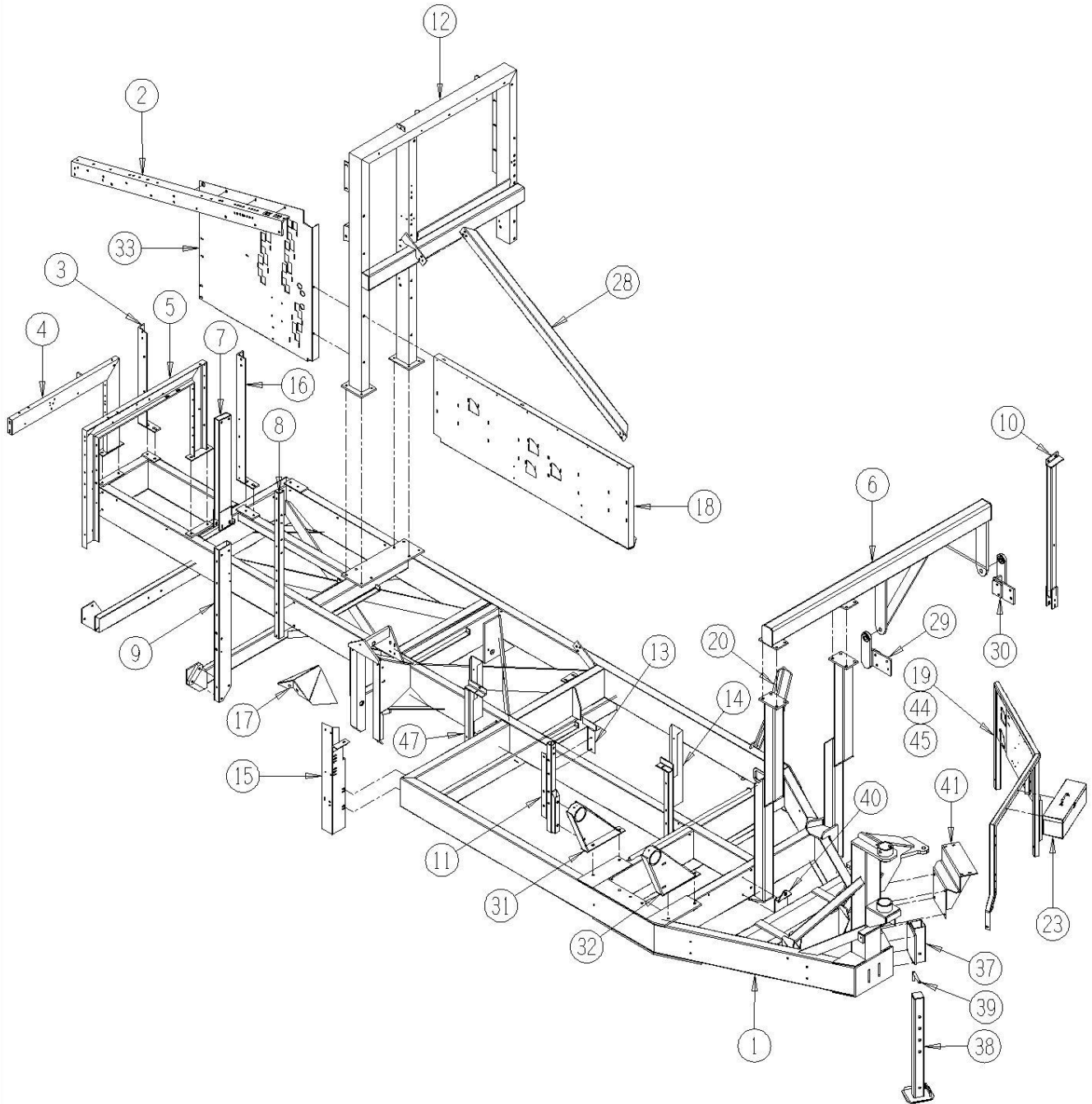
**PARTS
CATALOG**

10016-01-02 Optional Overhead Lift/Gooseneck Hitch Assembly

<u>Ref</u>	<u>Part No.</u>	<u>Description</u>	<u>Parts – Assembly</u>	<u>Will Fit SN</u>	<u>Remarks</u>
1	FRM-1007	190 Frame, Overhead Lift, Gooseneck Hitch	1		
2	191-1133A	Shaker Angle (3 x 5 angle)	1	19101-	
3	191-1133R	Post, Shaker Angle	1	19101-	
4	191-1136	Frame, Debris Air Flow, Rear Channel	1	19101-	
5	191-1137	Frame, Front Debris	1	19101-	
6	FRM-1156	Overhead Header Lift (upper)	1		
7	193-1138A	Rear Roof Support, Upper	1	19301-	
8	193-1138C	Post, Rear Inner Presort	1	19301-	
9	193-1138B	Rear roof support, lower	1	19301-	
10	193-1139A	Front Canopy Support , Top	1	19301-	
11	193-1139B	Front Roof support, Bottom	1	19301-	
12	191-1132	Frame, Shaker	1	19101-	
13	POS-0210	Post Mount,Frnt Right Outer, Aftersort,190	1		
14	POS-0211	Post, Front Inner, Aftersort, 190	1		
15	POS-0209	Post, Rear Outer, Aftersort, 190	1		
16	POS-1134	Post, Shaker Angle, W.A.	1		
17	194-1131	Leveling Cylinder Cover	1	19401-	
18	194-1135	Shield, Dust	1		
19	194-1414	Front Rail	1	19401-	
20	200-108	Slide Guide Wldmt, Reinforced	1		
23	BOX-7022	Removable Tool Box	1		
28	SUP-1101	Support,Shaker Frame	1		
29	FRM-1155	InnerCyl. Mount, Overhead Lift Header, 190	1		
30	FRM-1154	Outer Cyl. Mount,Overhead Lift Header 190	1		
31	191-927	Discharge Elevator Mount, Rear	1	19101	
32	191-926	Discharge Elevator Mount, Front	1	19101-	
33	PAN-1134	Panel, Shaker Angle	1		
34	DC-1180	Serious Injury/Death Decal, Read Manual	1		

35	DC-1183	Company Information Decal, 3' x 7.75'-	1	
36	DC-3025	Red and White Reflective Tape @ 150 ft Roll	1	
37	192-1125	Mount, Jack Stand, Frame, 2-Point Hitch	1	
38	192-1125A	Adjuster	1	
39	192-1125B	Pin, Jack Stand, Frame, 2-Point Hitch Machines	1	
40	193-918	Cylinder bracket frame	1	
41	MOU-0209	Valve Mounting Plate, 190 Tomato	1	
44	HA-1071-H	Hydra-zorb Tube Clamp 1' (3 pc.)	2	19401-
45	HA-1072-H	Hydra-zorb Tube Clamp ¾' (3 pc.)	3	19401-
46	HC-250-2408-ORP	Hydraulic Cylinder 2 1/2 x 24 #8 SAE w/ O-Piston Ring Seal	2	
47	POS-0212	Post, Inner Rear, Aftersort, 190	1	

10016-01-02

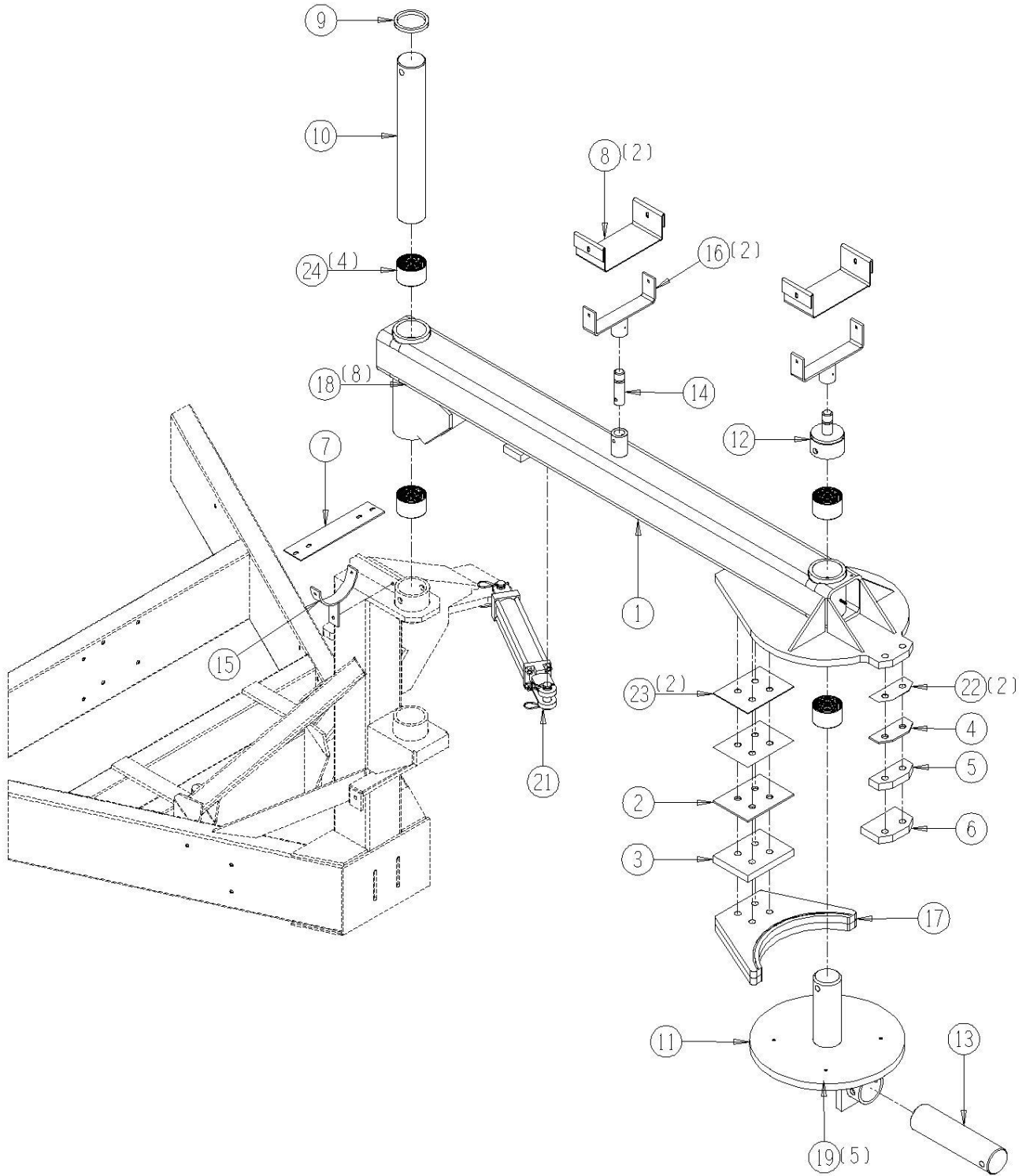


10016-01-21 Optional Gooseneck Tongue Assembly

<u>Ref</u>	<u>Part No.</u>	<u>Description</u>	<u>Parts – Assembly</u>	<u>Will Fit SN</u>	<u>Remarks</u>
1	ARM-2P01	Arm, Gooseneck Hitch, Machine Connection	1		May require modification to PIN-2P01 when installing on 40001001-40002003 or on 10002005.
2	BAR-8213	Bar, Spacer, Back Top, Hitch/Tongue, HC290	1		
3	BAR-8214	Bar, Spacer, Back, Bottom, Hitch/Tongue	1	BAR-8214	
4	BAR-8215	Bar, Spacer, Front Top, Hitch/Tongue, HC290	1		
5	BAR-8216	Bar, Spacer, Front Middle, Hitch/Tongue	1		
6	BAR-8217	Bar, Spacer, Front Bottom, Hitch/Tongue	1		
7	BT-0018	Belting, Hose Holder, Hitch Arm, 2-Point Hitch	1		
8	BT-8110	Belting, Hose Holder, Gooseneck	2		
9	BU-2P01	Bushing, Arm, Gooseneck, Main Frame	1		
10	MOU-2P01	Pin, Mount, Gooseneck Hitch	1		
11	PIN-2P01	Pin, Gooseneck Hitch Pivot, Top of Tractor	1		Will require modification to ARM-2P01 when installing on 40001001-40002003 or on 10002005.
12	POS-8110	Post, Pivot Holder, Tongue	1		
13	SFT-2P01	Shaft, Gooseneck Hitch Pivot, Swivel	1		
14	SFT-8210	Shaft, Hose Holder, 190 Frame	1		
15	SUP-0016	Support, Hose, Hydraulic Hose, Tongue, Rear	1		
16	SUP-8110	Support, Pivoting Hose Holder, Tongue	2		
17	SUP-8210	Support, Rear Swivel Plate, Gooseneck Hitch	1		
18	GF-1428	Grease Fitting 1/4' x 28 straight	8		
19	GF-1827-45	Grease Fitting 1/8 NPT 45°	5		
21	HC-250-1208	Tie Rod Cylinder, Standard 2 1/2' x 12'	1		Seal Kit Part No. HC-250-1208-SK (PMCK-B200000)
22	BAR-8218	Bar, Spacer, Front, Gooseneck Hitch	2		
23	SPA-8213	Spacer, Back, Hitch Support	2		
24	PR34413	Bronze Bushing for Spreader, 3-1/2' Dia Shaft	4		
110	BL-12-550-8	¾' x 5 1/2', HH C/S G8 ZC	3		
600	H8-108-8MP-8MP	1/2 in hose 1/2MP x 1/2MP x 108 in long	-1		
600	H8-184-8MP-8MP	1/2 in hose 1/2MP x 1/2MP x 184 in long	1		

601	H8-195-8MP-8MP	1/2 in hose 1/2MP x 1/2MP x 195 in long	1
601	H8-120-8MP-8MP	1/2 in hose 1/2MP x 1/2MP 120 in. long	-1

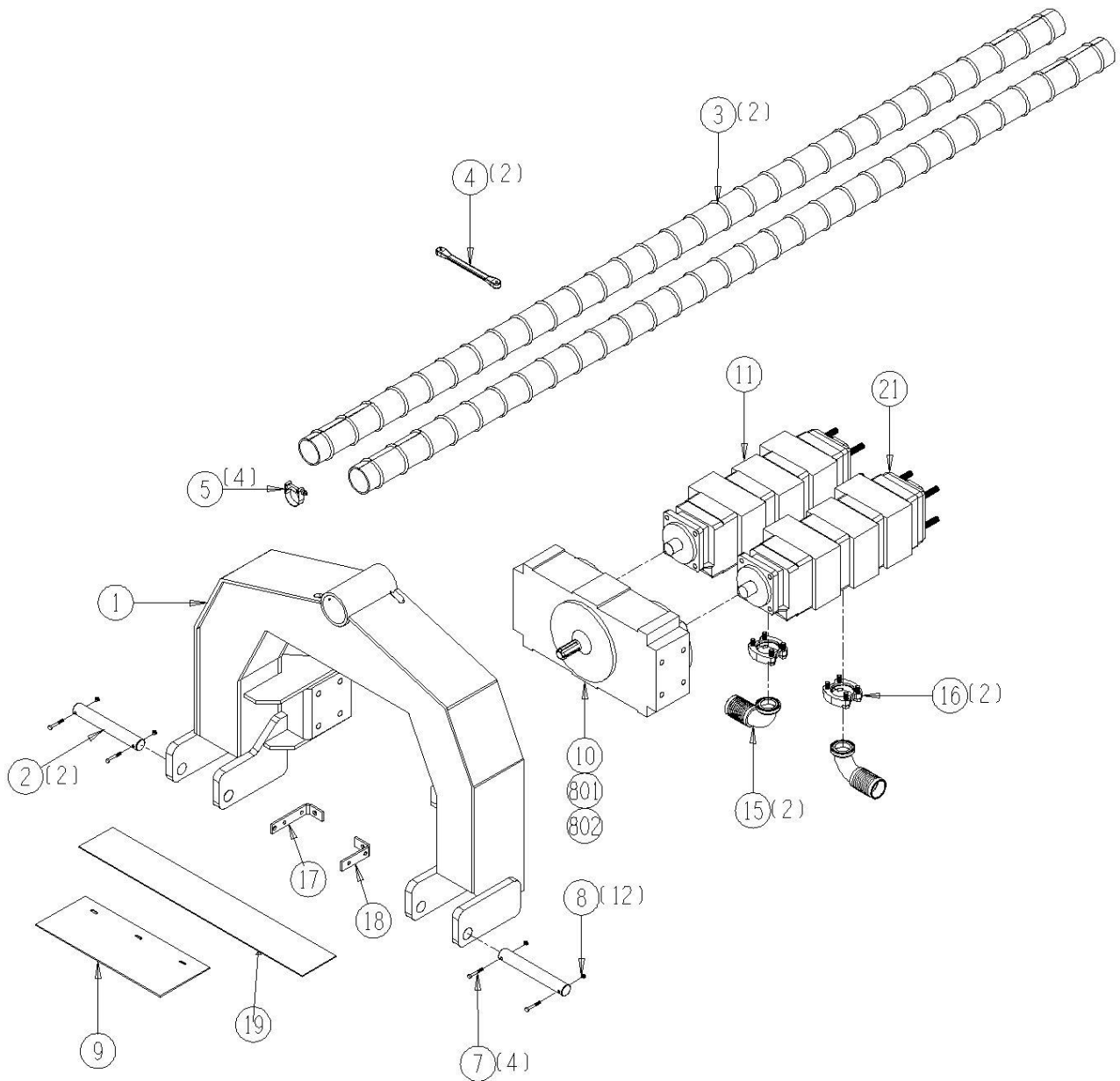
10016-01-21



10016-01-23 Optional Double Pump Assembly

<u>Ref</u>	<u>Part No.</u>	<u>Description</u>	<u>Parts – Assembly</u>	<u>Will Fit SN</u>	<u>Remarks</u>
1	FRM-0015	Frame, Mount, Gooseneck Hitch, 190 Tomato	1		
2	PIN-003P	Pin, Quick Hitch & Tomato	2		
3	HOS-3-4-72SP	Hose 3', Suction Line Cover Clear, 190 Tomato	2		
4	STRP-1050	10' Tarp Straps	2		
5	CL-375	3' Hose Clamp, Heavy Duty T-Bar, 3.375-3.75'	4		
7	BL-4-200-H	1/4-20 X 2 HEX CAP G5 ZC	4		
8	BL-4-LN	1/4-20 HEX LN NE ZC	12		
9	BT-3100	Belting, PTO Shield, Compressorless	1	30095001- KIT-800	Used ONLY on machines with no air compressor
10	GBX-252	Two Pad Gearbox for double pump	1		Use only HP-630 Oil 3.5 Quart
11	HP-257-P18	Hydraulic Pump	1		
12	HV-GV-200	2' Brass Gate Valve	2		
13	A-4444-32-32	2' Male Pipe Hose Barb	2		
14	AN-32-40-HS	2' NPTx 2½' ID Hose, Combination Nipple/Hose Shank	2		
15	A-4459-40-32	Flange Nipple, 2-1/2' barb x 2 flange' 90°	2		
16	A-SFK-32	2' Split Flange Kit	2		
17	BRA-8200	Bracket, Outsd, PTO Belting, Hitch Assy	1		
18	BRA-8201	Bracket, Inside, PTO Belting, Hitch Assy	1		
19	BT-8200	Belting, PTO, Hitch Assembly, HC290 Tomato	1		
20	HP-630	Synthetic Gear & Bearing Oil @ Qt.	3.5		
21	HP-257-P19	Hydraulic Pump	1	11003004, 10007001	
801	GBXA-252D	Dipstick for GBX-252	1		
802	GBX-252-B	O-Ring	1	GBX-252	

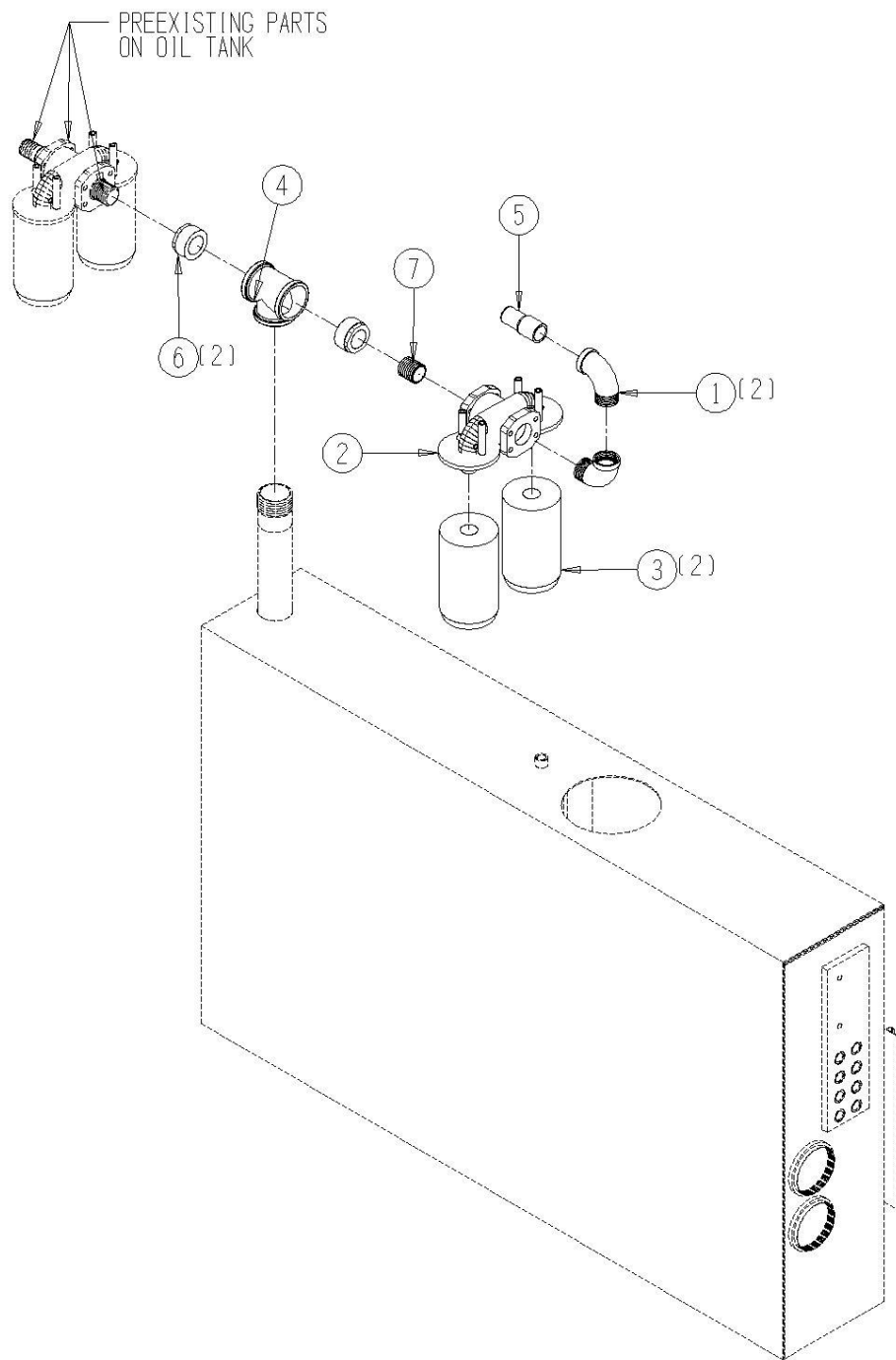
10016-01-23



10010-01-23H Optional Double Pump Hydraulic Assembly

<u>Ref</u>	<u>Part No.</u>	<u>Description</u>	<u>Parts – Assembly</u>	<u>Will Fit SN</u>	<u>Remarks</u>
	HA-1004-G	Hydraulic, Pressure Gauge w/1/4 NPT Stem	1		
0	AR-40-24	2 1/2' x 1 1/2' Bell Reducer	-1		
1	ASL-24	1 1/2 ST ELL, Domestic Only	2		
2	HA-1023-Z	Double Filter Head, Side by Side	1		
3	HA-1029	Hydraulic Fluid Filter, 11'	2		
4	AT-40-40-40	2 1/2 x 2 1/2 x 2 1/2 Black Tee	1		
5	AN-24-24-HS	1 1/2' Male NPT with Combination 1-1/2' Hose Barb	1		
6	AB-40-24	2 1/2 x 1 1/2 Black Hexagon Bushing	2		
7	AN-24-CL	1 1/2' Black (Nipple Close)	1		
8	CL-375	3' Hose Clamp, Heavy Duty T-Bar, 3.375-3.75'	8		
9	CL-200-SD	Two Bolt Hose Clamp, Super Duty, Galvanized	8		1 1/2' Suction Hose. Replace with CL-175
10	CL-250	T-Bolt Clamp for 2 1/2' Suction Hose	8		
800	HA-1023-P	Poppet for Filter Bypass	1	HA-1023-Z	
801	HA-1023-S	25 PSI Filter Bypass Spring	1	HA-1023-Z	

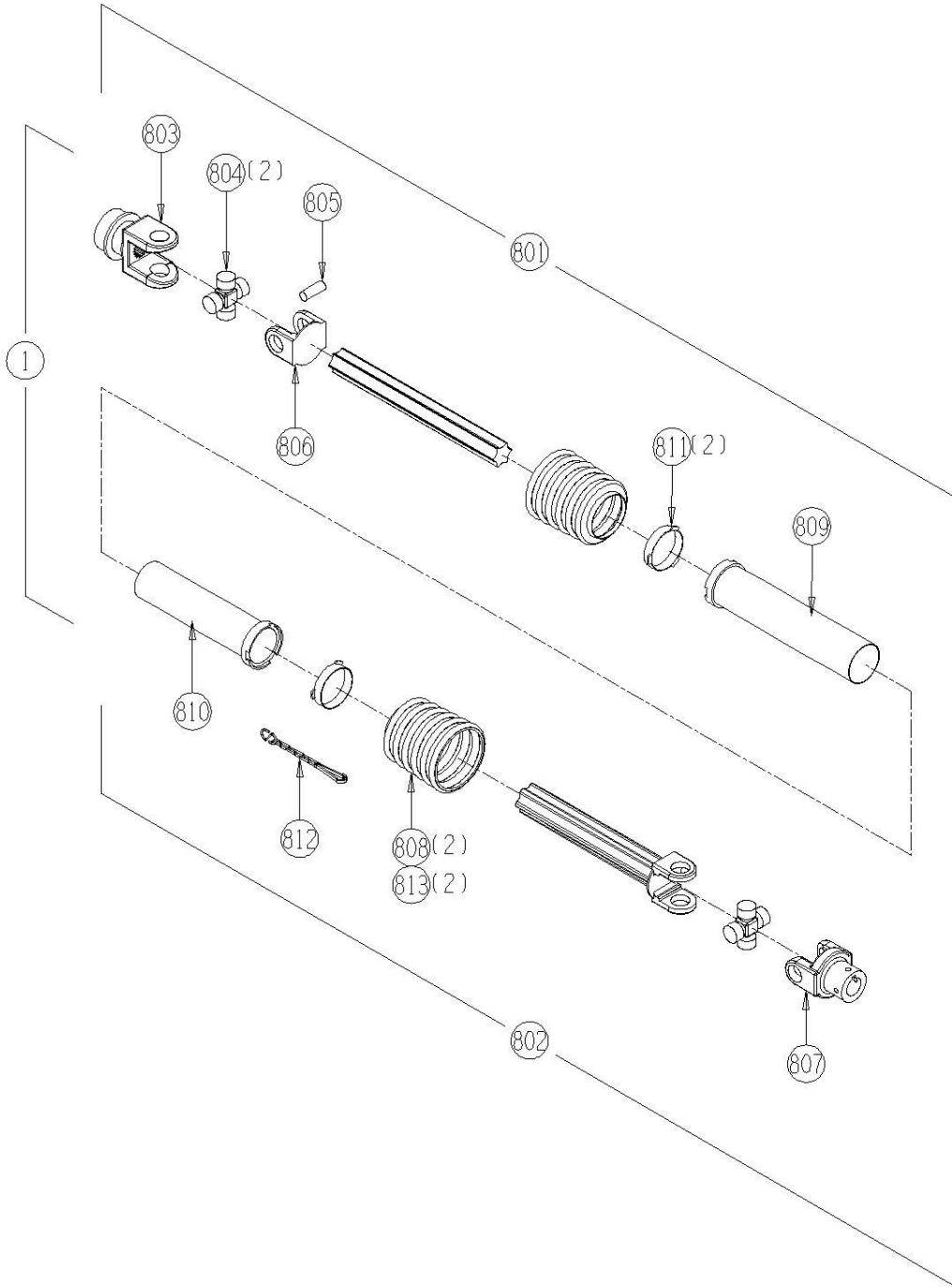
10016-01-23H



10016-01-54 Optional Double Pump 1-3/4 PTO Assembly

<u>Ref</u>	<u>Part No.</u>	<u>Description</u>	<u>Parts – Assembly</u>	<u>Will Fit SN</u>	<u>Remarks</u>
1	PTS-8101	1-3/4 x 20-spline x 1-3/8 6-spline gearbox	1		IH MX Series Quick Hitch On Ford New Hol. Quick Hitch Off JD 7000 & 8000 both Hitch configs Case IH above 160 HP Quick H on Case IH Under 159 HP Both Hitch configs
801	PTS-4001-FH	1-3/4 x 20-spline, Front Half for PTS-8101, PTS-4001	1	PTS-8101, PTS-4001	Special Order Only
802	PTS-8100-RH	1-3/8 x 6-Spline, Rear Half for PTS-8100, PTS-8101	1		Special Order Only
803	PTS-1002A	PTO Tractor Yoke (Walterscheid) 1-3/4 x 20 Spline	1	19101-	
804	PTS-4001B	Extended Lube Cross & Bearing Kit	2	Walterscheid Yokes	Special Order Only
805	PTS-3001-D	Spring Pin 10x90	1		
806	PTS-4001IY	Inboard Yoke, Tractor Half	1		Special Order Only
807	PTS-8100A	1-3/8 x 6-spline, Clamp Type	1		Special Order Only
808	PTS-1002E	7 Rib PTO Shield Cone (Walterscheid)	2	19101-	
809	PTS-4001OS	PTO Outer Shield (Walterscheid) Chili	1		Special Order Only
810	PTS-4001IS	PTO Inner Shield (Walterscheid) Chili	1		Special Order Only
811	PTS-1002J	PTO Shield Bearing Ring	2		Special Order Only
812	PTS-1002K	PTO Shield Safety Chain	1		Special Order Only
813	PTS-1010K	Screw	2		Special Order Only

10016-01-54

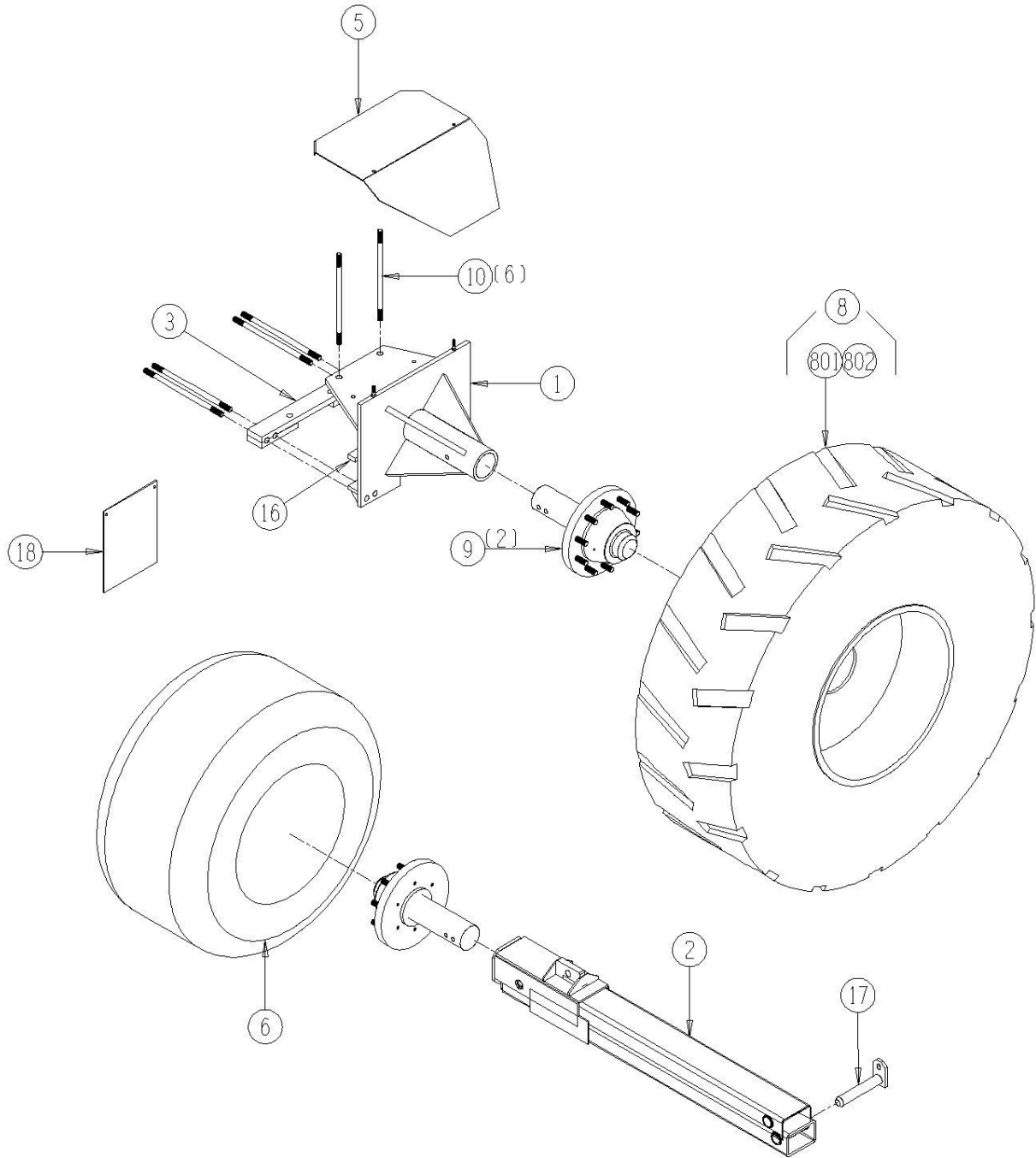


10016-01-64 Optional Single Wheel Axle, HD Right Side

<u>Ref</u>	<u>Part No.</u>	<u>Description</u>	<u>Parts – Assembly</u>	<u>Will Fit SN</u>	<u>Remarks</u>
0	192-163	Cleaner Bar Bracket	-2	19101-	
1	WHA-1201	Wheel Axle, Single, Header Tom.	1		
2	WHL-1212	Single Wheel Axle, 190 Harvester	1		
3	BAR-1201	Bar, Support, Single Tire, Header, Tom.	1		
5	SHD-1201	Shield, Single Wheel, Header, Tom.	1		
6	WHM-1520	560/45-22.5, RideMaxx Tire, Mounted	1		
8	WHM-1201	Single Wheel Tire and Rim (Under Header)	1	190	
9	WHL-1210	Hub and Spindle Assembly 10 Bolt	2		4' Spindle 18K Rated
10	BL-12-1600-SUS-G8	¾-10 x 16' Setup Stud 2' Min Thrd @ Ends, Gr8	6		
16	SPA-1203	Spacer, Bottom, Header Side, 190 Tom.	1		
17	191-1112	Axle Pin	1	19101-	
18	PL-1101	Plastic Cover	1	19501-	
19	HC-1132	Stroke Control Segment, 1 - 1 1/2' Segment	1		
100	BL-10-500-H	5/8-11 X 5 HEX CAP G5 ZC	1		
101	BL-10-600-H	5/8-11 X 6 HEX CAP G5 ZC	1		
102	BL-10-LN	5/8-11 HEX LN NE ZC	2		
103	BL-12-FW	¾' Flat Washer	12		
104	BL-12-LW	¾' Lock Washer	6		
105	BL-12-N	¾' Nut	12		
106	BL-6-FW	3/8 USS FW ZC	8		
107	BL-6-LN	3/8 UNC FIN H LN NE A563 GrA ZC	2		
108	BL-6-N	3/8-16 HEX NUTS ZC	2		
109	BL-8-350-H	1/2-13 X 3-1/2 HEX CAP G5 ZC	8		
110	BL-8-LN	1/2-13 H LN NYLON INSERT ZC	8		
111	BL-8-FW	1/2 USS FW ZC	22		
112	BL-8-100-H	1/2-13 X 1 HEX CAP G5 ZC	6		
113	BL-8-LW	1/2 SPLIT LW ZC	6		
114	BL-8-SW-8	1/2 SAE FW G8 ZC	6		

800	WHL-1210M	Spindle	1
801	WHL-2201	Wheel , 20 x 26' Dia with Straight Plate Center	1
802	WHT-2201	Tire, 23.1 B26, 12 Ply R1, Super Traction, Tubeless	1

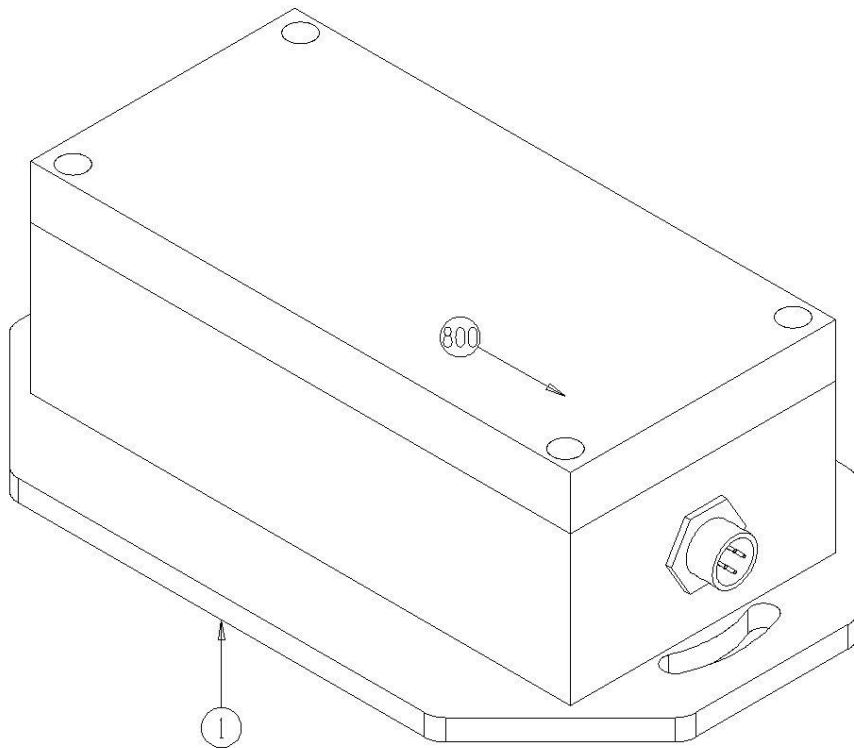
10016-01-64



10016-01-68 Optional Automatic Leveling Assembly

<u>Ref</u>	<u>Part No.</u>	<u>Description</u>	<u>Parts – Assembly</u>	<u>Will Fit SN</u>	<u>Remarks</u>
1	ELS-1256	Machine Leveler, Complete	1	190 &240, HC290	
601	A-6900-8-6	8 SAE x 3/8' FPX With 7/8' Stock Body	2	20095001-	
602	A-6901-8-6	8 SAE x 3/8' FPX90°, Forged	2	20095001-	
603	H4-240-6MP-6MP	1/4 in hose 3/8MP x 3/8MP x 240 in long	1		
604	H4-248-6MP-6MP	1/4 in hose 3/8MP x 3/8MP x 248 in long	1		
605	HC-350-0808L	Hydraulic Cylinder, Lion, 3 1/2' x 8', 3/4-16 ORB, 90° Port	1		
800	DC-191-LV	Decal, Level Control Box, Tomato, '97	1		

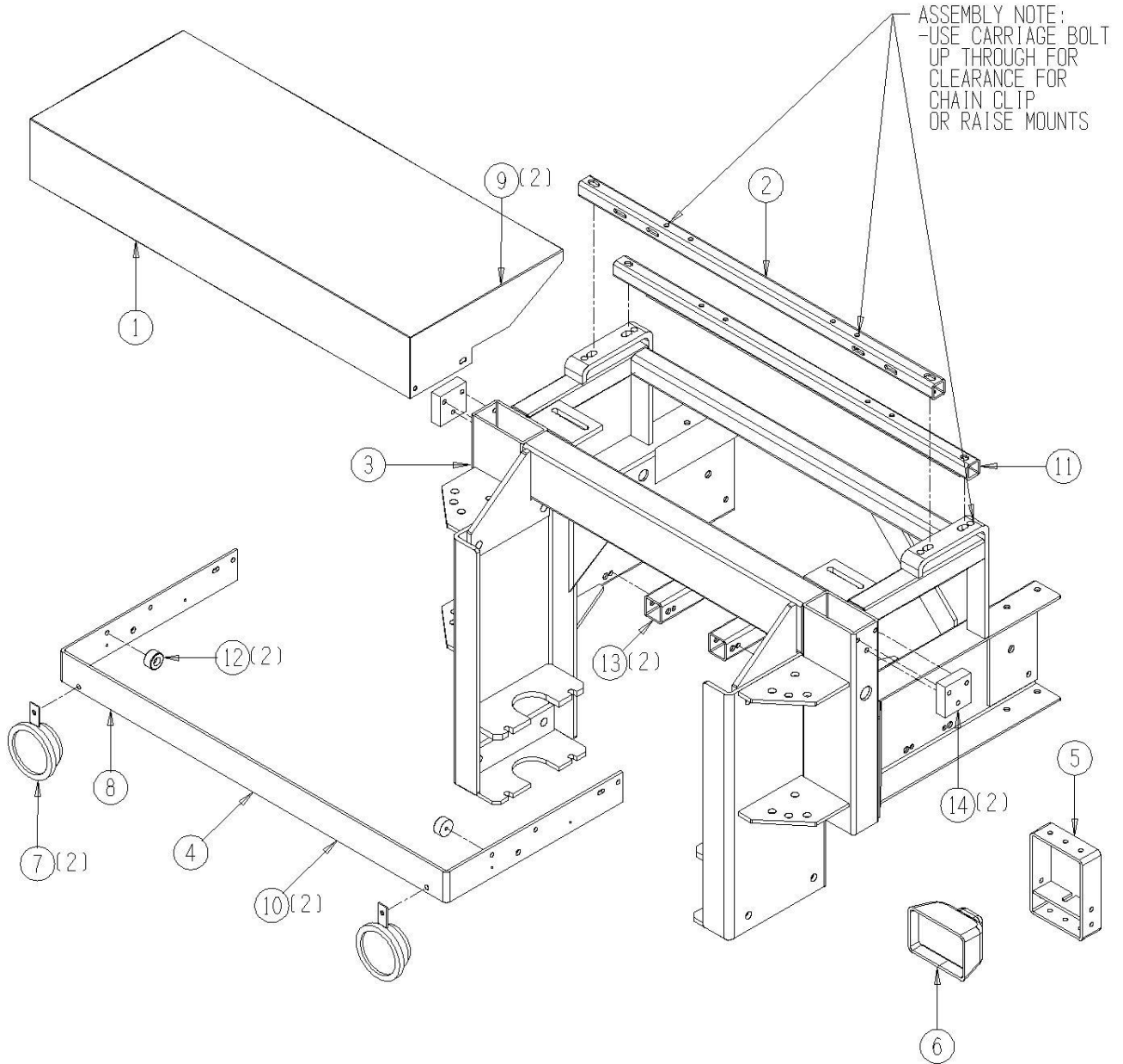
10016-01-68



10016-02-01 Disk Header Frame Assembly

<u>Ref</u>	<u>Part No.</u>	<u>Description</u>	<u>Parts – Assembly</u>	<u>Will Fit SN</u>	<u>Remarks</u>
1	192-139	Shield, Disk Header Cover (Tomato)	1	19201-	
2	MOU-2201	Mount Tube, Top Bearing W/ Spacer Blocks Disk Header, 190	1		
3	FRM-0072	Frame, Disk Header, Lowered Bearing, 190 Harvester	1		
4	192-139A	Safety Bar	1	19201-	
5	SHD-1206	Shield, Flashing Light	1	30097001- 19601-	
6	EL-1206	Double Amber Lamp	1		
7	EL-1233	Light, Auxiliary Work Light, Clear, Trapezoid Beam, TL#80394	2		Replaces EL-1201
8	DC-1184	Danger Decal, 3' x 16'	1		
9	DC-1176	Decal, Danger-Hand Chain Sprockets	2		
10	DC-ARROW	Decal, Yellow Direction Arrow	2		
11	MOU-2202	Mount, Disk Header Motor Rear, W/Spacer Blocks	1		
12	194-1418	Rubber Bumper	2	19401	
13	MOU-2200	Bearing Spacer Tube Gathering Chain Drive, 190	2		
14	SPA-0074	Spacer, Disk Head, 190 Tomato Harvester	2		

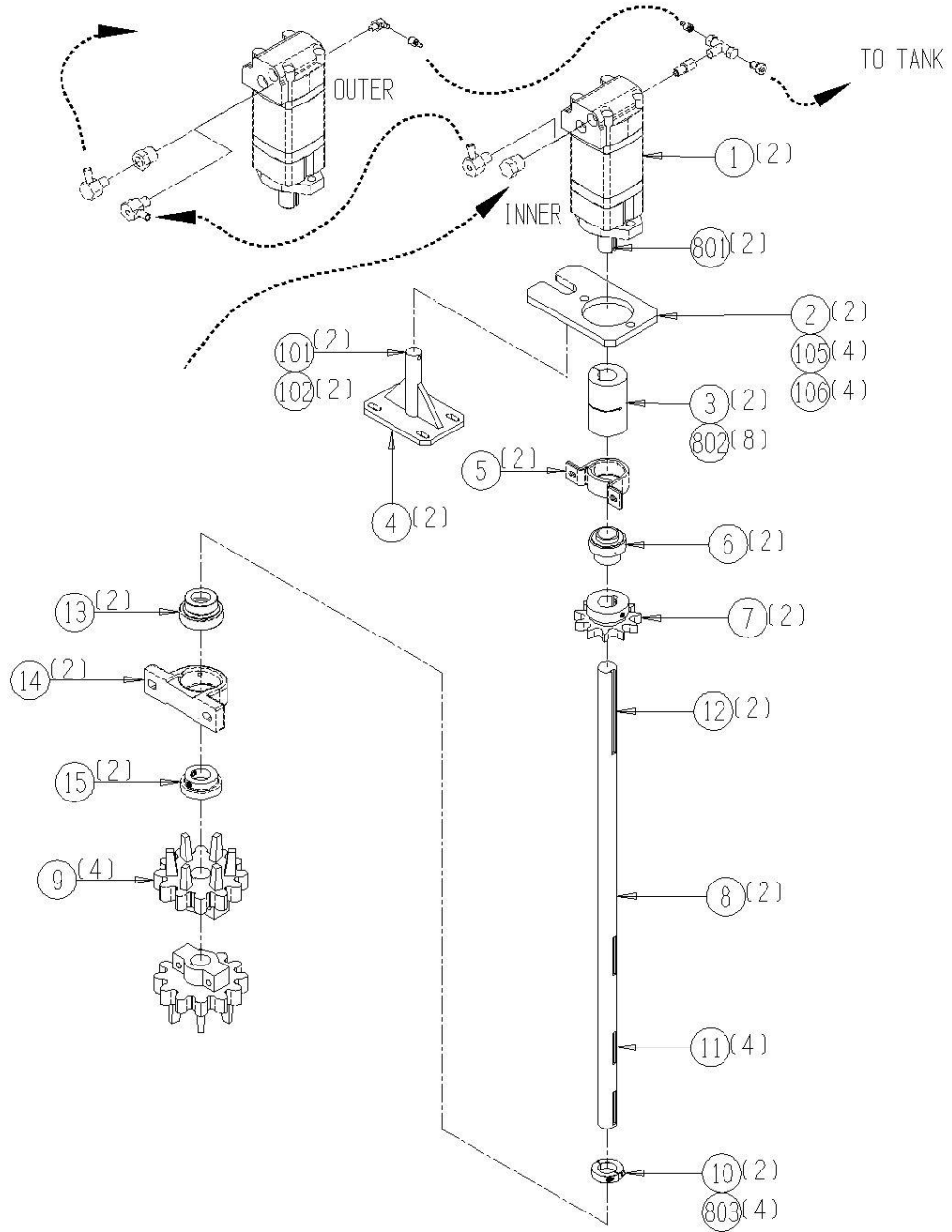
10016-02-01



10016-02-02 Disk Header Drive Shaft Assembly

<u>Ref</u>	<u>Part No.</u>	<u>Description</u>	<u>Parts – Assembly</u>	<u>Will Fit SN</u>	<u>Remarks</u>
1	HM-1420-CH	Char Lynn Motor	2		
2	ARM-1228	Arm, Mount, Motor Mounting Pad, High Tor. Motors	2		
3	CPS-6057	Coupler, Solid, 1.25', Cucumber & Tomato	2		This Replaces CPS-6056.
4	STP-1228	Stop, Motor, Arm Mounted, High Tor. Motors	2		
5	BR-062-MPB	Stamped Bearing Housing for 1 1/4' bearing	2		
6	BR-125-062	Bearing, 1 1/4 Fafnir Tri-Seal, 62mm OD	2		
7	SP-80B11-20-5	Hardened Tooth Sprocket, #80, 11 Tooth, 1.25' Bore with 5/16' Keyway	2		
8	194-155	Shaft, Gathering Chain	2		
9	SPU-3612-20-4	Urethane Sprocket 36-12 1 1/4 bore 1/4' key	4		Sub SP-3612-20-4
10	SC-20-2	Shaft Collar, 2 piece 1 1/4' bore	2		
11	KEY-4-4-32	Shaft Key 1/4' x 2' Square Cut (1018)	4		
12	KEY-4-4-20	Shaft Key 1/4' x 1 1/4'	2		
13	BR-072-RAK	72mm Cast Housing	2		
14	BR-125-072	Bearing, 1 1/4 Fafnir Tri-Seal, 72mm OD	2		
15	BR-12572-LC	1 1/4' Locking Collar - Bearing Protector	2		
101	BL-5-150-H	5/16-18 X 1-1/2 HEX CAP G5 ZC	2		
102	BL-5-LN	5/16-18 HEX LN NE ZC	2		
105	BL-8-175-H8	1/2 X 1-3/4 HH G8	4		
106	BL-8-LNS	1/2 STOVER LN	4		
801	KEY-5-5-20	Shaft Key 5/16' sq x 1 1/4' Square Cut (1018)	2		
802	BL-5-125-SCF	5/16-24 X 1-1/4 SOCKET HEAD CAP SCREW	8		
803	BL-4-075-SCS	1/4-28 X 3/4 SOCKET HEAD CAP SCREW	4		
805	HM-103-SK	Seal Kit for Char-Lynn Motor	1	S Series - 010	

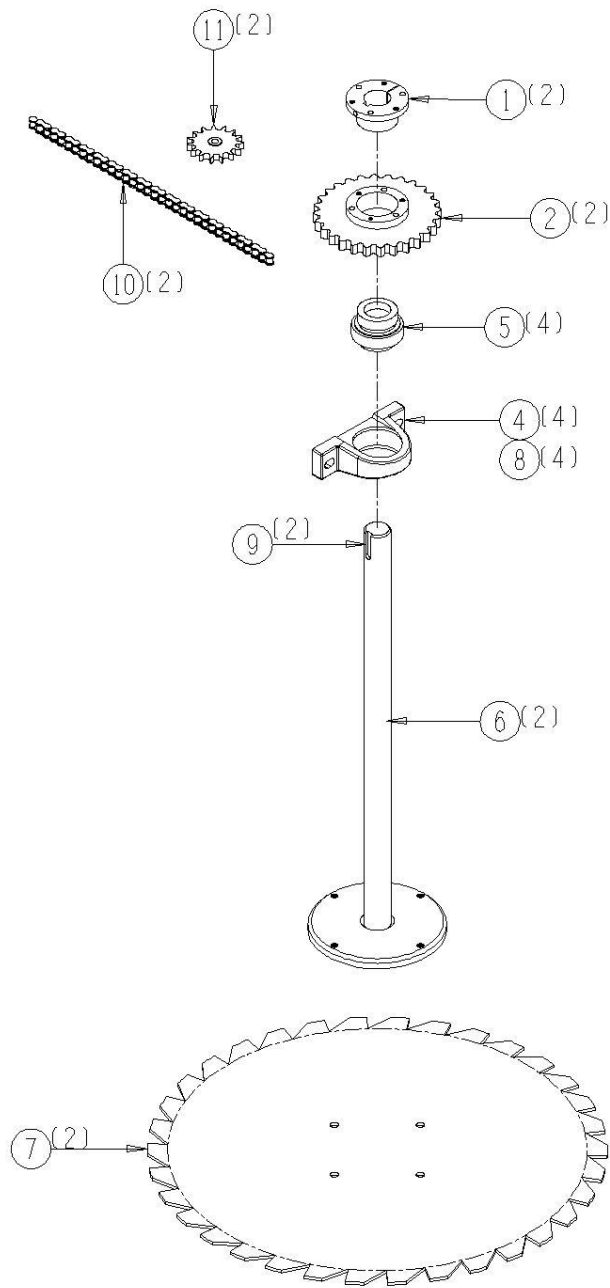
10016-02-02



10016-02-03 Disk Header 34' Disk Shaft Assembly

<u>Ref</u>	<u>Part No.</u>	<u>Description</u>	<u>Parts – Assembly</u>	<u>Will Fit SN</u>	<u>Remarks</u>
1	SP-SF-2	Bushing, SF x 2'	2		
2	SP-80SF28	Hardened Tooth Sprocket, #80, 28 Tooth, Uses SF Bushing	2		
4	BR-100-RAK	Bearing Housing 100 mm	4	11001	
5	BR-200-100I	Bearing, 2' ID, TS	4		Replaces BR-200-100
6	191-131	Shaft, Disk	2		
7	HD-140-34-34	Header Disk, 34',34 Notches, AR400	2		
8	GF-1428	Grease Fitting 1/4' x 28 straight	4		
9	KEY-8-8-40	Shaft Key 1/2' x 1/2' x 2 1/2'	2		
10	CH-80-51	Roller Chain #80 51 Pitches Disk Header (Tomato)	2		
11	SP-8012-T	#80 Idler Sprocket	2		
100	BL-8-100-H8	1/2x 1 Grade 8 Hex Head	8		
101	BL-8-LW	1/2 SPLIT LW ZC	8		
102	BL-8-SW	1/2 SAE FW ZC	8		
103	BL-8-FW-8	1/2 FW G8 ZC	8		
800	BL-5-200-8T	5/16-18 X 2 TAP BOLT G8	6		

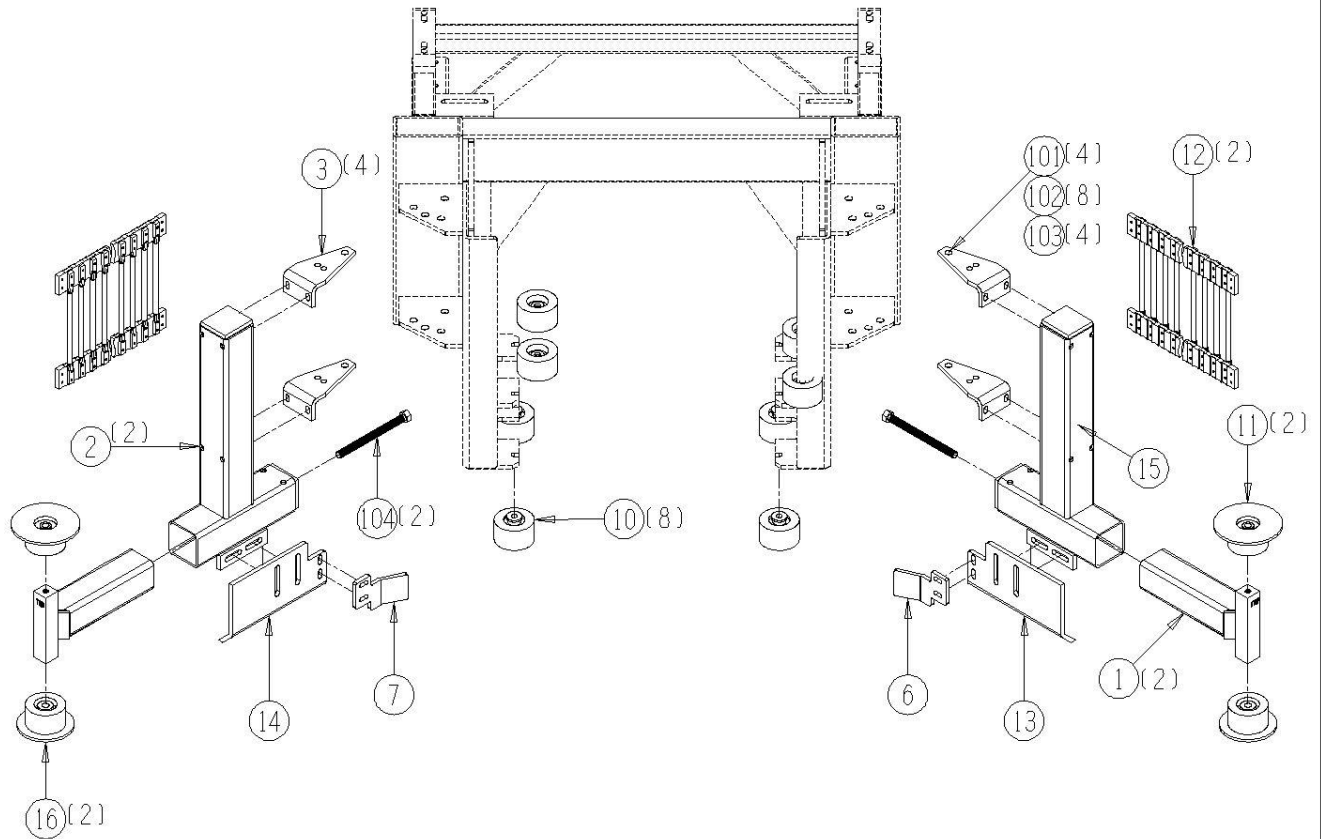
10016-02-03



10016-02-05 Disk Header Gathering Chain Assembly

<u>Ref</u>	<u>Part No.</u>	<u>Description</u>	<u>Parts – Assembly</u>	<u>Will Fit SN</u>	<u>Remarks</u>
1	ADJ-155	Adjuster, Nose Tightener, Gathering Chain	2		
2	BRA-1821	Gathering Chain Bracket	2		
3	BRA-1811	Mounting Bracket, Gathering Chain	4		
6	SCR-8204	Scraper, Left Side, Hub, HC290	1		
7	SCR-8205	Scraper, Right Side, Hub, HC290	1		
10	RLT-035-228	Roller 3.5 Dia x 2.2 x 1/2' Bore, No Flange	8		
11	RLT-635-2210-RV	6' Flange Roller 2.2WF 3.5 Dia, 5/8' Bore w/Inverted Spindle	2		
12	BC-6-1236-60	Gathering Chain, 3/8 Bars 12in wide x 60 Links 36mm	2		
13	SCR-164	Scraper, Upper, Outer, Disk Header	1		
14	SCR-162	Scraper, Upper, Inner, Disk Header	1		
15	DC-3026	Orange Reflective Tape @ 50ft Roll	1		
16	RLT-535-2210-RV	5' Flange Roller 2.2 WF 3.5 dia, 5/8' bore w/ Inverted Spindle	2		
101	BL-10-200-H	5/8-11 X 2 HEX CAP G5 ZC	4		
102	BL-10-SW	5/8 SAE FW ZC	8		
103	BL-10-LN	5/8-11 HEX LN NE ZC	4		
104	BL-10-800-T	5/8-11 X 8 HEX TAP G8 ZC	2		
105	BL-10-N	5/8-11 HEX FIN NUTS ZC	2		
106	BL-8-400-H	1/2-13 X 4 HEX CAP G5 ZC	8		
107	BL-8-LN	1/2-13 H LN NYLON INSERT ZC	8		
108	BL-8-SW	1/2 SAE FW ZC	16		
800	BC-1032-FS	10-32 x 1 1/4' Bolts Flat Socket Head	16		
801	BC-6-12-ST	3/8' x 12' Belted Chain Rod for 50mm Belt	4	1910119320	
802	BC-BP20-10-T	20mm Backing Plates /10-32 T Nuts	8		
803	BC-1032-TN	10-32 T-NUT	16	11001	

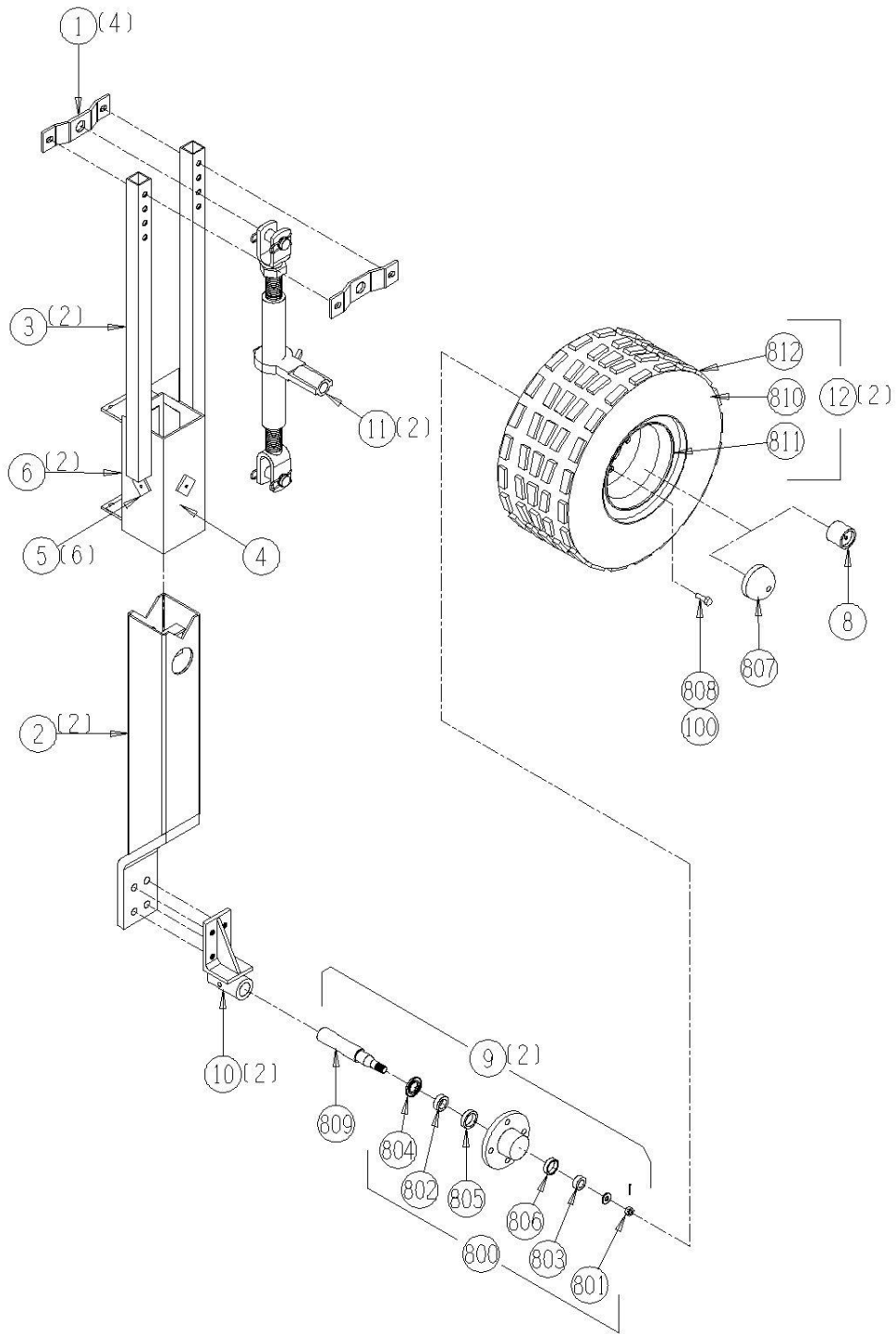
10016-02-05



10016-02-07 Optional Disk Header Gauge Wheel Assembly

<u>Ref</u>	<u>Part No.</u>	<u>Description</u>	<u>Parts – Assembly</u>	<u>Will Fit SN</u>	<u>Remarks</u>
1	193-188	Adjuster, Gauge Wheels	4	19301-	
2	194-186	Gauge Wheel, Inner slider	2	19201-	
3	194-187	Gauge Wheel, Outer Frame	2	19201-	
4	DC-3025	Red and White Reflective Tape @ 150 ft Roll	0.03		
5	GF-1428	Grease Fitting 1/4' x 28 straight	6		
6	GF-1428-90	Grease Fitting 1/4' x 28 90	2		
8	WHL-178	Bearing Protector @Pair	1		
9	WHL-190	Hub and Spindle Complete, Gauge Wheel	2		
10	WHL-1941	Wheel, Spindle Holder, Gauge Wheel, 190	2		Replaces WHL-191 for tomato machine
11	TL-1541	Top Link Ratchet Handle 20-28in.	2	TL-1541	
12	WHL-194	Mounted gauge wheel, including tube.	2		
100	BL-8-NF	1/2-20 HEX FIN NUTS ZC	8		
800	WBR-199K	Gauge Wheel Bearing Kit	1	WHL-190	Includes seal, inner and outer bearings and cones
801	WBR-199E	Spindle Nut	1	WHL-190	
802	WBR-199C	Inner Bearing	1	WHL-190	
803	WBR-199D	Outer Bearing	1	WHL-190	
804	WBR-199F	Seal	1	WHL-190	
805	WBR-199H	Cup	1	WHL-190, WHL-4000	
806	WBR-199I	Outer cup	1	WHL-190	
807	WBR-199G	Hub cap	1	WHL-190	
808	WBR-199L	Lug Bolt for Gauge Wheel	8	WHL-190	
809	WBR-199S	Gauge Wheel Spindle Only	2	WHL-190	w/ WHL-191 replaces WBR-199A
810	WHL-195	Gauge Wheel Tube	2		
811	WHL-197	Gauge Wheel Rim for WHL-194	2	19201	
812	WHL-198	Gauge Wheel Tire	2	19201	

10016-02-07

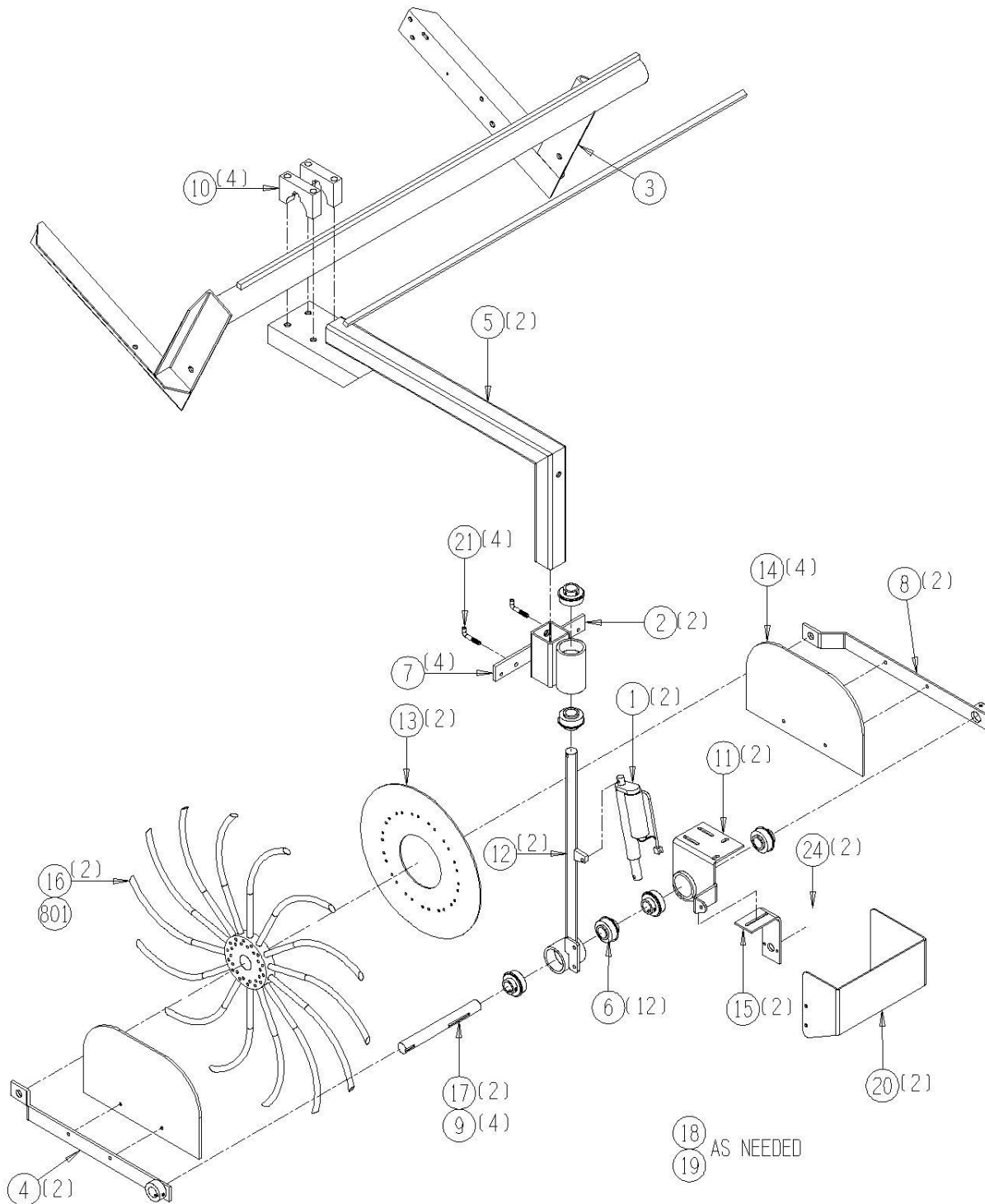


10016-02-71 Optional Dual HHC System

<u>Ref</u>	<u>Part No.</u>	<u>Description</u>	<u>Parts – Assembly</u>	<u>Will Fit SN</u>	<u>Remarks</u>
1	ACT-042B-2	Actuator, Wired For any Length Harness, 08 and Later	2		
2	ADJ-HC99	Adjuster, Wheel Control Height Adj, HHC	2		
3	BAR-9022	Bar, AHHC Trailing Wheel Mount, Support Bar	1		
4	ARM-HC99R	Arm, Right, Control Wheel, HHC	2		
5	BAR-9023	Bar, AHHC Trailing Wheel Mount	2		
6	BR-100-ER	Bearing, 1' ER	12		
7	CH-3-28	3/16 LINK CHAIN 28 LINKS	4		
8	ARM-0069	HHC Arm, Electronic Header Height	2		
9	KEY-4-4-12	SHAFT KEY 1/4"x3/4" SQUARE CUT (1018)	4		
10	MOU-103	Mount, Wheel Arm Bar Support, HHC, Cuc & Tom	4		
11	ARM-0070	Switch Mount, HHC	2		
12	MOU-HC03	Mount, Trailing Wheel Arms, HHC, 2003	2		
13	PL-6192	Depth Disk Wheel, 14.375 Dia.	2		
14	PL-HC99	Plastic, Chain Guard Wheel Arm, HHC	4		
15	ARM-1007	Sensor Arm	2		
16	WHL-HHC-99	Spider Wheel Assembly	2		
17	SFT-HC07	HHC Shaft	2		
18	WT-14	Wire Tie 14 1/4'	25		
19	WT-7	Wire Tie 7'	25		
20	SHD-HC07	HHC Shield, Electronic Switch	2		
21	SUP-8100	Support, Wheel Hold Up, Header Height, HC290	4		
22	ELC-042B-28	Actuator Cable Only 28' 08 to Present	1		
23	ELC-042B-19	Actuator Cable Only 19' 08 to Present	1		
24	ELC-1008	Rotary Sensor, Single Output BEI	2		
25	ELC-1008-C	Wiring Harness For ELC-1008	2		
26	ELC-1006	Valve Driver, PVD3D2R	2		
27	SFT-HC12	Shaft, EHHC Control, Tomato Harvester	2		
28	CPL-1006	Helical Beam Shaft Coupling 1/4x3/8	2		

29	SFT-HC11	Shaft, HHC Control	2
100	BL-1224-087-DT	12-24 X 7/8, DRILL AND TAP SCREW	4
101	BL-4-050-H	1/4-20 X 1/2 HEX CAP G5 ZC	8
102	BL-4-100-H	1/4-20 X 1 HEX CAP G5 ZC	8
103	BL-4-125-H	1/4-20 X 1 1/4 HEX CAP G5 ZC	4
104	BL-4-175-H	1/4-20 X 1 3/4 HEX CAP G5 ZC	2
105	BL-4-400-H	1/4-20 X 4 HEX CAP G5 ZC	8
106	BL-4-FW-8	1/4 FW G8	40
107	BL-4-LN	1/4-20 HEX LN NE ZC	28
108	BL-4-LW	1/4 SPLIT LW ZC	8
109	BL-5-031-SC	5/16-18 x 5/16 Knurled Point Set Screw	16
110	BL-6-100-H	3/8 UNC X 1 HH C/S BOLT G5 ZC	8
111	BL-6-125-H	3/8-16 X 1-1/4 HHCS G5 ZC	8
112	BL-6-LN	3/8 UNC FIN H LN NE A563 GrA ZC	14
113	BL-6-LW	3/8 SPLIT LW ZC	8
114	BL-6-SW-8	3/8 SAE FW G8, YELLOW ZC, THRU HARDENED	40
115	BL-8-100-SQSS	1/2 X 1 SQ HEAD SET SCREW (USS)	4
116	BL-8-475-H	1/2-13 X 4 3/4 HEX CAP G5 ZC	8
117	BL-8-FW-8	1/2 FW G8 ZC	8
118	BL-8-LN	1/2-13 H LN NYLON INSERT ZC	10
119	BL-8-SW-8	1/2 SAE FW G8 ZC	10
120	BL-10-325-H	5/8 UNC X 3 1/4 HH C/S BOLT GR ZINC	2
121	BL-10-LN	5/8-11 HEX LN NE ZC	2
122	BL-10-SM	5/8 x 1 x 14ga Shim	10
123	BL-10-SW	5/8 SAE FW ZC	10
124	BL-4-175-HFT	1/4-20 X 1-3/4 HEX CAP G5 ZC, Fully Threaded	2
125	BL-4-200-HFT	1/4-20 X 2 HEX CAP G5 ZC, Fully Threaded	2
126	BL-4-N	1/4-20 HEX FIN NUTS ZC	4
127	BL-6-325-H	3/8 UNC X 3 1/2 HH C/S BOLT GR5 ZINC	6
128	BL-8-150-H	1/2 UNC X 1-1/2 HH C/S BOLT G5 ZC	2
801	WHL-6195A	Spoke	0

10016-02-71



10016-02-71H Optional Dual HHC System Hydraulics

<u>Ref</u>	<u>Part No.</u>	<u>Description</u>	<u>Parts – Assembly</u>	<u>Will Fit SN</u>	<u>Remarks</u>
600	H10-37-8MP-8MP	5/8' hose 1/2MP x 1/2MP x 37' long	2		
601	H4-150-6MP-6MP	1/4 in hose 3/8MP x 3/8MP x 150 in long	1		
602	H6-204-6MP-6MP	3/8 hose 3/8MP x 3/8MP x 204 in long	1		
603	HA-1031	Hydraulic Hose Holder 3/8	4		
604	HC-1129-A	Hyd. Cyl Pin, 1' x 2 3/4' Between the Grooves	8		
605	HC-1130B	Hairpin, 7/8'-1' Rod Dia Range	16		

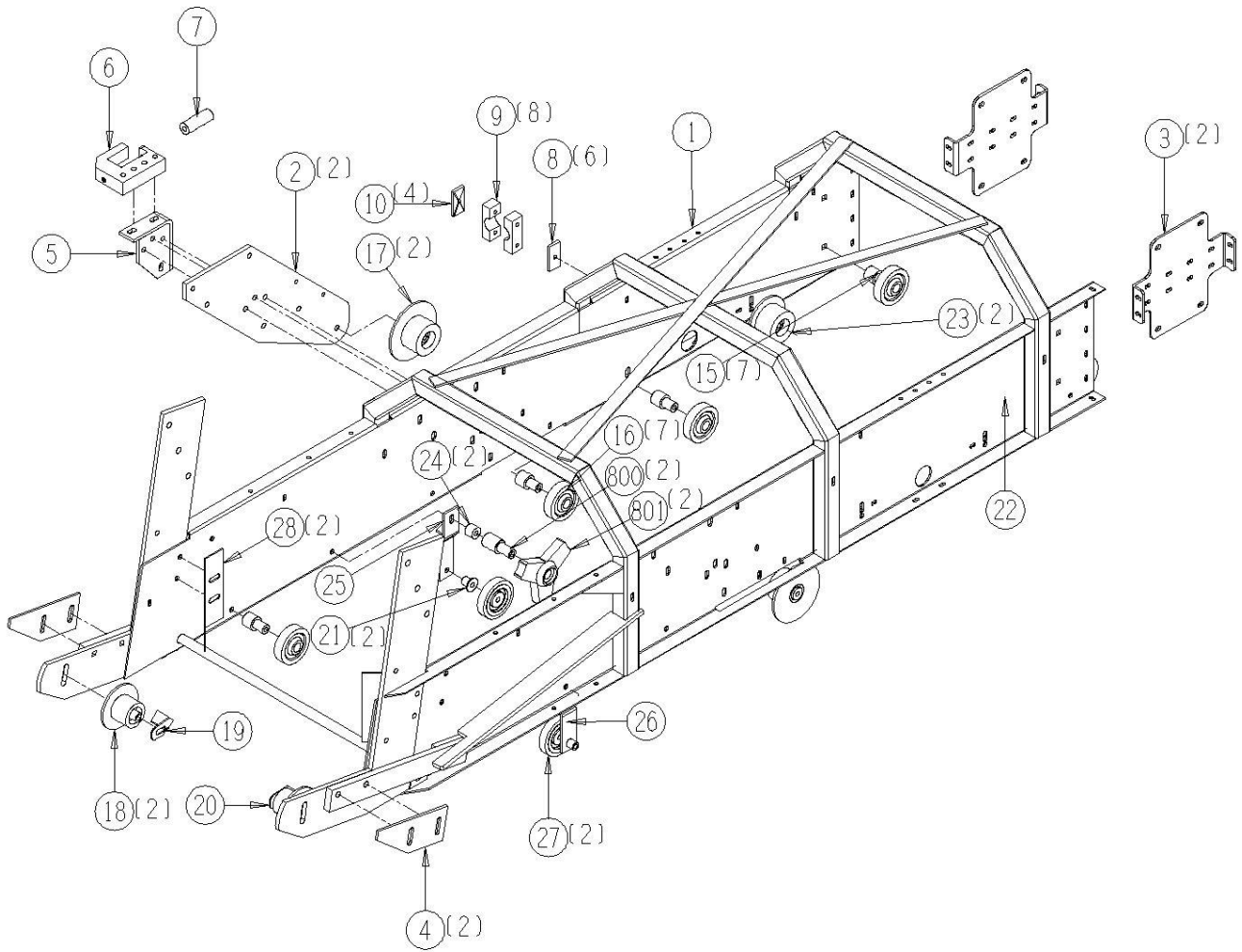
10016-02-71H

10016-03-01 Primary Header Assembly

<u>Ref</u>	<u>Part No.</u>	<u>Description</u>	<u>Parts – Assembly</u>	<u>Will Fit SN</u>	<u>Remarks</u>
1	FRM-102	Over Top Cross Member Header 190 Tomato	1		
2	MOU-0095	Header Side Bar	2		
3	SUP-102	Support, Header Side Rail Splice	2		
4	191-142	Scraper, Under Disk	2	19101-	
5	195-101J	Slide Guide Mount, Header	1	19501-	
6	BRA-190	Bracket, Slide Guide, 190 Tomato	1		
7	192-107A	Slide Guide Roller, 3.5' Long	1		
8	SPA-1050	Spacer for Hydraulic Tube Mount	6		
9	HA-1051	Hyd, Clamp Halves	8	19101-	
10	HA-1052	Hyd, Cover Plate	4	19101-	
15	RLA-010-0108	Spindle / Standoff for Urethane Roller (heat treated)	8	19101-	
16	RLG-040-1016	4' Urethane Roller	8	Old Terog Part No. RU4	
17	RLT-635-228	6 1/2' Flange Roller 2.2 WF 3.5 dia, 1/2' bore	2		
18	RLS-522-2010	Steel Roller, 5' Flange, 2.2' Dia, 2' wide	0		Sub RLU-522-2010
18	RLS-522-2010-SC	Steel Roller, 5' Flange, 2.2' Dia, 2' wide, w/Hub for Scraper	2		For use with scrapers RLA-3023- TM (RH) and RLA-3024- TM (LH) only
19	RLA-3023-TM	Scraper for Nose Roller, RH	1		For use with RLS-522- 2010-SC roller only
20	RLA-3024-TM	Scraper for Nose Roller, LH	1		For use with RLS-522- 2010-SC roller only
21	RLA-000-118	Standoff, 1/2' X 1 1/8'	2		
22	DC-1177	Decal, Large White PIK RITE 8' x 58'	1		
23	RLT-535-228	5' Flange Roller 2.2WF x 3 1/2' dia, 1/2' bore	2		
24	SPA-6131	Spacer, Gathering Chain Assy, Rollers	2	60097001-	
25	BRA-1936	Bracket, Lower Roller for Header Chain (L.H.)	1		
26	BRA-1938	Bracket, Lower Roller for Header Chain (R.H.)	1	192-101K	
27	RLR-040-108	4' Flat Roller	2		

28	SCR-0002	Scraper, Gathering Chain Roller, 190 Tomato	2
800	RLA-015-308	Spindle for 3 Point Shakers	2
801	RLT-324	Rubber 3 Point Shaker	2

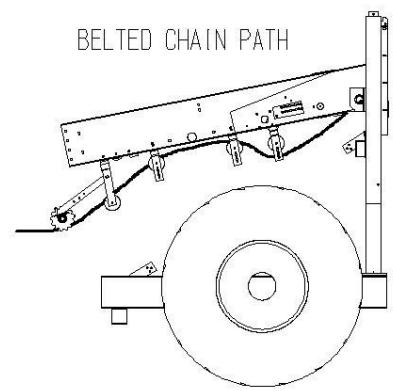
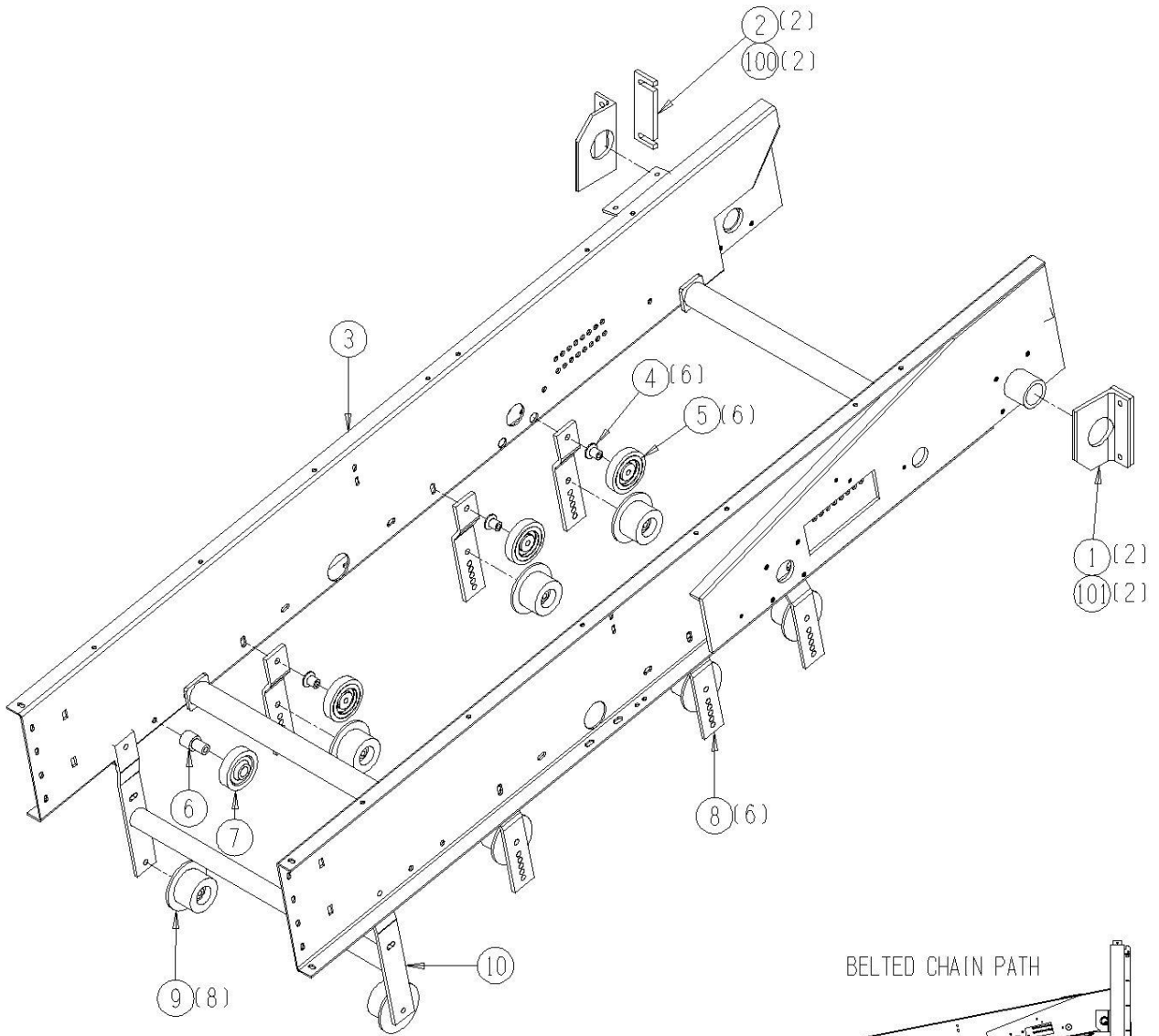
10016-03-01



10016-03-02 Secondary Header Frame Assembly

<u>Ref</u>	<u>Part No.</u>	<u>Description</u>	<u>Parts – Assembly</u>	<u>Will Fit SN</u>	<u>Remarks</u>
1	191-106	Bracket, Header Mount, Pivot	2	19101-	
2	SPA-106-4	Spacer, Header Mount, Pivot (Tomato)	0	19201-	
2	SPA-106-6	Spacer, Header Mount, Pivot (Tomato)	0	19201-	
2	SPA-106-8	Spacer, Header Mount, Pivot (Tomato)	2	19201-	
3	FRM-101R	Frame, Header Conveyor, Rear (Tomato)	1	19601-	Replaces 195-101R
4	RLA-000-118	Standoff, 1/2' X 1 1/8'	6		
5	RLR-040-108	4' Flat Roller	6		
6	RLA-010-0108	Spindle / Standoff for Urethane Roller (heat treated)	1	19101-	
7	RLG-040-1016	4' Urethane Roller	1	Old Terog Part No. RU4	
8	BRA-8400	Bracket, Hold Up Rollers	6		
9	RLT-535-228	5' Flange Roller 2.2WF x 3 1/2' dia, 1/2' bore	8		
10	BAR-1118	Bar, Hold up, Head Chain, Big Wheel	1	KIT-1118	
100	BL-8-750-8	1/2-13 X 7-1/2 HHCS G8	2		
101	BL-8-650-8	1/2-13 X 6-1/2 HH BOLT G8	2		

10016-03-02

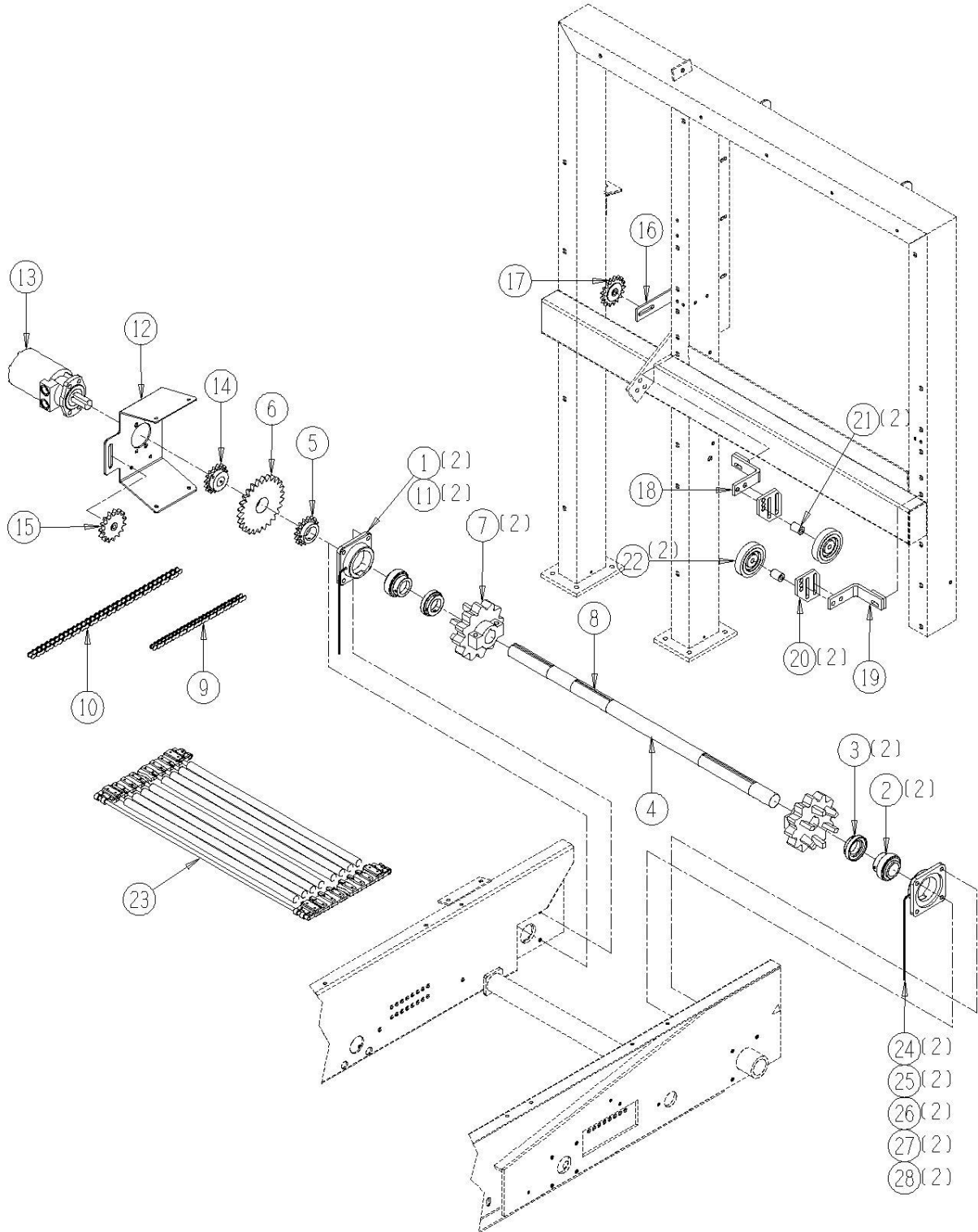


10016-03-04 Opt. 42mm Chain Header Drive Assembly

<u>Ref</u>	<u>Part No.</u>	<u>Description</u>	<u>Parts – Assembly</u>	<u>Will Fit SN</u>	<u>Remarks</u>
1	BR-085-RCJ	RCJ Bearing Housing	2	11001	
2	BR-175-085	Fafnir Bearing 1 1/2 Tri Seal	2		
3	BR-175-LC	1 1/2 Locking Collar - Bearing Protector	2		
4	110-112	Shaft, Header Drive	1	11001-	
5	SP-50B16-28-6	Hardened Tooth Sprocket, #50, 16 Tooth, 1.75" Bore	1	11001	
6	SP-60B27-28-6	Hardened Tooth Sprocket, #60, 27 Tooth, 1.75" Bore	1	Header Drive (Shaft) - 19101	
7	SP-4212-28-6-H	Sprocket, 12T Drive #4212 1 1/2" Bore Heat Treated	2		
8	KEY-6-6-24	Keystock 3/8" x 3/8" x 1 1/2" Square Cut (1018)	4		
9	CH-50-41	Roller Chain 41 pitches #50 w/master link	1		
10	CH-60H-51	Roller Chain 51 pitches #60H Header Drive(Tomato & Cucumber) w/master link	1		
11	GFA-51943	1/4"-28 90° Adapter	2		
12	MOU-101R	Mount, Motor, Header (Tomato)	1	19601-	
13	HM-1228-TC	TCI Motor	1	Direct Interchange with HM- 400-OMS	Replaces HM-1228-CH, And HM-188R. Seal Kit # TCI- SKMLHS
14	SP-60B20-20-5	Hardened Tooth Sprocket, #60, 20 Tooth, 1.25" Bore	1	Header Drive (Motor)	
15	SP-6015-T	Idler, # 60 Roller Chain Adjuster	1	19201	
16	194-114	Tightener Bracket	1	19401-	
17	SP-5017-T	Idler, 17 tooth x #50 Chain	1		
18	BRA-109	Bracket Header Roller, Inner	1	BRA-109	
19	BRA-112	Bracket, Header Roller, Outer	1	BRA-112	
20	BRA-108	Bracket Header Roller	2		
21	RLA-010-013-8	Spindle for Urethane Roller (no standoff)	2		
22	RLR-040-108	4" Flat Roller	2		
23	BC-7-3242-265	Header chain, 7/16" bar 42 mm pitch 265 links	1	19001	
24	H2-12-2MP-2MP	1/8in Grease Hose x 1/8MP x 1/8MP x 12in Long	2		
25	AC-2	1/8" NPT Coupler	2		
26	GF-1827	Grease Fitting 1/8 NPT Straight	2		
27	HA-1031	Hydraulic Hose Holder 3/8	2		

28	BL-4-075-H	1/4 UNC X 1/2 HH C/S BOLT G5 ZC	2		
801	RI-25-BC	25mm Belted Chain Rivets	1048		
802	BC-F-42-32-UG	Ultra Gold F Connecting Clips 42-32 @ pair	2		Replaces BC-F-42-32
803	BC-BP32	Belt, Rivet Backing Plates 32mm	524	11001	Lap Splice Option, Used only with BC-1032-LN Lock Nuts
804	BC-7-32-CN	Connecting Rod, 11mm, 32' Wide Belted Chain, 60mm Traction Belts	1		For Clip Splice Option
805	BC-7-32-AC	7/16' x 32' Rod w/ 24mm Air Cushion Cover	264		
806	BC-1032-LN	10-32 LN	16		
807	BC-1032-FS	10-32 x 1 1/4' Bolts Flat Socket Head	16		
808	KEY-5-5-20	Shaft Key 5/16' sq x 1 1/4' Square Cut (1018)	1		
810	HM-103-SK	Seal Kit for Char-Lynn Motor	1		S Series - 010

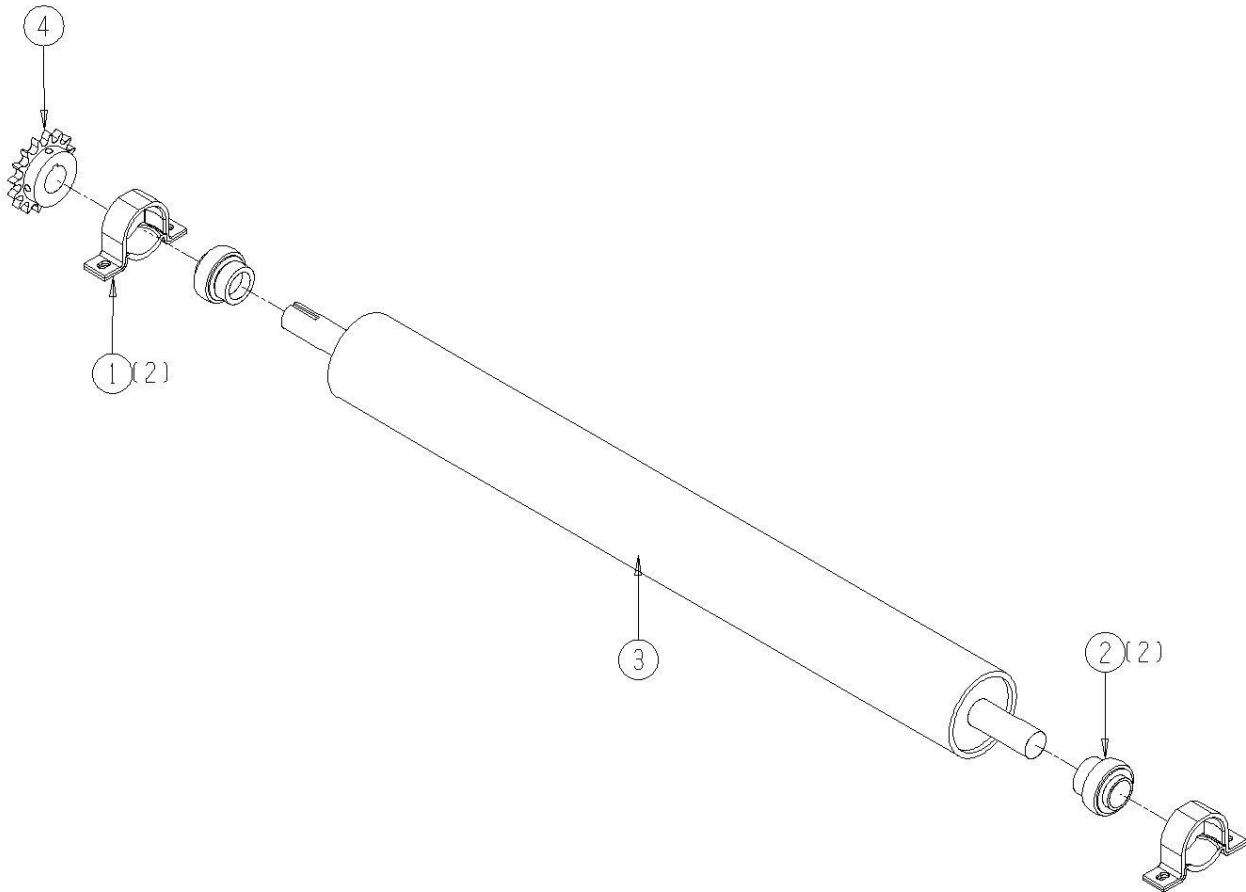
10016-03-04



10016-03-10 Header Conveyor Return Roller Assembly

<u>Ref</u>	<u>Part No.</u>	<u>Description</u>	<u>Parts – Assembly</u>	<u>Will Fit SN</u>	<u>Remarks</u>
1	BR-062-MPB	Stamped Bearing Housing for 1 1/4' bearing	2		
2	BR-125-062	Bearing, 1 1/4 Fafnir Tri-Seal, 62mm OD	2		
3	194-209	Transfer - Header Roller	1	19401-	
4	SP-50B16-20-4	Hardened Tooth Sprocket, #50, 16 Tooth, 1.25' Bore	1		
5	KEY-4-4-20	Shaft Key 1/4' x 1 1/4'	1		

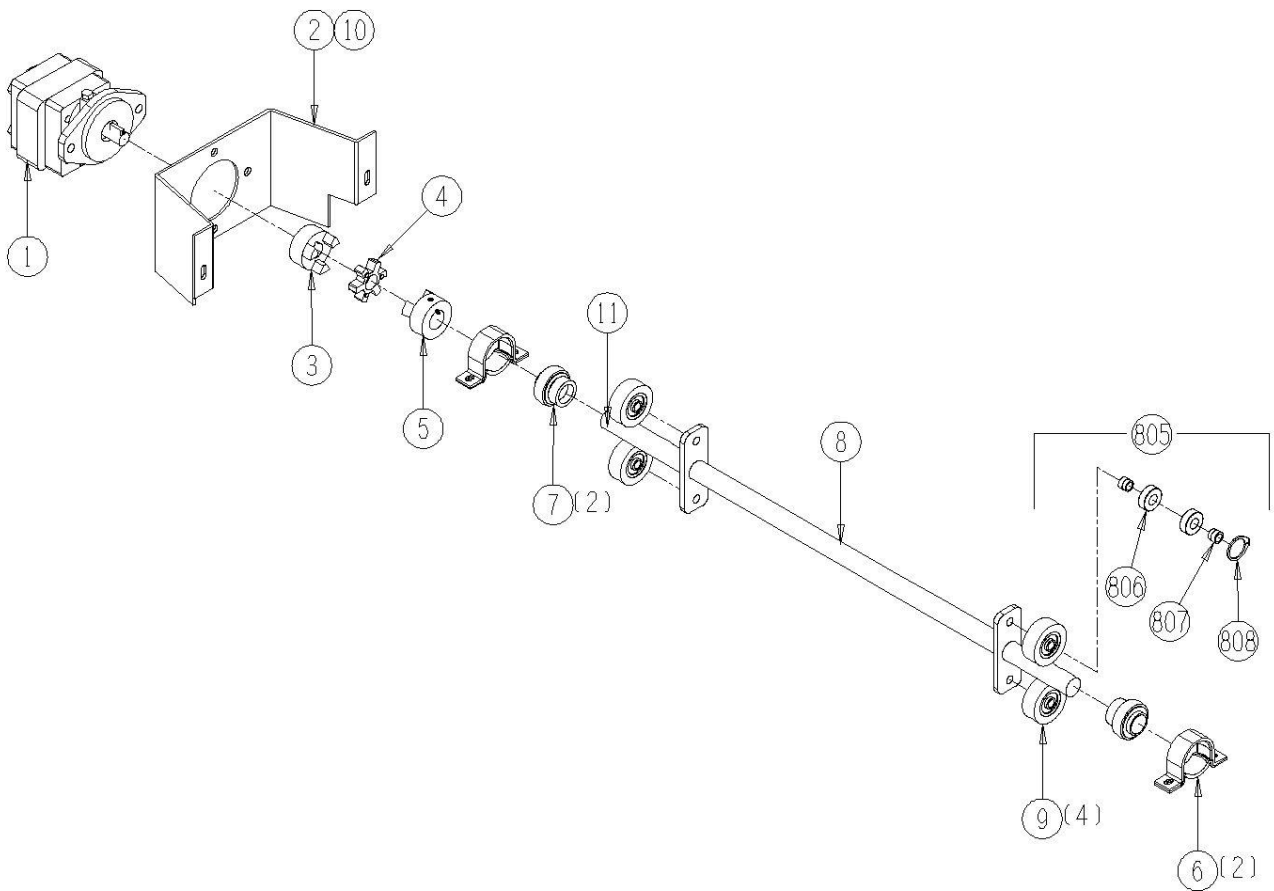
10016-03-10



10016-03-11 Header Conveyor Vibrator Shaft Assembly

<u>Ref</u>	<u>Part No.</u>	<u>Description</u>	<u>Parts – Assembly</u>	<u>Will Fit SN</u>	<u>Remarks</u>
1	HM-412-1	Hydraulic Motor, 1' Shaft	1		Same as HM-412C except w/1' shaft REPLACES HM-412C IF REPLACING A HM-412C WITH THIS MOTOR BE SURE THAT THE PROPER COUPLER SIZES ARE SUPPLIED
2	192-138	Mount, Vibrator Motor	1	19201-	
3	CPJ-6051	Coupler, L099, Motor Side 1in. Bore	1	19101	Sub 194-6053
4	CPJ-6055	Coupler, L099/100, Urethane Spider	1	19101	For use with CPJ-6052 and CPJ-6051 and CPJ-7081 Sub CPS-6053
5	CPJ-6052	Coupler, L100, Shaft Side 1 1/4in. Bore x 1/4' Key	1	19101	Sub 194-6053 Except on Debris Fan
6	BR-062-MPB	Stamped Bearing Housing for 1 1/4' bearing	2		
7	BR-125-062	Bearing, 1 1/4 Fafnir Tri-Seal, 62mm OD	2		
8	192-136	Vibrator shaft	1	19201-	
9	RLT-027-108	Roller 2.75' dia. 1/2' Bore	4		
10	DC-1176	Decal, Danger-Hand Chain Sprockets	1		
11	KEY-4-4-20	Shaft Key 1/4' x 1 1/4'	1		
12	STP-FL30	Stop, Flow Control	1	19101-	
800	HM-412B	Key for Hydraulic Motor -Shaker Weight-Vibrator	1	HM-412C & HM-712C	
801	HM-2100-SK	Shaft Seal & Gasket Kit for Permco Motor, M2100 Series	1		
802	HM-2100-BRG	Bearing for Permco Motor, M2100 Series	1		
804	HM-1801	Seal Kit for Commercial Intertech	1	P20 & M20 Series	Includes:(1) Length of HM- 2882,(1)HM-2883,(2)HM-2884
805	BR-025-052-C	Bearing Kit for Vibrator Roller (2 brg)	1	RLT-027-108	
806	BR-017-040	Bearing for Vibrator Roller	2		
807	RLT-SSC1	Stub Shaft for Vibrator Roller	2		
808	RLA-0275-SR4	Snap Ring for Vibrator Roller	1	RLT-027-108	

10016-03-11

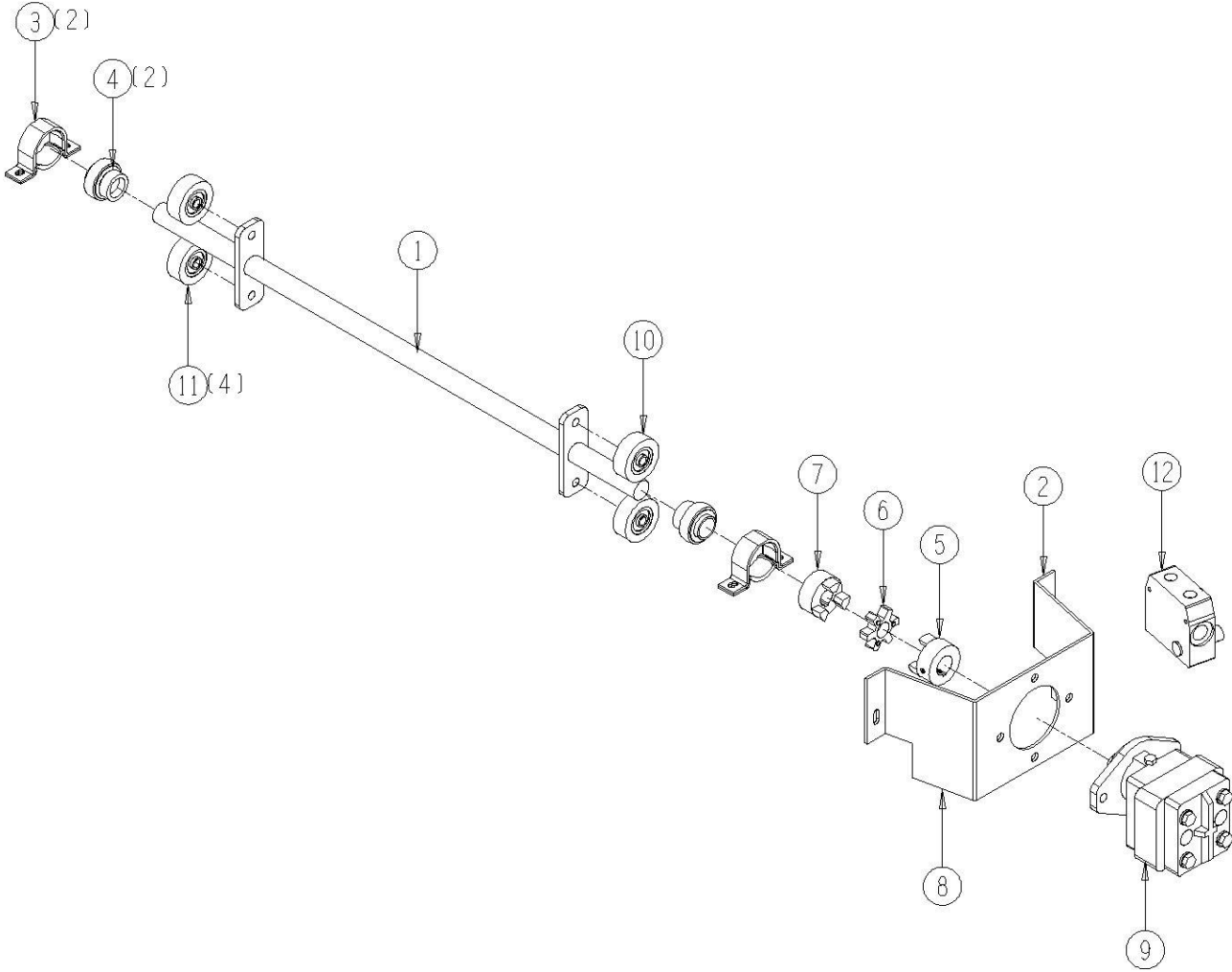


10016-03-14 Optional Second Vibrator Assembly

<u>Ref</u>	<u>Part No.</u>	<u>Description</u>	<u>Parts – Assembly</u>	<u>Will Fit SN</u>	<u>Remarks</u>
0	KIT-0121	2nd Vibrator, Header, Lower, 190 Series	0		
1	192-136	Vibrator shaft	1	19201-	
2	192-138	Mount, Vibrator Motor	1	19201-	
3	BR-062-MPB	Stamped Bearing Housing for 1 1/4' bearing	2		
4	BR-125-062	Bearing, 1 1/4 Fafnir Tri-Seal, 62mm OD	2		
5	CPJ-6052	Coupler, L100, Shaft Side 1 1/4in. Bore x 1/4' Key	1	19101	Sub 194-6053 Except on Debris Fan
6	CPJ-6055	Coupler, L099/100, Urethane Spider	1	19101	For use with CPJ-6052 and CPJ-6051 and CPJ-7081 Sub CPS-6053
7	CPJ-6051	Coupler, L099, Motor Side 1in. Bore	1	19101	Sub 194-6053
8	DC-1176	Decal, Danger-Hand Chain Sprockets	1		
9	HM-412-1	Hydraulic Motor, 1' Shaft	1		Same as HM-412C except w/1' shaft REPLACES HM-412C IF REPLACING A HM-412C WITH THIS MOTOR BE SURE THAT THE PROPER COUPLER SIZES ARE SUPPLIED
10	KEY-4-4-20	Shaft Key 1/4' x 1 1/4'	1		
11	RLT-027-108	Roller 2.75' dia. 1/2' Bore	4		
12	HV-FL30	Flow Control Valve 30GPM	1		
100	BL-8-250-H	1/2-13 X 2 1/2 HEX CAP G5 ZC	4		
101	BL-6-100-H	3/8 UNC X 1 HH C/S BOLT G5 ZC	2		
102	BL-6-125-H	3/8-16 X 1-1/4 HHCS G5 ZC	4		
103	BL-6-FW-8	3/8 FW G8 ZC	8		
104	BL-6-LN	3/8 UNC FIN H LN NE A563 GrA ZC	6		
105	BL-6-SW-8	3/8 SAE FW G8, YELLOW ZC, THRU HARDENED	4		
106	BL-8-150-H	1/2 UNC X 1-1/2 HH C/S BOLT G5 ZC	2		
107	BL-8-LN	1/2-13 H LN NYLON INSERT ZC	6		
108	BL-8-SW	1/2 SAE FW ZC	6		
109	BL-4-225-H	1/4 UNC X 2-1/4 HH C/S BOLT G5 ZC	2		
110	BL-4-FW	1/4 USS FW ZC	10		
111	BL-4-LN	1/4-20 HEX LN NE ZC	2		

600	A-4124-6-4	1/4 Male Pipe x 3/8 Push Loc	1	
601	A-6901-12-8	12 SAE x 1/2' FPX 90°, Forged	2	
602	H10-108-8MP-8MP	5/8 in Hose 1/2MP x 1/2MP x 108 in Long	1	
603	H10-144-8MP-8MP	5/8 in hose 1/2MP x 1/2MP x 144 in long	1	
604	H6-PL	Push Loc Hose 3/8' @ ft. (Gray)	12	
605	ATB-06-06-06	3/8' x 3/8' x 3/8' Brass Hose Barb Tee	1	
606	CL-10	Single Snap Grip Clamp for 3/8' Push Loc Hose	3	
607	A-1603-8-8-8	Swivel T 1/2' NPTF	1	
608	A-6401-10-8	10 SAE x 1/2 MPT Male	1	
609	A-6901-10-8	10 SAE x 1/2 FPX90°, Forged	2	
610	H10-30-8MP-8MP	5/8 in hose 1/2MP x 1/2MP x 30 in long	1	
801	HM-412B	Key for Hydraulic Motor -Shaker Weight-Vibrator	1	HM-412C & HM-712C
802	HM-2100-SK	Shaft Seal & Gasket Kit for Permco Motor, M2100 Series	1	
803	HM-2100-BRG	Bearing for Permco Motor, M2100 Series	1	

10016-03-14



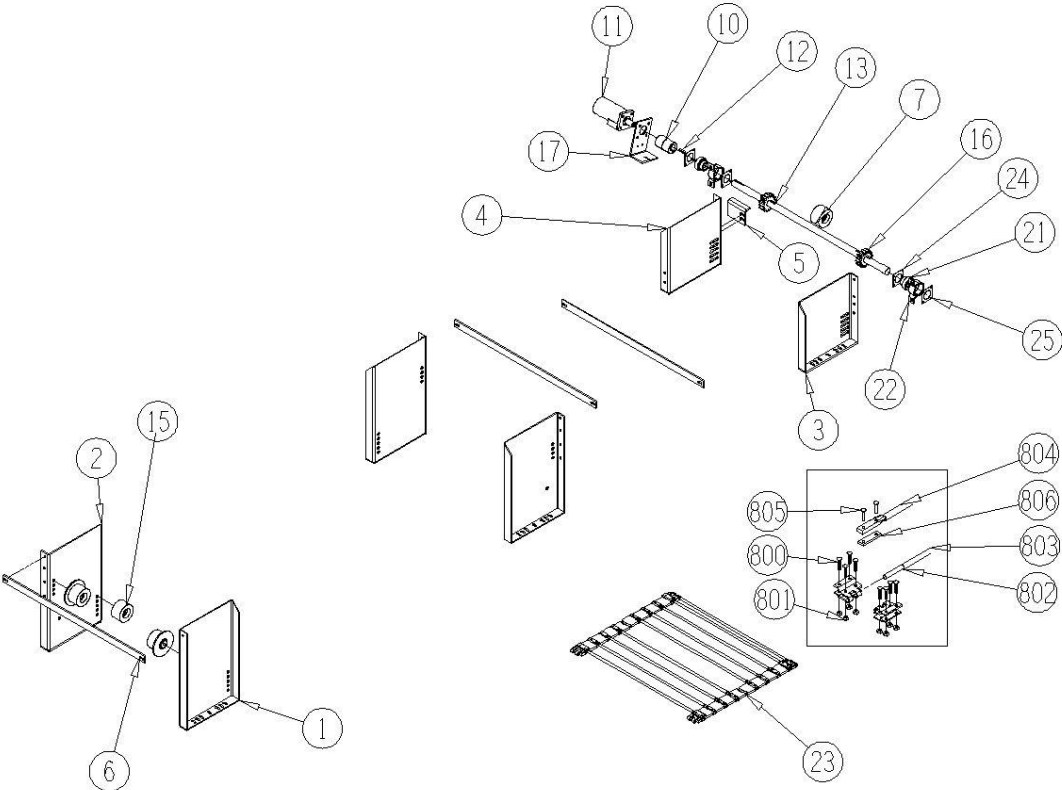
KIT-0121

10016-03-17 Optional Overhead Vine Assist/Full Length and Width

<u>Ref</u>	<u>Part No.</u>	<u>Description</u>	<u>Parts – Assembly</u>	<u>Will Fit SN</u>	<u>Remarks</u>
1	PAN-1104	Panel, Weldment, Outer Forward, Vine Assist	2	Kit-0050	
2	PAN-1105	Panel, Weldment, Inner Forward, Vine Assist	2	Kit-0050	
3	PAN-1106	Panel, Weldment, Outer Rear, Vine Assist	1	Kit-0050	
4	PAN-1107	Panel, Weldment, Inner Rear, Vine Assist	1	Kit-0050	
5	193-806B	Motor Mount Stop	1		
6	BAR-0134	Vine Assist Tomato,Cross Bar Support	2		
7	193-603	Shaft, Elevation	1	19301- (Elevation), KIT-0101 (Vine Assist),KIT- 0050,Kit- 0051	
8	CPS-6060	Steel Coupler (off center) 1 1/4' x 1'	1		
9	HM-210-TC	TCI Motor	1		Seal Kit # TCI-SKHPQ
10	KEY-4-4-20	Shaft Key 1/4' x 1 1/4'	1		
11	KEY-4-4-28	Shaft Key 1/4' x 1 3/4'	2		
12	RLT-035-228	Roller 3.5 Dia x 2.2 x 1/2' Bore, No Flange	6		
13	SPU-3610-20-4	Sprocket 36-10 1 1/4 bore 1/4' key urethane	2		
14	193-806	Mount Motor	1		
15	BR-125-062	Bearing, 1 1/4 Fafnir Tri-Seal, 62mm OD	2		
16	BR-062-MPB	Stamped Bearing Housing for 1 1/4' bearing	2		
17	BC-6-32108-90	Belted Chain, 3/8 x32, 2x60, 90 Pitches Long	1		
18	SC-20-6	Bearing Protector, 1 1/4', Inner Side	2		
19	SC-20-7	Bearing Protector, 1 1/4', Outer, Lock Collar Side	2		
100	BL-1032-175P	10/32 X 1-3/4 PH, PHILLIPS MACH. SCREW	8		
101	BL-6-SW	3/8 SAE FW ZC	42		
102	BL-6-SW-8	3/8 SAE FW G8, YELLOW ZC, THRU HARDENED	6		
103	BL-6-LN	3/8 UNC FIN H LN NE A563 GrA ZC	20		
104	BL-6-125-H	3/8-16 X 1-1/4 HHCS G5 ZC	12		
105	BL-6-150-H	3/8-16 X 1-1/2 HEX CAP G5 ZC	4		
106	BL-6-150-C	3/8 UNC X 1-1/2 CARRIAGE BOLT GR5 ZC	4		

107	BL-6-LW	3/8 SPLIT LW ZC	4		
108	BL-6-N	3/8-16 HEX NUTS ZC	4		
109	BL-6-275-H	3/8-16 X 2 3/4 HEX CAP G5 ZC	4		
110	BL-8-325-H	1/2 UNC X 3-1/4 HH C/S BOLT G5 ZC	6		
111	BL-8-SW	1/2 SAE FW ZC	6		
112	BL-8-LN	1/2-13 H LN NYLON INSERT ZC	6		
113	BL-8-FW-8	1/2 FW G8 ZC	2		
114	BL-6-100-H	3/8 UNC X 1 HH C/S BOLT G5 ZC	4		
601	A-6900-10-8	10 SAE x 1/2 FPX	2		
602	A-1405-12-12	3/4 NPT coupler w/swivel	1		
603	H12-36-12MP-8MP	3/4 in Hose 3/4MP x 1/2MP x 36 in Long	1		
604	H12-20-12MP-8MP	3/4 in hose 3/4MP x 1/2MP x 20 in long	1		
800	BC-1032-FS	10-32 x 1 1/4' Bolts Flat Socket Head	16		
801	BC-1032-LN	10-32 LN	16		
802	BC-3510	Grooveless Snap Ring, 10mm.	2		
803	BC-F-60SP	60mm Connecting Pin, Smooth w/ Grooves for Grip Clip	1		
804	BC-6-32-ST	3/8' x 32' Belted Chain Rods for 60mm Belt	1	11001	
805	BC-BP32	Belt, Rivet Backing Plates 32mm	0	11001	Lap Splice Option, Used only with BC-1032-LN Lock Nuts
806	BC-F-36-32-UG	Ultra Gold F Connecting Clips 36-32 @ pair	2		

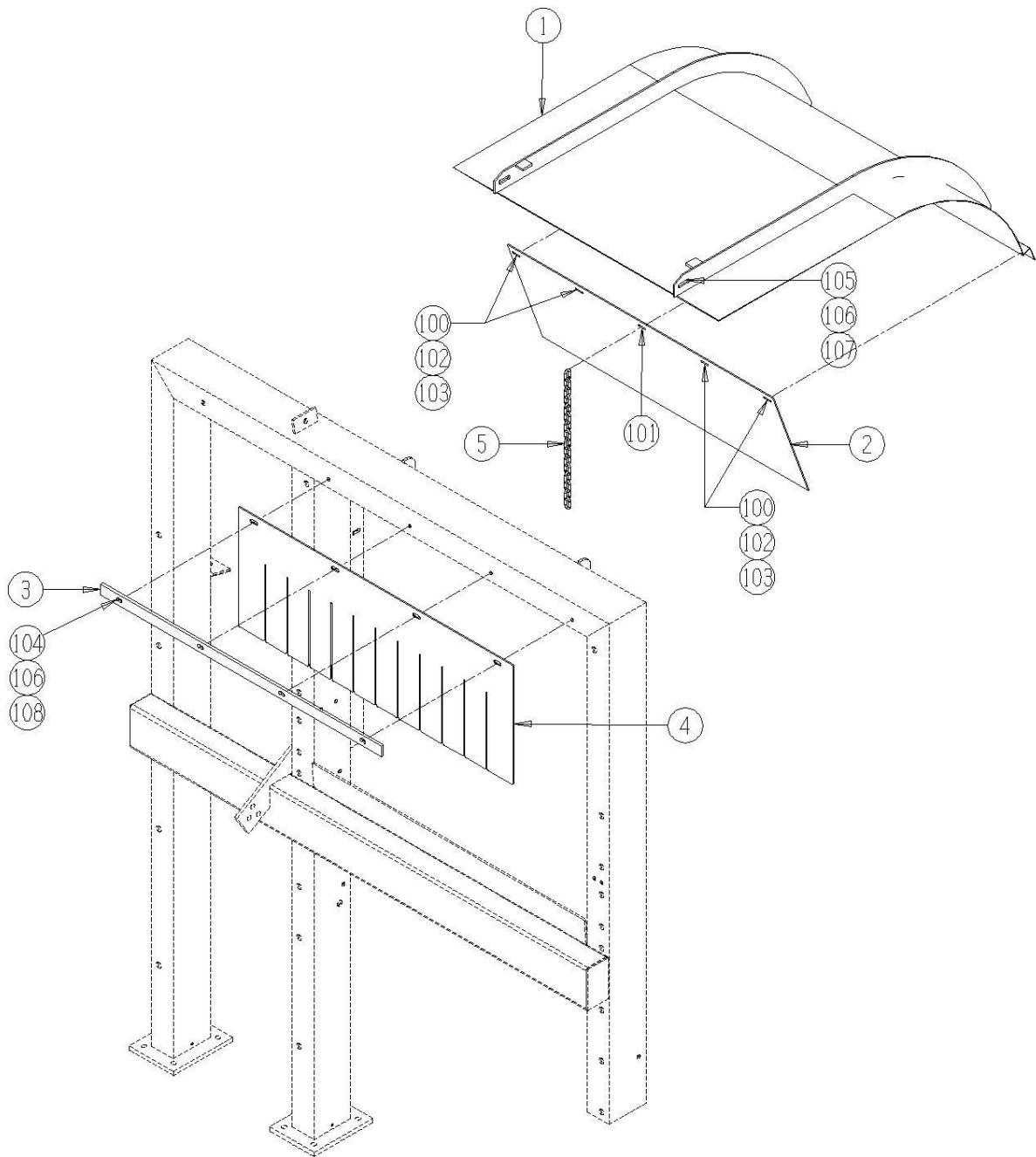
10016-03-17



10016-04-03 Shaker Cover Assembly

<u>Ref</u>	<u>Part No.</u>	<u>Description</u>	<u>Parts – Assembly</u>	<u>Will Fit SN</u>	<u>Remarks</u>
1	192-310	Cover, Primary Shaker	1	19201-	
2	191-310B	Belting, Primary Shaker Cover	1	19101-	
3	191-119A	Shaker Entrance Belting Bar	1	19101-	
4	191-119	Header Throat Belting Shield	1	19101-	
5	191-313	Chain, Shaker Cover, Panel Stiffener	1	19101- 30095001-	
100	BL-4-075-H	1/4 UNC X 3/4 HH C/S BOLT G5 ZC	4		
101	BL-4-100-H	1/4-20 X 1 HEX CAP G5 ZC	1		
102	BL-4-FW-8	1/4 FW G8	10		
103	BL-4-LN	1/4-20 HEX LN NE ZC	5		
104	BL-6-100-H	3/8 UNC X 1 HH C/S BOLT G5 ZC	4		
105	BL-6-125-H	3/8-16 X 1-1/4 HHCS G5 ZC	2		
106	BL-6-FW-8	3/8 FW G8 ZC	8		
107	BL-6-LN	3/8 UNC FIN H LN NE A563 GrA ZC	2		
108	BL-6-LW	3/8 SPLIT LW ZC	4		

10016-04-03

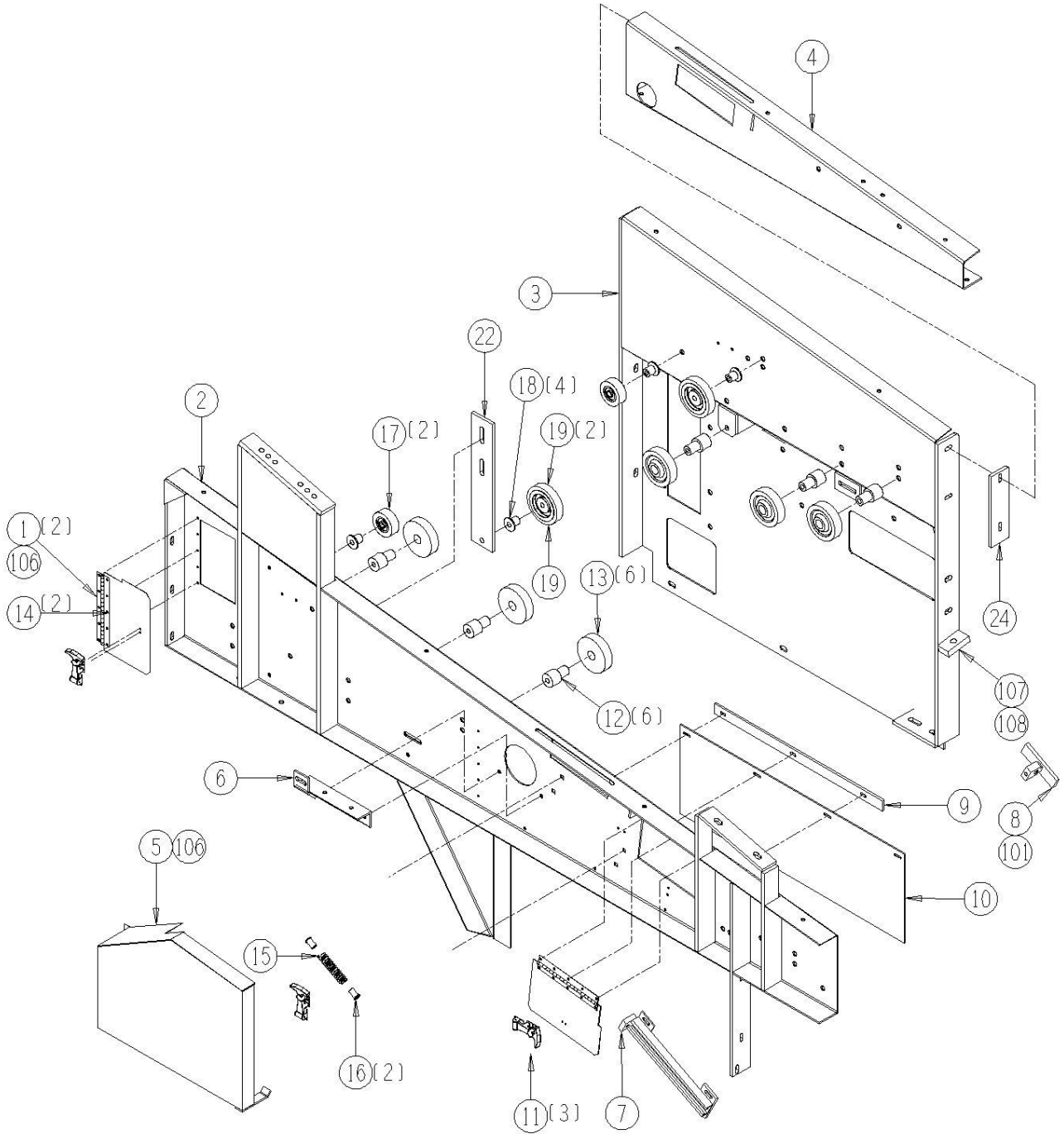


10016-04-05 Optional Transfer x/Vine Chain Assembly

<u>Ref</u>	<u>Part No.</u>	<u>Description</u>	<u>Parts – Assembly</u>	<u>Will Fit SN</u>	<u>Remarks</u>
1	195-304D	Access Door w/Hinge	2		
2	192-304	Shaker chamber support panel left	1	19201-	Must use SUP-1304 with this part.
3	PAN-325	Panel, Inner Shaker, Side Support	1		
4	192-306	Shaker chamber support panel rear	1	19201-	Must use SUP-1306 with this part.
5	195-207	Transfer Roller Drive Shield	1		
6	195-208	Idler Bracket for Transfer Roller Drive	1		
7	195-206	Transfer Roller Drive Adjuster Bracket	1		
8	195-206A	Transfer Roller Drive Slider	1		
9	BAR-646	Bar, Belting, Cross Conv. Entr, Separation Kit	1		
10	191-646	Belting, Cross Conveyor	1	19101-	
11	LA-1530	Medium Rubber T Latch Assembly	3		
12	RLA-010-0108	Spindle / Standoff for Urethane Roller (heat treated)	6	19101-	
13	RLG-040-1016	4' Urethane Roller	6	Old Terog Part No. RU4	
14	DC-1176	Decal, Danger-Hand Chain Sprockets	4		
15	SPG-9657C	Compression Spring for Transfer Roller Drive	1	195-208K	
16	BU-6389N	Nylon Bushing for Transfer Roller Drive	2	195-208K	
17	RLT-027-108	Roller 2.75' dia. 1/2' Bore	2		
18	RLA-000-118	Standoff, 1/2' X 1 1/8'	4		
19	RLR-040-108	4' Flat Roller	2		
21	BC-3526	Split Retaining Ring (Cross Clip)	2		
24	SPA-306	Spacer, Inner Rear Panel, Shaker	1		
25	DC-3025	Red and White Reflective Tape @ 150 ft Roll	0.005		
101	BL-8-1200-T	1/2-13 X 12 HH TAP BOLT G5 PL	1		
102	BL-4-075-C	1/4 UNC X 3/4 CARRIAGE BOLT G5 ZC	4		
103	BL-4-N	1/4-20 HEX FIN NUTS ZC	4		
104	BL-4-FW-8	1/4 FW G8	4		
105	BL-4-LW	1/4 SPLIT LW ZC	4		
106	RI-3-6-SS	SS POP RIVET, 3/16 X .251-.375, BUTTONHEAD	22		

107	BL-10-200-H	5/8-11 X 2 HEX CAP G5 ZC	1
108	BL-10-N	5/8-11 HEX FIN NUTS ZC	1

10016-04-05

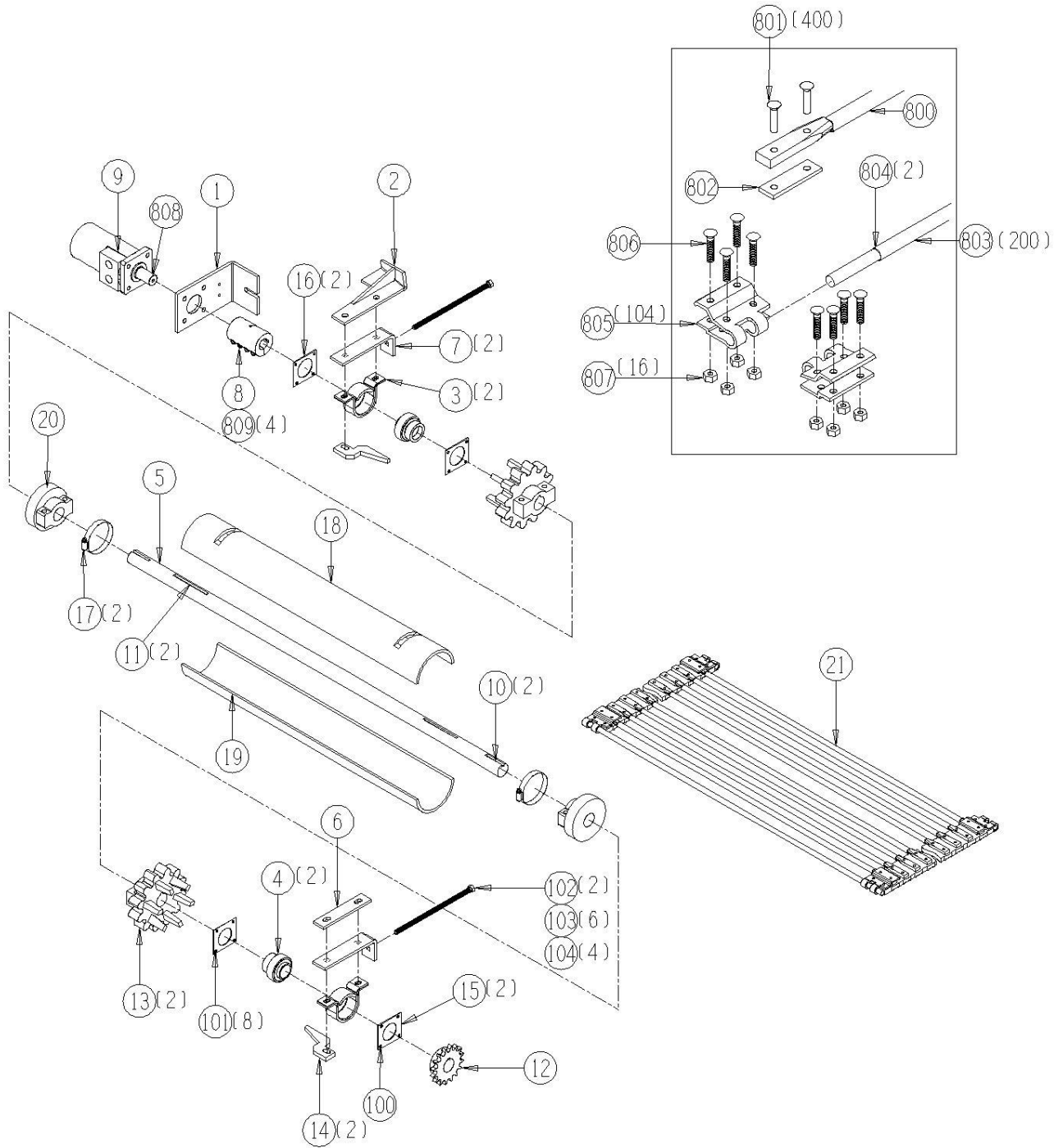


10016-04-06 Transfer Drive Shaft Assembly

<u>Ref</u>	<u>Part No.</u>	<u>Description</u>	<u>Parts – Assembly</u>	<u>Will Fit SN</u>	<u>Remarks</u>
1	193-806	Mount Motor	1		
2	195-213	Stop, Transfer Motor Drive	1	19501- 194-806K	
3	BR-062-MPB	Stamped Bearing Housing for 1 1/4' bearing	2		
4	BR-125-062	Bearing, 1 1/4 Fafnir Tri-Seal, 62mm OD	2		
5	195-202	Shaft for kit 44 1/2'long keyed both ends	1	19501- 195-208K	
6	192-805	Bracket, Outer Transfer Drive	1	19201-	
7	192-1528	Bearing Adjuster	2	19201-	
8	CPS-6060	Steel Coupler (off center) 1 1/4' x 1'	1		
9	HM-210-TC	TCI Motor	1		Seal Kit # TCI-SKHPQ
10	KEY-4-4-20	Shaft Key 1/4' x 1 1/4'	2		
11	KEY-4-4-44	Shaft Key 1/4' x 2 3/4'	2		
12	SP-50B16-20-4	Hardened Tooth Sprocket, #50, 16 Tooth, 1. 25' Bore	1		
13	SPU-3612-20-4	Urethane Sprocket 36-12 1 1/4 bore 1/4' key	2		Sub SP-3612-20-4
14	SCR-100	Scraper, Sprocket, Inner	2		
15	SC-20-6	Bearing Protector, 1 1/4', Inner Side	2		
16	SC-20-7	Bearing Protector, 1 1/4', Outer, Lock Collar Side	2		
17	CL-72	4 1/2' Gear Clamp	2		
18	PL-1413	Plastic, Shield, Anti-Wrap, Shaft Drive	1		
19	PL-1414	Drive Shaft, Plastic, 28.25'	1	KIT-0075	
20	PL-1421	Urethane Hub for Shaft Cover 1 1/4' Bore	2		Replaces PL-1415
21	BC-7-3636-105	Transfer Chain, 7/16' Bars 36' Wide, 105 Links 36mm	1		
101	BL-1032-175P	10/32 X 1-3/4 PH, PHILLIPS MACH. SCREW	8		
102	BL-6-900-T	3/8-16 X 9 HEX TAP G5 ZC	2		
103	BL-6-N	3/8-16 HEX NUTS ZC	6		
104	BL-6-FW-8	3/8 FW G8 ZC	4		
800	BC-7-36-AC	7/16' x 36' Rod w/ 24mm Air Cushion Cover	104		
801	RI-25-BC	25mm Belted Chain Rivets	400		
802	BC-BP32	Belt, Rivet Backing Plates 32mm	200	11001	Lap Splice Option, Used only with BC-1032-LN Lock Nuts

803	BC-7-36-CN	Connecting Rod, 11mm, 36' Wide Belted Chain, 60mm Traction Belts	1	11001	For Clip Splice Option
804	BC-3525	Snap Ring, 11mm.	2		
805	BC-F-36-32-UG	Ultra Gold F Connecting Clips 36-32 @ pair	2		
806	BC-1032-FS	10-32 x 1 1/4' Bolts Flat Socket Head	16		
807	BC-1032-LN	10-32 LN	16		
808	KEY-4-4-15	Shaft Key 1/4' X 1/4' X 15/16' Woodruff Key	1		
809	BL-5-100-SF	5/16-24 X 1 SOCKET HEAD CAP SCREW	4	CPS-6057	

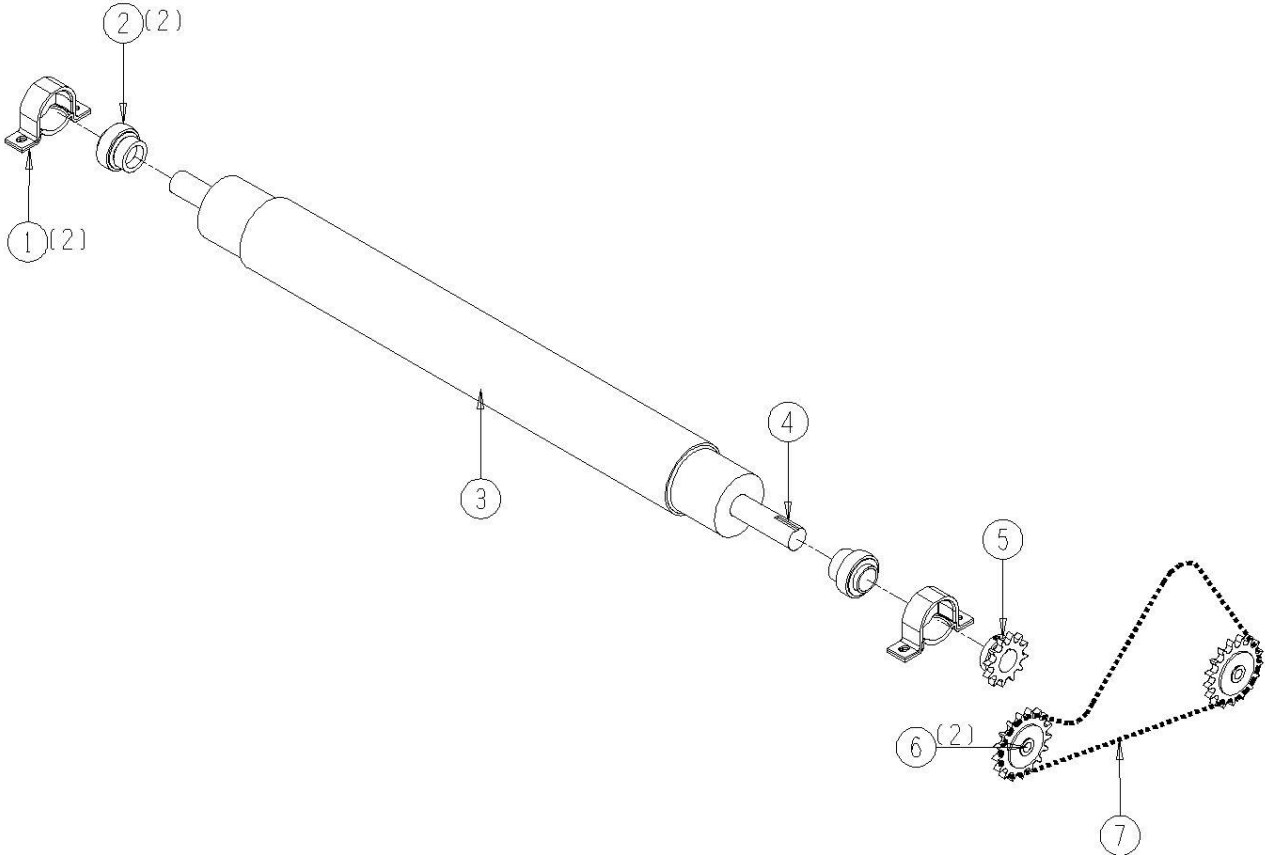
10016-04-06



10016-04-07 Transfer Return Roller Assembly

<u>Ref</u>	<u>Part No.</u>	<u>Description</u>	<u>Parts – Assembly</u>	<u>Will Fit SN</u>	<u>Remarks</u>
1	BR-062-MPB	Stamped Bearing Housing for 1 1/4' bearing	2		
2	BR-125-062	Bearing, 1 1/4 Fafnir Tri-Seal, 62mm OD	2		
3	RLR-0016	Transfer Return Roller, Rubber, 190 Tomato	1		
4	KEY-4-4-20	Shaft Key 1/4' x 1 1/4'	1		
5	SP-50B12-20-4	Hardened Tooth Sprocket, #50, 12 Tooth, 1.25' Bore	1	19201-	
6	SP-5017-T	Idler, 17 tooth x #50 Chain	2		
7	CH-50-73	Roller Chain 73 pitches #50, w/master link	1	19401- 195-208K	

10016-04-07



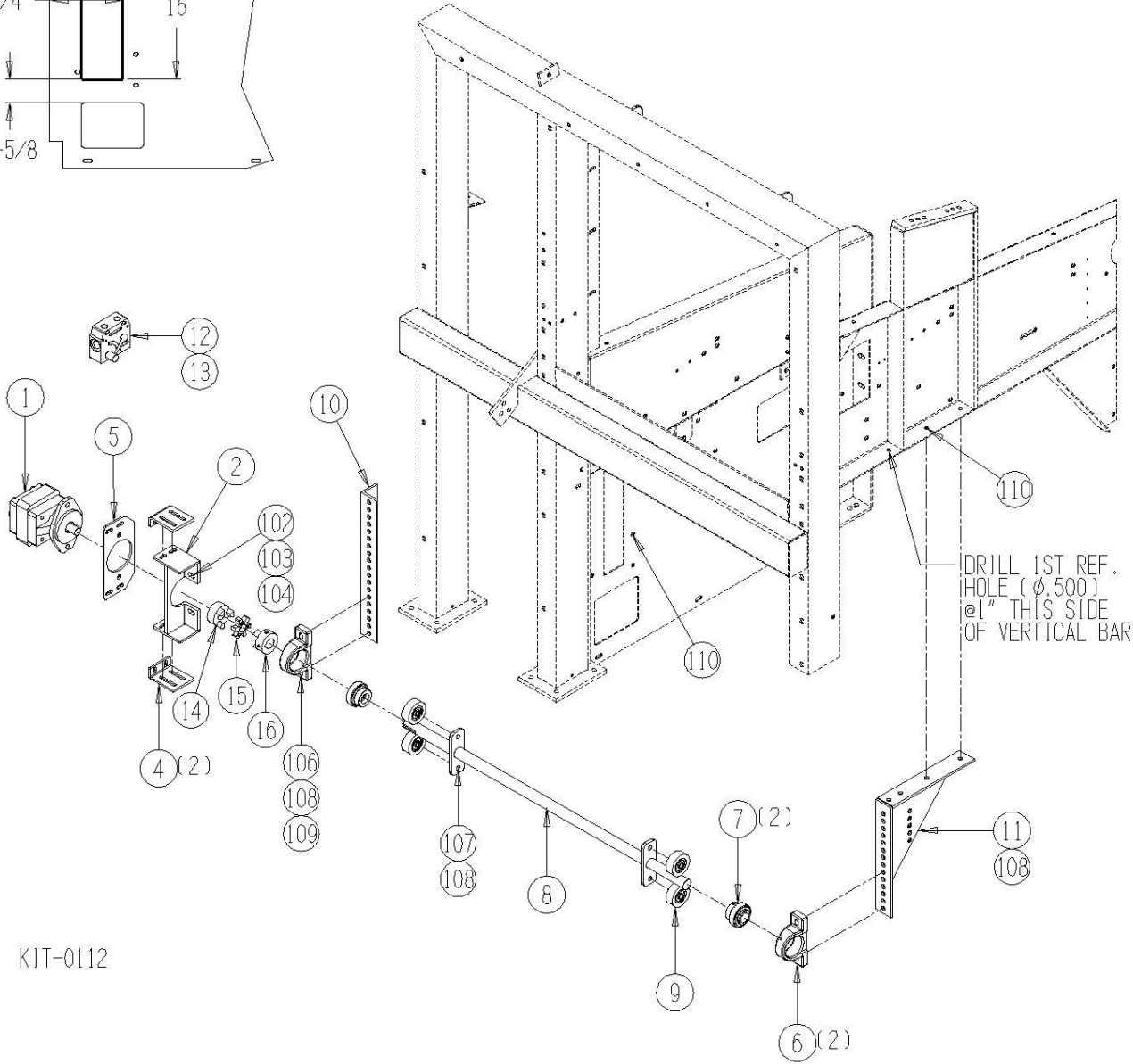
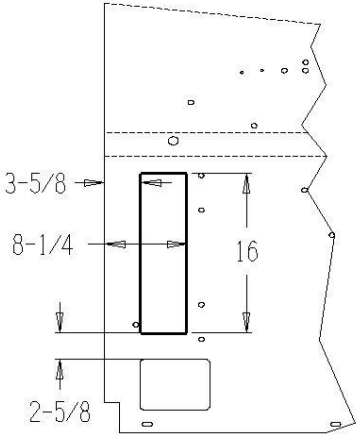
10016-04-09 Optional Transfer Dirt Vibrator Assembly

<u>Ref</u>	<u>Part No.</u>	<u>Description</u>	<u>Parts – Assembly</u>	<u>Will Fit SN</u>	<u>Remarks</u>
0	BAR-1307	Bar, Hold Down, Transfer Roller	-1		
0	KIT-0112	190 Power Vibrator, Transfer w/brackets	0	19501-	send hyd. schematic drawing along 1003-11-1
1	HM-412-1	Hydraulic Motor, 1' Shaft	1		Same as HM-412C except w/1' shaft REPLACES HM-412C IF REPLACING A HM-412C WITH THIS MOTOR BE SURE THAT THE PROPER COUPLER SIZES ARE SUPPLIED
2	MOU-0165	Motor Mount, Stop, Cross Vibrator	1		
4	MOU-0177	Mount, Long Vibrator, Harvester	2		
5	MOU-0167	Mount, Motor Cross Vibrator	1		
6	BR-072-RAK	72mm Cast Housing	2		
7	BR-125-072	Bearing, 1 1/4 Fafnir Tri-Seal, 72mm OD	2		
8	SFT-1360	Shaft, Dirt Vibrator, Transfer Belt	1		
9	RLT-027-108	Roller 2.75' dia. 1/2' Bore	4		
10	BRA-1360	Bracket, Vibrator, Transfer Chain	1		
11	BRA-1362	Bracket, Vibrator Transfer Return	1		
12	HV-FL30	Flow Control Valve 30GPM	1		
13	STP-FL30	Stop, Flow Control	1	19101-	
14	CPJ-6051	Coupler, L099, Motor Side 1in. Bore	1	19101	Sub 194-6053
15	CPJ-6055	Coupler, L099/100, Urethane Spider	1	19101	For use with CPJ-6052 and CPJ-6051 and CPJ-7081 Sub CPS-6053
16	CPJ-6052	Coupler, L100, Shaft Side 1 1/4in. Bore x 1/4' Key	1	19101	Sub 194-6053 Except on Debris Fan
102	BL-6-125-H	3/8-16 X 1-1/4 HHCS G5 ZC	8		
103	BL-6-LN	3/8 UNC FIN H LN NE A563 GrA ZC	8		
104	BL-6-FW-8	3/8 FW G8 ZC	16		
106	BL-8-200-H	1/2-13 X 2 HEX CAP G5 ZC	2		
107	BL-8-275-H	1/2 UNC X 2-3/4 HH C/S BOLT G5 ZC	4		
108	BL-8-LN	1/2-13 H LN NYLON INSERT ZC	14		
109	BL-8-SW	1/2 SAE FW ZC	20		

110	BL-8-125-H	1/2-13 X 1-1/4 HEX CAP G5 ZC	6	
111	BL-4-225-H	1/4 UNC X 2-1/4 HH C/S BOLT G5 ZC	2	
112	BL-4-FW-8	1/4 FW G8	2	
113	BL-4-LN	1/4-20 HEX LN NE ZC	2	
114	BL-8-225-H	1/2-13 X 2-1/4 HEX CAP G5 ZC	2	
601	A-6901-10-12	10 SAE x 3/4 FPX90°, Forged	4	
602	A-1601-8-8-8	1/2 MP x 1/2 FPX x 1/2 FPX Tee	1	
603	A-6900-10-8	10 SAE x 1/2 FPX	1	
604	A-1405-8-8	1/2' NPT Coupler w/Swivel	1	
605	H12-27-8MP-8MP	3/4 in hose 1/2MP x 1/2MP x 27 in long	1	
606	H12-27.5-12MP-12MP	3/4 in hose 3/4MP x 3/4MP x 27.5 in long	1	HV-1045K
607	H12-30-12MP-8MP	3/4 in hose 3/4MP x 1/2MP x 30 in long	1	
608	H12-50-12MP-8MP	3/4 in hose 3/4MP x 1/2MP x 50 in long	1	
801	KEY-4-4-15	Shaft Key 1/4' X 1/4' X 15/16' Woodruff Key	1	
802	BL-5-100-SF	5/16-24 X 1 SOCKET HEAD CAP SCREW	1	CPS-6057
803	HM-2100-SK	Shaft Seal & Gasket Kit for Permco Motor, M2100 Series	1	
804	HM-2100-BRG	Bearing for Permco Motor, M2100 Series	1	
805	KEY-4-4-20	Shaft Key 1/4' x 1 1/4'	1	

10016-04-09

ASSEMBLY NOTE:
-MOUNT IN FIFTH HOLE FROM BOTTOM

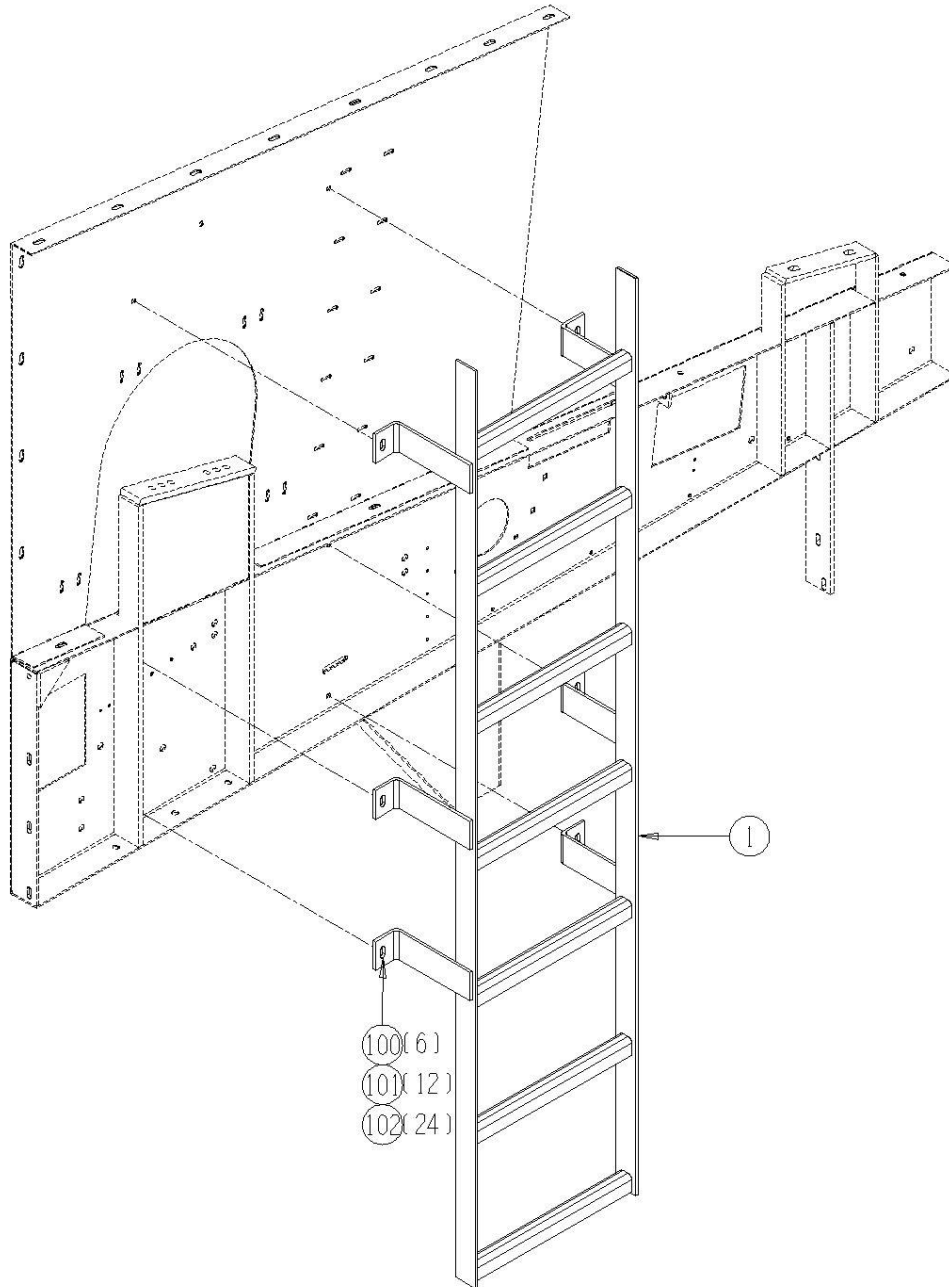


KIT-0112

10016-04-10 Shaker Chamber Ladder Assembly

<u>Ref</u>	<u>Part No.</u>	<u>Description</u>	<u>Parts – Assembly</u>	<u>Will Fit SN</u>	<u>Remarks</u>
1	STD-8403	Header Side Ladder, Shaker Chamber	1		
100	BL-6-175-H	3/8-16 X 1-3/4 HHCS G5 ZC	6		
101	BL-6-LN	3/8 UNC FIN H LN NE A563 GrA ZC	12		
102	BL-6-FWSS	3/8 USS FW SS	24		

10016-04-10

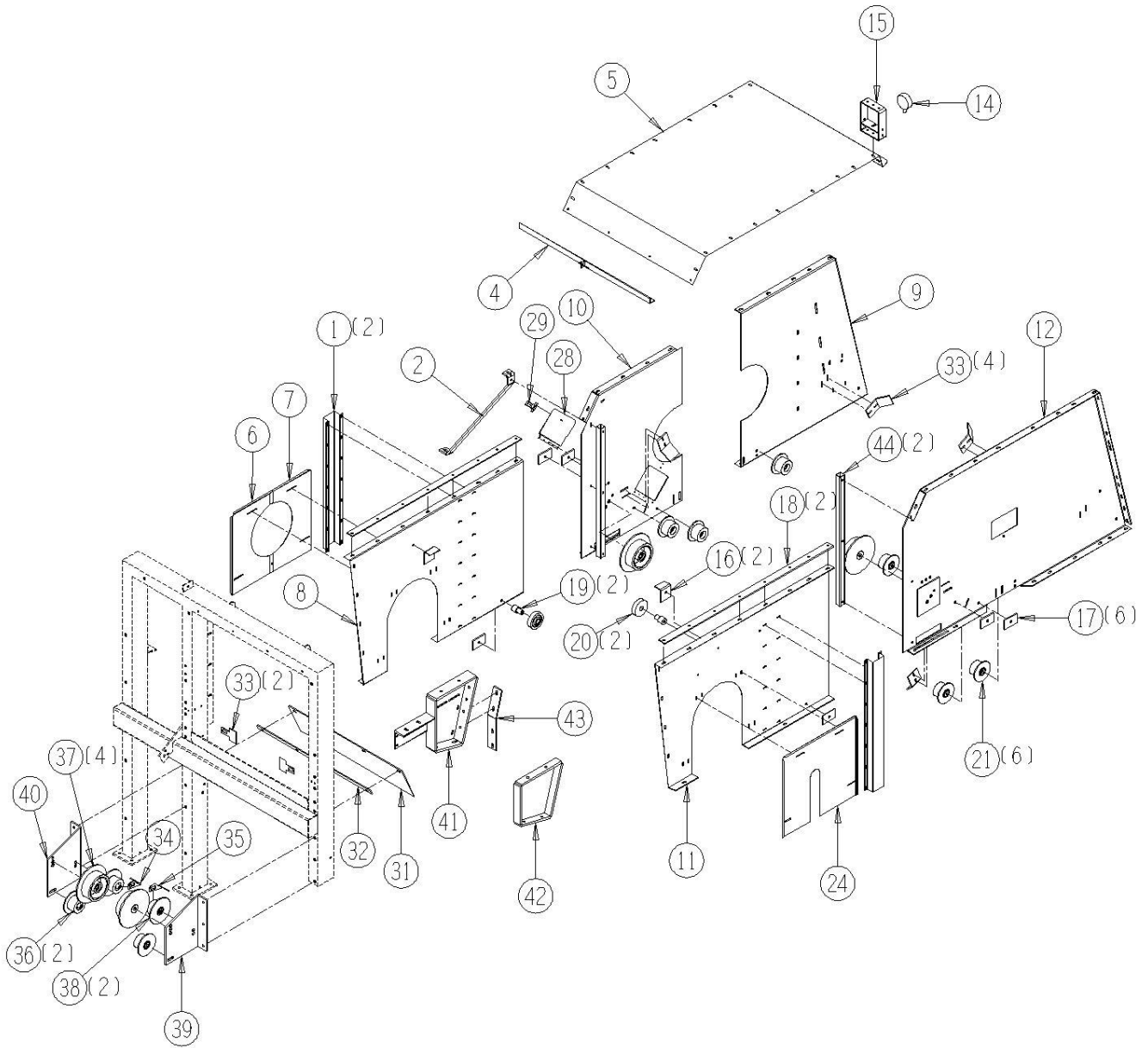


10016-04-50 Opt. Shaker Chamber w/Vine Chain Assembly

<u>Ref</u>	<u>Part No.</u>	<u>Description</u>	<u>Parts – Assembly</u>	<u>Will Fit SN</u>	<u>Remarks</u>
0	BT-960-8M-30	Shaker Drive Belt, (30mm Wide)	-1		Can not replace with BT-390H100 belts unless all the pulleys are changed.
1	194-301B	Post, Shaker Side	2	19401-	
2	195-320	Support Brace (Shaker Side)	1		
3	SHD-1898	Shield, Push Offs, Product Deflectors	4		
4	BAR-303	Bar, Angle, Shaker Cover Hook Bar Mount	1		
5	PAN-307	Cover, Diagonal, Top, Tomato	1	KIT-0080	
6	191-312R	Primary Shaker End Cover, Right	1	19101-	
7	191-312L	Primary Shaker End Cover, Left	1	19101-	
8	196-302	Panel, Right-Front Shaker	1		Replaces 192-302
9	PAN-308	Panel, Right, Rear, Tomato	1	KIT-0080	
10	PAN-309	Panel, Right/Mid, Tomato	1	KIT-0080	
11	196-301	Panel, Left-Front Shaker (Tomato)	1	19601-	
12	PAN-306	Panel, Left/Rear	1	KIT-0080	
14	EL-1206	Double Amber Lamp	1		
15	SHD-1206	Shield, Flashing Light	1	30097001- 19601-	
16	193-309	Primary Cover Stop	2	19301-	
17	BAR-1861	Bar, Roller Backing Plate	6		
18	BAR-302	Bar, Shaker Panel, Front, Top Support	2		
19	RLA-010-0108	Spindle / Standoff for Urethane Roller (heat treated)	2	19101-	
20	RLG-040-1016	4' Urethane Roller	2	Old Terog Part No. RU4	
21	RLT-535-228	5' Flange Roller 2.2WF x 3 1/2' dia, 1/2' bore	6		
24	195-312	Cover, Shaker End (Outer)	1	19501-	
26	DC-1400	Decal, Yellow, Secondary Transfer	1		
27	DC-1430	Decal, Vine Chain	1		
28	195-304D	Access Door w/Hinge	1		
29	LA-1530	Medium Rubber T Latch Assembly	1		
30	DC-1176	Decal, Danger-Hand Chain Sprockets	1		
31	191-210	Transfer Belting Shield	1	19101-	

32	191-210A	Transfer Entrance Belting Bar	1	19101-
33	193-126	Saver Tab	2	19301-
34	RLA-3023-T	Straight Scraper, RH	1	
35	RLA-3024-T	Straight Scraper	1	
36	RLT-535-2210	5' Flange Roller 2.2 WF 3.5 Dia, 5/8' Bore	2	
37	RLT-965-2212	9.5' Flange Roller 6.5 WF 2.2 WW ¾ bore, 3 brng.	4	
38	RLT-635-2210-SC	6 1/2' Flange Roller w/Shaft for Scraper 5/8' Bore	2	
39	SUP-1423	Support, Roller, Transfer, Outer, Tomato	1	
40	SUP-1424	Support, Roller, Transfer Chain, Inner, Tomato	1	
41	MOU-1416	Mount, Sec. Shaker, Inner	1	KIT-0080
42	MOU-1418	Mount, Sec. Shaker, Outer	1	KIT-0080
43	BAR-1416	Bar, Stiffner, Secondary Shaker Mount	1	
44	BAR-0116	Tube, Support, Shaker Panel, 190 Tomato Harvester	2	
150	RI-3-6-SS	SS POP RIVET, 3/16 X .251-.375, BUTTONHEAD	9	

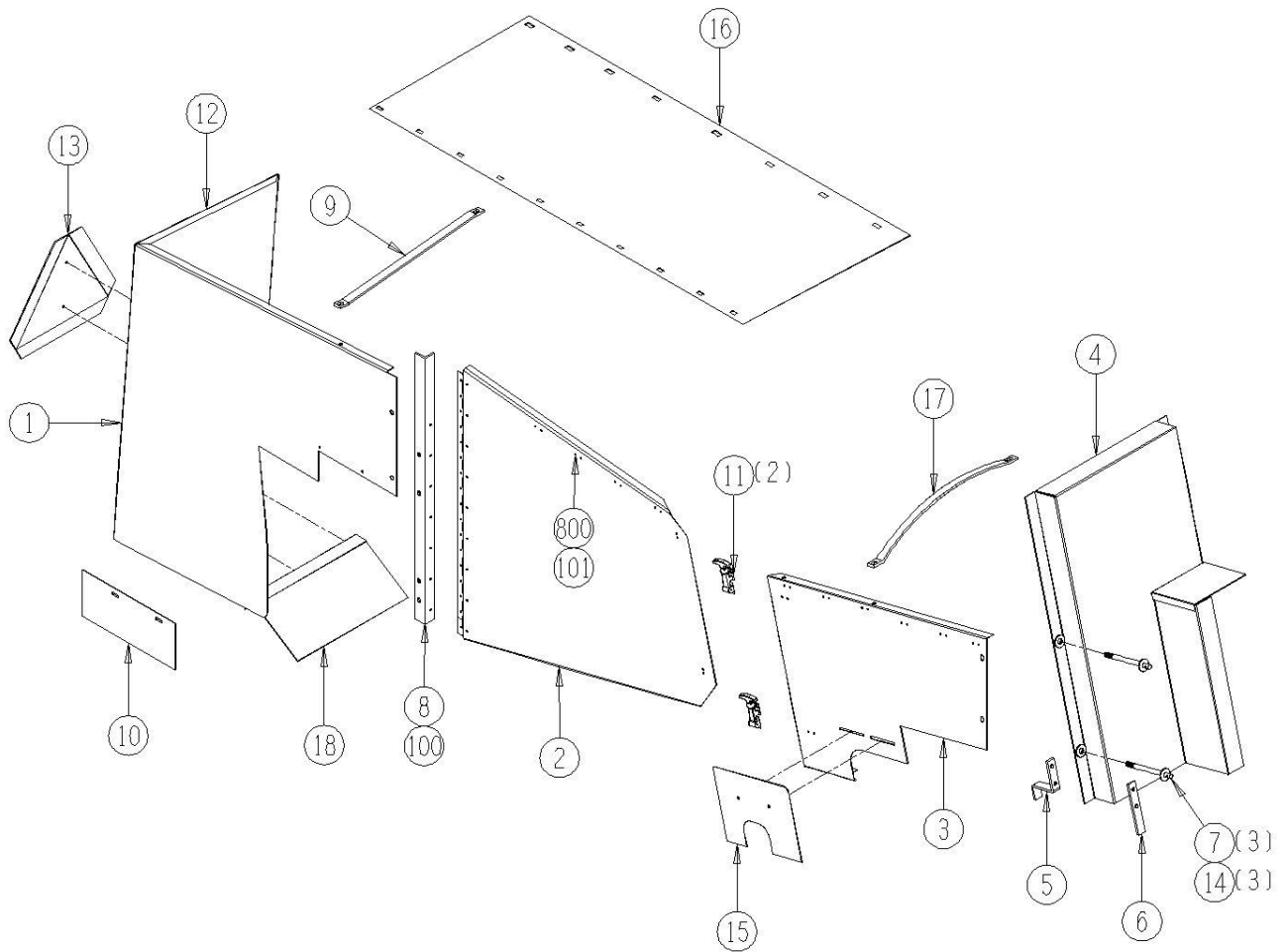
10016-04-50



10016-04-51 Optional Shaker Chamber Box Shield Assembly

<u>Ref</u>	<u>Part No.</u>	<u>Description</u>	<u>Parts – Assembly</u>	<u>Will Fit SN</u>	<u>Remarks</u>
1	SHD-0109	Shield, Rear Primary Shaker, Bell Pepper	1		
2	SHD-1417	Shield, Middle Shaker, Separation Kit	1	<19601 & 19901-	
3	195-1140	Shaker Shield (Front)	1	19501-19524 & 19901-	
4	SHD-1142	Shield, Shaker, Front of Shaker Frame	1		
5	192-1142A	Bracket for Front Shaker Shield	1		
6	BAR-1142A	Bar, Shield, Shaker	1	19201-	
7	192-1142B	Holder Bolt	3	19201-	
8	POS-1416	Post, Angle, Shaker Shield, Door	1		
9	195-1140B	Brace for Shaker Shield	1		
10	PL-1420	Shield, Secondary Shaker Belt	1		
11	LA-1530	Medium Rubber T Latch Assembly	2		
12	DC-1178	Decal, Small Red PIK RITE 4.25' x 31'	1		
13	SMV-PL	SMV Sign, Metal	1		
14	HC-1130B	Hairpin, 7/8'-1' Rod Dia Range	3		
15	SHD-1145	Shield, Shaker, Front	1		
16	TRP-1140	Shaker Shield Tarp	1		
17	BAR-1140	Bar, Tarp Brace, Above Primary Shaker	1		
18	SHD-1141A	Shield, Secondary Shaker Add-On	1	19501-	
100	RI-3-6-SS	SS POP RIVET, 3/16 X .251-.375, BUTTONHEAD	37		
101	RI-3-5-P	Pop Rivet 3/16 x 5/16 Domed, .375 head, ea	20		
800	TRP-CFM	Curtain Fastner With (2) 3/16' Holes	10		Used For Metal

10016-04-51

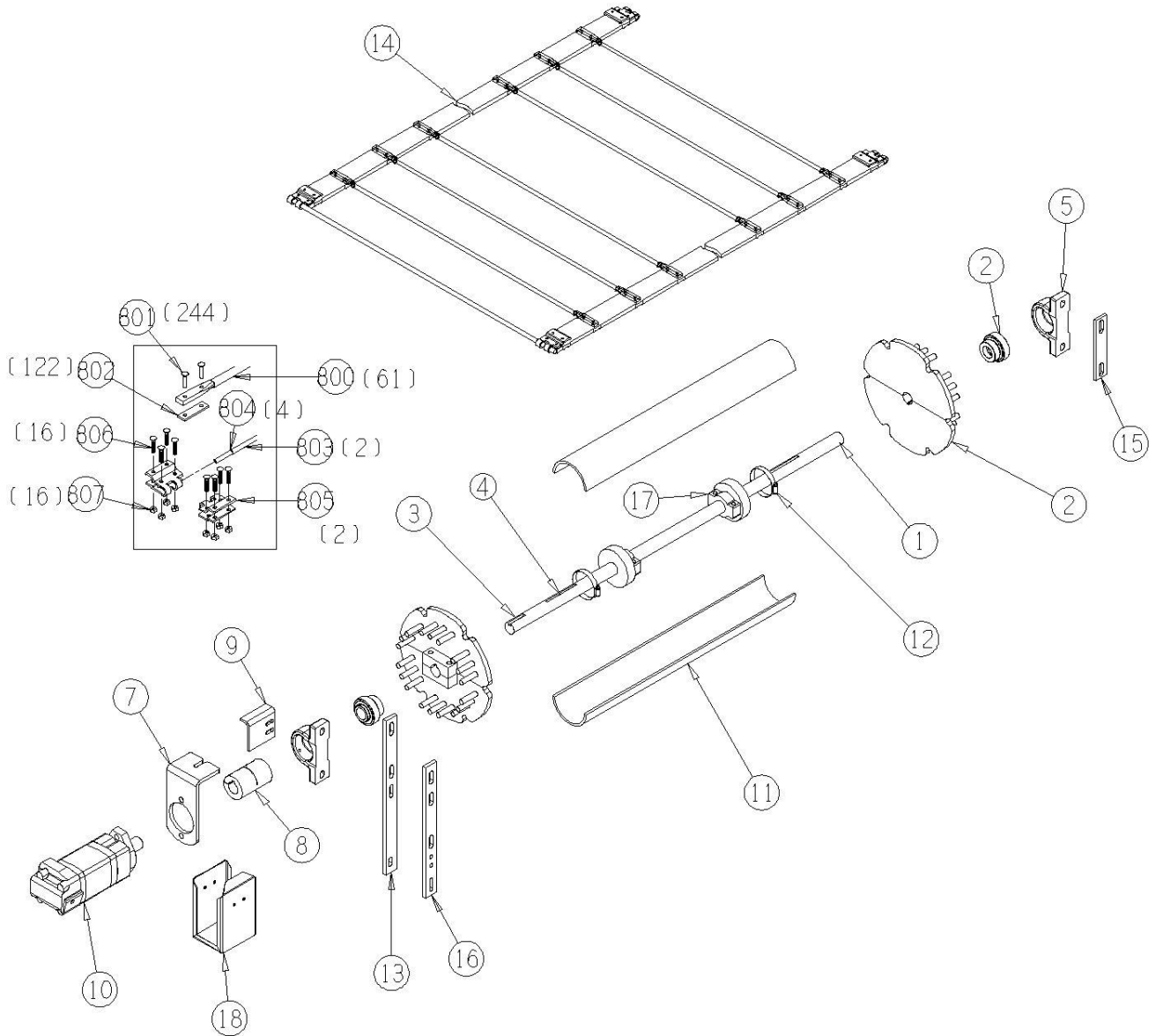


10016-04-52 Optional Vine Chain Drive Assembly

<u>Ref</u>	<u>Part No.</u>	<u>Description</u>	<u>Parts – Assembly</u>	<u>Will Fit SN</u>	<u>Remarks</u>
1	SFT-0130	Shaft, Transfer Drive, 290 Tomato Harvester	1		
2	SP-14406-20-4	Sprocket, 144mm Pitch, 6 Tooth, 1 1/4' Bore w/1/4' Keyway	2		Replaces SP-3618-20-4-RG and SP-14404-20-4
3	KEY-4-4-20	Shaft Key 1/4' x 1 1/4'	1		
4	KEY-4-4-32	Shaft Key 1/4' x 2' Square Cut (1018)	2		
5	BR-072-RAK	72mm Cast Housing	2		
6	BR-125-072	Bearing, 1 1/4 Fafnir Tri-Seal, 72mm OD	2		
7	MOU-0091	Motor Mount, 2000 Series Face, 2 Bolt, SAE-A	1		
8	CPS-6057	Coupler, Solid, 1.25', Cucumber & Tomato	1		This Replaces CPS-6056.
9	193-806A	Motor Mount Stop	1		
10	HM-1420-CH	Char Lynn Motor	1		
11	PL-1414	Drive Shaft, Plastic, 28.25'	2	KIT-0075	
12	CL-72	4 1/2' Gear Clamp	2		
13	BAR-0135	Vine Assist Tomato, Backing Bar, Motor Stop	1	10011-	
14	BC-8-36144-61DS	Vine Chain Double Skived Belt	1		
15	BAR-0130	Flat Bar, Bearing Backing Mount	1	-10010	
16	BAR-0131	Flat Bar, Bearing Backing Mount	1		
17	PL-1421	Urethane Hub for Shaft Cover 1 1/4' Bore	2		Replaces PL-1415
18	193-806C	Motor Guard	1	19301-	
600	H10-15-8MP-8MP	5/8 in hose 1/2MP x 1/2MP x 15' long	1		
800	BC-7-36-ST	7/16' x 36' Belted Chain Rod for 60mm Belt	61		
801	RI-25-BC	25mm Belted Chain Rivets	244		
802	BC-BP32	Belt, Rivet Backing Plates 32mm	122	11001	Lap Splice Option, Used only with BC-1032-LN Lock Nuts
803	BC-7-36-CN	Connecting Rod, 11mm, 36' Wide Belted Chain, 60mm Traction Belts	2	11001	For Clip Splice Option
804	BC-3525	Snap Ring, 11mm.	4		
805	BC-F-36-32-UG	Ultra Gold F Connecting Clips 36-32 @ pair	2		
806	BC-1032-FS	10-32 x 1 1/4' Bolts Flat Socket Head	16		
807	BC-1032-LN	10-32 LN	16		
808	KEY-4-4-15	Shaft Key 1/4' X 1/4' X 15/16' Woodruff Key	1		

809	BL-5-100-SF	5/16-24 X 1 SOCKET HEAD CAP SCREW	4	CPS-6057
810	HM-103-SK	Seal Kit for Char-Lynn Motor	1	S Series - 010

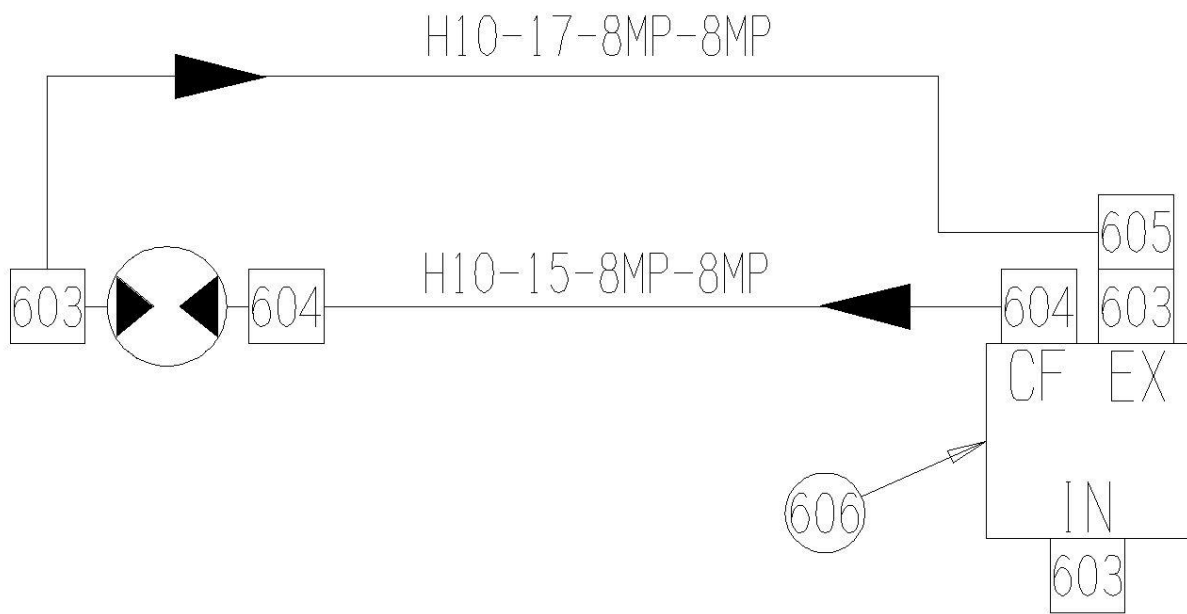
10016-04-52



10016-04-52H Opt. Vine Chain Drive Hyd. Assembly

<u>Ref</u>	<u>Part No.</u>	<u>Description</u>	<u>Parts – Assembly</u>	<u>Will Fit SN</u>	<u>Remarks</u>
601	H10-17-8MP-8MP	5/8 in hose 1/2MP x 1/2MP x 17' long	1		
602	H10-15-8MP-8MP	5/8 in hose 1/2MP x 1/2MP x 15' long	1		
603	A-6401-10-8	10 SAE x 1/2 MPT Male	3		
604	A-6901-10-8	10 SAE x 1/2 FPX90°, Forged	2		
605	A-1603-8-8-8	Swivel T 1/2' NPTF	1		
606	HV-FL16	Flow Control Valve 16GPM	1		

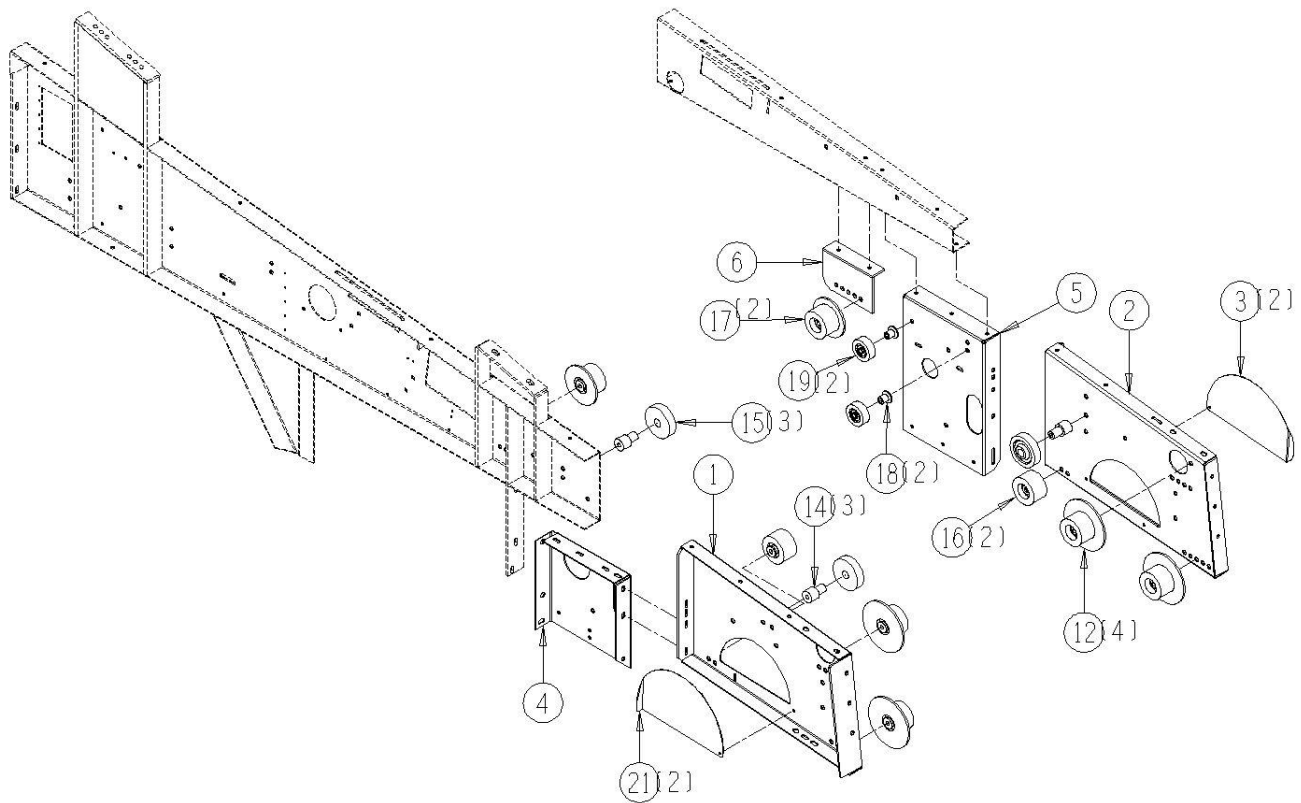
10016-04-52H



10016-04-53 Optional Rear Transfer Assembly

<u>Ref</u>	<u>Part No.</u>	<u>Description</u>	<u>Parts – Assembly</u>	<u>Will Fit SN</u>	<u>Remarks</u>
1	PAN-315	Panel, Roller, Outer	1	KIT-0080	
2	PAN-316	Panel, Roller, Inner	1	KIT-0080	
3	PAN-920C	Panel, Access [Red]	2	19301-	
4	SUP-1304	Support Panel, Rear, Outer, Lower Shaker	1		
5	SUP-1306	Support Panel, Rear, Inner, Lower Shaker	1		
6	BRA-306	Bracket, Roller, Inner Side, Rear Trans.	1	kit-0080	
12	RLT-635-228	6 1/2' Flange Roller 2.2 WF 3.5 dia, 1/2' bore	4		
14	RLA-010-0108	Spindle / Standoff for Urethane Roller (heat treated)	3	19101-	
15	RLG-040-1016	4' Urethane Roller	3	Old Terog Part No. RU4	
16	RLT-035-228	Roller 3.5 Dia x 2.2 x 1/2' Bore, No Flange	2		
17	RLT-535-228	5' Flange Roller 2.2WF x 3 1/2' dia, 1/2' bore	2		
18	RLA-000-118	Standoff, 1/2' X 1 1/8'	2		
19	RLT-027-108	Roller 2.75' dia. 1/2' Bore	2		
21	DC-1176	Decal, Danger-Hand Chain Sprockets	2		

10016-04-53

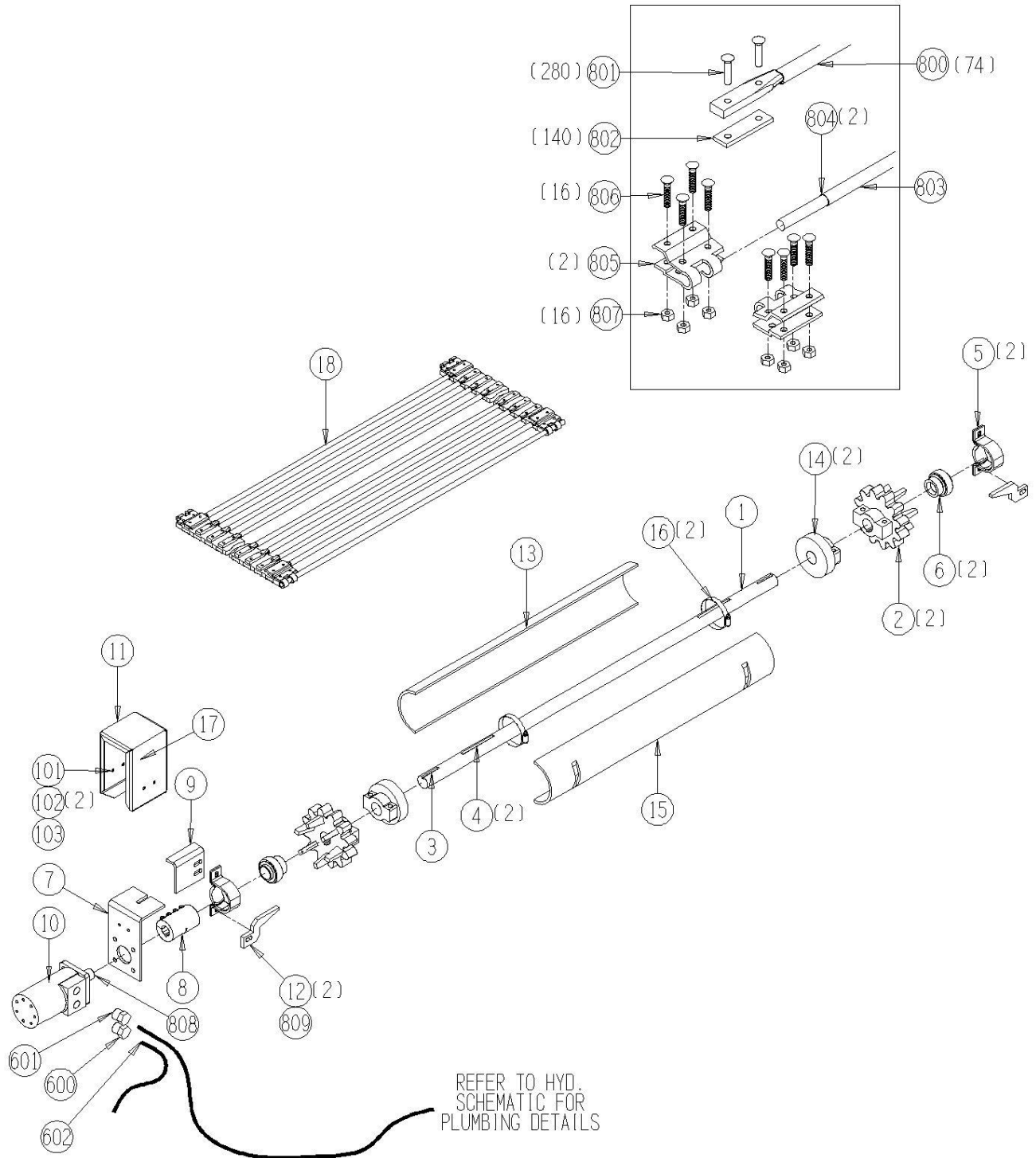


10016-04-54 Optional Rear Transfer Drive Shaft Assembly

<u>Ref</u>	<u>Part No.</u>	<u>Description</u>	<u>Parts – Assembly</u>	<u>Will Fit SN</u>	<u>Remarks</u>
1	195-202	Shaft for kit 44 1/2' long keyed both ends	1	19501- 195-208K	
2	SPU-3612-20-4	Urethane Sprocket 36-12 1 1/4 bore 1/4' key	2		Sub SP-3612-20-4
3	KEY-4-4-20	Shaft Key 1/4' x 1 1/4'	1		
4	KEY-4-4-32	Shaft Key 1/4' x 2' Square Cut (1018)	2		
5	BR-062-MPB	Stamped Bearing Housing for 1 1/4' bearing	2		
6	BR-125-062	Bearing, 1 1/4 Fafnir Tri-Seal, 62mm OD	2		
7	193-806	Mount Motor	1		
8	CPS-6060	Steel Coupler (off center) 1 1/4' x 1'	1		
9	193-806A	Motor Mount Stop	1		
10	HM-210-TC	TCI Motor	1		Seal Kit # TCI-SKHPQ
11	193-806C	Motor Guard	1	19301-	
12	SCR-100	Scraper, Sprocket, Inner	2		
13	PL-1414	Drive Shaft, Plastic, 28.25'	1	KIT-0075	
14	PL-1421	Urethane Hub for Shaft Cover 1 1/4' Bore	2		Replaces PL-1415
15	PL-1413	Plastic, Shield, Anti-Wrap, Shaft Drive	1		
16	CL-72	4 1/2' Gear Clamp	2		
17	DC-1176	Decal, Danger-Hand Chain Sprockets	1		
18	BC-7-3636-75	Rear Transfer, Belted Chain for Tomato	1		
101	BL-4-500-H	1/4-20 X 5 HEX CAP G5 ZC	1		
102	BL-4-FW	1/4 USS FW ZC	2		
103	BL-4-WN	1/4-20 FORGED WINGNUT ZC	1		
600	A-6902-10-8	10 SAE X 1/2' FPX 45°	1		
601	A-6900-10-8	10 SAE x 1/2 FPX	1		
602	H10-30-8MP-8MP	5/8 in hose 1/2MP x 1/2MP x 30 in long	1		
800	BC-7-36-AC	7/16' x 36' Rod w/ 24mm Air Cushion Cover	74		
801	RI-25-BC	25mm Belted Chain Rivets	280		
802	BC-BP32	Belt, Rivet Backing Plates 32mm	140	11001	Lap Splice Option, Used only with BC-1032-LN Lock Nuts
803	BC-7-36-CN	Connecting Rod, 11mm, 36' Wide Belted Chain, 60mm Traction Belts	1	11001	For Clip Splice Option

804	BC-3525	Snap Ring, 11mm.	2	
805	BC-F-36-32-UG	Ultra Gold F Connecting Clips 36-32 @ pair	2	
806	BC-1032-FS	10-32 x 1 1/4' Bolts Flat Socket Head	16	
807	BC-1032-LN	10-32 LN	16	
808	KEY-4-4-15	Shaft Key 1/4' X 1/4' X 15/16' Woodruff Key	1	
809	BL-5-100-SF	5/16-24 X 1 SOCKET HEAD CAP SCREW	4	CPS-6057

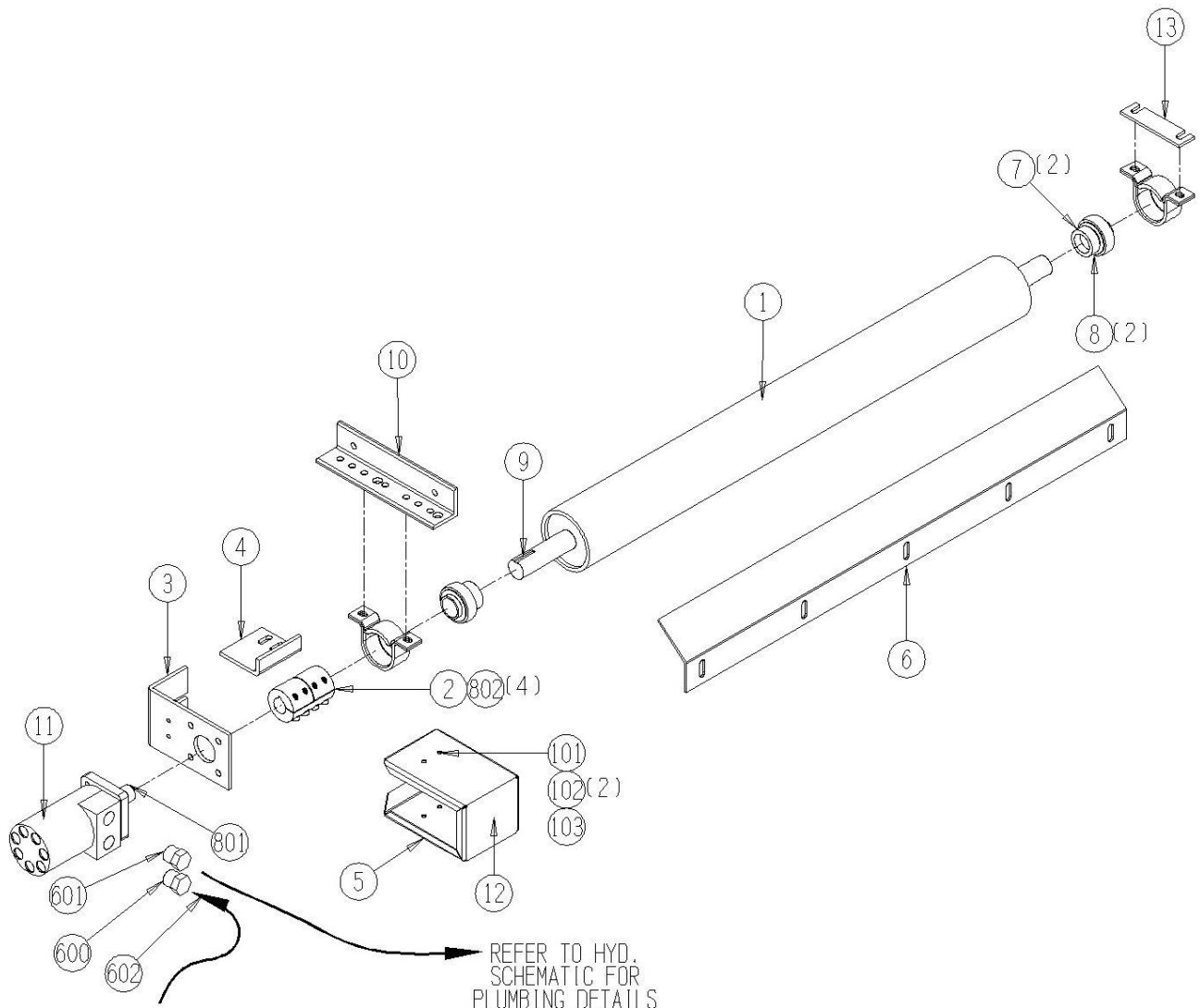
10016-04-54



10016-04-55 Optional Rear Transfer Return Roller Assembly

<u>Ref</u>	<u>Part No.</u>	<u>Description</u>	<u>Parts – Assembly</u>	<u>Will Fit SN</u>	<u>Remarks</u>
1	194-209	Transfer - Header Roller	1	19401-	
2	CPS-6060	Steel Coupler (off center) 1 1/4' x 1'	1		
3	193-806	Mount Motor	1		
4	193-806A	Motor Mount Stop	1		
5	193-806C	Motor Guard	1	19301-	
6	SCR-616	Scraper, Rear Transfer, Return Roller	1	KIT-0080	
7	BR-062-MPB	Stamped Bearing Housing for 1 1/4' bearing	2		
8	BR-125-062	Bearing, 1 1/4 Fafnir Tri-Seal, 62mm OD	2		
9	KEY-4-4-20	Shaft Key 1/4' x 1 1/4'	1		
10	BRA-1422	Bracket, Roller	1	KIT-0080	
11	HM-204-TC	TCI Motor	1		Seal Kit # TCI-SKHPQ can replace with HM-204-OMS
12	DC-1176	Decal, Danger-Hand Chain Sprockets	1		
13	SHM-062-250	Shim, 062 Stamped Bearing Housing	1		
101	BL-4-500-H	1/4-20 X 5 HEX CAP G5 ZC	1		
102	BL-4-FW	1/4 USS FW ZC	2		
103	BL-4-WN	1/4-20 FORGED WINGNUT ZC	1		
600	A-6900-10-8	10 SAE x 1/2 FPX	1		
601	A-6902-10-8	10 SAE X 1/2' FPX 45°	1		
602	H10-30-8MP-8MP	5/8 in hose 1/2MP x 1/2MP x 30 in long	1		
603	H10-34-8MP-8MP	5/8 in hose 1/2MP x 1/2MP x 34 in long	1		
801	KEY-4-4-15	Shaft Key 1/4' X 1/4' X 15/16' Woodruff Key	1		
802	BL-5-100-SF	5/16-24 X 1 SOCKET HEAD CAP SCREW	4	CPS-6057	

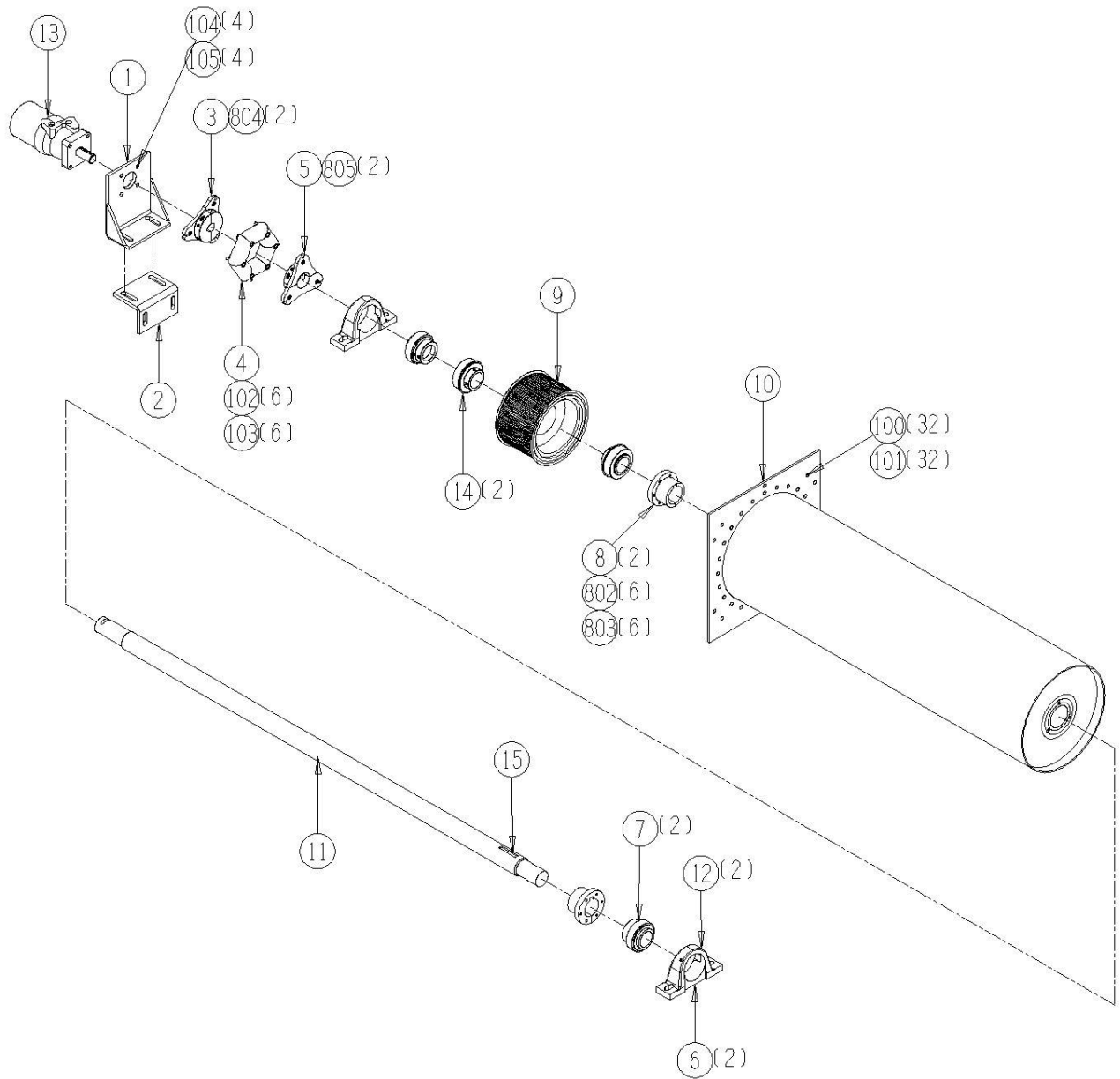
10016-04-55



10016-05-01 Primary & Secondary Shaker Drum Assembly

<u>Ref</u>	<u>Part No.</u>	<u>Description</u>	<u>Parts – Assembly</u>	<u>Will Fit SN</u>	<u>Remarks</u>
	SP-SF-2	Bushing, SF x 2'	1		
1	194-416	Mount, Shaker Rotation Motor	1	19101	For use with 194-416a
2	194-416A	Mount, Shaker Rotation Motor	1	19101-	For use with 194-416
3	CPR-422D-18	Coupler, Shaker, Motor Side, 1' Shaft	1	30095001-	
4	CPR-422-18	Lovejoy Donut w/ Hardware	1		
5	CPR-422C-18	Coupler, Shaker Side	1	30095001-	
6	BR-085-RAK	Bearing Housing 85 mm	2		
7	BR-175-085	Fafnir Bearing 1 ¾ Tri Seal	2		
8	SP-SK-2	Bushing, SK x 2'	1	19101	
9	PU-80-8M-114-2	Center Pulley for 2 & 2-3/16' Shafts	1		
10	SHA-3403	Shaker Tube	1	19101-	Must use SHA-3402 with this part to be compatible with 192-401
11	SFT-1000	2' Shaker Shaft, 190 Tomato Harvester	1		
12	GF-1428	Grease Fitting 1/4' x 28 straight	2		
13	HM-103-TC	TCI Motor	1		Seal Kit # TCI-SKHRQ
14	BR-200-ER	Bearings, 2' ER	2		
15	KEY-6-6-24	Keystock 3/8' x 3/8' x 1 1/2' Square Cut (1018)	1		
17	BL-5-025-SCF	5/16-24 x 1/4' Knurled Point Set Screw	2		
100	BL-6-100-C	3/8 UNC X 1 CARRIAGE BOLT G5 ZC	32		
101	BL-6-LN	3/8 UNC FIN H LN NE A563 GrA ZC	32		
102	BL-6-N	3/8-16 HEX NUTS ZC	6		
103	BL-6-250-8	3/8-16 X 2-1/2 HH C/S G8 ZC	6		
104	BL-6-100-H-8	3/8-16 X 1 HEX CAP G8 ZC	4		
105	BL-6-LW	3/8 SPLIT LW ZC	4		
800	HM-103-SK	Seal Kit for Char-Lynn Motor	1	S Series - 010	
801	KEY-4-4-15	Shaft Key 1/4' X 1/4' X 15/16' Woodruff Key	1		
802	BL-5-LW	5/16 SPLIT LW ZC	6		
803	BL-5-200-8T	5/16-18 X 2 TAP BOLT G8	6		
804	BL-5-150-SCF	5/16-24 x 1-1/2 SOCKET HEAD CAP SCREW	2		

10016-05-01



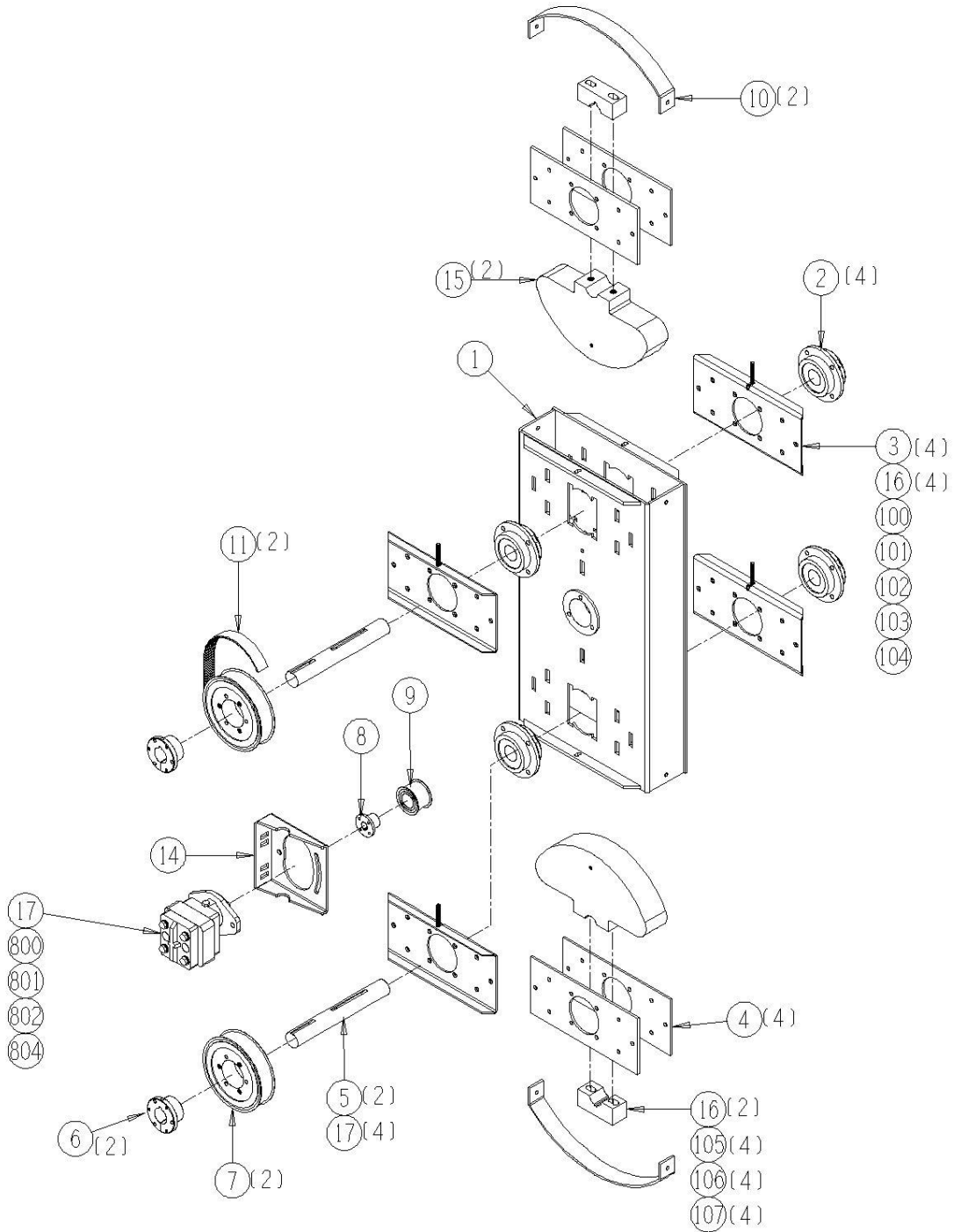
10016-05-02 Primary & Secondary Shaker Weight & Box Assembly

<u>Ref</u>	<u>Part No.</u>	<u>Description</u>	<u>Parts – Assembly</u>	<u>Will Fit SN</u>	<u>Remarks</u>
1	SHA-8503	Shaker, Weight Box, Primary, SF Bushing	1		
2	BR-PFB-175	Round Piloted Flange with Spherical Roller Bearing, 1 3/4'	4		
3	MOU-096	Shaker Bearing Mount, QM Style	4		
4	MOU-095	Shaker Bearing Mount, Backing Plate, QM Style	4		
5	SFT-098	Shaft	2		
6	PU-SK-28	Bushing, SK x 1 3/4'	2	19101	
7	PU-80-8M-30-SK	Primary Weight Pulley HTD	2	1910119115	
8	PU-JA-16	Bushing, JA x 1'	1		
9	PU-26-8M-30-JA	HTD Sprocket 8mm pitch, 26 Tooth, 30mm wide JA Bushing	1		
10	193-403	Shaker, Weight Guards	2		
11	BT-1280-8M-22E	Shaker Drive Belt, 1280mm	2		
12	BT-960-8M-30	Shaker Drive Belt, (30mm Wide)	1		Can not replace with BT-390H100 belts unless all the pulleys are changed.
13	BT-1040-8M-30	HTD Belt (30mm)	1		
14	MOU-0022	Mount, Weight Motor, Shakers, Harvesters	1		Replaces 110-515
15	WGT-402	Weight, Primary Shaker	2		
16	WGT-402C	Cap, Primary & Secondary Shaker Weight	2		
17	HM-412-1	Hydraulic Motor, 1' Shaft	1		Same as HM-412C except w/1' shaft REPLACES HM-412C IF REPLACING A HM-412C WITH THIS MOTOR BE SURE THAT THE PROPER COUPLER SIZES ARE SUPPLIED
18	GF-1428	Grease Fitting 1/4' x 28 straight	4		
19	KEY-6-6-24	Keystock 3/8' x 3/8' x 1 1/2' Square Cut (1018)	4		
100	BL-5-200-8T	5/16-18 X 2 TAP BOLT G8	6		
101	BL-6-275-ST	3/8-16 X 2-3/4 STUD, FULL THREAD	4		
102	BL-6-N	3/8-16 HEX NUTS ZC	16		
103	BL-8-150-H8	1/2 X 1-1/2 HH G8	16		
104	BL-8-225-H8	1/2 X 2-1/4 HH G8	16		
105	BL-8-FW-8	1/2 FW G8 ZC	48		

106	BL-8-LNS	1/2 STOVER LN	32		
107	BL-10-375-8	5/8-11 X 3-3/4 HEX CAP G8 ZC	4		
108	BL-10-LW	5/8 SPLIT LW ZC	4		
109	BL-10-FW-8	5/8 FW G8	4		
800	HM-412B	Key for Hydraulic Motor -Shaker Weight-Vibrator	1	HM-412C & HM-712C	
801	HM-2100-SK	Shaft Seal & Gasket Kit for Permco Motor, M2100 Series	1		
802	HM-2100-BRG	Bearing for Permco Motor, M2100 Series	1		
804	HM-1801	Seal Kit for Commercial Intertech	1	P20 & M20 Series	Includes:(1) Length of HM-2882,(1)HM-2883,(2)HM-2884
805	PU-JA-14B	Bolt for PU-JA-14 (3 @ pkg)	1		

10016-05-02

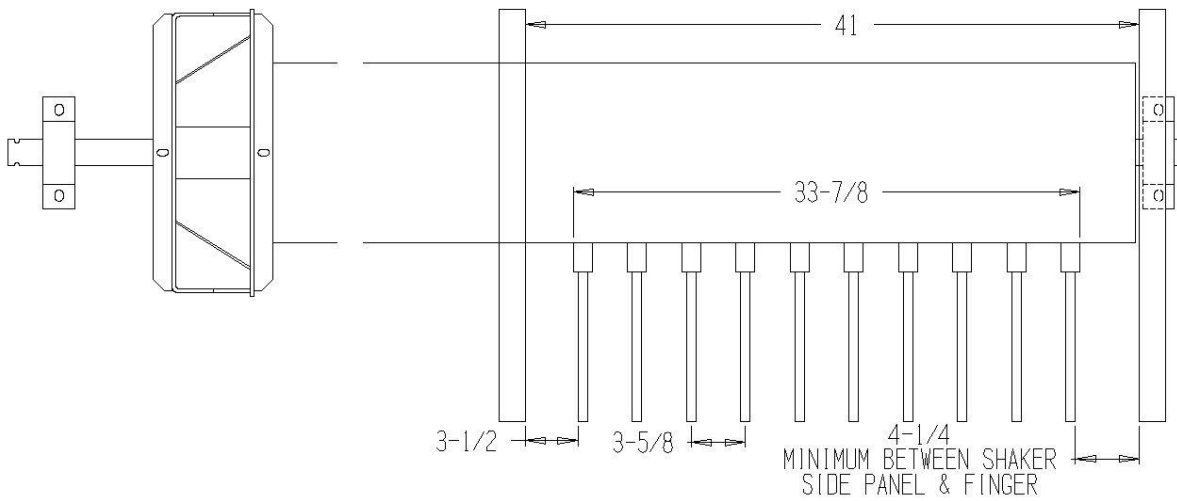
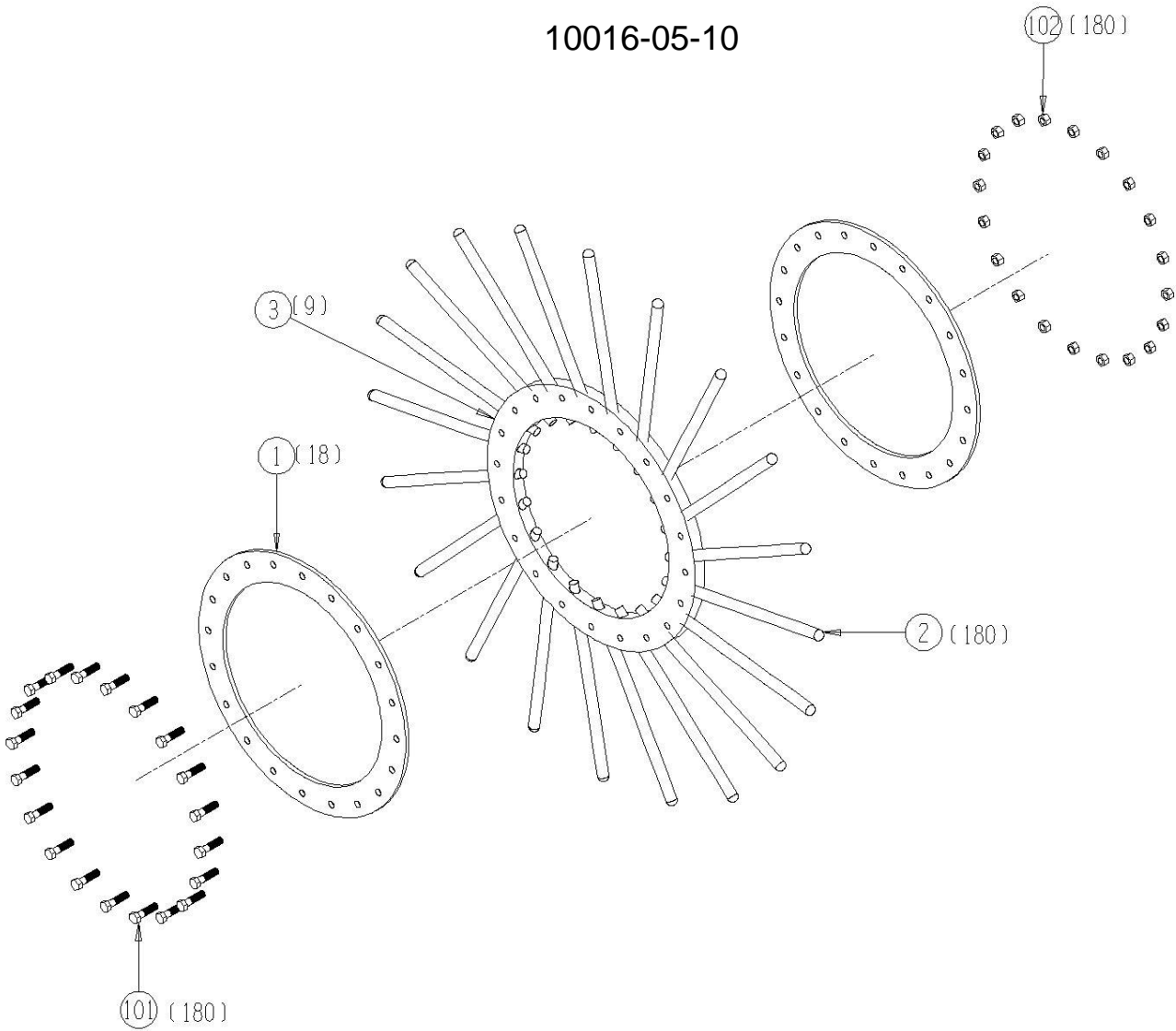
PRIMARY - BT-960-8M-30
SECONDARY - BT-1040-8M-30



10016-05-10 Primary Shaker Ring & Finger Assembly

<u>Ref</u>	<u>Part No.</u>	<u>Description</u>	<u>Parts – Assembly</u>	<u>Will Fit SN</u>	<u>Remarks</u>
1	191-432	Tine Holder Flanges	18	11001- 30095001-	
2	ST-430-P	Shaker Tines , Molded Urethane	180		
3	192-431	Molded Rubber Tine Holders	9	19101- 30095001-	
101	BL-6-150-H	3/8-16 X 1-1/2 HEX CAP G5 ZC	180		
102	BL-6-LN	3/8 UNC FIN H LN NE A563 GrA ZC	180		

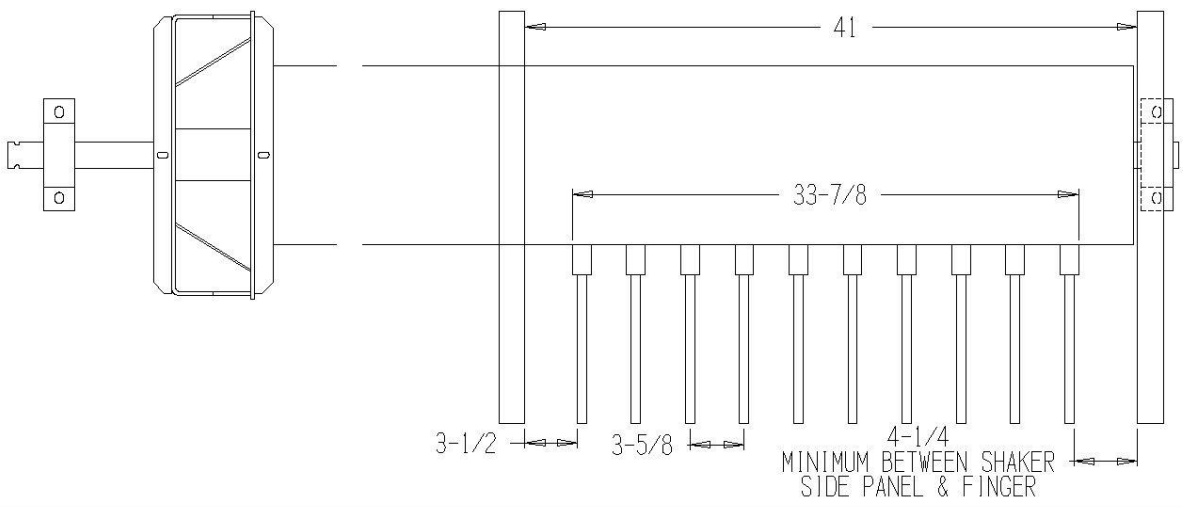
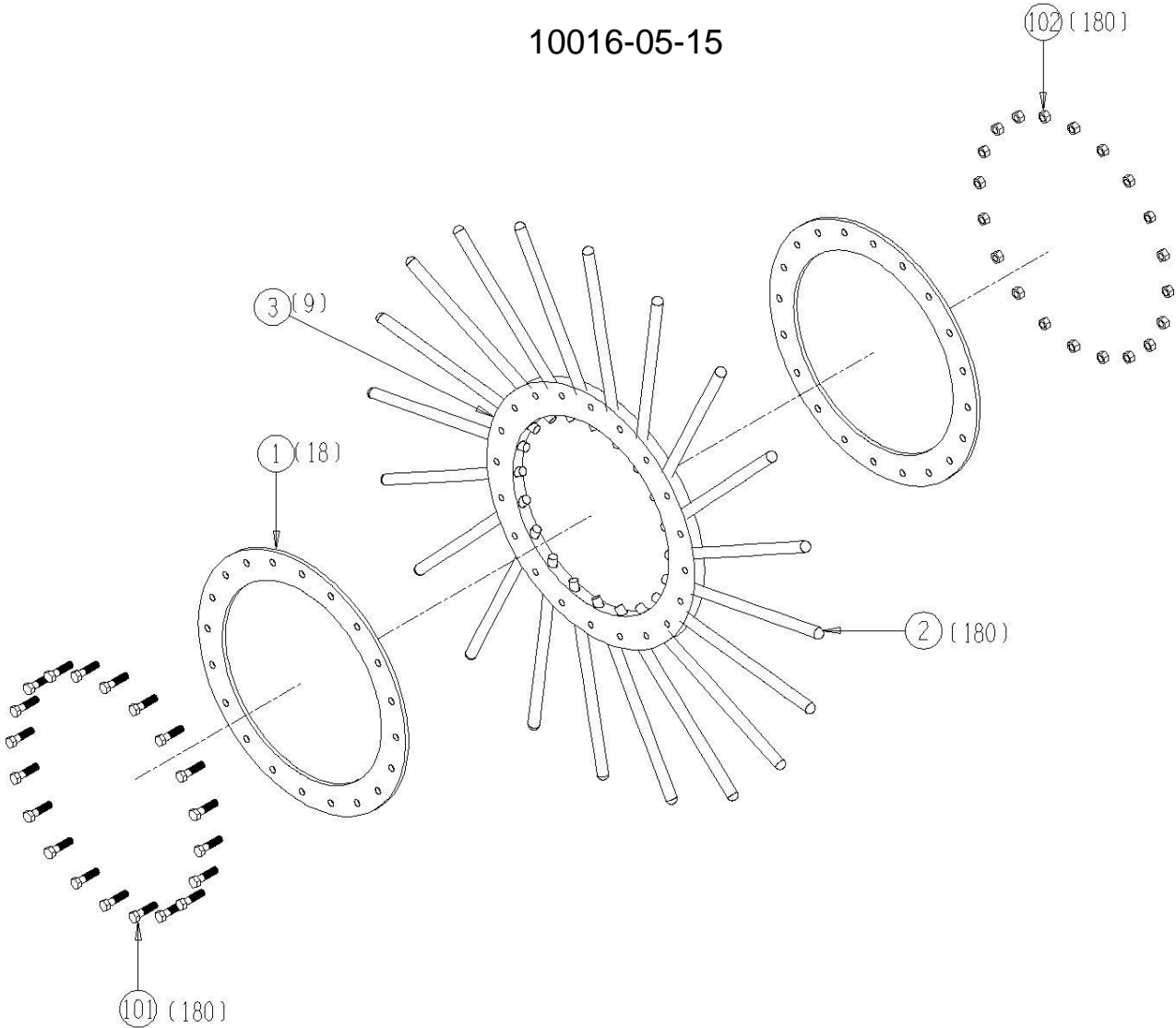
10016-05-10



10016-05-15 Secondary Shaker Ring & Finger Assembly

<u>Ref</u>	<u>Part No.</u>	<u>Description</u>	<u>Parts – Assembly</u>	<u>Will Fit SN</u>	<u>Remarks</u>
1	191-432	Tine Holder Flanges	16	11001- 30095001-	
2	ST-430-P	Shaker Tines , Molded Urethane	160		
3	192-431	Molded Rubber Tine Holders	8	19101- 30095001-	
101	BL-6-150-SS	3/8-16 X 1-1/2 HEX CAP SS	160		
102	BL-6-LNSS	3/8 UNC FIN HEX LOCK NUT NE SS	160		

10016-05-15



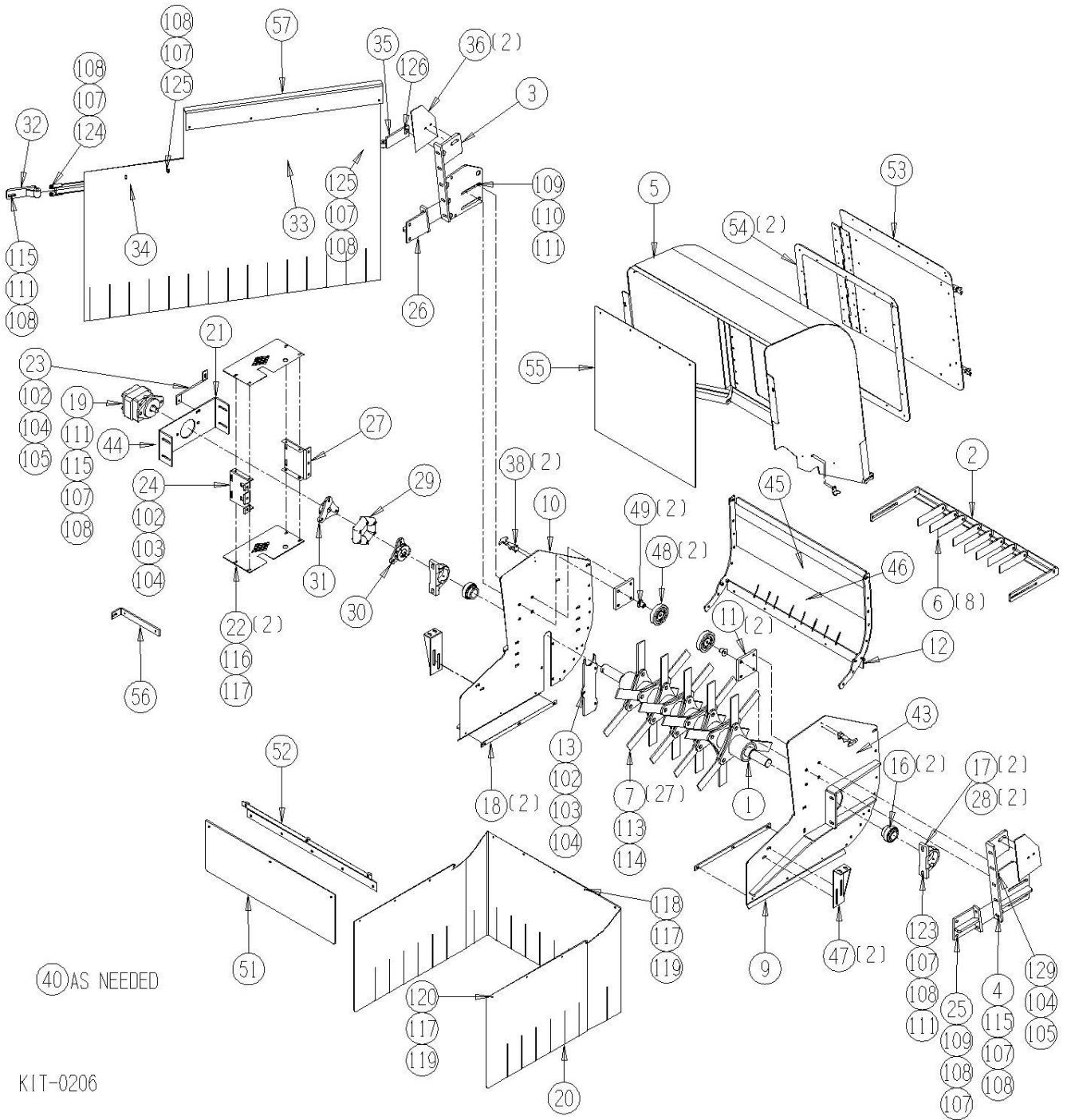
10016-06-51 Opt. Vine Chopper w/Sep. Ext. Plumb to System

<u>Ref</u>	<u>Part No.</u>	<u>Description</u>	<u>Parts – Assembly</u>	<u>Will Fit SN</u>	<u>Remarks</u>
0	0500	Assembly Area	6.62		
0	KIT-0206	190 Vine Chopper w/Sep Ext Plumbed to Opt Pump	0		For Straight Chopper Shield, Use SHD-2011
1	SFT-2016	Shaft, Flail Rotor, 190 Chopper	1		Replaces SFT-2014
2	BRA-2009	Bracket, Knife Holder, Vine Chopper, 190 Tomato	1		
3	MOU-2013	Hefty Right Mount, Vine Chopper, 190 Tomato	1		
4	MOU-2014	Hefty Left Mount, Vine Chopper, 190 Tomato	1		
5	SHD-2024	Shield, Top, Rounded, Vine Chopper, 190 Tomato Harvester	1		
6	KN-142141	Knife	5		
7	BAR-2020	Bar, Long Flail, Vine Chopper	27		
9	PAN-2012	Panel, LH Housing, Vine Chopper, 190 Tomato	1		
10	PAN-2013	Panel, RH Housing, Vine Chopper, 190 Tomato	1		
11	BAR-2013	Bar, Inside Plate, Vine Chopper, 190 Tomato	2		
12	SHD-2018	Shield, Back, Vine Chopper	1		
13	BAR-2012	Bar, End Plate, Vine Chopper, 190 Tomato	1		
16	BR-175-085-KB	Fafnir Bearing 1 ¾ Heavy SS1	2		
17	BR-085-RAK	Bearing Housing 85 mm	2		
18	BAR-2015	Belting Bar, Vine Chopper, 190 Tomato	2		
19	HM-115	Hydraulic Motor	1		
20	BT-2007	Belting, 190 Vine Chopper, Update Sheild	1	BT-2007	
21	MOU-2010	Motor Mount, Vine Chopper, 190 Tomato Machine	1		
22	SHD-2009	Coupler Shield, Vine Chopper	2		
23	SUP-2002	Motor Mount Support, Vine Chopper	1		
24	MOU-2011	Side of Motor Mount, Vine Chopper, 190 Tomato	1		
25	MOU-2003	Left, Front Mount, Vine Chopper, 190 Tomato	1		
26	MOU-2004	Right, Front Mount, Vine Chopper, 190 Tomato	1		
27	MOU-2012	Side of Motor Mount, Vine Chopper, 190 Tomato	1		
28	GF-1428	Grease Fitting 1/4" x 28 straight	2		
29	CPR-422-18	Lovejoy Donut w/ Hardware	1		

30	CPR-422C-18	Coupler, Shaker Side	1	30095001-
31	CPR-422D-18	Coupler, Shaker, Motor Side, 1' Shaft	1	30095001-
32	ARM-2000	Arm, Outside Mount Support, Vine Chopper, 190	1	
33	ARM-2001	Arm, Support, Inside Tube, Vine Chopper, 190	1	
34	ARM-2002	Arm, Support, Outside Tube, Vine Chopper, 190	1	
35	ARM-2003	Arm, Inside Mount Support, Vine Chopper, 190	1	
36	SHD-2031	Shield, Vine Chopper, 190Tomato Harvester	2	10011-
38	LA-703	Large Rubber T Latch Assembly	4	
43	DC-1174	Decal, Danger Keep Hands and Feet Away	1	
44	DC-1176	Decal, Danger-Hand Chain Sprockets	1	
45	DC-1182	Decal, White 'PIK RITE' 3 1/4' x 23'	1	
46	DC-1184	Danger Decal, 3' x 16'	1	
47	BRA-0115	Stiffener Bracket, Vine Chopper	2	
48	RLR-040-108	4' Flat Roller	2	
49	RLA-000-118	Standoff, 1/2' X 1 1/8'	2	
51	PL-2002	Plastic, Vine Chopper, Vine Chain, 190	1	
52	BRA-2014	Bracket, Plastic Holder, Vine Chopper, 190 Tomato	1	
53	SHD-2023	Rolled, Vine Chopper Door, 190 Tomato Harvester	1	
54	BT-2013	Belting, Vine Chopper Door	2	BT-2013
55	BT-2009	Belting, Weed Turner, 190 Chopper w/Sep.	1	
56	ARM-2008	Arm, Belting Holder, Fan Intake Protector, 190	1	
57	BT-2008	Belting, Fan Intake Shield, 190 Chopper	1	
100	BL-12-LN	3/4' Lock Nuts w/Nylon Inserts	2	
101	BL-12-FW	3/4' Flat Washer	2	
102	BL-6-125-H	3/8-16 X 1-1/4 HHCS G5 ZC	18	
103	BL-6-SW	3/8 SAE FW ZC	40	
104	BL-6-LN	3/8 UNC FIN H LN NE A563 GrA ZC	69	
105	BL-6-FW-8	3/8 FW G8 ZC	82	
106	BL-8-175-H	1/2-13 X 1 3/4 HEX CAP G5 ZC	6	
107	BL-8-SW	1/2 SAE FW ZC	31	
108	BL-8-LN	1/2-13 H LN NYLON INSERT ZC	24	

109	BL-8-150-H	1/2 UNC X 1-1/2 HH C/S BOLT G5 ZC	12
110	BL-8-LW	1/2 SPLIT LW ZC	8
111	BL-8-FW-8	1/2 FW G8 ZC	15
112	BL-12-225-H	3/4-10 X 2 1/4' HH GR5 ZC	2
113	BL-12-LNS	3/4-10 Stover Lock Nut	27
114	BL-12-175-H-8	3/4-10 x 1-3/4' Grade 8 Hex Head	27
115	BL-8-200-H	1/2-13 X 2 HEX CAP G5 ZC	7
116	BL-4-050-H	1/4-20 X 1/2 HEX CAP G5 ZC	8
117	BL-4-FW-8	1/4 FW G8	126
118	BL-4-075-H	1/4 UNC X 3/4 HH C/S BOLT G5 ZC	40
119	BL-4-LN	1/4-20 HEX LN NE ZC	72
120	BL-4-100-H	1/4-20 X 1 HEX CAP G5 ZC	16
121	BL-4-125-H	1/4-20 X 1 1/4 HEX CAP G5 ZC	8
122	BL-6-150-H	3/8-16 X 1-1/2 HEX CAP G5 ZC	17
123	BL-8-225-H	1/2-13 X 2-1/4 HEX CAP G5 ZC	4
124	BL-8-300-H	1/2-13 X 3 HEX CAP G5 ZC	1
125	BL-8-250-H	1/2-13 X 2 1/2 HEX CAP G5 ZC	2
126	BL-16-LN	1 LN w/ NYLON INSERTS	1
127	BL-4-250-H	1/4-20 X 2 1/2 HEX CAP G5 ZC	2
128	BL-6-100-H	3/8 UNC X 1 HH C/S BOLT G5 ZC	24
129	BL-6-200-H	3/8-16 X 2 HEX CAP G5 ZC	6
130	RI-3-5-P	Pop Rivet 3/16 x 5/16 Domed, .375 head, ea	4
131	BL-8-400-H	1/2-13 X 4 HEX CAP G5 ZC	2
801	HM-2100-SK	Shaft Seal & Gasket Kit for Permco Motor, M2100 Series	1
802	HM-2100-BRG	Bearing for Permco Motor, M2100 Series	1

10016-06-51

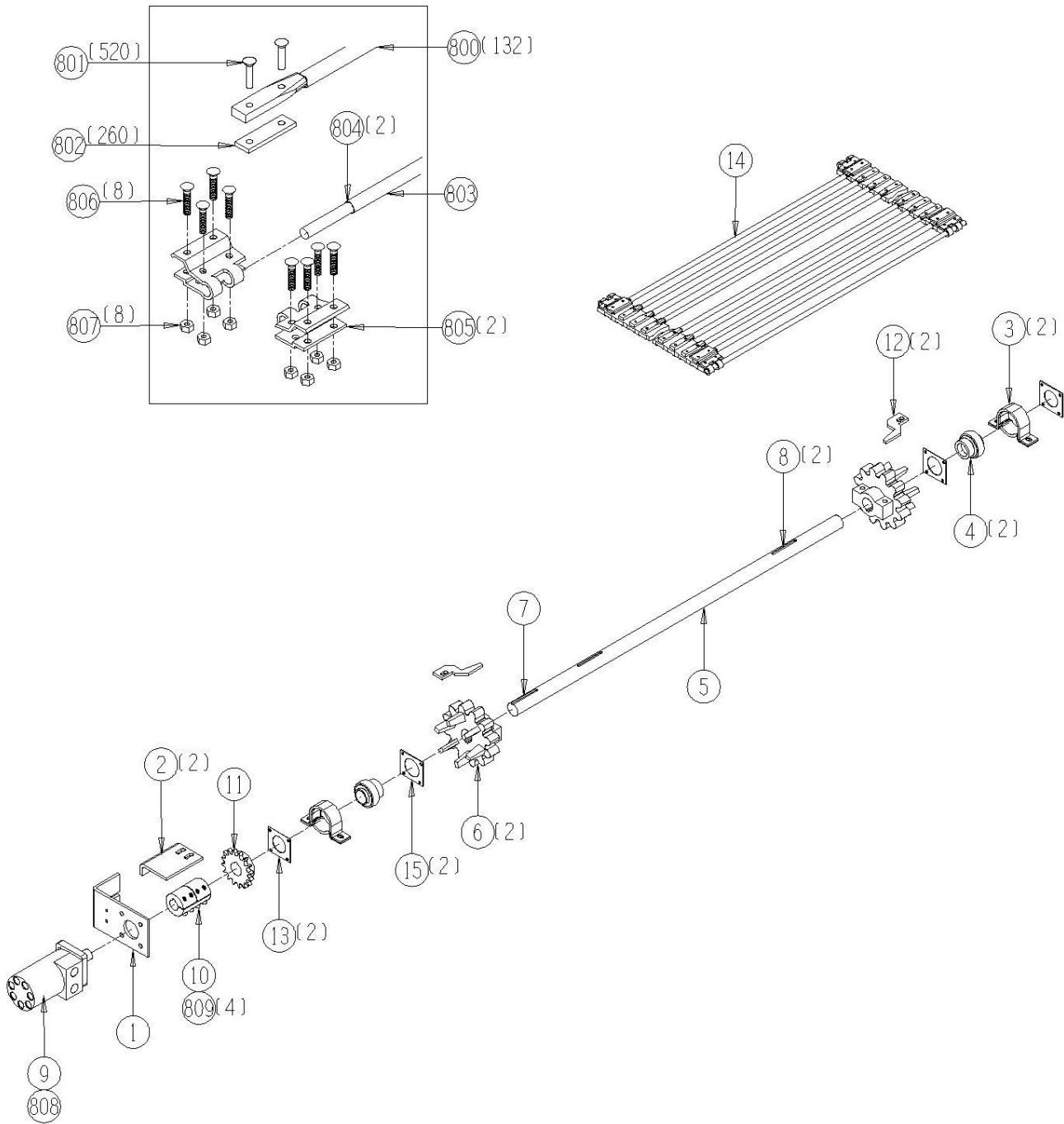


KIT-0206

10016-07-02 Cross Conveyor Drive Assembly

<u>Ref</u>	<u>Part No.</u>	<u>Description</u>	<u>Parts – Assembly</u>	<u>Will Fit SN</u>	<u>Remarks</u>
1	193-806	Mount Motor	1		
2	193-806B	Motor Mount Stop	1		
3	BR-062-MPB	Stamped Bearing Housing for 1 1/4' bearing	2		
4	BR-125-062	Bearing, 1 1/4 Fafnir Tri-Seal, 62mm OD	2		
5	SFT-603	Shaft, Drive, Cross Conveyor	1	19201-19724	Replaces 193-603 on Cross Conveyor
6	SPU-3612-20-4	Urethane Sprocket 36-12 1 1/4 bore 1/4' key	2		Sub SP-3612-20-4
7	KEY-4-4-20	Shaft Key 1/4' x 1 1/4'	1		
8	KEY-4-4-32	Shaft Key 1/4' x 2' Square Cut (1018)	2		
9	HM-204-TC	TCI Motor	1		Seal Kit # TCI-SKHPQ can replace with HM-204-OMS
10	CPS-6060	Steel Coupler (off center) 1 1/4' x 1'	1		
11	SP-50B16-20-4	Hardened Tooth Sprocket, #50, 16 Tooth, 1. 25' Bore	1		
12	SCR-101	Scraper, Sprocket, Hi Clearance	2		
13	SC-20-6	Bearing Protector, 1 1/4', Inner Side	2		
14	BC-7-3236-133	Cross Conveyor Chain (Tomato)	1		Replaces BC-7-3236-135
15	SC-20-7	Bearing Protector, 1 1/4', Outer, Lock Collar Side	2		
101	BL-5-125-H	5/16-18 X 1-1/4 HEX CAP G5 ZC	1		
800	BC-7-32-ST	7/16' x 32' Belted Chain Rod for 60mm Belt	132	11001	
801	RI-25-BC	25mm Belted Chain Rivets	520		
802	BC-BP32	Belt, Rivet Backing Plates 32mm	260	11001	Lap Splice Option, Used only with BC-1032-LN Lock Nuts
803	BC-7-32-CN	Connecting Rod, 11mm, 32' Wide Belted Chain, 60mm Traction Belts	1		For Clip Splice Option
804	BC-3525	Snap Ring, 11mm.	2		
805	BC-F-36-32-UG	Ultra Gold F Connecting Clips 36-32 @ pair	2		
806	BC-1032-FS	10-32 x 1 1/4' Bolts Flat Socket Head	8		
807	BC-1032-LN	10-32 LN	8		
808	KEY-4-4-15	Shaft Key 1/4' X 1/4' X 15/16' Woodruff Key	1		
809	BL-5-100-SF	5/16-24 X 1 SOCKET HEAD CAP SCREW	4	CPS-6057	

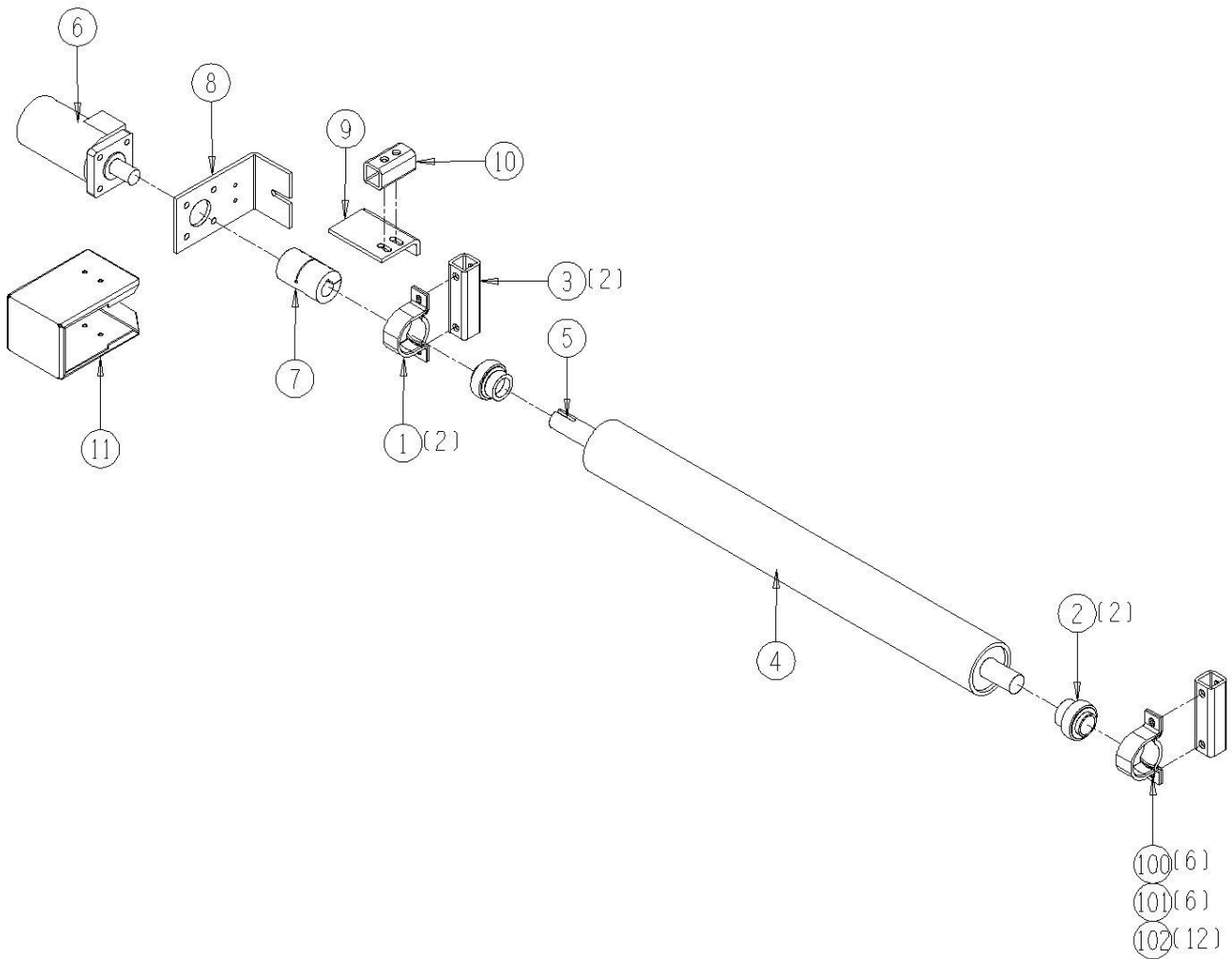
10016-07-02



10016-07-10 Cross Conveyor Return Roller Assembly

<u>Ref</u>	<u>Part No.</u>	<u>Description</u>	<u>Parts – Assembly</u>	<u>Will Fit SN</u>	<u>Remarks</u>
1	BR-062-MPB	Stamped Bearing Housing for 1 1/4' bearing	2		
2	BR-125-062	Bearing, 1 1/4 Fafnir Tri-Seal, 62mm OD	2		
3	191-611	Spacer blocks for bearing	2	19101-	
4	194-610	Cross Chain cleaner Roller	1	110-	Replaces 110-610
5	KEY-4-4-24	Shaft Key 1/4' x 1 1/2' Square Cut (1018)	1		
6	HM-214-TC	Hydraulic Motor	1		Seal Kit # TCI-SKHPQ
7	CPS-6060	Steel Coupler (off center) 1 1/4' x 1'	1		
8	193-806	Mount Motor	1		
9	193-806B	Motor Mount Stop	1		
10	SPA-0071	Motor Stop Spacer	1		
11	193-806C	Motor Guard	1	19301-	
100	BL-6-300-H	3/8 UNC X 3 HH C/S BOLT GR5 ZC	6		
101	BL-6-LN	3/8 UNC FIN H LN NE A563 GrA ZC	6		
102	BL-6-SW	3/8 SAE FW ZC	12		

10016-07-10



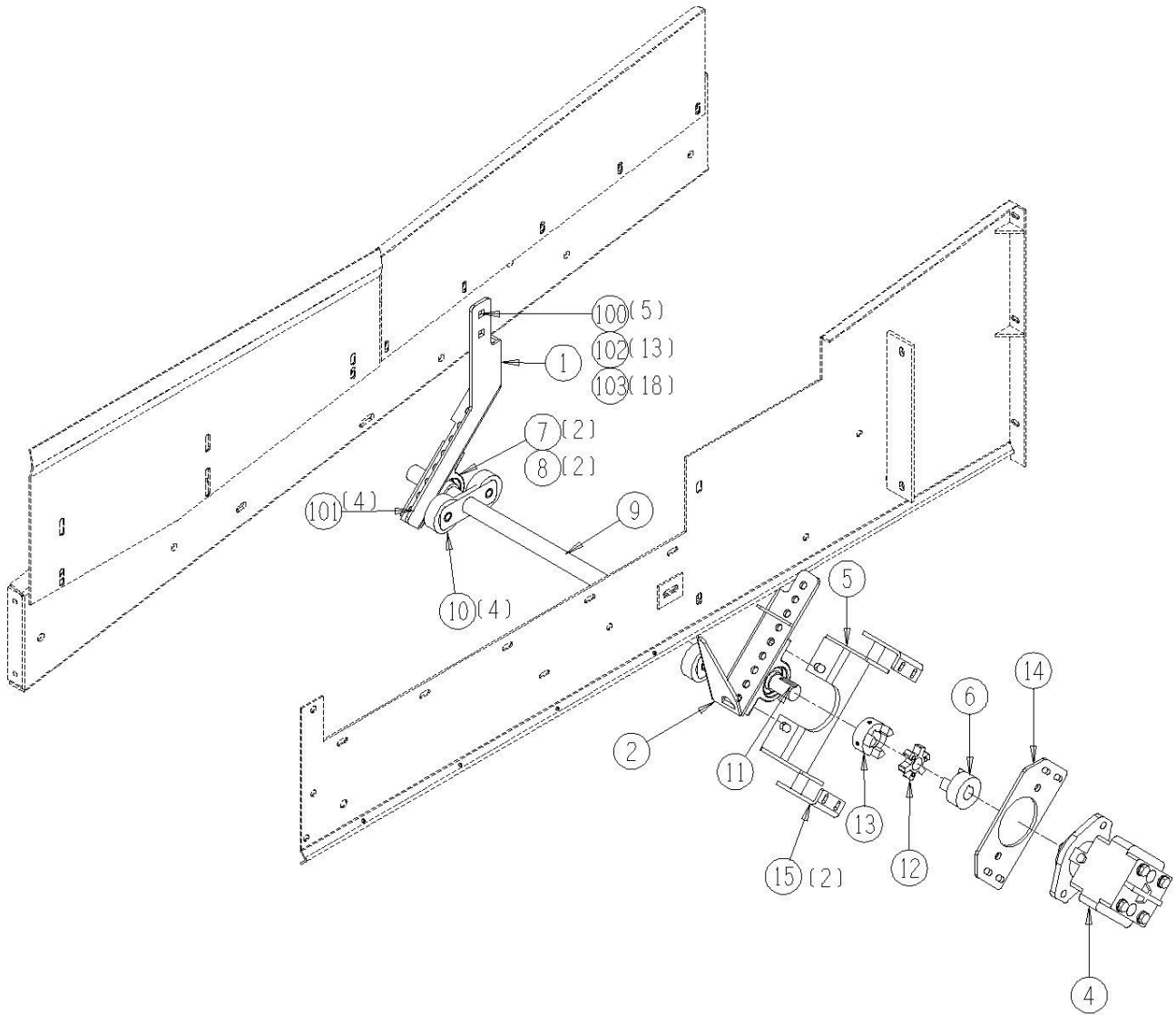
10016-07-16 Opt. Cross Conveyor Vibrator Assembly

<u>Ref</u>	<u>Part No.</u>	<u>Description</u>	<u>Parts – Assembly</u>	<u>Will Fit SN</u>	<u>Remarks</u>
1	MOU-0107	Dirt Vibrator Cross Conveyor Mount, 290	1		
2	MOU-0108	Cross Conveyor Dirt Vibrator Mount, 290 Harvester	1	MOU-0108	
4	HM-412-1	Hydraulic Motor, 1' Shaft	1		Same as HM-412C except w/1' shaft REPLACES HM-412C IF REPLACING A HM-412C WITH THIS MOTOR BE SURE THAT THE PROPER COUPLER SIZES ARE SUPPLIED
5	MOU-0165	Motor Mount, Stop, Cross Vibrator	1		
6	CPJ-6051	Coupler, L099, Motor Side 1in. Bore	1	19101	Sub 194-6053
7	BR-062-RAK	62mm Cast Housing	2		
8	BR-125-062	Bearing, 1 1/4 Fafnir Tri-Seal, 62mm OD	2		
9	192-136	Vibrator shaft	1	19201-	
10	RLT-027-108	Roller 2.75' dia. 1/2' Bore	4		
11	KEY-4-4-16	Shaft Key 1/4' X 1/4' X 1' Square Cut (1018)	1	20095001-	
12	CPJ-6055	Coupler, L099/100, Urethane Spider	1	19101	For use with CPJ-6052 and CPJ-6051 and CPJ-7081 Sub CPS-6053
13	CPJ-6052	Coupler, L100, Shaft Side 1 1/4in. Bore x 1/4' Key	1	19101	Sub 194-6053 Except on Debris Fan
14	MOU-0167	Mount, Motor Cross Vibrator	1		
15	MOU-0177	Mount, Long Vibrator, Harvester	2		
100	BL-8-150-H	1/2 UNC X 1-1/2 HH C/S BOLT G5 ZC	5		
101	BL-8-200-H	1/2-13 X 2 HEX CAP G5 ZC	4		
102	BL-8-LN	1/2-13 H LN NYLON INSERT ZC	13		
103	BL-8-FW	1/2 USS FW ZC	18		
104	BL-8-275-H	1/2 UNC X 2-3/4 HH C/S BOLT G5 ZC	2		
105	BL-8-250-H	1/2-13 X 2 1/2 HEX CAP G5 ZC	2		
600	HV-FL16	Flow Control Valve 16GPM	1		
601	A-6901-10-8	10 SAE x 1/2 FPX90°, Forged	1		
602	A-6901-10-12	10 SAE x 3/4 FPX90°, Forged	1		
603	A-6901-12-8	12 SAE x 1/2' FPX 90°, Forged	2		
604	A-6401-10-8	10 SAE x 1/2 MPT Male	1		

605	A-1603-8-8-8	Swivel T 1/2' NPTF	1	
606	H10-48-8MP-8MP	5/8 in Hose 1/2MP x 1/2MP x 48 in Long	2	
607	H12-76-12MP-8MP	3/4 in Hose 3/4MP x 1/2MP x 76 in Long	1	
800	HM-412B	Key for Hydraulic Motor -Shaker Weight-Vibrator	1	HM-412C & HM-712C
801	HM-2100-SK	Shaft Seal & Gasket Kit for Permco Motor, M2100 Series	1	
802	HM-2100-BRG	Bearing for Permco Motor, M2100 Series	1	

10016-07-16

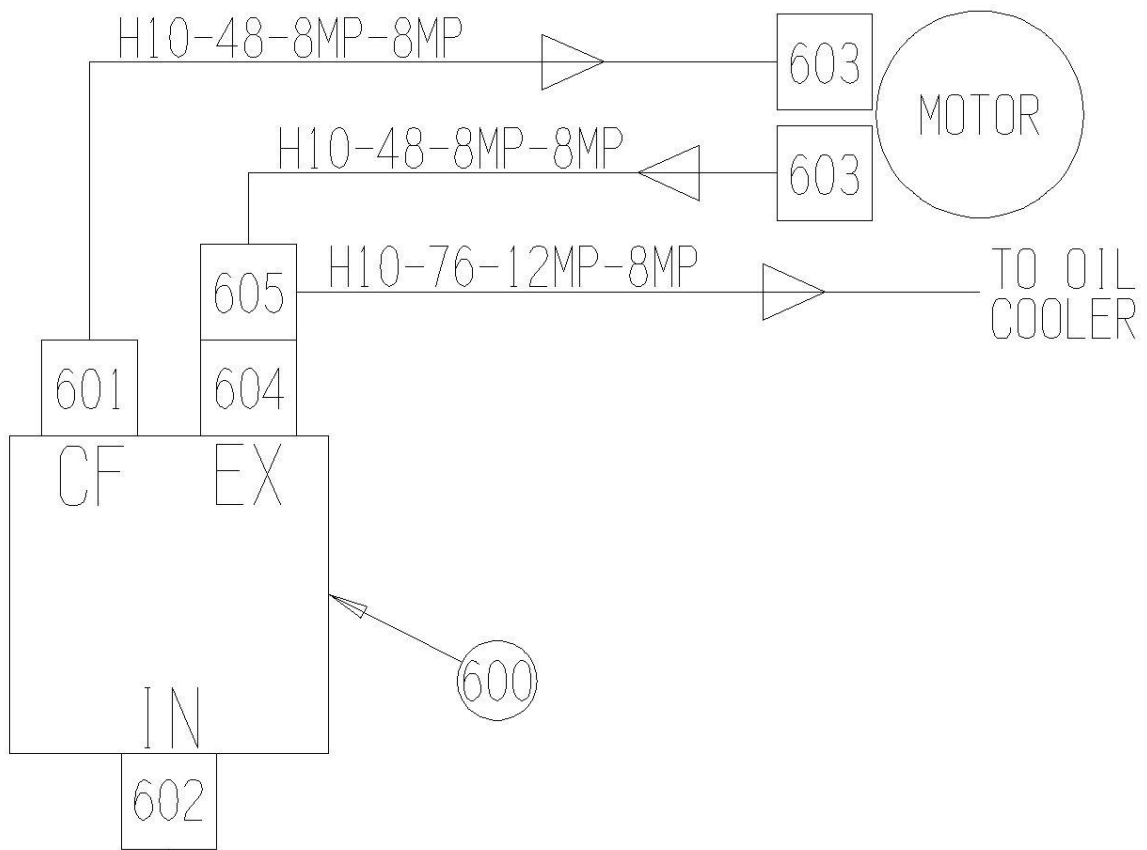
ASSEMBLY NOTE:
-MOUNT ALL THE WAY
UP ON BRACKETS.



10016-07-16H Opt. Cross Vibrator Hydraulic Assembly

<u>Ref</u>	<u>Part No.</u>	<u>Description</u>	<u>Parts – Assembly</u>	<u>Will Fit SN</u>	<u>Remarks</u>
600	HV-FL16	Flow Control Valve 16GPM	1		
601	A-6901-10-8	10 SAE x 1/2 FPX90°, Forged	1		
602	A-6901-10-12	10 SAE x 3/4 FPX90°, Forged	1		
603	A-6900-10-8	10 SAE x 1/2 FPX	2		
604	A-6401-10-8	10 SAE x 1/2 MPT Male	1		
605	A-1603-8-8-8	Swivel T 1/2' NPTF	1		
606	H10-48-8MP-8MP	5/8 in Hose 1/2MP x 1/2MP x 48 in Long	2		
607	H12-76-12MP-8MP	3/4 in Hose 3/4MP x 1/2MP x 76 in Long	1		

10016-07-16H

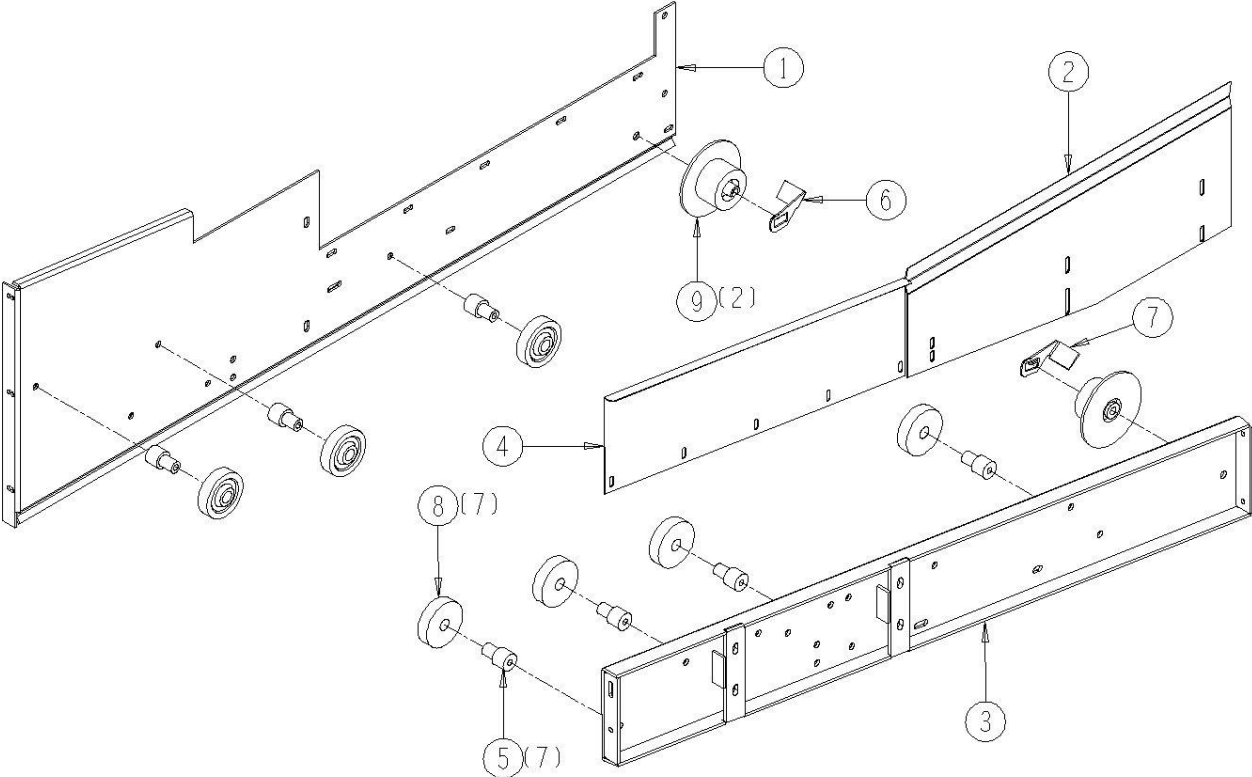


162" EXISTING HOSE THAT WAS PLUMBED FROM ELEVATIONS
FLOW CONTROL EX. FLOW TO OIL COOLER

10016-07-50 Optional Cross Frame (for Vine Chain) Assembly

<u>Ref</u>	<u>Part No.</u>	<u>Description</u>	<u>Parts – Assembly</u>	<u>Will Fit SN</u>	<u>Remarks</u>
1	192-616	Cross conveyer panel, rear	1	19201-	
2	195-211	Scraper, Transfer Return Roller	1	19201-	
3	195-615	Cross Conveyer Panel, front	1	19501-	
4	PAN-1615	Cross Conveyor Panel	1		
5	RLA-010-0108	Spindle / Standoff for Urethane Roller (heat treated)	7	19101-	
6	RLA-3023-T	Straight Scraper, RH	1		
7	RLA-3024-T	Straight Scraper	1		
8	RLG-040-1016	4' Urethane Roller	7	Old Terog Part No. RU4	
9	RLT-635-2210-SC	6 1/2' Flange Roller w/Shaft for Scraper 5/8' Bore	2		

10016-07-50

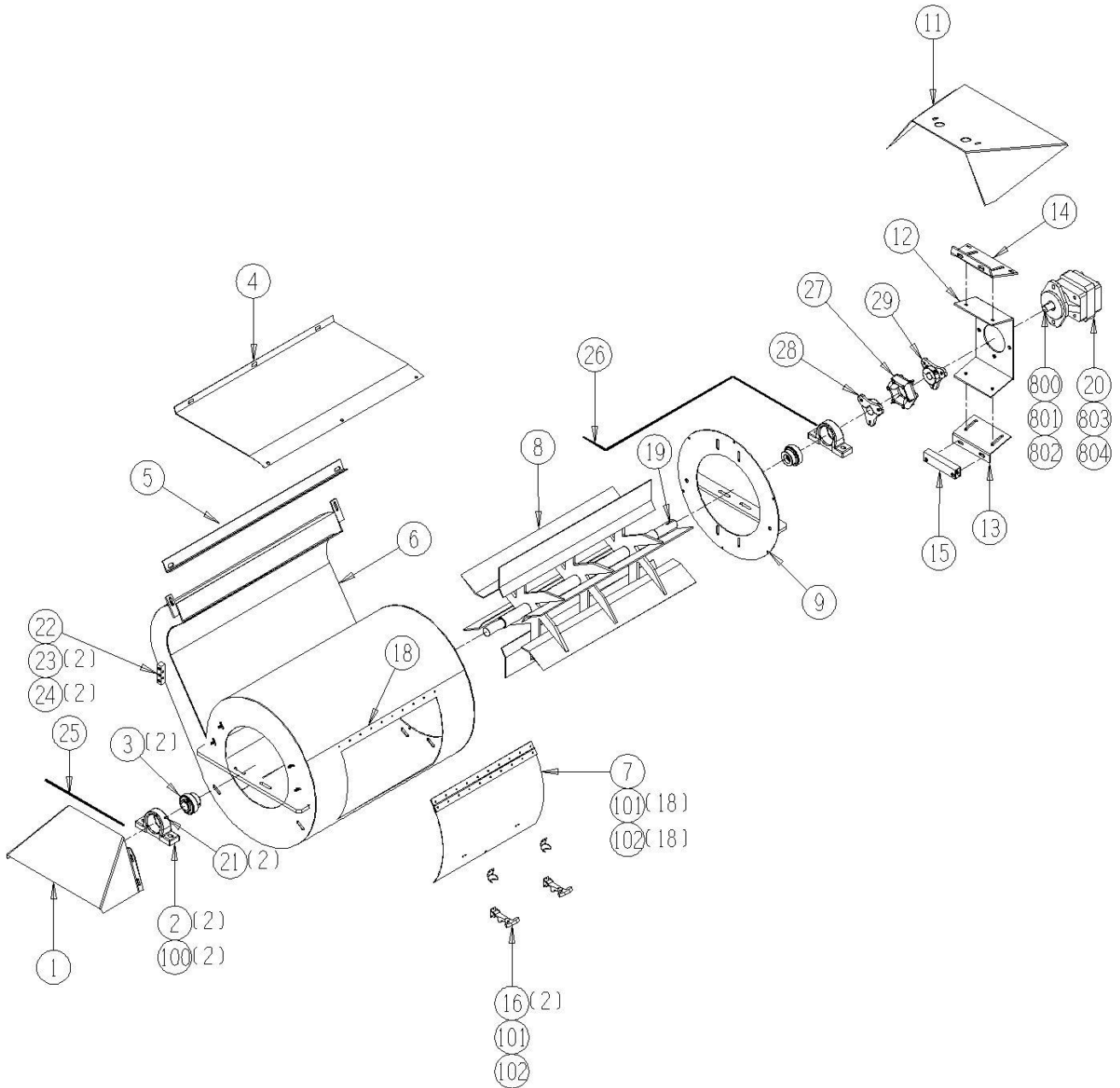


10016-07-70 Debris Fan Assembly

<u>Ref</u>	<u>Part No.</u>	<u>Description</u>	<u>Parts – Assembly</u>	<u>Will Fit SN</u>	<u>Remarks</u>
1	191-733	Shield, Fan Dirt (Rear)	1	19101-	
2	BR-072-RAK	72mm Cast Housing	2		
3	BR-125-072	Bearing, 1 1/4 Fafnir Tri-Seal, 72mm OD	2		
4	191-732	Cover, Debris Fan	1	19101-	
5	110-611	Scraper, Cross Conveyor, Return Roller	1	11001-	
6	191-701	Fan Housing & Diffuser	1	19101-	
7	COV-703	Cover, Fan Clean-Out Door	1	19701-	
8	FAN-1002	Fan Paddle Assy	1		Replaces 195-702
9	191-701A	Access Panel, Debris Fan	1	19101-	
11	191-734	Fan Dirt Guard (Motor Side)	1	19101-	
12	192-704	Mount, Debris Fan	1	19201-	
13	192-704B	Bracket, Debris Fan Motor, Bottom	1	19201-	
14	192-704T	Motor Mount, Top	1	19201-	
15	SPA-735A	Spacer,Housing-Frame(NARROW)	1		Sub SPA-735(NARROW)
16	LA-703	Large Rubber T Latch Assembly	2		
18	DC-1175	Decal, Danger, Rotating Blade Hazard	1		
19	KEY-4-4-16	Shaft Key 1/4' X 1/4' X 1' Square Cut (1018)	1	20095001-	
20	HM-712-1	Hydraulic Gear Motor	1		Same as HM-712C except w/ 1' shaft
21	GFA-51942	1/4'-28 Straight Adapter	2		
22	GF-3-3	3' Grease Manifold	1		
23	GF-1827	Grease Fitting 1/8 NPT Straight	2		
24	A-1404-2-2	1/8 MP x 1/8 FPX	2		
25	H2-30-2MP-2MP	1/8 in Hose x 1/8MP x 1/8MP x 30in Long	1		
26	H2-67-2MP-2MP	1/8in Hose x 1/8MP x 1/8MP x 67in Long	1		
27	CPR-422-15	Primary Shaker Drive Coupler	1		Used on Sec. Sh. Beginning 2000
28	CPR-422D-15	Coupler,1-1/4' Bore, 1/4' Key	1		
29	CPR-422A-15	Primary Shaker Coupler 1' Bore (Motor Side)	1	Years 1995 - 2000	Used on Sec. Sh. Beginning 2000
100	BL-4-037-BH	1/4-28 X 3/8 CAP SCREW, BUTTONHEAD	2		

101	BL-1032-050	10-32 X 1/2 BOLT	18		
102	BC-1032-LN	10-32 LN	18		
800	HM-412B	Key for Hydraulic Motor -Shaker Weight-Vibrator	1	HM-412C & HM-712C	
801	HM-2100-SK	Shaft Seal & Gasket Kit for Permco Motor, M2100 Series	1		
802	HM-2100-BRG	Bearing for Permco Motor, M2100 Series	1		
804	HM-1801	Seal Kit for Commercial Intertech	1	P20 & M20 Series	Includes:(1) Length of HM-2882,(1)HM-2883,(2)HM-2884

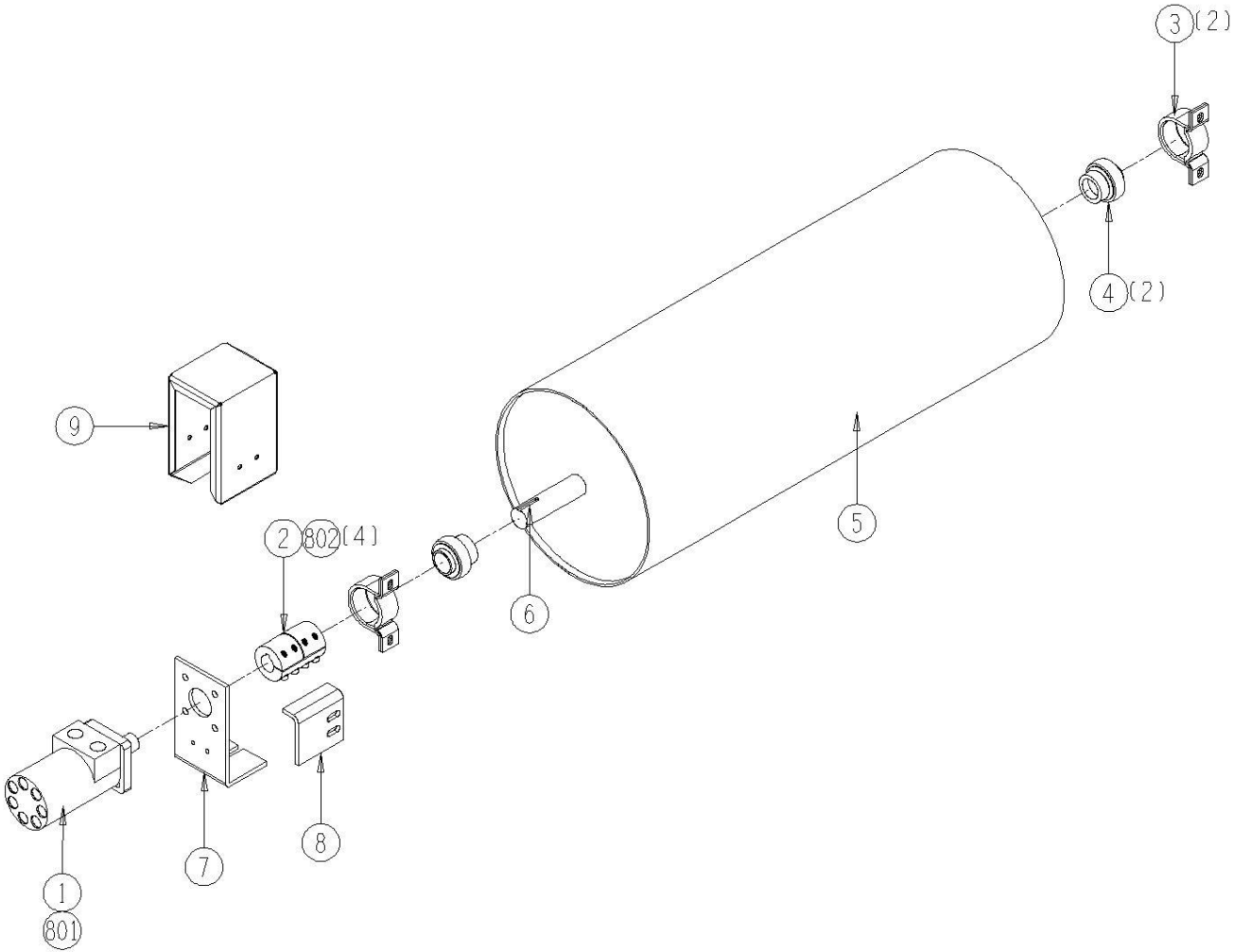
10016-07-70



10016-07-71 Debris Drum Assembly

<u>Ref</u>	<u>Part No.</u>	<u>Description</u>	<u>Parts – Assembly</u>	<u>Will Fit SN</u>	<u>Remarks</u>
1	HM-204-TC	TCI Motor	1		Seal Kit # TCI-SKHPQ can replace with HM-204-OMS
2	CPS-6060	Steel Coupler (off center) 1 1/4' x 1'	1		
3	BR-062-MPB	Stamped Bearing Housing for 1 1/4' bearing	2		
4	BR-125-062	Bearing, 1 1/4 Fafnir Tri-Seal, 62mm OD	2		
5	191-745	Debris Drum	1	19101-	
6	KEY-4-4-20	Shaft Key 1/4' x 1 1/4'	1		
7	193-806	Mount Motor	1		
8	193-806A	Motor Mount Stop	1		
9	193-806C	Motor Guard	1	19301-	
801	KEY-4-4-15	Shaft Key 1/4' X 1/4' X 15/16' Woodruff Key	1		
802	BL-5-100-SF	5/16-24 X 1 SOCKET HEAD CAP SCREW	4	CPS-6057	

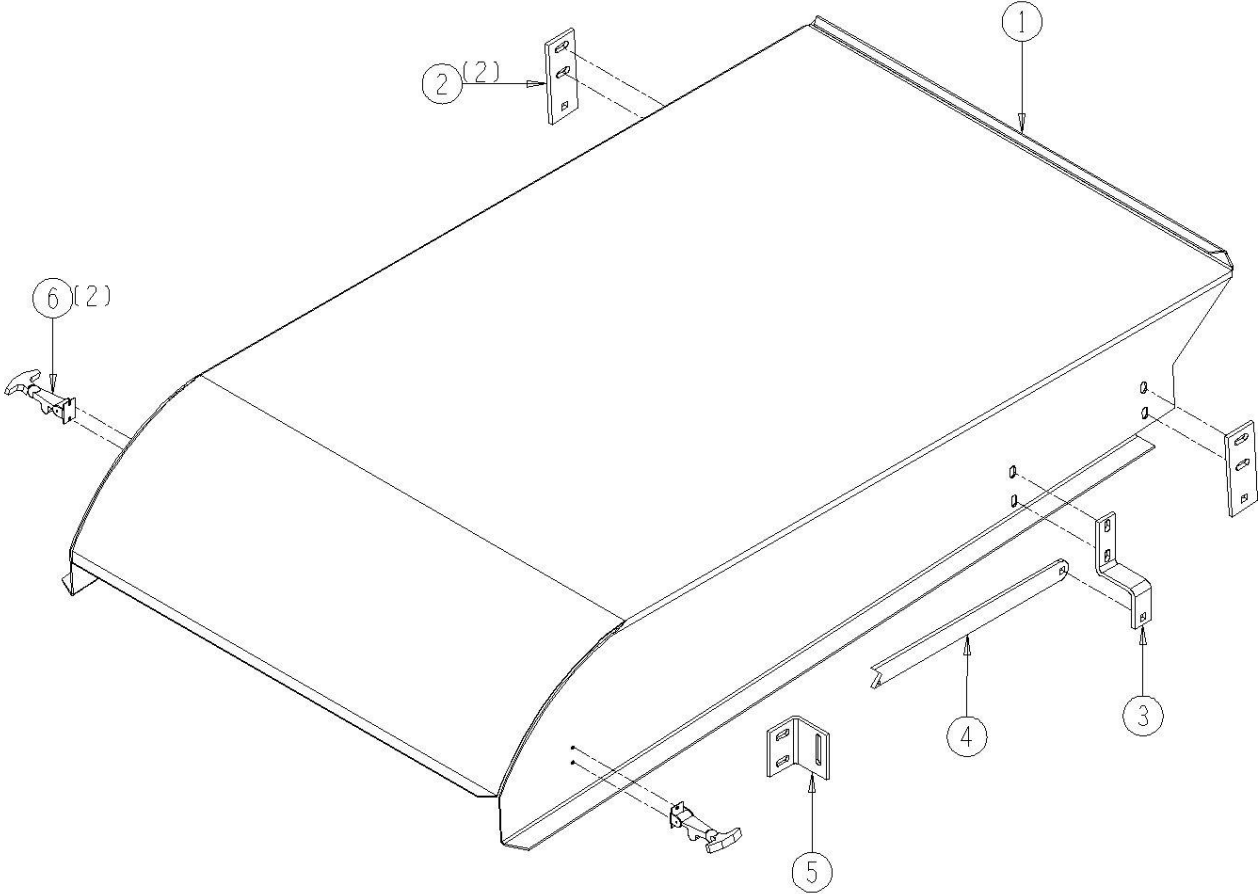
10016-07-71



10016-07-72 Cross Conveyor Cover Assembly

<u>Ref</u>	<u>Part No.</u>	<u>Description</u>	<u>Parts – Assembly</u>	<u>Will Fit SN</u>	<u>Remarks</u>
1	SHD-0143	Cover, Air Deflector, 190 Tomato	1		
2	193-725	Hinge Bar for Air Deflector Hood	2	19301- 193-729K	
3	193-728	Hinge Bracket for Air Deflector Hood	1	19301- 193-729K	
4	193-729	Hinge Brace for Air Deflector Hood	1	19301- 193-729K	
5	193-729A	Hinge Brace Latch for Air Deflector Hood	1	19301- 193-729K	
6	LA-703	Large Rubber T Latch Assembly	2		

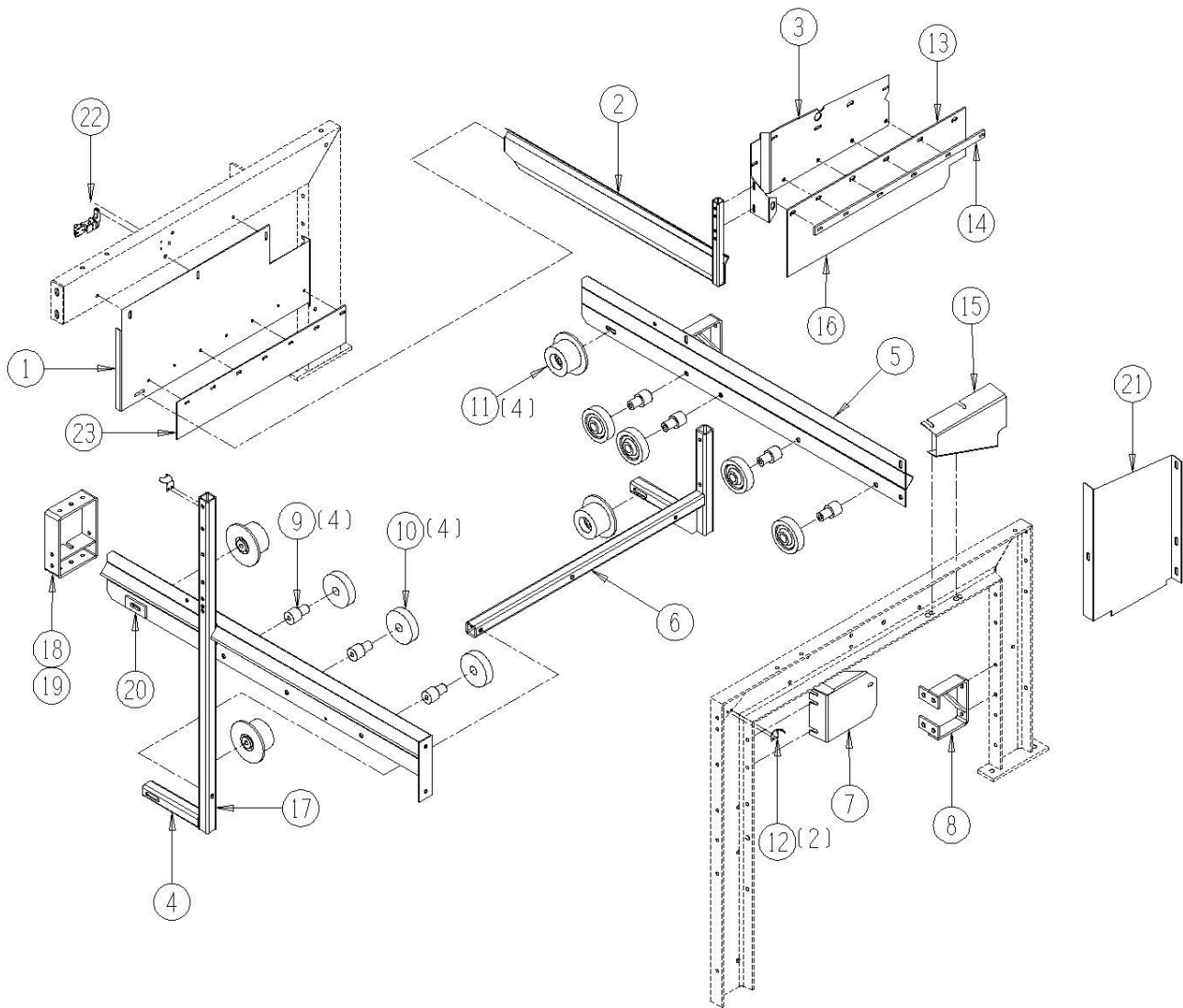
10016-07-72



10016-08-01 Rear Elevation Assembly

<u>Ref</u>	<u>Part No.</u>	<u>Description</u>	<u>Parts – Assembly</u>	<u>Will Fit SN</u>	<u>Remarks</u>
1	192-730	Rear Closure	1	19201-	
2	194-1545	Debris Drum Guard (Tomato)	1	19401-	
3	194-731	Front Closure	1	19401-	
4	191-738	Roller Support, Outer	1	19101-	
5	191-737	Roller support, Inner	1	19101-	
6	191-736	Support, rear debris fan	1	19101-	
7	194-731A	Debris Drum Sprocket Shield	1	19401-	
8	191-739	Bracket, Panel Support	1	19101-	
9	RLA-010-0108	Spindle / Standoff for Urethane Roller (heat treated)	4	19101-	
10	RLG-040-1016	4' Urethane Roller	4		Old Terog Part No. RU4
11	RLT-535-228	5' Flange Roller 2.2WF x 3 1/2' dia, 1/2' bore	4		
12	LA-703	Large Rubber T Latch Assembly	2		
13	BT-1731	Belting, Front Closure, Rear Elevation	1	19701-	
14	BAR-1731	Elevation, Front Closure	1	19701-	
15	SHD-1137	Shield, Shaft End, Rear Elevation	1	19101- kit-0038	
16	DC-1174	Decal, Danger Keep Hands and Feet Away	1		
17	STRP-610	6' Tarp Strap (ea.)	1		
18	SHD-1206	Shield, Flashing Light	0	30097001- 19601-	
19	EL-1206	Double Amber Lamp	0		
20	DC-3025	Red and White Reflective Tape @ 150 ft Roll	0.06		
21	SHD-0028	Shield, Dirt Guard, Sorting Area	1		
22	LA-1530	Medium Rubber T Latch Assembly	1		
23	BT-730	Belting, Rear Closure	1	19701- kit-800	

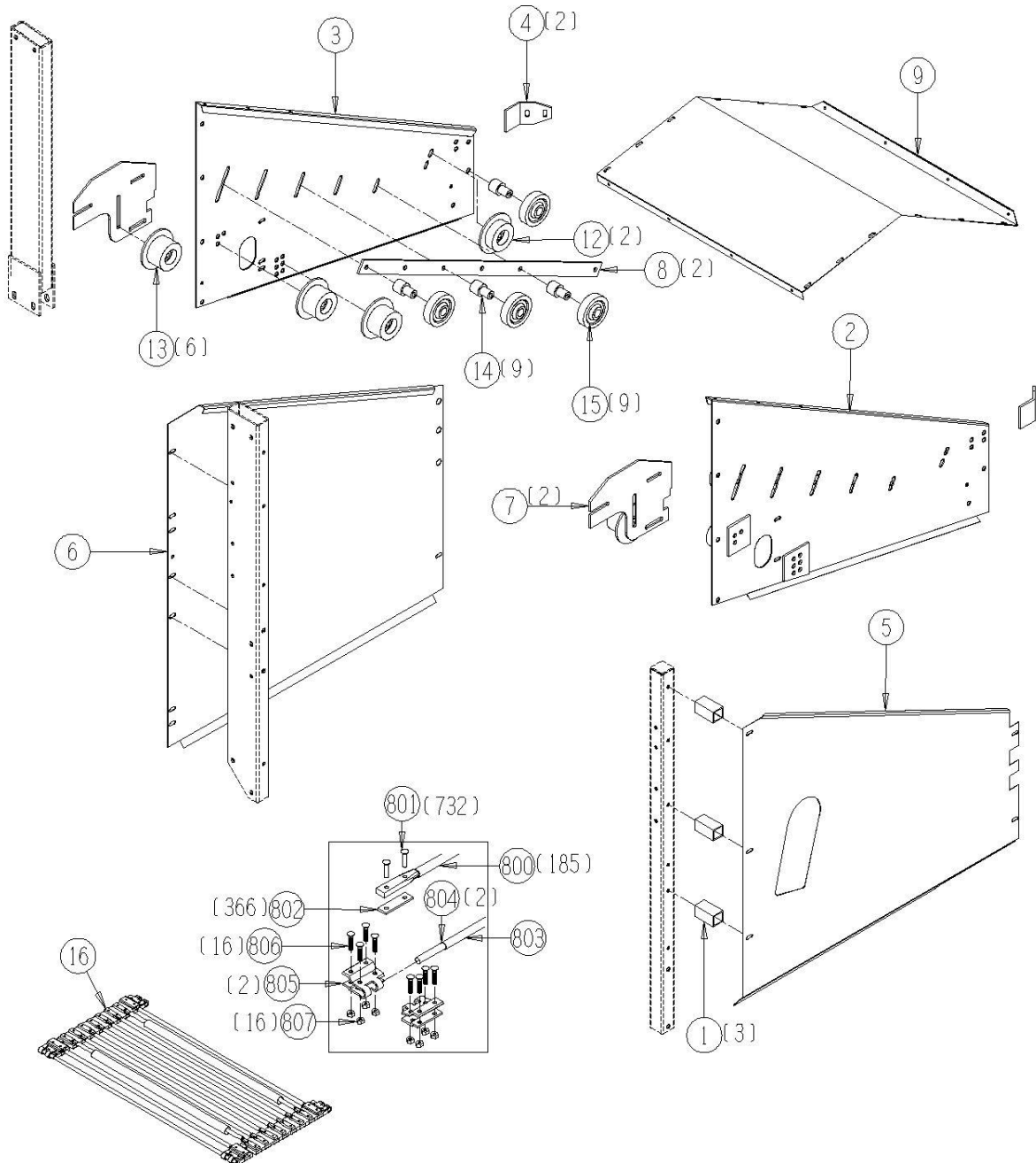
10016-08-01



10016-08-02 Front Elevation Assembly

<u>Ref</u>	<u>Part No.</u>	<u>Description</u>	<u>Parts – Assembly</u>	<u>Will Fit SN</u>	<u>Remarks</u>
1	191-1555	Spacer, debris chute	3	11001-19301	
2	SID-740	Side, Inner, Front Elevation	1	19705	
3	SID-741	Side, Outer, Front Elevation	1	19705	
4	SHD-1897	Shield, Deflector, Narrow Flange Roller	2		
5	SHD-744	Debris Chute, Inner Elevation	1	19705 19801-	
6	193-743	Debris chute (outer)	1	19301-	
7	MOU-1130	Mount, Roller, Front Elevation	2	19705	
8	BAR-742	Bar, Roller Adjuster, Front Elevation	2	19705	
9	194-1550	Elevation Shield	1	19401	
12	RLT-535-128	Narrow Flange Roller 1.2 WF 3.5 dia, 1/2' Bore	2		
13	RLT-535-228	5' Flange Roller 2.2WF x 3 1/2' dia, 1/2' bore	6		
14	RLA-010-0108	Spindle / Standoff for Urethane Roller (heat treated)	9	19101-	
15	RLG-040-1016	4' Urethane Roller	9	Old Terog Part No. RU4	
16	BC-7-3236-186-UC	36mm x 32' Belted Chain, 186 Pitches, Convexity Up Cushioned Rods	1		
800	BC-7-32-ST	7/16' x 32' Belted Chain Rod for 60mm Belt	185	11001	
801	RI-25-BC	25mm Belted Chain Rivets	732		
802	BC-BP32	Belt, Rivet Backing Plates 32mm	366	11001	Lap Splice Option, Used only with BC-1032-LN Lock Nuts
803	BC-7-32-CN	Connecting Rod, 11mm, 32' Wide Belted Chain, 60mm Traction Belts	1		For Clip Splice Option
804	BC-3525	Snap Ring, 11mm.	2		
805	BC-F-36-32-UG	Ultra Gold F Connecting Clips 36-32 @ pair	2		
806	BC-1032-FS	10-32 x 1 1/4' Bolts Flat Socket Head	16		
807	BC-1032-LN	10-32 LN	16		

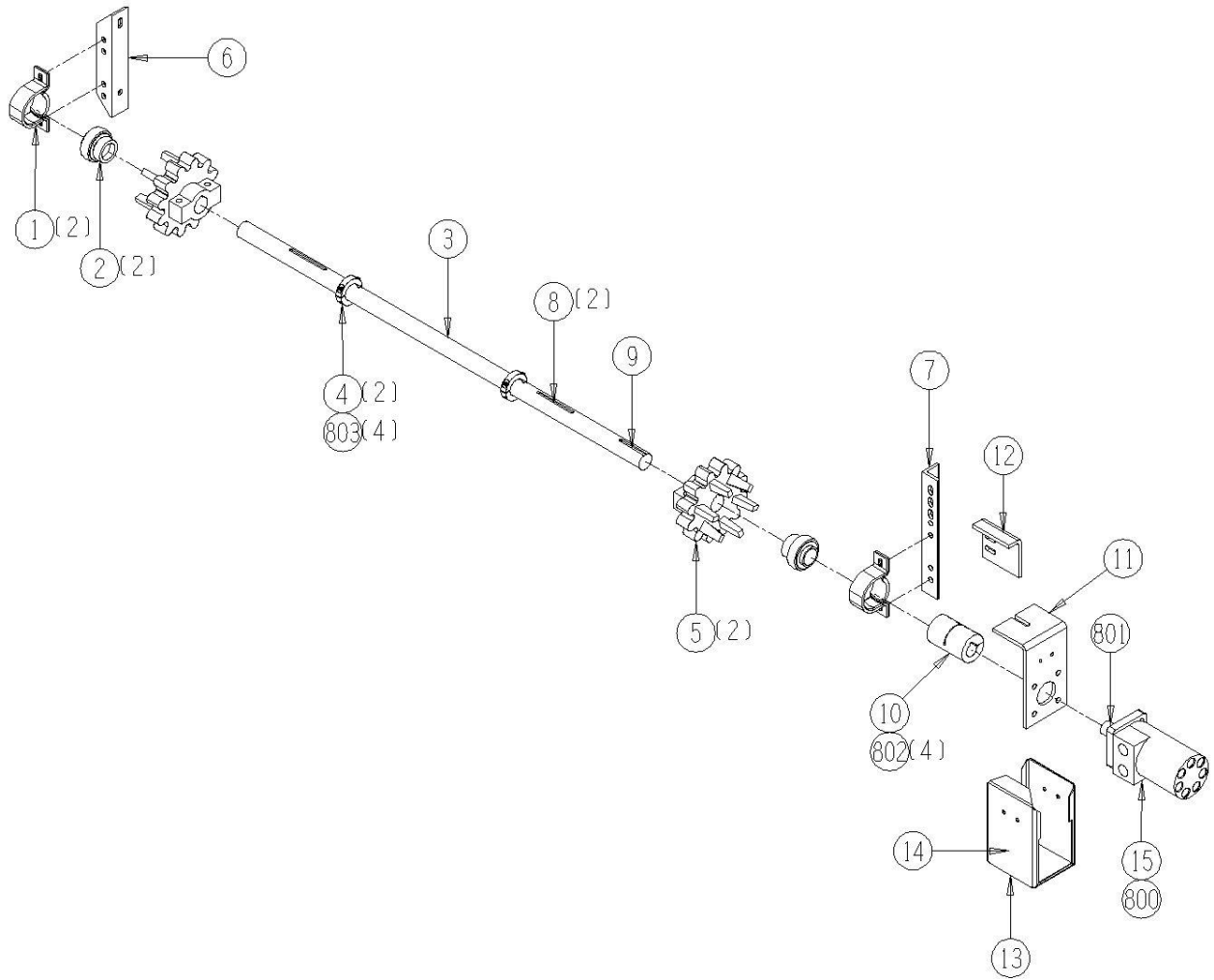
10016-08-02



10016-08-03 Elevation Drive Shaft Assembly

<u>Ref</u>	<u>Part No.</u>	<u>Description</u>	<u>Parts – Assembly</u>	<u>Will Fit SN</u>	<u>Remarks</u>
1	BR-062-MPB	Stamped Bearing Housing for 1 1/4' bearing	2		
2	BR-125-062	Bearing, 1 1/4 Fafnir Tri-Seal, 62mm OD	2		
3	193-603	Shaft, Elevation	1	19301- (Elevation), KIT-0101 (Vine Assist),KIT- 0050,Kit- 0051	
4	SC-20-2	Shaft Collar, 2 piece 1 1/4' bore	2		
5	SPU-3612-20-4	Urethane Sprocket 36-12 1 1/4 bore 1/4' key	2		Sub SP-3612-20-4
6	MOU-742	Mount, Elevation, Drive Shaft Bearing, Outer	1	19705	
7	MOU-740	Mount, Elevation, Drive Shaft Bearing, Inner	1	MOU-740	
8	KEY-4-4-32	Shaft Key 1/4' x 2' Square Cut (1018)	2		
9	KEY-4-4-20	Shaft Key 1/4' x 1 1/4'	1		
10	CPS-6060	Steel Coupler (off center) 1 1/4' x 1'	1		
11	193-806	Mount Motor	1		
12	193-806A	Motor Mount Stop	1		
13	193-806C	Motor Guard	1	19301-	
14	DC-1176	Decal, Danger-Hand Chain Sprockets	1		
15	HM-204-TC	TCI Motor	1		Seal Kit # TCI-SKHPQ can replace with HM-204-OMS
801	KEY-4-4-15	Shaft Key 1/4' X 1/4' X 15/16' Woodruff Key	1		
802	BL-5-100-SF	5/16-24 X 1 SOCKET HEAD CAP SCREW	4	CPS-6057	
803	BL-4-075-SCS	1/4-28 X 3/4 SOCKET HEAD CAP SCREW	4		

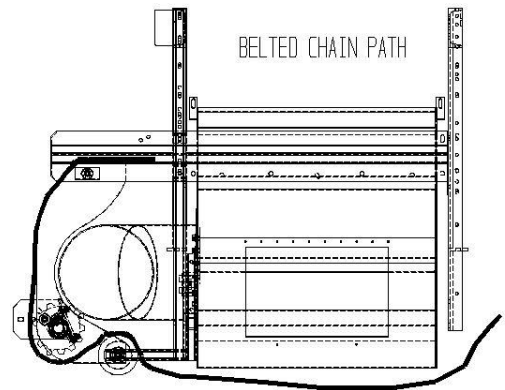
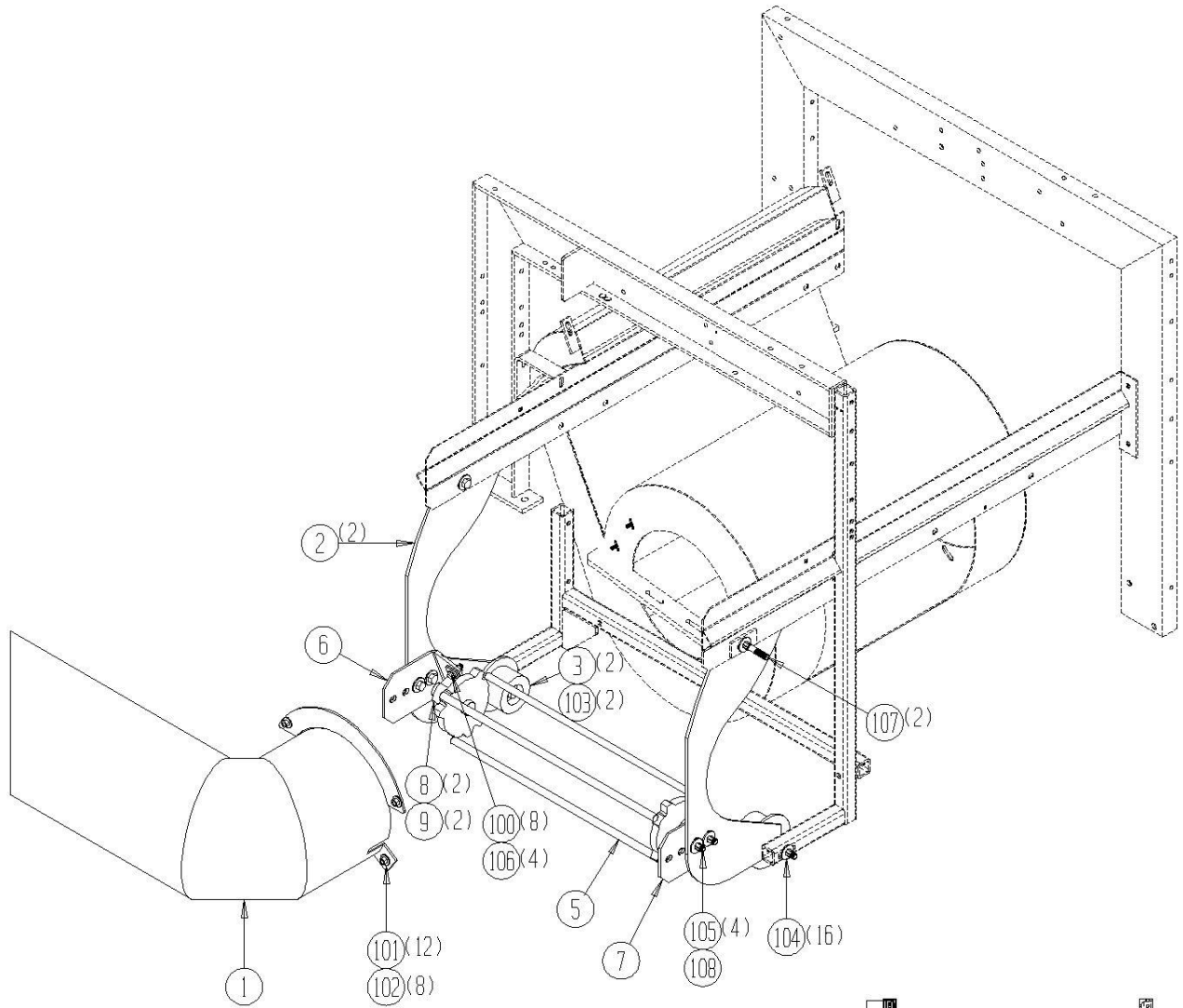
10016-08-03



10016-08-09 Opt. Fan Intake w/Elevation Bar Cleaner Assembly

<u>Ref</u>	<u>Part No.</u>	<u>Description</u>	<u>Parts – Assembly</u>	<u>Will Fit SN</u>	<u>Remarks</u>
0	KIT-0137	Fan Intake Extension with Elevation Bar Cleaner	0		
1	FAN-1750	FAN, REAR AIR INTAKE, DEBRIS FAN	1		
2	MOU-1750	Mount, Roller, Debris Fan Intake	2		
3	RLT-535-228	5' Flange Roller 2.2WF x 3 1/2' dia, 1/2' bore	2		
5	194-661	Bar Cleaner, 36mm pitch x 32' wide chain	1		
6	BRA-736	Bracket, Elevation Conveyor Bar Cleaner	1		
7	BRA-738	Bracket, Elevation Conveyor Bar Cleaner	1		
8	BR-062-MPB	Stamped Bearing Housing for 1 1/4' bearing	2		
9	BR-125-062I	Bearing, 1 1/4' ID, TS	2		FIT Bearing
100	BL-6-125-H	3/8-16 X 1-1/4 HHCS G5 ZC	8		
101	BL-6-FW-8	3/8 FW G8 ZC	12		
102	BL-6-LN	3/8 UNC FIN H LN NE A563 GrA ZC	8		
103	BL-8-475-H	1/2-13 X 4 3/4 HEX CAP G5 ZC	2		
104	BL-8-FW	1/2 USS FW ZC	16		
105	BL-8-150-H	1/2 UNC X 1-1/2 HH C/S BOLT G5 ZC	4		
106	BL-6-SW	3/8 SAE FW ZC	4		
107	BL-8-350-H	1/2-13 X 3-1/2 HEX CAP G5 ZC	2		
108	BL-8-LN	1/2-13 H LN NYLON INSERT ZC	8		

10016-08-09

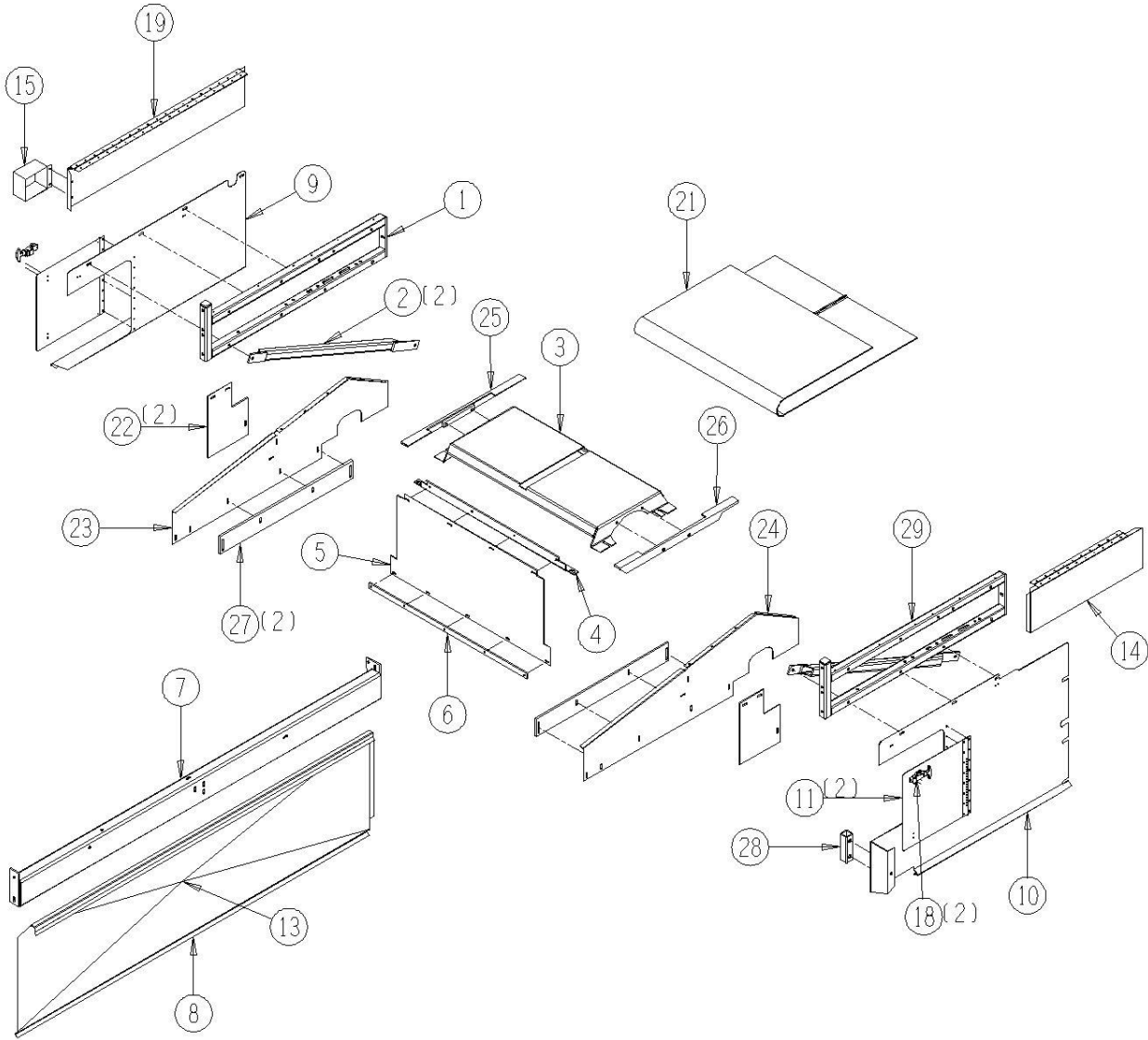


KIT-0137

10016-08-40 Presort Assembly

<u>Ref</u>	<u>Part No.</u>	<u>Description</u>	<u>Parts – Assembly</u>	<u>Will Fit SN</u>	<u>Remarks</u>
1	FRM-1104	Presort Frame, Outer, 190 Tomato Harvester	1		
2	BRA-0214	Presort Support Brace, 190 Tomato	2		
3	193-1520	Slider, Presort	1	19101-	
4	193-1546	Endless belt scraper	1	19301-	
5	BT-1548	Belting, Presort Scraper, Big Wheel, Narrow Shield	1	KIT-1118 19801-	
6	BAR-1548	Bar, Belting, Presort, Narrow Shield	1	19705 19801-	
7	194-834	Cross Bar (over wheel well)	1	19401-	Replaces 191-834
8	194-827	Cover, Wheel	1	19401-	
9	SHD-1530	Outer Presort Shield, 190 Tomato Harvester	1		
10	SHD-1531	Inner Presort Shield, 190 Tomato	1		
11	SHD-1532	Presort Access Door w/ Sliding Aftersort	2		
13	DC-3025	Red and White Reflective Tape @ 150 ft Roll	0.01		
14	SHD-1539	Shield, Presort, Inner Presort, Upper	1		
15	SHD-1523	Shield, Shaft End, Outer, Presort	1	19705 19801-	
18	LA-1530	Medium Rubber T Latch Assembly	2		
19	SHD-1529	Shield, Presort, Outer Presort, Upper	1		
21	BT-72V32E	Presort Belt 32' X 72.25' Endless	1	19101	
22	BT-0014	Belting, Inside Presort Tomato Deflector	2		
23	PAN-1566	Panel, Outer, Presort, Straight w/Cut-out	1	19705 19801-	
24	PAN-1567	Panel, Inner, Presort, Straight w/Cut-out	1	19705 19801-	
25	EX-1520A	Extension, Slider, Outer	1	19601-	
26	EX-1520B	Extension, Slider, Inner	1	19601-	
27	PL-1564	Guide, Plastic, Grademaster Presort Assy.	2	19601- KIT-0047	
28	SPA-0075	Spacer Tube, 190 Harvester	1		
29	FRM-1106	Presort Frame, Inner, 190 Tomato Harvester	1		

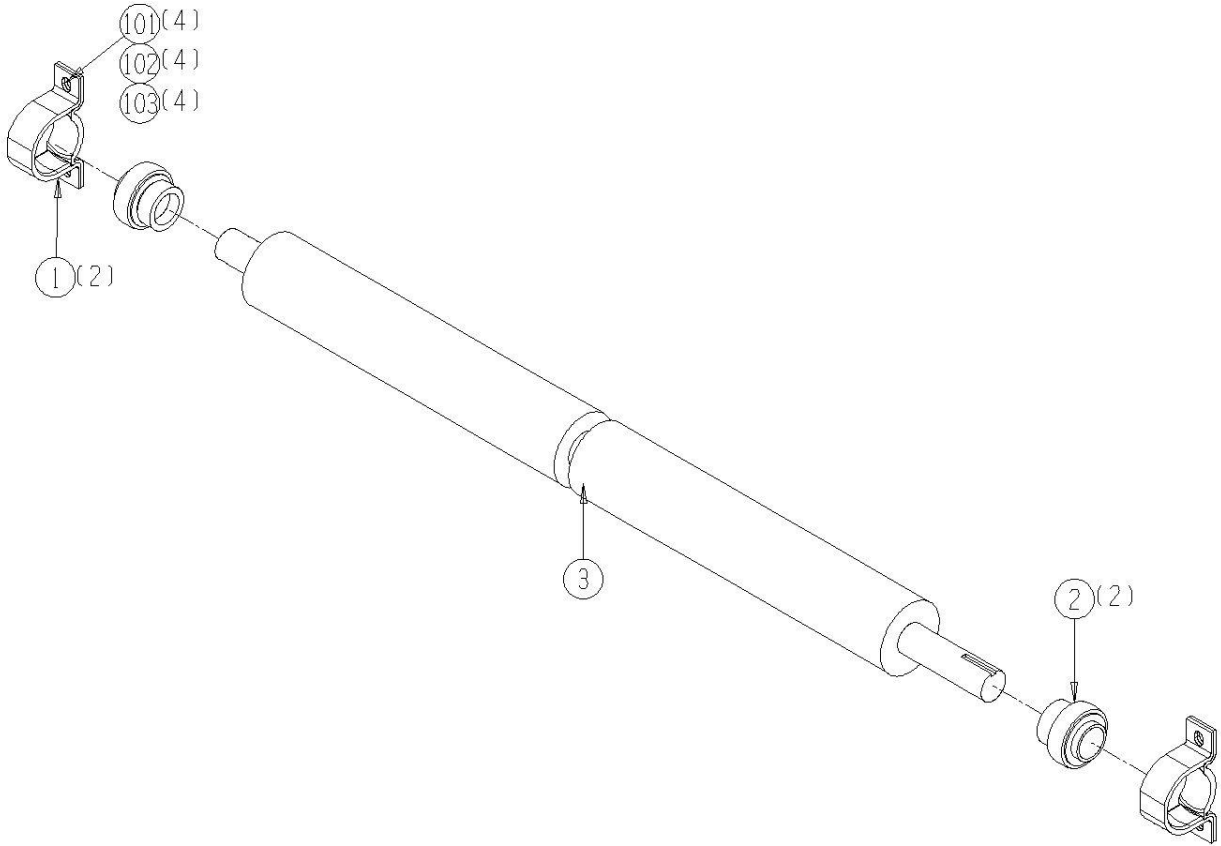
10016-08-40



10016-08-41 Front Presort Roller Assembly

<u>Ref</u>	<u>Part No.</u>	<u>Description</u>	<u>Parts – Assembly</u>	<u>Will Fit SN</u>	<u>Remarks</u>
1	BR-062-MPB	Stamped Bearing Housing for 1 1/4" bearing	2		
2	BR-125-062	Bearing, 1 1/4" Fafnir Tri-Seal, 62mm OD	2		
3	RLR-1523	Roller for 32 1/2" Presort Flat Belt Drive & Nose (Tomato)	1		
101	BL-6-100-H	3/8 UNC X 1 HH C/S BOLT G5 ZC	4		
102	BL-6-LW	3/8 SPLIT LW ZC	4		
103	BL-6-SW	3/8 SAE FW ZC	4		

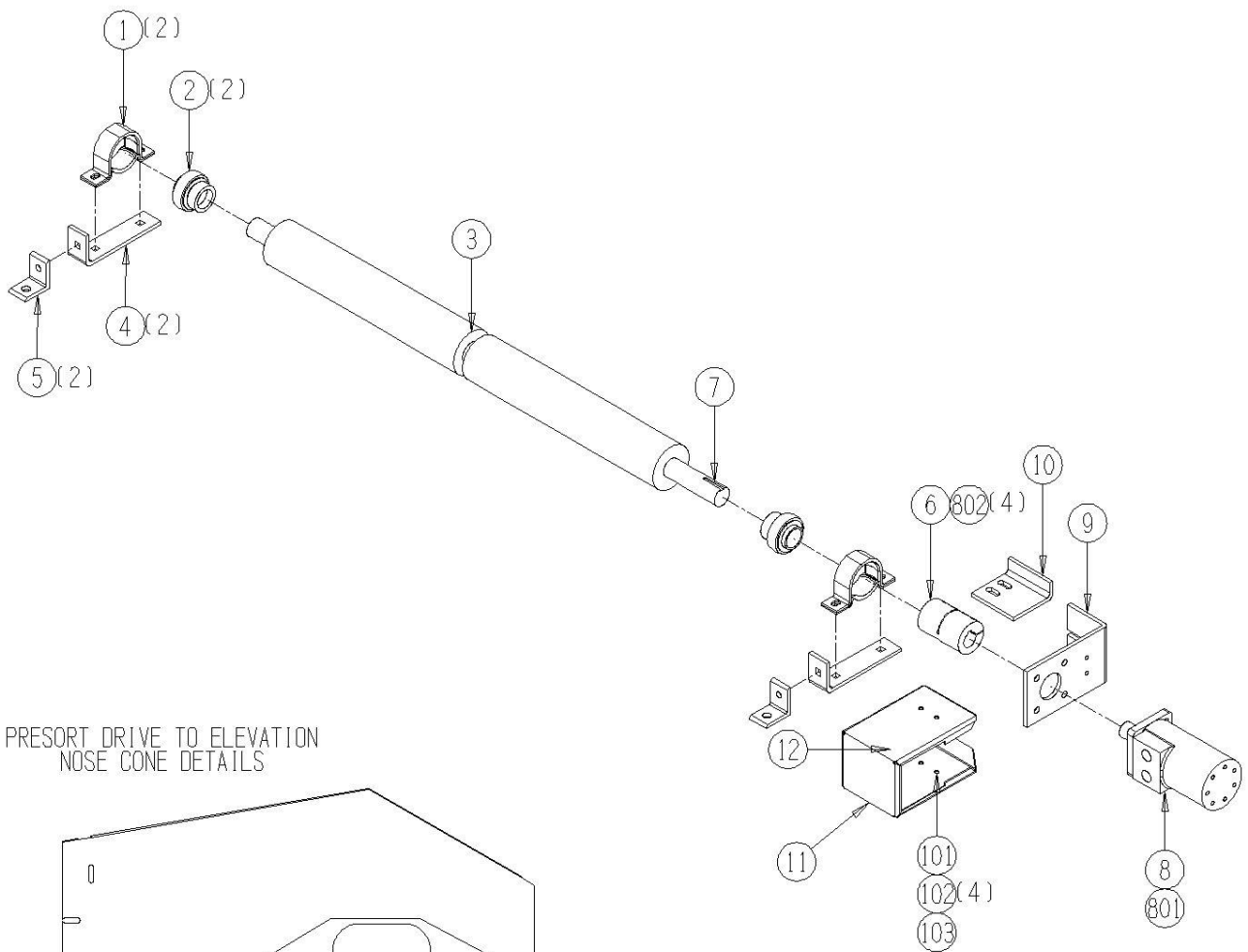
10016-08-41



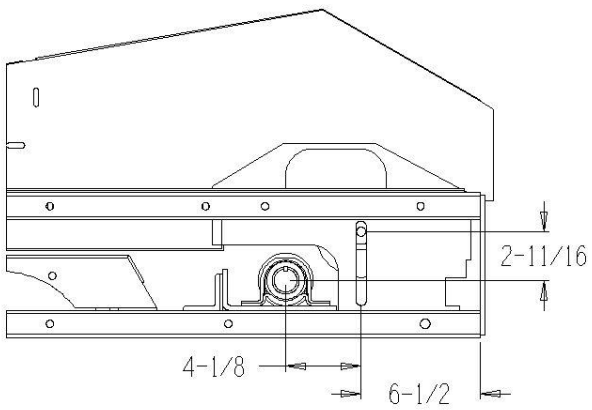
10016-08-42 Rear Presort Roller Assembly

<u>Ref</u>	<u>Part No.</u>	<u>Description</u>	<u>Parts – Assembly</u>	<u>Will Fit SN</u>	<u>Remarks</u>
1	BR-062-MPB	Stamped Bearing Housing for 1 1/4' bearing	2		
2	BR-125-062	Bearing, 1 1/4 Fafnir Tri-Seal, 62mm OD	2		
3	RLR-1523	Roller for 32 1/2 Presort Flat Belt Drive & Nose (Tomato)	1		
4	192-1528	Bearing Adjuster	2	19201-	
5	BRA-1528	Bracket, Tightener	2	19705 19801-	
6	CPS-6060	Steel Coupler (off center) 1 1/4' x 1'	1		
7	KEY-4-4-20	Shaft Key 1/4' x 1 1/4'	1		
8	HM-208-TC	TCI Motor	1		Seal Kit # TCI-SKHPQ
9	193-806	Mount Motor	1		
10	193-806A	Motor Mount Stop	1		
11	193-806C	Motor Guard	1	19301-	
12	DC-1176	Decal, Danger-Hand Chain Sprockets	1		
101	BL-4-500-H	1/4-20 X 5 HEX CAP G5 ZC	1		
102	BL-4-FW-8	1/4 FW G8	4		
103	BL-4-WN	1/4-20 FORGED WINGNUT ZC	1		
801	KEY-4-4-15	Shaft Key 1/4' X 1/4' X 15/16' Woodruff Key	1		
802	BL-5-100-SF	5/16-24 X 1 SOCKET HEAD CAP SCREW	4	CPS-6057	

10016-08-42



PRESORT DRIVE TO ELEVATION
NOSE CONE DETAILS



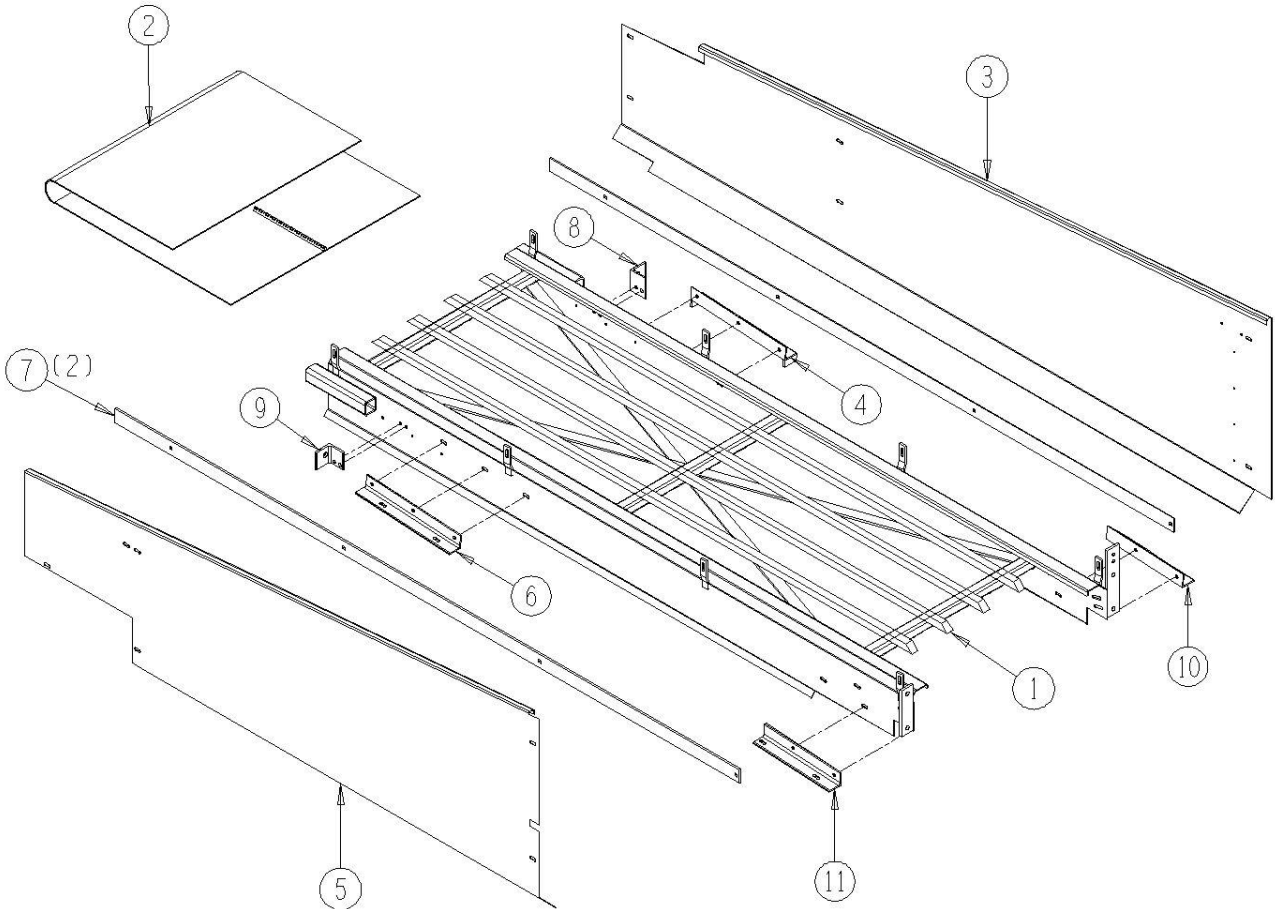
10016-08-43 NFM Presort Assembly

<u>Ref</u>	<u>Part No.</u>	<u>Description</u>	<u>Parts – Assembly</u>	<u>Will Fit SN</u>	<u>Remarks</u>
1	BRA-1570	Bracket, Grademaster, Outer	1	19801-, 19705	
2	SPA-1568	Spacer, FRL, Sorter Bracket, Tom.	1		
3	BRA-1568	Bracket, Grademaster, Inner	1	19801-, 19705	
4	SRT-1517	Rejector oil @ Gallon	1		
6	SRT-1595	Sorter Cable (GradeMaster)	1		
7	SRT-1732	32' Odenberg NFM Color Sorter	1		
800	SRT-1575	Finger Cylinder Assy	32	Grademaster	
801	SRT-1575A	Finger Only	1	SRT-1575	
802	SRT-1575B	Air Cylinder	1	SRT-1575	
803	SRT-1575C	Rejector Clevis (Hardened)	1	SRT-1575	
804	SRT-1575D	Cylinder Rod Clevis	1	SRT-1575	
805	SRT-1575E	Cylinder pin w/ (2) Circlips	1	SRT-1575	
806	SRT-1575F	Finger Pin (roll pin) @ each	1	SRT-1575	
807	SRT-1576B	Connector P-Loc 1/8' x 1/8' nylon	1		
808	SRT-1578	Air Valve Assy for Grademaster	1	Grademaster	Replaced By SRT-1577
809	AIR-1578	MILLER FRL Complete	1		
810	AIR-1576	Air Filter Regulator (Miller)	1	AIR-1578	
811	AIR-1577	Lubricator (Miller)	1	AIR-1578	
812	AIR-1578A	T-Type Bracket for FRL	1	AIR-1578	
813	AIR-1576G	Gauge for Miller FRL	1	AIR-1578	
814	AIR-1577-O	O-Ring for Miller Lubricator	2	AIR-1578	
816	SRT-1578G	'POST- 96' Grademaster Sorter Glass	1	1997- Grademaster AND LATER	

10016-09-40 Aftersort Assembly

<u>Ref</u>	<u>Part No.</u>	<u>Description</u>	<u>Parts – Assembly</u>	<u>Will Fit SN</u>	<u>Remarks</u>
1	HAN-804	Sorting Table, Slider, 190 Tomato Harvester	1		
2	BT-240V32L	Sorting Belt w/V guide 240 x 32 Laced	1		
3	PAN-0038	Shield, Inner Sorting Table, 190 Tomato	1		
4	BRA-0209	Bracket, Outer Sorting Table, 190	1		
5	193-128	Debris Chute, Outer Front (Tomato)	1	19301-	
6	BRA-0210	Bracket, Inner Sorting Table, 190	1		
7	BAR-0209	Bar, Table Side, Aftersort, 190	2		
8	STP-8501	Stop, Outside, Adjuster Belt	1		
9	STP-8502	Stop, Inside, Adjuster Belt, Crss Convyr	1		
10	BRA-0215	Bracket, Outer Sorting Table, 190	1		
11	BRA-0216	Bracket, Inner Sorting Table, 190	1		
800	BT-802	36' SS Belt Lacer w/Pin, 1 set	1		110-802

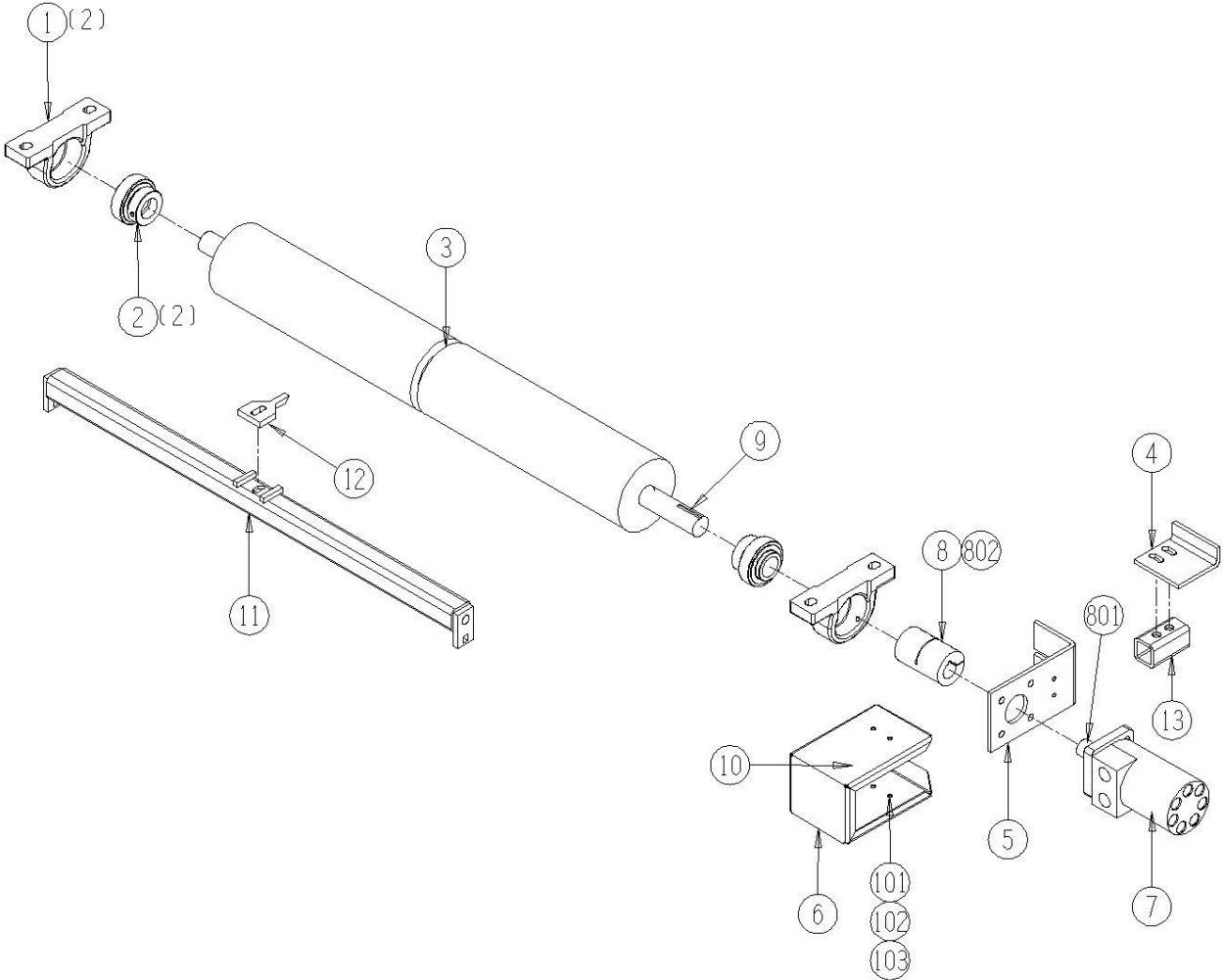
10016-09-40



10016-09-41 Aftersort Drive Shaft Assembly

<u>Ref</u>	<u>Part No.</u>	<u>Description</u>	<u>Parts – Assembly</u>	<u>Will Fit SN</u>	<u>Remarks</u>
1	BR-072-RAK	72mm Cast Housing	2		
2	BR-125-072	Bearing, 1 1/4 Fafnir Tri-Seal, 72mm OD	2		
3	RLR-1524	Drive Roller with 'A'Guide for Aftersort (Tomato)	1		
4	193-806A	Motor Mount Stop	1		
5	193-806	Mount Motor	1		
6	193-806C	Motor Guard	1	19301-	
7	HM-204-TC	TCI Motor	1		Seal Kit # TCI-SKHPQ can replace with HM-204-OMS
8	CPS-6060	Steel Coupler (off center) 1 1/4' x 1'	1		
9	KEY-4-4-20	Shaft Key 1/4' x 1 1/4'	1		
10	DC-1176	Decal, Danger-Hand Chain Sprockets	1		
11	MOU-804	Mount A-Guide Scraper Holder, 190 Harvester	1		
12	SCR-803	Scraper, A-Guide Groove, Aftersort	1		
13	SPA-0071	Motor Stop Spacer	1		
101	BL-4-500-H	1/4-20 X 5 HEX CAP G5 ZC	1		
102	BL-4-FW-8	1/4 FW G8	4		
103	BL-4-WN	1/4-20 FORGED WINGNUT ZC	1		
801	KEY-4-4-15	Shaft Key 1/4' X 1/4' X 15/16' Woodruff Key	1		
802	BL-5-100-SF	5/16-24 X 1 SOCKET HEAD CAP SCREW	4	CPS-6057	

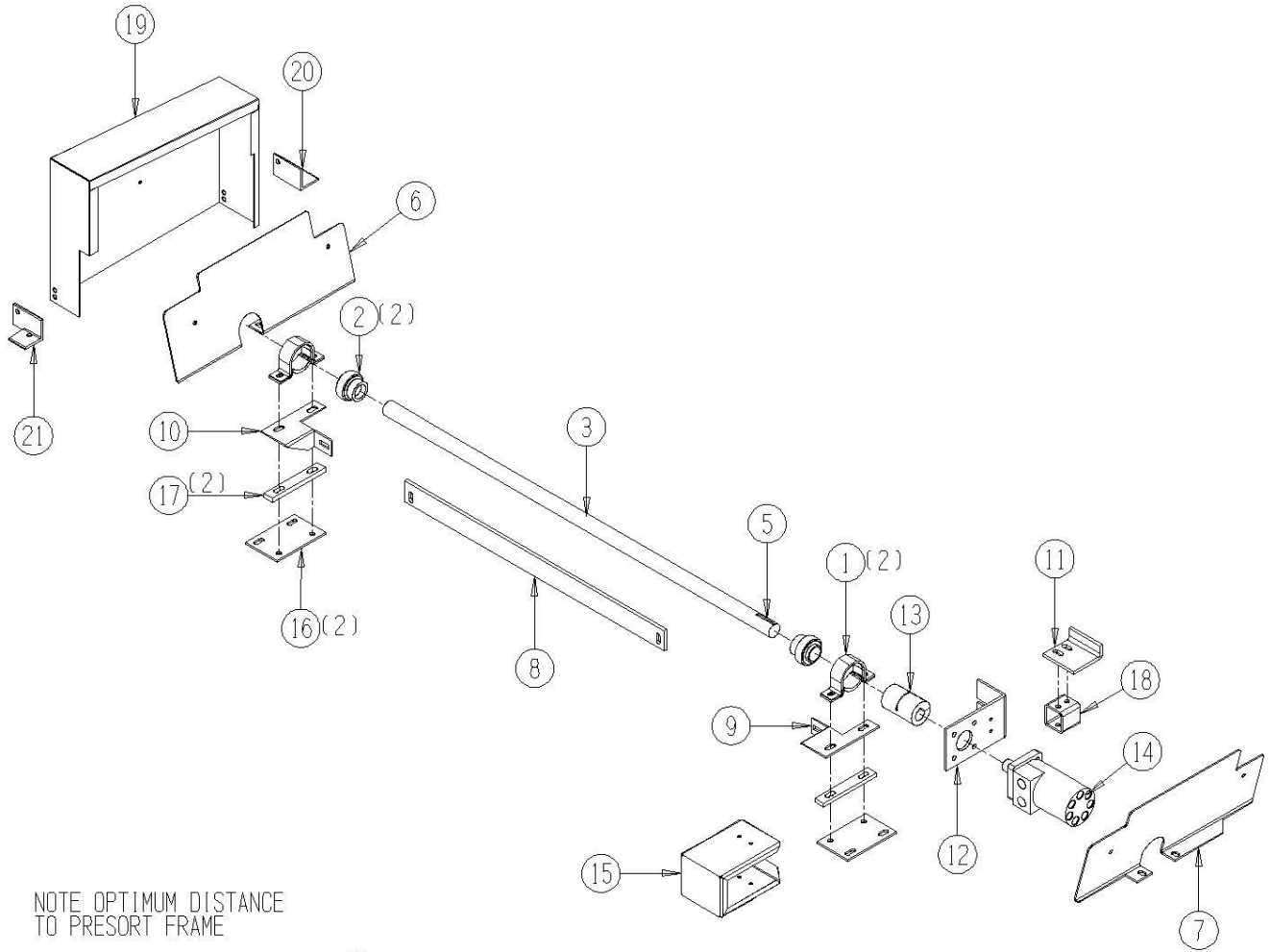
10016-09-41



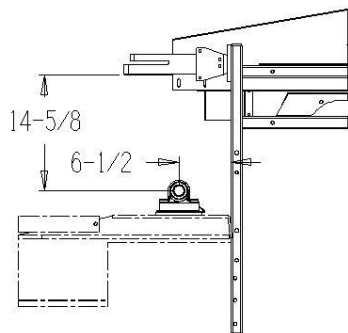
10016-09-42 Aftersort Divider Bar Assembly

<u>Ref</u>	<u>Part No.</u>	<u>Description</u>	<u>Parts – Assembly</u>	<u>Will Fit SN</u>	<u>Remarks</u>
1	BR-062-MPB	Stamped Bearing Housing for 1 1/4' bearing	2		
2	BR-125-062	Bearing, 1 1/4 Fafnir Tri-Seal, 62mm OD	2		
3	SFT-0047	Aftersort Divider Shaft, 190 Tomato Harvester	1		
5	KEY-4-4-20	Shaft Key 1/4' x 1 1/4'	1		
6	SHD-8751	Divider Roller Shield, Aftersort, LH	1		
7	SHD-8750	Divider Roller Shield, Aftersort, RH	1		
8	SCR-0001	Divider Shaft Scraper, 190 Tomato Harvester	1		
9	BRA-850	Bracket, Rolling Guard, Scraper, Outer	1	19101- Kit-0007	
10	BRA-851	Bracket, Rolling Guard, Scraper, Inner	1	19101- kit-0007	
11	193-806A	Motor Mount Stop	1		
12	193-806	Mount Motor	1		
13	CPS-6060	Steel Coupler (off center) 1 1/4' x 1'	1		
14	HM-210-TC	TCI Motor	1		Seal Kit # TCI-SKHPQ
15	193-806C	Motor Guard	1	19301-	
16	BAR-8755	Bar, Divider Roller Bar, Aftersort	2		
17	SPA-0076	Divider Bar Spacer	2		
18	SPA-0007	Spacer, Motor Stop, Cleaner Table Drives	1		
19	COV-845	Cover, Divider Shaft Drive, Aftersort	1	19705 19801-	
20	BRA-1536	Bracket, Cover Hinge, Aftersort	1	19705 19801-	
21	193-1536	Mounting Angle, Outer Presort Shield	1	19301-	
22	DC-1176	Decal, Danger-Hand Chain Sprockets	1		
101	BL-6-150-H	3/8-16 X 1-1/2 HEX CAP G5 ZC	4		
101	BL-6-250-H	3/8-16 X 2-1/2 HH C/S G5 ZC	4		
102	BL-6-LW	3/8 SPLIT LW ZC	4		
103	BL-6-SW	3/8 SAE FW ZC	4		
104	RI-3-5-P	Pop Rivet 3/16 x 5/16 Domed, .375 head, ea	2		

10016-09-42



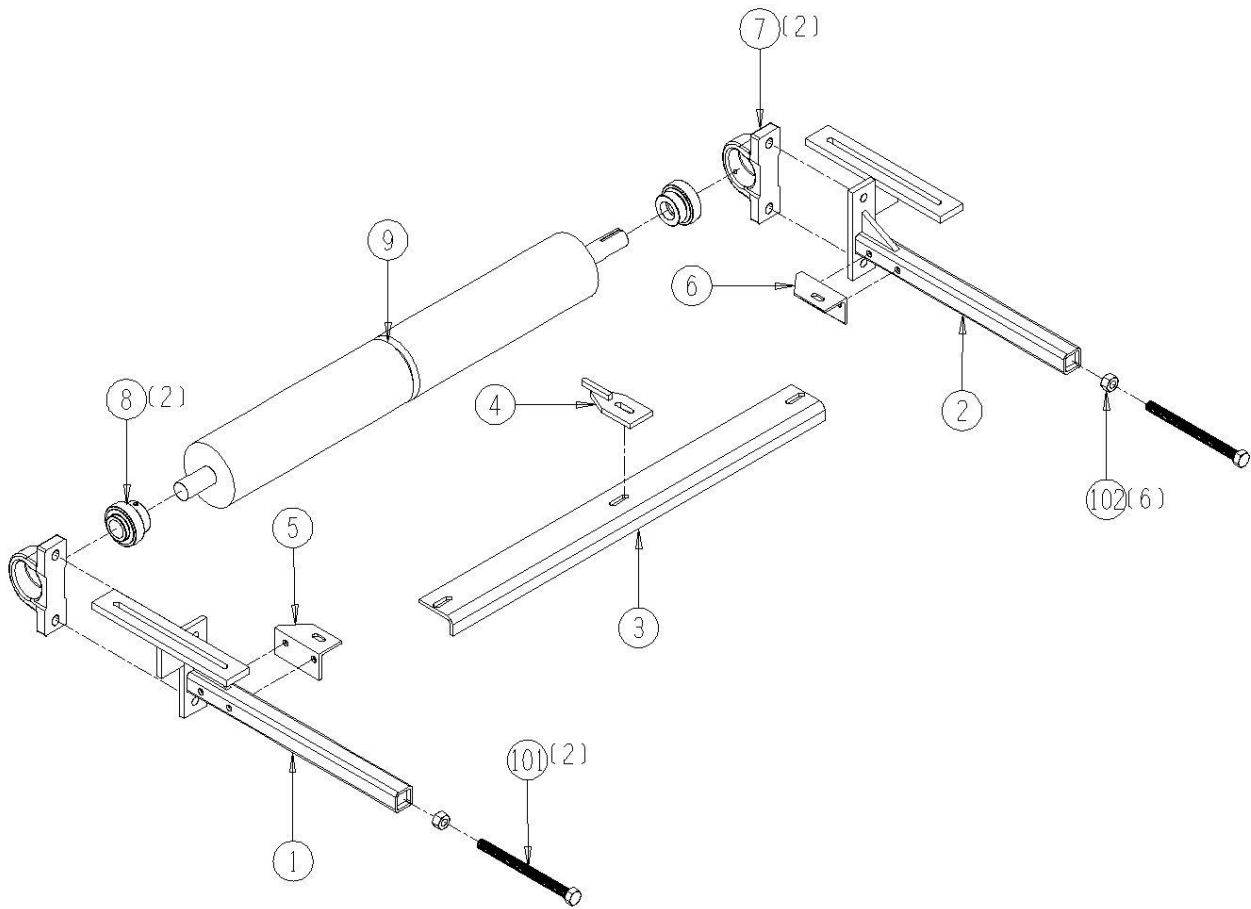
NOTE OPTIMUM DISTANCE
TO PRESORT FRAME



10016-09-43 Aftersort Auger Assembly

<u>Ref</u>	<u>Part No.</u>	<u>Description</u>	<u>Parts – Assembly</u>	<u>Will Fit SN</u>	<u>Remarks</u>
1	ADJ-0210	Adjuster, Sorting Table, Outer, 190	1		
2	ADJ-0209	Adjuster, Sorting Table, Inner, 190	1		
3	BRA-0213	Rear Scraper Mount	1		
4	SCR-0213	Rear Scraper	1		
5	BRA-0211	Bracket, Outer Scraper Mount	1		
6	BRA-0212	Bracket, Inner Scraper Mount	1		
7	BR-072-RAK	72mm Cast Housing	2		
8	BR-125-072	Bearing, 1 1/4 Fafnir Tri-Seal, 72mm OD	2		
9	RLR-1524	Drive Roller with 'A'Guide for Aftersort (Tomato)	1		
101	BL-10-800-TS	5/8-11 X 8 HEX TAP SS	2		
102	BL-10-N	5/8-11 HEX FIN NUTS ZC	6		

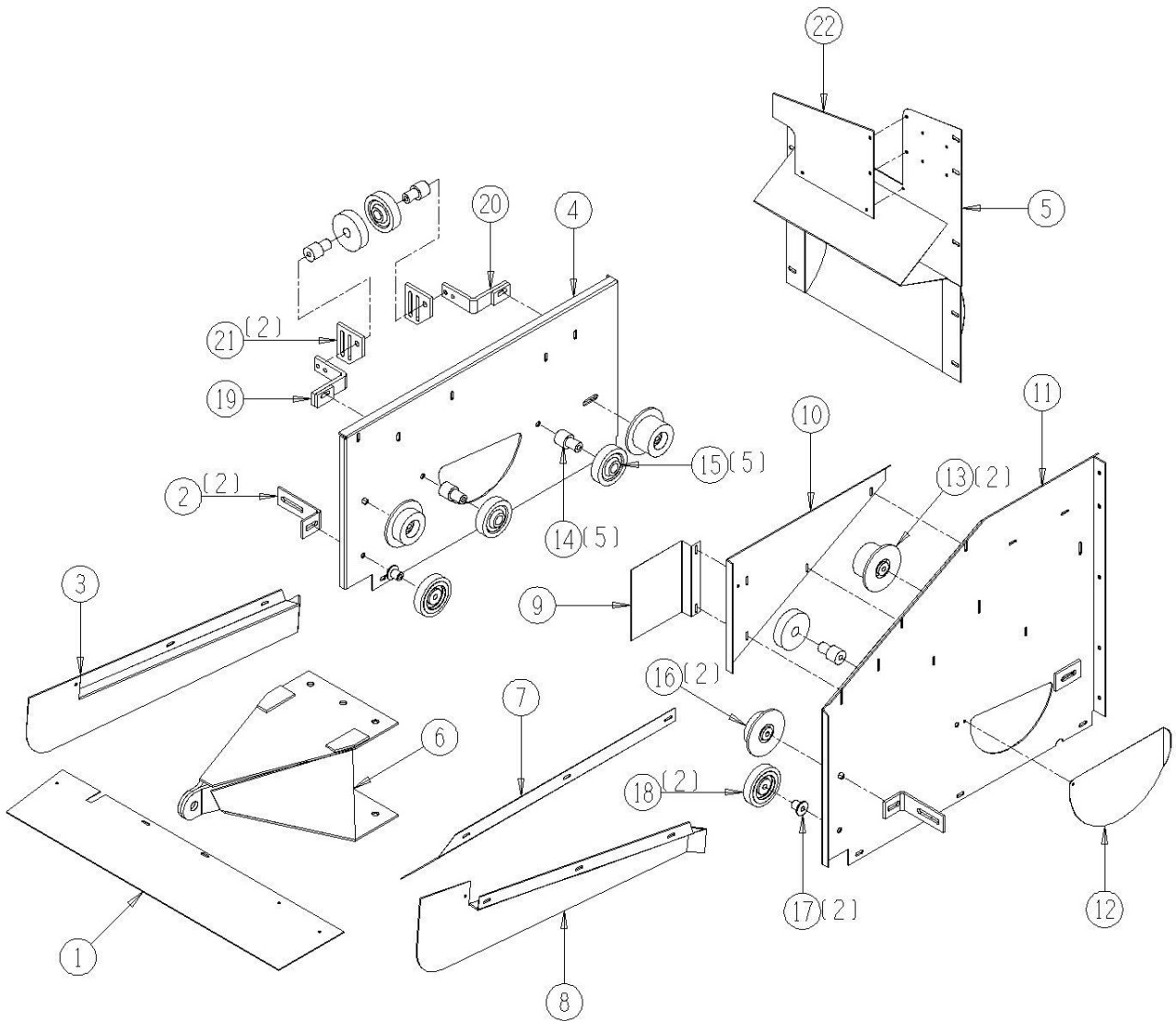
10016-09-43



10016-10-01 Discharge Basket Assembly

<u>Ref</u>	<u>Part No.</u>	<u>Description</u>	<u>Parts – Assembly</u>	<u>Will Fit SN</u>	<u>Remarks</u>
1	BT-0013	Belting, Shield, Inner Discharge & Basket	1		
2	191-928	Bracket for front panel-elevator mount	2	19101-	
3	191-937	Tomato Guard, Rear Discharge	1	19101-	
4	191-921	Panel, Rear Discharge	1	19101-	
5	194-925	Discharge Valve	1	19401-	
6	191-917	Discharge Cylinder Mount	1	19101-	
7	193-922	Deflector	1	19301-	
8	192-936	Tomato Guard, Front Discharge	1	19201-	
9	192-936A	Discharge basket, Front Extension	1	19201-	
10	193-920A	Front Discharge Panel Extension	1	19301-	
11	193-920	Front Discharge panel	1	19301-	
12	PAN-920C	Panel, Access [Red]	1	19301-	
13	RLT-535-228	5' Flange Roller 2.2WF x 3 1/2' dia, 1/2' bore	2		
14	RLA-010-0108	Spindle / Standoff for Urethane Roller (heat treated)	5	19101-	
15	RLG-040-1016	4' Urethane Roller	5	Old Terog Part No. RU4	
16	RLT-535-128	Narrow Flange Roller 1.2 WF 3.5 dia, 1/2' Bore	2		
17	RLA-000-118	Standoff, 1/2' X 1 1/8'	2		
18	RLR-040-108	4' Flat Roller	2		
19	BRA-105	Bracket, Header Roller, Inner	1		
20	BRA-106	Bracket, Header Roller, Outer	1	19101-	
21	BRA-107	Bracket, Header Roller	2		
22	SHD-0155	Shield, Discharge, 2010 190 Tomato Harvester	1		
600	HC-250-3008P	Hydraulic Cylinder 2 1/2' x 30' #8 SAE Ports	1		

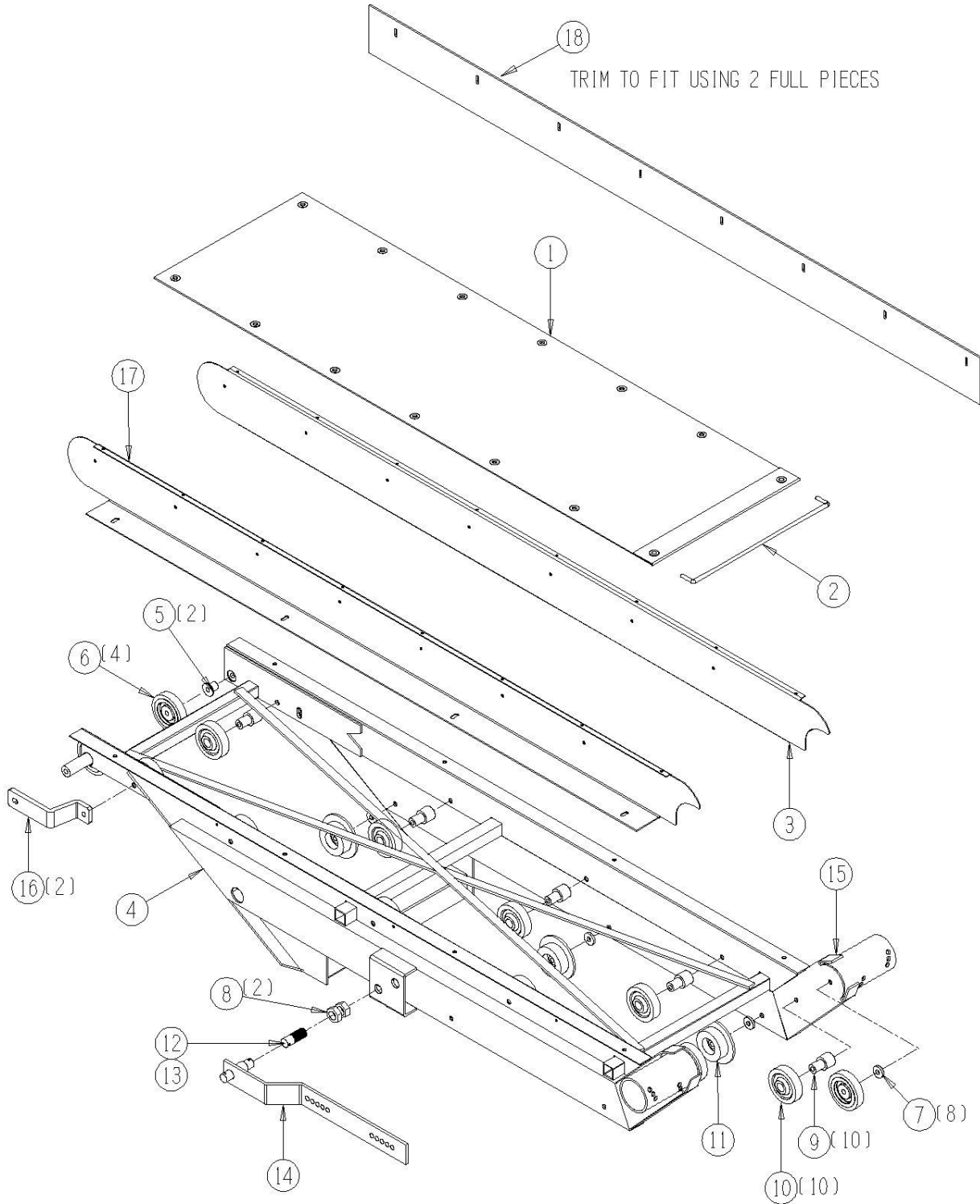
10016-10-01



10016-10-02 Discharge Inner Section Assembly

<u>Ref</u>	<u>Part No.</u>	<u>Description</u>	<u>Parts – Assembly</u>	<u>Will Fit SN</u>	<u>Remarks</u>
1	TRP-938	Discharge Tarp	1	19101-	
2	194-938A	Tarp Support	1	19401-	
3	SHD-0152	Discharge Extension,Lower Rear	1		
4	194-901	Frame, Discharge Elevator	1	19201	
5	RLA-000-118	Standoff, 1/2' X 1 1/8'	2		
6	RLR-040-108	4' Flat Roller	4		
7	RLA-000-028	Washer/Spacer	8	11001-	
8	BL-16-JN	1 UNC FIN HEX JAM NUT A563 GrA ZINC	2		
9	RLA-010-0108	Spindle / Standoff for Urethane Roller (heat treated)	10	19101-	
10	RLG-040-1016	4' Urethane Roller	10		Old Terog Part No. RU4
11	RLT-535-128	Narrow Flange Roller 1.2 WF 3.5 dia,1/2' Bore	8		
12	192-907P	Discharge Stabilizer Pin	1	19201	
13	HC-1130B	Hairpin, 7/8'-1' Rod Dia Range	1		
14	193-919	Transport bar	1	19301-	
15	DC-1174	Decal, Danger Keep Hands and Feet Away	1		
16	BAR-0114	Discharge Strap	2		
17	SHD-0151	Discharge Extension,Lower,Front	1		
18	PL-8003	Plastic Shield, 190 Discharge	2		
600	HCP-200-2408	Prince Hydraulic Cylinder 2' x 24' #8 SAE Ports	2		

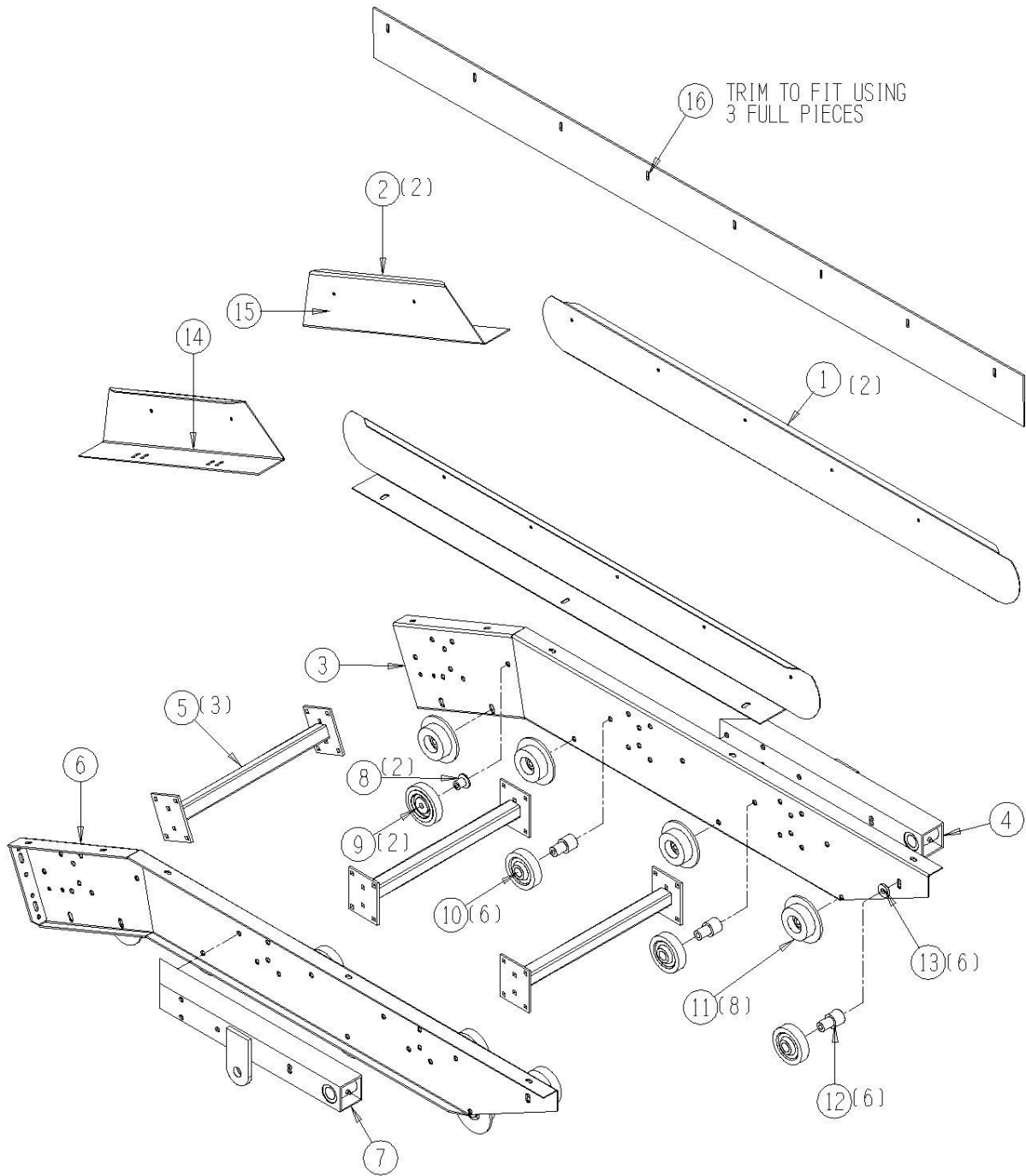
10016-10-02



10016-10-03 Discharge Outer Section Assembly

<u>Ref</u>	<u>Part No.</u>	<u>Description</u>	<u>Parts – Assembly</u>	<u>Will Fit SN</u>	<u>Remarks</u>
1	191-909	Mid Elevator Extension	2		Same Front and Back
2	SID-911	Side, Extension Discharge, Outer, Tom.	2		Replaces 191-910
3	195-9024	Outer Discharge Elevator Frame (rear)	1		
4	192-906	Cylinder Mount, Rear Discharge	1	19201- 192-900K	
5	BAR-9026	Bar, Cross Member, Discharge	3	19201- 192-900K	Replaces BAR-9025
6	195-9023	Outer Discharge Elevator Frame (front)	1	19501-	
7	192-905	Cylinder Mount, Front Discharge	1	19201-	
8	RLA-000-118	Standoff, 1/2' X 1 1/8'	2		
9	RLR-040-108	4' Flat Roller	2		
10	RLG-040-1016	4' Urethane Roller	6	Old Terog Part No. RU4	
11	RLT-535-128	Narrow Flange Roller 1.2 WF 3.5 dia, 1/2' Bore	8		
12	RLA-010-0108	Spindle / Standoff for Urethane Roller (heat treated)	6	19101-	
13	RLA-000-028	Washer/Spacer	6	11001-	
14	DC-3026	Orange Reflective Tape @ 50ft Roll	0.12		
15	DC-3025	Red and White Reflective Tape @ 150 ft Roll	0.04		
16	PL-8003	Plastic Shield, 190 Discharge	3		

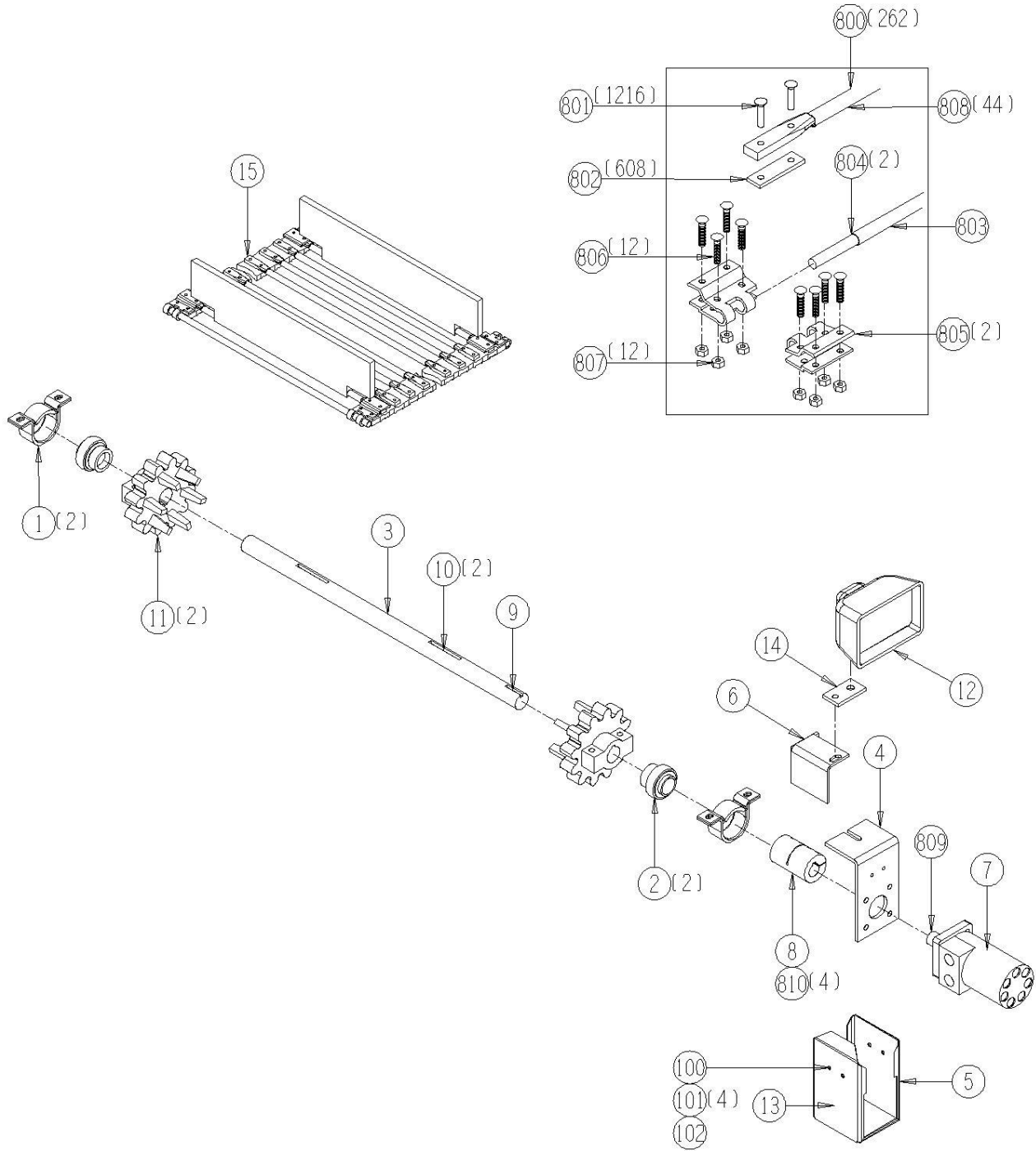
10016-10-03



10016-10-04 Discharge Drive Assembly

<u>Ref</u>	<u>Part No.</u>	<u>Description</u>	<u>Parts – Assembly</u>	<u>Will Fit SN</u>	<u>Remarks</u>
1	BR-062-MPB	Stamped Bearing Housing for 1 1/4' bearing	2		
2	BR-125-062	Bearing, 1 1/4 Fafnir Tri-Seal, 62mm OD	2		
3	110-911	Shaft, Discharge Drive	1	11001-	
4	193-806	Mount Motor	1		
5	193-806C	Motor Guard	1	19301-	
6	193-915	Stop, Discharge Motor	1	19301-	
7	HM-210-TC	TCI Motor	1		Seal Kit # TCI-SKHPQ
8	CPS-6060	Steel Coupler (off center) 1 1/4' x 1'	1		
9	KEY-4-4-20	Shaft Key 1/4' x 1 1/4'	1		
10	KEY-4-4-32	Shaft Key 1/4' x 2' Square Cut (1018)	2		
11	SP-3618-20-4	Sprocket 36mm 18 Tooth, 1 1/4' Bore, Split & Bolted	2		
12	EL-1233	Light, Auxiliary Work Light, Clear, Trapezoid Beam, TL#80394	1		Replaces EL-1201
13	DC-1176	Decal, Danger-Hand Chain Sprockets	1		
14	BAR-1510	Bar, Light Holder	1		
15	BC-6-2036-307	Discharge chain with flights	1	19101	
100	BL-4-500-H	1/4-20 X 5 HEX CAP G5 ZC	1		
101	BL-4-FW-8	1/4 FW G8	4		
102	BL-4-WN	1/4-20 FORGED WINGNUT ZC	1		
800	BC-6-20-ST	3/8' x 20' Belted Chain Rod (Straight)	262	11001	
801	RI-19-BC	19mm Belted Chain Rivets	1216		
802	BC-BP20	Belt, Rivet backing plates 20mm	608	19101	Lap Splice Option
803	BC-7-20-CN	Connecting Rod, 11mm, 20' Wide Belted Chain, 50mm Traction Belts	1		
804	BC-3525	Snap Ring, 11mm.	2		
805	BC-F-36-20	F Connecting Clips 36-20 @ pair	2		
806	BC-1032-FS	10-32 x 1 1/4' Bolts Flat Socket Head	12		
807	BC-1032-LN	10-32 LN	12		
808	BC-6-20-FL	Rubber Elevator Flights	44	19201	
809	KEY-4-4-15	Shaft Key 1/4' X 1/4' X 15/16' Woodruff Key	1		

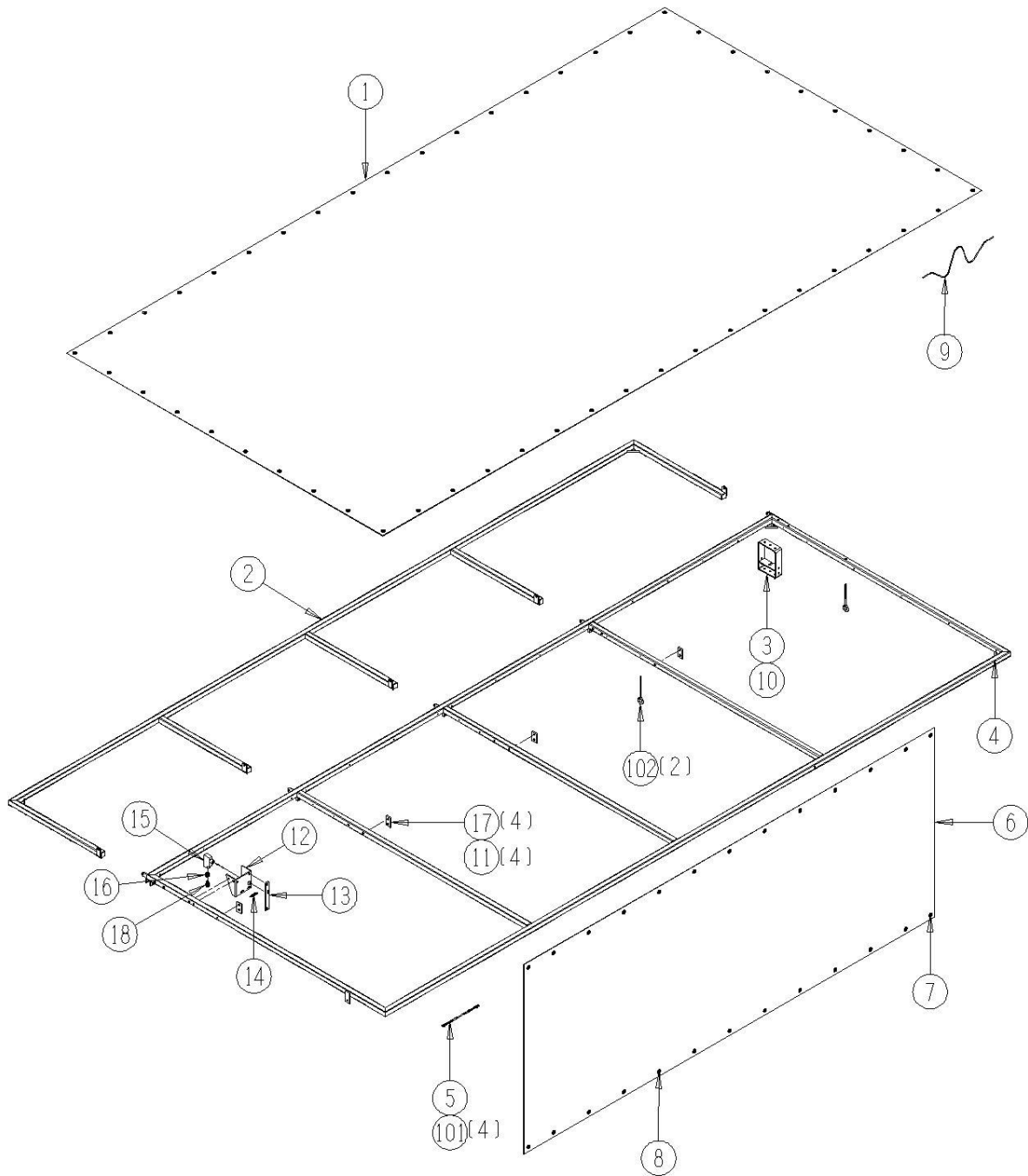
10016-10-04



10016-11-01 Canopy Assembly

<u>Ref</u>	<u>Part No.</u>	<u>Description</u>	<u>Parts – Assembly</u>	<u>Will Fit SN</u>	<u>Remarks</u>
1	TRP-1115	Tarp, Sun Tarp	1	19101-	
2	192-1116A	Fold out	1	19201-	
3	SHD-1206	Shield, Flashing Light	1	30097001- 19601-	
4	192-1116	Main sun tarp frame	1	19201-	
5	194-1146	Stainless Steel Cable Assembly	1	19201- TRP-1145K	
6	TRP-1145	Dust Tarp	1	19201- TRP-1145K	
7	STRP-1410	15' Tarp Strap	1		
8	STRP-610	6' Tarp Strap (ea.)	10		
9	TRP-0006	Nylon Rope #6 @ foot	82		
10	EL-1206	Double Amber Lamp	1		
11	EL-1233	Light, Auxiliary Work Light, Clear, Trapezoid Beam, TL#80394	4		Replaces EL-1201
12	195-1455	Horn Bracket	1	19501-	
13	195-1456	Horn Switch Bar	1	19501-	
14	SPG-9654	Extension Spring for Horn Switch	1		
15	EL-6610	Horn Switch	1		
16	BU-6-8-N	Bushing, Threaded Pipe, Nylon, 3/8' x 1/2'	1		
17	BAR-1510	Bar, Light Holder	4		
18	ELC-2638	3/8' Plastic Cord Connector	1		
101	BL-5-FN	5/16 UNF NUT	4		
102	BL-6-600-I	3/8-16 x 6-1/4 TURNED EYE BOLT, ZC SS	2		

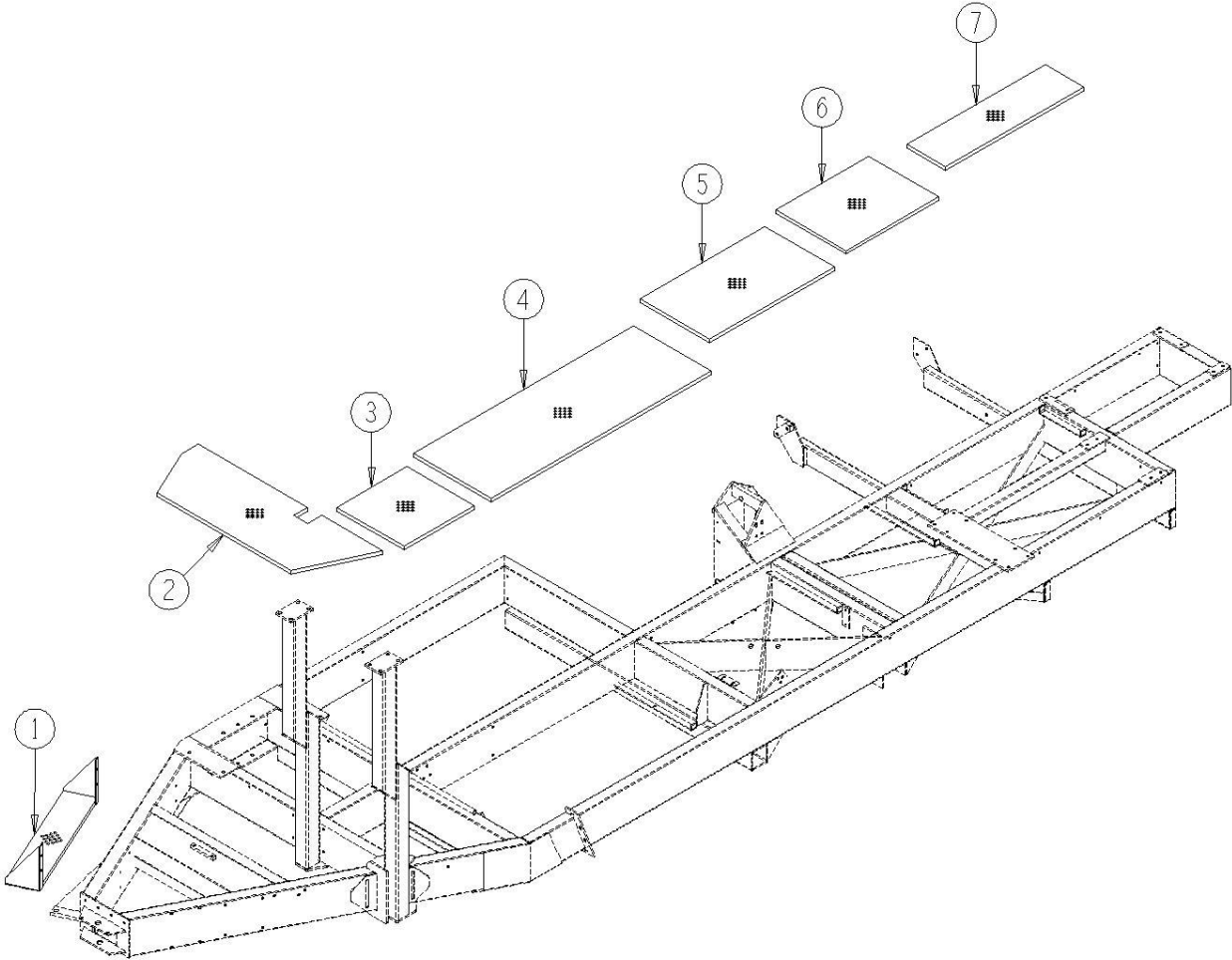
10016-11-01



10016-11-04 Opt. Overhead Lift Inner Decking Assembly

<u>Ref</u>	<u>Part No.</u>	<u>Description</u>	<u>Parts – Assembly</u>	<u>Will Fit SN</u>	<u>Remarks</u>
1	STD-1411	Deck, Step	1	19401-	
2	STD-1007	Front Cross Decking, 190 Tomato Overhead Lift	1		
3	STD-1409	Deck, Inner Entrance	1	19101-	
4	STD-1406	Deck, Inner (Front) Aftersort	1	19201-	
5	STD-0004	Stand, Inner Decking, Rear Aftersort	1		
6	STD-1405B	Deck, Presort, Rear	1	19201-	
7	STD-1404	Deck, Inner Elevation	1	19101-	

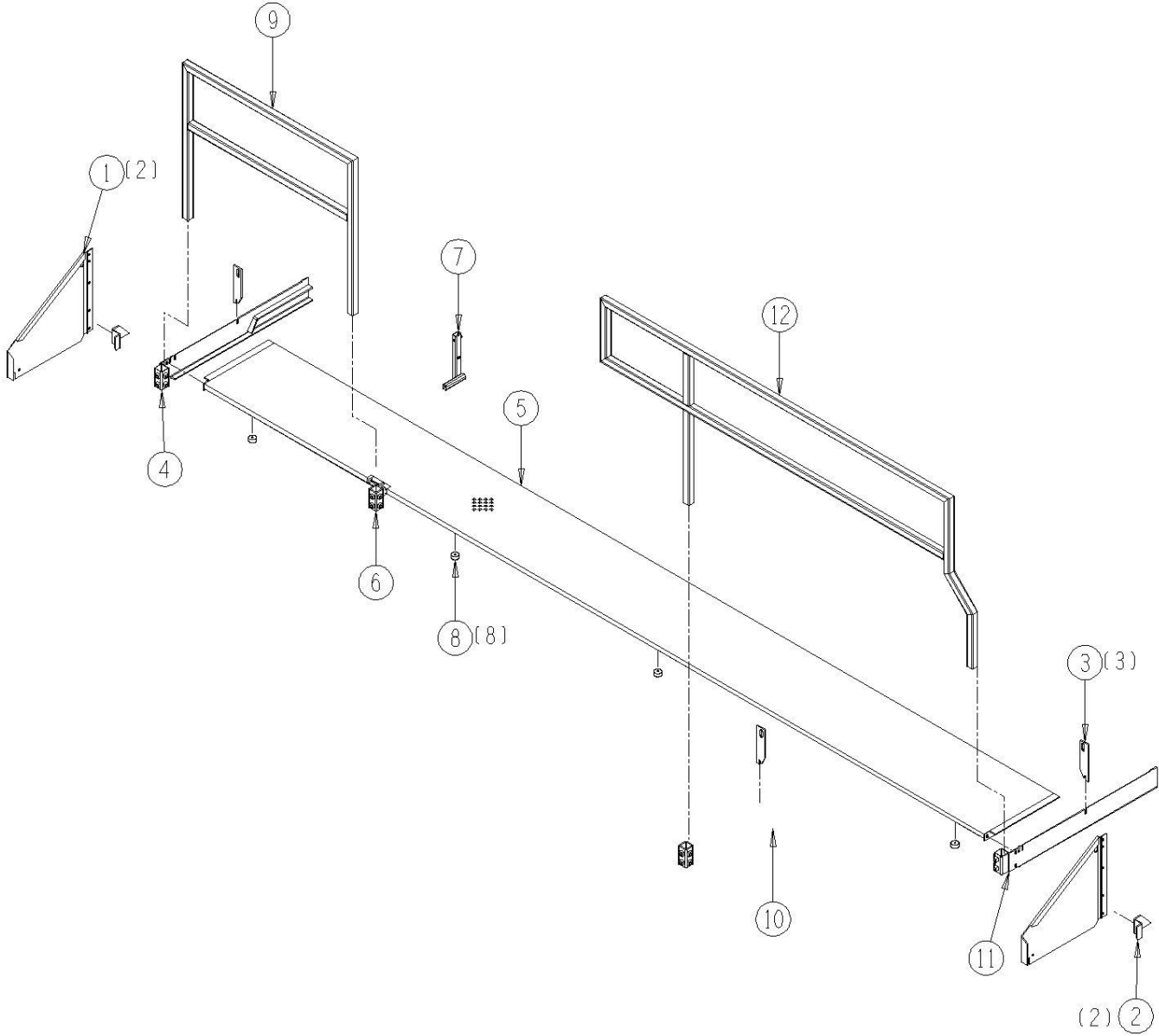
10016-11-04



10016-11-05 Outer Decking Assembly

<u>Ref</u>	<u>Part No.</u>	<u>Description</u>	<u>Parts – Assembly</u>	<u>Will Fit SN</u>	<u>Remarks</u>
1	194-727	Guard, Deck End (Rear and Front)	2	19401-	
2	BAR-0086	Latch, Handrail, 190 Harvester	2		
3	194-1402B	Deck Slide Lock	3	19401-	
4	BRA-0207	Rear Decking Bracket, Tubing, 190 Tomato	1		
5	STD-1122	Outside Decking, 190 Tomato	1		
6	BRA-0208	Middle Decking Bracket, Tubing, 190 Tomato	1		
7	SUP-1122	Support, Decking, Rear, Right, Long Sort Table	1	KIT-800	Use w/# 193-1138B
8	194-1418	Rubber Bumper	8	19401	
9	STD-0009	Decking Rail, Back, Side, 190 Tomato	1		
10	BRA-0205	Back Decking Bracket, Tubing, 190 Tomato	1		
11	BRA-0206	Front Decking Bracket, Tubing, 190 Tomato	1		
12	STD-0008	Decking Rail, Front, Side, 190 Tomato	1		

10016-11-05

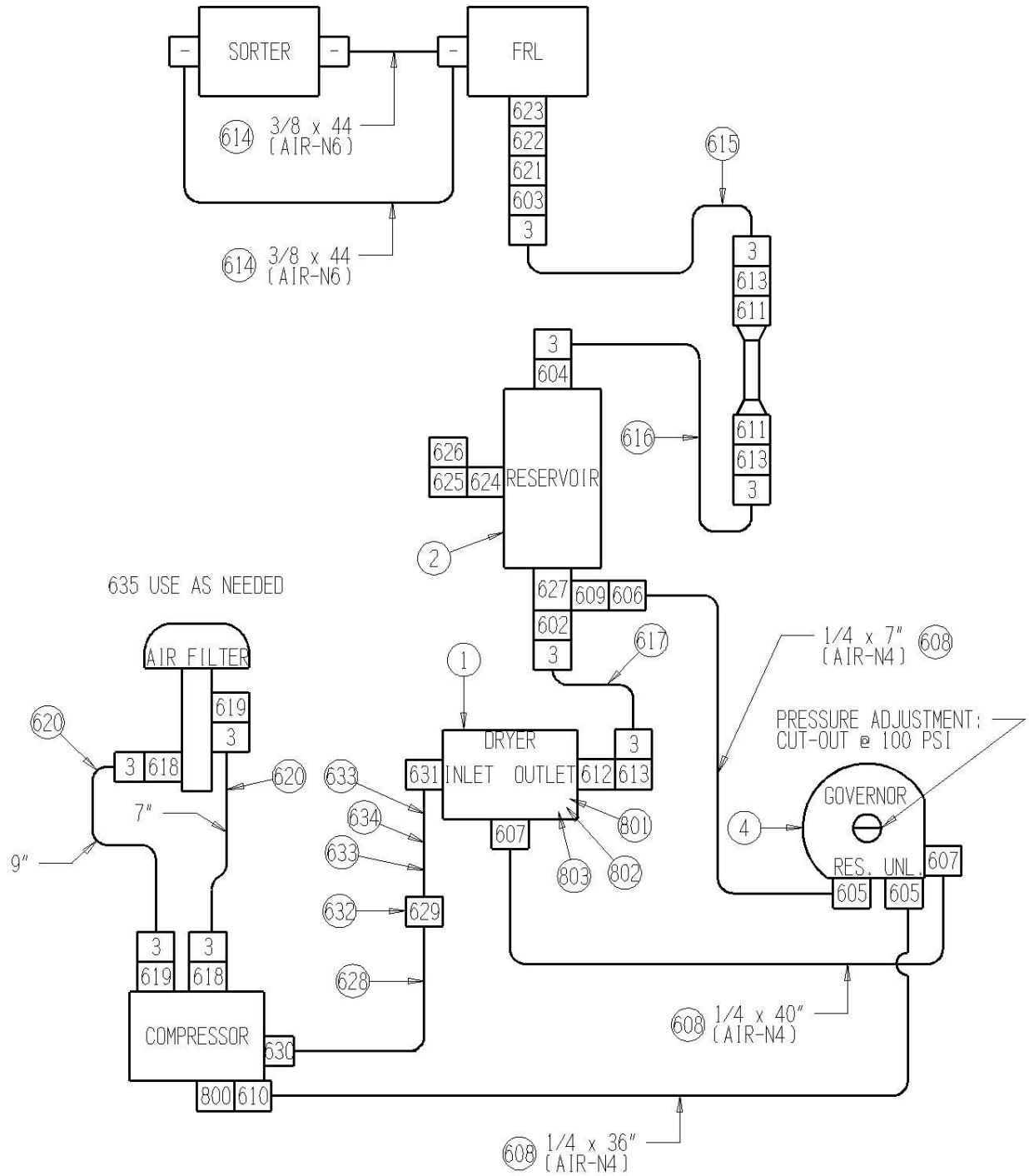


10016-12-02 Air Tank Assembly & Pneumatics

<u>Ref</u>	<u>Part No.</u>	<u>Description</u>	<u>Parts – Assembly</u>	<u>Will Fit SN</u>	<u>Remarks</u>
1	AIR-1514-M	Air Dryer	1		Will replace 110-1514 with minor modifications
2	AIR-1513	Air Reservoir Tank	1		
3	CL-16	1' Stainless Steel Gear Clamp	10		
4	AIR-1512	Air Compressor Governor	1		
602	A-4124-10-8	1/2 Male Pipe x 5/8 Push Loc	1		
603	A-4104-10-6	3/8 MP to 5/8 Hose Barb	1		
604	A-4129-10-8	1/2 NPT 90° w/ 5/8' push-loc	1		
605	AIR-N4-2	Auto-loc Male Adapter 1/4 x 1/8 NPT	2		
606	AIR-NL-4-4	Auto-loc Elbow 1/4 n 1/4 NPT	1		
607	AIR-PL-4-2	Male Elbow, 1/4 x 1/8NPT, Brass, D.O.T., Prestomatic	2		
608	AIR-N4	1/4'Nylon Tubing @ ft., Black	7		
609	AB-8-4	1/2 x 1/4 Bushing	1		
610	AIR-60BI	Brass Insert, 1/4' Nylon Tube	1		
611	A-2403-12-10	¾' MJIC x 5/8' MJIC	2		
612	A-2501L-10-8	5/8MJIC x 1/2MP(Long)90°	1	19701-	
613	A-4121-10-10	5/8' Push Loc x 5/8' JIC Female	3		
614	AIR-N6	3/8' Nylon Tubing @ ft., Black	8		
615	H10-PL-130	5/8' Push Loc Hose 130'	1	19701-	
616	H10-PL-41	5/8' Push Loc Hose 41'	1		
617	H10-PL-51	5/8' Push Loc Hose 51'	1		
618	A-4109-12-8	1/2 MP to ¾ Hose Barb 90°	2		
619	A-4104-12-8	1/2 MP to ¾ Hose Barb	2		
620	H12C-4	¾' Suction Hose @ ft	1.333		
621	SRT-1579	3/8' Ball Valve	1		
622	A-5404-6-6	Hex Nipple, 3/8' x 3/8'	1		
623	A-1501-6-6	3/8' MP x 3/8' FPX90°	1		
624	AB-12-4	¾ x 1/4 Bushing	1		
625	A-5500-4	1/4' 90° Male Pipe Elbow	1		

626	AIR-375-25F	Air Coupler 3/8 Body - 1/4NPT Female Thread	1	
627	A-5602-8	Run Tee 1/2' NPT	1	
628	HSST-72-12-12	SS Braid Hose with Teflon Core 3/4' x 72'	1	
629	A-1405-8-8	1/2' NPT Coupler w/Swivel	1	
630	A-1503-8-8	Elbow, 1/2' MP X 1/2' FPX45°	1	
631	A-5405-8-12	Pipe Adapter 1/2 MPT x 3/4 FPT	1	
632	H-18RFL	Hose Protection Shield, Size 18 @ Foot	1	
633	H13-RFL	Hose Protection Shield, Size 13	2	
634	H12-122-12MP-8MP	3/4' Hose 3/4'MP x 1/2'MP x 122' Long	1	
635	WT-17H	Heavy Duty Wire Tie 17.5'	10	
800	AIR-60	Brass Compression Sleeve, 1/4' Nylon Tube	1	
801	AIR-1514-M-A	Air Dryer Acc., Coalescing Filter Kit	1	AIR-1514-M
802	AIR-1514-M-B	Air Dryer Acc., Desiccant Filter Kit	1	AIR-1514-M
803	AIR-1514-M-C	Air Dryer Acc., Purge Valve Kit	1	AIR-1514-M

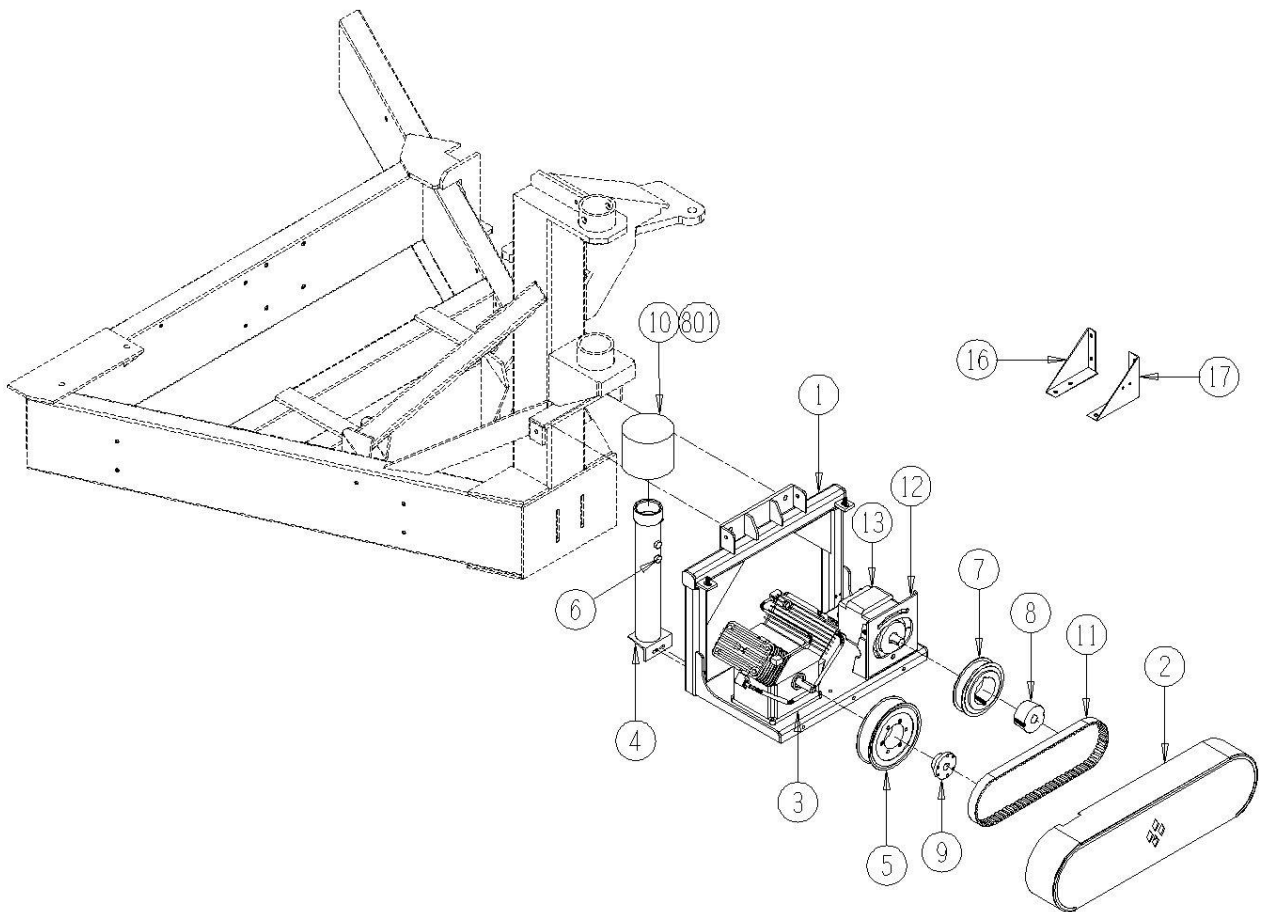
10016-12-02



10016-12-03 Double Pump Air Compressor Assembly

<u>Ref</u>	<u>Part No.</u>	<u>Description</u>	<u>Parts – Assembly</u>	<u>Will Fit SN</u>	<u>Remarks</u>
1	MOU-1007	Air Compressor Mount, 190 Tomato Harvester	1		
2	SHD-0205	Pulley Shield, Air Compressor	1		
3	AIR-1508	Air Compressor--Large	1		<ul style="list-style-type: none"> •Four Cylinder, single stage pump. •2.5' bore x 3.25' stroke. •Pump has 16' flywheel. •CFM displ. 28.8 w/ 5 HP motor •Min. RPM 450 Max RPM 775 •Oil capacity 48 oz. •Pump weight 175#
4	MOU-0088	Air Intake, Filter Mount	1		
5	PU-80-8PTH-35-SF	Primary Weight Pulley, 35mm Wide, Panther Style	1		
6	AIR-1355	Air Filter Monitor(15# H2O) with O-Ring Fitting	1		
7	PU-42-8M-30-2012	HTD Pulley	1		
8	PU-2012-16	Taperloc Bushing - 1' Bore	1		
9	PU-SF-18	Bushing, SF x 1 1/8'	1		
10	AIR-1510	2 1/2' Air Filter	1		
11	BT-1280-8M-30	Primary Weight Drive Belt	1	19101	Can not replace with BT-390H100 belts unless all the pulleys are changed.
12	MOU-0204	Mount, Motor w/Tensioner, Air Compressor, HC 290	1		
13	HM-122	Motor, Hydraulic, 1-3/4' Gear, #12 SAE Ports	1		
14	AIR-0001	Synthetic Compressor Oil (ISO 100 SAE 40): 1 quart bottle	2		
15	DC-8100	Decal,White, Use ISO100 SAE 40 Syn. Oil Only	1		
16	194-1513A	Air Tank Bracket	1	19401-	
17	194-1513B	Bracket, Air Reservoir	1	19401-	
801	AIR-1510A	Filter Element	0	AIR-1510	
802	HM-2100-SK	Shaft Seal & Gasket Kit for Permco Motor, M2100 Series	1		
803	HM-2100-BRG	Bearing for Permco Motor, M2100 Series	1		

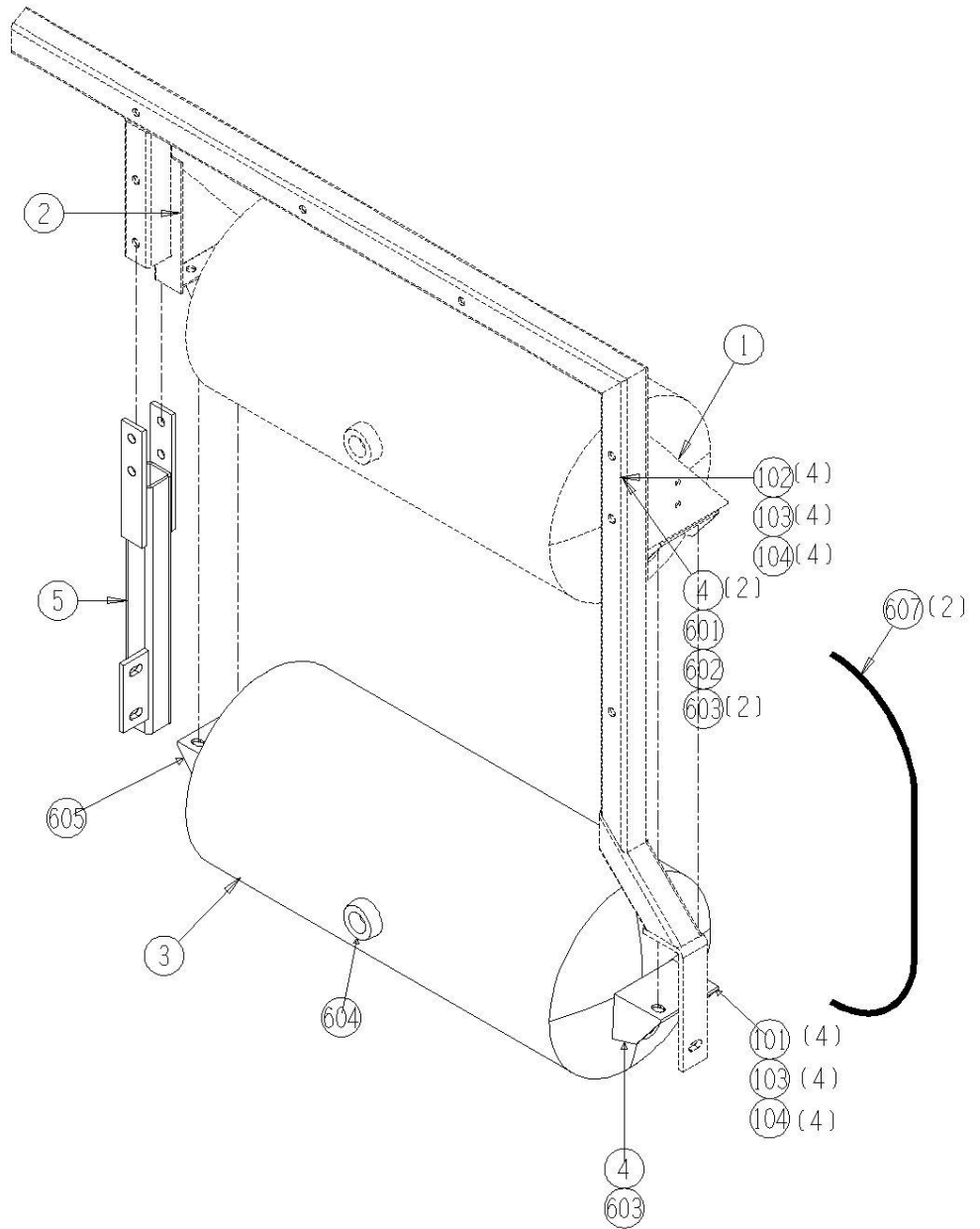
10016-12-03



10016-12-04 Opt. Second Air Tank Assembly

<u>Ref</u>	<u>Part No.</u>	<u>Description</u>	<u>Parts – Assembly</u>	<u>Will Fit SN</u>	<u>Remarks</u>
0	KIT-0203	2nd Air Tank 190	0	KIT-0203	
1	194-1513A	Air Tank Bracket	1	19401-	
2	194-1513B	Bracket, Air Reservoir	1	19401-	
3	AIR-1513	Air Reservoir Tank	1		
4	CL-16	1' Stainless Steel Gear Clamp	2		
5	AIR-0013	Bracket, Second Air Tank	1		
101	BL-6-125-H	3/8-16 X 1-1/4 HHCS G5 ZC	4		
102	BL-6-225-H	3/8 UNC X 2 1/4 HH C/S BOLT GR5 ZINC	4		
103	BL-6-FW	3/8 USS FW ZC	8		
104	BL-6-LN	3/8 UNC FIN H LN NE A563 GrA ZC	8		
601	A-5602-8	Run Tee 1/2' NPT	1		
602	A-4124-10-8	1/2 Male Pipe x 5/8 Push Loc	1		
603	A-4129-10-8	1/2 NPT 90° w/ 5/8' push-loc	2		
604	AP-12	¾' NPT Plug	2		
605	AP-8	1/2' Pipe Plug	1		
606	AP-4	1/4 MIP plug	1		
607	H10-PL	5/8' Push Loc Hose @ ft.	2		

10016-12-04



KIT-0203

10016-13-02 Double Pump Hydraulic Motor Assembly

<u>Ref</u>	<u>Part No.</u>	<u>Description</u>	<u>Parts – Assembly</u>	<u>Will Fit SN</u>	<u>Remarks</u>
0	H10-12-8MP-12MJ	5/8 in Hose 1/2MP X 3/4MJIC 12 in Long	2		
0	H10-24-8MP-8MP	5/8 in hose 1/2MP x 1/2MP x 24 in long	1		
0	H10-280-8MP-8MP	5/8 in hose 1/2MP x 1/2MP x 280' long	2		
0	H10-30-8MP-12MJ	5/8 in hose 1/2 MP x 3/4 MJIC x 30 in long	1		
0	H10-30-8MP-8MP	5/8 in hose 1/2MP x 1/2MP x 30 in long	3		
0	H10-36-8MP-8MP	5/8 in hose 1/2MP x 1/2MP x 36 in long	3		
0	H10-480-8MP-8MP	5/8 in hose 1/2MP x 1/2MP x 480 in long	1		
0	H10-56-8MP-8MP	5/8 in hose 1/2MP x 1/2MP x 56 in long	3		
0	H10-70-8MP-8MP	5/8 in. hose 1/2 x 1/2 x 70 in long	1		
0	H10-72-8MP-8MP	5/8 in. hose 1/2 x 1/2 x 72 in long	1		
0	H10-80-8MP-12MJ	5/8 in Hose 1/2MP x 3/4MJIC x 80 in Long	1		
0	H10-84-8MP-8MP	5/8 in Hose 1/2 x 1/2 x 84 in Long	1		
0	H10-94-8MP-8MP	5/8 in Hose 1/2MP x 1/2MP x 94 in Long	5		
0	H10-96-8MP-8MP	5/8 in Hose 1/2 x 1/2 x 96 in Long	1		
0	H12-122-12MP-8MP	3/4' Hose 3/4'MP x 1/2'MP x 122' Long	1		
0	H12-22-12MP-16MJ	3/4 in hose 3/4MP-1MJIC x 22 in long	1		
0	H12-30-12MP-12MP	3/4 in hose 3/4MP x 3/4MP x 30 in long	1		
0	H12-36-12MP-8MP	3/4 in Hose 3/4MP x 1/2MP x 36 in Long	2		
0	H12-50-12MP-16MJ	3/4 in hose 3/4MP x 1MJIC x 50 in long	1		
0	H12-50-8MP-16MJ	3/4 in hose 1/2MP x 1MJIC x 50 in long	1		
0	H12-55-12MP-12MP	3/4 in hose 3/4MP x 3/4MP x 55 in long	1		
0	H12-62-12MP-16MJ	3/4 in hose 3/4MP x 1MJIC x 62 in long	1		
0	H12-76-12MP-12MP	3/4 in Hose 3/4MP x 3/4MP x 76 in Long	1		
0	H12-80-12MP-12MP	3/4 in Hose 3/4MP x 3/4MP x 80 in Long	1		
0	H12-82-12MP-8MP	3/4 in Hose 3/4MP x 1/2MP x 82 in Long	2		
0	H24-180	1 1/2' Return hose 180'	2		
0	H40-S-270	2-1/2' Suction Hose 270' long	2		

0	H6-PL-136	3/8' Push Loc Hose 136' (primary shaker)	1	
0	H6-PL-186	3/8' Push Loc Hose 186' (Debris Fan)	1	
0	H6-PL-198	3/8' Push Loc Hose 198' (Secondary Shaker)	1	
0	H6-PL-228	3/8' Push Loc Hose 228' (Cooling Fan)	1	
0	H6-PL-300	3/8' Push-Lock Hose 300'	1	
0	H6-PL-40	3/8' Push Loc Hose 40' (Vibrator)	1	
0	H6-PL-48	3/8' Push Loc Hose 48' (Reverse Kit)	1	HV-1045K
0	H8-16-8MP-12MP	1/2 in hose 1/2MP x 3/4MP x 16 in long	2	
0	H8-16-8MP-8MP	1/2 in hose 1/2MP x 1/2MP x 16 in long	1	
0	H8-24-8MP-8MP	1/2 in hose 1/2MPx 1/2MP x 24 in long	1	
0	HP-1031	Hydraulic oil (per gal.)with anti-wear and anti-foam properties	140	ISO grade 46 with anti-wear and anti-foam properties. Harvesters, Approx. 140 gal
0	H-T20	Hyd Tube #2 Front 1' dia.	1	19401-
0	H-T21	Hyd Tube #2 Main 1' dia	2	19401
0	H-T30	Hyd Tube #3 Front 3/4' dia	1	19401-
0	H-T31	Hyd Tube #3 Main 3/4'	1	19401
0	H-T40	Hyd Tube #4 Front 3/4' dia	1	19401-
0	H-T41	Hyd Tube #4 Main 3/4' dia	2	19401-
0	H-T45	Tubing, Hydraulic, Header Tube	2	19501- Replaces H-T44(except <19501)
0	H-T50	Hyd Tube #5 Front 1' dia	1	19401-
0	H-T51	Hyd Tube, #5 Main 1' dia	1	19401-
1	A-1404-4-4	1/4 MP x 1/4 FPX	2	
2	A-1501-12-12	3/4MP x 3/4 FPX 90°	2	
3	A-1501-8-8	1/2 MP x 1/2 FPX90°	4	
4	A-1503-8-8	Elbow, 1/2' MP X 1/2' FPX45°	2	
5	A-1601-8-8-8	1/2 MP x 1/2 FPX x 1/2 FPX Tee	0	
6	A-1603-8-8-8	Swivel T 1/2' NPTF	15	
7	A-4124-6-4	1/4 Male Pipe x 3/8 Push Loc	6	
8	A-4129-6-4	1/4' NPT 90° w/3/8' Push-Loc	2	
9	A-5404-8-8	Hex Nipple 1/2' x 1/2'	2	
10	A-6400-12-10	3/4' MJIC X 10 SAE	2	

11	A-6400-16-12	1' MJIC X 12 SAE	4		
12	A-6401-10-8	10 SAE x 1/2 MPT Male	19		
13	A-6806-10-8	10 SAE x 1/2' MP 90°	1		
14	A-6900-10-12	10 SAE x 3/4 FPX	7		
15	A-6900-10-8	10 SAE x 1/2 FPX	14		
17	A-6901-10-12	10 SAE x 3/4 FPX90°, Forged	10		
18	A-6901-10-8	10 SAE x 1/2 FPX90°, Forged	18		
19	A-6901-12-12	12 SAE x 3/4' FPX 90°, Forged	6		
20	A-6902-10-8	10 SAE X 1/2' FPX 45°	12		
21	BAR-2011	Bar, Security Copper Wire Seal	6		relief lock
22	HA-1071-H	Hydra-zorb Tube Clamp 1' (3 pc.)	9	19401-	
23	HA-1072-H	Hydra-zorb Tube Clamp 3/4' (3 pc.)	12	19401-	
24	HA-1090K	Fine Tune Speed Control Kit	2	Prince & Brand Flow Controls	All
25	HA-2011	Copper Wire Security Seals	6		
28	HV-FL16	Flow Control Valve 16GPM	5		
29	HV-FL30	Flow Control Valve 30GPM	6		
30	HV-FL30-R	Hydraulic Flo Control Valve with Relief 30GPM	2		
31	HV-RV-1H	Relief Valve w/ SAE #12 Ports	4		
32	HV-RV-3H	Relief Valve w/ SAE #10 Ports	2		
33	STP-FL30	Stop, Flow Control	1	19101-	
34	A-1405-8-8	1/2' NPT Coupler w/Swivel	1		
35	A-6901-12-8	12 SAE x 1/2' FPX 90°, Forged	4		
36	H13-RFL	Hose Protection Shield, Size 13	10		
37	H-18RFL	Hose Protection Shield, Size 18 @ Foot	10		
38	WT-17H	Heavy Duty Wire Tie 17.5'	60		
39	HV-900A	Electronic Valve (Discharge conveyor)	1		
39	A-6900-12-8	12 SAE x 1/2' FPX	0		
40	ATB-06-06-06	3/8' x 3/8' x 3/8' Brass Hose Barb Tee	0		
42	A-4603-24-24	1 1/2 x 24 SAE 45° Male O-Ring Beaded Insert	0		
43	A-4124-6-6	3/8 Male Pipe x 3/8 Push Loc	7		

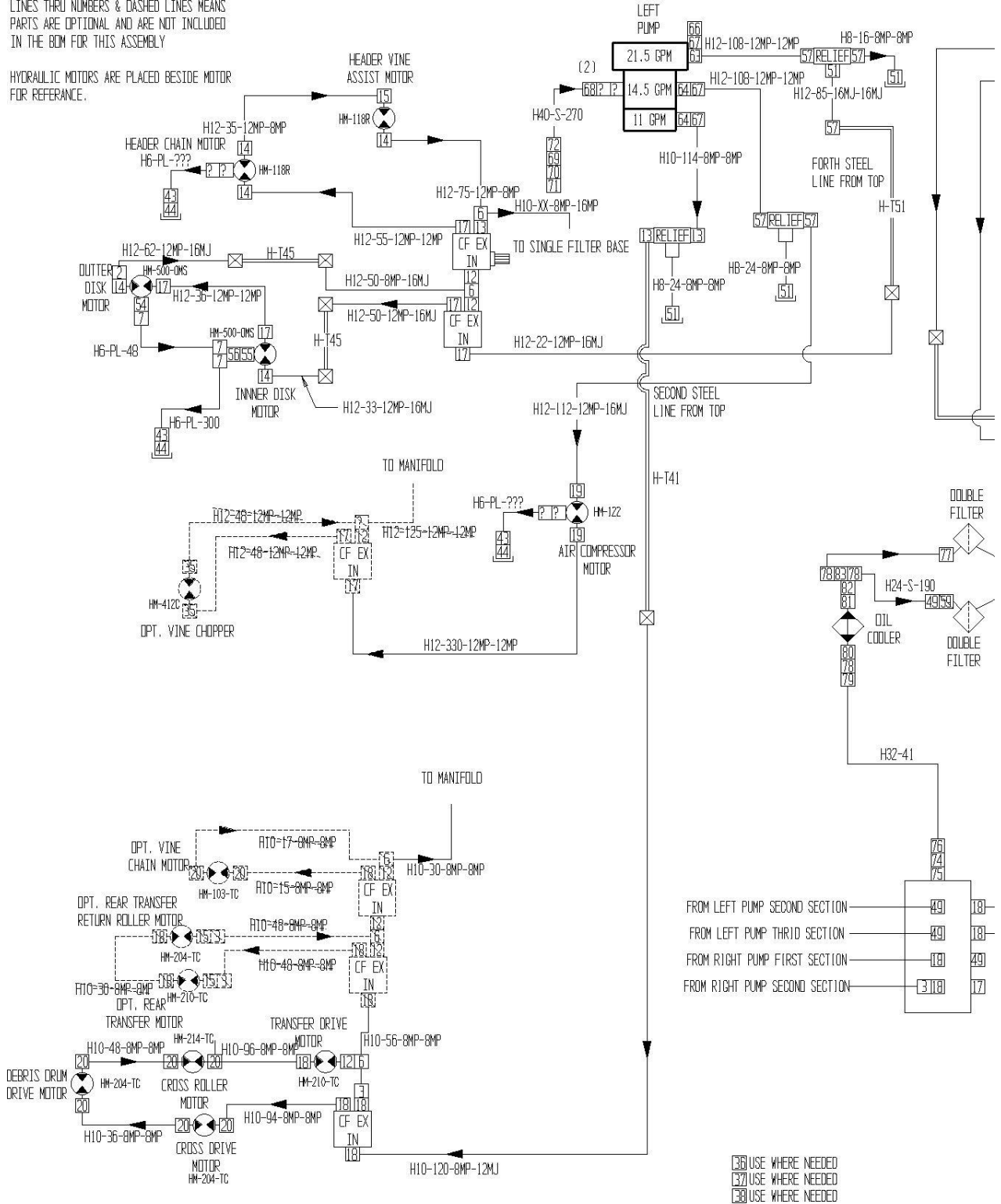
44	A-6900-8-6	8 SAE x 3/8' FPX With 7/8' Stock Body	7	20095001-
45	HA-1007	Hydraulic, Magnetic Drain Plug	1	11101-
47	A-6408-10	10 SAE Plug	4	
49	CL-175	1½' Hose Clamp, Heavy Duty T-Bar, 1.73-1.85'	8	
50	A-2404-12-8	¾' MJIC X 1/2' MP	2	
51	A-1404-8-8	1/2 MP to 1/2 FPX, Straight	6	
52	A-2404-16-12	1' MJIC X ¾' MP	4	
53	ASL-24	1 1/2 ST ELL, Domestic Only	0	
54	A-6901-4-4	4 SAE X 1/4 FPX 90°, Forged	1	
55	A-6401-4-4	4 SAE x 1/4'MP	1	
56	A-5605-4	1/4' Pipe Tee	1	
57	A-6900-12-12	12 SAE x ¾'FPX	2	
58	AN-24-24-HS	1 1/2' Male NPT with Combination 1-1/2' Hose Barb	0	
59	AN-24-CL	1 1/2' Black (Nipple Close)	0	
60	AB-40-24	2 1/2 x 1 1/2 Black Hexagon Bushing	0	
61	AT-40-40-40	2 1/2 x 2 1/2 x 2 1/2 Black Tee	0	
62	A-6901-12-12-4PT	12 SAE x ¾' FPX 90 W/1/4' port, Forged	2	
64	A-6901-10-8-4SAE	10 SAE x 1/2 FPX90° W/ 4SAE Port, Forged	4	
65	ASL-4	1/4' Black Street Elbow	2	
66	HA-1004-T	Test Point Plug, 1/4' NPT	2	
67	HA-1004-4	Test Point Plug #4 SAE Thread	4	
68	CL-250	T-Bolt Clamp for 2 1/2' Suction Hose	8	
70	A-4444-32-32	2' Male Pipe Hose Barb	2	
72	AN-32-40-HS	2' NPTx 2½' ID Hose, Combination Nipple/Hose Shank	2	
73	TAN-8103	Tank, Oil Return Manifold, HC 290 (Single Cooler)	1	
74	A-4450-24-24	Suction Flange Nipple, 1 1/2'	1	
75	A-SFK-24	1 1/2' Split Flange Kit	2	
76	CL-200	1½' Hose Clamp, Heavy Duty T-Bar, 1.89-2.00'	4	1-1/2' I.D. Suction Hose
77	A-6900-16-16	16 SAE x 1'FPX	1	
78	AN-24-32-HS	1 1/2' Male NPT with Combination 2' Hose Barb	3	
79	CL-225	2 1/4' T-Bolt Clamp	3	

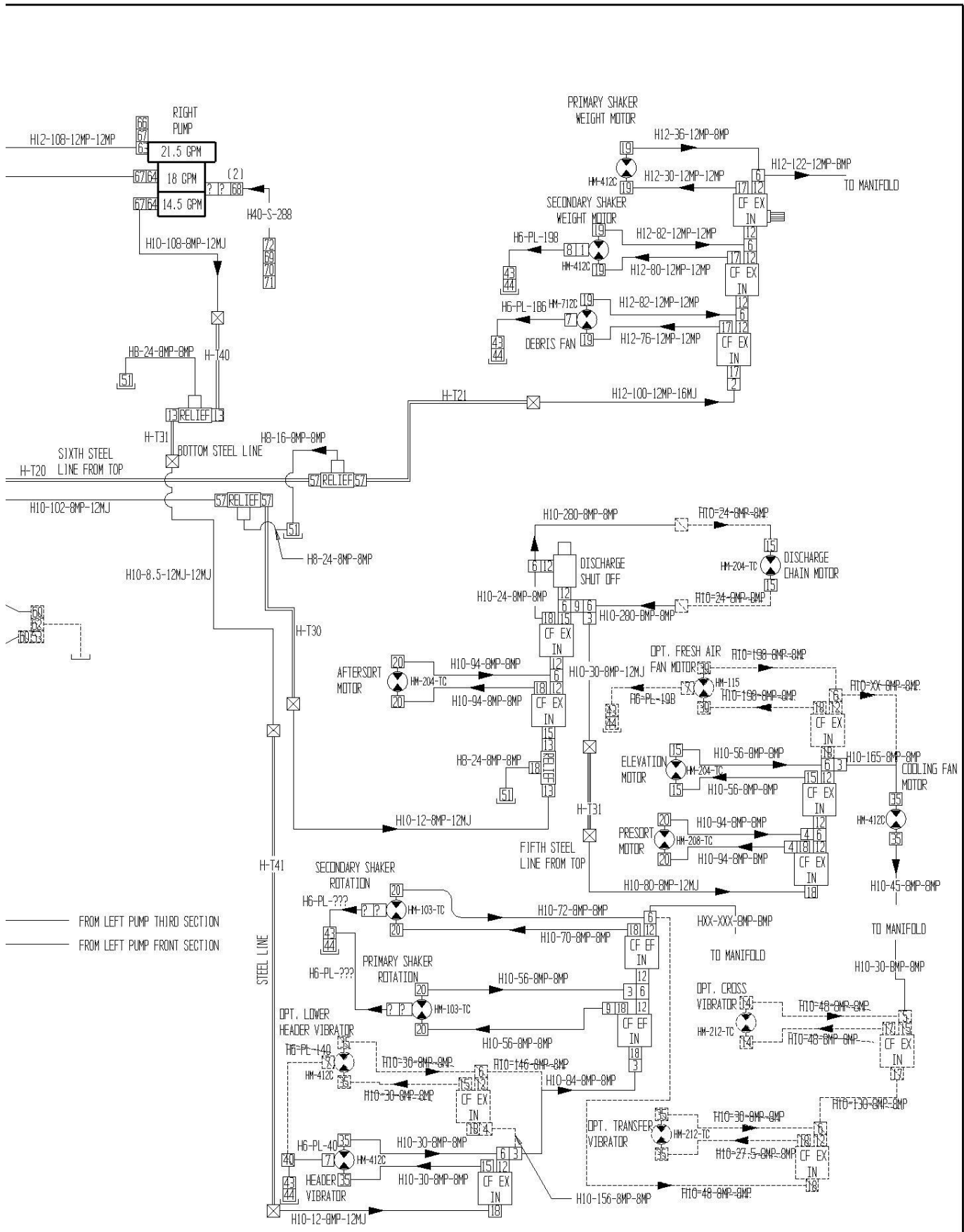
80	A-6405-24-24	24 SAE x 1 1/2 FP	1
81	A-6401-24-24	24 SAE x 1 1/2 MP	1
82	AT-24-24-24	1 1/2 x 1 1/2 x 1 1/2 Std Black Tee	1
83	ASL-24C	1½", Street Elbow, Cast	1
84	BAR-0115	Hose Holder Bracket, 190 Harvester	1
801	HP-1030	Hydraulic Oil Sample Kit	1

10016-13-02

NOTE:

1. ALL CASE DRAIN HOSES NEED TO BE PLUMBED (LOOPED) HIGHER THAN THE MOTOR.
2. LINES THRU NUMBERS & DASHED LINES MEANS PARTS ARE OPTIONAL AND ARE NOT INCLUDED IN THE BOM FOR THIS ASSEMBLY
3. HYDRAULIC MOTORS ARE PLACED BESIDE MOTOR FOR REFERENCE.

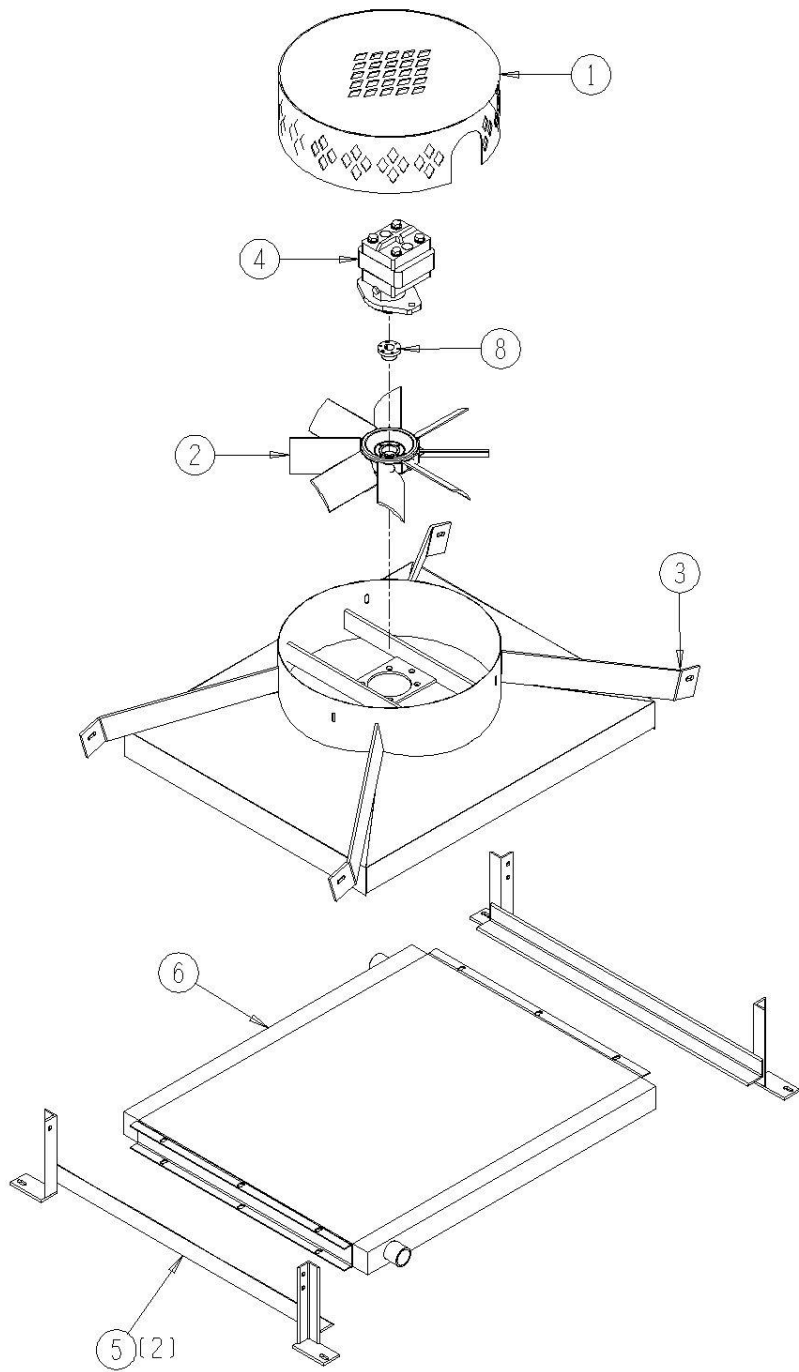




10016-13-04 Double Pump Oil Cooler Assembly

<u>Ref</u>	<u>Part No.</u>	<u>Description</u>	<u>Parts – Assembly</u>	<u>Will Fit SN</u>	<u>Remarks</u>
1	191-1082	Shield, Cooling Fan	1		
2	FAN-290-18	Oil Cooler Fan, 18' w/o JA Bushing/Rev	1		Replaces FAN-190-18 & HA-1019-G
3	SHD-0207	Fan Shroud, Lg Oil Cooler, Harvester	1		
4	HM-412-1	Hydraulic Motor, 1' Shaft	1		Same as HM-412C except w/1' shaft REPLACES HM-412C IF REPLACING A HM-412C WITH THIS MOTOR BE SURE THAT THE PROPER COUPLER SIZES ARE SUPPLIED
5	MOU-0207	Mount, Oil Cooler Support	2		
6	HA-1036	Oil Cooler	1		
7	WT-17H	Heavy Duty Wire Tie 17.5'	16		
8	PU-JA-16	Bushing, JA x 1'	1		
9	DC-1175	Decal, Danger, Rotating Blade Hazard	1		
602	A-4603-24-24	1 1/2 x 24 SAE 45° Male O-Ring Beaded Insert	2		
800	HM-412B	Key for Hydraulic Motor -Shaker Weight-Vibrator	1	HM-412C & HM-712C	
801	HM-2100-SK	Shaft Seal & Gasket Kit for Permco Motor, M2100 Series	1		
802	HM-2100-BRG	Bearing for Permco Motor, M2100 Series	1		

10016-13-04

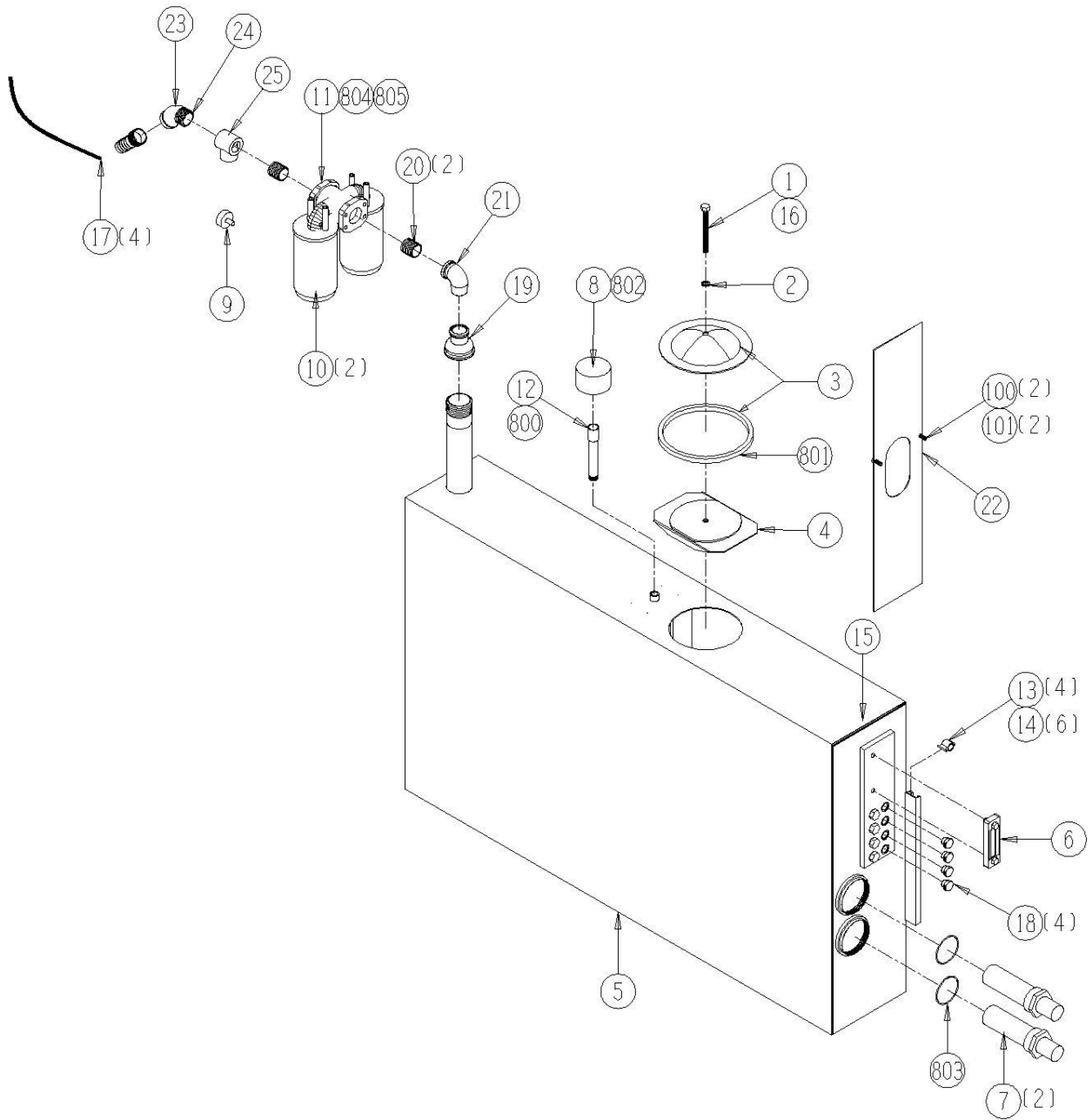


10016-13-05 Oil Tank Assembly

<u>Ref</u>	<u>Part No.</u>	<u>Description</u>	<u>Parts – Assembly</u>	<u>Will Fit SN</u>	<u>Remarks</u>
0	HP-1030	Hydraulic Oil Sample Kit	1		
0	HP-1031	Hydraulic oil (per gal.)with anti-wear and anti-foam properties	140		ISO grade 46 with anti-wear and anti-foam properties. Harvesters, Approx. 140 gal
1	HA-5070E	Tank Cover Bolt	1	19501-30095001-	
2	HA-1041-S	Gasket for Level Therm, Square Cut	2		
3	HA-5070	Hydraulic Tank Cover w/Gasket	1	19501-30095001-	
4	HA-5070D	Tank Cover Holddown	1	19501-30095001-	
5	TAN-1010	190 model Oil Tank	1		PREVIOUS 2007 NEED 1pcs.AN-24-CL 1pc. AR-40-24
6	HA-1041	Hyd, Level Gauge & Therm	1	19201-	
7	HA-1006-5	Suction Screen, SAE 3 3/8-12UN with 2' Hose Barb	2	19904-	
8	HA-1012	Vescor Breather Filter (3 micron)w/Adapter Fitting	1		
9	HA-1023A	Filter Gauge, 50 psi Service	1		
10	HA-1029	Hydraulic Fluid Filter, 11'	2		
11	HA-1023-Z	Double Filter Head, Side by Side	1		
12	EX-1012	Extension, Filter, Oil Tank	1	19501-	
13	HA-1071-H	Hydra-zorb Tube Clamp 1' (3 pc.)	4	19401-	
14	HA-1072-H	Hydra-zorb Tube Clamp ¾' (3 pc.)	6	19401-	
15	DC-1008	Decal, Yellow, Tank Capacity: 140 Gal., ISO Grade 46 Hyd. Oil, Tom.	1	19801-	
16	PIN-3-14	Roll Pin, 3/16 x 7/8	1	193-729K	
17	CL-175	1½' Hose Clamp, Heavy Duty T-Bar, 1.73-1.85'	4		
18	A-6408-10	10 SAE Plug	4		
19	AR-40-24	2 1/2' x 1 1/2' Bell Reducer	1		
20	AN-24-CL	1 1/2' Black (Nipple Close)	2		
21	ASL-24	1 1/2 ST ELL, Domestic Only	1		
22	195-1008A	Baffle, Oil Tank	1	(TAN-1010) 19601-	
23	AN-24-24-HS	1 1/2' Male NPT with Combination 1-1/2' Hose Barb	1		

24	ASL-24-45	1 1/2' Street Elbow, 45°, Black Malleable	1		
25	AT-24-24-12	1 1/2 x 1 1/2 x 3/4 Std Black Malleable Tee	0		
100	BL-6-LN	3/8 UNC FIN H LN NE A563 GrA ZC	2		
101	BL-6-FW-8	3/8 FW G8 ZC	2		
800	HA-1009	Filter Adapter 3/4 NPT x 1 1/8'-16 UNF	1		
801	HA-5070A	Replacement Gasket for Tank Cover Kit	1	HA-5070	
802	HA-1012A	Vescor Breather Element (3 micron)	1	HA-1012	w/o Adapter Fitting
803	OR-236	O Ring, 3 1/4 x 3 1/2	2		
804	HA-1023-P	Poppet for Filter Bypass	1	HA-1023-Z	
805	HA-1023-S	25 PSI Filter Bypass Spring	1	HA-1023-Z	

10016-13-05



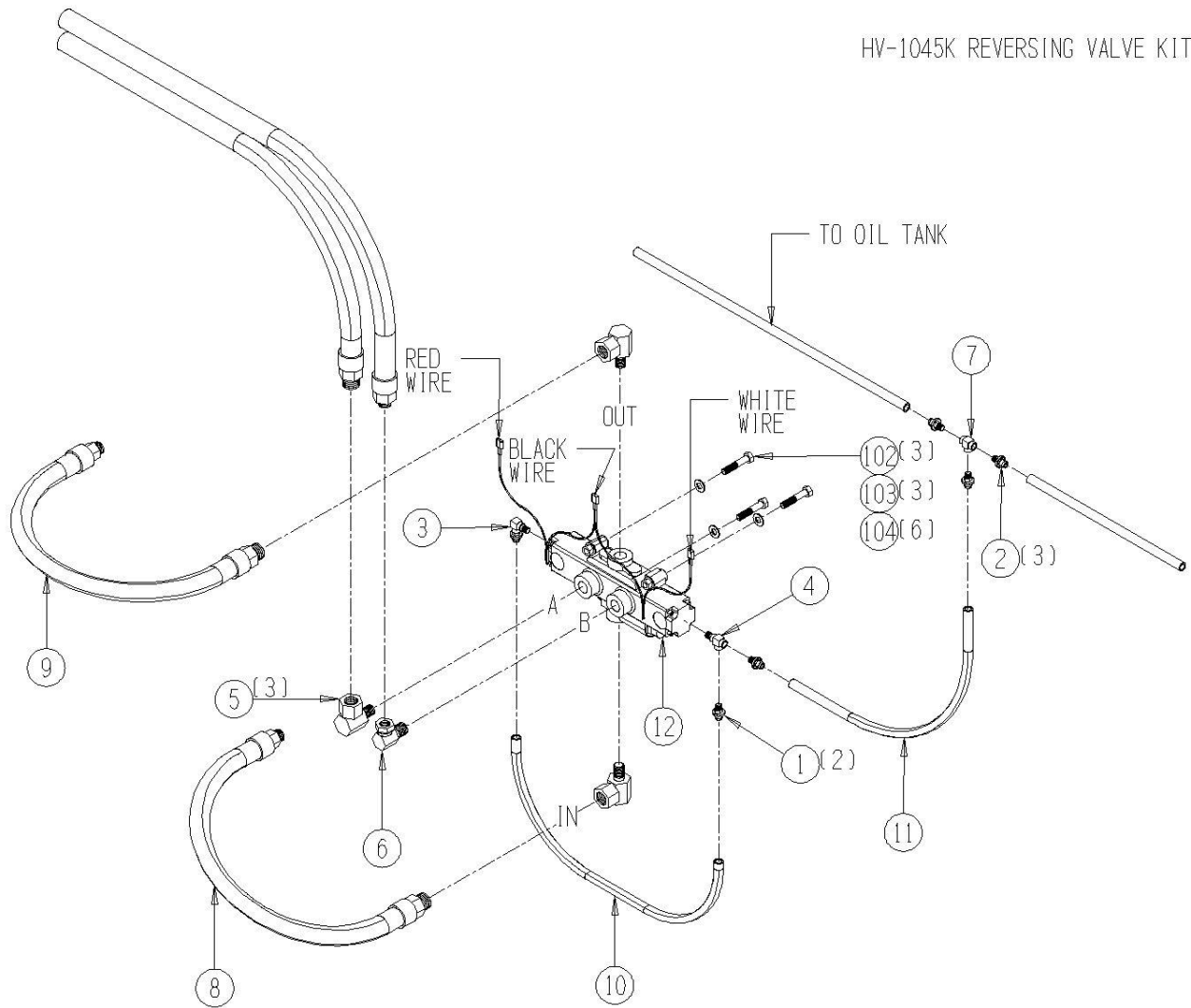
10016-13-10 Optional Disk Reversing Valve Assembly

<u>Ref</u>	<u>Part No.</u>	<u>Description</u>	<u>Parts – Assembly</u>	<u>Will Fit SN</u>	<u>Remarks</u>
	MOU-1006	D05 Reverser Mount, 190 Disk Head	1		
0	ELC-1046	Electrical Cord, Reversing Valve to Panel, Deutsch	1		
0	ELS-3T	Reversing valve switch (50 Amp)	1	HV-1045K	
0	ELT-31712	Push On Male 14-16 ga	3	HV-1045K	
0	ELT-31713	Push On Female Terminal 14-16 ga.	3	HV-1045K	
1	A-4124-6-2	1/8 Male Pipe x 3/8 Push Loc	2	HV-1045K	
2	A-4124-6-4	1/4 Male Pipe x 3/8 Push Loc	3		
3	A-4129-6-2	1/8'NPT 90° w/3/8' Push-Loc	1	HV-1045K	
4	A-5602-2-2-2	Run Tee 1/8' NPT	1	HV-1045K	
5	A-6901-10-12	10 SAE x 3/4 FPX90°, Forged	3		
6	A-6901-10-8	10 SAE x 1/2 FPX90°, Forged	1		
7	AT-4-4-4	1/4 Black TEE	1		
8	H12-27.5-12MP-12MP	3/4 in hose 3/4MP x 3/4MP x 27.5 in long	1	HV-1045K	
9	H12-27.5-12MP-8MP	3/4 in. hose 27 1/2 in. 1/2 x 3/4	1	HV-1045K	
10	H6-PL-26	3/8' Push Loc Hose 26' (Reverse Kit)	1	HV-1045K	
11	H6-PL-48	3/8' Push Loc Hose 48' (Reverse Kit)	1	HV-1045K	
12	HVE-1005	D05 Directional Valve, 25 GPM with Motor Spool, 12v	1		
102	BL-6-200-H	3/8-16 X 2 HEX CAP G5 ZC	3		
103	BL-6-LN	3/8 UNC FIN H LN NE A563 GrA ZC	3		
104	BL-6-SW	3/8 SAE FW ZC	6		

10016-13-10

FROM DISK HEADER

HV-1045K REVERSING VALVE KIT

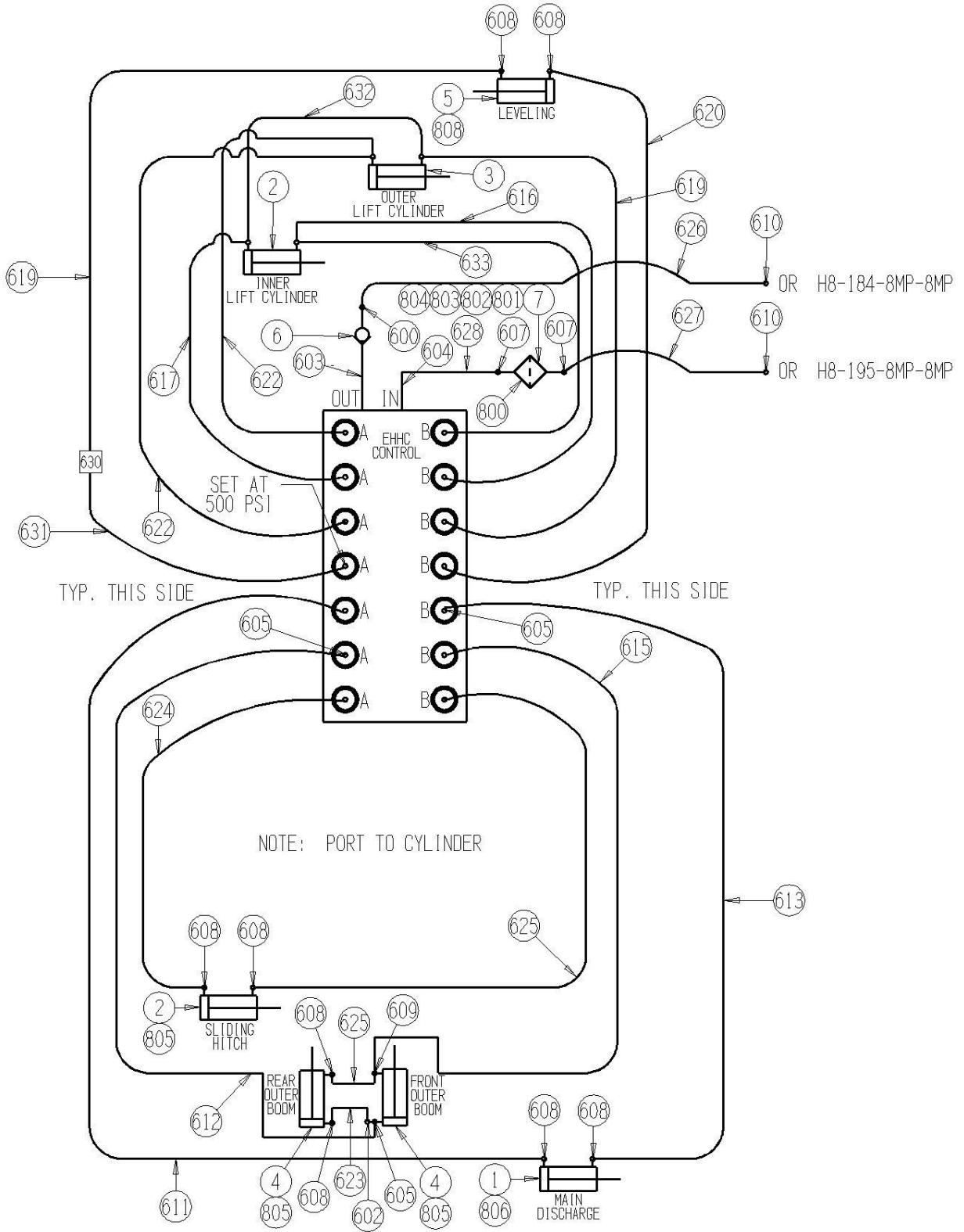


10016-14-02 Hydraulic Cylinder Plumbing w/ Overhead Dual HHC

<u>Ref</u>	<u>Part No.</u>	<u>Description</u>	<u>Parts – Assembly</u>	<u>Will Fit SN</u>	<u>Remarks</u>
0	HVE-1016	190 Control Valve, Single HHC	1		
1	HC-250-3008P	Hydraulic Cylinder 2 1/2' x 30' #8 SAE Ports	0		
2	HC-275-2408-RP	2 ¾ x 24 Rephasing Cylinder	0		Seal Kit Part No. HC-250R-112 (639557)
3	HC-300-2408-RP	3 x 24 Rephasing Cylinder	0		Seal Kit Part No. HC-300R-125 (639558)
4	HC-200-2408P	Hydraulic Cylinder, Prince, 2' x 24' #8 SAE Ports	0		
5	HC-350-0808L	Hydraulic Cylinder, Lion, 3 1/2' x 8', 3/4-16 ORB, 90° Port	0		
6	HV-CKV-800S	1/2' Parker Check Valve	1		
7	HA-1037	Pressure Filter	1		
8	MOU-0210	D03 7 Bank Valve Extension Mount	1		
600	A-1404-8-8	1/2 MP to 1/2 FPX, Straight	1		
601	A-1501-8-8	1/2 MP x 1/2 FPX90°	1		
602	A-1601-6-6-6	3/8 MP x 3/8 FPX x 3/8FPX Tee	1		
603	A-5404-8-8	Hex Nipple 1/2' x 1/2'	1		
604	A-6900-10-8	10 SAE x 1/2 FPX	2		
605	A-6900-8-6	8 SAE x 3/8' FPX With 7/8' Stock Body	11	20095001-	
607	A-6901-12-8	12 SAE x 1/2' FPX 90°, Forged	2		
609	A-6955-8-6-6	8 SAE x 3/8' FPX Tee	1		
610	A-QD2010-8-8	Tractor Quick Coupler, Male, 1/2' w/ FPT	2		
611	H4-149-6MP-6MP	1/4 in hose 3/8MP x 3/8MP x 149 in long	1		
612	H4-172-6MP-6MP	1/4 in hose 3/8MP X 3/8MP x 172 in long	2		
613	H4-179-6MP-6MP	1/4 in hose 3/8MP x 3/8MP x 179 in long	1		
615	H4-225-6MP-6MP	1/4 in hose 3/8MP x 3/8MP x 225 in long	1		
616	H4-176-6MP-6MP	1/4 in hose 3/8MP x 3/8MP x 176 in long	1		
617	H4-125-6MP-6MP	1/4 in hose 3/8MP x 3/8MP x 125 in long	1		
619	H4-240-6MP-6MP	1/4 in hose 3/8MP x 3/8MP x 240 in long	2		
620	H4-248-6MP-6MP	1/4 in hose 3/8MP x 3/8MP x 248 in long	1		
622	H4-211-6MP-6MP	1/4 in hose 3/8MP x 3/8MP x 211 in long	2		
623	H4-40-6MP-6MP	1/4 in hose 3/8MP x 3/8MP x 40 in long	1		

624	H4-60-6MP-6MP	1/4 in hose 3/8MP x 3/8MP x 60 in long	1		
625	H4-70-6MP-6MP	1/4 in hose 3/8MP x 3/8MP x 70 in long	2		
626	H8-108-8MP-8MP	1/2 in hose 1/2MP x 1/2MP x 108 in long	1		
626	H8-184-8MP-8MP	1/2 in hose 1/2MP x 1/2MP x 184 in long	0		
627	H8-195-8MP-8MP	1/2 in hose 1/2MP x 1/2MP x 195 in long	0		
627	H8-120-8MP-8MP	1/2 in hose 1/2MP x 1/2MP 120 in. long	1		
628	H8-42-8MP-8MP	1/2 in hose 1/2MP x 1/2MP x 42 in long	1		
629	A-6408-10	10 SAE Plug	2		
630	A-1405-6-6	3/8 NPT coupler w/swivel	1		
631	H4-14-6MP-6MP	1/4 in Hose x 3/8MP x 3/8MP x 14 in Long	1		
632	H4-150-6MP-6MP	1/4 in hose 3/8MP x 3/8MP x 150 in long	1		
633	H4-152-6MP-6MP	1/4 in hose 3/8MP x 3/8MP x 152 in long	1		
800	HA-1037A	Pressure Filter Element	1		
801	HA-1037-C	O-Ring for Zinga Pressure Filter	1		
802	HA-1037-D	Back-Up Ring for Zinga Pressure Filter	1		
803	HA-1037-G	Indicator for Parker Pressure Filter	1		
804	HA-1037-O	O-Ring for Visual Indicator for Pressure Filter zinga	1		
805	HC-200-112	Seal Kit for 2' x 1 1/8' Lion Cylinder	1	HC-200-0808 (642599, 645593), HC-200-2408 (642600, 645596)	2500 or 3000psi cylinders
806	HC-250-125	Seal Kit for 2 1/2' x 1 1/4' Cylinder	1	HC-250-3008 (642602, 645596) HC-250-2408-OR	2500 or 3000psi cylinders
808	HC-350-125	Seal Kit for 3 1/2' x 1 1/4' Lion Cylinder	1	HC-350-0808 (642603, 645597), HC-350-16 (639188)	2500 or 3000psi cylinders

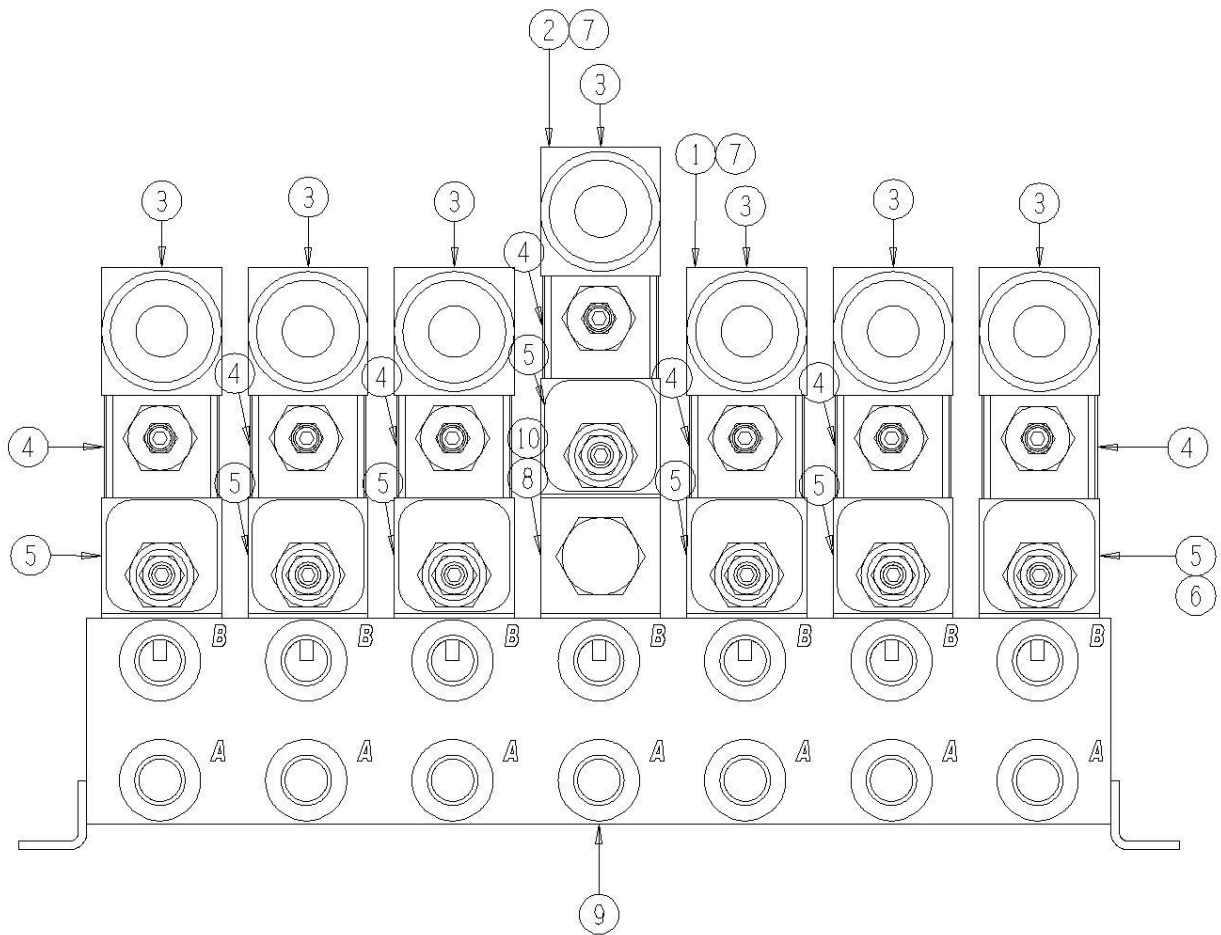
10016-14-02



10016-14-02H Hydraulic Control Valve, Dual EHC

<u>Ref</u>	<u>Part No.</u>	<u>Description</u>	<u>Parts – Assembly</u>	<u>Will Fit SN</u>	<u>Remarks</u>
0	HVE-1016	190 Control Valve, Single HHC	0		
1	BL-1024-553	Stud, Hydraulic Valve, 5.535in Long	24		
2	BL-1024-731	Stud, Hydraulic Valve, 7.313in Long	4		
3	HVE-1000-A	Nachi Directional Control Valve	6		
4	HVE-1000-B	A-B Flow Regulator	7		
5	HVE-1000-C	Double Load Control, DO3	7		
6	HVE-1000-D	3 Port Counter Balance Cartridge	14		
7	HVE-1000-E	10-24 Stud Nut	28		
8	HVE-1000-H	DO3 Sandwich Body w/ reverse free flow check	1		
9	HVE-1000-M7	DO3 7 Valve Parallel Manifold , SAE #10 in/out, #8 work	1		
10	HVE-1000-PR	Pressure Reducing/Relieving Cartridge	1		
11	HVE-1006	Proportional Valve, D03	2		
800	HVE-1000-CO	O-Ring, Each	0		

10016-14-02H

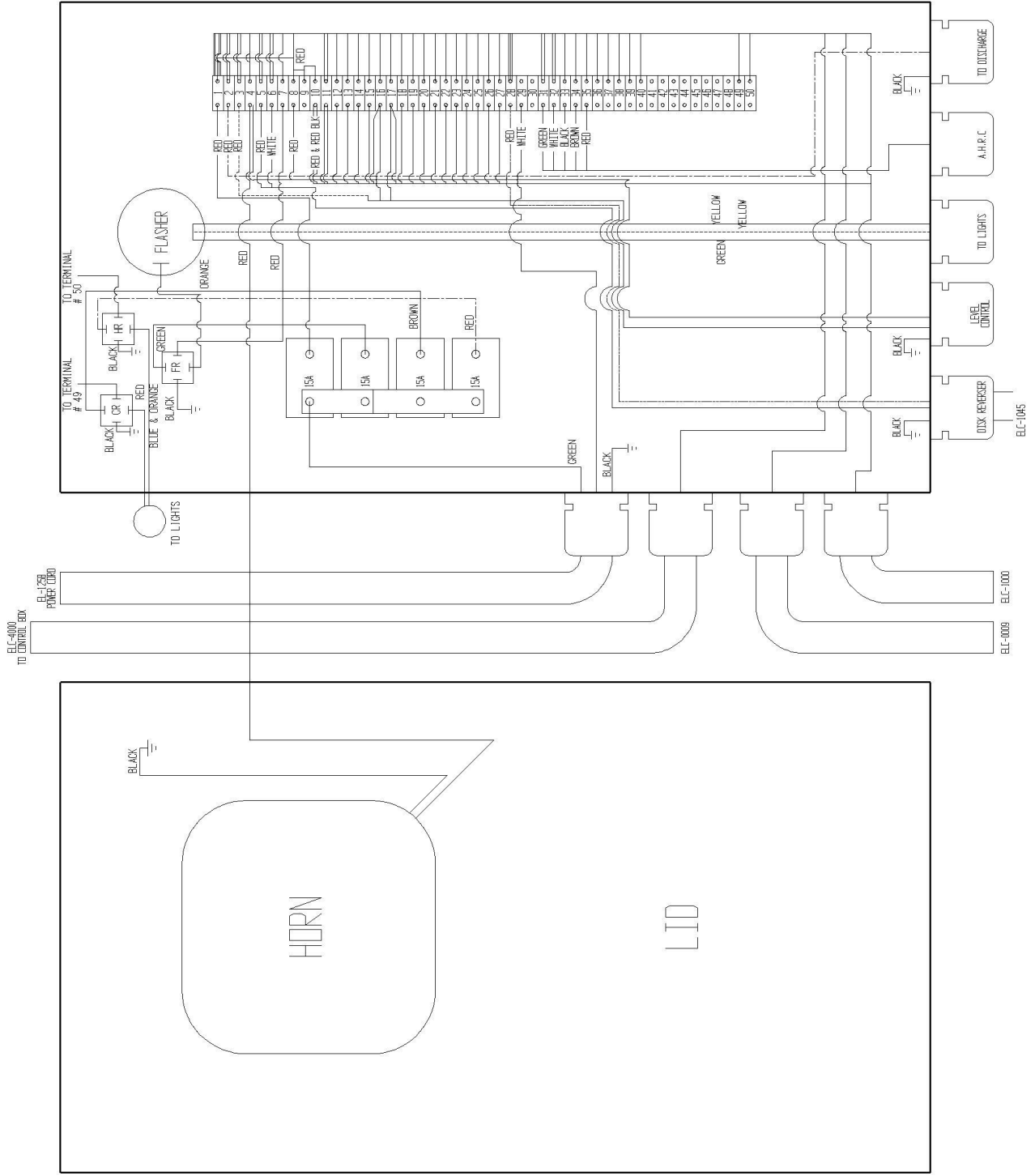


10016-15-10 Electrical Panel Schematic, Tomato

<u>Ref</u>	<u>Part No.</u>	<u>Description</u>	<u>Parts – Assembly</u>	<u>Will Fit SN</u>	<u>Remarks</u>
0	ELP-0001	Converter Box 190 Harvester	1		
1	ELP-1009	Electrical Panel, 190 Tomato Harvester, 2009	1		
3	ELC-4000	Control Box Power Cord	1		
3	EL-1216A	Power Cable for Control Box (w/Connectors)	0		
4	ELC-1000	DO3 Control Cord (190)	1	190	
5	EL-1269	Power Cord 7-Prong Gooseneck Hitch	1		
6	ELC-8000	7-Conductor, Power Cable 14', HC290	1		
9	PL-U003	Plastic, Urethane, Control Box Toggle Connector	1		
802	EL-26W47	Machine Plug (Male)	1		
806	EL-6600	Warning Horn	0		

10016-15-10

- WIRE COLORS
1. GREEN BLACK
 2. WHITE RED GREEN
 3. BLUE RED GREEN
 4. ORANGE BLACK
 5. GREEN WHITE BLACK
 6. RED WHITE BLACK
 7. RED BLUE BLACK
 8. BLACK GREEN WHITE
 9. BLACK WHITE RED
 10. WHITE GREEN BLACK
 11. BLUE GREEN WHITE
 12. BLUE WHITE
 13. RED
 14. BLACK RED GREEN
 15. GREEN BLACK
 16. ORANGE BLACK
 17. ORANGE BLACK
 18. BLUE BLACK
 19. BLUE WHITE
 20. GREEN WHITE
 21. GREEN WHITE
 22. BLUE WHITE
 23. BLUE RED
 24. BLUE RED
 25. ORANGE RED
 26. BLUE RED
 27. BLUE
 28. WHITE
 29. WHITE BLACK
 30. GREEN
 31. BLACK RED WHITE
 32. GREEN RED WHITE
 33. ORANGE GREEN BLACK
 34. GREEN BLACK
 35. GREEN
 36. WHITE BLACK
 37. WHITE
 38. BLUE BLACK
 39. BLUE WHITE
 40. GREEN WHITE
 41. GREEN WHITE
 42. BLACK WHITE
 43. RED WHITE
 44. WHITE RED DOWN
 45. WHITE RED
 46. ORANGE RED
 47. ORANGE



10016-15-23 Double HHC Control Box Assembly

<u>Ref</u>	<u>Part No.</u>	<u>Description</u>	<u>Parts – Assembly</u>	<u>Will Fit SN</u>	<u>Remarks</u>
0	DC-1009	DECAL 190 TOMATO	1		
0	EL-0037	Control Box, Double HHC, 09 (190)	1		
800	EL-805	Automotive Fuses 10 Amp	0		
801	ELM-107-A	Beeper	1	ELM-107	

10016-15-30 Optional Remote Activated Flow Control

<u>Ref</u>	<u>Part No.</u>	<u>Description</u>	<u>Parts – Assembly</u>	<u>Will Fit SN</u>	<u>Remarks</u>
0	0500	Assembly Area	0.5		
0	KIT-0210	Remote Electric 25 GPM Flow Control Fits All	0		
1	A-1405-8-8	1/2' NPT Coupler w/Swivel	2		
2	A-6401-12-8	12 SAE x 1/2' MP Hex Nipple	1		
3	A-6900-12-12	12 SAE x 3/4'FPX	2		
4	A-6901-12-12	12 SAE x 3/4' FPX 90°, Forged	2		
5	EL-46000	Inline Fuse Holder	1		
6	EL-46102	2 Amp Fuse, Type AGC	1		
7	HV-1201	Brand Flow Valve Electronic Box	1		
8	HV-FL-B	Flow Control Adjust Rod	1		
9	ELC-14-BL	14 Gauge Wire (Blue)	120		
10	ELC-14-R	14 Gauge Wire, Red	5		
11	ELC-14-BLK	14 Gauge Wire, Black	5		
12	ELL-375	3/8' Wire Loom @ft	60		
13	ELT-31712	Push On Male 14-16 ga	2	HV-1045K	
14	ELT-31713	Push On Female Terminal 14-16 ga.	4	HV-1045K	
15	ELT-52565	Ring Terminal 5/16 x 14-16ga	2	HV-1045K	
17	VC-0550	Velcro One Wrap Strap @ yd	0.5		
18	VC-9001	4' Velcro Loop w/ Pressure Sensitive Back @ yard	0.1		
19	VC-9151	4' Velcro Hook w/ Pressure Sensitive Back @ yard	0.1		
20	WT-17H	Heavy Duty Wire Tie 17.5'	20		
21	A-6900-12-8	12 SAE x 1/2' FPX	2		
22	A-6901-12-8	12 SAE x 1/2' FPX 90°, Forged	2		
23	A-1404-8-12	1/2 MP x 3/4 FPX	2		
24	A-1601-8-8-8	1/2 MP x 1/2 FPX x 1/2 FPX Tee	1		
25	H12-36-12MP-8MP	3/4 in Hose 3/4MP x 1/2MP x 36 in Long	3		
26	HVE-2500	Electronic Flow Control Valve	1		
100	BL-4-125-H	1/4-20 X 1 1/4 HEX CAP G5 ZC	2		

101	BL-4-300-H	1/4-20 X 3 HEX CAP G5 ZC	2
102	BL-4-FW	1/4 USS FW ZC	8
103	BL-4-LN	1/4-20 HEX LN NE ZC	4

10016-15-30

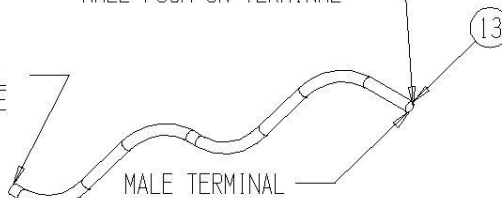
KIT-0210

2 EXTRA MALE TERMINALS ARE INCLUDED IN KIT TO SHORTEN HARNESS IF DESIRED

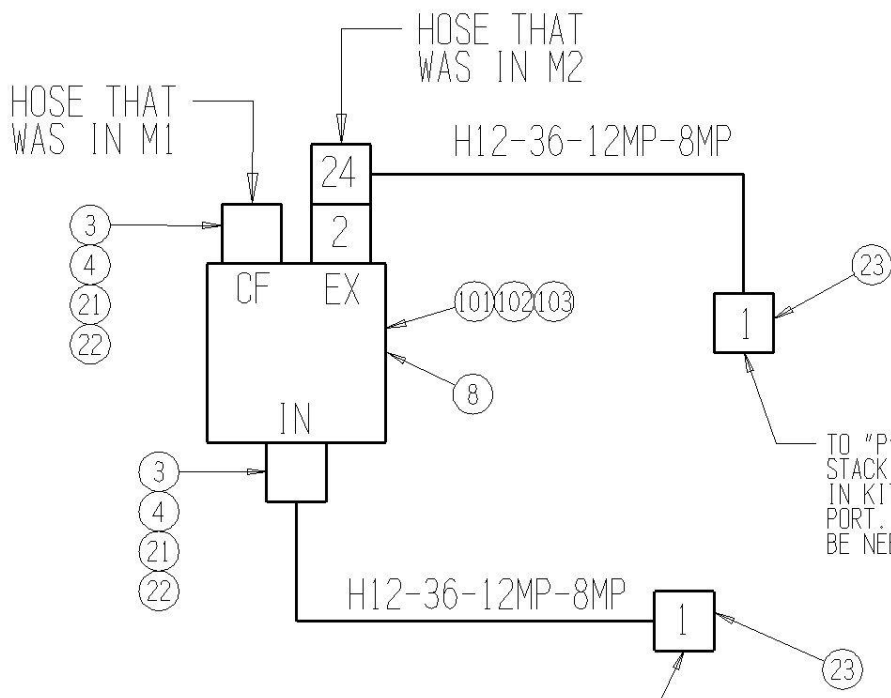
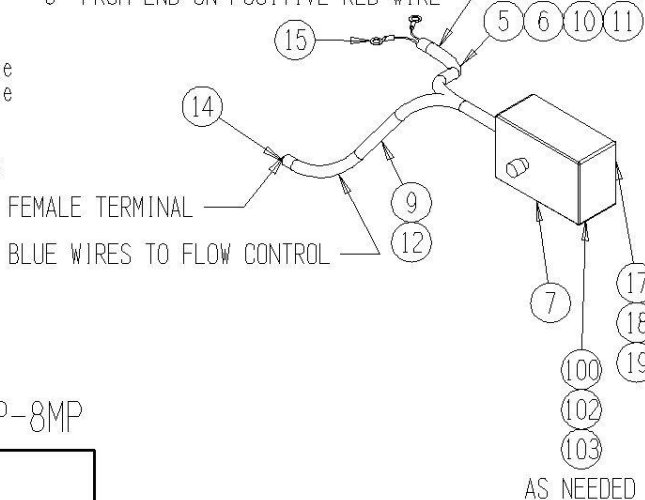
TO FLOW CONTROL WITH ELECTRICAL CONNECTOR THAT COMES WITH VALVE

TO ELECTRICAL BOX WITH MALE PUSH ON TERMINAL

PIK RITE recommends removing the existing flow control when adding the Electronic Flow Control. This is the most efficient method. Leaving the existing flow control in line and wide open will cause a slight pressure drop in the system. If the existing Flow Control is left in line, take the one short hose included in the Kit from "M1" to the "IN" on the Electronic Flow Control. The other short hose will go from the Electronic Flow Control "Tee" in the Ex Port to the "M2" in the existing flow control. You will have extra Fittings When you are finished, Routing the Hydraulics. This kit is designed to work with both 5/8" & 3/4" lines.



TO BATTERY, INLINE FUSE 6" FROM END ON POSITIVE RED WIRE



FROM "PB" ON STANDARD FLOW CONTROL, STACK OR COUPLE SHORT HOSE INCLUDED IN KIT TO HOSE THAT WAS IN THE "P" PORT. THIS HOSE & COUPLING MAY NOT BE NEEDED.

(20) USE AS NEEDED

