



60 PIK RITE LANE, LEWISBURG PA 17837

PHONE: 570-523-8174 FAX: 570-523-8175

EMAIL: frontdsk@pikrite.com WEBSITE: www.pikrite.com

Dear Grower,

Welcome to the growing family of satisfied Pik Rite equipment owners. Our goal is to help make your harvest as enjoyable and trouble free as possible by providing equipment that is durable and keeps down time to a minimum.

In order to provide customer service and a supply of original equipment parts to keep your machine well maintained, we are continually striving to keep our systems state-of-the-art to utilize all available resources that allow us to provide better and more accurate deliveries on time.

We will continue to give you the service you have come to expect from our dealer representatives and us. In order to avoid any delays during your harvest season we make every effort to have someone available to take your calls 24 hours a day. We have shipping companies in place to deliver your parts as expediently as possible whether you live a few miles down the road or on the other side of the globe. Count on us.

Sincerely,

Sam Beiler
Operations Manager
sam@pikrite.com

Home Phone 570-922-1405
Mobile 570-412-0065

www.pikrite.com

Arlin Sauder
Parts Manager
parts@pikrite.com

Parts and Service Hotline
800-326-9763

TABLE OF CONTENTS

1104-1-1 Main Frame Assembly	10
1104-1-2 Tongue Assembly	12
1104-1-3 Hitch Assembly.....	14
1104-1-4 1 3/8"-21 (OPTIONAL) PTO Assembly	16
1104-1-5 1 3/4"-20 (STANDARD) PTO Assembly	18
1104-1-6 Standard Axle Assembly.....	20
1104-1-6.1 Optional Steering Axle Assembly.....	22
1104-1-7 Wheel & Rocker Assembly.....	24
1104-1-8 Hub & Spindle Assembly	26
1104-1-9 Optional Stabilizer Wheel Assembly.....	28
1104-2-1 Disk Header Frame Assembly.....	30
1104-2-2 Disk Drive Shaft Assembly.....	32
1104-2-3 34" Disk Shaft Assembly (Standard)	34
1104-2-4 36" Disk Shaft Assembly (Optional)	36
1104-2-5 Gathering Chain Assembly.....	38
1104-2-6 Header Height Parts Assembly	40
1104-3-1 Primary Header Assembly.....	42
1104-3-2 Gauge Wheel Assembly	44
1104-3-3 Secondary Header Assembly	46
1104-3-4 Header Drive Shaft Assembly.....	48
1104-3-5 Header Return Roller Assembly.....	50
1104-3-6 Header Dirt Vibrator Assembly	52
1104-3-7 Header Bar Cleaner Assembly (Standard)	54
1104-3-8 Header Vine Assist Assembly.....	56

1104-3-9 Header Dust Shield Assembly.....	58
1104-4-1 Primary Shaker Frame Assembly	60
1104-4-2 Primary Shaker Cover & Shield Assembly	62
1104-4-3 Primary Shaker Drum Assembly	64
1104-4-4 Primary Shaker Weight & Box Assembly.....	66
1104-4-5 Secondary Shaker Drum Assembly.....	68
1104-4-6 Secondary Shaker Weight & Box Assem.	70
1104-4-7 Secondary Shaker Cover Assembly.....	72
1104-4-8 Shaker Ring & Finger Assembly	74
1104-4-9 Optional Half Ring & Finger Assembly.....	76
1104-4-10 Optional Shaker Tine Covers.....	78
1104-4-11 Optional Shaker Spacer Tubes	80
1104-4-12 Shaker Weight Box Shield Assembly.....	82
1104-5-1 Vine & Transfer Chamber Assembly	84
1104-5-2 Transfer Drive Shaft Assembly.....	88
1104-5-3 Transfer Return Roller Assembly	90
1104-5-4 Transfer Bar Cleaner Assembly (Standard)	92
1104-5-5 Optional Transfer Dirt Vibrator Assembly	94
1104-5-6 Vine Chain Drive Shaft Assembly	96
1104-5-7 Optional Vine Chopper Assembly	98
KIT-0155 Vine Chopper for HC-290 Tomato	98
1104-6-1 Cross Conveyor Assembly.....	102
1104-6-2 Cross Conveyor Drive Shaft Assembly	104
1104-6-3 Cross Conveyor Return Roller Assembly	106
1104-6-4 Cross Conveyor Bar Cleaner Assem.....	108

1104-7-1 Debris Fan Assembly	110
1104-7-2 Debris Fan Paddle Assembly.....	112
1104-8-1 Debris Belt Assembly	114
1104-8-2 Debris Belt Drive Assembly.....	116
1104-8-3 Debris Belt Idler Assembly	118
1104-8-4 Debris Belt Shield Assembly.....	120
1104-8-5 Optional Elevation Dirt Vibrator Assembly.....	122
1104-9-1 Lower Elevation Assembly	124
1104-9-2 Lower Elevation Divider Bar Assembly	126
1104-9-3 Elevation/Presort Assembly	128
1104-9-4 Elevation Drive Shaft Assembly	130
1104-9-5 Elevation Chain Cleaner Assembly.....	132
1104-9-6 Elevation Rod Jumper Assembly	134
1104-9-7 Color Sorter Assembly	136
1104-9-8 Optional 2nd Sorter Elevation/Presort Assembly	138
1104-9-9 Optional 2nd Sorter Divider Bar Assembly	140
1104-9-10 Optional 2nd Sorter Elevation Drive Shaft Assembly	142
1104-9-11 Optional 2nd Color Sorter Assembly	144
1104-9-12 Optional 2nd Sorter Short Aftersort Assembly	146
1104-9-13 Optional 2nd Sorter Short Aftersort Idler Assembly	148
1104-9-14 Optional 2nd Sorter Short Aftersort Drive Assembly	150
1104-9-15 Optional 2nd Sorter Side Shield Assembly	152
1104-9-16 Opt. Elevation/Presort Frame & Bar Cleaner Assy	154
1104-9-17 Opt. Color Sorter For Presort Belt Assembly	156
1104-9-18 Opt. Elevation W/ Presort Drive Shaft Assembly	158

1104-9-19 Opt. Presort Drive Shaft Assembly.....	160
1104-9-20 Opt. Presort Idler Assembly.....	162
1104-10-1 Aftersort Assembly	164
1104-10-2 Aftersort Divider Roller Assembly	166
1104-10-3 Aftersort Idler Assembly	168
1104-10-4 Aftersort Drive Assembly.....	170
1104-10-5 Aftersort Shield Assembly	172
1104-10-6 Handrail & Decking Over Aftersort Assembly	174
1104-11-1 Discharge Basket Assembly	176
1104-11-2 Inner Discharge Assembly	178
1104-11-3 Middle Discharge Assembly.....	180
1104-11-4 Outer Discharge Assembly	182
1104-11-5 Discharge Drive Shaft Assembly.....	184
1104-12-1 Grease Banks, Axle & Header Pivot.....	186
1104-12-2 Optional Grease Banks.....	188
1104-13-1 Standard Canopy Assembly	190
1104-13-2 Canopy Side Panel Assembly	192
1104-13-3 Canopy Front Window Assembly.....	194
1104-13-4 Canopy Fresh Air Fan Assembly	196
1104-13-5 Inner Decking Assembly.....	198
1104-13-6 Outer Decking Assembly.....	200
1104-13-7 Decking Cover Assembly	202
1104-13-8 Outer Hand Rail Assembly.....	204
1104-14-1 Air Compressor Assembly.....	206
1104-14-2 Air Tank & Dryer Assembly	208

1104-14-3 Air System Line & Component Assembly.....	210
1104-14-4 Optional High Output Air Compressor.....	214
1104-15-1 Oil Tank Assembly.....	216
1104-15-2 Oil Cooler & Filter Assembly.....	218
1104-15-3 Optional Shaker Rotation Valve Section Assembly.....	220
1104-15-4 Shaker Rot. Valve Sect. Assembly w/Fresh Air Fan.....	222
1104-15-5 Shaker Wgt & Header Vib. Valve Section Assem.....	224
1104-15-5.1 Opt. Shaker Wgt.&Header Vib.W/ Transfer Valve Assy.....	226
1104-15-6 Air Compressor Valve Section Assembly.....	228
1104-15-7 Header Component Valve Section Assem.....	230
1104-15-8 Elevation/Presort Valve Section Assembly.....	232
1104-15-8.1 Optional Elevation W/ Presort Belt Assembly.....	234
1104-15-9 Fan/Vine Chain Valve Section Assembly.....	236
1104-15-10 Hydraulic Motor Plumbing Assembly.....	238
1104-15-11 Hydraulic Flow Control w/out Relief Parts.....	244
1104-15-12 Hydraulic Flow Control w/ Relief Parts.....	246
1104-15-13 Hydraulic Flow Control w/ Check Valve Parts.....	248
1104-15-14 Hydraulic Flow Control w/ Soft Start Parts.....	250
1104-15-15 Half Fixed Speed Valve Assembly.....	252
1104-15-16 Hydraulic Relief Bank Assembly.....	254
1104-15-17 Stabilizer Wheel Control Valve Parts.....	256
1104-15-18 Soft Start Valve Assembly.....	258
1104-15-19 Disk Reverser Assembly.....	260
1104-15-20 Actuator (3/4" Lines w/ Relief) Assembly.....	262
1104-15-21 Actuator (3/4" Lines) Assembly.....	264

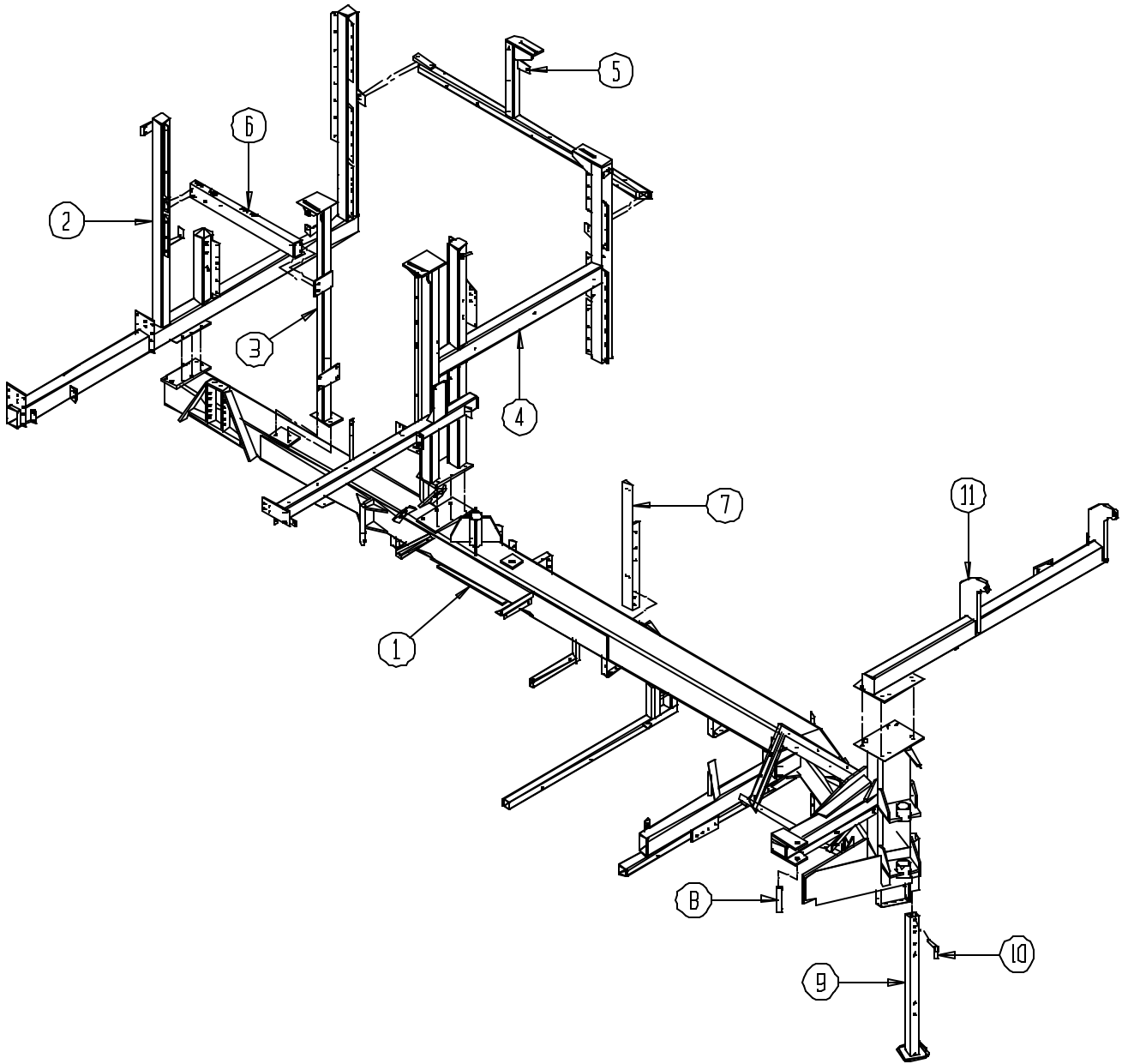
1104-15-22 Actuator (5/8" Lines) Assembly.....	266
1104-15-23 Prince Flow Control Parts Assembly.....	268
1104-15-24 Hydraulic Panel Component Mounting Assembly.....	270
1104-16-1 Hydraulic Cylinder Plumbing Assembly.....	272
1104-16-2 Hydraulic Cylinder Control Bank.....	276
1104-16-3 Electric/Hydraulic Valve Assembly.....	278
1104-16-4 Electric/Hydraulic Unloading Inlet Section.....	280
1104-16-5 Ele./Hyd. Double Locking Valve Section.....	282
1104-17-1 Electric Component Assembly.....	284
1104-18-1 WHL-3000 Hub & Spindle Replacement Parts.....	288
1104-18-2 HM-412C Hydraulic Motor Replacement Parts.....	290
1104-18-3 SRT-1548 48" Odenberg Sorter Replacement Parts.....	291
1104-18-4 Steel Roller Replacement Parts.....	292
1104-18-5 3.5 Dia. Roller Replacement Parts.....	294
1104-18-6 2.75 Dia. Roller Replacement Parts.....	296
1104-18-7 Disk Reverser Replacement Parts.....	298

**PARTS
CATALOG**

1104-1-1 Main Frame Assembly

<u>Ref</u>	<u>Part No.</u>	<u>Description</u>	<u>Parts – Assembly</u>	<u>Will Fit SN</u>	<u>Remarks</u>
1	FRM-8100	Main Frame Weldment HC 290	1		
2	FRM-8101	Frame, Rear Cross Frame, High Capacity Tomato	1		
3	POS-8400	Post On Main Frame, Shaker, High Cap Tomato	1		
4	FRM-8400	Shaker Frame, High Capacity Tomato Machine	1		
5	SUP-8400	Mount, Tube, Shaker Frame, High Cap Tomato	1		
6	ARM-8450	Support, Mount, Inner Secondary Shaker, HC290	1		
7	BRA -8107	Bracket, Mount Header Panel, HC290	1		
8	PIN-8111	Pin, Tongue Main Frame, High Cap. Tomato	1		
9	WH-8100	Adjuster, Jack Stand, Main Frame, High Cap. Tomato	1		
10	192-1125B	Pin, Jack Stand, Frame, 2-Point Hitch Machines	1		
10	PIN-8102	Pin, Jack Stand, Main Frame, HC290 Tomato	1		
11	FRM-8250	Frm. Header Cyl. Mount, HC290	1		

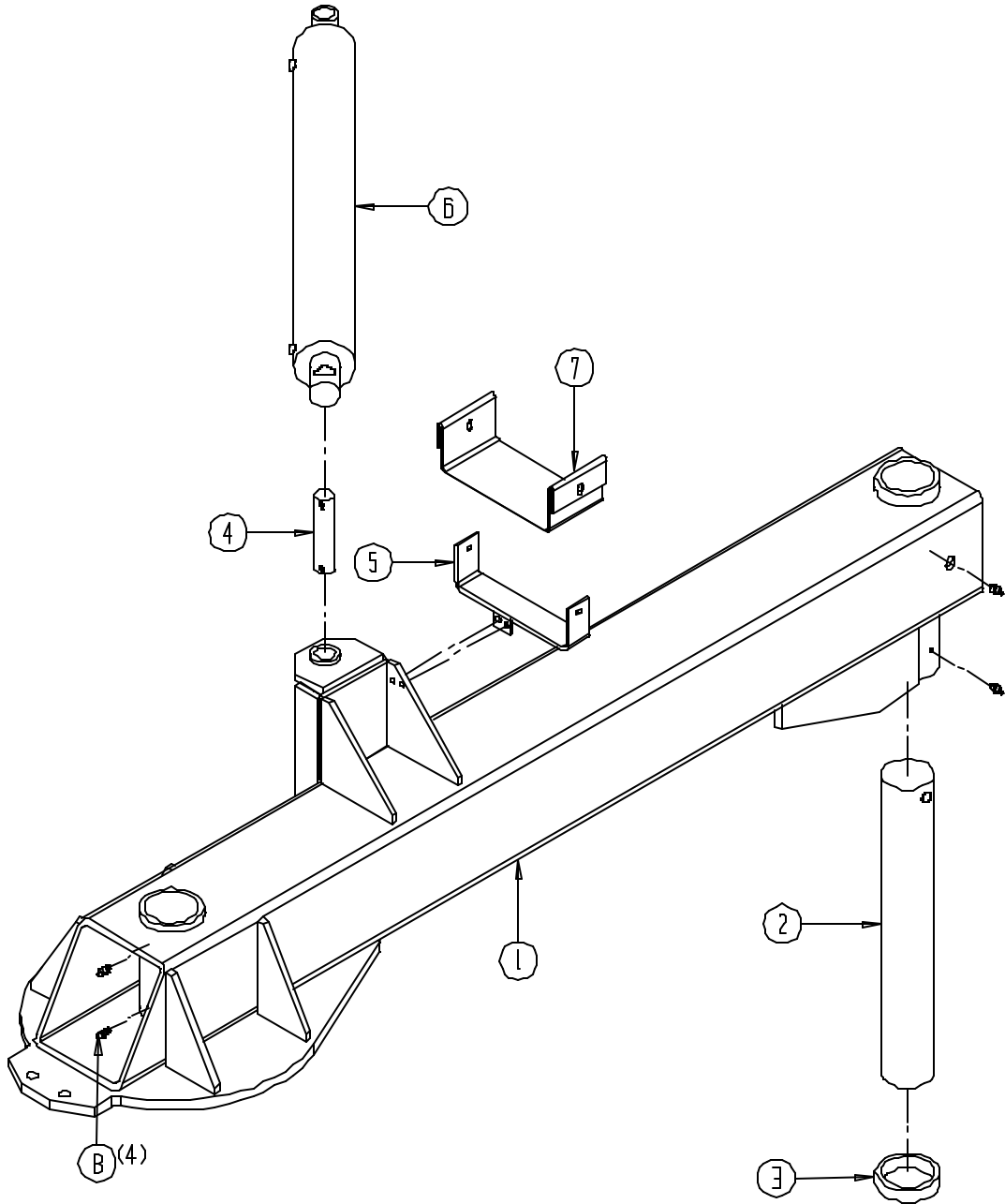
1104-1-1 MAIN FRAME ASSEMBLY



1104-1-2 Tongue Assembly

<u>Ref</u>	<u>Part No.</u>	<u>Description</u>	<u>Parts – Assembly</u>	<u>Will Fit SN</u>	<u>Remarks</u>
1	FRM-8110	Tongue, Main Frame to The Two Point Hitch	1		
2	PIN-8110	Tongue Swivel, Main Frame, High Cap Tomato	1		
3	SPA-8110	Bushing, Tongue Swivel, High Cap Tom	1		
4	SFT-8110	Shaft, Cylinder Pin, Tonge HC290	1		
5	BRA-8110	Bracket, Hose Holder, Tongue HC290	1		
6	HC-400-30	Hydraulic Cylinder 4" x 30"	1		
7	BT-8110	Belting, Hose Holder, Tongue, HC290	1		

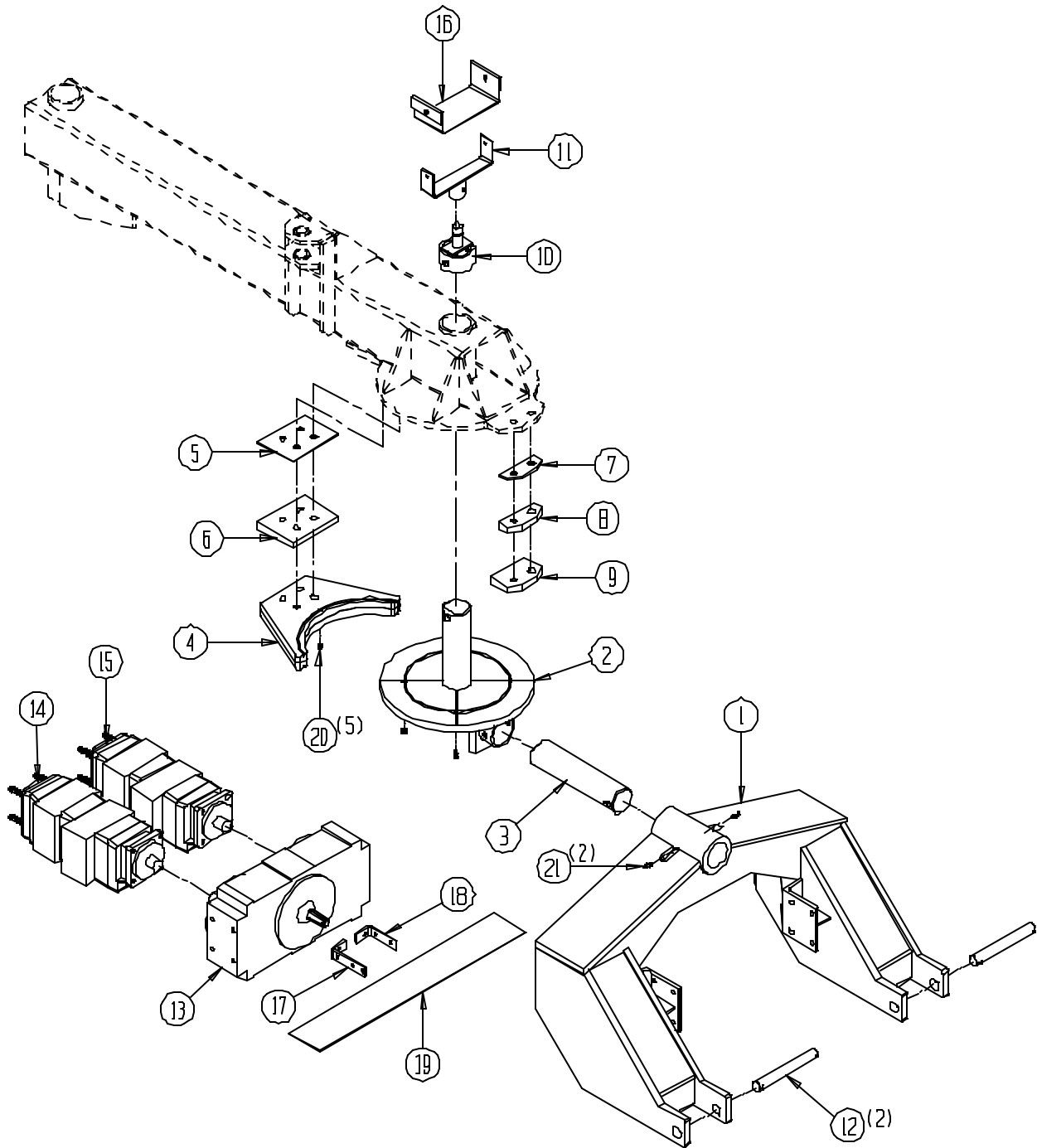
1104-1-2 TONGUE ASSEMBLY



1104-1-3 Hitch Assembly

<u>Ref</u>	<u>Part No.</u>	<u>Description</u>	<u>Parts – Assembly</u>	<u>Will Fit SN</u>	<u>Remarks</u>
1	FRM-8111	Frame, 2 Point Hitch HC290 Tomato	1		
2	PIN-8210	Gooseneck Hitch Pivot/Swivel, Tractor Hitch Frm	1		
3	SFT-8112	Shaft, Gooseneck Hitch Pivot, HC290	1		
4	SUP-8210	Support, Rear Swivel Plate, Gooseneck Hitch	1		
5	BAR-8213	Bar, Spacer, Back Top, Hitch/Tongue, HC290	1		
5	SPA-8213	Spacer, Back, Hitch Support	3		
6	BAR-8214	Bar, Spacer, Back, Bottom, Hitch/Tongue, HC290	1	BAR-8214	
7	BAR-8215	Bar, Spacer, Front Top, Hitch/Tongue, HC290	1		
8	BAR-8216	Bar, Spacer, Front Middle, Hitch/Tongue, HC290	1		
9	BAR-8217	Bar, Spacer, Front Bottom, Hitch/Tongue, HC290	1		
10	POS-8110	Post, Pivot Holder, Tongue HC290	1		
11	SUP-8110	Support, Pivoting Hose Holder, Tongue HC290	1		
12	PIN-003P	Pin, Quick Hitch & Tomato	2		
13	GBX-252	Two Pad Gearbox for HC290	1		
14	HP-365-C15	Hydraulic Pump, Model 365	1		
15	HP-365-C17	Hydraulic Pump, Model 365	1		
16	BT-8110	Belting, Hose Holder, Tongue, HC290	1		
17	BRA-8200	Bracket, Outsd, PTO Belting, Hitch Assy, HC290	1		
18	BRA-8201	Bracket, Inside, PTO Belting, Hitch Assy, HC290	1		
19	BT-8200	Belting, PTO, Hitch Assembly, HC290 Tomato	1		
20	GF-1827-45	Grease Fitting 1/8 NPT 45	5		
21	GF-1827	Grease Fitting 1/8 NPT Straight	2		
100	BL-24-FW	1 1/2" Flat Washer, Zinc	14		

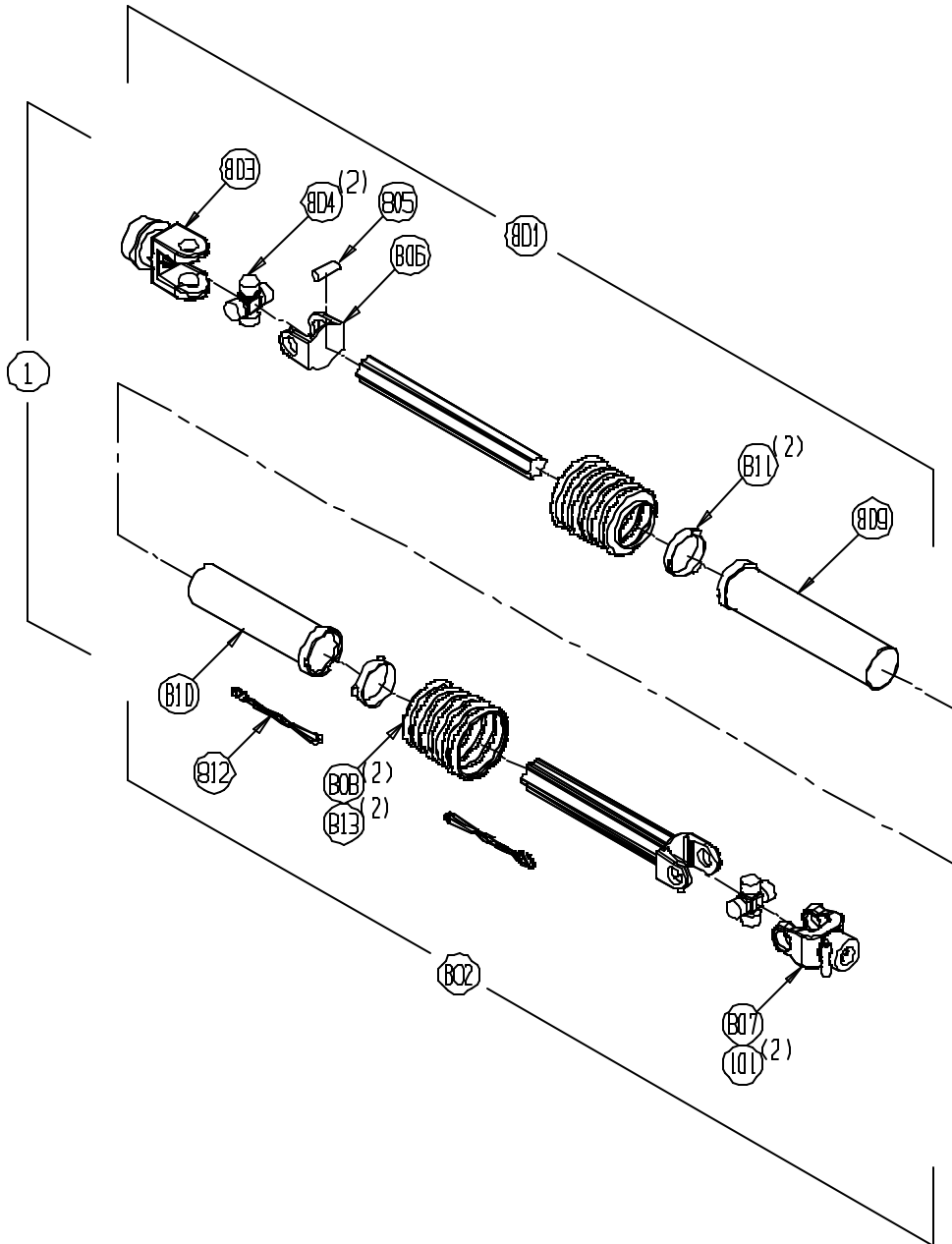
1104-1-3 HITCH ASSEMBLY



1104-1-4 1 3/8"-21 (OPTIONAL) PTO Assembly

<u>Ref</u>	<u>Part No.</u>	<u>Description</u>	<u>Parts – Assembly</u>	<u>Will Fit SN</u>	<u>Remarks</u>
1	PTS-8100	1-3/8 x 21 Shaf, HC290 Gooseneck Hitch w/ Gear Box	1		IH MX Series Quick Hitch On Ford New Hol. Quick Hitch Off JD 7000 & 8000 both Hitch configs Case IH above 160 HP Quick H on Case IH Under 159 HP Both Hitch configs
801	PTS-8100-FH	1-3/8 x 21 Spline, Front Half for PTS-8100, PTS-4002	1		
802	PTS-8100-RH	1-3/8 x 6 Spline, Rear Half for PTS-8100, PTS-8101	1		
803	PTS-1002C	PTO Yoke (Waltershied) 1 3/8" x 21 spline	1	19101-	John Deere PN AW25386
804	PTS-4001B	Extended Lube Cross & Bearing Kit	2	Waltershied Yokes	Replaces PTS-1002B
805	PTS-3001-D	Spring Pin 10x90	1		
806	PTS-4001IY	Inboard Yoke, Tractor Half	1		
807	PTS-8100-A	1-3/8 x 6 Spline, Clamp Type	1		
808	PTS-1002E	PTO Shield Cone (Waltershied)	2	19101-	
809	PTS-4001OS	PTO Outer Shield (Waltershied) Chili	1		
810	PTS-4001IS	PTO Inner Shield (Waltershied) Chili	1		
811	PTS-1002J	PTO Shield Bearing Ring	2		
812	PTS-1002K	PTO Shield Safety Chain	1		
813	PTS-1010K	Screw	2		

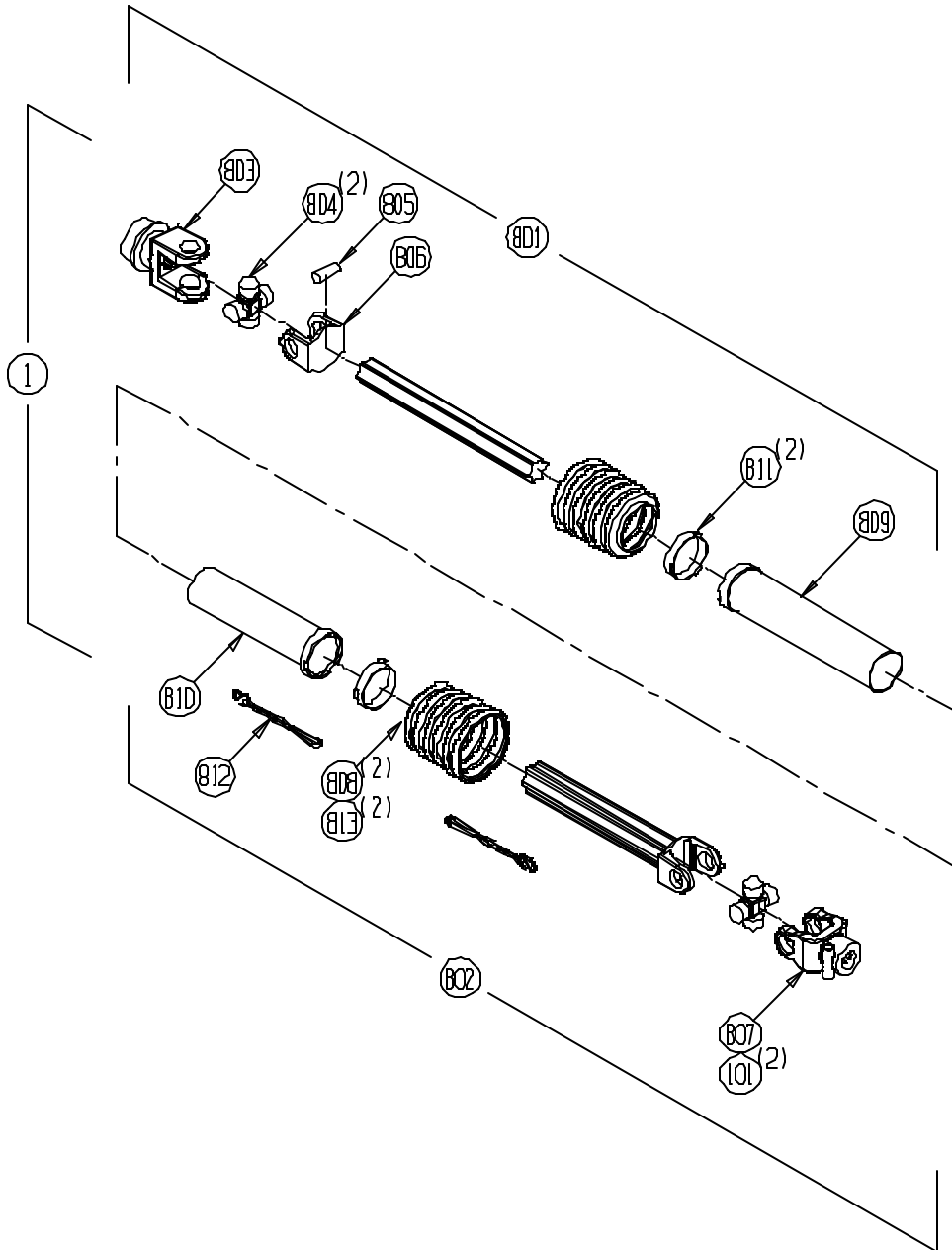
1104-1-4 1 3/8"-21 PTO ASSEMBLY



1104-1-5 1 3/4"-20 (STANDARD) PTO Assembly

<u>Ref</u>	<u>Part No.</u>	<u>Description</u>	<u>Parts – Assembly</u>	<u>Will Fit SN</u>	<u>Remarks</u>
1	PTS-8101	1-3/4 x 20 Shaft For Gooseneck Hitch w/ Gear Box	1		IH MX Series Quick Hitch On Ford New Hol. Quick Hitch Off JD 7000 & 8000 both Hitch configs Case IH above 160 HP Quick H on Case IH Under 159 HP Both Hitch configs
801	PTS-4001-FH	1-3/4 x 20 Spline, Front Half for PTS-8101, PTS-4001	1		
802	PTS-8100-RH	1-3/8 x 6 Spline, Rear Half for PTS-8100, PTS-8101	1		
803	PTS-1002A	PTO Tractor Yoke (Waltershied) 1 3/4" x 20 Spline	1	19101-	John Deere PN AW25387
804	PTS-4001B	Extended Lube Cross & Bearing Kit	2	Waltershied Yokes	Replaces PTS-1002B
805	PTS-3001-D	Spring Pin 10x90	1		
806	PTS-4001Y	Inboard Yoke, Tractor Half	1		
807	PTS-8100-A	1-3/8 x 6 Spline, Clamp Type	1		
808	PTS-1002E	PTO Shield Cone (Waltershied)	2	19101-	
809	PTS-4001OS	PTO Outer Shield (Waltershied) Chili	1		
810	PTS-4001IS	PTO Inner Shield (Waltershied) Chili	1		
811	PTS-1002J	PTO Shield Bearing Ring	2		
812	PTS-1002K	PTO Shield Safety Chain	1		
813	PTS-1010K	Screw	2		

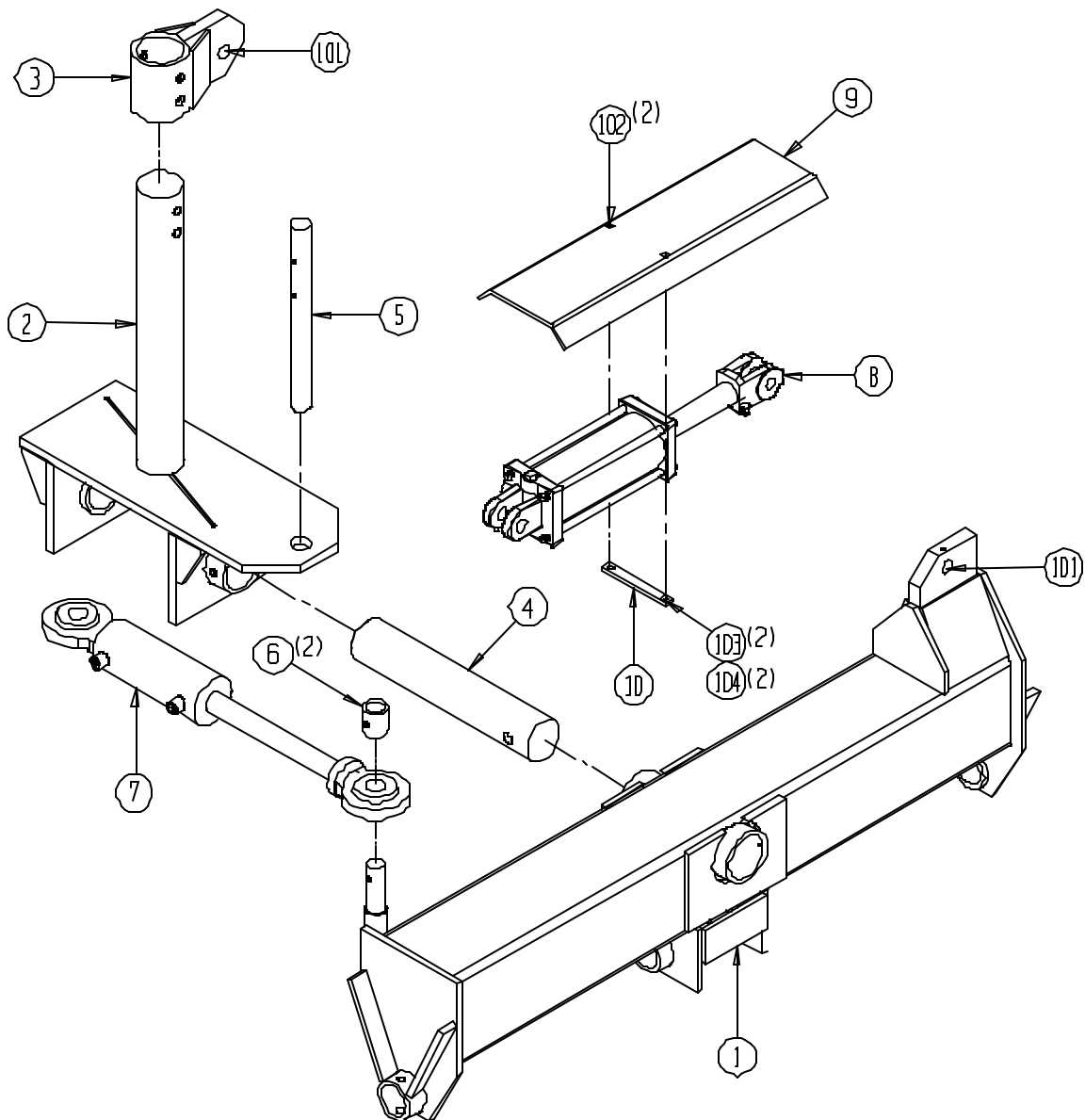
1104-1-5 1 3/4"-20 PTO ASSEMBLY



1104-1-6 Standard Axle Assembly

<u>Ref</u>	<u>Part No.</u>	<u>Description</u>	<u>Parts – Assembly</u>	<u>Will Fit SN</u>	<u>Remarks</u>
1	WHL-8109	Axle, On Main Frame, High Cap Tomato Machine	1		
2	PIN-8109	Axle Swivel, High Cap Tomato Machine	1		
3	MOU-8109	Mount, Bushing on Axle Swivel, High Cap Tom	1		
4	SFT-8109	Shaft, Pin, Axle Swivel, HC290 Tomato	1		
5	SFT-8111	Shaft, Long Pin, Axle Swivel, HC290 Tomato	1		
6	SPA-8100	Spacer, Axle Cylinder, HC290 Tomato	2		
7	HC-350-608S	Hydraulic Cylinder 3.5 bore x 6" stroke 30.75" retracted	1		
8	HC-400-08	Tie Rod Cylinder, 4" x 8", #8 SAE Port	1		
9	SHD-8100	Top, Axle Shield, HC290 Tomato	1		
10	BAR-8609	Bar, Shield Hold, Axle, HC290 Tomato	1		
101	BL-8-100-SC	1/2-13 x 1" Knurled Point Set Screw	2		
102	BL-6-600-C	3/8-16 x 6 Carriage Bolt GR5	2		
103	BL-6-N	3/8-16 HEX NUTS ZC	2		
104	BL-6-LW	3/8 SPLIT LW ZC	2		

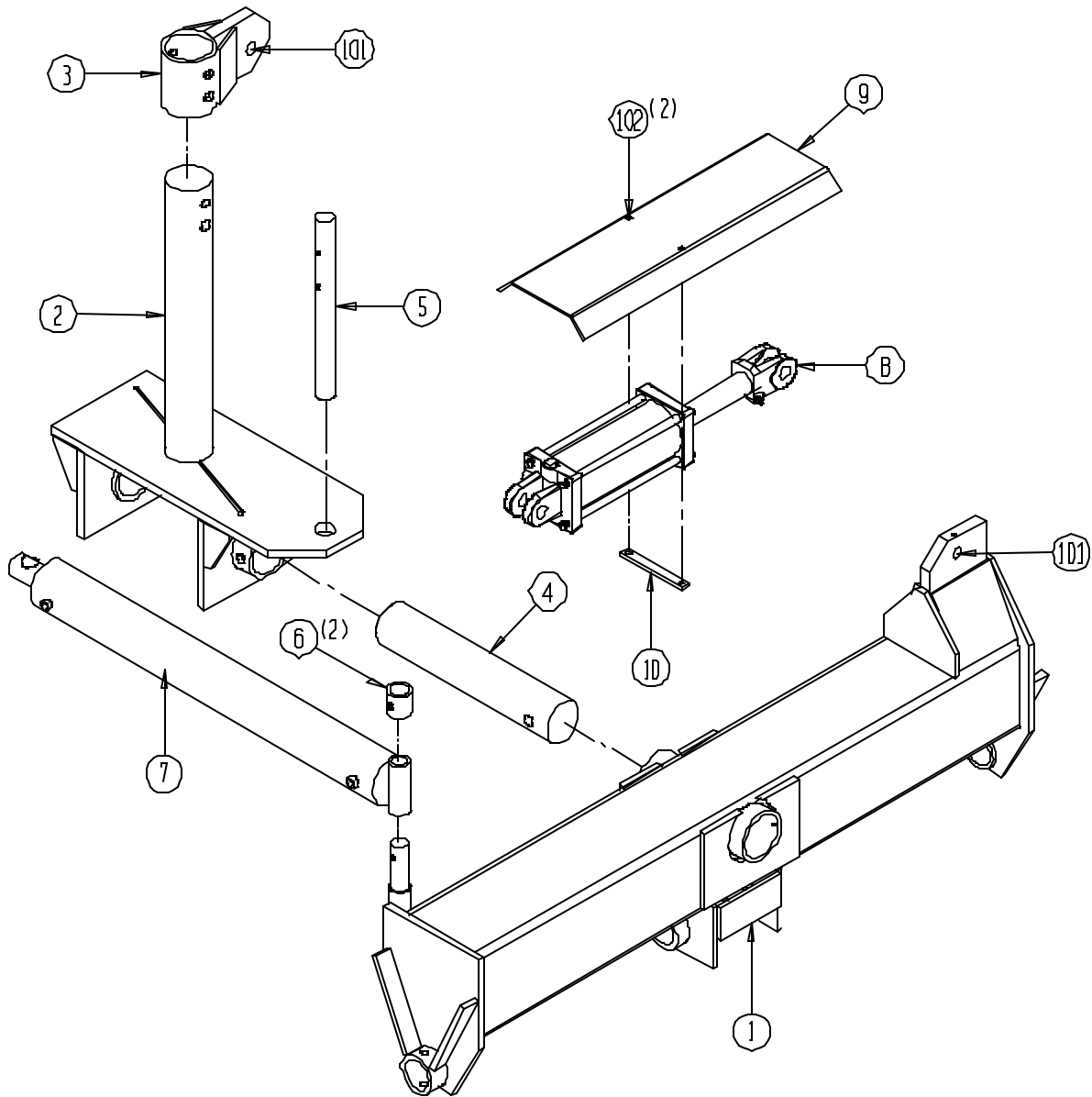
1104-1-6 STANDARD AXLE ASSEMBLY



1104-1-6.1 Optional Steering Axle Assembly

<u>Ref</u>	<u>Part No.</u>	<u>Description</u>	<u>Parts – Assembly</u>	<u>Will Fit SN</u>	<u>Remarks</u>
1	WHL-8109	Axle, On Main Frame, High Cap Tomato Machine	1		
2	PIN-8109	Axle Swivel, High Cap Tomato Machine	1		
3	MOU-8109	Mount, Bushing on Axle Swivel, High Cap Tom	1		
4	SFT-8109	Shaft, Pin, Axle Swivel, HC290 Tomato	1		
5	SFT-8111	Shaft, Long Pin, Axle Swivel, HC290 Tomato	1		
6	SPA-8100	Spacer, Axle Cylinder, HC290 Tomato	2		
7	HC-350-12	3 1/2 x 12 Welded-Double Acting Cylinder for Steering	1		
8	HC-400-08	Tie Rod Cylinder, 4" x 8", #8 SAE Port	1		
9	SHD-8100	Top, Axle Shield, HC290 Tomato	1		
10	BAR-8609	Bar, Shield Hold, Axle, HC290 Tomato	1		
101	BL-8-100-SC	1/2-13 x 1" Knurled Point Set Screw	2		
102	BL-6-600-H	3/8 UNC X 6 HH C/S BOLT GR5 ZINC	2		
601	EL-0009	Actuator Control Panel With Potentiometer	1		
602	ELC-8004	Axle Control Cable 28', HC290	1		

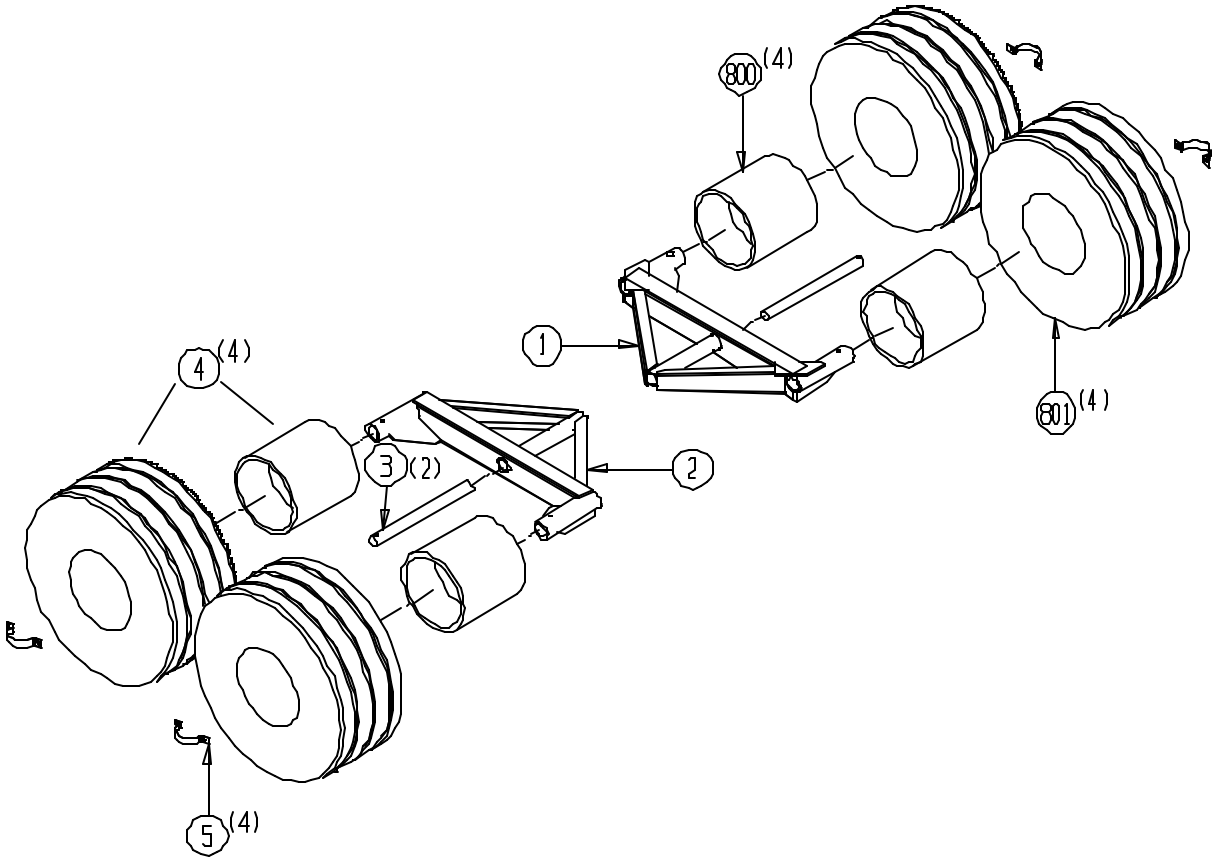
1104-1-6.1 OPTIONAL STEERING AXLE ASSEMBLY



1104-1-7 Wheel & Rocker Assembly

<u>Ref</u>	<u>Part No.</u>	<u>Description</u>	<u>Parts – Assembly</u>	<u>Will Fit SN</u>	<u>Remarks</u>
1	WHL-8100	Right Rocker, Axle, HC290 Tomato	1		
2	WHL-8101	Left Rocker, Axle, HC290 Tomato	1	WHL-8100	
3	PIN-8101	Pin, Rocker, Axle w/5/8" Hole	2		
4	WHM-8002	High Capacity Tomato Tire/Wheel Assy. Mounted	4	290	
5	BRA-8111	Bracket, Strap, Wheel & Rocker, HC290 Tomato	4		
800	WHT-3100	8-8-6 Wheel, 3/8" Positive Offset (Trelleborg)	4		
801	WHT-8002	500/60-22.5 TR Tire 421 Tread Type	4		

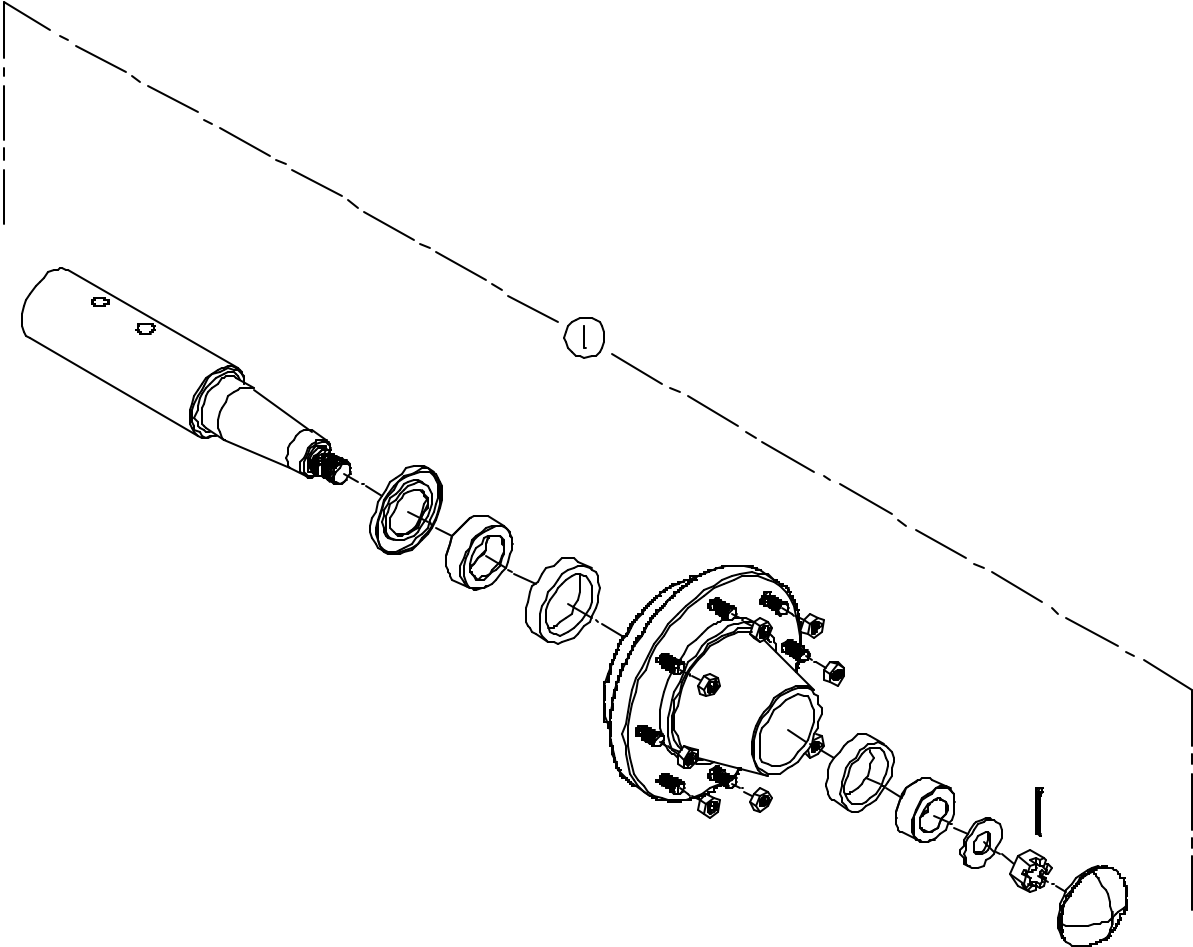
L104-1-7 WHEEL & ROCKER ASSEMBLY



1104-1-8 Hub & Spindle Assembly

<u>Ref</u>	<u>Part No.</u>	<u>Description</u>	<u>Parts – Assembly</u>	<u>Will Fit SN</u>	<u>Remarks</u>
1	WHL-3000	Hub Assembly Complete (includes spindle)	4		

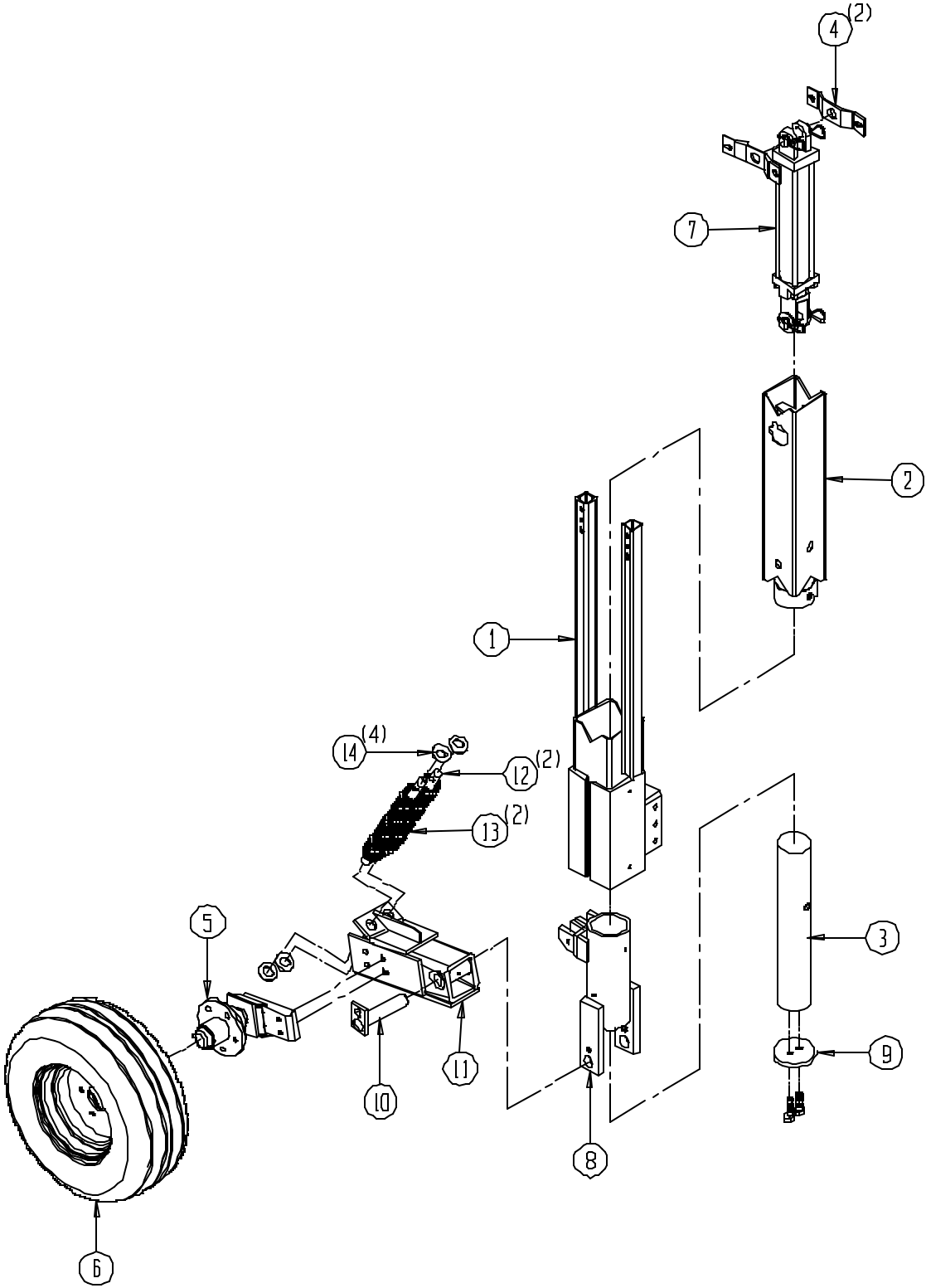
1104-1-8 HUB & SPINDLE ASSEMBLY



1104-1-9 Optional Stabilizer Wheel Assembly

<u>Ref</u>	<u>Part No.</u>	<u>Description</u>	<u>Parts – Assembly</u>	<u>Will Fit SN</u>	<u>Remarks</u>
0	A-6901-8-6	8 SAE x 3/8" FPX90	2	20095001-	
0	H4-351-6MP-6MP	1/4 in hose 3/8MP x 3/8MP x 351 in long	1		
0	H4-366-6MP-6MP	1/4 in hose 3/8MP x 3/8MP x 366 in long	1		
1	MOU-8105	Mount, Outer Slider, Stab. Wheel, HC290	1		
2	ADJ-8105	Adjuster, Inner Slider, Stab. Wheel, HC290	1		
3	SFT-8105	Shaft, Wheel Slider, Stab. Wheel, HC290	1		
4	193-188	Adjuster, Gauge Wheels	2	19301-	
5	WHL-4000	Wheel Wldmt., Heavy Duty Gauge Wheel Hub & Spindle Weldment	1		
6	WHL-8001	High Capacity Tomato Stabilizer Wheel Hub & Tire	1		
7	HC-250-1208	Tie Rod Cylinder, Standard 2 1/2" x 12"	1		
8	BRA-8105	Bracket, Wheel Pivot, Stab. Wheel, HC290	1		
9	SUP-1121	Support, Rocker, Big Wheel (Tomato)	1	KIT-1118	
10	PIN-8105	Pin, Pivot, Stab. Wheel, HC290	1		
11	ARM-8105	Arm, Wheel Mount, Stab. Wheel, HC290	1	ARM-8105	
12	SFT-8106	Shaft, Spring Retainer, Stab. Wheel, HC290	2		
13	SPRG-1200-EH	Spring, Extra Heavy 2" Hole Dia., 1" Rod x 12" Long	2		
14	BL-16-SW	1" SAE Washer	4		

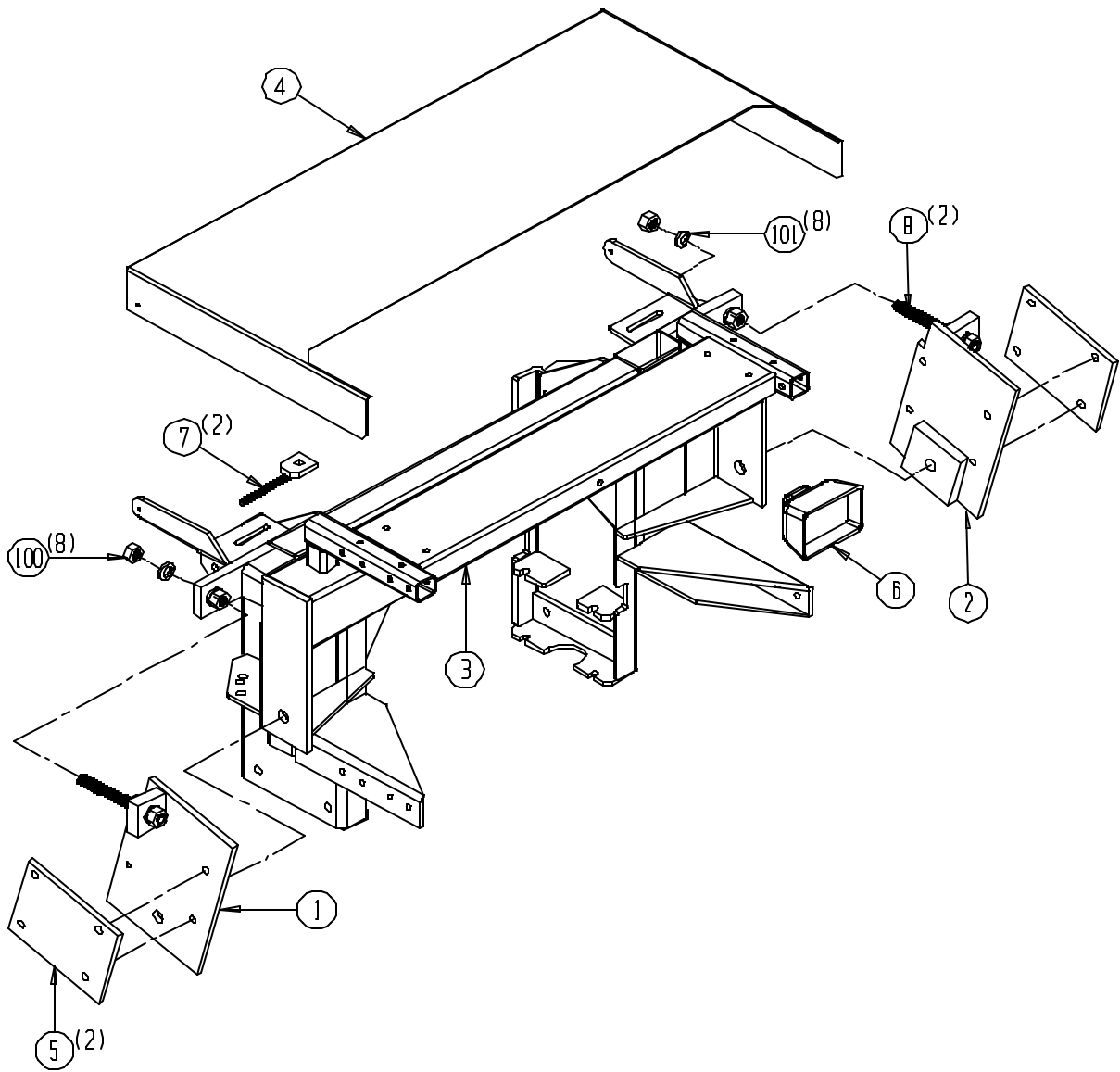
1104-1-9 OPTIONAL STABILIZER WHEEL ASSEMBLY



1104-2-1 Disk Header Frame Assembly

<u>Ref</u>	<u>Part No.</u>	<u>Description</u>	<u>Parts – Assembly</u>	<u>Will Fit SN</u>	<u>Remarks</u>
1	ADJ-8200	Adjuster, Left Side, High Cap. Tomato	1		
2	ADJ-8201	Adjuster, Right Side, Disk Header, High Cap. Tomato	1		
3	FRM-8204	Frame, Disk Header, HC290	1		
4	SHD-8200	Shield, Disk Header, HC 290 Tomato	1		
5	ARM-8200	Arm, Side Mounting Plate, Disk Header, HC290	2		
6	EL-1233	Light, Auxiliary Work Light, Clear, Trapezoid Beam, TL#80394	1		
7	ADJ-8204	Adjuster, Roller Chain, Disk Header, HC 290	2		
8	MOU-6132	Mount, Adjuster Support, Depth Wheel, Cucumber	2	61397001-	
100	BL-14-N	7/8" x 9 Plated Nuts	8		
101	BL-14-LW	7/8" Lock Washer	8		

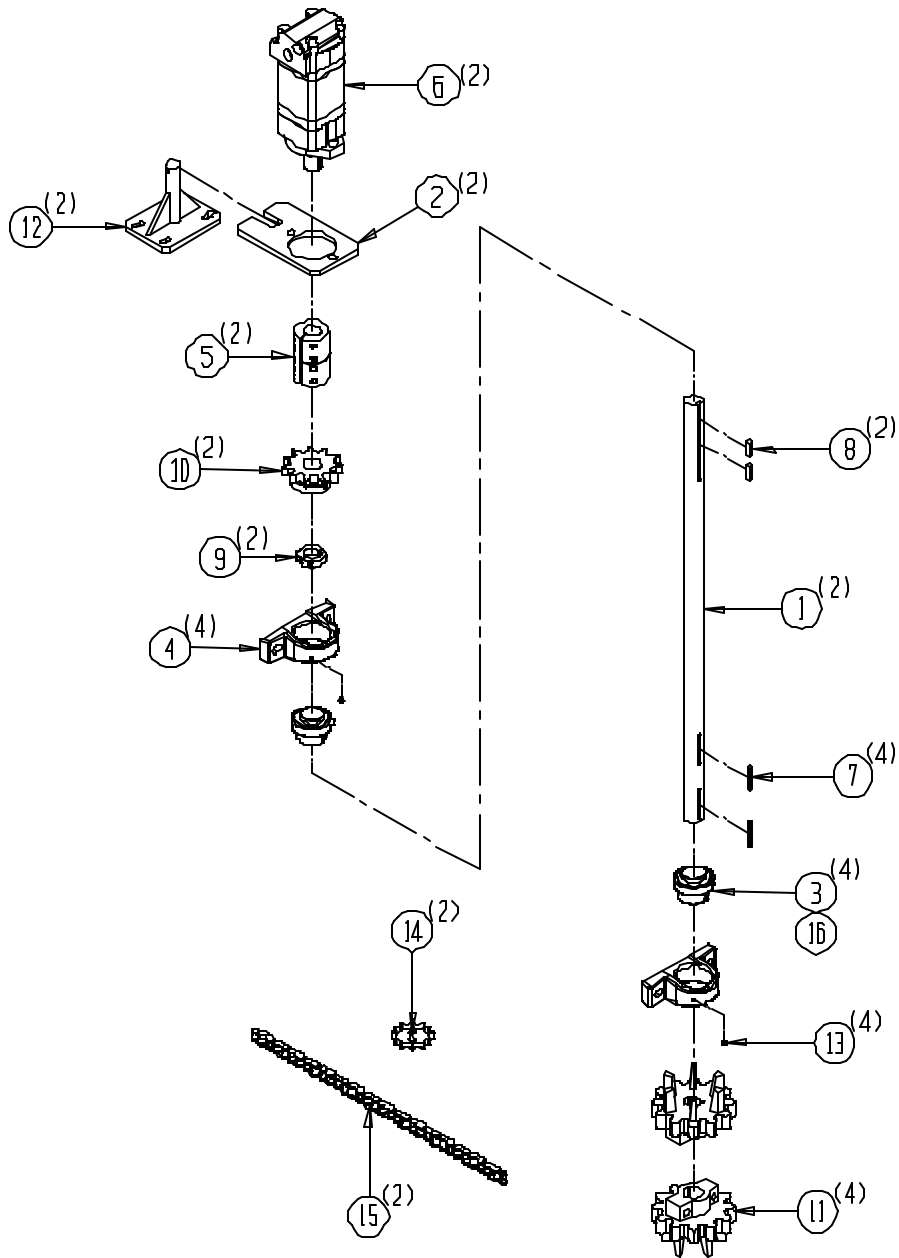
1104-2-1 DISK HEADER FRAME ASSEMBLY



1104-2-2 Disk Drive Shaft Assembly

<u>Ref</u>	<u>Part No.</u>	<u>Description</u>	<u>Parts – Assembly</u>	<u>Will Fit SN</u>	<u>Remarks</u>
1	194-155	Shaft, Gathering Chain	2		Available as update kit
2	ARM-1420	Arm, Short Mount, Motor w/ SAE A Two Bolt Pad	2		
3	BR-125-072	Bearing, 1 1/4 Fafnir tri-seal, 72mm OD	4		
4	BR-072-RAK	Bearing Housing	4		
5	CPS-6057	Coupler, Solid, 1.25", Cucumber & Tomato	2		This Replaces CPS-6056.
6	HM-1420-CH	Char Lynn Motor	2		
7	KEY-4-4-32	Shaft Key 1/4" x 2" Square Cut (1018)	4		
8	KEY-5-5-20	Shaft Key 5/16" sq x 1 1/4" Square Cut (1018)	2		
9	SC-20-2	Shaft Collar, 2 piece 1 1/4" bore	2		
10	SP-80B11-20-5	11 Tooth #80 Sprocket 1 1/4" bore 5/16" key	2		
11	SPU-3612-20-4	Urethane Sprocket 36-12 1 1/4 bore 1/4" key	4		Sub SP-3612-20-4
12	STP-1228	Stop, Motor, Arm Mounted, High Tor. Motors	2		
13	GF-1428	Grease Fitting 1/4" x 28 straight	4		
14	SP-8012-T	#80 Idler Sprocket	2		
15	CH-80-58	Roller Chain #80 58 Pitches	2		
16	BR-12572-LC	1 1/4" Locking Collar - Bearing Protector	2		
100	BL-8-175-H8	1/2 x 1 3/4", Grade 8, Hex Head	4		
101	BL-8-LNS	1/2 Stover Lock Nut	4		

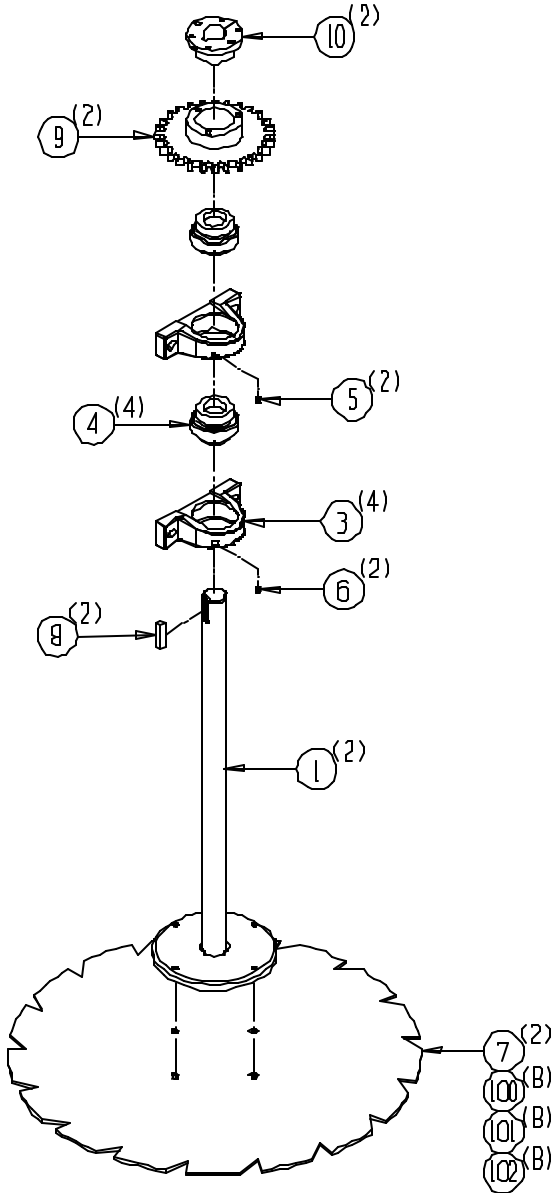
1104-2-2 DISK DRIVE SHAFT ASSEMBLY



1104-2-3 34" Disk Shaft Assembly (Standard)

<u>Ref</u>	<u>Part No.</u>	<u>Description</u>	<u>Parts – Assembly</u>	<u>Will Fit SN</u>	<u>Remarks</u>
1	191-131	Shaft, Disk	2		
2	192-131S	Disk Bearing Spacer	4	19201-	May be omitted
3	BR-100-RAK	2" Bearing Housing	4	11001	
4	BR-200-100	2" Fafnir Bearing, Tri-ply	4	11001	
5	GF-1428	Grease Fitting 1/4" x 28 straight	2		
6	GF-1428-90	Grease Fitting 1/4" x 28 90	2		
7	HD-150-34	34" Header Disk, AR500	2		Replaces HD-140-04
8	KEY-8-8-40	Shaft Key 1/2" x 1/2" x 2 1/2"	2		
9	SP-80SF28	#80 Sprocket 28 Tooth x SF Bushing	2		
10	SP-SF-2	SF-2" Bushing	2		
100	BL-8-FW-8	1/2 FLAT WASHER G8 ZC	8		
101	BL-8-LW	1/2 SPLIT LW ZC	8		
102	BL-8-SW	1/2 SAE FW ZC	8		

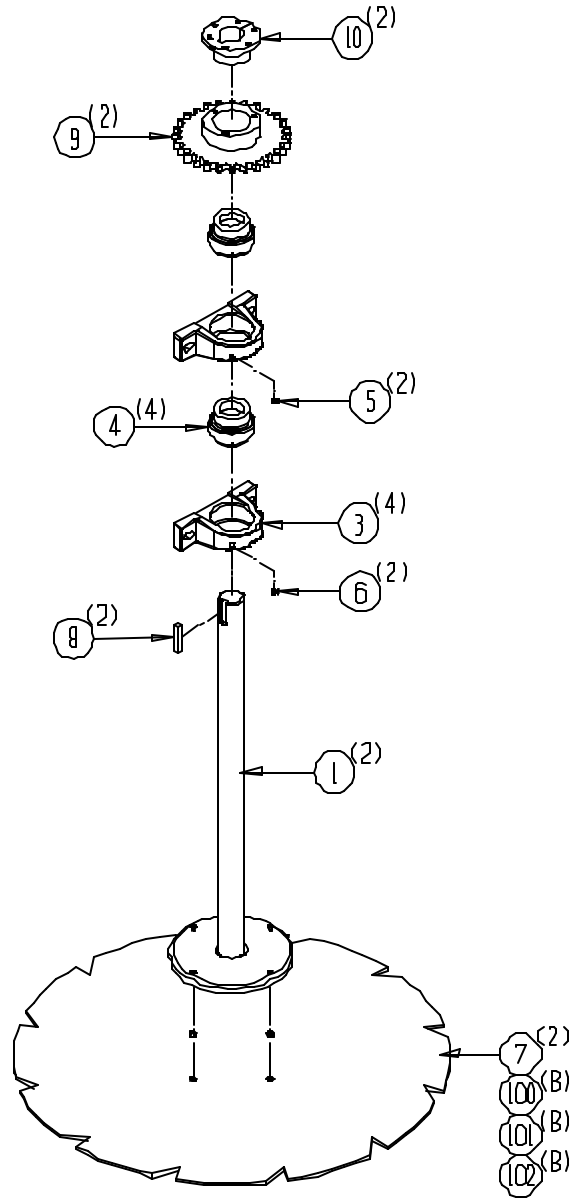
1104-2-3 34' DISK SHAFT ASSEMBLY



1104-2-4 36" Disk Shaft Assembly (Optional)

<u>Ref</u>	<u>Part No.</u>	<u>Description</u>	<u>Parts – Assembly</u>	<u>Will Fit SN</u>	<u>Remarks</u>
1	191-131	Shaft, Disk	2		
2	192-131S	Disk Bearing Spacer	4	19201-	May be omitted
3	BR-100-RAK	2" Bearing Housing	4	11001	
4	BR-200-100	2" Fafnir Bearing, Tri-ply	4	11001	
5	GF-1428	Grease Fitting 1/4" x 28 straight	2		
6	GF-1428-90	Grease Fitting 1/4" x 28 90	2		
7	HD-150-36	36" Header Disk, AR500	2		
8	KEY-8-8-40	Shaft Key 1/2" x 1/2" x 2 1/2"	2		
9	SP-80SF28	#80 Sprocket 28 Tooth x SF Bushing	2		
10	SP-SF-2	SF-2" Bushing	2		
100	BL-8-FW-8	1/2 FLAT WASHER G8 ZC	8		
101	BL-8-LW	1/2 SPLIT LW ZC	8		
102	BL-8-SW	1/2 SAE FW ZC	8		

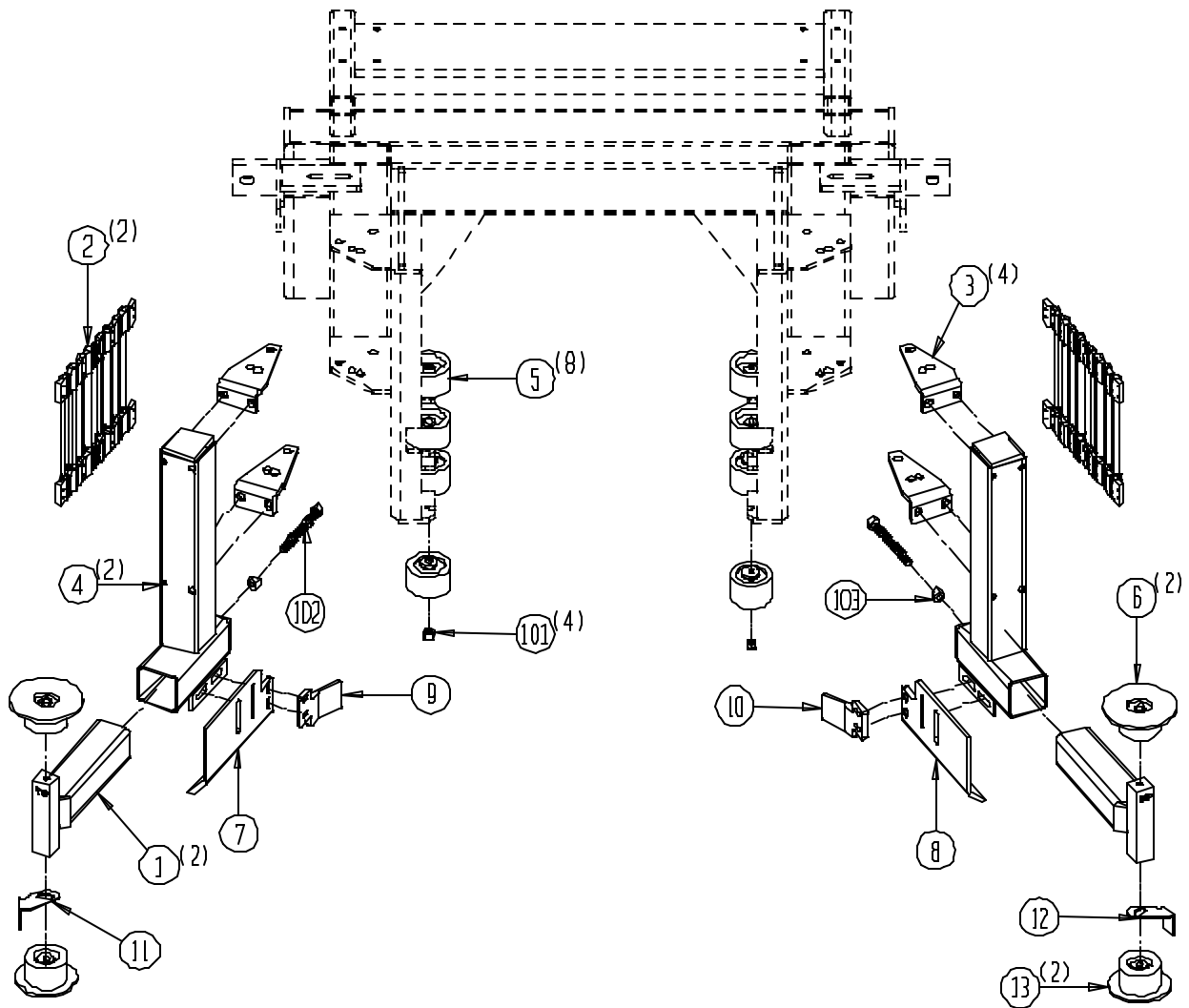
1104-2-4 36' DISK SHAFT ASSEMBLY



1104-2-5 Gathering Chain Assembly

<u>Ref</u>	<u>Part No.</u>	<u>Description</u>	<u>Parts – Assembly</u>	<u>Will Fit SN</u>	<u>Remarks</u>
1	ADJ-155	Adjuster, Nose Tightener, Gathering Chain	2		
2	BC-6-1236-60	Gathering chain, 3/8 bars 12in wide x 60 links 36mm	2		
3	BAR-8204	Bar, Gathering Chain Bracket Holder, HC290	4		
4	BRA-8204	Bracket, Gathering Chain, HC290	2		
5	RLT-035-228	Roller 3.5 dia x 2.2 x 1/2" bore, no flange	8		
6	RLT-635-2210-RV	6" Flange Roller 2.2WF 3.5 Dia, 5/8" Bore w/Inverted Spindle	2		
7	SCR-162	Scraper, Upper, Inner, Disk Header	1		
8	SCR-164	Scraper, Upper, Outer, Disk Header	1		
9	SCR-8205	Scraper, Right Side, Hub, HC290	1		
10	SCR-8204	Scraper, Left Side, Hub, HC290	1		
11	RLA-3023S	Curved Scraper, RH	1		
12	RLA-3024S	Curved Scraper, LH	1		
13	RLT-535-2210-SC	5" Flange Roller 2.2 WF 3.5 dia, 5/8" bore w/ Hub for Scraper	2		
100	BL-8-1100-H	1/2-13 x 11 HEX CAP G5 ZC	2		
101	BL-8-LN	1/2-13 HEX LOCK NUT NYLON INSERT ZC	4		
102	BL-10-600-T	5/8-11 x 6" Fully Threaded Bolt	2		
103	BL-10-N	5/8-11 HEX FIN NUTS ZC	2		

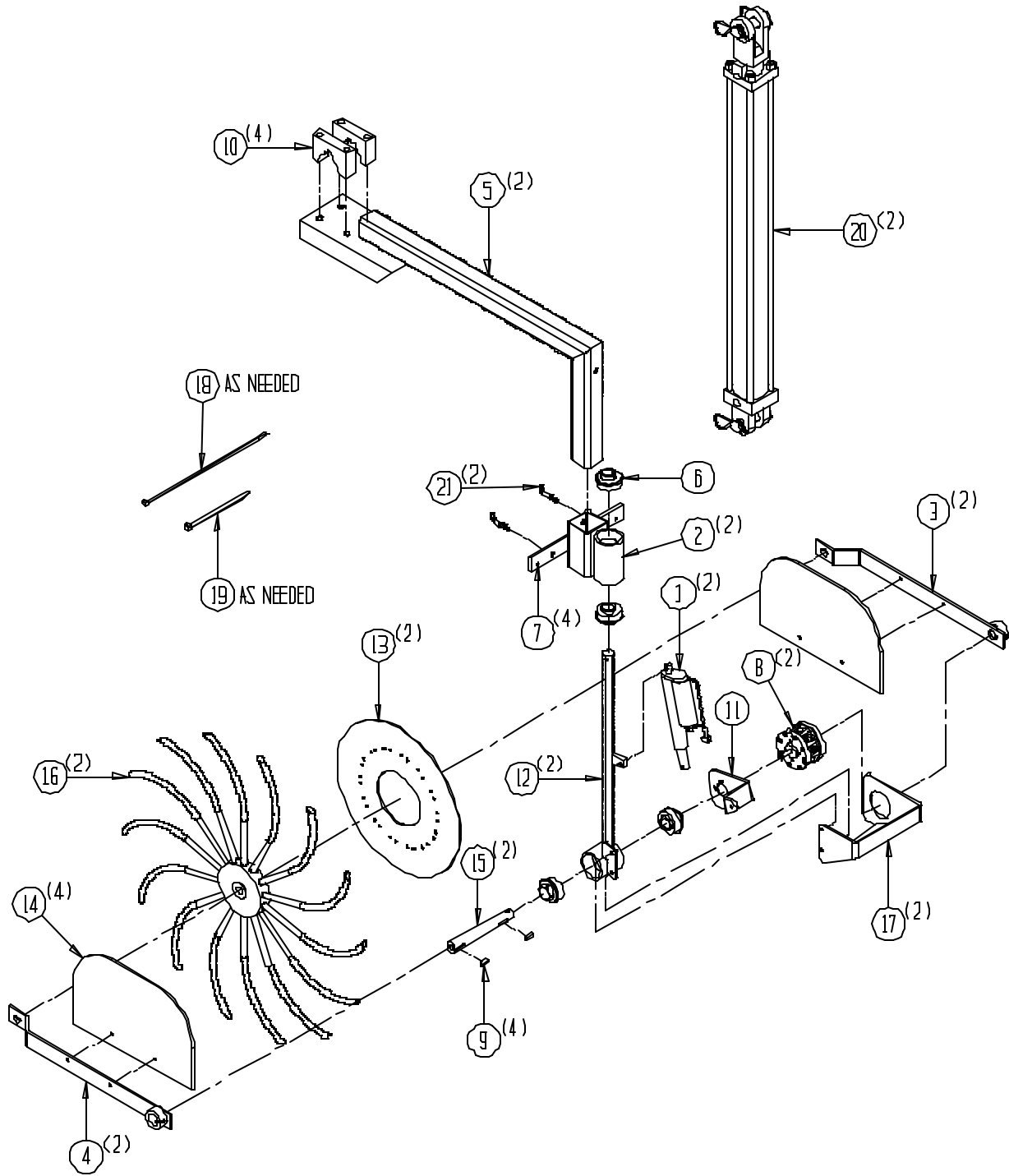
1104-2-5 GATHERING CHAIN ASSEMBLY



1104-2-6 Header Height Parts Assembly

<u>Ref</u>	<u>Part No.</u>	<u>Description</u>	<u>Parts – Assembly</u>	<u>Will Fit SN</u>	<u>Remarks</u>
1	ACT-042-28	Actuator, Single Control, 28' Lead	2		
2	ADJ-HC99	Adjuster, Wheel Control Height Adj, HHC	2		
3	ARM-HC99L	Arm, Left, Control Wheel, HHC	2		
4	ARM-HC99R	Arm, Right, Control Wheel, HHC	2		
5	BAR-9023	Bar, AHHC Trailing Wheel Mount	2		
6	BR-100-ER	Bearing, 1" ER	8		
7	CH-3-28	3/16 LINK CHAIN 28 LINKS	4		
8	HVR-5479	Rotary Valve, Microtorque w/ high pressure ends	2		
9	KEY-4-4-12	SHAFT KEY 1/4"x3/4" SQUARE CUT (1018)	4		
10	MOU-103	Mount, Wheel Arm Bar Support, HHC, Cuc & Tom	4		
11	ARM-HC03	Arm, Rotary Valve. HHC, 2003	2		
12	MOU-HC03	Mount, Trailing Wheel Arms, HHC, 2003	2		
13	PL-6192	Depth Disk Wheel, 14.375 Dia.	2		
14	PL-HC99	Plastic, Chain Guard Wheel Arm, HHC	4		
15	SFT-HC99	Shaft, Wheel Arm Mounts, HHC	2		
16	WHL-HHC-99	Spider Wheel Assembly	2		
17	SHD-HC03	Shield, Rotary Valve, HHC, 2003	2		
18	WT-14	Wire Tie 14 1/4"	50		
19	WT-7	Wire Tie 7"	50		
20	HC-250-3008	Hydraulic cylinder 2 1/2" x 30" #8 SAE Ports	2	11001-	
21	SUP-8100	Support, Wheel Hold Up, Header Height, HC290	4		
101	BL-5-N	5/16 UNF FIN HEX NUT A563 GrA ZINC	8		

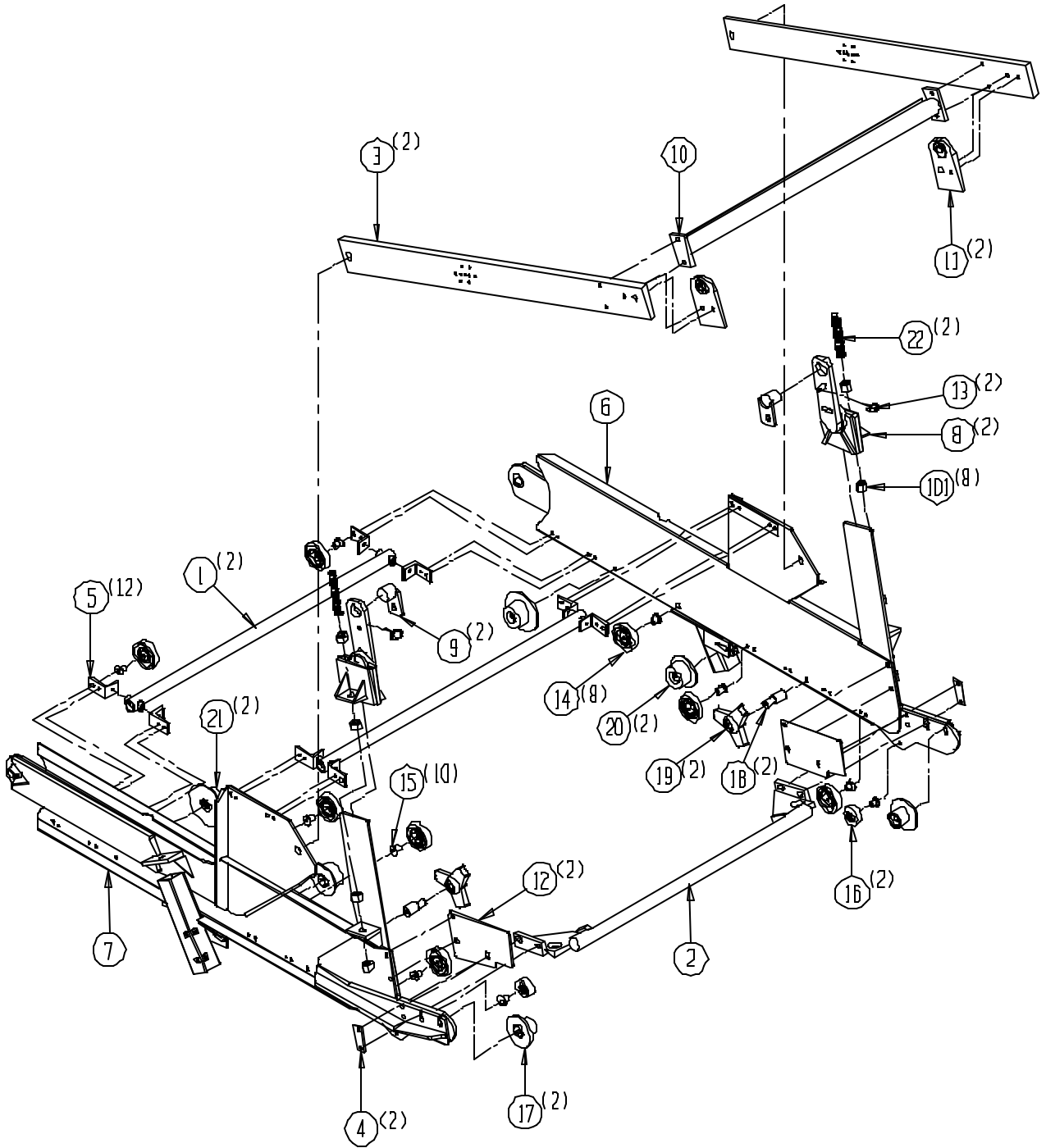
1104-2-6 HEADER HEIGHT PARTS ASSEMBLY



1104-3-1 Primary Header Assembly

<u>Ref</u>	<u>Part No.</u>	<u>Description</u>	<u>Parts – Assembly</u>	<u>Will Fit SN</u>	<u>Remarks</u>
1	SUP-8203	Support, Cross Tube, Primary Header, HC290	2		
2	SUP-8204	Support, Mud Pusher, Primary Header, HC290	1		
3	BAR-8200	Bar, Disk Header Mount, High Cap Tomato	2		
4	BAR-8525	Bar, Bolt-on, Primary Header, HC290 Tomato	2		
5	BRA-3525	Bracket, Mount Support, Flex. Head	8	30097001-	
6	FRM-8527	Frame, Outside, Primary Header, HC290 -04 Tomato	1		
7	FRM-8528	Frame, Inside, Primary Header, HC290 -04 Tomato	1		
8	MOU-8225	Mount, Adjuster, Primary Header, High Cap Tom.	2	MOU-8225	
9	PIN-8225	Pin, Adjuster, Primary Header, High Cap Tomato	2		
10	SUP-8201	Support Bar, Primary Header, HC290 Tomato	1		
11	SUP-8202	Support, Cyl Mnt, Disk Header, High Cap Tomato	2		
12	PL-8200	Plastic Shield, Primary Header, HC290 Tomato	2		
13	PIN-250L	1/4" Lynch Pin	2		
14	RLR-040-108R	4" Flat Roller with Replaceable Bearings	8		
15	RLA-000-118	Standoff, 1/2" X 1 1/8"	10		
16	RLT-027-108	Roller 2.75" dia. 1/2" Bore	2		2755C1X (Old Number, Single Bearing)
17	RLS-522-2010	Steel Roller, 5" Flange, 2.2" Dia, 2" wide	2		Sub RLU-522-2010
18	RLA-015-308	Spindle for 3 Point Shakers	2		
19	RLT-324	Rubber 3 Point Shaker	2		
20	RLT-535-228	5" Flange Roller 2.2WF x 3 1/2" dia, 1/2" bore	2		
21	RLT-635-228	6 1/2" Flange Roller 2.2 WF 3.5 dia, 1/2" bore	2		
22	ADJ-3550	Adjuster, Quick Attach Header (Pickle)	2	30096001-	
101	BL-16-N	1" Nut	8		

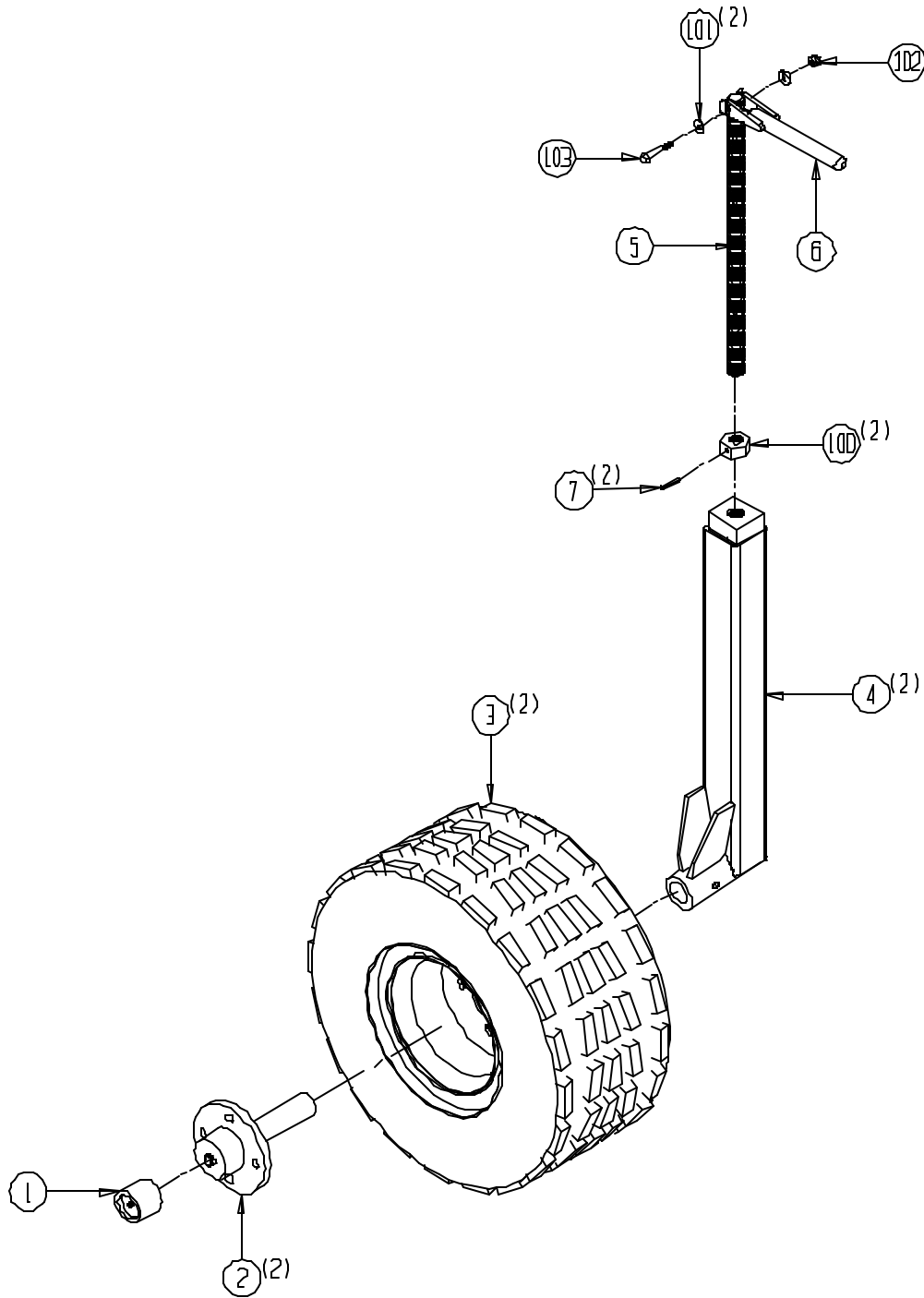
1104-3-1 PRIMARY HEADER ASSEMBLY



1104-3-2 Gauge Wheel Assembly

<u>Ref</u>	<u>Part No.</u>	<u>Description</u>	<u>Parts – Assembly</u>	<u>Will Fit SN</u>	<u>Remarks</u>
1	WHL-178	Bearing Protector @Pair	1		
2	WHL-190	Gauge Wheel Hub and Spindle Complete	2		
3	WHL-194	Mounted gauge wheel, including tube.	2		
4	WHL-6132	Depth Control	2	61397-1-5	
5	ADJ-8202	Adjuster, Handle, Gauge Wheel, HC290 Tomato	1		
6	ADJ-8203	Threaded Rod W/ Holes, Gauge Wheel, HC290	1		
7	PIN-3-20	Roll Pin 3/16 x 1-1/4 Stainless Steel	2		Sold in Pkg. of 100
100	BL-14-N	7/8" x 9 Plated Nuts	6		
100	BL-14-N-HOLE	Nut W/ Holes, Disk Header, HC290 Tomato	2		
101	BL-4-FW	1/4 USS FW ZC	2		
102	BL-4-LN	1/4-20 HEX LN NE ZC	1		
103	BL-4-200-H	1/4-20 X 2 HEX CAP G5 ZC	1		

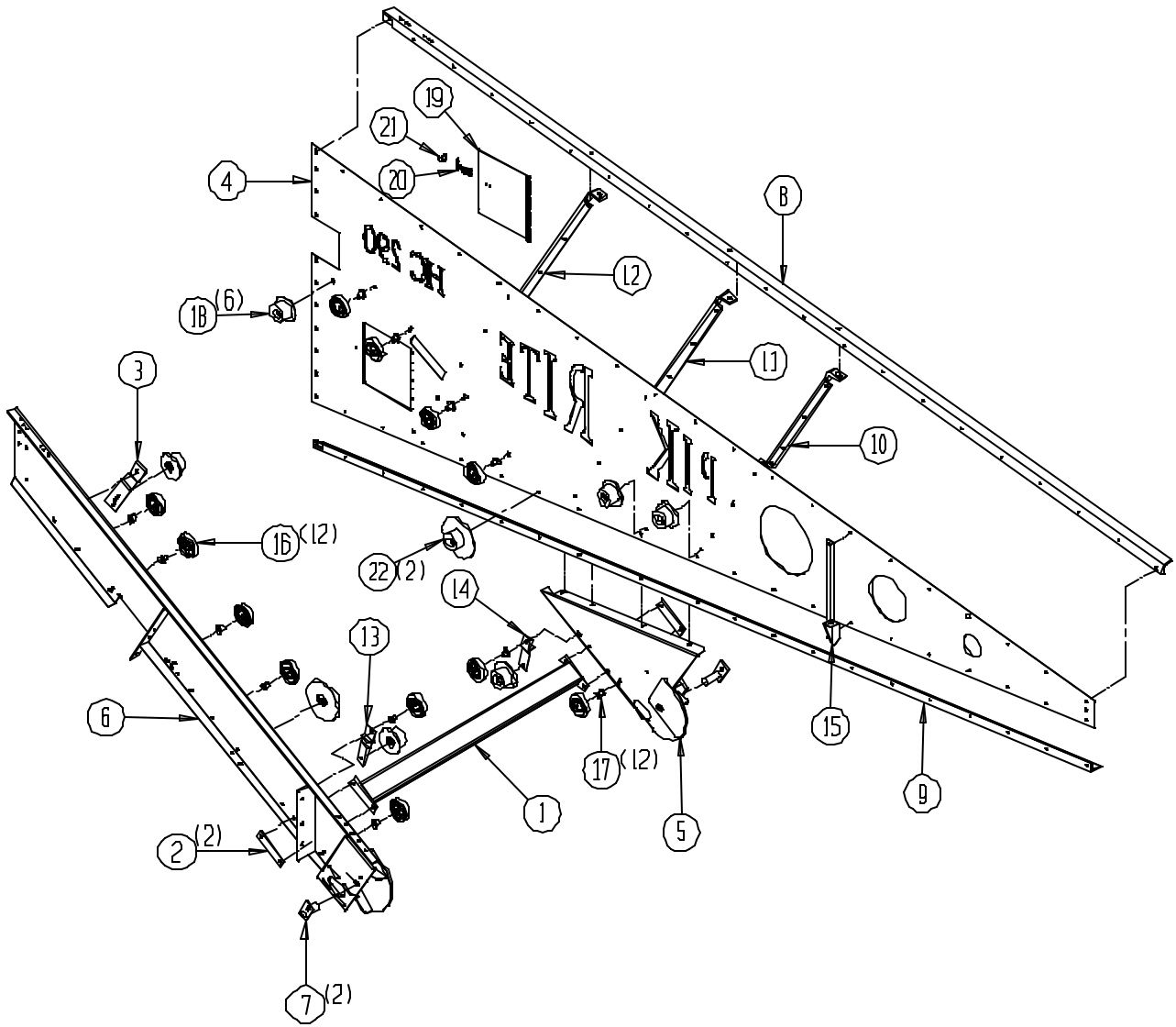
1104-3-2 GAUGE WHEEL ASSEMBLY



1104-3-3 Secondary Header Assembly

<u>Ref</u>	<u>Part No.</u>	<u>Description</u>	<u>Parts – Assembly</u>	<u>Will Fit SN</u>	<u>Remarks</u>
0	BAR-8305	Bar, Inside, Support, 2ndary Header, HC290	1		
1	BAR-8301	Bar, Cross, Secondary Header, HC290 Tomato	1		
2	BAR-8302	Bar, Outside Support, Secondary Header, HC290	1		
3	BRA-8400	Bracket, Hold Up Rollers, HC290 Tomato	1		
4	PAN-8303	Panel, Outside, Header, HC290	1	PAN-8303	
5	PAN-8304	Panel, Outside, Sec. Header, HC290	1		
6	SID-8161	Panel, Insd Hdr Conveyor Side, High Cap Tom	1		
7	PIN-8300	Pin, Secondary Header, High Cap. Tomato	2		
8	SUP-8300	Support, Top Angle, Header Panel, HC290	1		
9	SUP-8301	Support, Bottom Angle, Header Panel, HC290	1		
10	SUP-8302	Support, Front, Header Panel, HC290	1		
11	SUP-8303	Support, Middle, Header Panel, HC290	1		
12	SUP-8304	Support, Rear, Header Panel, HC290	1		
13	BRA-1936	Bracket, Lower Roller for Header Chain (L.H.)	1		
14	BRA-1938	Bracket, Lower Roller for Header Chain (R.H.)	1	192-101K	
15	SUP-8250	Support, Oil Cooler/Compressor Mount, HC290	1		
16	RLR-040-108R	4" Flat Roller with Replaceable Bearings	12		
17	RLA-000-118	Standoff, 1/2" X 1 1/8"	12		
18	RLT-535-228	5" Flange Roller 2.2WF x 3 1/2" dia, 1/2" bore	6		
19	SHD-8405	Shield, Access Door, Elevation, HC290	1	SHD-8405	
20	LA-703A	Large Rubber T Latch	1		
21	LA-703B	T Latch Keeper	1		
22	RLT-835-228	8" Flange Roller 2.2 WF 3.5 dia, 1/2" Bore	2		

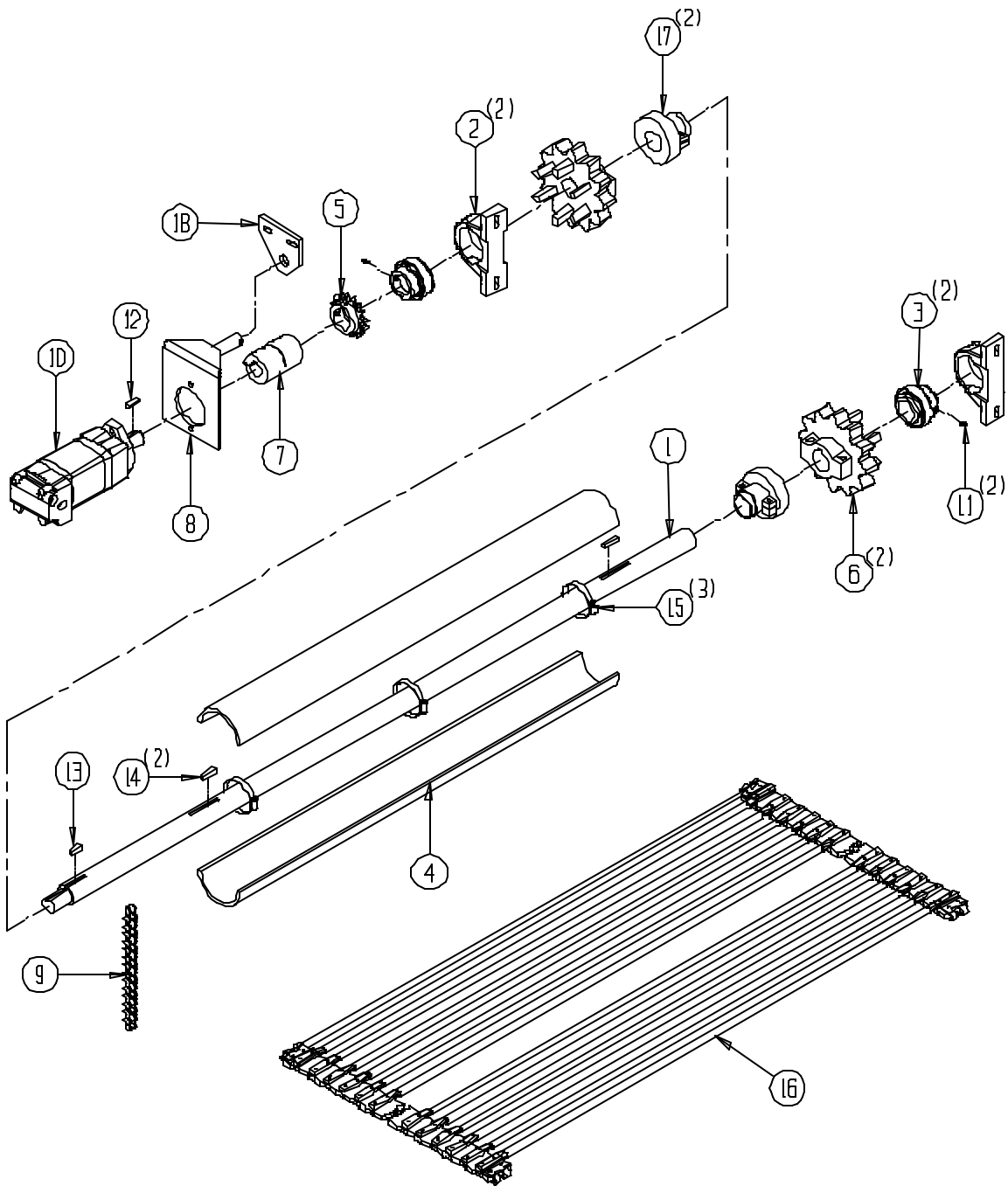
1104-3-3 SECONDARY HEADER ASSEMBLY



1104-3-4 Header Drive Shaft Assembly

<u>Ref</u>	<u>Part No.</u>	<u>Description</u>	<u>Parts – Assembly</u>	<u>Will Fit SN</u>	<u>Remarks</u>
1	SFT-8302	Drive Shaft, Header, HC290 Tomato	1		
2	BR-085-RAK	Bearing Housing (1 3/4") Main Shaker	2	19101	
3	BR-175-085	Fafnir Bearing 1 3/4 Tri Seal	2		
4	PL-8300	Plastic, PVC Pipe, Header, HC290 Tomato	1		
5	SP-50B16-28-6	Sprocket, #50, 16 tooth, 1.75" bore	1	11001	
6	SP-4212-28-6-H	Sprocket, 12T Drive #4212 1 3/4" Bore Heat Treated	2		
7	CPS-6057	Coupler, Solid, 1.25", Cucumber & Tomato	1		This Replaces CPS-6056.
8	MOU-1228	Mount, Motor, SAE A Two Bolt, Disk Header	1		
9	CH-50-43	Roller Chain 43 pitches #50w/master link	1		
10	HM-1420-CH	Char Lynn Motor	1		
11	GF-1428	Grease Fitting 1/4" x 28 straight	2		
12	KEY-5-5-20	Shaft Key 5/16" sq x 1 1/4" Square Cut (1018)	1		
13	KEY-6-6-16	Shaft Key 3/8" x 1 "	1		
14	KEY-6-6-24	Keystock 3/8" x 3/8" x 1 1/2" Square Cut (1018)	2		
15	CL-72	5" Gear Clamp	3		
16	BC-8-5342-254	Header Chain, High Capacity Tomato Model 2100	1		
17	PL-1419	Plastic, Molded Hub for Drive Drum, 1 3/4" bore	2		
18	194-109A	Disk Motor Stop	1		Available as update kit

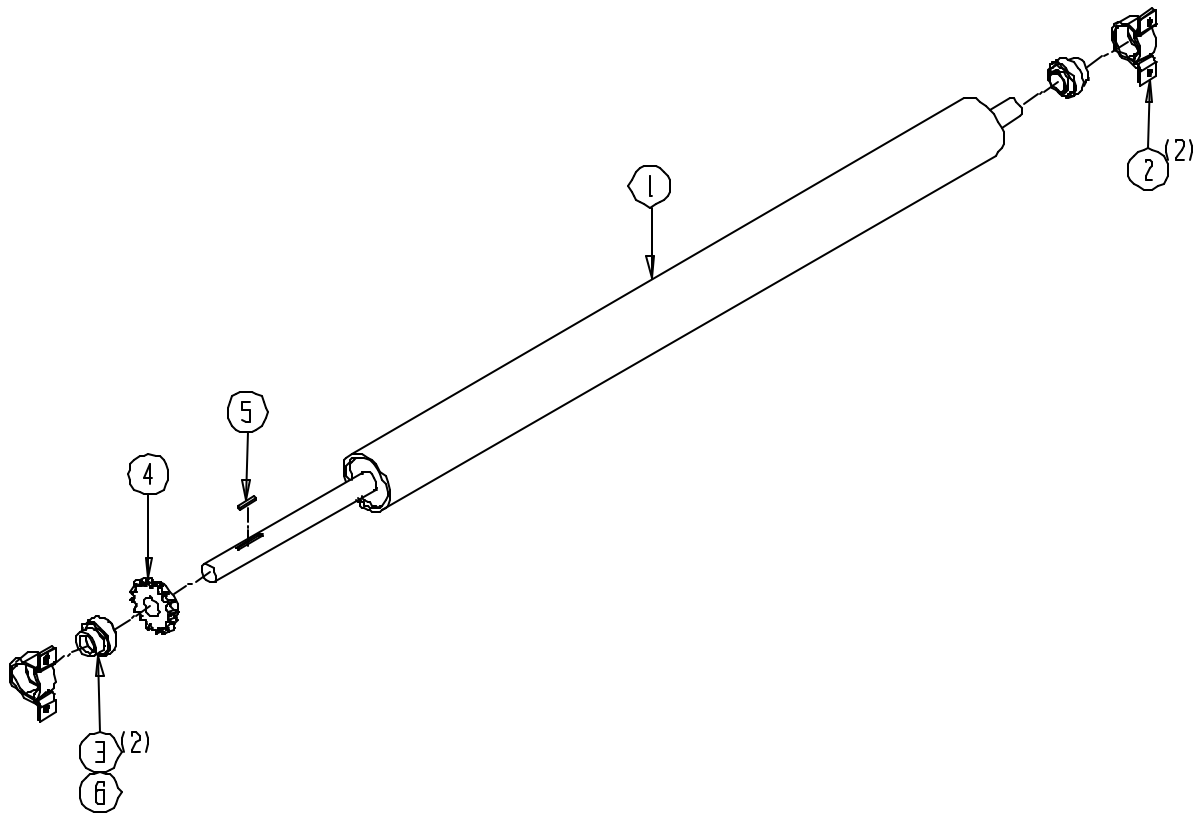
1104-3-4 HEADER DRIVE SHAFT ASSEMBLY



1104-3-5 Header Return Roller Assembly

<u>Ref</u>	<u>Part No.</u>	<u>Description</u>	<u>Parts – Assembly</u>	<u>Will Fit SN</u>	<u>Remarks</u>
1	SFT-8300	Shaft, Header Return Roller, High Cap Tomato	1		
2	BR-062-MPB	Stamped Bearing Housing for 1 1/4" bearing	2		
3	BR-125-062	Bearing, 1 1/4 Fafnir tri-seal, 62mm OD	2		
4	SP-50B16-20-4	Sprocket, #50, 16 tooth, 1.25" bore	1		
5	KEY-4-4-20	Shaft Key 1/4" x 1 1/4"	1		
6	BR-12562-LC	1 1/4" Small Locking Collar - Bearing Protector	2		

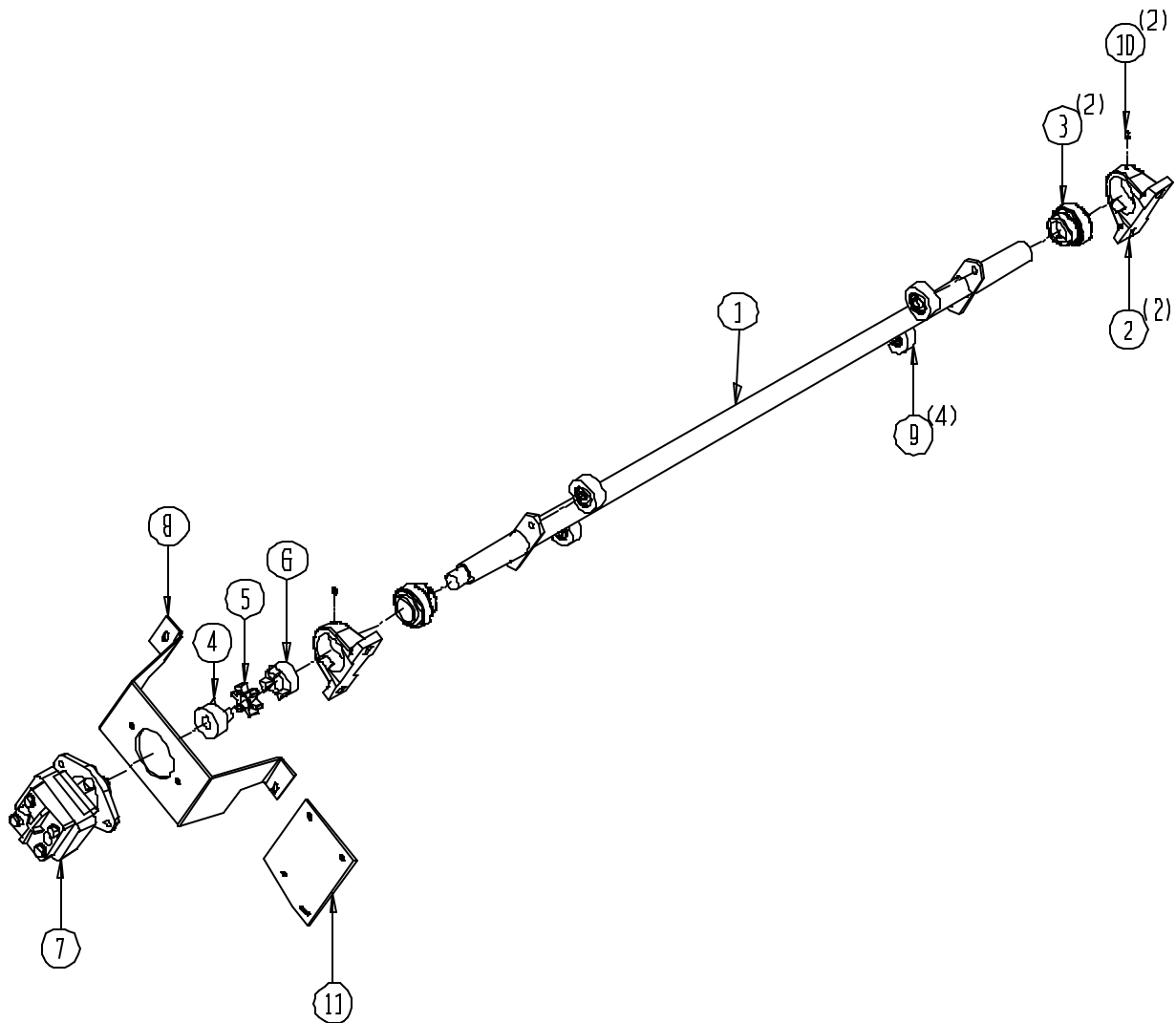
1104-3-5 HEADER RETURN ROLLER ASSEMBLY



1104-3-6 Header Dirt Vibrator Assembly

<u>Ref</u>	<u>Part No.</u>	<u>Description</u>	<u>Parts – Assembly</u>	<u>Will Fit SN</u>	<u>Remarks</u>
1	SFT-8301	Vibrator Shaft, Secondary Header, High Cap Tomato	1		
2	BR-085-RAK	Bearing Housing (1 3/4") Main Shaker	2	19101	
3	BR-175-085	Fafnir Bearing 1 3/4 Tri Seal	2		
4	CPJ-6051	Coupler, Motor Side 1in. bore	1	19101	Sub 194-6053
5	CPJ-6055	Coupler, Urethane Spider	1	19101	For use with CPJ-6052 and CPJ-6051 Sub CPS-6053
6	CPJ-6052	Coupler, Shaft side 1 1/4in. bore	1	19101	Sub 194-6053 Exept on Debris Fan
7	HM-115	Hydraulic Motor	1		
8	BRA-8106	Bracket, Motor Mount, Dirt Vibrator, HC290	1		
9	RLT-027-108	Roller 2.75" dia. 1/2" Bore	4		2755C1X (Old Number, Single Bearing)
10	GF-1428	Grease Fitting 1/4" x 28 straight	2		
11	192-163	Cleaner bar bracket	1	19101-	

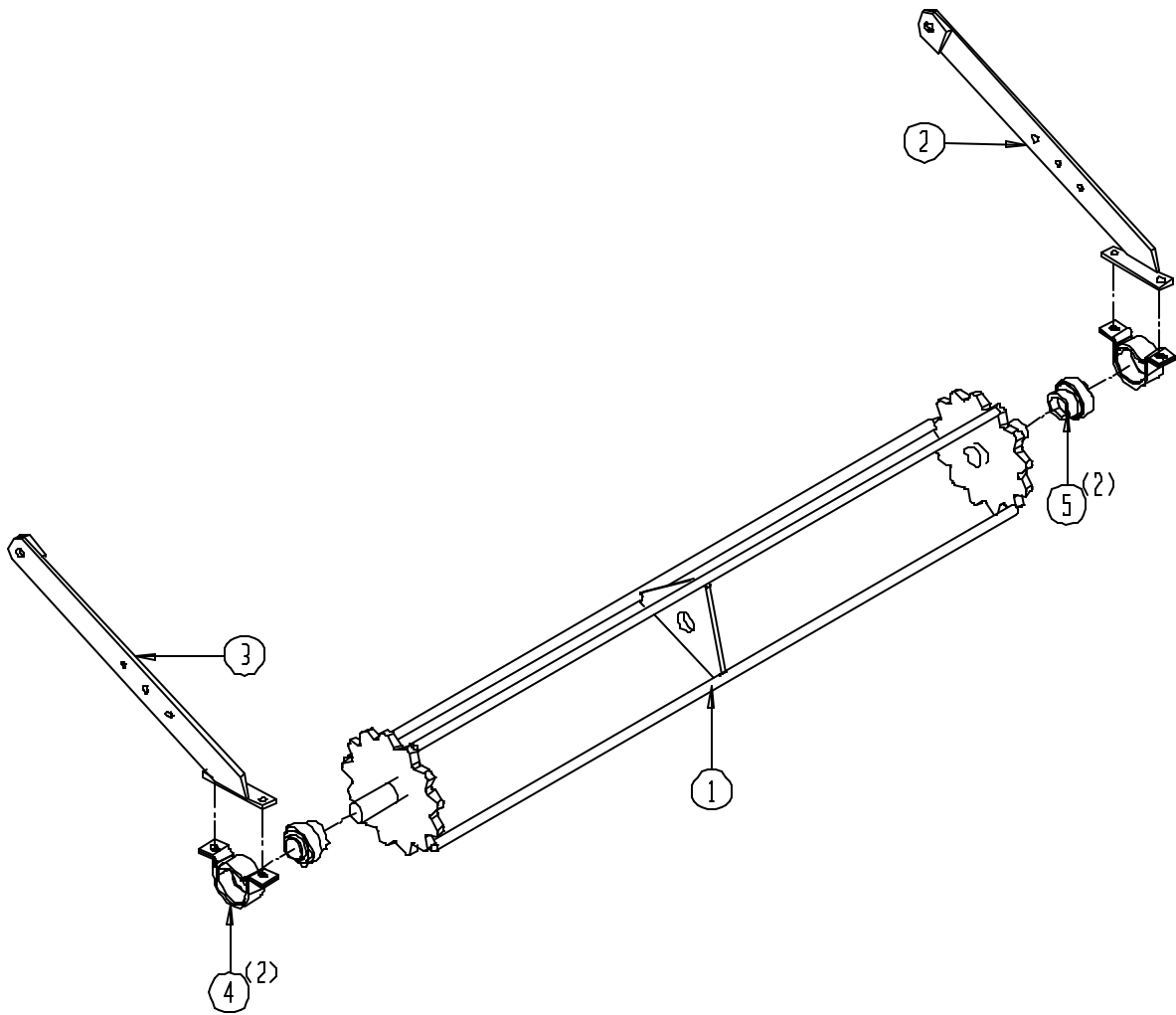
1104-3-6 HEADER DIRT VIBRATOR ASSEMBLY



1104-3-7 Header Bar Cleaner Assembly (Standard)

<u>Ref</u>	<u>Part No.</u>	<u>Description</u>	<u>Parts – Assembly</u>	<u>Will Fit SN</u>	<u>Remarks</u>
1	BAR-8304	Bar, Rod Cleaner, 42mm x 53 Wide Chains	1		
2	192-362A	Chain cleaner bar (Left)	1	19101-	
3	192-362B	Chain cleaner bar (Right)	1	19101	
4	BR-062-MPB	Stamped Bearing Housing for 1 1/4" bearing	2		
5	BR-125-062	Bearing, 1 1/4 Fafnir tri-seal, 62mm OD	2		

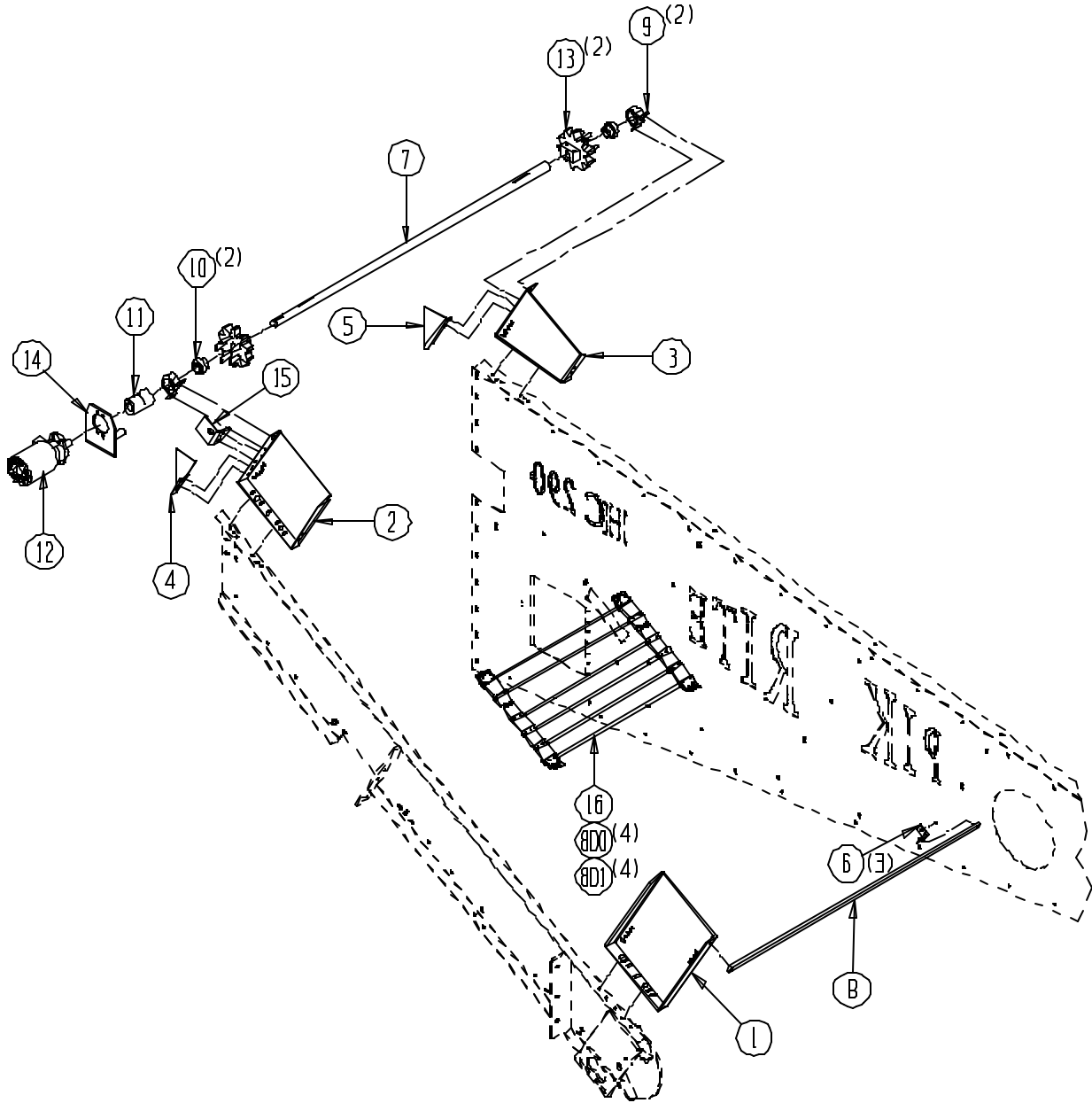
1104-3-7 HEADER BAR CLEANER ASSEMBLY



1104-3-8 Header Vine Assist Assembly

<u>Ref</u>	<u>Part No.</u>	<u>Description</u>	<u>Parts – Assembly</u>	<u>Will Fit SN</u>	<u>Remarks</u>
1	PAN-1105	Panel, Weldment, Inner Forward, Vine Assist	1	Kit-0050	
2	PAN-1107	Panel, Weldment, Inner Rear, Vine Assist	1	Kit-0050	
3	PAN-8302	Panel Outer Rear, Vine Assist, High Cap. Tomato	1		
4	BRA-8302	Bracket, Top of Panel, Vine Assist, HC290 Tomato	1		
4	SHD-8301	Shield, Right Side, Vine Assist, HC290	1		
5	BRA-8304	Bracket, Top of Panel, Left Vine Assist, HC290	1		
5	SHD-8302	Shield, Left Side, Vine Assist, HC290	1		
6	BRA-8303	Bracket, Cross Bar, Secondary Header, HC290	3	BRA-8303	
7	SFT-8303	Shaft, Drive, Vine Assist, HC290	1		
8	BAR-8303	Bar, Cross Support, Secondary Header, HC290	1	BAR-8303	
9	BR-062-MPB	Stamped Bearing Housing for 1 1/4" bearing	2		
10	BR-125-062	Bearing, 1 1/4 Fafnir tri-seal, 62mm OD	2		
11	CPS-6057	Coupler, Solid, 1.25", Cucumber & Tomato	1		This Replaces CPS-6056.
12	HM-118R	Motor	1		
13	SPU-3610-20-4	Sprocket 36-10 1 1/4 bore 1/4" key urethane	2		
14	194-108	Disk Motor Mount	1		Available as update kit
15	BRA-1100	Bracket, Motor Mount, Vine Assist	1	Kit-0050	
16	BC-6-5372-84	Overhead Assist Chain for High Capacity Tomato	1		
800	BC-3510	Grooveless Snap Ring, 10mm.	4		

1104-3-8 HEADER VINE ASSIST ASSEMBLY



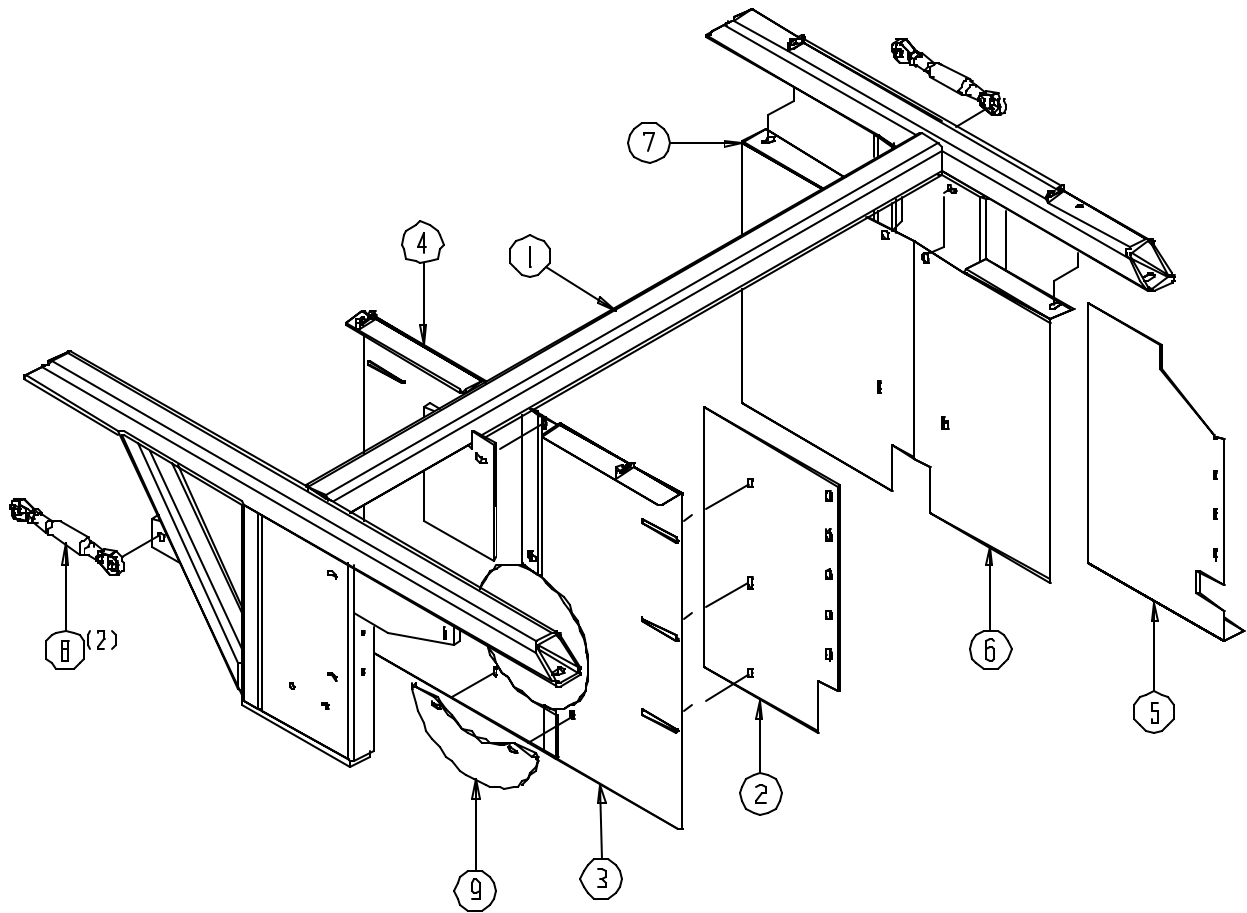
1104-3-9 Header Dust Shield Assembly

<u>Ref</u>	<u>Part No.</u>	<u>Description</u>	<u>Parts – Assembly</u>	<u>Will Fit SN</u>	<u>Remarks</u>
1	PAN-8106	Panel, Back Header, Dust Shield, '04, HC290	1		
2	PAN-8105	Inside, Front Header Dust Shield	1		
3	BRA-8103	Bracket, Dust Shield, Primary Header, HC290	1		
4	BRA-8104	Bracket, Dust Shield Tab, Primary Header, HC290	1	BRA-8104	
5	BAR-8105	Angle, Support, Cooling Fan/Primary Header, HC290	1		
6	MOU-8100	Mount Angle, Top of Panel/Header, HC290	1		
7	PAN-8101	Panel, Inside, Front, RH, Dust Shield, HC290	1		
8	PAN-8102	Panel, Inside, Back, RH, Dust Shield, HC290	1		
9	BRA-8108	Header Cyl. Mount to Header Dust Shield, HC290	1		
10	BAR-8101	Hold Down Belting, Front, Header Dust Shd, HC290	1		
11	BT-8101	Belting, Front, Header Dust Shield, HC290 Tomato	1		
12	BRA-8109	Hose Holder at Header Cyl. Mount, HC290	1		

1104-4-1 Primary Shaker Frame Assembly

<u>Ref</u>	<u>Part No.</u>	<u>Description</u>	<u>Parts – Assembly</u>	<u>Will Fit SN</u>	<u>Remarks</u>
1	FRM-8415	Frame, Primary Shaker, High Capacity Tomato	1		
2	PAN-8404	Panel, Top Front Inside, Shaker, HC290	1		
3	PAN-8405	Panel, Inside Middle, Shaker, HC290	1		
4	PAN-8406	Panel, Inside Rear, Shaker, HC290	1		
5	PAN-8408	Panel, Outside Front, Shaker, HC290	1		
6	PAN-8409	Panel, Outside Middle, Shaker, HC290	1		
7	PAN-8410	Panel, Outside Rear, Shaker, HC290	1		
8	TL-03470	Top Link, Category "0"	2		
9	PAN-8415	Panel, Inside, Shaker Chamber, HC290 Tomato	1		

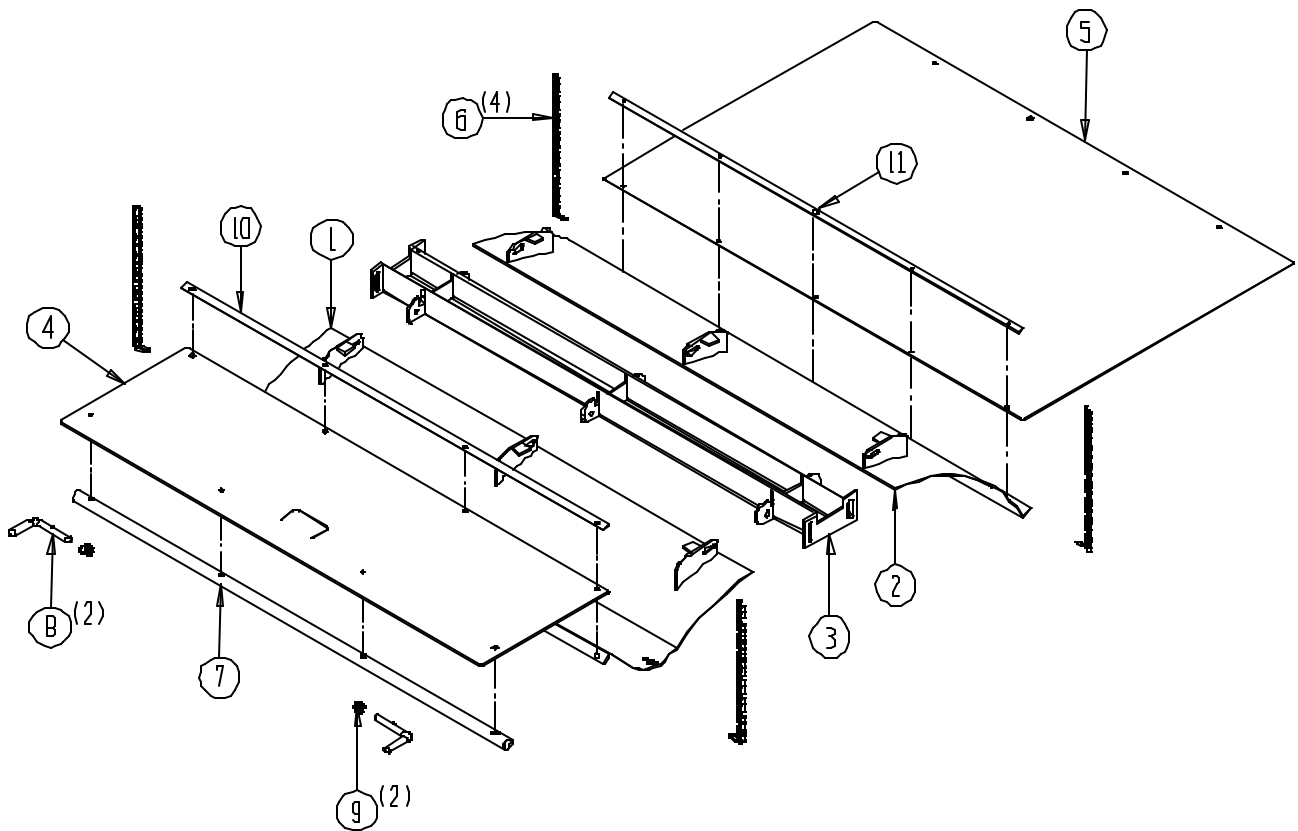
1104-4-1 PRIMARY SHAKER FRAME ASSEMBLY



1104-4-2 Primary Shaker Cover & Shield Assembly

<u>Ref</u>	<u>Part No.</u>	<u>Description</u>	<u>Parts – Assembly</u>	<u>Will Fit SN</u>	<u>Remarks</u>
1	COV-8400	Back Shaker Cover, Primary/Secondary, HC290	1		
1	COV-8403	Shaker Cover, Back, Primary/Secondary, HC290	1		
2	COV-8401	Front Shaker Cover, Primary/Secondary, HC290	1		
2	COV-8404	Shaker Cover, Front, Primary/Secondary, HC290	1		
3	SUP-8401	Support, Shaker Shields, Primary/Secondary Shaker	1		
3	SUP-8403	Supt. Shaker Shields, Primary/Secondary, HC290	1		
4	BT-8400	Belting, Shield, Front, Primary Shaker, HC290	1		
4	BT-8403	Belting, Shield, Front, Primary Shaker, HC290	1		
5	BT-8401	Belting, Shield, Back, Primary Shaker, HC290	1		
6	CH-3-16	3/16 Link Chain 16 Links	4		
7	SUP-8402	Support, Pipe, Primary/Secondary Shaker, HC290	1		
8	PIN-8400	Pin, Shaker Shield, Primary Shaker, HC290	2		
9	SPRG-12-10-100L	3/4 Od x 5/8 Id x 1" Light Duty Spring	2		
10	BAR-8402	Belting Holder, Primary/Secondary Shaker, HC290	1		
11	BAR-8403	Belting Sup, Primary/Secondary Shaker, HC290	1		

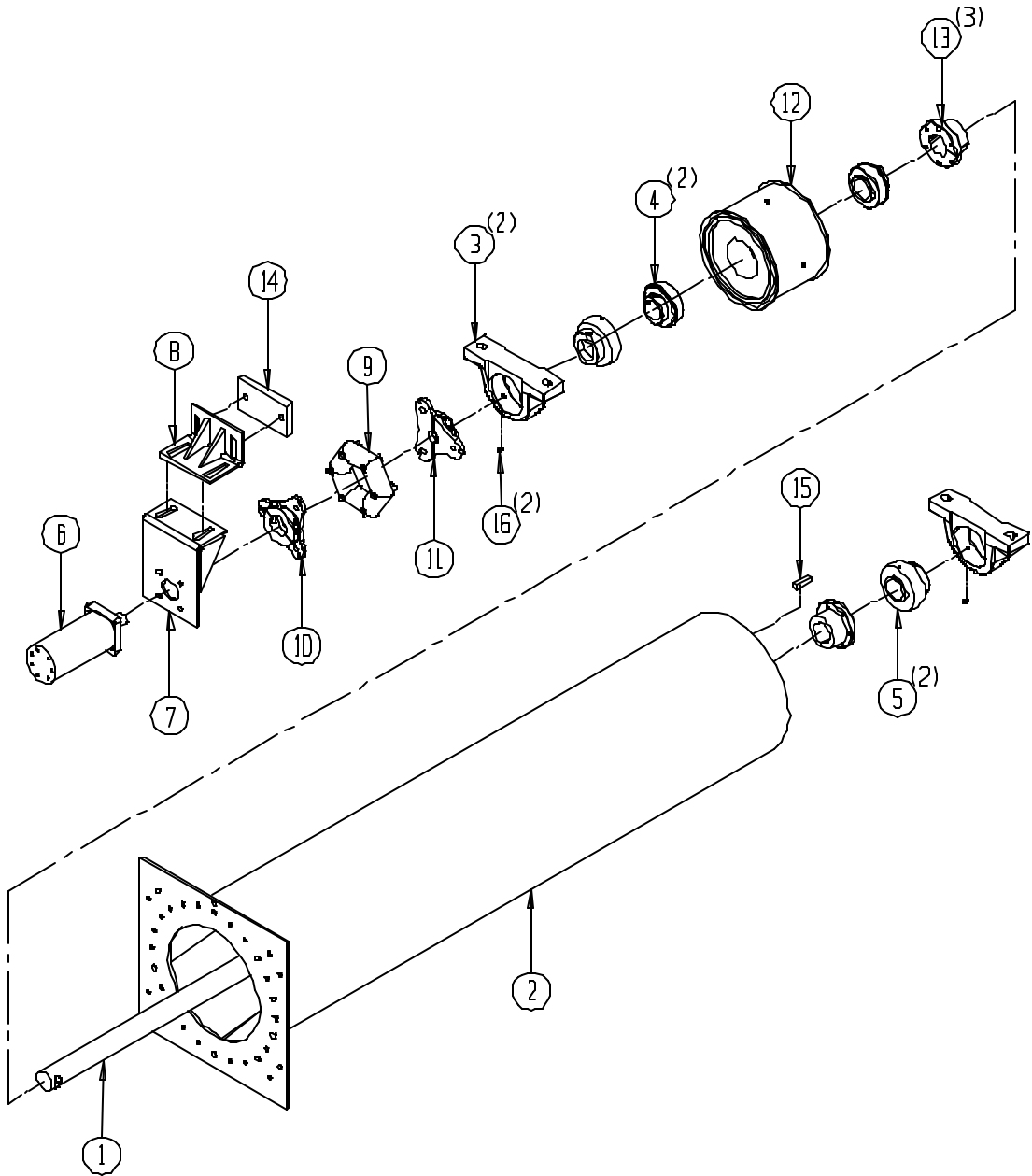
1104-4-2 PRIMARY SHAKER COVER & SHIELD ASSEMBLY



1104-4-3 Primary Shaker Drum Assembly

<u>Ref</u>	<u>Part No.</u>	<u>Description</u>	<u>Parts – Assembly</u>	<u>Will Fit SN</u>	<u>Remarks</u>
1	SFT-8402	Shaft, Shakers, High Cap Tomato Machine	1		
2	SHA-8400	Shaker Tube	1		
3	BR-100-RAK	2" Bearing Housing	2	11001	
4	BR-175-ER	Bearings, 1 3/4" ER	2	11001	
5	BR-175-100	Heavy Duty I 3/4" Bearing	2		
6	HM-103-CH	Char-Lynn Motor	1		
7	194-416	Mount, Shaker Rotation Motor	1	19101	For use with 194-416a
8	194-416A	Mount, Shaker Rotation Motor	1	19101-	For use with 194-416
9	CPR-422-18	Lovejoy Donut W/ Hardware	1		
10	CPR-422C-18	Coupler, Shaker Side, Weldment	1	30095001-	
11	CPR-422D-18	Coupler, Motor Side, Weldment	1	30095001-	
12	PU-80-8M-525	MTO Pulley, 5.25	1		
13	PU-SK-28	Bushing, SK x 1 3/4"	3	19101	
14	SPA-8401	Spacer, Rotation Mount, Pri Sha, HC290	1		
15	KEY-6-6-24	Keystock 3/8" x 3/8" x 1 1/2" Square Cut (1018)	1		
16	GF-1428	Grease Fitting 1/4" x 28 straight	2		
100	BL-6-100-H-8	3/8-16 X 1 HEX CAP GR8ZC	4		

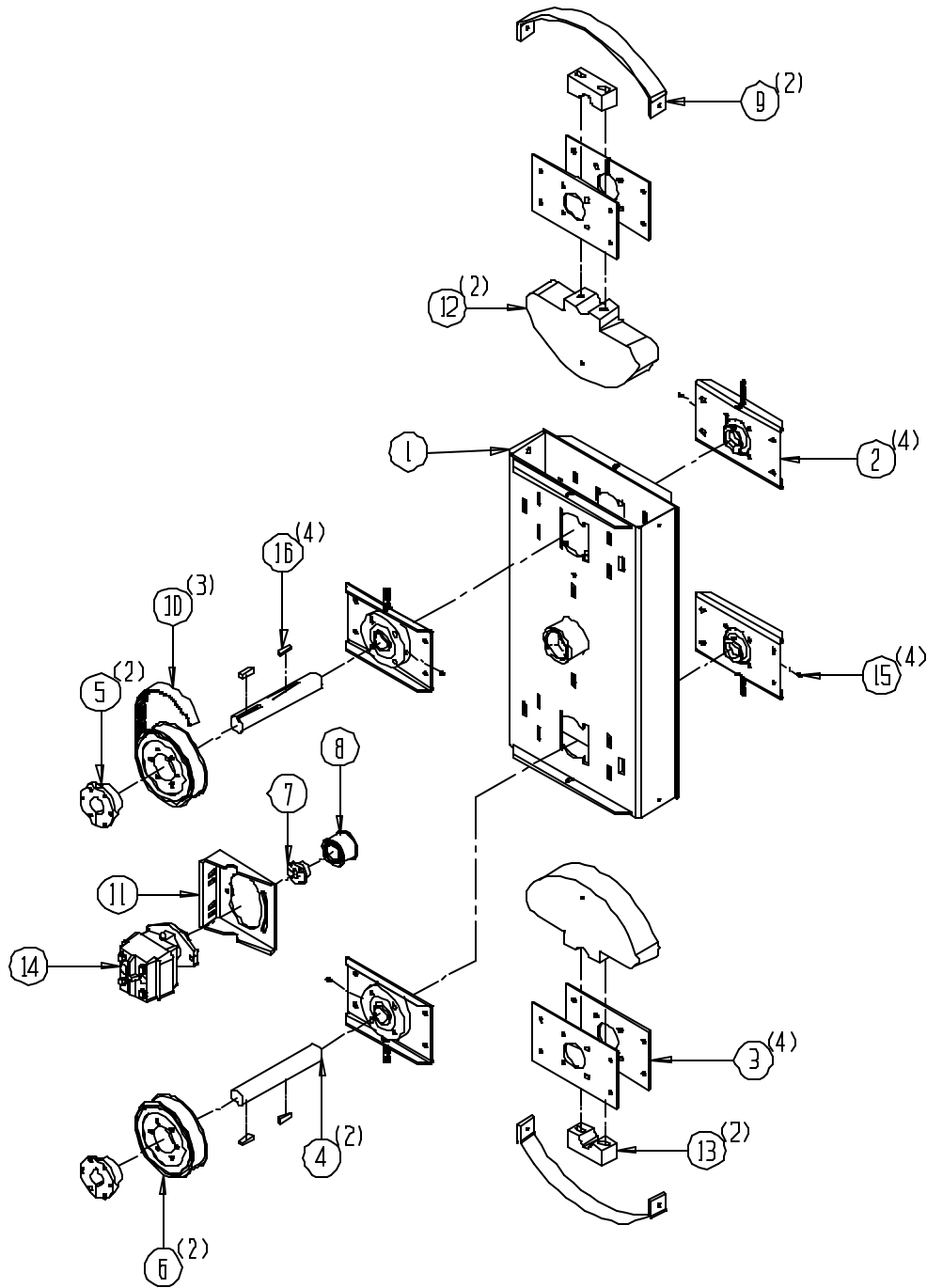
1104-4-3 PRIMARY SHAKER DRUM ASSEMBLY



1104-4-4 Primary Shaker Weight & Box Assembly

<u>Ref</u>	<u>Part No.</u>	<u>Description</u>	<u>Parts – Assembly</u>	<u>Will Fit SN</u>	<u>Remarks</u>
1	SHA-8402	Shaker Weight Box	1		Replaces SHA -3402.
2	BR-100-SUP	Bearing Holder Wldmt, Primary Shaker	4		
3	MOU-098	Backing Plate, Shaker	4		Replaces MOU-097
4	SFT-097	Weight Shaft	2		
5	PU-SF-28	Bushing, SF x 1 3/4"	2		
6	PU-80-8PTH-35-SF	Primary Weight Pulley, 35mm Wide, Panther Style	2		
7	PU-QT-14	Bushing, QT x 7/8"	1		Drill keyway undersize to install 1/4" roll pin
8	PU-28-PTH-35	Panther Sprocket, 8mm Pitch, 28 Tooth, 35mm Wide	1		
9	193-403	Shaker, Weight guards	2		
10	BT-1280PTH8M-35	Primary Weight Drive Belt, 35 mm Wide, Panther Style	3		
11	110-515	Mount, Weight Motor	1	19101-	
12	WGT-402	Weight, Primary Shaker	2		
13	WGT-402C	Cap, Primary & Secondary Shaker Weight	2		
14	HM-412C	Hydraulic Motor	1	19101	Sub 191-412
15	GF-1428	Grease Fitting 1/4" x 28 straight	4		
16	KEY-6-6-24	Keystock 3/8" x 3/8" x 1 1/2" Square Cut (1018)	4		
100	BL-10-375-8	5/8-11 X 3 3/4 HEX CAP G8 ZC	4		
101	BL-10-FW-8	5/8" Grade 8 Flat Washer	4		
102	BL-10-LW	5/8 SPLIT LW ZC	4		
103	BL-5-200-8T	5/16-18 x 2 Grade 8 Tap Bolt	6		
104	BL-6-275-ST	3/8-16 x 2.75 Grade 5 Stud	4		
105	BL-6-N	3/8-16 HEX NUTS ZC	16		
106	BL-8-150-H8	1/2x1 1/2 Grade 8 Hex Head	16		
107	BL-8-225-H8	1/2 x 2 1/4,Grade 8,Hex Head	16		
108	BL-8-FW-8	1/2 FLAT WASHER G8 ZC	48		
109	BL-8-LNS	1/2 Stover Lock Nut	32		

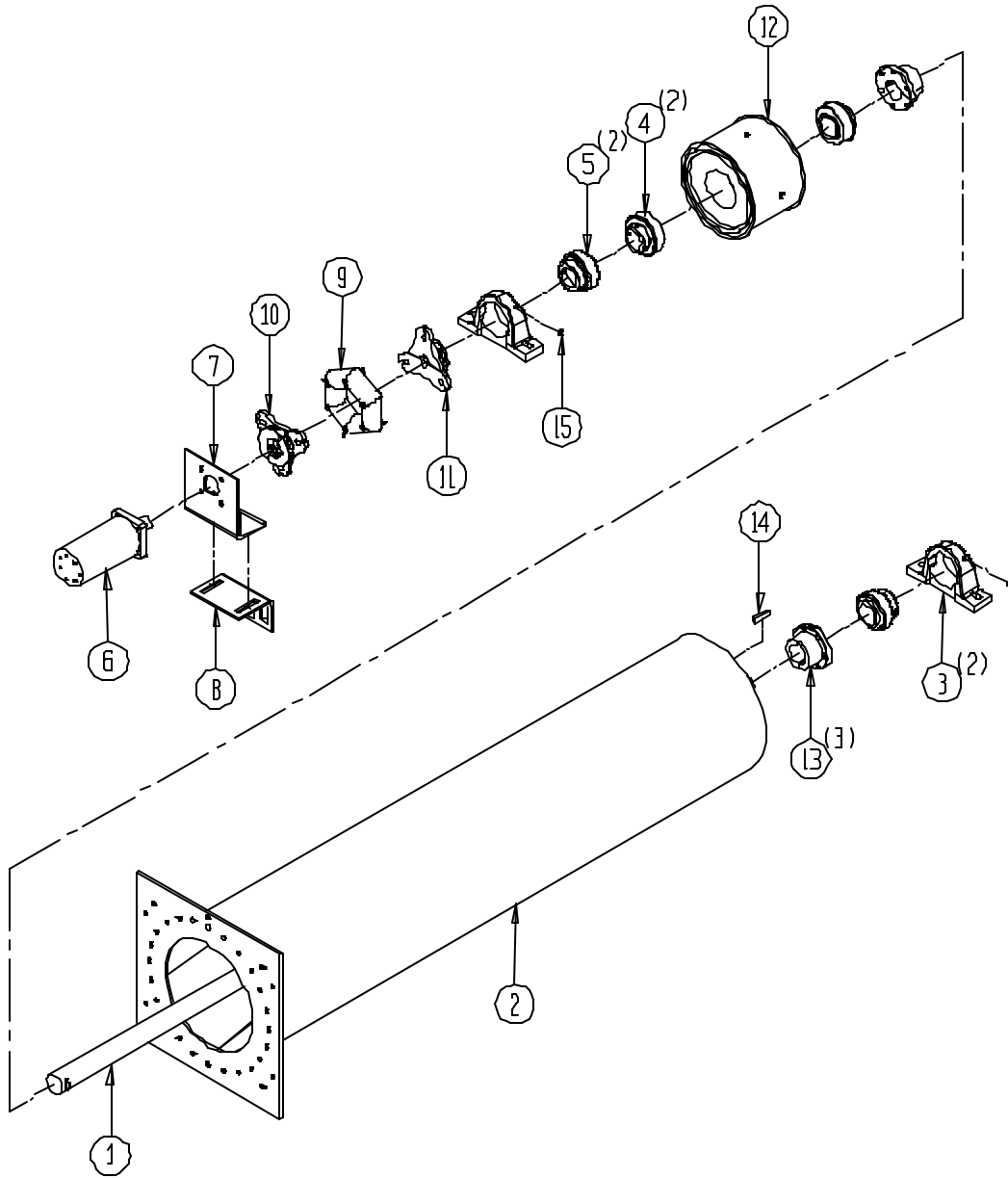
1104-4-4 PRIMARY SHAKER WEIGHT & BOX ASSEMBLY



1104-4-5 Secondary Shaker Drum Assembly

<u>Ref</u>	<u>Part No.</u>	<u>Description</u>	<u>Parts – Assembly</u>	<u>Will Fit SN</u>	<u>Remarks</u>
1	SFT-8402	Shaft, Shakers, High Cap Tomato Machine	1		
2	SHA-8400	Shaker Tube	1		
3	BR-085-RAK	Bearing Housing (1 3/4") Main Shaker	2	19101	
4	BR-175-ER	Bearings, 1 3/4" ER	2	11001	
5	BR-175-085	Fafnir Bearing 1 3/4 Tri Seal	2		
6	HM-103-CH	Char-Lynn Motor	1		
7	MOU-8401	Mount, Shaker Rotation Secondary, HC290	1		
8	194-416A	Mount, Shaker Rotation Motor	1	19101-	For use with 194-416
9	CPR-422-18	Lovejoy Donut W/ Hardware	1		
10	CPR-422C-18	Coupler, Shaker Side, Weldment	1	30095001-	
11	CPR-422D-18	Coupler, Motor Side, Weldment	1	30095001-	
12	PU-80-8M-525	MTO Pulley, 5.25	1		
13	PU-SK-28	Bushing, SK x 1 3/4"	3	19101	
14	KEY-6-6-24	Keystock 3/8" x 3/8" x 1 1/2" Square Cut (1018)	1		
15	GF-1428	Grease Fitting 1/4" x 28 straight	1		
100	BL-6-100-H-8	3/8-16 X 1 HEX CAP GR8ZC	4		

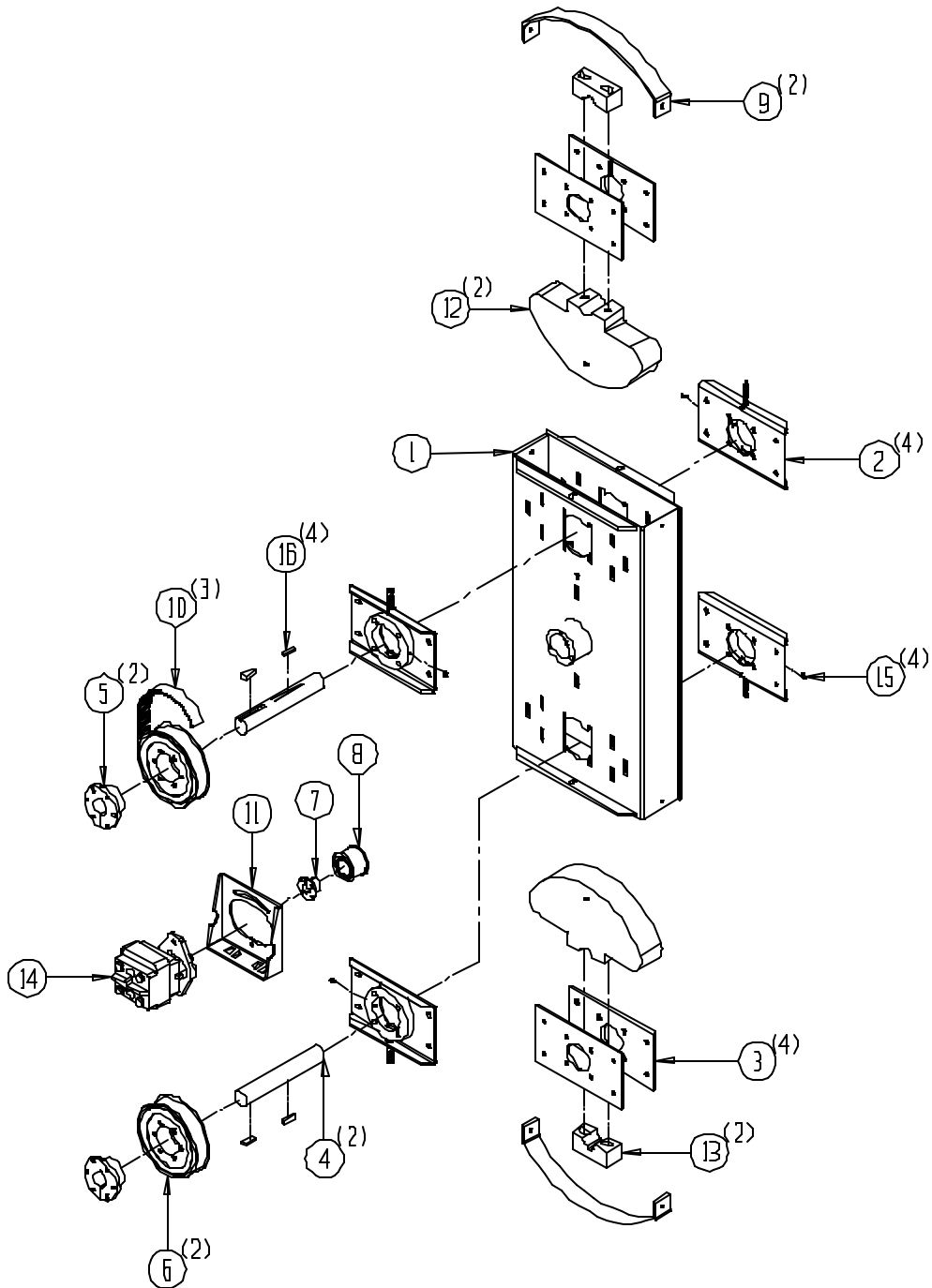
1103-4-5 SECONDARY SHAKER DRUM ASSEMBLY



1104-4-6 Secondary Shaker Weight & Box Assem.

<u>Ref</u>	<u>Part No.</u>	<u>Description</u>	<u>Parts – Assembly</u>	<u>Will Fit SN</u>	<u>Remarks</u>
1	SHA-8402	Shaker Weight Box	1		Replaces SHA -3402.
2	BR-100-SUP	Bearing Holder Wldmt, Primary Shaker	4		
3	MOU-098	Backing Plate, Shaker	4		Replaces MOU-097
4	SFT-097	Weight Shaft	2		
5	PU-SF-28	Bushing, SF x 1 3/4"	2		
6	PU-80-8PTH-35-SF	Primary Weight Pulley, 35mm Wide, Panther Style	2		
7	PU-QT-14	Bushing, QT x 7/8"	1		Drill keyway undersize to install 1/4" roll pin
8	PU-28-PTH-35	Panther Sprocket, 8mm Pitch, 28 Tooth, 35mm Wide	1		
9	193-403	Shaker, Weight guards	2		
10	BT-1280PTH8M-35	Primary Weight Drive Belt, 35 mm Wide, Panther Style	3		
11	110-515	Mount, Weight Motor	1	19101-	
12	wgt-402	Weight, Primary Shaker	2		
13	WGT-402C	Cap, Primary & Secondary Shaker Weight	2		
14	HM-412C	Hydraulic Motor	1	19101	Sub 191-412
15	GF-1428	Grease Fitting 1/4" x 28 straight	4		
16	KEY-6-6-24	Keystock 3/8" x 3/8" x 1 1/2" Square Cut (1018)	4		
100	BL-10-375-8	5/8-11 X 3 3/4 HEX CAP G8 ZC	4		
101	BL-10-FW-8	5/8" Grade 8 Flat Washer	4		
102	BL-10-LW	5/8 SPLIT LW ZC	4		
103	BL-5-200-8T	5/16-18 x 2 Grade 8 Tap Bolt	6		
104	BL-6-275-ST	3/8-16 x 2.75 Grade 5 Stud	4		
105	BL-6-N	3/8-16 HEX NUTS ZC	16		
106	BL-8-150-H8	1/2x1 1/2 Grade 8 Hex Head	16		
107	BL-8-225-H8	1/2 x 2 1/4,Grade 8,Hex Head	16		
108	BL-8-FW-8	1/2 FLAT WASHER G8 ZC	48		
109	BL-8-LNS	1/2 Stover Lock Nut	32		

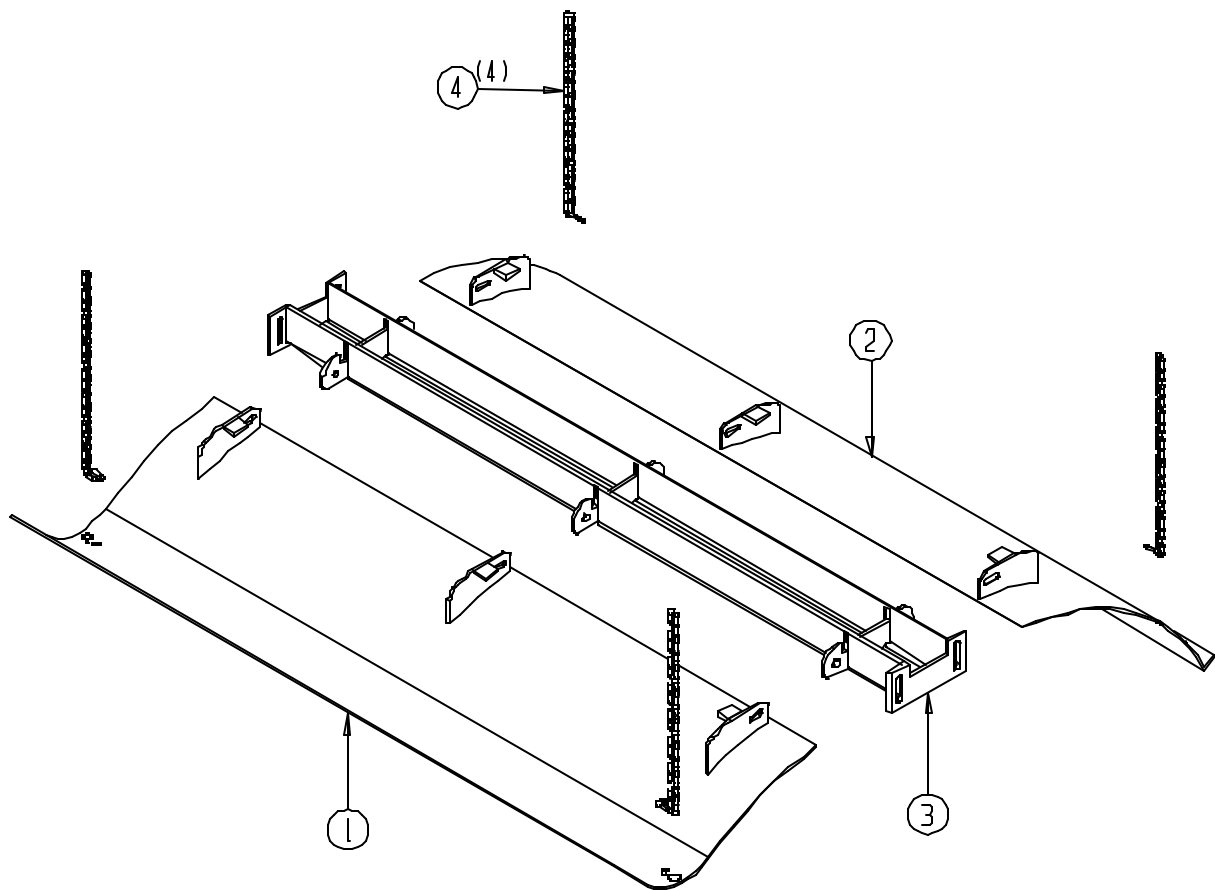
1104-4-6 SECONDARY SHAKER WEIGHT & BOX ASSEMBLY



1104-4-7 Secondary Shaker Cover Assembly

<u>Ref</u>	<u>Part No.</u>	<u>Description</u>	<u>Parts – Assembly</u>	<u>Will Fit SN</u>	<u>Remarks</u>
1	COV-8400	Back Shaker Cover, Primary/Secondary, HC290	1		
1	COV-8405	Shaker Cover, Back, Primary/Secondary, HC290	1		
2	COV-8401	Front Shaker Cover, Primary/Secondary, HC290	1		
2	COV-8404	Shaker Cover, Front, Primary/Secondary, HC290	1		
3	SUP-8401	Support, Shaker Shields, Primary/Secondary Shaker	1		
3	SUP-8403	Supt. Shaker Shields, Primary/Secondary, HC290	1		
4	CH-3-16	3/16 Link Chain 16 Links	4		

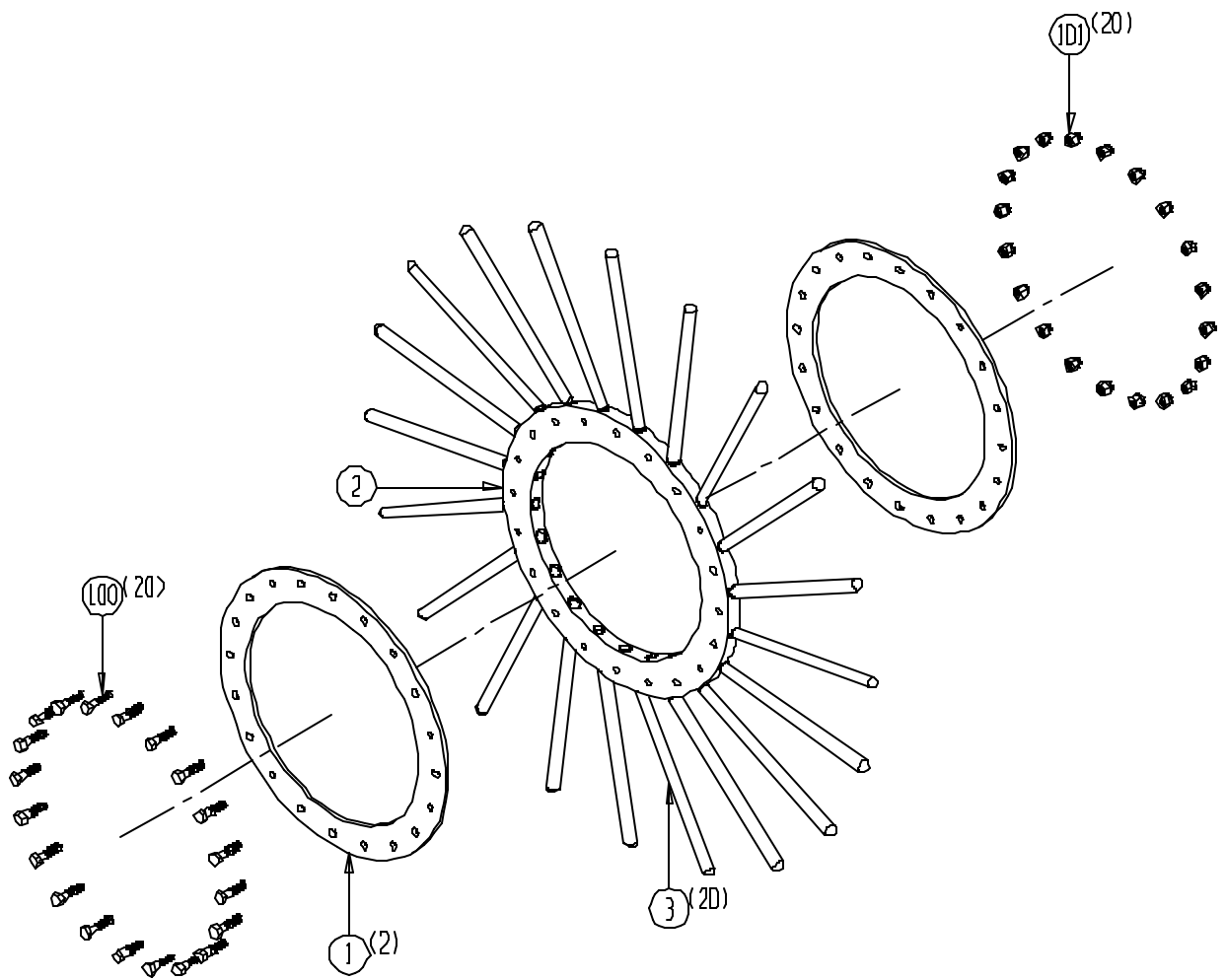
1104-4-7 SECONDARY SHAKER COVER ASSEMBLY



1104-4-8 Shaker Ring & Finger Assembly

<u>Ref</u>	<u>Part No.</u>	<u>Description</u>	<u>Parts – Assembly</u>	<u>Will Fit SN</u>	<u>Remarks</u>
1	191-432	Tine Holder Flanges	2	11001- 30095001-	
2	192-431	Moulded Rubber Tine Holders	1	19101- 30095001-	
3	ST-430-P	Shaker Tines , Molded Urethane	20		
100	BL-6-150-H	3/8-16 X 1 1/2 HEX CAP G5 ZC	20		
101	BL-6-LN	3/8 UNC FIN HEX LOCK NUT NE A563 GrA ZINC	20		

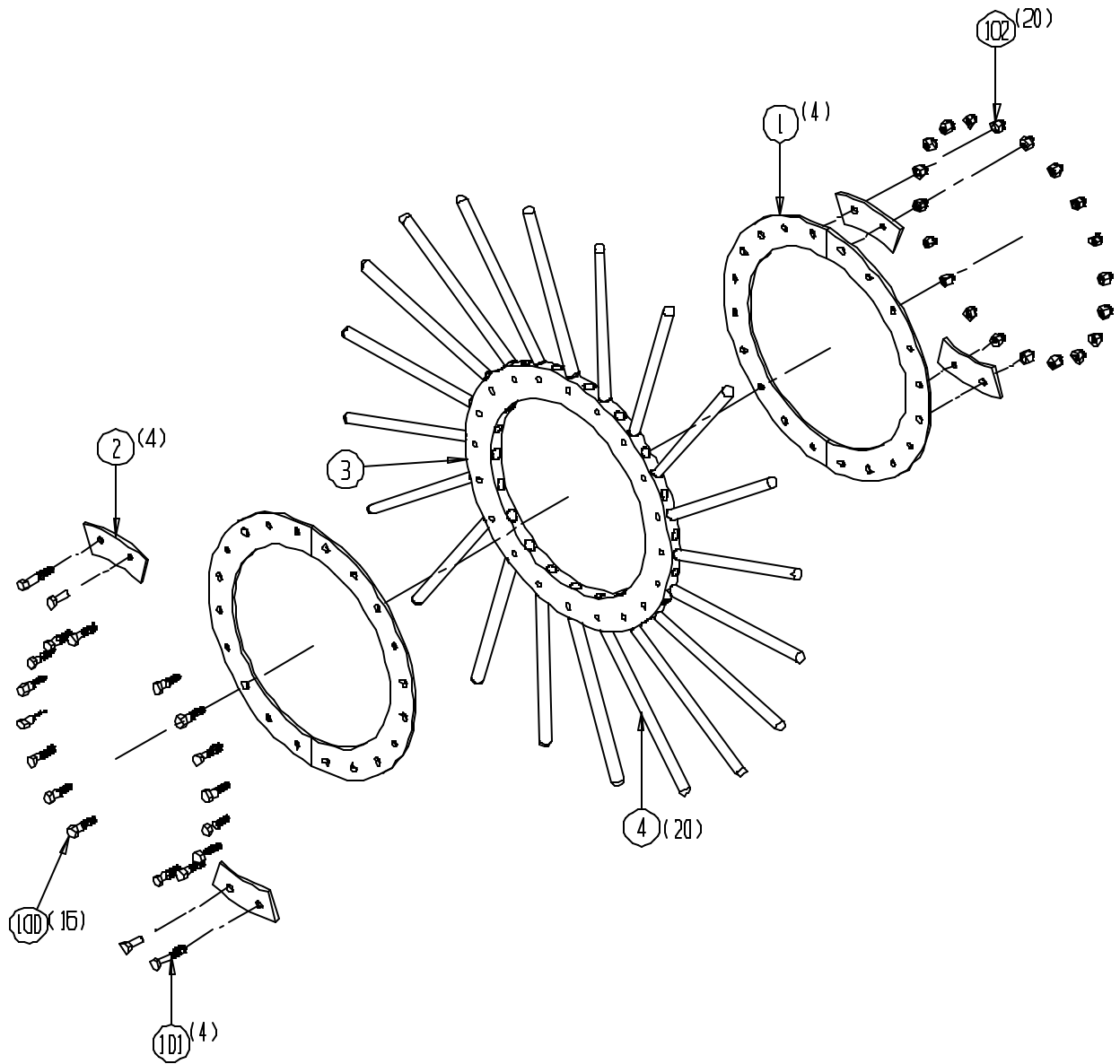
1104-4-8 SHAKER RING & FINGER ASSEMBLY



1104-4-9 Optional Half Ring & Finger Assembly

<u>Ref</u>	<u>Part No.</u>	<u>Description</u>	<u>Parts – Assembly</u>	<u>Will Fit SN</u>	<u>Remarks</u>
1	191-432A	Half flanges	4		
2	191-432B	Connecting Bar, Shaker Ring Half-Flange	4		
3	192-431	Moulded Rubber Tine Holders	1	19101- 30095001-	
4	ST-430-P	Shaker Tines , Molded Urethane	20		
100	BL-6-150-H	3/8-16 X 1 1/2 HEX CAP G5 ZC	16		
101	BL-6-200-H	3/8-16 X 2 HEX CAP G5 ZC	4		
102	BL-6-LN	3/8 UNC FIN HEX LOCK NUT NE A563 GrA ZINC	20		

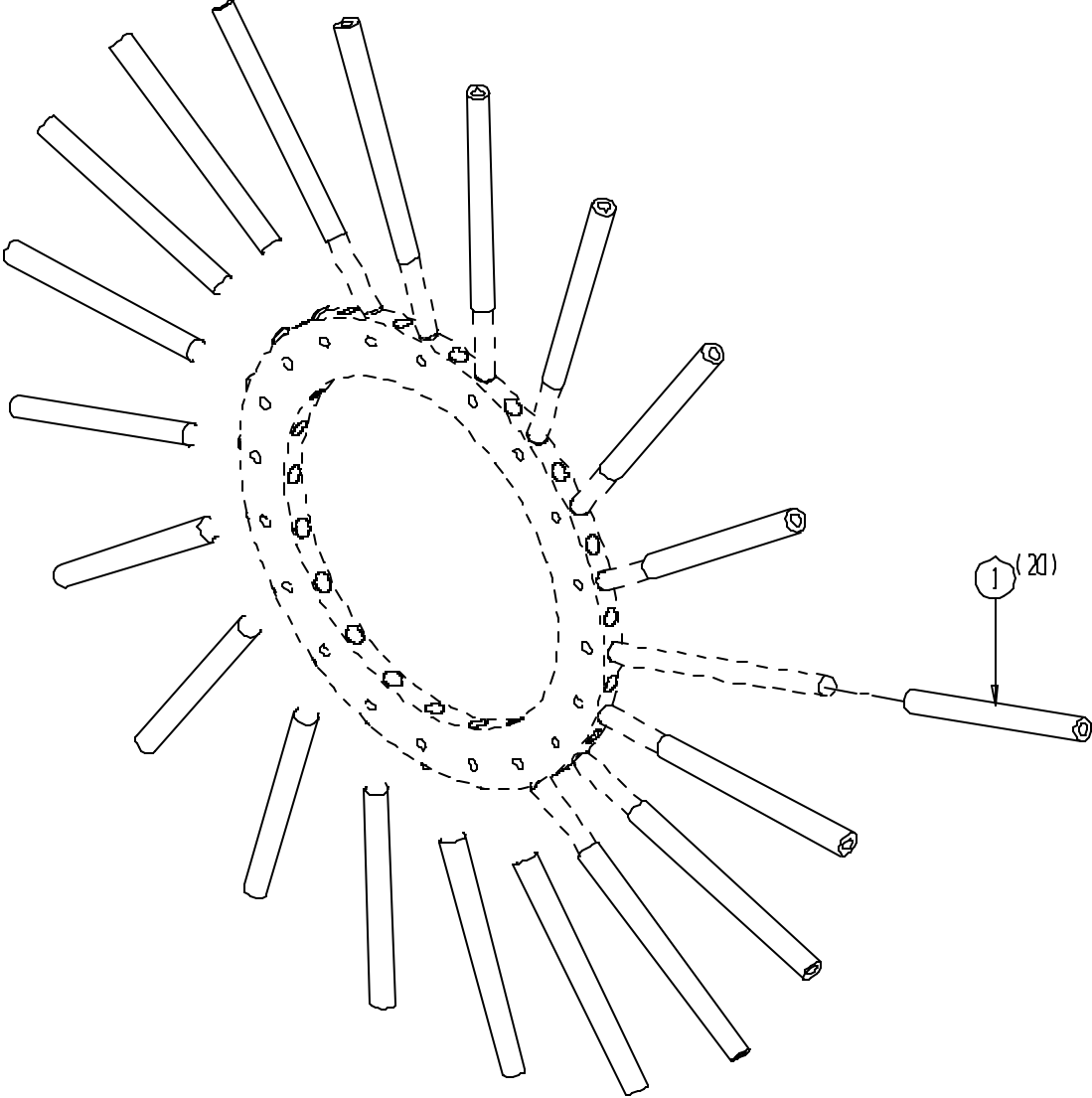
1104-4-9 OPTIONAL HALF RING & FINGER ASSEMBLY



1104-4-10 Optional Shaker Tine Covers

<u>Ref</u>	<u>Part No.</u>	<u>Description</u>	<u>Parts – Assembly</u>	<u>Will Fit SN</u>	<u>Remarks</u>
1	BC-6000-8	Shaker Finger Protectors, 3/8" ID x 3/4" OD x 8"	20		

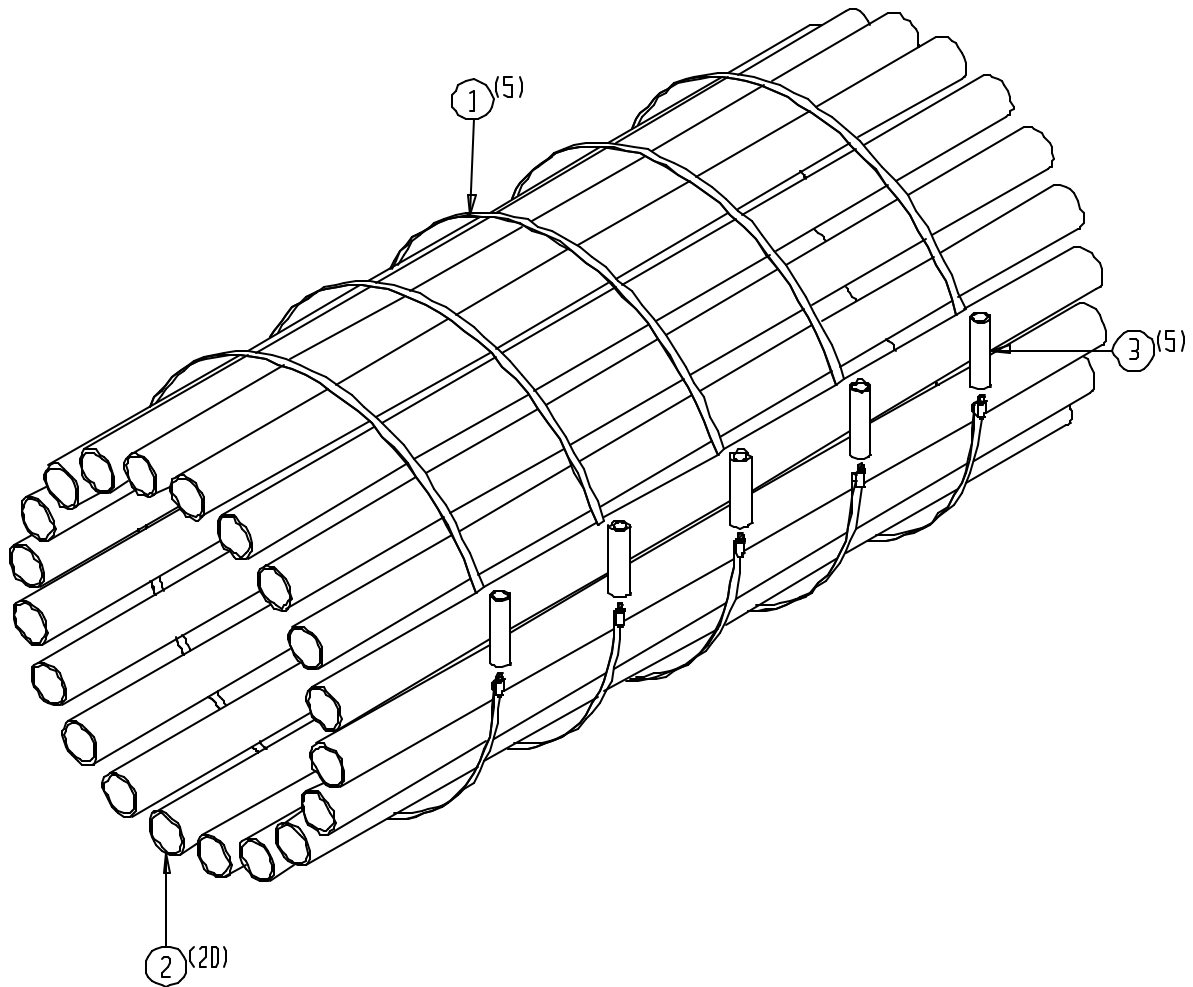
1104-4-10 OPTIONAL SHAKER TINE COVERS



1104-4-11 Optional Shaker Spacer Tubes

<u>Ref</u>	<u>Part No.</u>	<u>Description</u>	<u>Parts – Assembly</u>	<u>Will Fit SN</u>	<u>Remarks</u>
1	CL-001	Clamp, 71.5" Long, For 21.5" Dia, SS Gear Clamp	5		100 Pc. Minimum From Mfg.
2	PL-32-53	Plastic, Shaker Spacer Tubes, HC290	20		
3	PL-7504-4	PVC Clamp Cover, 4"	5		

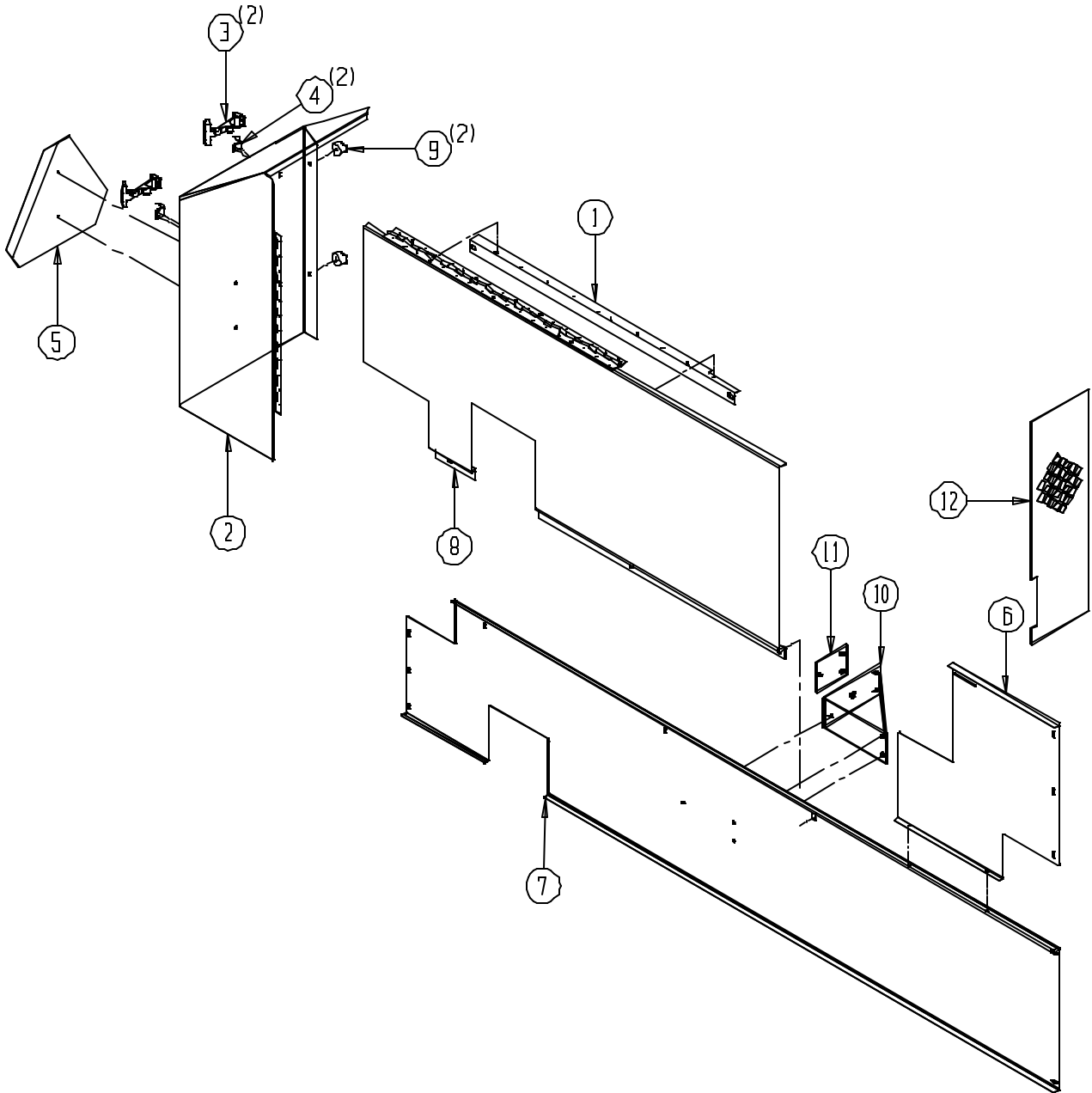
1104-4-11 OPTIONAL SHAKER SPACER TUBES



1104-4-12 Shaker Weight Box Shield Assembly

<u>Ref</u>	<u>Part No.</u>	<u>Description</u>	<u>Parts – Assembly</u>	<u>Will Fit SN</u>	<u>Remarks</u>
1	ARM-8402	Shield, Arm, Shaker Flip Up, HC290	1		
2	SHD-8452	Shield, Shaker Box, Secondary, HC290	1		
3	LA-703A	Large Rubber T Latch	2		
4	LA-703B	T Latch Keeper	2		
5	SMV-PL	SMV Sign, Metal	1		
6	SHD-8400	Shield, Front Weight Box, Primary, HC290	1		
7	SHD-8401	Shield, Weight Box, HC290	1		
8	SHD-8402	Shield, Flip Up, Primary, HC290	1		
9	194-1418	Rubber Bumper	2	19401	
10	ARM-8401	Arm, Panel Support, Shaker, HC 290	1		
11	ADJ-8401	Adjuster, Panel Support, Shaker Shield, HC 290	1		
12	SHD-8403	Shield, Primary Shaker Box, Shaker Frame, HC290	1		
100	BL-4-LWN	1/4" Locking Wing Nut	0		

1104-4-12 SHAKER WEIGHT BOX SHIELD ASSEMBLY

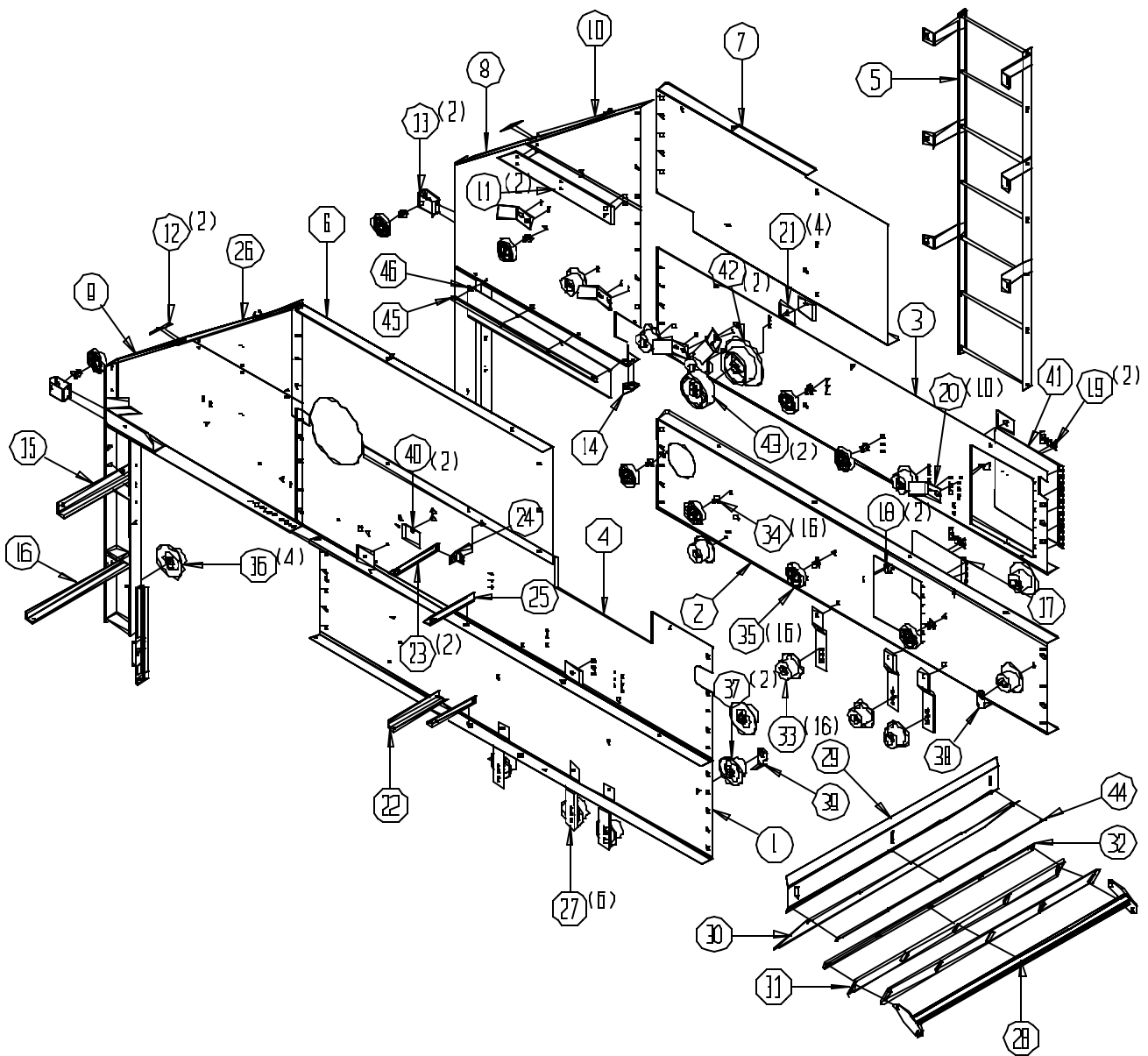


1104-5-1 Vine & Transfer Chamber Assembly

<u>Ref</u>	<u>Part No.</u>	<u>Description</u>	<u>Parts – Assembly</u>	<u>Will Fit SN</u>	<u>Remarks</u>
1	PAN-8400	Panel, Lower, Inner Transfer, High Cap Tomato	1		
2	PAN-8401	Panel, Outer, Lower Transfer, High Cap Tomato	1		
3	PAN-8402	Panel, Outr, Middle, Shaker Chambr, High Cap Tom	1		
4	PAN-8403	Panel, Middle, Inside, Shaker Chamber, High Cap	1		
5	STD-8400	Stand, Service Ladder, Left HC290	1		
6	PAN-8407	Panel, Inner Top, Sec. Shaker, HC290	1		
7	PAN-8411	Panel, Outer Top, Sec. Shaker, HC290	1		
8	PAN-8450	Panel, Outer Rear, Transfer Vine Chain Chamber	1		
9	PAN-8451	Panel, Rear, Innr Transf Vine Chmbr, High Cap Tom	1		
10	SID-8450	Side, Top Panel, Outer Shaker, HC290	1		
11	BAR-8506	Bar, Cross Conveyor, HC290	2		
12	BAR-8507	Bar, Cross Conv. HC290	2		
13	MOU-8507	Mount, Roller, Vine Chain, HC290	2		
14	BRA-8450	Bracket, Cross Conveyor, HC290 Tomato	1		
15	MOU-8504	Bracket, Motor Mount, Fan, HC290	1		
16	BRA-8502	Bracket, Angle, Debris Fan, HC290	1		
17	SHD-1525	Shield, Access Panel, Presort Door, Inner	1	19705 19801-	
18	LA-703B	T Latch Keeper	2		
19	LA-703A	Large Rubber T Latch	2		
20	SHD-1898	Shield, Push Offs, Product Deflectors	10		
21	SUP-62	Support, Bouncer Roller, Vine Chain, Cuc	4		
22	MOU-8400	Angle, Support Between Aftersort & Post, High Cap	1		
23	POS-8403	Post, Top, Inside Shaker Panel, HC290	2		
24	BRA-8403	Bracket, Top Post, Inner Shaker Panels, HC290	1		
25	POS-8402	Post, Middle, Inside Shaker Panel, HC290	1		
26	SID-8451	Side, Top Panel, Inner Shaker, HC290	1		
27	BRA-8400	Bracket, Hold Up Rollers, HC290 Tomato	6		
28	POS-8401	Post, Holder, Header Return Roller, HC290	1		
29	SCR-8400	Scraper, Header Return Roller, HC290	1		
30	BT-8402	Belting, Header Return Roller, HC290	1		
31	PL-8400	Plastic, Divider, Shaker Frame, HC290	1		
32	BAR-8401	Bar, Stiffner, Plastic, 190 Tomato	1		
33	RLT-535-228	5" Flange Roller 2.2WF x 3 1/2" dia, 1/2" bore	16		

34	RLA-000-118	Standoff, 1/2" X 1 1/8"	16
35	RLR-040-108R	4" Flat Roller with Replaceable Bearings	16
36	RLT-635-2210	6" Flange Roller 2.2 WF 3.5 dia, 5/8" bore	4
37	RLT-535-2210-SC	5" Flange Roller 2.2 WF 3.5 dia, 5/8" bore w/ Hub for Scraper	2
38	RLA-3024S	Curved Scraper, LH	1
39	RLA-3023S	Curved Scraper, RH	1
40	BAR-8404	Bar, Support, Bouncer Roller, HC290 Tomato	2
41	SHD-8404	Shield, Access, Transfer, HC290 Tomato	1
42	RLT-965-2212	9.5" Flange Roller 6.5 WF 2.2 WW 3/4 bore	2
43	RLT-065-2212	6.5 WD Roller 2.2 WW 3/4 bore	2
44	BAR-8406	Lower, Header Return Roller, Shaker Frm, HC290	1
45	BAR-8405	Bar, Belting Backing Bar, Transfer Chamber, HC290	1
46	BT-8404	Belting, Outer, Transfer Vine Chamber, HC290	1

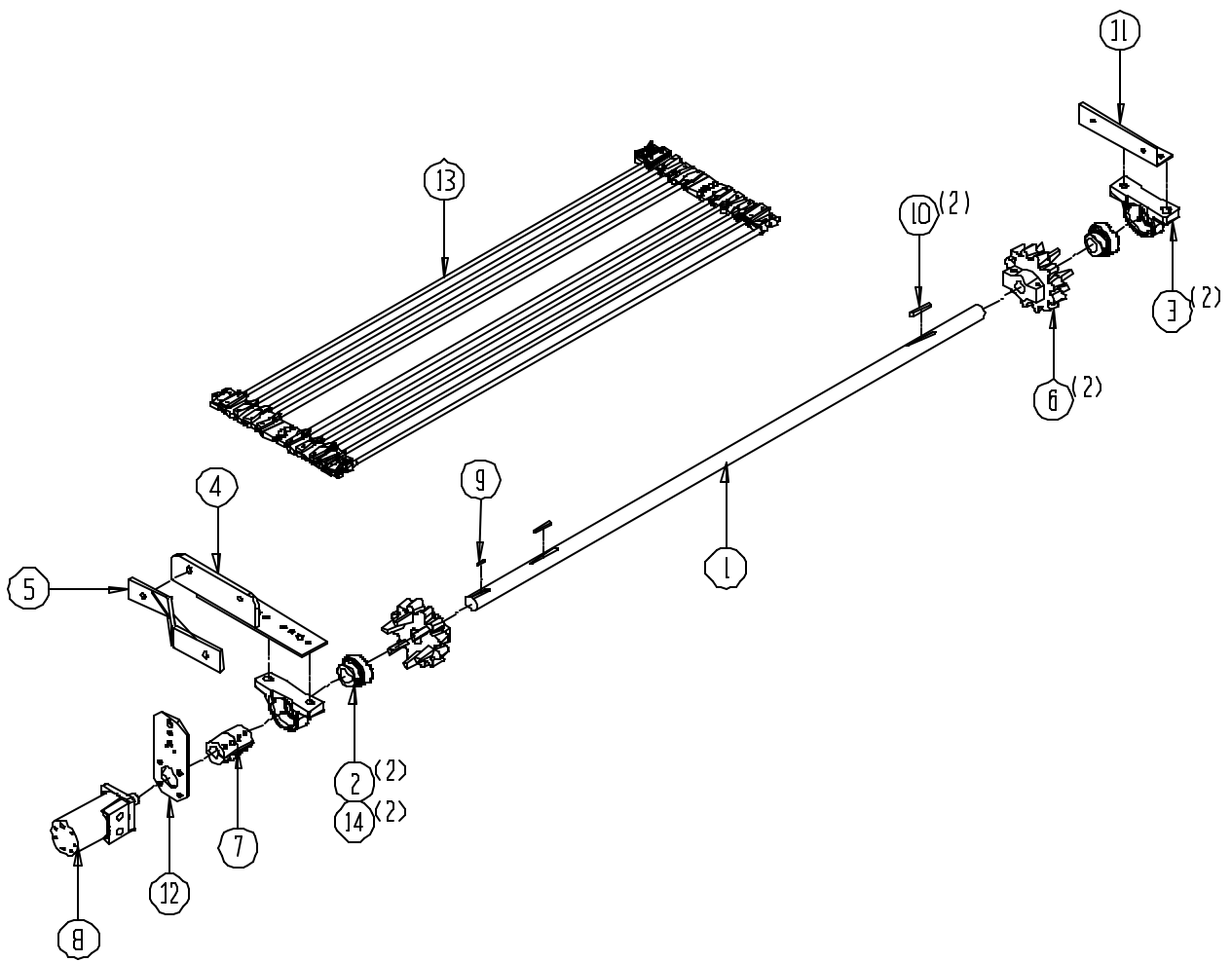
1104-5-1 VINE & TRANSFER CHAMBER ASSEMBLY



1104-5-2 Transfer Drive Shaft Assembly

<u>Ref</u>	<u>Part No.</u>	<u>Description</u>	<u>Parts – Assembly</u>	<u>Will Fit SN</u>	<u>Remarks</u>
1	SFT-8400	Shaft, Transfer Chain, High Cap Tomato Machine	1		
2	BR-125-072	Bearing, 1 1/4 Fafnir tri-seal, 72mm OD	2		
3	BR-072-RAK	Bearing Housing	2		
4	BRA-8452	Bracket, Motor Stop, Transfer, HC290	1		
5	BRA-8507	Bracket, Motor Stop, Transfer, HC290	1		
6	SP-3612-20-4 HC	Belted chain Sprocket 36mm x 12 tooth 1 1/4-1/4 hi chrome	2		
7	CPS-6060	Steel Coupler (offcenter) 1 1/4" x 1"	1		
8	HM-210-CH	Char-Lynn Hydraulic Motor	1		
9	KEY-4-4-16	Shaft Key 1/4" X 1/4" X 1" Square Cut (1018)	1	20095001-	
10	KEY-4-4-32	Shaft Key 1/4" x 2" Square Cut (1018)	2		
11	MOU-8450	Angle, Transfer, Vine Chain Chamber, High Cap Tom	1		
12	MOU-8505	Mount, Motor, w/Torque Arm, HC290	1		
13	BC-7-5336-162	Transfer Chain, 7/16" Bars, 53" Wide x 162 Bars, 36mm Pitch	1		
14	BR-12572-LC	1 1/4" Locking Collar - Bearing Protector	2		

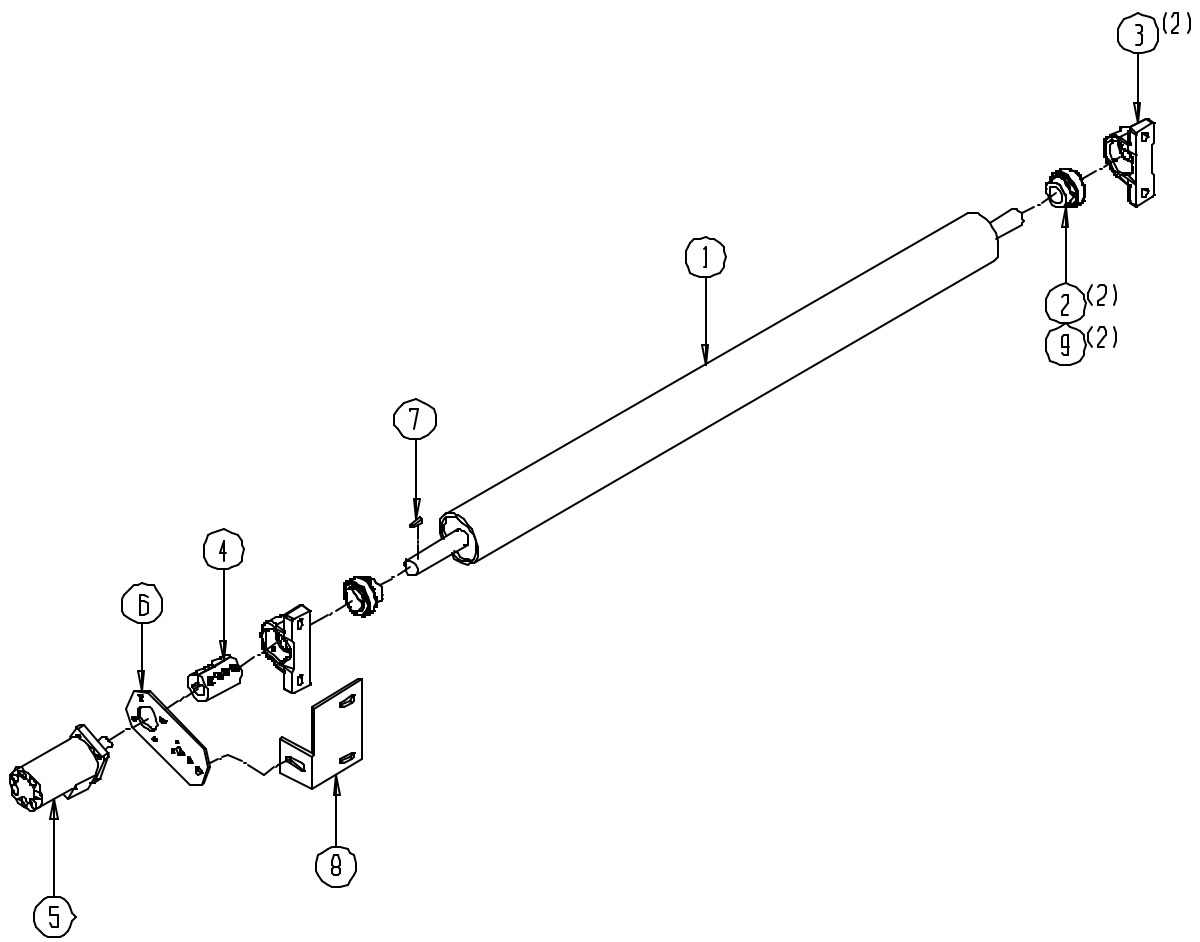
1104-5-2 TRANSFER DRIVE SHAFT ASSEMBLY



1104-5-3 Transfer Return Roller Assembly

<u>Ref</u>	<u>Part No.</u>	<u>Description</u>	<u>Parts – Assembly</u>	<u>Will Fit SN</u>	<u>Remarks</u>
1	SFT-8403	Shaft, Return Roller, Transfer Chain, HC290	1		
2	BR-125-072	Bearing, 1 1/4 Fafnir tri-seal, 72mm OD	2		
3	BR-072-RAK	Bearing Housing	2		
4	CPS-6060	Steel Coupler (offcenter) 1 1/4" x 1"	1		
5	HM-204-CH	Char-Lyn Hydraulic Motor	1		
6	MOU-8505	Mount, Motor, w/Torque Arm, HC290	1		
7	KEY-4-4-16	Shaft Key 1/4" X 1/4" X 1" Square Cut (1018)	1	20095001-	
8	BRA-8404	Bracket, Transfer, HC290 Tomato	1		
9	BR-12572-LC	1 1/4" Locking Collar - Bearing Protector	2		

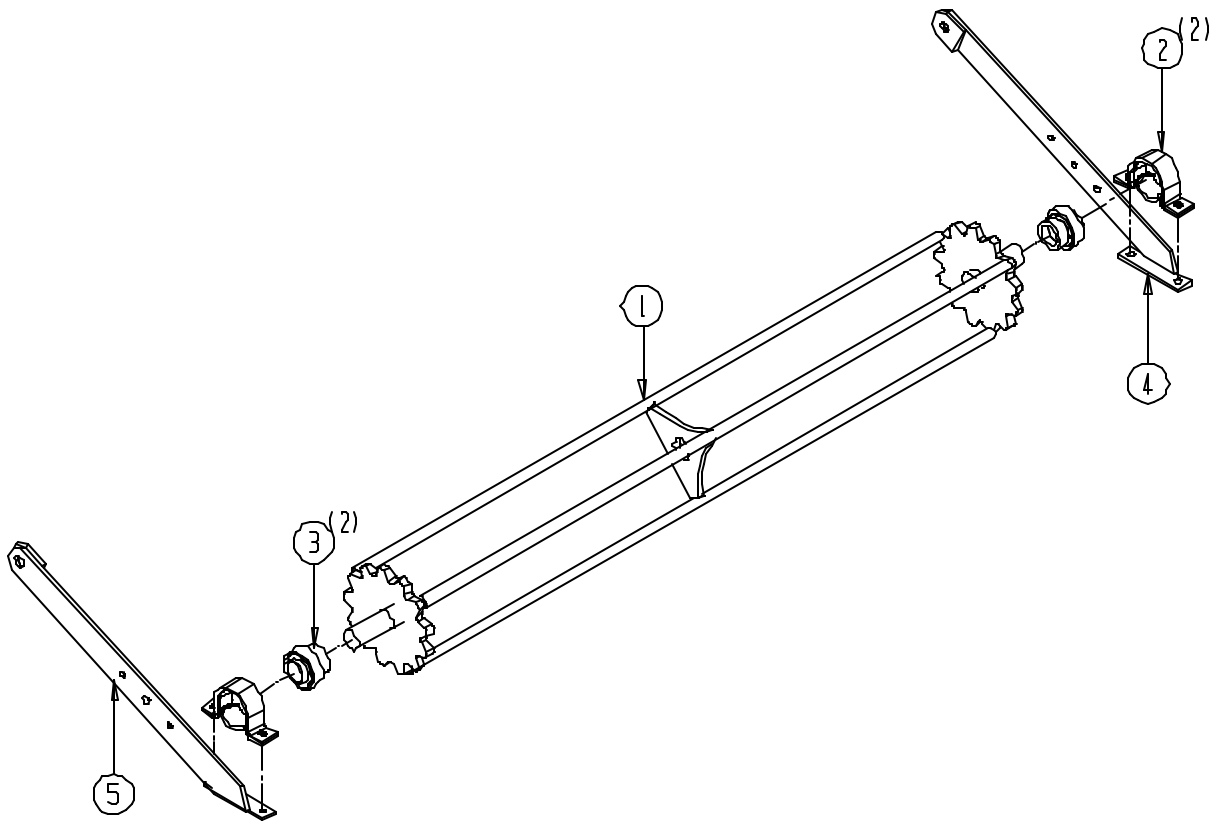
1104-5-3 TRANSFER RETURN ROLLER ASSEMBLY



1104-5-4 Transfer Bar Cleaner Assembly (Standard)

<u>Ref</u>	<u>Part No.</u>	<u>Description</u>	<u>Parts – Assembly</u>	<u>Will Fit SN</u>	<u>Remarks</u>
1	BAR-5336	Bar, 53" Belted Chain Rod Cleaner, HC290	1		
2	BR-062-MPB	Stamped Bearing Housing for 1 1/4" bearing	2		
3	BR-125-062	Bearing, 1 1/4 Fafnir tri-seal, 62mm OD	2		
4	192-362A	Chain cleaner bar (Left)	1	19101-	
5	192-362B	Chain cleaner bar (Right)	1	19101	

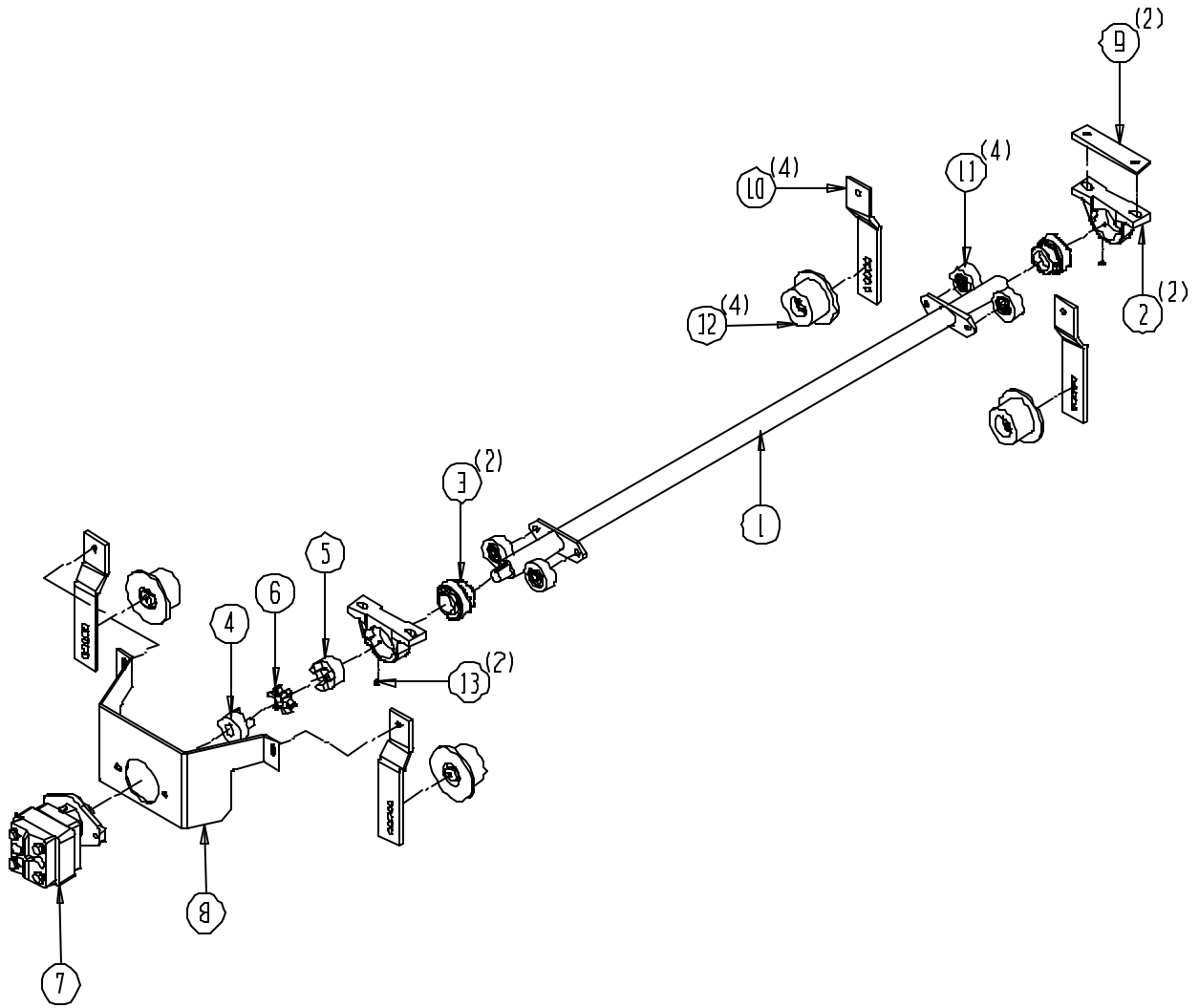
1104-5-4 TRANSFER BAR CLEANER ASSEMBLY



1104-5-5 Optional Transfer Dirt Vibrator Assembly

<u>Ref</u>	<u>Part No.</u>	<u>Description</u>	<u>Parts – Assembly</u>	<u>Will Fit SN</u>	<u>Remarks</u>
1	SFT-8301	Vibrator Shaft, Secondary Header, High Cap Tomato	1		
2	BR-085-RAK	Bearing Housing (1 3/4") Main Shaker	2	19101	
3	BR-175-085	Fafnir Bearing 1 3/4 Tri Seal	2		
4	CPJ-6051	Coupler, Motor Side 1in. bore	1	19101	Sub 194-6053
5	CPJ-6052	Coupler, Shaft side 1 1/4in. bore	1	19101	Sub 194-6053 Exept on Debris Fan
6	CPJ-6055	Coupler, Urethene Spider	1	19101	For use with CPJ-6052 and CPJ-6051 Sub CPS-6053
7	HM-115	Hydraulic Motor	1		
8	MOU-8402	Mount, Motor, Transfer Vibrator, HC290	1		
9	BAR-8400	Bar, Bearing Support, Transfer Vibrator, HC290	2		
10	BRA-8400	Bracket, Hold Up Rollers, HC290 Tomato	4		
11	RLT-027-108	Roller 2.75" dia. 1/2" Bore	4		2755C1X (Old Number, Single Bearing)
12	RLT-535-228	5" Flange Roller 2.2WF x 3 1/2" dia, 1/2" bore	4		
13	GF-1428	Grease Fitting 1/4" x 28 straight	2		

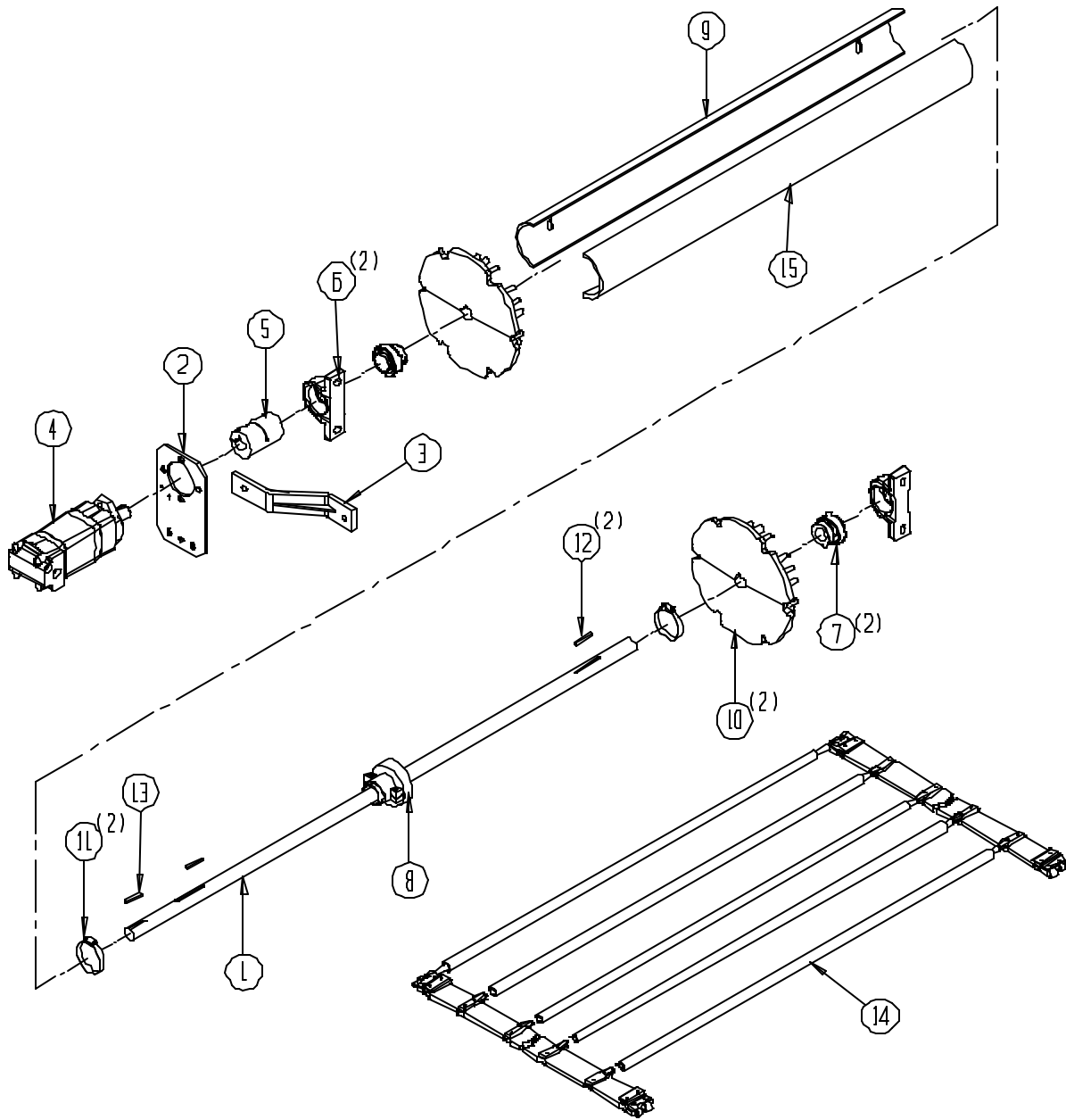
1104-5-5 OPTIONAL TRANSFER DIRT VIBRATOR ASSEMBLY



1104-5-6 Vine Chain Drive Shaft Assembly

<u>Ref</u>	<u>Part No.</u>	<u>Description</u>	<u>Parts – Assembly</u>	<u>Will Fit SN</u>	<u>Remarks</u>
1	SFT-8401	Shaft, Vine Chain Drive Shaft, High Cap Tomato	1		
2	MOU-8451	Mount, Motor w/Torque Arm Stop, HC290	1		
3	BRA-8451	Bracket, Torque Arm, Motor Stop, HC290	1		
4	HM-1420-CH	Char Lynn Motor	1		
5	CPS-6057	Coupler, Solid, 1.25", Cucumber & Tomato	1		This Replaces CPS-6056.
6	BR-072-RAK	Bearing Housing	2		
7	BR-125-072	Bearing, 1 1/4 Fafnir tri-seal, 72mm OD	2		
8	PL-1421	Urethane Hub for Shaft Cover 1 1/4" Bore	1		Replaces PL-1415
9	PL-8401	Plastic, Anti-Wrap Cover, HC290	1		
10	SP-14406-20-4	Sprocket, 144mm Pitch, 6 Tooth, 1 1/4" Bore w/1/4" Keyway	2		
11	CL-72	5" Gear Clamp	2		
12	KEY-4-4-32	Shaft Key 1/4" x 2" Square Cut (1018)	2		
13	KEY-5-5-20	Shaft Key 5/16" sq x 1 1/4" Square Cut (1018)	1		
14	BC-8-53144-71AC	Vine Chain HC290, 1/2" Bars, 53" Wide, 71 Links, 144 mm Pitch	1		
15	PL-8402	Plastic, Vine Shaft Cover w/out Notches, HC 290	1		

1104-5-6 VINE CHAIN DRIVE SHAFT ASSEMBLY



1104-5-7 Optional Vine Chopper Assembly

<u>Ref</u>	<u>Part No.</u>	<u>Description</u>	<u>Parts – Assembly</u>	<u>Will Fit SN</u>	<u>Remarks</u>
0	KIT-0155	Vine Chopper for HC-290 Tomato	1		

KIT-0155 Vine Chopper for HC-290 Tomato

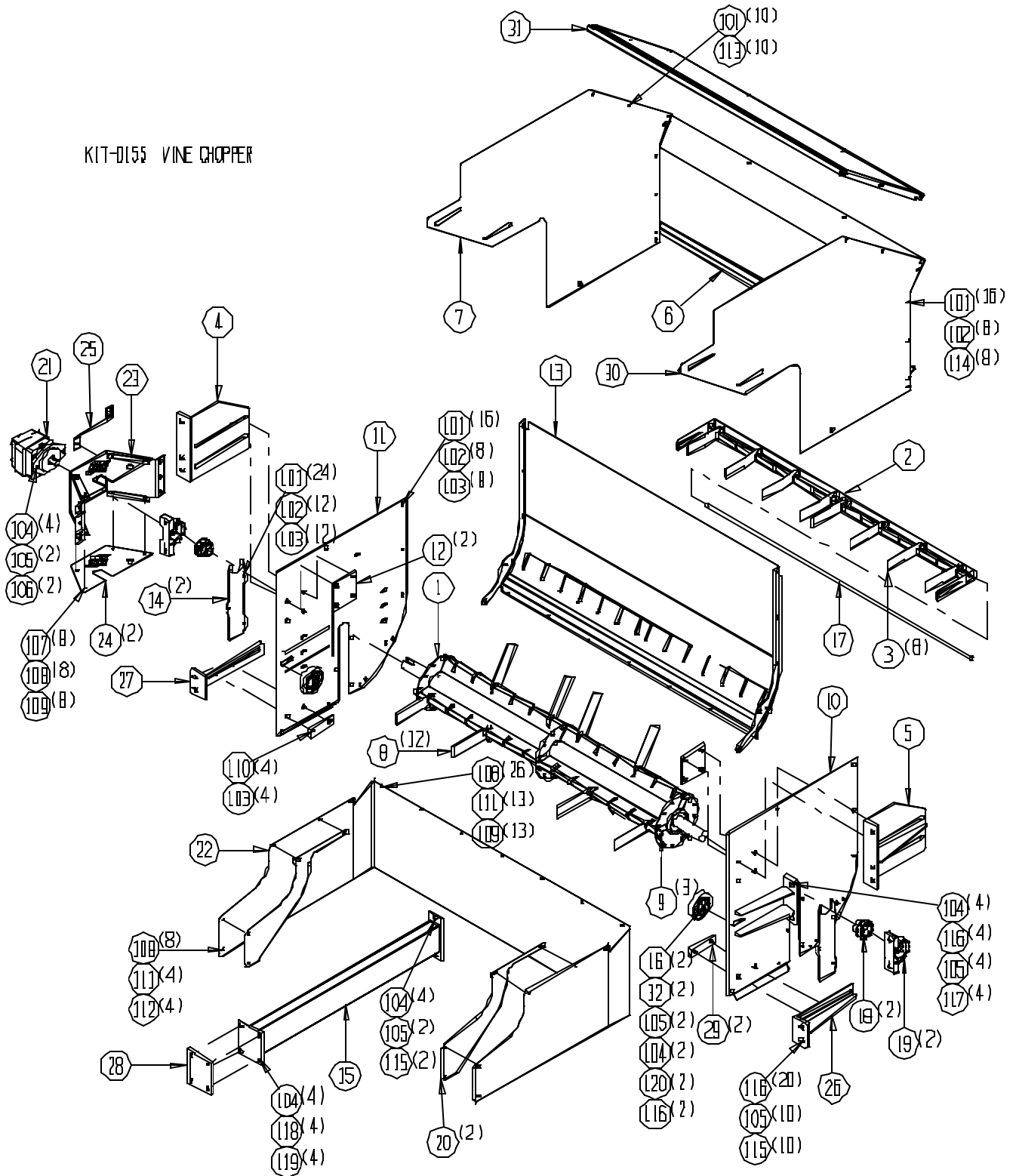
<u>Ref</u>	<u>Part No.</u>	<u>Description</u>	<u>Parts – Assembly</u>	<u>Will Fit SN</u>	<u>Remarks</u>
0	CH-5016-CC	Coupling Chain, 16 Pitch Double 50 Roller Chain	1		
0	SP-50B16-14-4	Sprocket, #50, 16 tooth, 7/8" bore	1		
0	SP-50B16-28-6	Sprocket, #50, 16 tooth, 1.75" bore	1	11001	
1	SFT-2008	Shaft, Flail Rotor, Vine Chopper, HC 290	1		
2	BRA-2008	Bracket, Knife Holder, Vine Chopper, HC290	1		
3	KN-142141	Knife	8	Peanut Harvester	
4	MOU-2005	Hefty Right Mount, Vine Chopper, HC290 Tomato	1		
5	MOU-2006	Hefty Left Mount, Vine Chopper, HC290 Tomato	1		
6	SHD-2006	Top Shield, Vine Chopper, HC290 Tomato	1		
7	PAN-2008	Panel, Top Shield, RH Side, Vine Chopper, HC290	1		
8	BAR-2010	Bar, Flail, Vine Chopper, 190 Tomato Machine	12		
9	SFT-2009	Shaft, Flail Holder, Vine Chopper, HC 290	3		
10	PAN-2006	Panel, Left Side Housing, Vine Chopper, HC290	1		
11	PAN-2007	Panel, Right Side Housing, Vine Chopper, HC290	1		
12	BAR-2013	Bar, Inside Plate, Vine Chopper, 190 Tomato	2		
13	SHD-2004	Shield, Back Panel, Vine Chopper, HC290 Tomato	1		
14	BAR-2012	Bar, End Plate, Vine Chopper, 190 Tomato	2		
15	SUP-2003	Support Tube, Vine Chopper, HC290 Tomato	1		
16	RLR-040-108	4" Flat Roller	2		
17	SFT-2006	Knife Holder Shaft, Vine Chopper, HC290 Tomato	1		
18	BR-175-085-KB	Fafnir Bearing 1 3/4" Heavy SS1	2		
19	BR-085-RAK	Bearing Housing (1 3/4") Main Shaker	2	19101	
20	BAR-2016	Belting Bar, Vine Chopper, HC290 Tomato	2		
21	HM-412C	Hydraulic Motor	1	19101	Sub 191-412
22	BT-2003	Belting, Vine Chopper, HC290 Tomato	1		
23	MOU-2009	Motor Mount, Vine Chopper, 190 Tomato	1		
24	SHD-2005	Coupler Shield, Vine Chopper, 190 Tomato	2		

25	SUP-2002	Motor Mount Support, Vine Chopper, 190 Tomato	1	
26	MOU-2007	Bottom Left Mount, Vine Chopper, HC290 Tomato	1	
27	MOU-2008	Bottom Right Mount, Vine Chopper, HC290 Tomato	1	
28	SUP-2004	Support Tube Weld Plate, Vine Chopper, HC290	1	
29	BAR-2017	Bottom Bar, Vine Chopper, HC290 Tomato	2	
30	PAN-2009	Panel, Top Shield, LH Side, Vine Chopper, HC290	1	
31	SHD-2007	Shield, Top Cover, Vine Chopper, HC290 Tomato	1	
32	RLA-000-118	Standoff, 1/2" X 1 1/8"	2	
101	BL-6-SW	3/8 SAE FW ZC	66	
102	BL-6-LN	3/8 UNC FIN HEX LOCK NUT NE A563 GrA ZINC	28	
103	BL-6-125-H	3/8-16 X 1 1/4 HHCS G5 ZC	24	
104	BL-8-SW	1/2 SAE FW ZC	18	
105	BL-8-LN	1/2-13 HEX LOCK NUT NYLON INSERT ZC	20	
106	BL-8-200-H	1/2-13 X 2 HEX CAP G5 ZC	2	
107	BL-4-LW	1/4 SPLIT LW ZC	8	
108	BL-4-FW	1/4 USS FW ZC	42	
109	BL-4-075-H	1/4 UNC X 3/4 HH C/S BOLT GR5 ZINC	21	
110	BL-6-FW	3/8 USS FW ZC	4	
111	BL-4-LN	1/4-20 HEX LN NE ZC	17	
112	BL-4-100-H	1/4-20 X 1 HEX CAP G5 ZC	4	
113	BL-6-075-H	3/8-16 X 3/4 HHCS G5 ZC	10	
114	BL-6-100-H	3/8 UNC X 1 HH C/S BOLT GR5 ZINC	8	
115	BL-8-175-H	1/2-13 X 1 3/4 HEX CAP G5 ZC	12	
116	BL-8-FW	1/2 USS FW ZC	26	
117	BL-8-225-H	1/2-13 X 2 1/4 HEX CAP G5 ZC	4	
118	BL-8-LW	1/2 SPLIT LW ZC	4	
119	BL-8-125-H	1/2-13 X 1 1/4 HEX CAP G5 ZC	4	
120	BL-8-300-H	1/2-13 X 3 HEX CAP G5 ZC	2	
601	HA-430	Flow Control w/Check	1	
602	A-6900-12-12	12 SAE x 3/4"FPX	2	
603	A-6901-12-12	12 SAE x 3/4" FPX 90	2	
604	H12-125-12MP-12MP	3/4 in hose 3/4MP x 3/4MP x 125 in long	2	
605	A-4124-6-4	1/4 Male Pipe x 3/8 Push Loc	1	HV-1045K
606	H6-PL-360	3/8"x 360" Long Casedrain Hose	1	
607	A-4124-6-6	3/8 Male Pipe x 3/8 Push Loc	1	
608	A-4124-8-6	3/8 Male Pipe x 1/2 Push Loc	1	

609	BL-6-10125-B7	3/8-16 x 10-1/8 B7 Threaded Rod	4
610	OR-220	O-Ring, 1/8" RH & 1 5/8" OD	1
611	WT-17H	Heavy Duty Wire Tie 17.5"	10

L104-5-7 OPTIONAL VINE CHOPPER ASSEMBLY

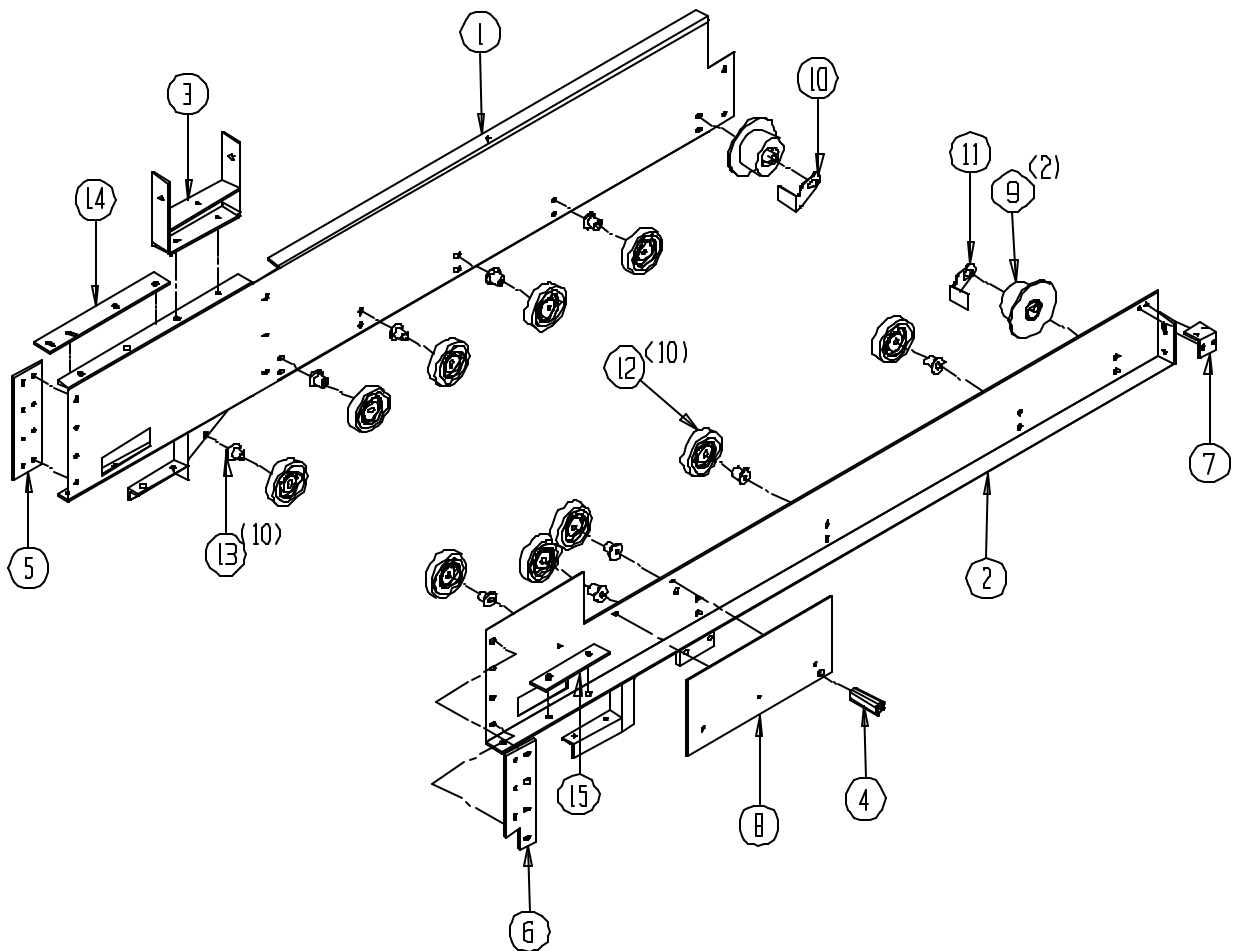
KIT-0155 VINE CHOPPER



1104-6-1 Cross Conveyor Assembly

<u>Ref</u>	<u>Part No.</u>	<u>Description</u>	<u>Parts – Assembly</u>	<u>Will Fit SN</u>	<u>Remarks</u>
1	PAN-8500	Panel, Rear LH, Cross Conveyor, HC290 Tomato	1		
2	PAN-8502	Panel, Front LH, Cross Conveyor, HC290 Tomato	1		
3	BRA-8401	Hose Holder, Cross Conveyor, HC290 Tomato	1		
4	SPA-8101	Spacer, Rear Cross Frame, High Capacity Tomato	1		
5	BAR-8607	Elevation Panel Connector Bar, Back, HC290	1		
6	BAR-8503	Elevation Panel Connector Bar, Front, HC290	1		
7	BRA-8450	Bracket, Cross Conveyor, HC290 Tomato	1		
8	PL-8502	Plastic Shield, Panel Front, Cross Conveyor, HC290	1		
9	RLT-535-2210-SC	5" Flange Roller 2.2 WF 3.5 dia, 5/8" bore w/ Hub for Scraper	2		
10	RLA-3023S	Curved Scraper, RH	1		
11	RLA-3024S	Curved Scraper, LH	1		
12	RLR-040-108R	4" Flat Roller with Replaceable Bearings	10		
13	RLA-000-118	Standoff, 1/2" X 1 1/8"	10		
14	BAR-8508	Bar, Drive Shaft Assy, Outside, Crss Convyr, HC290	1		
15	BAR-8509	Bar, Drive Shaft Assy, Inside, Cross. Convyr, HC290	1		

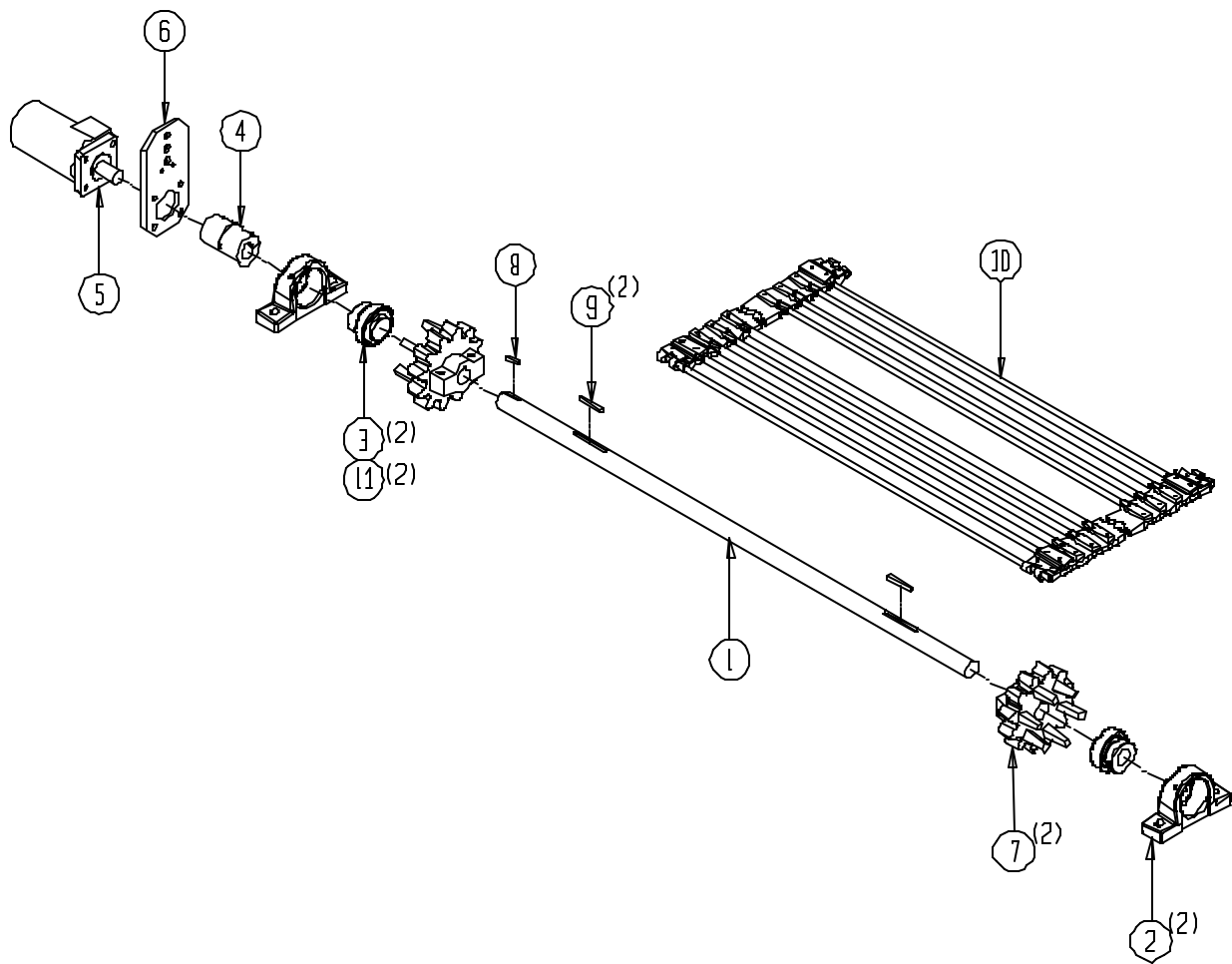
1104-6-1 CROSS CONVEYOR ASSEMBLY



1104-6-2 Cross Conveyor Drive Shaft Assembly

<u>Ref</u>	<u>Part No.</u>	<u>Description</u>	<u>Parts – Assembly</u>	<u>Will Fit SN</u>	<u>Remarks</u>
1	SFT-8502	Shaft, Drive, Cross Conveyor, HC290	1		
2	BR-072-RAK	Bearing Housing	2		
3	BR-125-072	Bearing, 1 1/4 Fafnir tri-seal, 72mm OD	2		
4	CPS-6060	Steel Coupler (offcenter) 1 1/4" x 1"	1		
5	HM-204-CH	Char-Lyn Hydraulic Motor	1		
6	MOU-8505	Mount, Motor, w/Torque Arm, HC290	1		
7	SPU-3612-20-4	Urethane Sprocket 36-12 1 1/4 bore 1/4" key	2		Sub SP-3612-20-4
8	KEY-4-4-16	Shaft Key 1/4" X 1/4" X 1" Square Cut (1018)	1	20095001-	
9	KEY-4-4-32	Shaft Key 1/4" x 2" Square Cut (1018)	2		
10	BC-7-3636-112	Cross Chain, High Capacity Tomato Model 2100	1		
11	BR-12572-LC	1 1/4" Locking Collar - Bearing Protector	2		

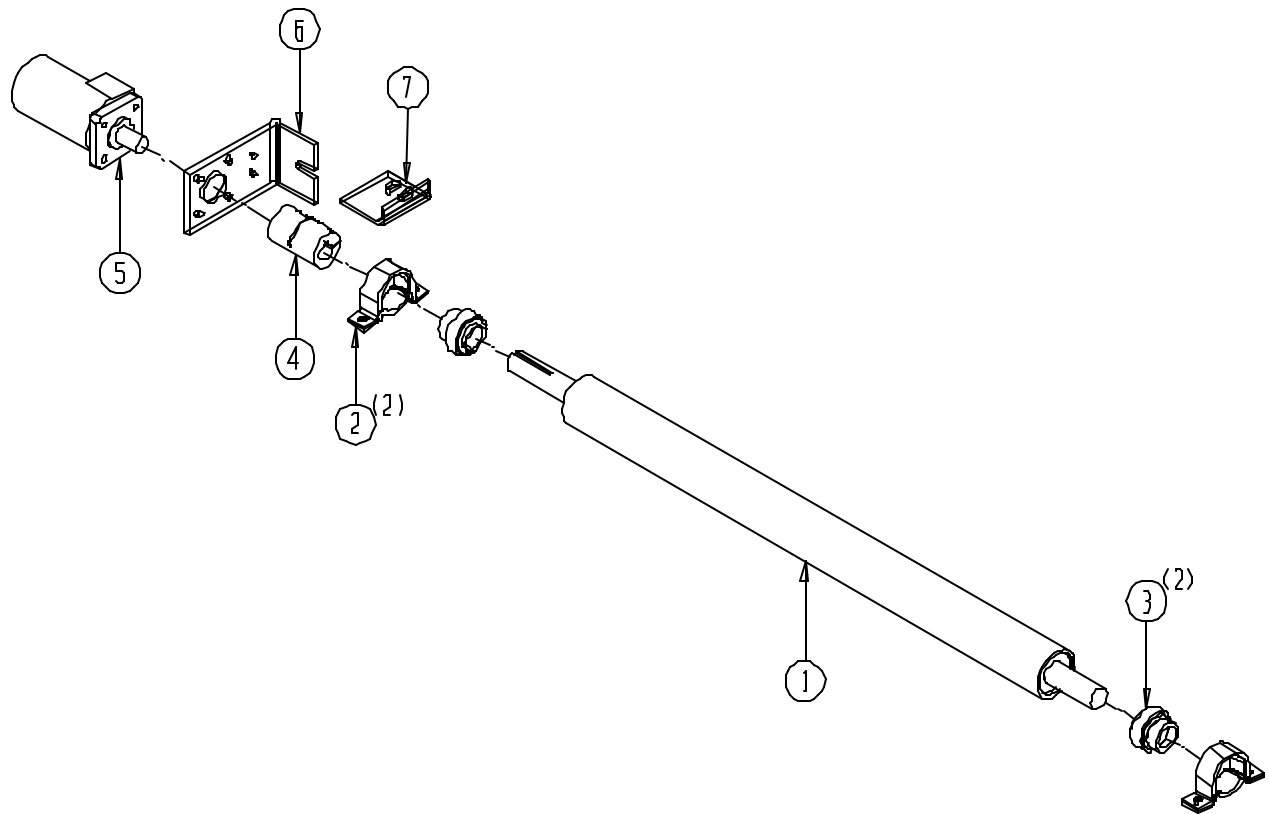
1104-6-2 CROSS CONVEYOR DRIVE SHAFT ASSEMBLY



1104-6-3 Cross Conveyor Return Roller Assembly

<u>Ref</u>	<u>Part No.</u>	<u>Description</u>	<u>Parts – Assembly</u>	<u>Will Fit SN</u>	<u>Remarks</u>
1	SFT-8500	Return Roller, Cross Conveyor, HC290 Tomato	1		
2	BR-062-MPB	Stamped Bearing Housing for 1 1/4" bearing	2		
3	BR-125-062	Bearing, 1 1/4 Fafnir tri-seal, 62mm OD	2		
4	CPS-6060	Steel Coupler (offcenter) 1 1/4" x 1"	1		
5	HM-204-CH	Char-Lyn Hydraulic Motor	1		
6	193-806	Mount motor	1		
7	193-806A	Motor mount stop	1		

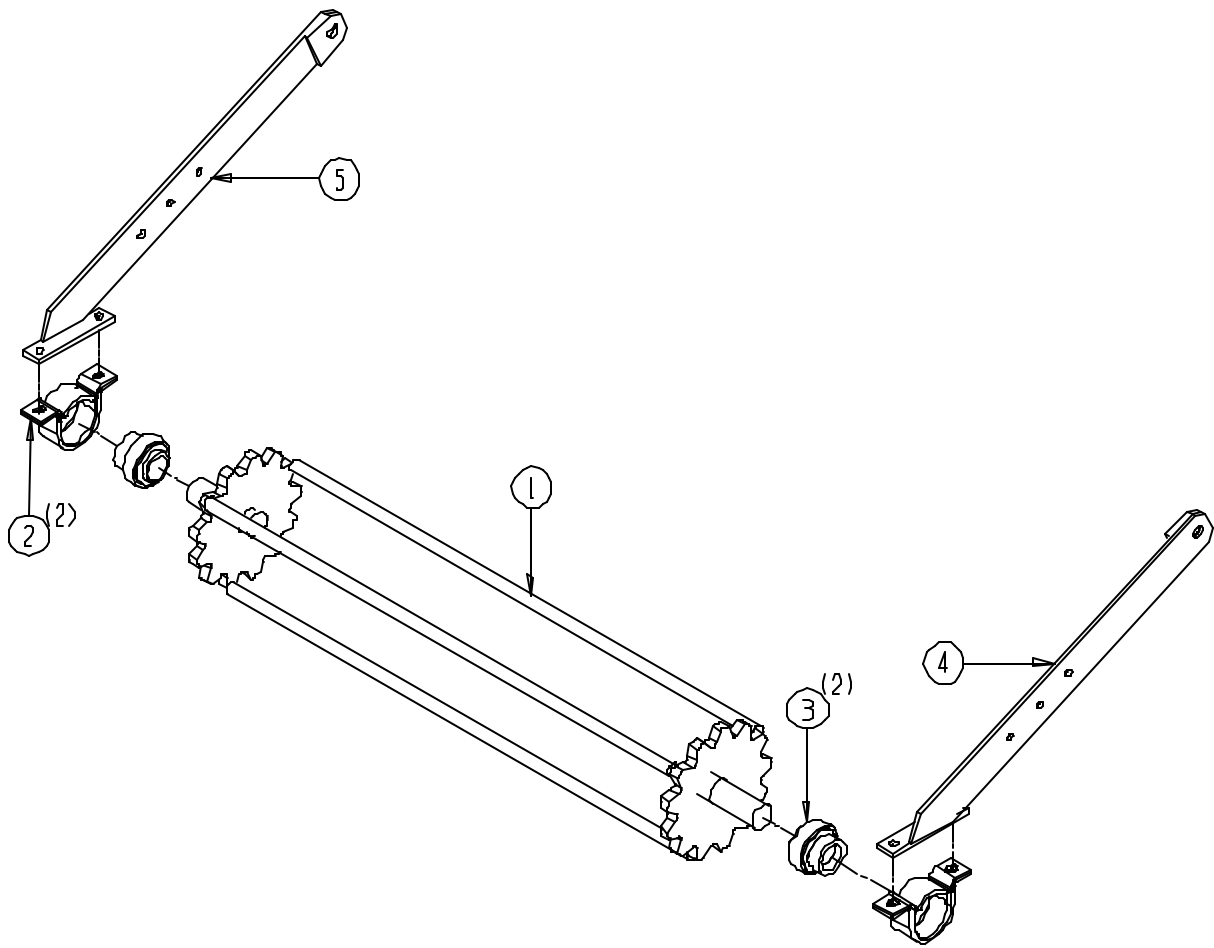
1104-6-3 CROSS CONVEYOR RETURN ROLLER ASSEMBLY



1104-6-4 Cross Conveyor Bar Cleaner Assem.

<u>Ref</u>	<u>Part No.</u>	<u>Description</u>	<u>Parts – Assembly</u>	<u>Will Fit SN</u>	<u>Remarks</u>
1	194-361	Belted chain bar cleaner, for 36mm pitch x 36in wide chain	1	19401-	Replaces 192-361
2	BR-062-MPB	Stamped Bearing Housing for 1 1/4" bearing	2		
3	BR-125-062	Bearing, 1 1/4 Fafnir tri-seal, 62mm OD	2		
4	192-362A	Chain cleaner bar (Left)	1	19101-	
5	192-362B	Chain cleaner bar (Right)	1	19101	
100	BL-6-125-H	3/8-16 X 1 1/4 HHCS G5 ZC	4		
101	BL-6-LN	3/8 UNC FIN HEX LOCK NUT NE A563 GrA ZINC	4		
102	BL-6-SW	3/8 SAE FW ZC	8		
103	BL-10-075-SH	5/8 X 3/4 SHOULDER BOLTS	2	11001-	
104	BL-8-FW-8	1/2 FLAT WASHER G8 ZC	2		
105	BL-8-LN	1/2-13 HEX LOCK NUT NYLON INSERT ZC	2		

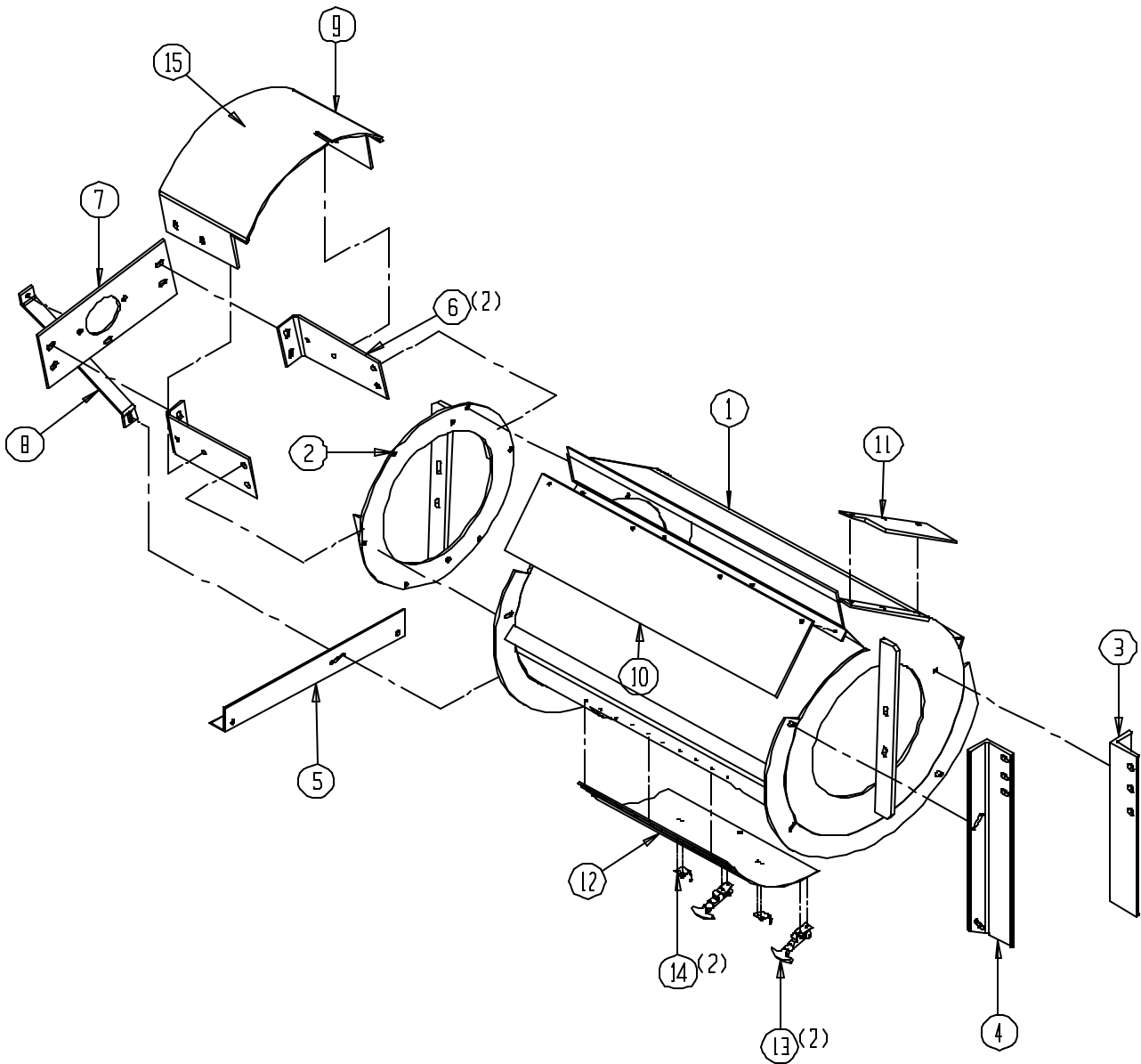
1104-6-4 CROSS CONVEYOR BAR CLEANER ASSEMBLY



1104-7-1 Debris Fan Assembly

<u>Ref</u>	<u>Part No.</u>	<u>Description</u>	<u>Parts – Assembly</u>	<u>Will Fit SN</u>	<u>Remarks</u>
1	FAN-8500	Debris Fan Hsing, Cross Conv. High Cap. Tom.	1		
2	FAN-8502	Bearing Mount Debris Fan, Cross Conveyor	1		
3	BRA-8100	Mount, LH, Rear Cross Frm & Debris Fan, HC290	1		
4	BRA-8101	Mount, RH, Rear Cross Frame & Debris Fan	1		
5	MOU-8500	Angle Mount, Debris Fan, HC290 Tomato	1		
6	BRA-8503	Bracket, Angle Mount, Debris Fan, HC290 Tomato	2		
7	MOU-8502	Motor Mount, Debris Fan, HC290 Tomato	1		
8	MOU-8503	Support For Mount, Debris Fan, HC290 Tomato	1		
9	PL-8504	Plastic Shield, Debris Fan Shaft, HC290 Tomato	1		
10	PL-8501	Plastic Shield, Debris Fan, HC290 Tomato	1		
11	PL-8503	Plastic Shield, Debris Fan/Cross Frame, HC290	1		
12	COV-703	Cover, Fan Clean-Out Door	1	19701-	
13	LA-703A	Large Rubber T Latch	2		
14	LA-703B	T Latch Keeper	2		
15	DC-1175	Decal, Danger, Fan Blade	1		
100	BL-1032-050	10-32 x 1/2" Bolt	18		
101	BC-1032-LN	10-32 lock nuts	18		

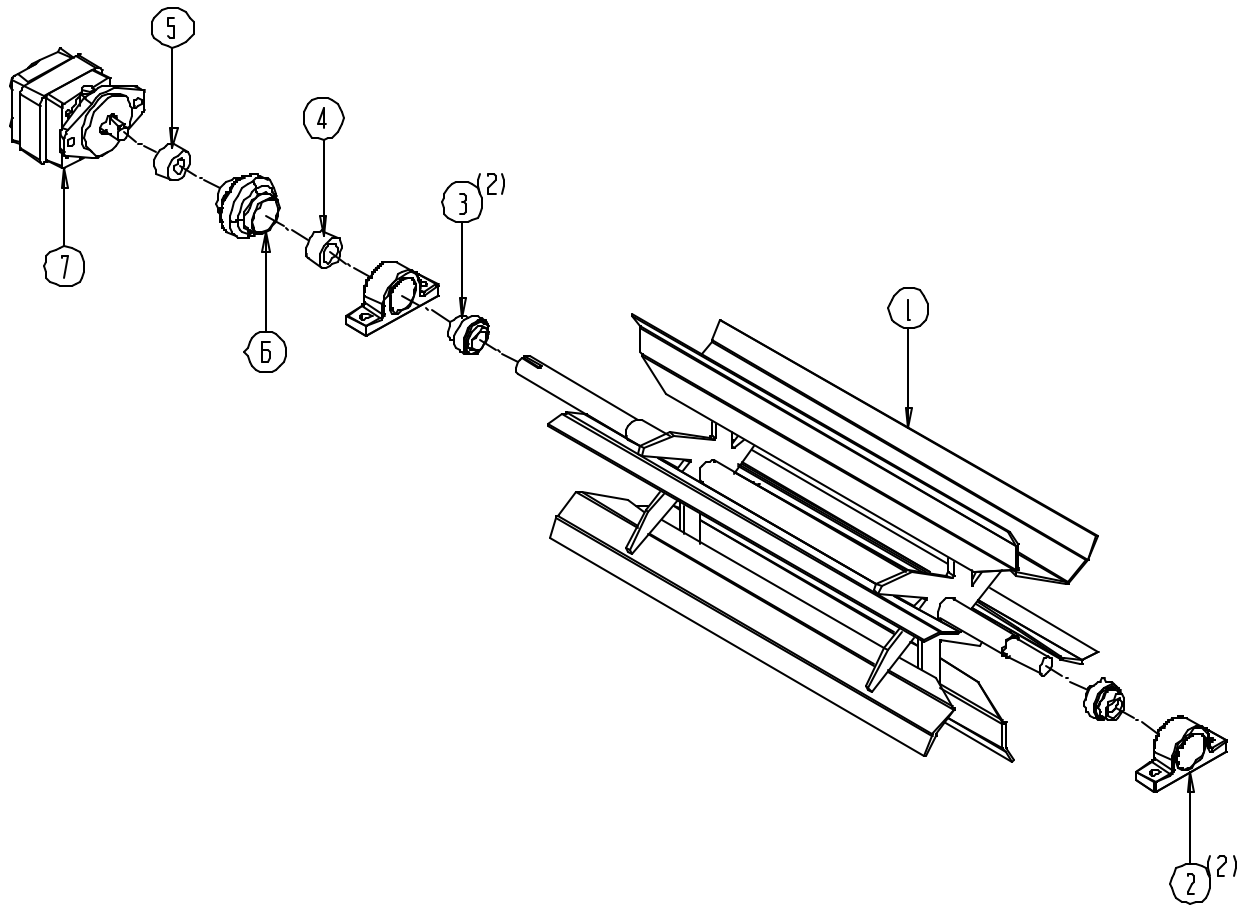
1104-7-1 DEBRIS FAN ASSEMBLY



1104-7-2 Debris Fan Paddle Assembly

<u>Ref</u>	<u>Part No.</u>	<u>Description</u>	<u>Parts – Assembly</u>	<u>Will Fit SN</u>	<u>Remarks</u>
1	FAN-8501	Fan Paddle, Cross Conveyor, High Cap. Tom	1		
2	BR-062-RAK	62mm Cast Housing	2		
3	BR-125-062	Bearing, 1 1/4 Fafnir tri-seal, 62mm OD	2		
4	CPR-7081A	Omega Coupler Hub 1 1/4"	1	19401	
5	CPR-7081C	Omega Hub 7/8	1	19401	
6	CPR-7081E	Coupler Element Only	1	19401	
7	HM-412C	Hydraulic Motor	1	19101	Sub 191-412

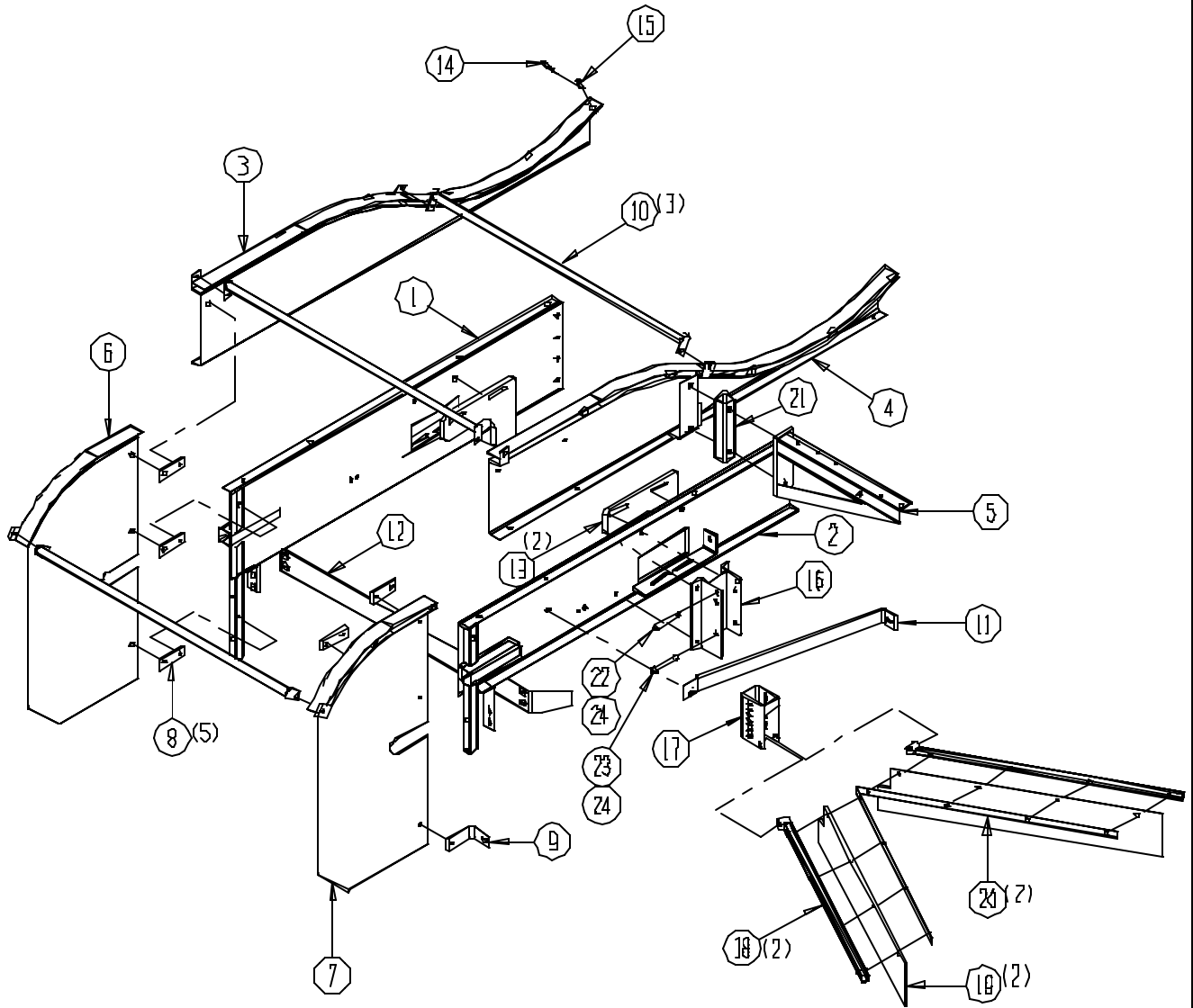
1104-7-2 DEBRIS FAN PADDLE ASSEMBLY



1104-8-1 Debris Belt Assembly

<u>Ref</u>	<u>Part No.</u>	<u>Description</u>	<u>Parts – Assembly</u>	<u>Will Fit SN</u>	<u>Remarks</u>
1	PAN-8501	Panel, Rear, RH, Cross Conveyor, HC290	1		
2	PAN-8503	Panel, Front, RH, Cross Conveyor, HC290 Tomato	1		
3	PAN-8509	Panel, Top, Back, RH, Cross Conveyor, HC290	1		
4	PAN-8513	Panel, Top, Front, RH, Cross Conveyor, HC290	1	PAN-8513	
5	MOU-8513	Mount, Flow Control, Cross Conveyor, HC290	1		
6	PAN-8514	Panel, Outside, RH, Cross Conveyor, HC290	1	PAN-8514	
7	PAN-8515	Panel, Inside, RH, Cross Conveyor, HC290	1		
8	BAR-8505	Bar, Between Panels, Cross Conveyor, HC290	5		
9	BRA-8505	Bracket, Between Panel & Cross Frm, HC290	1		
10	BRA-8508	Bracket, Over Plastic Shield, Crss Conveyor, HC290	3		
11	SUP-8512	Support, Flow Control Mount, HC 290	1		
12	MOU-8600	Roller Mount, Lower Elevation, HC290 Tomato	1		
13	PL-8507	Plastic Shield, Debris Belt, HC290 Tomato	2	PL-8507	
14	PIN-H8	Hairpin, 1/2-5/8 Rod Dia Range	1	59701-	
15	BL-6-150-HOLE	Bolt, W/ Hole, Crss Conv, Plastic Shield, HC290	1		
16	MOU-8601	Mount, V-Plow, Elevation, HC290 Tomato	1		
17	MOU-8602	Mount, Insert, V -Plow, Elevation, HC290 Tomato	1		
18	MOU-8603	Mount, Scraper, V -Plow, Elevation, HC290 Tomato	2		
19	BT-8601	Belting, V-Plow, Elevation, HC290 Tomato	2		
20	BAR-8610	Bar, V-Plow, Elevation, HC290 Tomato	2		
21	SPA-8512	Spacer, Flow Control Mount, HC 290	1		
22	BL-6-500-HOLE	Bolt w/ Hole, V-Plow, HC290 Tomato	1		
23	BL-8-500-HOLE	Bolt w/ Hole, Bottom, V-Plow, HC290 Tomato	1		
24	PIN-C3-32-24	Cotter Pin 3/32 x 1 1/2"	2		

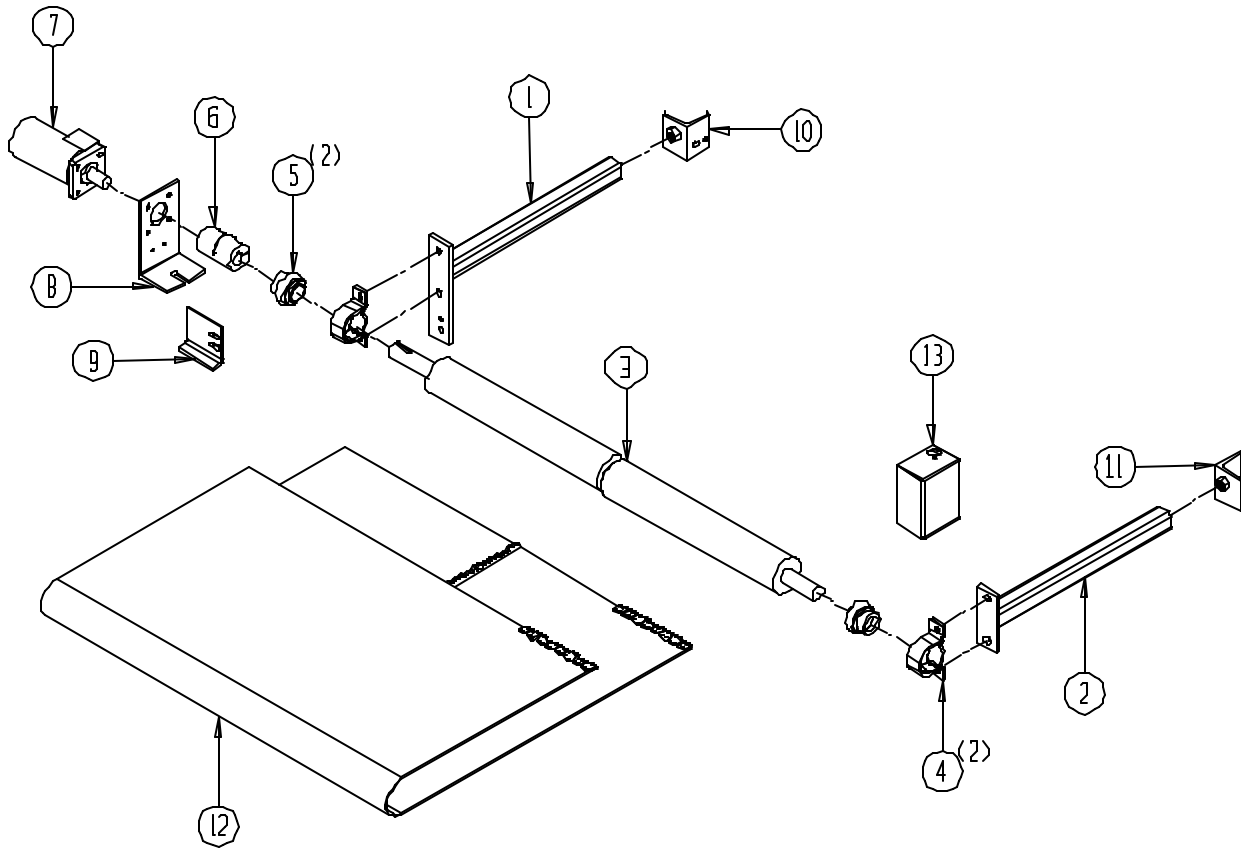
1104-8-1 DEBRIS BELT ASSEMBLY



1104-8-2 Debris Belt Drive Assembly

<u>Ref</u>	<u>Part No.</u>	<u>Description</u>	<u>Parts – Assembly</u>	<u>Will Fit SN</u>	<u>Remarks</u>
1	ADJ-8501	Adjuster, Belt, Outside, Cross Conveyor, HC290	1		
2	ADJ-8502	Adjuster, Belt, Inside, Cross Conveyor, HC290	1	ADJ-8502	
3	RLR-1036	Roller, Rubber, Flat Belt Drive, 36" Wide, Chili With Keyway	1		
4	BR-062-MPB	Stamped Bearing Housing for 1 1/4" bearing	2		
5	BR-125-062	Bearing, 1 1/4 Fafnir tri-seal, 62mm OD	2		
6	CPS-6060	Steel Coupler (offcenter) 1 1/4" x 1"	1		
7	HM-204-CH	Char-Lyn Hydraulic Motor	1		
8	193-806	Mount motor	1		
9	193-806A	Motor mount stop	1		
10	STP-8501	Stop, Outside, Adjuster Belt, Crss Convyr, HC290	1		
11	STP-8502	Stop, Inside, Adjuster Belt, Crss Convyr, HC290	1		
12	BT-86A36L	Debris Belt, 36" Wide x 86 1/2" Long w/A Guide, Laced	1		
12	SHD-8515	Shield, Bearing Cover Protector, 62mm	1		

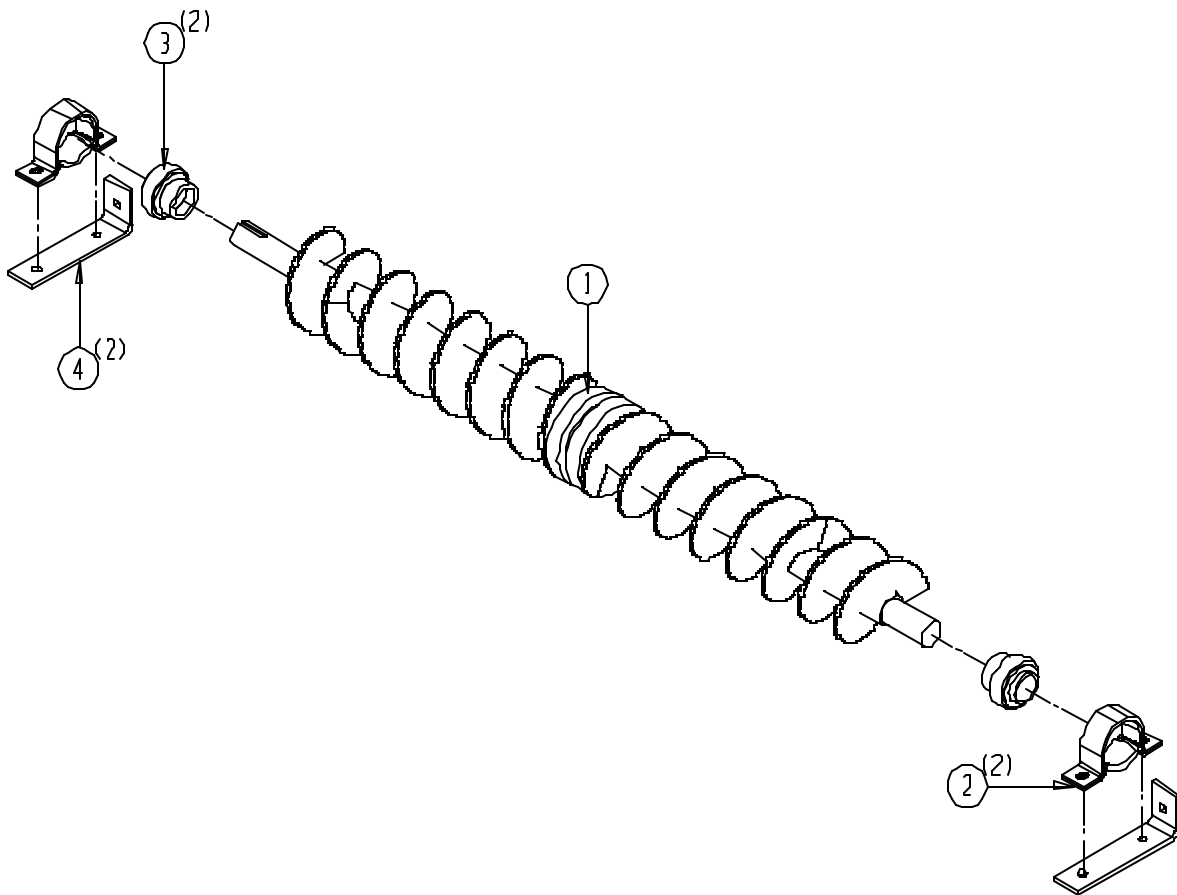
1104-8-2 DEBRIS BELT DRIVE ASSEMBLY



1104-8-3 Debris Belt Idler Assembly

<u>Ref</u>	<u>Part No.</u>	<u>Description</u>	<u>Parts – Assembly</u>	<u>Will Fit SN</u>	<u>Remarks</u>
1	SFT-8501	Roller, Auger Drive, Debris Fan Belt, High Cap Tomato	1		
2	BR-062-MPB	Stamped Bearing Housing for 1 1/4" bearing	2		
3	BR-125-062	Bearing, 1 1/4 Fafnir tri-seal, 62mm OD	2		
4	192-1528	Bearing Adjuster	2	19201-	

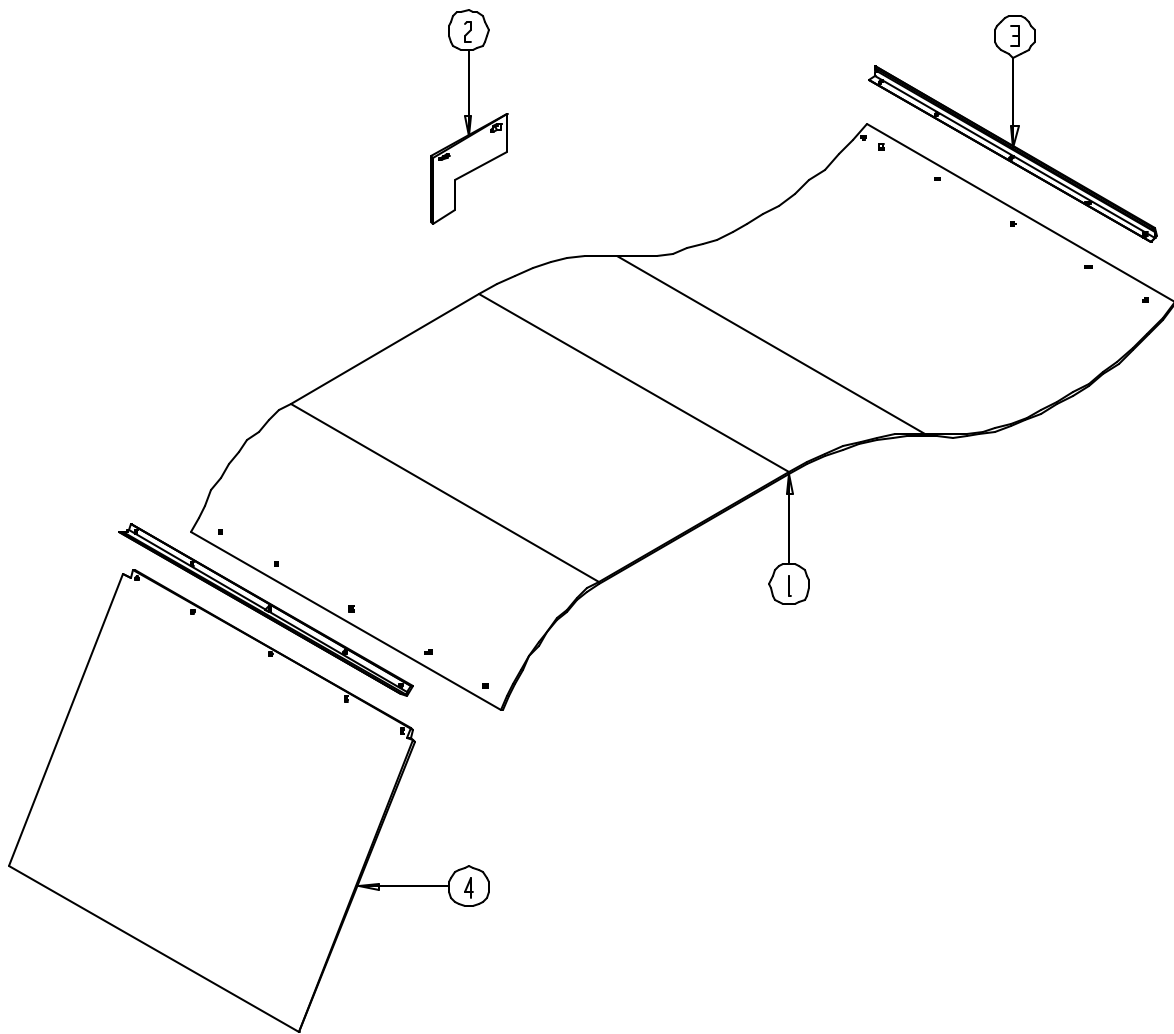
1104-B-3 DEBRIS BELT IDLER ASSEMBLY



1104-8-4 Debris Belt Shield Assembly

<u>Ref</u>	<u>Part No.</u>	<u>Description</u>	<u>Parts – Assembly</u>	<u>Will Fit SN</u>	<u>Remarks</u>
1	PL-8505	Plastic, Top Shield, Debris Belt, HC290	1		
2	PL-8506	Plastic Debris Belt Shield, Cross Conveyor, HC290	1		
3	SUP-8508	Support, Cover, Debris Belt, HC290 Tomato	2		
4	BT-8500	Belting, Debris Belt Shield, Crss Conv, HC290	1		

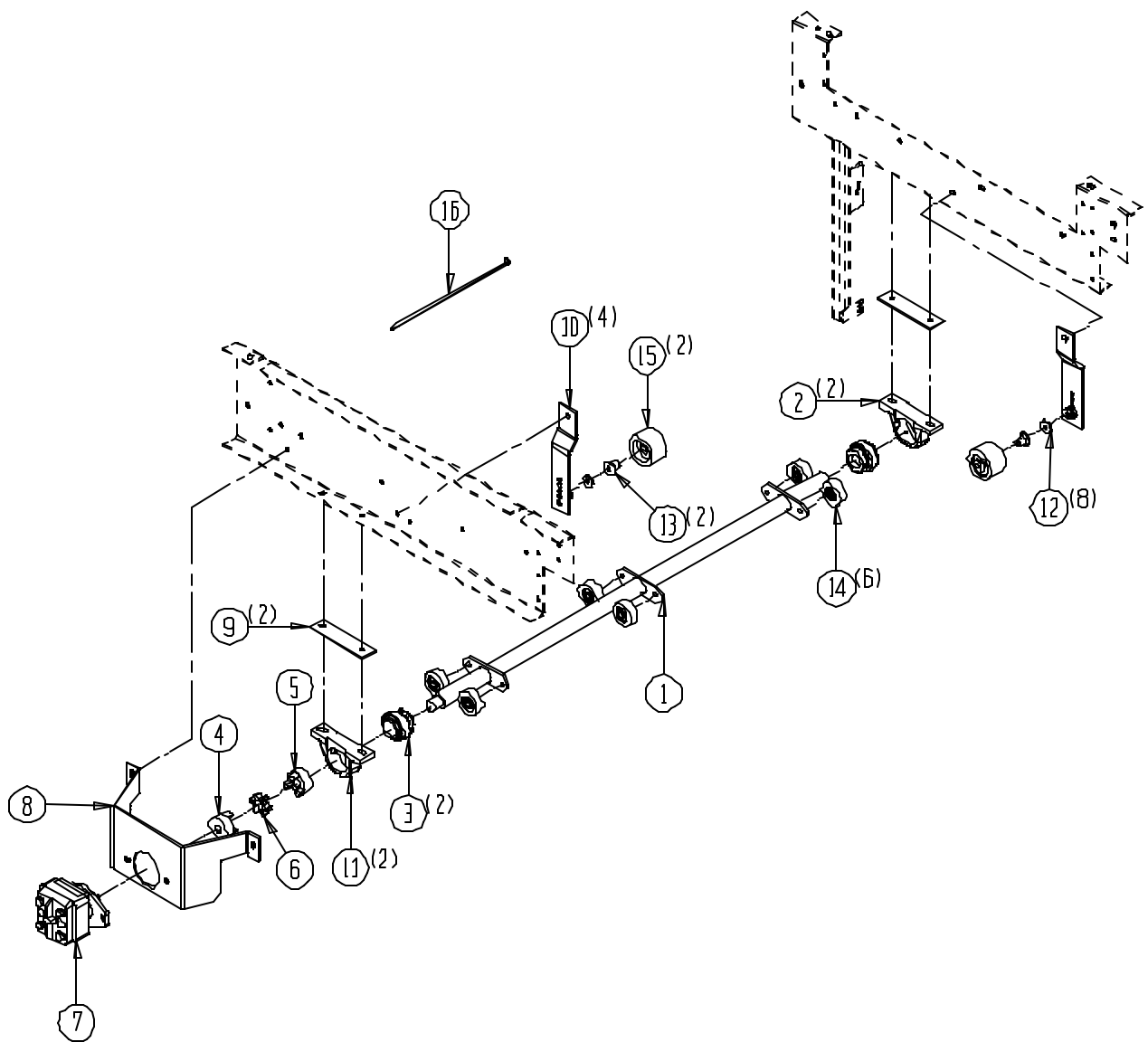
1104-8-4 DEBRIS BELT SHIELD ASSEMBLY



1104-8-5 Optional Elevation Dirt Vibrator Assembly

<u>Ref</u>	<u>Part No.</u>	<u>Description</u>	<u>Parts – Assembly</u>	<u>Will Fit SN</u>	<u>Remarks</u>
1	SFT-8601	Shaft, Optional Elevation Dirt Vibrator, HC290	1		
2	BR-085-RAK	Bearing Housing (1 3/4") Main Shaker	2	19101	
3	BR-175-085	Fafnir Bearing 1 3/4 Tri Seal	2		
4	CPJ-6051	Coupler, Motor Side 1in. bore	1	19101	Sub 194-6053
5	CPJ-6052	Coupler, Shaft side 1 1/4in. bore	1	19101	Sub 194-6053 Exept on Debris Fan
6	CPJ-6055	Coupler, Urethene Spider	1	19101	For use with CPJ-6052 and CPJ-6051 Sub CPS-6053
7	HM-115	Hydraulic Motor	1		
8	MOU-8402	Mount, Motor, Transfer Vibrator, HC290	1		
9	BAR-8400	Bar, Bearing Support, Transfer Vibrator, HC290	2		
10	BRA-8400	Bracket, Hold Up Rollers, HC290 Tomato	4		
11	GF-1428	Grease Fitting 1/4" x 28 straight	2		
12	RLA-000-028	Washer/Spacer	8	11001-	
13	RLA-000-118	Standoff, 1/2" X 1 1/8"	2		
14	RLT-027-108	Roller 2.75" dia. 1/2" Bore	6		2755C1X (Old Number, Single Bearing)
15	RLT-035-228	Roller 3.5 dia x 2.2 x 1/2" bore, no flange	2		
16	WT-17H	Heavy Duty Wire Tie 17.5"	20		
600	A-1404-4-4	1/4 MP x 1/4 FPX	1		
601	A-1405-12-12	3/4 NPT coupler w/swivel	1		
602	A-4124-6-6	3/8 Male Pipe x 3/8 Push Loc	1		
603	A-4129-6-4	1/4" NPT 90 w/3/8" Push-Loc	1		
604	A-6901-12-12	12 SAE x 3/4" FPX 90	2		
605	A-6901-8-6	8 SAE x 3/8" FPX90	1	20095001-	
607	H12-125-12MP-12MP	3/4 in hose 3/4MP x 3/4MP x 125 in long	2		
608	H6-PL	Push Loc Hose 3/8" @ ft. (Gray)	30		

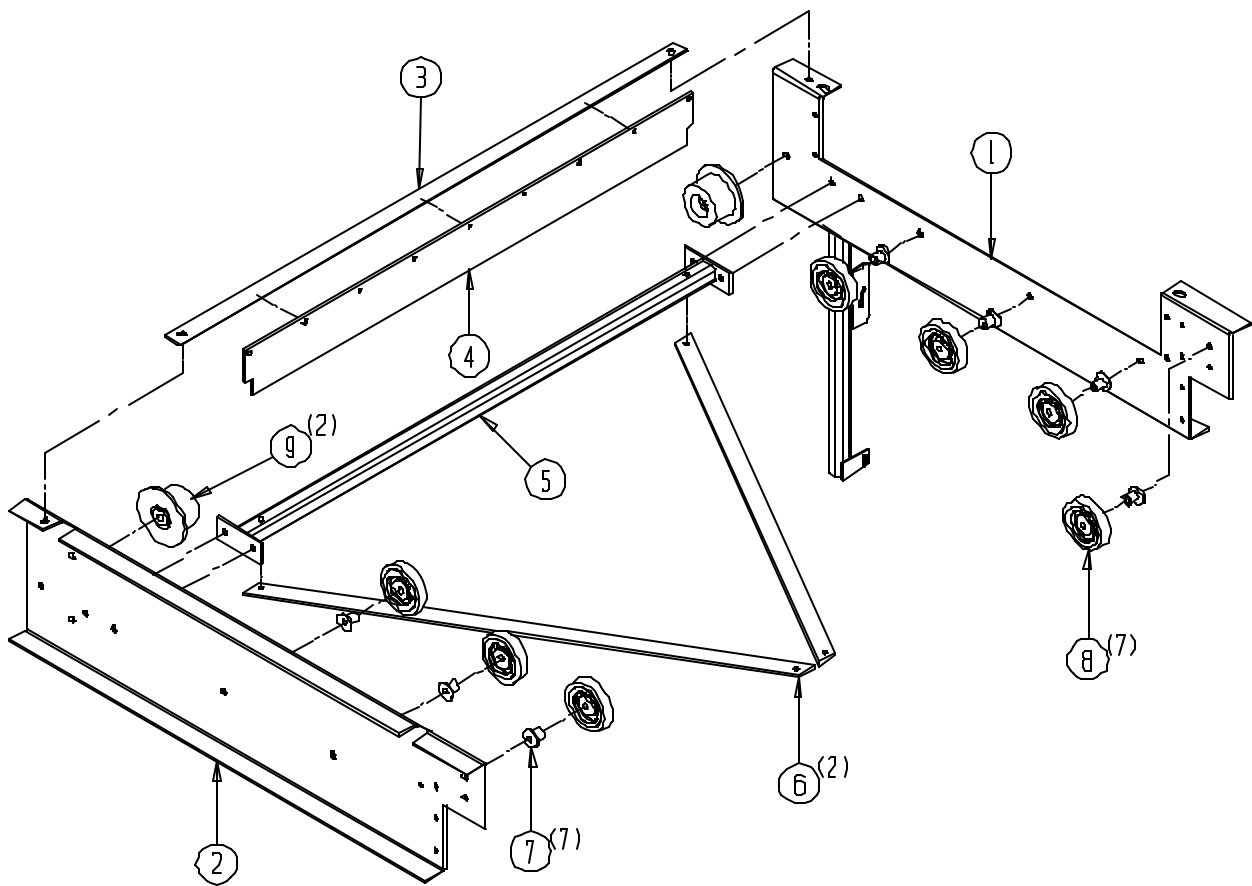
1104-B-5 OPTIONAL ELEVATION DIRT VIBRATOR ASSEMBLY



1104-9-1 Lower Elevation Assembly

<u>Ref</u>	<u>Part No.</u>	<u>Description</u>	<u>Parts – Assembly</u>	<u>Will Fit SN</u>	<u>Remarks</u>
1	PAN-8606	Panel, Lower, LH, Elevation, HC290 Tomato	1		
2	PAN-8601	Panel, Lower, RH, Elevation, HC290 Tomato	1		
3	BRA-8604	Bracket, Between Panels, Elevation, HC290	1		
4	BT-8600	Belting, Shield, Lower Elevation, HC290 Tomato	1		
5	BAR-8602	Bar, Cross Elevation	1		
6	BAR-8603	Bar, Cross, Lower Elevation, HC290 Tomato	2		
7	RLA-000-118	Standoff, 1/2" X 1 1/8"	7		
8	RLR-040-108R	4" Flat Roller with Replaceable Bearings	7		
9	RLT-535-228	5" Flange Roller 2.2WF x 3 1/2" dia, 1/2" bore	2		

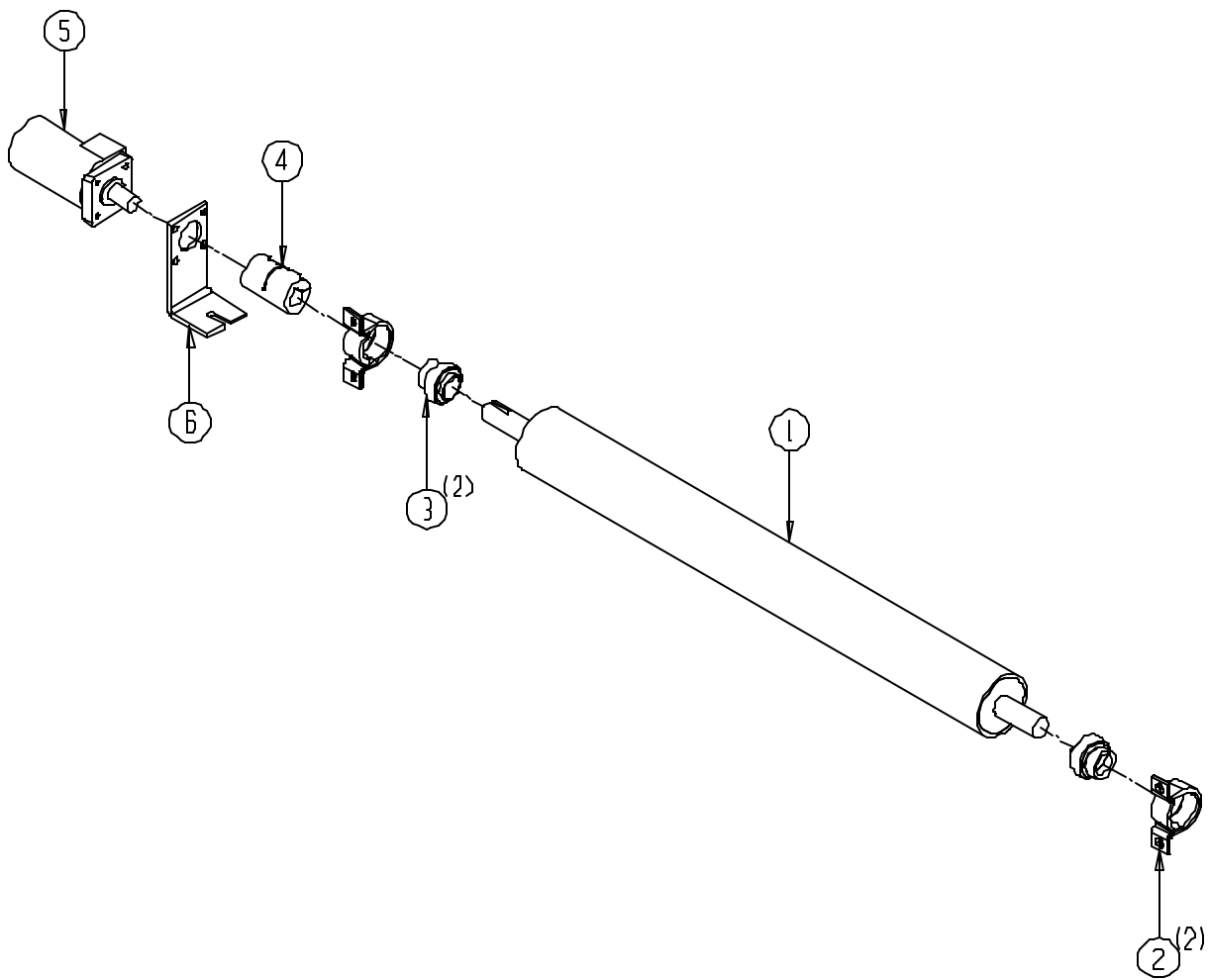
1104-9-1 LOWER ELEVATION ASSEMBLY



1104-9-2 Lower Elevation Divider Bar Assembly

<u>Ref</u>	<u>Part No.</u>	<u>Description</u>	<u>Parts – Assembly</u>	<u>Will Fit SN</u>	<u>Remarks</u>
1	194-209	Transfer - Header Roller	1	19401-	
2	BR-062-MPB	Stamped Bearing Housing for 1 1/4" bearing	2		
3	BR-125-062	Bearing, 1 1/4 Fafnir tri-seal, 62mm OD	2		
4	CPS-6060	Steel Coupler (offcenter) 1 1/4" x 1"	1		
5	HM-204-CH	Char-Lyn Hydraulic Motor	1		
6	MOU-806	Motor Mount	1		

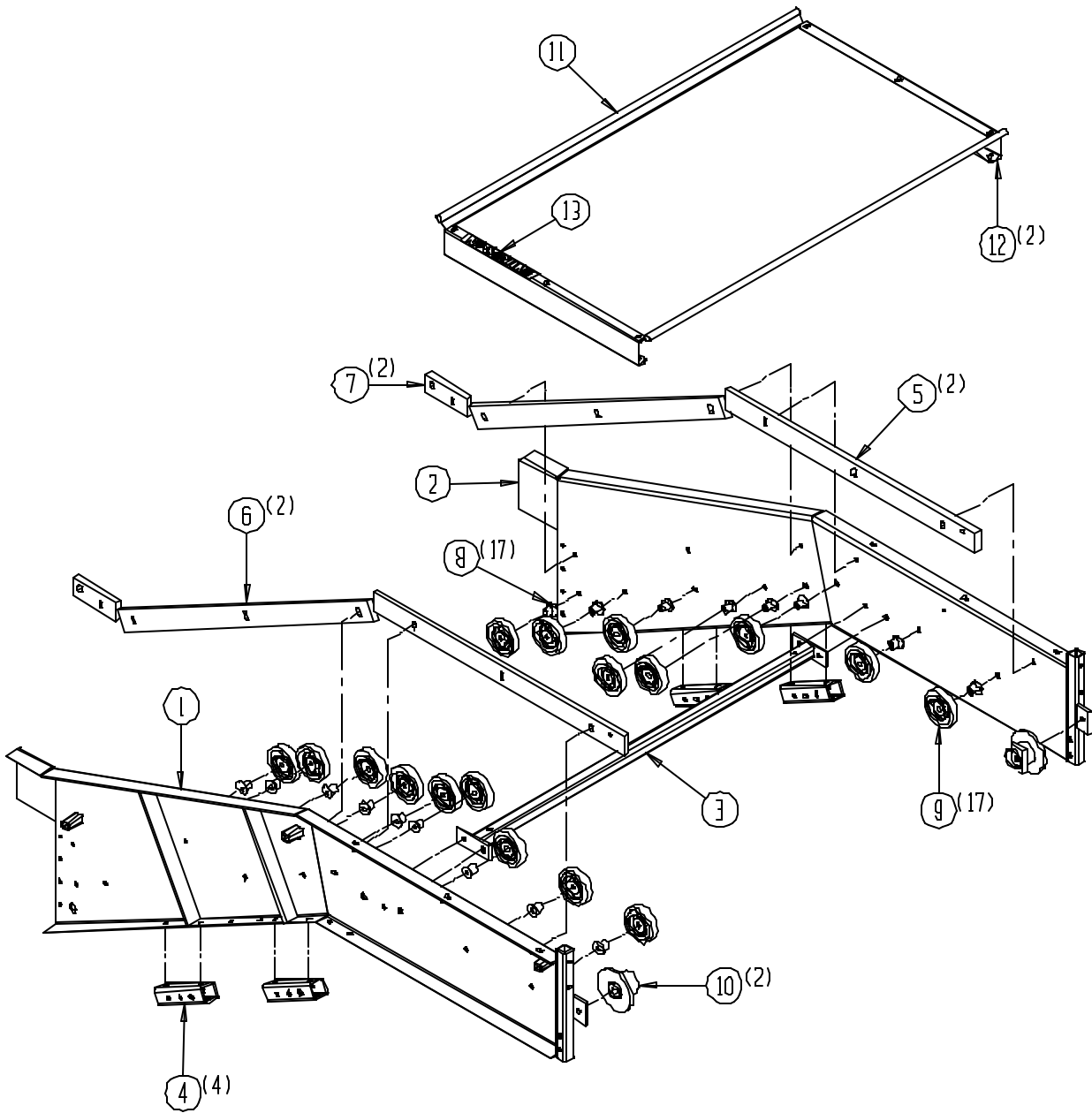
1104-9-2 LOWER ELEVATION DIVIDER BAR ASSEMBLY



1104-9-3 Elevation/Presort Assembly

<u>Ref</u>	<u>Part No.</u>	<u>Description</u>	<u>Parts – Assembly</u>	<u>Will Fit SN</u>	<u>Remarks</u>
1	PAN-8602	Panel, Upper, RH Elevation, HC290 Tomato	1		
2	PAN-8603	Panel, Upper, LH Elevation, HC290 Tomato	1		
3	BAR-8602	Bar, Cross Elevation	1		
4	BAR-8605	Bar, Mount, Upper Elevation, HC290 Tomato	4		
5	PL-8601	Plastic, Front, Side Spacer, Elevation, HC290	2		
6	PL-8602	Plastic, Middle, Side Spacer, Elevation, HC290	2		
7	PL-8603	Plastic, Back, Side Spacer, Elevation, HC290	2		
8	RLA-000-118	Standoff, 1/2" X 1 1/8"	17		
9	RLR-040-108R	4" Flat Roller with Replaceable Bearings	17		
10	RLS-522-2010	Steel Roller, 5" Flange, 2.2" Dia, 2" wide	2		Sub RLU-522-2010
11	SHD-8600	Shield, Cover, Elevation/Presort, HC290 Tomato	1		
12	BRA-8606	Bracket, Cover, Elevation/Presort, HC290 Tomato	2		
13	DC-0039	Decal "No Sorting" 1.5 x 10.50	1		

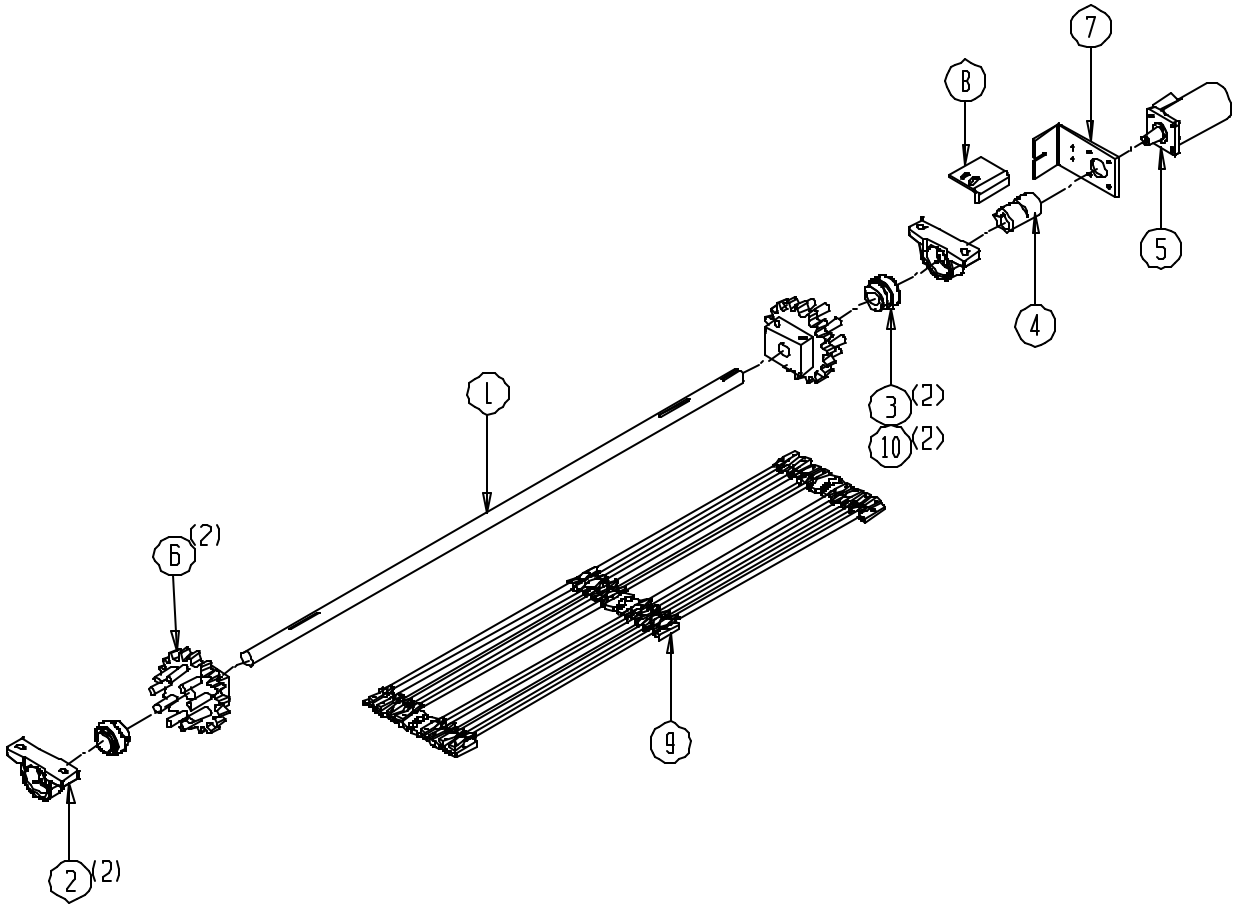
1104-9-3 ELEVATION/PRESORT ASSEMBLY



1104-9-4 Elevation Drive Shaft Assembly

<u>Ref</u>	<u>Part No.</u>	<u>Description</u>	<u>Parts – Assembly</u>	<u>Will Fit SN</u>	<u>Remarks</u>
1	SFT-8600	Drive Shaft, Elevation, High Cap Tomato	1		
2	BR-072-RAK	Bearing Housing	2		
3	BR-125-072	Bearing, 1 1/4 Fafnir tri-seal, 72mm OD	2		
4	CPS-6060	Steel Coupler (offcenter) 1 1/4" x 1"	1		
5	HM-210-CH	Char-Lynn Hydraulic Motor	1		
6	SP-2818-20-4	Sprocket 28mm x 18 tooth 1 1/4" bore 1/4" key	2		Cast Sprocket
6	SP-2818-20-4H	28-18 Steel Sprocket 1 1/4" bore 1/4" key, heat treated	2		
7	193-806	Mount motor	1		
8	193-806A	Motor mount stop	1		
9	BC-7-5028-265	Presort Chain, High Capacity Tomato Model 290	1		
10	BR-12572-LC	1 1/4" Locking Collar - Bearing Protector	2		

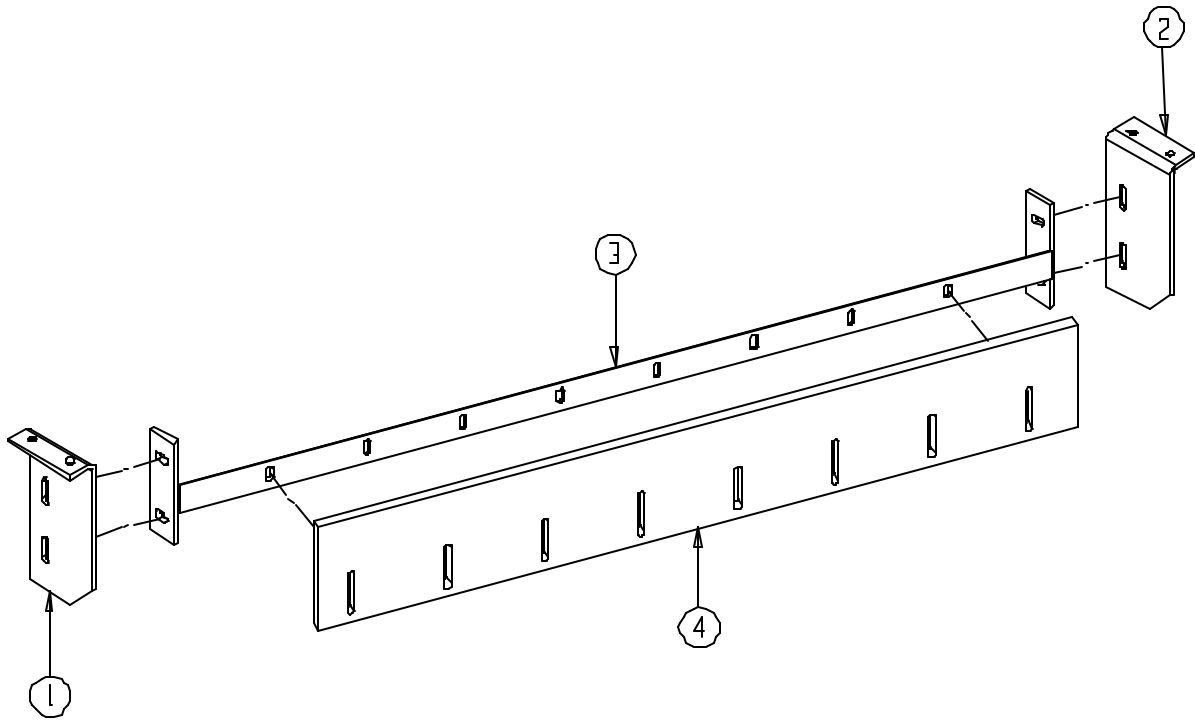
1104-9-4 ELEVATION DRIVE SHAFT ASSEMBLY



1104-9-5 Elevation Chain Cleaner Assembly

<u>Ref</u>	<u>Part No.</u>	<u>Description</u>	<u>Parts – Assembly</u>	<u>Will Fit SN</u>	<u>Remarks</u>
1	BRA-8600	Bracket, RH Scraper Mount, Elevation, HC290	1		
2	BRA-8601	Bracket, LH Scraper Mount, Elevation, HC290	1		
3	BRA-8602	Bracket, Scraper, Elevation, HC290 Tomato	1		
4	PL-8604	Plastic, Chain Scraper, Elevation Chain, HC290	1		

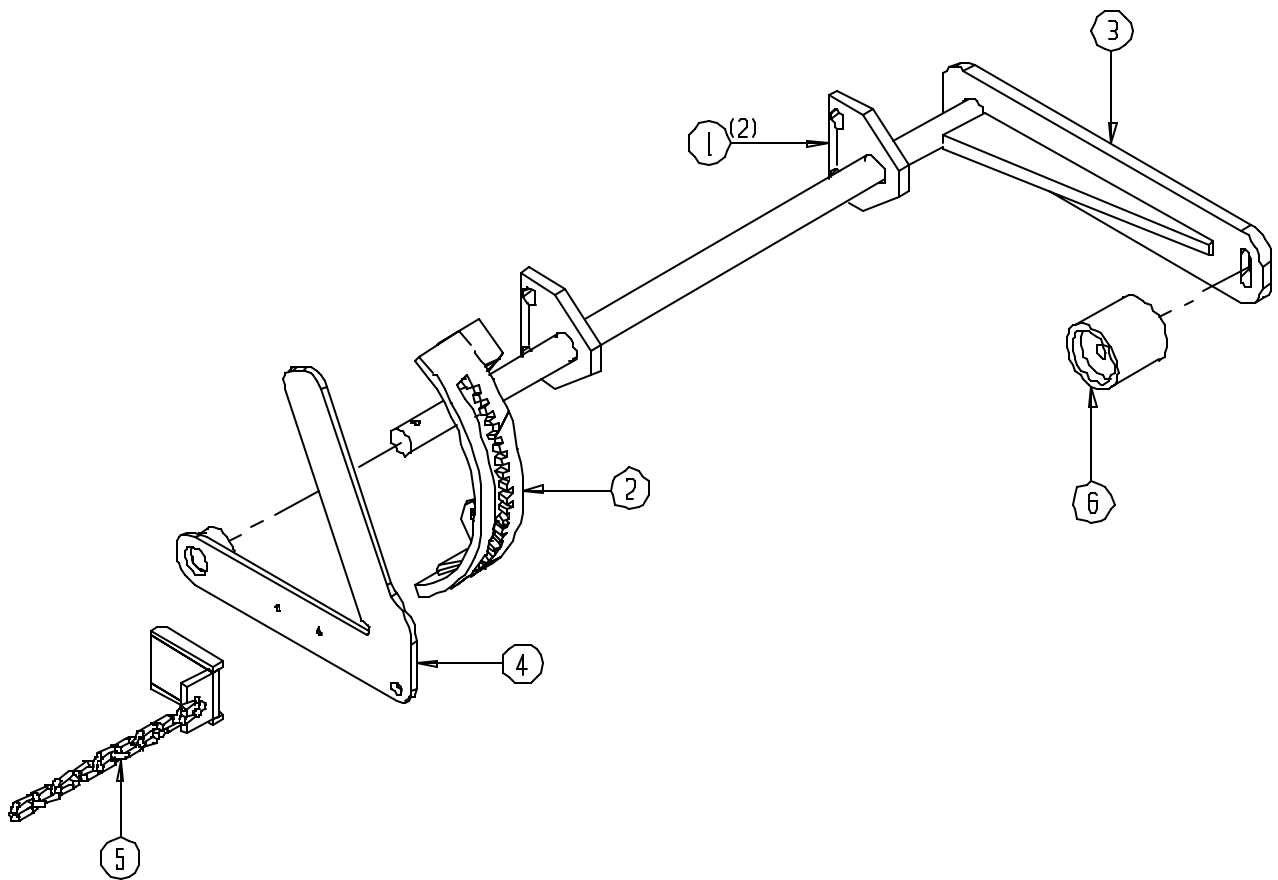
1104-9-5 ELEVATION CHAIN CLEANER ASSEMBLY



1104-9-6 Elevation Rod Jumper Assembly

<u>Ref</u>	<u>Part No.</u>	<u>Description</u>	<u>Parts – Assembly</u>	<u>Will Fit SN</u>	<u>Remarks</u>
1	MOU-8101	Mount, Rod Jumper, Rear Crss Frm, HC290	2		
2	ADJ-3330	Adjuster, Angle, Stop Holder, Hedg Hog, Cuc	1	30098001- HH-3300	
3	ADJ-8600	Adjuster, Rod Jumper, Crss Frm/Elevation, HC290	1		
4	ARM-0159	Arm, Bouncer Handle, Presort Kit, HC 290	1		
5	STP-3330	Bracket, Stop Holder, Hedge Hog	1	30098001- HH-3300	
6	RLS-022-228	Steel Roller, 2.2" Dia, 2" wide, 1/2" Bore	1		

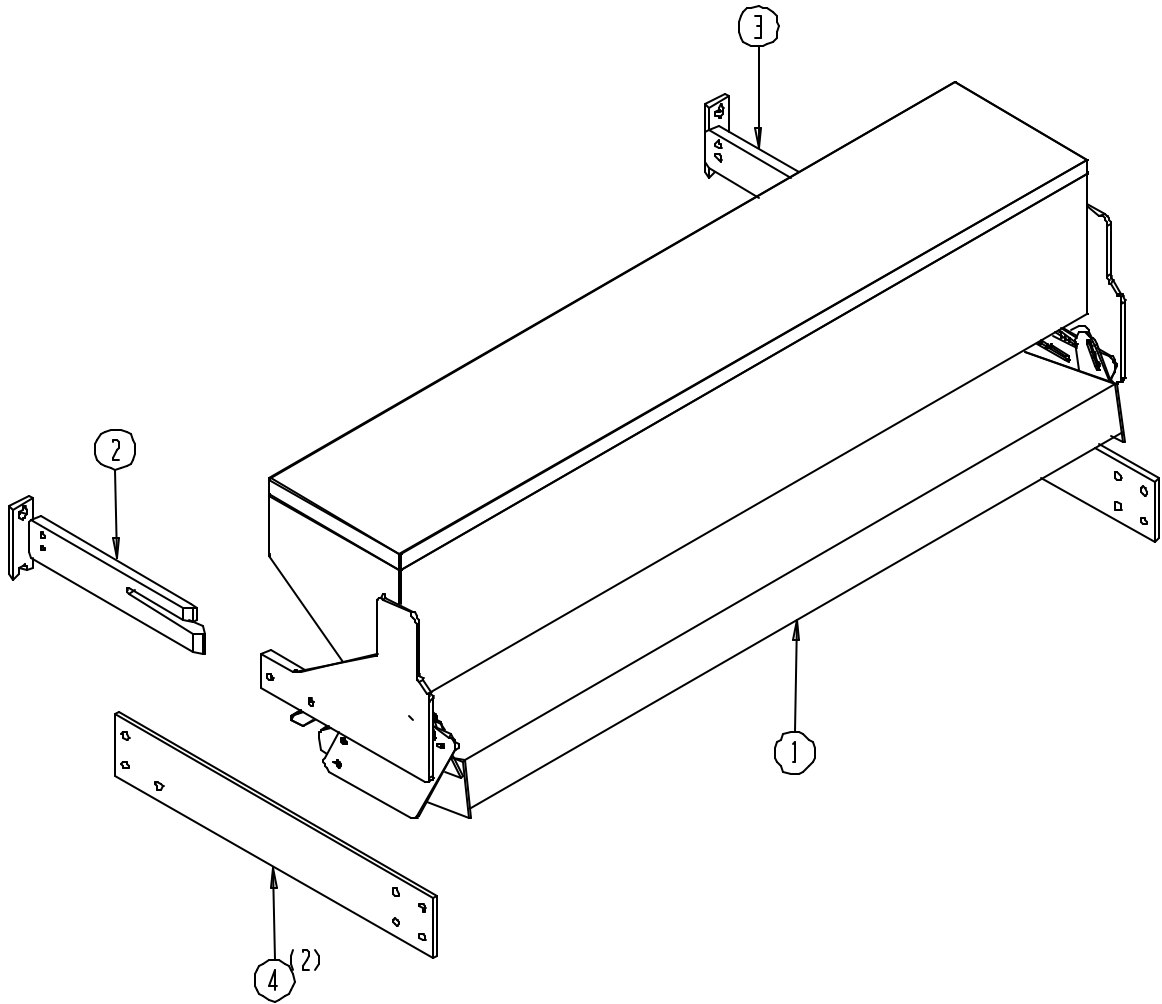
1104-9-6 ELEVATION ROD JUMPER ASSEMBLY



1104-9-7 Color Sorter Assembly

<u>Ref</u>	<u>Part No.</u>	<u>Description</u>	<u>Parts – Assembly</u>	<u>Will Fit SN</u>	<u>Remarks</u>
1	SRT-1548	48" Odenberg GradeMaster Color Sorter	1		
2	BRA-8750	Bracket, Color Sorter, HC290 Tomato	1		
3	BRA-8751	Bracket, Mount LH, Color Sorter, HC290 Tomato	1		
4	BAR-8601	Bar, Elevation, Color Sorter, HC290 Tomato	2		

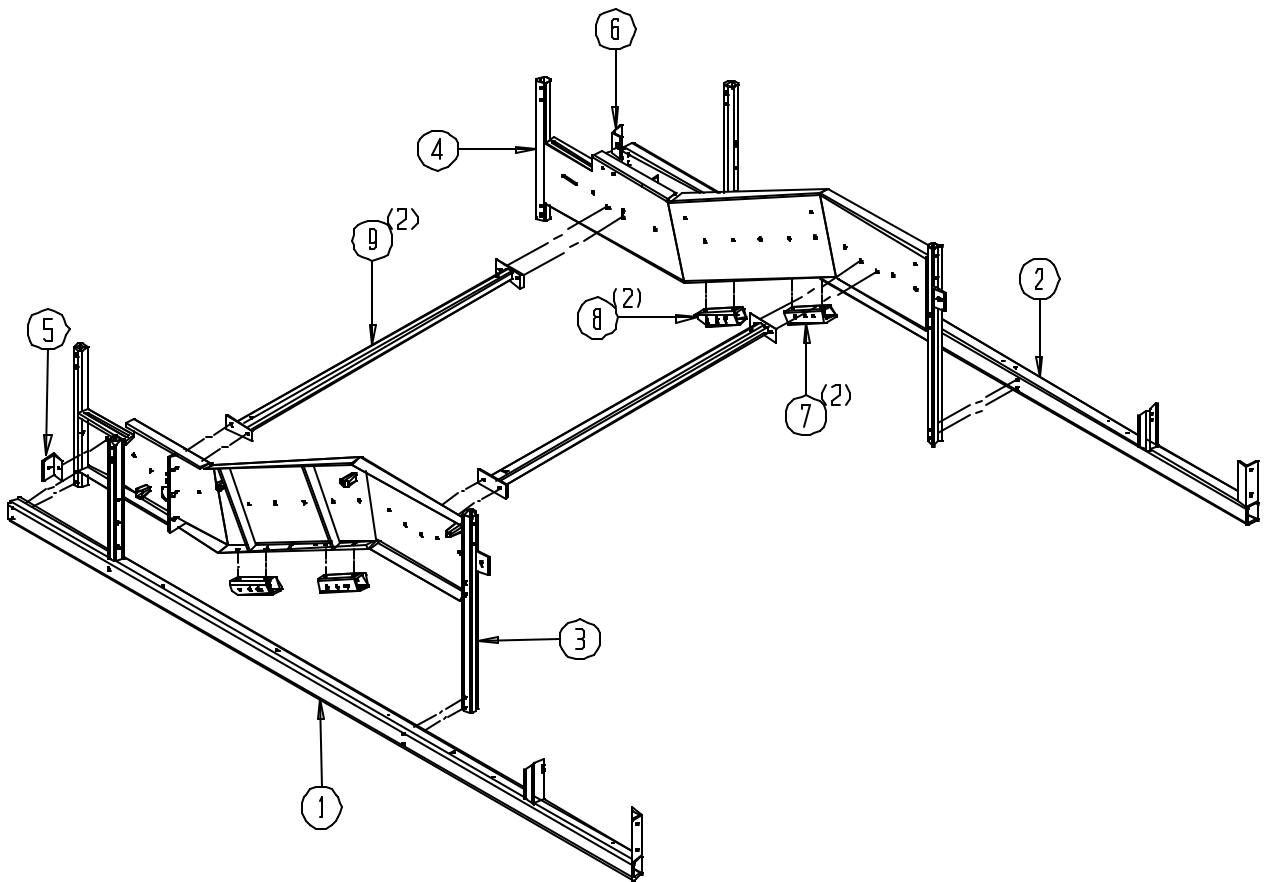
1104-9-7 COLOR SORTER ASSEMBLY



1104-9-8 Optional 2nd Sorter Elevation/Presort Assembly

<u>Ref</u>	<u>Part No.</u>	<u>Description</u>	<u>Parts – Assembly</u>	<u>Will Fit SN</u>	<u>Remarks</u>
1	MOU-8751	Mount, LH, 2nd Elevation/Aftersort, HC290	1		
2	MOU-8752	Mount, RH, 2nd Elevation/Aftersort, HC290	1		
3	PAN-8604	Panel, Front RH, 2nd Elevation, HC290 Tomato	1		
4	PAN-8605	Panel, Front LH, 2nd Elevation, HC290 Tomato	1		
5	BRA-8753	Bracket, Adjuster RH, 2nd Elevation, HC290	1		
6	BRA-8754	Bracket, Adjuster LH, 2nd Elevation, HC290	1	BRA-8754	
7	BAR-8605	Bar, Mount, Upper Elevation, HC290 Tomato	2		
8	BAR-8606	Bar, Side Mounts, 2nd Elevation, HC290 Tomato	2		
9	BAR-8602	Bar, Cross Elevation	2		

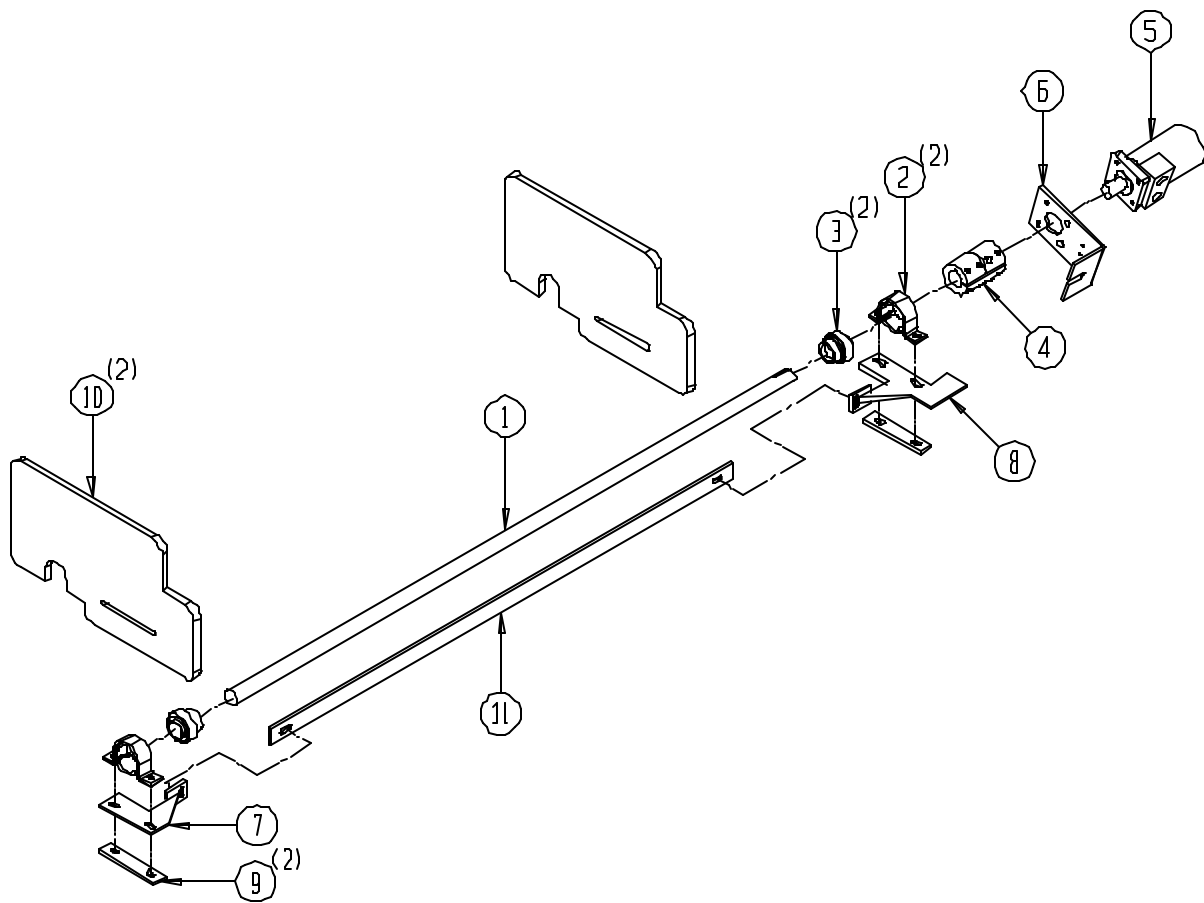
1104-9-8 OPTIONAL 2ND SORTER ELEVATION/PRESORT ASSEMBLY



1104-9-9 Optional 2nd Sorter Divider Bar Assembly

<u>Ref</u>	<u>Part No.</u>	<u>Description</u>	<u>Parts – Assembly</u>	<u>Will Fit SN</u>	<u>Remarks</u>
1	SFT-8751	Divider Roller Assy, Double Sorter, HC290	1		
2	BR-062-MPB	Stamped Bearing Housing for 1 1/4" bearing	2		
3	BR-125-062	Bearing, 1 1/4 Fafnir tri-seal, 62mm OD	2		
4	CPS-6060	Steel Coupler (offcenter) 1 1/4" x 1"	1		
5	HM-204-CH	Char-Lyn Hydraulic Motor	1		
6	193-806	Mount motor	1		
7	BAR-8762	Bar, Dividr Rollr Assy, RH, 2nd Aftersort, HC290	1		
8	BAR-8763	Bar, Dividr Rollr Assy, LH, 2nd Aftersort, HC290	1		
9	192-805	Bracket, Outer Transfer Drive	2	19201-	
10	PL-8754	Plastic Shield, 2nd Aftersort, HC290	2		
11	BAR-8764	Scraper, Divider Bar Assy, 2nd Aftersort, HC290	1		

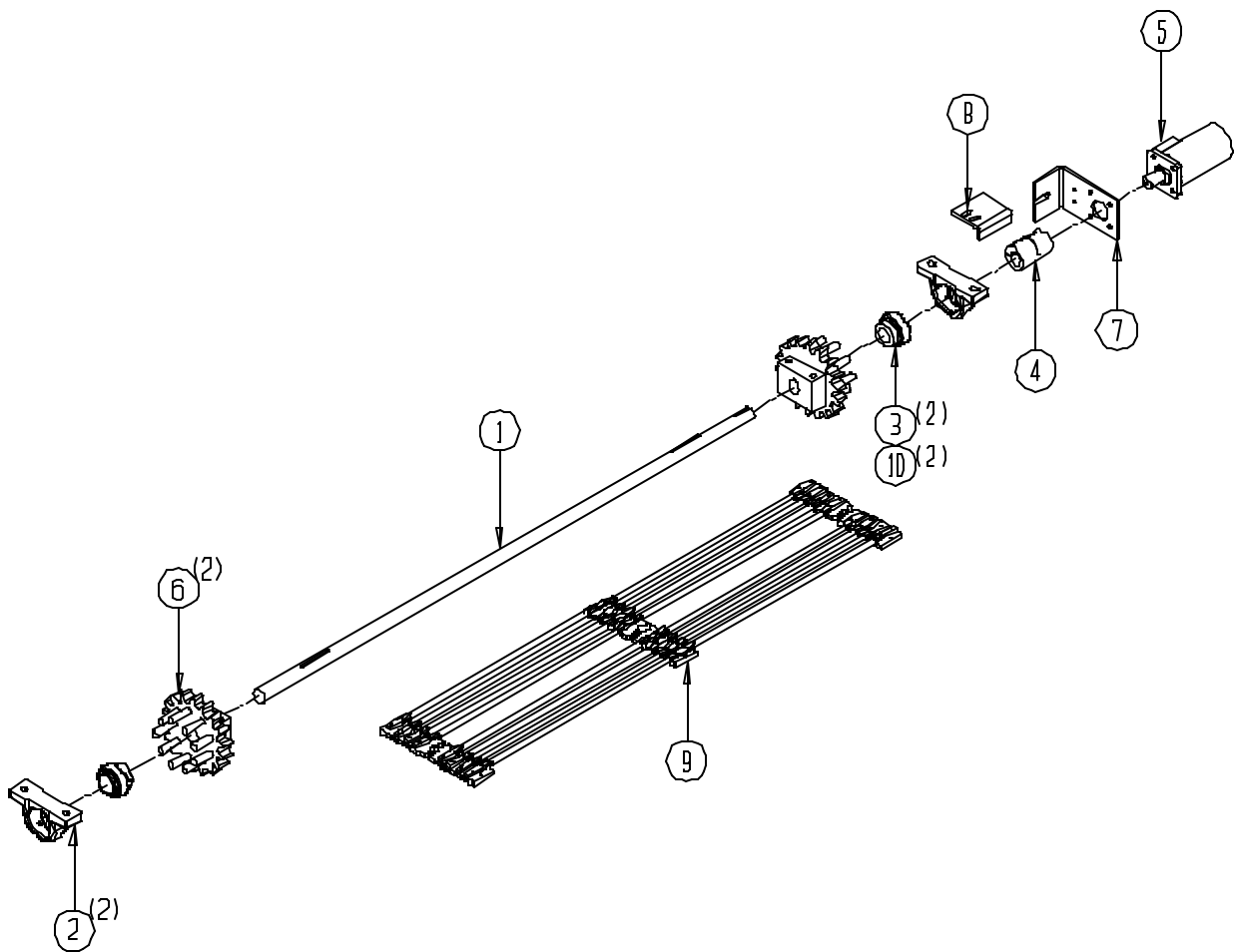
1104-9-9 OPTIONAL 2ND SORTER DIVIDER BAR ASSEMBLY



1104-9-10 Optional 2nd Sorter Elevation Drive Shaft Assembly

<u>Ref</u>	<u>Part No.</u>	<u>Description</u>	<u>Parts – Assembly</u>	<u>Will Fit SN</u>	<u>Remarks</u>
1	SFT-8600	Drive Shaft, Elevation, High Cap Tomato	1		
2	BR-072-RAK	Bearing Housing	2		
3	BR-125-072	Bearing, 1 1/4 Fafnir tri-seal, 72mm OD	2		
4	CPS-6060	Steel Coupler (offcenter) 1 1/4" x 1"	1		
5	HM-210-CH	Char-Lynn Hydraulic Motor	1		
6	SP-2818-20-4	Sprocket 28mm x 18 tooth 1 1/4" bore 1/4" key	2		Cast Sprocket
6	SP-2818-20-4H	28-18 Steel Sprocket 1 1/4" bore 1/4" key, heat treated	2		
7	193-806	Mount motor	1		
8	193-806A	Motor mount stop	1		
9	BC-7-5028-147	Presort, 7/16" Bars, 50" Wide x 147 Bars, 28 mm Pitch	1		
10	BR-12572-LC	1 1/4" Locking Collar - Bearing Protector	2		

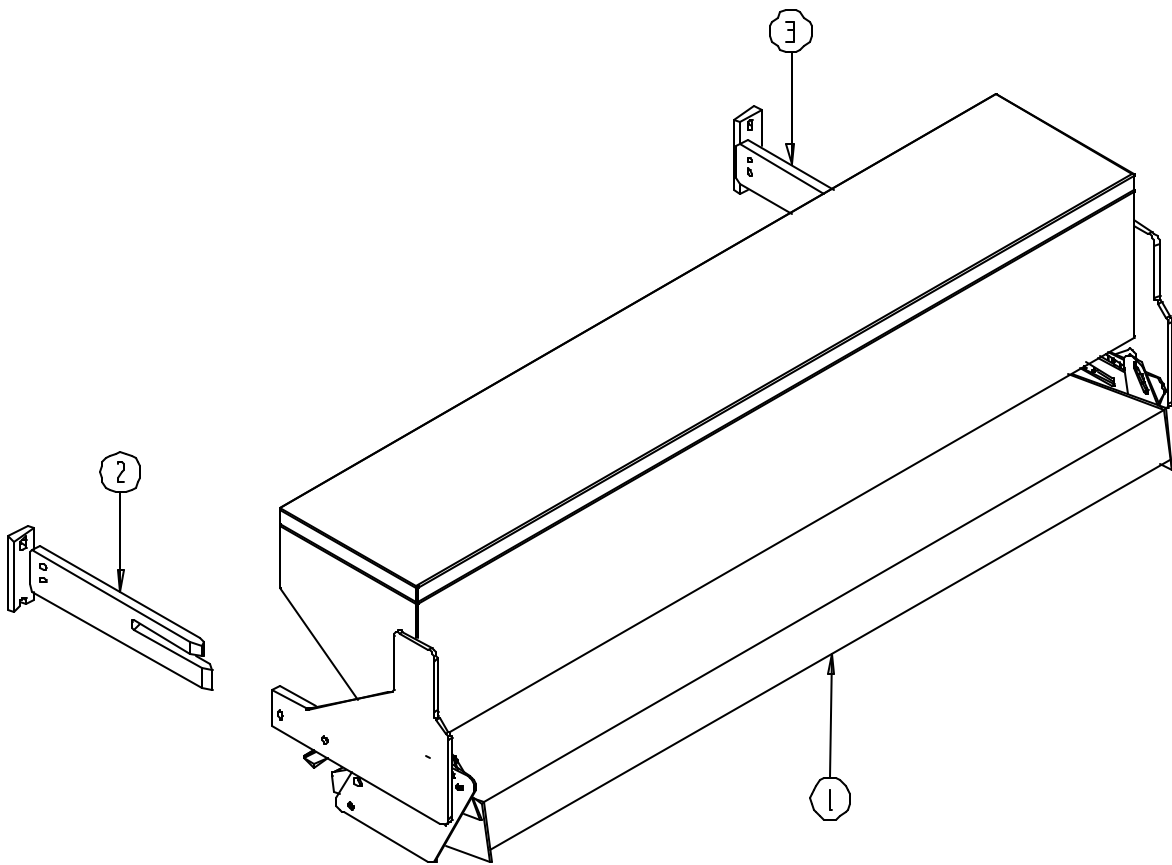
1104-9-10 OPTIONAL 2ND SORTER ELEVATION DRIVE SHAFT ASSEMBLY



1104-9-11 Optional 2nd Color Sorter Assembly

<u>Ref</u>	<u>Part No.</u>	<u>Description</u>	<u>Parts – Assembly</u>	<u>Will Fit SN</u>	<u>Remarks</u>
1	SRT-1548	48" Odenberg GradeMaster Color Sorter	1		
2	BRA-8750	Bracket, Color Sorter, HC290 Tomato	1		
3	BRA-8751	Bracket, Mount LH, Color Sorter, HC290 Tomato	1		

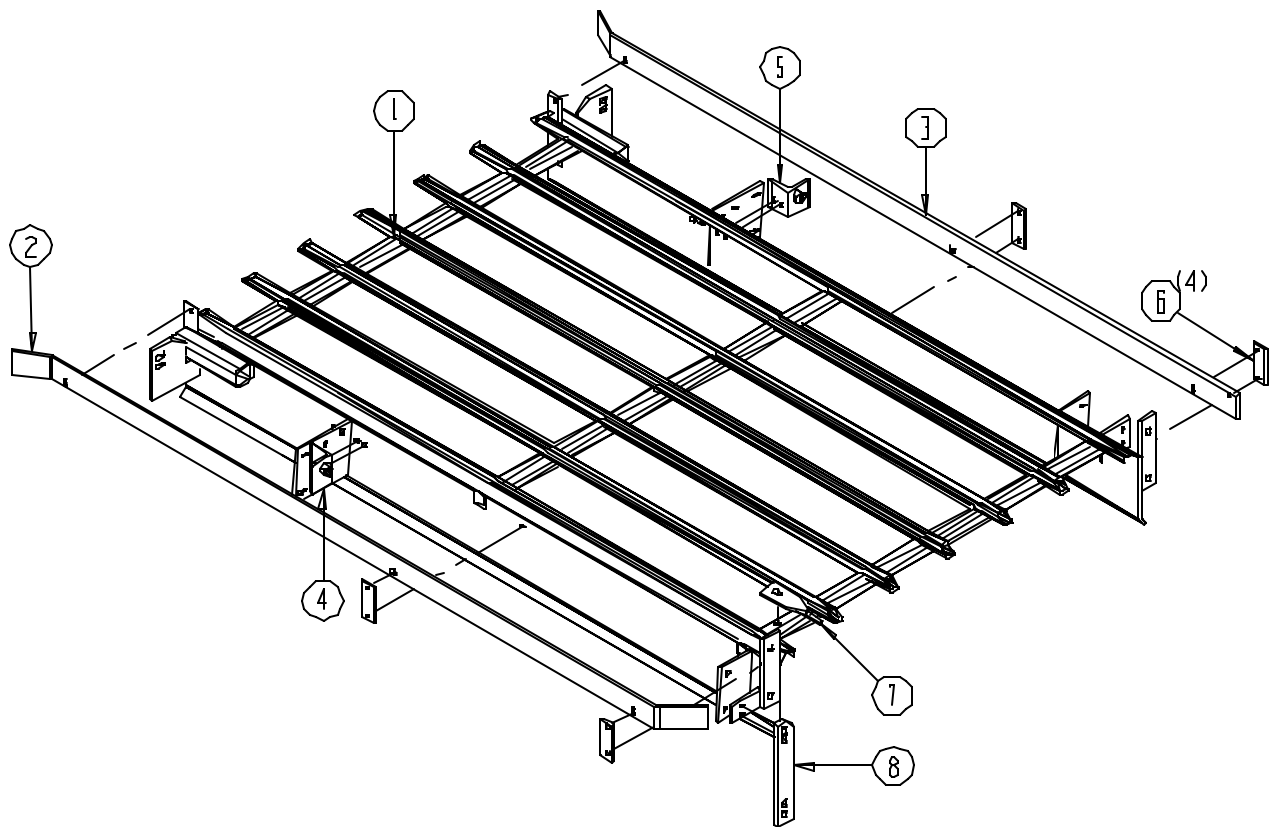
1104-9-11 OPTIONAL 2ND COLOR SORTER ASSEMBLY



1104-9-12 Optional 2nd Sorter Short Aftersort Assembly

<u>Ref</u>	<u>Part No.</u>	<u>Description</u>	<u>Parts – Assembly</u>	<u>Will Fit SN</u>	<u>Remarks</u>
1	HAN-8751	Handsort, 2nd Aftersort, HC290 Tomato	1		
2	BAR-8760	RH Side Bar, 2nd Aftersort Table, HC290 Tomato	1		
3	BAR-8761	LH Side Bar, 2nd Aftersort Table, HC290 Tomato	1		
4	STP-8501	Stop, Outside, Adjuster Belt, Crss Convyr, HC290	1		
5	STP-8502	Stop, Inside, Adjuster Belt, Crss Convyr, HC290	1		
6	BAR-8754	Bar, Side Bar Mount, Aftersort, HC290 Tomato	4		
7	BAR-8758	A-Guide Scraper, Aftersort, HC290	1		
8	BAR-8750	Bar, Rear Table Mnt, Aftersort, HC290	1		

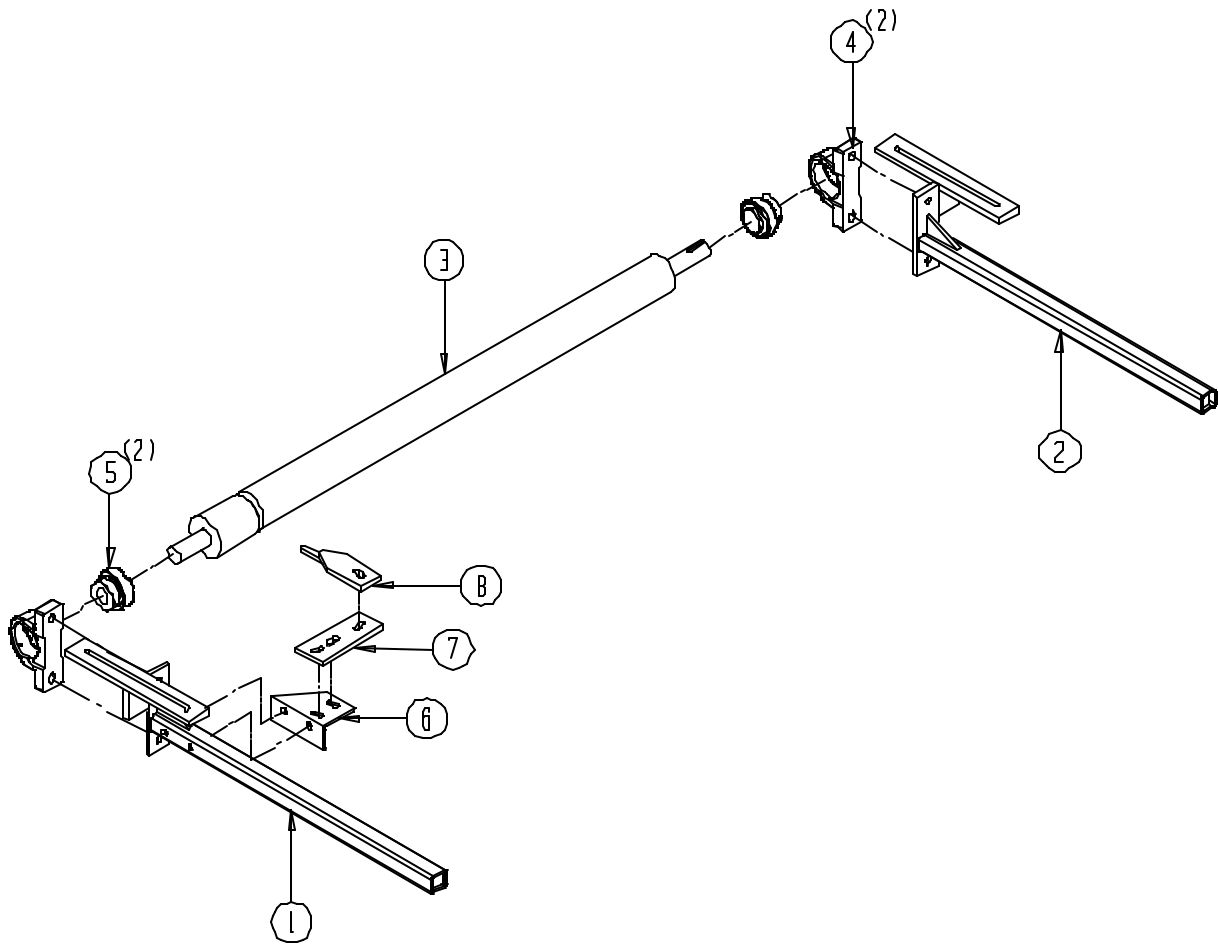
1104-9-12 OPTIONAL 2ND SORTER SHORT AFTERSORT ASSEMBLY



1104-9-13 Optional 2nd Sorter Short Aftersort Idler Assembly

<u>Ref</u>	<u>Part No.</u>	<u>Description</u>	<u>Parts – Assembly</u>	<u>Will Fit SN</u>	<u>Remarks</u>
1	ADJ-8750	Divider Bar Adjuster, Aftersort, RH, HC290	1		
2	ADJ-8751	Divider Bar Adjuster, Aftersort, LH, HC290	1		
3	RLR-8750	Roller, Rubber for 44" Flat Belt	1		
4	BR-072-RAK	Bearing Housing	2		
5	BR-125-072	Bearing, 1 1/4 Fafnir tri-seal, 72mm OD	2		
6	BRA-8752	Bracket, Divider Roller Assy, Aftersort, HC290	1		
7	BAR-8757	Divider Roller Bar Assy, Aftersort, HC290 Tomato	1		
8	BAR-8758	A-Guide Scraper, Aftersort, HC290	1		

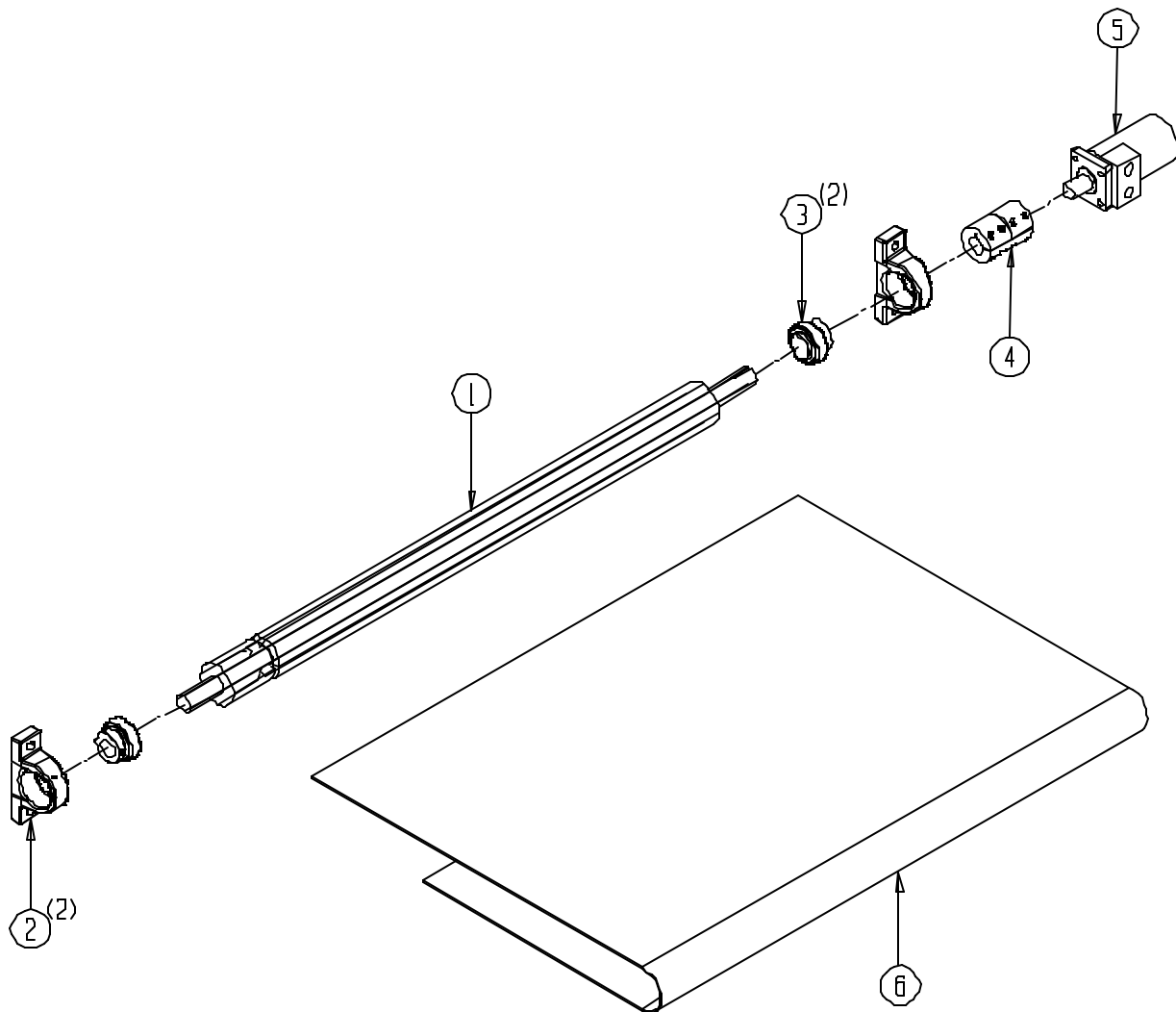
1104-9-13 OPTIONAL 2ND SORTER SHORT AFTERSORT IDLER ASSEMBLY



1104-9-14 Optional 2nd Sorter Short Aftersort Drive Assembly

<u>Ref</u>	<u>Part No.</u>	<u>Description</u>	<u>Parts – Assembly</u>	<u>Will Fit SN</u>	<u>Remarks</u>
1	RLR-8750	Roller, Rubber for 44" Flat Belt	1		
2	BR-072-RAK	Bearing Housing	2		
3	BR-125-072	Bearing, 1 1/4 Fafnir tri-seal, 72mm OD	2		
4	CPS-6060	Steel Coupler (offcenter) 1 1/4" x 1"	1		
5	HM-204-CH	Char-Lyn Hydraulic Motor	1		
6	BT-1126L	Aftersort Belt, Laced, 190 1/2" Long	1		

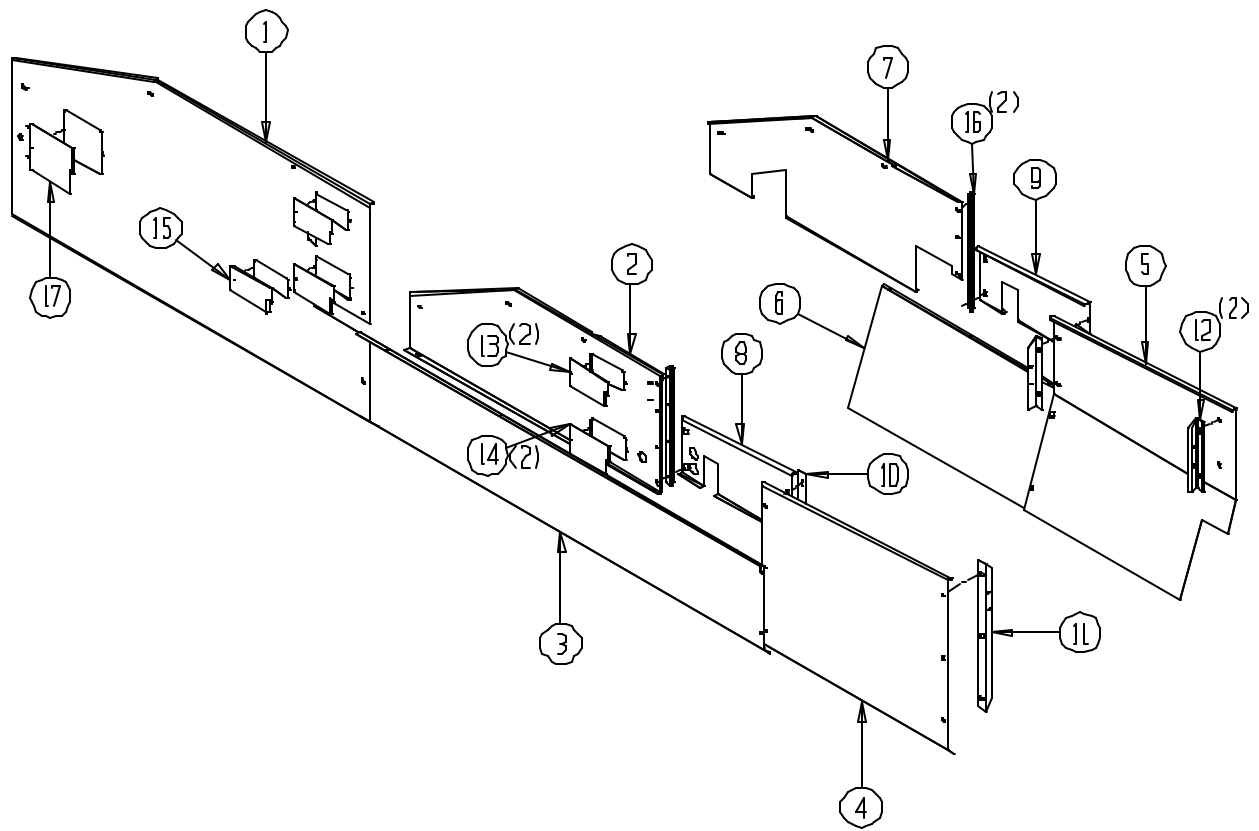
1104-9-14 OPTIONAL 2ND SORTER SHORT AFTERSORT DRIVE ASSEMBLY



1104-9-15 Optional 2nd Sorter Side Shield Assembly

<u>Ref</u>	<u>Part No.</u>	<u>Description</u>	<u>Parts – Assembly</u>	<u>Will Fit SN</u>	<u>Remarks</u>
1	SHD-8764	Shield, RH, Elevation, 2nd Sorter Shield Assy.	1		
2	SHD-8756	Shield, RH, Back, 2nd Sorter Shield Assy, HC290	1		
3	SHD-8757	Shield, RH, Middle, 2nd Sorter Shield Assy, HC290	1		
4	SHD-8758	Shield, RH, Front, 2nd Sorter Shield Assy, HC290	1		
5	SHD-8759	Shield, LH, Front, 2nd Sorter Shield Assy, HC290	1		
6	SHD-8760	Shield, LH, Middle, 2nd Sorter Shield Assy, HC290	1		
7	SHD-8761	Shield, LH, Back, 2nd Sorter Shield Assy, HC290	1		
8	SHD-8762	Shield, LH, Top Middle, 2nd Sorter Shield Assy.	1		
9	SHD-8763	Shield, RH, Top Middle, 2nd Sorter Shield Assy.	1		
10	SUP-8751	Shield Munt, RH, Middle, Aftersort, HC290	1		
11	SUP-8752	Shield Mount, RH, Front, Aftersort, HC290	1		
12	SUP-8753	Shield Mnt, LH, Back/Middle, Aftersort, HC290	2		
13	PL-8751	PL Cover, Top Panel Cut-Out, Elevation, HC290	2		
14	PL-8752	PL Cover, Middle Panel Cut-Out, Elevation, HC290	2		
15	PL-8753	PL Cover, Bottom Panel Cut-Out, Elevation, HC290	1		
16	SUP-8755	Support,Top Middle Panels,2nd Sortr Shield Assy	2		
17	PL-8755	Plastic, Cover, Back Panel, Elevation, HC290	1		

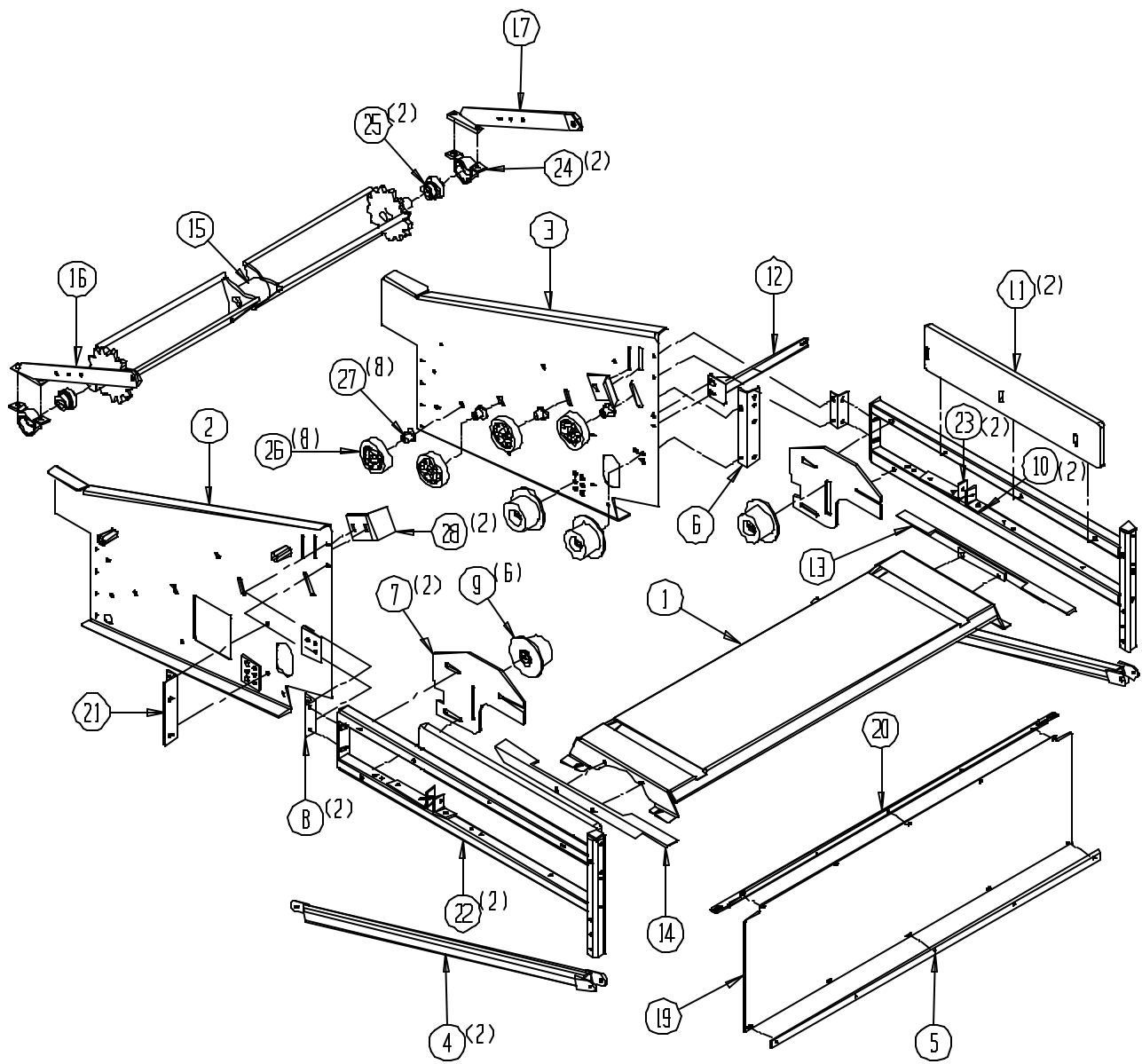
1104-9-15 OPTIONAL 2ND SORTER SIDE SHIELD ASSEMBLY



1104-9-16 Opt. Elevation/Presort Frame & Bar Cleaner Assy

<u>Ref</u>	<u>Part No.</u>	<u>Description</u>	<u>Parts – Assembly</u>	<u>Will Fit SN</u>	<u>Remarks</u>
1	PAN-8750	Panel, Slider Table, Presort Kit, HC290 Tomato	1		
2	PAN-8751	Panel, Elevation, RH, Presort Kit, HC290 Tomato	1		
3	PAN-8752	Panel, Elevation, LH, Presort Kit, HC290 Tomato	1		
4	SUP-8756	Support, Elevation, Presort Kit, HC290 Tomato	2		
5	BAR-8765	Belting Bar, Presort Kit, HC290 Tomato	1		
6	MOU-8753	Mount, LH, Presort Kit, HC290 Tomato	1		
7	MOU-1130	Mount, Roller, Front Elevation	2	19705	
8	BRA-8758	Bracket, Table Support, Presort Kit, HC290	2		
9	RLT-535-228	5" Flange Roller 2.2WF x 3 1/2" dia, 1/2" bore	6		
10	BRA-1528	Bracket, Tightener	2	19705 19801-	
11	PL-2000	Plastic, Presort, Chili Machine	2		
12	POS-8752	Post, Inside Panel To Frame, Presort Kit, HC 290	1	POS-8752	
13	EX-1520A	extension, Slider, Outer	1	19601-	
14	EX-1520B	extension, Slider, Inner	1	19601-	
15	BAR-50362X	Bar Clnr, 36mm Pch x 50" Wide Chain w/Cntr Belt	1		
16	192-362A	Chain cleaner bar (Left)	1	19101-	
17	192-362B	Chain cleaner bar (Right)	1	19101	
19	BT-8750	Belting, Deflector, Presort Kit, HC290 Tomato	1		
20	BAR-8766	Scraper Bar, Presort Kit, HC290 Tomato	1		
21	MOU-8754	Mount, RH, Presort Kit, HC290 Tomato	1		
22	FRM-8750	Frame, Presort Kit, HC290 Tomato	2		
23	192-1528	Bearing Adjuster	2	19201-	
24	BR-062-MPB	Stamped Bearing Housing for 1 1/4" bearing	2		
25	BR-125-062	Bearing, 1 1/4 Fafnir tri-seal, 62mm OD	2		
26	RLR-040-108R	4" Flat Roller with Replaceable Bearings	8		
27	RLA-000-118	Standoff, 1/2" X 1 1/8"	8		
28	SHD-1899	Shield, Push Offs, 1" Wide Rollers	2		

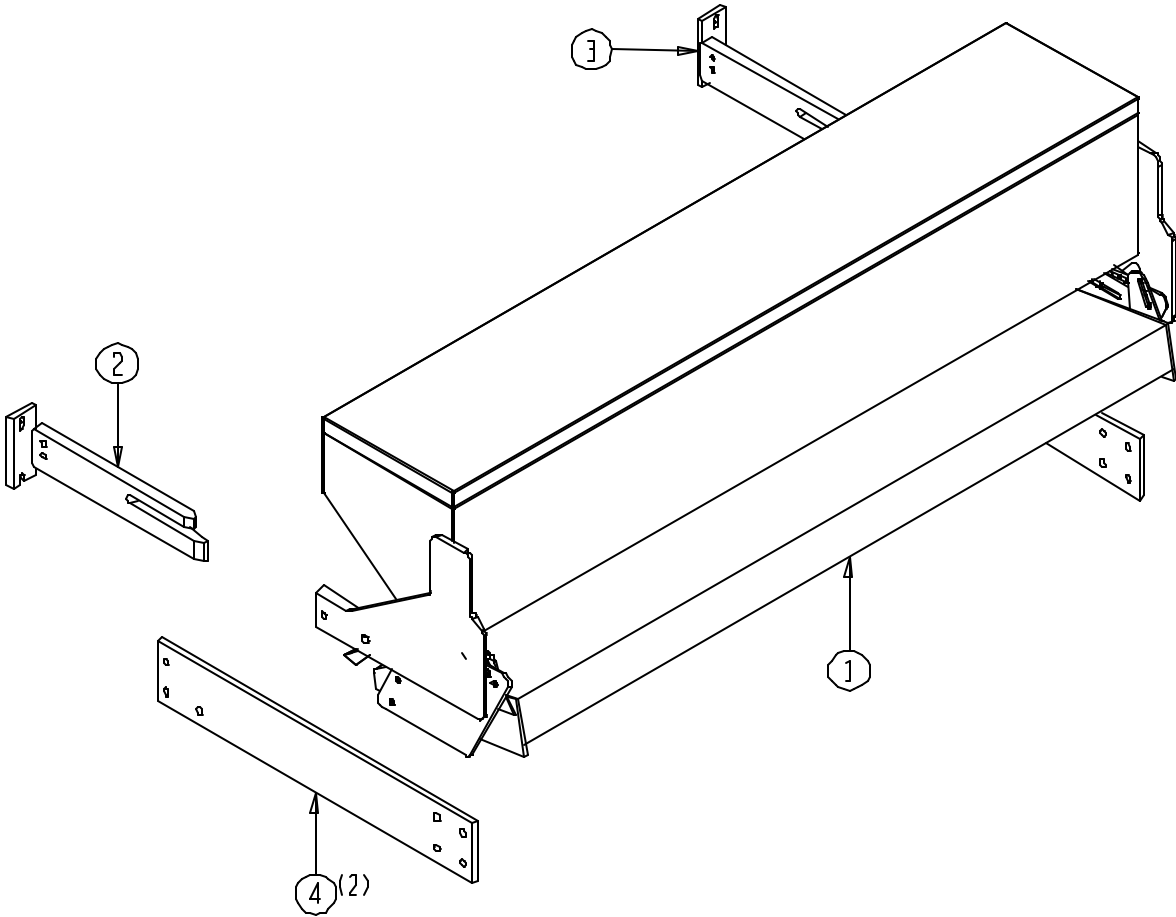
1104-9-16 OPT. ELEVATION/PRESORT FRAME & BAR CLEANER ASSEMBLY



1104-9-17 Opt. Color Sorter For Presort Belt Assembly

<u>Ref</u>	<u>Part No.</u>	<u>Description</u>	<u>Parts – Assembly</u>	<u>Will Fit SN</u>	<u>Remarks</u>
1	SRT-1548	48" Odenberg GradeMaster Color Sorter	1		
2	BRA-8756	Bracket, Mount, RH, Presort Kit, HC290	1		
3	BRA-8757	Bracket, Mount, LH, Presort Kit, HC290 Tomato	1		
4	BAR-8601	Bar, Elevation, Color Sorter, HC290 Tomato	2		

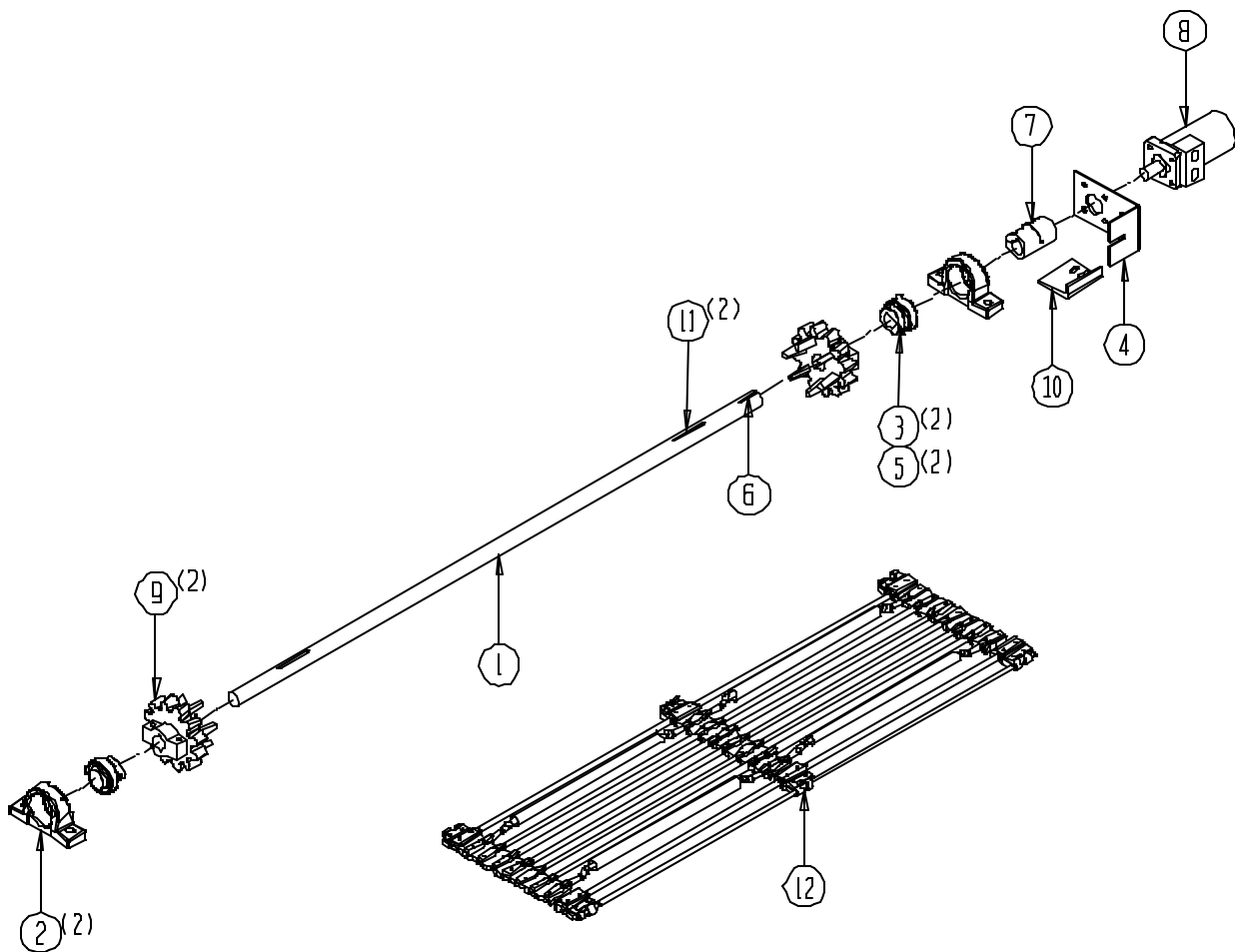
1104-9-17 OPT. COLOR SORTER FOR PRESORT BELT ASSEMBLY



1104-9-18 Opt. Elevation W/ Presort Drive Shaft Assembly

<u>Ref</u>	<u>Part No.</u>	<u>Description</u>	<u>Parts – Assembly</u>	<u>Will Fit SN</u>	<u>Remarks</u>
1	SFT-8600	Drive Shaft, Elevation, High Cap Tomato	1		
2	BR-072-RAK	Bearing Housing	2		
3	BR-125-072	Bearing, 1 1/4 Fafnir tri-seal, 72mm OD	2		
4	193-806	Mount motor	1		
5	BR-12572-LC	1 1/4" Locking Collar - Bearing Protector	2		
6	KEY-4-4-16	Shaft Key 1/4" X 1/4" X 1" Square Cut (1018)	1	20095001-	
7	CPS-6060	Steel Coupler (offcenter) 1 1/4" x 1"	1		
8	HM-204-CH	Char-Lyn Hydraulic Motor	1		
9	SPU-3612-20-4	Urethane Sprocket 36-12 1 1/4 bore 1/4" key	2		Sub SP-3612-20-4
10	193-806A	Motor mount stop	1		
11	KEY-4-4-32	Shaft Key 1/4" x 2" Square Cut (1018)	2		
12	BC-7-5036-160	Elevation Chain w/Upcrank, Presort Kit, HC 290	1		

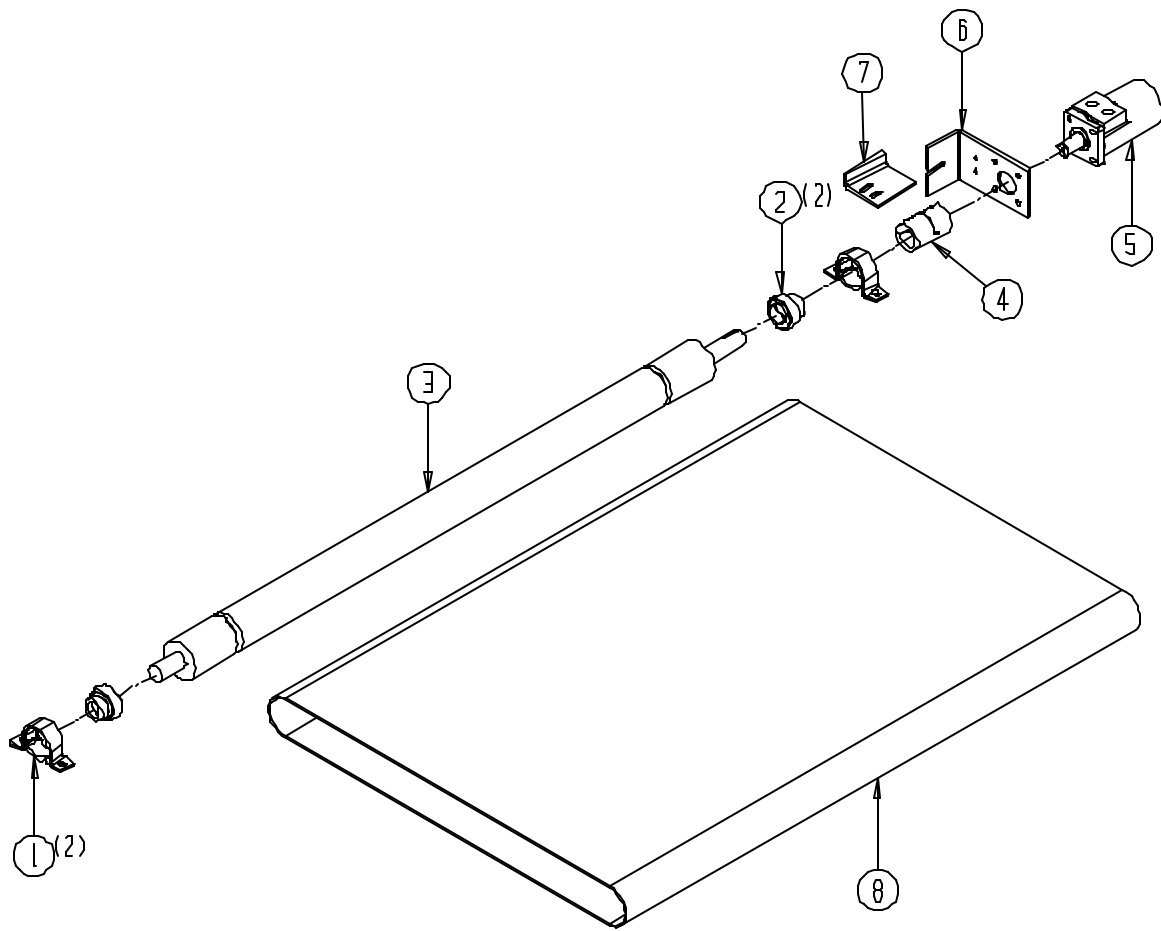
1104-9-18 OPT. ELEVATION W/ PRESORT DRIVE SHAFT ASSEMBLY



1104-9-19 Opt. Presort Drive Shaft Assembly

<u>Ref</u>	<u>Part No.</u>	<u>Description</u>	<u>Parts – Assembly</u>	<u>Will Fit SN</u>	<u>Remarks</u>
1	BR-062-MPB	Stamped Bearing Housing for 1 1/4" bearing	2		
2	BR-125-062	Bearing, 1 1/4 Fafnir tri-seal, 62mm OD	2		
3	RLR-8751	Roller, Drive, Presort Kit, HC290 Tomato	1		
4	CPS-6060	Steel Coupler (offcenter) 1 1/4" x 1"	1		
5	HM-204-CH	Char-Lyn Hydraulic Motor	1		
6	193-806	Mount motor	1		
7	193-806A	Motor mount stop	1		
8	BT-72V4975E	Belt, HC 290 Presort, w/ Double Guide	1		

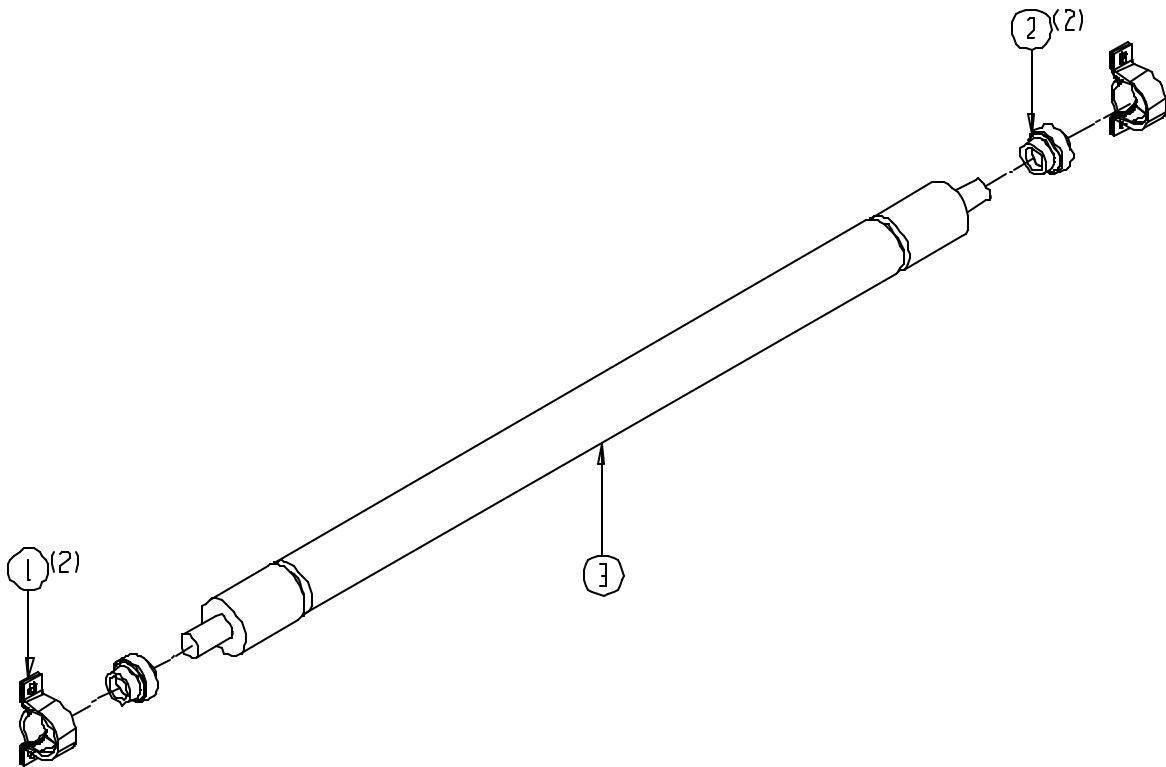
1104-9-19 OPT. PRESORT DRIVE SHAFT ASSEMBLY



1104-9-20 Opt. Presort Idler Assembly

<u>Ref</u>	<u>Part No.</u>	<u>Description</u>	<u>Parts – Assembly</u>	<u>Will Fit SN</u>	<u>Remarks</u>
1	BR-062-MPB	Stamped Bearing Housing for 1 1/4" bearing	2		
2	BR-125-062	Bearing, 1 1/4 Fafnir tri-seal, 62mm OD	2		
3	RLR-8752	Idler, Presort Kit, HC290 Tomato	1		

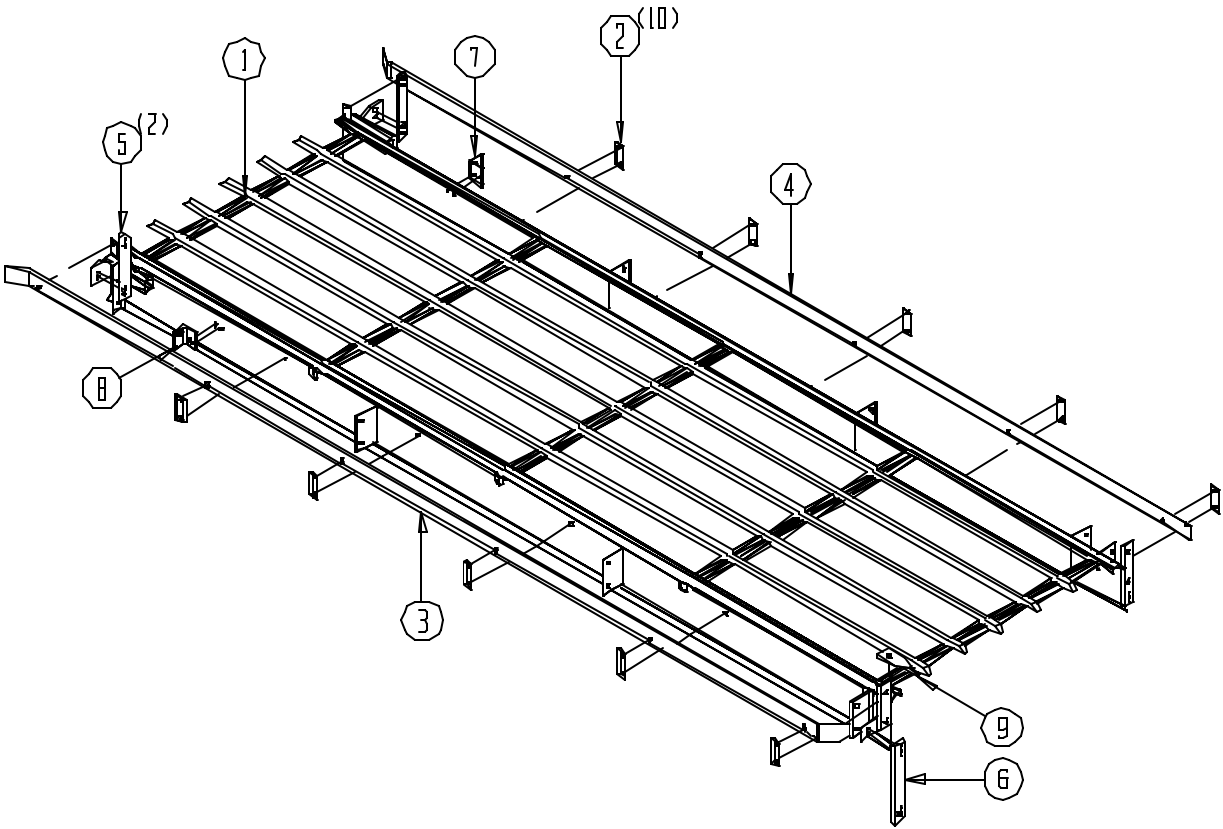
1104-9-20 OPT. PRESORT IDLER ASSEMBLY



1104-10-1 Aftersort Assembly

<u>Ref</u>	<u>Part No.</u>	<u>Description</u>	<u>Parts – Assembly</u>	<u>Will Fit SN</u>	<u>Remarks</u>
1	HAN-8750	Handsort, Aftersort Table, High Capacity Tomato	1		
2	BAR-8754	Bar, Side Bar Mount, Aftersort, HC290 Tomato	10		
3	BAR-8752	RH Side Bar, Aftersort Table, HC290 Tomato	1		
4	BAR-8753	LH Side Bar, Aftersort Table, HC290 Tomato	2		
5	BAR-8750	Bar, Rear Table Mnt, Aftersort, HC290	2		
6	BAR-8751	Bar, Right, Front Mnt. Aftersort, HC290	1		
7	STP-8501	Stop, Outside, Adjuster Belt, Crss Convyr, HC290	1		
8	STP-8502	Stop, Inside, Adjuster Belt, Crss Convyr, HC290	1		
9	BAR-8758	A-Guide Scraper, Aftersort, HC290	1		

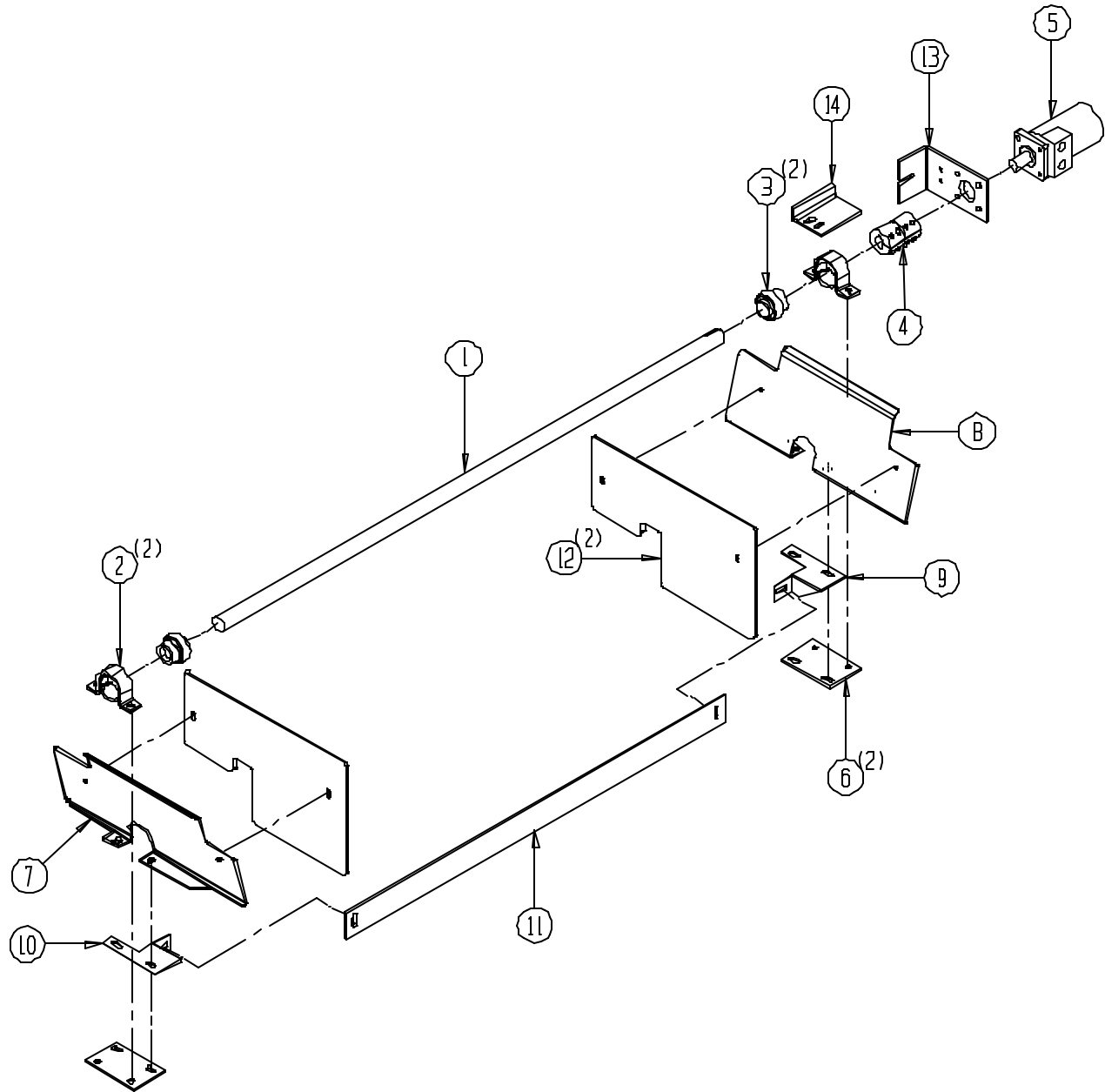
1104-10-1 AFTERSORT ASSEMBLY



1104-10-2 Aftersort Divider Roller Assembly

<u>Ref</u>	<u>Part No.</u>	<u>Description</u>	<u>Parts – Assembly</u>	<u>Will Fit SN</u>	<u>Remarks</u>
1	SFT-8750	Shaft, Divider Roller Assy, Aftersort, HC290	1		
2	BR-062-MPB	Stamped Bearing Housing for 1 1/4" bearing	2		
3	BR-125-062	Bearing, 1 1/4 Fafnir tri-seal, 62mm OD	2		
4	CPS-6060	Steel Coupler (offcenter) 1 1/4" x 1"	1		
5	HM-204-CH	Char-Lyn Hydraulic Motor	1		
6	BAR-8755	Bar, Divider Roller Bar, Aftersort, HC290 Tomato	2		
7	SHD-8750	Divider Roller Shield, Aftersort, RH, HC290	1		
8	SHD-8751	Divider Roller Shield, Aftersort LH, HC290	1		
9	BRA-850	Bracket, Rolling Guard, Scraper, Outer	1	19101-Kit-0007	
10	BRA-851	Bracket, Rolling Guard, Scraper, Inner	1	19101-kit-0007	
11	BAR-8756	Bar, Rolling Guard Scrapers, Aftersort, HC290	1		
12	PL-8750	Plastic, Divider Roller Shield, Aftersort, HC290	2		
13	193-806	Mount motor	1		
14	193-806B	Motor Mount Stop	1		

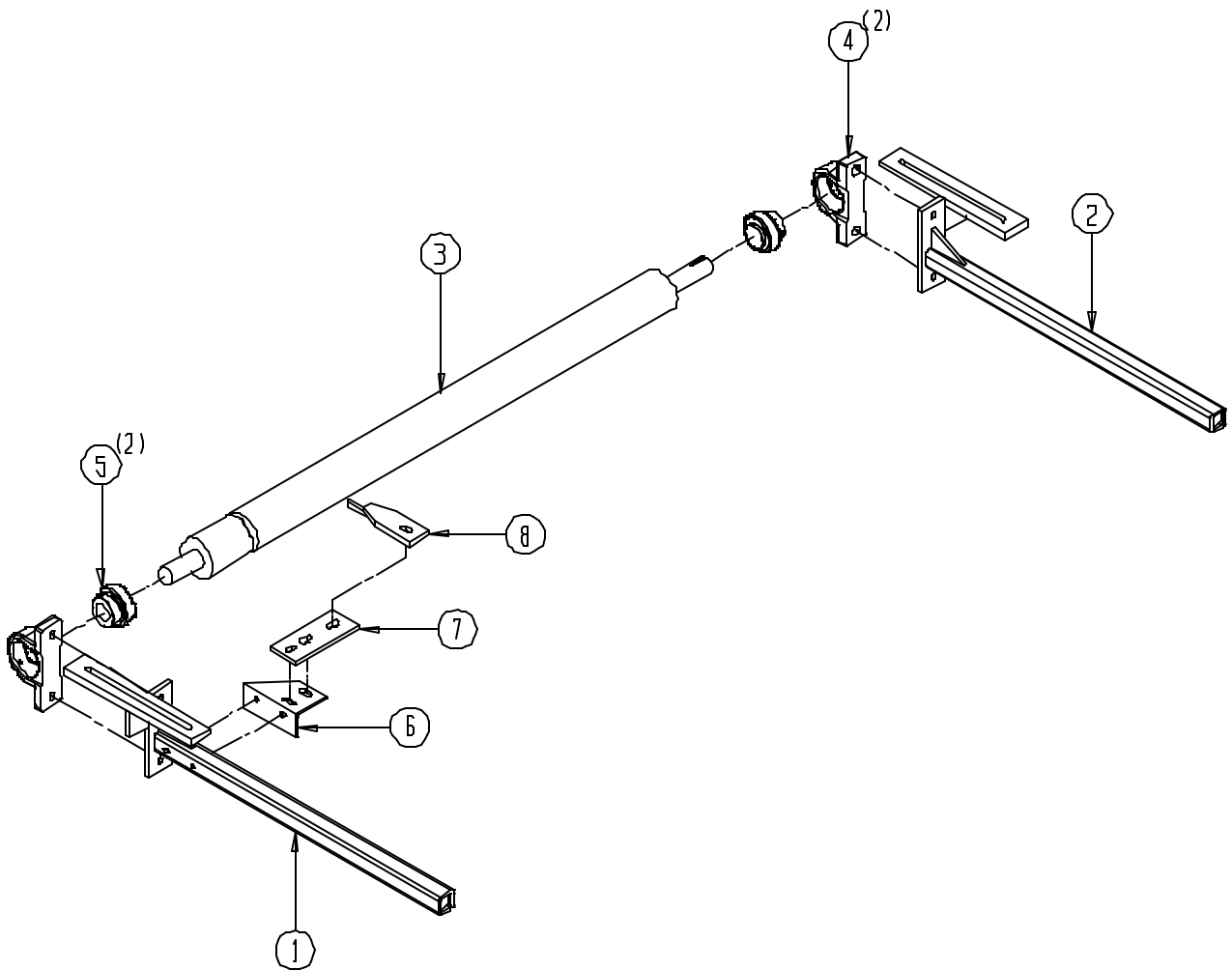
1104-10-2 AFTERSORT DIVIDER ROLLER ASSEMBLY



1104-10-3 Aftersort Idler Assembly

<u>Ref</u>	<u>Part No.</u>	<u>Description</u>	<u>Parts – Assembly</u>	<u>Will Fit SN</u>	<u>Remarks</u>
1	ADJ-8750	Divider Bar Adjuster, Aftersort, RH, HC290	1		
2	ADJ-8751	Divider Bar Adjuster, Aftersort, LH, HC290	1		
3	RLR-8750	Roller, Rubber for 44" Flat Belt	1		
4	BR-072-RAK	Bearing Housing	2		
5	BR-125-072	Bearing, 1 1/4 Fafnir tri-seal, 72mm OD	2		
6	BRA-8752	Bracket, Divider Roller Assy, Aftersort, HC290	1		
7	BAR-8757	Divider Roller Bar Assy, Aftersort, HC290 Tomato	1		
8	BAR-8758	A-Guide Scraper, Aftersort, HC290	1		

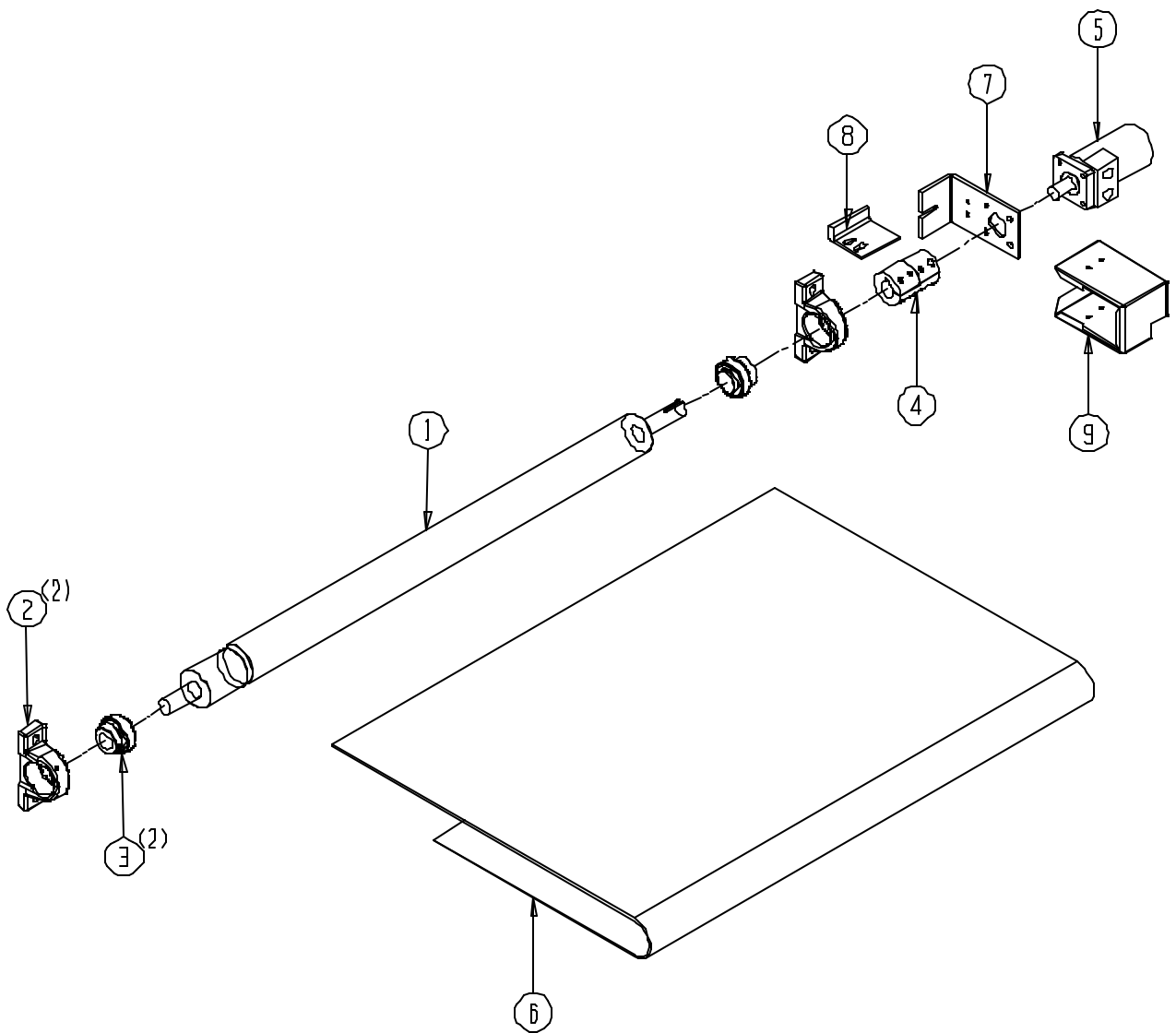
1104-10-3 AFTERSORT IDLER ASSEMBLY



1104-10-4 Aftersort Drive Assembly

<u>Ref</u>	<u>Part No.</u>	<u>Description</u>	<u>Parts – Assembly</u>	<u>Will Fit SN</u>	<u>Remarks</u>
1	RLR-8750	Roller, Rubber for 44" Flat Belt	1		
2	BR-072-RAK	Bearing Housing	2		
3	BR-125-072	Bearing, 1 1/4 Fafnir tri-seal, 72mm OD	2		
4	CPS-6060	Steel Coupler (offcenter) 1 1/4" x 1"	1		
5	HM-204-CH	Char-Lyn Hydraulic Motor	1		
6	BT-1124L	Aftersort Belt for 346" long, Laced	1		
7	193-806	Mount motor	1		
8	193-806A	Motor mount stop	1		
9	SHD-806	Shield, Motor, Aftersort, HC290	1		

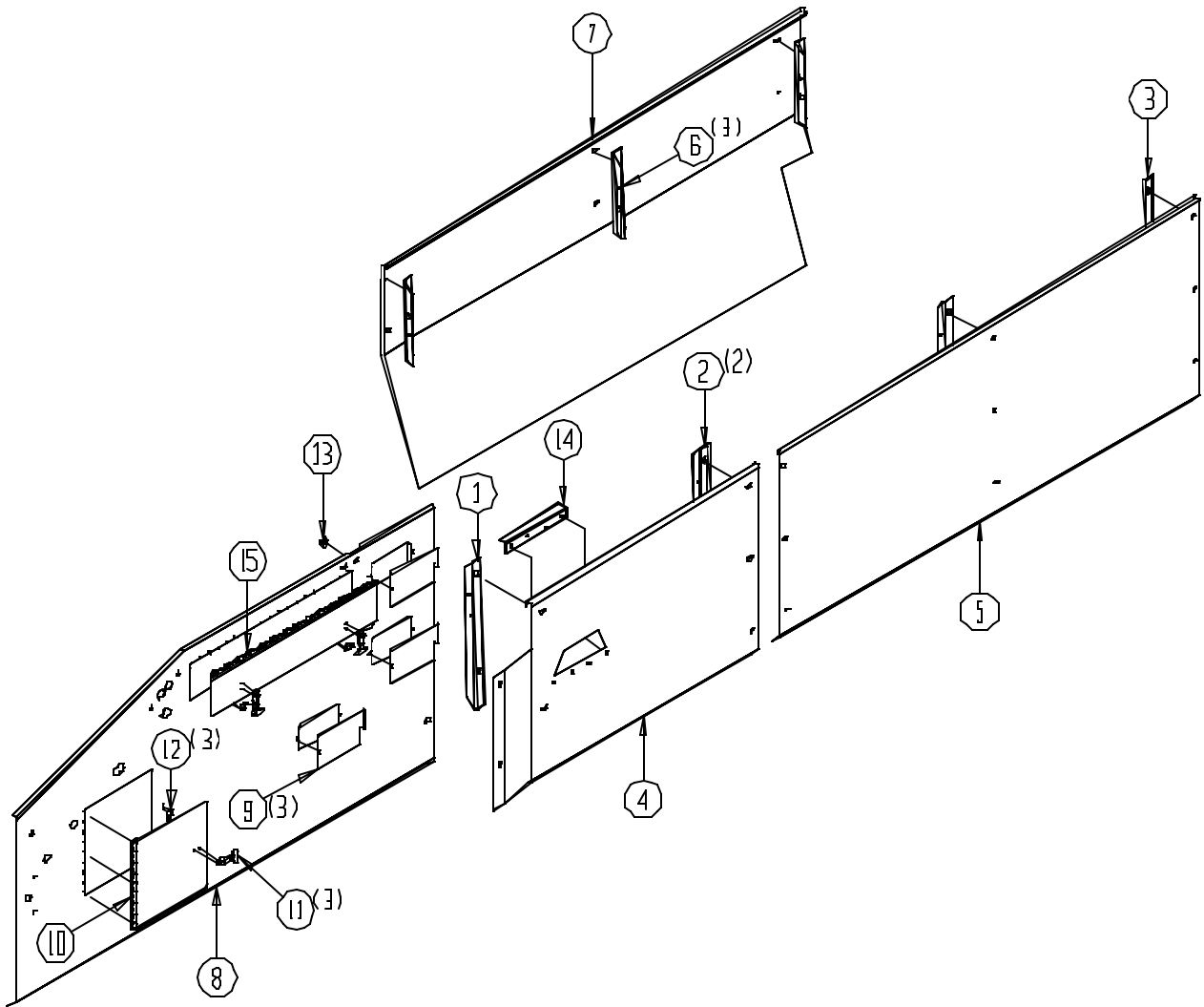
1104-10-4 AFTERSORT DRIVE ASSEMBLY



1104-10-5 Aftersort Shield Assembly

<u>Ref</u>	<u>Part No.</u>	<u>Description</u>	<u>Parts – Assembly</u>	<u>Will Fit SN</u>	<u>Remarks</u>
1	SUP-8750	Shield Mount, RH, Back, Aftersort, HC290	1		
2	SUP-8751	Shield Mount, RH, Middle, Aftersort, HC290	2		
3	SUP-8752	Shield Mount, RH, Front, Aftersort, HC290	1		
4	SHD-8752	Side Panel, RH, Middle, Aftersort, HC290	1		
5	SHD-8753	Side Panel, RH, Front, Aftersort, HC290	1		
6	SUP-8753	Shield Mnt, LH, Back/Middle, Aftersort, HC290	3		
7	SHD-8754	Side Panel, LH, Front, Aftersort, HC290	1		
8	SHD-8755	Side Panel, RH, Elevation, HC290 Tomato	1		
9	PL-8752	PL Cover, Middle Panel Cut-Out, Elevation, HC290	3		
10	SHD-8405	Shield, Access Door, Elevation, HC290	1	SHD-8405	
11	LA-703A	Large Rubber T Latch	3		
12	LA-703B	T Latch Keeper	3		
13	SPA-0159	Spacer, Outer Panel, Presort, HC 290	1		
14	BRA-8759	Bracket, Step on Panel, Aftersort Shield, HC290	1		
15	SHD-8765	Shield, RH, Side Panel, Elevation, HC290	1		

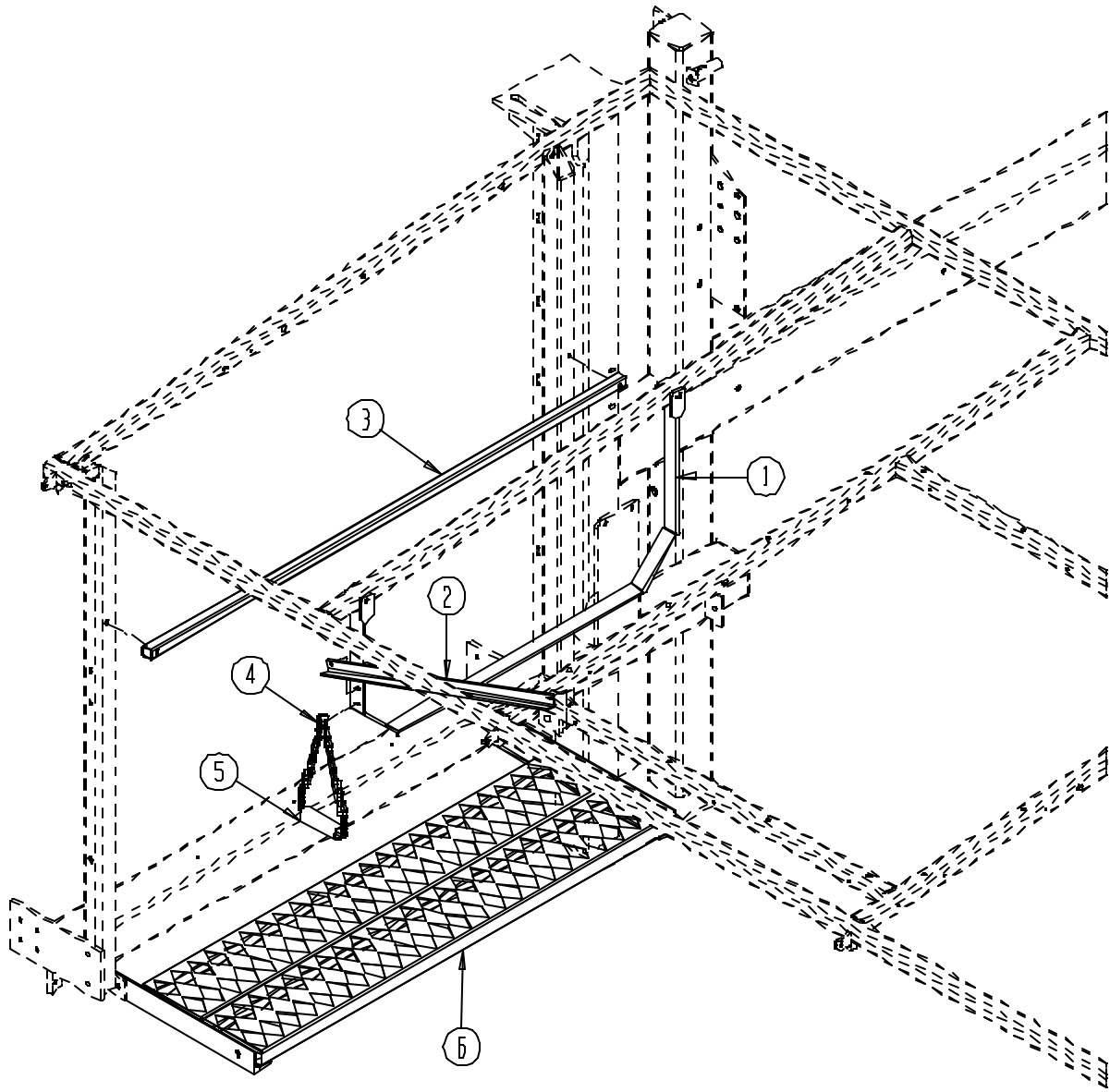
L104-10-5 AFTERSORT SHIELD ASSEMBLY



1104-10-6 Handrail & Decking Over Aftersort Assembly

<u>Ref</u>	<u>Part No.</u>	<u>Description</u>	<u>Parts – Assembly</u>	<u>Will Fit SN</u>	<u>Remarks</u>
1	MOU-8001	Mount, Handrail Mount, Canopy Frame, HC290	1		
2	BRA-8001	Bracket, Handrail Mount on Canopy Frame, HC290	1		
3	BRA-8002	Cross, Handrail Mount on Canopy Frame, HC290	1		
4	CH-3-28	3/16 LINK CHAIN 28 LINKS	1		
5	SPA-8000	Spacer, Outside, Fresh Air Fan, HC290	1		
6	STD-8109	Stand, Decking Above Aftersort, HC290 Tomato	1		
101	BL-5-150-H	5/16-18 X 1 1/2 HEX CAP G5 ZC	1		

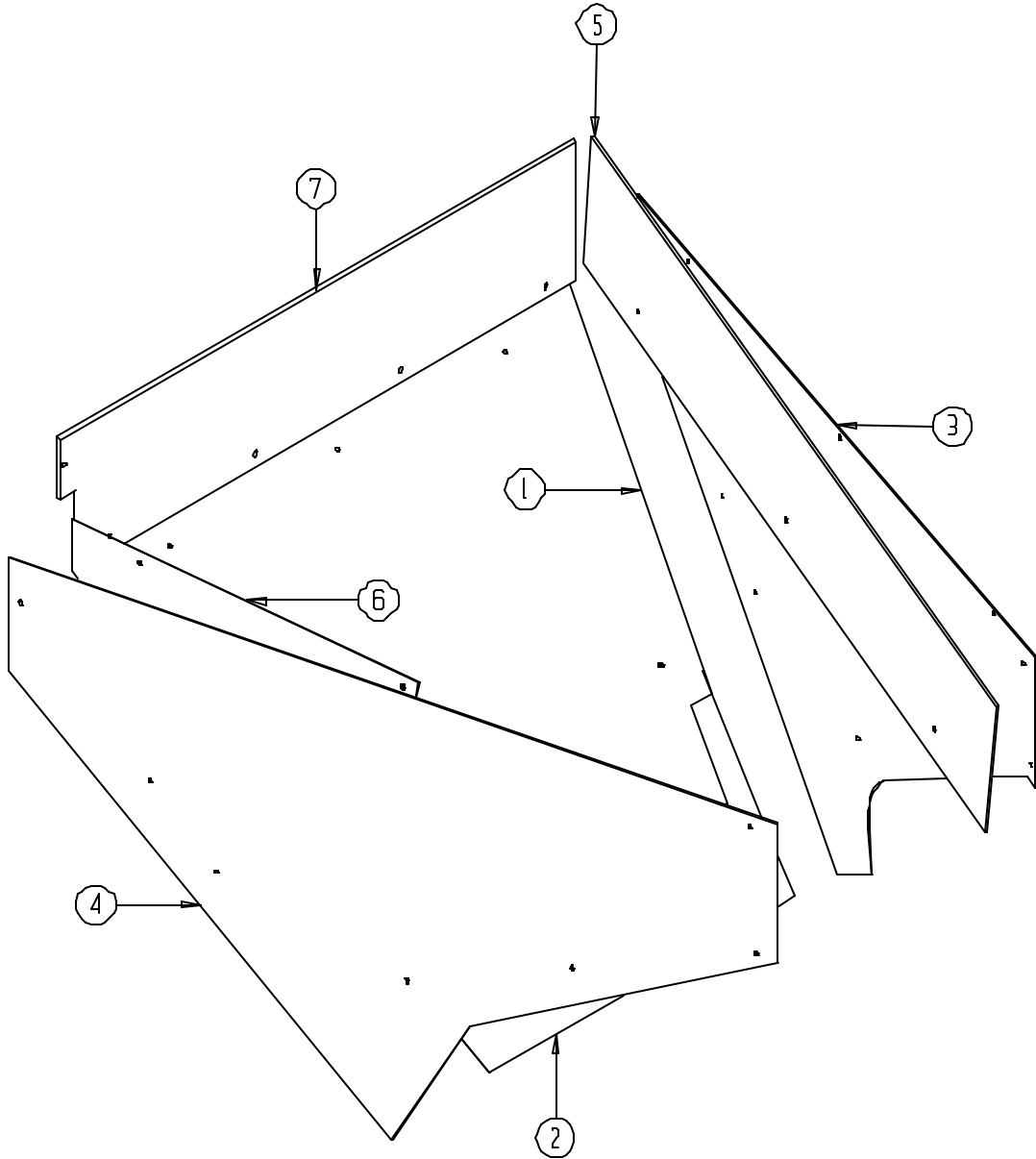
1104-10-6 HANDRAIL & DECKING OVER AFTERSORT ASSEMBLY



1104-11-1 Discharge Basket Assembly

<u>Ref</u>	<u>Part No.</u>	<u>Description</u>	<u>Parts – Assembly</u>	<u>Will Fit SN</u>	<u>Remarks</u>
1	BT-8800	Belting, Middle, Basket Assembly, HC290	1		
2	BT-8801	Belting, Bottom Middle, Basket Assembly, HC290	1		
3	BT-8802	Belting, Front, Basket Assembly, HC290	1		
4	BT-8803	Belting, Back, Basket Assembly, HC290	1		
5	PL-8800	Plastic, Front, Basket Assembly, HC290	1		
6	PL-8801	Plastic, Back, Basket Assembly, HC290	1		
7	PL-8802	Plastic, Middle, Basket Assembly, HC290	1		

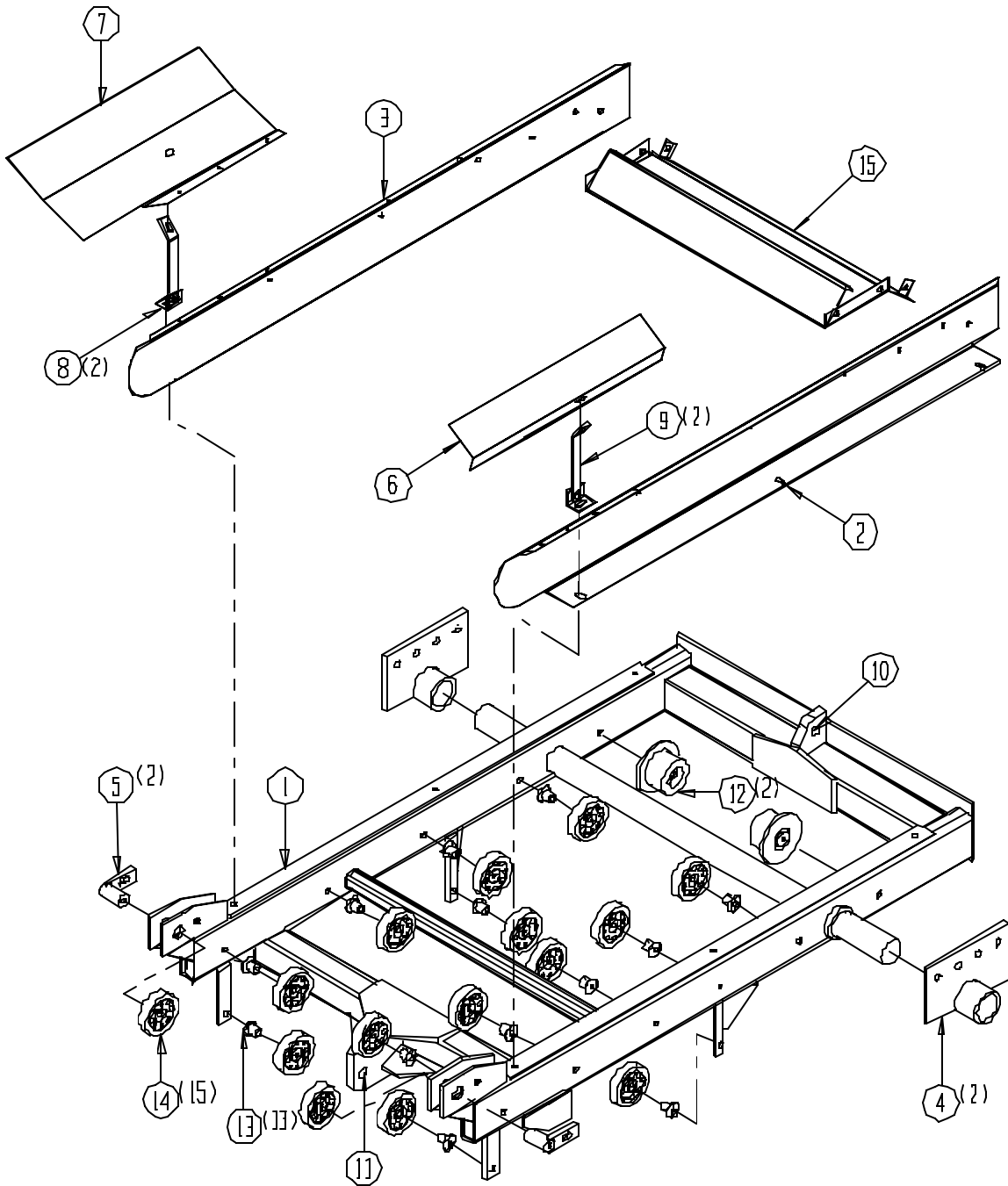
1104-11-1 DISCHARGE BASKET ASSEMBLY



1104-11-2 Inner Discharge Assembly

<u>Ref</u>	<u>Part No.</u>	<u>Description</u>	<u>Parts – Assembly</u>	<u>Will Fit SN</u>	<u>Remarks</u>
1	FRM-8800	Frame, Inner Discharge, HC290 Tomato	1		
2	PAN-8800	Panel, Front, Inner Discharge, HC290 Tomato	1		
3	PAN-8801	Panel, Back, Inner Discharge, HC290 Tomato	1		
4	MOU-8800	Mount, Inner Discharge, HC290 Tomato	2		
5	PIN-8800	Pin, Inner Discharge, HC290 Tomato	2		
6	PAN-8802	Panel, Top, Front, Inner Discharge, HC290	1		
7	PAN-8803	Panel, Top, Back, Inner Discharge, HC290	1		
8	BRA-8800	Bracket, Panel Mount, Inner Discharge, HC290	2		
9	BAR-8801	Bar, Panel Support, Inner Discharge, HC290	2		
10	HC-350-0808	Hydraulic Cylinder 3 1/2" x 8" #8 SAE Ports	1	20095001-	
11	HC-350-16	Tie Rod Cylinder, 3 1/2" x 16", #8 SAE Port	1		
12	RLT-535-228	5" Flange Roller 2.2WF x 3 1/2" dia, 1/2" bore	2		
13	RLA-000-118	Standoff, 1/2" X 1 1/8"	13		
14	RLR-040-108R	4" Flat Roller with Replaceable Bearings	15		
15	VLV-8800	Valve, Inner Discharge, HC290 Tomato	1		

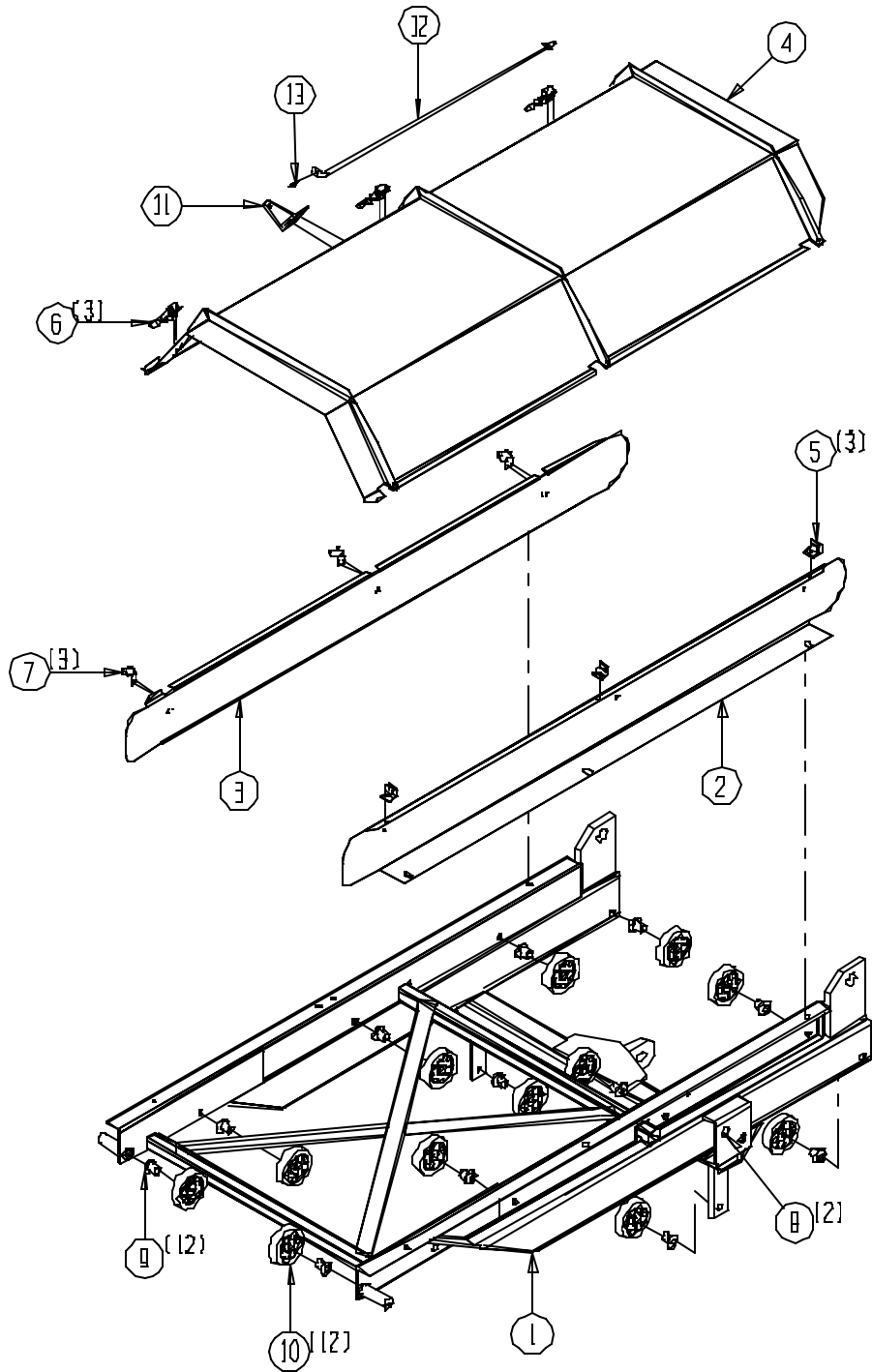
1104-11-2 INNER DISCHARGE ASSEMBLY



1104-11-3 Middle Discharge Assembly

<u>Ref</u>	<u>Part No.</u>	<u>Description</u>	<u>Parts – Assembly</u>	<u>Will Fit SN</u>	<u>Remarks</u>
1	FRM-8810	Frame, Middle Discharge, High Cap. Tomato	1		
2	PAN-8818	Panel, Front, Middle Discharge, HC290 Tomato	1		
3	PAN-8819	Panel, Back, Middle Discharge, HC290 Tomato	1		
4	COV-8800	Cover, Middle Discharge, HC290 Tomato	1		
5	BRA-8801	Bracket, Panel Mount, Middle Discharge, HC290	3		
6	LA-703A	Large Rubber T Latch	3		
7	LA-703B	T Latch Keeper	3		
8	HC-200-2408	Hydraulic cylinder 2" x 24" #8 SAE Ports	2	19201	
9	RLA-000-118	Standoff, 1/2" X 1 1/8"	12		
10	RLR-040-108R	4" Flat Roller with Replaceable Bearings	12		
11	BRA-8802	Bracket for Cover Prop, Middle Discharge, HC290	1		
12	ADJ-8800	Adjuster, Cover Prop, Middle Discharge, HC290	1		
13	PIN-C2-16	Cotter Pin, 1/8" x 1"	1		

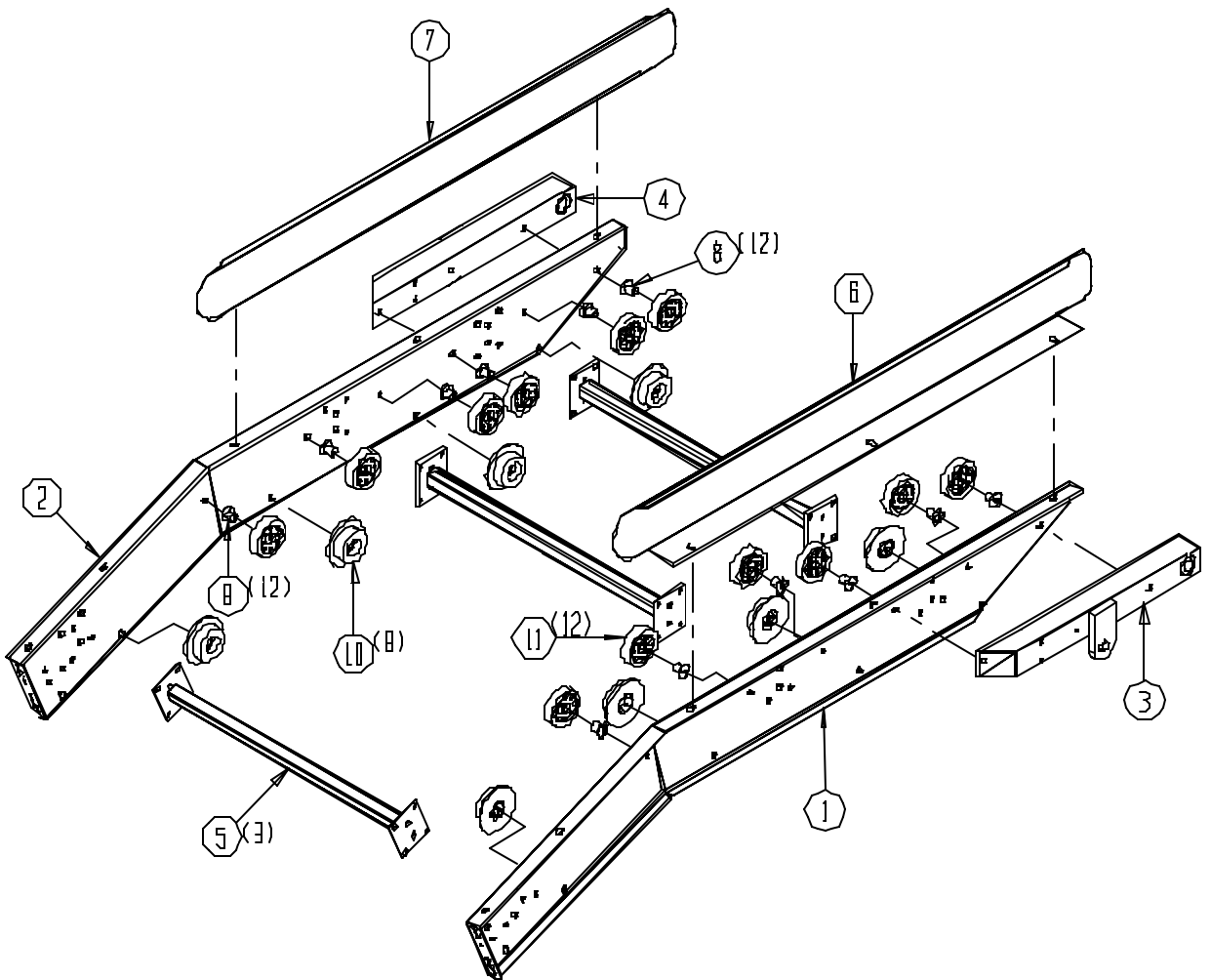
1104-11-3 MIDDLE DISCHARGE ASSEMBLY



1104-11-4 Outer Discharge Assembly

<u>Ref</u>	<u>Part No.</u>	<u>Description</u>	<u>Parts – Assembly</u>	<u>Will Fit SN</u>	<u>Remarks</u>
1	PAN-8816	Panel, Front, Outer Discharge, HC290 Tomato	1		
2	PAN-8817	Panel, Rear, Outer Discharge, HC290 Tomato	1		
3	192-905	Cylinder Mount, Front Discharge	1	19201-	
4	192-906	Cylinder Mount, Rear Discharge	1	19201- 192-900K	
5	BAR-8800	Bar, Crss Mmbr, Outr Discharge, High Cap Tomato	3		
6	PAN-8820	Panel, Front, Outer Discharge, HC290 Tomato	1		
7	PAN-8821	Panel, Back, Outer Discharge, HC290 Tomato	1		
8	RLA-000-118	Standoff, 1/2" X 1 1/8"	12		
10	RLT-535-128	Narrow Flange Roller 1.2 WF 3.5 dia, 1/2" Bore	8		
11	RLR-040-108R	4" Flat Roller with Replaceable Bearings	12		

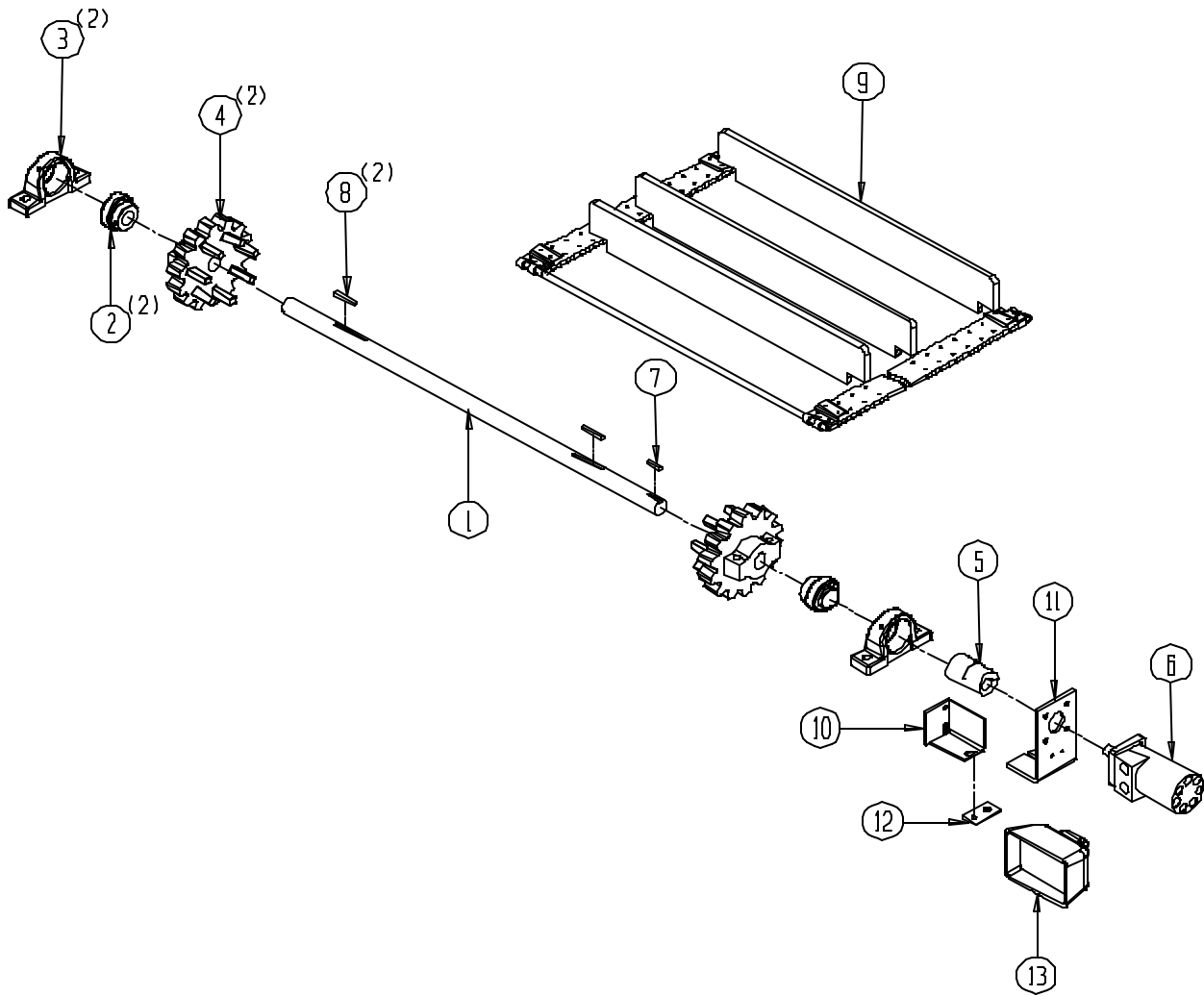
1104-11-4 OUTER DISCHARGE ASSEMBLY



1104-11-5 Discharge Drive Shaft Assembly

<u>Ref</u>	<u>Part No.</u>	<u>Description</u>	<u>Parts – Assembly</u>	<u>Will Fit SN</u>	<u>Remarks</u>
1	SFT-8800	Drive Shaft, Discharge, HC290 Tomato	1		
2	BR-125-072	Bearing, 1 1/4 Fafnir tri-seal, 72mm OD	2		
3	BR-072-RAK	Bearing Housing	2		
4	SPU-3614-20-4	Belted Chain Sprocket, 36mm x 14 tooth, Urethane	2		
5	CPS-6060	Steel Coupler (offcenter) 1 1/4" x 1"	1		
6	HM-204-CH	Char-Lyn Hydraulic Motor	1		
7	KEY-4-4-20	Shaft Key 1/4" x 1 1/4"	1		
8	KEY-4-4-32	Shaft Key 1/4" x 2" Square Cut (1018)	2		
9	BC-6-3236-319FL	Discharge Elevator, 3/8" Bars, 32" Wide x 319 Bars, 36mm Pitch	1		
10	193-915	Stop, Discharge Motor	1	19301-	
11	193-806	Mount motor	1		
12	BAR-1510	Bar, Light Holder	1		
13	EL-1233	Light, Auxiliary Work Light, Clear, Trapezoid Beam, TL#80394	1		

1104-11-5 DISCHARGE DRIVE SHAFT ASSEMBLY



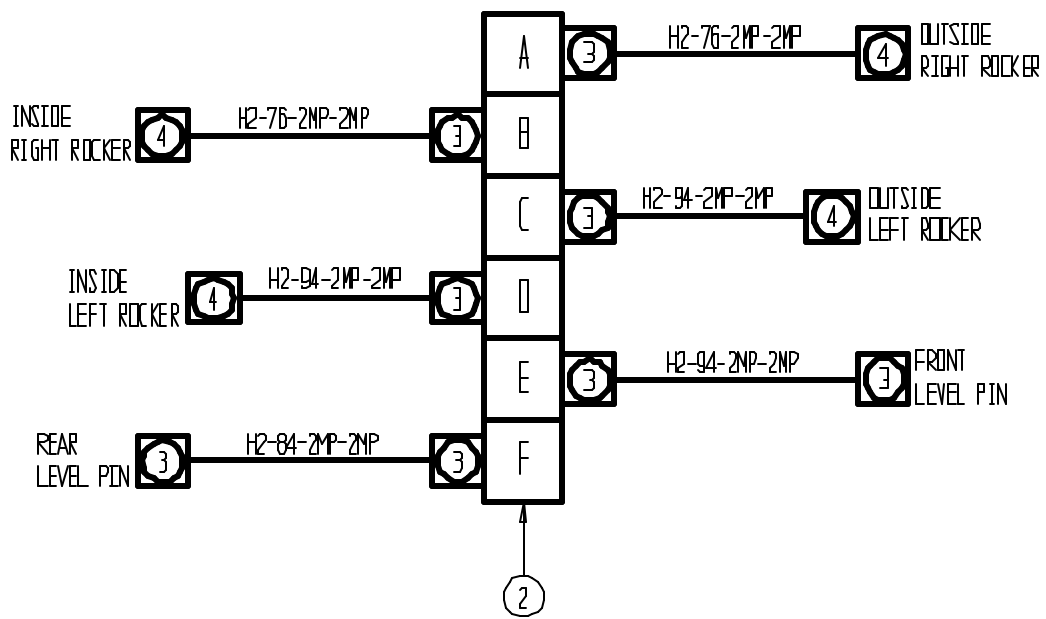
1104-12-1 Grease Banks, Axle & Header Pivot

<u>Ref</u>	<u>Part No.</u>	<u>Description</u>	<u>Parts – Assembly</u>	<u>Will Fit SN</u>	<u>Remarks</u>
1	GF-3-3	3" Grease Manifold	1		
2	GF-6-6	Grease Bank Manifold	1		
3	A-1404-2-2	1/8 MP x 1/8 FPX	11		
4	A-1501-2-2	1/8" MP x 1/8" FPX90	6		
5	H2-76-2MP-2MP	1/8 in grease hose 1/8MP x 1/8MP x 76 in long	3		
6	H2-94-2MP-2MP	1/8 in grease hose 1/8MP x 1/8MP x 94 in long	4		
7	H2-84-2MP-2MP	1/8 in grease hose 1/8MP x 1/8MP x 84 in long	1		
8	H2-72-2MP-2MP	1/8 in grease hose 1/8MP x 1/8MP x 72 in long	1		

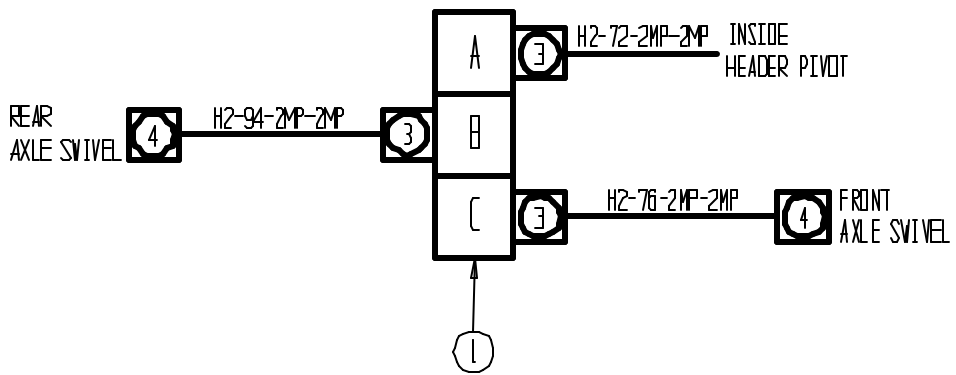
1104-12-1 STANDARD GREASE BANKS

NOTE: GREASE ALL LOCATIONS EVERY 10 HOURS

UNDER CARRIAGE BANK (ON FRAME AT CATWALK)



INSIDE HEADER PIVOT BANK



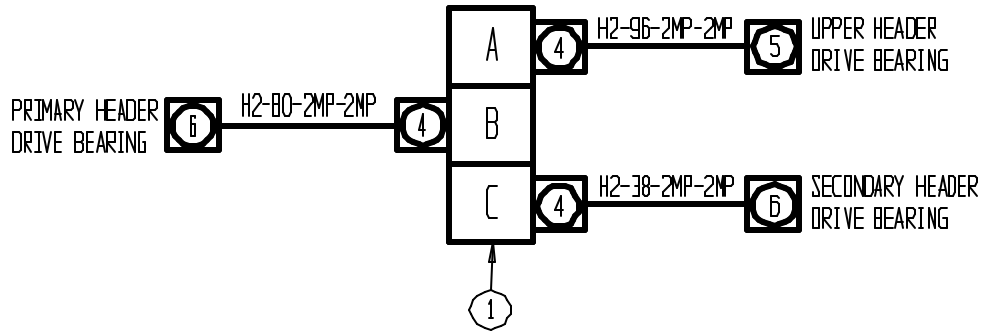
1104-12-2 Optional Grease Banks

<u>Ref</u>	<u>Part No.</u>	<u>Description</u>	<u>Parts – Assembly</u>	<u>Will Fit SN</u>	<u>Remarks</u>
1	GF-3-3	3" Grease Manifold	2		
2	GF-4-4	4" Grease Manifold	1		
3	GF-6-6	Grease Bank Manifold	2		
4	A-1404-2-2	1/8 MP x 1/8 FPX	22		
5	A-1503-2-2	1/8" MP x 1/8" FPX 45	5		
6	A-1501-2-2	1/8" MP x 1/8" FPX90	15		
7	H2-96-2MP-2MP	1/8 in grease hose 1/8MP x 1/8MP x 96 in long	1		
8	H2-38-2MP-2MP	1/8 in grease hose 1/8MP x 1/8MP x 38 in long	1		
9	H2-80-2MP-2MP	1/8 in grease hose 1/8MP x 1/8MP x 80 in long	1		
10	H2-189-2MP-2MP	1/8 in grease hose 1/8MP x 1/8MP x 189 in long	1		
11	H2-117-2MP-2MP	1/8 in grease hose 1/8MP x 1/8MP x 117 in long	1		
12	H2-82-2MP-2MP	1/8 in grease hose 1/8MP x 1/8MP x 82 in long	2		
13	H2-41-2MP-2MP	1/8 in grease hose 1/8MP x 1/8MP x 41 in long	1		
14	H2-135-2MP-2MP	1/8 in grease hose 1/8MP x 1/8MP x 135 in long	1		
15	H2-112-2MP-2MP	1/8 in grease hose 1/8MP x 1/8MP x 112 in long	2		
16	H2-92-2MP-2MP	1/8 in grease hose 1/8MP x 1/8MP x 92 in long	1		
17	H2-48-2MP-2MP	1/8 in grease hose 1/8MP x 1/8MP x 48 in long	1		
18	H2-16-2MP-2MP	1/8 in grease hose 1/8MP x 1/8MP x 16 in long	1		
19	H2-137-2MP-2MP	1/8 in grease hose 1/8MP x 1/8MP x 137 in long	1		
20	H2-79-2MP-2MP	1/8 in grease hose 1/8MP x 1/8MP x 79 in long	1		
21	H2-45-2MP-2MP	1/8 in grease hose 1/8MP x 1/8MP x 45 in long	1		
22	H2-210-2MP-2MP	1/8 in grease hose 1/8MP x 1/8MP x 210 in long	1		
23	H2-114-2MP-2MP	1/8 in grease hose 1/8MP x 1/8MP x 114 in long	1		
24	H2-174-2MP-2MP	1/8 in grease hose 1/8MP x 1/8MP x 174 in long	1		
25	H2-72-2MP-2MP	1/8 in grease hose 1/8MP x 1/8MP x 72 in long	1		

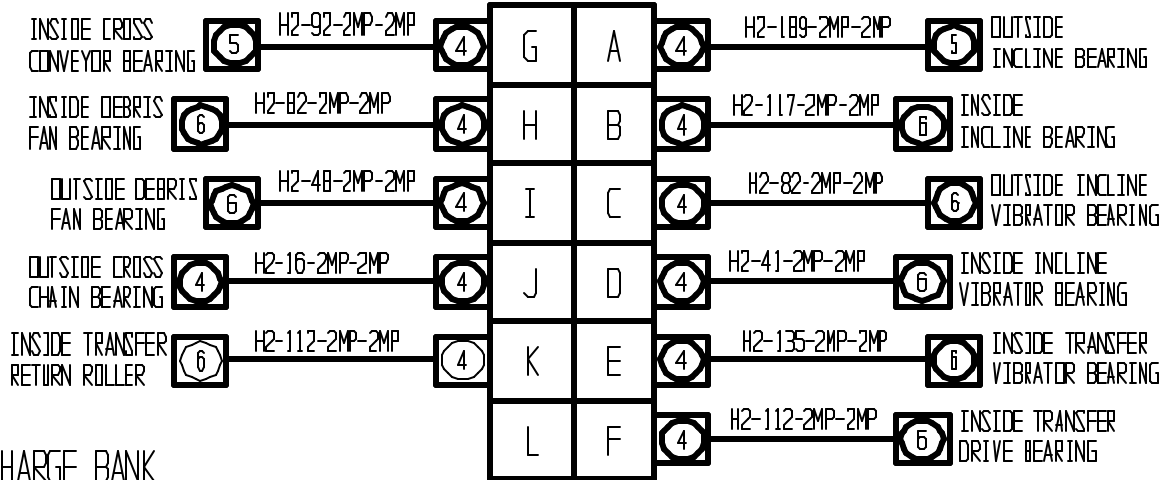
1104-12-2 OPTIONAL GREASE BANKS

NOTE: GREASE ALL LOCATIONS EVERY 10 HOURS

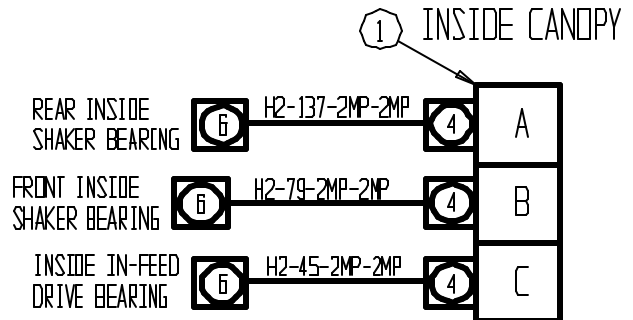
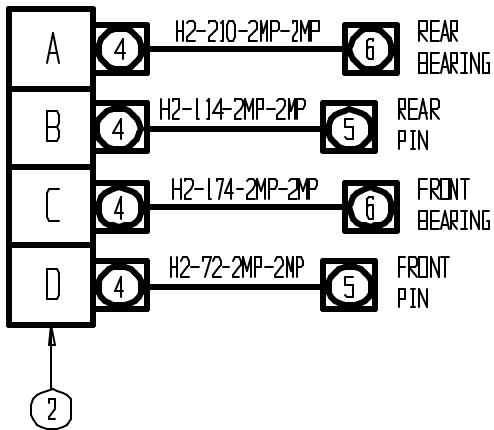
OUTSIDE SHAKER BANK



REAR GREASE BANK



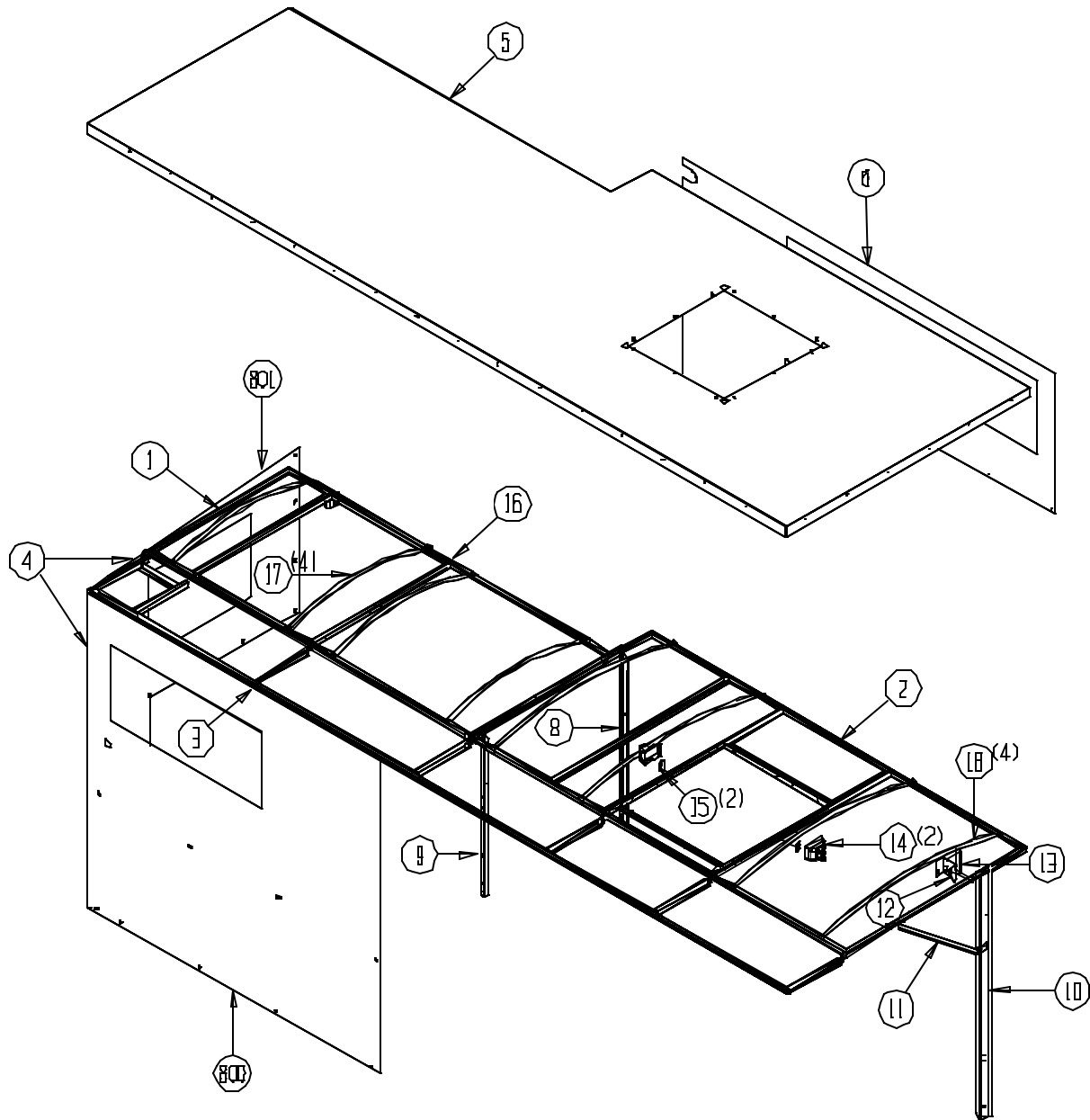
DISCHARGE BANK



1104-13-1 Standard Canopy Assembly

<u>Ref</u>	<u>Part No.</u>	<u>Description</u>	<u>Parts – Assembly</u>	<u>Will Fit SN</u>	<u>Remarks</u>
1	FRM-8002	Frame, Back Canopy, HC290 Tomato	1		
2	FRM-8003	Frame, Front Canopy, HC290 Tomato	1		
3	FRM-8001	Frame, Canopy Fold Out, HC290	1		
4	TRP-8006	Tarp, Canopy Enclosure @ Elevation, HC 290	1		TRP-8006-R & TRP-8006-S make TRP-8006
5	TRP-8000	Tarp, Canopy Sorting Area, HC290 Tomato	1		
7	TRP-8002	Tarp, Canopy Insd, Header Sorting Area, HC290	1		
8	POS-8100	Post, Inside Between Canopy Frm & Shaker Frm	1		
9	POS-8101	Post, Outside Between Canopy Frm & Shaker Frm	1		
10	POS-8750	Post, Innr, Frnt Handsort, Canopy, High Cap Tom	1		
11	MOU-8750	Canopy Mounting Bracket, High Capacity Tomato	1		
12	195-1455	Horn Bracket	1	19501-	
13	195-1456	Horn Switch Bar	1	19501-	
14	EL-1233	Light, Auxiliary Work Light, Clear, Trapezoid Beam, TL#80394	2		
15	BAR-1510	Bar, Light Holder	2		
16	TT-2771	Tarp Tracking, 16' Sections	0.75		
17	ARM-8001	Tarp Bows, Back Canopy Frame, HC290 Tomato	4		
18	ARM-8002	Tarp Bows, Front Canopy Frame, HC290 Tomato	4		
800	TRP-8006-R	Rear Panel for Elevation Canopy, HC 290	0	TRP-8006	
801	TRP-8006-S	Tarp, Side Panel Elevation Canopy, HC 290	0	TRP-8006	

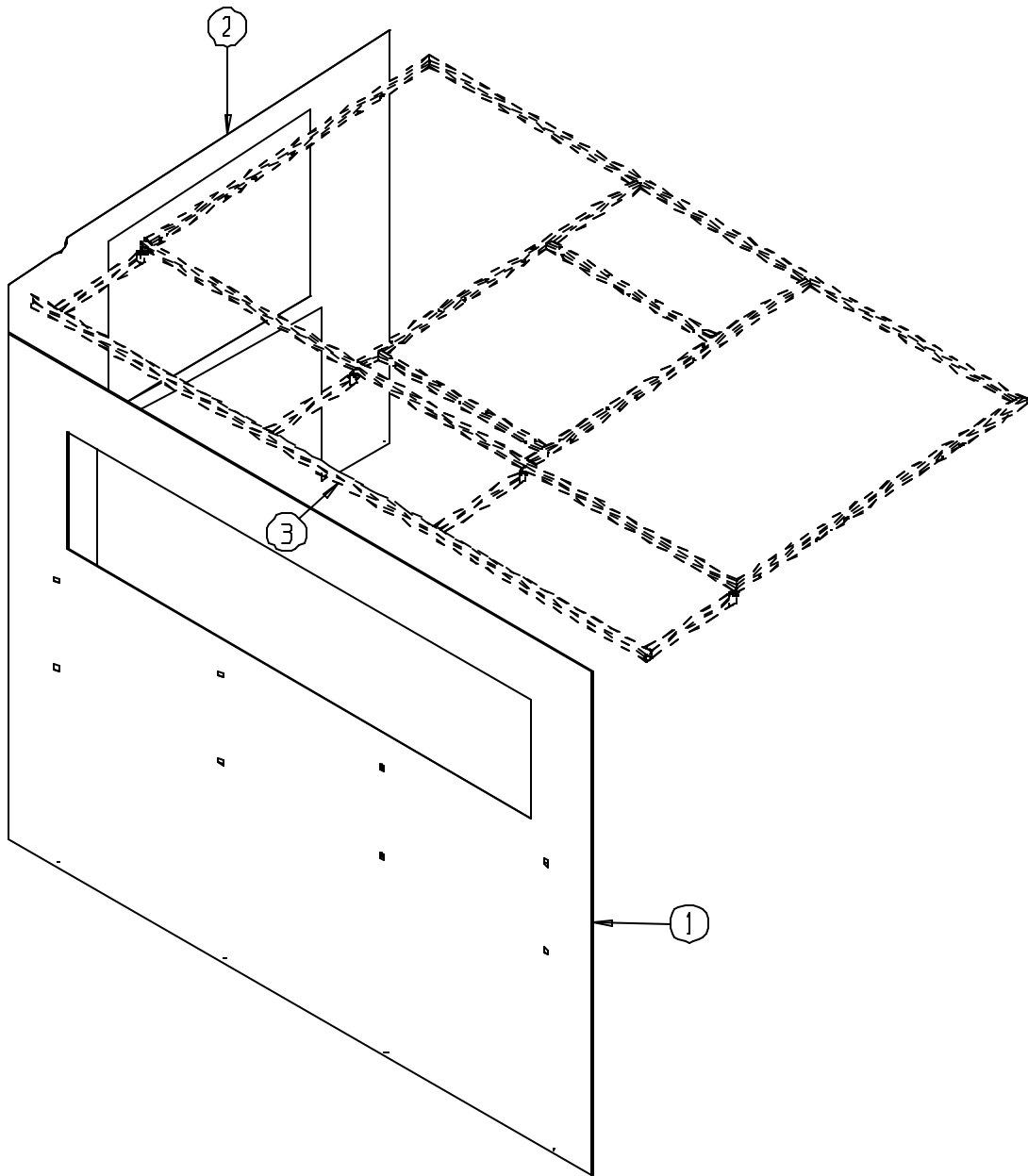
1104-13-1 STANDARD CANOPY ASSEMBLY



1104-13-2 Canopy Side Panel Assembly

<u>Ref</u>	<u>Part No.</u>	<u>Description</u>	<u>Parts – Assembly</u>	<u>Will Fit SN</u>	<u>Remarks</u>
1	TRP-8003	Tarp, Canopy Outside, Sorting Area, HC290	1		
2	TRP-8004	Tarp, Canopy Back, Sorting Area, HC290	1		
3	TT-2771	Tarp Tracking, 16' Sections	1.6875		

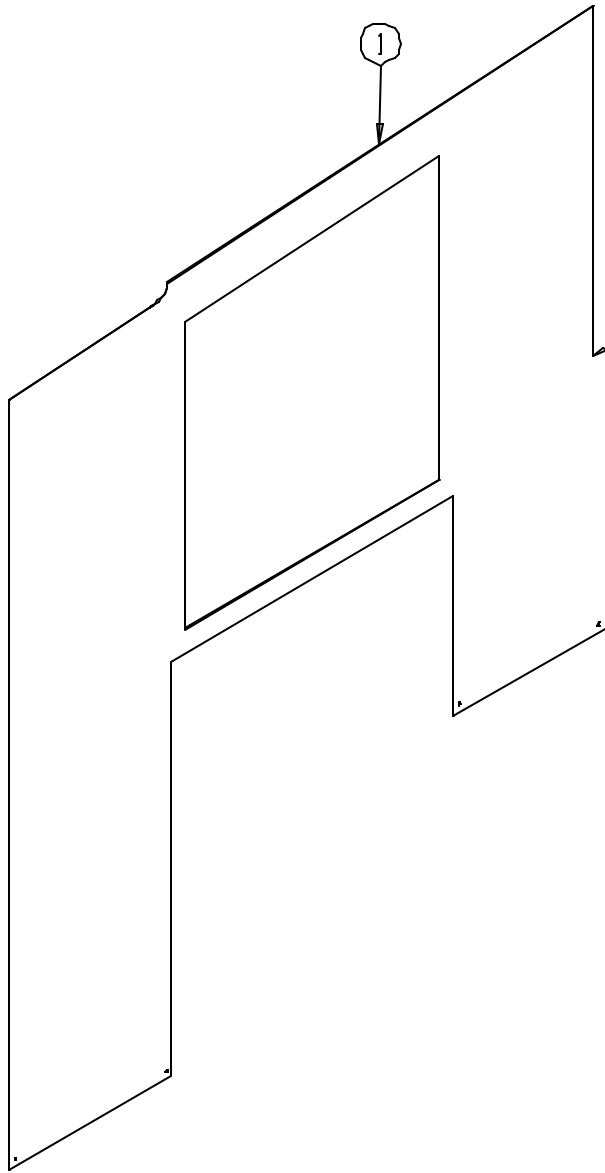
1104-13-2 CANOPY SIDE PANEL ASSEMBLY



1104-13-3 Canopy Front Window Assembly

<u>Ref</u>	<u>Part No.</u>	<u>Description</u>	<u>Parts – Assembly</u>	<u>Will Fit SN</u>	<u>Remarks</u>
1	TRP-8005	Tarp, Canopy Front, Sorting Area, HC290 Tomato	1		

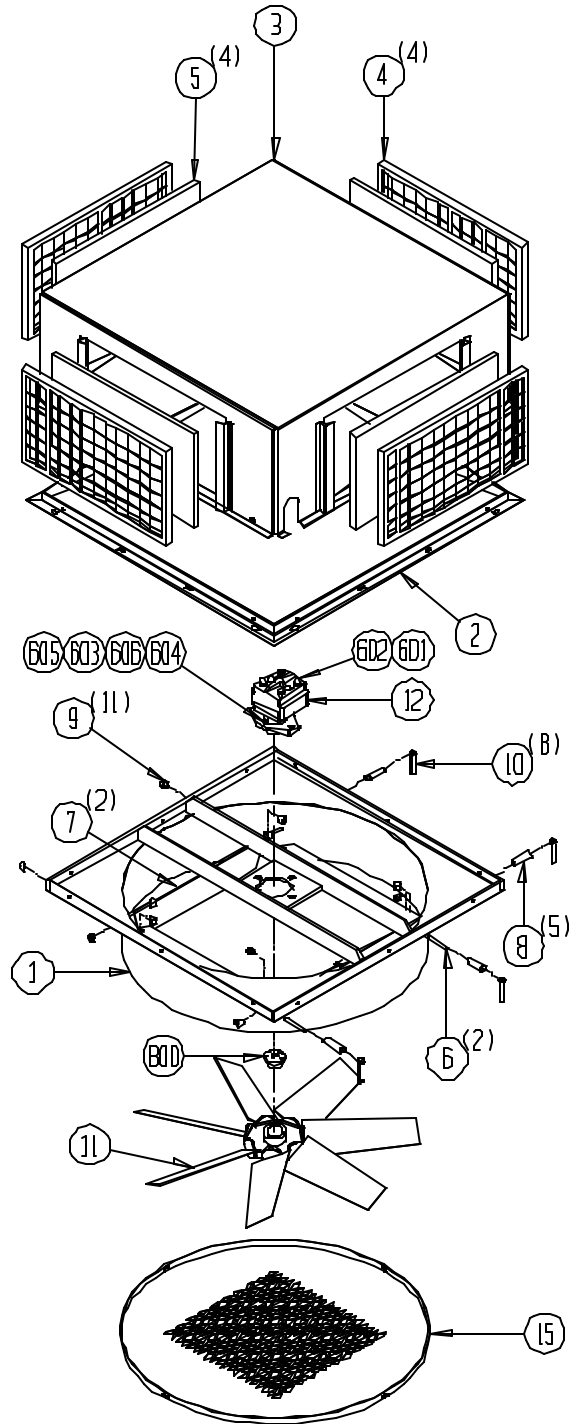
1104-13-3 CANOPY FRONT WINDOW ASSEMBLY



1104-13-4 Canopy Fresh Air Fan Assembly

<u>Ref</u>	<u>Part No.</u>	<u>Description</u>	<u>Parts – Assembly</u>	<u>Will Fit SN</u>	<u>Remarks</u>
1	FAN-8100	Fan, Fresh Air Fan Housing, Canopy, HC290 Tomato	1		
2	FRM-0011	Frame, Ventilation Fan, Over Sorting	1		
3	FAN-4750	Filtered Fan Ventilation, Sorting Area	1		
4	FFR-14251	Filter Frame, 14 x 25 x 1	4		
5	FP-14251	Filter Pad, 14 x 25 x 1	4		
6	FAN-8102	Fan, RH/LH Diffuser, Fresh Air Fan	2		
7	FAN-8103	Fan, Front/Back Diffuser, Fresh Air Fan	2		
8	SPA-8000	Spacer, Outside, Fresh Air Fan, HC290	5		
9	SPA-8001	Spacer, Inside, Fresh Air Fan, HC290	11		
10	ARM-8000	Arm, Diffuser Outside, Fresh Air Fan, HC290	8		
11	FAN-290-36	Fresh Air Fan, 36"	1		
12	HM-115	Hydraulic Motor	1		
13	TRP-8001	Tarp, Fresh Air Fan Hole Cover, HC290	-1		
14	FRM-8104	Frame, Canopy Cover Holder, Opening, HC290	-1		
15	FAN-8101	Fan, Shield, Fresh Air, Canopy	1		
800	PU-SH-16	Bushing, SH x 1", 1/4" Keyway	1		

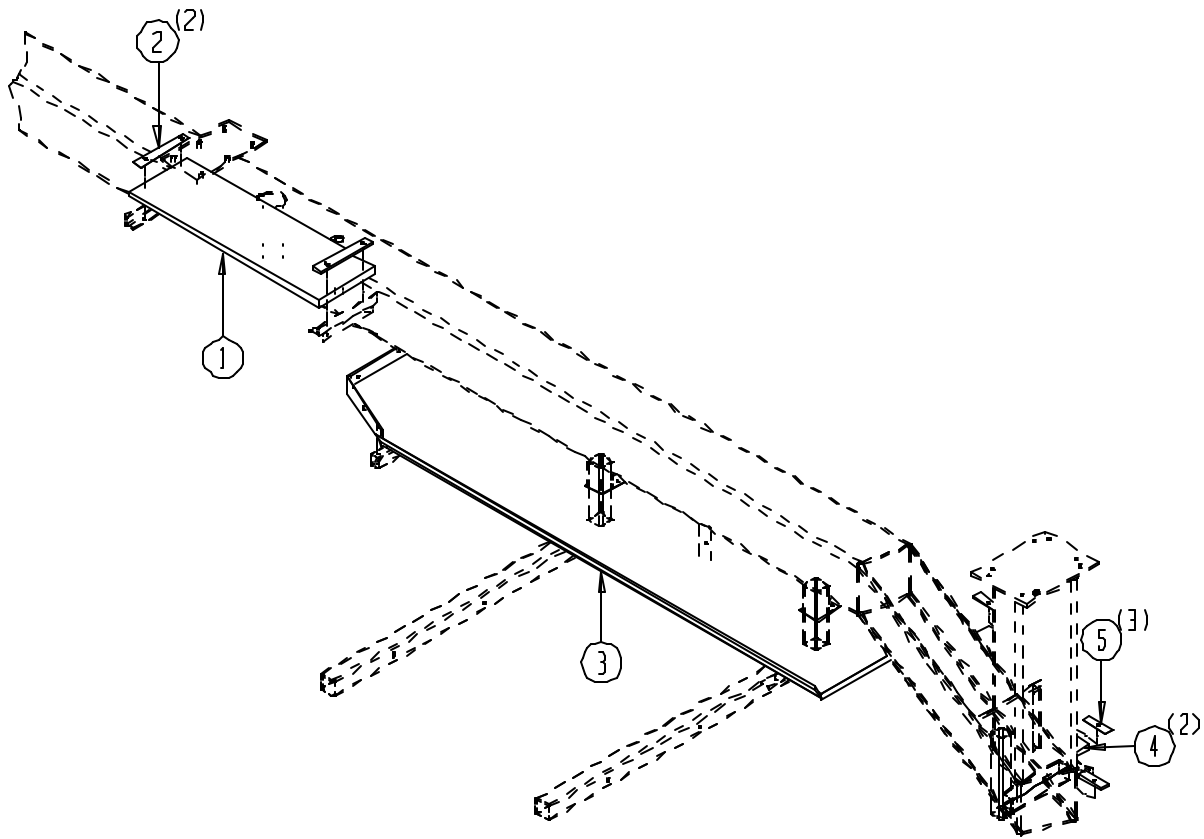
1104-13-4 CANOPY FRESH AIR FAN ASSEMBLY



1104-13-5 Inner Decking Assembly

<u>Ref</u>	<u>Part No.</u>	<u>Description</u>	<u>Parts – Assembly</u>	<u>Will Fit SN</u>	<u>Remarks</u>
1	STD-8103	Decking, Back, Top, Inner Decking, HC290	1		
2	BAR-8103	Decking Holder, Back, Inner Decking, HC290	2		
3	STD-8102	Decking, Bottom, Longest Inner Decking, HC290	1		
4	STD-8100	Decking, Top Step, Inner Decking, HC290	2		
5	BAR-8100	Bar, Elevation Decking Step Hold, High Cap Tom	3		

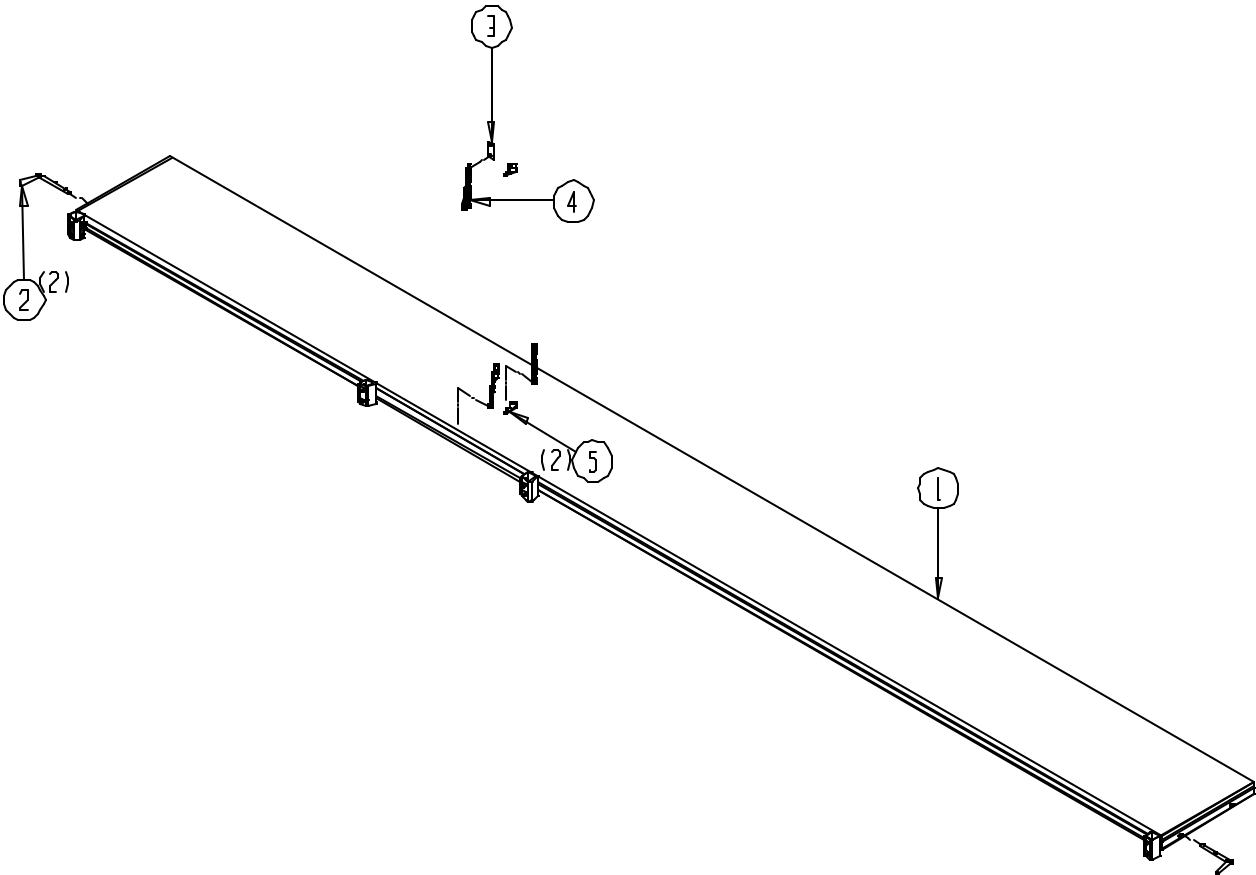
1104-13-5 INNER DECKING ASSEMBLY



1104-13-6 Outer Decking Assembly

<u>Ref</u>	<u>Part No.</u>	<u>Description</u>	<u>Parts – Assembly</u>	<u>Will Fit SN</u>	<u>Remarks</u>
1	STD-8104	Decking and Frame, RH, Under Canopy, HC290	1		
2	PIN-8104	Pin, Holder Outside Decking, HC290	2		
3	SUP-8104	Support, Link Chain Holder, HC290	1		
4	CH-3-44	3/16 LINK CHAIN 44 LINKS	1		
5	HC-1130B	Hair Pin Clip	2		
6	CH-3-46	3/16 LINK CHAIN 46 LINKS	1		

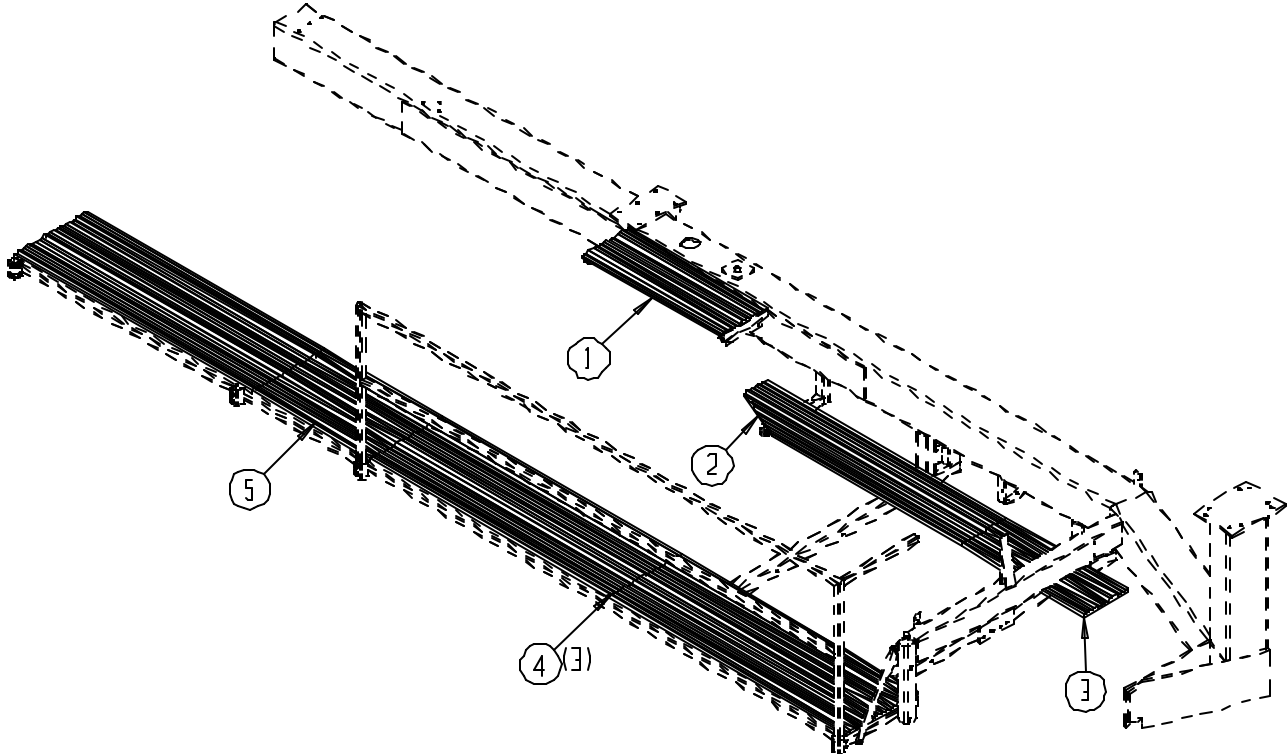
1104-13-6 OUTER DECKING ASSEMBLY



1104-13-7 Decking Cover Assembly

<u>Ref</u>	<u>Part No.</u>	<u>Description</u>	<u>Parts – Assembly</u>	<u>Will Fit SN</u>	<u>Remarks</u>
1	CM-8100	Deck Mat, Inside, Back, Optional Decking, HC290	1		
2	CM-8101	Deck Mat, Inside Middle, Optional Decking, HC290	1		
3	CM-8102	Deck Mat, Inside, Front, Optional Decking, HC290	1		
4	CM-8103	Deck Mat, Outside, RH, Optional Decking, HC290	3		
5	CM-8104	Cow Mat, Outside, Back, Optional Decking, HC290	1		

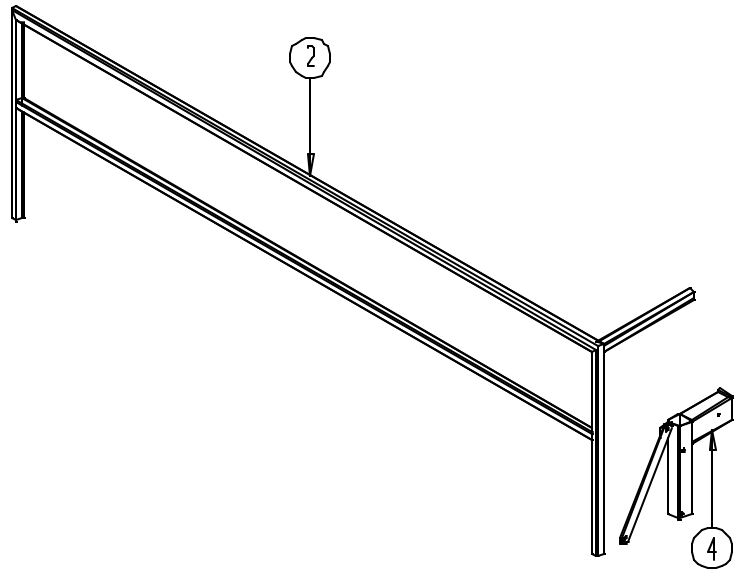
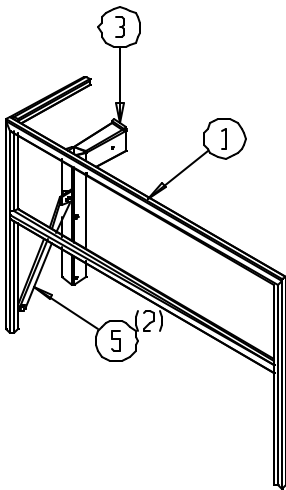
1104-13-7 DECKING COVER ASSEMBLY



1104-13-8 Outer Hand Rail Assembly

<u>Ref</u>	<u>Part No.</u>	<u>Description</u>	<u>Parts – Assembly</u>	<u>Will Fit SN</u>	<u>Remarks</u>
1	STD-8105	Stand, Back Hand Rail, HC290 Tomato	1		
2	STD-8106	Stand, Front Hand Rail, HC290 Tomato	1		
3	STD-8107	Stand, Handrail Mount, Back, Aftersort, HC290	1		
4	STD-8108	Stand, Handrial Mount, Front, Aftersort, HC290	1		
5	BAR-8104	Bar, Hand Rail Adjuster, HC290 Tomato	2		

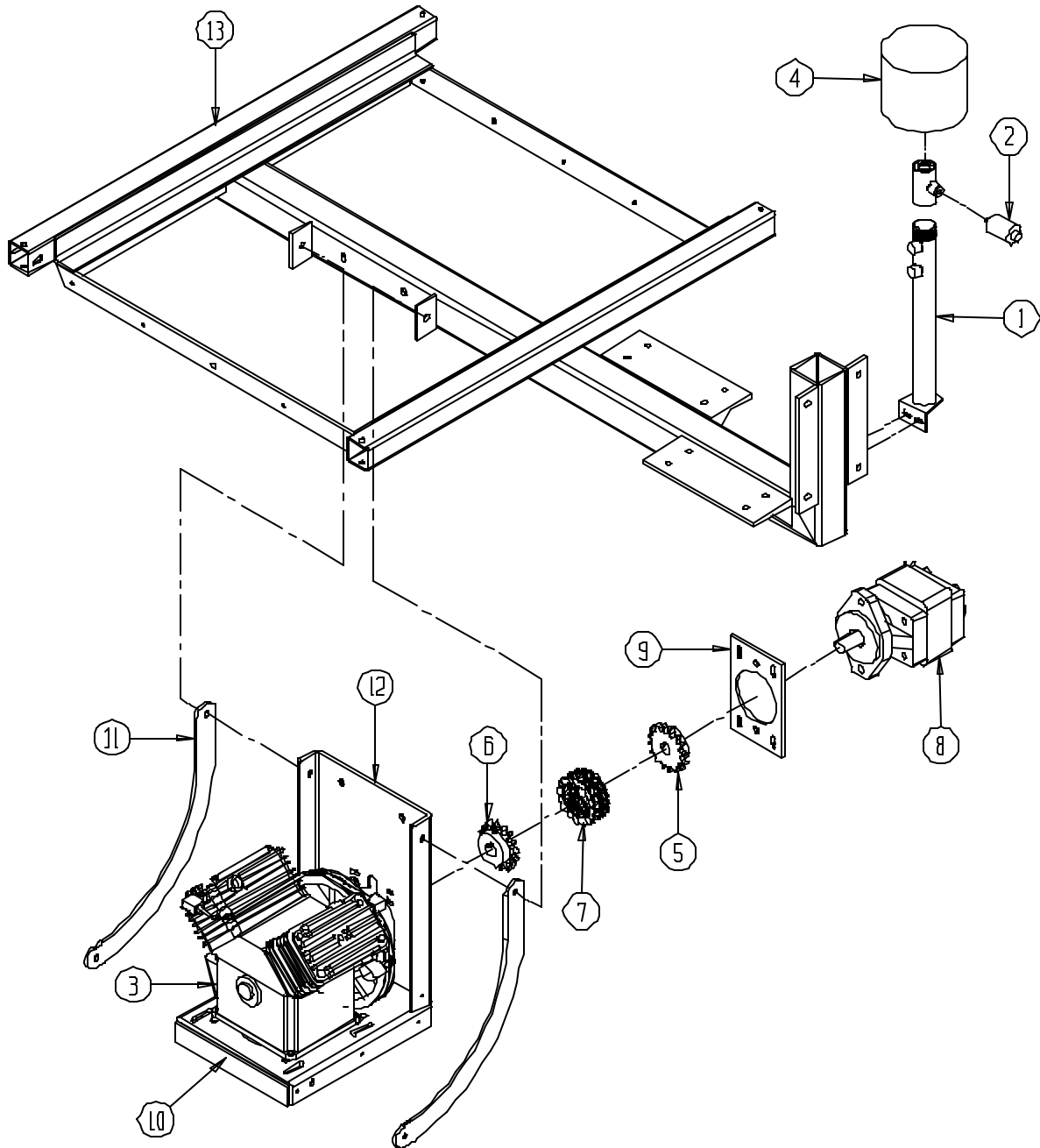
1104-13-8 OUTER HAND RAIL ASSEMBLY



1104-14-1 Air Compressor Assembly

<u>Ref</u>	<u>Part No.</u>	<u>Description</u>	<u>Parts – Assembly</u>	<u>Will Fit SN</u>	<u>Remarks</u>
0	AIR-1516	Air compressor oil, quart	1		
1	194-1510	Air Filter Mount	1	19401-	
2	AIR-1355	Air Filter Monitor(15# H2O) with O-Ring fitting	1		
3	AIR-1506	Air Compressor w/Flywheel	1		Replaces AIR-1507
4	AIR-1506A	Air, Compressor Filter	1		
5	CPR-7081C	Omega Hub 7/8	1	19401	
5	SP-50B16-16-4	Sprocket, #50, 16 tooth, 1" bore	1		
6	CPR-7081D	Omega Coupler Hub 1" - 1/4" Keyway	1		
6	SP-50B16-14-4	Sprocket, #50, 16 tooth, 7/8" bore	1		
7	CH-5016-CC	Coupling Chain, 16 Pitch Double 50 Roller Chain	1		
7	CPR-7081E	Coupler Element Only	1	19401	
8	HM-122	Motor, Hydraulic, 1-3/4" Gear, #12 SAE Ports	1		
9	SUP-3707	Support, Motor Mount, Debris Fan (Pickle)	1	30096001-	
10	DC-1506B	Decal,White:AIR FILTER-CLEAN DAILY BLOW	1	11001-	
11	BAR-8250	Bar, Support, Oil Cooler/Air Compressor, HC290	2		
12	MOU-8251	Mount, Air Compressor, Oil Cooler Frame, HC290	1		
13	FRM-8251	Bolt-on Cyl. Mnt Frm, Oil Cooler/Filter Mnt, HC290	1		

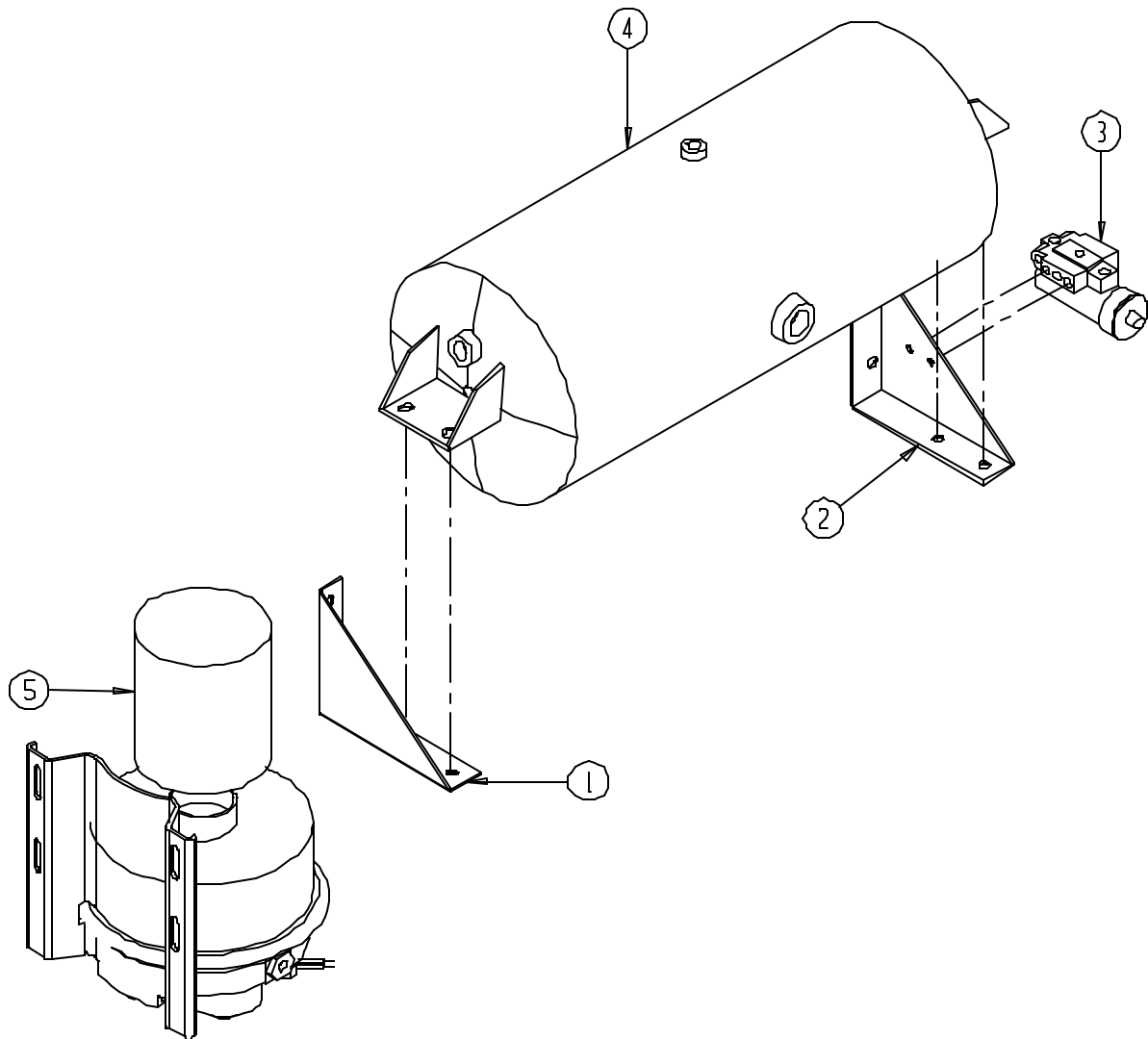
1104-14-1 AIR COMPRESSOR ASSEMBLY



1104-14-2 Air Tank & Dryer Assembly

<u>Ref</u>	<u>Part No.</u>	<u>Description</u>	<u>Parts – Assembly</u>	<u>Will Fit SN</u>	<u>Remarks</u>
1	194-1513A	Air Tank Bracket	1	19401-	
2	194-1513B	Bracket, Air Reservoir	1	19401-	
3	AIR-1512	Air Compressor Governor	1		
4	AIR-1513	Air Reservoir Tank	1		
5	AIR-1514-M	Air Dryer	1		Will replace 110-1514 with minor modifiactions

1104-14-2 AIR TANK & DRYER ASSEMBLY

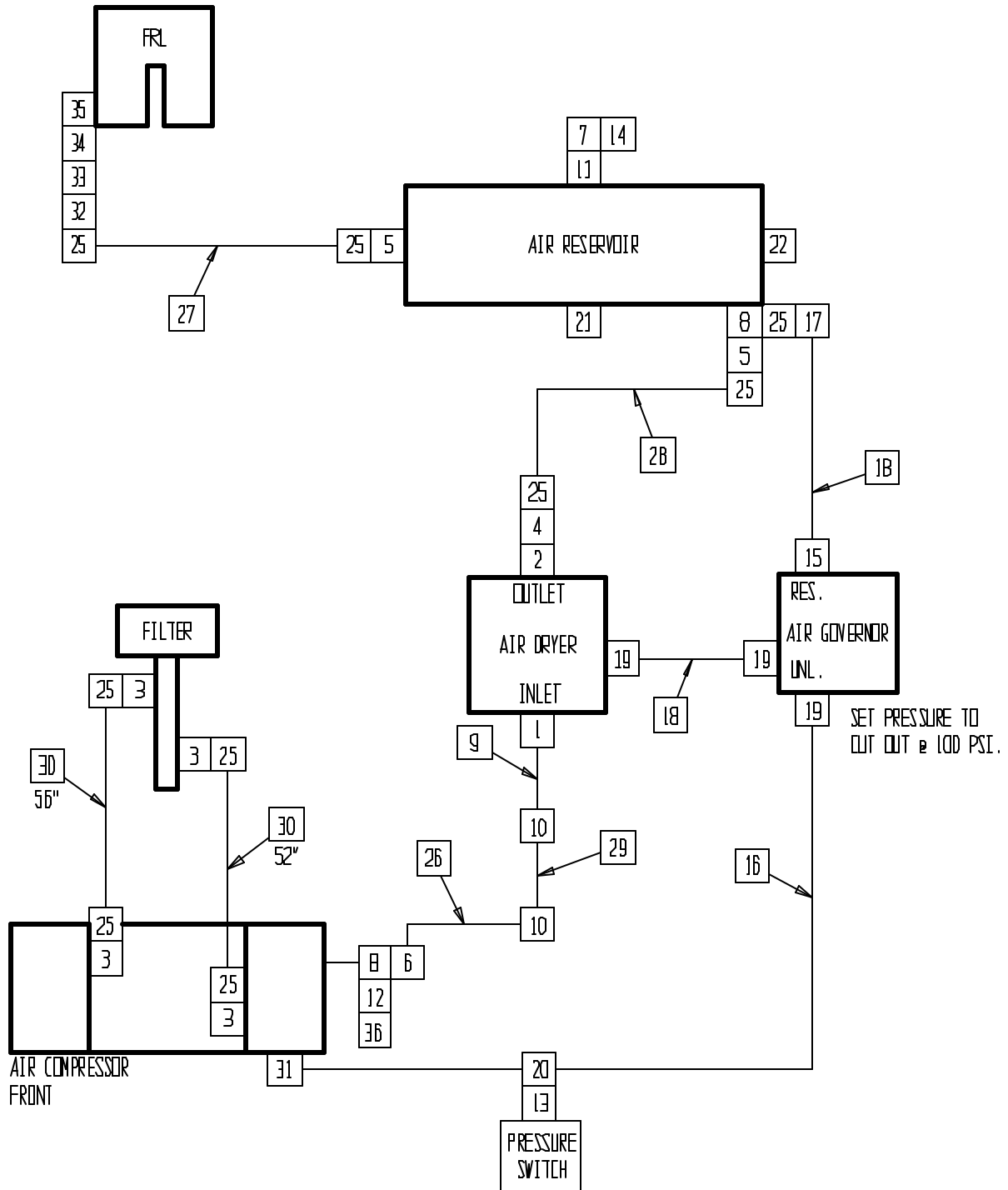


1104-14-3 Air System Line & Component Assembly

<u>Ref</u>	<u>Part No.</u>	<u>Description</u>	<u>Parts – Assembly</u>	<u>Will Fit SN</u>	<u>Remarks</u>
1	A-1501-8-8	1/2 MP x 1/2 FPX90	1		
1	A-1503-8-8	Elbow, 1/2" MP X 1/2" FPX45	1		
2	A-2501L-10-8	5/8MJIC x 1/2MP(Long)90	1	19701-	
3	A-4104-12-8	1/2 MP to 3/4 Hose Barb	4		
4	A-4121-10-10	5/8" Push Loc x 5/8" JIC Female	1		
5	A-4124-10-8	1/2 Male Pipe x 5/8 Push Loc	2		
6	A-1404-8-8	1/2 MP to 1/2 FPX, Straight	1		
6	A-5405-8-12	Pipe Adapter 1/2 MPT x 3/4 FPT	1		
7	A-5500-4	1/4" 90 Male Pipe Elbow	1		
8	A-5602-8	Run Tee 1/2" NPT	2		
9	A-5628-14-12	Compression Adapter, 7/8"OD x 3/4"MPT, Brass	1		
9	H10-23-8MP-8MP	5/8" hose 1/2MP x 1/2MP x 23" long	1		
10	A-1405-8-8	1/2" NPT Coupler W/Swivel	2		
10	A-6600-14-12	Compression Adapter, 7/8"OD x 3/4"FPT, Brass	1		
11	AB-12-4	3/4 x 1/4 Bushing	1		
12	AB-8-4	1/2 x 1/4 Bushing	2		
13	AC-4	1/4" NPT Coupler	1		
14	AIR-375-25F	Air Coupler 3/8 Body - 1/4NPT Female Thread	1		
15	AIR-N4-2	Auto-loc Male Adapter 1/4 x 1/8 NPT	1		
16	air-n4-228	1/4" Air Line x 228" Long	1		
17	AIR-N4-4	Auto-loc Male Adapter 1/4 n-1/4NPT	1		
18	air-n4-53	1/4" Air Line 53" Long	2		
19	AIR-NL4-2	Auto-loc Elbow 1/4 - 1/8 NPT	3		
20	AIR-PT-4-4	Male Branch Tee, 1/4 x 1/4NPT, Brass, D.O.T., Prestomatic	1		
21	AP-12	3/4" NPT Plug	1		
22	AP-8	1/2" Pipe Plug	1		
23	ASL-12	3/4" Street Elbow	1		
24	ASL-4	1/4" Black Street Elbow	1		
25	CL-1208	Hose Clamp, Size 12 - 3/4-1 1/8	8		
26	COP-12	7/8" OD Copper Tubing @ Foot	12		
26	HSSB-72-8-8	1/2" x 72" Stainless Steel Braided Hose	1		
27	h10-pl-115	5/8" Push-Loc Hose x 115" Long	1		
28	h10-pl-26	5/8" Push Loc Hose 26"	1		

29	AN-8-2304	1/2" NPT x 12', Nipple, Schedule 40	1
29	h12-91-12mp-8mp	3/4" Hose 3/4MP x 1/2MP x 91 in Long	1
30	H12C-4	3/4" Suction Hose @ ft	9
31	AIR-60BI	Brass Insert, 1/4" Nylon Tube	1
32	A-4104-10-6	3/8 MP to 5/8 Hose Barb	1
33	SRT-1579	3/8" Ball Valve	1
34	A-5404-6-6	Hex Nipple, 3/8" x 3/8"	1
35	A-1501-6-6	3/8" MP x 3/8" FPX90	1
36	AIR-GLS417	Gauge, Liq. Filled, SS, 0-160psi, 1/4"NPT Bottom	1

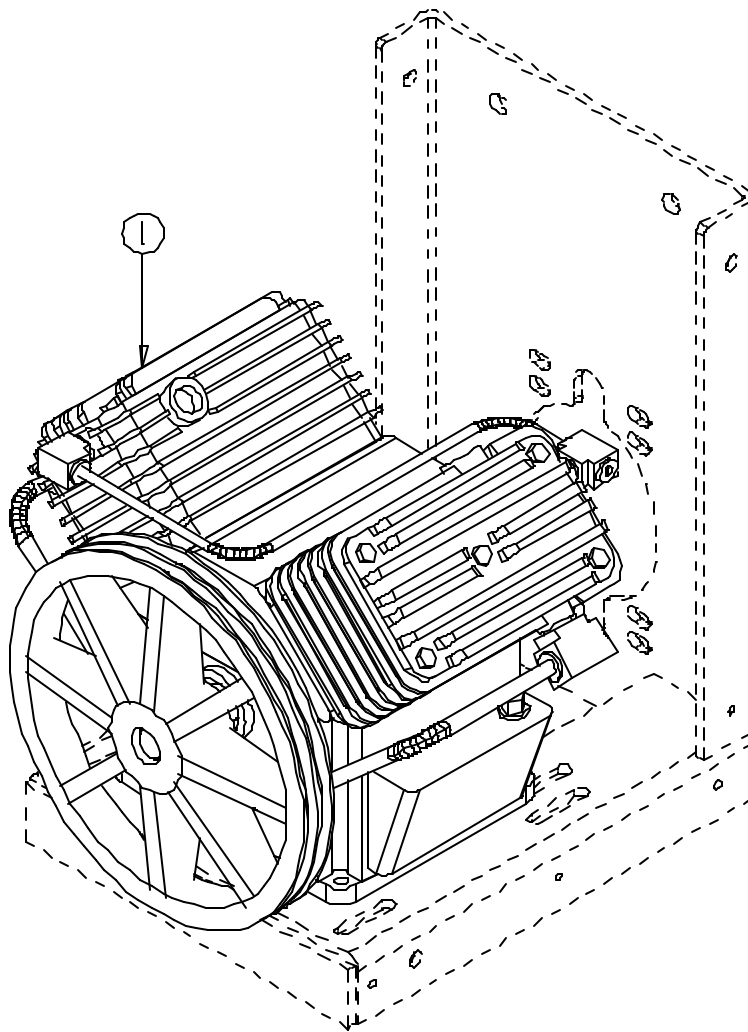
1104-14-3 AIR SYSTEM LINE & COMPONENT ASSEMBLY



1104-14-4 Optional High Output Air Compressor

<u>Ref</u>	<u>Part No.</u>	<u>Description</u>	<u>Parts – Assembly</u>	<u>Will Fit SN</u>	<u>Remarks</u>
1	AIR-1508	Air Compressor	1		

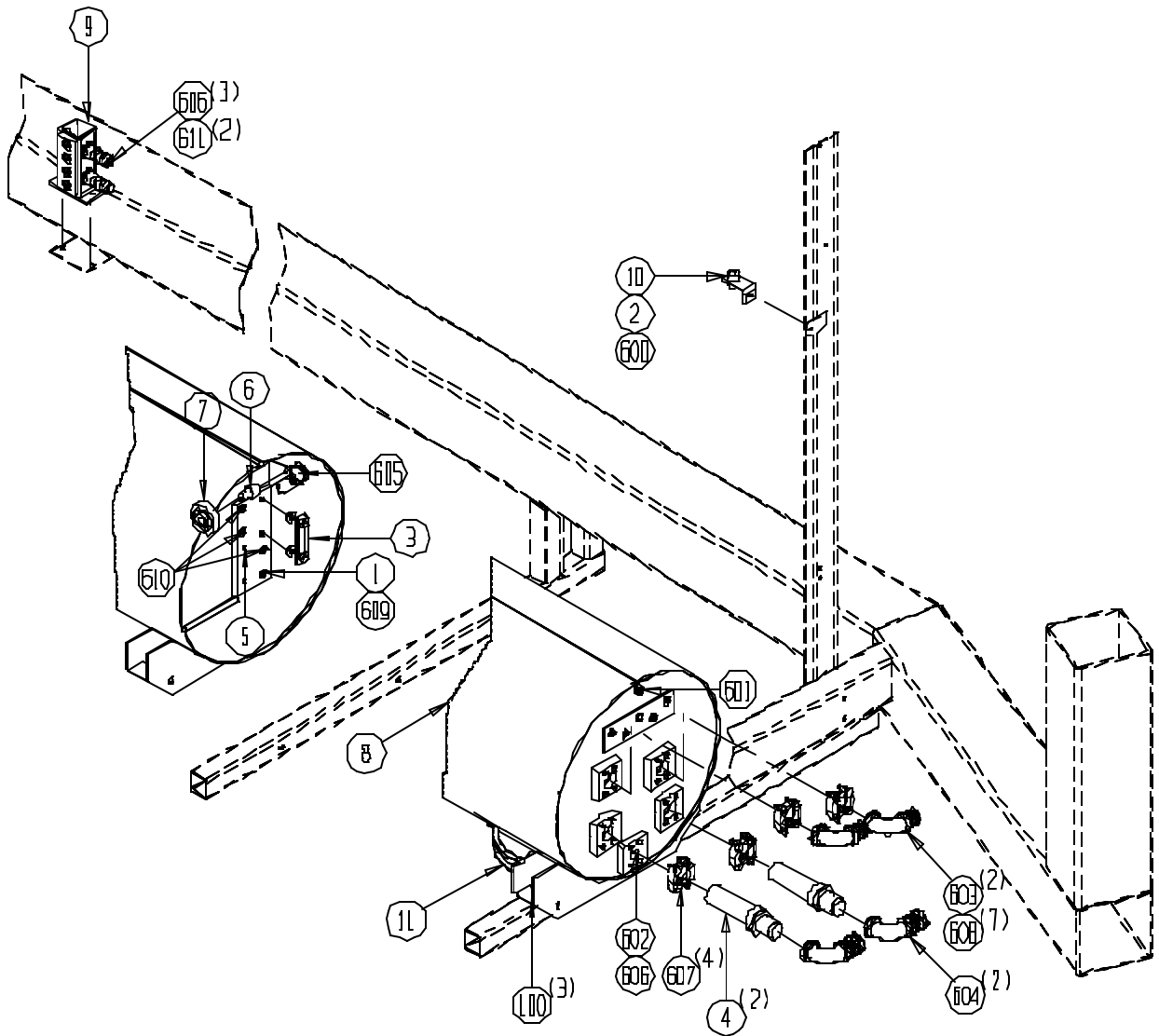
1104-14-4 OPTIONAL HIGH OUTPUT AIR COMPRESSOR



1104-15-1 Oil Tank Assembly

<u>Ref</u>	<u>Part No.</u>	<u>Description</u>	<u>Parts – Assembly</u>	<u>Will Fit SN</u>	<u>Remarks</u>
0	HP-1031	Hydraulic oil (per gal.)	150		ISO grade 46 with anti-wear and anti-foam properties. Harvesters, Approx. 140 gal
1	ELS-02008	Temperature Switch	1		
2	HA-1012	Vescor Breather Filter (3 micron)w/Adapter Fitting	1		
3	HA-1041	Hyd, Level Gauge & Therm	1	19201-	
4	HA-2002	Hydraulic Suction Screen, 2 1/2"	2		
5	HA-3008	Oil Level Sight Gauge w/Low Level Electric Switch	1		
6	RLA-010-0108	Spindle / Standoff for Urethane Roller (heat treated)	1	19101-	
7	RLG-040-1016	4" Urethane Roller	1		
8	TAN-8000	Tank, Oil Reservoir, High Cap. Tomato	1		
9	TAN-8101	Tank, Oil Return Manifold, HC290	1		
10	BRA-8755	Bracket, Mount, Air Breather Filter, HC290 Tomato	1		
11	COV-8000	Cover Oil Reservoir, Oil Tank, HC290 Tomato	1		
12	MWA-21B	5/8" x 5" Zinc Plated Eyebolt	3		
13	MWA-21P	Zinc Plated Clevis Pin	3		
14	MWA-21R	Roll Pin	3		
100	BL-10-LN	5/8-11 HEX LN NE ZC	3		
600	A-4129-10-8	1/2 NPT 90 w/ 5/8" push-loc	1		
601	AN-12-10-HSB	3/4" NPT, Combination Nipple/Hose Shank, 5/8" Hose, Brass	1		
602	A-4459-24-24	Flange Nipple, 1 1/2" 90	1		
603	A-4459-32-32	Flange Nipple, 2" 90	2		
604	A-4459-40-32	Flange Nipple, 2-1/2" barb x 2" 90	2		
605	ACP-32	2" Black Pipe Cap	1		
606	A-SFK-24	1 1/2" Split Flange Kit	3		
607	A-SFK-32	2" Split Flange Kit	4		
608	H10-PL	5/8" Push Loc Hose @ ft.	7		
609	A-6405-8-4	8 SAE x 1/4"FP	1		
610	A-6408-8	8 SAE Plug	3		
611	A-4450-24-24	Suction Flange Nipple, 1 1/2"	2		

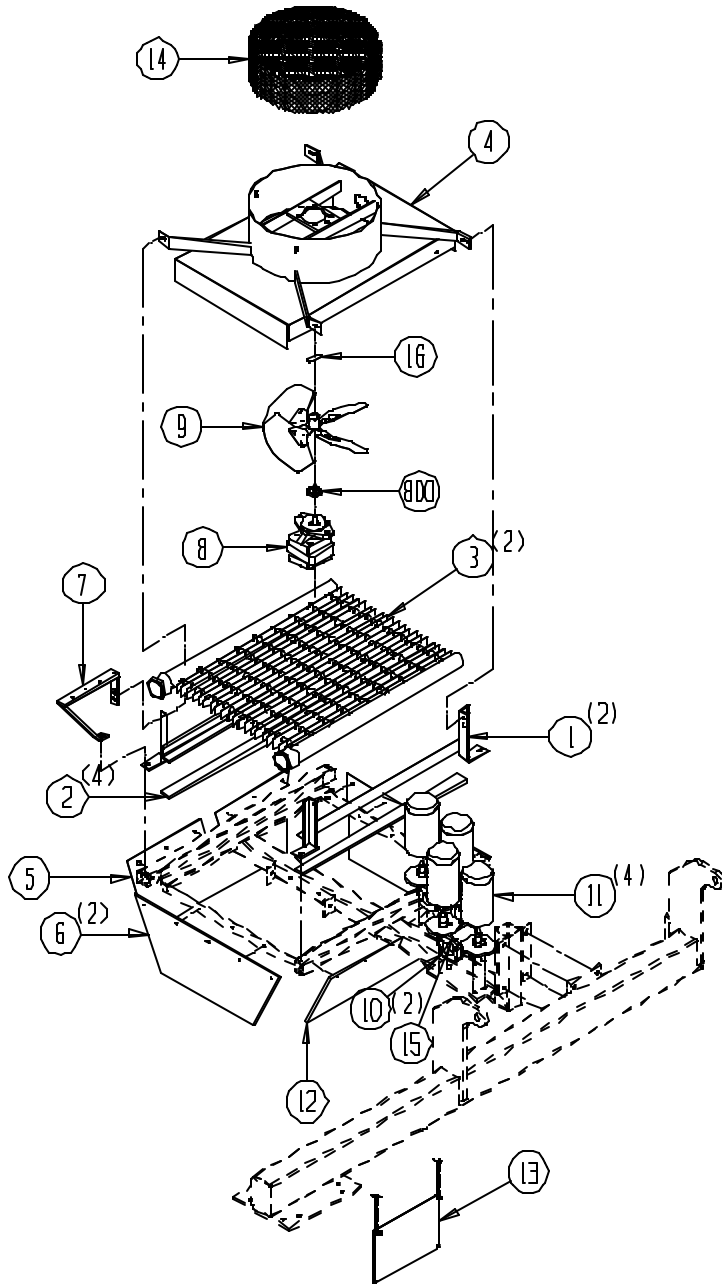
1104-15-1 OIL TANK ASSEMBLY



1104-15-2 Oil Cooler & Filter Assembly

<u>Ref</u>	<u>Part No.</u>	<u>Description</u>	<u>Parts – Assembly</u>	<u>Will Fit SN</u>	<u>Remarks</u>
1	110-1017	Mount, Oil Cooler Support	2		
2	RS-100	Rubber Sheeting, .500 x 1.75 x 35.5, Oil Cooler Damper	4	19401-	EPDM Sponge Rubber Sheeting
3	HA-1016	Hydraulic Oil Cooler Radiator w/o Mounting Kit & w/ SAE24 Ports	2		Replaces HA -1015
4	110-1016	Oil Cooler Shroud	1		
5	BT-8250	Shield Front & Back, Oil Cooler & Filter, HC290	1		
6	BT-8251	Shield RH & LH Side, Oil Cooler & Filter, HC290	2		
7	BRA-8250	Flow Contrl Mnt, Oil Cooler & Filter Mnt, HC290	1		
8	HM-412C	Hydraulic Motor	1	19101	Sub 191-412
9	FAN-290-18	Oil Cooler Fan, 18"	1		
10	HA-1023-Z	Double Filter Head, Side by Side	2		
11	HA-1029	Hydraulic Fluid Filter	4		
12	BT-8252	Belting, Shielding, Front, Oil Cool Assem, HC290	1		
13	DC-40414A	Decal, Danger...Do not Enter, Sort Entrance	1		
14	191-1082	Shield, Cooling Fan	1		
15	HA-1023A	Filter Gage	1		
16	BAR-FAN-290-18	Bar, Retainer, Cooling Fan	1		
600	A-SFK-32	2" Split Flange Kit	4		
601	A-4459-24-32	Flange Nipple, 1 1/2 - 2" 90	2		
602	A-4456-32-32	Flange Nipple, 2" 45	2		
800	PU-JA-14	Bushing, JA x 7/8"	1	11001	

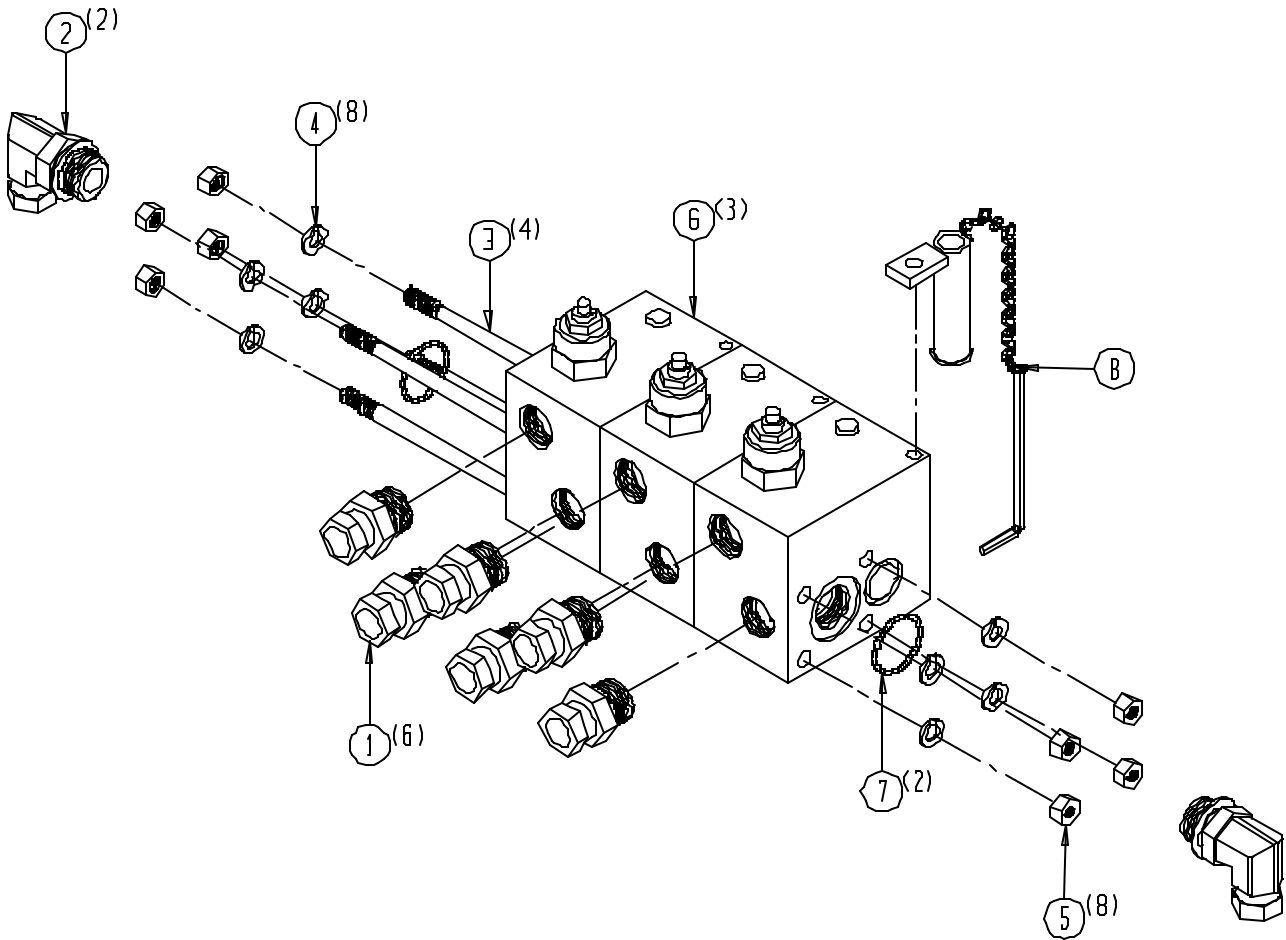
1104-15-2 OIL COOLER & FILTER ASSEMBLY



1104-15-3 Optional Shaker Rotation Valve Section Assembly

<u>Ref</u>	<u>Part No.</u>	<u>Description</u>	<u>Parts – Assembly</u>	<u>Will Fit SN</u>	<u>Remarks</u>
1	A-6900-12-8	12 SAE x 1/2" FPX	6		
2	A-6901-12-8	12 SAE x 1/2" FPX 90	2		
3	BL-6-10125-B7	3/8-16 x 10-1/8 B7 Threaded Rod	4		
4	BL-6-LW	3/8 SPLIT LW ZC	8		
5	BL-6-N	3/8-16 HEX NUTS ZC	8		
6	HA-428	Flow Control (Only)	3		
7	OR-220	O-Ring, 1/8" RH & 1 5/8" OD	2		
8	ARM-8250	Arm, Adjustment Handle, HC290 Tomato	1		

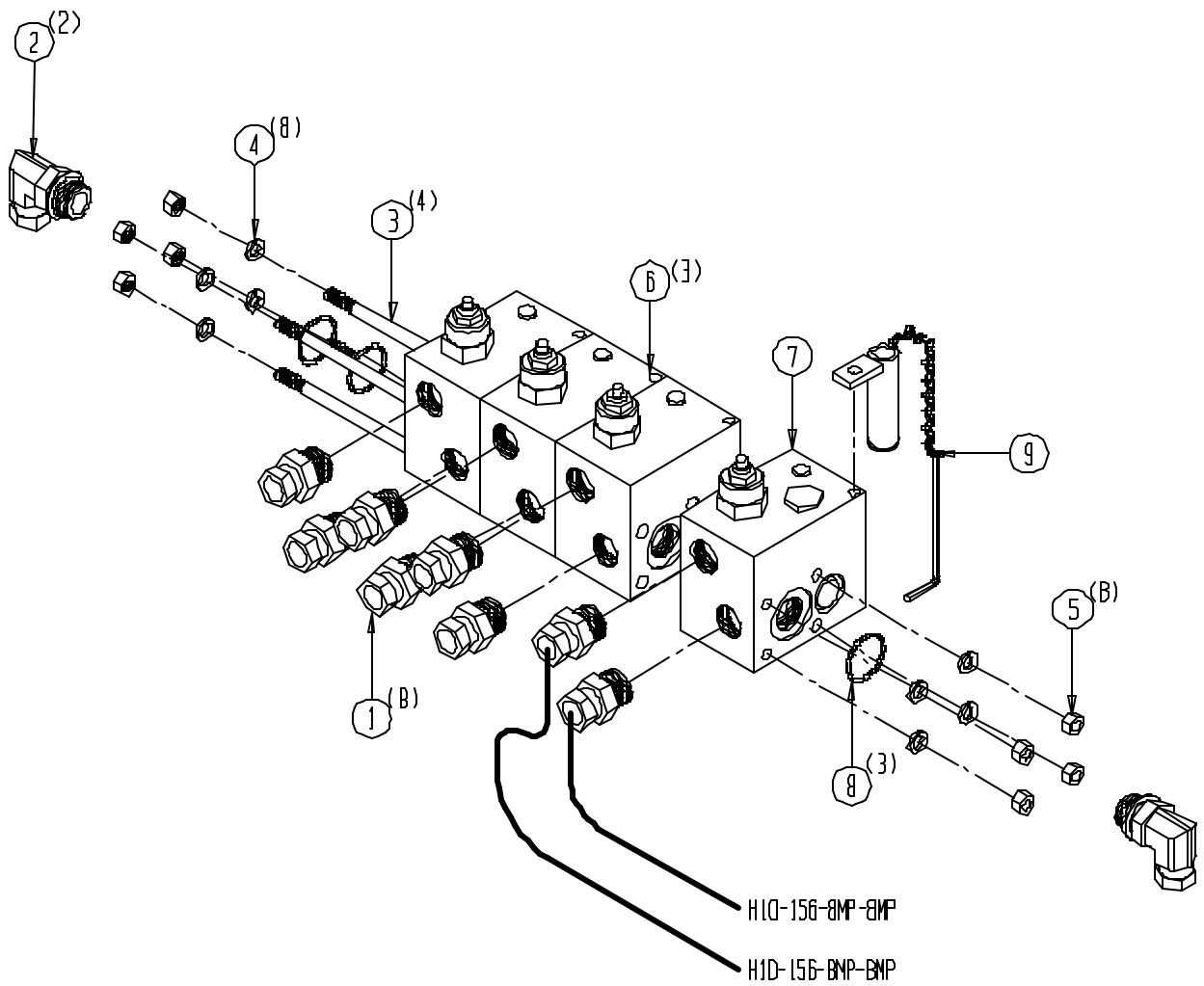
1104-15-3 OPTIONAL SHAKER ROTATION VALVE SECTION ASSEMBLY



1104-15-4 Shaker Rot. Valve Sect. Assembly w/Fresh Air Fan

<u>Ref</u>	<u>Part No.</u>	<u>Description</u>	<u>Parts – Assembly</u>	<u>Will Fit SN</u>	<u>Remarks</u>
1	A-6900-12-8	12 SAE x 1/2" FPX	8		
2	A-6901-12-8	12 SAE x 1/2" FPX 90	4		
3	BL-6-13125-B7	3/8-16 x 13-1/8 B7 Threaded Rod	4		
4	BL-6-LW	3/8 SPLIT LW ZC	8		
5	BL-6-N	3/8-16 HEX NUTS ZC	8		
6	HA-428	Flow Control (Only)	3		
7	HA-430	Flow Control w/Check	1		
8	OR-220	O-Ring, 1/8" RH & 1 5/8" OD	3		
9	ARM-8250	Arm, Adjustment Handle, HC290 Tomato	1		
10	H10-156-8MP-8MP	5/8" hose 1/2MP x 1/2MP x 156" long	2		
11	A-4124-6-6	3/8 Male Pipe x 3/8 Push Loc	1		
12	A-4129-6-4	1/4" NPT 90 w/3/8" Push-Loc	1		
13	A-6901-8-6	8 SAE x 3/8" FPX90	1	20095001-	
14	H6-PL-300	3/8" Push-Loc Hose 300"	1		

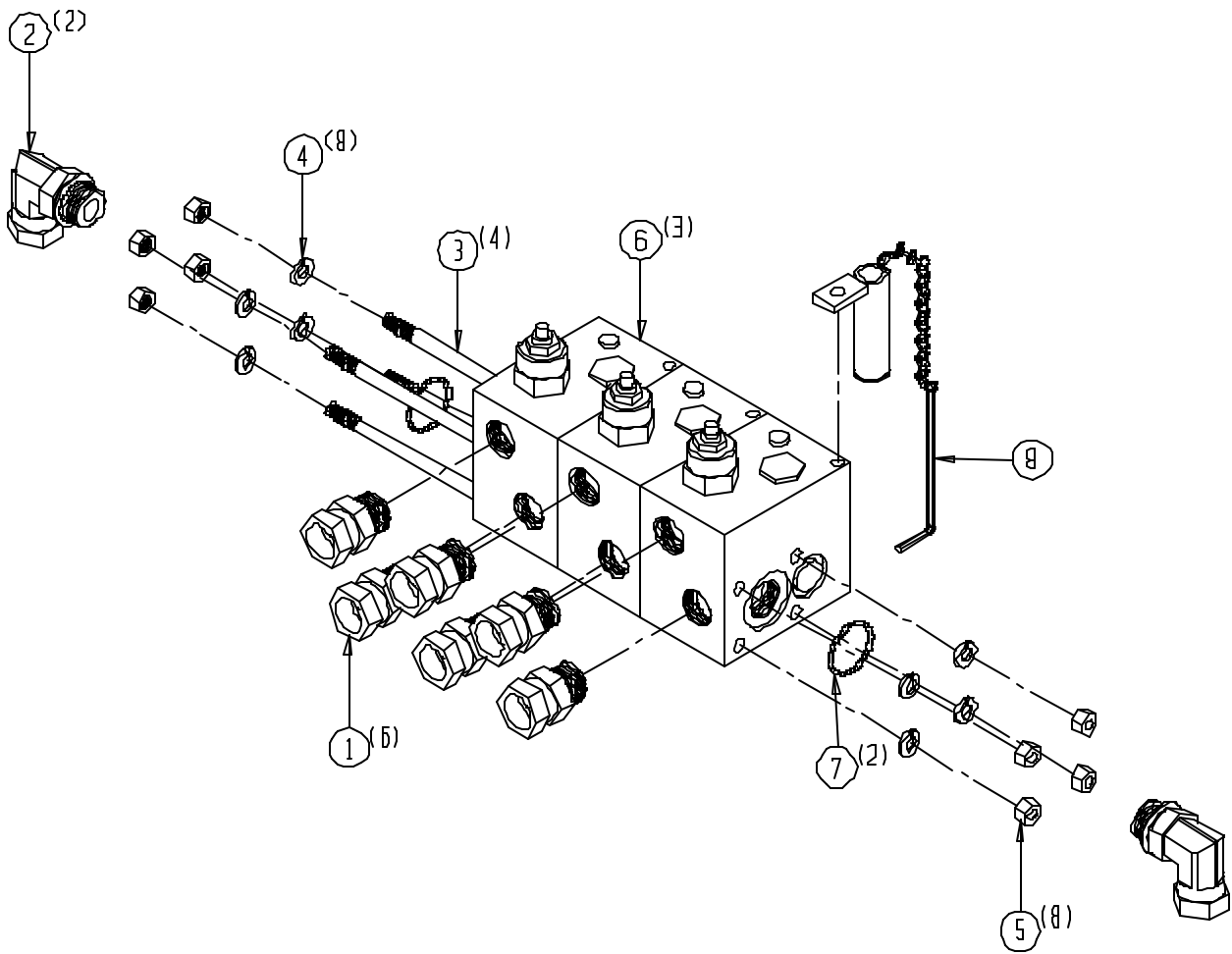
1104-15-4 SHAKER ROT. VALVE SECT. ASSEMBLY W/ FRESH AIR FAN



1104-15-5 Shaker Wgt & Header Vib. Valve Section Assem.

<u>Ref</u>	<u>Part No.</u>	<u>Description</u>	<u>Parts – Assembly</u>	<u>Will Fit SN</u>	<u>Remarks</u>
1	A-6900-12-12	12 SAE x 3/4"FPX	6		
2	A-6901-12-12	12 SAE x 3/4" FPX 90	2		
3	BL-6-10125-B7	3/8-16 x 10-1/8 B7 Threaded Rod	4		
4	BL-6-LW	3/8 SPLIT LW ZC	8		
5	BL-6-N	3/8-16 HEX NUTS ZC	8		
6	HA-430	Flow Control w/Check	3		
7	OR-220	O-Ring, 1/8" RH & 1 5/8" OD	2		
8	ARM-8250	Arm, Adjustment Handle, HC290 Tomato	1		

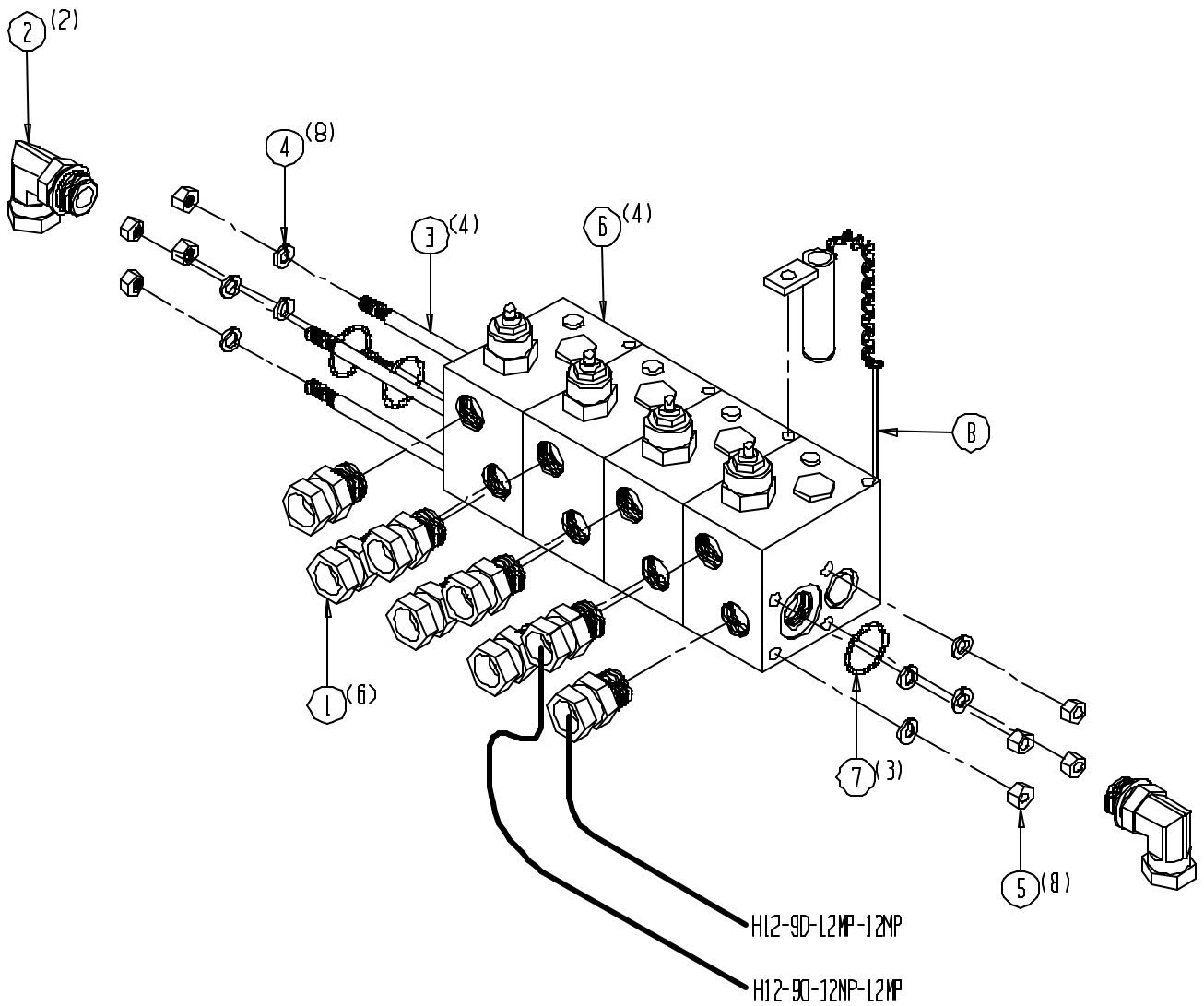
1104-15-5 SHAKER WGT. & HEADER VIB. VALVE SECTION ASSEMBLY



1104-15-5.1 Opt. Shaker Wgt.&Header Vib.W/ Transfer Valve Assy

<u>Ref</u>	<u>Part No.</u>	<u>Description</u>	<u>Parts – Assembly</u>	<u>Will Fit SN</u>	<u>Remarks</u>
1	A-6900-12-12	12 SAE x 3/4"FPX	6		
2	A-6901-12-12	12 SAE x 3/4" FPX 90	4		
3	BL-6-13125-B7	3/8-16 x 13-1/8 B7 Threaded Rod	4		
4	BL-6-LW	3/8 SPLIT LW ZC	8		
5	BL-6-N	3/8-16 HEX NUTS ZC	8		
6	HA-430	Flow Control w/Check	4		
7	OR-220	O-Ring, 1/8" RH & 1 5/8" OD	3		
8	ARM-8250	Arm, Adjustment Handle, HC290 Tomato	1		
9	H12-90-12MP-12MP	3/4 in hose 3/4 x 3/4 x 90 in long	2		
10	A-5404-4	Hex Nipple 1/4"	1		
11	A-4124-6-4	1/4 Male Pipe x 3/8 Push Loc	2	HV-1045K	
12	A-1603-4-4	Swivel T 1/4" NPTF	1		
13	A-4124-6-6	3/8 Male Pipe x 3/8 Push Loc	1		
14	A-6901-8-6	8 SAE x 3/8" FPX90	1	20095001-	
15	H6-PL-252	3/8" Push Loc Hose 252" long	1		

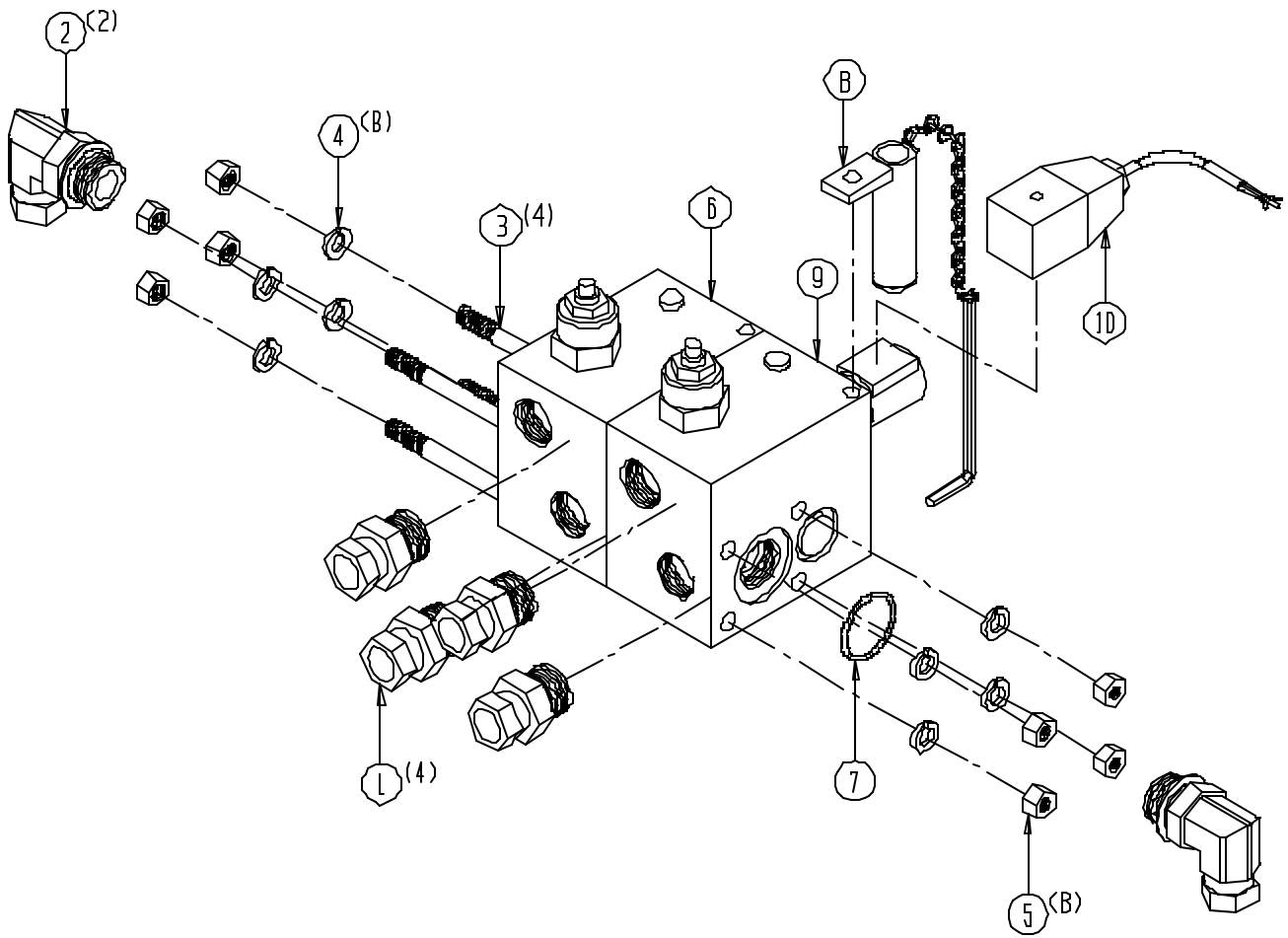
1104-15-5.1
OPTIONAL SHAKER WGT. & HEADER VIB.
W/ TRANSFER VALVE SECTION ASSEMBLY



1104-15-6 Air Compressor Valve Section Assembly

<u>Ref</u>	<u>Part No.</u>	<u>Description</u>	<u>Parts – Assembly</u>	<u>Will Fit SN</u>	<u>Remarks</u>
1	A-6900-12-8	12 SAE x 1/2" FPX	6		
2	A-6901-12-8	12 SAE x 1/2" FPX 90	2		
3	BL-6-7125-B7	3/8-16 x 7-1/8 B7 THREADED ROD	4		
4	BL-6-LW	3/8 SPLIT LW ZC	8		
5	BL-6-N	3/8-16 HEX NUTS ZC	8		
6	HA-428	Flow Control (Only)	1		
7	OR-220	O-Ring, 1/8" RH & 1 5/8" OD	1		
8	ARM-8250	Arm, Adjustment Handle, HC290 Tomato	1		
9	HV-1008	Soft Start Cartridge & Manifold	1		Uses HV -291 Controller
10	HV-291	Soft Start Valve Wiring Harness	1		

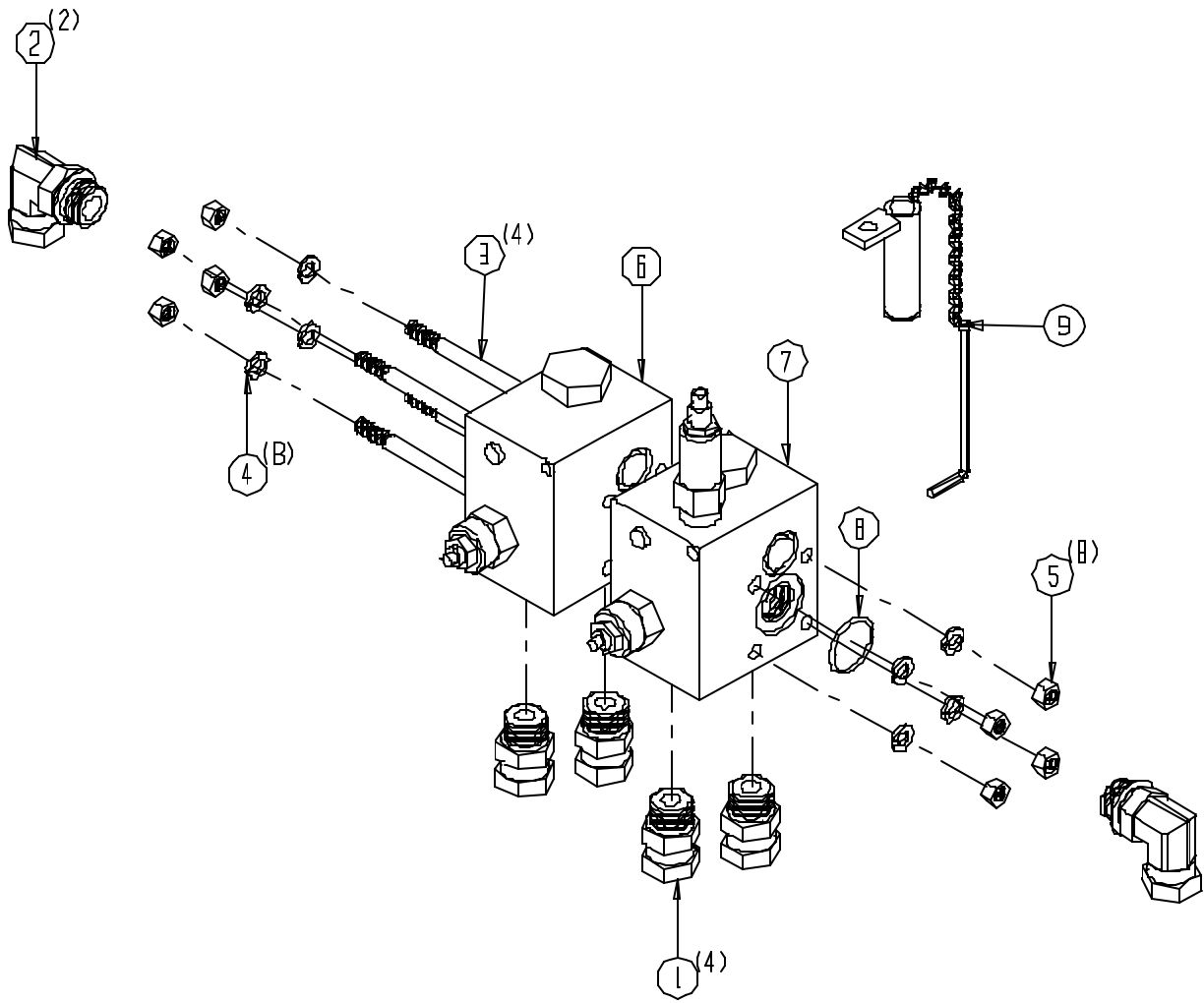
1104-15-6 AIR COMPRESSOR VALVE SECTION ASSEMBLY



1104-15-7 Header Component Valve Section Assem.

<u>Ref</u>	<u>Part No.</u>	<u>Description</u>	<u>Parts – Assembly</u>	<u>Will Fit SN</u>	<u>Remarks</u>
1	A-6900-12-12	12 SAE x 3/4"FPX	4		
2	A-6901-12-12	12 SAE x 3/4" FPX 90	2		
3	BL-6-7125-B7	3/8-16 x 7-1/8 B7 THREADED ROD	4		
4	BL-6-LW	3/8 SPLIT LW ZC	8		
5	BL-6-N	3/8-16 HEX NUTS ZC	8		
6	HA-428	Flow Control (Only)	1		
7	HA-429	Flow Control w/Relief	1		
8	OR-220	O-Ring, 1/8" RH & 1 5/8" OD	1		
9	ARM-8250	Arm, Adjustment Handle, HC290 Tomato	1		

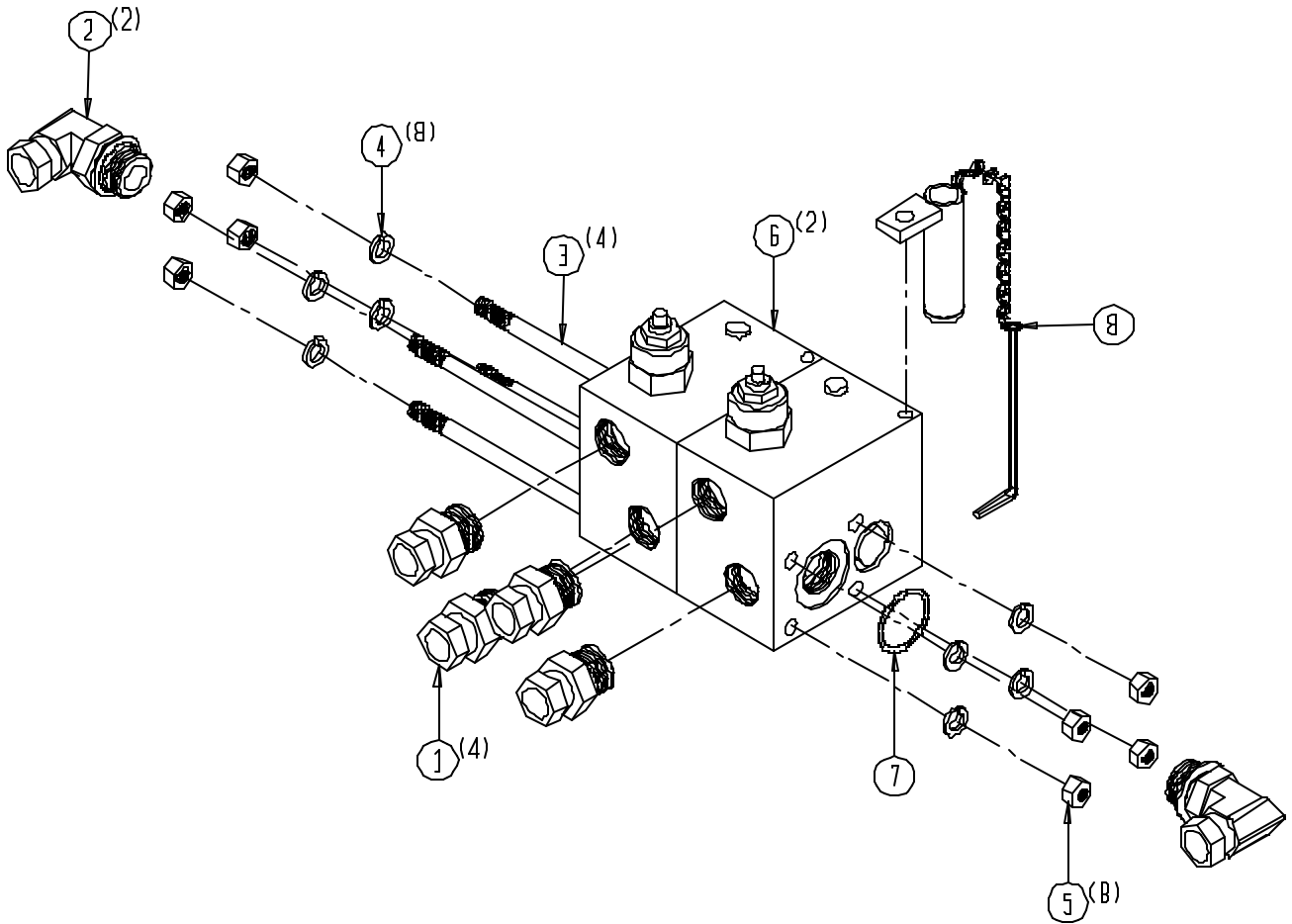
1104-15-7 HEADER COMPONENT VALVE SECTION ASSEMBLY



1104-15-8 Elevation/Presort Valve Section Assembly

<u>Ref</u>	<u>Part No.</u>	<u>Description</u>	<u>Parts – Assembly</u>	<u>Will Fit SN</u>	<u>Remarks</u>
1	A-6900-12-8	12 SAE x 1/2" FPX	4		
2	A-6901-12-8	12 SAE x 1/2" FPX 90	2		
3	BL-6-7125-B7	3/8-16 x 7-1/8 B7 THREADED ROD	4		
4	BL-6-LW	3/8 SPLIT LW ZC	8		
5	BL-6-N	3/8-16 HEX NUTS ZC	8		
6	HA-428	Flow Control (Only)	2		
7	OR-220	O-Ring, 1/8" RH & 1 5/8" OD	1		
8	ARM-8250	Arm, Adjustment Handle, HC290 Tomato	1		

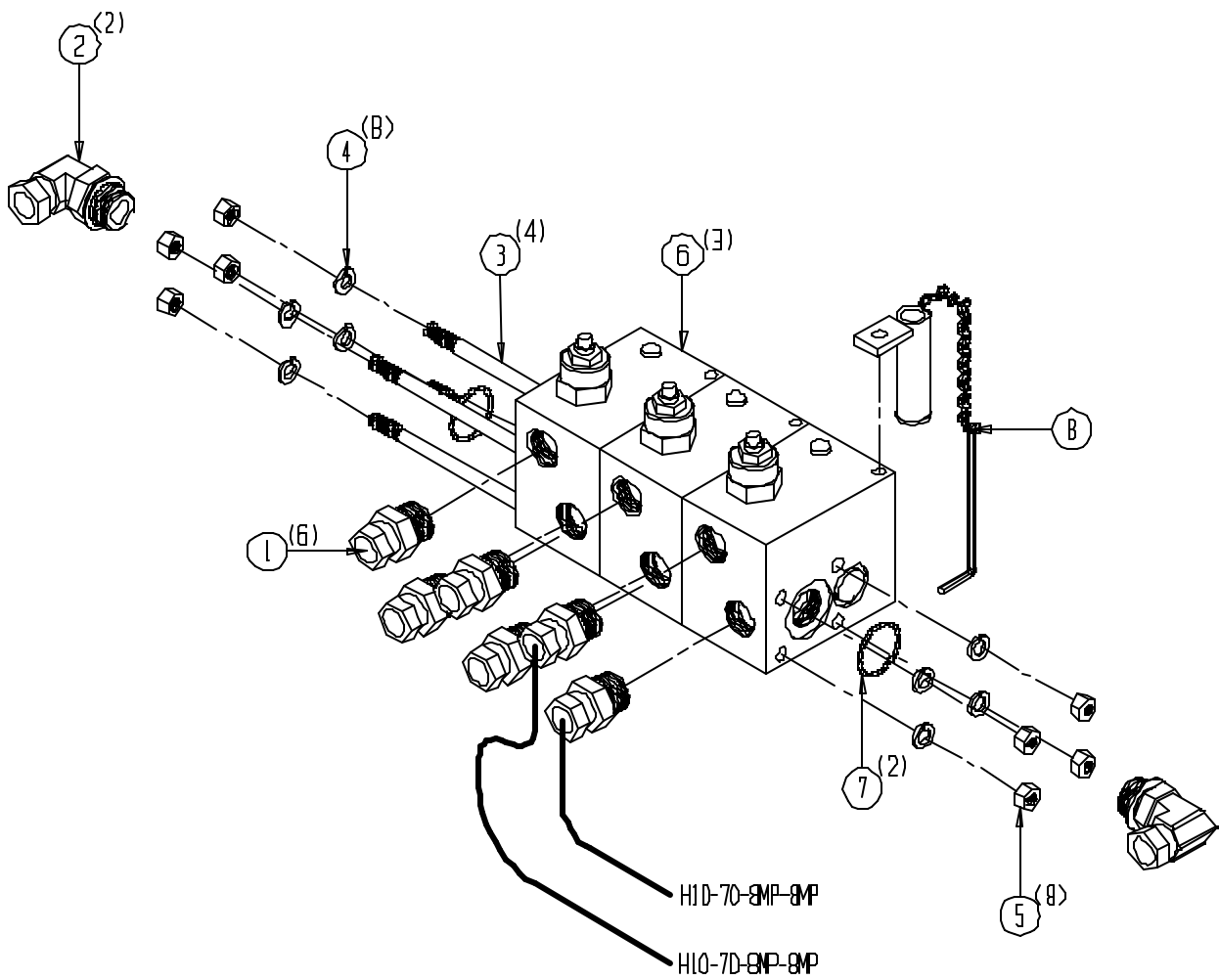
1104-15-8 ELEVATION/PRESORT VALVE SECTION ASSEMBLY



1104-15-8.1 Optional Elevation W/ Presort Belt Assembly

<u>Ref</u>	<u>Part No.</u>	<u>Description</u>	<u>Parts – Assembly</u>	<u>Will Fit SN</u>	<u>Remarks</u>
1	A-6900-12-8	12 SAE x 1/2" FPX	6		
2	A-6901-12-8	12 SAE x 1/2" FPX 90	2		
3	BL-6-10125-B7	3/8-16 x 10-1/8 B7 Threaded Rod	4		
4	BL-6-LW	3/8 SPLIT LW ZC	8		
5	BL-6-N	3/8-16 HEX NUTS ZC	8		
6	HA-428	Flow Control (Only)	3		
7	OR-220	O-Ring, 1/8" RH & 1 5/8" OD	2		
8	ARM-8250	Arm, Adjustment Handle, HC290 Tomato	1		
9	H10-70-8MP-8MP	5/8 in. hose 1/2 x 1/2 x 70 in long	2		

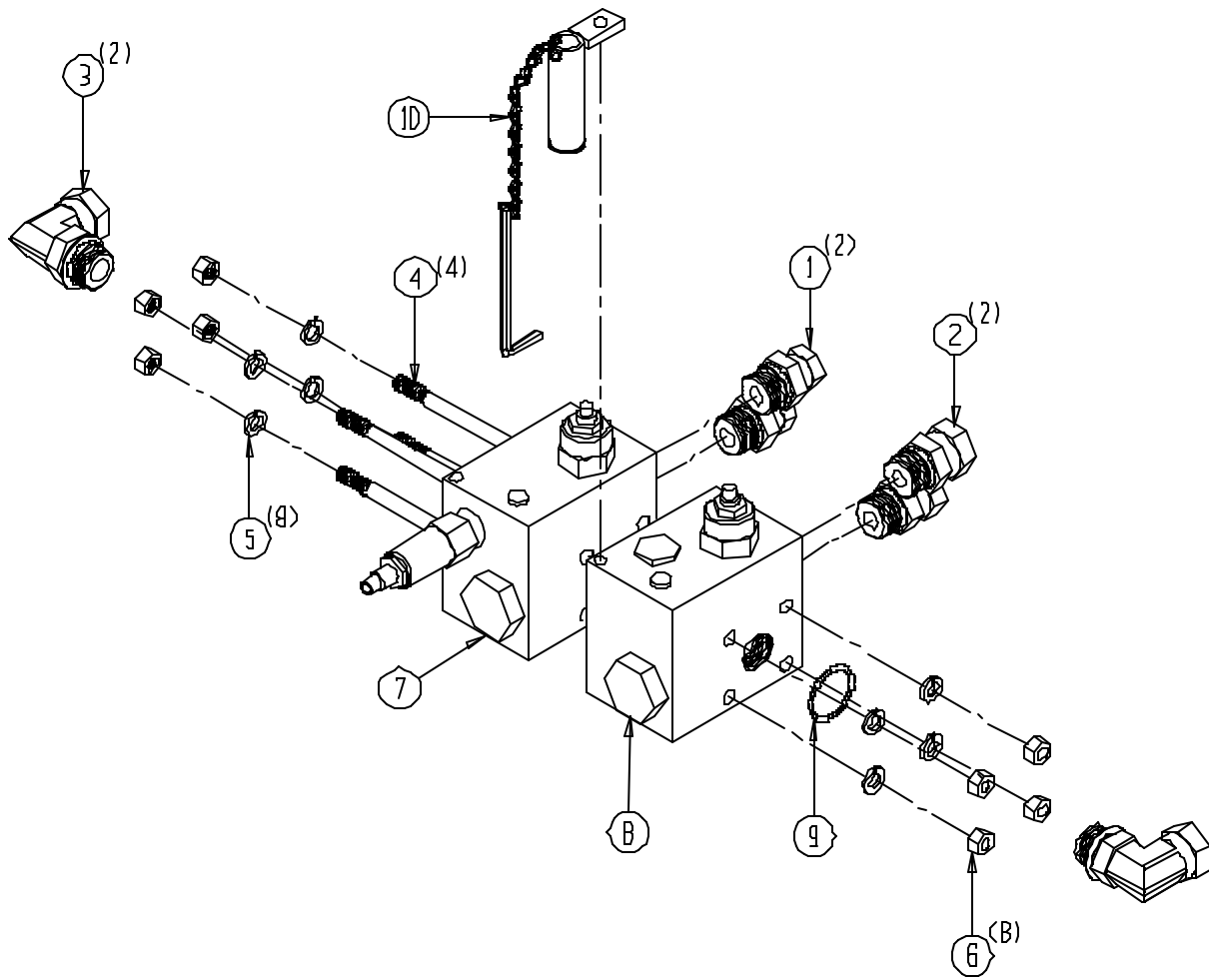
1104-15-8.1 OPTIONAL ELEVATION W/ PRESORT BELT ASSEMBLY



1104-15-9 Fan/Vine Chain Valve Section Assembly

<u>Ref</u>	<u>Part No.</u>	<u>Description</u>	<u>Parts – Assembly</u>	<u>Will Fit SN</u>	<u>Remarks</u>
1	A-6900-12-8	12 SAE x 1/2" FPX	2		
2	A-6900-12-12	12 SAE x 3/4"FPX	2		
3	A-6901-12-12	12 SAE x 3/4" FPX 90	2		
4	BL-6-7125-B7	3/8-16 x 7-1/8 B7 THREADED ROD	4		
5	BL-6-LW	3/8 SPLIT LW ZC	8		
6	BL-6-N	3/8-16 HEX NUTS ZC	8		
7	HA-429	Flow Control w/Relief	1		
8	HA-430	Flow Control w/Check	1		
9	OR-220	O-Ring, 1/8" RH & 1 5/8" OD	1		
10	ARM-8250	Arm, Adjustment Handle, HC290 Tomato	1		

1104-15-9 FAN/VINE CHAIN VALVE SECTION ASSEMBLY



1104-15-10 Hydraulic Motor Plumbing Assembly

<u>Ref</u>	<u>Part No.</u>	<u>Description</u>	<u>Parts – Assembly</u>	<u>Will Fit SN</u>	<u>Remarks</u>
0	BT-8000	Belting, Hose Holders, HC290 Tomato	14		
0	H10-100-8MP-8MP	5/8 in hose 1/2MP x 1/2MP x 100 in long	1		
0	H10-103-8MP-8MP	5/8" hose 1/2MP x 1/2MP x 103" long	1		
0	H10-104-8MP-8MP	5/8" hose 1/2MP x 1/2MP x 104" long	1		
0	H10-134-8MP-8MP	5/8" hose 1/2MP x 1/2MP x 134" long	2		
0	H10-140-8MP-8MP	5/8" hose 1/2MP x 1/2MP x 140" long	3		
0	H10-142-8MP-8MP	5/8" hose 1/2MP x 1/2MP x 142" long	1		
0	H10-151-8MP-8MP	5/8" hose 1/2MP x 1/2MP x 151" long	1		
0	H10-198-8MP-8MP	5/8" hose 1/2MP x 1/2MP x 198" long	1		
0	H10-210-8mp-8mp	5/8" hose 1/2MP x 1/2MP x 210" long	1		
0	H10-23-8MP-8MP	5/8" hose 1/2MP x 1/2MP x 23" long	1		
0	H10-28-8MP-8MP	5/8" hose 1/2MP x 1/2MP x 28" long	1		
0	H10-300-8MP-8MP	5/8" hose 1/2MP x 1/2MP x 300" long	1		
0	H10-36-8MP-8MP	5/8 in hose 1/2MP x 1/2MP x 36 in long	1		
0	H10-37-8MP-8MP	5/8" hose 1/2MP x 1/2MP x 37" long	1		
0	H10-395-8MP-8MP	5/8" hose 1/2MP x 1/2MP x 395" long	2		
0	H10-405-8MP-8MP	5/8" hose 1/2MP x 1/2MP x 405" long	1		
0	H10-48-8MP-8MP	5/8 in hose 1/2MP x 1/2MP x 48 in long	1		
0	H10-58-8MP-8MP	5/8" hose 1/2MP x 1/2MP x 58" long	1		
0	H10-77-8MP-8MP	5/8 in hose 1/2MP x 1/2MP x 77 in long	1		
0	H10-83-8MP-8MP	5/8 in hose 1/2MP x 1/2MP x 83 in long	2		
0	H10-84-8MP-8MP	5/8 in hose 1/2 x 1/2 x 84 in long	1		
0	H10-87-8MP-8MP	5/8 in hose 1/2MP x 1/2MP x 87 in long	1		
0	H10-88-8MP-8MP	5/8 in hose 1/2MP x 1/2MP x 88 in long	2		
0	H10-94-8MP-8MP	5/8 in hose 1/2MP x 1/2MP x 94 in long	1		
0	H10-97-8MP-8MP	5/8" hose 1/2MP x 1/2MP x 97" long	1		
0	H12-105-12MP-12MP	3/4" hose 3/4MP x 3/4MP x 105" long	1		
0	H12-125-12MP-12MP	3/4 in hose 3/4MP x 3/4MP x 125 in long	2		
0	H12-139-12MP-12MP	3/4" hose 3/4MP x 3/4MP x 139" long	2		
0	H12-141-12MP-12MP	3/4" Hose,3/4" MP x 3/4" MP x 141" Long	1		
0	H12-161-12MP-12MP	3/4" hose 3/4MP x 3/4MP x 161" long	1		

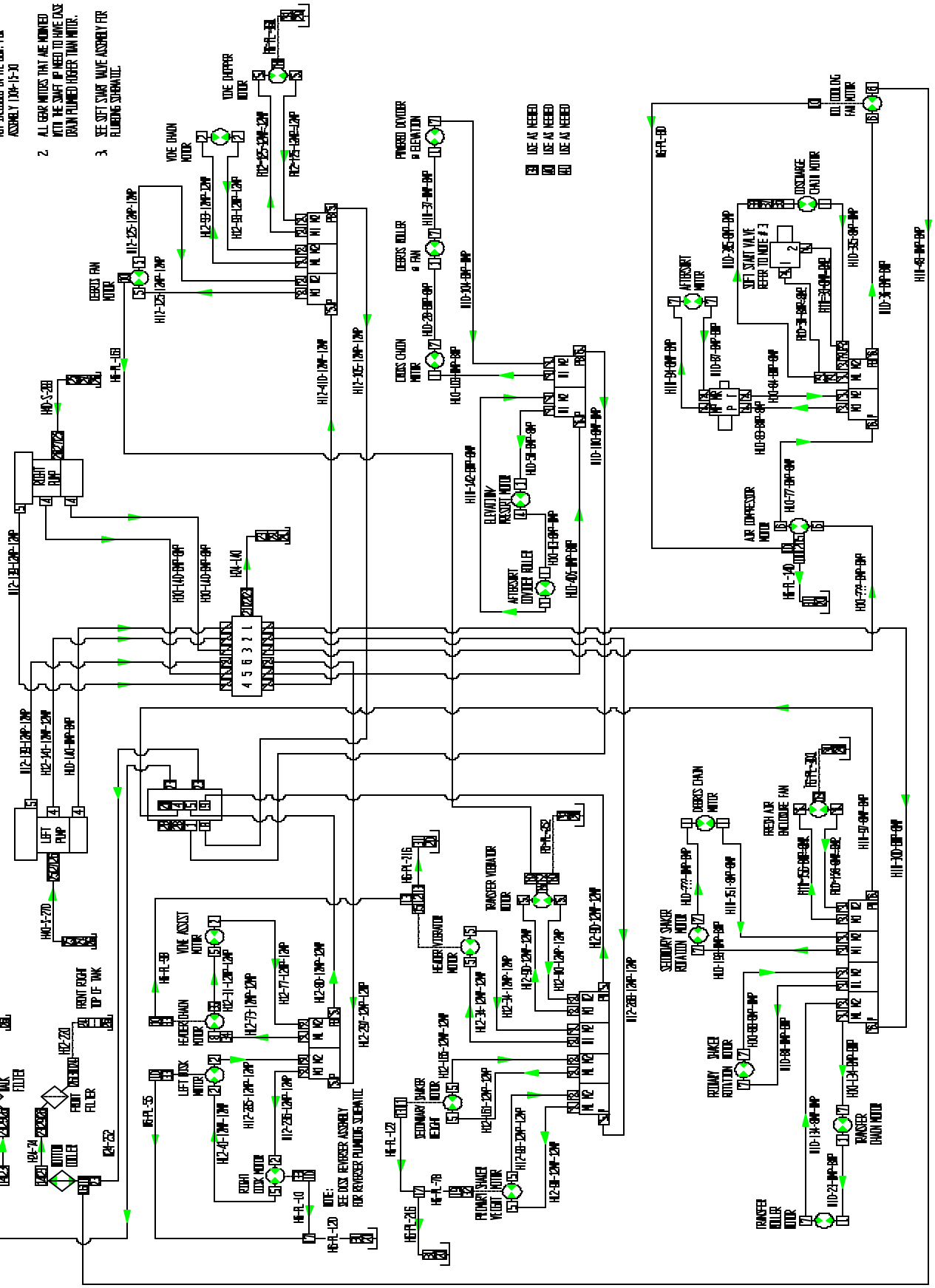
0	H12-165-12MP-12MP	3/4 in hose 3/4MP x 3/4MP x 165 in hose	1
0	H12-236-12MP-12MP	3/4" hose 3/4MP x 3/4MP x 236" long	1
0	H12-268-12MP-12MP	3/4" hose 3/4MP x 3/4MP x 268" long	1
0	H12-285-12MP-12MP	3/4" hose 3/4MP x 3/4MP x 285" long	1
0	H12-297-12MP-12MP	3/4" hose 3/4MP x 3/4MP x 297" long	1
0	H12-31-12MP-12MP	3/4 in hose 3/4MP x 3/4MP x 31 in long	1
0	H12-34-12MP-12MP	3/4" hose 3/4MP x 3/4MP x 34" long	2
0	H12-410-12MP-12MP	3/4" hose 3/4MP x 3/4MP x 410" long	1
0	H12-41-12MP-12MP	3/4 in hose 41 in 3/4 x 3/4	1
0	H12-73-12MP-12MP	3/4 in. hose 73 in. 3/4 x 3/4	1
0	H12-77-12MP-12MP	3/4" hose 3/4MP x 3/4MP x 77" long	1
0	H12-80-12MP-12MP	3/4 in hose 3/4MP x 3/4MP x 80 in long	1
0	H12-90-12MP-12MP	3/4 in hose 3/4 x 3/4 x 90 in long	2
0	H12-93-12MP-12MP	3/4" hose 3/4MP x 3/4MP x 93" long	3
0	H24-S-140	1-1/2" Suction Hose 140" long	1
0	H24-S-252	1-1/2" Suction Hose 252" long	2
0	H24-S-74	1-1/2" Suction Hose 74" long	2
0	H32-216	2" Suction Hose 216" long	1
0	H32-220	2" Suction Hose 220" long	1
0	H40-S-241	2-1/2" Suction Hose 241" long	1
0	H40-S-254	2-1/2" Suction Hose 254" long	1
0	H6-PL-10	3/8" Push Loc Hose 10" long	1
0	H6-PL-120	3/8" Push Loc Hose 120" long	1
0	H6-PL-122	3/8" Push Loc Hose 122" long	1
0	H6-PL-140	3/8" Push Loc Hose 140"	1
0	H6-PL-163	3/8" Push Loc Hose 163" long	1
0	H6-PL-216	3/8" Push Loc Hose 216" long	2
0	H6-PL-55	3/8" Push Loc Hose 55" long	1
0	H6-PL-78	3/8" Push Loc Hose 78" long	1
0	H6-PL-80	3/8" Push Loc Hose 80" long	1

0	H6-PL-98	3/8" Push Loc Hose 98" long	1	
1	A-6900-10-8	10 SAE x 1/2 FPX	13	20095001-
2	A-6900-12-12	12 SAE x 3/4"FPX	4	
4	A-6901-10-8	10 SAE x 1/2 FPX90	6	
5	A-6901-12-12	12 SAE x 3/4" FPX 90	11	
6	A-6901-12-8	12 SAE x 1/2" FPX 90	4	
7	A-6902-10-8	10 SAE X 1/2" FPX 45	10	20095001-
8	A-6900-10-12	10 SAE x 3/4 FPX	7	
9	A-6901-10-12	10 SAE x 3/4 FPX90	3	HV -1045K
10	A-4124-6-4	1/4 Male Pipe x 3/8 Push Loc	7	HV -1045K
11	A-1404-4-4	1/4 MP x 1/4 FPX	1	
12	A-1603-4-4	Swivel T 1/4" NPTF	2	
13	A-4129-6-4	1/4" NPT 90 w/3/8" Push-Loc	3	
14	A-4601-24-24	1 1/2 x 24 SAE 90 Male O-Ring Beaded Insert	3	
15	A-5404-4	Hex Nipple 1/4"	2	
16	A-6901-10-8-4SAE	10 SAE x 1/2 FPX90 W/ 4SAE Port	1	
17	ATB-06-06-06	3/8" x 3/8" x 3/8" Brass Hose Barb Tee	2	CL-10 needs to be used with this tee.
18	A-4601-24-24-10	1-1/2 Beaded x 24 SA E Male O-Ring w/10 SAE Port	1	
19	A-4129-6-6	3/8" NPT90 w/3/8" Push-Loc	1	
20	A-6901-8-6	8 SAE x 3/8" FPX90	4	20095001-
21	A-4459-24-24	Flange Nipple, 1 1/2" 90	1	
22	A-SFK-24	1 1/2" Split Flange Kit	1	
23	CL-200	1½" Hose Clamp, Heavy Duty T-Bar, 1.89-2.00"	10	
24	CL-201	2" Hose Clamp, Heavy Duty T-Bar, 2.25-2.5"	4	
25	CL-250	T-Bolt Clamp for 2 1/2" Suction Hose	4	
26	A-SFK-32	2" Split Flange Kit	6	
27	A-4459-40-32	Flange Nipple, 2-1/2" barb x 2" 90	2	
28	A-6408-10	10 SAE Plug	3	
29	A-4459-24-32	Flange Nipple, 1 1/2 - 2" 90	2	
30	A-4456-32-32	Flange Nipple, 2" 45	2	
31	A-4124-6-6	3/8 Male Pipe x 3/8 Push Loc	4	
32	A-6900-4-6	4 SAE x 3/8" FPX	1	
33	A-6901-4-4	4 SAE X 1/4 FPX 90	3	
34	A-1501-12-12	3/4MP x 3/4 FPX 90	1	
35	A-6902-10-12	10 SAE X 3/4" FPX 45	1	
36	A-5404-8-8	Hex Nipple 1/2" x 1/2"	1	

37	HV-CKV-800S	1/2" Parker Check Valve	1
38	A-1404-8-8	1/2 MP to 1/2 FPX, Straight	1
39	H13-RFL	Hose Protection Shield, Size 13	20
40	H-18RFL	Hose Protection Shield, Size 18	20
41	WT-17H	Heavy Duty Wire Tie 17.5"	100

PIK RITE HIGH CAPACITY TOMATO HARVESTER HYDRAULIC SCHEMATIC \ ASSEMBLY 1104-15-10 4/30/04

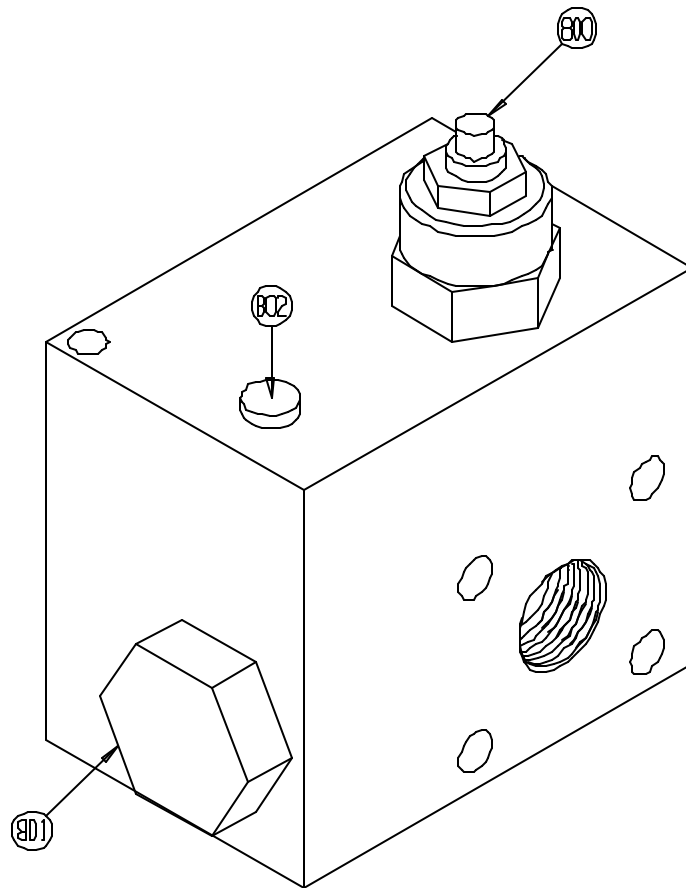
- NOTE:
1. \ LINE AND NUMBERS NEAR PARS ARE NOT INCLUDED IN THE BOM FOR ASSEMBLY 1104-15-10
 2. ALL GEAR MOTES THAT ARE MOUNTED INTO THE SWAY P NEED TO HAVE CASE DRAIN PLUMBED TOGETHER WITH MOTOR.
 3. SEE SWAY WAIVE ASSEMBLY FOR PLUMBING SENSING.



1104-15-11 Hydraulic Flow Control w/out Relief Parts

<u>Ref</u>	<u>Part No.</u>	<u>Description</u>	<u>Parts – Assembly</u>	<u>Will Fit SN</u>	<u>Remarks</u>
800	HA-428-NV	Needle Valve Cartridge for Flow Control	1		
801	HA-428-EP	Cartridge	1		
802	HA-428-DP	Flow Control Damper Pin	1		

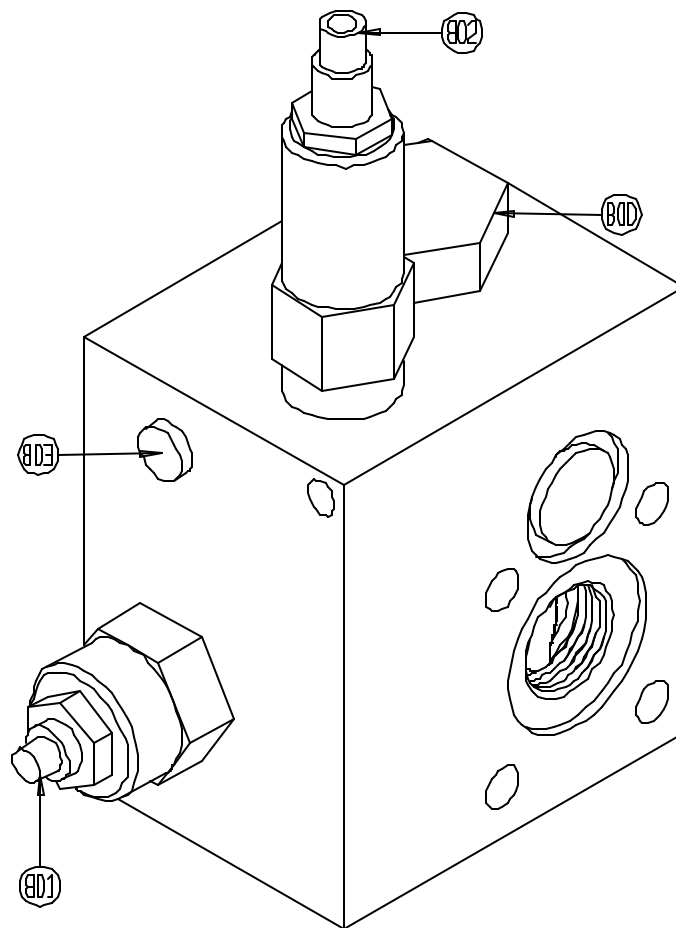
1104-15-11 HYDRAULIC FLOW CONTROL W/OUT RELIEF PARTS



1104-15-12 Hydraulic Flow Control w/ Relief Parts

<u>Ref</u>	<u>Part No.</u>	<u>Description</u>	<u>Parts – Assembly</u>	<u>Will Fit SN</u>	<u>Remarks</u>
800	HA-428-EP	Cartridge	1		
801	HA-428-NV	Needle Valve Cartridge for Flow Control	1		
802	HA-429-RV	Relief Valve, Cartridge	1		
803	HA-428-DP	Flow Control Damper Pin	1		

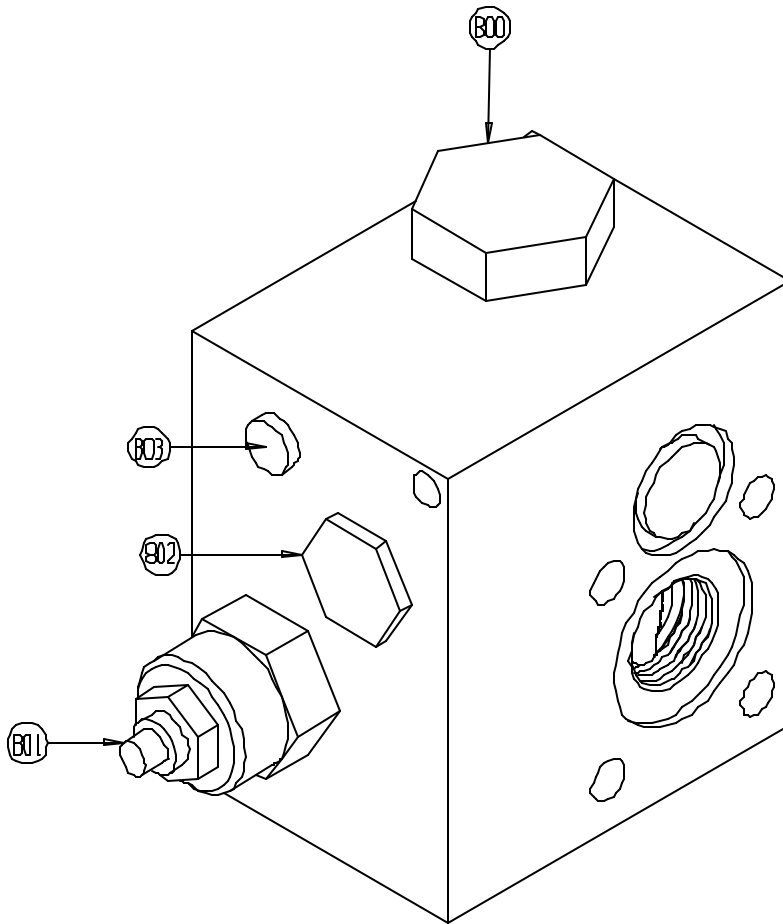
1104-15-12 HYDRAULIC FLOW CONTROL W/ RELIEF PARTS



1104-15-13 Hydraulic Flow Control w/ Check Valve Parts

<u>Ref</u>	<u>Part No.</u>	<u>Description</u>	<u>Parts – Assembly</u>	<u>Will Fit SN</u>	<u>Remarks</u>
800	HA-428-EP	Cartridge	1		
801	HA-428-NV	Needle Valve Cartridge for Flow Control	1		
802	HA-430-CV	Check Valve, Cartridge	1		
803	HA-428-DP	Flow Control Damper Pin	1		

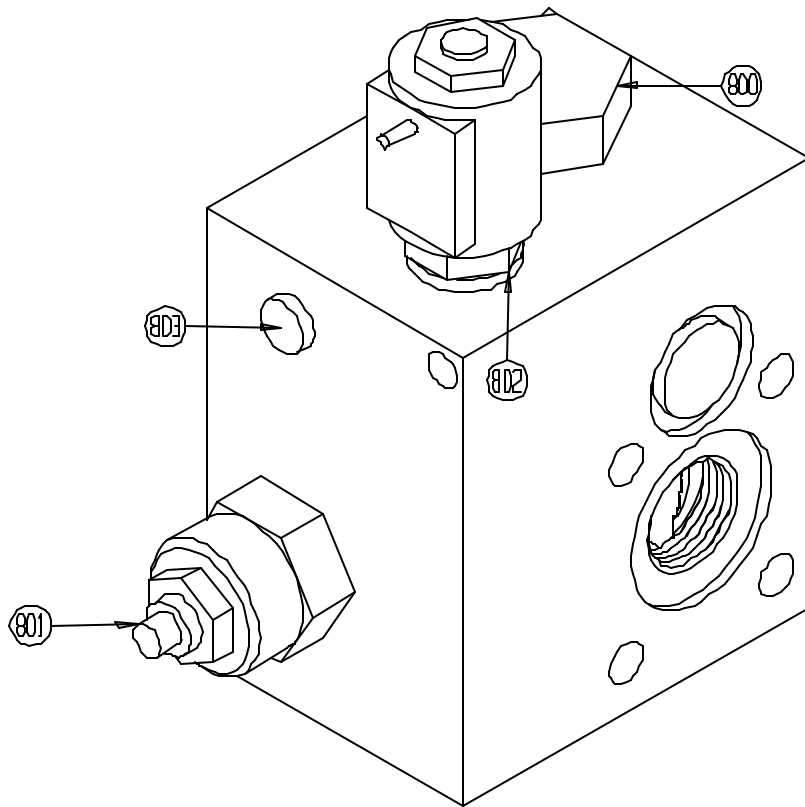
1104-15-13 HYDRAULIC FLOW CONTROL W/ CHECK VALVE PARTS



1104-15-14 Hydraulic Flow Control w/ Soft Start Parts

<u>Ref</u>	<u>Part No.</u>	<u>Description</u>	<u>Parts – Assembly</u>	<u>Will Fit SN</u>	<u>Remarks</u>
800	HA-428-EP	Cartridge	1		
801	HA-428-NV	Needle Valve Cartridge for Flow Control	1		
802	HA-1008	Soft Start Cartridge Only	1	HV-1008 & HV-290	
803	HA-428-DP	Flow Control Damper Pin	1		

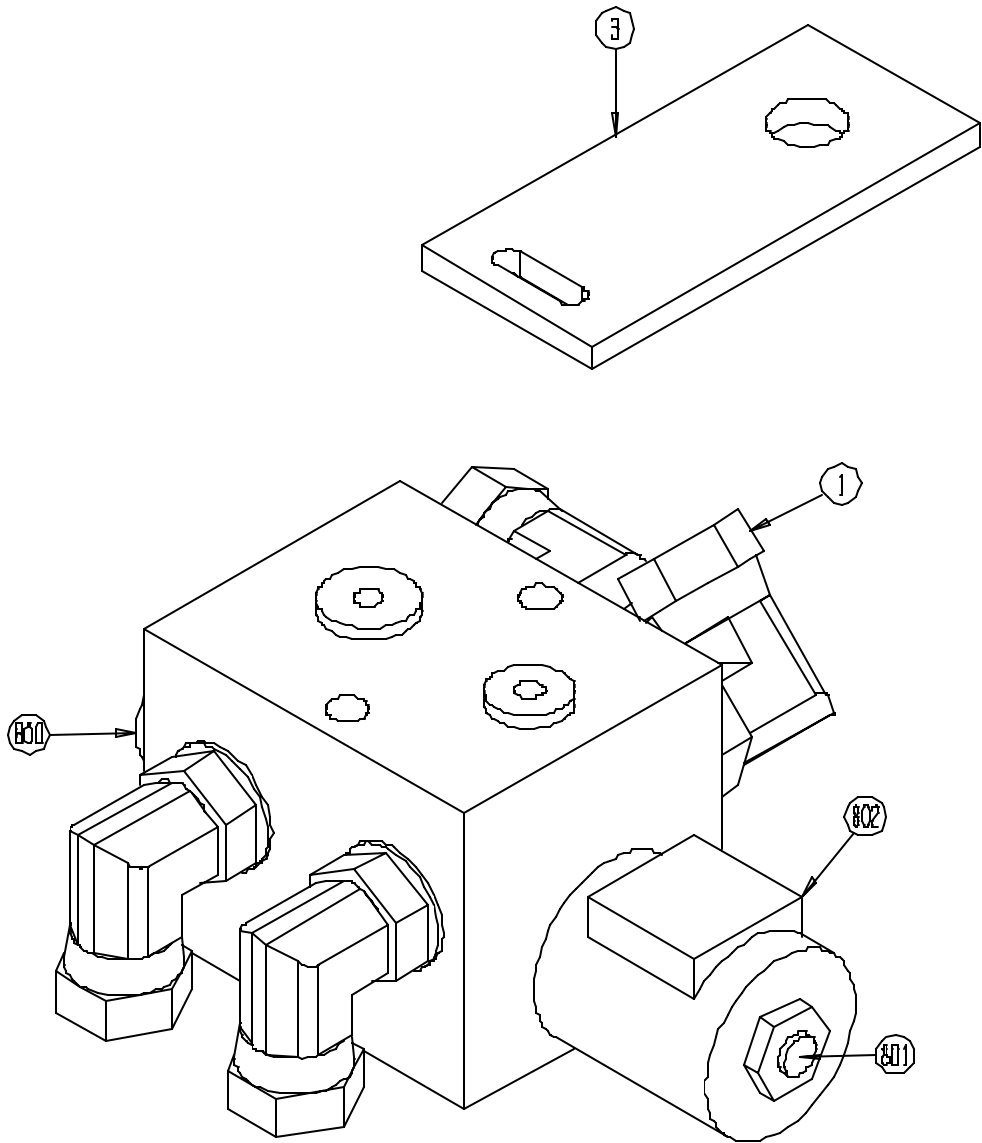
1104-15-14 HYDRAULIC FLOW CONTROL W/ ELECTRIC DUMP PARTS



1104-15-15 Half Fixed Speed Valve Assembly

<u>Ref</u>	<u>Part No.</u>	<u>Description</u>	<u>Parts – Assembly</u>	<u>Will Fit SN</u>	<u>Remarks</u>
1	A-6901-10-8	10 SAE x 1/2 FPX90	4		
2	HA-786	Half Speed Manifold, Fixed	1		
3	MOU-1000	Half Speed Valve Mount, HC290 Tomato	1		
800	HA-786-FR	Fixed Orifice Pressure Compensated, Cart.	1		
801	HA-786-SV	2-Way Normally Closed Solenoid, Cart.	1		
802	HA-786-SV-C	Coil for 2-Way Cartridge	1		

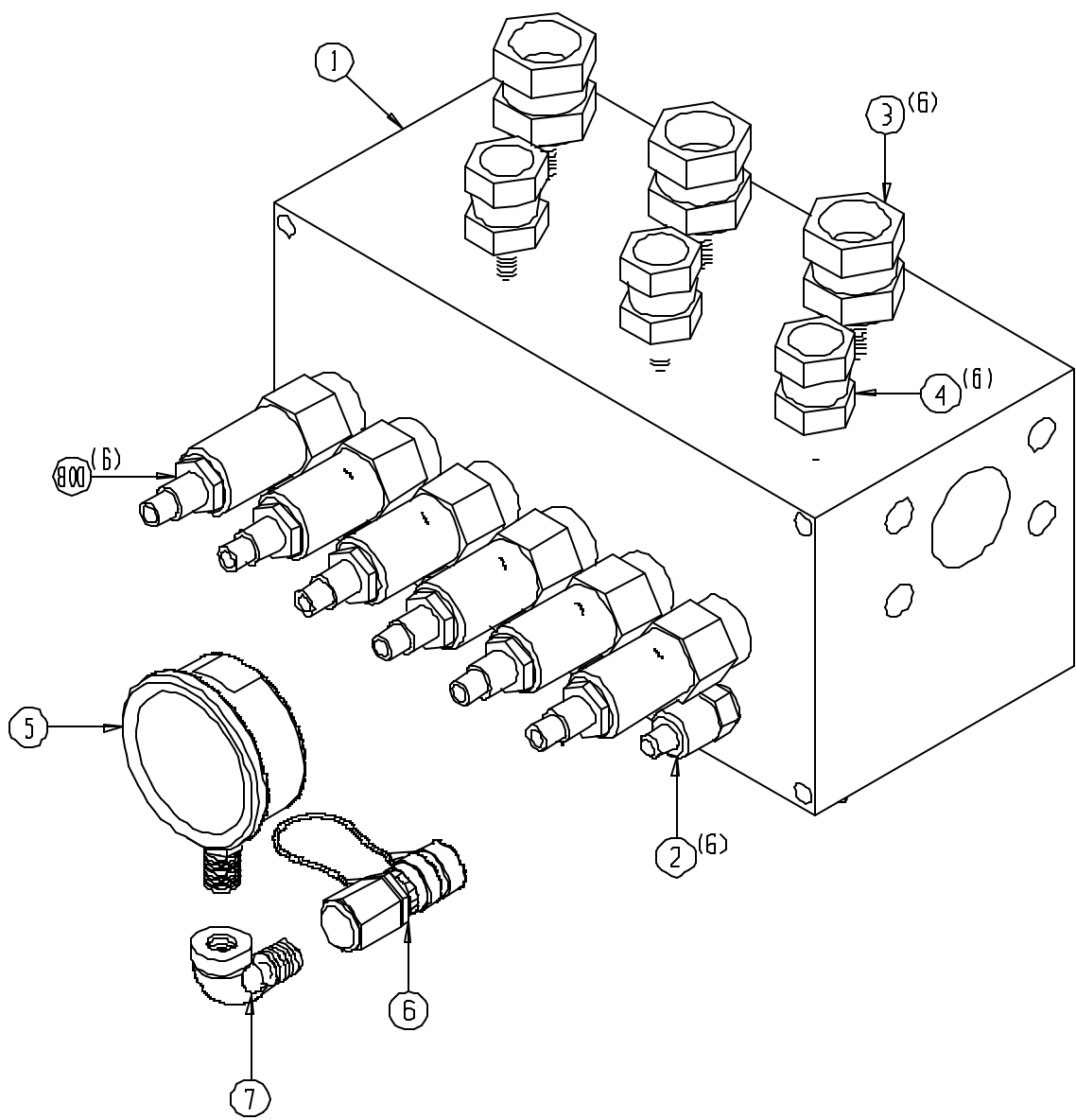
1104-15-15 HALF FIXED SPEED VALVE PARTS



1104-15-16 Hydraulic Relief Bank Assembly

<u>Ref</u>	<u>Part No.</u>	<u>Description</u>	<u>Parts – Assembly</u>	<u>Will Fit SN</u>	<u>Remarks</u>
1	HA-724	Relief Manifold w/Common Return	1		
2	HA-1004-4	Test Point Plug #4 SAE Thread	6		
3	A-6900-12-12	12 SAE x 3/4"FPX	6		
4	A-6900-10-8	10 SAE x 1/2 FPX	6	20095001-	
5	HA-1004-G	Hydraulic, Pressure Gauge w/1/4 NPT Stem	1		
6	ASL-4	1/4" Black Street Elbow	1		
7	HA-1005-T	Test Point Probe	1		
800	HA-724-RV	Relief Valve Cartridge, for HA -724	6		

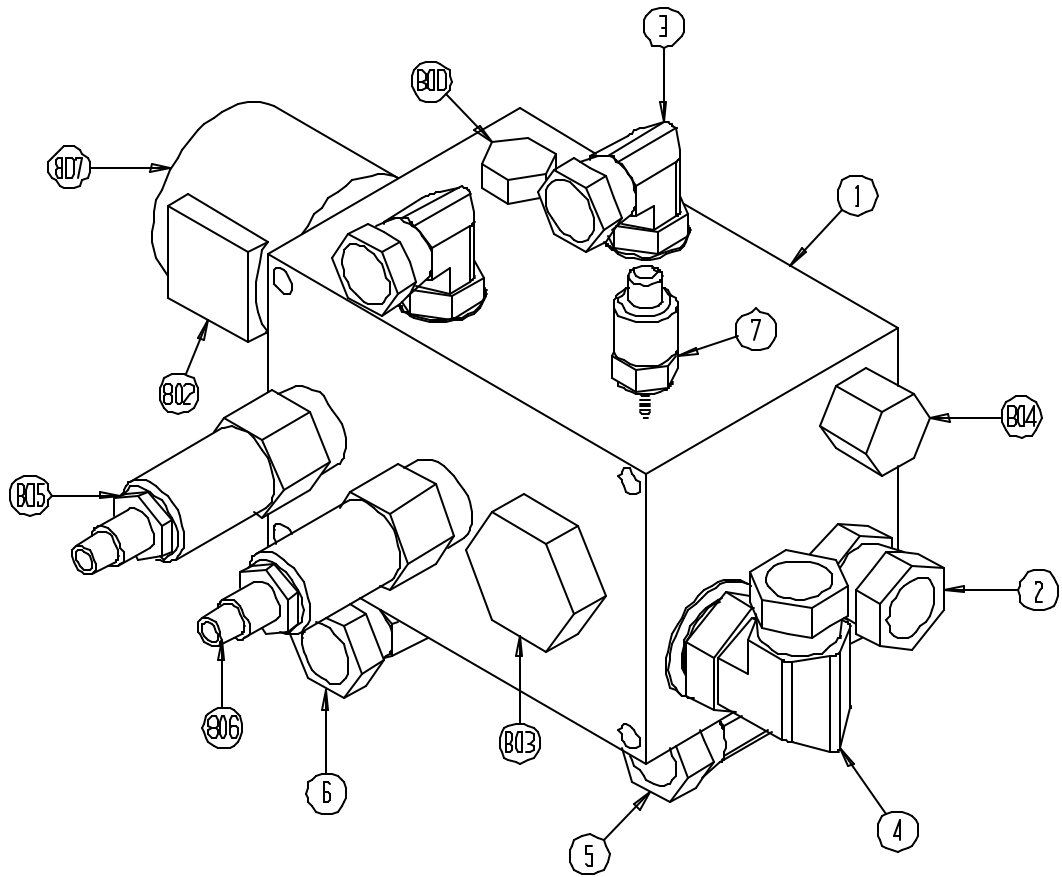
1104-15-16 HYDRAULIC RELIEF BANK ASSEMBLY



1104-15-17 Stabilizer Wheel Control Valve Parts

<u>Ref</u>	<u>Part No.</u>	<u>Description</u>	<u>Parts – Assembly</u>	<u>Will Fit SN</u>	<u>Remarks</u>
1	HA-836	Stabilizer Wheel Control	1		
2	A-6900-10-8	10 SAE x 1/2 FPX	1	20095001-	
3	A-6901-10-8	10 SAE x 1/2 FPX90	2		
4	A-6901-12-8	12 SAE x 1/2" FPX 90	1		
5	A-6901-8-6	8 SAE x 3/8" FPX90	2	20095001-	
6	A-6901-8-8	8 SAE x 1/2 FPX90	1		
7	HA-1004-4	Test Point Plug #4 SAE Thread	2		
800	HA-430-CV	Check Valve, Cartridge	1		
802	HA-786-SV-C	Coil for 2-Way Cartridge	1		
803	HA-836-CV	Check Valve Cartridge	1		
804	HA-836-EP	Logic Element Cartridge	1		
805	HA-836-PR	Pressure Reducing/Relief Cartridge	1		
806	HA-836-RV	Relief Valve Cartridge	1		
807	HA-836-SV	Solenoid Valve Spool Cartridge	1		

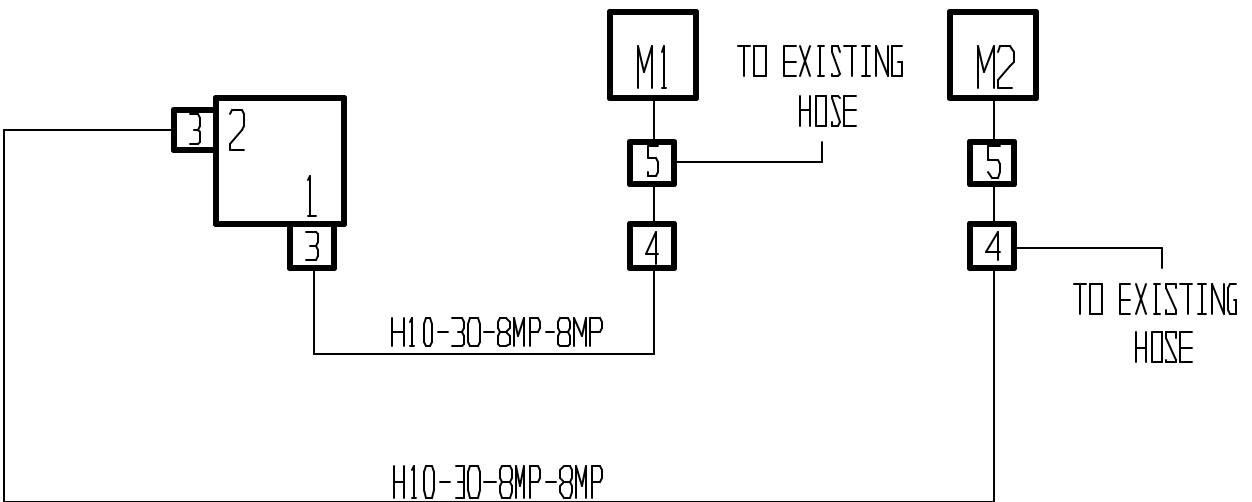
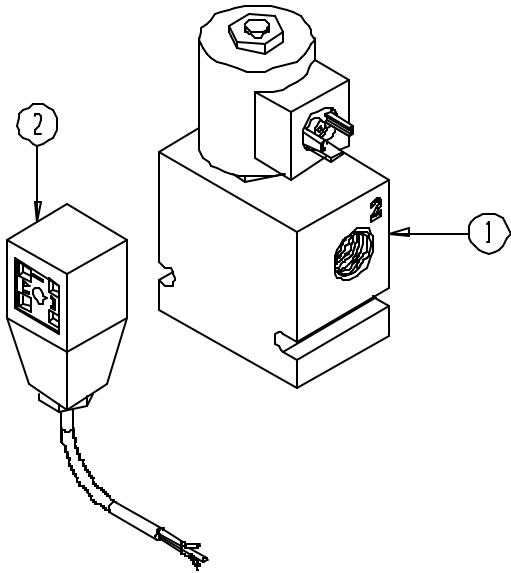
1104-15-17 HYDRAULIC STABILIZER WHEEL CONTROL VALVE PARTS ASSEMBLY



1104-15-18 Soft Start Valve Assembly

<u>Ref</u>	<u>Part No.</u>	<u>Description</u>	<u>Parts – Assembly</u>	<u>Will Fit SN</u>	<u>Remarks</u>
1	HV-290	Soft Start Valve & Body	1		
2	HV-291	Soft Start Valve Wiring Harness	1		
3	A-6901-10-8	10 SAE x 1/2 FPX90	2		
4	A-1603-8-8-8	Swivel T 1/2" NPTF	2	20095001-	
5	A-5404-8-8	Hex Nipple 1/2" x 1/2"	2		
6	H10-30-8MP-8MP	5/8 in hose 1/2MP x 1/2MP x 30 in long	2		

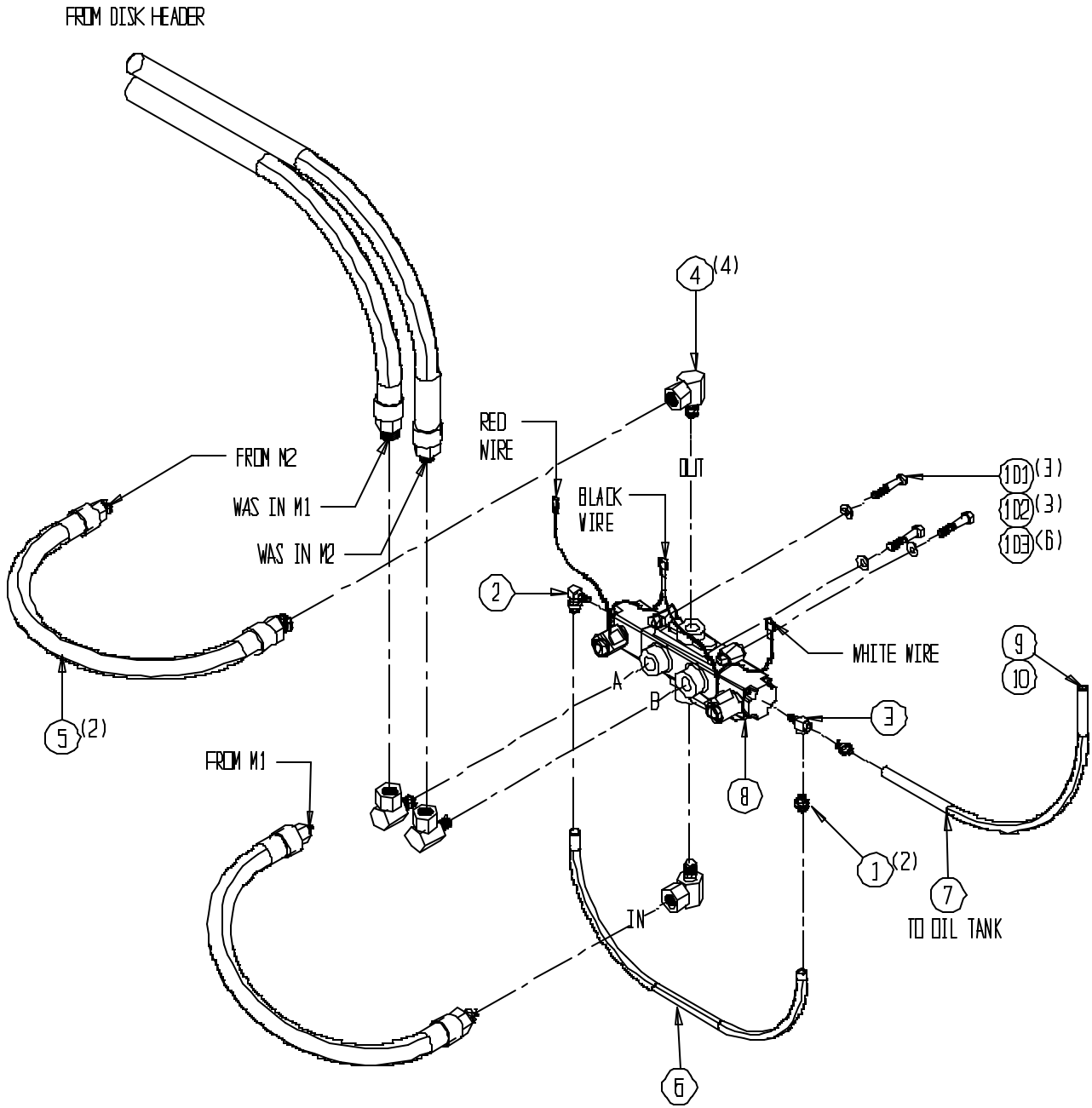
1104-15-18 SOFT START VALVE ASSEMBLY
(USED ONLY WITH ASSEMBLY 1104-15-22)



1104-15-19 Disk Reverser Assembly

<u>Ref</u>	<u>Part No.</u>	<u>Description</u>	<u>Parts – Assembly</u>	<u>Will Fit SN</u>	<u>Remarks</u>
1	A-4124-6-2	1/8 Male Pipe x 3/8 Push Loc	2	HV-1045K	
2	A-4129-6-2	1/8"NPT 90 w/3/8" Push-Loc	1	HV-1045K	
3	A-5602-2-2-2	Run Tee 1/8" NPT	1	HV-1045K	
4	A-6901-10-12	10 SAE x 3/4 FPX90	4	HV-1045K	
5	H12-27.5-12MP-12MP	3/4 in hose 3/4MP x 3/4MP x 27.5 in long	2	HV-1045K	
6	H6-PL-26	3/8" Push Loc Hose 26" (Reverse Kit)	1	HV-1045K	
7	H6-PL-216	3/8" Push Loc Hose 216" long	1		
8	HV-1045	Reversing Valve	1	HV-1045K	
9	A-6901-8-6	8 SAE x 3/8" FPX90	1	20095001-	
10	A-4124-6-6	3/8 Male Pipe x 3/8 Push Loc	1		
101	BL-6-200-H	3/8-16 X 2 HEX CAP G5 ZC	3		
102	BL-6-LN	3/8 UNC FIN HEX LOCK NUT NE A563 GrA ZINC	3		
103	BL-6-SW	3/8 SAE FW ZC	6		

1104-15-19 DISK REVERSER ASSEMBLY

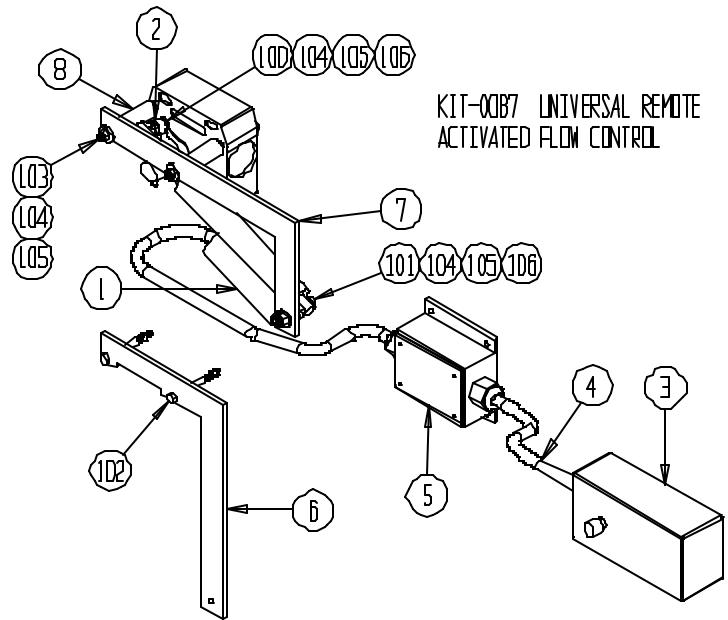


1104-15-20 Actuator (3/4" Lines w/ Relief) Assembly

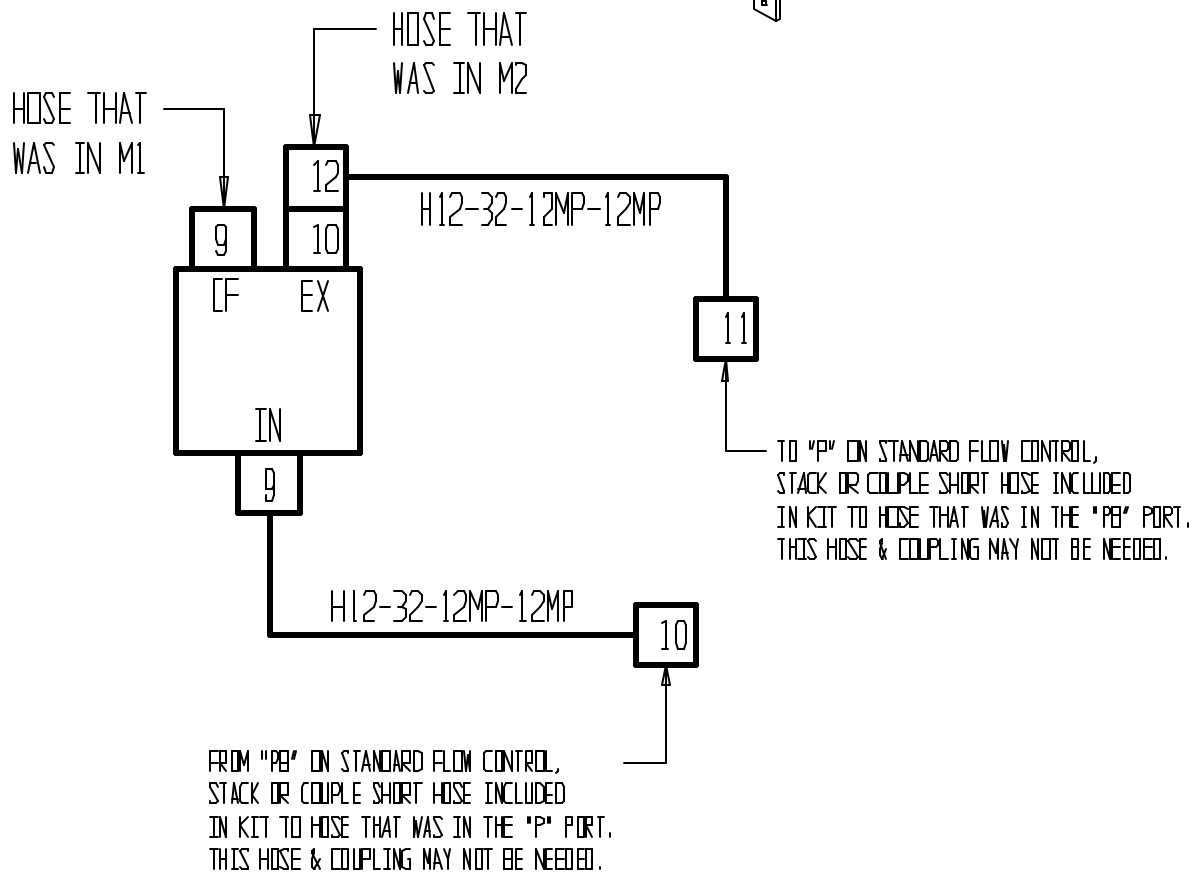
<u>Ref</u>	<u>Part No.</u>	<u>Description</u>	<u>Parts – Assembly</u>	<u>Will Fit SN</u>	<u>Remarks</u>
0	KIT-0087	Universal Remote Activated Flow Control	1		
9	A-6901-12-12	12 SAE x 3/4" FPX 90	2		
10	A-6401-10-12	10 SAE x 3/4"MP	1		
11	A-1405-12-12	3/4 NPT coupler w/swivel	2		
12	A-1603-12-12	Swivel T 3/4" NPTF	1		
13	H12-32-12MP- 12MP	3/4 in. hose 32 in. 3/4 x 3/4	2		
14	HV-FL30-R	Hydraulic Flo Control Valve with Relief 30GPM	1		

1104-15-20 ACTUATOR (3/4" LINES W/ RELIEF) ASSEMBLY

PIK RITE recommends removing the existing flow control when adding the Actuator Kit and Prince Flow Control. This is the most efficient method. Leaving the existing flow control in line and wide open will cause a slight pressure prop in the system. If the existing Flow Control is left in line, take the one short hose included in the Kit from "M1" to the "IN" on the Actuator Flow Control. The other short hose will go from the Actuator Flow Control "Tee" in the Ex Port to the "M2" in the existing flow control.



KIT-0087 UNIVERSAL REMOTE ACTIVATED FLOW CONTROL

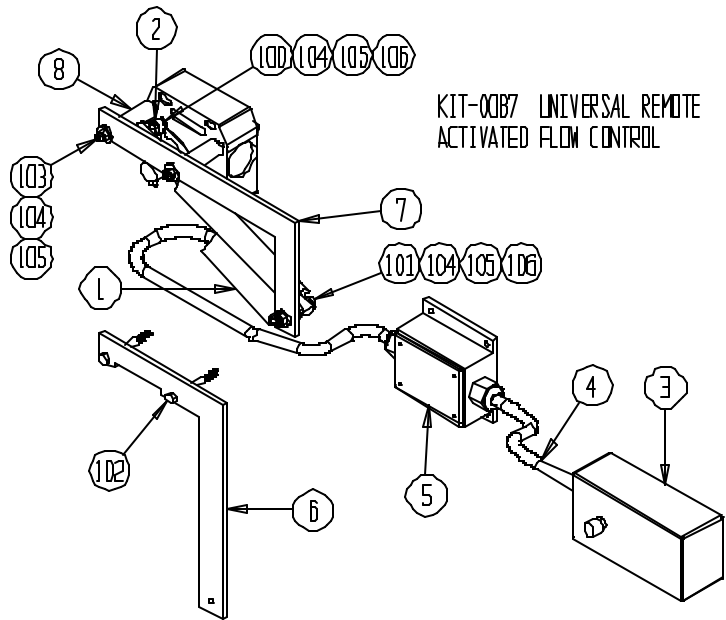


1104-15-21 Actuator (3/4" Lines) Assembly

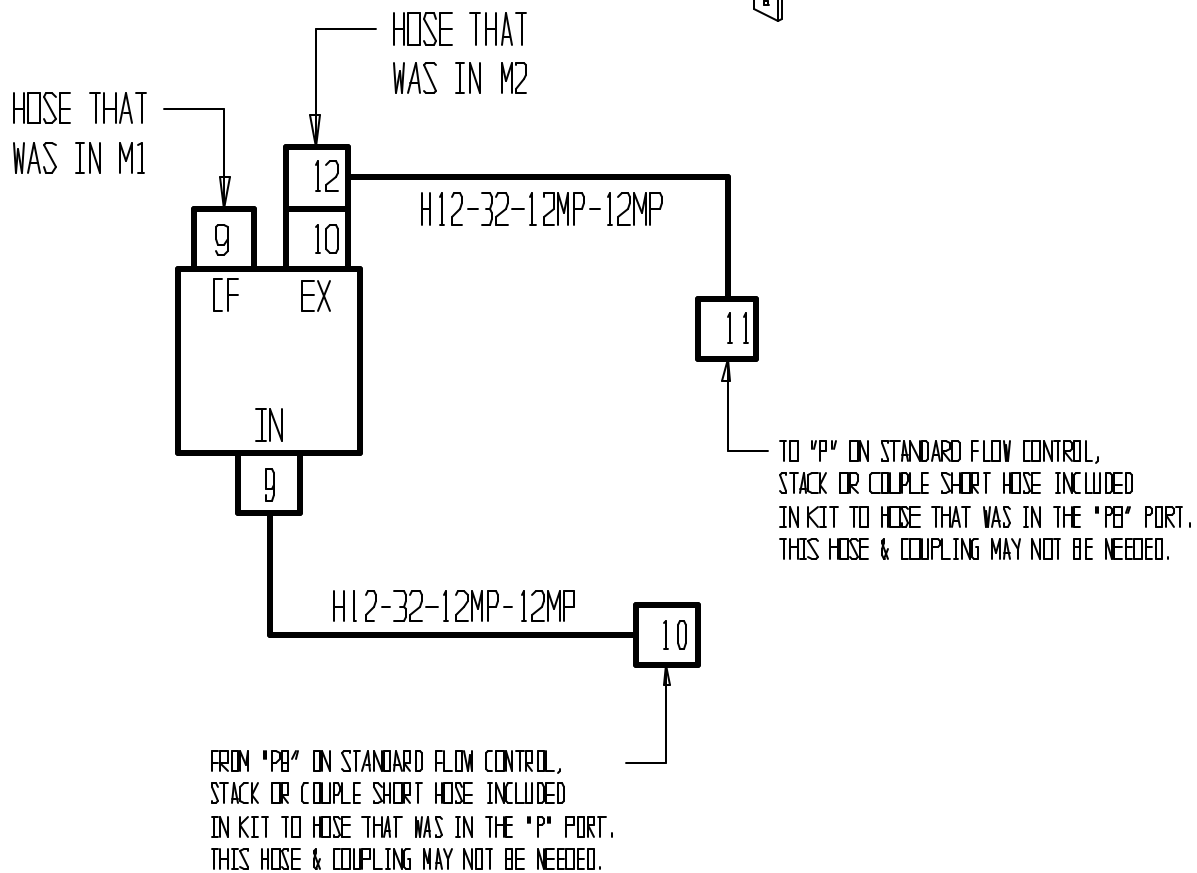
<u>Ref</u>	<u>Part No.</u>	<u>Description</u>	<u>Parts – Assembly</u>	<u>Will Fit SN</u>	<u>Remarks</u>
0	KIT-0087	Universal Remote Activated Flow Control	1		
9	A-6901-12-12	12 SAE x 3/4" FPX 90	2		
10	A-6401-10-12	10 SAE x 3/4"MP	1		
11	A-1405-12-12	3/4 NPT coupler w/swivel	2		
12	A-1603-12-12	Swivel T 3/4" NPTF	1		
13	H12-32-12MP- 12MP	3/4 in. hose 32 in. 3/4 x 3/4	2		
14	HV-FL30	Flow Control Valve 30GPM	1		

1104-15-21 ACTUATOR (3/4" LINES) ASSEMBLY

PIK RITE recommends removing the existing flow control when adding the Actuator Kit and Prince Flow Control. This is the most efficient method. Leaving the existing flow control in line and wide open will cause a slight pressure prop in the system. If the existing Flow Control is left in line, take the one short hose included in the Kit from "M1" to the "IN" on the Actuator Flow Control. The other short hose will go from the Actuator Flow Control "Tee" in the Ex Port to the "M2" in the existing flow control.



KIT-0087 UNIVERSAL REMOTE ACTIVATED FLOW CONTROL

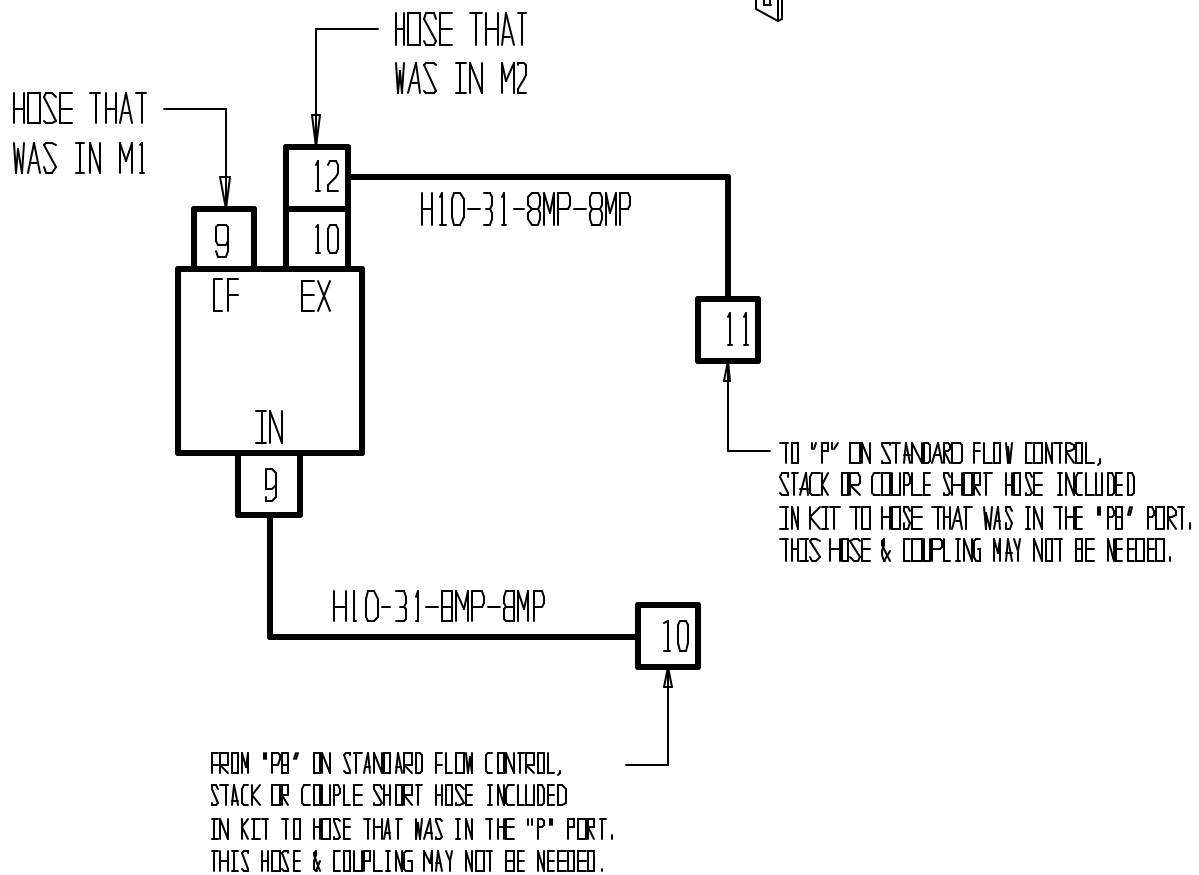
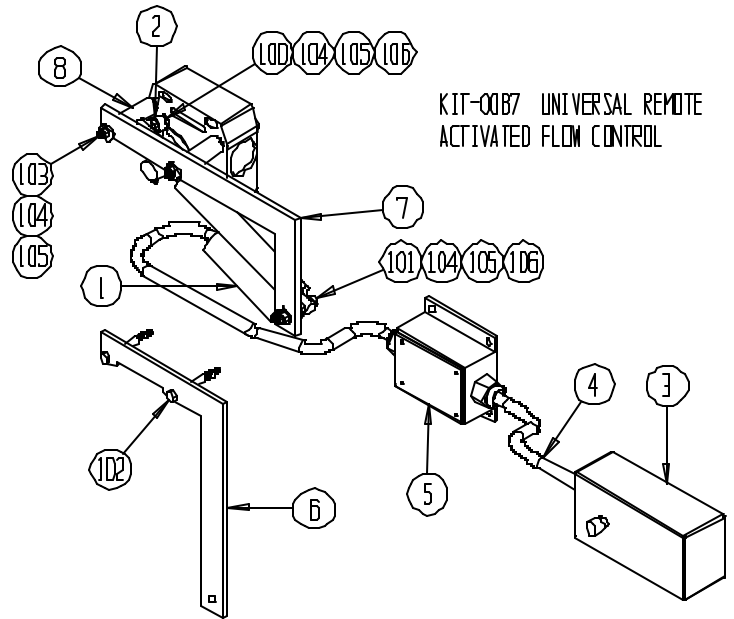


1104-15-22 Actuator (5/8" Lines) Assembly

<u>Ref</u>	<u>Part No.</u>	<u>Description</u>	<u>Parts – Assembly</u>	<u>Will Fit SN</u>	<u>Remarks</u>
0	KIT-0087	Universal Remote Activated Flow Control	1		
9	A-6901-10-8	10 SAE x 1/2 FPX90	2		
10	A-6401-10-8	10 SAE x 1/2 MPT Male	1		
11	A-1405-8-8	1/2" NPT Coupler W/Swivel	2		
12	A-1603-8-8-8	Swivel T 1/2" NPTF	1	20095001-	
13	H10-31-8MP-8MP	5/8 in hose 1/2MP x 1/2MP x 31 in long	2		
14	HV-FL16	Flow control valve 16GPM	1		

1104-15-22 ACTUATOR (5/8" LINES) ASSEMBLY

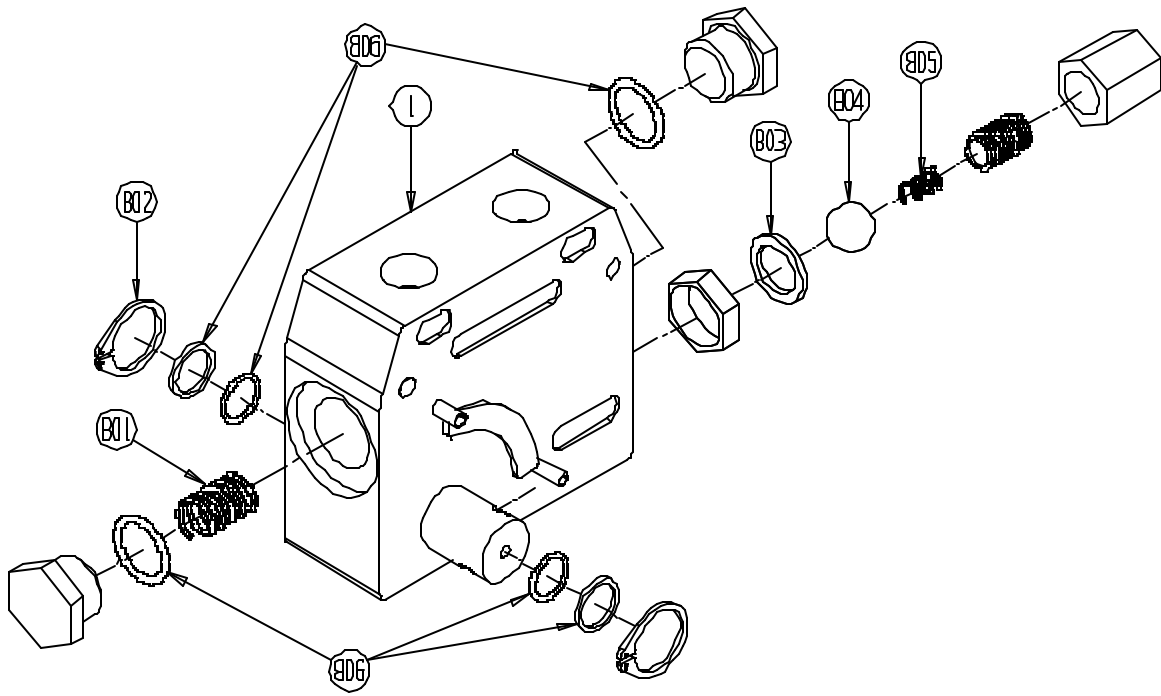
PIK RITE recommends removing the existing flow control when adding the Actuator Kit and Prince Flow Control. This is the most efficient method. Leaving the existing flow control in line and wide open will cause a slight pressure drop in the system. If the existing Flow Control is left in line, take the one short hose included in the Kit from "M1" to the "IN" on the Actuator Flow Control. The other short hose will go from the Actuator Flow Control "Tee" in the Ex Port to the "M2" in the existing flow control.



1104-15-23 Prince Flow Control Parts Assembly

<u>Ref</u>	<u>Part No.</u>	<u>Description</u>	<u>Parts – Assembly</u>	<u>Will Fit SN</u>	<u>Remarks</u>
1	HV-FL16	Flow control valve 16GPM	0		
1	HV-FL16-R	Hydraulics, Flow control valve 16GPM	0		
1	HV-FL30	Flow Control Valve 30GPM	0		
1	HV-FL30-R	Hydraulic Flo Control Valve with Relief 30GPM	0		
801	HV-1030C	Flo control spool spring	1		
802	HV-1030F	Flo Control Rotary Spool Snap Ring	2		
803	HV-1030G	Crush Washer	1		
804	HV-1030B	Flo control relief ball	1		
805	HV-1030A	Flow control relief spring	1		
806	HV-1030D	Flo control seal kit	1		(2) O-Rings, (2) Backups for Rotary Spool, & (2) End Cap O-Rings for Pressure Spool.

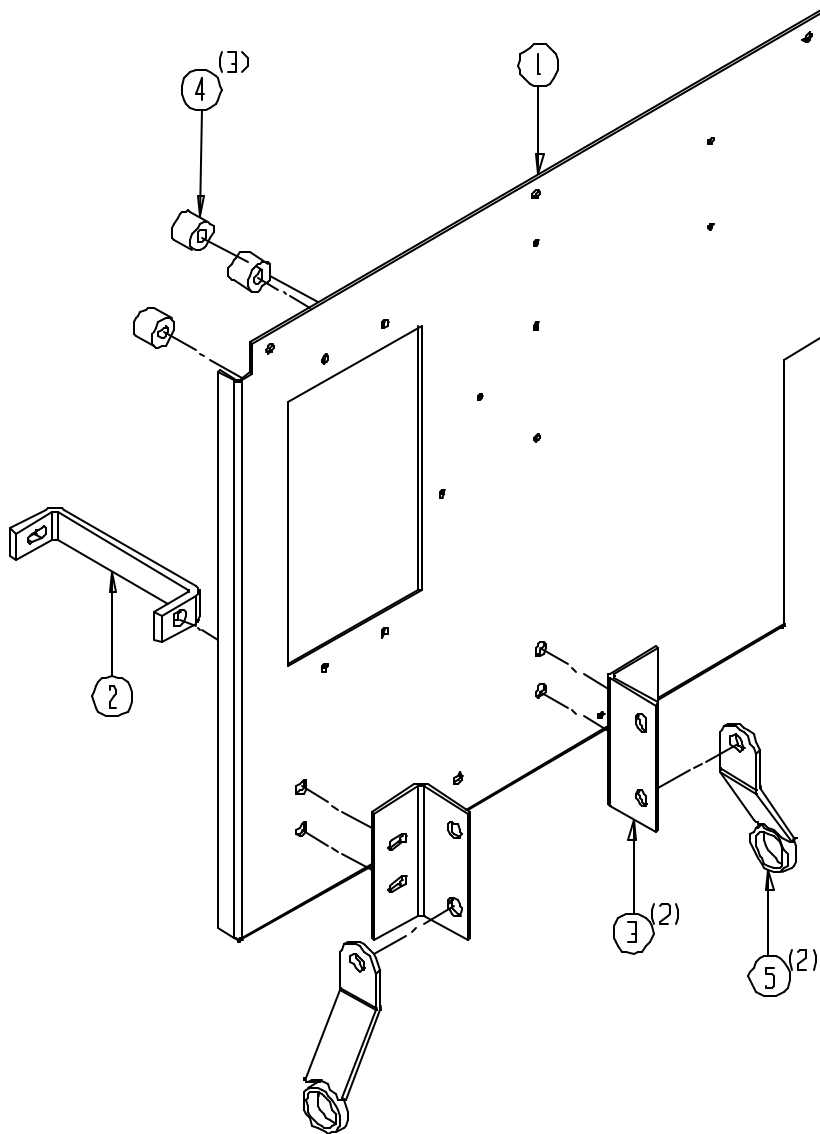
1104-15-23 PRINCE FLOW CONTROL PARTS ASSEMBLY



1104-15-24 Hydraulic Panel Component Mounting Assembly

<u>Ref</u>	<u>Part No.</u>	<u>Description</u>	<u>Parts – Assembly</u>	<u>Will Fit SN</u>	<u>Remarks</u>
1	PAN-8000	Panel Hydraulic Mount, Discharge, High Cap. Tom	1		
2	BAR-8000	Bar, Support, Brand Valve Panel, HC290	1		
3	SUP-8000	Support, Flow Divider, Hydra. Panel, HC290	2		
4	SPA-6131	Spacer, Gathering Chain Assy, Rollers	3	60097001-	
5	BRA-8000	Bracket, Flow Divider, Panel, HC290	2		

1104-15-24 HYDRAULIC PANEL COMPONENT MOUNTING ASSEMBLY

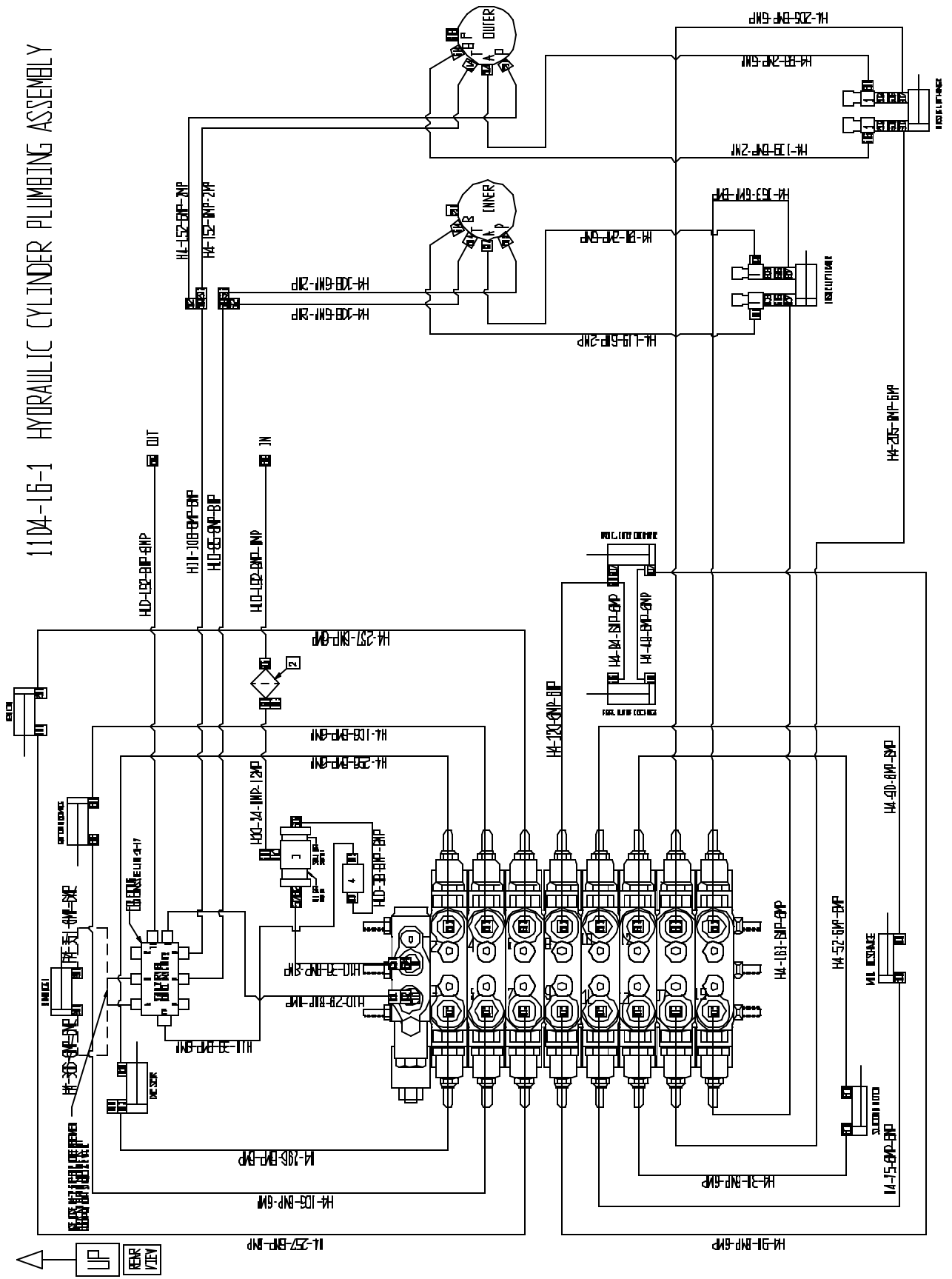


1104-16-1 Hydraulic Cylinder Plumbing Assembly

<u>Ref</u>	<u>Part No.</u>	<u>Description</u>	<u>Parts – Assembly</u>	<u>Will Fit SN</u>	<u>Remarks</u>
0	H4-12-6MP-6MP	1/4 in hose 3/8 x 3/8 x 12 in long	1		
0	H4-98-2MP-6MP	1/4 in hose 1/8MP x 3/8MP x 98 in long	2		
1	HV-1977	Header Height, Leveling Circuit Valve	4		
2	HA-1037	Pressure Filter	1		Most machines 1997 and previous used Parker filter. 1998> Zinga style
3	HV-FD-30	Flow Divider Used With Open Center Tractors	1		E00-01
4	FM-0110	Inline Flow Meter, 1-10 GPM @ 3500 PSI	1		
601	A-1501-8-8	1/2 MP x 1/2 FPX90	5		
602	A-6900-10-8	10 SAE x 1/2 FPX	4	20095001-	
603	A-6900-8-6	8 SAE x 3/8" FPX With 7/8" Stock Body	21	20095001-	
604	A-6901-10-8	10 SAE x 1/2 FPX90	1		
605	A-6901-12-8	12 SAE x 1/2" FPX 90	2		
606	A-6901-8-6	8 SAE x 3/8" FPX90	13	20095001-	
607	A-6955-8-6-6	8 SAE x 3/8" FPX Tee	6		
608	A-QD2010-8-8	Tractor Quick Coupler, Male, 1/2" w/ FPT	2		
609	A-1603-8-8-8	Swivel T 1/2" NPTF	2	20095001-	
610	A-6405-16-8	16 SAE x 1/2"FP	1		
611	A-6901-12-12-4SAE	12 SAE x 3/4" FPX 90 w/4 SAE Port	1		
612	AB-8-6-B	1/2" x 3/8" Brass Bushing	4		
613	HA-1004-4	Test Point Plug #4 SAE Thread	1		
614	A-6900-4-2	4 SAE x 1/8" FPX	6		
615	A-6901-4-2	4 SAE x 1/8" FPX90 With 9/16" Body	2		
616	A-5404-6-6	Hex Nipple, 3/8" x 3/8"	4		
617	A-1503-8-8	Elbow, 1/2" MP X 1/2" FPX45	1		
618	A-1501-6-6	3/8" MP x 3/8" FPX90	2		
619	A-6408-4	4 SAE Plug	2		
625	H10-108-8MP-8MP	5/8 in hose 1/2MP x 1/2MP x 108 in long	1		
626	H10-192-8MP-8MP	5/8 in hose 1/2MP X 1/2MP x 192 in long	2		
627	H10-24-8MP-12MP	5/8 in hose 1/2MP X 3/4MP x 24 in long	1		
628	H10-29-8MP-8MP	5/8 in hose 1/2MP x 1/2MP x 29 in long	1		
629	H10-36-8MP-8MP	5/8 in hose 1/2MP x 1/2MP x 36 in long	1		
630	H10-38-8MP-8MP	5/8" hose 1/2MP x 1/2MP x 38" long	2	20095001-	
631	H10-85-8MP-8MP	5/8 in hose 1/2MP X 1/2MP x 85 in long	1		

632	H4-106-6MP-6MP	1/4 in hose 3/8MP x 3/8MP x 106 in long	2
633	H4-108-6MP-2MP	1/4 in hose 1/8MP x 3/8MP x 108 in long	2
634	H4-119-6MP-2MP	1/4 in hose 1/8MP x 3/8MP x 119 in long	2
635	H4-120-6MP-6MP	1/4" Hose 3/8MP x 3/8MP x 120" Long	1
636	H4-152-6MP-2MP	1/4 in hose 1/8MP x 3/8MP x 152 in long	2
637	H4-163-6MP-6MP	1/4 in hose 3/8MP x 3/8MP x 163 in long	2
638	H4-205-6MP-6MP	1/4 in hose 3/8MP x 3/8MP x 205 in long	2
639	H4-257-6MP-6MP	1/4 in hose 3/8MP x 3/8MP x 257 in long	2
640	H4-296-6MP-6MP	1/4 in hose 3/8MP x 3/8MP x 296 in long	2
641	H4-30-6MP-6MP	1/4 IN HOSE 3/8MP x 3/8MP x 30 LONG	1
642	H4-52-6MP-6MP	1/4" Hose 3/8MP x 3/8MP x 52" Long	1
643	H4-75-6MP-6MP	1/4 in hose 3/8MP x 3/8MP x 75 in long	1
644	H4-90-6MP-6MP	1/4 in hose 3/8MP x 3/8MP x 90 in long	2

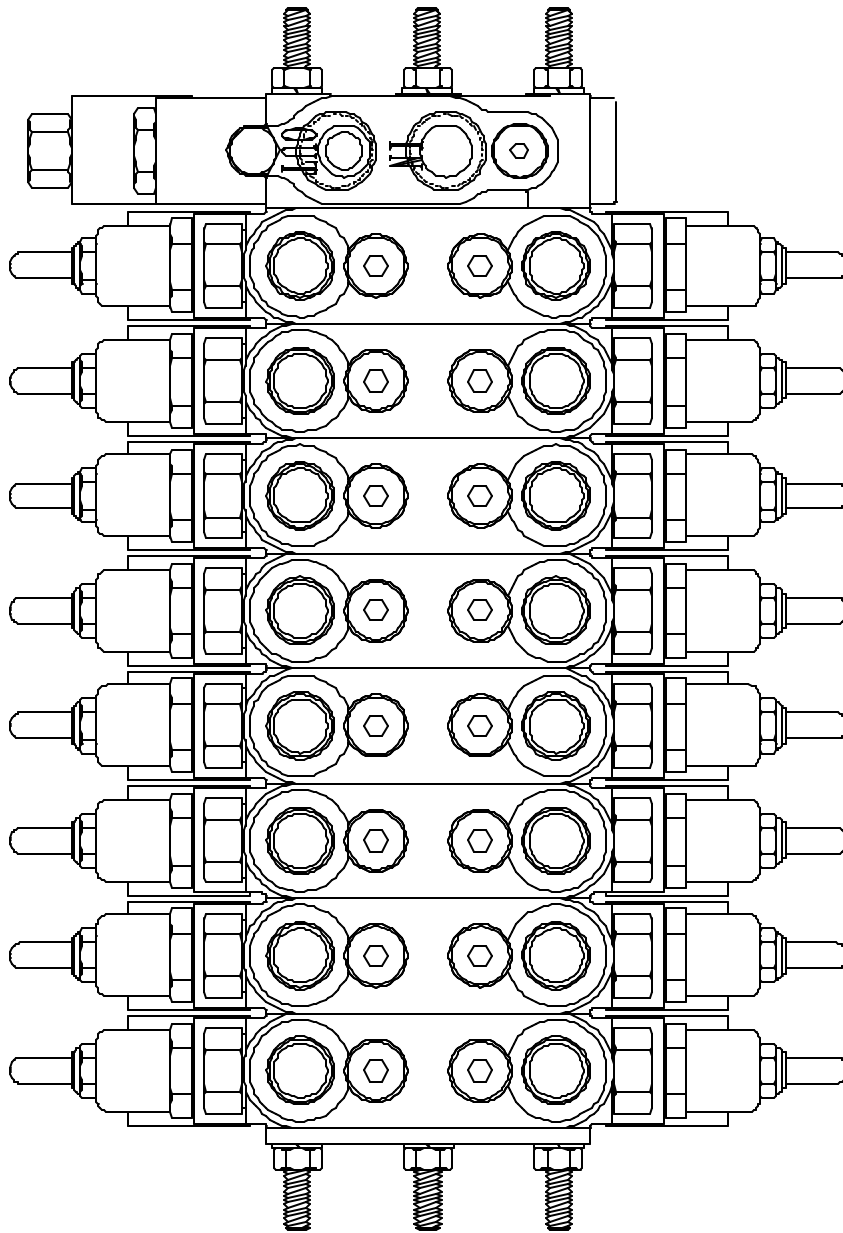
1104-16-1 HYDRAULIC CYLINDER PLUMBING ASSEMBLY



1104-16-2 Hydraulic Cylinder Control Bank

<u>Ref</u>	<u>Part No.</u>	<u>Description</u>	<u>Parts – Assembly</u>	<u>Will Fit SN</u>	<u>Remarks</u>
1	HVB-1049	Directional Control Valve Bank, 8 Section, 36 Series	1		

1104-16-2 HYDRAULIC CYLINDER CONTROL BANK

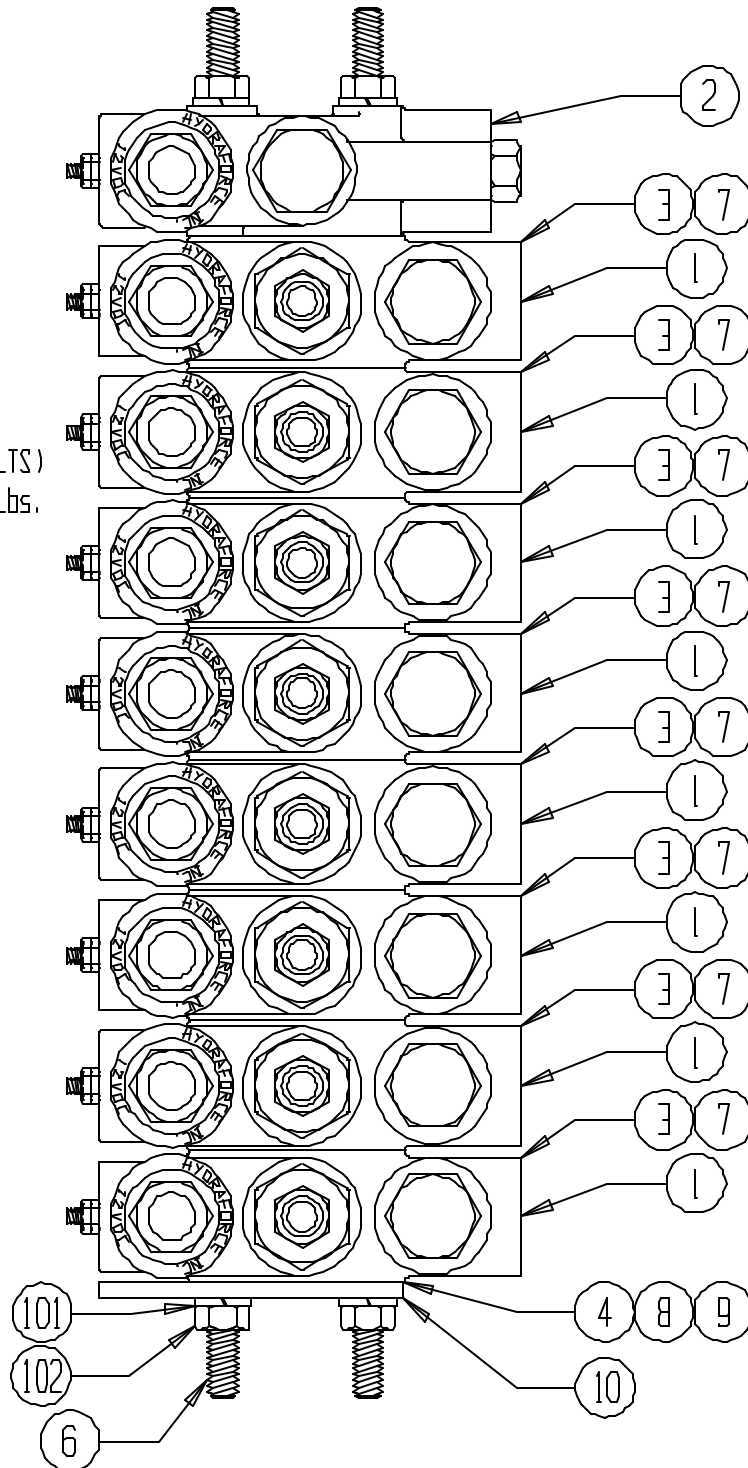


1104-16-3 Electric/Hydraulic Valve Assembly

<u>Ref</u>	<u>Part No.</u>	<u>Description</u>	<u>Parts – Assembly</u>	<u>Will Fit SN</u>	<u>Remarks</u>
1	HVE-1036BL	Brand Valve Section with Locks	8	HVE-1076, HVE-3046,	Complete,w/o Cartridges & Coils
2	HVE-1036C	Unloaded Inlet Section	1		
3	HVE-1036S	Shim (Between Sections)	24		
4	HVE-1037H	O Ring (Parker #2-012)	3		
6	HVE-1037M	Tie Rod Kit for Tomato Harvester	1		
7	HVE-1037O	O-Ring, Buna N 90 Durometer	24		
8	HVE-1037Q	Backup for O-Ring (Parker #3-012)	3		
9	HVE-1046C	Plug, End Section, Brand Valve	3		
10	HVE-1046Z	End Plate, Valve Stack	1		
101	BL-5-LW	5/16 SPLIT LW ZC	6		
102	BL-5-N	5/16 UNF FIN HEX NUT A563 GrA ZINC	6		
800	TL-790-KIT	Brand Valve Repair Kit	1		

1104-16-3 ELECTRIC/HYDRAULIC, VALVE ASSEMBLY

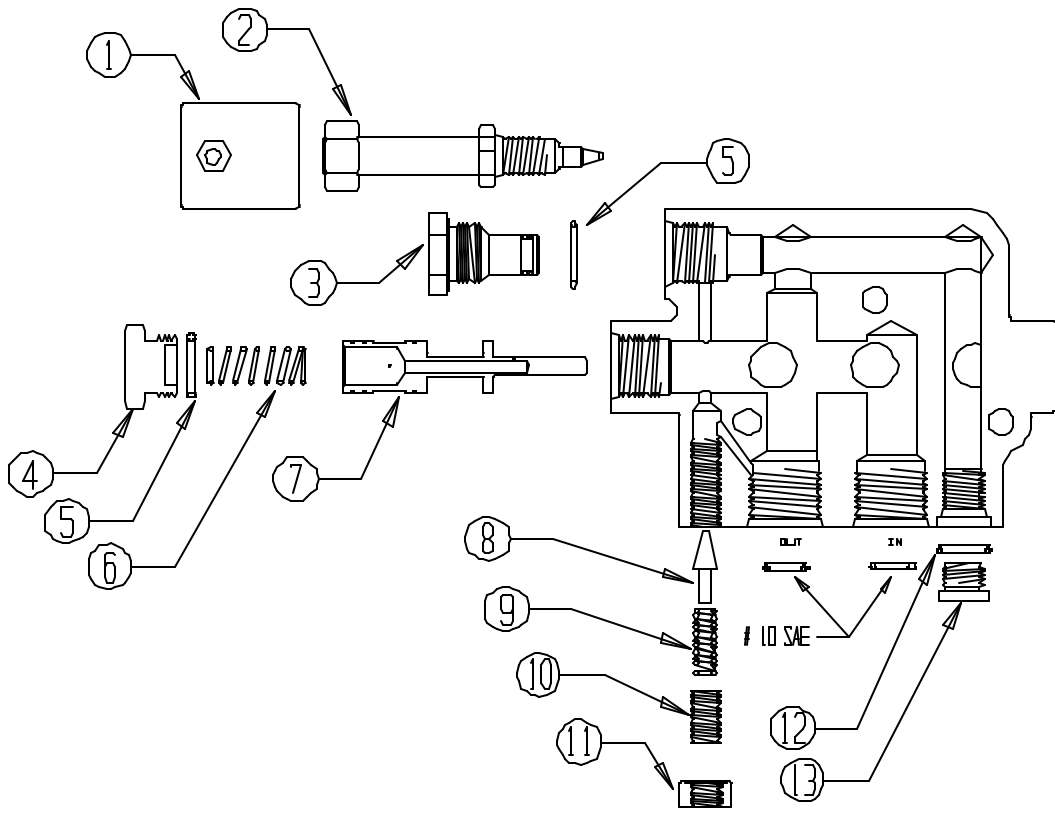
NOTE:
TORQUE NUTS
(ON LONG BOLTS)
TO 95 Inch/Lbs.



1104-16-4 Electric/Hydraulic Unloading Inlet Section

<u>Ref</u>	<u>Part No.</u>	<u>Description</u>	<u>Parts – Assembly</u>	<u>Will Fit SN</u>	<u>Remarks</u>
1	HVE-1036P	Coil	1		Replaces HA -431-B on Manifold Block.
2	HVE-1036N	Unloading Section Cartridge	1		
3	HVE-1036D	Closed Center Plug	1		
4	HVE-1037D	Unloading Cap	1		
5	HVE-1037P	O-Ring	2		
6	HVE-1037B	Unloading Spring	1		
7	HVE-1037C	Unloading Spool	1		
8	HVE-1037A	Relief Poppet	1		
9	HVE-1036K	Unload Section Relief Spring (Bare Metal-no color)	1		
10	HVE-1037E	Adjusting Screw	1		
11	HVE-1037Y	Nut, Nylon Insert, Sealing	1		Replaces HVE-1037F
12	HVE-1037J	O Ring	1		
13	A-6408-5HHP	#5 SAE Hollow Hex Plug	1		Replaces HVE-1037V

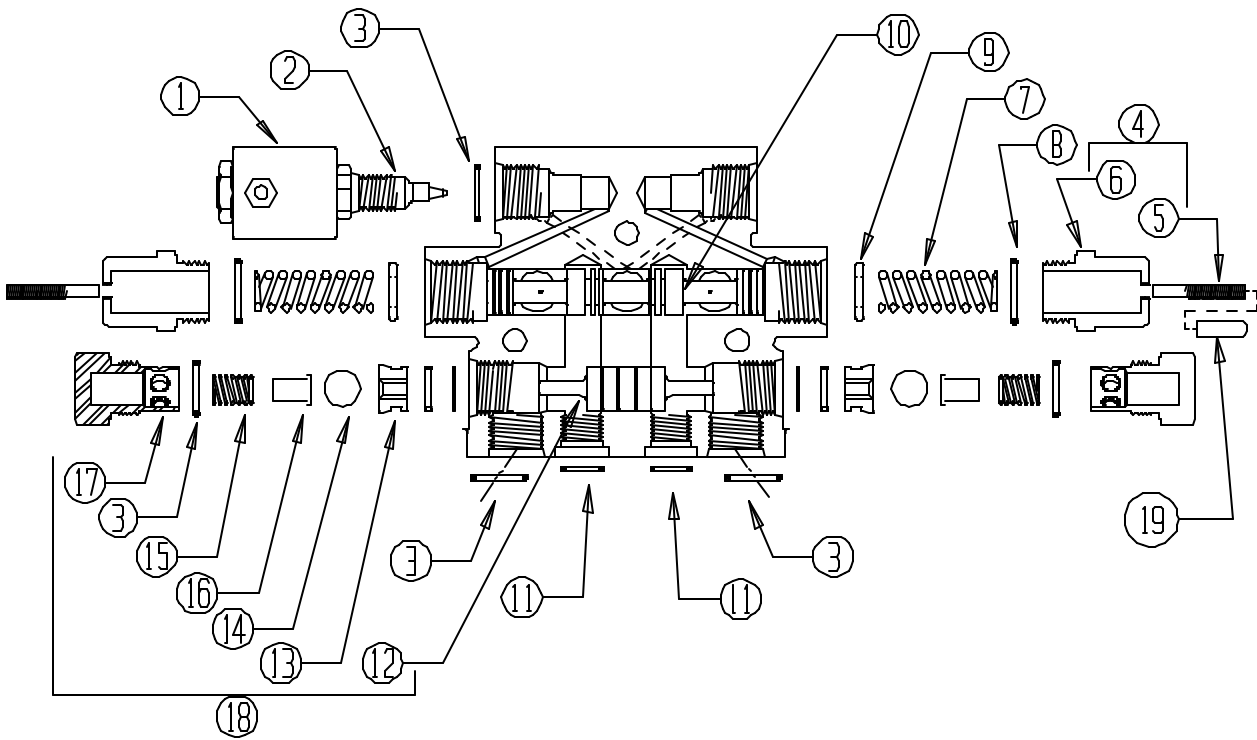
1104-16-4 ELECTRIC/HYDRAULIC UNLOADING INLET SECTION



1104-16-5 Ele./Hyd. Double Locking Valve Section

<u>Ref</u>	<u>Part No.</u>	<u>Description</u>	<u>Parts – Assembly</u>	<u>Will Fit SN</u>	<u>Remarks</u>
1	HVE-1036P	Coil	2		Replaces HA-431-B on Manifold Block.
2	HVE-1036M	Work Section Cartridge	2		
3	HVE-1037P	O-Ring	4		
4	HVE-1036R	Maual Override Kit for Brand 36 Valve	2		
5	BL-5-250-SS	5/16-24 x 2 1/2" Set Screw, Cup Point	2		
6	HVE-1036WT	End Cap, Threaded for Manual Override	2		
7	HVE-1036Y	Spool Spring for End Cap	2		Replaces # HVE-1036L
8	HVE-1036X	"O" Ring for End Cap	2		
9	HVE-1046V	End spacer for Work Section	2		
10	HVE-1036Z	Spool, Double-Lock Section	1		
11	A-OR-6	O Ring for #6 Adapter	2		
12	HVE-1046P	Lock Spool	1		
13	HVE-1046T	Seat, Delrin	2		REPLACES HVE-1046U & HVE-1047U
14	HVE-1047R	7/16" Steel Ball	2		
15	HVE-1046S	Spring	2		
16	HVE-1047Q	7/16" Spring Plunger	2		
17	HVE-1047W	End Cap, Double Lock Spring Retainer for 7/16" Ball	2		
18	HVE-1047KS	7/16" Double Lock Rebuild Kit W/Delrin Seat	1		
19	HVE-1036R-PC	Plastic Cover for Manual Override Kit	2		
20	A-6408-6HHP	#6 SAE Hollow Hex Plug	2		

1104-16-5 ELECT. HYD. VALVE DOUBLE LOCK SECTION

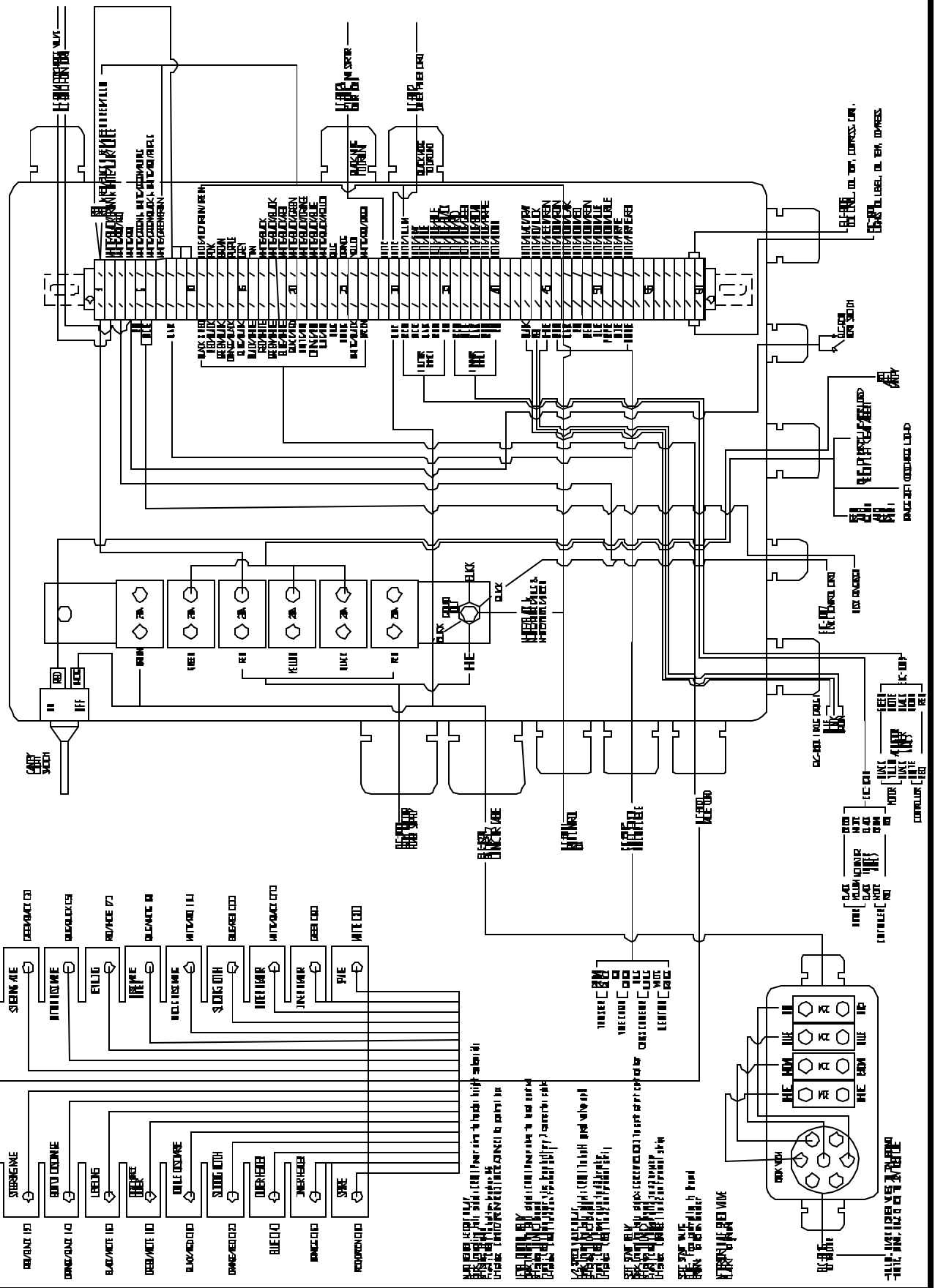


1104-17-1 Electric Component Assembly

<u>Ref</u>	<u>Part No.</u>	<u>Description</u>	<u>Parts – Assembly</u>	<u>Will Fit SN</u>	<u>Remarks</u>
0	195-1455	Horn Bracket	1	19501-	
0	195-1456	Horn Switch Bar	1	19501-	
0	BAR-1510	Bar, Light Holder	6		
0	BL-6-600-I	Eye Bolt for Horn Cord SS	3		
0	BU-6-8-N	Bushing, Threaded Pipe, Nylon, 3/8" x 1/2"	1		
0	DC-0046	Decal, HC 290, Control Box, '03	1		
0	EL-102	Lock Nut for Electrical Connectors 3/4"	1		
0	EL-1206	Double Amber Lamp	3		
0	EL-1233	Light, Auxiliary Work Light, Clear, Trapezoid Beam, TL#80394	4		
0	EL-1251	Power Cable Assembly (for Tractor only)	1		
0	EL-1252	Power Cable (Machine end only)	1		
0	EL-6600	Warning Horn	1		
0	EL-6610	Horn Switch	1		
0	EL-8000	Control Box, HC290, 2003	1		
0	ELB-20	Breaker, 20 amp	3		Replaces 191-1210
0	ELB-30	Breaker, 30 amp	1		
0	ELB-46466	Circuit Breaker Mounting Bracket (6 stack)	1		
0	ELC-10-R	10 Gauge Wire, Red	48		
0	ELC-14-BL	14 Gauge Wire (Blue)	28		
0	ELC-16-G	16 Gauge Wire (Green)	48		
0	ELC-16-O	16 Gauge Wire (Orange)	30		
0	ELC-16-Y	16 Gauge Wire (Yellow)	60		
0	ELC-2634	3/4" Plastic Cord Connector	1		
0	ELC-2638	3/8" Plastic Cord Connector	1		
0	ELC-8000	7-Conductor, Power Cable 14', HC290	1		
0	ELC-8001	Control Cable 25', 60 Conductor, HC290	1		
0	ELC-8002	Shaft Sensor Control Cable 32', HC290	1		
0	ELC-8003	Hydraulic Valve Cable 9', HC290	1		
0	ELC-8004	Axle Control Cable 28', HC290	1		
0	ELC-8006	Oil, Temp., Filter Sensor Cable 30', HC290	1		
0	ELC-8007	Level Control Cable 26', HC290	1		
0	ELC-8008	Oil Level & Temp., Air Comp. Pres. Lgt Cable 9', HC290	1		
0	ELC-8009	Header Height Actuator Cable Right 13', HC290	1		

0	ELC-8010	Header Height Actuator Cable Left 18', HC290	1	
0	ELC-8011	Alarm Switch Cable 23', HC290	1	
0	ELC-8012	Sorter Power Cable 32', HC290	1	
0	ELC-8013	Alarm Power Cable 1', HC290	1	
0	ELC-8014	Discharge Valve Cable, 12' HC290	1	
0	ELC-8015	Battery Cable 16' HC290	1	
0	ELC-8016	Connecting Cable 5' HC290	1	
0	ELE-2016	Control Box for Dual Remote	1	Polycarbonate Enclosure with Lid
0	ELM-106-D	Reed Switch Kit, 1"	4	
0	ELM-106-M	Magnet Assembly	6	
0	ELP-8000	Electrical Panel, HC290 2003	1	
0	ELS-1256	Tilt Controller for HC-290	1	HC-290
0	ELT-32755	Snap Spade Connectors #10 10-12	4	
0	HA-3007	Pressure Switch	1	
0	SHD-1206	Shield, Flashing Light	3	30097001-19601-
0	SPG-9654	extension Spring for Horn Switch	1	
0	TRP-0006	Nylon Rope #6 @ foot	20	
0	WT-14	Wire Tie 14 1/4"	30	
0	WT-17H	Heavy Duty Wire Tie 17.5"	20	
0	WT-4	Wire Tie, 3 3/4"	10	

1104-17-1 ELECTRICAL SCHEMATIC 7/19/04 HC290

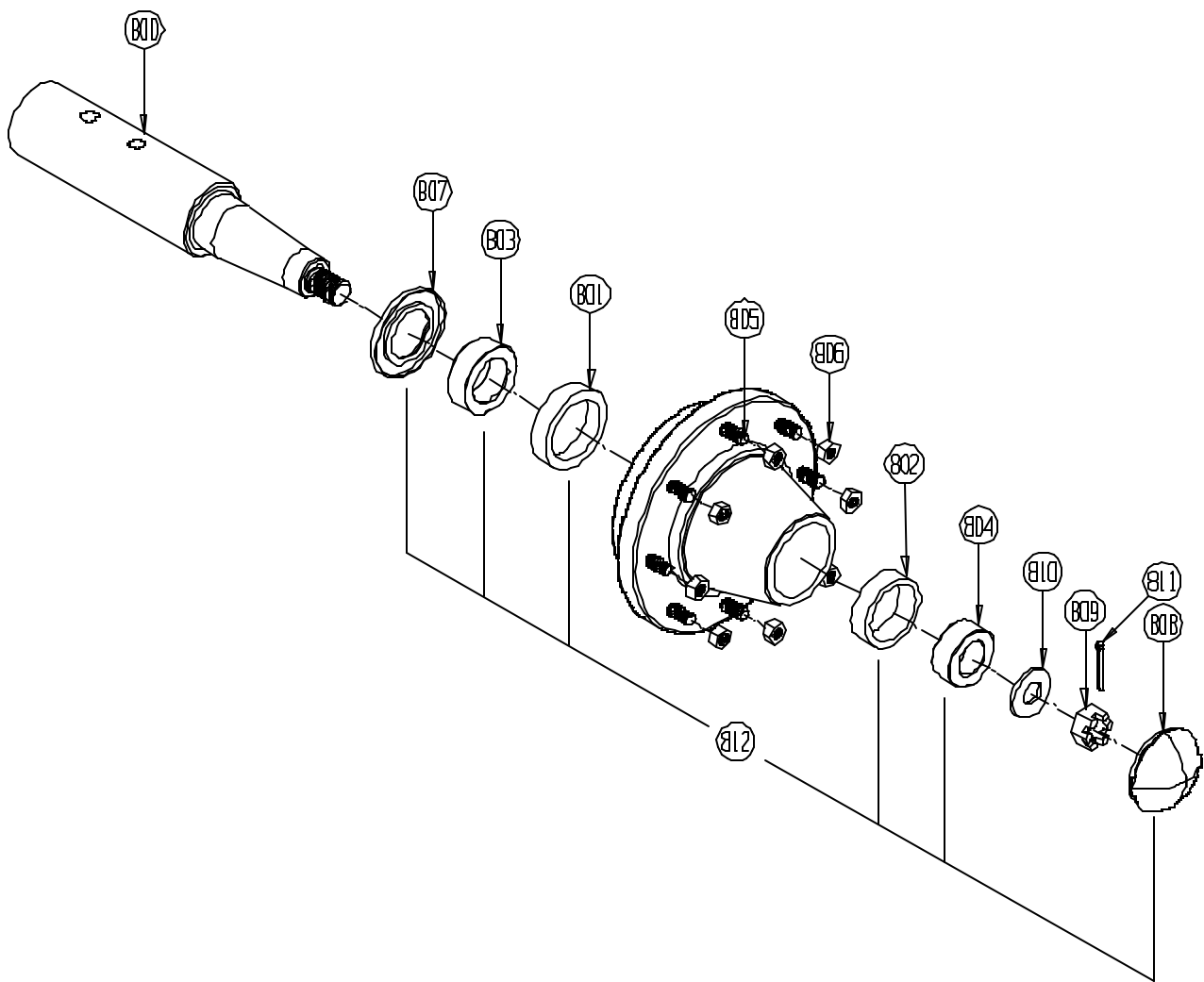


**REPLACEMENT
PARTS**

1104-18-1 WHL-3000 Hub & Spindle Replacement Parts

<u>Ref</u>	<u>Part No.</u>	<u>Description</u>	<u>Parts – Assembly</u>	<u>Will Fit SN</u>	<u>Remarks</u>
800	WHL-3001	Spindle 3" x 16"	4	WHL-3000	
801	WHL-3000A	Inner Cup	4	WHL-3000	
802	WHL-3000B	Outer Cup	4	WHL-3000	
803	WHL-3000C	Inner Cone	4	WHL-3000	
804	WHL-3000D	Outer Cone	4	WHL-3000	
805	WHL-3000E	Stud Bolt	32	WHL-3000	
806	WHL-3000F	Lug Nut	32	WHL-3000	
807	WHL-3000G	Seal	4	WHL-3000	
808	WHL-3000H	Hub Cap	4	WHL-3000	
809	WHL-3000J	Spindle Nut	4	WHL-3000	
810	WHL-3000K	Spindle Washer	4	WHL-3000	
811	PIN-C3-16-32	Cotter Pin 3/16 x 2"	4		
812	WBR-3000K	Wheel Bearing Kit for WHL-3000 Hub & Spindle Assy.	4	WHL-3000	

1104-18-1 WHL-3000 HUB & SPINDLE REPLACEMENT PARTS



1104-18-2 HM-412C Hydraulic Motor Replacement Parts

<u>Ref</u>	<u>Part No.</u>	<u>Description</u>	<u>Parts – Assembly</u>	<u>Will Fit SN</u>	<u>Remarks</u>
800	HM-412B	Key for Hydraulic Motor -Shaker Weight-Vibrator	1	HM-412C & HM-712C	
801	HM-2686	Snap Ring, Commercial Motor	1	HM-1020	
802	HM-0381	Ball Bearing, Motor	1	HM-1020	
803	HM-2585	Ring Seal, Commercial Motor	2	HM-1020	
804	HM-1801	Seal Kit for Commercial Intertech	1	P20 & M20 Series	Includes:(1) Length of HM- 2882,(1)HM-2883,(2)HM-2884

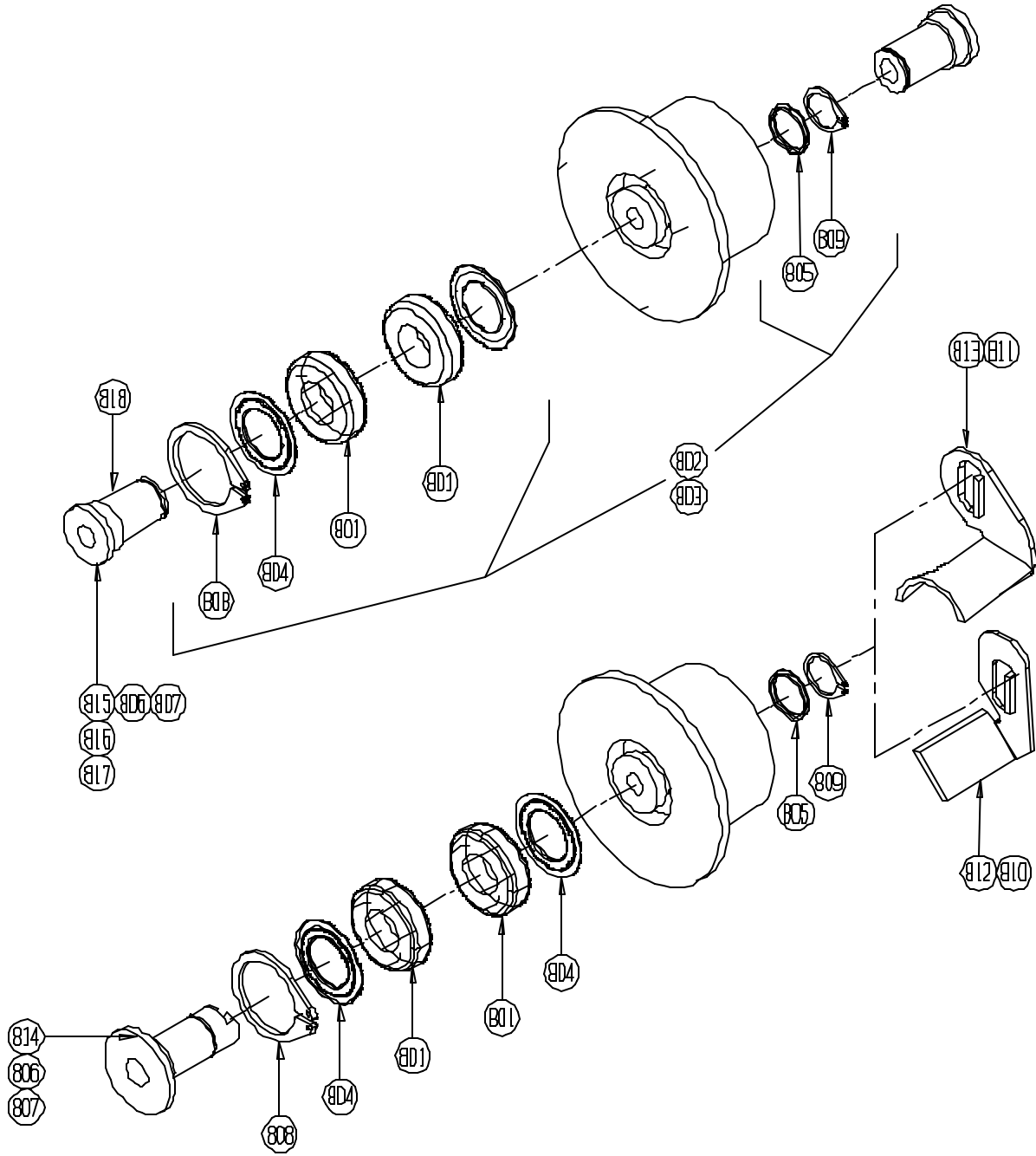
1104-18-3 SRT-1548 48" Odenberg Sorter Replacement Parts

<u>Ref</u>	<u>Part No.</u>	<u>Description</u>	<u>Parts – Assembly</u>	<u>Will Fit SN</u>	<u>Remarks</u>
800	ELC-8012	Sorter Power Cable 32', HC290	1		

1104-18-4 Steel Roller Replacement Parts

<u>Ref</u>	<u>Part No.</u>	<u>Description</u>	<u>Parts – Assembly</u>	<u>Will Fit SN</u>	<u>Remarks</u>
801	BR-025-052	Bearing, for Terog Rollers	2		
802	BR-025-052-U	Bearing Kit for Terog Rollers	1		Includes (1)RLA-103, (2)RLA-000-101, (2)BR-025-052, (1)RLA-000-102, (1)RLA-104
803	BR-025-052-W	Bearing Kit for Terog Roller, Single Bearing	1		Same as BR-025-052-U, except has only (1)BR-025-052.
804	RLA-000-101	Metal Seal	2		
805	RLA-000-102	Seperator Ring	1		
806	RLA-006-078	Bushing 1/2" x 5/8" x .75"	1		
807	RLA-006-128	Bushing, 1/2" x 5/8" x 1.25	1		
808	RLA-103	Snap Ring	1		
809	RLA-104	Snap Ring	1		
810	RLA-3023-TM	Scraper for Nose Roller, RH	1		For use with RLS-522-2010-SC roller only
811	RLA-3023S	Curved Scraper, RH	1		
812	RLA-3024-TM	Scraper for Nose Roller, LH	1		For use with RLS-522-2010-SC roller only
813	RLA-3024S	Curved Scraper, LH	1		
814	RLT-SSP2	Stub Shaft Only for mounting 3023S and 3024S: 5/8 bore	1		
815	RLT-SSU1	Stub Shafts for Rollers: 1/2" bore, 2" Length	1		
816	RLT-SSU2	Stub Shafts for Rollers: 5/8" bore, 2" Length	1		
817	RLT-SSU3	Stub Shafts for Rollers: 3/4" bore, 2" Length	1		
818	RLT-SSW1	Stub Shaft for Rollers: 1/2" Bore, 1 1/4" Length	1		RLT-535-12*

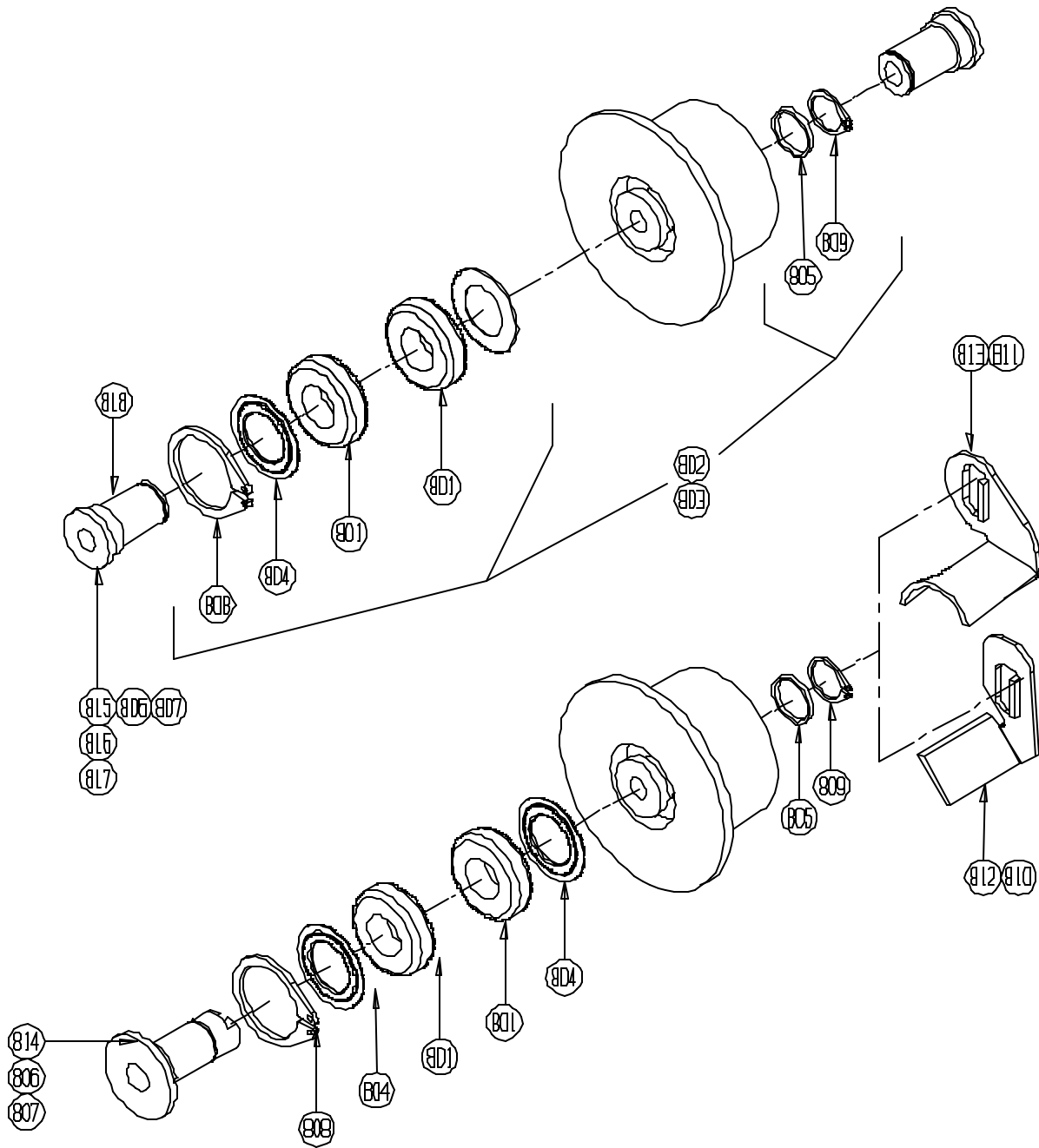
1104-18-4 STEEL ROLLER REPLACEMENT PARTS



1104-18-5 3.5 Dia. Roller Replacement Parts

<u>Ref</u>	<u>Part No.</u>	<u>Description</u>	<u>Parts – Assembly</u>	<u>Will Fit SN</u>	<u>Remarks</u>
801	BR-025-052	Bearing, for Terog Rollers	2		
802	BR-025-052-U	Bearing Kit for Terog Rollers	1		Includes (1)RLA-103, (2)RLA-000-101, (2)BR-025-052, (1)RLA-000-102, (1)RLA-104
803	BR-025-052-W	Bearing Kit for Terog Roller, Single Bearing	1		Same as BR-025-052-U, except has only (1)BR-025-052.
804	RLA-000-101	Metal Seal	2		
805	RLA-000-102	Seperator Ring	1		
806	RLA-006-078	Bushing 1/2" x 5/8" x .75"	1		
807	RLA-006-128	Bushing, 1/2" x 5/8" x 1.25	1		
808	RLA-103	Snap Ring	1		
809	RLA-104	Snap Ring	1		
810	RLA-3023-TM	Scraper for Nose Roller, RH	1		For use with RLS-522-2010-SC roller only
811	RLA-3023S	Curved Scraper, RH	1		
812	RLA-3024-TM	Scraper for Nose Roller, LH	1		For use with RLS-522-2010-SC roller only
813	RLA-3024S	Curved Scraper, LH	1		
814	RLT-SSP2	Stub Shaft Only for mounting 3023S and 3024S: 5/8 bore	1		
815	RLT-SSU1	Stub Shafts for Rollers: 1/2" bore, 2" Length	1		
816	RLT-SSU2	Stub Shafts for Rollers: 5/8" bore, 2" Length	1		
817	RLT-SSU3	Stub Shafts for Rollers: 3/4" bore, 2" Length	1		
818	RLT-SSW1	Stub Shaft for Rollers: 1/2" Bore, 1 1/4" Length	1		RLT-535-12*

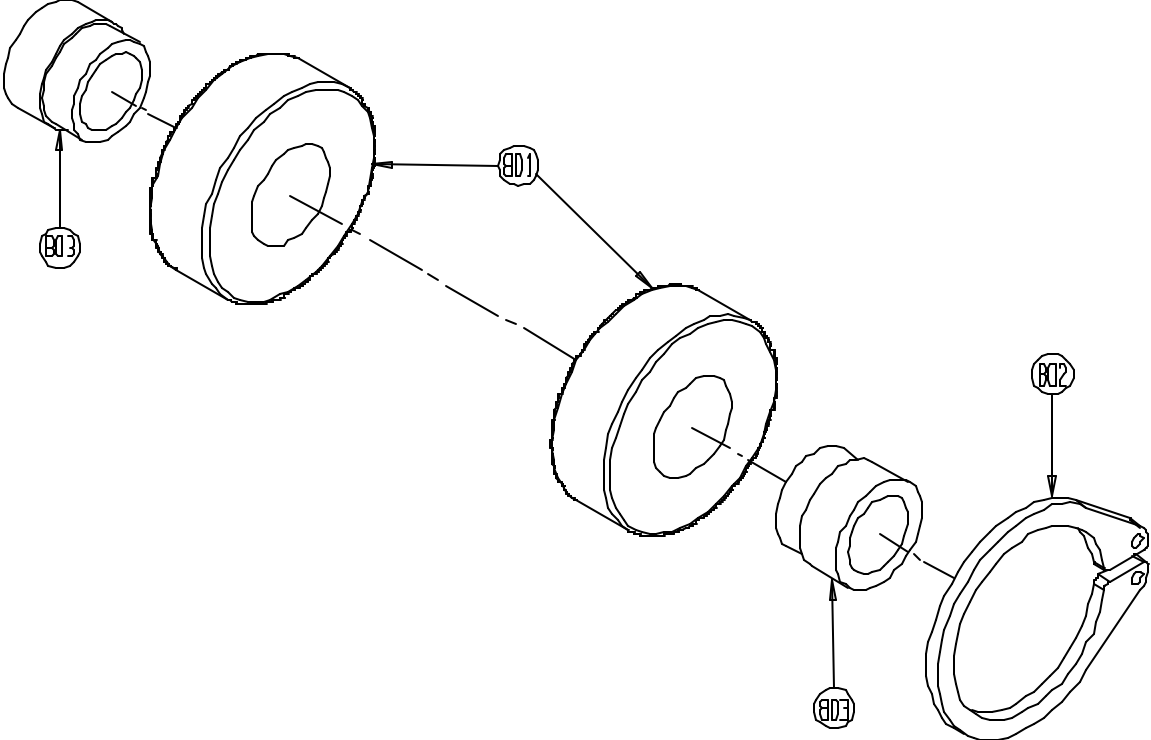
1104-18-5 3.5 DIA. ROLLER REPLACEMENT PARTS



1104-18-6 2.75 Dia. Roller Replacement Parts

<u>Ref</u>	<u>Part No.</u>	<u>Description</u>	<u>Parts – Assembly</u>	<u>Will Fit SN</u>	<u>Remarks</u>
801	BR-017-040	Bearing for Vibrator Roller	2		
802	RLA-0275-SR4	Snap Ring for Vibrator Roller	1	RLT-027-108	
803	RLT-SSC1	Stub Shaft for Vibrator Roller	2		

1104-18-6 2.75 DIA. ROLLER REPLACEMENT PARTS



1104-18-7 Disk Reverser Replacement Parts

<u>Ref</u>	<u>Part No.</u>	<u>Description</u>	<u>Parts – Assembly</u>	<u>Will Fit SN</u>	<u>Remarks</u>
801	HV-1045-D	Replacement Cartridge for Reversing Valve	2	HV-1045	
802	HV-1045-C	Replacement Coil for Reversing/No Drift Valve	2	HV-1045, HV-910	replaces HV -910-B