



60 PIK RITE LANE, LEWISBURG PA 17837

PHONE: 570-523-8174 FAX: 570-523-8175

EMAIL: [frontdsk@pikrite.com](mailto:frontdsk@pikrite.com) WEBSITE: [www.pikrite.com](http://www.pikrite.com)

---

Dear Grower,

Welcome to the growing family of satisfied Pik Rite equipment owners. Our goal is to help make your harvest as enjoyable and trouble free as possible by providing equipment that is durable and keeps down time to a minimum.

In order to provide customer service and a supply of original equipment parts to keep your machine well maintained, we are continually striving to keep our systems state-of-the-art. We utilize all available resources that allow us to provide accurate and timely deliveries.

We will continue to give you the service you have come to expect from our dealer representatives and us. In order to avoid any delays during your harvest season we make every effort to have someone available to take your calls 24 hours a day. We have shipping companies in place to deliver your parts as expediently as possible. Whether you live a few miles down the road or on the other side of the globe you can count on us.

Sincerely,

Dave Gearhart  
Sales / Customer Service  
[dave@pikrite.com](mailto:dave@pikrite.com)

Parts and Service Hotline  
800-326-9763

[www.pikrite.com](http://www.pikrite.com)

or find us on Facebook!

## Table of Contents

BELTED CHAIN REPLACEMENT PARTS .....	8
MOTOR REPLACEMENT PARTS.....	10
OIL & FILTERS.....	13
11010-01-01 Main Frame Assembly .....	16
11010-01-02 Tongue Assembly .....	18
11011-01-03 Hitch Assembly, Large Double Pump .....	20
11010-01-05 1 3/4"-20 (STANDARD) PTO Assembly .....	24
11010-01-06 Standard Axle Assembly.....	26
11011-01-07 Wheel & Rocker Assembly, Large Spindles .....	28
11010-01-09 Optional Fender Kit 'Header Side'.....	30
11010-02-01 Disk Header Frame Assembly .....	32
11010-02-02 Disk Drive Shaft Assembly .....	34
11010-02-03 36' Disk Shaft Assembly (Standard) .....	36
11010-02-05 Gathering Chain Assembly .....	38
11010-02-06 Header Height Parts Assembly.....	40
1109-03-01.1 Vibrator Primary Header .....	44
1109-03-02 Gauge Wheel Assembly .....	48
11010-03-03 Secondary Header Assembly .....	50
1109-03-04 Header Drive Shaft Assembly.....	52
11010-03-05 Header Return Roller Assembly .....	56

11010-03-06	Header Dirt Vibrator Assembly .....	58
11010-03-07	Header Bar Cleaner Assembly (Standard) .....	60
11011-03-08	Header, Long Vine Assist Assembly.....	62
11010-03-09	Header Dust Shield Assembly .....	66
11010-04-01	Primary Shaker Frame Assembly .....	68
11010-04-02	Primary & Secondary Shaker Covers .....	70
11010-04-03	Primary Shaker Drum Assembly.....	72
11015-04-04	Shaker Weight Box Assembly.....	74
11010-04-05	Secondary Shaker Drum Assembly .....	78
11010-04-07	Primary & Secondary Shaker Weight Covers .....	80
11010-04-08	Primary Shaker Ring & Finger Assembly.....	82
11010-04-09	Secondary Shaker Ring & Finger Assembly .....	84
11010-04-13	Shaker Weight Box Shield Assembly.....	86
11010-05-01	Vine & Transfer Chamber Assembly.....	88
11010-05-02	Transfer Drive Shaft Assembly .....	92
11010-05-03	Transfer Return Roller Assembly.....	94
11010-05-04	Transfer Bar Cleaner Assembly (Standard).....	96
11010-05-05	Optional Transfer Dirt Vibrator Assembly .....	98
11015-05-06	Vine Chain Drive Shaft Assembly (108 Pitch).....	100
11010-05-07	Optional Vine Chopper Assembly .....	102

11011-06-01	Cross Conveyor Assembly.....	106
11010-06-02	Cross Conveyor Drive Shaft Assembly .....	108
11010-06-03	Cross Conveyor Return Roller Assembly .....	110
11010-06-04	Cross Conveyor Bar Cleaner Assem. ....	112
11010-06-05	Cross Conveyor Cleaner Roller, Above Rear Panel .....	114
11011-06-06	Cross Vibrator Shaft Assembly .....	116
11011-07-01	Debris Fan Assembly.....	118
11015-07-02	Debris Fan Paddle Assembly.....	120
11011-08-01	Debris Chamber Assembly .....	122
11010-08-02	Debris Drum Drive Assembly.....	124
11010-08-04	Debris Belt Shield Assembly.....	126
11010-08-05	Decking Above Debris Belt Assembly.....	128
11010-09-01	Lower Elevation Assembly.....	130
11010-09-02	Lower Elevation Divider Bar Assembly .....	132
11010-09-16	Opt. Elevation/Presort Frame & Bar Cleaner Assy .....	134
11015-09-17	Color Sorter Mounts, WECO.....	138
11015-09-18	Elevation Driveshaft Assembly .....	140
11010-09-19	Opt. Presort Drive Shaft Assembly .....	142
11010-09-20	Opt. Presort Idler Assembly .....	144
11010-10-01	Aftersort Assembly.....	146

11010-10-02	Aftersort Divider Roller Assembly .....	148
11010-10-03	Aftersort Idler Assembly .....	150
11010-10-04	Aftersort Drive Assembly .....	152
11010-10-05	Aftersort Shield Assembly .....	154
11010-10-06	Handrail & Decking Over Aftersort Assembly .....	156
11016-10-20	Second Sorter Assembly,PreSort to PreSort, 290 .....	158
11010-11-01	Discharge Basket Assembly .....	164
11010-11-02	Inner Discharge Assembly .....	166
11010-11-03	Middle Discharge Assembly .....	168
11010-11-04	Outer Discharge Assembly .....	170
11010-11-05	Discharge Drive Shaft Assembly .....	172
11010-12-01	Grease Banks, Axle & Header Pivot .....	174
11010-12-02	Optional Grease Banks .....	176
11010-13-01	Standard Canopy Assembly .....	178
11010-13-02	Optional Aftersort Enclosure Assembly .....	180
11010-13-03	Optional Elevation Enclosure Assembly .....	182
11010-13-04	Opt. Aftersort Enclosure Fresh Air Fan Assembly .....	184
11010-13-05	Inner Decking Assembly .....	186
11010-13-06	Outer Decking Assembly .....	188
11010-13-07	Outer Hand Rail Assembly .....	190

11011-14-01	Air Compressor Assembly, Large Pump .....	192
11010-14-02	Air Tank & Dryer Assembly.....	196
11010-14-03	Air System Line & Component Assembly .....	198
11010-14-05	Additional Air Tank Assembly .....	202
11010-15-01	Oil Tank Assembly.....	204
11010-15-02	Oil Cooler & Filter Assembly .....	208
11010-15-04	Shaker Rot. Valve Sect. Assembly w/Fresh Air Fan .....	212
11010-15-05.1	Opt. Shaker Wgt.&Header Vib.W/ Transfer Valve Assy.....	214
11010-15-06.1	Optional Discharge Valve Section Assembly .....	216
11010-15-07.1	Remote Header Chain, Valve Assembly.....	218
11010-15-08	Optional Elevation W/ Presort Belt Assembly .....	220
11010-15-09	Fan/Vine Chain Valve Section Assembly.....	222
11010-15-09.1	Optional Chopper Valve Section Assembly .....	224
11011-15-10	Hydraulic Motor Plumbing Assembly, Large Pump.....	226
11010-15-16	Hydraulic Relief Assembly .....	234
11010-15-19	Safety Disk Shut Off & Reverser Assembly .....	236
11010-15-21	Electronic Flow Control (3/4" Lines) Assembly .....	238
11010-15-24	Hydraulic Panel Component Mounting Assembly .....	240
11010-16-01	Hydraulic Cylinder Plumbing Assembly .....	242
11015-16-02	Hydraulic Cylinder Control Bank.....	246

11010-17-01	Electric Component Assembly .....	248
11010-17-02	Control Box Electrical Assembly .....	250

# BELTED CHAIN REPLACEMENT PARTS

	<b>Part #</b>	<b>Description</b>
<b>Gathering Chain</b> <b>11010-02-05</b>	BC-8-1245-51	Gathering Chain, 3/8 bars 12in wide x 60 links 36mm
<b>Header Drive Shaft</b> <b>1109-03-04</b>	BC-8-5336-75-296	Header Chain, High Capacity Tomato
	BC-8-53-75-ST	1/2x53 Rivet Rod for 75mm Belting
	RI-25-BC	25mm Belted Chain Rivets
	BC-BP32	Belt, Rivet backing plate 32mm
	BC-7-53-75-CN	Connecting Rod, 11mmx 53" Wide Belted Chain, 75mm Belting
	BC-3525	Snap Ring, 11mm
	BC-F-42-32-F	42-32 Female Connecting Clip
	BC-F-42-32-M	42-32 Male Connecting Clip
	BC-1032-FS	10-32 x 1 1/4" bolts Flat Socket Head
	BC-1032-LN	10-32 lock nuts
<b>Header, Long Vine Assist</b> <b>11011-03-08</b>	BC-6-5372-118	Belted Chain, Long Vine Assist Chain
	BC-7-53-ST	7/16" x 53 Rivet Rod For Belted Chain
	RI-19-BC	19mm Belted Chain Rivets
	BC-BP32	Belt, Rivet Backing Plates 32mm
	BC-F-60SP	60mm Connecting Pin, Smooth w/ Grooves for Grip Clip
	BC-3525	Snap Ring, 11mm.
	BC-F-36-32-UG	Ultra Gold F Connecting Clips 36-32 @ pair
	BC-1032-FS	10-32 x 1 1/4" Bolts Flat Socket Head
	BC-1032-LN	10-32 Lock Nuts
<b>Transfer Drive Shaft</b> <b>11010-05-02</b>	BC-7-5336-166	Transfer Chain, High Capacity Tomato
	BC-7-36-AC	7/16" x 36" Rod w/ 24mm Air Cushion Cover
	RI-19-BC	19mm Belted Chain Rivets
	BC-BP32	Belt, Rivet backing plate 32mm
	BC-7-53-CN	11mm x 53" Connecting Rod Grooved
	BC-3525	Snap Ring, 11mm
	BC-F-36-32-UG	Ultra Gold F Connecting Clips 36-32
	BC-1032-FS	10-32 x 1 1/4" bolts Flat Socket Head
	BC-1032-LN	10-32 lock nuts



<b>Vine Chain Drive Shaft (108 Pitch)</b> <b>11015-05-06</b>	BC-10-53108-96DS	Belted Chain, Double Skived, 53in Wide, 108mm Pitch
	BC-10-53-ST	5/8" x 53" Belted Chain Rod
	RI-25-BC	25mm Belted Chain Rivets
	BC-BP32	Belt, Rivet backing plates 32mm
	BC-7-53-CN	11mm x 53" Connecting Rod Grooved
	BC-3525	Snap Ring, 11mm
	BC-F-36-32-UG	Ultra Gold F Connecting Clips 36-32 @ pair
	BC-1032-FS	10-32 x 1 1/4" bolts Flat Socket Head
BC-1032-LN	10-32 lock nuts	
<b>Cross Conveyor Drive Shaft</b> <b>11010-06-02</b>	BC-7-3636-140	Belted Chain, Cross Chain, 290 Harvester, Fan Extension
	BC-7-32-ST	7/16" x 32" Belted Chain Rod for 60mm Belt
	RI-25-BC	25mm Belted Chain Rivets
	BC-BP32	Belt, Rivet backing plate 32mm
	BC-7-36-CN	Connecting Rod, 11mm, 36" Wide Belted Chain, 60mm Tr. Belt
	BC-3525	Snap Ring, 11mm
	BC-F-36-32-UG	Ultra Gold F Connecting Clips 36-32
	BC-1032-FS	10-32 x 1 1/4" bolts Flat Socket Head
BC-1032-LN	10-32 lock nuts	
<b>Elevation Driveshaft</b> <b>11015-09-18</b>	BC-7-5036-160-AC	Elevation Chain, 290 Harvester, Convexity Up every 6th Rod
	RI-25-BC	25mm Belted Chain Rivets
	BC-BP32	Belt, Rivet backing plate 32mm
	BC-7-50-BCN	11mm x 50" B Type Connecting Rod
	BC-3525	Snap Ring, 11mm
	BC-F-36-32-F	36-32 Female Connecting Clip
	BC-F-36-32-M	36-32 Male Connecting Clip
	BC-1032-FS	10-32 x 1 1/4" bolts Flat Socket Head
BC-1032-LN	10-32 lock nuts	
<b>Discharge Drive Shaft</b> <b>11010-11-05</b>	BC-6-3236-319FL	Discharge Elevator, 3/8" Bars, 32" Wide x 319 Bars, 36mm Pitch
	BC-6-32-ST	3/8" x 32" Belted Chain Rods for 60mm Belt
	RI-19-BC	19mm Belted Chain Rivets
	BC-BP32	Belt, Rivet backing plate 32mm
	BC-6-32-CN	Conn. Rod, 10mm, 32" Wide Belted Chain, 60mm Traction Belts
	BC-3525	Snap Ring, 11mm
	BC-F-36-32-UG	Ultra Gold F Connecting Clips 36-32
	BC-1032-FS	10-32 x 1 1/4" bolts Flat Socket Head
BC-1032-LN	10-32 lock nuts	

# MOTOR REPLACEMENT PARTS

	<b>Part #</b>	<b>Description</b>
<b>Disk Drive Shaft</b> <b>11010-02-02</b>	HM-1420-CH	Char Lynn Motor
	HM-103-SK	Seal Kit for Char-Lynn Motor
	KEY-5-5-20	Shaft Key
	KEY-5-6-24	Key 5/16 x 3/8 x 1 1/2
	KEY-6-6-24	Key 3/8" x 3/8" x 1 1/2" Square Cut
<b>Vibrator Primary Header</b> <b>1109-03-01.1</b>	HM-115	Hydraulic Motor
	HM-2100-SK	Seal & Gasket Kit
	HM-2100-BRG	Bearing
<b>Header Drive Shaft Assy</b> <b>1109-03-04</b>	HM-1420-CH	Char Lynn Motor
	HM-103-SK	Seal Kit for Char-Lynn Motor
	KEY-5-5-20	Shaft Key
	KEY-6-6-16	Shaft Key 3/8" x 1"
	KEY-6-6-24	Key 3/8" x 3/8" x 1 1/2" Square Cut
<b>Header Dirt Vibrator</b> <b>11010-03-06</b>	HM-115	Hydraulic Motor
	HM-2100-SK	Seal & Gasket Kit
	HM-2100-BRG	Bearing
<b>Header, Long Vine Assist</b> <b>11011-03-08</b>	HM-1228-TC	TCI Motor
	HM-103-SK	Seal Kit for Char-Lynn Motor
	KEY-5-5-20	Shaft Key
<b>Primary Shaker Drum</b> <b>11010-04-03</b>	HM-103-TC	TCI Motor
	HM-103-SK	Seal Kit for Char-Lynn Motor
	KEY-4-4-15	Shaft Key, 1/4" x 1/4" x 15/16" Woodruff Key
	KEY-8-8-24	Keystock 1/2 x 1/2 x 1 1/2
<b>Shaker Weight Box</b> <b>11015-04-04</b>	HM-412-1	Hydraulic Motor
	HM-412B	Key for Hyd. Motor-Shaker Weight-Vibrator
	HM-2100-SK	Seal & Gasket Kit
	HM-2100-BRG	Bearing
	HM-1801	Seal Kit for Commercial Intertech
	KEY-6-6-24	Key 3/8" x 3/8" x 1 1/2" Square Cut
<b>Secondary Shaker Drum</b> <b>11010-04-05</b>	HM-103-TC	TCI Motor
	HM-103-SK	Seal Kit for Char-Lynn Motor
	KEY-4-4-15	Shaft Key, 1/4" x 1/4" x 15/16" Woodruff Key
	KEY-8-8-24	Keystock 1/2 x 1/2 x 1 1/2

<b>Transfer Drive Shaft Assy</b> 11010-05-02	HM-210-TC KEY-4-4-15 KEY-4-4-16 KEY-4-4-32	TCI Motor Shaft Key, 1/4" x 1/4" x 15/16" Woodruff Key Shaft Key, 1/4" x 1/4" x 1" Square Key Shaft Key 1/4" x 2" Square Cut (1018)
<b>Transfer Return Roller</b> 11010-05-03	HM-204-TC KEY-4-4-15 KEY-4-4-16	TCI Motor Shaft Key, 1/4" x 1/4" x 15/16" Woodruff Key Shaft Key, 1/4" x 1/4" x 1" Square Key
<b>Optional Transfer Dirt Vibrator</b> 11010-05-05	HM-115 HM-2100-SK HM-2100-BRG	Hydraulic Motor Seal & Gasket Kit Bearing
<b>Vine Chain Drive Shaft Assy</b> 11015-05-06	HM-1420-CH HM-103-SK KEY-4-4-32 KEY-5-5-20 KEY-6-6-24	Char Lynn Motor Seal Kit for Char-Lynn Motor Shaft Key 1/4" x 2" Square Cut (1018) Shaft Key Key 3/8" x 3/8" x 1-1/2" Square Cut
<b>Optional Vine Chopper</b> 11010-05-07	HM-122 HM-2100-SK HM-2100-BRG	Motor, Hydraulic, 1-3/4" Gear, #12 SAE Ports Seal & Gasket Kit Bearing
<b>Cross Conveyor Drive Shaft</b> 11010-06-02	HM-214-TC KEY-4-4-16 KEY-4-4-32	Hydraulic Motor Shaft Key, 1/4" x 1/4" x 1" Square Key Shaft Key, 1/4" x 2" Square Cut
<b>Cross Conveyor Return Roller</b> 11010-06-03	HM-210-TC KEY-4-4-15	TCI Motor Shaft Key, 1/4" x 1/4" x 15/16" Woodruff Key
<b>Cross Conveyor Cleaner Roller, Above Rear Panel</b> 11010-06-05	HM-210-TC KEY-4-4-15 KEY-4-4-16	TCI Motor Shaft Key, 1/4" x 1/4" x 15/16" Woodruff Key Shaft Key, 1/4" x 1/4" x 1" Square Key
<b>Cross Vibrator Shaft</b> 11011-06-06	HM-115 HM-2100-SK HM-2100-BRG	Hydraulic Motor Seal & Gasket Kit Bearing
<b>Debris Fan Paddle Assy</b> 11015-07-02	HM-412-1	Hydraulic Motor
<b>Debris Drum Drive</b> 11010-08-02	HM-204-TC KEY-4-4-15 KEY-4-4-16	TCI Motor Shaft Key, 1/4" x 1/4" x 15/16" Woodruff Key Shaft Key, 1/4" x 1/4" x 1" Square Key

<b>Lower Elevation Divider Bar</b> <b>11010-09-02</b>	HM-210-TC KEY-4-4-15	TCI Motor Shaft Key, 1/4" x 1/4" x 15/16" Woodruff Key
<b>Elevation Driveshaft Assy</b> <b>11015-09-18</b>	HM-210-TC KEY-4-4-15 KEY-4-4-16 KEY-4-4-32	TCI Motor Shaft Key, 1/4" x 1/4" x 15/16" Woodruff Key Shaft Key, 1/4" x 1/4" x 1" Square Key Shaft Key 1/4" x 2" Square Cut (1018)
<b>Opt. Presort Drive Shaft</b> <b>11010-09-19</b>	HM-208-TC KEY-4-4-15	TCI Motor Shaft Key, 1/4" x 1/4" x 15/16" Woodruff Key
<b>Aftersort Divider Roller</b> <b>11010-10-02</b>	HM-210-TC KEY-4-4-15	TCI Motor Shaft Key, 1/4" x 1/4" x 15/16" Woodruff Key
<b>Aftersort Drive</b> <b>11010-10-04</b>	HM-210-TC KEY-4-4-15	TCI Motor Shaft Key, 1/4" x 1/4" x 15/16" Woodruff Key
<b>Discharge Driveshaft Assy</b> <b>11010-11-05</b>	HM-210-TC KEY-4-4-15 KEY-4-4-20 KEY-4-4-32	TCI Motor Shaft Key, 1/4" x 1/4" x 15/16" Woodruff Key Shaft Key 1/4" x 1-1/4" Shaft Key 1/4" x 2" Square Cut (1018)
<b>Opt. Aftersort Enclosure Fresh Air Fan</b> <b>11010-13-04</b>	HM-115 HM-2100-SK HM-2100-BRG	Hydraulic Motor Seal & Gasket Kit Bearing
<b>Air Compressor Assy, Large Pump</b> <b>11011-14-01</b>	HM-122 HM-2100-SK HM-2100-BRG	Motor, Hydraulic, 1-3/4" Gear, #12 SAE Ports Seal & Gasket Kit Bearing
<b>Oil Cooler &amp; Filter Assy</b> <b>11010-15-02</b>	HM-412-1 HM-412B HM-2100-SK HM-2100-BRG	Hydraulic Motor Key for Hyd. Motor-Shaker Weight-Vibrator Seal & Gasket Kit Bearing

## OIL & FILTERS

	<b>Part #</b>	<b>Description</b>
<b>Air Compressor, Large Pump</b> <b>11011-14-01</b>	AIR-1508	Air Compressor--Large
	AIR-1510	2 ½" Air Filter
	AIR-0001	Synthetic Compressor Oil (ISO 100 SAE 40): 1 quart bottle
	AIR-0002	4", 0-160 PSI Liquid Filled Gauge, Back-Mount with Bracket
	AIR-0003	Air, Gauge Mount, Header Cylinder Mount
	AIR-1355	Air Filter Monitor(15# H2O) with O-Ring fitting
	AIR-1510A	Filter Element
<b>Air Tank &amp; Dryer</b> <b>11010-14-02</b>	AIR-1512	Air Compressor Governor
	AIR-1513	Air Reservoir Tank
	AIR-1514-M	Air Dryer
<b>Air System Line &amp; Component</b> <b>11010-14-03</b>	AIR-375-25F	Air Coupler 3/8 Body - 1/4NPT Female Thread
	AIR-N4-2	Auto-loc Male Adapter 1/4 x 1/8 NPT
	AIR-N4-138	¼" Air Line x 138" Long
	AIR-N4-4	Auto-loc Male Adapter 1/4 n-1/4NPT
	AIR-N4-53	1/4" Air Line 53" Long
	AIR-PL-4-2	Male Elbow, 1/4 x 1/8NPT, Brass, D.O.T., Prestomatic
	AIR-NL-4-4	Auto-loc Elbow 1/4 n 1/4 NPT
	AIR-60BI	Brass Insert, 1/4" Nylon Tube
	AIR-8000	Safety Valve, Air Tank 290
<b>Additional Air Tank</b> <b>11010-14-05</b>	AIR-1513	Air Reservoir Tank
<b>Oil Tank</b> <b>11010-15-01</b>	HA-1012	Vescor Breather Filter (3 micron)w/Adapter Fitting
	HA-1041	Hyd, Level Gauge & Therm
	HA-2002	Hydraulic Suction Screen, 2 1/2"
	HA-1009	Filter Adapter ¾ NPT x 1 1/8"-16 UNF
	HA-1007	Hydraulic, Magnetic Drain Plug
	HP-1031	Hydraulic oil (per gal.)with anti-wear and anti-foam properties
<b>Oil Cooler &amp; Filter</b> <b>11010-15-02</b>	HA-1023-Z	Double Filter Head, Side by Side
	HA-1036	Oil Cooler
	HA-1029	Hydraulic Fluid Filter, 11"
	HA-1023A	Filter Gauge, 50 psi Service



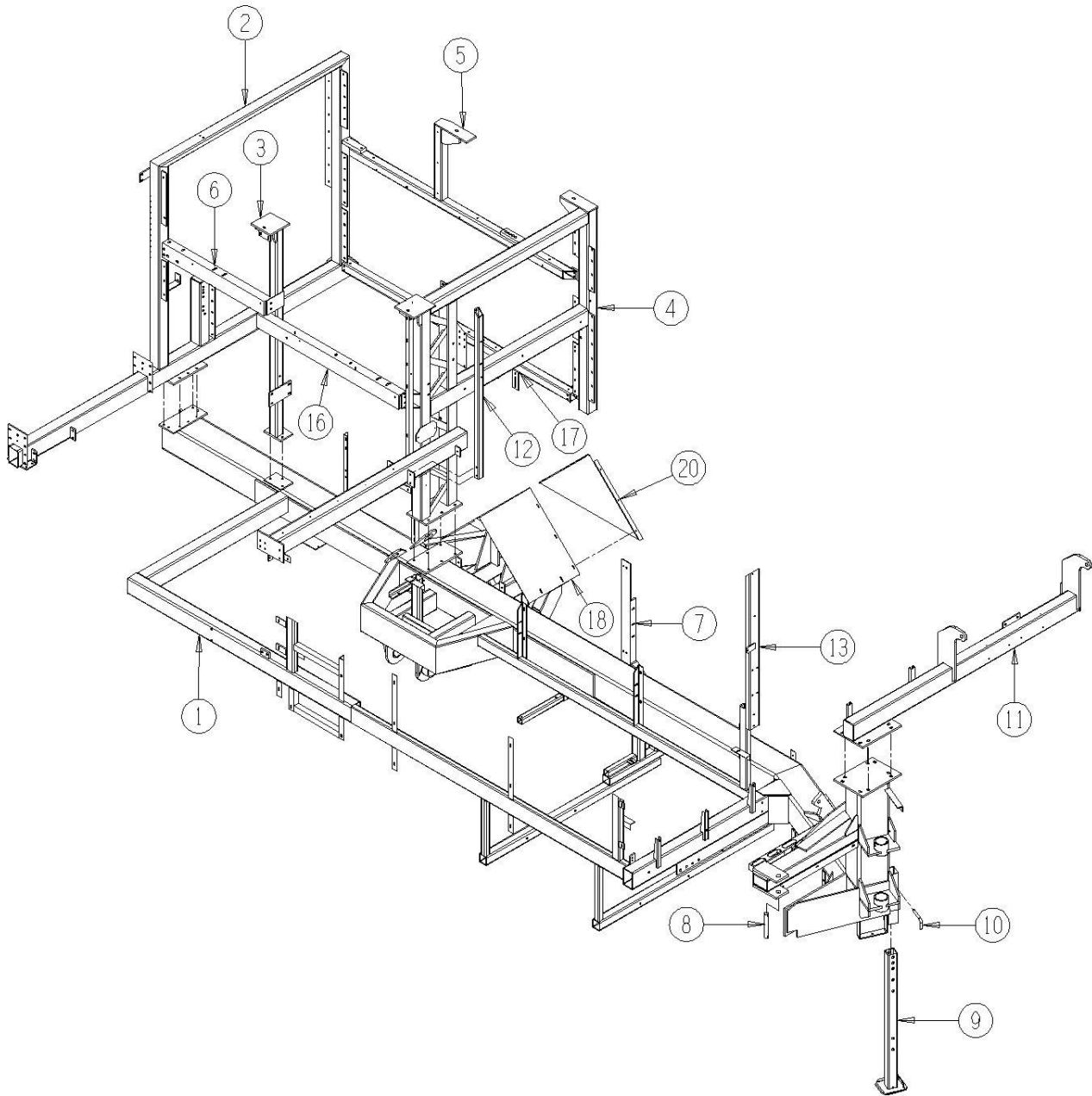
# **PARTS CATALOG**

# 11010-01-01 Main Frame Assembly

<u>Ref</u>	<u>Part No.</u>	<u>Description</u>	<u>Parts – Assembly</u>	<u>Will Fit SN</u>	<u>Remarks</u>
1	FRM-8113	Main Frame, 2010 290 Tomato Harvester	1		
2	FRM-8112	Rear Cross Frame, 2010 290 Tomato Harvester	1		
3	POS-8404	Post, on Main Frame, 2010 290 Tomato Harvester	1		
4	FRM-8401	Shaker Frame 2010, 290 Tomato Harvester	1		
5	SUP-8404	Mount, Shaker Frame, 2010 290 Tomato Harvester	1		
6	ARM-8450	Support, Mount, Inner Secondary Shaker, HC290	1		
7	BRA-8107	Bracket, Mount Header Panel, HC290	1		
8	PIN-8111	Pin, Tongue Main Frame, High Cap. Tomato	1		
9	WH-8100	Adjuster, Jack Stand, Main Frame, High Cap. Tomato	1		
10	PIN-8102	Pin, Jack Stand, Main Frame, HC290 Tomato	1		
11	FRM-8250	Frm. Header Cyl. Mount, HC290	1		
12	POS-8100	Post, Inside Between Canopy Frm & Shaker Frm	1		
13	POS-8751	Post, Inner, Front Handsort, Canopy, 2010 290 Tomato	1		
14	DC-3025	Red and White Reflective Tape @ 150 ft Roll	0.04		
15	DC-3026	Orange Reflective Tape @ 50ft Roll	0.06		
16	MOU-8009	Mount, Shaker Stand, Weight Box, 2010 290 Tomato Harvester	1		
17	SUP-8405	Mount, 2010 290 Tomato Harvester	1		
18	SHD-8101	Shield, Axle Cylinder Cover, 2010 290 Tomato Harvester	1		
19	DC-860	Black Sparkle Antiskid Tape, 8' x 60'	0.25		
20	SHD-8102	Shield, Leveling Cylinder, 290 Harvester	1		



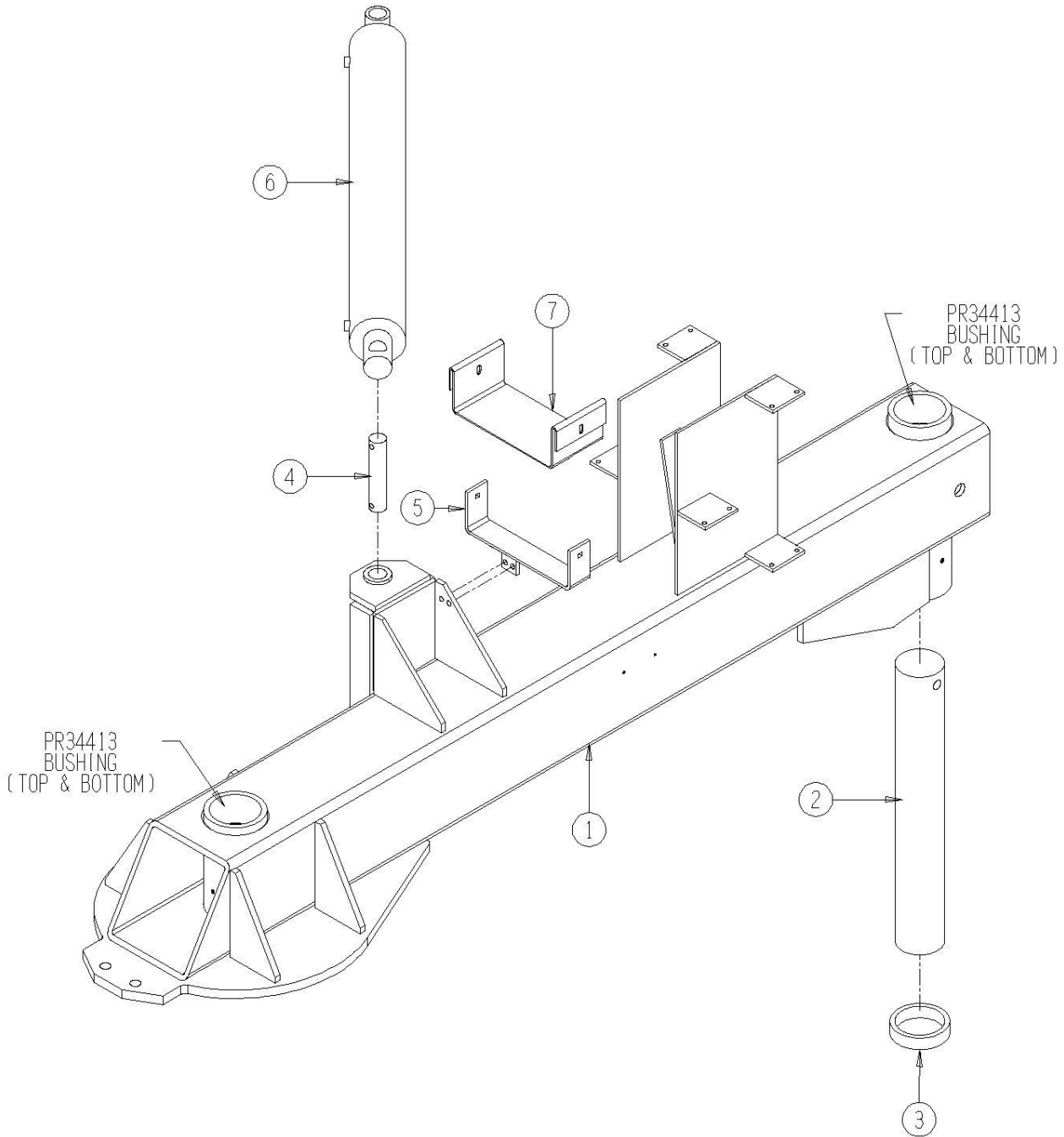
11010-01-01



# 11010-01-02 Tongue Assembly

<u>Ref</u>	<u>Part No.</u>	<u>Description</u>	<u>Parts – Assembly</u>	<u>Will Fit SN</u>	<u>Remarks</u>
1	FRM-8110	Tongue, Main Frame to The Two Point Hitch	1		
2	PIN-8110	Tongue Swivel, Main Frame, High Cap Tomato	1		
3	SPA-8110	Bushing, Tongue Swivel, High Cap Tom	1		
4	SFT-8110	Shaft, Cylinder Pin, Tonge HC290	1		
5	BRA-8110	Bracket, Hose Holder, Tongue HC290	1		
6	HC-400-30	Hydraulic Cylinder 4' x 30'	1		Seal Kit Part No. HC-400-SK (PMCK-5600)
7	BT-8110	Belting, Hose Holder, Gooseneck	1		
8	DC-4W	Decal, Logo, White, 5.25' Long, Tanks, 1/29/99	1		
9	DC-1183	Company Information Decal, 3' x 7.75'-	1		
10	DC-1180	Serious Injury/Death Decal, Read Manual	1		

11010-01-02

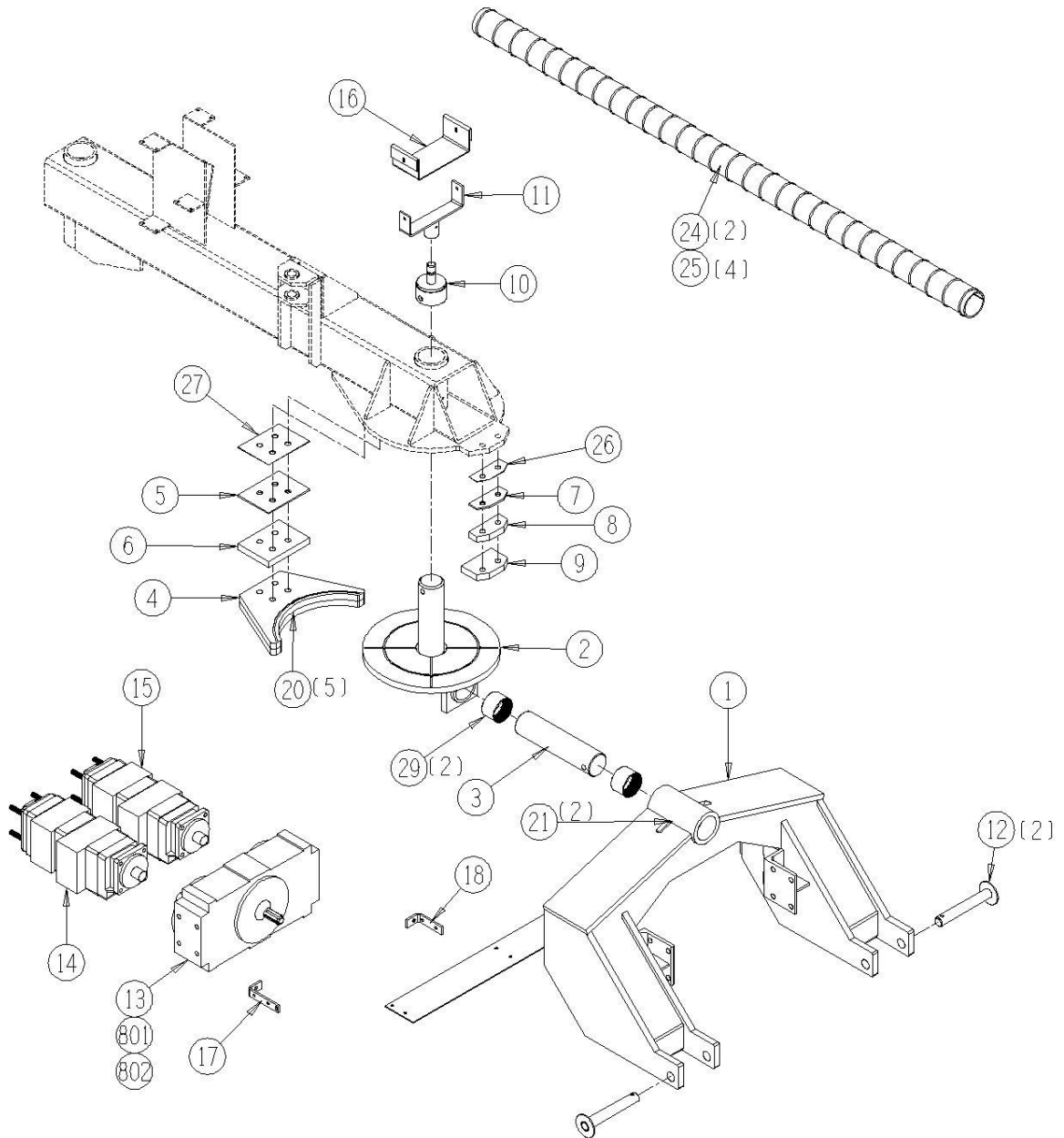


# 11011-01-03 Hitch Assembly, Large Double Pump

<u>Ref</u>	<u>Part No.</u>	<u>Description</u>	<u>Parts – Assembly</u>	<u>Will Fit SN</u>	<u>Remarks</u>
	HV-GV-250	2-1/2in Brass Gate Valve	1		
	HV-GV-300	3 in Brass Gate Valve	1		
	A-4459-40-48	90- Flange Nipple, 3' Barb x 2.5' Flange	1		
	AN-48-40-HS	3' NPT, Combination Nipple/Hose Shank, 2 1/2' ID Hose	1		
	AN-48-HS	3' NPT, Combination Nipple/Hose Shank, 3' ID Hose	3		
1	FRM-8111	Frame, 2 Point Hitch	1		
2	PIN-8210	Gooseneck Hitch Pivot/Swivel, Tractor Hitch Frm	1		
3	SFT-8112	Shaft, Gooseneck Hitch Pivot	1		
4	SUP-8210	Support, Rear Swivel Plate, Gooseneck Hitch	1		
5	BAR-8213	Bar, Spacer, Back Top, Hitch/Tongue, HC290	1		
6	BAR-8214	Bar, Spacer, Back, Bottom, Hitch/Tongue	1	BAR-8214	
7	BAR-8215	Bar, Spacer, Front Top, Hitch/Tongue, HC290	1		
8	BAR-8216	Bar, Spacer, Front Middle, Hitch/Tongue	1		
9	BAR-8217	Bar, Spacer, Front Bottom, Hitch/Tongue	1		
10	POS-8110	Post, Pivot Holder, Tongue	1		
11	SUP-8110	Support, Pivoting Hose Holder, Tongue	1		
12	PIN-0002	Pin Weldment	2		
13	GBX-252	Two Pad Gearbox for double pump	1		Use only HP-630 Oil 3.5 Quart
14	HP-257-P18	Hydraulic Pump	1		
15	HP-257-P22	Hydraulic Pump, 4 Section	1		
16	BT-8110	Belting, Hose Holder, Gooseneck	1		
17	BRA-8200	Bracket, Outsd, PTO Belting, Hitch Assy	1		
18	BRA-8201	Bracket, Inside, PTO Belting, Hitch Assy	1		
19	BT-8200	Belting, PTO, Hitch Assembly, HC290 Tomato	1		
20	GF-1827-45	Grease Fitting 1/8 NPT 45-	5		
21	GF-1827	Grease Fitting 1/8 NPT Straight	2		
22	DC-0021	Decal, Caution, 1000 rpm PTO	1		
23	DC-0025	Decal, Danger, Entanglement In Rotating Drive	1		

24	HOS-350-4-96S	3-1/2' ID, Clear Suction Line Covering	2	
25	CL-72	4 1/2' Gear Clamp	4	
26	BAR-8218	Bar, Spacer, Front, Gooseneck Hitch	2	
27	SPA-8213	Spacer, Back, Hitch Support	2	
28	HP-630	Synthetic Gear & Bearing Oil @ Qt.	3.5	
29	PR34413	Bronze Bushing for Spreader, 3-1/2' Dia Shaft	2	
100	BL-24-FW	1 1/2' Flat Washer, Zinc	20	
801	GBXA-252D	Dipstick for GBX-252	1	
802	GBX-252-B	O-Ring	1	GBX-252

11011-01-03



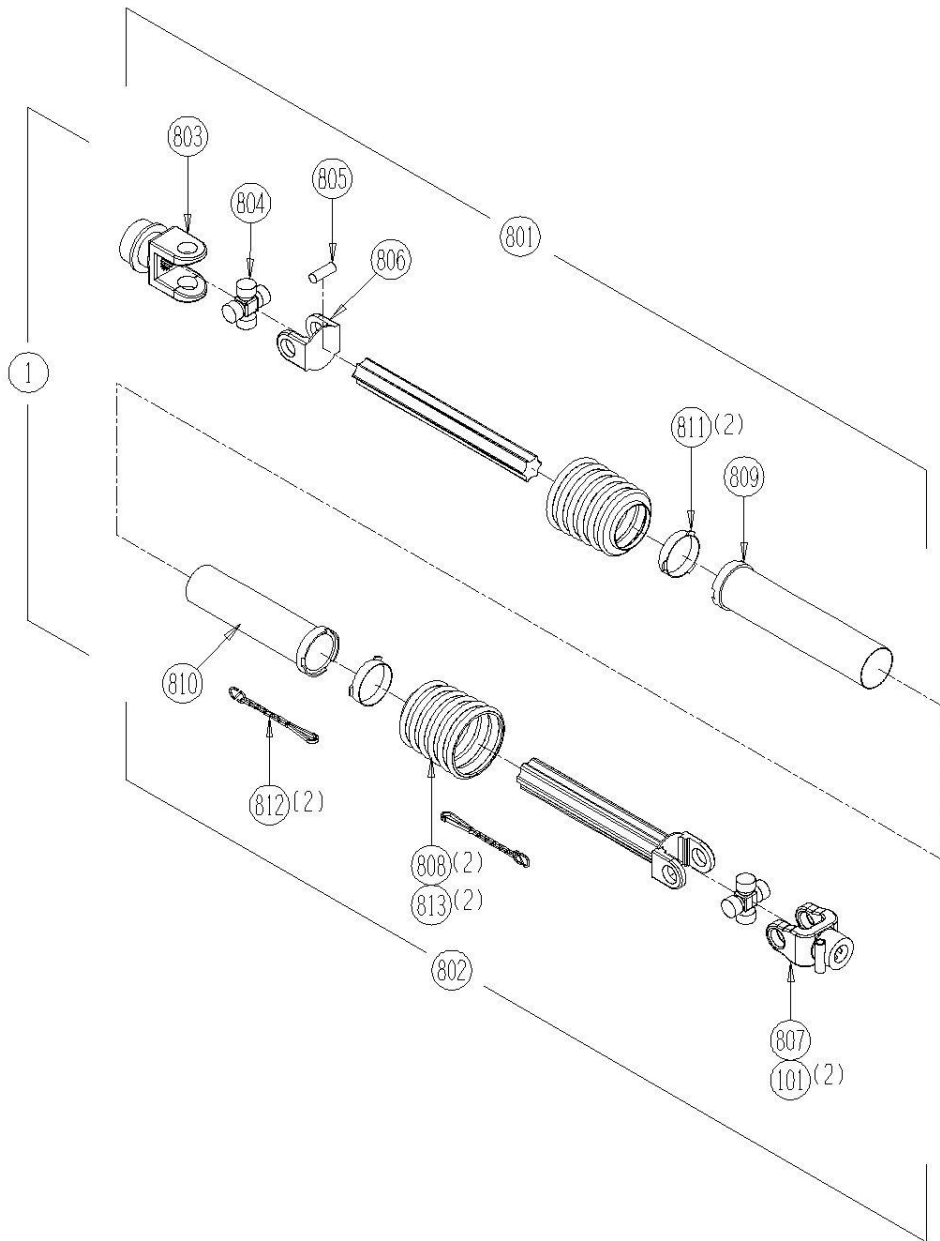


# 11010-01-05 1 3/4"-20 (STANDARD) PTO Assembly

<u>Ref</u>	<u>Part No.</u>	<u>Description</u>	<u>Parts – Assembly</u>	<u>Will Fit SN</u>	<u>Remarks</u>
1	PTS-8106	1-3/4 x 20-spline x 1-3/8 6-spline gearbox, 530-713mm	1		
801	PTS-8106-FH	1-3/4 x 20-spline Front Half 2600 Series	1		
802	PTS-8106-RH	1-3/8 6-spline Rear Half 2600 Series	1		
803	PTS-8106C	Drive Shaft Yoke, 1 3/4 x 20 Spline	1		
804	PTS-8106A	Cross & Bearing Kit	1		
805	PTS-8106D	Spring Pin 13 x 95	1		
806	PTS-8106E	Inboard Yoke S5	1		
807	PTS-8106H	Yoke 1 3/8-6 SPL.	1		
808	PTS-8106I	Shield Cone 5 Rib	2		
809	PTS-8106J	Outside Shield Tube Ovl	1		
810	PTS-8106K	Inside Shield Tube Round	1		
811	PTS-8106L	Bearing Ring SC35	2		
812	PTS-1002K	PTO Shield Safety Chain	2		Special Order Only
813	PTS-1010K	Screw	2		Special Order Only



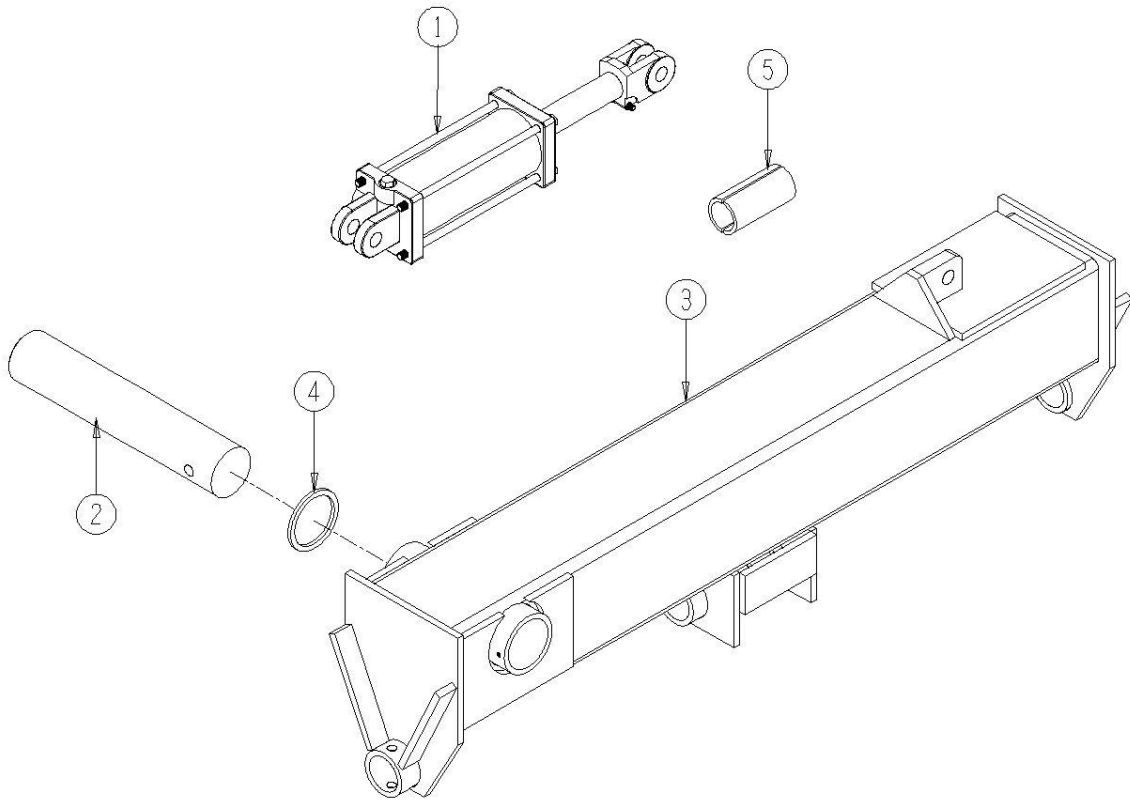
11010-01-05



# 11010-01-06 Standard Axle Assembly

<u>Ref</u>	<u>Part No.</u>	<u>Description</u>	<u>Parts – Assembly</u>	<u>Will Fit SN</u>	<u>Remarks</u>
1	SFT-8109	Shaft, Pin, Axle Swivel, HC290 Tomato	1		
2	HC-400-08	Tie Rod Cylinder, 4' x 8', #8 SAE Port	1		Seal Kit Part No. HC-400-08-SK (PMCK-B400000)
3	WHL-8113	Axle (09) 290 Harvester	1		
4	SPA-0073	Spacer, Axle Pin, 290 Harvester	1		
5	SPA-8007	Cylinder Stop, 290 Leveling	1		
101	BL-8-100-SC	1/2-13 x 1' Knurled Point Set Screw	2		
102	BL-6-600-C	3/8-16 x 6 Carriage Bolt GR5	2		
103	BL-6-N	3/8-16 HEX NUTS ZC	2		
104	BL-6-LW	3/8 SPLIT LW ZC	2		

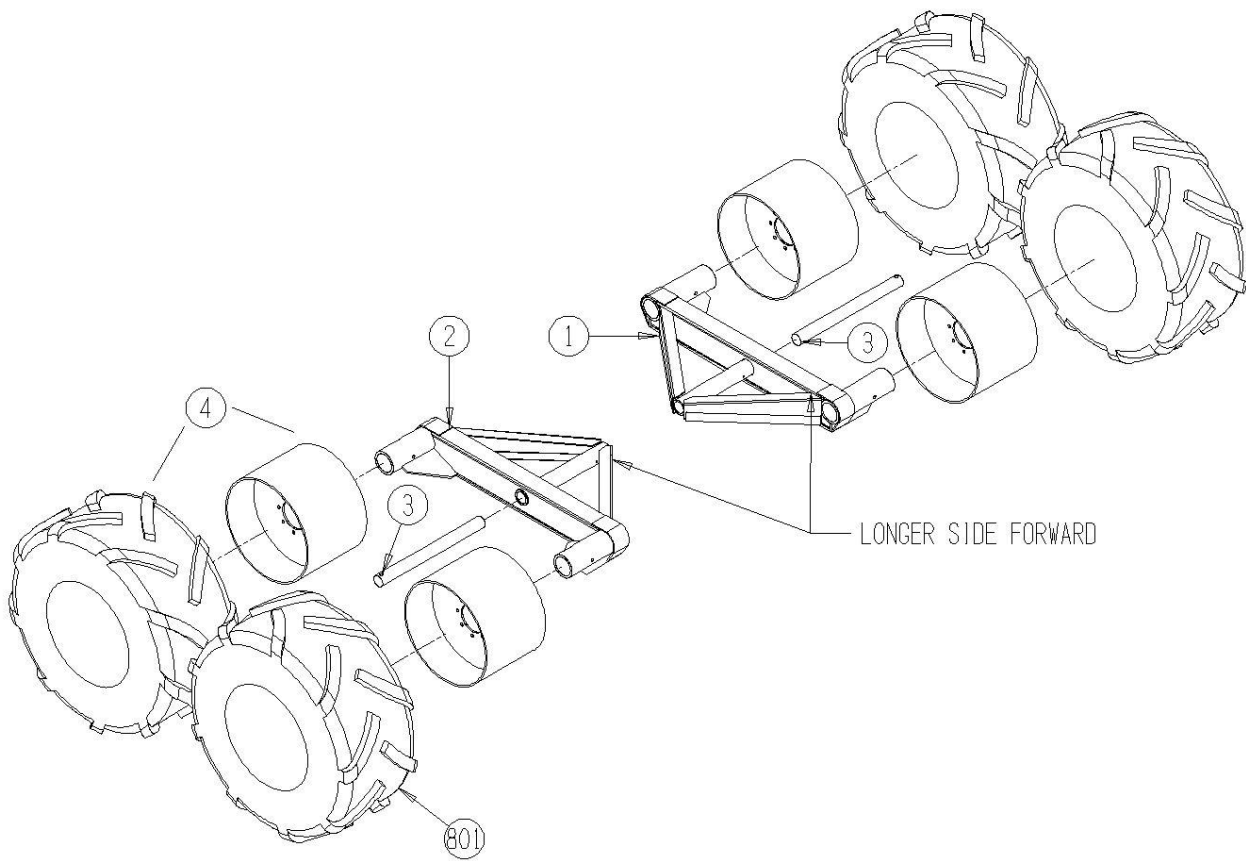
11010-01-06



# 11011-01-07 Wheel & Rocker Assembly, Large Spindles

<u>Ref</u>	<u>Part No.</u>	<u>Description</u>	<u>Parts – Assembly</u>	<u>Will Fit SN</u>	<u>Remarks</u>
	WHL-1210	Hub and Spindle Assembly 10 Bolt	4		4' Spindle 18K Rated
1	WHL-8106	Rocker, 18000# Spindles, 290 Harvester, Sorter Side	1		
2	WHL-8105	Rocker, 18000# Spindles, Header side, HC 290	1		
3	PIN-8101	Pin, Rocker, Axle w/5/8" Hole	2		
4	WHM-8003	Wheel Mount Tire, Large Spindle, 290 Harvester	4		

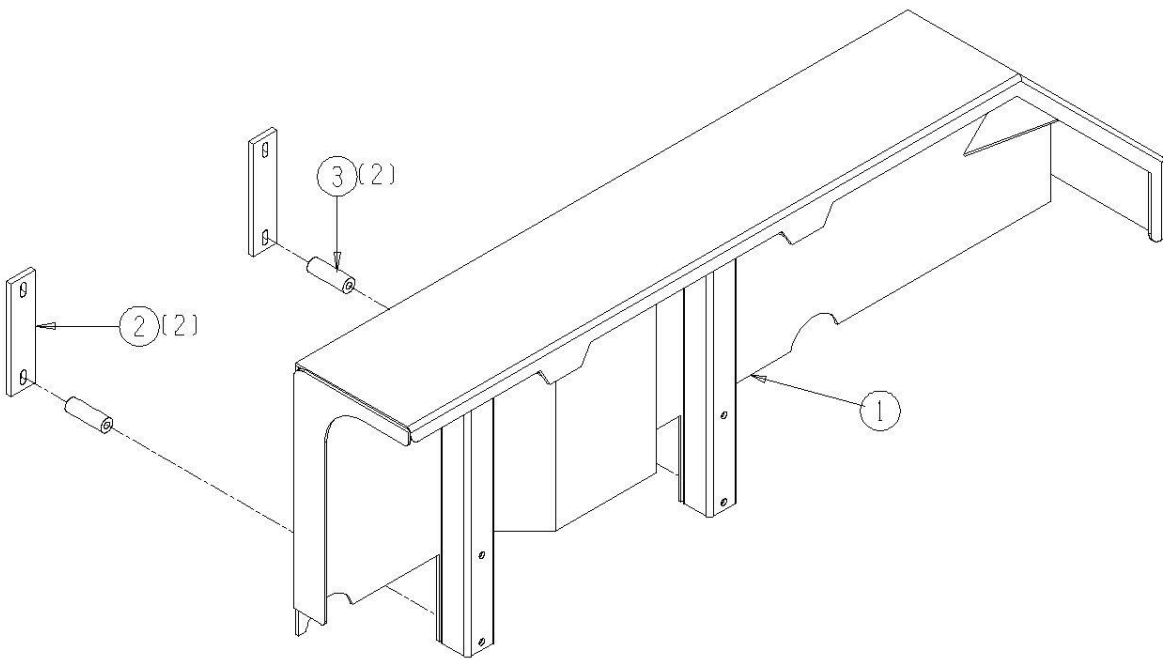
11011-01-07



# 11010-01-09 Optional Fender Kit 'Header Side'

<u>Ref</u>	<u>Part No.</u>	<u>Description</u>	<u>Parts – Assembly</u>	<u>Will Fit SN</u>	<u>Remarks</u>
0	KIT-0200	Fender, Header Side, 290 Harvester	0		
1	SHD-0122	Fender, 290 Tomato Harvester	1		
2	BAR-0111	Backing Bar	2		
3	SPA-0059	Spacer, Fender, 190 Tomato Harvester	2	SPA-0059	
100	BL-8-850-8	1/2-13 x 8 1/2 HH G8	4		
101	BL-8-LN	1/2-13 HEX LOCK NUT NYLON INSERT ZC	4		
102	BL-8-FW	1/2 USS FW ZC	8		

11010-01-09



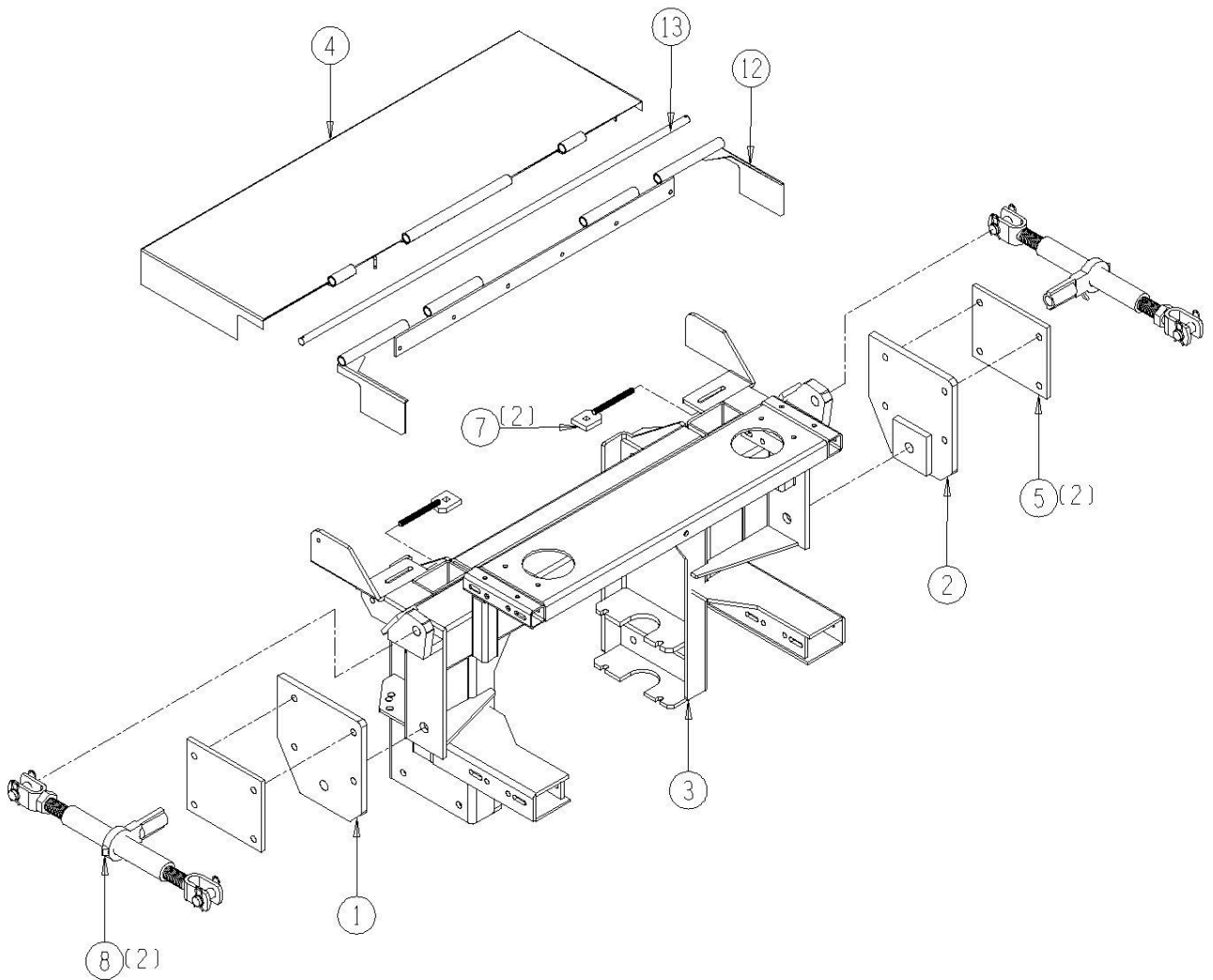
KIT-0200

## 11010-02-01 Disk Header Frame Assembly

<u>Ref</u>	<u>Part No.</u>	<u>Description</u>	<u>Parts – Assembly</u>	<u>Will Fit SN</u>	<u>Remarks</u>
1	ARM-8205	Arm, Right, Disk Header Frame, HC290	1		
2	ARM-8206	Arm, Left, Disk Header Frame, HC290	1		
3	FRM-8209	Frame, Disk Header, Pick Up Head '11, 290 Tomato	1		
4	SHD-8201	Shield, Disk Header, 290 Tomato Harvester	1		
5	ARM-7200	Arm Adjuster, Backing Plates	2		
7	ADJ-8204	Adjuster, Roller Chain, Disk Header, HC 290	2		
8	TL-1541	Top Link Ratchet Handle 20-28in.	2	TL-1541	
9	DC-ARROW	Decal, Yellow Direction Arrow	2		
10	DC-1176	Decal, Danger-Hand Chain Sprockets	2		
11	DC-1184	Danger Decal, 3' x 16'	1		
12	SHD-8202	Mounting Plate, Disk Header Shield, 290 Tomato	1		
13	SFT-8200	Shaft, Header Shield, 290 Tomato Harvester	1		



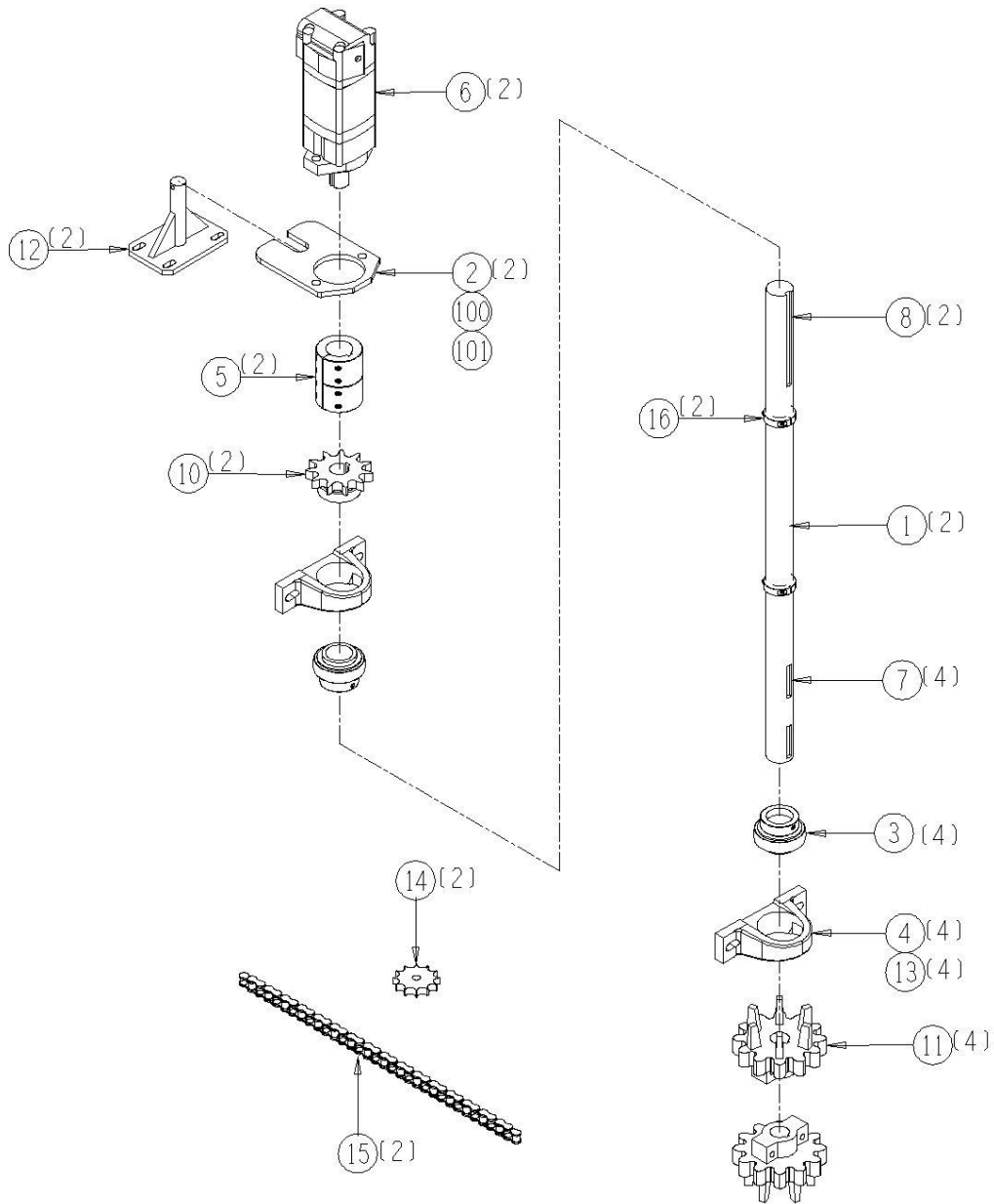
11010-02-01



# 11010-02-02 Disk Drive Shaft Assembly

<u>Ref</u>	<u>Part No.</u>	<u>Description</u>	<u>Parts – Assembly</u>	<u>Will Fit SN</u>	<u>Remarks</u>
1	SFT-8250	Gathering Chain Shaft, Tomato 1-3/4 Shaft	2		
2	ARM-1420	Arm, Short Mount, Motor w/ SAE A Two Bolt Pad	2		
3	BR-175-085	Fafnir Bearing 1 1/2 Tri Seal	4		
4	BR-085-RAK	Bearing Housing 85 mm	4		
5	CPS-2820	Steel Coupler 1 1/2 x 1 1/4 ID with 3/8 Keyway on 1 1/2 ID	2		
6	HM-1420-CH	Char Lynn Motor	2		
7	KEY-5-6-24	Keystock 5/16 x 3/8 x 1 1/2	4		5/16 x 3/8 x 1.5' Long
8	KEY-6-6-24	Keystock 3/8 x 3/8 x 1 1/2 Square Cut (1018)	2		
10	SP-80B11-28-6	Hardened Tooth Sprocket, #80, 11 Tooth, 1.75 Bore with 3/8 Keyway	2		
11	SP-4509-28-6-H	Sprocket, 9T Drive, 1-3/4 Bore, HT, 2' Wide	4		
12	STP-1228	Stop, Motor, Arm Mounted, High Tor. Motors	2		
13	GF-1428	Grease Fitting 1/4 x 28 straight	4		
14	SP-8012-T	#80 Idler Sprocket	2		
15	CH-80-57	Roller Chain #80 57 Pitches	2		
16	SC-28-2	Shaft Collar, 2 piece 1 3/4 bore	2		
100	BL-8-175-H8	1/2 X 1-3/4 HH G8	4		
101	BL-8-LNS	1/2 STOVER LN	4		
801	KEY-5-5-20	Shaft Key 5/16 sq x 1 1/4 Square Cut (1018)	0		
805	HM-103-SK	Seal Kit for Char-Lynn Motor	1	S Series - 010	

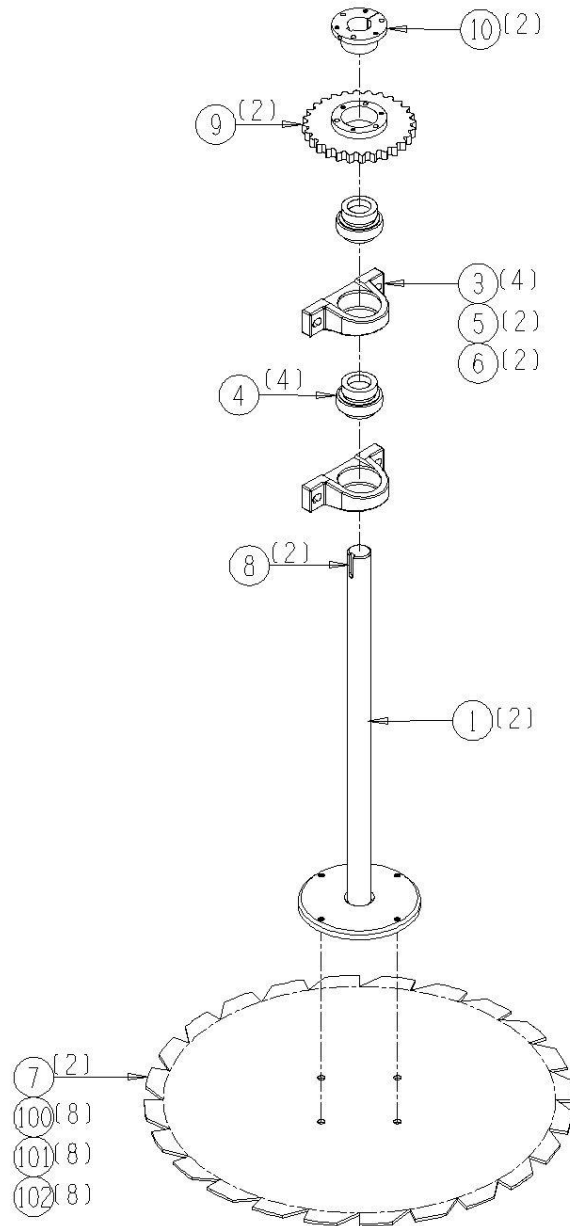
11010-02-02



# 11010-02-03 36' Disk Shaft Assembly (Standard)

<u>Ref</u>	<u>Part No.</u>	<u>Description</u>	<u>Parts – Assembly</u>	<u>Will Fit SN</u>	<u>Remarks</u>
1	191-131	Shaft, Disk	2		
3	BR-100-RAK	Bearing Housing 100 mm	4	11001	
4	BR-200-100	2' Fafnir Bearing, Tri-ply	4	11001	
5	GF-1428	Grease Fitting 1/4' x 28 straight	2		
6	GF-1428-90	Grease Fitting 1/4' x 28 90	2		
7	HD-140-06	36' Header Disk	2		MADE FROM AR 400
8	KEY-8-8-40	Shaft Key 1/2' x 1/2' x 2 1/2'	2		
9	SP-80SF28	Hardened Tooth Sprocket, #80, 28 Tooth, Uses SF Bushing	2		
10	SP-SF-2	Bushing, SF x 2'	2		
100	BL-8-FW-8	1/2 FLAT WASHER G8 ZC	8		
101	BL-8-LW	1/2 SPLIT LW ZC	8		
102	BL-8-SW	1/2 SAE FW ZC	8		

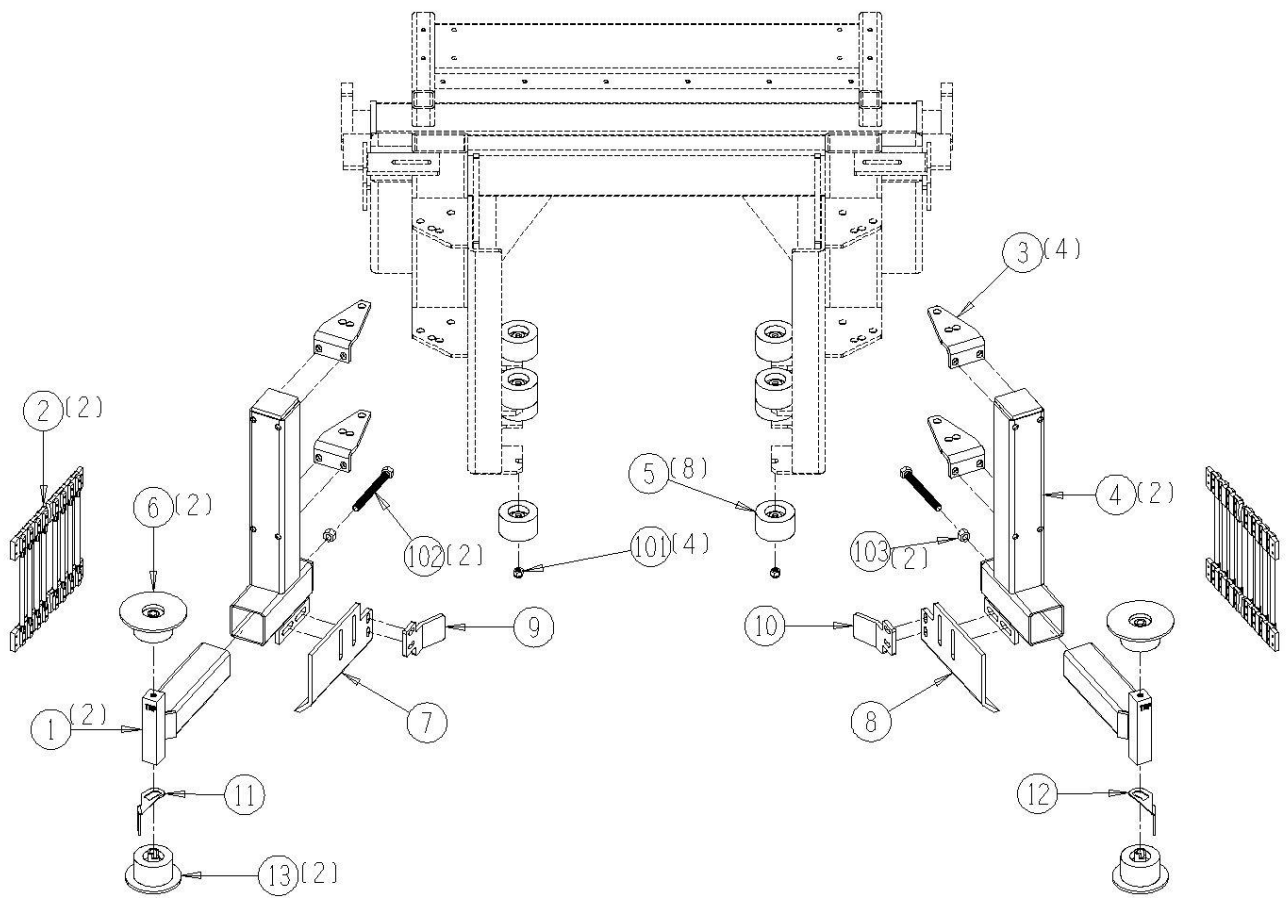
11010-02-03



# 11010-02-05 Gathering Chain Assembly

<u>Ref</u>	<u>Part No.</u>	<u>Description</u>	<u>Parts – Assembly</u>	<u>Will Fit SN</u>	<u>Remarks</u>
1	ADJ-155	Adjuster, Nose Tightener, Gathering Chain	2		
2	BC-8-1245-51	Gathering Chain, Heavy Duty	2		
3	BAR-8204	Bar, Gathering Chain Bracket Holder, HC290	4		
4	BRA-8204	Bracket, Gathering Chain, HC290	2		
5	RLT-035-228	Roller 3.5 Dia x 2.2 x 1/2' Bore, No Flange	8		
6	RLT-635-2210-RV	6' Flange Roller 2.2WF 3.5 Dia, 5/8' Bore w/Inverted Spindle	2		
7	SCR-162	Scraper, Upper, Inner, Disk Header	1		
8	SCR-164	Scraper, Upper, Outer, Disk Header	1		
9	SCR-8205	Scraper, Right Side, Hub, HC290	1		
10	SCR-8204	Scraper, Left Side, Hub, HC290	1		
11	RLA-3023-T	Straight Scraper, RH	1		
12	RLA-3024-T	Straight Scraper	1		
13	RLT-535-2210-SC	5' Flange Roller 2.2 WF 3.5 Dia, 5/8' Bore w/ Hub for Scraper	2		
100	BL-8-1100-H8	1/2-13 x 11 HEX CAP G8 ZC	2		
101	BL-8-LN	1/2-13 HEX LOCK NUT NYLON INSERT ZC	4		
102	BL-10-600-T	5/8-11 X 6 HEX TAP G8 ZC	2		
103	BL-10-N	5/8-11 HEX FIN NUTS ZC	2		
800	BC-6-12-ST	3/8' x 12' Belted Chain Rod for 50mm Belt	0	1910119320	
801	BC-1032-FS	10-32 x 1 1/4' Bolts Flat Socket Head	0		
802	BC-BP20-10-T	20mm Backing Plates /10-32 T Nuts	0		
803	BC-1032-TN	10-32 T Nuts	0	11001	

11010-02-05



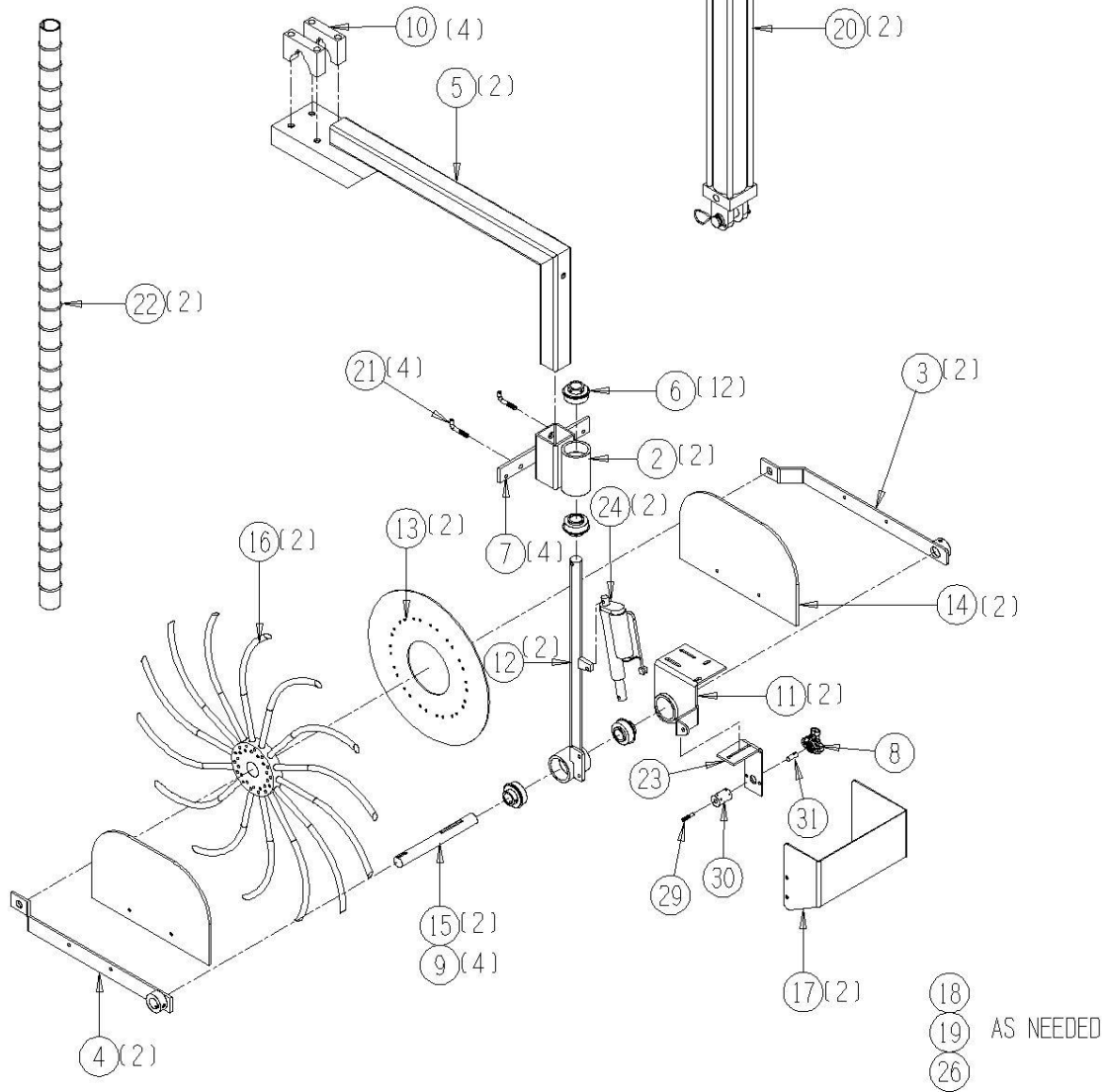
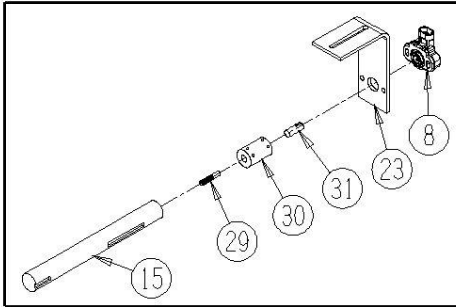
# 11010-02-06 Header Height Parts Assembly

<u>Ref</u>	<u>Part No.</u>	<u>Description</u>	<u>Parts – Assembly</u>	<u>Will Fit SN</u>	<u>Remarks</u>
2	ADJ-HC99	Adjuster, Wheel Control Height Adj, HHC	2		
3	ARM-0069	HHC Arm, Electronic Header Height	2		
4	ARM-HC99R	Arm, Right, Control Wheel, HHC	2		
5	BAR-9023	Bar, AHHC Trailing Wheel Mount	2		
6	BR-100-ER	Bearing, 1' ER	12		
7	CH-3-28	3/16 LINK CHAIN 28 LINKS	4		
8	ELC-1008	Rotary Sensor, Single Output BEI	2		
9	KEY-4-4-12	SHAFT KEY 1/4"x½" SQUARE CUT (1018)	4		
10	MOU-103	Mount, Wheel Arm Bar Support, HHC, Cuc & Tom	4		
11	ARM-0070	Switch Mount, HHC	2		
12	MOU-HC03	Mount, Trailing Wheel Arms, HHC, 2003	2		
13	PL-6192	Depth Disk Wheel, 14.375 Dia.	2		
14	PL-HC99	Plastic, Chain Guard Wheel Arm, HHC	4		
15	SFT-HC07	HHC Shaft	2		
16	WHL-HHC-99	Spider Wheel Assembly	2		
17	SHD-HC07	HHC Shield, Electronic Switch	2		
18	WT-14	Wire Tie 14 1/4'	50		
19	WT-7	Wire Tie 7'	50		
20	HC-250-3008	Hydraulic Cylinder 2 1/2' x 30' #8 SAE Ports	2	11001-	USE HC-250-3008-P (2/22/16) Seal kit for Lion, HC-250-125
21	SUP-8100	Support, Wheel Hold Up, Header Height, HC290	4		
22	SHD-HC05	Shield made from hose for HHC Hoses, HC 290	2		
23	ARM-1007	Sensor Arm	1		
24	ACT-042B-2	Actuator, Wired For any Length Harness, 08 and Later	2		
26	WT-17H	Heavy Duty Wire Tie 17.5'	12		
27	ELC-1008-C	Wiring Harness For ELC-1008	2		
28	ELC-1006	Valve Driver, PVD3D2R	2		
29	SFT-HC12	Shaft, EHHC Control, Tomato Harvester	2		
30	CPL-1006	Helical Beam Shaft Coupling 1/4x3/8	2		



31	SFT-HC11	Shaft, HHC Control	2
101	BL-5-N	5/16-18 UNF HEX NUT A563 GrA ZINC	8
102	BL-16-400-H	1' x 4' Gr 5 HH Bolt Zinc Coated	4
103	BL-16-LN	1' Lock Nuts w/ Nylon Inserts	4

11010-02-06



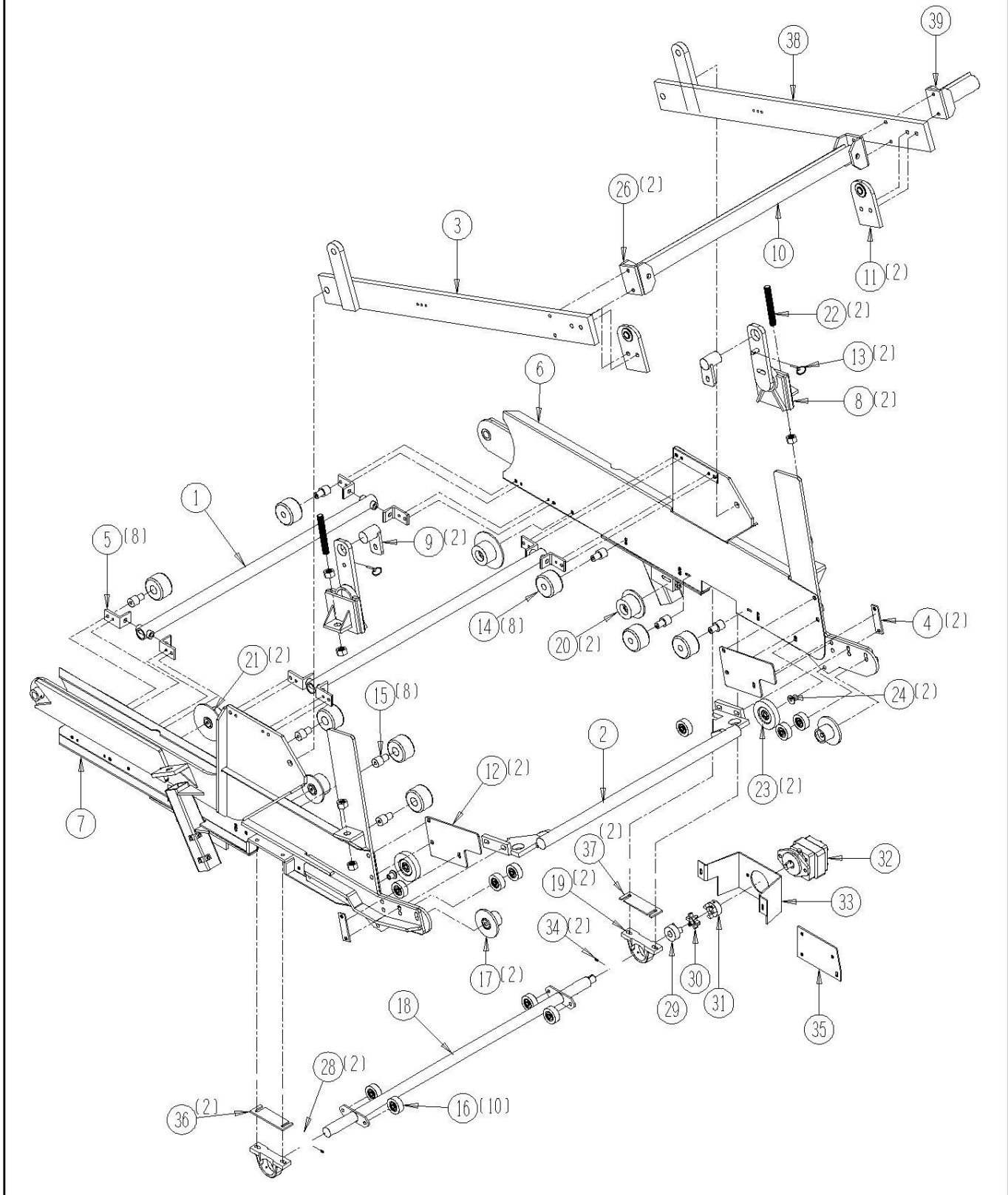


# 1109-03-01.1 Vibrator Primary Header

<u>Ref</u>	<u>Part No.</u>	<u>Description</u>	<u>Parts – Assembly</u>	<u>Will Fit SN</u>	<u>Remarks</u>
0	BAR-8005	HHC Mount, Inside Header 290 Harvester	1		
1	SUP-8203	Support, Cross Tube, Primary Header, HC290	2		
2	SUP-8204	Support, Mud Pusher, Primary Header, HC290	1		
3	BAR-8200	Bar, Disk Header Mount, High Cap Tomato, Inside	1		
4	BAR-8525	Bar, Bolt-on, Primary Header	2		
5	BRA-3525	Bracket, Mount Support, Flex. Head	8	30097001-	
6	FRM-8532	Outer Pim. Header/Vibrator 290	1		
7	FRM-8531	Inside Primary HeaderPanel/ Vibrator 290	1		
8	MOU-8225	Mount, Adjuster, Primary Header, High Cap Tom.	2	MOU-8225	
9	PIN-8225	Pin, Adjuster, Primary Header, High Cap Tomato	2		
10	SUP-8205	Cross Tube, Header Control, 290 Tomato Harvester	1		
11	SUP-8202	Support, Cyl Mnt, Disk Header, High Cap Tomato	2		
12	PL-8200	Plastic Shield, Primary Header, HC290 Tomato	2		
13	PIN-250L	1/4' Lynch Pin	2		
14	RLU-040-2516	Urethane Roller 4' dia x 2.5' w	8		
15	RLA-010-0108	Spindle / Standoff for Urethane Roller (heat treated)	8	19101-	
16	RLT-027-108	Roller 2.75' dia. 1/2' Bore	10		
17	RLS-522-2010	Steel Roller, 5' Flange, 2.2' Dia, 2' wide	2		Sub RLU-522-2010
18	SFT-8301	Vibrator Shaft, Secondary Header, High Cap Tomato	1		
19	BR-085-RAK	Bearing Housing 85 mm	2		
20	RLT-535-228	5' Flange Roller 2.2WF x 3 1/2' dia, 1/2' bore	2		
21	RLT-635-228	6 1/2' Flange Roller 2.2 WF 3.5 dia, 1/2' bore	2		
22	ADJ-3550	Adjuster, Quick Attach Header (Pickle)	2	30096001-	
23	RLT-050-1010	5' Flat Idler Roller 5/8' Bore	2		
24	RLA-000-118	Standoff, 1/2' X 1 1/8'	2		
26	MOU-8201	Cross Mount, Header, 290 Tomato Harvester	2		
28	BR-175-085	Fafnir Bearing 1 1/2 Tri Seal	2		
29	CPJ-6051	Coupler, L099, Motor Side 1in. Bore	1	19101	Sub 194-6053

30	CPJ-6055	Coupler, L099/100, Urethane Spider	1	19101	For use with CPJ-6052 and CPJ-6051 and CPJ-7081 Sub CPS-6053
31	CPJ-6052	Coupler, L100, Shaft Side 1 1/4in. Bore x 1/4' Key	1	19101	Sub 194-6053 Except on Debris Fan
32	HM-115	Hydraulic Motor	1		
33	BRA-8113	Bracket Motor Mount, Dirt Vibrator, HC290	1		
34	GF-1428	Grease Fitting 1/4' x 28 straight	2		
35	192-163	Cleaner Bar Bracket	1	19101-	
36	SPA-106-4	Spacer, Header Mount, Pivot (Tomato)	2	19201-	
37	SPA-106-8	Spacer, Header Mount, Pivot (Tomato)	2	19201-	
38	BAR-8201	Bar, Disk Header Mount, High Cap. Tomato, Outside	1		
39	BAR-8003	HHC Mount, Outside Header 290 Harvester	1		
101	BL-16-N	1' Nut	8		
601	HV-FL1230	Flow Control Valve, 30 GPM with #12 SAE Port	1		
602	A-1501-8-8	1/2 MP x 1/2 FPX90-	1		
603	A-1603-8-8-8	Swivel T 1/2' NPTF	2		
604	A-6401-10-8	10 SAE x 1/2 MPT Male	2		
605	A-6901-10-8	10 SAE x 1/2 FPX90-, Forged	2		
606	A-6901-12-8	12 SAE x 1/2' FPX 90-, Forged	2		
801	HM-2100-SK	Shaft Seal & Gasket Kit for Permco Motor, M2100 Series	1		
802	HM-2100-BRG	Bearing for Permco Motor, M2100 Series	1		

1109-03-01.1



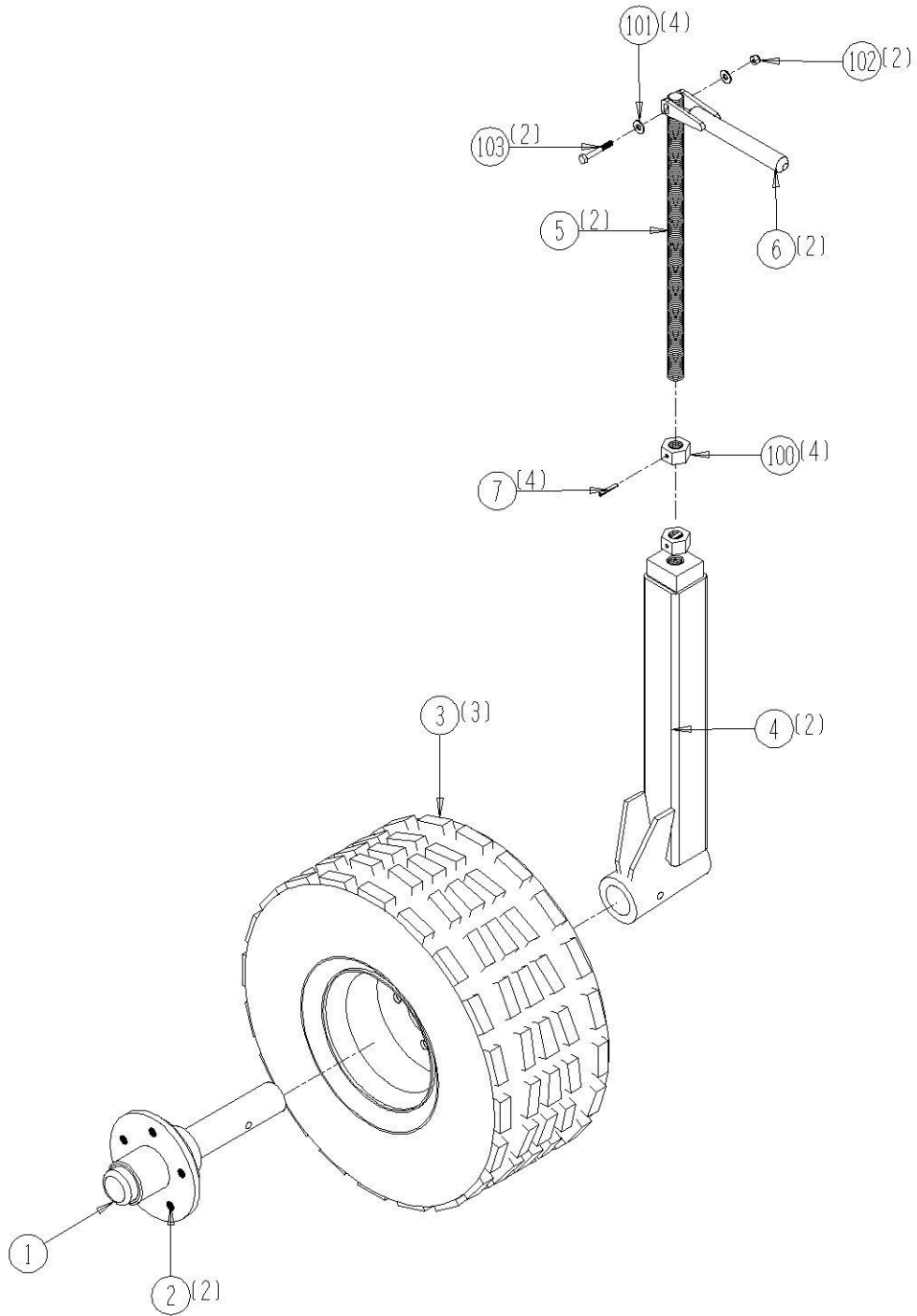


# 1109-03-02 Gauge Wheel Assembly

<u>Ref</u>	<u>Part No.</u>	<u>Description</u>	<u>Parts – Assembly</u>	<u>Will Fit SN</u>	<u>Remarks</u>
1	WHL-179	Bearing Protector @ Pair	1	WHL-8201	
2	WHL-8200	Gauge Wheel Spindle & Hub	2		
3	WHL-8001	High Capacity Tomato Gauge/Stabilizer Wheel Hub & Tire	2		
4	WHL-6136	Gauge Wheel, Inner Sliding Tube	2		
5	ADJ-8202	Adjuster, Handle, Gauge Wheel, HC290 Tomato	2		
6	ADJ-8203	Threaded Rod W/ Holes, Gauge Wheel, HC290	2		
7	PIN-3-20	Roll Pin 3/16 x 1-1/4 Stainless Steel	4		
100	BL-14-N-HOLE	Nut W/ Holes, Disk Header	4		
101	BL-4-FW	1/4 USS FW ZC	4		
102	BL-4-LN	1/4-20 HEX LN NE ZC	2		
103	BL-4-200-H	1/4-20 X 2 HEX CAP G5 ZC	2		



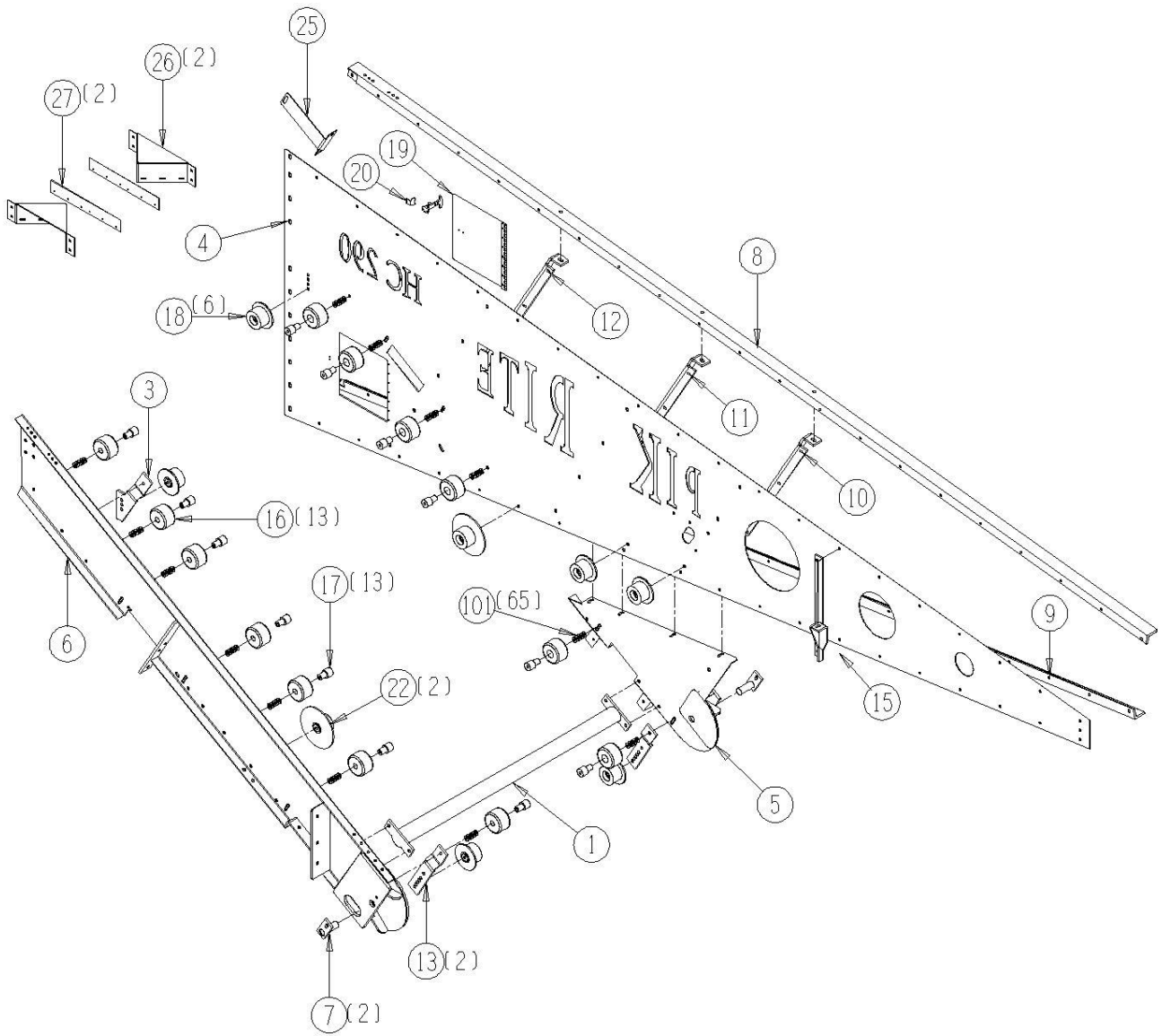
1109-03-02



## 11010-03-03 Secondary Header Assembly

<u>Ref</u>	<u>Part No.</u>	<u>Description</u>	<u>Parts – Assembly</u>	<u>Will Fit SN</u>	<u>Remarks</u>
1	BAR-8301	Bar, Cross, Secondary Header, HC290 Tomato	1		
3	BRA-8305	Roller Bracket, Elevation, 290 Tomato	1		
4	PAN-8303	Panel, Outside, Header, HC290	1	PAN-8303	
5	PAN-8305	Secondary Header Panel, Outside, HC290	1		
6	SID-8162	Secondary Header, HC290 Tomato	1		
7	PIN-8300	Pin, Secondary Header, High Cap. Tomato	2		
8	SUP-8300	Support, Top Angle, Header Panel, HC290	1		
9	SUP-8301	Support, Bottom Angle, Header Panel, HC290	1		
10	SUP-8302	Support, Front, Header Panel, HC290	1		
11	SUP-8303	Support, Middle, Header Panel, HC290	1		
12	SUP-8304	Support, Rear, Header Panel, HC290	1		
13	BRA-8400	Bracket, Hold Up Rollers	2		
15	SUP-8251	Support, Oil Cooler & Compressor Mount	1	SUP-8251	
16	RLU-040-2516	Urethane Roller 4' dia x 2.5' w	13		
17	RLA-010-0108	Spindle / Standoff for Urethane Roller (heat treated)	13	19101-	
18	RLT-535-228	5' Flange Roller 2.2WF x 3 1/2' dia, 1/2' bore	6		
19	SHD-8303	Access Door, Header Side Panel, 290 Machine	1		
20	LA-703	Large Rubber T Latch Assembly	1		
22	RLT-835-228	8' Flange Roller 2.2 WF 3.5 dia, 1/2' Bore	2		
24	DC-1174	Decal, Danger Keep Hands and Feet Away	2		
25	SHD-8007	Shield Vibrator Cover	1		
26	BRA-8117	Tomato Bumper, 290 Harvester	2		
27	BT-8104	Belting, Product Pushout Header	2		
101	BL-6-FW	3/8 USS FW ZC	65		

11010-03-03

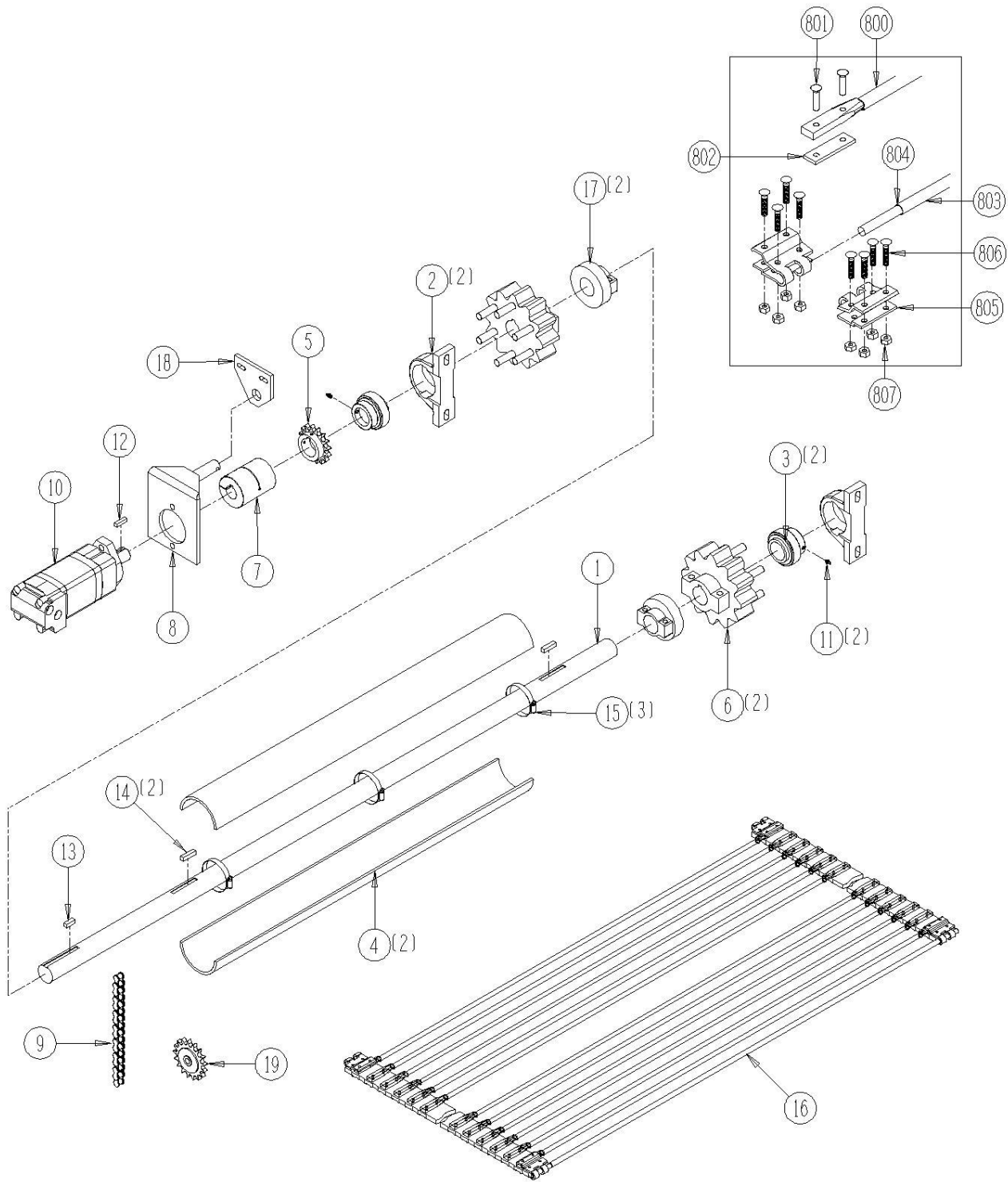


# 1109-03-04 Header Drive Shaft Assembly

<u>Ref</u>	<u>Part No.</u>	<u>Description</u>	<u>Parts – Assembly</u>	<u>Will Fit SN</u>	<u>Remarks</u>
1	SFT-8306	Header Drive Shaft, 290 Harvester	1		
2	BR-085-RAK	Bearing Housing 85 mm	2		
3	BR-175-085	Fafnir Bearing 1 1/2 Tri Seal	2		
4	PL-8300	Plastic, PVC Pipe, Header, HC290 Tomato	2		
5	SP-50B16-28-6	Hardened Tooth Sprocket, #50, 16 Tooth, 1.75" Bore	1	11001	
6	SP-4212-28-6-HX2	4212 Heat Treated Sprocket 2" wide	2		
7	CPS-2820	Steel Coupler 1 1/2" x 1 1/4" ID with 3/8" Keyway on 1 1/2" ID	1		
8	MOU-1228	Mount, Motor, SAE A Two Bolt, Disk Header	1		
9	CH-50-43	Roller Chain 43 pitches #50w/master link	1		
10	hm-1420-ch	Char Lynn Motor	1		
11	GF-1428	Grease Fitting 1/4" x 28 straight	2		
12	KEY-5-5-20	Shaft Key 5/16" sq x 1 1/4" Square Cut (1018)	1		
13	KEY-6-6-16	Shaft Key 3/8" x 1"	1		
14	KEY-6-6-24	Keystock 3/8" x 3/8" x 1 1/2" Square Cut (1018)	2		
15	CL-72	4 1/2" Gear Clamp	3		
16	BC-8-5336-75-296	Header Chain, High Capacity tomato, Model 290	1		
17	PL-1419	Plastic, Molded Hub for Drive Drum, 1 1/2" bore	2		
18	194-109A	Disk Motor Stop	1		Available as update kit
19	SP-5017-T	Idler, 17 tooth x #50 Chain	1		
800	BC-8-53-75-ST	1/2x53 Rivet Rod for 75mm Belting	0	BC-8-5342-75-254	
801	RI-25-BC	25mm Belted Chain Rivets	0		
802	BC-BP32	Belt, Rivet Backing Plates 32mm	0	11001	Lap Splice Option, Used only with BC-1032-LN Lock Nuts
803	BC-7-53-75-CN	Connecting Rod, 11mm x 53" Wide Belted Chain, 75mm Belting	0		
804	BC-3525	Snap Ring, 11mm.	0		
805	BC-F-42-32-F	42-32 Female Connecting Clip	0		
805	BC-F-42-32-M	42-32 Male Connecting Clip	0		
806	BC-1032-FS	10-32 x 1 1/4" Bolts Flat Socket Head	0		
807	BC-1032-LN	10-32 LN	0		



1109-03-04



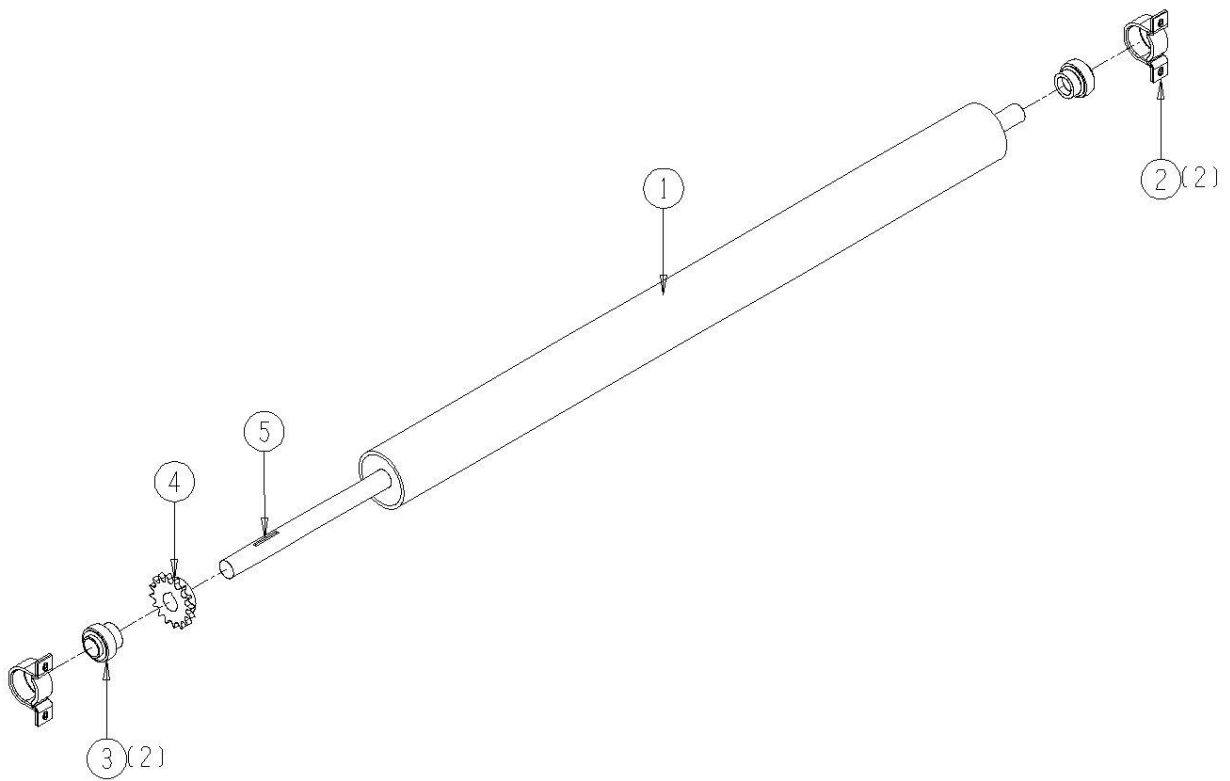


# 11010-03-05 Header Return Roller Assembly

<u>Ref</u>	<u>Part No.</u>	<u>Description</u>	<u>Parts – Assembly</u>	<u>Will Fit SN</u>	<u>Remarks</u>
1	SFT-8300	Shaft, Header Return Roller, High Cap Tomato	1		
2	BR-062-MPB	Stamped Bearing Housing for 1 1/4' bearing	2		
3	BR-125-062	Bearing, 1 1/4 Fafnir Tri-Seal, 62mm OD	2		
4	SP-50B16-20-4	Hardened Tooth Sprocket, #50, 16 Tooth, 1. 25' Bore	1		
5	KEY-4-4-20	Shaft Key 1/4' x 1 1/4'	1		



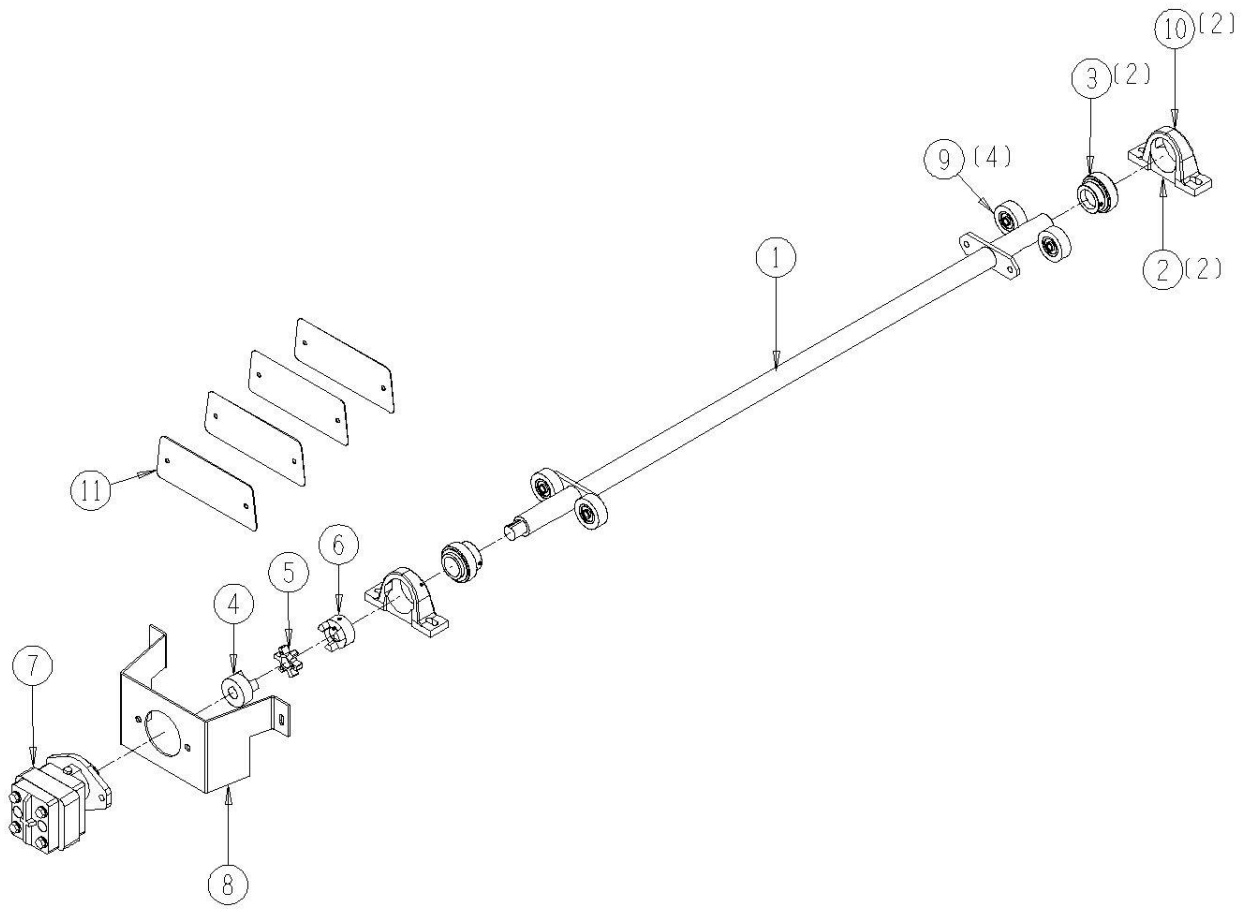
11010-03-05



# 11010-03-06 Header Dirt Vibrator Assembly

<u>Ref</u>	<u>Part No.</u>	<u>Description</u>	<u>Parts – Assembly</u>	<u>Will Fit SN</u>	<u>Remarks</u>
1	SFT-8301	Vibrator Shaft, Secondary Header, High Cap Tomato	1		
2	BR-085-RAK	Bearing Housing 85 mm	2		
3	BR-175-085	Fafnir Bearing 1 1/2 Tri Seal	2		
4	CPJ-6051	Coupler, L099, Motor Side 1in. Bore	1	19101	Sub 194-6053
5	CPJ-6055	Coupler, L099/100, Urethane Spider	1	19101	For use with CPJ-6052 and CPJ-6051 and CPJ-7081 Sub CPS-6053
6	CPJ-6052	Coupler, L100, Shaft Side 1 1/4in. Bore x 1/4' Key	1	19101	Sub 194-6053 Except on Debris Fan
7	HM-115	Hydraulic Motor	1		
8	BRA-8113	Bracket Motor Mount, Dirt Vibrator, HC290	1		
9	RLT-027-108	Roller 2.75' dia. 1/2' Bore	4		
10	GF-1428	Grease Fitting 1/4' x 28 straight	2		
11	SHD-8027	Coupler Shield, Header Vibrators	4		
801	HM-2100-SK	Shaft Seal & Gasket Kit for Permco Motor, M2100 Series	1		
802	HM-2100-BRG	Bearing for Permco Motor, M2100 Series	1		

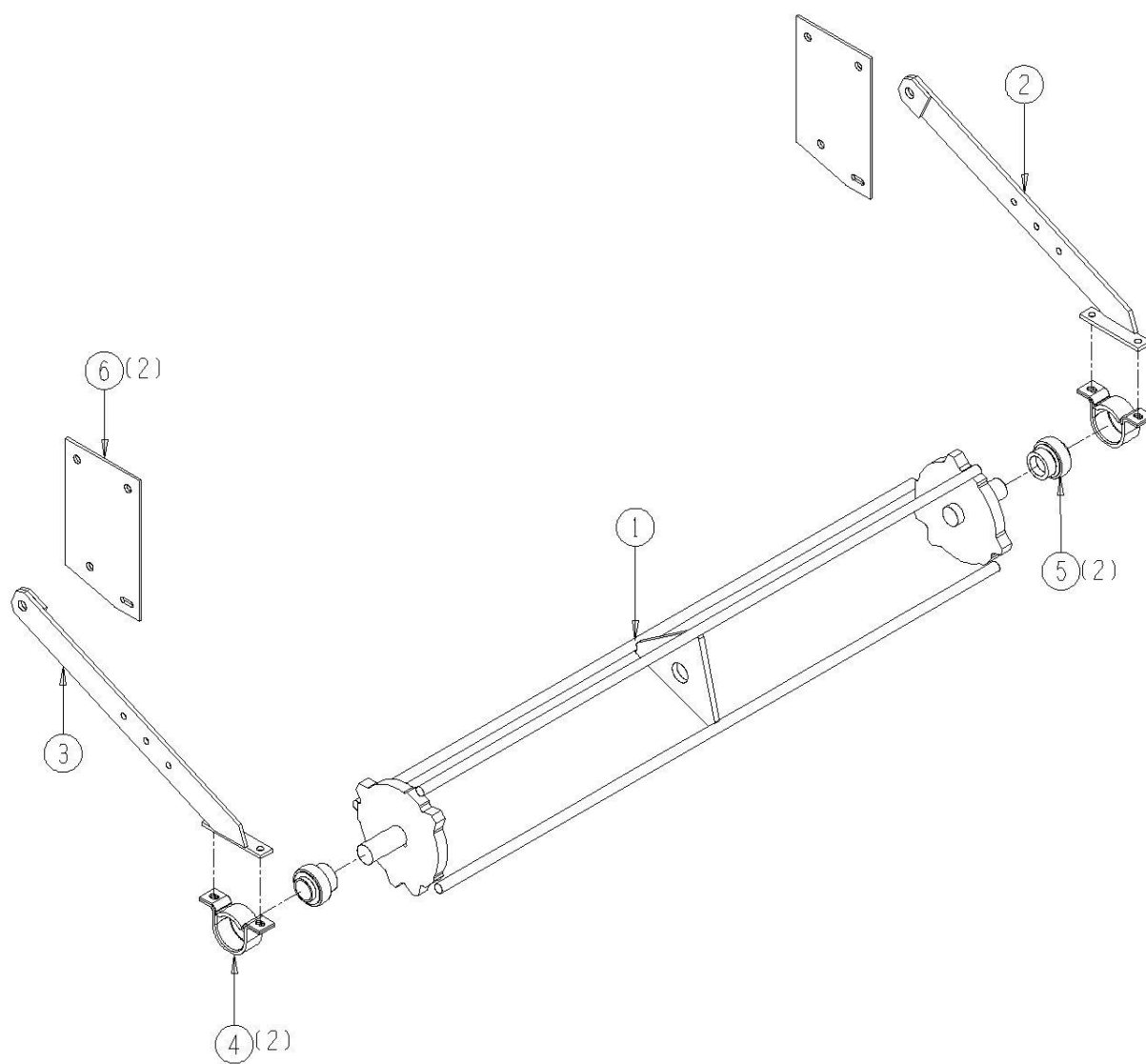
11010-03-06



# 11010-03-07 Header Bar Cleaner Assembly (Standard)

<u>Ref</u>	<u>Part No.</u>	<u>Description</u>	<u>Parts – Assembly</u>	<u>Will Fit SN</u>	<u>Remarks</u>
1	BAR-5336	Bar, 53' Belted Chain Rod Cleaner, HC290	0		
1	BAR-8306	Bar Cleaner for 53' Chain on 75mm Belts	1		
2	192-362A	Chain Cleaner Bar (Left)	1	19101-	
3	192-362B	Chain Cleaner Bar (Right)	1	19101	
4	BR-062-MPB	Stamped Bearing Housing for 1 1/4' bearing	2		
5	BR-125-062I	Bearing, 1 1/4' ID, TS	2		FIT Bearing
6	192-163	Cleaner Bar Bracket	1	19101-	

11010-03-07

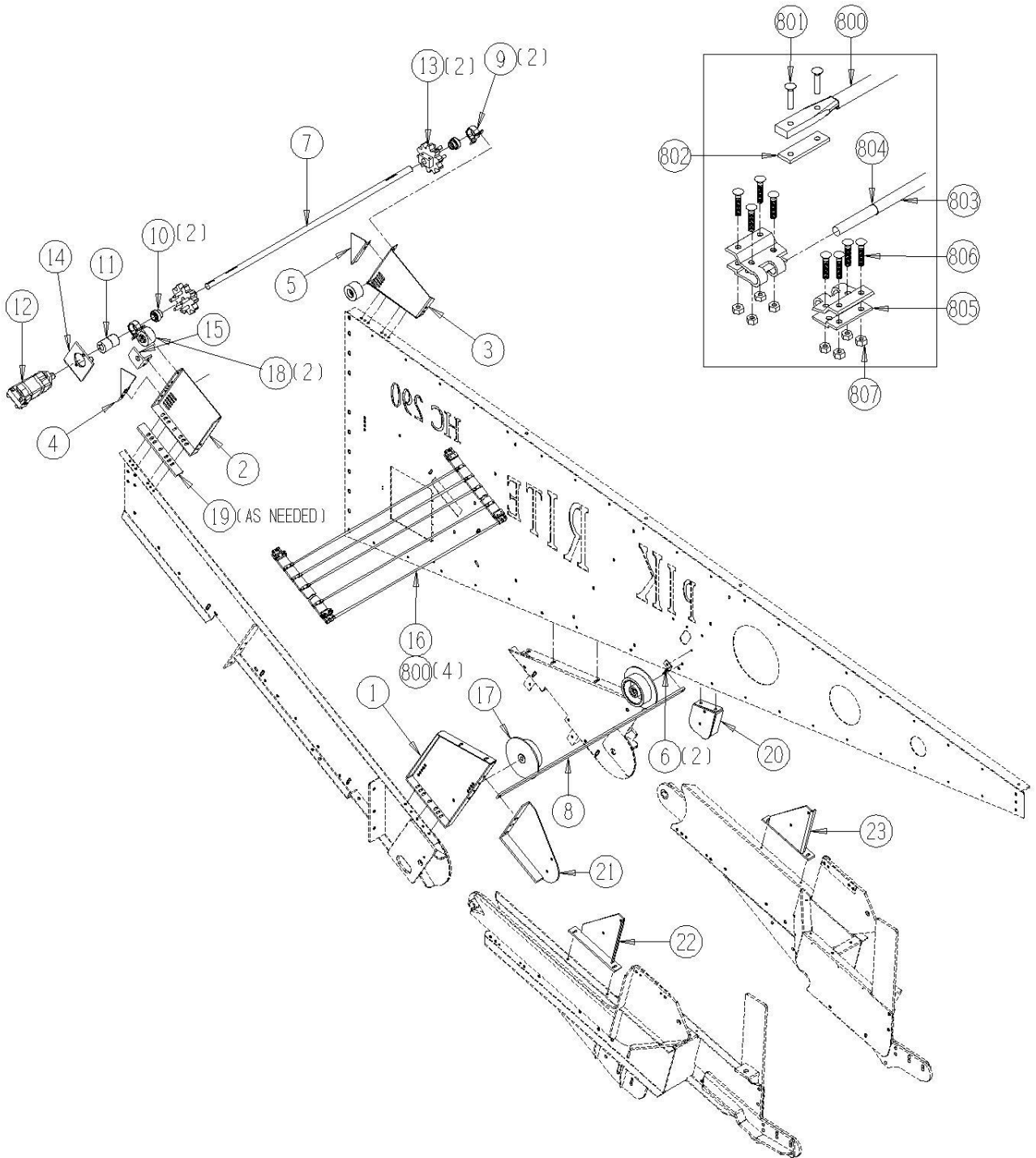


# 11011-03-08 Header, Long Vine Assist Assembly

<u>Ref</u>	<u>Part No.</u>	<u>Description</u>	<u>Parts – Assembly</u>	<u>Will Fit SN</u>	<u>Remarks</u>
1	PAN-1112	Vine Assist Panel, HC 290	1		
2	PAN-1107	Panel, Weldment, Inner Rear, Vine Assist	1	Kit-0050	
3	PAN-8302	Panel Outer Rear, Vine Assist, High Cap. Tomato	1		
4	BRA-8302	Bracket, Top of Panel, Vine Assist, HC290 Tomato	0		
4	SHD-8301	Shield, Right Side, Vine Assist, HC290	1		
5	SHD-8302	Shield, Left Side, Vine Assist, HC290	1		
5	BRA-8304	Bracket, Top of Panel, Left Vine Assist, HC290	0		
6	BRA-8303	Bracket, Cross Bar, Secondary Header, HC290	1	BRA-8303	
7	SFT-8303	Shaft, Drive, Vine Assist, HC290	1		
8	BAR-8303	Bar, Cross Support, Secondary Header, HC290	1	BAR-8303	
9	BR-062-MPB	Stamped Bearing Housing for 1 1/4' bearing	2		
10	BR-125-062	Bearing, 1 1/4 Fafnir Tri-Seal, 62mm OD	2		
11	CPS-6057	Coupler, Solid, 1.25', Cucumber & Tomato	1		This Replaces CPS-6056.
12	HM-1228-TC	TCI Motor	1	Direct Interchange with HM-400-OMS	Replaces HM-1228-CH, And HM-188R. Seal Kit # TCI-SKMLHS
13	SPU-3610-20-4	Sprocket 36-10 1 1/4 bore 1/4' key urethane	2		
14	MOU-1228	Mount, Motor, SAE A Two Bolt, Disk Header	1		
15	BRA-1100	Bracket, Motor Mount, Vine Assist	1	Kit-0050	
16	BC-6-5372-118	Belted Chain, Long Vine Assist Chain, 290 Harvester	1		
17	RLT-965-2212	9.5' Flange Roller 6.5 WF 2.2 WW 3/4 bore, 3 brng.	2		
18	RLT-035-228	Roller 3.5 Dia x 2.2 x 1/2' Bore, No Flange	2		
19	SPA-1107	Spacer, Vine Assist 290	1		
20	BRA-8306	Bracket, LH Upper, Vine Assist, 290 Tomato Harvester	1		
21	BRA-8307	Bracket, RH Upper, Vine Assist, 290 Tomato Harvester	1		
22	BRA-8511	Bracket, RH Lower Header, Vine Assist, 290 Tomato Harvester	1		
23	BRA-8512	Bracket, LH Lower Header, Vine Assist, 290 Tomato Harvester	1		
800	BC-7-53-ST	7/16' x 53 Rivet Rod For Belted Chain	0		
801	RI-19-BC	19mm Belted Chain Rivets	0		

802	BC-BP32	Belt, Rivet Backing Plates 32mm	0	11001	Lap Splice Option, Used only with BC-1032-LN Lock Nuts
803	BC-F-60SP	60mm Connecting Pin, Smooth w/ Grooves for Grip Clip	0		
804	BC-3525	Snap Ring, 11mm.	4		
805	BC-F-36-32-UG	Ultra Gold F Connecting Clips 36-32 @ pair	0		
806	BC-1032-FS	10-32 x 1 1/4' Bolts Flat Socket Head	0		
807	BC-1032-LN	10-32 LN	0		
808	KEY-5-5-20	Shaft Key 5/16' sq x 1 1/4' Square Cut (1018)	1		
810	HM-103-SK	Seal Kit for Char-Lynn Motor	1		S Series - 010

11011-03-08



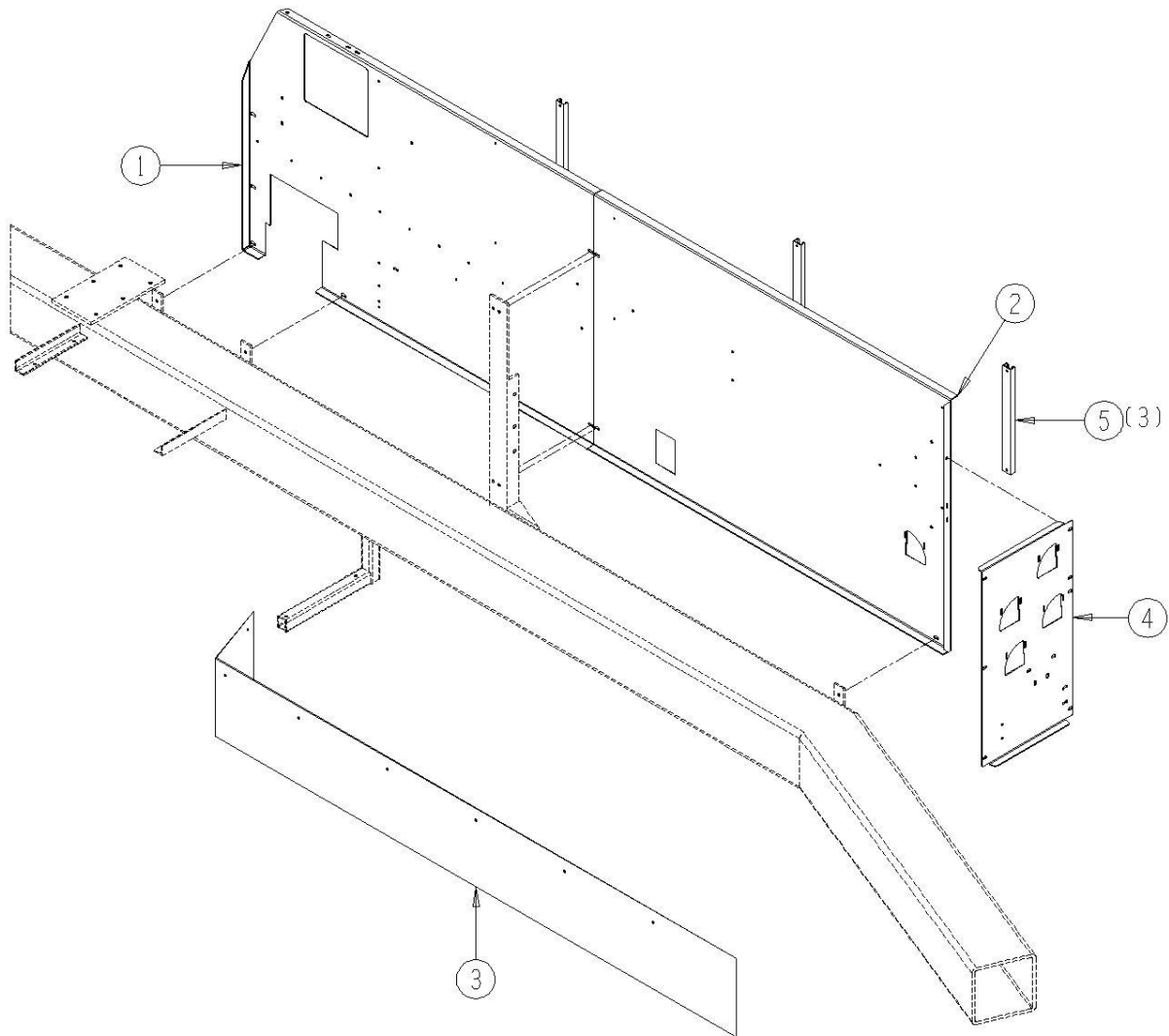




## 11010-03-09 Header Dust Shield Assembly

<u>Ref</u>	<u>Part No.</u>	<u>Description</u>	<u>Parts – Assembly</u>	<u>Will Fit SN</u>	<u>Remarks</u>
1	PAN-8106	Panel, Back Header, Dust Shield, '04, HC290	1		
2	PAN-8105	Inside, Front Header Dust Shield	1		
3	PAN-8101	Panel, Inside, Front, RH, Dust Shield, HC290	1		
4	PAN-8201	Panel, Flow Controls, Front Entry, HC 290	1		
5	HA-8400	Hose Holder, Shaker Weight Box, 290	3		

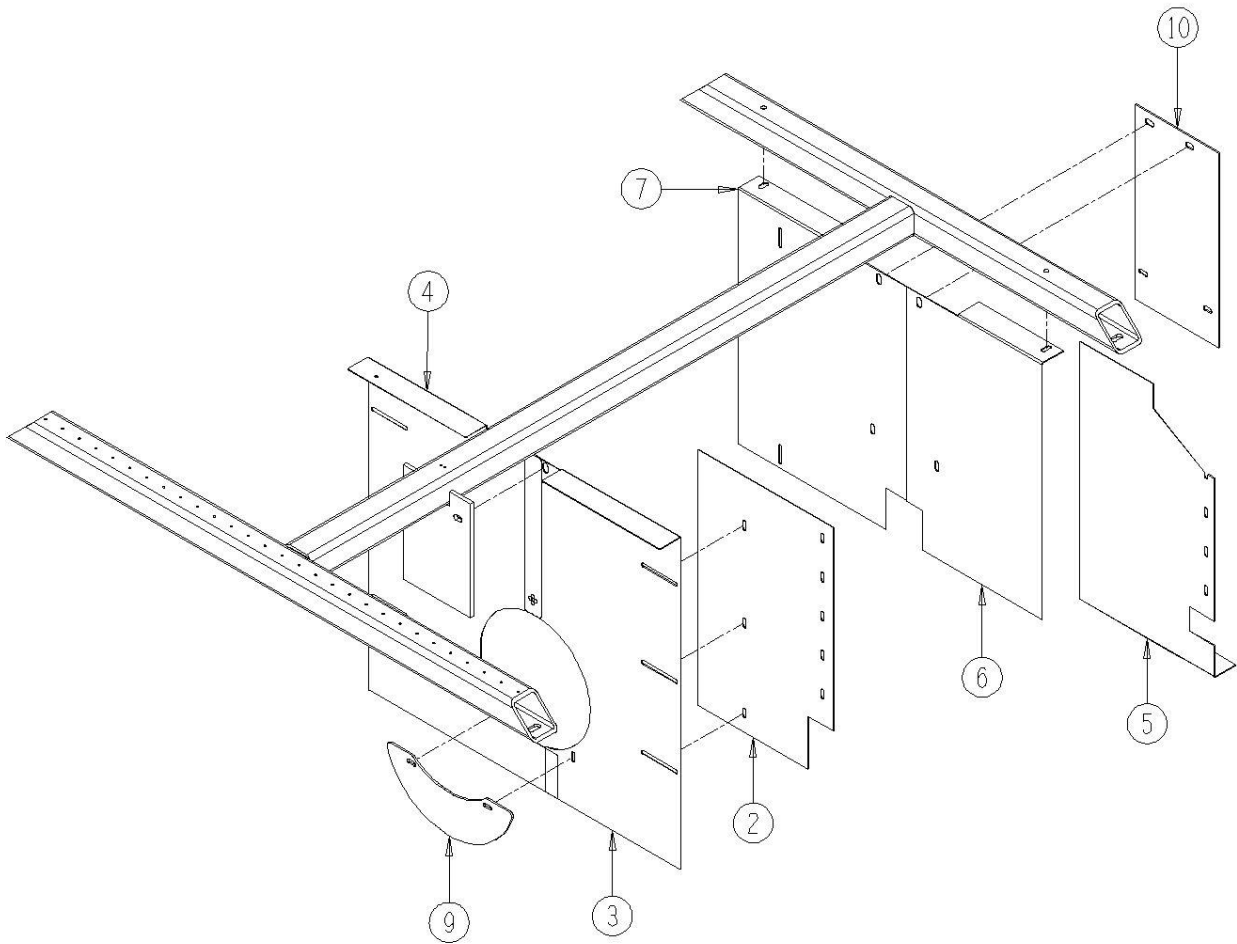
11010-03-09



## 11010-04-01 Primary Shaker Frame Assembly

<u>Ref</u>	<u>Part No.</u>	<u>Description</u>	<u>Parts – Assembly</u>	<u>Will Fit SN</u>	<u>Remarks</u>
2	PAN-8404	Panel, Top Front Inside, Shaker, HC290	1		
3	PAN-8405	Panel, Inside Middle, Shaker, HC290	1		
4	PAN-8406	Panel, Inside Rear, Shaker, HC290	1		
5	PAN-8408	Panel, Outside Front, Shaker, HC290	1		
6	PAN-8409	Panel, Outside Middle, Shaker, HC290	1		
7	PAN-8410	Panel, Outside Rear, Shaker, HC290	1		
9	PAN-8415	Panel, Inside, Shaker Chamber, HC290 Tomato	1		
10	SHD-8418	Shield, Outside, Primary Shaker, 290 Tomato Harvester	1		

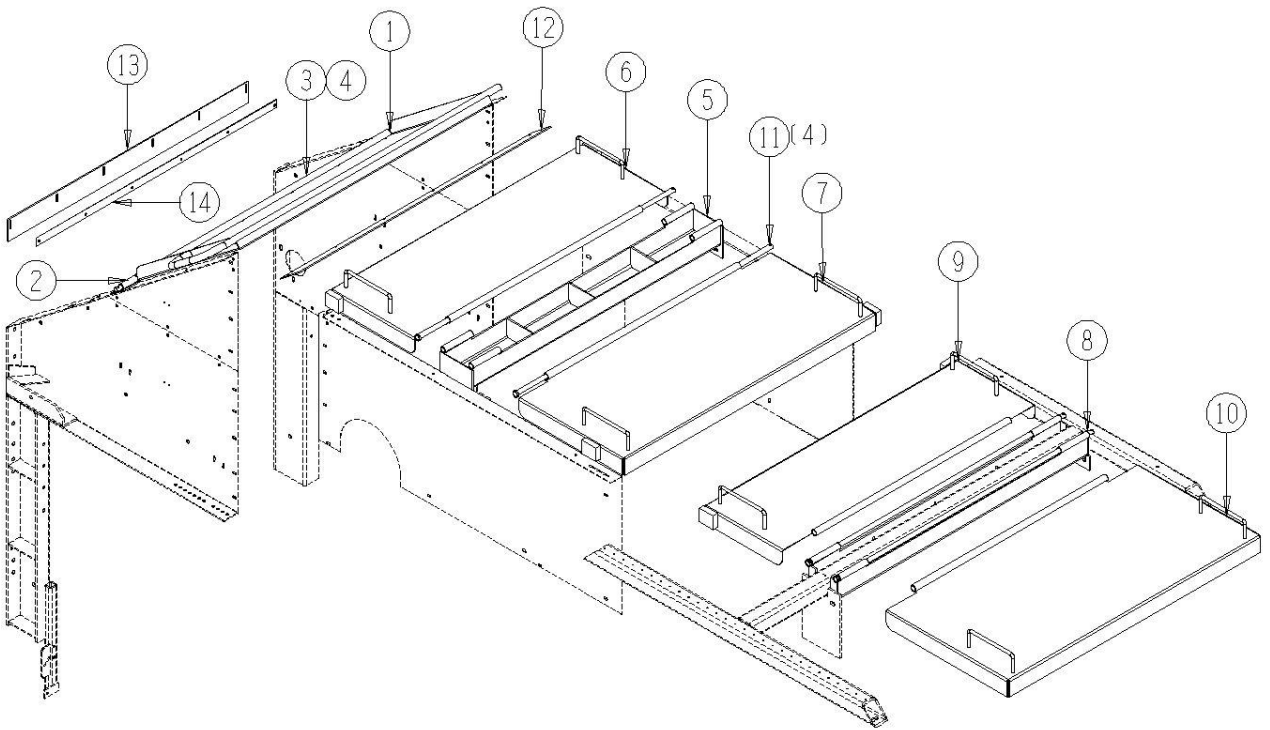
11010-04-01



## 11010-04-02 Primary & Secondary Shaker Covers

<u>Ref</u>	<u>Part No.</u>	<u>Description</u>	<u>Parts – Assembly</u>	<u>Will Fit SN</u>	<u>Remarks</u>
1	MOU-2020	Mouting Plate, Shaker Shield, HC290	1		
2	MOU-2021	Mounting Plate, Shaker Shield, HC290	1		
3	SFT-2020	Shaft, Shaker Shield, HC290	1		
4	SHD-2020	Shaker Shield, HC290	1		
5	SHD-2025	Hinge Bracket, Top, Rear, Shaker Cover, 290 Tomato Harvester	1		
6	SHD-2026	Door, Top, Rear, Shaker Cover, 290 Tomato Harvester	1		
7	SHD-2027	Door, Top, Rear, Inside, Shaker Cover, 290 Tomato Harvester	1		
8	SHD-2028	Hinge Bracket, Top, Front, Shaker Cover, 290 Tomato Harvester	1		
9	SHD-2029	Door, Top, Front, Inside, Shaker Cover, 290 Tomato Harvester	1		
10	SHD-2030	Door, Top, Front, Shaker Cover, 290 Tomato Harvester	1		
11	SFT-2021	Hinge Shaft, Top Doors, Shaker Cover, 290 Tomato Harvester	4		
12	PL-8515	Shield, Plastic Rear Shaker Hood	1		
13	BT-2021	Belting, Shaker Shields, HC290	1		
14	BAR-2026	Backing Bar, Shaker, HC290 Harvester	1		

11010-04-02

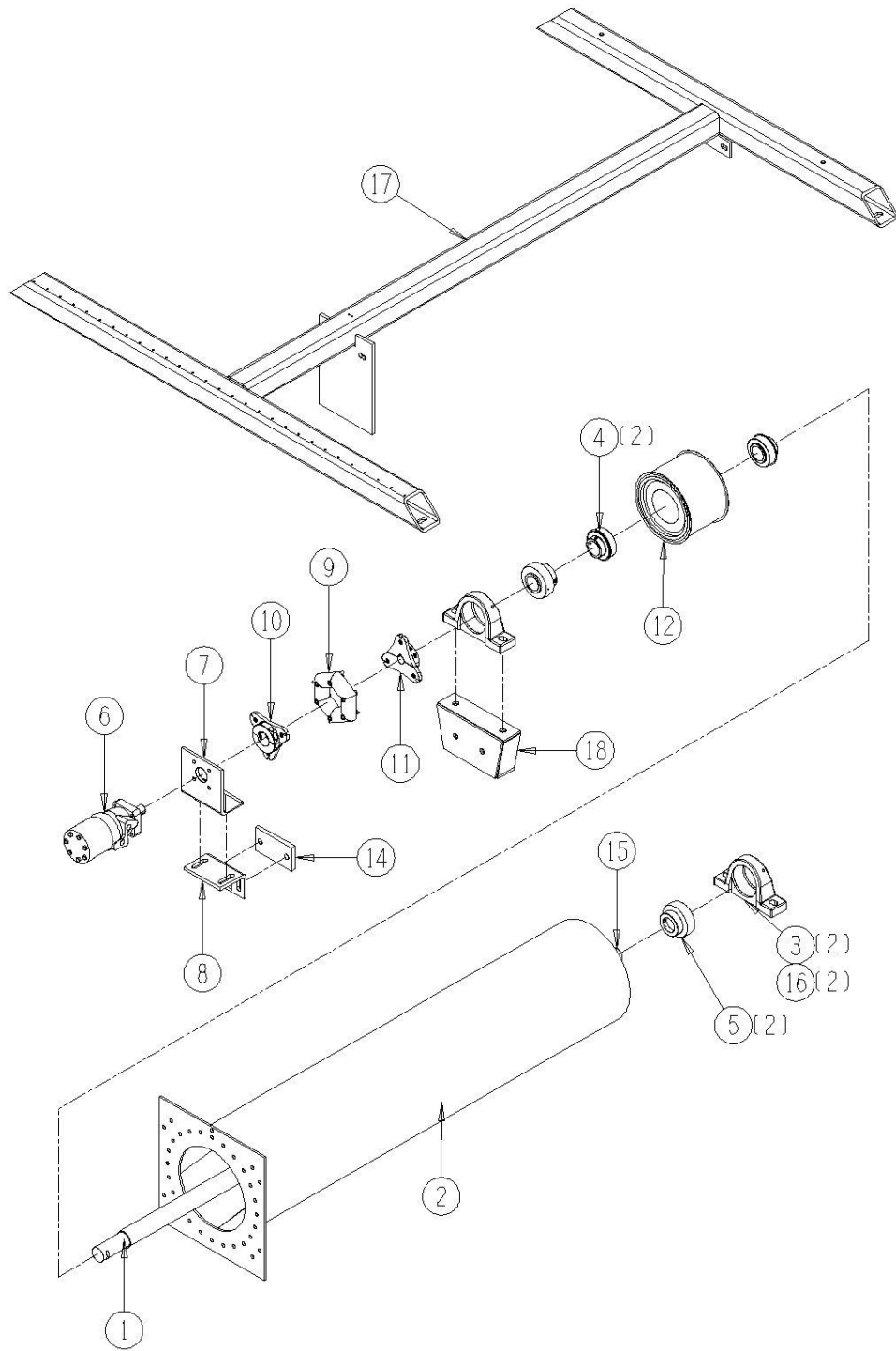


# 11010-04-03 Primary Shaker Drum Assembly

<u>Ref</u>	<u>Part No.</u>	<u>Description</u>	<u>Parts – Assembly</u>	<u>Will Fit SN</u>	<u>Remarks</u>
1	SFT-8407	2' Shaker Shaft, Primary & Secondary, 290 Tomato	1		
2	SHA-8400	290 Shaker Tube	1		
3	BR-100-RAK	Bearing Housing 100 mm	2	11001	
4	BR-200-ER	Bearings, 2' ER	2		
5	BR-175-100	Heavy Duty 1 1/2' Bearing	2		
6	HM-103-TC	TCI Motor	1		Seal Kit # TCI-SKHRQ
7	MOU-8401	Mount, Shaker Rotation Secondary, HC290	1		
8	194-416A	Mount, Shaker Rotation Motor	1	19101-	For use with 194-416
9	CPR-422-18	Lovejoy Donut w/ Hardware	1		
10	CPR-422C-18	Coupler, Shaker Side	1	30095001-	
11	CPR-422D-18	Coupler, Shaker, Motor Side, 1' Shaft	1	30095001-	
12	PU-80-8M-525-2	Pulley, 2 & 2-3/16 Sfts., 5-1/2 Wide for Panther Belts	1		
14	SPA-8401	Spacer, Rotation Mount, Pri Sha, HC290	1		
15	KEY-8-8-24	Keystock 1/2 x 1/2 x 1 1/2	1		
16	GF-1428	Grease Fitting 1/4' x 28 straight	2		
17	FRM-8416	Frame, Primary Shaker, 2010 290 Tomato Harvester	1		
18	MOU-8008	Mount, 2010 290 Tomato Harvester	1		
100	BL-6-100-H-8	3/8-16 X 1 HEX CAP G8 ZC	4		
101	BL-5-025-SCF	5/16-24 x 1/4' Knurled Point Set Screw	2		
800	HM-103-SK	Seal Kit for Char-Lynn Motor	1	S Series - 010	
801	KEY-4-4-15	Shaft Key 1/4' X 1/4' X 15/16' Woodruff Key	1		



11010-04-03

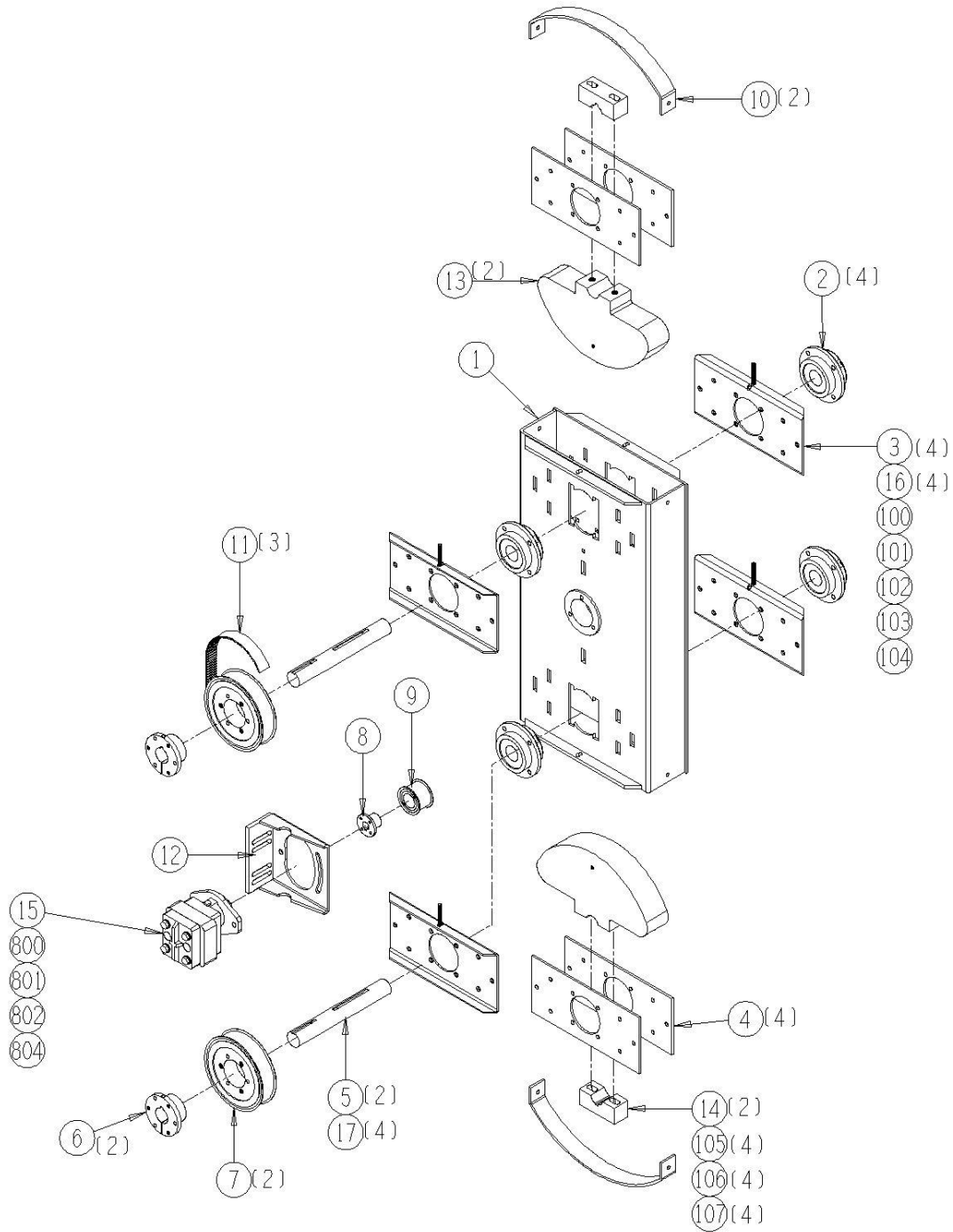


# 11015-04-04 Shaker Weight Box Assembly

<u>Ref</u>	<u>Part No.</u>	<u>Description</u>	<u>Parts – Assembly</u>	<u>Will Fit SN</u>	<u>Remarks</u>
1	SHA-8503	Shaker, Weight Box, Primary, SF Bushing	2		
2	BR-PFB-175	Round Piloted Flange with Spherical Roller Bearing, 1 3/4'	8		
3	MOU-096	Shaker Bearing Mount, QM Style	8		
4	MOU-095	Shaker Bearing Mount, Backing Plate, QM Style	8		
5	SFT-098	Shaft	4		
6	PU-SF-28	Bushing, SF x 1 1/2'	4		
7	PU-80-8PTH-35-SF	Primary Weight Pulley, 35mm Wide, Panther Style	4		
8	PU-QT-16	QT Bushing 1' bore 3/8" key	2		
9	PU-28-8PTH-35-QT	Panther Sprocket, 8mm Pitch, 28 Tooth, 35mm Wide	2		
10	193-403	Shaker, Weight Guards	4		
11	BT-1280-8M-35E	Shaker Drive Belt, Eliminator Series, 1280MM	6		
12	MOU-9022	Mount, Shaker Weight Motor	2		
13	WGT-402	Weight, Primary Shaker	4		
14	WGT-402C	Cap, Primary & Secondary Shaker Weight	4		
15	HM-412-1	Hydraulic Motor, 1' Shaft	2		Same as HM-412C except w/1' shaft REPLACES HM-412C IF REPLACING A HM-412C WITH THIS MOTOR BE SURE THAT THE PROPER COUPLER SIZES ARE SUPPLIED
16	GF-1428	Grease Fitting 1/4" x 28 straight	8		
17	KEY-6-6-24	Keystock 3/8" x 3/8" x 1 1/2" Square Cut (1018)	8		
18	SP-SF-2	Bushing, SF x 2"	2		
100	BL-6-275-ST	3/8-16 x 2.75 Fully Threaded Stud	4		
101	BL-6-N	3/8-16 HEX NUTS ZC	16		
102	BL-8-150-H8	1/2x1 1/2 Grade 8 Hex Head	16		
103	BL-8-FW-8	1/2 FLAT WASHER G8 ZC	48		
104	BL-8-LNS	1/2 Stover Lock Nut	32		
105	BL-10-375-8	5/8-11 X 3 1/2 HEX CAP G8 ZC	4		
106	BL-10-LW	5/8 SPLIT LW ZC	4		

107	BL-10-FW-8	5/8" Grade 8 Flat Washer	4		
800	HM-412B	Key for Hydraulic Motor -Shaker Weight-Vibrator	1	HM-412C & HM-712C	
801	HM-2100-SK	Shaft Seal & Gasket Kit for Permco Motor, M2100 Series	1		
802	HM-2100-BRG	Bearing for Permco Motor, M2100 Series	1		
804	HM-1801	Seal Kit for Commercial Intertech	1	P20 & M20 Series	Includes:(1) Length of HM-2882,(1)HM-2883,(2)HM-2884
805	PU-JA-14B	Bolt for PU-JA-14 (3 @ pkg)	1		

11015-04-04

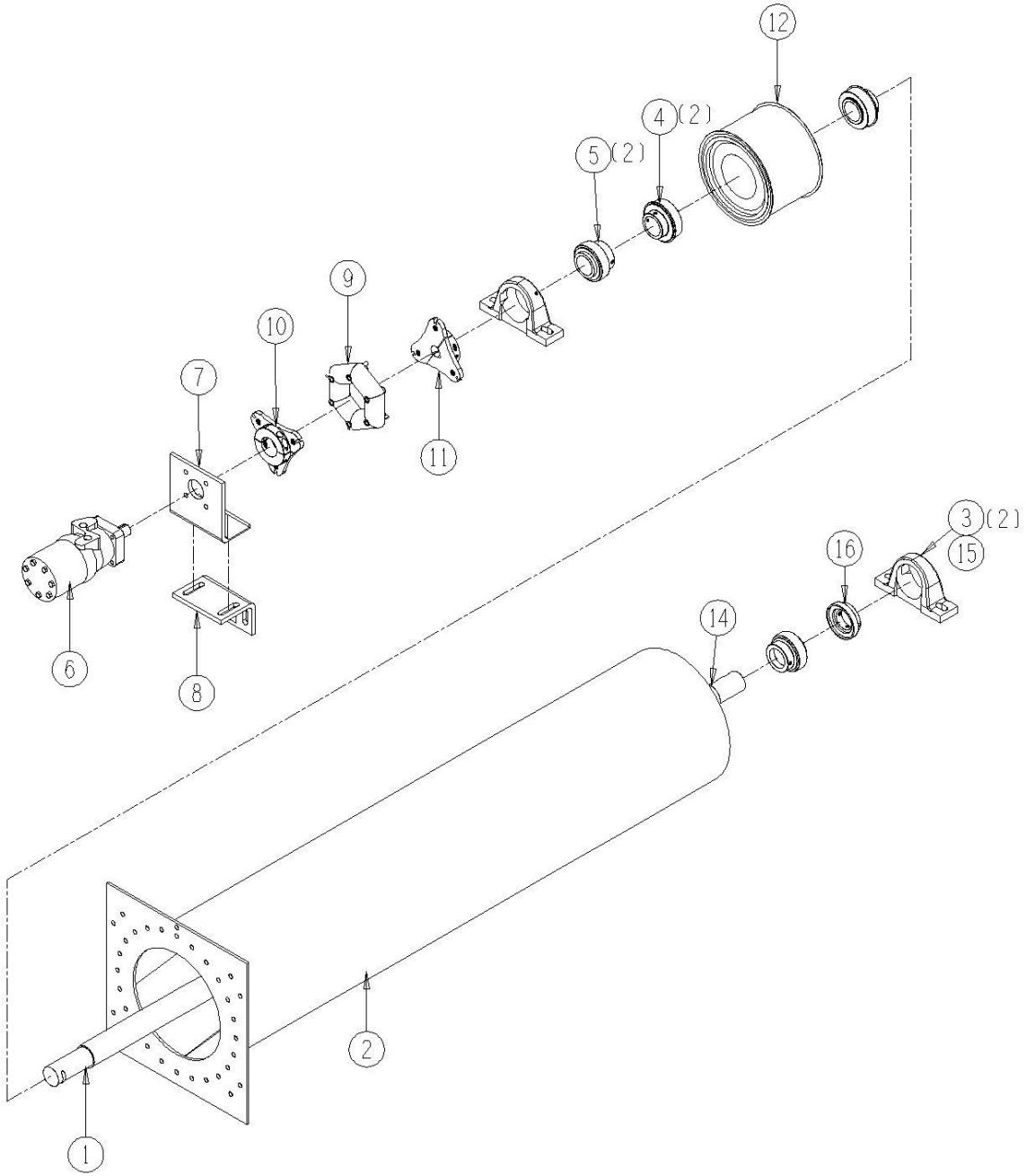




# 11010-04-05 Secondary Shaker Drum Assembly

<u>Ref</u>	<u>Part No.</u>	<u>Description</u>	<u>Parts - Assembly</u>	<u>Will Fit SN</u>	<u>Remarks</u>
1	SFT-8407	2' Shaker Shaft, Primary & Secondary, 290 Tomato	1		
2	SHA-8400	290 Shaker Tube	1		
3	BR-085-RAK	Bearing Housing 85 mm	2		
4	BR-200-ER	Bearings, 2' ER	2		
5	BR-175-085	Fafnir Bearing 1 1/2 Tri Seal	2		
6	HM-103-TC	TCI Motor	1		Seal Kit # TCI-SKHRQ
7	MOU-8401	Mount, Shaker Rotation Secondary, HC290	1		
8	194-416A	Mount, Shaker Rotation Motor	1	19101-	For use with 194-416
9	CPR-422-18	Lovejoy Donut w/ Hardware	1		
10	CPR-422C-18	Coupler, Shaker Side	1	30095001-	
11	CPR-422D-18	Coupler, Shaker, Motor Side, 1' Shaft	1	30095001-	
12	PU-80-8M-525-2	Pulley, 2 & 2-3/16 Sfts., 5-1/2 Wide for Panther Belts	1		
14	KEY-8-8-24	Keystock 1/2 x 1/2 x 1 1/2	1		
15	GF-1428	Grease Fitting 1/4" x 28 straight	1		
16	BR-175-LC	1 1/2" Locking Collar - Bearing Protector	1		
100	BL-6-100-H-8	3/8-16 X 1 HEX CAP G8 ZC	4		
101	BL-5-025-SCF	5/16-24 x 1/4" Knurled Point Set Screw	2		
800	HM-103-SK	Seal Kit for Char-Lynn Motor	1	S Series - 010	
801	KEY-4-4-15	Shaft Key 1/4" X 1/4" X 15/16" Woodruff Key	1		

11010-04-05

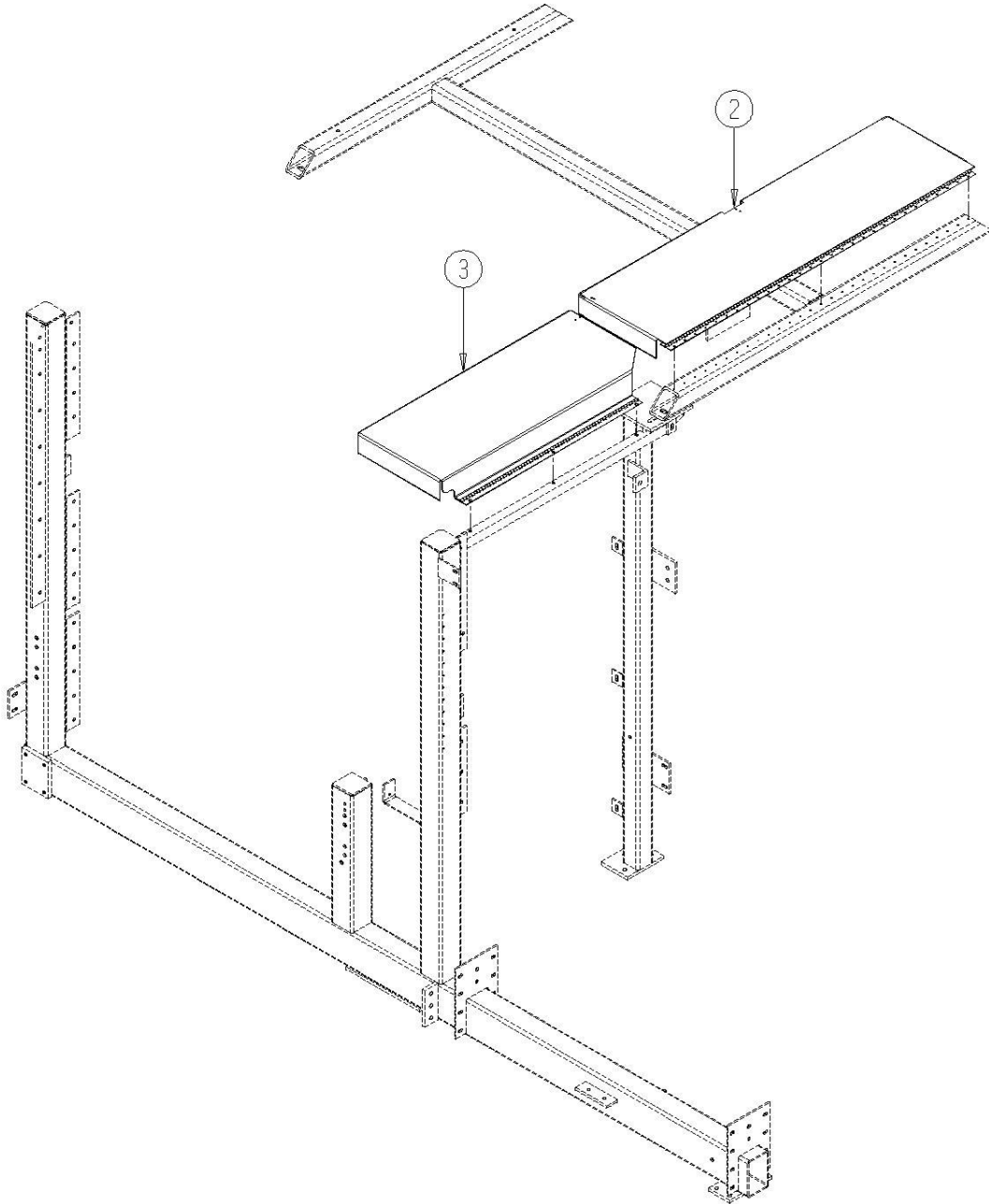


# 11010-04-07 Primary & Secondary Shaker Weight Covers

<u>Ref</u>	<u>Part No.</u>	<u>Description</u>	<u>Parts – Assembly</u>	<u>Will Fit SN</u>	<u>Remarks</u>
2	SHD-2021	Primary Shaker Weight Cover	1		
3	SHD-2022	Shield, Secondary Shaker Weight	1		



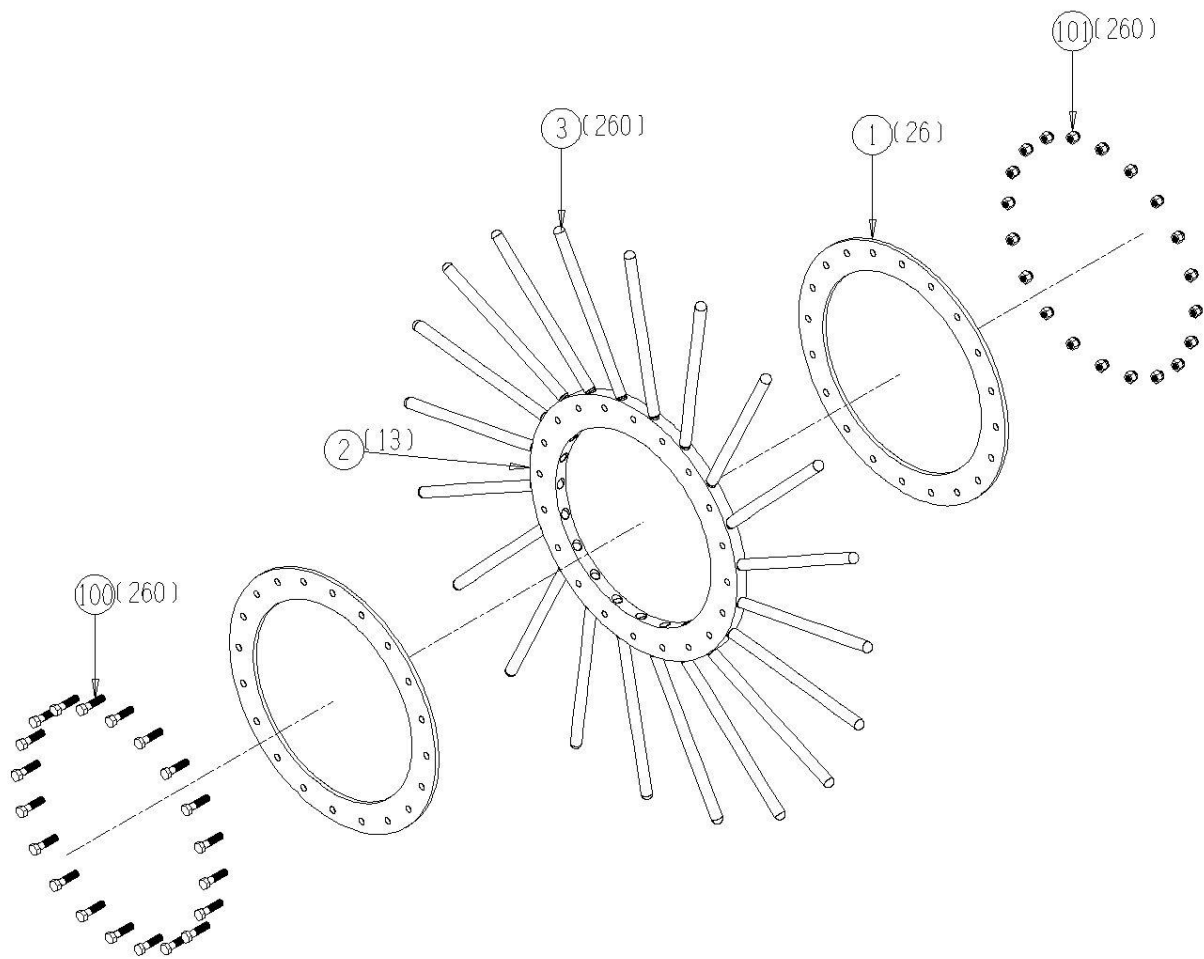
11010-04-07



# 11010-04-08 Primary Shaker Ring & Finger Assembly

<u>Ref</u>	<u>Part No.</u>	<u>Description</u>	<u>Parts – Assembly</u>	<u>Will Fit SN</u>	<u>Remarks</u>
1	191-432	Tine Holder Flanges	26	11001- 30095001-	
2	192-431	Molded Rubber Tine Holders	13	19101- 30095001-	
3	ST-430-P	Shaker Tines , Molded Urethane	260		
100	BL-6-150-SS	3/8-16 X 1 1/2 HEX CAP SS	260		
101	BL-6-LN	3/8 UNC FIN HEX LOCK NUT NE A563 GrA ZINC	260		

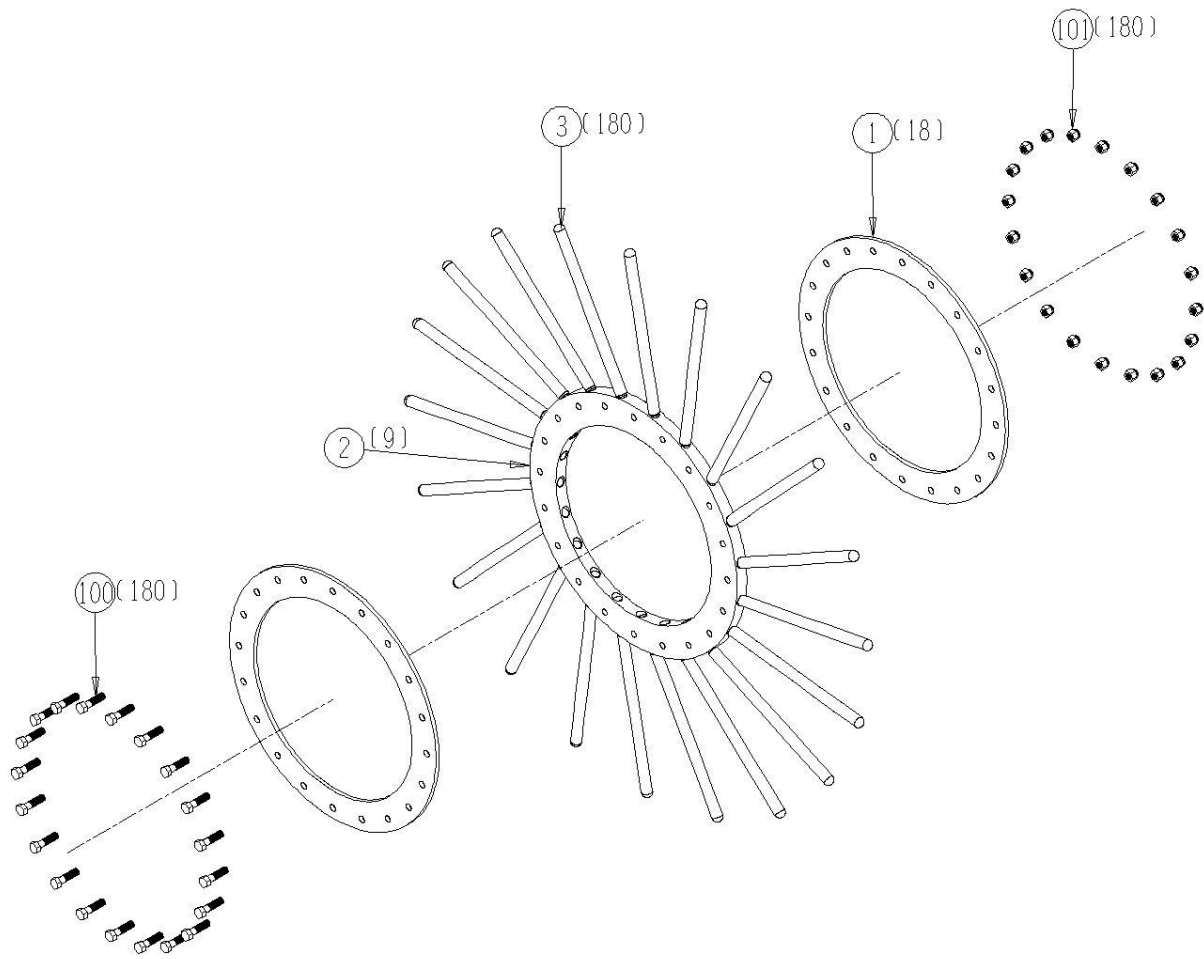
11010-04-08



# 11010-04-09 Secondary Shaker Ring & Finger Assembly

<u>Ref</u>	<u>Part No.</u>	<u>Description</u>	<u>Parts – Assembly</u>	<u>Will Fit SN</u>	<u>Remarks</u>
1	191-432	Tine Holder Flanges	18	11001- 30095001-	
2	192-431	Molded Rubber Tine Holders	9	19101- 30095001-	
3	ST-430-P	Shaker Tines , Molded Urethane	180		
100	BL-6-150-SS	3/8-16 X 1 1/2 HEX CAP SS	180		
101	BL-6-LN	3/8 UNC FIN HEX LOCK NUT NE A563 GrA ZINC	180		

11010-04-09

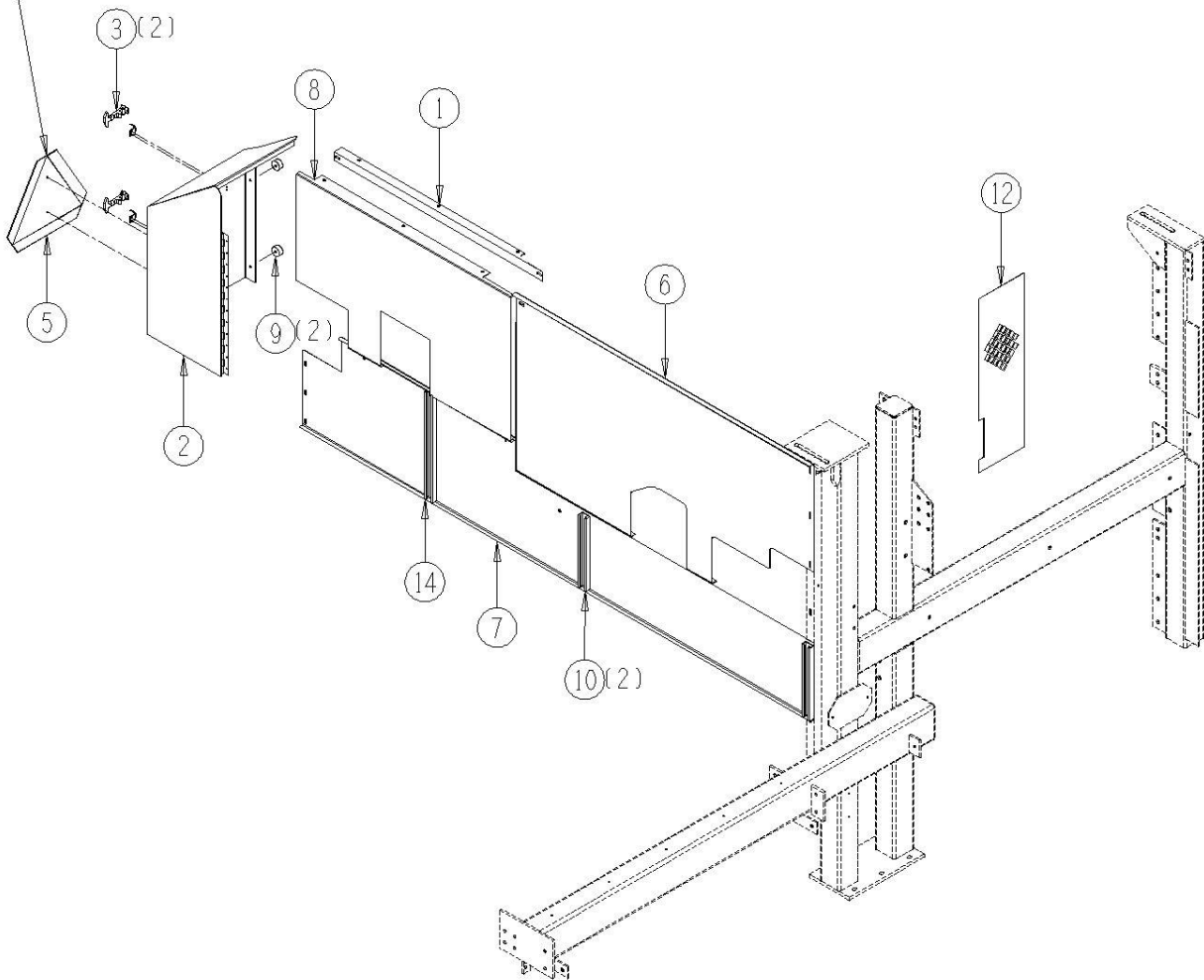


# 11010-04-13 Shaker Weight Box Shield Assembly

<u>Ref</u>	<u>Part No.</u>	<u>Description</u>	<u>Parts – Assembly</u>	<u>Will Fit SN</u>	<u>Remarks</u>
1	ARM-8402	Shield, Arm, Shaker Flip Up, HC290	1		
2	SHD-8452	Shield, Shaker Box, Secondary, HC290	1		
3	LA-703	Large Rubber T Latch Assembly	2		
5	SMV-D	SMV Sign, Decal	1		
6	SHD-8414	Shield, Weight Box, 2010 290 Tomato Harvester	1		
7	SHD-8415	Shield, Front, Weight Box, Primary Shaker 2010 290 Tomato Harvester	1		
8	SHD-8416	Shield, Flip Up, Primary Shaker, 2010 290 Tomato Harvester	1		
9	194-1418	Rubber Bumper	2	19401	
10	HA-8401	Hose Holder, Shaker Weight Box 2010, 290 Tomato Harvester	2		
12	SHD-8403	Shield, Primary Shaker Box, Shaker Frame, HC290	1		
13	CG-238-350	Chip Guard, 2.375'x3.50', PG Type, .040	6		
14	HA-8400	Hose Holder, Shaker Weight Box, 290	1		
100	BL-4-LWN	1/4' Locking Wing Nut	0		

11010-04-13

PLACEMENT WITHOUT  
VINE CHOPPER



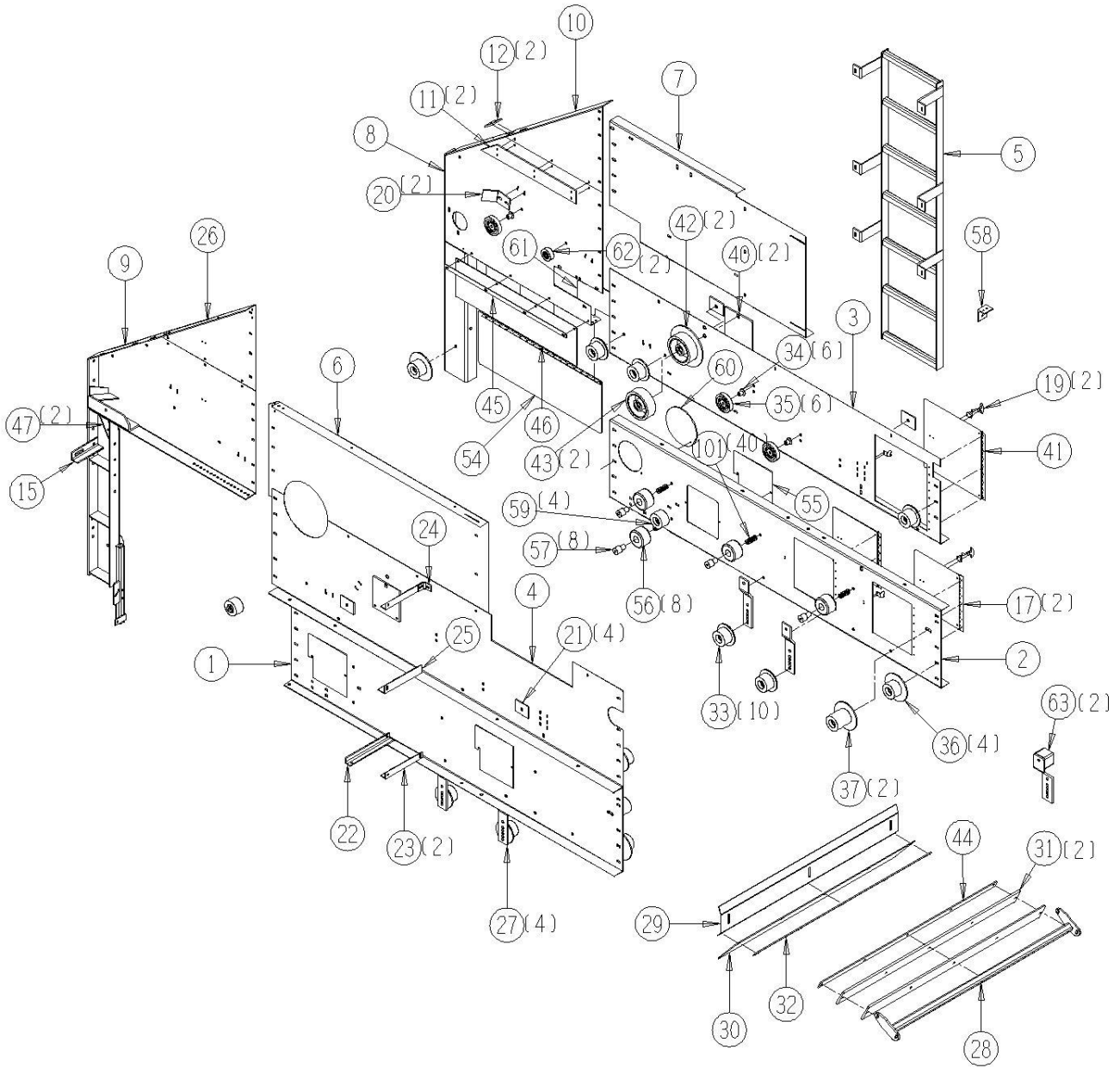
# 11010-05-01 Vine & Transfer Chamber Assembly

<u>Ref</u>	<u>Part No.</u>	<u>Description</u>	<u>Parts – Assembly</u>	<u>Will Fit SN</u>	<u>Remarks</u>
1	PAN-8400	Panel, Lower, Inner Transfer, High Cap Tomato	1		
2	PAN-8401	Panel, Outer, Lower Transfer, High Cap Tomato	1		
3	PAN-8402	Panel, Outer, Middle, Shaker Chamber, High Cap Tom	1		
4	PAN-8403	Panel, Middle, Inside, Shaker Chamber, High Cap	1		
5	STD-8400	Stand, Service Ladder, Left HC290	1		
6	PAN-8407	Panel, Inner Top, Sec. Shaker, HC290	1		
7	PAN-8411	Panel, Outer Top, Sec. Shaker, HC290	1		
8	PAN-8452	Panel, Rear Outside, Transfer, Vine Chain Chamber 2010 290 Tomato	1		
9	PAN-8453	Panel, Inside Transfer Vine Chain Chamber 2010 290 Tomato	1		
10	SID-8450	Side, Top Panel, Outer Shaker, HC290	1		
11	BAR-8506	Bar, Cross Conveyor, HC290	2		
12	BAR-8507	Bar, Cross Conv. HC290	2		
15	MOU-8504	Bracket, Motor Mount, Fan, HC290	1		
17	SHD-1525	Shield, Access Panel, Presort Door, Inner	2	19705 19801-	
19	LA-703	Large Rubber T Latch Assembly	2		
20	SHD-1898	Shield, Push Offs, Product Deflectors	2		
21	SUP-62	Support, Bouncer Roller, Vine Chain, Cuc	4		
22	MOU-8400	Angle, Support Between Aftersort & Post, High Cap	1		
23	POS-8403	Post, Top, Inside Shaker Panel, HC290	2		
24	BRA-8403	Bracket, Top Post, Inner Shaker Panels, HC290	1		
25	POS-8402	Post, Middle, Inside Shaker Panel, HC290	1		
26	SID-8451	Side, Top Panel, Inner Shaker, HC290	1		
27	BRA-8400	Bracket, Hold Up Rollers	4		
28	POS-8401	Post, Holder, Header Return Roller, HC290	1		
29	SCR-8400	Scraper, Header Return Roller, HC290	1		
30	BT-8402	Belting, Header Return Roller, HC290	1		
31	PL-8400	Plastic, Divider, Shaker Frame, HC290	2		
32	BAR-8401	Bar, Stiffener, Plastic, 190 Tomato	1		



33	RLT-535-228	5' Flange Roller 2.2WF x 3 1/2' dia, 1/2' bore	10	
34	RLA-000-118	Standoff, 1/2' X 1 1/8'	6	
35	RLR-040-108	4' Flat Roller	8	
36	RLT-635-2210	6' Flange Roller 2.2 WF 3.5 Dia, 5/8' Bore	4	
37	RLT-635-4210	6' Flange Roller, 4.25' wide	2	
40	BAR-8404	Bar, Support, Bouncer Roller, HC290 Tomato	2	
41	SHD-8404	Shield, Access, Transfer, HC290 Tomato	1	
42	RLT-965-2212	9.5' Flange Roller 6.5 WF 2.2 WW $\frac{1}{2}$ bore, 3 brng.	2	
43	RLT-065-2212	6.5 WD Roller 2.2 WW $\frac{1}{2}$ bore	2	
44	BAR-8406	Lower, Header Return Roller, Shaker Frm, HC290	1	
45	BAR-8405	Bar, Belting Backing Bar, Transfer Chamber, HC290	1	
46	BT-8404	Belting, Outer, Transfer Vine Chamber, HC290	1	
47	MOU-8514	Bearing Mount 290 Tomato Harvester	2	mou-8514
48	DC-1176	Decal, Danger-Hand Chain Sprockets	1	
49	DC-1178	Decal, Small Red PIK RITE 4.25' x 31'	1	
50	DC-1174	Decal, Danger Keep Hands and Feet Away	2	
54	SHD-0148	Shield, Nose Cone End, Cross	1	
55	PL-8509	Plastic Door, HC290	3	
56	RLU-040-2516	Urethane Roller 4' dia x 2.5' w	8	
57	RLA-010-0108	Spindle / Standoff for Urethane Roller (heat treated)	6	19101-
58	BAR-8408	Grease Fitting Bracket, HC290	1	
59	RLT-035-228	Roller 3.5 Dia x 2.2 x 1/2' Bore, No Flange	4	
60	PL-8403	Plastic	1	
61	SHD-8417	Shield, Transfer Vine Chamber 2010 290 Tomato Harvester	1	
62	RLT-027-108	Roller 2.75' dia. 1/2' Bore	2	
63	BRA-8405	Hold Up Bracket, 290 Tomato	2	
101	BL-6-FW	3/8 USS FW ZC	40	

11010-05-01

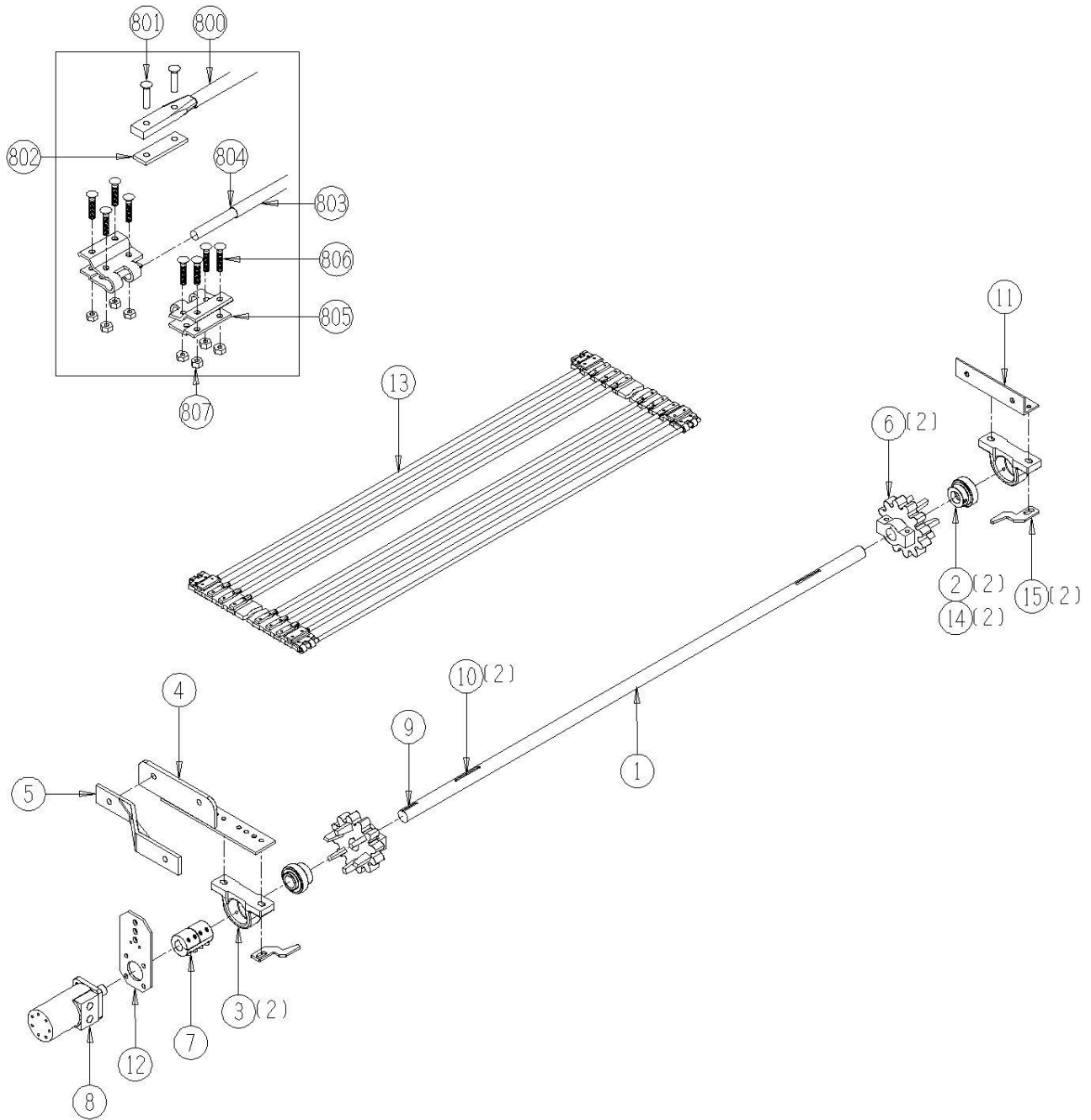




## 11010-05-02 Transfer Drive Shaft Assembly

<u>Ref</u>	<u>Part No.</u>	<u>Description</u>	<u>Parts – Assembly</u>	<u>Will Fit SN</u>	<u>Remarks</u>
1	SFT-8400	Shaft, Transfer Chain, High Cap Tomato Machine	1		
2	BR-125-072	Bearing, 1 1/4 Fafnir Tri-Seal, 72mm OD	2		
3	BR-072-RAK	72mm Cast Housing	2		
4	BRA-8452	Bracket, Motor Stop, Transfer, HC290	1		
5	BRA-8507	Bracket, Motor Stop, Transfer, HC290	1		
6	SP-3612-20-4 HC	Belted Chain Sprocket 36mm x 12 tooth 1 1/4-1/4 hi chrome	2		
7	CPS-6060	Steel Coupler (off center) 1 1/4' x 1'	1		
8	HM-210-TC	TCI Motor	1		Seal Kit # TCI-SKHPQ
9	KEY-4-4-16	Shaft Key 1/4' X 1/4' X 1' Square Cut (1018)	1	20095001-	
10	KEY-4-4-32	Shaft Key 1/4' x 2' Square Cut (1018)	2		
11	MOU-8450	Angle, Transfer, Vine Chain Chamber, High Cap Tom	1		
12	MOU-8505	Mount, Motor, w/Torque Arm, HC290	1		
13	BC-7-5336-166	Transfer Chain, High Capacity Tomato	1		
14	BR-12572-LC	1 1/4' Locking Collar - Bearing Protector	2		
15	SCR-102	Scraper, For 72mm Bearings, Tomato Harvester	2		
800	BC-7-36-AC	7/16' x 36' Rod w/ 24mm Air Cushion Cover	0		
801	RI-19-BC	19mm Belted Chain Rivets	0		
802	BC-BP32	Belt, Rivet Backing Plates 32mm	0	11001	Lap Splice Option, Used only with BC-1032-LN Lock Nuts
803	BC-7-53-CN	11mm x 53' Connecting Rod Grooved	0		
804	BC-3525	Snap Ring, 11mm.	0		
805	BC-F-36-32-UG	Ultra Gold F Connecting Clips 36-32 @ pair	0		
806	BC-1032-FS	10-32 x 1 1/4' Bolts Flat Socket Head	0		
807	BC-1032-LN	10-32 Lock Nuts	0		
808	KEY-4-4-15	Shaft Key 1/4' X 1/4' X 15/16' Woodruff Key	1		

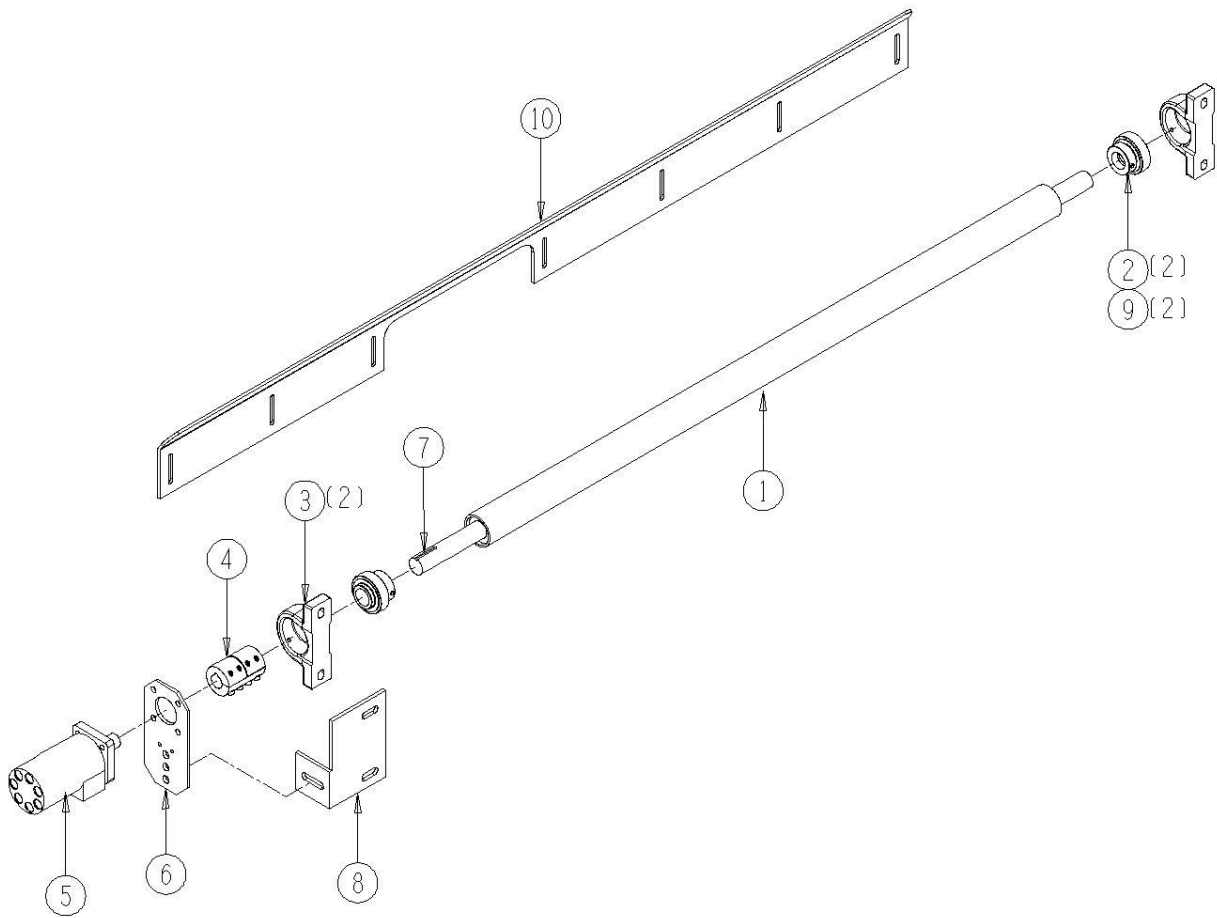
11010-05-02



# 11010-05-03 Transfer Return Roller Assembly

<u>Ref</u>	<u>Part No.</u>	<u>Description</u>	<u>Parts – Assembly</u>	<u>Will Fit SN</u>	<u>Remarks</u>
1	SFT-8403	Shaft, Return Roller, Transfer Chain, HC290	0		
1	SFT-8408	Shaft, Return Roller, Cross Chain, 290	1		
2	BR-125-072	Bearing, 1 1/4 Fafnir Tri-Seal, 72mm OD	2		
3	BR-072-RAK	72mm Cast Housing	2		
4	CPS-6060	Steel Coupler (off center) 1 1/4' x 1'	1		
5	HM-204-TC	TCI Motor	1		Seal Kit # TCI-SKHPQ can replace with HM-204-OMS
6	MOU-8505	Mount, Motor, w/Torque Arm, HC290	1		
7	KEY-4-4-16	Shaft Key 1/4' X 1/4' X 1' Square Cut (1018)	1	20095001-	
8	BRA-8404	Bracket, Transfer, HC290 Tomato	1		
9	BR-12572-LC	1 1/4' Locking Collar - Bearing Protector	2		
10	PAN-8506	Scraper, Transfer Return Roller, High Cap Tomato, 2011	1		
801	KEY-4-4-15	Shaft Key 1/4' X 1/4' X 15/16' Woodruff Key	1		

11010-05-03

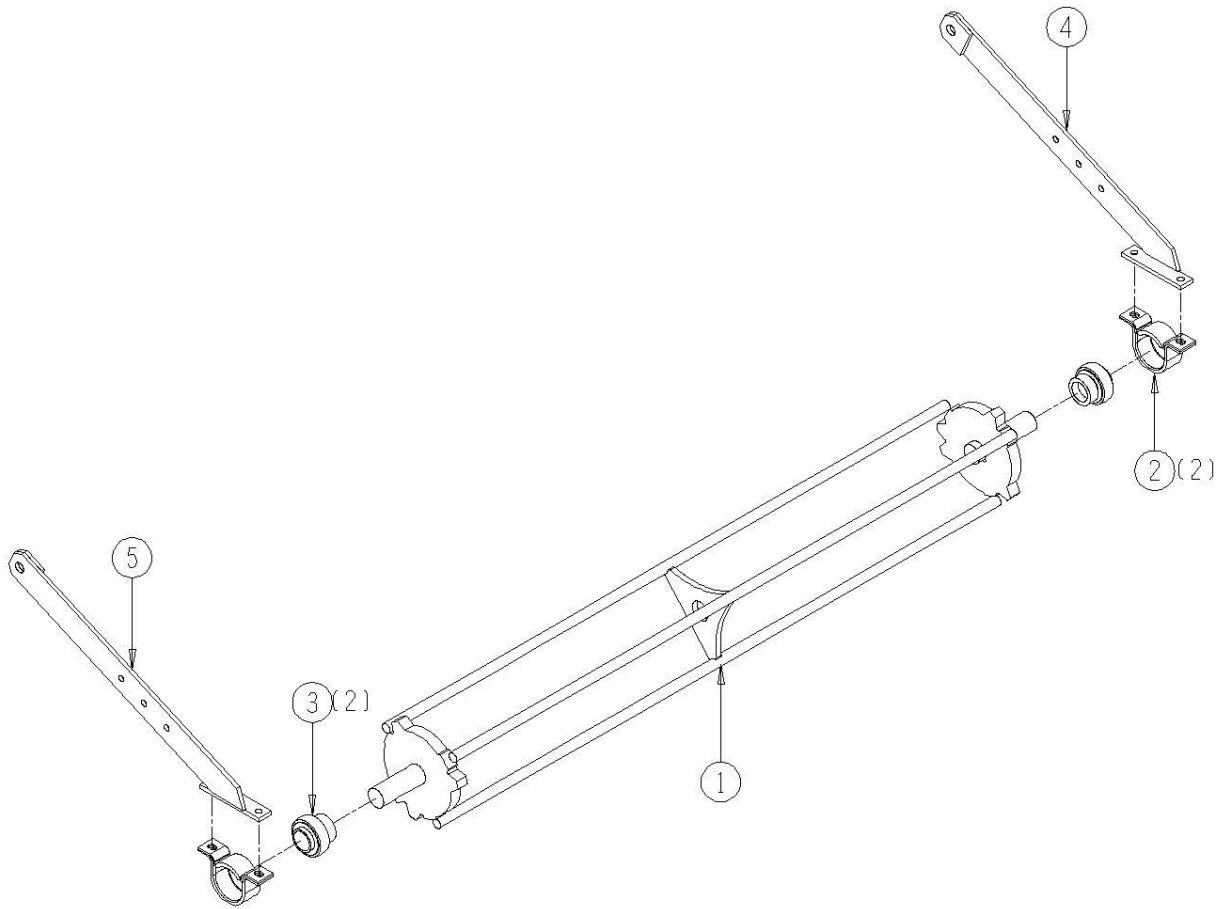


# 11010-05-04 Transfer Bar Cleaner Assembly (Standard)

<u>Ref</u>	<u>Part No.</u>	<u>Description</u>	<u>Parts – Assembly</u>	<u>Will Fit SN</u>	<u>Remarks</u>
1	BAR-5336	Bar, 53' Belted Chain Rod Cleaner, HC290	1		
2	BR-062-MPB	Stamped Bearing Housing for 1 1/4' bearing	2		
3	BR-125-062I	Bearing, 1 1/4' ID, TS	2		FIT Bearing
4	192-362A	Chain Cleaner Bar (Left)	1	19101-	
5	192-362B	Chain Cleaner Bar (Right)	1	19101	



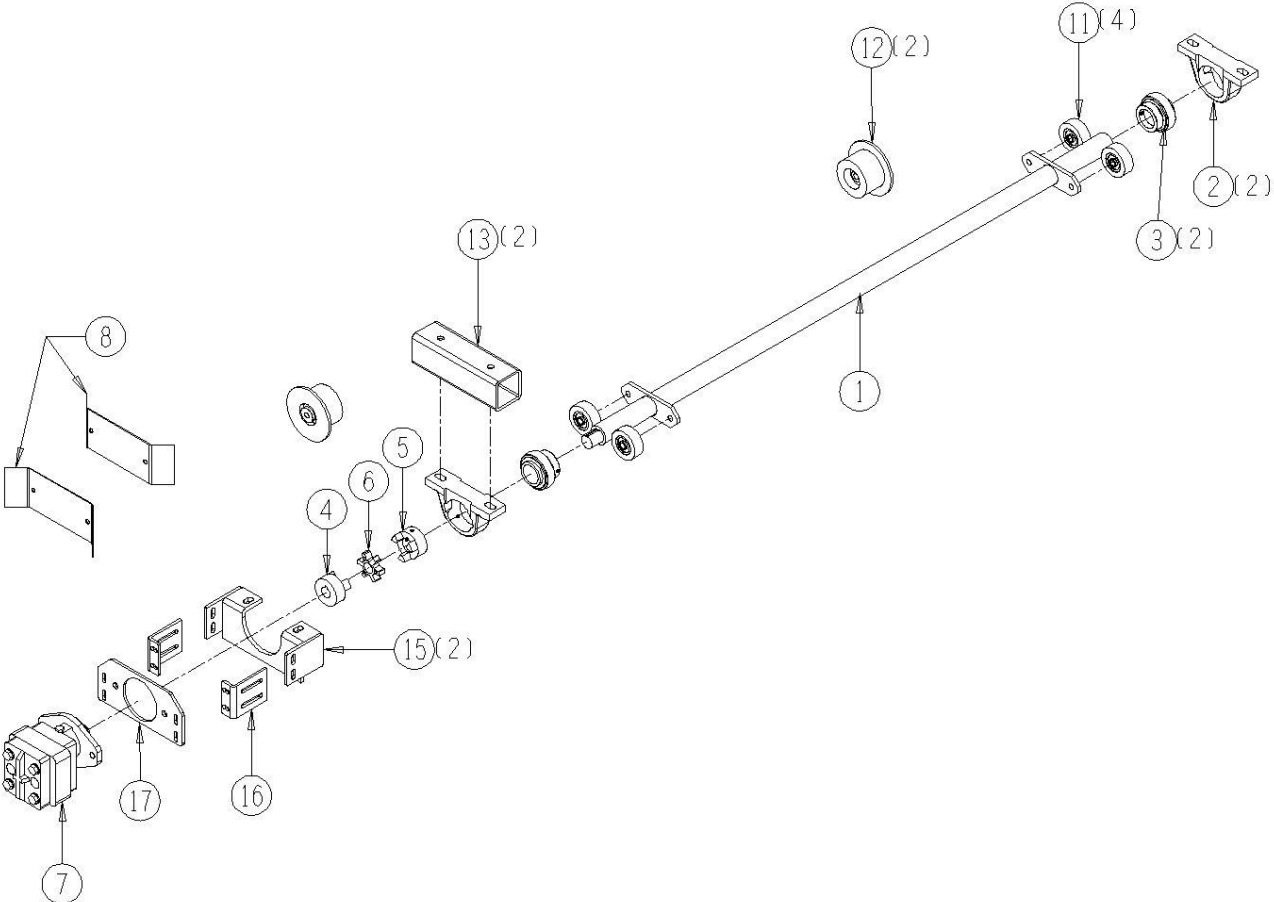
11010-05-04



# 11010-05-05 Optional Transfer Dirt Vibrator Assembly

<u>Ref</u>	<u>Part No.</u>	<u>Description</u>	<u>Parts – Assembly</u>	<u>Will Fit SN</u>	<u>Remarks</u>
1	SFT-8301	Vibrator Shaft, Secondary Header, High Cap Tomato	1		
2	BR-085-RAK	Bearing Housing 85 mm	2		
3	BR-175-085	Fafnir Bearing 1 1/2 Tri Seal	2		
4	CPJ-6051	Coupler, L099, Motor Side 1in. Bore	1	19101	Sub 194-6053
5	CPJ-6052	Coupler, L100, Shaft Side 1 1/4in. Bore x 1/4' Key	1	19101	Sub 194-6053 Except on Debris Fan
6	CPJ-6055	Coupler, L099/100, Urethane Spider	1	19101	For use with CPJ-6052 and CPJ-6051 and CPJ-7081 Sub CPS-6053
7	HM-115	Hydraulic Motor	1		
8	SHD-8028	Coupler Shield, Transfer Vibrator	2		
11	RLT-027-108	Roller 2.75' dia. 1/2' Bore	4		
12	RLT-535-228	5' Flange Roller 2.2WF x 3 1/2' dia, 1/2' bore	2		
13	GF-1428	Grease Fitting 1/4' x 28 straight	2		
14	SUP-8406	Vibrator Spacer, HC290	1		
15	MOU-0176	Motor Mount, Stop, Cross Chain Vibrator, 2010 190 Tomato	1		
16	MOU-0177	Mount, Long Vibrator, Harvester	2		
17	MOU-0167	Mount, Motor Cross Vibrator	1		
801	HM-2100-SK	Shaft Seal & Gasket Kit for Permco Motor, M2100 Series	1		
802	HM-2100-BRG	Bearing for Permco Motor, M2100 Series	1		

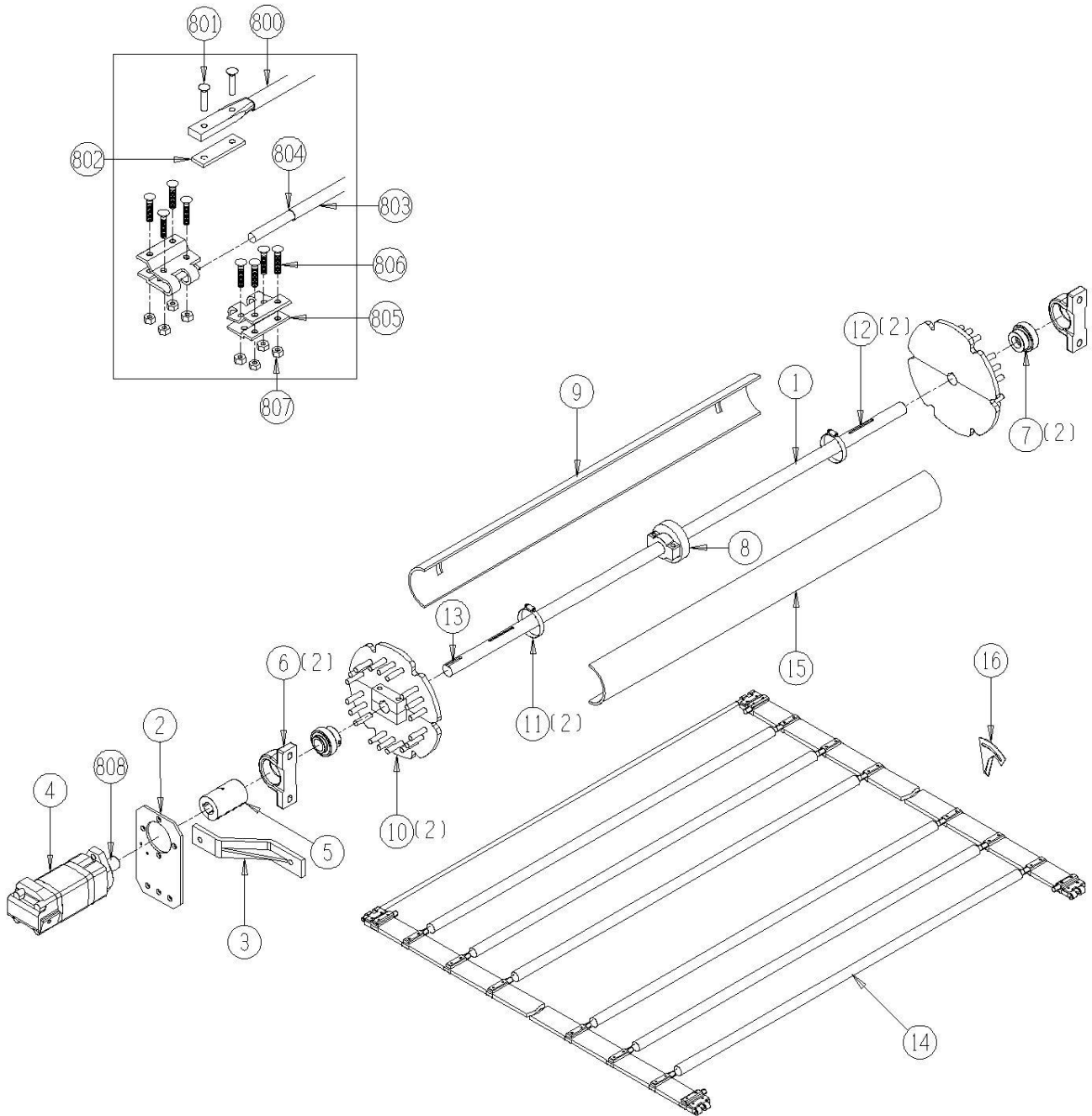
11010-05-05



# 11015-05-06 Vine Chain Drive Shaft Assembly (108 Pitch)

<u>Ref</u>	<u>Part No.</u>	<u>Description</u>	<u>Parts – Assembly</u>	<u>Will Fit SN</u>	<u>Remarks</u>
1	SFT-8401	Shaft, Vine Chain Drive Shaft, High Cap Tomato	1		
2	MOU-8451	Mount, Motor w/Torque Arm Stop, HC290	1		
3	BRA-8451	Bracket, Torque Arm, Motor Stop, HC290	1		
4	HM-1420-CH	Char Lynn Motor	1		
5	CPS-6057	Coupler, Solid, 1.25', Cucumber & Tomato	1		This Replaces CPS-6056.
6	BR-072-RAK	72mm Cast Housing	2		
7	BR-125-072	Bearing, 1 1/4 Fafnir Tri-Seal, 72mm OD	2		
8	PL-1421	Urethane Hub for Shaft Cover 1 1/4' Bore	1		Replaces PL-1415
9	PL-8401	Plastic, Anti-Wrap Cover, HC290	1		
10	SP-10806-20-4	Spocket, 108mm Pitch, 6 Tooth, 1 1/4' Bore w/ 1/4' Keyway	2		
11	CL-72	4 1/2' Gear Clamp	2		
12	KEY-4-4-32	Shaft Key 1/4' x 2' Square Cut (1018)	2		
13	KEY-5-5-20	Shaft Key 5/16' sq x 1 1/4' Square Cut (1018)	1		
14	BC-10-53108-96DS	Belted Chain, Double Skived, 53in Wide, 108mm Pitch	1		
15	PL-8402	Plastic, Vine Shaft Cover w/out Notches, HC 290	1		
16	STP-FL30	Stop, Flow Control	1	19101-	
800	BC-10-53-ST	5/8' x 53' Belted Chain Rod	0		
801	RI-25-BC	25mm Belted Chain Rivets	0		
802	BC-BP32	Belt, Rivet Backing Plates 32mm	0	11001	Lap Splice Option, Used only with BC-1032-LN Lock Nuts
803	BC-7-53-CN	11mm x 53' Connecting Rod Grooved	0		
804	BC-3525	Snap Ring, 11mm.	0		
805	BC-F-36-32-UG	Ultra Gold F Connecting Clips 36-32 @ pair	0		
806	BC-1032-FS	10-32 x 1 1/4' Bolts Flat Socket Head	0		
807	BC-1032-LN	10-32 LN	0		
808	KEY-6-6-24	Keystock 3/8' x 3/8' x 1 1/2' Square Cut (1018)	1		
810	HM-103-SK	Seal Kit for Char-Lynn Motor	1	S Series - 010	

11015-05-06



# 11010-05-07 Optional Vine Chopper Assembly

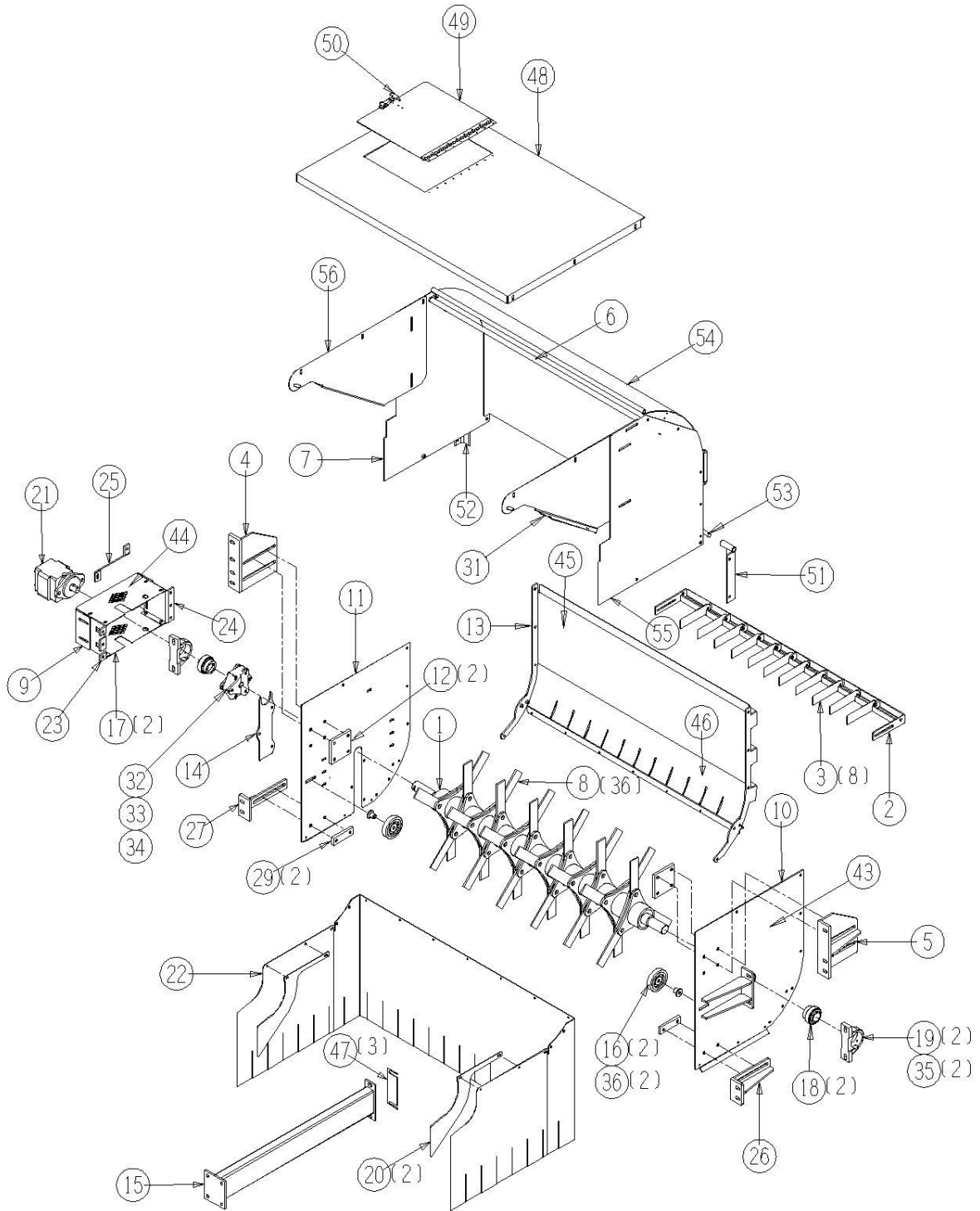
<u>Ref</u>	<u>Part No.</u>	<u>Description</u>	<u>Parts – Assembly</u>	<u>Will Fit SN</u>	<u>Remarks</u>
0	KIT-0155	Vine Chopper for HC-290 Tomato	0		
1	SFT-2019	Flail Chopper Rotor,290	1		2006 to current
2	BRA-2018	Knife Holder, Vine Chopper, 290 Harvester	1		
3	KN-142141	Knife	8		
4	MOU-2005	Hefty Right Mount, Vine Chopper, HC290 Tomato	1		
5	MOU-2006	Hefty Left Mount, Vine Chopper, HC290 Tomato	1		
6	MOU-2016	Support Mount, Chopper, 290 Harvester	1		
7	PAN-2017	Panel, Vine Chopper, Right Side, HC290	1		
8	BAR-2020	Bar, Long Flail, Vine Chopper	36		
9	MOU-2010	Motor Mount, Vine Chopper, 190 Tomato Machine	1		
10	PAN-2006	Panel, Left Side Housing, Vine Chopper, HC290	1		
11	PAN-2007	Panel, Right Side Housing, Vine Chopper, HC290	1		
12	BAR-2013	Bar, Inside Plate, Vine Chopper, 190 Tomato	2		
13	SHD-2017	Chopper Back Panel, 290 Harvester	1		
14	BAR-2012	Bar, End Plate, Vine Chopper, 190 Tomato	1		
15	SUP-2003	Support Tube, Vine Chopper, HC290 Tomato	1		
16	RLR-040-108	4' Flat Roller	2		
17	SHD-2009	Coupler Shield, Vine Chopper	2		
18	BR-175-085-KB	Fafnir Bearing 1 1/2' Heavy SS1	2		
19	BR-085-RAK	Bearing Housing 85 mm	2		
20	BAR-2016	Belting Bar, Vine Chopper, HC290 Tomato	2		
21	HM-122	Motor, Hydraulic, 1-1/2' Gear, #12 SAE Ports	1		
22	BT-2006	Belting, Chopper, 290 Tomato	1		
23	MOU-2011	Side of Motor Mount, Vine Chopper, 190 Tomato	1		
24	MOU-2012	Side of Motor Mount, Vine Chopper, 190 Tomato	1		
25	SUP-2002	Motor Mount Support, Vine Chopper	1		
26	MOU-2007	Bottom Left Mount, Vine Chopper, HC290 Tomato	1		
27	MOU-2008	Bottom Right Mount, Vine Chopper, HC290 Tomato	1		

29	BAR-2017	Bottom Bar, Vine Chopper, HC290 Tomato	2	
31	PAN-2018	Panel, Vine Chopper, Left Side, HC 290	1	
32	CPR-422-18	Lovejoy Donut w/ Hardware	1	
33	CPR-422C-18	Coupler, Shaker Side	1	30095001-
34	CPR-422D-18	Coupler, Shaker, Motor Side, 1' Shaft	1	30095001-
35	GF-1428	Grease Fitting 1/4' x 28 straight	2	
36	RLA-000-118	Standoff, 1/2' X 1 1/8'	2	
43	DC-1174	Decal, Danger Keep Hands and Feet Away	1	
44	DC-1176	Decal, Danger-Hand Chain Sprockets	1	
45	DC-1182	Decal, White 'PIK RITE' 3 1/4' x 23'	1	
46	DC-1184	Danger Decal, 3' x 16'	1	
47	SPA-2003	Spacer, Support Tube, 290 Tomato Harvester	3	SPA-2003
48	SHD-2012	Top Sheild, 290 Vine Chopper	1	
49	SHD-8404	Shield, Access, Transfer, HC290 Tomato	1	
50	LA-1530	Medium Rubber T Latch Assembly	1	
51	MOU-2018	Chopper Shield Pivot, 290 Tomato	1	
52	MOU-2019	Shield Pivot, 290 Tomato	1	
53	SFT-2017	Pivot Shaft, 290 Tomato	1	
54	SHD-2016	Chopper Shield 290 Tomato	1	
55	PAN-2016	Panel, Vine Chopper, Left Side, HC290	1	
56	PAN-2019	Panel, Vine Chopper, Right Side, HC290	1	
58	DC-1175	Decal, Danger, Rotating Blade Hazard	2	
60	LA-703	Large Rubber T Latch Assembly	2	
101	BL-6-SW	3/8 SAE FW ZC	66	
102	BL-6-LN	3/8 UNC FIN HEX LOCK NUT NE A563 GrA ZINC	60	
103	BL-6-125-H	3/8-16 X 1 1/4 HHCS G5 ZC	24	
104	BL-8-SW	1/2 SAE FW ZC	18	
105	BL-8-LN	1/2-13 HEX LOCK NUT NYLON INSERT ZC	20	
106	BL-8-200-H	1/2-13 X 2 HEX CAP G5 ZC	2	
107	BL-4-LW	1/4 SPLIT LW ZC	8	
108	BL-4-FW	1/4 USS FW ZC	42	

109	BL-4-075-H	1/4 UNC X 1/2 HH C/S BOLT GR5 ZINC	21
111	BL-4-LN	1/4-20 HEX LN NE ZC	17
112	BL-4-100-H	1/4-20 X 1 HEX CAP G5 ZC	4
113	BL-6-075-H	3/8-16 X 1/2 HHCS G5 ZC	10
114	BL-6-100-H	3/8 UNC X 1 HH C/S BOLT GR5 ZINC	28
115	BL-8-175-H	1/2-13 X 1 1/2 HEX CAP G5 ZC	12
116	BL-8-FW	1/2 USS FW ZC	26
117	BL-8-225-H	1/2-13 X 2 1/4 HEX CAP G5 ZC	4
118	BL-8-LW	1/2 SPLIT LW ZC	4
119	BL-8-125-H	1/2-13 X 1 1/4 HEX CAP G5 ZC	4
120	BL-8-300-H	1/2-13 X 3 HEX CAP G5 ZC	2
121	BL-6-125-8	3/8-16 X 1 1/4 HH C/S GR8 ZC	12
122	BL-6-FW-8	3/8 FLAT WASHER, G8 ZC	36
123	BL-12-175-H-8	1/2-10 x 1-1/2' Grade 8 Hex Head	36
125	BL-12-LNS	1/2-10 Stover Lock Nut	36
126	RI-3-5-P	Pop Rivet 3/16 x 5/16 Domed, .375 head, ea	8
127	RI-3-5-SS	SS Pop Rivets, 5/32 x .063-.125, Buttonhead	4
601	HV-FL1230	Flow Control Valve, 30 GPM with #12 SAE Port	1
602	A-6900-12-12	12 SAE x 1/2' FPX	2
603	A-6901-12-12	12 SAE x 1/2' FPX 90-, Forged	2
604	H12-125-12MP-12MP	1/2 in hose 1/2 MP x 1/2 MP x 125 in long	2
605	A-4124-6-4	1/4 Male Pipe x 3/8 Push Loc	1
606	H6-PL-360	3/8'x 360' Long Casedrain Hose	1
607	A-4124-6-6	3/8 Male Pipe x 3/8 Push Loc	1
608	A-4124-8-6	3/8 Male Pipe x 1/2 Push Loc	1
609	BL-6-10125-B7	3/8-16 x 10-1/8 B7 Threaded Rod	4
610	OR-220	O-Ring, 1/8' RH & 1 5/8' OD	1
800	WT-17H	Heavy Duty Wire Tie 17.5'	10
801	HM-2100-SK	Shaft Seal & Gasket Kit for Permco Motor, M2100 Series	1
802	HM-2100-BRG	Bearing for Permco Motor, M2100 Series	1



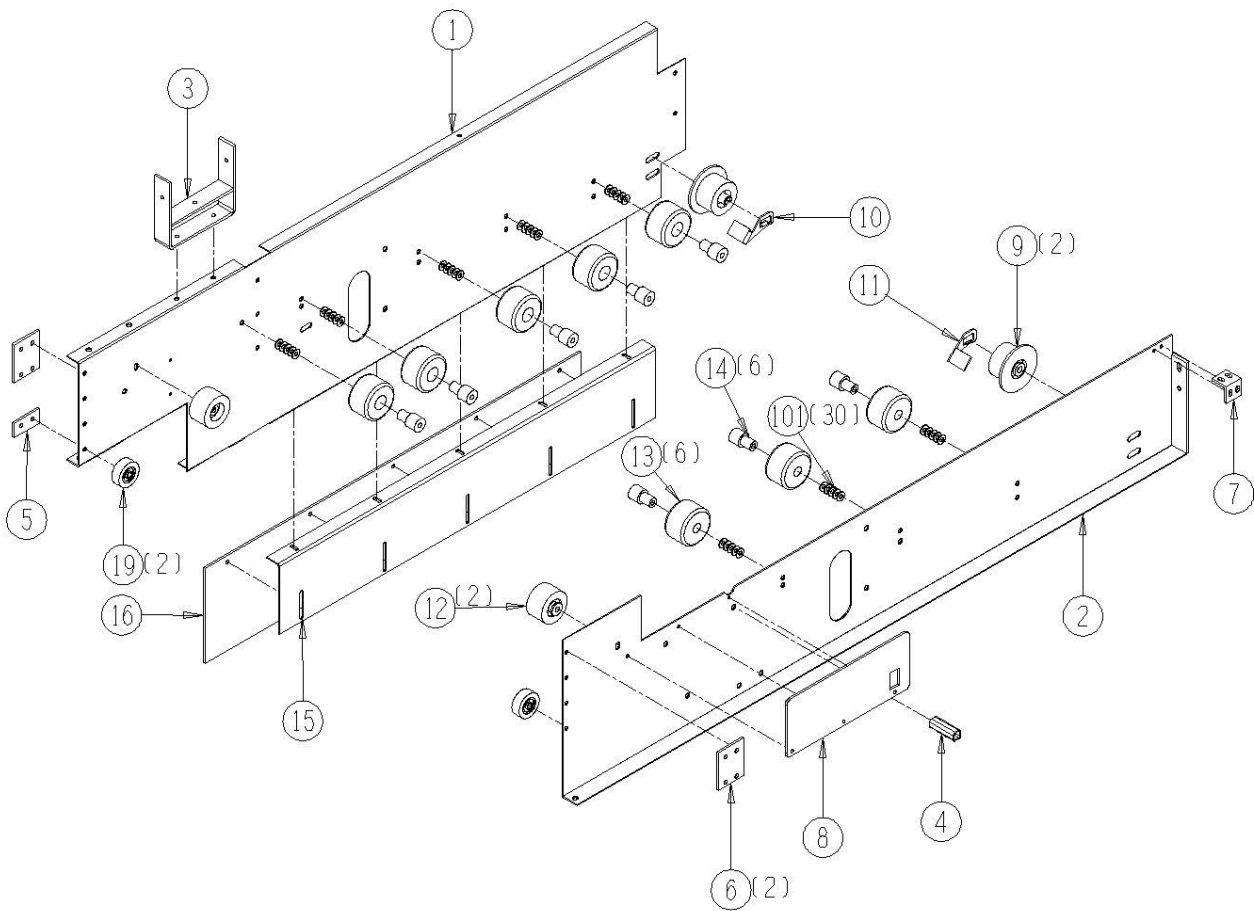
11010-05-07



# 11011-06-01 Cross Conveyor Assembly

<u>Ref</u>	<u>Part No.</u>	<u>Description</u>	<u>Parts – Assembly</u>	<u>Will Fit SN</u>	<u>Remarks</u>
1	PAN-8530	Rear Cross Panel, '11 290	1		
2	PAN-8531	Front Cross Panel, '11 290	1		
3	BRA-8401	Hose Holder, Cross Conveyor, HC290 Tomato	1		
4	SPA-8101	Spacer, Rear Cross Frame, High Capacity Tomato	1		
5	BAR-8520	Cross Panel Connecting Bar, '11 290	1		
6	BRA-8609	Connecting Bracket, Cross Chain, 290	2		
7	BRA-8450	Bracket, Cross Conveyor, HC290 Tomato	1		
8	PL-8502	Plastic Shield, Panel Front, Cross Conveyor, HC290	1		
9	RLT-535-2210-SC	5' Flange Roller 2.2 WF 3.5 Dia, 5/8' Bore w/ Hub for Scraper	2		
10	RLA-3023-T	Straight Scraper, RH	1		
11	RLA-3024-T	Straight Scraper	1		
12	RLT-035-228	Roller 3.5 Dia x 2.2 x 1/2' Bore, No Flange	2		
13	RLU-040-2516	Urethane Roller 4' dia x 2.5' w	8		
14	RLA-010-0108	Spindle / Standoff for Urethane Roller (heat treated)	8	19101-	
15	SHD-0145	Cross Sheild, 290 Tomato	1		
16	PL-0123	Plastic Shield, Cross, 290 Tomato	1		
17	RLA-000-118	Standoff, 1/2' X 1 1/8'	1		
18	RLR-040-108	4' Flat Roller	1		
19	RLT-027-108	Roller 2.75' dia. 1/2' Bore	2		
101	BL-6-FW	3/8 USS FW ZC	30		

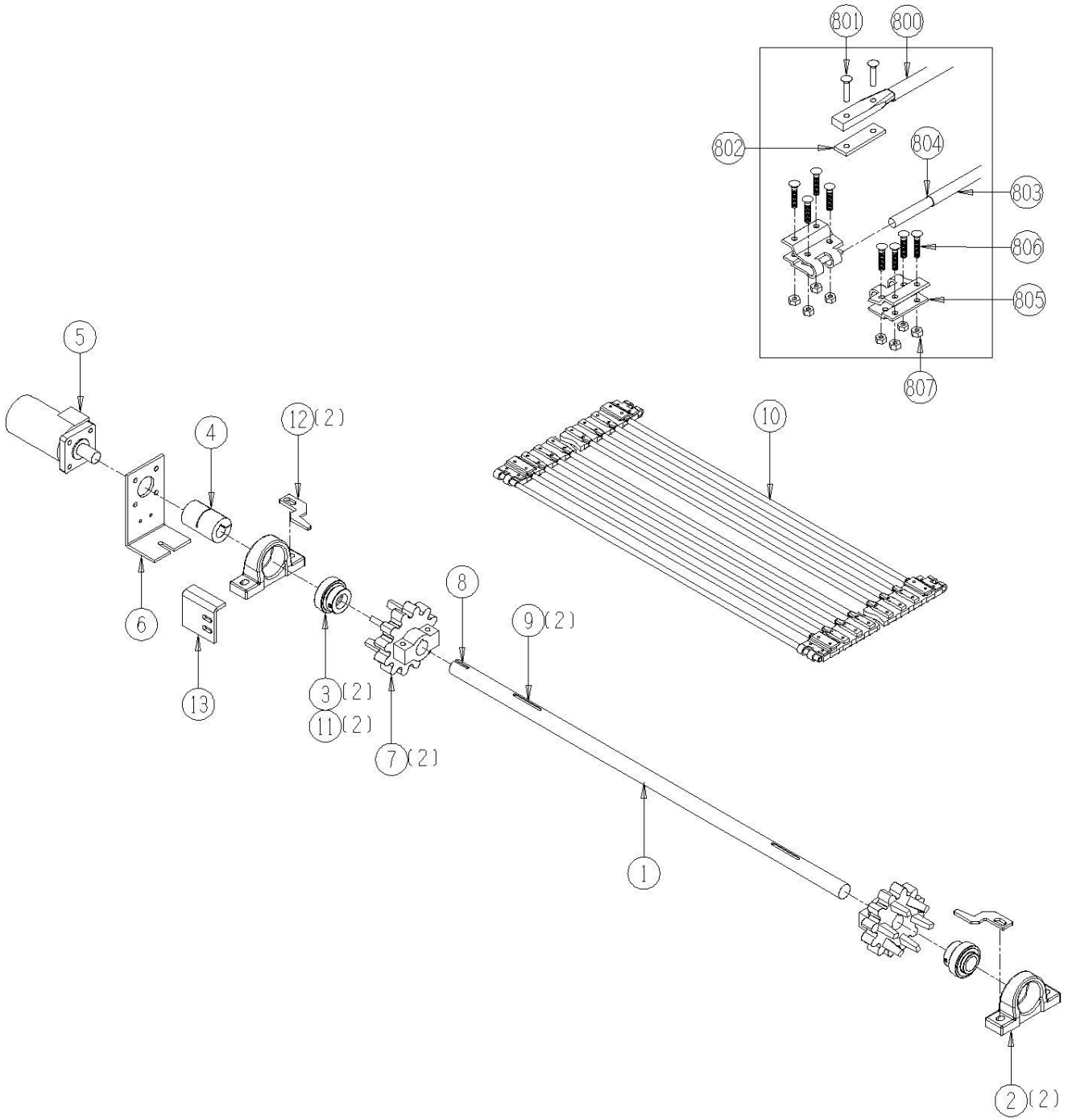
11011-06-01



# 11010-06-02 Cross Conveyor Drive Shaft Assembly

<u>Ref</u>	<u>Part No.</u>	<u>Description</u>	<u>Parts – Assembly</u>	<u>Will Fit SN</u>	<u>Remarks</u>
1	SFT-8502	Shaft, Drive, Cross Conveyor, HC290	1		
2	BR-072-RAK	72mm Cast Housing	2		
3	BR-125-072	Bearing, 1 1/4 Fafnir Tri-Seal, 72mm OD	2		
4	CPS-6060	Steel Coupler (off center) 1 1/4' x 1'	1		
5	HM-214-TC	Hydraulic Motor	1		Seal Kit # TCI-SKHPQ
6	193-806	Mount Motor	1		
7	SPU-3612-20-4	Urethane Sprocket 36-12 1 1/4 bore 1/4' key	2		Sub SP-3612-20-4
8	KEY-4-4-16	Shaft Key 1/4' X 1/4' X 1' Square Cut (1018)	1	20095001-	
9	KEY-4-4-32	Shaft Key 1/4' x 2' Square Cut (1018)	2		
10	BC-7-3636-140	Belted Chain, Cross Chain, 290 Harvester, Fan Extension	1		
11	BR-12572-LC	1 1/4' Locking Collar - Bearing Protector	2		
12	SCR-102	Scraper, For 72mm Bearings, Tomato Harvester	2		
13	193-806a	Motor Mount Stop	1		
800	BC-7-32-ST	7/16' x 32' Belted Chain Rod for 60mm Belt	0	11001	
801	RI-25-BC	25mm Belted Chain Rivets	0		
802	BC-BP32	Belt, Rivet Backing Plates 32mm	0	11001	Lap Splice Option, Used only with BC-1032-LN Lock Nuts
803	BC-7-36-CN	Connecting Rod, 11mm, 36' Wide Belted Chain, 60mm Traction Belts	0	11001	For Clip Splice Option
804	BC-3525	Snap Ring, 11mm.	0		
805	BC-F-36-32-UG	Ultra Gold F Connecting Clips 36-32 @ pair	0		
806	BC-1032-FS	10-32 x 1 1/4' Bolts Flat Socket Head	0		
807	BC-1032-LN	10-32 Lock Nuts	0		

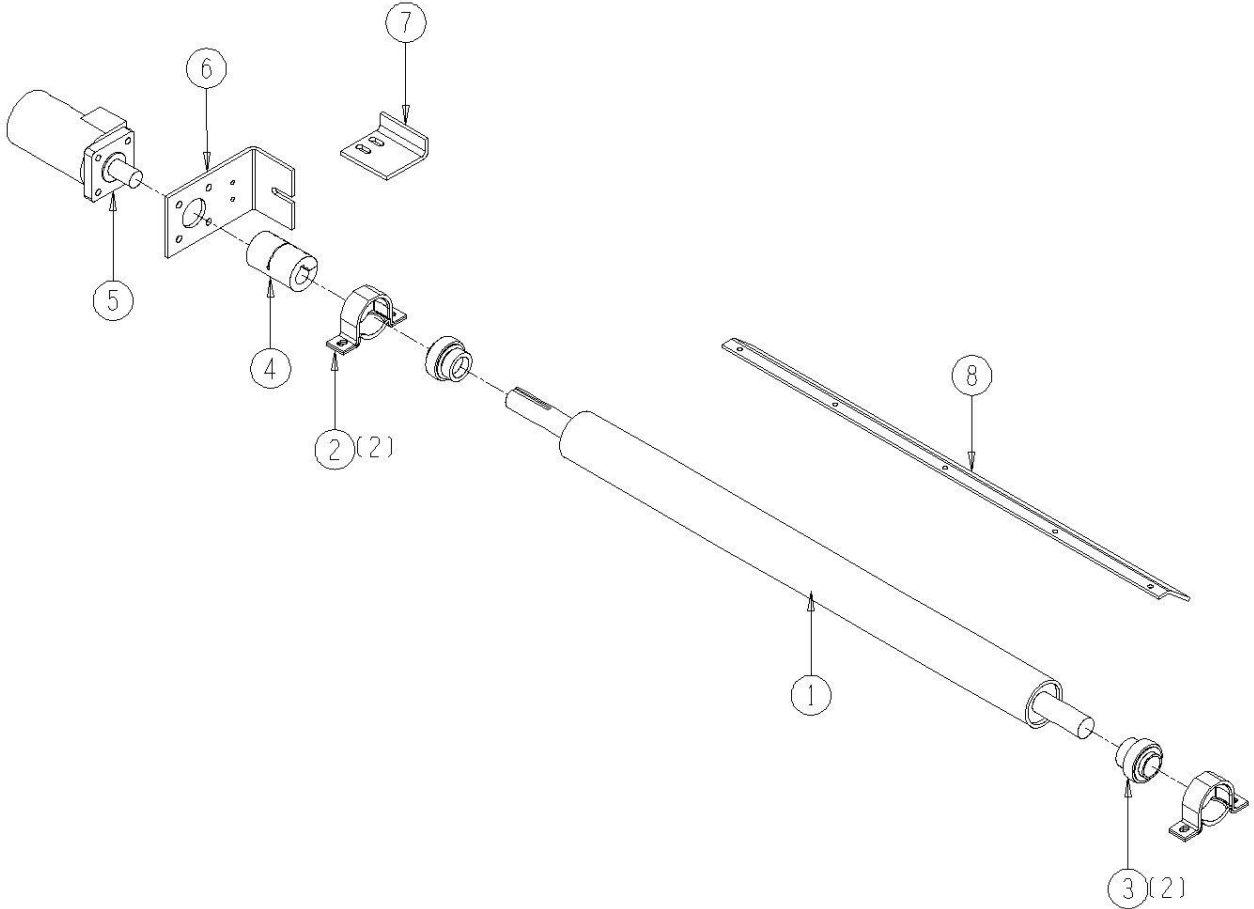
11010-06-02



# 11010-06-03 Cross Conveyor Return Roller Assembly

<u>Ref</u>	<u>Part No.</u>	<u>Description</u>	<u>Parts – Assembly</u>	<u>Will Fit SN</u>	<u>Remarks</u>
1	SFT-8500	Return Roller, Cross Conveyor, HC290 Tomato	1		
2	BR-062-MPB	Stamped Bearing Housing for 1 1/4' bearing	2		
3	BR-125-062	Bearing, 1 1/4 Fafnir Tri-Seal, 62mm OD	2		
4	CPS-6060	Steel Coupler (off center) 1 1/4' x 1'	1		
5	HM-210-TC	TCI Motor	1		Seal Kit # TCI-SKHPQ
6	193-806	Mount Motor	1		
7	193-806A	Motor Mount Stop	1		
8	SCR-8500	Scraper, Cross return Roller, 290 Harvester(2011)	1		
800	KEY-4-4-15	Shaft Key 1/4' X 1/4' X 15/16' Woodruff Key	1		

11010-06-03

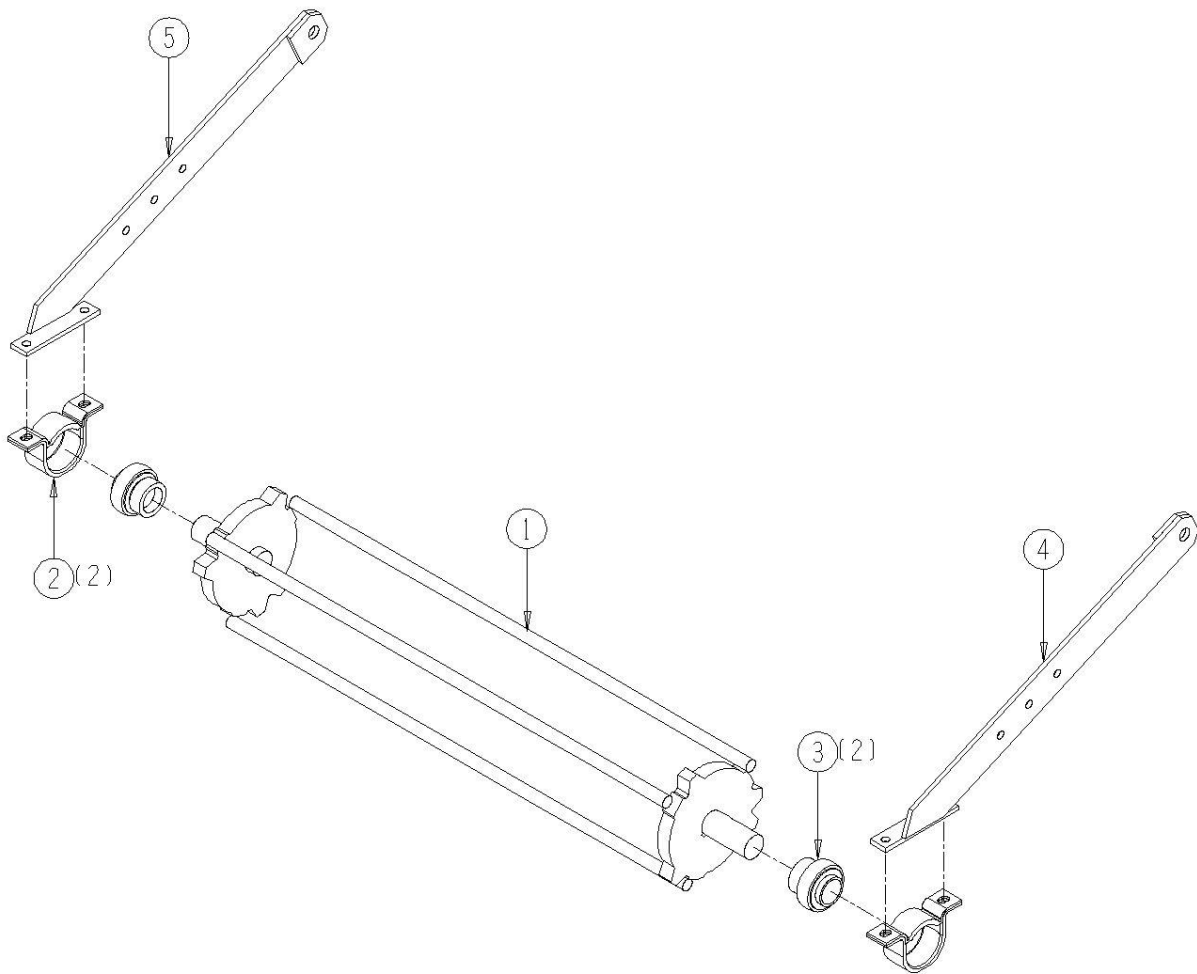


# 11010-06-04 Cross Conveyor Bar Cleaner Assem.

<u>Ref</u>	<u>Part No.</u>	<u>Description</u>	<u>Parts – Assembly</u>	<u>Will Fit SN</u>	<u>Remarks</u>
1	194-361	Bar Cleaner, 36mm pitch x 36in wide chain	1	19401-	Replaces 192-361
2	BR-062-MPB	Stamped Bearing Housing for 1 1/4' bearing	2		
3	BR-125-062I	Bearing, 1 1/4' ID, TS	2		FIT Bearing
4	192-362A	Chain Cleaner Bar (Left)	1	19101-	
5	192-362B	Chain Cleaner Bar (Right)	1	19101	
100	BL-6-125-H	3/8-16 X 1 1/4 HHCS G5 ZC	4		
101	BL-6-LN	3/8 UNC FIN HEX LOCK NUT NE A563 GrA ZINC	4		
102	BL-6-SW	3/8 SAE FW ZC	8		
103	BL-10-075-SH	5/8 X 1/2 SHOULDER BOLTS	2	11001-	
104	BL-8-FW-8	1/2 FLAT WASHER G8 ZC	2		
105	BL-8-LN	1/2-13 HEX LOCK NUT NYLON INSERT ZC	2		



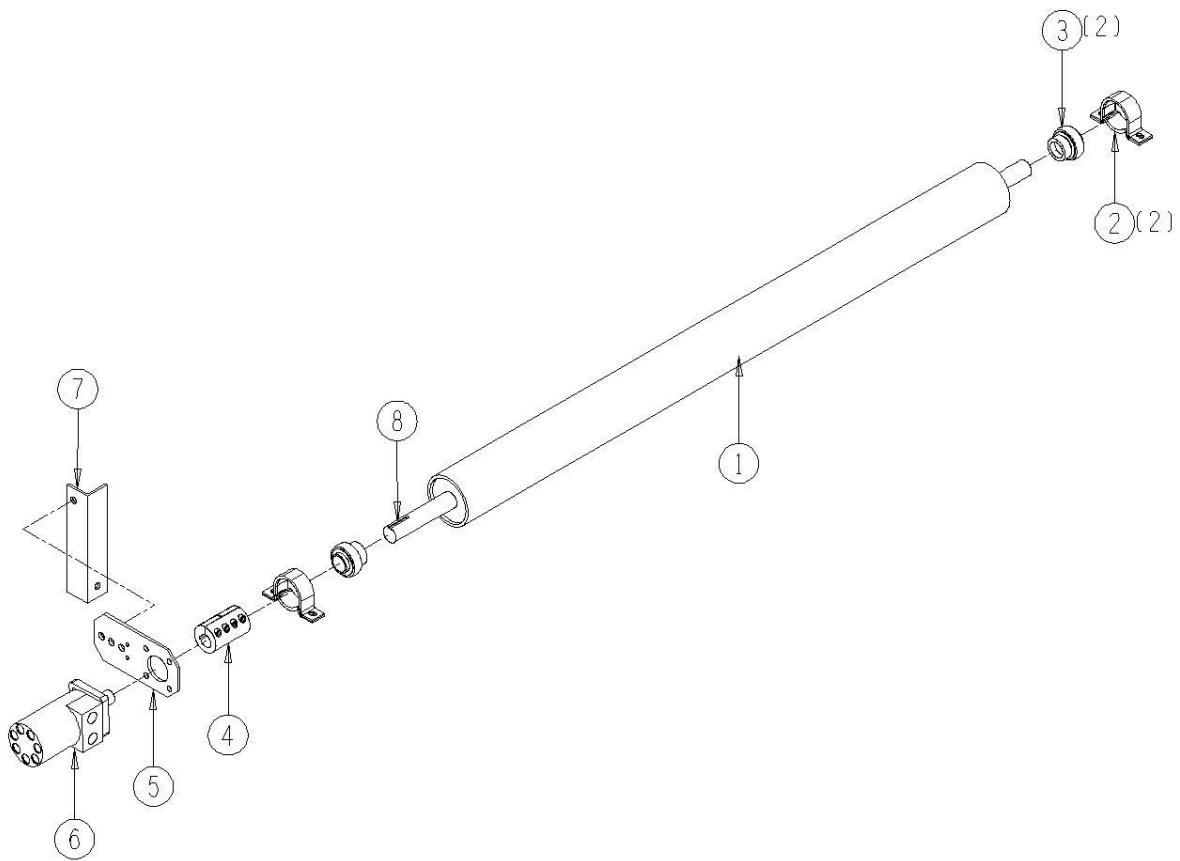
11010-06-04



# 11010-06-05 Cross Conveyor Cleaner Roller, Above Rear Panel

<u>Ref</u>	<u>Part No.</u>	<u>Description</u>	<u>Parts – Assembly</u>	<u>Will Fit SN</u>	<u>Remarks</u>
1	SFT-8403	Shaft, Return Roller, Transfer Chain, HC290	1		
2	BR-062-MPB	Stamped Bearing Housing for 1 1/4' bearing	2		
3	BR-125-062	Bearing, 1 1/4 Fafnir Tri-Seal, 62mm OD	2		
4	CPS-6060	Steel Coupler (off center) 1 1/4' x 1'	1		
5	MOU-8505	Mount, Motor, w/Torque Arm, HC290	1		
6	HM-210-TC	TCI Motor	1		Seal Kit # TCI-SKHPQ
7	MOU-8515	Mount, Motor Stop, Cross Roller 290 Tomato	1	MOU-8515	
8	KEY-4-4-16	Shaft Key 1/4' X 1/4' X 1' Square Cut (1018)	1	20095001-	
800	KEY-4-4-15	Shaft Key 1/4' X 1/4' X 15/16' Woodruff Key	1		

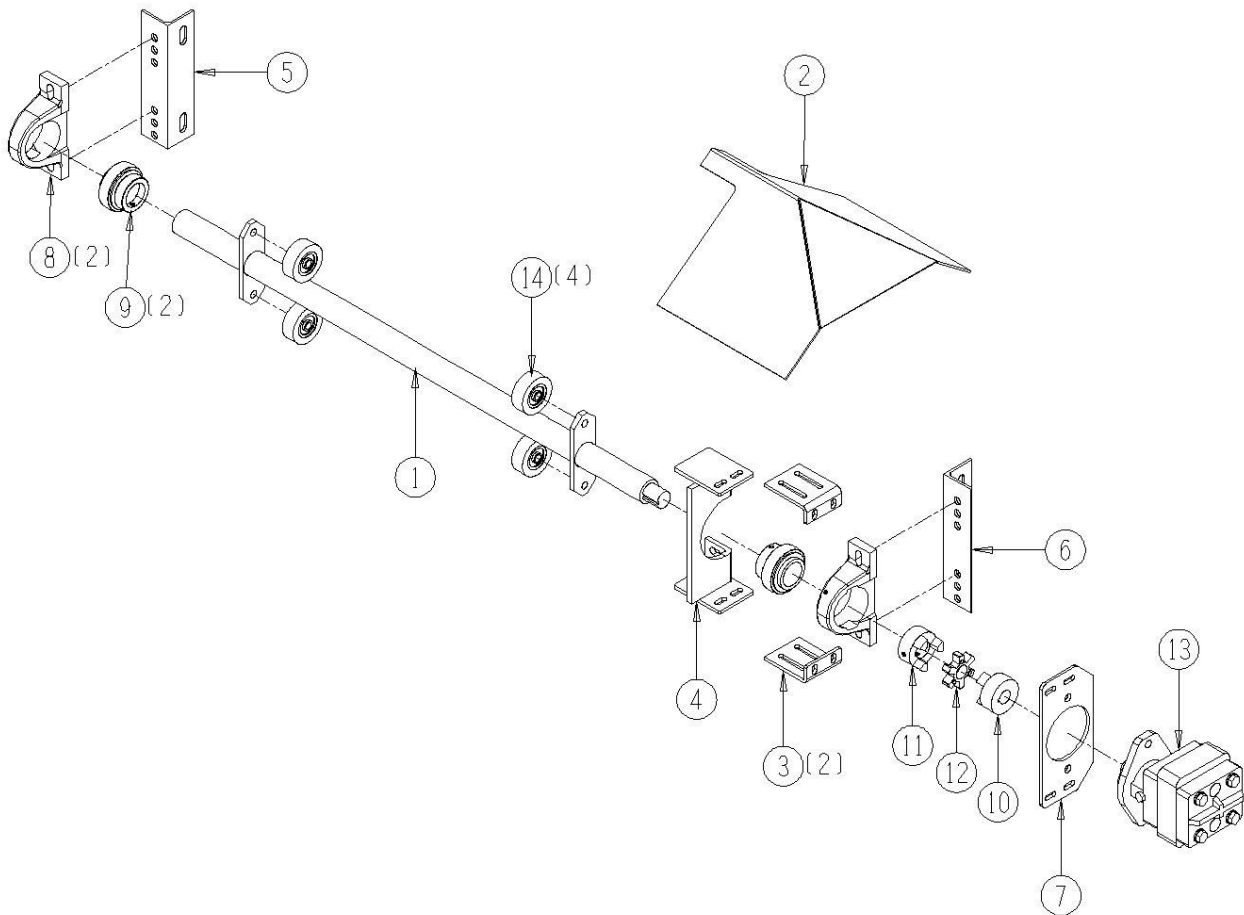
11010-06-05



# 11011-06-06 Cross Vibrator Shaft Assembly

<u>Ref</u>	<u>Part No.</u>	<u>Description</u>	<u>Parts – Assembly</u>	<u>Will Fit SN</u>	<u>Remarks</u>
1	SFT-8603	Cross Vibrator Shaft, '11 290	1		
2	SHD-8603	Cross Vibrator Shield, '11 290	1		
3	MOU-0177	Mount, Long Vibrator, Harvester	2		
4	MOU-0176	Motor Mount, Stop, Cross Chain Vibrator, 2010 190 Tomato	1		
5	MOU-8604	Cross Vibrator Mount, 2011 290	1		
6	MOU-8605	Cross Vibrator Mount, Front, '11 290	1		
7	MOU-0167	Mount, Motor Cross Vibrator	1		
8	BR-085-RAK	Bearing Housing 85 mm	2		
9	BR-175-085	Fafnir Bearing 1 1/2 Tri Seal	2		
10	CPJ-6051	Coupler, L099, Motor Side 1in. Bore	1	19101	Sub 194-6053
11	CPJ-6052	Coupler, L100, Shaft Side 1 1/4in. Bore x 1/4' Key	1	19101	Sub 194-6053 Exept on Debris Fan
12	CPJ-6055	Coupler, L099/100, Urethane Spider	1	19101	For use with CPJ-6052 and CPJ-6051 and CPJ-7081 Sub CPS-6053
13	HM-115	Hydraulic Motor	1		
14	RLT-027-108	Roller 2.75' dia. 1/2' Bore	4		
801	HM-2100-SK	Shaft Seal & Gasket Kit for Permco Motor, M2100 Series	1		
802	HM-2100-BRG	Bearing for Permco Motor, M2100 Series	1		

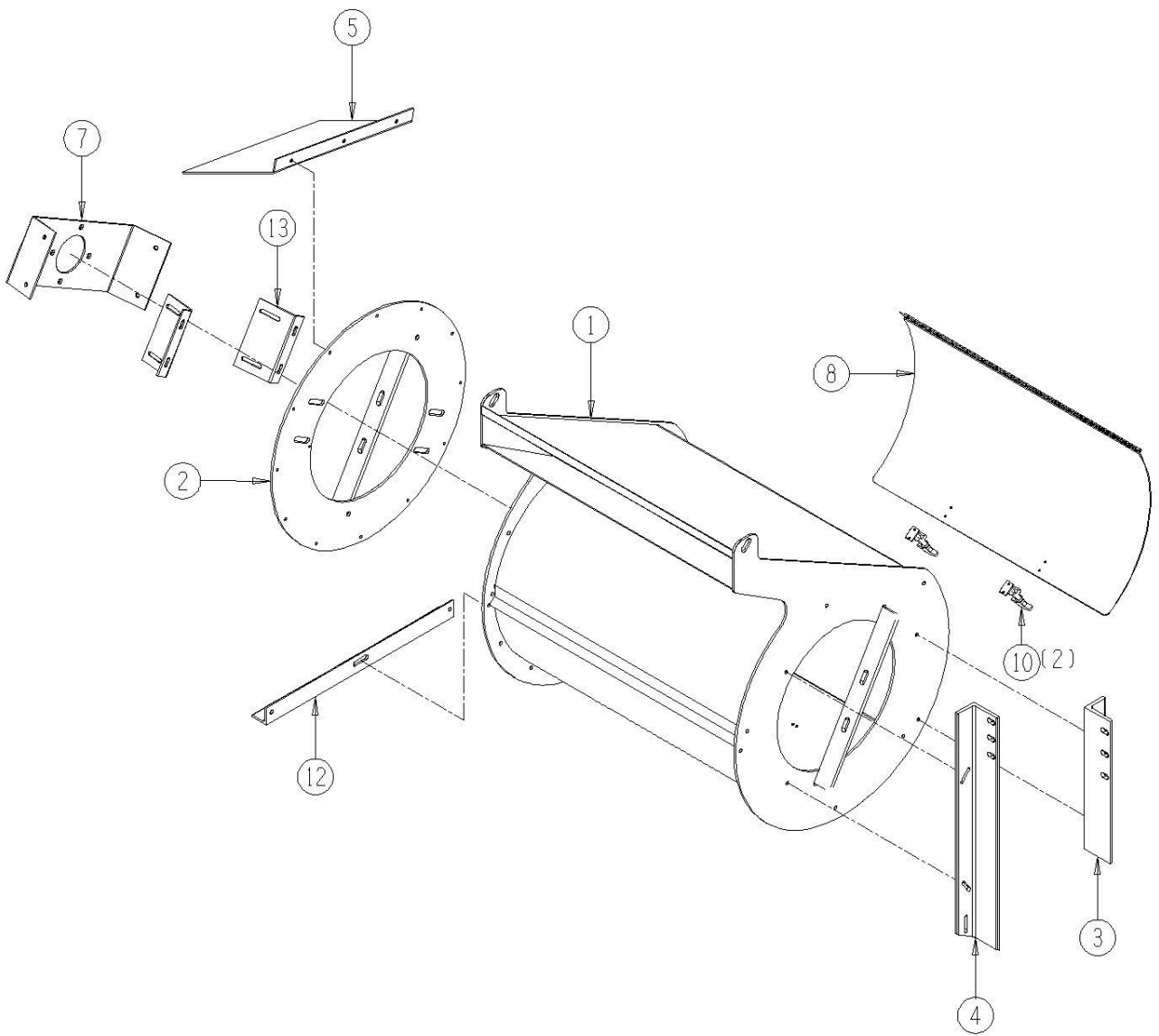
11011-06-06



# 11011-07-01 Debris Fan Assembly

<u>Ref</u>	<u>Part No.</u>	<u>Description</u>	<u>Parts – Assembly</u>	<u>Will Fit SN</u>	<u>Remarks</u>
1	FAN-8601	Fan Housing, Large Fan, 290 Harvester	1		
2	FAN-8602	End Plate, Large Fan Housing, 290 Harvester	1		
3	BRA-8513	Fan Mount, Angle, '11 290	1		
4	BRA-8514	Fan Housing Mount, Angle, '11 290	1		
5	PL-8517	Plastic, Rear Debris Fan Guard, 290 Harvester	1		
7	BRA-8608	Motor Mount, Debris Fan, 290 Harvester	1		
8	FAN-8603	Fan Door, Large Diameter Fan, 290 Harvester	1		
10	LA-703	Large Rubber T Latch Assembly	2		
11	DC-1175	Decal, Danger, Rotating Blade Hazard	1		
12	MOU-8606	Fan Mount, '11 290	1		
13	192-704B	Bracket, Debris Fan Motor, Bottom	2	19201-	
100	BL-1032-050	10-32 x 1/2' Bolt	40		
101	BC-1032-LN	10-32 Lock Nuts	40		

11011-07-01

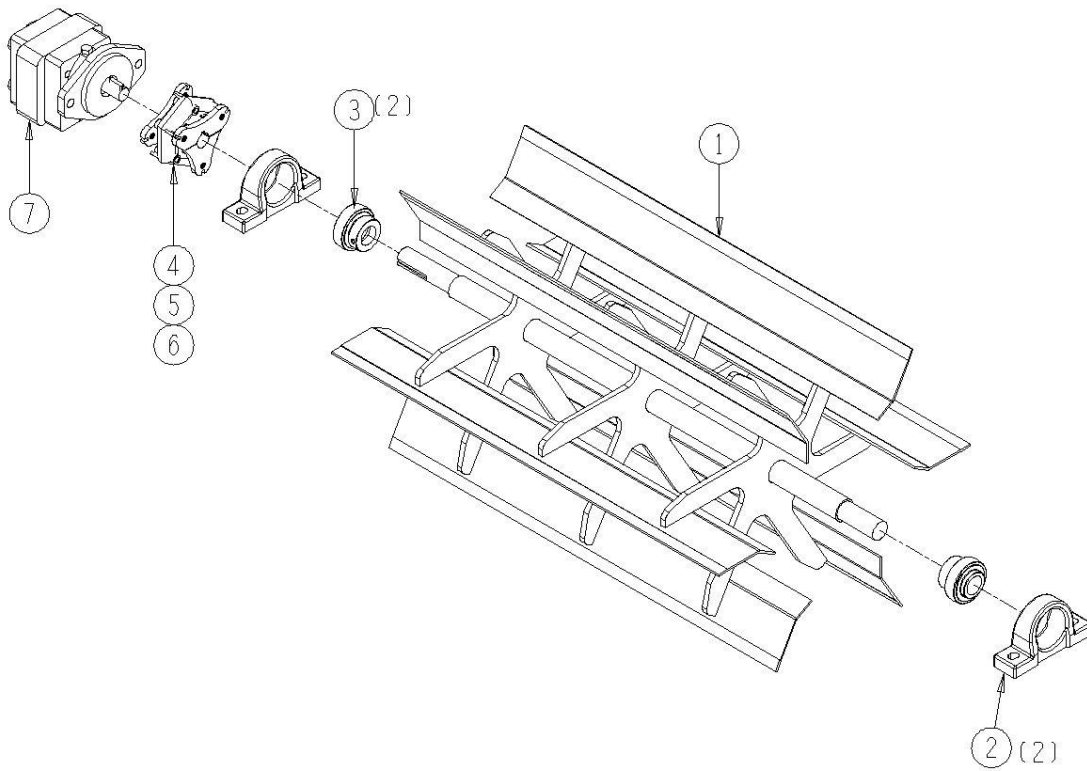


# 11015-07-02 Debris Fan Paddle Assembly

<u>Ref</u>	<u>Part No.</u>	<u>Description</u>	<u>Parts – Assembly</u>	<u>Will Fit SN</u>	<u>Remarks</u>
1	FAN-8614	Large Fan, HC290 Redesigned Rotor	1		Replaces FAN-8600
2	BR-072-RAK	72mm Cast Housing	2		
3	BR-125-072	Bearing, 1 1/4 Fafnir Tri-Seal, 72mm OD	2		
4	CPR-422D-15	Coupler, 1-1/4' Bore, 1/4' Key	1		
5	CPR-422a-15	Primary Shaker Coupler 1' Bore (Motor Side)	1	Years 1995 - 2000	Used on Sec. Sh. Beginning 2000
6	CPR-422-15	Primary Shaker Drive Coupler	1		Used on Sec. Sh. Beginning 2000
7	HM-412-1	Hydraulic Motor, 1' Shaft	1		Same as HM-412C except w/1' shaft REPLACES HM-412C IF REPLACING A HM-412C WITH THIS MOTOR BE SURE THAT THE PROPER COUPLER SIZES ARE SUPPLIED



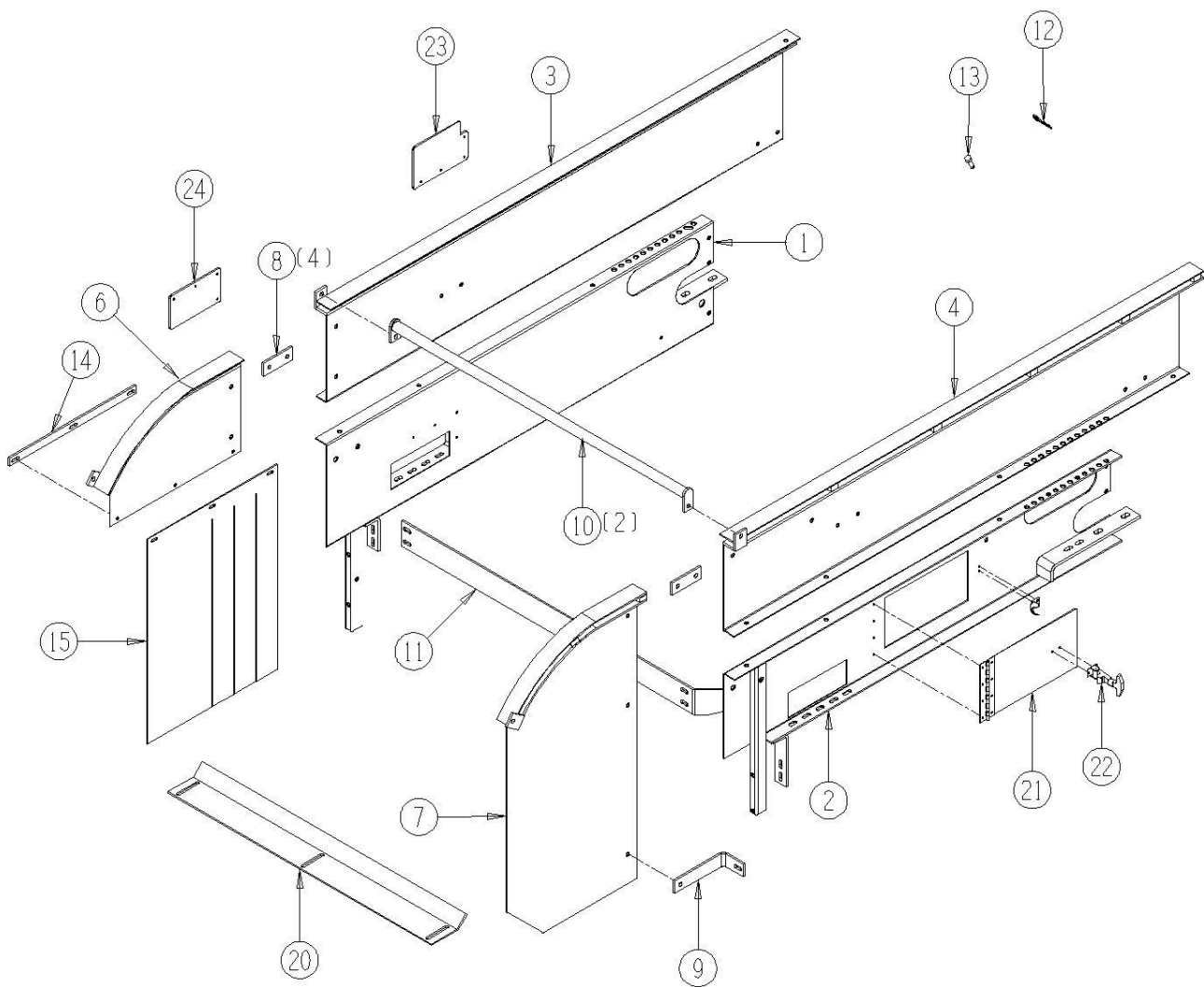
11015-07-02



# 11011-08-01 Debris Chamber Assembly

<u>Ref</u>	<u>Part No.</u>	<u>Description</u>	<u>Parts – Assembly</u>	<u>Will Fit SN</u>	<u>Remarks</u>
1	PAN-8532	Rear Cross Panel, Debris Chamber, '11 290	1		
2	PAN-8533	Front Cross Panel, Debris Chamber, '11 290	1		
3	PAN-8516	Panel, Top Cross Conveyor, 290 Tomato	1		
4	PAN-8520	Panel, Top Front, 290 Tomato Harvester	1		
6	PAN-8519	Outer Rear Cross Panel 290	1		
7	PAN-8518	Front Outer Cross Panel 290	1		
8	BAR-8505	Bar, Between Panels, Cross Conveyor, HC290	4		
9	BRA-8509	Bracket, Cross Frame, 290 Harvester	1		
10	BRA-8508	Bracket, Over Plastic Shield, Cross Conveyor, HC290	2		
11	MOU-8600	Roller Mount, Lower Elevation, HC290 Tomato	1		
12	PIN-H8	Hairpin, 1/2-5/8 Rod Dia Range	1	59701-	
13	BL-6-150-HOLE	Bolt, W/ Hole, Cross Conv, Plastic Shield, HC290	1		
14	BAR-8519	Backing Bar, Outer Debris Belt Shield, 290	1		
15	BT-8519	Belting, Debris Shield, Outer Rear	1		
20	SHD-8504	Scraper Shield, Debris Chamber, HC290	1		
21	SHD-8510	Shield, Door, Debris Chamber, 290 Tomato	1		
22	LA-703	Large Rubber T Latch Assembly	1		
23	PL-8513	Shield, Cross Drive Shaft, UHMW Plastic	2		
24	PL-8514	Shield, Debris Drum, UHMW Plastic	2		
100	BL-6-100-H	3/8 UNC X 1 HH C/S BOLT GR5 ZINC	4		
101	BL-6-JN	3/8 UNC FIN HEX JAM NUT A563 GrA ZINC	4		

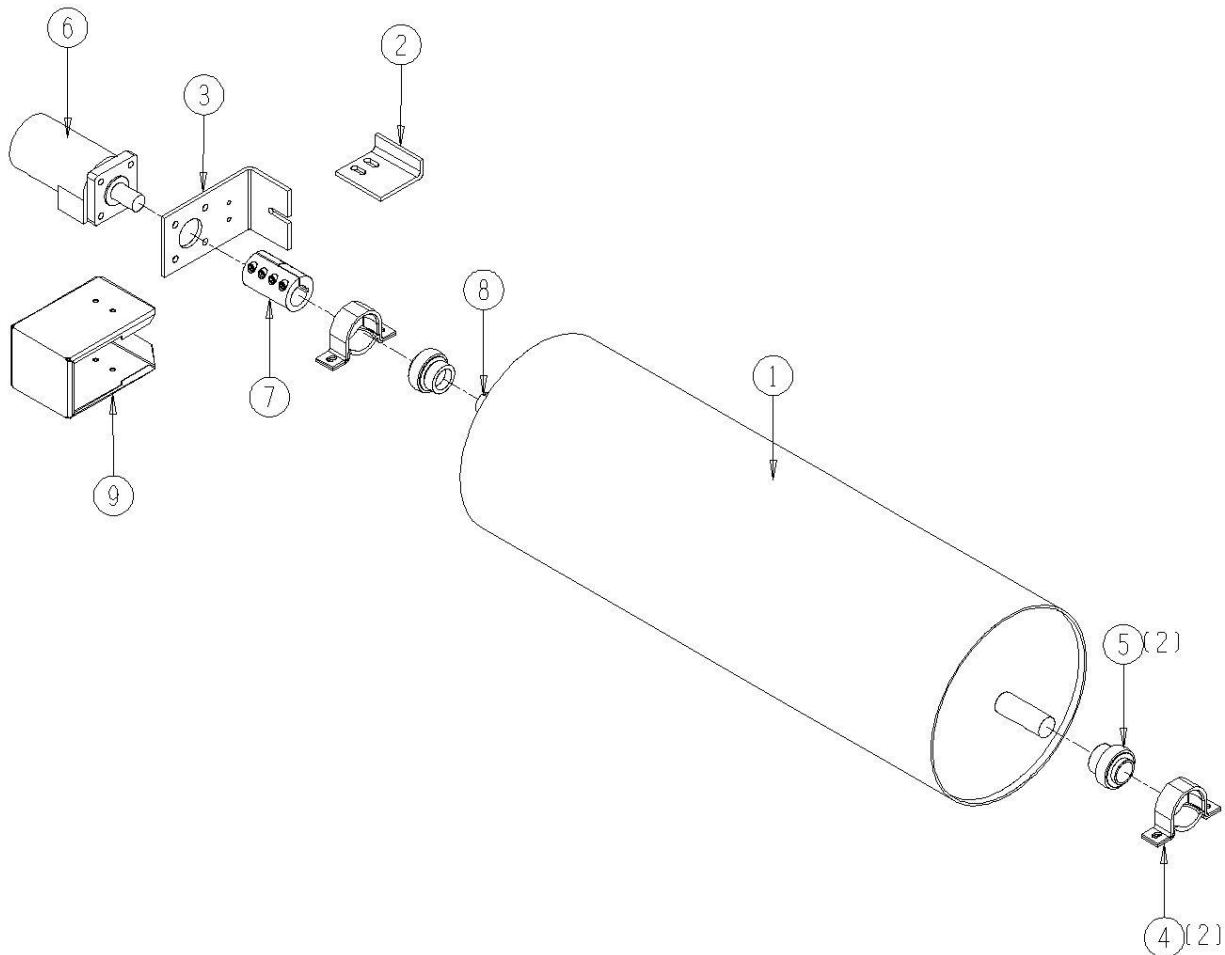
11011-08-01



# 11010-08-02 Debris Drum Drive Assembly

<u>Ref</u>	<u>Part No.</u>	<u>Description</u>	<u>Parts – Assembly</u>	<u>Will Fit SN</u>	<u>Remarks</u>
1	RLS-8002	Debris Drum, 290 Harvester	1		
2	193-806A	Motor Mount Stop	1		
3	193-806	Mount Motor	1		
4	BR-062-MPB	Stamped Bearing Housing for 1 1/4" bearing	2		
5	BR-125-062	Bearing, 1 1/4" Fafnir Tri-Seal, 62mm OD	2		
6	HM-204-TC	TCI Motor	1		Seal Kit # TCI-SKHPQ can replace with HM-204-OMS
7	CPS-6060	Steel Coupler (off center) 1 1/4" x 1"	1		
8	KEY-4-4-16	Shaft Key 1/4" X 1/4" X 1" Square Cut (1018)	1	20095001-	
9	193-806C	Motor Guard	1	19301-	
800	KEY-4-4-15	Shaft Key 1/4" X 1/4" X 15/16" Woodruff Key	1		

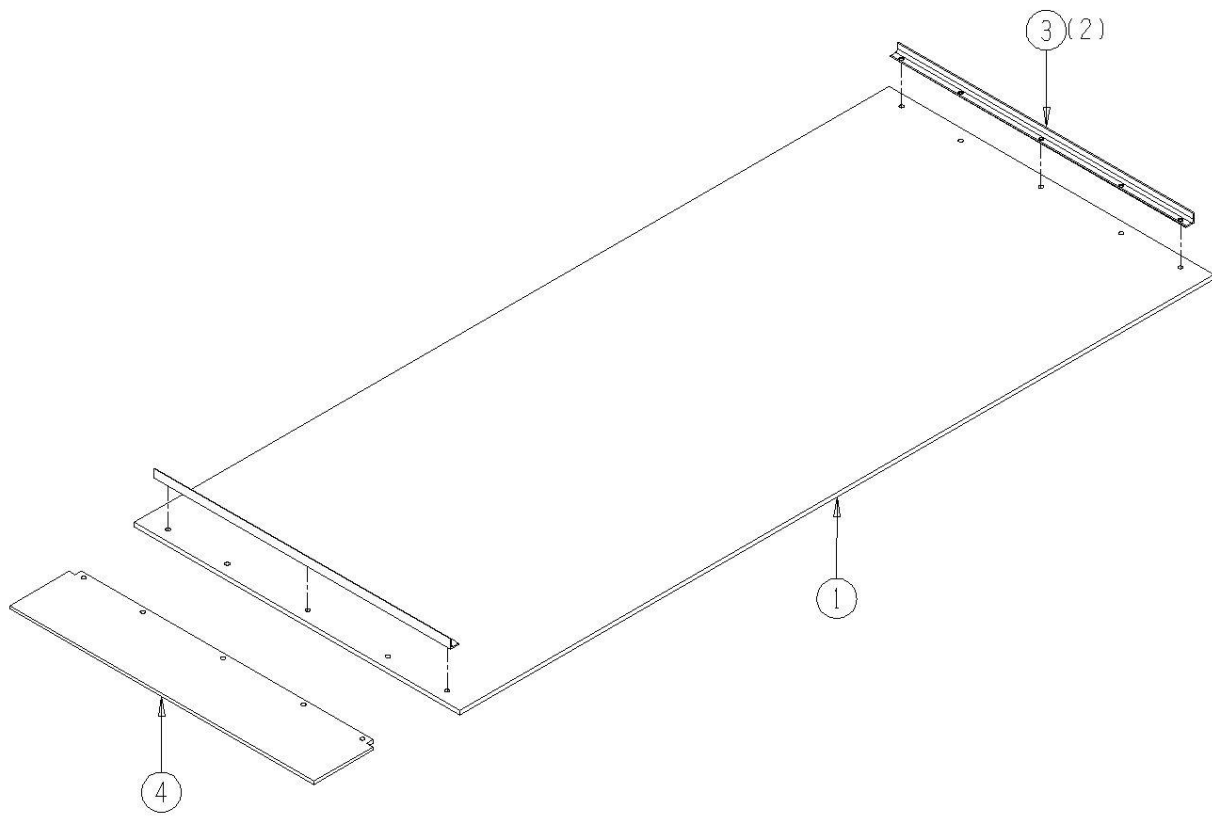
11010-08-02



# 11010-08-04 Debris Belt Shield Assembly

<u>Ref</u>	<u>Part No.</u>	<u>Description</u>	<u>Parts – Assembly</u>	<u>Will Fit SN</u>	<u>Remarks</u>
1	PL-8505	Plastic, Top Shield, Debris Belt, HC290	1		
3	SUP-8508	Support, Cover, Debris Belt, HC290 Tomato	2		
4	BT-8500	Belting, Debris Belt Shield, Cross Conv, HC290	1		

11010-08-04

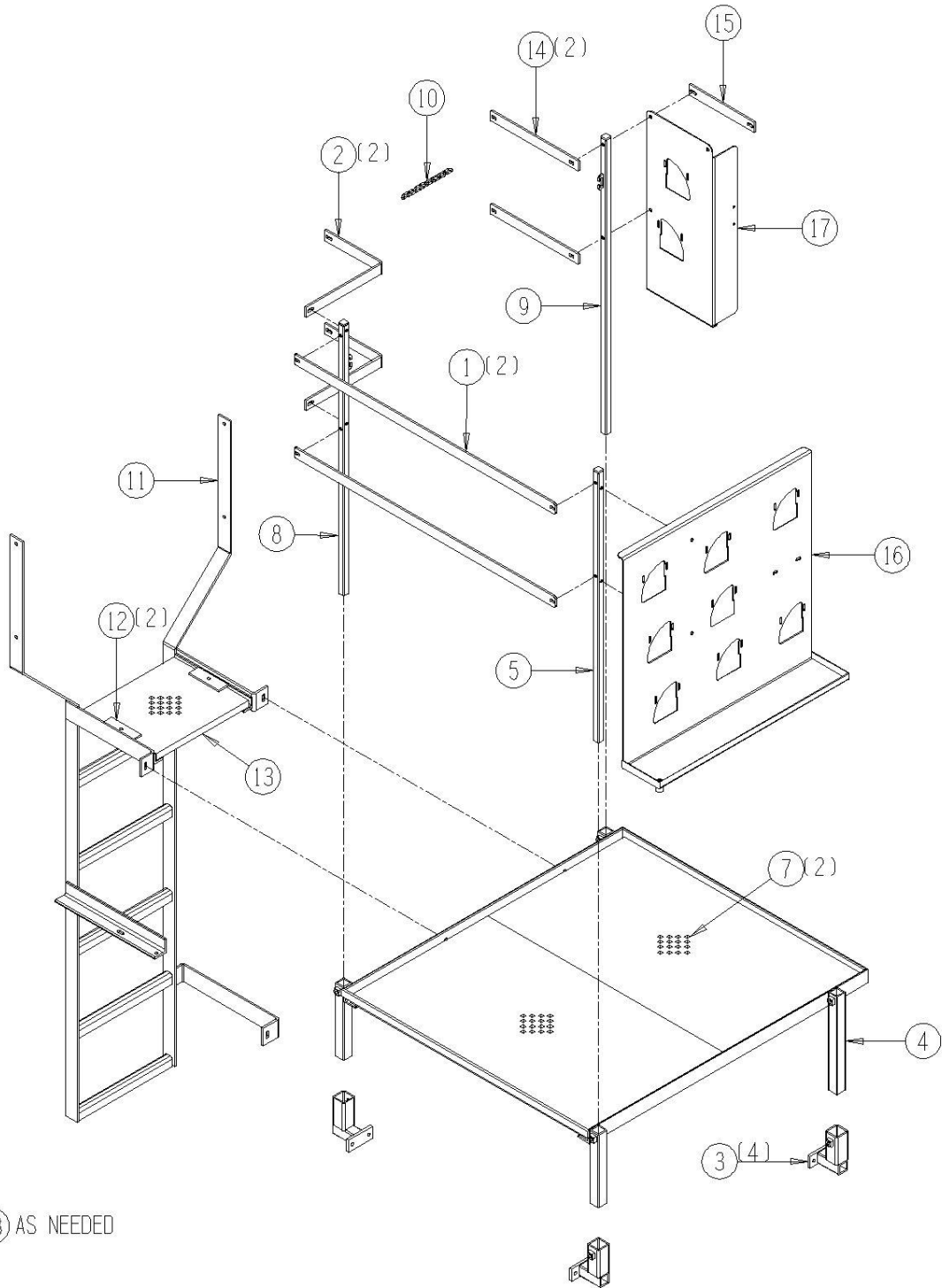


## 11010-08-05 Decking Above Debris Belt Assembly

<u>Ref</u>	<u>Part No.</u>	<u>Description</u>	<u>Parts – Assembly</u>	<u>Will Fit SN</u>	<u>Remarks</u>
1	BAR-8510	Hand Rail, Rear Decking, 290 Harvester	2		
2	BAR-8513	Hand Rail, Ladder to Platform, 290 Harvester	2		
3	MOU-8801	Mount, Rear Decking, 290 Tomato Harvester	4		
4	STD-8500	Decking, Tomato Machine	1		
5	STD-8501	Post	1		
7	STD-8503	Decking, Rear Decking, 290 Harvester	2		
8	STD-8504	Right Rear Post, Rear Decking, 290 Harvester	1		
9	STD-8505	Left Rear Post, Rear Decking, 290 Harvester	1		
10	CH-3-1	3/16' Proof Coil Link Chain @ ft	3.1666666 6666667		
11	STD-8401	Ladder To Platform, 290 Tomato Harvester	1		
12	BAR-3861	Bar, Decking Holder, Elevation Deck Step	2	30098001-	
13	STD-8402	Decking, Ladder To Platform, 290 Tomato	1		
14	BAR-8407	Hand Rail, Ladder, 290 Tomato	2		
15	BAR-8512	Bracket, Platform to Shaker Chamber, 290	1		
16	PAN-8202	Panel, Flow Controls, Rear Ser. Platforms, 290	1		
17	PAN-8200	Panel, L.M. Pump Flow Controls, Ser. Plat, 290	1		
18	WT-14	Wire Tie 14 1/4'	10		
100	BL-8-100-SQSS	1/2 x 1 Square Head Set Screw (USS)	8		



11010-08-05

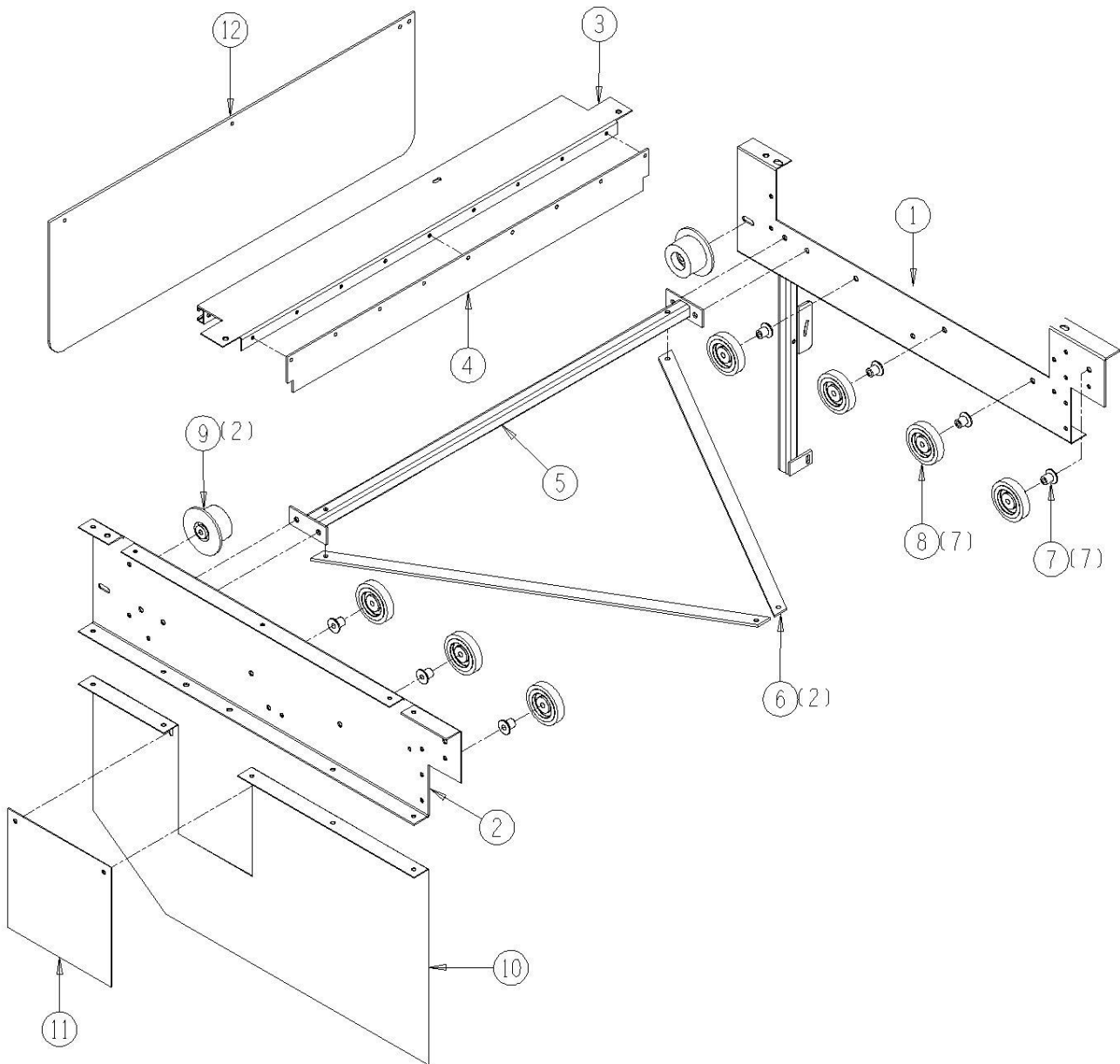


18 AS NEEDED

# 11010-09-01 Lower Elevation Assembly

<u>Ref</u>	<u>Part No.</u>	<u>Description</u>	<u>Parts – Assembly</u>	<u>Will Fit SN</u>	<u>Remarks</u>
1	PAN-8606	Panel, Lower, LH, Elevation, HC290 Tomato	1		
2	PAN-8601	Panel, Lower, RH, Elevation, HC290 Tomato	1		
3	SHD-8503	Rear Elevation Shield 290	1		
4	BT-8600	Belting, Shield, Lower Elevation, HC290 Tomato	1		
5	BAR-8602	Bar, Cross Elevation	1		
6	BAR-8603	Bar, Cross, Lower Elevation, HC290 Tomato	2		
7	RLA-000-118	Standoff, 1/2' X 1 1/8'	7		
8	RLR-040-108	4' Flat Roller	7		
9	RLT-645-2208	6.5' Flange Roller 2.2 WF 4.5 dia, 1/2' bore	2		
10	PAN-8607	Panel, Outside Elevation High Cap. Tomato	1		
11	BT-8606	Belting, High Cap. Elev., Rear	1		
12	PL-8511	Plastic Rear Elevation, 290	1		

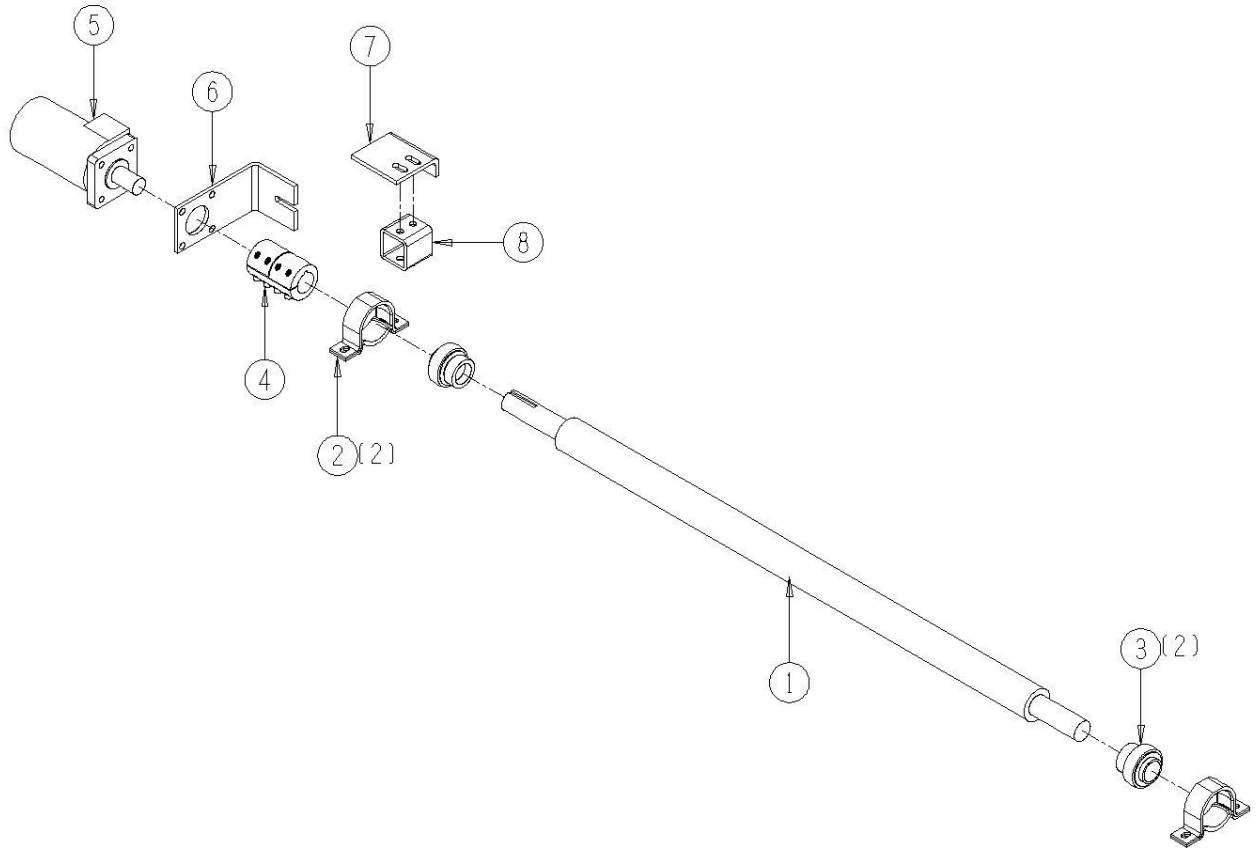
11010-09-01



# 11010-09-02 Lower Elevation Divider Bar Assembly

<u>Ref</u>	<u>Part No.</u>	<u>Description</u>	<u>Parts – Assembly</u>	<u>Will Fit SN</u>	<u>Remarks</u>
1	SFT-8503	Return Roller Shaft, 290	1		
2	BR-062-MPB	Stamped Bearing Housing for 1 1/4' bearing	2		
3	BR-125-062	Bearing, 1 1/4 Fafnir Tri-Seal, 62mm OD	2		
4	CPS-6060	Steel Coupler (off center) 1 1/4' x 1'	1		
5	HM-210-TC	TCI Motor	1		Seal Kit # TCI-SKHPQ
6	MOU-806	Motor Mount	1		
7	193-806A	Motor Mount Stop	1		
8	SPA-0007	Spacer, Motor Stop, Cleaner Table Drives	1		
800	KEY-4-4-15	Shaft Key 1/4' X 1/4' X 15/16' Woodruff Key	1		

11010-09-02

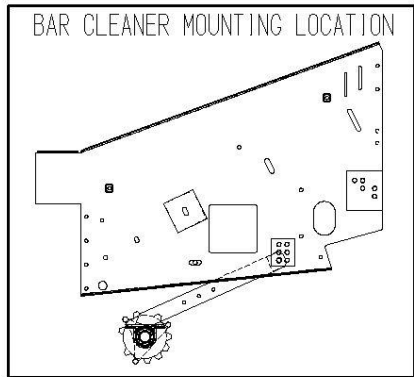
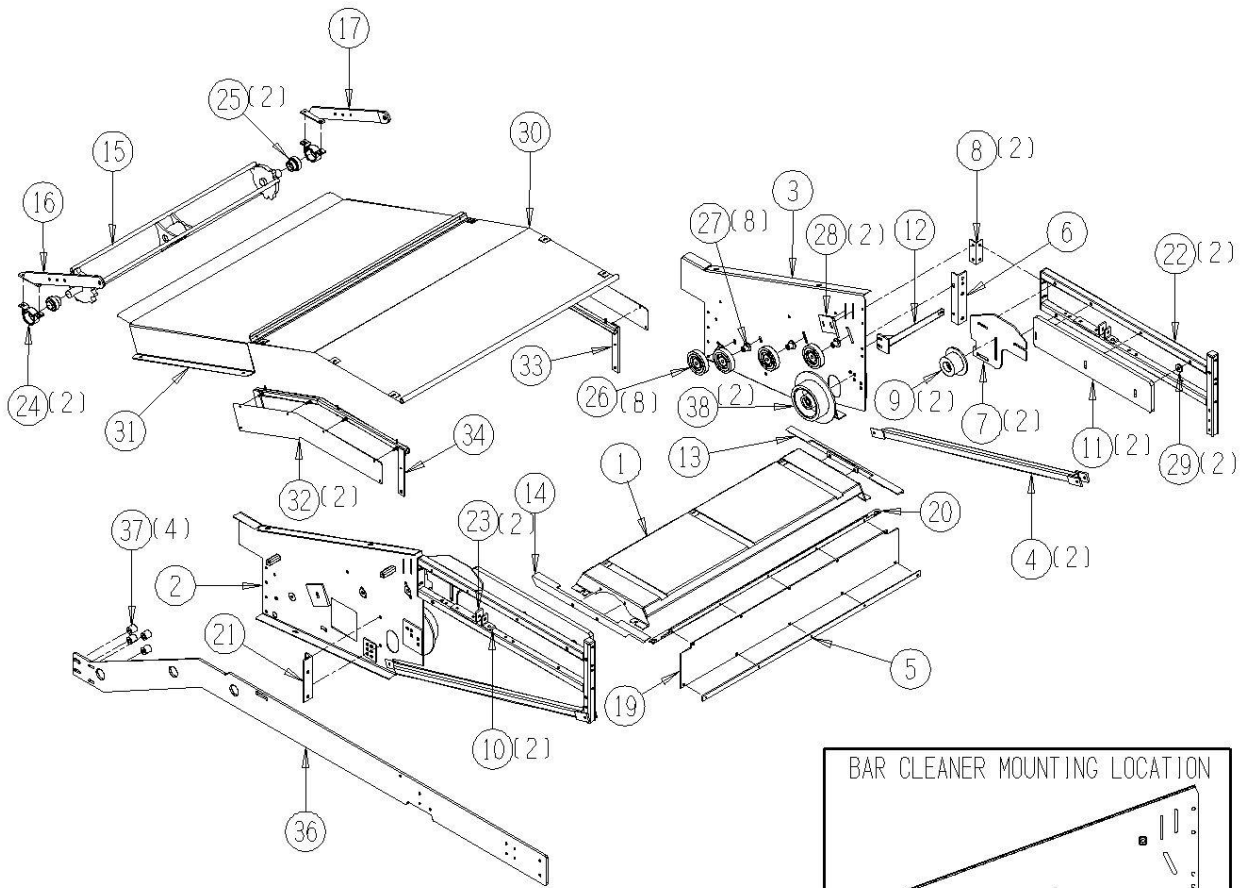


# 11010-09-16 Opt. Elevation/Presort Frame & Bar Cleaner Assy

<u>Ref</u>	<u>Part No.</u>	<u>Description</u>	<u>Parts – Assembly</u>	<u>Will Fit SN</u>	<u>Remarks</u>
1	PAN-8750	Panel, Slider Table, Presort Kit, HC290 Tomato	1		
2	PAN-8751	Panel, Elevation, RH, Presort Kit, HC290 Tomato	1		
3	PAN-8752	Panel, Elevation, LH, Presort Kit, HC290 Tomato	1		
4	SUP-8756	Support, Elevation, Presort Kit, HC290 Tomato	2		
5	BAR-8765	Belting Bar, Presort Kit, HC290 Tomato	1		
6	MOU-8753	Mount, LH, Presort Kit, HC290 Tomato	1		
7	MOU-1130	Mount, Roller, Front Elevation	2	19705	
8	BRA-8758	Bracket, Table Support, Presort Kit, HC290	2		
9	RLT-645-2208	6.5' Flange Roller 2.2 WF 4.5 dia, 1/2' bore	2		
10	BRA-1528	Bracket, Tightener	2	19705 19801-	
11	PL-2000	Plastic, Presort, Chili Machine	2		
12	POS-8752	Post, Inside Panel To Frame, Presort Kit, HC 290	1	POS-8752	
13	EX-1520A	Extension, Slider, Outer	1	19601-	
14	EX-1520B	Extension, Slider, Inner	1	19601-	
15	BAR-50362X	Bar Clnr, 36mm Pch x 50' Wide Chain w/Cntr Belt	1		
16	192-362A	Chain Cleaner Bar (Left)	1	19101-	
17	192-362B	Chain Cleaner Bar (Right)	1	19101	
19	BT-8750	Belting, Deflector, Presort Kit, HC290 Tomato	1		
20	BAR-8766	Scraper Bar, Presort Kit, HC290 Tomato	1		
21	MOU-8754	Mount, RH, Presort Kit, HC290 Tomato	1		
22	FRM-8750	Frame, Presort Kit, HC290 Tomato	2		
23	192-1528	Bearing Adjuster	2	19201-	
24	BR-062-MPB	Stamped Bearing Housing for 1 1/4' bearing	2		
25	BR-125-062	Bearing, 1 1/4 Fafnir Tri-Seal, 62mm OD	2		
26	RLR-040-108	4' Flat Roller	8		
27	RLA-000-118	Standoff, 1/2' X 1 1/8'	8		
28	SHD-1899	Shield, Push Offs, 1' Wide Rollers	2		
29	RLA-000-028	Washer/Spacer	2	11001-	

30	COV-8765	Cover, Top, Elevation / Presort, HC 290	1	
31	COV-8766	Presort Cover, 290 Harvester	1	
32	SID-8765	Side, Shield, Elevation/Presort Cover, HC 290	2	
33	SUP-8765	Support, Shield Side Mount, Ele/Pre, HC 290	1	SUP-8765
34	SUP-8766	Support, Inside Shield Mount, Ele/Pre, HC 290	1	
36	BAR-8514	Sorter Support Bar, 290 Tomato Harvester	1	
37	SPA-8603	Spacer, 290 Tomato Harvester	4	
38	RLT-965-2208	9.5' Flange Roller 6.5 WF 2.2 WW 1/2' bore	2	

11010-09-16



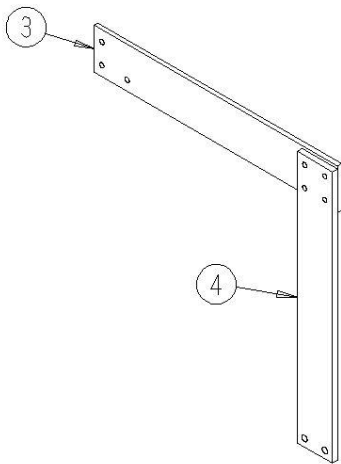
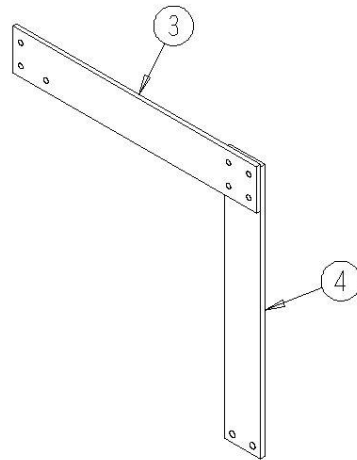
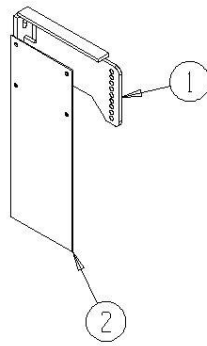
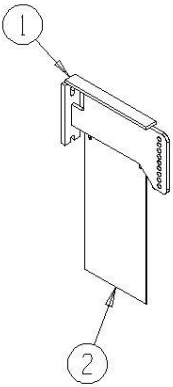




# 11015-09-17 Color Sorter Mounts, WECO

<u>Ref</u>	<u>Part No.</u>	<u>Description</u>	<u>Parts – Assembly</u>	<u>Will Fit SN</u>	<u>Remarks</u>
1	BRA-1848	Bracket, 48' WECO Sorter	2		
2	BT-8003	Belting, Sorter	2		
3	BAR-8601	Bar, Elevation, Color Sorter, HC290 Tomato	2		
4	BAR-8774	Brace, Shaker Frame, 2010 290 Tomato Harvester	2		

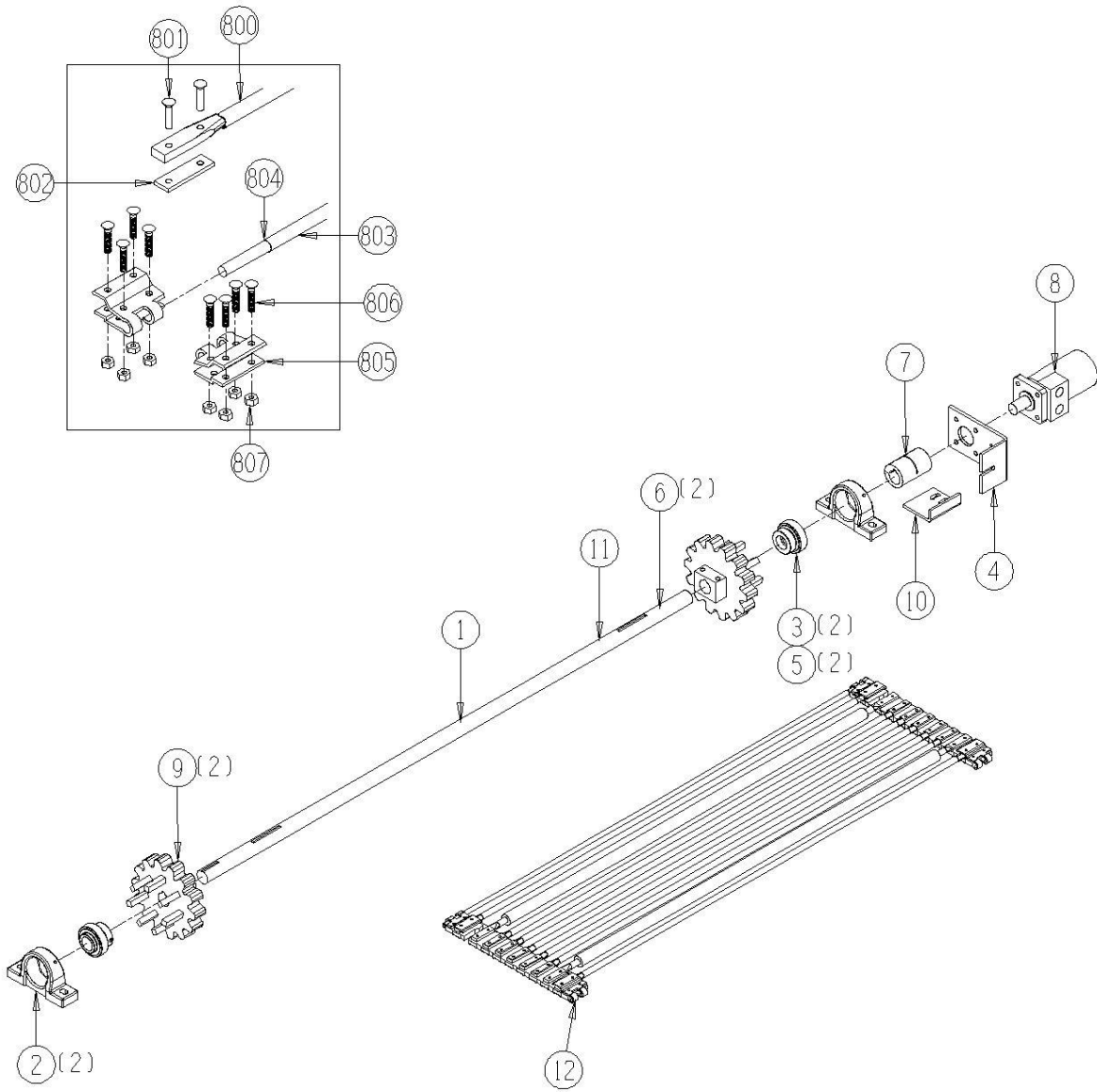
11015-09-17



# 11015-09-18 Elevation Driveshaft Assembly

<u>Ref</u>	<u>Part No.</u>	<u>Description</u>	<u>Parts – Assembly</u>	<u>Will Fit SN</u>	<u>Remarks</u>
1	SFT-8600	Drive Shaft, Elevation, High Cap Tomato	1		
2	BR-072-RAK	72mm Cast Housing	2		
3	BR-125-072	Bearing, 1 1/4 Fafnir Tri-Seal, 72mm OD	2		
4	193-806	Mount Motor	1		
5	BR-12572-LC	1 1/4' Locking Collar - Bearing Protector	2		
6	KEY-4-4-16	Shaft Key 1/4' X 1/4' X 1' Square Cut (1018)	1	20095001-	
7	CPS-6060	Steel Coupler (off center) 1 1/4' x 1'	1		
8	HM-210-TC	TCI Motor	1		Seal Kit # TCI-SKHPQ
9	SPU-3614-20-4	Belted Chain Sprocket, 36mm x 14 tooth, Urethane	2		Use SP-3614-20-4 for 190, 290, and Bell Pepper Discharge Drive Shafts
10	193-806a	Motor Mount Stop	1		
11	KEY-4-4-32	Shaft Key 1/4' x 2' Square Cut (1018)	2		
12	BC-7-5036-160-AC	Elevation Chain, 290 Harvester, Convexity Up every 6th Rod	1		
801	RI-25-BC	25mm Belted Chain Rivets	0		
802	BC-BP32	Belt, Rivet Backing Plates 32mm	0	11001	Lap Splice Option, Used only with BC-1032-LN Lock Nuts
803	BC-7-50-BCN	11mm x 50' B Type Connecting Rod	0	BC-7-5036- 160UC	
804	BC-3525	Snap Ring, 11mm.	0		
805	BC-F-36-32-F	36-32 Female Connecting Clip	0		
805	BC-F-36-32-M	36-32 Male Connecting Clip	0		
806	BC-1032-FS	10-32 x 1 1/4' Bolts Flat Socket Head	0		
807	BC-1032-LN	10-32 Lock Nuts	0		
808	KEY-4-4-15	Shaft Key 1/4' X 1/4' X 15/16' Woodruff Key	0		

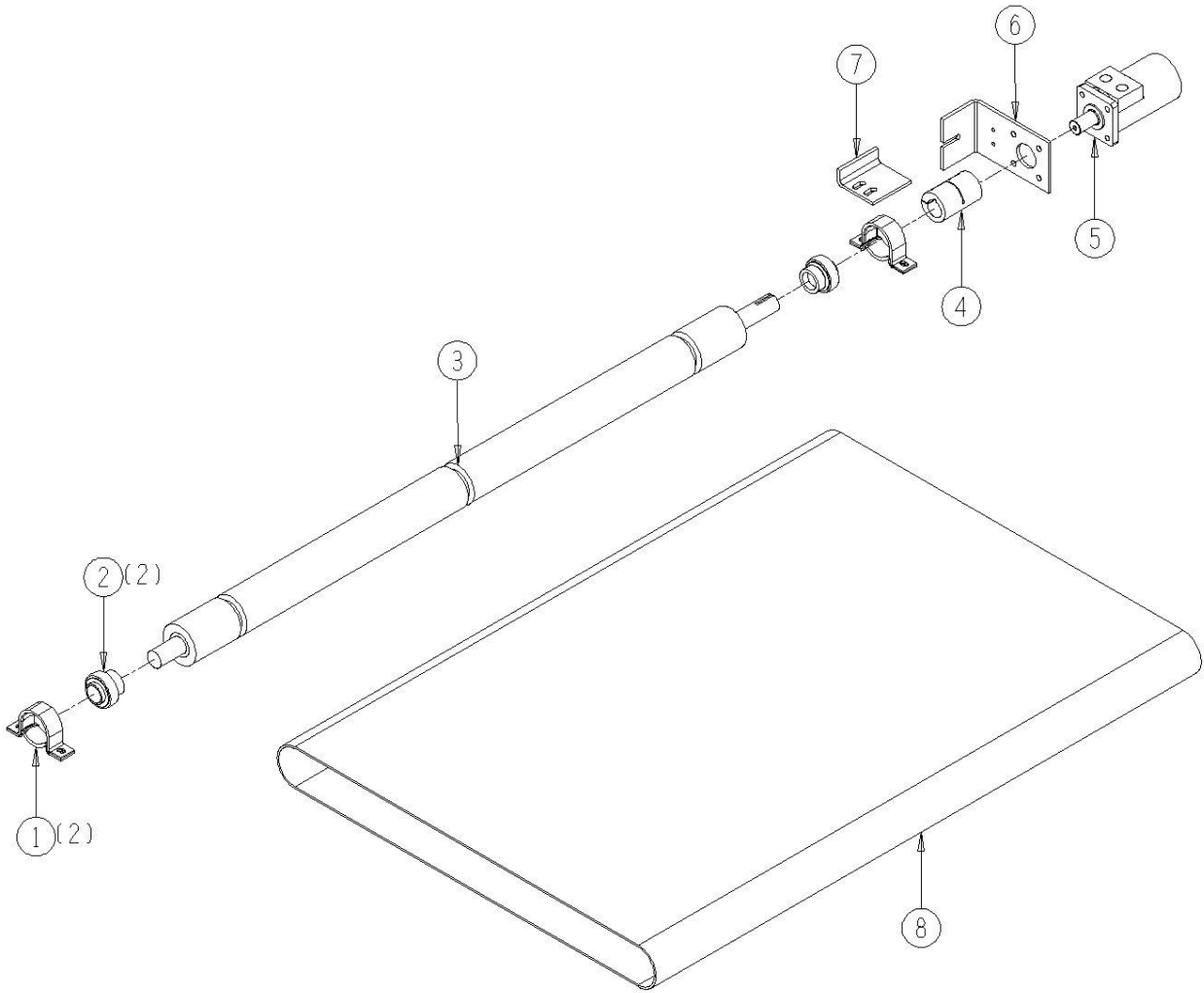
11015-09-18



# 11010-09-19 Opt. Presort Drive Shaft Assembly

<u>Ref</u>	<u>Part No.</u>	<u>Description</u>	<u>Parts – Assembly</u>	<u>Will Fit SN</u>	<u>Remarks</u>
1	BR-062-MPB	Stamped Bearing Housing for 1 1/4' bearing	2		
2	BR-125-062	Bearing, 1 1/4 Fafnir Tri-Seal, 62mm OD	2		
3	RLR-8751	Roller, Drive, Presort Kit, HC290 Tomato	1		
4	CPS-6060	Steel Coupler (off center) 1 1/4' x 1'	1		
5	HM-208-TC	TCI Motor	1		Seal Kit # TCI-SKHPQ
6	193-806	Mount Motor	1		
7	193-806A	Motor Mount Stop	1		
8	BT-72V4975E	Belt, HC 290 Presort, w/ Double Guide	1		
601	A-6902-10-8	10 SAE X 1/2' FPX 45-	2		
800	KEY-4-4-15	Shaft Key 1/4' X 1/4' X 15/16' Woodruff Key	1		

11010-09-19

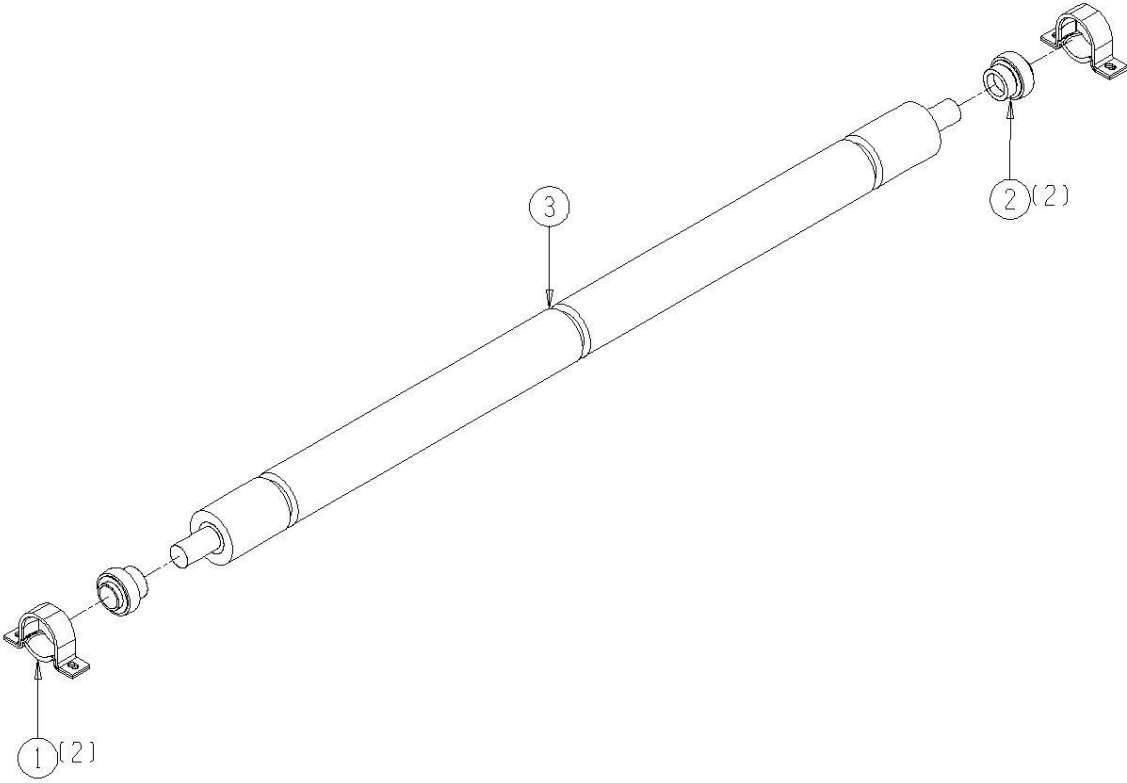


# 11010-09-20 Opt. Presort Idler Assembly

<u>Ref</u>	<u>Part No.</u>	<u>Description</u>	<u>Parts – Assembly</u>	<u>Will Fit SN</u>	<u>Remarks</u>
1	BR-062-MPB	Stamped Bearing Housing for 1 1/4" bearing	2		
2	BR-125-062	Bearing, 1 1/4" Fafnir Tri-Seal, 62mm OD	2		
3	RLR-8752	Idler, Presort Kit, HC290 Tomato	1		



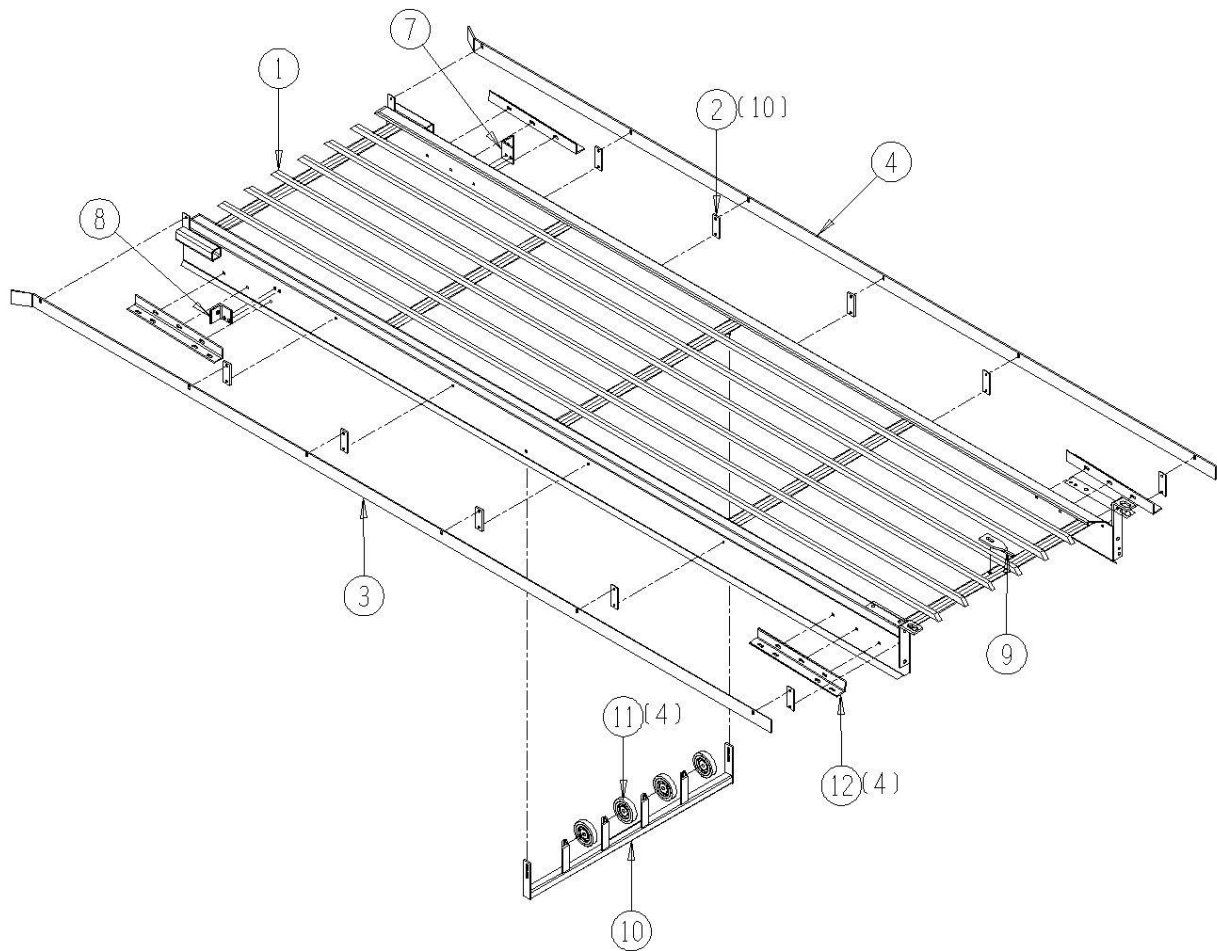
11010-09-20



# 11010-10-01 Aftersort Assembly

<u>Ref</u>	<u>Part No.</u>	<u>Description</u>	<u>Parts – Assembly</u>	<u>Will Fit SN</u>	<u>Remarks</u>
1	HAN-8752	Handsort, Weld Assembly, Aftersort 2010 290 Tomato	1		
2	BAR-8754	Bar, Side Bar Mount, Aftersort, HC290 Tomato	10		
3	BAR-8772	LH Side Bar, Aftersort Table, 2010 290 Tomato Harvester	1		
4	BAR-8773	RH Side Bar, Aftersort Table, 2010 290 Tomato Harvester	1		
7	STP-8501	Stop, Outside, Adjuster Belt	1		
8	STP-8502	Stop, Inside, Adjuster Belt, Crss Convyr	1		
9	BAR-8758	A-Guide Scraper, Aftersort, HC290	1		
10	BRA-852	Bracket, Aftersort Rollers	1		
11	RLR-040-108	4' Flat Roller	4		
12	BRA-8762	Table Mount, Aftersort 2010 290 Tomato Harvester	4		

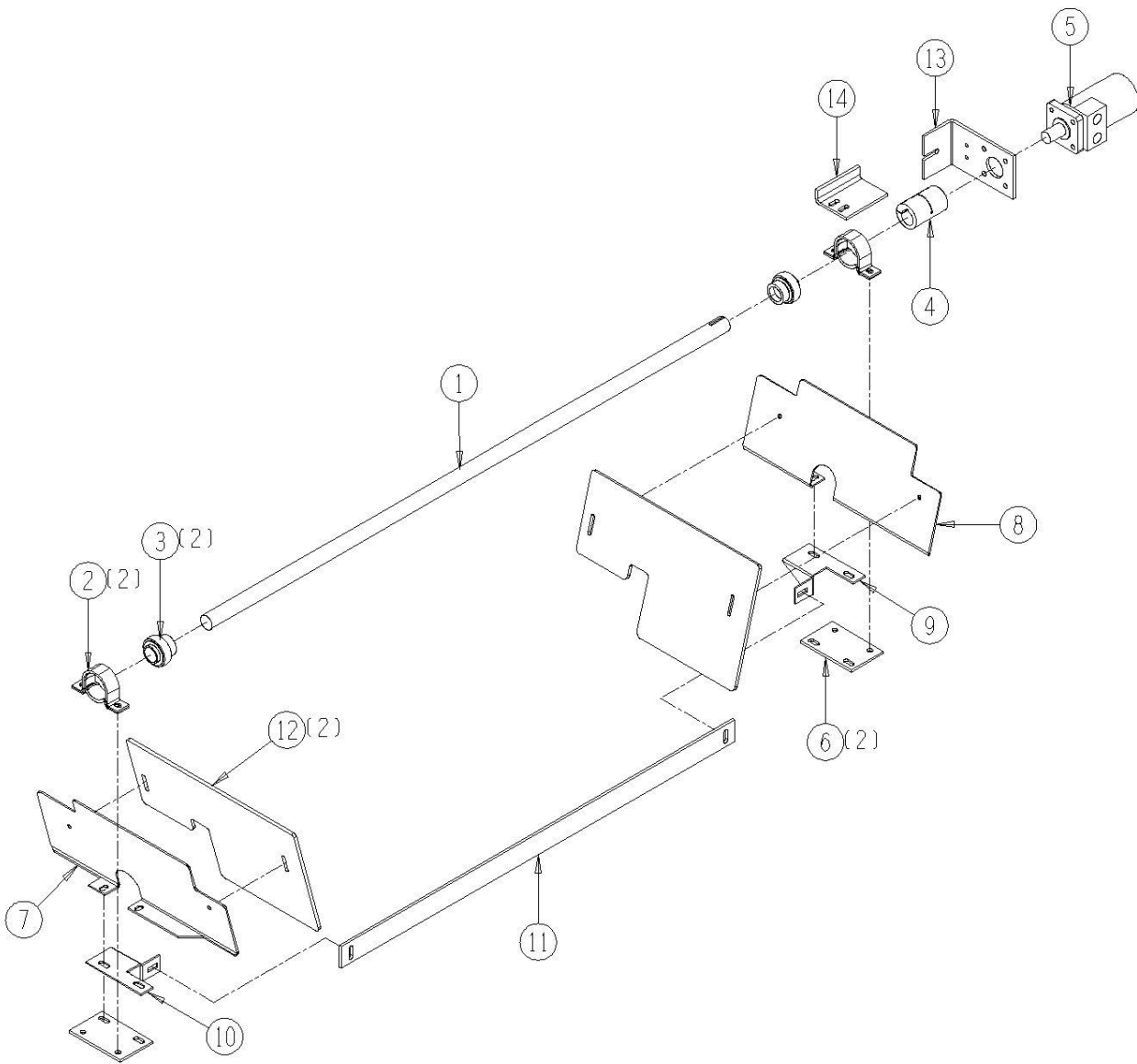
11010-10-01



# 11010-10-02 Aftersort Divider Roller Assembly

<u>Ref</u>	<u>Part No.</u>	<u>Description</u>	<u>Parts – Assembly</u>	<u>Will Fit SN</u>	<u>Remarks</u>
1	SFT-8750	Shaft, Divider Roller Assy, Aftersort, HC290	1		
2	BR-062-MPB	Stamped Bearing Housing for 1 1/4' bearing	2		
3	BR-125-062	Bearing, 1 1/4 Fafnir Tri-Seal, 62mm OD	2		
4	CPS-6060	Steel Coupler (off center) 1 1/4' x 1'	1		
5	HM-210-TC	TCI Motor	1		Seal Kit # TCI-SKHPQ
6	BAR-8755	Bar, Divider Roller Bar, Aftersort	2		
7	SHD-8750	Divider Roller Shield, Aftersort, RH	1		
8	SHD-8751	Divider Roller Shield, Aftersort, LH	1		
9	BRA-850	Bracket, Rolling Guard, Scraper, Outer	1	19101-Kit-0007	
10	BRA-851	Bracket, Rolling Guard, Scraper, Inner	1	19101-kit-0007	
11	BAR-8756	Bar, Rolling Guard Scrapers, Aftersort, HC290	1		
12	PL-8750	Plastic, Divider Roller Shield, Aftersort	2		
13	193-806	Mount Motor	1		
14	193-806B	Motor Mount Stop	1		
800	KEY-4-4-15	Shaft Key 1/4' X 1/4' X 15/16' Woodruff Key	1		

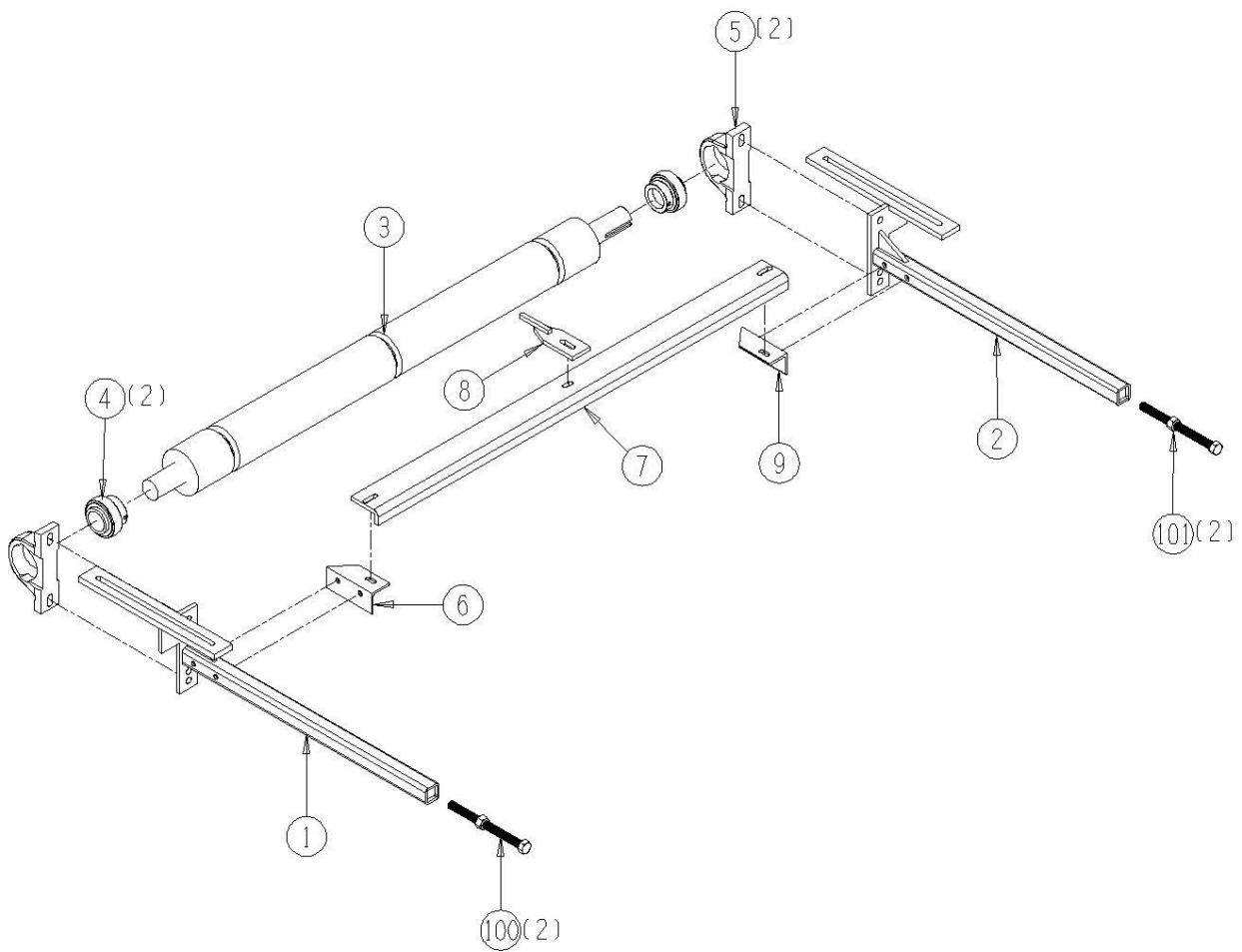
11010-10-02



## 11010-10-03 Aftersort Idler Assembly

<u>Ref</u>	<u>Part No.</u>	<u>Description</u>	<u>Parts – Assembly</u>	<u>Will Fit SN</u>	<u>Remarks</u>
1	ADJ-8756	Adjuster, Divider Bar, Aftersort, RH	1		
2	ADJ-8757	Adjuster, Divider Bar, Aftersort, LH	1		
3	RLR-8753	Rubber Roller, 1.75 Shaft 4.00 Rubber Roller	1		
4	BR-085-RAK	Bearing Housing 85 mm	2		
5	BR-175-085	Fafnir Bearing 1 1/2 Tri Seal	2		
6	BRA-8752	Bracket, Divider Roller Assy, Aftersort, HC290	1		
7	BAR-8769	Scraper Bar, Aftersort Idler, 290 Harvester	1		
8	BAR-8758	A-Guide Scraper, Aftersort, HC290	1		
9	BRA-8760	Angle Scraper Mount, 290 Harvester	1		
100	BL-10-800-TS	5/8-11 X 8 HEX TAP Stainless Steel	2		
101	BL-10-N	5/8-11 HEX FIN NUTS ZC	2		

11010-10-03

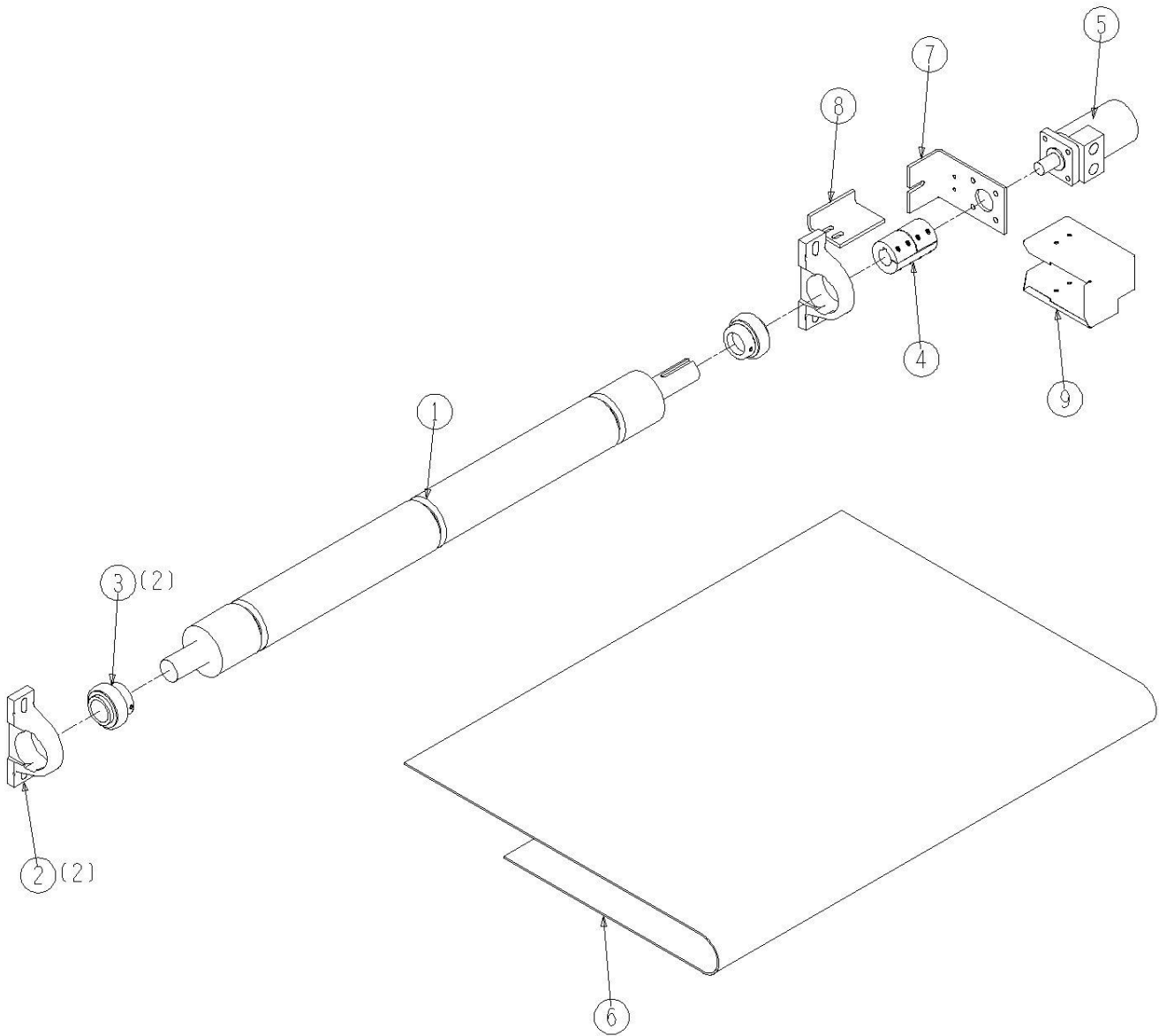


# 11010-10-04 Aftersort Drive Assembly

<u>Ref</u>	<u>Part No.</u>	<u>Description</u>	<u>Parts – Assembly</u>	<u>Will Fit SN</u>	<u>Remarks</u>
1	RLR-8753	Rubber Roller, 1.75 Shaft 4.00 Rubber Roller	1		
2	BR-085-RAK	Bearing Housing 85 mm	2		
3	BR-175-085	Fafnir Bearing 1 1/2 Tri Seal	2		
4	CPS-2816	Steel Coupler 1 1/2 x 1' ID x 3' OD x 4' Long with 5/16-24' Clamp Screw	1		
5	HM-210-TC	TCI Motor	1		Seal Kit # TCI-SKHPQ
6	BT-1130L-367	Aftersort Belt, Sliding Table, 290 Harvester	1		
7	193-806	Mount Motor	1		
8	193-806B	Motor Mount Stop	1		
9	SHD-806	Shield, Motor, Aftersort, HC290	1		
10	DC-1176	Decal, Danger-Hand Chain Sprockets	1		
800	KEY-4-4-15	Shaft Key 1/4' X 1/4' X 15/16' Woodruff Key	1		



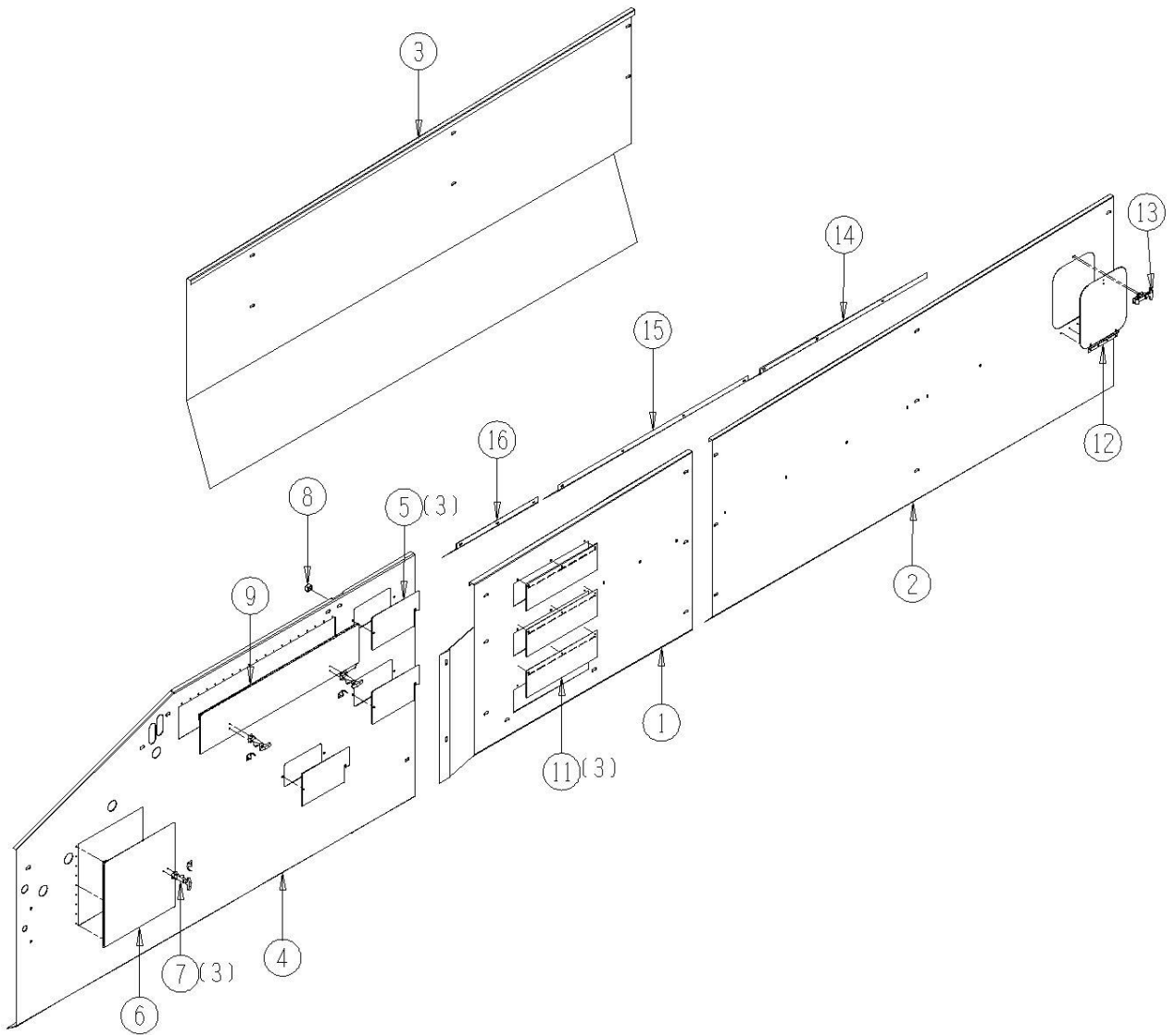
11010-10-04



# 11010-10-05 Aftersort Shield Assembly

<u>Ref</u>	<u>Part No.</u>	<u>Description</u>	<u>Parts – Assembly</u>	<u>Will Fit SN</u>	<u>Remarks</u>
1	SHD-8771	Shield, Side Panel, RH, Middle, Aftersort, 2010 290 Tomato	1		
2	SHD-8770	Shield, Side Panel, RH, Front, Aftersort, 2010 290 Tomato	1		
3	SHD-8769	Shield, Side Panel, LH, Front, Aftersort, 2010 290 Tomato	1		
4	SHD-8755	Side Panel, RH, Elevation, HC290 Tomato	1		
5	PL-8752	PL Cover, Middle Panel Cut-Out, Elevation, HC290	3		
6	SHD-8405	Shield, Access Door, Elevation, HC290	1		
7	LA-703	Large Rubber T Latch Assembly	3		
8	SPA-0159	Spacer, Outer Panel, Presort, HC 290	1		
9	SHD-8765	Shield, RH, Side Panel, Elevation, HC290	1		
10	DC-1174	Decal, Danger Keep Hands and Feet Away	5		
11	BT-8751	Belting, Step Cover, 290 Harvester	3	BT-8751	
12	SHD-8768	Fill Door, Hyd. Fluid	1		
13	LA-1530	Medium Rubber T Latch Assembly	1		
14	SHD-8774	Shield, Front Outer Aftersort, Deflector	1		
15	SHD-8775	Shield, Middle Aftersort, Outer, Deflector	1		
16	SHD-8776	Shield, Rear Aftersort, Outer Deflector	1		

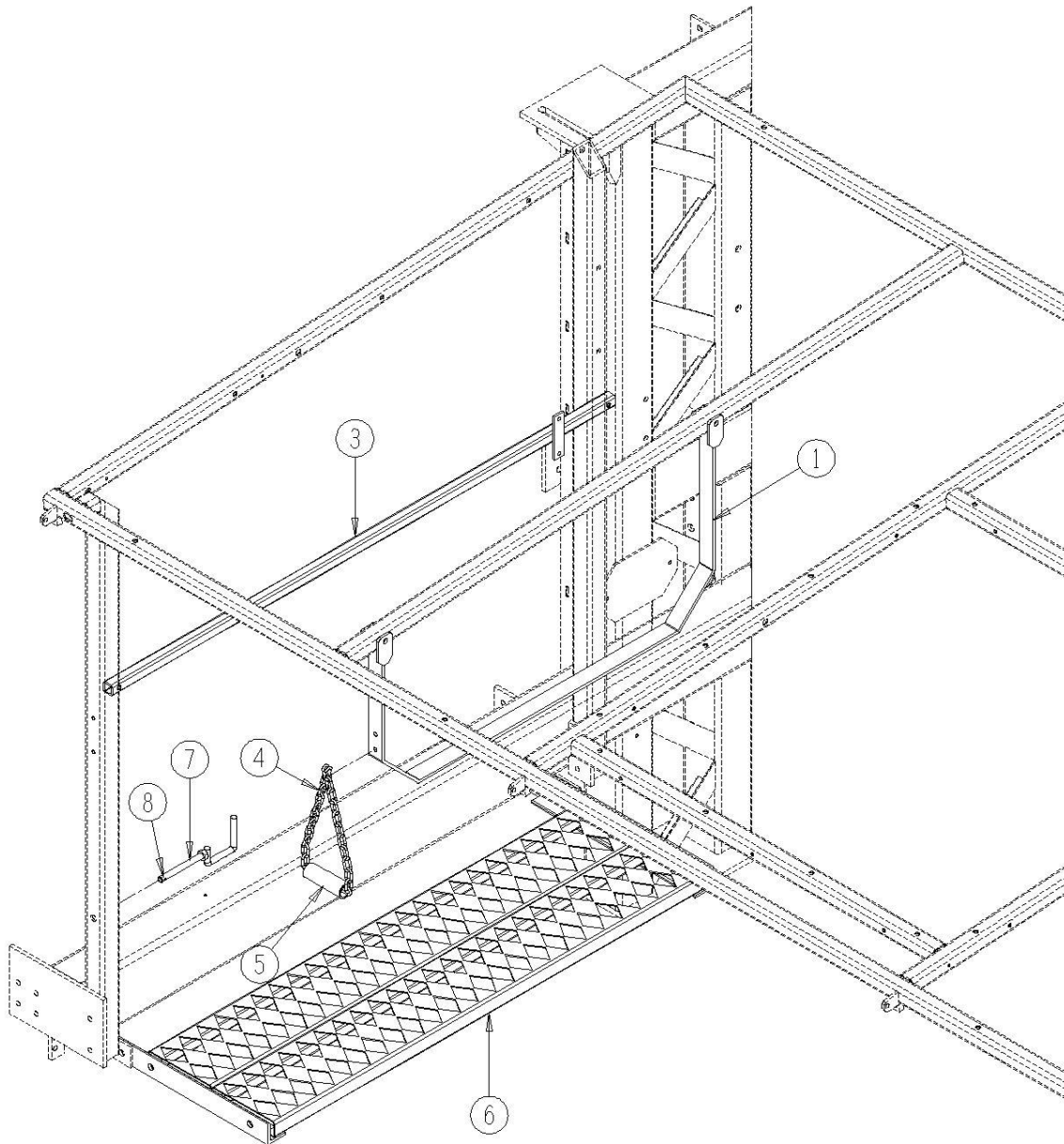
11010-10-05



# 11010-10-06 Handrail & Decking Over Aftersort Assembly

<u>Ref</u>	<u>Part No.</u>	<u>Description</u>	<u>Parts – Assembly</u>	<u>Will Fit SN</u>	<u>Remarks</u>
1	MOU-8001	Mount, Handrail Mount, Canopy Frame, HC290	1		
3	BRA-8002	Cross, Handrail Mount on Canopy Frame, HC290	1		
4	CH-3-28	3/16 LINK CHAIN 28 LINKS	1		
5	SPA-8002	Pipe, Handle for Handrail over Aftersort, HC290	1		
6	STD-8109	Stand, Decking Above Aftersort, HC290 Tomato	1		
7	PIN-8112	Pin, Aftersort Decking, 290 Harvester	1		
8	PIN-H8	Hairpin, 1/2-5/8 Rod Dia Range	1	59701-	
101	BL-5-150-H	5/16-18 X 1 1/2 HEX CAP G5 ZC	1		

11010-10-06



# 11016-10-20 Second Sorter Assembly, PreSort to PreSort, 290

<u>Ref</u>	<u>Part No.</u>	<u>Description</u>	<u>Parts – Assembly</u>	<u>Will Fit SN</u>	<u>Remarks</u>
	PL-8700	Second Presort Plastic	2		
	PL-8751	PL Cover, Top Panel Cut-Out, Elevation, HC290	2		
	PL-8752	PL Cover, Middle Panel Cut-Out, Elevation, HC290	5		
	PL-8753	PL Cover, Bottom Panel Cut-Out, Elevation, HC290	1		
	PL-8755	Plastic, Cover, Back Panel, Elevation, HC290	1		
	BRA-852	Bracket, Aftersort Rollers	1		
	BRA-8752	Bracket, Divider Roller Assy, Aftersort, HC290	1		
	BRA-8762	Table Mount, Aftersort 2010 290 Tomato Harvester	4		
	BT-1130L-289	Aftersort Belt, Sliding Table	1		
	BT-72V4975E	Belt, HC 290 Presort, w/ Double Guide	1		
	BT-8102	Belting, Step Cover, HC290 Tomato	5		
	BT-8751	Belting, Step Cover, 290 Harvester	3	BT-8751	
	CH-3-28	3/16 LINK CHAIN 28 LINKS	1		
	CPS-6060	Steel Coupler (off center) 1 1/4' x 1'	3		
	PAN-8755	Outer 2nd Sorter Panel Cover Extension	1	PAN-8755	
	PAN-8756	Inner, 2nd Sorter Panel Cover Extension	1	PAN-8756	
	RLR-8751	Roller, Drive, Presort Kit, HC290 Tomato	1		
	RLR-8752	Idler, Presort Kit, HC290 Tomato	1		
	RLT-535-228	5' Flange Roller 2.2WF x 3 1/2' dia, 1/2' bore	4		
	SFT-8600	Drive Shaft, Elevation, High Cap Tomato	1		
	SFT-8752	Divider Bar, HC 290, Second Presort	1		
	SHD-8025	Shield, Side Shields aftersort table, Double Sort	1		
	SHD-8026	Shield, Side Shields aftersort table, Double Sort, Inside	1		
	SHD-8405	Shield, Access Door, Elevation, HC290	1		
	SHD-8755	Side Panel, RH, Elevation, HC290 Tomato	1		
	SHD-8765	Shield, RH, Side Panel, Elevation, HC290	1		
	SHD-8768	Fill Door, Hyd. Fluid	1		
	SHD-8771	Shield, Side Panel, RH, Middle, Aftersort, 2010 290 Tomato	1		

SHD-8774	Shield,Front Outer Aftersort, Deflector	1	
SHD-8775	Shield,Middle Aftersort ,Outer, Deflector	1	
SHD-8776	Shield, Rear Aftersort, Outer Deflector	0	
SPA-0159	Spacer, Outer Panel, Presort, HC 290	1	
SPA-8002	Pipe, Handle for Handrail over Aftersort, HC290	1	
SPA-8710	Spacer, Second Presort	4	
SPU-3614-20-4	Belted Chain Sprocket, 36mm x 14 tooth, Urethane	2	Use SP-3614-20-4 for 190, 290, and Bell Pepper Discharge Drive Shafts
STP-8501	Stop, Outside, Adjuster Belt	1	
STP-8502	Stop, Inside, Adjuster Belt, Crss Convyr	1	
SUP-8751	Shield Mount, RH, Middle, Aftersort, HC290	1	
SUP-8752	Shield Mount, RH, Front, Aftersort, HC290	1	
SUP-8753	Shield Mnt, LH, Back/Middle, Aftersort, HC290	2	
SUP-8755	Support,Top Middle Panels,2nd Sortr Shield Assy	2	
192-805	Bracket, Outer Transfer Drive	2	19201-
193-806	Mount Motor	3	
193-806A	Motor Mount Stop	3	
A-1501-8-8	1/2 MP x 1/2 FPX90°	2	
A-1601-8-8-8	1/2 MP x 1/2 FPX x 1/2 FPX Tee	1	
A-1603-8-8-8	Swivel T 1/2' NPTF	2	
A-6401-10-8	10 SAE x 1/2 MPT Male	2	
A-6900-10-8	10 SAE x 1/2 FPX	2	
A-6901-10-8	10 SAE x 1/2 FPX90°, Forged	6	
A-6902-10-8	10 SAE X 1/2' FPX 45°	1	
ADJ-8756	Adjuster, Divider Bar, Aftersort, RH	1	
ADJ-8757	Adjuster, Divider Bar, Aftersort, LH	1	
BAR-8751	Bar, Right, Front Mnt. Aftersort, HC290	1	
BAR-8754	Bar, Side Bar Mount, Aftersort, HC290 Tomato	4	
BAR-8756	Bar, Rolling Guard Scrapers, Aftersort, HC290	1	
BAR-8757	Divider Roller Bar Assy, Aftersort, HC290 Tomato	1	
BAR-8758	A-Guide Scraper, Aftersort, HC290	2	

BAR-8762	Bar, Dividr Rollr Assy, RH, 2nd Aftersort, HC290	1	
BAR-8763	Bar, Dividr Rollr Assy, LH, 2nd Aftersort, HC290	1	
BAR-8764	Scraper, Divider Bar Assy, 2nd Aftersort, HC290	1	
BAR-8766	Scraper Bar, Presort Kit, HC290 Tomato	1	
BR-062-MPB	Stamped Bearing Housing for 1 1/4' bearing	8	
BR-072-RAK	72mm Cast Housing	2	
BR-125-062	Bearing, 1 1/4 Fafnir Tri-Seal, 62mm OD	8	
BR-125-072	Bearing, 1 1/4 Fafnir Tri-Seal, 72mm OD	2	
BR-12572-LC	1 1/4' Locking Collar - Bearing Protector	2	
FRM-8700	Outer Presort Frame	1	
FRM-8701	Presort Frame Extension, Weld-on	2	
FRM-8702	Outer Frame Connector	1	
FRM-8703	Outer Frame Connector, Weld-on	1	
FRM-8704	Inner Frame Connector, Weld-on	1	
FRM-8705	Inner Presort Frame	1	
H10-22-8MP-8MP	5/8 in Hose x 1/2MP x 1/2MP x 22 in Long Hose	1	
H10-34-8MP-8MP	5/8 in hose 1/2MP x 1/2MP x 34 in long	1	
H10-48-8MP-8MP	5/8 in Hose 1/2MP x 1/2MP x 48 in Long	1	
H10-70-8MP-8MP	5/8 in. hose 1/2 x 1/2 x 70 in long	4	
HAN-8755	Handsort, Aftersort HC290, Pre-Sort to Pre-Sort Double Sort	1	
HM-208-TC	TCI Motor	1	Seal Kit # TCI-SKHPQ
HM-210-TC	TCI Motor	1	Seal Kit # TCI-SKHPQ
hv-fl30	Flow Control Valve 30GPM	1	
KEY-4-4-16	Shaft Key 1/4' X 1/4' X 1' Square Cut (1018)	3	20095001-
KEY-4-4-32	Shaft Key 1/4' x 2' Square Cut (1018)	2	
LA-703	Large Rubber T Latch Assembly	3	
MOU-8001	Mount, Handrail Mount, Canopy Frame, HC290	1	
PAN-8610	Outer Aftersort Panel	1	
PAN-8611	Inner Aftersort Panel	1	
PAN-8612	Outer Aftersort Panel	1	
PAN-8613	Inner Aftersort Panel	1	



9	BRA-1528	Bracket, Tightener	2	19705 19801-
10	192-1528	Bearing Adjuster	2	19201-
11	PL-2000	Plastic, Presort, Chili Machine	2	
15	EX-1520A	Extension, Slider, Outer	1	19601-
16	EX-1520B	Extension, Slider, Inner	1	19601-
17	PAN-8750	Panel, Slider Table, Presort Kit, HC290 Tomato	1	
20	RLR-040-108	4' Flat Roller	4	
23	SUP-8756	Support, Elevation, Presort Kit, HC290 Tomato	2	

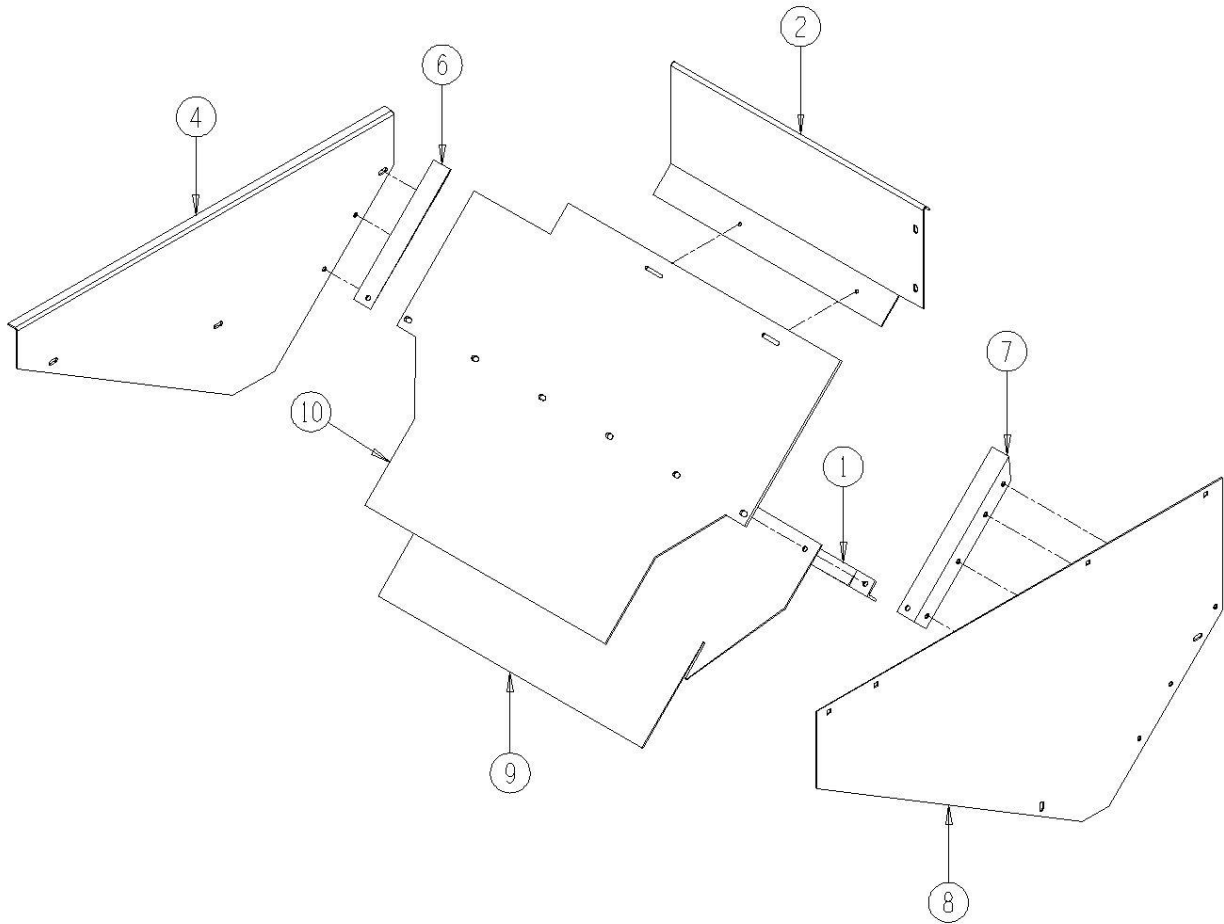
11016-10-20



# 11010-11-01 Discharge Basket Assembly

<u>Ref</u>	<u>Part No.</u>	<u>Description</u>	<u>Parts – Assembly</u>	<u>Will Fit SN</u>	<u>Remarks</u>
1	SPA-8200	Spacer, Discharge Basket, 290 Tomato Harvester	1		
2	SHD-8805	Top Shield, Discharge Basket, 2010 290 Tomato Harvester	1		
4	SHD-8772	Shield, Back, Discharge Basket, 2010 290 Tomato	1		
6	ARM-8802	Angle, Discharge Basket, 2010 290 Tomato Harvester	1		
7	ARM-8800	Angle, Discharge Basket	1		
8	SHD-8801	Front Shield, Discharge Basket, 290 Harvester	1		
9	BT-8804	Belting, Discharge Basket, 290 Harvester	1		
10	PL-8806	Plastic Back, Discharge Bin, 2010 290 Harvester	1		
11	BRA-8803	Bracket, Plastic, Discharge Basket	2		

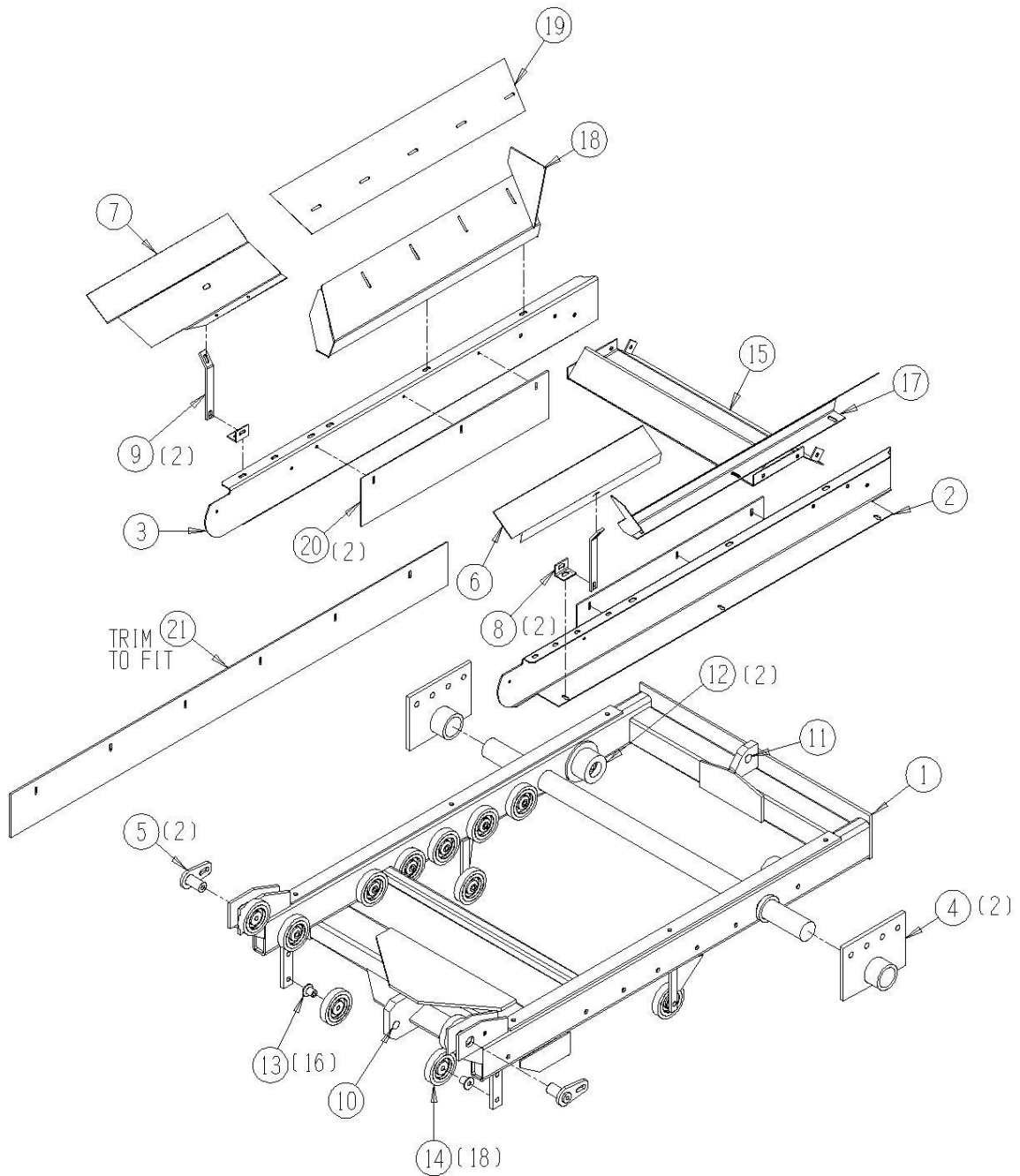
11010-11-01



# 11010-11-02 Inner Discharge Assembly

<u>Ref</u>	<u>Part No.</u>	<u>Description</u>	<u>Parts – Assembly</u>	<u>Will Fit SN</u>	<u>Remarks</u>
1	FRM-8800	Frame, Inner Discharge, HC290 Tomato	1		
2	PAN-8800	Panel, Front, Inner Discharge	1		
3	PAN-8801	Panel, Back, Inner Discharge, HC290 Tomato	1		
4	MOU-8800	Mount, Inner Discharge, HC290 Tomato	2		
5	PIN-8800	Pin, Inner Discharge	2		
6	PAN-8802	Panel, Top, Front, Inner Discharge	1		
7	PAN-8804	Panel, Top, Back, Inner Discharge	1		
8	BRA-8800	Bracket, Panel Mount, Inner Discharge	2		
9	BAR-8801	Bar, Panel Support, Inner Discharge	2		
10	HC-350-0808	Hydraulic Cylinder 3 1/2' x 8' #8 SAE Ports	1		Seal kit for Lion, HC-350-125
11	HC-350-1608	Tie Rod Cylinder, 3 1/2' x 16', #8 SAE Port	1		
12	RLT-535-228	5' Flange Roller 2.2WF x 3 1/2' dia, 1/2' bore	2		
13	RLA-000-118	Standoff, 1/2' X 1 1/8'	16		
14	RLR-040-108	4' Flat Roller	18		
15	VLV-8800	Valve, Inner Discharge, HC290 Tomato	1		
16	DC-1174	Decal, Danger Keep Hands and Feet Away	1		
17	SHD-8803	Shield, Discharge Basket	1		
18	SHD-8773	Shield, Rear, Discharge Basket	1		
19	BT-8002	Belting, Discharge Basket, 290 Harvester	1		
20	PL-8001	Discharge Plastic, Lower Sides	2		
21	PL-8002	Plastic Shield, Discharge	1		

11010-11-02

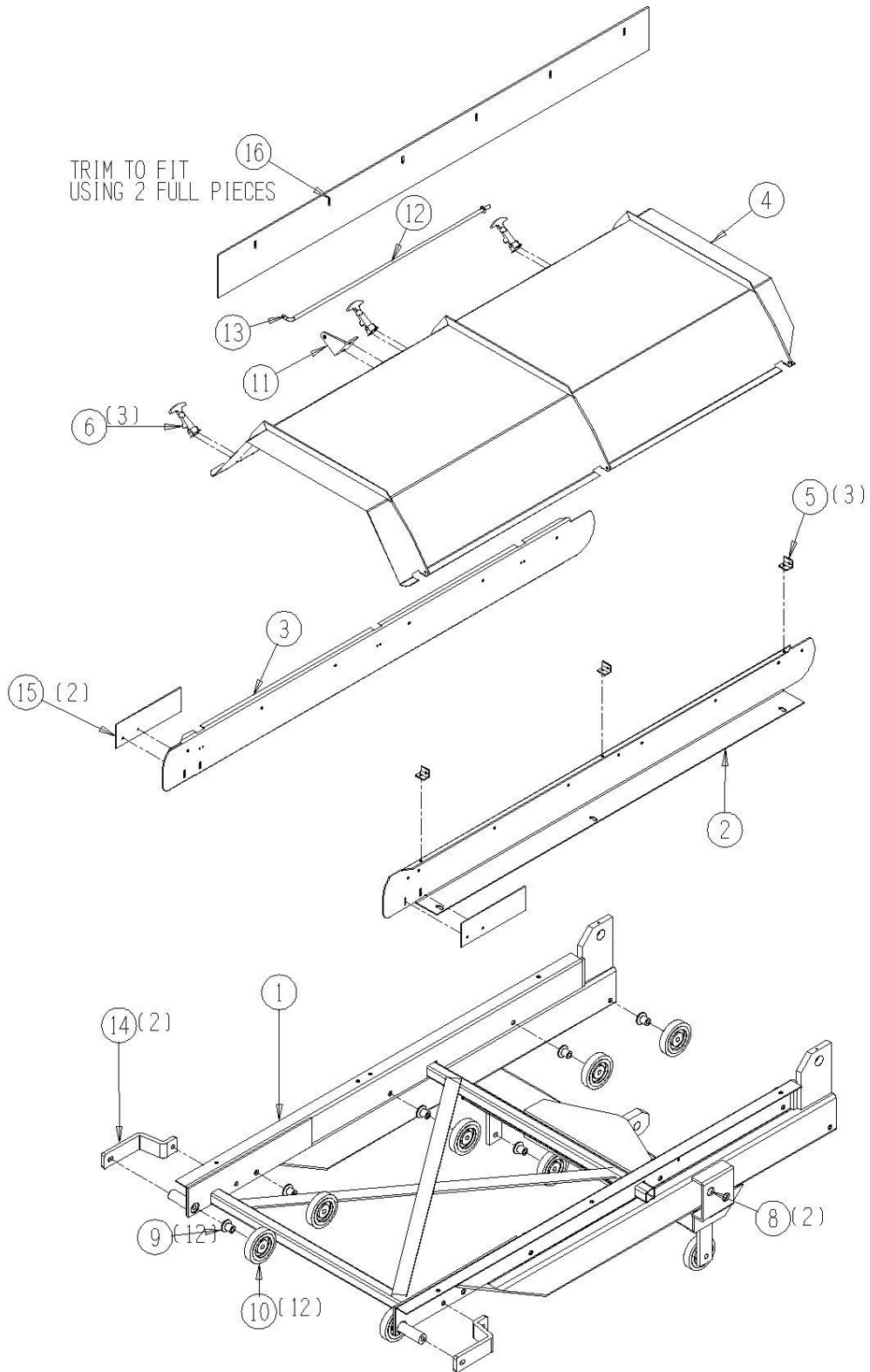


# 11010-11-03 Middle Discharge Assembly

<u>Ref</u>	<u>Part No.</u>	<u>Description</u>	<u>Parts – Assembly</u>	<u>Will Fit SN</u>	<u>Remarks</u>
1	FRM-8810	Frame, Middle Discharge, High Cap. Tomato	1		
2	PAN-8822	Panel, Front, Middle Discharge	1		
3	PAN-8823	Panel, Back, Middle Discharge	1		
4	COV-8800	Cover, Middle Discharge, HC290 Tomato	1		
5	BRA-8801	Bracket, Panel Mount, Middle Discharge	3		
6	LA-703	Large Rubber T Latch Assembly	3		
8	HC-200-2408	Hydraulic Cylinder 2' x 24' #8 SAE Ports	2		Seal kit for Lion, HC-200-112
9	RLA-000-118	Standoff, 1/2' X 1 1/8'	13		
10	RLR-040-108	4' Flat Roller	13		
11	BRA-8802	Bracket for Cover Prop, Middle Discharge	1		
12	ADJ-8800	Adjuster, Cover Prop, Middle Discharge	1		
13	PIN-C2-16	Cotter Pin, 1/8' x 1'	1		
14	BAR-0114	Discharge Strap	2		
15	PL-8805	Plastic Shield, Discharge	2		
16	PL-8002	Plastic Shield, Discharge	2		



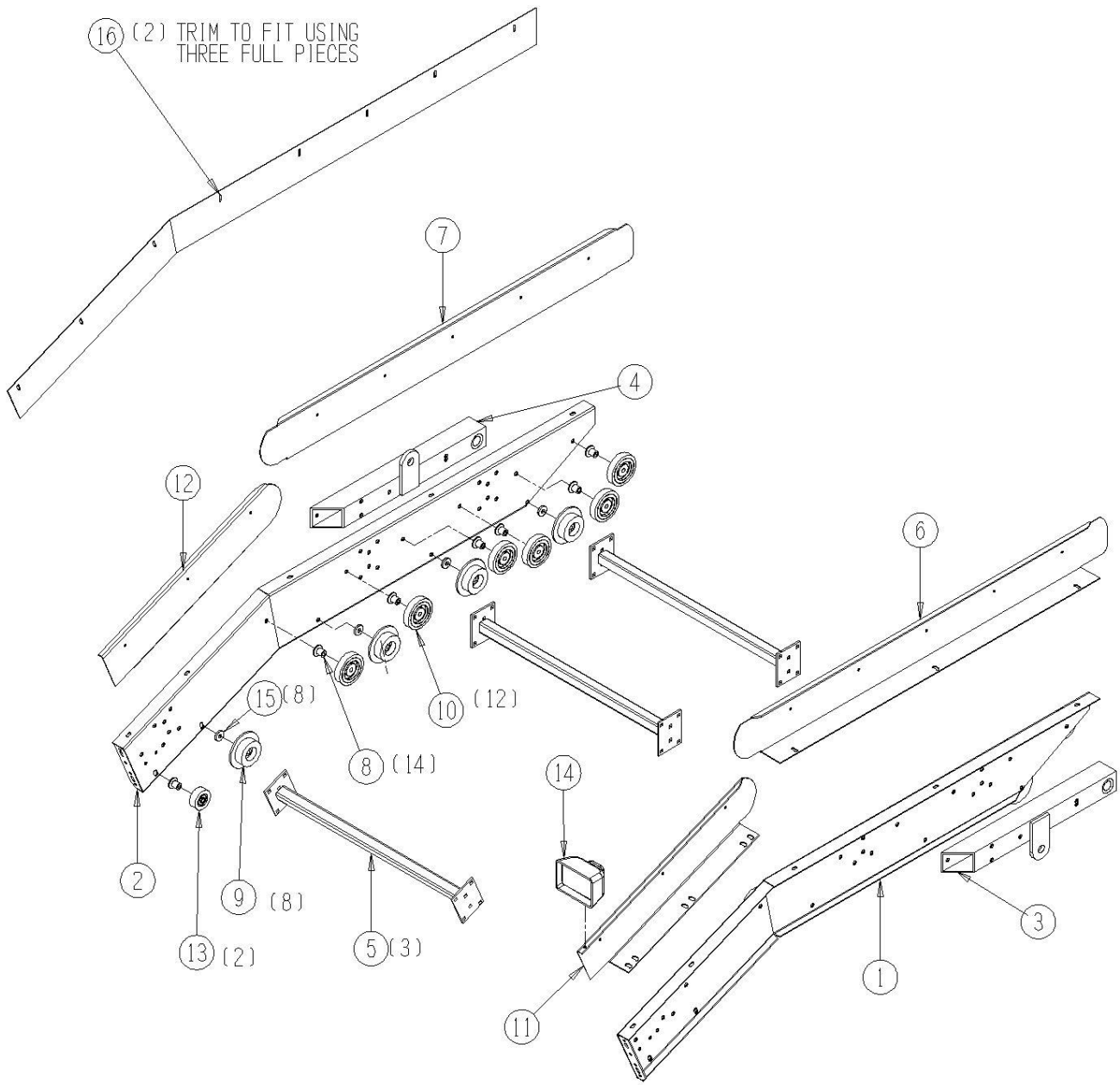
11010-11-03



## 11010-11-04 Outer Discharge Assembly

<u>Ref</u>	<u>Part No.</u>	<u>Description</u>	<u>Parts – Assembly</u>	<u>Will Fit SN</u>	<u>Remarks</u>
1	PAN-8816	Panel, Front, Outer Discharge, HC290 Tomato	1		
2	PAN-8817	Panel, Rear, Outer Discharge, HC290 Tomato	1		
3	192-905	Cylinder Mount, Front Discharge	1	19201-	
4	192-906	Cylinder Mount, Rear Discharge	1	19201- 192-900K	
5	BAR-8800	Bar, Cross Member, Outer Discharge	3		
6	PAN-8820	Panel, Front, Outer Discharge, HC290 Tomato	1		
7	PAN-8821	Panel, Back, Outer Discharge, HC290 Tomato	1		
8	RLA-000-118	Standoff, 1/2' X 1 1/8'	14		
9	RLT-535-128	Narrow Flange Roller 1.2 WF 3.5 dia, 1/2' Bore	8		
10	RLR-040-108	4' Flat Roller	12		
11	PAN-8814	Panel, Top, Front, Discharge Extension, HC290	1		
12	PAN-8815	Panel, Top, Back, Discharge Extension, HC290	1		
13	RLT-027-108	Roller 2.75' dia. 1/2' Bore	2		
14	EL-1233	Light, Auxiliary Work Light, Clear, Trapezoid Beam, TL#80394	0		Replaces EL-1201
15	RLA-000-028	Washer/Spacer	8	11001-	
16	PL-8002	Plastic Shield, Discharge	3		

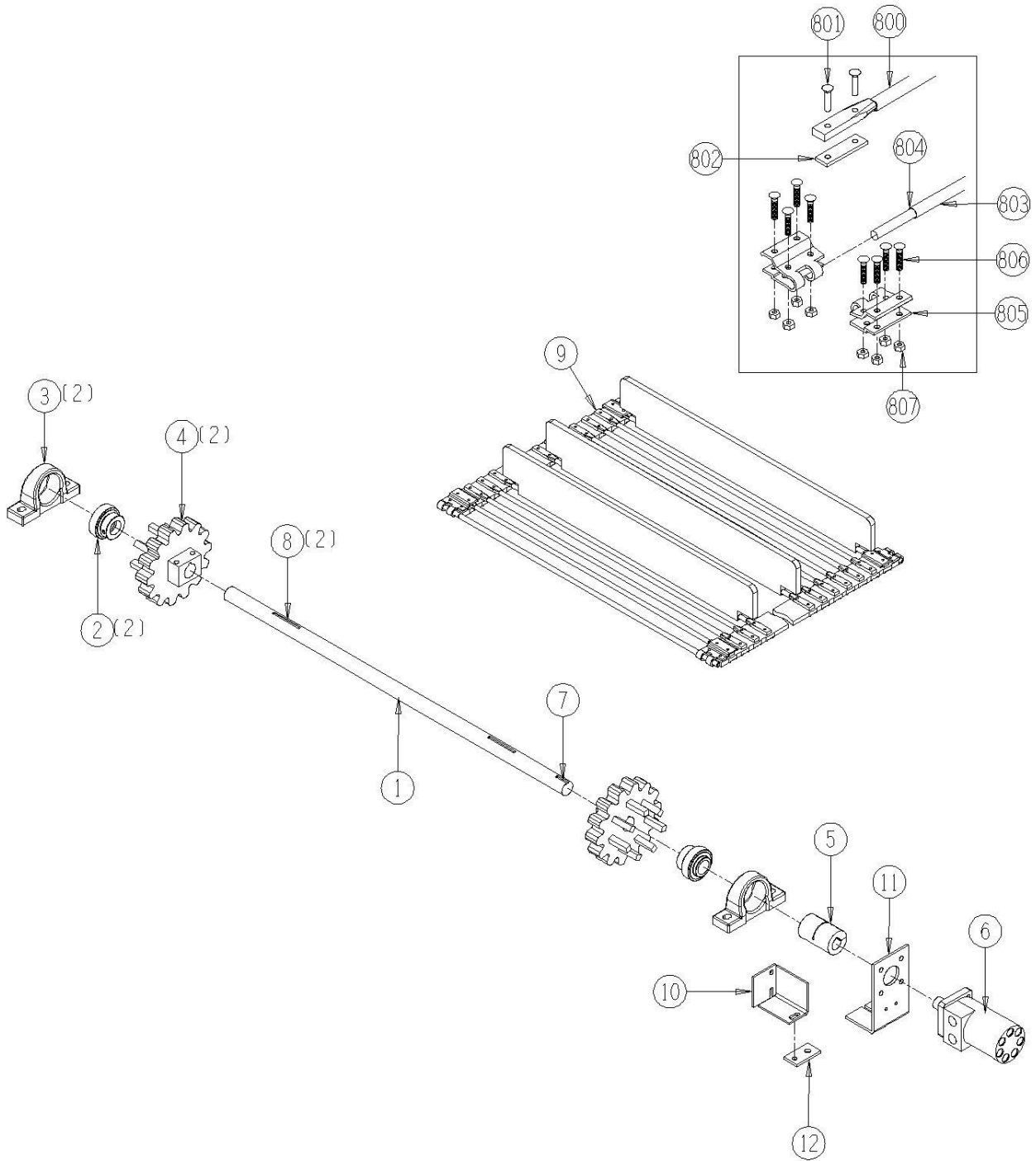
11010-11-04



# 11010-11-05 Discharge Drive Shaft Assembly

<u>Ref</u>	<u>Part No.</u>	<u>Description</u>	<u>Parts – Assembly</u>	<u>Will Fit SN</u>	<u>Remarks</u>
1	SFT-8800	Drive Shaft, Discharge, HC290 Tomato	1		
2	BR-125-072	Bearing, 1 1/4 Fafnir Tri-Seal, 72mm OD	2		
3	BR-072-RAK	72mm Cast Housing	2		
4	SP-3618-20-4	Sprocket 36mm 18 Tooth, 1 1/4' Bore, Split & Bolted	2		
5	CPS-6060	Steel Coupler (off center) 1 1/4' x 1'	1		
6	HM-210-TC	TCI Motor	1		Seal Kit # TCI-SKHPQ
7	KEY-4-4-20	Shaft Key 1/4' x 1 1/4'	1		
8	KEY-4-4-32	Shaft Key 1/4' x 2' Square Cut (1018)	2		
9	BC-6-3236-319FL	Discharge Elevator, 3/8' Bars, 32' Wide x 319 Bars, 36mm Pitch	1		
10	193-915	Stop, Discharge Motor	1	19301-	
11	193-806	Mount Motor	1		
12	BAR-1510	Bar, Light Holder	1		
800	BC-6-32-ST	3/8' x 32' Belted Chain Rods for 60mm Belt	0	11001	
801	RI-19-BC	19mm Belted Chain Rivets	0		
802	BC-BP32	Belt, Rivet Backing Plates 32mm	0	11001	Lap Splice Option, Used only with BC-1032-LN Lock Nuts
803	BC-6-32-CN	Connecting Rod, 10mm, 32' Wide Belted Chain, 60mm Traction Belts	0	11101	For Clip Splice Option
804	BC-3525	Snap Ring, 11mm.	0		
805	BC-F-36-32-UG	Ultra Gold F Connecting Clips 36-32 @ pair	0		
806	BC-1032-FS	10-32 x 1 1/4' Bolts Flat Socket Head	0		
807	BC-1032-LN	10-32 Lock Nuts	0		
808	KEY-4-4-15	Shaft Key 1/4' X 1/4' X 15/16' Woodruff Key	1		

11010-11-05



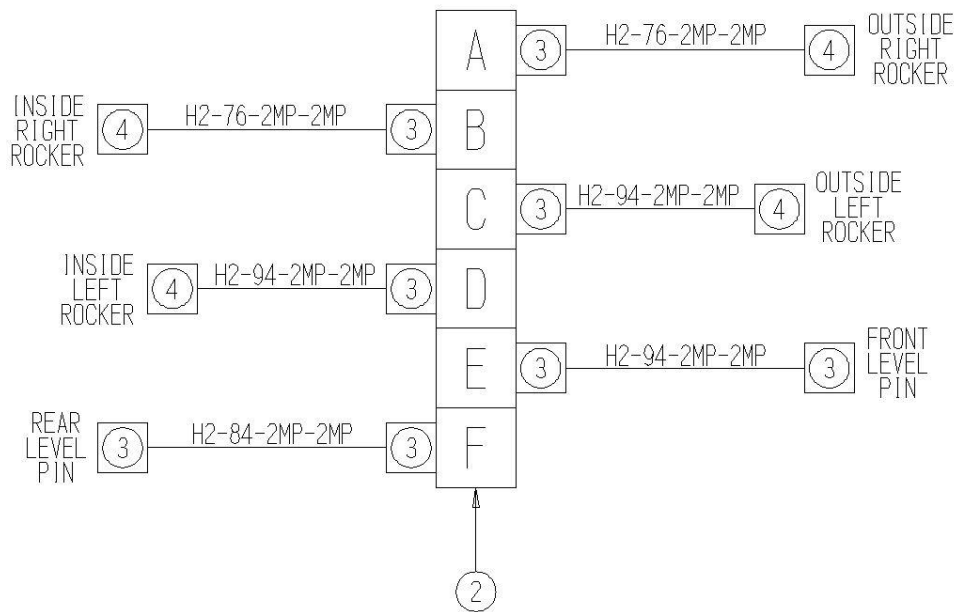
# 11010-12-01 Grease Banks, Axle & Header Pivot

<u>Ref</u>	<u>Part No.</u>	<u>Description</u>	<u>Parts – Assembly</u>	<u>Will Fit SN</u>	<u>Remarks</u>
1	GF-3-3	3' Grease Manifold	1		
2	GF-6-6	Grease Bank Manifold	1		
3	A-1404-2-2	1/8 MP x 1/8 FPX	11		
4	A-1501-2-2	1/8' MP x 1/8' FPX90-	7		
5	H2-76-2MP-2MP	1/8 in grease hose 1/8MP x 1/8MP x 76 in long	3		
6	H2-94-2MP-2MP	1/8 in grease hose 1/8MP x 1/8MP x 94 in long	4		
7	H2-84-2MP-2MP	1/8 in grease hose 1/8MP x 1/8MP x 84 in long	1		
8	H2-72-2MP-2MP	1/8 in grease hose 1/8MP x 1/8MP x 72 in long	1		
9	DC-0010	Decal, Grease Every 10 hrs.	10		
10	DC-0050	Decal, Grease Every 50 hrs.	10		
11	H2-108-2MP-2MP	1/8in Hose x 1/8MP x 1/8MP x 108in	1		
12	H2-78-2MP-2MP	1/8 in Grease Hose 1/8MP x 1/8MP x 78in Long	1		

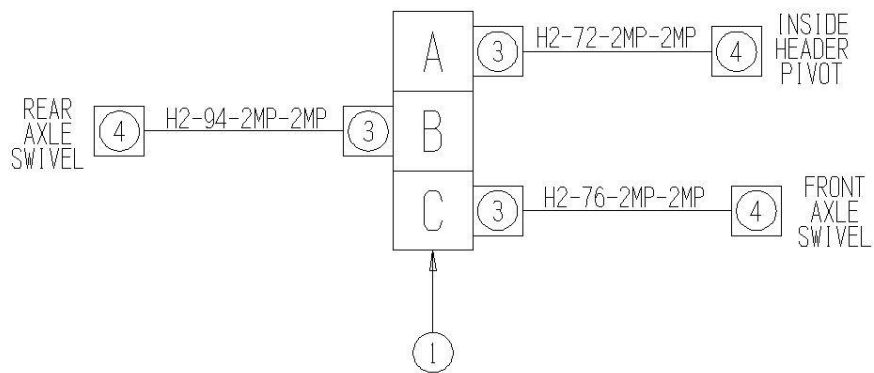
11010-12-01

NOTE: GREASE ALL  
LOCATIONS EVERY 10 HOURS

### UNDER CARRIAGE BANK (ON FRAME AT CATWALK)



### INSIDE HEADER PIVOT BANK



# 11010-12-02 Optional Grease Banks

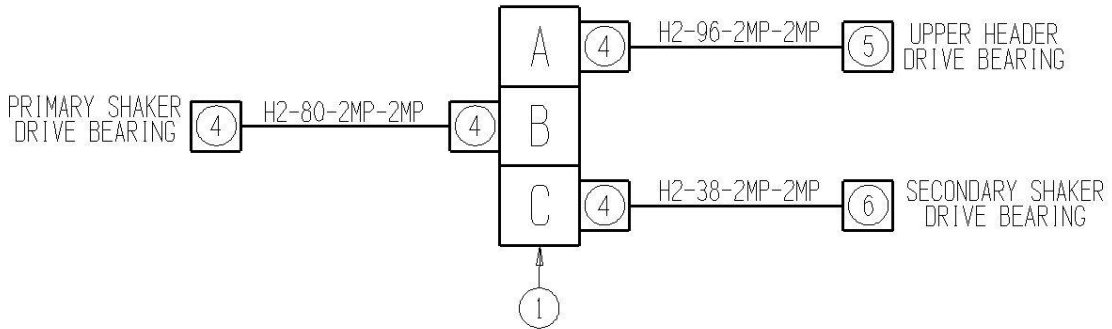
<u>Ref</u>	<u>Part No.</u>	<u>Description</u>	<u>Parts – Assembly</u>	<u>Will Fit SN</u>	<u>Remarks</u>
1	GF-3-3	3' Grease Manifold	2		
2	GF-4-4	4' Grease Manifold	1		
3	GF-6-6	Grease Bank Manifold	2		
4	A-1404-2-2	1/8 MP x 1/8 FPX	26		
5	A-1503-2-2	1/8' MP x 1/8' FPX 45-	5		
6	A-1501-2-2	1/8' MP x 1/8' FPX90-	18		
7	H2-96-2MP-2MP	1/8 in grease hose 1/8MP x 1/8MP x 96 in long	1		
8	H2-38-2MP-2MP	1/8 in grease hose 1/8MP x 1/8MP x 38 in long	1		
9	H2-80-2MP-2MP	1/8 in grease hose 1/8MP x 1/8MP x 80 in long	1		
10	H2-189-2MP-2MP	1/8 in grease hose 1/8MP x 1/8MP x 189 in long	1		
11	H2-117-2MP-2MP	1/8 in grease hose 1/8MP x 1/8MP x 117 in long	1		
12	H2-82-2MP-2MP	1/8 in grease hose 1/8MP x 1/8MP x 82 in long	2		
13	H2-41-2MP-2MP	1/8 in grease hose 1/8MP x 1/8MP x 41 in long	1		
14	H2-135-2MP-2MP	1/8 in grease hose 1/8MP x 1/8MP x 135 in long	1		
15	H2-112-2MP-2MP	1/8 in grease hose 1/8MP x 1/8MP x 112 in long	2		
16	H2-92-2MP-2MP	1/8 in grease hose 1/8MP x 1/8MP x 92 in long	1		
17	H2-48-2MP-2MP	1/8 in grease hose 1/8MP x 1/8MP x 48 in long	1		
18	H2-16-2MP-2MP	1/8 in grease hose 1/8MP x 1/8MP x 16 in long	1		
19	H2-137-2MP-2MP	1/8 in grease hose 1/8MP x 1/8MP x 137 in long	1		
20	H2-79-2MP-2MP	1/8 in grease hose 1/8MP x 1/8MP x 79 in long	1		
21	H2-45-2MP-2MP	1/8 in grease hose 1/8MP x 1/8MP x 45 in long	1		
22	H2-210-2MP-2MP	1/8 in grease hose 1/8MP x 1/8MP x 210 in long	1		
23	H2-114-2MP-2MP	1/8 in grease hose 1/8MP x 1/8MP x 114 in long	1		
24	H2-174-2MP-2MP	1/8 in grease hose 1/8MP x 1/8MP x 174 in long	1		
25	H2-72-2MP-2MP	1/8 in grease hose 1/8MP x 1/8MP x 72 in long	1		
26	AC-2	1/8' NPT Coupler	2		
27	H2-67-2MP-2MP	1/8in Hose x 1/8MP x 1/8MP x 67in Long	1		
28	H2-7-2MP-2MP	1/8in Hose x 1/8MP x 1/8MP x 7in Long	2		



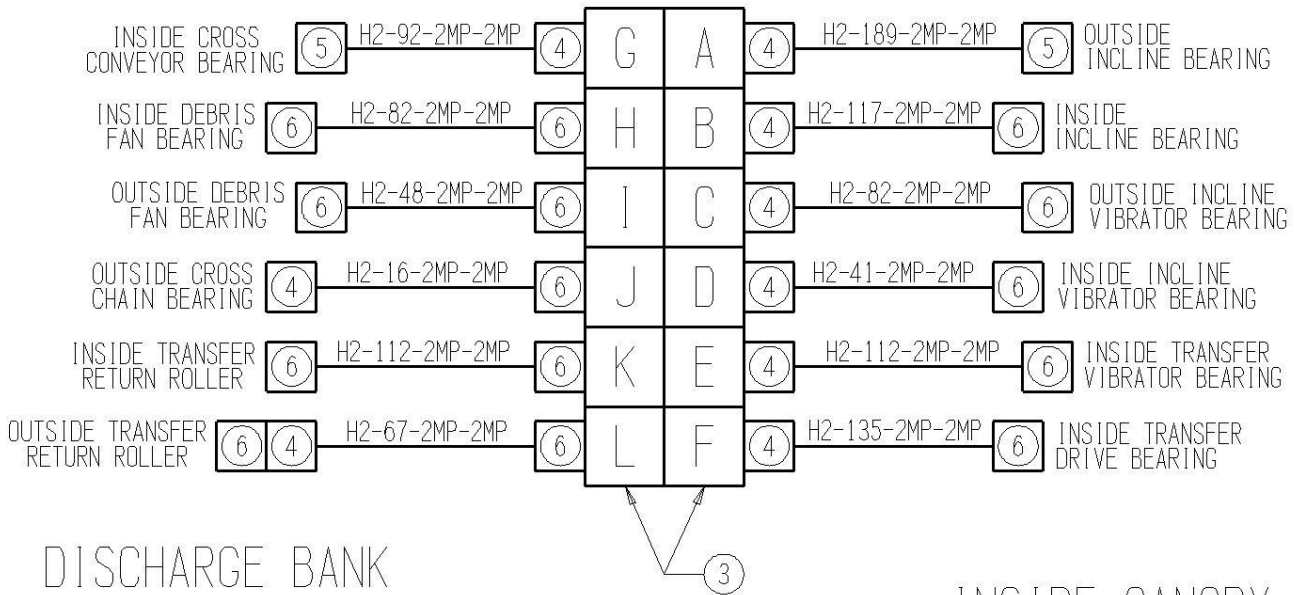
# 11010-12-02

NOTE: GREASE ALL LOCATIONS EVERY 10 HOURS

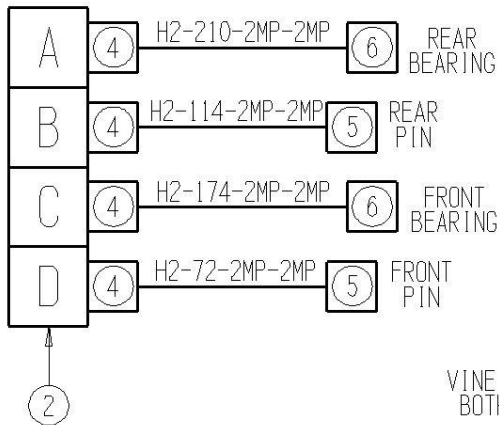
## OUTSIDE SHAKER BANK



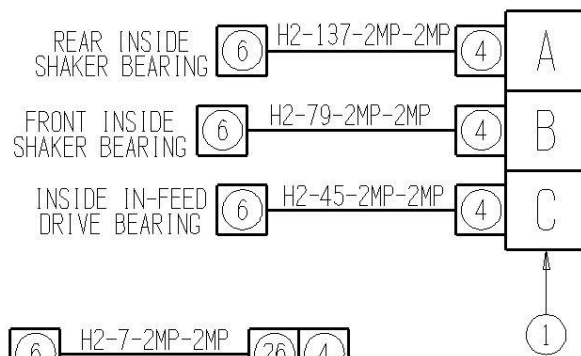
## REAR GREASE BANK



## DISCHARGE BANK



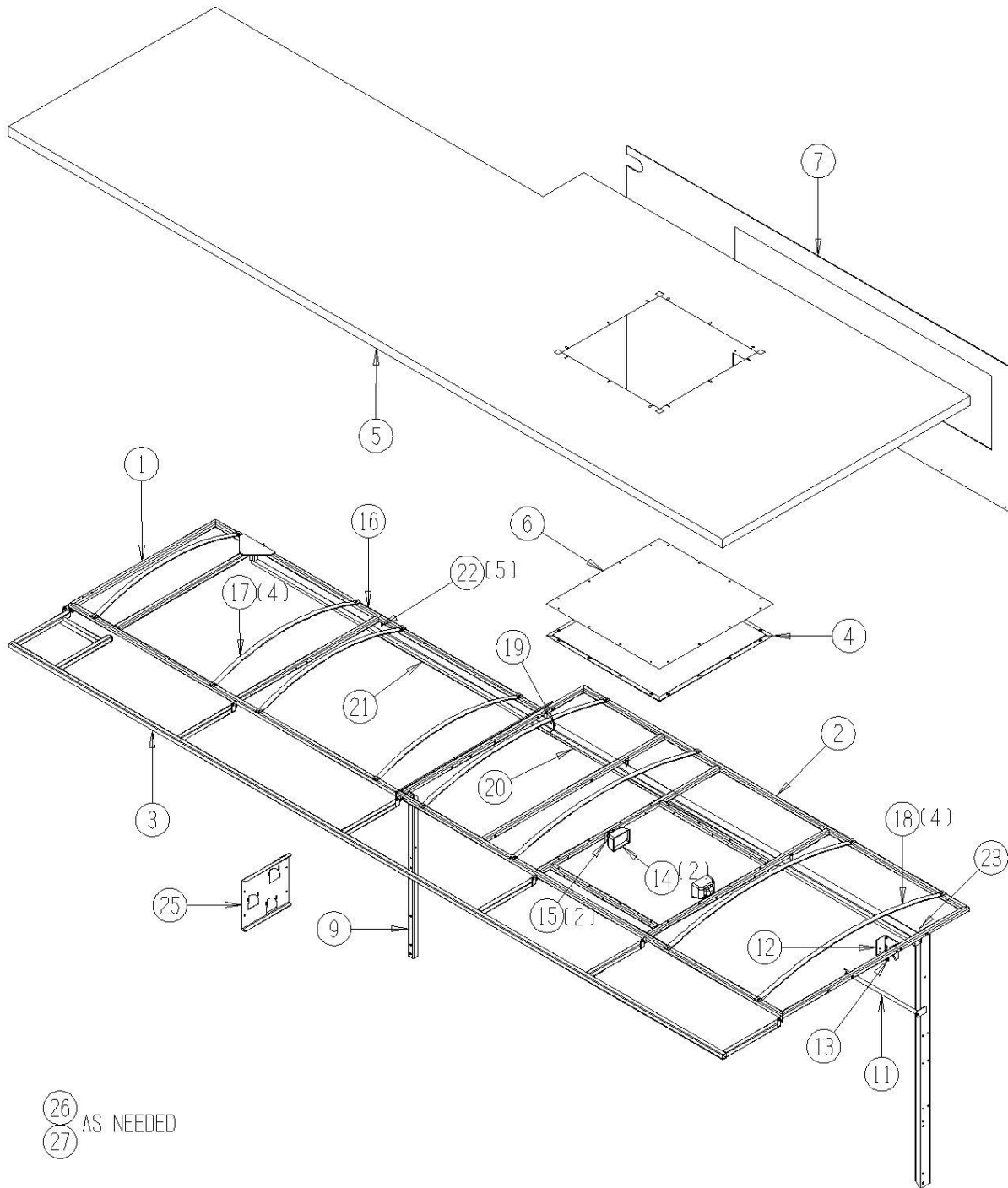
## INSIDE CANOPY



# 11010-13-01 Standard Canopy Assembly

<u>Ref</u>	<u>Part No.</u>	<u>Description</u>	<u>Parts – Assembly</u>	<u>Will Fit SN</u>	<u>Remarks</u>
1	FRM-8002	Frame, Back Canopy, HC290 Tomato	1		
2	FRM-8003	Frame, Front Canopy, HC290 Tomato	1		
3	FRM-8001	Frame, Canopy Fold Out, HC290	1		
4	FRM-8104	Frame, Canopy Cover Holder, Opening, HC290	1		
5	TRP-8000	Tarp, Canopy Sorting Area, HC290 Tomato	1		
6	TRP-8001	Tarp, Fresh Air Fan Hole Cover, HC290	1		
7	TRP-8002	Tarp, Canopy Insd, Header Sorting Area, HC290	1		
9	POS-8101	Post, Outside Between Canopy Frm & Shaker Frm	1		
11	MOU-8750	Canopy Mounting Bracket, High Capacity Tomato	1		
12	195-1455	Horn Bracket	1	19501-	
13	195-1456	Horn Switch Bar	1	19501-	
14	EL-1233	Light, Auxiliary Work Light, Clear, Trapezoid Beam, TL#80394	2		Replaces EL-1201
15	BAR-1510	Bar, Light Holder	2		
16	TT-2771	Tarp Tracking, 5' 4' Sections	0.75		
17	ARM-8001	Tarp Bows, Back Canopy Frame, HC290 Tomato	4		
18	ARM-8002	Tarp Bows, Front Canopy Frame, HC290 Tomato	4		
19	BAR-0084	Flat Bar, Channel Connector, HC290	1		
20	BRA-0132	J Channel, Canopy, HC290	1	BRA-0132	
21	BRA-0133	J Channel, Canopy	1		
22	BRA-0134	Angle Hanger, Channel	5		
23	BRA-0135	Angle Hanger, Channel, HC290	1		
25	PAN-8203	Panel, Vib. Flow Controls, Shaker Frame, 290	1		
26	STRP-1050	10' Tarp Straps	10		
27	STRP-610	6' Tarp Strap (ea.)	10		

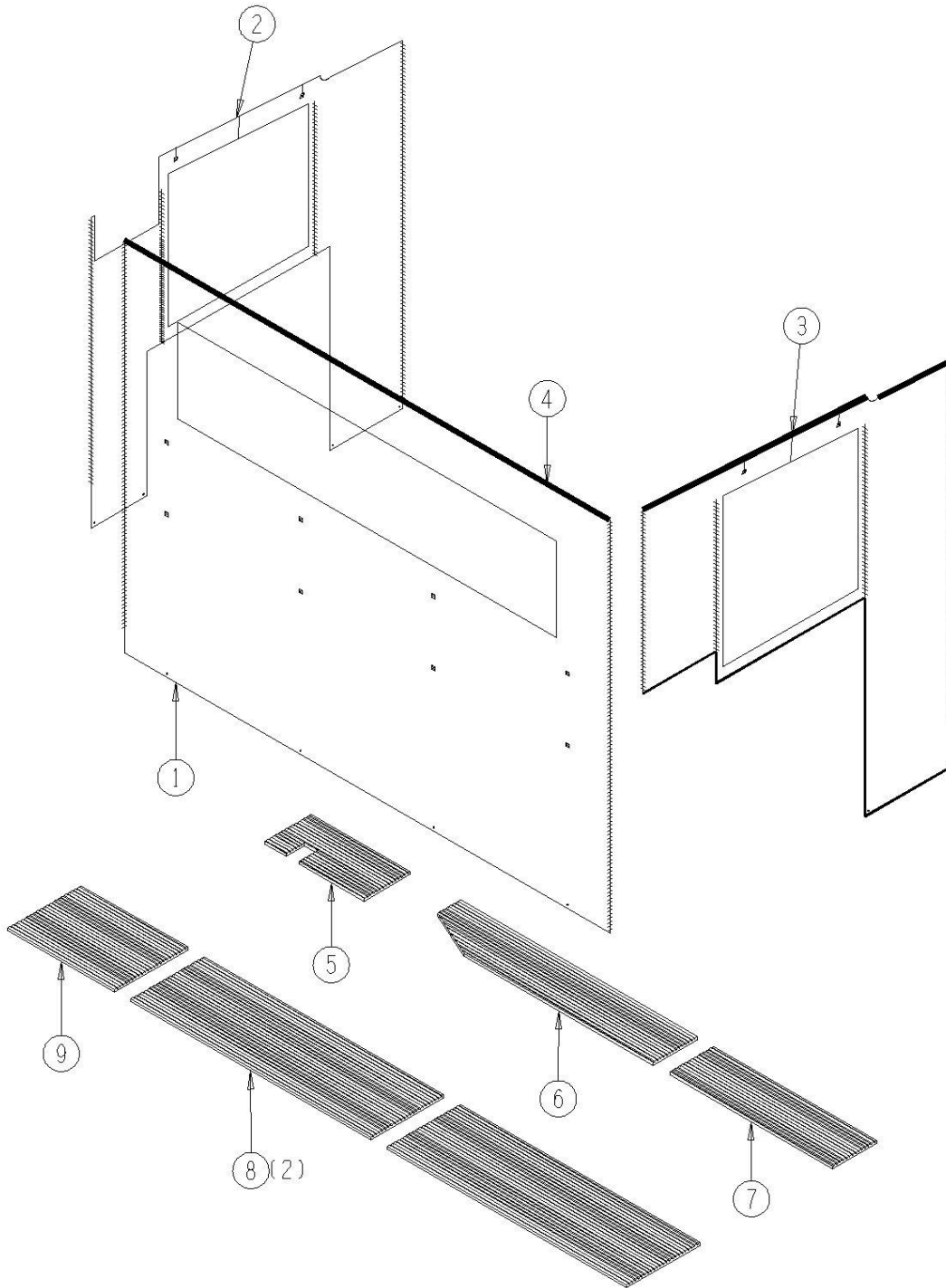
11010-13-01



## 11010-13-02 Optional Aftersort Enclosure Assembly

<u>Ref</u>	<u>Part No.</u>	<u>Description</u>	<u>Parts – Assembly</u>	<u>Will Fit SN</u>	<u>Remarks</u>
1	TRP-8003	Tarp, Canopy Outside, Sorting Area, HC290	1		
2	TRP-8007	Tarp, Canopy Back, Sorting Area, HC290	1		
3	TRP-8005	Tarp, Canopy Front, Sorting Area, HC290 Tomato	1		
4	TT-2771	Tarp Tracking, 5' 4' Sections	1.6875		
5	CM-8105	Cow Mat, Inside, Back, Opt. Decking, 2010 290 Tomato	1		
6	CM-8101	Deck Mat, Inside Middle, Optional Decking, HC290	1		
7	CM-8102	Deck Mat, Inside, Front, Optional Decking, HC290	1		
8	CM-8103	Deck Mat, Outside, RH, Optional Decking, HC290	2		
9	CM-8104	Cow Mat, Outside, Back, Optional Decking, HC290	1		

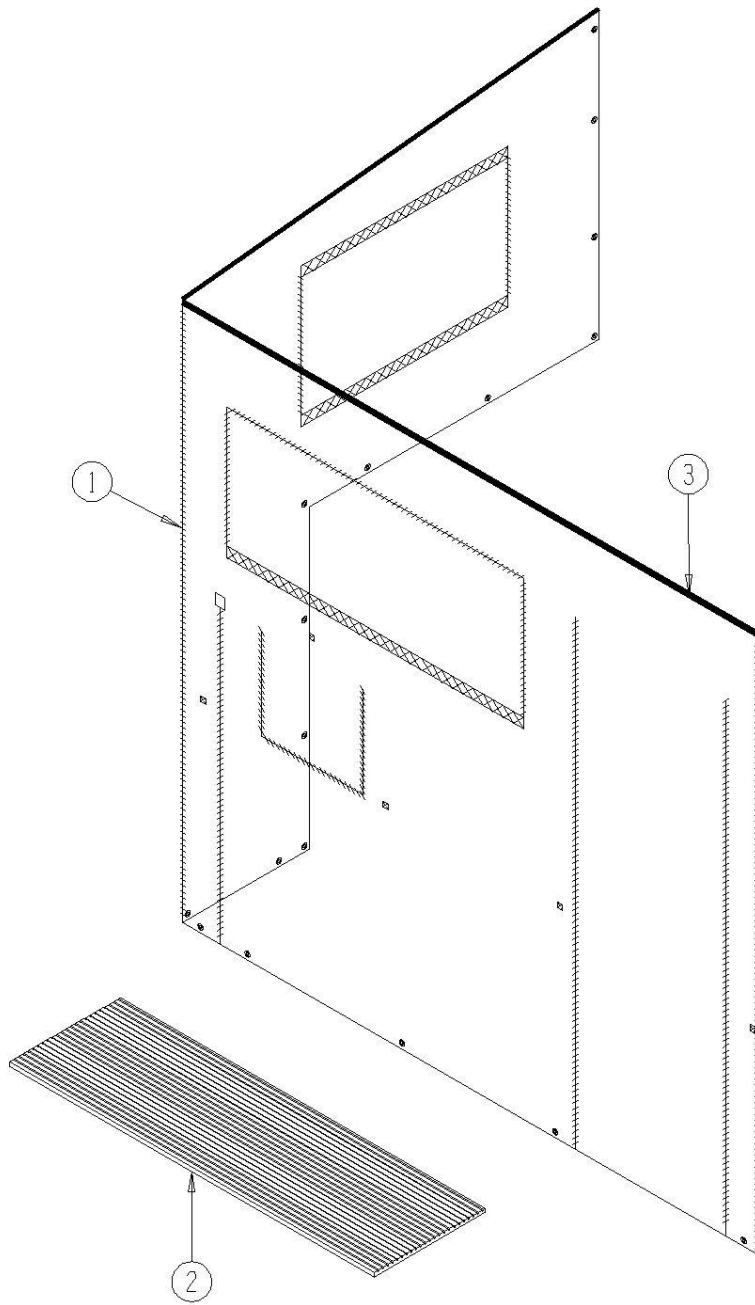
11010-13-02



# 11010-13-03 Optional Elevation Enclosure Assembly

<u>Ref</u>	<u>Part No.</u>	<u>Description</u>	<u>Parts – Assembly</u>	<u>Will Fit SN</u>	<u>Remarks</u>
0	TRP-8007	Tarp, Canopy Back, Sorting Area, HC290	-1		
1	TRP-8006	Tarp, Canopy Enclosure @ Elevation, HC 290	1		TRP-8006-R & TRP-8006-S make TRP-8006
2	CM-8103	Deck Mat, Outside, RH, Optional Decking, HC290	1		
3	TT-2771	Tarp Tracking, 5' 4' Sections	1.5		
800	TRP-8006-R	Rear Panel for Elevation Canopy, HC 290	1	TRP-8006	
801	TRP-8006-S	Tarp, Side Panel Elevation Canopy, HC 290	1	TRP-8006	

11010-13-03

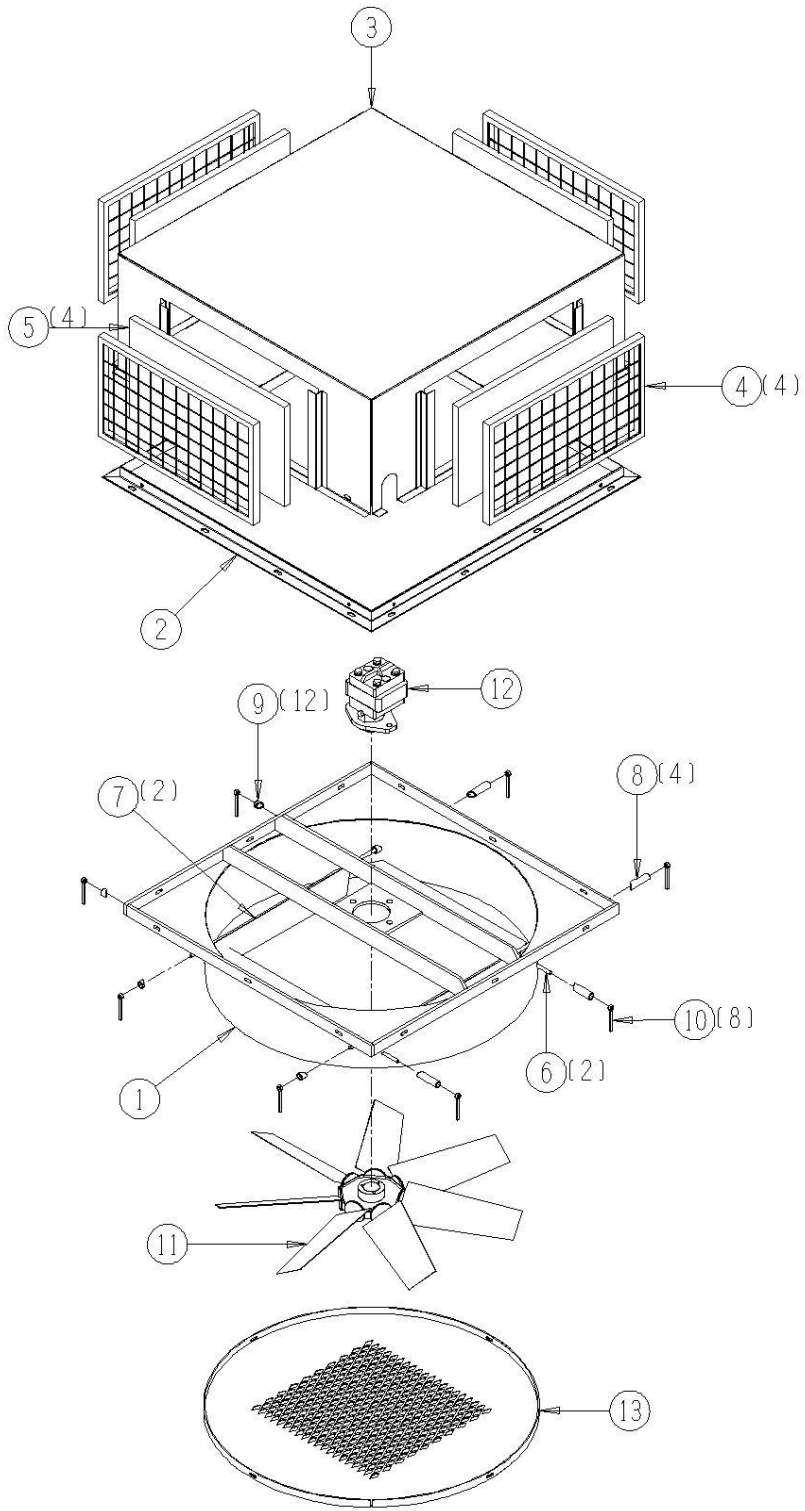


## 11010-13-04 Opt. Aftersort Enclosure Fresh Air Fan Assembly

<u>Ref</u>	<u>Part No.</u>	<u>Description</u>	<u>Parts – Assembly</u>	<u>Will Fit SN</u>	<u>Remarks</u>
0	FRM-8104	Frame, Canopy Cover Holder, Opening, HC290	-1		
0	TRP-8001	Tarp, Fresh Air Fan Hole Cover, HC290	-1		
1	FAN-8100	Fan, Fresh Air Fan Housing, Canopy	1		
2	FRM-0011	Frame, Ventilation Fan, Over Sorting	1		
3	FAN-4751	Fan Housing, Fresh Air Fans, Hand Sort Tables	1		
4	FFR-14251	Filter Frame, 14 x 25 x 1	4		
5	FP-14251	Filter Pad, 14 x 25 x 1	4		
6	FAN-8102	Fan, RH/LH Diffuser, Fresh Air Fan	2		
7	FAN-8103	Fan, Front/Back Diffuser, Fresh Air Fan	2		
8	SPA-8000	Spacer, Outside, Fresh Air Fan, Harvester	4		
9	SPA-8001	Spacer, Inside, Fresh Air Fan, Harvester	12		
10	ARM-8000	Arm, Diffuser Outside, Fresh Air Fan	8		
11	FAN-290-36	Fresh Air Fan, 36' with PU-SH-16 bushing	1		PU-SH-16 Bushing included.
12	HM-115	Hydraulic Motor	1		
13	FAN-8104	Fan Shield, Fresh Air Fan, Canopy	1		
14	DC-1175	Decal, Danger, Rotating Blade Hazard	1		
801	HM-2100-SK	Shaft Seal & Gasket Kit for Permco Motor, M2100 Series	1		
802	HM-2100-BRG	Bearing for Permco Motor, M2100 Series	1		



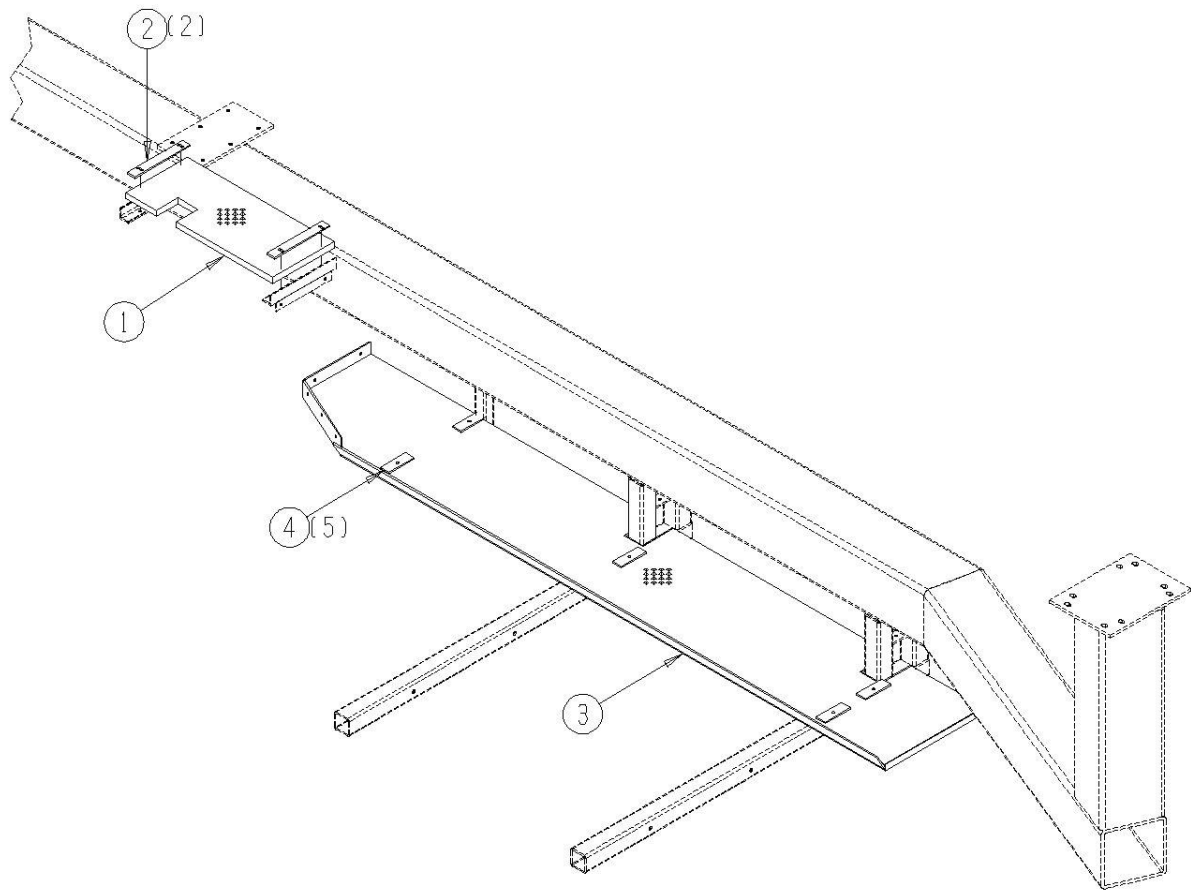
11010-13-04



## 11010-13-05 Inner Decking Assembly

<u>Ref</u>	<u>Part No.</u>	<u>Description</u>	<u>Parts – Assembly</u>	<u>Will Fit SN</u>	<u>Remarks</u>
1	STD-8112	Decking, Back, Top, Inner Decking, 2010 290 Tomato	1		
2	BAR-8103	Decking Holder, Back, Inner Decking, HC290	2		
3	STD-8102	Decking, Bottom, Longest Inner Decking, HC290	1		
4	BAR-3861	Bar, Decking Holder, Elevation Deck Step	5	30098001-	
6	DC-1402B	Decal, 'CAUTION Keep Locks in Place' (Deck Lock)	1		

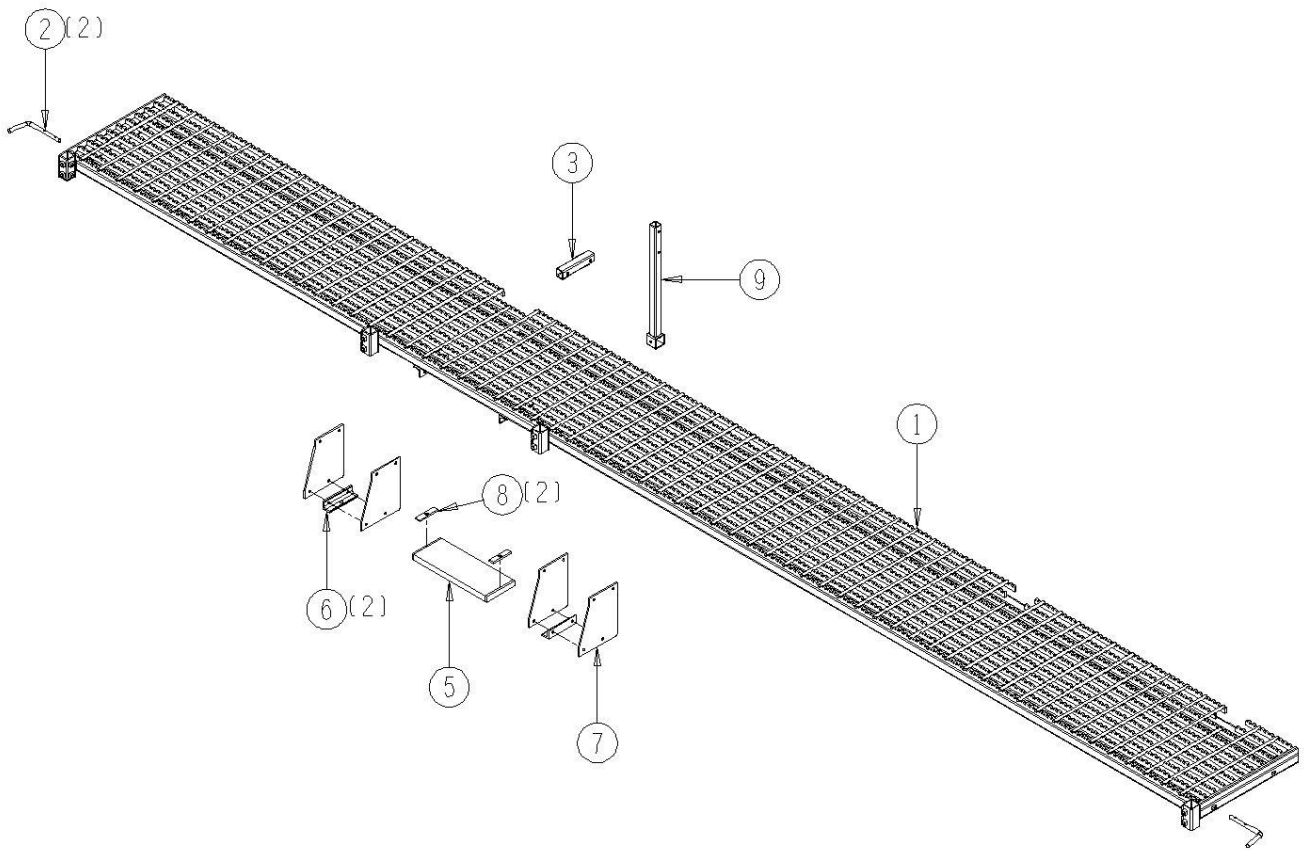
11010-13-05



## 11010-13-06 Outer Decking Assembly

<u>Ref</u>	<u>Part No.</u>	<u>Description</u>	<u>Parts – Assembly</u>	<u>Will Fit SN</u>	<u>Remarks</u>
1	STD-8104	Decking and Frame, RH, Under Canopy, HC290	1		
2	PIN-8104	Pin, Holder Outside Decking, HC290	2		
3	SUP-0109	Tube, Decking Support	1		
4	DC-1402B	Decal, 'CAUTION Keep Locks in Place' (Deck Lock)	1		
5	STD-8111	Step Decking, Steel Decking, 290 Tomato	1		
6	BRA-8114	Angle, Bottom Flex Step, 290 Tomato	2		
7	BT-8103	Flex Step, 290 Tomato Harvester	4		
8	BAR-8107	Flat Bar, Top Plate, Flex Step, HC290	2		
9	FRM-8752	Frame, Presort Kit, 2010 290 Tomato Harvester	1		

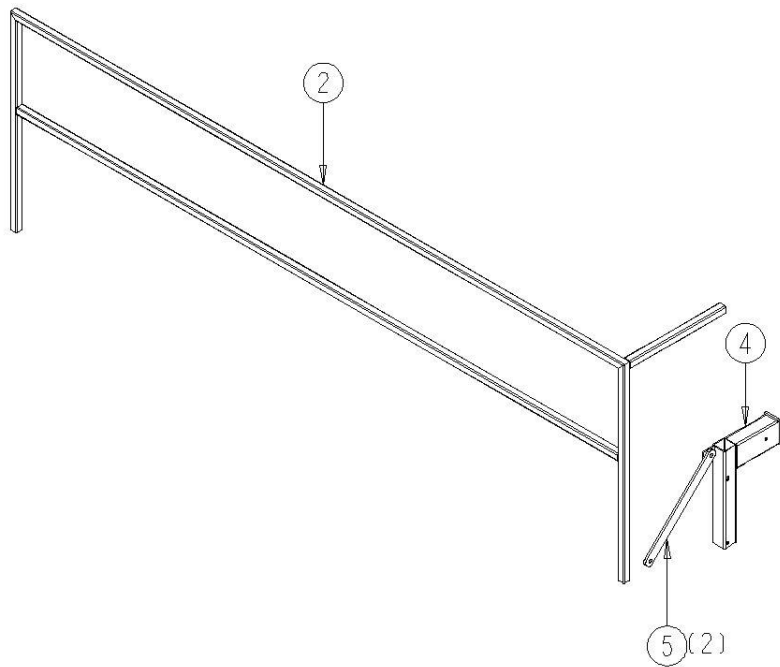
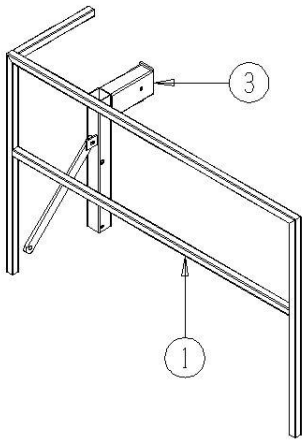
11010-13-06



## 11010-13-07 Outer Hand Rail Assembly

<u>Ref</u>	<u>Part No.</u>	<u>Description</u>	<u>Parts – Assembly</u>	<u>Will Fit SN</u>	<u>Remarks</u>
1	STD-8105	Stand, Back Hand Rail, Harvester	1		
2	STD-8106	Stand, Front Hand Rail, HC290 Tomato	1		
3	STD-8107	Stand, Handrail Mount, Back, Aftersort, HC290	1		
4	STD-8108	Stand, Handrail Mount, Front, Aftersort, HC290	1		
5	BAR-8104	Bar, Hand Rail Adjuster, HC290 Tomato	2		

11010-13-07



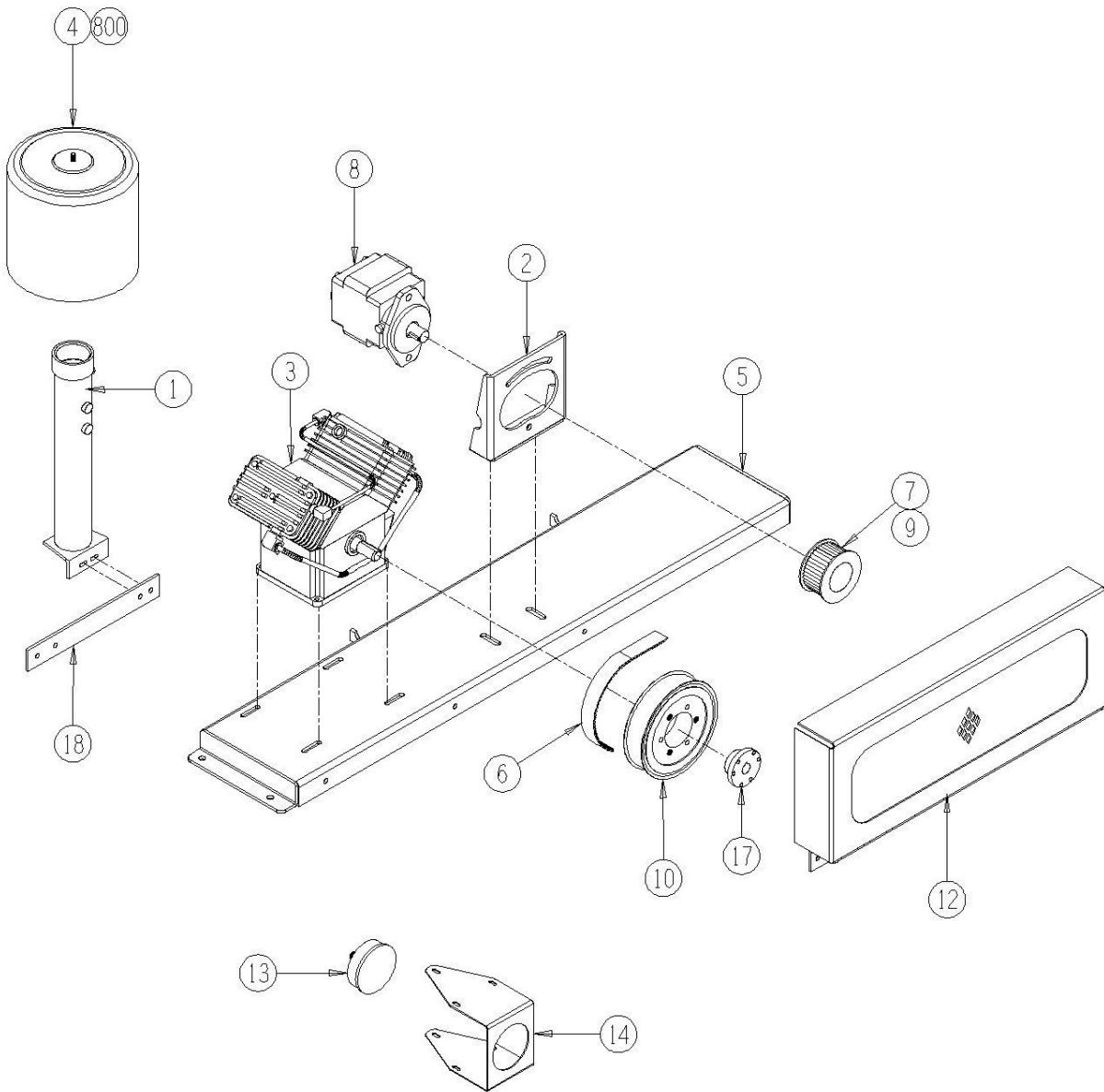
# 11011-14-01 Air Compressor Assembly, Large Pump

<u>Ref</u>	<u>Part No.</u>	<u>Description</u>	<u>Parts – Assembly</u>	<u>Will Fit SN</u>	<u>Remarks</u>
1	MOU-0088	Air Intake, Filter Mount	1		
2	MOU-0022	Mount, Weight Motor, Shakers, Harvesters	1		Replaces 110-515
3	AIR-1508	Air Compressor--Large	1		<ul style="list-style-type: none"> <li>•Four Cyllinder, single stage pump.</li> <li>•2.5' bore x 3.25' stroke.</li> <li>•Pump has 16' flywheel.</li> <li>•CFM displ. 28.8 w/ 5 HP motor</li> <li>•Min. RPM 450 Max RPM 775</li> <li>•Oil capacity 48 oz.</li> <li>•Pump weight 175#</li> </ul>
4	AIR-1510	2 ½' Air Filter	1		
5	MOU-0206	Compressor Mount, HC290 Tomato	1		
6	BT-1440-8M-30	HTD Belt 1440mm	1		
7	PU-56-8M-30	56mm Pully, 8mm Pitch, 30mm wide belt	1		
8	HM-122	Motor, Hydraulic, 1-¾' Gear, #12 SAE Ports	1		
9	PU-2012-16	Taperloc Bushing - 1' Bore	1		
10	PU-80-8PTH-35-SF	Primary Weight Pulley, 35mm Wide, Panther Style	1		
11	AIR-0001	Synthetic Compressor Oil (ISO 100 SAE 40): 1 quart bottle	2		
12	SHD-0154	Air Compressor Cover, 290 Harvester	1		
13	DC-1506B	Decal,White:AIR FILTER-CLEAN DAILY BLOW	1	11001-	
14	AIR-0002	4', 0-160 PSI Liquid Filled Gauge, Back-Mount with Bracket	1		
15	AIR-0003	Air, Gauge Mount, Header Cylinder Mount	1		
17	PU-SF-18	Bushing, SF x 1 1/8'	1		
18	BRA-8008	Air Filter Mount	1		
19	AIR-1355	Air Filter Monitor(15# H2O) with O-Ring Fitting	2		
100	BL-5-150-H	5/16-18 X 1 1/2 HEX CAP G5 ZC	8		
101	BL-5-LN	5/16-18 HEX LN NE ZC	8		
102	BL-5-WS	5/16' SAE Washer	8		
103	BL-6-FW-8	3/8 FLAT WASHER, G8 ZC	14		
104	BL-6-LN	3/8 UNC FIN HEX LOCK NUT NE A563 GrA ZINC	2		
105	BL-8-175-H	1/2-13 X 1 ¾ HEX CAP G5 ZC	1		



106	BL-8-FW	1/2 USS FW ZC	6	
107	BL-8-LN	1/2-13 HEX LOCK NUT NYLON INSERT ZC	3	
108	BL-8-425-H	1/2-13 X 4 1/4 HEX CAP G5 ZC	2	
109	BL-8-125-C	1/2 UNC X 1 1/4 CARRIAGE BOLT GR5 ZINC	2	
110	BL-8-N	1/2-13 HEX FIN NUTS ZC	4	
111	BL-8-LW	1/2 SPLIT LW ZC	3	
112	BL-8-250-T	1/2 - 13 X 2 1/2 TAP BOLT GR5 ZINC	1	
113	BL-8-175-C	1/2 UNC X 1 3/4 CARRIAGE BOLT GR5 ZINC	1	
114	BL-6-LW	3/8 SPLIT LW ZC	3	
115	BL-6-N	3/8-16 HEX NUTS ZC	3	
116	BL-6-125-H	3/8-16 X 1 1/4 HHCS G5 ZC	2	
117	BL-4-700-H	1/4 X 20 X X 7 HEX CAP G5 ZC	3	
118	BL-4-LN	1/4-20 HEX LN NE ZC	3	
119	BL-6-400-ST	3/8-16 x 4 Grade 5 Full Threaded Stud	2	
600	A-1405-8-8	1/2' NPT Coupler w/Swivel	2	
601	A-1501-8-8	1/2 MP x 1/2 FPX90°	2	
602	H12C-4-76	3/4' Suction Hose x 76'	1	
603	H12C-4-80	3/4' Suction Hose x 80'	1	
604	H10-42-8MP-8MP	5/8 in hose 1/2MP x 1/2MP x 42 in long	1	
605	A-1603-8-8-8	Swivel T 1/2' NPTF	1	
800	AIR-1510A	Filter Element	0	AIR-1510
801	HM-2100-SK	Shaft Seal & Gasket Kit for Permco Motor, M2100 Series	1	
802	HM-2100-BRG	Bearing for Permco Motor, M2100 Series	1	

11011-14-01

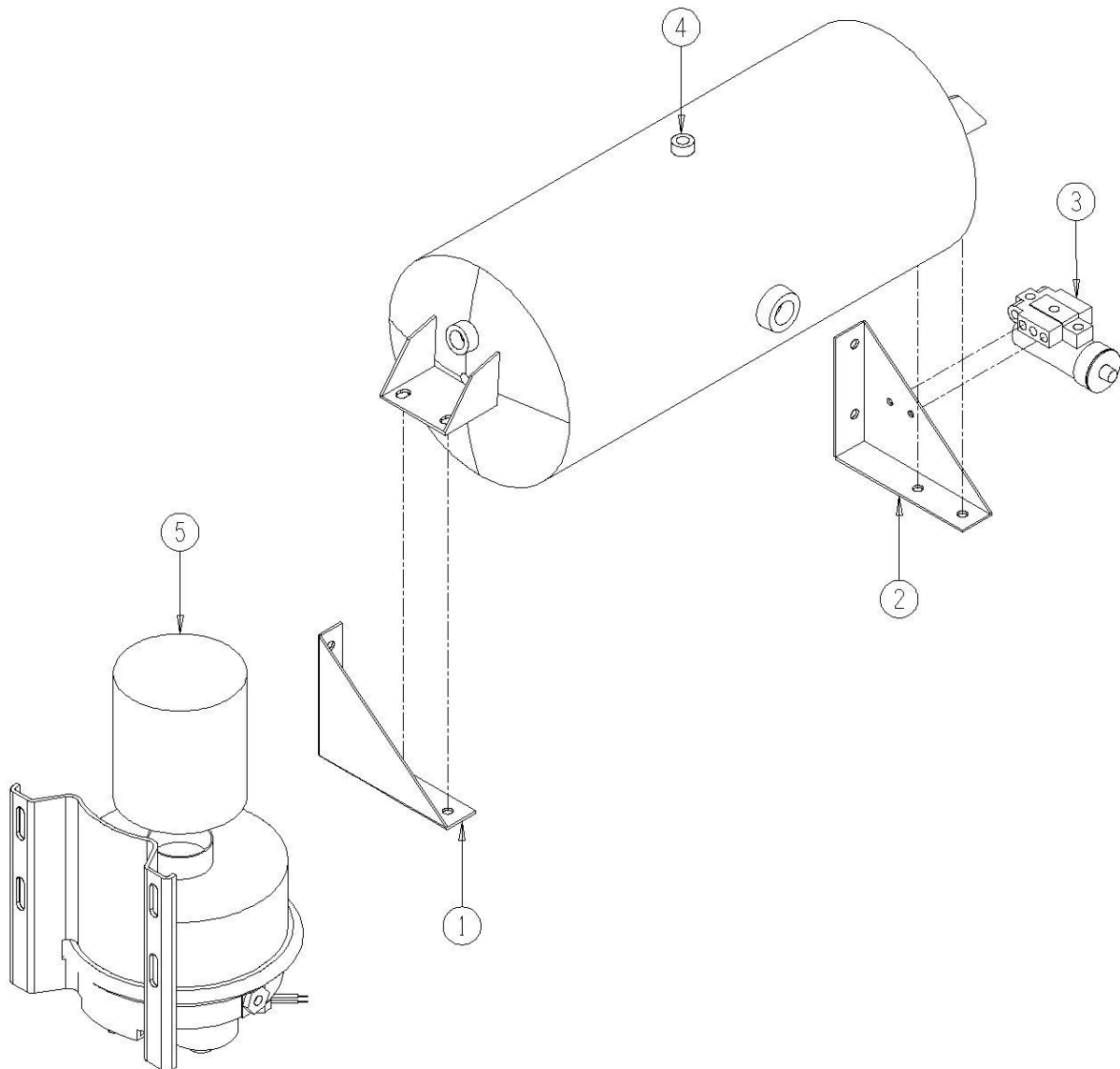




## 11010-14-02 Air Tank & Dryer Assembly

<u>Ref</u>	<u>Part No.</u>	<u>Description</u>	<u>Parts – Assembly</u>	<u>Will Fit SN</u>	<u>Remarks</u>
1	194-1513A	Air Tank Bracket	1	19401-	
2	194-1513B	Bracket, Air Reservoir	1	19401-	
3	AIR-1512	Air Compressor Governor	1		
4	AIR-1513	Air Reservoir Tank	1		
5	AIR-1514-M	Air Dryer	1		Will replace 110-1514 with minor modifications

11010-14-02

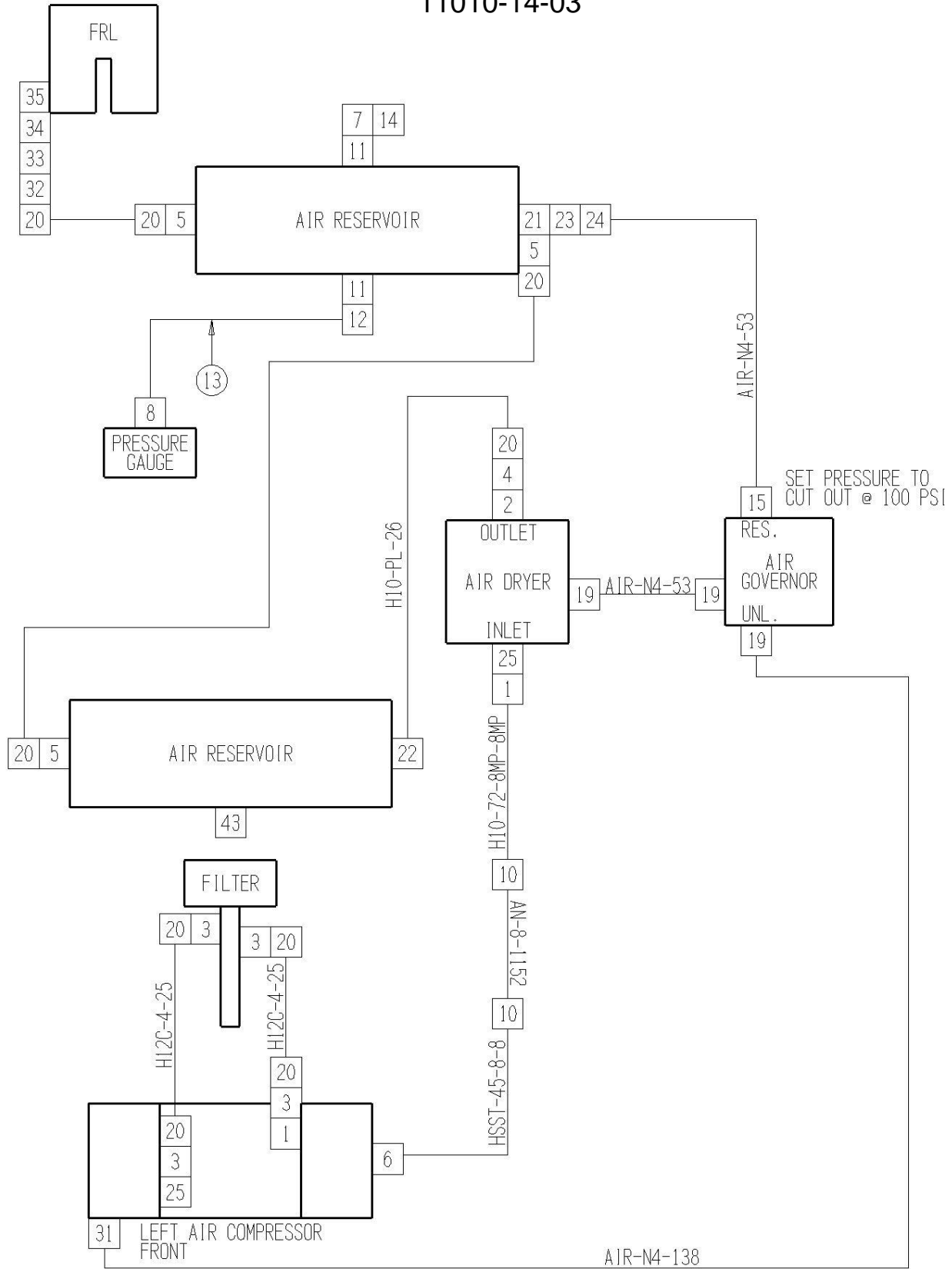


# 11010-14-03 Air System Line & Component Assembly

<u>Ref</u>	<u>Part No.</u>	<u>Description</u>	<u>Parts – Assembly</u>	<u>Will Fit SN</u>	<u>Remarks</u>
1	A-1503-8-8	Elbow, 1/2' MP X 1/2' FPX45°	2		
2	A-2501L-10-8	5/8MJIC x 1/2MP(Long)90°	1	19701-	
3	A-4104-12-8	1/2 MP to 3/4 Hose Barb	4		
4	A-4121-10-10	5/8' Push Loc x 5/8' JIC Female	1		
5	A-4124-10-8	1/2 Male Pipe x 5/8 Push Loc	3		
6	A-1404-8-8	1/2 MP to 1/2 FPX, Straight	1		
7	A-5500-4	1/4' 90° Male Pipe Elbow	1		
8	A-5504-4	1/4' Pipe Elbow	1		
9	H10-23-8MP-8MP	5/8' hose 1/2MP x 1/2MP x 23' long	1		
10	A-1405-8-8	1/2' NPT Coupler w/Swivel	2		
11	AB-12-4	3/4 x 1/4 Bushing	2		
12	A-1501-4-4	1/4' MP x 1/4' FPX90°	1		
13	H4-0	1/4'Hydraulic Hose @ft	0		Standard Reel Length - 450'
13	H4-4MP	1/4' Hose End x 1/4' Male Pipe	1		
14	AIR-375-25F	Air Coupler 3/8 Body - 1/4NPT Female Thread	1		
15	AIR-N4-2	Auto-loc Male Adapter 1/4 x 1/8 NPT	1		
16	AIR-N4-138	1/4' Air Line x 138' Long	1		
17	AIR-N4-4	Auto-loc Male Adapter 1/4 n-1/4NPT	1		
18	AIR-N4-53	1/4' Air Line 53' Long	2		
19	AIR-PL-4-2	Male Elbow, 1/4 x 1/8NPT, Brass, D.O.T., Prestomatic	3		
20	CL-1208	Hose Clamp, Size 12 - 3/4-1 1/8	9		
21	A-5602-8	Run Tee 1/2' NPT	1		
22	AP-8	1/2' Pipe Plug	1		
23	AB-8-4	1/2 x 1/4 Bushing	1		
24	AIR-NL-4-4	Auto-loc Elbow 1/4 n 1/4 NPT	1		
25	A-1501-8-8	1/2 MP x 1/2 FPX90°	1		
28	H10-PL-26	5/8' Push Loc Hose 26'	1		
29	AN-8-1152	1/2' NPT x 6' Nipple Schedule 40	2		

30	H12C-4-25	¾' Suction Hose x 25' Long	2
31	AIR-60BI	Brass Insert, 1/4' Nylon Tube	1
32	A-4104-10-6	3/8 MP to 5/8 Hose Barb	1
33	SRT-1579	3/8' Ball Valve	1
34	A-5404-6-6	Hex Nipple, 3/8' x 3/8'	1
35	A-1501-6-6	3/8' MP x 3/8' FPX90°	1
37	HSST-72-12-12	SS Braid Hose with Teflon Core 3/4' x 72'	1
40	H10-72-8MP-8MP	5/8 in. hose 1/2 x 1/2 x 72 in long	1
43	AIR-8000	Safety Valve, Air Tank 290	1

11010-14-03



AIR-N4-138

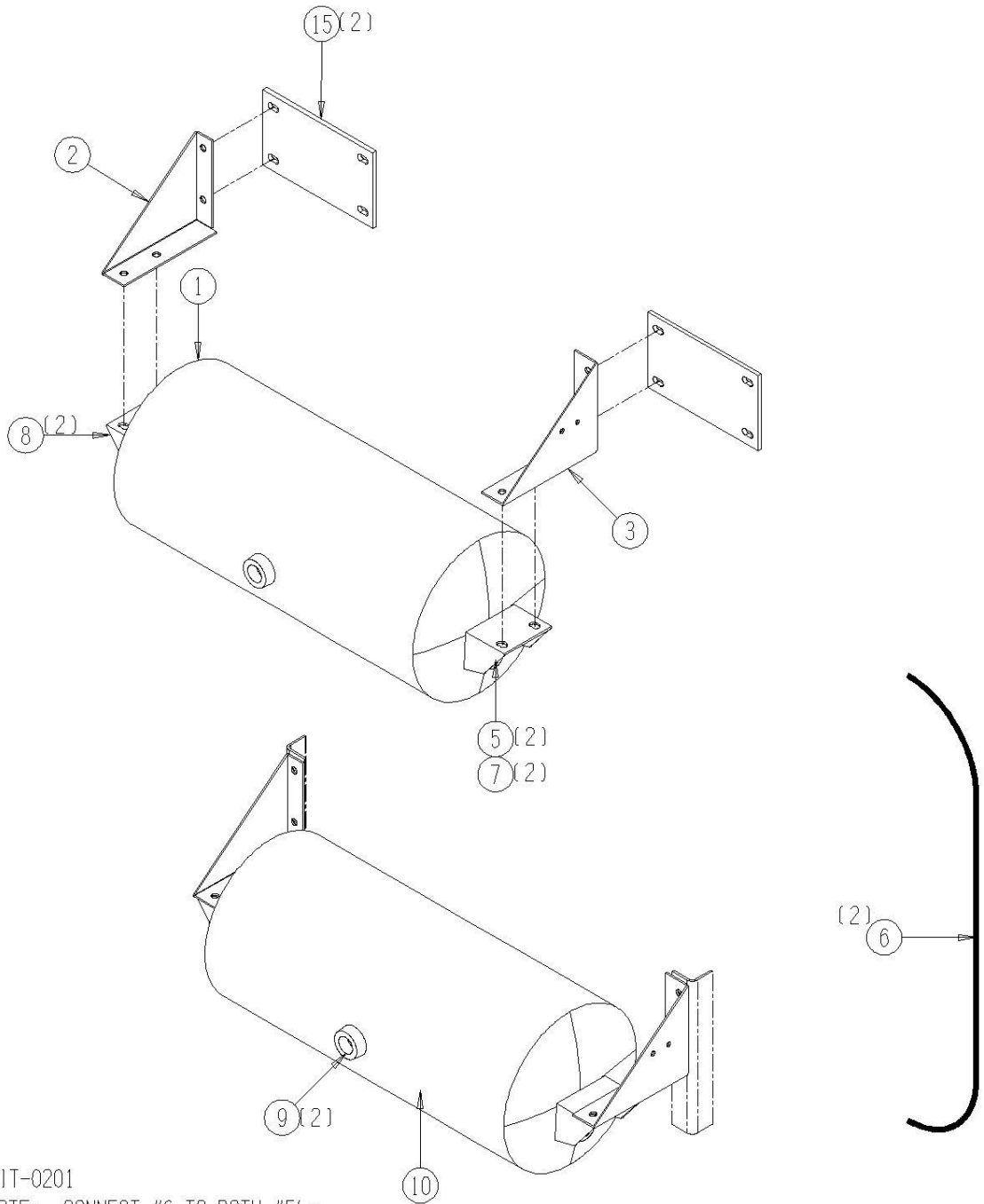




# 11010-14-05 Additional Air Tank Assembly

<u>Ref</u>	<u>Part No.</u>	<u>Description</u>	<u>Parts – Assembly</u>	<u>Will Fit SN</u>	<u>Remarks</u>
0	KIT-0201	2nd Air Tank Kit 290	0	KIT-0201	
1	AIR-1513	Air Reservoir Tank	1		
2	194-1513A	Air Tank Bracket	1	19401-	
3	194-1513B	Bracket, Air Reservoir	1	19401-	
5	A-4124-10-8	1/2 Male Pipe x 5/8 Push Loc	2		
6	H10-PL	5/8' Push Loc Hose @ ft.	2		
7	CL-1208	Hose Clamp, Size 12 - 3/4-1 1/8	2		
8	AP-8	1/2' Pipe Plug	2		
9	AP-12	3/4' NPT Plug	2		
10	AP-4	1/4 MIP plug	1		
12	BL-6-125-H	3/8-16 X 1 1/4 HHCS G5 ZC	8		
13	BL-6-FW	3/8 USS FW ZC	8		
14	BL-6-LN	3/8 UNC FIN HEX LOCK NUT NE A563 GrA ZINC	8		
15	MOU-0085	Mount, Air Compressor Relocation, 290	2		

11010-14-05

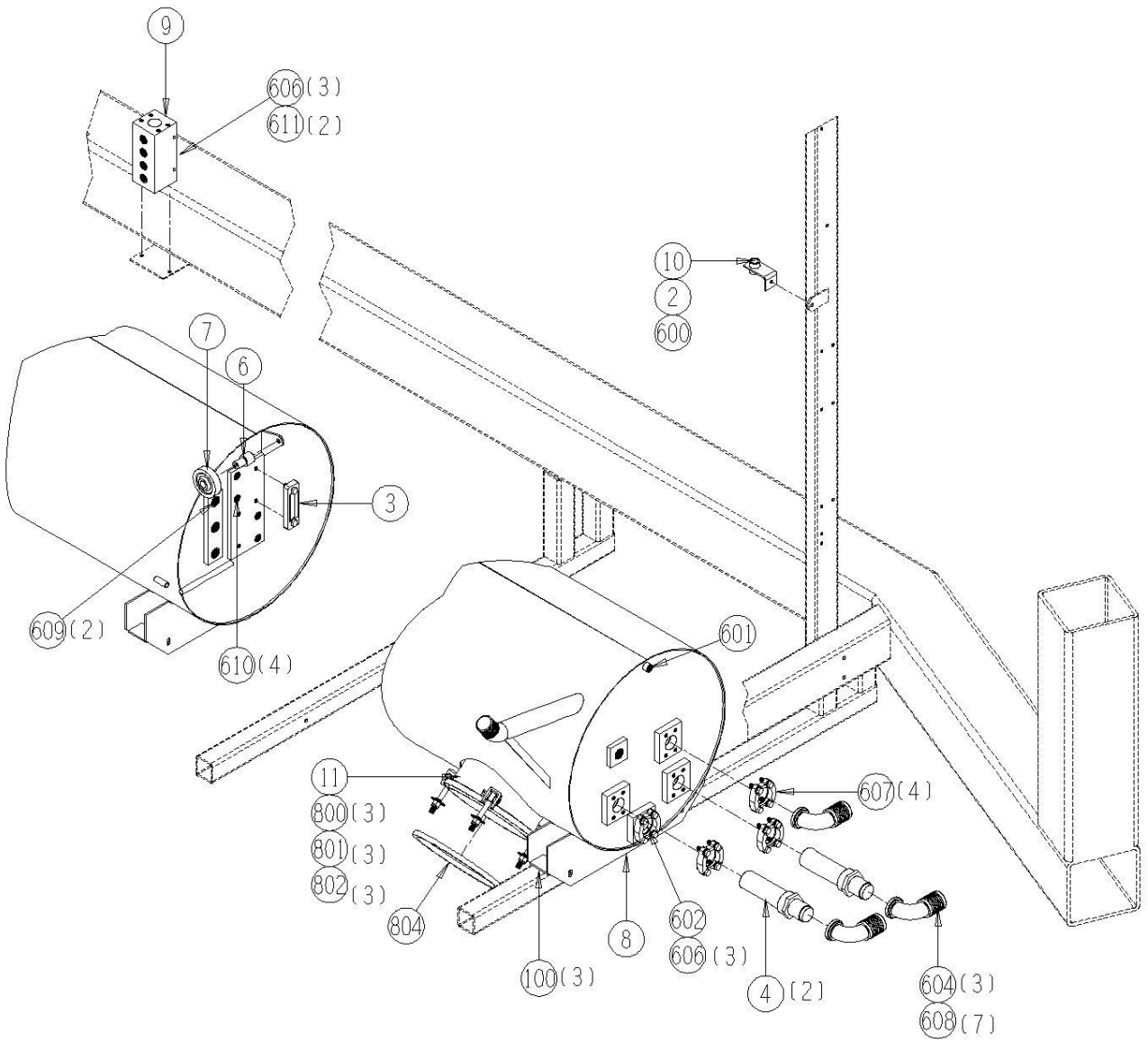


# 11010-15-01 Oil Tank Assembly

<u>Ref</u>	<u>Part No.</u>	<u>Description</u>	<u>Parts – Assembly</u>	<u>Will Fit SN</u>	<u>Remarks</u>
0	HP-1031	Hydraulic oil (per gal.)with anti-wear and anti-foam properties	175		ISO grade 46 with anti-wear and anti-foam properties. Harvesters, Approx. 140 gal
0	MWA-21N	Zinc Plated Wingnut, 5/8	-3		
2	HA-1012	Vescor Breather Filter (3 micron)w/Adapter Fitting	1		
3	HA-1041	Hyd, Level Gauge & Therm	1	19201-	
4	HA-2002	Hydraulic Suction Screen, 2 1/2'	2		
6	RLA-010-0108	Spindle / Standoff for Urethane Roller (heat treated)	1	19101-	
7	RLG-040-1016	4' Urethane Roller	1	Old Terog Part No. RU4	
8	TAN-8009	Tank, Oil Reservoir, 290 Harvester	1		
9	TAN-8103	Tank,Oil Return Manifold, HC 290 (Single Cooler)	1		
10	BRA-8755	Bracket, Mount, Air Breather Filter	1		
11	DC-1008	Decal, Yellow, Tank Capacity: 140 Gal., ISO Grade 46 Hyd. Oil, Tom.	1	19801-	
12	ELS-02008	Temperature Switch	1		
100	BL-10-LN	5/8-11 HEX LN NE ZC	3		
600	A-4129-10-8	1/2 NPT 90° w/ 5/8' push-loc	1		
601	AN-12-10-HSB	¾' NPT, Combination Nipple/Hose Shank, 5/8' Hose, Brass	1		
602	A-4459-24-24	Flange Nipple, 1 1/2' 90°	1		
604	A-4459-40-32	Flange Nipple, 2-1/2' barb x 2 flange' 90°	3		
606	A-SFK-24	1 1/2' Split Flange Kit	3		
607	A-SFK-32	2' Split Flange Kit	4		
608	H10-PL	5/8' Push Loc Hose @ ft.	7		
609	A-6408-12	12 SAE Plug	2		
610	A-6408-8	8 SAE Plug	4		
611	A-4450-24-24	Suction Flange Nipple, 1 1/2'	2		
612	HA-1009	Filter Adapter ¾ NPT x 1 1/8'-16 UNF	1		
613	HA-1007	Hydraulic, Magnetic Drain Plug	1	11101-	
800	mwa-21b	5/8' x 5' Zinc Plated Eyebolt	3		
801	MWA-21P	Zinc Plated Clevis Pin	3		

802	MWA-21R	Roll Pin	3
803	A-6901-12-12	12 SAE x ¾" FPX 90°, Forged	0
804	MWA-1019-08	Manway Gasket, 12in Gasket in Lid	0

11010-15-01





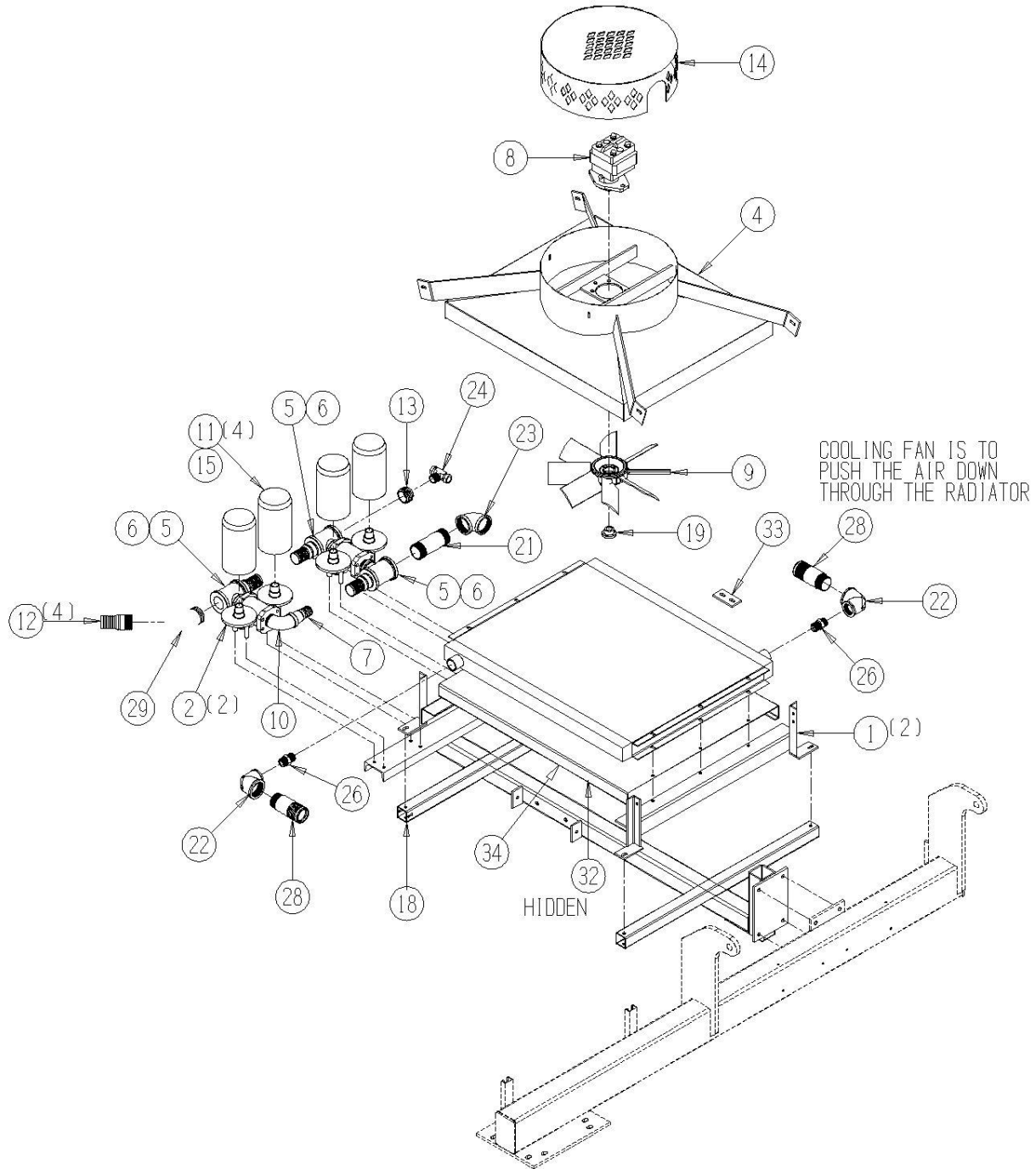
# 11010-15-02 Oil Cooler & Filter Assembly

<u>Ref</u>	<u>Part No.</u>	<u>Description</u>	<u>Parts – Assembly</u>	<u>Will Fit SN</u>	<u>Remarks</u>
1	MOU-0207	Mount, Oil Cooler Support	2		
2	HA-1023-Z	Double Filter Head, Side by Side	2		
3	HA-1036	Oil Cooler	1		
4	SHD-0207	Fan Shroud, Lg Oil Cooler, Harvester	1		
5	AN-24-CL	1 1/2' Black (Nipple Close)	3		
6	AT-32-32-24	2'x2'x(1-1/2' Mid), Black Steel Tee	3		
7	AN-24-32-HS	1 1/2' Male NPT with Combination 2' Hose Barb	1		
8	HM-412-1	Hydraulic Motor, 1' Shaft	1		Same as HM-412C except w/1' shaft REPLACES HM-412C IF REPLACING A HM-412C WITH THIS MOTOR BE SURE THAT THE PROPER COUPLER SIZES ARE SUPPLIED
9	FAN-290-18	Oil Cooler Fan, 18' w/o JA Bushing/Rev	1		Replaces FAN-190-18 & HA-1019-G
10	ASL-24C	1½', Street Elbow, Cast	1		
11	HA-1029	Hydraulic Fluid Filter, 11'	4		
12	AN-32-HS	2' NPT, Combination Nipple/Hose Shank, 2' ID Hose, ALUMINUM	4		
13	AB-32-16	2' x 1' Bushing, Black Iron Domestic	1		
14	191-1082	Shield, Cooling Fan	1		
15	HA-1023A	Filter Gauge, 50 psi Service	1		
16	CL-250	T-Bolt Clamp for 2 1/2' Suction Hose	8		
17	DC-1175	Decal, Danger, Rotating Blade Hazard	1		
18	FRM-8253	Oil Cooler Frame, 290 Tomato Harvester	1		
19	PU-JA-16	Bushing, JA x 1'	1		
20	CL-225	2 1/4' T-Bolt Clamp	5		
21	AN-32-96	2' x 6', NPT Nipple, Schedule 40	1		
22	ARL-24-32-90	Reducing Elbow, 1½ x 2in 90-	2		
23	AL-32	2' NPT, Black Elbow	1		
24	A-1601-16-12-12	1'MP x ¾'FPX x ¾'FPX Tee	1		
25	A-4459-40-32	Flange Nipple, 2-1/2' barb x 2 flange' 90-	1		



26	A-6401-24-24	24 SAE x 1 1/2 MP	2	
27	A-6408-12	12 SAE Plug	1	
28	AN-32-40-HS	2' NPTx 2½' ID Hose, Combination Nipple/Hose Shank	3	
29	ASL-32-45	2' Street Elbow, 45°, Cast	1	
30	H32-13	2in Hose x 13in Long	2	
31	H40-S-188	2 1/2in Suction Hose x 188in	1	
32	BAR-8010	Cooling Frame Support	1	
33	BAR-0253	Flat Bar	1	
34	SHD-0208	Shield, Lg Oil Cooler, Harvester	1	
35	H40-S-38	2-1/2in Suction Hose 38in Long	1	
36	H40-S	2 1/2' Suction Hose	3.25	
101	BL-6-300-H	3/8 UNC X 3 HH C/S BOLT GR5 ZINC	4	
102	BL-6-125-H	3/8-16 X 1 1/4 HHCS G5 ZC	4	
103	BL-6-100-H	3/8 UNC X 1 HH C/S BOLT GR5 ZINC	14	
104	BL-6-LW	3/8 SPLIT LW ZC	14	
105	BL-6-LN	3/8 UNC FIN HEX LOCK NUT NE A563 GrA ZINC	8	
106	BL-6-FW-USS8	3/8 FLAT WASHER, Large OD, G8 ZC	16	
800	HM-412B	Key for Hydraulic Motor -Shaker Weight-Vibrator	1	HM-412C & HM-712C
801	HM-2100-SK	Shaft Seal & Gasket Kit for Permco Motor, M2100 Series	1	
802	HM-2100-BRG	Bearing for Permco Motor, M2100 Series	1	

11010-15-02

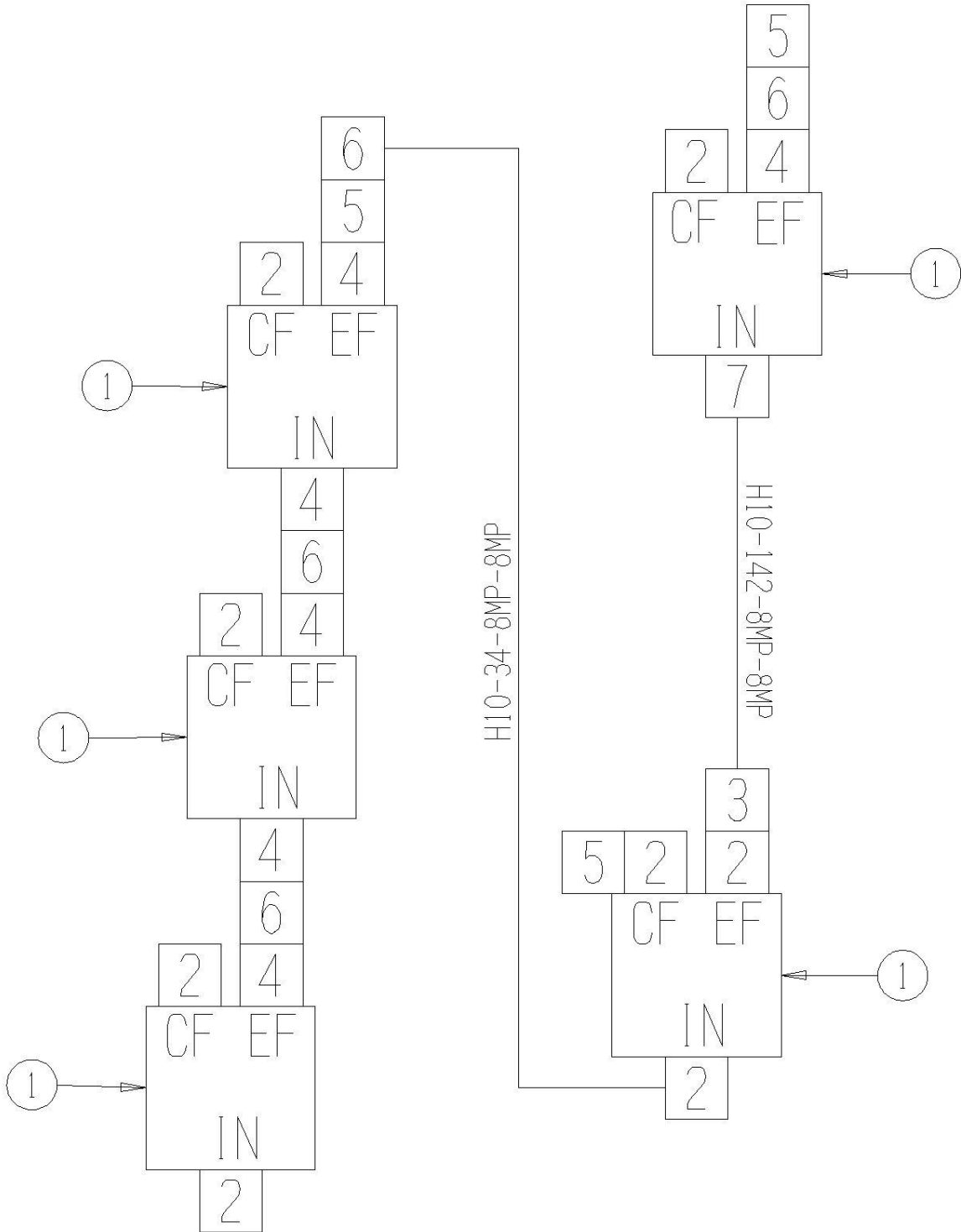




# 11010-15-04 Shaker Rot. Valve Sect. Assembly w/Fresh Air Fan

<u>Ref</u>	<u>Part No.</u>	<u>Description</u>	<u>Parts – Assembly</u>	<u>Will Fit SN</u>	<u>Remarks</u>
0	HA-1090K	Fine Tune Speed Control Kit	2	Prince & Brand Flow Controls	All
1	HV-FL16	Flow Control Valve 16GPM	5		
2	A-6901-10-8	10 SAE x 1/2 FPX90°, Forged	8		
3	A-1601-8-8-8	1/2 MP x 1/2 FPX x 1/2 FPX Tee	1		
4	A-6401-10-8	10 SAE x 1/2 MPT Male	6		
5	A-1501-8-8	1/2 MP x 1/2 FPX90°	3		
6	A-1603-8-8-8	Swivel T 1/2' NPTF	4		
7	A-6902-10-8	10 SAE X 1/2' FPX 45°	1		
8	H10-34-8MP-8MP	5/8 in hose 1/2MP x 1/2MP x 34 in long	1		
9	H10-142-8MP-8MP	5/8' Hose 1/2MP x 1/2MP x 142' Long	1		

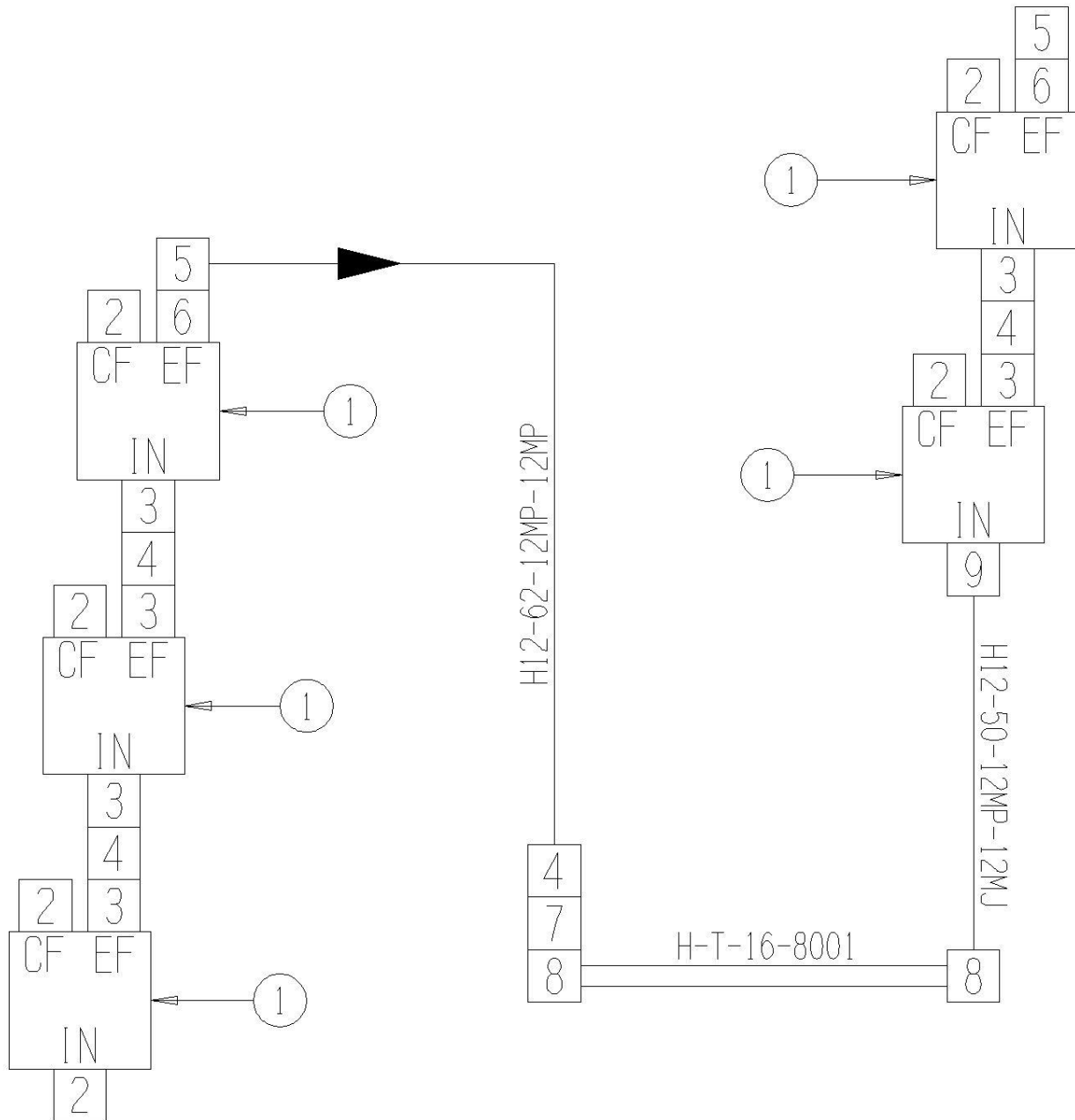
11010-15-04



# 11010-15-05.1 Opt. Shaker Wgt.&Header Vib.W/ Transfer Valve Assy

<u>Ref</u>	<u>Part No.</u>	<u>Description</u>	<u>Parts – Assembly</u>	<u>Will Fit SN</u>	<u>Remarks</u>
1	HV-FL1230	Flow Control Valve, 30 GPM with #12 SAE Port	5		
2	A-6901-12-12	12 SAE x 3/4' FPX 90°, Forged	6		
3	A-1404-8-8	1/2 MP to 1/2 FPX, Straight	6		
4	A-1603-12-12	Swivel T 3/4' NPTF	4		
5	A-1501-12-12	3/4MP x 3/4 FPX 90°	2		
6	A-6900-12-12	12 SAE x 3/4'FPX	2		
7	A-2404-16-12	1' MJIC X 3/4' MP	1		
8	HW-16	#16 OD Washer for Hydraulic Tube/Hose	2		
9	A-6902-12-12	12 SAE X 3/4' FPX 45°	1		
10	H12-62-12MP-12MP	3/4 in. hose 3/4MP x 3/4MP x 62 in long	1		
11	H12-50-12MP-16MJ	3/4 in hose 3/4MP x 1MJIC x 50 in long	1		
12	H-T-16-8001	Hyd. Tube, 1' Carbon Steel, Shaker Area, HC 290	1		

11010-15-05.1

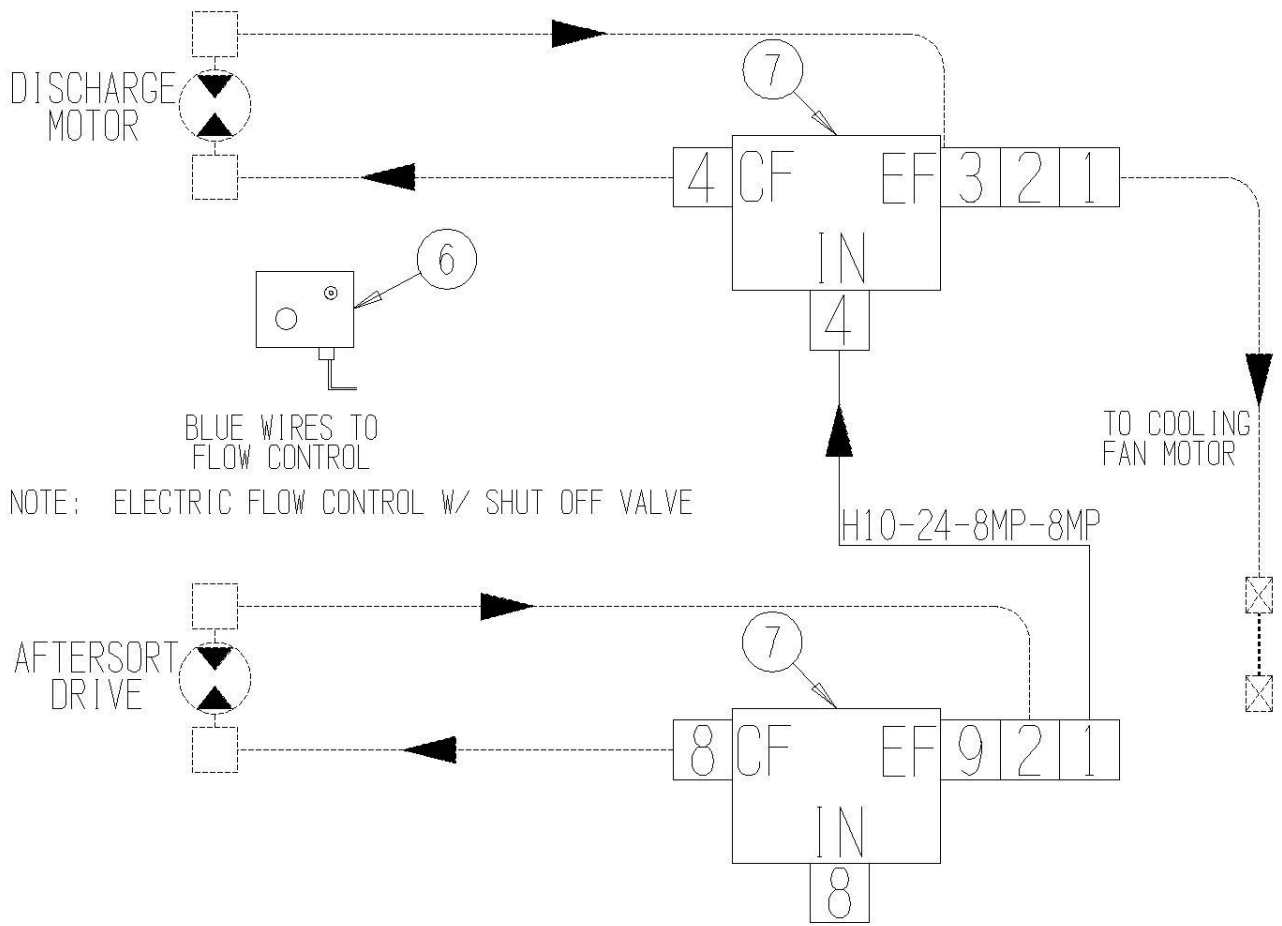


## 11010-15-06.1 Optional Discharge Valve Section Assembly

<u>Ref</u>	<u>Part No.</u>	<u>Description</u>	<u>Parts – Assembly</u>	<u>Will Fit SN</u>	<u>Remarks</u>
0	ELC-8014	Discharge Valve Cable, 12' HC290	-1		
1	A-1501-8-8	1/2 MP x 1/2 FPX90°	2		
2	A-1603-8-8-8	Swivel T 1/2' NPTF	2		
3	A-6401-12-8	12 SAE x 1/2' MP Hex Nipple	1		
4	A-6901-12-8	12 SAE x 1/2' FPX 90°, Forged	2		
5	H10-24-8MP-8MP	5/8 in hose 1/2MP x 1/2MP x 24 in long	1		
6	EL-EC-1202	Controller for Brand Valve	2		
7	HVE-2500	Electronic Flow Control Valve	2		
8	A-6901-10-8	10 SAE x 1/2 FPX90°, Forged	2		
9	A-6401-10-8	10 SAE x 1/2 MPT Male	1		



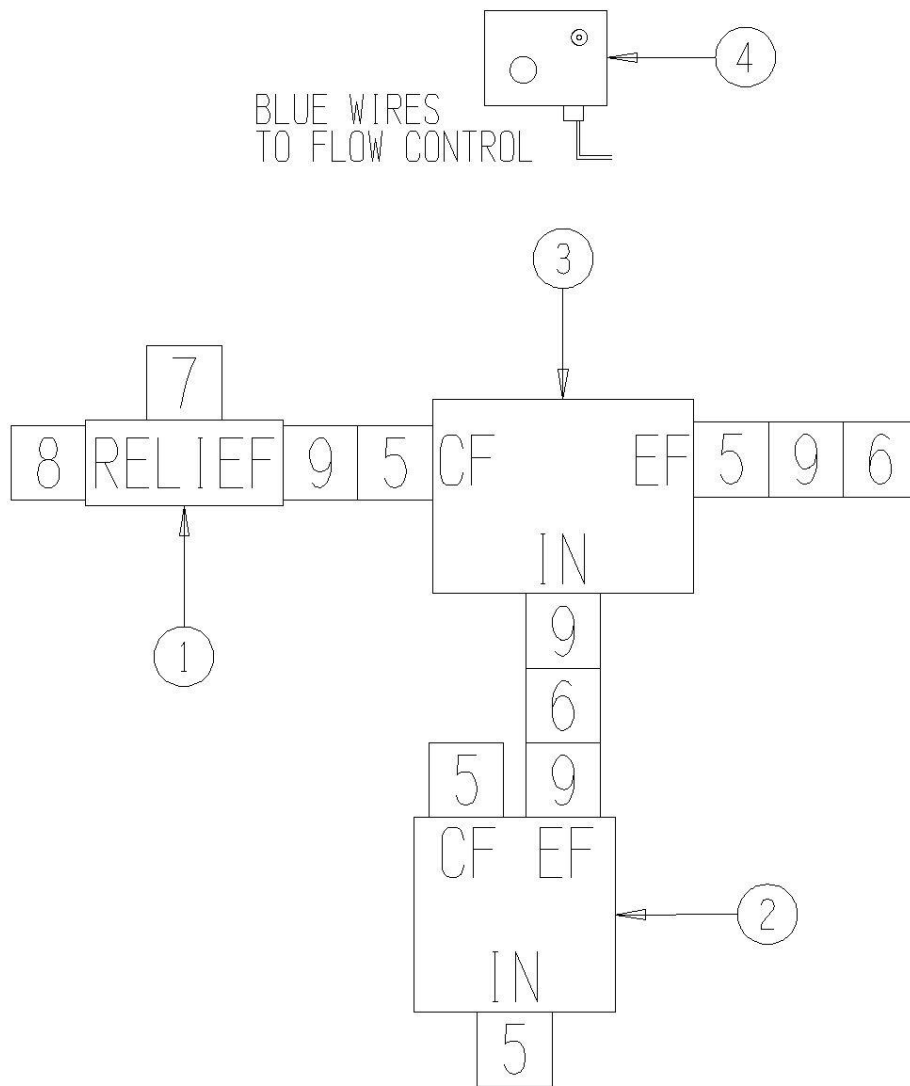
11010-15-06.1



# 11010-15-07.1 Remote Header Chain, Valve Assembly

<u>Ref</u>	<u>Part No.</u>	<u>Description</u>	<u>Parts – Assembly</u>	<u>Will Fit SN</u>	<u>Remarks</u>
1	HV-RV-1H	Relief valve w/ SAE #12 ports	1		
2	HV-FL1230	Flow Control Valve, 30 GPM with #12 SAE Port	1		
3	HVE-2500	Electronic Flow Control Valve	1		
4	EL-EC-1202	Controller for Brand Valve	1		
5	A-6901-12-12	12 SAE x 3/4' FPX 90°, Forged	4		
6	A-1603-12-12	Swivel T 3/4' NPTF	2		
7	A-6900-12-8	12 SAEx 1/2' FPX	1		
8	A-6900-12-12	12 SAE x 3/4'FPX	1		
9	A-6401-12-12	12 SAE x 3/4' MP Hex Nipple	4		

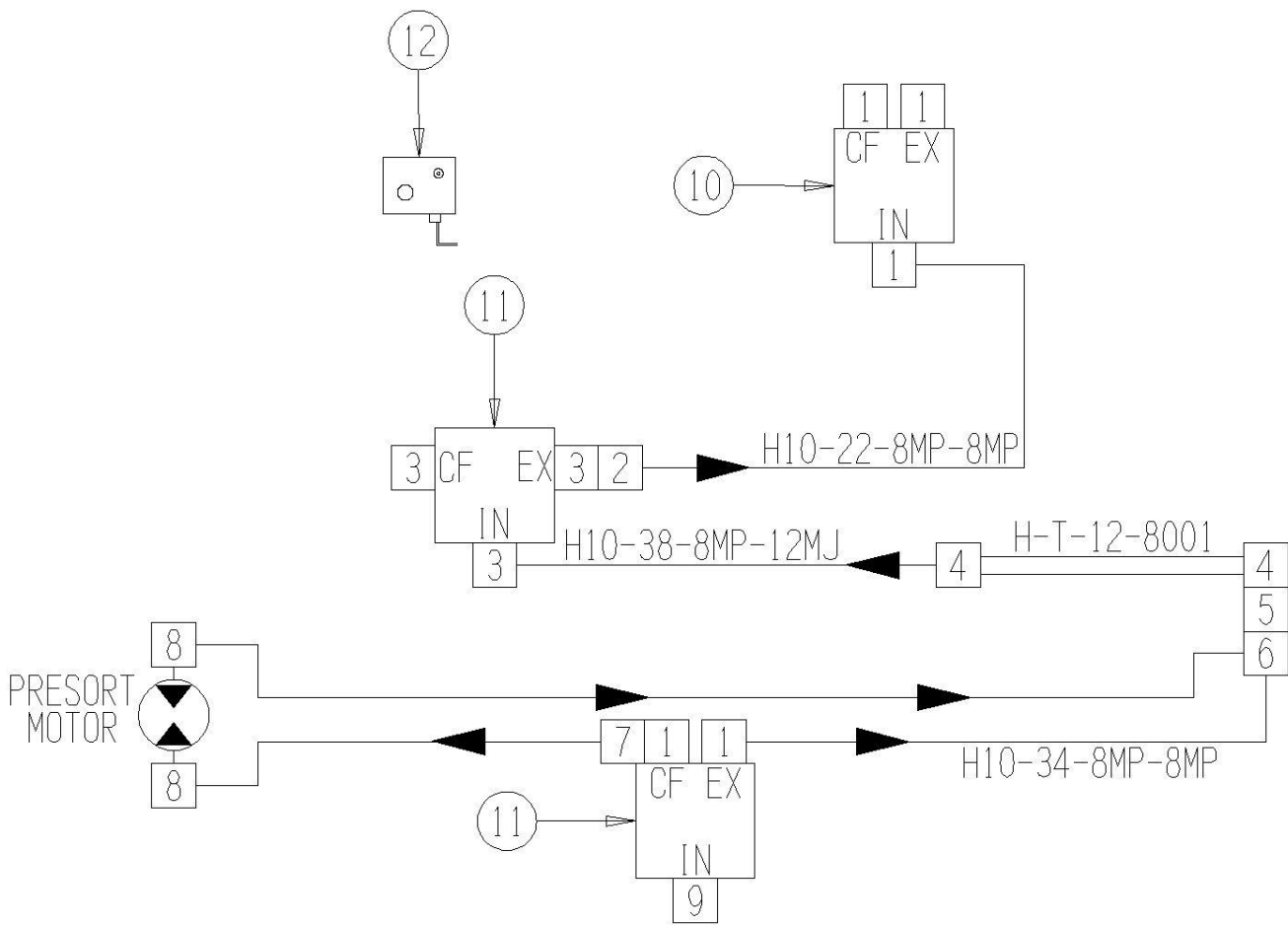
11010-15-07.1



# 11010-15-08 Optional Elevation W/ Presort Belt Assembly

<u>Ref</u>	<u>Part No.</u>	<u>Description</u>	<u>Parts – Assembly</u>	<u>Will Fit SN</u>	<u>Remarks</u>
1	A-6901-10-8	10 SAE x 1/2 FPX90°, Forged	5		
2	A-1601-8-8-8	1/2 MP x 1/2 FPX x 1/2 FPX Tee	1		
3	A-6901-12-8	12 SAE x 1/2' FPX 90°, Forged	3		
4	HW-12	#12 OD Washer for Hydraulic Tube/Hose	2		
5	A-2404-12-8	¾' MJIC X 1/2' MP	1		
6	A-1603-8-8-8	Swivel T 1/2' NPTF	1		
7	A-1501-8-8	1/2 MP x 1/2 FPX90°	1		
8	A-6900-10-8	10 SAE x 1/2 FPX	2		
9	A-6902-10-8	10 SAE X 1/2' FPX 45°	1		
10	HV-FL16	Flow Control Valve 16GPM	2		
11	HVE-2500	Electronic Flow Control Valve	1		
12	EL-EC-1202	Controller for Brand Valve	1		
13	H-T-12-8001	Hyd. Tube, ¾' Steel Tube, Shaker Area, HC 290	1		
14	H10-22-8MP-8MP	5/8 in Hose x 1/2MP x 1/2MP x 22 in Long Hose	1		
15	H10-38-8MP-12MJ	5/8 in hose 1/2MP-¾MJIC x 38 in long	1		
16	H10-34-8MP-8MP	5/8 in hose 1/2MP x 1/2MP x 34 in long	1		

11010-15-08



# 11010-15-09 Fan/Vine Chain Valve Section Assembly

<u>Ref</u>	<u>Part No.</u>	<u>Description</u>	<u>Parts – Assembly</u>	<u>Will Fit SN</u>	<u>Remarks</u>
1	HV-RV-1H	Relief valve w/ SAE #12 ports	1		
2	HV-FL1230	Flow Control Valve, 30 GPM with #12 SAE Port	2		
3	A-6901-12-12	12 SAE x 3/4' FPX 90°, Forged	5		
4	A-6401-12-12	12 SAE x 3/4' MP Hex Nipple	4		
5	A-1603-12-12	Swivel T 3/4' NPTF	3		
6	A-1501-12-12	3/4MP x 3/4 FPX 90°	1		
7	A-5404-12-12	Hex Nipple 3/4' x 3/4'	1		

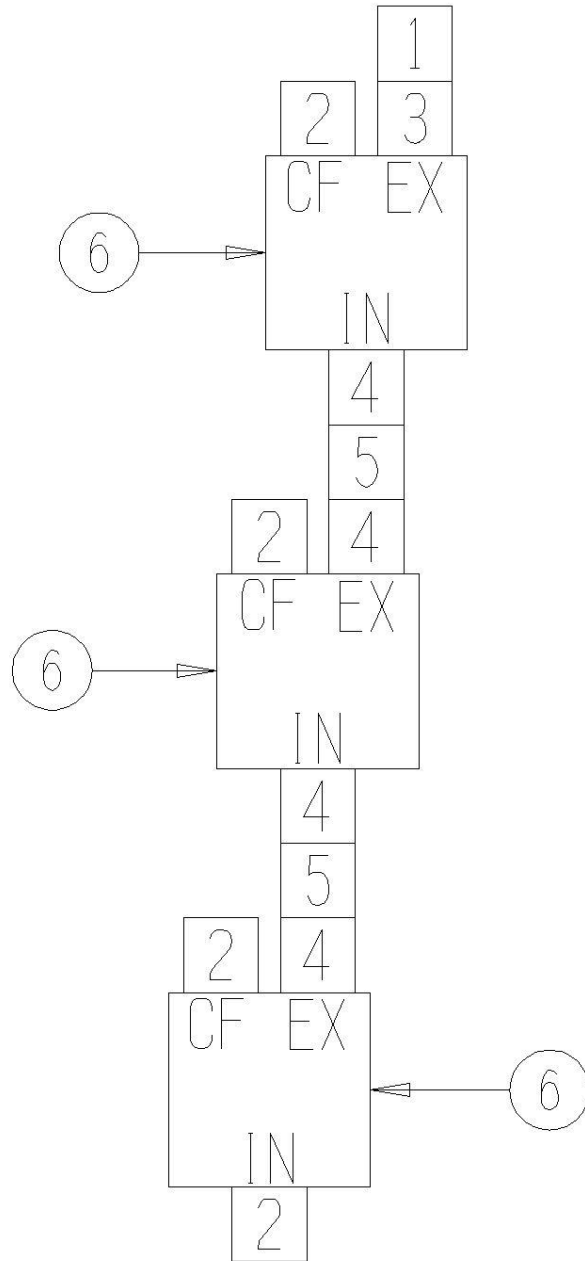


# 11010-15-09.1 Optional Chopper Valve Section Assembly

<u>Ref</u>	<u>Part No.</u>	<u>Description</u>	<u>Parts – Assembly</u>	<u>Will Fit SN</u>	<u>Remarks</u>
1	A-1501-12-12	¾MP x ¾ FPX 90°	1		
2	A-6901-12-12	12 SAE x ¾' FPX 90°, Forged	4		
3	A-6900-12-12	12 SAE x ¾'FPX	1		
4	A-1404-8-8	1/2 MP to 1/2 FPX, Straight	4		
5	A-1603-12-12	Swivel T ¾' NPTF	2		
6	HV-FL1230	Flow Control Valve, 30 GPM with #12 SAE Port	3		



11010-15-09.1



# 11011-15-10 Hydraulic Motor Plumbing Assembly, Large Pump

<u>Ref</u>	<u>Part No.</u>	<u>Description</u>	<u>Parts – Assembly</u>	<u>Will Fit SN</u>	<u>Remarks</u>
0	H10-100-8MP-8MP	5/8 in Hose 1/2MP x 1/2MP x 100 in Long	1		
0	H10-103-8MP-8MP	5/8' Hose 1/2MP x 1/2MP x 103' Long	1		
0	H10-104-8MP-8MP	5/8' Hose 1/2MP x 1/2MP x 104' Long	2		
0	H10-105-8MP-8MP	5/8'Hose, 1/2'MP x 1/2'MP x 105' Long	2		
0	H10-112-8MP-8MP	5/8in Hose x 1/2mp x 1/2mp x 112in Long	1		
0	H10-118-8MP-8MP	5/8Hose x 1/2MP x 1/2MP x 118' Long	1		
0	h10-130-8mp-8mp	5/8 in Hose 1/2MP x 1/2MP x 130 in Long	1		
0	H10-134-8MP-8MP	5/8' Hose 1/2MP x 1/2MP x 134' Long	1		
0	H10-22-8MP-8MP	5/8 in Hose x 1/2MP x 1/2MP x 22 in Long Hose	1		
0	H10-23-8MP-8MP	5/8' hose 1/2MP x 1/2MP x 23' long	1		
0	H10-24-8MP-8MP	5/8 in hose 1/2MP x 1/2MP x 24 in long	1		
0	H10-28-8MP-8MP	5/8' hose 1/2MP x 1/2MP x 28' long	2		
0	H10-32-8MP-8MP	5/8Hose x 1/2MP x 1/2MP x 32' Long	3		
0	H10-35-12MJ-12MJ	5/8Hose x 1/2MP x 1/2MP x 35' Long	1		
0	H10-35-8MP-12MJ	5/8'Hose x 1/2'MP x 1/2'MJ x 35' Long	1		
0	H10-36-8MP-8MP	5/8 in hose 1/2MP x 1/2MP x 36 in long	2		
0	H10-37-8MP-8MP	5/8' hose 1/2MP x 1/2MP x 37' long	1		
0	H10-395-8MP-8MP	5/8' hose 1/2MP x 1/2MP x 395' long	2		
0	H10-45-12MJ-8MP	5/8Hose x 1/2MP x 1/2MP x 45 in Long	1		
0	H10-46-8MP-8MP	5/8in Hose x 1/2mp x 1/2mp x 46in	3		
0	H10-48-8MP-8MP	5/8 in Hose 1/2MP x 1/2MP x 48 in Long	1		
0	H10-51-8MP-8MP	5/8'Hose x 1/2'MP x 1/2'MP x51' Long	3		
0	H10-56-8MP-12MJ	5/8'Hose x 1/2'MP x 1/2'MJ x 56'Long	1		
0	H10-58-8MP-8MP	5/8' hose 1/2MP x 1/2MP x 58' long	1		
0	H10-62-8MP-12MJ	5/8Hose x 1/2MP x 1/2MP x 62' Long	1		
0	h10-62-8MP-8mp	5/8 in hose 1/2 x 1/2 x 62 in long	1		
0	H10-64-8MP-8MP	5/8 in hose 1/2MP x 1/2MP x 64 in long	1		
0	H10-66-8MP-8MP	5/8 in hose 1/2MP x 1/2MP x 66 in long	1		

0	H10-83-8MP-8MP	5/8 in Hose 1/2MP x 1/2MP x 83 in Long	1
0	H10-90-8MP-8MP	5/8Hose x 1/2MP x 1/2MP x 90' Long	1
0	H12-101-12MP-12MP	1/2 in hose 1/2MP x 1/2MP x 101 in hose	2
0	H12-108-12MP-12MP	1/2 in Hose 1/2MP x 1/2MP x 108' Long	1
0	H12-112-12MP-12MP	1/2 in hose 1/2MP x 1/2MP x 112 in hose	1
0	H12-132-12MP-12MP	3/4 in Hose x 3/4MP x 3/4MP x 132in Long	2
0	H12-141-12MP-12MP	1/2" Hose, 1/2" MP x 1/2" MP x 141' Long	1
0	H12-142-12MP-12MP	1/2"Hose x 1/2"MP x 1/2"MP x 142' Long	1
0	H12-196-12MP-12MP	1/2 in Hose 1/2MP x 1/2MP x 196 in Long	1
0	H12-200-12MP-12MP	1/2 in hose 1/2MP x 1/2MP x 200 in long	1
0	H12-210-12MP-12MP	1/2" Hose, 1/2"MP x 1/2" MP x 210'	1
0	H12-240-12MP-12MP	1/2"Hose x 1/2"MP x 1/2"MP x 240' Long	2
0	H12-24-12MP-12MP	1/2 in hose 1/2 x 1/2 x 24 in long	2
0	H12-30-12MP-12MP	1/2 in hose 1/2MP x 1/2MP x 30 in long	2
0	H12-34-12MP-12MP	1/2" hose 1/2MP x 1/2MP x 34' long	2
0	H12-36-12MP-8MP	1/2 in Hose 1/2MP x 1/2MP x 36 in Long	1
0	H12-36-16MJ-16MJ	1/2"Hose x 1MJ x 1MJ x 36' Long	2
0	H12-38-12MP-12MP	1/2 in Hose 1/2MP x 1/2MP x 38in Long	1
0	H12-42-12MP-12MP	1/2 in Hose x 1/2mp x 1/2mp x 42in	1
0	H12-48-12MP-12MP	1/2"Hose x 1/2"MP x 1/2"MP x 48'Long	3
0	H12-55-12MP-16MJ	1/2 in. hose 1/2 MP x 1' MJIC x 55 in long	1
0	H12-60-12MP-16MJ	1/2 in Hose x 1/2mp x 1mj x 60in	2
0	H12-62-12MP-16MJ	1/2 in hose 1/2MP x 1MJIC x 62 in long	2
0	h12-69-12mp-16mj	1/2 Hose x 1/2MP x 1MJ x 69 in Long	1
0	H12-79-12MP-12MP	1/2 in Hose 1/2MP x 1/2MP x 79 in Long	2
0	H12-90-12MP-12MP	1/2 in Hose 1/2 x 1/2 x 90 in Long	2
0	H12-95-12MP-12MP	1/2 in Hose x 1/2mp x 1/2mp x 95	1
0	H24-S-228	1 1/2" Suction Hose 228' Long	2

0	H24-S-74	1-1/2' Suction Hose 74' long	2
0	H32-216	2' Suction Hose 216' long	1
0	H40-S-241	2-1/2' Suction Hose 241' long	1
0	H6-PL-102	3/8in Push Lock 102in Long	2
0	H6-PL-16	3/8in Push Lock 16in Long	1
0	H6-PL-20	3/8' Push Loc Hose 20'	1
0	H6-PL-28	3/8in Push Lock Hose 28in Long	1
0	H6-PL-300	3/8' Push-Lock Hose 300'	1
0	H6-PL-72	3/8in Push Lock 72in Long	1
0	H6-PL-78	3/8' Push Loc Hose 78' long	1
0	H6-PL-86	3/8' Push Loc Hose 86'	1
0	H-T-12-8000	Hyd. Tube, t' Steel, Sorting Area, HC 290	2
0	H-T-12-8001	Hyd. Tube, t' Steel Tube, Shaker Area, HC 290	1
0	H-T-16-8000	Hyd. Tube, 1' Carbon Steel Tube, Sorting Area, HC 290	2
0	H-T-16-8001	Hyd. Tube, 1' Carbon Steel, Shaker Area, HC 290	2
0	H-T-16-8002	Hyd. Tube, 1' Carbon Steel, Comp Front, HC 290	1
0	H-T-16-8003	Hyd. Tube, 1' Carbon Steel, Comp Rear, HC 290	1
0	PIP-1107	Pipe, Case Drain	1
1	A-6900-10-8	10 SAE x 1/2 FPX	15
2	A-6900-12-12	12 SAE x t'FPX	8
3	A-6901-12-12-4SAE	12 SAE x t' FPX 90-w/4 SAE Port, Forged	2
4	A-6901-10-8	10 SAE x 1/2 FPX90-, Forged	2
5	A-6901-12-12	12 SAE x t' FPX 90-, Forged	24
6	A-6901-12-8	12 SAE x 1/2' FPX 90-, Forged	6
7	A-6902-10-8	10 SAE X 1/2' FPX 45-	14
8	A-6900-10-12	10 SAE x t' FPX	1
9	A-6901-10-12	10 SAE x t' FPX90-, Forged	0
10	A-4124-6-4	1/4 Male Pipe x 3/8 Push Loc	8
11	A-1404-4-4	1/4 MP x 1/4 FPX	4
12	A-1603-4-4	Swivel T 1/4' NPTF	2
13	A-4129-6-4	1/4' NPT 90- w/3/8' Push-Loc	7

14	A-4601-24-24	1 1/2 x 24 SAE 90- Male O-Ring Beaded Insert	3	
15	A-5404-4	Hex Nipple 1/4'	1	
16	A-6901-10-8-4SAE	10 SAE x 1/2 FPX90- W/ 4SAE Port, Forged	4	
18	A-5404-8-8	Hex Nipple 1/2' x 1/2'	0	
19	A-4129-6-6	3/8' NPT90- w/3/8' Push-Loc	3	
20	A-6806-10-8	10 SAE x 1/2' MP 90-	0	
21	A-4456-32-32	Flange Nipple, 2' 45-	1	
23	CL-200	1 1/2' Hose Clamp, Heavy Duty T-Bar, 1.89-2.00'	4	1-1/2' I.D. Suction Hose
24	CL-225	2 1/4' T-Bolt Clamp	12	
25	CL-250	T-Bolt Clamp for 2 1/2' Suction Hose	10	
26	A-SFK-32	2' Split Flange Kit	2	
27	A-4459-40-32	Flange Nipple, 2-1/2' barb x 2 flange' 90-	3	
28	A-6408-10	10 SAE Plug	2	
29	A-4501-24-24	1 1/2' Hose Barb to 1 1/2' Pipe Elbow, 90-	2	
30	AN-24-32-HS	1 1/2' Male NPT with Combination 2' Hose Barb	1	
34	A-1501-12-12	MP x FPX 90-	0	
37	HV-CKV-800S	1/2' Parker Check Valve	1	
38	A-1404-8-8	1/2 MP to 1/2 FPX, Straight	1	
39	H13-RFL	Hose Protection Shield, Size 13	20	
40	H-18RFL	Hose Protection Shield, Size 18 @ Foot	20	
41	WT-17H	Heavy Duty Wire Tie 17.5'	100	
42	A-6900-12-8	12 SAE x 1/2' FPX	6	
43	HA-1004-4	Test Point Plug #4 SAE Thread	6	
44	A-6401-12-12	12 SAE x MP Hex Nipple	0	
45	A-1603-12-12	Swivel T NPTF	1	
46	A-6902-12-12	12 SAE X MP FPX 45-	3	
47	A-2404-16-12	1' MJIC X MP	0	
48	A-1601-8-8-8	1/2 MP x 1/2 FPX x 1/2 FPX Tee	0	
49	A-1501-8-8	1/2 MP x 1/2 FPX90-	0	
50	A-6401-10-8	10 SAE x 1/2 MPT Male	0	
51	A-1603-8-8-8	Swivel T 1/2' NPTF	0	

52	A-2404-12-8	½' MJIC X 1/2' MP	2	
53	A-5404-12-12	Hex Nipple ½' x ½'	1	
54	A-6900-8-8	8 SAE x 1/2' FPX	6	
56	HA-1004-T	Test Point Plug, 1/4' NPT	2	
57	AP-4	1/4 MIP plug	7	
58	A-1405-12-12	½ NPT coupler w/swivel	1	
59	A-1601-6-6-6	3/8 MP x 3/8 FPX x 3/8FPX Tee	1	
60	HW-12	#12 OD Washer for Hydraulic Tube/Hose	6	
61	HW-16	#16 OD Washer for Hydraulic Tube/Hose	10	
62	AB-12-6	½' x 3/8' Bushing	1	
63	ATB-12-12-12	½ x ½ x ½, Brass Tee	1	
64	A-1404-12-12	½ MP x ½ FPX	1	
65	ASL-4	1/4' Black Street Elbow	2	
66	A-6901-4-4	4 SAE X 1/4 FPX 90-, Forged	3	
67	BAR-2011	Bar, Security Copper Wire Seal	8	relief lock
68	HA-1071-H	Hydra-zorb Tube Clamp 1' (3 pc.)	39	19401-
69	HA-1072-H	Hydra-zorb Tube Clamp ½' (3 pc.)	16	19401-
70	HA-1073-H	Hydra-zorb Tube Clamp 1/2' (3 pc.)	3	19401
71	A-4601-32-24	2' x 24 SAE 90- Male O Ring Beaded Insert	2	
72	A-4450-32-32	Straight Suction Nipple, 2'Flange, 2' Hose	1	
73	A-6900-16-12	16 SAE x ½' FPX	2	
74	TAN-8102	Tank, Manifold, Drain Lines, Harvester	2	
75	A-6901-16-12	16 SAE x ½' FPX 90-, Forged	2	
76	AN-24-CL	1 1/2' Black (Nipple Close)	3	
77	AT-24-24-12	1 1/2 x 1 1/2 x ½ Std Black Malleable Tee	1	
78	ASL-24	1 1/2 ST ELL, Domestic Only	1	
79	A-1601-16-12-12	1'MP x ½'FPX x ½'FPX Tee	1	
80	AB-32-16	2' x 1' Bushing, Black Iron Domestic	1	
81	AT-32-32-24	2'x2'x(1-1/2' Mid), Black Steel Tee	3	
82	AN-32-HS	2' NPT, Combination Nipple/Hose Shank, 2' ID Hose, ALUMINUM	3	

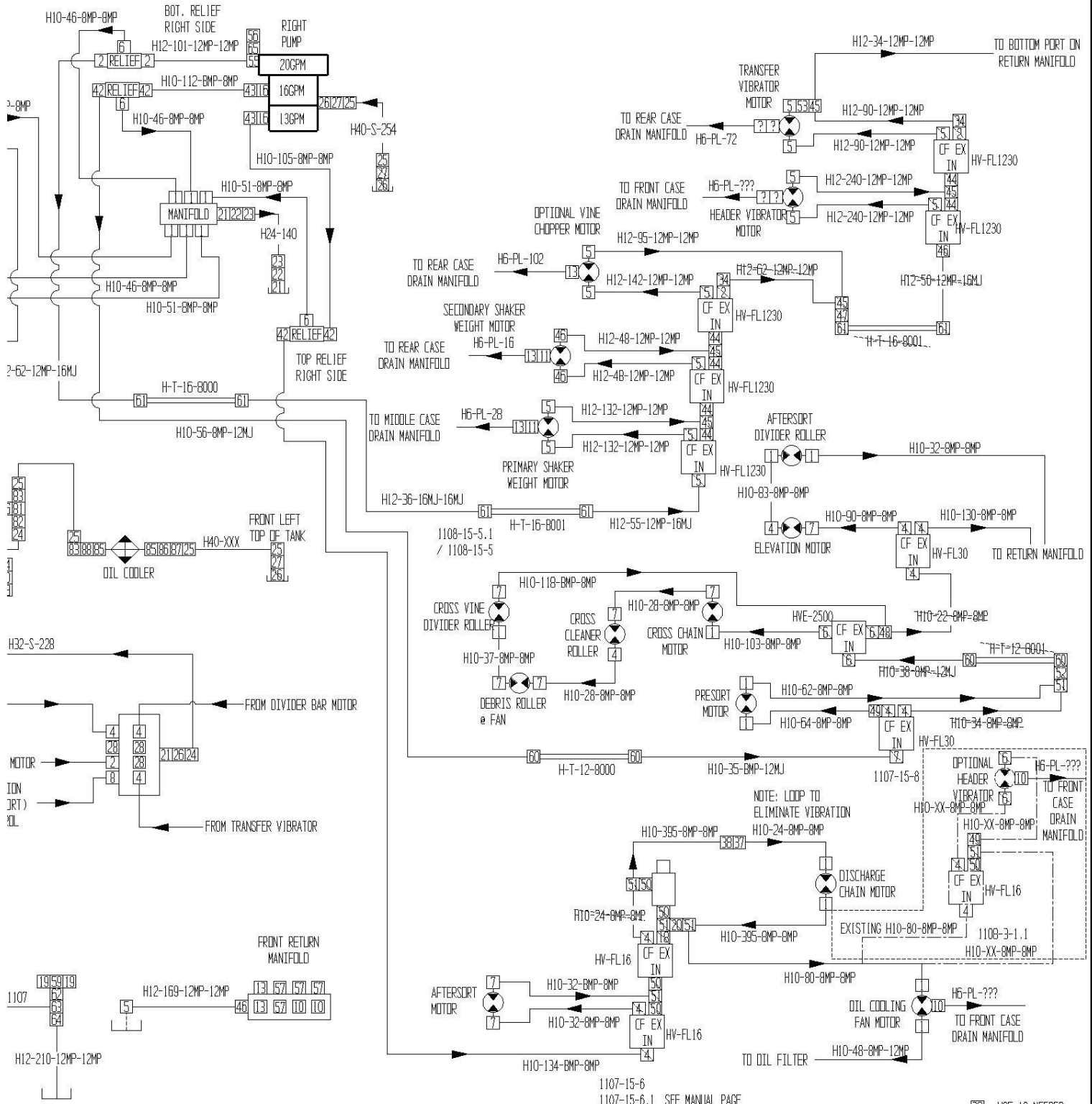
83	AN-32-40-HS	2' NPTx 2 1/2" ID Hose, Combination Nipple/Hose Shank	2
85	A-6401-24-24	24 SAE x 1 1/2 MP	2
86	AR-40-24	2 1/2" x 1 1/2" Bell Reducer	1
87	AN-40-40-HS	2 1/2" NPTx 2 1/2" ID Hose, Combination Nipple/Hose Shank	1
88	ARL-24-32-90	Reducing Elbow, 1 1/2" x 2in 90°	1
89	A-6806-24-24	24 SAE x 1 1/2 Male Pipe, 90°	1
90	CL-251	2 1/2" Hose Clamp	2
91	A-6901-10-12-4SAE	10 SAE x 3/4 FPX 90 w/ 4SAE Port	1





# 11011-15-10

ES AT 850 PTO



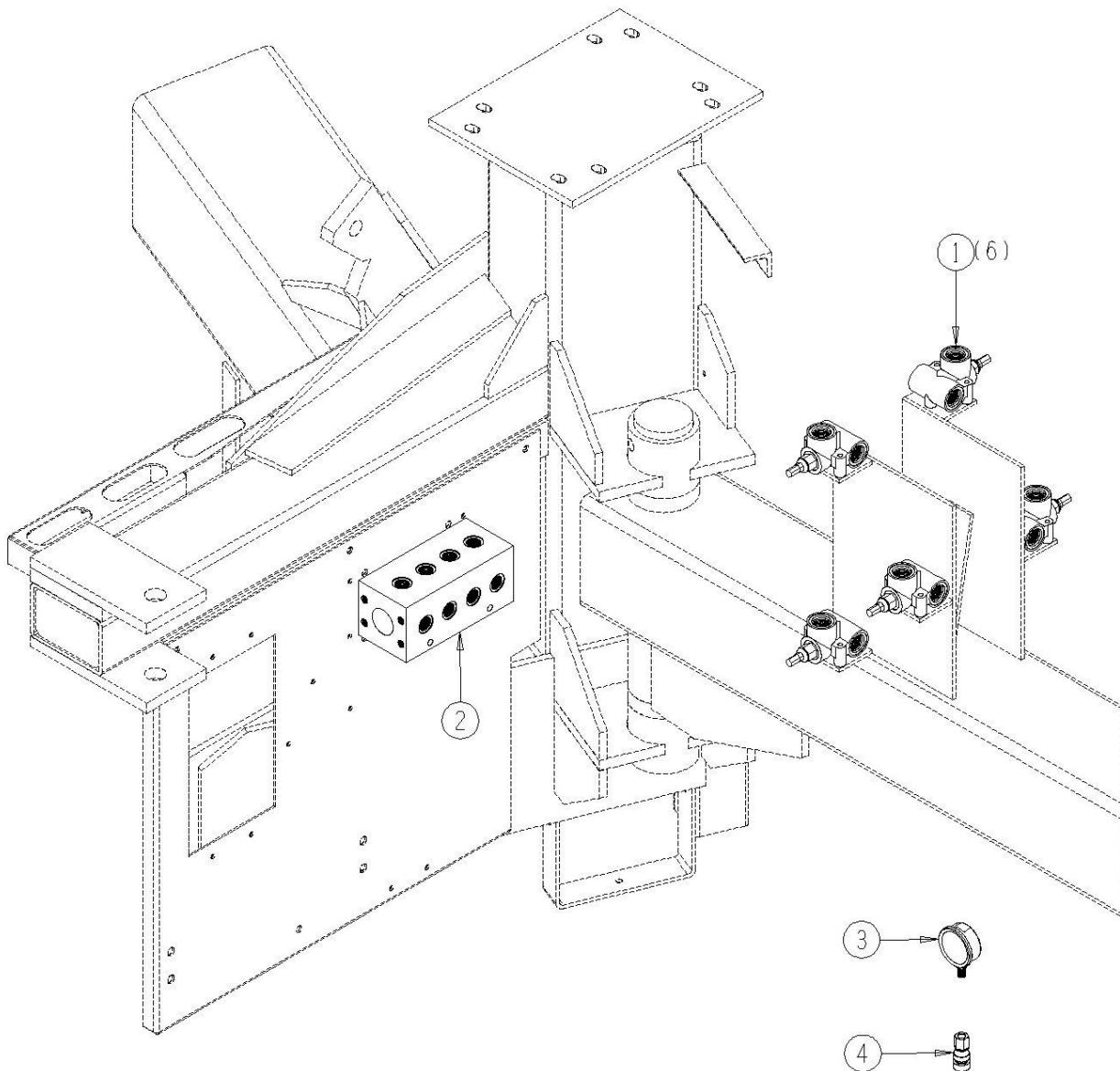
1107-15-6  
1107-15-6.1 SEE MANUAL PAGE

- 39 USE AS NEEDED
- 40 USE AS NEEDED
- 41 USE AS NEEDED

# 11010-15-16 Hydraulic Relief Assembly

<u>Ref</u>	<u>Part No.</u>	<u>Description</u>	<u>Parts – Assembly</u>	<u>Will Fit SN</u>	<u>Remarks</u>
1	HV-RV-1H	Relief valve w/ SAE #12 ports	6		
2	TAN-8103	Tank,Oil Return Manifold, HC 290 (Single Cooler)	1		
3	HA-1004-G	Hydraulic, Pressure Gauge w/1/4 NPT Stem	1		
4	HA-1005-T	Test Point Probe	1		

11010-15-16

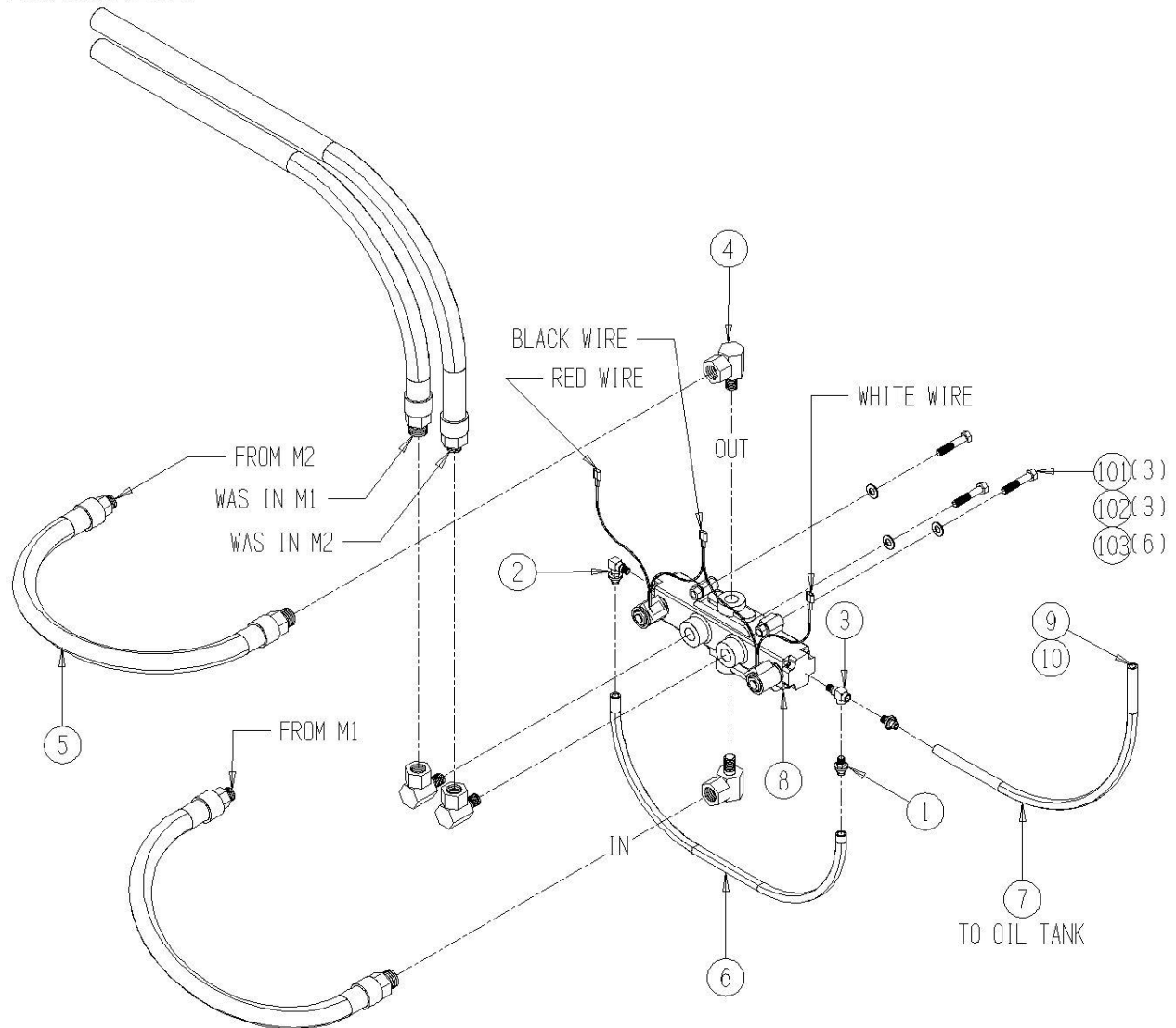


# 11010-15-19 Safety Disk Shut Off & Reverser Assembly

<u>Ref</u>	<u>Part No.</u>	<u>Description</u>	<u>Parts – Assembly</u>	<u>Will Fit SN</u>	<u>Remarks</u>
1	A-4124-6-2	1/8 Male Pipe x 3/8 Push Loc	2	HV-1045K	
2	A-4129-6-2	1/8"NPT 90° w/3/8' Push-Loc	1	HV-1045K	
3	A-5602-2-2-2	Run Tee 1/8' NPT	1	HV-1045K	
4	A-6901-10-12	10 SAE x 3/4 FPX90°, Forged	4		
5	H12-36-12MP-12MP	3/4 in hose 3/4MP x 3/4MP x 36 in long	2		
6	H6-PL-26	3/8' Push Loc Hose 26' (Reverse Kit)	1	HV-1045K	
7	H6-PL-216	3/8' Push Loc Hose 216' long	1		
8	HVE-1005	D05 Directional Valve, 25 GPM with Motor Spool, 12v	1		
9	A-6901-8-6	8 SAE x 3/8' FPX90°, Forged	1	20095001-	
10	A-4124-6-6	3/8 Male Pipe x 3/8 Push Loc	1		
11	ELC-1045	Electrical Cable, Disk Reversing Valve	1		
101	BL-6-200-H	3/8-16 X 2 HEX CAP G5 ZC	3		
102	BL-6-LN	3/8 UNC FIN HEX LOCK NUT NE A563 GrA ZINC	3		
103	BL-6-SW	3/8 SAE FW ZC	6		

11010-15-19

FROM DISK HEADER

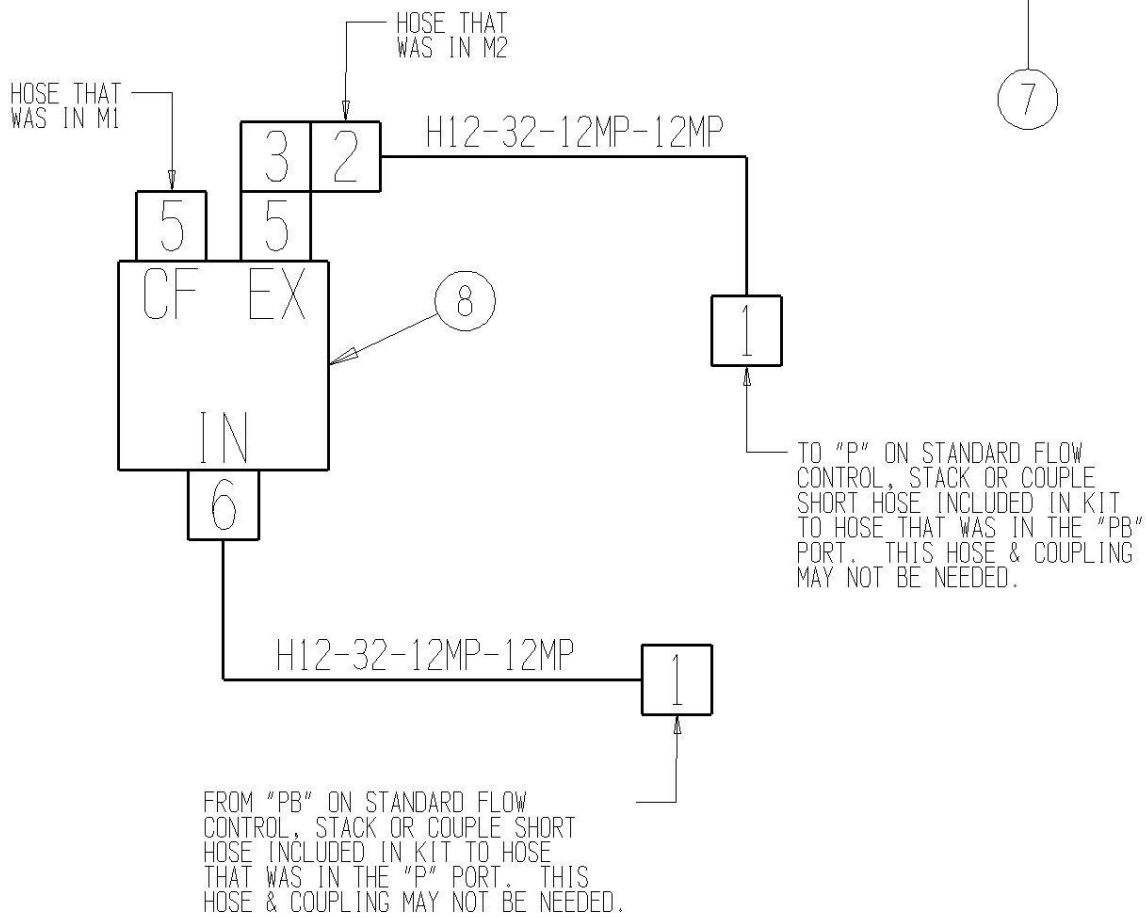
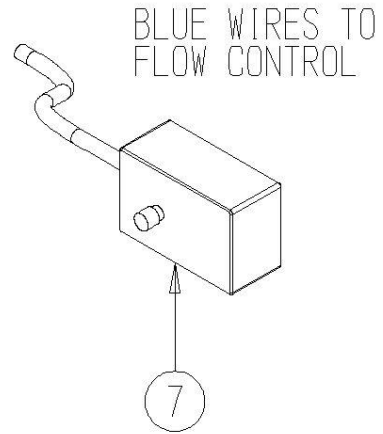


# 11010-15-21 Electronic Flow Control (3/4" Lines) Assembly

<u>Ref</u>	<u>Part No.</u>	<u>Description</u>	<u>Parts – Assembly</u>	<u>Will Fit SN</u>	<u>Remarks</u>
1	A-1405-12-12	3/4 NPT coupler w/swivel	3		
2	A-1603-12-12	Swivel T 3/4' NPTF	1		
3	A-5404-12-12	Hex Nipple 3/4' x 3/4'	1		
5	A-6900-12-12	12 SAE x 3/4'FPX	2		
6	A-6901-12-12	12 SAE x 3/4' FPX 90°, Forged	1		
7	EL-EC-1202	Controller for Brand Valve	1		
8	HVE-2500	Electronic Flow Control Valve	1		
9	H12-32-12MP-12MP	3/4 in. hose 32 in. 3/4 x 3/4	3		

# 11010-15-21

PIK RITE RECOMMENDS REMOVING THE EXISTING FLOW CONTROL WHEN ADDING THE ELECTRONIC FLOW CONTROL. THIS IS THE MOST EFFICIENT METHOD. LEAVING THE EXISTING FLOW CONTROL IN LINE AND WIDE OPEN WILL CAUSE A SLIGHT PRESSURE DROP IN THE SYSTEM. IF THE EXISTING FLOW CONTROL IS LEFT IN LINE, TAKE THE ONE SHORT HOSE INCLUDED IN THE KIT FROM "M1" TO THE "IN" ON THE ELECTRONIC FLOW CONTROL. THE OTHER SHORT HOSE WILL GO FROM THE ELECTRONIC FLOW CONTROL "TEE" IN THE EX PORT TO THE "M2" IN THE EXISTING FLOW CONTROL.

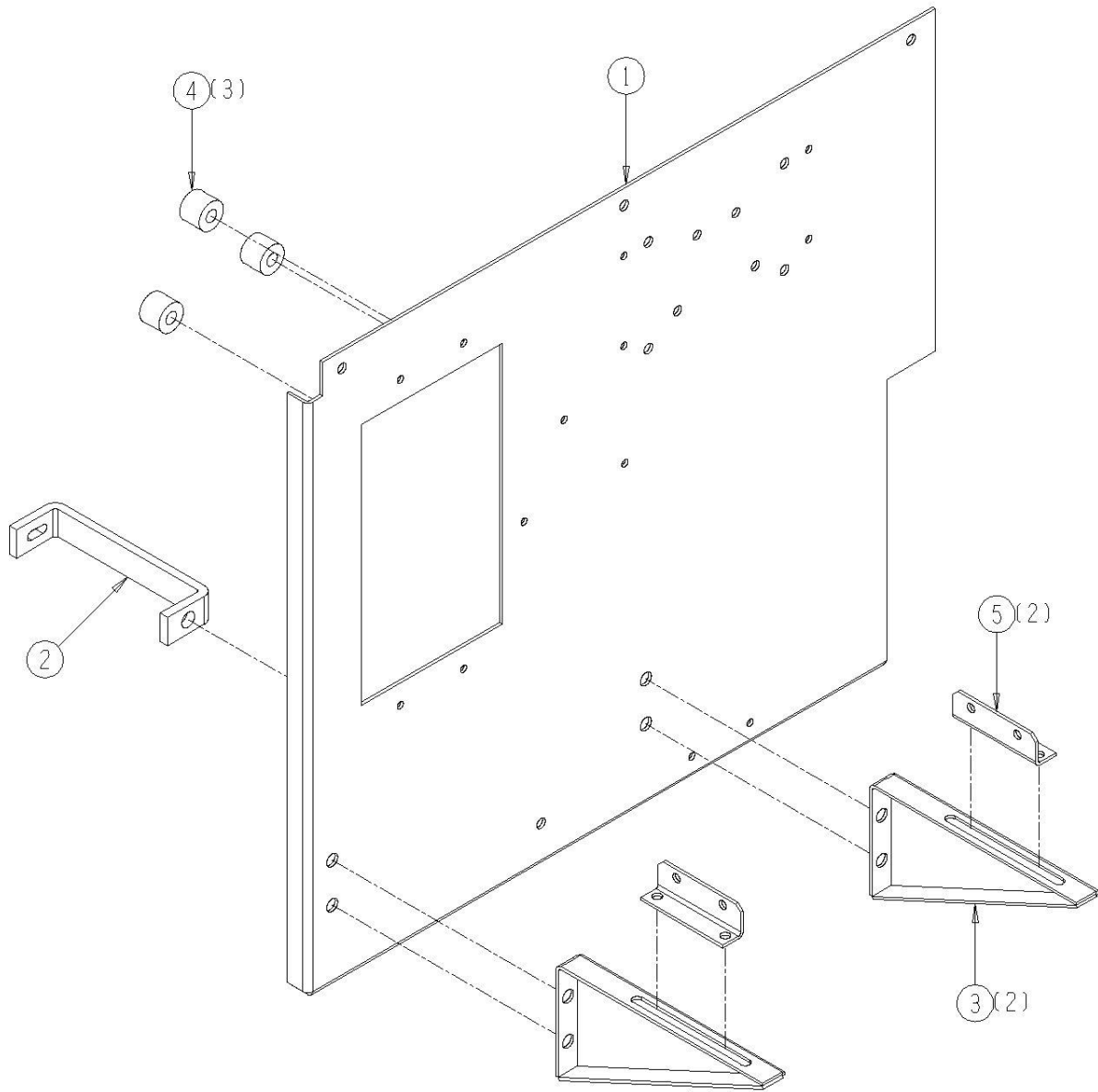


# 11010-15-24 Hydraulic Panel Component Mounting Assembly

<u>Ref</u>	<u>Part No.</u>	<u>Description</u>	<u>Parts – Assembly</u>	<u>Will Fit SN</u>	<u>Remarks</u>
1	PAN-8000	Panel Hydraulic Mount, Discharge, High Cap. Tom	1		
2	BAR-8000	Bar, Support, Brand Valve Panel, HC290	1		
3	MOU-8006	Hydraulic Mounting, HC290 Harvester	2		
4	SPA-6131	Spacer, Gathering Chain Assy, Rollers	3	60097001-	
5	MOU-8007	Control Valve Mount, HC290 Harvester	2		
8	DC-1049	Decal,290 Hyd.Cyl. Valve	1		



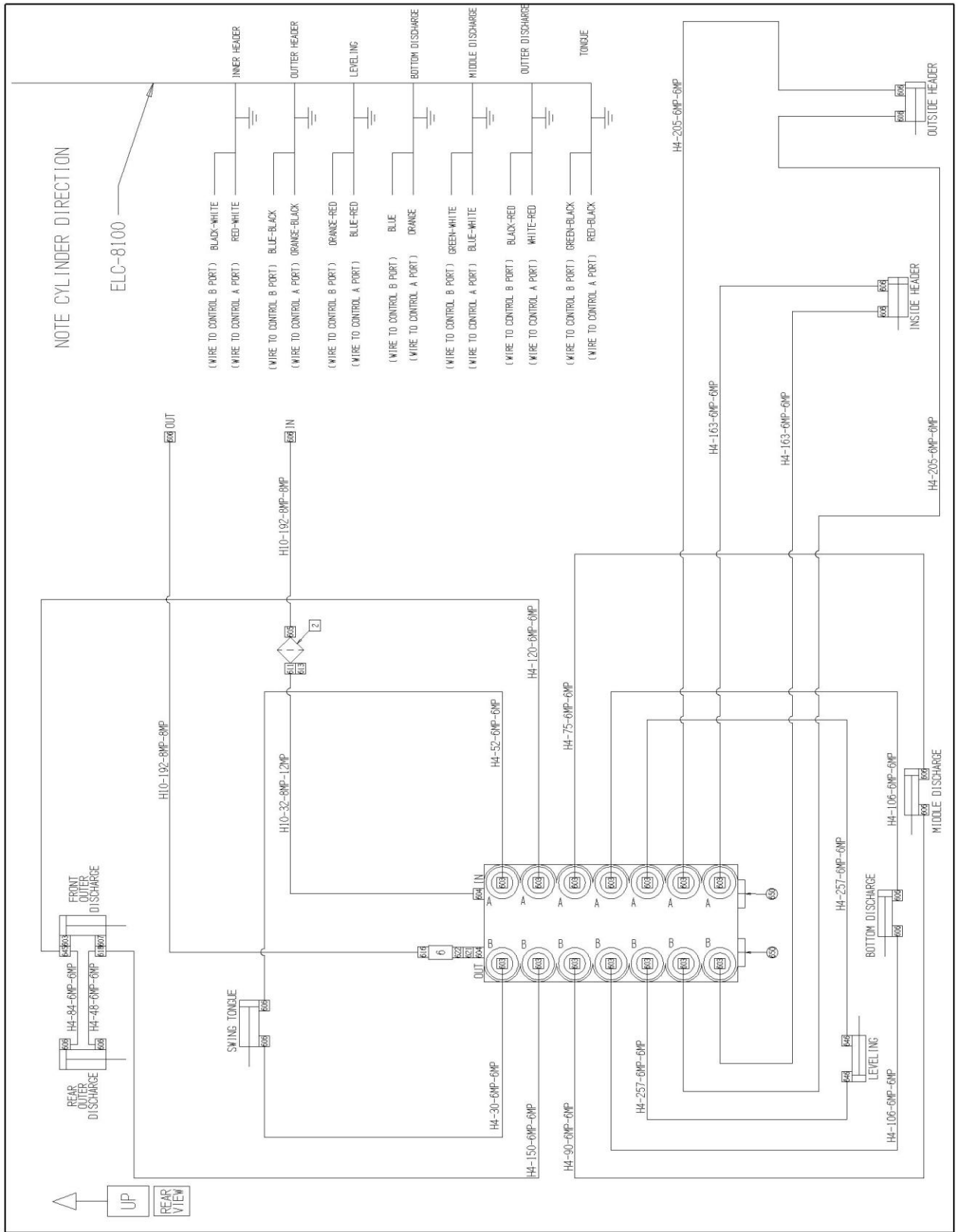
11010-15-24



# 11010-16-01 Hydraulic Cylinder Plumbing Assembly

<u>Ref</u>	<u>Part No.</u>	<u>Description</u>	<u>Parts – Assembly</u>	<u>Will Fit SN</u>	<u>Remarks</u>
0	H4-120-6MP-6MP	1/4' Hose 3/8MP x 3/8MP x 120' Long	1		
0	H4-150-6MP-6MP	1/4 in hose 3/8MP x 3/8MP x 150 in long	1		
2	HA-1037	Pressure Filter	1		Most machines 1997 and previous used Parker filter. 1998-2001 Zinga style 2002-present parker style
6	HV-CKV-800S	1/2' Parker Check Valve	1		
603	A-6900-8-6	8 SAE x 3/8' FPX With 7/8' Stock Body	15	20095001-	
604	A-6901-10-8	10 SAE x 1/2' FPX90°, Forged	2		
605	A-6901-12-8	12 SAE x 1/2' FPX 90°, Forged	1		
606	A-6901-8-6	8 SAE x 3/8' FPX90°, Forged	12	20095001-	
607	A-6955-8-6-6	8 SAE x 3/8' FPX Tee	1		
608	A-QD2010-8-8	Tractor Quick Coupler, Male, 1/2' w/ FPT	2		
611	A-6901-12-12-4SAE	12 SAE x 3/4' FPX 90°w/4 SAE Port, Forged	1		
613	HA-1004-4	Test Point Plug #4 SAE Thread	1		
616	A-1404-8-8	1/2 MP to 1/2 FPX, Straight	1		
621	A-1601-8-8-8	1/2 MP x 1/2 FPX x 1/2 FPX Tee	1		
622	A-5404-8-8	Hex Nipple 1/2' x 1/2'	1		
626	H10-192-8MP-8MP	5/8 in hose 1/2MP X 1/2MP x 192 in long	2		
627	H10-32-8MP-12MP	5/8 in hose x 1/2MP x1/2 MPx32 long	1		
632	H4-106-6MP-6MP	1/4 in hose 3/8MP x 3/8MP x 106 in long	2		
639	H4-257-6MP-6MP	1/4 in hose 3/8MP x 3/8MP x 257 in long	2		
641	H4-30-6MP-6MP	1/4 IN HOSE 3/8MP x 3/8MP x 30 LONG	1		
642	H4-52-6MP-6MP	1/4' Hose 3/8MP x 3/8MP x 52' Long	1		
643	H4-75-6MP-6MP	1/4 in hose 3/8MP x 3/8MP x 75 in long	1		
644	H4-90-6MP-6MP	1/4 in hose 3/8MP x 3/8MP x 90 in long	1		
646	A-1501-8-6	1/2 MP x 3/8 FPX 90°	2		
650	A-6408-10	10 SAE Plug	2		
651	H4-102-6MP-6MP	1/4 in Hose 3/8MP x 3/8MP x 102 in Long	1		
652	H4-145-6MP-6MP	1/4 in Hose 3/8MP x 3/8MP x 145in Long	1		

653	H4-160-6MP-6MP	1/4 in hose 3/8 x 3/8 x 160 in long	4
654	H4-38-6MP-6MP	1/4 in hose 3/8MP x 3/8MP x 38 in long	2
655	H4-48-6MP-6MP	1/4 in hose 3/8MP x 3/8MP x 48 in long	1
656	H4-84-6MP-6MP	1/4 in hose 3/8MP x 3/8MP x 84 in long	1
657	HY-TRAN	Hytran @ gal	20
800	HA-1037A	Pressure Filter Element	1

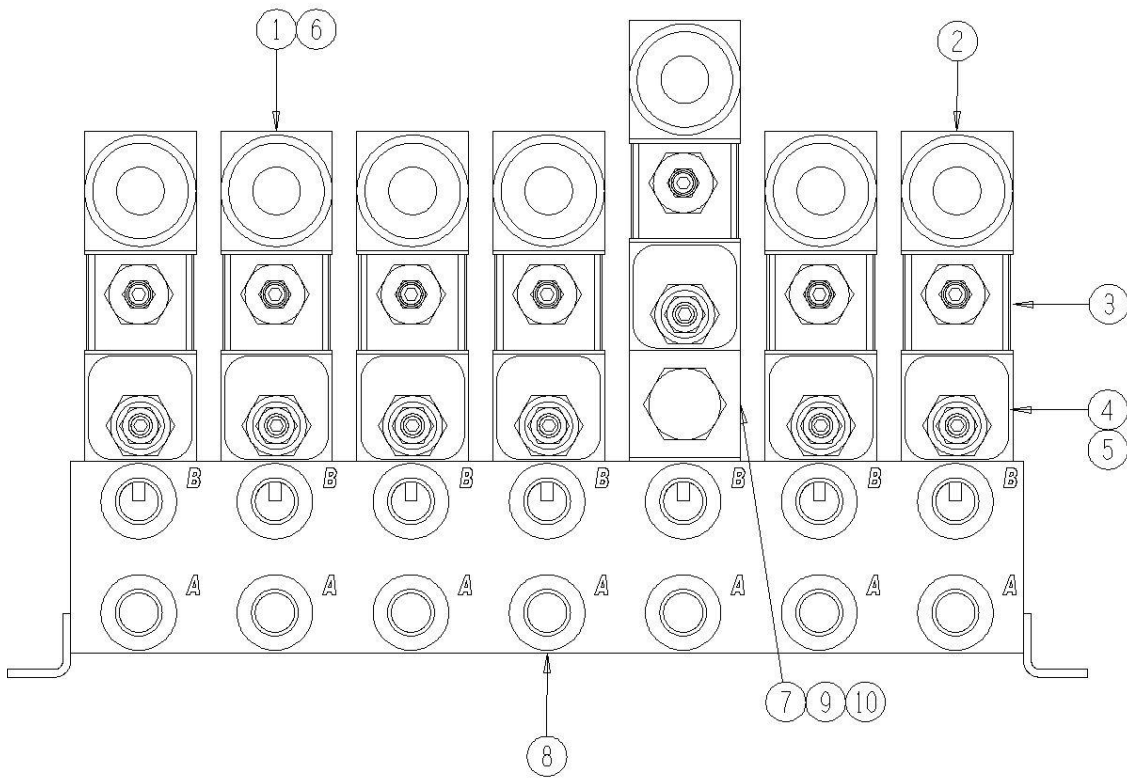




# 11015-16-02 Hydraulic Cylinder Control Bank

<u>Ref</u>	<u>Part No.</u>	<u>Description</u>	<u>Parts – Assembly</u>	<u>Will Fit SN</u>	<u>Remarks</u>
0	BL-1024-375	Stud, Hydraulic Valve, 3.75in Long	8		
0	ELC-2612	1/2' Plastic Cord Connector	7		
0	HVE-1000	Control Valve for 290 Harvester	0		
0	HVE-1006	Proportional Valve, D03	2		
1	BL-1024-553	Stud, Hydraulic Valve, 5.535in Long	16		
2	HVE-1000-A	Nachi Directional Control Valve	5		
3	HVE-1000-B	A-B Flow Regulator	5		
4	HVE-1000-C	Double Load Control, DO3	7		
5	HVE-1000-D	3 Port Counter Balance Cartridge	14		
6	HVE-1000-E	10-24 Stud Nut	28		
7	HVE-1000-H	DO3 Sandwich Body w/ reverse free flow check	1		
8	HVE-1000-M7	DO3 7 Valve Parallel Manifold , SAE #10 in/out, #8 work	1		
9	HVE-1000-PR	Pressure Reducing/Relieving Cartridge	1		
10	BL-1024-731	Stud, Hydraulic Valve, 7.313in Long	4		
801	HVE-1000-CO	O-Ring, Each	0		

11015-16-02



# 11010-17-01 Electric Component Assembly

<u>Ref</u>	<u>Part No.</u>	<u>Description</u>	<u>Parts – Assembly</u>	<u>Will Fit SN</u>	<u>Remarks</u>
	DC-9000	Decal 240 Tomato, Single HHC	1		
0	ELC-4000	Control Box Power Cord	2		
0	ELC-8000	7-Conductor, Power Cable 14', HC290	1		
0	ELC-8002	Shaft Sensor Control Cable 40', HC290	1		
0	ELC-8006	Oil, Temp., Filter Sensor Cable 30', HC290	1		
0	ELC-8007	Level Control Cable 26', HC290	1		
0	ELC-8011	Alarm Switch Cable 23', HC290	1		
0	ELC-8012	Sorter Power Cable 32', HC290	1		
0	ELC-8019	Power Cord, Remote Control Box, 08 290	1		
0	ELC-8020	Control Cord, Remote Flow Control, 08 290	1		
0	ELC-8021	Control Cord, HHC, HC290	2		
0	ELC-8100	DO3 Electrical Control Cord	1	290	
0	ELL-25-0	1/4' Wire Loom @ft	223		
0	ELL-375	3/8' Wire Loom @ft	44		
0	ELS-1256	Machine Leveler, Complete	1	190 &240, HC290	
0	ELT-31712	Push On Male 14-16 ga	20	HV-1045K	
0	ELT-31713	Push On Female Terminal 14-16 ga.	50	HV-1045K	
0	SHD-1206	Shield, Flashing Light	3	30097001- 19601-	
0	WT-3	3 3/4' Wire Tie	50		
1	ELP-8003	Electrical Panel HC290 (08)	1		
2	ELP-0001	Converter Box 190 Harvester	1		
3	BAR-1510	Bar, Light Holder	4		
4	EL-1233	Light, Auxiliary Work Light, Clear, Trapezoid Beam, TL#80394	7		Replaces EL-1201
5	EL-1206	Double Amber Lamp	3		





# 11010-17-02 Control Box Electrical Assembly

<u>Ref</u>	<u>Part No.</u>	<u>Description</u>	<u>Parts – Assembly</u>	<u>Will Fit SN</u>	<u>Remarks</u>
0	BRA-8007	Electrical Mount, HC290	1		
0	EL-6610	Horn Switch	1		
0	ELC-8017	Control Box 290 Harvester	1		
0	ELC-8018	Control Box, Remote Flow Control, 08 290	1		
0	ELM-106-D	Reed Switch Kit, 1'	4		
0	ELM-106-M	Magnet Assembly	6		
0	SHD-1206	Shield, Flashing Light	3	30097001- 19601-	
0	SPG-9654	Extension Spring for Horn Switch	1		
0	TRP-0006	Nylon Rope #6 @ foot	20		
0	WT-14	Wire Tie 14 1/4'	30		
0	WT-17H	Heavy Duty Wire Tie 17.5'	20		
0	WT-4	Wire Tie, 3 3/4'	10		
800	ELM-107-A	Beeper	0	ELM-107	

