



# PARTS CATALOG

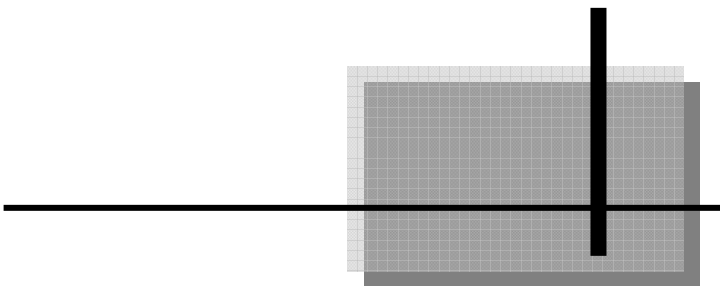
---

## HP1100 MANURE SPREADER



Pik Rite, Inc  
60 Pik Rite Lane  
Lewisburg, PA 17837  
Ph. 800-326-9763  
Fx. 570-523-8175  
[www.pikrite.com](http://www.pikrite.com)

April 11, 2016







## **HP1100 MANURE SPREADER**

(SPECIFICATIONS AND DESIGN SUBJECT TO CHANGE WITHOUT NOTICE)

## **DIRECTION ARROW**

ARROWS ARE USED WITH ILLUSTRATIONS TO INDICATE THE FRONT OF THE UNIT. "RIGHT-HAND" AND "LEFT-HAND" SIDES ARE DETERMINED BY FACING THE DIRECTION OF MACHINE FORWARD TRAVEL.

## **BOX ENCLOSED ILLUSTRATIONS**

A REFERENCE NUMBER, SHOWN IN THE PARTS LIST, IS ASSIGNED TO A BOX ENCOMPASSING ALL PARTS SOLD AS A SERVICE ASSEMBLY.

## **REFERENCE NUMBER IDENTIFICATION**

000-099 PARTS USED FOR ASSEMBLY  
100-199 BOLTS & FASTENERS  
800-899 REPLACEMENT PARTS OR SERVICE ASSEMBLIES –  
USED TO REPLACE OR REBUILD COMPONENTS OF THE  
MACHINE

# TABLE OF CONTENTS

74115-1-01	Main Frame, GEA Chassis & Floor.....	8
74115-1-02	Stone Guard .....	12
74115-1-03	Front Shields .....	14
74115-1-05	Endgate .....	16
74115-1-08	Wheels & Tires .....	20
74115-1-09	Optional Metering Shield .....	22
74115-2-01	1000 RPM Drive Line.....	24
74115-2-02	Main Drive Shaft.....	26
74115-2-03	Vertical Beaters, Quick Disconnect.....	28
74115-2-03A	Vertical Beater Gearbox.....	32
74115-2-04	Web Chain Drive .....	34
74115-2-05	Web Chain Gearbox .....	36
74115-3-01	Hydraulics Web Drive .....	40
74115-3-02	Hydraulics Endgate.....	42
74115-3-03	Endgate Cylinders .....	44
74115-6-01	Safety Tow Chain .....	46
74115-6-03	SMV Emblem & Bracket .....	48

PARTS  
CATALOG



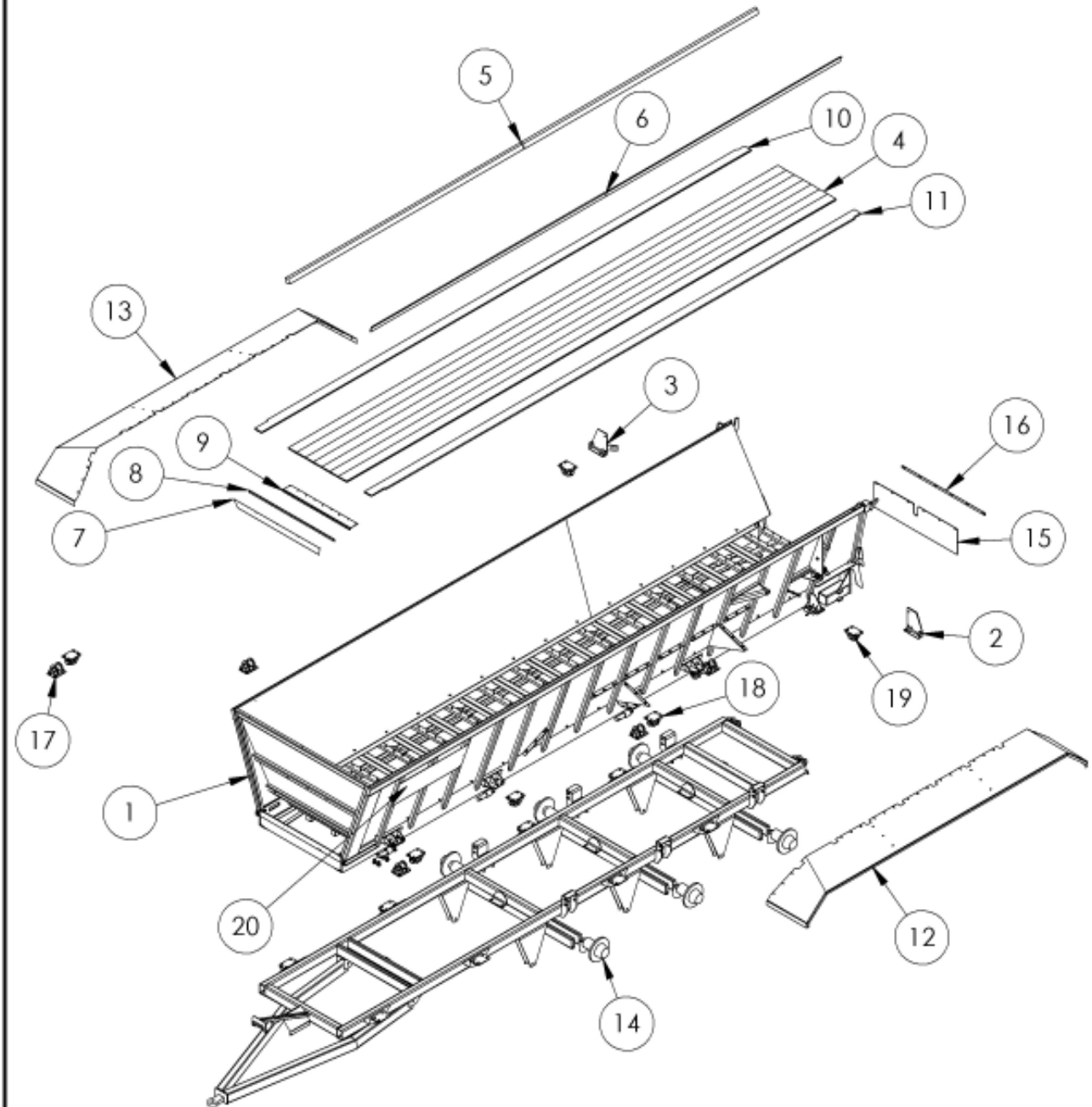
## 74115-1-01 Main Frame, GEA Chassis & Floor

<u>Ref</u>	<u>Part No.</u>	<u>Description</u>	<u>Parts – Assembly</u>	<u>Will Fit SN</u>	<u>Remarks</u>
1	PR64000	Main Frame	1		
2	PR60023	Bracket, LH, End Gate Mount	1		
3	PR60024	Bracket, RH, End Gate Mount	1		
4	PR64001	Polyboard, .75' x 354'	7		
5	PR64002	Bottom Bumper Rail, RH	2		
6	PR64003	Bottom Bumper Rail, LH	2		
7	PR60018	Belting	1		
8	PR60019	Flat Bar	1		
9	PR60063	End Cap, Poly Board	1		
10	PR64005	Polyboard, RH x 354'	1		
11	PR64004	Polyboard, LH x 354'	1		
12	PR64006	Fender, LH	1		
13	PR64007	Fender, RH	1		
14	PR64008	Chassis Cross Member	1		
15	PR60045	Belting, Lower Rear Deflector Belt	1		
16	PR60046	Bar, Deflector Belt Backing Bar	1		
17	PR64014	2.875' Weight Scale Mount	6		
18	PR64016	2.875' Weight Scale Mount	6		
19	PR64018	Load Cell Mount	2		
20	PR60043	Decal Plate, Angled, Side	2		
101	BL-6-175-C	3/8 UNC X 1 3/4 CARRIAGE BOLT GR5 ZINC	30		
102	BL-6-SW	3/8 SAE FW ZC	30		
103	BL-6-LW	3/8 SPLIT LW ZC	114		
104	BL-6-N	3/8-16 HEX NUTS ZC	84		
105	BL-6-125-C	3/8 UNC X 1 1/4 CARRIAGE BOLT GR5 ZINC	42		
106	BL-6-FW	3/8 USS FW ZC	54		
107	BL-6-100-C	3/8 UNC X 1 CARRIAGE BOLT GR5 ZINC	12		



108	BL-4-FW	1/4 USS FW ZC	144
109	BL-4-150-C	1/4 UNC X 1 1/2' CARRIAGE BOLT GR5 ZINC	135
110	BL-4-225-C	1/4 UNC X 2 1/4 CARRIAGE BOLT GR5 ZINC	9
111	BL-4-LW	1/4 SPLIT LW ZC	114
112	BL-4-N	1/4-20 HEX FIN NUTS ZC	143
113	BL-5-FW	5/16 USS FW ZC	12
114	BL-5-LN	5/16-18 HEX LN NE ZC	6
115	BL-5-125-H	5/16-18 X 1 1/4 HEX CAP G5 ZC	6
116	BL-8-FW	1/2 USS FW ZC	28
117	BL-8-175-H8	1/2 x 1 3/4', Grade 8, Hex Head	14
118	BL-8-LN	1/2-13 HEX LOCK NUT NYLON INSERT ZC	14
119	BL-12-200-8	3/4' x 2', HH C/S G8 ZC	64
120	BL-12-FW-8	3/4' Grade 8 Flat Washer	64
121	BL-12-LN-8	3/4' Lock Nuts w/ Nylon Inserts, Grade 8	80
122	BL-12-400-8	3/4' x 4', HH C/S G8 ZC	16

74115-1-01

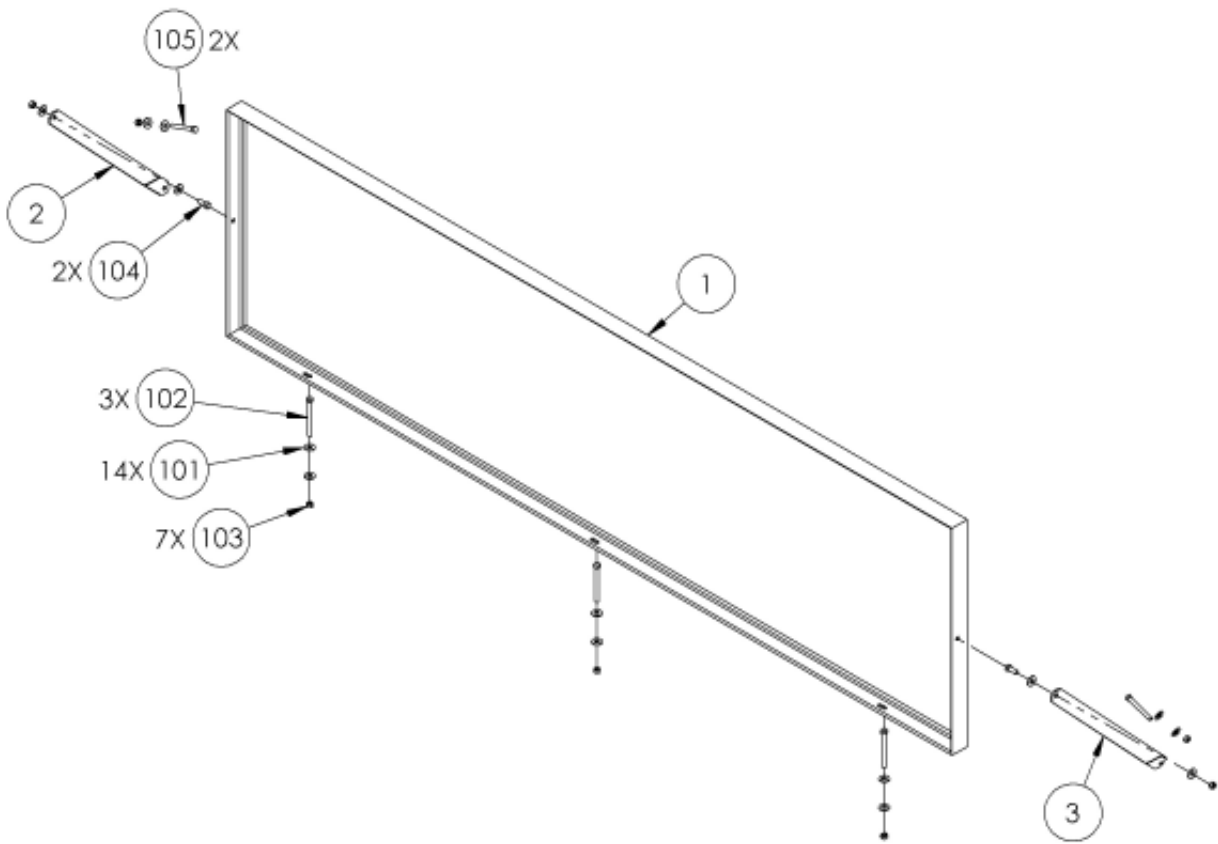




## 74115-1-02 Stone Guard

<u>Ref</u>	<u>Part No.</u>	<u>Description</u>	<u>Parts – Assembly</u>	<u>Will Fit SN</u>	<u>Remarks</u>
1	PR39170	Screen, Rock Shield	1		
2	PR39171	Gusset, Support, LH Mount, Rock Shield	1		
3	PR39172	Gusset, Support, RH Mount, Rock Shield	1		
101	BL-6-FW	3/8 USS FW ZC	14		
102	BL-6-400-H	3/8-16 X 4 HEX CAP G5 ZC	3		
103	BL-6-N	3/8-16 HEX NUTS ZC	7		
104	BL-6-100-H	3/8 UNC X 1 HH C/S BOLT GR5 ZINC	2		
105	BL-6-300-H	3/8 UNC X 3 HH C/S BOLT GR5 ZINC	2		

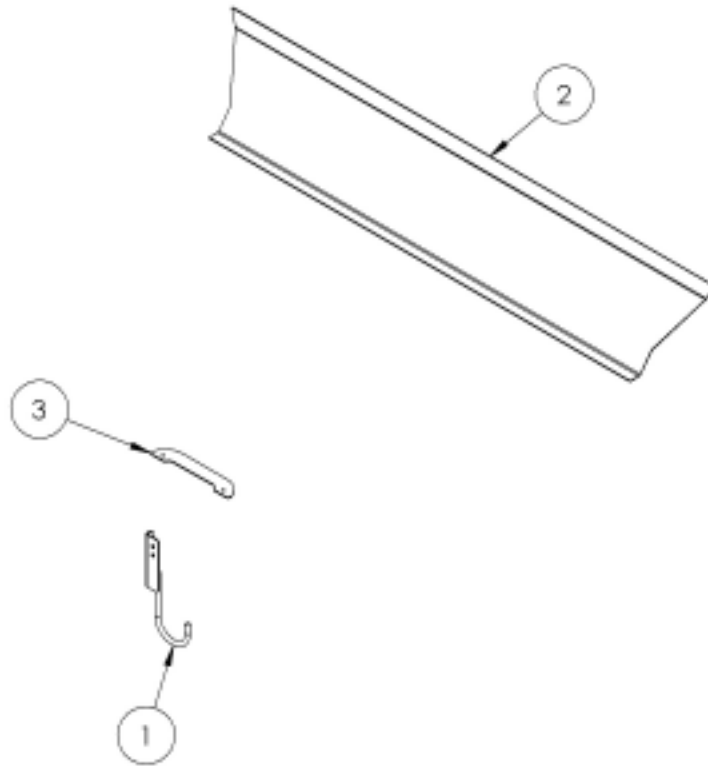
74115-1-02



## 74115-1-03 Front Shields

<u>Ref</u>	<u>Part No.</u>	<u>Description</u>	<u>Parts – Assembly</u>	<u>Will Fit SN</u>	<u>Remarks</u>
1	PR63003	PTO Holder	1		
2	PR60001	Front Spocket Cover	1		
3	PR60403	Belting Hose Holder	1		
101	BL-4-FW	1/4 USS FW ZC	8		
102	BL-4-LN	1/4-20 HEX LN NE ZC	6		
103	BL-4-100-H	1/4-20 X 1 HEX CAP G5 ZC	2		

74115-1-03



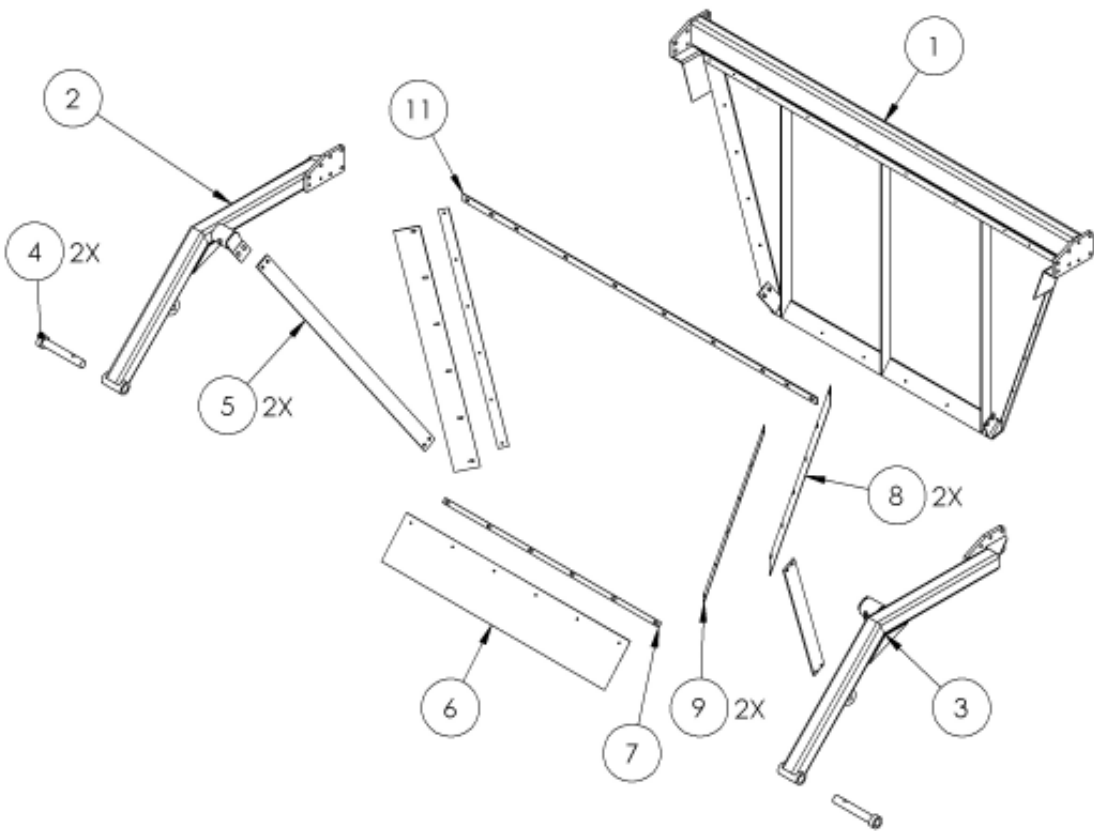
# 74115-1-05 Endgate

<u>Ref</u>	<u>Part No.</u>	<u>Description</u>	<u>Parts – Assembly</u>	<u>Will Fit SN</u>	<u>Remarks</u>
1	PR60047	Endgate	1		
2	PR60048	Endgate, Arm RH	1		
3	PR60049	Endgate, Arm LH	1		
4	PR60015	End Gate Pin	2		
5	PR60061	Flat Bar	2		
6	PR60013	Belting, Bottom, End Gate	1		
7	PR60014	Flat Bar, Backing, Bottom, End Gate	1		
8	PR60050	Belting, End Gate	2		
9	PR60051	Backing Bar, End Gate	2		
10	PR60011	Belting, End Gate Flap	1		
11	PR60012	Flat Bar, Backing, End Gate Flap	1		
12	STP-0020	Swivel Leveling Mount, Standoff. 2500lbs.	2		
101	BL-6-FW	3/8 USS FW ZC	44		
102	BL-6-SW	3/8 SAE FW ZC	2		
103	BL-6-125-H	3/8-16 X 1 1/4 HHCS G5 ZC	18		
104	BL-6-LN	3/8 UNC FIN HEX LOCK NUT NE A563 GrA ZINC	18		
105	BL-6-LW	3/8 SPLIT LW ZC	10		
106	BL-6-100-H	3/8 UNC X 1 HH C/S BOLT GR5 ZINC	10		
107	BL-8-FW	1/2 USS FW ZC	8		
108	BL-8-150-C	1/2 UNC X 1 1/2 CARRIAGE BOLT GR5 ZINC	8		
109	BL-8-LW	1/2 SPLIT LW ZC	8		
110	BL-8-N	1/2-13 HEX FIN NUTS ZC	8		
111	BL-10-SW-8	5/8 S.A.E. FLAT WASHERS	22		
112	BL-10-LW	5/8 SPLIT LW ZC	10		
113	BL-10-LN	5/8-11 HEX LN NE ZC	6		
114	BL-10-175-H8	5/8-11 X 1 1/2 HEX CAP G8 ZC	10		
115	BL-10-250-H-8	5/8-11 X 2 1/2 HEX CAP G8 ZC	6		
116	BL-8-300-H	1/2-13 X 3 HEX CAP G5 ZC	2		





# 74115-1-05





## 74115-1-08    Wheels & Tires

<u>Ref</u>	<u>Part No.</u>	<u>Description</u>	<u>Parts – Assembly</u>	<u>Will Fit SN</u>	<u>Remarks</u>
1	WHM-3900	Mounted Assembly, 28LR26	6		



## 74115-1-09 Optional Metering Shield

<u>Ref</u>	<u>Part No.</u>	<u>Description</u>	<u>Parts – Assembly</u>	<u>Will Fit SN</u>	<u>Remarks</u>
1	PR60039	Metering Shield	1		
100	BL-10-200-H	5/8-11 X 2 HEX CAP G5 ZC	6		
101	BL-10-FW	5/8 USS FW ZC	12		
102	BL-10-LN	5/8-11 HEX LN NE ZC	6		



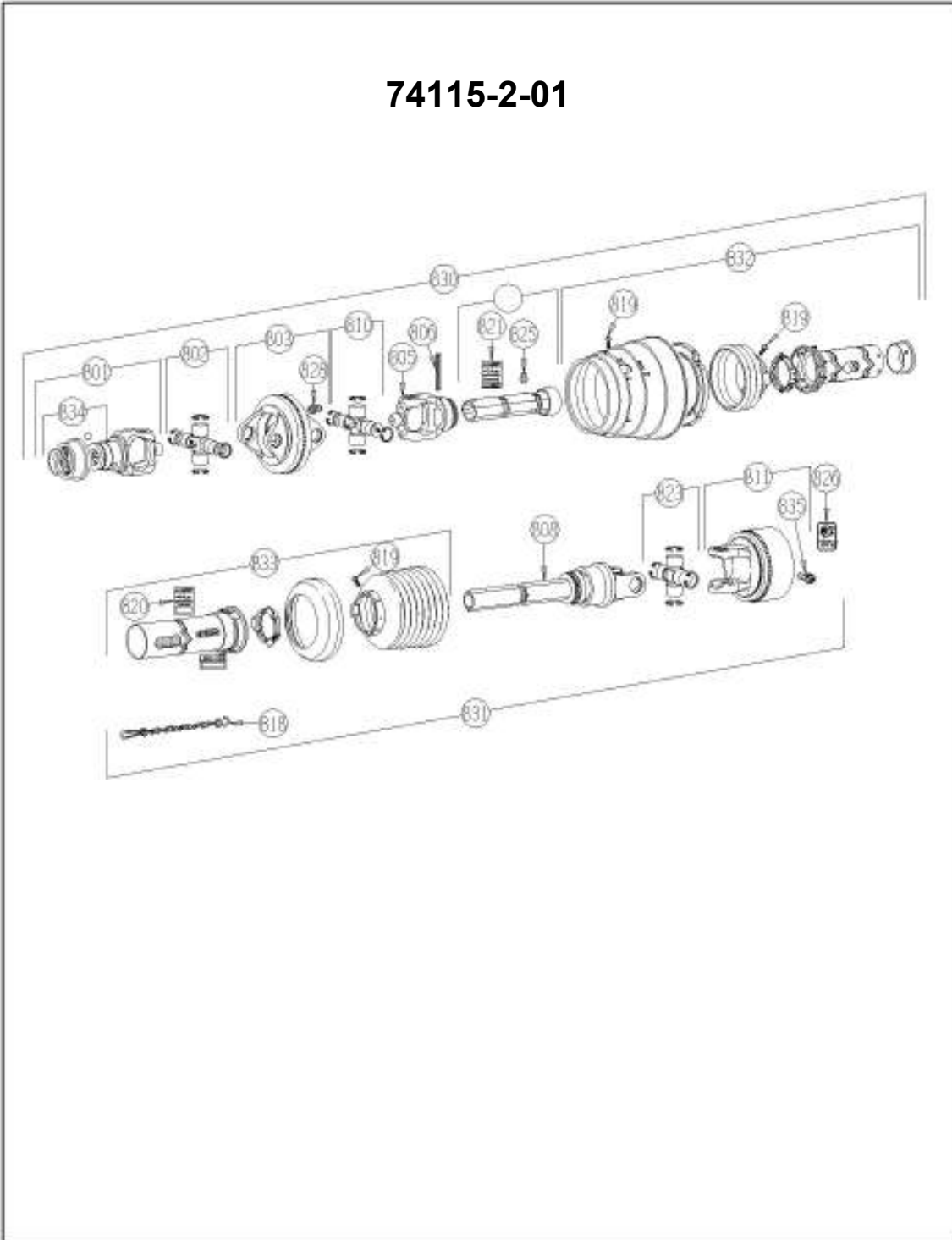
## 74115-2-01 1000 RPM Drive Line

<u>Ref</u>	<u>Part No.</u>	<u>Description</u>	<u>Parts – Assembly</u>	<u>Will Fit SN</u>	<u>Remarks</u>
1	PTS-1021	Driveline, 1-3/4-20 Spline, PWE580 HD Shaft	1	Replaces PTS-1020	Rev b starts with -74015006
801	PTS-1021A	Yoke, 1-3/4-20 Spl. ASG	1		Special Order Only
802	PTS-1021B	Cross & Bearing Kit	1		Special Order Only
803	PTS-1005B	Double Yoke	1		Special Order Only
805	PTS-1021C	Inboard Yoke S5	1		Special Order Only
806	PTB-1014C	Spring Pin 10 X 75	1		Special Order Only
808	PTS-1021D	Overrunning Clutch & S4LGA Profile Assy	1		Special Order Only
810	PTS-4001B	Extended Lube Cross & Bearing Kit	1	Walterscheid Yokes	Special Order Only
811	PTS-1021E	Cut-Out Clutch	1		Special Order Only
812	PTS-1005F	CV Cone & Bearing Assy	1	Replaced with PTS- 1021K	Special Order Only
813	PTS-1005G	Shield Cone 4 RIB	1	Replaced with PTS- 1021L	Special Order Only
814	PTS-1002J	PTO Shield Bearing Ring	2		Special Order Only
817	PTS-1021F	Guard Cone 9 Rib	1		Special Order Only
818	PTS-1002K	PTO Shield Safety Chain	1		Special Order Only
819	PTS-1010K	Screw	8		Special Order Only
820	PTS-1010L	Decal, Outer	1		Special Order Only
821	PTS-1010M	Decal, Inner	1		Special Order Only
822	PTS-8100D	Reinforcing Collar	1		Special Order Only
823	PTS-1021G	Cross & Bearing Kit	1		Special Order Only
824	PTS-1021H	Support Bearing	1		Special Order Only
825	PTB-1014L	Zerk	1		Special Order Only
826	PTS-1009J	Decal	1		Special Order Only
827	PTS-1008Q	CV Lubrication Decal	1	Replaced with PTS- 1021P	Special Order Only
828	PTS-1008C	Zerk, Double Yoke	1		Special Order Only
830	PTS-1021FH	Front Half Shaft, PTS-1021	1		Special Order Only



831	PTS-1021RH	Rear Half Shaft, PTS-1021	1	Special Order Only
832	PTS-1021FS	Inner Guard Kit	1	Special Order Only
833	PTS-1021RS	Outer Guard Kit	1	Special Order Only
834	PTS-1008R	ASG Collar Kit	1	Special Order Only
835	PTS-1009K	CC Lock Assembly	1	Special Order Only

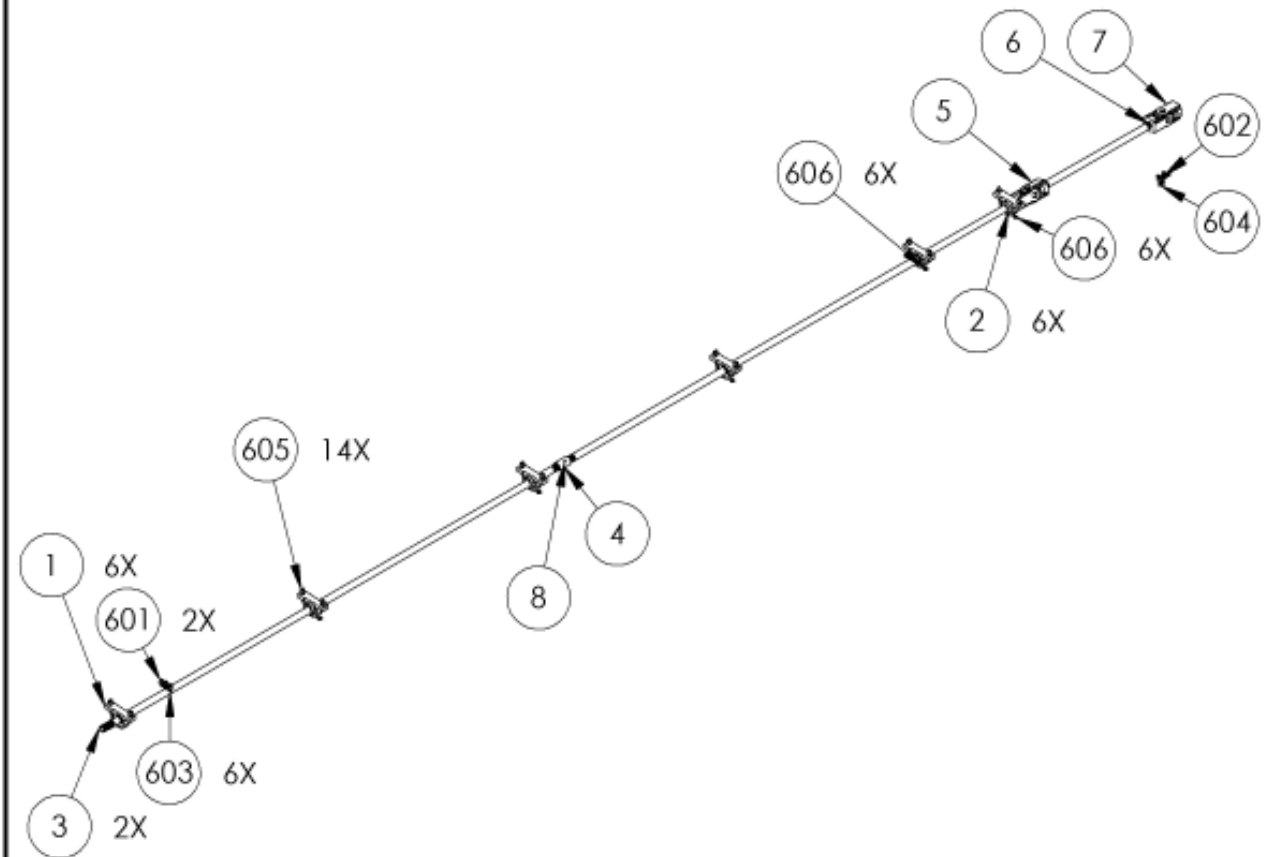
## 74115-2-01



## 74115-2-02 Main Drive Shaft

<u>Ref</u>	<u>Part No.</u>	<u>Description</u>	<u>Parts – Assembly</u>	<u>Will Fit SN</u>	<u>Remarks</u>
1	BR-100-RAK	Bearing Housing 100 mm	6	11001	
2	BR-175-100	Heavy Duty I t' Bearing	6		
3	PR64009	Main Drive Shaft	2		
4	PR60404	Coupler, 1.75 x 20 Spline, 12/24 Pitch, P.A. 30-	1		
5	PTS-1018	Yoke Assembly 1-3/4-20 1Slip,1 Lock	1		
6	PR60401	Rear Drive Shaft	1		
7	PTS-1019	Yoke Assembly, 1-3/4-20,1-3/4-6 Both Lock	1		
8	PIN-4-36	Roll Pin 1/4' x 2.25'	1		
101	BL-4-FW	1/4 USS FW ZC	8		
102	BL-4-LN	1/4-20 HEX LN NE ZC	4		
103	BL-10-SW	5/8 SAE FW ZC @	24		
104	BL-10-250-H	5/8-11 X 2 1/2 HEX CAP G5 ZC	10		
105	BL-10-400H	5/8 x 4 Gr5 Bolt HH Zinc Plated	2		
106	BL-10-LN	5/8-11 HEX LN NE ZC	12		
107	BL-4-200-H	1/4-20 X 2 HEX CAP G5 ZC	2		
108	BL-4-150-H	1/4-20 X 1 1/2 HEX CAP G5 ZC	2		
601	GF-4-4	4' Grease Manifold	2		
602	GF-1827-45	Grease Fitting 1/8 NPT 45-	6		
603	A-1404-2-2	1/8 MP x 1/8 FPX	6		
604	A-1503-2-2	1/8' MP x 1/8' FPX 45-	2		
605	GFA-51942	1/4'-28 Straight Adapter	6		
606	A-1501-2-2	1/8' MP x 1/8' FPX90-	6		

74115-2-02



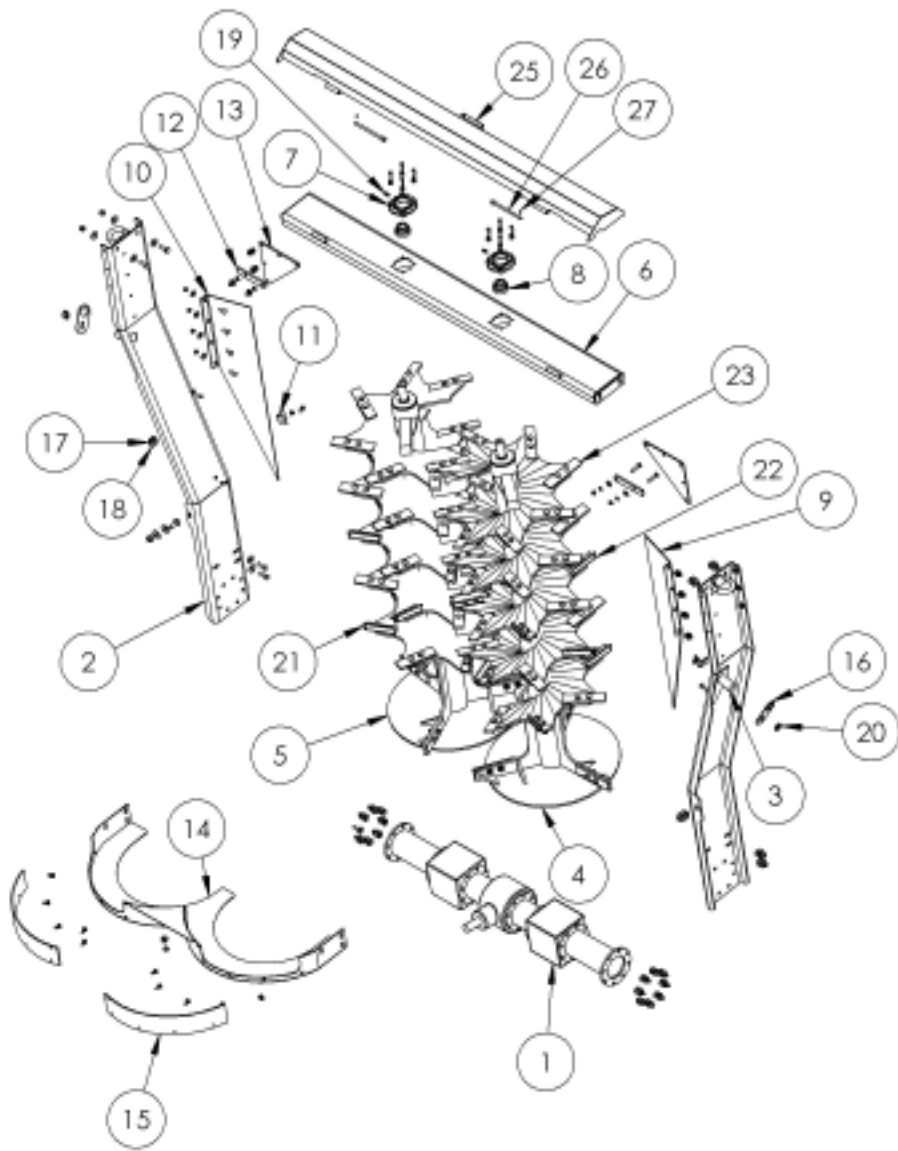
## 74115-2-03 Vertical Beaters, Quick Disconnect

<u>Ref</u>	<u>Part No.</u>	<u>Description</u>	<u>Parts – Assembly</u>	<u>Will Fit SN</u>	<u>Remarks</u>
1	VTB-1893-A1	1000 RPM Beater Gearbox	1		
2	PR63500	Beater Panel, RH, Remov Beaters	1		
3	PR63501	Beater Panel, LH, Remov Beaters	1		
4	VTB-0040	LH Beater, HD 15mm Flighting	1	74015006-	Replaces VTB-0011
5	VTB-0041	RH Beater, HD 15mm Flighting	1	74015006-	Replaces VTB-0012
6	PR63502	Top Bearing Plate, V-Box Spreader	1		
7	BR-085-4PF	85mm Four Bolt Piloted Flange Housing	2		
8	BR-175-085-I	Bearing, 1 3/4" ID, TS	2		
9	PR64011	Beater Panel Wing, LH	1		
10	PR64012	Beater Panel Wing, RH	1		
11	PR60058	Tab, Beater Panel Wing	2		
12	PR60060	Top Plate Spacer	2		
13	PR60059	Top Gusset	2		
14	PR63503	Beater Pan, Removable Beaters (SN 74015002-)	1	S.N.7401500 2-	
15	PR63504	Belting, Beater Pan	2	S.N. 74015002-	
16	PR63505	Plate, Safety Lock, Remov Beaters	2		
17	GF-2-2	2' Grease Manifold	1		
18	GF-1827-45	Grease Fitting 1/8 NPT 45°	2		
19	A-1404-2-2	1/8 MP x 1/8 FPX	4		
20	PIN-250L	1/4" Lynch Pin	2		
21	VTB-1899-B3	Right Blade	10		
22	VTB-1899-C3	Left Blade	10		
23	VTB-1899-F3	Knife, Weight Specific	56	1190VB: 71113001- 1180VB: 74015011-	
24	HP-1038	Gear Lube, 80W90 @ Quart	11	Hydra Ram Spreader	
25	PR63506	Top Bearing Cover	1		
26	PR70133	Hinge Pin, 1/2" x 9"	2		
27	PIN-3-14	Roll Pin, 3/16 x 7/8	2	193-729K	

101	BL-6-FW	3/8 USS FW ZC	18
102	BL-6-LW	3/8 SPLIT LW ZC	10
103	BL-6-N	3/8-16 HEX NUTS ZC	10
104	BL-6-125-C	3/8 UNC X 1 1/4 CARRIAGE BOLT GR5 ZINC	10
105	BL-7-SW	7/16 SAE FW ZC	8
106	BL-7-LW	7/16' Split LW,Zinc Coated	8
107	BL-7-125-HH	7/16' x 1 1/4', Hex Head, Gr 5, Zinc	8
108	BL-8-150-C	1/2 UNC X 1 1/2 CARRIAGE BOLT GR5 ZINC	14
109	BL-8-250-C	1/2 UNC X 2 1/2 CARRIAGE BOLT GR5 ZINC	4
110	BL-8-FW	1/2 USS FW ZC	18
111	BL-8-LW	1/2 SPLIT LW ZC	18
112	BL-8-N	1/2-13 HEX FIN NUTS ZC	18
113	BL-9-FW-8	9/16' Grade 8 Flat Washer	32
114	BL-9-LN	9/16' Lock Nuts w/Nylon Inserts	16
115	BL-9-200-H8	9/16-12 x 2, Hex Head, Grade 8	16
116	BL-10-FW-8	5/8' Grade 8 Flat Washer	16
117	BL-10-LN	5/8-11 HEX LN NE ZC	8
118	BL-10-200-H8	5/8-11 X 2 HEX CAP G8 ZC	116
119	BL-10-200-H	5/8-11 X 2 HEX CAP G5 ZC	4
120	BL-12-FW-8	3/4' Grade 8 Flat Washer	4
121	BL-12-200-8	3/4' x2', HH C/S G8 ZC	2
122	BL-12-LN-8	3/4' Lock Nuts w/ Nylon Inserts, Grade 8	2
123	BL-10-175-H8	5/8-11 X 1 3/4 HEX CAP G8 ZC	40
124	BL-10-LNS	5/8-11 Stover Lock Nut	152
125	BL-10-SW	5/8 SAE FW ZC @	12
126	BL-6-LN	3/8 UNC FIN HEX LOCK NUT NE A563 GrA ZINC	4
127	BL-6-125-H	3/8-16 X 1 1/4 HHCS G5 ZC	4
128	BL-4-FW	1/4 USS FW ZC	2
129	BL-4-LN	1/4-20 HEX LN NE ZC	1
130	BL-4-175-H	1/4-20 X 1 3/4 HEX CAP G5 ZC	1
604	H2-143-2MP-2MP	1/8 in grease hose 1/8MP x 1/8MP x 143 in long	1



74115-2-03

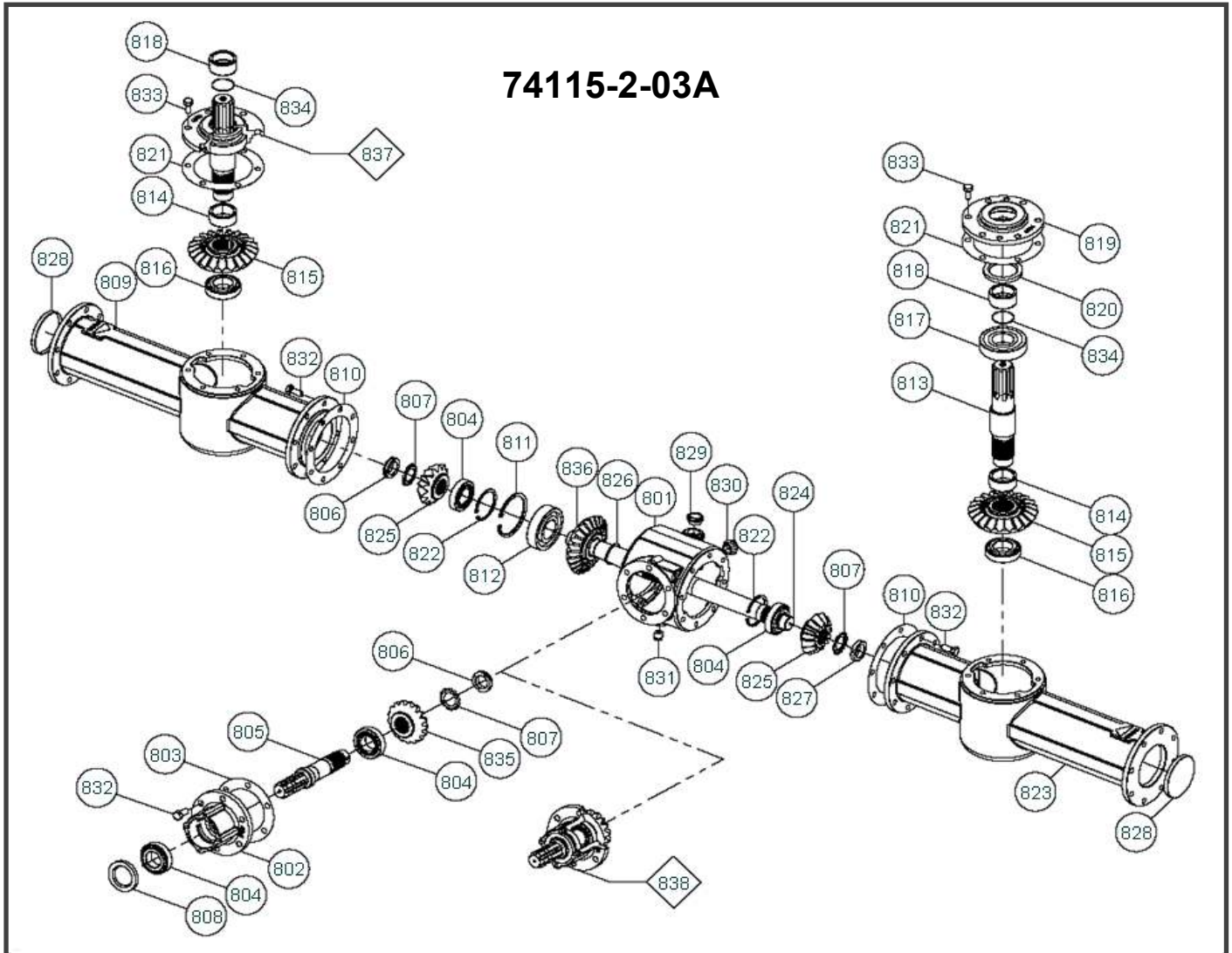


## 74115-2-03A Vertical Beater Gearbox

<u>Ref</u>	<u>Part No.</u>	<u>Description</u>	<u>Parts – Assembly</u>	<u>Will Fit SN</u>	<u>Remarks</u>
801	VTB-1899-A1	Housing	1		Special Order Only
802	VTB-1899-J2	Hub	1		Special Order Only
803	VTB-1899-H2	Gasket	1		Special Order Only
804	VTB-1899-G1	Bearing 32209	4		Special Order Only
805	VTB-1899-L2	Shaft	1		Special Order Only
806	VTB-1899-D1	Threaded Ring	2		Special Order Only
807	VTB-1899-E1	Washer	3		Special Order Only
808	VTB-1899-K2	Oil Seal	1		
809	VTB-1893-B1	Right Spacer Tube	1		Special Order Only
810	VTB-1899-A2	Gasket	2		Special Order Only
811	VTB-1893-C1	Snap Ring	1		Special Order Only
812	VTB-1899-H1	Bearing 6311	1		Special Order Only
813	VTB-1893-D1	Spined Shaft	2		Special Order Only
814	VTB-1899-V1	Spacer	2		Special Order Only
815	VTB-1899-W1	Gear Z=22	2		Special Order Only
816	VTB-1899-X1	Bearing 32210	2		Special Order Only
817	VTB-1899-T1	Bearing 6311-2RS	2		Special Order Only
818	VTB-1899-M1	Spacer	2		Special Order Only
819	VTB-1899-Q1	Calotte	2		Special Order Only
820	VTB-1899-S1	Oil Seal	2		Special Order Only
821	VTB-1899-R1	Gasket	2		Special Order Only
822	VTB-1893-E1	Snap Ring	2		Special Order Only
823	VTB-1893-F1	Right Spacer Tube	1		Special Order Only
824	VTB-1899-C1	Shaft	1		Special Order Only
825	VTB-1899-F1	Bevel Pinion Z=13	2		Special Order Only
826	VTB-1899-K1	Circlip E 55	1		Special Order Only
827	VTB-1899-L1	Threaded Ring	1		Special Order Only
828	VTB-1893-G1	End Cap	2		Special Order Only



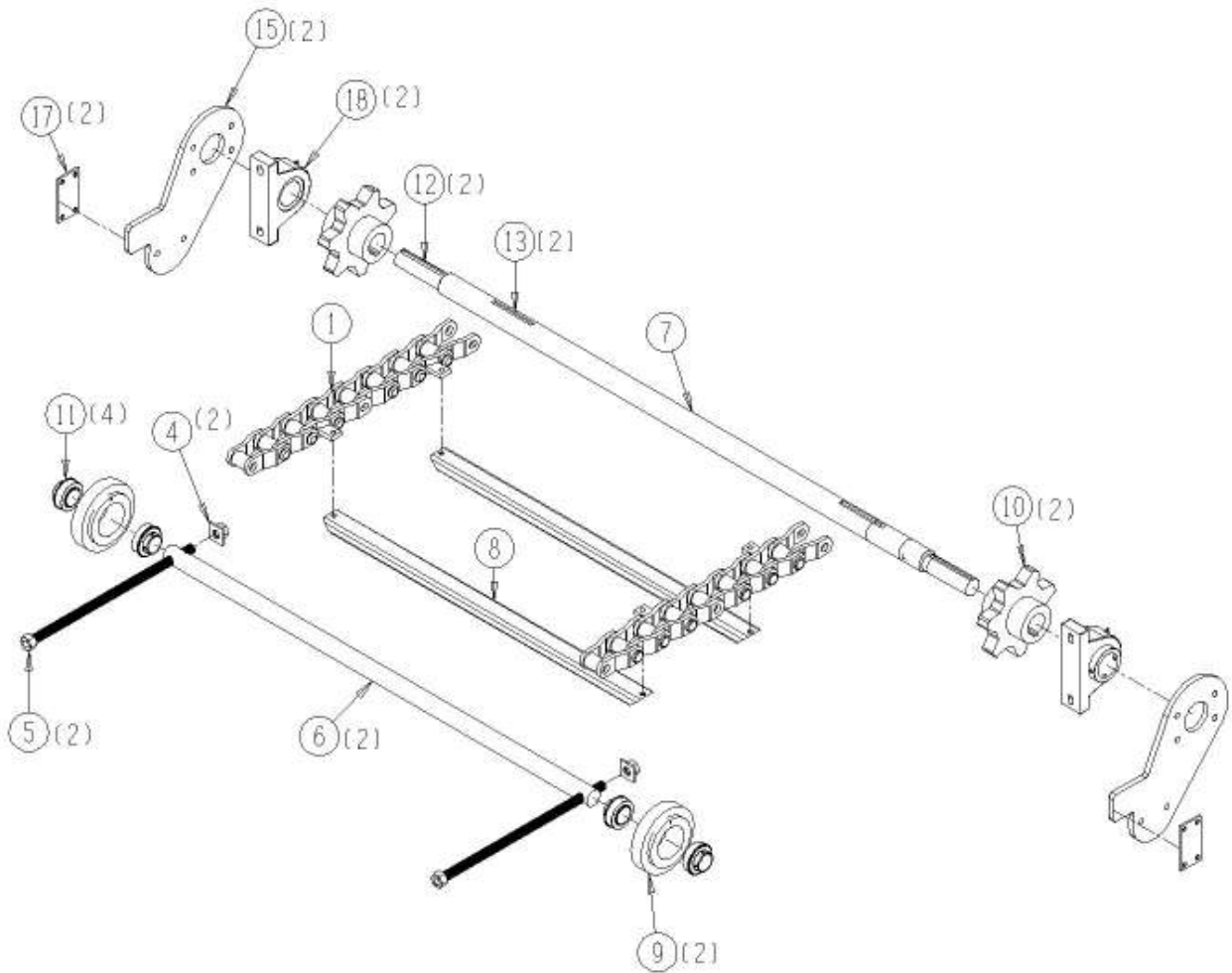
829	VTB-1899-E2	Oil Plug, 1' Gas.	1	Special Order Only
830	VTB-1899-C2	Oil Lev. Indicator	1	Same as GBXA-5-ST10B
831	VTB-1899-D2	Oil Plug, 1/2' Gas	1	Special Order Only
832	VTB-1899-Z1	Screw, hex-hd M14X35	22	Reference Only, Special Order
833	VTB-1899-P1	Screw, hex-hd M14X30	12	Reference Only, Special Order
834	VTB-1899-N1	O-ring 2212	2	Special Order Only
835	VTB-1899-G2	Bevel Pinion Z=17	1	Special Order Only
836	VTB-1899-J1	Gear Z=24	1	Special Order Only
837	VTB-1893-H1	Cap	2	Special Order Only
838	VTB-1899-M2	Hub Complete, 790, 1190VB Gearbox	1	Special Order Only



## 74115-2-04 Web Chain Drive

<u>Ref</u>	<u>Part No.</u>	<u>Description</u>	<u>Parts – Assembly</u>	<u>Will Fit SN</u>	<u>Remarks</u>
	GF-1428	Grease Fitting 1/4' x 28 straight	4		
1	PR64010	Pull Chain, Mill Chain, Pintle Style, Tab Center of Link, Universal	2		
4	PR60016	Adjustment Plate, Front Drive	2		
5	PR60017	Shaft, Front Idler Sprocket Shaft	1		
6	PR60041	Tension Bolt	2		
7	PR60040	Shaft, Apron Chain, Dual Drive	1		
8	PR60420	Flight Mill Chain, Tub center on Chain	36		
9	RLR-0027	Spreader Roller, 1880 Front Idler, 74013002-	2		
10	PR60417	Drive Spocket, Pintle Chain, 2 Piece Spocket, 2 1/2' Bore, 5/8 Keyway	2		
11	BR-200-ER	Bearings, 2' ER	4		
12	KEY-8-8-86-HCS	1/2in Key 5.375in Long, High Carbon Steel	2		
13	KEY-10-10-550-HCS	5/8in Key, 5.50in Long, 4140 Material	2		
15	PR60066	Torque Plate, Gearbox	2		
16	SPRG-1200-EH	Spring, Extra Heavy 2' Hole Dia., 1' Rod x 12' Long	2		
17	PR60068	Mount, Torque Plate, Gearbox	2		
18	BR-250-HD	Heavy Duty 2-1/2' Brg Assy, W/Pillow Block	2		
100	BL-8-150-H8	1/2x1 1/2 Grade 8 Hex Head	74		
101	BL-8-LN	1/2-13 HEX LOCK NUT NYLON INSERT ZC	74		
102	BL-8-FW	1/2 USS FW ZC	148		
103	BL-8-SW	1/2 SAE FW ZC	8		
104	BL-8-LW	1/2 SPLIT LW ZC	8		
105	BL-8-175-H	1/2-13 X 1 1/4 HEX CAP G5 ZC	8		
106	BL-10-LW	5/8 SPLIT LW ZC	16		
107	BL-10-250-H-8	5/8-11 X 2 1/2 HEX CAP G8 ZC	4		
108	BL-10-FW-8	5/8' Grade 8 Flat Washer	12		
109	BL-M-14-40-H	14mm x 40 mm, Hex Head Bolt	12		
110	BL-10-SW	5/8 SAE FW ZC @	4		

# 74115-2-04

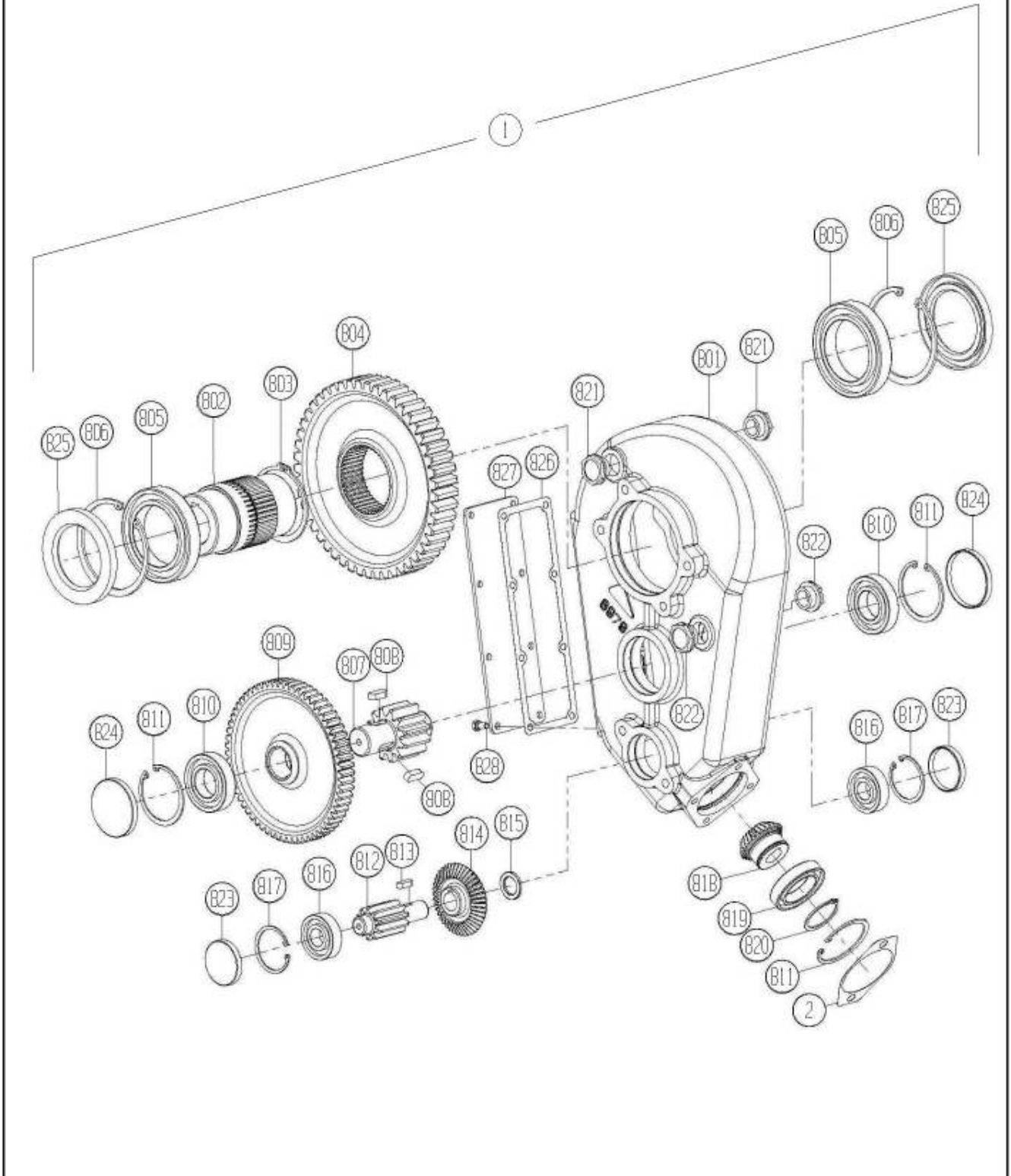


## 74115-2-05 Web Chain Gearbox

<u>Ref</u>	<u>Part No.</u>	<u>Description</u>	<u>Parts – Assembly</u>	<u>Will Fit SN</u>	<u>Remarks</u>
1	GBX-1893	Gearbox, Vertical Beater Apron Drive	2		
2	PR60026	Flange Gasket, Apron Drive Gear Box	0		
3	HM-1893	Orbit Motor, Vertical Beater Apron Drive	2		
4	HP-1038	Gear Lube, 80W90 @ Quart	3	Hydra Ram Spreader	
100	BL-M-14-40-H	14mm x 40 mm, Hex Head Bolt	12		
101	BL-10-LW	5/8 SPLIT LW ZC	12		
801	GBX-1893-D	Housing	1		
802	GBX-1893-B	Gearbox Hub	1		
803	GBX-1893-C	Internal Retaing Clip	1		
804	GBX-1893-E	Gear Z=54	1		
805	GBX-1893-A	Ball Bearing, Open	2		
806	GBX-1893-F	Internal Clip	2		
807	GBX-1893-G	Pinion Z=12	1		
808	GBX-1893-H	Key 12x8x30	2		
809	GBX-1893-I	Gear Z=63	1		
810	GBX-1893-J	Bearing 6208	2		
811	GBX-1893-K	Circlip I 80	3		
812	GBX-1893-L	Pinion Z=10	1		
813	GBX-1893-M	Key 8x7x25	1		
814	GBX-1893-N	Gear Z=43	1		
815	GBX-1893-O	Spacer	1		
816	GBX-1893-P	Bearing 6305	2		
817	GBX-1893-Q	Circlip I 62	2		
818	GBX-1893-R	Pinion Z=28	1		
819	GBX-1893-S	Bearing	1		
820	GBX-1893-T	Circlip E 50	1		
821	GBX-1893-U	Oil Plug 'J1' Gas	2		
822	GBX-1893-V	Oil Level Indic. 'J1' Gas	2		

823	GBX-1893-W	Plug	2
824	GBX-1893-X	Plug	2
825	GBX-1893-Y	Shaft Seal, Gearbox	2
826	GBX-1893-Z	Gasket	1
827	GBX-1893-A1	Cover	1
828	GBX-1893-B1	Screw, hex-hd M8x16	8

# 74115-2-05



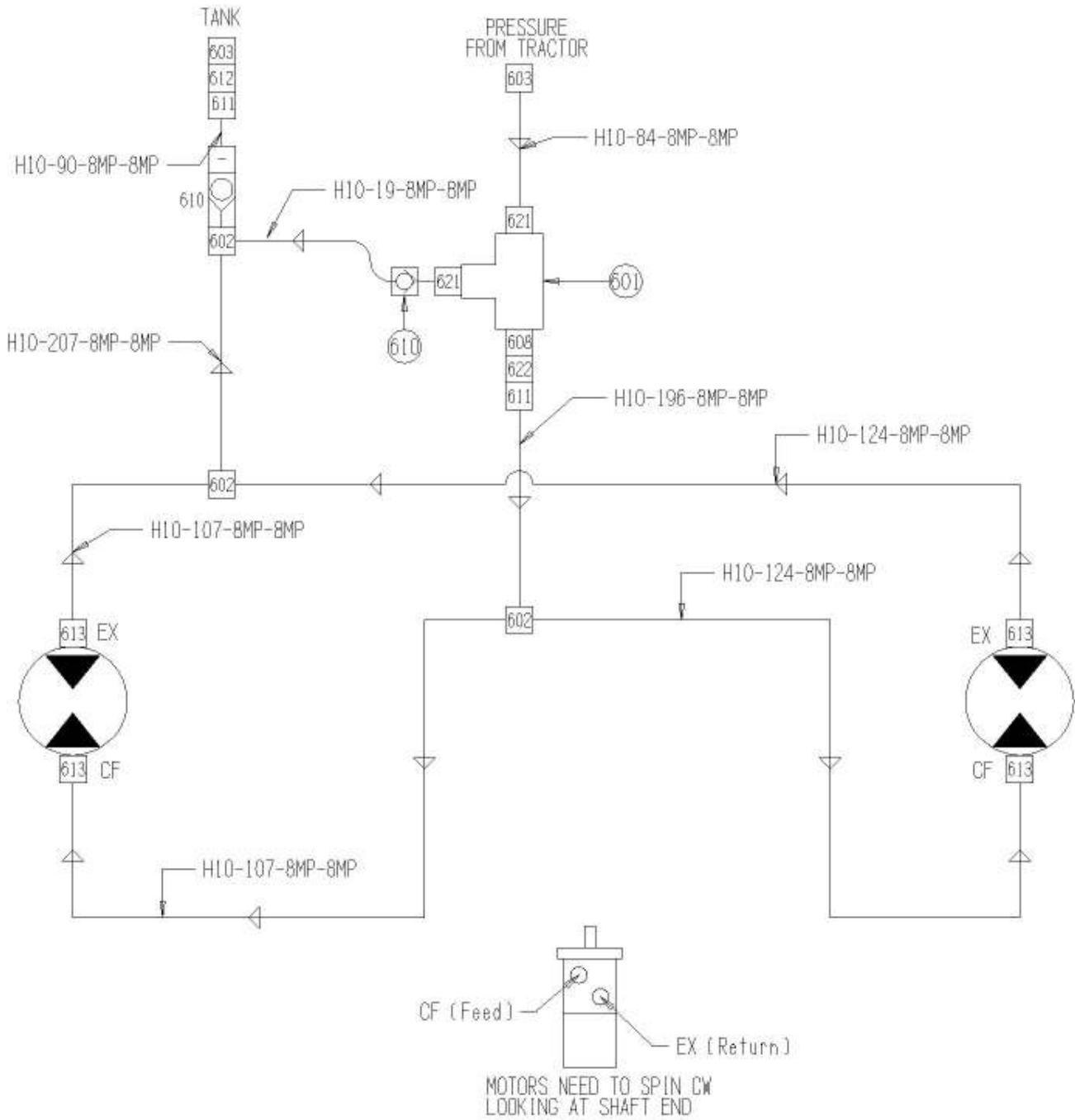


## 74115-3-01 Hydraulics Web Drive

<u>Ref</u>	<u>Part No.</u>	<u>Description</u>	<u>Parts – Assembly</u>	<u>Will Fit SN</u>	<u>Remarks</u>
601	HV-RV-3H	Relief Valve w/ SAE #10 Ports	1		
602	A-1603-8-8-8	Swivel T 1/2' NPTF	3		
603	A-QD2010-8-8	Tractor Quick Coupler, Male, 1/2' w/ FPT	2		
604	HA-1004-4	Test Point Plug #4 SAE Thread	1		
605	A-6901-8-8	8 SAE x 1/2 FPX90-, Forged	1		
606	A-6900-8-8	8 SAE x 1/2' FPX	1		
607	A-1501-8-8	1/2 MP x 1/2 FPX90-	1		
608	A-6401-10-8	10 SAE x 1/2 MPT Male	3		
610	HV-CKV-800S	1/2' Parker Check Valve	1		
611	A-1404-8-8	1/2 MP to 1/2 FPX, Straight	2		
612	A-5404-8-8	Hex Nipple 1/2' x 1/2'	1		
613	A-6902-10-8	10 SAE X 1/2' FPX 45-	4		
614	H10-84-8MP-8MP	5/8 in Hose 1/2 x 1/2 x 84 in Long	1		
615	H10-90-8MP-8MP	5/8Hose x 1/2MP x 1/2MP x 90' Long	1		
616	H10-107-8MP-8MP	5/8 in Hose 1/2MP x 1/2MP x 107 in Long	2		
619	H10-124-8MP-8MP	5/8 in Hose 1/2MP x 1/2MP x 124 in Long	2		
620	H10-19-8MP-8MP	5/8 in hose 1/2MP x 1/2MP x 19 in long	1		
621	a-6901-10-8	10 SAE x 1/2 FPX90-, Forged	2		
622	VLV-050-BHP	Valve, Ball, 1/2' NPT, 7250 PSI, High Pressure	1		
623	HA-1004-G	Hydraulic, Pressure Gauge w/1/4 NPT Stem	1		
624	HA-1005-T	Test Point Probe	1		



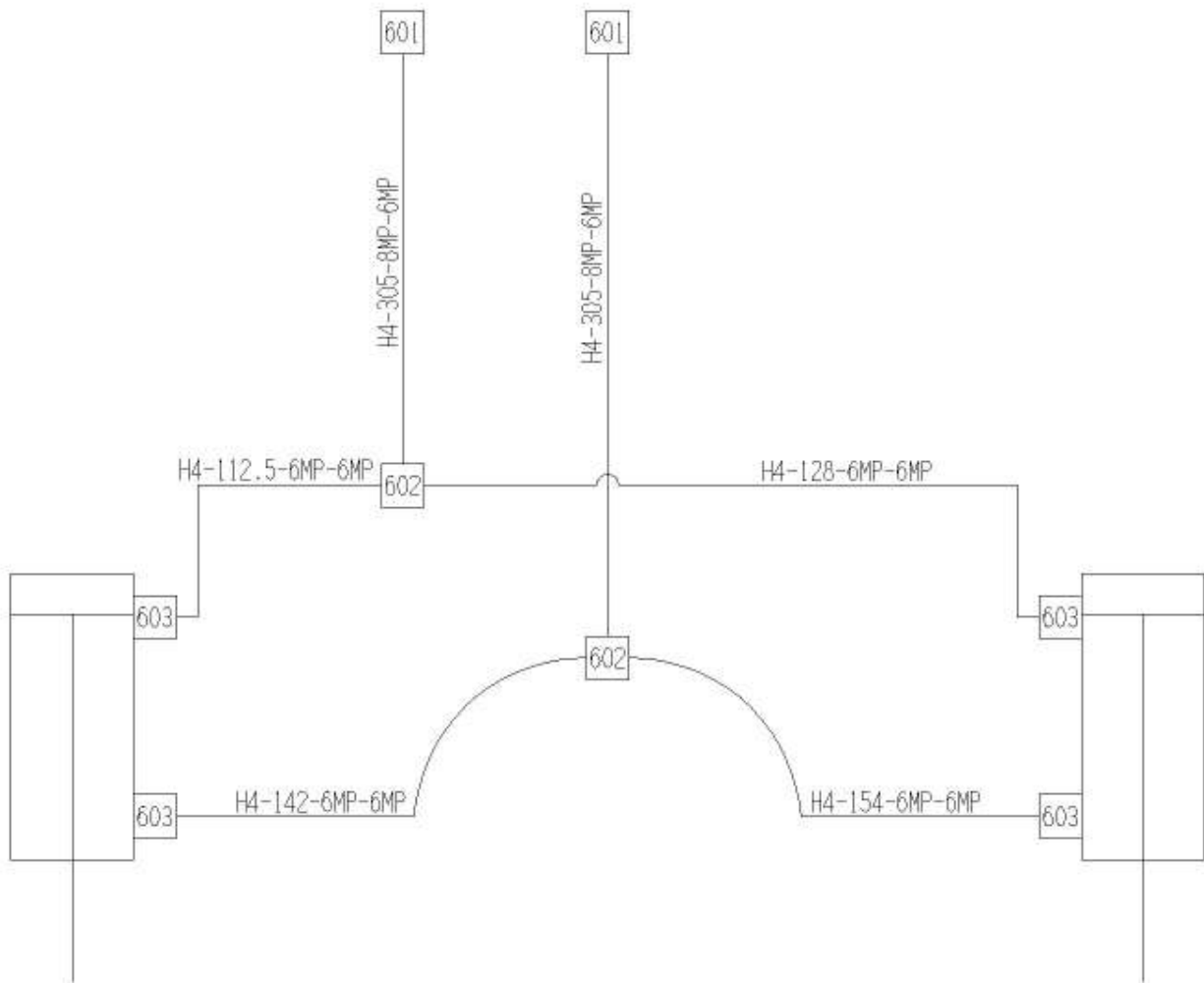
# 74115-3-01



## 74115-3-02    Hydraulics Endgate

<u>Ref</u>	<u>Part No.</u>	<u>Description</u>	<u>Parts – Assembly</u>	<u>Will Fit SN</u>	<u>Remarks</u>
601	A-QD2010-8-8	Tractor Quick Coupler, Male, 1/2' w/ FPT	2		
602	A-1603-6-6-6	Swivel T 3/8' NPTF	2		
603	A-6901-8-6	8 SAE x 3/8' FPX90-, Forged	4	20095001-	
605	H4-112.5-6MP-6MP	1/4 IN HOSE 6MP x 6MP x 112-1/2 LONG	1		
606	H4-128-6MP-6MP	1/4' Hose 3/8MP x 3/8MP x 128' Long	1		
607	H4-142-6MP-6MP	1/4 IN HOSE 6MP x 6MP x 142 LONG	1		
608	H4-154-6MP-6MP	1/4 in hose 3/8MP x 3/8MP x 154 in long	1		

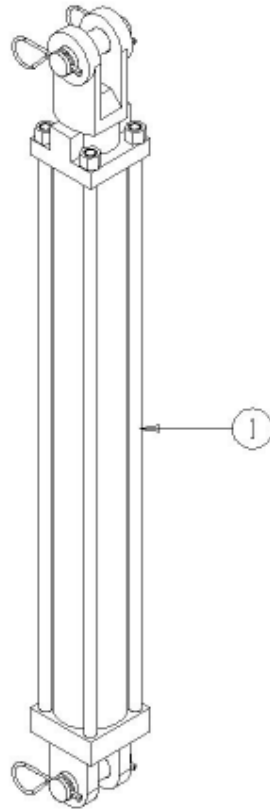
# 74115-3-02



## 74115-3-03 Endgate Cylinders

<u>Ref</u>	<u>Part No.</u>	<u>Description</u>	<u>Parts – Assembly</u>	<u>Will Fit SN</u>	<u>Remarks</u>
1	HC-250-2408-OR	Hydraulic Cylinder 2 1/2 x 24 #8 SAE w/ O-Piston Ring Seal	2		NOT TO BE USED IN SINGLE ACTING APPLICATIONS Replaces HC-250-2408-IV
801	HC-250-125	Seal Kit for 2 1/2' x 1 1/4' Cylinder	0	HC-250-3008 (642602, 645596) HC-250-2408-OR	2500 or 3000psi cylinders

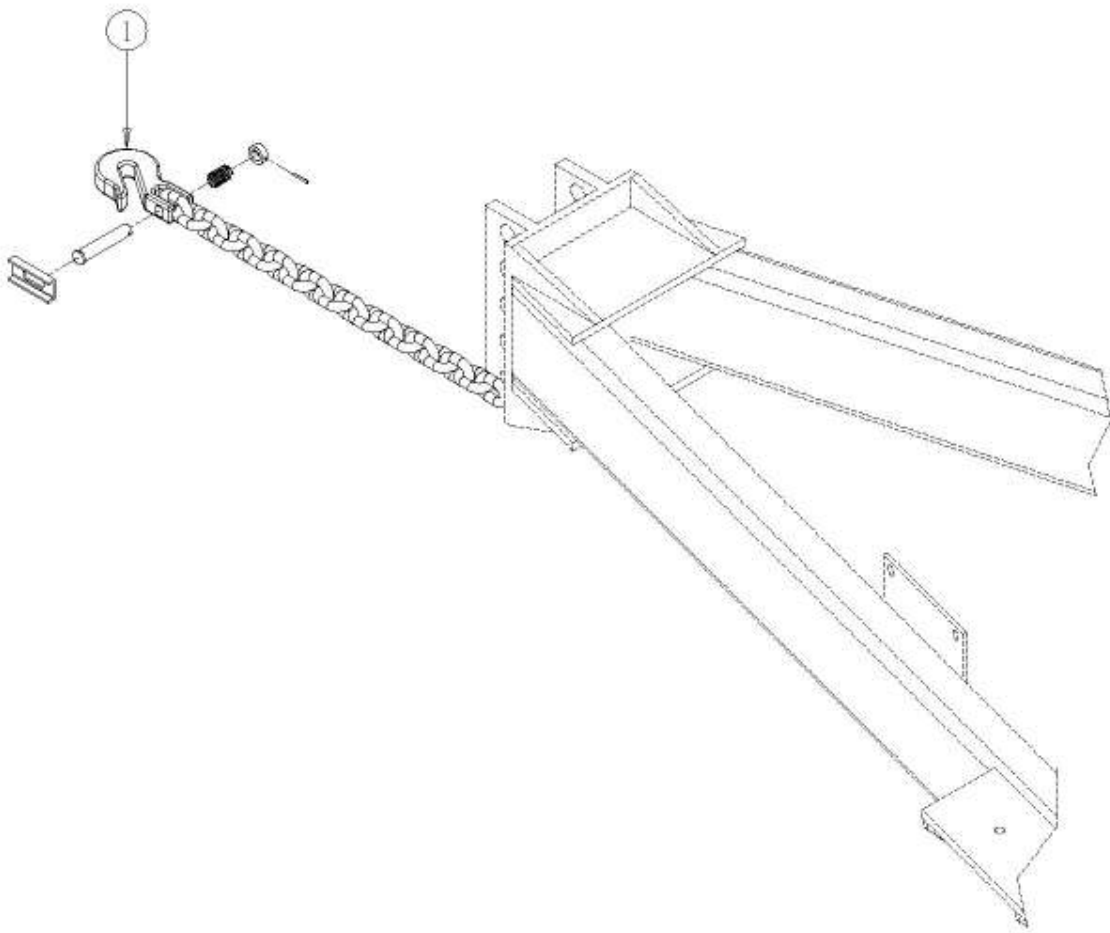
**74115-3-03**



## 74115-6-01 Safety Tow Chain

<u>Ref</u>	<u>Part No.</u>	<u>Description</u>	<u>Parts – Assembly</u>	<u>Will Fit SN</u>	<u>Remarks</u>
1	FRM-3172	Safety Chain, Agricultural, 60,600 lb. Capacity	2		
101	BL-12-350-8	½' x 3 1/2', HH C/S G8 ZC	2		
102	BL-12-FW-8	½' Grade 8 Flat Washer	4		
103	BL-12-LN-8	½' Lock Nuts w/ Nylon Inserts, Grade 8	2		

74115-6-01



## 74115-6-03 SMV Emblem & Bracket

<u>Ref</u>	<u>Part No.</u>	<u>Description</u>	<u>Parts – Assembly</u>	<u>Will Fit SN</u>	<u>Remarks</u>
1	SMV-PL	SMV Sign, Metal	1		
2	SMV-S	Socket for Spade Mount	1		
3	SMV-SM	Spade Mount	1		
4	PR63006	Bracket, SMW Sign, Gearbox Mount	1		
101	BL-5-075-H	5/16-18 X 1/2 HEX CAP G5 ZC	2		
102	BL-4-062-C	1/4' x 5/8' Zinc Carriage Bolt	2		
103	BL-5-LN	5/16-18 HEX LN NE ZC	2		
104	BL-4-LN	1/4-20 HEX LN NE ZC	2		
105	BL-5-FW	5/16 USS FW ZC	2		



74115-6-03

