



# Operation and Parts Manual



November 16, 2017

Pik Rite, Inc.  
60 Pik Rite Lane  
Lewisburg, PA 17837

Phone: 800-326-9763  
Fax: 570-523-8175  
[www.pikrite.com](http://www.pikrite.com)

**HP 880**  
**Manure Spreader**

(SPECIFICATIONS AND DESIGN SUBJECT TO CHANGE WITHOUT NOTICE)

Some illustrations may not represent the spreader model you have; however, the principles of operation and maintenance are the same. If you have questions specific to your spreader please contact your dealer.

(SPECIFICATIONS AND DESIGN SUBJECT TO CHANGE WITHOUT NOTICE)



## Table of Contents

<b>OPERATOR'S MANUAL</b> .....	<b>6</b>
SAFETY .....	8
PREPARING THE TRACTOR .....	13
PREPARING THE SPREADER.....	16
CONTROLS.....	18
ATTACHING THE SPREADER .....	19
DETACHING THE SPREADER .....	20
TRANSPORT .....	21
OPERATING THE SPREADER .....	24
LUBRICATION & MAINTENANCE .....	27
SPECIFICATIONS .....	32
<b>PARTS MANUAL</b> .....	<b>34</b>
7415-1-01 Main Frame & Hitch .....	36
7415-1-02 Stone Guard .....	40
7415-1-03 Front Shields.....	41
7415-1-05 Endgate .....	42
7415-1-07 Axle & Walking Beam, Weigh Scale Compatible .....	43
7415-1-07A Opt. – Weight Scale Assy, 5 pt, GT400 .....	44
7415-1-07B Opt. – Weight Scale Assy, 5 pt, NT460 .....	45
7415-1-07C Opt. – Weight Scale Assy, 5 pt, 8000i.....	46
7415-1-08 Wheels & Tires .....	47
7415-1-09 Opt. – Metering Shield .....	48
7415-2-01 Driveline, 1000 rpm.....	49
7415-2-02 Main Drive Shaft.....	50
7415-2-03 Vertical Beaters, Quick Disconnect .....	52
7415-2-03A Vertical Beater Gearbox .....	54
7415-2-03B Compost Beaters: Hydraulic Hood .....	55
7415-2-03B Compost Beaters: Hydraulic Hood .....	56
7415-2-03C Compost Beaters: Hydraulic Hood W/ Trim Shield .....	57

Pik Rite, Inc.  
60 Pik Rite Lane  
Lewisburg, PA 17837

Phone: 800-326-9763  
Fax: 570-523-8175  
[www.pikrite.com](http://www.pikrite.com)

**HP 880**  
**Manure Spreader**



7415-2-03C	Compost Beaters: Hydraulic Hood W/ Trim Shield .....	58
7415-2-03D	Compost Beaters: Hydraulic Hood W/ Turnbuckle .....	59
7415-2-03D	Compost Beaters: Hydraulic Hood W/ Turnbuckle .....	60
7415-2-04	Web Chain Drive.....	61
7415-2-05	Web Chain Gearbox .....	62
7415-3-01	Hydraulics, Web Drive .....	63
7415-3-02	Hydraulics, Endgate.....	64
7415-3-03	Endgate Cylinders.....	65
7415-3-04	Hydraulic Hoods W/ Trim Shield .....	66
7415-3-05	Hydraulic Hoods W/O Trim Shield.....	67
7415-4-01	Air Brakes .....	68
7415-4-02	Hydraulic Brake Assembly.....	70
7415-4-03	Opt. – Tractor Brake Control.....	71
7415-5-01	Electrical & Lighting.....	72
7415-6-01	Safety Tow Chain.....	73
7415-6-02	Jack Stand.....	74
7415-6-03	SMV Emblem & Bracket .....	75
7415-6-04	Decals, Front.....	76
7415-6-05	Decals, Sides & Rear .....	77
7415-6-06	OPTIONAL SIDE EXTENSION, BOLT-ON.....	78
	W/O BOARD .....	78
<b>WARRANTY .....</b>		<b>81</b>

Pik Rite, Inc.  
60 Pik Rite Lane  
Lewisburg, PA 17837

Phone: 800-326-9763  
Fax: 570-523-8175  
[www.pikrite.com](http://www.pikrite.com)

**HP 880**  
**Manure Spreader**



## **OPERATOR'S MANUAL**

Pik Rite, Inc.  
60 Pik Rite Lane  
Lewisburg, PA 17837

Phone: 800-326-9763  
Fax: 570-523-8175  
[www.pikrite.com](http://www.pikrite.com)

***HP 880***  
**Manure Spreader**



## SAFETY

**RECOGNIZE SAFETY INFORMATION**

This is the safety-alert symbol. When you see this symbol on your machine or in this manual be alert to the potential of personal injury.

**Follow recommended precautions and safe operating practices**

**▲ DANGER**

**▲ WARNING**

**▲ CAUTION**

**UNDERSTAND SIGNAL WORDS**

A signal word – DANGER, WARNING, or CAUTION-is used with the safety-alert symbol. DANGER identifies the most serious hazards.

DANGER or WARNING safety signs are located near specific hazards. General precautions are listed on CAUTION safety signs. CAUTION also calls attention to safety messages in this manual.

**FOLLOW SAFETY INSTRUCTIONS**

Carefully read all safety messages in this manual and on your machine safety signs. Keep safety signs in good condition. Replace missing or damaged safety signs. Be sure new equipment components and repair parts include the current safety signs. Replacement safety signs are available from your Pik Rite dealer.

Learn how to operate the machine and how to use controls properly. Do not let anyone operate without instruction.

Keep your machine in proper working condition. Unauthorized modifications to the machine may impair the function and/or safety and affect machine life.

If you do not understand any part of this manual and need assistance, contact your Pik Rite dealer.





## KEEP SHIELDS IN PLACE

Do not operate spreader without safety shields in place.

Rotating parts can crush or dismember causing death or personal injury.

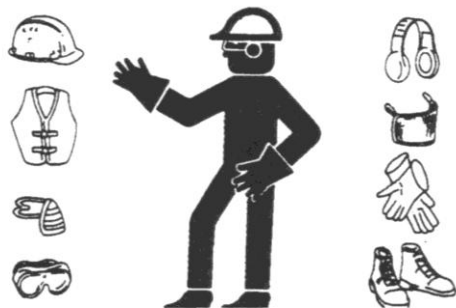
Disconnect PTO driveline and hydraulic lines from tractor before removing shields for adjustment or service.



## PROTECT BYSTANDERS

Never operate the spreader near people.

Do not place rocks, timbers or other solid objects in the spreader. Objects can be thrown great distances causing injury to people.



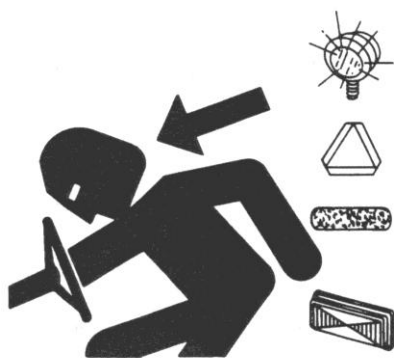
## WEAR PROTECTIVE CLOTHING

Wear close fitting clothing and safety equipment appropriate to the job.

Prolonged exposure to loud noise can cause impairment or loss of hearing.

Wear a suitable hearing protective device such as earmuffs or earplugs to protect against objectionable or uncomfortable loud noises.

Operating equipment safely requires the full attention of the operator. Do not wear radio or music headphones while operating machine.



## USE SAFETY LIGHTS AND DEVICES

Slow moving tractors, self-propelled equipment and towed implements or attachments can create a hazard when driven on public roads. They are difficult to see, especially at night. Avoid personal injury or death resulting from collision with a vehicle.

Flashing warning lights and turn signals are recommended whenever driving on public roads. To increase visibility, use the devices provided with your machine. For some equipment, install extra flashing warning lights.

Keep safety items in good condition. Replace missing or damaged items.



## KEEP RIDERS OFF MACHINE

Riders are subject to injury such as being struck by foreign objects and being thrown off the machine. Riders also obstruct the operator's view resulting in the machine being operated in an unsafe manner

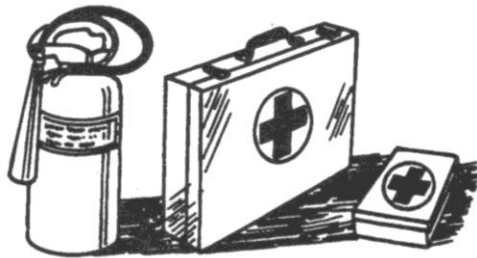


## PARK SPREADER SAFELY

Park spreader on a level surface and block wheels.

Close endgate.

Secure jackstand with pin.



## PREPARE FOR EMERGENCIES

Be prepared if a fire starts.

Keep a first aid kit and fire extinguisher handy.

Keep emergency numbers for doctors, ambulance service, hospital, and fire department near your telephone.

## USE A SAFETY CHAIN

A safety chain will help control drawn equipment should it accidentally separate from the drawbar.



Using the appropriate adapter parts, attach the chain to the tractor drawbar support or other specified anchor location. Provide only enough slack in the chain to permit turning.

See your Pik Rite dealer for a chain with a strength rating equal to or greater than the gross weight of the towed machine. Do not use safety chain for towing.

## OPERATE SPREADER SAFELY

Rotating parts can entangle or strike people, resulting in death or personal injury.



Never enter a spreader while in operation.

Operate the spreader from the tractor seat only.

Do not exceed load capacity of the spreader. (See Transport section)

Reduce speed when turning or traveling on rough terrain. Avoid traveling over loose fill, rocks, ditches or holes.

When working on inclines or slopes, travel uphill or downhill. Keep tractor in gear when traveling downhill.



### STAY CLEAR OF RAISED ENDGATE

Contact with a lowering endgate can cause death or personal injury.

Lower endgate and disconnect hydraulic lines before servicing or adjusting.

### STAY CLEAR OF ROTATING DRIVELINES

Entanglement in rotating driveline can cause serious injury or death.

Keep tractor master shield and driveline shields in place at all times. Make sure rotating shields turn freely.

Wear close fitting clothing. Stop the engine and be sure PTO driveline is stopped before making adjustments, connections, or cleaning out PTO driven equipment.



### STAY CLEAR OF ROTATING BEATER

Rotating beater can entangle or strike causing death or personal injury.

Do not clean out or service spreader while beater is rotating.

Disconnect PTO driveline and make sure all parts have stopped rotating before cleaning or servicing.



**WARNING: DO NOT CUT OR WELD ON VERTICAL BEATER ATTACHMENT, SERIOUS INJURY OR DEATH COULD OCCUR WHEN OPERATING**

## AVOID HIGH-PRESSURE FLUIDS

Escaping fluid under pressure can penetrate the skin causing serious injury.



Avoid the hazard by relieving pressure before disconnecting hydraulic or other lines. Tighten all connections before applying pressure.

Search for leaks with a piece of cardboard. Protect hands and body from high pressure fluids.

If an accident occurs, see a doctor immediately. Any fluid injected into the skin must be surgically removed within a few hours or gangrene may result. Doctors unfamiliar with this type of injury should reference a knowledgeable medical source.



## SERVICE SPREADER SAFELY

To help prevent personal injury caused by unexpected movement, be sure to service spreader on level surface.

If spreader is connected to tractor, disengage PTO, engage parking brake and/or place transmission in "PARK," shut off engine and remove key.

If spreader is detached from tractor, block wheels and use safety stands to prevent movement.

Replace all shields after lubricating or servicing.

## REDUCE SPEED WHEN TOWING LOADS

Braking to stop towed loads from transport speeds can cause the towed load to swerve and upset. Reduce speed if towed load weighs more than the tractor and is not equipped with brakes.

Follow recommended speed-weight ratio guidelines:

- Maximum speed is 20 mph (32 km/h) when towing loads equal to or less than the tractor.
- Reduce speed to 10 mph (16 km/h) when towing loads more than equal and up to double the tractor weight.
- Do not tow loads exceeding double the tractor weight.
- Use additional caution when towing loads under adverse surface conditions, when turning, and on inclines



# PREPARING THE TRACTOR

## PREPARING THE TRACTOR

### APPROVED TRACTORS, MODEL HP 880

Row Crop Tractors with 200 HP PTO rating or larger are approved for operation with the HP 880 Spreader.

Utility Tractors are **NOT APPROVED** because of drawbar weight limitations and the inability to ballast the tractor enough to meet requirements for towing.

A drawbar support is required on any tractor with a drawbar size of no less than 1-1/2 x 3 in.

Tractor hydraulic oil reservoir must have capacity for 3.7 U.S. gal. net draw for a spreader with an endgate or 3.1 U.S. gal. without an endgate.

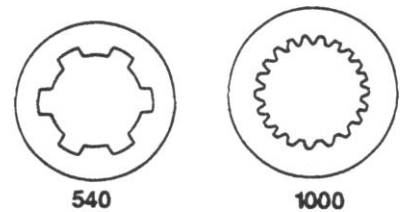
Tractor standby hydraulic pressure must be 1500 psi minimum.

One selective control valve is required to operate the spreader.

A second selective control valve is required to operate the endgate.

### CHOOSING CORRECT PTO SPEED

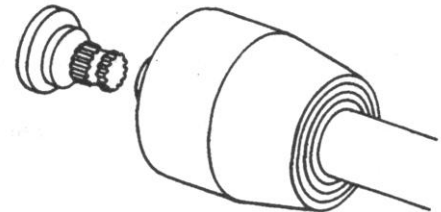
**MODEL HP 880** – 1000 rpm only



**IMPORTANT:** Drive components can be damaged.

**Under no circumstances should a machine equipped for 540 rpm PTO be operated by a tractor equipped with 1000 rpm PTO.**

**Nor should a 1000 rpm PTO machine be operated with a tractor equipped with 540 rpm PTO.**

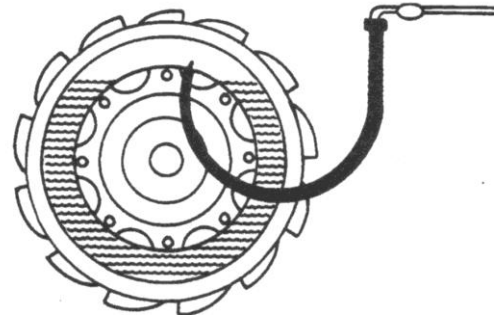


# PREPARING THE TRACTOR

## BALLASTING THE TRACTOR

**CAUTION:** Do not tow loads that weigh more than twice the tractor weight.  
(See Recommended Maximum Towing Speed in Transport section.)

To ensure proper stability, adjust ballast and wheel spacing according to tractor operator's manual.



## POSITIONING DRAWBAR

**IMPORTANT:** Tractor PTO and machine driveline can be damaged. Be sure drawbar length is properly set. If equipped with clevis, remove it. Lock drawbar along tractor centerline with offset down.

Clevis is needed

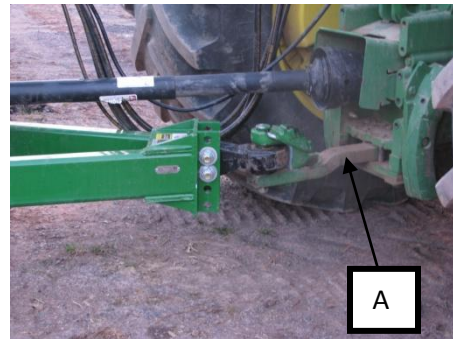
Adjust drawbar length (A) to help prevent driveline damage.

**PTO Speed**

1000 rpm x 1-3/4

**Dimension (A)**

508 mm (20in.)



A tractor drawbar support is required on tractors with a drawbar size of 1-1/2 x 3 in. minimum

## USING SELECTIVE CONTROL LEVERS TO CONTROL CHAIN SPEED

Apron Chain speed can be controlled by using the tractor's selective speed control lever to adjust spread rate up or down.

Adjust selective control valve lever to provide the slowest operating speed.  
(See your tractor Operator's Manual)

Maximum hydraulic oil flow through the spreader apron chain motor is 15 gpm. Trying to force through more oil than this may create a pressure drop and could damage the hydraulic motor.

## SETTING HYDRAULIC SPEED ENDGATE OPERATION

**IMPORTANT:** Excessive operating speed may cause machine damage. Adjust selective control valve lever to provide correct operating speed.

### CHECKING TRANSMISSION/HYDRAULIC OIL LEVEL

Cycle all hydraulic cylinders fully two or three times.

Fully retract all cylinders.

Check transmission/hydraulic oil level.  
(See your tractor's Operator's Manual)

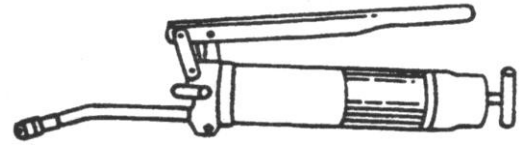
# PREPARING THE SPREADER

## PREPARING THE SPREADER

### LUBRICATING THE MACHINE

Be sure the machine has been adequately lubricated.

(See Lubrication and Maintenance page.)



### BRAKE ADJUSTMENT (HYDRAULIC)

Valve is set from factory at 1000 psi



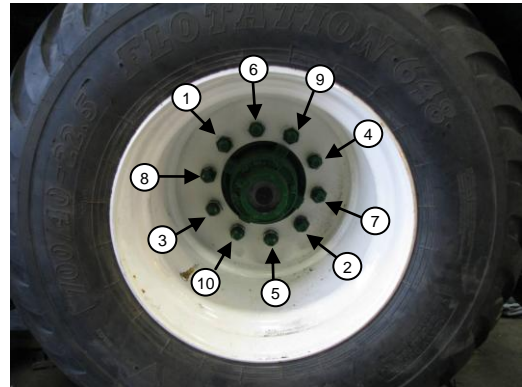


## TIGHTENING WHEEL HARDWARE

**IMPORTANT:** Operating the spreader with loose wheel hardware will damage the hub or wheel. Tighten hardware after initial transport, after one hour of operation and every fifty hours thereafter.

Tighten to 475 lb-ft of torque in the sequence shown.

<u>Tire Size</u>	<u>Wheel Size</u>	<u>Tire Pressure</u>
700/40-22.5 treaded	22.5 x 16	65 PSI



## CHECKING TIRES

1. Check tires daily for damage or noticeably low pressure.
2. Repair any cuts or breaks as soon as possible.
3. Protect tires from exposure to sunlight and petroleum products or chemicals.



## CONTROLS

### OPERATING THE BEATER

To start beater, engage PTO lever slowly, at low engine rpm.

To stop beater, disengage PTO. (See your tractor's Operator's Manual)

For best spreading results, operate the tractor engine at "PTO RATED" speed.

**WARNING:** Do not operate the apron chain without running the beaters as this may damage the spreader.

### OPERATING THE ENDGATE

**IMPORTANT:** Contact of apron chain running with endgate closed will cause damage. To avoid contact with apron chain when running, endgate must be raised fully when running apron chain.

Operate the endgate with the second auxiliary control valve lever.

**WARNING:** Endgate is not a metering device. Doing so may cause damage to the spreader.

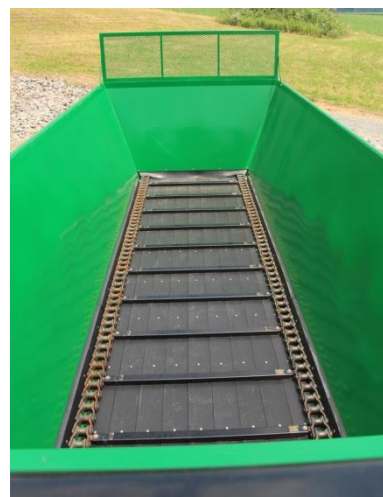


### OPERATING APRON CHAIN

To run apron chain lock hydraulic control lever in operating position on tractor.

See your tractor's operating manual for information on how to control flow rates of your hydraulic system.

Maximum hydraulic oil flow through the spreader apron chain motor is 15 gpm. Trying to force through more oil than this may cause serious damage to motor (relief factory set at 1250 psi)



# ATTACHING THE SPREADER

## ATTACHING THE SPREADER

### ATTACHING SPREADER

**CAUTION:** Help prevent personal injury caused by unexpected movement of the machine. Engage parking brake and/or place transmission in “PARK”, shut off engine, and remove key before working around hitch.

1. Attach with a 1-1/2 or 2 in. pin and secure.  
(Top clevis required)

**IMPORTANT:** Shorten safety chain to allow only enough slack required for turning.

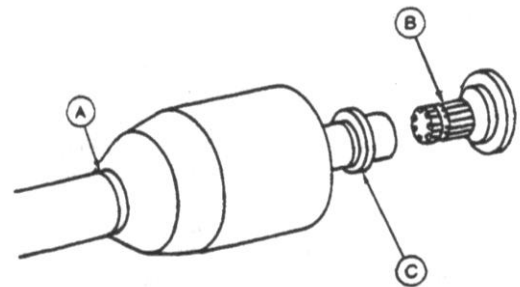
2. Lock safety hook onto chain.



### ATTACHING DRIVELINE

**IMPORTANT:** Avoid causing damage to shielding, **DO NOT** use bell on driveline to lift driveline into position.

1. Support driveline, cradling it in your hand.
2. Rotate driveline (C) or tractor PTO (B) to align splines.
3. Pull collar (C) rearward and push forward on bell (A) to engage driveline yoke with tractor PTO (B).
4. Pull back on PTO driveline shielding to be sure driveline is locked. **DO NOT** pull on collar, this will release latch.



### CONNECTING AIR HOSES (AIR ASSIST BRAKES)

1. Connect red line to supply port.
2. Connect blue line to service/control port.



### CONNECTING HOSES (HYRAULICS BRAKES)

1. Connect pressure hoses to pressure ports of hydraulic remote coupler.
2. Connect return hoses to return ports of hydraulic remote coupler.

(Relief factory set 1000psi)



# DETACHING THE SPREADER

## DETACHING THE SPREADER

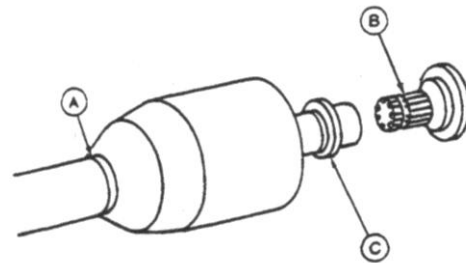
### DETACHING SPREADER

1. Secure jackstand in lift position
2. Detach safety chain
3. Remove hitch pin
4. Disconnect hoses. Store on spreader



### DETACHING DRIVELINE

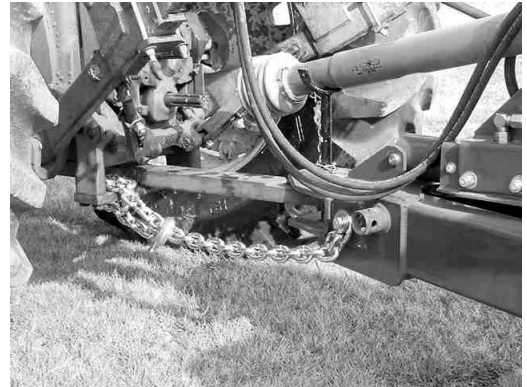
1. Support driveline (A) and pull rearward on collar (C) to release driveline from tractor PTO (B).
2. When possible store driveline in driveline cradle provided with machine.
3. Replace tractor PTO shields.



## TRANSPORT

## USING A SAFETY CHAIN

**CAUTION:** A safety chain will help control drawn equipment should it accidentally separate from the drawbar while transporting. Using the appropriate adapter parts, attach the chain to the tractor drawbar support or other specified anchor location. Provide only enough slack in the chain to permit turning. See your Pik Rite dealer for a chain with a strength rating equal to or greater than the gross weight of the towed machine.



1. Attach safety tow chain

## LIGHTING

**CAUTION:** When transporting the machine on a road or highway at night or during the day, use accessory lights and devices for adequate warning to operators of other vehicles. Check local governmental regulations. Keep safety items in good condition. Replace missing or damaged items.

*Contact your Hydra-Pull Dealer for available lighting kit*



## TOWING LOADS

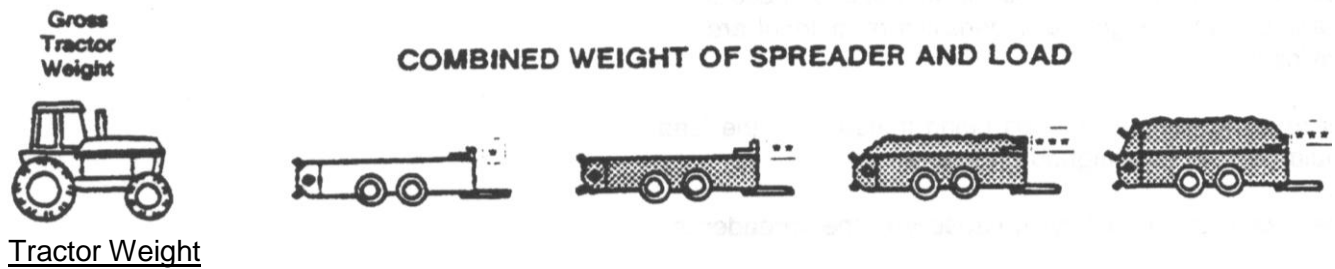
**CAUTION:** Braking to stop towed loads from transport speeds can cause the towed load to swerve and upset. Reduce speed if towed load is not equipped with brakes and weighs more than the tractor.



*Follow recommended speed-weight ratio guidelines:*

- Maximum speed is 20 mph (32 km/h) when towing loads equal to or less than the weight of the tractor.
- Reduce speed to 10 mph (16 km/h) when towing loads more than or up to double the tractor weight.
- **DO NOT** tow loads that exceed double the tractor weight.
- Use additional caution when towing loads under adverse road surface conditions (i.e. slippery or rough), when turning and/or on inclines.
- For proper tractor size and towing speed see the following “Recommended Maximum Towing Speed” chart.
- If necessary, add ballast as described in your tractor’s Operator’s Manual.

## RECOMMENDED MAXIMUM TOWING SPEED



Tractor Weight	Empty Spreader	Light Load	Medium Load	Heavy Load
(0-2997 lb)	Do Not Tow	Do Not Tow	Do Not Tow	Do Not Tow
(2998-5950 lb)	Do Not Tow	Do Not Tow	Do Not Tow	Do Not Tow
(5951-11021 lb)	Do Not Tow	Do Not Tow	Do Not Tow	Do Not Tow
(11022-12123 lb)	Do Not Tow	Do Not Tow	Do Not Tow	Do Not Tow
(12124-14769 lb)	Do Not Tow	Do Not Tow	Do Not Tow	Do Not Tow
(14770-22044 lb)	Do Not Tow	Do Not Tow	Do Not Tow	Do Not Tow
(22045-24910 lb)	(20 mph)	(10 mph)	(10 mph)	(10 mph)
(24911-29540 lb)	(20 mph)	(10 mph)	(10 mph)	(10 mph)
(29541 lb-Up)	(20 mph)	(10 mph)	(10 mph)	(10 mph)

*\*Base Spreader Empty Load*

*\*\*Load struck level consisting of manure with high liquid content.  
Calculated at 70 lb/cu ft*

*\*\*\*Load piled 381 mm (15 in.) above beater consisting of semi-solid type manure  
Calculated at 55 lb/cu ft*

*\*\*\*\*Load piled at 15 in. above optional upper beater consisting of semi-solid type manure.  
Calculated at 55 lb/cu ft*

## OPERATING THE SPREADER

### PREOPERATING CHECKS

1. Be sure spreader does not contain any foreign objects
2. Check for correct hydraulic hookup. Raise endgate fully. Engage beaters, engage apron chain
3. Disengage apron chain, disengage beaters
4. Close endgate

### LOADING THE SPREADER

**CAUTION:** Do not place rocks, timbers, or other solid objects in the spreader. Objects of this nature can damage the spreader and could also be thrown great distances causing possible injury to anyone standing in the vicinity.

Load front of spreader first, distributing load evenly.

When operating without an endgate, avoid loading manure against the beater.



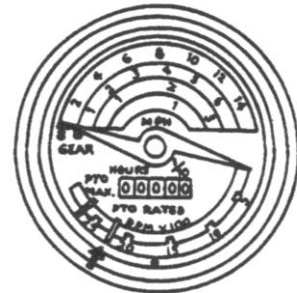
### PREPARE TO UNLOAD THE SPREADER

**CAUTION:** Help prevent personal injury. Be sure no one is near spreader and tractor before operating.

1. Start beater by engaging PTO slowly at low engine rpm. Increase to “PTO RATED” speed.

**NOTE:** For best spreading results, operate tractor at “PTO RATED” speed.

**WARNING:** Do not operate apron chain without running the beaters as this may damage the spreader





## RAISE ENDGATE

**IMPORTANT:** Contact of apron chain with endgate will cause damage. To avoid contact with apron chain, endgate must be raised fully.

The endgate closes off the back end of the spreader to contain manure with high liquid content.

The endgate also prevents solid material from being piled tight against the beater.



## UNLOADING SPREADER USING METERING VALVE

1. Set flow control on tractor hydraulics obtain desired rate of unload speed.

**Note:** Rate of spread is affected by both ground speed and unload speed. Experience will help you determine both gear selection and control knob setting.

2. When spreader is empty, disengage apron chain disengage PTO, and lower endgate.

## PRODUCING GOOD SPREADING RESULTS

1. Operate tractor engine at “PTO RATED” speed.
2. Do not overload beater. A clumpy spread pattern will result from too fast an unload rate.
3. When operating without an endgate, avoid loading material against the beater. Otherwise, large clumps of material will be thrown out during the first few turns of the beater.

## CLEANING SPREADER IN COLD WEATHER

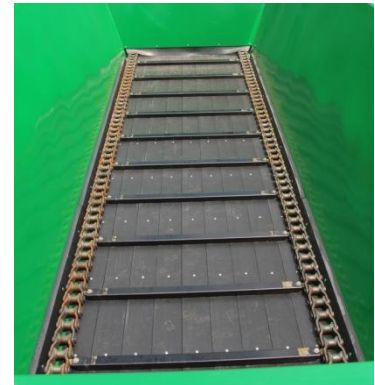
When operating the spreader during extended periods of subfreezing temperatures, frozen material may build up on steel surfaces. This can prevent the beater from moving.

After completing spreading for the day, use the following cleaning procedure.

**NOTE:** Cleaning is only necessary during extended periods of subfreezing temperatures.

Remove material along edges of apron chain

Remove material buildup from endgate panel. Keep endgate arms clean to prevent freezing to side rails.



# OPERATING THE SPREADER

## CLEAN WALKING BEAM

When tire valve stems are mounted towards the inside, clean top of walking beams to prevent valve stem damage.



## WARMING HYDRAULIC OIL TEMPERATURES BELOW 0°F (-18°C)

It is necessary to warm the hydraulic oil for proper spreader operation.

Follow the procedures in your tractor's Operator's Manual for warming hydraulic oil.

The following procedures apply only to tractors with a closed center hydraulic system.



## BYPASSING SPREADER CONTROL VALVE

There will be a large hydraulic oil pressure drop across the auxiliary flow control valve when the oil is cold. Oil pressure available to hydraulic cylinders may be too low.

Try cycling the cylinders several times slowly so the cold oil in the cylinders is mixed with the warm oil in the tractor. In the event of extreme cold; you may need to bypass the control valve to do this. Be sure you begin by moving the cylinders very slowly.

Reconnect hoses to flow control valve.

# LUBRICATION & MAINTENANCE

## LUBRICATION & MAINTENANCE

### LUBRICATING AND MAINTAINING SPREADER SAFELY

**CAUTION:** Help prevent personal injury caused by unexpected movement of the machine. If spreader is connected to tractor, disengage PTO, engage parking brake and/or place transmission in "PARK", shut off engine, and remove key. If spreader is detached, block wheels and use safety stands.

Replace all shields after lubricating or servicing.

### OBSERVING INTERVALS

**IMPORTANT:** The intervals recommended are based on normal conditions. Severe or unusual conditions may require more frequent attention.

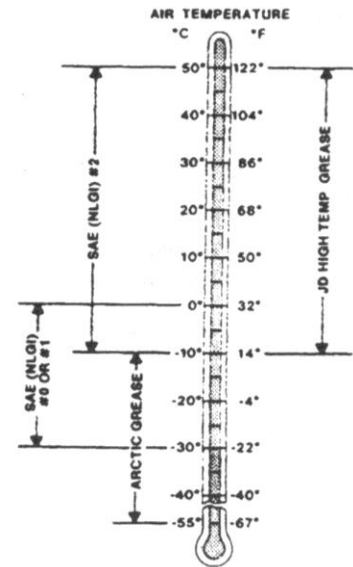


### SELECTING GREASE

Depending upon the expected air temperature range during the service interval, use grease as shown on the adjoining temperature chart.

-SAE-Multipurpose High Temperature Grease with Extreme Pressure [EP] Performance with 3 to 5% molybdenum disulfide.

**NOTE:** Moly-type grease is recommended, however, if not available, a multipurpose grease is acceptable.

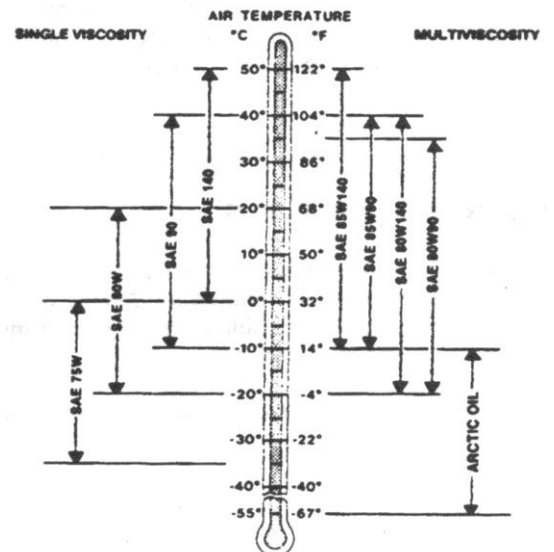


### SELECTING GEAR CASE OIL

Depending upon the expected air temperature range during the drain interval, use oil viscosity shown on the adjoining temperature chart.

- API Service Classification GL-5
- Military Specification MIL-L-2105B
- Military Specification MIL-L-2105C

At temperatures below -35° [-31°], use arctic oils such as those meeting Military Specifications MIL-G-10324A.



# LUBRICATION & MAINTENANCE

## SERVICE INTERVALS

Lubricate driveline every 8 hrs

- Lubricate top beater bearings every 40 hrs
- Check gear case oil level every 8 hrs
- Check tires every 8 hrs
- Check axle hub oil every 8 hrs
- Grease apron chain drive bearings & sprockets every 40 hrs

## EVERY 50 HOURS

- Adjust apron chain
- Tighten wheel hardware
- Lubricate walking beam pivots

## EVERY 250 HOURS

- Lubricate endgate pivots

## SERVICE AS REQUIRED

- Adjust apron chain tension
- Slip the clutch

## GEARBOX

- Change lubricant every 6,000 loads

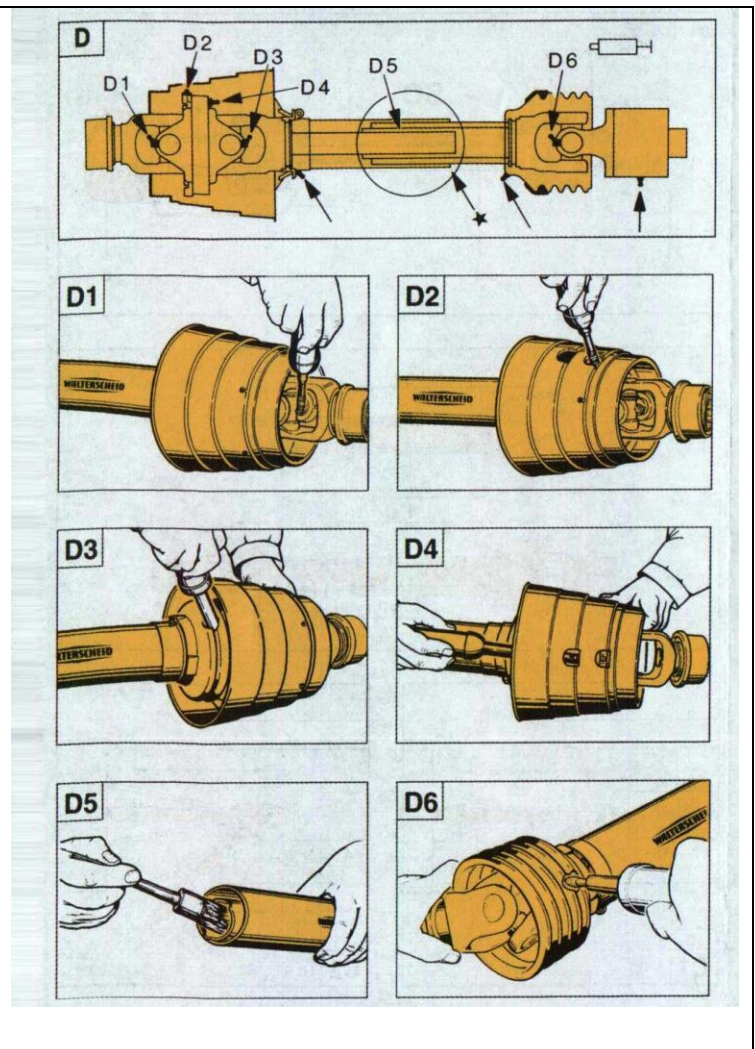
In addition to the above referenced information, you are working with a central lube CV design on the primary that contains a special lubrication provision that needs to be well defined for the user so that extended life on the CV can be achieved.

The key point is that each CV has one zerk in a bearing cap and it is this zerk that is most important since it feeds the inboard cross kit as well as the the ball and socket of the CV. The user needs to understand that the zerk in the cap should receive **15-20 pumps** of grease each day while the other zerks in the joint

CV housing and telescoping members can operate with 5-6 pumps or until the seals purge. The plastic zerks feeding the shielding should also receive 3-4 pumps daily if shields are being restrained.

Primary Driveline (to Tractor) Lubricate fittings D1 through D6 every eight hours of operation.

Secondary Driveline (under spreader) Lubricate as above including overrunning clutch.



**NOTE:** Lubrication step D5 is only necessary when driveline does not have grease fitting. Separate front and rear halves of driveline and brush with grease.

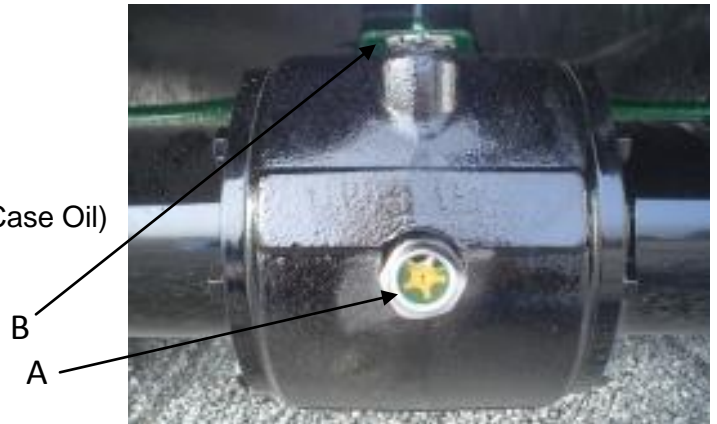
# LUBRICATION & MAINTENANCE

## CHECK GEAR CASE OIL LEVEL

With spreader on level ground, check oil level at the sight glass on the center gearcase. "A"

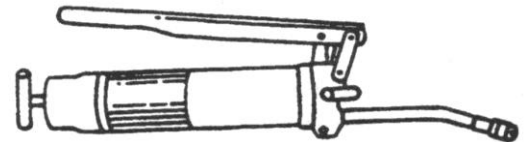
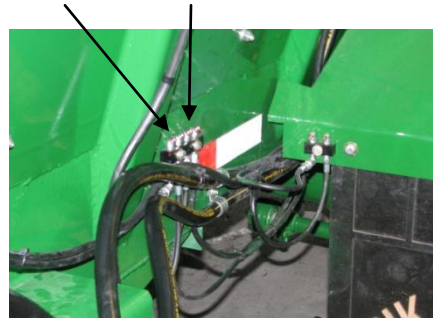
Add recommended oil as needed. (See Selecting Gear Case Oil)

To add oil, remove fill cap at the top of the gearcase "B"



## GREASE TOP BEATER BEARINGS

Grease the two bearings at the top of the vertical beaters every 8 hours of operation. Rear grease bank on beater side panel



## CHECKING TIRES

1. Check tires daily for damage or noticeably low pressure.
2. Repair any cuts or breaks as soon as possible.
3. Protect tires from exposure to sunlight and petroleum products or chemicals.

<u>Tire Size</u>	<u>Wheel Size</u>	<u>Tire Pressure</u>
700/40-22.5 treaded	22.5 x 16	65 PSI



# LUBRICATION & MAINTENANCE

## LUBRICATE WALKING BEAM PIVOTS

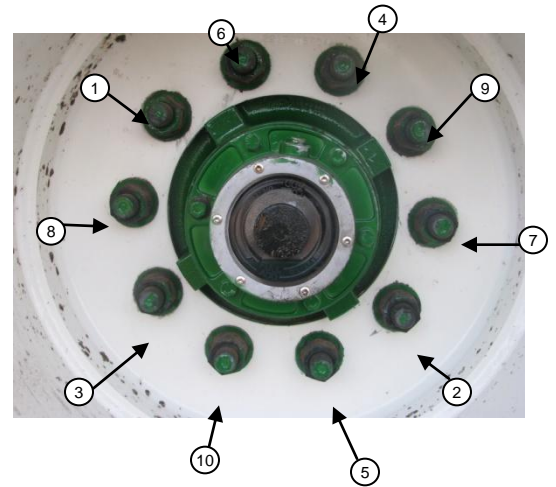
1. Place a jack under the spreader main frame.
2. Raise spreader enough to relieve weight from walking beam.
3. Lubricate grease bank (A) with Moly High Temperature/Extreme Pressure Grease.



## TIGHTENING WHEEL HARDWARE

Operating the spreader with loose wheel hardware will damage the hub or wheel. Tighten hardware after initial transport, after one hour of operation, and every fifty hours thereafter.

Tighten to 475 lb.-ft. in the sequence shown.



## CHECK OIL LEVEL IN HUBS

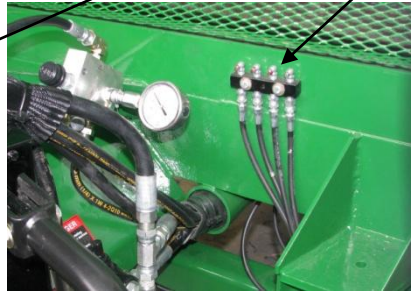
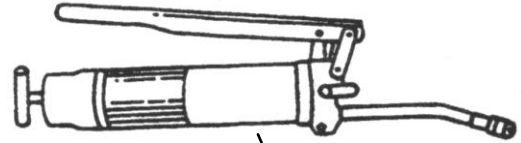
See sight glass in hub for proper oil level



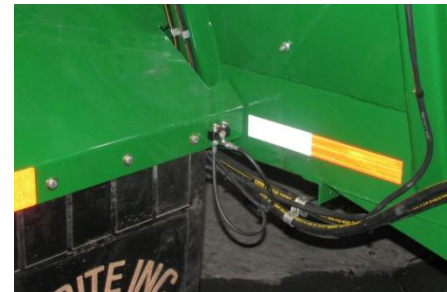
# LUBRICATION & MAINTENANCE

## LUBRICATE THE SIX PILLOW BLOCKS UNDER THE SPREADER THAT CARRY THE MAIN POWER SHAFT, USING CENTRAL GREASE LOCATION

1. Lubricate grease fitting with Moly High Temperature/Extreme Pressure Grease.



## LUBRICATE WALKING BEAMS USING GREASE BANKS ATTACHED TO THE REAR OF THE FENDERS, TWO ON EACH SIDE



## MAINTAINING SLIP CLUTCH, WALTERSCHEID

The clutch is preset and is not field adjustable.

If you determine that your slip clutch needs maintenance or adjustment, contact your dealer.



## LUBRICATE HITCH EVERY 40 HRS



# SPECIFICATIONS

## SPECIFICATIONS

Tractor Size (Minimum recommended)	200 hp PTO
Weight Spreader, Complete with Implement tires and all Attachments	17040 lb
Load Capacity	48400 lb
Volume Capacity Struck Level	712 cu. ft.
Heaped Load	1096 cu. ft.
Beater Speed	420 rpm
Unloading Speed	0-16 ft/min Infinitely Variable
Driveline	Shielded 1000 rpm
Attachments	Endgate

**(Specifications and design subject to change without notice)**







## PARTS MANUAL

Pik Rite, Inc.  
60 Pik Rite Lane  
Lewisburg, PA 17837

Phone: 800-326-9763  
Fax: 570-523-8175  
[www.pikrite.com](http://www.pikrite.com)

***HP 880***  
**Manure Spreader**

### **DIRECTION ARROW**

ARROWS ARE USED WITH ILLUSTRATIONS TO INDICATE THE FRONT OF THE UNIT. "RIGHT-HAND" AND "LEFT-HAND" SIDES ARE DETERMINED BY FACING THE DIRECTION OF MACHINE FORWARD TRAVEL.

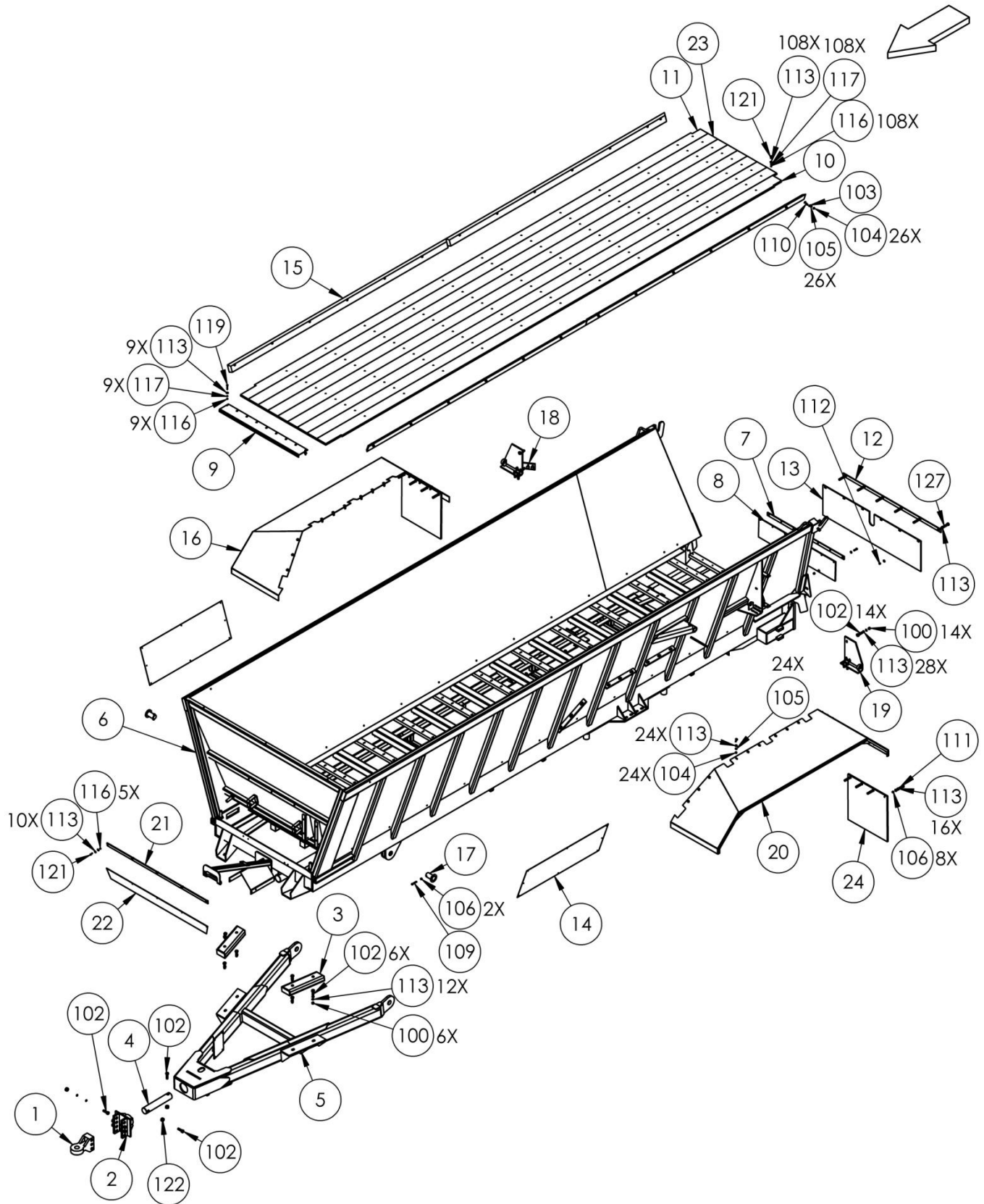
### **BOX ENCLOSED ILLUSTRATIONS**

A REFERENCE NUMBER, SHOWN IN THE PARTS LIST, IS ASSIGNED TO A BOX ENCOMPASSING ALL PARTS SOLD AS A SERVICE ASSEMBLY.

### **REFERENCE NUMBER IDENTIFICATION**

000-099 PARTS USED FOR ASSEMBLY  
100-199 BOLTS & FASTENERS  
800-899 REPLACEMENT PARTS OR SERVICE ASSEMBLIES –  
USED TO REPLACE OR REBUILD COMPONENTS OF THE  
MACHINE

ITEM NO.	HARDWARE/QTY.	DESCRIPTION	PART NUMBER
1	1	BULL-PULL HITCH, 3 BOLT	TH-0002
2	1	HITCH MOUNT	PR80007
3	2	HITCH BLOCK	PR63103
4	1	HITCH SHAFT, HARDENED	PR63101
5	1	HITCH, A FRAME HITCH ASSY	PR63100
6	1	MAIN FRAME	PR63000
7	1	BACKING BAR	PR60080
8	1	REAR BELTING	PR60079
9	1	END CAP, POLY BOARD	PR60063
10	1	POLY BOARD, LH	PR60053
11	1	POLY BOARD, RH	PR60052
12	1	FLAT BAR, REAR BELTING	PR60046
13	1	REAR DEFLECTOR BELT	PR60045
14	2	DECAL PLATE	PR60043
15	4	BOTTOM BUMPER RAIL, RH	PR60037
16	1	FENDER, RH	PR60036
17	2	TONGUE PIN	PR60025
18	1	ENDGATE MOUNT, RH	PR60024
19	1	ENDGATE MOUNT, LH	PR60023
20	1	FENDER, LH	PR60022
21	1	BELTING BAR, FRONT CHAIN	PR60019
22	1	BELTING, FRONT CHAIN	PR60018
23	7	POLY BOARD	PR60009
24	2	MUD FLAP, 24" X 24"	MF-9307
100	22	1/2-13 LN NYLON INSERT ZC	BL-8-LN
101	44	5/8 USS FW ZC	BL-10-FW
102	27	5/8-11 X 2-1/2 HH G8 ZC	BL-10-250-H-8
103	14	3/8 SAE FW ZC	BL-6-SW
104	68	3/8-16 HEX NUT ZC	BL-6-N
105	50	3/8 SPLIT LW ZC	BL-6-LW
106	17	3/8-16 FIN H LN NE A563 GA ZC	BL-6-LN
108	24	3/8-16 X 4 CARRIAGE BOLT G5 ZC	BL-6-400-C
109	2	3/8-16 X 2-1/2 HH C/S G5 ZC	BL-6-250-H
110	134	3/8-16 X 1-3/4 CARRIAGE BOLT G5 ZC	BL-6-175-C
111	7	3/8-16 X 1-1/2 HEX CAP G5 ZC	BL-6-150-H
112	6	5/16-18 HEX LN NE ZC	BL-5-LN
113	179	5/16 USS FW ZC	BL-5-FW
114	6	5/8-11 X 2 HEX CAP G5 ZC	BL-10-200-H
115	8	5/8 UNC x 3.75" GR5 BOLT	BL-10-375-H
116	104	1/4-20 HEX FIN NUT ZC	BL-4-N
117	117	1/4 SPLIT LW ZC	BL-4-LW
119	9	1/4-20 X 2-1/4 CARRIAGE BOLT G5 ZC	BL-4-225-C
121	5	1/4-20 X 1 HH C/S G5 ZC	BL-4-100-H
122	5	3/4-10 LN w/ NYLON INSERTS G8	BL-12-LN-8
126	26	1 SAE FW	BL-16-SW
127	6	5/16-18 x 1-1/4 HEX CAP G5 ZC	BL-5-125-H



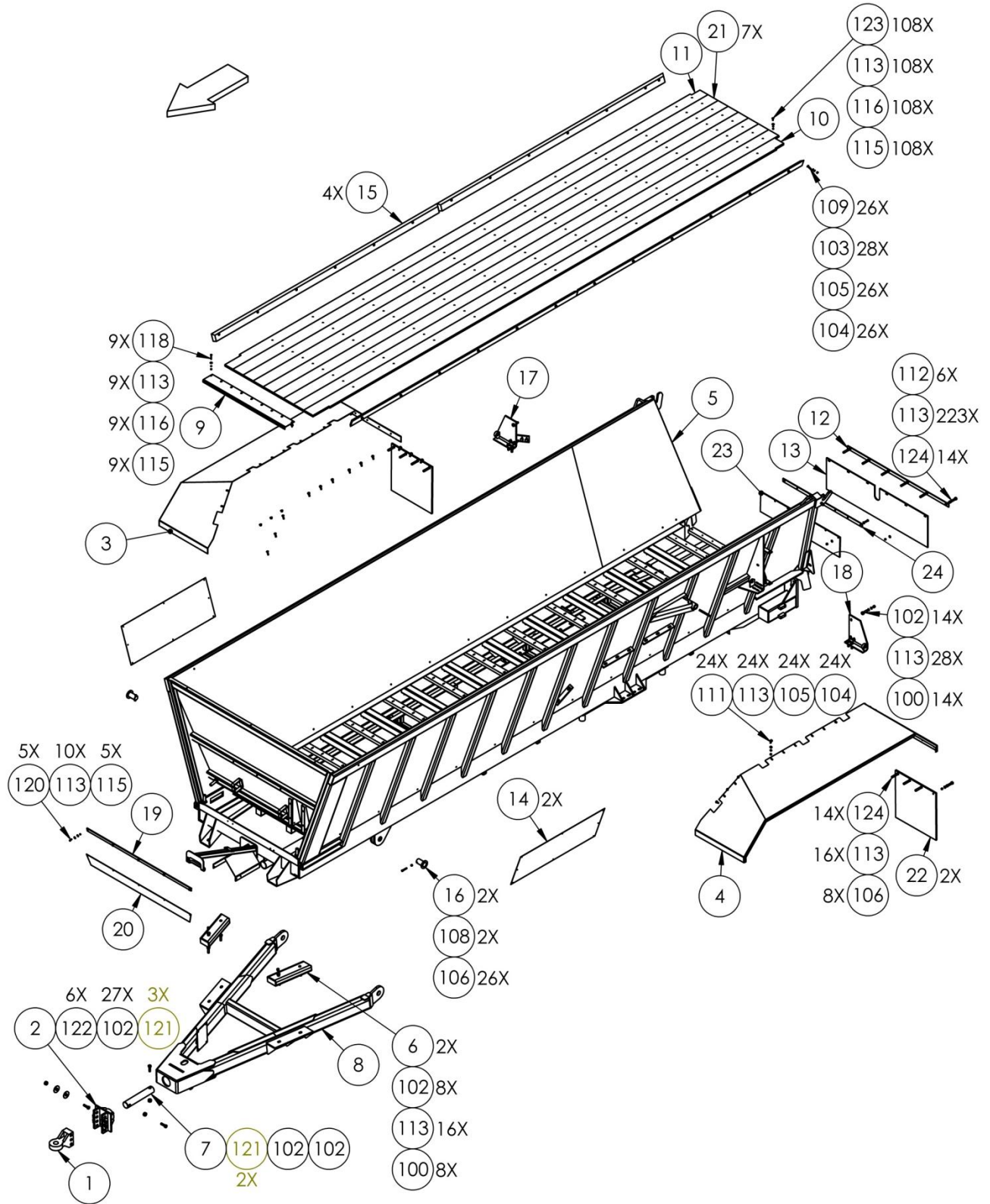
## 7415-1-01A

## Main Frame &amp; Hitch

ITEM NO.	QTY	DESCRIPTION	PART NUMBER
1	1	BULL-PULL HITCH, 3 BOLT	TH-0002
2	1	HITCH MOUNT	PR80007
3	1	FENDER, RH	PR65002
4	1	FENDER, LH	PR65001
5	1	MAIN FRAME	PR65000
6	2	HITCH BLOCK	PR63103
7	1	HITCH SHAFT, HARDENED	PR63101
8	1	HITCH, A FRAME HITCH ASSY	PR63100
9	1	END CAP, POLY BOARD	PR60063
10	1	POLY BOARD, LH	PR60053
11	1	POLY BOARD, RH	PR60052
12	1	FLAT BAR, REAR BELTING	PR60046
13	1	REAR DEFLECTOR BELT	PR60045
14	2	DECAL PLATE	PR60043
15	4	BOTTOM BUMPER RAIL, RH	PR60037
16	2	TONGUE PIN	PR60025
17	1	ENDGATE MOUNT, RH	PR60024
18	1	ENDGATE MOUNT, LH	PR60023
19	1	BELTING BAR, FRONT CHAIN	PR60019
20	1	BELTING, FRONT CHAIN	PR60018
21	7	POLY BOARD	PR60009
22	2	MUD FLAP, 24" X 24"	MF-9307
23	1	REAR BELTING	PR60079
24	1	BACKING BAR	PR60080
100	22	1/2-13 LN NYLON INSERT ZC	BL-8-LN
101	44	1/2 USS FW ZC	BL-8-FW
102	27	5/8-11 X 2-1/2 HH G8 ZC	BL-10-250-H-8
103	28	3/8 SAE FW ZC	BL-6-SW
104	50	3/8-16 HEX NUT ZC	BL-6-N
105	50	3/8 SPLIT LW ZC	BL-6-LW
106	26	3/8-16 FIN H LN NE A563 GA ZC	BL-6-LN
107	56	3/8 USS FW ZC	BL-6-FW
108	2	3/8-16 X 2-1/2 HH C/S G5 ZC	BL-6-250-H
109	26	3/8-16 X 1-3/4 CARRIAGE BOLT G5 ZC	BL-6-175-C
110	16	3/8-16 X 1-1/2 HEX CAP G5 ZC	BL-6-150-H
111	24	3/8-16 X 1-1/2 CARRIAGE BOLT G5 ZC	BL-6-150-C
112	6	5/16-18 HEX LN NE ZC	BL-5-LN
113	223	5/16 USS FW ZC	BL-5-FW
114	6	5/16-18 X 1-1/4 HEX CAP G5 ZC	BL-5-125-H
115	122	1/4-20 HEX FIN NUT ZC	BL-4-N
116	117	1/4 SPLIT LW ZC	BL-4-LW
117	127	1/4 USS FW ZC	BL-4-FW
118	9	1/4-20 X 2-1/4 CARRIAGE BOLT G5 ZC	BL-4-225-C
119	108	1/4-20 X 1-1/2 CARRIAGE BOLT G5 ZC	BL-4-150-C
120	5	1/4-20 X 1 HH C/S G5 ZC	BL-4-100-H
121	5	3/4-10 LN w/ NYLON INSERTS G8	BL-12-LN-8
122	6	1 FW G8	BL-16-FW-8
123	108	1-8 X 8 HH C/S G8 ZC	BL-16-800-8
124	14	5/8 UNC X 4" GR5 BOLT	BL-10-400H
125	1	1-8 X 5-1/2 BOLT HH C/S G8 ZC	BL-16-550-H8

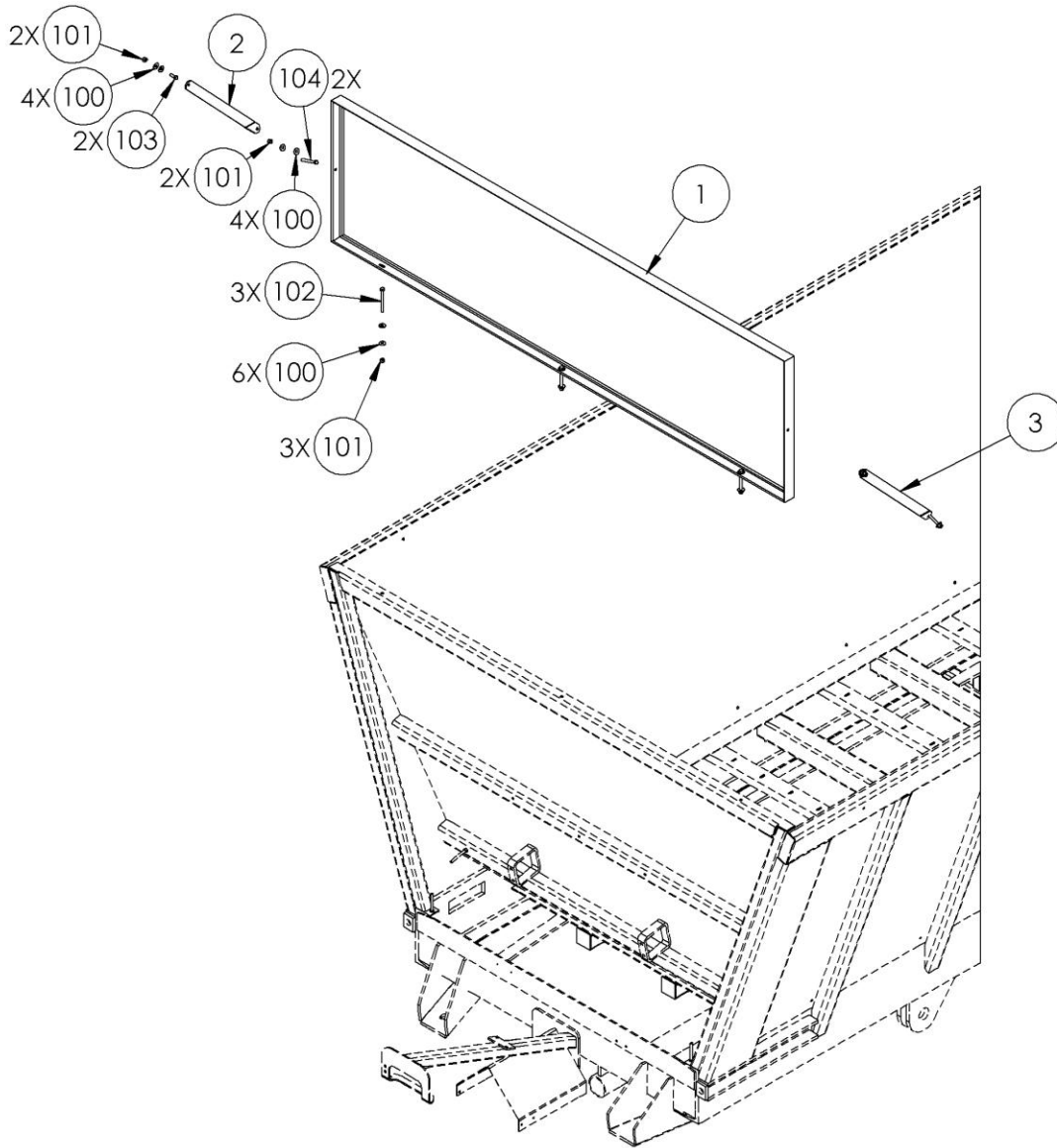
# 7415-1-01A

# Main Frame & Hitch



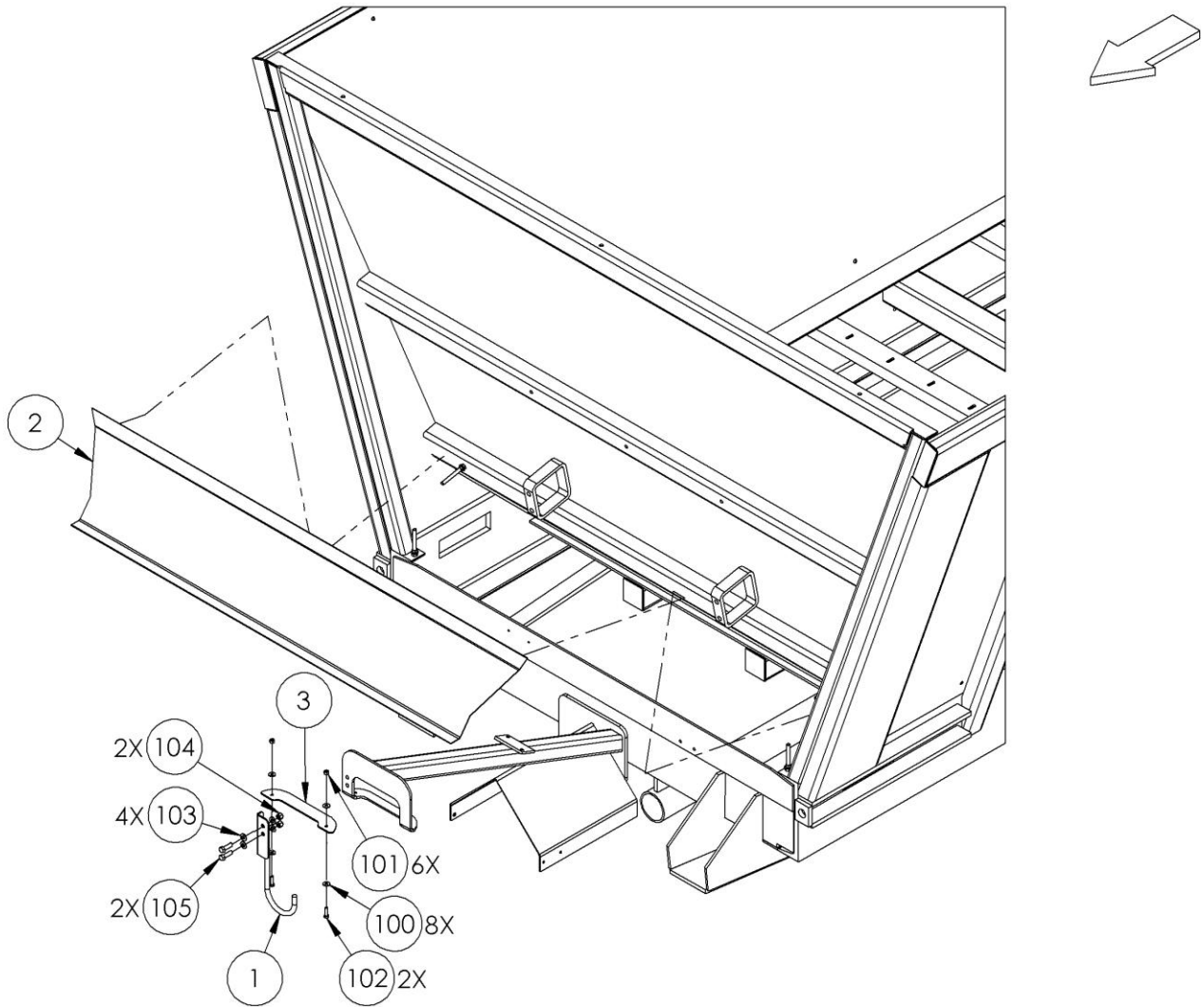
# 7415-1-02

# Stone Guard



ITEM NO.	QTY	PART NUMBER	DESCRIPTION
1	1	PR39170	ROCK GUARD
2	1	PR39171	SUPPORT, ROCK GUARD, RH
3	1	PR39172	SUPPORT, ROCK GUARD, LH
100	14	BL-6-FW	3/8 USS FW ZC
101	7	BL-6-LN	3/8-16 FIN H LN NE A563 GA ZC
102	3	BL-6-400-H	3/8-16 X 4 HEX CAP G5 ZC
103	2	BL-6-100-H	3/8-16 X 1 HHCS BOLT G5 ZC
104	2	BL-6-300-H	3/8-16 X 3 HH C/S BOLT G5 ZC

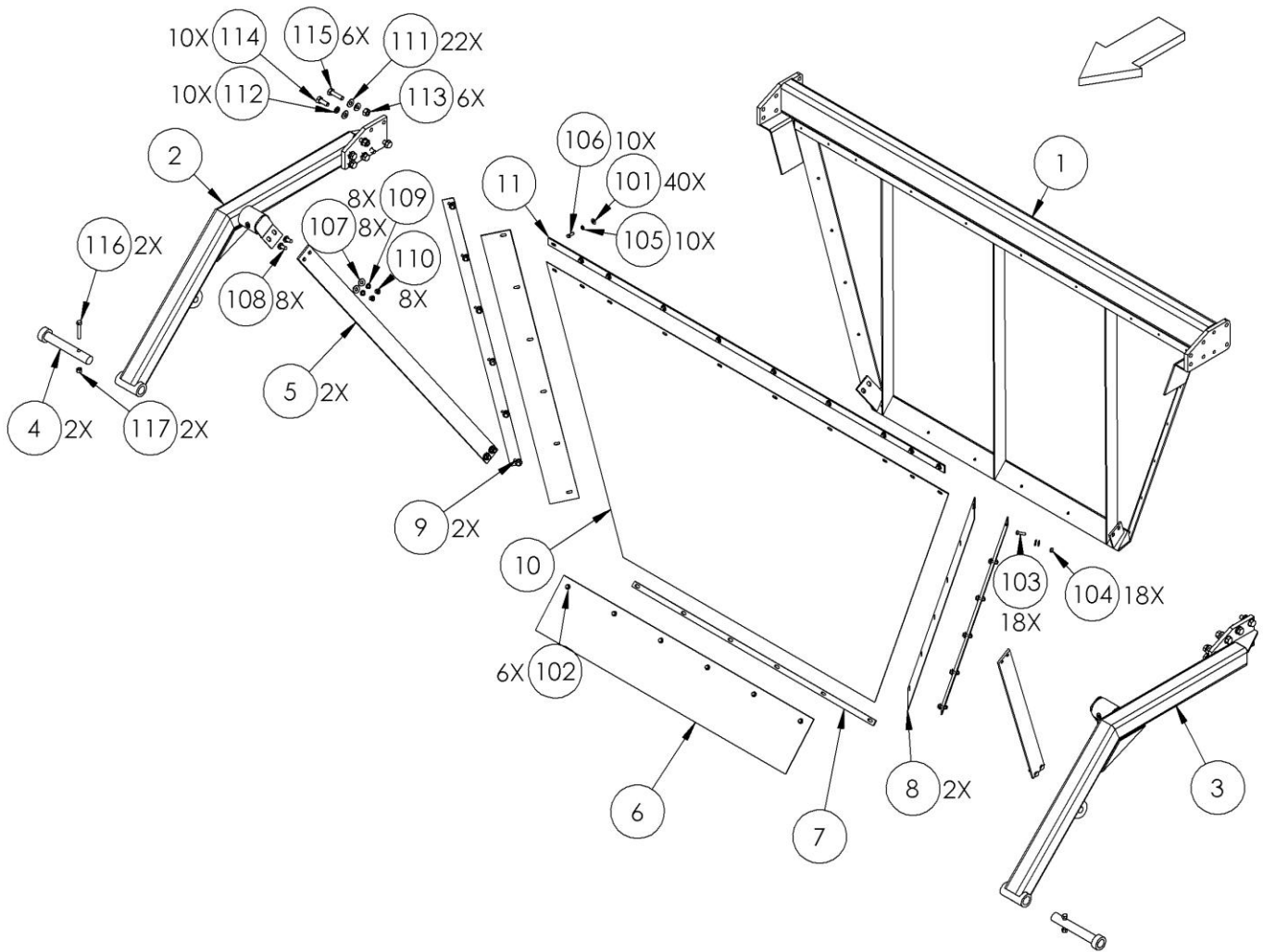




ITEM NO.	QTY.	PART NUMBER	DESCRIPTION
1	1	PR63003	PTO HOLDER
2	1	PR60001	FRONT SPROCKET COVER
3	1	PR60403	BELTING, HOSE HOLDER
100	8	BL-4-FW	1/4 USS FW ZC
101	6	BL-4-LN	1/4-20 HEX LN NE ZC
102	2	BL-4-100-H	1/4-20 X 1 HH C/S G5 ZC
103	4	BL-6-SW	3/8 SAE FW ZC
104	2	BL-6-LN	3/8-16 FIN H LN NE A563 GA ZC
105	2	BL-6-125-H	3/8-16 X 1-1/4 HHCS G5 ZC

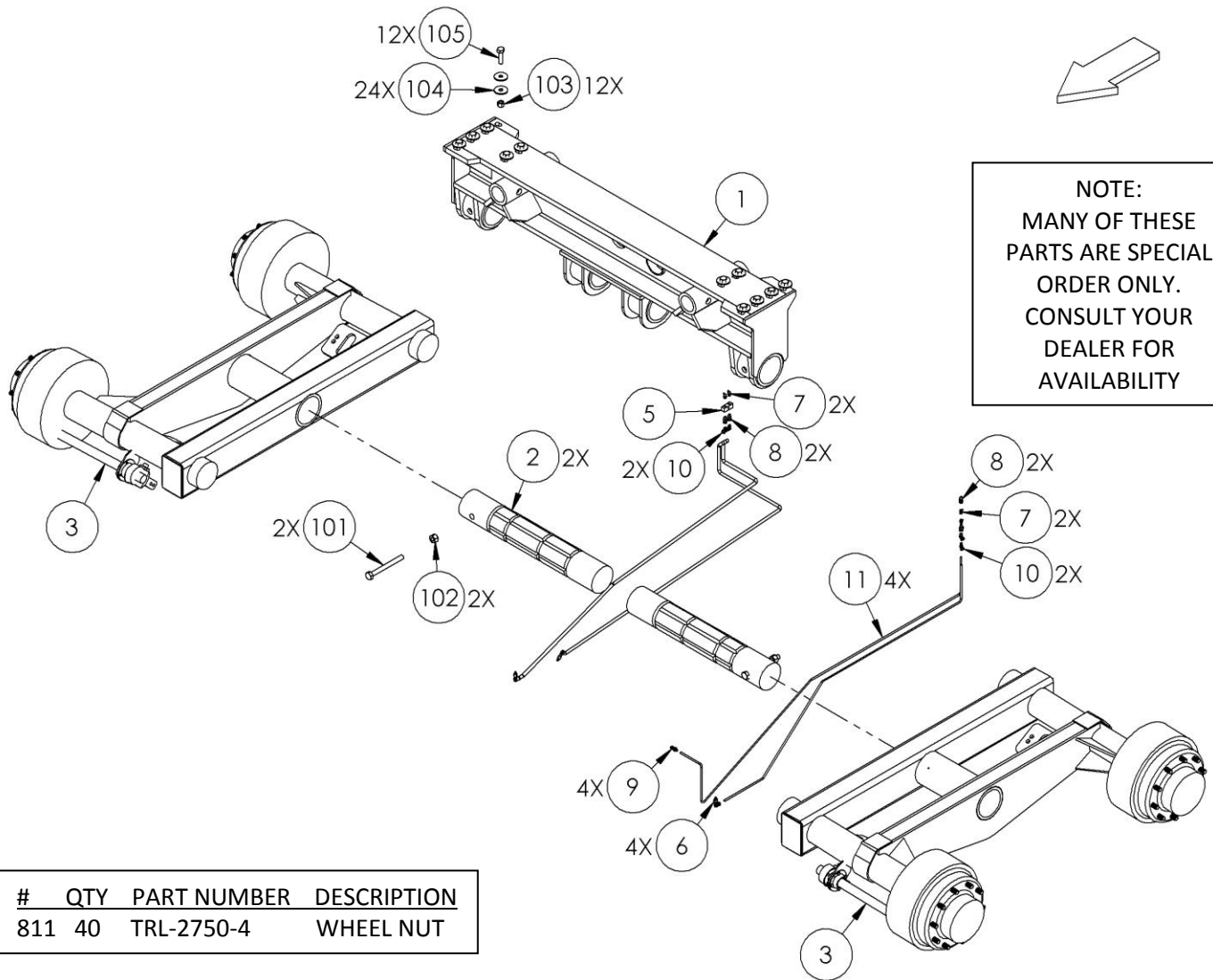
# 7415-1-05

# Endgate



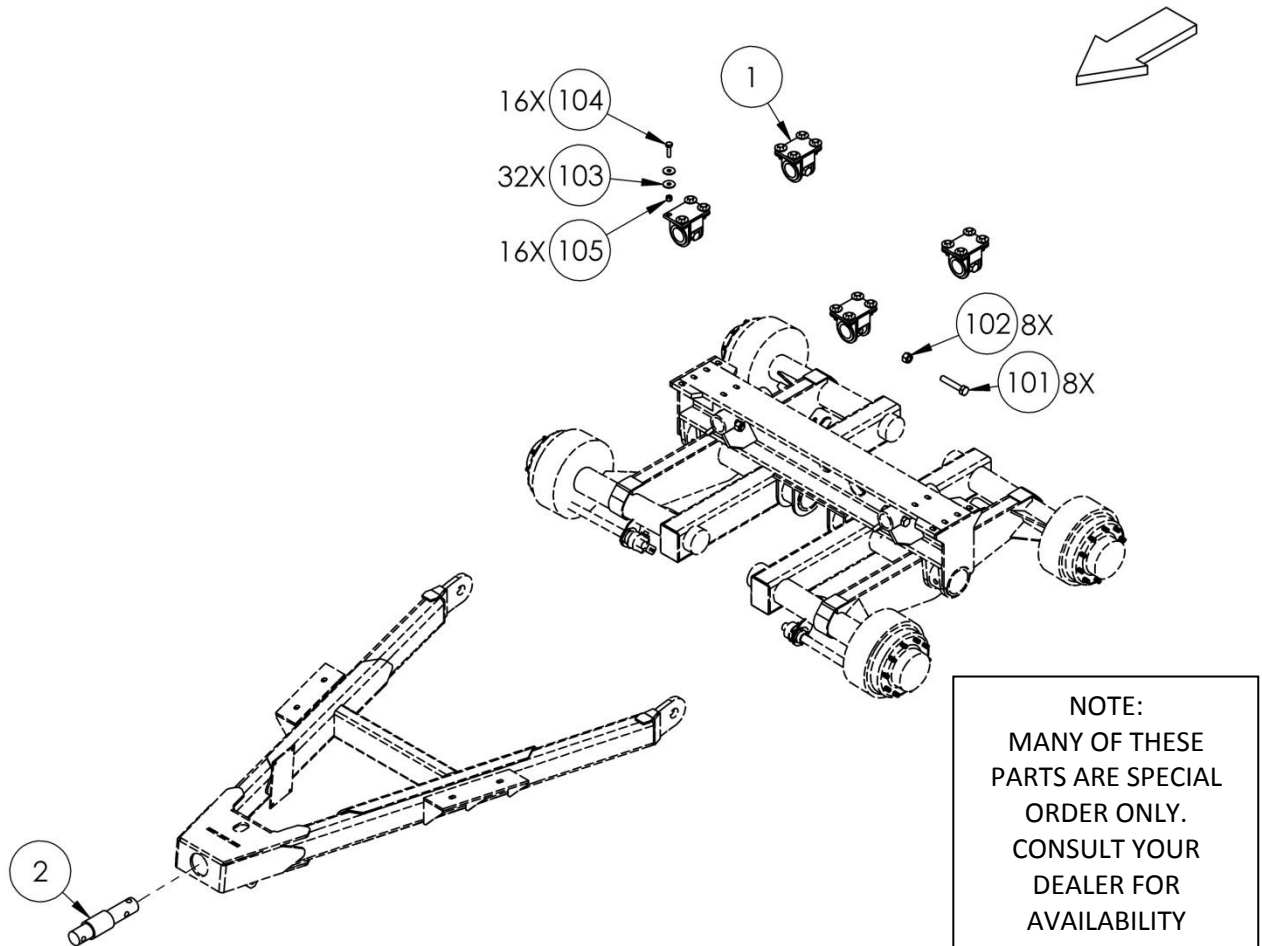
ITEM NO.	QTY	PART NUMBER	DESCRIPTION
1	1	PR60047	ENDGATE
2	1	PR60048	ENDGATE ARM, RH
3	1	PR60049	ENDGATE ARM, LH
4	2	PR60015	ENDGATE PIN
5	2	PR60061	BAR, ENDGATE BRACE
6	1	PR60013	BELTING, ENDGATE, BOTTOM
7	1	PR60014	BELTING BAR, ENDGATE, BOTT
8	2	PR60050	BELTING, ENDGATE, SIDE
9	2	PR60051	BELTING BAR, ENDGATE, SIDE
10	1	PR60011	BELTING, ENDGATE FLAP
11	1	PR60012	BELTING BAR, ENDGATE FLAP
12	2	STP-0020	SWIVEL LEVELING MOUNT
101	40	BL-6-FW	3/8 USS FW ZC
102	6	BL-6-SW	3/8 SAE FW ZC
103	18	BL-6-125-H	3/8-16 X 1-1/4 HHCS G5 ZC

ITEM NO.	QTY	PART NUMBER	DESCRIPTION
104	18	BL-6-LN	3/8-16 FIN H LN NE A563 GA ZC
105	10	BL-6-LW	3/8 SPLIT LW ZC
106	10	BL-6-100-H	3/8-16 X 1 HHCS BOLT G5 ZC
107	8	BL-8-FW	1/2 USS FW ZC
108	8	BL-8-150-C	1/2-13 X 1-1/2 CARRIAGE BOLT G5 ZC
109	8	BL-8-LW	1/2 SPLIT LW ZC
110	8	BL-8-N	1/2-13 HEX FIN NUTS ZC
111	22	BL-10-SW-8	5/8 SAE FW G8
112	10	BL-10-LW	5/8 SPLIT LW ZC
113	6	BL-10-LN	5/8-11 HEX LN NE ZC
114	10	BL-10-175-H8	5/8-11 X 1-3/4 HH G8 ZC
115	6	BL-10-250-H-8	5/8-11 X 2-1/2 HH G8 ZC
116	2	BL-8-300-H	1/2-13 X 3 HH C/S G5 ZC
117	2	BL-8-LN	1/2-13 LN NYLON INSERT ZC

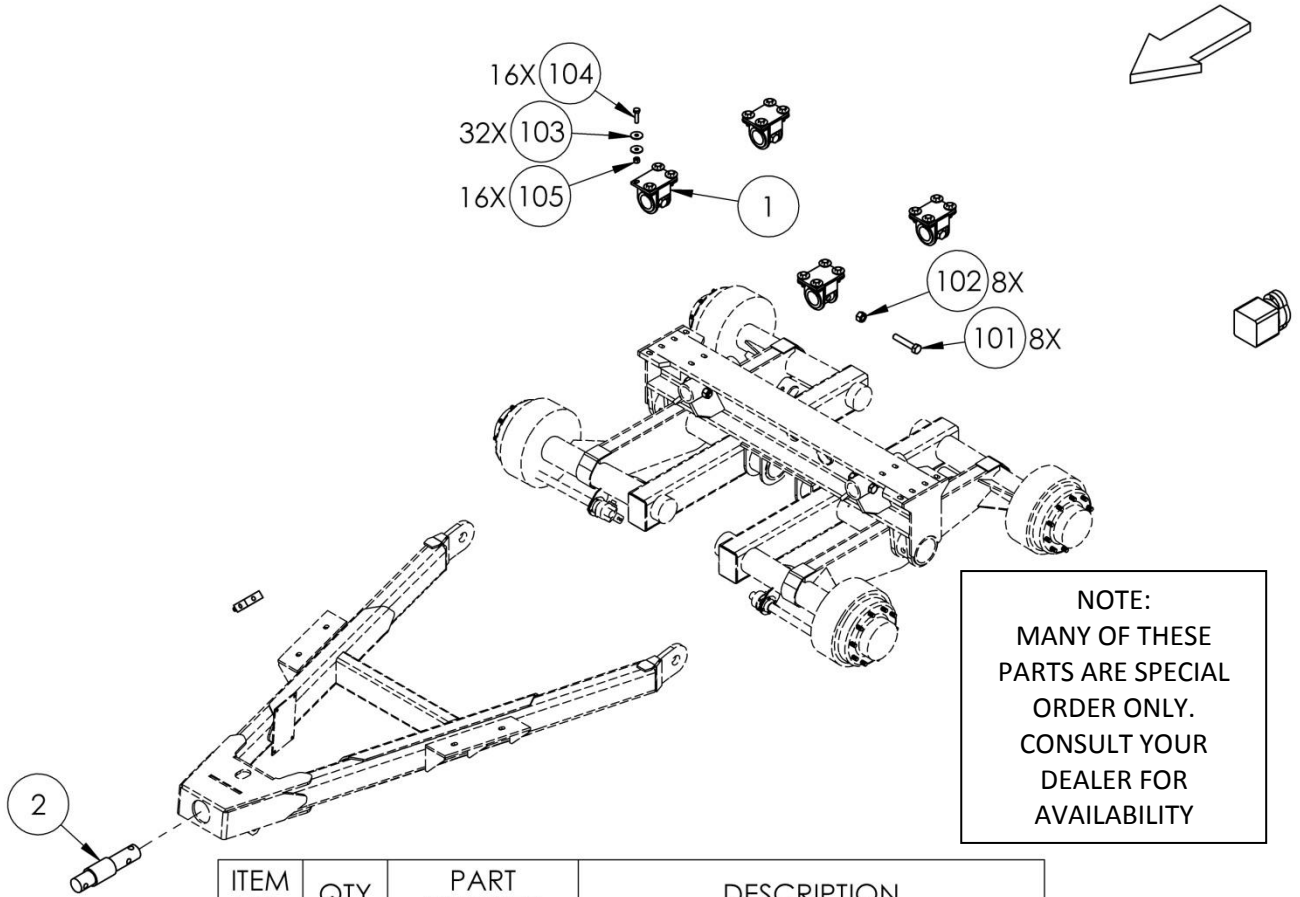


#	QTY	PART NUMBER	DESCRIPTION
811	40	TRL-2750-4	WHEEL NUT

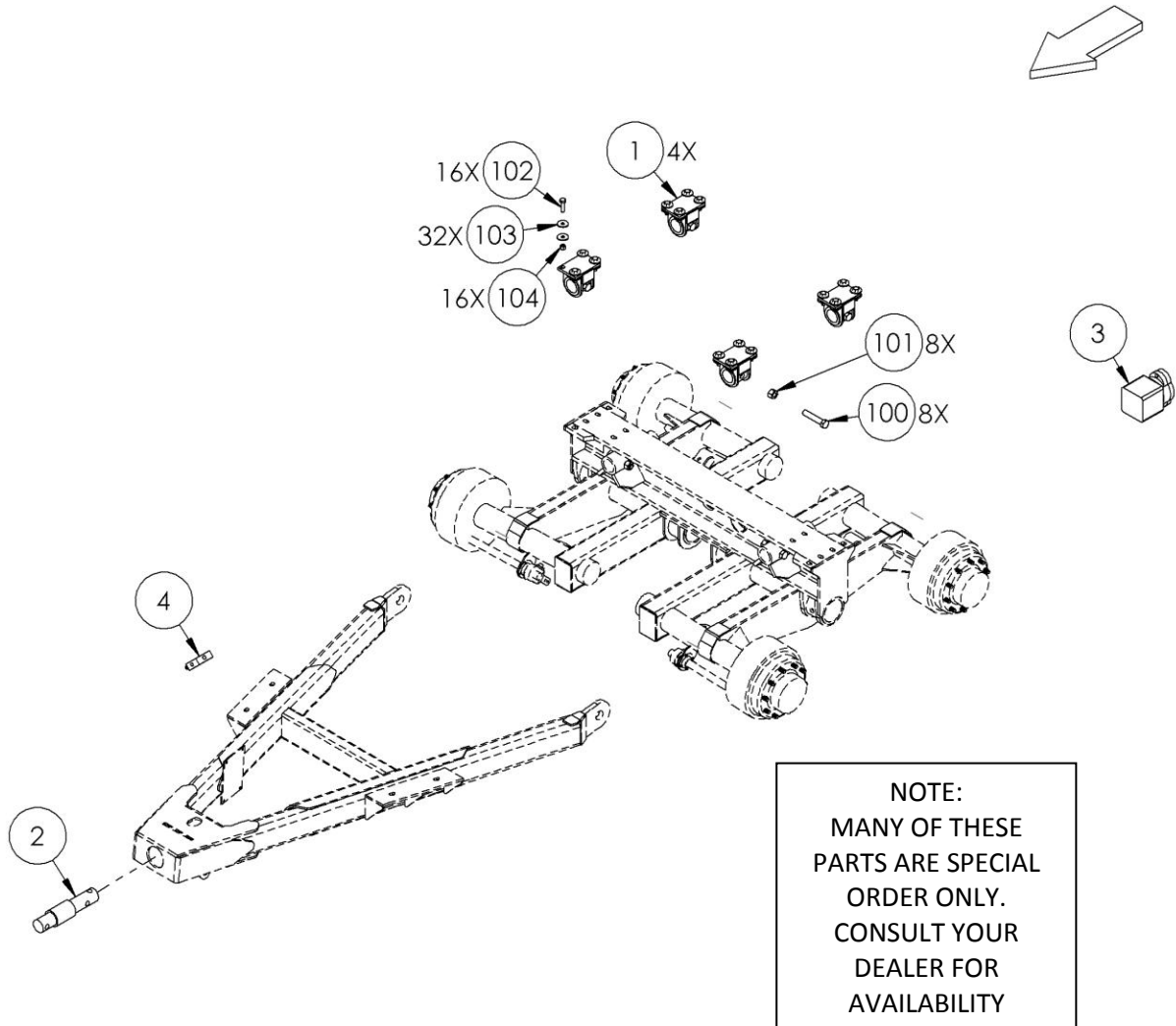
ITEM NO.	QTY	PART NUMBER	DESCRIPTION	ITEM NO.	QTY	PART NUMBER	DESCRIPTION
1	1	PR80001	AXLE FRAME	103	12	BL-10-LN	5/8-11 HEX LN NE ZC
2	2	PR60003	SHAFT, WALKING BEAM PIVOT	104	24	BL-10-FW-8	5/8 FW G8
3	2	PR80004	ROCKER	105	12	BL-10-250-H-8	5/8-11 X 2-1/2 HH G8 ZC
4	4	TRL-2750-2	DUST COVER	801	1	TRL-2750-1-02	ASSY HUB 10 STUD
5	1	GF-2-2	2" GREASE MANIFOLD	802	1	TRL-2750-1-03	INNER BEARING CUP
6	4	GFA-51942	1/4"-28 X 1/8" FNPT ADAPTER	803	1	TRL-2750-1-04	OUTER BEARING CUP
7	4	GF-1827-45	GREASE FITTING 1/8 NPT 45°	804	10	TRL-2750-1-05	STUD, PRESS-IN
8	4	A-1404-2-2	1/8MP X 1/8 FPX	805	1	TRL-2750-1-06	DRUM
9	4	A-1501-2-2	1/8MP X 1/8 FPX 90°	806	10	TRL-2750-1-07	SWIVEL FLANGE NUT
10	4	A-1503-2-2	1/8MP X 1/8 FPX 45°	807	1	TRL-2750-1-08	GASKET, OIL CAP
11	4	H2-76-2MP-2MP	1/8" HOSE 1/8MP X 1/8MP X 76 L	808	1	TRL-2750-1-09	OIL CAP
101	2	BL-12-750-H8	3/4-10 X 7-1/2 HH G8	809	6	TRL-2750-1-10	LOCKWASHER, OIL CAP
102	2	BL-12-LN-8	3/4-10 LN w/ NYLON INSERTS G8	810	6	TRL-2750-1-11	CAP SCREW, OIL CAP



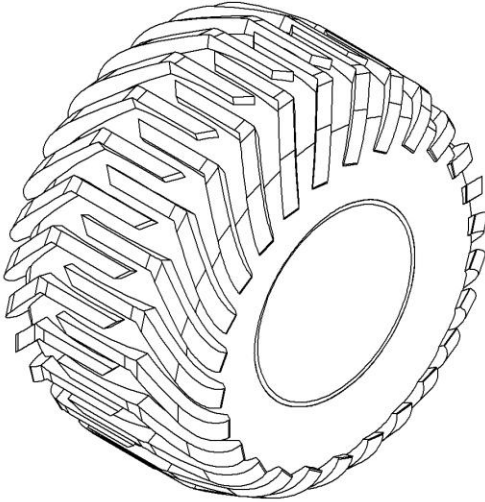
ITEM NO.	QTY	PART NUMBER	DESCRIPTION
1	4	PR80003	MOUNT, LOAD CELL
2	-1	PR63101	HITCH SHAFT, HARDENED
3	1	SWS-4605	5 PT SCALE SYSTEM W/ GT400
4	1	SWS-403769	MOUNT BRACKET-STR TOP MOUNT
5	1	SWS-403980	MOUNT BRACKET-ROBO MOUNTING
101	8	BL-16-550-H8	1-8 X 5-1/2 BOLT HH C/S G8 ZC
102	8	BL-16-LN-8	1-8 H LN ZC G8
103	32	BL-10-FW-8	5/8 FW G8
104	16	BL-10-250-H-8	5/8-11 X 2-1/2 HH G8 ZC
105	16	BL-10-LN	5/8-11 HEX LN NE ZC
801	0	SWS-4605-001	CELL
802	0	SWS-4605-002	CELL
803	0	SWS-4605-003	J-BOX 6 PT
804	0	SWS-4605-004	J-BOX CABLE
805	0	SWS-4605-005	POWER CABLE 4 WIRE
806	0	SWS-4605-006	GT400 INDICATOR W/ RS232



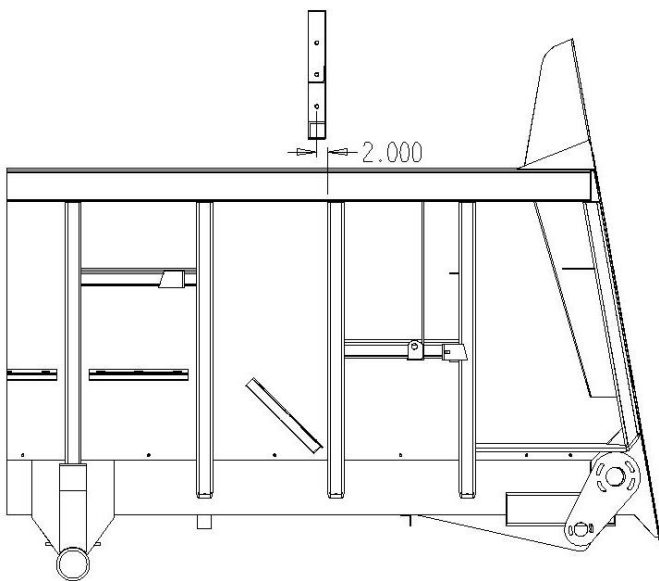
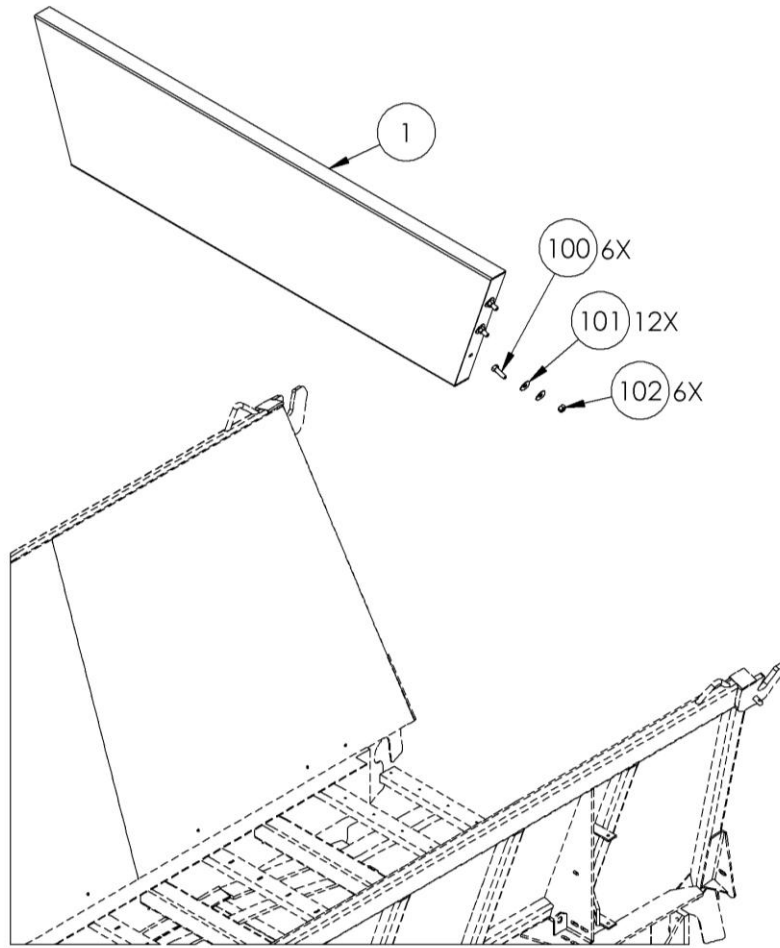
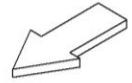
ITEM NO.	QTY	PART NUMBER	DESCRIPTION
1	4	PR80003	MOUNT, LOAD CELL
2	-1	PR63101	HITCH SHAFT, HARDENED
3	1	SWS-4606	5 PT SCALE SYSTEM W/ NT460
4	1	SWS-4604-006	MONITOR MOUNT
5	1	SWS-4604-007	SENSOR SHIELD
6	1	SWS-404353	MOUNT BRACKET-EZ3 PLASTIC RAIL
7	1	SWS-403780	MOUNT BRACKET-SCR# 10X5/8 FHSTS BLACK ZP
101	8	BL-16-550-H8	1-8 X 5-1/2 BOLT HH C/S G8 ZC
102	8	BL-16-LN-8	1-8 H LN ZC G8
103	32	BL-10-FW-8	5/8 FW G8
104	16	BL-10-250-H-8	5/8-11 X 2-1/2 HH G8 ZC
105	16	BL-10-LN	5/8-11 HEX LN NE ZC
801	0	SWS-4605-001	CELL
802	0	SWS-4605-002	CELL
803	0	SWS-4605-003	J-BOX 6PT
804	0	SWS-4605-004	J-BOX CABLE
805	0	SWS-4605-005	POWER CABLE 4 WIRE
806	0	SWS-4604-003	INDICATOR, W/AUTOLOG, NT460



ITEM NO.	QTY	PART NUMBER	DESCRIPTION
1	4	PR80003	MOUNT, LOAD CELL
2	-1	PR63101	HITCH SHAFT, HARDENED
2	1	SWS-4613	5 PT SCALE SYSTEM W/ 8000i
3	-1	HM-1893	ORBIT MOTOR
3	1	HM-1894	ORBITAL MOTOR, SPEED SENSOR
4	1	HVE-2500	ELECTRONIC FLOW CONTROL VALVE
100	8	BL-16-550-H8	1-8 X 5-1/2 BOLT HH C/S G8 ZC
101	8	BL-16-LN-8	1 H LN ZC G8
102	16	BL-10-250-H-8	5/8-11 X 2-1/2 HH G8 ZC
103	32	BL-10-FW-8	5/8 FW G8
104	16	BL-10-LN	5/8-11 HEX LN NE ZC
800	0	SWS-4608-006	LOAD CELL CABLE
801	0	SWS-4608-007	JUNCTION BLOCK, 6-PORT



ITEM NO.	QTY	PART NUMBER	DESCRIPTION
1	4	WHM-2000	TIRE & WHEEL ASSY, 700/40-22.5
800	1	WHL-2000	WHEEL
801	1	WHT-2000	TIRE, 700/40-22.5

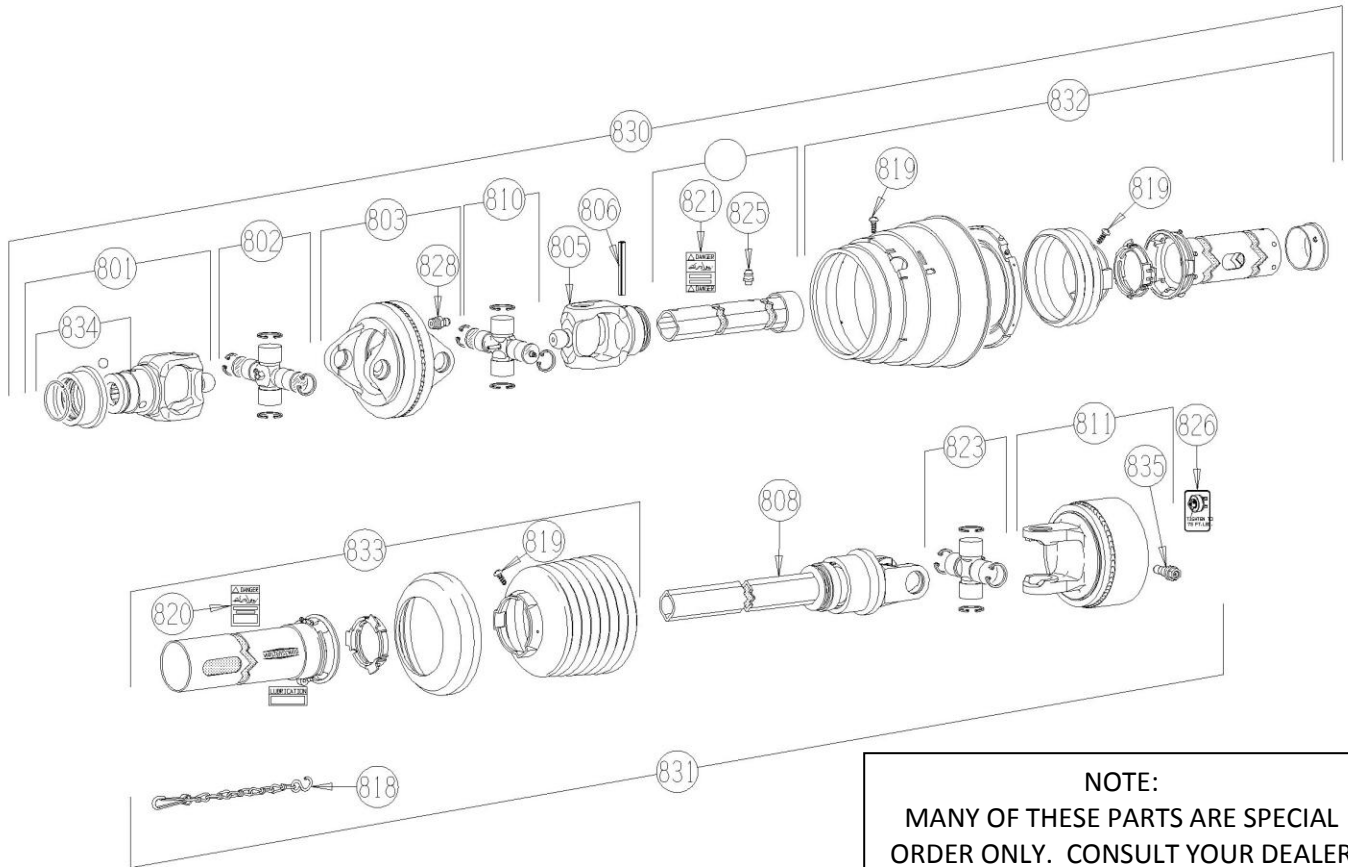


ITEM NO.	QTY	PART NUMBER	DESCRIPTION
1	1	PR60039	METERING SHIELD
100	6	BL-10-200-H	5/8-11 X 2 HEX CAP G5 ZC
101	12	BL-10-FW	5/8 USS FW ZC
102	6	BL-10-LN	5/8-11 HEX LN NE ZC



# 7415-2-01

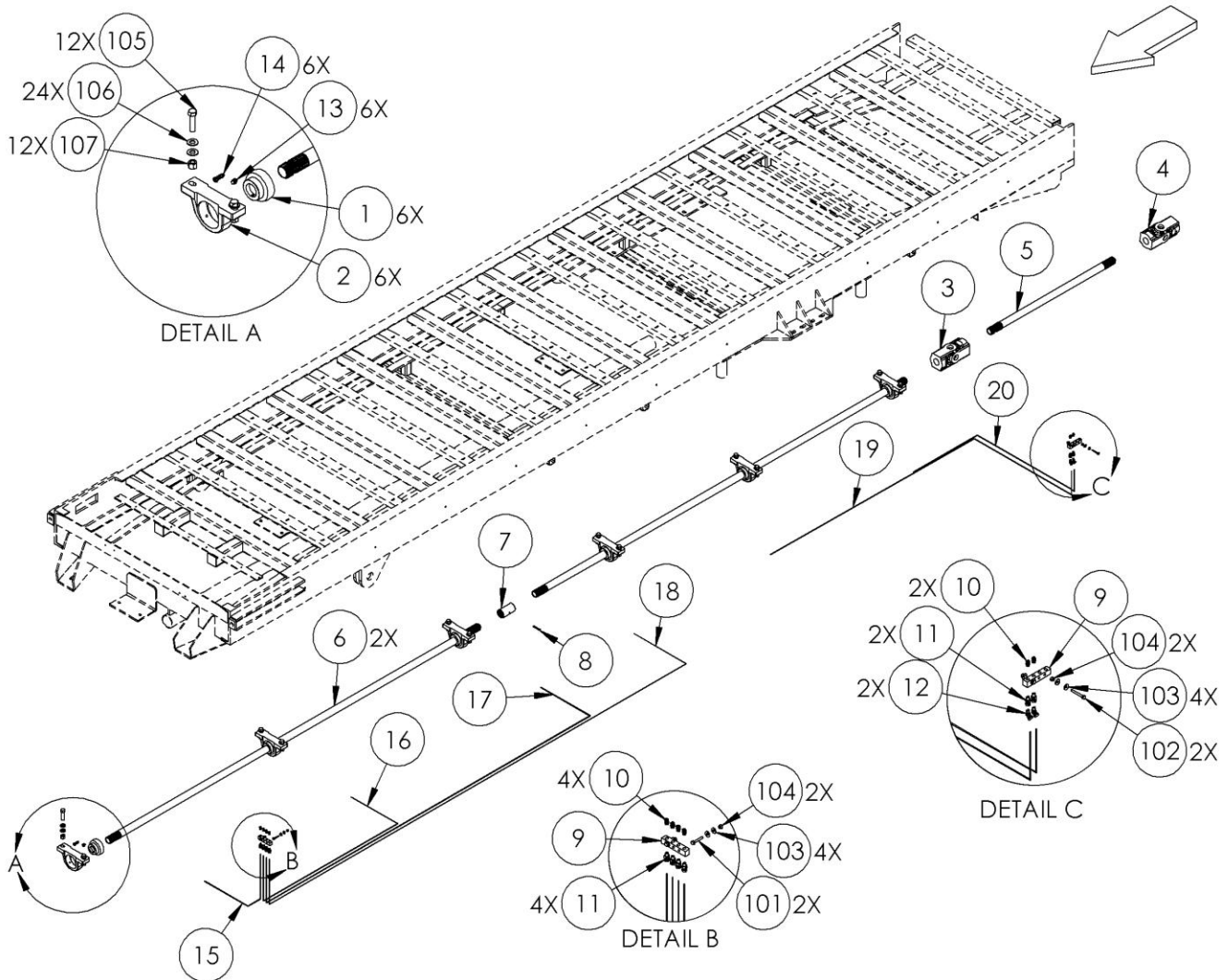
# Driveline, 1000 rpm



**NOTE:**  
**MANY OF THESE PARTS ARE SPECIAL ORDER ONLY. CONSULT YOUR DEALER FOR AVAILABILITY**

ITEM NO.	QTY	PART NUMBER	DESCRIPTION
1	1	PTS-1021	DRIVELINE, 1 3/4-20 SPLINE
801	1	PTS-1021A	YOKE, 1 3/4-20 SPLINE
802	1	PTS-1021B	CROSS & BEARING KIT
803	1	PTS-1005B	DOUBLE YOKE
805	1	PTS-1021C	INBOARD YOKE S5
806	1	PTB-1014C	SPRING PIN, 10X 75
808	1	PTS-1021D	OVERRUNNING CLUTCH
810	1	PTS-4001B	EXTENDED LUBE CROSS & BEARING KIT
811	1	PTS-1021E	CUT-OUT CLUTCH
812	1	PTS-1021K	CV GUARD & BEARING ASSY
813	1	PTS-1021L	FLEX NET & GUARD ASSY
814	2	PTS-1002J	PTO SHIELD BEARING RING
817	1	PTS-1021F	GUARD CONE 9 RIB
818	1	PTS-1002K	PTO SHIELD SAFETY CHAIN

ITEM NO.	QTY	PART NUMBER	DESCRIPTION
819	8	PTS-1010K	SCREW
820	1	PTS-1010L	DECAL, OUTER
821	1	PTS-1010M	DECAL, INNER
822	1	PTS-8100D	REINFORCING COLLAR
823	1	PTS-1021G	CROSS & BEARING KIT
824	1	PTS-1021H	SUPPORT BEARING
825	1	PTB-1014L	ZERK
826	1	PTS-1009J	DECAL
827	1	PTS-1021P	LUBRICATION DECAL
828	1	PTS-1008C	ZERK, DOUBLE YOKE
830	1	PTS-1021FH	FRONT HALF SHAFT
831	1	PTS-1021RH	REAR HALF SHAFT
832	1	PTS-1021FS	INNER GUARD KIT
833	1	PTS-1021RS	OUTER GUARD KIT
834	1	PTS-1008R	ASG COLLAR KIT
835	1	PTS-1009K	CC LOCK ASSEMBLY



ITEM NO.	QTY	DESCRIPTION	PART NUMBER
1	6	1.75" BEARING, HEAVY DUTY	BR-175-100
2	6	BEARING HOUSING, 100mm	BR-100-RAK
3	1	YOKE ASSY, 1.75-20 1 SLIP, 1 LOCK	PTS-1018
4	1	YOKE ASSY, 1.75-20, 1.75-6 BOTH LOCK	PTS-1019
5	1	REAR DRIVE SHAFT	PR60401
6	2	MAIN DRIVE SHAFT	PR60402
7	1	COUPLER, 1.75 X 20 SPLINE	PR60404
8	1	1/4 X 2-1/4 ROLL PIN	PIN-4-36
9	2	4" GREASE MANIFOLD	GF-4-4
10	6	GREASE FITTING 1/8 NPT 45°	GF-1827-45
11	6	1/8 MP X 1/8 FPX	A-1404-2-2
12	2	1/8 MP X 1/8 FPX 45°	A-1503-2-2
13	6	1/4"-28 X 1/8" FNPT ADAPTER	GFA-51942
14	6	1/8MP X 1/8 FPX 90°	A-1501-2-2

ITEM NO.	QTY	DESCRIPTION	PART NUMBER
15	1	1/8" HOSE 1/8MP X 1/8MP X 29 L	H2-29-2MP-2MP
16	1	1/8" HOSE 1/8MP X 1/8MP X 70 L	H2-70-2MP-2MP
17	1	1/8" HOSE 1/8MP X 1/8MP X 130 L	H2-130-2MP-2MP
18	1	1/8" HOSE 1/8MP X 1/8MP X 160 L	H2-160-2MP-2MP
19	1	1/8" HOSE 1/8MP X 1/8MP X 110 L	H2-110-2MP-2MP
20	1	1/8" HOSE 1/8MP X 1/8MP X 62 L	H2-62-2MP-2MP
101	2	1/4-20 X 1-1/2 HEX CAP G5 ZC	BL-4-150-H
102	2	1/4-20 X 2 HH C/S G5 ZC	BL-4-200-H
103	8	1/4 USS FW ZC	BL-4-FW
104	4	1/4-20 HEX LN NE ZC	BL-4-LN
105	12	5/8-11 X 2-1/2 HH C/S G5 ZC	BI-10-250-H
106	24	5/8 SAE FW ZC	BL-10-SW
107	12	5/8-11 HEX LN NE ZC	BL-10-LN

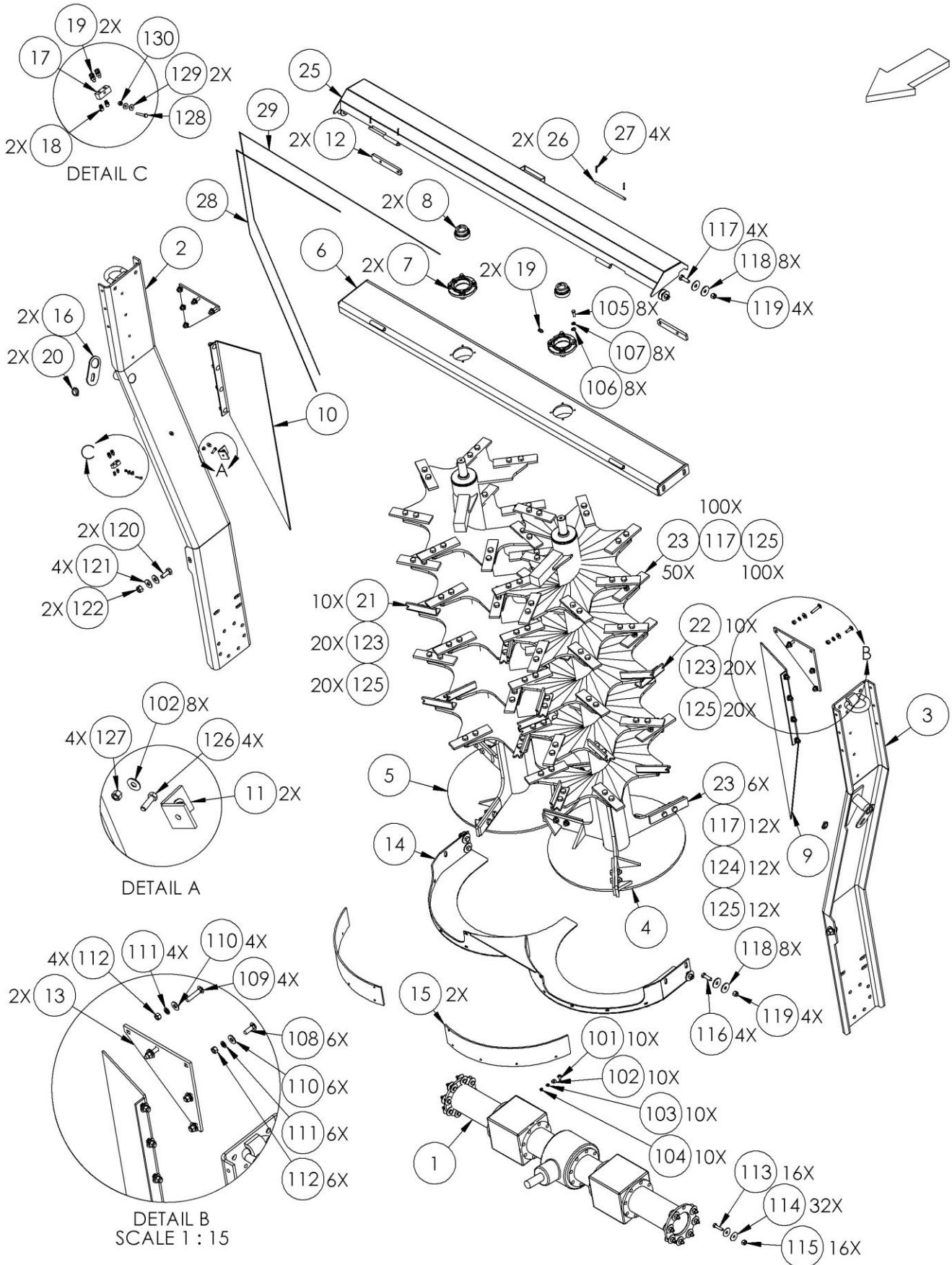


ITEM NO.	QTY	DESCRIPTION	PART NUMBER
1	1	GEARBOX, HP SPREADER	VTB-1893-A1
2	1	BEATER PANEL, RH	PR63500
3	1	BEATER PANEL, LH	PR63501
4	1	VERTICAL BEATER, LH	VTB-0040
5	1	VERTICAL BEATER, RH	VTB-0041
6	1	TOP BEARING PLATE	PR63502
7	2	FLANGE BEARING HOUSING	BR-085-4PF
8	2	1.75" BEARING	BR-175-085-I
9	1	BEATER PANEL WING, LH	PR64011
10	1	BEATER PANEL WING, RH	PR64012
11	2	MOUNT, BEATER PANEL WING	PR60058
12	2	SPACER, BEATER PANEL	PR60060
13	2	GUSSET, BEATER PANEL	PR60059
14	1	BEATER PAN	PR63503
15	2	BEATER PAN BELTING	PR63504
16	2	BEATER LOCKING PLATE	PR63505
17	1	2" GREASE MANIFOLD	GF-2-2
18	2	GREASE FITTING 1/8 NPT 45°	GF-1827-45
19	4	1/8 MP X 1/8 FPX	A-1404-2-2
20	2	1/4" LYNCH PIN	PIN-250L
21	10	BEATER BLADE, RH	VTB-1899-B3
22	10	BEATER BLADE, LH	VTB-1899-C3
23	56	BALANCED BEATER KNIFE	VTB-1899-F3
24	11	GEAR LUBE, @ QT	HP-1038
25	1	COVER, BEATER BEARING	PR63506
26	2	HINGE PIN	PR70133
27	4	COTTER PIN, 3/16 X 1-1/2"	PIN-C3-24
28	1	1/8" HOSE 1/8MP X 1/8MP X 143 L	H2-143-2MP-2MP
29	1	1/8" HOSE 1/8MP X 1/8MP X 174" L	H2-174-2MP-2MP

ITEM NO.	QTY	DESCRIPTION	PART NUMBER
101	10	3/8-16 X 1-1/4 CARRIAGE BOLT G5 ZC	BL-6-125-C
102	18	3/8 USS FW ZC	BL-6-FW
103	10	3/8 SPLIT LW ZC	BL-6-LW
104	10	3/8-16 HEX NUT ZC	BL-6-N
105	8	7/16-14 X 1-1/4 HH G5 ZC	BL-7-125-HH
106	8	7/16 SAE FW ZC	BL-7-SW
107	8	7/16 SPLIT LW ZC	BL-7-LW
108	14	1/2-13 X 1-1/2 CARRIAGE BOLT G5 ZC	BL-8-150-C
109	4	1/2-13 X 2-1/2 CARRIAGE BOLT G5 ZC	BL-8-250-C
110	18	1/2 USS FW ZC	BL-8-FW
111	18	1/2 SPLIT LW ZC	BL-8-LW
112	18	1/2-13 HEX FIN NUTS ZC	BL-8-N
113	16	9/16-12 X 2 HH G8	BL-9-200-H8
114	32	9/16 FW G8	BL-9-FW-8
115	16	9/16-12 LN w/ NYLON INSERT	BL-9-LN
116	4	5/8-11 X 2 HEX CAP G5 ZC	BL-10-200-H
117	116	5/8-11 X 2 HEX CAP G8 ZC	BL-10-200-H8
118	16	5/8 FW G8	BL-10-FW-8
119	8	5/8-11 HEX LN NE ZC	BL-10-LN
120	2	3/4-10 X 2 HH C/S G8 ZC	BL-12-200-8
121	4	3/4 FW G8	BL-12-FW-8
122	2	3/4-10 LN w/ NYLON INSERTS G8	BL-12-LN-8
123	40	5/8-11 X 1-3/4 HH G8 ZC	BL-10-175-H8
124	12	5/8 SAE FW ZC	BL-10-SW
125	152	5/8-11 STOVER LN	BL-10-LNS
126	4	3/8-16 X 1-1/4 HHCS G5 ZC	BL-6-125-H
127	4	3/8-16 FIN H LN NE A563 GA ZC	BL-6-LN
128	1	1/4-20 X 1-3/4 HH C/S G5 ZC	BL-4-175-H
129	2	1/4 USS FW ZC	BL-4-FW
130	1	1/4-20 HEX LN NE ZC	BL-4-LN

7415-2-03

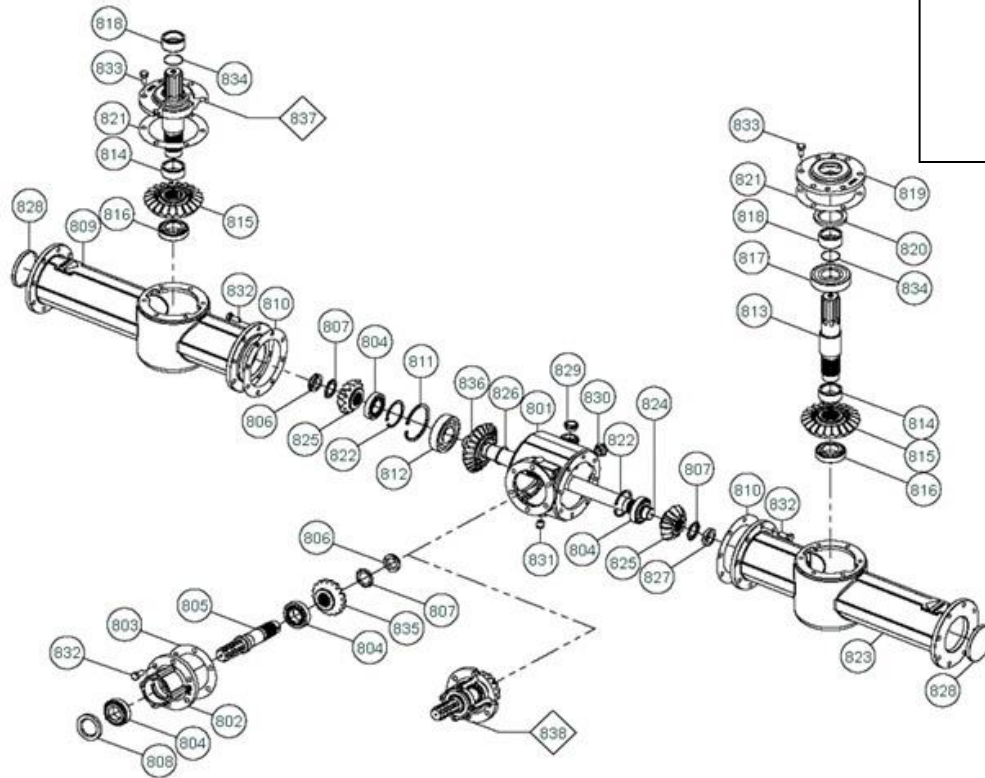
# Vertical Beaters, Quick Disconnect



# 7415-2-03A

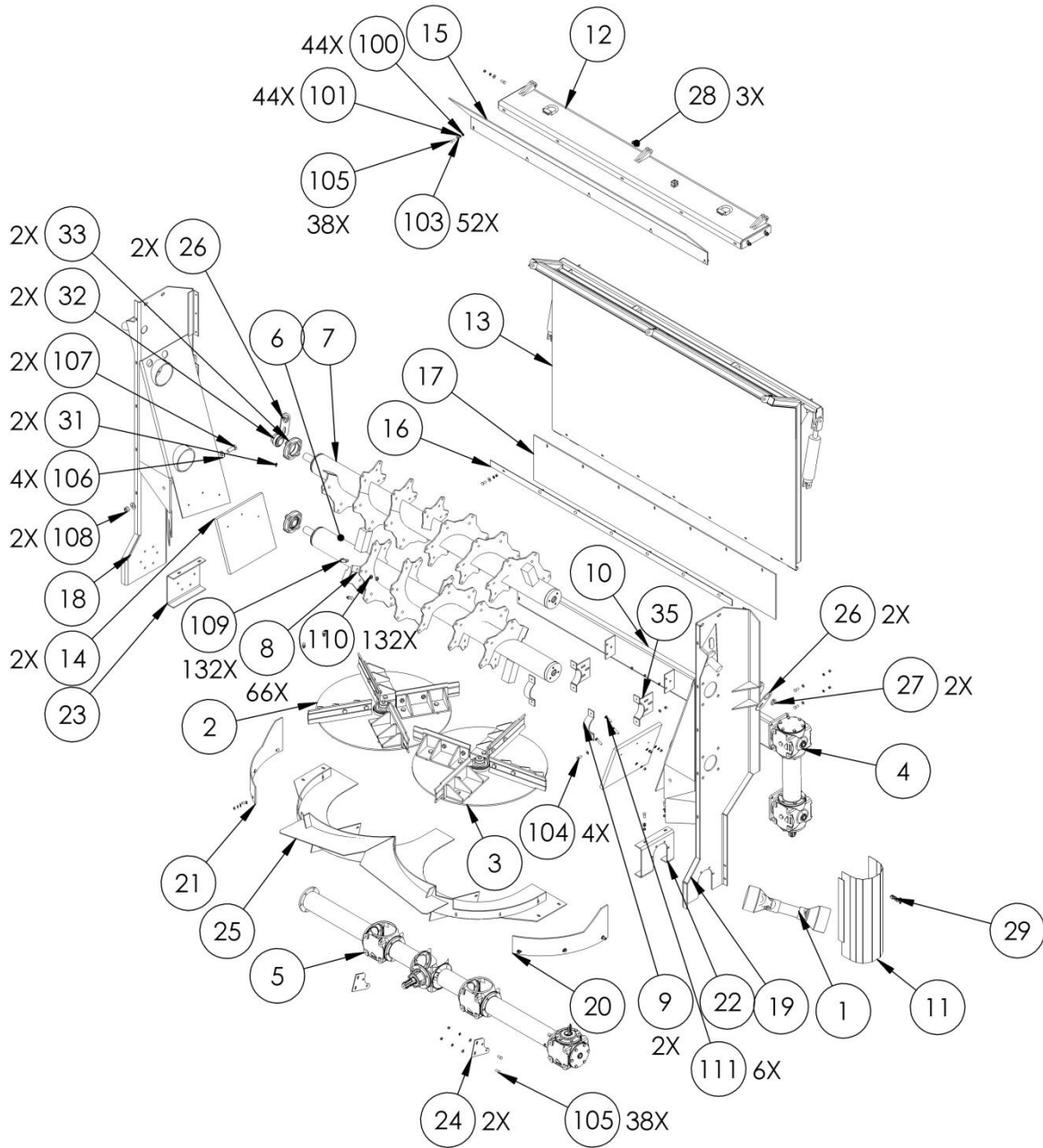
# Vertical Beater Gearbox

NOTE:  
MANY OF THESE  
PARTS ARE SPECIAL  
ORDER ONLY.  
CONSULT YOUR  
DEALER FOR  
AVAILABILITY



ITEM NO.	QTY	DESCRIPTION	PART NUMBER	ITEM NO.	QTY	DESCRIPTION	PART NUMBER
1	0	1,000 rpm GEARBOX	VTB-1893-A1	820	2	OIL SEAL	VTB-1899-S1
801	1	HOUSING	VTB-1899-A1	821	2	GASKET	VTB-1899-R1
802	1	HUB	VTB-1899-J2	822	2	SNAP RING	VTB-1893-E1
803	1	GASKET	VTB-1899-H2	823	1	RIGHT SPACER TUBE	VTB-1893-F1
804	4	BEARING 32209	VTB-1899-G1	824	1	SHAFT	VTB-1899-C1
805	1	SHAFT	VTB-1899-L2	825	2	BEVEL PINION Z=13	VTB-1899-F1
806	2	THREADED RING	VTB-1899-D1	826	1	CIRCLIP E 55	VTB-1899-K1
807	3	WASHER	VTB-1899-E1	827	1	THREADED RING	VTB-1899-L1
808	1	OIL SEAL	VTB-1899-K2	828	2	END CAP	VTB-1893-G1
809	1	RIGHT SPACER TUBE	VTB-1893-B1	829	1	OIL PLUG, 1" GAS.	VTB-1899-E2
810	2	GASKET	VTB-1899-A2	830	1	OIL LEVEL INDICATOR	VTB-1899-C2
811	1	SNAP RING	VTB-1893-C1	831	1	OIL PLUG, 1/2" GAS.	VTB-1899-D2
812	1	BEARING 6311	VTB-1899-H1	832	22	SCREW, HEX-HD M14 X 35	VTB-1899-Z1
813	2	SPINED SHAFT	VTB-1893-D1	833	12	SCREW, HEX-HD M14 X 30	VTB-1899-P1
814	2	SPACER	VTB-1899-V1	834	2	O-RING 2212	VTB-1899-N1
815	2	GEAR Z=22	VTB-1899-W1	835	1	BEVEL PINION Z=17	VTB-1899-G2
816	2	BEARING 32210	VTB-1899-X1	836	1	GEAR Z=24	VTB-1899-J1
817	2	BEARING 6311-2RS	VTB-1899-T1	837	2	CAP	VTB-1893-H1
818	2	SPACER	VTB-1899-M1	838	1	HUB COMPLETE, GEARBOX	VTB-1899-M2
819	2	CALOTTE	VTB-1899-Q1				

ITEM NO.	QTY.	DESCRIPTION	PART NUMBER
1	1	PTO SHAFT, SIDE	VTB-CMP-2200-H
2	1	RH SPINNER ASSY	VTB-CMP-2200-F
3	1	LH SPINNER ASSY	VTB-CMP-2200-E
4	1	GEARBOX, HORIZONTALS	VTB-CMP-2200-C
5	1	BOTTOM SPINNER GEARBOX	VTB-CMP-2112
6	1	HORIZ. BEATER, BOTTOM	VTB-CMP-2105
7	1	HORIZ. BEATER, TOP	VTB-CMP-2104
8	66	KNIFE, HORIZ. COMP. BEATER	VTB-0047
9	2	STRAP	PR70312
10	1	GEAR BOX SADDLE	PR70311
11	1	PTO SHIELD	PR70310
12	1	TOP PLATE	PR70299
13	1	BACK PANEL, HYDRAULIC LIFT	PR70297
14	2	GUIDE	PR70261
15	1	880 DIVERT SHIELD	PR70260
16	1	BACKING BAR, BELTING	PR70244
17	1	BELTING, MIDDLE	PR70243
18	1	BEATER PANEL, RH	PR63522
19	1	BEATER PANEL, LH	PR63521
20	1	PLATE, SLURRY PAN, LH	PR63518
21	1	PANEL, SLURRY PAN, RH	PR63517
22	1	MOUNT, GEARBOX, LH	PR63512
23	1	MOUNT, GEARBOX, RH	PR63511
24	2	BRACKET, COMPOST PAN GUSSET	PR63509-G
25	1	SLURRY PAN	PR63509
26	2	BEATER LOCKING PLATE	PR63505
27	2	1/4" LYNCH PIN	PIN-250L
28	3	5/8 CLEVIS PIN	PIN-10-28
29	1	MED. RUBBER T-LATCH	LA-1530
30	2	WELDED CYLINDER	HC-150-1004
31	2	GREASE FITTING 1/8NPT	GF-1827
32	2	1.75" BEARING	BR-175-085-I
33	2	FLANGE BEARING HOUSING	BR-085-4PF
35	2	GEARBOX SUPPORT BRACKET, COMPOST BEATERS	PR70349
100	44	3/8-16 HEX NUT ZC	BL-6-N
101	44	3/8 SPLIT LW ZC	BL-6-LW
102	4	3/8-16 FIN H LN NE A563 GA ZC	BL-6-LN
103	52	3/8 USS FW ZC	BL-6-FW
104	4	3/8-16 X 1-1/4 HHCS G5 ZC	BL-6-125-H
105	38	3/8-16 X 1-1/4 CARRIAGE BOLT G5 ZC	BL-6-125-C
106	4	3/4 SAE FW G8 ZC	BL-12-SW
107	2	3/4-10 X 2.25 HH G8	BL-12-225-H-8
108	2	3/4-10 LN w/ NYLON INSERTS	BL-12-LN
109	132	9/16-12 X 1.50 HH G8	BL-9-150-H8
110	132	9/16-12 STOVER LN	BL-9-LNS
111	6	3/8-16 X 2 CARRIAGE BOLT G5 ZC	BL-6-200-C



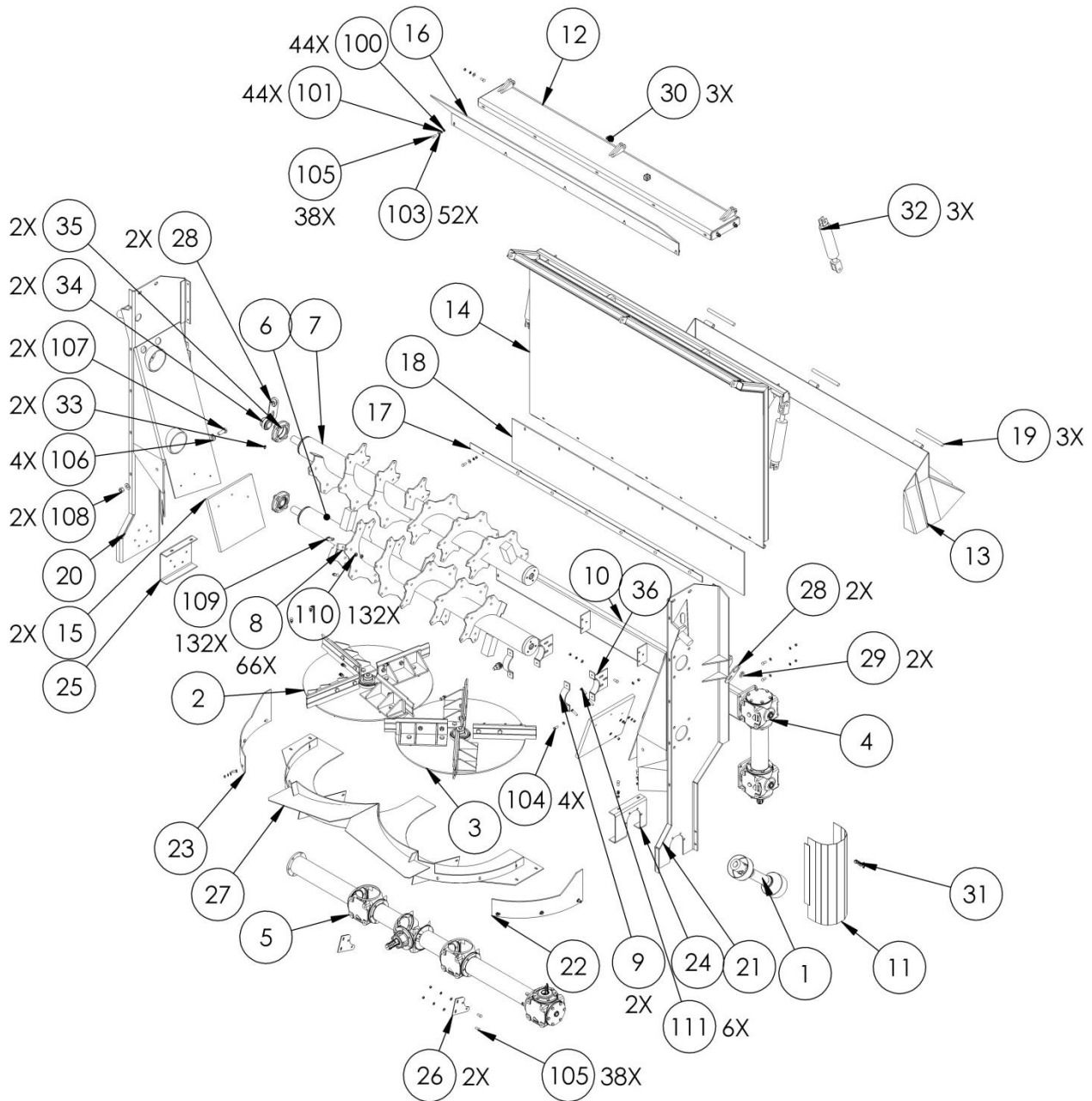


## Compost Beaters: Hydraulic Hood W/ Trim Shield

ITEM NO.	QTY.	DESCRIPTION	PART NUMBER
1	1	PTO SHAFT, SIDE	VTB-CMP-2200-H
2	1	SPINNER ASSY, RH	VTB-CMP-2200-F
3	1	SPINNER ASSY, LH	VTB-CMP-2200-E
4	1	GEARBOX, HORIZONTALS	VTB-CMP-2200-C
5	1	BOTTOM SPINNER GEARBOX	VTB-CMP-2112
6	1	HORIZ. BEATER, BOTTOM	VTB-CMP-2105
7	1	HORIZ. BEATER, TOP	VTB-CMP-2104
8	66	KNIFE, HORIZ. COMP. BEATER	VTB-0047
9	2	STRAP	PR70312
10	1	GEAR BOX SADDLE	PR70311
11	1	PTO SHIELD	PR70310
12	1	TOP PLATE	PR70299
13	1	ADJUSTABLE PANEL	PR70298
14	1	BACK PANEL, HYDRAULIC LIFT	PR70297
15	2	GUIDE	PR70261
16	1	880 DIVERT SHIELD	PR70260
17	1	BACKING BAR, BELTING	PR70244
18	1	BELTING, MIDDLE	PR70243
19	3	LATCH PIN	PR63535
20	1	BEATER PANEL, RH	PR63522
21	1	BEATER PANEL, LH	PR63521
22	1	PLATE, SLURRY PAN, LH	PR63518
23	1	PANEL, SLURRY PAN, RH	PR63517
24	1	MOUNT, GEARBOX, LH	PR63512
25	1	MOUNT, GEARBOX, RH	PR63511
26	2	BRACKET, COMPOST PAN GUSSET	PR63509-G
27	1	SLURRY PAN	PR63509
28	2	BEATER LOCKING PLATE	PR63505
29	2	1/4" LYNCH PIN	PIN-250L
30	3	5/8 CLEVIS PIN	PIN-10-28
31	1	MED. RUBBER T-LATCH	LA-1530
32	3	WELDED CYLINDER	HC-150-1004
33	2	GREASE FITTING 1/8NPT	GF-1827
34	2	1.75" BEARING	BR-175-085-I
35	2	FLANGE BEARING HOUSING	BR-085-4PF
36	2	GEARBOX SUPPORT BRACKET, COMPOST BEATERS	PR70349
100	44	3/8-16 HEX NUT ZC	BL-6-N
101	44	3/8 SPLIT LW ZC	BL-6-LW
102	4	3/8-16 FIN H LN NE A563 GA ZC	BL-6-LN
103	52	3/8 USS FW ZC	BL-6-FW
104	4	3/8-16 X 1-1/4 HHCS G5 ZC	BL-6-125-H
105	38	3/8-16 X 1-1/4 CARRIAGE BOLT G5 ZC	BL-6-125-C
106	4	3/4 SAE FW G8 ZC	BL-12-SW-8
107	2	3/4-10 X 2.25 HH G8	BL-12-225-H-8
108	2	3/4-10 LN w/ NYLON INSERTS	BL-12-LN
109	132	9/16-12 X 1.50 HH G8	BL-9-150-H8
110	132	9/16-12 STOVER LN	BL-9-LNS
111	6	3/8-16 X 2 CARRIAGE BOLT G5 ZC	BL-6-200-C

7415-2-03C

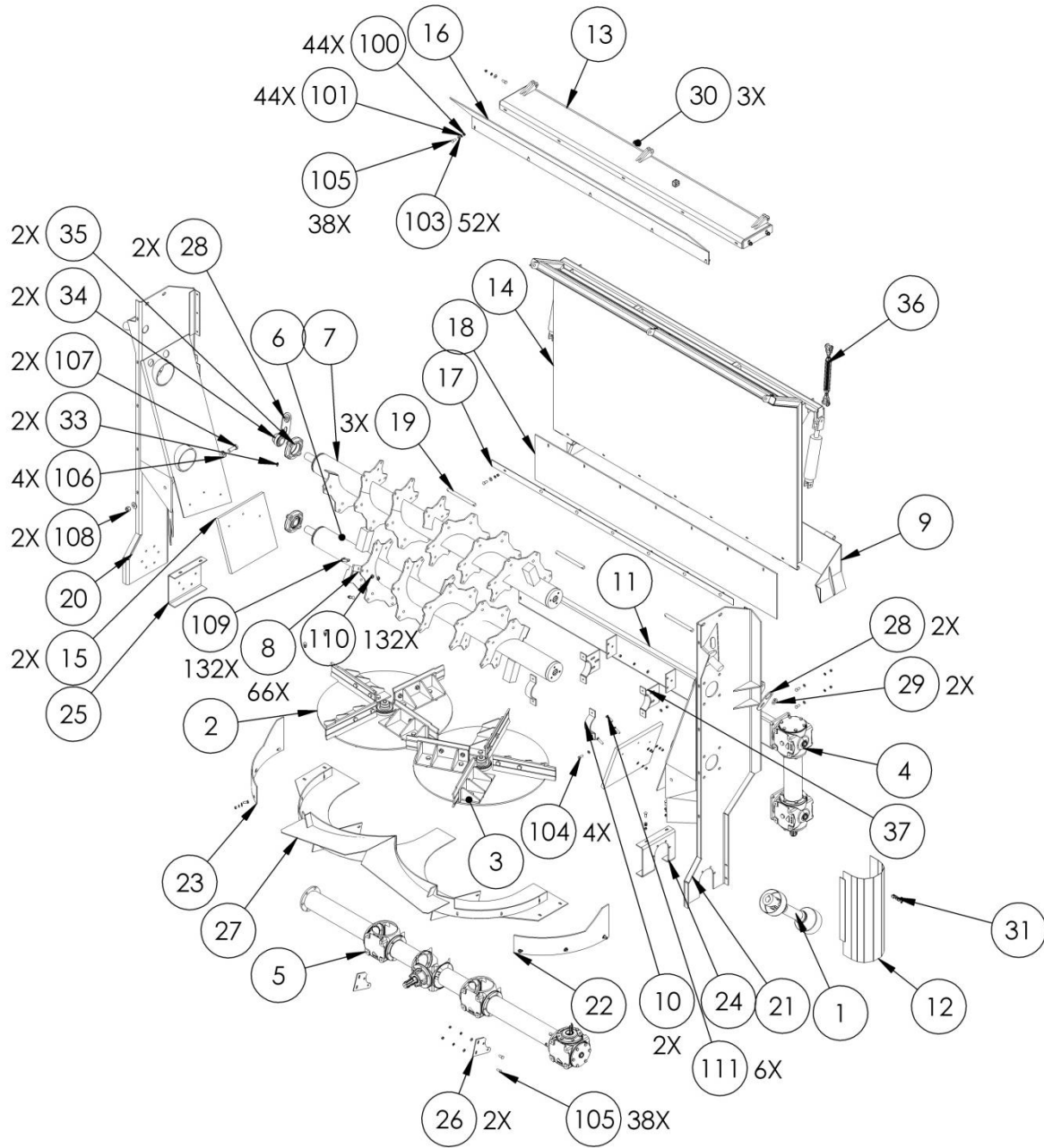
# Compost Beaters: Hydraulic Hood W/ Trim Shield

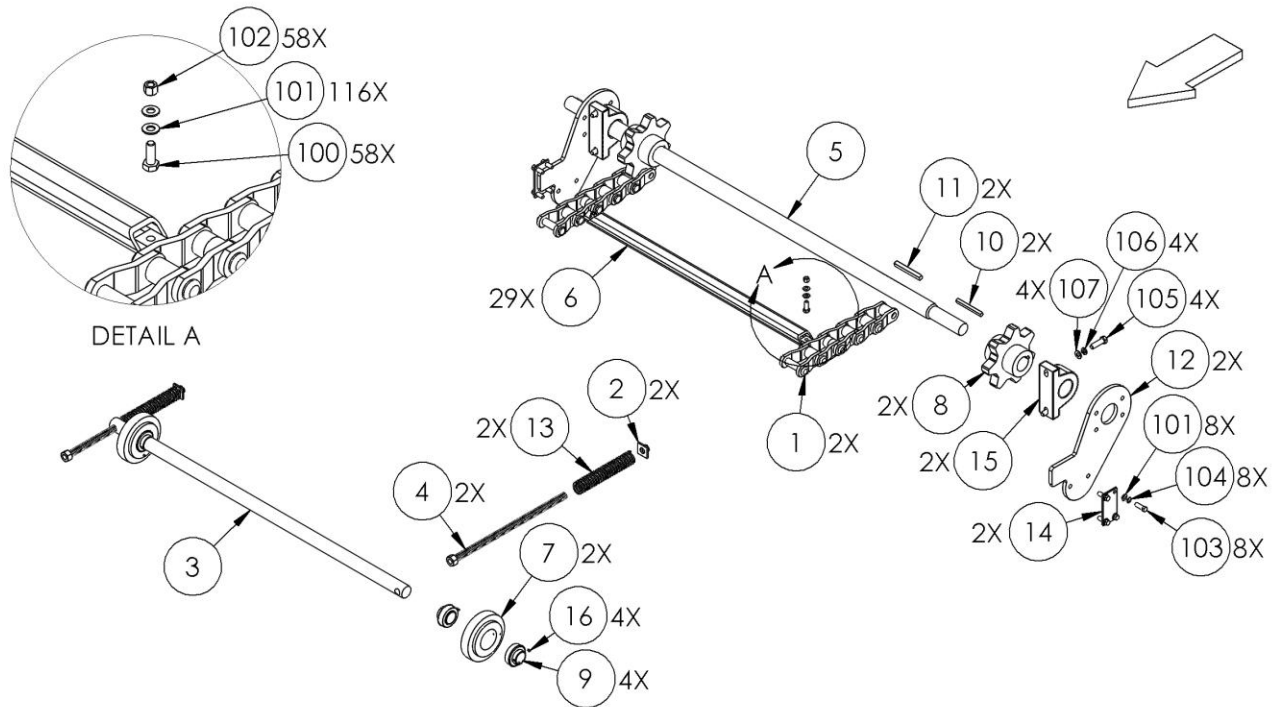


# Compost Beaters: Hydraulic Hood W/ Turnbuckle

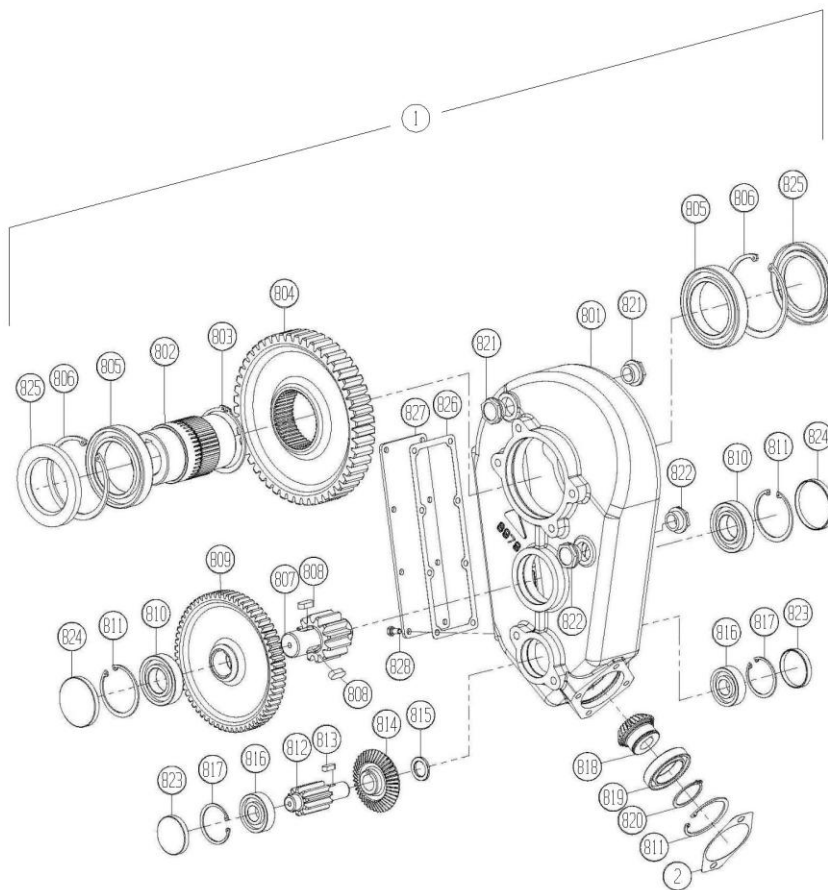
ITEM NO.	QTY.	DESCRIPTION	PART NUMBER
1	1	PTO SHAFT, SIDE	VTB-CMP-2200-H
2	1	SPINNER ASSY, RH	VTB-CMP-2200-F
3	1	SPINNER ASSY, LH	VTB-CMP-2200-E
4	1	GEARBOX, HORIZONTALS	VTB-CMP-2200-C
5	1	BOTTOM SPINNER GEARBOX	VTB-CMP-2112
6	1	HORIZ. BEATER, BOTTOM	VTB-CMP-2105
7	1	HORIZ. BEATER, TOP	VTB-CMP-2104
8	66	KNIFE, HORIZ. COMP. BEATER	VTB-0047
9	1	ADJUSTABLE PANEL	PR70382
10	2	STRAP	PR70312
11	1	GEAR BOX SADDLE	PR70311
12	1	PTO SHIELD	PR70310
13	1	TOP PLATE	PR70299
14	1	BACK PANEL, HYDRAULIC LIFT	PR70297
15	2	GUIDE	PR70261
16	1	880 DIVERT SHIELD	PR70260
17	1	BACKING BAR, BELTING	PR70244
18	1	BELTING, MIDDLE	PR70243
19	3	LATCH PIN	PR63535
20	1	BEATER PANEL, RH	PR63522
21	1	BEATER PANEL, LH	PR63521
22	1	PLATE, SLURRY PAN, LH	PR63518
23	1	PANEL, SLURRY PAN, RH	PR63517
24	1	MOUNT, GEARBOX, LH	PR63512
25	1	MOUNT, GEARBOX, RH	PR63511
26	2	BRACKET, COMPOST PAN GUSSET	PR63509-G
27	1	SLURRY PAN	PR63509
28	2	BEATER LOCKING PLATE	PR63505
29	2	1/4" LYNCH PIN	PIN-250L
30	3	5/8 CLEVIS PIN	PIN-10-28
31	1	MED. RUBBER T-LATCH	LA-1530
32	2	WELDED CYLINDER	HC-150-1004
33	2	GREASE FITTING 1/8NPT	GF-1827
34	2	1.75" BEARING	BR-175-085-I
35	2	FLANGE BEARING HOUSING	BR-085-4PF
36	1	Turnbuckle, 28.5" Ref Lgth, 3/4" - 10 Thread	PR70335
37	2	GEARBOX SUPPORT BRACKET, COMPOST BEATERS	PR70349
100	44	3/8-16 HEX NUT ZC	BL-6-N
101	44	3/8 SPLIT LW ZC	BL-6-LW
102	4	3/8-16 FIN H LN NE A563 GA ZC	BL-6-LN
103	52	3/8 USS FW ZC	BL-6-FW
104	4	3/8-16 X 1-1/4 HHCS G5 ZC	BL-6-125-H
105	38	3/8-16 X 1-1/4 CARRIAGE BOLT G5 ZC	BL-6-125-C
106	4	3/4 SAE FW G8 ZC	BL-12-SW-8
107	2	3/4-10 X 2.25 HH G8	BL-12-225-H-8
108	2	3/4-10 LN w/ NYLON INSERTS	BL-12-LN
109	132	9/16-12 X 1.50 HH G8	BL-9-150-H8
110	132	9/16-12 STOVER LN	BL-9-LNS
111	6	3/8-16 X 2 CARRIAGE BOLT G5 ZC	BL-6-200-C

# Compost Beaters: Hydraulic Hood W/ Turnbuckle



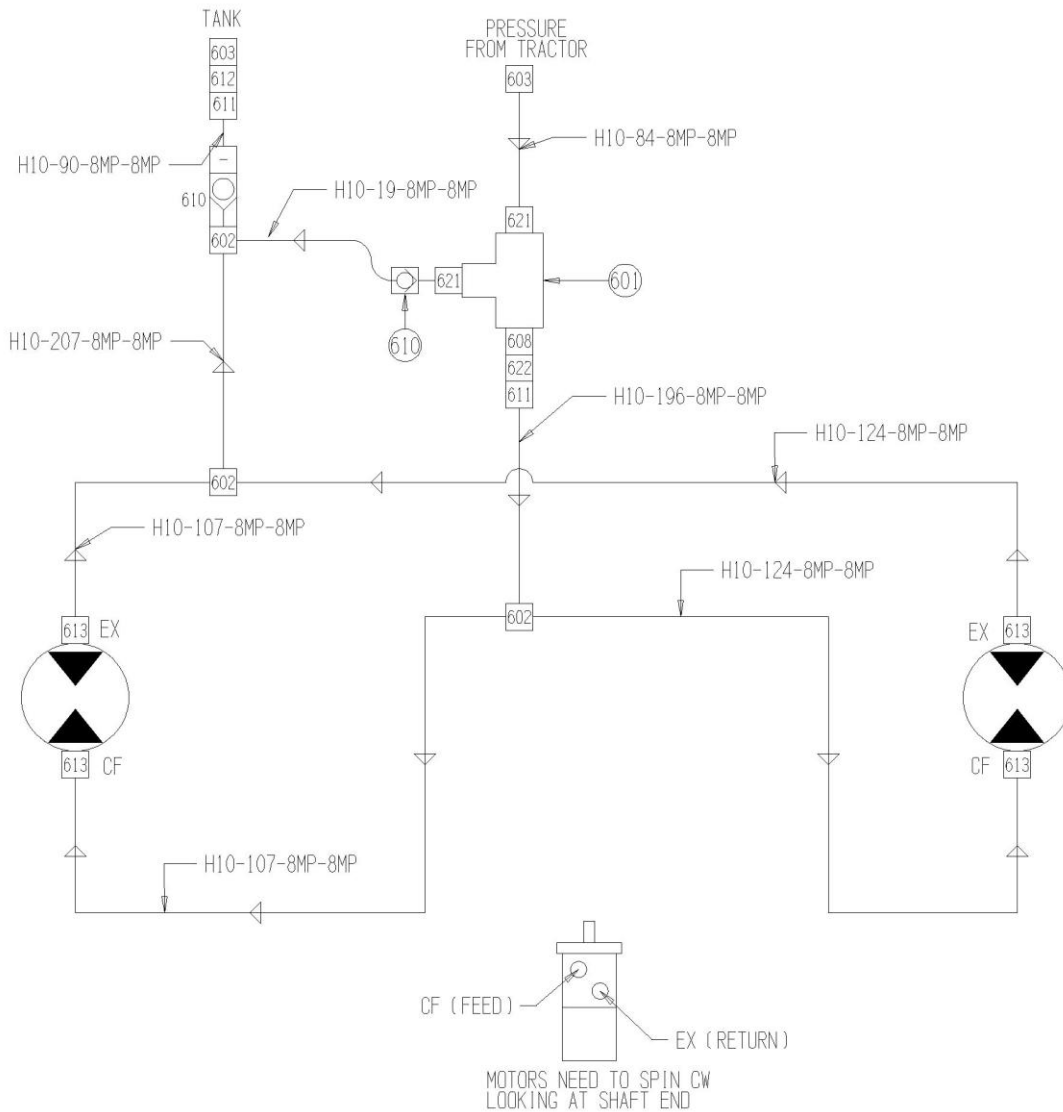


ITEM NO.	QTY	DESCRIPTION	PART NUMBER
1	2	PULL CHAIN	PR60422
2	2	ADJUSTMENT PLATE	PR60016
3	1	CHAIN SHAFT, FRONT	PR60017
4	2	TENSION BOLT, CHAIN SPREADER	PR60041
5	1	DRIVE SHAFT, APRON CHAIN	PR60040
6	29	CHAIN FLIGHTING, CENTER TAB	PR60420
7	2	SPREADER CHAIN ROLLER	RLR-0027
8	2	DRIVE SPROCKET, PINTLE CHAIN	PR60417
9	4	BEARING, 2" ER	BR-200-ER
10	2	1/2" KEY X 5.375", 4140 STEEL	KEY-8-8-86-HCS
11	2	5/8" KEY X 5.5", 4140 STEEL	KEY-10-10-550-HCS
12	2	TORQUE PLATE	PR60066
13	2	SPRING, CHAIN TENSIONER	SPRG-1200-EH
14	2	MOUNT, TORQUE PLATE	PR60068
15	2	BEARING ASSEMBLY, 2.5"	BR-250-HD
16	4	1/4" X 28 GREASE FITTING	GF-1428
100	58	1/2 X 1-1/2 HH G8	BL-8-150-H8
101	124	1/2 SAE FW ZC	BL-8-SW
102	58	1/2-13 LN NYLON INSERT ZC	BL-8-LN
103	8	1/2-13 X 1-3/4 HH G5 ZC	BL-8-175-H
104	8	1/2 SPLIT LW ZC	BL-8-LW
105	4	5/8-11 X 2-1/2 HH G8 ZC	BL-10-250-H-8
106	4	5/8 SPLIT LW ZC	BL-10-LW
107	4	5/8 SAE FW ZC	BL-10-SW



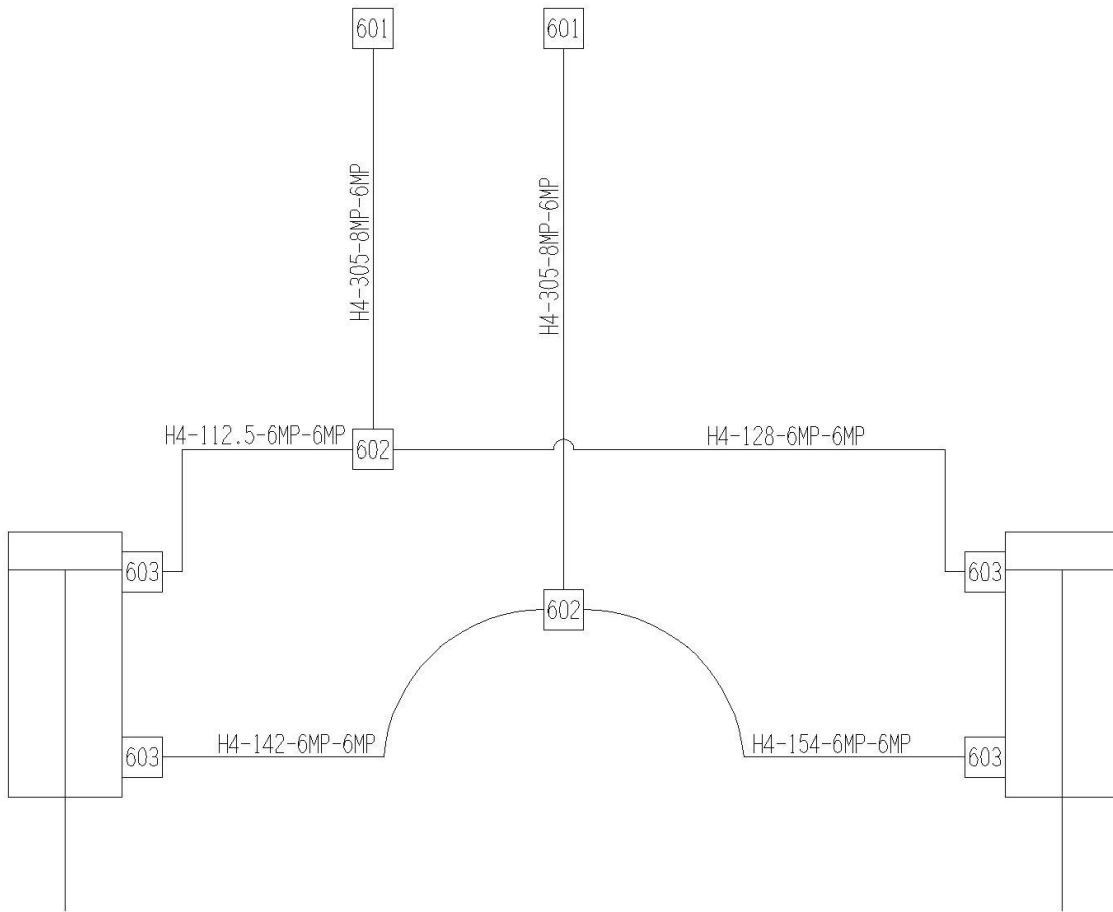
NOTE:  
MANY OF THESE PARTS  
ARE SPECIAL  
ORDER ONLY.  
CONSULT YOUR DEALER  
FOR AVAILABILITY

ITEM NO.	QTY	DESCRIPTION	PART NUMBER	ITEM NO.	QTY	DESCRIPTION	PART NUMBER
1	2	GEARBOX	GBX-1893	812	1	PINION Z=10	GBX-1893-L
2	0	FLANGE GASKET	PR60026	813	1	KEY 8 X 7 X 25	GBX-1893-M
3	2	ORBIT MOTOR	HM-1893	814	1	GEAR Z=43	GBX-1893-N
4	3	GEAR LUBE, 80W90	HP-1038	815	1	SPACER	GBX-1893-O
100	12	14mm X 40mm, BOLT	BL-M-14-40-H	816	2	BEARING 6305	GBX-1893-P
101	12	5/8 SPLIT LW ZC	BL-10-LW	817	2	CIRCLIP I 62	GBX-1893-Q
801	1	HOUSING	GBX-1893-D	818	1	PINION Z=28	GBX-1893-R
802	1	GEARBOX HUB	GBX-1893-B	819	1	BEARING	GBX-1893-S
803	1	INTERNAL RETAINING CLIP	GBX-1893-C	820	1	CIRCLIP E 50	GBX-1893-T
804	1	GEAR Z=54	GBX-1893-E	821	2	OIL PLUG 1" GAS	GBX-1893-U
805	2	BALL BEARING, OPEN	GBX-1893-A	822	2	OIL LEVEL INDIC. 1" GAS.	GBX-1893-V
806	2	INTERNAL CLIP	GBX-1893-F	823	2	PLUG	GBX-1893-W
807	1	PINION Z=12	GBX-1893-G	824	2	PLUG	GBX-1893-X
808	2	KEY 12 X 8 X 30	GBX-1893-H	825	2	SHAFT SEAL, GEARBOX	GBX-1893-Y
809	1	GEAR Z=63	GBX-1893-I	826	1	GASKET	GBX-1893-Z
810	2	BEARING 6208	GBX-1893-J	827	1	COVER	GBX-1893-A 1
811	3	CIRCLIP I 80	GBX-1893-K	828	8	SCREW, HEX-HD M 8 X 16	GBX-1893-B 1



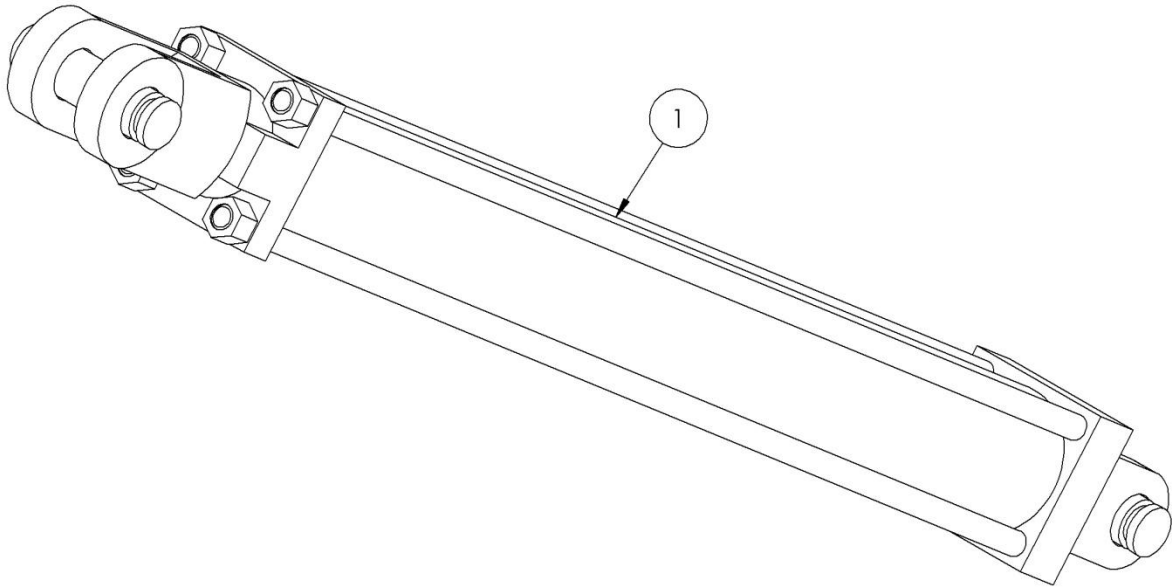
ITEM NO.	QTY	DESCRIPTION	PART NUMBER
601	1	RELIEF VALVE	HV-RV-3H
602	3	SWIVEL T 1/2" NPTF	A-1603-8-8-8
603	2	TRACTOR QUICK CPLR	A-QD2010-8-8
604	1	TEST POINT PLUG	HA-1004-4
605	1	8 SAE X 1/2 FPX90	A-6901-8-8
606	1	8 SAE X 1/2 FPX	A-6900-8-8
607	1	1/2 MP X 1/2 FPX90	A-1501-8-8
608	3	10 SAE X 1/2 MPT	A-6401-10-8
610	1	1/2 PARKER CHECK VALVE	HV-CKV-800S
611	2	1/2 MP TO 1/2 FPX	A-1404-8-8
612	1	HEX NIPPLE, 1/2 X 1/2	A-5404-8-8

ITEM NO.	QTY	DESCRIPTION	PART NUMBER
613	4	10 SAE X 1/2 FPX 45	A-6902-10-8
614	1	5/8" HOSE 1/2 X 1/2	H10-84-8MP-8MP
615	1	5/8 HOSE X 1/2MP X 1/2MP	H10-90-8MP-8MP
616	2	5/8" HOSE 1/2 MP X 1/2 MP	H10-107-8MP-8MP
617	1	5/8" HOSE 1/2 MP X 1/2 MP	H10-196-8MP-8MP
618	1	5/8" HOSE 1/2 MP X 1/2 MP	H10-207-8MP-8MP
619	2	5/8" HOSE 1/2 MP X 1/2 MP	H10-124-8MP-8MP
620	1	5/8" HOSE 1/2 MP X 1/2 MP	H10-19-8MP-8MP
621	2	10 SAE X 1/2 FPX90	A-6901-10-8
622	1	VALVE, BALL	VLV-050-BHP
623	1	HYD. PRESSURE GAUGE	HA-1004-G
624	1	TEST POINT PROBE	HA-1005-T

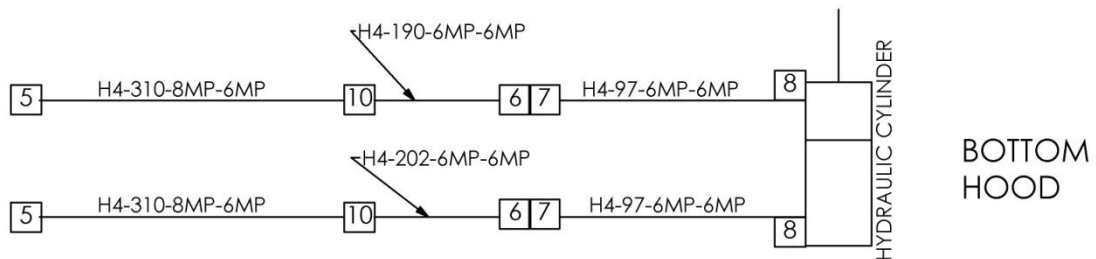
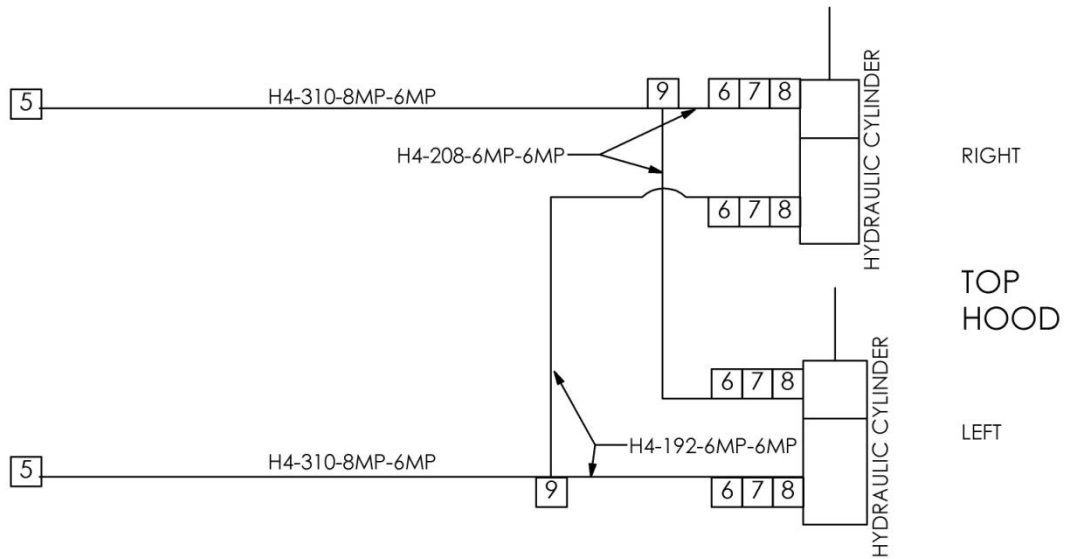


ITEM NO.	QTY	DESCRIPTION	PART NUMBER
601	2	TRACTOR QUICK CPLR	A-QD2010-8-8
602	2	SWIVEL T 3/8" NPTF	A-1603-6-6-6
603	4	8 SAE X 3/8FPX90	A-6901-8-6
604	2	1/4" HOSE 1/2MP X 3/8MP	H4-305-8MP-6MP
605	1	1/4" HOSE 6MP X 6MP	H4-112.5-6MP-6MP
606	1	1/4" HOSE 3/8MP X 3/8MP	H4-128-6MP-6MP
607	1	1/4" HOSE 6MP X 6MP	H4-142-6MP-6MP
608	1	1/4" HOSE 3/8MP X 3/8MP	H4-154-6MP-6MP

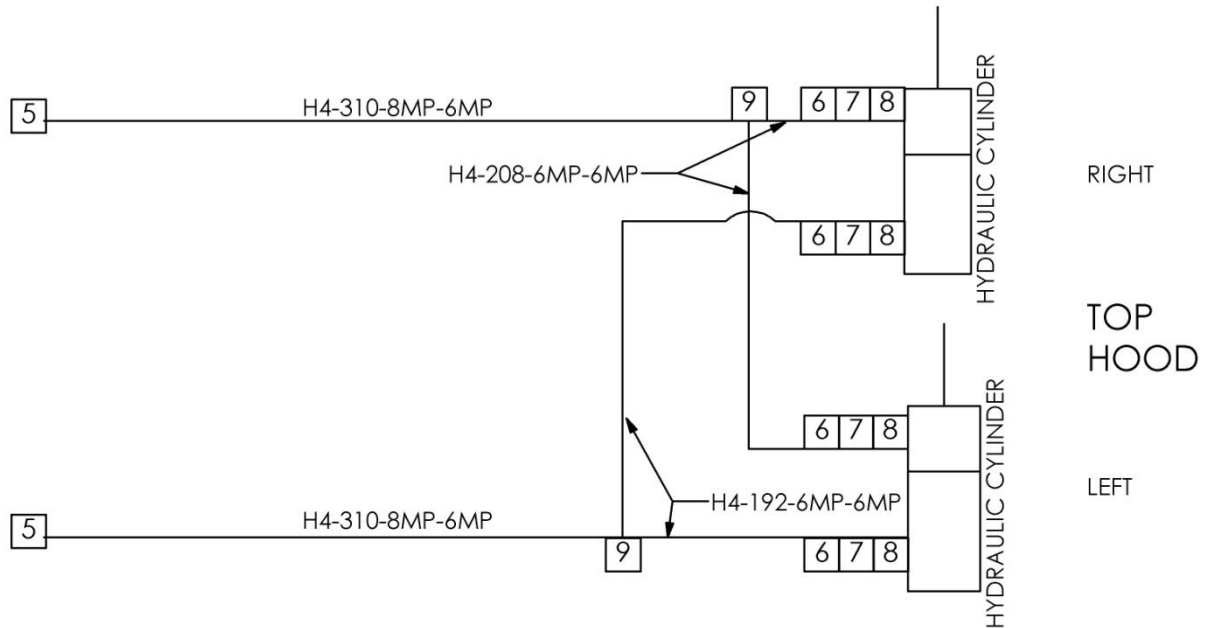




ITEM NO.	QTY	DESCRIPTION	PART NUMBER
1	1	HYDRAULIC CYLINDER	HC-250-2408-0R
801	0	SEAL KIT	HC-250-125



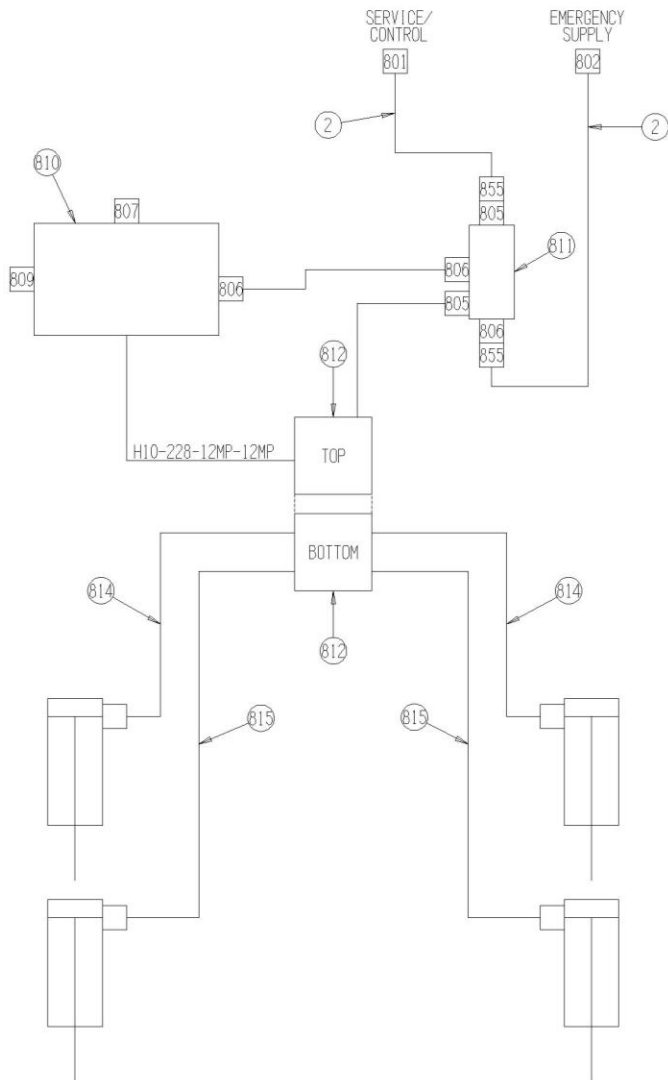
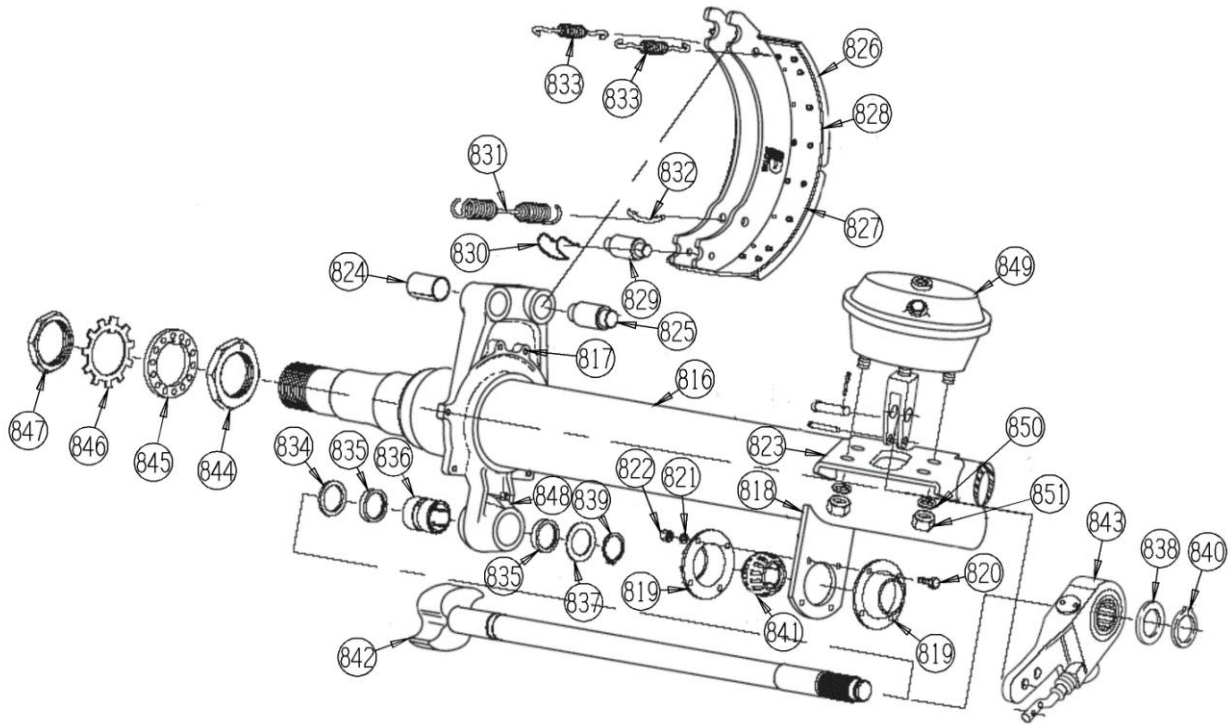
12	1	1/4" HOSE, 3/8"MP X 3/8"MP X 202"	H4-202-6MP-6MP
11	1	1/4" HOSE, 3/8"MP X 3/8"MP X 190"	H4-190-6MP-6MP
10	2	3/8 NPT COUPLER W/SWIVEL	A-1405-6-6
9	2	SWIVEL T 3/8" NPTF	A-1603-6-6-6
8	6	1/4" MP X 3/8" FPX90°	A-1501-4-6
7	4	HYDRAULIC QUICK DISCONNECT COUPLER, MALE, 3/8"	A-QD-1000-06-06
6	4	TRACTOR QUICK COUPLER,FEMALE, 3/8" X 3/8"	A-QD2050-6-6
5	4	QUICK COUPLER, 1/2" X 1/2"	A-QD2010-8-8
4	4	1/4" HOSE, 1/2"MP X 3/8"MP X 310"	H4-310-8MP-6MP
3	2	1/4" HOSE, 3/8"MP X 3/8"MP X 97"	H4-97-6MP-6MP
1	2	1/4" HOSE, 3/8"MP X 3/8"MP X 208"	H4-208-6MP-6MP
ITEM NO.	QTY	DESCRIPTION	PART NUMBER



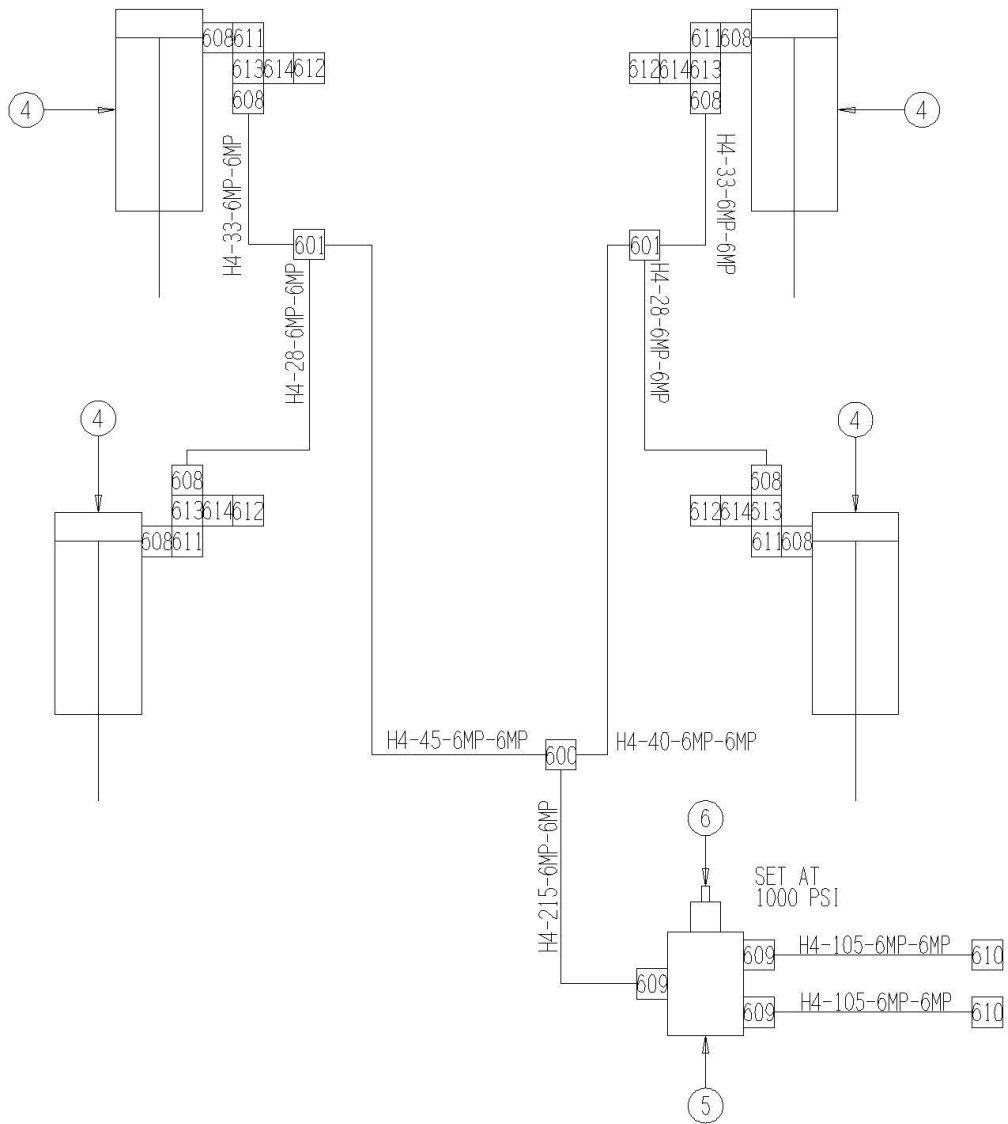
9	2	SWIVEL T 3/8" NPTF	A-1603-6-6-6
8	4	1/4" MP X 3/8" FPX90°	A-1501-4-6
7	2	HYDRAULIC QUICK DISCONNECT COUPLER, MALE, 3/8"	A-QD-1000-06-06
6	2	TRACTOR QUICK COUPLER, FEMALE, 3/8" X 3/8"	A-QD2050-6-6
5	2	QUICK COUPLER, 1/2" X 1/2"	A-QD2010-8-8
4	2	1/4" HOSE, 1/2"MP X 3/8"MP X 310"	H4-310-8MP-6MP
1	2	1/4" HOSE, 3/8"MP X 3/8"MP X 208"	H4-208-6MP-6MP
ITEM NO.	QTY	DESCRIPTION	PART NUMBER

**NOTE:**  
**MANY OF THESE PARTS ARE SPECIAL  
 ORDER ONLY. CONSULT YOUR DEALER  
 FOR AVAILABILITY**

ITEM NO.	QTY	DESCRIPTION	PART NUMBER	ITEM NO.	QTY	DESCRIPTION	PART NUMBER
1	1	TRAILER AIR BRAKE	TRL-BRK-0001	822	8	NUT, RET. PLATE ATTACH.	TRL-BRK-0001-07
2	1	AIRLINE SET FOR AIR BRAKES	TRL-BRK-0002	823	2	BRACKET, AIR CHAMBER MOUNTING	TRL-BRK-0001-08
3	24	3/8" NYLON TUBING	AIR-N6DOT	824	4	BUSHING, SPIDER ANCH. PIN	TRL-BRK-0001-09
4	2	1/82" NPT COUPLER	A-1405-8-8	825	4	ANCHOR PIN	TRL-BRK-0001-10
5	1	3/4MP X 3/4FPX 90	A-1501-12-12	826	4	SHOE & LINING ASSY	TRL-BRK-0001-11
6	1	3/4MP X 3/4FPX	A-1404-12-12	827	4	LINING, BRAKE BLOCK CAM	TRL-BRK-0001-12
7	2	PIPE ADAPTER	A-5405-4-6	828	4	LINING, BRAKE BLOCK ANCH.	TRL-BRK-0001-13
8	2	UNIV. GLADHAND HOLDER	LA-309	829	4	ROLLER	TRL-BRK-0001-14
9	4	AIR CHAMBER ASSY	TRL-BRK-0001-34	830	4	RETAINER, ROLLER	TRL-BRK-0001-15
10	1	PANEL, AIR COMP. SHIELD	PR60032	831	2	SPRING, SHOE RETRACTOR	TRL-BRK-0001-16
601	1	5/8" HOSE 3/4MP X 3/4MP	H10-228-12MP-12MP	832	4	RETAINER PIN, RET. SPRING	TRL-BRK-0001-17
801	1	GLADHAND - SERVICE	TRL-BRK-0003	833	4	SPRING, SHOE KEEPER	TRL-BRK-0001-18
802	1	GLADHAND - EMERGENCY	TRL-BRK-0004	834	2	WASHER, CAMSHAFT	TRL-BRK-0001-19
803	2	1/2" BULKHEAD COUPLING	TRL-BRK-0005	835	4	GREASE SEAL	TRL-BRK-0001-20
804	2	3/8 X 1/4 MALE CONN.	TRL-BRK-0006	836	2	BUSHING, CAMSHAFT SPIDER	TRL-BRK-0001-21
805	3	3/8 X 3/8 MALE CONN.	TRL-BRK-0007	837	2	WASHER	TRL-BRK-0001-22
806	5	3/8 X 3/8 MALE ELBOW	TRL-BRK-0008	838	2	WASHER, CAMSHAFT SLACK ADJ.	TRL-BRK-0001-23
807	1	1/4" DRAIN VALVE	TRL-BRK-0009	839	2	SNAP RING	TRL-BRK-0001-24
808	1	3/4" HEX NIPPLE	TRL-BRK-0010	840	2	RETAINER, CAMSHAFT SL. ADJ.	TRL-BRK-0001-25
809	1	3/8" PIPE PLUG	TRL-BRK-0011	841	2	BUSHING, CAMSHAFT SUPP.	TRL-BRK-0001-26
810	1	AIR TANK	TRL-BRK-0012	842	2	CAMSHAFT, LH/RH	TRL-BRK-0001-27
811	1	EMERGENCY SPOOL	TRL-BRK-0013	843	2	SLACK ADJ. STRAIGHT AUTO.	TRL-BRK-0001-28
812	1	AIR RELAY VALVE	TRL-BRK-0014	844	2	NUT, INNER SPINDLE BRG	TRL-BRK-0001-29
814	2	3/8" X 40" AIR BRAKE HOSE	TRL-BRK-0016	845	2	LOCKWASHER, INDEXING	TRL-BRK-0001-30
815	2	3/8" X 72" AIR BRAKE HOSE	TRL-BRK-0017	846	2	LOCKWASHER, TAB	TRL-BRK-0001-31
816	1	BEAM OPTIONS	TRL-BRK-0001-01	847	2	NUT, OUTER SPINDLE	TRL-BRK-0001-32
817	2	SPIDER	TRL-BRK-0001-02	848	2	GREASE FITTING	TRL-BRK-0001-33
818	2	BRACKET-CAMSHAFT SUPP.	TRL-BRK-0001-03	850	4	LOCKWASHER, AIR CHAM. MTG	TRL-BRK-0001-35
819	4	RETAINER PLATE	TRL-BRK-0001-04	851	4	NUT, AIR CHAM. MTG	TRL-BRK-0001-36
820	8	BOLT, RET. PLATE ATTACH.	TRL-BRK-0001-05	855	2	STREET ELBOW 90	A-5502-6-8
821	8	LOCKWASHER, COVER ATT.	TRL-BRK-0001-06				

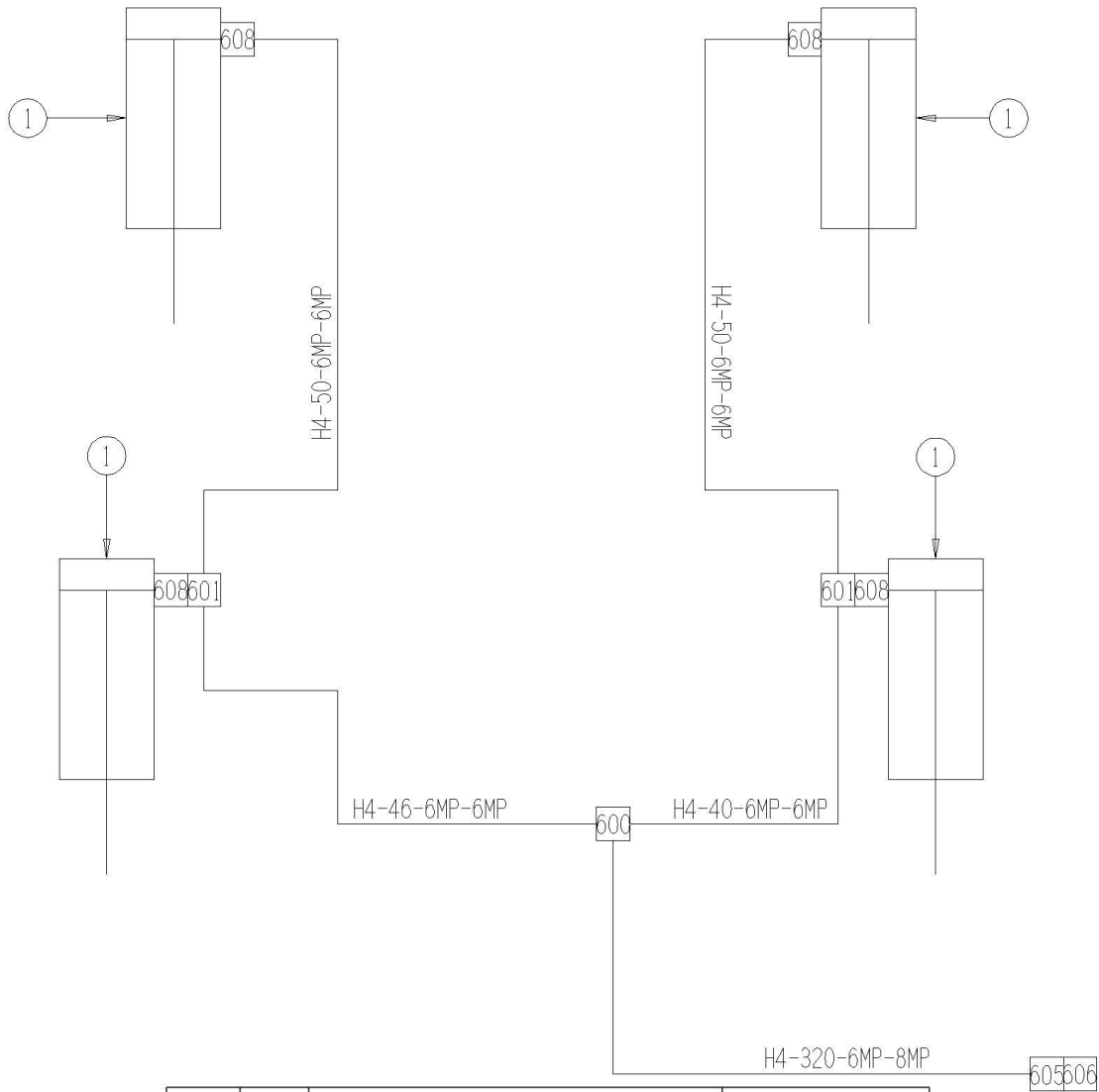


**NOTE:**  
 MANY OF THESE PARTS ARE SPECIAL  
 ORDER ONLY. CONSULT YOUR DEALER  
 FOR AVAILABILITY

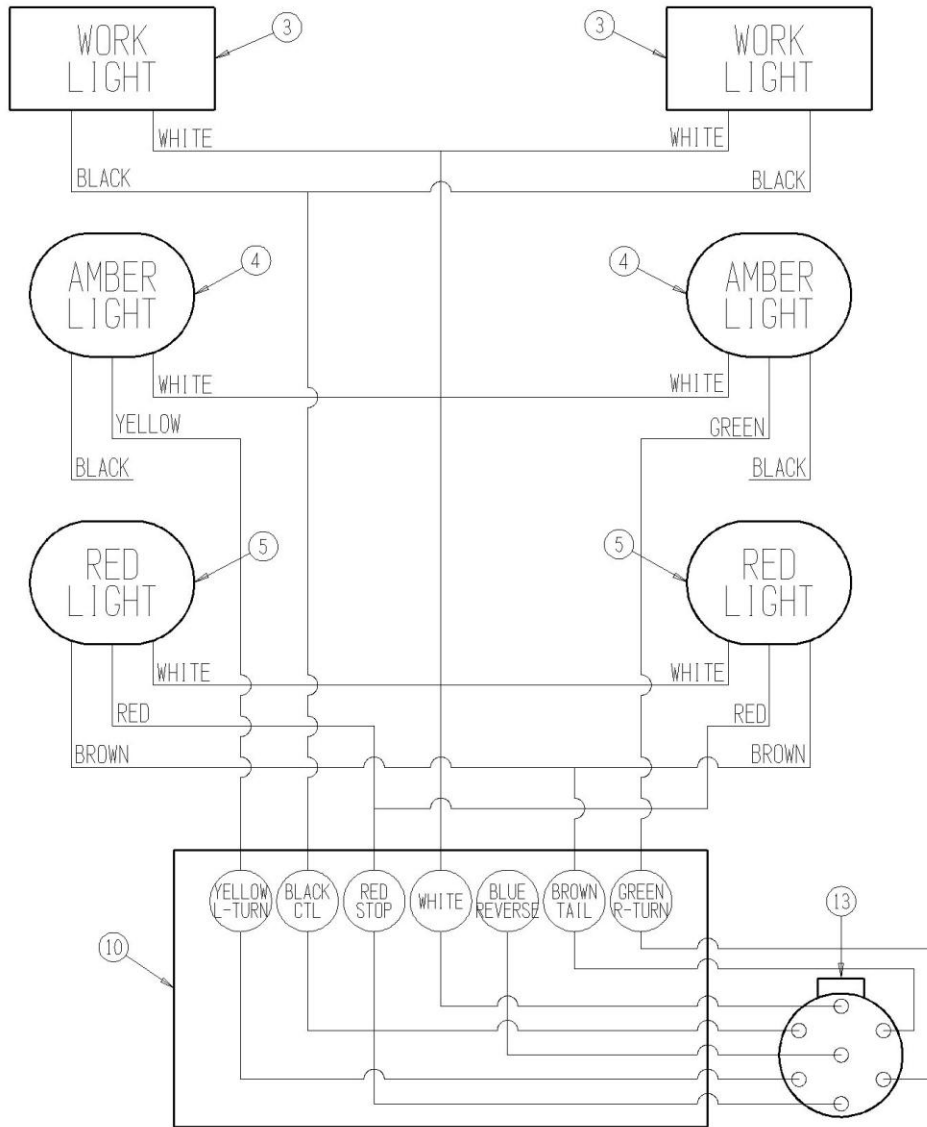


ITEM NO.	QTY	DESCRIPTION	PART NUMBER
3	4	HYDRAULIC BRAKE MOUNT	PR60074
4	4	SPRING RET. BRAKE CYL.	PR60073
5	1	PRESSURE RED./REL. VALVE	HV-1002
6	1	STANDARD KNOB	HV-1002-K
600	1	SWIVEL T 3/8" NPTF	A-1603-6-6-6
601	1	3/8MP x 3/8FPX x 3/8FPX TEE	A-1601-6-6-6
602	2	1/4" HOSE X 3/8MP X 3/8MP	H4-28-6MP-6MP
603	1	1/4" HOSE X 3/8MP X 3/8MP	H4-45-6MP-6MP
604	1	1/4" HOSE X 3/8MP X 3/8MP	H4-40-6MP-6MP
605	1	1/4" HOSE X 3/8MP X 3/8MP	H4-215-6MP-6MP

ITEM NO.	QTY	DESCRIPTION	PART NUMBER
606	2	1/4" HOSE X 3/8MP X 3/8MP	H4-105-6MP-6MP
607	2	1/4" HOSE X 3/8MP X 3/8MP	H4-33-6MP-6MP
608	8	3/8"MP X 3/8"FPX90	A-1501-6-6
609	3	6 SAE X 3/8 FPX	A-6900-6-6
610	2	TRACTOR QUICK CPLR	A-QD2010-8-8
611	4	HEX NIPPLE, 3/8" X 3/8"	A-5404-6-6
612	4	TEST POINT PLUG	HA-1004-T
613	4	1/4"MP X 3/8" FPX X 3/8"FPX TEE	A-1601-04-06-06
614	4	1/4" NPTF HEX PIPE CPLG.	A-5000-4

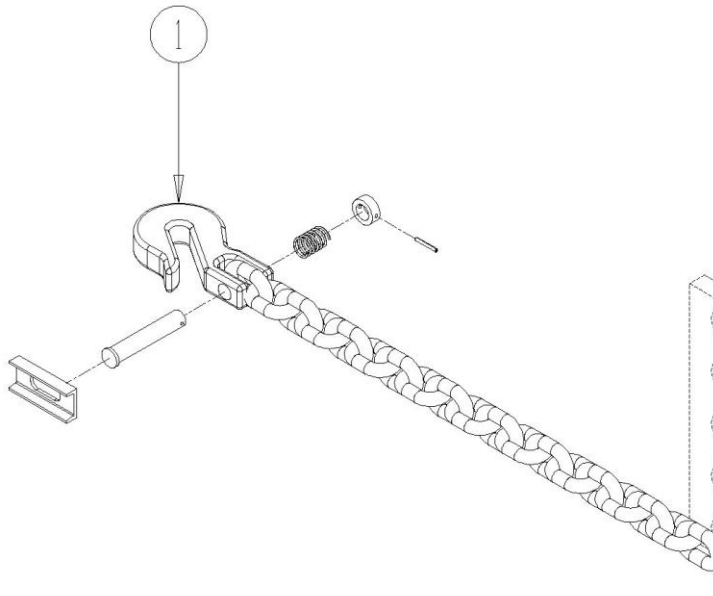


ITEM NO.	QTY	DESCRIPTION	PART NUMBER
0	4	HYDRAULIC BRAKE MOUNT	PR60074
1	4	SPRING RET. BRAKE CYL.	PR60073
600	1	SWIVEL T 3/8" NPTF	A-1603-6-6-6
601	2	3/8MP x 3/8FPX x 3/8FPX TEE	A-1601-6-6-6
602	2	1/4" HOSE X 3/8MP X 3/8MP	H4-50-6MP-6MP
603	1	1/4" HOSE X 3/8MP X 3/8MP	H4-46-6MP-6MP
604	1	1/4" HOSE X 3/8MP X 3/8MP	H4-40-6MP-6MP
605	1	METRIC TO PIPE ADAPTER	A-7455-08-18
606	1	HYD QUICK CONNECT CPLR	AQ-160559
607	1	1/4" HOSE X 3/8MP X 3/8MP	H4-320-6MP-8MP
608	4	3/8MP X 3/8FPX	A-1404-6-6
609	3	6 SAE X 3/8"FPX	A-6900-6-6



ITEM NO.	QTY	DESCRIPTION	PART NUMBER
1	1	LIGHT HARNESS, LH	EL-50561-397
2	1	LIGHT HARNESS, RH	EL-50562-416
3	2	HARNESS, WORK LIGHTS	EL-40604-13
4	1	7 CONDUCTOR HARNESS	EL-50780-362
5	2	LIGHT BRACKET	PR63007
601	2	WORK LIGHT	EL-1233
602	1	LED w/ BRAKE LIGHT, LH	EL-1501
603	1	LED w/ BRAKE LIGHT, RH	EL-1502
604	1	JUNCTION BOX	ELE-15-964
605	1	7 CONDUCTOR PLUG WITH SPRING	ELT-37675
606	1	4-PIN CONN., LH	EL-1503
607	1	4-PIN CONN., RH	EL-1504

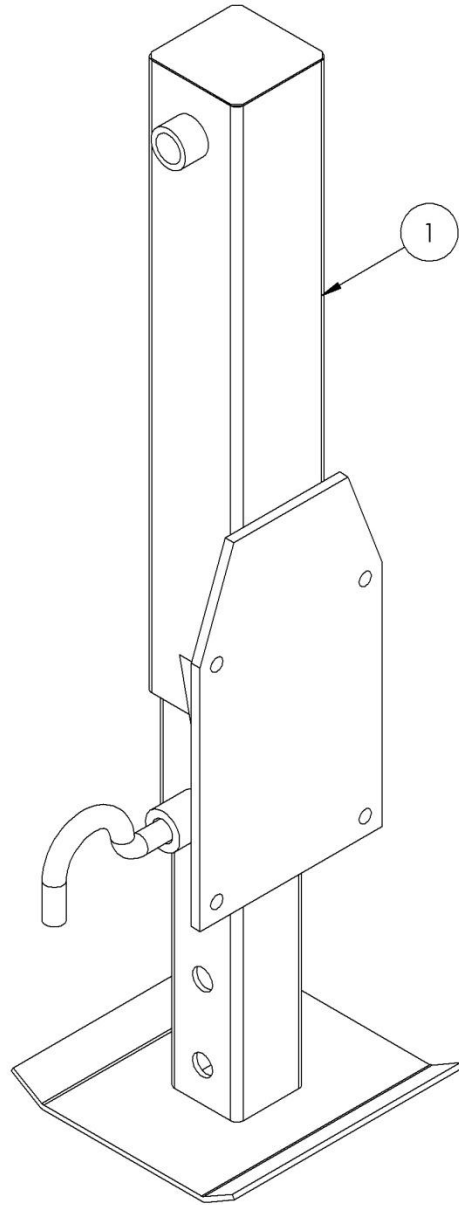




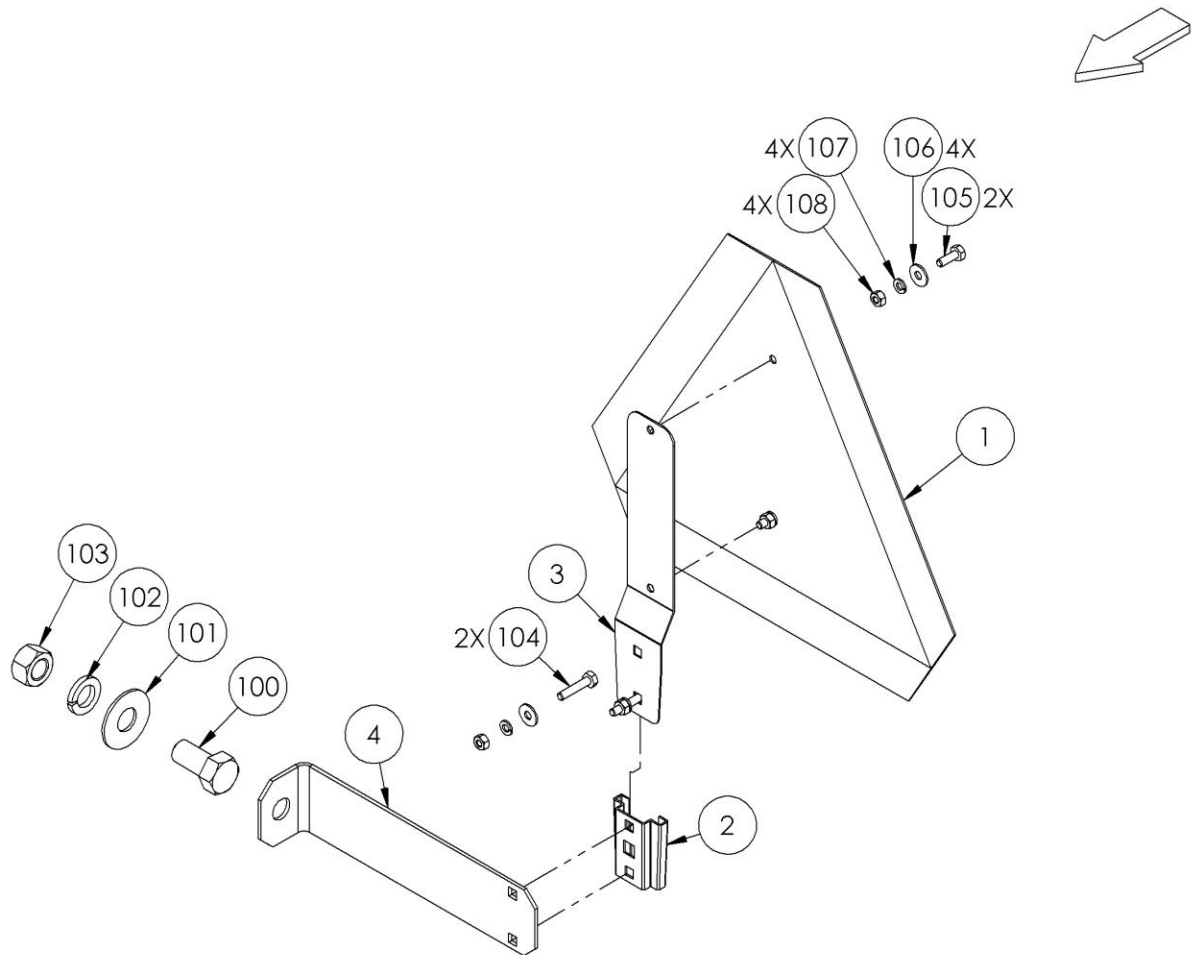
ITEM NO.	QTY	DESCRIPTION	PART NUMBER
1	1	SAFETY CHAIN	FRM-3172
101	1	1-1/2" FLAT WASHER	BL-24-FW
102	2	1" FLAT WASHER	BL-16-FW
103	1	1 UNC X 5 HH C/S GR5	BL-16-500-H
104	1	1" LOCK NUTS	BL-16-LN

7415-6-02

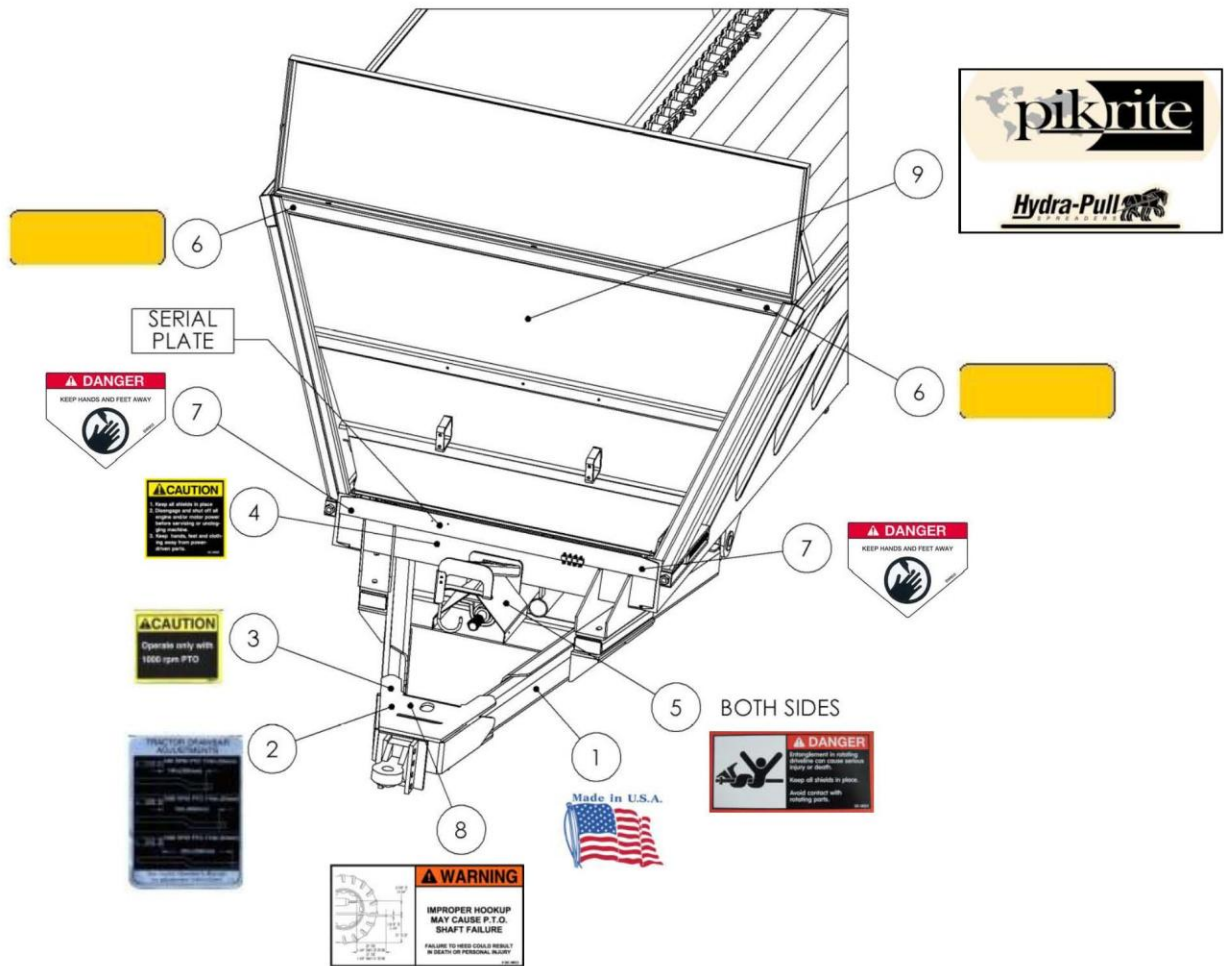
# Jack Stand



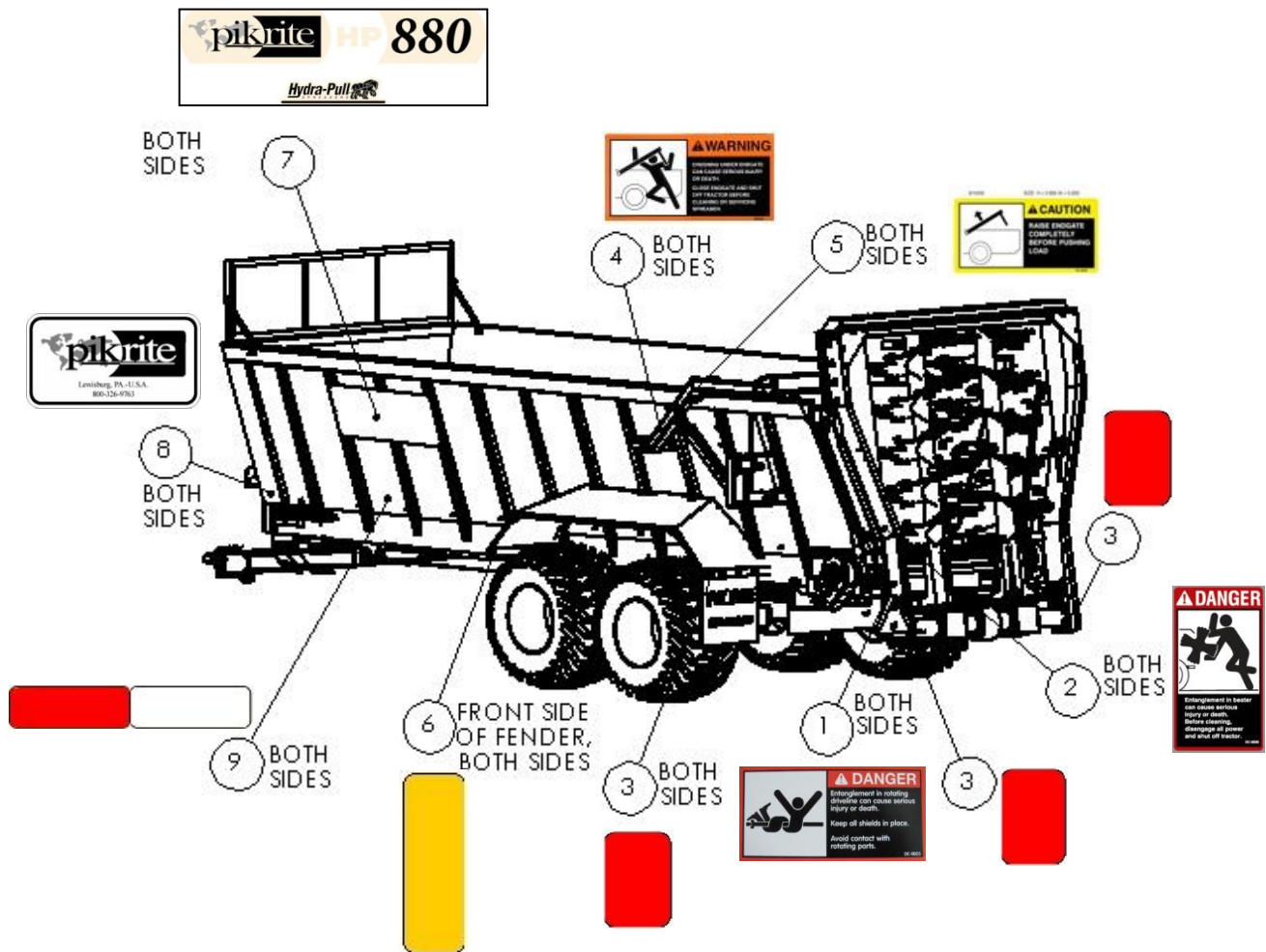
ITEM NO.	QTY	DESCRIPTION	PART NUMBER
1	1	JACK	WH-1131



ITEM NO.	QTY	PART NUMBER	DESCRIPTION
1	1	SMV-PL	SMV SIGN
2	1	SMV-S	SOCKET, SPADE MOUNT
3	1	SMV-SM	SPADE MOUNT
4	1	PR63006	SMV BRACKET
100	1	BL-12-150-H	3/4-10 X 1-1/2 HH G5 ZC
101	1	BL-12-FW	3/4 FW
102	1	BL-12-LW	3/4 LW
103	1	BL-12-N	3/4-10 NUT
104	2	BL-4-125-H	1/4-20 X 1-1/4 HEX CAP G5 ZC
105	2	BL-4-075-H	1/4-20 X 3/4 HH C/S BOLT G5 ZC
106	4	BL-4-FW	1/4 USS FW ZC
107	4	BL-4-LW	1/4 SPLIT LW ZC
108	4	BL-4-N	1/4-20 HEX FIN NUT ZC



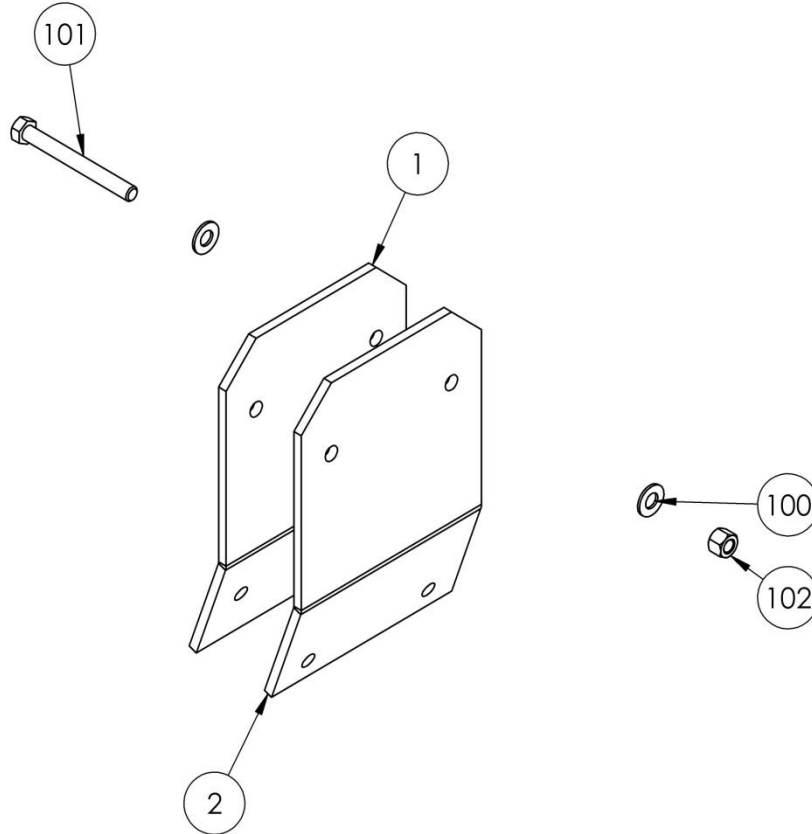
ITEM NO.	QTY	DESCRIPTION	PART NUMBER
1	1	DECAL, MADE IN USA	DC-0011
2	1	DECAL, CAUTION, 1000 rpm PTO	DC-0021
3	1	DECAL, TRACTOR DRAWBAR ADJUST.	DC-0022
4	1	DECAL, CAUTION, SHIELDS	DC-0023
5	2	DECAL, DANGER, ENTANGLEMENT	DC-0025
6	2	REFLECTOR, YELLOW	EL-1226
7	2	DECAL, DANGER, HANDS & FEET	DC-1174
8	1	DECAL, DANGER, IMPROPER PTO HOOKUP	DC-0013
9	1	DECAL, HYDRA PULL	DC-0103
101	2	POP RIVETS	RI-3-6-P



ITEM NO.	QTY	DESCRIPTION	PART NUMBER
1	2	DECAL, DANGER, DRIVE ENTANGLEMENT	DC-0025
2	2	DECAL, DANGER, BEATER ENTANGLEMENT	DC-0030
3	2	REFLECTOR, RED	EL-1227
4	4	DECAL, WARNING, ENDGATE	DC-0026
5	2	DECAL, CAUTION, RAISE ENDGATE	DC-0038
6	2	REFLECTOR, YELLOW	EL-1226
7	2	DECAL, PIK RITE LOGO	DC-0110
8	2	DECAL, LOGO	DC-4W
9	.15	REFLECTIVE TAPE, RED/WHITE, PER 150'	DC-3025

7415-6-06

# OPTIONAL SIDE EXTENSION, BOLT-ON W/O BOARD



ITEM NO.	QTY	DESCRIPTION	PART NUMBER
1	8	BOARD MOUNT	PR62000-W
2	8	BOARD MOUNT	PR62000-X
100	64	3/8 SAE FW ZC	BL-6-SW
101	32	3/8-16 X 3-1/2 HEX CAP G5 ZC	BL-6-350-H
102	32	3/8-16 FIN H LN NE A563 GA ZC	BL-6-LN

# **NOTES**

## NOTES



## WARRANTY

Pik Rite, Inc. provides a limited warranty assuring any new Hydra-Pull Spreader to be free from defects in material and workmanship for a period of two (2) years from the original date of purchase.

Pik Rite will repair or replace, at its option and without charge, any defective or malfunctioning part (excluding items of normal wear or misuse) of the spreader for this allotted time.

PIK RITE MAKES NO WARRANTY OF  
MERCHANTABILITY OR FITNESS FOR A  
PARTICULAR USE.

## Customer's Responsibility:

It is the customer and/or operator's responsibility to read the Operator's Manual, to operate, lubricate, maintain and store the equipment in accordance with all instructions and safety procedures. Failure of the operator to read the operators manual is a misuse of this equipment.

It is the customer and/or operators responsibility to inspect the product and to have any part(s) repaired or replaced when continued operation would cause damage or excessive wear to other parts or cause a safety hazard.

It is the customer's responsibility to deliver the product to the authorized dealer, from whom the spreader was purchased, for service or replacement of defective parts, which are covered by warranty.

It is the customer's responsibility for any cost incurred by the dealer for hauling the product for the purpose of performing a warranty obligation or inspection.

## WARRANTY INFORMATION

Make certain the warranty registration card has been forwarded to:

Pik Rite, Inc.  
60 Pik Rite Lane  
Lewisburg, PA 17837

Always give your dealer the serial number of your Pik Rite, Inc. product when ordering parts or requesting service or other information.

In the space provided record the model number, the serial number and the date of purchase to assist in providing you with prompt and efficient service.

MODEL NUMBER: HP880

DEALER: \_\_\_\_\_

SERIAL NUMBER: \_\_\_\_\_

ADDRESS: \_\_\_\_\_

PURCHASE DATE: \_\_\_\_\_

PHONE: \_\_\_\_\_

SALESMAN: \_\_\_\_\_

# Keep Page for Your Records

Pik Rite, Inc.  
60 Pik Rite Lane  
Lewisburg, PA 17837

Phone: 800-326-9763  
Fax: 570-523-8175  
[www.pikrite.com](http://www.pikrite.com)

***HP 880***  
**Manure Spreader**

Pik Rite, Inc.  
60 Pik Rite Lane  
Lewisburg, PA 17837

Phone: 800-326-9763  
Fax: 570-523-8175  
[www.pikrite.com](http://www.pikrite.com)

***HP 880***  
**Manure Spreader**