

pikrite

HP

1100

Hydra-Pull
SPREADERS 

Some illustrations may not represent the spreader model you have; however, the principles of operation and maintenance are the same. If you have questions specific to your spreader please contact your dealer.

SPECIFICATIONS AND DESIGN SUBJECT TO CHANGE WITHOUT NOTICE

TABLE OF CONTENTS

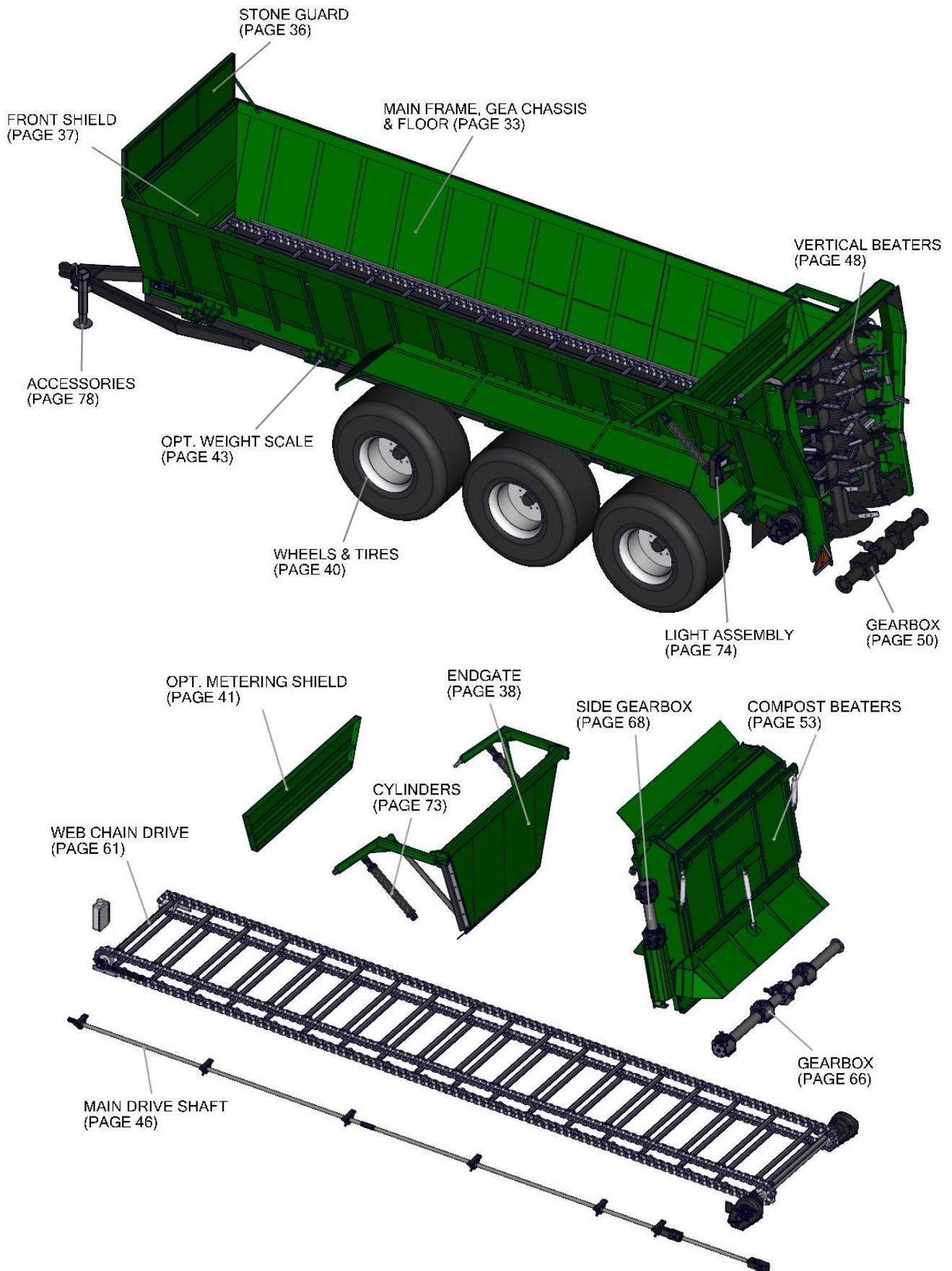
OPERATION MANUAL	7
INTRODUCTION	7
SAFETY	8
PREPARING THE TRACTOR	14
PREPARING THE SPREADER	16
CONTROLS	17
ATTACHING THE SPREADER	18
DETACHING THE SPREADER	19
TRANSPORT	20
OPERATING THE SPEADER	22
LUBRICATION AND MAINTENANCE	25
SPECIFICATIONS	30
PARTS MANUAL	31
74120-1-01 MAIN FRAME, GEA CHASSIS & FLOOR	33
74115-1-02 STONE GUARD	36
74120-1-03 FRONT SHIELD	37
74115-1-05 ENDGATE	38
74115-1-08 WHEELS & TIRES	40
74115-1-09 OPTIONAL METERING SHIELD	41
74120-1-10 OPTIONAL WEIGHT SCALE SYSTEM, NT460	43
74115-2-01 DRIVELINE, 1000 RPM	44
74115-2-02 MAIN DRIVE SHAFT	46
74115-2-03 VERTICAL BEATERS, QUICK DISCONNECT	48
74115-2-03A VERTICAL BEATER GEARBOX	50
74120-2-03B OPT. COMPOST BEATERS, HYDRAULIC HOOD W/ TRIM PANEL	53
74120-2-03C OPT. COMPOST BEATERS, HYDRAULIC HOOD	57
74119-2-04 WEB CHAIN DRIVE	61
74115-2-05 WEB CHAIN GEARBOX	64
74120-2-08 GEARBOX, COMPOST BEATERS	66
74120-2-09 GEARBOX, COMPOST BEATERS, SIDE	68
74119-3-01 HYDRAULICS, WEB DRIVE	70

TABLE OF CONTENTS

74119-3-02	HYDRAULICS, ENDGATE	72
74115-3-03	ENDGATE CYLINDERS	73
74115-5-01	ELECTRICAL & LIGHTING	74
74115-6-01	SAFETY TOW CHAIN	77
74120-6-02	ACCESSORIES	78
74115-6-04	DECALS, FRONT OF SPREADER	80
74115-6-05	DECALS, SIDES & REAR	81
74120-6-05A	DECALS ON COMPOST	82

WARRANTY		83
-----------------	--	-----------

TABLE OF CONTENTS



TO THE NEW OPERATOR OR OWNER

Since 1986 Pik Rite equipment has been developed by people who work as hard as you do in the fields, on the farm and on site. Our goal is to deliver products that get the job done with the most efficient results. If you want tough, dependable people and products you can count on, we've got your back.

This manual is provided to all our customers of newly manufactured manure spreaders to create an awareness of all maintenance expectations and dangers that may be encountered when owning this equipment. This manual should be kept for all future references. Please review these operating instructions carefully, then sign and date the last page of this document and return it to Pik Rite Inc. for processing. This will activate your warranty and verify that you have read and understand the following operating instructions and warnings. In the event you have questions or encounter other applications not discussed in this manual, please call before proceeding.

Congratulations and Thank You for choosing a quality manure spreader manufactured by Pik Rite Inc. We believe you'll be very satisfied with the purchase, and we appreciate your patronage.

PRINCIPLES OF OPERATION

The Hydra-Pull series features heavy duty components throughout the entire spreader. With a pintle chain breaking strength of 60,000 lbs, a rugged steal box design, and poly board flooring for maximum strength and durability, this machine is designed to efficiently and uniformly spread manure.

Spring Tension Rollers – The spring loaded front idler rollers keep the chain secure and provide better chain tracking.

Two Piece Drive Sprocket – The pintle chain sprocket allows for service removal without completely disassembling the drive system.

Precision Application – Optional load cells in the spreader body allow the hydraulic drive to adjust speed for consistent output.



RECOGNIZE SAFETY INFORMATION

This is the safety-alert symbol. When you see this symbol on your machine or in this manual be alert to the potential of physical injury.

Obey all safety messages that follow this symbol to avoid possibly injury or death.



UNDERSTAND SIGNAL WORDS

A signal word – DANGER, WARNING, or CAUTION – is used with the safety-alert symbol. DANGER identifies the most serious hazards.

DANGER indicates a hazardous situation which, if not avoided, **will** result in death or serious injury.

WARNING indicates a hazardous situation which, if not avoided, **could** result in death or serious injury.

CAUTION indicates a hazardous situation which, if not avoided, **could** result in minor or moderate injury.

NOTICE is used to address practices not related to physical injury.

SAFETY INSTRUCTIONS are used to indicate specific safety-related instructions or procedures.

FOLLOW SAFETY INSTRUCTIONS

Carefully read all safety messages in this manual and on your machine safety labels.

Learn how to operate the machine and how to use controls properly. Do not let anyone operate without instruction.

Keep your machine in proper working condition. Unauthorized modifications to the machine may impair the function and/or safety and affect machine life.

If you do not understand any part of this manual and need assistance, contact your Pik Rite dealer.



SAFETY

⚠ DANGER KEEP SHIELDS IN PLACE

Do not operate spreader without safety shields in place.

Rotating parts can crush or dismember causing death or personal injury.

Disconnect PTO driveline and hydraulic lines from tractor before removing shields for adjustment or service.



⚠ WARNING PROTECT BYSTANDERS

Never operate the spreader near people.

Do not place rocks, timbers or other solid objects in the spreader. Objects can be thrown great distances causing injury to people.



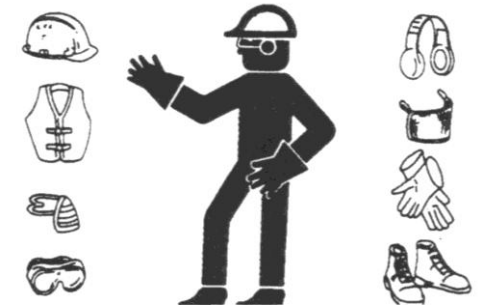
⚠ CAUTION WEAR PROTECTIVE CLOTHING

Wear close fitting clothing and safety equipment appropriate to the job.

Prolonged exposure to loud noise can cause impairment or loss of hearing.

Wear a suitable hearing protective device such as earmuffs or earplugs to protect against objectionable or uncomfortable loud noises.

Operating equipment safely requires the full attention of the operator. Do not wear radio or music headphones while operating machine.

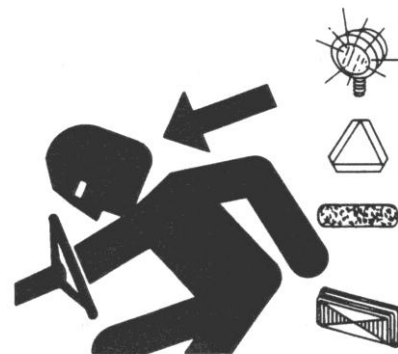


⚠ WARNING USE SAFETY LIGHTS AND DEVICES

Slow moving tractors, self-propelled equipment and towed implements or attachments can create a hazard when driven on public roads. They are difficult to see, especially at night. Avoid personal injury or death resulting from collision with a vehicle.

Flashing warning lights and turn signals are recommended whenever driving on public roads. To increase visibility, use the devices provided with your machine. For some equipment, install extra flashing warning lights.

Keep safety items in good condition. Replace missing or damaged items.





WARNING KEEP RIDERS OFF MACHINE

Riders are subject to injury such as being struck by foreign objects and being thrown off the machine. Riders also obstruct the operator’s view resulting in the machine being operated in an unsafe manner



SAFETY INSTRUCTIONS PARK SPREADER SAFELY

Park spreader on a level surface and block wheels.

Close endgate.

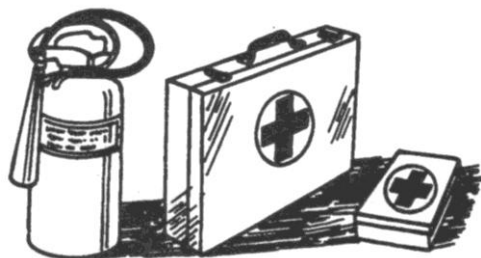
Secure jackstand with pin.

NOTICE PREPARE FOR EMERGENCIES

Be prepared if a fire starts.

Keep a first aid kit and fire extinguisher handy.

Keep emergency numbers for doctors, ambulance service, hospital, and fire department near your telephone.



SAFETY INSTRUCTIONS USE A SAFETY CHAIN

A safety chain will help control drawn equipment should it accidentally separate from the drawbar.

Using the appropriate adapter parts, attach the chain to the tractor drawbar support or other specified anchor location. Provide only enough slack in the chain to permit turning.

See your Pik Rite dealer for a chain with a strength rating equal to or greater than the gross weight of the towed machine. Do not use safety chain for towing.



SAFETY

⚠ DANGER OPERATE SPREADER SAFELY

Rotating parts can entangle or strike people, resulting in death or personal injury.

Never enter a spreader while in operation.

Operate the spreader from the tractor seat only.

Do not exceed load capacity of the spreader. (See Transport section)

Reduce speed when turning or traveling on rough terrain. Avoid traveling over loose fill, rocks, ditches or holes.

When working on inclines or slopes, travel uphill or downhill. Keep tractor in gear when traveling downhill.



⚠ WARNING STAY CLEAR OF RAISED ENDGATE

Contact with a lowering endgate can cause death or personal injury.

Lower endgate and disconnect hydraulic lines before servicing or adjusting.



⚠ WARNING STAY CLEAR OF ROTATING DRIVELINES

Entanglement in rotating driveline can cause serious injury or death.

Keep tractor master shield and driveline shields in place at all times. Make sure rotating shields turn freely.

Wear close fitting clothing. Stop the engine and be sure PTO driveline is stopped before making adjustments, connections, or cleaning out PTO driven equipment.



⚠ DANGER STAY CLEAR OF ROTATING BEATER

Rotating beater can entangle or strike causing death or personal injury.

Do not clean out or service spreader while beater is rotating.

Disconnect PTO driveline and make sure all parts have stopped rotating before cleaning or servicing.

Do not cut or weld on vertical beater attachment. Serious injury or death could occur when operating.



⚠️ WARNING AVOID HIGH-PRESSURE FLUIDS



Escaping fluid under pressure can penetrate the skin causing serious injury.

Avoid the hazard by relieving pressure before disconnecting hydraulic or other lines. Tighten all connections before applying pressure.

Search for leaks with a piece of cardboard. Protect hands and body from high pressure fluids.

If an accident occurs, see a doctor immediately. Any fluid injected into the skin must be surgically removed within a few hours or gangrene may result. Doctors unfamiliar with this type of injury should reference a knowledgeable medical source.

SAFETY INSTRUCTIONS

SERVICE SPREADER SAFELY



To help prevent personal injury caused by unexpected movement, be sure to service spreader on level surface.

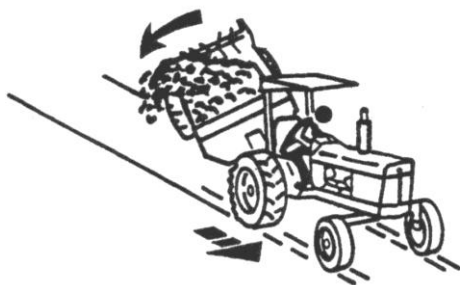
If spreader is connected to tractor, disengage PTO, engage parking brake and/or place transmission in "PARK," shut off engine and remove key.

If spreader is detached from tractor, block wheels and use safety stands to prevent movement.

Replace all shields after lubricating or servicing.

SAFETY INSTRUCTIONS

REDUCE SPEED WHEN TOWING LOADS



Braking to stop towed loads from transport speeds can cause the towed load to swerve and upset. Reduce speed if towed load weighs more than the tractor and is not equipped with brakes.

Follow recommended speed-weight ratio guidelines:

- Maximum speed is 20 mph (32 km/h) when towing loads equal to or less than the tractor.
- Reduce speed to 10 mph (16 km/h) when towing loads more than equal and up to double the tractor weight.
- Do not tow loads exceeding double the tractor weight.
- Use additional caution when towing loads under adverse surface conditions, when turning, and on inclines

PREPARING THE TRACTOR

NOTICE APPROVED TRACTORS, MODEL HP1100

Row Crop Tractors with 200 HP PTO rating or larger are approved for operation with the HP1100 Spreader.

Utility Tractors are **NOT APPROVED** because of drawbar weight limitations and the inability to ballast the tractor enough to meet requirements for towing.

A drawbar support is required on any tractor with a drawbar size of no less than 1-1/2 x 3 in.

Tractor hydraulic oil reservoir must have capacity for 3.7 U.S. gal. net draw for a spreader with an endgate or 3.1 U.S. gal. without an endgate.

Tractor standby hydraulic pressure must be 1500 psi minimum.

Two selective control valves are required to operate the spreader.

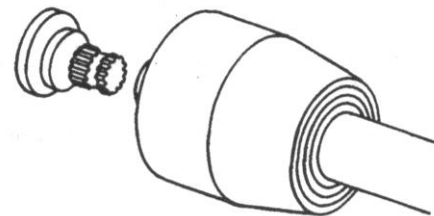
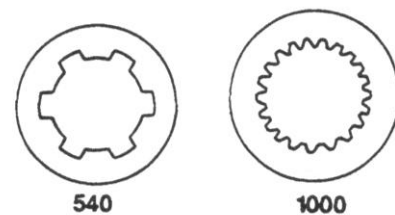
NOTICE CHOOSING CORRECT PTO SPEED

MODEL - HP1100 - 1000 RPM ONLY

Drive components can be damaged.

Under no circumstances should a machine equipped for 540 rpm PTO be operated by a tractor equipped with 1000 rpm PTO.

Nor should a 1000 rpm PTO machine be operated with a tractor equipped with 540 rpm PTO.

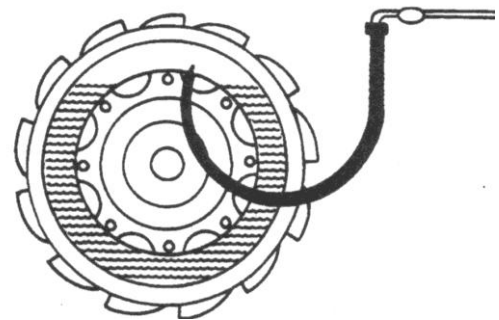


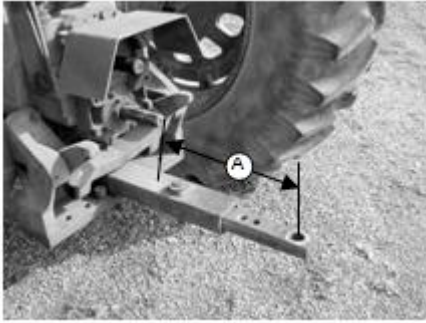
NOTICE BALLASTING THE TRACTOR

Do not tow loads that weigh more than twice the tractor weight.

(See Recommended Maximum Towing Speed in Transport section.)

To ensure proper stability, adjust ballast and wheel spacing according to tractor operator's manual.





SAFETY INSTRUCTIONS

POSITIONING DRAWBAR

Tractor PTO and machine driveline can be damaged. Be sure drawbar length is properly set. If equipped with clevis, remove it. Lock drawbar along tractor centerline with offset down.

Remove clevis if equipped.

PTO Speed

1000 rpm x 1-3/4

Dimension (A)

508 mm (20in.)

Adjust drawbar length (A) to help prevent driveline damage.

A tractor drawbar support is required on tractors with a drawbar size of 1-1/2 x 3 in. minimum

SAFETY INSTRUCTIONS

USING SELECTIVE CONTROL LEVERS TO CONTROL CHAIN SPEED

Floor and moving panel speed can be controlled by using tractor selective control lever to extend and retract cylinders.

Adjust selective control valve lever to provide the slowest operating speed. (See your tractor operator's manual). Maximum hydraulic oil flow through the spreader control valve is 15 gpm. Trying to force through more oil than this, may create a pressure drop.

SAFETY INSTRUCTIONS

SETTING HYDRAULIC SPEED ENDGATE OPERATION

Excessive operating speed may cause machine damage. Adjust selective control valve lever to provide correct operating speed.

Adjust selective control valve lever, it should take two to three seconds to fully extend or retract the cylinder. (See your tractor operator's manual).

SAFETY INSTRUCTIONS

CHECKING TRANSMISSION/HYDRAULIC OIL LEVEL

Cycle all hydraulic cylinders fully two or three times.

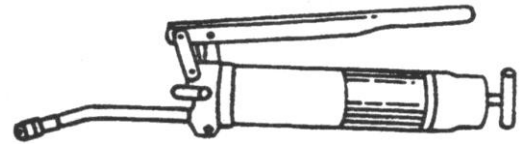
Fully retract all cylinders.

Check transmission/hydraulic oil level. (See your tractor's Operator's Manual)

PREPARING THE SPREADER

NOTICE LUBRICATING THE MACHINE

Be sure the machine has been adequately lubricated.
(See Lubrication and Maintenance page.)



NOTICE BRAKE ADJUSTMENT (HYDRAULIC)

Valve is set from Factory at 1000 psi.
(Contact your Hydra-Pull Dealer for available brake kit)



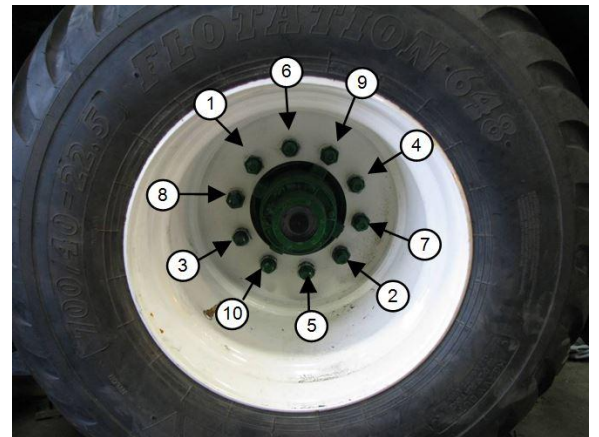
SAFETY INSTRUCTIONS TIGHTENING WHEEL HARDWARE

Operating the spreader with loose wheel hardware will damage the hub or wheel. Tighten hardware after initial transport, after one hour of operation and every fifty hours thereafter.

Tighten to 475 lb-ft of dry torque
in the sequence shown.

<u>Tire Size</u>	<u>Wheel Size</u>	<u>Tire Pressure</u>
700/40-22.5	22.5 x 16	65 psi

(Additional options may be available, please contact your dealer for more information)



SAFETY INSTRUCTIONS CHECKING TIRES

1. Check tires daily for damage or noticeably low pressure.
2. Repair any cuts or breaks as soon as possible.
3. Protect tires from exposure to sunlight and petroleum products or chemicals.



**SAFETY
INSTRUCTIONS**

OPERATING THE BEATER

To start beater, engage PTO lever slowly, at low engine rpm.

To stop beater, disengage PTO. (See your tractor’s Operator’s Manual)

For best spreading results, operate the tractor engine at “PTO RATED” speed.

Do not operate the apron chain without running the beaters as this may damage the spreader.

**SAFETY
INSTRUCTIONS**

OPERATING THE ENDGATE

Contact of apron chain running with endgate closed will cause damage. To avoid contact with apron chain, endgate must be raised when running.

Operate the endgate with the second auxiliary control valve lever.



**SAFETY
INSTRUCTIONS**

OPERATING APRON CHAIN

To run apron chain lock hydraulic control lever in operating position on tractor.

See your tractor’s operating manual for information on how to control flow rates of your hydraulic system.

Maximum hydraulic oil flow through the spreader apron chain motor is 15 gpm. Trying to force through more oil than this may cause serious damage to motor (relief factory set at 1250 psi)



ATTACHING THE SPREADER

⚠ CAUTION ATTACHING THE SPREADER

Help prevent personal injury caused by unexpected movement of the machine. Engage parking brake and/or place transmission in "PARK", shut off engine, and remove key before working around hitch.

1. Attach with a 1-1/2 in. or 2 in. pin and secure. Top clevis required.

Shorten safety chain to allow only enough slack required for turning.

2. Lock safety hook onto chain.



SAFETY INSTRUCTIONS CONNECTING AIR HOSES (AIR ASSIST BRAKES)

1. Connect red line to supply port.
2. Connect blue line to service/control port.



SAFETY INSTRUCTIONS CONNECTING HOSES (HYDRAULIC BRAKES)

1. Connect pressure hoses to pressure ports of hydraulic remote coupler.
2. Connect return hoses to return ports of hydraulic remote coupler.

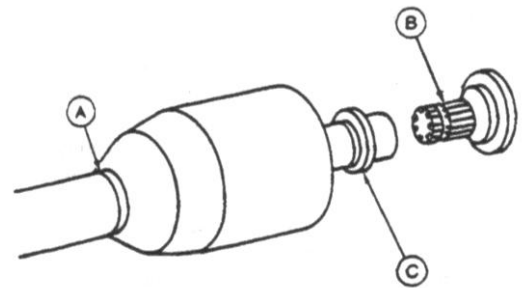
(Relief factory set 1000 psi)



SAFETY INSTRUCTIONS ATTACHING DRIVELINE

Avoid causing damage to shielding,
DO NOT use bell on driveline to lift driveline into position.

1. Support driveline, cradling it in your hand.
2. Rotate driveline (C) or tractor PTO (B) to align splines.
3. Pull collar (C) rearward and push forward on bell (A) to engage driveline yoke with tractor PTO (B).
4. Pull back on PTO driveline shielding to be sure driveline is locked. **DO NOT** pull on collar, this will release latch.



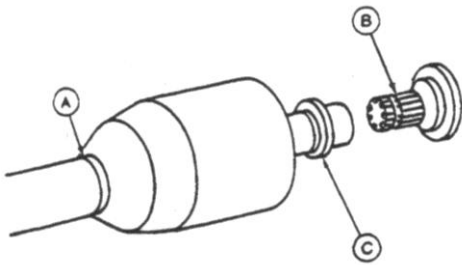
DETACHING THE SPREADER



SAFETY INSTRUCTIONS

DETACHING SPREADER

1. Secure jack stand in lift position
2. Detach safety chain
3. Remove hitch pin
4. Disconnect hoses. Store on spreader



SAFETY INSTRUCTIONS

DETACHING DRIVELINE

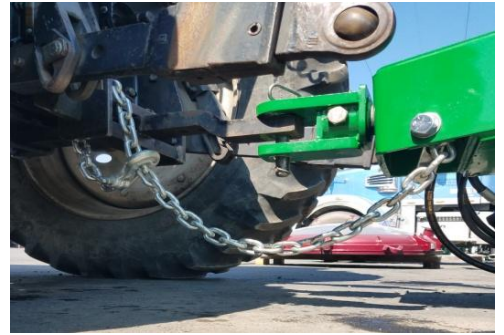
1. Support driveline (A) and pull rearward on collar (C) to release driveline from tractor PTO (B).
2. When possible store driveline in driveline cradle provided with machine.
3. Replace tractor PTO shields.

TRANSPORT

SAFETY INSTRUCTIONS

USING A SAFETY CHAIN

A safety chain will help control drawn equipment should it accidentally separate from the drawbar while transporting. Using the appropriate adapter parts, attach the chain to the tractor drawbar support or other specified anchor location. Provide only enough slack in the chain to permit turning. See your Pik Rite dealer for a chain with a strength rating equal to or greater than the gross weight of the towed machine.



NOTICE LIGHTING

When transporting the machine on a road or highway at night or during the day, use accessory lights and devices for adequate warning to operators of other vehicles. Check local governmental regulations. Keep safety items in good condition. Replace missing or damaged items.

(Contact your Hydra-Pull Dealer for available lighting kit)



SAFETY INSTRUCTIONS

TOWING LOADS

Braking to stop towed loads from transport speeds can cause the towed load to swerve and upset. Reduce speed if towed load is not equipped with brakes and weighs more than the tractor.

Follow recommended speed-weight ratio guidelines:

- Maximum speed is 20 mph (32 km/h) when towing loads equal to or less than the weight of the tractor.
- Reduce speed to 10 mph (16 km/h) when towing loads more than or up to double the tractor weight.
- **DO NOT** tow loads that exceed double the tractor weight.
- Use additional caution when towing loads under adverse road surface conditions (i.e. slippery or rough), when turning and/or on inclines.
- For proper tractor size and towing speed see the following “Recommended Maximum Towing Speed” chart.
- If necessary, add ballast as described in your tractor’s Operator’s Manual.



NOTICE RECOMMENDED MAXIMUM TOWING SPEED

Tractor Weight	*	**	***	****
(0-2997 lb)	Do Not Tow	Do Not Tow	Do Not Tow	Do Not Tow
(2998-5950 lb)	Do Not Tow	Do Not Tow	Do Not Tow	Do Not Tow
(5951-11021 lb)	Do Not Tow	Do Not Tow	Do Not Tow	Do Not Tow
(11022-12123 lb)	Do Not Tow	Do Not Tow	Do Not Tow	Do Not Tow
(12124-14769 lb)	Do Not Tow	Do Not Tow	Do Not Tow	Do Not Tow
(14770-22044 lb)	Do Not Tow	Do Not Tow	Do Not Tow	Do Not Tow
(22045-24910 lb)	(20 mph)	(10 mph)	(10 mph)	(10 mph)
(24911-29540 lb)	(20 mph)	(10 mph)	(10 mph)	(10 mph)
(29541 lb-Up)	(20 mph)	(10 mph)	(10 mph)	(10 mph)

**Base Spreader Empty Load*

***Load struck level consisting of manure with high liquid content.*

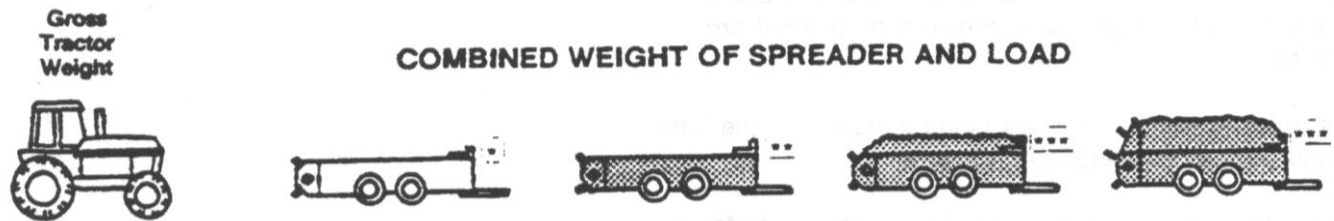
Calculated at 70 lb/cu ft

****Load piled 381 mm (15 in.) above beater consisting of semi-solid type manure*

Calculated at 55 lb/cu ft

*****Load piled at 15 in. above optional upper beater consisting of semi-solid type manure.*

Calculated at 55 lb/cu ft



OPERATING THE SPREADER

SAFETY INSTRUCTIONS

PREOPERATING CHECKS

1. Be sure spreader does not contain any foreign objects
2. Check for correct hydraulic hookup. Raise endgate fully. Engage beaters, engage apron chain
3. Disengage apron chain, disengage beaters
4. Close endgate

⚠ CAUTION LOADING THE SPREADER

Do not place rocks, timbers, or other solid objects in the spreader. Objects of this nature can damage the spreader and could also be thrown great distances causing possible injury to anyone standing in the vicinity.

Load front of spreader first, distributing load evenly.

When operating without an endgate, avoid loading manure against the beater.



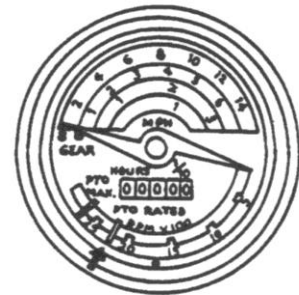
⚠ CAUTION PREPARE TO UNLOAD THE SPREADER

Help prevent personal injury. Be sure no one is near spreader and tractor before operating.

Start beater by engaging PTO slowly at low engine rpm. Increase to "PTO RATED" speed.

For best spreading results, operate tractor at "PTO RATED" speed.

Do not operate apron chain without running the beaters as this may damage the spreader.



NOTICE RAISE ENDGATE

Contact of apron chain with endgate will cause damage. To avoid contact with apron chain, endgate must be raised fully.

The endgate closes off the back end of the spreader to contain manure with high liquid content.

The endgate also prevents solid material from being piled tight against the beater.



SAFETY INSTRUCTIONS

UNLOADING SPREADER USING METERING VALVE

1. Set flow control on tractor hydraulics obtain desired rate of unload speed.

Rate of spread is affected by both ground speed and unload speed. Experience will help you determine both gear selection and control knob setting.

2. When spreader is empty, disengage apron chain, disengage PTO, and lower endgate.

SAFETY INSTRUCTIONS

PRODUCING GOOD SPREADING RESULTS

1. Operate tractor engine at “PTO RATED” speed.
2. Do not overload beater. A clumpy spread pattern will result from too fast of an unload rate.
3. When operating without an endgate, avoid loading material against the beater. Otherwise, large clumps of material will be thrown out during the first few turns of the beater.

NOTICE CLEANING SPREADER IN COLD WEATHER

When operating the spreader during extended periods of subfreezing temperatures, frozen material may build up on steel surfaces. This can prevent the beater from moving.

After completing spreading for the day, use the following cleaning procedure.

Cleaning is only necessary during extended periods of subfreezing temperatures.

Remove material along edges of apron chain.

Remove material buildup from endgate panel. Keep endgate arms clean to prevent freezing to side rails.

OPERATING THE SPREADER

NOTICE CLEAN WALKING BEAM

When tire valve stems are mounted towards the inside, clean top of walking beams to prevent valve stem damage.



NOTICE WARMING HYDRAULIC OIL TEMPERATURES BELOW 0°F (-18°C)

It is necessary to warm the hydraulic oil for proper spreader operation.

Follow the procedures in your tractor's Operator's Manual for warming hydraulic oil.

The following procedures apply only to tractors with a closed center hydraulic system.



NOTICE BYPASSING SPREADER CONTROL VALVE

There will be a large hydraulic oil pressure drop across the auxiliary flow control valve when the oil is cold. Oil pressure available to hydraulic cylinders may be too low.

Try cycling the cylinders several times slowly so the cold oil in the cylinders is mixed with the warm oil in the tractor. In the event of extreme cold; you may need to bypass the control valve to do this. Be sure you begin by moving the cylinders very slowly.

Reconnect hoses to flow control valve.



CAUTION LUBRICATING AND MAINTAINING SPREADER

Help prevent personal injury caused by unexpected movement of the machine. If spreader is connected to tractor, disengage PTO, engage parking brake and/or place transmission in "PARK", shut off engine, and remove key. If spreader is detached, block wheels and use safety stands.

Replace all shields after lubricating or servicing.

NOTICE OBSERVING INTERVALS

The intervals recommended are based on normal conditions. Severe or unusual conditions may require more frequent attention.

NOTICE SELECTING GREASE

Depending upon the expected air temperature range during the service interval, use grease as shown on the adjusting temperature chart.

SAE-Multipurpose High Temperature Grease with Extreme Pressure [EP] Performance with 3 to 5% molybdenum disulfide.

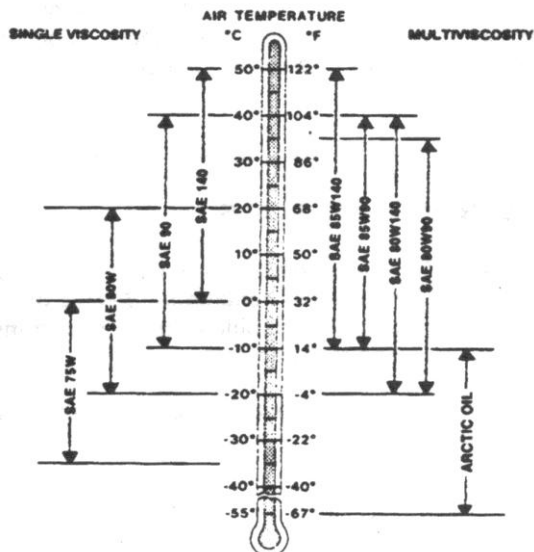
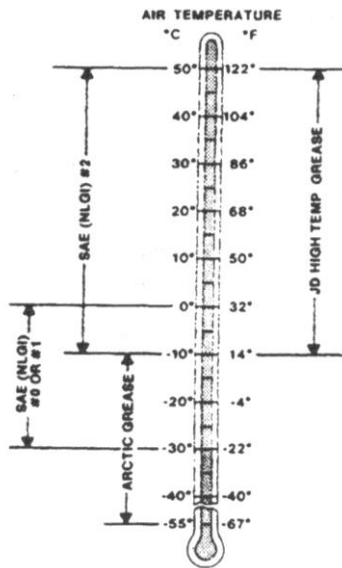
Moly-type grease is recommended, however, if not available, multipurpose grease is acceptable.

NOTICE SELECTING GEAR CASE OIL

Depending upon the expected air temperature range during the drain interval, use oil viscosity shown on the adjoining temperature chart.

- API Service Classification GL-5
- Military Specification MIL-L-2105B
- Military Specification MIL-L-2105C

At temperatures below -35° [-31°], use arctic oils such as those meeting Military Specifications MIL-G-10324A.



LUBRICATION AND MAINTENANCE

NOTICE SERVICE INTERVALS

- Change gearbox lubricant every 6,000 loads

EVERY 8 HOURS

- Lubricate driveline
- Check gear case oil level
- Check tires
- Check axle hub oil

EVERY 40 HOURS

- Lubricate top beater bearings
- Grease apron chain drive bearings & sprockets

EVERY 50 HOURS

- Adjust apron chain
- Tighten wheel hardware
- Lubricate walking beam pivots

EVERY 250 HOURS

- Lubricate endgate pivots

SERVICE AS REQUIRED

- Adjust apron chain tension
- Slip the clutch

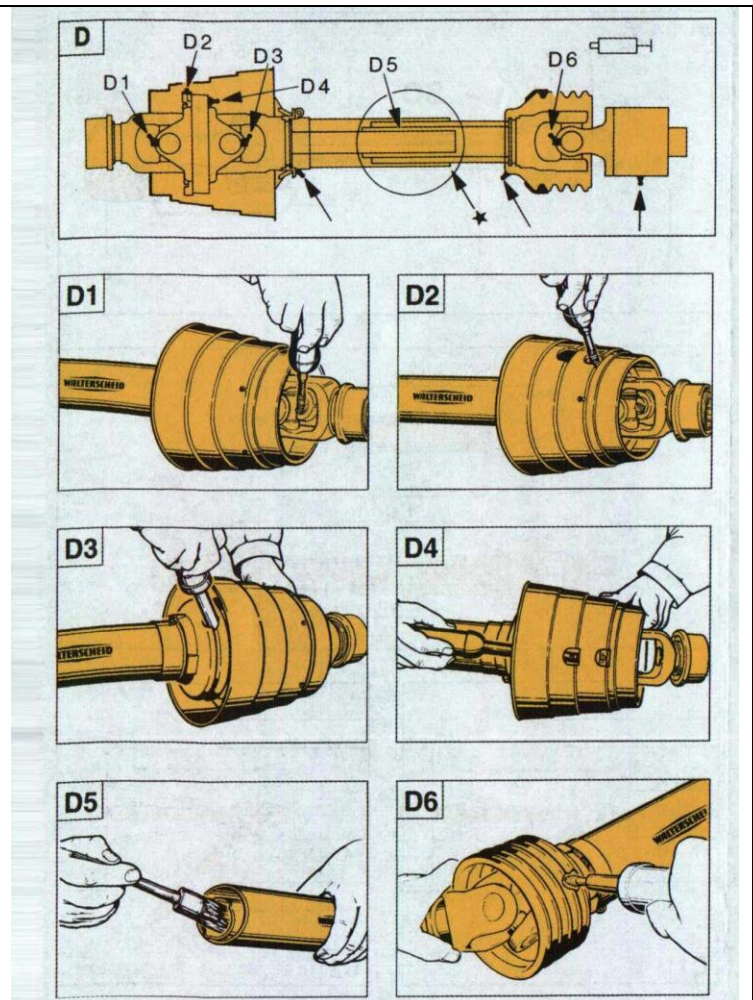
In addition to the above referenced information, you are working with a central lube CV design on the primary that contains a special lubrication provision that needs to be well defined for the user so that extended life on the CV can be achieved.

The key point is that each CV has one zerk in a bearing cap and it is this zerk that is most important since it feeds the inboard cross kit as well as the the ball and socket of the CV. The user needs to understand that the zerk in the cap should receive **15-20 pumps** of grease each day while the other zerks in the joint

CV housing and telescoping members can operate with 5-6 pumps or until the seals purge. The plastic zerks feeding the shielding should also receive 3-4 pumps daily if shields are being restrained.

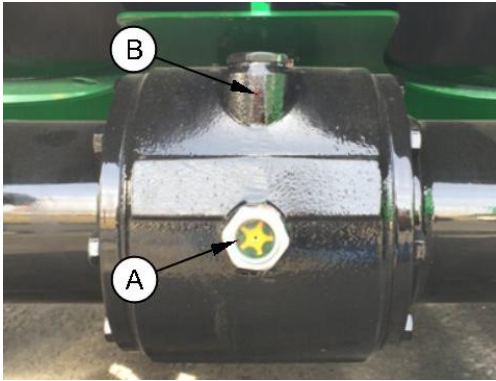
Primary Driveline (to Tractor) Lubricate fittings D1 through D6 every eight hours of operation.

Secondary Driveline (under spreader) Lubricate as above including overrunning clutch.



NOTE: Lubrication step D5 is only necessary when driveline does not have grease fitting. Separate front and rear halves of driveline and brush with grease.

LUBRICATION AND MAINTENANCE



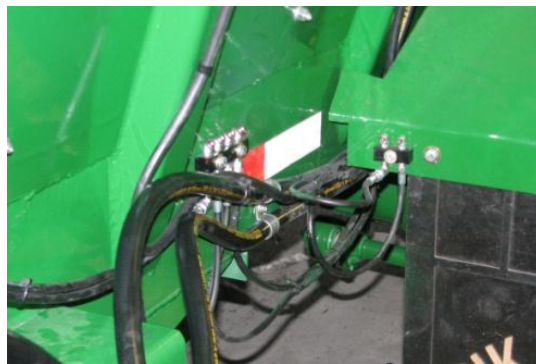
NOTICE CHECK GEAR CASE OIL LEVEL

With spreader on level ground, check oil level at the sight glass on the center gearcase “A”

Add recommended oil as needed. (See Selecting Gear Case Oil)
To add oil, remove fill cap at the top of the gearcase “B”

NOTICE GREASE TOP BEATER BEARINGS

Grease the two bearings at the top of the vertical beaters every 8 hours of operation. Rear grease bank on beater side panel



SAFETY INSTRUCTIONS

CHECKING TIRES

1. Check tires daily for damage or noticeably low pressure.
2. Repair any cuts or breaks as soon as possible.
3. Protect tires from exposure to sunlight and petroleum products or chemicals.

<u>Tire Size</u>	<u>Wheel Size</u>	<u>Tire Pressure</u>
700/40-22.5	22.5 x 16	65 psi

LUBRICATION AND MAINTENANCE

SAFETY INSTRUCTIONS

LUBRICATE WALKING

BEAM PIVOTS

1. Place a jack under the spreader main frame.
2. Raise spreader enough to relieve weight from walking beam.
3. Lubricate grease bank (A) with Moly High Temperature/Extreme Pressure Grease.

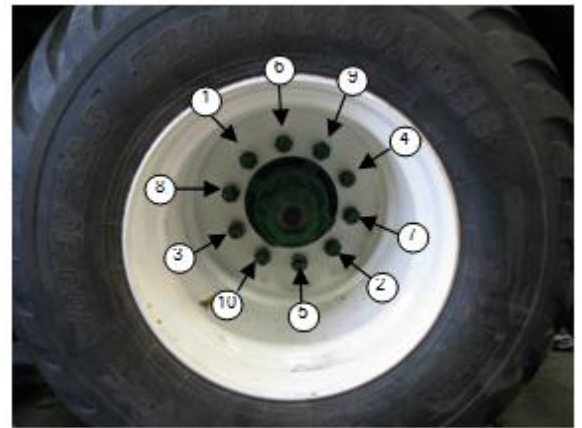


NOTICE TIGHTENING WHEEL

HARDWARE

Operating the spreader with loose wheel hardware will damage the hub or wheel. Tighten hardware after initial transport, after one hour of operation, and every fifty hours thereafter.

Tighten to 475 lb.-ft. in the sequence shown.



NOTICE LUBRICATE CHAIN DRIVE

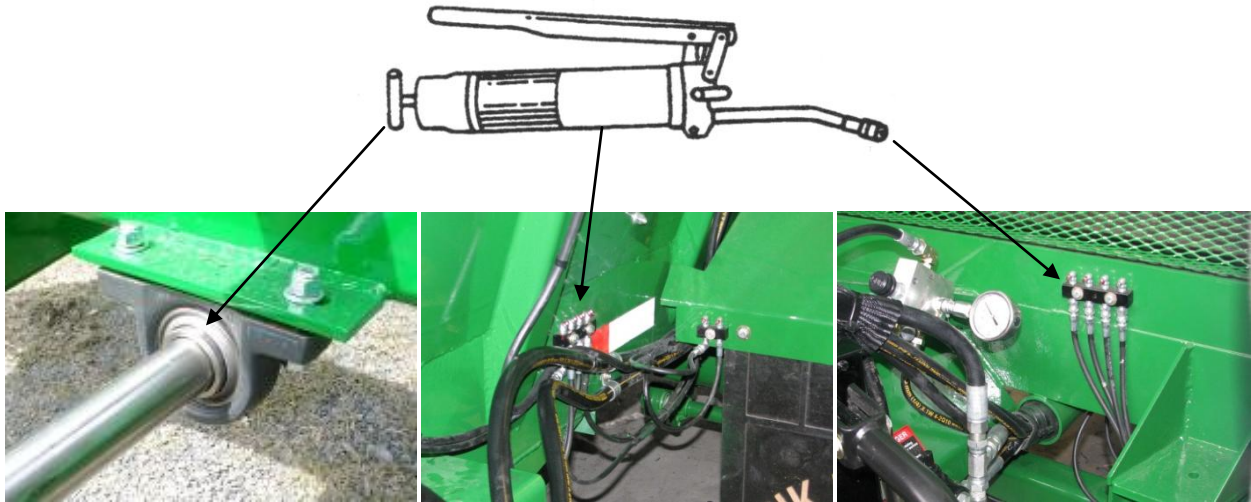
Before long periods of storage, always oil the chain. Run the chain with both ball valves fully open for 5 minutes. Approximately usage will be a quart of oil every lubrication cycle



LUBRICATE THE SIX PILLOW BLOCKS

Located under the spreader, they carry the main power shaft, using central grease location

Lubricate grease fitting with Moly High Temperature/Extreme Pressure Grease



LUBRICATE WALKING BEAMS

Using grease banks attached to the rear fenders (two on each side).



MAINTAINING SLIP CLUTCH, WALTERSCHEID

The clutch is preset and is not field adjustable

If you determine that your slip clutch needs maintenance or adjustment, contact your dealer



LUBRICATE HITCH

Every 40 hours

SPECIFICATIONS

TRACTOR SIZE

Minimum recommended 200 hp PTO

WEIGHT

Spreader, Complete with Implement tires

And all Attachments 26,500 lb

LOAD CAPACITY

1100 bu / 30 tons

VOLUME CAPACITY

Struck Level 890 cu. ft.

Heaped Load 1370 cu. ft.

BEATER SPEED

420 rpm

UNLOADING SPEED

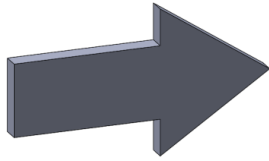
Infinitely Variable 0-15.21 ft/min

DRIVELINE

Shielded 1000 rpm

SPECIFICATIONS AND DESIGN SUBJECT TO CHANGE WITHOUT NOTICE

DIRECTION ARROWS



ARROWS ARE USED WITH ILLUSTRATIONS TO INDICATE THE FRONT OF THE UNIT. “RIGHT-HAND” AND “LEFT-HAND” SIDES ARE DETERMINED BY FACING THE DIRECTION OF MACHINE FORWARD TRAVEL.

REFERENCE NUMBER IDENTIFICATION

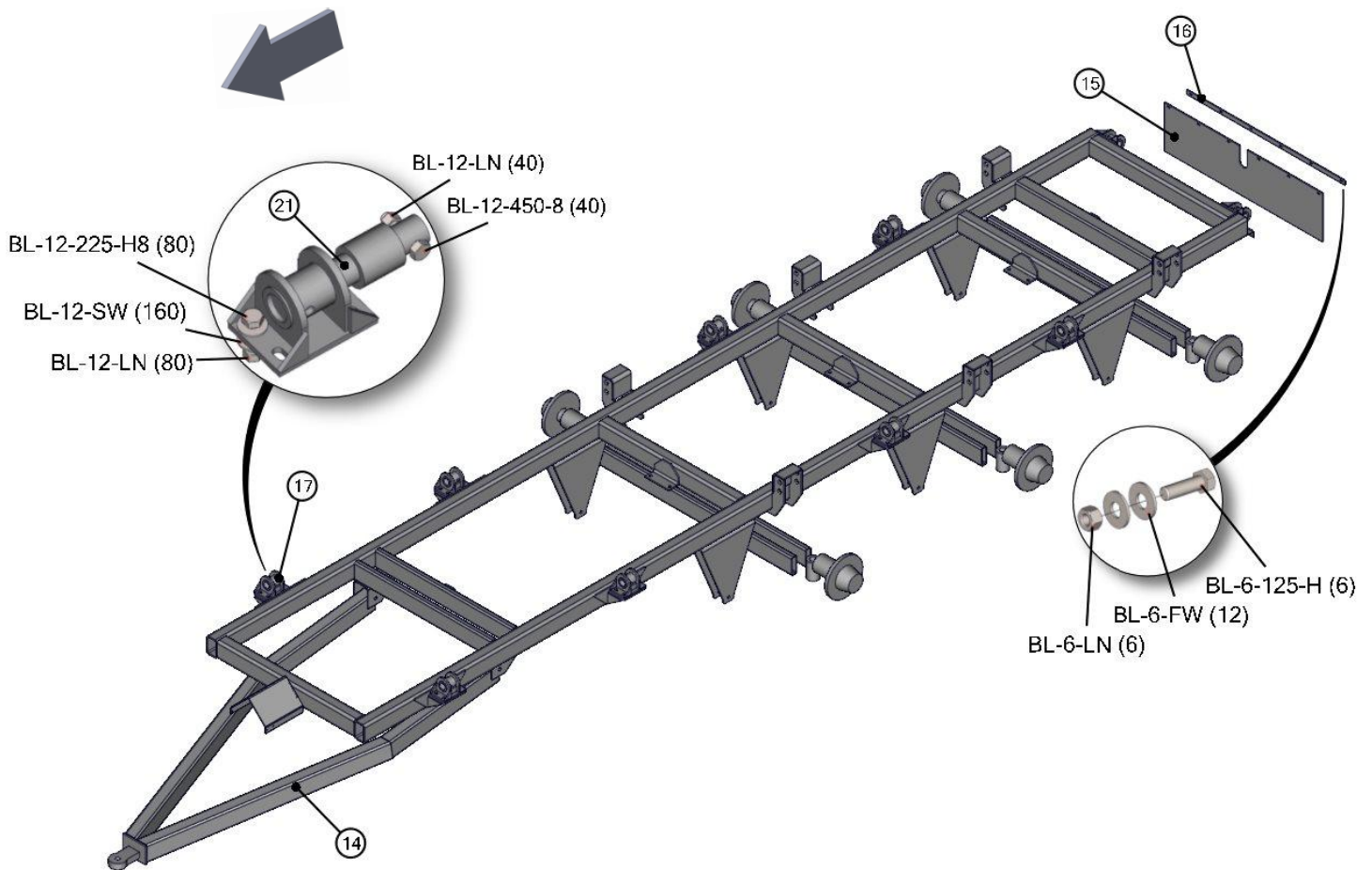
REF NO.	DESCRIPTION
000-099	PARTS USED FOR ASSEMBLY
100-199	BOLTS AND FASTENERS
200-299	ELECTRICAL COMPONENTS
800-899	REPLACEMENT PARTS (USED TO REPAIR ASSEMBLIES)

74120-1-01 MAIN FRAME, GEA CHASSIS & FLOOR

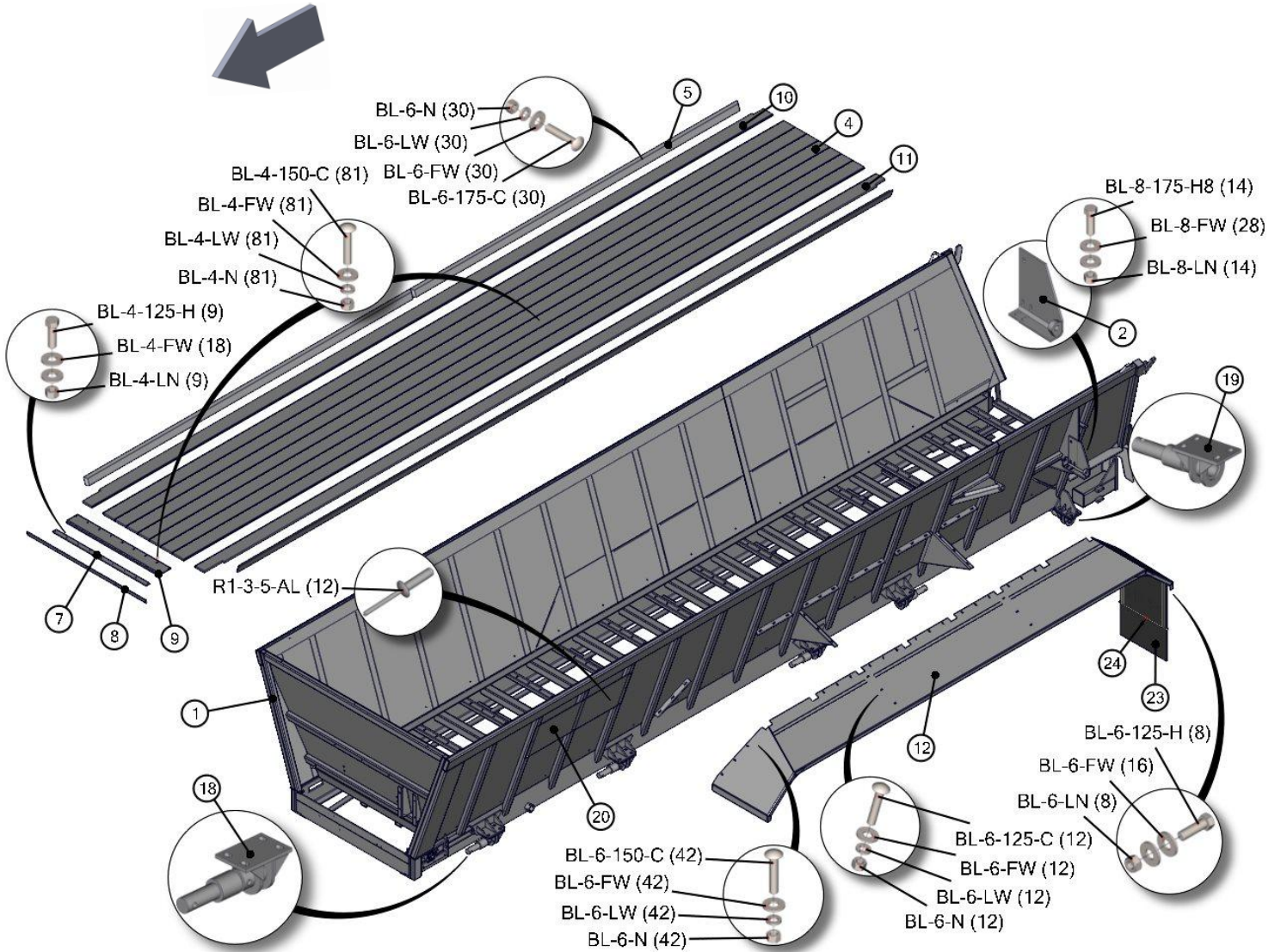
REF	PART	DESCRIPTION	QTY	WILL FIT SN	REMARKS
1	PR64000	Main Frame, 1100	1		
2	PR60023	Bracket, LH, End Gate Mount	1		
3	PR60024	Bracket, RH, End Gate Mount	1		
4	PR64001	Polyboard, .75 x 354	7		
5	PR64002	Bottom Bumper Rail, HP1100	4		
7	PR60018	Belting	1		
8	PR60019	Flat Bar	1		
9	PR60063	End Cap, Poly Board	1		
10	PR64005	Polyboard, RH x 354	1		
11	PR64004	Polyboard, LH x 354	1		
12	PR64022	HP1100 Fender, LH	1		
13	PR64023	HP1100 Fender, RH	1		
14	PR64008	Chassis Cross Member	1		
15	PR60045	Belting, Lower Rear Deflector Belt	1		
16	PR60046	Bar, Deflector Belt Backing Bar	1		
17	PR64014	2.125" Weight Scale Mount, Chassis	8		
18	PR64016	2.125" Weight Scale Mount, Main Frame	8		
19	PR64018	Load Cell Mount	2		
20	PR60043	Decal Plate, Angled, Side	2		
21	SWS-1016	Load Cell 2-1/8"	10		
22	RI-3-5-AL	Aluminum/Steel Blind Rivet w/Drill Bit, 3/16" , .375 - .500 Grip Range	12		
23	MF-9309	24" X 36" Mudflaps	1		
24	MF-9306	Mudflap Anti Sail Bracket @ Pair	1		
101	BL-6-175-C	3/8-16 X 1-3/4 CARRIAGE BOLT G5 ZC	30		
102	BL-6-SW	3/8 SAE FW ZC	30		
103	BL-6-LW	3/8 SPLIT LW ZC	114		
104	BL-6-N	3/8-16 HEX NUT ZC	84		
105	BL-6-125-C	3/8-16 X 1-1/4 CARRIAGE BOLT G5 ZC	42		
106	BL-6-125-H	3/8-16 X 1-1/4 HHCS G5 ZC	8		
107	BL-6-LN	3/8-16 FIN H LN NE A563 GA ZC	8		
108	BL-6-FW	3/8 USS FW ZC	70		
109	BL-6-100-C	3/8-16 X 1 CARRIAGE BOLT G5 ZC	12		
110	BL-4-FW	1/4 USS FW ZC	144		
111	BL-4-150-C	1/4-20 X 1-1/2 CARRIAGE BOLT G5 ZC	135		
112	BL-4-225-C	1/4-20 X 2-1/4 CARRIAGE BOLT G5 ZC	9		
113	BL-4-LW	1/4 SPLIT LW ZC	114		
114	BL-4-N	1/4-20 HEX FIN NUT ZC	143		
115	BL-5-FW	5/16 USS FW ZC	12		
116	BL-5-LN	5/16-18 HEX LN NE ZC	6		
117	BL-5-125-H	5/16-18 X 1-1/4 HEX CAP G5 ZC	6		

74120-1-01 MAIN FRAME, GEA CHASSIS & FLOOR

REF	PART	DESCRIPTION	QTY	WILL FIT SN	REMARKS
118	BL-8-FW	1/2 USS FW ZC	28		
119	BL-8-175-H8	1/2 X 1-3/4 HH G8	14		
120	BL-8-LN	1/2-13 LN NYLON INSERT ZC	14		
121	BL-12-200-8	3/4-10 X 2 HH C/S G8 ZC	80		
122	BL-12-FW-8	3/4 FW G8	80		
123	BL-12-LN-8	3/4-10 LN w/ NYLON INSERTS G8	100		
124	BL-12-400-8	3/4 x 4", HH C/S G8 ZC	20		

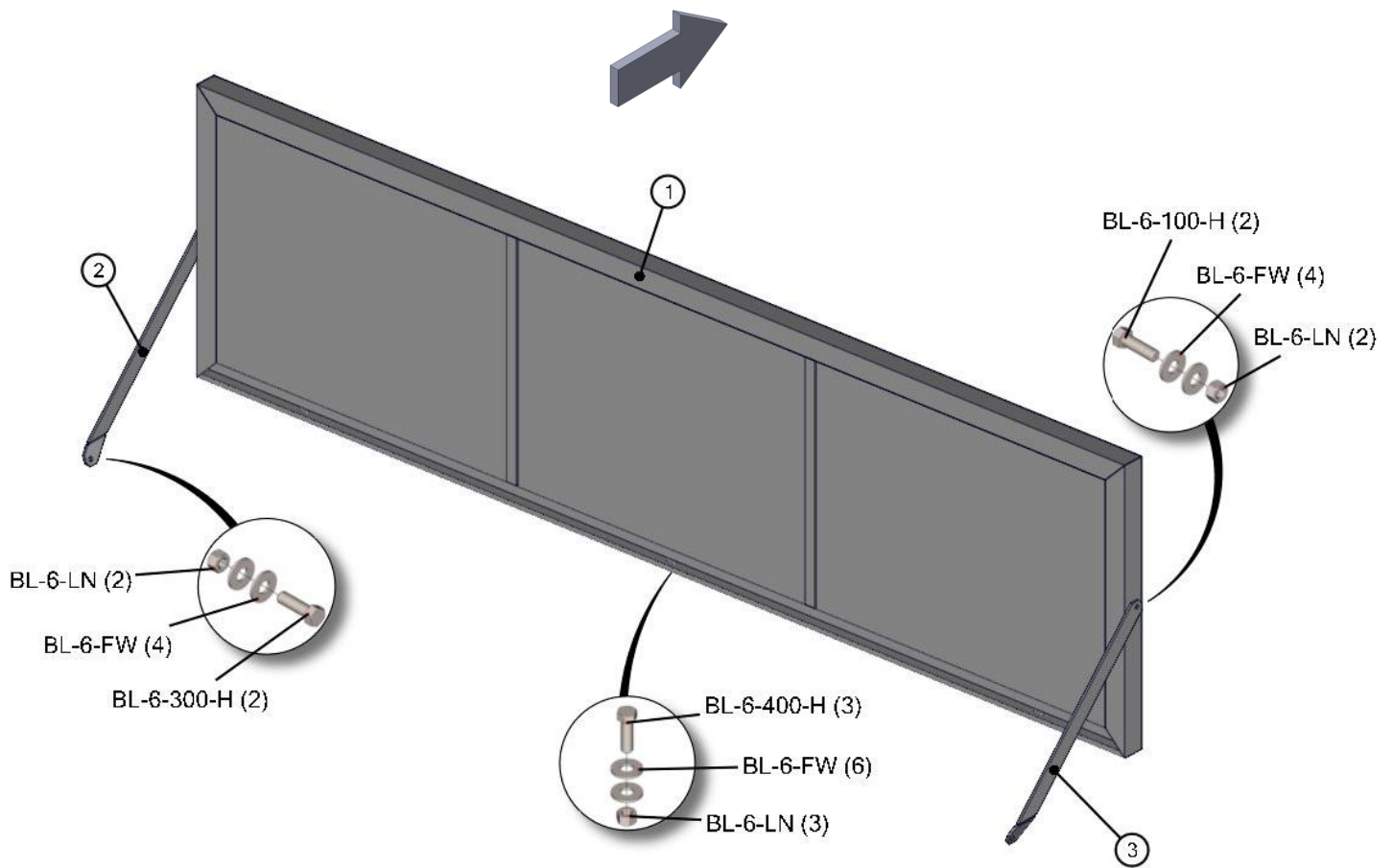


74120-1-01 MAIN FRAME, GEA CHASSIS & FLOOR



74115-1-02 STONE GUARD

REF	PART	DESCRIPTION	QTY	WILL FIT SN	REMARKS
1	PR39170	Screen, Rock Shield	1		
2	PR39171	Support, Rock Guard, RH	1		
3	PR39172	Support, Rock Guard, LH	1		
101	BL-6-FW	3/8 USS FW ZC	14		
102	BL-6-400-H	3/8-16 X 4 HEX CAP G5 ZC	3		
103	BL-6-LN	3/8-16 FIN H LN NE A563 GA ZC	7		
104	BL-6-100-H	3/8-16 X 1 HH C/S BOLT G5 ZC	2		
105	BL-6-300-H	3/8-16 X 3 HH C/S BOLT G5 ZC	2		



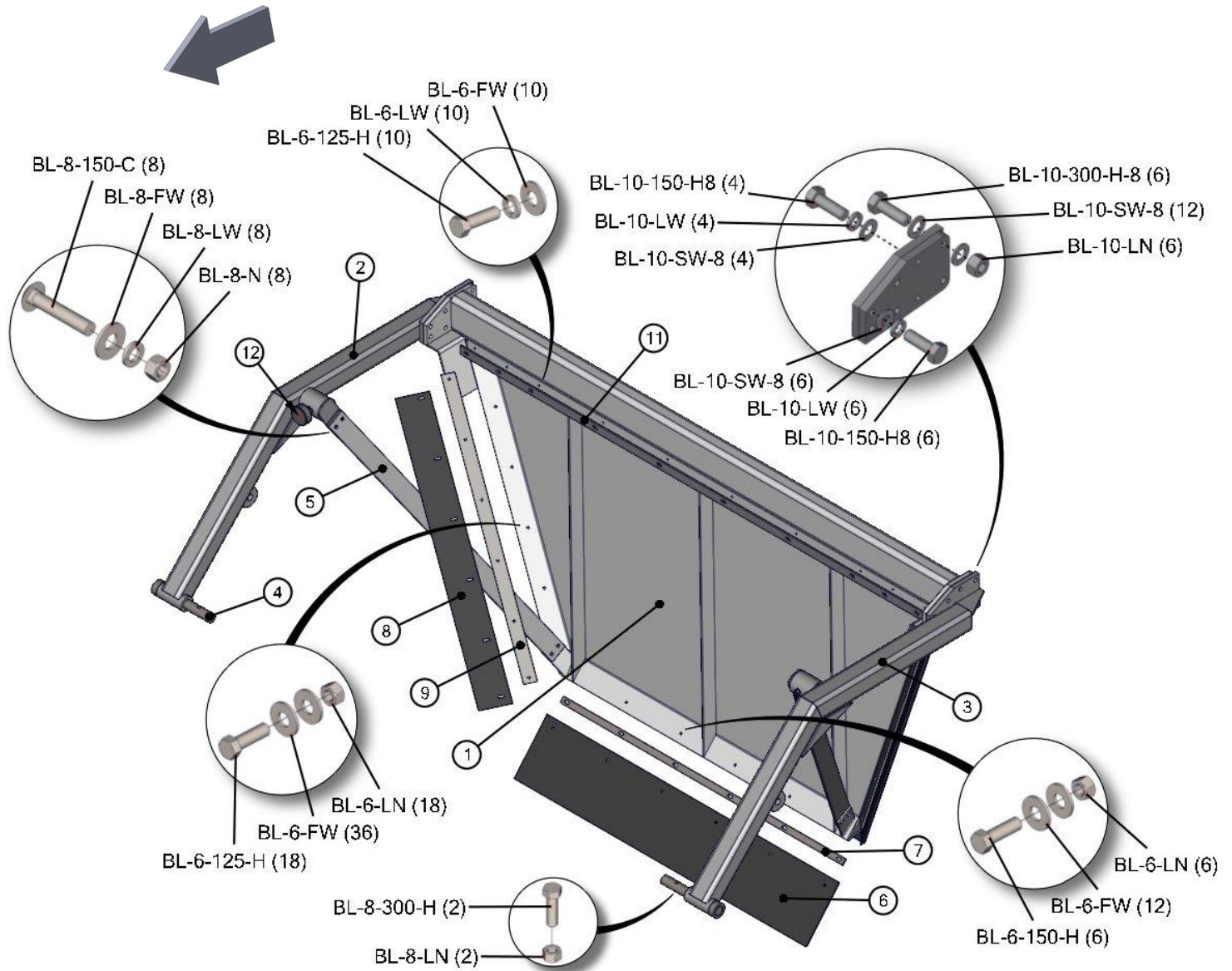
74120-1-03 FRONT SHIELD

REF	PART	DESCRIPTION	QTY	WILL FIT SN	REMARKS
1	PR60001	Front Spocket Cover	1		
100	BL-4-FW	1/4 USS FW ZC	4		
101	BL-4-LN	1/4-20 HEX LN NE ZC	4		



74115-1-05 ENDGATE

REF	PART	DESCRIPTION	QTY	WILL FIT SN	REMARKS
1	PR60047	Endgate	1		
2	PR60048	Endgate, Arm RH	1		
3	PR60049	Endgate, Arm LH	1		
4	PR60015	End Gate Pin	2		
5	PR60061	Flat Bar	2		
6	PR60013	Belting, Bottom, End Gate	1		
7	PR60014	Flat Bar, Backing, Bottom, End Gate	1		
8	PR60050	Belting, End Gate	2		
9	PR60051	Backing Bar, End Gate	2		
10	PR60011	Belting, End Gate Flap	1		
11	PR60012	Flat Bar, Backing, End Gate Flap	1		
12	STP-0020	Swivel Leveling Mount, Standoff. 2500lbs.	2		
100	BL-6-125-H	3/8-16 X 1-1/4 HHCS G5 ZC	28		
101	BL-6-150-H	3/8-16 X 1-1/2 HEX CAP G5 ZC	6		
102	BL-6-FW	3/8 USS FW ZC	58		
103	BL-6-LW	3/8 SPLIT LW ZC	10		
104	BL-6-LN	3/8-16 FIN H LN NE A563 GA ZC	24		
105	BL-8-150-C	1/2-13 X 1-1/2 CARRIAGE BOLT G5 ZC	8		
106	BL-8-300-H	1/2-13 X 3 HH C/S G5 ZC	2		
107	BL-8-FW	1/2 USS FW ZC	8		
108	BL-8-LW	1/2 SPLIT LW ZC	8		
109	BL-8-N	1/2-13 HEX FIN NUTS ZC	8		
110	BL-8-LN	1/2-13 LN NYLON INSERT ZC	2		
111	BL-10-150-H8	5/8-11 X 1 1/2 HEX CAP G8 ZC	10		
112	BL-10-300-H	5/8-11 X 3 HEX CAP G5 ZC	6		
113	BL-10-LW	5/8 SPLIT LW ZC	10		
114	BL-10-SW-8	5/8 SAE FW G8	22		
115	BL-10-LN	5/8-11 HEX LN NE ZC	6		



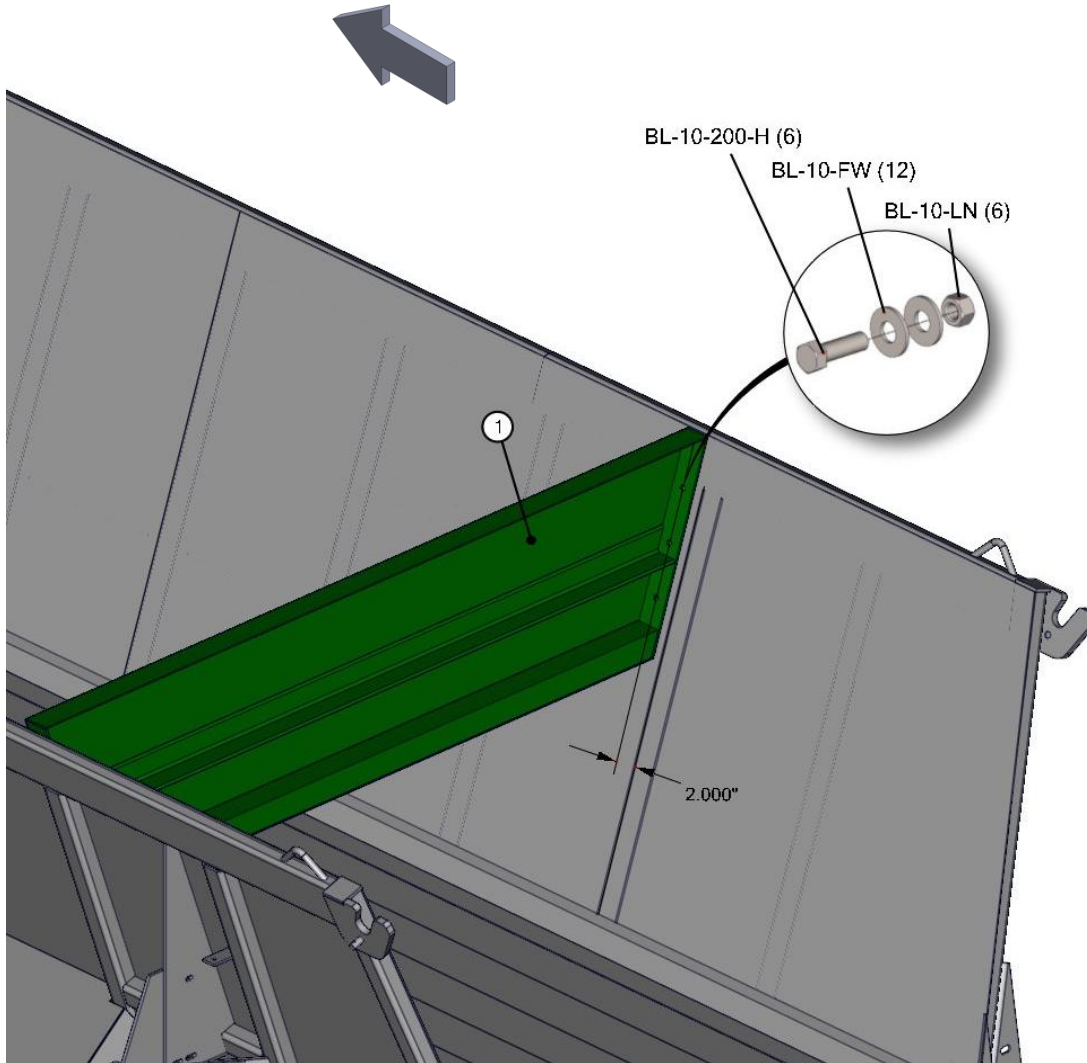
74115-1-08 WHEELS & TIRES

REF	PART	DESCRIPTION	QTY	WILL FIT SN	REMARKS
1	WHM-3900	Mounted Assembly, 28LR26	6		



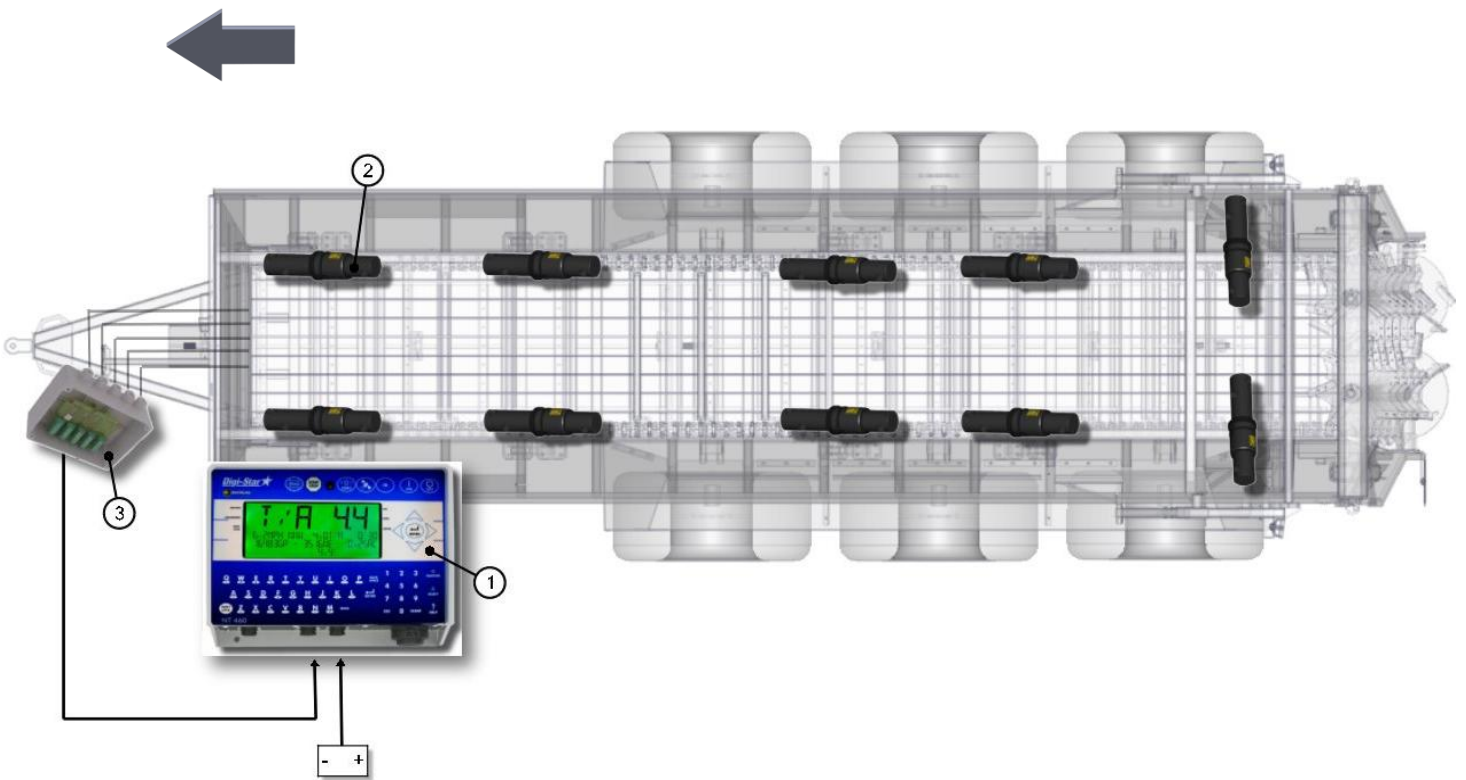
74115-1-09 OPTIONAL METERING SHIELD

REF	PART	DESCRIPTION	QTY	WILL FIT SN	REMARKS
1	PR60039	Metering Shield	1		
100	BL-10-200-H	5/8-11 X 2 HEX CAP G5 ZC	6		
101	BL-10-FW	5/8 USS FW ZC	12		
102	BL-10-LN	5/8-11 HEX LN NE ZC	6		



74120-1-10 OPTIONAL WEIGHT SCALE SYSTEM, NT460

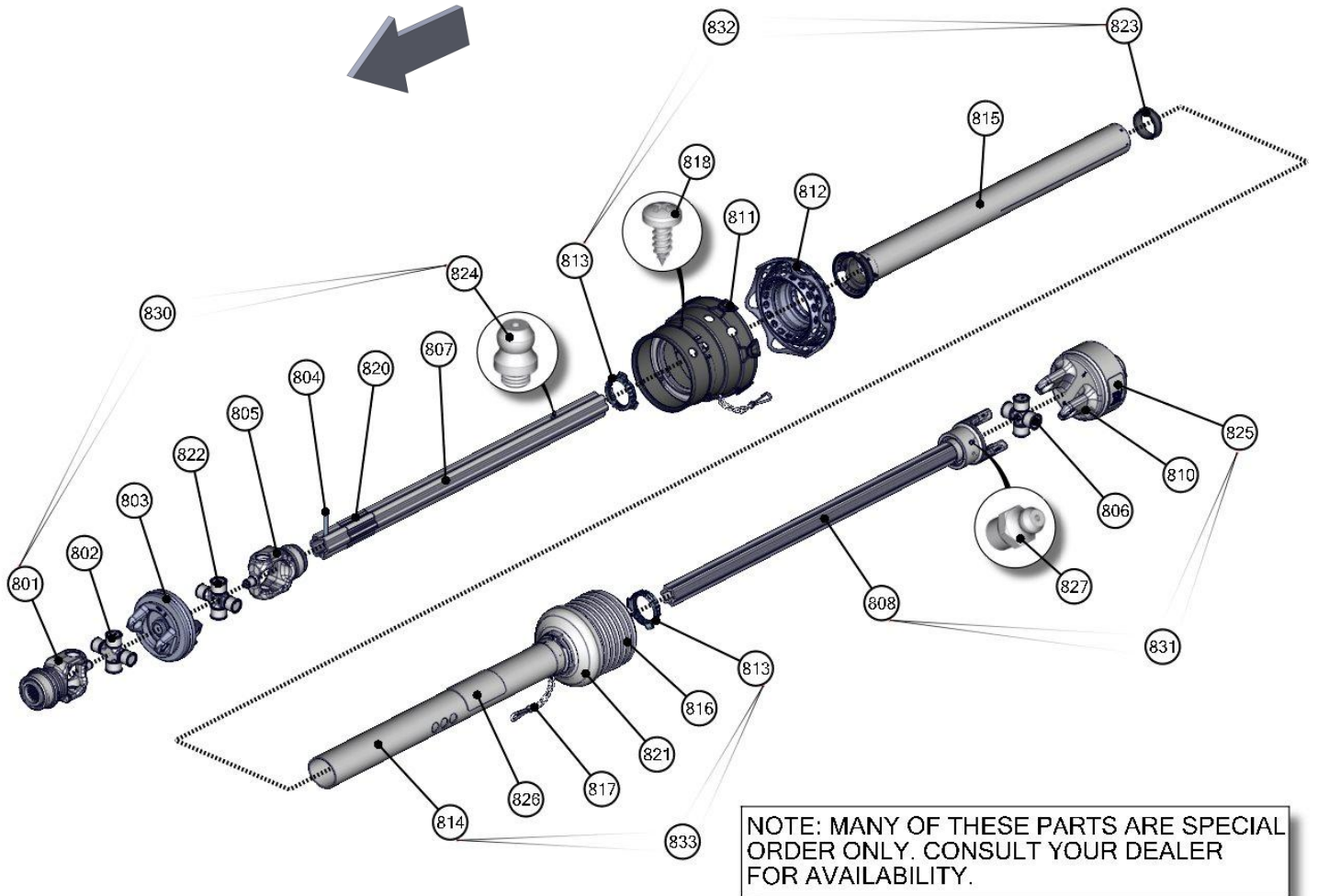
REF	PART	DESCRIPTION	QTY	WILL FIT SN	REMARKS
1	SWS-4604-003	Indicator, W/AutoLog, NT560	1		
2	SWS-4608-001	Load Cell, 2.125 DB-30, EZ-Mate	10		
3	SWS-4608-002	Junction Block, 9-Port EZ-Mate	1		
4	SWS-4608-003	Cable, EZ-Mate, AMP 30' Length	1		
5	SWS-4604-006	Rail Mount, Monitor Mount	1		
6	SWS-403780	Indicator Mount, NT460, Bracket - SCR-#10 x 5/8 FHSTS Black ZP	1		
7	SWS-404353	Indicator Mount, NT460, Bracket - EZ3 Plastic Rail	1		



74115-2-01 DRIVELINE, 1000 RPM

REF	PART	DESCRIPTION	QTY	WILL FIT SN	REMARKS
1	PTS-1021	Driveline, 1-3/4-20 Spline, PWE580 HD Shaft	1	Replaces PTS-1020	Rev b starts with -74015006
801	PTS-1021A	Yoke, 1-3/4"-20 Spl. ASG	1		Special Order Only
802	PTS-1021B	Cross & Bearing Kit	1		Special Order Only
803	PTS-1005B	Double Yoke	1		Special Order Only
804	PTB-1014C	Spring Pin 10 X 75	1		Special Order Only
805	PTS-1021C	Inboard Yoke S5	1		Special Order Only
806	PTS-4001B	Extended Lube Cross & Bearing Kit	1	Walterscheid Yokes	Special Order Only
807	PTS-1021J	Outer Profile S5GL	1		Special Order Only
808	PTS-1021D	Overrunning Clutch & S4LGA Profile Assy	1		Special Order Only
810	PTS-1021E	Cut-Out Clutch	1		Special Order Only
811	PTS-1021K	CV Guard & Bearing Assy	1	Replaced with PTS-1005K	Special Order Only
812	PTS-1015M	Flex Net & Guard Assy	1		
813	PTS-1002J	PTO Shield Bearing Ring	2		Special Order Only
814	PTS-1021M	Guard Tube Outer	1		Special Order Only
815	PTS-1021N	Gurad Tube Inner	1		Special Order Only
816	PTS-1021F	Guard Cone 9 Rib	1		Special Order Only
817	PTS-1002K	PTO Shield Safety Chain	1		Special Order Only
818	PTS-1010K	Screw	8		Special Order Only
819	PTS-1010L	Decal, Outer	1		Special Order Only
820	PTS-1010M	Decal, Inner	1		Special Order Only
821	PTB-8100D	Reinforcing Collar	1		Special Order Only
822	PTS-1021G	Cross & Bearing Kit	1		Special Order Only
823	PTS-1021H	Support Bearing	1		Special Order Only
824	PTB-1014L	Zerk	1		Special Order Only
825	PTS-1009J	Decal	1		Special Order Only
826	PTS-1021P	Lubrication Decal	1	Replaced with PTS-1008Q	Special Order Only
827	PTS-1008C	Zerk, Double Yoke	1		Special Order Only
830	PTS-1021FH	Front Half Shaft, PTS-1021	1		Special Order Only
831	PTS-1021RH	Rear Half Shaft, PTS-1021	1		Special Order Only
832	PTS-1021FS	Inner Guard Kit	1		Special Order Only
833	PTS-1021RS	Outer Guard Kit	1		Special Order Only
834	PTS-1008R	ASG Collar Kit	1		Special Order Only
835	PTS-1009K	CC Lock Assembly	1		Special Order Only

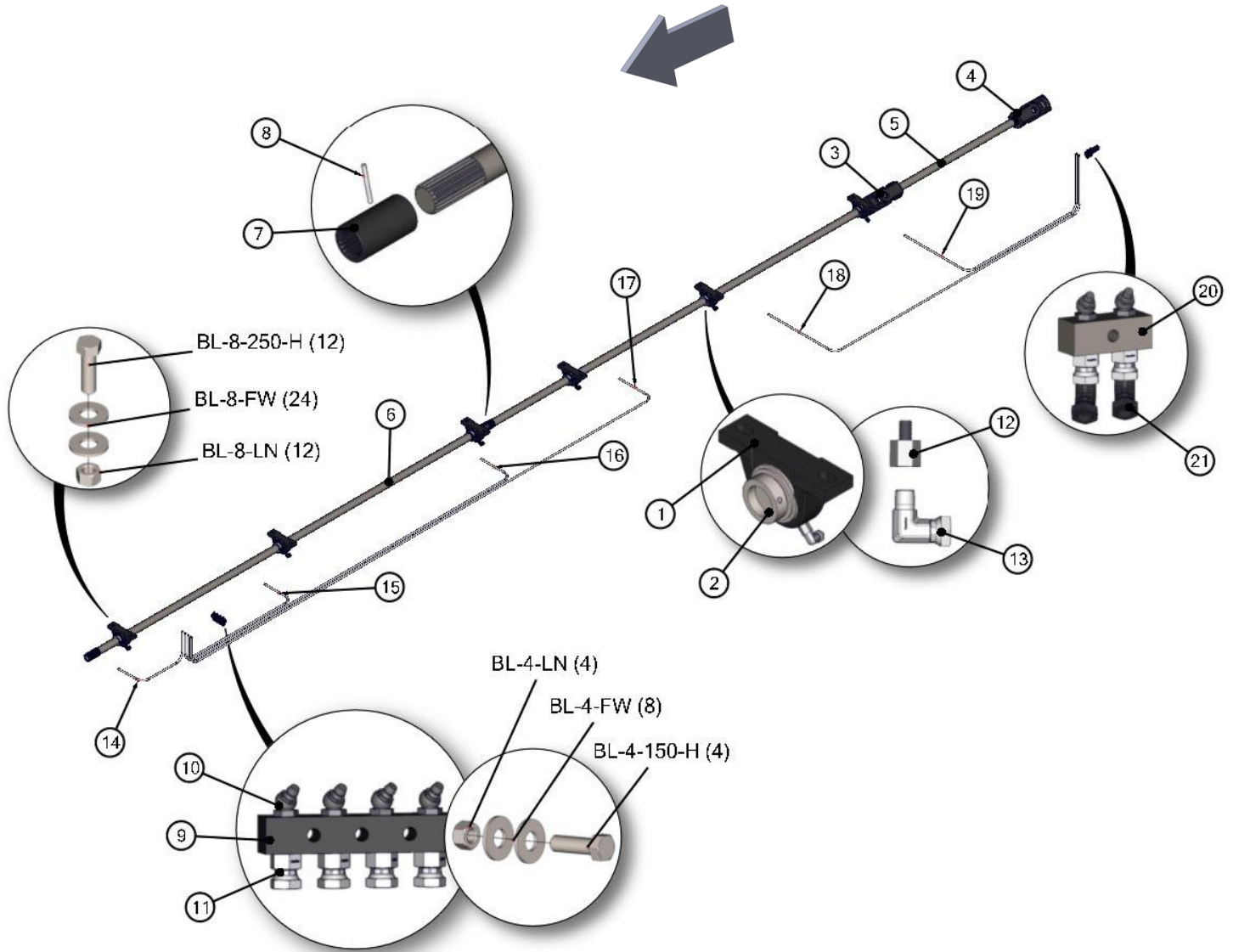
74115-2-01 DRIVELINE, 1000 RPM



74115-2-02 MAIN DRIVE SHAFT

REF	PART	DESCRIPTION	QTY	WILL FIT SN	REMARKS
1	BR-100-RAK	Bearing Housing 100 mm	6	11001	
2	BR-175-100	Heavy Duty 1 3/4" Bearing	6		
3	PTS-1018	Yoke Assembly 1-3/4-20 1Slip,1 Lock	1		
4	PTS-1019	Yoke Assembly, 1-3/4-20,1-3/4-6 Both Lock	1		
5	PR60401	Rear Drive Shaft	1		
6	PR64009	Main Drive Shaft	2		
7	PR60404	Coupler, 1.75 x 20 Spline, 12/24 Pitch, P.A. 30	1		
8	PIN-4-36	Roll Pin 1/4 x 2.25	1		
9	GF-4-4	4" Grease Manifold	2		
10	GF-1827-45	Grease Fitting 1/8 NPT 45	6		
11	A-1404-2-2	1/8 MP x 1/8 FPX	6		
12	GFA-51942	1/4-28 Straight Adapter	6		
13	A-1501-2-2	1/8 MP x 1/8 FPX90	6		
14	H2-22-2MP-2MP	1/8 in Hose 1/8MP x 1/8MP x 22in	1		
15	H2-107-2MP-2MP	1/8 Hose x 1/8MP x 1/8MP 107 L	1		
16	H2-201-2MP-2MP	18in Grease Hose, 1/8MP X 1/8MP X 201in Long	1		
17	H2-267-2MP-2MP	18in Grease Hose, 1/8MP X 1/8MP X 267in Long	1		
18	H2-78-2MP-2MP	1/8 in grease Hose 1/8MP x 1/8MP x 78in Long	1		
19	H2-58-2MP-2MP	1/8 in Hose 1/8MP x 1/8MP x 58 in Long	1		
20	GF-2-2	2" Grease Manifold	1		
21	A-1503-2-2	1/8 MP x 1/8 FPX 45	2		
100	BL-4-150-H	1/4-20 X 1-1/2 HEX CAP G5 ZC	4		
101	BL-4-FW	1/4 USS FW ZC	8		
102	BL-4-LN	1/4-20 HEX LN NE ZC	4		
103	BL-8-250-H	1/2-13 X 2-1/2 HH C/S G5 ZC	12		
104	BL-8-FW	1/2 USS FW ZC	24		
105	BL-8-LN	1/2-13 LN NYLON INSERT ZC	12		

74115-2-02 MAIN DRIVE SHAFT

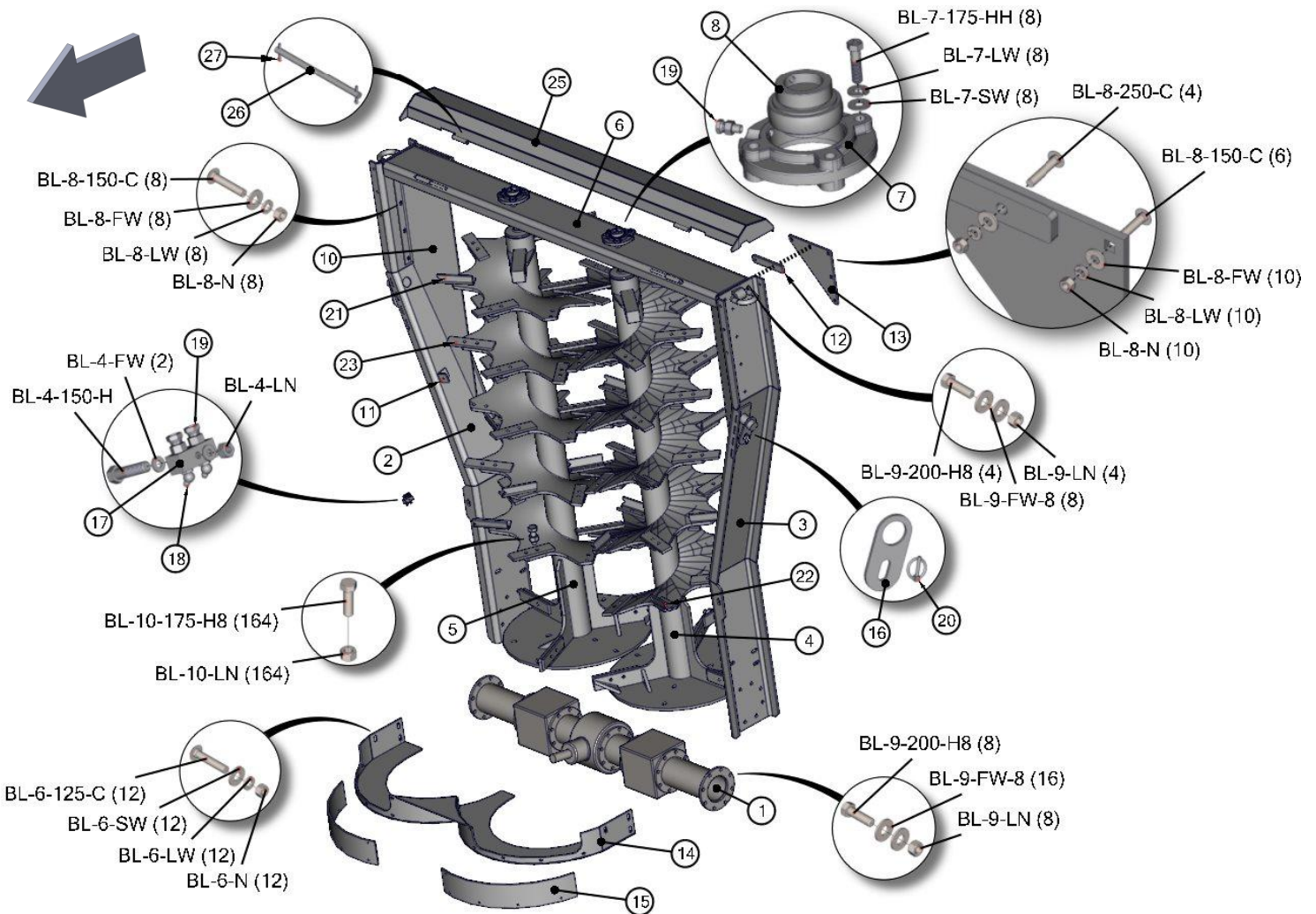


74115-2-03 VERTICAL BEATERS, QUICK DISCONNECT

REF	PART	DESCRIPTION	QTY	WILL FIT SN	REMARKS
1	VTB-1893-A1	1000 RPM Beater Gearbox	1		
2	PR63500	Beater Panel, RH, Remov Beaters	1		
3	PR63501	Beater Panel, LH, Remov Beaters	1		
4	VTB-0040	LH Beater, HD 15mm Flighting	1	74015006-	Replaces VTB-0011
5	VTB-0041	RH Beater, HD 15mm Flighting	1	74015006-	Replaces VTB-0012
6	PR63502	Top Bearing Plate, V-Box Spreader	1		
7	BR-085-4PF	85mm Four Bolt Piloted Flange Housing	2		
8	BR-175-085-I	Bearing, 1 3/4 ID, TS	2		
9	PR64011	Beater Panel Wing, LH	1		
10	PR64012	Beater Panel Wing, RH	1		
11	PR60058	Tab, Beater Panel Wing	2		
12	PR60060	Top Plate Spacer	2		
13	PR60059	Top Gusset	2		
14	PR63503	Beater Pan, Removable Beaters (SN 74015002-)	1	S.N.74015002-	
15	PR63504	Belting, Beater Pan	2	S.N. 74015002-	
16	PR63505	Plate, Safety Lock, Remov Beaters	2		
17	GF-2-2	2" Grease Manifold	1		
18	GF-1827-45	Grease Fitting 1/8 NPT 45	2		
19	A-1404-2-2	1/8 MP x 1/8 FPX	4		
20	PIN-250L	1/4 Lynch Pin	2		
21	VTB-1899-B3	Claw/Blade, Left Beater From Rear	10		
22	VTB-1899-C3	Claw/Blade, Right Beater From Rear	10		
23	VTB-1899-F3	Knife, Weight Specific	56	1190VB: 71113001- 1180VB: 74015011-	
24	HP-1038	Gear Lube, 80W90 @ Quart	11	Hydra Ram Spreader	
25	PR63506	Top Bearing Cover	1		
26	PR70133	Hinge Pin, 1/2 x 9	2		
27	PIN-C3-24	Cotter Pin 3/16 x 1 1/2	4		
100	BL-10-175-H8	5/8-11 X 1-3/4 HH G8 ZC	164		
101	BL-10-LN	5/8-11 HEX LN NE ZC	180		
102	BL-10-200-H8	5/8-11 X 2 HEX CAP G8 ZC	12		
103	BL-10-SW-8	5/8 SAE FW G8	8		
106	BL-6-125-C	3/8-16 X 1-1/4 CARRIAGE BOLT G5 ZC	12		
107	BL-6-SW	3/8 SAE FW ZC	12		
108	BL-6-LW	3/8 SPLIT LW ZC	12		
109	BL-6-N	3/8-16 HEX NUT ZC	12		
110	BL-7-SW	7/16 SAE FW ZC	8		
111	BL-7-LW	7/16 SPLIT LW ZC	8		
112	BL-7-175-HH	7/16-14 X 1-3/4 HH G5 ZC	8		

74115-2-03 VERTICAL BEATERS, QUICK DISCONNECT

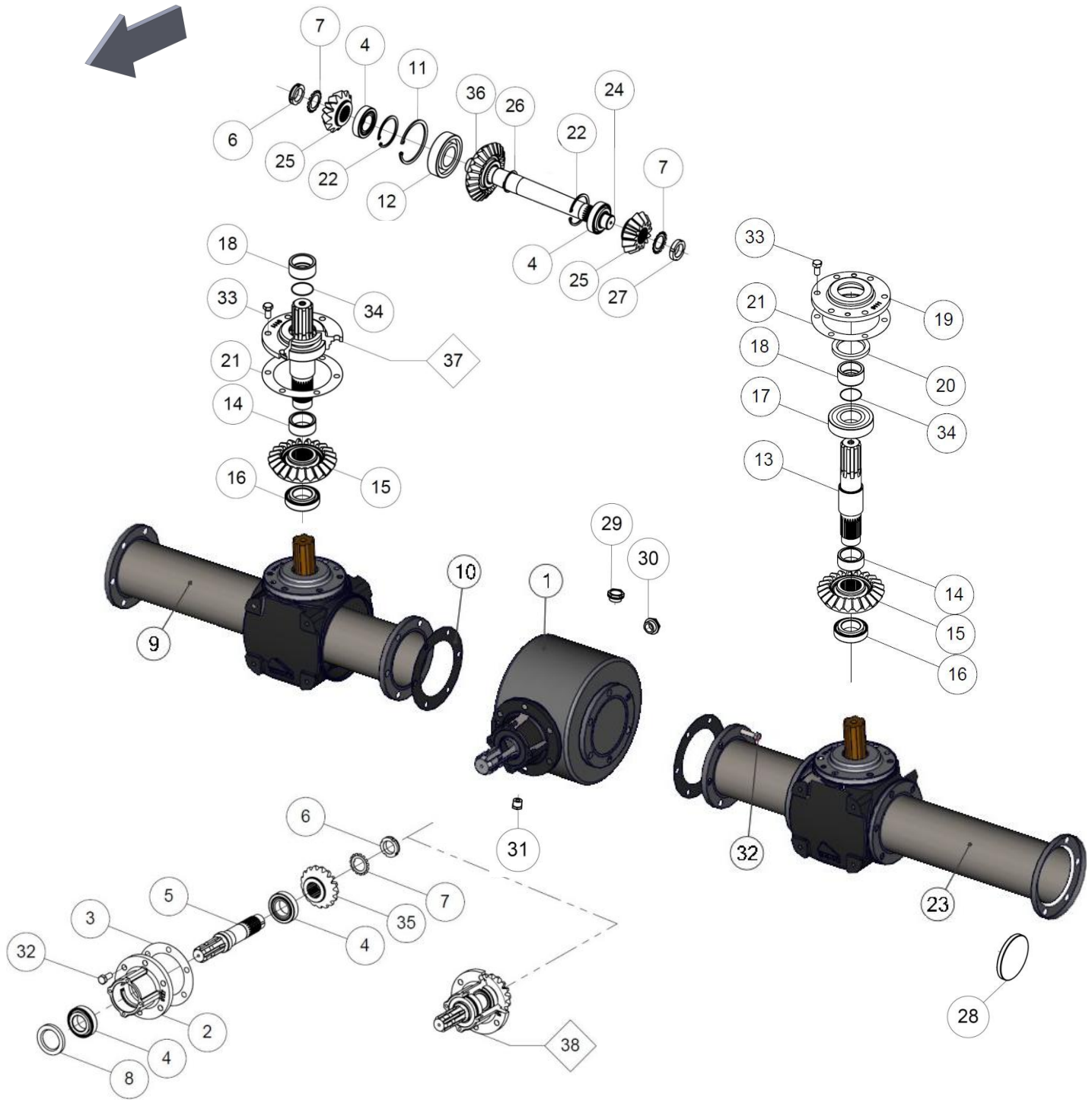
REF	PART	DESCRIPTION	QTY	WILL FIT SN	REMARKS
113	BL-9-FW-8	9/16 FW G8	40		
114	BL-9-200-H8	9/16-12 X 2 HH G8	20		
115	BL-9-LN	9/16-12 LN w/ NYLON INSERT	20		
116	BL-8-150-C	1/2-13 X 1-1/2 CARRIAGE BOLT G5 ZC	18		
117	BL-8-FW	1/2 USS FW ZC	22		
118	BL-8-LW	1/2 SPLIT LW ZC	22		
119	BL-8-N	1/2-13 HEX FIN NUTS ZC	22		
120	BL-8-250-C	1/2-13 X 2-1/2 CARRIAGE BOLT G5 ZC	4		
121	BL-4-FW	1/4 USS FW ZC	2		
122	BL-4-150-H	1/4-20 X 1-1/2 HEX CAP G5 ZC	1		
123	BL-4-LN	1/4-20 HEX LN NE ZC	1		
604	H2-103-2MP-2MP	1/8in grease hose 1/8MP x 1/8MP x 103in long	1		
605	H2-134-2MP-2MP	1/8in grease hose 1/8MP x 1/8MP x 134in long	1		



74115-2-03A VERTICAL BEATER GEARBOX

REF	PART	DESCRIPTION	QTY	WILL FIT SN	REMARKS
1	VTB-1893-A1	1000 RPM Beater Gearbox	0		
801	VTB-1899-A1	Housing	1		Special Order Only
802	VTB-1899-J2	Hub	1		Special Order Only
803	VTB-1899-H2	Gasket	1		Special Order Only
804	VTB-1899-G1	Bearing 32209	4		Special Order Only
805	VTB-1899-L2	Shaft	1		Special Order Only
806	VTB-1899-D1	Threaded Ring, LH Thread	2		Special Order Only
807	VTB-1899-E1	Washer	3		Special Order Only
808	VTB-1899-K2	Oil Seal	1		
809	VTB-1893-B1	Right Spacer Tube	1		Special Order Only
810	VTB-1899-A2	Gasket	2		Special Order Only
811	VTB-1893-C1	Snap Ring	1		Special Order Only
812	VTB-1899-H1	Bearing 6311	1		Special Order Only
813	VTB-1893-D1	Splined Shaft	2		Special Order Only
814	VTB-1899-V1	Spacer	2		Special Order Only
815	VTB-1899-W1	Gear Z=22	2		
816	VTB-1899-X1	Bearing 32210	2		Special Order Only
817	VTB-1899-T1	Bearing 6311-2RS	2		Special Order Only
818	VTB-1899-M1	Spacer	2		Special Order Only
819	VTB-1899-Q1	Calotte	2		Special Order Only
820	VTB-1899-S1	Oil Seal	2		Special Order Only
821	VTB-1899-R1	Gasket	2		Special Order Only
822	VTB-1893-E1	Snap Ring	2		Special Order Only
823	VTB-1893-F1	Right Spacer Tube	1		Special Order Only
824	VTB-1899-C1	Shaft	1		Special Order Only
825	VTB-1899-F1	Bevel Pinion Z=13	2		Special Order Only
826	VTB-1899-K1	Circlip E 55	1		Special Order Only
827	VTB-1899-L1	Threaded Ring, RH Thread	1		Special Order Only
828	VTB-1893-G1	End Cap	2		Special Order Only
829	VTB-1899-E2	Oil Plug, 1" Gas.	1		Special Order Only
830	VTB-1899-c2	Oil Lev. Indicator	1		Same as GBXA-5-ST10B
831	VTB-1899-D2	Oil Plug, 1/2" Gas	1		Special Order Only
832	VTB-1899-Z1	Screw, hex-hd M14X35	22		Reference Only, Special Order
833	VTB-1899-P1	Screw, hex-hd M14X30	12		Reference Only, Special Order
834	VTB-1899-N1	O-ring 2212	2		Special Order Only
835	VTB-1899-G2	Bevel Pinion Z=17	1		
836	VTB-1899-J1	Gear Z=24	1		
837	VTB-1893-H1	Full Cover (complete Callotte)	2		Special Order Only
838	VTB-1899-M2	Hub Complete, Gearbox	1		Special Order Only

74115-2-03A VERTICAL BEATER GEARBOX



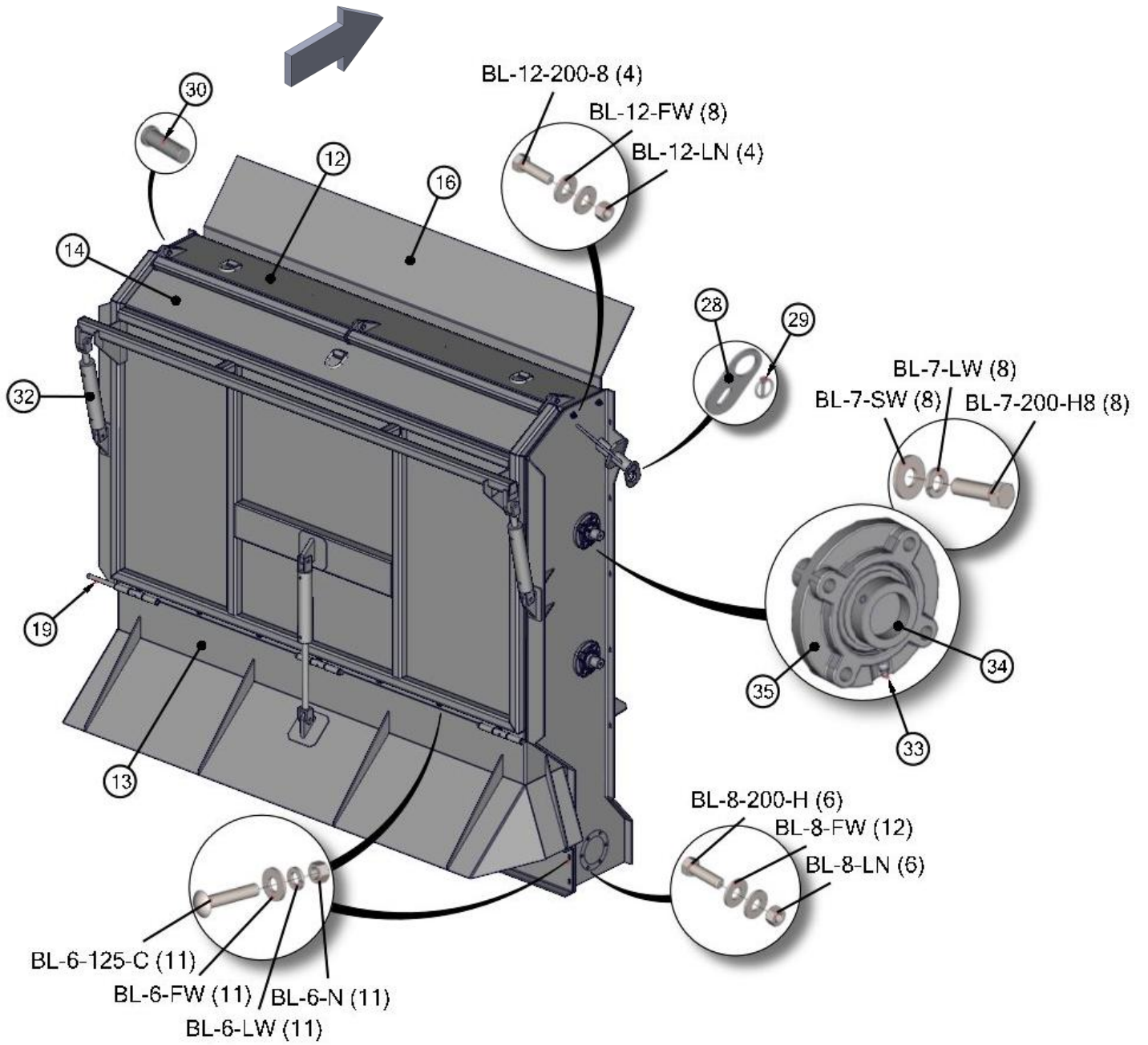
74120-2-03B OPT. COMPOST BEATERS, HYDRAULIC HOOD W/ TRIM SHIELD

REF	PART	DESCRIPTION	QTY	WILL FIT SN	REMARKS
1	VTB-CMP-2200-H	PTO Shaft, Side	1		
2	VTB-CMP-2200-F	Spinner Plate Assy, RH, 910mm Gbx	1		
3	VTB-CMP-2200-E	Spinner Plate Assy, LH, 910mm Gbx	1		
4	VTB-CMP-2200-C	Side Gearbox, Beaters	1		
5	VTB-CMP-2112	Bottom Gearbox, 2305mm, 910mm Spinner Centers	1		
6	VTB-CMP-2105	Horiz. Beater, Bottom	1		
7	VTB-CMP-2104	Horiz. Beater, Top	1		
8	VTB-0047	Knife, Horiz. Comp. Beater	66		
9	PR70312	Strap	2		
10	PR70311	Gear Box Support	1		
11	PR70310	PTO Shield	1		
12	PR70299	Top Plate	1		
13	PR70298	Adjustable Panel	1		
14	PR70297	Back Panel Hyd Lift, Hyd. Fence Rower	1		
15	PR70261	Guide	2		
16	PR70260	880 Divert Shield	1		
17	PR70244	Backing Bar, Belting	1		
18	PR70243	Belting, Middle	1		
19	PR63535	Latch Pin	3		
20	PR63522	Beater Panel, RH	1		
21	PR63521	Beater Panel, LH	1		
22	PR63518	Compost Backing Plate, LH	1		
23	PR63517	Compost Backing Plate, RH	1		
24	PR63512	Mount, Gearbox, LH	1		
25	PR63511	Mount, Gearbox, RH	1		
26	PR63509-G	Bracket, Slurry Pan Gusset	2		
27	PR63509	Slurry Pan	1		
28	PR63505	Plate, Safety Lock, Remov Beaters	2		
29	PIN-250L	1/4 Lynch Pin	2		
30	PIN-10-28	Clevis Pin, 5/8 Dia, 1.75 usable	3		
31	LA-1530	Medium Rubber T Latch Assembly	1		
32	HC-150-1004	Welded Cylinder, 1.5, 10 Stroke	3		
33	GF-1827	Grease Fitting 1/8 NPT Straight	2		
34	BR-175-085-I	Bearing, 1 3/4 ID, TS	2		
35	BR-085-4PF	85mm Four Bolt Piloted Flange Housing	2		
36	HA-1031	Hydraulic Hose Holder 3/8	4		
37	PR70349	Gearbox Support Bracket, Compost	2		

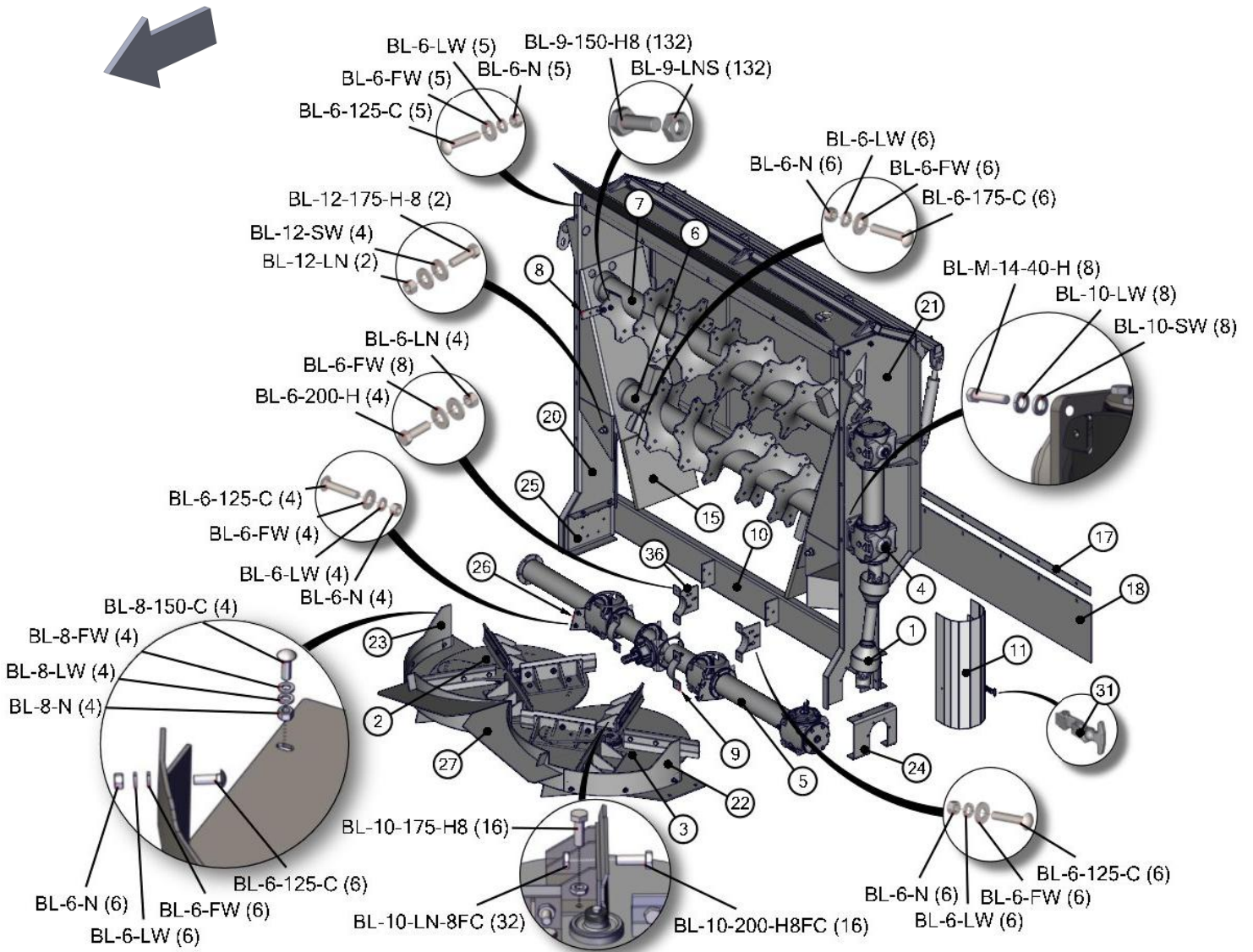
74120-2-03B OPT. COMPOST BEATERS, HYDRAULIC HOOD W/ TRIM SHIELD

REF	PART	DESCRIPTION	QTY	WILL FIT SN	REMARKS
100	BL-6-125-C	3/8-16 X 1-1/4 CARRIAGE BOLT G5 ZC	38		
101	BL-6-175-C	3/8-16 X 1-3/4 CARRIAGE BOLT G5 ZC	6		
102	BL-6-200-H	3/8-16 X 2 HEX CAP G5 ZC	4		
103	BL-6-FW	3/8 USS FW ZC	46		
104	BL-6-LW	3/8 SPLIT LW ZC	38		
105	BL-6-N	3/8-16 HEX NUT ZC	38		
106	BL-6-LN	3/8-16 FIN H LN NE A563 GA ZC	4		
107	BL-7-200-H8	7/16-14 X 2 HH G8	8		
108	BL-7-LW	7/16 SPLIT LW ZC	8		
109	BL-7-SW	7/16 SAE FW ZC	8		
110	BL-8-150-C	1/2-13 X 1-1/2 CARRIAGE BOLT G5 ZC	4		
111	BL-8-200-H	1/2-13 X 2 HEX CAP G5 ZC	6		
112	BL-8-FW	1/2 USS FW ZC	16		
113	BL-8-LW	1/2 SPLIT LW ZC	8		
114	BL-8-N	1/2-13 HEX FIN NUTS ZC	4		
115	BL-8-LN	1/2-13 LN NYLON INSERT ZC	6		
116	BL-9-150-H8	9/16-12 X 1 1/2 HEX CAP G8 ZC	132		
117	BL-9-LNS	9/16-12, STOVER LN	132		
118	BL-10-175-H8	5/8-11 X 1-3/4 HH G8 ZC	16		
119	BL-10-200-H8FC	5/8-11 X 2 HH Flange G8, Course Thread, Phos & Oil	16		
120	BL-M-14-40-H	M14-2 X 40 HHCS ZC	8		
121	BL-10-SW	5/8 SAE FW ZC	8		
122	BL-10-LW	5/8 SPLIT LW ZC	8		
123	BL-10-LN-8FC	5/8-11 Stover LN, Grade G, Flange Top, Phos & Oil	32		
124	BL-12-175-H-8	3/4-10 X 1-3/4 HH G8	2		
125	BL-12-200-8	3/4-10 X 2 HH C/S G8 ZC	4		
126	BL-12-FW	3/4 FW	8		
127	BL-12-SW	3/4 SAE FW	4		
128	BL-12-LN	3/4-10 LN w/ NYLON INSERTS	6		

74120-2-03B OPT. COMPOST BEATERS, HYDRAULIC HOOD W/ TRIM SHIELD



74120-2-03B OPT. COMPOST BEATERS, HYDRAULIC HOOD W/ TRIM SHIELD



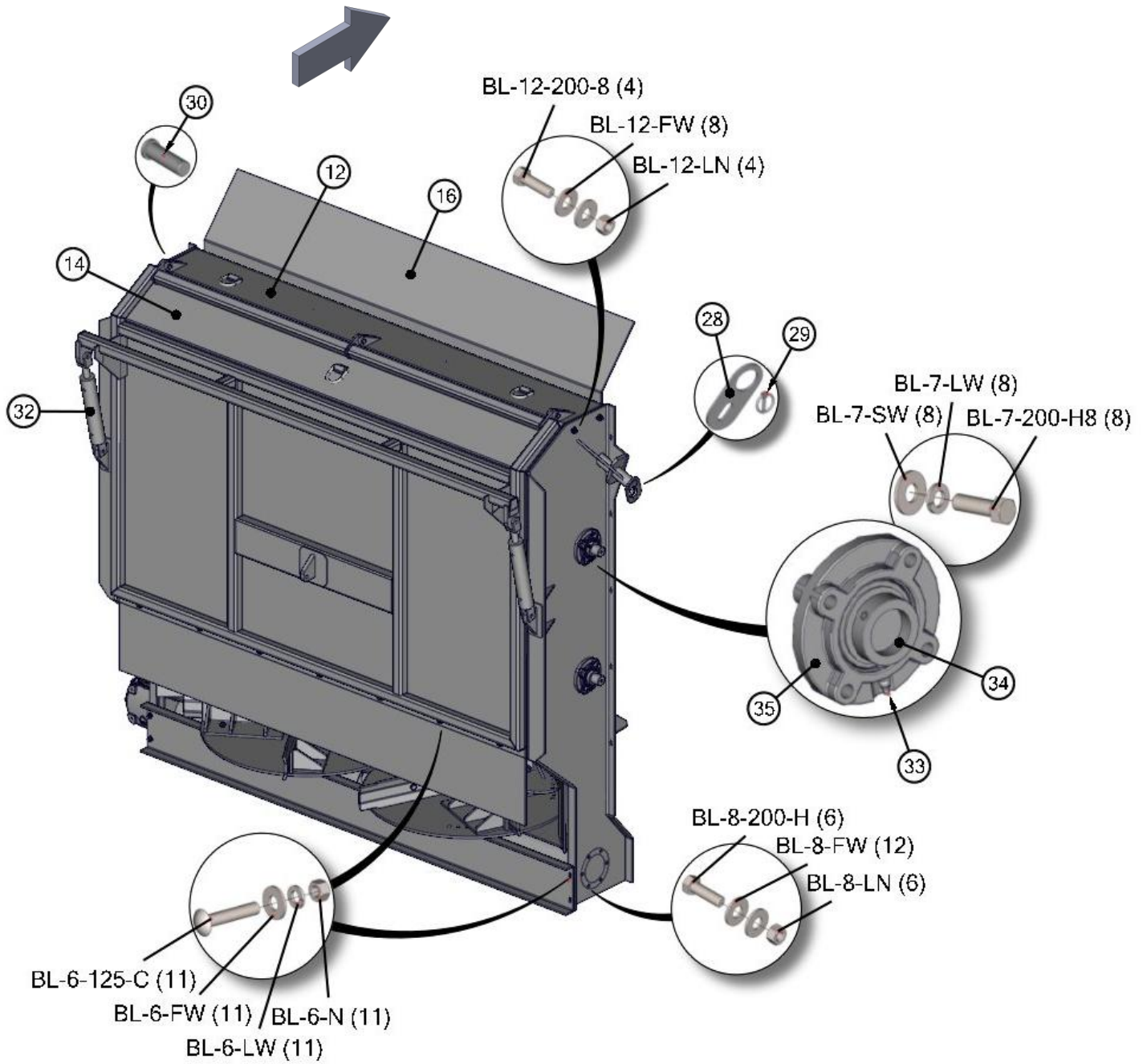
74120-2-03C OPT. COMPOST BEATERS, HYDRAULIC HOOD

REF	PART	DESCRIPTION	QTY	WILL FIT SN	REMARKS
1	VTB-CMP-2200-H	PTO Shaft, Side	1		
2	VTB-CMP-2200-F	Spinner Plate Assy, RH, 910mm Gbx	1		
3	VTB-CMP-2200-E	Spinner Plate Assy, LH, 910mm Gbx	1		
4	VTB-CMP-2200-C	Side Gearbox, Beaters	1		
5	VTB-CMP-2112	Bottom Gearbox, 2305mm, 910mm Spinner Centers	1		
6	VTB-CMP-2105	Horiz. Beater, Bottom	1		
7	VTB-CMP-2104	Horiz. Beater, Top	1		
8	VTB-0047	Knife, Horiz. Comp. Beater	66		
9	PR70312	Strap	2		
10	PR70311	Gear Box Support	1		
11	PR70310	PTO Shield	1		
12	PR70299	Top Plate	1		
14	PR70297	Back Panel Hyd Lift, Hyd. Fence Rower	1		
15	PR70261	Guide	2		
16	PR70260	880 Divert Shield	1		
17	PR70244	Backing Bar, Belting	1		
18	PR70243	Belting, Middle	1		
20	PR63522	Beater Panel, RH	1		
21	PR63521	Beater Panel, LH	1		
22	PR63518	Compost Backing Plate, LH	1		
23	PR63517	Compost Backing Plate, RH	1		
24	PR63512	Mount, Gearbox, LH	1		
25	PR63511	Mount, Gearbox, RH	1		
26	PR63509-G	Bracket, Slurry Pan Gusset	2		
27	PR63509	Slurry Pan	1		
28	PR63505	Plate, Safety Lock, Remov Beaters	2		
29	PIN-250L	1/4 Lynch Pin	2		
30	PIN-10-28	Clevis Pin, 5/8 Dia, 1.75 usable	3		
31	LA-1530	Medium Rubber T Latch Assembly	1		
32	HC-150-1004	Welded Cylinder, 1.5, 10 Stroke	2		
33	GF-1827	Grease Fitting 1/8 NPT Straight	2		
34	BR-175-085-I	Bearing, 1 3/4 ID, TS	2		
35	BR-085-4PF	85mm Four Bolt Piloted Flange Housing	2		
36	HA-1031	Hydraulic Hose Holder 3/8	4		
37	PR70349	Gearbox Support Bracket, Compost	2		

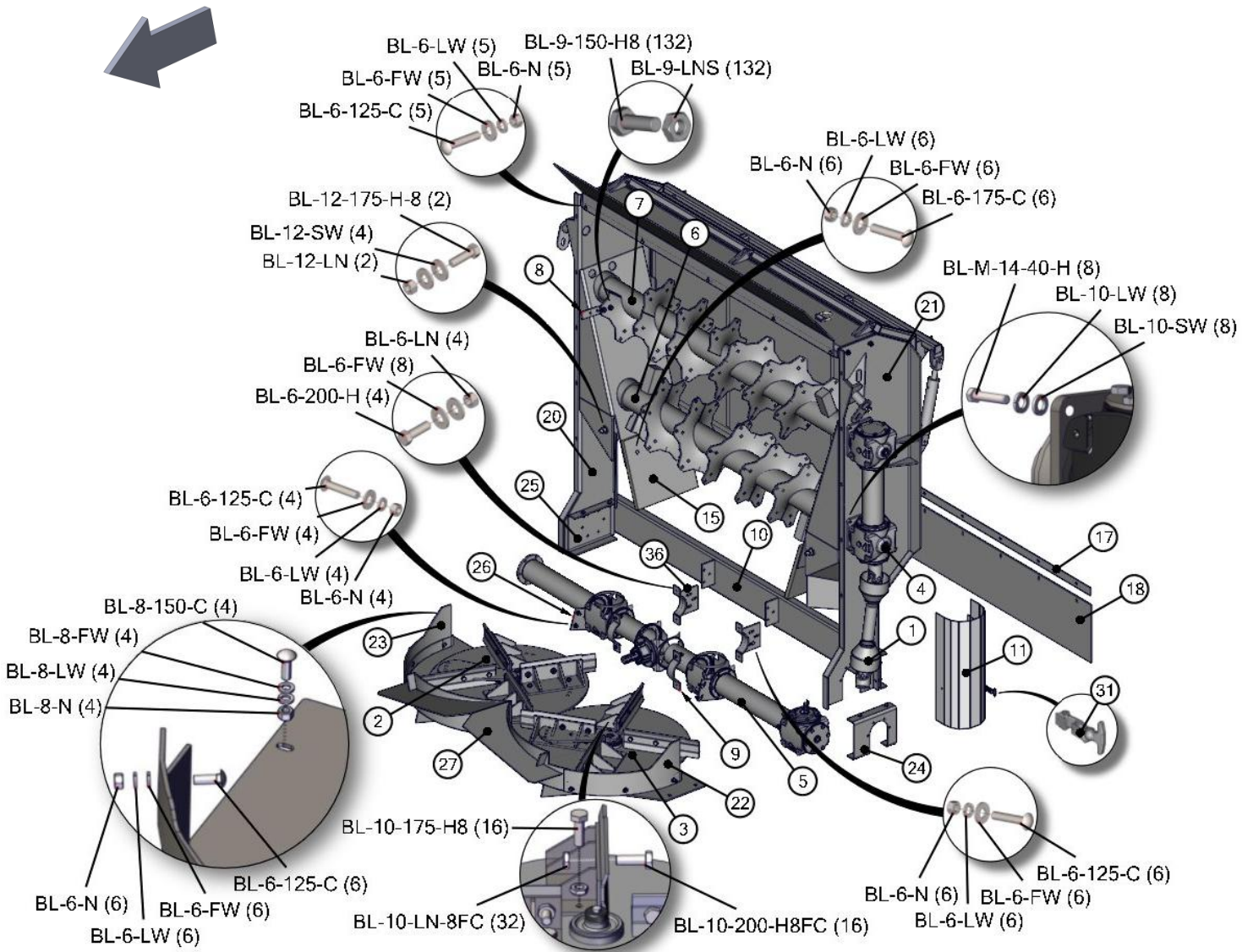
74120-2-03C OPT. COMPOST BEATERS, HYDRAULIC HOOD

REF	PART	DESCRIPTION	QTY	WILL FIT SN	REMARKS
100	BL-6-125-C	3/8-16 X 1-1/4 CARRIAGE BOLT G5 ZC	38		
101	BL-6-175-C	3/8-16 X 1-3/4 CARRIAGE BOLT G5 ZC	6		
102	BL-6-200-H	3/8-16 X 2 HEX CAP G5 ZC	4		
103	BL-6-FW	3/8 USS FW ZC	46		
104	BL-6-LW	3/8 SPLIT LW ZC	38		
105	BL-6-N	3/8-16 HEX NUT ZC	38		
106	BL-6-LN	3/8-16 FIN H LN NE A563 GA ZC	4		
107	BL-7-200-H8	7/16-14 X 2 HH G8	8		
108	BL-7-LW	7/16 SPLIT LW ZC	8		
109	BL-7-SW	7/16 SAE FW ZC	8		
110	BL-8-150-C	1/2-13 X 1-1/2 CARRIAGE BOLT G5 ZC	4		
111	BL-8-200-H	1/2-13 X 2 HEX CAP G5 ZC	6		
112	BL-8-FW	1/2 USS FW ZC	16		
113	BL-8-LW	1/2 SPLIT LW ZC	8		
114	BL-8-N	1/2-13 HEX FIN NUTS ZC	4		
115	BL-8-LN	1/2-13 LN NYLON INSERT ZC	6		
116	BL-9-150-H8	9/16-12 X 1 1/2 HEX CAP G8 ZC	132		
117	BL-9-LNS	9/16"-12, STOVER LN	132		
118	BL-10-175-H8	5/8-11 X 1-3/4 HH G8 ZC	16		
119	BL-10-200-H8FC	5/8-11 X 2 HH Flange G8, Course Thread, Phos & Oil	16		
120	BL-M-14-40-H	M14-2 X 40 HHCS ZC	8		
121	BL-10-SW	5/8 SAE FW ZC	8		
122	BL-10-LW	5/8 SPLIT LW ZC	8		
123	BL-10-LN-8FC	5/8-11 Stover LN, Grade G, Flange Top, Phos & Oil	32		
124	BL-12-175-H-8	3/4-10 X 1-3/4 HH G8	2		
125	BL-12-200-8	3/4-10 X 2 HH C/S G8 ZC	4		
126	BL-12-FW	3/4 FW	8		
127	BL-12-SW	3/4 SAE FW	4		
128	BL-12-LN	3/4-10 LN w/ NYLON INSERTS	6		

74120-2-03C OPT. COMPOST BEATERS, HYDRAULIC HOOD



74120-2-03C OPT. COMPOST BEATERS, HYDRAULIC HOOD

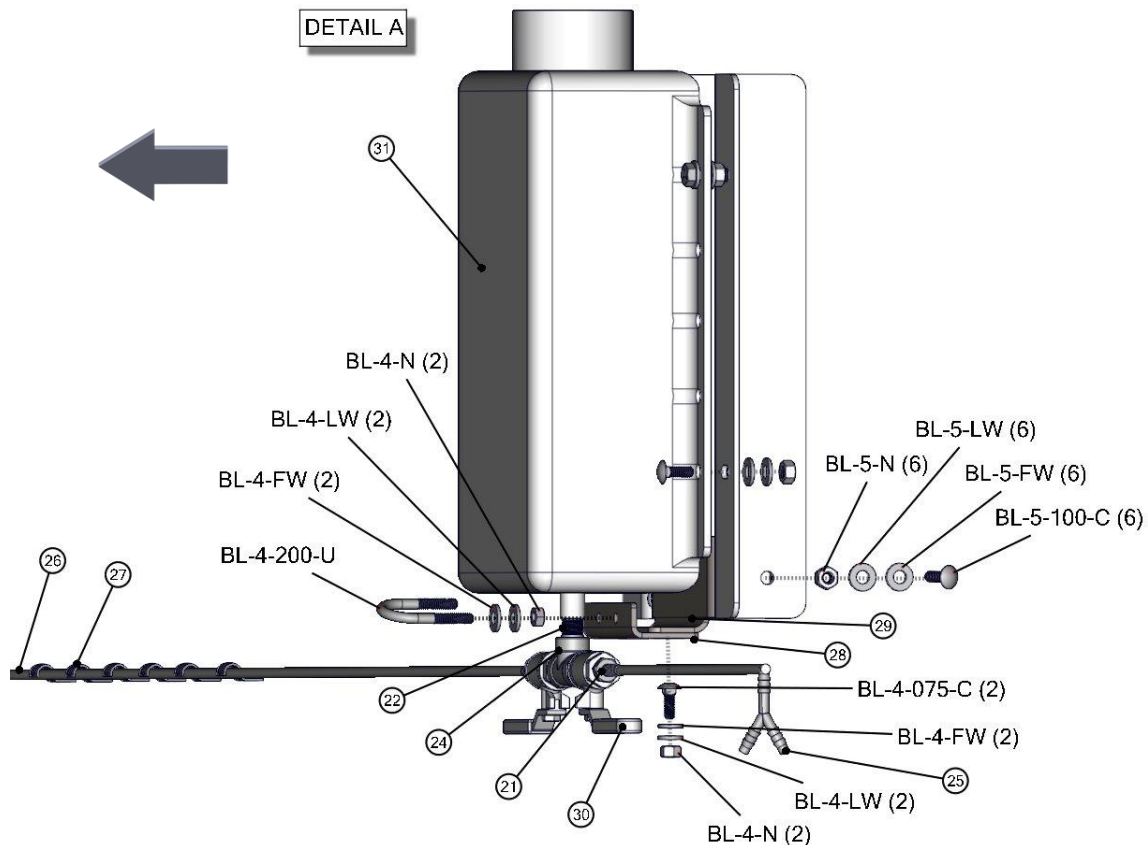


74119-2-04 WEB CHAIN DRIVE

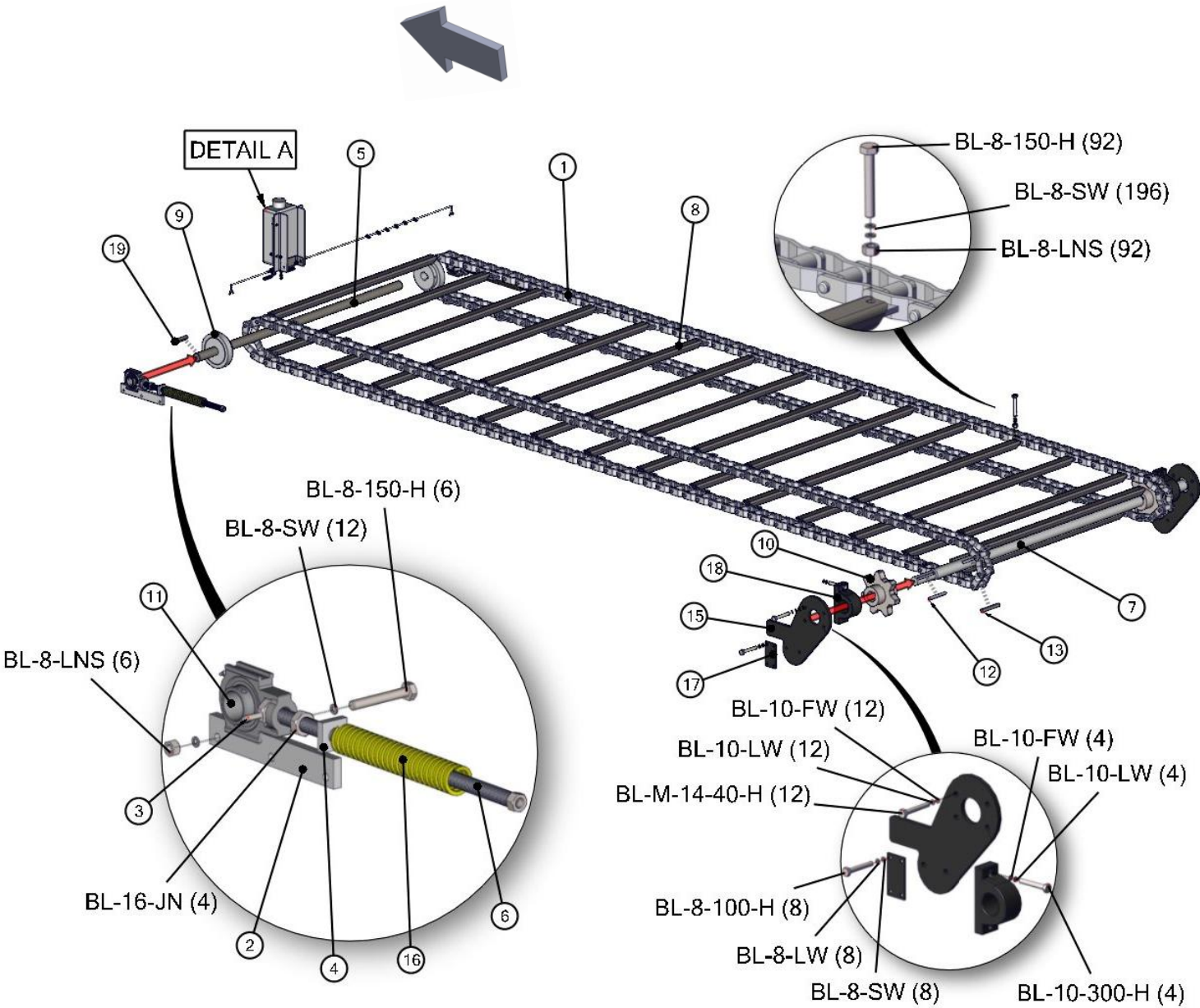
REF	PART	DESCRIPTION	QTY	WILL FIT SN	REMARKS
1	PR60415	Pull Chain, Right Hand Side, Pintle Style	0	74013002	
1	PR60416	Pull Chain, Left Hand Side, Pintle Style	0	74013002	
1	PR64020	Pull Chain, Clearanced , Pintle Style, Tab Center of Link, Universal	2		replaces PR64010
2	PR63014	Flat Bar	2		
3	PIN-4-36	Roll Pin 1/4" x 2.25	2		
4	PR70313	Machined Nut	2		
5	PR63015	Chain Shaft, Front Idler	1		
6	PR70480	Tension Rod, HP1100	2		
7	PR60040	Shaft, Apron Chain, Dual Drive	1		
8	PR60419	Flight, Mill Chain, Angle	0		
8	PR60420	Flight Mill Chain, Tub center on Chain	46		
9	RLR-0030	Spreader Chain Roller	2		
10	PR60424	Drive Sprocket, WH124 Pintle Chain, 2 Pc Sprocket, 2 1/2" Bore, 5/8 Keyway	2		
11	BRG-32-TU	Bearing, Takeup, 5/8 Keyway, 2.00 Shaft	2		
12	KEY-8-8-86-HCS	1/2in Key 5.375in Long, High Carbon Steel	2		
13	KEY-10-10-550-HCS	5/8in Key, 5.50in Long, 4140 Material	2		
15	PR60066	Torque Plate, Gearbox	2		
16	SPRG-1200-EH	Spring, Extra Heavy 2" Hole Dia., 1" Rod x 12 Long	2		
17	PR60068	Mount, Torque Plate, Gearbox	2		
18	BR-250-HD	Heavy Duty 2-1/2" Brg Assy, W/Pillow Block	2		
19	KEY-10-10-300-HCS	3" KEY STOCK	2		
20	PR70356	Cap, HP Spreader Gearbox	2		
21	A-4124-4-4	1/4 Male Pipe x 1/4 Push Loc	2		
22	AN-4-CLB	1/4" NPT Close Nipple, Brass	2		
23	AN-4-CLB-H	1/4" NPT Close Nipple, Brass, With Hex Center	1		
24	ATB-4-4-4	1/4" x 1/4" x 1/4" Brass Tee	1		
25	AYN-4-4-4	1/4" x 1/4" x 1/4" White Nylon Hose Barb Wye	2		
26	H4-PL	Push Loc Hose 1/4" @ ft	12		
27	HA-1031	Hydraulic Hose Holder 3/8	6		
28	PR70316	Chain Oil System Bracket	1		
29	PR70330	Chain Oil System Bracket	1		
30	VLV-025-B	1/4" Brass Ball Valve	2		
31	VPA-NVE-36001	5 Quart Reservoir with Black Cap, NVE Style	1		

74119-2-04 WEB CHAIN DRIVE

REF	PART	DESCRIPTION	QTY	WILL FIT SN	REMARKS
100	BL-4-075-C	1/4 UNC X 3/4 CARRIAGE BOLT G5 ZC	2		
101	BL-4-200-U	1/4" U Bolt 1 1/8" wide 2 long	1		
102	BL-4-FW	1/4 USS FW ZC	4		
103	BL-4-LW	1/4 SPLIT LW ZC	4		
104	BL-4-N	1/4-20 HEX FIN NUT ZC	4		
105	BL-5-100-C	5/16-18 x 1, Z5	6		
106	BL-5-FW	5/16 USS FW ZC	6		
107	BL-5-LW	5/16 SPLIT LW ZC	6		
108	BL-5-N	5/16-18 UNC HEX NUT A563 GrA ZINC	6		
109	BL-8-100-H	1/2-13 X 1 HEX CAP G5 ZC	8		
110	BL-8-150-H	1/2-13 X 1-1/2 HH C/S BOLT G5 ZC	98		
111	BL-8-SW	1/2 SAE FW ZC	196		
112	BL-8-LW	1/2 SPLIT LW ZC	8		
113	BL-8-LNS	1/2-13 STOVER LN	98		
114	BL-10-300-H	5/8-11 X 3 HEX CAP G5 ZC	4		
115	BL-10-FW	5/8 USS FW ZC	16		
116	BL-10-LW	5/8 SPLIT LW ZC	16		
117	BL-16-JN	1-8 JAM NUT HEX Gr 5 YZ	4		
118	BL-M-14-40-H	M14-2 X 40 HHCS ZC	12		



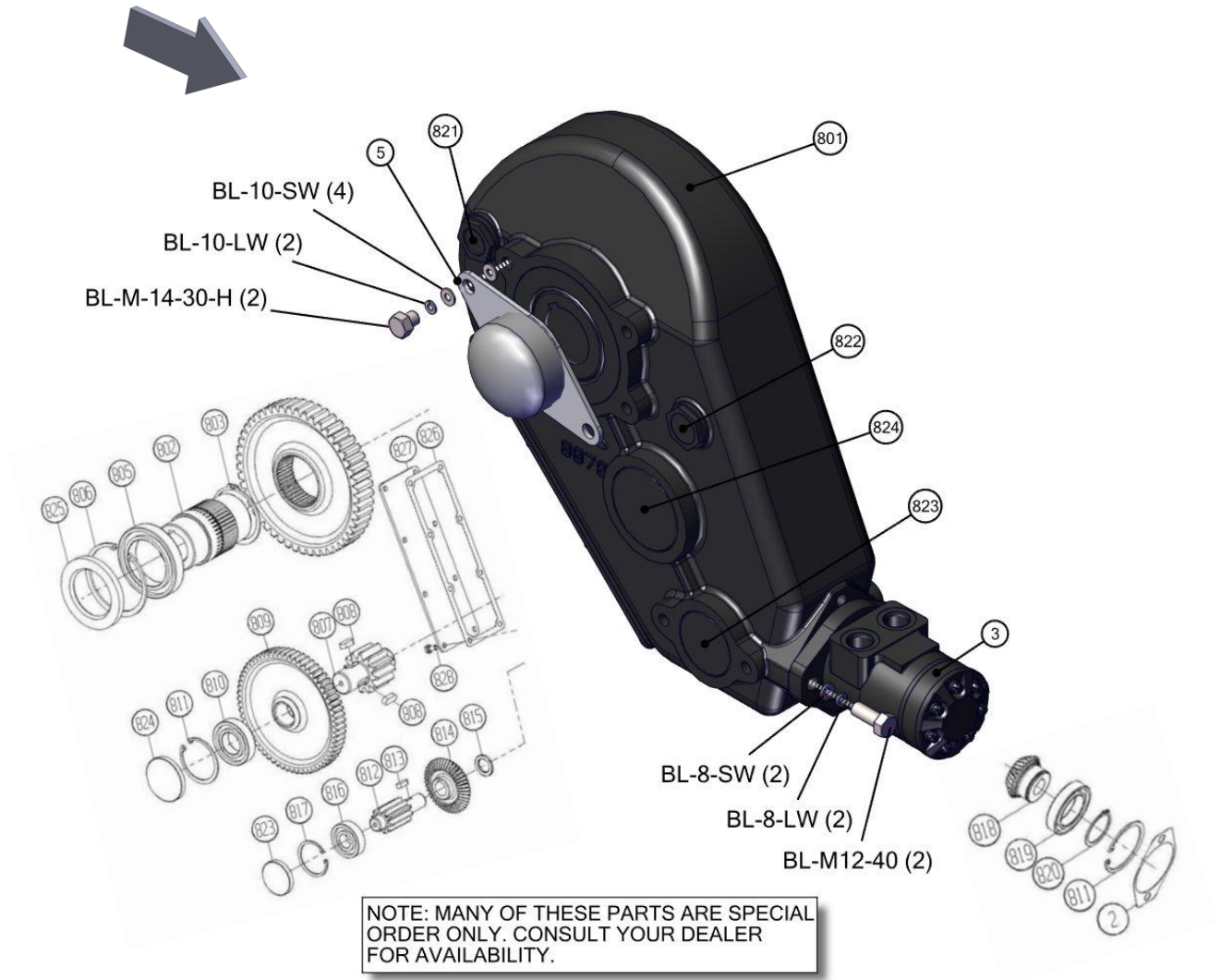
74119-2-04 WEB CHAIN DRIVE



74115-2-05 WEB CHAIN GEARBOX

REF	PART	DESCRIPTION	QTY	WILL FIT SN	REMARKS
1	GBX-1893	Gearbox, Vertical Beater Apron Drive	2		
2	PR60026	Flange Gasket, Apron Drive Gear Box	1		
3	HM-1893	Orbit Motor, Vertical Beater Apron Drive	2		
4	HP-1038	Gear Lube, 80W90 @ Quart	3	Hydra Ram Spreader	
5	PR70356	Cap, HP Spreader Gearbox	2		
100	BL-10-LW	5/8 SPLIT LW ZC	4		
101	BL-10-SW	5/8 SAE FW ZC	8		
102	BL-8-LW	1/2 SPLIT LW ZC	4		
103	BL-8-SW	1/2 SAE FW ZC	4		
104	BL-M12-40	12MM Bolt,Coarse Thread,40MM Length	4		
105	BL-M-14-30-H	Hex Head Bolt, 14mm x 30mm	4		
801	GBX-1893-D	Housing	1		
802	GBX-1893-B	Gearbox Hub	1		
803	GBX-1893-C	Internal Retainig Clip	1		
804	GBX-1893-E	Gear Z=54	1		
805	GBX-1893-A	Ball Bearing, Open	2		
806	GBX-1893-F	Internal Clip	2		
807	GBX-1893-G	Pinion Z=12	1		
808	GBX-1893-H	Key 12x8x30	2		
809	GBX-1893-I	Gear Z=63	1		
810	GBX-1893-J	Bearing 6208	2		
811	GBX-1893-K	Circlip I 80	3		
812	GBX-1893-L	Pinion Z=10	1		
813	GBX-1893-M	Key 8x7x25	1		
814	GBX-1893-N	Gear Z=43	1		
815	GBX-1893-O	Spacer	1		
816	GBX-1893-P	Bearing 6305	2		
817	GBX-1893-Q	Circlip I 62	2		
818	GBX-1893-R	Pinion Z=28	1		
819	GBX-1893-S	Bearing	1		
820	GBX-1893-T	Circlip E 50	1		
821	GBX-1893-U	Oil Plug 1" Gas	2		
822	GBX-1893-V	Oil Level Indic. 1" Gas	2		
823	GBX-1893-W	Plug	2		
824	GBX-1893-X	Plug	2		
825	GBX-1893-Y	Shaft Seal, Gearbox	2		
826	GBX-1893-Z	Gasket	1		
827	GBX-1893-A1	Cover	1		
828	GBX-1893-B1	Screw, hex-hd M8x16	8		

74115-2-05 WEB CHAIN GEARBOX

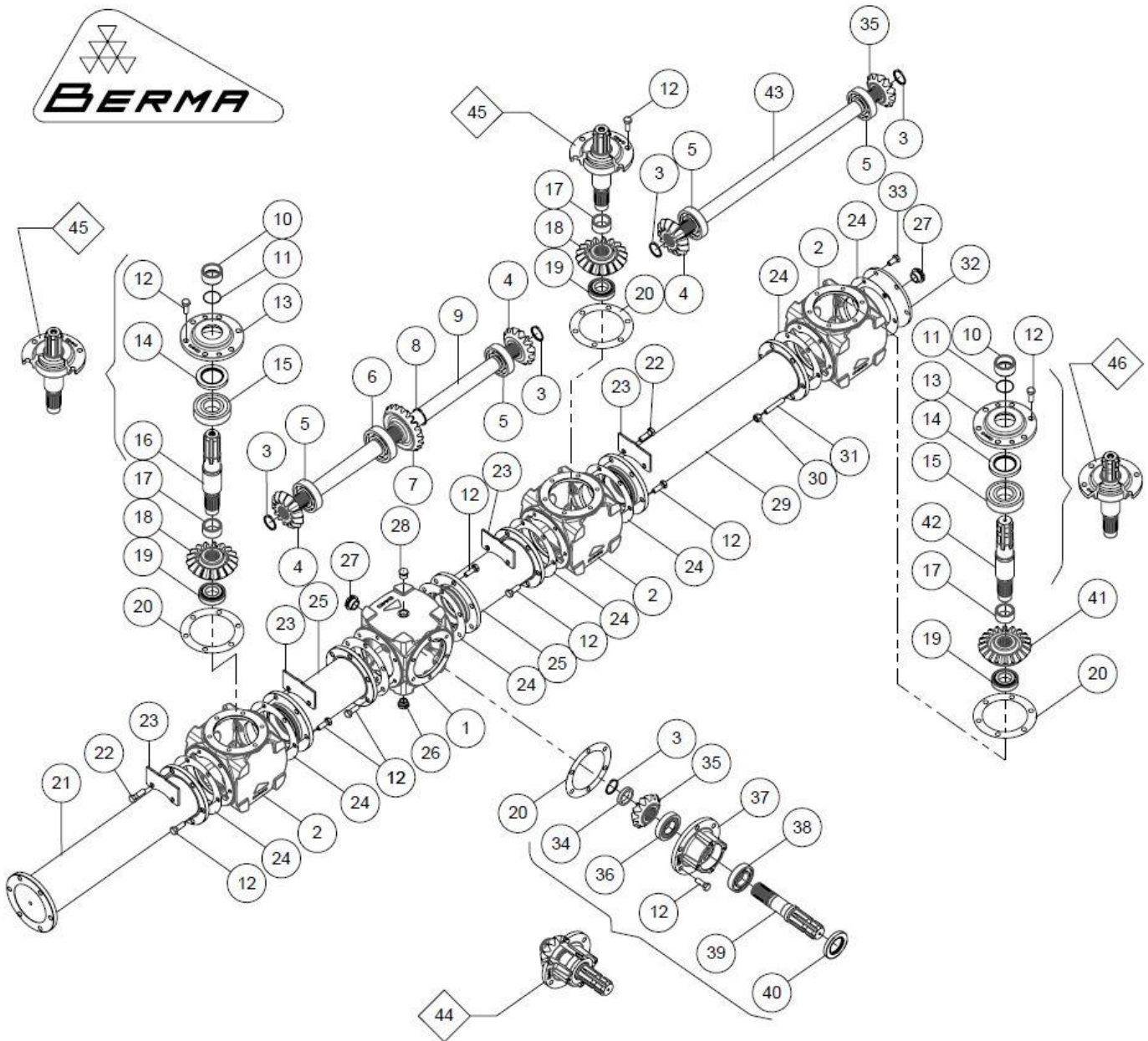


74120-2-08 GEARBOX, COMPOST BEATERS

REF	PART	DESCRIPTION	QTY	WILL FIT SN	REMARKS
800	VTB-CMP-2112	Bottom Gearbox, 2305mm, 910mm Spinner Centers	0		
801	VTB-1879-W1	Housing	1		
802	VTB-1879-U1	Housing	3		
803	VTB-1879-B1	Circlip E 40	5		
804	VTB-CMP-J1	Pinion Z=14	3		
805	VTB-1879-D1	Bearing 6308	4		
806	VTB-1879-F1	Bearing 6309	1		
807	VTB-1877-B1	Gear, Z=20	1		
808	GBX-5-ST10-R	Snap Ring, E 45	1		Reference Only, Special Order
809	VTB-CMP-D1	Shaft C.C. L=852	1		
810	VTB-1879-H1	Spacer	3		
811	VTB-1879-I1	O-ring 2175	3		
812	VTB-1879-S1	Screw, hex-hd M12x35	52		
813	VTB-1877-C1	Calotte	3		
814	VTB-1899-K2	Oil Seal	3		
815	VTB-1879-N1	Bearing 6309-2RS	3		
816	VTB-1879-J1	Shaft	2		
817	VTB-1879-O1	Spacer 40/51/25	3		
818	VTB-CMP-K1	Pinion Z=18	2		
819	VTB-1879-Q1	Bearing 30207	3		
820	VTB-1879-L1	Gasket	4		
821	VTB-CMP-2107	Spacer Tube, 18323, Extends 2000mm to 2305mm, RH	1		
822	VTB-CMP-A1	BOLT M12X40	8		
823	VTB-CMP-B1	Cental Support	4		
824	VTB-1879-T1	Gasket	8		
825	VTB-CMP-C1	Center Spacing, L=255	2		
826	VTB-1899-D2	Oil Plug, 1/2" Gas	1		Special Order Only
827	VTB-1899-C2	Oil Lev. Indicator 1" Gas	2		Same as GBXA-5-ST10B
828	VTB-1879-Z1	Plug 1/2" Gas	1		
829	VTB-CMP-L1	Spacer L=622	1		
830	VTB-1879-T2	Nut M12-8G	6		
831	VTB-CMP-E1	BOLT M12X70	6		
832	VTB-CMP-H1	Cap	1		
833	VTB-CMP-G1	BOLT M12X25	6		
834	VTB-1877-D1	Spacer	1		
835	VTB-1879-C1	Pinion Z=13	2		
836	VTB-1877-E1	Bearing, 30208	1		
837	VTB-1879-C2	Hub	1		
838	VTB-1879-E2	Bearing 6208	1		

74120-2-08 GEARBOX, COMPOST BEATERS

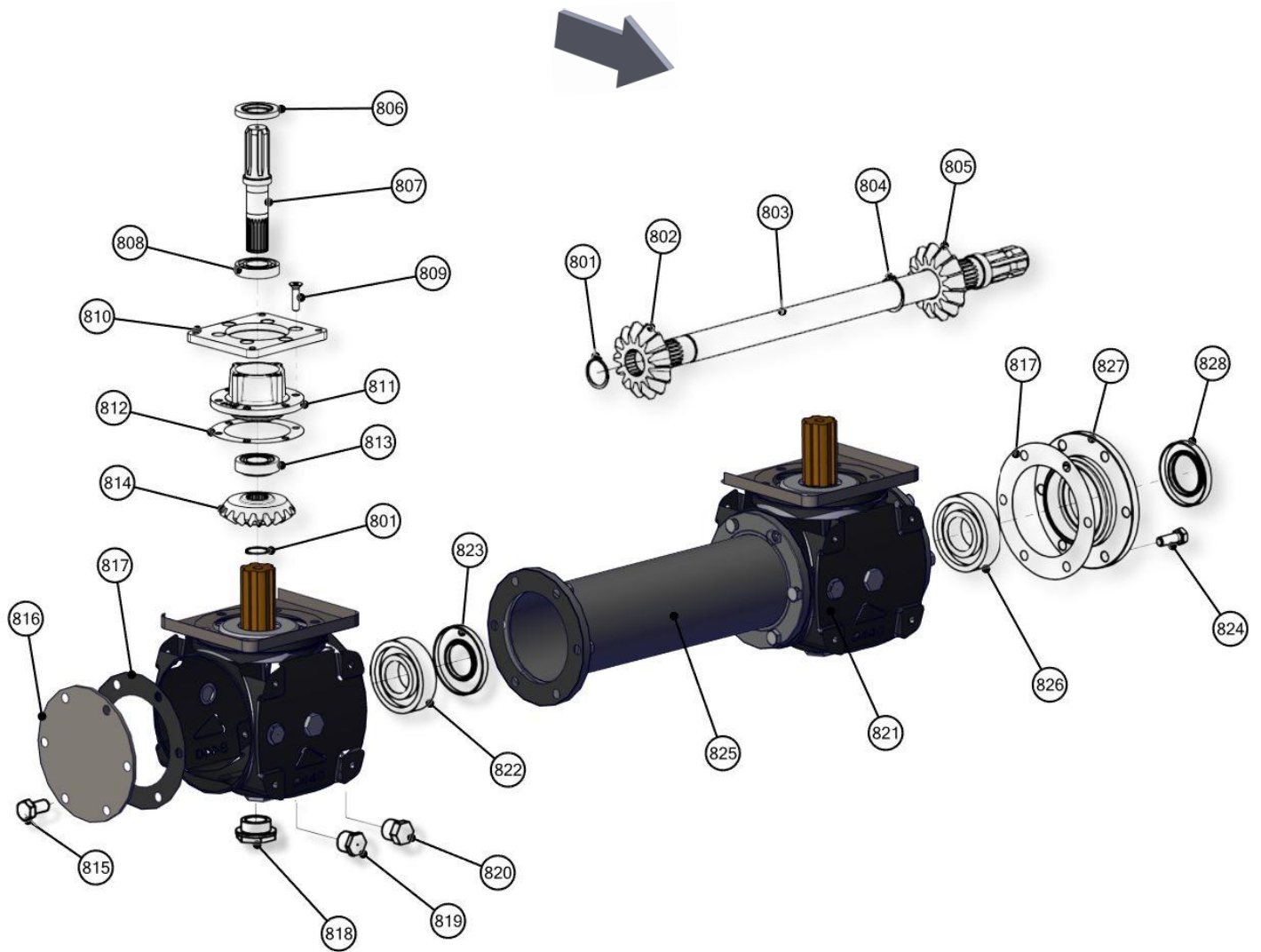
REF	PART	DESCRIPTION	QTY	WILL FIT SN	REMARKS
839	VTB-1879-D2	Shaft	1		
840	VTB-1879-F2	Oil Seal 48/80/10	1		
841	VTB-1879-P1	Gear Z=20	1		
842	VTB-1879-W2	Shaft	1		
843	VTB-CMP-2100	Longer Shaft, 2000mm to 2305mm	1		
844	VTB-1877-F1	Hub, Complete	1		
845	VTB-1879-H2	Calotte Complete	2		
846	VTB-CMP-F1	Shell	1		



74120-2-09 GEARBOX, COMPOST BEATERS, SIDE

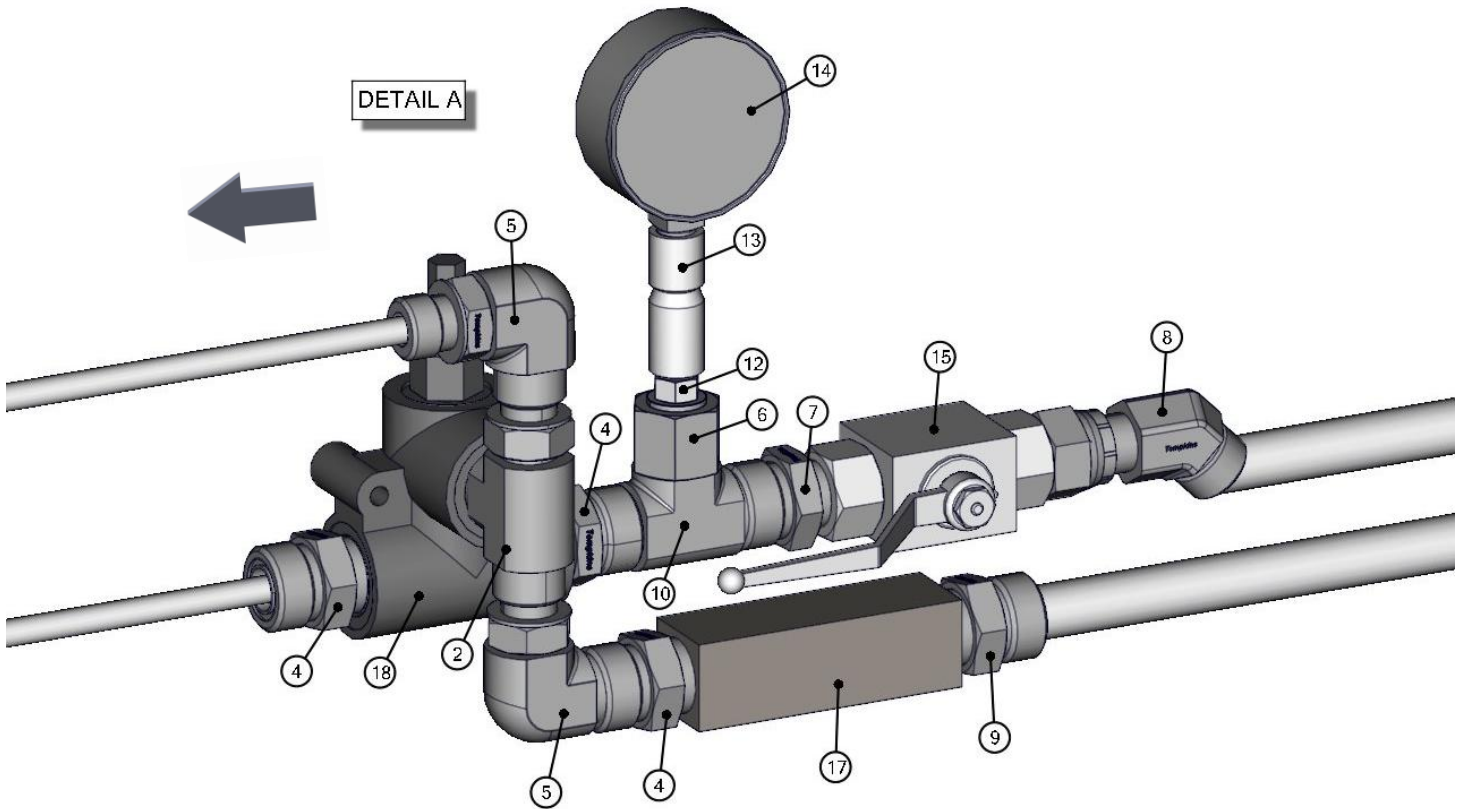
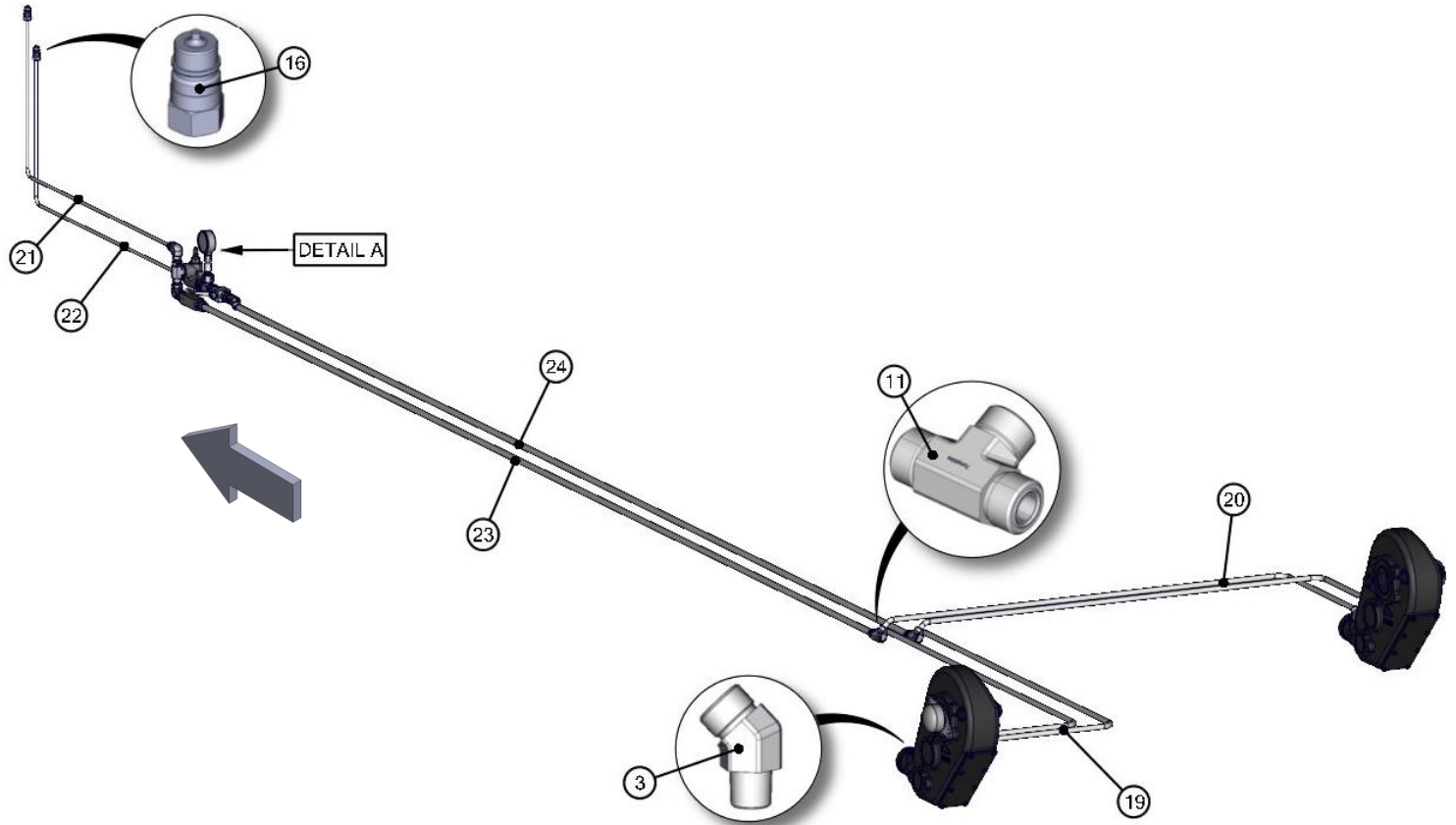
REF	PART	DESCRIPTION	QTY	WILL FIT SN	REMARKS
801	VTB-1879-B1	Circlip E 40	3		
802	VTB-CMP-J1	Pinion Z=14	1		
803	VPA-MAS-15466	3 NPT w/12 Body, Oil Separator	1		
804	GBX-5-ST10-R	Circlip, Compost Beater	1		
805	VTB-CMP-2200-Q	Bevel Pinion Z=14	1		
806	VTB-CMP-2200-R	Oil Seal 52/80/10-DL	2		
807	VTB-CMP-2200-S	Shaft	2		
808	VTB-1879-E2	Bearing 6208	2		
809	VTB-CMP-2200-V	M12x50	12		
810	VTB-CMP-2200-U	Fixing Plate	2		
811	VTB-1879-C2	Hub	2		
812	VTB-1879-L1	Gasket, Compost Beater	2		
813	VTB-1879-B2	Bearing 32208	2		
814	VTB-CMP-K1	Gear, Compost Beater	2		
815	VTB-CMP-G1	BOLT M12X25	6		
816	VTB-CMP-2200-W	Cover	1		
817	VTB-1879-T1	Gasket	4		
818	VTB-1899-C2	Oil Lev. Indicator	2		Same as GBXA-5-ST10B
819	VTB-1879-Z1	Plug 1/2 Gas	2		
820	VTB-1899-D2	Oil Plug, 1/2 Gas	4		Special Order Only
821	VTB-CMP-2200-X	Lateral Housing	2		
822	VTB-1879-D1	Bearing 6308	1		
823	VTB-CMP-2200-Y	Oil Seal 40/86/9	1		
824	VTB-1879-S1	Screw, hex-hd M12x35	18		
825	VTB-CMP-2200-Z	Spacer L=400	1		
826	VTB-1879-F1	Bearing 6309	1		
827	VTB-CMP-2200-A1	Calotte	1		
828	VTB-CMP-2200-B1	Oil Seal 50/85/10-DL	1		

74120-2-09 GEARBOX, COMPOST BEATERS, SIDE



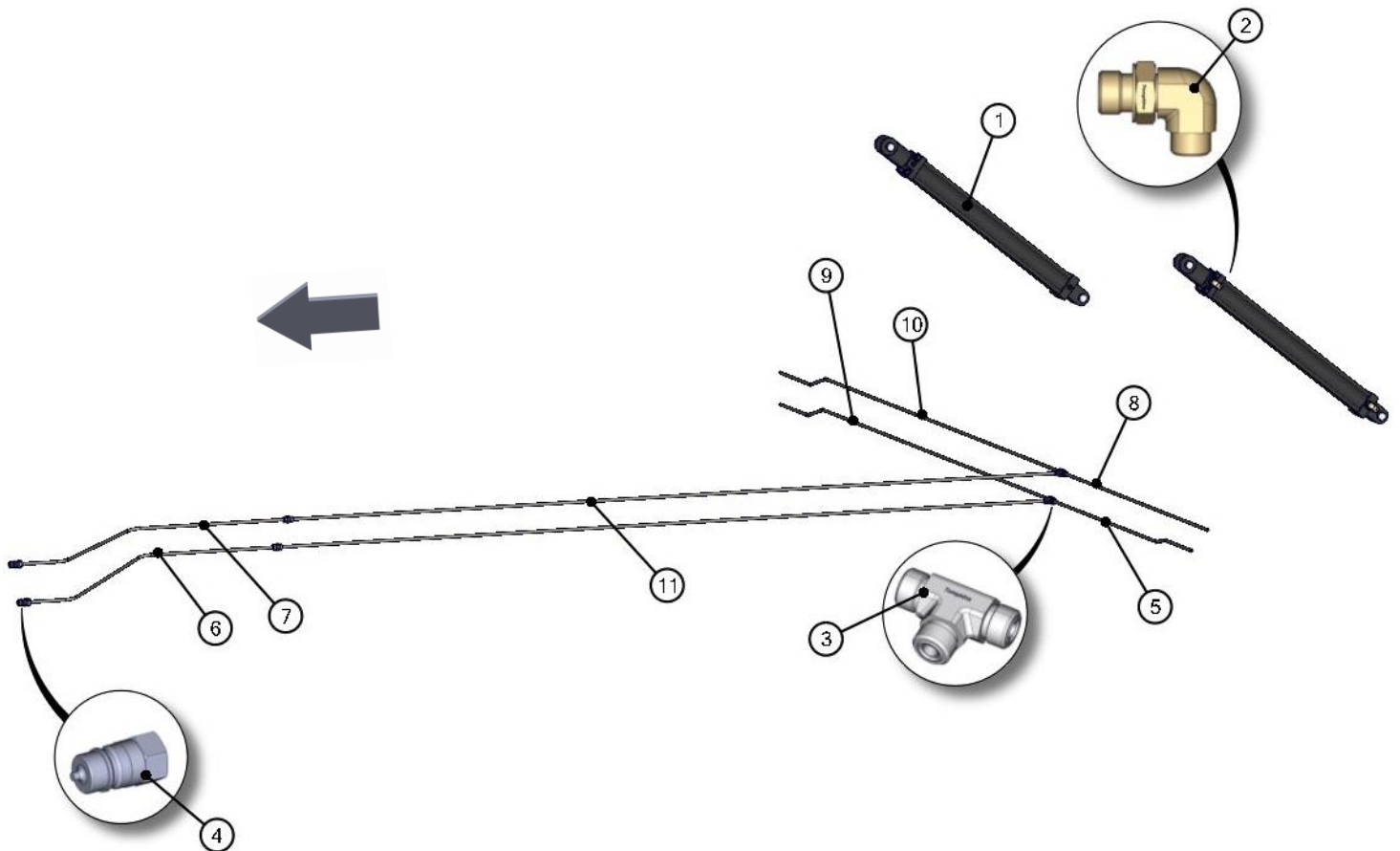
74119-3-01 HYDRAULICS, WEB DRIVE

REF	PART	DESCRIPTION	QTY	WILL FIT SN	REMARKS
1	PR80110	Bracket, Relief Valve	1		
2	A-FF6803-10-10-10	TEE, 10MFF X 10MFF X 10 SAE	1		
3	A-FF2503-10-08	Elbow, 45, 10MFF x 8MP	4		
4	A-FF6507-10-10	Swivel Straight Adapter, 5/8" FFFX x 5/8" SAE	3		
5	A-FF6500-10-10	Elbow, 10MFF x 10FFFX	2		
6	A-FF304-C-10	Cap, 5/8" Male ORFS	1		
7	A-6410-12-10	#12 SAE O-Ring Port Reducer to #10 SAE	1		
8	A-FF6802-12-12	Elbow, 12MFF x 12SAE, 45 DEG	1		
9	A-FF6400-10-10	Union, 10MFF x 10SAE	1		
10	A-FF6804-10-10-10	Run Tee, 10SAE x 10MFF x 10MFF	1		
11	A-FF2603-10-10-10	TEE, 10MFF X 10MFF X 10MFF	2		
12	HA-1004-4	Test Point Plug #4 SAE Thread	1		
13	HA-1005-T	Test Point Probe	1		
14	HA-1004-G	Hydraulic, Pressure Gauge w/1/4 NPT Stem	1		
15	VLV-075-BHP	Ball Valve, 3/4" SAE, High Pressure (58000psi)	1		
16	A-QDS71X15	Ag Quick Coupler, 1/2" ISO5675 x 8SAE	2		
17	HV-CKV-C1020S	#10 Parker Check Valve, 5 psi Crack, 15 gpm	1		
18	HV-RV-3H	Relief Valve w/ SAE #10 Ports	1		
19	H10-40-10FFFX-10FFFX	5/8in Hose, 5/8 Female ORFS x 5/8 ORFS x 40in Long	2		
20	H10-84-10FFFX-10FFFX	5/8in Hose, 5/8 Female ORFS x 5/8 ORFS x 84in Long	2		
21	H10-84-10FFFX-8MOR	5/8" Hose, 5/8" Female ORFS x 1/2" SAE	1		
22	H10-90-10MFF-8MOR	5/8in Hose, 5/8 Male ORFS x 1/2 SAE, 90in Long	1		
23	H10-324-10FFFX-10FFFX	5/8in Hose, 5/8 Female ORFS x 5/8 ORFS x 324in Long	1		
24	H10-324-10FFFX-12FFFX	5/8in Hose, 5/8 Female ORFS x 3/4 Female ORFS, 324in Long	1		



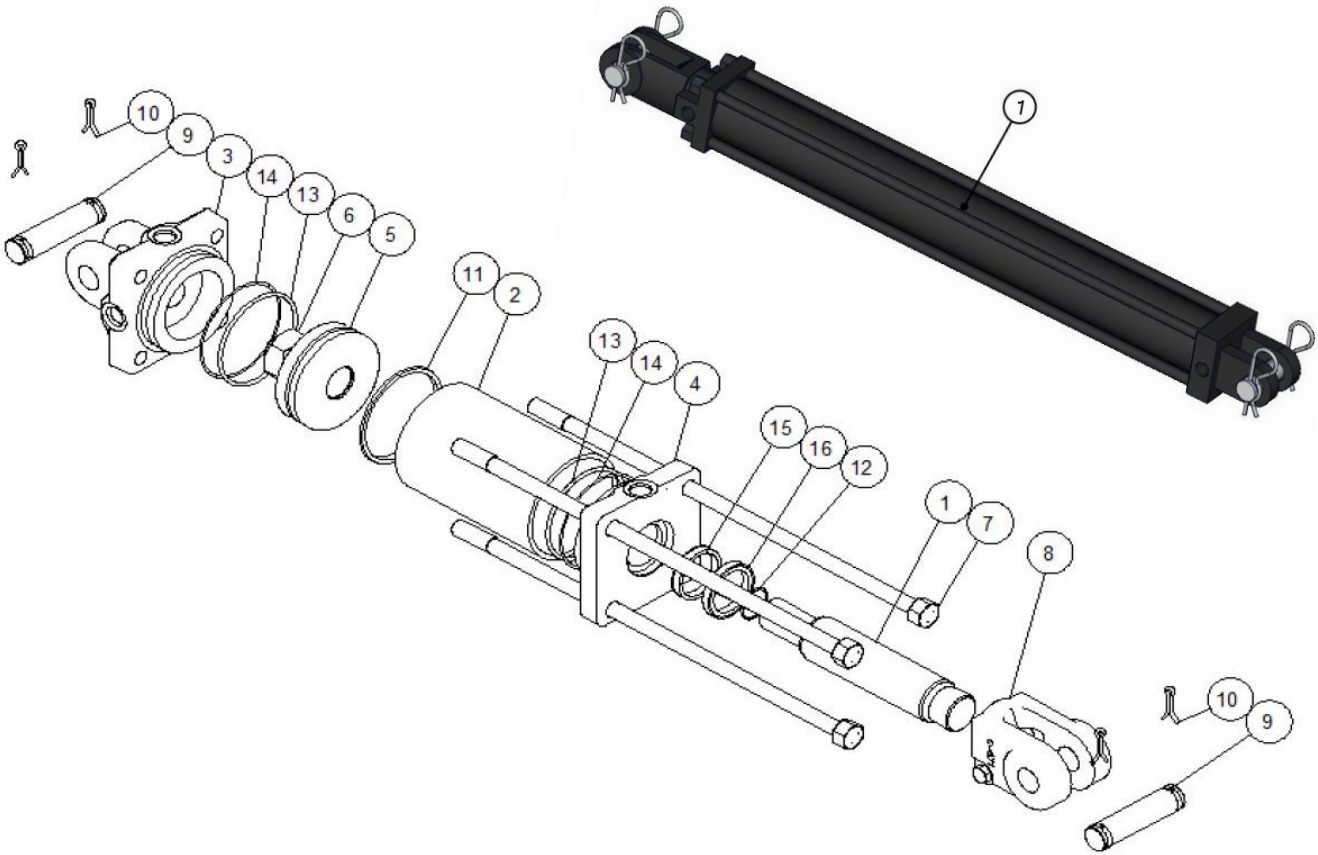
74119-3-02 HYDRAULICS, ENDGATE

REF	PART	DESCRIPTION	QTY	WILL FIT SN	REMARKS
1	HC-250-2408-ORP	Hydraulic Cylinder 2 1/2 x 24 #8 SAE w/ O-Piston Ring Seal	2		
2	A-FF6801-06-08	ELBOW, 90, 6MFF X 8SAE	4		
3	A-FF2603-06-06-06	Tee, 6MFF x 6MFF X 6MFF	2		
4	A-QDS71X15	Ag Quick Coupler, 1/2 ISO5675 x 8SAE	2		
5	H4-84-6FFFX-6FFFX	1/4in Hose, 3/8 Female ORFS x 3/8 Female ORFS x 84in Long	1		
6	H6-100-6MFF-8MOR	3/8" Hose, 3/8" Male ORFS x 1/2" SAE	1		
7	H6-104-6MFF-8MOR	3/8in Hose, 3/8 Male ORFS x 1/2 SAE x 104in Long	1		
8	H4-108-6FFFX-6FFFX	1/4in Hose, 3/8 Female ORFS x 3/8 Female ORFS x 108in Long	1		
9	H4-120-6FFFX-6FFFX	1/4in Hose, 3/8 Female ORFS x 3/8 Female ORFS x 120in Long	1		
10	H4-144-6FFFX-6FFFX	1/4in Hose, 3/8 Female ORFS x 3/8 Female ORFS x 144in Long	1		
11	H4-324-6FFFX-6FFFX	1/4in Hose, 3/8 Female ORFS x 3/8 Female ORFS x 324in Long	2		



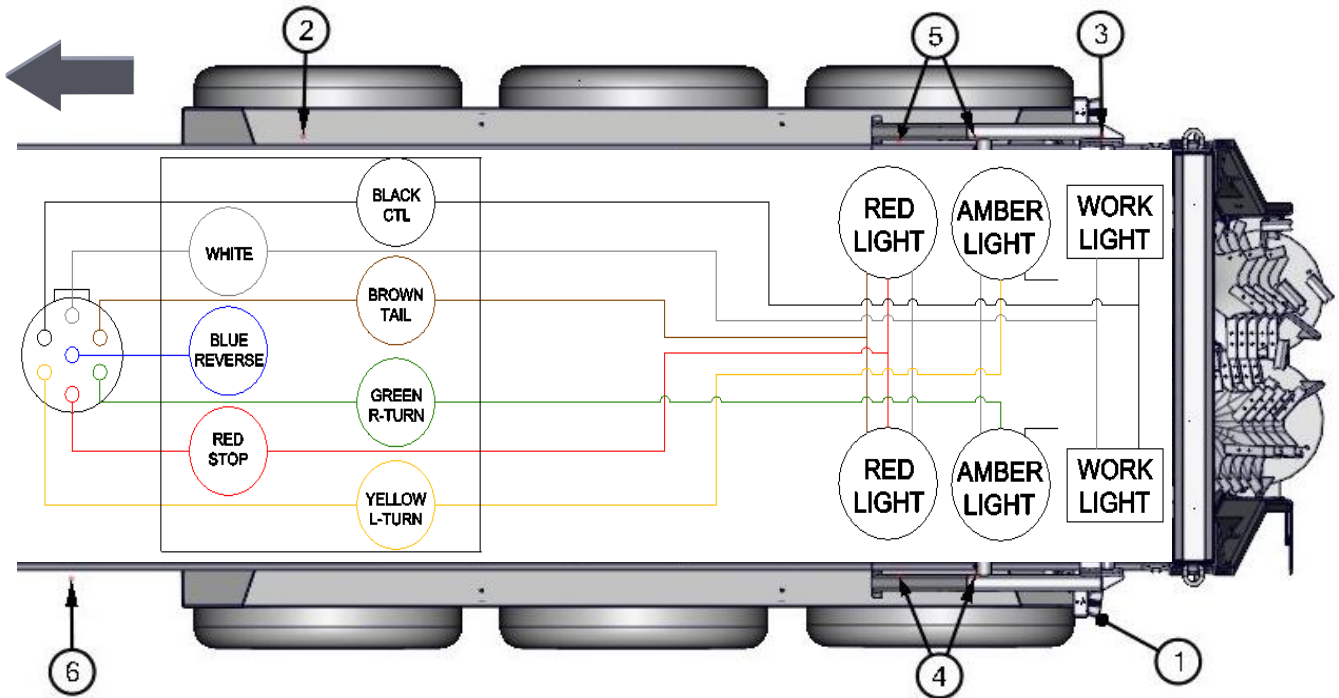
74115-3-03 ENDGATE CYLINDERS

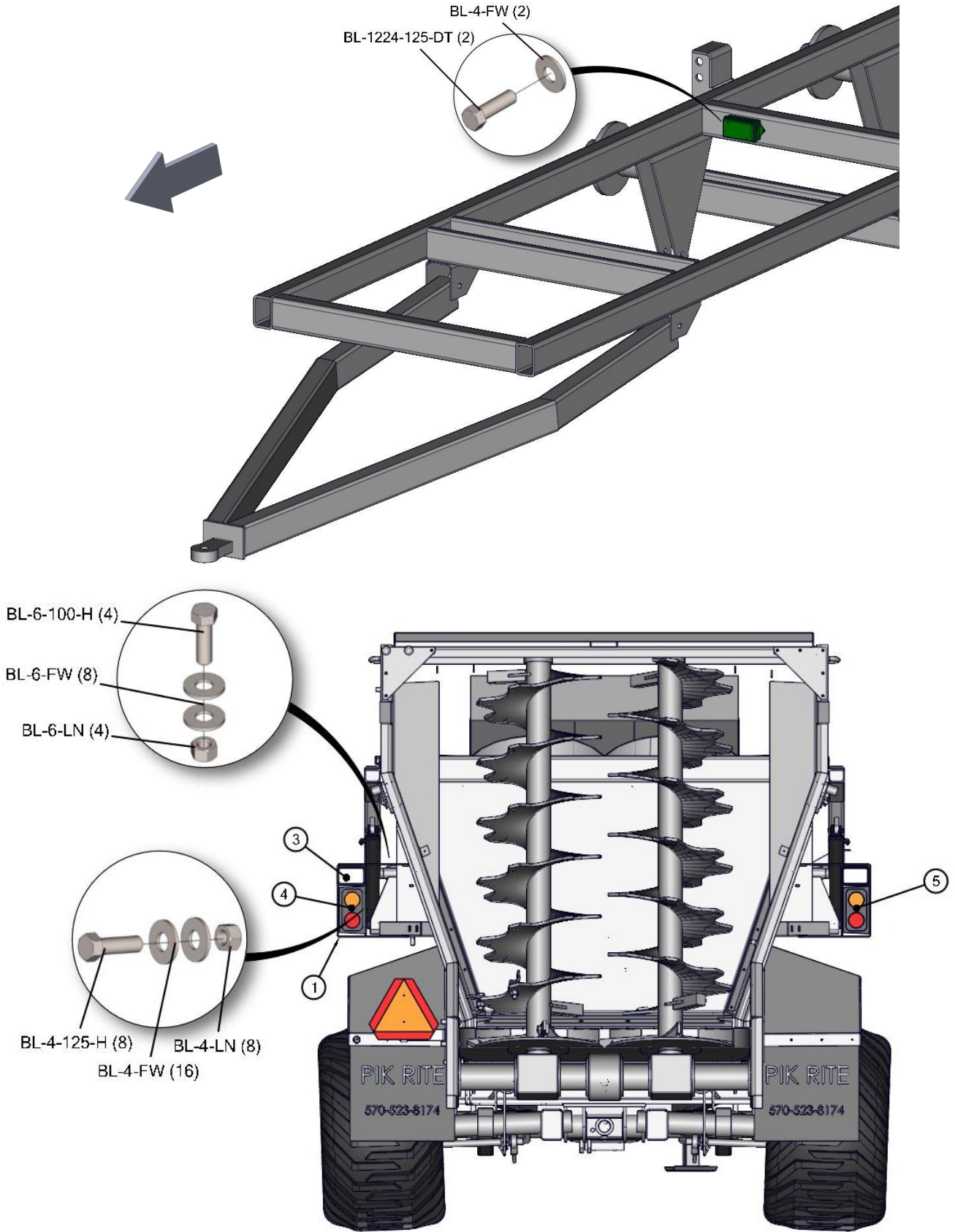
REF	PART	DESCRIPTION	QTY	WILL FIT SN	REMARKS
1	HC-250-2408-ORP	Hydraulic Cylinder 2 1/2 x 24 #8 SAE w/ O-Piston Ring Seal	0		
800	HC-250-125	Seal Kit for 2 1/2 x 1 1/4 Cylinder	1	HC-250-3008 (642602, 645596) HC-250-2408-OR HC-250-6006	2500 or 3000psi cylinders
801	HC-250-2408-A	Piston Rod	1		
802	HC-250-2408-B	Tube	1		
803	HC-250-2408-C	Butt	1		
804	HC-250-2408-D	Gland	1		
805	HC-250-2408-E	Piston	1		
806	HC-250-2408-F	Locknut	1		
807	HC-250-2408-G	Tierod Assembly	4		
808	HC-250-2408-H	Clevis Assembly	1		
809	HC-250-2408-J	Clevis Pin	2		
810	HC-250-2408-K	Cotter Pin	4		
811	HC-250-2408-L	Crown Seal	1		
812	HC-250-2408-M	O-Ring	1		
813	HC-250-2408-N	O-Ring	2		
814	HC-250-2408-O	Bu-Washer	2		
815	HC-250-2408-P	U-Cup	1		
816	HC-250-2408-Q	Wiper	1		



74115-5-01 ELECTRICAL & LIGHTING

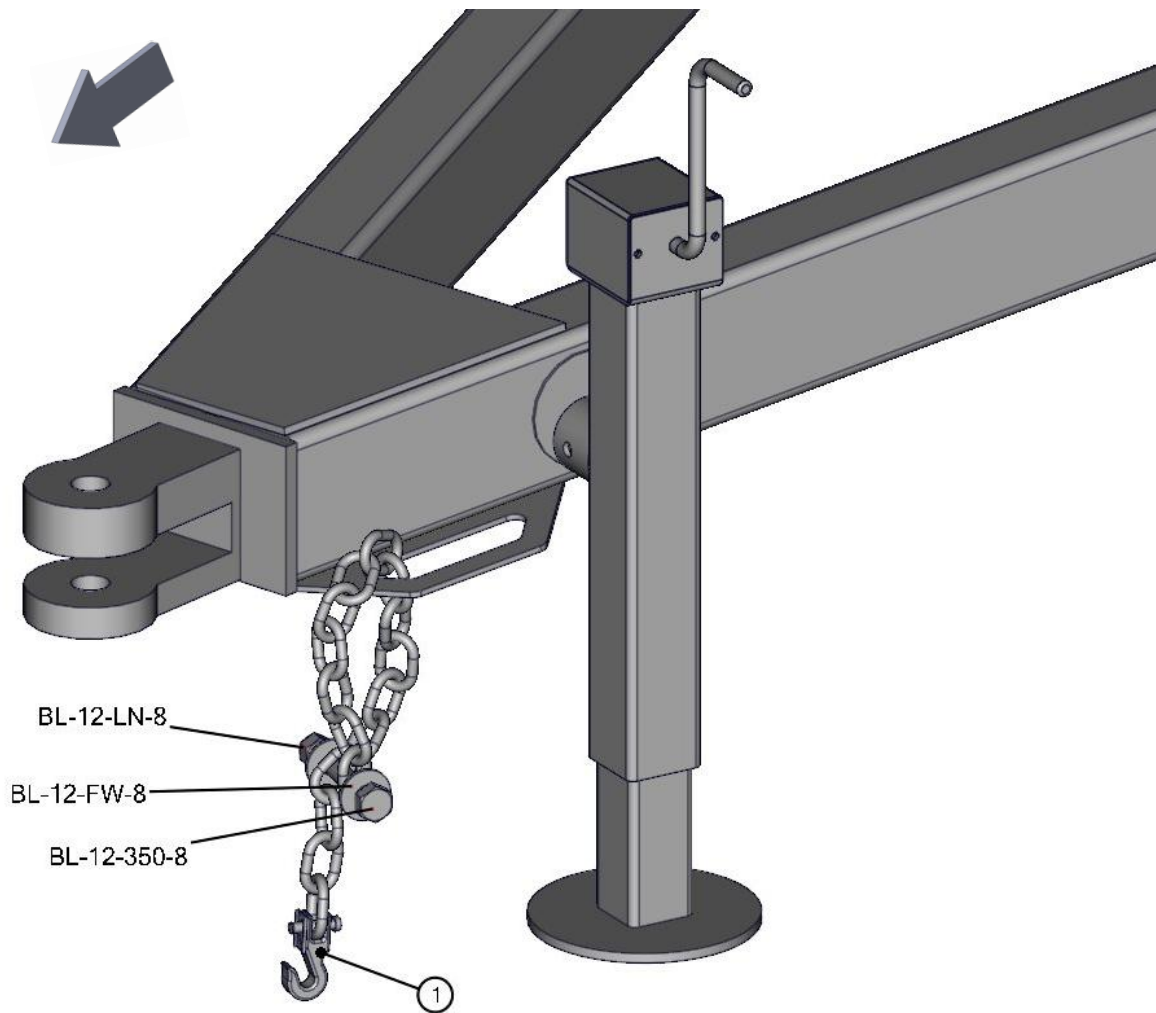
REF	PART	DESCRIPTION	QTY	WILL FIT SN	REMARKS
1	PR63007	Light Bracket	2		
2	ELE-15-964	Junction Box, 4x8x3.5deep, plastic, w/knockouts & plugs	1	19426	
3	EL-1233	Light, Auxiliary Work Light, Clear, Trapezoid Beam, TL#80394	2		Replaces EL-1201
4	EL-1501	LED Ag Light, LH, w/ brake light	1		
5	EL-1502	LED Ag Light, RH, w/ brake light	1		
6	ELT-37675	7 Conductor Plug w/ Spring, Rd Conn.	1	Trucks	
7	EL-1503	4-Pin LED Light Connector, LH	1		
8	EL-1504	4-Pin LED Light Connector, RH	1		
9	EL-40602-342	Harness, Right Side Spreader Light	1		
10	EL-40603-426	Harness, Left Side Spreader Lights	1		
11	EL-40604-13	Harness, Work Lights, Spreader	2		
12	EL-50780-362	7 Conductor x 30 Long, Harness	1		
13	ELL-375	3/8 Wire Loom @ft	2		
14	HA-1031	Hydraulic Hose Holder 3/8	6		
100	BL-4-125-H	1/4-20 X 1-1/4 HEX CAP G5 ZC	8		
101	BL-4-FW	1/4 USS FW ZC	18		
102	BL-4-LN	1/4-20 HEX LN NE ZC	8		
103	BL-6-100-H	3/8-16 X 1 HH C/S BOLT G5 ZC	4		
104	BL-6-FW	3/8 USS FW ZC	8		
105	BL-6-LN	3/8-16 FIN H LN NE A563 GA ZC	4		
106	BL-1224-125-DT	12-24 x 1 1/4 Drill and Tap Screw	2		





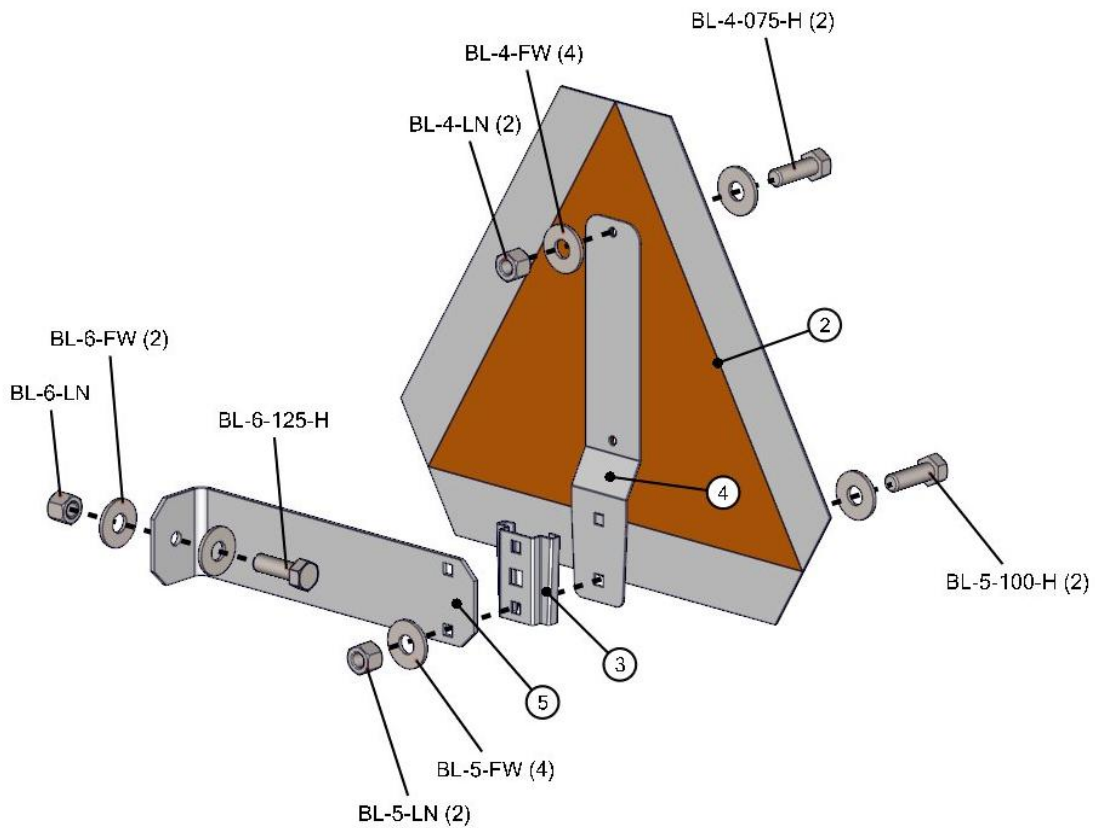
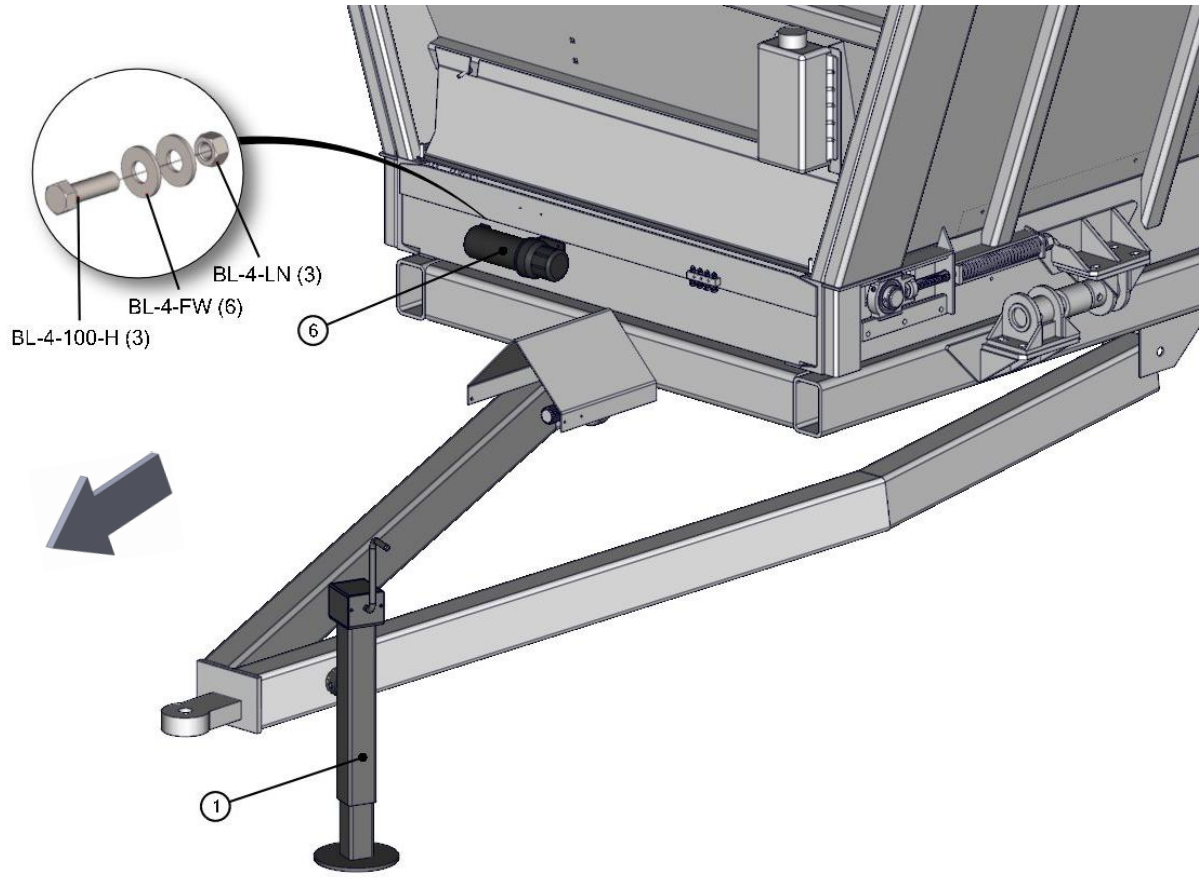
74115-6-01 SAFETY TOW CHAIN

REF	PART	DESCRIPTION	QTY	WILL FIT SN	REMARKS
1	FRM-3172	Safety Chain, Agricultural, 60,600 lb. Capacity	2		
101	BL-12-350-8	3/4-10 X 3-1/2 HH C/S G8 ZC	2		
102	BL-12-FW-8	3/4 FW G8	4		
103	BL-12-LN-8	3/4-10 LN w/ NYLON INSERTS G8	2		



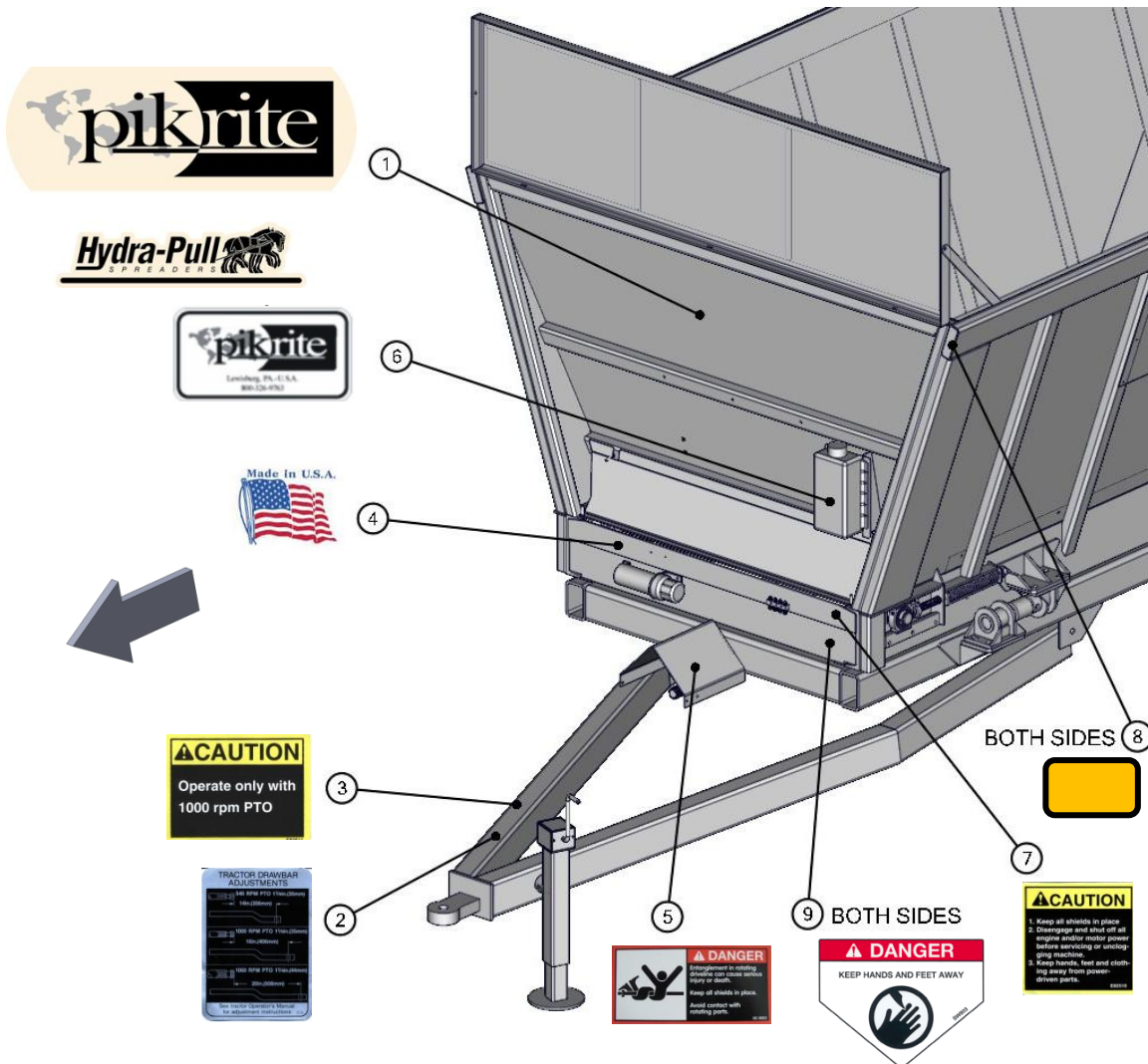
74120-6-02 ACCESSORIES

REF	PART	DESCRIPTION	QTY	WILL FIT SN	REMARKS
	MAN-0062	Manual, Parts & Operation, HP1100 Spreader	1		
1	WH-16216	Jack Weldment, Sidewind Jack, 9,000 lb.	1	71009002-70209006-70318008	
2	SMV-PL	SMV Sign, Metal	1		
3	SMV-S	Socket for Spade Mount	1		
4	SMV-SM	Spade Mount	1		
5	PR63006	Bracket, SMW Sign, Gearbox Mount	1		
6	MAN-67670	Manual Holder/Canister	1		
100	BL-4-075-H	1/4-20 X 3/4 HH C/S BOLT G5 ZC	2		
101	BL-4-100-H	1/4-20 X 1 HH C/S G5 ZC	3		
102	BL-4-FW	1/4 USS FW ZC	10		
103	BL-4-LN	1/4-20 HEX LN NE ZC	5		
104	BL-5-100-H	5/16 UNC X 1 HH C/S BOLT GR5 ZINC	2		
105	BL-5-FW	5/16 USS FW ZC	4		
106	BL-5-LN	5/16-18 HEX LN NE ZC	2		
107	BL-6-125-H	3/8-16 X 1-1/4 HHCS G5 ZC	1		
108	BL-6-FW	3/8 USS FW ZC	2		
109	BL-6-LN	3/8-16 FIN H LN NE A563 GA ZC	1		



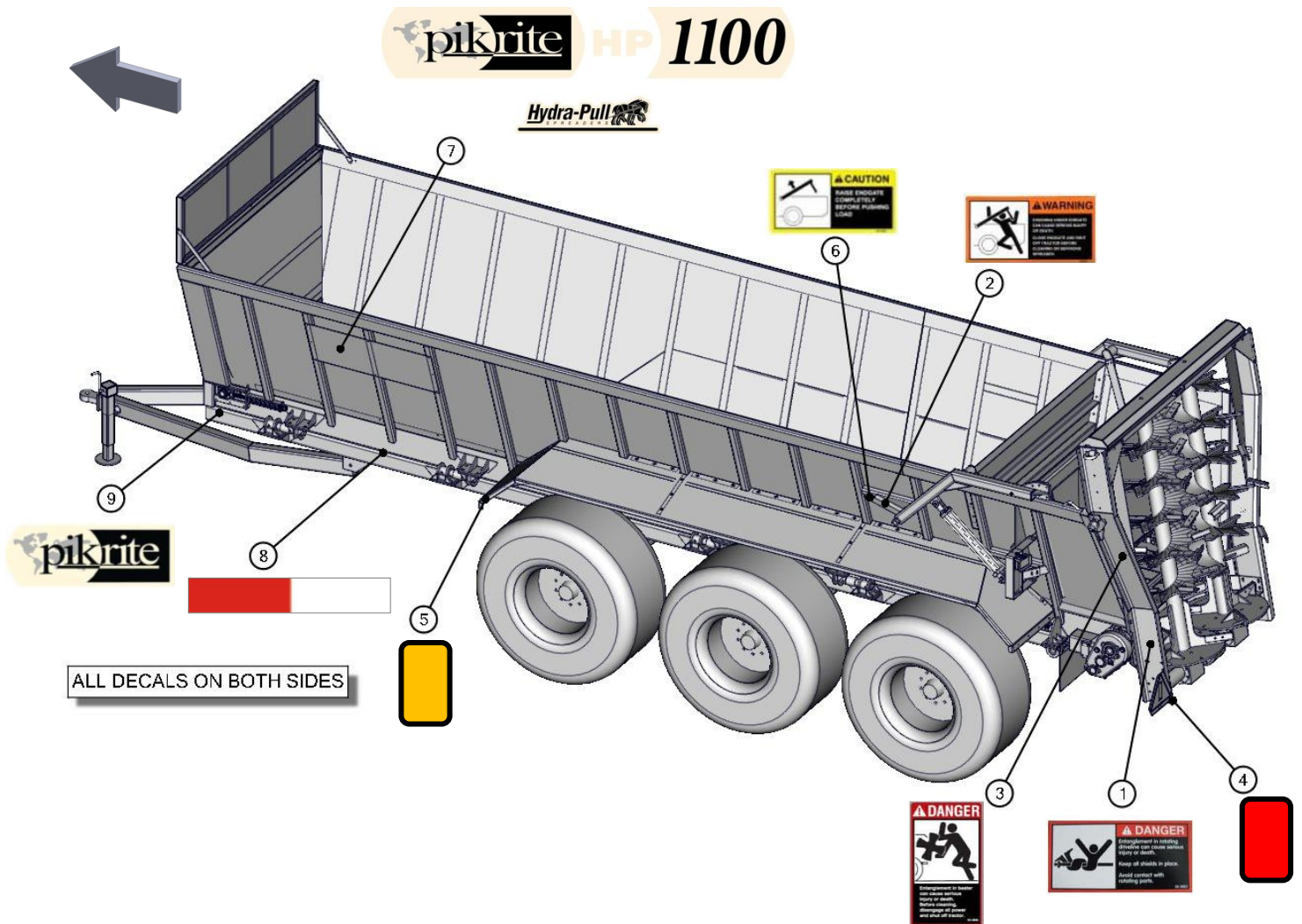
74115-6-04 DECALS, FRONT OF SPREADER

REF	PART	DESCRIPTION	QTY	WILL FIT SN	REMARKS
	RI-3-6-P	Pop Rivets 3/16 x 3/8 Domed, .375 head, ea.	2		
1	DC-0103	Pikrite/Hydra-Pull Spreaders 14.23 x 22.8	1		
2	DC-0022	Decal, Tractor Drawbar Adjustments	1		
3	DC-0021	Decal, Caution, 1000 rpm PTO	1		
4	DC-0011	Decal, All, 'Made in USA', White Back w/ Red & Blue Letters	1		
5	DC-0025	Decal, Danger, Entanglement In Rotating Drive	2		
6	DC-4W	Decal, Logo, White, 5.25 Long, Tanks, 1/29/99	1		
7	DC-0023	Decal, Caution, Keep All Shields In Place	1		
8	EL-1226	Decal Reflector, Rectangle, Yellow, 2x3.5, Adhesive	2		
9	DC-1174	Decal, Danger Keep Hands and Feet Away	2		



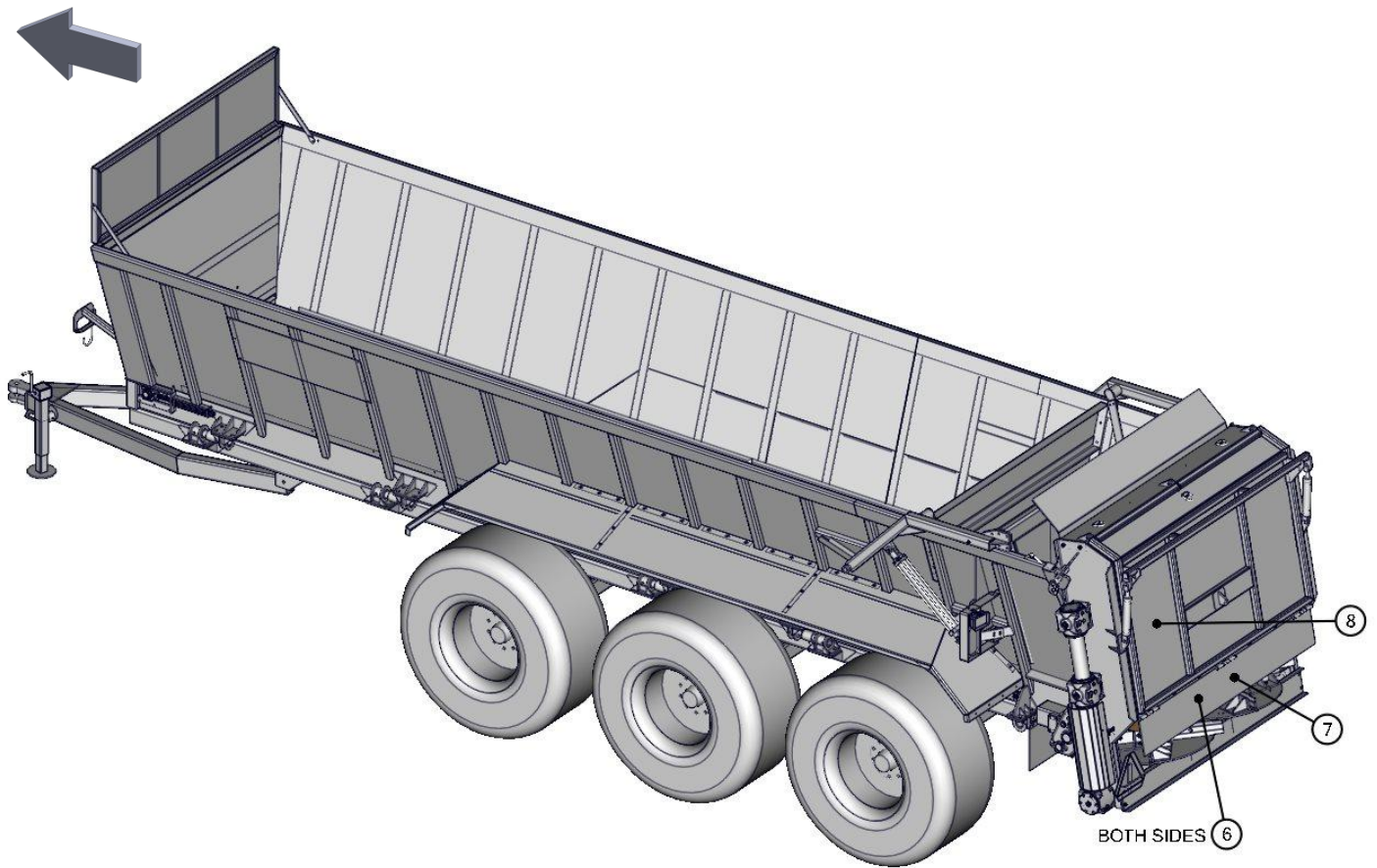
74115-6-05 DECALS, SIDES & REAR

REF	PART	DESCRIPTION	QTY	WILL FIT SN	REMARKS
1	DC-0025	Decal, Danger, Entanglement In Rotating Drive	2		
2	DC-0026	Decal, Warning, Crushing Under Endgate	2		
3	DC-0030	Decal, Danger, Entanglement In Beater	2		
4	DC-0033	Decal, Red, Reflector, Spreader	2		
5	EL-1226	Decal Reflector, Rectangle, Yellow, 2x3.5, Adhesive	2		** Replace with EL-1226 ** Do Not Order
6	DC-0038	Decal, Caution, Raise Endgate Completely	2		
7	DC-0111	Pikrite/Hydra-Pull/HP1100 Spreaders 14.23 x 46.38	2		
8	DC-3025	Red and White Reflective Tape @ 150 ft Roll	0.14667		
9	DC-4W	Decal, Logo, White, 5.25 Long, Tanks, 1/29/99	2		



74120-6-05A DECALS ON COMPOST

REF	PART	DESCRIPTION	QTY	WILL FIT SN	REMARKS
6	DC-ARROW	Decal, Yellow Direction Arrow	2		
7	DC-1184	Danger Decal, 3" x 16"	1		
8	SMV-D	SMV Sign, Decal	1		



WARRANTY

Pik Rite, Inc. provides a limited warranty assuring any new Hydra-Pull Spreader to be free from defects in material and workmanship for a period of two (2) years from the original date of purchase. Pik Rite will repair or replace, at its option and without charge, any defective or malfunctioning part (excluding items of normal wear or misuse) of the spreader for this allotted time.

PIK RITE MAKES NO WARRANTY OF MERCHANTABILITY OR FITNESS FOR A PARTICULAR USE.

CUSTOMER'S RESPONSIBILITY

It is the customer and/or operator's responsibility to read the Operator's Manual, to operate, lubricate, maintain and store the equipment in accordance with all instructions and safety procedures. Failure of the operator to read the operators manual is a misuse of this equipment.

It is the customer and/or operators responsibility to inspect the product and to have any part(s) repaired or replaced when continued operation would cause damage or excessive wear to other parts or cause a safety hazard. It is the customer's responsibility to deliver the product to the authorized dealer, from whom the spreader was purchased, for service or replacement of defective parts, which are covered by warranty.

It is the customer's responsibility for any cost incurred by the dealer for hauling the product for the purpose of performing a warranty obligation or inspection.

WARRANTY INFORMATION

Make certain the warranty registration card has been forwarded to:

Pik Rite, Inc.
60 Pik Rite Lane
Lewisburg, PA 17837

Always give your dealer the serial number of your Pik Rite, Inc. product when ordering parts or requesting service or other information.

In the space provided record the model number, the serial number and the date of purchase to assist in providing you with prompt and efficient service.

MODEL NUMBER: HP1100

DEALER: _____

SERIAL NUMBER: _____

ADDRESS: _____

PURCHASE DATE: _____

PHONE: _____

SALESMAN: _____

Keep Page for Your Records