

pikrite

HR 880

Hydra-Ram
SPREADERS

OPERATION AND PARTS MANUAL



PROUDLY MADE IN THE USA

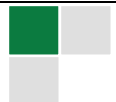


	⚠ WARNING
	Read & understand operators manual before using this machine. Failure to follow operating instructions could result in death or serious injury.

Pik Rite Inc.
60 Pik Rite Lane
Lewisburg, PA 17837

DECEMBER 2021
SN 75021002 -

Phone 800-326-9763
Fax 570-523-8175
www.pikrite.com





Some illustrations may not represent the spreader model you have; however, the principles of operation and maintenance are the same. If you have questions specific to your spreader please contact your dealer.

SPECIFICATIONS AND DESIGN SUBJECT TO CHANGE WITHOUT NOTICE

OPERATION MANUAL	7
INTRODUCTION	7
SAFETY	8
PREPARING THE TRACTOR	14
PREPARING THE SPREADER	16
CONTROLS	17
ATTACHING THE SPREADER	18
DETACHING THE SPREADER	21
TRANSPORT	22
OPERATING THE SPEADER	25
LUBRICATION AND MAINTENANCE	29
SPECIFICATIONS	34
 PARTS MANUAL	 35
7521-01-01 MAIN FRAME, HITCH & FLOOR	36
7519-01-02 FRONT SHIELDS	39
7519-01-03 SLIDING FLOOR	40
7520-01-04 PUSHER, WIDE TRUNK	42
7519-01-05 ENDGATE	44
7521-01-06 WALKING BEAM, ADR AXLES	46
7521-01-07 WHEELS & TIRES, 700/40-22.5	48
7521-01-07A WHEELS & TIRES, 710/50-26.5	48
7521-01-08 OPT. WEIGHT SCALE SYSTEM, 5 PT, DG400	49
7519-02-01 DRIVELINE, 1000 RPM	50
7519-02-02 MAIN DRIVE SHAFT	52
7521-02-03 VERTICAL BEATERS	54
7519-02-03A VERTICAL BEATER GEARBOX	56
7519-03-01 HYDRAULICS, PUSH CYLINDERS	58
7519-03-02 HYDRAULICS, ENDGATE CYLINDERS	61
7519-03-03 CYLINDERS, SLIDING FLOOR	62

TABLE OF CONTENTS

7519-03-04	CYLINDERS, FIRST STAGE PUSHER	64
7519-03-05	CLYINDERS, SECOND STAGE PUSHER	65
7519-03-06	CYLINDERS, ENDGATE	66
7519-04-01	OPT. AIR BRAKES	67
7521-04-02	HYDRAULIC DRUM BRAKES, REMOTE	70
7521-04-03	HYDRAULIC DRUM BRAKES, EURO FF	71
7519-05-01	ELECTRICAL & LIGHTING	72
7519-05-02	SAFETY TOW CHAIN	75
7520-05-03	ACCESSORIES	76
7519-06-01	DECALS, FRONT	78
7519-06-02	DECALS, SIDE AND REAR	79

WARRANTY	81
-----------------	----

TO THE NEW OPERATOR OR OWNER

Since 1986 Pik Rite equipment has been developed by people who work as hard as you do in the fields, on the farm and on site. Our goal is to deliver products that get the job done with the most efficient results. If you want tough, dependable people and products you can count on, we've got your back.

This manual is provided to all our customers of newly manufactured manure spreaders to create an awareness of all maintenance expectations and dangers that may be encountered when owning this equipment. This manual should be kept for all future references. Please review these operating instructions carefully, then sign and date the last page of this document and return it to Pik Rite Inc. for processing. This will activate your warranty and verify that you have read and understand the following operating instructions and warnings. In the event you have questions or encounter other applications not discussed in this manual, please call before proceeding.

Congratulations and Thank You for choosing a quality manure spreader manufactured by Pik Rite Inc. We believe you'll be very satisfied with the purchase, and we appreciate your patronage.

PRINCIPLES OF OPERATION

The legacy of the 2-stage hydraulic push began with the John Deere Hydra-Push spreaders. Pik Rite continues the tradition with the Hydra-Ram series, which are designed to efficiently and uniformly spread manure. Equipped with a double hydraulic cylinder these spreaders also have a sliding floor. Each Hydra-Ram spreader is built to withstand the demands of farm life. All side and floor panels are constructed with a laminated poly covered finish for maximum strength and durability.

Less Compaction – This line of tough machines uses both a sliding floor and a moving front panel to deliver the material to the beaters. The sliding floor is pushed back first, using an engineered hydraulic cylinder. When fully extended, the front panel moves back to unload the box completely.

Less Maintenance – The Hydra-Ram is engineered to get the job done with fewer moving parts. This design efficiency extends the life of the spreader while requiring less maintenance and down-time than other manufacturer's equipment. Auger systems tend to compact the material into clumps, causing uneven distribution and increased wear on the beater system. The 2-stage hydraulic push technology greatly reduces compaction and provides optimal clean-out.

Less Time, Spread Faster – The Hydra-Ram 2-stage push system delivers the material to the beaters at an even and controlled speed. Manual and/or electric over hydraulic flow controls allow you to unload the material faster than auger or side sling machines.



RECOGNIZE SAFETY INFORMATION

This is the safety-alert symbol. When you see this symbol on your machine or in this manual be alert to the potential of physical injury.

Obey all safety messages that follow this symbol to avoid possibly injury or death.



UNDERSTAND SIGNAL WORDS

A signal word – DANGER, WARNING, or CAUTION – is used with the safety-alert symbol. DANGER identifies the most serious hazards.

DANGER indicates a hazardous situation which, if not avoided, **will** result in death or serious injury.

WARNING indicates a hazardous situation which, if not avoided, **could** result in death or serious injury.

CAUTION indicates a hazardous situation which, if not avoided, **could** result in minor or moderate injury.

NOTICE is used to address practices not related to physical injury.

SAFETY INSTRUCTIONS are used to indicate specific safety-related instructions or procedures.

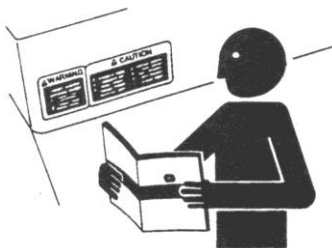
FOLLOW SAFETY INSTRUCTIONS

Carefully read all safety messages in this manual and on your machine safety labels.

Learn how to operate the machine and how to use controls properly. Do not let anyone operate without instruction.

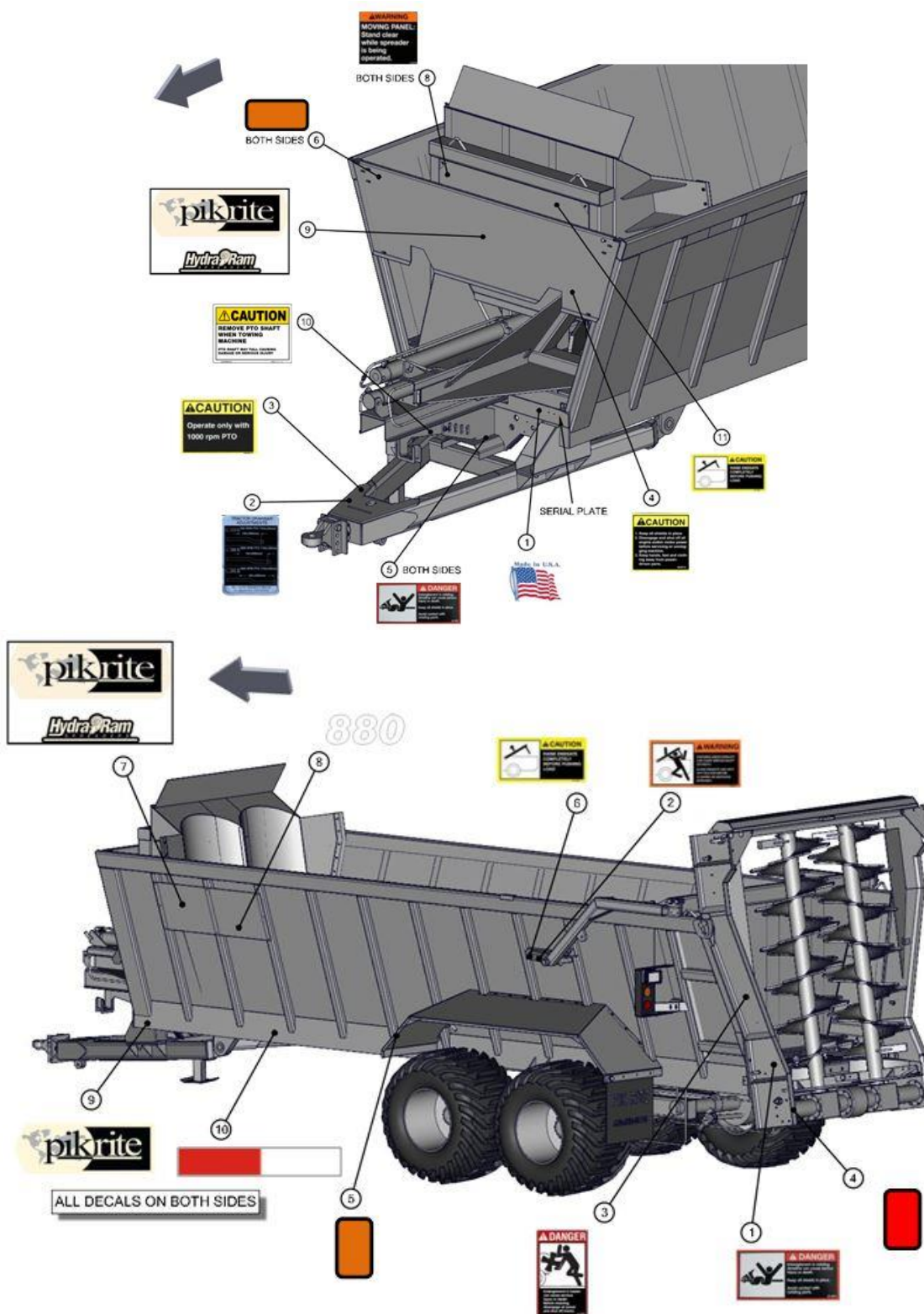
Keep your machine in proper working condition. Unauthorized modifications to the machine may impair the function and/or safety and affect machine life.

If you do not understand any part of this manual and need assistance, contact your Pik Rite dealer.



REPLACE SAFETY LABELS

Keep safety labels in good condition. Replace missing or damaged safety labels. Be sure new equipment components and repair parts include the current safety labels. Replacement safety labels are available from your Pik Rite dealer (See “Front Decals” and “Side Decals” in the Parts Manual for part numbers.)



SAFETY

⚠ DANGER KEEP SHIELDS IN PLACE

Do not operate spreader without safety shields in place.

Rotating parts can crush or dismember causing death or personal injury.

Disconnect PTO driveline and hydraulic lines from tractor before removing shields for adjustment or service.



⚠ WARNING PROTECT BYSTANDERS

Never operate the spreader near people.

Do not place rocks, timbers or other solid objects in the spreader. Objects can be thrown great distances causing injury to people.



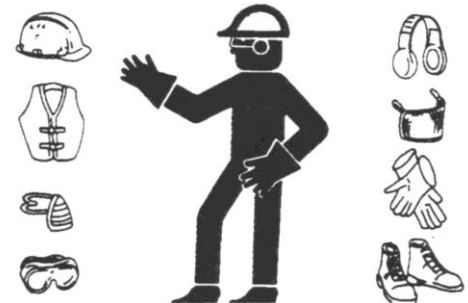
⚠ CAUTION WEAR PROTECTIVE CLOTHING

Wear close fitting clothing and safety equipment appropriate to the job.

Prolonged exposure to loud noise can cause impairment or loss of hearing.

Wear a suitable hearing protective device such as earmuffs or earplugs to protect against objectionable or uncomfortable loud noises.

Operating equipment safely requires the full attention of the operator. Do not wear radio or music headphones while operating machine.

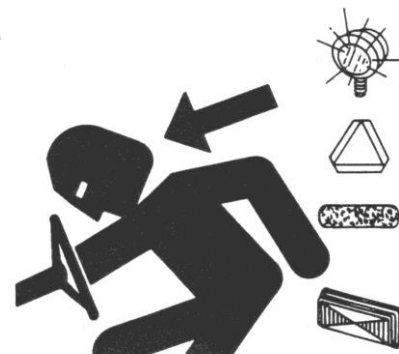


⚠ WARNING USE SAFETY LIGHTS AND DEVICES

Slow moving tractors, self-propelled equipment and towed implements or attachments can create a hazard when driven on public roads. They are difficult to see, especially at night. Avoid personal injury or death resulting from collision with a vehicle.

Flashing warning lights and turn signals are recommended whenever driving on public roads. To increase visibility, use the devices provided with your machine. For some equipment, install extra flashing warning lights.

Keep safety items in good condition. Replace missing or damaged items.





⚠️ WARNING KEEP RIDERS OFF MACHINE

Riders are subject to injury such as being struck by foreign objects and being thrown off the machine. Riders also obstruct the operator’s view resulting in the machine being operated in an unsafe manner



SAFETY INSTRUCTIONS PARK SPREADER SAFELY

Park spreader on a level surface and block wheels.

Close endgate.

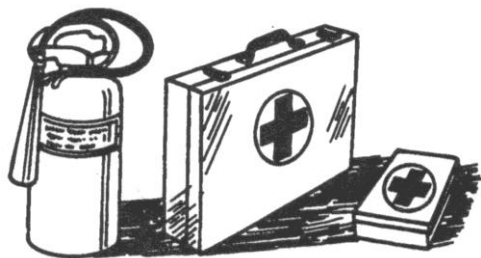
Secure jackstand with pin.

NOTICE PREPARE FOR EMERGENCIES

Be prepared if a fire starts.

Keep a first aid kit and fire extinguisher handy.

Keep emergency numbers for doctors, ambulance service, hospital, and fire department near your telephone.



SAFETY INSTRUCTIONS USE A SAFETY CHAIN

A safety chain will help control drawn equipment should it accidentally separate from the drawbar.

Using the appropriate adapter parts, attach the chain to the tractor drawbar support or other specified anchor location. Provide only enough slack in the chain to permit turning.

See your Pik Rite dealer for a chain with a strength rating equal to or greater than the gross weight of the towed machine. Do not use safety chain for towing.



SAFETY

⚠ DANGER OPERATE SPREADER SAFELY

Rotating parts can entangle or strike people, resulting in death or personal injury.

Never enter a spreader while in operation.

Operate the spreader from the tractor seat only.

Do not exceed load capacity of the spreader. (See Transport section)

Reduce speed when turning or traveling on rough terrain. Avoid traveling over loose fill, rocks, ditches or holes.

When working on inclines or slopes, travel uphill or downhill. Keep tractor in gear when traveling downhill.



⚠ WARNING STAY CLEAR OF RAISED ENDGATE

Contact with a lowering endgate can cause death or personal injury.

Lower endgate and disconnect hydraulic lines before servicing or adjusting.



⚠ WARNING STAY CLEAR OF ROTATING DRIVELINES

Entanglement in rotating driveline can cause serious injury or death.

Keep tractor master shield and driveline shields in place at all times. Make sure rotating shields turn freely.

Wear close fitting clothing. Stop the engine and be sure PTO driveline is stopped before making adjustments, connections, or cleaning out PTO driven equipment.



⚠ DANGER STAY CLEAR OF ROTATING BEATER

Rotating beater can entangle or strike causing death or personal injury.

Do not clean out or service spreader while beater is rotating.

Disconnect PTO driveline and make sure all parts have stopped rotating before cleaning or servicing.

Do not cut or weld on vertical beater attachment. Serious injury or death could occur when operating.



⚠️ WARNING AVOID HIGH-PRESSURE FLUIDS



Escaping fluid under pressure can penetrate the skin causing serious injury.

Avoid the hazard by relieving pressure before disconnecting hydraulic or other lines. Tighten all connections before applying pressure.

Search for leaks with a piece of cardboard. Protect hands and body from high pressure fluids.

If an accident occurs, see a doctor immediately. Any fluid injected into the skin must be surgically removed within a few hours or gangrene may result. Doctors unfamiliar with this type of injury should reference a knowledgeable medical source.

SAFETY INSTRUCTIONS

SERVICE SPREADER SAFELY



To help prevent personal injury caused by unexpected movement, be sure to service spreader on level surface.

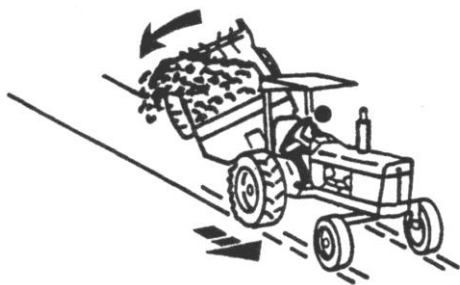
If spreader is connected to tractor, disengage PTO, engage parking brake and/or place transmission in "PARK," shut off engine and remove key.

If spreader is detached from tractor, block wheels and use safety stands to prevent movement.

Replace all shields after lubricating or servicing.

SAFETY INSTRUCTIONS

REDUCE SPEED WHEN TOWING LOADS



Braking to stop towed loads from transport speeds can cause the towed load to swerve and upset. Reduce speed if towed load weighs more than the tractor and is not equipped with brakes.

Follow recommended speed-weight ratio guidelines:

- Maximum speed is 20 mph (32 km/h) when towing loads equal to or less than the tractor.
- Reduce speed to 10 mph (16 km/h) when towing loads more than equal and up to double the tractor weight.
- Do not tow loads exceeding double the tractor weight.
- Use additional caution when towing loads under adverse surface conditions, when turning, and on inclines

PREPARING THE TRACTOR

NOTICE APPROVED TRACTORS, MODEL HR880

Row Crop Tractors with 200 HP PTO rating or larger are approved for operation with the HR880 Spreader.

Utility Tractors are **NOT APPROVED** because of drawbar weight limitations and the inability to ballast the tractor enough to meet requirements for towing.

A drawbar support is required on any tractor with a drawbar size of no less than 1-1/2 x 3 in.

Tractor hydraulic oil reservoir must have capacity for 3.7 U.S. gal. net draw for a spreader with an endgate or 3.1 U.S. gal. without an endgate.

Tractor standby hydraulic pressure must be between 1500 psi minimum.

One selective control valve is required to operate the spreader.

A second selective control valve is required to operate the endgate.

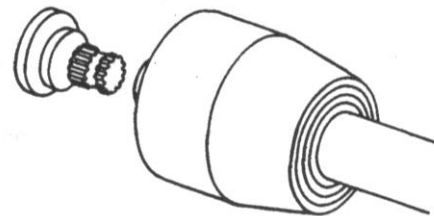
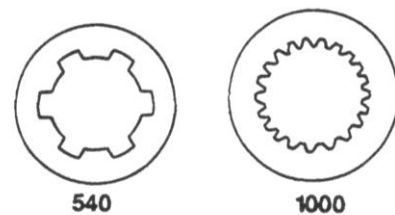
NOTICE CHOOSING CORRECT PTO SPEED

MODEL - HR880 - 1000 RPM ONLY

Drive components can be damaged.

Under no circumstances should a machine equipped for 540 rpm PTO be operated by a tractor equipped with 1000 rpm PTO.

Nor should a 1000 rpm PTO machine be operated with a tractor equipped with 540 rpm PTO.

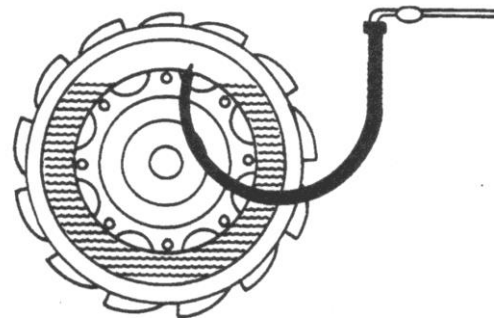


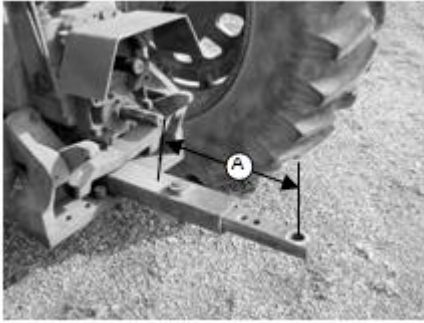
NOTICE BALLASTING THE TRACTOR

Do not tow loads that weigh more than twice the tractor weight.

(See Recommended Maximum Towing Speed in Transport section.)

To ensure proper stability, adjust ballast and wheel spacing according to tractor operator's manual.





SAFETY INSTRUCTIONS

POSITIONING DRAWBAR

Tractor PTO and machine driveline can be damaged. Be sure drawbar length is properly set. If equipped with clevis, remove it. Lock drawbar along tractor centerline with offset down.

Remove clevis if equipped.

PTO Speed

1000 rpm x 1-3/4

Dimension (A)

508 mm (20in.)

Adjust drawbar length (A) to help prevent driveline damage.

A tractor drawbar support is required on tractors with a drawbar size of 1-1/2 x 3 in. minimum

SAFETY INSTRUCTIONS

USING SELECTIVE CONTROL LEVERS TO CONTROL FLOOR SPEED

Floor and moving panel speed can be controlled by using tractor selective control lever to extend and retract cylinders.

Adjust selective control valve lever to provide the slowest operating speed. (See your tractor operator's manual). Maximum hydraulic oil flow through the spreader control valve is 6.8 gpm. Trying to force through more oil than this, may create a pressure drop.

SAFETY INSTRUCTIONS

SETTING HYDRAULIC SPEED ENDGATE OPERATION

Excessive operating speed may cause machine damage. Adjust selective control valve lever to provide correct operating speed.

Adjust selective control valve lever, it should take two to three seconds to fully extend or retract the cylinder. (See your tractor operator's manual).

SAFETY INSTRUCTIONS

CHECKING TRANSMISSION/HYDRAULIC OIL LEVEL

Cycle all hydraulic cylinders fully two or three times.

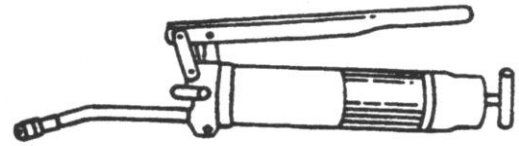
Fully retract all cylinders.

Check transmission/hydraulic oil level. (See your tractor's Operator's Manual)

PREPARING THE SPREADER

NOTICE LUBRICATING THE MACHINE

Be sure the machine has been adequately lubricated.
(See Lubrication and Maintenance page.)



NOTICE BRAKE ADJUSTMENT (HYDRAULIC)

Valve is set from Factory at 1000 psi.
(Contact your Hydra-Pull Dealer for available brake kit)



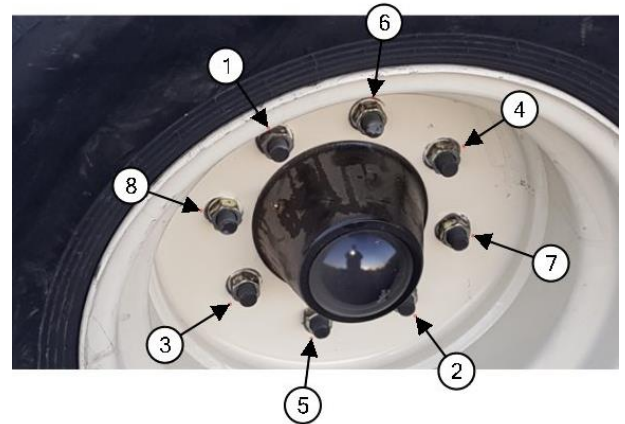
SAFETY INSTRUCTIONS TIGHTENING WHEEL HARDWARE

Operating the spreader with loose wheel hardware will damage the hub or wheel. Tighten hardware after initial transport, after one hour of operation and every fifty hours thereafter.

Tighten to 475 lb-ft of dry torque
in the sequence shown.

<u>Tire Size</u>	<u>Wheel Size</u>	<u>Tire Pressure</u>
710/50-26.5	26.5 x 28	60 psi
710/40-22.5	22.5 x 16	65 psi

(Additional options may be available, please contact your dealer for more information)



SAFETY INSTRUCTIONS CHECKING TIRES

1. Check tires daily for damage or noticeably low pressure.
2. Repair any cuts or breaks as soon as possible.
3. Protect tires from exposure to sunlight and petroleum products or chemicals.



SAFETY
INSTRUCTIONS**OPERATING THE BEATER**

To start beater, engage PTO lever slowly, at low engine rpm.

To stop beater, disengage PTO. (See your tractor's Operator's Manual)

For best spreading results, operate the tractor engine at "PTO RATED" speed.

Do not operate the pusher/sliding floor without running the beaters as this may damage the spreader.

SAFETY
INSTRUCTIONS**OPERATING THE ENDGATE**

Contact of sliding floor/moving panel with endgate closed will cause damage. To avoid contact with moving panel, endgate must be raised fully.

Operate the endgate with the second auxiliary control valve lever.

Endgate is not a metering device.

Doing so may cause damage to the spreader.

SAFETY
INSTRUCTIONS**OPERATING SLIDING FLOOR
MOVING PANEL USING METERING CONTROL VALVE**

To extend the sliding floor and moving panel lock control lever in operating position.

To retract the sliding floor/moving panel, move control lever in opposite direction.

See your tractor's operating manual for information on how to control flow rates of your hydraulic system.

Maximum hydraulic oil flow through the spreader control valve is 6.8 gpm. Trying to force through more oil than this, may create a pressure drop.

ATTACHING THE SPREADER

⚠ CAUTION ATTACHING THE SPREADER

Help prevent personal injury caused by unexpected movement of the machine. Engage parking brake and/or place transmission in "PARK", shut off engine, and remove key before working around hitch.

1. Attach with a 1-1/2 in. pin and secure.

Shorten safety chain to allow only enough slack required for turning.

2. Lock safety hook onto chain.



SAFETY INSTRUCTIONS CONNECTING AIR HOSES (AIR ASSIST BRAKES)

1. Connect red line to supply port.
2. Connect blue line to service/control port.



SAFETY INSTRUCTIONS CONNECTING HOSES (HYDRAULIC BRAKES)

1. Connect pressure hoses to pressure ports of hydraulic remote coupler.
2. Connect return hoses to return ports of hydraulic remote coupler.

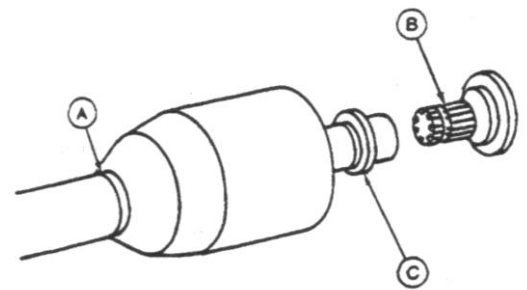
(Relief factory set 1000psi)



SAFETY INSTRUCTIONS ATTACHING DRIVELINE

Avoid causing damage to shielding,
DO NOT use bell on driveline to lift driveline into position.

1. Support driveline, cradling it in your hand.
2. Rotate driveline (C) or tractor PTO (B) to align splines.
3. Pull collar (C) rearward and push forward on bell (A) to engage driveline yoke with tractor PTO (B).
4. Pull back on PTO driveline shielding to be sure driveline is locked. **DO NOT** pull on collar, this will release latch.



SAFETY INSTRUCTIONS

STORING JACKSTAND

1. After the spreader is attached to the tractor and secure, remove jackstand from lift position.
2. Store jackstand as shown and secure with pin.



CAUTION

CONNECT HYDRAULIC HOSES

To avoid injury from escaping hydraulic oil under pressure, relieve the pressure in the system by shutting off the tractor and moving remote cylinder operating levers in both directions before attaching hoses to or detaching hoses from the breakaway couplers.



SAFETY INSTRUCTIONS

CONNECT ENDGATE HYDRAULIC HOSES

1. Connect pressure hose to pressure port of hydraulic remote coupler.
2. Connect return hose to return port of hydraulic remote coupler.



ATTACHING THE SPREADER

SAFETY INSTRUCTIONS

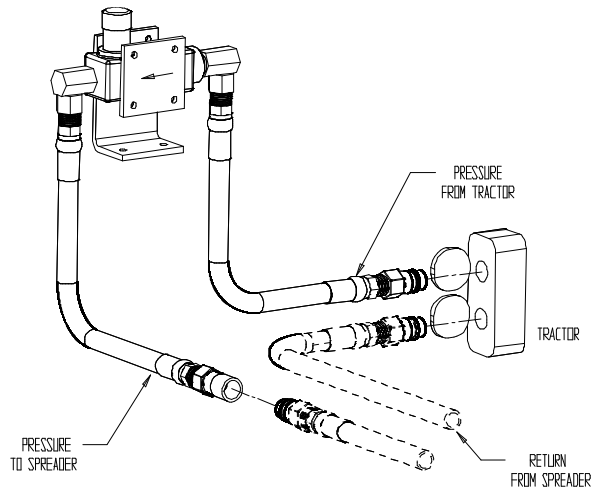
CONNECTING HYDRAULIC HOSES

TRACTOR WITH CLOSED CENTER HYDRAULIC SYSTEM

Attach control valve to tractor where it can be reached by the operator.

Attach hoses accordingly.

(Diagram shows unloading configuration, flow reverses to retract.)



SAFETY INSTRUCTIONS

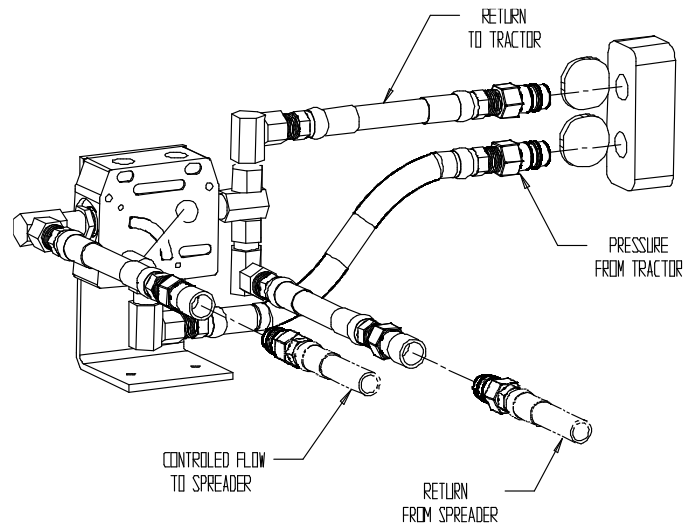
CONNECTING HYDRAULIC HOSES

TRACTOR WITH OPEN CENTER HYDRAULIC SYSTEM

Attach control valve to tractor where it can be reached by the operator.

Attach hoses accordingly.

(Diagram shows unloading configuration, flow reverses to retract.)



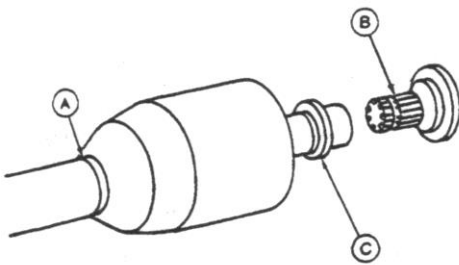
DETACHING THE SPREADER



SAFETY INSTRUCTIONS

DETACHING SPREADER

1. Secure jack stand in lift position
2. Detach safety chain
3. Remove hitch pin
4. Disconnect hoses. Store on spreader



SAFETY INSTRUCTIONS

DETACHING DRIVELINE

1. Support driveline (A) and pull rearward on collar (C) to release driveline from tractor PTO (B).
2. When possible store driveline in driveline cradle provided with machine.
3. Replace tractor PTO shields.

TRANSPORT

SAFETY INSTRUCTIONS

USING A SAFETY CHAIN

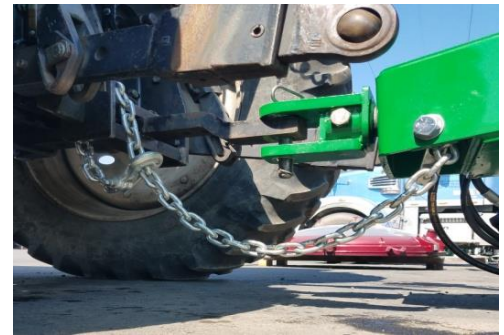
A safety chain will help control drawn equipment should it accidentally separate from the drawbar while transporting. Using the appropriate adapter parts, attach the chain to the tractor drawbar support or other specified anchor location. Provide only enough slack in the chain to permit turning. See your Pik Rite dealer for a chain with a strength rating equal to or greater than the gross weight of the towed machine.



NOTICE LIGHTING

When transporting the machine on a road or highway at night or during the day, use accessory lights and devices for adequate warning to operators of other vehicles. Check local governmental regulations. Keep safety items in good condition. Replace missing or damaged items.

(Contact your Hydra-Pull Dealer for available lighting kit)



TOWING LOADS

Braking to stop towed loads from transport speeds can cause the towed load to swerve and upset. Reduce speed if towed load is not equipped with brakes and weighs more than the tractor.

Follow recommended speed-weight ratio guidelines:

- Maximum speed is 20 mph (32 km/h) when towing loads equal to or less than the weight of the tractor.
- Reduce speed to 10 mph (16 km/h) when towing loads more than or up to double the tractor weight.
- **DO NOT** tow loads that exceed double the tractor weight.
- Use additional caution when towing loads under adverse road surface conditions (i.e. slippery or rough), when turning and/or on inclines.
- For proper tractor size and towing speed see the following “Recommended Maximum Towing Speed” chart.
- If necessary, add ballast as described in your tractor’s Operator’s Manual.



TRANSPORT

NOTICE RECOMMENDED MAXIMUM TOWING SPEED

Tractor Weight	*	**	***	****
(0-2997 lb)	Do Not Tow	Do Not Tow	Do Not Tow	Do Not Tow
(2998-5950 lb)	Do Not Tow	Do Not Tow	Do Not Tow	Do Not Tow
(5951-11021 lb)	Do Not Tow	Do Not Tow	Do Not Tow	Do Not Tow
(11022-12123 lb)	Do Not Tow	Do Not Tow	Do Not Tow	Do Not Tow
(12124-14769 lb)	Do Not Tow	Do Not Tow	Do Not Tow	Do Not Tow
(14770-22044 lb)	Do Not Tow	Do Not Tow	Do Not Tow	Do Not Tow
(22045-24910 lb)	(20 mph)	(10 mph)	(10 mph)	(10 mph)
(24911-29540 lb)	(20 mph)	(10 mph)	(10 mph)	(10 mph)
(29541 lb-Up)	(20 mph)	(10 mph)	(10 mph)	(10 mph)

**Base Spreader Empty Load*

***Load struck level consisting of manure with high liquid content.*

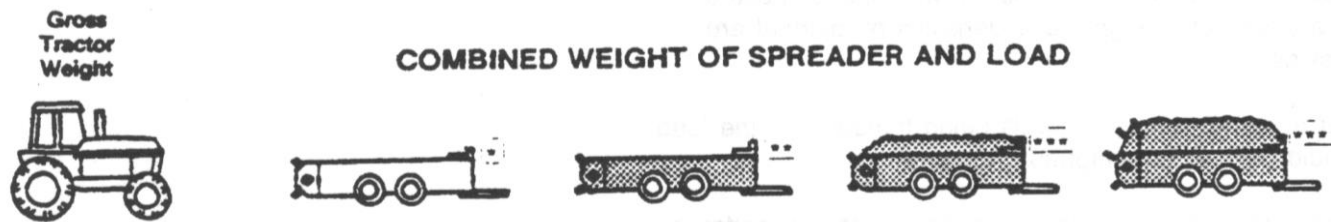
Calculated at 70 lb/cu ft

****Load piled 381 mm (15 in.) above beater consisting of semi-solid type manure*

Calculated at 55 lb/cu ft

*****Load piled at 15 in. above optional upper beater consisting of semi-solid type manure.*

Calculated at 55 lb/cu ft



SAFETY INSTRUCTIONS

PREOPERATING CHECKS

1. Be sure spreader does not contain any foreign objects
2. Check for correct hydraulic hookup. Raise endgate fully. Engage beaters, engage apron chain
3. Disengage apron chain, disengage beaters
4. Close endgate

CAUTION LOADING THE SPREADER

Do not place rocks, timbers, or other solid objects in the spreader. Objects of this nature can damage the spreader and could also be thrown great distances causing possible injury to anyone standing in the vicinity.

Load front of spreader first, distributing load evenly.

When operating without an endgate, avoid loading manure against the beater.



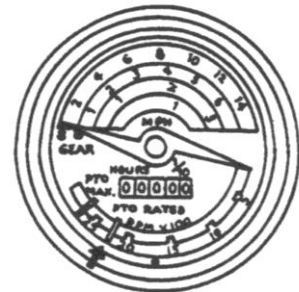
CAUTION PREPARE TO UNLOAD THE SPREADER

Help prevent personal injury. Be sure no one is near spreader and tractor before operating.

Start beater by engaging PTO slowly at low engine rpm. Increase to "PTO RATED" speed.

For best spreading results, operate tractor at "PTO RATED" speed.

Do not operate apron chain without running the beaters as this may damage the spreader.



OPERATING THE SPREADER

NOTICE RAISE ENDGATE

Contact of apron chain with endgate will cause damage. To avoid contact with apron chain, endgate must be raised fully.

The endgate closes off the back end of the spreader to contain manure with high liquid content.

The endgate also prevents solid material from being piled tight against the beater.



SAFETY INSTRUCTIONS

UNLOADING SPREADER USING METERING VALVE

1. Set flow control on tractor hydraulics obtain desired rate of unload speed.

Rate of spread is affected by both ground speed and unload speed. Experience will help you determine both gear selection and control knob setting.

2. When spreader is empty, disengage apron chain, disengage PTO, and lower endgate.

SAFETY INSTRUCTIONS

PRODUCING GOOD SPREADING RESULTS

1. Operate tractor engine at “PTO RATED” speed.
2. Do not overload beater. A clumpy spread pattern will result from too fast of an unload rate.
3. When operating without an endgate, avoid loading material against the beater. Otherwise, large clumps of material will be thrown out during the first few turns of the beater.

**SAFETY
INSTRUCTIONS**

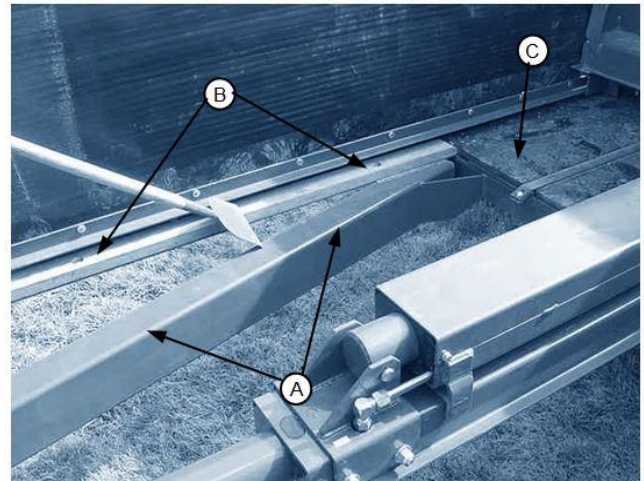
CLEANING SPREADER IN COLD WEATHER

When operating the spreader during extended periods of subfreezing temperatures, frozen material may build up on steel surfaces. This can prevent the beater from moving.

Cleaning is only necessary during extended periods of subfreezing temperatures.

After completing spreading for the day, use the following cleaning procedure.

⚠ CAUTION Help prevent personal injury caused by unexpected movement of the machine. Disengage PTO, engage parking brake and/or place transmission in "PARK", shut off engine, and remove key before cleaning spreader.



1. Extend and retract the sliding floor/moving panel to remove loose material.
2. Extend sliding floor half way back. Remove accumulated material on frame (A), the tops and sides of wood and steel guides (B), and front edge of floor (C), on each side.
3. Remove accumulated material from rear of moving panel, top of tube (A), and V-section (B).
4. Remove material on the rear steel edge of the main floor and bottom of steel side panels (A).
5. Remove material buildup from endgate panel. Keep endgate arms clean to prevent freezing to side rails.



NOTE: Any buildup which prevents the sliding floor from traveling fully rearward, will prevent the moving panel from being activated.

6. Retract sliding floor and remove material on the underside of the moving panel. (This cleaning is only necessary in prolonged periods of cold weather).
7. When tire valve stems are mounted towards the inside, clean top of walking beams to prevent valve stem damage.
8. Leave moving panel 12 in. from front of spreader to allow cylinder movement in both directions.



OPERATING THE SPREADER

NOTICE CLEAN WALKING BEAM

When tire valve stems are mounted towards the inside, clean top of walking beams to prevent valve stem damage.



NOTICE WARMING HYDRAULIC OIL TEMPERATURES BELOW 0°F (-18°C)

It is necessary to warm the hydraulic oil for proper spreader operation.

Follow the procedures in your tractor's Operator's Manual for warming hydraulic oil.

The following procedures apply only to tractors with a closed center hydraulic system.



NOTICE BYPASSING SPREADER CONTROL VALVE

There will be a large hydraulic oil pressure drop across the auxiliary flow control valve when the oil is cold. Oil pressure available to hydraulic cylinders may be too low.

Try cycling the cylinders several times slowly so the cold oil in the cylinders is mixed with the warm oil in the tractor. In the event of extreme cold; you may need to bypass the control valve to do this. Be sure you begin by moving the cylinders very slowly.

Reconnect hoses to flow control valve.



⚠ CAUTION LUBRICATING AND MAINTAINING SPREADER

Help prevent personal injury caused by unexpected movement of the machine. If spreader is connected to tractor, disengage PTO, engage parking brake and/or place transmission in "PARK", shut off engine, and remove key. If spreader is detached, block wheels and use safety stands.

Replace all shields after lubricating or servicing.

NOTICE OBSERVING INTERVALS

The intervals recommended are based on normal conditions. Severe or unusual conditions may require more frequent attention.

NOTICE SELECTING GREASE

Depending upon the expected air temperature range during the service interval, use grease as shown on the adjusting temperature chart.

SAE-Multipurpose High Temperature Grease with Extreme Pressure [EP] Performance with 3 to 5% molybdenum disulfide.

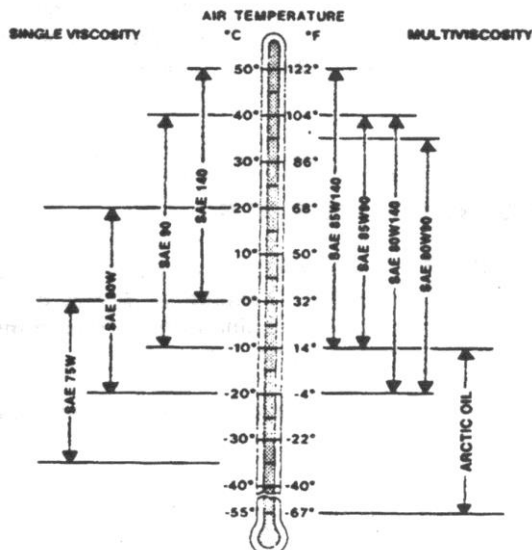
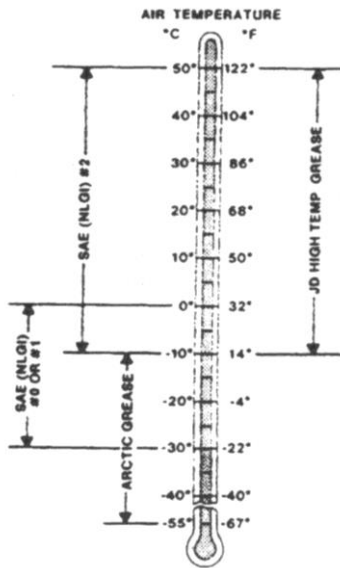
Moly-type grease is recommended, however, if not available, multipurpose grease is acceptable.

NOTICE SELECTING GEAR CASE OIL

Depending upon the expected air temperature range during the drain interval, use oil viscosity shown on the adjoining temperature chart.

- API Service Classification GL-5
- Military Specification MIL-L-2105B
- Military Specification MIL-L-2105C

At temperatures below -35° [-31°], use arctic oils such as those meeting Military Specifications MIL-G-10324A.



LUBRICATION AND MAINTENANCE

NOTICE SERVICE INTERVALS

- Change gearbox lubricant every 6,000 loads

EVERY 8 HOURS

- Lubricate driveline
- Check gear case oil level
- Check tires
- Check axle hub oil
- Lubricate top beater bearings

EVERY 40 HOURS

- Lubricate hitch

EVERY 50 HOURS

- Tighten wheel hardware
- Lubricate walking beam pivots

EVERY 250 HOURS

- Lubricate endgate pivots
- Repack wheel bearings

SERVICE AS REQUIRED

- Slip the clutch

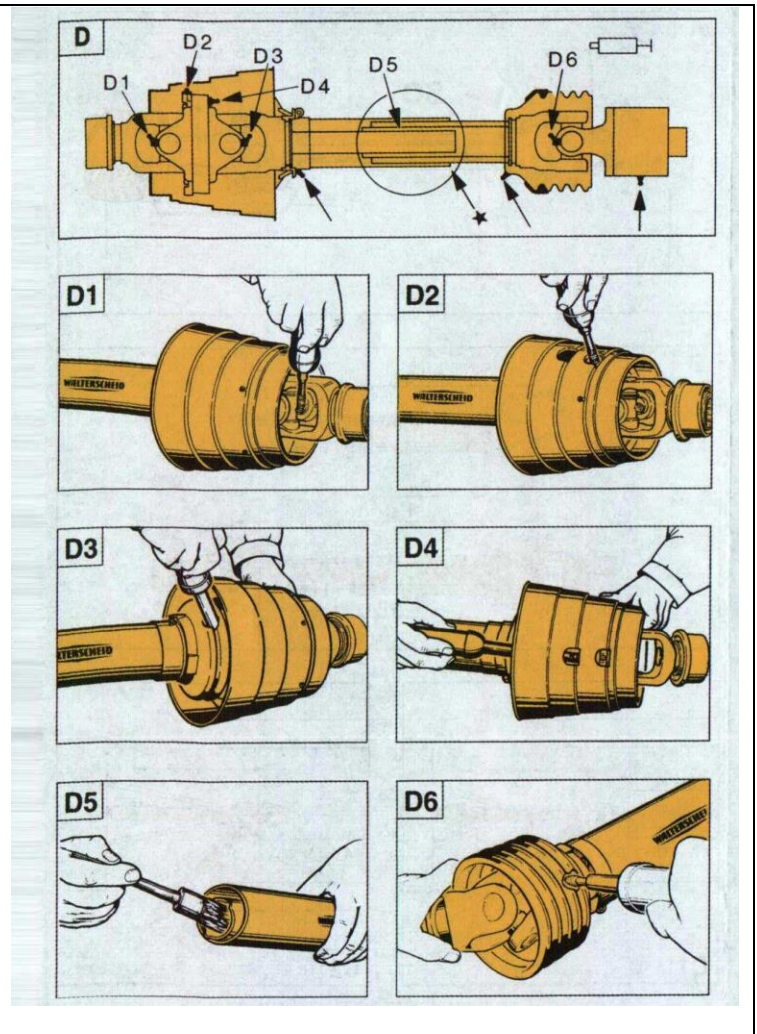
In addition to the above referenced information, you are working with a central lube CV design on the primary that contains a special lubrication provision that needs to be well defined for the user so that extended life on the CV can be achieved.

The key point is that each CV has one zerk in a bearing cap and it is this zerk that is most important since it feeds the inboard cross kit as well as the the ball and socket of the CV. The user needs to understand that the zerk in the cap should receive **15-20 pumps** of grease each day while the other zerks in the joint

CV housing and telescoping members can operate with 5-6 pumps or until the seals purge. The plastic zerks feeding the shielding should also receive 3-4 pumps daily if shields are being restrained.

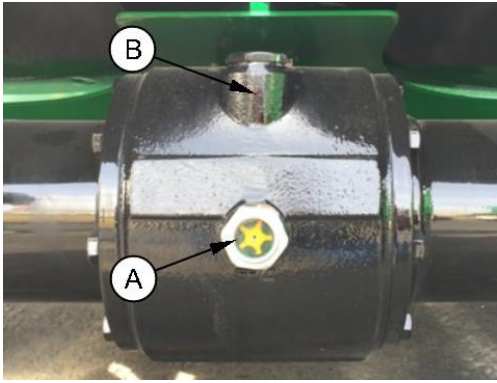
Primary Driveline (to Tractor) Lubricate fittings D1 through D6 every eight hours of operation.

Secondary Driveline (under spreader) Lubricate as above including overrunning clutch.



NOTE: Lubrication step D5 is only necessary when driveline does not have grease fitting. Separate front and rear halves of driveline and brush with grease.

LUBRICATION AND MAINTENANCE



NOTICE CHECK GEAR CASE OIL LEVEL

With spreader on level ground, check oil level at the sight glass on the center gearcase "A"

Add recommended oil as needed. (See Selecting Gear Case Oil)
To add oil, remove fill cap at the top of the gearcase "B"

NOTICE GREASE TOP BEATER BEARINGS

Grease the two bearings at the top of the vertical beaters every 8 hours of operation. Rear grease bank on beater side panel



SAFETY INSTRUCTIONS

CHECKING TIRES

1. Check tires daily for damage or noticeably low pressure.
2. Repair any cuts or breaks as soon as possible.
3. Protect tires from exposure to sunlight and petroleum products or chemicals.



<u>Tire Size</u>	<u>Wheel Size</u>	<u>Tire Pressure</u>
710/50-26.5	26.5 x 28	60 psi
710/40-22.5	22.5 x 16	65 psi

LUBRICATION AND MAINTENANCE

SAFETY INSTRUCTIONS

LUBRICATE WALKING

BEAM PIVOTS

1. Place a jack under the spreader main frame.
2. Raise spreader enough to relieve weight from walking beam.
3. Lubricate grease bank (A) with Moly High Temperature/Extreme Pressure Grease.

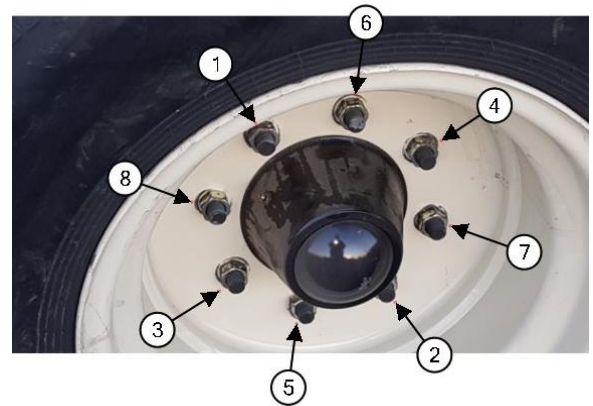


NOTICE

TIGHTENING WHEEL HARDWARE

Operating the spreader with loose wheel hardware will damage the hub or wheel. Tighten hardware after initial transport, after one hour of operation, and every fifty hours thereafter.

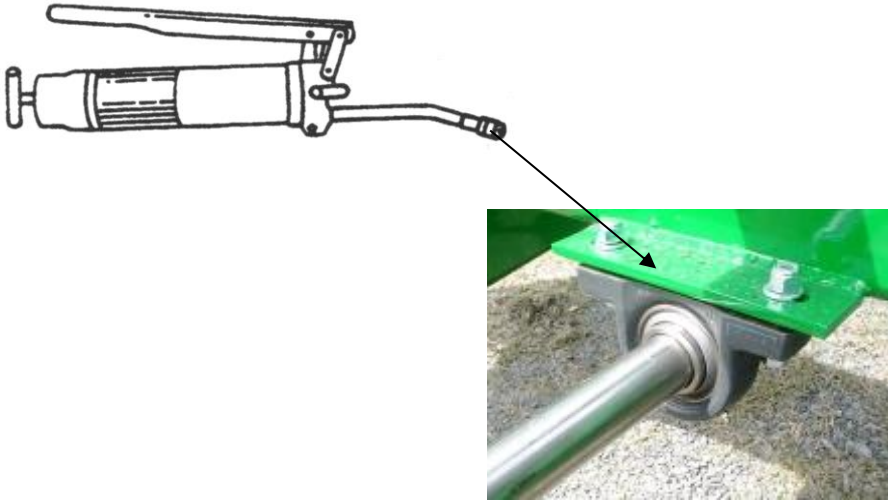
Tighten to 475 lb.-ft. in the sequence shown.



NOTICE LUBRICATE THE THREE PILLOW BLOCKS

Located under the spreader, they carry the main power shaft, using central grease location

Lubricate grease fitting with Moly High Temperature/Extreme Pressure Grease



NOTICE MAINTAINING SLIP CLUTCH, WALTERSCHEID

The clutch is preset and is not field adjustable

If you determine that your slip clutch needs maintenance or adjustment, contact your dealer



NOTICE ADJUST SLIDING FLOOR/MOVING PANEL SEALS

The rubber seals on the moving panel and sliding floor are adjustable.

Properly adjusted seals will minimize leakage and ensure a clean wiping action on the sides and floor.

Inspect adjust, or replace seals as necessary.

SPECIFICATIONS

TRACTOR SIZE

Minimum recommended 200 hp PTO

WEIGHT

Spreader, Complete with Implement tires
And all Attachments 17,040 lb

LOAD CAPACITY 48,400 lb

VOLUME CAPACITY

Struck Level 712 cu. ft.
Heaped Load 1096 cu. ft.

BEATER SPEED 420 rpm

UNLOADING SPEED

Infinitely Variable 0-16 ft/min

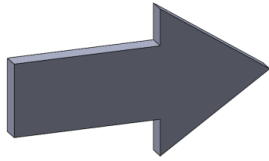
DRIVELINE

Shielded 1000 rpm

ATTACHMENTS Endagte

SPECIFICATIONS AND DESIGN SUBJECT TO CHANGE WITHOUT NOTICE

DIRECTION ARROWS



ARROWS ARE USED WITH ILLUSTRATIONS TO INDICATE THE FRONT OF THE UNIT. "RIGHT-HAND" AND "LEFT-HAND" SIDES ARE DETERMINED BY FACING THE DIRECTION OF MACHINE FORWARD TRAVEL.

REFERENCE NUMBER IDENTIFICATION

REF NO.	DESCRIPTION
----------------	--------------------

000-099	PARTS USED FOR ASSEMBLY
---------	-------------------------

100-199	BOLTS AND FASTENERS
---------	---------------------

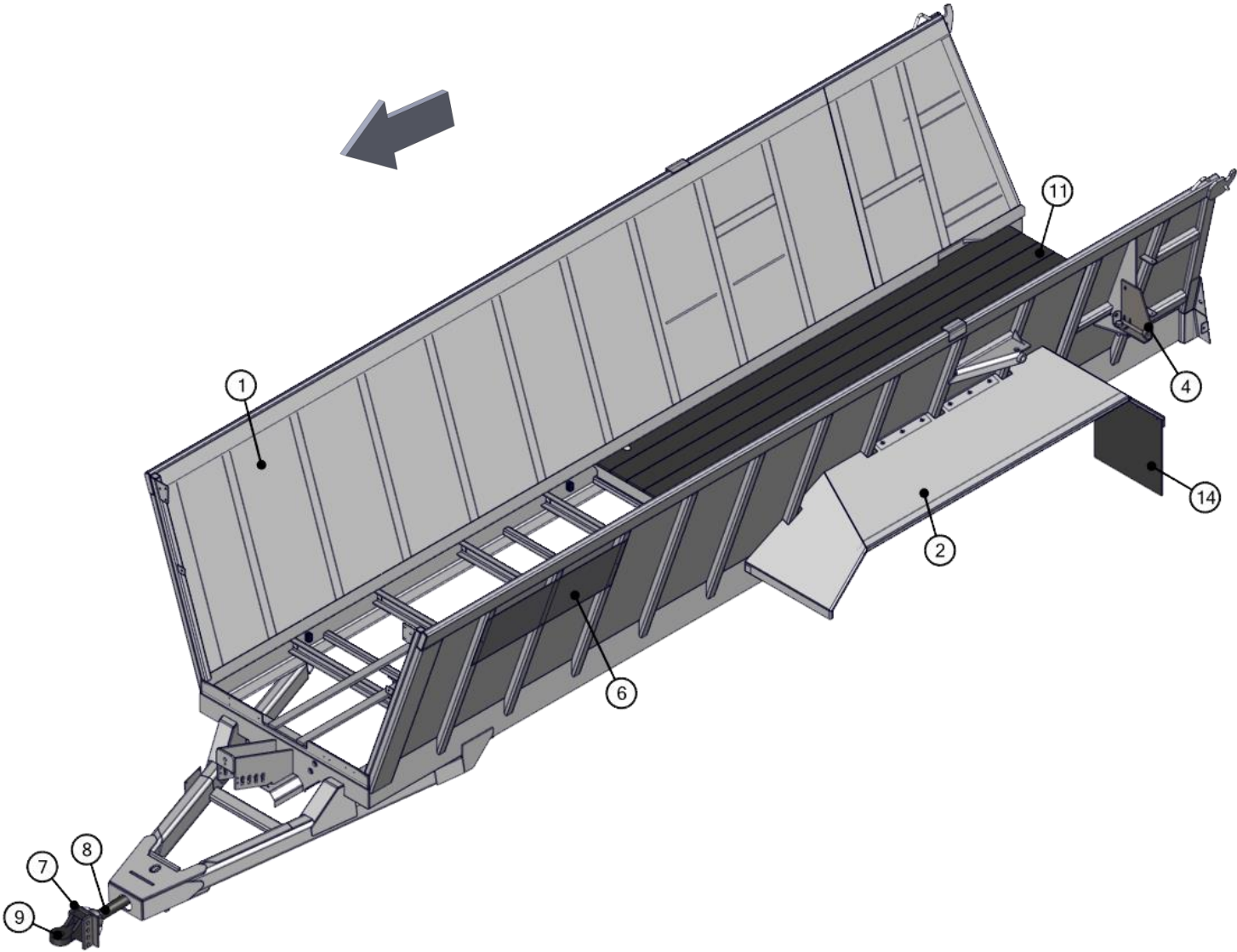
200-299	ELECTRICAL COMPONENTS
---------	-----------------------

800-899	REPLACEMENT PARTS (USED TO REPAIR ASSEMBLIES)
---------	--

7521-01-01 MAIN FRAME, HITCH & FLOOR

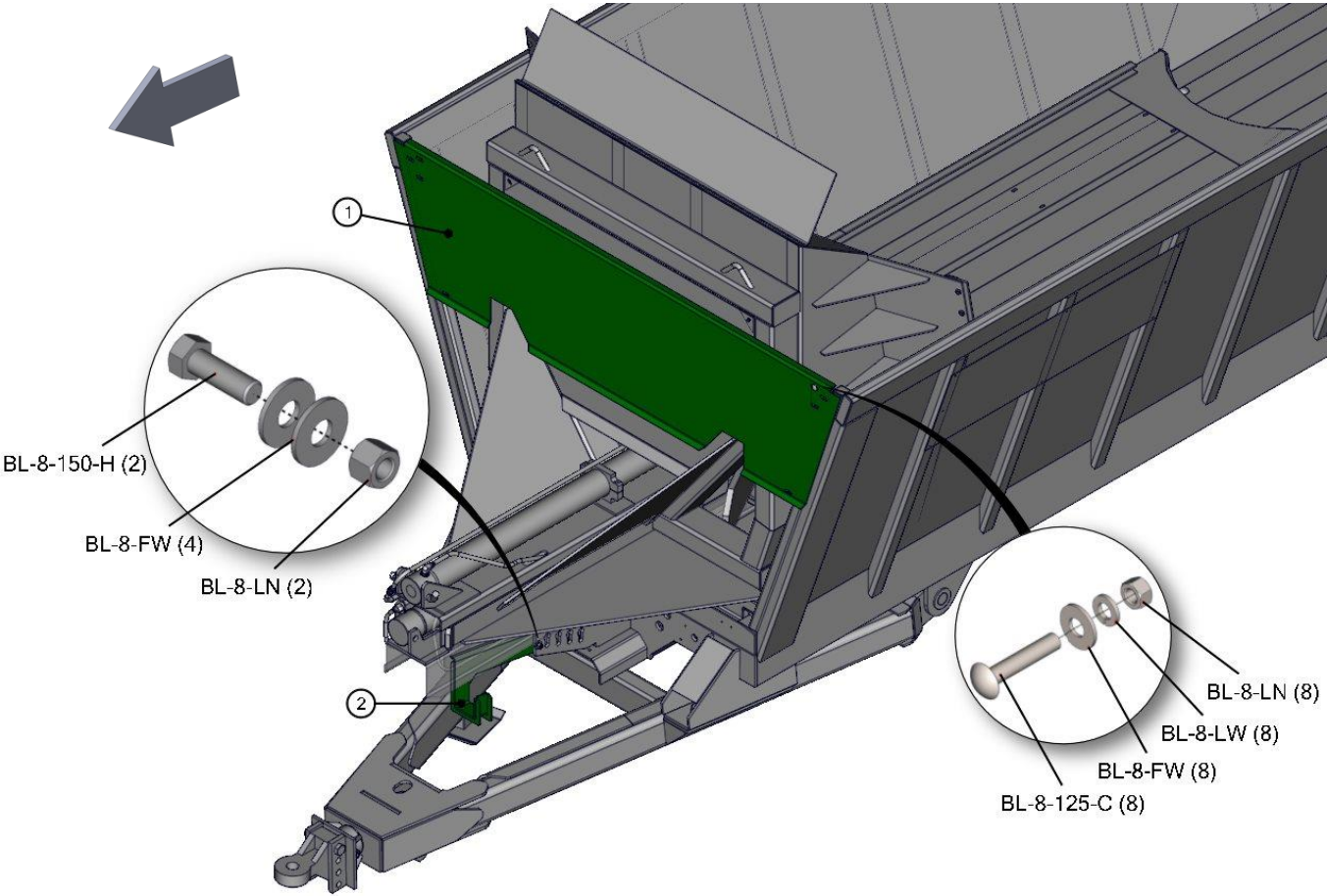
REF	PART	DESCRIPTION	QTY	WILL FIT SN	REMARKS
1	PR80112	Main Frame, HR880	1		
2	PR60155	Fender, LH	1		
3	PR60156	Fender, RH	1		
4	PR60023	Bracket, LH, End Gate Mount	1		
5	PR60024	Bracket, RH, End Gate Mount	1		
6	PR60043	Decal Plate, Angled, Side	2		
7	PR80007	Load Cell Mount, Hitch Area, 1880 VB	1		
8	PR63101	Hitch Shaft, Hardened, Long	1		
9	TH-0002	Bull-Pull Articulating Hitch, 3-Bolt	1		
10	PR80009	Floor, End	1		
11	PR80019	Floor, Mid, Tongue and Groove	9		
12	PR80016	Tongue, HR880	1		
13	PR60025	Tongue Pin	2		
14	MF-9307	24 X 24 Mudflaps, w/ Name (pc)	2		
100	BL-6-175-C	3/8-16 X 1-3/4 CARRIAGE BOLT G5 ZC	70		
101	BL-6-SW	3/8 SAE FW ZC	110		
102	BL-6-LW	3/8 SPLIT LW ZC	94		
103	BL-6-N	3/8-16 HEX NUT ZC	94		
105	BL-8-175-H8	1/2 X 1-3/4 HH G8	14		
106	BL-8-FW	1/2 USS FW ZC	28		
107	BL-8-LN	1/2-13 LN NYLON INSERT ZC	14		
108	BL-6-125-H	3/8-16 X 1-1/4 HHCS G5 ZC	8		
109	BL-6-N-A	3/8-16 ACORN NUT, HEX, Ni-PL STEEL	8		
110	BL-12-FW-8	3/4 FW G8	8		
111	BL-12-225-H	3/4-10 X 2-1/4 HH G5 ZC	4		
112	BL-12-LN-8	3/4-10 LN w/ NYLON INSERTS G8	4		
113	BL-6-250-H	3/8-16 X 2-1/2 HH C/S G5 ZC	2		
114	BL-6-LN	3/8-16 FIN H LN NE A563 GA ZC	2		
115	BL-16-600-H8	1-8 X 6 BOLT HH C/S G8 ZC	1		
116	BL-16-LN-8	1 H LN ZC G8	3		
117	BL-16-800-8	1-8 X 8 HH C/S G8 ZC	1		
118	BL-16-550-H8	1-8 X 5-1/2 BOLT HH C/S G8 ZC	1		
119	BL-6-125-C	3/8-16 X 1-1/4 CARRIAGE BOLT G5 ZC	24		

7521-01-01 MAIN FRAME, HITCH & FLOOR



7519-01-02 FRONT SHIELDS

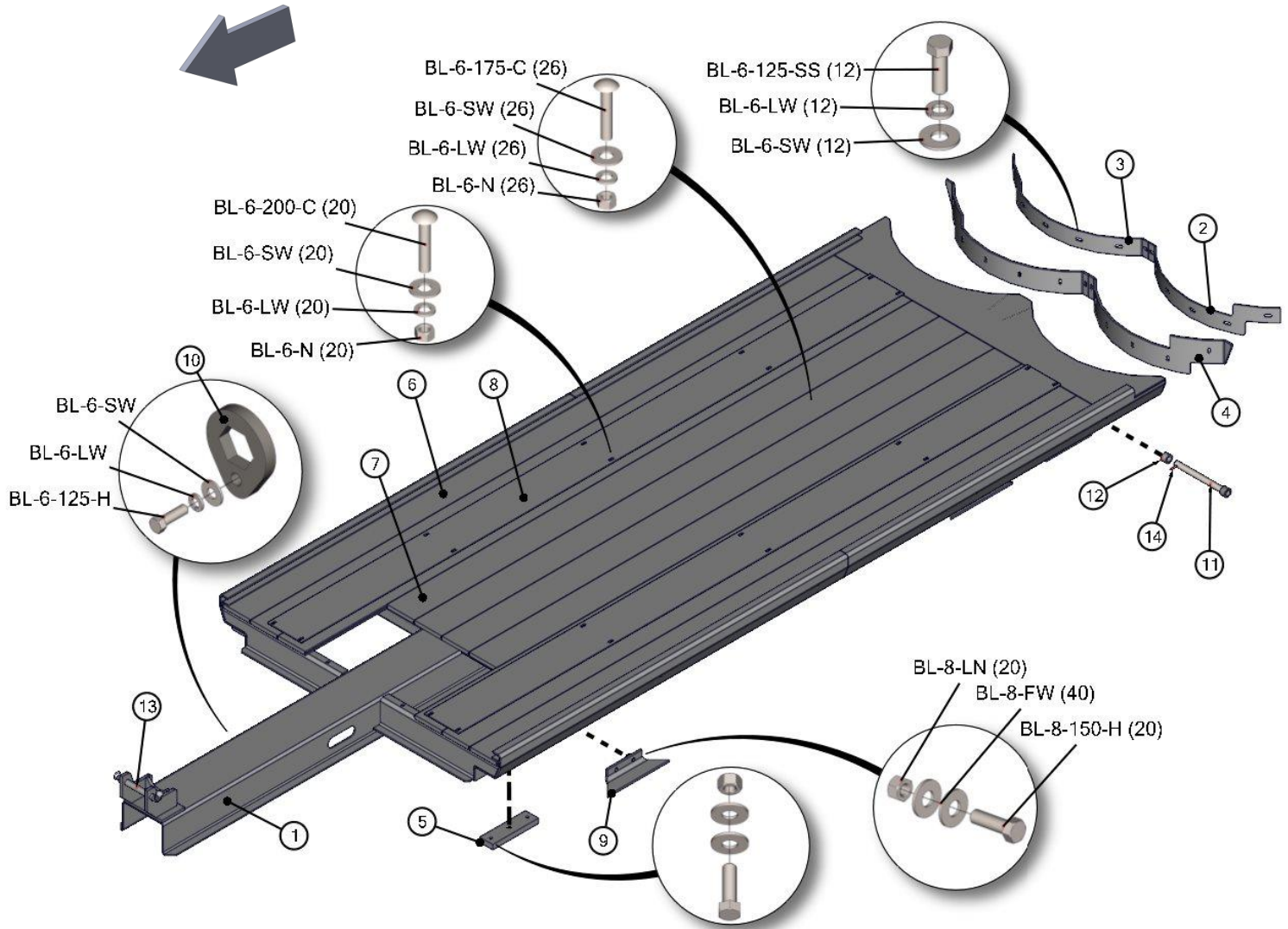
REF	PART	DESCRIPTION	QTY	WILL FIT SN	REMARKS
1	PR80203	Front Panel, HR880	1		
2	PR80202	PTO Holder, HR880	1		
100	BL-8-125-C	1/2 UNC X 1 1/4 CARRIAGE BOLT GR5 ZINC	8		
101	BL-8-FW	1/2 USS FW ZC	12		
102	BL-8-LN	1/2-13 LN NYLON INSERT ZC	2		
103	BL-8-150-H	1/2-13 X 1-1/2 HH C/S BOLT G5 ZC	2		
104	BL-8-LW	1/2 SPLIT LW ZC	8		
105	BL-8-N	1/2-13 HEX FIN NUTS ZC	8		



7519-01-03 SLIDING FLOOR

REF	PART	DESCRIPTION	QTY	WILL FIT SN	REMARKS
1	PR80108	Sliding Floor, HR880	1		
2	PR80040	Scraper, RH, sliding floor	1		
3	PR80041	Scraper, LH, Sliding floor, 1880	1		
4	PR80042	Belting Scraper, sliding floor, 1880	2		
5	PR80104	Spacer Slider Block	6		
6	PR80031	Floor, Sliding Floor, 75018001-	6	75018001-	
7	PR80036	Floor, Sliding Floor, Short	4		
8	PR80107	Pusher Runner Weldment, HR880	2		
9	PR80109	Channel Scraper, Sliding Floor	4		
10	PR80101	Main Cylinder Stop	1		
11	PR80102	Cylinder Pin, Main Cylinder, Sliding Floor	1		
12	PR80103	Cylinder Pin	1		
13	PR80404	1" Clevis Pin, 6.75 Usable	1		
14	PIN-4-20	Roll Pin 1/4 x 1-1/4 Stainless Steel	1		
100	BL-6-200-C	3/8-16 X 2 CARRIAGE BOLT G5 ZC	20		
101	BL-6-SW	3/8 SAE FW ZC	59		
102	BL-6-LW	3/8 SPLIT LW ZC	59		
103	BL-6-N	3/8-16 HEX NUT ZC	46		
104	BL-8-FW	1/2 USS FW ZC	40		
105	BL-8-150-H	1/2-13 X 1-1/2 HH C/S BOLT G5 ZC	20		
106	BL-8-LN	1/2-13 LN NYLON INSERT ZC	20		
107	BL-6-125-SS	3/8-16 X 1 1/4 HHCS SS	12		
108	BL-6-125-H	3/8-16 X 1-1/4 HHCS G5 ZC	1		
109	BL-6-175-C	3/8-16 X 1-3/4 CARRIAGE BOLT G5 ZC	26		

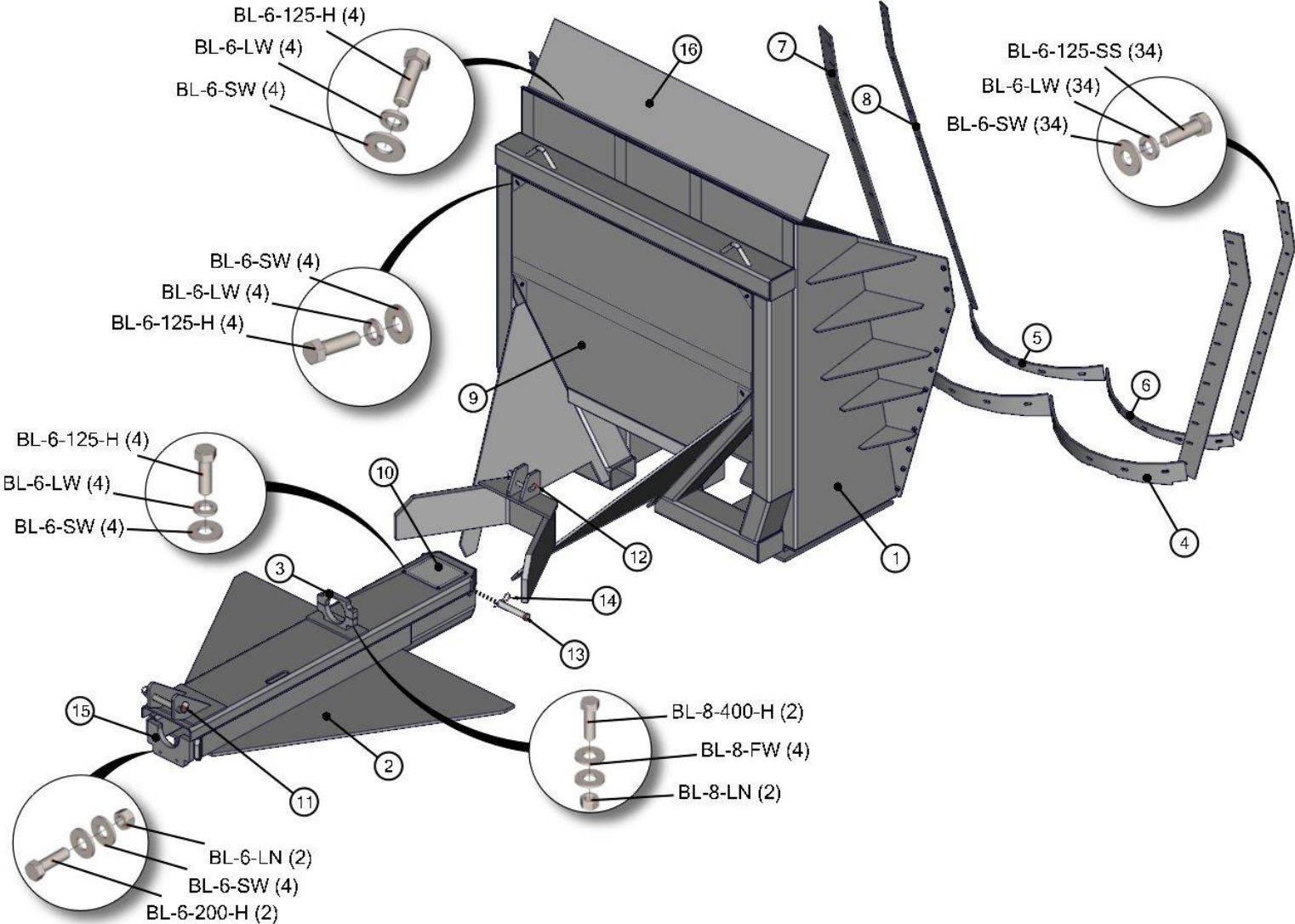
7519-01-03 SLIDING FLOOR



7520-01-04 PUSHER, WIDE TRUNK

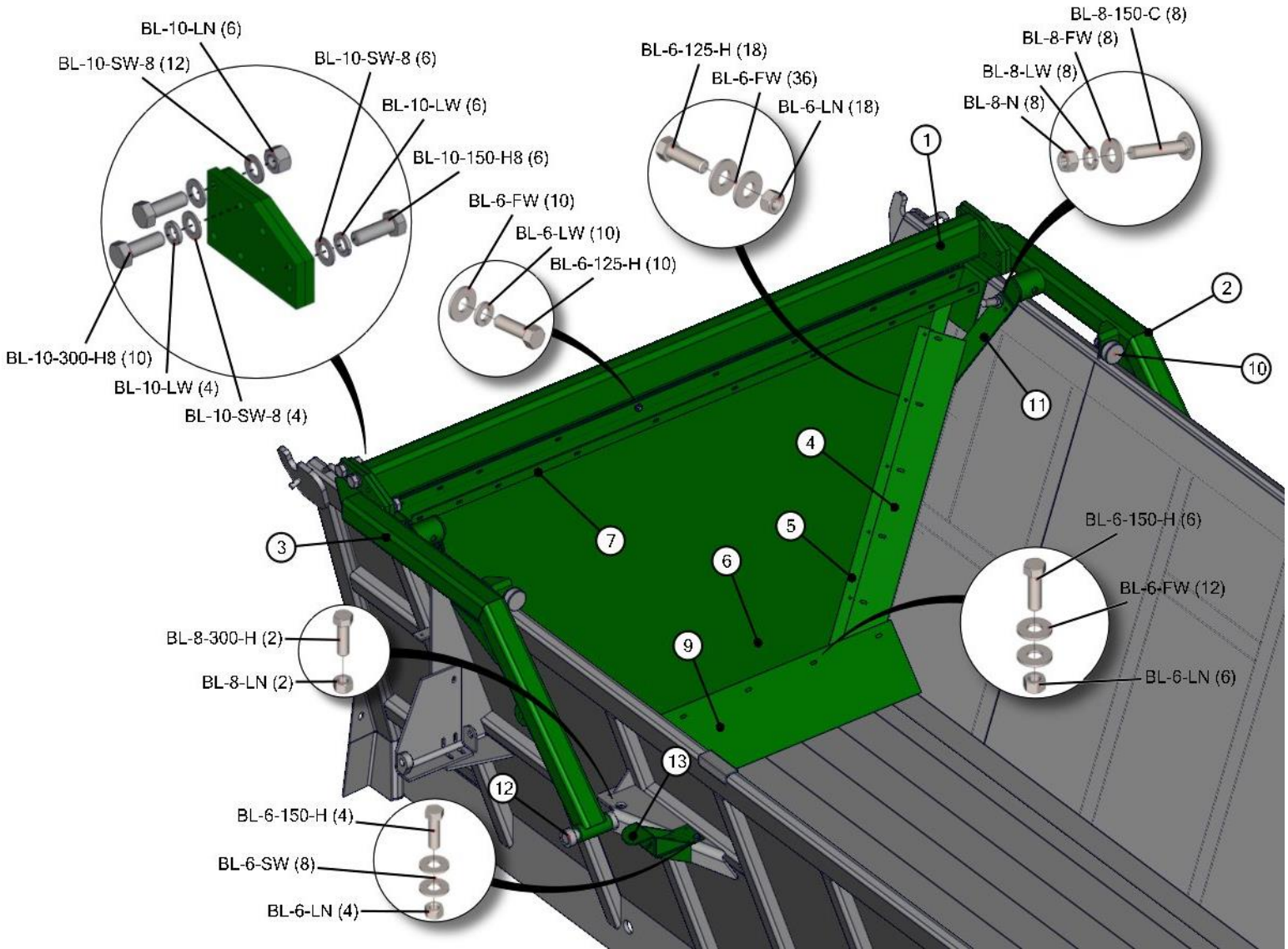
REF	PART	DESCRIPTION	QTY	WILL FIT SN	REMARKS
1	PR80043	Pusher, HR880	1		
2	PR80044	First Sliding Section, HR880	1		
3	PR80021-F	Plate Steel	1		
4	PR80022	Scraper, Pusher	2		
5	PR80023	Backing Bar, Pusher, LH	1		
6	PR80024	Backing Bar, Pusher, RH	1		
7	PR80037	Side Belting, HR880 Pusher	2		
8	PR80038	Side Backing Bar, HR880	2		
9	PR80029	Panel, Pusher, 1880 Push	1		
10	PR80046	Acess Cover, Pusher HR880	1		
11	PR80404	1" Clevis Pin, 6.75 Usable	1		
12	PR80405	5/8 SS Clevis Pin, 4 Usable	1		
13	PR80403	1" Pin, 5.6875 Usable	1		
14	HC-1130B	Hairpin, 7/8-1 Rod Dia Range	1		
15	PR80111	Cylinder Sliding Support	1		
16	PR80039	Pusher Extension, HR880	1		
100	BL-6-SW	3/8 SAE FW ZC	50		
101	BL-6-LW	3/8 SPLIT LW ZC	46		
102	BL-6-125-SS	3/8-16 X 1 1/4 HHCS SS	34		
103	BL-6-125-H	3/8-16 X 1-1/4 HHCS G5 ZC	12		
104	BL-8-FW	1/2 USS FW ZC	4		
105	BL-8-400-H	1/2-13 X 4 HEX CAP G5 ZC	2		
106	BL-8-LN	1/2-13 LN NYLON INSERT ZC	2		
107	BL-6-200-H	3/8-16 X 2 HEX CAP G5 ZC	2		
108	BL-6-LN	3/8-16 FIN H LN NE A563 GA ZC	2		

7520-01-04 PUSHER, WIDE TRUNK



7519-01-05 ENDGATE

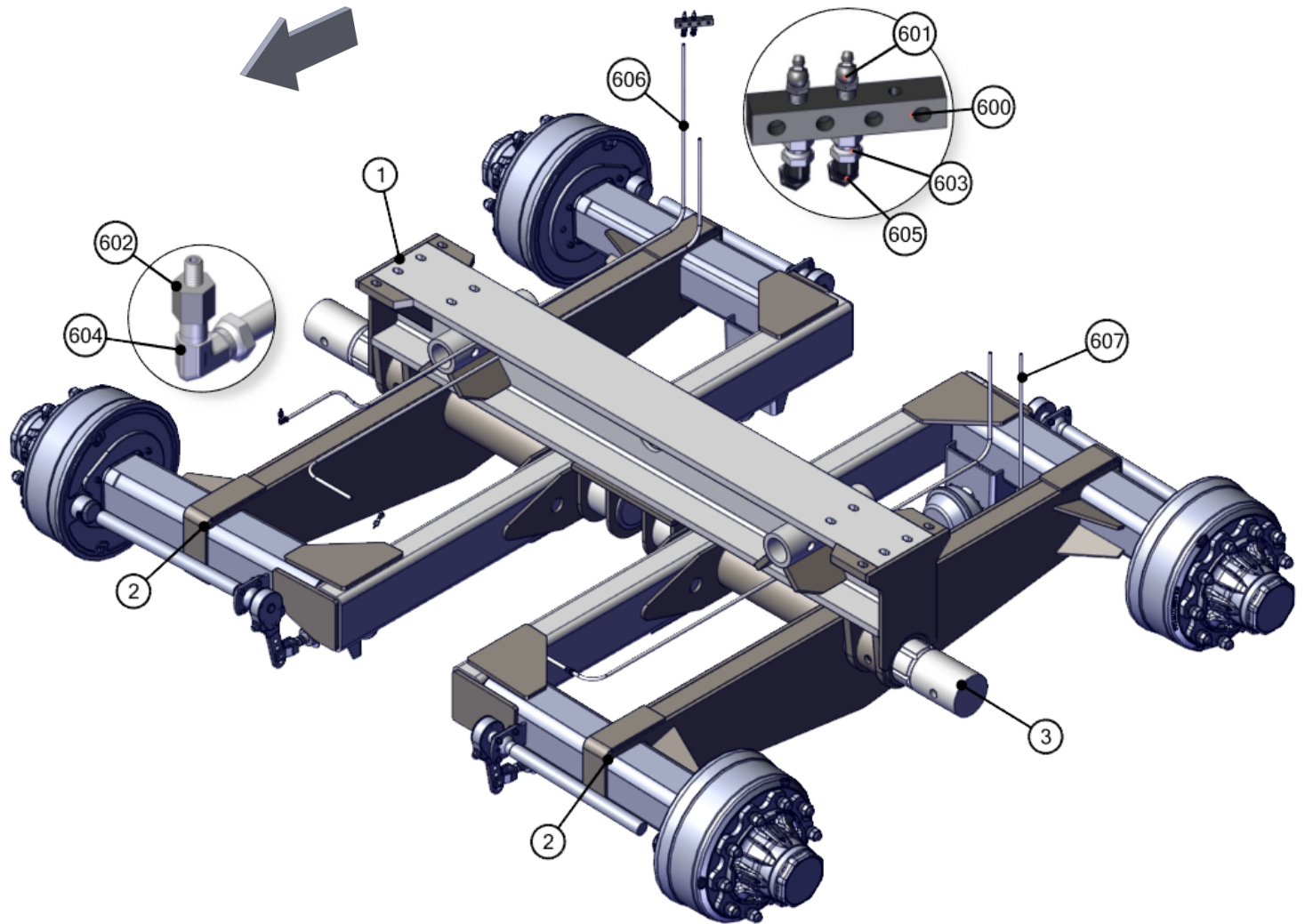
REF	PART	DESCRIPTION	QTY	WILL FIT SN	REMARKS
1	PR60085	Endgate	1		
2	PR60082	Endgate Arm, LH	1		
3	PR60083	Endgate Arm, RH	1		
4	PR60050	Belting, End Gate	2		
5	PR60051	Backing Bar, End Gate	2		
6	PR60086	Belting, Endgate Flap	1		
7	PR60012	Flat Bar, Backing, End Gate Flap	1		
8	PR60087	Belting Bar, Endgate Bottom	1		
9	PR60088	Belting, Endgate Bottom	1		
10	STP-0020	Swivel Leveling Mount, Standoff. 2500lbs.	2		
11	PR60084	Bar, Endgate Brace	2		
12	PR60015	End Gate Pin	2		
13	pr60081	Sequence Valve Mounting Bracket	1		
100	BL-10-SW-8	5/8 SAE FW G8	22		
101	BL-10-LW	5/8 SPLIT LW ZC	10		
102	BL-10-300-H8	5/8-11 X 3 HEX CAP G8	10		
103	BL-10-150-H8	5/8-11 X 1 1/2 HEX CAP G8 ZC	6		
104	BL-10-LN	5/8-11 HEX LN NE ZC	6		
105	BL-6-SW	3/8 SAE FW ZC	8		
106	BL-6-LW	3/8 SPLIT LW ZC	10		
107	BL-6-150-H	3/8-16 X 1-1/2 HEX CAP G5 ZC	10		
108	BL-6-125-H	3/8-16 X 1-1/4 HHCS G5 ZC	28		
109	BL-6-LN	3/8-16 FIN H LN NE A563 GA ZC	28		
110	BL-8-300-H	1/2-13 X 3 HH C/S G5 ZC	2		
111	BL-8-LN	1/2-13 LN NYLON INSERT ZC	2		
112	BL-8-150-C	1/2-13 X 1-1/2 CARRIAGE BOLT G5 ZC	8		
113	BL-8-FW	1/2 USS FW ZC	8		
114	BL-8-LW	1/2 SPLIT LW ZC	8		
115	BL-8-N	1/2-13 HEX FIN NUTS ZC	8		
116	BL-6-FW	3/8 USS FW ZC	58		



7521-01-06 WALKING BEAM, ADR AXLES

REF	PART	DESCRIPTION	QTY	WILL FIT SN	REMARKS
1	PR80088	Axle Frame, HP880	1		
2	PR80087	Rocker, Walking Beam, HP880	2		
3	PR80089	Shaft, Walking Beam Pivot	2		
101	BL-12-750-H8	3/4-10 X 7-1/2 HH G8	2		
102	BL-12-LN-8	3/4-10 LN w/ NYLON INSERTS G8	2		
103	BL-10-LN	5/8-11 HEX LN NE ZC	12		
104	BL-10-FW-8	5/8 FW G8	24		
105	BL-10-250-H-8	5/8-11 X 2-1/2 HH G8 ZC	12		
600	GF-4-4	4" Grease Manifold	1		
601	GF-1827-45	Grease Fitting 1/8 NPT 45-	4		
602	GFA-51942	1/4"-28 Straight Adapter	4		
603	A-1404-2-2	1/8 MP x 1/8 FPX	4		
604	A-1501-2-2	1/8" MP x 1/8" FPX90-	4		
605	A-1503-2-2	1/8" MP x 1/8" FPX 45-	4		
606	H2-140-2MP-2MP	1/8 in grease hose 1/8MP x 1/8MP x 140 in long	2		
607	H2-110-2MP-2MP	1/8 in grease hose 1/8MP x 1/8MP x 110 in long	2		

7521-01-06 WALKING BEAM, ADR AXLES



7521-01-07 TIRES AND WHEELS, 700/40-22.5

REF	PART	DESCRIPTION	QTY	WILL FIT SN	REMARKS
1	WHM-7122	710/40-22.5 Tire & Wheel Assy, 335mm BCD, Mounted, ADR	4		



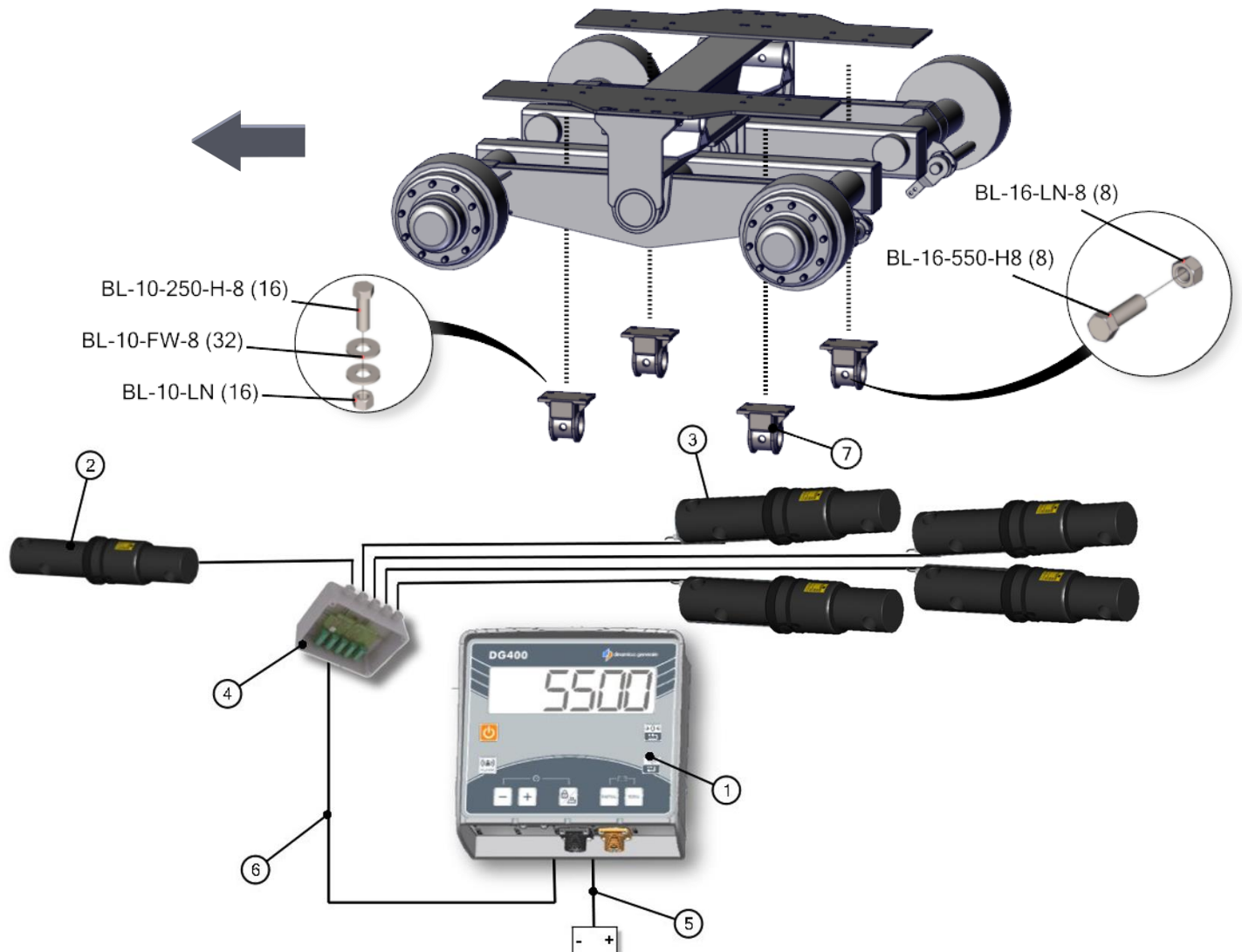
7521-01-07A WHEELS & TIRES, 710/50-26.5

REF	PART	DESCRIPTION	QTY	WILL FIT SN	REMARKS
1	WHM-7120	710/50R-26.5 Tire & Wheel Assy, 335mm BCD, Mounted, ADR	4		



7521-01-08 OPT. WEIGHT SCALE SYSTEM, 5 PT, DG400

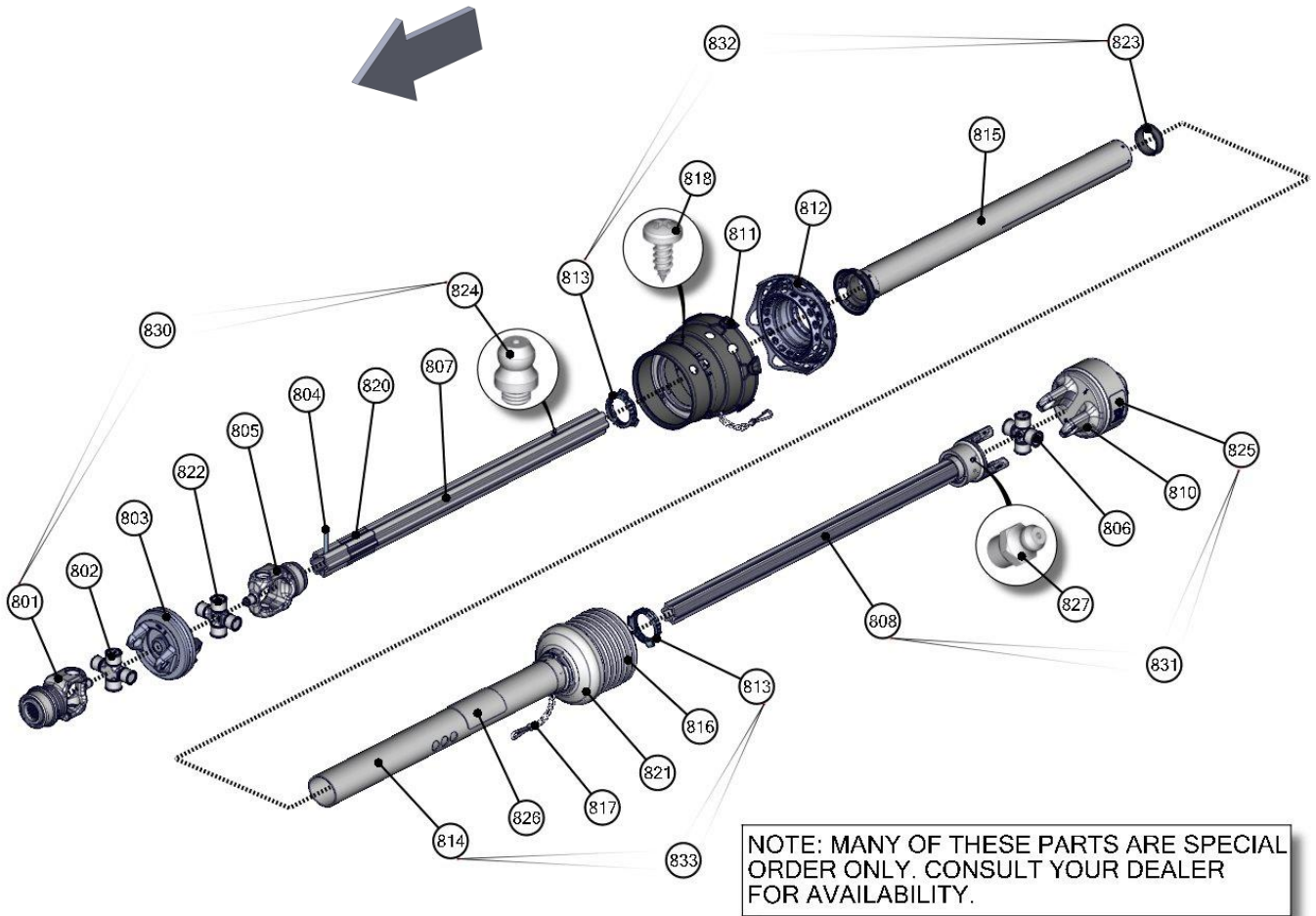
REF	PART	DESCRIPTION	QTY	WILL FIT SN	REMARKS
1	SWS-1001	DG400 Slim Box w/ Isobus, Weigh Scale Display Module	1		
2	PR80008	Shaft, Removable Hitch, 1880 VB	-1		
2	SWS-1007	Load Cell, Hitch, 2-7/8" Dia, HD	1		
3	SWS-1002	Load Cell, Hitch, 2-7/8" Dia, SD	4		
4	SWS-1004	J-Box, 6-9 Load Cells Plug Style	1		
5	SWS-1005	Power Cable, 16 ft w/ Ring Terminals	1		
6	SWS-1006	Sensor Cable, 22 ft w/ Connectors, J-Box to Scale Head	1		
7	PR80003	Mount, Load Cell, 1880VB	4		
101	BL-16-550-H8	1-8 X 5-1/2 BOLT HH C/S G8 ZC	8		
102	BL-16-LN-8	1 H LN ZC G8	8		
103	BL-10-FW-8	5/8 FW G8	32		
104	BL-10-250-H-8	5/8-11 X 2-1/2 HH G8 ZC	16		
105	BL-10-LN	5/8-11 HEX LN NE ZC	16		



7519-02-01 DRIVELINE, 1000 RPM

REF	PART	DESCRIPTION	QTY	WILL FIT SN	REMARKS
1	PTS-1021	Driveline, 1-3/4-20 Spline, PWE580 HD Shaft	1	Replaces PTS-1020	Rev b starts with -74015006
801	PTS-1021A	Yoke, 1-3/4-20 Spl. ASG	1		Special Order Only
802	PTS-1021B	Cross & Bearing Kit	1		Special Order Only
803	PTS-1005B	Double Yoke	1		Special Order Only
805	PTS-1021C	Inboard Yoke S5	1		Special Order Only
806	PTB-1014C	Spring Pin 10 X 75	1		Special Order Only
807	PTS-1021J	Outer Profile S5GL	1		Special Order Only
810	PTS-4001B	Extended Lube Cross & Bearing Kit	1	Walterscheid Yokes	Special Order Only
811	PTS-1021E	Cut-Out Clutch	1		Special Order Only
812	PTS-1021K	CV Guard & Bearing Assy	1	Replaces PTS-1005K	Special Order Only
813	PTS-1012L	Yoke With Bridge	1		
814	PTS-1002J	PTO Shield Bearing Ring	2		Special Order Only
815	PTS-1021M	Guard Tube Outer	1		Special Order Only
816	PTS-1012N	Flexible Pin	1		
817	PTS-1021F	Guard Cone 9 Rib	1		Special Order Only
818	PTS-1002K	PTO Shield Safety Chain	2		Special Order Only
819	PTS-1010K	Screw	10		Special Order Only
820	PTS-1010L	Decal, Outer	1		Special Order Only
821	PTS-1010M	Decal, Inner	1		Special Order Only
822	PTS-8100D	Reinforcing Collar	1		Special Order Only
823	PTS-1021G	Cross & Bearing Kit	1		Special Order Only
824	PTS-1021H	Support Bearing	1		Special Order Only
825	PTB-1014L	Zerk	1		Special Order Only
826	PTS-1009J	Decal	1		Special Order Only
827	PTS-1021P	Lubrication Decal	1	Replaces PTS-1008Q	Special Order Only
828	PTS-1008C	Zerk, Double Yoke	1		Special Order Only
829	PTS-1021RS	Outer Guard Kit	0		Special Order Only
830	PTS-1021FS	Inner Guard Kit	0		Special Order Only
831	PTS-1008R	ASG Collar Kit	1		Special Order Only
832	PTS-1009K	CC Lock Assembly	1		Special Order Only
833	PTS-1021FH	Front Half Shaft, PTS-1021	1		Special Order Only
834	PTS-1021RH	Rear Half Shaft, PTS-1021	1		Special Order Only

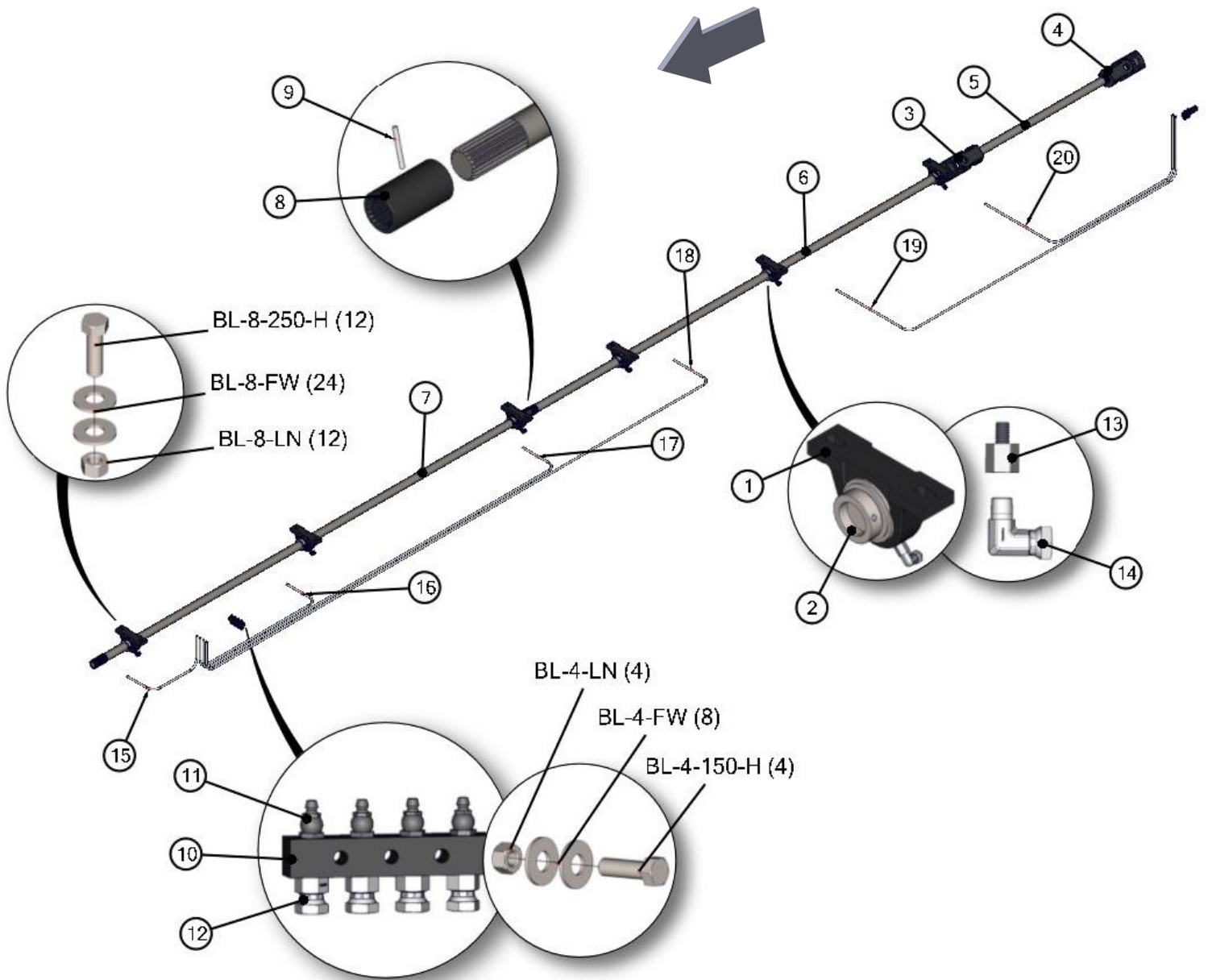
7519-02-01 DRIVELINE, 1000 RPM



7519-02-02 MAIN DRIVE SHAFT

REF	PART	DESCRIPTION	QTY	WILL FIT SN	REMARKS
1	BR-085-RAK	Bearing Housing 85 mm	6		
2	BR-175-085-I	Bearing, 1 3/4" ID, TS	6		
3	PTS-1018	Yoke Assembly 1-3/4-20 1Slip,1 Lock	1		
4	PTS-1019	Yoke Assembly, 1-3/4-20,1-3/4-6 Both Lock	1		
5	PR60405	Rear Drive Shaft, HR880	1		
6	PR60402	Main Drive Shaft	1		
7	PR80017	Main Drive Shaft, HR880, 130.437	1		
8	PR60404	Coupler, 1.75 x 20 Spline, 12/24 Pitch, P.A. 30	1		
9	PIN-4-36	Roll Pin 1/4 x 2.25	1		
10	GF-4-4	4" Grease Manifold	2		
11	GF-1827	Grease Fitting 1/8 NPT Straight	6		
12	A-1404-2-2	1/8 MP x 1/8 FPX	6		
13	GFA-51942	1/4-28 Straight Adapter	6		
14	A-1501-2-2	1/8 MP x 1/8 FPX90	6		
15	H2-47-2MP-2MP	1/8 Hose 1/8MP x 1/8MP x 47 L	1		
16	H2-88-2MP-2MP	1/8 Hose 1/8MP x 1/8MP x 88 L	1		
17	H2-148-2MP-2MP	1/8 Hose 1/8MP x 1/8MP x 148 L	1		
18	H2-178-2MP-2MP	1/8 Hose 1/8MP x 1/8MP x 178 L	1		
19	H2-110-2MP-2MP	1/8 Hose 1/8MP x 1/8MP x 110 L	1		
20	H2-62-2MP-2MP	1/8 Hose 1/8MP x 1/8MP x 62 L	1		
100	BL-8-FW	1/2 USS FW ZC	24		
101	BL-8-250-H	1/2-13 X 2-1/2 HH C/S G5 ZC	12		
102	BL-8-LN	1/2-13 LN NYLON INSERT ZC	12		
103	BL-4-FW	1/4 USS FW ZC	8		
104	BL-4-LN	1/4-20 HEX LN NE ZC	4		
105	BL-4-150-H	1/4-20 X 1-1/2 HEX CAP G5 ZC	4		

7519-02-02 MAIN DRIVE SHAFT

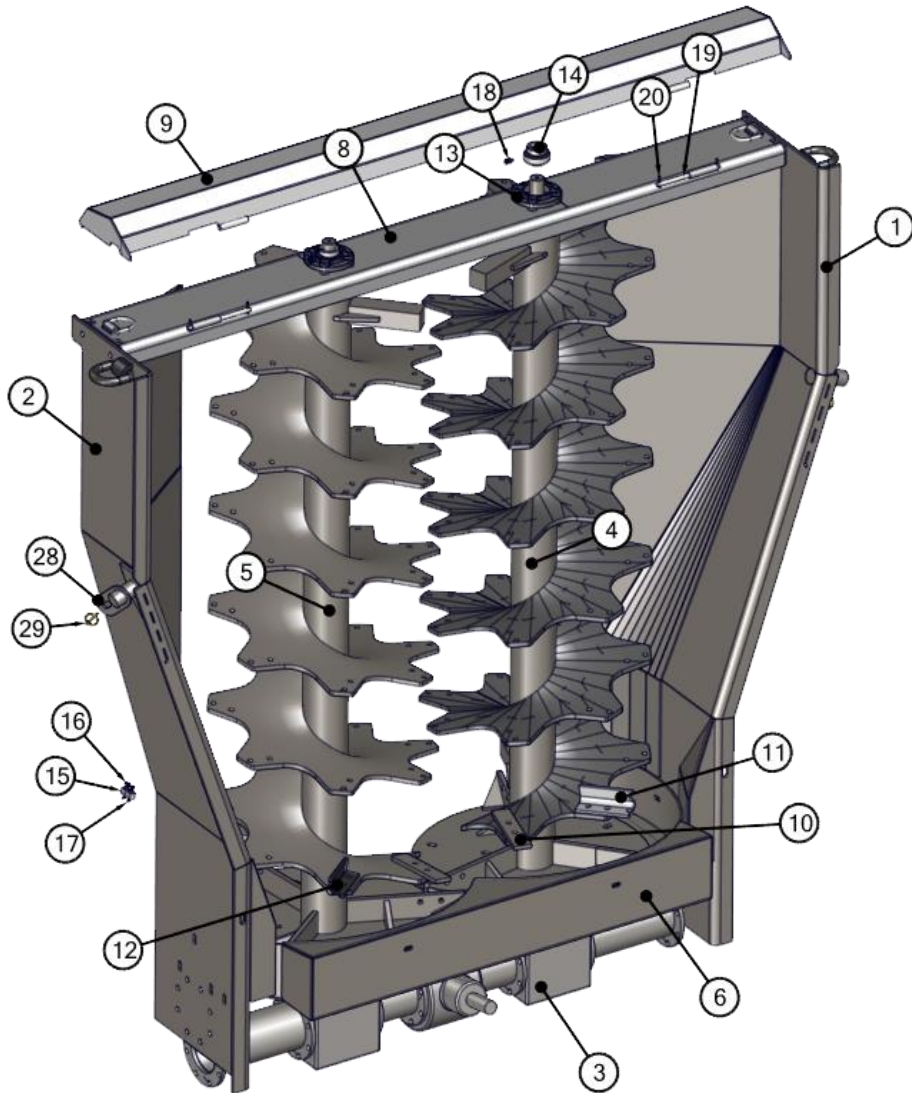


7521-02-03 VERTICAL BEATERS

REF	PART	DESCRIPTION	QTY	WILL FIT SN	REMARKS
1	PR80066	Beater Panel, RH	1		
2	PR80065	Beater Panel, LH	1		
3	VTB-1893-A1	1000 RPM Beater Gearbox	1		
4	VTB-0023	Vertical Beater, RH	1		
5	VTB-0022	Vertical Beater, LH	1		
6	PR80067	Spinner Pan	1		
8	PR63502	Top Bearing Plate, V-Box Spreader	1		
9	PR63506	Top Bearing Cover	1		
10	VTB-1899-F3	Knife, Weight Specific	60	1190VB: 71113001- 1180VB: 74015011-	
11	VTB-1899-B3	Claw/Blade, Left Beater From Rear	13		
12	VTB-1899-C3	Claw/Blade, Right Beater From Rear	13		
13	BR-085-4PF	85mm Four Bolt Piloted Flange Housing	2		
14	BR-175-085-I	Bearing, 1 3/4" ID, TS	2		
15	GF-2-2	2" Grease Manifold	1		
16	GF-1827-45	Grease Fitting 1/8 NPT 45	2		
17	A-1503-2-2	1/8" MP x 1/8" FPX 45°	2		
18	A-1404-2-2	1/8 MP x 1/8 FPX	2		
19	PR70133	Hinge Pin, 1/2 x 9	2		
20	PIN-C2-16	Cotter Pin, 1/8" x 1"	4		
21	H2-108-2MP-2MP	1/8in Hose x 1/8MP x 1/8MP x 108in Long	1		
22	H2-138-2MP-2MP	1/8in Hose x 1/8MP x 1/8MP x 138in Long	1		
27	HP-1038	Gear Lube, 80W90 @ Quart	11	Hydra Ram Spreader	
28	PR63505	Plate, Safety Lock, Remov Beaters	2		
29	PIN-250L	1/4' Lynch Pin	2		
100	BL-10-175-H8	5/8-11 X 1-3/4 HH G8 ZC	164		
101	BL-10-LN	5/8-11 HEX LN NE ZC	164		
106	BL-6-125-C	3/8-16 X 1-1/4 CARRIAGE BOLT G5 ZC	12		
107	BL-6-SW	3/8 SAE FW ZC	12		
108	BL-6-LW	3/8 SPLIT LW ZC	12		
109	BL-6-N	3/8-16 HEX NUT ZC	12		
110	BL-7-SW	7/16 SAE FW ZC	8		
111	BL-7-LW	7/16 SPLIT LW ZC	8		
112	BL-7-200-H8	7/16-14 X 2 HH G8	8		
113	BL-9-FW-8	9/16 FW G8	40		
114	BL-9-200-H8	9/16-12 X 2 HH G8	20		
115	BL-9-LN	9/16-12 LN w/ NYLON INSERT	20		
116	BL-8-150-C	1/2-13 X 1-1/2 CARRIAGE BOLT G5 ZC	14		
117	BL-8-FW	1/2 USS FW ZC	18		

7521-02-03 VERTICAL BEATERS

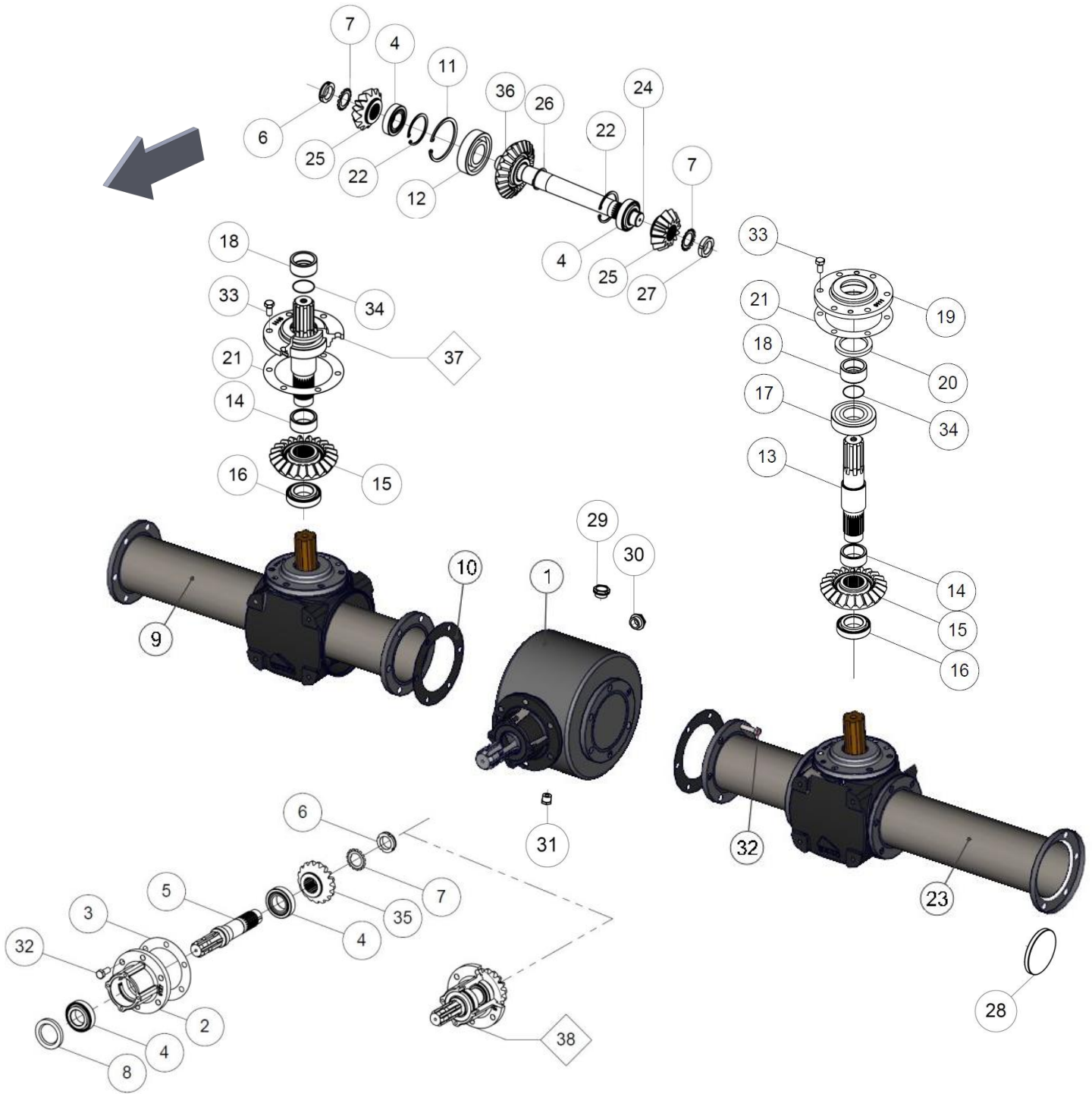
REF	PART	DESCRIPTION	QTY	WILL FIT SN	REMARKS
118	BL-8-LW	1/2 SPLIT LW ZC	18		
119	BL-8-N	1/2-13 HEX FIN NUTS ZC	18		
120	BL-8-250-C	1/2-13 X 2-1/2 CARRIAGE BOLT G5 ZC	4		
121	BL-4-FW	1/4 USS FW ZC	2		
122	BL-4-150-H	1/4-20 X 1-1/2 HEX CAP G5 ZC	1		
123	BL-4-LN	1/4-20 HEX LN NE ZC	1		



7519-02-03A VERTICAL BEATER GEARBOX

REF	PART	DESCRIPTION	QTY	WILL FIT SN	REMARKS
0	VTB-1893-A1	1000 RPM Beater Gearbox	0		
1	VTB-1899-A1	Housing	1		Special Order Only
2	VTB-1899-J2	Hub	1		Special Order Only
3	VTB-1899-H2	Gasket	1		Special Order Only
4	VTB-1899-G1	Bearing 32209	4		Special Order Only
5	VTB-1899-L2	Shaft	1		Special Order Only
6	VTB-1899-D1	Threaded Ring, LH Thread	2		Special Order Only
7	VTB-1899-E1	Washer	3		Special Order Only
8	VTB-1899-K2	Oil Seal	1		
9	VTB-1893-B1	Right Spacer Tube	1		Special Order Only
10	VTB-1899-A2	Gasket	2		Special Order Only
11	VTB-1893-C1	Snap Ring	1		Special Order Only
12	VTB-1899-H1	Bearing 6311	1		Special Order Only
13	VTB-1893-D1	Splined Shaft	2		Special Order Only
14	VTB-1899-V1	Spacer	2		Special Order Only
15	VTB-1899-W1	Gear Z=22	2		
16	VTB-1899-X1	Bearing 32210	2		Special Order Only
17	VTB-1899-T1	Bearing 6311-2RS	2		Special Order Only
18	VTB-1899-M1	Spacer	2		Special Order Only
19	VTB-1899-Q1	Calotte	2		Special Order Only
20	VTB-1899-S1	Oil Seal	2		Special Order Only
21	VTB-1899-R1	Gasket	2		Special Order Only
22	VTB-1893-E1	Snap Ring	2		Special Order Only
23	VTB-1893-F1	Right Spacer Tube	1		Special Order Only
24	VTB-1899-C1	Shaft	1		Special Order Only
25	VTB-1899-F1	Bevel Pinion Z=13	2		Special Order Only
26	VTB-1899-K1	Circlip E 55	1		Special Order Only
27	VTB-1899-L1	Threaded Ring, RH Thread	1		Special Order Only
28	VTB-1893-G1	End Cap	2		Special Order Only
29	VTB-1899-E2	Oil Plug, 1" Gas.	1		Special Order Only
30	VTB-1899-c2	Oil Lev. Indicator	1		Same as GBXA-5-ST10B
31	VTB-1899-D2	Oil Plug, 1/2" Gas	1		Special Order Only
32	VTB-1899-Z1	Screw, hex-hd M14X35	22		Reference Only, Special Order
33	VTB-1899-P1	Screw, hex-hd M14X30	12		Reference Only, Special Order
34	VTB-1899-N1	O-ring 2212	2		Special Order Only
35	VTB-1899-G2	Bevel Pinion Z=17	1		
36	VTB-1899-J1	Gear Z=24	1		
37	VTB-1893-H1	Full Cover (complete Callotte)	2		Special Order Only
38	VTB-1899-M2	Hub Complete, Gearbox	1		Special Order Only

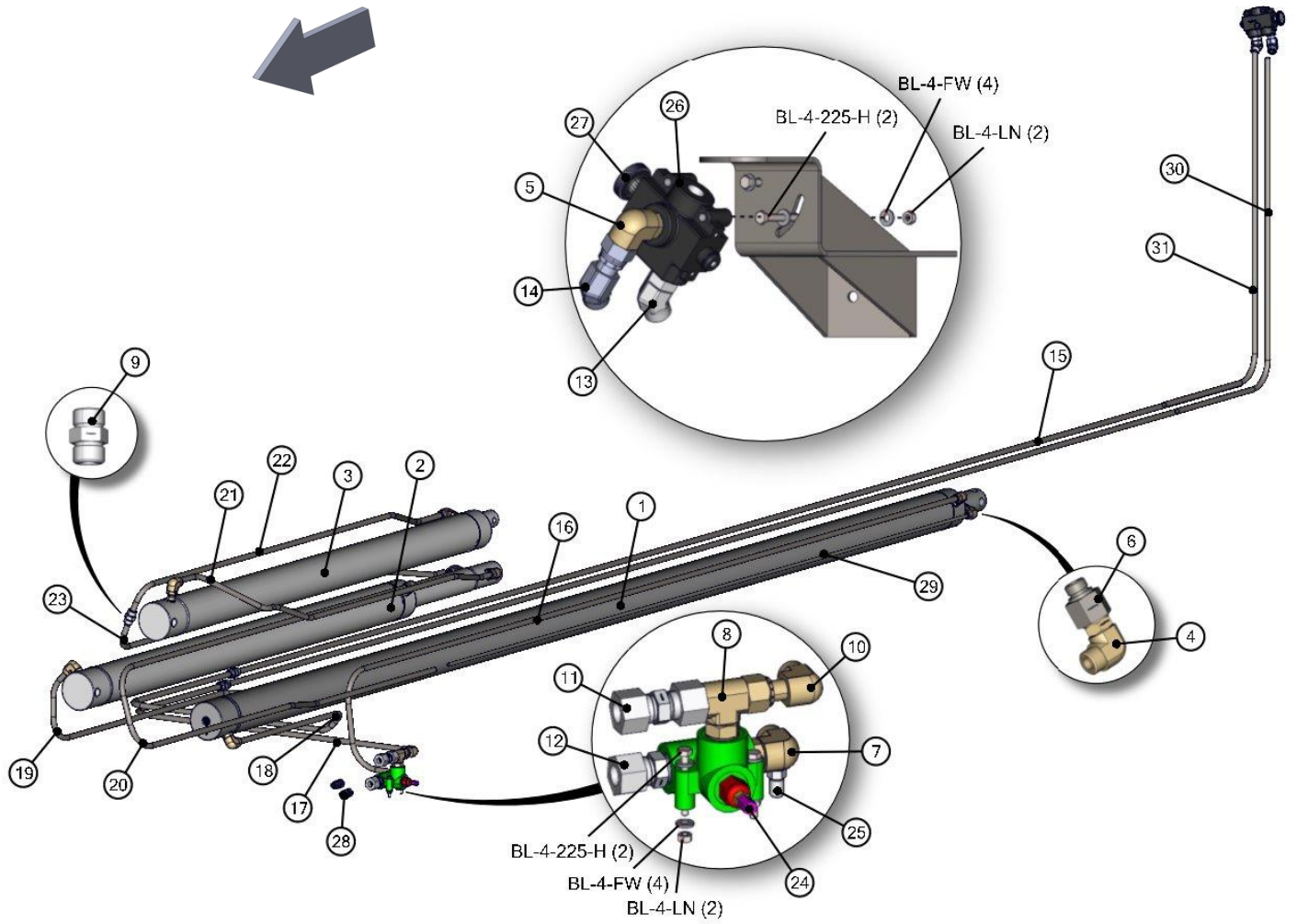
7519-2-03A VERTICAL BEATER GEARBOX



7519-03-01 HYDRAULICS, PUSH CYLINDERS

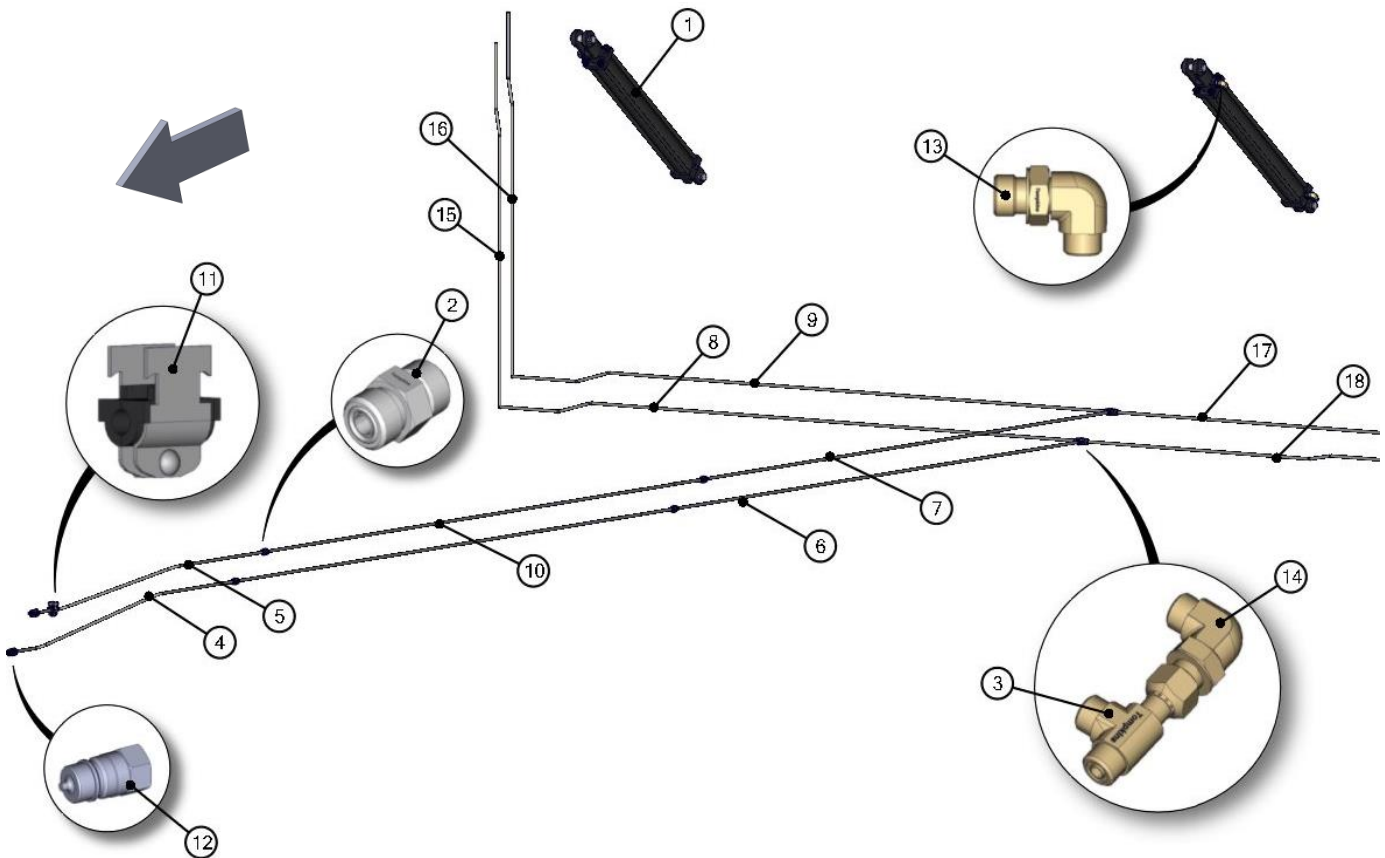
REF	PART	DESCRIPTION	QTY	WILL FIT SN	REMARKS
1	PR80400	Hyd. Cylinder, 4 x 144, Main Push Cylinder	0		
2	PR80401	Hyd. Cyl. 4 x 57.5 x 2.75, 1st.Push Cylinder	0		
3	PR80402	Hyd. Cyl. 4 x 57.5 x 2, Secondary Push Cyl.	0		
4	A-FF6801-10-10	Elbow, 5/8 MFF x 5/8 SAE	10		
5	A-FF6801-10-08	ELBOW, 10MFF X 8SAE	1		
6	A-6410-10-10	#10 SAE O-Ring Port Reducer to #10 SAE	4		
7	A-FF6801-10-10-4SAE	Elbow, 10MFF x 10SAE, w/ 4SAE Port	1		
8	A-FF6803-10-10-10	TEE, 10MFF X 10MFF X 10 SAE	1		
9	A-FF2403-10-10	Union, 10MFF x 10MFF	3		
10	A-FF6500-10-10	Elbow, 10MFF x 10FFFX	1		
11	A-FF6510-10-10	Union Swivel, 10FFFX X 10FFFX	1		
12	A-FF6507-10-10	Swivel Straight Adapter, 5/8 FFFX x 5/8 SAE	1		
13	A-FF6802-10-08	Elbow, 45, 10MFF x 8SAE	1		
14	A-FF6502-10-10	Elbow, 45, 10MFF x 10FFFX	1		
15	H-T7080F	5/8 Hyd Tube, Sliding Floor, HR880	2		
16	H-T7065F	5/8 Hyd Tube, Sliding Floor, HR880	1		
17	H-T7066F	5/8 Hyd Tube, Sliding Floor, HR880	1		
18	H-T7069F	5/8 Hyd Tube, Sliding Floor, HR880	1		
19	H-T7070F	5/8 Hyd Tube, Sliding Floor, HR880	1		
20	H-T7071F	5/8 Hyd Tube, Pusher Bott, HR880	1		
21	H-T7072F	5/8' Hyd Tube, Pusher Bottom, HR880	1		
22	H-T7073F	5/8 Hyd Tube, Pusher Top, HR880	1		
23	H-T7074F	5/8 Hyd Tube, Pusher Top, HR880	1		
24	HV-RV-3H	Relief Valve w/ SAE #10 Ports	1		
25	HA-1004-4	Test Point Plug #4 SAE Thread	1		
26	HVE-0038	Selector Valve Less Knob, Spring Offset, Shut Off	1		
27	HVE-0038-KN	Steel Knurled-Rim Knob, For HVE-0038	1		
28	A-QDS71X15	Ag Quick Coupler, 1/2 ISO5675 x 8SAE	2		
29	H10-112-10MFF-10FFFX	5/8in hose, 5/8 Male ORFS x 5/8" Female ORFS x 112in Long	1		
30	H10-102-10MFF-10FFFX	5/8in hose, 5/8 Male ORFS x 5/8" Female ORFS x 102in Long	1		
31	H10-96-10MFF-10FFFX	5/8in hose, 5/8 Male ORFS x 5/8" Female ORFS x 96in Long	1		
100	BL-4-FW	1/4 USS FW ZC	8		
101	BL-4-225-H	1/4 UNC X 2-1/4 HH C/S BOLT G5 ZC	4		
102	BL-4-LN	1/4-20 HEX LN NE ZC	4		

7519-03-01 HYDRAULICS, PUSH CYLINDERS



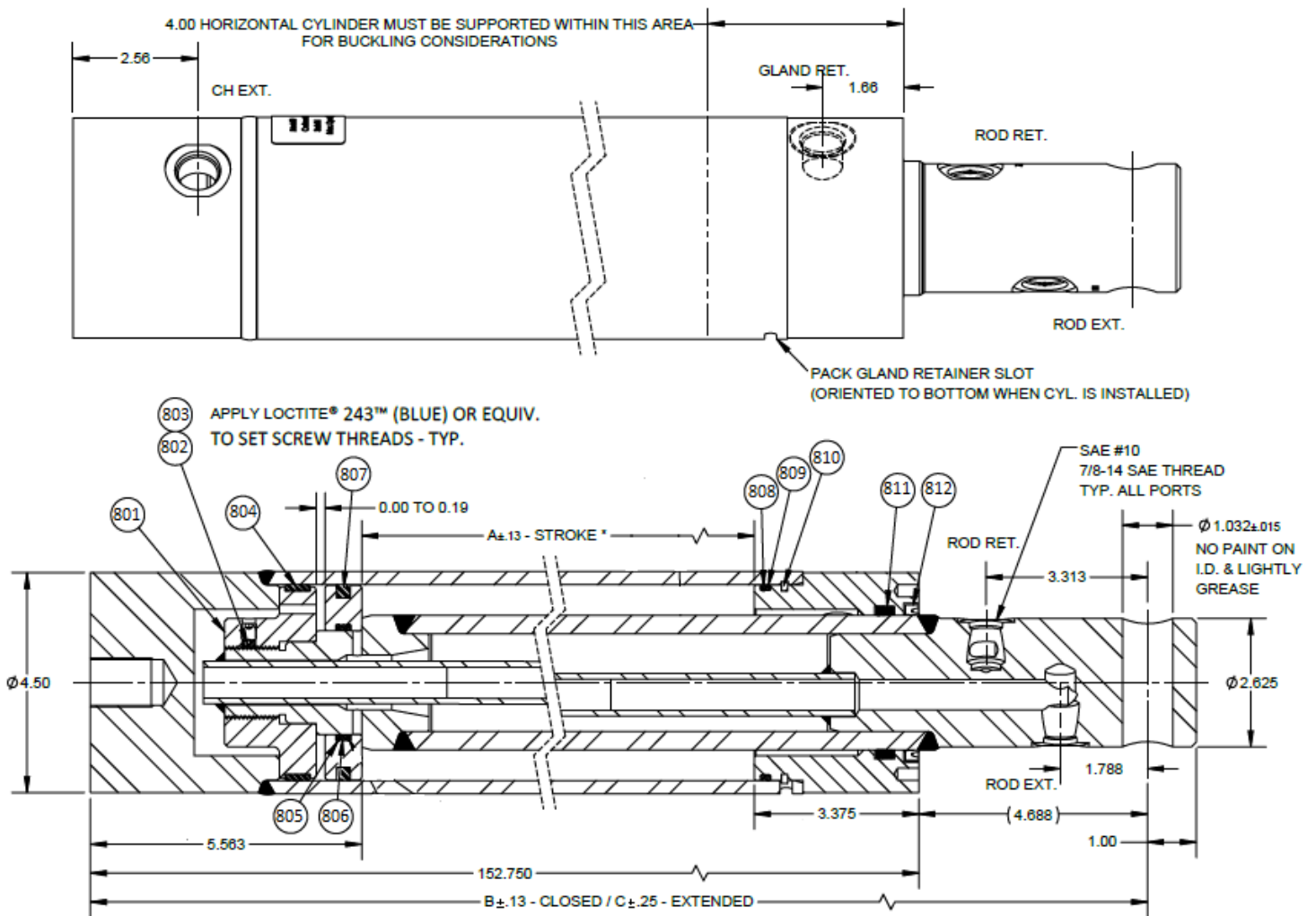
7519-03-02 HYDRAULICS, ENDGATE CYLINDERS

REF	PART	DESCRIPTION	QTY	WILL FIT SN	REMARKS
1	HC-250-2408-ORP	Hydraulic Cylinder 2 1/2 x 24 #8 SAE w/ O-Piston Ring Seal	0		
2	A-FF2403-06-06	Union, 6MFF X 6MFF	4		
3	A-FF6602-06-06-06	Run Tee, 6MFF x 6MFF x 6FFFX	2		
4	H-T7067F	3/8 Hyd Tube, Endgate, Front	1		
5	H-T7068F	3/8 Hyd Tube, Endgate, Front	1		
6	H-T7075F	3/8 Hyd Tube, Endgate, Back	1		
7	H-T7076F	3/8 Hyd Tube, Endgate, Front	1		
8	H-T7077F	3/8 Hyd Tube, Endgate, Right	1		
9	H-T7078F	3/8 Hyd Tube, Endgate, Right	1		
10	H-T7079F	3/8 Hyd Tube, Endgate, Front	2		
11	HA-1074-H	Hydra-zorb Tube Clamp 3/8 (3 pc.)	2		
12	A-QDS71X15	Ag Quick Coupler, 1/2 ISO5675 x 8SAE	2		
13	A-FF6801-06-08	ELBOW, 90, 6MFF X 8SAE	4		
14	A-FF6500-06-06	Elbow, 90, 3/8" MFF X 3/8" FFFX	2		
15	H4-91-6MFF-6FFFX	1/4in Hose, 3/8 Male ORFS x 3/8 Female ORFS x 91in Long	1		
16	H4-65-6MFF-6FFFX	1/4in Hose, 3/8 Male ORFS x 3/8 Female ORFS x 65in Long	1		
17	H4-57-6MFF-6FFFX	1/4in Hose, 3/8 Male ORFS x 3/8 Female ORFS x 57in Long	1		
18	H4-84-6MFF-6FFFX	1/4in Hose, 3/8 Male ORFS x 3/8 Female ORFS x 84in Long	1		

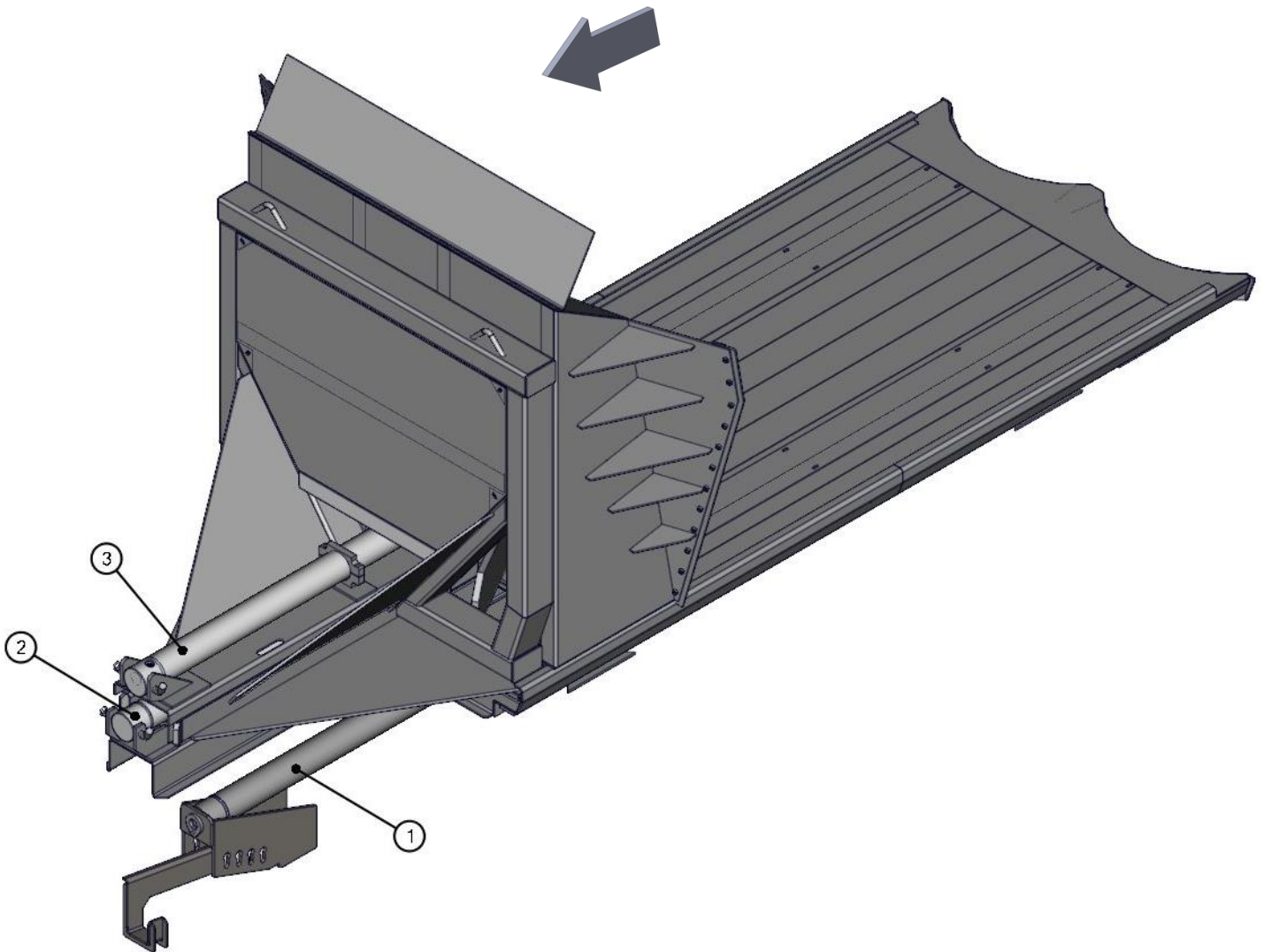


7519-03-03 CYLINDERS, SLIDING FLOOR

REF	PART	DESCRIPTION	QTY	WILL FIT SN	REMARKS
1	PR80400	Hyd. Cylinder, 4 x 144, Main Push Cylinder	1		
800	PR80401-SK	Seal Kit	1		
801	PR80401-A	Stover Nut	1		
802	PR80401-B	Backup Washer	2		
803	PR80401-C	O-Ring	1		
804	PR80401-D	Wear Ring	1		
805	PR80401-E	O-Ring	1		
806	PR80401-F	Backup Washer	2		
807	PR80401-G	O-Ring	1		
808	PR80401-H	O-Ring	1		
809	PR80401-I	Backup Washer	1		
810	PR80401-J	Lock Ring	1		
811	PR80401-K	Bearing Seal	1		
812	PR80401-L	Wiper	1		

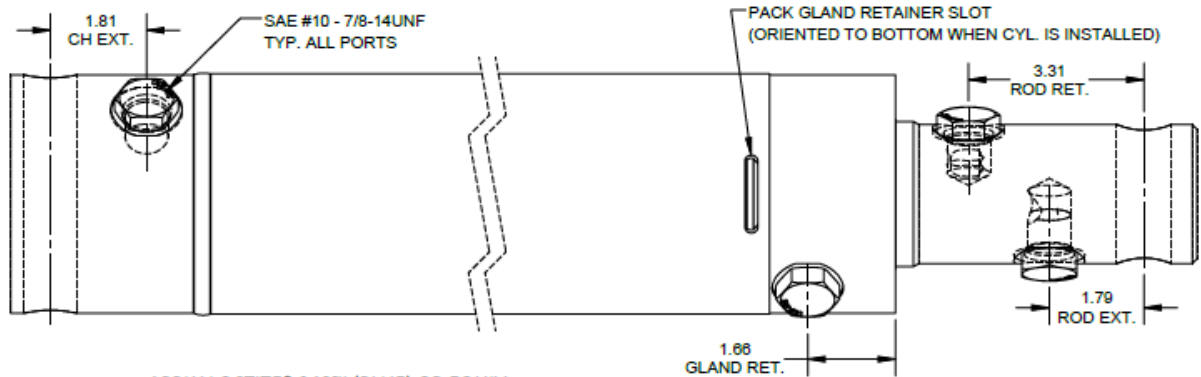


7519-03-03 CYLINDERS, SLIDING FLOOR

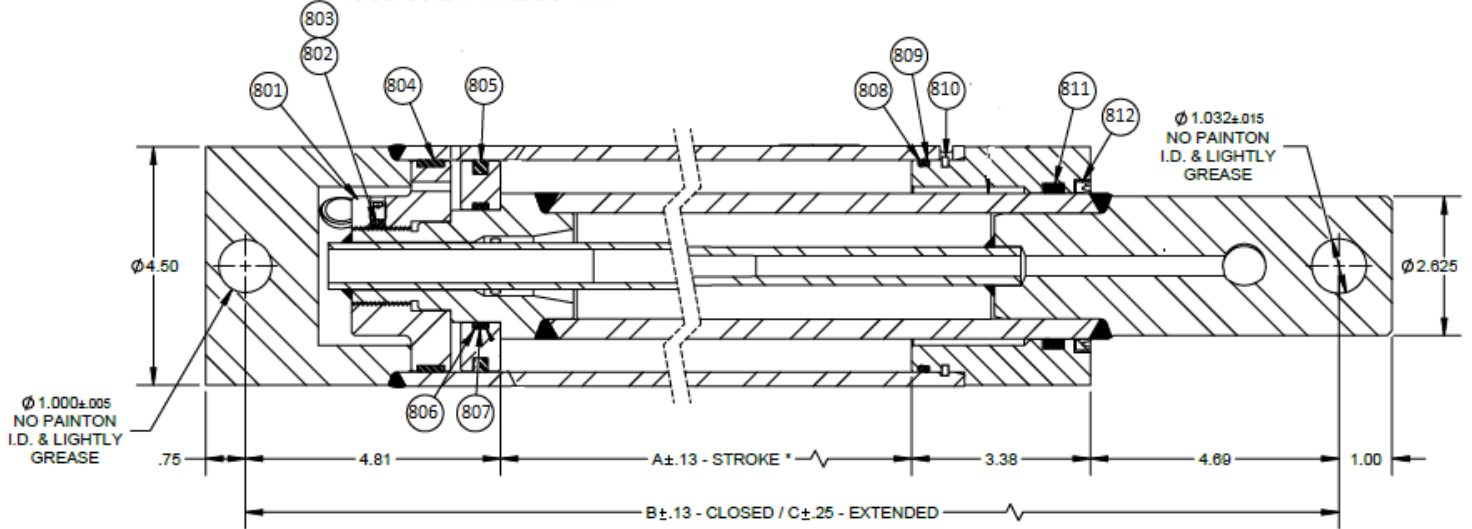


7519-03-04 CYLINDERS, FIRST STAGE PUSHER

REF	PART	DESCRIPTION	QTY	WILL FIT SN	REMARKS
2	PR80401	Hyd. Cyl. 4 x 57.5 x 2.75, 1st.Push Cylinder	1		
800	PR80401-SK	Seal Kit	1		
801	PR80401-A	Stover Nut	1		
802	PR80401-B	Backup Washer	2		
803	PR80401-C	O-Ring	1		
804	PR80401-D	Wear Ring	1		
805	PR80401-E	O-Ring	1		
806	PR80401-F	Backup Washer	2		
807	PR80401-G	O-Ring	1		
808	PR80401-H	O-Ring	1		
809	PR80401-I	Backup Washer	1		
810	PR80401-J	Lock Ring	1		
811	PR80401-K	Bearing Seal	1		
812	PR80401-L	Wiper	1		

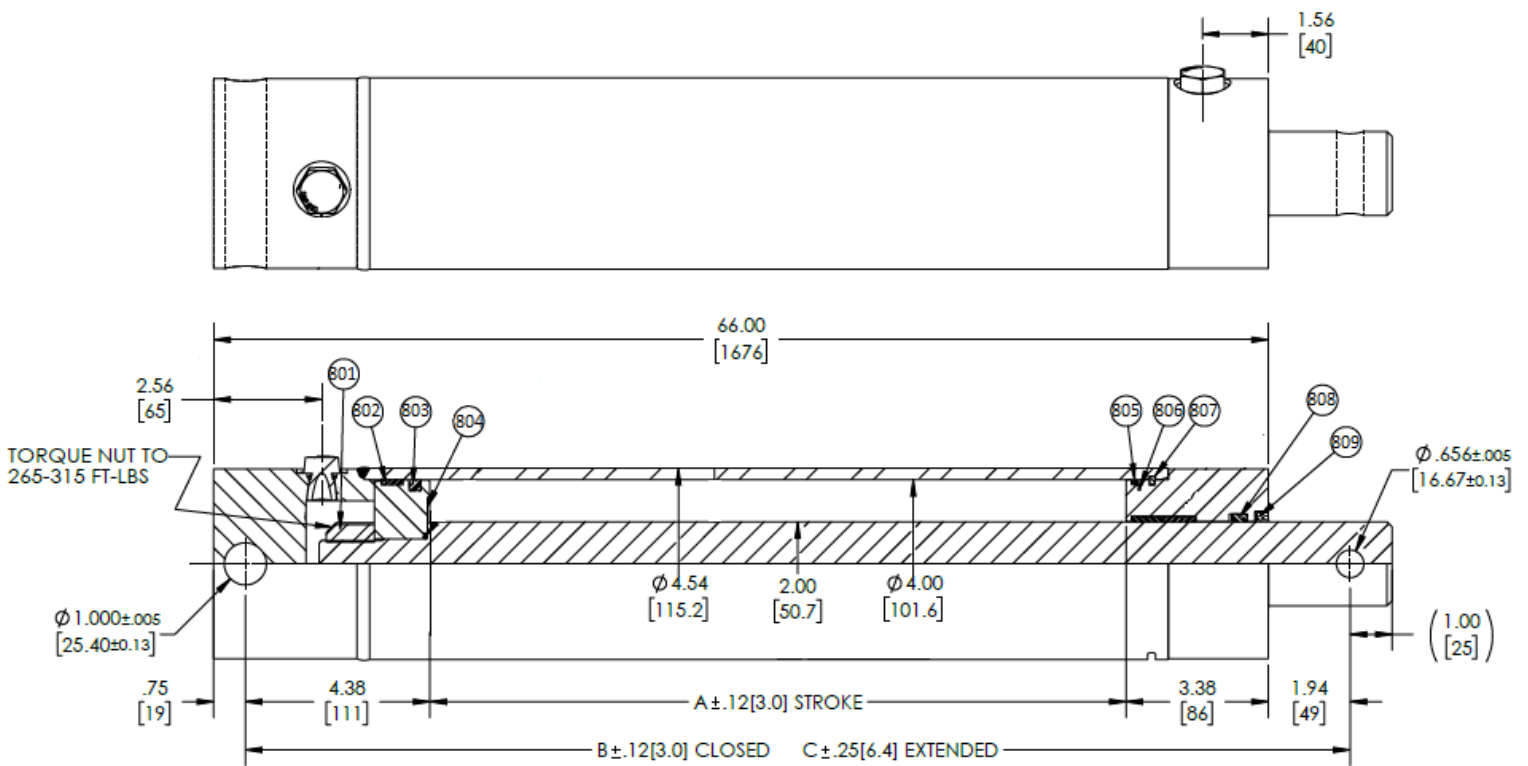


APPLY LOCTITE® 243™ (BLUE) OR EQUIV. TO SET SCREW THREADS - TYP.



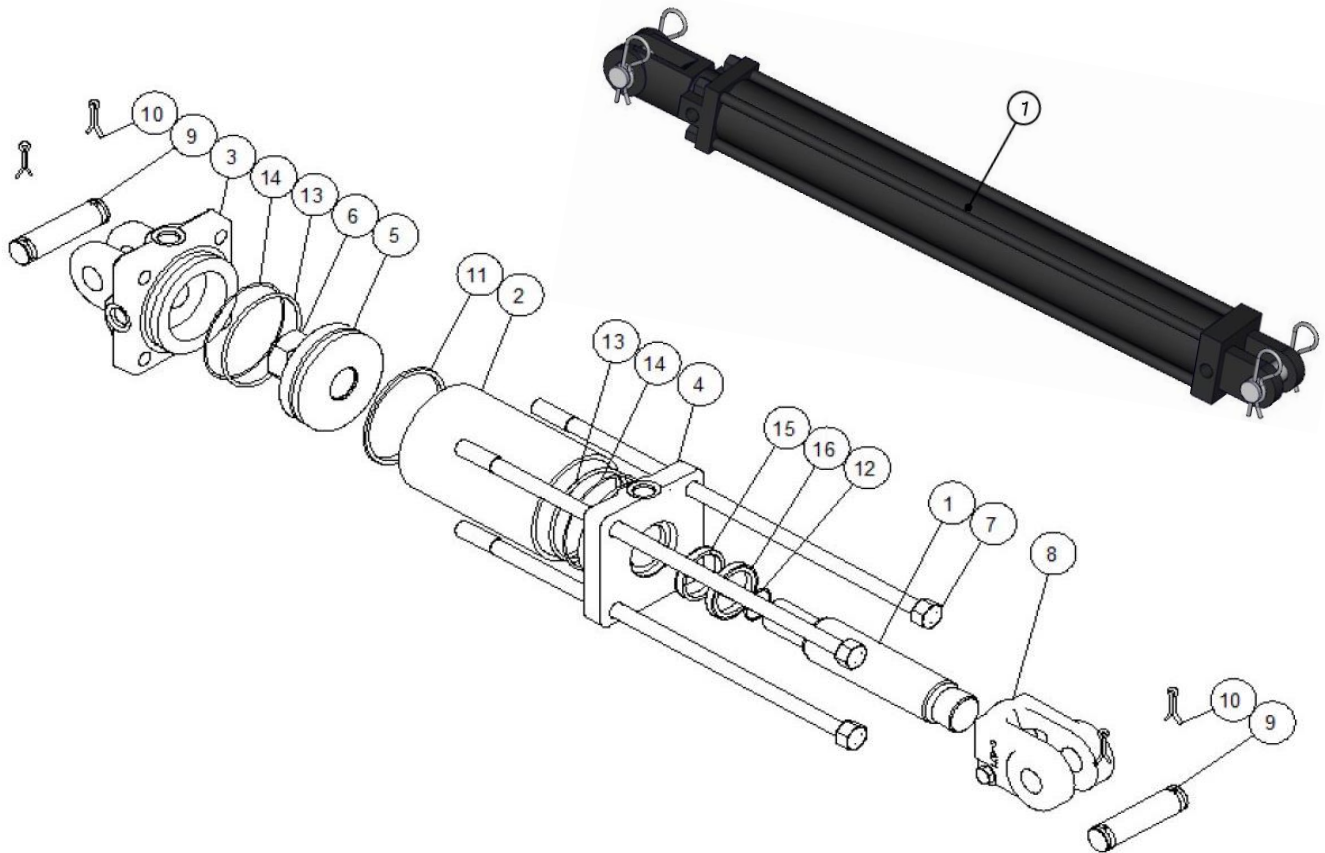
7519-03-05 CYLINDERS, SECOND STAGE PUSHER

REF	PART	DESCRIPTION	QTY	WILL FIT SN	REMARKS
3	PR80402	Hyd. Cyl, 4 x 57.5 x 2, Secondary Push Cyl.	1		
800	PR80402-SK	Seal Kit	1		
801	PR80402-A	Stover Nut	1		
802	PR80402-B	Wear Ring	1		
803	PR80402-C	O-Ring	1		
804	PR80402-D	O-Ring	1		
805	PR80402-E	O-Ring	1		
806	PR80402-F	Backup Washer	1		
807	PR80402-G	Lock Ring	1		
808	PR80402-H	Bearing Seal	1		
809	PR80402-I	Wiper	1		



7519-03-06 CYLINDERS, ENDGATE

REF	PART	DESCRIPTION	QTY	WILL FIT SN	REMARKS
	HC-250-2408-ORP	Hydraulic Cylinder 2 1/2 x 24 #8 SAE w/ O-Piston Ring Seal	2		
	HC-250-125	Seal Kit for 2 1/2 x 1 1/4 Cylinder	1	HC-250-3008 (642602, 645596) HC-250-2408-OR HC-250-6006	2500 or 3000psi cylinders
1	HC-250-2408-A	Piston Rod	1		
2	HC-250-2408-B	Tube	1		
3	HC-250-2408-C	Butt	1		
4	HC-250-2408-D	Gland	1		
5	HC-250-2408-E	Piston	1		
6	HC-250-2408-F	Locknut	1		
7	HC-250-2408-G	Tierod Assembly	4		
8	HC-250-2408-H	Clevis Assembly	1		
9	HC-250-2408-J	Clevis Pin	2		
10	HC-250-2408-K	Cotter Pin	4		
11	HC-250-2408-L	Crown Seal	1		
12	HC-250-2408-M	O-Ring	1		
13	HC-250-2408-N	O-Ring	2		
14	HC-250-2408-O	Bu-Washer	2		
15	HC-250-2408-P	U-Cup	1		
16	HC-250-2408-Q	Wiper	1		

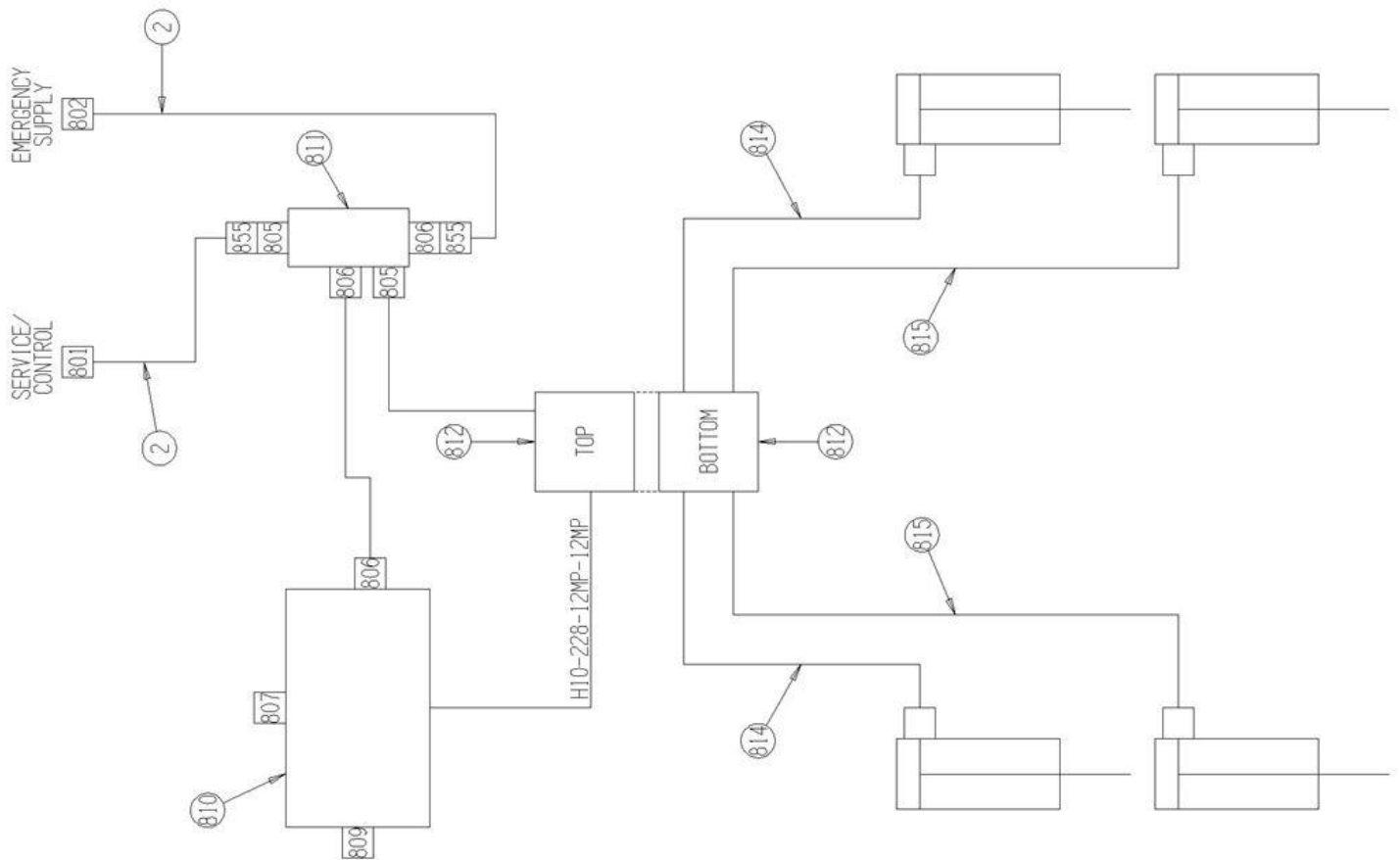
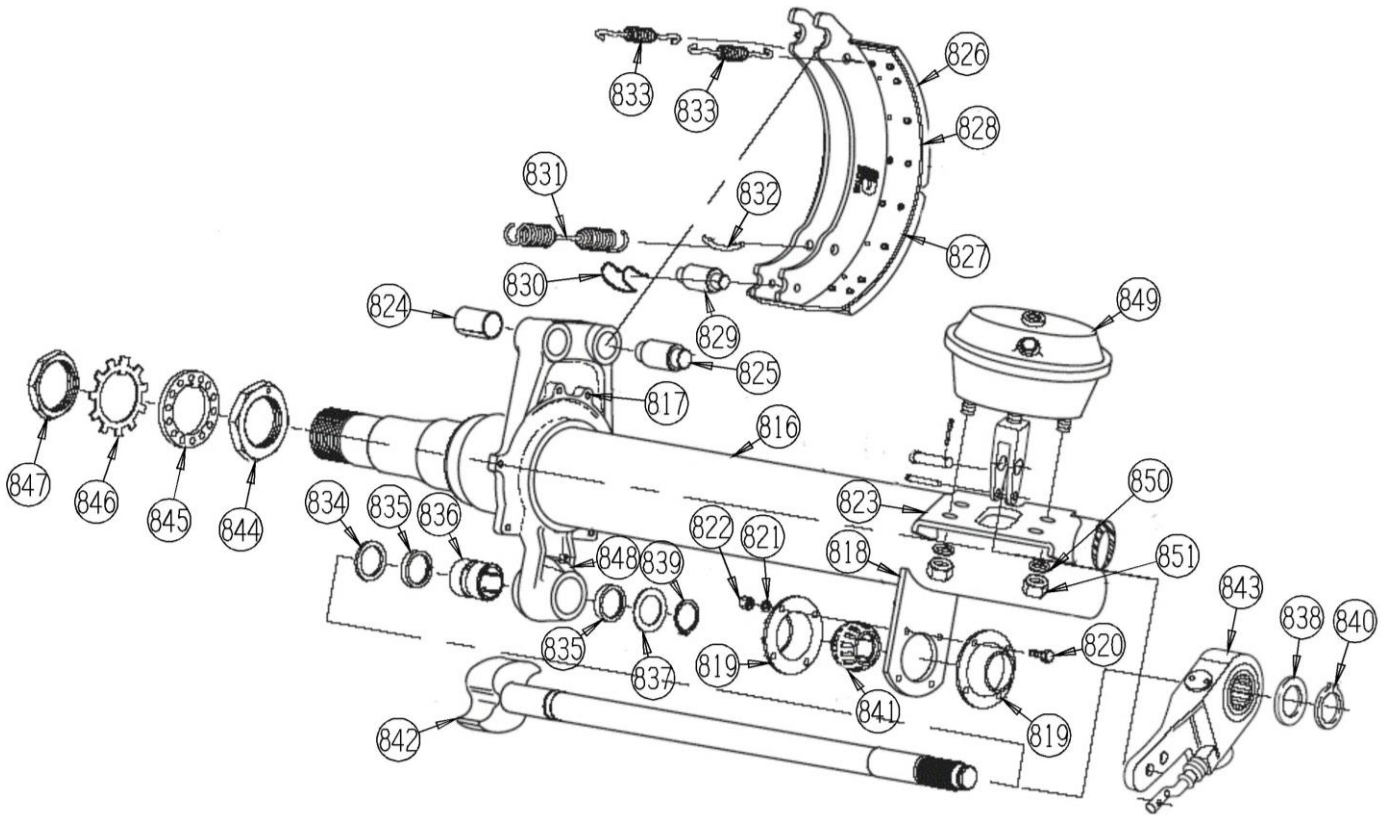


7519-04-01 OPT. AIR BRAKES

REF	PART	DESCRIPTION	QTY	WILL FIT SN	REMARKS
1	TRL-BRK-0001	Trailer Air Brake, Brake Actuating Kit	1		
2	TRL-BRK-0002	Air Line Set for Air Brakes	1		
3	AIR-N6DOT	3/8 Nylon Tubing @ ft., Meets D.O.T. Specs, Black	23.875		
4	A-1405-8-8	1/2 NPT Coupler w/Swivel	2		
5	A-1501-12-12	3/4 MP x 3/4 FPX 90	1		
6	A-1404-12-12	3/4 MP x 3/4 FPX	1		
7	A-5405-4-6	Pipe Adapter 3/8 FPT x 1/4 MPT	2		
8	LA-309	Universal Gladhand Holder	2		
9	TRL-BRK-0001-34	Air Chamber Assembly	4		
10	PR60032	Panel, Air Compressor Shield	1		
601	H10-228-10FJ-10FJ	5/8" Hose x 5/8" Female JIC x 228 Long	1		
602	A-5502-6-8	Street Elbow 90, 3/8 MP x 1/2 FP	2		
801	TRL-BRK-0003	Gladhand - Service	1		
802	TRL-BRK-0004	Gladhand - Emergency	1		
803	TRL-BRK-0005	1/2 Bulkhead Coupling	2		
804	TRL-BRK-0006	3/8 x 1/4 Male Connector	2		
805	TRL-BRK-0007	3/8 x 3/8 Male Connector	3		
806	TRL-BRK-0008	3/8 x 3/8 Male Elbow	5		
807	TRL-BRK-0009	1/4 Drain Valve	1		
808	TRL-BRK-0010	3/4 Hex Nipple	1		
809	TRL-BRK-0011	3/8 Pipe Plug	1		
810	TRL-BRK-0012	Air Tank - Standard 9x28, 6.5 Gallon	1		
811	TRL-BRK-0013	Emergency Spool	1		
812	TRL-BRK-0014	Air Relay Valve	1		
814	TRL-BRK-0016	3/8 x 40 Air Brake Hose Assy	2		
815	TRL-BRK-0017	3/8 X 72 Air Brake Hose Assy	2		
816	TRL-BRK-0001-01	Beam Options	1		Special Order Only
817	TRL-BRK-0001-02	Spider	2		Special Order Only
818	TRL-BRK-0001-03	Bracket-Camshaft Support	2		Special Order Only
819	TRL-BRK-0001-04	Retainer Plate	4		Special Order Only
820	TRL-BRK-0001-05	Bolt, Retainer Plate Attachment	8		Special Order Only
821	TRL-BRK-0001-06	Lockwasher, Cover Attachment	8		Special Order Only
822	TRL-BRK-0001-07	Nut, Retainer Plate Attachment	8		Special Order Only
823	TRL-BRK-0001-08	Bracket, Air Chamber Mounting	2		Special Order Only
824	TRL-BRK-0001-09	Bushing, Spider Anchor Pin	4		Special Order Only
825	TRL-BRK-0001-10	Anchor Pin	4		Special Order Only
826	TRL-BRK-0001-11	Shoe and Lining Assembly	4		Special Order Only
827	TRL-BRK-0001-12	Lining, Brake Block Cam	4		Special Order Only
828	TRL-BRK-0001-13	Lining, Brake Block Anchor	4		Special Order Only
829	TRL-BRK-0001-14	Roller	4		Special Order Only

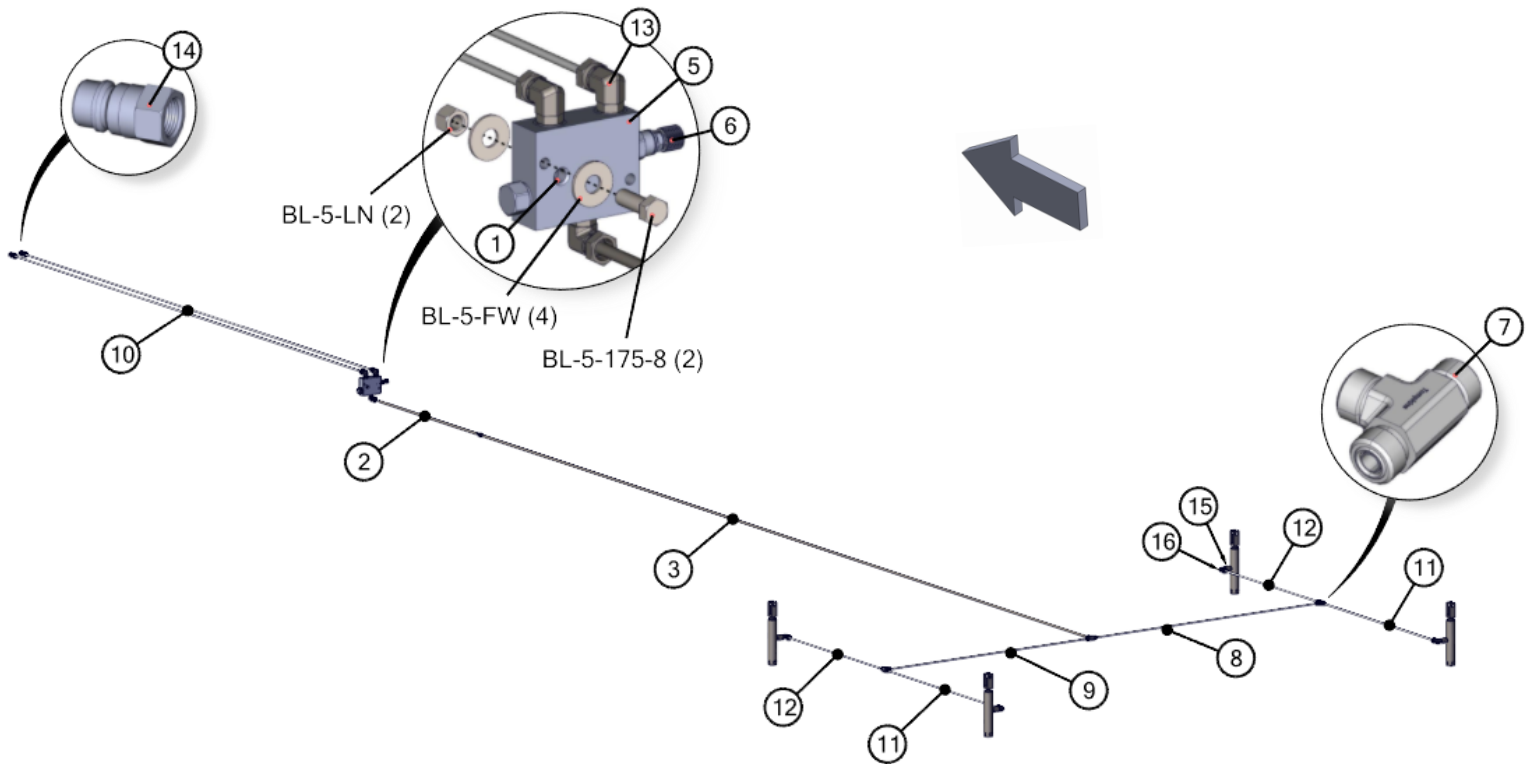
7519-04-01 OPT. AIR BRAKES

REF	PART	DESCRIPTION	QTY	WILL FIT SN	REMARKS
830	TRL-BRK-0001-15	Retainer, Roller	4		Special Order Only
831	TRL-BRK-0001-16	Spring, Shoe Retractor	2		Special Order Only
832	TRL-BRK-0001-17	Retainer Pin, Retractor Spring	4		Special Order Only
833	TRL-BRK-0001-18	Spring, Shoe Keeper	4		Special Order Only
834	TRL-BRK-0001-19	Washer, Camshaft	2		Special Order Only
835	TRL-BRK-0001-20	Grease Seal	4		Special Order Only
836	TRL-BRK-0001-21	Bushing, Camshaft Spider	2		Special Order Only
837	TRL-BRK-0001-22	Washer	2		Special Order Only
838	TRL-BRK-0001-23	Washer, Camshaft Slack Adjuster End	2		Special Order Only
839	TRL-BRK-0001-24	Snap Ring	2		Special Order Only
840	TRL-BRK-0001-25	Retainer, Camshaft Slack Adjuster End	2		Special Order Only
841	TRL-BRK-0001-26	Bushing, Camshaft Support	2		Special Order Only
842	TRL-BRK-0001-27	Camshaft, LH/RH	2		Special Order Only
843	TRL-BRK-0001-28	Slack Adjuster Straight Automatic, 1.46 x 28-spline 6 Arm	2		Special Order Only
844	TRL-BRK-0001-29	Nut, Inner Spindle Bearing	2		Special Order Only
845	TRL-BRK-0001-30	Lockwasher, Indexing	2		Special Order Only
846	TRL-BRK-0001-31	Lockwasher, Tab	2		Special Order Only
847	TRL-BRK-0001-32	Nut, Outer Spindle	2		Special Order Only
848	TRL-BRK-0001-33	Grease Fitting, 65	2		Special Order Only
850	TRL-BRK-0001-35	Lockwasher, Air Chamber Mounting	4		Special Order Only
851	TRL-BRK-0001-36	Nut, Air Chamber Mounting	4		Special Order Only
852	TRL-BRK-0001-37	Sensor Block	2		Special Order Only
853	TRL-BRK-0001-38	Retainer Clip	2		Special Order Only
854	TRL-BRK-0001-39	ABS Sensor, 90	2		Special Order Only



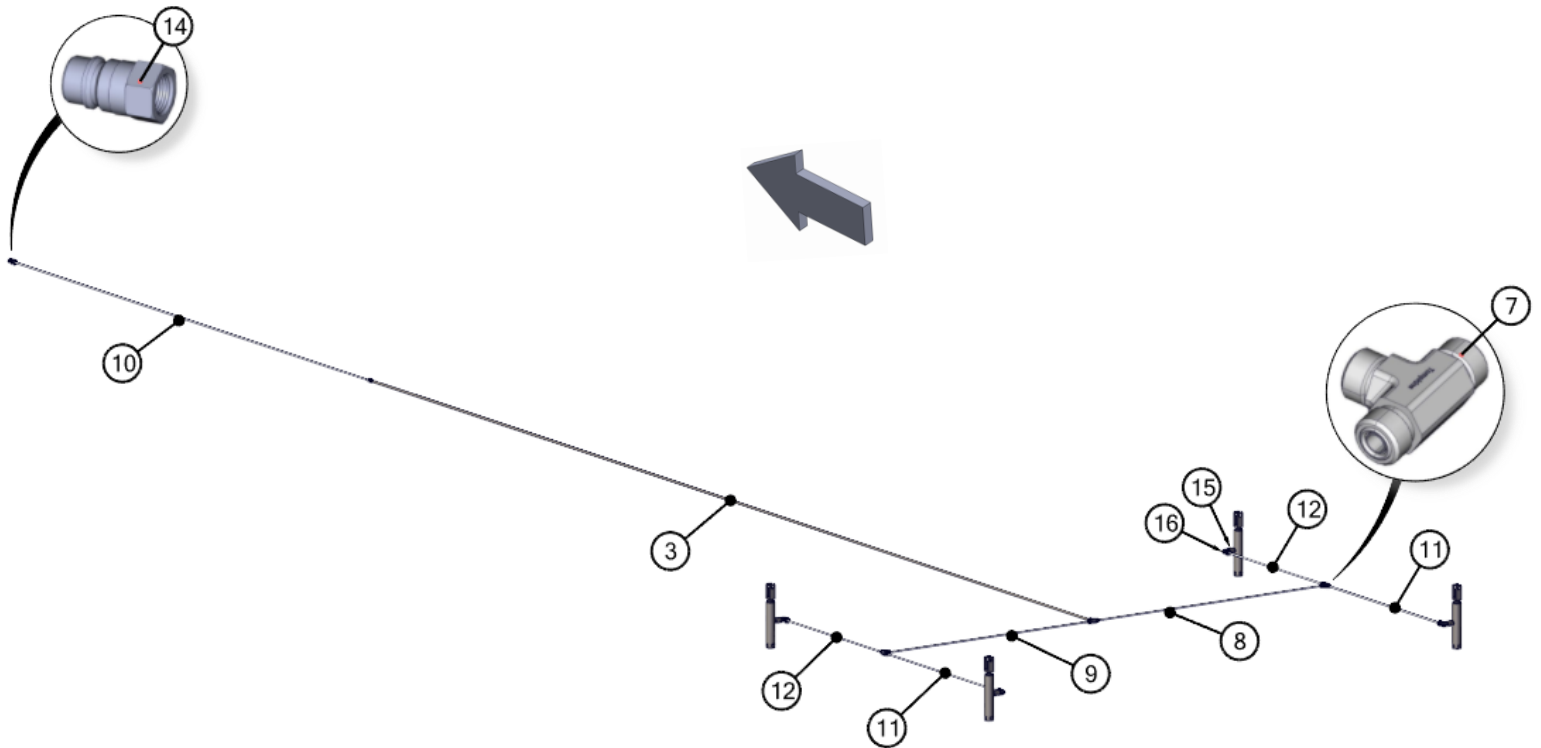
7521-04-02 HYDRAULIC DRUM BRAKES, REMOTE

REF	PART	DESCRIPTION	QTY	WILL FIT SN	REMARKS
1	HA-1004-T	Test Point Plug, 1/4" NPT	1		
2	H4-21-6MFF-6MFF	1/4" Hose, 3/8" Male ORFS x 3/8" Male ORFS x 21" Long	1		
3	H-T7063F	3/8" SS Hydraulic Tube, 190", ORFS	1		
4	HA-1074-H	Hydra-zorb Tube Clamp 3/8" (3 pc.)	3		
5	HV-1002	Pressure Reducing/Relieving Valve 50-1500 w/RFF Body	1		
6	HV-1002-K	Standard Knob for HV-1002	1		
7	A-FF2603-06-06-06	Tee, 6MFF x 6MFF X 6MFF	3		
8	H4-36-6FFFX-6FFFX	1/4in Hose, 3/8 Female ORFS x 3/8 Female ORFS, 36in Long	1		
9	H4-16-6FFFX-6FFFX	1/4in Hose, 3/8 Female ORFS x 3/8 Female ORFS, 16in Long	1		
10	H4-105-6MFF-8MOR	1/4in Hose, 3/8 Male ORFS x 1/2 SAE x 105in Long	2		
11	H4-48-6FFFX-6MP	1/4in Hose, 3/8 Female ORFS x 3/8 Male Pipe, 48in Long	2		
12	H4-36-6FFFX-6MP	1/4in Hose, 3/8 Female ORFS x 3/8 Male Pipe, 36in Long	2		
13	A-FF6809-6-6	Elbow, 90, 3/8" SAE x 3/8" FFFX	3		
14	A-QDS71X15	Ag Quick Coupler, 1/2" ISO5675 x 8SAE	2		
15	A-5404-6-6	Hex Nipple, 3/8" x 3/8"	4		
16	A-1405-6-6	3/8 NPT coupler w/swivel	4		
100	BL-5-175-8	HCS 5/16-18 X 1 1/4" GRADE 8 YELLOW ZINC	2		
101	BL-5-FW	5/16 USS FW ZC	4		
102	BL-5-LN	5/16-18 HEX LN NE ZC	2		



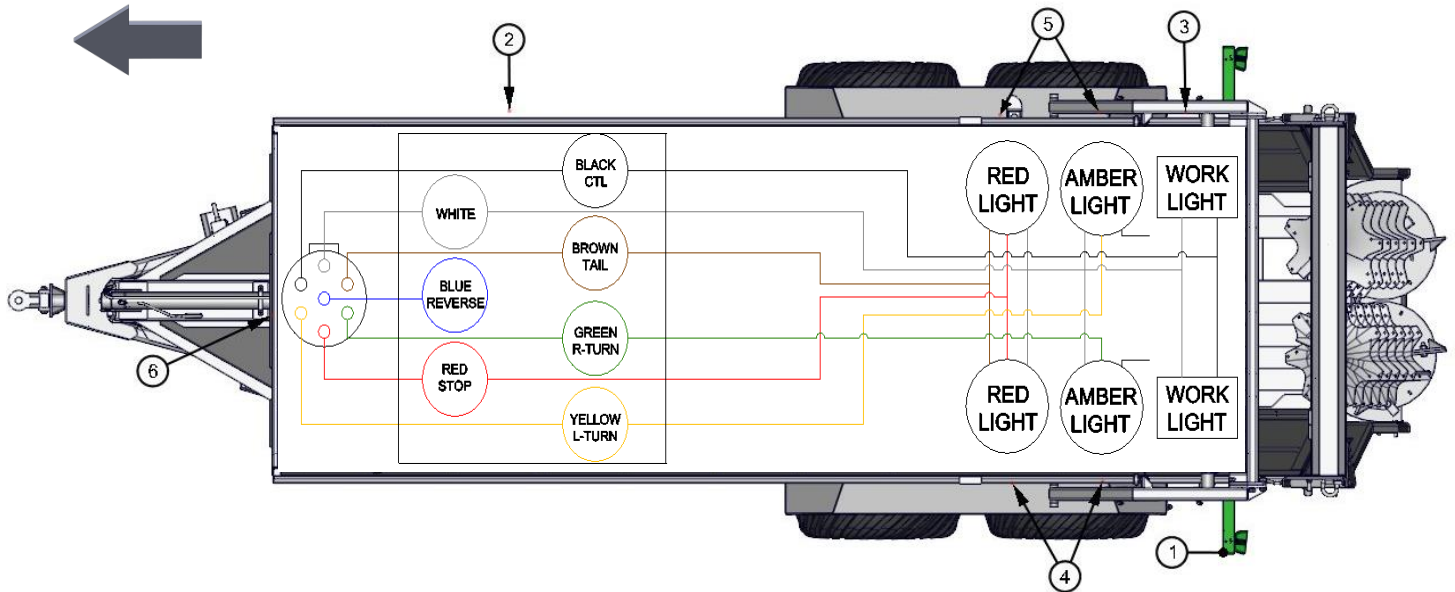
7521-04-03 HYDRAULIC DRUM BRAKES, EURO FF

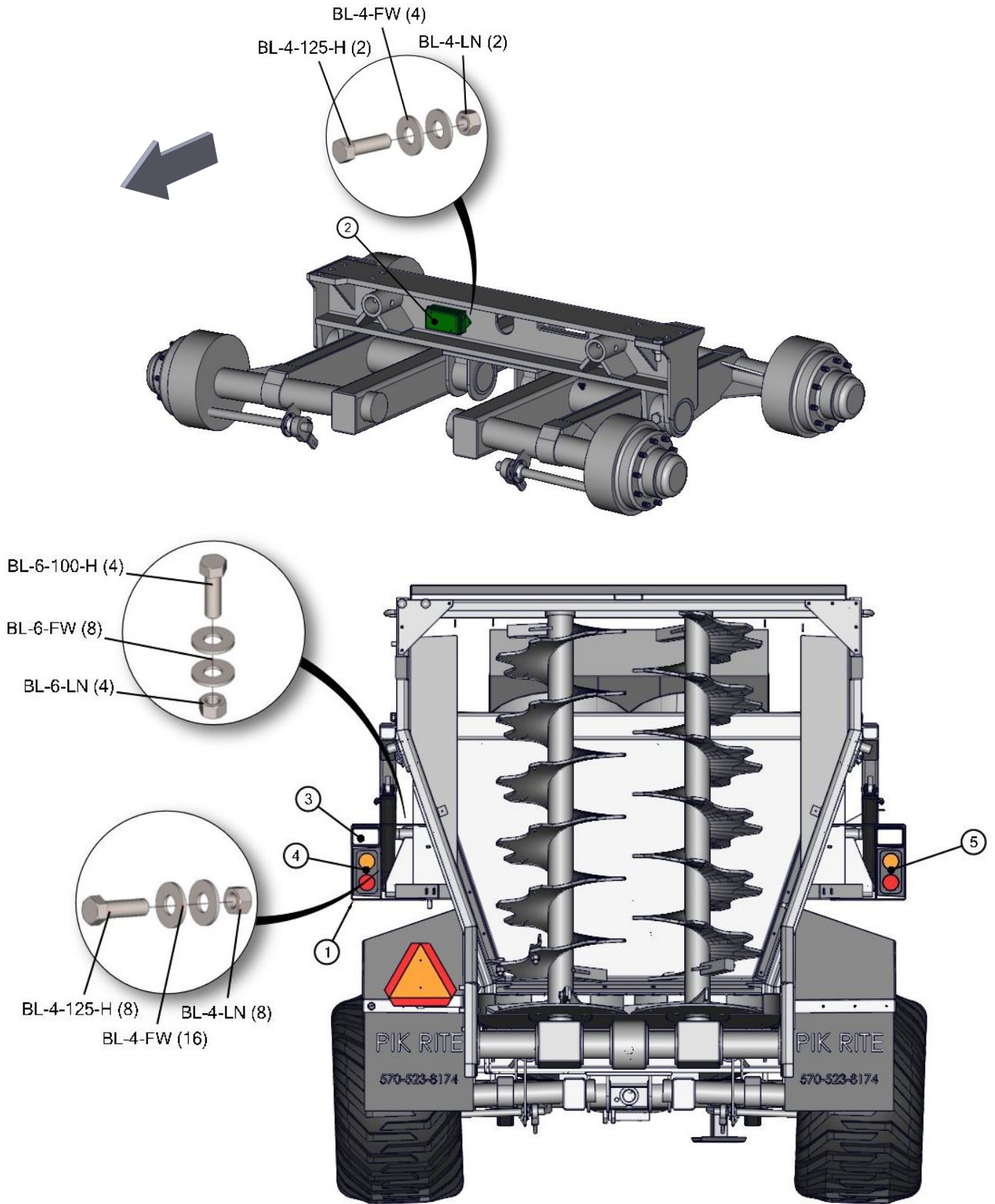
REF	PART	DESCRIPTION	QTY	WILL FIT SN	REMARKS
3	H-T7063F	3/8" SS Hydraulic Tube, 190", ORFS	1		
4	HA-1074-H	Hydra-zorb Tube Clamp 3/8" (3 pc.)	3		
7	A-FF2603-06-06-06	Tee, 6MFF x 6MFF X 6MFF	3		
8	H4-36-6FFFX-6FFFX	1/4in Hose, 3/8 Female ORFS x 3/8 Female ORFS, 36in Long	1		
9	H4-16-6FFFX-6FFFX	1/4in Hose, 3/8 Female ORFS x 3/8 Female ORFS, 16in Long	1		
10	H4-105-6MFF-8MOR	1/4in Hose, 3/8 Male ORFS x 1/2 SAE x 105in Long	1		
11	H4-48-6FFFX-6MP	1/4in Hose, 3/8 Female ORFS x 3/8 Male Pipe, 48in Long	2		
12	H4-36-6FFFX-6MP	1/4in Hose, 3/8 Female ORFS x 3/8 Male Pipe, 36in Long	2		
14	AQ-160559	Hyd. Quick-Connect Coupler, JD Hydraulic Brake	1		
15	A-5404-6-6	Hex Nipple, 3/8" x 3/8"	4		
16	A-1405-6-6	3/8 NPT coupler w/swivel	4		



7519-05-01 ELECTRICAL & LIGHTING

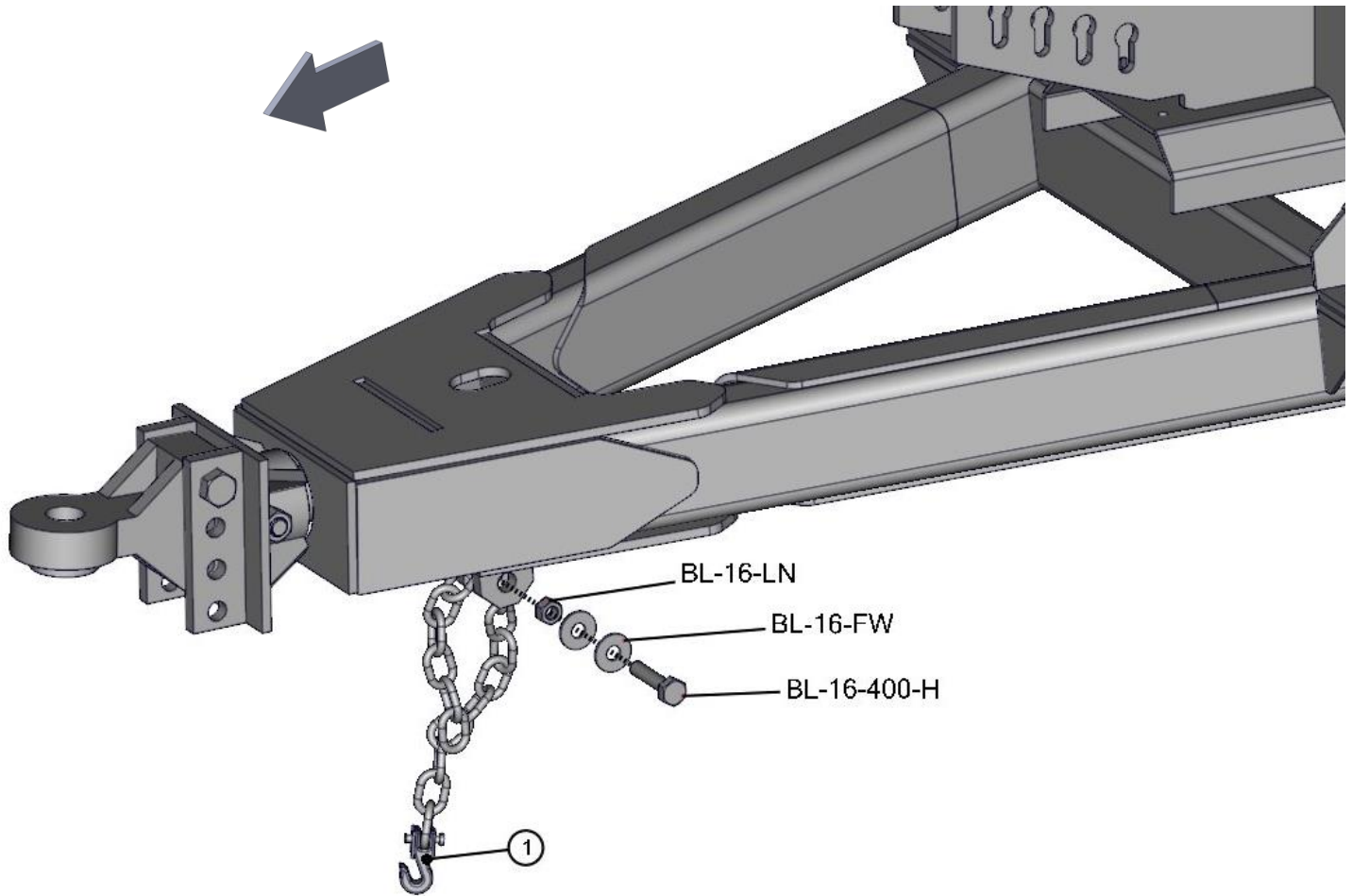
REF	PART	DESCRIPTION	QTY	WILL FIT SN	REMARKS
1	PR63007	Light Bracket	2		
2	EL-1361	Junction Box, (7) Studs, (5) Entry, High Impact PE, 2.5x3.5x8.0	1	19426	
3	EL-1233	Light, Auxiliary Work Light, Clear, Trapezoid Beam, TL#80394	2		Replaces EL-1201
4	EL-1501	LED Ag Light, LH, w/ brake light	1		
5	EL-1502	LED Ag Light, RH, w/ brake light	1		
6	ELT-37675	7 Conductor Plug w/ Spring, Rd Conn.	1	Trucks	
7	EL-1503	4-Pin LED Light Connector, LH	1		
8	EL-1504	4-Pin LED Light Connector, RH	1		
9	EL-40602-342	Harness, Right Side Spreader Light	1		
10	EL-40603-426	Harness, Left Side Spreader Lights	1		
11	EL-40604-13	Harness, Work Lights, Spreader	2		
12	EL-50780-362	7 Conductor x 30 Long, Harness	1		
13	ELL-375	3/8 Wire Loom @ft	2		
14	HA-1031	Hydraulic Hose Holder 3/8	6		
100	BL-4-125-H	1/4-20 X 1-1/4 HEX CAP G5 ZC	10		
101	BL-4-FW	1/4 USS FW ZC	22		
102	BL-4-LN	1/4-20 HEX LN NE ZC	10		
103	BL-6-100-H	3/8-16 X 1 HH C/S BOLT G5 ZC	4		
104	BL-6-FW	3/8 USS FW ZC	8		
105	BL-6-LN	3/8-16 FIN H LN NE A563 GA ZC	4		





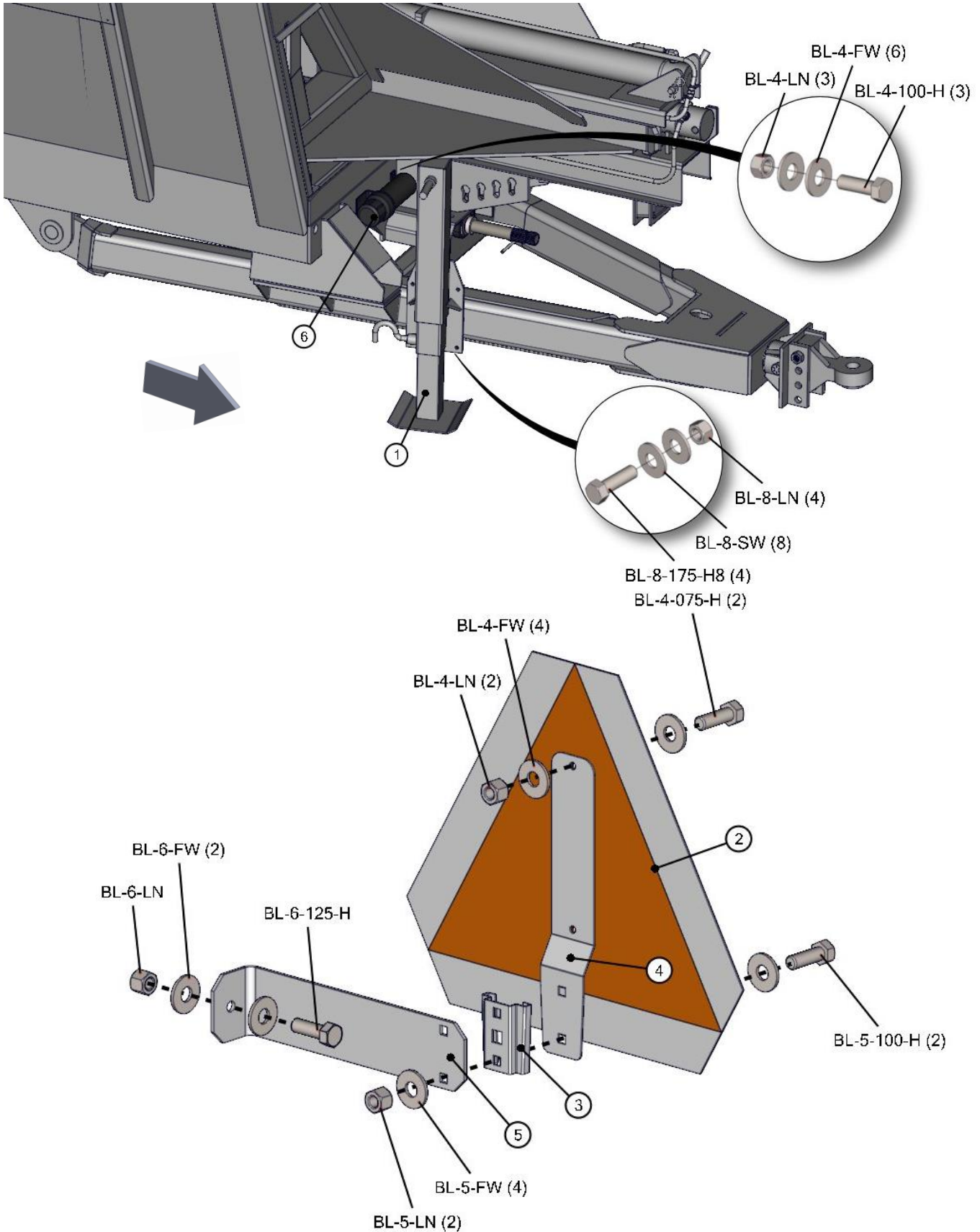
7519-05-02 SAFETY TOW CHAIN

REF	PART	DESCRIPTION	QTY	WILL FIT SN	REMARKS
1	FRM-3172	Safety Chain, Agricultural, 60,600 lb. Capacity	1		
102	BL-16-FW	1 FW ZC	2		
103	BL-16-400-H	1 X 4 HH BOLT ZC G5	1		
104	BL-16-LN	1 LN w/ NYLON INSERTS	1		



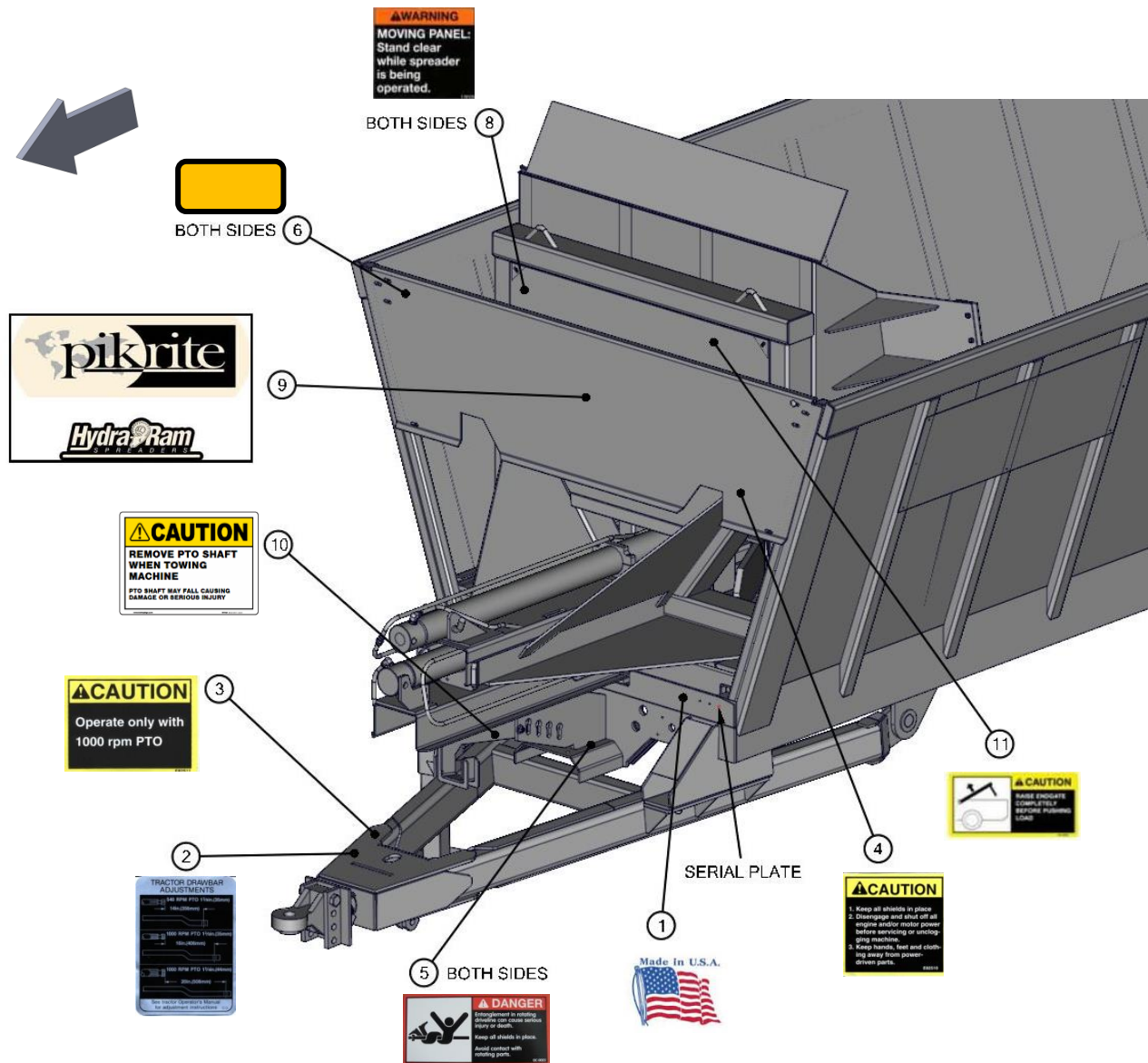
7520-05-03 ACCESSORIES

REF	PART	DESCRIPTION	QTY	WILL FIT SN	REMARKS
1	WH-1131	Jack, 1880 Spreader	1		
2	SMV-PL	SMV Sign, Metal	1		
3	SMV-S	Socket for Spade Mount	1		
4	SMV-SM	Spade Mount	1		
5	PR39117	Bracket, SMV Sign, Spreader	1		
6	MAN-67670	Manual Holder/Canister	1		
7	MAN-0065	Manual, Parts & Operation, HR880 Spreader	1		
100	BL-4-075-H	1/4-20 X 3/4 HH C/S BOLT G5 ZC	2		
101	BL-4-100-H	1/4-20 X 1 HH C/S G5 ZC	3		
102	BL-4-FW	1/4 USS FW ZC	10		
103	BL-4-LN	1/4-20 HEX LN NE ZC	5		
104	BL-5-075-H	5/16-18 X 3/4 HH G5 ZC	2		
105	BL-5-FW	5/16 USS FW ZC	4		
106	BL-5-LN	5/16-18 HEX LN NE ZC	2		
107	BL-6-125-H	3/8-16 X 1-1/4 HHCS G5 ZC	1		
108	BL-6-FW	3/8 USS FW ZC	2		
109	BL-6-LN	3/8-16 FIN H LN NE A563 GA ZC	1		
110	BL-8-175-H8	1/2 X 1-3/4 HH G8	4		
111	BL-8-SW	1/2 SAE FW ZC	8		
112	BL-8-LN	1/2-13 LN NYLON INSERT ZC	4		
800	WH-1124-B	Handle, Bulldog Jack	0		



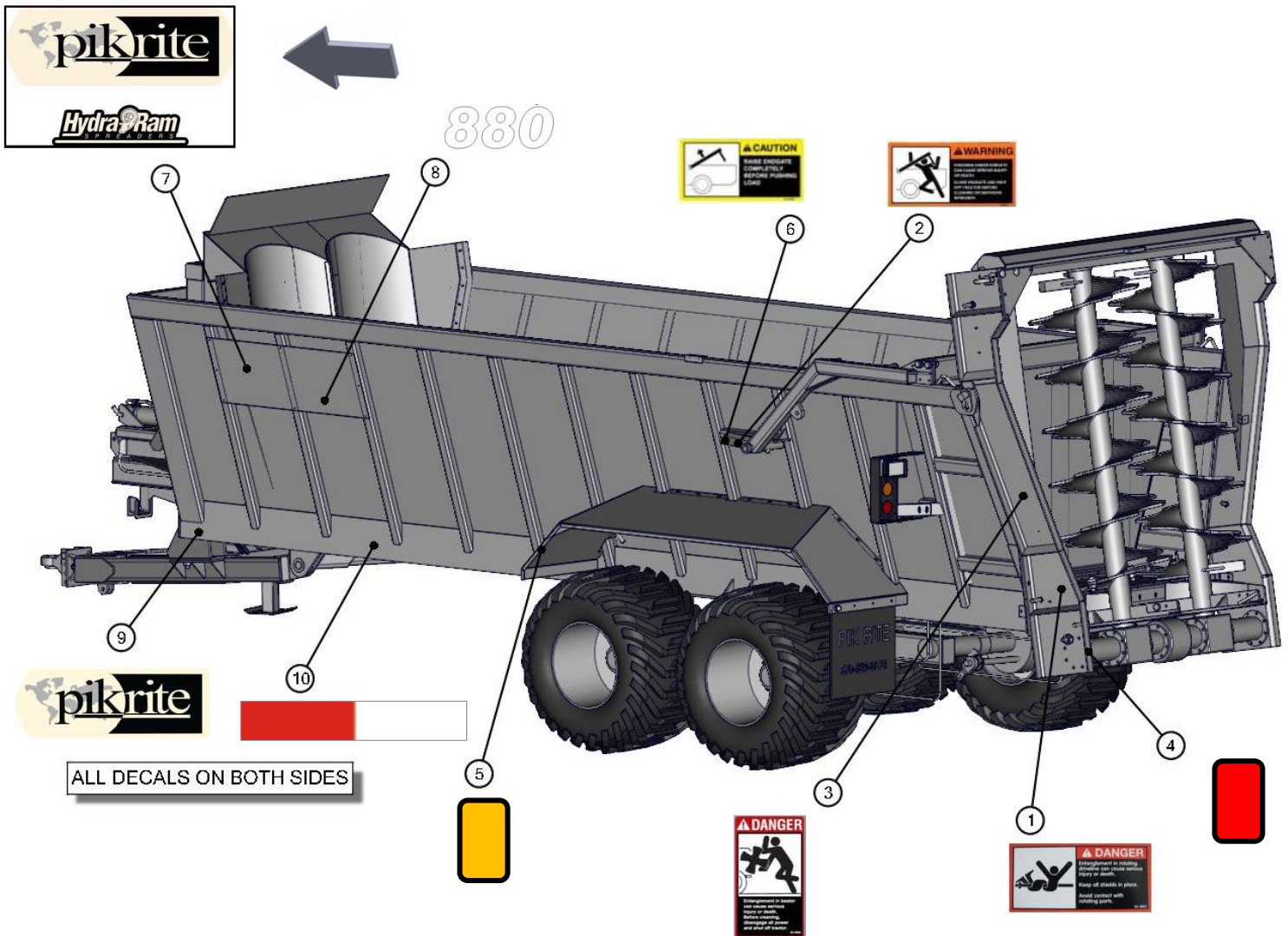
7519-06-01 DECALS, FRONT

REF	PART	DESCRIPTION	QTY	WILL FIT SN	REMARKS
1	DC-0011	Decal, All, "Made in USA", White Back w/ Red & Blue Letters	1		
2	DC-0022	Decal, Tractor Drawbar Adjustments	1		
3	DC-0021	Decal, Caution, 1000 rpm PTO	1		
4	DC-0023	Decal, Caution, Keep All Shields In Place	1		
5	DC-0025	Decal, Danger, Entanglement In Rotating Drive	2		
6	EL-1226	Decal Reflector, Rectangle, Yellow, 2x3.5, Adhesive	2		
8	DC-0020	Decal, Warning, Moving Panel	2		
9	DC-0082	Decal, Hydra-Pull, Large, Front & Side Panels	1		
10	DC-0221	Decal, Caution, Stationary Use	1		
11	DC-0038	Decal, Caution, Raise Endgate Completely	1		



7519-06-02 DECALS, SIDE & REAR

REF	PART	DESCRIPTION	QTY	WILL FIT SN	REMARKS
1	DC-0025	Decal, Danger, Entanglement In Rotating Drive	2		
2	DC-0026	Decal, Warning, Crushing Under Endgate	2		
3	DC-0030	Decal, Danger, Entanglement In Beater	2		
4	DC-0033	Decal, Red, Reflector, Spreader	2		
5	EL-1226	Decal Reflector, Rectangle, Yellow, 2x3.5, Adhesive	2		** Replace with EL-1226 ** Do Not Order
6	DC-0038	Decal, Caution, Raise Endgate Completely	2		
7	DC-0082	Decal, Hydra-Pull, Large, Front & Side Panels	2		
8	DC-0083	Decal, 1880vb, Model #	2		
9	DC-4W	Decal, Logo, White, 5.25 Long, Tanks, 1/29/99	2		
10	DC-3025	Red and White Reflective Tape @ 150 ft Roll	0.14667		



WARRANTY

Pik Rite, Inc. provides a limited warranty assuring any new Hydra-Ram Spreader to be free from defects in material and workmanship for a period of two (2) years from the original date of purchase. Pik Rite will repair or replace, at its option and without charge, any defective or malfunctioning part (excluding items of normal wear or misuse) of the spreader for this allotted time.

PIK RITE MAKES NO WARRANTY OF MERCHANTABILITY OR FITNESS FOR A PARTICULAR USE.

CUSTOMER'S RESPONSIBILITY

It is the customer and/or operator's responsibility to read the Operator's Manual, to operate, lubricate, maintain and store the equipment in accordance with all instructions and safety procedures. Failure of the operator to read the operators manual is a misuse of this equipment.

It is the customer and/or operators responsibility to inspect the product and to have any part(s) repaired or replaced when continued operation would cause damage or excessive wear to other parts or cause a safety hazard.

It is the customer's responsibility to deliver the product to the authorized dealer, from whom the spreader was purchased, for service or replacement of defective parts, which are covered by warranty.

It is the customer's responsibility for any cost incurred by the dealer for hauling the product for the purpose of performing a warranty obligation or inspection.

WARRANTY INFORMATION

Make certain the warranty registration card has been forwarded to:

Pik Rite, Inc.
60 Pik Rite Lane
Lewisburg, PA 17837

Always give your dealer the serial number of your Pik Rite, Inc. product when ordering parts or requesting service or other information.

In the space provided record the model number, the serial number and the date of purchase to assist in providing you with prompt and efficient service.

MODEL NUMBER: HR880

DEALER: _____

SERIAL NUMBER: _____

ADDRESS: _____

PURCHASE DATE: _____

PHONE: _____

SALESMAN: _____

Keep Page for Your Records