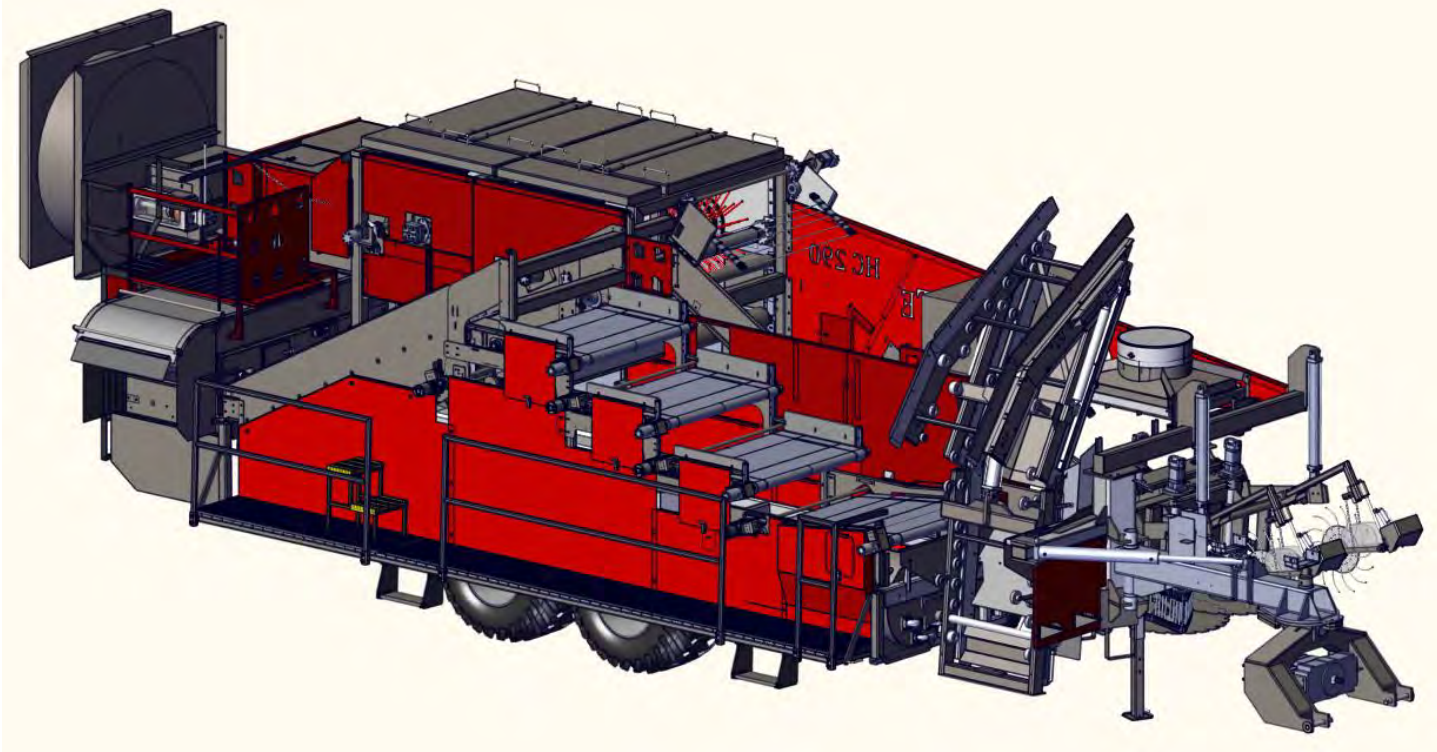


# HC290 TOMATO HARVESTER

## PARTS MANUAL DOUBLE & TRIPLE SORTER



PROUDLY MADE IN THE USA



Pik Rite Inc.  
60 Pik Rite Lane  
Lewisburg, PA 17837

August 2022  
SN 11022001-

Phone 800-326-9763  
Fax 570-523-8175  
www.pikrite.com



**SPECIFICATIONS AND DESIGN SUBJECT TO CHANGE WITHOUT NOTICE**

<b>PARTS MANUAL</b>	7
11022-01-01 <b>MAIN FRAME, DOUBLE SORTER</b>	8
11021-01-01.1 <b>MAIN FRAME, TRIPLE SORTER</b>	10
11021-01-02 TONGUE	12
11021-01-03 HITCH	13
11021-01-05 1-3/4-20" PTO ASSEMBLY	15
11021-01-06 AXLE	16
11022-01-07 WHEELS & ROCKERS	17
11021-02-01 DISK HEADER FRAME	18
11021-02-02 GATHERING CHAIN DRIVE SHAFTS	19
11021-02-03 36" DISK DRIVE SHAFTS	20
11021-02-05 GATHERING CHAIN	21
11021-02-06 HEADER HEIGHT	22
11021-03-01.1 PRIMARY HEADER	24
11021-03-02 GAUGE WHEEL	26
11022-03-03 SECONDARY HEADER	27
11021-03-04 HEADER DRIVE SHAFT	28
11021-03-05 HEADER RETURN ROLLER	29
11021-03-06 HEADER DIRT VIBRATOR	30
11021-03-07 HEADER BAR CLEANER	31
11021-03-08 <b>HEADER VINE ASSIST</b>	32
11021-03-09 HEADER DUST SHIELD	34
11021-03-12 PREROLLER AT TRANSFER	35
11022-04-01 PRIMARY SHAKER FRAME PANELS	36
11022-04-02 PRIMARY & SECONDARY SHAKER COVERS	37
11021-04-03 PRIMARY SHAKER DRUM	38
11022-04-04 PRIMARY SHAKER WEIGHT & BOX	39
11021-04-05 SECONDARY SHAKER DRUM	41
11022-04-07 PRIMARY & SECONDARY SHAKER WEIGHT COVERS	42
11021-04-08 PRIMARY SHAKER RING & FINGERS	43
11021-04-09 SECONDARY SHAKER RING & FINGERS	44
11021-04-14 SHAKER WEIGHT BOX SHIELD, TRIPLE SORTER	45

## TABLE OF CONTENTS

11021-05-01	VINE & TRANSFER CHAMBER	46
11021-05-02	TRANSFER DRIVE SHAFT	48
11021-05-03	TRANSFER RETURN ROLLER	49
11021-05-04	TRANSFER BAR CLEANER	50
11021-05-05	TRANSFER DIRT VIBRATOR	51
11021-05-06	VINE CHAIN DRIVE SHAFT	52
11021-05-07	VINE CHOPPER	53
11021-06-01	CROSS CONVEYOR	56
11022-06-02	CROSS CONVEYOR DRIVE SHAFT	57
11021-06-03	CROSS CONVEYOR RETURN ROLLER	58
11021-06-04	CROSS CONVEYOR BAR CLEANER	59
11021-06-05	CROSS CONVEYOR CLEANER ROLLER	60
11021-07-01	CENTRIFUGAL FAN	61
11021-08-01	DEBRIS CHAMBER	63
11022-08-02	DEBRIS DRUM DRIVE	65
11021-08-04	DEBRIS BELT SHIELD	66
11022-08-05	DECKING ABOVE DEBRIS BELT	67
11021-09-01	LOWER ELEVATION	68
11022-09-16	ELEVATION, DOUBLE SORTER	69
11021-09-18	ELEVATION DRIVESHAFT, DOUBLE SORTER	71
11021-09-19	PRESORT DRIVE SHAFT	72
11021-09-20	PRESORT IDLER	73
11021-09-22	ELEVATION, TRIPLE SORTER	74
11021-09-23	PRESORT FRAMES, TRIPLE SORTER	76
11021-10-02	AFTERSORT DIVIDER ROLLER, DOUBLE SORTER	78
11021-10-03	AFTERSORT IDLER, DOUBLE SORTER	79
11022-10-20	AFTERSORT, DOUBLE SORTER	80
11022-10-22	AFTERSORT, TRIPLE SORTER	82
11021-11-01	DISCHARGE BASKET, DOUBLE SORTER	84
11021-11-02	INNER DISCHARGE	85
11021-11-03	MIDDLE DISCHARGE	86
11021-11-04	OUTER DISCHARGE	87



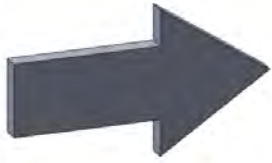
## TABLE OF CONTENTS

11021-11-05	DISCHARGE DRIVE SHAFT	88
11022-11-06	DISCHARGE BASKET, TRIPLE SORTER	89
11022-13-01	STANDARD CANOPY	90
11021-13-05	INNER DECKING	92
11021-13-06	OUTER DECKING, DOUBLE SORTER	93
11021-13-07	OUTER HANDRAIL, DOUBLE SORTER	94
11021-13-08	OUTER DECKING, TRIPLE SORTER	95
11021-14-01	AIR COMPRESSOR	96
11021-14-02	AIR TANK & DRYER	98
11021-14-03	AIR SYSTEM LINE & COMPONENTS	99
11022-15-01	OIL TANK PLUMBING	101
	HA-1123 CASE DRAIN COMPONENTS	104
11021-15-02	OIL COOLER	105
11022-15-10	HYDRAULIC MOTOR PLUMBING, RIGHT	107
	HPA-001R HYD PUMP ASM, RIGHT PUMP, SECTION 1	110
	HPA-002R HYD PUMP ASM, RIGHT PUMP, SECTION 2	111
	HPA-003R HYD PUMP ASM, RIGHT PUMP, SECTION 3	113
11022-15-11	HYDRAULIC MOTOR PLUMBING, LEFT	114
	HPA-001L HYD PUMP ASM, LEFT PUMP, SECTION 1	116
	HPA-002L HYD PUMP ASM, LEFT PUMP, SECTION 2	117
	HPA-003L HYD PUMP ASM, LEFT PUMP, SECTION 3	118
	HPA-004L HYD PUMP ASM, LEFT PUMP, SECTION 4	120
11021-15-24	HYDRAULIC PANEL	121
11022-16-01	HYDRULIC CYLINDER PLUMBING	122
	HA-1124 D03 VALVE COMPONENTS	124
11022-17-01	CONTROL BOX ELECTRICAL ASSEMBLY	125
11022-17-02	FLOW CONTROL BOX ELECTRICAL ASSEMBLY	129
11022-17-03	PANEL BOX ELECTRICAL ASSEMBLY	133
	ELP-8005 PANEL BOX COMPONENTS	134
	ELC-8023 D03 VALVE CABLE COMPONENTS	139
	ELC-8024 LIGHT ASSEMBLY	141
	ELC-8025 FLASHER LIGHT ASSEMBLY	143

## TABLE OF CONTENTS

ELC-8026 AIR COMPRESSOR COMPONENTS	144
ELC-8027 SHAFT SENSOR COMPONENTS	145
ELC-8028 HORN COMPONENTS	147
ELC-8029 HEADER HEIGHT CONTROL COMPONENTS	149
ELC-8030 MAIN POWER, CONVERTER BOX COMPONENTS	151
ELC-8031 SORTER POWER, CONVERTER BOX COMPONENTS	153

## **DIRECTION ARROWS**



ARROWS ARE USED WITH ILLUSTRATIONS TO INDICATE THE FRONT OF THE UNIT. "RIGHT-HAND" AND "LEFT-HAND" SIDES ARE DETERMINED BY FACING THE DIRECTION OF MACHINE FORWARD TRAVEL.

## **REFERENCE NUMBER IDENTIFICATION**

<b>REF NO.</b>	<b>DESCRIPTION</b>
----------------	--------------------

000-099	PARTS USED FOR ASSEMBLY
---------	-------------------------

100-199	BOLTS AND FASTENERS
---------	---------------------

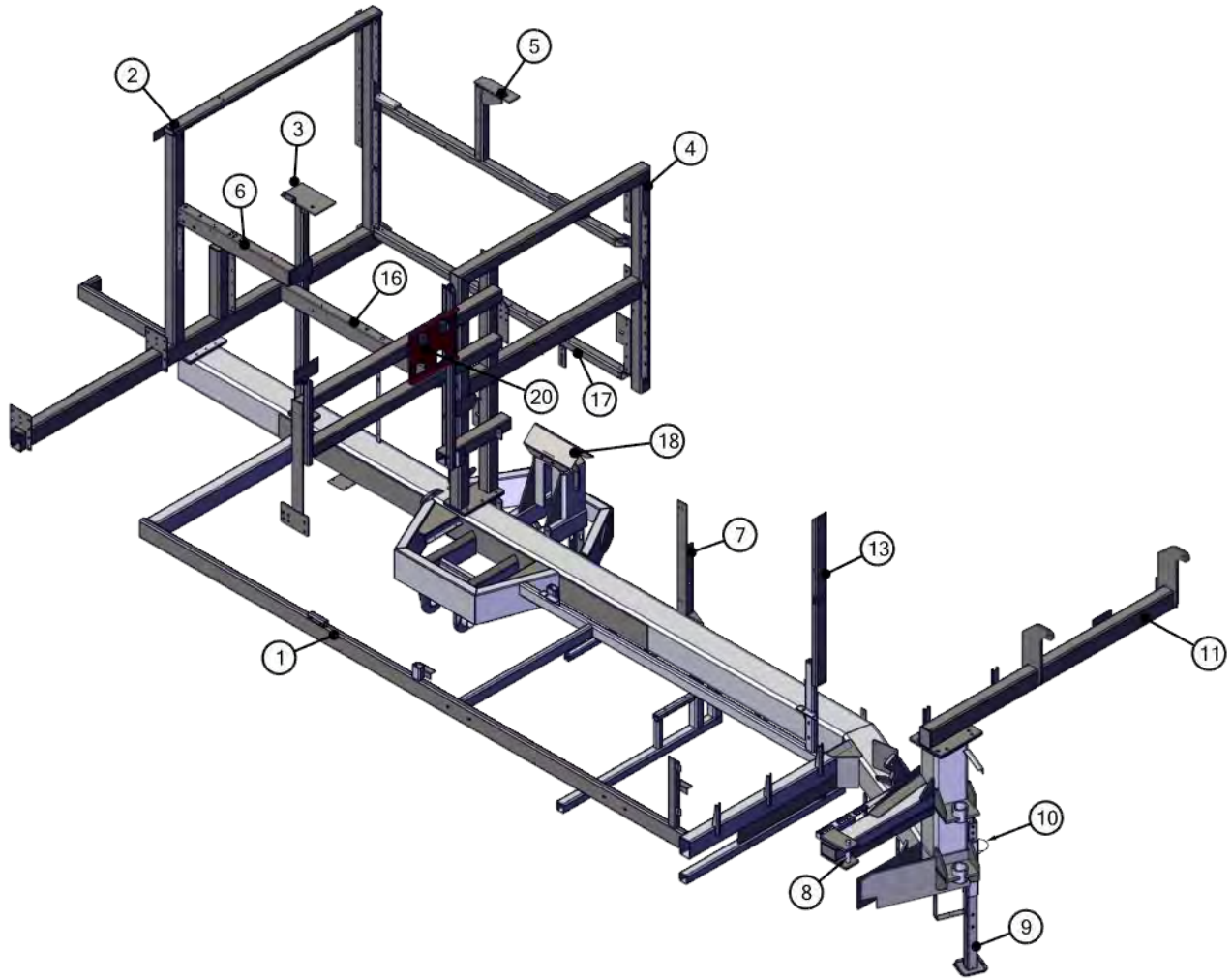
200-299	ELECTRICAL COMPONENTS
---------	-----------------------

800-899	REPLACEMENT PARTS (USED TO REPAIR ASSEMBLIES)
---------	--

## 11022-01-01 MAIN FRAME, DOUBLE SORTER

REF	PART NO.	DESCRIPTION	QTY	WILL FIT SN	REMARKS
1	FRM-8119	Main Frame, HC290 Double Sorter	1		
2	FRM-8112	Rear Cross Frame, 2010 290 Tomato Harvester	1		
3	POS-8404	Post, on Main Frame, 2010 290 Tomato Harvester	1		
4	FRM-8403	Shaker Frame, HC290 Double Sorter	1		
5	SUP-8404	Mount, Shaker Frame, 2010 290 Tomato Harvester	1		
6	ARM-8450	Support, Mount, Inner Secondary Shaker, HC290	1		
7	BRA-8107	Bracket, Mount Header Panel, HC290	1		
8	PIN-8111	Pin, Tongue Main Frame, High Cap. Tomato	1		
9	WH-8100	Adjuster, Jack Stand, Main Frame, High Cap. Tomato	1		
10	PIN-8102	Pin, Jack Stand, Main Frame, HC290 Tomato	1		
11	FRM-8250	Frm. Header Cyl. Mount, HC290	1		
12	POS-8100	Post, Inside Between Canopy Frm & Shaker Frm	1		
13	POS-8751	Post, Inner, Front Handsort, Canopy, 2010 290 Tomato	1		
14	DC-3025	Red and White Reflective Tape @ 150 ft Roll	0.04		
15	DC-3026	Orange Reflective Tape @ 50ft Roll	0.06		
16	MOU-8010	Mount, Shaker Stand, Weight Box, 2021 HC290 Triple Sorter	1		
17	SUP-8405	Mount, 2010 290 Tomato Harvester	1		
18	SHD-8104	Level Cylinder Shield	1		
19	DC-860	Black Sparkle Antiskid Tape, 8" x 60"	0.25		
20	PAN-8203	Panel, Vib. Flow Controls, Shaker Frame, 290	1		

# 11022-01-01 MAIN FRAME, DOUBLE SORTER

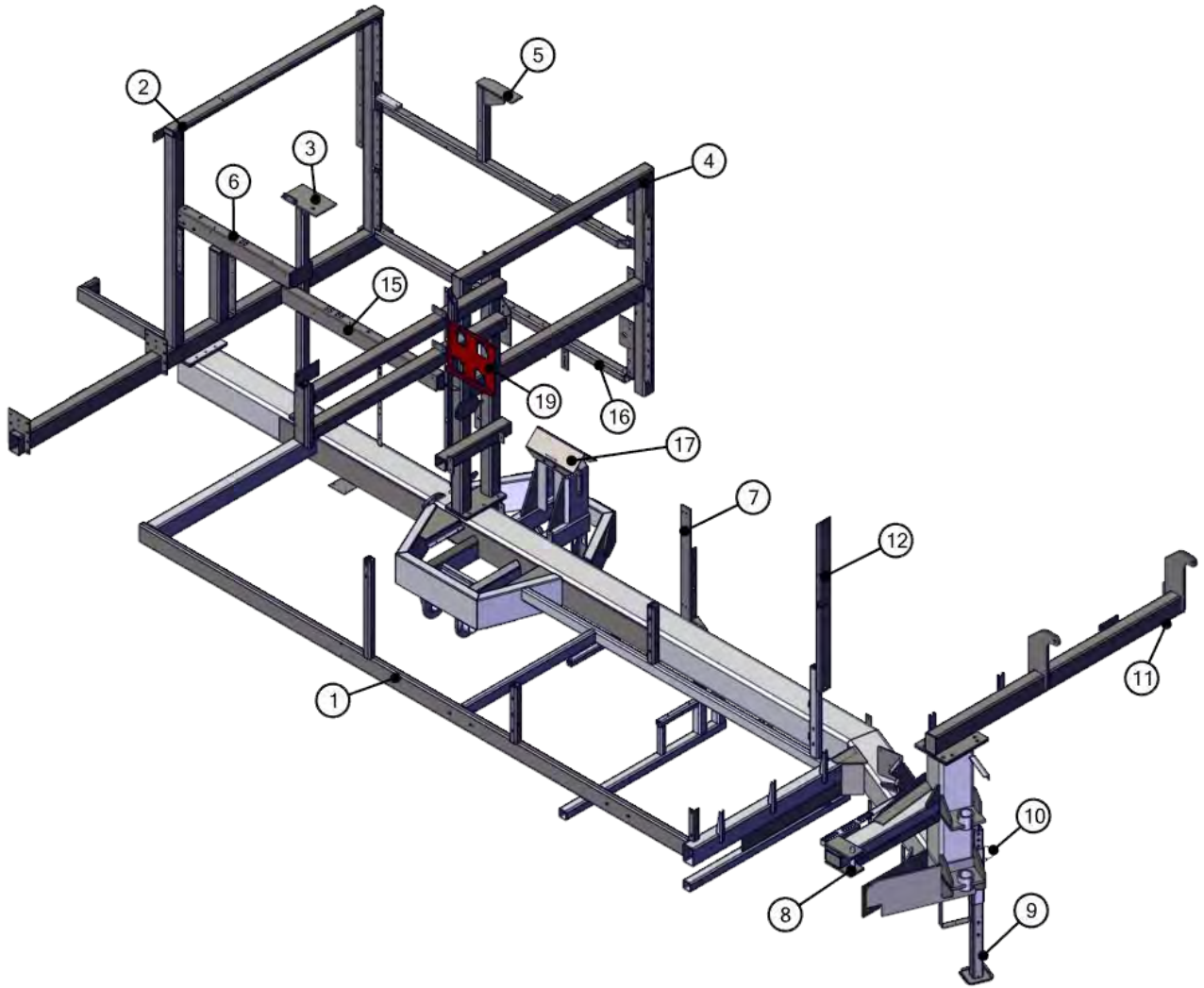


## 11021-01-01.1 MAIN FRAME, TRIPLE SORTER

REF	PART NO.	DESCRIPTION	QTY	WILL FIT SN	REMARKS
1	FRM-8117	Main Frame, HC290 Triple Sorter	1		
2	FRM-8112	Rear Cross Frame, 2010 290 Tomato Harvester	1		
3	POS-8404	Post, on Main Frame, 2010 290 Tomato Harvester	1		
4	FRM-8540	Shaker Frame, HC290 Triple Sorter	1		
5	SUP-8404	Mount, Shaker Frame, 2010 290 Tomato Harvester	1		
6	ARM-8450	Support, Mount, Inner Secondary Shaker, HC290	1		
7	BRA-8107	Bracket, Mount Header Panel, HC290	1		
8	PIN-8111	Pin, Tongue Main Frame, High Cap. Tomato	1		
9	WH-8100	Adjuster, Jack Stand, Main Frame, High Cap. Tomato	1		
10	PIN-8102	Pin, Jack Stand, Main Frame, HC290 Tomato	1		
11	FRM-8250	Frm. Header Cyl. Mount, HC290	1		
12	POS-8751	Post, Inner, Front Handsort, Canopy, 2010 290 Tomato	1		
13	DC-3025	Red and White Reflective Tape @ 150 ft Roll	0.04		
14	DC-3026	Orange Reflective Tape @ 50ft Roll	0.06		
15	MOU-8010	Mount, Shaker Stand, Weight Box, 2021 HC290 Triple Sorter	1		
16	SUP-8405	Mount, 2010 290 Tomato Harvester	1		
17	SHD-8104	Level Cylinder Shield	1		
18	DC-860	Black Sparkle Antiskid Tape, 8" x 60"	0.25		
19	PAN-9203	Panel, Vib. Flow Controls, Shaker Frame, 290	1		

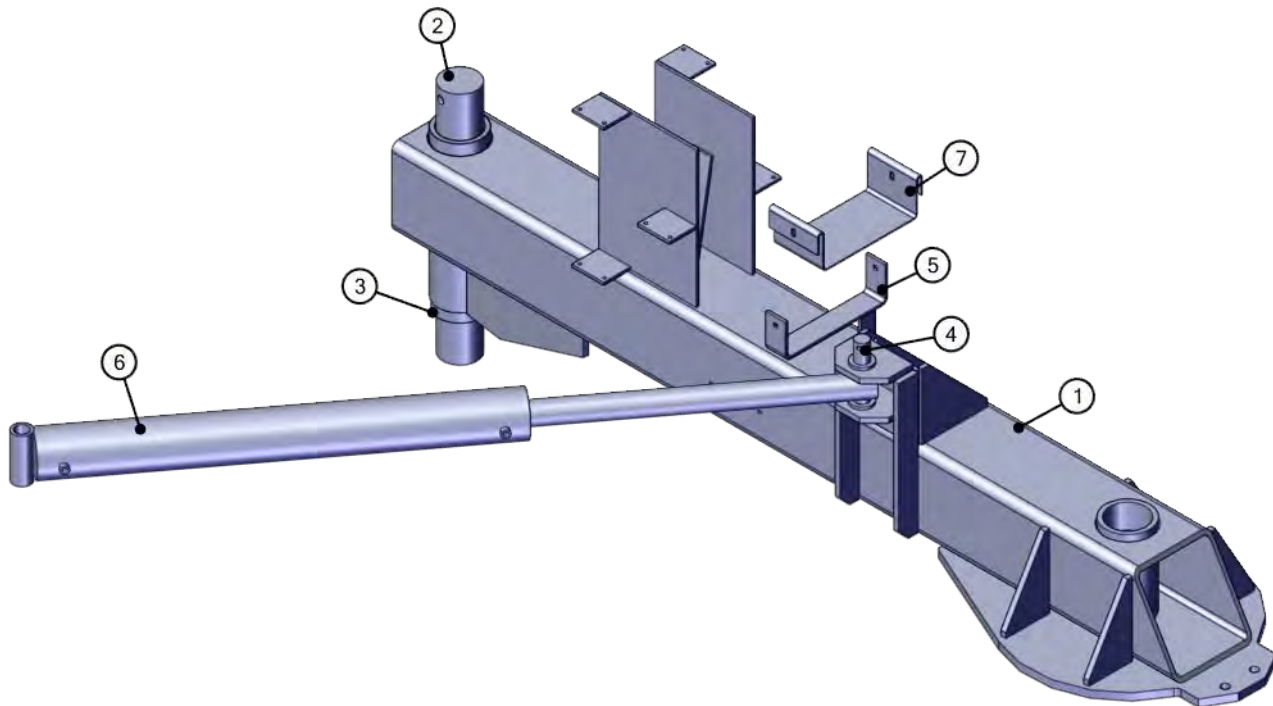


# 11021-01-01.1 MAIN FRAME, TRIPLE SORTER



## 11021-01-02 TONGUE

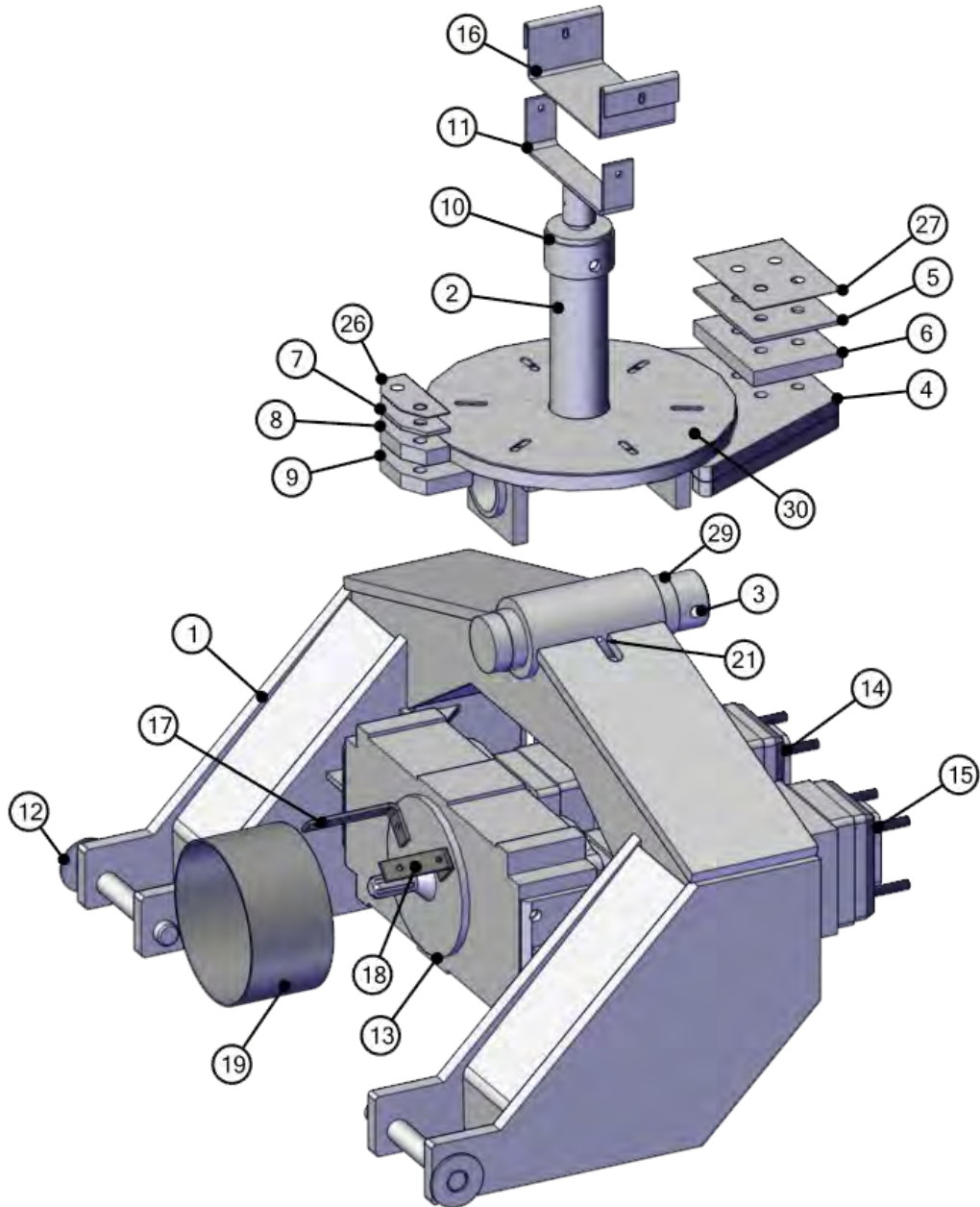
REF	PART NO.	DESCRIPTION	QTY	WILL FIT SN	REMARKS
1	FRM-8110	Tongue, Main Frame to The Two Point Hitch	1		
2	PIN-8110	Tongue Swivel, Main Frame, High Cap Tomato	1		
3	SPA-8110	Bushing, Tongue Swivel, High Cap Tom	1		
4	SFT-8110	Shaft, Cylinder Pin, Tonge HC290	1		
5	BRA-8110	Bracket, Hose Holder, Tongue HC290	1		
6	HC-400-30	Hydraulic Cylinder 4" x 30"	1		
7	BT-8110	Belting, Hose Holder, Gooseneck	1		
8	DC-4W	Decal, Logo, White, 5.25 Long, Tanks, 1/29/99	1		
9	DC-1183	Company Information Decal, 3 x 7.75	1		
10	DC-1180	Serious Injury/Death Decal, Read Manual	1		
100	BL-12-450-HNF	3/4-16 X 4 1/2 HH G8, FINE THREAD	4		
101	BL-12-FW-8	3/4 FW G8	4		
102	BL-12-LW	3/4 LW	4		



## 11021-01-03 HITCH

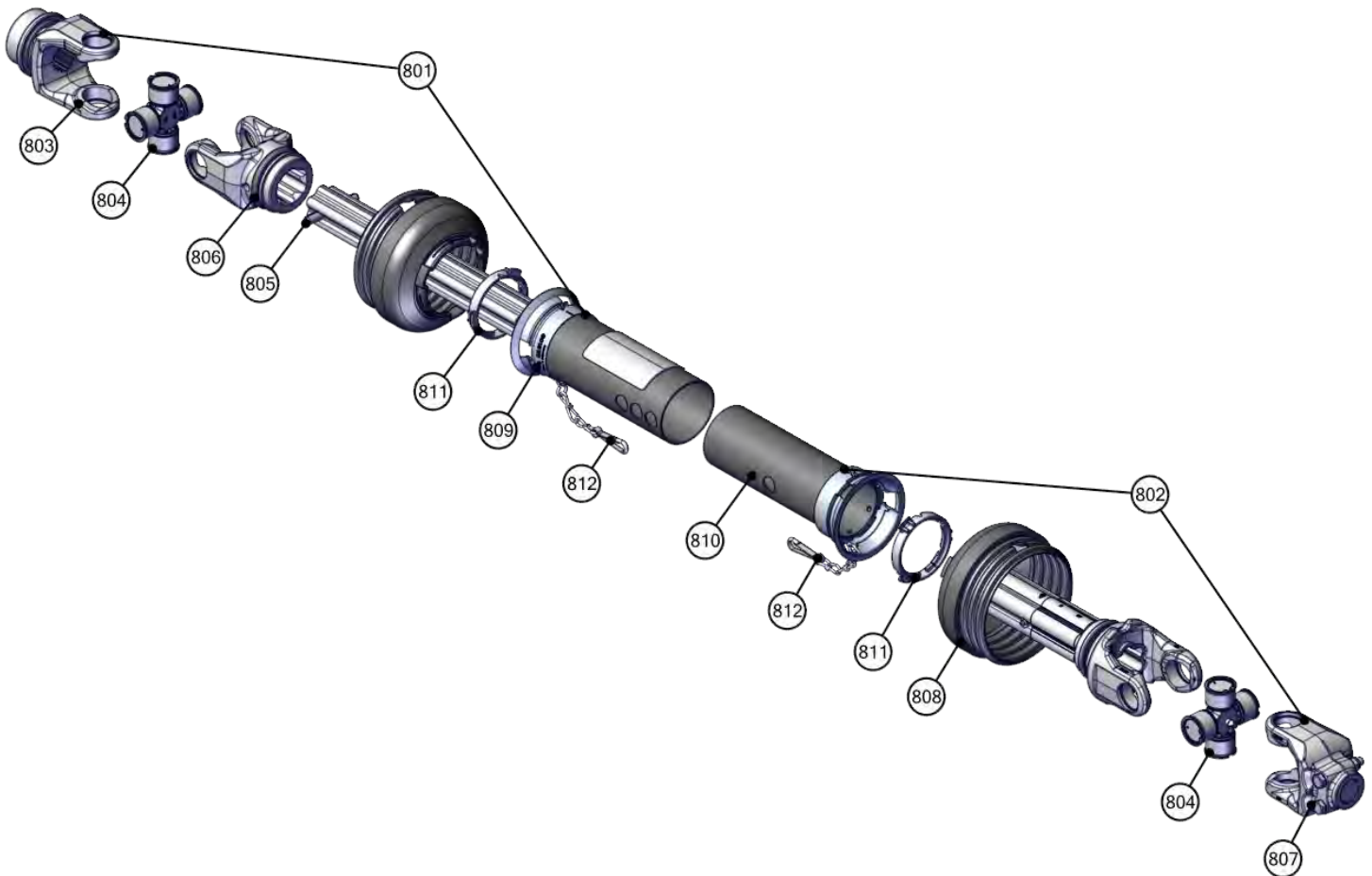
REF	PART NO.	DESCRIPTION	QTY	WILL FIT SN	REMARKS
1	FRM-8111	Frame, 2 Point Hitch	1		
2	PIN-8210	Gooseneck Hitch Pivot/Swivel, Tractor Hitch Frm	1		
3	SFT-8112	Shaft, Gooseneck Hitch Pivot	1		
4	SUP-8210	Support, Rear Swivel Plate, Gooseneck Hitch	1		
5	BAR-8213	Bar, Spacer, Back Top, Hitch/Tongue, HC290	1		
6	BAR-8214	Bar, Spacer, Back, Bottom, Hitch/Tongue	1		
7	BAR-8215	Bar, Spacer, Front Top, Hitch/Tongue, HC290	1		
8	BAR-8216	Bar, Spacer, Front Middle, Hitch/Tongue	1		
9	BAR-8217	Bar, Spacer, Front Bottom, Hitch/Tongue	1		
10	POS-8110	Post, Pivot Holder, Tongue	1		
11	SUP-8110	Support, Pivoting Hose Holder, Tongue	1		
12	PIN-0002	Pin Weldment	2		
13	GBX-252	Two Pad Gearbox for double pump	1		
14	HP-257-P18	Hydraulic Pump	1		
15	HP-257-P22	Hydraulic Pump, 4 Section	1		
16	BT-8110	Belting, Hose Holder, Gooseneck	1		
17	BRA-8200	Bracket, Outsd, PTO Belting, Hitch Assy	1		
18	BRA-8201	Bracket, Inside, PTO Belting, Hitch Assy	1		
19	BT-8200	Belting, PTO, Hitch Assembly, HC290 Tomato	1		
20	GF-1827-45	Grease Fitting 1/8 NPT 45°	5		
21	GF-1827	Grease Fitting 1/8 NPT Straight	2		
22	DC-0021	Decal, Caution, 1000 rpm PTO	1		
23	DC-0025	Decal, Danger, Entanglement In Rotating Drive	1		
24	HOS-350-4-96S	3-1/2 ID, Clear Suction Line Covering	2		
25	CL-72	4 1/2 Gear Clamp	4		
26	BAR-8218	Bar, Spacer, Front, Gooseneck Hitch	2		
27	SPA-8213	Spacer, Back, Hitch Support	2		
28	HP-630	Synthetic Gear & Bearing Oil @ Qt.	3.5		
29	PR34413	Bronze Bushing for Spreader, 3-1/2 Dia Shaft	2		
30	PL-9200	Pivot Slide, Gooseneck Hitch	1		
31	HV-GV-250	2-1/2in Brass Gate Valve	1		
32	HV-GV-300	3 in Brass Gate Valve	1		
33	A-4459-40-48	90° Flange Nipple, 3" Barb x 2.5" Flange	1		
34	AN-48-40-HS	3 NPT, Combination Nipple/Hose Shank, 2 1/2 ID Hose	1		
35	AN-48-HS	3 NPT, Combination Nipple/Hose Shank, 3 ID Hose	3		
100	BL-24-FW	1-1/2 USS FW	20		
801	GBXA-252D	Dipstick for GBX-252			
802	GBX-252-B	O-Ring			

# 11021-01-03 HITCH



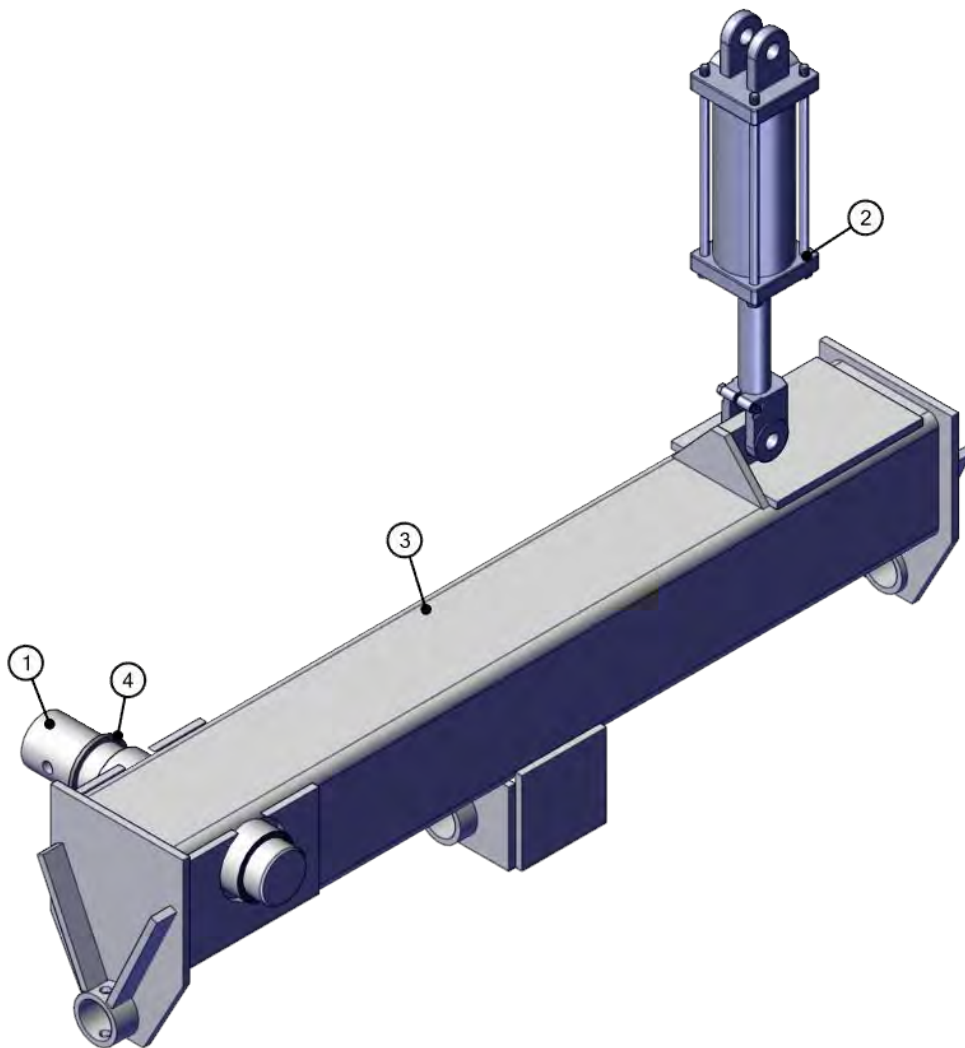
## 11021-01-05 1-34-20" PTO ASSEMBLY

REF	PART NO.	DESCRIPTION	QTY	WILL FIT SN	REMARKS
1	PTS-8107	1-3/4 x 20-spline x 1-3/8 6-spline gearbox, 780-1088mm	1		
801	PTS-8106-FH	1-3/4 x 20-spline Front Half 2600 Series			
802	PTS-8106-RH	1-3/8 6-spline Rear Half 2600 Series			
803	PTS-8106C	Drive Shaft Yoke, 1 3/4 x 20 Spline			
804	PTS-8106A	Cross & Bearing Kit			
805	PTS-8106D	Spring Pin 13 x 95			
806	PTS-8106E	Inboard Yoke S5			
807	PTS-8106H	Yoke 1 3/8-6 SPL.			
808	PTS-8106I	Shield Cone 5 Rib			
809	PTS-8106J	Outside Shield Tube Ovl			
810	PTS-8106K	Inside Shield Tube Round			
811	PTS-8106L	Bearing Ring SC35			
812	PTS-1002K	PTO Shield Safety Chain			
813	PTS-1010K	Screw			



## 11021-01-06 AXLE

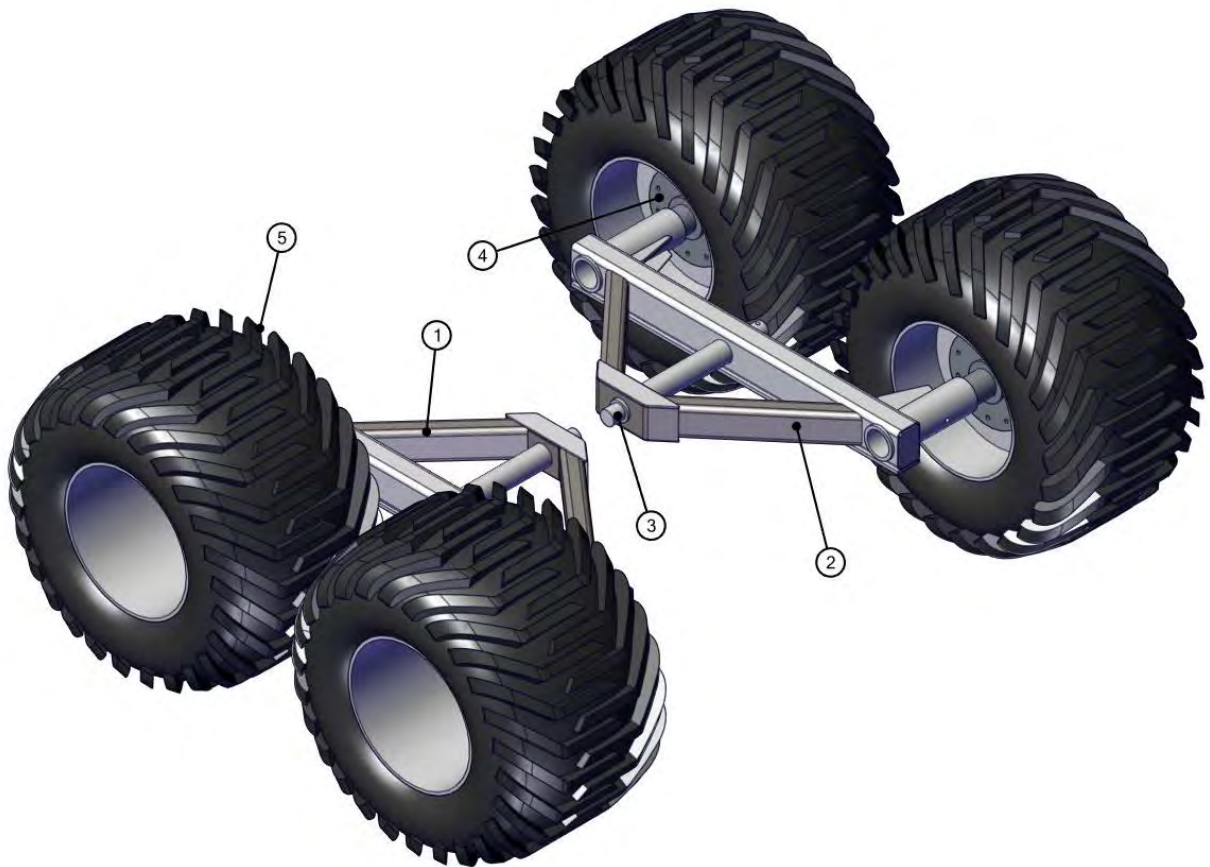
REF	PART NO.	DESCRIPTION	QTY	WILL FIT SN	REMARKS
1	SFT-8109	Shaft, Pin, Axle Swivel, HC290 Tomato	1		
2	HC-400-08	Tie Rod Cylinder, 4 x 8, #8 SAE Port	1		
3	WHL-8113	Axle (09) 290 Harvester	1		
4	SPA-0073	Spacer, Axle Pin, 290 Harvester	1		
101	BL-8-100-SC	1/2-13 x 1 Knurled Point Set Screw	2		
102	BL-6-600-C	3/8-16 x 6 Carriage Bolt GR5	2		
103	BL-6-N	3/8-16 HEX NUT ZC	2		
104	BL-6-LW	3/8 SPLIT LW ZC	2		





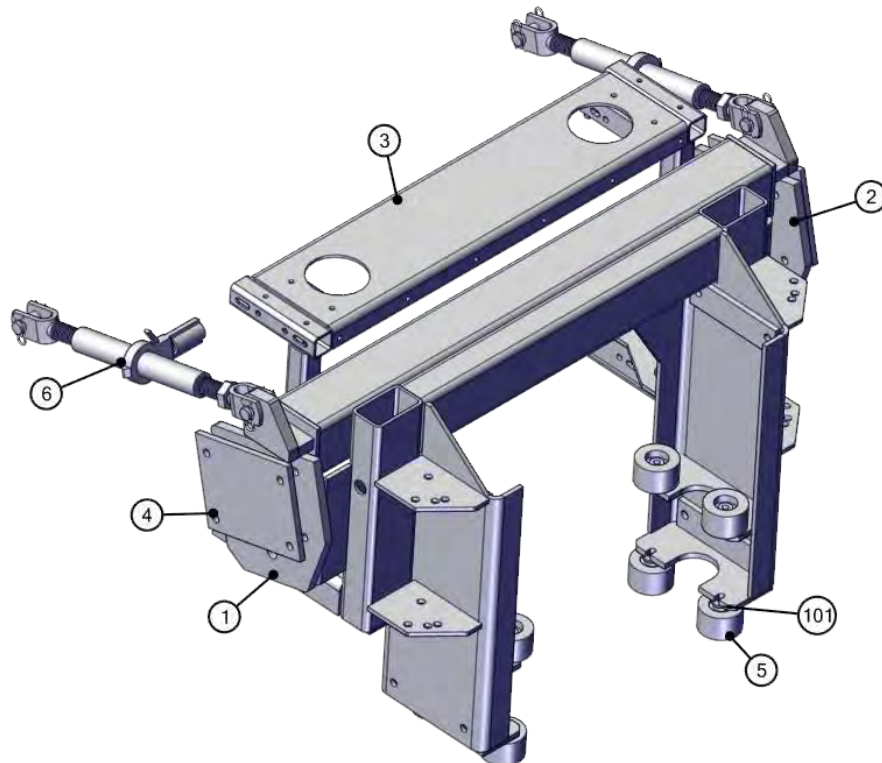
## 11022-01-07 WHEELS & ROCKERS

REF	PART NO.	DESCRIPTION	QTY	WILL FIT SN	REMARKS
1	WHL-8134	Rocker, 18000# Spindles, 290 Harvester, Sorter Side	1		
2	WHL-8133	Rocker, 18000# Spindles, Header side, HC 290	1		
3	PIN-8101	Pin, Rocker, Axle w/ 5/8" Hole	2		
4	WHL-1210	Hub and Spindle Assembly 10 Bolt	4		
5	WHM-8004	Wheel Mounted Tire, 700/40-22.5 331 Tread	4		



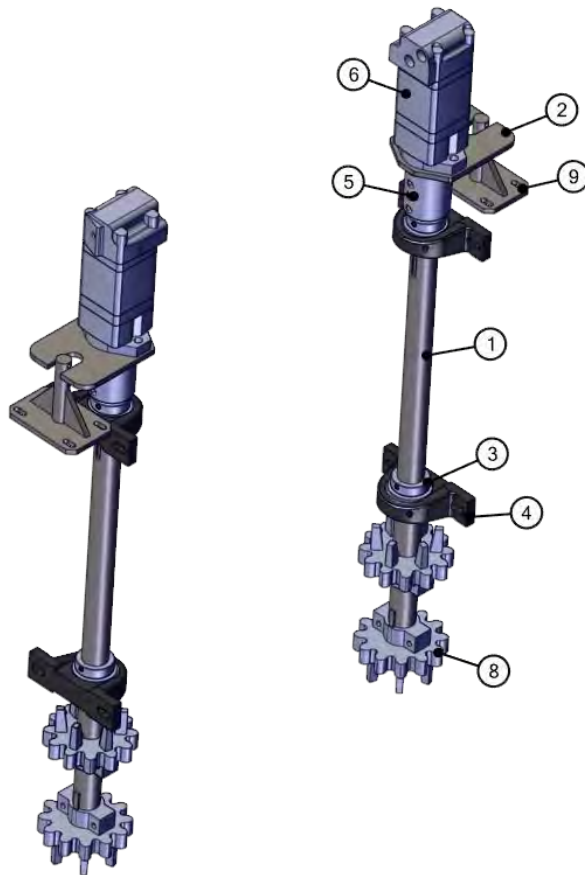
## 11021-02-01 DISK HEADER FRAME

REF	PART NO.	DESCRIPTION	QTY	WILL FIT SN	REMARKS
1	ARM-8205	Arm, Right, Disk Header Frame, HC290	1		
2	ARM-8206	Arm, Left, Disk Header Frame, HC290	1		
3	FRM-8209	Frame, Disk Header, Pick Up Head '11, 290 Tomato	1		
4	ARM-7200	Arm Adjuster, Backing Plates	2		
5	RLT-035-228	Roller 3.5 Dia x 2.2 x 1/2 Bore, No Flange	8		
6	TL-1541	Top Link Ratchet Handle 20-28in.	2		
7	DC-ARROW	Decal, Yellow Direction Arrow	2		
8	DC-1176	Decal, Danger-Hand Chain Sprockets	2		
9	DC-1184	Danger Decal, 3 x 16	1		
100	BL-12-450-HNF	3/4-16 X 4 1/2 HH G8, FINE THREAD	4		
101	BL-8-LN	1/2-13 LN NYLON INSERT ZC	4		



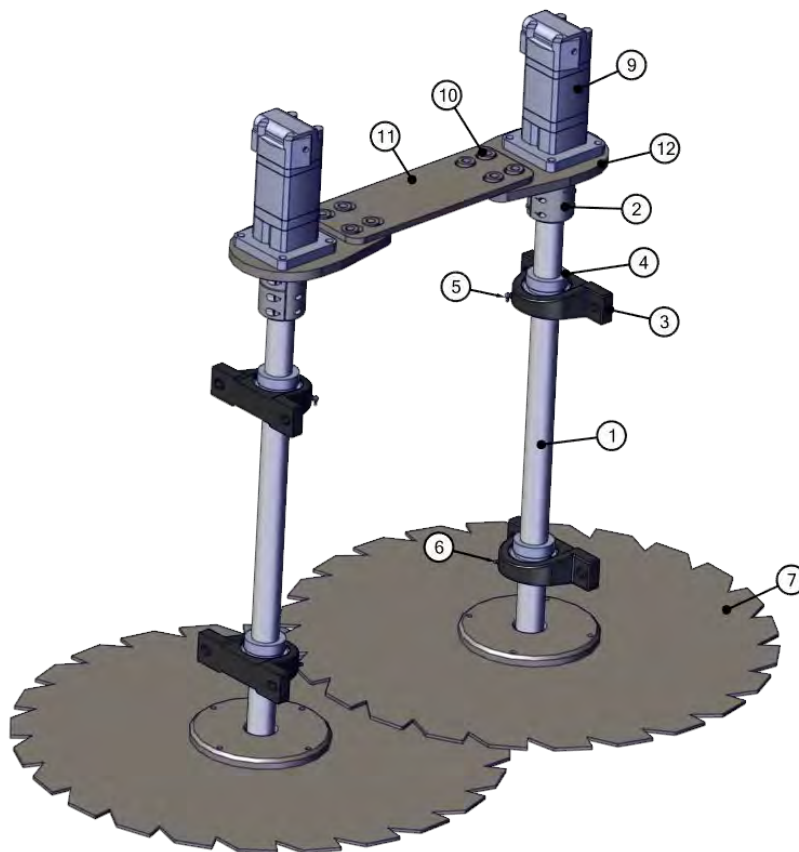
## 11021-02-02 GATHERING CHAIN DRIVE SHAFTS

REF	PART NO.	DESCRIPTION	QTY	WILL FIT SN	REMARKS
1	SFT-8250	Gathering Chain Shaft, Tomato 1-3/4 Shaft	2		
2	STP-1228	Stop, Motor, Arm Mounted, High Tor. Motors	2		
3	BR-175-085	Fafnir Bearing 1 3/4 Tri Seal	4		
4	BR-085-RAK	Bearing Housing 85 mm	4		
5	CPS-2820	Steel Coupler 1 3/4 x 1 1/4 ID with 3/8 Keyway on 1 3/4 ID	2		
6	HM-1420-CH	Char Lynn Motor	2		
7	KEY-5-6-24	Keystock, 5/16 x 3/8 x 1 1/2 Long	4		
8	SP-4510-28-6-H	Sprocket, 10T Drive #4510 1 3/4 Bore Heat Treated	4		
9	ARM-1420	Arm, Short Mount, Motor w/ SAE A Two Bolt Pad	2		
10	GF-1428	Grease Fitting 1/4 x 28 straight	4		
11	SC-28-2	Shaft Collar, 2 piece 1 3/4 bore	2		
100	BL-8-175-H8	1/2 X 1-3/4 HH G8	4		
101	BL-8-LNS	1/2-13 STOVER LN	4		



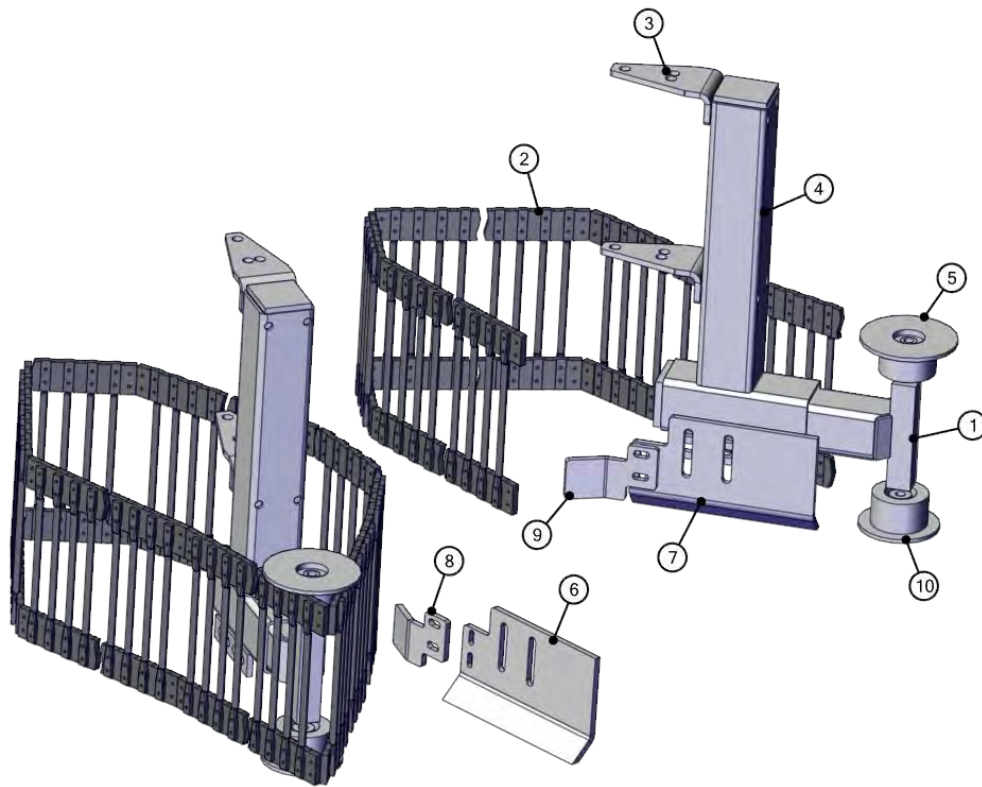
## 11021-02-03 36" DISK DRIVE SHAFTS

REF	PART NO.	DESCRIPTION	QTY	WILL FIT SN	REMARKS
1	191-131	Shaft, Disk	2		
2	CPS-6063	Steel Coupler, 2 x 1.5	2		
3	BR-100-RAK	Bearing Housing 100 mm	4		
4	BR-200-100	2" Fafnir Bearing, Tri-ply	4		
5	GF-1428	Grease Fitting 1/4 x 28 straight	2		
6	GF-1428-90	Grease Fitting 1/4 x 28 90	2		
7	HD-140-06	36" Header Disk	2		
8	KEY-8-8-40	Shaft Key 1/2 x 1/2 x 2 1/2	2		
9	HM-1069-CH	Char Lyn Motor, Direct Drive, Disk Shaft	2		
10	BU-0010	Bushing	8		
11	MOU-1069	Disk Drive Rotation Mount	1		
12	STP-1069	Direct Drive Motor Stop	2		
100	BL-8-FW-8	1/2 FW G8 ZC	8		
101	BL-8-LW	1/2 SPLIT LW ZC	8		
102	BL-8-SW	1/2 SAE FW ZC	8		



## 11021-02-05 GATHERING CHAIN

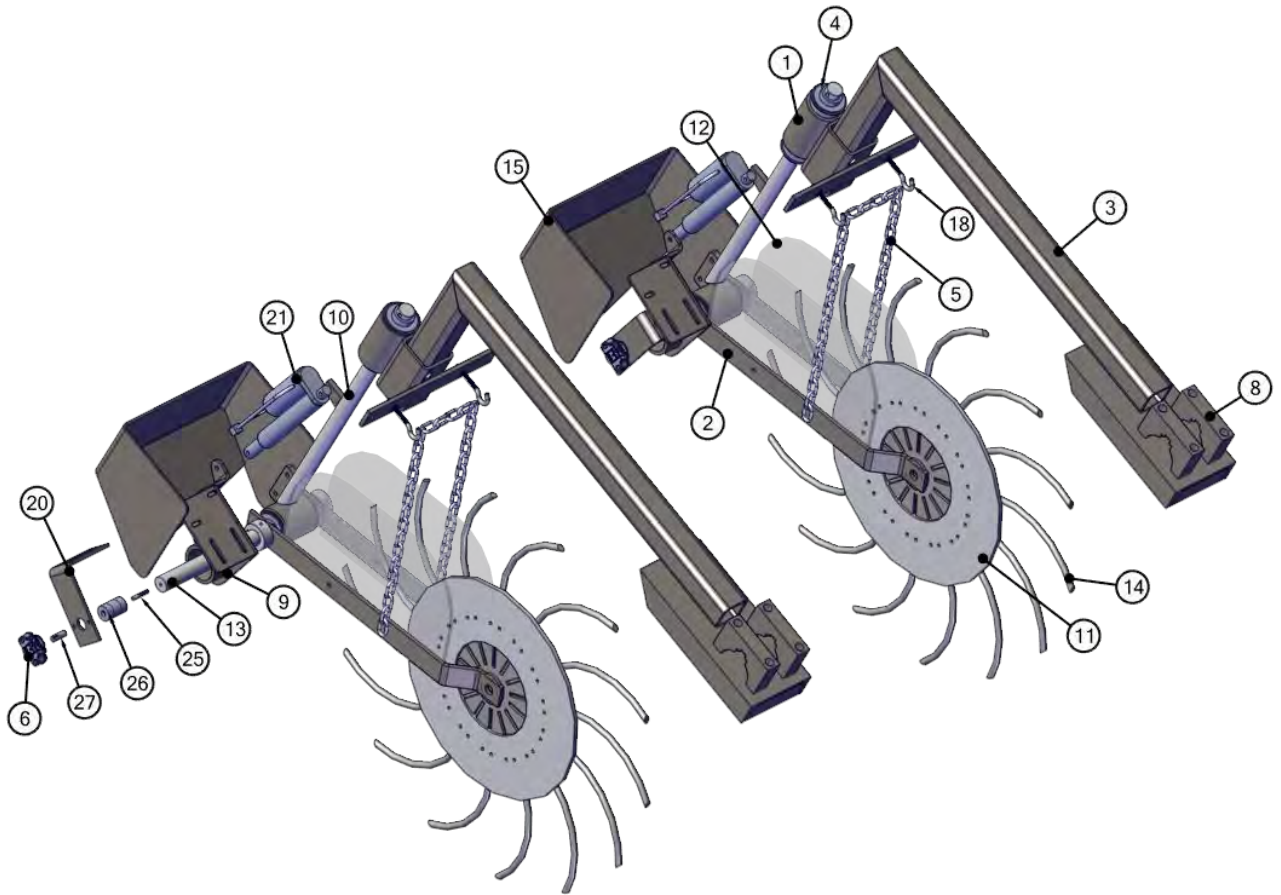
REF	PART NO.	DESCRIPTION	QTY	WILL FIT SN	REMARKS
1	ADJ-155	Adjuster, Nose Tightener, Gathering Chain	2		
2	BC-8-1245-51	Gathering Chain, Heavy Duty	2		
3	BAR-8204	Bar, Gathering Chain Bracket Holder, HC290	4		
4	BRA-8204	Bracket, Gathering Chain, HC290	2		
5	RLT-635-2210-RV	6" Flange Roller 2.2WF 3.5 Dia, 5/8 Bore w/Inverted Spindle	2		
6	SCR-162	Scraper, Upper, Inner, Disk Header	1		
7	SCR-164	Scraper, Upper, Outer, Disk Header	1		
8	SCR-8205	Scraper, Right Side, Hub, HC290	1		
9	SCR-8204	Scraper, Left Side, Hub, HC290	1		
10	RLT-535-2210-RV	5" Flange Roller 2.2 WF 3.5 dia, 5/8 bore w/ Inverted Spindle	2		
100	BL-8-1100-H8	1/2-13 x 11 HEX CAP G8 ZC	2		
102	BL-10-800-T	5/8-11 X 8 HEX TAP G5 Plain	2		
103	BL-10-N	5/8-11 HEX FIN NUTS ZC	2		
800	BC-6-12-ST	3/8 x 12 Belted Chain Rod for 50mm Belt			
801	BC-1032-FS	10-32 x 1 1/4 Bolts Flat Socket Head			
802	BC-BP20-10-T	20mm Backing Plates /10-32 T Nuts			
803	BC-1032-TN	10-32 T-NUT			



## 11021-02-06 HEADER HEIGHT

REF	PART NO.	DESCRIPTION	QTY	WILL FIT SN	REMARKS
1	ADJ-HC99	Adjuster, Wheel Control Height Adj, HHC	2		
2	ARM-HC99R	Arm, Control Wheel, HHC	4		
3	BAR-9023	Bar, AHHC Trailing Wheel Mount	2		
4	BR-100-ER	Bearing, 1" ER	12		
5	CH-3-28	3/16 LINK CHAIN 28 LINKS	4		
6	ELC-1008	Rotary Sensor, Single Output BEI	2		
7	KEY-4-4-12	Shaft Key, 1/4 x 1/4 x 3/4 Square Cut (1018)	4		
8	MOU-103	Mount, Wheel Arm Bar Support, HHC, Cuc & Tom	4		
9	ARM-0070	Switch Mount, HHC	2		
10	MOU-HC03	Mount, Trailing Wheel Arms, HHC, 2003	2		
11	PL-6192	Depth Disk Wheel, 14.375 Dia.	2		
12	PL-HC99	Plastic, Chain Guard Wheel Arm, HHC	4		
13	SFT-HC07	HHC Shaft	2		
14	WHL-HHC-2018	Spider Wheel, Stainless Steel Spider Legs	2		
15	SHD-HC07	HHC Shield, Electronic Switch	2		
16	WT-14	Wire Tie 14 1/4	50		
17	WT-7	Wire Tie 7"	50		
18	SUP-8100	Support, Wheel Hold Up, Header Height, HC290	4		
19	SHD-HC05	Shield made from hose for HHC Hoses, HC 290	2		
20	ARM-1007	Sensor Arm	2		
21	ACT-042B-2	Actuator, Wired For any Length Harness, 08 and Later	2		
22	WT-17H	Heavy Duty Wire Tie 17.5"	12		
23	ELC-1008-C	Wiring Harness For ELC-1008	2		
24	ELC-1006	Valve Driver, PVD3D2R	2		
25	SFT-HC12	Shaft, EHHC Control, Tomato Harvester	2		
26	CPL-1006	Helical Beam Shaft Coupling 1/4x3/8	2		
27	SFT-HC11	Shaft, HHC Control	2		
101	BL-5-N	5/16-18 UNC HEX NUT A563 GrA ZINC	8		
102	BL-16-400-H	1 X 4 HH BOLT ZC G5	4		
103	BL-16-LN	1 LN w/ NYLON INSERTS	4		



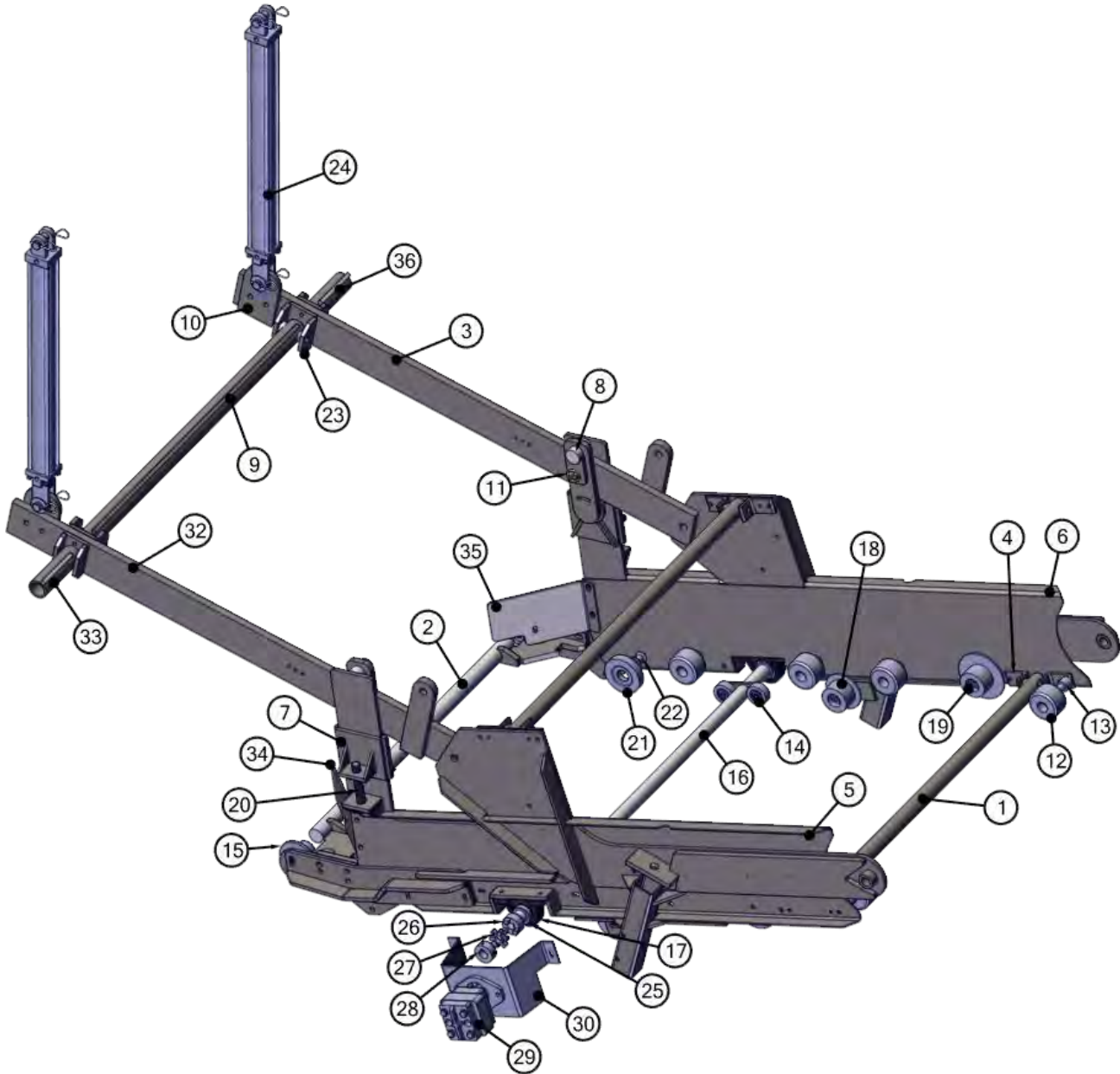


## 11021-03-01.1 PRIMARY HEADER

REF	PART NO.	DESCRIPTION	QTY	WILL FIT SN	REMARKS
1	SUP-8203	Support, Cross Tube, Primary Header, HC290	2		
2	SUP-8204	Support, Mud Pusher, Primary Header, HC290	1		
3	BAR-8200	Bar, Disk Header Mount, High Cap Tomato, Inside	1		
4	BRA-3525	Bracket, Mount Support, Flex. Head	8		
5	FRM-8532	Outer Pim. Header/Vibrator 290	1		
6	FRM-8531	Inside Primary HeaderPanel/ Vibrator 290	1		
7	MOU-8225	Mount, Adjuster, Primary Header, High Cap Tom.	2		
8	PIN-8225	Pin, Adjuster, Primary Header, High Cap Tomato	2		
9	SUP-8205	Cross Tube, Header Control, 290 Tomato Harvester	1		
10	SUP-8202	Support, Cyl Mnt, Disk Header, High Cap Tomato	2		
11	PIN-250L	¼" Lynch Pin	2		
12	RLU-040-2516	Urethane Roller 4" dia x 2.5 w	8		
13	RLA-010-0108	Spindle / Standoff for Urethane Roller (heat treated)	8		
14	RLT-027-108	Roller 2.75 dia. 1/2 Bore	10		
15	RLS-522-2010	Steel Roller, 5" Flange, 2.2 Dia, 2 wide	2		
16	SFT-8301	Vibrator Shaft, Secondary Header, High Cap Tomato	1		
17	BR-085-RAK	Bearing Housing 85 mm	2		
18	RLT-535-228	5" Flange Roller 2.2WF x 3 1/2 dia, 1/2 bore	2		
19	RLT-635-228	6 ½" Flange Roller 2.2 WF 3.5 dia, 1/2 bore	2		
20	ADJ-3550	Adjuster, Quick Attach Header (Pickle)	2		
21	RLT-050-1010	5" Flat Idler Roller 5/8 Bore	2		
22	RLA-000-118	Standoff, 1/2 X 1 1/8	2		
23	MOU-8201	Cross Mount, Header, 290 Tomato Harvester	2		
24	HC-250-3008P	Hydraulic Cylinder 2 1/2 x 30" #8 SAE Ports	2		
25	BR-175-085	Fafnir Bearing 1 ¼ Tri Seal	2		
26	CPR-422-15	Primary Shaker Drive Coupler	1		
27	CPR-422a-15	Primary Shaker Coupler 1" Bore (Motor Side)	1		
28	CPR-422D-15	Coupler, 1-1/4 Bore, 1/4 Key	1		
29	HM-115	Hydraulic Motor	1		
30	BRA-8113	Bracket Motor Mount, Dirt Vibrator, HC290	1		
31	GF-1428	Grease Fitting 1/4 x 28 straight	2		
32	BAR-8201	Bar, Disk Header Mount, High Cap. Tomato, Outside	1		
33	BAR-8003	HHC Mount, Outside Header 290 Harvester	1		
34	SHD-8779	Shield, LH	1		
35	SHD-8780	Shield, RH	1		
36	BAR-8005	HHC Mount, Inside Header 290 Harvester	1		
101	BL-16-N	1-8 NUT	8		

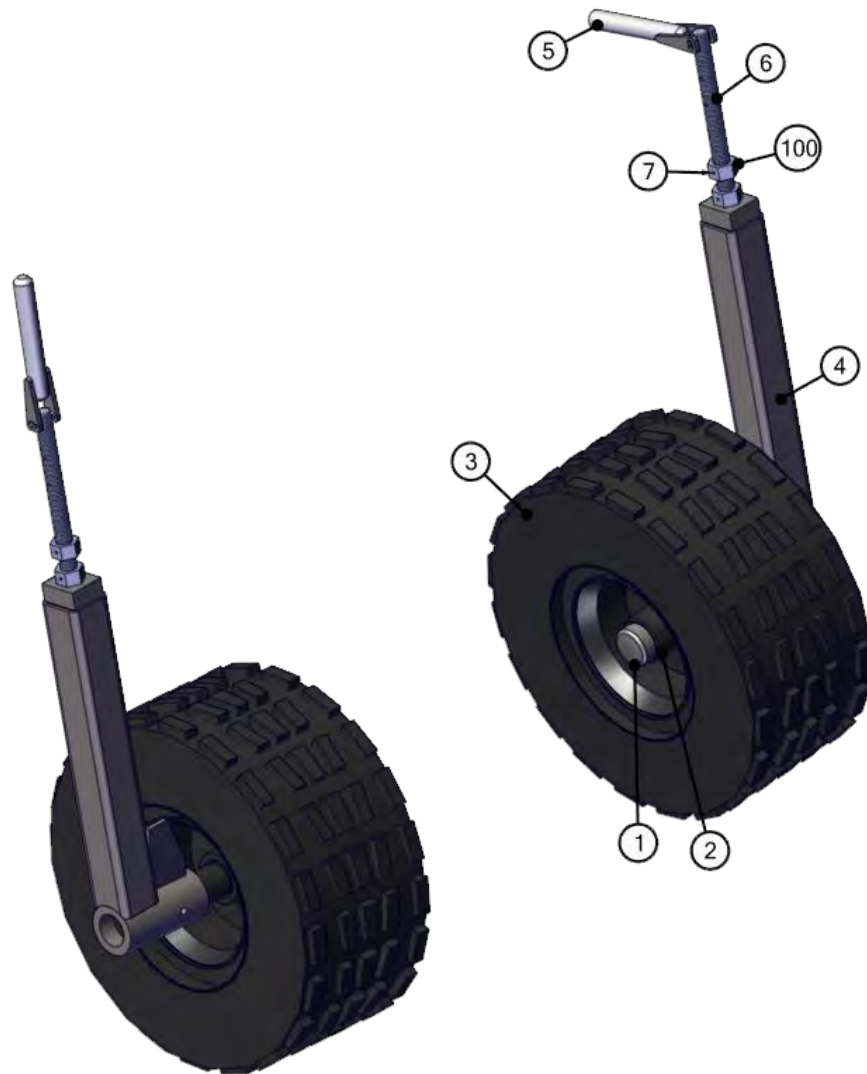
# 11021-03-01.1 PRIMARY HEADER

REF	PART NO.	DESCRIPTION	QTY	WILL FIT SN	REMARKS
601	HV-FL1230	Flow Control Valve, 30 GPM with #12 SAE Port	1		
602	A-1501-8-8	1/2 MP x 1/2 FPX90°	1		
603	A-1603-8-8-8	Swivel T 1/2" NPTF	2		
604	A-6401-10-8	10 SAE x 1/2 MPT Male	2		
605	A-6901-10-8	10 SAE x 1/2 FPX90°, Forged	2		
606	A-6901-12-8	12 SAE x 1/2" FPX 90°, Forged	2		
801	HM-2100-SK	Shaft Seal & Gasket Kit for Permco Motor, M2100 Series			
802	HM-2100-BRG	Bearing for Permco Motor, M2100 Series			



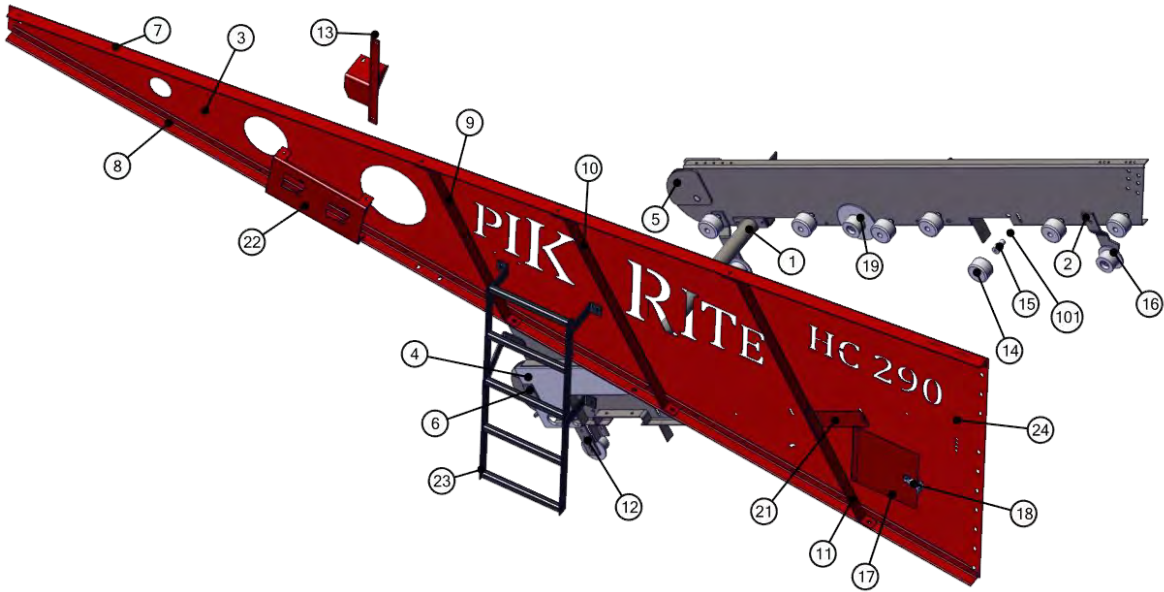
## 11021-03-02 GAUGE WHEEL

REF	PART NO.	DESCRIPTION	QTY	WILL FIT SN	REMARKS
1	WHL-179	Bearing Protector @ Pair	1		
2	WHL-8200	Gauge Wheel Spindle & Hub	2		
3	WHL-8001	High Capacity Tomato Gauge/Stabilizer Wheel Hub & Tire	2		
4	WHL-6136	Gauge Wheel, Inner Sliding Tube	2		
5	ADJ-8202	Adjuster, Handle, Gauge Wheel, HC290 Tomato	2		
6	ADJ-8203	Threaded Rod W/ Holes, Gauge Wheel, HC290	2		
7	PIN-3-20	Roll Pin 3/16 x 1-1/4 Stainless Steel	4		
100	BL-14-N-HOLE	Nut W/ Holes, Disk Header	4		
101	BL-4-FW	1/4 USS FW ZC	4		
102	BL-4-LN	1/4-20 HEX LN NE ZC	2		
103	BL-4-200-H	1/4-20 X 2 HH C/S G5 ZC	2		



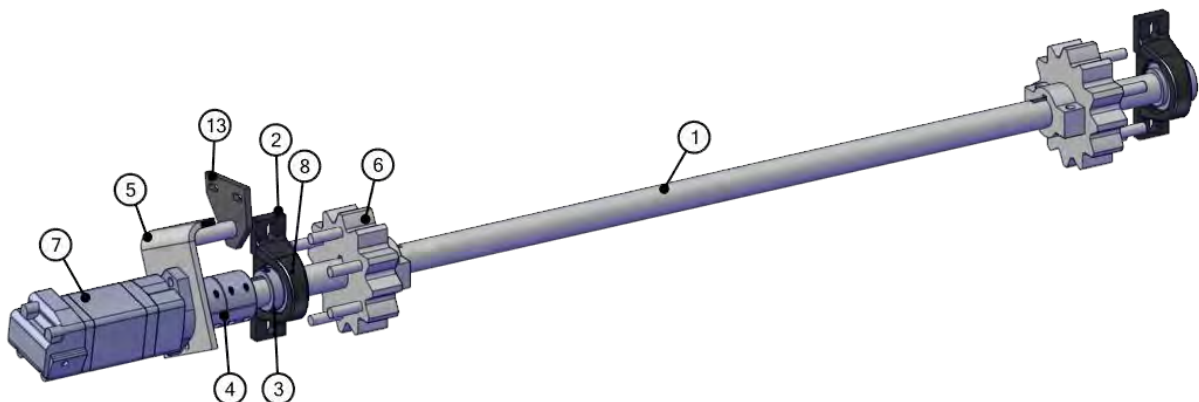
# 11022-03-03 SECONDARY HEADER

REF	PART NO.	DESCRIPTION	QTY	WILL FIT SN	REMARKS
1	BAR-8301	Bar, Cross, Secondary Header, HC290 Tomato	1		
2	BRA-8305	Roller Bracket, Elevation, 290 Tomato	1		
3	PAN-8306	Outside Panel, Front	1		
4	PAN-8305	Secondary Header Panel, Outside, HC290	1		
5	SID-8162	Secondary Header, HC290 Tomato	1		
6	PIN-8300	Pin, Secondary Header, High Cap. Tomato	2		
7	SUP-8300	Support, Top Angle, Header Panel, HC290	1		
8	SUP-8301	Support, Bottom Angle, Header Panel, HC290	1		
9	SUP-8302	Support, Front, Header Panel, HC290	1		
10	SUP-8303	Support, Middle, Header Panel, HC290	1		
11	SUP-8304	Support, Rear, Header Panel, HC290	1		
12	BRA-8400	Bracket, Hold Up Rollers	2		
13	SUP-8251	Support, Oil Cooler & Compressor Mount	1		
14	RLU-040-2516	Urethane Roller 4' dia x 2.5' w	13		
15	RLA-010-0108	Spindle / Standoff for Urethane Roller (heat treated)	13		
16	RLT-535-228	5' Flange Roller 2.2WF x 3 1/2' dia, 1/2' bore	6		
17	SHD-8303	Access Door, Header Side Panel, 290 Machine	1		
18	LA-703	Large Rubber T Latch Assembly	1		
19	RLT-835-228	8' Flange Roller 2.2 WF 3.5 dia, 1/2' Bore	2		
20	DC-1174	Decal, Danger Keep Hands and Feet Away	2		
21	SHD-8007	Shield Vibrator Cover	1		
22	PAN-9127	Flow Control Panel, Modular Flow	1		
23	STD-8405	Ladder, Compressor Access	1		
24	PAN-8307	Outside Panel, Rear	1		
101	BL-6-FW	3/8 USS FW ZC	65		



## 11021-03-04 HEADER DRIVE SHAFT

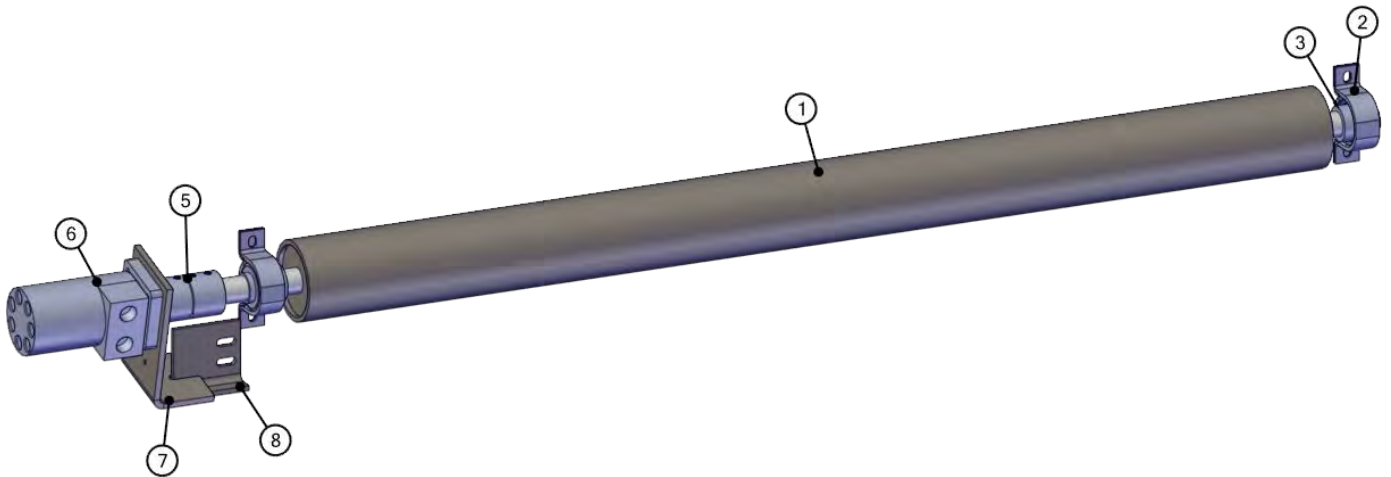
REF	PART NO.	DESCRIPTION	QTY	WILL FIT SN	REMARKS
1	SFT-8410	Header Drive Shaft	1		
2	BR-085-RAK	Bearing Housing 85 mm	2		
3	BR-175-085	Fafnir Bearing 1 3/4 Tri Seal	2		
4	CPS-2820	Steel Coupler 1 3/4" x 1 1/4" ID with 3/8" Keyway on 1 3/4" ID	1		
5	MOU-1228	Mount, Motor, SAE A Two Bolt, Disk Header	1		
6	SP-4212-28-6-Hx2	4212 Heat Treated Sprocket 2" wide	2		
7	HM-1420-CH	Char Lynn Motor	1		
8	GF-1428	Grease Fitting 1/4" x 28 straight	2		
9	KEY-5-5-20	Shaft Key 5/16" sq x 1 1/4" Square Cut (1018)	1		
10	KEY-6-6-16	Shaft Key, 3/8" x 3/8" x 1"	1		
11	KEY-6-6-24	Keystock 3/8" x 3/8" x 1 1/2" Square Cut (1018)	2		
12	BC-7-5342-254-3	3" Belt Header Chain	1		
13	194-109A	Disk Motor Stop	1		
800	BC-8-53-75-ST	1/2 x 53 Rivet Rod for 75mm Belting			
801	RI-25-BC	25mm Belted Chain Rivets			
802	BC-BP32	Belt, Rivet Backing Plates 32mm			
803	BC-7-53-75-CN	Connecting Rod, 11mmx 53" Wide Belted Chain, 75mm Belting			
804	BC-3525	Snap Ring, 11mm.			
805	BC-F-42-32-F	42-32 Female Connecting Clip			
805	BC-F-42-32-M	42-32 Male Connecting Clip			
806	BC-1032-FS	10-32 x 1 1/4" Bolts Flat Socket Head			
807	BC-1032-LN	10-32 LN			
810	HM-103-SK	Seal Kit for Char-Lynn Motor			





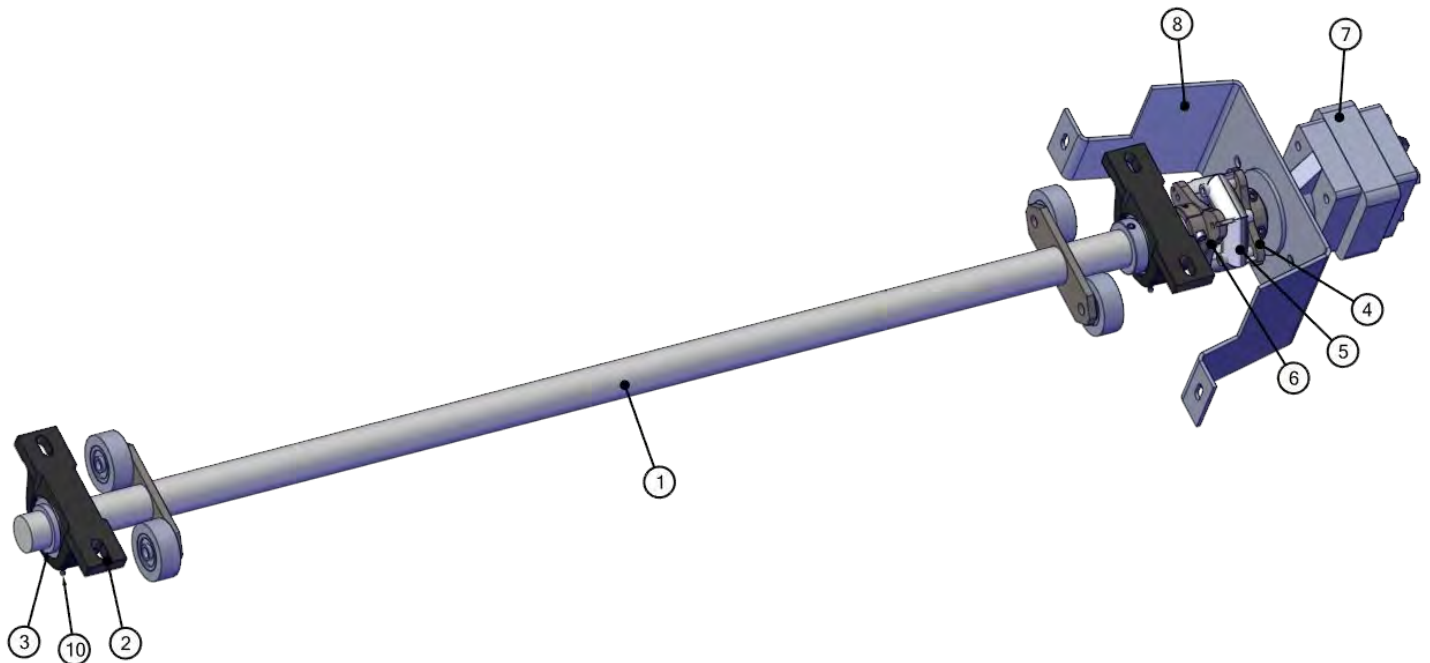
## 11021-03-05 HEADER RETURN ROLLER

REF	PART NO.	DESCRIPTION	QTY	WILL FIT SN	REMARKS
1	SFT-8411	Shaft, Header Return Roller	1		
2	BR-062-MPB	Stamped Bearing Housing for 1 1/4" bearing	2		
3	BR-125-062	Bearing, 1 1/4 Fafnir Tri-Seal, 62mm OD	2		
4	KEY-4-4-20	Shaft Key 1/4" x 1/4" x 1 1/4"	1		
5	CPS-6060	Steel Coupler (off center) 1 1/4" x 1"	1		
6	HM-204-TC	TCI Motor	1		
7	193-806	Mount Motor	1		
8	193-806a	Motor Mount Stop	1		



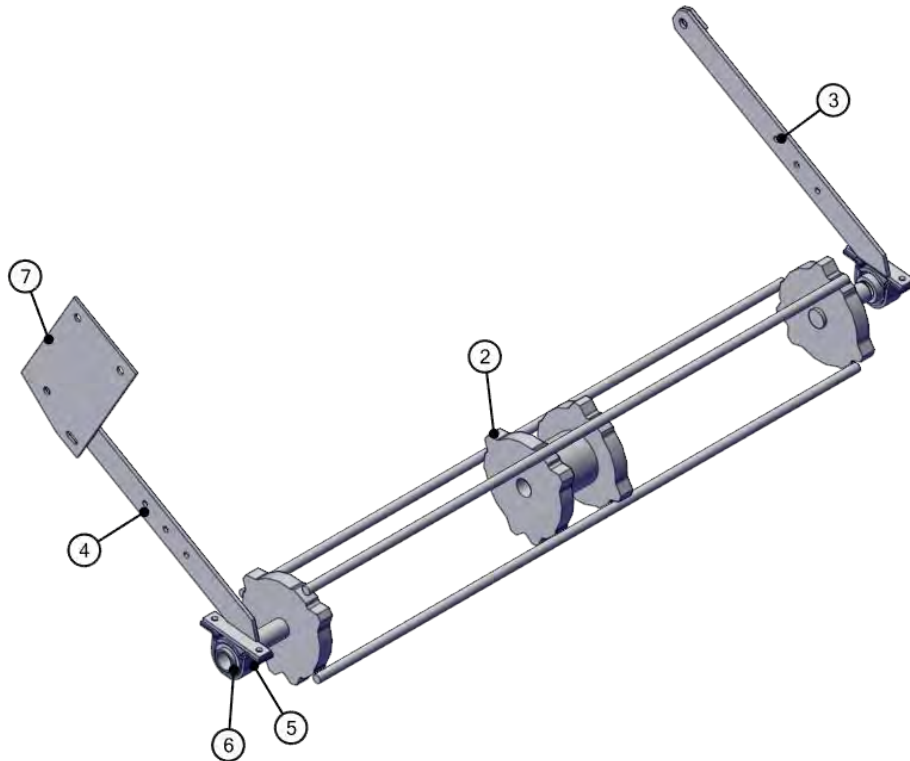
## 11021-03-06 HEADER DIRT VIBRATOR

REF	PART NO.	DESCRIPTION	QTY	WILL FIT SN	REMARKS
1	SFT-8301	Vibrator Shaft, Secondary Header, High Cap Tomato	1		
2	BR-085-RAK	Bearing Housing 85 mm	2		
3	BR-175-085	Fafnir Bearing 1 3/4 Tri Seal	2		
4	CPR-422a-15	Primary Shaker Coupler 1" Bore (Motor Side)	1		
5	CPR-422D-15	Coupler, 1-1/4" Bore, 1/4" Key	1		
6	CPR-422-15	Primary Shaker Drive Coupler	1		
7	HM-115	Hydraulic Motor	1		
8	BRA-8113	Bracket Motor Mount, Dirt Vibrator, HC290	1		
9	RLT-027-108	Roller 2.75" dia. 1/2" Bore	4		
10	GF-1428	Grease Fitting 1/4" x 28 straight	2		
11	SHD-8027	Coupler Shield, Header Vibrators	4		
801	HM-2100-SK	Shaft Seal & Gasket Kit for Permco Motor, M2100 Series			
802	HM-2100-BRG	Bearing for Permco Motor, M2100 Series			



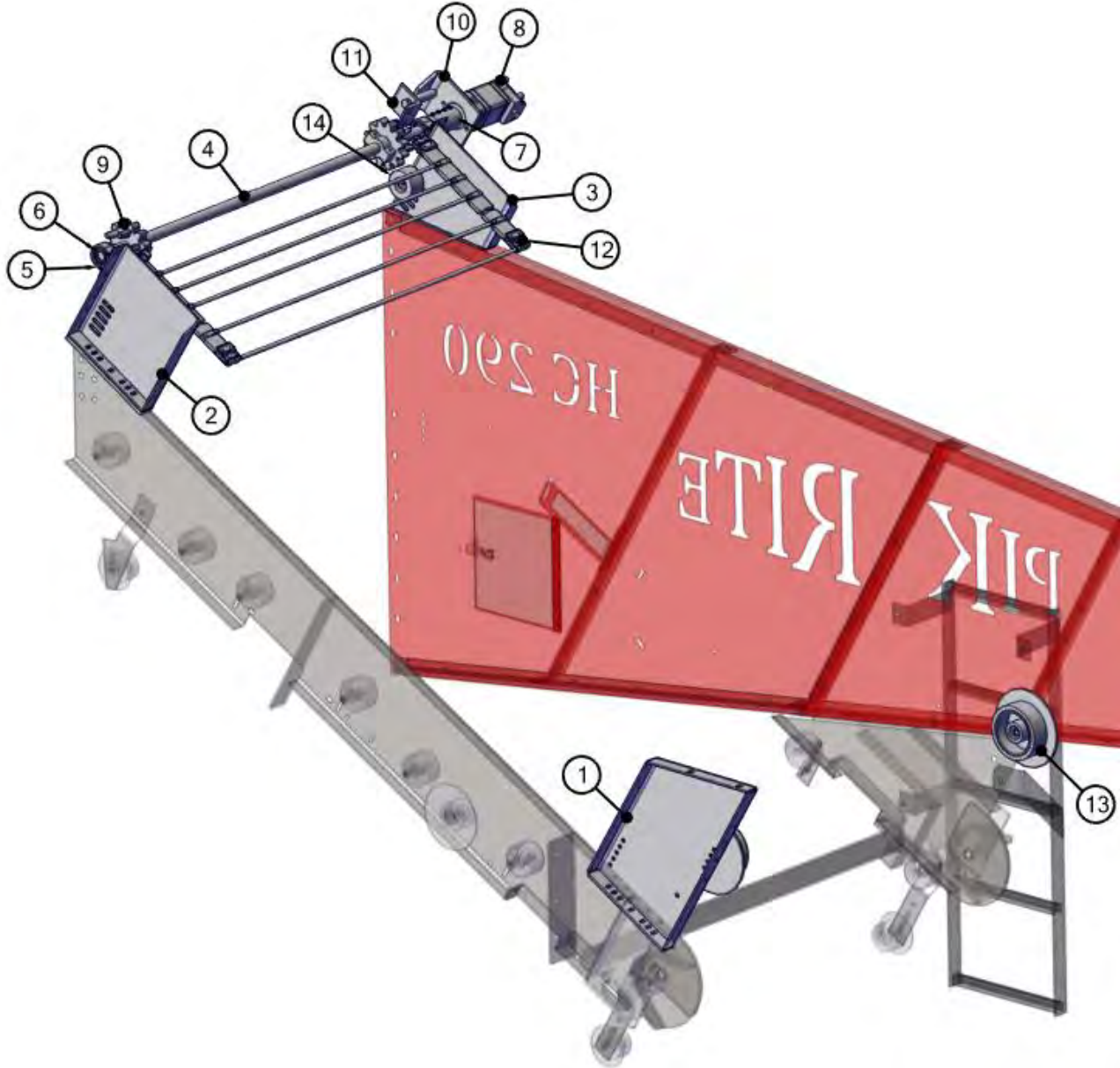
## 11021-03-07 HEADER BAR CLEANER

REF	PART NO.	DESCRIPTION	QTY	WILL FIT SN	REMARKS
1	BAR-5336	Bar, 53" Belted Chain Rod Cleaner, HC290	0		
2	BAR-8307	Bar Cleaner	1		
3	192-362A	Chain Cleaner Bar (Left)	1		
4	192-362B	Chain Cleaner Bar (Right)	1		
5	BR-062-MPB	Stamped Bearing Housing for 1 1/4" bearing	2		
6	BR-125-062	Bearing, 1 1/4 Fafnir Tri-Seal, 62mm OD	2		
7	192-163	Cleaner Bar Bracket	1		



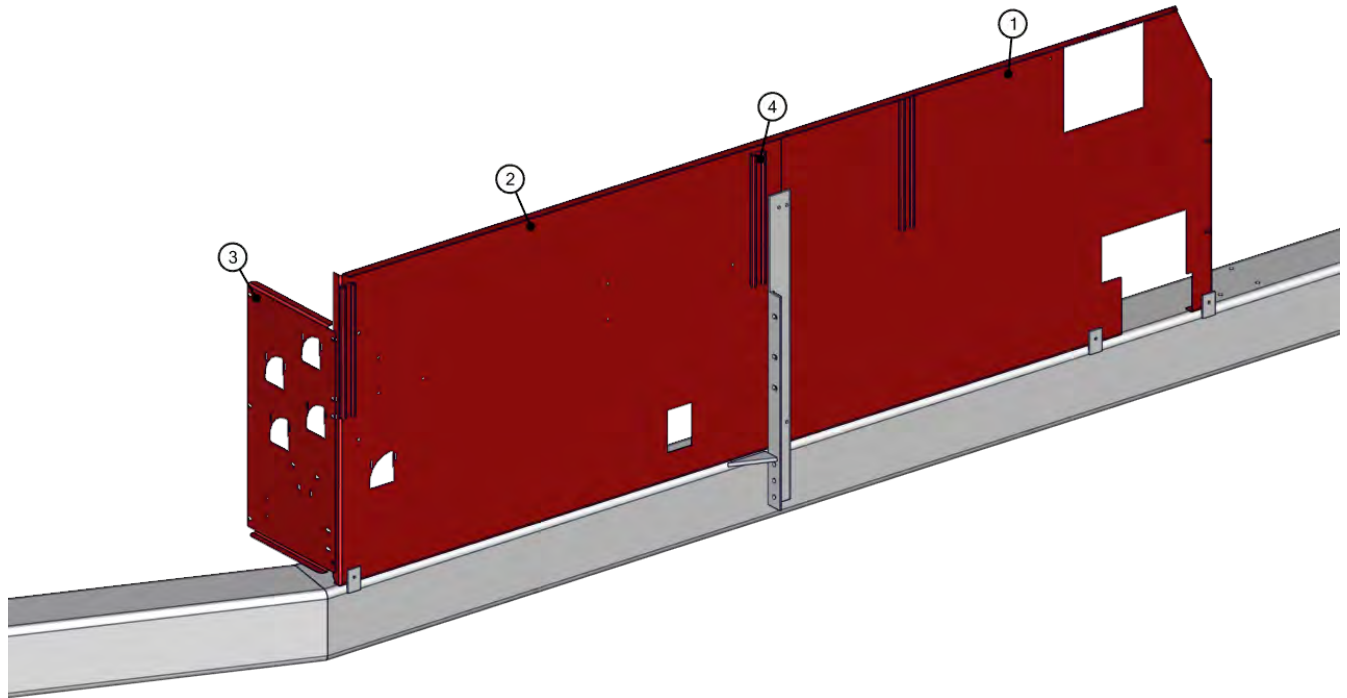
## 11021-03-08 HEADER VINE ASSIST

REF	PART NO.	DESCRIPTION	QTY	WILL FIT SN	REMARKS
1	PAN-1112	Vine Assist Panel, HC290	1		
2	PAN-1107	Panel, Weldment, Inner Rear, Vine Assist	1		
3	PAN-8302	Panel Outer Rear, Vine Assist, High Cap. Tomato	1		
4	SFT-8303	Shaft, Drive, Vine Assist, HC290	1		
5	BR-062-MPB	Stamped Bearing Housing for 1 1/4" bearing	2		
6	BR-125-062	Bearing, 1 1/4 Fafnir Tri-Seal, 62mm OD	2		
7	CPS-6057	Coupler, Solid, 1.25", Cucumber & Tomato	1		
8	HM-1228-TC	TCI Motor	1		
9	SPU-3610-20-4	Sprocket 36-10 1 1/4 bore 1/4" key urethane	2		
10	MOU-1228	Mount, Motor, SAE A Two Bolt, Disk Header	1		
11	BRA-1104	Bracket, Motor Mount, Vine Assist	1		
12	BC-6-5372-118	Belted Chain, Long Vine Assist Chain, 290 Harvester	1		
13	RLT-965-2212	9.5" Flange Roller 6.5 WF 2.2 WW 3/4 bore, 3 brng.	2		
14	RLT-035-228	Roller 3.5 Dia x 2.2 x 1/2" Bore, No Flange	2		
15	SPA-1107	Spacer, Vine Assist 290	1		
800	BC-7-53-ST	7/16" x 53 Rivet Rod For Belted Chain			
801	RI-19-BC	19mm Belted Chain Rivets			
802	BC-BP32	Belt, Rivet Backing Plates 32mm			
803	BC-F-60SP	60mm Connecting Pin, Smooth w/ Grooves for Grip Clip			
804	BC-3525	Snap Ring, 11mm.			
805	BC-F-36-32-UG	Ultra Gold F Connecting Clips 36-32 @ pair			
806	BC-1032-FS	10-32 x 1 1/4" Bolts Flat Socket Head			
807	BC-1032-LN	10-32 LN			
808	KEY-5-5-20	Shaft Key 5/16" sq x 1 1/4" Square Cut (1018)			
810	HM-103-SK	Seal Kit for Char-Lynn Motor			



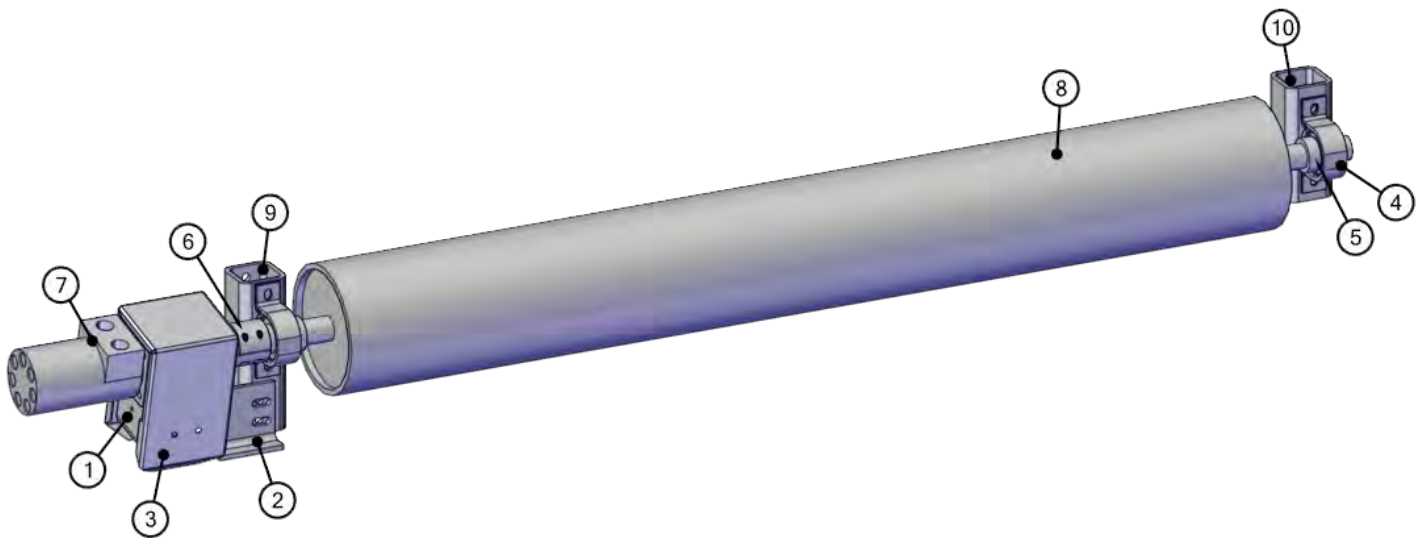
## 11021-03-09 HEADER DUST SHIELD

REF	PART NO.	DESCRIPTION	QTY	WILL FIT SN	REMARKS
1	PAN-8106	Panel, Back Header, Dust Shield, '04, HC290	1		
2	PAN-8105	Inside, Front Header Dust Shield	1		
3	PAN-8201	Panel, Flow Controls, Front Entry, HC 290	1		
4	HA-8400	Hose Holder, Shaker Weight Box, 290	3		



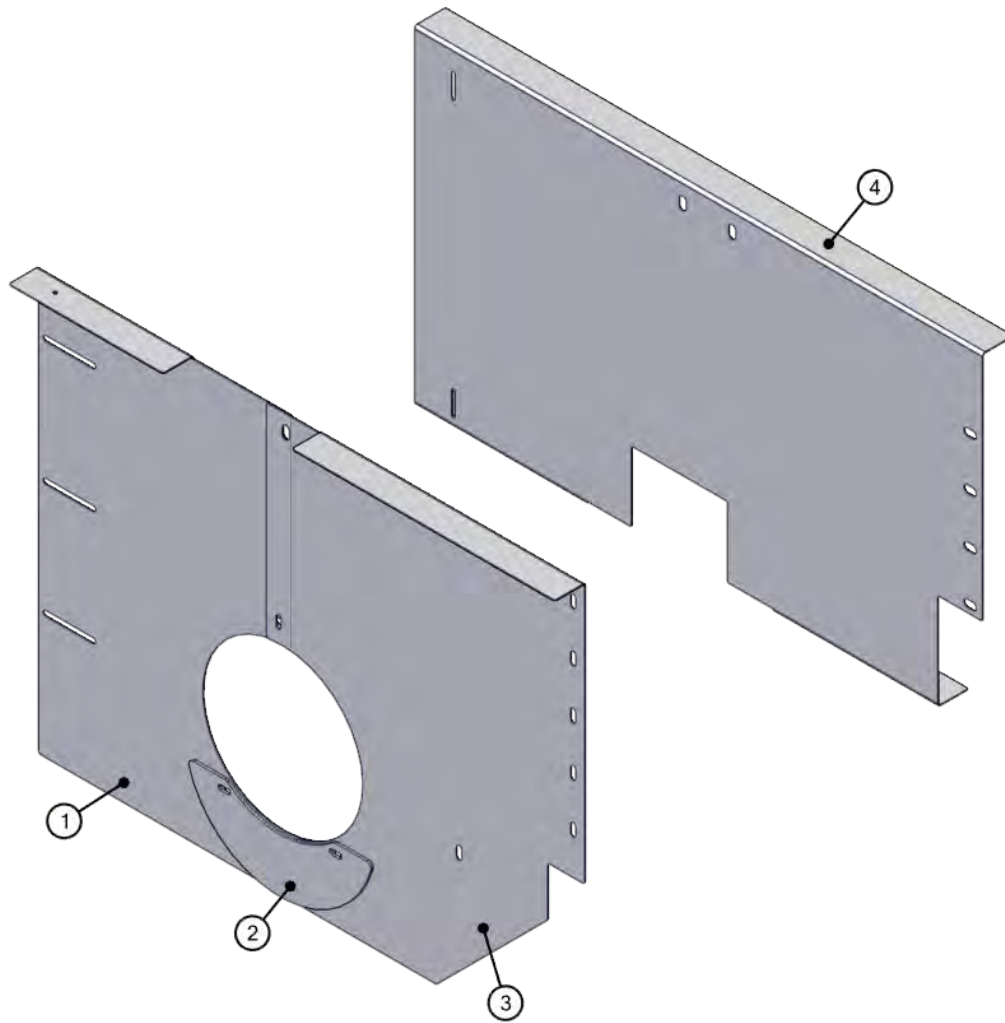
## 11021-03-12 PREROLLER AT TRANSFER

REF	PART NO.	DESCRIPTION	QTY	WILL FIT SN	REMARKS
1	193-806	Mount Motor	1		
2	193-806A	Motor Mount Stop	1		
3	193-806C	Motor Guard	1		
4	BR-062-MPB	Stamped Bearing Housing for 1 1/4" bearing	2		
5	BR-125-062	Bearing, 1 1/4 Fafnir Tri-Seal, 62mm OD	2		
6	CPS-6060	Steel Coupler (off center) 1 1/4" x 1"	1		
7	HM-204-TC	TCI Motor	1		
8	SFT-8409	Transfer Roller, 6" Diameter	1		
9	SPA-0079	Spacer, Outer Bearing Mount	1		
10	SPA-0080	Spacer, Inner Bearing Mount	1		



## 11022-04-01 PRIMARY SHAKER FRAME PANELS

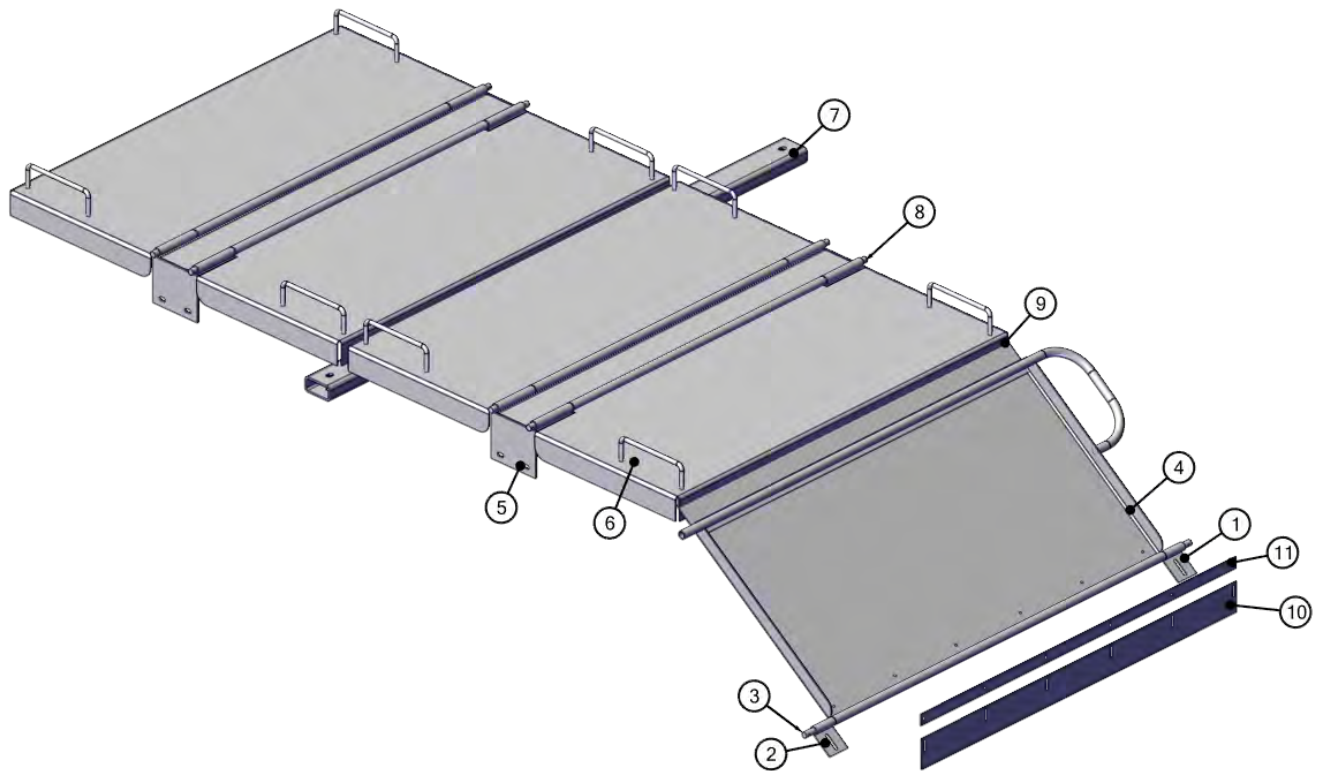
REF	PART NO.	DESCRIPTION	QTY	WILL FIT SN	REMARKS
1	PAN-8406	Panel, Inside Rear, Shaker, HC290	1		
2	PAN-8415	Panel, Inside, Shaker Chamber, HC290 Tomato	1		
3	PAN-8416	Panel, Inside	1		
4	PAN-8417	Panel, Outside	1		





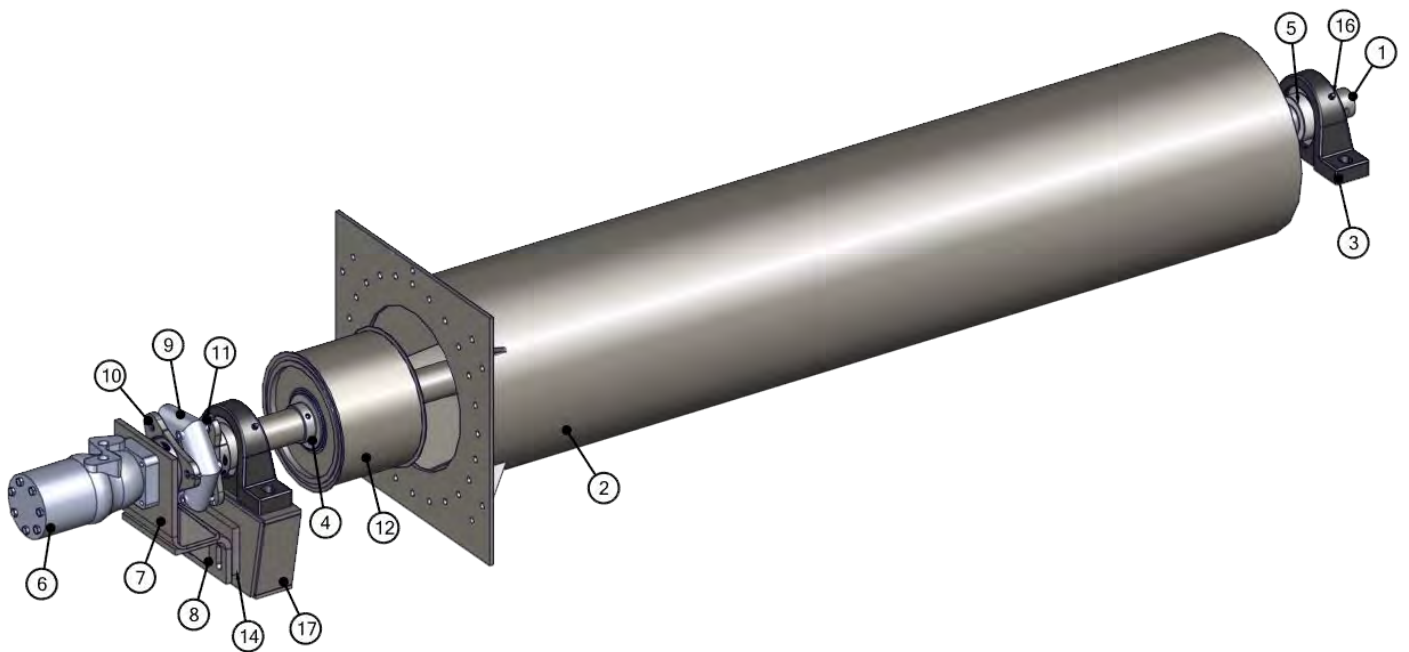
## 11022-04-02 PRIMARY & SECONDARY SHAKER COVERS

REF	PART NO.	DESCRIPTION	QTY	WILL FIT SN	REMARKS
1	MOU-2020	Mouting Plate, Shaker Shield, HC290	1		
2	MOU-2021	Mounting Plate, Shaker Shield, HC290	1		
3	SFT-2020	Shaft, Shaker Shield, HC290	1		
4	SHD-2020	Shaker Shield, HC290	1		
5	SHD-2032	Hinge Tube, Shaker Covers	2		
6	SHD-2033	Cover, Shakers	4		
7	SHD-2034	Crossmember, Shaker Covers	1		
8	SFT-2021	Hinge Shaft, Top Doors, Shaker Cover, 290 Tomato Harvester	4		
9	PL-8515	Shield, Plastic Rear Shaker Hood	1		
10	BT-2021	Belting, Shaker Shields, HC290	1		
11	BAR-2026	Backing Bar, Shaker, HC290 Harvester	1		



## 11021-04-03 PRIMARY SHAKER DRUM

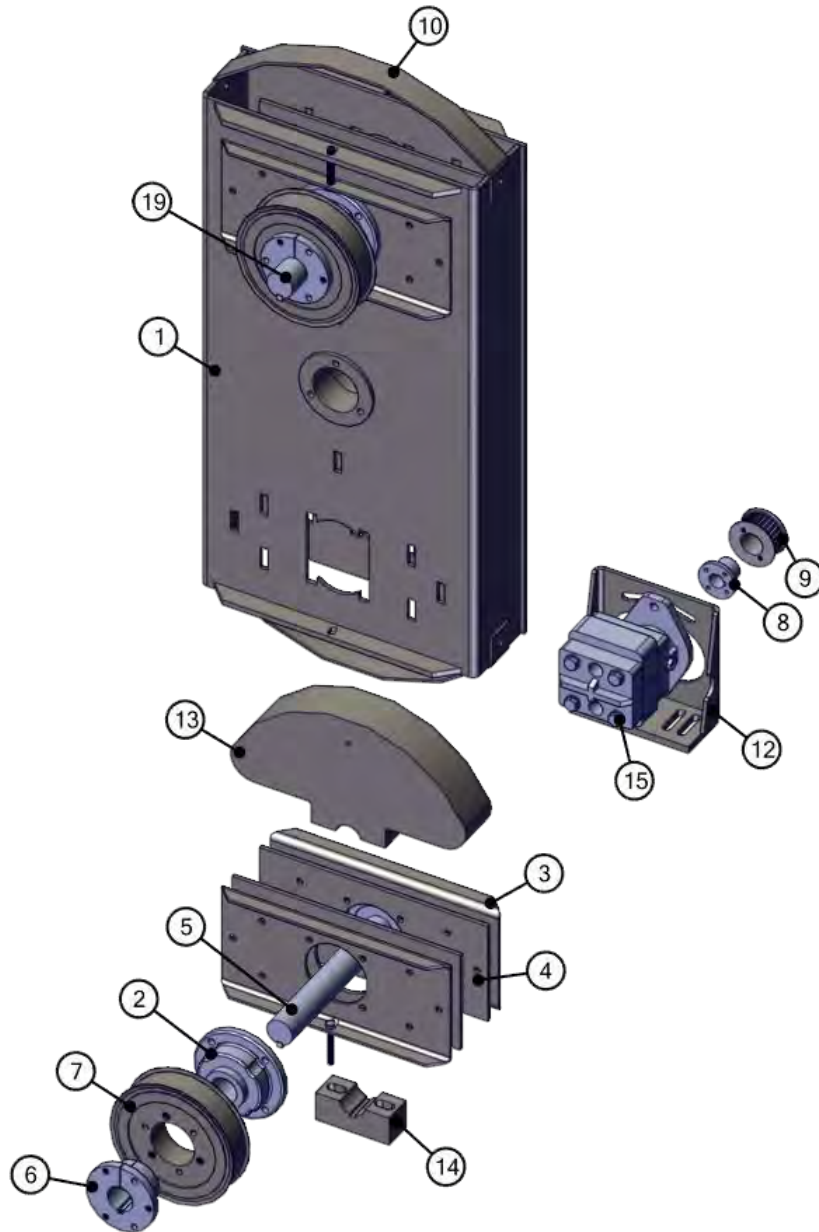
REF	PART NO.	DESCRIPTION	QTY	WILL FIT SN	REMARKS
1	SFT-8407	2" Shaker Shaft, Primary & Secondary, 290 Tomato	1		
2	SHA-8400	290 Shaker Tube	1		
3	BR-100-RAK	Bearing Housing 100 mm	2		
4	BR-200-ER	Bearings, 2" ER	2		
5	BR-175-100	Heavy Duty 1 3/4" Bearing	2		
6	HM-103-TC	TCI Motor	1		
7	MOU-8401	Mount, Shaker Rotation Secondary, HC290	1		
8	194-416A	Mount, Shaker Rotation Motor	1		
9	CPR-422-18	Lovejoy Donut w/ Hardware	1		
10	CPR-422C-18	Coupler, Shaker Side, 1 3/4" Bore	1		
11	CPR-422D-18	Coupler, Shaker, Motor Side, 1" Shaft	1		
12	PU-80-8M-525-2	Pulley, 2 & 2-3/16 Sfts., 5-1/2 Wide for Panther Belts	1		
13	SP-SK-2	Bushing, SK x 2"	2		
14	SPA-8401	Spacer, Rotation Mount, Pri Sha, HC290	1		
15	KEY-8-8-24	Keystock 1/2 x 1/2 x 1 1/2	1		
16	GF-1428	Grease Fitting 1/4" x 28 straight	2		
17	MOU-8008	Mount, 2010 290 Tomato Harvester	1		
100	BL-6-100-H-8	3/8-16 X 1 HEX CAP G8 ZC	4		
101	BL-5-025-SCF	5/16-24 x 1/4" Knurled Point Set Screw	2		
800	HM-103-SK	Seal Kit for Char-Lynn Motor			
801	KEY-4-4-15	Shaft Key 1/4" X 1/4" X 15/16" Woodruff Key			



## 11022-04-04 PRIMARY SHAKER WEIGHT & BOX

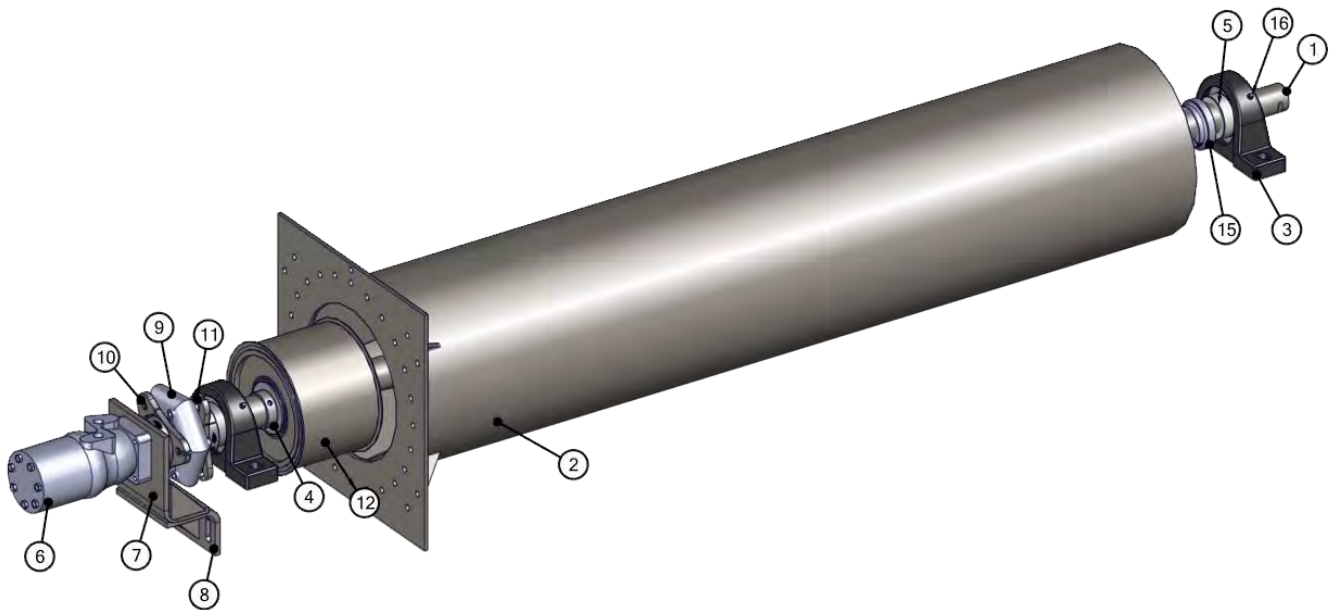
REF	PART NO.	DESCRIPTION	QTY	WILL FIT SN	REMARKS
1	SHA-8503	Shaker, Weight Box, Primary, SF Bushing	2		
2	BR-PFB-175	Round Piloted Flange with Spherical Roller Bearing, 1 3/4"	8		
3	MOU-096	Shaker Bearing Mount, QM Style	8		
4	MOU-095	Shaker Bearing Mount, Backing Plate, QM Style	8		
5	SFT-098	Shaft	2		
6	PU-SF-28	Bushing, SF x 1 3/4"	4		
7	PU-80-8PTH-35-SF	Primary Weight Pulley, 35mm Wide, Panther Style	4		
8	PU-QT-16	QT Bushing 1" bore 1/4" key	2		
9	PU-28-8PTH-35-QT	Panther Sprocket, 8mm Pitch, 28 Tooth, 35mm Wide	2		
10	193-403	Shaker, Weight Guards	4		
11	BT-1280-8M-35E	Shaker Drive Belt, Eliminator Series, 1280MM	6		
12	MOU-9022	Mount, Shaker Weight Motor	2		
13	WGT-402	Weight, Primary Shaker	4		
14	WGT-402C	Cap, Primary & Secondary Shaker Weight	4		
15	HM-412-1	Hydraulic Motor, 1" Shaft	2		
16	GF-1428	Grease Fitting 1/4" x 28 straight	8		
17	KEY-6-6-24	Keystock 3/8" x 3/8" x 1 1/2" Square Cut (1018)	8		
18	SP-SF-2	Bushing, SF x 2"	2		
19	SFT-113	Upper Shaft, Weight Bearings	2		
100	BL-6-275-ST	3/8-16 X 2-3/4 STUD, FULL THREAD	4		
101	BL-6-N	3/8-16 HEX NUT ZC	16		
102	BL-7-150-H8-UNF	7/16-20 X 1-1/2 HH G8 Fine Thread	96		
103	BL-8-FW-8	1/2 FW G8 ZC	320		
104	BL-7-LNF	7/16" - 20 Nylock, Fine Thread, Grade 8	160		
105	BL-10-375-8	5/8-11 X 3-3/4 HH CAP G8 ZC	4		
106	BL-10-LW	5/8 SPLIT LW ZC	4		
107	BL-10-FW-8	5/8 FW G8	4		
108	BL-7-200-H8-UNF	7/16-20 X 2 HH G8 Fine Thread	64		
800	HM-412B	Key for Hydraulic Motor -Shaker Weight-Vibrator			
801	HM-2100-SK	Shaft Seal & Gasket Kit for Permco Motor, M2100 Series			
802	HM-2100-BRG	Bearing for Permco Motor, M2100 Series			
804	HM-1801	Seal Kit for Commercial Intertech			
805	PU-JA-14B	Bolt for PU-JA-14 (3 @ pkg)			

# 11022-04-04 PRIMARY SHAKER WEIGHT & BOX



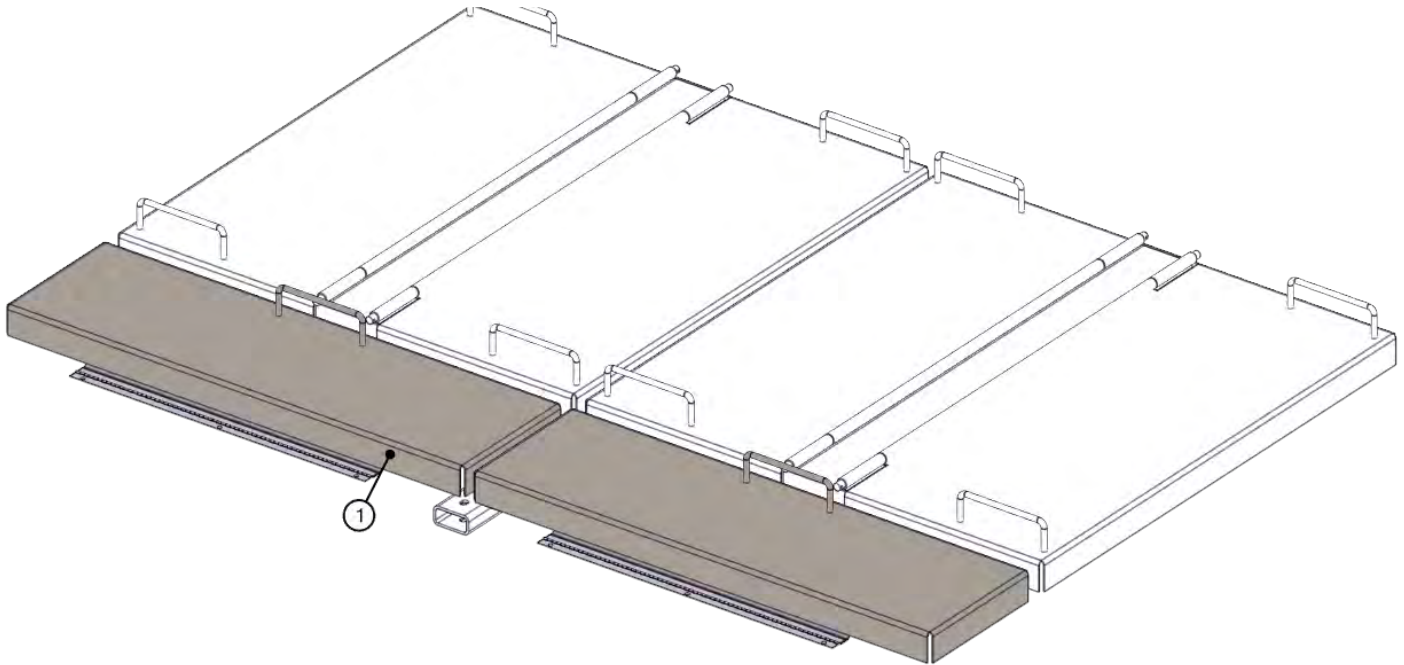
## 11021-04-05 SECONDARY SHAKER DRUM

REF	PART NO.	DESCRIPTION	QTY	WILL FIT SN	REMARKS
1	SFT-8407	2" Shaker Shaft, Primary & Secondary, 290 Tomato	1		
2	SHA-8400	290 Shaker Tube	1		
3	BR-085-RAK	Bearing Housing 85 mm	2		
4	BR-200-ER	Bearings, 2" ER	2		
5	BR-175-085	Fafnir Bearing 1 3/4 Tri Seal	2		
6	HM-103-TC	TCI Motor	1		
7	MOU-8401	Mount, Shaker Rotation Secondary, HC290	1		
8	194-416A	Mount, Shaker Rotation Motor	1		
9	CPR-422-18	Lovejoy Donut w/ Hardware	1		
10	CPR-422C-18	Coupler, Shaker Side, 1 3/4" Bore	1		
11	CPR-422D-18	Coupler, Shaker, Motor Side, 1" Shaft	1		
12	PU-80-8M-525-2	Pulley, 2 & 2-3/16 Sfts., 5-1/2 Wide for Panther Belts	1		
13	SP-SK-2	Bushing, SK x 2"	2		
14	KEY-8-8-24	Keystock 1/2 x 1/2 x 1 1/2	1		
15	BR-175-LC	1 3/4" Locking Collar - Bearing Protector	1		
16	GF-1428	Grease Fitting 1/4" x 28 straight	1		
100	BL-6-100-H-8	3/8-16 X 1 HEX CAP G8 ZC	4		
101	BL-5-025-SCF	5/16-24 x 1/4" Knurled Point Set Screw	2		
800	HM-103-SK	Seal Kit for Char-Lynn Motor			
801	KEY-4-4-15	Shaft Key 1/4" X 1/4" X 15/16" Woodruff Key			



## 11022-04-07 PRIMARY & SECONDARY SHAKER WEIGHT COVERS

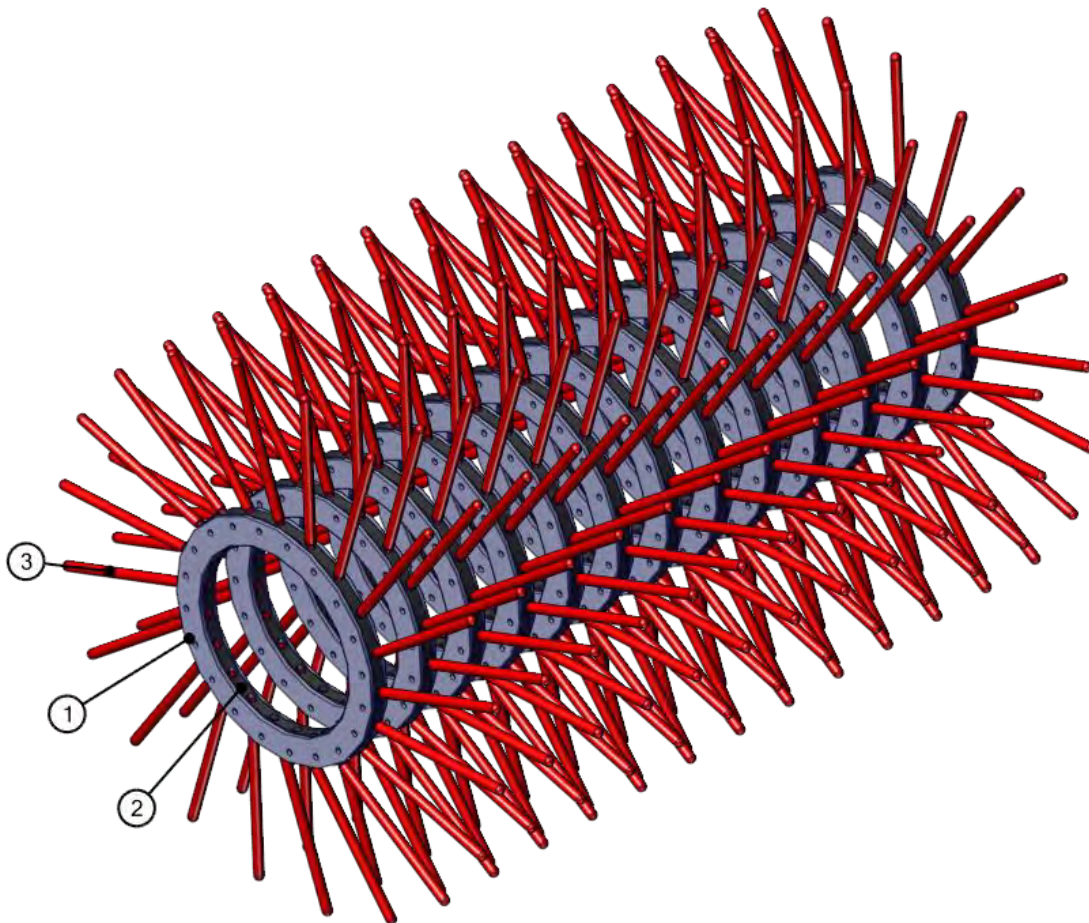
REF	PART NO.	DESCRIPTION	QTY	WILL FIT SN	REMARKS
1	SHD-2035	Cover, Shaker Weights	2		





## 11021-04-08 PRIMARY SHAKER RING & FINGERS

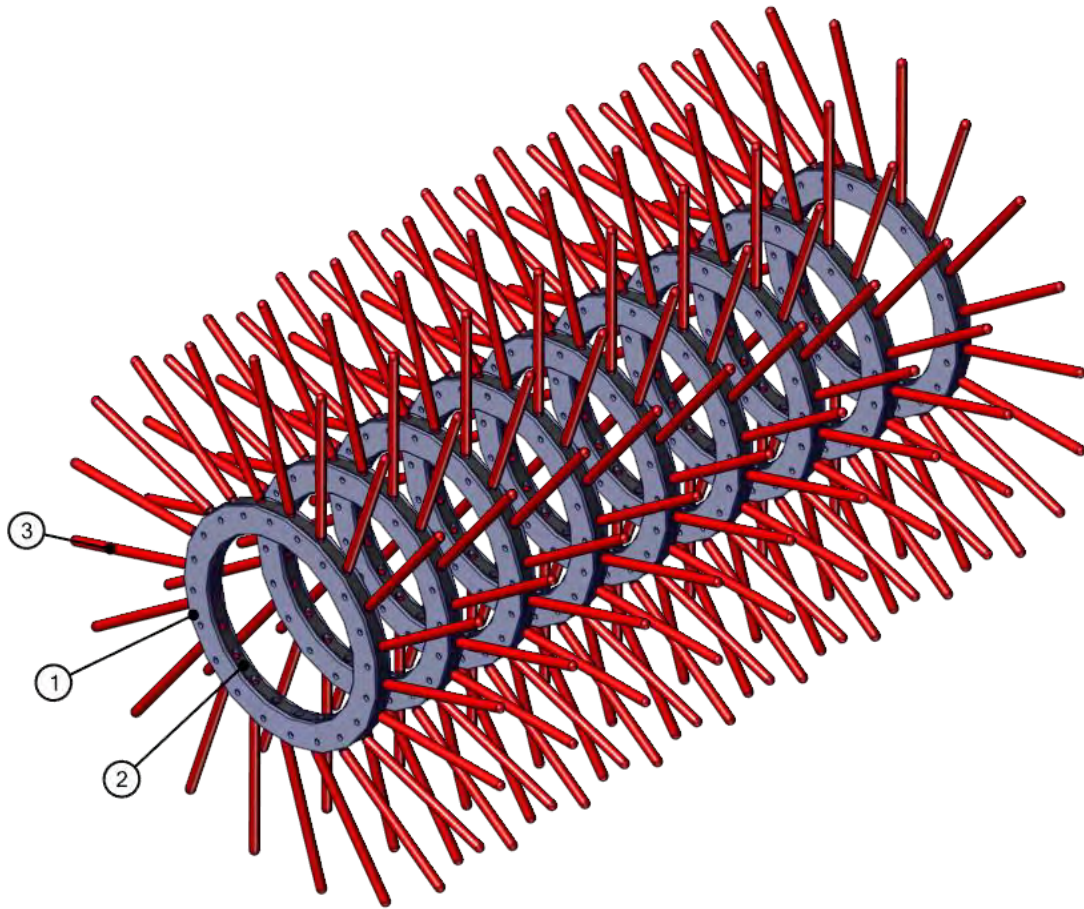
REF	PART NO.	DESCRIPTION	QTY	WILL FIT SN	REMARKS
1	191-432	Tine Holder Flanges	26		
2	192-431	Molded Rubber Tine Holders	13		
3	ST-430-P	Shaker Tines , Molded Urethane	260		
100	BL-6-150-SS	3/8-16 X 1-1/2 HEX CAP SS	260		
101	BL-6-LN	3/8-16 FIN H LN NE A563 GA ZC	260		





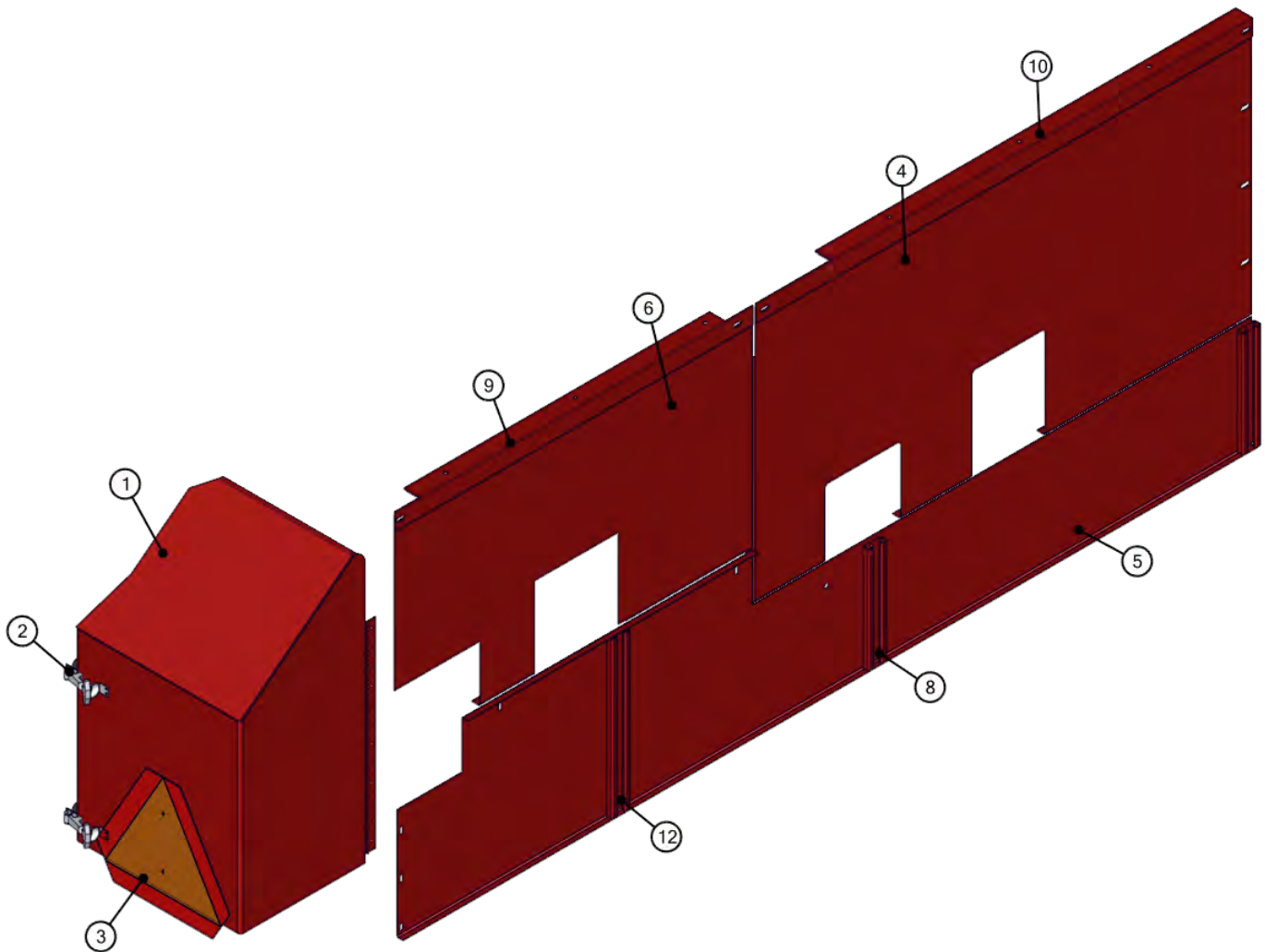
## 11021-04-09 SECONDARY SHAKER RING & FINGERS

REF	PART NO.	DESCRIPTION	QTY	WILL FIT SN	REMARKS
1	191-432	Tine Holder Flanges	18		
2	192-431	Molded Rubber Tine Holders	9		
3	ST-430-P	Shaker Tines , Molded Urethane	180		
100	BL-6-150-SS	3/8-16 X 1-1/2 HEX CAP SS	180		
101	BL-6-LN	3/8-16 FIN H LN NE A563 GA ZC	180		



## 11021-04-14 SHAKER WEIGHT BOX SHIELD, TRIPLE SORTER

REF	PART NO.	DESCRIPTION	QTY	WILL FIT SN	REMARKS
1	SHD-8452	Shield, Shaker Box, Secondary, HC290	1		
2	LA-703	Large Rubber T Latch Assembly	2		
3	SMV-D	SMV Sign, Decal	1		
4	SHD-8419	Shield, Weight Box, 2021 HC290 Triple Sorter	1		
5	SHD-8415	Shield, Front, Weight Box, Primary Shaker 2010 290 Tomato Harvester	1		
6	SHD-8416	Shield, Flip Up, Primary Shaker, 2010 290 Tomato Harvester	1		
7	194-1418	Rubber Bumper	2		
8	HA-8401	Hose Holder, Shaker Weight Box 2010, 290 Tomato Harvester	2		
9	ARM-8402	Shield, Arm, Shaker Flip Up, HC290	1		
10	ARM-8403	Shield, Arm	1		
11	CG-238-350	Chip Guard, 2.375"x3.50", PG Type, .040	6		
12	HA-8400	Hose Holder, Shaker Weight Box, 290	1		
100	BL-4-LWN	1/4-20 LOCKING WING NUT	0		

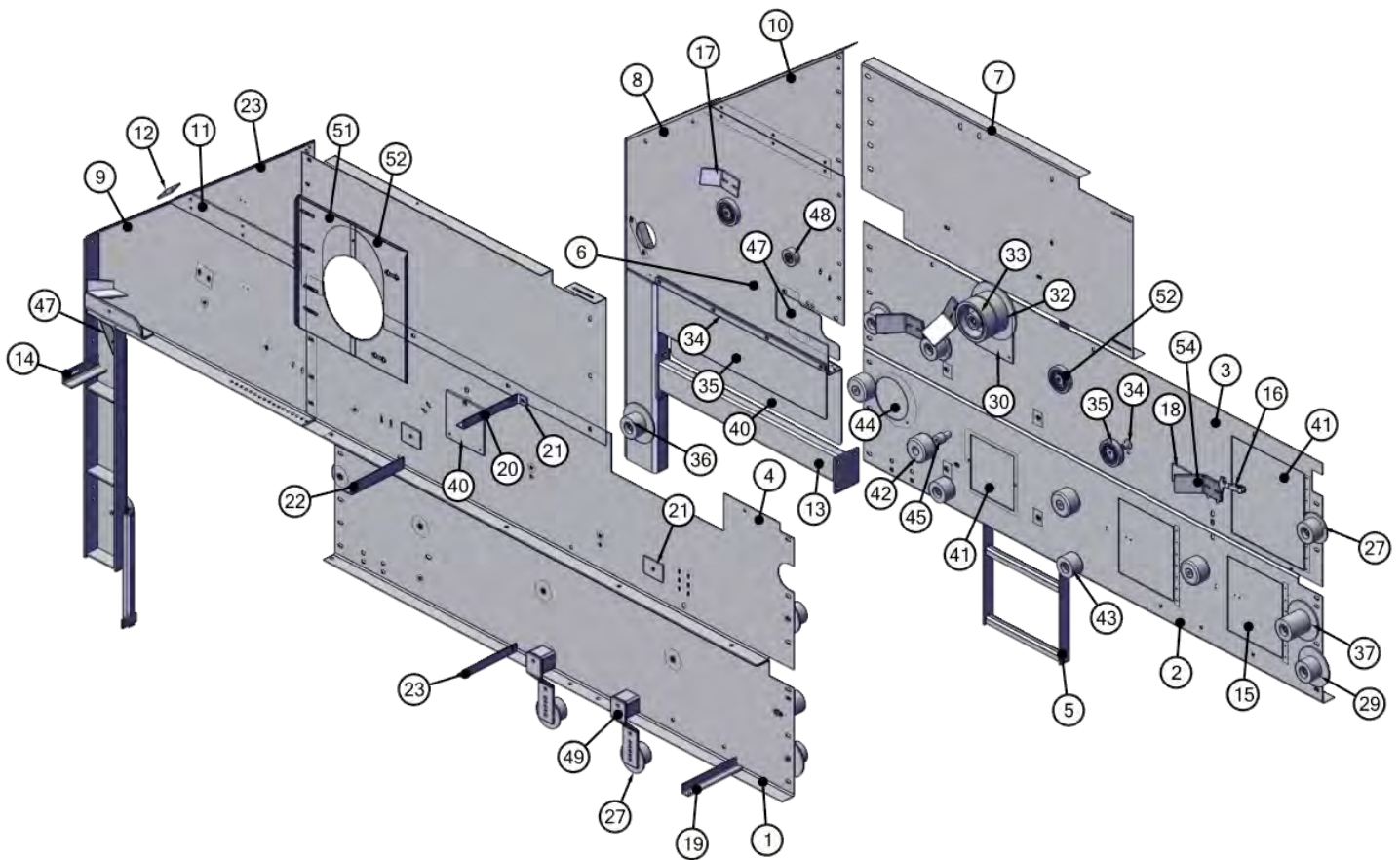


## 11021-05-01 VINE & TRANSFER CHAMBER

REF	PART NO.	DESCRIPTION	QTY	WILL FIT SN	REMARKS
1	PAN-8400	Panel, Lower, Inner Transfer, High Cap Tomato	1		
2	PAN-8401	Panel, Outer, Lower Transfer, High Cap Tomato	1		
3	PAN-8402	Panel, Outer, Middle, Shaker Chamber, High Cap Tom	1		
4	PAN-8403	Panel, Middle, Inside, Shaker Chamber, High Cap	1		
5	STD-8400	Stand, Service Ladder, Left HC290	1		
6	PAN-8407	Panel, Inner Top, Sec. Shaker, HC290	1		
7	PAN-8411-A	Panel, Outer Top, Sec. Shaker, HC290	1		
8	PAN-8452	Panel, Rear Outside, Transfer, Vine Chain Chamber 2010 290 Tomato	1		
9	PAN-8453	Panel, Inside Transfer Vine Chain Chamber 2010 290 Tomato	1		
10	SID-8450-A	Side, Top Panel, Outer Shaker, HC290	1	SID-8450	
11	BAR-8506	Bar, Cross Conveyor, HC290	2		
12	BAR-8507	Bar, Cross Conv. HC290	2		
13	SUP-2003	Support Tube, Vine Chopper, HC290 Tomato	1		
14	MOU-8504	Bracket, Motor Mount, Fan, HC290	1		
15	SHD-1525	Shield, Access Panel, Presort Door, Inner	2	19705 19801-	
16	LA-703	Large Rubber T Latch Assembly	2		
17	SHD-1898	Shield, Push Offs, Product Deflectors	2		
18	SUP-62	Support, Bouncer Roller, Vine Chain, Cuc	2		
19	MOU-8400	Angle, Support Between Aftersort & Post, High Cap	1		
20	POS-8403	Post, Top, Inside Shaker Panel, HC290	2		
21	BRA-8403	Bracket, Top Post, Inner Shaker Panels, HC290	1		
22	POS-8402	Post, Middle, Inside Shaker Panel, HC290	1		
23	SID-8451-A	Side, Top Panel, Inner Shaker, HC290	1	SID-8451	
24	SCR-8400	Scraper, Header Return Roller, HC290	1		
25	BT-8402	Belting, Header Return Roller, HC290	1		
26	BAR-8401	Bar, Stiffener, Plastic, 190 Tomato	1		
27	RLT-535-228	5' Flange Roller 2.2WF x 3 1/2' dia, 1/2' bore	14		
28	RLT-635-2210	6' Flange Roller 2.2 WF 3.5 Dia, 5/8' Bore	4		
29	RLT-635-4210	6' Flange Roller, 4.25' wide	2		
30	BAR-8404	Bar, Support, Bouncer Roller, HC290 Tomato	2		
31	SHD-8404	Shield, Access, Transfer, HC290 Tomato	1		
32	RLT-965-2212	9.5' Flange Roller 6.5 WF 2.2 WW ¾ bore, 3 brng.	2		center hub is RLT-SS3R3
33	RLT-065-2212	6.5 WD Roller 2.2 WW ¾ bore	2		
34	BAR-8405	Bar, Belting Backing Bar, Transfer Chamber, HC290	1		
35	BT-8404	Belting, Outer, Transfer Vine Chamber, HC290	1		
36	MOU-8514	Bearing Mount, RH	1	mou-8514	
37	DC-1176	Decal, Danger-Hand Chain Sprockets	1		
38	DC-1178	Decal, Small Red PIK RITE 4.25' x 31'	1		
39	DC-1174	Decal, Danger Keep Hands and Feet Away	2		

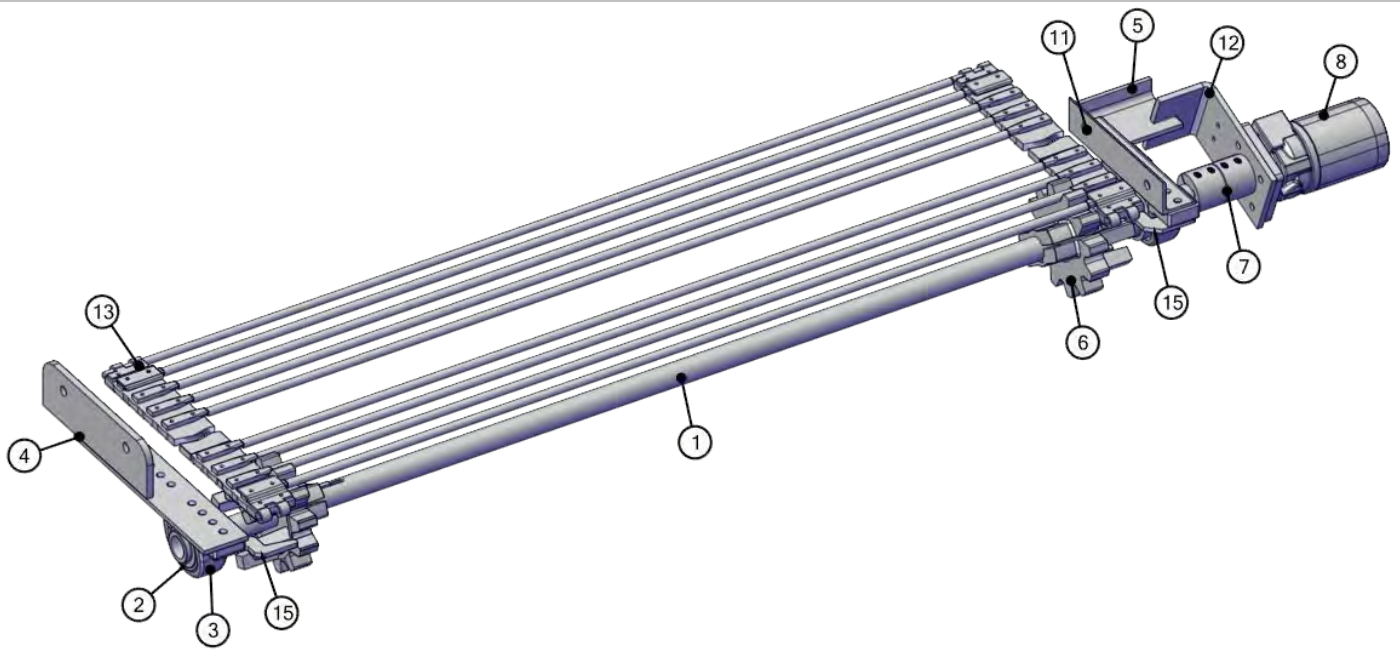
## 11021-05-01 VINE & TRANSFER CHAMBER

REF	PART NO.	DESCRIPTION	QTY	WILL FIT SN	REMARKS
40	SHD-0148	Shield, Nose Cone End, Cross	1		
41	PL-8509	Plastic Door, HC290	1		
42	RLU-040-2516	Urethane Roller 4' dia x 2.5' w	8		
43	RLT-035-228	Roller 3.5 Dia x 2.2 x 1/2' Bore, No Flange	4		
44	PL-8403	Plastic	1		
45	RLA-010-0108	Spindle / Standoff for Urethane Roller (heat treated)	6	19101-	
46	SHD-8417	Shield, Transfer Vine Chamber 2010 290 Tomato Harvester	1		
47	RLT-027-108	Roller 2.75' dia. 1/2' Bore	2		
48	BRA-8405	Hold Up Bracket, 290 Tomato	2		
49	MOU-8518	Bearing Mount, LH	1		
50	COV-0061	Cover, LH	1		
51	COV-0060	Cover, RH	1		
52	BL-6-FW	3/8 USS FW ZC	40		
53	RLG-040-1016	4' Urethane Roller	6	Old Terog Part No. RU4	
54	PL-1896	Shield,Deflector,2.2'w Flange Roller,Horiz Slot	6		



## 11021-05-02 TRANSFER DRIVE SHAFT

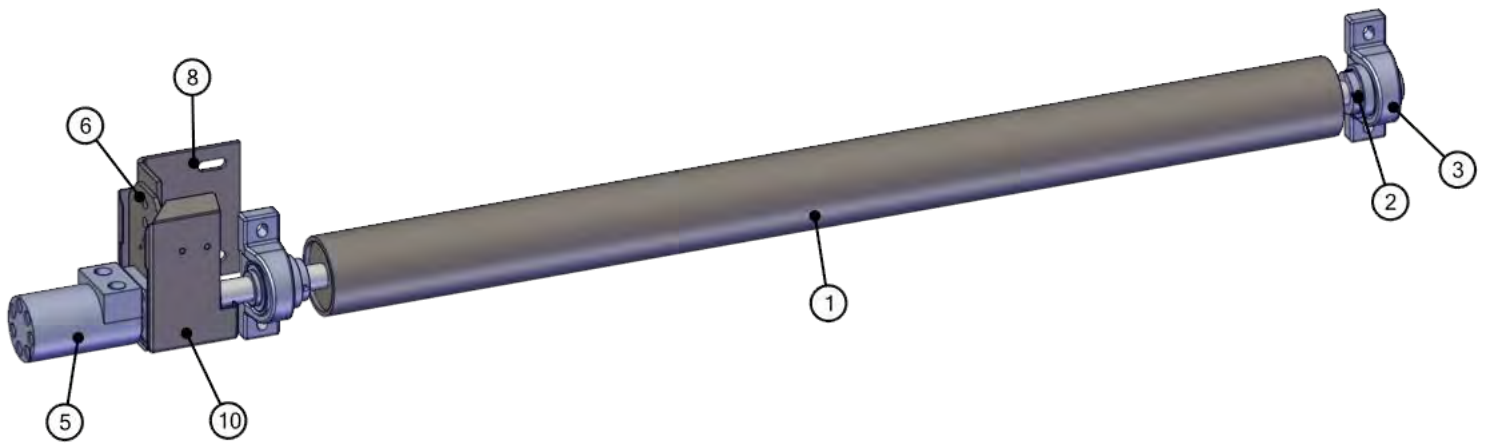
REF	PART NO.	DESCRIPTION	QTY	WILL FIT SN	REMARKS
1	SFT-8400	Shaft, Transfer Chain, High Cap Tomato Machine	1		
2	BR-125-072	Bearing, 1 1/4 Fafnir Tri-Seal, 72mm OD	2		
3	BR-072-RAK	72mm Cast Housing	2		
4	BRA-8452	Bracket, Motor Stop, Transfer, HC290	1		
5	193-806B	Motor Mount Stop	1		
6	SP-3612-20-4 HC	Belted Chain Sprocket 36mm x 12 tooth 1 1/4-1/4 hi chrome	2		
7	CPS-6060	Steel Coupler (off center) 1 1/4" x 1"	1		
8	HM-204-TC	TCI Motor	1		
9	KEY-4-4-16	Shaft Key 1/4" X 1/4" X 1" Square Cut (1018)	1		
10	KEY-4-4-32	Shaft Key 1/4" x 1/4" x 2" Square Cut (1018)	2		
11	MOU-8450	Angle, Transfer, Vine Chain Chamber, High Cap Tom	1		
12	193-806	Mount Motor	1		
13	BC-7-5336-166	Transfer Chain, High Capacity Tomato	1		
14	BR-12572-LC	1 1/4" Locking Collar - Bearing Protector	2		
15	SCR-102	Scraper, For 72mm Bearings, Tomato Harvester	2		
800	BC-7-36-AC	7/16" x 36" Rod w/ 24mm Air Cushion Cover			
802	BC-BP32	Belt, Rivet Backing Plates 32mm			
803	BC-7-53-CN	11mm x 53" Connecting Rod Grooved			
804	BC-3525	Snap Ring, 11mm.			
805	BC-F-36-32-UG	Ultra Gold F Connecting Clips 36-32 @ pair			
806	BC-1032-FS	10-32 x 1 1/4" Bolts Flat Socket Head			
807	BC-1032-LN	10-32 LN			
808	KEY-4-4-15	Shaft Key 1/4" X 1/4" X 15/16" Woodruff Key			





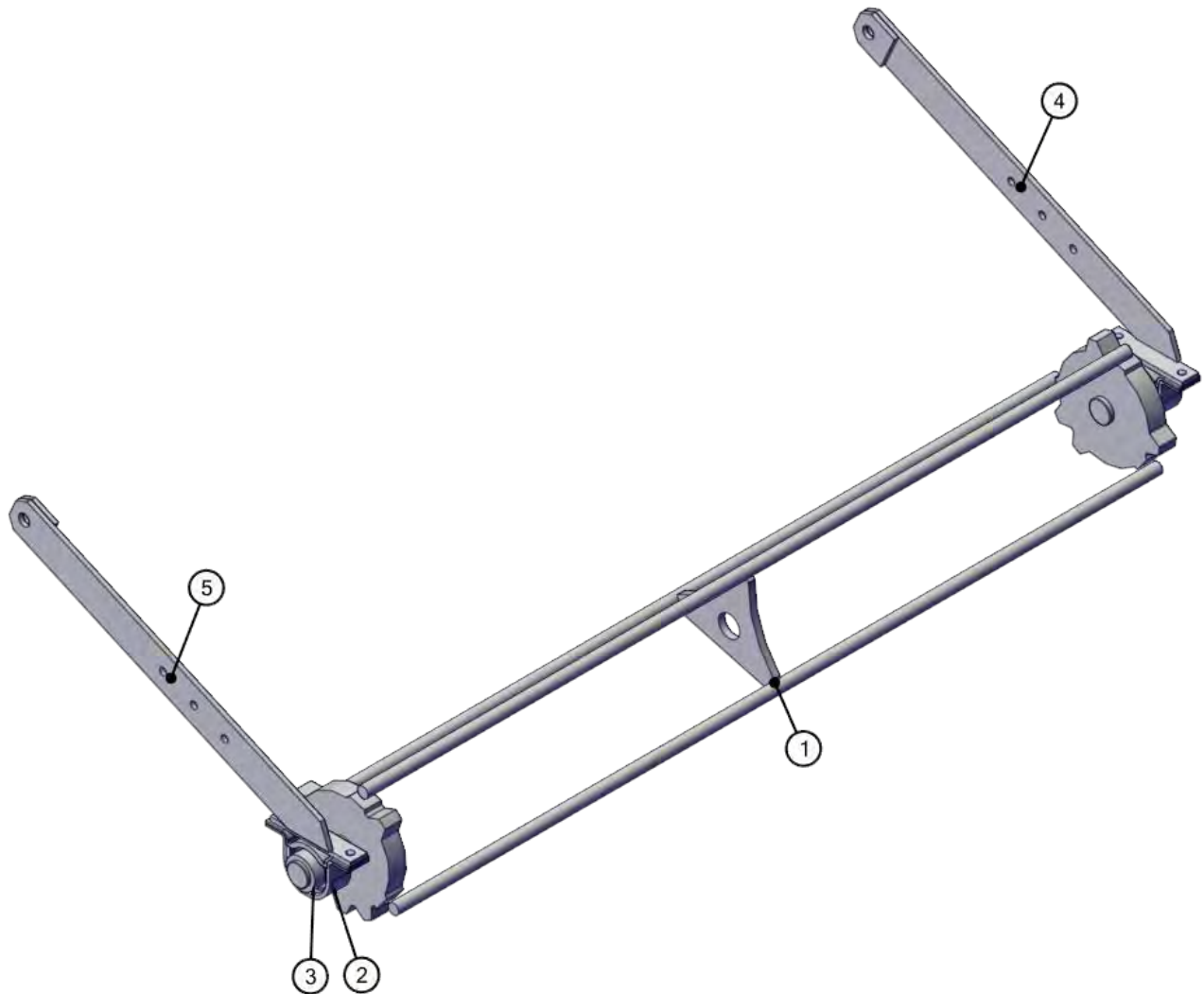
## 11021-05-03 TRANSFER RETURN ROLLER

REF	PART NO.	DESCRIPTION	QTY	WILL FIT SN	REMARKS
1	SFT-8403	Shaft, Return Roller, Transfer Chain, HC290	1		
2	BR-125-072	Bearing, 1 1/4 Fafnir Tri-Seal, 72mm OD	2		
3	BR-072-RAK	72mm Cast Housing	2		
4	CPS-6060	Steel Coupler (off center) 1 1/4" x 1"	1		
5	HM-204-TC	TCI Motor	1		
6	MOU-8505	Mount, Motor, w/Torque Arm, HC290	1		
7	KEY-4-4-16	Shaft Key 1/4" X 1/4" X 1" Square Cut (1018)	1		
8	BRA-8404	Bracket, Transfer, HC290 Tomato	1		
9	BR-12572-LC	1 1/4" Locking Collar - Bearing Protector	2		
10	SHD-807	Shield, Transfer Motor	1		
801	KEY-4-4-15	Shaft Key 1/4" X 1/4" X 15/16" Woodruff Key			



## 11021-05-04 TRANSFER BAR CLEANER

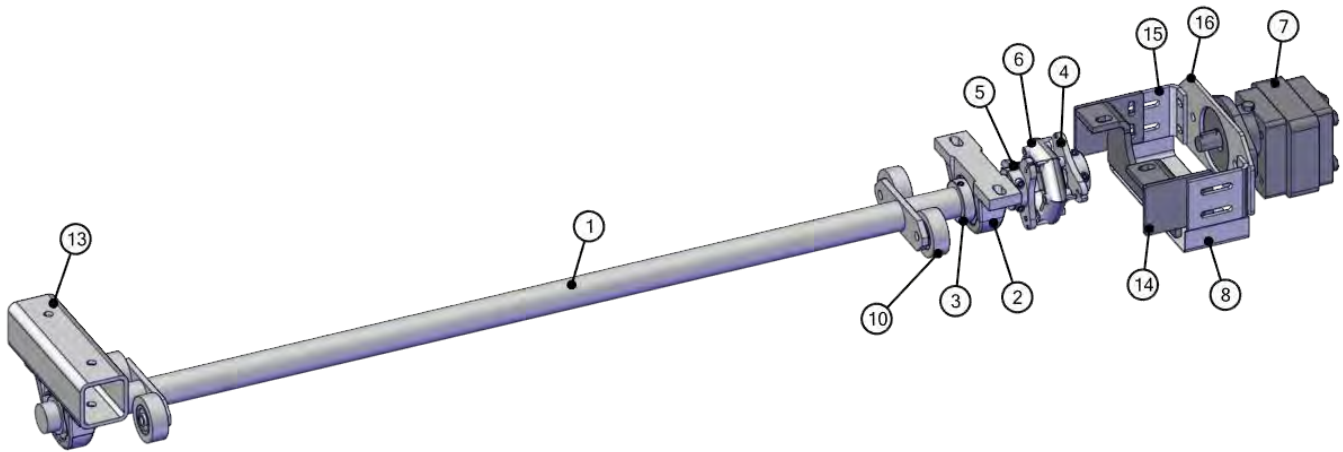
REF	PART NO.	DESCRIPTION	QTY	WILL FIT SN	REMARKS
1	BAR-5336	Bar, 53" Belted Chain Rod Cleaner, HC290	1		
2	BR-062-MPB	Stamped Bearing Housing for 1 1/4" bearing	2		
3	BR-125-062	Bearing, 1 1/4 Fafnir Tri-Seal, 62mm OD	2		
4	192-362A	Chain Cleaner Bar (Left)	1		
5	192-362B	Chain Cleaner Bar (Right)	1		





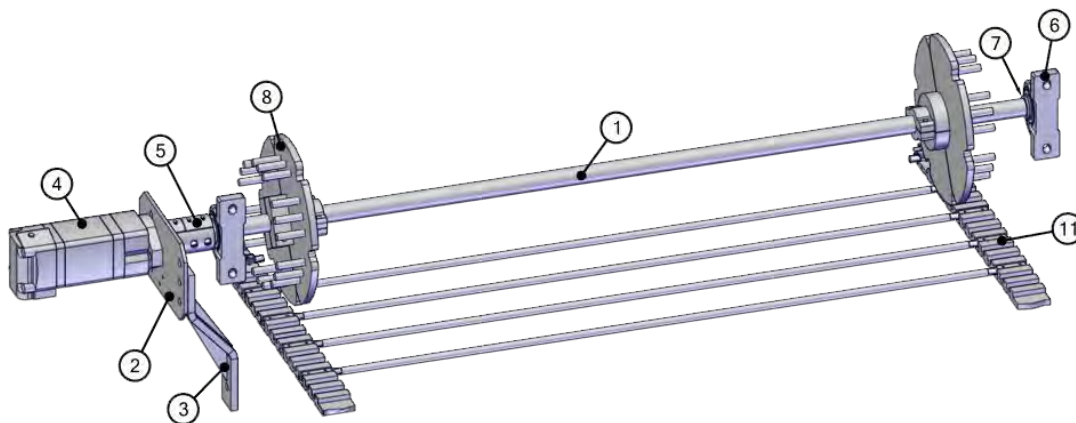
## 11021-05-05 TRANSFER DIRT VIBRATOR

REF	PART NO.	DESCRIPTION	QTY	WILL FIT SN	REMARKS
1	SFT-8301	Vibrator Shaft, Secondary Header, High Cap Tomato	1		
2	BR-085-RAK	Bearing Housing 85 mm	2		
3	BR-175-085	Fafnir Bearing 1 3/4 Tri Seal	2		
4	CPR-422-15	Primary Shaker Drive Coupler	1		
5	CPR-422A-15	Primary Shaker Coupler 1" Bore (Motor Side)	1		
6	CPR-422D-15	Coupler, 1-1/4" Bore, 1/4" Key	1		
7	HM-115	Hydraulic Motor	1		
8	SHD-8028	Coupler Shield, Transfer Vibrator	1		
9	SHD-8029	Motor shield	1		
10	RLT-027-108	Roller 2.75" dia. 1/2" Bore	4		
11	RLT-535-228	5" Flange Roller 2.2WF x 3 1/2" dia, 1/2" bore	2		
12	GF-1428	Grease Fitting 1/4" x 28 straight	2		
13	SUP-8406	Vibrator Spacer, HC290	1		
14	MOU-0176	Motor Mount, Stop, Cross Chain Vibrator, 2010 190 Tomato	1		
15	MOU-0177	Mount, Long Vibrator, Harvester	2		
16	MOU-0167	Mount, Motor Cross Vibrator	1		
801	HM-2100-SK	Shaft Seal & Gasket Kit for Permco Motor, M2100 Series			
802	HM-2100-BRG	Bearing for Permco Motor, M2100 Series			



## 11021-05-06 VINE CHAIN DRIVE SHAFT

REF	PART NO.	DESCRIPTION	QTY	WILL FIT SN	REMARKS
1	SFT-8401	Shaft, Vine Chain Drive Shaft, High Cap Tomato	1		
2	MOU-8451	Mount, Motor w/Torque Arm Stop, HC290	1		
3	BRA-8451	Bracket, Torque Arm, Motor Stop, HC290	1		
4	HM-1420-CH	Char Lynn Motor	1		
5	CPS-6057	Coupler, Solid, 1.25", Cucumber & Tomato	1		
6	BR-072-RAK	72mm Cast Housing	2		
7	BR-125-072	Bearing, 1 1/4 Fafnir Tri-Seal, 72mm OD	2		
8	SP-10806-20-4	Spocket, 108mm Pitch, 6 Tooth, 1 1/4" Bore w/ 1/4" Keyway	2		
9	KEY-4-4-32	Shaft Key 1/4" x 1/4" x 2" Square Cut (1018)	2		
10	KEY-5-5-20	Shaft Key 5/16" sq x 1 1/4" Square Cut (1018)	1		
11	BC-10-53108-96DS	Belted Chain, Double Skived, 53in Wide, 108mm Pitch	1		
800	BC-10-53-ST	5/8" x 53" Belted Chain Rod			
801	RI-25-BC	25mm Belted Chain Rivets			
802	BC-BP32	Belt, Rivet Backing Plates 32mm			
803	BC-7-53-CN	11mm x 53" Connecting Rod Grooved			
804	BC-3525	Snap Ring, 11mm.			
805	BC-F-36-32-UG	Ultra Gold F Connecting Clips 36-32 @ pair			
806	BC-1032-FS	10-32 x 1 1/4" Bolts Flat Socket Head			
807	BC-1032-LN	10-32 LN			
808	KEY-6-6-24	Keystock 3/8" x 3/8" x 1 1/2" Square Cut (1018)			
810	HM-103-SK	Seal Kit for Char-Lynn Motor			



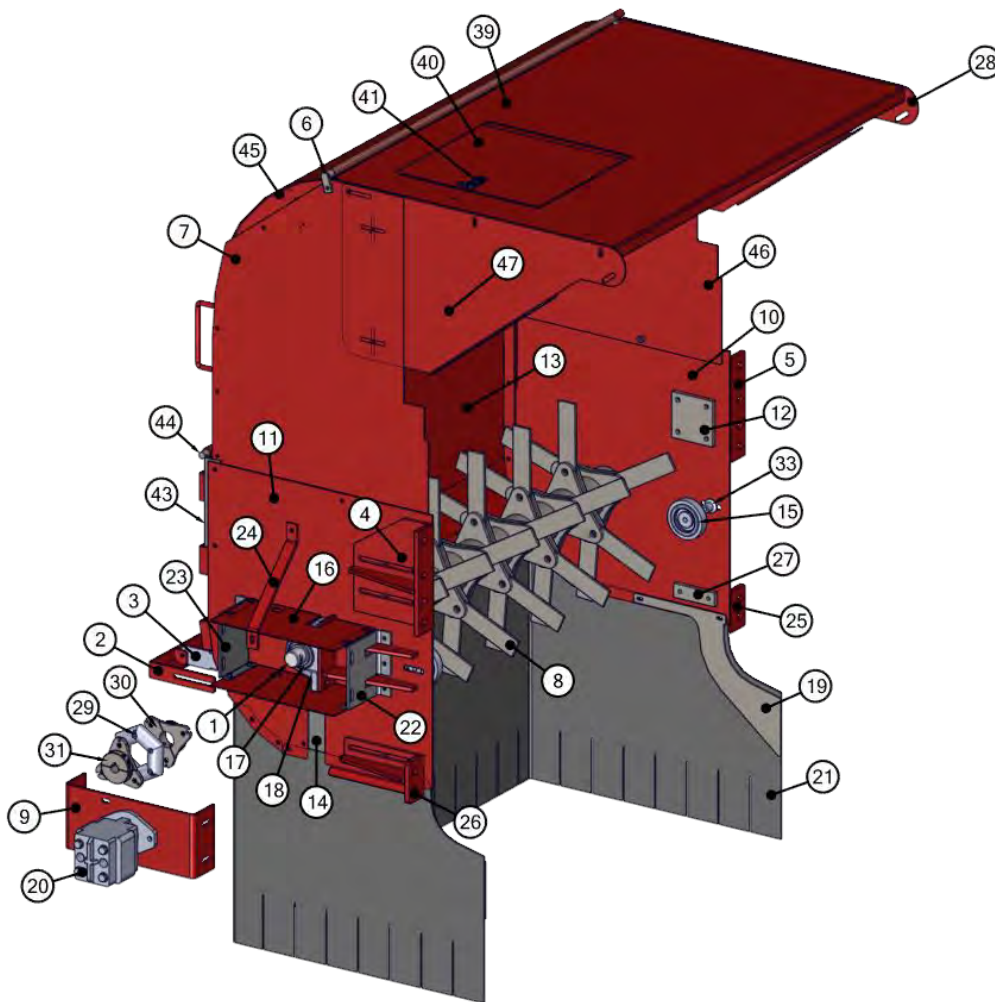
## 11021-05-07 VINE CHOPPER

REF	PART NO.	DESCRIPTION	QTY	WILL FIT SN	REMARKS
1	SFT-2019	Flail Chopper Rotor,290	1		
2	BRA-2018	Knife Holder, Vine Chopper, 290 Harvester	1		
3	KN-142141	Knife	8		
4	MOU-2005	Hefty Right Mount, Vine Chopper, HC290 Tomato	1		
5	MOU-2006	Hefty Left Mount, Vine Chopper, HC290 Tomato	1		
6	MOU-2016	Support Mount, Chopper, 290 Harvester	1		
7	PAN-2017	Panel, Vine Chopper, Right Side, HC290	1		
8	BAR-2020	Bar, Long Flail, Vine Chopper	36		
9	MOU-2010	Motor Mount, Vine Chopper, 190 Tomato Machine	1		
10	PAN-2006	Panel, Left Side Housing, Vine Chopper, HC290	1		
11	PAN-2007	Panel, Right Side Housing, Vine Chopper, HC290	1		
12	BAR-2013	Bar, Inside Plate, Vine Chopper, 190 Tomato	2		
13	SHD-2017	Chopper Back Panel, 290 Harvester	1		
14	BAR-2012	Bar, End Plate, Vine Chopper, 190 Tomato	1		
15	RLR-040-108	4" Flat Roller	2		
16	SHD-2009	Coupler Shield, Vine Chopper	2		
17	BR-175-085-KB	Fafnir Bearing 1 3/4" Heavy SS1	2		
18	BR-085-RAK	Bearing Housing 85 mm	2		
19	BAR-2016	Belting Bar, Vine Chopper, HC290 Tomato	2		
20	HM-122	Motor, Hydraulic, 1-3/4" Gear, #12 SAE Ports	1		
21	BT-2006	Belting, Chopper, 290 Tomato	1		
22	MOU-2011	Side of Motor Mount, Vine Chopper, 190 Tomato	1		
23	MOU-2012	Side of Motor Mount, Vine Chopper, 190 Tomato	1		
24	SUP-2002	Motor Mount Support, Vine Chopper	1		
25	MOU-2007	Bottom Left Mount, Vine Chopper, HC290 Tomato	1		
26	MOU-2008	Bottom Right Mount, Vine Chopper, HC290 Tomato	1		
27	BAR-2017	Bottom Bar, Vine Chopper, HC290 Tomato	2		
28	PAN-2018	Panel, Vine Chopper, Left Side, HC 290	1		
29	CPR-422-18	Lovejoy Donut w/ Hardware	1		
30	CPR-422C-18	Coupler, Shaker Side, 1 3/4" Bore	1		
31	CPR-422D-18	Coupler, Shaker, Motor Side, 1" Shaft	1		
32	GF-1428	Grease Fitting 1/4" x 28 straight	2		
33	RLA-000-118	Standoff, 1/2" X 1 1/8"	2		
34	DC-1174	Decal, Danger Keep Hands and Feet Away	1		
35	DC-1176	Decal, Danger-Hand Chain Sprockets	1		
36	DC-1182	Decal, White "PIK RITE" 3 1/4" x 23"	1		
37	DC-1184	Danger Decal, 3" x 16"	1		
38	SPA-2003	Spacer, Support Tube, 290 Tomato Harvester	3		
39	SHD-2012	Top Sheild, 290 Vine Chopper	1		

## 11021-05-07 VINE CHOPPER

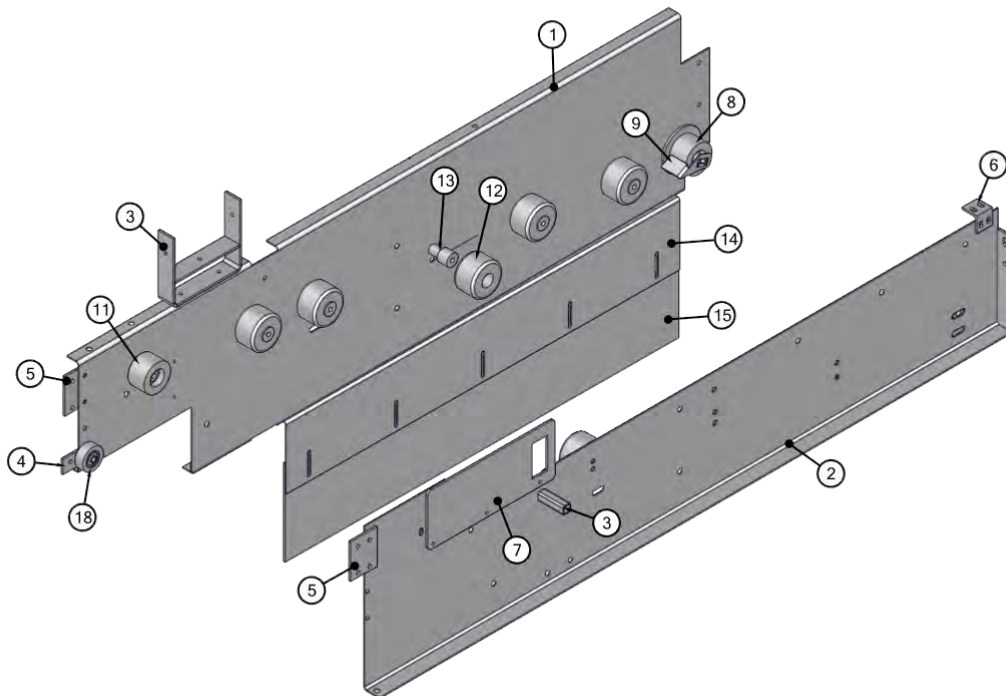
REF	PART NO.	DESCRIPTION	QTY	WILL FIT SN	REMARKS
40	SHD-8404	Shield, Access, Transfer, HC290 Tomato	1		
41	LA-1530	Medium Rubber T Latch Assembly	1		
42	MOU-2018	Chopper Shield Pivot, 290 Tomato	1		
43	MOU-2019	Shield Pivot, 290 Tomato	1		
44	SFT-2017	Pivot Shaft, 290 Tomato	1		
45	SHD-2016	Chopper Shield 290 Tomato	1		
46	PAN-2016	Panel, Vine Chopper, Left Side, HC290	1		
47	PAN-2019	Panel, Vine Chopper, Right Side, HC290	1		
48	DC-1175	Decal, Danger, Rotating Blade Hazard	2		
49	LA-703	Large Rubber T Latch Assembly	2		
101	BL-6-SW	3/8 SAE FW ZC	66		
102	BL-6-LN	3/8-16 FIN H LN NE A563 GA ZC	60		
103	BL-6-125-H	3/8-16 X 1-1/4 HHCS G5 ZC	24		
104	BL-8-SW	1/2 SAE FW ZC	18		
105	BL-8-LN	1/2-13 LN NYLON INSERT ZC	20		
106	BL-8-200-H	1/2-13 X 2 HEX CAP G5 ZC	2		
107	BL-4-LW	1/4 SPLIT LW ZC	8		
108	BL-4-FW	1/4 USS FW ZC	42		
109	BL-4-075-H	1/4-20 X 3/4 HH C/S BOLT G5 ZC	21		
111	BL-4-LN	1/4-20 HEX LN NE ZC	17		
112	BL-4-100-H	1/4-20 X 1 HH C/S G5 ZC	4		
113	BL-6-075-H	3/8-16 X 3/4 HHCS G5 ZC	10		
114	BL-6-100-H	3/8-16 X 1 HH C/S BOLT G5 ZC	28		
115	BL-8-175-H	1/2-13 X 1-3/4 HH G5 ZC	12		
116	BL-8-FW	1/2 USS FW ZC	26		
117	BL-8-225-H	1/2-13 X 2-1/4 HEX CAP G5 ZC	4		
118	BL-8-LW	1/2 SPLIT LW ZC	4		
119	BL-8-125-H	1/2-13 X 1-1/4 HHCS G5 ZC	4		
120	BL-8-300-H	1/2-13 X 3 HH C/S G5 ZC	2		
121	BL-6-125-8	3/8-16 X 1 1/4 HH C/S GR8 ZC	12		
122	BL-6-FW-8	3/8 FW G8 ZC	36		
123	BL-12-175-H-8	3/4-10 X 1-3/4 HH G8	36		
125	BL-12-LNS	3/4-10 STOVER LN	36		
126	RI-3-5-P	Pop Rivet 3/16 x 5/16 Domed, .375 head, ea	8		
127	RI-3-5-SS	SS Pop Rivets, 5/32 x .063-.125, Buttonhead	4		

REF	PART NO.	DESCRIPTION	QTY	WILL FIT SN	REMARKS
601	HV-FL1230	Flow Control Valve, 30 GPM with #12 SAE Port	1		
602	A-6900-12-12	12 SAE x 3/4"FPX	2		
603	A-6901-12-12	12 SAE x 3/4" FPX 90°, Forged	2		
604	H12-125-12MP-12MP	3/4 in hose 3/4MP x 3/4MP x 125 in long	2		
605	A-4124-6-4	1/4 Male Pipe x 3/8 Push Loc	1		
606	H6-PL-360	3/8"x 360" Long Casedrain Hose	1		
607	A-4124-6-6	3/8 Male Pipe x 3/8 Push Loc	1		
608	A-4124-8-6	3/8 Male Pipe x 1/2 Push Loc	1		
609	BL-6-10125-B7	3/8-16 x 10-1/8 B7 Threaded Rod	4		
610	OR-220	O-Ring, 1/8" RH & 1 5/8" OD	1		
800	WT-17H	Heavy Duty Wire Tie 17.5"			
801	HM-2100-SK	Shaft Seal & Gasket Kit for Permco Motor, M2100 Series			
802	HM-2100-BRG	Bearing for Permco Motor, M2100 Series			



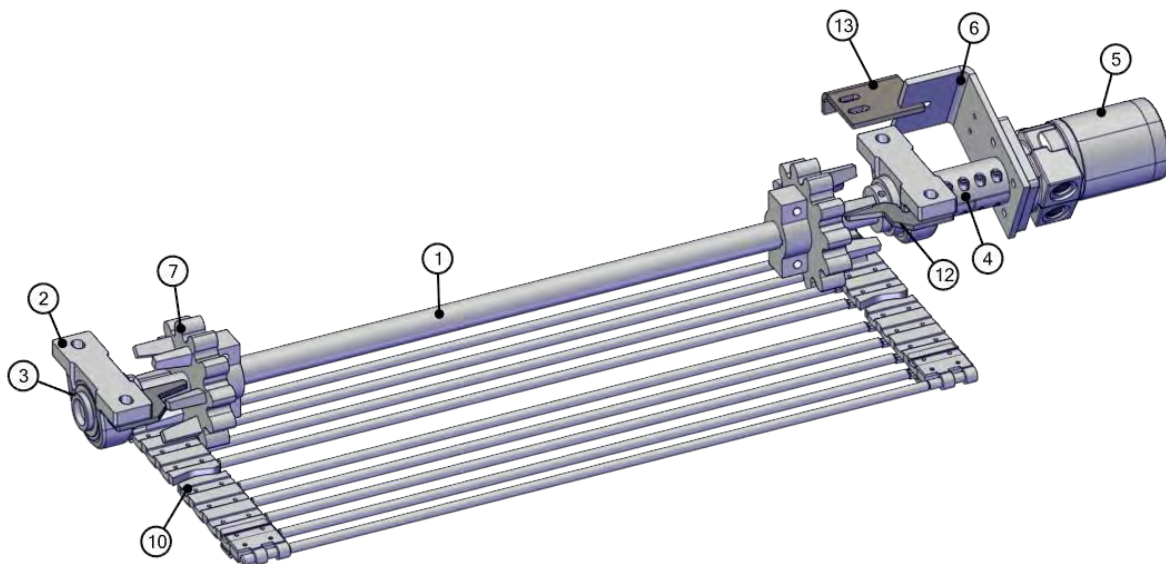
## 11021-06-01 CROSS CONVEYOR

REF	PART NO.	DESCRIPTION	QTY	WILL FIT SN	REMARKS
1	PAN-8530	Rear Cross Panel, '11 290	1		
2	PAN-8531	Front Cross Panel, '11 290	1		
3	SPA-8101	Spacer, Rear Cross Frame, High Capacity Tomato	1		
4	BAR-8520	Cross Panel Connecting Bar, '11 290	1		
5	BRA-8609	Connecting Bracket, Cross Chain, 290	2		
6	BRA-8450	Bracket, Cross Conveyor, HC290 Tomato	1		
7	PL-8502	Plastic Shield, Panel Front, Cross Conveyor, HC290	1		
8	RLT-535-2210-SC	5" Flange Roller 2.2 WF 3.5 Dia, 5/8" Bore w/ Hub for Scraper	2		
9	RLA-3023-T	Straight Scraper, RH	1		
10	RLA-3024-T	Straight Scraper	1		
11	RLT-035-228	Roller 3.5 Dia x 2.2 x 1/2" Bore, No Flange	2		
12	RLU-040-2516	Urethane Roller 4" dia x 2.5" w	8		
13	RLA-010-0108	Spindle / Standoff for Urethane Roller (heat treated)	8		
14	SHD-0145	Cross Sheild, 290 Tomato	1		
15	PL-0123	Plastic Shield, Cross, 290 Tomato	1		
16	RLA-000-118	Standoff, 1/2" X 1 1/8"	1		
17	RLR-040-108	4" Flat Roller	1		
18	RLT-027-108	Roller 2.75" dia. 1/2" Bore	2		
101	BL-6-FW	3/8 USS FW ZC	30		



## 11022-06-02 CROSS CONVEYOR DRIVE SHAFT

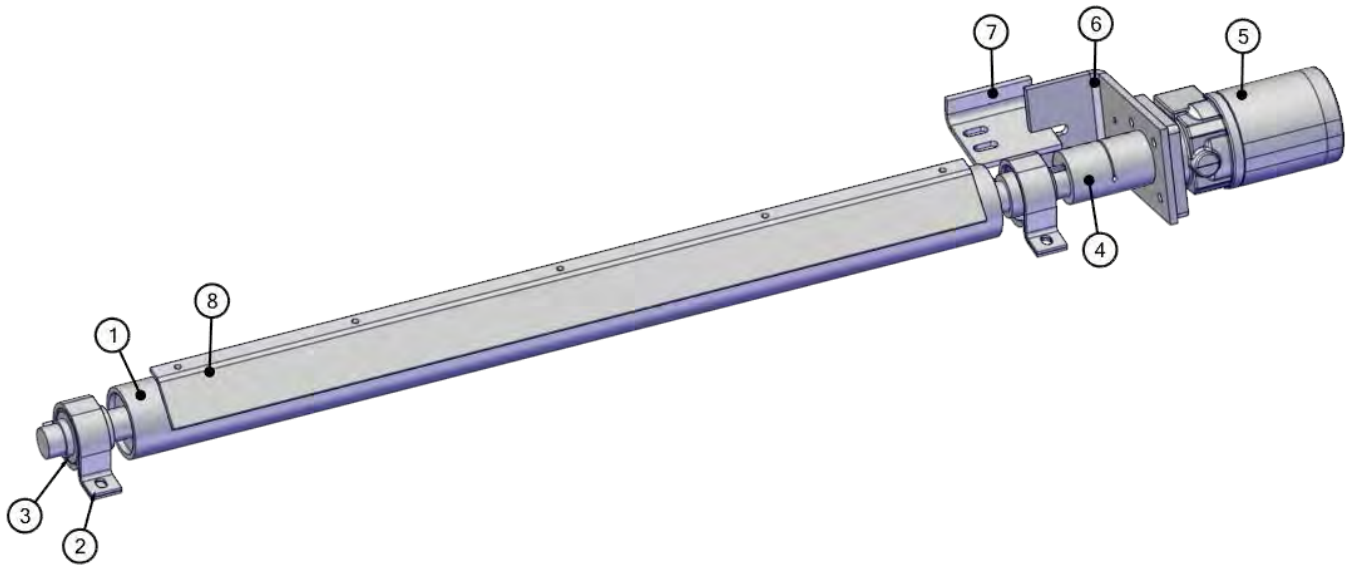
REF	PART NO.	DESCRIPTION	QTY	WILL FIT SN	REMARKS
1	SFT-8502	Shaft, Drive, Cross Conveyor, HC290	1		
2	BR-072-RAK	72mm Cast Housing	2		
3	BR-125-072	Bearing, 1 1/4 Fafnir Tri-Seal, 72mm OD	2		
4	CPS-6060	Steel Coupler (off center) 1 1/4" x 1"	1		
5	HM-204-TC	TCI Motor	1		
6	193-806	Mount Motor	1		
7	SPU-3612-20-4	Urethane Sprocket 36-12 1 1/4 bore 1/4" key	2		
8	KEY-4-4-16	Shaft Key 1/4" X 1/4" X 1" Square Cut (1018)	1		
9	KEY-4-4-32	Shaft Key 1/4" x 1/4" x 2" Square Cut (1018)	2		
10	BC-7-3636-140	Belted Chain, Cross Chain, 290 Harvester, Fan Extension	1		
11	BR-12572-LC	1 1/4" Locking Collar - Bearing Protector	2		
12	SCR-102	Scraper, For 72mm Bearings, Tomato Harvester	2		
13	193-806E	Motor Mount Stop, Bottom	1		
800	BC-7-32-ST	7/16" x 32" Belted Chain Rod for 60mm Belt			
801	RI-25-BC	25mm Belted Chain Rivets			
802	BC-BP32	Belt, Rivet Backing Plates 32mm			
803	BC-7-36-CN	Connecting Rod, 11mm, 36" Wide Belted Chain, 60mm Traction Belts			
804	BC-3525	Snap Ring, 11mm.			
805	BC-F-36-32-UG	Ultra Gold F Connecting Clips 36-32 @ pair			
806	BC-1032-FS	10-32 x 1 1/4" Bolts Flat Socket Head			
807	BC-1032-LN	10-32 LN			





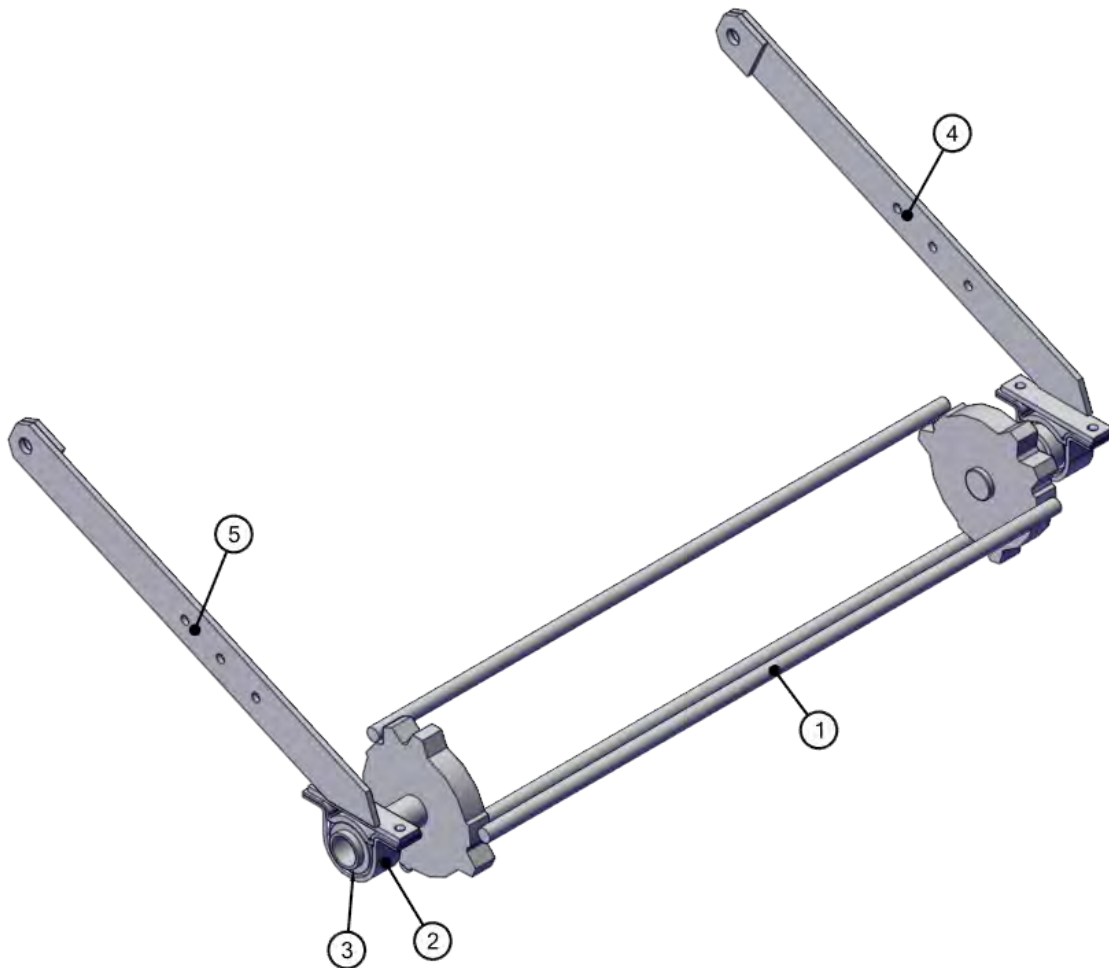
## 11021-06-03 CROSS CONVEYOR RETURN ROLLER

REF	PART NO.	DESCRIPTION	QTY	WILL FIT SN	REMARKS
1	SFT-8500	Return Roller, Cross Conveyor, HC290 Tomato	1		
2	BR-062-MPB	Stamped Bearing Housing for 1 1/4" bearing	2		
3	BR-125-062	Bearing, 1 1/4 Fafnir Tri-Seal, 62mm OD	2		
4	CPS-6060	Steel Coupler (off center) 1 1/4" x 1"	1		
5	HM-214-TC	Hydraulic Motor	1		
6	193-806	Mount Motor	1		
7	193-806A	Motor Mount Stop	1		
8	SCR-8500	Scraper, Cross return Roller, 290 Harvester(2011)	1		
800	KEY-4-4-15	Shaft Key 1/4" X 1/4" X 15/16" Woodruff Key			



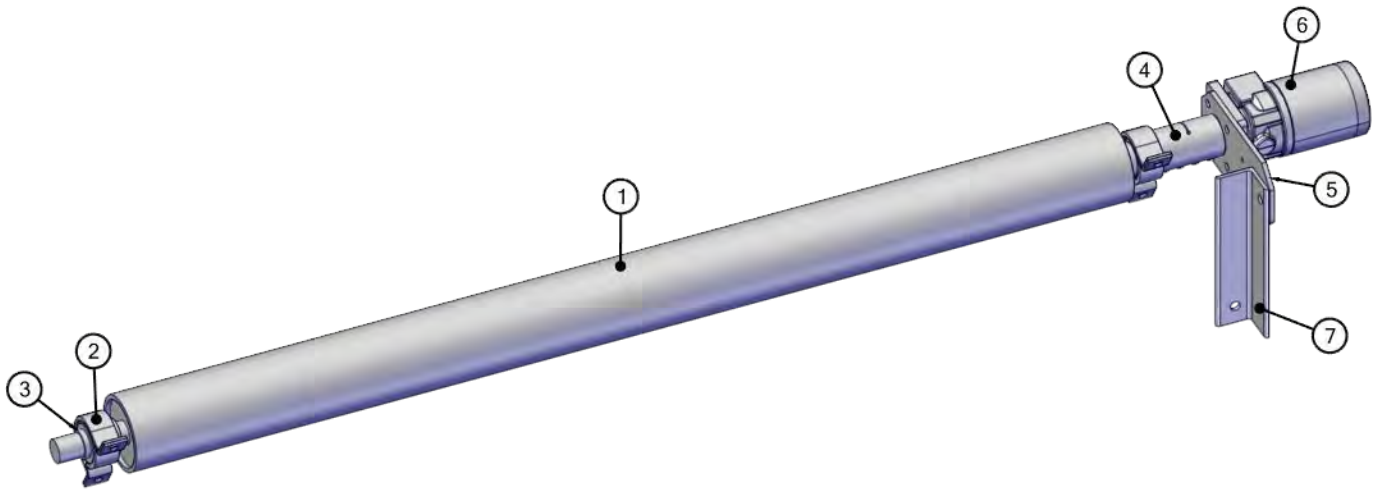
## 11021-06-04 CROSS CONVEYOR BAR CLEANER

REF	PART NO.	DESCRIPTION	QTY	WILL FIT SN	REMARKS
1	194-361	Bar Cleaner, 36mm pitch x 36in wide chain	1		
2	BR-062-MPB	Stamped Bearing Housing for 1 1/4" bearing	2		
3	BR-125-062	Bearing, 1 1/4 Fafnir Tri-Seal, 62mm OD	2		
4	192-362A	Chain Cleaner Bar (Left)	1		
5	192-362B	Chain Cleaner Bar (Right)	1		
100	BL-6-125-H	3/8-16 X 1-1/4 HHCS G5 ZC	4		
101	BL-6-LN	3/8-16 FIN H LN NE A563 GA ZC	4		
102	BL-6-SW	3/8 SAE FW ZC	8		
103	BL-10-075-SH	5/8 X 3/4 SHOULDER BOLTS	2		
104	BL-8-FW-8	1/2 FW G8 ZC	2		
105	BL-8-LN	1/2-13 LN NYLON INSERT ZC	2		



## 11021-06-05 CROSS CONVEYOR CLEANER ROLLER

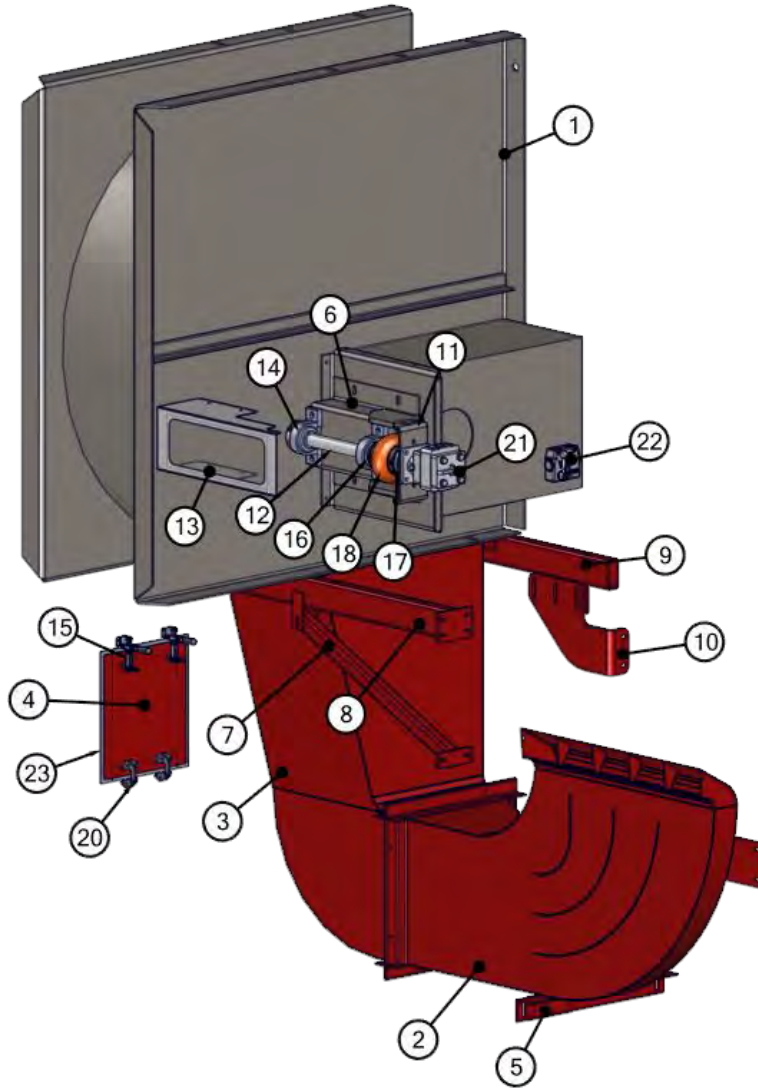
REF	PART NO.	DESCRIPTION	QTY	WILL FIT SN	REMARKS
1	SFT-8403	Shaft, Return Roller, Transfer Chain, HC290	1		
2	BR-062-MPB	Stamped Bearing Housing for 1 1/4" bearing	2		
3	BR-125-062	Bearing, 1 1/4 Fafnir Tri-Seal, 62mm OD	2		
4	CPS-6060	Steel Coupler (off center) 1 1/4" x 1"	1		
5	MOU-8505	Mount, Motor, w/Torque Arm, HC290	1		
6	HM-210-TC	TCI Motor	1		
7	MOU-8515	Mount, Motor Stop, Cross Roller 290 Tomato	1		
8	KEY-4-4-16	Shaft Key 1/4" X 1/4" X 1" Square Cut (1018)	1		
800	KEY-4-4-15	Shaft Key 1/4" X 1/4" X 15/16" Woodruff Key			



## 11021-07-01 CENTRIFUGAL FAN

REF	PART NO.	DESCRIPTION	QTY	WILL FIT SN	REMARKS
1	FAN-1019	Centrifugal Fan, 15HP	1		
2	FAN-1020	Main Debris Fan Duct, 15HP Centrifugal	1		
3	FAN-1021	Main Fan Duct, Vertical	1		
4	FAN-1022	Debris Fan Access Door, Centrifugal	1		
5	FAN-1024	Outer Chute Mount	1		
6	FAN-1003	Bin Fan Bearing Mount	1		
7	FRM-1002	Outer Debris Fan Frame	1		
8	FRM-1003	Outer Debris Fan Frame	1		
9	FRM-1004	Inner Debris Fan Mount	1		
10	FRM-1005	Inner Debris Fan Mount	1		
11	MOU-0178	Mount, Motor Mount, Cross Vibrator 240	1		
12	SFT-1003	Bin Fan Shaft	1		
13	SHD-1910	Debris Fan Shaft Cover	1		
14	BR-RAK-110	Industrial Duty Pillowblock Housed Unit, 1 5/8"	2		
15	CL-450-LC	Pull Action Latch Clamp, Stainless Steel, 450 lb Pull	2		
16	CPR-7083A	Omega Coupler Hub, 10HSB, 1 5/8"	1		
17	CPR-7083B-T	Omega Fan Hub, Added Set Screws	1		
18	CPR-7083C	Omega Coupler Element, E10	1		
19	H12-72-12MP-12MP	3/4in Hose x 3/4mp x 3/4mp x 72in	2		
20	HG-46X28-SS	2 7/8" Pin Release Quick Disconnect Hinge, Stainless Steel, 1 3/4" Long	2		
21	HM-1020	Cooling Fan Motor	1		
22	HV-FL1230	Flow Control Valve, 30 GPM with #12 SAE Port	1		
23	RLR-0033	Weather Strip, Adhesive Back, 3/16" x 2", Foam Rubber, 50"	0.4		

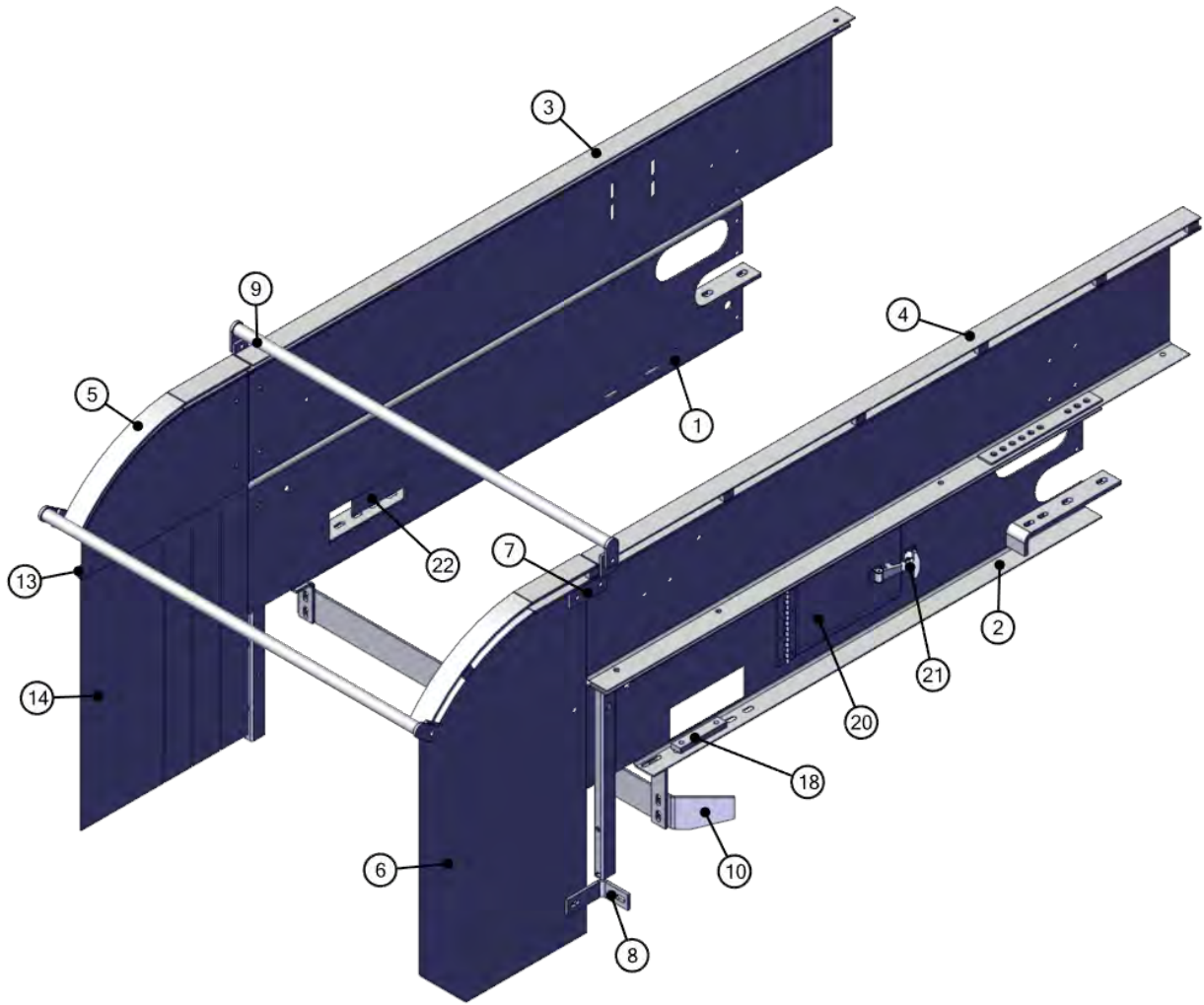
# 11021-07-01 CENTRIFUGAL FAN



## 11021-08-01 DEBRIS CHAMBER

REF	PART NO.	DESCRIPTION	QTY	WILL FIT SN	REMARKS
1	PAN-8532	Rear Cross Panel, Debris Chamber, '11 290	1		
2	PAN-8533	Front Cross Panel, Debris Chamber, '11 290	1		
3	PAN-8534	Panel, Top Cross Conveyor, 290 Tomato	1		
4	PAN-8535	Panel, Top Front, 290 Tomato Harvester	1		
5	PAN-8519	Outer Rear Cross Panel 290	1		
6	PAN-8518	Front Outer Cross Panel 290	1		
7	BAR-8505	Bar, Between Panels, Cross Conveyor, HC290	4		
8	BRA-8509	Bracket, Cross Frame, 290 Harvester	1		
9	BRA-8508	Bracket, Over Plastic Shield, Cross Conveyor, HC290	2		
10	MOU-8600	Roller Mount, Lower Elevation, HC290 Tomato	1		
11	PIN-H8	Hairpin, 1/2-5/8 Rod Dia Range	1		
12	BL-6-150-HOLE	Bolt, W/ Hole, Cross Conv, Plastic Shield, HC290	1		
13	BAR-8519	Backing Bar, Outer Debris Belt Shield, 290	1		
14	BT-8519	Belting, Debris Shield, Outer Rear	1		
15	PAN-8501-E	Roller Mount	1		
16	PAN-8503-D	Roller Mount	1		
17	SCR-8100	Debris Drum Scraper	1		
18	SPA-8513	Spacer	1		
19	SHD-8504	Scraper Shield, Debris Chamber, HC290	1		
20	SHD-8510	Shield, Door, Debris Chamber, 290 Tomato	1		
21	LA-703	Large Rubber T Latch Assembly	1		
22	PL-8513	Shield,Cross Drive Shaft, UHMW Plastic	2		
23	PL-8514	Shield, Debris Drum, UHMW Plastic	2		
100	BL-6-100-H	3/8-16 X 1 HH C/S BOLT G5 ZC	4		
101	BL-6-JN	3/8 UNC FIN HEX JAM NUT A563 GrA ZINC	4		

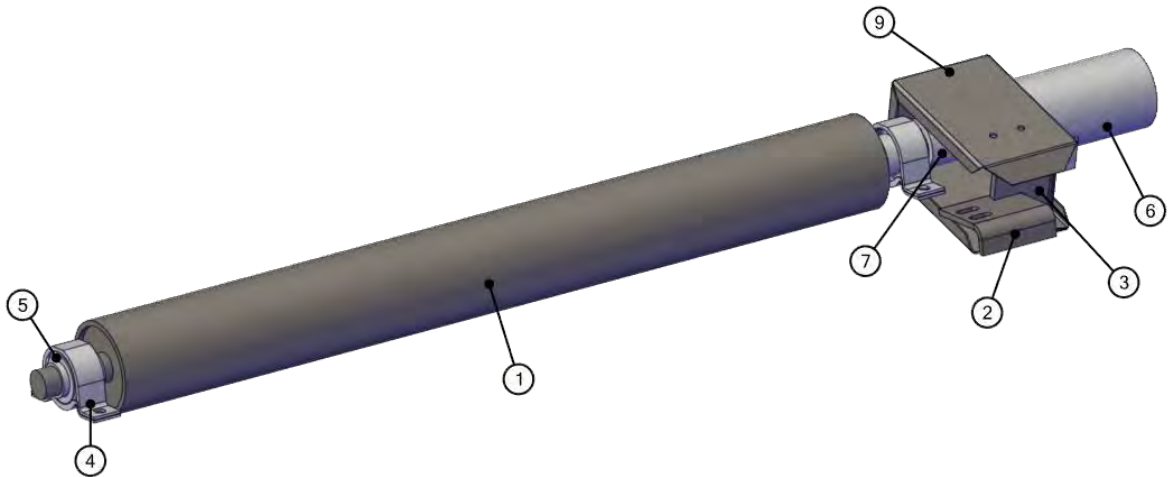
# 11021-08-01 DEBRIS CHAMBER





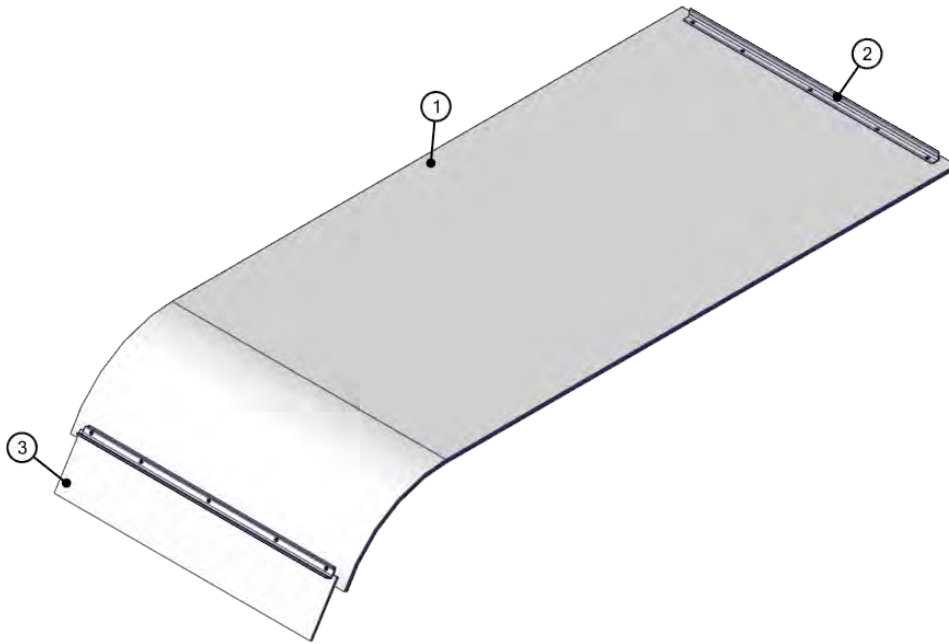
## 11022-08-02 DEBRIS DRUM DRIVE

REF	PART NO.	DESCRIPTION	QTY	WILL FIT SN	REMARKS
1	RLS-8006	4" Debris Roller	1		
2	193-806A	Motor Mount Stop	1		
3	193-806	Mount Motor	1		
4	BR-062-MPB	Stamped Bearing Housing for 1 1/4" bearing	2		
5	BR-125-062	Bearing, 1 1/4 Fafnir Tri-Seal, 62mm OD	2		
6	HM-204-TC	TCI Motor	1		
7	CPS-6060	Steel Coupler (off center) 1 1/4" x 1"	1		
8	KEY-4-4-16	Shaft Key 1/4" X 1/4" X 1" Square Cut (1018)	1		
9	193-806C	Motor Guard	1		
800	KEY-4-4-15	Shaft Key 1/4" X 1/4" X 15/16" Woodruff Key			



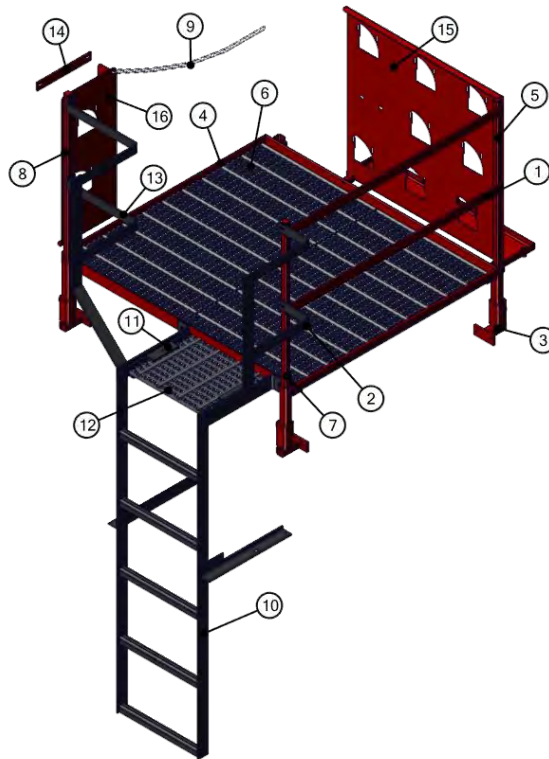
## 11021-08-04 DEBRIS BELT SHIELD

REF	PART NO.	DESCRIPTION	QTY	WILL FIT SN	REMARKS
1	PL-8505	Plastic, Top Shield, Debris Belt, HC290	1		
2	SUP-8508	Support, Cover, Debris Belt, HC290 Tomato	2		
3	BT-8500	Belting, Debris Belt Shield, Cross Conv, HC290	1		



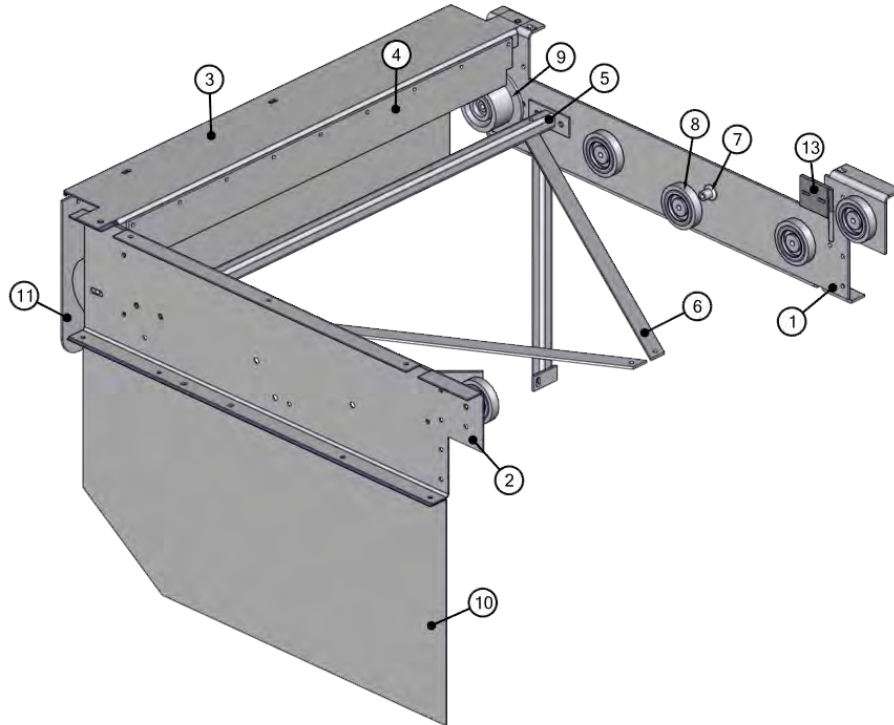
## 11022-08-05 DECKING ABOVE DEBRIS BELT

REF	PART NO.	DESCRIPTION	QTY	WILL FIT SN	REMARKS
1	BAR-8510	Hand Rail, Rear Decking, 290 Harvester	2		
2	BAR-8513	Hand Rail, Ladder to Platform, 290 Harvester	2		
3	MOU-8801	Mount, Rear Decking, 290 Tomato Harvester	4		
4	STD-8506	Decking Frame, 290	1		
5	STD-8501	Post	1		
6	STD-8503	Decking, Rear Decking, 290 Harvester	2		
7	STD-8504	Right Rear Post, Rear Decking, 290 Harvester	1		
8	STD-8507	Left Rear Post, Rear 290 Decking	1		
9	CH-3-1	3/16" Proof Coil Link Chain @ ft	3.17		
10	STD-8404	Ladder To Platform, 290 Tomato Harvester	1		
11	BAR-3861	Bar, Decking Holder, Elevation Deck Step	2		
12	STD-8402	Decking, Ladder To Platform, 290 Tomato	1		
13	BAR-8407	Hand Rail, Ladder, 290 Tomato	2		
14	BAR-8512	Bracket, Platform to Shaker Chamber, 290	1		
15	PAN-8202	Panel, Flow Controls, Rear Ser. Platforms, 290	1		
16	PAN-8200	Panel, L.M. Pump Flow Controls, Ser. Plat, 290	1		
17	WT-14	Wire Tie 14 1/4"	10		
100	BL-8-100-SQSS	1/2 X 1 SQ HEAD SET SCREW (USS)	8		



## 11021-09-01 LOWER ELEVATION

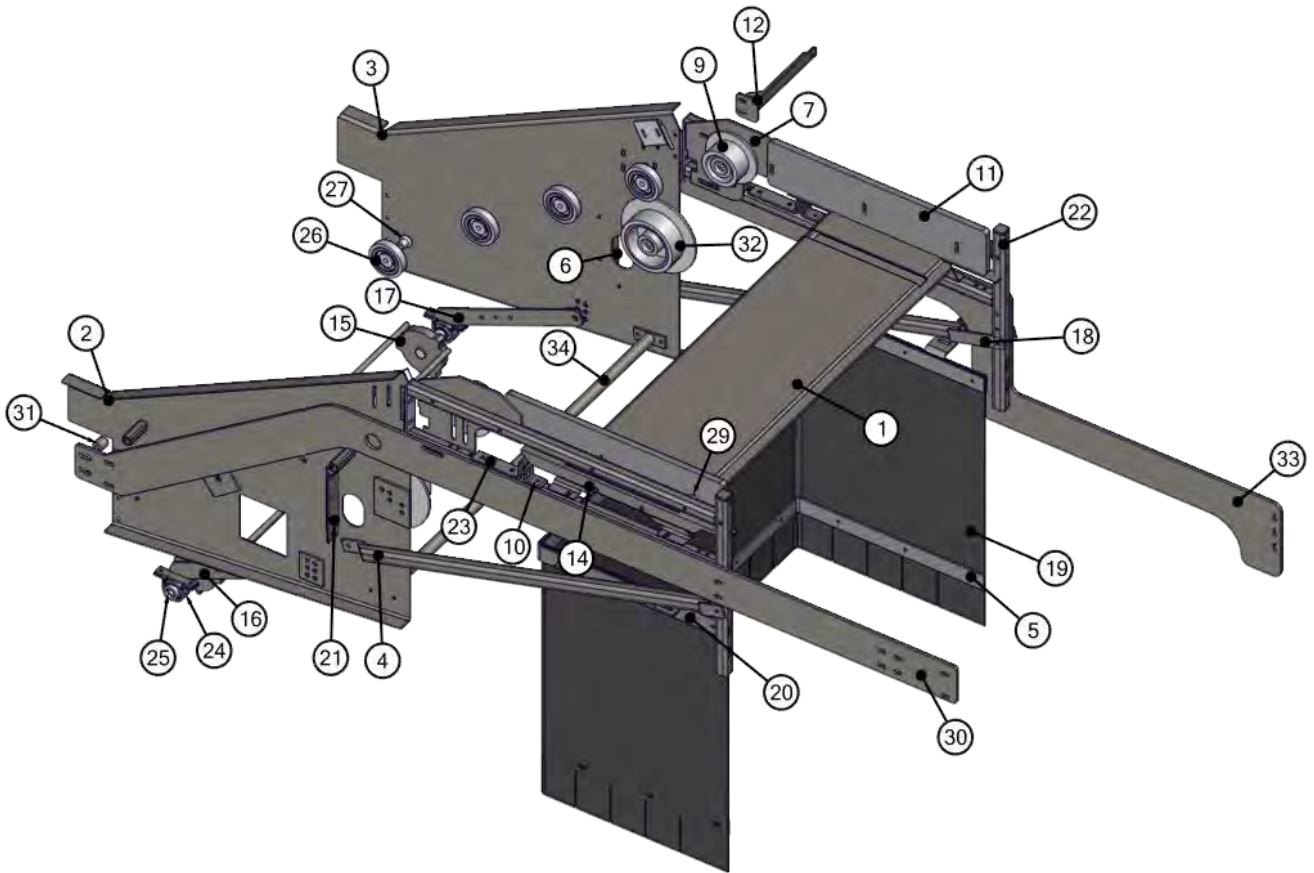
REF	PART NO.	DESCRIPTION	QTY	WILL FIT SN	REMARKS
1	PAN-8606	Panel, Lower, LH, Elevation, HC290 Tomato	1		
2	PAN-8601-A	Panel, Lower, RH, Elevation, HC290 Tomato	1		
3	SHD-8503	Rear Elevation Shield 290	1		
4	BT-8600	Belting, Shield, Lower Elevation, HC290 Tomato	1		
5	BAR-8602	Bar, Cross Elevation	1		
6	BAR-8603	Bar, Cross, Lower Elevation, HC290 Tomato	2		
7	RLA-010-108	Spindle / Standoff for Urethane Roller (heat treated)	7		
8	RLG-040-1016	4" Urethane Roller	7		
9	RLT-645-2208	6.5" Flange Roller 2.2 WF 4.5 dia, 1/2" bore	2		
10	PAN-8607	Panel, Outside Elevation High Cap. Tomato	1		
11	PL-8511	Plastic Rear Elevation, 290	1		
12	RLT-535-128	Narrow Flange Roller 1.2 WF 3.5 dia, 1/2" Bore	2		
13	PI-1896	Shield, Deflector, 2.2"w Flange Roller, Horiz Slot	2		



## 11022-09-16 ELEVATION, DOUBLE SORTER

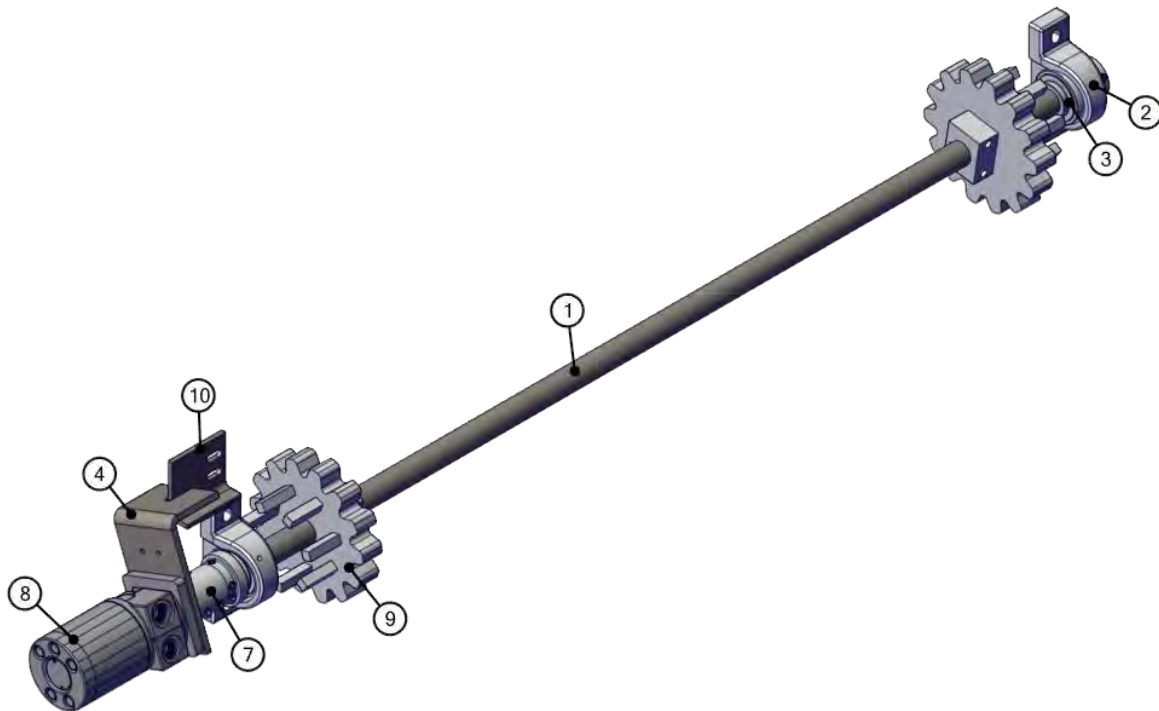
REF	PART NO.	DESCRIPTION	QTY	WILL FIT SN	REMARKS
1	PAN-8750	Panel, Slider Table, Presort Kit, HC290 Tomato	1		
2	PAN-8784	Panel, Outer	1		
3	PAN-8785	Panel, Inner	1		
4	SUP-8756	Support, Elevation, Presort Kit, HC290 Tomato	1		
5	BAR-8779	Backing Bar, Presort U-Belts	2		
6	MOU-8753	Mount, LH, Presort Kit, HC290 Tomato	1		
7	MOU-1130	Mount, Roller, Front Elevation	2		
8	BRA-8758	Bracket, Table Support, Presort Kit, HC290	2		
9	RLT-645-2208	6.5" Flange Roller 2.2 WF 4.5 dia, 1/2" bore	2		
10	BRA-1528	Bracket, Tightener	2		
11	PL-2000	Plastic, Presort, Chili Machine	2		
12	POS-8752	Post, Inside Panel To Frame, Presort Kit, HC 290	1		
13	EX-1520A	Extension, Slider, Outer	1		
14	EX-1520B	Extension, Slider, Inner	1		
15	BAR-50362X	Bar Clnr, 36mm Pch x 50" Wide Chain w/Cntr Belt	1		
16	192-362A	Chain Cleaner Bar (Left)	1		
17	192-362B	Chain Cleaner Bar (Right)	1		
18	SUP-8759	Support, Inside	1		
19	BT-2022	Presort U-Belt	1		
20	BAR-8780	Mount, Presort U-Belt	1		
21	MOU-8754	Mount, RH, Presort Kit, HC290 Tomato	1		
22	FRM-8750	Frame, Presort Kit, HC290 Tomato	2		
23	192-1528	Bearing Adjuster	2		
24	BR-062-MPB	Stamped Bearing Housing for 1 1/4" bearing	2		
25	BR-125-062	Bearing, 1 1/4" Fafnir Tri-Seal, 62mm OD	2		
26	RLR-040-108	4" Flat Roller	8		
27	RLA-000-118	Standoff, 1/2" X 1 1/8"	8		
28	SHD-1899	Shield, Push Offs, 1' Wide Rollers	2		
29	RLA-000-028	Washer/Spacer	2		
30	BAR-8517	Sorter Support	1		
31	SPA-8603	Spacer, 290 Tomato Harvester	8		
32	RLT-965-2208	9.5" Flange Roller 6.5 WF 2.2 WW 1/2" bore	2		
33	BAR-8516	Sorter Support, Inside	1		
34	SUP-8252	Support Between Elevation Panels	1		

# 11022-09-16 ELEVATION, DOUBLE SORTER



## 11021-09-18 ELEVATION DRIVE SHAFT, DOUBLE SORTER

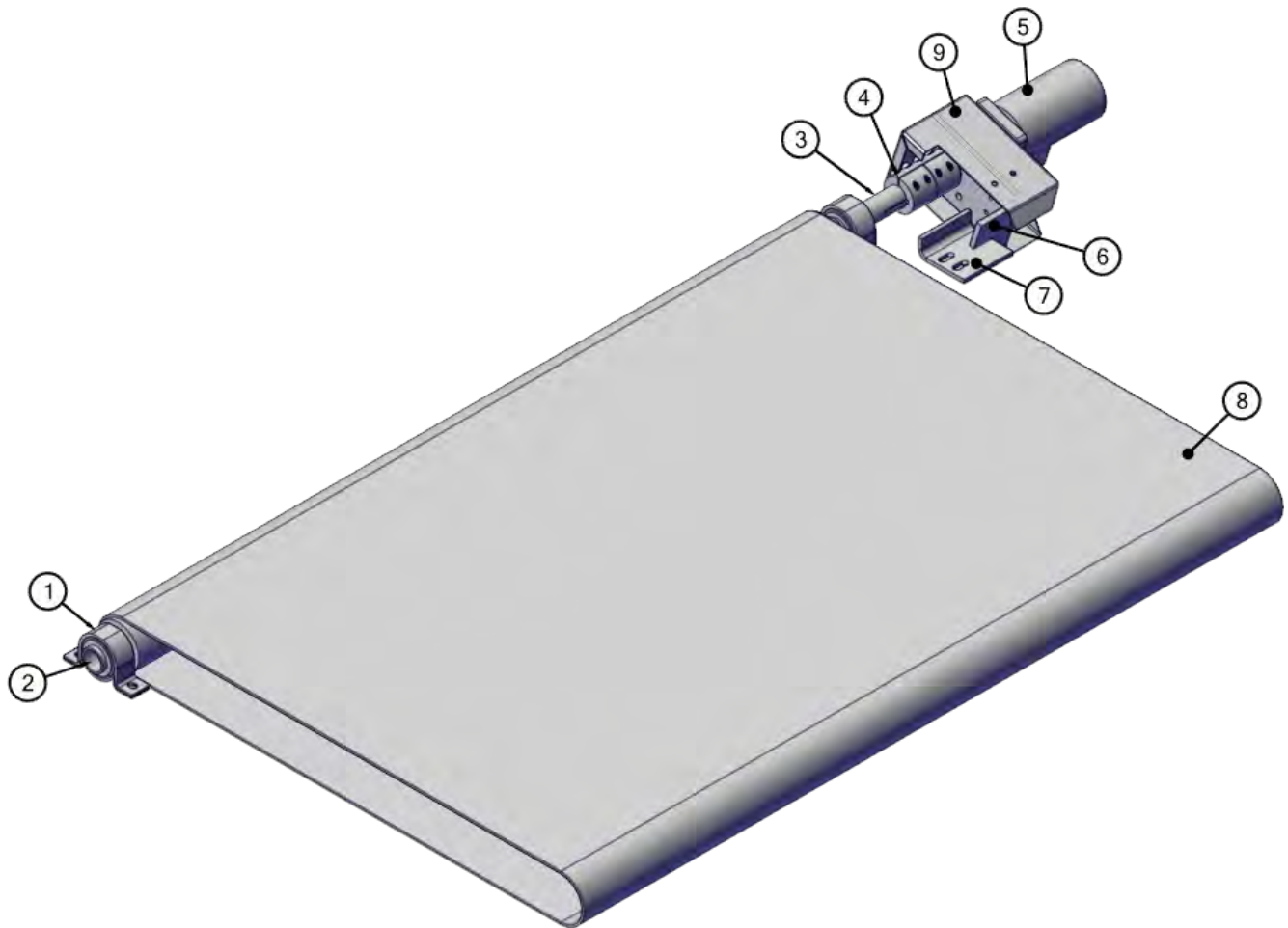
REF	PART NO.	DESCRIPTION	QTY	WILL FIT SN	REMARKS
1	SFT-8600	Drive Shaft, Elevation, High Cap Tomato	1		
2	BR-072-RAK	72mm Cast Housing	2		
3	BR-125-072	Bearing, 1 1/4" Fafnir Tri-Seal, 72mm OD	2		
4	193-806	Mount Motor	1		
5	BR-12572-LC	1 1/4" Locking Collar - Bearing Protector	2		
6	KEY-4-4-16	Shaft Key 1/4" X 1/4" X 1" Square Cut (1018)	1		
7	CPS-6060	Steel Coupler (off center) 1 1/4" x 1"	1		
8	HM-210-TC	TCI Motor	1		
9	SPU-3614-20-4	Belted Chain Sprocket, 36mm x 14 tooth, Urethane	2		
10	193-806a	Motor Mount Stop	1		
11	KEY-4-4-32	Shaft Key 1/4" x 1/4" x 2" Square Cut (1018)	2		
12	BC-7-5036-160-3-FL	Elevation Chain, 3 Belt, With Flights	1		
801	RI-25-BC	25mm Belted Chain Rivets	0		
802	BC-BP32	Belt, Rivet Backing Plates 32mm	0		
803	BC-7-50-BCN	11mm x 50" B Type Connecting Rod	0		
804	BC-3525	Snap Ring, 11mm.	0		
805	BC-F-36-32-F	36-32 Female Connecting Clip	0		
805	BC-F-36-32-M	36-32 Male Connecting Clip	0		
806	BC-1032-FS	10-32 x 1 1/4" Bolts Flat Socket Head	0		
807	BC-1032-LN	10-32 LN	0		
808	KEY-4-4-15	Shaft Key 1/4" X 1/4" X 15/16" Woodruff Key	0		





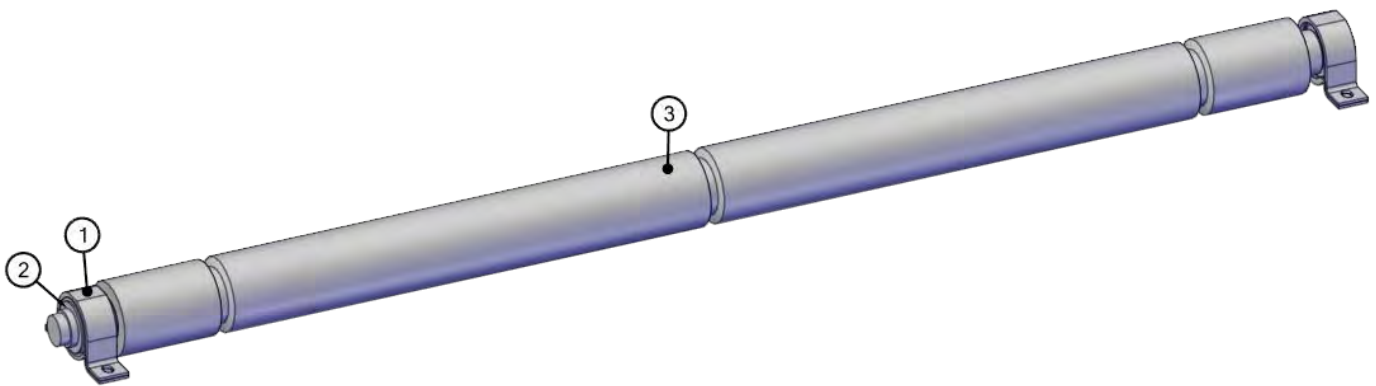
## 11021-09-19 PRESORT DRIVE SHAFT

REF	PART NO.	DESCRIPTION	QTY	WILL FIT SN	REMARKS
1	BR-062-MPB	Stamped Bearing Housing for 1 1/4" bearing	2		
2	BR-125-062	Bearing, 1 1/4 Fafnir Tri-Seal, 62mm OD	2		
3	RLR-8751	Roller, Drive, Presort Kit, HC290 Tomato	1		
4	CPS-6060	Steel Coupler (off center) 1 1/4" x 1"	1		
5	HM-208-TC	TCI Motor	1		
6	193-806	Mount Motor	1		
7	193-806A	Motor Mount Stop	1		
8	BT-72V4975E	Belt, HC 290 Presort, w/ Double Guide	1		
9	SHD-807	Shield, Transfer Motor	1		
601	A-6902-10-8	10 SAE X 1/2" FPX 45°	2		
800	KEY-4-4-15	Shaft Key 1/4" X 1/4" X 15/16" Woodruff Key			



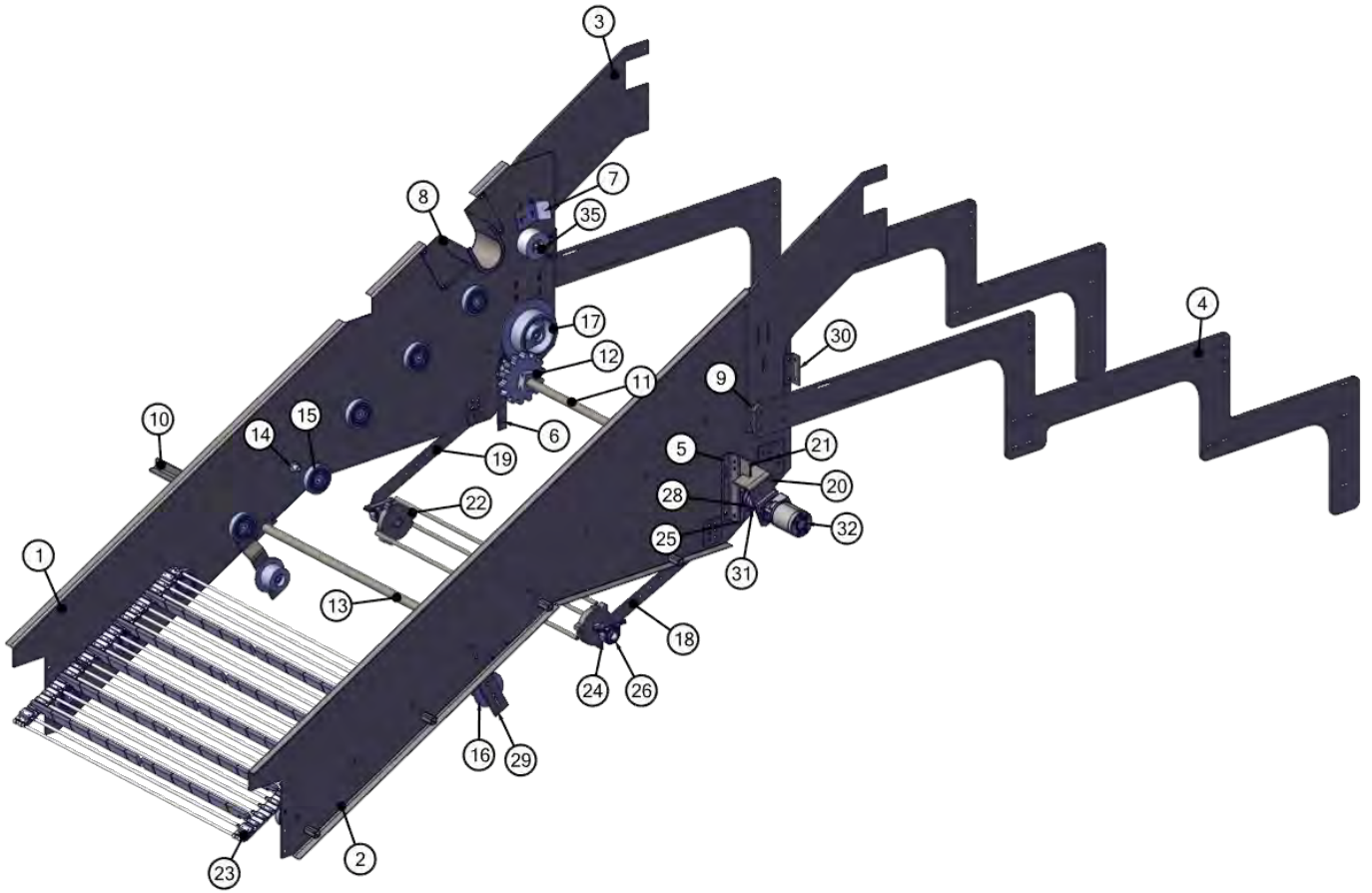
## 11021-09-20 PRESORT IDLER

REF	PART NO.	DESCRIPTION	QTY	WILL FIT SN	REMARKS
1	BR-062-MPB	Stamped Bearing Housing for 1 1/4" bearing	2		
2	BR-125-062	Bearing, 1 1/4 Fafnir Tri-Seal, 62mm OD	2		
3	RLR-8752	Idler, Presort Kit, HC290 Tomato	1		



## 11021-09-22 ELEVATION, TRIPLE SORTER

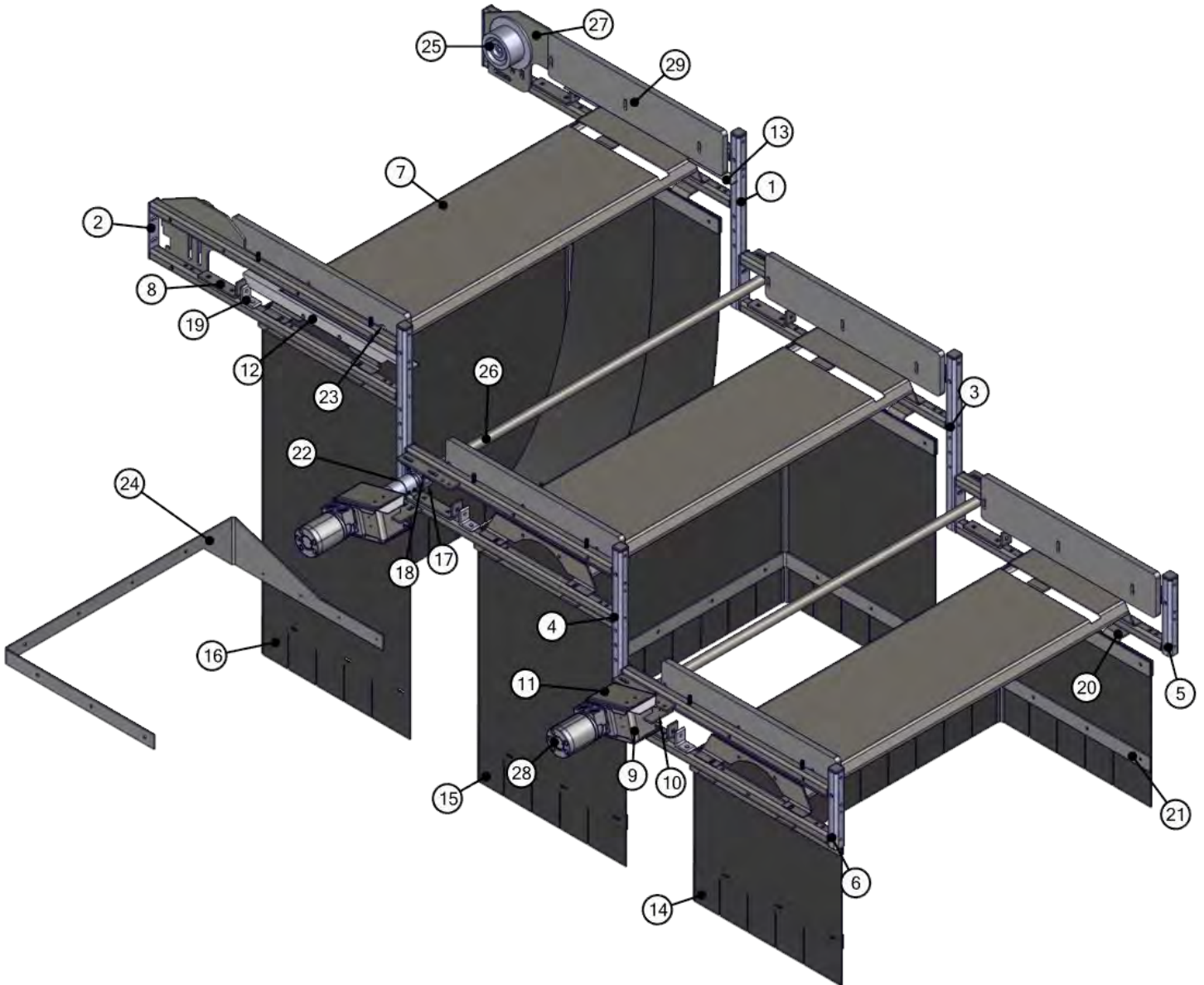
REF	PART NO.	DESCRIPTION	QTY	WILL FIT SN	REMARKS
1	PAN-8770	Elevation Panel, LH	1		
2	PAN-8771	Elevation Panel, RH	1		
3	PAN-8767	Shaker Frame Arm Mount	2		
4	PAN-8768	Presort Support Arm	2		
5	MOU-8760	Mount, Outside	1		
6	MOU-8761	Mount, Inside	1		
7	SHD-1899	Shield, Push Offs, 1" Wide Rollers	2		
8	SHD-8788	Elevation Shield, Shaker Motor	1		
9	SPA-8603	Spacer, 290 Tomato Harvester	8		
10	POS-8752	Post, Inside Panel To Frame, Presort Kit, HC 290	1		
11	SFT-8600	Drive Shaft, Elevation, High Cap Tomato	1		
12	SPU-3614-20-4	Belted Chain Sprocket, 36mm x 14 tooth, Urethane	2		
13	SUP-8252	Support Between Elevation Panels	1		
14	RLA-010-0108	Spindle / Standoff for Urethane Roller (heat treated)	16		
15	RLG-040-1016	4" Urethane Roller	16		
16	RLT-535-228	5" Flange Roller 2.2WF x 3 1/2" dia, 1/2" bore	4		
17	RLT-965-2208	9.5" Flange Roller 6.5 WF 2.2 WW 1/2" bore	2		
18	192-362A	Chain Cleaner Bar (Left)	1		
19	192-362B	Chain Cleaner Bar (Right)	1		
20	193-806	Mount Motor	1		
21	193-806A	Motor Mount Stop	1		
22	BAR-50362X	Bar Clnr, 36mm Pch x 50" Wide Chain w/Cntr Belt	1		
23	BC-7-5036-237-2-FL	Elevation Chain, 290 Harvester, 2 Belt, With Flights	1		
24	BR-062-MPB	Stamped Bearing Housing for 1 1/4" bearing	2		
25	BR-072-RAK	72mm Cast Housing	2		
26	BR-125-062	Bearing, 1 1/4 Fafnir Tri-Seal, 62mm OD	2		
27	BR-125-072	Bearing, 1 1/4 Fafnir Tri-Seal, 72mm OD	2		
28	BR-12572-LC	1 1/4" Locking Collar - Bearing Protector	2		
29	BRA-8400	Bracket, Hold Up Rollers	2		
30	BRA-8758	Bracket, Table Support, Presort Kit, HC290	2		
31	CPS-6060	Steel Coupler (off center) 1 1/4" x 1"	1		
32	HM-210-TC	TCI Motor	1		
33	KEY-4-4-16	Shaft Key 1/4" X 1/4" X 1" Square Cut (1018)	1		
34	KEY-4-4-32	Shaft Key 1/4" x 1/4" x 2" Square Cut (1018)	2		
35	RLT-040-228	Roller 4" Dia x 2.2 x 1/2" Bore, No Flange	2		



## 11021-09-23 PRESORT FRAMES, TRIPLE SORTER

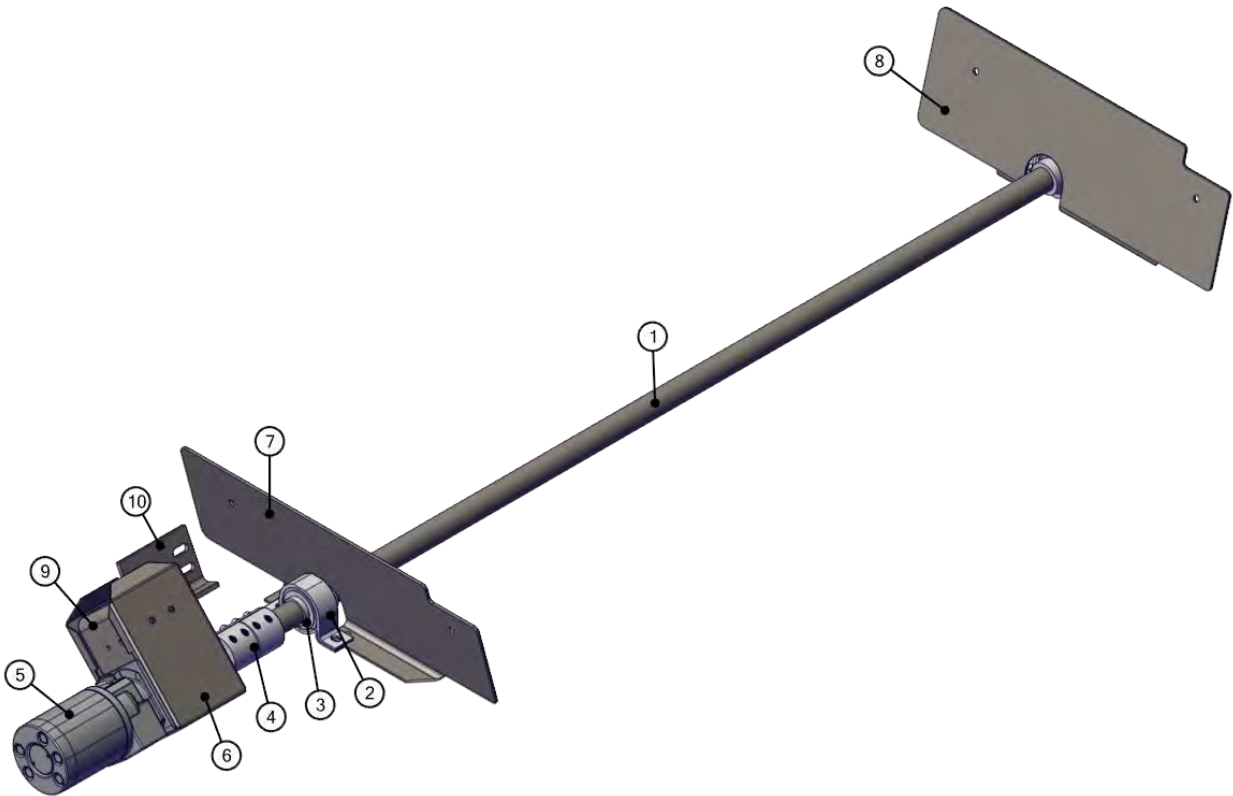
REF	PART NO.	DESCRIPTION	QTY	WILL FIT SN	REMARKS
1	FRM-8753	Presort Frame, Top, LH	1		
2	FRM-8754	Presort Frame, Top, RH	1		
3	FRM-8757	Presort Frame, Middle, LH	1		
4	FRM-8755	Presort Frame, Middle, RH	1		
5	FRM-8758	Presort Frame, Bottom, LH	1		
6	FRM-8756	Presort Frame, Bottom, RH	1		
7	PAN-8750	Panel, Slider Table, Presort Kit, HC290 Tomato	3		
8	192-1528	Bearing Adjuster	6		
9	193-806	Mount Motor	2		
10	193-806A	Motor Mount Stop	2		
11	193-806c	Motor Guard	2		
12	EX-1520A	Extension, Slider, Outer	3		
13	EX-1520B	Extension, Slider, Inner	3		
14	BT-2023	Presort U-Belt, Bottom	1		
15	BT-2022	Presort U-Belt	1		
16	BT-2024	Presort U-Belt, Top	1		
17	BR-062-MPB	Stamped Bearing Housing for 1 1/4" bearing	4		
18	BR-125-062	Bearing, 1 1/4 Fafnir Tri-Seal, 62mm OD	4		
19	BRA-1528	Bracket, Tightener	6		
20	BAR-8780	Mount, Presort U-Belts	3		
21	BAR-8779	Backing Bar, Presort U-Belts	5		
22	CPS-6060	Steel Coupler (off center) 1 1/4" x 1"	2		
23	RLA-000-028	Washer/Spacer	6		
24	BAR-8781	Bottom Bar, Presort U-Belts	1		
25	RLT-645-2208	6.5" Flange Roller 2.2 WF 4.5 dia, 1/2" bore	2		
26	SFT-8752	Divider Bar, HC 290, Second Presort	3		
27	MOU-1130	Mount, Roller, Front Elevation	2		
28	HM-210-TC	TCI Motor	2		
29	PL-2000	Plastic, Presort, Chili Machine	6		
30	A-6902-10-8	10 SAE X 1/2" FPX 45°	4		

# 11021-09-23 PRESORT FRAMES, TRIPLE SORTER



## 11021-10-02 AFTERSORT DIVIDER ROLLER, DOUBLE SORTER

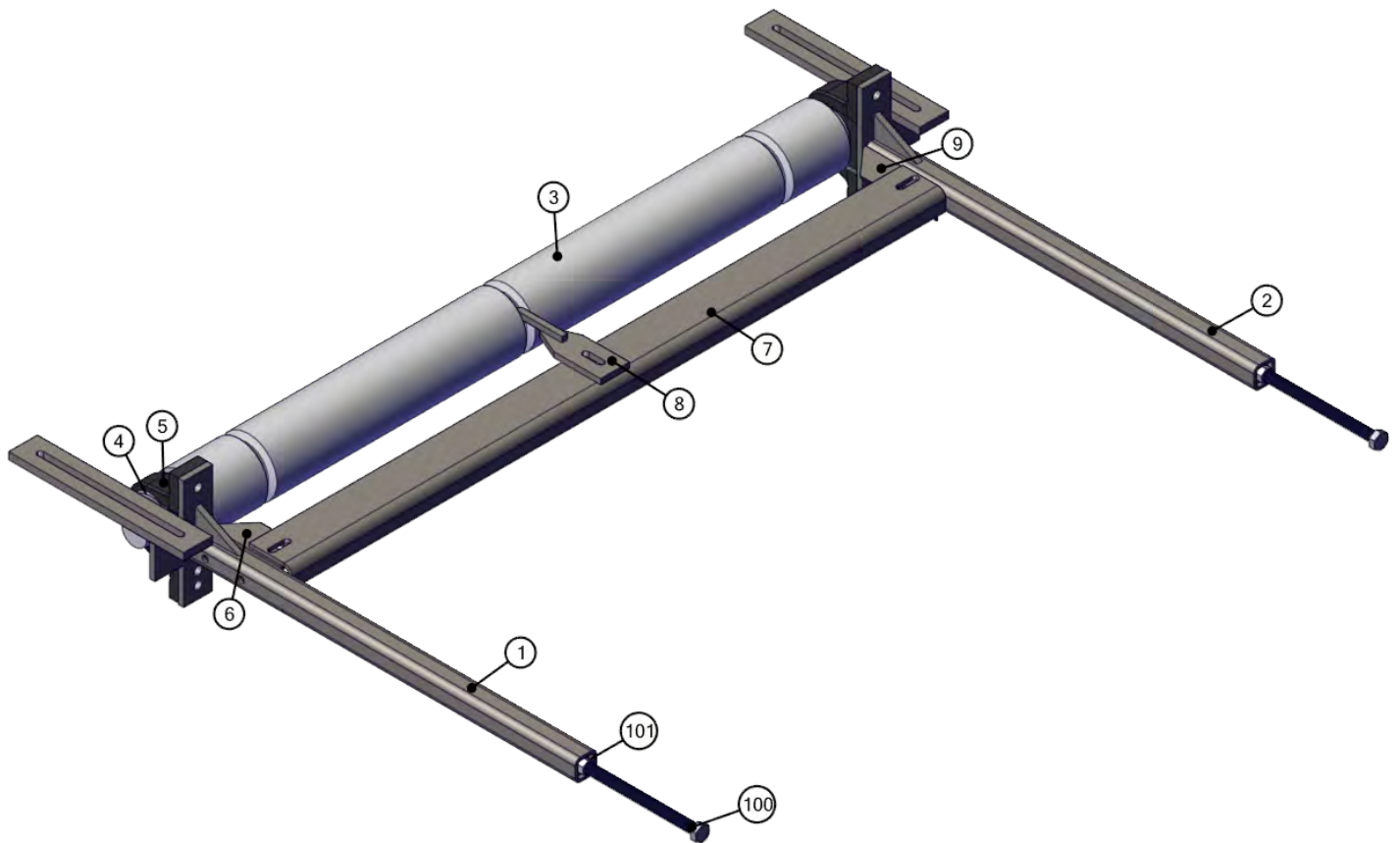
REF	PART NO.	DESCRIPTION	QTY	WILL FIT SN	REMARKS
1	SFT-8750	Shaft, Divider Roller Assy, Aftersort, HC290	1		
2	BR-062-MPB	Stamped Bearing Housing for 1 1/4" bearing	2		
3	BR-125-062	Bearing, 1 1/4" Fafnir Tri-Seal, 62mm OD	2		
4	CPS-6060	Steel Coupler (off center) 1 1/4" x 1"	1		
5	HM-210-TC	TCI Motor	1		
6	SHD-806	Shield, Motor, Aftersort, HC290	1		
7	SHD-8781	Shield, LH	1		
8	SHD-8782	Shield, RH	1		
9	193-806	Mount Motor	1		
10	193-806B	Motor Mount Stop	1		
800	KEY-4-4-15	Shaft Key 1/4" X 1/4" X 15/16" Woodruff Key	1		





## 11021-10-03 AFTERSORT IDLER, DOUBLE SORTER

REF	PART NO.	DESCRIPTION	QTY	WILL FIT SN	REMARKS
1	ADJ-8759	Adjuster, RH	1		
2	ADJ-8758	Adjuster, LH	1		
3	RLR-8753	Rubber Roller, 1.75 Shaft 4.00 Rubber Roller	1		
4	BR-085-RAK	Bearing Housing 85 mm	2		
5	BR-175-085	Fafnir Bearing 1 3/4 Tri Seal	2		
6	BRA-8752	Bracket, Divider Roller Assy, Aftersort, HC290	1		
7	BAR-8769	Scraper Bar, Aftersort Idler, 290 Harvester	1		
8	BAR-8758	A-Guide Scraper, Aftersort, HC290	1		
9	BRA-8760	Angle Scraper Mount, 290 Harvester	1		
100	BL-10-800-TS	5/8-11 X 8 HEX TAP SS	2		
101	BL-10-N	5/8-11 HEX FIN NUTS ZC	2		

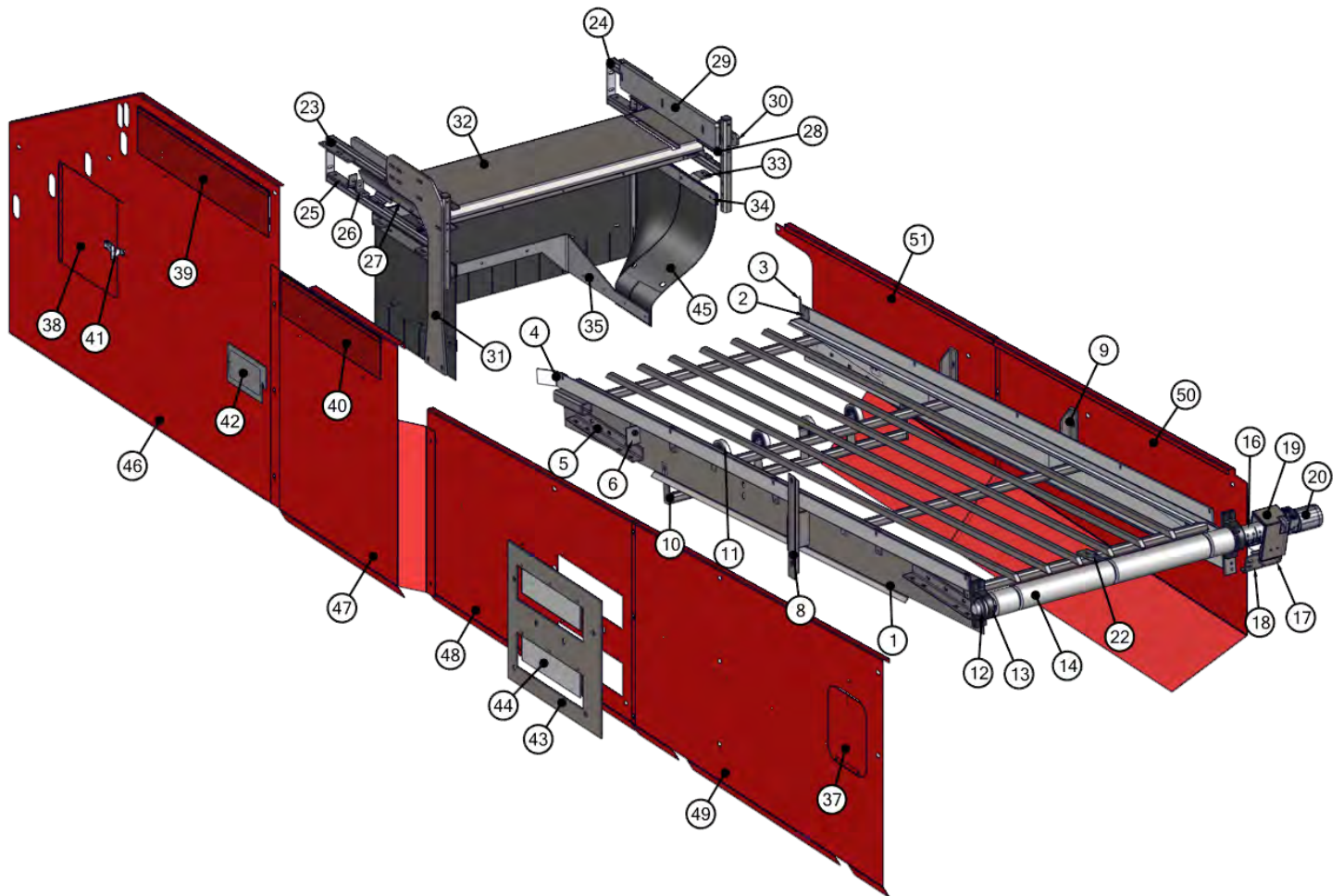


## 11022-10-20 AFTERSORT, DOUBLE SORTER

REF	PART NO.	DESCRIPTION	QTY	WILL FIT SN	REMARKS
1	HAN-8756	Handsort Weldment	1		
2	BAR-8754	Bar, Side Bar Mount, Aftersort, HC290 Tomato	8		
3	BAR-8760	RH Side Bar, 2nd Aftersort Table, HC290 Tomato	1		
4	BAR-8761	LH Side Bar, 2nd Aftersort Table, HC290 Tomato	1		
5	BRA-8762	Table Mount, Aftersort 2010 290 Tomato Harvester	4		
6	STP-8501	Stop, Outside, Adjuster Belt	1		
7	STP-8502	Stop, Inside, Adjuster Belt, Crss Convyr	1		
8	SUP-8751	Shield Mount, RH, Middle, Aftersort, HC290	1		
9	SUP-8753	Shield Mnt, LH, Back/Middle, Aftersort, HC290	2		
10	BRA-852	Bracket, Aftersort Rollers	1		
11	RLR-040-108	4' Flat Roller	4		
12	BR-175-085	Fafnir Bearing 1 3/4 Tri Seal	2		
13	BR-085-RAK	Bearing Housing 85 mm	2		
14	RLR-8753	Rubber Roller, 1.75 Shaft 4.00 Rubber Roller	1		
15	BT-1130E-286	Aftersort Belt, A-Guide, Endless 286' Long	1		
16	CPS-2816	Steel Coupler 1 3/4' x 1' ID x 3' OD x 4' Long with 5/16-24' Clamp Screw	1		
17	193-806	Mount Motor	1		
18	193-806A	Motor Mount Stop	1		
19	SHD-806	Shield, Motor, Aftersort, HC290	1		
20	HM-204-TC	TCI Motor	1		
21	KEY-4-4-16	Shaft Key 1/4' X 1/4' X 1' Square Cut (1018)	2		
22	BAR-8758	A-Guide Scraper, Aftersort, HC290	2		
23	FRM-8700	Outer Presort Frame	1		
24	FRM-8705	Inner Presort Frame	1		
25	192-1528	Bearing Adjuster	2		
26	BRA-1528	Bracket, Tightener	2		
27	EX-1520B	Extension, Slider, Inner	1		
28	EX-1520A	Extension, Slider, Outer	1		
29	PL-8700	Second Presort Plastic	2		
30	FRM-8704	Inner Frame Connector	1		
31	FRM-8706	Outer Frame Connector	1		
32	PAN-8750	Panel, Slider Table, Presort Kit, HC290 Tomato	1		
33	BAR-8780	Mount, Presort U-Belts	1		
34	BAR-8779	Backing Bar, Presort U-Belts	1		
35	BAR-8781	Bottom Bar, Presort U-Belts	1		
36	SPA-0159	Spacer, Outer Panel, Presort, HC 290	1		
37	SHD-8768	Fill Door, Hyd. Fluid	1		
38	SHD-8405	Shield, Access Door, Elevation, HC290	1		
39	SHD-8765	Shield, RH, Side Panel, Elevation, HC290	1		
40	SHD-8778	Shield	1		

# 11022-10-20 AFTERSORT, DOUBLE SORTER

REF	PART NO.	DESCRIPTION	QTY	WILL FIT SN	REMARKS
41	LA-703	Large Rubber T Latch Assembly	6		
42	PL-8752	PL Cover, Middle Panel Cut-Out, Elevation, HC290	1		
43	FRM-8116	Support Panel	1		
44	BT-8751	Belting, Step Cover, 290 Harvester	2		
45	BT-2023	Presort U-Belt, Bottom	1		
46	PAN-8787	Elevation Panel, Double Sort	1		
47	PAN-8788	Side Panel, Double Sort	1		
48	PAN-8763	Double Sort Side Panel	1		
49	PAN-8764	Double Sort Side Panel	1		
50	PAN-8765	Double Sort Side Panel	1		
51	PAN-8766	Double Sort Side Panel	1		

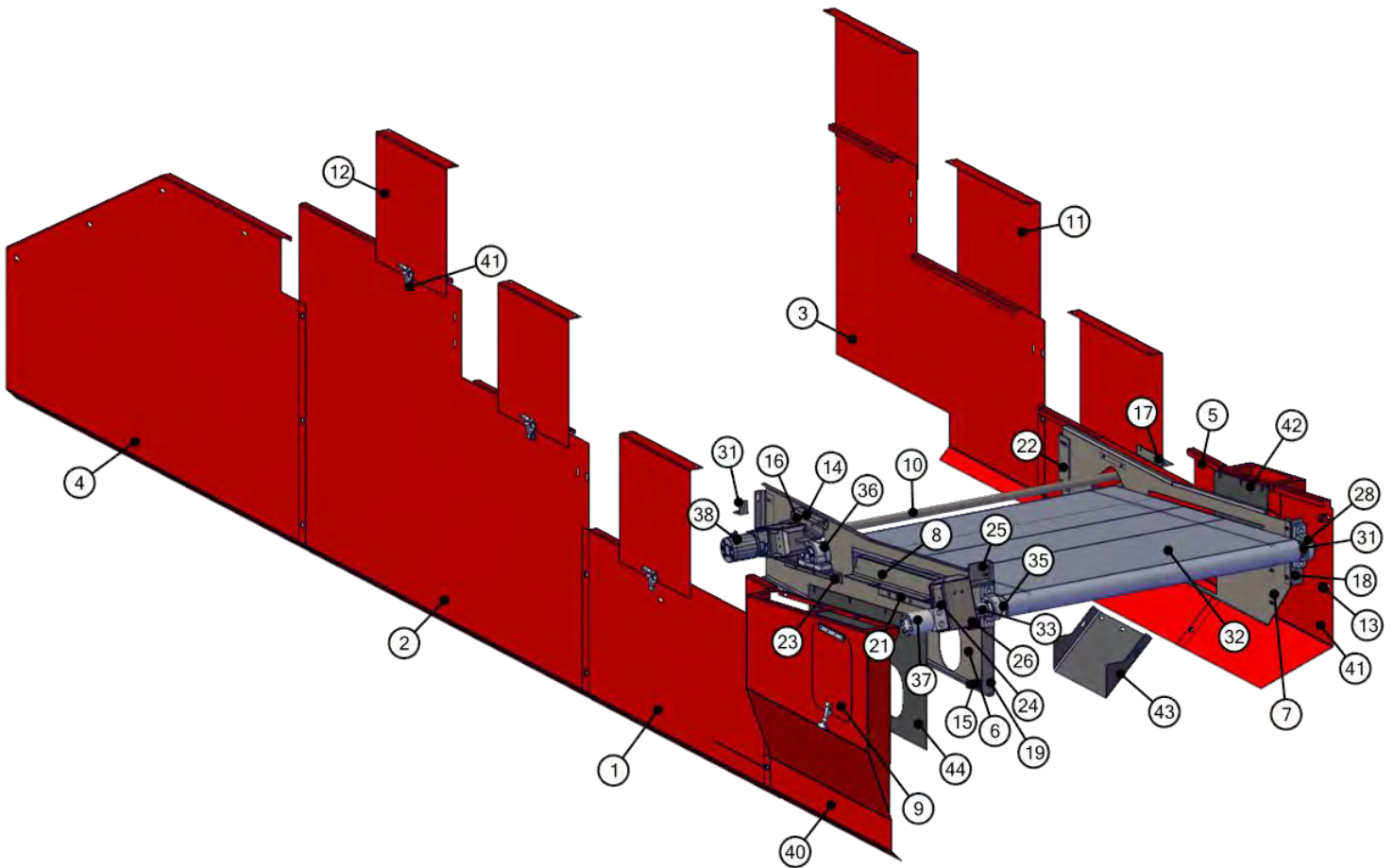


## 11022-10-22 AFTERSORT, TRIPLE SORTER

REF	PART NO.	DESCRIPTION	QTY	WILL FIT SN	REMARKS
1	PAN-8789	Side Panel, RH Handsort, Back	1		
2	PAN-8774	Side Panel, Step Down, Outer	1		
3	PAN-8775	Side Panel, Step Down, Inner	1		
4	PAN-8776	Side Panel, Elevation	1		
5	PAN-8791	Side Panel, LH Handsort, Rear	1		
6	PAN-8779	Aftersort Panel, Outer	1		
7	PAN-8780	Aftersort Panel, Inner	1		
8	PAN-8781	Panel, Aftersort Table	1		
9	SHD-8768	Fill Door, Hyd. Fluid	1		
10	SFT-8752	Divider Bar, HC 290, Second Presort	1		
11	SHD-8798	LH Presort Shield	3		
12	SHD-8797	RH Presort Shield	3		
13	SPA-0082	Spacer, Aftersort Table, Inside	2		
14	SPA-0083	Spacer, Divider Bar	2		
15	SPA-0085	Spacer, Aftersort Table, Panel	2		
16	MOU-8762	Mount, Divider Bar, Outside	1		
17	MOU-8763	Mount, Divider Bar, Inner	1		
18	MOU-8764	Mount, Roller, Inside	1		
19	MOU-8765	Mount, Roller, Outside	1		
20	MOU-8766	Mount, Roller	2		
21	MOU-8767	Mount, Pan	2		
22	MOU-8768	Mount, Aftersort Panel	2		
23	FRM-8120	Support Panel, Handsort Step	1		
24	192-1529	Bearing Adjuster	2		
25	193-806	Mount Motor	2		
26	193-806a	Motor Mount Stop	2		
27	193-806c	Motor Guard	2	19301-	
28	BR-062-MPB	Stamped Bearing Housing for 1 1/4' bearing	2		
29	BR-072-RAK	72mm Cast Housing	4		
30	BR-125-062	Bearing, 1 1/4 Fafnir Tri-Seal, 62mm OD	2		
31	BR-125-072	Bearing, 1 1/4 Fafnir Tri-Seal, 72mm OD	4		
32	BRA-1528	Bracket, Tightener	2	19705- 19801-	
33	BT-111V4975E	Belt, HC 290 Aftersort, w/ Double Guide	1		
34	CPS-6060	Steel Coupler (off center) 1 1/4' x 1'	2		
35	RI-3-5-AL	Aluminum/Steel Blind Rivet w/Drill Bit, 3/16' , .375 - .500 Grip Range	28		
36	RLR-8751	Roller, Drive, Presort Kit, HC290 Tomato	1		
37	RLR-8752	Idler, Presort Kit, HC290 Tomato	1		
38	HM-208-TC	TCI Motor	1		Seal Kit # TCI- SKHPQ

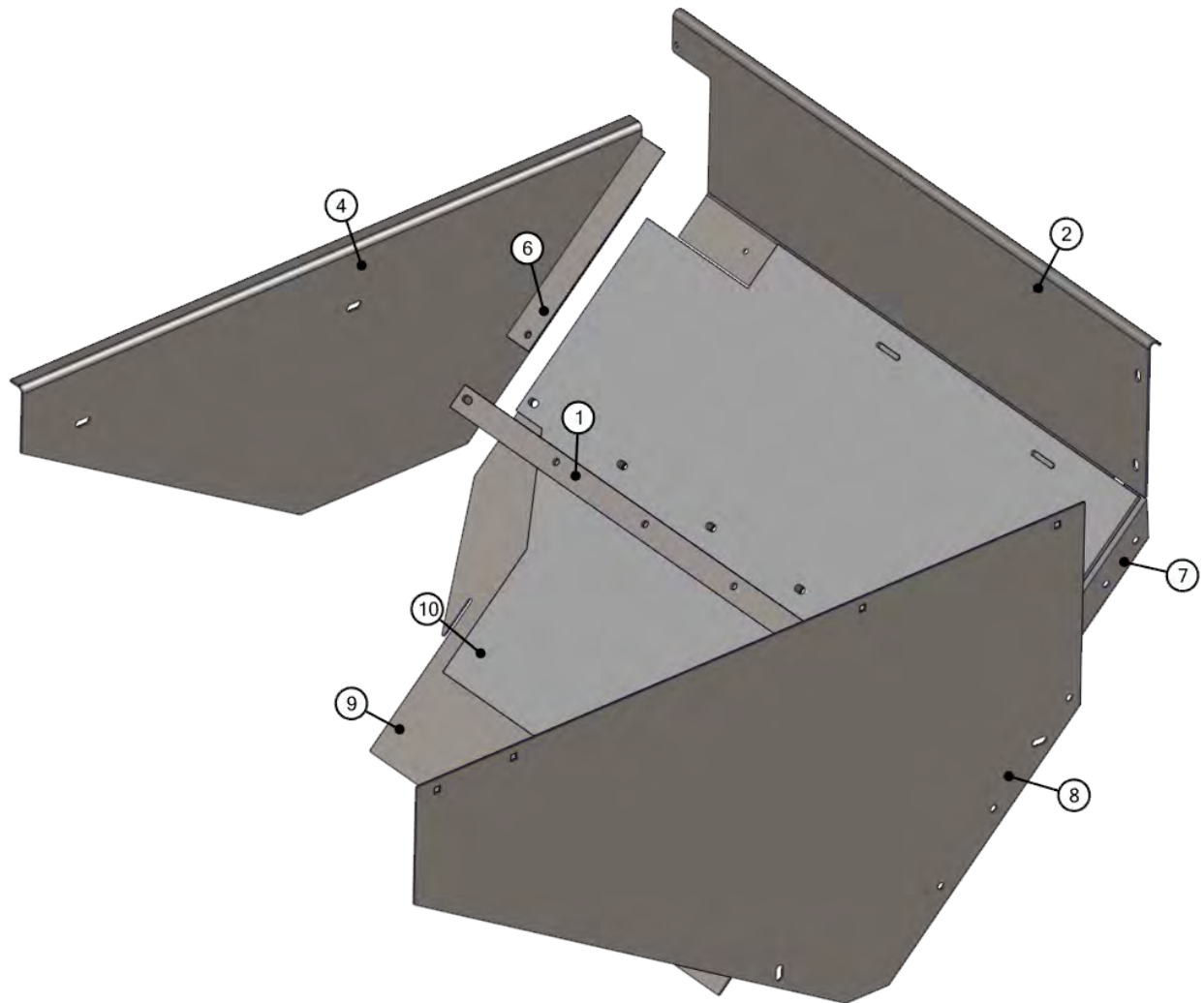
## 11022-10-22 AFTERSORT, TRIPLE SORTER

REF	PART NO.	DESCRIPTION	QTY	WILL FIT SN	REMARKS
39	HM-204-TC	TCI Motor	1		Seal Kit # TCI-SKHPQ can replace with HM-204-OMS
40	LA-1530	Medium Rubber T Latch Assembly	7		
41	PAN-8790	Side Panel, RH Handsort, Front	1		
42	PAN-8792	Side Panel, LH Handsort, Front	1		
43	BT-8752	Cull Chute Belting, LH	1		
44	BT-8753	Cull Chute Rubber, LH Chute	1		
45	BT-8754	Cull Chute Belting, RH	1		



## 11021-11-01 DISCHARGE BASKET, DOUBLE SORTER

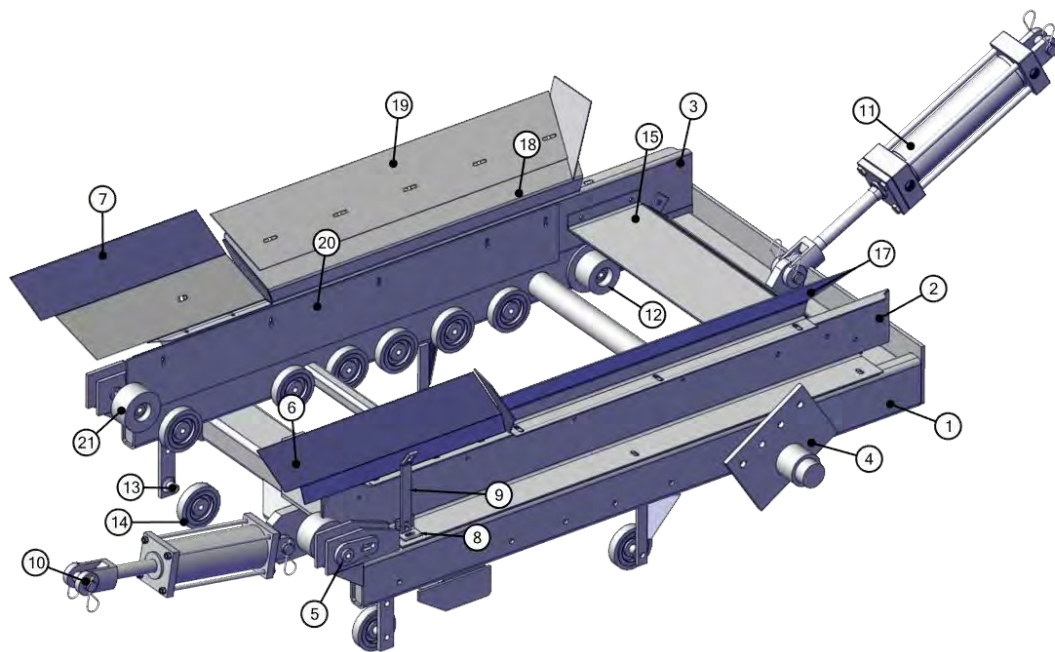
REF	PART NO.	DESCRIPTION	QTY	WILL FIT SN	REMARKS
1	SPA-8200	Spacer, Discharge Basket, 290 Tomato Harvester	1		
2	SHD-8800	Top Shield, Discharge Basket, 290 Harvester	1		
4	SHD-8772	Shield, Back, Discharge Basket, Triple Sorter	1		
5	ARM-8802	Angle, Discharge Basket, 2010 290 Tomato Harvester	1		
6	ARM-8800	Angle, Discharge Basket	1		
7	SHD-8801	Front Shield, Discharge Basket, 290 Harvester	1		
8	BT-8804	Belting, Discharge Basket, 290 Harvester	1		
9	PL-8806	Plastic Back, Discharge Bin, 2010 290 Harvester	1		





## 11021-11-02 INNER DISCHARGE

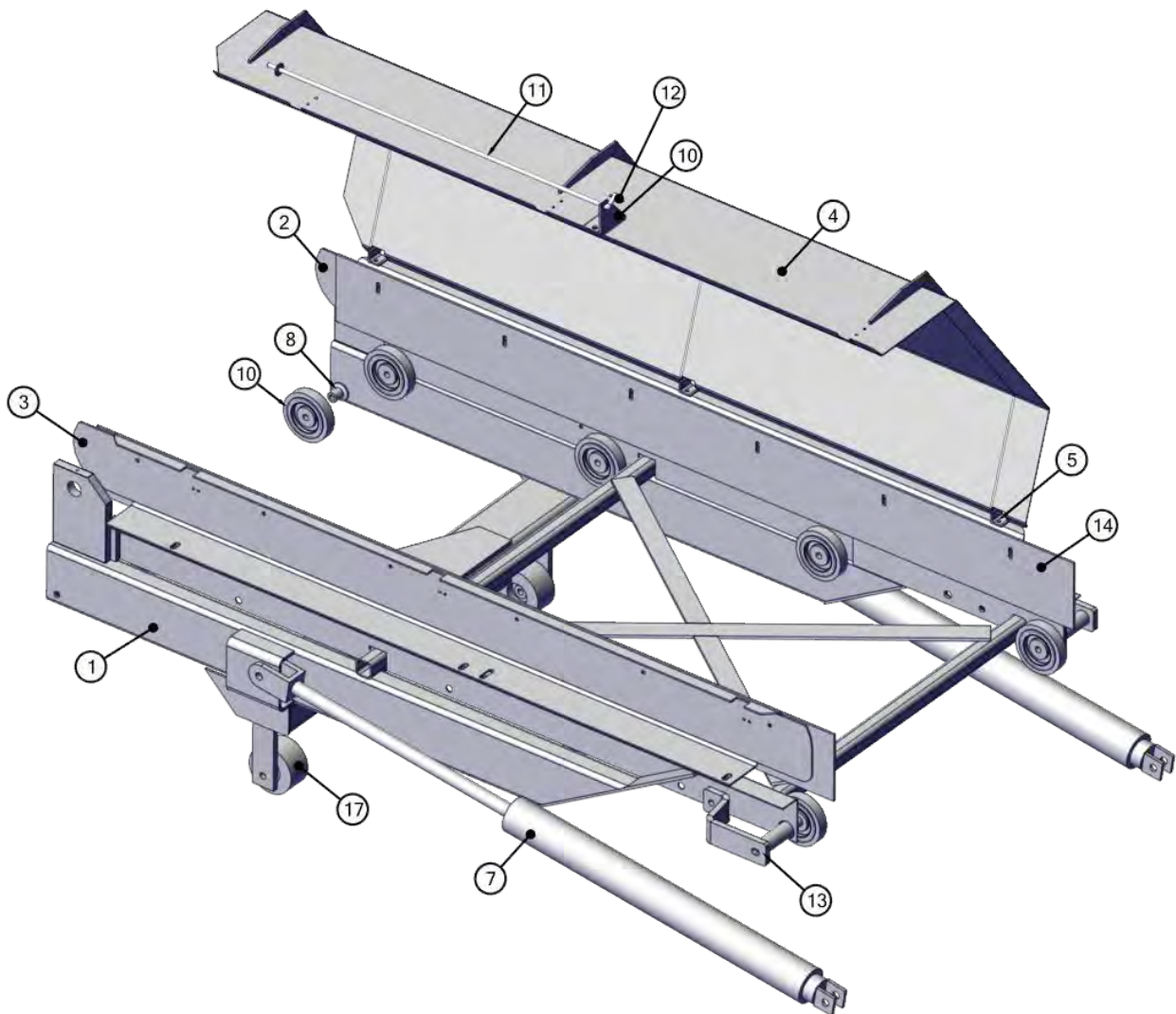
REF	PART NO.	DESCRIPTION	QTY	WILL FIT SN	REMARKS
1	FRM-8800	Frame, Inner Discharge, HC290 Tomato	1		
2	PAN-8800	Panel, Front, Inner Discharge	1		
3	PAN-8801	Panel, Back, Inner Discharge, HC290 Tomato	1		
4	MOU-8800	Mount, Inner Discharge, HC290 Tomato	2		
5	PIN-8800	Pin, Inner Discharge	2		
6	PAN-8802	Panel, Top, Front, Inner Discharge	1		
7	PAN-8804	Panel, Top, Back, Inner Discharge	1		
8	BRA-8800	Bracket, Panel Mount, Inner Discharge	2		
9	BAR-8801	Bar, Panel Support, Inner Discharge	2		
10	HC-350-0808L	Hydraulic Cylinder, Lion, 3 1/2" x 8", 3/4-16 ORB, 90° Port	1		
11	HC-350-1608	Tie Rod Cylinder, 3 1/2" x 16", #8 SAE Port	1		
12	RLT-535-228	5" Flange Roller 2.2WF x 3 1/2" dia, 1/2" bore	2		
13	RLA-010-0108	Spindle / Standoff for Urethane Roller (heat treated)	16		
14	RLG-040-1016	4" Urethane Roller	16		
15	VLV-8800	Valve, Inner Discharge, HC290 Tomato	1		
16	DC-1174	Decal, Danger Keep Hands and Feet Away	1		
17	SHD-8803	Shield, Discharge Basket	1		
18	SHD-8804	Rear Shield, Discharge Basket, 290	1		
19	BT-8002	Belting, Discharge Basket, 290 Harvester	1		
20	PL-8001	Discharge Plastic, Lower Sides	2		
21	RLT-040-228	Roller 4" Dia x 2.2 x 1/2" Bore, No Flange	2		





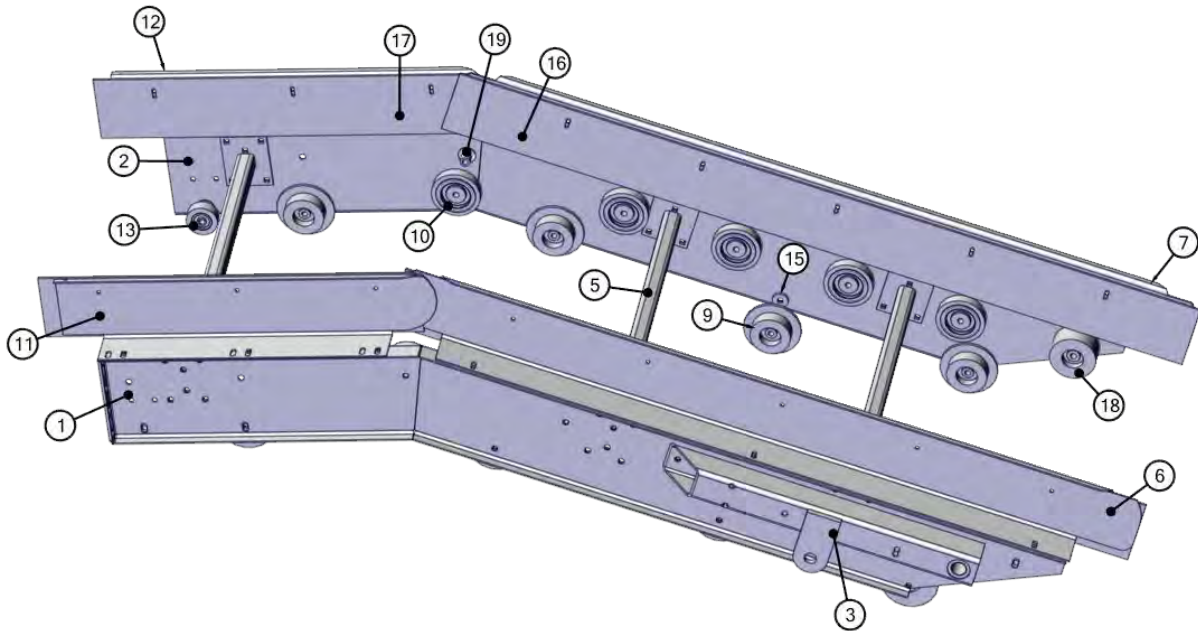
## 11021-11-03 MIDDLE DISCHARGE

REF	PART NO.	DESCRIPTION	QTY	WILL FIT SN	REMARKS
1	FRM-8810	Frame, Middle Discharge, High Cap. Tomato	1		
2	PAN-8822	Panel, Front, Middle Discharge	1		
3	PAN-8823	Panel, Back, Middle Discharge	1		
4	COV-8800	Cover, Middle Discharge, HC290 Tomato	1		
5	BRA-8801	Bracket, Panel Mount, Middle Discharge	3		
6	LA-703	Large Rubber T Latch Assembly	3		
7	HC-200-2408P	Hydraulic Cylinder, Prince, 2" x 24" #8 SAE Ports	2		
8	RLA-010-0108	Spindle / Standoff for Urethane Roller (heat treated)	13		
9	RLG-040-1016	4" Urethane Roller	13		
10	BRA-8802	Bracket for Cover Prop, Middle Discharge	1		
11	ADJ-8800	Adjuster, Cover Prop, Middle Discharge	1		
12	PIN-C2-16	Cotter Pin, 1/8" x 1"	1		
13	BAR-0114	Discharge Strap	2		
14	PL-8002	Plastic Shield, Discharge	2		



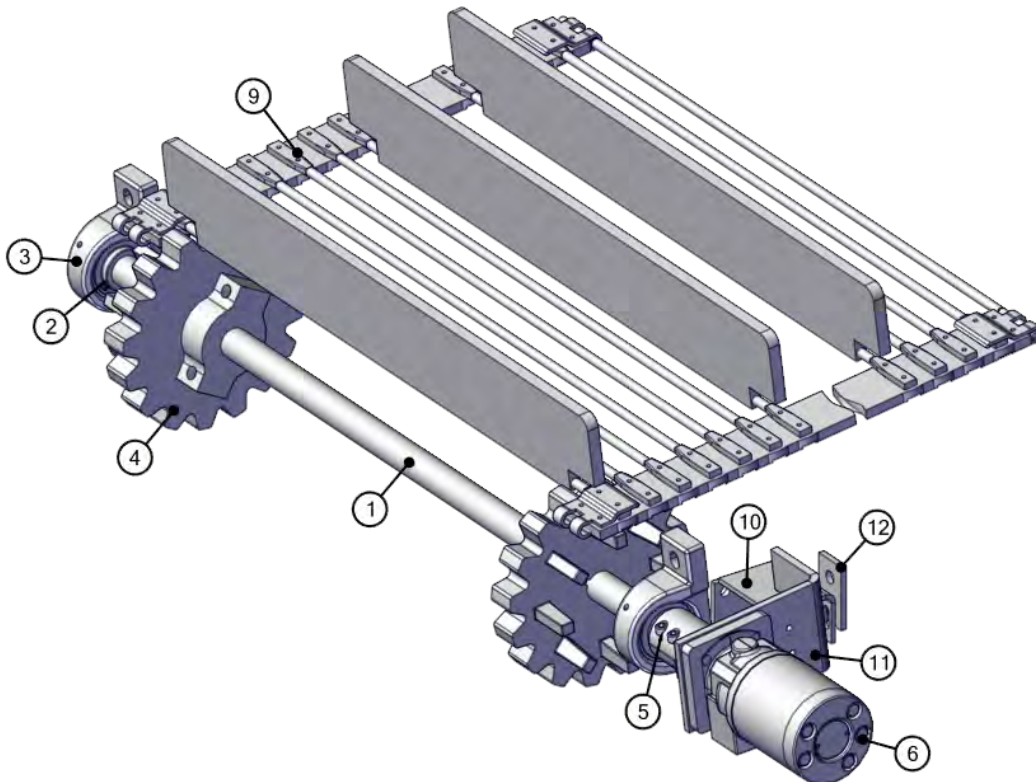
## 11021-11-04 OUTER DISCHARGE

REF	PART NO.	DESCRIPTION	QTY	WILL FIT SN	REMARKS
1	PAN-8816	Panel, Front, Outer Discharge, HC290 Tomato	1		
2	PAN-8817	Panel, Rear, Outer Discharge, HC290 Tomato	1		
3	192-905	Cylinder Mount, Front Discharge	1		
4	192-906	Cylinder Mount, Rear Discharge	1		
5	BAR-8800	Bar, Cross Member, Outer Discharge	3		
6	PAN-8820	Panel, Front, Outer Discharge, HC290 Tomato	1		
7	PAN-8821	Panel, Back, Outer Discharge, HC290 Tomato	1		
8	RLA-000-118	Standoff, 1/2" X 1 1/8"	2		
9	RLT-535-128	Narrow Flange Roller 1.2 WF 3.5 dia, 1/2" Bore	8		
10	RLG-040-1016	4" Urethane Roller	8		
11	PAN-8814	Panel, Top, Front, Discharge Extension, HC290	1		
12	PAN-8815	Panel, Top, Back, Discharge Extension, HC290	1		
13	RLT-027-108	Roller 2.75" dia. 1/2" Bore	2		
14	EL-1233	Light, Auxiliary Work Light, Clear, Trapezoid Beam, TL#80394	0		
15	RLA-000-028	Washer/Spacer	8		
16	PL-8004	Discharge Plastic	2		
17	PL-8005	Discharge Plastic	2		
18	RLT-040-228	Roller 4" Dia x 2.2 x 1/2" Bore, No Flange	4		
19	RLA-010-0108	Spindle / Standoff for Urethane Roller (heat treated)	8		



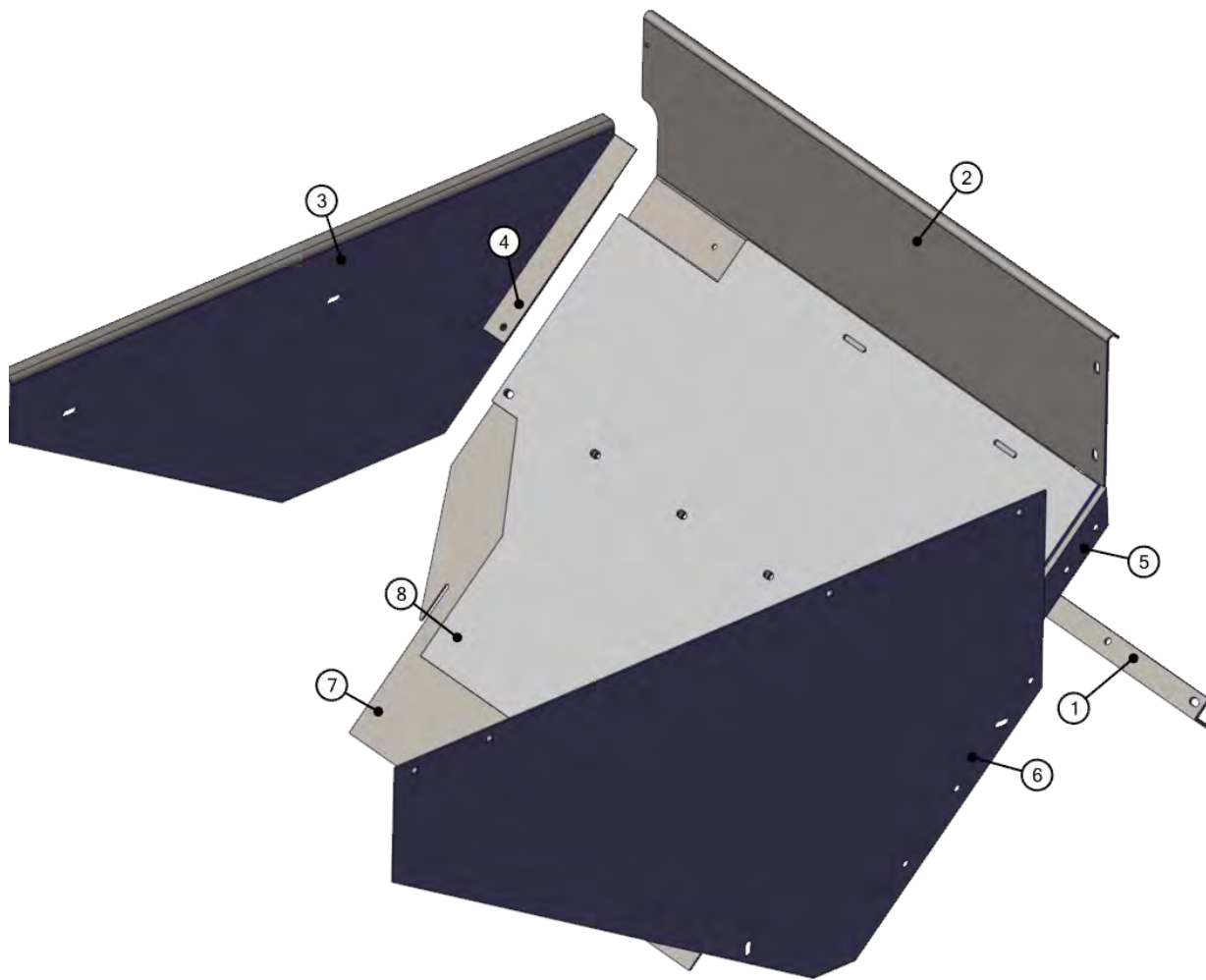
## 11021-11-05 DISCHARGE DRIVE SHAFT

REF	PART NO.	DESCRIPTION	QTY	WILL FIT SN	REMARKS
1	SFT-8800	Drive Shaft, Discharge, HC290 Tomato	1		
2	BR-125-072	Bearing, 1 1/4 Fafnir Tri-Seal, 72mm OD	2		
3	BR-072-RAK	72mm Cast Housing	2		
4	SP-3618-20-4	Sprocket 36mm 18 Tooth, 1 1/4" Bore, Split & Bolted	2		
5	CPS-6060	Steel Coupler (off center) 1 1/4" x 1"	1		
6	HM-210-TC	TCI Motor	1		
7	KEY-4-4-20	Shaft Key 1/4" x 1/4" x 1 1/4"	1		
8	KEY-4-4-32	Shaft Key 1/4" x 1/4" x 2" Square Cut (1018)	2		
9	BC-6-3236-319FL	Discharge Elevator, 3/8" Bars, 32" Wide x 319 Bars, 36mm Pitch	1		
10	193-915	Stop, Discharge Motor	1		
11	193-806	Mount Motor	1		
12	BAR-1510	Bar, Light Holder	1		
800	BC-6-32-ST	3/8" x 32" Belted Chain Rods for 60mm Belt			
801	RI-19-BC	19mm Belted Chain Rivets			
802	BC-BP32	Belt, Rivet Backing Plates 32mm			
803	BC-6-32-CN	Connecting Rod, 11mm, 32" Wide Belted Chain, 60mm Traction Belts			
804	BC-3525	Snap Ring, 11mm.			
805	BC-F-36-32-UG	Ultra Gold F Connecting Clips 36-32 @ pair			
806	BC-1032-FS	10-32 x 1 1/4" Bolts Flat Socket Head			
807	BC-1032-LN	10-32 LN			
808	KEY-4-4-15	Shaft Key 1/4" X 1/4" X 15/16" Woodruff Key			



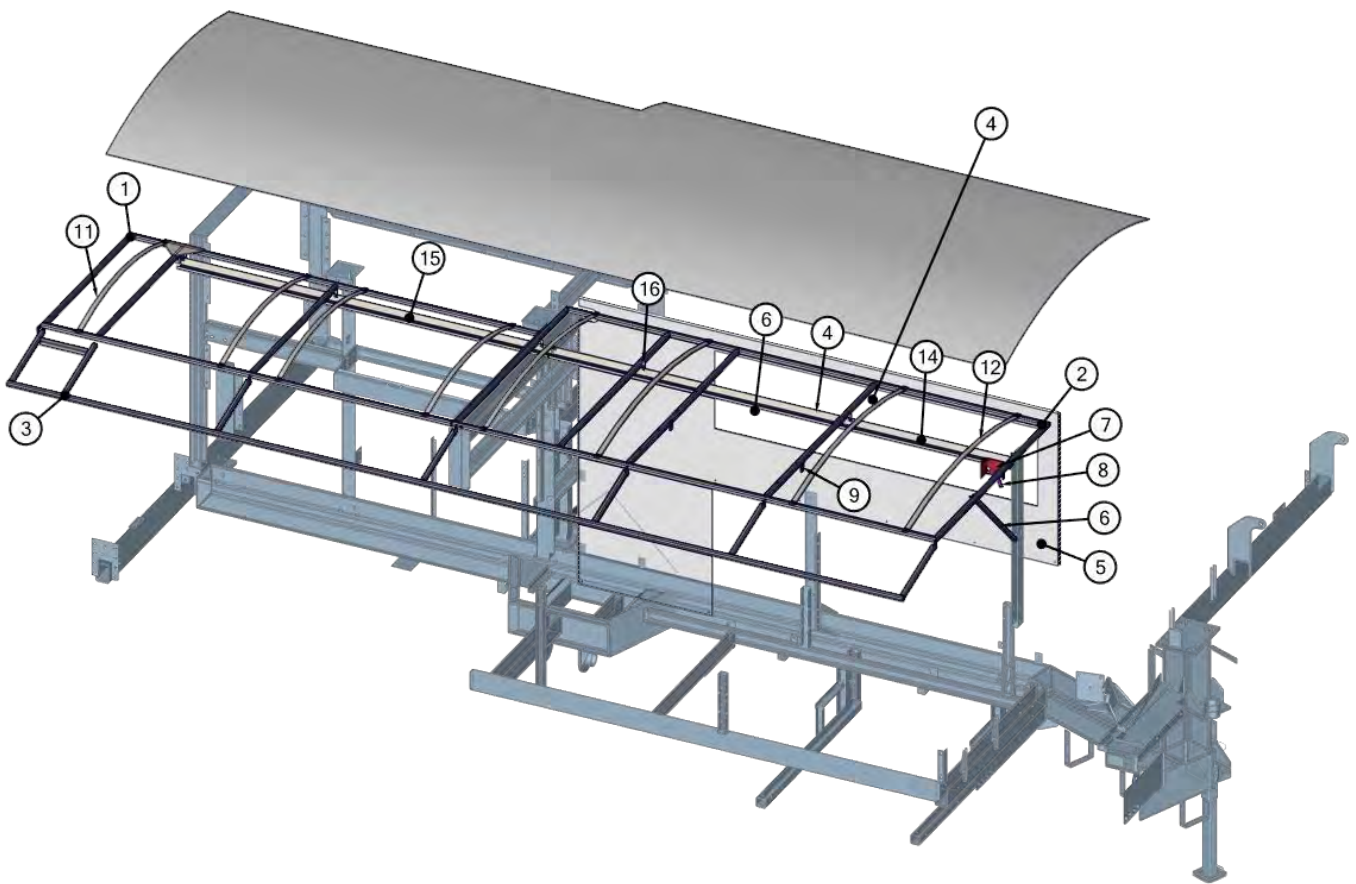
## 11022-11-06 DISCHARGE BASKET, TRIPLE SORTER

REF	PART NO.	DESCRIPTION	QTY	WILL FIT SN	REMARKS
1	SPA-8200	Spacer, Discharge Basket, 290 Tomato Harvester	1		
2	SHD-8806	Top Shield, Basket	1		
3	SHD-8784	Shield, Back, Dscharge Basket, Triple Sorter	1		
4	ARM-8802	Angle, Discharge Basket, 2010 290 Tomato Harvester	1		
5	ARM-8800	Angle, Discharge Basket	1		
6	SHD-8801	Front Shield, Discharge Basket, 290 Harvester	1		
7	BT-8804	Belting, Discharge Basket, 290 Harvester	1		
8	PL-8806	Plastic Back, Discharge Bin, 2010 290 Harvester	1		



## 11022-13-01 STANDARD CANOPY

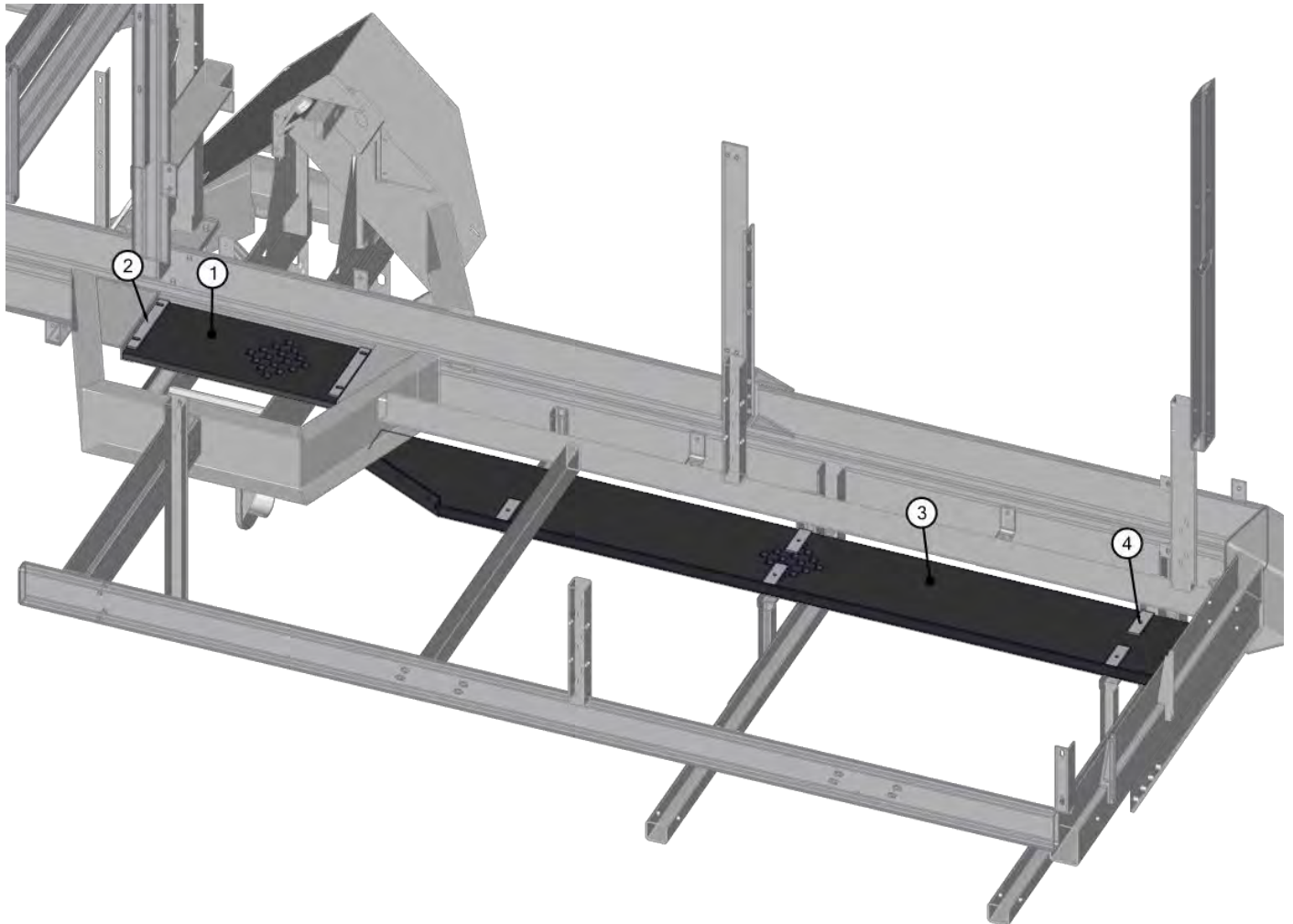
REF	PART NO.	DESCRIPTION	QTY	WILL FIT SN	REMARKS
1	FRM-8002	Frame, Back Canopy, HC290 Tomato	1		
2	FRM-8003	Frame, Front Canopy, HC290 Tomato	1		
3	FRM-8001	Frame, Canopy Fold Out, HC290	1		
4	TRP-8000	Tarp, Canopy Sorting Area, HC290 Tomato	1		
5	TRP-8002	Tarp, Canopy Insd, Header Sorting Area, HC290	1		
6	MOU-8750	Canopy Mounting Bracket, High Capacity Tomato	1		
7	195-1455	Horn Bracket	1		
8	195-1456	Horn Switch Bar	1		
9	BAR-1510	Bar, Light Holder	2		
10	TT-2771	Tarp Tracking, 5" 4" Sections	0.75		
11	ARM-8001	Tarp Bows, Back Canopy Frame, HC290 Tomato	3		
12	ARM-8002	Tarp Bows, Front Canopy Frame, HC290 Tomato	2		
13	BAR-0084	Flat Bar, Channel Connector, HC290	1		
14	BRA-0132	J Channel, Canopy, HC290	1		
15	BRA-0133	J Channel, Canopy	1		
16	BRA-0134	Angle Hanger, Channel	5		
17	BRA-0135	Angle Hanger, Channel, HC290	1		
18	STRP-1050	10" Tarp Straps	10		
19	STRP-610	6" Tarp Strap (ea.)	10		





## 11021-13-05 INNER DECKING

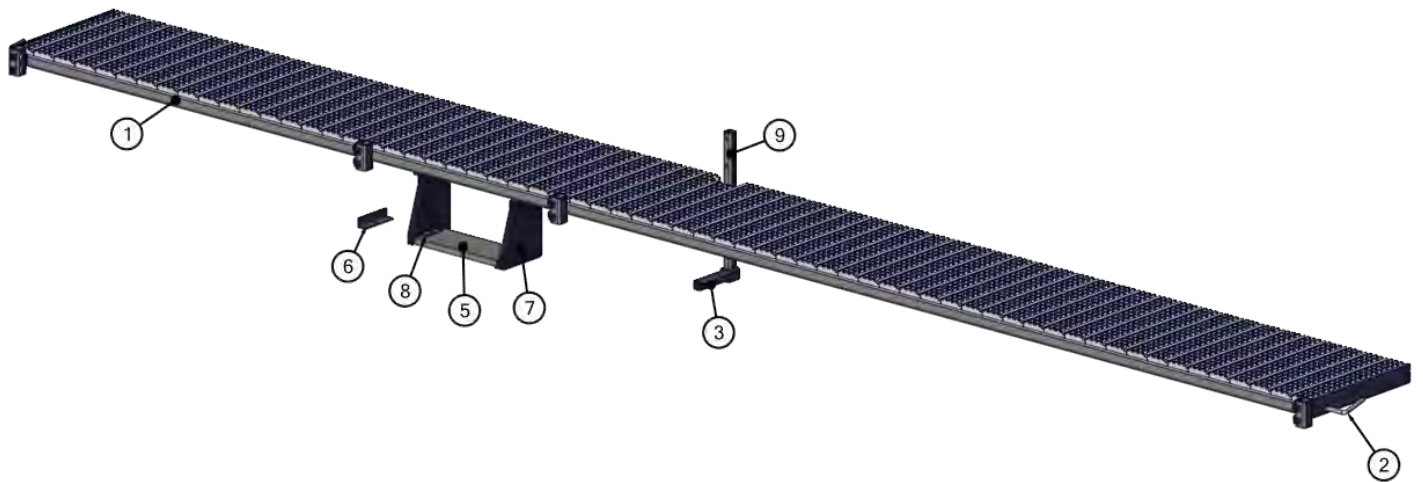
REF	PART NO.	DESCRIPTION	QTY	WILL FIT SN	REMARKS
1	STD-8112	Decking, Back, Top, Inner Decking, 2010 290 Tomato	1		
2	BAR-8103	Decking Holder, Back, Inner Decking, HC290	2		
3	STD-8102	Decking, Bottom, Longest Inner Decking, HC290	1		
4	BAR-3861	Bar, Decking Holder, Elevation Deck Step	5		
5	DC-1402B	Decal, "CAUTION Keep Locks in Place" (Deck Lock)	1		





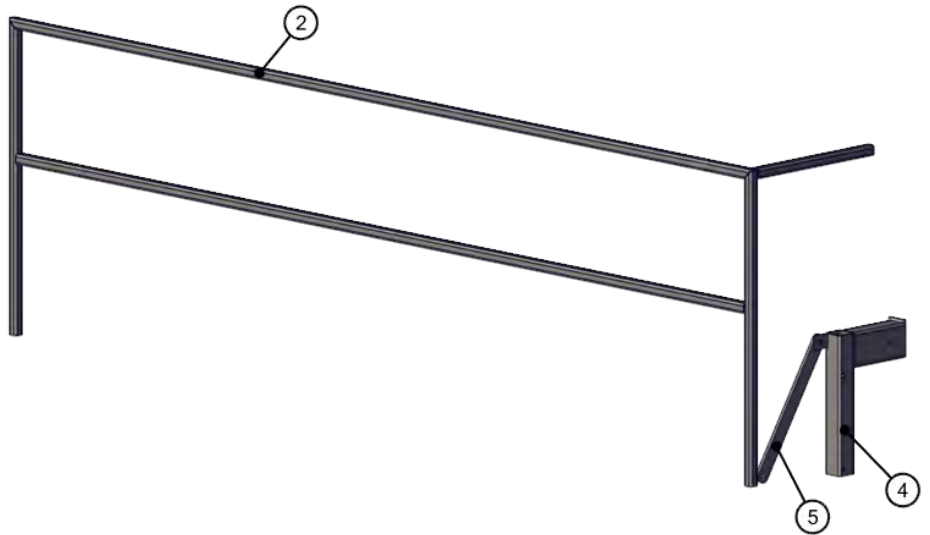
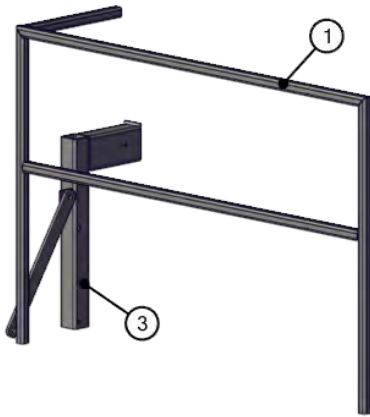
## 11021-13-06 OUTER DECKING, DOUBLE SORTER

REF	PART NO.	DESCRIPTION	QTY	WILL FIT SN	REMARKS
1	STD-8104	Decking and Frame, RH, Under Canopy, HC290	1		
2	PIN-8104	Pin, Holder Outside Decking, HC290	2		
3	SUP-0109	Tube, Decking Support	1		
4	DC-1402B	Decal, 'CAUTION Keep Locks in Place' (Deck Lock)	1		
5	STD-8111	Step Decking, Steel Decking, 290 Tomato	1		
6	BRA-8114	Angle, Bottom Flex Step, 290 Tomato	2		
7	BT-8103	Flex Step, 290 Tomato Harvester	4		
8	BAR-8107	Flat Bar, Top Plate, Flex Step, HC290	2		
9	FRM-8752	Frame, Presort Kit, 2010 290 Tomato Harvester	1		



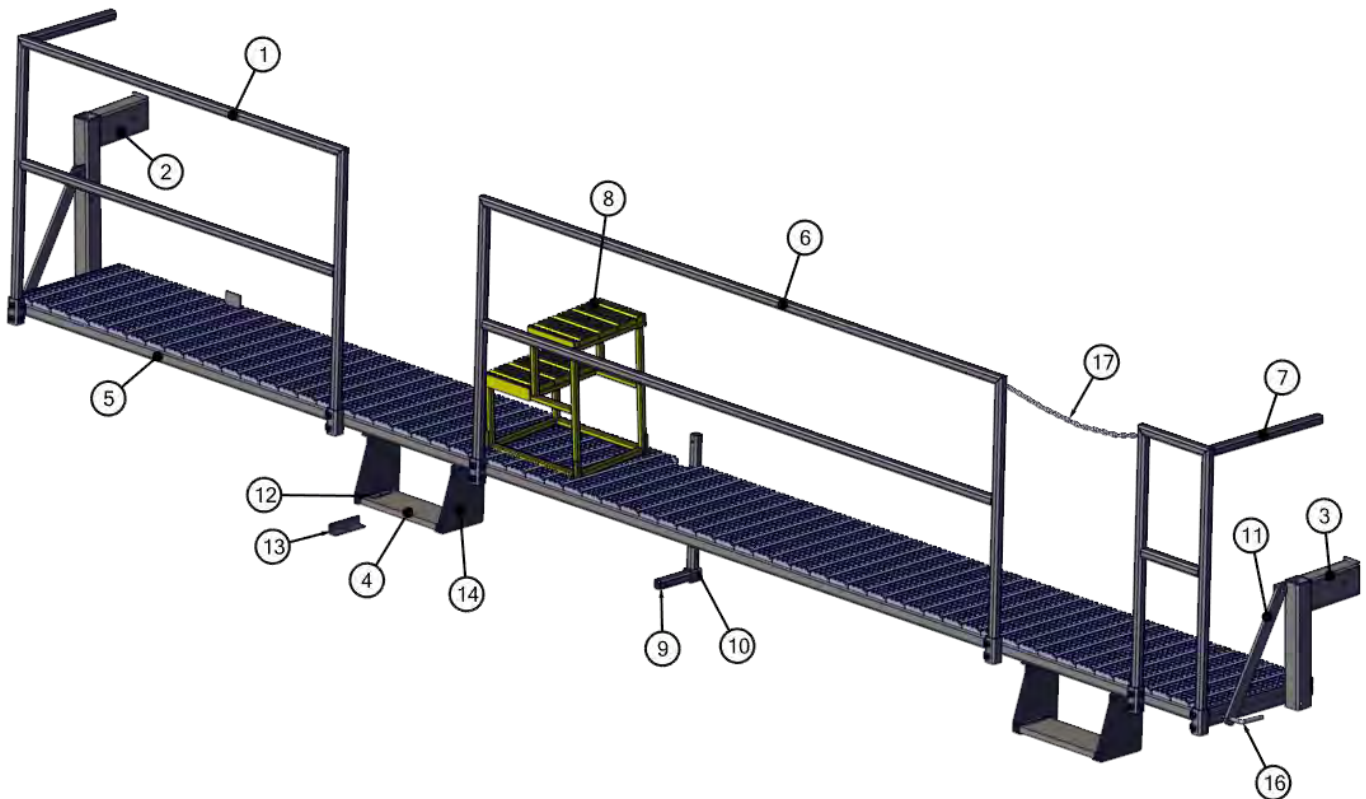
## 11021-13-07 OUTER HANDRAIL, DOUBLE SORTER

REF	PART NO.	DESCRIPTION	QTY	WILL FIT SN	REMARKS
1	STD-8105	Stand, Back Hand Rail, Harvester	1		
2	STD-8106	Stand, Front Hand Rail, HC290 Tomato	1		
3	STD-8107	Stand, Handrail Mount, Back, Aftersort, HC290	1		
4	STD-8108	Stand, Handrail Mount, Front, Aftersort, HC290	1		
5	BAR-8104	Bar, Hand Rail Adjuster, HC290 Tomato	2		



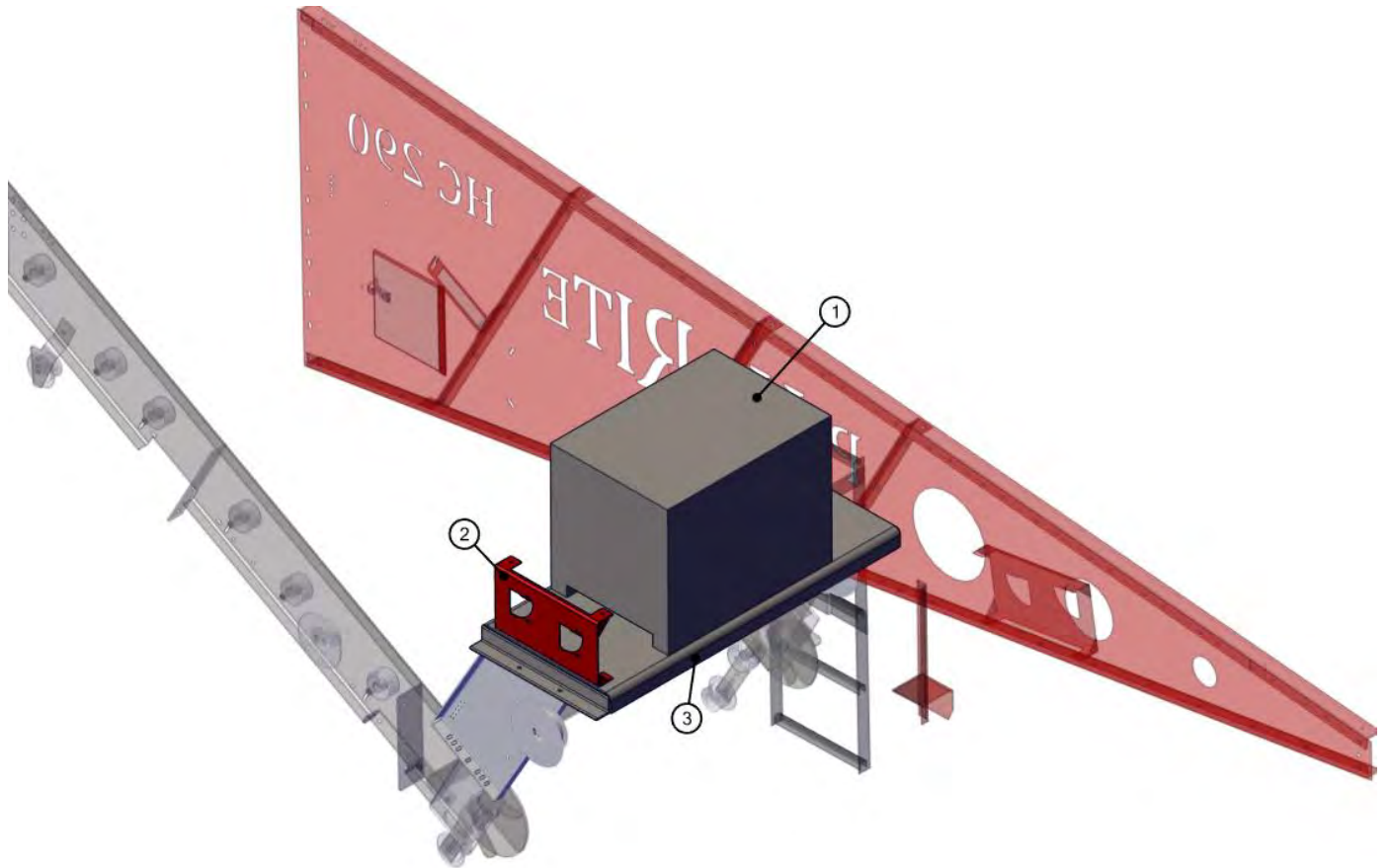
## 11021-13-08 OUTER DECKING, TRIPLE SORTER

REF	PART NO.	DESCRIPTION	QTY	WILL FIT SN	REMARKS
1	STD-8105	Stand, Back Hand Rail, Harvester	1		
2	STD-8107	Stand, Handrail Mount, Back, Aftersort, HC290	1		
3	STD-8108	Stand, Handrail Mount, Front, Aftersort, HC290	1		
4	STD-8111	Step Decking, Steel Decking, 290 Tomato	2		
5	STD-8113	Decking, Triple Sorter	1		
6	STD-8114	Middle Hand Rail	1		
7	STD-8115	Aftersort Hand Rail	1		
8	STP-0052	Step Stool	1		
9	SUP-0109	Tube, Decking Support	1		
10	FRM-8752	Frame, Presort Kit, 2010 290 Tomato Harvester	1		
11	BAR-8104	Bar, Hand Rail Adjuster, HC290 Tomato	2		
12	BAR-8107	Flat Bar, Top Plate, Flex Step, HC290	4		
13	BRA-8114	Angle, Bottom Flex Step, 290 Tomato	4		
14	BT-8103	Flex Step, 290 Tomato Harvester	8		
15	DC-1402B	Decal, "CAUTION Keep Locks in Place" (Deck Lock)	1		
16	PIN-8104	Pin, Holder Outside Decking, HC290	2		
17	CH-3-1	3/16" Proof Coil Link Chain @ ft	2.5		



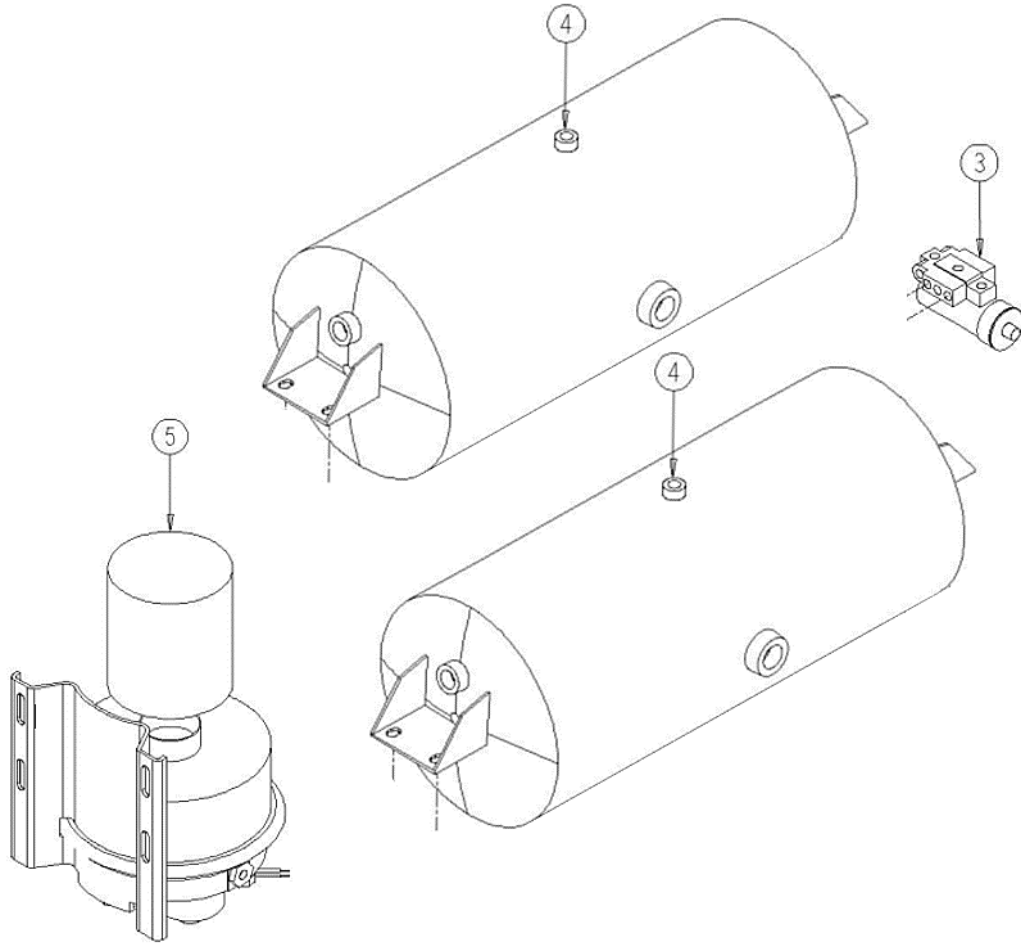
## 11021-14-01 AIR COMPRESSOR

REF	PART NO.	DESCRIPTION	QTY	WILL FIT SN	REMARKS
1	AIR-1520	Rotary Screw Compressor, Hydraulic	1		
2	PAN-9127	Flow Control Panel, Modular Flow	1		
3	MOU-0216	Compressor Mount	1		
4	DC-1506B	Decal,White:AIR FILTER-CLEAN DAILY BLOW	1		
5	AIR-0002	4", 0-160 PSI Liquid Filled Gauge, Back-Mount with Bracket	1		
6	AIR-0003	Air, Gauge Mount, Header Cylinder Mount	1		
100	BL-5-150-H	5/16-18 X 1-1/2 HEX CAP G5 ZC	8		
101	BL-5-LN	5/16-18 HEX LN NE ZC	8		
102	BL-5-SW	5/16 SAE FW	8		
103	BL-6-FW-8	3/8 FW G8 ZC	14		
104	BL-6-LN	3/8-16 FIN H LN NE A563 GA ZC	2		
105	BL-8-175-H	1/2-13 X 1-3/4 HH G5 ZC	1		
106	BL-8-FW	1/2 USS FW ZC	6		
107	BL-8-LN	1/2-13 LN NYLON INSERT ZC	3		
108	BL-8-425-H	1/2-13 X 4 1/4 HEX CAP G5 ZC	2		
109	BL-8-125-C	1/2 UNC X 1 1/4 CARRIAGE BOLT GR5 ZINC	2		
110	BL-8-N	1/2-13 HEX FIN NUTS ZC	4		
111	BL-8-LW	1/2 SPLIT LW ZC	3		
112	BL-8-250-T	1/2-13 X 2-1/2 TAP BOLT G5 ZC	1		
113	BL-8-175-C	1/2-13 X 1-3/4 CARRIAGE BOLT G5 ZC	1		
114	BL-6-LW	3/8 SPLIT LW ZC	3		
115	BL-6-N	3/8-16 HEX NUT ZC	3		
116	BL-6-125-H	3/8-16 X 1-1/4 HHCS G5 ZC	2		
117	BL-4-700-H	1/4-20 X 7 HEX CAP G5 ZC	3		
118	BL-4-LN	1/4-20 HEX LN NE ZC	3		
119	BL-6-400-ST	3/8-16 x 4 Grade 5 Full Threaded Stud	2		
600	A-1405-8-8	1/2" NPT Coupler w/Swivel	2		
601	A-1501-8-8	1/2 MP x 1/2 FPX90-	2		
602	H12C-4-76	3/4" Suction Hose x 76"	1		
603	H12C-4-80	3/4" Suction Hose x 80"	1		
605	A-1603-8-8-8	Swivel T 1/2" NPTF	1		



## 11021-14-02 AIR TANK & DRYER

REF	PART NO.	DESCRIPTION	QTY	WILL FIT SN	REMARKS
3	AIR-1512	Air Compressor Governor	1		
4	AIR-1513	Air Reservoir Tank	2		
5	AIR-1514-M	Air Dryer	1		

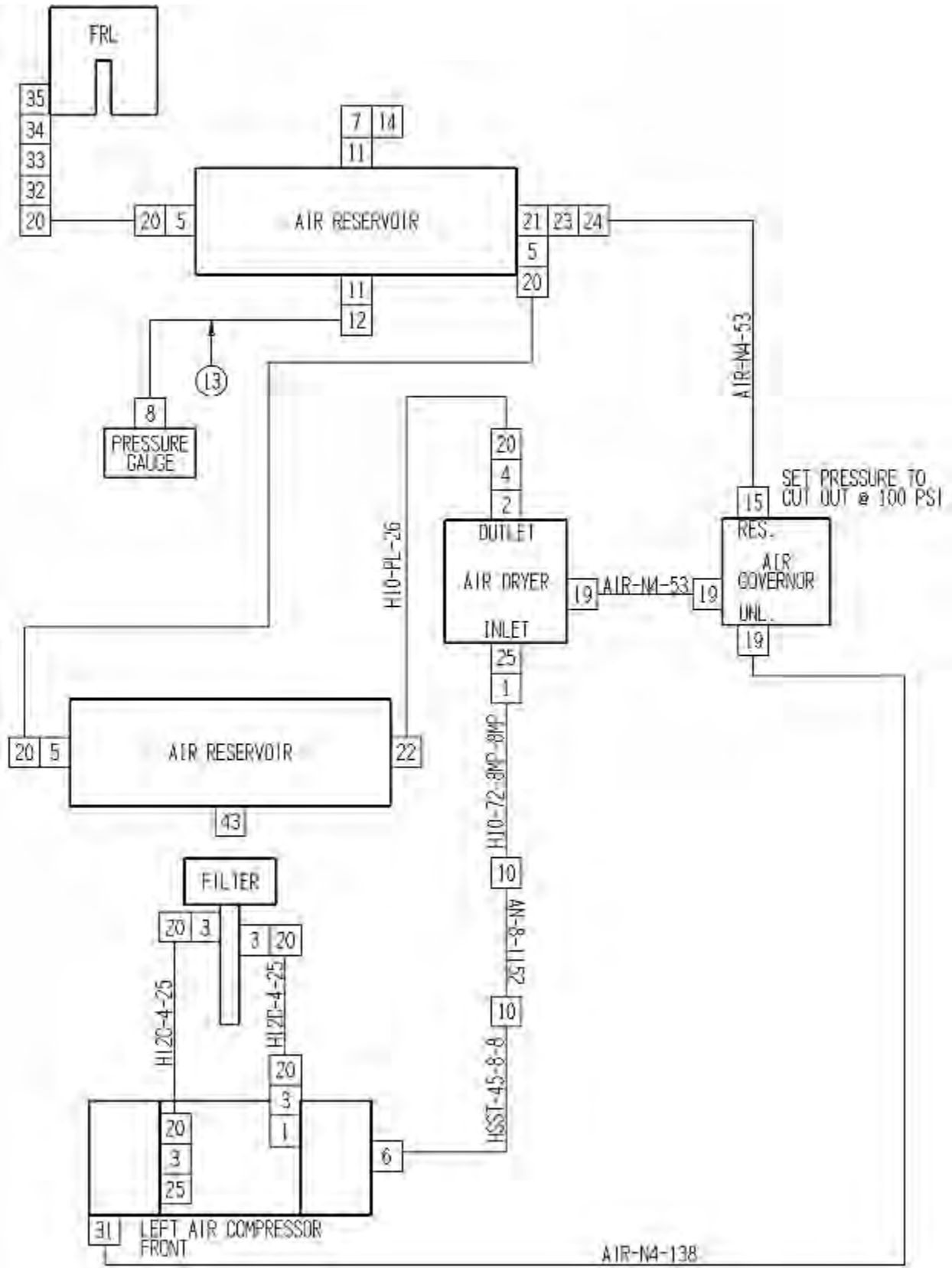


## 11021-14-03 AIR SYSTEM LINE & COMPONENTS

REF	PART NO.	DESCRIPTION	QTY	WILL FIT SN	REMARKS
1	A-1503-8-8	Elbow, 1/2' MP X 1/2' FPX45-	2		
2	A-2501L-10-8	5/8MJIC x 1/2MP(Long)90-	1		
3	A-4104-12-8	1/2 MP to t Hose Barb	4		
4	A-4121-10-10	5/8' Push Loc x 5/8' JIC Female	1		
5	A-4124-10-8	1/2 Male Pipe x 5/8 Push Loc	3		
6	A-1404-8-8	1/2 MP to 1/2 FPX, Straight	1		
7	A-5500-4	1/4' 90- Male Pipe Elbow	1		
8	A-5504-4	1/4' Pipe Elbow	1		
9	H10-23-8MP-8MP	5/8' hose 1/2MP x 1/2MP x 23' long	1		
10	A-1405-8-8	1/2' NPT Coupler w/Swivel	2		
11	AB-12-4	t x 1/4 Bushing	2		
12	A-1501-4-4	1/4' MP x 1/4' FPX90-	1		
13	H4-0	1/4'Hydraulic Hose @ft	0		
13	H4-4MP	1/4' Hose End x 1/4' Male Pipe	1		
14	AIR-375-25F	Air Coupler 3/8 Body - 1/4NPT Female Thread	1		
15	AIR-N4-2	Auto-loc Male Adapter 1/4 x 1/8 NPT	1		
16	AIR-N4-138	3/4' Air Line x 138' Long	1		
17	AIR-N4-4	Auto-loc Male Adapter 1/4 n-1/4NPT	1		
18	AIR-N4-53	1/4' Air Line 53' Long	2		
19	AIR-PL-4-2	Male Elbow, 1/4 x 1/8NPT, Brass, D.O.T., Prestomatic	3		
20	CL-1208	Hose Clamp, Size 12 - t-1 1/8	9		
21	A-5602-8	Run Tee 1/2' NPT	1		
22	AP-8	1/2' Pipe Plug	1		
23	AB-8-4	1/2 x 1/4 Bushing	1		
24	AIR-NL-4-4	Auto-loc Elbow 1/4 n 1/4 NPT	1		
25	A-1501-8-8	1/2 MP x 1/2 FPX90-	1		
28	H10-PL-26	5/8' Push Loc Hose 26'	1		
30	H12C-4-25	t' Suction Hose x 25' Long	2		
31	AIR-60BI	Brass Insert, 1/4' Nylon Tube	1		
32	A-4104-10-6	3/8 MP to 5/8 Hose Barb	1		
33	SRT-1579	3/8' Ball Valve	1		
34	A-5404-6-6	Hex Nipple, 3/8' x 3/8'	1		
35	A-1501-6-6	3/8' MP x 3/8' FPX90-	1		
40	H10-72-8MP-8MP	5/8 in. hose 1/2 x 1/2 x 72 in long	1		
41	H-T-16-8001F	Hyd Tube, 1' dia, ORFS	1		
43	AIR-8000	Safety Valve, Air Tank 290	1		



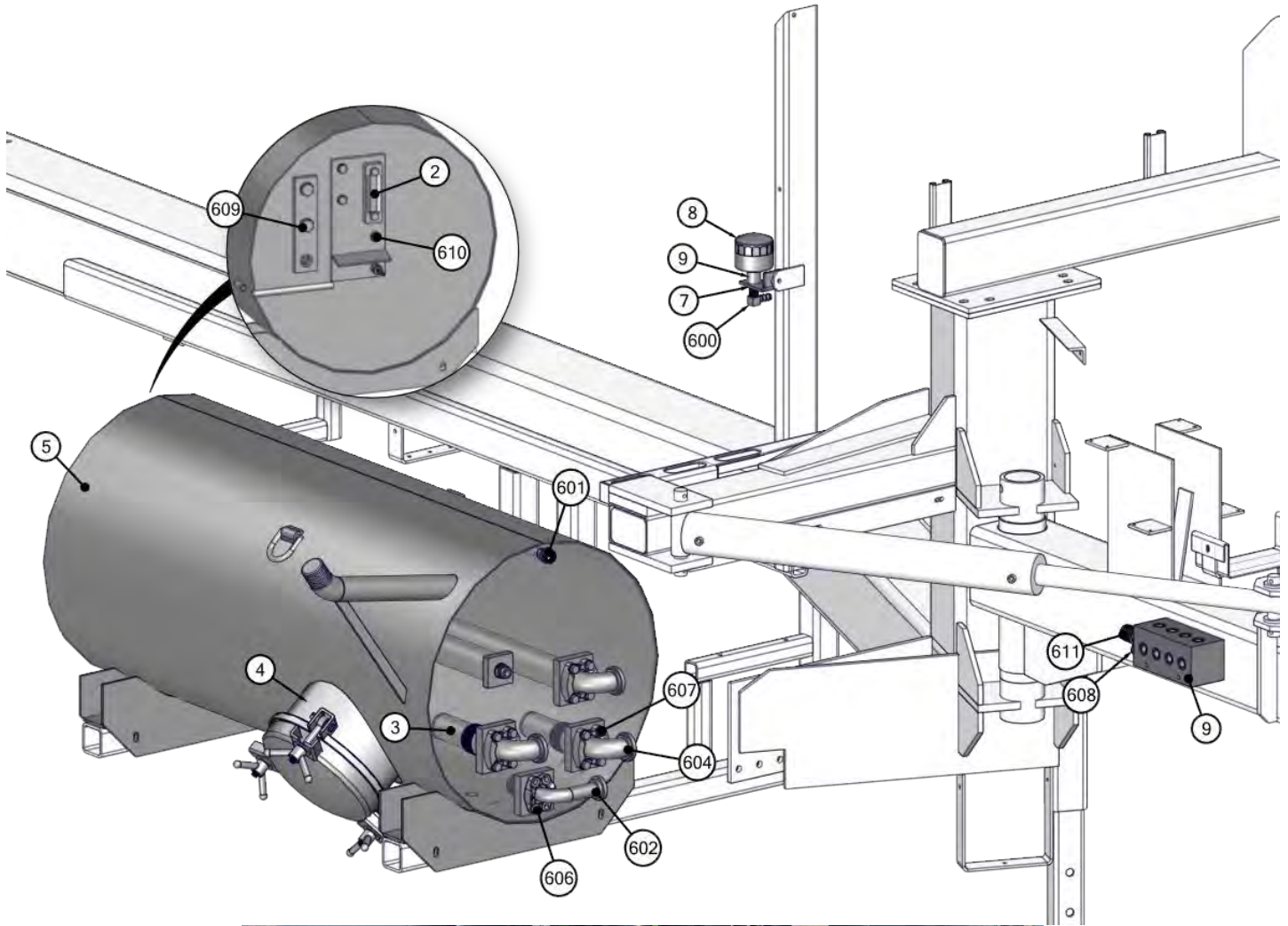
# 11021-14-03 AIR SYSTEM LINE & COMPONENTS



## 11022-15-01 OIL TANK PLUMBING

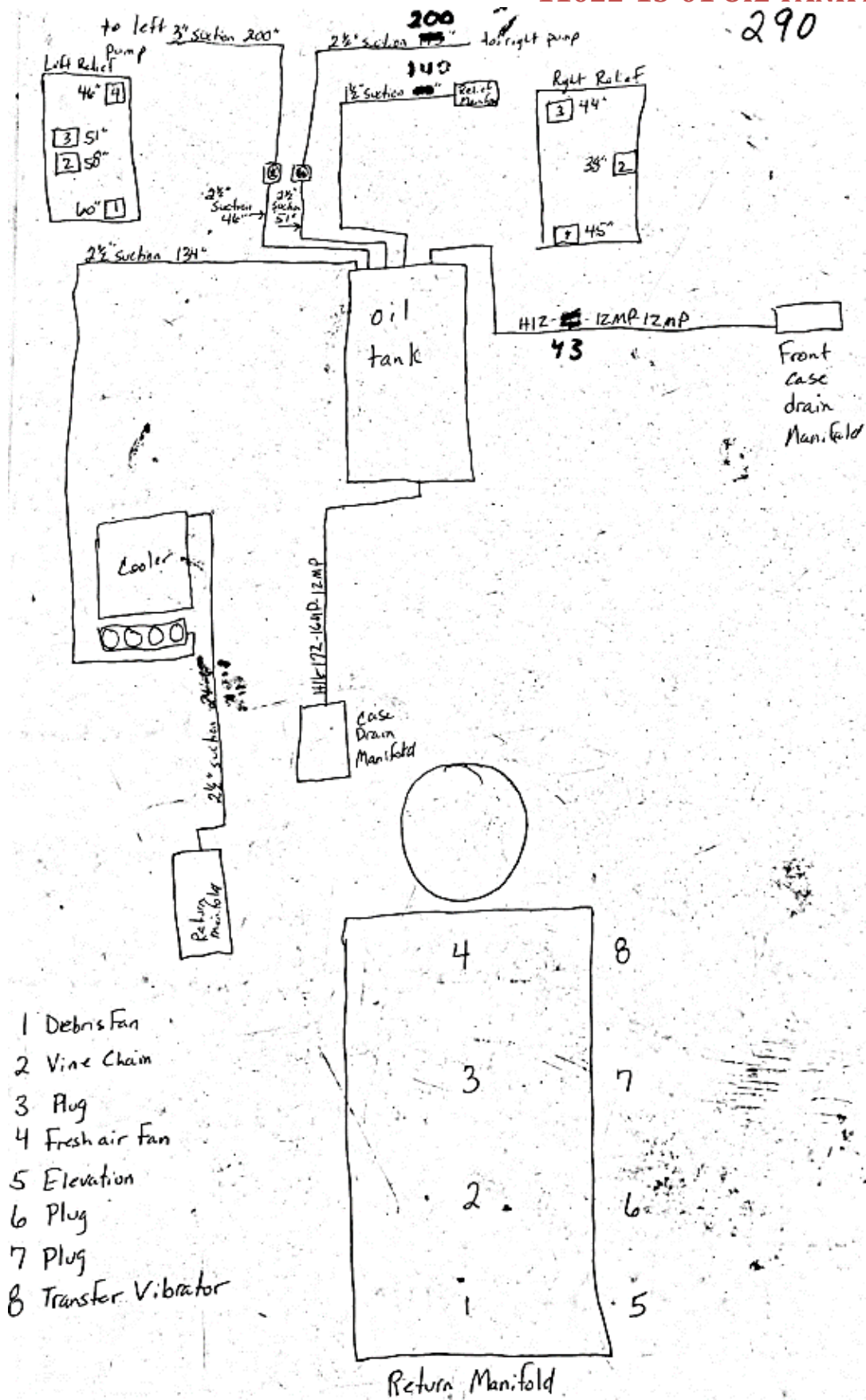
REF	PART NO.	DESCRIPTION	QTY	WILL FIT SN	REMARKS
1	HA-1123	Case Drain Components	1		BOM next page
2	HA-1041	Hyd, Level Gauge & Therm	1		
3	HA-2002	Hydraulic Suction Screen, 2 1/2"	2		
4	DC-1008	Decal, Yellow, Tank Capacity: 140 Gal., ISO Grade 46 Hyd. Oil, Tom.	1		
5	TAN-8009	Tank, Oil Reservoir, 290 Harvester	1		
6	TAN-8103	Tank, Oil Return Manifold, HC 290 (Single Cooler)602	2		
7	BRA-8755	Bracket, Mount, Air Breather Filter	1		
8	HA-1012A	Vescor Breather Element (3 micron)	1		
9	HA-1009	Filter Adapter 3/4 NPT x 1 1/8"-16 UNF	1		
600	A-4129-10-8	1/2 NPT 90° w/ 5/8" push-loc	1		
601	AN-12-10-HSB	3/4" NPT, Combination Nipple/Hose Shank, 5/8" Hose, Brass	1		
602	A-4459-24-24	Flange Nipple, 1 1/2" 90°	1		
603	A-4459-32-24	90° Flange Nipple, 1 1/2 Barb x 2" Flange	1		
604	A-4459-40-32	Flange Nipple, 2-1/2" barb x 2" flange 90°	5		
605	A-4459-40-48	90° Flange Nipple, 3" Barb x 2.5" Flange	1		
606	A-SFK-24	1 1/2" Split Flange Kit	1		
607	A-SFK-32	2" Split Flange Kit	6		
608	A-SFK-40	2.5" Split Flange Kit, Code 61	1		
609	A-6408-12	12 SAE Plug	2		
610	A-6408-8	8 SAE Plug	4		
611	A-4450-24-24	Suction Flange Nipple, 1 1/2"	2		
612	AN-40-40-HS	2 1/2" NPTx 2 1/2" ID Hose, Combination Nipple/Hose Shank	2		
613	AN-48-40-HS	3" NPT, Combination Nipple/Hose Shank, 2 1/2" ID Hose	1		
614	AN-48-HS	3" NPT, Combination Nipple/Hose Shank, 3" ID Hose	1		
615	CL-200	1 1/2" Hose Clamp, Heavy Duty T-Bar, 1.89-2.00"	4		
616	CL-250	T-Bolt Clamp for 2 1/2" Suction Hose	12		
617	CL-375	3" Hose Clamp, Heavy Duty T-Bar, 3.375-3.75"	4		
618	HV-GV-250	2-1/2" Brass Gate Valve	1		
619	HV-GV-300	3 in Brass Gate Valve	1		
800	MWA-21B	5/8" x 5" Zinc Plated Eyebolt			
801	MWA-21P	Zinc Plated Clevis Pin			
802	MWA-21R	Roll Pin			
803	MWA-1019-08	Manway Gasket, 12in Gasket in Lid			
804	A-6901-12-12	12 SAE x 3/4" FPX 90°, Forged			

# 11022-15-01 OIL TANK PLUMBING



11022-15-01 OIL TANK PLUMBING

290



- 1 Debris Fan
- 2 Vine Chain
- 3 Plug
- 4 Fresh air Fan
- 5 Elevation
- 6 Plug
- 7 Plug
- 8 Transfer Vibrator

## HA-1123 CASE DRAIN COMPONENTS

REF	PART NO.	DESCRIPTION	QTY	WILL FIT SN	REMARKS
	A-1404-16-16	1" MP x 1" FPX	1		
	A-4124-6-2	1/8 Male Pipe x 3/8 Push Loc	4		
	A-4124-6-4	1/4 Male Pipe x 3/8 Push Loc	37		
	A-4124-6-6	3/8 Male Pipe x 3/8 Push Loc	13		
	A-6901-12-12	12 SAE x 3/4" FPX 90° , Forged	1		
	A-6901-4-2	4 SAE x 1/8" FPX90- With 9/16" Body, Forged	26		
	A-6902-12-12	12 SAE X 3/4 " FPX 45°	1		
	AB-8-6-B	Brass Bushing, Forged, 1/2" x 3/8"	5		
	ATB-06-06-06	3/8" x 3/8" x 3/8" Brass Hose Barb Tee	17		
	CL-504	5/16" Band Width Worm Gear Clamp,Clamping Range 1/4 - 5/8	51		
	H12-43-12MP-12MP	3/4" in. hose 43", 3/4" Male Pipe x 3/4" Male Pipe	1		
	H16-172-16MP-12MP	1 in Hose 1 in Male Pipe x 3/4 Male Pipe x 172 in Long	1		
	H6-PL	Push Loc Hose 3/8" @ ft. (Gray)	150		
	TAN-8102	Tank, Manifold, Drain Lines, Harvester	1		
	TAN-9001	Tank, Case Drain Return	1		

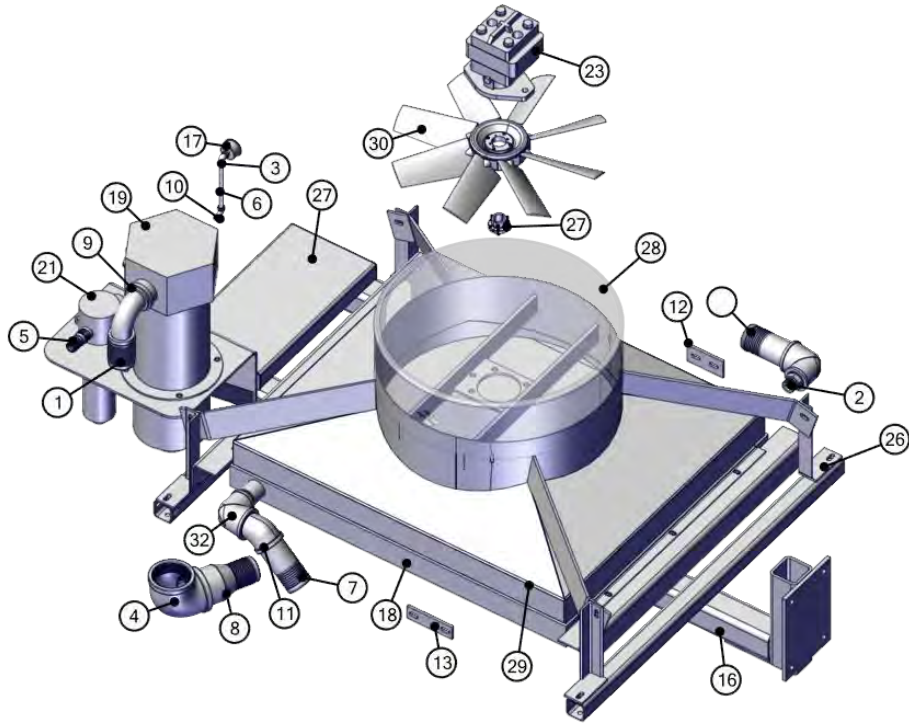


## 11022-15-02 OIL COOLER

REF	PART NO.	DESCRIPTION	QTY	WILL FIT SN	REMARKS
1	A-4459-40-40	90° Flange Nipple, 2-1/2" Barb x 2-1/2" Flange	1		
2	A-6405-24-24	24 SAE x 1 1/2 FP	2		
3	AL-2	1/8 NPT Elbow	2		
4	AL-48	3" Black Pipe Elbow, 90°	1		
5	AN-16-HS	1" NPT, Combination Nipple/Hose Shank, 1" ID Hose, Plated	1		
6	AN-2-96	Black nipple 1/8" x 6"	2		
7	AN-32-40-HS	2" NPTx 2 1/2" ID Hose, Combination Nipple/Hose Shank	2		
8	AN-48-40-HS	3" NPT, Combination Nipple/Hose Shank, 2 1/2" ID Hose	1		
9	A-SFK-40	2.5" Split Flange Kit, Code 61	1		
10	ASL-2	1/8" Street Elbow	2		
11	ASL-32-45	2" Street Elbow, 45°	1		
12	BAR-0253	Flat Bar	1		
13	BAR-8010	Cooling Frame Support	1		
14	CL-250	T-Bolt Clamp for 2 1/2" Suction Hose	8		
15	DC-1175	Decal, Danger, Rotating Blade Hazard	1		
16	FRM-8541	Oil Cooler Frame, WF-2 Filter	1		
17	HA-1023A	Filter Gauge, 50 psi Service	2		
18	HA-1036	Oil Cooler	1		
19	HA-1126	WF-2 Filter Head, 300 GPM, 2-1/2' SAE Flange,(1) 18" Element	1		
20	HA-1127	18" Filter Element, 10 Micron	1		
21	HA-1128	SLF-2 Filter Head, 40 GPM, 1" SAE Inlet	1		
22	HA-1129	SLF-2 Filter Element, 10 Micron	1		
23	HM-2100-BRG	Bearing for Permco Motor, M2100 Series			
24	HM-412-1	Hydraulic Motor, 1" Shaft	1		Same as HM-412C except w/1' shaft Replaces HM-412C If replacing a HM-412C with this motor be sure that the proper coupler sizes are supplied
25	HOS-2-3	3" Suction Hose, Nitrile/Neoprene, Black	6		
26	MOU-0207	Mount, Oil Cooler Support	2		
27	PU-JA-16	Bushing, JA x 1"	1		
28	RAK-0112	Filter/Cooler Decking	1		
29	SHD-2036	20" Fan Shield Weldment	1		
30	SHD-2037	20" Fan Shroud, Oil Cooler	1		
31	FAN-290-20	Oil Cooler Fan, 20' w/o JA Bushing/Rev	1		
32	ARL-24-32-90	Reducing Elbow, 1-1/2in x 2in 90°	2		

# 11022-15-02 OIL COOLER

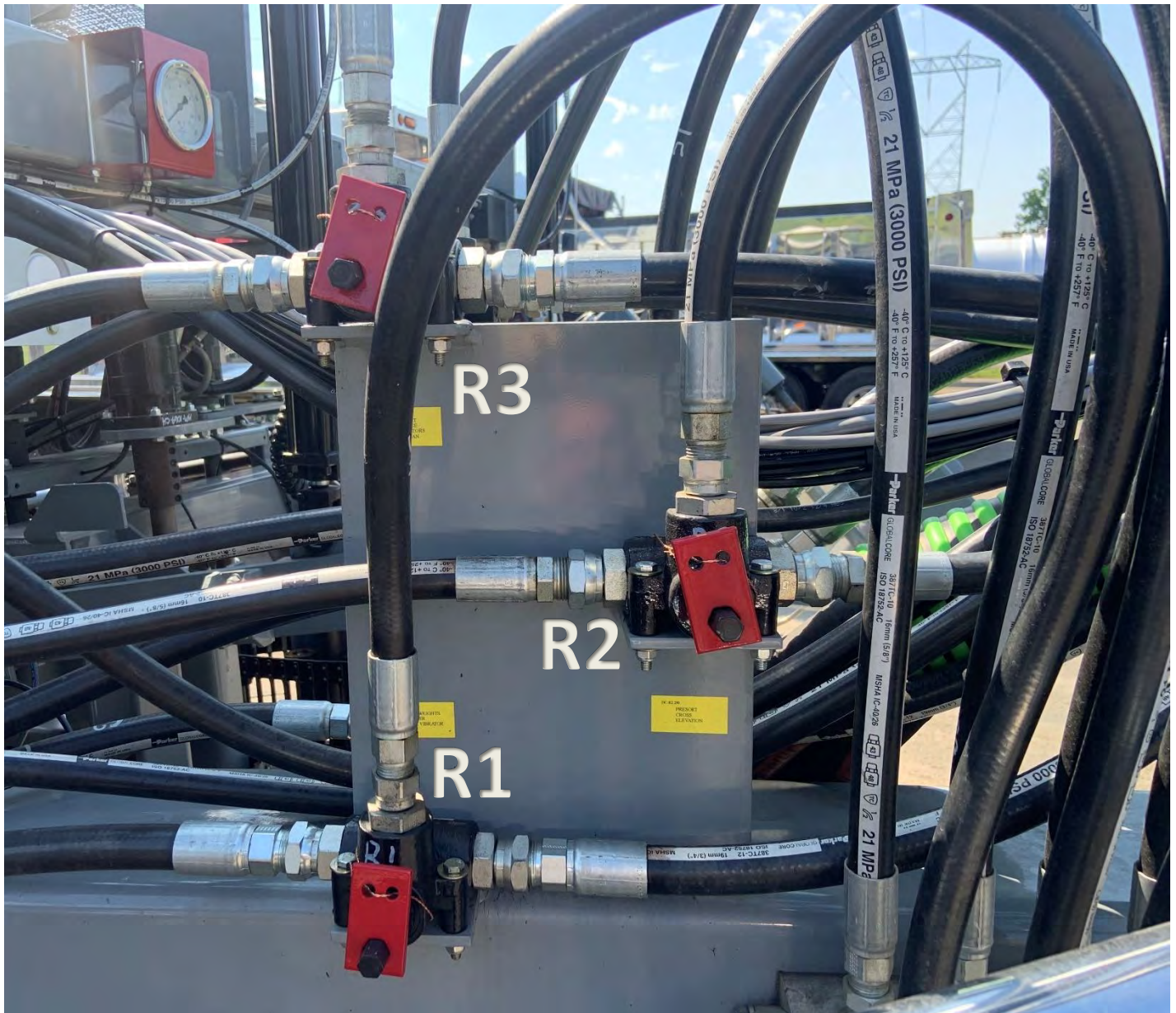
REF	PART NO.	DESCRIPTION	QTY	WILL FIT SN	REMARKS
32	ARL-24-32-90	Reducing Elbow, 1-1/2in x 2in 90°	2		
33	A-5504-16-16	1" FPT x 1" FPT 90° Pipe Elbow	1		
34	A-4244-20-16	1-1/4" Hose Barb x 1" Pipe Fitting	2		
35	A-4404-20-16	Hose Barb, 1-1/4" Barb x 1" MP	1		
36	A-FF2405-16-16	16 MFF x 16 FP, Straight	1		
101	BL-6-300-H	3/8-16 X 3 HH C/S BOLT G5 ZC	4		
102	BL-6-125-H	3/8-16 X 1-1/4 HHCS G5 ZC	4		
103	BL-6-100-H	3/8-16 X 1 HH C/S BOLT G5 ZC	14		
104	BL-6-LW	3/8 SPLIT LW ZC	14		
105	BL-6-LN	3/8-16 FIN H LN NE A563 GA ZC	8		
106	BL-6-FW-USS8	3/8 FW, LG. OD, G8	16		





## 11022-15-10 HYDRAULIC MOTOR PLUMBING, RIGHT

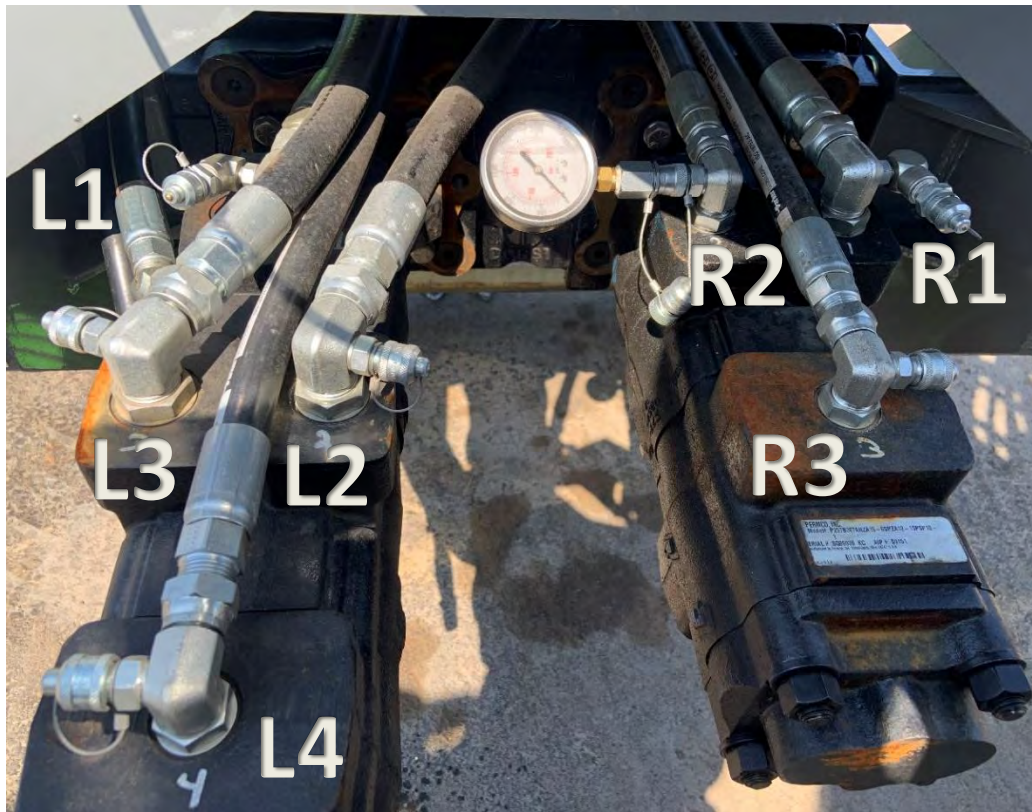
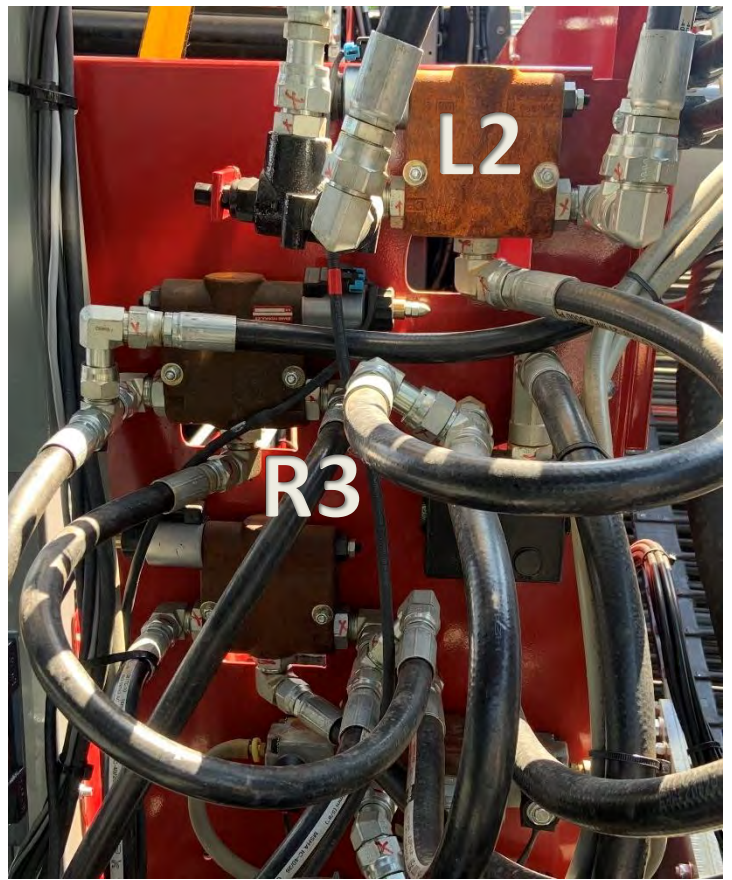
REF	PART NO.	DESCRIPTION	QTY	WILL FIT SN	REMARKS
1	HPA-001R	Hyd Pump Asm, HC290, Right, Section 1	1		BOM next page
2	HPA-002R	Hyd Pump Asm, HC290, Right, Section 2	1		BOM next page
3	HPA-003R	Hyd Pump Asm, HC290, Right, Section 3	1		BOM next page







11022-15-10 HYDRAULIC MOTOR PLUMBING, RIGHT



## HPA-001R HYD PUMP ASM, RIGHT PUMP, SECTION 1

REF	PART NO.	DESCRIPTION	QTY	WILL FIT SN	REMARKS
	A-6410-10-12	#10 SAE O-Ring Port Reducer to #12 SAE	1		
	A-6805-4-4	90° O-Ring to Pipe Fitting, 1/4" x 1/4"	1		
	A-6900-12-12	12 SAE x 3/4" FPX	2		
	A-6901-10-8	10 SAE x 1/2" FPX90° , Forged	1		
	A-6901-12-12-4SAE	12 SAE x 3/4" FPX 90° w/4 SAE Port, Forged	1		
	A-6901-12-8	12 SAE x 1/2" FPX 90° , Forged	1		
	A-FF2603-12-12-12	Tee, 3/4" MFF x 3/4" MFF X 3/4" MFF	2		
	A-FF6400-12-12	Union, 12MFF x 12SAE	4		
	A-FF6500-12-12	Elbow, 90, 3/4" MFF x 3/4" FFFX	2		
	A-FF6801-12-12	Elbow, 3/4" MFF x 3/4" SAE	15		
	A-FF6801-LL-12-12	Elbow, 90, Extra Long, 3/4" MFF x 3/4" SAE	2		
	A-FF6804-12-12-12	Run Tee, 12MFF x 12SAE x 12MFF	2		
	BAR-2011	Bar, Security Copper Wire Seal	1		Relief Lock
	H10-48-8MP-8MP	5/8 in Hose 1/2MP x 1/2MP x 48 in Long	1		
	H12-100-12FFFX-12FFFX	3/4 in Hose 3/4 Female ORFS x 3/4 Female ORFS x 100 in Long	2		
	H12-103-12FFFX-12FFFX	3/4 in Hose 3/4 Female ORFS x 3/4 Female ORFS x 103 in Long	1		
	H12-104-12MP-12MP	3/4 in Hose 3/4 Male Pipe x 3/4 Male Pipe x 104 in Long	1		
	H12-142-12FFFX-12FFFX	3/4 in Hose 3/4 Female ORFS x 3/4 Female ORFS x 142 in Long	1		
	H12-144-12FFFX-12FFFX	3/4 in Hose 3/4 Female ORFS x 3/4 Female ORFS x 144 in Long	1		
	H12-280-12FFFX-12FFFX	3/4 in Hose 3/4 Female ORFS x 3/4 Female ORFS x 280 in Long	2		
	H12-36-16FFFX-16FFFX	3/4" in Hose 1 in Female ORFS x 1 in Female ORFS x 36 in Long	1		
	H12-55-16FFFX-12FFFX	3/4 in Hose 1 in Female ORFS x 3/4 Female ORFS x 55 in Long	1		
	H12-56-12FFFX-12FFFX	3/4 in Hose 3/4 Female ORFS x 3/4 Female ORFS x 56 in Long	2		
	H12-62-12MP-16FFFX	3/4 in Hose 3/4 Male Pipe x 1 in Female ORFS x 62 in Long	1		
	H12-62-16FFFX-12FFFX	3/4 in Hose 1 in Female ORFS x 3/4 Female ORFS x 62 in Long	1		
	H12-76-16FFFX-12FFFX	3/4 in Hose 1 in Female ORFS x 3/4 Female ORFS x 76 in Long	1		
	HA-1004-T	Test Point Plug, 1/4" NPT	1		
	HA-1071-H	Hydra-zorb Tube Clamp 1" (3pc)	10	19401-	
	HA-1090K	Fine Tune Speed Control Kit	2	Prince & Brand Flow Controls	All
	H-T-16-8000F	Hyd Tube, 1" dia, ORFS	1		
	H-T-16-8001F	Hyd Tube, 1" dia, ORFS	2		
	HV-FL1230	Flow Control Valve, 30 GPM with #12 SAE Port	4		
	HV-RV-1H	Relief Valve w/ SAE #12 Ports	1		

## HPA-002R HYD PUMP ASM, RIGHT PUMP, SECTION 2

REF	PART NO.	DESCRIPTION	QTY	WILL FIT SN	REMARKS
	A-6900-12-12	12 SAE x 3/4" FPX	2		
	A-6901-10-8	10 SAE x 1/2 FPX90° , Forged	1		
	A-6901-10-8-4SAE	10 SAE x 1/2 FPX90° W/ 4SAE Port, Forged	1		
	A-6901-12-8	12 SAE x 1/2" FPX 90°, Forged	1		
	A-FF6400-10-10	Union, 10MFF x 10SAE	14		
	A-FF6500-10-10	Elbow, 90, 10MFF x 10FFFX	6		
	A-FF6602-10-10-10	Run Tee, 10MFF X 10MFF X 10FFFX	5		
	A-FF6801-10-10	Elbow, 5/8" MFF x 5/8" SAE	16		
	A-FF6801-LL-10-10	Elbow, 90, Extra Long, 5/8" MFF x 5/8" SAE	3		
	BAR-2011	Bar, Security Copper Wire Seal	1		relief lock
	H10-103-10FFFX-10FFFX	5/8 Hose 5/8 Female ORFS x 5/8 Female ORFS x 103 in Long	1		
	H10-104-12MP-8MP	5/8 Hose 3/4 Male Pipe x 1/2 Male Pipe x 104 in Long	1		
	H10-118-10FFFX-10FFFX	5/8 Hose 5/8 Female ORFS x 5/8 Female ORFS x 118 in Long	1		
	H10-139-10FFFX-10FFFX	5/8 Hose 5/8 Female ORFS x 5/8 Female ORFS x 139 in Long	1		
	H10-193-12MFF-10FFFX	5/8 Hose 3/4 Male Pipe x 5/8 Female Pipe x 193 in Long	1		
	H10-216-10FFFX-12MFF	5/8 Hose 5/8 Female ORFS x 3/4 Male ORFS x 216 in Long	1		
	H10-22-10FFFX-10FFFX	5/8 Hose 5/8 Female ORFS x 5/8 Female ORFS x 22 in Long	1		
	H10-24-10FFFX-10FFFX	5/8' Hose, 5/8" Female ORFS x 5/8"Female ORFS	1		
	H10-26-10FFFX-10FFFX	5/8 Hose 5/8 Female ORFS x 5/8 Female ORFS x 26 in Long	3		
	H10-28-10FFFX-10FFFX	5/8 Hose 5/8 Female ORFS x 5/8 Female ORFS x 28 in Long	2		
	H10-29-10FFFX-10FFFX	5/8 Hose 5/8 Female ORFS x 5/8 Female ORFS x 29 in Long	1		
	H10-30-10FFFX-10FFFX	5/8 Hose 5/8 Female ORFS x 5/8 Female ORFS x 30 in Long	1		
	H10-305-10FFFX-10FFFX	5/8 Hose 5/8 Female ORFS x 5/8 Female ORFS x 305 in Long	2		
	H10-32-10FFFX-10FFFX	5/8 Hose 5/8 Female ORFS x 5/8 Female ORFS x 32 in Long	3		
	H10-38-10FFFX-12MFF	5/8 Hose 5/8 Female ORFS x 3/4 Male ORFS x 38 in Long	1		
	H10-41-10FFFX-10FFFX	5/8 Hose 5/8 Female ORFS x 5/8 Female ORFS x 41 in Long	2		
	H10-41-8MP-8MP	5/8" hose 1/2MP x 1/2MP x 41" long	1	20095001-	
	H10-56-12MP-12MFF	5/8 Hose 3/4 Male Pipe x 3/4 Male ORFS x 56 in Long	1		
	H10-60-10FFFX-10FFFX	5/8 Hose 5/8 Female ORFS x 5/8 Female ORFS x 60 in Long	1		
	HA-1004-4	Test Point Plug M16X2, 7/16" ORB	1		
	HA-1072-H	Hydra-zorb Tube Clamp 3/4" (3 pc.)	12	19401-	
	H-T-12-8000F	Hyd Tube, 3/4" dia, ORFS	1		
	H-T-12-8001F	Hyd Tube, 3/4" dia, ORFS	1		
	HVE-2500	Electronic Flow Control Valve	1		
	HV-FL16	Flow Control Valve 16GPM, #10 SAE	4		
	HV-RV-1H	Relief Valve w/ SAE #12 Ports	1		



## HPA-002R HYD PUMP ASM, RIGHT PUMP, SECTION 2



## HPA-003R HYD PUMP ASM, RIGHT PUMP, SECTION 3

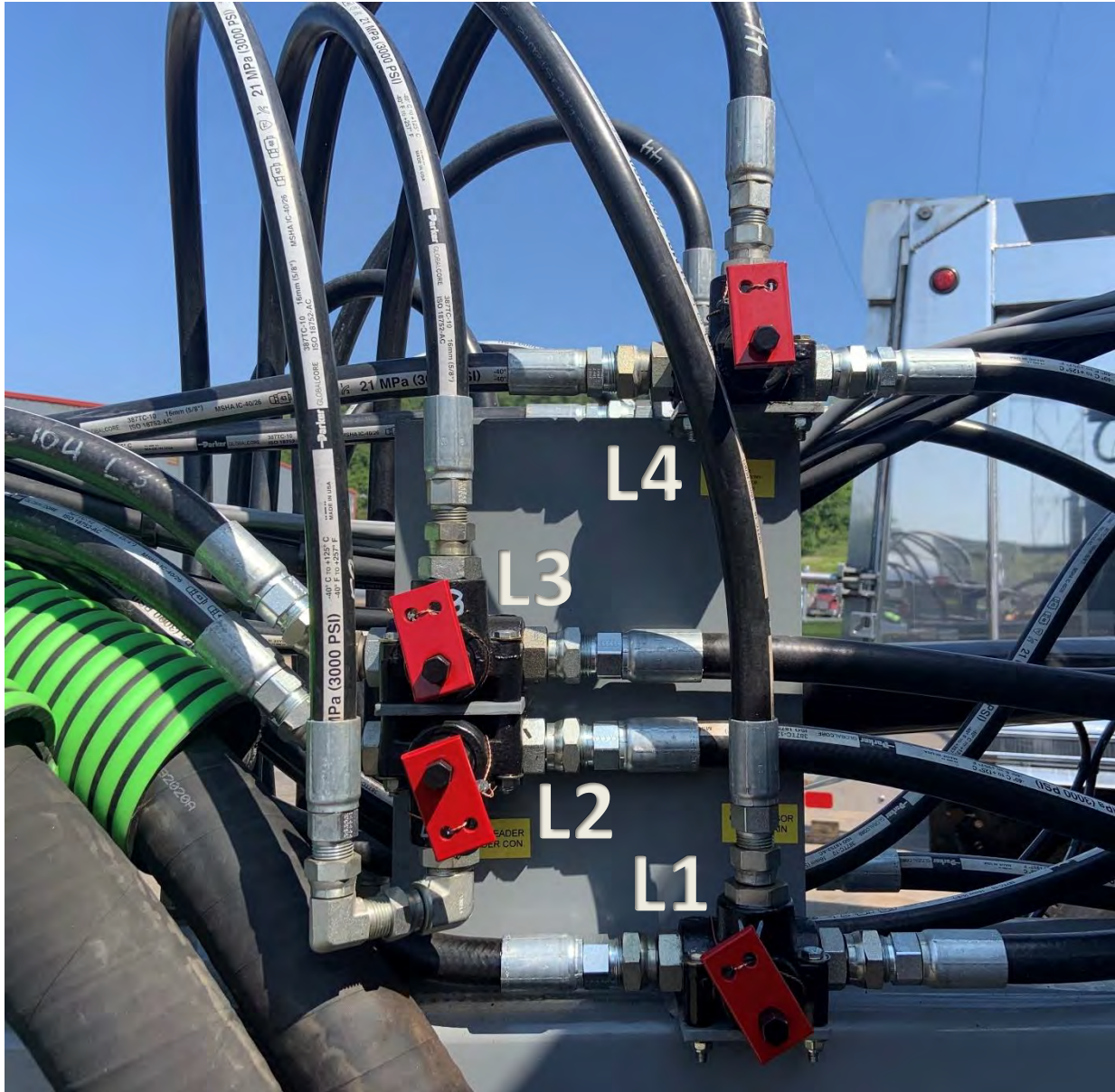
REF	PART NO.	DESCRIPTION	QTY	WILL FIT SN	REMARKS
	A-6900-12-12	12 SAE x 3/4" FPX	2		
	A-6901-10-8	10 SAE x 1/2 FPX90° , Forged	1		
	A-6901-10-8-4SAE	10 SAE x 1/2 FPX90° W/ 4SAE Port, Forged	1		
	A-6901-12-8	12 SAE x 1/2" FPX 90° , Forged	1		
	A-FF6400-10-10	Union, 10MFF x 10SAE	7		
	A-FF6500-10-10	Elbow, 10MFF x 10FFFX	5		
	A-FF6602-10-10-10	Run Tee, 10MFF X 10MFF X 10FFFX	3		
	A-FF6801-10-12	Elbow, 10MFF x 12SAE	12		
	A-FF6802-10-10	Elbow, 45, 10MFF x 10SAE	1		
	H10-129-10FFFX-10FFFX	5/8 Hose 5/8 Female ORFS x 5/8 Female ORFS x 129 in Long	1		
	H10-134-10FFFX-10FFFX	5/8 Hose 5/8 Female ORFS x 5/8 Female ORFS x 134 in Long	1		
	H10-150-8MP-12MP	5/8 Hose 1/2 Male Pipe x 3/4 Male Pipe x 150 in Long	1		
	H10-258-10FFFX-10FFFX	5/8 Hose 5/8 Female ORFS x 5/8 Female ORFS x 258 in Long	1		
	H10-32-10FFFX-10FFFX	5/8 Hose 5/8 Female ORFS x 5/8 Female ORFS x 32 in Long	2		
	H10-395-10FFFX-10FFFX	5/8 Hose 5/8 Female ORFS x 5/8 Female ORFS x 395 in Long	2		
	H10-62-10FFFX-10FFFX	5/8 Hose 5/8 Female ORFS x 5/8 Female ORFS x 62 in Long	1		
	H10-64-10FFFX-10FFFX	5/8 Hose 5/8 Female ORFS x 5/8 Female ORFS x 64 in Long	1		
	H10-80-10FFFX-10FFFX	5/8 Hose 5/8 Female ORFS x 5/8 Female ORFS x 80 in Long	1		
	H10-96-10FFFX-10FFFX	5/8 Hose 5/8 Female ORFS x 5/8 Female ORFS x 96 in Long	1		
	HA-1004-4	Test Point Plug #4 SAE Thread	1		
	HV-CKV-800S	1/2" Parker Check Valve	1		
	HVE-2500	Electronic Flow Control Valve	2		
	HV-FL16	Flow Control Valve 16GPM, #10 SAE	2		
	HV-RV-1H	Relief Valve w/ SAE #12 Ports	1		





## 11022-15-11 HYDRAULIC MOTOR PLUMBING, LEFT

REF	PART NO.	DESCRIPTION	QTY	WILL FIT SN	REMARKS
1	HPA-001L	Hyd Pump Asm, HC290, Left, Section 1	1		BOM next page
2	HPA-002L	Hyd Pump Asm, HC290, Left, Section 2	1		BOM next page
3	HPA-003L	Hyd Pump Asm, HC290, Left, Section 3	1		BOM next page
4	HPA-004L	Hyd Pump Asm, HC290, Left, Section 4	1		BOM next page





## HPA-001L HYD PUMP ASM, LEFT PUMP, SECTION 1

REF	PART NO.	DESCRIPTION	QTY	WILL FIT SN	REMARKS
	A-6805-4-4	90° O-Ring to Pipe Fitting, 1/4' x 1/4"	1		
	A-6900-10-8	10 SAE x 1/2 FPX	1		
	A-6900-12-12	12 SAE x 3/4" FPX	2		
	A-6901-12-12-4SAE	12 SAE x 3/4" FPX 90-w/4 SAE Port, Forged	1		
	A-6901-12-8	12 SAE x 1/2" FPX 90°, Forged	1		
	A-FF6400-10-10	Union, 10MFF x 10SAE	1		
	A-FF6400-12-10	Union, 12MFF x 10SAE	1		
	A-FF6500-12-12	Elbow, 90, 3/4" MFF x 3/4" FFFX	3		
	A-FF6602-12-12-12	RUN TEE, 12MFF X 12MFF X 12FFFX	1		
	A-FF6801-08-08	Elbow, 1/2" Male ORFS x 1/2" SAE	1		
	A-FF6801-12-12	Elbow, 3/4" MFF x 3/4" SAE	1		
	BAR-2011	Bar, Security Copper Wire Seal	1		Relief Lock
	H12-104-12MP-12MP	3/4 in Hose 3/4 Male Pipe x 3/4 Male Pipe x 104 in Long	1		
	H12-24-12FFFX-12FFFX	3/4 Hose 3/4 Female ORFS x 3/4 Female ORFS x 24 in Long	1		
	H12-60-16MFF-12FFFX	3/4 Hose 1 in Male ORFS x 3/4 Female ORFS x 60 in Long	2		
	H12-62-12MP-16MFF	3/4 Hose 3/4 Male Pipe x 1 in Male ORFS x 62 in Long	1		
	H12-75-12FFFX-16MFF	3/4 Hose 3/4 Female ORFS x 1 in Male ORFS x 75 in Long	1		
	H8-24-8FFFX-10FFFX	1/2 Hose 1/2 Female ORFS x 5/8 Female ORFS x 24 in Long	1		
	HA-1004-T	Test Point Plug, 1/4" NPT	1		
	HA-1071-H	Hydra-zorb Tube Clamp 1" (3pc.)	15	19401-	
	H-T-16-8001F	Hyd Tube, 1" dia, ORFS	1		
	H-T-16-8002F	Hyd Tube, 1" dia, ORFS	1		
	H-T-16-8003F	Hyd Tube, 1" dia, ORFS	1		
	HV-FL1230	Flow Control Valve, 30 GPM with #12 SAE Port	1		
	HV-RV-1H	Relief Valve w/ SAE #12 Ports	1		





## HPA-002L HYD PUMP ASM, LEFT PUMP, SECTION 2

REF	PART NO.	DESCRIPTION	QTY	WILL FIT SN	REMARKS
	A-6410-16-12	#16 Male SAE O-Ring Port Reducer to #12 Female SAE	4		
	A-6805-4-4	90° O-Ring to Pipe Fitting, 1/4" x 1/4"	1		
	A-6900-10-8	10 SAE x 1/2 FPX	1		
	A-6900-12-12	12 SAE x 3/4 FPX	2		
	A-6901-12-12-4SAE	12 SAE x 3/4 FPX 90° w/4 SAE Port, Forged	1		
	A-6901-12-8	12 SAE x 1/2' FPX 90°, Forged	1		
	A-FF6400-12-10	Union, 12MFF x 10SAE	6		
	A-FF6400-12-12	Union, 12MFF x 12SAE	2		
	A-FF6500-12-12	Elbow, 90, 3/4" MFF x 3/4" FFFX	10		
	A-FF6602-12-12-12	RUN TEE, 12MFF X 12MFF X 12FFFX	3		
	A-FF6801-10-12	Elbow, 10MFF x 12SAE	1		
	A-FF6801-12-12	Elbow, 3/4" MFF x 3/4" SAE	1		
	BAR-2011	Bar, Security Copper Wire Seal	2		Relief Lock
	H12-104-12MP-12MP	3/4 in Hose 3/4 Male Pipe x 3/4 Male Pipe x 104 in Long	1		
	H12-160-12MP-12FFFX	3/4 Hose 3/4 Male Pipe x 3/4 Female ORFS x 160 in Long	1		
	H12-192-12FFFX-12FFFX	3/4 Hose 3/4 Female ORFS x 3/4 Female ORFS x 192 in Long	1		
	H12-24-12FFFX-12FFFX	3/4 Hose 3/4 Female ORFS x 3/4 Female ORFS x 24 in Long	2		
	H12-262-12FFFX-12FFFX	3/4 Hose 3/4 Female ORFS x 3/4 Female ORFS x 262 in Long	1		
	H12-27-12FFFX-10FFFX	3/4 Hose 3/4 Female ORFS x 5/8 Female ORFS x 27 in Long	1		
	H12-282-12FFFX-10FFFX	3/4 Hose 3/4 Female ORFS x 5/8 Female ORFS x 282 in Long	1		
	H12-30-12FFFX-12FFFX	3/4 Hose 3/4 Female ORFS x 3/4 Female ORFS x 30 in Long	2		
	H12-38-12FFFX-12FFFX	3/4 Hose 3/4 Female ORFS x 3/4 Female ORFS x 38 in Long	1		
	H12-40-12FFFX-12FFFX	3/4 Hose 3/4 Female ORFS x 3/4 Female ORFS x 40 in Long	1		
	H12-45-12FFF-X12FFFX	3/4 Hose 3/4 Female ORFS x 3/4 Female ORFS x 45 in Long	1		
	H12-62-12FFFX-12FFFX	3/4 Hose 3/4 Female ORFS x 3/4 Female ORFS x 62 in Long	1		
	HA-1004-4	Test Point Plug #4 SAE Thread	1		
	HA-1004-T	Test Point Plug, 1/4" NPT	1		
	HV-1045	Reversing Valve	1		
	HVE-2500	Electronic Flow Control Valve	1		
	HV-FL1230	Flow Control Valve, 30 GPM with #12 SAE Port	1		
	HV-RV-1H	Relief Valve w/ SAE #12 Ports	2		

## HPA-003L HYD PUMP ASM, LEFT PUMP, SECTION 3

REF	PART NO.	DESCRIPTION	QTY	WILL FIT SN	REMARKS
	A-1501-8-8	1/2 MP x 1/2 FPX90°	1		
	A-6805-4-4	90° O-Ring to Pipe Fitting, 1/4" x 1/4"	1		
	A-6900-10-8	10 SAE x 1/2 FPX	1		
	A-6900-12-12	12 SAE x 3/4" FPX	2		
	A-6901-12-12-4SAE	12 SAE x 3/4" FPX 90° w/4 SAE Port, Forged	1		
	A-6901-12-8	12 SAE x 1/2" FPX 90°, Forged	1		
	A-FF2603-12-12-12	Tee, 3/4" MFF x 3/4" MFF X 3/4" MFF	4		
	A-FF6400-12-10	Union, 12MFF x 10SAE	3		
	A-FF6400-12-12	Union, 12MFF x 12SAE	4		
	A-FF6500-12-12	Elbow, 90, 3/4" MFF x 3/4" FFFX	1		
	A-FF6801-12-12	Elbow, 3/4" MFF x 3/4" SAE	6		
	A-FF6802-12-12	Elbow, 12MFF x 12SAE, 45 DEG	2		
	BAR-2011	Ba, Seecurity Copper Wire Seal	2		Relief Lock
	H10-24-12FFFX-12FFFX	5/8 Hose 3/4 Female ORFS x 3/4 Female ORFS x 24 in Long	1		
	H12-104-12MP-12MP	3/4 in Hose 3/4 Male Pipe x 3/4 Male Pipe x 104 in Long	1		
	H12-141-12FFFX-12FFFX	3/4 Hose 3/4 Female ORFS x 3/4 Female ORFS x 141 in Long	1		
	H12-28-12FFFX-12FFFX	3/4 Hose 3/4 Female ORFS x 3/4 Female ORFS x 28 in Long	2		
	H12-30-12FFFX-12FFFX	3/4 Hose 3/4 Female ORFS x 3/4 Female ORFS x 30 in Long	2		
	H12-36-12FFFX-12FFFX	3/4 Hose 3/4 Female ORFS x 3/4 Female ORFS x 36 in Long	2		
	H12-36-16MFF-16MFF	3/4 Hose 1 in Male ORFS x 1 in Male ORFS x 36 in Long	1		
	H12-62-12MP-16MFF	3/4 Hose 3/4 Male Pipe x 1 in Male ORFS x 62 in Long	1		
	H12-64-16MFF-12FFFX	3/4 Hose 1 in Male ORFS x 3/4 Female ORFS x 64 in Long	1		
	HA-1004-4	Test Point Plug #4 SAE Thread	1		
	HA-1004-T	Test Point Plug, 1/4" NPT	1		
	HA-1071-H	Hydra-zorb Tube Clamp 1" (3 pc.)	12	19401-	
	H-T-16-8000F	Hyd Tube, 1" dia, ORFS	1		
	H-T-16-8001F	Hyd Tube, 1" dia, ORFS	1		
	HVE-2500	Electronic Flow Control Valve	1		
	HV-FL1230	Flow Control Valve, 30 GPM with #12 SAE Port	2		
	HV-RV-1H	Relief Valve w/ SAE #12 Ports	2		

## HPA-003L HYD PUMP ASM, LEFT PUMP, SECTION 3



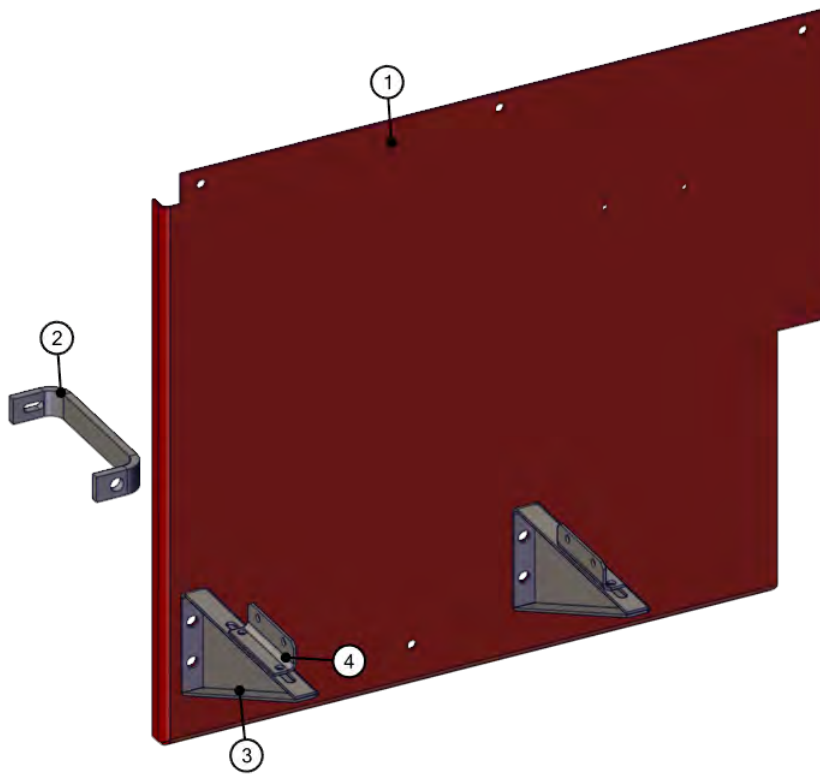
## HPA-004L HYD PUMP ASM, LEFT PUMP, SECTION 4

REF	PART NO.	DESCRIPTION	QTY	WILL FIT SN	REMARKS
	A-6900-10-8	10 SAE x 1/2 FPX	1		
	A-6900-12-12	12 SAE x 3/4" FPX	2		
	A-6901-10-8-4SAE	10 SAE x 1/2 FPX90- W/ 4SAE Port, Forged	1		
	A-6901-12-8	12 SAE x 1/2" FPX 90°, Forged	1		
	A-FF2603-10-10-10	TEE, 10MFF X 10MFF X 10MFF	2		
	A-FF6400-10-10	Union, 10MFF x 10SAE	7		
	A-FF6500-10-10	Elbow, 10MFF x 10FFFX	4		
	A-FF6507-10-10	Swivel Straight Adapter, 5/8" FFFX x 5/8" SAE	4		
	A-FF6602-10-10-10	Run Tee, 10MFF X 10MFF X 10FFFX	2		
	A-FF6801-10-10	Elbow, 5/8" MFF x 5/8" SAE	7		
	A-FF6801-10-12	Elbow, 10MFF x 12SAE	4		
	A-FF6802-10-10	Elbow, 45, 10MFF x 10SAE	4		
	BAR-2011	Bar, Security Copper Wire Seal	1		Relief Lock
	H10-106-10FFFX-10FFFX	5/8 Hose 5/8 Female ORFS x 5/8 Female ORFS x 106 in Long	2		
	H10-114-10FFFX-10FFFX	5/8 Hose 5/8 Female ORFS x 5/8 Female ORFS x 114 in Long	2		
	H10-116-8MP-12MP	5/8 Hose 1/2 Male Pipe x 3/4 Male Pipe x 116 in Long	1		
	H10-128-10FFFX-10FFFX	5/8 Hose 5/8 Female ORFS x 5/8 Female ORFS x 128 in Long	1		
	H10-133-10FFFX-10FFFX	5/8 Hose 5/8 Female ORFS x 5/8 Female ORFS x 133 in Long	1		
	H10-175-10FFFX-10FFFX	5/8 Hose 5/8 Female ORFS x 5/8 Female ORFS x 175 in Long	1		
	H10-185-10FFFX-10FFFX	5/8 Hose 5/8 Female ORFS x 5/8 Female ORFS x 185 in Long	1		
	H10-228-10FFFX-10FFFX	5/8 Hose 5/8 Female ORFS x 5/8 Female ORFS x 228 in Long	1		
	H10-35-12MFF-12MFF	5/8 Hose 3/4 Male ORFS x 3/4 Male ORFS x 35 in Long	1		
	H10-36-10FFFX-10FFFX	5/8' Hose, 5/8' Female ORFS x 5/8' Female ORFS	1		
	H10-39-10FFFX-10FFFX	5/8 Hose 5/8 Female ORFS x 5/8 Female ORFS x 39 in Long	1		
	H10-41-10FFFX-10FFFX	5/8 Hose 5/8 Female ORFS x 5/8 Female ORFS x 41 in Long	1		
	H10-45-12MFF-10FFFX	5/8 Hose 3/4 Male ORFS x 5/8 Female ORFS x 45 in Long	1		
	H10-49-8MP-8MP	5/8 Hose 1/2 Male Pipe x 1/2 Male Pipe x 49 in Long	1		
	H10-62-12MP-12MFF	5/8 Hose 3/4 Male Pipe x 3/4 Male ORFS x 62 in Long	1		
	H10-96-10FFFX-10FFFX	5/8 Hose 5/8 Female ORFS x 5/8 Female ORFS x 96 in Long	1		
	HA-1004-4	Test Point Plug #4 SAE Thread	1		
	HA-1072-H	Hydra-zorb Tube Clamp 3/4" (3 pc.)	6	19401-	
	H-T-12-8000F	Hyd Tube, 3/4" dia, ORFS	1		
	H-T-12-8001F	Hyd Tube, 3/4" dia, ORFS	1		
	HV-FL16	Flow Control Valve 16GPM, #10 SAE	4		
	HV-RV-1H	Relief Valve w/ SAE #12 Ports	1		



## 11021-15-24 HYDRAULIC PANEL

REF	PART NO.	DESCRIPTION	QTY	WILL FIT SN	REMARKS
1	PAN-8000	Panel Hydraulic Mount, Discharge, High Cap. Tom	1		
2	BAR-8000	Bar, Support, Brand Valve Panel, HC290	1		
3	MOU-8006	Hydraulic Mounting, HC290 Harvester	2		
4	MOU-8007	Control Valve Mount, HC290 Harvester	2		
5	DC-1046	Decal,290 Hyd.Cyl. Valve	1		

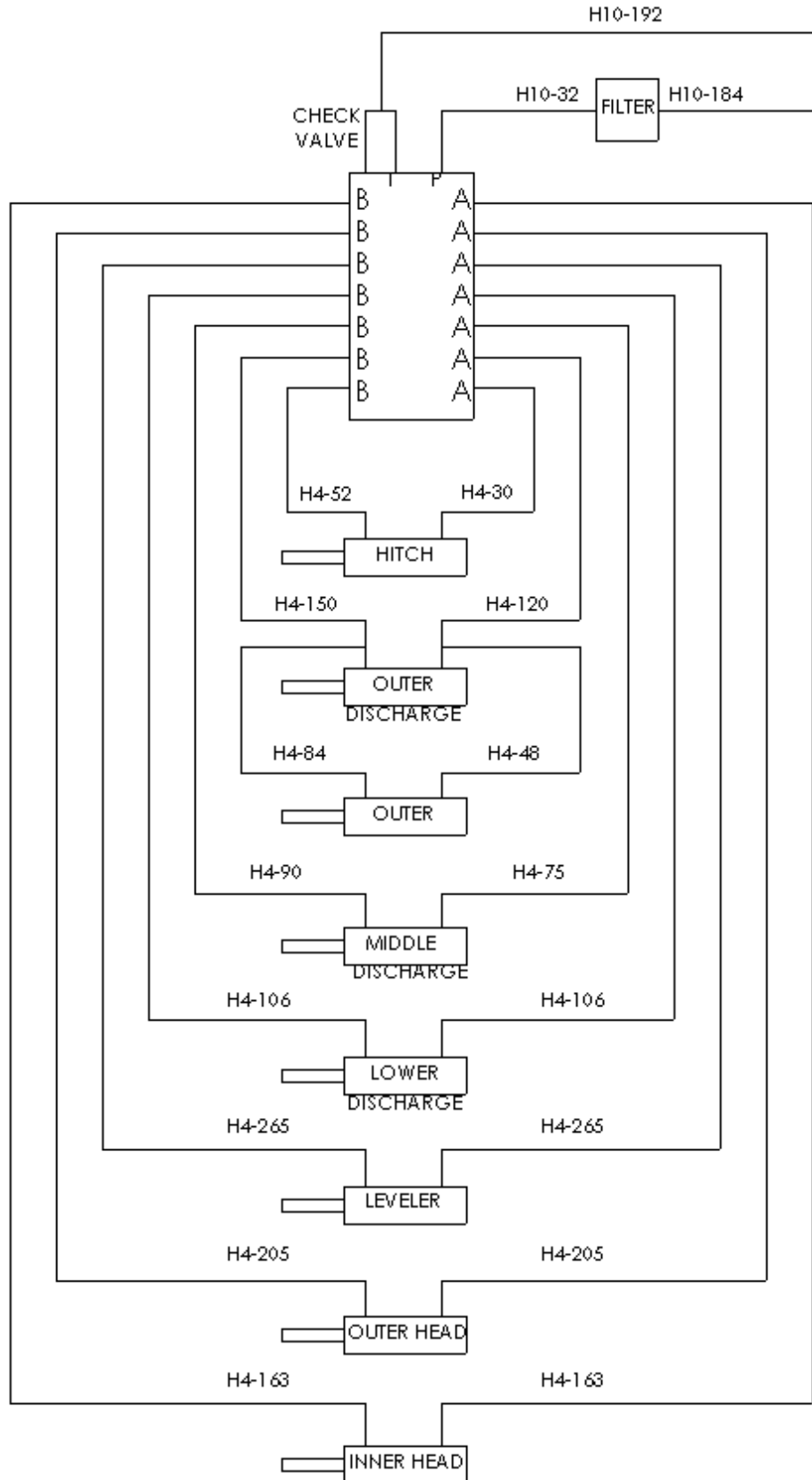


## 11022-16-01 HYDRAULIC CYLINDER PLUMBING

REF	PART NO.	DESCRIPTION	QTY	WILL FIT SN	REMARKS
1	HA-1124	DO3 Valve Componets	1		BOM next page
601	A-FF2501-6-8	Elbow, 3/8" Male ORFS x 1/2" MP	2		
602	A-FF6400-6-8	Adapter, 3/8" Male ORFS x 1/2" SAE	4		
603	A-FF6500-06-06	Elbow, 90, 3/8" MFF X 3/8" FFFX	2		
604	A-FF6602-06-06-06	Run Tee, 6MFF x 6MFF x 6FFFX	2		
605	A-FF6801-06-08	ELBOW, 90, 6MFF X 8SAE	14		
606	H4-106-6FFFX-6FFFX	1/4 Hose 3/8 Female ORFS x 3/8 Female ORFS x 106 in Long	2		
607	H4-120-6FFFX-6FFFX	1/4in Hose, 3/8 Female ORFS x 3/8 Female ORFS x 120in Long	1		
608	H4-150-6FFFX-6FFFX	1/4 Hose 3/8 Female ORFS x 3/8 Female ORFS x 150 in Long	1		
609	H4-163-6FFFX-6FFFX	1/4 Hose 3/8 Female ORFS x 3/8 Female ORFS x 163 in Long	2		
610	H4-205-6FFFX-6FFFX	1/4 Hose 3/8 Female ORFS x 3/8 Female ORFS x 205 in Long	2		
611	H4-265-6FFFX-6FFFX	1/4 Hose 3/8 Female ORFS x 3/8 Female ORFS x 265 in Long	2		
612	H4-30-6FFFX-6FFFX	1/4in Hose, 3/8 Female ORFS x 3/8 Female ORFS	1		
613	H4-48-6FFFX-6FFFX	1/4in Hose, 3/8 Female ORFS x 3/8 Female ORFS, 48in Long	1		
614	H4-52-6FFFX-6FFFX	1/4 Hose 3/8 Female ORFS x 3/8 Female ORFS x 52 in Long	1		
615	H4-75-6FFFX-6FFFX	1/4' Hose, 3/8' Female ORFS x 3/8' Female ORFS	1		
616	H4-84-6FFFX-6FFFX	1/4in Hose, 3/8 Female ORFS x 3/8 Female ORFS x 84in Long	1		
617	H4-90-6FFFX-6FFFX	1/4 Hose 3/8 Female ORFS x 3/8 Female ORFS x 90 in Long	1		
801	HC-200-2408P	Hydraulic Cylinder 2" x 24" #8 SAE Ports		Used on	11021-11-03
802	HC-250-3008P	Hydraulic Cylinder 2 1/2" x 30" #8 SAE Ports		Used on	11021-03-01.1
803	HC-350-0808L	Hydraulic Cylinder, Lion, 3 1/2" x 8", 3/4-16 ORB, 90° Port		Used on	11021-11-02
804	HC-350-1608	Tie Rod Cylinder, 3 1/2" x 16", #8 SAE Port		Used on	11021-11-02
805	HC-400-08	Tie Rod Cylinder, 4" x 8", #8 SAE Port		Used on	11021-01-06
806	HC-400-30	Hydraulic Cylinder 4" x 30"		Used on	11021-01-02



# 11022-16-01 HYDRAULIC CYLINDER PLUMBING



## HA-1124 DO3 VALVE COMPONENTS

REF	PART NO.	DESCRIPTION	QTY	WILL FIT SN	REMARKS
	A-FF6400-10-10	Union, 10MFF x 10SAE	1		
	A-FF6400-6-8	Adapter, 3/8" Male ORFS x 1/2" SAE	14		
	A-FF6500-10-10	Elbow, 10MFF x 10FFFX	1		
	A-FF6801-10-10	Elbow, 5/8" MFF x 5/8" SAE	1		
	A-FF6801-10-12	Elbow, 10MFF x 12SAE	2		
	A-QD2010-8-8	Tractor Quick Coupler, Male, 1/2" w/ FPT	2		
	BL-1024-375	Stud, Hydraulic Valve, 4.00in Long	8		
	BL-1024-553	Stud, Hydraulic Valve, 5.75in Long	20		
	H10-184-10FFFX-8MP	5/8 Hose 5/8 Female ORFS x 1/2 Male Pipe x 184 in Long	1		
	H10-192-8MP-8MP	5/8 in hose 1/2MP X 1/2MP x 192 in long	1		
	HA-1037	Pressure Filter	1		
	HV-CKV-800S	1/2" Parker Check Valve	1		
	HVE-1000-A	Nachi Directional Control Valve	5		
	HVE-1000-B	A-B Flow Regulator	5		
	HVE-1000-C	Double Load Control, DO3	7		
	HVE-1000-D	3 Port Counter Balance Cartridge	14		
	HVE-1000-E	10-24 Stud Nut	28		
	HVE-1000-M7	DO3 7 Valve Parallel Manifold , SAE #10 in/out, #8 work	1		
	HVE-1006	Proportional Valve, D03	2		

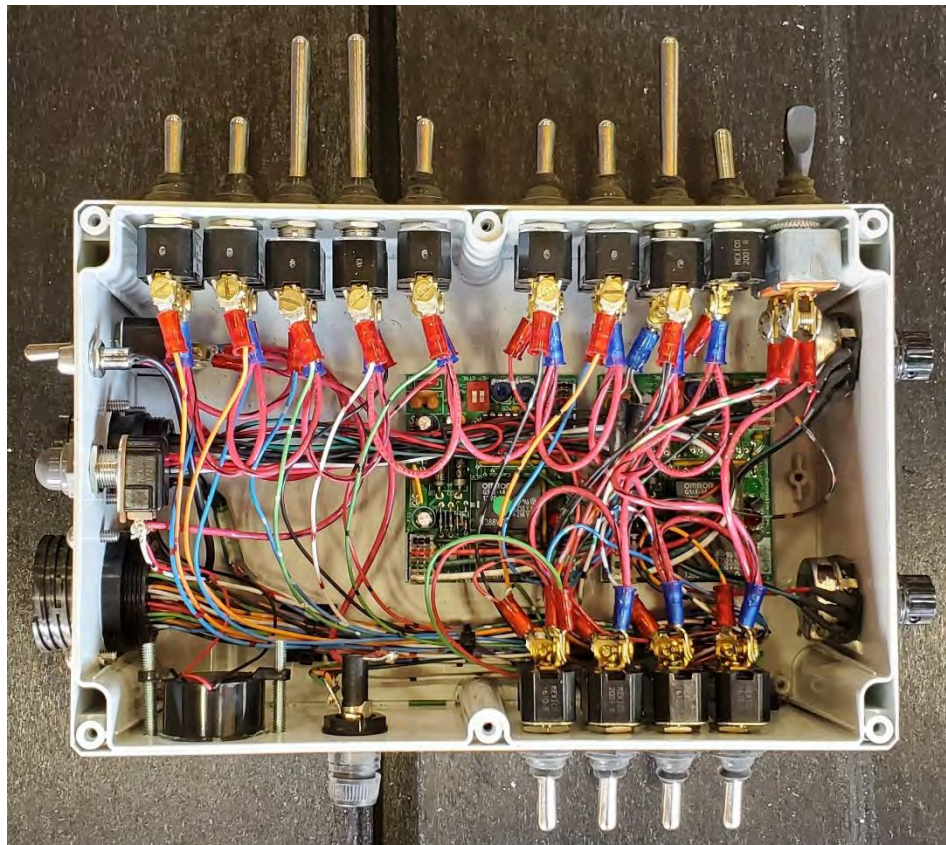
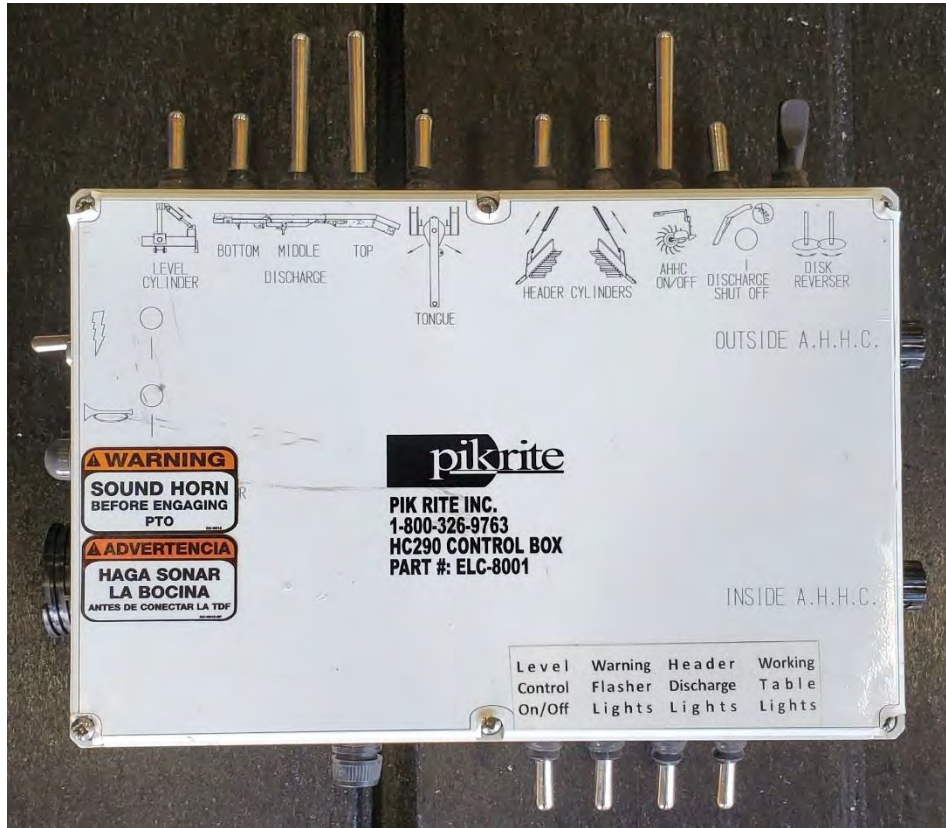


## 11022-17-01 CONTROL BOX ELECTRICAL ASSEMBLY

REF	PART NO.	DESCRIPTION	QTY	WILL FIT SN	REMARKS
	BL-832-050-RP	8-32 x1/2" Round Phillips, Stainless Steel Machine Screw	8		
	DC-1186	Decal for Double Remote Flow Control Actuator	1		
	DC-8001	Decal, Control Box, HC290, 08	1		
	EL-0009	Actuator Control Panel With Potentiometer	2		
	EL-1322	Crimp Pin for AMP Plug	49		
	EL-1323	Socket(Female) For AMP Plug	98		
	EL-13B	Rubber Boot for Horn Switch	1		
	EL-14D0	Switch Boot	15		
	EL-250F	1/4" Felt Round @ ft	0.042		
	EL-46115	15 Amp Fuse	1		
	EL-5696	Miniature Panel Alarm	1		
	EL-60361	AMP Receptacle 16 position	1		
	EL-60371	AMP Plug 16 position	2		
	EL-60701	AMP Cable clamp (16)	2		
	EL-61381	AMP Cable clamp (37)	2		
	EL-61501	AMP Plug 37 position	2		
	EL-61511	AMP Receptacle 37 position	1		
	EL-670-0067	LED Panel Mount, 5mm, Chrome, Red	1		
	EL-8411	Horn Button	1		
	ELC-18-RB	18 Gauge Wire,Red with Black Striping	6		
	ELC-4069	22ga x 20 Conductor Carol Cable @ft	25		
	ELC-4078	22ga x 40 Conductor Carol Cable @ ft	27		
	ELE-2016	Control Box for Dual Remote	1		
	ELE-24101	3/8" Snap Bushing	1		
	EL-HKP	Fuse Holder	1		
	ELS-2T-15	Switch 2 Pos Toggle 1" Bat (15 Amp)	6		
	ELS-3MLB	Switch, 3 Pos Momentary (long bat) on-off-(on)	1		
	ELS-3MMLB	Three Position Switch (on)-off-(on) (15 Amp)	2		
	ELS-3T	Reversing valve switch (50 Amp)	1		
	ELS-3T-MM-15	Switch, 3 Pos Toggle 1" Bat (15 Amp)	5		
	ELT-30753	Snap Spade Terminal #6 x 22-18 Red	40		
	ELT-31965	Sealed Butt Connector	1		
	ELT-9806	Adhesive Base	3		



# 11022-17-01 CONTROL BOX ELECTRICAL ASSEMBLY



# 11022-17-01 CONTROL BOX ELECTRICAL ASSEMBLY

## Pin #s for Actuators

1	Black <b>Ground</b>	Black-Red
2	Red <b>12V +</b>	Red-Black
3	Green	Green-Black
4	White	White-Black
5	Blue-Black	
6	Blue-White	
7	Blue	
8		
9	Green-White	Black-White
10	White-Red	Red-White
11	Orange-Black	
12	Orange-Red	
13	Orange	
14		
15		
16		

## Pin #s for Head Height Control

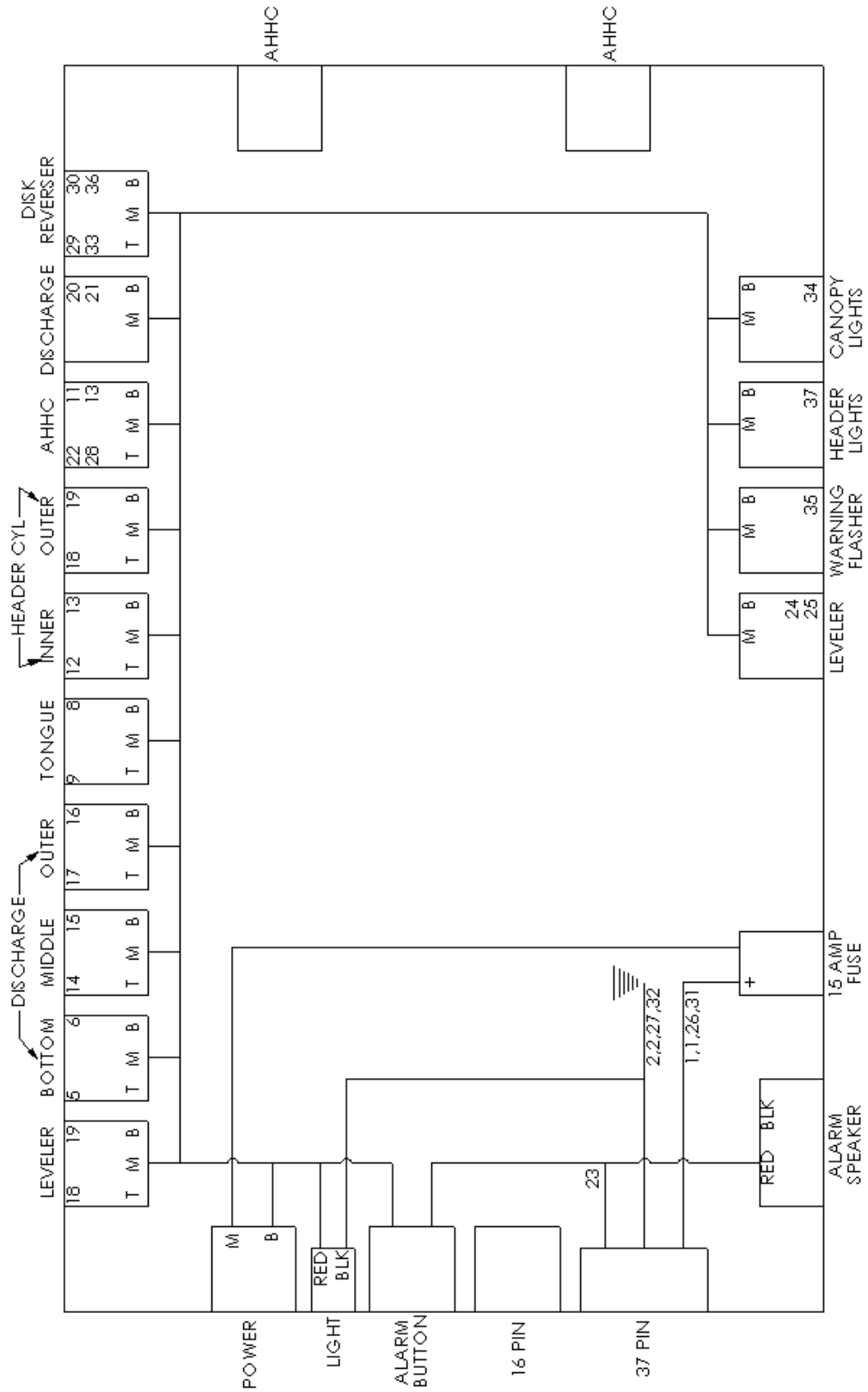
1	Black <b>Ground</b>	4 prong plug on circuit board
2	Red <b>12V +</b>	
3	Green	
4	White	
5	Red	3 prong plug on actuator connector
6	Green	
7	Black	
8		
9	Green	4 prong plug on circuit board
10	White	
11	Red	3 prong plug on actuator connector
12	Green	
13	Black	
14		
15		
16		

## Pin #s for Control Box

1	Black	<b>12V +</b>
1	Green-Black-Orange	<b>12V +</b>
2	White	<b>Ground</b>
2	Orange-Blue-White	<b>Ground</b>
3	Red	<b>Switch Power for Compressor Relay</b>
4	Green	<b>Compressor Relay</b>
5	Orange	
6	Blue	
7	White-Black	
8	Red-Black	
9	Green-Black	
10	Orange-Black	
11	Blue-Black	
12	Black-White	
13	Red-White	
14	Green-White	
15	Blue-White	
16	Black-Red	
17	White-Red	
18	Orange-Red	
19	Blue-Red	
20	Red-Green	
21	Orange-Green	
22	Black-White-Red	
23	White-Red-Black	
24	Red-White-Black	
25	Green-White-Black	
26	Orange-White-Black	<b>12V +</b>
27	Blue-White-Black	<b>Ground</b>
28	Black-Red-Green	
29	Red-Green-White	
30	Black-Green-White	
31	White-Green-Red	<b>12V +</b>
32	Red-Green-Black	<b>Ground</b>
33	White-Green-Black	
34	Orange-Green-Black	
35	Blue-White-Orange	
36	Black-White-Orange	
37	White-Blue-Red	



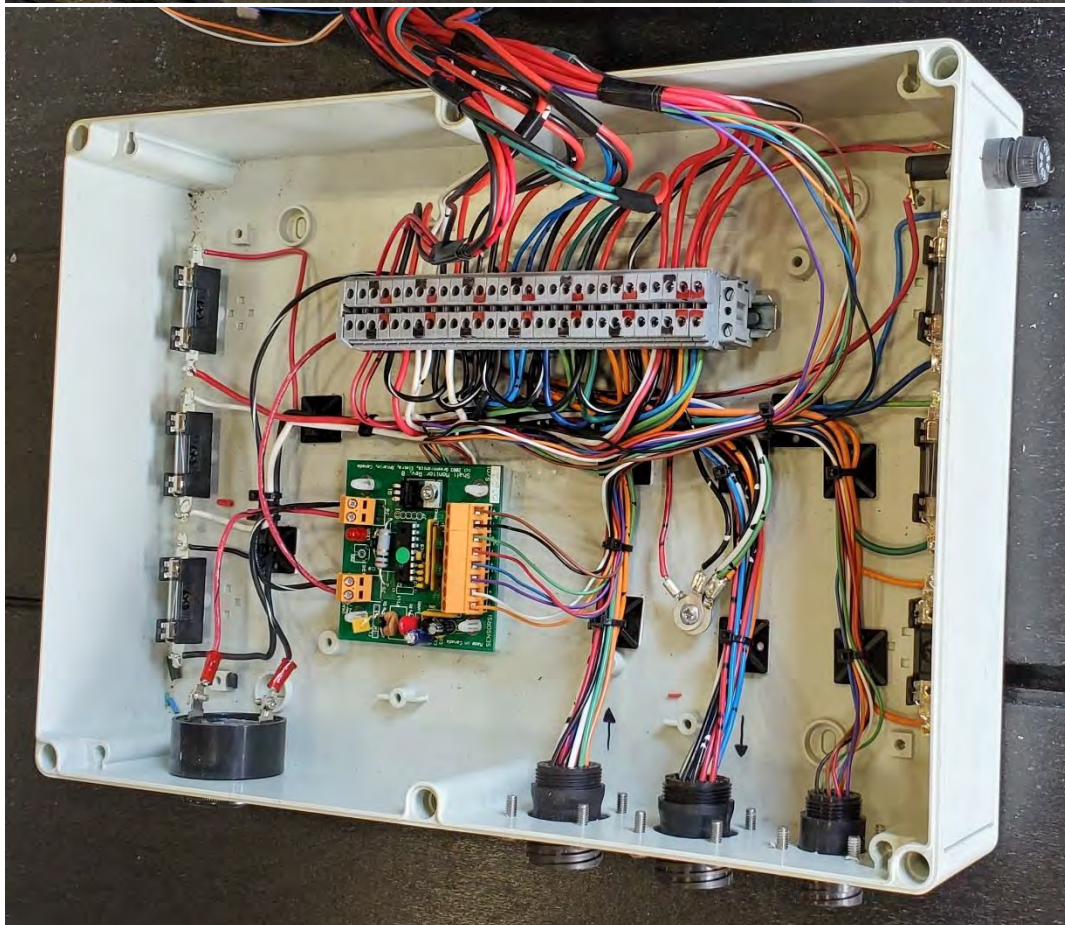
# 11022-17-01 CONTROL BOX ELECTRICAL ASSEMBLY



## 11022-17-02 FLOW CONTROL BOX ELECTRICAL ASSEMBLY

REF	PART NO.	DESCRIPTION	QTY	WILL FIT SN	REMARKS
	BL-832-050-RP	8-32 x1/2" Round Phillips, Stainless Steel Machine Screw	12		
	DC-9007	Flow Control Box Decal	1		
	EL-0153	Terminal Block	29		
	EL-1322	Crimp Pin for AMP Plug	32		
	EL-1323	Socket(Female) For AMP Plug	42		
	EL-4153	End Cover, Terminal Block	1		
	EL-46103	1 1/2 Amp Fuse, Type AGC	5		
	EL-46110	10 Amp Fuse	1		
	EL-5010	End Clamp for Terminal Block	2		
	EL-5091	LED Panel Holder 5mm	4		
	EL-60361	AMP Receptacle 16 position	1		
	EL-60371	AMP Plug 16 position	2		
	EL-60409	AMP Receptacle 9 Position	3		
	EL-60701	AMP Cable clamp (16)	2		
	EL-670-0067	LED Panel Mount, 5mm, Chrome, Red	1		
	EL-69667	AMP Cable clamp (9)	2		
	EL-80011	Panel Mount Fuse Holder	6		
	EL-99556	Receptacle 14 Position, Panel Mount	1		
	ELC-1022	22 Gauge-10 Conductor @ Foot	28		
	ELC-1218	18 Gauge - 12 Conductor PVC Insulated Wire @ Foot	29		
	ELC-16B	16 Gauge Wire, Black	4		
	ELC-16BLU	16 Gauge Wire, Blue	4		
	ELC-16-G	16 Gauge Wire (Green)	4		
	ELC-16-R	16 Gauge Wire, Red	4		
	ELC-16-WH	16 Gauge Wire, White	4		
	ELC-18-B	18 Gauge Wire, Black @ Foot	3		
	ELC-18-RB	18 Gauge Wire,Red with Black Striping	12		
	ELE-1942	Gray Enclosure Box w/Lid	1		
	EL-EC-1202	Controller for Brand Valve	5		
	EL-HKP	Fuse Holder	1		
	ELM-107	Greentronics Shaft Monitor board w/beeper	1		
	ELM-107-B	Green LED Bulb	4		
	ELS-2T-15	Switch 2 Pos Toggle 1" Bat (15 Amp)	1		
	ELT-30753	Snap Spade Terminal #6 x 22-18 Red	3		
	ELT-31753	Snap Spade Terminal, #6, 16-14 Blue	2		
	ELT-9806	Adhesive Base	8		
	EL-3096	Limit Switch, 15A, Wobble Coil Spring Lever, SPDT	1		

## 11022-17-02 FLOW CONTROL BOX ELECTRICAL ASSEMBLY

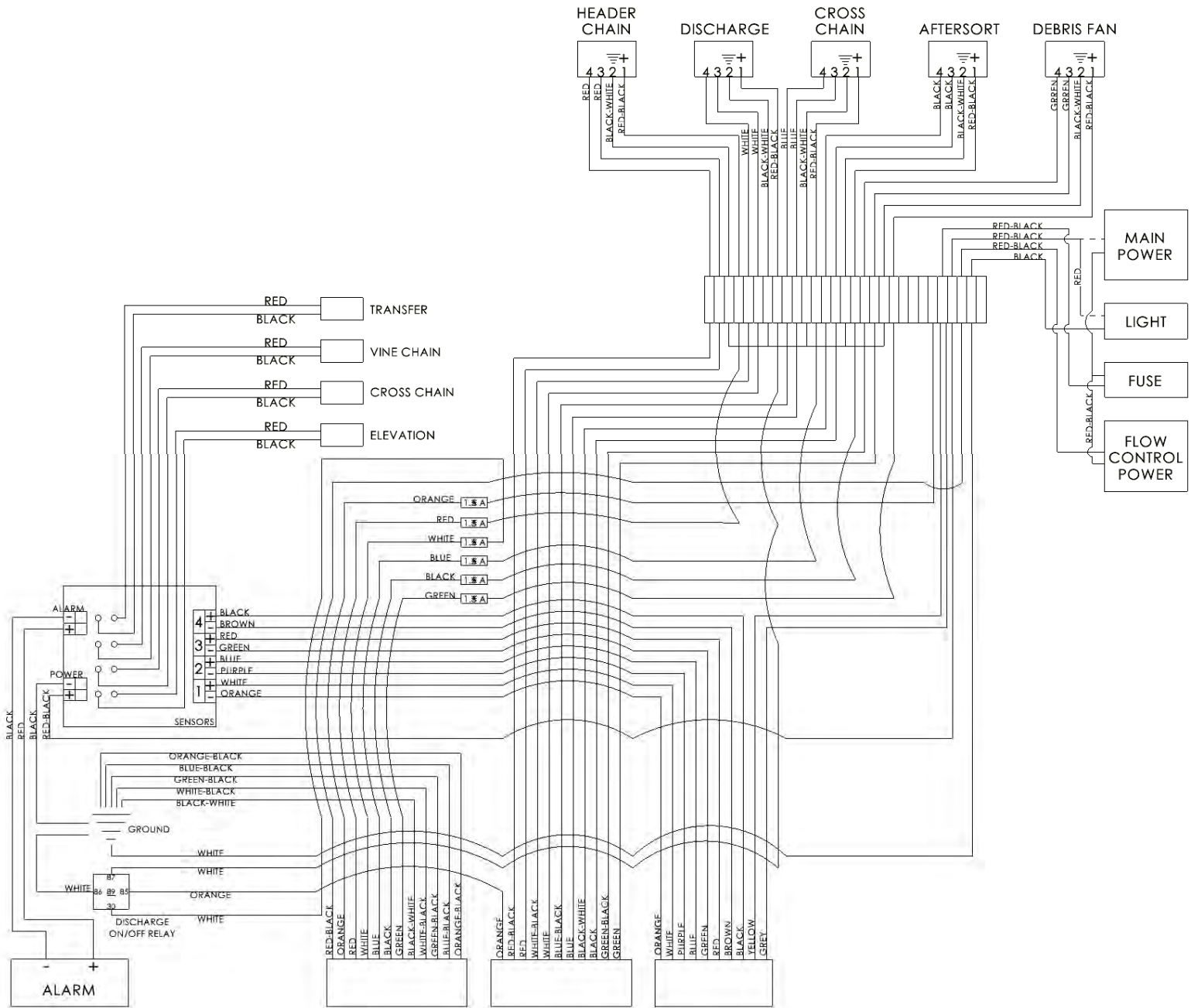


## 11022-17-02 FLOW CONTROL BOX ELECTRICAL ASSEMBLY

### Pin #s for Flow Control Box

<b>1</b>	Black 10"	Black <i>Aftersort Belt</i>
<b>2</b>	Black-White	
<b>3</b>	White 10"	Yellow <i>Discharge</i>
<b>4</b>	White-Black	
<b>5</b>	Red 10"	Red <i>Header Chain</i>
<b>6</b>	Red-Black	
<b>7</b>	Green 45"	Brown <i>Debris Fan</i>
<b>8</b>	Green-Black	
<b>9</b>	Blue 40"	Blue <i>Cross Chain</i>
<b>10</b>	Blue-Black	
<b>11</b>	Orange	Orange <i>Canopy Fan</i>
<b>12</b>	Orange-Black	
<b>13</b>		
<b>14</b>		
<b>15</b>		
<b>16</b>		

# 11022-17-02 FLOW CONTROL BOX ELECTRICAL ASSEMBLY



## 11022-17-03 PANEL BOX ELECTRICAL ASSEMBLY

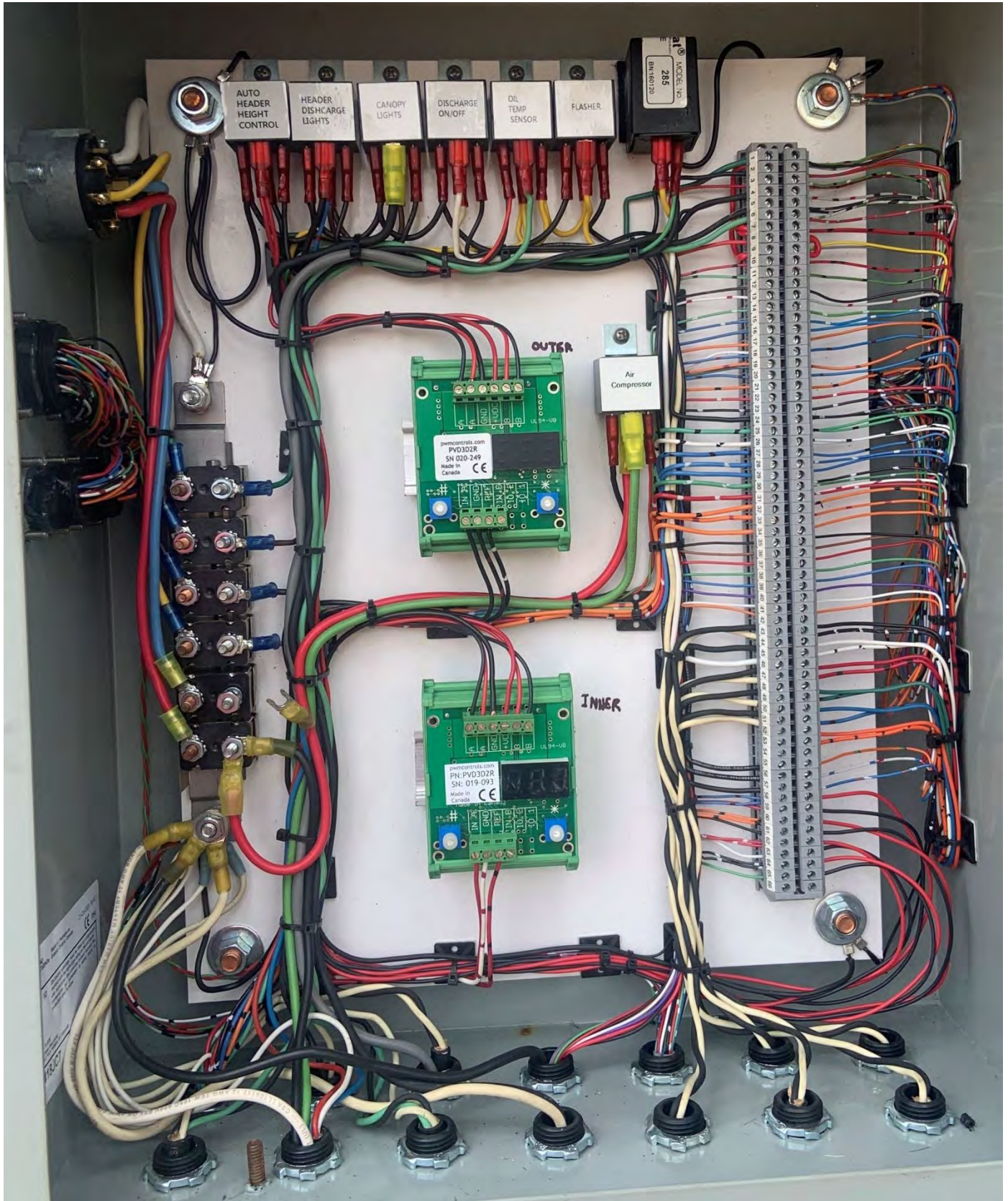
REF	PART NO.	DESCRIPTION	QTY	WILL FIT SN	REMARKS
1	ELP-8005	Panel Box Components	1		BOM next page
2	ELC-8023	DO3 Valve Cable Components	1		BOM next page
3	ELC-8024	Light Assembly	1		BOM next page
4	ELC-8025	Flasher Light Assembly	1		BOM next page
5	ELC-8026	Air Compressor Components	1		BOM next page
6	ELC-8027	Shaft Sensor Components	1		BOM next page
7	ELC-8028	Horn Box Components	1		BOM next page
8	ELC-8029	Header Height Control Components	1		BOM next page
9	ELC-8030	Main Power, Converter Box Components	1		BOM next page
10	ELC-8031	Sorter Power, Converter Box Components	1		BOM next page
201	ELC-182SO	18-2 Conductor Cable @ Ft.	100		
202	ELC-183SO	18ga 3 Conductor Cable @ft	10		
203	ELC-218	18 Gauge-2 Conductor @ Foot	30		
204	ELT-31753	Snap Spade Terminal, #6, 16-14 Blue	1		



## ELP-8005 PANEL BOX COMPONENTS

REF	PART NO.	DESCRIPTION	QTY	WILL FIT SN	REMARKS
	BL-832-050-RP	8-32 x1/2" Round Phillips, Stainless Steel Machine Screw	29		
	EL-0015	DIN Rail 2M @ Pkg of 10	10		
	EL-0153	Terminal Block	66		
	EL-1000	DIN Rail, Snap Mount, 1 Meter Long	0.2		
	EL-101	Lock Nut for Electrical Connectors 1/2"	14		
	EL-1322	Crimp Pin for AMP Plug	70		
	EL-25053	Marker Strip for Terminal Blocks 1-10	1		
	EL-25054	Marker Strip for Terminal Blocks 11-20	1		
	EL-25055	Marker Strips for Terminal Blocks 21-30	1		
	EL-25056	Marker Strips for Terminal Blocks 31-40	1		
	EL-25057	Marker Strips for Terminal Blocks 41-50	1		
	EL-25060	Marker Strips for Terminal Blocks, 51-100	1		
	EL-4153	End Cover, Terminal Block	1		
	EL-5010	End Clamp for Terminal Block	2		
	EL-60361	AMP Receptacle 16 position	2		
	EL-60409	AMP Receptacle 9 Position	1		
	EL-61511	AMP Receptacle 37 position	1		
	EL-73980	Relay, SPDT, (with mounting bracket), 12 DCV, 30/40 Amp	7		
	ELB-20	Breaker, 20 amp	6		
	ELB-46563	Circuit Breaker Bus Bar (3 Stack)	1		
	ELC-1006	Valve Driver, PVD3D2R	2		
	ELC-1022	22 Gauge-10 Conductor @ Foot	3		
	ELC-1218	18 Gauge - 12 Conductor PVC Insulated Wire @ Foot	3		
	ELC-127SO	12 Gauge, 7 Conductor Trailer Cable	1		
	ELC-16B	16 Gauge Wire, Black	10		
	ELC-16-BRN	16 Gauge Wire, Brown	1		
	ELC-16-G	16 Gauge Wire (Green)	1		
	ELC-16-R	16 Gauge Wire, Red	1		
	ELC-16-Y	16 Gauge Wire (Yellow)	1		
	ELC-18-B	18 Gauge Wire, Black @ Foot	10		
	ELC-18-R	18 Gauge Wire, Red @ Foot	10		
	ELC-2612	1/2" Plastic Cord Connector	14		
	ELC-4069	22ga x 20 Conductor Carol Cable @ft	3		
	ELE-892	Large Nema Enclosure Box	1		
	ELS-00285	Flasher, LED Circuit	1		
	ELT-30511	Female Push On 18-22 ga	26		
	ELT-31004	Terminal Ring, 1/4", 16-14 Gauge, Non-insulated	10		
	ELT-31755	Snap Spade Terminal #10 x 14-16ga	10		
	ELT-32203	Terminal Ring, 1/4", 12-10 Gauge, Non-insulated w/Brazed Seam	5		
	ELT-32755	Snap Spade Connectors #10 10-12	2		
	ELT-37674	Trailer Connector, Socket, 7-Way, Heavy Duty	1		
	ELT-9806	Adhesive Base	20		

# ELP-8005 PANEL BOX COMPONENTS



## ELP-8005 PANEL BOX COMPONENTS

### Pin #s for Panel Box

1	Power	Color to Breaker, Red to Jumper	Black, Orange-Black-White, Green-Black-Orange, White-Red-Green, Red to Jumper
2	Discharge ON/OFF	Red-Green, Orange-Green	Red-Green, Orange-Green
3	Leveler ON/OFF	Red Power to Auto Leveler	Red-Black-White, Green-Black-White
4	Alarm	Black to Safety Switch, Red-Black to Alarm	White-Red-Black
5	Disk Reverse	Brown	Black-Green-White, Black-White-Orange
6		Blue	White-Black-Green, Red-Green-White
7	Power	Red to Jumper, Red to Safety Switch	Red, Red-Black to AHHC Control Box
8		Red to Jumper	Red to Jumper
9		Red to Jumper	Yellow, Grey
10	Hitch	Red-Black	Red-Black
11		Green-Black	Green-Black
12	Outer Discharge	Black-Red	Black-Red
13		White-Red	White-Red
14	Middle Discharge	Green-White	Green-White
15		Blue-White	Blue-White
16	Bottom Discharge	Blue	Blue
17		Orange	Orange
18	Leveler	Blue-Red, White to Leveler	Blue-Red
19		Orange-Red, Green to Leveler	Orange-Red
20	Outer Head	Blue-Black	Blue-Black
21		Orange-Black	Orange-Black
22	Inner Head	Red-White	Red-White
23		Black-White	Black-White
24	AHHC ON/OFF	Red-Black to Relay	Black-Red-Green, Black-Red-White
25	Inner Head Actuator	Green-Black	Green, Green-Black
26		White-Black	White, White-Black
27	Inner Head Sensor	Blue-Black	Blue-Black
28		Blue-White	Blue-White
29		Blue	Blue
30	Outer Head Actuator	Green-White	Green-White, Black-White
31		Red-White	Red-White, White-Red
32	Outer Head Sensor	Orange-Black	Orange-Black
33		Orange-Red	Orange-Red
34		Orange	Orange
35	Transfer Shaft Sensor	Black	Black
36		Brown	Brown
37	Vine Shaft Sensor	Red	Red
38		Green	Green
39	Cross Shaft Sensor	Blue	Blue
40		Purple	Purple

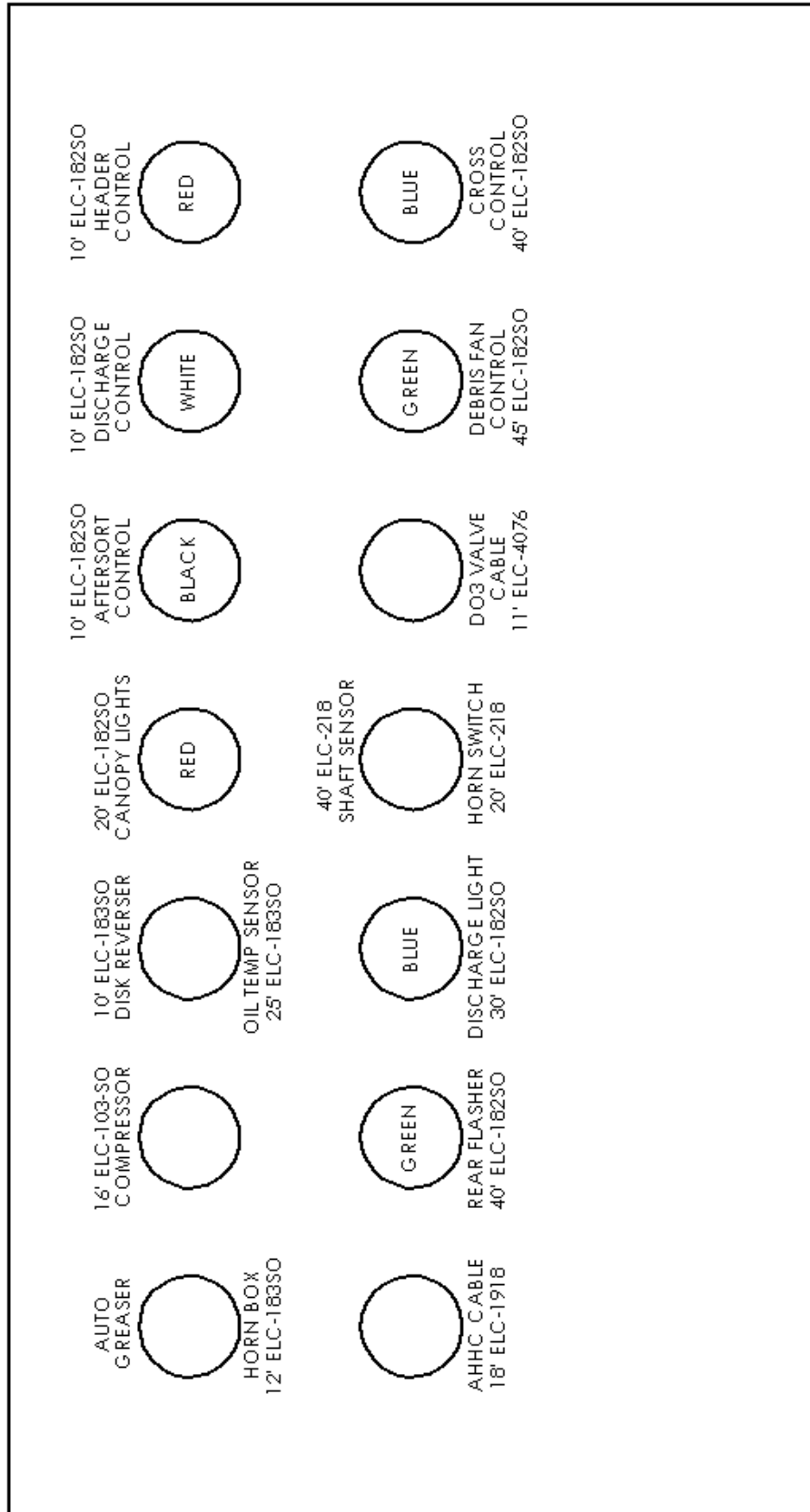


## ELP-8005 PANEL BOX COMPONENTS

### Pin #s for Panel Box

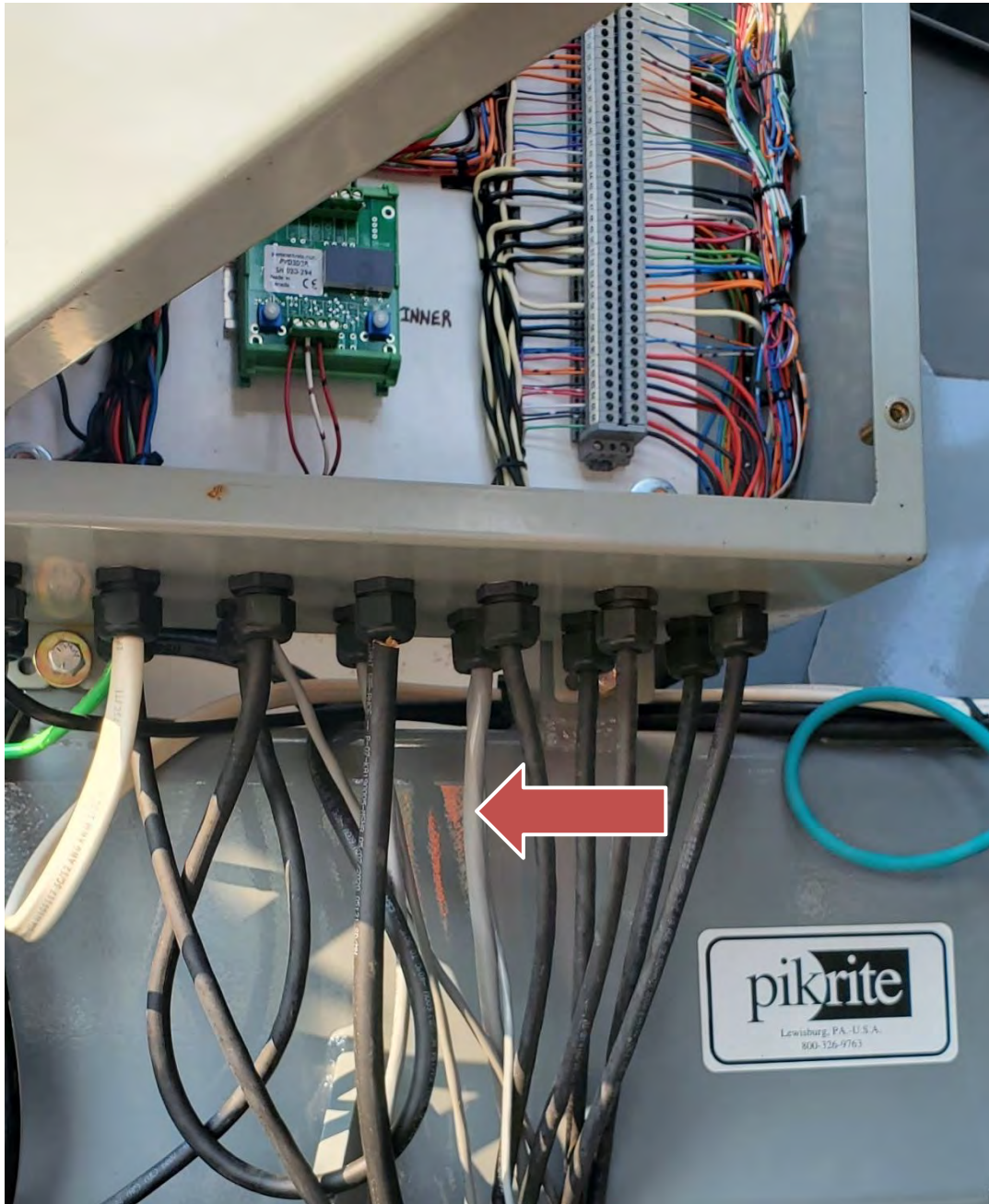
41	Elevation Shaft Sensor	White	White
42		Orange	Orange
43	Aftersort EFC	Black	Black
44		Black	Black-White
45	Discharge EFC	White	White
46		Yellow	White-Black
47	Header EFC	Red	Red
48		Red	Red-Black
49	Debris Fan EFC	Brown	Green
50		Brown	Green-Black
51	Cross EFC	Blue	Blue
52		Blue	Blue-Black
53	OPEN	OPEN	Orange
54	OPEN	OPEN	Orange-Black
55	OPEN	to Discharge Relay	from Discharge Control
56	Sort Table Lights	Orange-Black-Green to Relay	Orange-Black-Green
57	Head/Discharge Lights	White-Blue-Red to Relay	White-Blue-Red
58	Warning Flashers	Blue-Orange-White to Relay	Blue-Orange-White
59	Inner AHHC	Blue-Black	Red <b>UP A+</b>
60		Red	Black <b>Common</b>
61		Orange-Black	Red <b>DOWN B+</b>
62		Black	Black <b>Common</b>
63	Outer AHHC	Red-White	Red <b>UP A+</b>
64		White	Black <b>Common</b>
65		Black-White	Red <b>DOWN B+</b>
66		Green	Black <b>Common</b>

# ELP-8005 PANEL BOX COMPONENTS



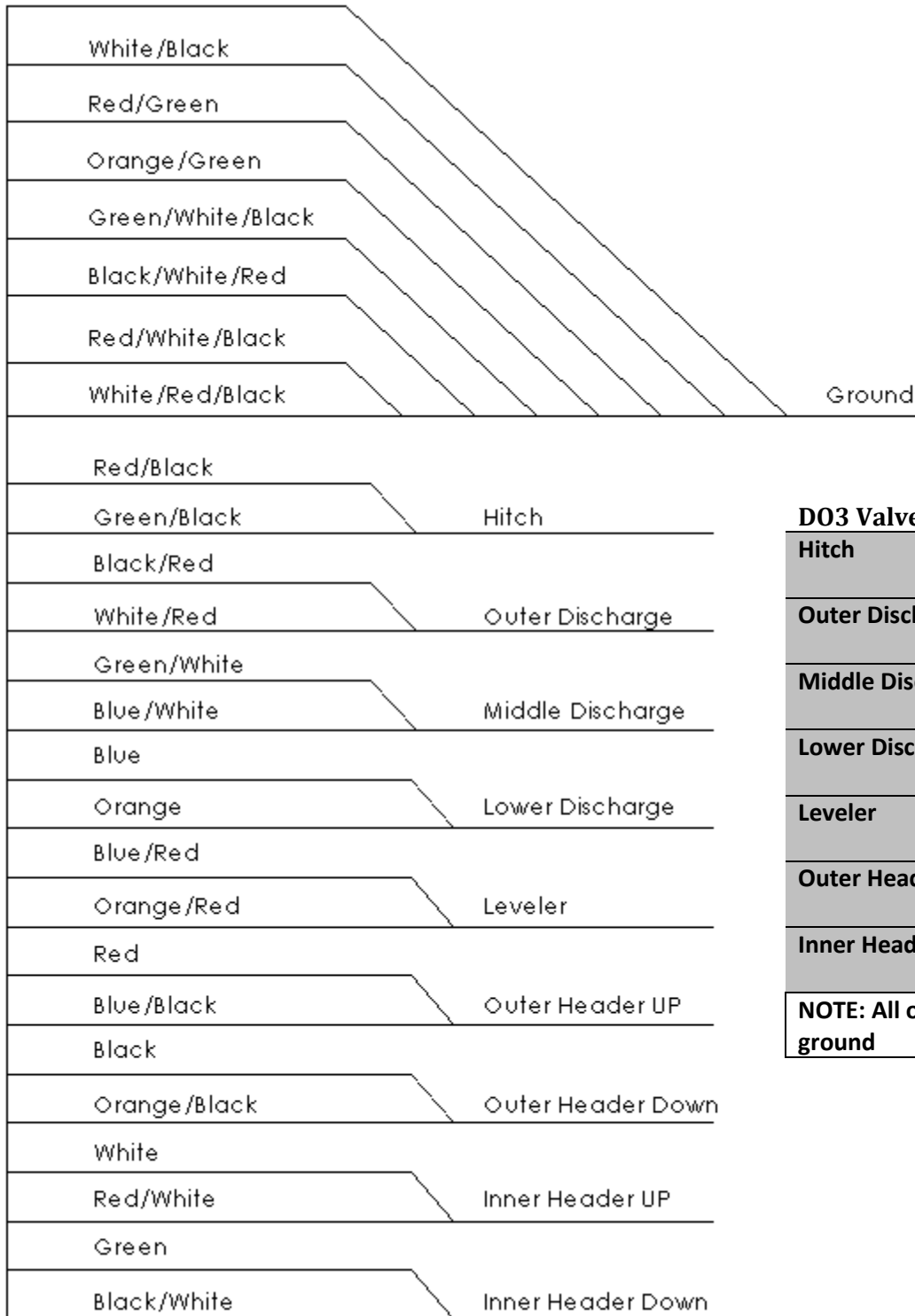
## ELC-8023 DO3 VALVE CABLE COMPONENTS

REF	PART NO.	DESCRIPTION	QTY	WILL FIT SN	REMARKS
	EL-22204	Dual Wall Heat Shrink 1/4" @ft	10		
	ELC-22-BW	22 Gauge Black Wire	12		
	ELC-4076	22ga x 25 Conductor Carol Cable @ ft	11		





## ELC-8023 DO3 VALVE CABLE COMPONENTS



### DO3 Valve Cable

<b>Hitch</b>	Red/Black
	Green/Black
<b>Outer Discharge</b>	Black/Red
	White/Red
<b>Middle Discharge</b>	Green/White
	Blue/White
<b>Lower Discharge</b>	Blue
	Orange
<b>Leveler</b>	Blue/Red
	Orange/Red
<b>Outer Head</b>	Blue/Black-Red
	Orange/Black-Black
<b>Inner Head</b>	Red/White-White
	Black/White-Green

**NOTE: All other wires will be used as ground**

## ELC-8024 LIGHT ASSEMBLY

REF	PART NO.	DESCRIPTION	QTY	WILL FIT SN	REMARKS
	EL-12339	Flood Pattern, Signal Stat, Oval, 2600 Lumen	4		
	EL-12340	Work Light, Signal Stat, Rectangle, 2400 Lumen	4		
	EL-22204	Dual Wall Heat Shrink 1/4" @ft	1		
	EL-30036	Male Terminal	18		
	EL-30037	Female Terminal	18		
	EL-38035	Two Contact Clip for Contact Connector	18		
	EL-38062	Male Connector Body, Metri-Pack, 280 Series	9		
	EL-38063	Female Connector Body, Metri-Pack, 280 Series	9		
	EL-39000	Cable Seal	36		
	ELC-142SO	14-2 Conductor Cable @ Ft.	20		
	ELC-182SO	18-2 Conductor Cable @ Ft.	100		

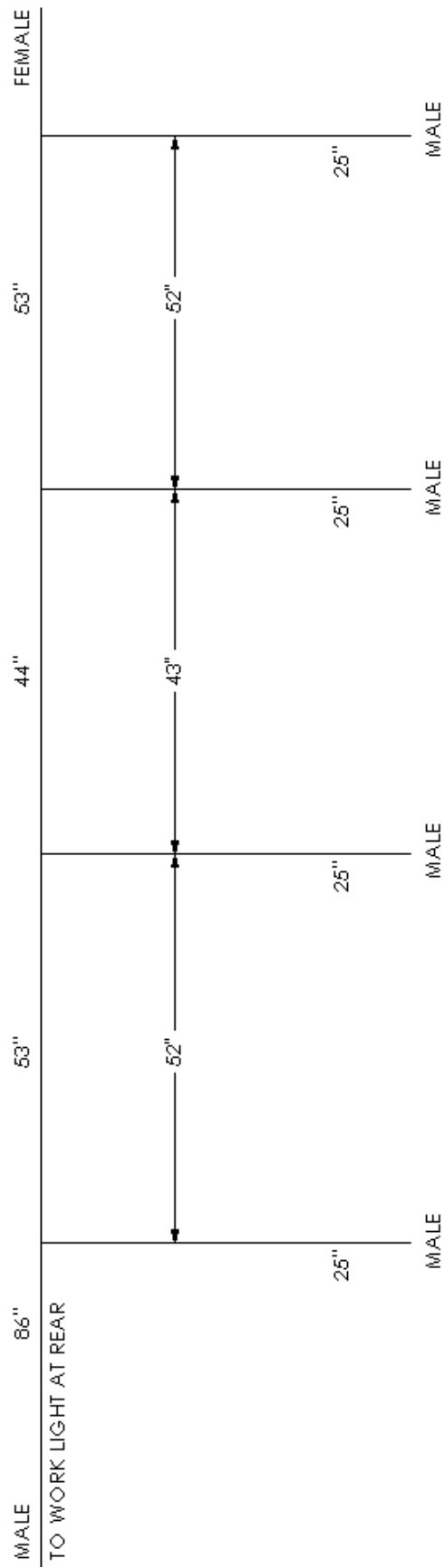


EL-12340



EL-12339

# ELC-8024 LIGHT ASSEMBLY



## ELC-8025 FLASHER LIGHT ASSEMBLY

REF	PART NO.	DESCRIPTION	QTY	WILL FIT SN	REMARKS
	EL-1506	Heavy Duty Amber LED Light	3		
	EL-40604-13	Harness, Work Lights, Spreader	3		
	ELC-182SO	18-2 Conductor Cable @ Ft.	70		



## ELC-8026 AIR COMPRESSOR COMPONENTS

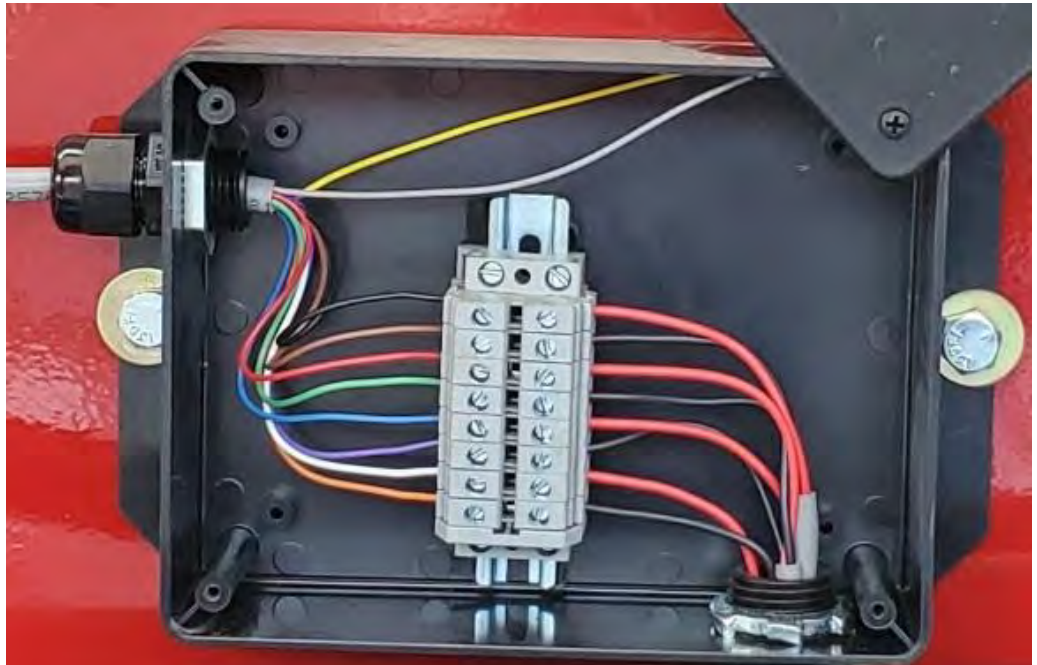
REF	PART NO.	DESCRIPTION	QTY	WILL FIT SN	REMARKS
	EL-73980	Relay, SPDT, (with mounting bracket), 12 DCV, 30/40 Amp	1		
	ELC-103-SO	Electrical Cable 10 ga-3 conductor @ft	16		

## ELC-8027 SHAFT SENSOR COMPONENTS

REF	PART NO.	DESCRIPTION	QTY	WILL FIT SN	REMARKS
	EL-0153	Terminal Block	8		
	EL-100	Lock Nut for Electrical Connectors 3/8"	2		
	EL-30036	Male Terminal	8		
	EL-30037	Female Terminal	8		
	EL-38035	Two Contact Clip for Contact Connector	8		
	EL-38062	Male Connector Body, Metri-Pack, 280 Series	4		
	EL-38063	Female Connector Body, Metri-Pack, 280 Series	4		
	EL-39000	Cable Seal	16		
	EL-4153	End Cover, Terminal Block	1		
	EL-5010	End Clamp for Terminal Block	2		
	ELC-1022	22 Gauge-10 Conductor @ Foot	40		
	ELC-218	18 Gauge-2 Conductor @ Foot	42		
	ELC-2638	3/8" Plastic Cord Connector	2		
	ELE-1938	Breaker Box for Power Cord with Mounting Flange (Tractor)	1		

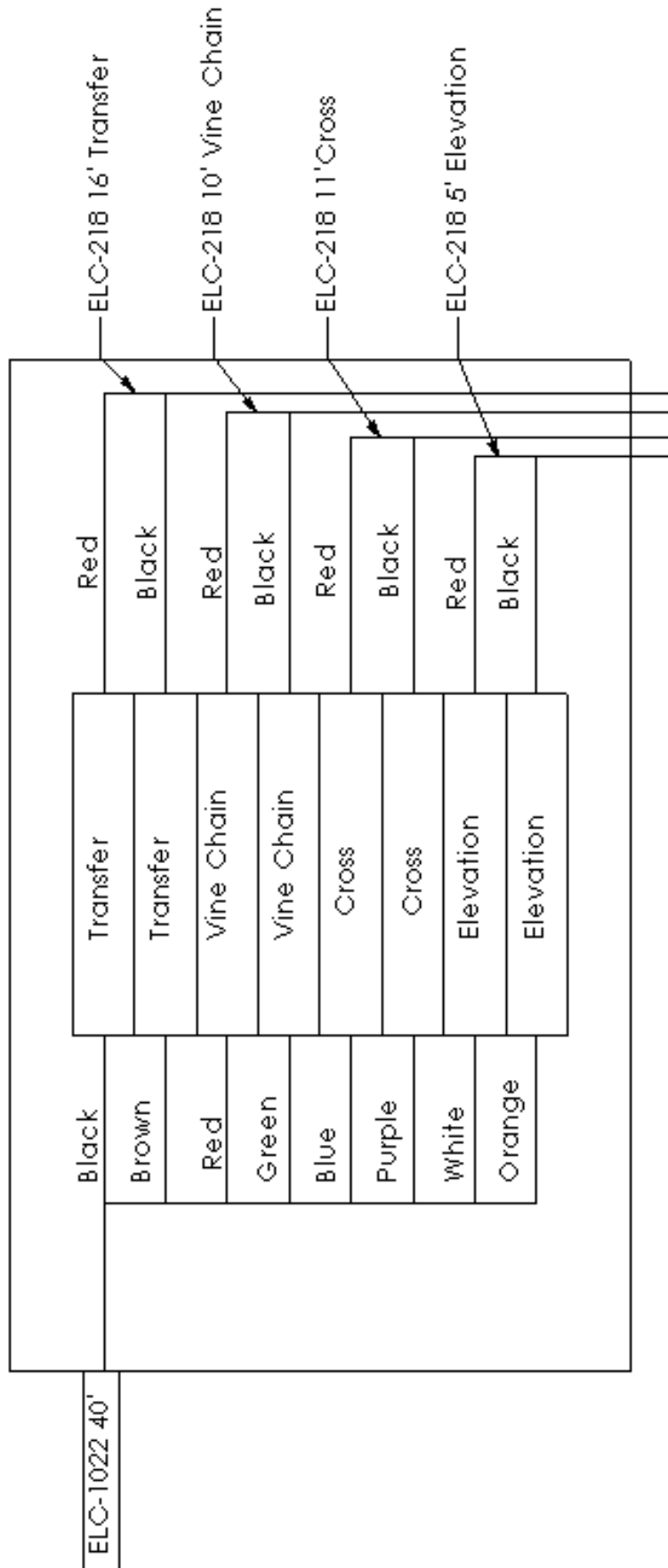
### Pin #s for Shaft Sensor

1	Black	Transfer Chain
2	Brown	
3	Red	Vine Chain
4	Green	
5	Blue	Cross Chain
6	Purple	
7	White	Elevation
8	Orange	
9	Yellow	12V +
9	Grey	



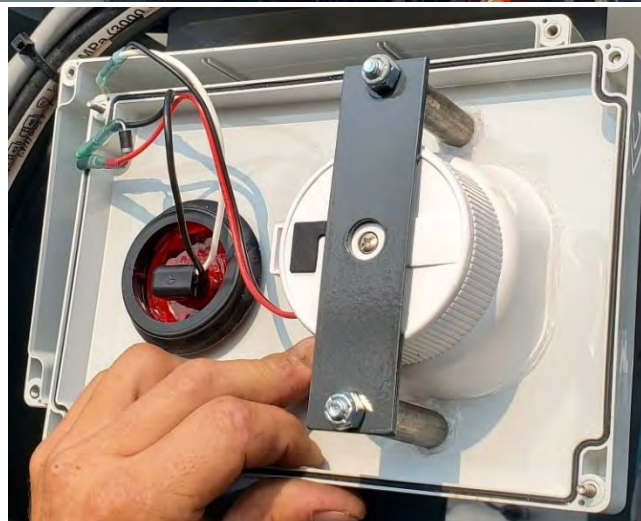
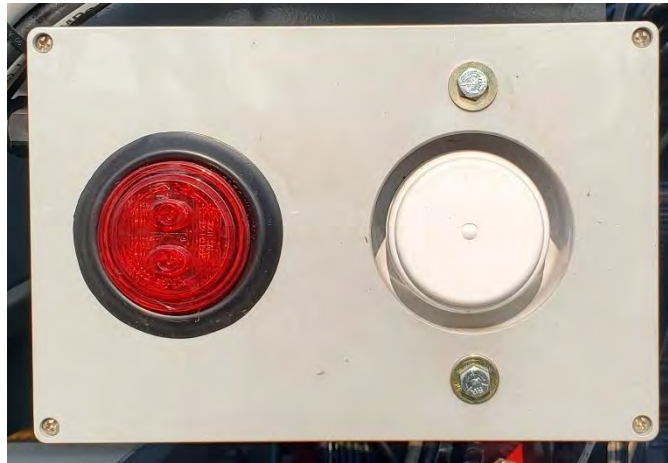


# ELC-8027 SHAFT SENSOR COMPONENTS

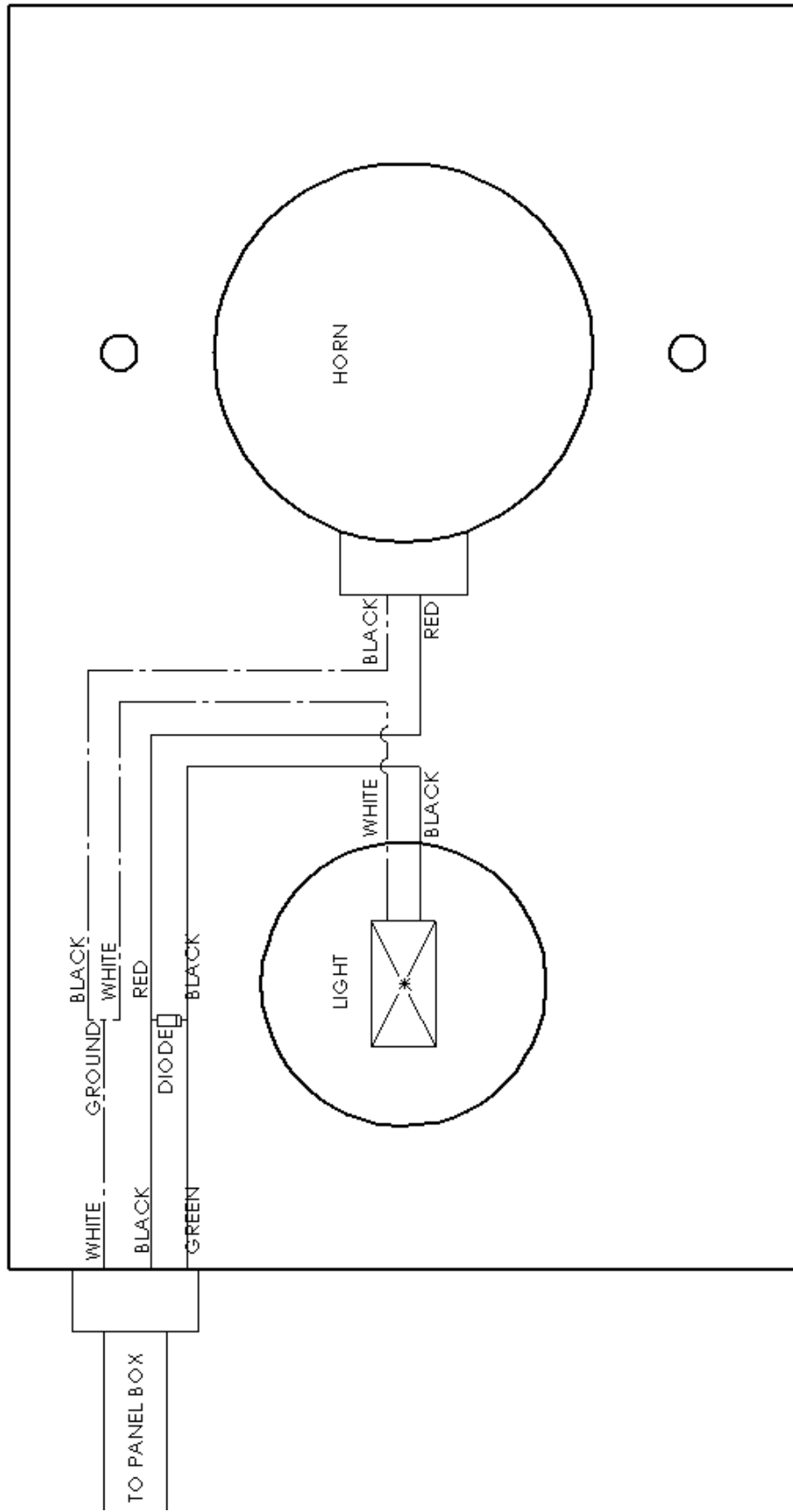


## ELC-8028 HORN COMPONENTS

REF	PART NO.	DESCRIPTION	QTY	WILL FIT SN	REMARKS
	BAR-0129	Horn Holder, Tomato Harvester	1		
	BL-4-300-H	1/4-20 X 3 HEX CAP G5 ZC	2		
	BL-4-FW	1/4 USS FW ZC	2		
	BL-4-LN	1/4-20 HEX LN NE ZC	2		
	EL-101	Lock Nut for Electrical Connectors 1/2"	1		
	EL-1210	Plug, Mkr, 6" long, #6 Grnd Term & strip, TL#94902	1		
	EL-1222	Grommet, Mkr, TL30, TL#30700	1		
	EL-1248	Light, Mkr, L.E.D., TL30, Red, 2"	1		
	EL-5800	Diode	1		
	EL-6600	Warning Horn	1		
	ELC-183SO	18ga 3 Conductor Cable @ft	12		
	ELC-2612	½ Plastic Cord Connector	1		
	ELE-2015A	Electrical Enclosure, Converter Box for Junction Box	1		
	ELT-31965	Sealed Butt Connector	3		
	MOU-0129	Mounting Plate, Horn Box	1		
	SPA-0129	Spacer, Horn Holder, HC290	2		



# ELC-8028 HORN BOX COMPONENTS

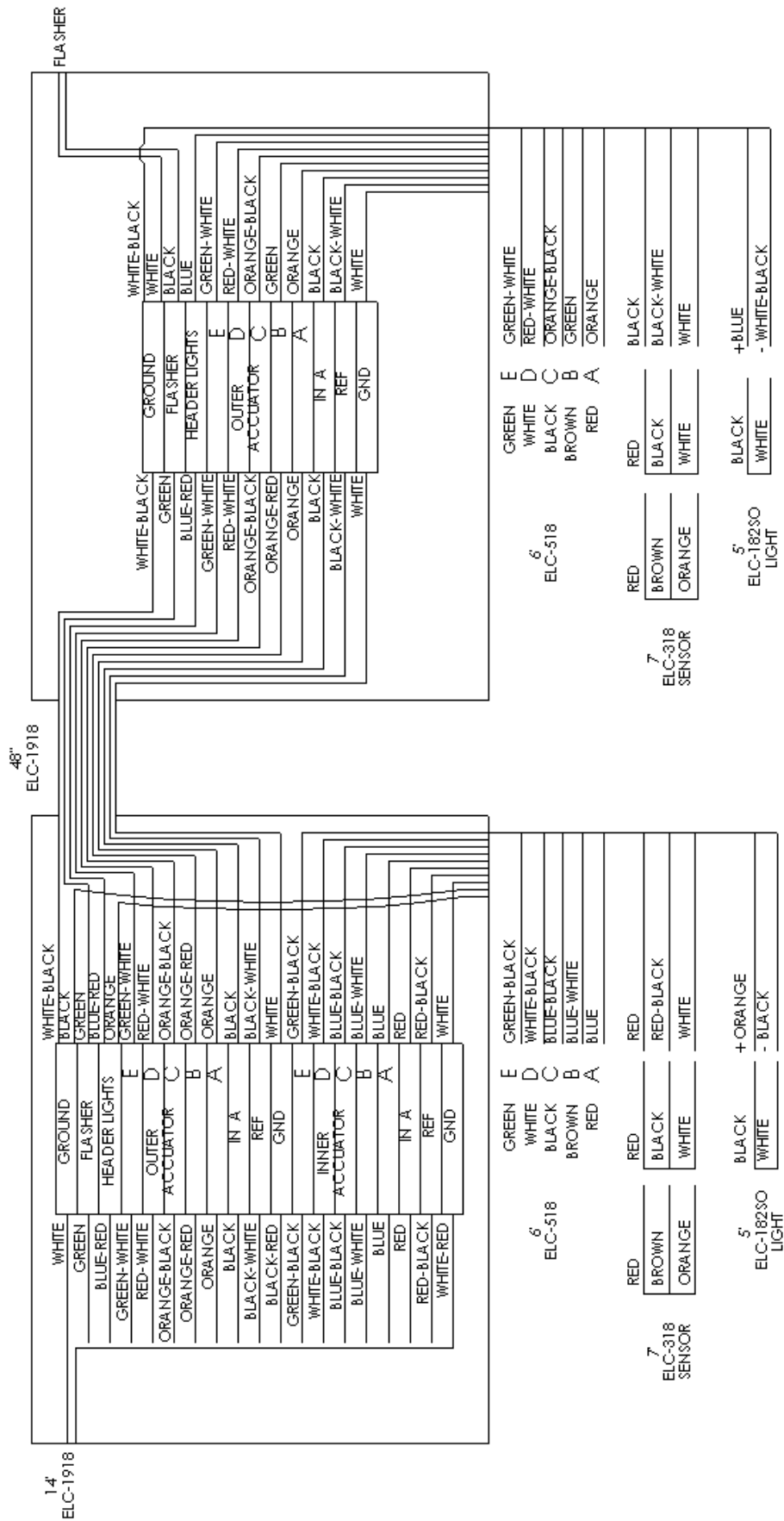


## ELC-8029 HEADER HEIGHT CONTROL COMPONENTS

REF	PART NO.	DESCRIPTION	QTY	WILL FIT SN	REMARKS
	ACT-042B-2	Actuator, Wired For any Length Harness, 08 and Later	2		
	EL-0153	Terminal Block	30		
	EL-100	Lock Nut for Electricial Connectors 3/8"	1		
	EL-101	Lock Nut for Electricial Connectors 1/2"	3		
	EL-30036	Male Terminal	10		
	EL-38038	Five Contact Clip for Contact Connector	2		
	EL-38068	Male Body, 5 Contact, Series 280	2		
	EL-39000	Cable Seal	10		
	EL-4153	End Cover, Terminal Block	2		
	EL-5010	End Clamp for Terminal Block	2		
	ELC-1008	Rotary Sensor, Single Output BEI	2		
	ELC-1008-C	Wiring Harness For ELC-1008	2		
	ELC-1918	18 Guage - 19 Conductor PVC Insulated Wire @ Foot	18		
	ELC-2612	1/2" Plastic Cord Connector	3		
	ELC-2638	3/8" Plastic Cord Connector	1		
	ELC-318	18 Gauge-3 Conductor @ Foot	14		
	ELC-518	18 Guage - 5 Conductor PVC Insulated Wire @ Foot	12		
	ELC-R-1518-10	Retractable Cord, 15 Conductor, 18 Guage, 10" Extended Length	1		
	ELE-1938	Breaker Box for Power Cord with Mounting Flange (Tractor)	2		



# ELC-8029 HEADER HEIGHT CONTROL COMPONENTS





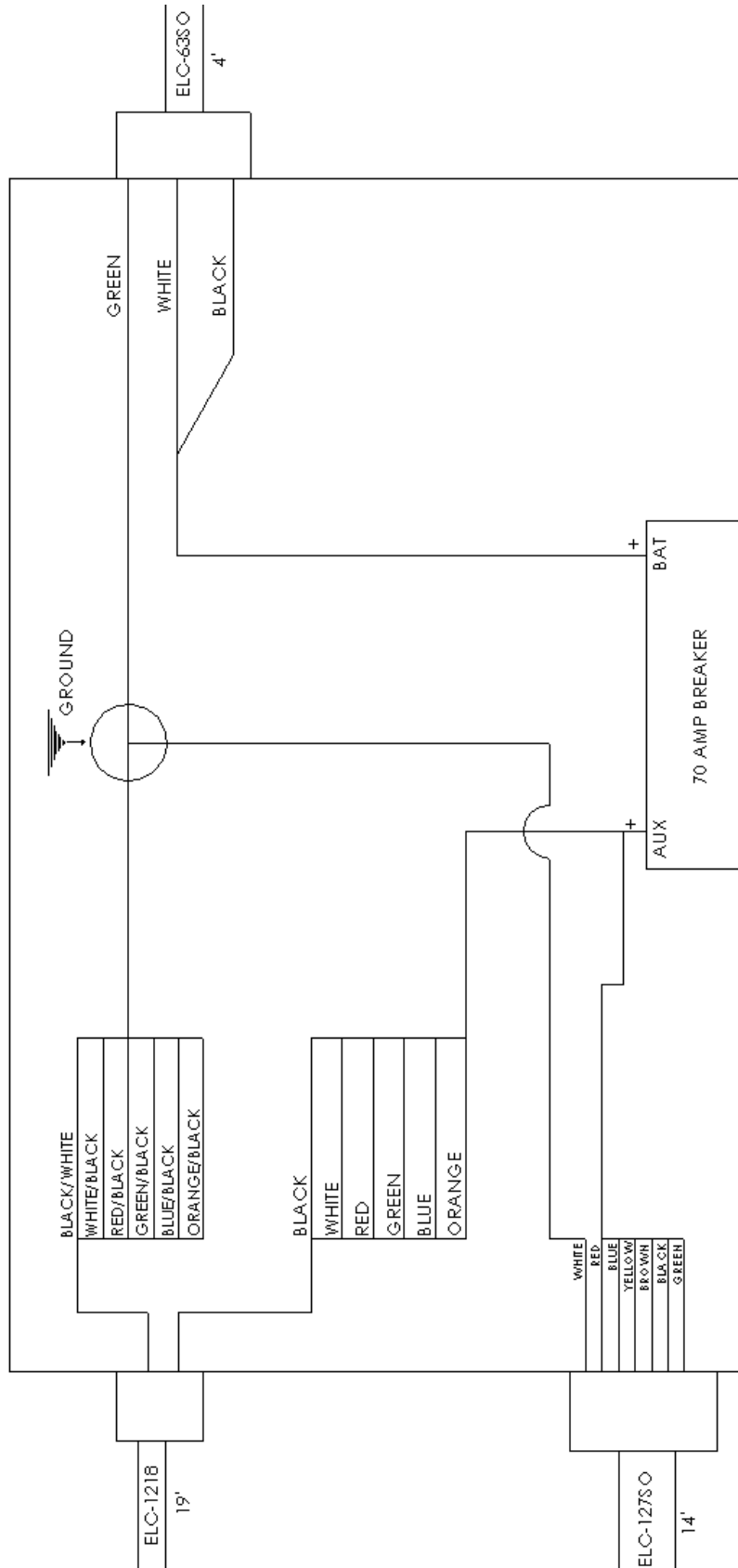
## ELC-8030 MAIN POWER, CONVERTER BOX COMPONENTS

REF	PART NO.	DESCRIPTION	QTY	WILL FIT SN	REMARKS
	EL-101	Lock Nut for Electrical Connectors 1/2"	1		
	EL-102	Lock Nut for Electrical Connectors 3/4"	2		
	EL-1323	Socket(Female) For AMP Plug	12		
	EL-37679	Trailer Connector, Boot For 7-Way Socket	1		
	EL-60701	AMP Cable clamp (16)	1		
	EL-99555	Connector Plug CPC 14POS Free Hanging	1		
	ELC-0015	Enclosure, Gray Poly	1		
	ELC-103-SO	Electrical Cable 10 ga-3 conductor @ft	3		
	ELC-1218	18 Gauge - 12 Conductor PVC Insulated Wire @ Foot	19		
	ELC-127SO	12 Gauge, 7 Conductor Trailer Cable	39		
	ELC-2612	1/2" Plastic Cord Connector	1		
	ELC-2634	3/4" Plastic Cord Connector	2		
	ELT-32203	Terminal Ring, 1/4", 12-10 Gauge, Non-insulated w/Brazed Seam	4		
	ELT-34002	Terminal Ring, 5/16", 6 Gauge	6		
	ELT-37674	Trailer Connector, Socket, 7-Way, Heavy Duty	1		
	ELT-37675	7 Conductor Plug w/ Spring, Rd Conn.	2		
	HR-3900-E02CB	70 Amp Circuit Breaker	1		





# ELC-8030 MAIN POWER, CONVERTER BOX COMPONENTS



## ELC-8031 SORTER POWER, CONVERTER BOX COMPONENTS

REF	PART NO.	DESCRIPTION	QTY	WILL FIT SN	REMARKS
	EL-102	Lock Nut for Electrical Connectors 3/4"	2		
	EL-1323	Socket(Female) For AMP Plug	12		
	EL-1360	Junction Box, Super 50, Compression Fittings	1		
	EL-37679	Trailer Connector, Boot For 7-Way Socket	1		
	EL-99555	Connector Plug CPC 14POS Free Hanging	1		
	ELC-103-SO	Electrical Cable 10 ga-3 conductor @ft	3		
	ELC-104-SO	Electrical Cable 10 ga-4 conductor @ft	64		
	ELC-2634	3/4" Plastic Cord Connector	2		
	ELE-2015	Electrical Enclosure, Control Box	1		
	ELT-32203	Terminal Ring, 1/4", 12-10 Gauge, Non-insulated w/Brazed Seam	3		
	ELT-34002	Terminal Ring, 5/16", 6 Gauge	4		
	ELT-37674	Trailer Connector, Socket, 7-Way, Heavy Duty	1		
	ELT-37675	7 Conductor Plug w/ Spring, Rd Conn.	1		
	HR-3900-E05CB	50 Amp Circuit Breaker, Manual Reset	1		



# ELC-8031 SORTER POWER, CONVERTER BOX COMPONENTS

